

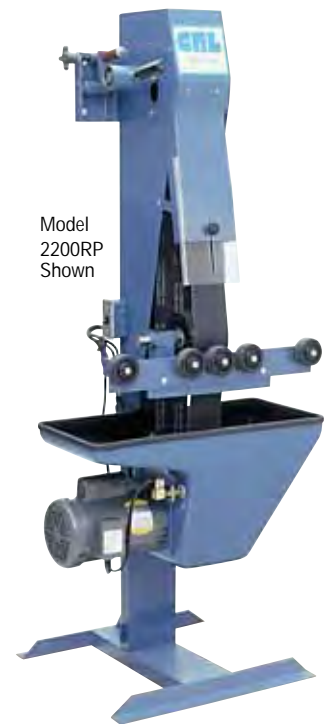
CRL 4" x 106" Upright Wet Belt Sander

- Rugged Construction and 1 H.P. Direct-Drive Motor Makes This Our Most Popular Belt Machine Ever
- Complete with Roller Platen, Front Rest Guide Roller Bar, Belt Guard Safety Shield, and Rust-Resistant Fiberglass Water Tank
- Uses Industry Standard 4" x 106" Abrasive Belts

Streamlined styling, rugged construction and an affordable price make the CRL Upright Wet Belt Sander ideal for use by glass fabricators and processors. The CRL Wet Belt Sander is designed to use popular size 4" x 106" wet or dry abrasive belts to sand edges to the desired finish. Available grits are 36X Super Coarse to 600X Super Fine, and Cork Polishing (see page A361). The 2200RP comes with a urethane covered Roller Platen and a Front Rest Roller Guide Bar. The 2200 comes with a PA100 Platen Adapter, which allows the addition of glass edging accessories. Both models feature our 2200SS Belt Guard Safety Shield.

Features of the Model 2200RP Include:

- Direct Drive, One H.P., 60 Cycle, 110 Volt AC Motor
- Five Inch (127 mm) Diameter Drive Pulley
- Fast Belt Changing Mechanism
- Durable Urethane Covered Roller Platen*
- Front Rest Roller Guide Bar*
- Belt Guard Safety Shield
- Electric Water Valve
- Non-Rusting Fiberglass Water Tank
- * Not included on Model 2200



Model 2200RP Shown

Machines are also available wired for 220 Volts. For more information, or for machine specifications, visit our web site at crlaurence.com.

CAT. NO.	DESCRIPTION
2200RP	Belt Sander with Roller Platen and Guide Bar
2200	Belt Sander without Roller Platen and Guide Bar

F.O.B. CRL warehouses. Must ship motor freight.

CRL 4" x 106" Upright Wet Belt Sander

- The Newest Addition to CRL's Wet Belt Sander Line
- Built-In Roller Platen and Easy Belt Changing System

The CRL 4" x 106" Wet Belt Sander is a rugged glass working machine. Built for use in production shops, the GL4W delivers high volume usage with very little periodic maintenance and virtually no scheduled service. All parts are carefully machined and balanced to ensure smooth, quiet operation.

The GL4W has five built-in rollers at the front of the tank to act as a rest for your glass while sanding. The built-in automatic water spray system removes all harmful glass dust particles before they can become airborne.

Belt tension and tracking is maintained by a unique upper bracket assembly which allows the sanding belt to run dead center on the two massive steel pulleys. Industry standard 4" x 106" abrasive belts can be changed in a matter of seconds.

Powered by a One H.P., 115/230 Volt, 3450 RPM, Single Phase industrial motor, the GL4W has more than ample power for your high production sanding needs. Includes Belt Guard Safety Shield.



Model GL4W Shown

For more information, or for machine specifications, visit our web site at crlaurence.com.

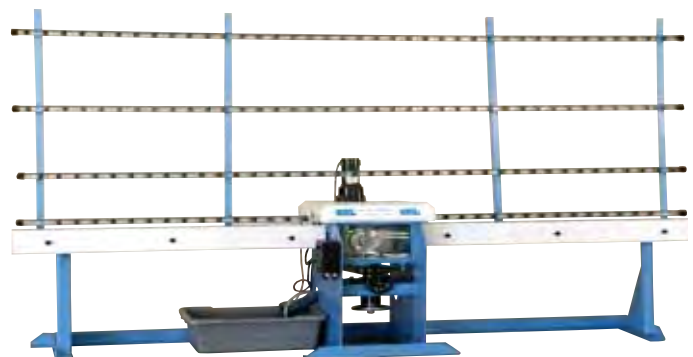
CAT. NO.	DESCRIPTION
GL4W	4" x 106" Upright Wet Belt Sander (U.S. Model)
CN4106	4" x 106" Upright Wet Belt Sander (Canadian Model)

F.O.B. CRL warehouses. Must ship motor freight.

CRL POWR Edger

- Single Spindle Edger for 1/8" to 1/2" (3 to 12 mm) Glass
- Diamond Flat and Seam Wheel, Plus a Polishing Wheel Are Included
- Very Affordable Purchase or Lease Programs

Go to crlaurence.com for more details on this efficient and affordable edging machine that is right for so many shops. Not sure if the POWR Edger is right for you? Contact CRL Technical Sales to discuss how this machine's capabilities and specifications can benefit your business.



CAT. NO. PE11



LOG ON TO crlaurence.com FOR BUSINESS-TO-BUSINESS SERVICES

A362 | PHONE (800) 421-6144 | FAX (800) 262-3299 TOLL FREE FROM ANYWHERE IN THE U.S.A. OR CANADA