



Schroff

NOVASTAR

Cabinets 1

Wall mounted cases 2

Accessories for cabinets and wall mounted cases . 3

Climate control . 4

Electronics cases 5

Subracks/ 19" chassis 6

Front panels, plug-in units ... 7

Systems 8

Power supply units 9

Backplanes ... 10

Connectors, front panel component system 11

Appendix 12



Light - slim - robust

The base frame, made in lightweight aluminium, is the basis for your individual NOVASTAR. And now you decide: small or large, in standard depth or with extended space for cabling and heat dissipation, whether as a stand-alone solution or stacked one on top of another and bolted together. The NOVASTAR platform concept leaves no wish neglected. And regardless of how you put your NOVASTAR together, the internal dimensions remain consistently compatible with 19" technology. Unwanted spaces in either height or width are now a thing of the past.

With a cabinet width of only 553 mm, NOVASTAR is the slimmest of all 19" cabinets. It has a slender, filigreed look, almost like a piece of designer furniture. This impression is further reinforced by the different finishes of the frame and cover trim and the plain, modern full-glass doors. Because of this, NOVASTAR is not only used in offices and laboratories but also in sound and TV studios. And indeed as a collector's item in the occasional home!

07011036



Simple fitting of side panel without tools

07011023



Door with 180° opening angle thanks to new hinge concept; can be mounted left or right

07011025



07011020



Extensive selection of castors

07011028



Heavy-Duty frame with lateral groove for mounting e.g. of carrier arm systems

07011022



07011007

Cabinets – Novastar

Overview 1.240

The inNOVative 19" electronics cabinet

- Type of protection up to IP 40
- Bolted, die-cast frame with Al extrusions
- Cabinet width only 553 mm
- Static load-carrying capacity up to 400 kg
- Colours: RAL 7021 or colour combination RAL 7021/ RAL 7035

Dimensions 1.243

19" cabinet, with glass door (smoke grey) and rear panel

19" cabinet, door and rear panel combination freely selectable



07011010



07011013

- Height of Slim-Line 12 ... 20 U (load-carrying capacity 200 kg)
- Height of Heavy-Duty 38 ... 43 U (load-carrying capacity 400 kg)
- Depth 600, 800 mm

- Height of Slim-Line 9 ... 25 U (load-carrying capacity 200 kg)
- Height of Heavy-Duty 34 ... 47 U (load-carrying capacity 400 kg)
- Depth 500, 600, 800 mm
- Door and rear panel can be equipped individually

NOVASTAR
 19" cabinet with smoke tinted glass door and rear panel 1.246
 Selectable combination of 19" cabinet, door and rear panel 1.247

Accessories
 Doors and cable ducting systems 1.247
 Rear panels and cable ducting systems 1.251
 Base plates 1.252
 Castors 1.253
 Bases/plinths 1.254
 19" panel/slide mounts 1.255
 Depth members .. 1.255
 Slide rails 1.256
 Shelves 1.258
 Support arm system 1.260
 Slide nut 1.260

Standards/Approvals

- External and internal dimensions in accordance with IEC 60297-3-100
- Type of protection IP 40 in accordance with IEC 60529
- Earth connections in accordance with DIN EN 50178 / VDE 0160

ServicePLUS from page 1.261

- e.g. individual configuration and assembly
- e.g. modifications (cut-outs, special colours)
- e.g. custom solutions (cut-outs)
- e.g. variants of uprights (Slim-Line, Heavy-Duty)
- e.g. custom solutions (special sizes)



30407004

www.schroff.biz/ServicePLUS

ServicePLUS... 1.261

Cabinets – Novastar

Novastar configurator



With the Schroff brand, Pentair offers a wide range of electronics cabinets and other electronic protection products. Instead of restricting the range to a few standard products, Schroff offers bespoke solutions which fulfill the specific requirements of the application. Schroff configurations are easy-to-operate tools which make it possible to configure and modify products quickly and easily: Design Your Standard.

The Novastar configurator is a web-based tool with an intuitive graphical user interface and multilingual menus in English, German, and French. These make configuring Novastar cabinets quick and easy.

Individual solutions are just a click away

- Configurations can start with the frame or by modifying ready-configured or previously configured Novastar cabinets
- Large selection of dimensions, frame types, door types, side panels, top covers, and base plates
- Accessories such as shelves and slide rails can be mounted
- Selection of special cabinet colors
- Cutouts incorporated for switches and connectors or logos, text, and other graphics printed

Real-time 3D CAD model generation

- Real-time display of configured cabinets with all modifications in several views and adjustable transparency
- The configuration adjusts in real time and offers different mounting options
- Real-time generation of 3D CAD models and/or 2D native CAD files in more than 30 CAD file formats for downloading or for immediate further processing and integration into the user's CAD software
- Real-time generation of a bill of materials with all components of the configured cabinet
- Quotes issued quickly for customized Novastar cabinets and an inquiry is simply a click away

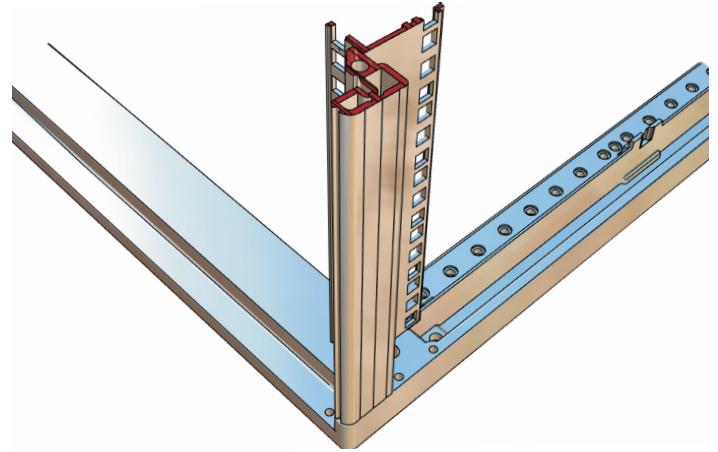
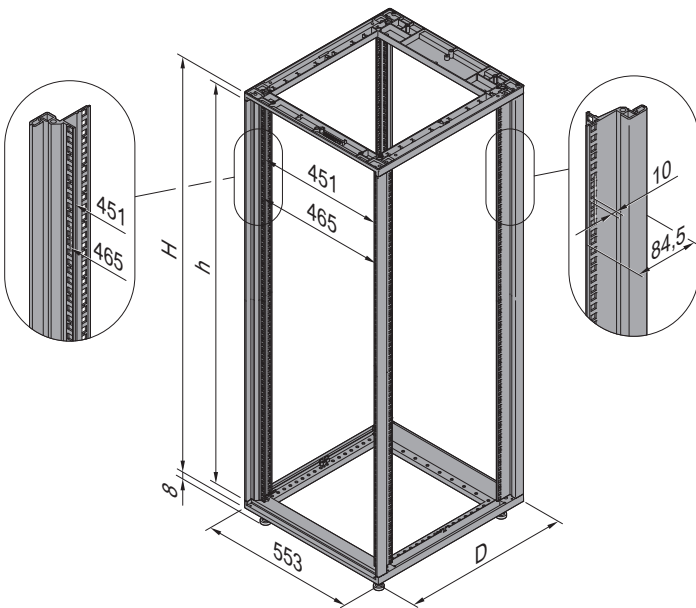
Ease of use

- Graphical user interface with drag-and-drop functionality and immediate display of the selected configuration
- Available components are listed as illustrations in the menu for quick access and easy identification
- Intelligent configurator logic indicates where components can be installed, ensures compatibility and shows relevant optional components
- The "U" height scale helps you to position the components correctly
- Components identified with mouse-over functionality
- Components exchanged using simple drag-and-drop functionality or deleted in the bill of materials
- Non-assembled accessories can be added to the bill of materials
- No need to download any programs or apps, or install any software or plug-ins No registration required
- The optional, free user account registration provides access to additional functions

Cabinets – Novastar

Dimension drawings Slim-Line frames

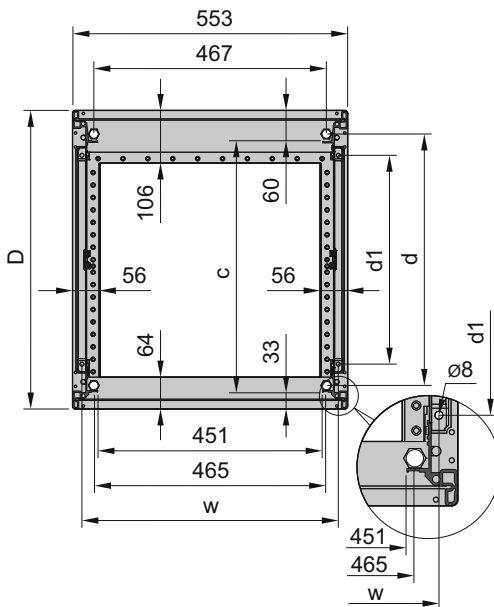
Frame



07011094

07011093

Frame (top view)



- Lightweight aluminium die-cast frame and lightweight vertical profile
- Static load-carrying capacity 200 kg, tested in accordance with IEC 61587-1

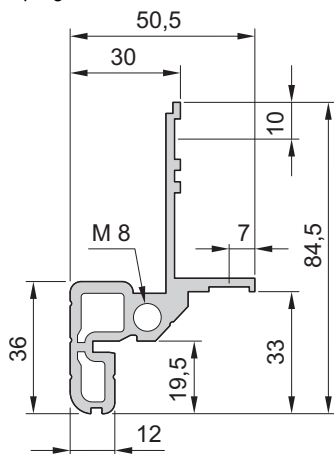
Frame dimensions

Cabinet height	H	h
U	mm	mm
6	357	268
9	456	401
12	589	535
16	767	713
20	945	890
25	1167	1112
34	1567	1513
38	1745	1690
43	1967	1913
47	2145	2090

Foot height 8 mm

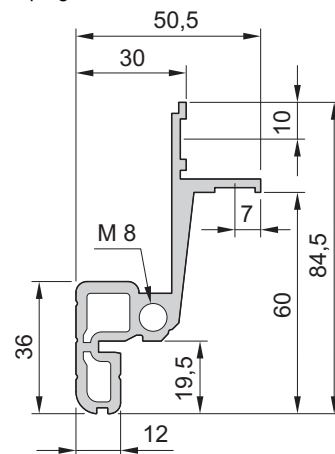
07011098

Upright at front/rear



07011096

Upright at rear



07011097

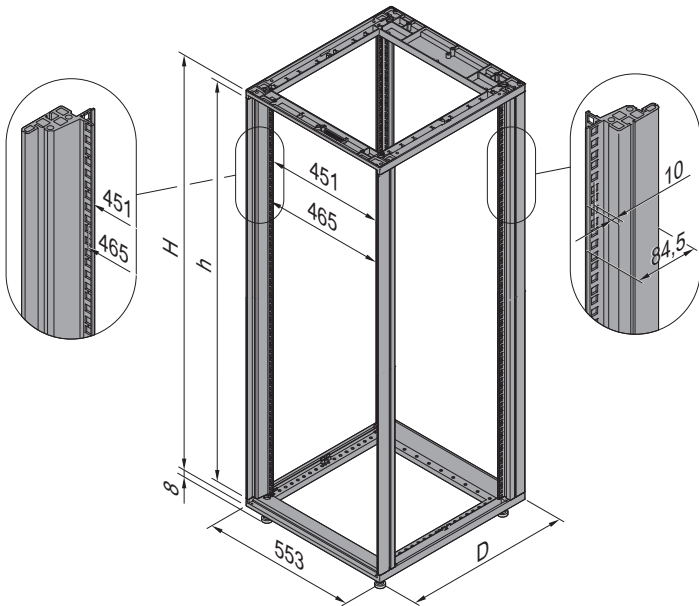
Frame dimensions

Cabinet depth	Adjustable feet, castors, lifting eye, top cover fixing	19" to 19" plane	Floor mounting	
D	d	c	d1	w
mm	mm	mm	mm	mm
500	405	407	319	515
600	505	507	419	515
800	705	707	619	515
900	805	807	719	515
1000	905	907	819	515

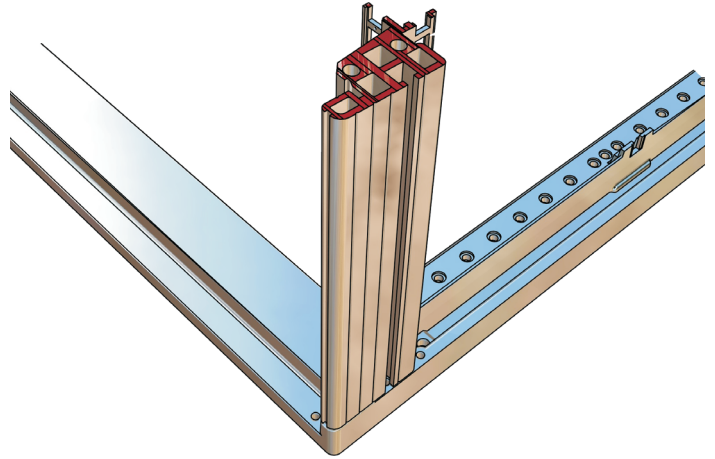
Cabinets – Novastar

Dimension drawings Heavy-Duty frames

Frame



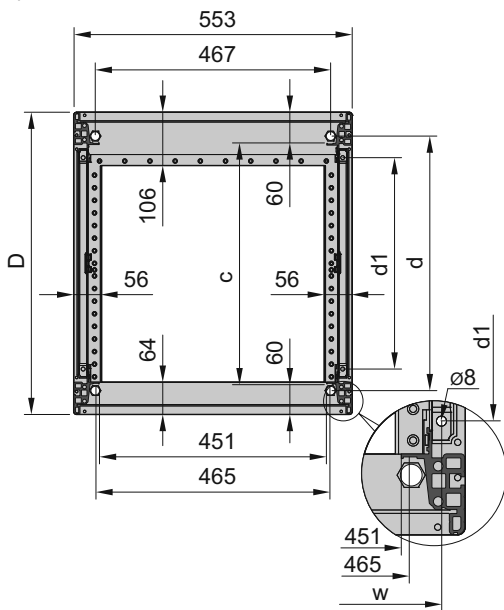
19" upright



07011095

07011092

Frame (top view)



- Light aluminium die-cast frame and robust vertical profile
- Static load-carrying capacity 400 kg, tested in accordance with IEC 61587-1
- Lateral groove for mounting accessories

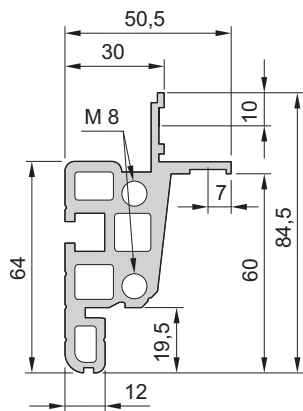
Frame dimensions

Cabinet height	H	h
U	mm	mm
12	589	535
16	767	713
20	945	890
25	1167	1112
34	1567	1513
38	1745	1690
43	1967	1913
47	2145	2090

Foot height 8 mm

07011100

19" front / rear upright



Frame dimensions

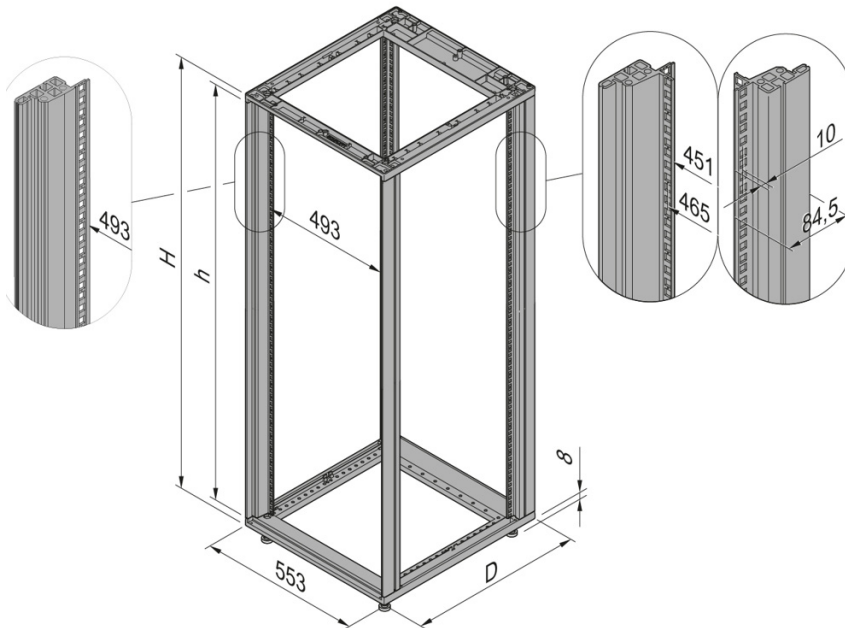
Cabinet depth	Adjustable feet, castors, lifting eye, top cover fixing	19" to 19" plane	Floor mounting	
D	d	c	d1	w
mm	mm	mm	mm	mm
500	405	380	319	515
600	505	480	419	515
800	705	680	619	515
900	805	780	719	515
1000	905	880	819	515

07011099

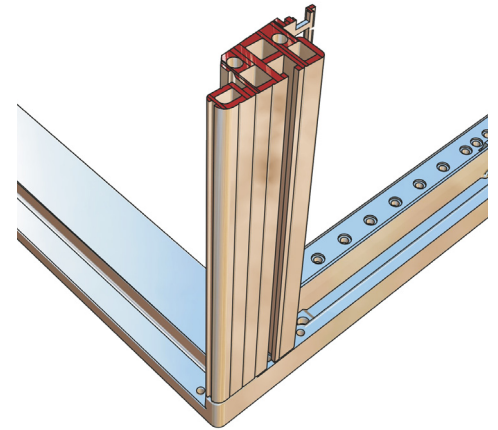
Cabinets – Novastar

Dimensional drawings Heavy-Duty Universal frames

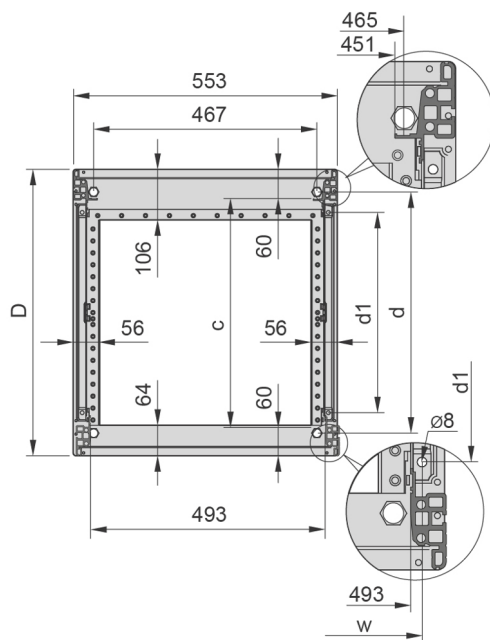
Frame



Universal upright



Frame (top view)



07016081

07016002

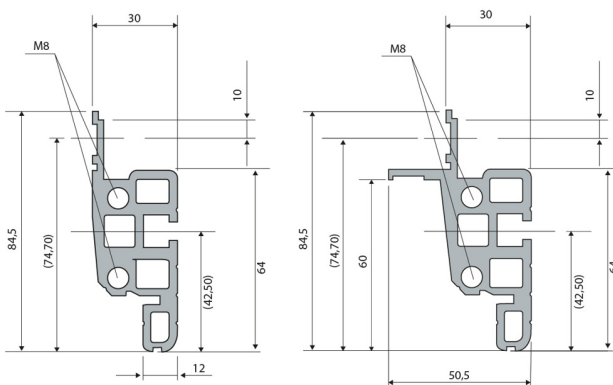
- Light aluminum die-cast frame and robust vertical profile
- Static load-carrying capacity 400 kg, tested to IEC 61587-1
- Lateral groove for mounting built-on accessories

Rack dimensions

Cabinet height	H	H
U	mm	mm
12	589	535
16	767	713
20	945	890
25	1167	1112
34	1567	1513
38	1745	1690
43	1967	1913
47	2145	2090

Foot height 8 mm

Universal front upright / 19" rear upright



07016082

Rack dimensions

Cabinet depth	Adjustable feet, casters, lift lug, top cover fixing	19" to 19" plane	Base mounting	
D	d	c	d1	w
mm	mm	mm	mm	mm
500	405	380	319	515
600	505	480	419	515
800	705	680	619	515
900	805	780	719	515
1000	905	880	819	515

07016083

Cabinets – Novastar

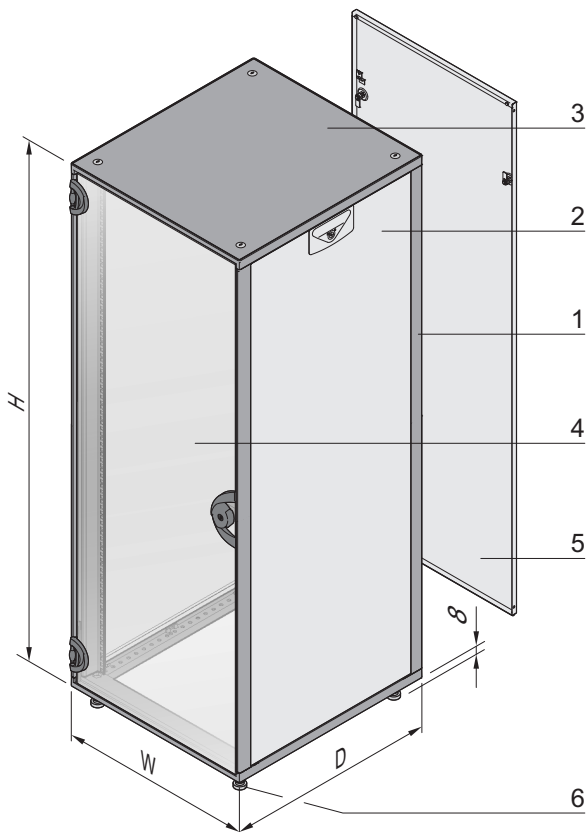
19" cabinet with glass door (smoke grey) and rear panel



- All uprights (front and rear) with 19" cut-outs
- Flush cladding parts
- Type of protection IP 20
- 2 cabinet depths (600 mm, 800 mm), cabinet width 553 mm
- Static load-carrying capacity
 - Slim-Line 200 kg (12, 16, 20 U)
 - Heavy-Duty 400 kg (38, 43 U)
- 2 colours
 - RAL 7021 (black grey) throughout
 - Colour combination: side panels, rear panel RAL 7035 (light grey); frame, top cover RAL 7021 (black grey)

Delivery comprises (assembled)

Item	Qty	Description
1	1	Frame, uprights Al extrusion with 19" cut-outs, Al die-cast frame, RAL 7021
2	2	Side panel, St, 1 mm; light grey (RAL 7035) or black grey (RAL 7021), see Order information; twist-locking catch (Torx T30)
3	1	Flush top cover, St, 1 mm, RAL 7021
4	1	Glazed door, single pane safety glass (ESG) 6 mm, smoke grey, with DIN cylinder safety lock and 2 keys (2233x)
5	1	Rear panel, St, 1 mm, light grey (RAL 7035) or black grey (RAL 7021), see Order information
6	4	Foot
7	1	GND/earthing kit



Spacing to 19" plane:
 Slim-Line: front 33 mm, rear 60 mm;
 Heavy-Duty: front and rear 60 mm

Order Information

Usable height	Height H	Width W	Depth D	Colour RAL 7021	Colour RAL 7035/RAL 7021
U	mm	mm	mm	Part no.	Part no.
Slim-Line					
12	589	553	600	15230-019	16230-019
16	767	553	600	15230-020	16230-020
20	945	553	600	15230-021	16230-021
Heavy-Duty					
38	1745	553	600	15230-022	16230-022
38	1745	553	800	15230-023	16230-023
43	1967	553	600	15230-024	16230-024
43	1967	553	800	15230-025	16230-025

Accessories

Lifting eye for flush cover M12 thread, application and load to DIN 582 PU 4 pieces	27230-066
---	-----------

Note

- Please order base plate, base/plinth, slide rails and shelves separately, see from page 1.254
- Castors see page 1.253
- Other accessories/components see ServicePLUS, from page 1.261
- Dimension drawings see from page 1.243



ServicePLUS see page 1.261

Cabinets – Novastar

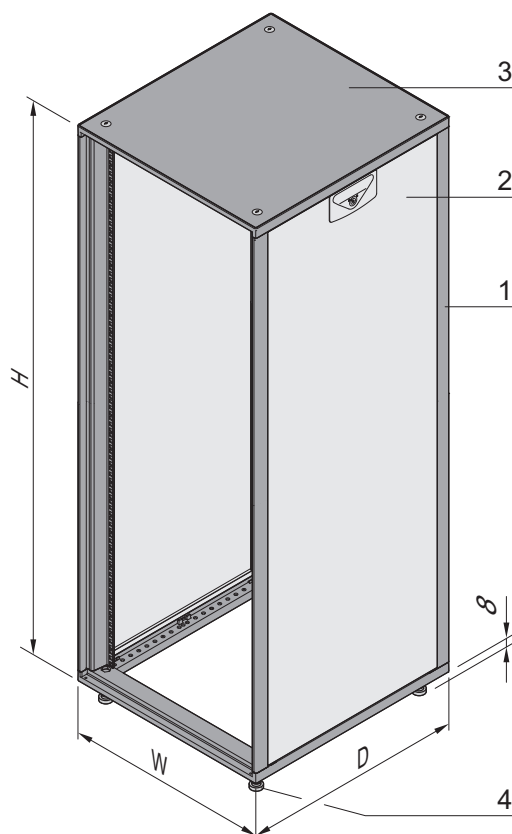
19" cabinet, door and rear panel combination freely selectable



- All uprights (front and rear) with 19" cut-outs
- Flush cladding parts
- Type of protection IP 20
- 3 cabinet depths (500, 600 and 800 mm), cabinet width 553 mm
- Static load-carrying capacity
 - Slim-Line 200 kg (9 U to 25 U)
 - Heavy-Duty 400 kg (34 U to 47 U)
- 2 colours
 - RAL 7021 (black grey) throughout
 - Colour combination: side panels RAL 7035 (light grey); frame, top cover RAL 7021 (black grey)

Delivery comprises (assembled)

Item	Qty	Description
1	1	Frame, uprights Al extrusion with 19" cut-outs, Al die-cast frame, RAL 7021
2	2	Side panel, St, 1 mm; light grey (RAL 7035) or black grey (RAL 7021), see Order information; twist-locking catch (Torx T30)
3	1	Flush top cover, St, 1 mm, RAL 7021
4	4	Foot
5	1	GND/earthing kit



Spacing to 19" plane:
 Slim-Line: front 33 mm, rear 60 mm;
 Heavy-Duty: front and rear 60 mm



ServicePLUS see page 1.261

Order Information

Usable height U	Height H mm	Width W mm	Depth D mm	Colour RAL 7021	Colour RAL 7035/RAL 7021
				Part no.	Part no.
Slim-Line					
9	456	553	600	15230-001	16230-001
12	589	553	500	15230-002	16230-002
12	589	553	600	15230-003	16230-003
16	767	553	500	15230-004	16230-004
16	767	553	600	15230-005	16230-005
20	945	553	500	15230-006	16230-006
20	945	553	600	15230-007	16230-007
20	945	553	800	15230-008	16230-008
25	1167	553	600	15230-009	16230-009
25	1167	553	800	15230-010	16230-010
Heavy-Duty					
34	1567	553	600	15230-011	16230-011
34	1567	553	800	15230-012	16230-012
38	1745	553	600	15230-013	16230-013
38	1745	553	800	15230-014	16230-014
43	1967	553	600	15230-015	16230-015
43	1967	553	800	15230-016	16230-016
47	2145	553	600	15230-017	16230-017
47	2145	553	800	15230-018	16230-018

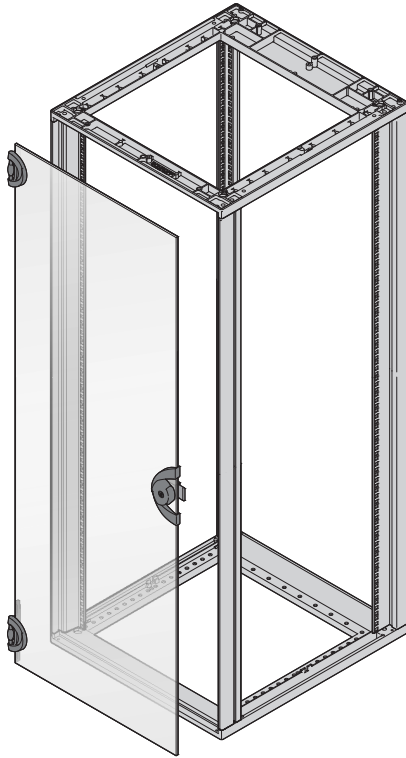
Accessories

Lifting eye for flush cover M12 thread, application and load to DIN 582 PU 4 pieces **27230-066**

- Please order doors, rear panel, base plate, base/plinth, slide rails and shelves separately, see from page 1.248
- Castors see page 1.253
- Other accessories/components see ServicePLUS, from page 1.261
- Dimension drawings see from page 1.243

Cabinets – Novastar

Glass door (smoke grey)



07011059

- Can be assembled at front and rear
- Opening angle 180°

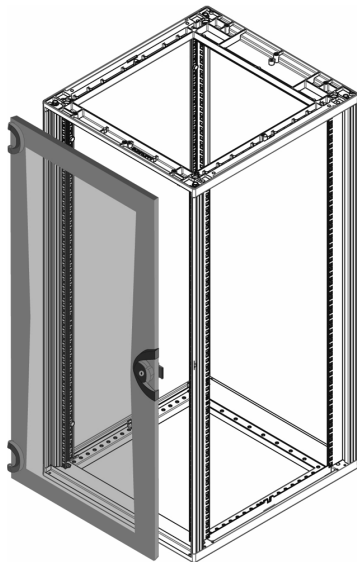
Delivery comprises

Item	Qty	Description
1	1	Glass door, single pane safety glass (ESG) 6 mm, smoke grey; safety lock with DIN cylinder and 1 key (2233x); hinges, plastic, black
2	1	Assembly kit

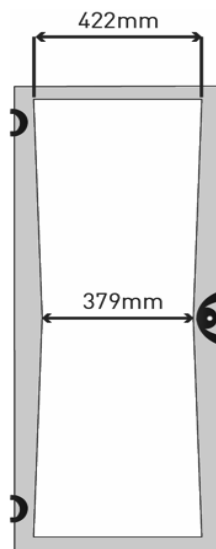
Order Information

For cabinet height	Height	Part no.
U	mm	
9	422	27230-002
12	555	27230-003
16	733	27230-004
20	911	27230-005
25	1133	27230-006
29	1345	27230-028
34	1534	27230-007
38	1711	27230-008
43	1933	27230-009
47	2111	27230-010

Glazed acrylic glass door



07016054



07016053

- Mounting front or rear
- Opening angle 180°
- Lock with key
- Frame color black gray (RAL 7021) or light gray (RAL 7035)

Delivery includes

Item	Qty.	Description
1	1	Door frame, St, 1.5 mm
2	1	Acrylic sheet, 2 mm, clear
3	1	Lock (2233x) with 1 key
4	1	Fixing materials kit including GND

Order Information

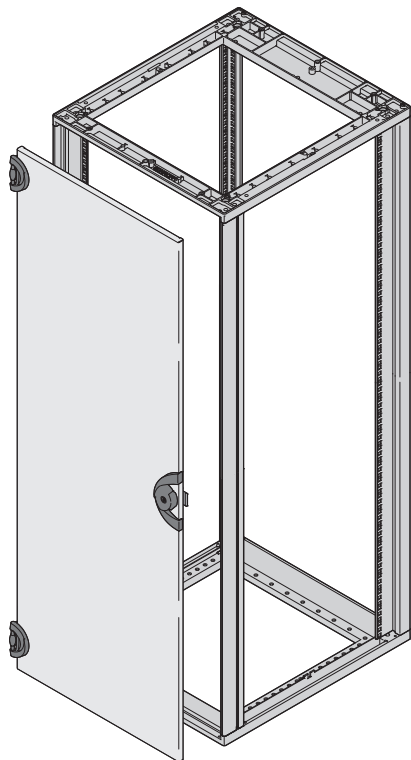
For cabinet height	For cabinet height	Colour RAL 7021	Colour RAL 7035
U	mm	Part no.	Part no.
6	322	25230-092	26230-092
9	456	25230-093	26230-093
12	589	25230-094	26230-094
16	767	25230-095	26230-095
20	945	25230-096	26230-096
25	1167	25230-097	26230-097
29	1345	25230-102	26230-102
34	1567	25230-098	26230-098
38	1745	25230-099	26230-099
43	1967	25230-100	26230-100
47	2145	25230-101	26230-101

Accessories

Spare key 1 piece	60127-018
-------------------	-----------

Cabinets – Novastar

Steel door



07011060

- Can be assembled at front and rear
- Opening angle 180°
- Colour black grey (RAL 7021) or light grey (RAL 7035)

Delivery comprises

Item	Qty	Description
1	1	Steel door, St, 1.5 mm; safety lock with DIN cylinder and 1 key (2233x); hinges, plastic, black
2	1	Fixing material kit and GND/earthing kit

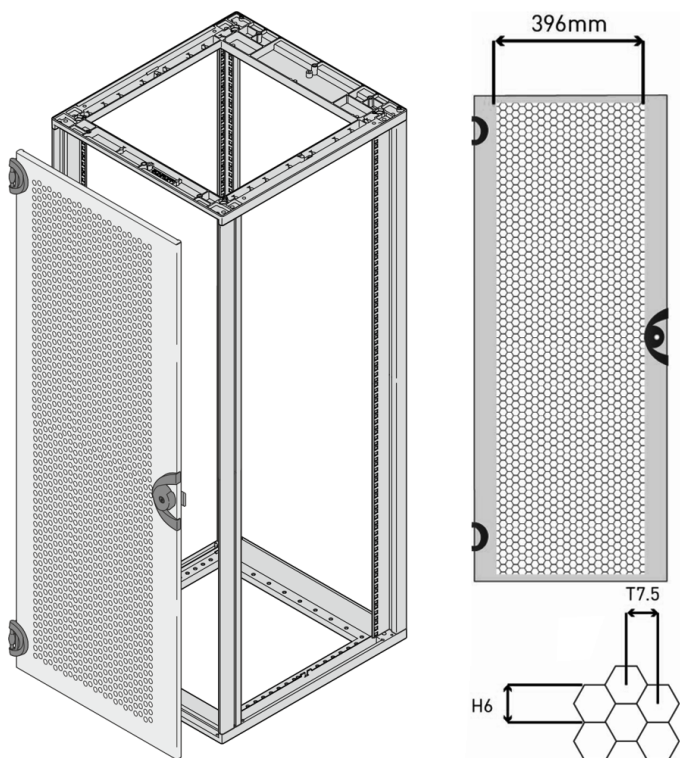
Order Information

For cabinet height	Height	Colour RAL 7021 Part no.	Colour RAL 7035 Part no.
U	mm		
9	422	25230-021	26230-021
12	555	25230-022	26230-022
16	733	25230-023	26230-023
20	911	25230-024	26230-024
25	1133	25230-025	26230-025
29	1345	25230-030	26230-030
34	1534	25230-026	26230-026
38	1711	25230-027	26230-027
43	1933	25230-028	26230-028
47	2111	25230-029	26230-029

Accessories

Spare key 1 piece	60127-018
-------------------	------------------

Perforated door



07016078

07016055

- Can be mounted at front and rear
- Perforated (60 % ventilation opening)
- Opening angle 180°
- Lock with key (2233X)
- Colors RAL 7035 and RAL 7021

Delivery includes

Item	Qty.	Description
1	1	Door, perforated, St, 1.5 mm, width 553 mm, 60 % ventilation opening, see order information for color
2	2	Hinge, 180° opening angle
3	1	Lock with single key (2233X)
2	1	Earthing (GND) kit

Order Information

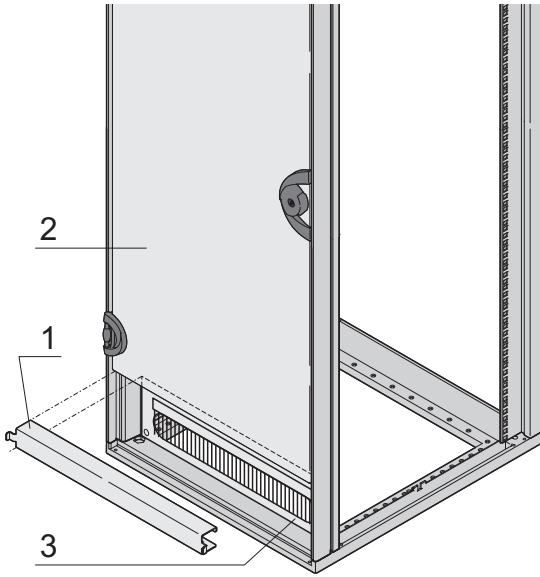
For cabinet height	Height	Colour RAL 7021 Part no.	Colour RAL 7035 Part no.
U	mm		
6	288.4	25230-081	26230-081
9	421.75	25230-082	26230-082
12	555.1	25230-083	26230-083
16	732.9	25230-084	26230-084
20	910.7	25230-085	26230-085
25	1132.95	25230-086	26230-086
29	1310.75	25230-091	26230-091
34	1533	25230-087	26230-087
38	1710.8	25230-088	26230-088
43	1933.05	25230-089	26230-089
47	2110.85	25230-090	26230-090

Accessories

Spare key 1 piece	60127-018
-------------------	------------------

Cabinets – Novastar

Cable ducting combination for steel door



- For a cable ducting combination a steel door, a door hinge bracket and a frame for cable ducting are required
- Cable ducting can be at top or bottom
- Frame with brush strip for cable ducting is either 3 U or 4 U, depending on cabinet/door height

Delivery comprises

Item	Qty	Description
1	1	Door hinge bracket, St, 2 mm, RAL 7021 requires 1 U fitting space, mounts above or below the steel door
2	1	Steel door, St, 1.5 mm, lock (2233x) with 1 key, opening angle 180°, GND/earthing
3	1	Frame for cable ducting, St, 2.5 mm, with black brush strip, 3 U (for cabinet heights 16, 20, 38, 47 U) 4 U (for cabinet heights 25, 34, 43 U)

07011061

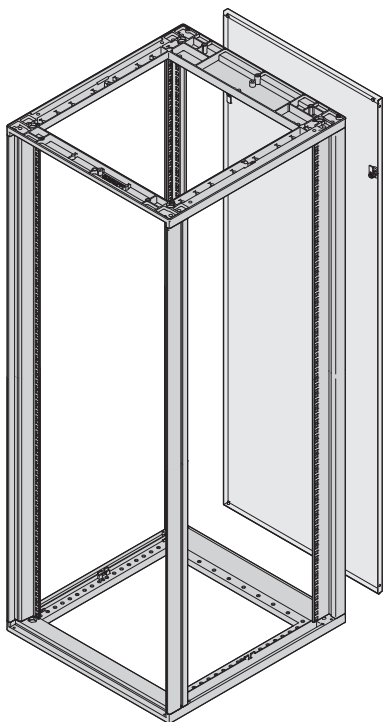
Order Information

Height (U)	Steel door		Steel door Perforated		Glass door	Door hinge bracket for doors			
	RAL 7035	RAL 7021	RAL 7035	RAL 7021	smoke grey	Slim-Line front 33 mm	Slim-Line rear 60 mm	Heavy-Duty front/rear 60 mm	19" plane for universal upright
	St, 1.5 mm, lock (2233x) with 1 key, opening angle 180°, incl. GND/earthing		St, 1.5 mm, perforated, opening angle 180°, lock with key (2233X), incl. grounding		opening angle 180°, lock with key, glass type: ESG 6 mm, EN 12150	door hinge bracket, St, 2 mm, RAL 7021; mounts above or below the door; requires 1 U assembly space		door hinge bracket, St, 2 mm, RAL 7021; mounts above or below the door; requires 1 U assembly space	St, 2 mm, RAL 7021 1) Height 3 U 2) Height 4 U
16	26230-022	25230-022	26230-084	25230-084	27230-004	27230-060	27230-061	27230-098	1) 27230-162
20	26230-023	25230-023	26230-085	25230-085	27230-005	27230-060	27230-061	27230-098	1) 27230-162
25	26230-024	25230-024	26230-086	25230-086	27230-006	27230-060	27230-061	27230-098	2) 27230-163
34	26230-030	25230-030	26230-087	25230-087	27230-007	27230-060	27230-061	27230-098	2) 27230-163
38	26230-026	25230-026	26230-088	25230-088	27230-008	27230-060	27230-061	27230-098	1) 27230-162
43	26230-027	25230-027	26230-089	25230-089	27230-009	27230-060	27230-061	27230-098	2) 27230-163
47	26230-028	25230-028	26230-090	25230-090	27230-010	27230-060	27230-061	27230-098	1) 27230-162

Height (U)	Cable ducting		
	RAL 7035 Screw fixed	RAL 7021 Screw fixed	RAL 7021 clipped
	St, 2.5 mm, with black brush strip 1) Height 3 U 2) Height 4 U		
16	1) 20118-391	1) 20118-796	1) 27230-160
20	1) 20118-391	1) 20118-796	1) 27230-160
25	2) 20118-390	2) 20118-797	2) 27230-161
34	2) 20118-390	2) 20118-797	2) 27230-161
38	1) 20118-391	1) 20118-796	1) 27230-160
43	2) 20118-390	2) 20118-797	2) 27230-161
47	1) 20118-391	1) 20118-796	1) 27230-160

Cabinets – Novastar

Rear panel



07011057

- Twist-locking catch (Torx T30, with 1/4 turn)
- Rear panel: colour black grey (RAL 7021) or light grey (RAL 7035)

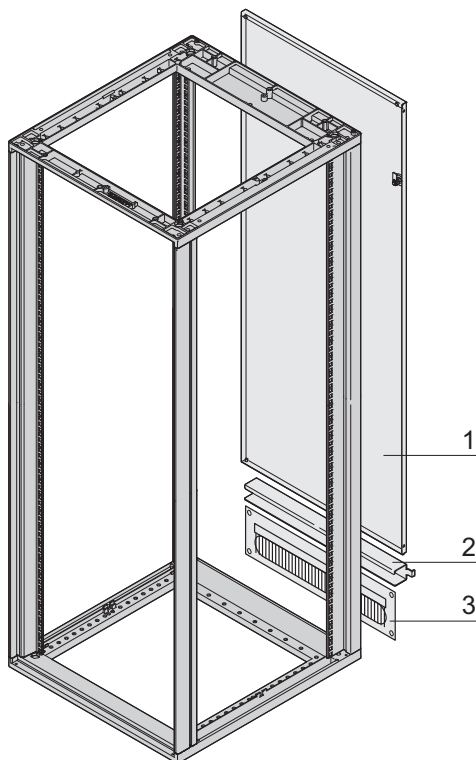
Delivery comprises

Item	Qty	Description
1	1	Rear panel, St, 1 mm, twist-locking catch (Torx T30, with 1/4 turn)
2	1	Assembly kit

Order Information

For cabinet height	Height	Colour RAL 7021 Part no.	Colour RAL 7035 Part no.
U	mm		
9	422	25230-371	26230-371
12	555	25230-372	26230-372
16	733	25230-373	26230-373
20	911	25230-374	26230-374
25	1133	25230-375	26230-375
29	1345	25230-147	26230-147
34	1534	25230-376	26230-376
38	1711	25230-377	26230-377
43	1933	25230-378	26230-378
47	2111	25230-379	26230-379

Rear panel with cable ducting frame



07011058

- Twist-locking catch (Torx T30, with 1/4 turn)
- Rear panel: colour black grey (RAL 7021) or light grey (RAL 7035)
- Cable ducting frame 3 or 4 U

Delivery comprises

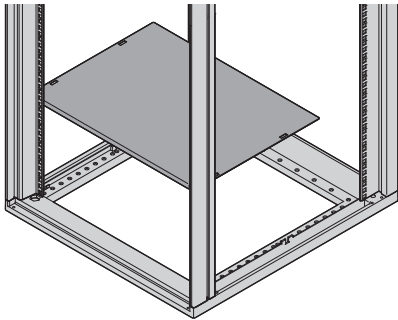
Item	Qty	Description
1	1	Rear panel, St, 1 mm, colour see Order information; twist-locking catch (Torx T30, with 1/4 turn)
2	1	Door hinge bracket, St, 2 mm, colour see Order information
3	1	Frame for cable ducting, St, 1.5 mm, colour see Order information; brush strip; 3 U frame for cable ducting for cabinet heights 16, 20, 38, 47 U; 4 U frame for cable ducting for cabinet heights 25, 34, 43 U
4	1	Assembly kit and GND/earthing kit

Order Information

For cabinet height	Height	For cabinet width	Colour RAL 7021 Part no.	Colour RAL 7035 Part no.
U	mm	mm		
16	733	553	25230-430	26230-430
20	911	553	25230-434	26230-434
25	1133	553	25230-439	26230-439
34	1534	553	25230-448	26230-448
38	1711	553	25230-452	26230-452
43	1933	553	25230-457	26230-457
47	2111	553	25230-461	26230-461

Cabinets – Novastar

Floor, multi-piece



- Floor is open at rear; Opening can be closed with a cover plate or brush strip

Delivery includes

Item	Qty	Description
1	1	Base plate, St, 1.5 mm, RAL 7021; cable through-ducting opening, width 440 mm, depth 70 mm
2	1	Assembly kit

Order Information

For cabinet depth mm	For cabinet width mm	Part no.
500	553	27230-188
600	553	27230-189
800	553	27230-190
1000	553	27230-191
1200	553	27230-192

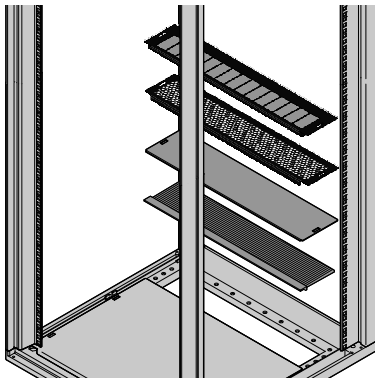
Accessories

Brush strip Nylon, black, 440 mm x 98 mm, PU 1 piece	27230-079
Solid cover plate for floor, multi-piece , St, 1 mm, 485 mm x 92 mm, RAL 7021, 1 piece	27230-114
Perforated cover plate for floor, multi-piece St, 1 mm, 485 mm x 92 mm, RAL 7021, 1 piece	27230-254
Filter mat cover plate for floor, multi-piece St, 1 mm, 485 mm x 92 mm, RAL 7021, 1 piece	27230-255

Note

- Please order cover plate or brush strip separately

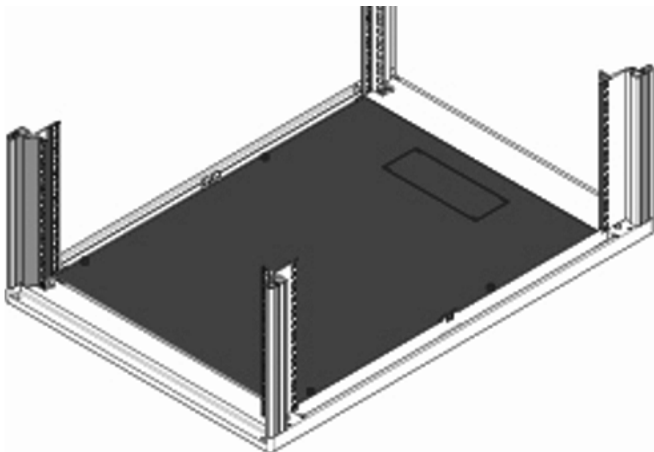
Accessories



07011073

07016050

Floor, single piece, reinforced, with cutouts for cable ducting



- Heavy-load floor panel
- Load-carrying capacity 50 kg (110 lbs)
- Cutout for cable ducting

Delivery includes

Item	Qty.	Description
1	1	Base plate, St, 1 mm, RAL 7021; cable ducting opening, perforated, width 370 mm, depth 50 mm
2	1	Fixing materials kit including GND

Order Information

For cabinet depth mm	For cabinet width mm	Qty/PU piece	Part no. RAL 7021
500	553	1	25230-149
600	553	1	25230-150
800	553	1	25230-151
900	553	1	25230-152
1000	553	1	25230-153

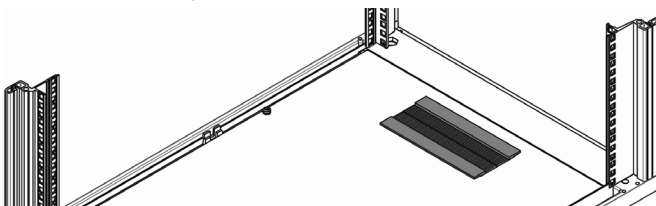
Accessories

Brush strip for heavy-load floor panel Nylon, black, width 370 mm, depth 50 mm 1 piece	27230-055
---	------------------

Note

- Please order brush strip separately

Reinforced brush strip for floor

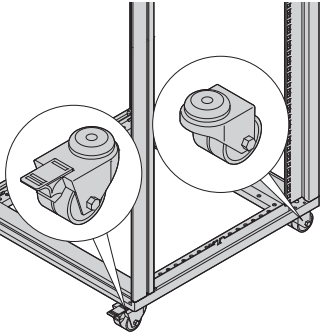


07016059

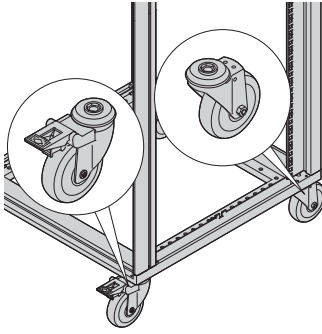
07016060

Cabinets – Novastar

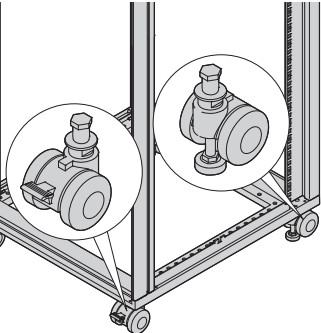
Castors



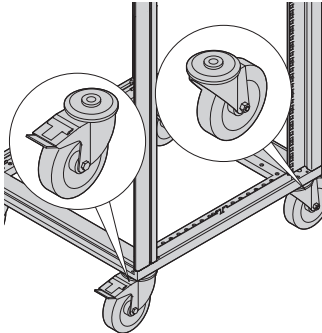
07011065
Load-carrying capacity 200 kg



07011066
Load-carrying capacity 300 kg, conductive, ESD resistance < 10 kΩ



07011067
Load-carrying capacity 400 kg, with adjustable feet



07011068
Load-carrying capacity 400 kg

- Castors are fitted to the frame
- Static load-carrying capacity 200 kg, 300 kg or 400 kg depending on version
- Height dependent on version 73 mm, 80 mm, 131 mm or 155 mm
- 2 castors without jacking foot, 2 castors with jacking foot

Delivery comprises

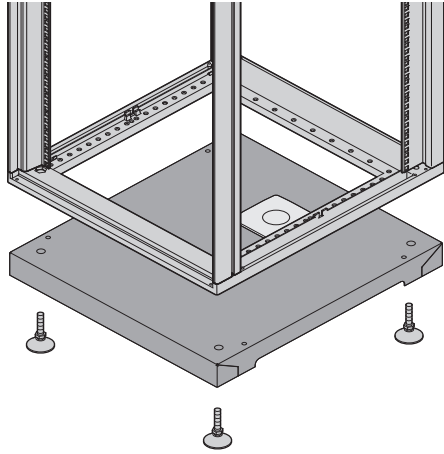
Item	Qty	Description
1	2	Locking castor, PA/St
2	2	Non-locking castor, PA/St
3	1	Assembly kit

Order Information

Description	Load-carrying capacity kg	Height H mm	Castor diameter mm	Part no.
Castors	200	73	Ø 50	27230-067
Castors, conductive, ESD resistance < 10 kΩ to EN 12528	300	131	Ø 100	27230-110
Castors with adjustable feet	400	80	Ø 60	27230-068
Castors	400	155	Ø 125	27230-069

Cabinets – Novastar

Base/plinth with cable ducting



07011075

- Static load-carrying capacity 400 kg
- Height adjustable 57 67 mm
- Cable ducting (110 x 76 mm) with cover

Delivery comprises (assembled)

Item	Qty	Description
1	1	Base/plinth, St, 1.5 mm, height 55 mm, RAL 7021; cable ducting 110 mm x 76 mm, with plastic cover
2	4	Adjustable foot
3	1	Assembly kit and GND/earthing kit

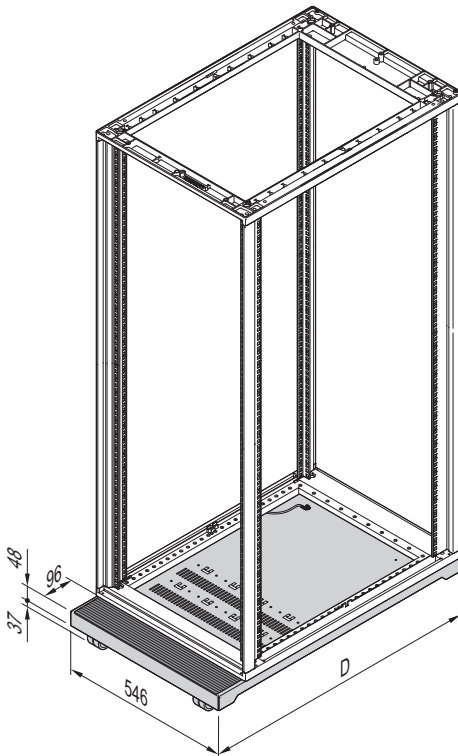
Order Information

For cabinet width mm	For cabinet depth mm	Part no.
553	500	27230-070
553	600	27230-071
553	800	27230-072
553	900	27230-076
553	1000	27230-080

Accessories

Brush strip Nylon, black, 110 mm x 76 mm; to cover cable through-ducting opening , 1 piece	27230-111
---	-----------

Mobile base/plinth



07011113

- Static load-carrying capacity 200 kg
- Base/plinth height H = 100 mm

Delivery comprises

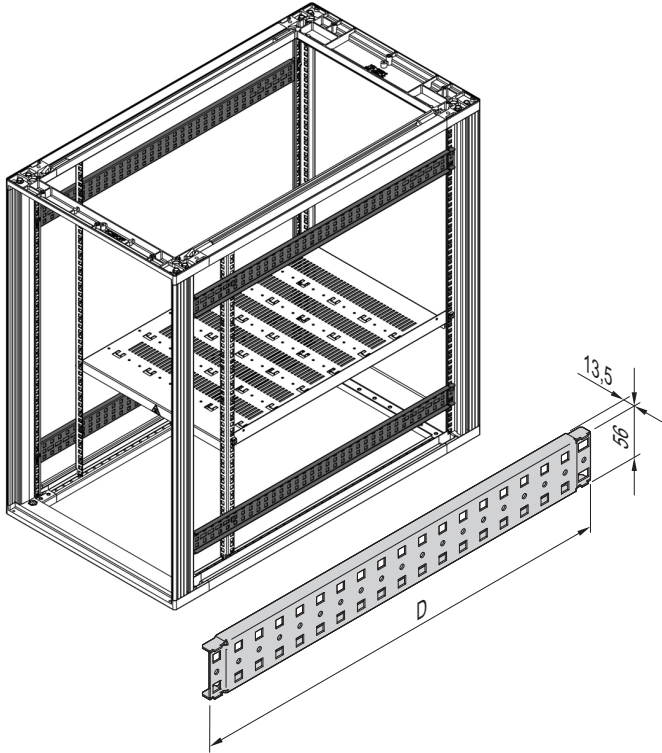
Item	Qty	Description
1	1	Base/plinth, St, 2 mm, black (RAL 7021), with perforation, height = 100 mm
2	1	Fine-grooved mat, natural rubber, anthracite, 3 mm thick, self-adhesive
3	4	Castors, St, Ø 55 mm, load-carrying capacity 200 kg
4	1	Assembly kit

Order Information

For cabinet depth mm	D mm	Part no.
500	592	27230-146
600	692	27230-147
800	892	27230-148

Cabinets – Novastar

Depth members



07016067

07011114

- For assembly on cabinet uprights
- Adjustable in 1 U increments

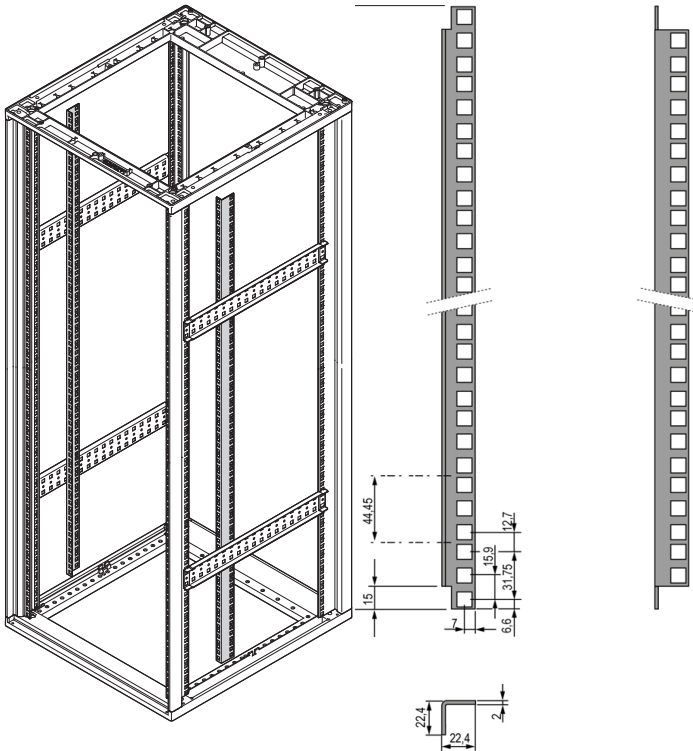
Delivery includes

Item	Qty	Description
1	1	Depth member, St, 1.5 mm, finish AlZn

Order Information

For cabinet depth	D	Part no.
mm	mm	
500	366	27230-167
600	466	27230-168
800	666	27230-169
900	766	27230-170
1000	866	27230-171

19" panel/slide mounts with universal perforation grid (EIA)



19" panel/slide mount mounted on depth members

07011111

07016080

- For fitting to depth members (25 mm grid)
- For recessed installation of 19" components
- Load-carrying capacity 400 kg
- Slide rails can be fitted
- A partial-height 19" mounting is possible with short 19" panel/slide mounts

Delivery includes

Item	Qty	Description
1	2	19" panel/slide mount, St, 2 mm, RAL 7021
2	1	Assembly kit

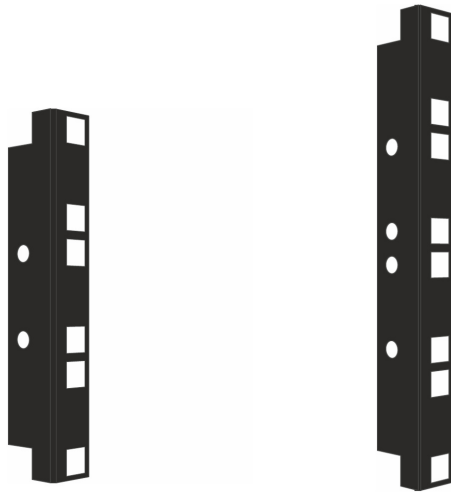
Order Information

For cabinet height	Usable height	H	Part no.
U	U	mm	
6	Partial-height mounting	267	27230-172
9	456	400	27230-173
12	589	534	27230-174
16	767	712	27230-175
20	945	889	27230-176
25	1167	1112	27230-177
34	1567	1512	27230-178
38	1745	1690	27230-179
43	1967	1912	27230-180
47	2145	2090	27230-181

- Slide rails see page 1.256
- Depth members are required for fitting, see page 1.255

Cabinets – Novastar

19" plane for universal upright



3 U

07016070

4 U

07016071

- Panel/slide mount for installing on the universal profile
- A 19" plane can be implemented using the panel/slide mount

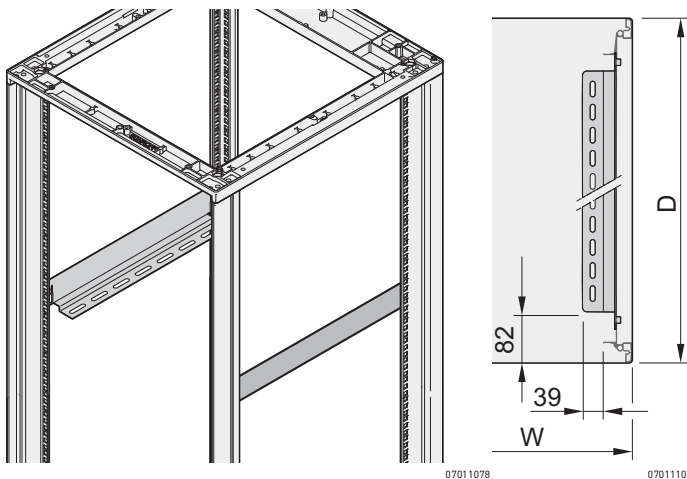
Delivery includes

Item	Qty.	Description
1	4	19" panel/slide mount, St, 2 mm, RAL 7021
2	1	Fixing materials kit

Order Information

Height U	Height mm	Qty/PU piece	Part no.
3	130	2	27230-162
4	170	2	27230-163

Slide rail



07011078

07011104

- For mounting on the vertical cabinet uprights or 19" panel/slide mounts
- Adjustable in 1 U increments
- Static load-carrying capacity 25 kg per pair

Delivery comprises

Item	Qty	Description
1	2	Slide rail, St, 1.5 mm, finish AlZn
2	1	Assembly kit

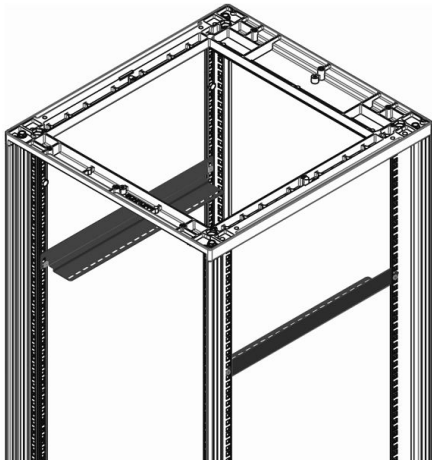
Order Information

For cabinet depth D mm	L mm	x mm	Part no.
500	370	322	27230-102
600	470	422	27230-103
800	670	622	27230-104
900	770	822	27230-105
1000	970	922	27230-106

00205051

Cabinets – Novastar

Heavy-load slide rail



07016066

- For mounting on the vertical cabinet uprights or 19" panel/slide mounts
- Adjustable in 1 U increments
- Static load-carrying capacity 50 kg per pair
- 900, 1000 mm depth for server applications

Delivery includes

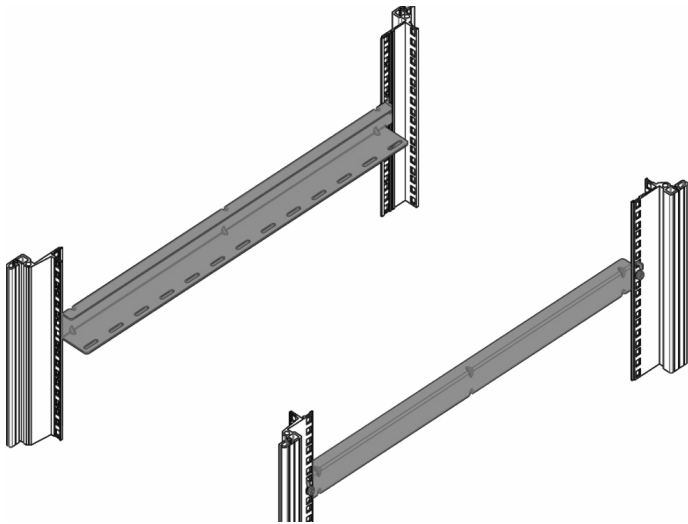
Item	Qty.	Description
1	2	Slide rail, St, 2 mm, finish ALZn
2	1	Fixing materials kit

Order Information

For cabinet depth D mm	L mm	x mm	Part no.
500	272	322	25230-013
600	370	422	25230-014
800	470	522	25230-015
900	670	722	25230-145
1000	870	822	25230-146
900, 1000 mm for server applications	740	692	25230-148

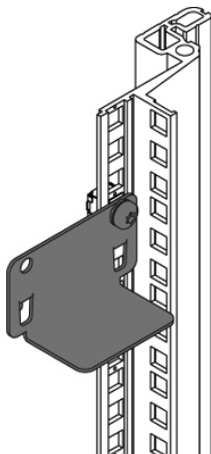
Accessories

Fixing materials kit for heavy-load slide rail 1 set (4 x M5x12 screws, 4 x M5 cage nuts, screwed in from the inside)	27230-056
--	-----------



07016084

Short slide rail



07016065

- For mounting on the cabinet uprights or 19" panel/slide mounts
- Adjustable in 1 U increments
- Static load-carrying capacity max. 15 kg per pair

Delivery comprises

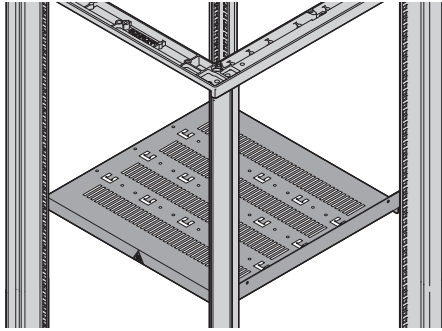
Item	Qty	Description
1	2 / 10	Short slide rail, St, 1.5 mm, finish ALZn
2	1	Assembly kit

Order Information

Description	Qty/PU piece	Part no.
Short slide rail	2	27230-184
Short slide rail	10	27230-185

Cabinets – Novastar

Shelf, stationary



- Static load-carrying capacity 75 kg
- Mounting height 1 U, for fitting on the vertical cabinet uprights
- Hammer head perforation for fixing cables using cable ties or Velcro-type tape
- 900, 1000 mm Tiefe für Server Anwendungen

Delivery includes

Item	Qty	Description
1	1	Shelf with perforation, St, 1.5 mm, RAL 7021
2	1	Assembly kit

07011077

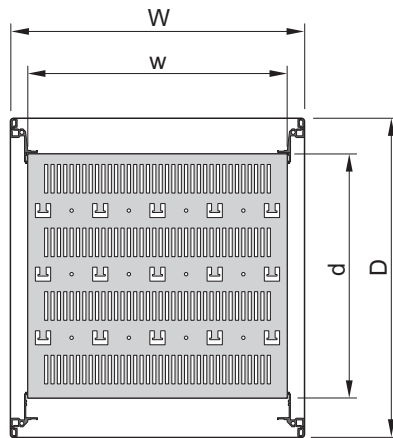
Order Information

For cabinet depth D mm	Usable surface w x d mm	Part no.
500	488 x 350	27230-051
600	488 x 450	27230-052
800	488 x 650	27230-053
900	488 x 750	27230-088
1000	488 x 850	27230-089
900, 1000 mm für Serveranwendungen	488 x 740	27230-165

Accessories

Cable ties 92 mm x 2.5 mm, PU 25 pieces	20118-351
Cable ties 186 mm x 5 mm, PU 25 pieces	20118-352
Cable ties 360 mm x 5 mm, PU 25 pieces	20118-353
Velcro strip Polyethylen/Polyamide, black, length 300 mm, PU 10 pieces	20118-624

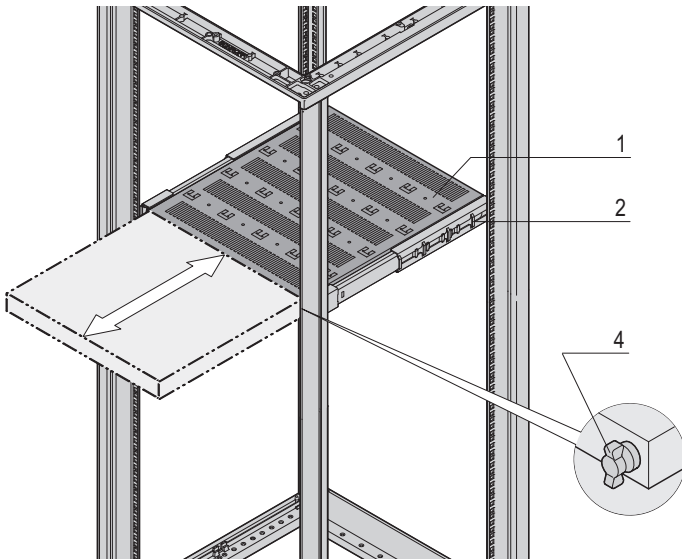
07011105



W = 553 mm

Cabinets – Novastar

Telescopic shelf, 70 kg

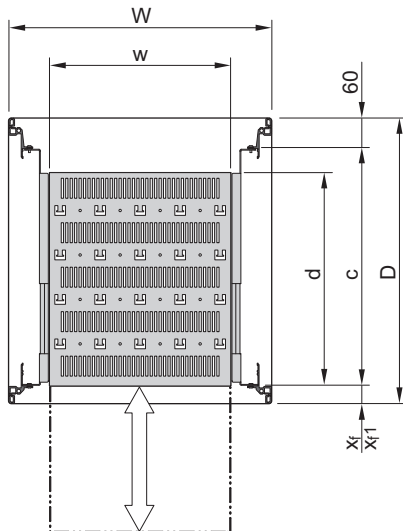


- Static load-carrying capacity at full extension 70 kg
- Mounting height 2 U, for fitting to the four vertical uprights
- Incl. telescopic slides
- Locking possible with T-bar lock
- Hammer head perforation for fixing cables using cable ties or Velcro-type tape
- 2 versions
 - Full depth
 - Depth shortened by 100 mm for rear cable ducting

Delivery comprises

Item	Qty	Description
1	1	Shelf with perforation, St, 1.5 mm, RAL 7021
2	2	Telescopic slide
3	1	Assembly kit

Full depth



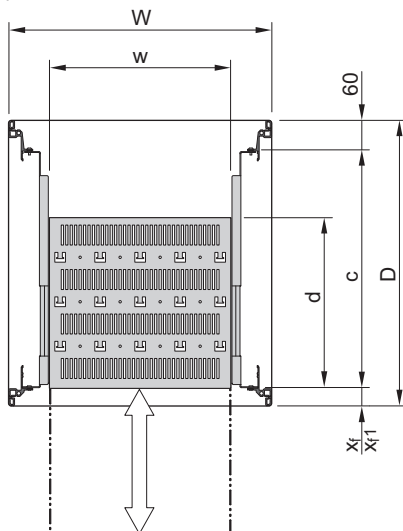
07011089

Order Information

Full depth

Cabinet dimensions W x D	Usable surface w x d	x _f	x _{f1}	c	Full depth
mm	mm	mm	mm	mm	Part no.
553 x 500	405 x 382	33	60	407	21130-357
553 x 600	405 x 482	33	60	507	21130-353
553 x 800	405 x 682	33	60	687	21130-355
533 x 900, 740 mm für Serveranwendungen	405 x 582	33	60	787	27230-108
533 x 1000	405 x 682	33	60	887	27230-109
Item 4 T-bar lock for 1 telescopic shelf (can be mounted right or left), 1 piece					23130-092
GND/earthing for telescopic shelf PU 1 piece					21120-189

Shortened depth



07011101

Order Information

Shortened by 100 mm

Cabinet dimensions W x D	Usable surface w x d	x _f	x _{f1}	c	Shortened by 100 mm
mm	mm	mm	mm	mm	Part no.
553 x 500	405 x 282	33	60	407	21130-358
553 x 600	405 x 382	33	60	507	21130-352
553 x 800	405 x 582	33	60	687	21130-354
533 x 900, 740 mm für Serveranwendungen	405 x 582	33	60	787	27230-108
533 x 1000	405 x 682	33	60	887	27230-109
Item 4 T-bar lock for 1 telescopic shelf (can be mounted right or left), 1 piece					23130-092
GND/earthing for telescopic shelf PU 1 piece					21120-189

c = pitch of 19" profiles; x_f = Slim-Line assembly dimensions; x_{f1} = Heavy-Duty assembly dimensions

07011102

Cabinets – NOVASTAR

Support arm for monitor and keyboard (SysPend®)



00511006

- Support arm for mounting of monitor, keyboard and mouse on cabinet
- Fixing is to the side of the Heavy-Duty frame (height adjustable)
- Static load-carrying capacity 3 ... 7 kg
- Support arm:
 - Height-adjustable 300 mm
 - Angle of rotation on cabinet 180 °
 - Monitor rotation angle 340° (fitted on cabinet 270°)
 - Monitor tilt angle 60°
 - Integrated cable routing
- Suitable for industrial applications

Delivery comprises

Item	Qty	Description
1	1	Support arm frame, Al extrusion, RAL 7035, rotatable, height adjustable
2	1	Wall-mounting bracket, for mounting on cabinet or wall, hinged sideways through 180°
3	1	Keyboard storage point, tiltable upward through 95°, width 480 mm, depth 170 mm; mouse pad: width 150 mm, depth 190 mm
4	1	Monitor holder for flat-screen units, hinged through 340°, tiltable through 60° (15° forwards, 45° to rear)

Order Information

Description	Qty/PU pieces	Part no.
Support arm for monitor and keyboard (SysPend®)	1	VAMONITOR
Accessories		
Mounting material for cabinet exterior PU 4 pieces		27230-144



00511004

Support arm fitted with monitor and keyboard



00511003

Cable ducting

Mounting material for cabinet exterior

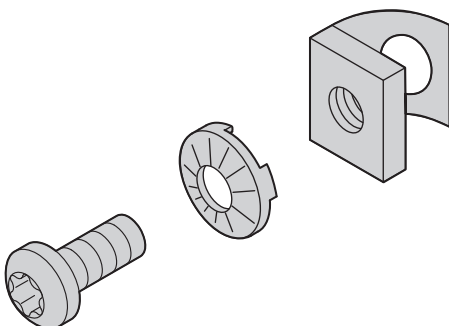
- For mounting accessories to cabinet exterior (e.g. support arm)
- Slide nut (M6) is simply inserted into the side T-groove of the Heavy-Duty frame

Delivery comprises

Item	Qty	Description
1	1	Slide nut M6
2	1	Pan head screw M6 x 16 (Torx T30)
3	1	Nomel washer 6.1

Order Information

Description	Qty/PU pieces	Part no.
Mounting material for cabinet exterior	4	27230-144



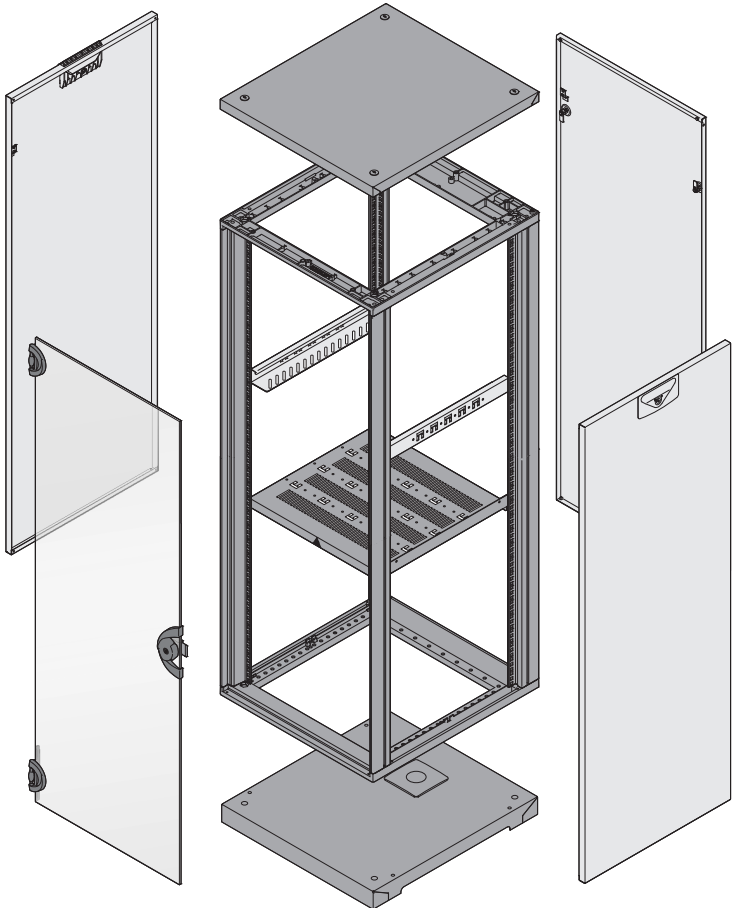
06712050

Cabinets – Novastar Service Plus



ServicePLUS: configuration and assembly

- Dimensions:
 - Height: 6 ... 47 U (357 ... 2145 mm)
 - Width: 553 mm
 - Depth: 500, 600, 800, 900, 1000 mm
- 3 frame versions:
 - Slim-Line, static load-carrying capacity 200 kg, height 6 ... 47 U
 - Heavy-Duty, static load-carrying capacity 400 kg, 19" + Universal, height 16 ... 47 U
- Configure your cabinet from individual parts (to have them assembled please add the suffix /05 to each part number)
- Once you have selected your cabinet dimensions, the row number (first column of the configuration tables) guides you through all the pages of the configurations possible for these dimensions (see example below)
- The configured cabinet is assembled and is ready for despatch within 10 working days



	Page
Frames, gasketing kit, side-by-side mounting kit, stacking kit	1.262
Castors, adjustable feet	1.263
Side panels	1.264
Glass doors, steel doors	1.265
Cable ducting for steel doors	1.266
Rear panels	1.267
Top covers	1.268
Fan top covers, lifting eye, thermostat, speed controller	1.269
Floors	1.270
Base/plinth	1.271
19" panel/slide mounts, depth members, shelves	1.272
Shelves	1.273
Slide rails	1.274
Cable ties, Velcro-type tape	1.275

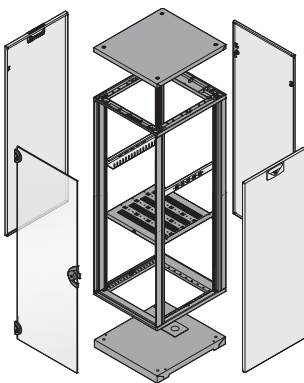


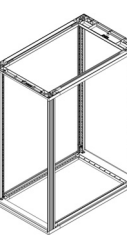
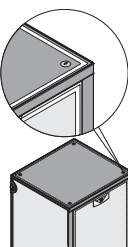
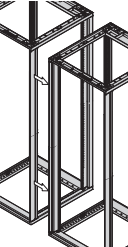
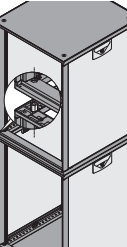
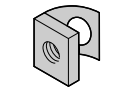
07011052

Configuration example, assembled (here: row no. 11)

Qty	Description	Order no.
1	Frame, Slim-Line, usable height 20 U, height 945 mm, width 553 mm, depth 500 mm, 1 piece	28230-015/05
1	Side panel, Slim-Line, height 20 U, depth 500 mm, RAL 7035, PU 2 pieces	26230-074/05
1	Glass door (smoke grey), height 20 U, opening angle 180°, width 553 mm, 1 piece	27230-005/05
1	Rear panel, height 20 U, width 553 mm, RAL 7035, PU 1 piece	26230-374/05
1	Top cover, raised, width 553 mm, depth 500 mm, RAL 7021, 1 piece	25230-010/05
..

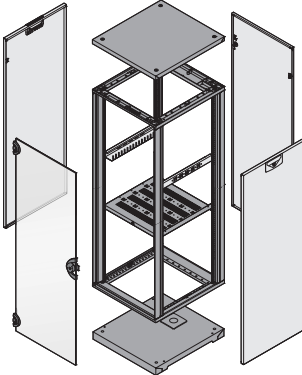
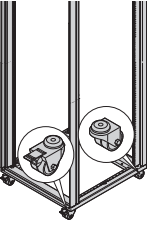
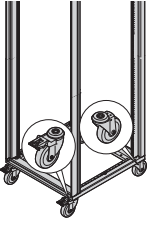
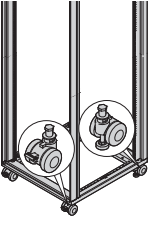
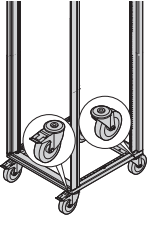
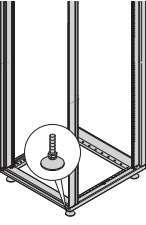
Cabinets – Novastar Service Plus

Frames, gasketing kit, side-by-side mounting kit, stacking kit

					Frame			Gasketing kit for IP 40	Side-by-side mounting kit	Stacking kit	Slide nut for T-groove
					Slim-Line 200 kg	Heavy-Duty 400 kg, 19"	Heavy-Duty, 400 kg, Universal				
					 <small>07011053</small>	 <small>07011054</small>	 <small>07016054</small>	 <small>07012050</small>	 <small>07011080</small>	 <small>07011070</small>	 <small>aza43431</small>
					static load-carrying capacity: 200 kg, Al extrusion, RAL 7021, incl. GND/earthing; 19" plane 33 mm at front, 60 mm at rear; please order castors or adjustable feet separately	static load-carrying capacity: 400 kg, Al extrusion, RAL 7021, incl. GND/earthing; 19" plane 60 mm at front, 60 mm at rear; please order castors or adjustable feet separately	Static load-carrying capacity: 400 kg, Al profile, RAL 7021, incl. grounding; 19" plane rear 60 mm, castors or adjustable feet ordered separately	TPE, black; raises ingress protection from IP 20 to IP 40; gaskets are affixed onto the frame	gasket, foam adhesive tape; PU foam anthracite; for joining two adjacent cabinets	for joining two cabinets positioned one above the other	St, M6, for lateral mounting of accessories on the T-groove of the Heavy-Duty frame
Cabinet dimensions					1 piece assembled	1 piece assembled	1 piece assembled	PU 1 kit assembled	PU 1 kit enclosed loose	PU 1 kit enclosed loose	PU 4 pieces enclosed loose
No.	Height U	Width mm	Depth mm								
1	6	357	553	500	28230-001	-	-	27230-107	20230-409	27230-112	27230-144
2	6	357	553	600	28230-060	-	-				
3	9	456	553	500	28230-004	-	-	27230-107	20230-409	27230-112	27230-144
4	9	456	553	600	28230-063	-	-				
5	12	589	553	500	28230-007	-	28230-057				
6	12	589	553	600	28230-066	-	28230-058				
7	12	589	553	800	28230-126	-	28230-059	27230-107	20230-409	27230-112	27230-144
8	12	589	553	900	28230-054	28230-056	28230-107				
9	12	589	553	1000	28230-055	28230-189	28230-108				
10	16	767	553	500	28230-011	28230-310	28230-109				
11	16	767	553	600	28230-070	28230-370	28230-110				
12	16	767	553	800	28230-130	28230-430	28230-111	27230-107	20230-409	27230-112	27230-144
13	16	767	553	900	28230-190	28230-192	28230-112				
14	16	767	553	1000	28230-191	28230-193	28230-113				
15	20	945	553	500	28230-015	28230-314	28230-114				
16	20	945	553	600	28230-074	28230-374	28230-115				
17	20	945	553	800	28230-134	28230-434	28230-116	27230-107	20230-409	27230-112	27230-144
18	20	945	553	900	28230-194	28230-196	28230-117				
19	20	945	553	1000	28230-195	28230-197	28230-118				
20	25	1167	553	500	28230-020	28230-319	28230-119				
21	25	1167	553	600	28230-079	28230-379	28230-167				
22	25	1167	553	800	28230-139	28230-439	28230-168	27230-143	20230-409	27230-112	27230-144
23	25	1167	553	900	28230-198	28230-200	28230-169				
24	25	1167	553	1000	28230-199	28230-201	28230-170				
25	34	1567	553	500	28230-029	28230-328	28230-171				
26	34	1567	553	600	28230-088	28230-388	28230-172				
27	34	1567	553	800	28230-148	28230-448	28230-173	27230-143	20230-409	27230-112	27230-144
28	34	1567	553	900	28230-202	28230-204	28230-174				
29	34	1567	553	1000	28230-203	28230-205	28230-175				
30	38	1745	553	500	28230-033	28230-332	28230-176				
31	38	1745	553	600	28230-092	28230-392	28230-177				
32	38	1745	553	800	28230-152	28230-452	28230-178	27230-143	20230-409	27230-112	27230-144
33	38	1745	553	900	28230-206	28230-208	28230-179				
34	38	1745	553	1000	28230-207	28230-209	28230-180				
35	43	1967	553	500	28230-048	28230-337	28230-181				
36	43	1967	553	600	28230-097	28230-397	28230-182				
37	43	1967	553	800	28230-157	28230-457	28230-183	27230-143	20230-409	27230-112	27230-144
38	43	1967	553	900	28230-210	28230-212	28230-184				
39	43	1967	553	1000	28230-211	28230-213	28230-185				
40	47	2145	553	500	28230-042	28230-341	28230-186				
41	47	2145	553	600	28230-101	28230-401	28230-187				
42	47	2145	553	800	28230-162	28230-461	28230-188	27230-143	20230-409	27230-112	27230-144
43	47	2145	553	900	28230-214	28230-216	28230-052				
44	47	2145	553	1000	28230-215	28230-217	28230-053				

Cabinets – Novastar Service Plus

Castors, adjustable feet

					Castors				Adjustable foot
					Load-carrying capacity 200 kg	Load-carrying capacity 300 kg, conductive	Load-carrying capacity 400 kg, Ø 60 mm	Load-carrying capacity 400 kg, Ø 125 mm	
					 <p>07011065 static load-carrying capacity 200 kg, height 73 mm, Ø 50 mm, 2 castors without jacking foot, 2 castors with jacking foot</p>	 <p>07011066 static load-carrying capacity 300 kg, height 131 mm, Ø 100 mm, 2 castors without jacking foot, 2 castors with jacking foot; EN 12528 (resistance < 10 kΩ)</p>	 <p>07011067 static load-carrying capacity 400 kg, height 80 mm, Ø 60 mm, 2 castors without jacking foot, 2 castors with jacking foot, incl. 4 adjustable feet</p>	 <p>07011068 static load-carrying capacity 400 kg, height 155 mm, Ø 125 mm, 2 castors without jacking foot, 2 castors with jacking foot</p>	 <p>07011069 static load-carrying capacity 400 kg, St, polyamide, black</p>
					No.	U	mm	mm	mm
1	6	357	553	500					
2	6	357	553	600	27230-067	27230-110	27230-068	27230-069	27230-100
3	9	456	553	500					
4	9	456	553	600	27230-067	27230-110	27230-068	27230-069	27230-100
5	12	589	553	500					
6	12	589	553	600					
7	12	589	553	800	27230-067	27230-110	27230-068	27230-069	27230-100
8	12	589	553	900					
9	12	589	553	1000					
10	16	767	553	500					
11	16	767	553	600					
12	16	767	553	800	27230-067	27230-110	27230-068	27230-069	27230-100
13	16	767	553	900					
14	16	767	553	1000					
15	20	945	553	500					
16	20	945	553	600					
17	20	945	553	800	27230-067	27230-110	27230-068	27230-069	27230-100
18	20	945	553	900					
19	20	945	553	1000					
20	25	1167	553	500					
21	25	1167	553	600					
22	25	1167	553	800	27230-067	27230-110	27230-068	27230-069	27230-100
23	25	1167	553	900					
24	25	1167	553	1000					
25	34	1567	553	500					
26	34	1567	553	600					
27	34	1567	553	800	27230-067	27230-110	27230-068	27230-069	27230-100
28	34	1567	553	900					
29	34	1567	553	1000					
30	38	1745	553	500					
31	38	1745	553	600					
32	38	1745	553	800	27230-067	27230-110	27230-068	27230-069	27230-100
33	38	1745	553	900					
34	38	1745	553	1000					
35	43	1967	553	500					
36	43	1967	553	600					
37	43	1967	553	800	27230-067	27230-110	27230-068	27230-069	27230-100
38	43	1967	553	900					
39	43	1967	553	1000					
40	47	2145	553	500					
41	47	2145	553	600					
42	47	2145	553	800	27230-067	27230-110	27230-068	27230-069	27230-100
43	47	2145	553	900					
44	47	2145	553	1000					

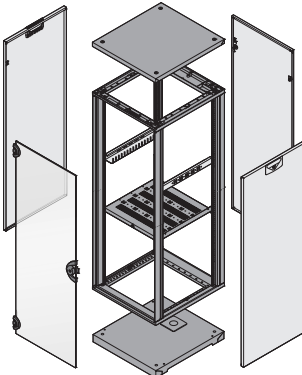
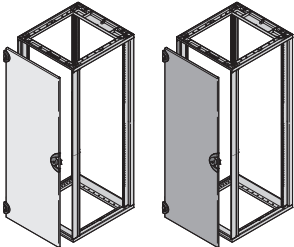
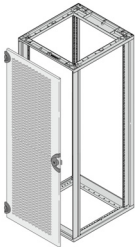
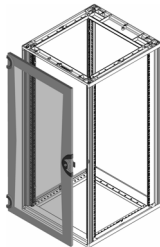
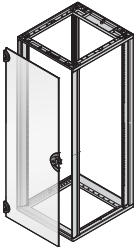
Cabinets – Novastar Service Plus

Side panels

No.	Cabinet dimensions				Side panel				Side panel lock
	Height U	Width mm	Depth mm	Slim-Line		Heavy-Duty		PU 1 kit assembled	
				RAL 7035 PU 2 pieces assembled	RAL 7021 PU 2 pieces assembled	RAL 7035 PU 2 pieces assembled	RAL 7021 PU 2 pieces assembled		
1	6	357	553	500	26230-070	25230-070	-	-	27230-115
2	6	357	553	600	26230-120	25230-120	-	-	
3	9	456	553	500	26230-071	25230-071	-	-	27230-115
4	9	456	553	600	26230-121	25230-121	-	-	
5	12	589	553	500	26230-072	25230-072	26230-222	25230-222	27230-115
6	12	589	553	600	26230-122	25230-122	26230-272	25230-272	
7	12	589	553	800	26230-172	25230-172	26230-322	25230-322	
8	12	589	553	900	26230-113	25230-113	26230-067	25230-067	27230-115
9	12	589	553	1000	26230-114	25230-114	26230-068	25230-068	
10	16	767	553	500	26230-073	25230-073	26230-223	25230-223	27230-115
11	16	767	553	600	26230-123	25230-123	26230-273	25230-273	
12	16	767	553	800	26230-173	25230-173	26230-323	25230-323	
13	16	767	553	900	26230-115	25230-115	26230-069	25230-069	
14	16	767	553	1000	26230-116	25230-116	26230-080	25230-080	27230-115
15	20	945	553	500	26230-074	25230-074	26230-224	25230-224	
16	20	945	553	600	26230-124	25230-124	26230-274	25230-274	27230-115
17	20	945	553	800	26230-174	25230-174	26230-324	25230-324	
18	20	945	553	900	26230-117	25230-117	26230-103	25230-103	
19	20	945	553	1000	26230-118	25230-118	26230-104	25230-104	27230-115
20	25	1167	553	500	26230-075	25230-075	26230-225	25230-225	
21	25	1167	553	600	26230-125	25230-125	26230-275	25230-275	27230-115
22	25	1167	553	800	26230-175	25230-175	26230-325	25230-325	
23	25	1167	553	900	26230-119	25230-119	26230-105	25230-105	
24	25	1167	553	1000	26230-130	25230-130	26230-106	25230-106	
25	34	1567	553	500	26230-076	25230-076	26230-226	25230-226	27230-115
26	34	1567	553	600	26230-126	25230-126	26230-276	25230-276	
27	34	1567	553	800	26230-176	25230-176	26230-326	25230-326	
28	34	1567	553	900	26230-131	25230-131	26230-107	25230-107	27230-115
29	34	1567	553	1000	26230-132	25230-132	26230-108	25230-108	
30	38	1745	553	500	26230-077	25230-077	26230-227	25230-227	27230-115
31	38	1745	553	600	26230-127	25230-127	26230-277	25230-277	
32	38	1745	553	800	26230-177	25230-177	26230-327	25230-327	
33	38	1745	553	900	26230-133	25230-133	26230-109	25230-109	
34	38	1745	553	1000	26230-134	25230-134	26230-110	25230-110	27230-115
35	43	1967	553	500	26230-078	25230-078	26230-228	25230-228	
36	43	1967	553	600	26230-128	25230-128	26230-278	25230-278	27230-115
37	43	1967	553	800	26230-178	25230-178	26230-328	25230-328	
38	43	1967	553	900	26230-135	25230-135	26230-111	25230-111	
39	43	1967	553	1000	26230-136	25230-136	26230-112	25230-112	27230-115
40	47	2145	553	500	26230-079	25230-079	26230-229	25230-229	
41	47	2145	553	600	26230-129	25230-129	26230-279	25230-279	27230-115
42	47	2145	553	800	26230-179	25230-179	26230-329	25230-329	
43	47	2145	553	900	26230-137	25230-137	26230-040	25230-040	
44	47	2145	553	1000	26230-138	25230-138	26230-041	25230-041	

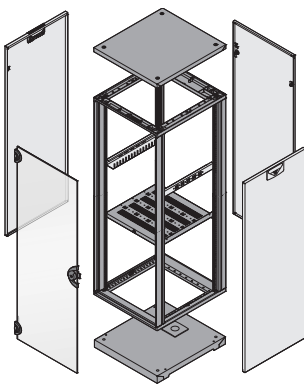
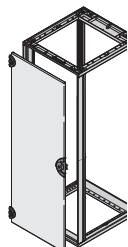
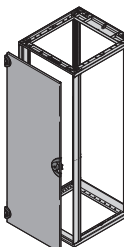
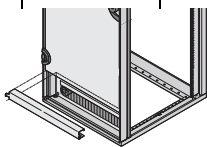
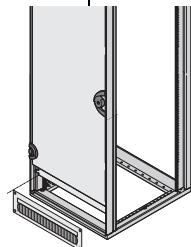
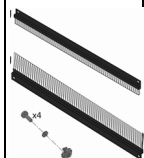
Cabinets – Novastar Service Plus

Glass doors, steel doors

					Steel door	Steel door Perforated	Glazed door	Glass door			
					 <small>07011060 07011088</small> St, 1.5 mm, lock (2233x) with 1 key, opening angle 180°, incl. GND/earthing	 <small>07014078</small> St, 1.5 mm, perforated, opening angle 180°, lock with key (2233X), incl. grounding	 <small>07011060 07014054</small> Door frame, Al, 2 mm, acrylic glass, 2 mm, safety lock with 2 keys	 <small>07011059</small> opening angle 180°, lock with key, glass type: ESG 6 mm, EN 12150			
					Cabinet dimensions				RAL 7035	RAL 7021	RAL 7035
No.	Height U	Width mm	Depth mm		1 piece assembled	1 piece assembled	1 piece assembled	1 piece assembled	1 piece assembled		
1	6	357	553	500	26230-020	25230-020	26230-081	25230-081	26230-092	25230-092	27230-001
2	6	357	553	600							
3	9	456	553	500	26230-021	25230-021	26230-082	25230-082	26230-093	25230-093	27230-002
4	9	456	553	600							
5	12	589	553	500							
6	12	589	553	600							
7	12	589	553	800	26230-022	25230-022	26230-083	25230-083	26230-094	25230-094	27230-003
8	12	589	553	900							
9	12	589	553	1000							
10	16	767	553	500							
11	16	767	553	600							
12	16	767	553	800	26230-023	25230-023	26230-084	25230-084	26230-095	25230-095	27230-004
13	16	767	553	900							
14	16	767	553	1000							
15	20	945	553	500							
16	20	945	553	600							
17	20	945	553	800	26230-024	25230-024	26230-085	25230-085	26230-096	25230-096	27230-005
18	20	945	553	900							
19	20	945	553	1000							
20	25	1167	553	500							
21	25	1167	553	600							
22	25	1167	553	800	26230-025	25230-025	26230-086	25230-086	26230-097	25230-097	27230-006
23	25	1167	553	900							
24	25	1167	553	1000							
25	34	1567	553	500							
26	34	1567	553	600							
27	34	1567	553	800	26230-026	25230-026	26230-087	25230-087	26230-098	25230-098	27230-007
28	34	1567	553	900							
29	34	1567	553	1000							
30	38	1745	553	500							
31	38	1745	553	600							
32	38	1745	553	800	26230-027	25230-027	26230-088	25230-088	26230-099	25230-099	27230-008
33	38	1745	553	900							
34	38	1745	553	1000							
35	43	1967	553	500							
36	43	1967	553	600							
37	43	1967	553	800	26230-028	25230-028	26230-089	25230-089	26230-100	25230-100	27230-009
38	43	1967	553	900							
39	43	1967	553	1000							
40	47	2145	553	500							
41	47	2145	553	600							
42	47	2145	553	800	26230-029	25230-029	26230-090	25230-090	26230-101	25230-101	27230-010
43	47	2145	553	900							
44	47	2145	553	1000							

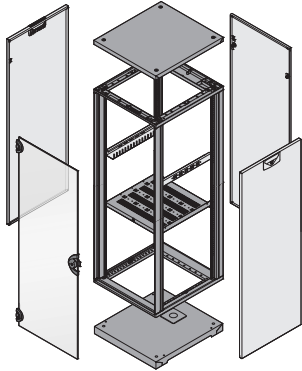
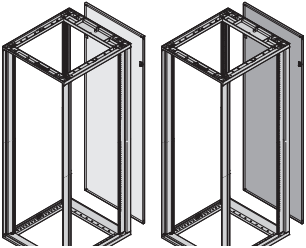
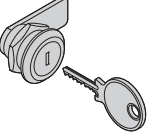
Cabinets – Novastar Service Plus

Cable ducting for steel doors

					Cable ducting for steel door with door hinge bracket and frame											
					Steel door		Door hinge bracket for doors			Cable ducting frame						
					RAL 7035	RAL 7021	Slim-Line front	Slim-Line rear, Heavy-Duty front/rear, Universal rear	Heavy-Duty Universal front	RAL 7035 screw fixed	RAL 7021 screw fixed	RAL 7021 clipped				
					 07011060		 07011088		 07011061			 07011061			 07016073	
					St, 1.5 mm, lock (2233x) with 1 key, opening angle 180, incl. GND/earthing		door hinge bracket, St, 2 mm, RAL 7021; mounts above or below the door; requires 1 U assembly space Heavy-Duty Universal: Short 19" planes are required to mount the door hinge bracket, see page 1.272			St, 2.5 mm, with black brush strip 1) Height 3 U 2) Height 4 U						
No.	Cabinet dimensions			RAL 7035 1 piece assembled	RAL 7021 1 piece assembled	33 mm 1 piece assembled	60 mm 1 piece assembled	60 mm 1 piece assembled	RAL 7035 1 piece assembled	RAL 7021 1 piece assembled	RAL 7021 1 piece assembled					
	Height U	Width mm	Depth mm													
1	6	357	553	500	-	-	-	-	-	-	-					
2	6	357	553	600	-	-	-	-	-	-	-					
3	9	456	553	500	-	-	-	-	-	-	-					
4	9	456	553	600	-	-	-	-	-	-	-					
5	12	589	553	500	-	-	-	-	-	-	-					
6	12	589	553	600	-	-	-	-	-	-	-					
7	12	589	553	800	-	-	-	-	-	-	-					
8	12	589	553	900	-	-	-	-	-	-	-					
9	12	589	553	1000	-	-	-	-	-	-	-					
10	16	767	553	500	-	-	-	-	-	-	-					
11	16	767	553	600	26230-022	25230-022	27230-060	27230-061	27230-098	20118-391	20118-796	27230-160				
12	16	767	553	800	-	-	-	-	-	-	-	-				
13	16	767	553	900	-	-	-	-	-	-	-	-				
14	16	767	553	1000	-	-	-	-	-	-	-	-				
15	20	945	553	500	-	-	-	-	-	-	-	-				
16	20	945	553	600	26230-023	25230-023	27230-060	27230-061	27230-098	20118-391	20118-796	27230-160				
17	20	945	553	800	-	-	-	-	-	-	-	-				
18	20	945	553	900	-	-	-	-	-	-	-	-				
19	20	945	553	1000	-	-	-	-	-	-	-	-				
20	25	1167	553	500	-	-	-	-	-	-	-	-				
21	25	1167	553	600	26230-024	25230-024	27230-060	27230-061	27230-098	20118-390	20118-797	27230-161				
22	25	1167	553	800	-	-	-	-	-	-	-	-				
23	25	1167	553	900	-	-	-	-	-	-	-	-				
24	25	1167	553	1000	-	-	-	-	-	-	-	-				
25	34	1567	553	500	-	-	-	-	-	-	-	-				
26	34	1567	553	600	26230-030	25230-030	27230-060	27230-061	27230-098	20118-390	20118-797	27230-161				
27	34	1567	553	800	-	-	-	-	-	-	-	-				
28	34	1567	553	900	-	-	-	-	-	-	-	-				
29	34	1567	553	1000	-	-	-	-	-	-	-	-				
30	38	1745	553	500	-	-	-	-	-	-	-	-				
31	38	1745	553	600	26230-026	25230-026	27230-060	27230-061	27230-098	20118-391	20118-796	27230-160				
32	38	1745	553	800	-	-	-	-	-	-	-	-				
33	38	1745	553	900	-	-	-	-	-	-	-	-				
34	38	1745	553	1000	-	-	-	-	-	-	-	-				
35	43	1967	553	500	-	-	-	-	-	-	-	-				
36	43	1967	553	600	26230-027	25230-027	27230-060	27230-061	27230-098	20118-390	20118-797	27230-161				
37	43	1967	553	800	-	-	-	-	-	-	-	-				
38	43	1967	553	900	-	-	-	-	-	-	-	-				
39	43	1967	553	1000	-	-	-	-	-	-	-	-				
40	47	2145	553	500	-	-	-	-	-	-	-	-				
41	47	2145	553	600	26230-028	25230-028	27230-060	27230-061	27230-098	20118-391	20118-796	27230-160				
42	47	2145	553	800	-	-	-	-	-	-	-	-				
43	47	2145	553	900	-	-	-	-	-	-	-	-				
44	47	2145	553	1000	-	-	-	-	-	-	-	-				

Cabinets – Novastar Service Plus

Rear panels

					Rear panel		Rear panel with cable ducting		Rear panel lock
					 <p>07011057 07011064</p> <p>St, 1 mm; 2 twist-locking catches (Torx T30, with 1/4 turn); incl. GND/earthing</p>		 <p>07011058 07011067</p> <p>St, 1 mm; 2 twist-locking catches (Torx T30, with 1/4 turn), incl. GND/earthing, cable ducting and door hinge bracket; cable ducting can be fitted at top or bottom, 3 U cable ducting for cabinet height 16, 20, 38, 47 U; 4 U cable ducting for cabinet height 25, 34, 43 U</p>		 <p>0701107</p> <p>2 rear panel catches with lock (2233x locking), 2 keys; suitable for a rear panel</p>
No.	Cabinet dimensions			RAL 7035	RAL 7021	RAL 7035	RAL 7021	PU 1 kit assembled	
	U	mm	mm	1 piece assembled	1 piece assembled	PU 1 kit assembled	PU 1 kit assembled		
1	6	357	553	500					
2	6	357	553	600	26230-370	25230-370	-	-	27230-116
3	9	456	553	500					
4	9	456	553	600	26230-371	25230-371	-	-	27230-116
5	12	589	553	500					
6	12	589	553	600					
7	12	589	553	800	26230-372	25230-372	-	-	27230-116
8	12	589	553	900					
9	12	589	553	1000					
10	16	767	553	500					
11	16	767	553	600					
12	16	767	553	800	26230-373	25230-373	26230-430	25230-430	27230-116
13	16	767	553	900					
14	16	767	553	1000					
15	20	945	553	500					
16	20	945	553	600					
17	20	945	553	800	26230-374	25230-374	26230-434	25230-434	27230-116
18	20	945	553	900					
19	20	945	553	1000					
20	25	1167	553	500					
21	25	1167	553	600					
22	25	1167	553	800	26230-375	25230-375	26230-439	25230-439	27230-116
23	25	1167	553	900					
24	25	1167	553	1000					
25	34	1567	553	500					
26	34	1567	553	600					
27	34	1567	553	800	26230-376	25230-376	26230-448	25230-448	27230-116
28	34	1567	553	900					
29	34	1567	553	1000					
30	38	1745	553	500					
31	38	1745	553	600					
32	38	1745	553	800	26230-377	25230-377	26230-452	25230-452	27230-116
33	38	1745	553	900					
34	38	1745	553	1000					
35	43	1967	553	500					
36	43	1967	553	600					
37	43	1967	553	800	26230-378	25230-378	26230-457	25230-457	27230-116
38	43	1967	553	900					
39	43	1967	553	1000					
40	47	2145	553	500					
41	47	2145	553	600					
42	47	2145	553	800	26230-379	25230-379	26230-461	25230-461	27230-116
43	47	2145	553	900					
44	47	2145	553	1000					

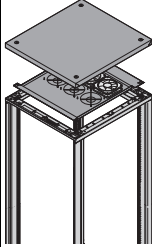
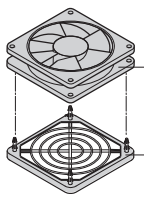
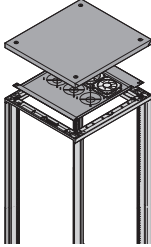
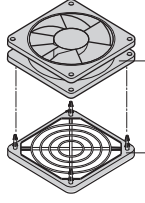
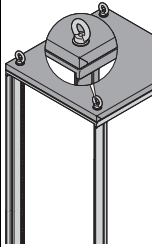
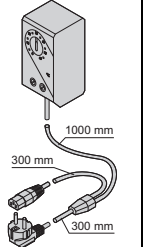
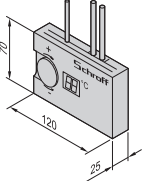
Cabinets – Novastar Service Plus

Top covers

					Top cover flush		Top cover raised		Raised top cover, load-carrying capacity 50 kg	
					Flush	Lifting eye	Raised	Lifting eye		
					<p>07011063</p> <p>St, 1 mm, RAL 7021, incl. GND/earthing</p>	<p>07011071</p> <p>for flush cover; M12, application and load to DIN 582</p>	<p>07011064</p> <p>St, 1 mm, RAL 7021, incl. GND/earthing, height 31 mm, air gap 10 mm</p>	<p>07011072</p> <p>for raised cover or fan top cover; M12, application and load to DIN 582</p>	<p>07016077</p> <p>St, 1.5 mm, RAL 7021, incl. GND/earthing, height 31 mm, air gap 10 mm, roof mounting from the inside (outside no screws)</p>	
					No.	Height U	Width mm	Depth mm	1 piece assembled	PU 4 pieces assembled
1	6	357	553	500	25230-001	27230-066	25230-010	27230-065	25230-039	
2	6	357	553	600	25230-002		25230-011		25230-038	
3	9	456	553	500	25230-001	27230-066	25230-010	27230-065	25230-039	
4	9	456	553	600	25230-002		25230-011		25230-038	
5	12	589	553	500	25230-001	27230-066	25230-010	27230-065	25230-039	
6	12	589	553	600	25230-002		25230-011		25230-038	
7	12	589	553	800	25230-003		25230-012		25230-037	
8	12	589	553	900	25230-043		25230-045		25230-141	
9	12	589	553	1000	25230-044		25230-046		25230-142	
10	16	767	553	500	25230-001		25230-010		27230-065	25230-039
11	16	767	553	600	25230-002		25230-011			25230-038
12	16	767	553	800	25230-003		25230-012			25230-037
13	16	767	553	900	25230-043		25230-045			25230-141
14	16	767	553	1000	25230-044	25230-046	25230-142	25230-142		
15	20	945	553	500	25230-001	27230-066	25230-010	27230-065	25230-039	
16	20	945	553	600	25230-002		25230-011		25230-038	
17	20	945	553	800	25230-003		25230-012		25230-037	
18	20	945	553	900	25230-043		25230-045		25230-141	
19	20	945	553	1000	25230-044		25230-046		25230-142	
20	25	1167	553	500	25230-001	27230-066	25230-010	27230-065	25230-039	
21	25	1167	553	600	25230-002		25230-011		25230-038	
22	25	1167	553	800	25230-003		25230-012		25230-037	
23	25	1167	553	900	25230-043		25230-045		25230-141	
24	25	1167	553	1000	25230-044		25230-046		25230-142	
25	34	1567	553	500	25230-001	27230-066	25230-010	27230-065	25230-039	
26	34	1567	553	600	25230-002		25230-011		25230-038	
27	34	1567	553	800	25230-003		25230-012		25230-037	
28	34	1567	553	900	25230-043		25230-045		25230-141	
29	34	1567	553	1000	25230-044		25230-046		25230-142	
30	38	1745	553	500	25230-001	27230-066	25230-010	27230-065	25230-039	
31	38	1745	553	600	25230-002		25230-011		25230-038	
32	38	1745	553	800	25230-003		25230-012		25230-037	
33	38	1745	553	900	25230-043		25230-045		25230-141	
34	38	1745	553	1000	25230-044		25230-046		25230-142	
35	43	1967	553	500	25230-001	27230-066	25230-010	27230-065	25230-039	
36	43	1967	553	600	25230-002		25230-011		25230-038	
37	43	1967	553	800	25230-003		25230-012		25230-037	
38	43	1967	553	900	25230-043		25230-045		25230-141	
39	43	1967	553	1000	25230-044		25230-046		25230-142	
40	47	2145	553	500	25230-001	27230-066	25230-010	27230-065	25230-039	
41	47	2145	553	600	25230-002		25230-011		25230-038	
42	47	2145	553	800	25230-003		25230-012		25230-037	
43	47	2145	553	900	25230-043		25230-045		25230-141	
44	47	2145	553	1000	25230-044		25230-046		25230-142	

Cabinets – Novastar Service Plus

Fan top covers, lifting eye, thermostat, speed controller

				Fan top cover (fan height 25 mm)		Fan top cover (fan height 38 mm)		Lifting eye	Thermostat	Speed control
				Fan top cover with fans	Fan 84 ... 90 m ³	Fan top cover with fans	Fan 162 ... 172 m ³			
										
				07011082 St, RAL 7021, incl. GND/earthing and cabling; 2 fans for 500 mm depth, 4 cover caps; 3 fans for 600/800 mm depth, 3 cover caps; 0.5 m connector cable, IEC C14 plug	07011082 axial fan with protective grille, 230 V _{AC} , 8 W, 84 ... 90 m ³ /h, 29 ... 30 dB(A), height 25 mm; please order separately if additional fans are required	07011082 St, RAL 7021, incl. GND/earthing and cabling; 2 fans for 500 mm depth, 1 cover cap, 3 fans for 600/800 mm depth, 3 cover caps; 0.5 m connector cable, IEC C14 plug	07011082 axial fan with protective grille, 230 V _{AC} , 15 W, 162 ... 172 m ³ /h, 37 ... 41 dB(A), height 38 mm; please order separately if additional fans are required	07011072 for raised cover or fan top cover; M12, application and load to DIN 582	01108052 with mains cable 230 V _{AC} (SCHUKO/UTE plug/IEC 60320 C13 socket), adjustment range 0 ... 60°C	01105055 fully wired, 90 ... 264 V _{AC} , input SCHUKO/UTE plug, outlet IEC 60320 C13 socket; external NTC sensor 1.5 m
Cabinet dimensions				PU 1 kit assembled	1 piece assembled	PU 1 kit assembled	1 piece assembled	PU 4 pieces assembled	1 piece assembled	1 piece assembled
No.	Height U	Width mm	Depth mm							
1	6	357	553	500	27230-081		27230-085			
2	6	357	553	600	27230-082	27230-077	27230-086	27230-078	27230-065	60715-005
3	9	456	553	500	27230-081		27230-085			
4	9	456	553	600	27230-082	27230-077	27230-086	27230-078	27230-065	60715-005
5	12	589	553	500	27230-081		27230-085			
6	12	589	553	600	27230-082		27230-086			
7	12	589	553	800	27230-083	27230-077	27230-087	27230-078	27230-065	60715-005
8	12	589	553	900	27230-094		27230-096			
9	12	589	553	1000	27230-095		27230-097			
10	16	767	553	500	27230-081		27230-085			
11	16	767	553	600	27230-082		27230-086			
12	16	767	553	800	27230-083	27230-077	27230-087	27230-078	27230-065	60715-005
13	16	767	553	900	27230-094		27230-096			
14	16	767	553	1000	27230-095		27230-097			
15	20	945	553	500	27230-081		27230-085			
16	20	945	553	600	27230-082		27230-086			
17	20	945	553	800	27230-083	27230-077	27230-087	27230-078	27230-065	60715-005
18	20	945	553	900	27230-094		27230-096			
19	20	945	553	1000	27230-095		27230-097			
20	25	1167	553	500	27230-081		27230-085			
21	25	1167	553	600	27230-082		27230-086			
22	25	1167	553	800	27230-083	27230-077	27230-087	27230-078	27230-065	60715-005
23	25	1167	553	900	27230-094		27230-096			
24	25	1167	553	1000	27230-095		27230-097			
25	34	1567	553	500	27230-081		27230-085			
26	34	1567	553	600	27230-082		27230-086			
27	34	1567	553	800	27230-083	27230-077	27230-087	27230-078	27230-065	60715-005
28	34	1567	553	900	27230-094		27230-096			
29	34	1567	553	1000	27230-095		27230-097			
30	38	1745	553	500	27230-081		27230-085			
31	38	1745	553	600	27230-082		27230-086			
32	38	1745	553	800	27230-083	27230-077	27230-087	27230-078	27230-065	60715-005
33	38	1745	553	900	27230-094		27230-096			
34	38	1745	553	1000	27230-095		27230-097			
35	43	1967	553	500	27230-081		27230-085			
36	43	1967	553	600	27230-082		27230-086			
37	43	1967	553	800	27230-083	27230-077	27230-087	27230-078	27230-065	60715-005
38	43	1967	553	900	27230-094		27230-096			
39	43	1967	553	1000	27230-095		27230-097			
40	47	2145	553	500	27230-081		27230-085			
41	47	2145	553	600	27230-082		27230-086			
42	47	2145	553	800	27230-083	27230-077	27230-087	27230-078	27230-065	60715-005
43	47	2145	553	900	27230-094		27230-096			
44	47	2145	553	1000	27230-095		27230-097			

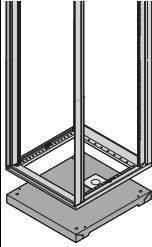
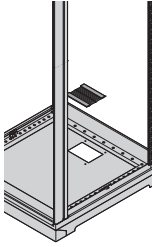
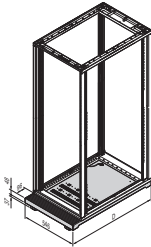
Cabinets – Novastar Service Plus

Floors

					Base plates					Base plate, reinforced, with cable ducting	
					Base plate, rear open	Cover plate	Cover plate Perforated	Cover plate Filter mat	Brush strip	Base plate	Brush strip
					07011073 St, 1.5 mm, RAL 7021, incl. GND/earthing; cable ducting in rear area of cabinet; please order cover or brush strip separately	07011073 St, 1.5 mm, 485 x 92 mm; to cover the rear floor opening	07016052 St, 1.5 mm, 485 x 92 mm; to cover the rear floor opening	07016052 St, 1 mm, 485 x 92 mm; to cover the rear floor opening	07011073 Nylon, black, 440 x 98 mm; to cover the rear floor opening	07016059 St, 1.5 mm, RAL 7021; cable ducting opening, perforated, width 370 mm, depth 50 mm	07016060 Nylon, black, width 370 mm, depth 50 mm; for covering the rear floor opening
No.	Cabinet dimensions			1 piece assembled	1 piece assembled	1 piece assembled	1 piece assembled	1 piece assembled	1 piece assembled	1 piece montiert	
	Height	Width	Depth								
	U	mm	mm	mm							
1	6	357	553	500	27230-188					25230-149	
2	6	357	553	600	27230-189	27230-114	27230-254	27230-255	27230-079	25230-150	27230-055
3	9	456	553	500	27230-188					25230-149	
4	9	456	553	600	27230-189	27230-114	27230-254	27230-255	27230-079	25230-150	27230-055
5	12	589	553	500	27230-188					25230-149	
6	12	589	553	600	27230-189					25230-150	
7	12	589	553	800	27230-190	27230-114	27230-254	27230-255	27230-079	25230-151	27230-055
8	12	589	553	900	27230-191					25230-152	
9	12	589	553	1000	27230-192					25230-153	
10	16	767	553	500	27230-188					25230-149	
11	16	767	553	600	27230-189					25230-150	
12	16	767	553	800	27230-190	27230-114	27230-254	27230-255	27230-079	25230-151	27230-055
13	16	767	553	900	27230-191					25230-152	
14	16	767	553	1000	27230-192					25230-153	
15	20	945	553	500	27230-188					25230-149	
16	20	945	553	600	27230-189					25230-150	
17	20	945	553	800	27230-190	27230-114	27230-254	27230-255	27230-079	25230-151	27230-055
18	20	945	553	900	27230-191					25230-152	
19	20	945	553	1000	27230-192					25230-153	
20	25	1167	553	500	27230-188					25230-149	
21	25	1167	553	600	27230-189					25230-150	
22	25	1167	553	800	27230-190	27230-114	27230-254	27230-255	27230-079	25230-151	27230-055
23	25	1167	553	900	27230-191					25230-152	
24	25	1167	553	1000	27230-192					25230-153	
25	34	1567	553	500	27230-188					25230-149	
26	34	1567	553	600	27230-189					25230-150	
27	34	1567	553	800	27230-190	27230-114	27230-254	27230-255	27230-079	25230-151	27230-055
28	34	1567	553	900	27230-191					25230-152	
29	34	1567	553	1000	27230-192					25230-153	
30	38	1745	553	500	27230-188					25230-149	
31	38	1745	553	600	27230-189					25230-150	
32	38	1745	553	800	27230-190	27230-114	27230-254	27230-255	27230-079	25230-151	27230-055
33	38	1745	553	900	27230-191					25230-152	
34	38	1745	553	1000	27230-192					25230-153	
35	43	1967	553	500	27230-188					25230-149	
36	43	1967	553	600	27230-189					25230-150	
37	43	1967	553	800	27230-190	27230-114	27230-254	27230-255	27230-079	25230-151	27230-055
38	43	1967	553	900	27230-191					25230-152	
39	43	1967	553	1000	27230-192					25230-153	
40	47	2145	553	500	27230-188					25230-149	
41	47	2145	553	600	27230-189					25230-150	
42	47	2145	553	800	27230-190	27230-114	27230-254	27230-255	27230-079	25230-151	27230-055
43	47	2145	553	900	27230-191					25230-152	
44	47	2145	553	1000	27230-192					25230-153	

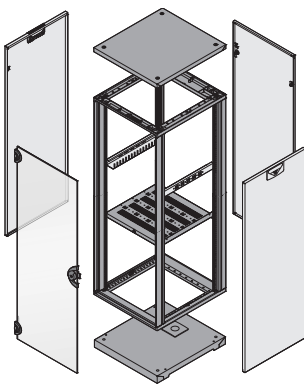
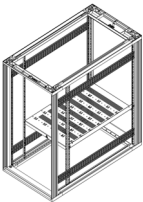
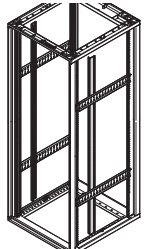


Cabinets – Novastar Service Plus

Base/plinth

				Bases/plinths		Mobile bases/ plinths
				With cable ducting	Brush strip	
						
				07011075 St, 1.5 mm, RAL 7021, height 55 mm; incl. GND/ earthing; cable ducting 110 x 76 mm; adjustable feet, adjustable height range 57 mm ... 67 mm	07011077 Nylon, black, 110 mm x 76 mm; to cover cable through-ducting opening	07011113 St, 2 mm, fine-grooved mat, 3 mm, 4 castors, load-carrying capacity 200 kg
Cabinet dimensions				1 piece assembled	1 piece assembled	1 piece assembled
No.	U	Height mm	Width mm	Depth mm		
1	6	357	553	500	27230-070	27230-146
2	6	357	553	600	27230-071	27230-147
3	9	456	553	500	27230-070	27230-146
4	9	456	553	600	27230-071	27230-147
5	12	589	553	500	27230-070	27230-146
6	12	589	553	600	27230-071	27230-147
7	12	589	553	800	27230-072	27230-148
8	12	589	553	900	27230-076	-
9	12	589	553	1000	27230-080	-
10	16	767	553	500	27230-070	27230-146
11	16	767	553	600	27230-071	27230-147
12	16	767	553	800	27230-072	27230-148
13	16	767	553	900	27230-076	-
14	16	767	553	1000	27230-080	-
15	20	945	553	500	27230-070	27230-146
16	20	945	553	600	27230-071	27230-147
17	20	945	553	800	27230-072	27230-148
18	20	945	553	900	27230-076	-
19	20	945	553	1000	27230-080	-
20	25	1167	553	500	27230-070	27230-146
21	25	1167	553	600	27230-071	27230-147
22	25	1167	553	800	27230-072	27230-148
23	25	1167	553	900	27230-076	-
24	25	1167	553	1000	27230-080	-
25	34	1567	553	500	27230-070	27230-146
26	34	1567	553	600	27230-071	27230-147
27	34	1567	553	800	27230-072	27230-148
28	34	1567	553	900	27230-076	-
29	34	1567	553	1000	27230-080	-
30	38	1745	553	500	27230-070	27230-146
31	38	1745	553	600	27230-071	27230-147
32	38	1745	553	800	27230-072	27230-148
33	38	1745	553	900	27230-076	-
34	38	1745	553	1000	27230-080	-
35	43	1967	553	500	27230-070	27230-146
36	43	1967	553	600	27230-071	27230-147
37	43	1967	553	800	27230-072	27230-148
38	43	1967	553	900	27230-076	-
39	43	1967	553	1000	27230-080	-
40	47	2145	553	500	27230-070	27230-146
41	47	2145	553	600	27230-071	27230-147
42	47	2145	553	800	27230-072	27230-148
43	47	2145	553	900	27230-076	-
44	47	2145	553	1000	27230-080	-

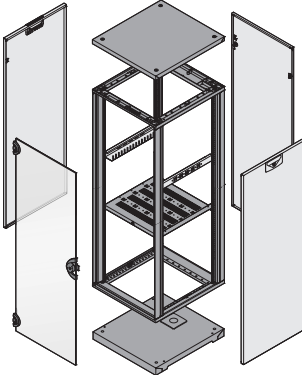
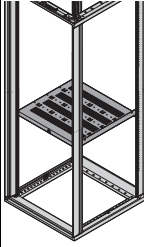
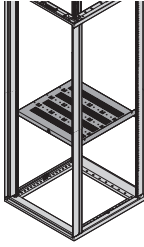
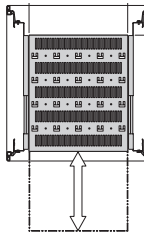
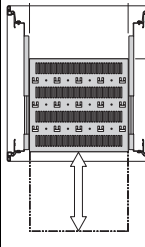
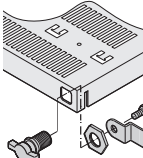
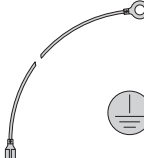
Cabinets – Novastar Service Plus

19" panel/slide mounts, depth members, shelves

No.	Cabinet dimensions				PU 2 pieces assembled	PU 2 pieces assembled	19" plane for universal upright	
	Height U	Width mm	Depth mm	Depth mm			3 U	4 U
							PU 2 pieces assembled	PU 2 pieces assembled
					 <small>07011114</small> St, 1,5 mm, finish ALZn; for mounting 19" pitch profiles	 <small>07011111</small> 19" panel/slide mounts with universal perforation grid (EIA)	 <small>07016070</small> St, 2 mm, RAL 7021	 <small>07011114</small>
1	6	357	553	500	27230-167	27230-172	27230-162	27230-163
2	6	357	553	600	27230-168			
3	9	456	553	500	27230-167	27230-173	27230-162	27230-163
4	9	456	553	600	27230-168			
5	12	589	553	500	27230-167			
6	12	589	553	600	27230-168			
7	12	589	553	800	27230-169	27230-174	27230-162	27230-163
8	12	589	553	900	27230-170			
9	12	589	553	1000	27230-171			
10	16	767	553	500	27230-167			
11	16	767	553	600	27230-168			
12	16	767	553	800	27230-169	27230-175	27230-162	27230-163
13	16	767	553	900	27230-170			
14	16	767	553	1000	27230-171			
15	20	945	553	500	27230-167			
16	20	945	553	600	27230-168			
17	20	945	553	800	27230-169	27230-176	27230-162	27230-163
18	20	945	553	900	27230-170			
19	20	945	553	1000	27230-171			
20	25	1167	553	500	27230-167			
21	25	1167	553	600	27230-168			
22	25	1167	553	800	27230-169	27230-177	27230-162	27230-163
23	25	1167	553	900	27230-170			
24	25	1167	553	1000	27230-171			
25	34	1567	553	500	27230-167			
26	34	1567	553	600	27230-168			
27	34	1567	553	800	27230-169	27230-178	27230-162	27230-163
28	34	1567	553	900	27230-170			
29	34	1567	553	1000	27230-171			
30	38	1745	553	500	27230-167			
31	38	1745	553	600	27230-168			
32	38	1745	553	800	27230-169	27230-179	27230-162	27230-163
33	38	1745	553	900	27230-170			
34	38	1745	553	1000	27230-171			
35	43	1967	553	500	27230-167			
36	43	1967	553	600	27230-168			
37	43	1967	553	800	27230-169	27230-180	27230-162	27230-163
38	43	1967	553	900	27230-170			
39	43	1967	553	1000	27230-171			
40	47	2145	553	500	27230-167			
41	47	2145	553	600	27230-168			
42	47	2145	553	800	27230-169	27230-181	27230-162	27230-163
43	47	2145	553	900	27230-170			
44	47	2145	553	1000	27230-171			

Cabinets – Novastar Service Plus

Shelves

				Stationary shelf		Shelf, stationary for server		Telescopic shelf, 2 U, 70 kg		T-bar lock	GND/earthing		
								Full depth	Shortened by 100 mm				
				 <p style="text-align: center;">07011077 St, 1.5 mm, RAL 7021, with perforation, static load-carrying capacity 75 kg</p>		 <p style="text-align: center;">07011077 St, 1.5 mm, RAL 7021, with perforation, static load-carrying capacity 75 kg</p>		 <p style="text-align: center;">07011011 St, 1.5 mm, RAL 7021, static load-carrying capacity when fully extended 70 kg, incl. telescopic slide; please order T-bar lock and GND/earthing kit separately</p>		 <p style="text-align: center;">07011022</p>		 <p style="text-align: center;">01004125 to lock the telescopic shelf</p>	 <p style="text-align: center;">aza43284 for telescopic shelf</p>
								No.	U	Height mm	Width mm	Depth mm	1 piece assembled
1	6	357	553	500	27230-051	–	21130-357	21130-358	–	–	–		
2	6	357	553	600	27230-052	–	21130-353	21130-352	23130-092	21120-189			
3	9	456	553	500	27230-051	–	21130-357	21130-358	–	–			
4	9	456	553	600	27230-052	–	21130-353	21130-352	23130-092	21120-189			
5	12	589	553	500	27230-051	–	21130-357	21130-358	–	–			
6	12	589	553	600	27230-052	–	21130-353	21130-352	–	–			
7	12	589	553	800	27230-053	–	21130-355	21130-354	23130-092	21120-189			
8	12	589	553	900	27230-088	27230-165	27230-108	–	–	–			
9	12	589	553	1000	27230-089	27230-165	27230-109	–	–	–			
10	16	767	553	500	27230-051	–	21130-357	21130-358	–	–			
11	16	767	553	600	27230-052	–	21130-353	21130-352	–	–			
12	16	767	553	800	27230-053	–	21130-355	21130-354	23130-092	21120-189			
13	16	767	553	900	27230-088	27230-165	27230-108	–	–	–			
14	16	767	553	1000	27230-089	27230-165	27230-109	–	–	–			
15	20	945	553	500	27230-051	–	21130-357	21130-358	–	–			
16	20	945	553	600	27230-052	–	21130-353	21130-352	–	–			
17	20	945	553	800	27230-053	–	21130-355	21130-354	23130-092	21120-189			
18	20	945	553	900	27230-088	27230-165	27230-108	–	–	–			
19	20	945	553	1000	27230-089	27230-165	27230-109	–	–	–			
20	25	1167	553	500	27230-051	–	21130-357	21130-358	–	–			
21	25	1167	553	600	27230-052	–	21130-353	21130-352	–	–			
22	25	1167	553	800	27230-053	–	21130-355	21130-354	23130-092	21120-189			
23	25	1167	553	900	27230-088	27230-165	27230-108	–	–	–			
24	25	1167	553	1000	27230-089	27230-165	27230-109	–	–	–			
25	34	1567	553	500	27230-051	–	21130-357	21130-358	–	–			
26	34	1567	553	600	27230-052	–	21130-353	21130-352	–	–			
27	34	1567	553	800	27230-053	–	21130-355	21130-354	23130-092	21120-189			
28	34	1567	553	900	27230-088	27230-165	27230-108	–	–	–			
29	34	1567	553	1000	27230-089	27230-165	27230-109	–	–	–			
30	38	1745	553	500	27230-051	–	21130-357	21130-358	–	–			
31	38	1745	553	600	27230-052	–	21130-353	21130-352	–	–			
32	38	1745	553	800	27230-053	–	21130-355	21130-354	23130-092	21120-189			
33	38	1745	553	900	27230-088	27230-165	27230-108	–	–	–			
34	38	1745	553	1000	27230-089	27230-165	27230-109	–	–	–			
35	43	1967	553	500	27230-051	–	21130-357	21130-358	–	–			
36	43	1967	553	600	27230-052	–	21130-353	21130-352	–	–			
37	43	1967	553	800	27230-053	–	21130-355	21130-354	23130-092	21120-189			
38	43	1967	553	900	27230-088	27230-165	27230-108	–	–	–			
39	43	1967	553	1000	27230-089	27230-165	27230-109	–	–	–			
40	47	2145	553	500	27230-051	–	21130-357	21130-358	–	–			
41	47	2145	553	600	27230-052	–	21130-353	21130-352	–	–			
42	47	2145	553	800	27230-053	–	21130-355	21130-354	23130-092	21120-189			
43	47	2145	553	900	27230-088	27230-165	27230-108	–	–	–			
44	47	2145	553	1000	27230-089	27230-165	27230-109	–	–	–			

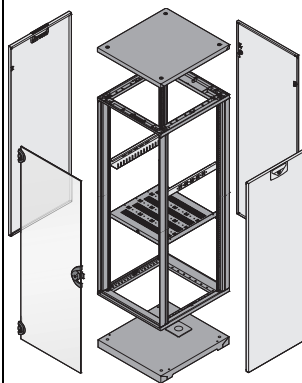
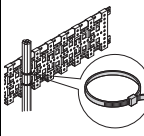
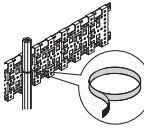




Cabinets – Novastar Service Plus

Slide rails

					Slide rail					
					Slide rail	Heavy-load slide rail	Heavy-load slide rail for server	Short slide rail		
					 <small>07011078</small>	 <small>07011078</small>	 <small>07011078</small>	 <small>ERA46348</small> <small>sc96xxxx</small>		
					St, 1.5 mm, finish ALZn, static load-carrying capacity 25 kg/pair	St, 1.5 mm, finish ALZn, static load-carrying capacity 50 kg/pair		St, 1.5 mm, finish ALZn, static load-carrying capacity 15 kg/pair		
No.	Cabinet dimensions			PU 2 pieces assembled	PU 2 pieces assembled	PU 2 pieces assembled	PU 2 pieces enclosed loose	PU 10 pieces enclosed loose		
	Height U	Width mm	Depth mm							
1	6	357	553	500	27230-102	25230-013	–	27230-184	27230-185	
2	6	357	553	600	27230-103	25230-014	–	27230-184	27230-185	
3	9	456	553	500	27230-102	25230-013	–	27230-184	27230-185	
4	9	456	553	600	27230-103	25230-014	–	27230-184	27230-185	
5	12	589	553	500	27230-102	25230-013	–	27230-184	27230-185	
6	12	589	553	600	27230-103	25230-014	–	27230-184	27230-185	
7	12	589	553	800	27230-104	25230-015	–	27230-184	27230-185	
8	12	589	553	900	27230-105	25230-145	25230-148	27230-184	27230-185	
9	12	589	553	1000	27230-106	25230-146	25230-148	27230-184	27230-185	
10	16	767	553	500	27230-102	25230-013	–	27230-184	27230-185	
11	16	767	553	600	27230-103	25230-014	–	27230-184	27230-185	
12	16	767	553	800	27230-104	25230-015	–	27230-184	27230-185	
13	16	767	553	900	27230-105	25230-145	25230-148	27230-184	27230-185	
14	16	767	553	1000	27230-106	25230-146	25230-148	27230-184	27230-185	
15	20	945	553	500	27230-102	25230-013	–	27230-184	27230-185	
16	20	945	553	600	27230-103	25230-014	–	27230-184	27230-185	
17	20	945	553	800	27230-104	25230-015	–	27230-184	27230-185	
18	20	945	553	900	27230-105	25230-145	25230-148	27230-184	27230-185	
19	20	945	553	1000	27230-106	25230-146	25230-148	27230-184	27230-185	
20	25	1167	553	500	27230-102	25230-013	–	27230-184	27230-185	
21	25	1167	553	600	27230-103	25230-014	–	27230-184	27230-185	
22	25	1167	553	800	27230-104	25230-015	–	27230-184	27230-185	
23	25	1167	553	900	27230-105	25230-145	25230-148	27230-184	27230-185	
24	25	1167	553	1000	27230-106	25230-146	25230-148	27230-184	27230-185	
25	34	1567	553	500	27230-102	25230-013	–	27230-184	27230-185	
26	34	1567	553	600	27230-103	25230-014	–	27230-184	27230-185	
27	34	1567	553	800	27230-104	25230-015	–	27230-184	27230-185	
28	34	1567	553	900	27230-105	25230-145	25230-148	27230-184	27230-185	
29	34	1567	553	1000	27230-106	25230-146	25230-148	27230-184	27230-185	
30	38	1745	553	500	27230-102	25230-013	–	27230-184	27230-185	
31	38	1745	553	600	27230-103	25230-014	–	27230-184	27230-185	
32	38	1745	553	800	27230-104	25230-015	–	27230-184	27230-185	
33	38	1745	553	900	27230-105	25230-145	25230-148	27230-184	27230-185	
34	38	1745	553	1000	27230-106	25230-146	25230-148	27230-184	27230-185	
35	43	1967	553	500	27230-102	25230-013	–	27230-184	27230-185	
36	43	1967	553	600	27230-103	25230-014	–	27230-184	27230-185	
37	43	1967	553	800	27230-104	25230-015	–	27230-184	27230-185	
38	43	1967	553	900	27230-105	25230-145	25230-148	27230-184	27230-185	
39	43	1967	553	1000	27230-106	25230-146	25230-148	27230-184	27230-185	
40	47	2145	553	500	27230-102	25230-013	–	27230-184	27230-185	
41	47	2145	553	600	27230-103	25230-014	–	27230-184	27230-185	
42	47	2145	553	800	27230-104	25230-015	–	27230-184	27230-185	
43	47	2145	553	900	27230-105	25230-145	25230-148	27230-184	27230-185	
44	47	2145	553	1000	27230-106	25230-146	25230-148	27230-184	27230-185	

Cabinets – Novastar Service Plus

Cable ties, Velcro-type tape

				Cable tie	Velcro	General components																																																																																																																																																																																																																																																																																																																					
				 01005078 plastic, 92 mm x 2.5 mm;	 01005079 black, length 300 mm,	General components Mechanics  from page 3.2 Electrics  from page 3.30 Power distribution  from page 3.35 Climate control  from page 4.0																																																																																																																																																																																																																																																																																																																					
							Cabinet dimensions <table border="1"> <thead> <tr> <th>No.</th> <th>U</th> <th>Height mm</th> <th>Width mm</th> <th>Depth mm</th> <th>PU 25 pieces supplied loose</th> <th>PU 10 pieces supplied loose</th> </tr> </thead> <tbody> <tr><td>1</td><td>6</td><td>357</td><td>553</td><td>500</td><td>20118-351</td><td>20118-624</td></tr> <tr><td>2</td><td>6</td><td>357</td><td>553</td><td>600</td><td></td><td></td></tr> <tr><td>3</td><td>9</td><td>456</td><td>553</td><td>500</td><td>20118-351</td><td>20118-624</td></tr> <tr><td>4</td><td>9</td><td>456</td><td>553</td><td>600</td><td></td><td></td></tr> <tr><td>5</td><td>12</td><td>589</td><td>553</td><td>500</td><td></td><td></td></tr> <tr><td>6</td><td>12</td><td>589</td><td>553</td><td>600</td><td>20118-351</td><td>20118-624</td></tr> <tr><td>7</td><td>12</td><td>589</td><td>553</td><td>800</td><td></td><td></td></tr> <tr><td>8</td><td>12</td><td>589</td><td>553</td><td>900</td><td></td><td></td></tr> <tr><td>9</td><td>12</td><td>589</td><td>553</td><td>1000</td><td></td><td></td></tr> <tr><td>10</td><td>16</td><td>767</td><td>553</td><td>500</td><td></td><td></td></tr> <tr><td>11</td><td>16</td><td>767</td><td>553</td><td>600</td><td>20118-351</td><td>20118-624</td></tr> <tr><td>12</td><td>16</td><td>767</td><td>553</td><td>800</td><td></td><td></td></tr> <tr><td>13</td><td>16</td><td>767</td><td>553</td><td>900</td><td></td><td></td></tr> <tr><td>14</td><td>16</td><td>767</td><td>553</td><td>1000</td><td></td><td></td></tr> <tr><td>15</td><td>20</td><td>945</td><td>553</td><td>500</td><td></td><td></td></tr> <tr><td>16</td><td>20</td><td>945</td><td>553</td><td>600</td><td>20118-351</td><td>20118-624</td></tr> <tr><td>17</td><td>20</td><td>945</td><td>553</td><td>800</td><td></td><td></td></tr> <tr><td>18</td><td>20</td><td>945</td><td>553</td><td>900</td><td></td><td></td></tr> <tr><td>19</td><td>20</td><td>945</td><td>553</td><td>1000</td><td></td><td></td></tr> <tr><td>20</td><td>25</td><td>1167</td><td>553</td><td>500</td><td></td><td></td></tr> <tr><td>21</td><td>25</td><td>1167</td><td>553</td><td>600</td><td>20118-351</td><td>20118-624</td></tr> <tr><td>22</td><td>25</td><td>1167</td><td>553</td><td>800</td><td></td><td></td></tr> <tr><td>23</td><td>25</td><td>1167</td><td>553</td><td>900</td><td></td><td></td></tr> <tr><td>24</td><td>25</td><td>1167</td><td>553</td><td>1000</td><td></td><td></td></tr> <tr><td>25</td><td>34</td><td>1567</td><td>553</td><td>500</td><td></td><td></td></tr> <tr><td>26</td><td>34</td><td>1567</td><td>553</td><td>600</td><td>20118-351</td><td>20118-624</td></tr> <tr><td>27</td><td>34</td><td>1567</td><td>553</td><td>800</td><td></td><td></td></tr> <tr><td>28</td><td>34</td><td>1567</td><td>553</td><td>900</td><td></td><td></td></tr> <tr><td>29</td><td>34</td><td>1567</td><td>553</td><td>1000</td><td></td><td></td></tr> <tr><td>30</td><td>38</td><td>1745</td><td>553</td><td>500</td><td></td><td></td></tr> <tr><td>31</td><td>38</td><td>1745</td><td>553</td><td>600</td><td>20118-351</td><td>20118-624</td></tr> <tr><td>32</td><td>38</td><td>1745</td><td>553</td><td>800</td><td></td><td></td></tr> <tr><td>33</td><td>38</td><td>1745</td><td>553</td><td>900</td><td></td><td></td></tr> <tr><td>34</td><td>38</td><td>1745</td><td>553</td><td>1000</td><td></td><td></td></tr> <tr><td>35</td><td>43</td><td>1967</td><td>553</td><td>500</td><td></td><td></td></tr> <tr><td>36</td><td>43</td><td>1967</td><td>553</td><td>600</td><td>20118-351</td><td>20118-624</td></tr> <tr><td>37</td><td>43</td><td>1967</td><td>553</td><td>800</td><td></td><td></td></tr> <tr><td>38</td><td>43</td><td>1967</td><td>553</td><td>900</td><td></td><td></td></tr> <tr><td>39</td><td>43</td><td>1967</td><td>553</td><td>1000</td><td></td><td></td></tr> <tr><td>40</td><td>47</td><td>2145</td><td>553</td><td>500</td><td></td><td></td></tr> <tr><td>41</td><td>47</td><td>2145</td><td>553</td><td>600</td><td>20118-351</td><td>20118-624</td></tr> <tr><td>42</td><td>47</td><td>2145</td><td>553</td><td>800</td><td></td><td></td></tr> <tr><td>43</td><td>47</td><td>2145</td><td>553</td><td>900</td><td></td><td></td></tr> <tr><td>44</td><td>47</td><td>2145</td><td>553</td><td>1000</td><td></td><td></td></tr> </tbody> </table>	No.	U	Height mm	Width mm	Depth mm	PU 25 pieces supplied loose	PU 10 pieces supplied loose	1	6	357	553	500	20118-351	20118-624	2	6	357	553	600			3	9	456	553	500	20118-351	20118-624	4	9	456	553	600			5	12	589	553	500			6	12	589	553	600	20118-351	20118-624	7	12	589	553	800			8	12	589	553	900			9	12	589	553	1000			10	16	767	553	500			11	16	767	553	600	20118-351	20118-624	12	16	767	553	800			13	16	767	553	900			14	16	767	553	1000			15	20	945	553	500			16	20	945	553	600	20118-351	20118-624	17	20	945	553	800			18	20	945	553	900			19	20	945	553	1000			20	25	1167	553	500			21	25	1167	553	600	20118-351	20118-624	22	25	1167	553	800			23	25	1167	553	900			24	25	1167	553	1000			25	34	1567	553	500			26	34	1567	553	600	20118-351	20118-624	27	34	1567	553	800			28	34	1567	553	900			29	34	1567	553	1000			30	38	1745	553	500			31	38	1745	553	600	20118-351	20118-624	32	38	1745	553	800			33	38	1745	553	900			34	38	1745	553	1000			35	43	1967	553	500			36	43	1967	553	600	20118-351	20118-624	37	43	1967	553	800			38	43	1967	553	900			39	43	1967	553	1000			40	47	2145	553	500			41	47	2145	553	600	20118-351	20118-624	42	47	2145	553	800			43	47	2145	553	900		
No.	U	Height mm	Width mm	Depth mm	PU 25 pieces supplied loose	PU 10 pieces supplied loose																																																																																																																																																																																																																																																																																																																					
1	6	357	553	500	20118-351	20118-624																																																																																																																																																																																																																																																																																																																					
2	6	357	553	600																																																																																																																																																																																																																																																																																																																							
3	9	456	553	500	20118-351	20118-624																																																																																																																																																																																																																																																																																																																					
4	9	456	553	600																																																																																																																																																																																																																																																																																																																							
5	12	589	553	500																																																																																																																																																																																																																																																																																																																							
6	12	589	553	600	20118-351	20118-624																																																																																																																																																																																																																																																																																																																					
7	12	589	553	800																																																																																																																																																																																																																																																																																																																							
8	12	589	553	900																																																																																																																																																																																																																																																																																																																							
9	12	589	553	1000																																																																																																																																																																																																																																																																																																																							
10	16	767	553	500																																																																																																																																																																																																																																																																																																																							
11	16	767	553	600	20118-351	20118-624																																																																																																																																																																																																																																																																																																																					
12	16	767	553	800																																																																																																																																																																																																																																																																																																																							
13	16	767	553	900																																																																																																																																																																																																																																																																																																																							
14	16	767	553	1000																																																																																																																																																																																																																																																																																																																							
15	20	945	553	500																																																																																																																																																																																																																																																																																																																							
16	20	945	553	600	20118-351	20118-624																																																																																																																																																																																																																																																																																																																					
17	20	945	553	800																																																																																																																																																																																																																																																																																																																							
18	20	945	553	900																																																																																																																																																																																																																																																																																																																							
19	20	945	553	1000																																																																																																																																																																																																																																																																																																																							
20	25	1167	553	500																																																																																																																																																																																																																																																																																																																							
21	25	1167	553	600	20118-351	20118-624																																																																																																																																																																																																																																																																																																																					
22	25	1167	553	800																																																																																																																																																																																																																																																																																																																							
23	25	1167	553	900																																																																																																																																																																																																																																																																																																																							
24	25	1167	553	1000																																																																																																																																																																																																																																																																																																																							
25	34	1567	553	500																																																																																																																																																																																																																																																																																																																							
26	34	1567	553	600	20118-351	20118-624																																																																																																																																																																																																																																																																																																																					
27	34	1567	553	800																																																																																																																																																																																																																																																																																																																							
28	34	1567	553	900																																																																																																																																																																																																																																																																																																																							
29	34	1567	553	1000																																																																																																																																																																																																																																																																																																																							
30	38	1745	553	500																																																																																																																																																																																																																																																																																																																							
31	38	1745	553	600	20118-351	20118-624																																																																																																																																																																																																																																																																																																																					
32	38	1745	553	800																																																																																																																																																																																																																																																																																																																							
33	38	1745	553	900																																																																																																																																																																																																																																																																																																																							
34	38	1745	553	1000																																																																																																																																																																																																																																																																																																																							
35	43	1967	553	500																																																																																																																																																																																																																																																																																																																							
36	43	1967	553	600	20118-351	20118-624																																																																																																																																																																																																																																																																																																																					
37	43	1967	553	800																																																																																																																																																																																																																																																																																																																							
38	43	1967	553	900																																																																																																																																																																																																																																																																																																																							
39	43	1967	553	1000																																																																																																																																																																																																																																																																																																																							
40	47	2145	553	500																																																																																																																																																																																																																																																																																																																							
41	47	2145	553	600	20118-351	20118-624																																																																																																																																																																																																																																																																																																																					
42	47	2145	553	800																																																																																																																																																																																																																																																																																																																							
43	47	2145	553	900																																																																																																																																																																																																																																																																																																																							
44	47	2145	553	1000																																																																																																																																																																																																																																																																																																																							

Appendix – Order notes

Packaging units

A packaging unit (PU) - e.g. carton, bag - contains the stated quantity. If you order the quantity 1, you will automatically receive the quantity defined as PU.

Example: EMC textile gasket
See page 5.22
Part number 21101-853

Quantity (per part number): 10 pieces

Order quantity: Delivery quantity:

1	10 pieces
2	20 pieces
3	30 pieces

Standard pack quantity (SPQ)

Please take into consideration that deliveries may be carried out in the stated SPQs (SPQ, e.g. 5 pieces, 10 pieces, 50 pieces, etc.). Differing order quantities (e.g. 2 pieces) may be changed to the next possible delivery quantity = Standard Pack Quantity (in this case 10 pieces).

Example: Front horizontal rail
See page 5.31
Part number 34560-228

Quantity (per part number): 1 piece
Standard pack quantity (SPQ): 10 pieces

Order quantity: Delivery quantity:

≤ 10	10 pieces
> 10 ≤ 20	20 pieces
> 20 ≤ 30	30 pieces

Price list

Our price list is available by e-mail from your customer consultant. Please find all contact details at www.schroff.biz/contact.

Delivery times

Part numbers in bold face type are ready for despatch within 2 working days; part numbers in normal type are ready for despatch within 10 working days.

Always up-to-date

Please visit our website www.schroff.biz where we continuously inform about news and technical changes.

Business relations

Schroff is exclusively operating in Business to Business (B2B). Private individuals can buy Schroff products via our sales representatives (see www.schroff.biz/contact).

Quick links

Catalogue request: www.schroff.biz/catalogues

Product configurators: www.schroff.biz/conf

Contact details: www.schroff.biz/contact

Product search: www.schroff.biz/oneclick

Front Panel Express: www.frontpanelexpress.eu

VARISTAR: www.varistar.co.uk

Railway technology: www.schroff.co.uk/railway

IT Infrastructure: www.schroff.co.uk/datacom

Responsible for contents and print

Schroff GmbH, Marketing Communication,
D-75334 Straubenhardt, Germany

The data in this catalogue have been thoroughly edited and checked - in assistance with an accredited Quality Management System in accordance with EN ISO 9001:2008.

Faults and spelling mistakes, but mainly changes due to improvements and further developments of our products are subject to change. There is no possibility to claim indemnity/compensation.

Cabinets	Overview.....	1.0	LHX 20/40 Air/water heat exchangers.....	1.224	1
	Varistar Cabinet platform.....	1.2	LHX 3 Air/water heat exchangers.....	1.236	
	Varistar Electronics.....	1.10	Novastar.....	1.240	
	Varistar EMC.....	1.54	Eurorack.....	1.270	
	Varistar Seismic.....	1.84	Outdoor.....	1.316	
	Varistar MIL.....	1.120	Etsirack.....	1.346	
	Varistar Data/network systems.....	1.124	19" lab racks.....	1.354	
	Varistar Containment.....	1.202	PROLINE.....	1.362	
Wall mounted case	Overview.....	2.0			2
	Epcase.....	2.36			
	LAN wall-mounted distributors.....	2.46			
Cabinet and wall-mounted case accessories	Overview.....	3.0	Monitors, keyboards, monitoring.....	3.44	3
	Mechanics.....	3.2	Socket strips.....	3.50	
	Telescopic slides.....	3.24	Power control socket strips.....	3.72	
	Electrical.....	3.29			
Climate control	Overview.....	4.0	Accessories.....	4.58	4
	Cooling concepts/service.....	4.2			
	19" fan trays.....	4.4			
	Air filtered fans.....	4.20			
Desktop enclosures	Overview.....	5.0	Comptec.....	5.100	5
	RatiopacPRO.....	5.6	Accessories.....	5.108	
	PropacPRO.....	5.44	Interscale.....	5.200	
	CompacPRO.....	5.76	Minipac.....	5.230	
Subracks/ 19" chassis	Overview.....	6.0	EuropacPRO industrial applications.....	6.86	6
	EuropacPRO.....	6.2	EuropacPRO Rugged.....	6.92	
	EuropacPRO for railroad applications.....	6.70	MultipacPRO.....	6.112	
			Inpac.....	6.128	
Front panels, Plug-in-units, Frame type plug-in-units	Overview.....	7.0	PCB accessories.....	7.102	7
	Front panels.....	7.2			
	Plug-in units.....	7.16			
	Frame type plug-in units.....	7.64			
Systems	Overview.....	8.0	AdvancedMC modules.....	8.56	8
	AdvancedTCA.....	8.2	CompactPCI, Serial, PlusIO, PSB.....	8.68	
	AdvancedMC carriers.....	8.26	VME, VME64x, VXS, VPX.....	8.88	
	MicroTCA.....	8.36	Accessories.....	8.106	
Power supply systems	Overview.....	9.0	19" accessories.....	9.18	9
	19" AC/DC switched-mode PSUs.....	9.2	PSUs for MicroTCA.....	9.20	
	19" AC/DC linear regulators.....	9.12	PSUs for VMEbus.....	9.22	
	19" AC/DC convertors.....	9.15	PSUs for CompactPCI, VME64x.....	9.24	
Backplanes	Overview.....	10.0	VME64x, VMEbus.....	10.15	10
	CompactPCI, Serial, PlusIO.....	10.4	Power.....	10.18	
	PXI.....	10.11	Universal.....	10.19	
	VXS.....	10.14	Test adaptors.....	10.20	
Connectors, Front panel component systems	Overview.....	11.0			11
	Connectors.....	11.2			
	Front panel component system.....	11.12			
Appendix	Standards abbreviations.....	12.0			12
	Notes on ordering.....	12.10			
	Order number index.....	12.11			
	Product index.....	12.62			