



*Schroff*

# MECHANICS, ELECTRICAL

## Cabinet Accessories – Mechanics

### Front Panel Express



## FRONT PANEL EXPRESS

30402151\_e

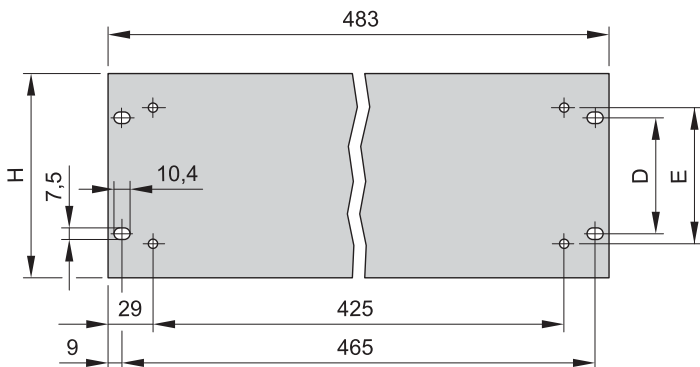
We make your front panel.  
You determine how long it takes us.

- **Simple:** You configure your front panels direct online. No registration, no program downloads. The price is displayed immediately.
- **Fast:** You specify your front panel in just a few minutes - and we manufacture it from as little as in 2 days.
- **Flexible:** You determine the quantity and manufacturing time - and thus the cost.
- **Individual:** We make the panels to your specification - mechanical processing, painting and printing.
- **Practical:** We make the job easier for you - if you wish we will also fit the accessories.

### 19" front panels with holes for handles



00592006



BZA42371

- 19" front panels have additional holes for mounting of handles

#### Delivery comprises

Item	Qty	Description
1	1	19" front panel, Al

#### Order Information

Height	H	D	E	Front panel, 4 mm, anodised	Front panel, 3 mm, pre-anodised, cut edges plain
U	mm	mm	mm	Part no.	Part no.
1	43.6	31.7	25	40304-050	30219-161
2	88.1	76.2	55	40304-051	30219-162
3	132.5	57.1	88	40304-052	30219-163
4	177.0	101.6	120	40304-053	30219-164
5	221.4	146.0	180	40304-054	30219-165
6	265.9	190.4	180	40304-055	30219-166

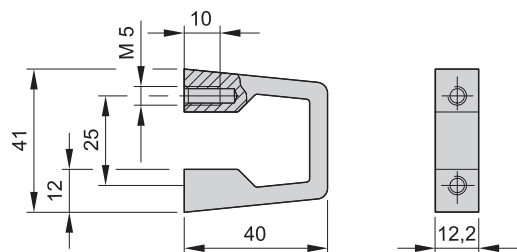
#### Note

- 19" assembly kit, see page 3.17
- Front panel processing to your instructions under [www.frontpanelexpress.eu](http://www.frontpanelexpress.eu)

## Cabinet Accessories – Mechanics

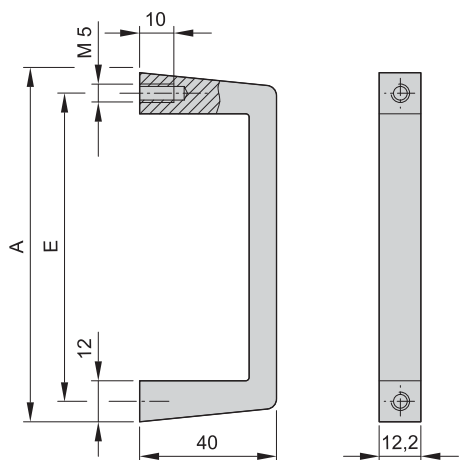
## Front handle, one-piece, width 12.2 mm

1 U



BZA42316

2 U ... 6 U



BZA42327

- Static load-carrying capacity 30 kg/pair

- Bolted from rear

## Delivery comprises

Item	Qty	Description
1	1	Front handle, Al extrusion, anodised

## Order Information

Height	A	E	clear anodised Part no.	black anodised Part no.
U	mm	mm		
1	41	25	<b>10501-116</b>	–
2	69	55	<b>10501-004</b>	<b>10501-025</b>
3	102	88	<b>10501-005</b>	<b>10501-026</b>
4	132	120	<b>10501-006</b>	<b>10501-027</b>
5	194	180	<b>10501-007</b>	<b>10501-028</b>
6	249	235	<b>10501-008</b>	<b>10501-029</b>

## Accessories

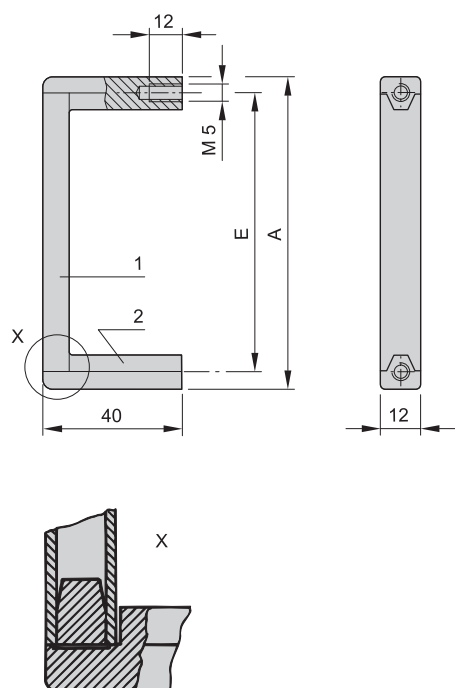
<b>Panhead screw pozidrive</b> self-locking, M5 × 12, zinc-plated, PU 100 pieces	<b>21100-788</b>
---	------------------

Delivery is exclusively in Standard Pack Quantity (SPQ): Minimum order quantity 10 front handles or a multiple thereof

## Note

- Please order panhead screws separately

## Front handle, multi-part, width 12 mm



A3-227

- Static load-carrying capacity 10 kg/pair

- In three parts, middle section in Al extrusion, end pieces in glass fibre reinforced plastic

- Bolts on from front

## Delivery comprises (kit)

Item	Qty	Description
1	1	Front handle, AL extrusion, anodised
2	2	End piece, PA, black

## Order Information

Height	A	E	Part no.
U	mm	mm	
3	102	88	<b>10502-057</b>
4	134	120	<b>10502-059</b>
5	194	180	<b>10502-063</b>
6	249	235	<b>10502-065</b>

## Accessories

<b>Panhead screw pozidrive</b> self-locking, M5 × 12, zinc-plated, PU 100 pieces	<b>21100-788</b>
---	------------------

Delivery is exclusively in Standard Pack Quantity (SPQ): Minimum order quantity 10 front handles or a multiple thereof

## Note

- Please order panhead screws separately

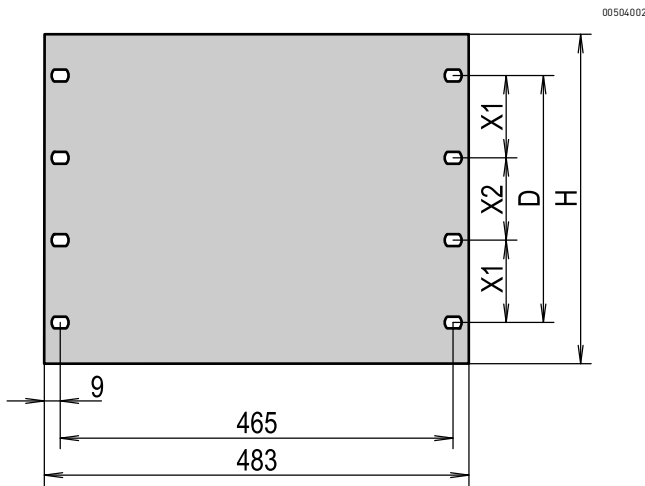
## Cabinet Accessories – Mechanics

### 19" front panels

- Al anodised, colours light grey (RAL 7035) or black grey (RAL 7021)

#### Delivery comprises

Item	Qty	Description
1	1	19" front panel, Al, 3 mm/4 mm



#### Order Information

Height	H	D	X1	X2	Mounting holes	3 mm thick, RAL 7021	3 mm thick, RAL 7035	3 mm, Al anodised, cut edges plain	4 mm, Al anodised
U	mm	mm	mm	mm	pieces	Part no.	Part no.	Part no.	Part no.
1	43.6	31.7	-	-	4	30118-948	30118-299	30219-098	40304-074
2	88.1	76.2	-	-	4	30118-949	30118-301	30219-101	40304-075
3	132.5	57.1	-	-	4	30118-950	30118-302	30219-104	40304-076
4	177.0	101.6	-	-	4	30118-951	30118-303	30219-107	40304-077
5	221.4	146.0	-	-	4	30118-952	30118-304	30219-110	40304-078
6	265.9	190.4	-	-	4	30118-953	30118-305	30219-113	40304-079
7	310.3	234.9	88.9	57.1	8	30118-954	30118-306	30219-137	40304-080
8	354.8	279.4	101.6	76.2	8	30118-955	30118-307	30219-138	40304-081
9	399.2	323.8	101.6	120.6	8	30118-956	30118-308	30219-143	40304-082
10	443.7	368.3	101.6	165.1	8	30118-957	30118-309	30219-144	40304-083
<b>Delivery: supplied loose with cabinet or frame</b>									Part no./35

#### Note

- 19" assembly kit see page 3.17
- Front panel processing to your instructions under [www.frontpanelexpress.eu](http://www.frontpanelexpress.eu)

**Cabinet Accessories – Mechanics**

**Clip-on 19" plastic front panels**



00507003



00507004

- Simple fitting by clipping onto the 19" plane
- Attractive design
- Two colors: light gray or black
- 6 U front panels can be snapped off in 1, 2 or 3 U increments without tools

**Delivery includes**

Item	Qty	Description
1	10	Clip-on 19" plastic front panels, ABS, antistatic, UL 94 V-0

**Order Information**

Height U	Height mm	Description	Part No.
1	43.6	black	<b>D19BPT1RU</b>
1	43.6	light grey	<b>87927991</b>
2	88.1	black	<b>D19BPT2RU</b>
2	88.1	light grey	<b>87927992</b>
6	270.0	black	23130-560
6	270.0	light grey	23130-561
<b>Delivery: supplied loose with cabinet or frame</b>			<b>Part no./35</b>

## Cabinet Accessories – Mechanics

### 19" vented front panel



- Al anodised, Al untreated, light grey (RAL 7035) or black grey (RAL 7021)

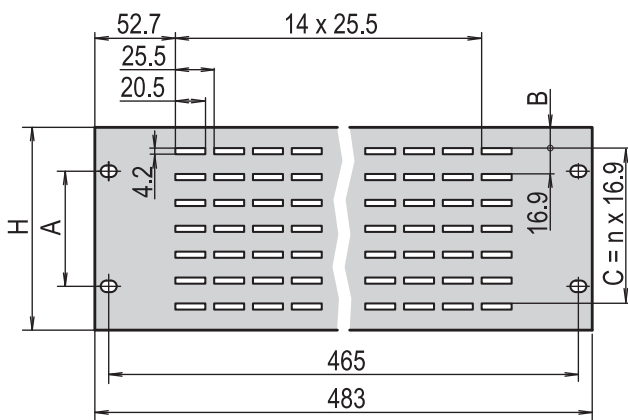
#### Delivery comprises

Item	Qty	Description
1	1	19" vented front panel, Al, 2.5 mm

#### Note

- 19" assembly kit see page 3.17

00504005



00502509

#### Order Information

Height	H	A	B	C	RAL 7021	RAL 7035	Al anodised	Al untreated
U	mm	mm	mm	mm	Part no.	Part no.	Part no.	Part no.
1	43.6	31.7	11.2	16.9	30118-962	30702-056	30702-047	30702-044
2	88.1	76.2	16.6	50.7	30118-963	30702-057	30702-048	30702-045
3	132.5	57.1	13.5	101.4	30118-964	30702-058	30702-049	30702-046

Delivery: supplied loose with cabinet or frame

Part no./35

### 19" vented front grille, 2 U



#### Delivery comprises (kit)

Item	Qty	Description
1	1	Front grille, plastic, black
2	1	Filter
3	1	Retention bracket, St, 1 mm, hot-dip aluminized

#### Order Information

Description	Part no.
19" vented front grille, 2 U	60715-049

**Accessories**

Replacement filter for 19" vented front grille 2 U, PU 3 pieces	60715-050
---	-----------

Delivery: supplied loose with cabinet or frame

Part no./35

#### Note

- 19" assembly kit see page 3.17

02892009

## Cabinet Accessories – Mechanics

### 19" front panel for cable eyes



00509001

- 19" front panel to accommodate cable eyes (to mount the eyes, insert and rotate them 45°)

#### Delivery comprises

Item	Qty	Description
1	1	19" front panel, 1 U, St, 1.5 mm

#### Order Information

Height H	Height H	RAL 7021	RAL 7035
U	mm	Part no.	Part no.
1	43.6	20118-762	20118-761
Delivery: supplied loose with cabinet or frame			Part no./35

#### Note

- Please order cable eyes separately
- 19" assembly kit, see page 3.17



00506020

41804050

Plastic cable eyes mounted on 19" front panel

### Plastic cable eye

- Simple to fit cable eyes: insert and rotate them 45°

#### Order Information

Plastic cable eye	Part no.
Depth D = 55 mm, with clip, PU 5 pieces	60118-458
Depth D = 100 mm, with clip, PU 5 pieces	60118-459
Delivery: supplied loose with cabinet or frame	Part no./35



00506019

00506050

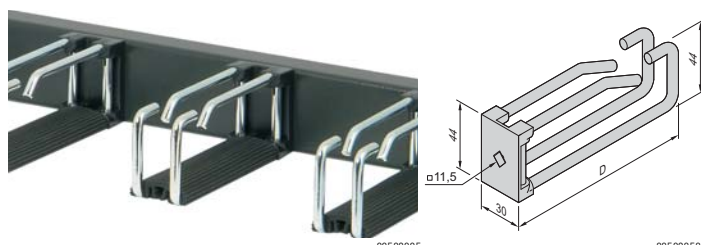
Steel cable eyes mounted on 19" front panel

### Steel cable eye

- Simple to fit cable eyes: insert and rotate them 45°

#### Order Information

Steel cable eye	Part no.
Round steel 5 mm, width 44 mm, depth 115 mm, PU 5 pieces	60118-457
Delivery: supplied loose with cabinet or frame	Part no./35



00509005

00509050

Rubber pad mounted on double steel cable eyes

### Double steel cable eye

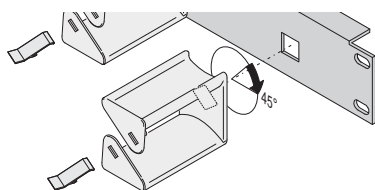
- Simple to fit cable eyes: insert and rotate them 45°

#### Order Information

Double steel cable eye	Part no.
Round steel 5 mm, width 44 mm, depth D = 80 mm, PU 5 pieces	60118-473
Round steel 5 mm, width 44 mm, depth D = 115 mm, PU 5 pieces	60118-474

#### Accessories

Rubber pad for double steel cable eye for depth D = 80 mm, PU 5 pieces	60118-475
Rubber pad for double steel cable eye for depth D = 115 mm, PU 5 pieces	60118-476
Delivery: supplied loose with cabinet or frame	Part no./35



41806051

To fix cable eye to front panel: insert and rotate it 45° (example with plastic cable eye)



## Cabinet Accessories – Mechanics

### 19" front panel with cable ducting and cable through ducting



00506016

#### Delivery comprises

Item	Qty	Description
1	2	19" front panel with integrated cable ducting, St, 1.5 mm, 78 mm deep

#### Order Information

Height U	Height mm	Description	RAL 7035 Part no.	RAL 7021 Part no.
1	43.6	2 oval cable ducting openings, 150 x 32 mm	20118-757	20118-758
2	88.1	2 oval cable ducting openings, 150 x 76 mm	20118-759	20118-760
<b>Delivery: supplied loose with cabinet or frame</b>				<b>Part no./35</b>

#### Note

- 19" assembly kit, see page 3.17

### 19" cable through ducting

- Mounting height 1 U or 2 U

#### Delivery comprises

Item	Qty	Description
1	2	19" cable ducting, St, 1.5 mm

#### Order Information

Height U	Height mm	Description	RAL 7021 Part no.	RAL 7035 Part no.
1	43.6	Cable ducting opening 27.5 x 438 mm	20118-767	20118-734
2	88.1	Cable ducting opening 72.0 x 438 mm	20118-768	20118-736
<b>Delivery: supplied loose with cabinet or frame</b>				<b>Part no./35</b>

#### Note

- 19" assembly kit see page 3.17

01696006



**Cabinet Accessories – Mechanics**

**19" cable ducting with brush strip**



01604007

- Mounting height 1 U
- No threading necessary

**Delivery comprises**

Item	Qty	Description
1	2	Al extrusion with brush strip (plastic, black), crimped

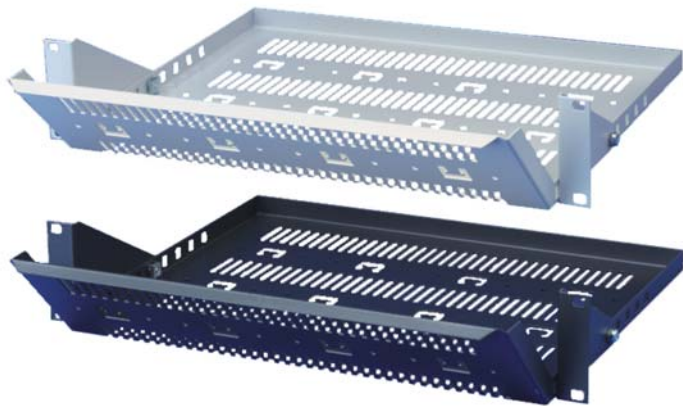
**Order Information**

Description	Part no.
19" cable ducting with brush strip	<b>60118-437</b>
<b>Delivery: supplied loose with cabinet or frame</b>	<b>Part no./35</b>

**Note**

- 19" assembly kit see page 3.17

**19" cable tray, 2 U**



00507001

- Load-carrying capacity 15 kg
- Installation height 2 U
- Depth adjustable in 25 mm grid increments, forward protrusion min. 91 mm, max. 191 mm

**Delivery comprises (Kit)**

Item	Qty	Description
1	1	19" cable tray, 2 U, St, 1.5 mm
2	2	Mounting bracket, St, 1.5 mm

**Order Information**

Width mm	Depth mm	RAL 7021 Part no.	RAL 7035 Part no.
430	450	<b>20118-795</b>	<b>20118-794</b>
<b>Delivery: supplied loose with cabinet or frame</b>			<b>Part no./35</b>

**Note**

- 19" assembly kit see page 3.17

## Cabinet Accessories – Mechanics

### Cable manager, horizontal

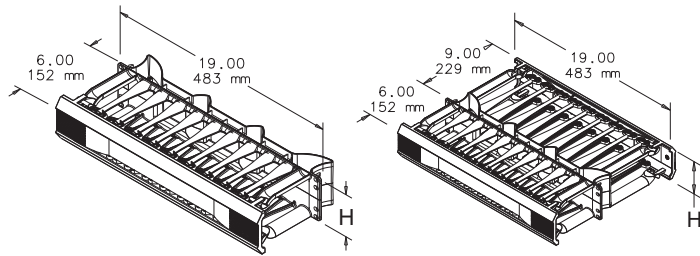


Front

40011010

Front and rear

40011006



Front

89073653

Front and rear

89073654



Application

40011009

- Excellent horizontal cable ducting for large cable volumes
- The cables are held with robust, rounded cable fingers
- Quick access to cables (cover hinges upwards, downwards or comes off completely)
- Simple to fit: clip in then screw down
- 1 and 2 U versions
- Versions for front and rear cable routing
- Optimal cabling from horizontal to vertical

### Delivery comprises

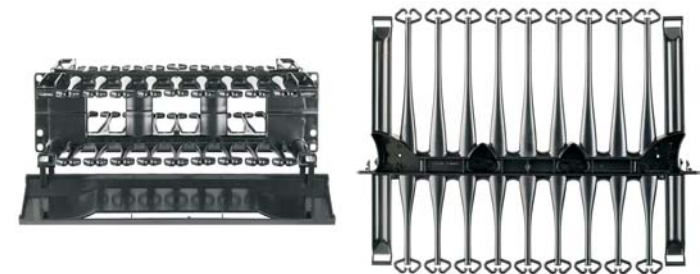
Item	Qty	Description
1	1	Cable manager, plastic, black
2	1	Fitting material with user manual

### Order Information

Description	Height H	Width	Depth	Part no.	
	U	mm	mm		
Front	1	44,5	483.00	152 mm	<b>DCHS1</b>
Front	2	88,9	483.00	152 mm	<b>DCHS2</b>
Front and rear	2	88,9	483.00	229 mm + 152 mm	<b>DCHD2</b>

### Note

- 19" assembly kit see page 3.17



Cable manager with hinged cover

40011007

Top view, cable manager with cable fingers front and rear

40011008

## Cabinet Accessories – Mechanics

## 19" equipment shelf, 1 U



00508007

- Static load-carrying capacity 5 kg
- Mounting height 1 U

## Delivery comprises

Item	Qty	Description
1	1	Equipment shelf, St, 1.5 mm

## Order Information

Width mm	Depth mm	AlZn Part no.	RAL 7021 Part no.	RAL 7035 Part no.
447	390	<b>20118-781</b>	<b>20118-782</b>	<b>20118-783</b>
Delivery: supplied loose with cabinet or frame				Part no./35

- 19" assembly kit, see page 3.17

## 19" equipment shelf, 2 U



00508003

- Static load-carrying capacity 10 kg
- Mounting height 2 U

## Delivery comprises

Item	Qty	Description
1	1	Equipment shelf, St, 1.5 mm

## Order Information

Width mm	Depth mm	RAL 7021 Part no.	RAL 7035 Part no.
447	238	<b>20118-784</b>	<b>20118-785</b>
Delivery: supplied loose with cabinet or frame			Part no./35

- 19" assembly kit, see page 3.17

## 19" equipment shelf, depth-adjustable, 2 U



00508010

- Static load-carrying capacity 15 kg
- Installation height 2 U
- Depth adjustable in 25 mm grid increments, forward protrusion min. 26 mm

## Delivery comprises (kit)

Item	Qty	Description
1	1	Equipment shelf, St, 1.5 mm
2	2	Mounting bracket with assembly kit, St, 1.5 mm

## Order Information

Width mm	Depth mm	RAL 7021 Part no.	RAL 7035 Part no.
430	250	<b>20118-786</b>	
430	300	<b>20118-787</b>	<b>20118-790</b>
430	400	<b>20118-788</b>	<b>20118-791</b>
Delivery: supplied loose with cabinet or frame			Part no./35

- 19" assembly kit, see page 3.17

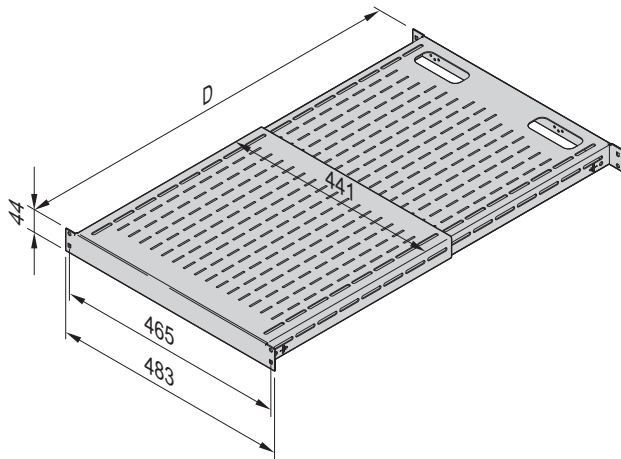
## Cabinet Accessories – Mechanics

### 19" shelf, stationary, depth-adjustable, 1 U



Shelf with variable mounting dimensions

40011016



89073664

- Static load-carrying capacity 68 kg
- Mounting height 1 U
- For mounting on four 19" posts or four 19" panel/slide mounts
- Variable mounting dimensions (depth-adjustable from 19" angle to 19" angle)
- 2 versions
  - Mounting dimensions 495 ... 851 mm
  - Mounting dimensions 792 ... 1151 mm
- 2 oval cut-outs for cable ducting
- Colour black, RAL 9005

#### Delivery comprises

Item	Qty	Description
1	1	Shelf, depth-adjustable, width 19", RAL 9005 (black); shelf is suspended on 19" upright or 19" panel/slide mount
2	1	Fitting material with user manual

#### Order Information

19" shelf, stationary, depth-adjustable, 1 U	Part no.
Mounting dimensions D 495 ... 851 mm	<b>D19FVT69B</b>
Mounting dimensions D 792 ... 1151 mm	<b>D19FVT912B</b>

#### Note

- 19" assembly kit see page 3.17

## Cabinet Accessories – Mechanics

## 19" drawer



- Height 1, 2 or 3 U
- Static load-carrying capacity 15 kg
- Optional writing surface

## Delivery comprises (assembled)

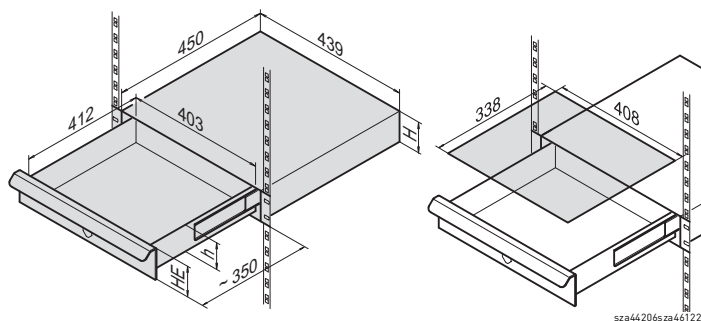
Item	Qty	Description
1	1	19" drawer with lock (2 keys)
1	2	Assembly kit

## Order Information

U	Height		Front panel	Front panel	Front panel
	mm	mm	anodised	RAL 7021	RAL 7035
			Part no.	Part no.	Part no.
1	41.6	30	<b>20110-061</b>	<b>20110-180</b>	<b>20110-054</b>
2	86.0	73	<b>20110-062</b>	<b>20110-181</b>	<b>20110-055</b>
3	130.5	117	<b>20110-063</b>	<b>20110-182</b>	<b>20110-056</b>

## Accessories

<b>Writing surface for 19" drawer</b>	St, 1 mm, RAL 7035, 1 piece	<b>20110-060</b>
<b>Delivery: supplied loose with cabinet or frame</b>		<b>Part no./35</b>



19" drawer

Writing surface

## 19" keyboard drawer, 2 U



- For keyboards up to 425 mm width, 210 mm depth, 45 mm height
- IP 40 when closed

## Delivery comprises

Item	Qty	Description
1	1	Keyboard drawer with hinged front panel, Al, anodised (incl. locking)
2	2	Telescopic slide, St, zinc-plated
3	1	Keyboard chassis, St, 2.5 mm, RAL 7030
4	2	Front horizontal rail, Al extrusion, anodised

## Order Information

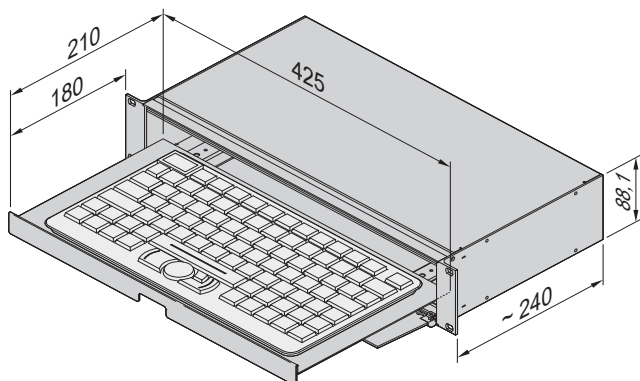
Description	Part no.
19" keyboard drawer, 2 U	<b>10822-009</b>

## Accessories

<b>Lock for 19" keyboard drawer</b>	1 × lock incl. 2 keys	<b>60126-118</b>
<b>Delivery: supplied loose with cabinet or frame</b>		<b>Part no./35</b>

## Note

- Without keyboard
- 19" assembly kit, see page 3.17



A41263



## Cabinet Accessories – Mechanics

### 19" distribution field, Cat 6



01604002

Distribution field Cat 6

- 1 U distribution field with 24 x RJ45 ports
- For use in communications networks, in accordance with ISO/IEC 11801 (as at 03/95)
- Meets the specifications for EN 50 173 (as at 07/95)
- Easy to fit thanks to dual insulation displacement technique (LSA+/110)
- Case can be opened and closed without tools, with quick-release fastener

#### Delivery comprises (assembled)

Item	Qty	Description
1	1	19" case, shielded, St, RAL 7035, 1 U, with earthing stud
2	3	Backplanes with 8 x dual insulation displacement technique for AWG 22--24 cables and 8 x RJ45 sockets
3	24	Cable ties

#### Order Information

Description	Part no.
19" distribution field, Cat 6	<b>60118-435</b>
Delivery: supplied loose with cabinet or frame	Part no./35

#### Note

- 19" assembly kit see page 3.17

### Document pocket



00506004 00506005

Steel, DIN A4

Plastic, DIN A4

- For storage of documents and circuit diagrams
- Assembly with double sided adhesive tape

#### Delivery comprises

Item	Qty	Description
1	1	Document pocket
2	1	Adhesive tape

#### Order Information

Description	Dimensions H x W x D mm	Part no.
Steel, DIN A4, RAL 7035	180 x 336 x 34	<b>21126-271</b>
Plastic, DIN A4, grey	195 x 356 x 21	<b>60100-302</b>
Plastic, DIN A3, grey	305 x 305 x 25	<b>ADP2</b>
Delivery: supplied loose with cabinet or frame		Part no./35

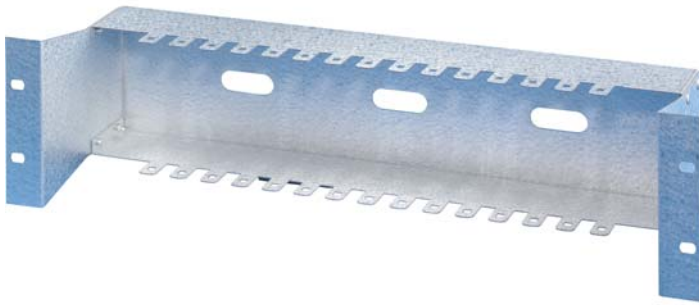


00506006

Plastic, DIN A3

## Cabinet Accessories – Mechanics

### 19" mounting tray for LSA+



00506008

- Mounting height 3 U
- For retention of up to 15 LSA+ guide rails

#### Delivery comprises (kit)

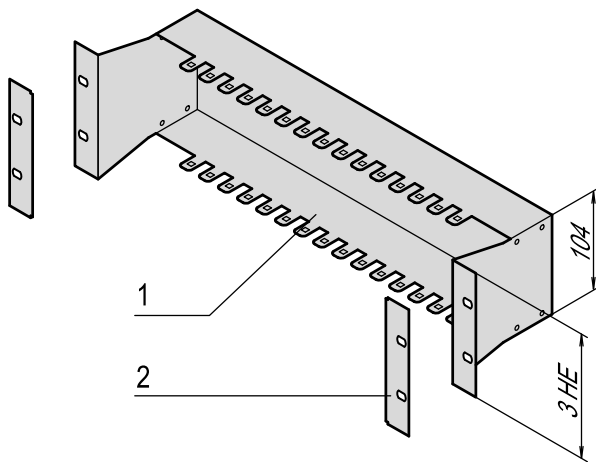
Item	Qty	Description
1	1	19" mounting tray, St, 1.5 mm, finish AlZn
2	2	Flange cover, Al, anodised

#### Order Information

Description	Part no.
19" mounting tray for LSA+	<b>21493-079</b>
Delivery: supplied loose with cabinet or frame	Part no./35

#### Note

- 19" assembly kit see page 3.17



VTA45668

### 19" mounting bracket



00506007

- Mounting height 1 U
- For fixing cable channels and system rails (e.g. LSA+ or Infra+)
- Mounting plane set back by optionally 70 or 170 mm relative to the 19" plane

#### Delivery comprises

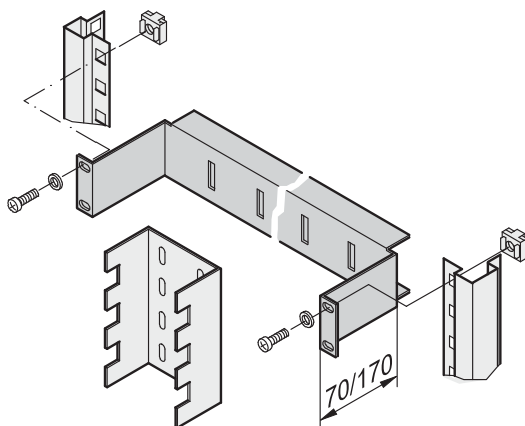
Item	Qty	Description
1	1	19" mounting bracket, St, 1.5 mm, RAL 7035

#### Order Information

Description	Depth mm	Part no.
19" mounting bracket	70	<b>30118-802</b>
19" mounting bracket	170	<b>30118-803</b>
Delivery: supplied loose with cabinet or frame		Part no./35

#### Note

- 19" assembly kit see page 3.17

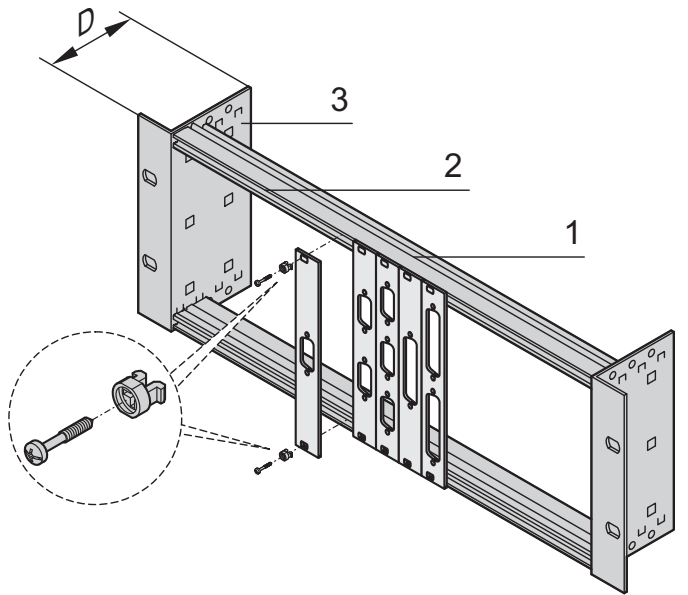


SC30



## Cabinet Accessories – Mechanics

### 19" module support, 3 U



00508057

- For assembly of partial width front panels with SUB-D-, ST type 3 or FDDI cut-outs
- Available in two versions
  - without strain relief rail
  - with strain relief rail
- Optional front panels, Al, 2.5 mm, RAL 7035

#### Delivery comprises (kit)

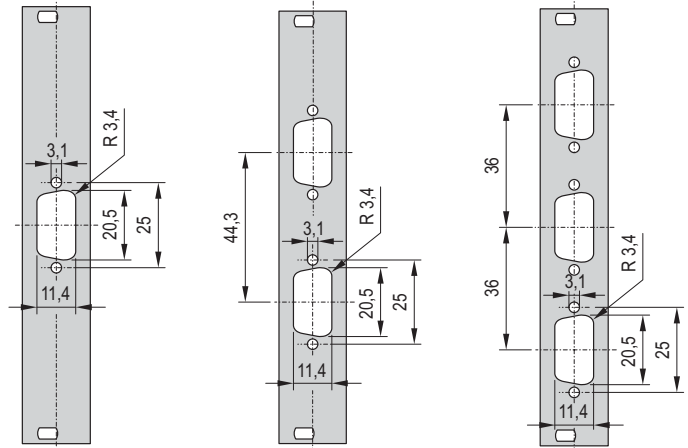
Item	Qty	Description
1	1	19" module support, 3 U, Al
2	2	Threaded inserts with thread M2.5
3	2	Gland plate, St, 1 mm, RAL 7035
4	1	Strain relief rail, St, 1.5 mm, RAL 7035 (only for version with strain relief)
5	1	Assembly kit

#### Order Information

Description	Height U	Depth D mm	Part no.
19" module support without strain relief	3	40	20118-630
19" module support with strain relief	3	115	20118-631

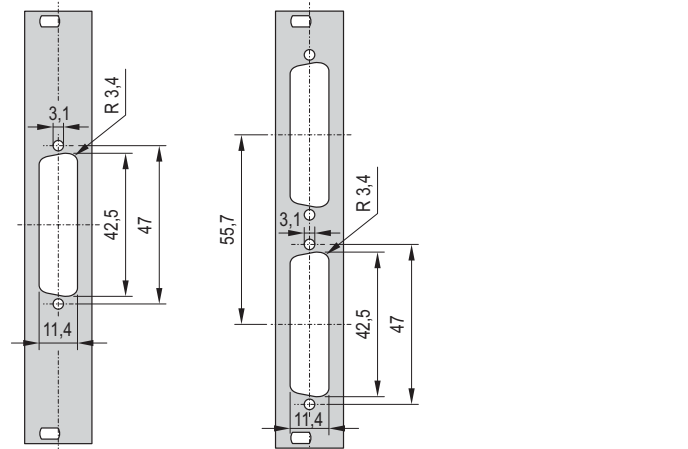
#### Accessories

Front panel 3 U, 4 HP, 1 piece	30118-328
Front panel 3 U, 7 HP, 1 piece	30118-329
Front panel 3 U, 14 HP, 1 piece	30118-330
Front panel 3 U, 28 HP, 1 piece	30118-331
Front panel Sub-D 9-pin 3 U, 4 HP, cut-out 1 x 9-pin, 1 piece	30118-338
Front panel Sub-D 9-pin 3 U, 4 HP, cut-out 2 x 9-pin, 1 piece	30118-336
Front panel Sub-D 9-pin 3 U, 4 HP, cut-out 3 x 9-pin, 1 piece	30118-332
Front panel Sub-D 25-pin 3 U, 4 HP, cut-out 1 x 25-pin, 1 piece	30118-334
Front panel Sub-D 25-pin 3 U, 4 HP, cut-out 2 x 25-pin, 1 piece	30118-335
Quick release fastener for front panel assembly, PU 100 pieces	21100-586
<b>Delivery: supplied loose with cabinet or frame</b>	<b>Part no./35</b>



005080510050805200508053

Front panel Sub-D 9-pin



0050805400508055

Front panel Sub-D 25-pin

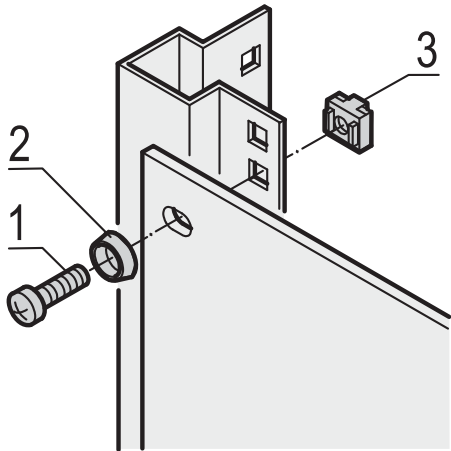
#### Note

- Please order front panels or quick-release fastener separately
- 19" assembly kit, see page 3.17
- Front panel processing to your instructions under [www.frontpanelexpress.eu](http://www.frontpanelexpress.eu)

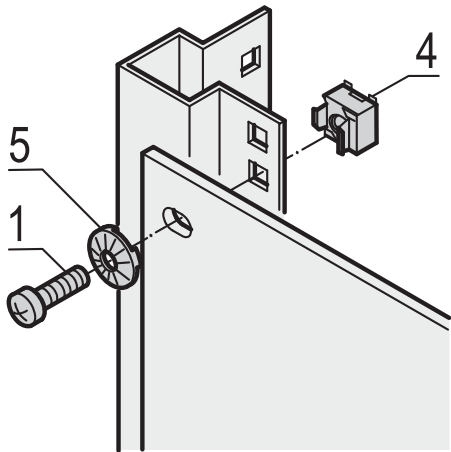
**FRONT PANEL**  
*EXPRESS*

**Cabinet Accessories – Mechanics**

**19" assembly kit M6**



Without GND/earthing



With GND/earthing

- For mounting of front panels, distribution fields or other components on the frame, slide mounts or depth members with square cut-outs
- For standard GND/earthing use a GND/earthing nut and a nomel washer on at least one attachment point

**Delivery comprises**

Item	Description
1	Panhead screw, M6 x 16, St, zinc-plated
2	Plastic washer, black
3	Cage nut, M6, St, zinc-plated
4	GND/earthing cage nut, M6, St, zinc-plated
5	Nomel washer, St, zinc-plated, internal diameter 6.1 mm, external diameter 12.2 mm

**Order Information**

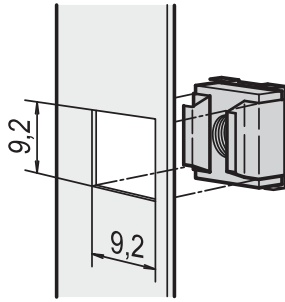
Item	Description	Qty/PU	Part no.
1+2+3	19" assembly kit (screw, washer, nut)	4	<b>21190-095</b>
1+2+3	19" assembly kit (screw, washer, nut)	32	<b>21190-435</b>
1+2+3	19" assembly kit (screw, washer, nut)	50	<b>21101-809</b>
1+2+3	19" assembly kit (screw, washer, nut)	100	<b>21101-810</b>
1	Panhead screw M6, zinc-plated	50	<b>21100-021</b>
1	Panhead screw M6, zinc-plated	100	<b>21100-022</b>
1	Panhead screw M6, zinc-plated, black	100	<b>21100-650</b>
2	Plastic washer	50	<b>21100-015</b>
2	Plastic washer	100	<b>21100-016</b>
3	Cage nut M6	50	<b>21100-003</b>
3	Cage nut M6	100	<b>21100-004</b>
4	GND/earthing cage nut M6	10	<b>21120-131</b>
4	GND/earthing cage nut M6	100	<b>21120-132</b>
5	Nomel washer for GND/earthing, M6	100	<b>21101-173</b>
<b>Delivery: supplied loose with cabinet or frame</b>			<b>Part no./35</b>

sc128

00504053

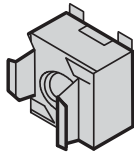
## Cabinet Accessories – Mechanics

### Cage nut M4/M5



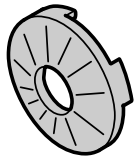
Cage nut

bza42733



GND/earthing cage nut

00503050



Nomel washer

00502512

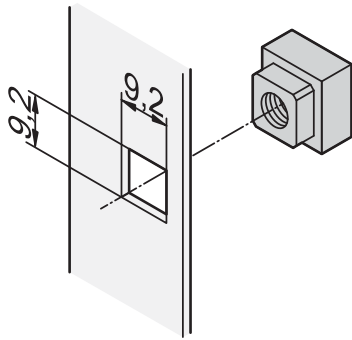
- For assembly of special parts (in square holes), which require a thread diameter of M4 or M5
- For standard GND/earthing use a GND/earthing nut and a nomel washer on at least one attachment point

#### Order Information

Description	Description	Qty/PU	Part no.
Cage nut M4	St, zinc-plated, for material thickness of 1.8 to 2.6 mm	50	<b>21100-001</b>
Cage nut M4	St, zinc-plated, for material thickness of 1.8 to 2.6 mm	100	<b>21100-002</b>
GND/earthing cage nut M4	St, zinc-plated, for material thickness 1.8 to 2.6 mm	10	<b>21120-127</b>
GND/earthing cage nut M4	St, zinc-plated, for material thickness 1.8 to 2.6 mm	100	<b>21120-128</b>
Nomel washer M4 for GND/earthing	St, zinc-plated, inner diameter 4.1 mm, external diameter 8 mm	100	<b>21120-148</b>
Cage nut M5	St, zinc-plated, for material thickness of 1.8 to 2.6 mm	50	<b>21100-215</b>
Cage nut M5	St, zinc-plated, for material thickness of 1.8 to 2.6 mm	100	<b>21100-216</b>
GND/earthing cage nut M5	St, zinc-plated, for material thickness 1.8 to 2.6 mm	10	<b>21120-129</b>
GND/earthing cage nut M5	St, zinc-plated, for material thickness 1.8 to 2.6 mm	100	<b>21120-130</b>
Nomel washer M5 for GND/earthing	St, zinc-plated, inner diameter 5.1 mm, external diameter 10.2 mm	100	<b>21120-149</b>
<b>Delivery: supplied loose with cabinet or frame</b>			<b>Part no./35</b>

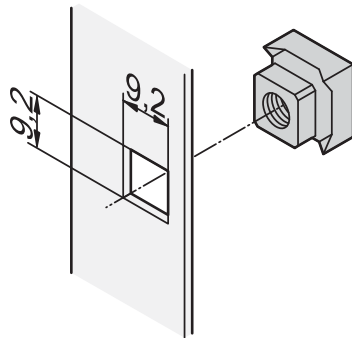
## Cabinet Accessories – Mechanics

### Square nut M6



Square nut

bza42735



Square GND/earthing nut

06704051

- For precise, anti-twist secure mounting without clearance
- For standard GND/earthing use a square GND/earthing nut and a nomel washer on at least one attachment point

### Order Information

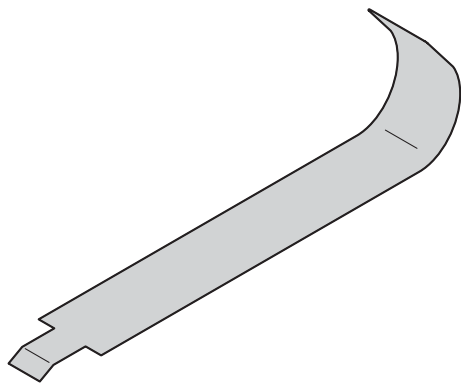
Description	Description	Qty/PU	Part no.
Square nut M6	St, zinc-plated, for material thickness of 3.7 mm	50	<b>21100-558</b>
Square nut M6	St, zinc-plated, for material thickness of 3.7 mm	100	<b>21101-007</b>
Square GND/earthing nut M6	St, zinc-plated, for material thickness of 1.5 mm	50	<b>21101-172</b>
Square GND/earthing nut M6	St, zinc-plated, for material thickness of 3.5 mm	50	<b>21101-171</b>
Nomel washer for GND/earthing, M6	St, zinc-plated, inner diameter 6.1 mm, external diameter 12.2 mm	100	<b>21101-173</b>
<b>Delivery: supplied loose with cabinet or frame</b>			<b>Part no./35</b>

### Mounting aid for cage nuts

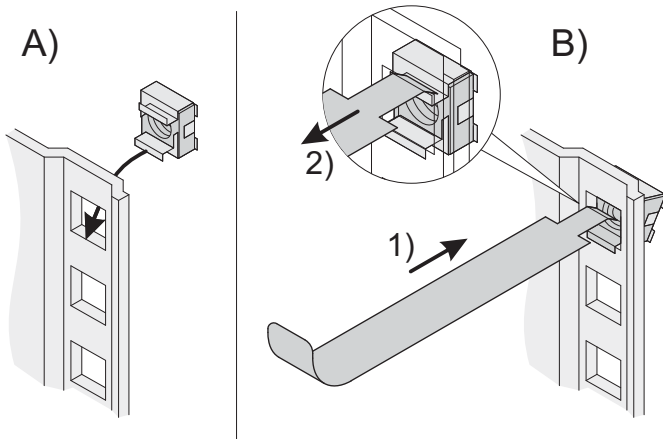
- To fit/remove cage nuts

### Order Information

Description	Qty/PU	Part no.
Mounting aid for cage nuts	1	<b>21127-990</b>
<b>Delivery: supplied loose with cabinet or frame</b>		<b>Part no./35</b>



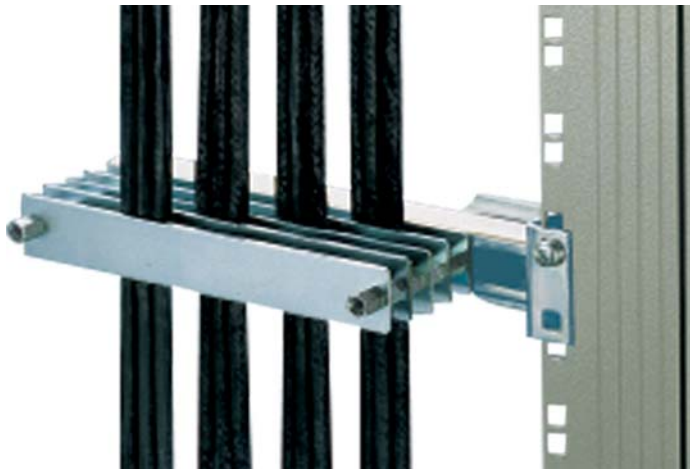
06708057



06708056

## Cabinet Accessories – Mechanics

### Sandwich cable clamping for C profiles



01695039

- Cable ducting in up to 5 planes
- For cable diameter of 4 ... 7 mm, usable width 190 mm

#### Delivery comprises (Kit)

Item	Qty	Description
1	6	Pressure plate, 15 x 250 mm, St, 2.5 mm, chromated and zinc-plated, bolt spacing 200 mm
2	10	Rubber strip
3	10	Spacer M6 for cable diameter of 4 ... 7 mm
4	1	Assembly kit

#### Order Information

Description	Part no.
Sandwich cable clamping for C profiles	<b>20118-740</b>
Delivery: supplied loose with cabinet or frame	Part no./35

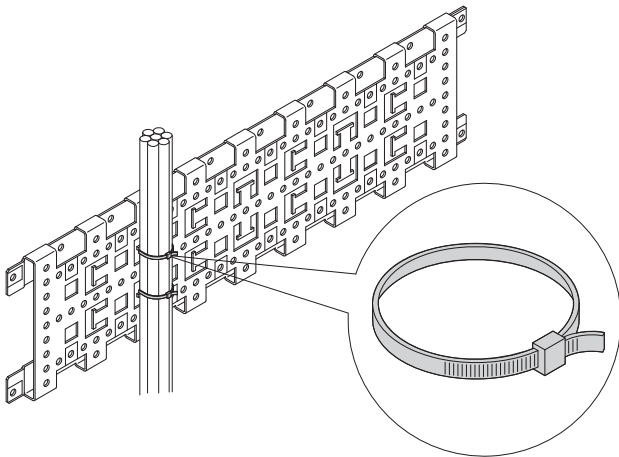
### Cable ties

#### Delivery comprises

Item	Qty	Description
1	25	Cable tie, plastic

#### Order Information

Description		Part no.
Cable ties	186 mm x 5 mm	<b>20118-352</b>
Cable ties	360 mm x 5 mm	<b>20118-353</b>
Cable ties	92 mm x 2.5 mm	<b>20118-351</b>
Delivery: supplied loose with cabinet or frame		Part no./35



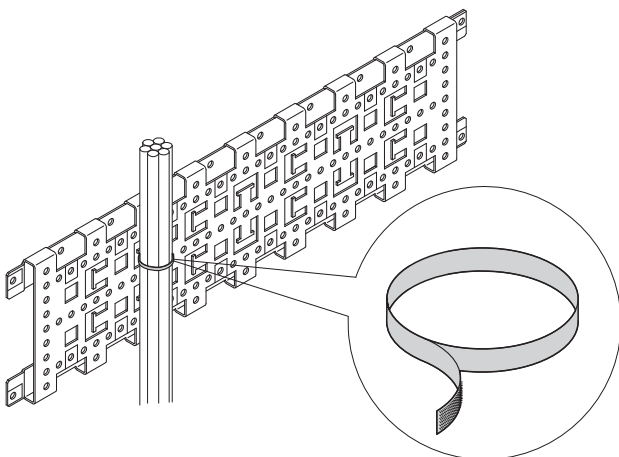
01005078

### Velcro

- Length 300 mm (for cable bundles of max. 90 mm diameter)

#### Order Information

Description	Part no.
Velcro strip, Polyethylen/Polyamide, black, length 300 mm, PU 10 pieces	<b>20118-624</b>
Delivery: supplied loose with cabinet or frame	Part no./35



01005079

## Cabinet Accessories – Mechanics

### Cable support



Cable support with return spring

00592015

- For cable support on pull-out devices and chassis
- Cable fixing with cable ties
- 2 versions:
  - Cable support **with** return spring for a uniform cabling matched to the extraction movements
  - Cable support **without** return spring, connected directly to pull-out part

### Order Information

Description	Qty/PU	Part no.
Cable support <b>with</b> return spring	1	<b>20118-729</b>
Cable support <b>without</b> return spring	1	<b>20118-706</b>
<b>Accessories</b>		
<b>Cable ties</b> 92 mm x 2.5 mm, PU 25 pieces		<b>20118-351</b>
<b>Delivery: supplied loose with cabinet or frame</b>		<b>Part no./35</b>

### Technical data

	Cable support with return spring	Cable support without return spring
Load-carrying capacity	2 kg	5 kg
Extension length	730 mm	720 mm
Space requirement in retracted position	25 mm	25 mm
Material	St, square tube, 16 mm <sup>2</sup> , zinc-plated	St profile, 1 mm, zinc-plated

### Note

- 19" assembly kit see page 3.17



Cable support without return spring

00592016

### Cable channel

- For cable ducting in lateral and rear cabinet areas
- For mounting on cabinet uprights, depth members or C-profiles

### Delivery comprises

Item	Qty	Description
1	1	Cable channel, 2 m, plastic, grey

### Order Information

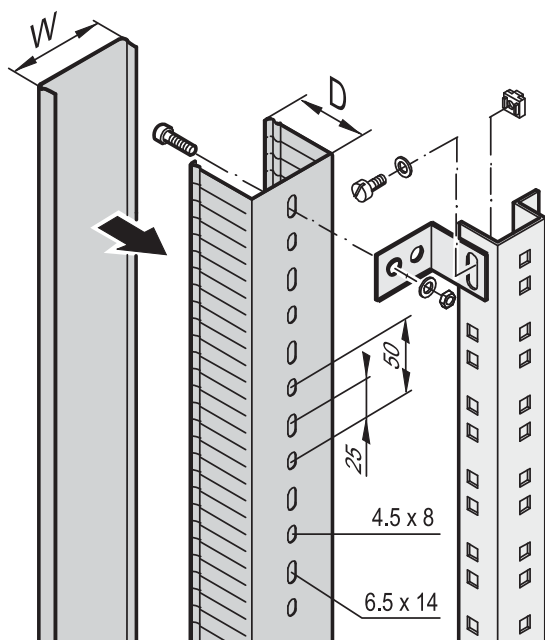
Depth D mm	Width W mm	Length mm	Part no.
60	30	2000	<b>60103-011</b>
60	60	2000	<b>60103-010</b>

### Accessories

<b>Assembly kit for cable channel</b> (4 brackets, screws, washers, nuts, cage nuts)	<b>21100-123</b>
<b>Delivery: supplied loose with cabinet or frame</b>	
<b>Part no./35</b>	

### Note

- Please order assembly kit for cable channel separately



SC78

## Cabinet Accessories – Mechanics

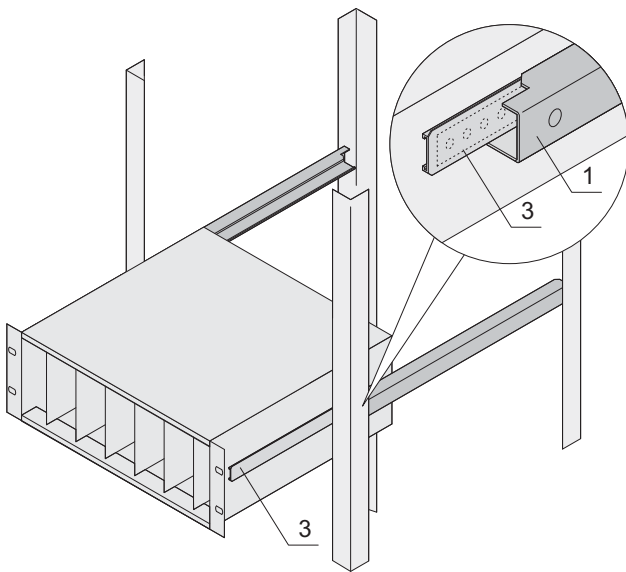
### Simple telescopic slide for assembly of subracks in cabinets



06101006

- For mounting 84 HP wide subracks in the 19" plane
- Loading capacity: 25 kg per pair
- The guiding profile is matched to the fixing dimension in the cabinet (it is bolted to the 19" profile of the cabinet); the adaptor rail is matched to the depth and fixing dimension on the subrack (it is inserted into the guiding profile like a telescopic slide)
- Safety note:  
No protection against extraction, no stop at full extension

### Telescopic slides with guiding profile for fitting in cabinets



06108072

#### Delivery comprises (kit)

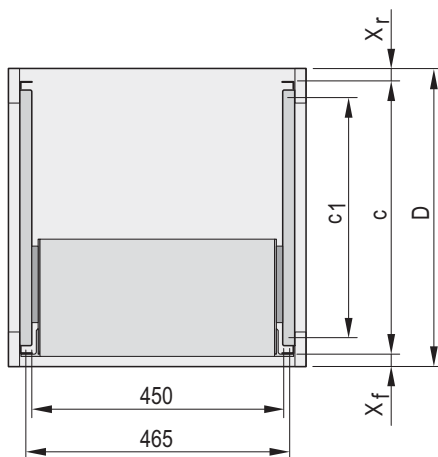
Item	Qty	Description
1	2	C-profile, Al
2	1	Assembly kit

#### Order Information

For cabinet range	Depth D mm	$x_f$ mm	$x_r$ mm	C mm	c1 mm	Part no.
VARISTAR	600	50	50	500	369	24562-464
VARISTAR	800	50	50	700	569	24562-466
VARISTAR	900	50	50	800	669	24562-467
VARISTAR	1000	50	50	900	769	24562-468
VARISTAR	1100	50	50	1000	869	24562-472
VARISTAR	1200	50	50	1100	969	24562-473
eurorack	600	60	60	480	397	24562-449
eurorack	800	60	60	680	597	24562-451
eurorack	900	60	60	780	697	24562-452
Novastar	500	33	60	407	350	24562-460
Novastar	600	33	60	507	450	24562-461
Novastar	800	33	60	707	650	24562-474
Lab rack	250	0	0	250	162	24562-446
Delivery: supplied loose with cabinet or frame						Part no./35

#### Note

- Adapter rail see page 3.23



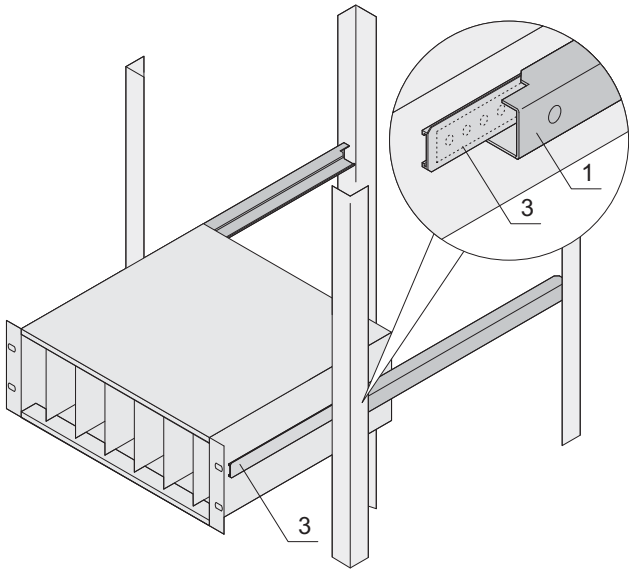
06108082

$x_f$ ,  $x_r$ : Distance of 19" plane to cabinet edge (front, rear)  
 c: Distance of 19" planes from each other,  
 c1: Fixing dimension of guiding profile on 19" panel/slide mounts



# Cabinet Accessories – Mechanics

## Telescopic slides with adaptor rail for subracks



- The rail serves for fixing the subrack on the guiding profile when mounted into a cabinet

### Delivery comprises (kit)

Item	Qty	Description
3	2	Al extrusion, incl. M4 threaded insert
4	1	Assembly kit

### Order Information

For subrack depth mm	Part no.
175	<b>24562-453</b>
235	<b>24562-454</b>
295	<b>24562-455</b>
355	<b>24562-456</b>
415	<b>24562-457</b>
475	<b>24562-458</b>
<b>Delivery: supplied loose with cabinet or frame</b>	<b>Part no./35</b>

### Note

- Suitable guiding profile see page 3.22

06109072

## Measuring tape



- Measuring tape with cm, U-, HP-division (length 2 m)
- Plastic case, metal tape measure with automatic retraction

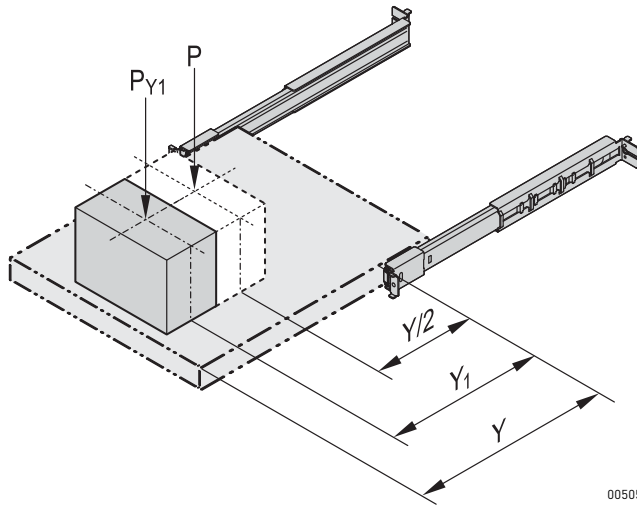
### Order Information

Description	Qty/PU	Part no.
Tape measure	1	<b>89009-001</b>

32506001

## Cabinet Accessories – Telescopic slides

### Dimensioning of telescopic slides



00505053

#### Calculation of the load-carrying capacity

The stated load-carrying capacity  $P$  is valid provided that the centre of gravity is in the centre of the extraction ( $Y/2$ ). For a different position of the centre of gravity ( $Y_1$ ) please use the following formula:

$$\text{Load-carrying capacity } P(Y_1) = \frac{1}{2} P Y / Y_1 \text{ (but max. } P)$$

Example:

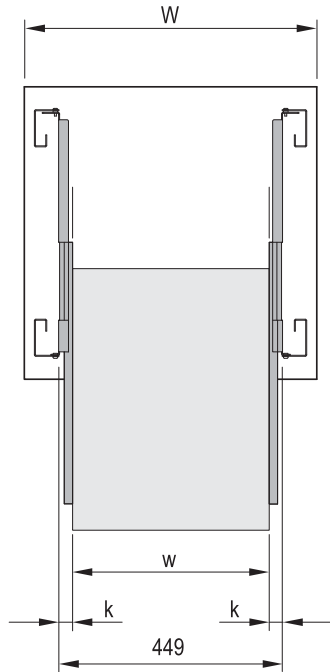
Load-carrying capacity  $P = 45 \text{ kg}$ ,

Extension length  $Y = 250 \text{ mm}$

Position of centre of gravity  $Y_1 = 150 \text{ mm}$

Result:

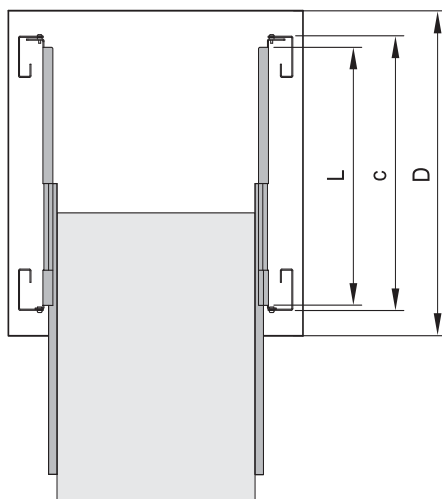
$$P(Y_1) = \frac{1}{2} P Y / Y_1 = \frac{1}{2} \times 45 \text{ kg} \times 250 / 150 = 37.5 \text{ kg}$$



00505060

#### Calculation of the maximum installation width (w)

For each telescopic slide the maximum installation width ( $w$ ) for one shelf or drawer is given. This is the maximum clearance available between the telescopic slides when they are fitted in a 19" cabinet.



00505061

#### Mounting on 19" panel/slide mounts

In 19" cabinets, telescopic slides are mounted on the front and rear 19" panel/slide mounts.

The length ( $L$ ) must therefore be matched with the distance between the 19" brackets (depthwise). For this the required 19" pitch ( $c$ ) is given for each cabinet.

# Cabinet Accessories – Telescopic slides

## Telescopic slide, narrow, for subrack



- Suitable for 84 HP width subracks (type F, type H, type L)
- Locks at full extension
- Hinged
- Extension length > 100 %
- Rail width 7.5 mm
- Maximum clear width of extension/drawer w = 84 HP (435 mm)

**Delivery includes**

Item	Qty	Description
1	2	Telescopic slide, St, zinc-plated

**Order Information**

Length L	Extension length Y	Load-carrying capacity P	Part no.
mm	mm	kg	
356	See table Technical data	15	<b>60110-441</b>
559	See table Technical data	15	<b>60110-440</b>

**Accessories**

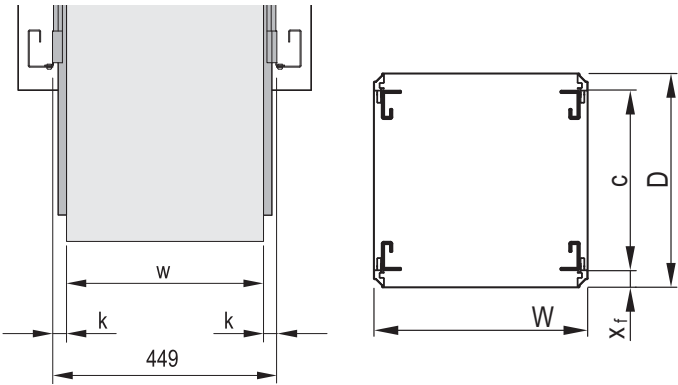
Fixing materials kit for Varistar, to mount 2 telescopic slides, PU 1 kit	<b>21120-193</b>
Fixing materials kit for Novastar, to mount 2 telescopic slides, PU 1 kit	<b>21120-194</b>
<b>Delivery: supplied loose with cabinet or frame</b>	<b>Part no./35</b>

**Technical data**

Length L	Extension length Y		
	Varistar SL/HD	Novastar SL	Novastar HD
mm	mm	mm	mm
356	350	362	352
559	553	565	555

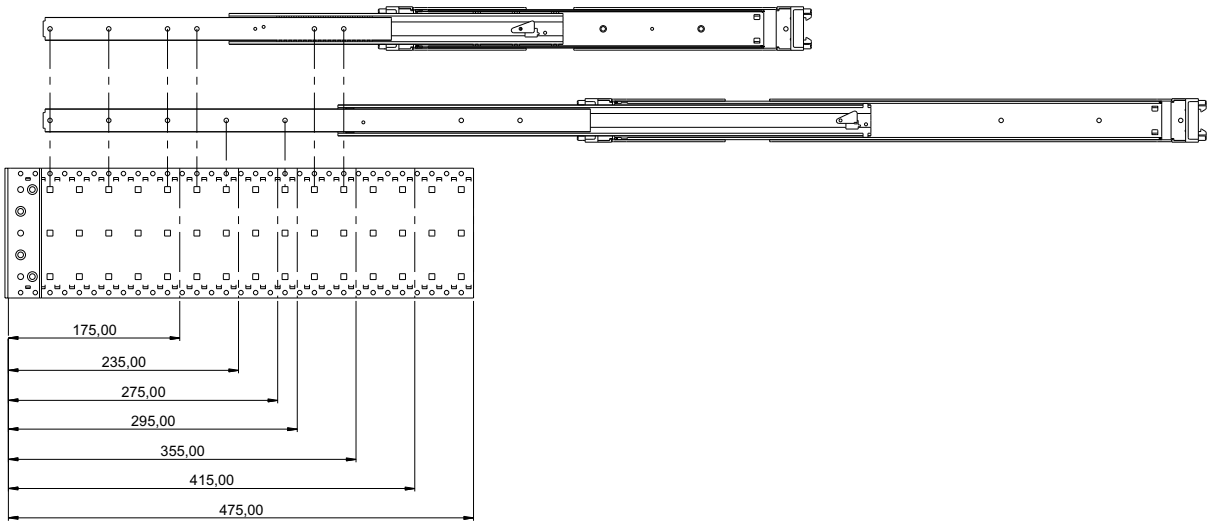
**Note**

- To mount on 19" plane please order assembly kit separately



k = rail width 7.5 mm,  
w = max. installation width  
84 HP (435 mm)

C dimensions:  
Varistar 500 mm and 700 mm,  
Novastar 507 mm to 707 mm



Screw-on position for telescopic slide on side panel of subrack

## Cabinet Accessories – Telescopic slides

### Universal telescopic slide, 1 U



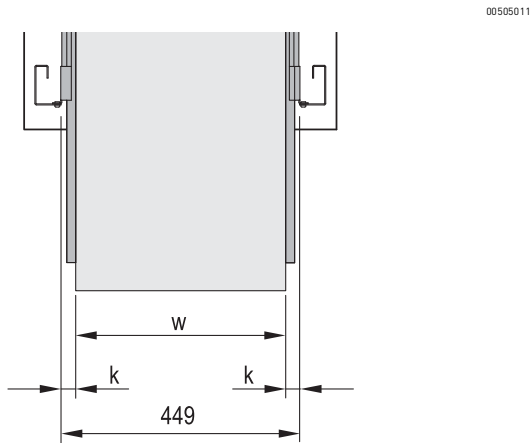
- Static load-carrying capacity per pair 23 - 39 kg
- Lateral mounting on the 19" uprights (19" plane remains free for fixing the extension/drawer)
- Can be removed
- Extension length > 100 %
- Rail width  $k = 9.7$  mm, max. installation width of extension/drawer  $w = 429$  mm

#### Delivery comprises

Item	Qty	Description
1	2	Telescopic slide, St, zinc-plated

#### Order Information

Length L	Extension length Y	Load-carrying capacity P	Part no.
mm	mm	kg	
356	381	39	<b>20110-090</b>
406	432	36	<b>20110-091</b>
457	483	34	<b>20110-092</b>
508	533	32	<b>20110-093</b>
559	584	29	<b>20110-094</b>
610	635	27	<b>20110-095</b>
660	686	23	<b>20110-096</b>
711	737	23	<b>20110-097</b>



$k$  = rail width,  $w$  = max. installation width

#### Dimensions table

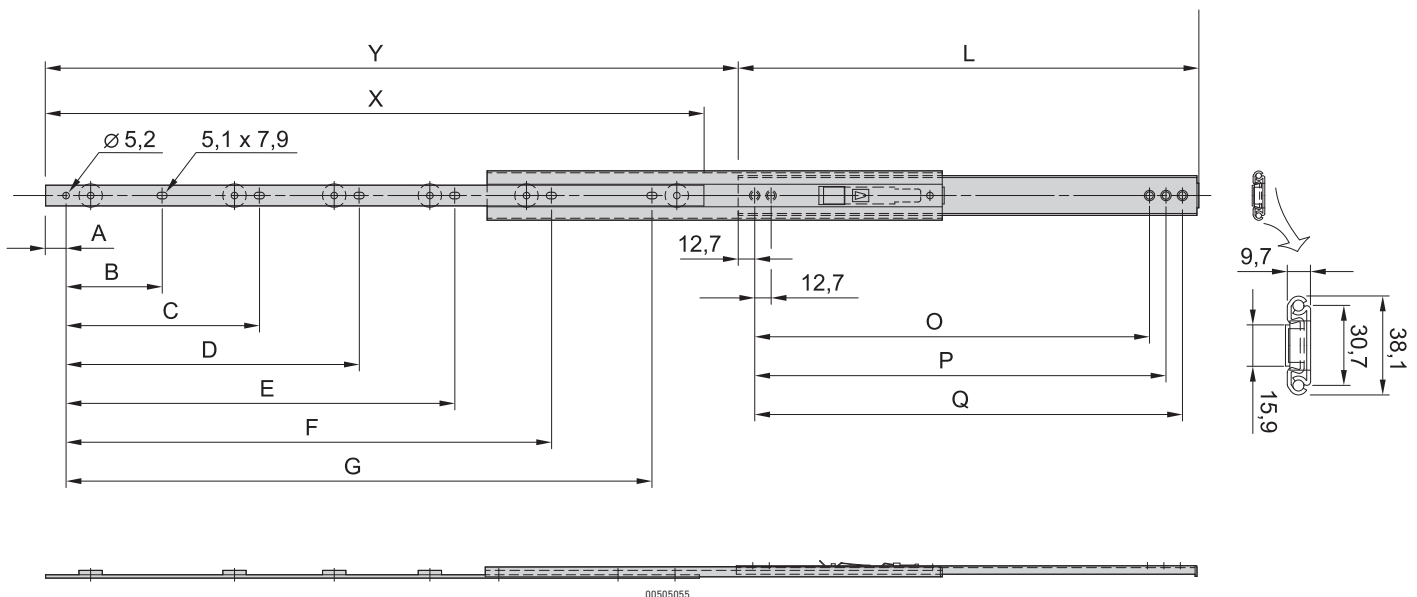
L	Internal part									External part		
	A	B	C	D	E	F	G	X	O	P	Q	
356	29.5	92.1	184.2	276.2	-	-	-	349.3	304.6	317.3	330.0	
406	29.5	92.1	184.2	276.2	-	-	-	349.3	355.4	368.1	380.8	
457	29.5	92.1	184.2	276.2	-	-	-	349.3	406.4	419.1	431.8	
508	89.9	92.1	184.2	276.2	368.3	-	-	501.7	457.4	470.1	482.8	
559	89.9	92.1	184.2	276.2	368.3	-	-	501.7	508.1	520.8	533.5	
610	89.9	92.1	184.2	276.2	368.3	-	-	501.7	558.6	571.3	584.0	
660	7.4	92.1	184.2	276.2	368.3	460.4	552.4	603.3	609.4	622.1	634.8	
711	7.4	92.1	184.2	276.2	368.3	460.4	552.4	603.3	660.2	672.9	685.6	

#### Accessories

<b>Assembly kit</b> For VARISTAR, for assembly of 2 telescopic slides, PU 1 kit	<b>21120-158</b>
<b>Assembly kit</b> For eurorack, for assembly of 2 telescopic slides, PU 1 kit	<b>21120-159</b>
<b>Assembly kit</b> for NOVASTAR, to mount 2 telescopic slides, PU 1 kit	<b>21120-160</b>
<b>Delivery:</b> supplied loose with cabinet or frame	<b>Part no./35</b>

#### Note

- To mount on 19" plane please order assembly kit separately
- Universal telescopic rails can also be fitted without additional components in non-standard applications, thus also in other than 19" cabinets



## Cabinet Accessories – Telescopic slides

### Universal telescopic slide, 2 U



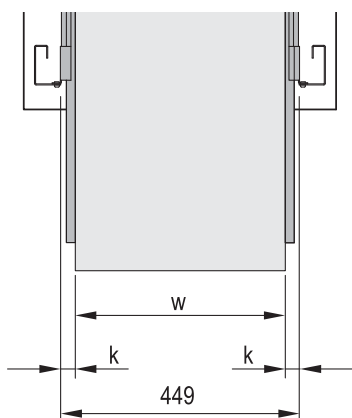
- Static load-carrying capacity per pair 46 - 61 kg
- Lateral mounting on the 19" uprights (19" plane remains free for fixing the extension/drawer)
- Locking at full extension
- Extension length > 100 %
- Rail width  $k = 16$  mm, max. installation width of extension/drawer  $w = 417$  mm

#### Delivery comprises

Item	Qty	Description
1	2	Telescopic slide, St, zinc-plated

#### Order Information

Length L	Extension length Y	Load-carrying capacity P	Part no.
mm	mm	kg	
305	330	61	<b>20110-100</b>
356	381	60	<b>20110-101</b>
406	432	58	<b>20110-102</b>
457	483	57	<b>20110-103</b>
508	533	55	<b>20110-104</b>
559	584	52	<b>20110-105</b>
610	635	50	<b>20110-106</b>
660	686	48	<b>20110-107</b>
711	737	46	<b>20110-108</b>



00505010

005050600050504

$k$  = rail width,  $w$  = max. installation width

#### Dimensions table

Length L	Internal part				External part			
	A	B	C	X	D	E	F	G
305	76.2	177.8	254.0	305.0	76.2	190.5	241.3	266.7
356	101.6	203.2	304.8	356.0	88.9	215.9	292.1	317.5
406	127.0	228.6	355.6	406.0	127.0	241.3	342.9	368.3
457	127.0	279.4	406.4	457.0	127.0	292.1	393.7	419.1
508	152.4	304.8	457.2	508.0	152.4	317.5	444.5	469.9
559	177.8	330.2	508.0	559.0	177.8	342.9	495.3	520.7
610	177.8	381.0	558.8	610.0	177.8	393.7	546.1	571.5
660	203.2	406.4	609.6	660.0	203.2	419.1	596.9	622.3
711	228.6	431.8	660.4	711.0	228.6	444.5	647.7	673.1

#### Accessories

**Assembly kit** For VARISTAR, for assembly of 2 telescopic slides, PU 1 kit **21120-158**

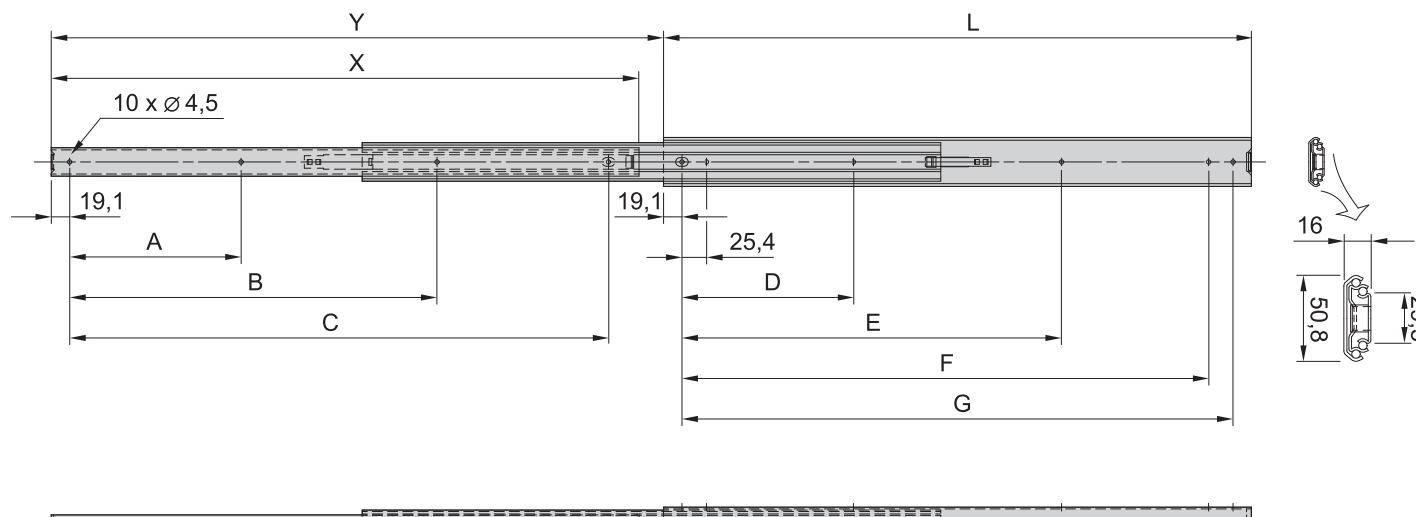
**Assembly kit** For eurorack, for assembly of 2 telescopic slides, PU 1 kit **21120-159**

**Assembly kit** for NOVASTAR, to mount 2 telescopic slides, PU 1 kit **21120-160**

**Delivery: supplied loose with cabinet or frame** **Part no./35**

#### Note

- To mount on 19" plane please order assembly kit separately
- Universal telescopic rails can also be fitted without additional components in non-standard applications, thus also in other than 19" cabinets



## Cabinet Accessories – Telescopic slides

### Slim universal telescopic slide, 2 U



- Static load-carrying capacity per pair 46 - 57 kg
- Lateral mounting on the 19" uprights (19" plane remains free for fixing the extension/drawer)
- Locking at full extension
- Extension length > 110 %
- Rail width  $k = 9.7$  mm,  
max. installation width of extension/drawer  $w = 429$  mm

#### Delivery comprises

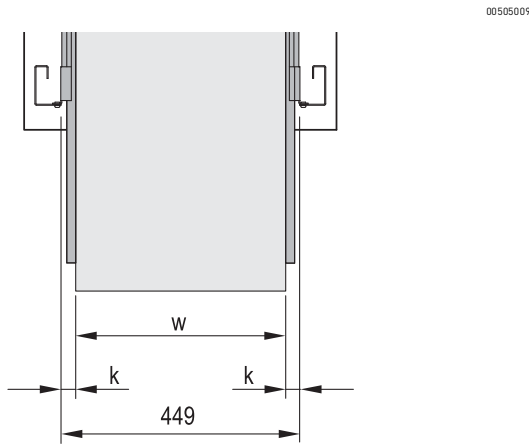
Item	Qty	Description
1	2	Telescopic slide, St, zinc-plated

#### Order Information

Length L	Extension length Y	Load-carrying capacity P	Part no.
mm	mm	kg	
356	432	57	20110-071
406	483	55	20110-072
457	533	55	20110-073
508	584	55	20110-074
559	635	46	20110-075
584	660	46	20110-076
610	686	46	20110-077

#### Accessories

<b>Assembly kit for VARISTAR</b> , for assembly of 2 telescopic slides, PU 1 kit	<b>21120-161</b>
<b>Assembly kit for eurorack</b> , for assembly of 2 telescopic slides, PU 1 kit	<b>21120-162</b>
<b>Telescopic slides mounting kit for NOVASTAR</b> , to mount 2 telescopic slides, PU 1 kit	<b>21120-163</b>
<b>Delivery: supplied loose with cabinet or frame</b>	<b>Part no./35</b>



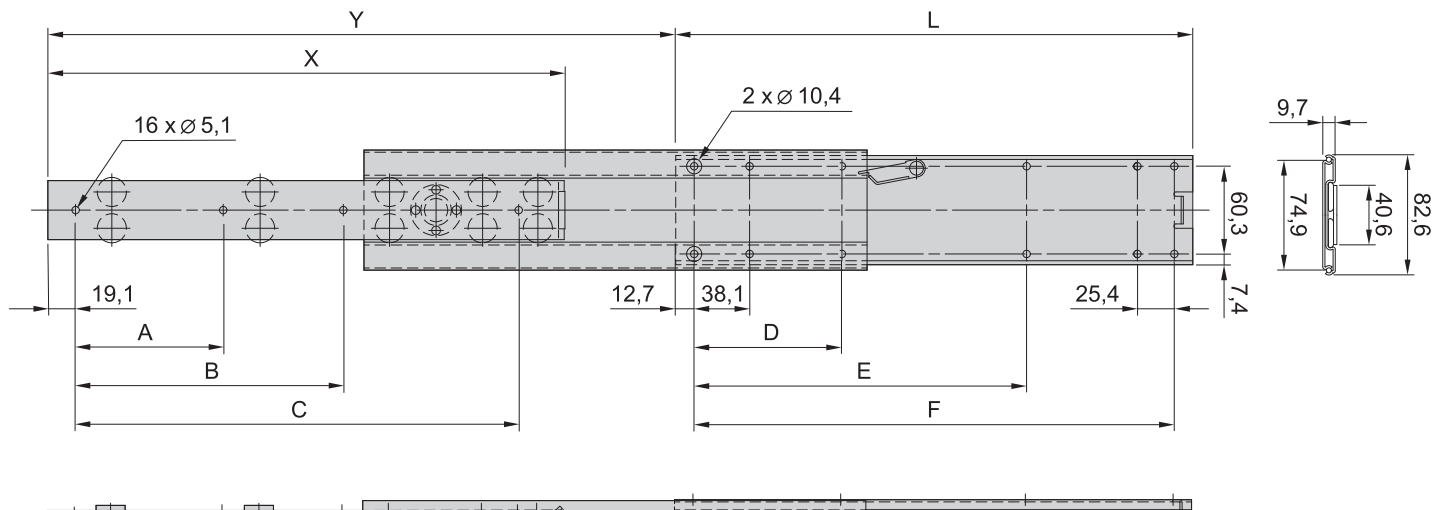
$k$  = rail width,  $w$  = max. installation width

#### Dimensions table

Length L	Internal part				External part		
	A	w	C	X	D	E	F
356	101.6	184.2	304.8	356.0	101.6	228.6	330.2
406	127.0	209.6	355.6	406.0	127.0	254.0	381.0
457	127.0	235.0	406.4	457.0	152.4	279.4	431.8
508	152.4	260.4	457.2	508.0	152.4	330.2	482.6
559	203.2	412.8	508.0	559.0	177.8	355.6	533.4
584	203.2	431.8	533.4	584.0	177.8	381.0	558.8
610	203.2	438.2	558.8	610.0	203.2	381.0	584.2

#### Note

- To mount on 19" plane please order assembly kit separately
- Universal telescopic rails can also be fitted without additional components in non-standard applications, thus also in other than 19" cabinets



## Cabinet Accessories – Telescopic slides

### Heavy load universal telescopic slide, 2 U

- Static load-carrying capacity per pair 72 - 100 kg
- Lateral mounting on the 19" uprights (19" plane remains free for fixing the extension/drawer)
- End stop damped
- Extension length > 100 %
- Rail width  $k = 19.1 \text{ mm}$ , max. installation width of extension/drawer  $w = 411 \text{ mm}$

#### Delivery comprises

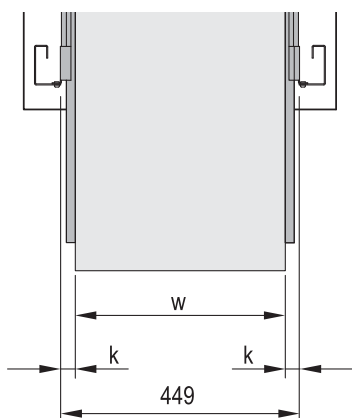
Item	Qty	Description
1	2	Telescopic slide, St, zinc-plated

#### Order Information

Length L	Extension length Y	Load-carrying capacity P	Part no.
mm	mm	kg	
300	473	77	<b>20110-190</b>
350	573	83	<b>20110-191</b>
400	423	88	<b>20110-192</b>
450	473	94	<b>20110-193</b>
500	523	100	<b>20110-194</b>
550	573	94	<b>20110-195</b>
600	623	88	<b>20110-196</b>
700	723	72	<b>20110-198</b>

#### Accessories

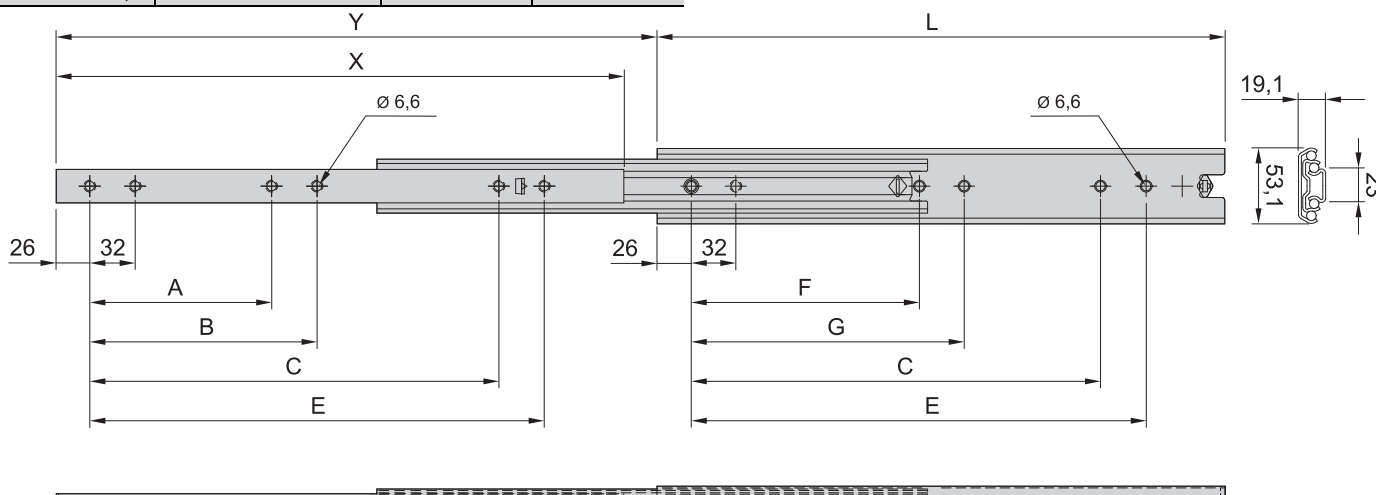
<b>Assembly kit for VARISTAR</b> , for assembly of 2 telescopic slides, PU 1 kit	<b>21120-164</b>
<b>Assembly kit for eurorack</b> , for assembly of 2 telescopic slides, PU 1 kit	<b>21120-165</b>
<b>Assembly kit for NOVASTAR</b> , to mount 2 telescopic slides, PU 1 kit	<b>21120-166</b>
<b>Delivery: supplied loose with cabinet or frame</b>	<b>Part no./35</b>



$k$  = rail width,  $w$  = max. installation width

#### Dimensions table

Length L	Y	Inner part (mm)			External part (mm)			
		A	B	X	C	E	F	G
300	473.5	-	-	300	192	224	-	-
350	573.5	-	-	350	224	256	-	-
400	423,5	128	160	400	288	320	160	192
450	473.5	128	160	450	320	352	160	192
500	523,5	160	192	500	384	416	192	224
550	573.5	160	192	550	416	448	192	224
600	623,5	192	256	600	480	512	256	288
650	673.5	192	256	650	544	576	256	288
700	723,5	256	288	700	576	608	288	320





## Cabinet Accessories – Electrics

### Cabinet light for 19" assembly



00504006

- With mains on/off switch
- Mounting height 1 U

#### Delivery comprises

Item	Qty	Description
1	1	19" cabinet light with fluorescent tube and mains switch, 1 U, IEC 60320 C14 plug
1	1	Assembly kit

#### Order Information

Description	Part no.
Cabinet light for 19" assembly	<b>20118-746</b>
<b>Accessories</b>	
<b>Equipment cable, BS</b> British Standard plug, IEC 60320 C13 socket, 2.5 m, 1 piece	<b>60103-137</b>
<b>Mains cable, IEC</b> IEC 60320 C14 plug, IEC 60320 C13 socket, 2.5 m, 1 piece	<b>60197-053</b>
<b>Equipment cable, SCHUKO/UTE</b> SCHUKO/UTE plug, IEC 60320 socket, 2.5 m, 1 piece	<b>62150-191</b>
<b>Door contact switch, cabled</b> SCHUKO/UTE, "German 3-wire", earthed/grounded plug, IEC 60320 C13 socket, 1 piece	<b>20118-753</b>
<b>Delivery: fitted in cabinet or on frame</b>	<b>Part no./05</b>
<b>Delivery: supplied loose with cabinet or frame</b>	<b>Part no./35</b>

#### Technical data

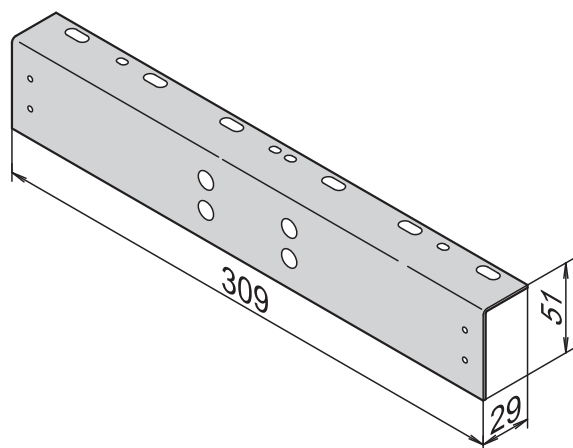
Mains/line voltage	230 V <sub>AC</sub>
Performance	14 W
Illuminant	Fluorescent tube T8, base G13, diameter 26 mm, length 360 mm
Connection	IEC 60320 C14 plug
Assembly	19" plane
Dimensions	Height 40 mm, width 483 mm, depth 100 mm

#### Note

- Please order mains cable or door contact switch separately

## Cabinet Accessories – Electrics

## Cabinet light for frame assembly



01695011

SZA45584

- With mains on/off switch
- VDE approved, non-interference

## Delivery comprises

Item	Qty	Description
1	1	Incandescent light (plastic case) with connecting cable, IEC 60320 C13 plug and mains switch
2	1	Mounting angle, height 51 mm, width 309 mm, depth 29 mm
3	1	Assembly kit

## Order Information

Description	Part no.
Cabinet light for frame assembly	<b>20118-747</b>
<b>Accessories</b>	
<b>Equipment cable, BS</b> British Standard plug, IEC 60320 C13 socket, 2.5 m, 1 piece	<b>60103-137</b>
<b>Mains cable, IEC</b> IEC 60320 C14 plug, IEC 60320 C13 socket, 2.5 m, 1 piece	<b>60197-053</b>
<b>Equipment cable, SCHUKO/UTE</b> SCHUKO/UTE plug, IEC 60320 C13 socket, 2.5 m, 1 piece	<b>62150-191</b>
<b>Door contact switch, cabled</b> SCHUKO/UTE, "German 3-wire", earthed/grounded plug, IEC 60320 C13 socket, 1 piece	<b>20118-753</b>
<b>Delivery: fitted in cabinet or on frame</b>	<b>Part no./05</b>
<b>Delivery: supplied loose with cabinet or frame</b>	<b>Part no./35</b>

## Technical data

Mains/line voltage	230 V <sub>AC</sub>
Performance	35 W
Illuminant	Light bulb S14s, diameter 30 mm, length 300 mm
Connection	IEC 60320 C14 plug
Assembly	With mounting bracket for the cabinet frame
Dimensions	Height 35 mm, width 309 mm, depth 51 mm

## Note

- Please order mains cable or door contact switch separately

## Cabinet Accessories – Electrics

### Cabinet light for magnetic mounting



007\_1000

- With mains on/off switch
- With integrated SCHUKO or UTE socket, 230 V<sub>AC</sub>, 16 A

#### Delivery comprises

Item	Qty	Description
1	1	Cabinet light (plastic case) with connecting cable, IEC 60320 C14 plug, integrated mains switch and socket

#### Order Information

Description	Part no.
Cabinet light for magnet mounting with UTE socket	<b>20118-748</b>
Cabinet light for magnet mounting, with SCHUKO socket	<b>20118-749</b>

#### Accessories

<b>Mains cable, BS</b> British Standard plug, IEC 60320 C13 socket, 2.5 m, 1 piece	<b>60103-137</b>
<b>Mains cable, IEC</b> IEC 60320 C14 plug, IEC 60320 C13 socket, 2.5 m, 1 piece	<b>60197-053</b>
<b>Mains cable, SCHUKO/UTE</b> SCHUKO/UTE plug, IEC 60320 socket, 2.5 m, 1 piece	<b>62150-191</b>
<b>Door contact switch, cabled</b> SCHUKO/UTE, "German 3-wire", earthed/grounded plug, IEC 60320 C13 socket, 1 piece	<b>20118-753</b>
<b>Delivery: supplied loose with cabinet or frame</b>	<b>Part no./35</b>

#### Technical data

Mains/line voltage	230 V <sub>AC</sub>
Performance	11 W
Illuminant	Compact fluorescent lamp PL-S, G23 base, diameter 13 mm, length 200 mm
Connection	IEC 60320 C14 plug
Socket	250 V <sub>AC</sub> , 16 A
Assembly	Magnet
Dimensions	Height 355 mm, width 65 mm, depth 65 mm

#### Note

- Please order mains cable or door contact switch separately

## Cabinet Accessories – Electrics

## LED light for cabinet mounting



00516004

## Technical data

Input	AC	DC
Input voltage	90 ... 230 V <sub>AC</sub>	20 ... 60 V <sub>DC</sub>
Power consumption	max. 5 W	max. 5 W
Current	max. 2.5 A / 240 V <sub>AC</sub>	max. 2.5 A / 60 V <sub>DC</sub>
Color	white	blue
Luminosity	400 Lm at 120° (1200 Lm at 360° or equivalent 95 W light bulb)	
Lamp type	LED, angle of radiation 120°	
Light color	Daylight, color temperature: 6000 K to 7000 K	
Service life	60000 h at +20 °C (+68 °F)	
Mounting	Magnetic mounting	
Casing	Plastic, transparent	
Dimensions	Length 351 mm (13.8"), Diameter 32 mm (1.3")	
Weight	0.2 kg   0.5 lbs	
Operating temperature	-30 to +60 °C [-22 to +140 °F]	
Storage temperature	-40 to +85 °C [-40 to +185 °F]	
Operating/Storage humidity	max. 90 % RH (non-condensing)	
Protection type	IP 20	
Protection class	II (double insulated)	III (12 V <sub>DC</sub> , extra-low voltage)

- Energy efficient: consumes only 5 W
- Bright: output equivalent to 95 W
- Maintenance-free, long service life
- Easy installation with magnetic mounting
- Integrated, auto-sensing circuitry for 90 ... 260 V<sub>AC</sub> or 20 ... 60 V<sub>DC</sub> voltages
- Versions with on/off switch or built-in infrared motion sensor
- Optional accessories: 1 U bracket for 19" installation, clip holders for clip fixing, power cables (preassembled) and connectors (male/female)

## Order Information

LED light for cabinet mounting				
Description	Input	Input voltage V	Qty/PU piece	Part no.
With IR motion sensor	AC	90 ... 260 V <sub>AC</sub>	1	<b>60118-542</b>
With on/off switch	AC	90 ... 260 V <sub>AC</sub>	1	<b>60118-543</b>
With IR motion sensor	DC	20 ... 60 V <sub>DC</sub>	1	<b>60118-544</b>
With on/off switch	DC	20 ... 60 V <sub>DC</sub>	1	<b>60118-545</b>

## Accessories

<b>Input cable</b> for AC, length 2.0 m / 78.7 inch, 1 piece		<b>60118-546</b>
<b>Input cable</b> for DC, length 2.0 m / 78.7 inch, 1 piece		<b>60118-547</b>
<b>Extension cable</b> for AC, length 1.0 m / 39,4 inch, 1 piece		<b>60118-548</b>
<b>Extension cable</b> for DC, length 1.0 m / 39,4 inch, 1 piece		<b>60118-549</b>
<b>Connection cable with IEC 60320 C18 connector</b> for AC, length 0,5 m / 19,7 inch, 1 piece		<b>60130-114</b>
<b>Female connector</b> for AC, 1 piece		<b>60118-550</b>
<b>Female connector</b> for DC, 1 piece		<b>60118-551</b>
<b>Male connector</b> for AC, 1 piece		<b>60118-552</b>
<b>Male connector</b> for DC, 1 piece		<b>60118-553</b>
<b>Bracket 19" 1 U, RAL 7021 (black)</b> 1 piece		<b>20118-807</b>
<b>Bracket 19" 1 U, RAL 7035 (grey)</b> 1 piece		<b>20118-808</b>
<b>Clip kit</b> PU 2 pieces		<b>20118-809</b>

## Cabinet Accessories – Electrics

### Door contact switch



00505029

#### Delivery comprises

Item	Qty	Description
1	1	Door contact switch (without connecting cable)
2	1	PG screw fitting M20 x 1.5 for cable diameter 6 ... 12 mm
3	4	Mounting angle for cabinet assembly (VARISTAR, PROLINE, eurorack)
4	1	Assembly kit

#### Order Information

Description	Part no.
Door contact switch	<b>20118-738</b>
Delivery: fitted in cabinet or on frame	Part no./05
Delivery: supplied loose with cabinet or frame	Part no./35

### Door contact switch, cabled



00505028

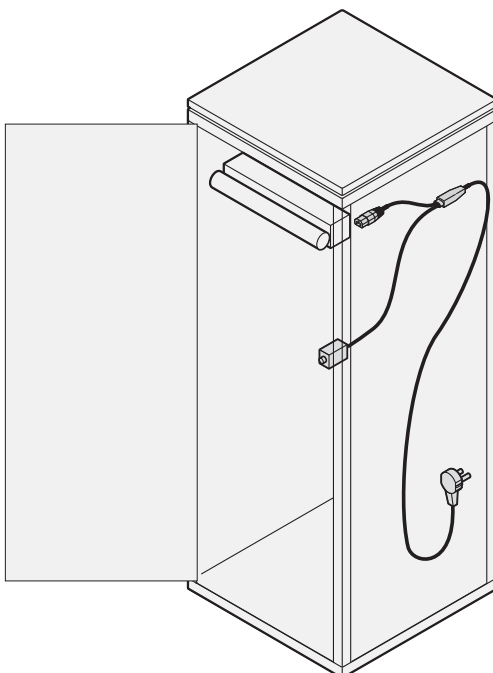
- Connection to cabinet light via IEC 60320 C13 socket
- Connection with mains supply via SCHUKO/UTE connector
- Easy handling by plug and play (completely wired)

#### Delivery comprises (completely wired)

Item	Qty	Description
1	1	Door contact switch with connecting cable to IEC 60320 C13 socket, plug and mains connection SCHUKO/UTE, fully wired
2	1	PG screw fitting M20 x 1.5 for cable diameter 6 ... 12 mm
3	4	Mounting angle for cabinet assembly (VARISTAR, PROLINE, eurorack)
4	1	Assembly kit

#### Order Information

Description	Part no.
Door contact switch, cabled	<b>20118-753</b>
Delivery: fitted in cabinet or on frame	Part no./05
Delivery: supplied loose with cabinet or frame	Part no./35



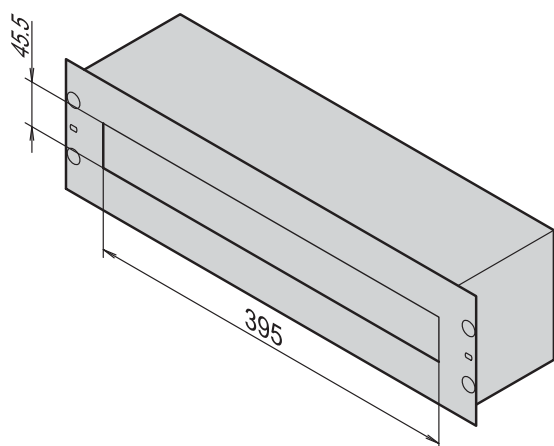
00501501

## Cabinet Accessories – Electrics

## 19" distribution box



01495004



s2a45585

Connection clamp



01695012

Clamps



01695034

- For installation of power distribution modules on DIN profile rails (DIN 43880)
- With cable support rail on the rear side, strain relief with clamps
- Two neutral conductors for terminal clamps from 4 ... 35 mm<sup>2</sup>

## Delivery comprises (assembled)

Item	Qty	Description
1	1	Case, 2 parts, 3 U/84 HP, AlZn
2	1	Front panel with cut-out for power distribution module, St, 1 mm, RAL 7035
3	2	Neutral conductors for terminal clamps, Cu, 200 x 3 x 10 mm, zinc-plated, insulated mounting
4	1	DIN profile rail, St, zinc-plated, depth-adjustable with spacing bolts
5	1	Cable support rail for clamps, zinc-plated
6	1	Brush strip, plastic, black, for cable entry
7	2	Sealing strip, fibre glass reinforced Polyester, for unused module positions
8	1	GND/earthing conductor, Cu, 1.5 mm <sup>2</sup> , green/yellow, length 360 mm
9	1	Label strip

## Order Information

Description	Part No.
19" distribution box	<b>60118-434</b>
19" distribution box (with packaging for overseas shipping)	<b>60118-521</b>

## Accessories

<b>Terminal clamps for 19" distribution box</b> 4 mm <sup>2</sup> , yellow/green, PU 10 pieces	<b>21101-529</b>
<b>Terminal clamps for 19" distribution box</b> 4 mm <sup>2</sup> , blue (N), PU 10 pieces	<b>21101-532</b>
<b>Terminal clamps for 19" distribution box</b> 16 mm <sup>2</sup> , yellow/green (PE), PU 10 pieces	<b>21101-530</b>
<b>Terminal clamps for 19" distribution box</b> 16 mm <sup>2</sup> , blue (N), PU 10 pieces	<b>21101-533</b>
<b>Terminal clamps for 19" distribution box</b> 35 mm <sup>2</sup> , yellow/green (PE), PU 10 pieces	<b>21101-531</b>
<b>Terminal clamps for 19" distribution box</b> 35 mm <sup>2</sup> , blue (N), PU 10 pieces	<b>21101-534</b>
<b>Clamps for 19" distribution box</b> , PU 14 pieces	<b>21190-753</b>
<b>Delivery: supplied loose with cabinet or frame</b>	<b>Part no./35</b>

## Note

- 19" assembly kit, see page 3.17
- Power distribution module, see page 3.36

## Cabinet Accessories – Electrics

### Small distribution module



- For the installation of power distribution modules on DIN profile rails (DIN 43880)

#### Delivery comprises

Item	Qty	Description
1	1	Small distribution module, plastic, light grey, with integrated DIN profile rail
2	1	Mounting plate for cabinet mounting, Al, 2.5 mm
3	1	Cover strip, plastic, light grey, for unused module spaces
4	1	Assembly kit for cabinet assembly

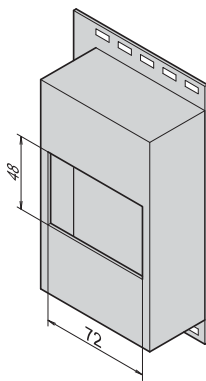
#### Order Information

Description	Part no.
Small distribution module	<b>20118-538</b>
<b>Delivery: supplied loose with cabinet or frame</b>	<b>Part no./35</b>

01695010

#### Note

- Power distribution module, see page 3.36



SZ445586

### Power distribution modules in accordance with DIN 43880

- For fitting into 19" distribution box or small distribution module
- Snaps onto DIN profile rail

#### Order Information

Description	Width mm	Part no.
Circuit breaker 1 x 16 A	17.7	<b>20119-355</b>
Circuit breaker 3 x 16 A	53.5	<b>20119-356</b>
FI safety switch, 16 A, 30 mA	46	<b>20119-354</b>
SCHUKO socket 250 V, 16 A	44	<b>20119-357</b>
UTE socket 250 V, 16 A	44	<b>20119-358</b>
<b>Delivery: supplied loose with cabinet or frame</b>		<b>Part no./35</b>

01695005

Circuit breakers



FI safety switch



Socket



0169500401695003



## Cabinet Accessories – Electrics

### Distribution box



01695009

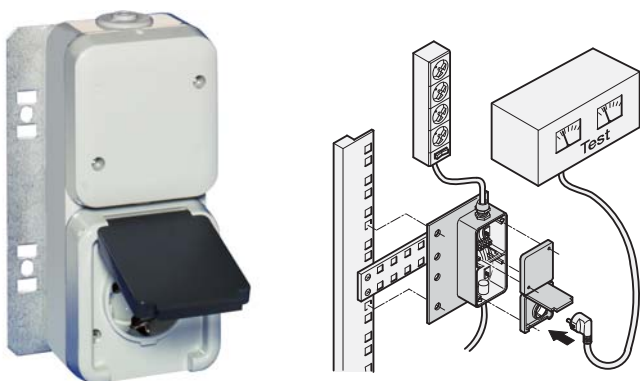
#### Delivery comprises

Item	Qty	Description
1	1	Distribution box, plastic, light grey
2	1	Terminal strip, 5-pin, for cable cross section 2.5 mm <sup>2</sup>
3	1	Mounting plate, Al, 2.5 mm, for cabinet assembly
4	1	Assembly kit for cabinet assembly

#### Order Information

Description	Part no.
Distribution box	<b>20118-536</b>
<b>Delivery: supplied loose with cabinet or frame</b>	<b>Part no./35</b>

### Distribution box with SCHUKO socket



01604004

sc107

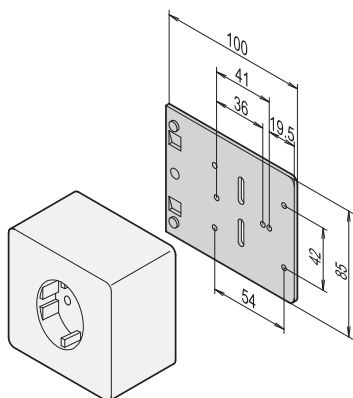
#### Delivery comprises

Item	Qty	Description
1	1	Distribution box with SCHUKO socket, plastic, light grey, with terminal strip for cable cross section up to 4 mm <sup>2</sup>
2	1	Mounting plate 90 x 100 mm, AlZn, 1.5 mm, for assembly on cabinet uprights, 19" profiles and depth members
3	1	Assembly kit for cabinet assembly

#### Order Information

Description	Part no.
Distribution box with SCHUKO socket	<b>20118-280</b>
<b>Delivery: supplied loose with cabinet or frame</b>	<b>Part no./35</b>

### Mounting plate for single sockets



ela44796

- For common surface sockets

#### Delivery comprises

Item	Qty	Description
1	1	Mounting plate, Al, 2.5 mm, for cabinet assembly
2	1	Assembly kit for cabinet assembly

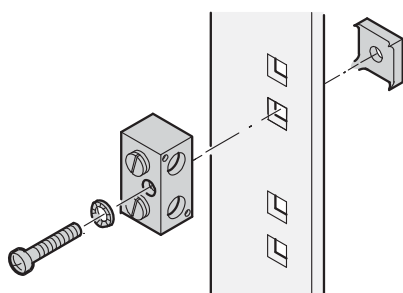
#### Order Information

Description	Part no.
Mounting plate for single sockets	<b>20118-537</b>
<b>Delivery: supplied loose with cabinet or frame</b>	<b>Part no./35</b>

#### Note

- Surface socket not included in Schroff product range

### GND/earthing clamp



sc27

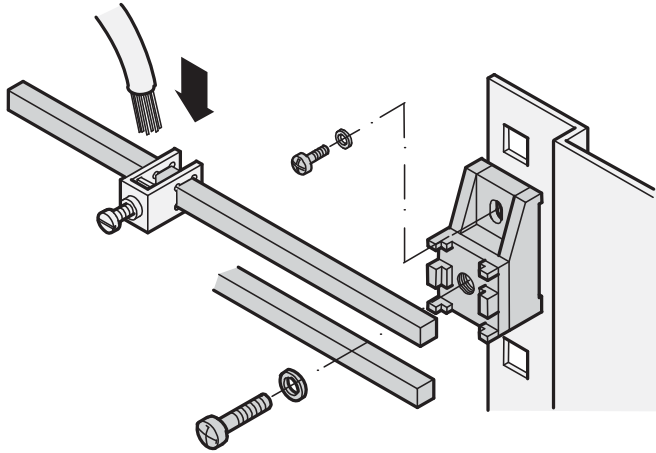
- IBM-compatible GND/earthing terminal for connecting a cabinet to the building GND/earth
- Maximum cable cross-section 100 mm<sup>2</sup>
- Surface tin-plated, in accordance with IBM Ref. No. 4716804

#### Order Information

Description	Part no.
GND/earthing clamp, incl. assembly kit	<b>20118-030</b>
<b>Delivery: supplied loose with cabinet or frame</b>	<b>Part no./35</b>

## Cabinet Accessories – Electrics

### GND/earthing rail



- To connect GND/earthing wire and stranded conductors by means of terminal clamps
- Fixing insulated from the frame

#### Delivery comprises

Item	Qty	Description
1	1	Rail, Cu, cross section 35 mm <sup>2</sup>
2	2	Rail support block for max. 2 rails, plastic
3	1	Assembly kit for cabinet assembly

#### Order Information

Length mm	Part no.
200	20118-281
480	20118-282
1000	20118-265
1910	20118-266

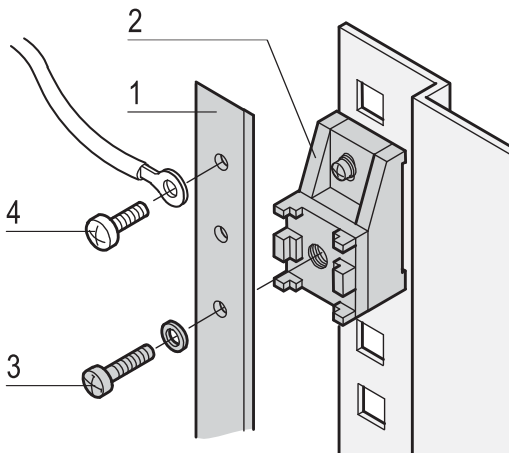
#### Accessories

Additional second GND/earthing rail, length 200 mm, 1 piece	60118-145
Additional second GND/earthing rail, length 480 mm, 1 piece	60118-144
Terminal clamps for GND/earthing rail, cable cross section 4 mm <sup>2</sup> , PU 20 pieces	20118-366
Terminal clamps for GND/earthing rail, cable cross section 16 mm <sup>2</sup> , PU 10 pieces	20118-365
Terminal clamps for GND/earthing rail, cable cross section 35 mm <sup>2</sup> , PU 5 pieces	20118-364
Delivery: supplied loose with cabinet or frame	Part no./35

#### Note

- Please order terminal clamps or second rail separately

### GND/earthing rail, flat strip



- To screw on GND/earthing cables with ring tags
- Threaded fixing points M5 in intervals of 20 mm
- Fixing insulated from the frame

#### Delivery comprises

Item	Qty	Description
1	1	Rail, brass, untreated, 1000 x 15 x 3 mm, fixing points M5 in intervals of 20 mm
2	2	Rail support block, plastic
3	1	Assembly kit for cabinet assembly

#### Order Information

Description	Qty/PU	Part no.
GND/earthing rail, flat strip	1	20118-590
GND/earthing rail, flat strip	10	20118-591

#### Accessories

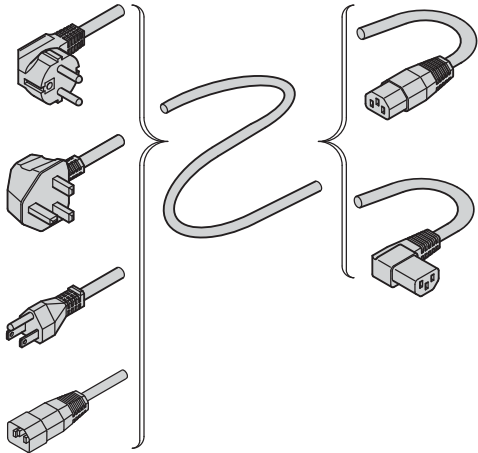
Item 4 Panhead screw M5 x 10, St, zinc-plated, PU 100 pieces	21120-150
Delivery: supplied loose with cabinet or frame	Part no./35

#### Note

- Please order panhead screw M5 to screw on GND/earth cable separately

**Cabinet Accessories – Electrics**

**Mains cables**



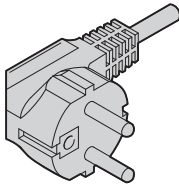
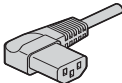
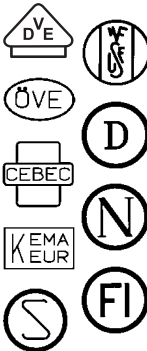
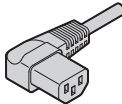
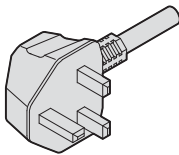
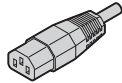

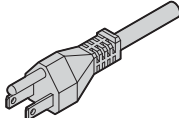
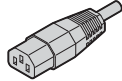

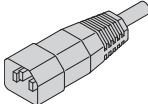
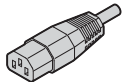
AZA43067

- Applications:
  - Fans, cabinet lights, etc.
  - Industrial PC connections
  - Uninterruptible power supplies
  - Systems

**Delivery comprises**

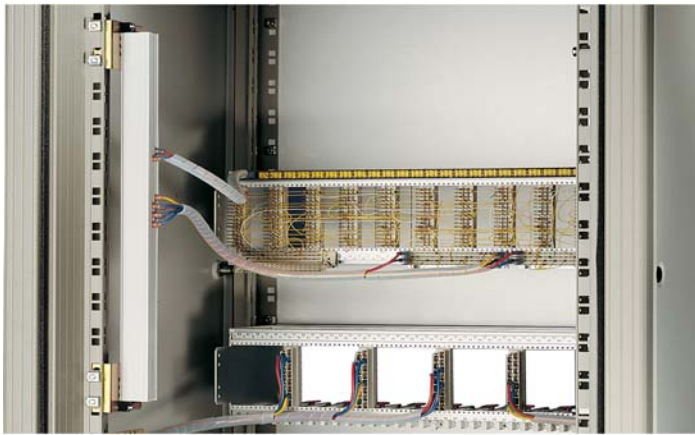
Item	Qty	Description
1	1	Mains cable, PVC, max. 250 V <sub>AC</sub> , max. 10 A

**Order Information**

Plug, mains/line side	Socket IEC 60320 C13, equipment side	Length mm	Colour	For application in	Approvals/certifications	Part no.
SCHUKO/UTE						
	 <small>aza43071</small>	2500	black	Germany, France, Austria, Norway, The Netherlands, Sweden, Finland, Spain, Portugal, Turkey, Greece, Belgium, Luxemburg		<b>62150-191</b>
	 <small>aza43072</small>	2500	grey (to DIN 47732)			<b>60103-131</b>
			grey (to DIN 47732)			<b>60704-020</b>
BS						
	 <small>aza43071</small>	2500	black	Great Britain, Ireland		<b>60103-137</b>
USA						
	 <small>AZA43071</small>	2000	black	USA, Canada		<b>60103-141</b>
IEC 60320 C14		500				<b>60110-360</b>
	 <small>AZA43071</small>	1000	black	worldwide	IEC 60320	<b>60110-361</b>
		2500				<b>60197-053</b>
<b>Delivery: supplied loose with cabinet or frame</b>						<b>Part no./35</b>

## Cabinet Accessories – Electrics

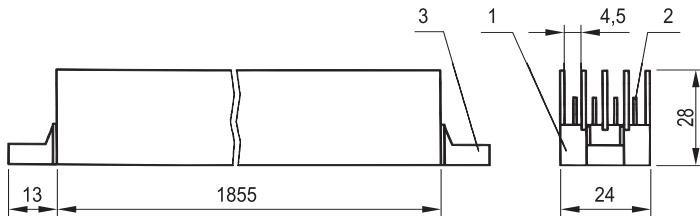
### Busbar 3 and 4 pole



00892013

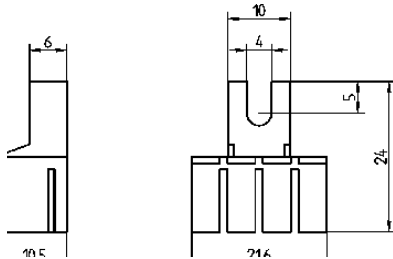


00892015



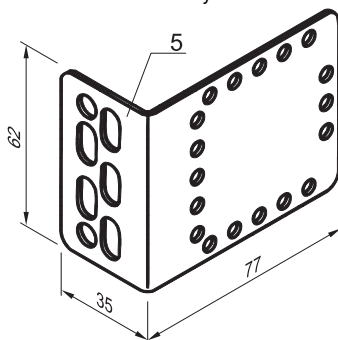
AZA42396

Fixing with insulating block for busbar 3, 4 pole



AZA42393

Mounting angle for cabinet assembly



aza40567

- Vertical current distribution in cabinets
- Can be sawn off to required length
- Connections: FASTON connector 6.3 x 0.8 mm

#### Delivery comprises (assembled)

Item	Qty	Description
1	1	Insulating body for 4 inner conductors, length 1855 mm, PVC
2	3 (4)	Inner conductor, pushed in
3	2	Fixing with insulating block, pushed in, PA 6, black,

#### Order Information

Description	Material	Length mm	Part no.
3 pole	E-Cu tin-plated	1855	20100-018
4 pole	E-Cu tin-plated	1855	20100-017
4 pole	Brass untreated	1855	20100-015

#### Accessories

<b>Item 3</b> Fixing with insulating block PVC, black, PU 10 pieces with assembly kit	20100-019
<b>Item 5</b> Mounting angle for cabinet assembly St, 1.5 mm, finish ALZn, PU 4 pieces	20100-029

#### Technical data

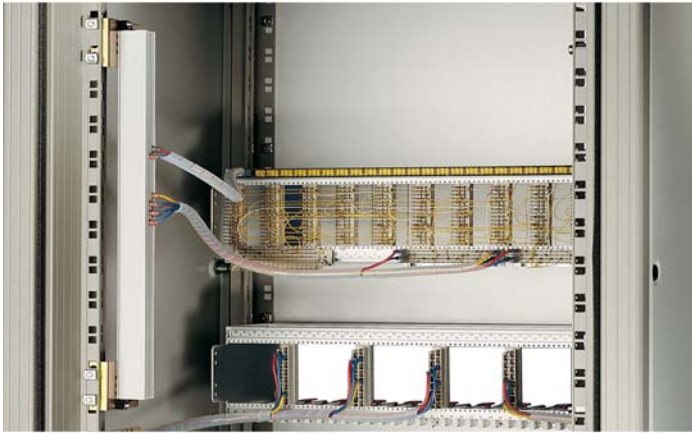
Mains voltage	500 V <sub>AC</sub> (50 Hz)
Nominal current CuZn conductor	32 A (T <sub>U</sub> = 40 °C)
Nominal current Cu conductor	63 A (T <sub>U</sub> = 40 °C)
Conductor resistance	6.8 mΩ/m (brass), 1.9 mΩ/m (Cu)
Max. temperature of rail	70 °C
Flammability of insulation body	UL 94-V0

#### Note

- After cutting to length, please order fixings with insulating block separately

**Cabinet Accessories – Electrics**

**Busbar 1 and 2 pole**



- Vertical current distribution in cabinet
- Can be sawn off to required length
- Connections FASTON 6.3 x 0.8 mm

**Delivery comprises (assembled)**

Item	Qty	Description
1	1	Insulating body for 2 inner conductors, length 1900 mm, PVC
2	1 [2]	Inner conductor, pushed in
3	2	Insulating block, glued in, PA 6, grey

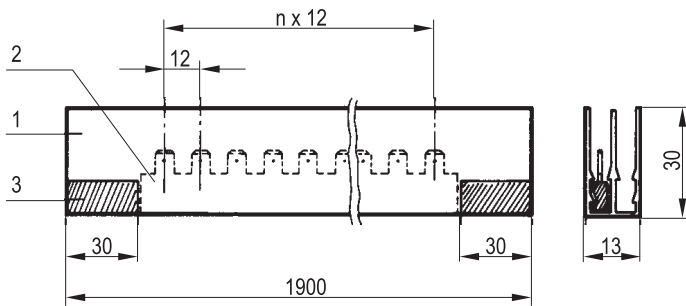
**Order Information**

Description	Material	Length mm	Part no.
1 pole	E-Cu tin-plated	1900	<b>20100-010</b>
2 pole	E-Cu tin-plated	1900	<b>20100-008</b>
2 pole	Brass untreated	1900	<b>20100-006</b>
2 pole	Brass tin-plated	1900	<b>20100-007</b>

**Technical data**

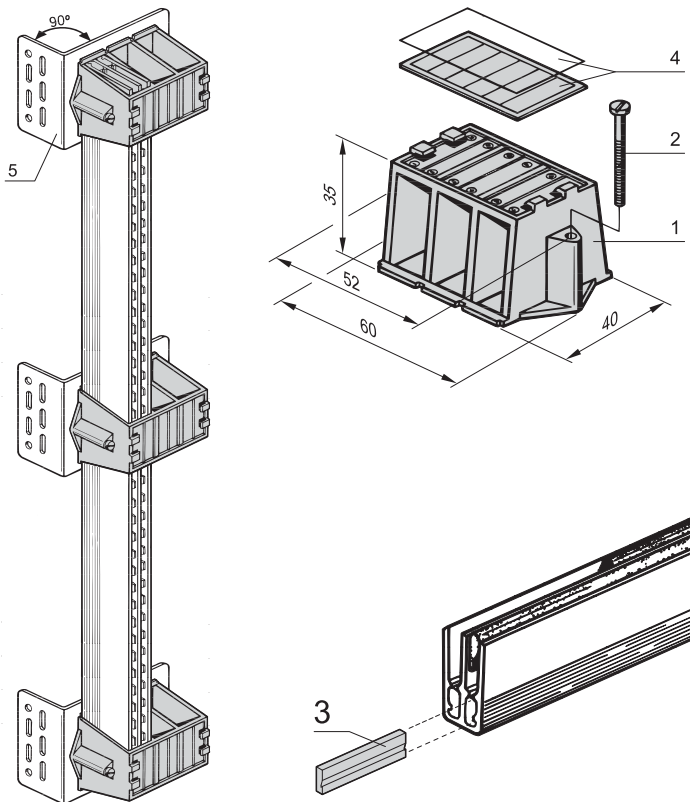
Mains voltage	500 V <sub>AC</sub> (50 Hz)
Isolation voltage	750 V
Nominal current CuZn conductor	50 A (T <sub>U</sub> =20°C), 32 A (T <sub>U</sub> =50°C)
Cu conductor	100 A (T <sub>U</sub> =20°C), 60 A (T <sub>U</sub> =50°C)
Breakdown voltage/test voltage	2500 V/2 kV/1 min
Conductor cross-section	18 mm <sup>2</sup>
Conductor resistance	4 mΩ/m (brass), 1 mΩ/m (Cu)
Max. temperature of rail	70 °C
Flammability of insulation body	UL 94 V-0

- For mounting please order insulating block or mounting angle separately, see page 3.42



## Cabinet Accessories – Electrics

### Mounting bracket for busbar 1, 2 pole



A4-562 A4-565 00505051

- Mounting of 1 to 3 busbars in full length (max. 6 conductors)
- After cutting to length, glue in new insulating blocks
- Numbers 1...12 are stamped on for conductor identification

#### Delivery comprises

Item	Qty	Description
1	4	Mounting bracket, plastic, Noryl, black
2	8	Screw with cross recess, St, M4 x 30, zinc-plated

#### Order Information

Description	Part no.
Mounting bracket for bus bar 1, 2-pole	20100-028

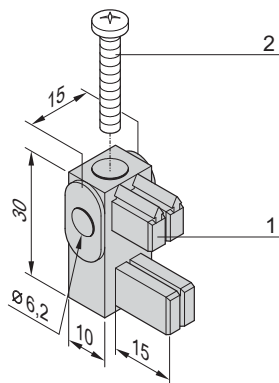
#### Accessories

<b>Item 3</b> Insulating block for shortened busbar, 1 or 2-pole	20100-009
<b>Item 4</b> Identification label with transparent cover, PU per 10 pieces	20100-013
<b>Item 5</b> Mounting angle for cabinet assembly St, 1.5 mm, finish ALZn, PU 4 pieces	20100-029

#### Note

- To ensure stability, mounting brackets should be fitted at 500 mm intervals

### Mounting with insulating block for busbar 1, 2 pole



ela44253

- Easy and space saving assembly of shortened busbars
- With integrated insulating block
- Mounting in rows possible

#### Delivery comprises

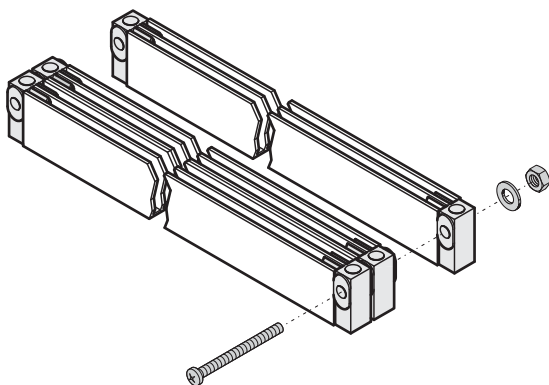
Item	Qty	Description
1	4	Fixing with insulating block, Noryl, black
2	4	Screw, M4 x 25, St, zinc-plated

#### Order Information

Description	Part no.
Fixing with insulating block for busbar 1 or 2 pole	20100-030
<b>Mounting angle for cabinet assembly St, 1.5 mm, finish ALZn, PU 4 pieces</b>	20100-029

#### Note

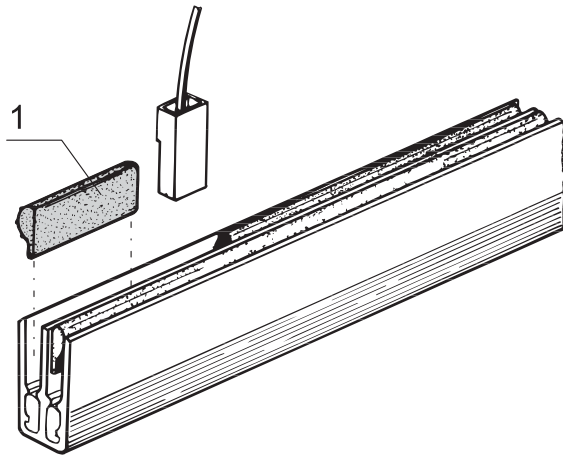
- M6 screw, washer and nut for row mounting not included



ELA44254

## Cabinet Accessories – Electrics

### Contact protection for bus bar 1 ... 4 pole



A4-566

- Cover for the inner conductor (between the connectors)
- Can be shortened at any size

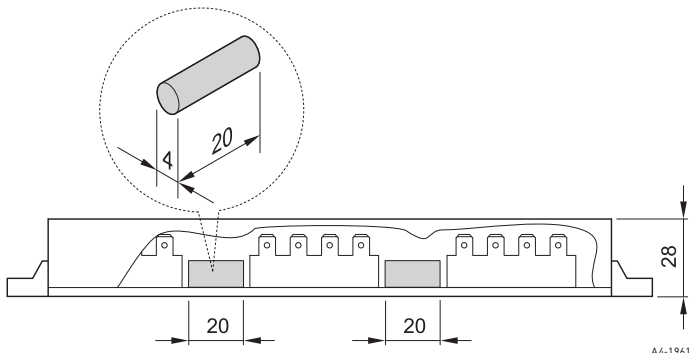
#### Delivery comprises

Item	Qty	Description
1	1	Protection against contact for busbar, length 1 m

#### Order Information

Description	Length m	Part no.
Protection against contact for busbar	1	<b>60100-398</b>

### Insulating block for busbar 1 ... 4 pole



A4-1961c

- The insulating block breaks multiple circuits within one rail

#### Delivery comprises

Item	Qty	Description
1	10	Insulating block, PVC Ø 4 x 20 mm

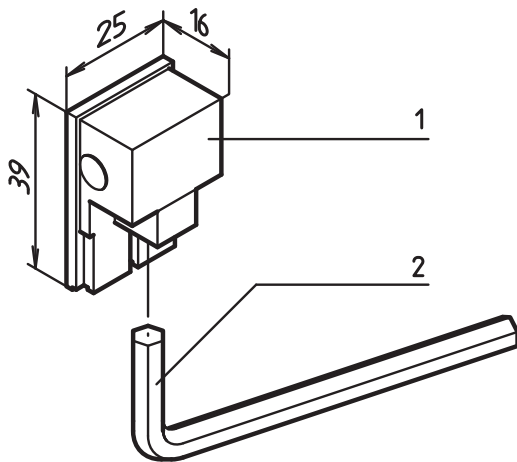
#### Order Information

Description	Part no.
Insulating block for busbar 1 ... 4 pole	<b>20100-021</b>



## Cabinet Accessories – Electrics

### Power connector 63 A for busbar 1 ... 4 pole



ela44252

- Nominal current max. 63 A at 40 °C
- Cable cross section max. 16 mm<sup>2</sup>
- Power supply protected against direct contact

#### Delivery comprises

Item	Qty	Description
1	1	Power connector, ABS/E-Cu, tin-plated, ABS, self-extinguishing
2	1	Allen key, St, zinc-plated

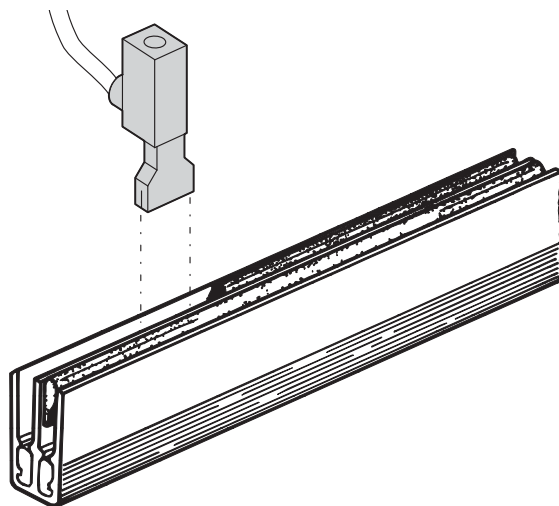
#### Order Information

Description	Part no.
Power connector 63 A for busbar 1 ... 4 pole	<b>60100-478</b>

#### Note

- Power connector requires two FASTON slots

### Power connector 125 A for busbar 1 ... 4 pole



00505052

- Nominal current max. 125 A at 40°C
- Cable cross section max. 25 mm<sup>2</sup>
- Power supply protected against direct contact

#### Delivery comprises

Item	Qty	Description
1	1	Power connector, PA, halogen-free, copper plate, connected

#### Order Information

Description	Part no.
Power connector 125 A for busbar 1 ... 4 pole	<b>60100-575</b>

#### Note

- Power connector requires three FASTON slots

## Cabinet Accessories – Monitor, keyboard

### Monitor, keyboard, touchpad, 1 U



00510003



00510002

Detail of keyboard, touchpad

00510005

Front view



00510004

Rear view

#### Technical data

Mains voltage	110 ... 240 V <sub>AC</sub> (50 Hz ... 60 Hz)
Power consumption	Active max 30 W, standby < 1 W
Monitor	17", TFT display, resolution 1280 x 1024 (SXGA), 16.9 million colours, contrast 500:1, brightness 300cd/cm <sup>2</sup> , on-screen menu; cConnection by 15-pin H-DSUB socket
Keyboard	83 keys (numeric pad integrated), connects to computer via PS/2 or USB
Touchpad	Industry standard, width 62 mm, height 46 mm, connects to computer via PS/2 or USB
Dimensions (with closed monitor)	Height 44 mm, width 482 mm, depth 500 mm
Dimensions (with open monitor, fully extracted)	Height 380 mm, width 483 mm, depth min. 1000 mm (depending on mounting depth)
Extraction depth	500 mm
Weight	13 kg
MTBF	35000 h

- Pull-out 17" TFT colour monitor chassis, 1 U (resolution 1280 x 1024, SXGA; connects to VGA interface)
- Keyboard with German, English or French keyboard layout (connects via PS2 or USB)
- Integral touchpad (connects via PS2 or USB)
- Voltage supply: Wide-range input (nominal mains voltage 110 to 240 V<sub>AC</sub>), Voltage supply 12, 24 and 48 V<sub>DC</sub> on request
- Depth-adjustable mounting for different pitches of server panel/slide mounts; Mounting depth [dimension c = spacing of 19" profiles]: 560 ... 800 mm (smaller mounting depths on request)
- Further versions on request
  - With trackball or numeric pad
  - Keyboard layouts for Arabic, Belgian, Danish, US English, Finnish, Italian, Portuguese, Russian, Swedish, Swiss, Spanish and Czech
  - With DVI connection



#### Delivery comprises (assembled and wired)

Item	Qty	Description
1	1	1 U chassis, pull-out, RAL 9005 black; 17" monitor, keyboard and touchpad; Monitor connection via VGA (SUB-D 15), keyboard and touchpad via either PS/2 or USB
2	1	Mains supply cable, length 2 m, SCHUKO/UTE plug ... IEC 60320-C13 socket
3	1	Connecting cable for mouse PS/2 - PS2, length 2 m
4	1	Connecting cable for keyboard PS/2 - PS2, length 2 m
5	2	Connecting cable for keyboard and mouse USB - USB, length 2 m
6	1	Connecting cable for monitor SUB-D 15, length 2 m
7	1	Assembly kit and user manual

#### Order Information

Description	Qty/PU pieces	Part no.
German keyboard layout	1	60118-518
English keyboard layout	1	60118-519
French keyboard layout	1	60118-520
<b>Accessories</b>		
<b>Equipment cable, BS British Standard plug, IEC 60320 C13 socket, 2.5 m, 1 piece</b>		<b>60103-137</b>
<b>Delivery: fitted in cabinet or on frame</b>		<b>Part no./05</b>
<b>Delivery: supplied loose with cabinet or frame</b>		<b>Part no./35</b>

#### Note

- Adaption to other mains connections see page 3.39

## Cabinet Accessories – Monitor, keyboard

### 19" drawer with keyboard (touchpad)



- Pull-out 1 U drawer with industrial keyboard including function keys, numeric keypad and touchpad; end stop when fully pulled out
- Connects to PS/2 or USB interface with adaptor (please order separately)
- Colour light grey (RAL 8035) or black grey (RAL 7021)

**Delivery includes** (assembled and wired)

Item	Qty	Description
1	1	19" drawer with front panel 1 U; keyboard with PS/2 plug, cable length 1.5 m, touchpad 62 x 46 mm

#### Order Information

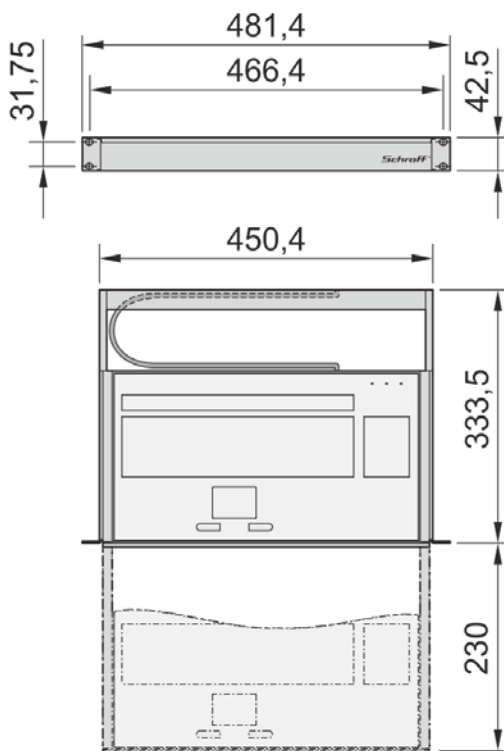
Height U	Width mm	Depth mm	Description	RAL 7035 Part no.	RAL 7021 Part no.
1	482	334	German keyboard layout	<b>60118-522</b>	<b>60118-526</b>
1	482	334	French keyboard layout	<b>60118-524</b>	<b>60118-528</b>
1	482	334	UK keyboard layout	<b>60118-525</b>	<b>60118-529</b>
1	482	334	USA keyboard layout	<b>60118-523</b>	<b>60118-527</b>

#### Accessories

<b>Adaptor, 2 x PS/2 – USB</b> PS/2 socket – USB plug, length 160 mm, 1 piece	<b>60118-515</b>
---	------------------

#### Note

- Please order adaptor, 2 x PS/2 sockets to connect to USB port of computer separately
- 19" assembly kit, see page 3.17



Drawer: Front view, keyboard closed/pulled out



Adaptor, 2 x PS/2 – USB

# Cabinet Accessories – Management

## Cabinet management basic units



EMX 111

00711020

- Monitoring and management of air/water heat exchanger, environmental parameters and access
- Local display, Ethernet interface and web interface
- 2 versions
  - EMX 111 Monitoring for one air/water heat exchanger and up to max. 16 sensor values
  - EMX 888 (19" case): Monitoring for up to 8 air/water heat exchangers and up to max. 128 sensor values

### Delivery comprises

Item	Qty	Description
1	1	Cabinet management basic unit; integrated power supply unit, 230 V <sub>AC</sub> , IEC C13 socket
2	1	Mains cable IEC C13 on SCHUKO/UTE, cable restrainer with clip
3	2	Mounting bracket
4	1	Serial interface cable with DB9F connection, black
13	1	User manual



EMX 888

00711023

### Order Information

Height H	Width W	Depth D	Part no.	
mm	U	mm	mm	
44	-	251	53	EMX111
44	1	440	19"	EMX888



Rear view EMX 888

00711021

### Interfaces

EMX111	EMX888	Description
1	8	RJ 12 socket, connection point for environmental sensors
1	8	RJ 45 socket (RS 485; connecting point for air/water heat exchanger)
1	8	RJ 45 socket, connection for asset management strips
1	1	RJ 45 socket, connection point for network (Ethernet)
1	1	USB socket, host
1	1	USB socket, device
-	2	Potential-free contacts
1	1	RS 232 socket, serial interface

### Note








- Sensors (temperature, humidity, differential pressure, airflow...) and hub for connecting multiple sensors, see from page 3.48

## Cabinet Accessories – Management

### Sensors

- The sensors are connected to the base unit via a RJ12 interface
- The sensors connected are detected automatically

### Order Information

	Description	Measurements	Input Connection	Qty/PU pieces	Part no.
 <small>00709002</small>	Temperature sensor	1 x temperature	Cable length 3 m	1	60110-313
 <small>00709002</small>	Temperature/ humidity combi sensor	1 x temperature 1 x humidity	Cable length 3 m	1	60110-314
 <small>00709003</small>	Two temperature/ humidity combi sensors	2 x temperature 2 x humidity	Cable length 3 m + 3 m	1	60110-315
 <small>00711022</small>	Two temperature sensors and one temperature/ humidity combi sensor	3 x temperature 1 x humidity	Cable length 3 m + 3 m + 3 m	1	DPX-T3H1
 <small>00711018</small>	Dual potential-free contact sensor	–	Cable length 0.5 m	1	DPX-CC2-TR
 <small>00711019</small>	Differential pressure and temperature sensor	1 x pressure 1 x temperature	Cable length 3 m	1	DPX-T1DP1
 <small>00712002</small>	Airflow sensor	1 x air circulation	Cable length 3 m	1	DPX-AF1

### Note

- Other sensors e.g. smoke detector, vibrations, leakage, etc. on request

# Cabinet Accessories – Management

## Hub to accept 4 sensors



00709011

- Connections (signals and power) are via RJ12 plug on the power control socket strip or on the cabinet management system
- A maximum of 4 sensors can be connected, thus up to 16 variables (depending on sensors) can be transmitted (temperature sensor, temperature/humidity combi sensor, differential pressure, potential-free contacts, airflow sensor)

### Delivery comprises

Item	Qty	Description
1	1	Case, height 18 mm, width 106 mm, depth 37 mm
2	1	RJ12 socket to connect to socket strip or cabinet management system (IN; for power supply and data transmission)
3	4	RJ12 socket for connecting sensors (OUT)
4	1	Connecting cable, RJ12 plug – RJ12 plug, length 1 m
5	2	Mounting angle, St, 2 mm, RAL 7035

### Order Information

Description	Part no.
Hub to accept 4 sensors (max. 16 parameters)	60110-316

## Appendix – Order notes

### Packaging units

A packaging unit (PU) - e.g. carton, bag - contains the stated quantity. If you order the quantity 1, you will automatically receive the quantity defined as PU.

Example: EMC textile gasket  
See page 5.22  
Part number 21101-853

Quantity (per part number): 10 pieces

Order quantity: . . . . . Delivery quantity:

1 . . . . .	10 pieces
2 . . . . .	20 pieces
3 . . . . .	30 pieces

### Price list

Our price list is available by e-mail from your customer consultant. Please find all contact details at [www.schroff.biz/contact](http://www.schroff.biz/contact).

### Always up-to-date

Please visit our website [www.schroff.biz](http://www.schroff.biz) where we continuously inform about news and technical changes.

### Quick links

**Catalogue request:** [www.schroff.biz/catalogues](http://www.schroff.biz/catalogues)

**Product configurators:** [www.schroff.biz/conf](http://www.schroff.biz/conf)

**Contact details:** [www.schroff.biz/contact](http://www.schroff.biz/contact)

**Product search:** [www.schroff.biz/oneclick](http://www.schroff.biz/oneclick)

**Front Panel Express:** [www.frontpanelexpress.eu](http://www.frontpanelexpress.eu)

**VARISTAR:** [www.varistar.co.uk](http://www.varistar.co.uk)

**Railway technology:** [www.schroff.co.uk/railway](http://www.schroff.co.uk/railway)

**IT Infrastructure:** [www.schroff.co.uk/datacom](http://www.schroff.co.uk/datacom)

### Standard pack quantity (SPQ)

Please take into consideration that deliveries may be carried out in the stated SPQs (SPQ, e.g. 5 pieces, 10 pieces, 50 pieces, etc.). Differing order quantities (e.g. 2 pieces) may be changed to the next possible delivery quantity = Standard Pack Quantity (in this case 10 pieces).

Example: Front horizontal rail  
See page 5.31  
Part number 34560-228

Quantity (per part number): 1 piece  
Standard pack quantity (SPQ): 10 pieces

Order quantity: . . . . . Delivery quantity:

≤ 10 . . . . .	10 pieces
> 10 ≤ 20 . . . . .	20 pieces
> 20 ≤ 30 . . . . .	30 pieces

### Delivery times

Part numbers in bold face type are ready for despatch within 2 working days; part numbers in normal type are ready for despatch within 10 working days.

### Business relations

Schroff is exclusively operating in Business to Business (B2B). Private individuals can buy Schroff products via our sales representatives (see [www.schroff.biz/contact](http://www.schroff.biz/contact)).

### Responsible for contents and print

Schroff GmbH, Marketing Communication,  
D-75334 Straubenhardt, Germany

The data in this catalogue have been thoroughly edited and checked - in assistance with an accredited Quality Management System in accordance with EN ISO 9001:2008.

Faults and spelling mistakes, but mainly changes due to improvements and further developments of our products are subject to change. There is no possibility to claim indemnity/compensation.



<b>Cabinets</b>	Overview.....	1.0	LHX 20/40 Air/water heat exchangers.....	1.224	<b>1</b>
	Varistar Cabinet platform.....	1.2	LHX 3 Air/water heat exchangers.....	1.236	
	Varistar Electronics.....	1.10	Novastar.....	1.240	
	Varistar EMC.....	1.54	Eurorack.....	1.270	
	Varistar Seismic.....	1.84	Outdoor.....	1.316	
	Varistar MIL.....	1.120	Etsirack.....	1.346	
	Varistar Data/network systems.....	1.124	19" lab racks.....	1.354	
	Varistar Containment.....	1.202	PROLINE.....	1.362	
<b>Wall mounted case</b>	Overview.....	2.0			<b>2</b>
	Epcase.....	2.36			
	LAN wall-mounted distributors.....	2.46			
<b>Cabinet and wall-mounted case accessories</b>	Overview.....	3.0	Monitors, keyboards, monitoring.....	3.44	<b>3</b>
	Mechanics.....	3.2	Socket strips.....	3.50	
	Telescopic slides.....	3.24	Power control socket strips.....	3.72	
	Electrical.....	3.29			
<b>Climate control</b>	Overview.....	4.0	Accessories.....	4.58	<b>4</b>
	Cooling concepts/service.....	4.2			
	19" fan trays.....	4.4			
	Air filtered fans.....	4.20			
<b>Desktop enclosures</b>	Overview.....	5.0	Comptec.....	5.100	<b>5</b>
	RatiopacPRO.....	5.6	Accessories.....	5.108	
	PropacPRO.....	5.44	Interscale.....	5.200	
	CompacPRO.....	5.76	Minipac.....	5.230	
<b>Subracks/ 19" chassis</b>	Overview.....	6.0	EuropacPRO industrial applications.....	6.86	<b>6</b>
	EuropacPRO.....	6.2	EuropacPRO Rugged.....	6.92	
	EuropacPRO for railroad applications.....	6.70	MultipacPRO.....	6.112	
			Inpac.....	6.128	
<b>Front panels, Plug-in-units, Frame type plug-in-units</b>	Overview.....	7.0	PCB accessories.....	7.102	<b>7</b>
	Front panels.....	7.2			
	Plug-in units.....	7.16			
	Frame type plug-in units.....	7.64			
<b>Systems</b>	Overview.....	8.0	AdvancedMC modules.....	8.56	<b>8</b>
	AdvancedTCA.....	8.2	CompactPCI, Serial, PlusIO, PSB.....	8.68	
	AdvancedMC carriers.....	8.26	VME, VME64x, VXS, VPX.....	8.88	
	MicroTCA.....	8.36	Accessories.....	8.106	
<b>Power supply systems</b>	Overview.....	9.0	19" accessories.....	9.18	<b>9</b>
	19" AC/DC switched-mode PSUs.....	9.2	PSUs for MicroTCA.....	9.20	
	19" AC/DC linear regulators.....	9.12	PSUs for VMEbus.....	9.22	
	19" AC/DC convertors.....	9.15	PSUs for CompactPCI, VME64x.....	9.24	
<b>Backplanes</b>	Overview.....	10.0	VME64x, VMEbus.....	10.15	<b>10</b>
	CompactPCI, Serial, PlusIO.....	10.4	Power.....	10.18	
	PXI.....	10.11	Universal.....	10.19	
	VXS.....	10.14	Test adaptors.....	10.20	
<b>Connectors, Front panel component systems</b>	Overview.....	11.0			<b>11</b>
	Connectors.....	11.2			
	Front panel component system.....	11.12			
<b>Appendix</b>	Standards abbreviations.....	12.0			<b>12</b>
	Notes on ordering.....	12.10			
	Order number index.....	12.11			
	Product index.....	12.62			