



CoreLine Downlight

DN120B DLMI2000/840 WH

DN120B - 1 pc - Fortimo LED Module DLMi2000

Whether for a new building or renovation of an existing space, customers want lighting solutions that provide quality of light and substantial energy and maintenance savings. Part of Philips' high-quality CoreLine LED family, the new CoreLine Downlight range of LED products can be used to replace conventional CFL downlights in general lighting applications.

Product data

• General information

Product family code	DN120B [DN120B]
Number of lamps	1 [1 pc]
Lamp family code	DLMi2000 [Fortimo LED Module DLMi2000]
Lamp color code	840 [840 cool white]
Lamp color temperature	4000 [4000 K]
Light source replaceable	false [No]
Driver included	true [Yes]
Optical cover	No [-]
Dimmable	No [No]
Connection	PIP [Push-in connector and pull relief]
Safety class	CL1 [Safety class I]
IP code	IP20 [Finger-protected]
IK code	IK02 [0.2 J standard]
Ambient temperature	-15 to +35 °C [-15 to +35 °C]
Color	WH [White]
Glow-wire test	650/5 [Temperature 650 °C, duration 5 s]
Flammability mark	No [-]
European	CE [CE mark]
Community mark	
ENEC mark	ENEC [ENEC mark]
Rated life to 70% lum. flux	30000 hr

• Light technical

Color rendering index	>80 [>80]
-----------------------	-----------

Total luminous flux	2000 Lm
Luminous efficacy	74 Lm/W

• Electrical

Power consumption	27 W [27 W]
Supply voltage	230-240 V [230 to 240 V]
Line frequency	50-60 Hz [50 to 60 Hz]

• Mechanical

Housing material	ALU [Aluminum]
Reflector material	ALU [Aluminum]

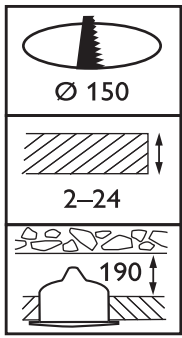
• Product Data

Order code	910500453201
Full product code	910500453201
Full product name	DN120B DLMI2000/840 WH
Order product name	DN120B DLMI2000/840 WH
Pieces per pack	0
Packs per outerbox	1
Bar code on outerbox - EAN3	8718291107811
Logistic code(s) - 12NC	910500453201
Net weight per piece	0.900 kg

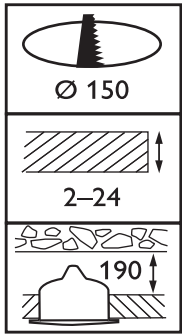
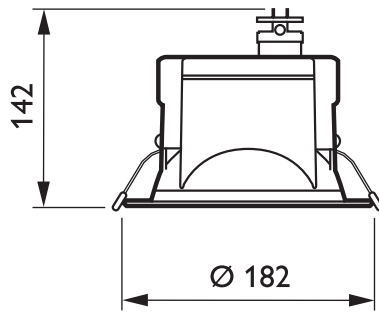


PHILIPS

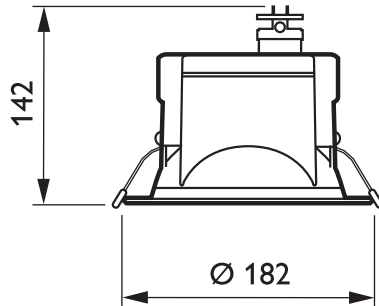
Dimensional drawing



DN120B DLM12000/840 WH



DN120B DLM12000/840 WH



© 2013 Koninklijke Philips N.V. (Royal Philips)
All rights reserved.

Specifications are subject to change without notice. Trademarks are the property of Koninklijke Philips N.V. (Royal Philips) or their respective owners.

www.philips.com/lighting

2013, July 9
data subject to change