

# PLATO

NEW!

## PLATO **PORCELAINIZED** SOLDER POT CRUCIBLES

Plato introduces two new porcelainized solder pot crucible to help meet today's process control demands.

- ◆ Eliminate solder degradation due to absorption of Metal.
- ◆ Porcelain resists corrosion when used with activated fluxes or chemicals.
- ◆ Assures solder consistency and purity
- ◆ Porcelain crucible wipes clean.



To Order add the letter "P" to the end of any Plato standard solder pot part number. Example, SP-500T would be ordered as SP-500TP to include the Porcelainized crucible option. To order as a retrofit for an existing Plato Solder pot use part number SP-1103P to replace 2.5" (64mm) diameter crucibles or SPT-209P to replace 4" (102mm) by 6" (152mm) diameter crucibles.

ALL 240 VAC Solder Pots are CE Approved 

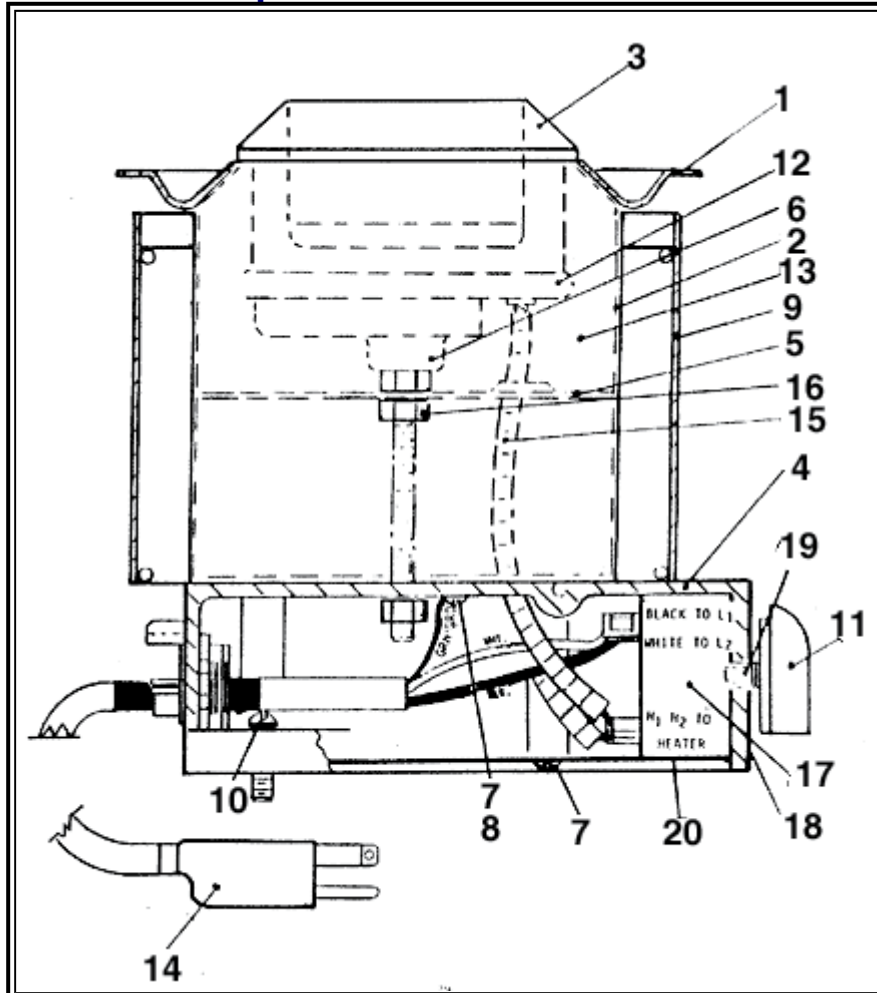
**Accessories: Plato Dross Skimmer SP-1200**

Plato Sales Department  
Copyright © 2004 Tech Spray, L. P. All Rights Reserved.  
PO Box 949 Amarillo, TX 79105 USA.  
(800) 858-4043 / (806) 372-8523  
Fax (806) 372-8750

[Return to previous page](#)

# ALATO

## Model SP-301, SP-301P 115VAC - 500 Watts Replacements Parts List



Item No.	Part No.	Description
1	SP-1101	DROSS TRAY
2	SP-1182	INNER SHIELD
3	SP-1103 SP-1103P	CRUCIBLE CRUCIBLE (PORCELAIN COATED)
4	SP-1183	BASE
5	SP-1176	BAFFLE
6	SP-1109	ELEMENT WASHER
7	SPT-117	#6-32 SCREW
8	SP-1115	#6 STAR WASHER
9	SP-1181	OUTER SHIELD
10	SP-1124	#10-32 SCREW
11	SP-1170	KNOB

12	SP-1140	HEATING ELEMENT
13	SP-1129	INSULATION
14	SP-1153	CORD & STRAIN RELIEF
15	SP-1154	WIRE
16	SP-1009	STUDS/NUTS/WASHERS
17	SP-1155	TEMPERATURE CONTROL
18	SP-1159	DIAL PLATE
19	SP-1161	#8-32 SCREW
20	SP-1184	BOTTOM COVER
APPROX. 2 LB. (1Kg) SOLDER CAPACITY		

## Plato® General Purpose Solder Pots

Plato Sales Department  
 Copyright© 2003 Tech Spray, L. P. All Rights Reserved.  
 PO Box 949 Amarillo, TX 79105 USA.  
 (800) 858-4043 / (806) 372-8523  
 Fax (806) 372-8750

Plato Home Page/ Plato Distributors/ Order Plato Catalog/ Technical Information/ Email Plato