

Product Guide

EFFECTIVE JULY 1, 2022

BCPPGAUS

Belt Conveyor Products



10 Solent Circuit
Norwest NSW 2153

Phone: +61 2-8818-2000 Fax: +61 2-8824-6333

Toll Free: 1300 098 435

E-mail: salesau@flexco.com

www.flexco.com

Patents: www.flexco.com/patents

INFORMATION

HEAD OFFICE ADDRESS: Flexco® (Aust.) Pty Ltd
10 Solent Circuit
Baulkham Hills, NSW 2153

OFFICE TELEPHONE: +61 2 8818-2000

WESTERN AUSTRALIA OFFICE ADDRESS: Unit 1/13 Ernest Clark Rd.
Canning Vale, WA 6155
Phone: 08 6253-8081
Fax: 08 9456-2571

BUNDABERG OFFICE ADDRESS: 49 Hanbury Street, Bundaberg, QLD
4670 Australia
Ph: 07 4151-0359
F: 07 4151-0568

POSTAL ADDRESS: P.O. Box 6365
Baulkham Hills B.C. NSW 2153

EMAIL: salesau@flexco.com
marketingau@flexco.com

OFFICE FACSIMILE: +61 2 8824-6333

TERMS AND CONDITIONS: Prices are in AUD exclusive of GST.

1. Stock items (non-shaded) please refer to asterisk (*) for specific lead time, if not specified, standard 2-3 days lead-time applies.
2. Some assembled items and larger quantities may take longer, please contact Flexco for specifics.
3. Non-stock items (shaded) please contact Flexco for dispatch options and lead times.
4. Minimum order size for free shipping is \$4,000 net, excluding GST. Free shipping is not applicable to orders delivered to third parties.
5. Strictly Net 30 days unless otherwise negotiated.
6. 3rd party deliveries may be refused—please contact customer service.
7. Flexco endeavours to hold adequate stock levels at all times, however fluctuations do occur; stock is subject to availability.
8. All product refunds are subject to quality approvals before processing and may incur a restocking fee.

LIMITED LIABILITY: Every effort is made to ensure the information contained in this price book is accurate and in accordance with all current specifications, however the company cannot be held responsible for any errors and reserves the right, without prior notice, to change specifications, quantities, and prices.

Visit our Website at: www.flexco.com

Table of Contents

Belt Cleaners

Belt Cleaner Information and Selection Guide 5

Primary Cleaners

EZP-LS Limited Space Primary Cleaner.....	10
EZP1 Primary Cleaner & ConShear™ Replacement Blades.....	14
EZP1T Twist Tensioner Primary Cleaner.....	19
Spring Covers and Tensioner Lock.....	21
MMP Medium-Duty Primary Cleaner & TuffShear™ Replacement Blades.....	22
MHCP Heavy-Duty Cartridge Primary Cleaner & SuperShear™ Replacement Blades.....	26
H-Type® Primary Cleaners.....	32
Line Connections for Portable Air Tensioner.....	37
H-Type® ESAC Heavy-Duty Primary Cleaner.....	39
H-Type® ESAC with Extra Life -V-Tips Heavy-Duty Primary Cleaner.....	44

Secondary Cleaners

Y-Type® Secondary Cleaners.....	49
P-Type® Secondary Cleaners.....	59
R-Type® Reversing Secondary Cleaners.....	61
FMS Medium-Duty Secondary Cleaners.....	63
MHS Heavy-Duty Secondary Cleaners.....	66
Universal Lightweight Pole.....	74
H-Type®, P-Type® and R-Type® Lightweight Pole.....	75
Spring Covers and Tensioner Lock.....	76

Cartridge Cleaners:

P-Type Secondary Cleaners with Service Advantage Cartridge™.....	77
R-Type Secondary Cleaners with Service Advantage Cartridge.....	84
MHS Heavy-Duty Secondary Cleaners with Service Advantage Cartridge.....	91
Spring Covers and Tensioner Lock.....	104
U-Type® Secondary Cleaners.....	105
MDWS DryWipe Secondary Cleaner.....	111
Motorised Brush Cleaner.....	115
Chevron Belt Cleaner.....	117
Continuous Blade Secondary Cleaner.....	118
Wash Box.....	121

Belt Cleaner Accessories

Inspection Doors.....	122
Spray Pole Systems.....	125
Mandrel Safety Removal System.....	127
Live Shaft Hold-Down Rollers.....	128
Standard Pulley Lifter.....	129
Belt Cleaner Accessories.....	130
Optional Mounting Kits.....	131

Impact Beds

Flexco Slider and Impact Beds

EZSB-C and EZSB-I Slider Beds; EZIB-L and EZIB-M Impact Beds.....	132
---	-----

DRX® Impact Beds

DRX200 - DRX1500 Impact Beds.....	143
DRX3000 Dynamic Bed.....	147
Optional Parts and Tools.....	148

Belt Conveyor Products

Ploughs

V-Plough.....	149
Twin Pole V-Plough.....	151
HD® Floating V-Plough.....	153
V-Plough Blade Kits.....	155
Diagonal Plough.....	157
HD Spring-Tensioned Diagonal Plough.....	158

Continued on next page

Table of Contents

Belt Positioners and Trainers

Belt Positioner™.....	159
PTEZ.....	161
PT Smart™ Belt Trainer.....	165
PT Max™ Belt Trainer.....	168

Skirting Systems

Skirt Clamps-RMC1, Flex-Lok™, and FlexSeal™.....	173
Dual Seal Polyurethane Skirting.....	174
Standard Urethane Skirting.....	175
Enclosed Skirt System.....	176

Belt Maintenance Tools

Flex-Lifter™.....	179
Electric and Pneumatic Belt Cutters.....	179

Index

by Ordering Number.....	180
by Item Code.....	194

Belt Cleaner Information and Selection Guide

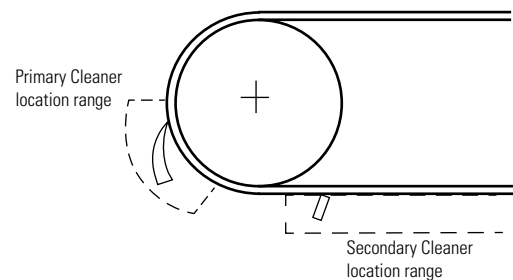
Why Are Belt Cleaners Needed?

- **Reduces Maintenance Costs**
 - Minimises manual cleanup.
 - Protects against belt mistracking.
 - Reduces conveyor component replacement costs.
 - Reducing carryback means a reduction in maintenance costs.
- **Improves Safety**
 - Reduces housekeeping problems.
 - A majority of conveyor-related accidents happen while maintenance tasks are being done.
- **Keeps Conveyors Running Efficiently and Consistently**
 - Reduces unscheduled downtime.
 - Increases production uptime.
- **Saves Money**
 - Increases belt wear life.
 - Extends life of rollers, pulleys and splices.
 - High cost of accidents.



Types of Belt Cleaners

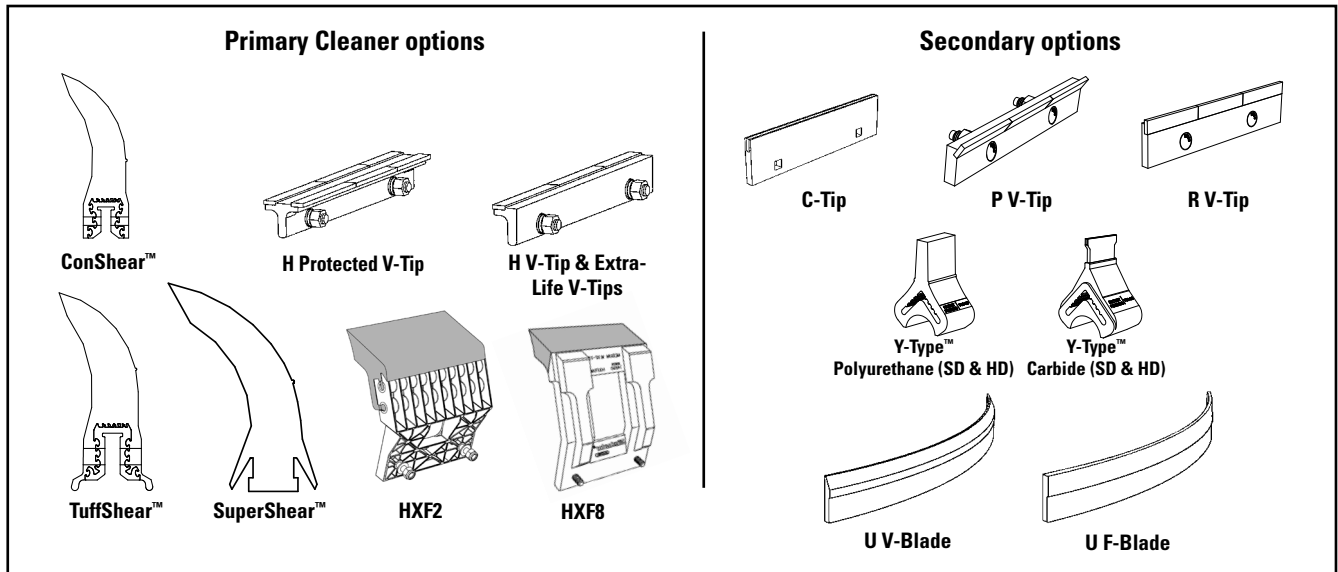
- **Primary Cleaners**
 - Mounted on the head pulley.
 - Mounted below the material flow.
 - Removes the big stuff. Typically cleans off up to 80% of the initial carryback.
- **Secondary Cleaners**
 - Located just past where the belt leaves the head pulley and anywhere down the beltline.
 - Special secondaries may allow for mounting under the head pulley.
 - Removes sticky fines – the final cleaning job.
 - May require a hold-down roller for maximum performance.
- **Specialty Cleaners**
 - Primary Cleaners or Secondaries designed especially for specific or extreme applications.



Definition of Terms

- **Carryback**—Material that sticks to the belt after it leaves the transfer point and continues falling off along the conveyor's return side.
- **Material Path**—The section of the belt where most of the material is conveyed. Typically the center 2/3 of the belt.
- **Hold-Down Roller**—A stabilising roller or pressure roller located on top of the return side of the belt to prevent belt flap or to provide a consistent flat surface for the blades on a lighter-tensioned belt.

Types of Cleaner Blades

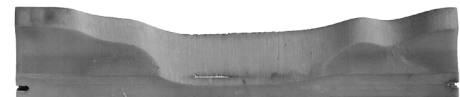


F-Tip/Blade - for mechanically fastened belts **V-Tip/Blade** - for vulcanised belts only - **C-Tip/Blade** - for both

Polyurethane Blades

Not all polyurethanes are the same. Flexco's polyurethane blades are specially formulated for abrasion resistance and long wear. Independent testing has shown that Flexco's polyurethane blades last as much as 30% longer than other OEM blades.

- Easy on the belt.
- Work well with mechanical splices.
- Economical.
- Specialty formulations for high heat, chemical resistance, or water removal.
- FRAS for underground applications.

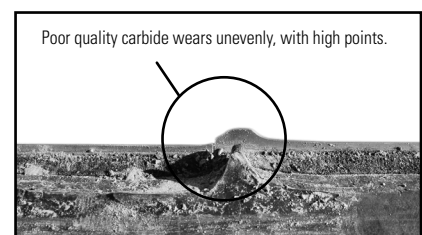


Less advanced polyurethane formulations result in blades that experience quicker wear and provide less-efficient cleaning.

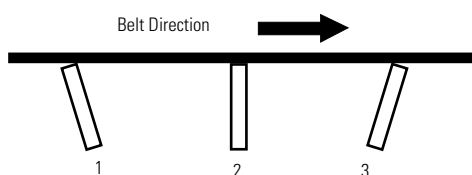
Tungsten Carbide

Excellent for superior cleaning efficiency and long wear. The quality and application of carbides can vary. Flexco has invested years of research and testing to develop tungsten carbide tips for both vulcanised and mechanically fastened belts. And a quality process ensures consistent results.

- Superior cleaning.
- Long wear.
- C-Tips/blades for mechanical splices and V-Tips/blades for vulcanised belts.



Blade Angle (Secondary cleaners)



1. Aggressive - excellent cleanability, high risk for belt damage.
2. 90° to belt - good cleaning efficiency; must have good blade relief for splices (Flexco recommended).
3. Wiping - a little less cleaning power; safer on belts in poor condition or with poor mechanical splices.

Belt Cleaning Systems

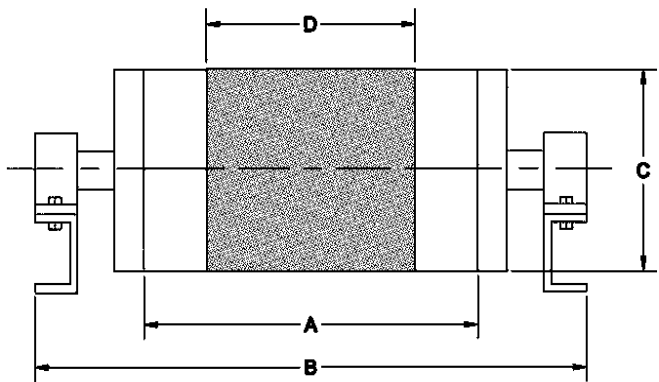
Keys to Good Belt Cleaning

- Proper cleaner selection for the application
- Correct installation
- Regular service maintenance

Specifying and Ordering Belt Cleaners

Information needed:

- A.** Belt Width
- B.** Conveyor frame (structure) width
- C.** Head pulley diameter
- D.** For Primary Cleaners - what is the belt's material path?
- E.** Material conveyed (dry, wet, sticky, etc.)
- F.** Type of belt splice:
 - Mechanical - skived or unskived
 - Vulcanised
- G.** Temperature or other extreme environmental factors
- H.** Does the belt reverse?






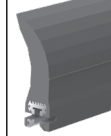
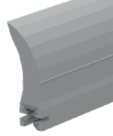



Primary Cleaner Selection Guide

Primary Cleaner Specification Chart



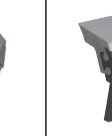
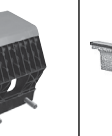


APPLICATION DESCRIPTION	EZP-LS	EZP1, HIGH TEMP EZP1	MMP	MHCP	H-TYPE® (HF2, XF, XF8)	H-TYPE® (V)
Belt Width*	300 - 1500 mm	450 - 1800 mm	600 - 2100 mm	600 - 2100 mm	450 - 2400 mm	450 - 3000 mm
Head Pulley Diameter	150 - 550 mm	250 - 900 mm	400 - 1200 mm	500 - 1200 mm	250 - 1325 mm	250 - 1575 mm
Reversing Belts	Yes	Yes	Yes	Yes	Yes	Yes
Mechanical Fasteners	Yes	Yes	Yes	Yes	Yes	No

*Special sizes available upon request.
Contact Flexco for pulleys over 1700 mm diameter.

Primary Cleaner Blade Specifications

								
Blade Type	ConShear™ LS	ConShear™ LS High Temp	ConShear™ LS White (Chemical Resistant/Food Grade) ‡	ConShear™	ConShear™ High Temp	ConShear™ White (Chemical Resistant/Food Grade) ‡	ConShear Ultra High Temp	TuffShear™
Temperature Range	-30 to 180°F (-35 to 82°C)	up to 275°F (135°C) with spikes to 325°F (163°C)	-30 to 180°F (-35 to 82°C)	-30 to 180°F (-35 to 82°C)	up to 275°F (135°C) with spikes to 325°F (163°C)	-30 to 180°F (-35 to 82°C)	up to 200°C (400°F) with spikes to 232°C (450°F)	-30 to 180°F (-35 to 82°C)
Polyurethane	Yes	Yes	Yes	Yes	Yes	Yes	Yes	Yes
Durometer	83	93	83	83	93	83	90	83
Tungsten Carbide	No	No	No	No	No	No	No	No
Work with Mechanical Fasteners	Yes	Yes	Yes	Yes	Yes	Yes	Yes	Yes
FRAS	Contact Flexco							

Primary Cleaner Blade Specifications (cont.)

						
BLADE TYPE	SuperShear™	HXF	HXF2	H V-TIP	H PROTECTED V-TIP	Extra Life V-Tips*
Temperature Range	-30 to 180°F (-35 to 82°C)	-35 to 82°C	-35 to 82°C	-35 to 205°C	-35 to 205°C	-35 to 205°C
Polyurethane	Yes	Yes	Yes	No	No	No
Durometer	90	84	83	N/A	N/A	N/A
Tungsten Carbide	No	No	No	Yes	Yes	Yes
Work with Mechanical Fasteners	Yes	Yes	Yes	No	No	No
FRAS	Yes	Yes	No	N/A	N/A	N/A

*Extra Life Tips available in tip lengths of 15, 20 and 25mm

For Belt Speed information please consult your Flexco representative

Secondary Cleaner Selection Guide

Secondary Cleaner Specification Chart

APPLICATION DESCRIPTION	MHS (C-TIP)	MHS (V-TIP)	P-TYPE® (C-TIP)	P-TYPE (V-TIP)	P-TYPE-LS (C-TIP)	Y-Type™ SD Polyurethane	Y-Type SD Carbide	Y-Type HD Polyurethane	Y-Type HD Carbide
Belt Width*	600-2400mm	600-2400mm	450-2400mm	450-2400mm	450-2400mm	450-1200mm	450-1200mm	900-1800mm	900-1800mm
Secondary Cleaner Blade Options	Yes	Yes	No	No	No	Yes	Yes	Yes	Yes
Work with Mechanical Fasteners	Yes	No	Yes	No	Yes	Yes	Yes	Yes	Yes

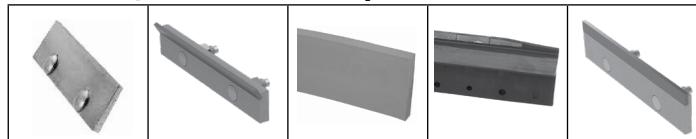
*Special sizes available upon request.
Contact Flexco for belt widths over 3000 mm.

Secondary Cleaner Specification Chart (cont.)

APPLICATION DESCRIPTION	FMS (V-Tip)	U-TYPE® (F-BLADE)	U-TYPE (V-BLADE)	R-TYPE® (C-TIP)	R-TYPE (V-TIP)	CHEVRON	Brush Cleaner
Belt Width*	600-2400mm	450-3000mm	450-2500mm	450-2400 mm	450-2400 mm	450-1500mm	450-2100 mm
Secondary Cleaner Blade Options	Yes	No	No	Yes	Yes	Yes	Yes
Work with Mechanical Fasteners	No	Yes	No	Yes	No	Yes	Yes

*Special sizes available upon request.
Contact Flexco for belt widths over 3000 mm.

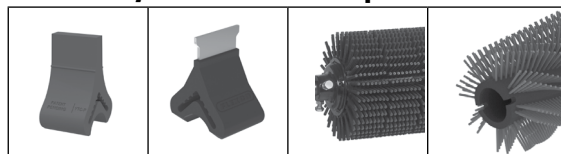
Secondary Cleaner Blade Specifications



BLADE TYPE	C-TIP	P V-TIP*	U F-BLADE	U V-BLADE	R V-TIP*
Temperature Range	-35 to 205°C	-35 to 205°C	-35 to 82°C	-35 to 82°C	-35 to 205°C
Polyurethane	No	No	Yes	Rubber	No
Durometer	N/A	N/A	90	83	N/A
Tungsten Carbide	Yes	Yes	No	Yes	Yes
Work with Mechanical Fasteners	Yes	No	Yes	No	No

*Available in 10, 15, 20 and 25mm tip lengths

Secondary Cleaner Blade Specifications cont.



BLADE TYPE	Y-Type Polyurethane	Y-Type Carbide	Chevron	Brush Cleaner
Temperature Range	-35 to 82°C	-35 to 82°C	-35 to 82°C	-30 to 82°C
Polyurethane	Yes	No	Rubber	Polypropylene
Durometer	86A	N/A	N/A	N/A
Tungsten Carbide	No	Yes	No	No
Work with Mechanical Fasteners	Yes	Yes	Yes	Yes

For Belt Speed information please consult your Flexco representative

Product Ordering Information

EZP-LS Limited Space Primary Cleaner and Stainless Steel Limited Space Primary Cleaner





EZP-LS Primary Cleaner Belt Width Minus 50mm

BELT WIDTH mm	BLADE COVERAGE mm	ORDERING NUMBER	ITEM CODE	WT. KG
300	250	EZP-LS212	77127	11.3
450	400	EZP-LS218	77128	12.8
600	550	EZP-LS224	77129	14.4
750	700	EZP-LS230	77130	16.0
900	850	EZP-LS236	77131	17.6
1050	1000	EZP-LS242	77132	19.1
1200	1150	EZP-LS248	77133	20.7
1350	1300	EZP-LS254	77134	22.2
1500	1450	EZP-LS260	77135	23.9

EZP-LS High-Temp Primary Cleaner Belt Width Minus 2" (50mm)

BELT WIDTH		BLADE WIDTH		ORDERING NUMBER	ITEM CODE	WT. KG
in.	mm	in.	mm			
12	300	10	250	EZP-LS212HT	77746	24.8
18	450	16	400	EZP-LS218HT	77747	28.2
24	600	22	550	EZP-LS224HT	77748	31.7
30	750	28	700	EZP-LS230HT	77749	35.1
36	900	34	850	EZP-LS236HT	77750	38.6
42	1050	40	1000	EZP-LS242HT	77751	42.0
48	1200	46	1150	EZP-LS248HT	77752	45.5
54	1350	52	1300	EZP-LS254HT	77753	48.9
60	1500	58	1450	EZP-LS260HT	77754	52.5

 **Stock items** (non-shaded) refer to (*) for specific lead time, if not specified, standard lead time applies.

 **Non-stock items** (shaded) please contact Flexco for dispatch options and lead times.

EZP-LS Stainless Steel Primary Cleaner Belt Width Minus 50mm (2")

BELT WIDTH mm	BLADE COVERAGE mm	ORDERING NUMBER	ITEM CODE	WT. KG
300	250	EZP-LS212-S/S	62836	11.3
450	400	EZP-LS218-S/S	62837	12.8
600	550	EZP-LS224-S/S	62838	14.4
750	700	EZP-LS230-S/S	62839	16.0
900	850	EZP-LS236-S/S	62840	17.6
1050	1000	EZP-LS242-S/S	62841	19.1
1200	1150	EZP-LS248-S/S	62842	20.7
1350	1300	EZP-LS254-S/S	62843	22.2
1500	1450	EZP-LS260-S/S	62844	23.9

Lead time: 4 weeks

EZP-LS Stainless Steel High-Temp Primary Cleaner Belt Width Minus 50mm (2")

BELT WIDTH mm	BLADE COVERAGE mm	ORDERING NUMBER	ITEM CODE	WT. KG
300	250	EZP-LS212HT-S/S	62845	11.3
450	400	EZP-LS218HT-S/S	62846	12.8
600	550	EZP-LS224HT-S/S	62847	14.4
750	700	EZP-LS230HT-S/S	62848	16.0
900	850	EZP-LS236HT-S/S	62849	17.6
1050	1000	EZP-LS242HT-S/S	62850	19.1
1200	1150	EZP-LS248HT-S/S	62851	20.7
1350	1300	EZP-LS254HT-S/S	62852	22.2
1500	1450	EZP-LS260HT-S/S	62853	23.9

Lead time: 4 weeks

EZP-LS Stainless Steel Primary Cleaner with White ConShear LS Blade Belt Width Minus 50mm (2")

BELT WIDTH mm	BLADE COVERAGE mm	ORDERING NUMBER	ITEM CODE	WT. KG
300	250	CLSFG-212	77144	11.3
450	400	CLSFG-218	77145	12.8
600	550	CLSFG-224	77146	14.4
750	700	CLSFG-230	77147	16
900	850	CLSFG-236	77148	17.5
1050	1000	CLSFG-242	77149	19.1
1200	1150	CLSFG-248	77150	20.7
1350	1300	CLSFG-254	77151	22.2
1500	1450	CLSFG-260	77152	23.9

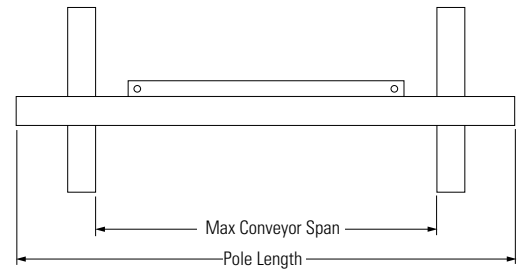
Specifications & Guidelines

EZP-LS Limited Space Primary Cleaner

Pole Length Specifications*

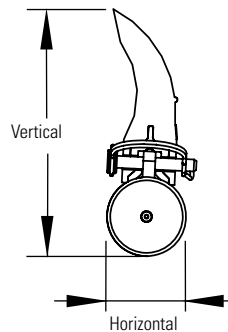
CLEANER SIZE mm	POLE LENGTH mm	MAXIMUM CONVEYOR SPAN mm
300	1050	925
450	1200	1075
600	1350	1225
750	1500	1375
900	1650	1525
1050	1800	1675
1200	1950	1825
1350	2200	2075
1500	2350	2225
1800	2650	2525

Pole Diameter - 48 mm

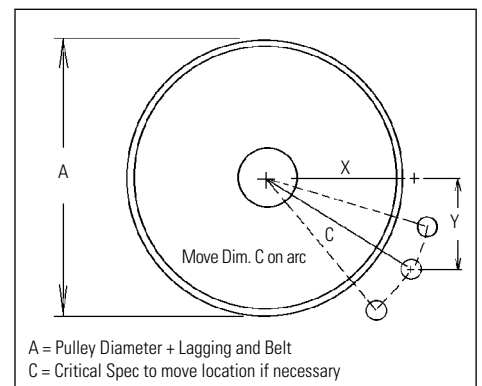


Clearance Guidelines for Installation

HORIZONTAL CLEARANCE REQUIRED mm	VERTICAL CLEARANCE REQUIRED mm
75	165



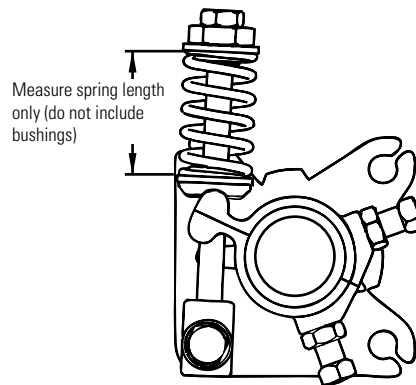
Pole Location Specs



Spring Length Chart with LST Spring Tensioner

BLADE WIDTH mm	PURPLE SPRING mm	SILVER SPRING mm	BLACK SPRING mm
254	51	N/A	N/A
406	41	54	N/A
559	N/A	51	N/A
711	N/A	48	N/A
864	N/A	44	N/A
1016	N/A	38	N/A
1168	N/A	35	51
1321	N/A	N/A	51
1473	N/A	N/A	48

Shading indicates preferred spring option



Pole Location Chart

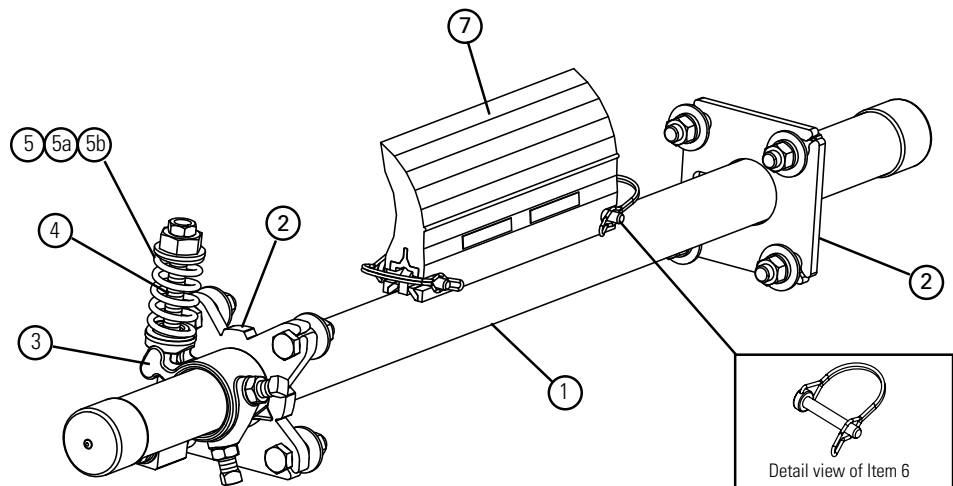
A	X	Y	C
152	67	140	156
178	83	140	162
203	99	140	171
229	111	140	178
254	127	140	187
279	140	140	197
305	156	140	210
330	168	140	219
356	181	140	229
381	194	140	238
406	210	140	251
432	222	140	264
457	235	140	273
483	248	140	286
508	260	140	295
533	273	140	308
559	286	140	318

Specifications:

- Maximum Belt SpeedContact Flexco
- Temperature Rating-35°C to 82°C
- Minimum Pulley Diameter.....150 mm
- Blade Height.....115 mm
- Usable Blade Wear Length.....60 mm
- BladePolyurethane (proprietary blend for abrasion resistance and long wear)
- Available for Belt Widths300 to 1800 mm

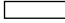
Replacement Parts List


EZP-LS Limited Space Primary Cleaner



Replacement Parts

REF	DESCRIPTION	MILD STEEL			STAINLESS STEEL		
		ORDERING NUMBER	ITEM CODE	WT. KG	ORDERING NUMBER	ITEM CODE	WT. KG
1	300 mm Pole	LSP12	77070	6.0	LSP12-S/S	77079	6.0
	450 mm Pole	LSP18	77071	7.0	LSP18-S/S	77080	7.0
	600 mm Pole	LSP24	77072	8.0	LSP24-S/S	77081	8.0
	750 mm Pole	LSP30	77073	9.0	LSP30-S/S	77082	9.0
	900 mm Pole	LSP36	77074	10.0	LSP36-S/S	77083	10.0
	1050 mm Pole	LSP42	77075	11.0	LSP42-S/S	77084	11.0
	1200 mm Pole	LSP48	77076	12.0	LSP48-S/S	77085	12.0
	1350 mm Pole	LSP54	77077	13.0	LSP54-S/S	77086	13.0
	1500 mm Pole	LSP60	77078	14.1	LSP60-S/S	77087	14.1
2	Mounting Plate Kit* (incl. 1 tensioner mounting plate and 1 pole mounting plate)	LSTMPK	77366	1.6	LSTMPK-S/S	78933	1.6
2a	SS Mounting Plate Kit (52"/1300mm+)* (incl. 2 tensioner mounting plates)				LSTMPK2-S/S	78462	3.3
3	Torque Arm Kit* (1 ea.)	LST-TAK	77120	0.6	LST-TAK	77120	0.6
4	Pivot Block/Rod Kit* (1 ea.)	LSTPB-RK	77367	0.4	LSTPB-RK	77367	0.4
5	Tension Spring - Purple (1 ea.) for blades 250-400 mm	LS-SP	77365	0.1	CTS-B-S/S	78387	0.1
5a	Tension Spring - White (1 ea.) for blades 550 - 1150 mm	LS-SW	77117	0.1	LS-SW-S/S	78850	0.15
5b	Tension Spring - Silver (1 ea.) for blades 1300 - 1450 mm	LS-SS	77118	0.1	LS-SS	77118	0.1
6	LS Blade Pin (1 ea.)	LS-BP	77114	0.05	LS-BP-S/S	77115	0.05
-	LST Spring Tensioner* - Purple incl. 1 tensioner mounting plate and 1 ea. items 3, 4 & 5 for blades 250-400 mm	LST-P	77121	3.4	LST-B-S/S	77124	3.4
-	LST Spring Tensioner* - White incl. 1 tensioner mounting plate and 1 ea. items 3, 4 & 5a for blades 550 - 1150 mm	LST-W	77122	3.5	LST-W-S/S	77125	3.5
-	LST Spring Tensioner* - Silver incl. 1 tensioner mounting plate and 1 ea. items 3, 4 & 5b for blades 1300 - 1450 mm	LST-S	77123	3.5	LST-W-S/S-2	77126	6.9

 **Stock items** (non-shaded) refer to (*) for specific lead time, if not specified, standard lead time applies.

 **Non-stock items** (shaded) please contact Flexco for dispatch options and lead times.

Hardware Included

For best results use Flexco® Genuine Replacement Blades and Parts.

Spring Tensioner Selection Chart - Mild Steel

CLEANER BLADE WIDTH	77121 PURPLE	77122 WHITE	77123 SILVER
ConShear-LS 250 - 400 mm	X		
ConShear-LS 550 - 1150 mm		X	
ConShear-LS 1300 - 1450 mm			X

Spring Tensioner Selection Chart - Stainless Steel

CLEANER BLADE WIDTH	77124 BLACK	77125 WHITE	77126 WHITE (Dual)
ConShear-LS 250 - 700 mm	X		
ConShear-LS 850 - 1150 mm		X	
ConShear-LS 1300 - 1750 mm			X

Replacement Parts List

EZP-LS *Limited Space Primary Cleaner and Stainless Steel Limited Space Primary Cleaner*

Ordering Information ConShear™-LS Replacement Blades

BELT WIDTH mm	BLADE WIDTH mm	ORDERING NUMBER	ITEM CODE	WT. KG
300	250	CRB-LS10	77088	1.0
450	400	CRB-LS16	77089	1.5
600	550	CRB-LS22	77090	2.1
750	700	CRB-LS28	77091	2.6
900	850	CRB-LS34	77092	3.2
1050	1000	CRB-LS40	77093	3.8
1200	1150	CRB-LS46	77094	4.4
1350	1300	CRB-LS52	77095	4.9
1500	1450	CRB-LS58	77096	5.5

Other blade sizes available upon request.

Ordering Information ConShear™-LS High-Temp Replacement Blades

BLADE WIDTH mm	ORDERING NUMBER	ITEM CODE	WT. LBS.
400	CRB-LS16HT	77552	1.5
550	CRB-LS22HT	77553	2.1
700	CRB-LS28HT	77554	2.6
850	CRB-LS34HT	77555	3.2
1000	CRB-LS40HT	77556	3.8
1150	CRB-LS46HT	77557	4.4
1300	CRB-LS52HT	77558	4.9
1450	CRB-LS58HT	77559	5.5

Other blade sizes available upon request.

Ordering Information White ConShear™-LS Replacement Blades (Chemical Resistant/Food Grade)‡

BLADE WIDTH mm	ORDERING NUMBER	ITEM CODE	WT. KG
250	CRB-LS10W	77097	1.0
400	CRB-LS16W	77098	1.5
550	CRB-LS22W	77099	2.1
700	CRB-LS28W	77100	2.6
850	CRB-LS34W	77101	3.2
1000	CRB-LS40W	77102	3.8
1150	CRB-LS46W	77103	4.4
1300	CRB-LS52W	77104	4.9
1450	CRB-LS58W	77105	5.5

‡All ingredients used in the urethane formulation of this blade comply with the relevant requirements of 21 CFR (FDA Code of Federal Regulations) for use in repeated bulk dry food applications

Stock items (non-shaded) refer to (*) for specific lead time, if not specified, standard lead time applies.

Non-stock items (shaded) please contact Flexco for dispatch options and lead times.

Product Ordering Information

EZP1 Standard Duty Primary Cleaner and EZP1 Stainless Steel Primary Cleaner



Ordering Information EZP1 Primary Cleaner Belt Width Minus 50mm

BELT WIDTH mm	BLADE COVERAGE mm	ORDERING NUMBER	ITEM CODE	WT. KG
450	400	EZP1-218	75611	25.1
600	550	EZP1-224	75612	27.8
750	700	EZP1-230	75613	30.5
900	850	EZP1-236	75614	33.2
1050	1000	EZP1-242	75615	35.9
1200	1150	EZP1-248	75616	38.6
1350	1300	EZP1-254	75617	41.2
1500	1450	EZP1-260	75618	43.9
1800	1750	EZP1-272	75771	46.6

Ordering Information EZP1 Primary Cleaner Stainless Steel

BELT WIDTH mm	BLADE COVERAGE mm	ORDERING NUMBER	ITEM CODE	WT. KG
450	400	EZP1-218-S/S	61081	25.7
600	550	EZP1-224-S/S	61082	28.4
750	700	EZP1-230-S/S	61017	31.1
900	850	EZP1-236-S/S	61083	33.9
1050	1000	EZP1-242-S/S	61016	36.6
1200	1150	EZP1-248-S/S	61084	39.3
1350	1300	EZP1-254-S/S	61085	42
1500	1450	EZP1-260-S/S	61086	44.8
1800	1750	EZP1-272-S/S	61087	47.5

Other blade sizes available upon request.

Ordering Information EZP1 High Temp Primary Cleaner Belt Width Minus 50mm

BELT WIDTH mm	BLADE COVERAGE mm	ORDERING NUMBER	ITEM CODE	WT. KG
300	250	HTF212	76658	22
450	400	HTF218	76659	25.1
600	550	HTF224	76660	27.8
750	700	HTF230	76661	30.5
900	850	HTF236	76662	33.2
1050	1000	HTF242	76663	35.9
1200	1150	HTF248	76664	38.6
1350	1300	HTF254	76665	41.2
1500	1450	HTF260	76666	43.9
1800	1750	HTF272	76667	46.6

Ordering Information EZP1 Primary Cleaner Stainless Steel High Temp Belt Width Minus 50mm

BELT WIDTH mm	BLADE COVERAGE mm	ORDERING NUMBER	ITEM CODE	WT. KG
300	250	HTF212-S/S	62826	22.0
450	400	HTF218-S/S	62827	25.1
600	550	HTF224-S/S	62828	27.8
750	700	HTF230-S/S	62829	30.5
900	850	HTF236-S/S	62830	33.2
1050	1000	HTF242-S/S	62831	35.9
1200	1150	HTF248-S/S	62832	38.6
1350	1300	HTF254-S/S	62833	41.2
1500	1450	HTF260-S/S	62834	43.9
1800	1750	HTF272-S/S	62835	46.6

Ordering Information EZP1 Stainless Steel Primary Cleaner with White ConShear Blade Belt Width Minus 50mm

BELT WIDTH mm	BLADE COVERAGE mm	ORDERING NUMBER	ITEM CODE	WT. KG
300	250	CFG-212	78838	22.5
450	400	CFG-218	78839	25.1
600	550	CFG-224	78840	27.8
750	700	CFG-230	78841	30.5
900	850	CFG-236	78842	33.2
1050	1000	CFG-242	78843	35.9
1200	1150	CFG-248	78844	38.5
1350	1300	CFG-254	78845	41.2
1500	1450	CFG-260	78846	43.9
1800	1750	CFG-272	78847	46.6

Ordering Information EZP1 Primary Stainless Steel Ultra High-Temp Belt Width Minus 50mm

BELT WIDTH		BLADE WIDTH		ORDERING NUMBER	ITEM CODE	WT. KG
mm	in.	mm	in.			
450	18	400	16	EZP1-UHT2-450-S/S	66956	25.1
600	24	550	22	EZP1-UHT2-600-S/S	66957	27.8
750	30	700	28	EZP1-UHT2-750-S/S	66958	30.4
900	36	850	34	EZP1-UHT2-900-S/S	66959	33.1
1050	42	1000	40	EZP1-UHT2-1050-S/S	66960	35.8
1200	48	1150	46	EZP1-UHT2-1200-S/S	66961	38.5
1350	54	1300	52	EZP1-UHT2-1350-S/S	66962	41.1
1500	60	1450	58	EZP1-UHT2-1500-S/S	66963	43.8
1800	72	1750	70	EZP1-UHT2-1800-S/S	66964	46.5

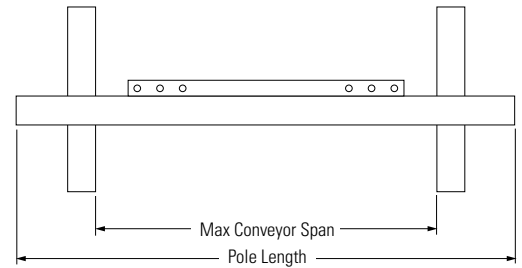
Specifications & Guidelines

EZP1 Standard Duty Primary Cleaner

Pole Length Specifications*

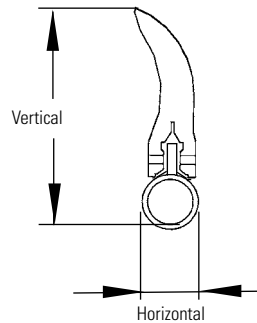
CLEANER SIZE mm	POLE LENGTH mm	MAXIMUM CONVEYOR SPAN mm
300	1050	925
450	1200	1075
600	1350	1225
750	1500	1375
900	1650	1525
1050	1800	1675
1200	1950	1825
1350	2200	2075
1500	2350	2225
1800	2650	2525

Pole Diameter - 60mm

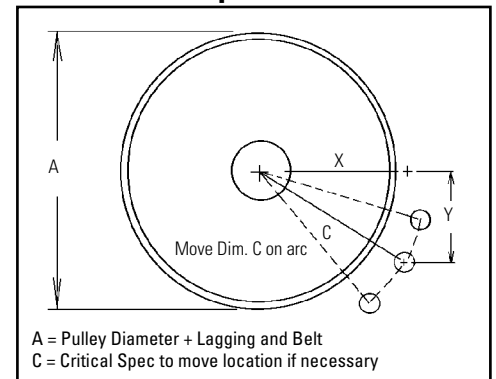


Clearance Guidelines for Installation

HORIZONTAL CLEARANCE REQUIRED mm	VERTICAL CLEARANCE REQUIRED mm
100	238



Pole Location Specs

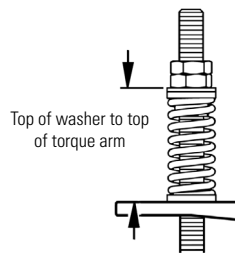


Spring Length Chart

with EST Spring Tensioner

BLADE WIDTH		PURPLE SPRING		SILVER SPRING		BLACK SPRING	
mm	in.	mm	in.	mm	in.	mm	in.
250	10	146	5 3/4	159	6 1/4	N/A	N/A
400	16	133	5 1/4	152	6	N/A	N/A
550	22	121	4 3/4	149	5 7/8	N/A	N/A
700	28	108	4 1/4	143	5 5/8	N/A	N/A
850	34	N/A	N/A	137	5 3/8	143	5 5/8
1000	40	N/A	N/A	130	5 1/8	140	5 1/2
1150	46	N/A	N/A	127	5	133	5 1/4
1300	52	N/A	N/A	121	4 3/4	130	5 1/8
1450	58	N/A	N/A	N/A	N/A	127	5
1600	64	N/A	N/A	N/A	N/A	121	4 3/4
1750	70	N/A	N/A	N/A	N/A	117	4 5/8

Shading indicates preferred spring option



Pole Location Chart

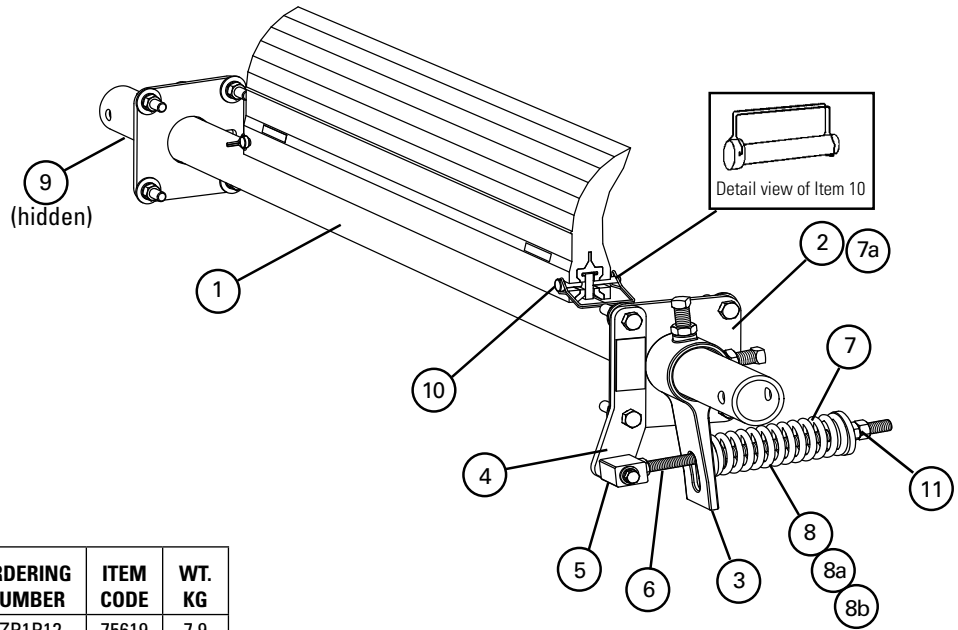
A	X	Y	C
250	74	230	242
275	92	230	248
300	108	230	254
325	131	230	265
350	146	230	273
375	166	230	284
400	179	230	291
425	195	230	301
450	207	230	309
475	223	230	320
500	235	230	329
525	249	230	339
550	266	230	352
575	283	230	365
600	299	230	377
625	314	230	390
650	330	230	402
675	346	230	415
700	360	230	427
725	374	230	439
750	389	230	452
775	403	230	464
800	417	230	477
825	432	230	489
850	446	230	501
875	460	230	514
900	474	230	526

Specifications:

- Maximum Belt SpeedContact Flexco
- Temperature Rating-35°C to 82°C
- Minimum Pulley Diameter.....250mm
- Usable Blade Wear Length.....100mm
- BladePolyurethane (proprietary blend for abrasion resistance and long wear)
- Available for Belt Widths300 to 1800 mm

Replacement Parts List

EZP1 Standard Duty Primary Cleaner



Replacement Parts

REF	DESCRIPTION	ORDERING NUMBER	ITEM CODE	WT. KG
1	300 mm Pole	EZP1P12	75619	7.9
	450 mm Pole	EZP1P18	75620	9.2
	600 mm Pole	EZP1P24	75621	10.3
	750 mm Pole	EZP1P30	75622	12.1
	900 mm Pole	EZP1P36	75623	13.8
	1050 mm Pole	EZP1P42	75624	14.9
	1200 mm Pole	EZP1P48	75625	16.1
	1350 mm Pole	EZP1P54	75626	17.8
	1500 mm Pole	EZP1P60	75627	19.7
	1800 mm Pole	EZP1P72	75772	21.9
2	Mounting Plate Kit* (2 ea.)	EZP1MPK	75637	3.5
3	Torque Arm Kit* (1 ea.)	ESTAK	76406	1.6
4	Pivot Shaft Bracket Kit* (1 ea.)	ESPSBK	76407	0.8
5	Pivot Block Kit*	ESPBK	76408	0.3
6	Pivot Rod Kit*	ESPRK	76409	0.6
7	Bushing Kit - Purple and Silver (includes 2 bushings)	ESBK-PS	76410	0.1
7a	Bushing Kit - Black (includes 2 bushings)	ESBK-B	76411	0.1
8	Tension Spring - Purple	QMTS-P	75845	0.5
8a	Tension Spring - Silver	ESS-S	76412	0.6
8b	Tension Spring - Black	ESS-B	76413	0.6
9	Pole Lock* (1 ea.)	EZP1PL	75641	0.5
-	EST Tensioner - Purple* for blade widths 300 - 700 mm (includes 1 each items 3, 4, 5, 6, 7 & 8)	EST-P	76403	3.5
-	EST Tensioner - Silver* for blade widths 850 - 1300 mm (includes 1 each items 3, 4, 5, 6, 7 & 8a)	EST-S	76404	3.6
-	EST Tensioner - Black* for blade widths 1450 - 1750 mm (includes 1 each items 3, 4, 5, 6, 7a & 8b)	EST-B	76405	3.7
10	Blade Pin (1 ea.)	EZP1BP	75642	0.1

*Hardware Included

Spring Tensioner Selection Chart

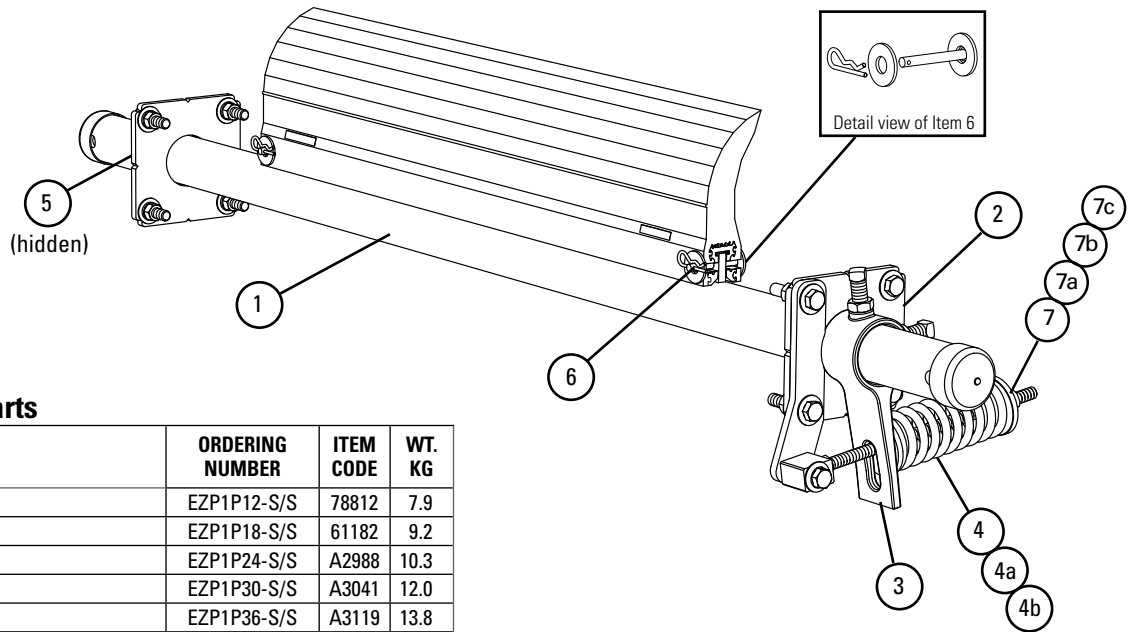
CLEANER BLADE WIDTH	76403 EST-P	76404 EST-S	76405 EST-B
ConShear™ 300 - 700 mm	X		
ConShear 850 - 1300 mm		X	
ConShear 1450 - 1750 mm			X

Stock items (non-shaded) refer to (*) for specific lead time, if not specified, standard lead time applies.

Non-stock items (shaded) please contact Flexco for dispatch options and lead times.

Replacement Parts List

EZP1 Stainless Steel Primary Cleaner



Replacement Parts

REF	DESCRIPTION	ORDERING NUMBER	ITEM CODE	WT. KG
1	300 mm S/S Pole	EZP1P12-S/S	78812	7.9
	450 mm S/S Pole	EZP1P18-S/S	61182	9.2
	600 mm S/S Pole	EZP1P24-S/S	A2988	10.3
	750 mm S/S Pole	EZP1P30-S/S	A3041	12.0
	900 mm S/S Pole	EZP1P36-S/S	A3119	13.8
	1050 mm S/S Pole	EZP1P42-S/S	61183	14.9
	1200 mm S/S Pole	EZP1P48-S/S	61491	16.0
	1350 mm S/S Pole	EZP1P54-S/S	61184	17.8
	1500 mm S/S Pole	EZP1P60-S/S	61185	19.7
	1800 mm S/S Pole	EZP1P72-S/S	61186	21.9
2	SS Mounting Plate Kit* (2 ea.)	EZP1MPK-S/S	78923	3.5
3	SS Torque Arm Kit* (1 ea.)	ESTAK-EST-S/S	78849	1.6
4	SS Tension Spring - Purple	QMTS-P-S/S	77450	0.5
4a	SS Tension Spring - White	QMTS-W-S/S	77451	0.5
4b	SS Tension Spring - Gold	QMTS-G-S/S	77452	0.6
5	SS Pole Lock* (1 ea.)	EZP1PL-S/S	78848	0.5
6	Blade Pin (1 ea.)	MSPBPK-S/S	77583	0.05
7	Bushing Kit - Purple and Silver (includes 2 bushings)	ESBK-PS	76410	0.1
7a	Bushing Kit - Black (includes 2 bushings)	ESBK-B	76411	0.1
7b	EST Bushing Kit - UHT, Purple & White Spring (includes 2 bushings)	ESBK-ATEX	90264	0.05
7c	EST Bushing Kit - UHT, Gold Spring (includes 2 bushings)	ESBK-B EST	76411	0.05
-	SS EST Tensioner - Purple* for blade widths 300 - 700mm (12" - 28") (includes 1 each items 2, 3, 4)	EST-P-S/S	78808	3.5
-	SS EST Tensioner - White* for blade widths 850 - 1300mm (34" - 52") (includes 1 each items 2, 3, 4a)	EST-W-S/S	78809	3.6
-	SS EST Tensioner - Gold* for blade widths 1450 - 1750mm (58" - 70") (includes 1 each items 2, 3, 4b)	EST-G-S/S	78810	3.7
-	EST S/S UHT Tensioner - Purple* for blade widths 300 - 700mm (12" - 28") (includes items 2, 3, 4 and 7b)	EST-P-S/S-UHT	66993	4.0
-	EST S/S UHT Tensioner - White* for blade widths 850 - 1300mm (34" - 52") (includes items 2, 3, 4a and 7b)	EST-W-S/S-UHT	66994	4.1
-	EST S/S UHT Tensioner - Gold* for blade widths 1450 - 1750mm (58" - 70") (includes items 2, 3, 4b and 7c)	EST-G-S/S-UHT	66995	4.2

*Hardware Included

Stainless Steel Spring Tensioner Selection Chart

CLEANER BLADE WIDTH	78808 EST-P-S/S	78809 EST-W-S/S	78810 EST-G-S/S
ConShear™ 300 - 700 mm	X		
ConShear 850 - 1300 mm		X	
ConShear 1450 - 1750 mm			X

Stock items (non-shaded) refer to (*) for specific lead time, if not specified, standard lead time applies.

Non-stock items (shaded) please contact Flexco for dispatch options and lead times.

Replacement Parts List

EZP1 Standard Duty Primary Cleaner and EZP1 Stainless Steel Primary Cleaner

Ordering Information ConShear™ Replacement Blades

BELT WIDTH mm	BLADE COVERAGE mm	ORDERING NUMBER	ITEM CODE	WT. KG
450	400	CRB16	75629	3.3
600	550	CRB22	75630	4.6
750	700	CRB28	75631	5.8
900	850	CRB34	75632	7.1
1050	1000	CRB40	75633	8.0
1200	1150	CRB46	75634	9.6
1350	1300	CRB52	75635	10.8
1500	1450	CRB58	75636	12.1
1650	1600	CRB64	75775	13.3
1800	1750	CRB70	75773	14.6

Other blade sizes available upon request.

Ordering Information ConShear High Temp Replacement Blades

BELT WIDTH mm	BLADE COVERAGE mm	ORDERING NUMBER	ITEM CODE	WT. KG
300	250	CRB-HT10	76593	2.2
450	400	CRB-HT16	76594	3.5
600	550	CRB-HT22	76595	4.7
750	700	CRB-HT28	76596	6
900	850	CRB-HT34	76597	7.4
1050	1000	CRB-HT40	76598	8.7
1200	1150	CRB-HT46	76599	13
1350	1300	CRB-HT52	76600	11.3
1500	1450	CRB-HT58	76601	12.6
1650	1600	CRB-HT64	76602	13.9
1800	1750	CRB-HT70	76603	15.2

Ordering Information White ConShear™ Replacement Blades (Chemical Resistant/Food Grade) ‡

BELT WIDTH mm	BLADE COVERAGE mm	ORDERING NUMBER	ITEM CODE	WT. KG
450	400	CRB-W16	78472	3.3
600	550	CRB-W22	78473	4.6
750	700	CRB-W28	78474	5.8
900	850	CRB-W34	78475	7.1
1050	1000	CRB-W40	78476	8.0
1200	1150	CRB-W46	78477	9.6
1350	1300	CRB-W52	78478	10.8
1500	1450	CRB-W58	78479	12.1
1650	1600	CRB-W64	78480	13.3
1800	1750	CRB-W70	78481	14.6

‡ All ingredients used in the urethane formulation of this blade comply with the relevant requirements of 21 CFR (FDA Code of Federal Regulations) for use in repeated bulk dry food applications

Ordering Information Ultra High-Temp ConShear™ Replacement Blades

BELT WIDTH mm	BLADE COVERAGE mm	ORDERING NUMBER	ITEM CODE	WT. KG
450	400	CRB-UHT-400	91254	3.3
600	550	CRB-UHT-550	91255	4.6
750	700	CRB-UHT-700	91256	5.8
900	850	CRB-UHT-850	91257	7.0
1050	1000	CRB-UHT-1000	91258	8.3
1200	1150	CRB-UHT-1150	91259	9.5
1350	1300	CRB-UHT-1300	91260	10.8
1500	1450	CRB-UHT-1450	91261	12.0
1800	1750	CRB-UHT-1750	91263	14.5

Stock items (non-shaded) refer to (*) for specific lead time, if not specified, standard lead time applies.

Non-stock items (shaded) please contact Flexco for dispatch options and lead times.

Product Ordering Information

EZP1T Twist Tensioner Primary Cleaner

EZP1T Primary Cleaner with Twist Tensioner Belt Width Minus 2" (50mm)

BELT WIDTH		BLADE WIDTH		ORDERING NUMBER	ITEM CODE	WT. KG
in.	mm	in.	mm			
12	300	10	250	EZP1T-212	78488	38.5
18	450	16	400	EZP1T-218	78489	44.5
24	600	22	550	EZP1T-224	78490	50.5
30	750	28	700	EZP1T-230	78491	56.5
36	900	34	850	EZP1T-236	78492	62.5
42	1050	40	1000	EZP1T-242	78493	68.4
48	1200	46	1150	EZP1T-248	78494	74.4
54	1350	52	1300	EZP1T-254	78495	83.7
60	1500	58	1450	EZP1T-260	78496	92.0
72	1800	70	1750	EZP1T-272	78497	101.6



Product Notes:

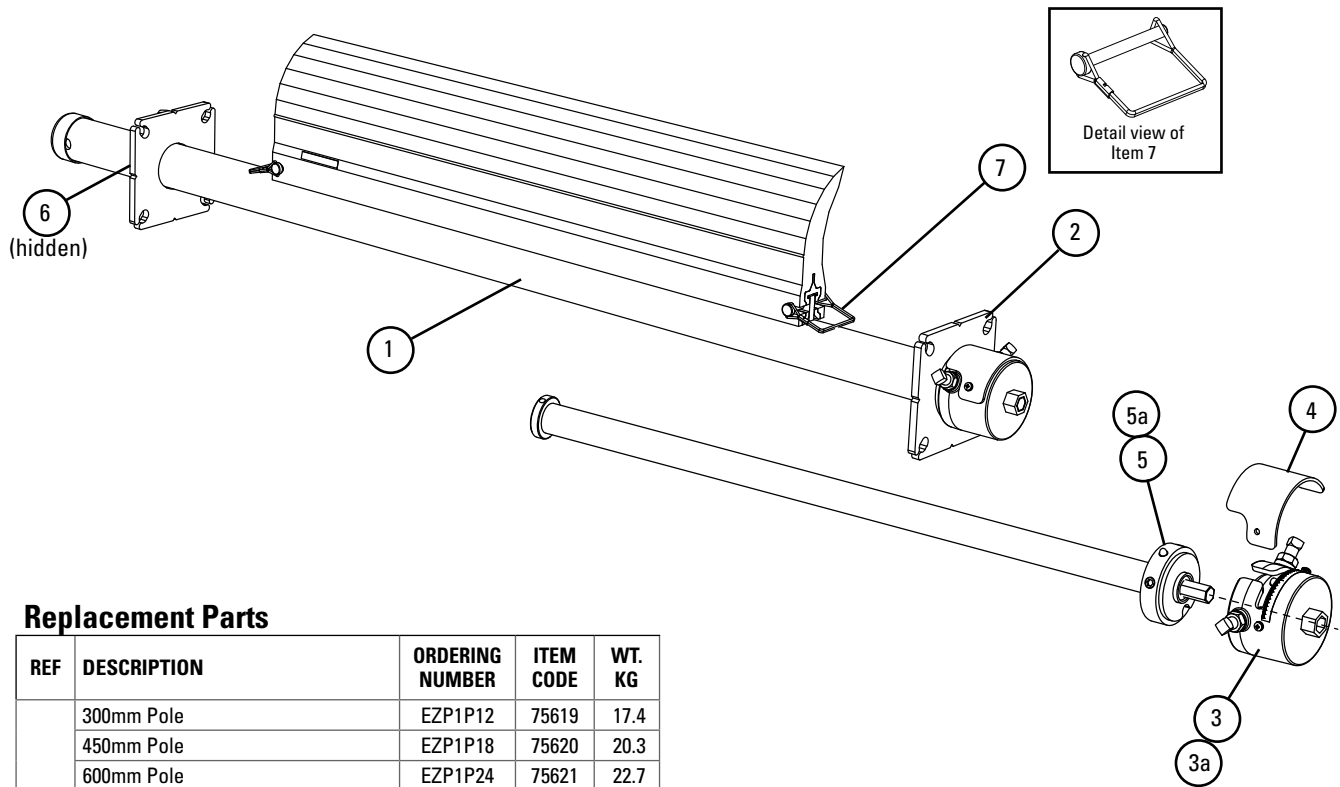
- For optimal cleaning and reduced blade retensioning maintenance, the cleaner blade width should be sized to fit the material path of the belt. The material path is typically 2/3 of the belt width. In most cases a blade size of belt width minus 200mm may be the best selection.
- Each cleaner can be retrofitted with three replacement blade sizes (belt width minus 50mm, minus 200mm, or minus 350mm).
- Comes complete with universal mounting plates and tensioner.
- Visual tension check. No guesswork on blade tensioning. Simply measure the spring, check label on tensioner and turn adjusting nut to restore optimal tension.
- Works with mechanical splices. Polyurethane blade glides over splices.
- Compatible with reversing belts.
- For applications requiring longer pole lengths, go to the minus 200mm chart and select the cleaner one belt width size larger. This will provide a pole 150mm longer and a blade size of belt width minus 50mm.

Stock items (non-shaded) refer to (*) for specific lead time, if not specified, standard lead time applies.

Non-stock items (shaded) please contact Flexco for dispatch options and lead times.

Replacement Parts List

EZP1T Twist Tensioner Primary Cleaner



Replacement Parts

REF	DESCRIPTION	ORDERING NUMBER	ITEM CODE	WT. KG
1	300mm Pole	EZP1P12	75619	17.4
	450mm Pole	EZP1P18	75620	20.3
	600mm Pole	EZP1P24	75621	22.7
	750mm Pole	EZP1P30	75622	26.5
	900mm Pole	EZP1P36	75623	30.4
	1050mm Pole	EZP1P42	75624	32.7
	1200mm Pole	EZP1P48	75625	35.3
	1350mm Pole	EZP1P54	75626	39.2
	1500mm Pole	EZP1P60	75627	43.3
	1800mm Pole	EZP1P72	75772	48.2
2	Torsion Mounting Plate Kit* (2 ea.)	EZPTMPK	78507	8.7
3	Torsion Cap Kit* (1 ea.) (includes 1 ea. Item 4)	EZPTCK	78508	3.2
3a	Torsion Cap Kit HD* (1 ea.) (includes 1 ea. Item 4)	EZPTCKHD	78509	3.2
4	Torsion Shield	EZPTSR	78510	.1
5	Torsion Spring Kit	EZPTSK	78511	6.0
5a	Torsion Spring Kit HD	EZPTSKHD	78512	8.5
6	Pole Lock* (1 ea.)	EZP1PL	75641	1.1
-	Torsion Bar Tensioner for blade widths 300 - 1200mm (includes 1 each items 3, 4, & 5)	EZPTBT	77384	17.4
-	Torsion Bar Tensioner HD for blade widths 1350 - 1800mm (includes 1 each items 3a, 4, & 5a)	EZPTBTHD	77385	20.0
7	Blade Pin (1 ea.)	EZP1BP	75642	0.1

*Hardware Included

Torsion Bar Tensioner Selection Chart

CLEANER BLADE WIDTH	77384 EZPTBT	77385 EZPTBTHD
ConShear 300 - 1200mm	X	
ConShear 1350 - 1800mm		X

Stock items (non-shaded) refer to (*) for specific lead time, if not specified, standard lead time applies.

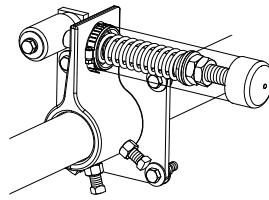
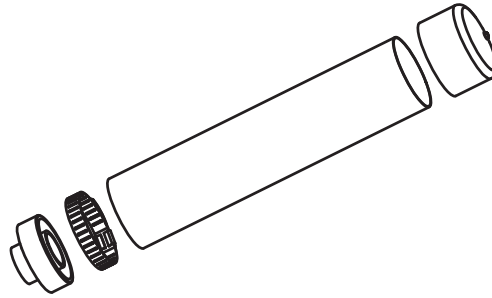
Non-stock items (shaded) please contact Flexco for dispatch options and lead times.

Product Ordering Information

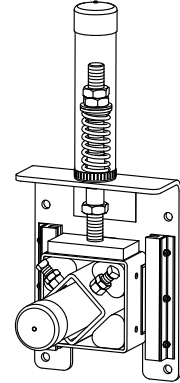
Spring Covers and Tensioner Lock

Spring Covers

ORDERING NUMBER	ITEM CODE	WT. KG
SPG-CVR-A	77387	0.14
SPG-CVR-B	77388	0.14
SPG-CVR-C	77389	0.14
SPG-CVR-D	77390	0.18
SPG-CVR-E	77391	0.18
SPG-CVR-F	77392	0.14
SPG-CVR-G	77393	0.14
SPG-CVR-H	77741	0.14



Spring cover on Primary Cleaner tensioner



Spring cover on Secondary cleaner tensioner

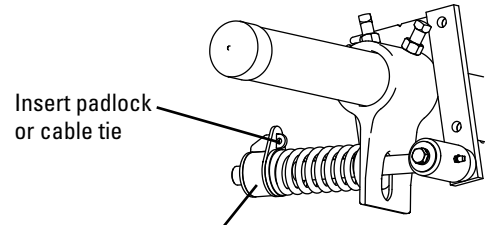
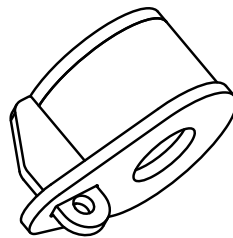
Tensioner Lock

Designed to prevent tampering or unauthorized retensioning of the cleaner.

ORDERING NUMBER	ITEM CODE	WT. KG
TEN-LOCK-KIT	77443	0.18

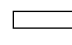
*For MSP, MMP, MHP, MHCP, H-Type® Primary Cleaner and MSS, MHS, MDWS Secondary Cleaners


Includes 1 tensioner lock
Lead time: 1 working day



Tensioner Lock

(Primary Cleaner tensioner shown)

 **Stock items** (non-shaded) refer to (*) for specific lead time, if not specified, standard lead time applies.

 **Non-stock items** (shaded) please contact Flexco for dispatch options and lead times.

Product Ordering Information

MMP Medium Mine-Duty Primary Cleaner

MMP Medium-Duty Primary Cleaner Belt Width Minus 150mm Blade

BELT WIDTH mm	BLADE COVERAGE mm	ORDERING NUMBER	ITEM CODE	WT. KG
600	450	MMP-624	76450	72.4
750	600	MMP-630	76451	79.6
900	750	MMP-636	76452	86.6
1050	900	MMP-642	76453	93.7
1200	1050	MMP-648	76454	100.8
1350	1200	MMP-654	76455	107.9
1500	1350	MMP-660	76456	115.0
1800	1650	MMP-672	76457	132.3
2100	1950	MMP-684	76798	156.4



Product Notes:

- Recommended for medium-duty conveyor applications. For abusive applications see the MHP Heavy-Duty Primary Cleaner or the MHCP Heavy-Duty Cartridge Primary Cleaner.
- Pole Length: Belt width plus 1350 mm. For longer requirements see Installation Accessories - Pole Extender Kit.
- Visual Tension Check: No guesswork on blade tensioning. Measure the spring and adjust to specified length per blade width to restore optimal tensioning.


Stainless Steel MMP Medium-Duty Primary Cleaner Belt Width Minus 150mm Blade


BELT WIDTH mm	BLADE WIDTH mm	ORDERING NUMBER	ITEM CODE
600	450	MMP-624-S/S	77424
750	600	MMP-630-S/S	77425
900	750	MMP-636-S/S	77426
1050	900	MMP-642-S/S	77427
1200	1050	MMP-648-S/S	77428
1350	1200	MMP-654-S/S	77429
1500	1350	MMP-660-S/S	77430
1800	1650	MMP-672-S/S	77431
2100	1950	MMP-684-S/S	77432



Product Notes:

- Recommended for medium-duty conveyor applications, but in corrosive environments.
- Material Path Option: Fit the blade width to the belt's material path. The material path is typically the center 2/3 of the belt width. In most cases a blade size of belt width minus 150 mm may be the best solution.
- Each cleaner pole is retrofittable for three blade sizes (belt width minus 150 mm, minus 300 mm or minus 450 mm).
- Pole Length: Belt width plus 1372 mm. For longer requirements see Installation Accessories - Pole Extender Kit.
- Visual Tension Check: No guesswork on blade tensioning. Measure the spring and adjust to specified length per blade width to restore optimal tensioning.
- To make cleaner installation easier and quicker, see Optional Mounting Kits.

 Stock items (non-shaded) refer to (*) for specific lead time, if not specified, standard lead time applies.

 Non-stock items (shaded) please contact Flexco for dispatch options and lead times.

Product Ordering Information

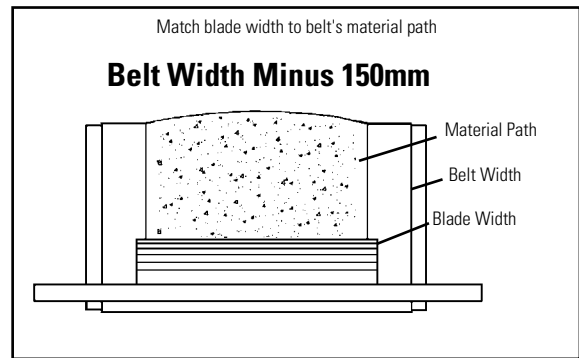
MMP Medium Mine-Duty Primary Cleaner

Blade Width Selection

BELT WIDTH mm	ITEM CODE		
	BELT WIDTH MINUS 150 mm	BELT WIDTH MINUS 300 mm	BELT WIDTH MINUS 450 mm
600	76485	N/A	N/A
750	76486	76485	N/A
900	76487	76486	76485
1050	76488	76487	76486
1200	76489	76488	76487
1350	76490	76489	76488
1500	76491	76490	76489
1800	76493	76492	76491
2100	76697	76494	76493
2400	77048	77047	76697



TuffShear™
Replacement Blades



Replacement Parts List

Replacement TuffShear™ Blades

REF	BLADE WIDTH mm	ORDERING NUMBER	ITEM CODE	WT. KG
10	450	TRB18	76485	9.6
	600	TRB24	76486	12.7
	750	TRB30	76487	16.0
	900	TRB36	76488	19.1
	1050	TRB42	76489	22.3
	1200	TRB48	76490	25.5
	1350	TRB54	76491	28.6
	1500	TRB60	76492	31.8
	1650	TRB66	76493	35.0
	1800	TRB72	76494	38.2
	1950	TRB78	76697	41.4
	2100	TRB84	77047	44.5
	2400	TRB90	77048	47.6

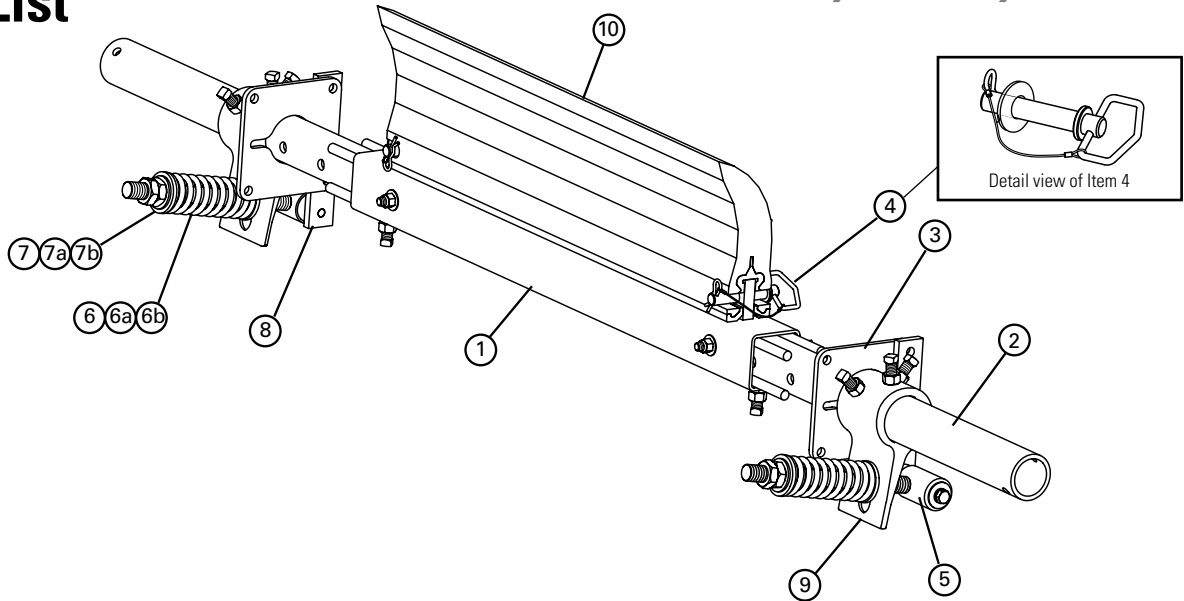
Order blade width for your belt width's material path:
Belt Width Minus 152 mm, Belt Width Minus 305 mm, or
Belt Width Minus 457 mm.

Stock items (non-shaded) refer to (*) for specific lead time, if not specified, standard lead time applies.

Non-stock items (shaded) please contact Flexco for dispatch options and lead times.

Replacement Parts List

MMP Medium Mine-Duty Primary Cleaner



Replacement Parts - Mild Steel

REF	DESCRIPTION	ORDERING NUMBER	ITEM CODE	WT. KG
1	600 mm Pole	MMPCP24	76458	15.6
	750 mm Pole	MMPCP30	76459	19.6
	900 mm Pole	MMPCP36	76460	23.5
	1050 mm Pole	MMPCP42	76461	27.3
	1200 mm Pole	MMPCP48	76462	31.2
	1350 mm Pole	MMPCP54	76463	35.1
	1500 mm Pole	MMPCP60	76464	39.1
	1800 mm Pole	MMPCP72	76465	46.9
	2100 mm Pole	MMPCP84	76808	54.7
2	Extender Pole Kit (2 ea.)	MHP-EP	76392	24.6
3	Mounting Plate Kit* (2 ea.)	MSPMPK	75811	3.8
4	Blade Pin Kit* (1 ea.)	MMPBPK	76466	0.4
5	Pivot Arm Kit* (1 ea.)	QMTPAK	76096	2.0
6	Tension Spring - Purple (1 ea.) for blades 600 mm	QMTS-P	75845	0.3
6a	Tension Spring - White (1 ea.) for blades 750 - 1200 mm	PSTS-W	75898	0.8
6b	Tension Spring - Gold (1 ea.) for blades 1350 - 1950 mm	QMTS-G	76484	1.1
7	Bushing Kit - Purple (2 ea.)	QMTBK-P	76097	0.1
7a	Bushing Kit - White (2 ea.)	QMTBK-W	76098	0.1
7b	Bushing Kit - Gold (2 ea.)	QMTBK-G	76540	0.1
8	Pivot Shaft Bracket Kit* (1 ea.)	QMTPSBK	76099	2.0
9	Torsion Arm Kit* (1 ea.)	PSTA	75896	5.2
-	QMT Spring Tensioner* - Purple (incl. 1 ea. Items 5, 6, 7, 8, & 9) for blades 450 - 600 mm	QMT-P	76074	9.3
-	QMT Spring Tensioner* - White (incl. 1 ea. Items 5, 6a, 7a, 8, & 9) for blades 750 - 1200 mm	QMT-W	76075	10.0
-	QMT Spring Tensioner* - Gold (incl. 1 ea. Items 5, 6b, 7b, 8, & 9) for blades 1350 - 1950 mm	QMT-G	76483	10.6

*Hardware Included

Replacement Parts - Stainless Steel

REF	DESCRIPTION	ORDERING NUMBER	ITEM CODE
1	600 mm SS Pole	MMPCP24-S/S	77590
	750 mm SS Pole	MMPCP30-S/S	77591
	900 mm SS Pole	MMPCP36-S/S	77592
	1050 mm SS Pole	MMPCP42-S/S	77593
	1200 mm SS Pole	MMPCP48-S/S	77594
	1350 mm SS Pole	MMPCP54-S/S	77595
	1500 mm SS Pole	MMPCP60-S/S	77596
	1800 mm SS Pole	MMPCP72-S/S	77597
	2100 mm SS Pole	MMPCP84-S/S	77598
	2	SS Extender Pole Kit (2 ea.)	MHP-EP-S/S
3	SS Mounting Plate Kit* (2 ea.)	MSPMPK-S/S	77582
4	SS Blade Pin Kit* (1 ea.)	MMPBPK-S/S	77600
5	SS Pivot Arm Kit* (1 ea.)	QMTPAK-S/S	77587
6	SS Tension Spring - Purple (1 ea.) for blades 600 mm	QMTS-P-S/S	77450
6a	SS Tension Spring - White (1 ea.) for blades 750 - 1200 mm	QSTS-W-S/S	77451
6b	SS Tension Spring - Gold (1 ea.) for blades 1350 - 1950 mm	QMTS-G-S/S	77452
7	Bushing Kit - Purple (2 ea.)	QMTBK-P	76097
7a	Bushing Kit - White (2 ea.)	QMTBK-W	76098
7b	Bushing Kit - Gold (2 ea.)	QMTBK-G	76540
8	SS Pivot Shaft Bracket Kit* (1 ea.)	QMTPSBK-S/S	77588
9	SS Torsion Arm Kit* (1 ea.)	PSTA-S/S	77442
-	SS QMT Spring Tensioner* - Purple (incl. 1 ea. Items 5, 6, 7, 8, & 9) for blades 450 - 600 mm	QMT-P-S/S	77584
-	SS QMT Spring Tensioner* - White (incl. 1 ea. Items 5, 6a, 7a, 8, & 9) for blades 750 - 1200 mm	QMT-W-S/S	77585
-	SS QMT Spring Tensioner* - Gold (incl. 1 ea. Items 5, 6b, 7b, 8, & 9) for blades 1350 - 1950 mm	QMT-G-S/S	77586

*Hardware Included

Spring Tensioner Selection Chart

CLEANER BLADE WIDTH	76403 EST-P	76404 EST-S	76405 EST-B
TuffShear 450 - 600 mm	X		
TuffShear 750 - 1200 mm		X	
TuffShear 1350 - 1950 mm			X

Stock items (non-shaded) refer to (*) for specific lead time, if not specified, standard lead time applies.

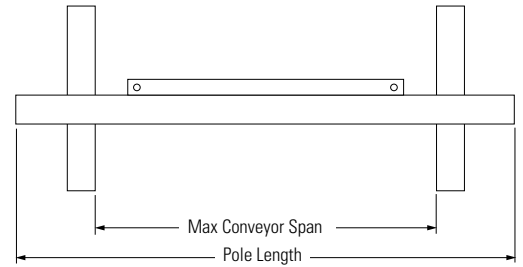
Non-stock items (shaded) please contact Flexco for dispatch options and lead times.

Specifications & Guidelines

Pole Length Specifications*

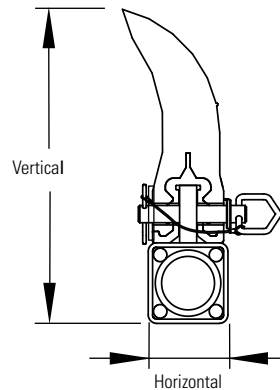
BELT WIDTH mm	MAX OVERALL POLE LENGTH mm	CENTRE POLE LENGTH mm	MAXIMUM CONVEYOR SPAN mm
600	1950	600	1650
750	2100	750	1800
900	2250	900	1950
1050	2400	1050	2100
1200	2550	1200	2250
1350	2700	1350	2400
1500	2850	1500	2550
1800	3150	1800	2850
2100	3450	2100	3150

*For special extra long pole length requirements a Pole Extender Kit (#76024) is available that provides 750 mm of extended pole length. Pole Diameter -73 mm

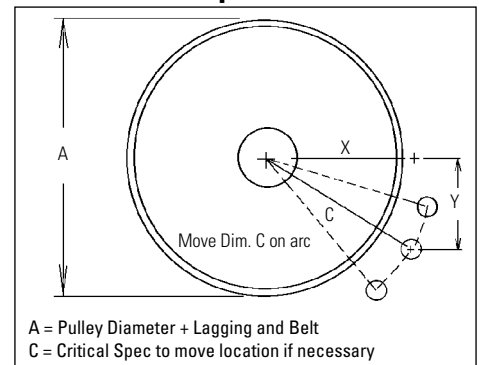


Clearance Guidelines for Installation

HORIZONTAL CLEARANCE REQUIRED mm	VERTICAL CLEARANCE REQUIRED mm
100	325



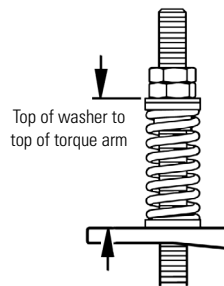
Pole Location Specs



Spring Length Chart with QMT Spring Tensioner

BLADE WIDTH mm	PURPLE SPRINGS mm	WHITE SPRINGS mm	GOLD SPRINGS mm
450	110	150	160
600	100	140	150
750	N/A	140	150
900	N/A	130	150
1050	N/A	130	140
1200	N/A	130	140
1350	N/A	120	140
1500	N/A	120	140
1650	N/A	N/A	130
1800	N/A	N/A	130
1950	N/A	N/A	130
2100	N/A	N/A	N/A
2250	N/A	N/A	N/A

Shading indicates preferred spring option



Pole Location Chart

A	X	Y	C
406	207	305	368
432	222	305	378
457	235	305	384
483	248	305	394
508	264	305	403
533	279	305	413
559	292	305	422
584	305	305	432
610	321	305	441
635	334	305	451
660	346	305	461
686	359	305	470
711	372	305	480
737	387	305	492
762	397	305	502
787	410	305	511
813	425	305	524
838	438	305	533
864	451	305	543
889	464	305	556
914	476	305	565
940	492	305	578
965	502	305	588
991	518	305	600
1016	527	305	610
1041	543	305	622
1067	552	305	632
1092	568	305	645
1118	578	305	654
1143	594	305	667
1168	607	305	679
1194	619	305	689
1219	632	305	702

Specifications:

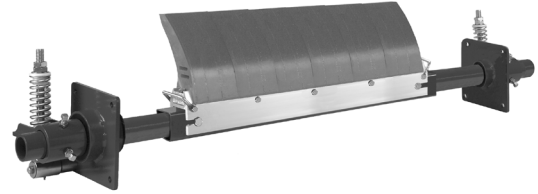
- Maximum Belt Speed Contact Flexco
- Temperature Rating -35°C to 82°C
- Minimum Pulley Diameter..... 400 mm
- Usable Blade Wear Length..... 150 mm
- Blade Polyurethane (proprietary blend for abrasion resistance and long wear)
- Available for Belt Widths 600 to 2100 mm
Other sizes available upon request

Product Ordering Information

MHCP Heavy-Duty Cartridge Primary Cleaner

MHCP HD Cartridge Primary Cleaner with Spring Tensioner (PST)

BELT WIDTH mm	BLADE COVERAGE mm	ORDERING NUMBER	ITEM CODE	WT. KG
600	450	MHCP-24S	75929	87.3
750	600	MHCP-30S	75930	94.2
900	750	MHCP-36S	75931	101.1
1050	900	MHCP-42S	75932	107.9
1200	1050	MHCP-48S	75933	114.8
1350	1200	MHCP-54S	75934	121.6
1500	1350	MHCP-60S	75935	128.5
1800	1650	MHCP-72S	75936	142.2
2100	1950	MHCP-84S	76800	165.9



Mild Steel Model Pictured

MHCP HD Cartridge Primary Cleaner with Air/Water Tensioner (AWT)*

BELT WIDTH mm	BLADE COVERAGE mm	ORDERING NUMBER	ITEM CODE	WT. KG
600	450	MHCP-24A	75937	87.4
750	600	MHCP-30A	75938	94.2
900	750	MHCP-36A	75939	101.1
1050	900	MHCP-42A	75940	107.9
1200	1050	MHCP-48A	75941	114.8
1350	1200	MHCP-54A	75942	121.6
1500	1350	MHCP-60A	75943	128.5
1800	1650	MHCP-72A	75944	142.2
2100	1950	MHCP-84A	76801	165.9



Mild Steel Model Pictured

Product Notes:

- Heavy-duty design with massive SuperShear™ blades for constant cleaning power on abusive beltlines.
- Blade width equals Belt Width minus 150 mm. Can be adjusted to belt's material path.
- Pole Length: Belt Width plus 1450 mm. For longer requirements see Mineline® Installation Accessories - Pole Extender Kit .
- Tensioner Options: 1) PST Spring Tensioner for self-adjusting tensioning with easy retensioning adjustments; 2) AWT Air/Water Tensioner for automatic tensioning throughout the life of the blades.

Stock items (non-shaded) refer to (*) for specific lead time, if not specified, standard lead time applies.

Non-stock items (shaded) please contact Flexco for dispatch options and lead times.

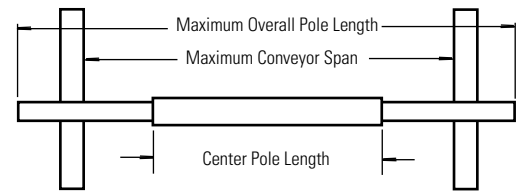
Specifications & Guidelines

MHCP Heavy-Duty Cartridge Primary Cleaner

Telescoping Pole Length Specifications

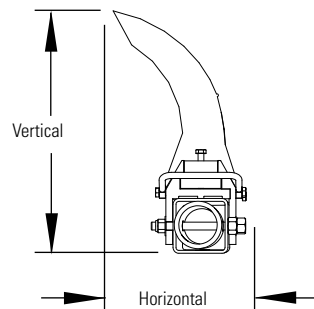
CLEANER SIZE mm	MAX OVERALL POLE LENGTH ITEM CODE mm	CENTRE POLE LENGTH mm	MAXIMUM CONVEYOR SPAN mm
600	2050	700	1650
750	2200	850	1800
900	2350	1000	1950
1050	2500	1150	2100
1200	2650	1300	2250
1350	2800	1450	2400
1500	2950	1600	2550
1800	3250	1900	2850
2100	3550	2200	3150

Pole Diameter - 73 mm

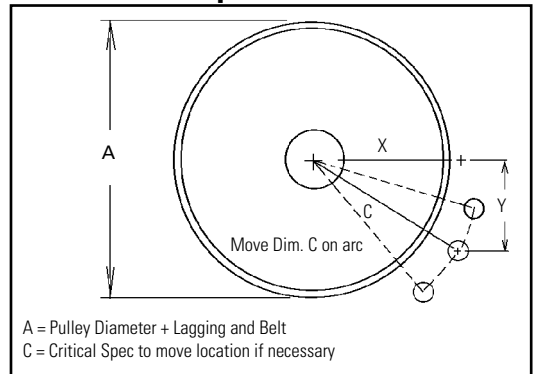


Clearance Guidelines for Installation

HORIZONTAL CLEARANCE REQUIRED mm	VERTICAL CLEARANCE REQUIRED mm
175	475



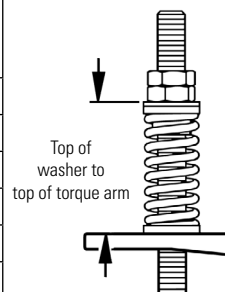
Pole Location Specs



Spring Length Chart with PST Spring Tensioner

BLADE WIDTH mm	NO. OF BLADES	WHITE SPRINGS mm	SILVER SPRINGS mm
450	3	140	160
600	4	130	150
750	5	130	150
900	6	120	150
1050	7	110	150
1200	8	N/A	140
1350	9	N/A	140
1500	10	N/A	140
1650	11	N/A	140
1800	12	N/A	130
1950	13	N/A	130

Shading indicates preferred spring option
Spring tension is based on the number of blades on the cleaner, not the Belt Width.



Air/Water Chart

BLADE WIDTH mm	BLADES	PSI
450	3	8#
600	4	10#
750	5	13#
900	6	15#
1050	7	18#
1200	8	20#
1350	9	23#
1500	10	25#
1650	11	28#
1950	12	31#

PSI setting is based on the number of blades on the cleaner, not the Belt Width.

Pole Location Chart

A	X	Y	C
508	254	365	445
533	267	365	451
559	279	365	461
584	292	365	467
610	305	365	476
635	318	365	483
660	330	365	492
686	343	365	502
711	356	365	511
737	368	365	518
762	381	365	527
787	394	365	537
813	406	365	546
838	419	365	556
864	432	365	565
889	445	365	575
914	457	365	584
940	470	365	594
965	483	365	607
991	495	365	616
1016	508	365	626
1041	521	365	635
1067	533	365	648
1092	546	365	657
1118	559	365	667
1143	572	365	679
1168	584	365	689
1194	591	365	699
1219	610	365	711

Specifications:

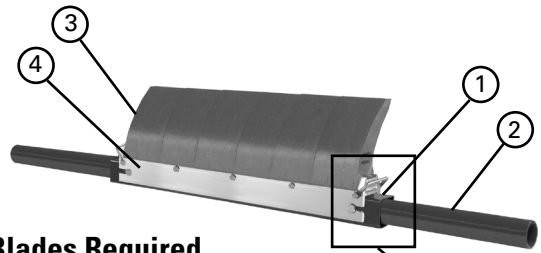
- Maximum Belt SpeedContact Flexco
- Temperature Rating-35°C to 82°C
- Minimum Pulley Diameter.....400 mm
- Usable Blade Wear Length.....200 mm
- BladesPolyurethane (proprietary blend for abrasion resistance and long wear)
- Available for Belt Widths600 to 2100 mm
Other sizes available upon request.

Replacement Parts List

MHCP Heavy-Duty Cartridge Primary Cleaner

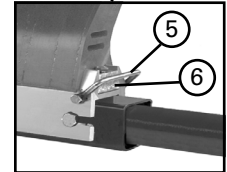
Replacement Parts List

REF	DESCRIPTION	ORDERING NUMBER	ITEM CODE	WT. KG
1	600 mm Centre Pole*	MHP-CP600	75961	8.6
	750 mm Centre Pole*	MHP-CP750	75962	10.5
	900 mm Centre Pole*	MHP-CP900	75963	12.4
	1050 mm Centre Pole*	MHP-CP1050	75964	14.2
	1200 mm Centre Pole*	MHP-CP1200	75965	16.1
	1350 mm Centre Pole*	MHP-CP1400	75966	17.9
	1500 mm Centre Pole*	MHP-CP1500	75967	19.8
	1800 mm Centre Pole*	MHP-CP1800	75968	23.5
	2100 mm Centre Pole*	MHP-CP2100	76811	27.4
2	MHCP Extender Poles (2 ea.)	MHP-EP	76392	24.6
3 3a	SuperShear™ Blade	SSRB	75978	3.0
	SuperShear™ FRAS Blade	SSFRB	78456	3.0
4	600 mm 2-Piece Blade Cartridge*	MHCP-2BC24	76638	6.0
	750 mm 2-Piece Blade Cartridge*	MHCP-2BC30	76639	8.0
	900 mm 2-Piece Blade Cartridge*	MHCP-2BC36	76640	10.0
	1050 mm 2-Piece Blade Cartridge*	MHCP-2BC42	76641	12.0
	1200 mm 2-Piece Blade Cartridge*	MHCP-2BC48	76642	14.0
	1350 mm 2-Piece Blade Cartridge*	MHCP-2BC54	76643	16.0
	1500 mm 2-Piece Blade Cartridge*	MHCP-2BC60	76644	18.0
	1800 mm 2-Piece Blade Cartridge*	MHCP-2BC72	76645	22.0
	2100 mm 2-Piece Blade Cartridge*	MHCP-2BC84	76812	25.7
5	MHCP Cartridge Handle*	MHCP-CH	76393	0.2
6	MHCP Cartridge Blade Stop*	MHCP-BS	76394	0.2



Blades Required per Belt Width

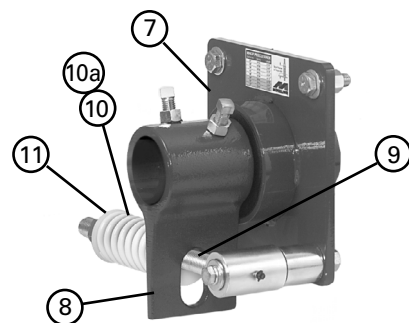
BELT WIDTH mm	BLADE COVERAGE mm	BLADES REQUIRED
600	450	3
750	600	4
900	750	5
1050	900	6
1200	1050	7
1350	1200	8
1500	1350	9
1800	1650	11
2100	1950	13



Blades and cartridges can be purchased separately (see chart at left) or preassembled as a Blade Cartridge Kit

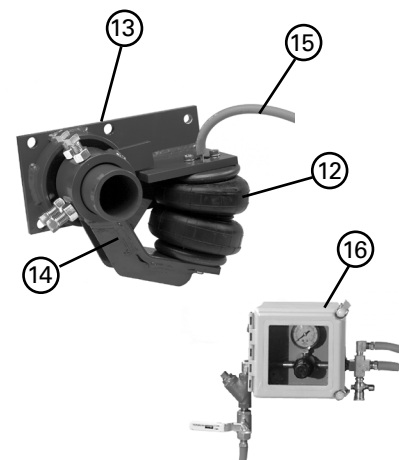
PST Spring Tensioner Replacement Parts

REF	DESCRIPTION	ORDERING NUMBER	ITEM CODE	WT. KG
7	Mounting Base* (1 ea.)	PMB	75895	10.1
8	Torque Arm* (1 ea.)	PSTA	75896	5.1
9	Torque Pivot Kit (1 ea.) (no spring)	PTPK	75897	3.2
10	Tension Spring - White (1 ea.) for belts 600-1200 mm	PSTS-W	75898	0.8
10a	Tension Spring - Silver (1 ea.) for belts 1350-2100 mm	PSTS-S	75899	1.4
11	Bushing Kit (2 ea.) (for White & Silver Tensioners)	QMTBK-W	76098	0.1
	PST Spring Tensioner* - White (includes 2 each items 7, 8, 9, 10 & 11) for belts 600-1200 mm	PST2-W	77723	39.1
	PST Spring Tensioner* - Silver (includes 2 each items 7, 8, 9, 10a & 11) for belts 1350-2100 mm	PST2-S	77724	39.2



Air/Water Tensioner Replacement Parts

REF	DESCRIPTION	ORDERING NUMBER	ITEM CODE	WT. KG
12	Air/Water Bag (1 ea.)	AWTB	75905	1.7
13	Mounting Base (1 ea.)	AWTMB	75906	10.4
14	Torque Arm* (1 ea.)	AWTA	75907	5.3
15	Hose Kit (15 M of hose and 6 hose clamps)	AWTHK	75909	3.1
16	Control Box (Complete)	AWTCB	75908	0.5
-	AWT Air/Water Tensioner (includes 2 each items 12, 13, & 14 and 1 each items 15 & 16)	AWT	75904	39.2
-	AWT Air/Water Tensioner w/o Control Box (includes 2 each items 12, 13, 14 & 1 each item 15)	AWTNCB	76069	34.2
-	AWT Air/Water Tensioner w/o Control Box, 1 side (includes 1 each items 12, 13, 14 & 15)	AWT-1S	76375	17.1



*Hardware Included

Stock items (non-shaded) refer to (*) for specific lead time, if not specified, standard lead time applies.

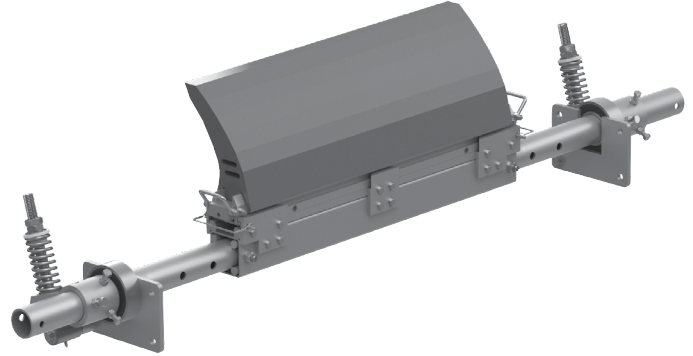
Non-stock items (shaded) please contact Flexco for dispatch options and lead times.

Product Ordering Information

MHCP Stainless Steel Heavy-Duty Cartridge Primary Cleaner

MHCP S/S HD Cartridge Primary Cleaner with Spring Tensioner (PST)

BELT WIDTH mm	ORDERING NUMBER	ITEM CODE	WT. KG
600	MHCP-600S-S/S	61504	81.0
750	MHCP-750S-S/S	61505	89.4
900	MHCP-900S-S/S	61506	97.8
1050	MHCP-1050S-S/S	61507	108.1
1200	MHCP-1200S-S/S	61508	116.4
1350	MHCP-1350S-S/S	61509	124.8
1500	MHCP-1500S-S/S	61510	133.1
1650	MHCP-1650S-S/S	61511	141.4
1800	MHCP-1800S-S/S	61512	149.7
2100	MHCP-2100S-S/S	61513	166.7



MHCP S/S FRAS HD Cartridge Primary Cleaner with Spring Tensioner (PST)

BELT WIDTH mm	ORDERING NUMBER	ITEM CODE	WT. KG
600	MHCP-600S-S/S-FR	61624	81.0
750	MHCP-750S-S/S-FR	61625	89.4
900	MHCP-900S-S/S-FR	61626	97.8
1050	MHCP-1050S-S/S-FR	61627	108.1
1200	MHCP-1200S-S/S-FR	61628	116.4
1350	MHCP-1350S-S/S-FR	61629	124.8
1500	MHCP-1500S-S/S-FR	61630	133.1
1650	MHCP-1650S-S/S-FR	61631	141.4
1800	MHCP-1800S-S/S-FR	61632	149.7
2100	MHCP-2100S-S/S-FR	61633	166.7

Product Notes:

- Works with mechanical fasteners. The shock-absorbing tensioners and the force distributor vents in the blades allow mechanical splices, skived or unskived, to pass without damage to the splice or the cleaner and with minimal cleaning disruption..
- Complete cleaning system. When teamed with the MHS HD Secondary Cleaner, it makes up a system that delivers maximum cleaning power for the most abusive conveyor applications.
- Made for mining conveyors. Made from heavy-duty, corrosion-resistant steel, the MHCP is available in sizes for belt widths from 600 to 2100mm. Additional sizes are available upon request.
- Stainless steel. Corrosive environments wear on any component, but stainless steel can protect against that.

Stock items (non-shaded) refer to (*) for specific lead time, if not specified, standard lead time applies.

Non-stock items (shaded) please contact Flexco for dispatch options and lead times.

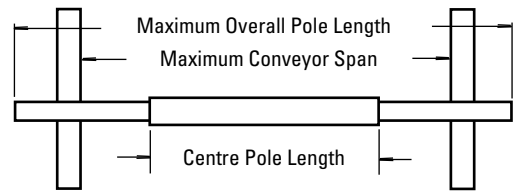
Specifications & Guidelines

MHCP Stainless Steel Heavy-Duty Cartridge Primary Cleaner

Telescoping Pole Length Specifications

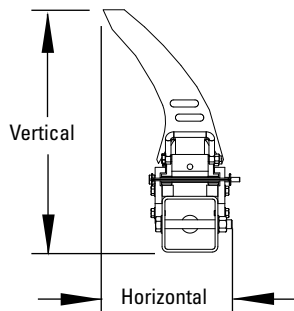
Cleaner Size		Max Overall Pole Length		Centre Pole Length		Maximum Conveyor Span	
in.	mm	in.	mm	in.	mm	in.	mm
24	600	81	2020	20	511	65	1620
30	750	87	2173	27	663	71	1773
36	900	93	2325	33	815	77	1925
42	1050	99	2478	39	968	83	2078
48	1200	105	2630	45	1120	89	2230
54	1350	111	2783	51	1273	95	2383
60	1500	117	2935	57	1425	101	2535
66	1650	123	3087	63	1577	107	2687
72	1800	130	3240	69	1730	114	2840
84	2100	142	3545	81	2035	126	3145

Pole Diameter - 73mm (2-7/8")



Clearance Guidelines for Installation

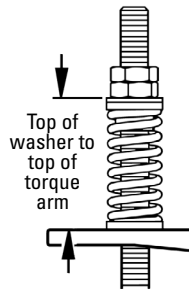
Horizontal Clearance Required		Vertical Clearance Required	
in.	mm	in.	mm
7	175	19	475



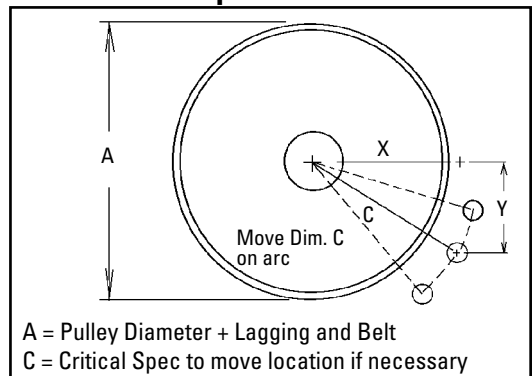
Spring Length Chart with PST Spring Tensioner

Blade Width	No. Of Blades	White Springs	Silver Springs
600	3	142	162
750	4	149	159
900	5	143	156
1050	6	140	156
1200	7	133	152
1350	8	N/A	149
1500	9	N/A	146
1650	10	N/A	146
1800	11	N/A	143
2100	13	N/A	140

Spring tension is based on the number of blades on the cleaner, not the belt width. Shading indicates preferred spring option.



Pole Location Specs



Pole Location Chart

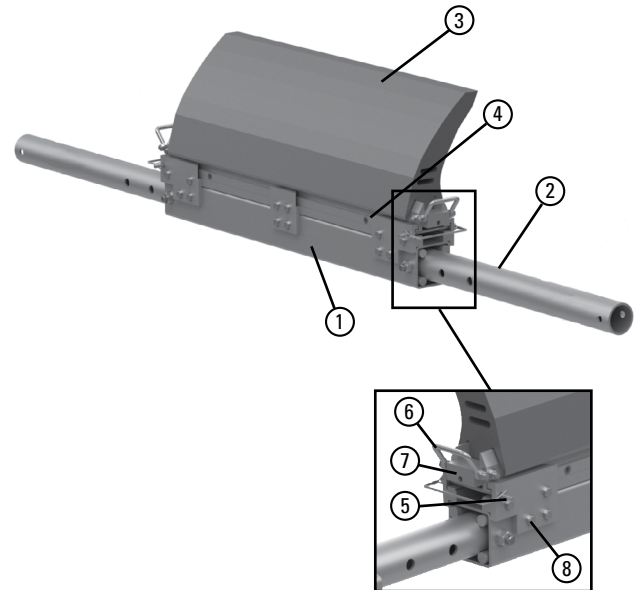
A	X	C
500	229	473
525	242	479
550	254	486
575	267	492
600	279	499
625	292	506
650	304	514
675	317	521
700	329	529
725	342	537
750	354	545
775	367	553
800	379	561
825	392	570
850	404	578
875	417	587
900	429	596
925	442	605
950	454	614
975	467	624
1000	479	633
1025	492	643
1050	504	652
1075	517	662
1100	529	672
1125	542	682
1150	554	692
1175	567	702
1200	579	712

Specifications:

- Maximum Belt Speed6 m/s
- Temperature Rating-35°C to 82°C
- Minimum Pulley Diameter500mm
- Blade Height350mm
- Usable Blade Wear Length200mm
- BladesPolyurethane (proprietary blend for abrasion resistance and long wear).
- Available for Belt Widths.....600 to 2400mm.
Other sizes available upon request.

Replacement Parts List

MHCP Stainless Steel Heavy-Duty Cartridge Primary Cleaner



Replacement Parts

REF	DESCRIPTION	ORDERING NUMBER	ITEM CODE	WT. KG
1	24" (600mm) Centre Pole*	MHCP-S/S-CP 600	61634	15.9
	30" (750mm) Centre Pole*	MHCP-S/S-CP 750	61525	19.1
	36" (900mm) Centre Pole*	MHCP-S/S-CP 900	61526	22.3
	42" (1050mm) Centre Pole*	MHCP-S/S-CP 1050	61527	27.4
	48" (1200mm) Centre Pole*	MHCP-S/S-CP 1200	61528	30.6
	54" (1350mm) Centre Pole*	MHCP-S/S-CP 1350	61529	33.8
	60" (1500mm) Centre Pole*	MHCP-S/S-CP 1500	61530	37.0
	66" (1650mm) Centre Pole*	MHCP-S/S-CP 1650	61531	40.2
	72" (1800mm) Centre Pole*	MHCP-S/S-CP 1800	61532	43.5
84" (2100mm) Centre Pole*	MHCP-S/S-CP 2100	61533	49.9	
2	MHCP S/S Extender Poles (2 ea.)	MHCP-SS/EP	61534	20.1
3	SuperShear™ Blade	SSRB	75978	3.0
3a	SuperShear™ FRAS Blade	SSFRB	78456	3.0
4	24" (600mm) Cartridge Kits*	MHCP-S/S-CK600	61535	9.3
	30" (750mm) Cartridge Kits*	MHCP-S/S-CK750	61536	11.7
	36" (900mm) Cartridge Kits*	MHCP-S/S-CK900	61537	14.0
	42" (1050mm) Cartridge Kits*	MHCP-S/S-CK1050	61538	16.3
	48" (1200mm) Cartridge Kits*	MHCP-S/S-CK1200	61539	18.6
	54" (1350mm) Cartridge Kits*	MHCP-S/S-CK1350	61540	21.0
	60" (1500mm) Cartridge Kits*	MHCP-S/S-CK1500	61541	23.3
	66" (1650mm) Cartridge Kits*	MHCP-S/S-CK1650	61542	25.6
	72" (1800mm) Cartridge Kits*	MHCP-S/S-CK1800	61543	28.0
84" (2100mm) Cartridge Kits*	MHCP-S/S-CK2100	61544	32.3	
5	MHCP S/S Cartridge Locking Pin	MHCP-S/S-CLP	61545	0.1
6	MHCP S/S Cartridge Handle*	MHCP-S/S-CH	61548	0.1
7	MHCP S/S Cartridge End Block*	MHCP-S/S-CEB	61549	0.5
8	MHCP S/S Cartridge Bolt Kit	MHCP-S/S-CBK	61550	0.1

*Hardware Included

Blades Required per Belt Width

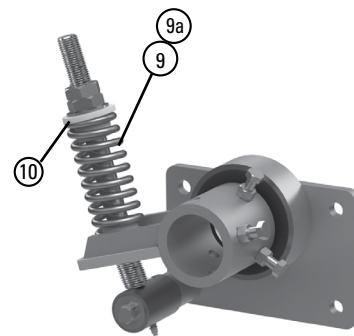
Belt Width		Blades Required
in.	mm	
24	600	3
30	750	4
36	900	5
42	1050	6
48	1200	7
54	1350	8
60	1500	9
66	1650	10
72	1800	11
84	2100	13

Blades and cartridges can be purchased separately (see chart at left) or preassembled as a Blade Cartridge Kit.

PST Spring Tensioner Replacement Parts

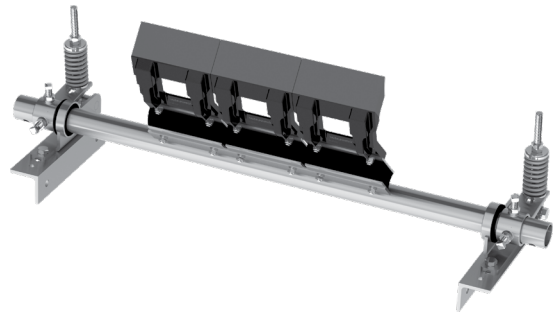
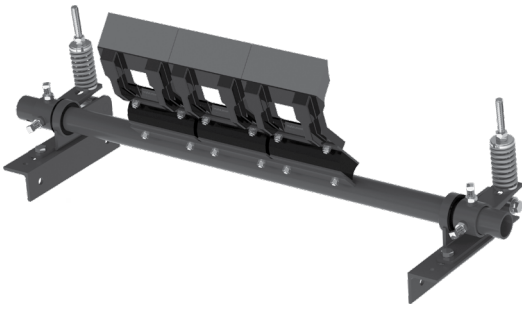
REF	DESCRIPTION	ORDERING NUMBER	ITEM CODE	WT. KG
9	Tension Spring - White (1 ea.) for belts 24" - 48" (600-1200mm)	PSTS-W	75898	0.8
9a	Tension Spring - Silver (1 ea.) for belts 54" - 96" (1350-2400mm)	PSTS-S	75899	1.4
10	Bushing Kit (2 ea.) for White & Silver Tensioners	QMTBK-W	76098	0.2
-	PST Spring Tensioner* - White (includes 2 ea.) for belts 600-1200mm (24" - 48")	MHCP-S/S-PSTW	61546	27.6
-	PST Spring Tensioner* - Silver (includes 2 ea.) for belts 1350-2400mm (54" - 96")	MHCP-S/S-PSTS	61547	27.7

*Hardware Included



Product Ordering Information

H-Type® with XF-Tips Segmented Blade Primary Cleaner



H-Type® with XF-Tips Powder Coated

BELT WIDTH mm	HF-TIP SIZE	ORDERING NUMBER	ITEM CODE	WT. KG
450	S	HXF450S	74659	35.0
450	M	HXF450M	74660	
600	S	HXF600S	74661	41.0
600	M	HXF600M	74662	
750	S	HXF750S	74663	42.0
750	M	HXF750M	74664	
900	S	HXF900S	74665	47.0
900	M	HXF900M	74666	
900	L	HXF900L	74667	
1050	S	HXF1050S	74668	60.0
1050	M	HXF1050M	74669	
1050	L	HXF1050L	74670	
1200	S	HXF1200S	74671	62.0
1200	M	HXF1200M	74672	
1200	L	HXF1200L	74673	
1500	M	HXF1500M	74677	75.0
1500	L	HXF1500L	74678	
1600	M	HXF1600M	73443	80.0
1600	L	HXF1600L	73444	
1800	M	HXFHD1800M	74681	105.0
1800	L	HXFHD1800L	74682	
2100	M	HXFHD2100M	74683	110.0
2100	L	HXFHD2100L	74684	
2400	M	HXFHD2400M	74685	120.0
2400	L	HXFHD2400L	74686	

H-Type® with XF-Tips Stainless Steel

BELT WIDTH mm	XF2-TIP SIZE	ORDERING NUMBER	ITEM CODE	WT. KG
450	S	HXF450S-S/S	75266	35.0
450	M	HXF450M-S/S	75267	
600	S	HXF600S-S/S	75268	42.0
600	M	HXF600M-S/S	75269	
750	S	HXF750S-S/S	75270	43.0
750	M	HXF750M-S/S	75271	
900	S	HXF900S-S/S	75272	49.0
900	M	HXF900M-S/S	75273	
900	L	HXF900L-S/S	75274	
1050	S	HXF1050S-S/S	75275	62.0
1050	M	HXF1050M-S/S	75276	
1050	L	HXF1050L-S/S	75277	
1200	S	HXF1200S-S/S	75278	63.0
1200	M	HXF1200M-S/S	75279	
1200	L	HXF1200L-S/S	75280	
1500	M	HXF1500M-S/S	75281	77.0
1500	L	HXF1500L-S/S	75282	
1600	M	HXF1600M-S/S	75283	82.0
1600	L	HXF1600L-S/S	75284	
1800	M	HXFHD1800M-S/S	A1588	107.0
1800	L	HXFHD1800L-S/S	A1589	
2100	M	HXFHD2100M-S/S	A1590	112.0
2100	L	HXFHD2100L-S/S	A1591	
2400	M	HXFHD2400M-S/S	A1592	
2400	L	HXFHD2400L-S/S	A1593	

Product Notes:

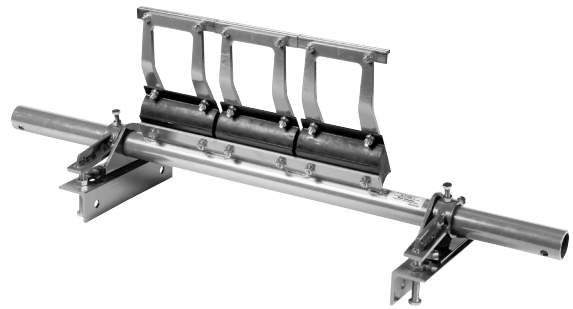
- All cleaners supplied with dual tensioners.
- Also available with J-Bolt Side Assembly.
- Standard supply is non-FRAS.
- Specify when ordering FRAS.
- Specify arm size when ordering.
- For other replacement parts, please refer to page 38.

Stock items (non-shaded) refer to (*) for specific lead time, if not specified, standard lead time applies.

Non-stock items (shaded) please contact Flexco for dispatch options and lead times.

Product Ordering Information

H-Type® with V-Tips Segmented Blade Primary Cleaner



H-Type® with V-Tips*-Powder Coated

BELT WIDTH mm	SUSPENSION ARM SIZE	ORDERING NUMBER	ITEM CODE	WT. KG
450	SS	HV450SS	73026	30.0
450	S	HV450S	73028	
450	M	HV450M	73019	
600	SS	HV600SS	73045	35.0
600	S	HV600S	73030	
600	M	HV600M	73173	
750	SS	HV750SS	73053	37.0
750	S	HV750S	73032	
750	M	HV750M	73174	
900	SS	HV900SS	73055	42.0
900	S	HV900S	73034	
900	M	HV900M	73175	
900	L	HV900L	73178	
1050	SS	HV1050SS	73057	46.0
1050	S	HV1050S	73056	
1050	M	HV1050M	73036	
1050	L	HV1050L	73179	
1200	SS	HV1200SS	73059	50.0
1200	S	HV1200S	73058	
1200	M	HV1200M	73038	
1200	L	HV1200L	73180	
1500	M	HV1500M	73177	64.0
1500	L	HV1500L	73158	
1500	LL	HV1500LL	73215	68.0
1600	M	HV1600M	73637	
1600	L	HV1600L	73638	
1600	LL	HV1600LL	73639	
1800	M	HVHD1800M	74602	95.0
1800	L	HVHD1800L	74477	
1800	LL	HVHD1800LL	74478	
2100	M	HVHD2100M	74539	102.0
2100	L	HVHD2100L	74540	
2100	LL	HVHD2100LL	74541	
2400	M	HVHD2400M	74544	118.0
2400	L	HVHD2400L	74545	
2400	LL	HVHD2400LL	74546	
2600	M	HVHD2600M	A2396	125.0
2600	L	HVHD2600L	A2461	
2600	LL	HVHD2600LL	A2397	
3000	M	HVHD3000M	74591	133.0
3000	L	HVHD3000L	74592	
3000	LL	HVHD3000LL	74593	

Specify arm size when ordering.

H-Type® with V-Tips*-Stainless Steel

BELT WIDTH mm	SUSPENSION ARM SIZE	ORDERING NUMBER	ITEM CODE	WT. KG
450	SS	HV450SS-S/S	75293	30.0
450	S	HV450S-S/S	75294	
450	M	HV450M-S/S	75295	
600	SS	HV600SS-S/S	75296	36.0
600	S	HV600S-S/S	75297	
600	M	HV600M-S/S	75298	
750	SS	HV750SS-S/S	75299	38.0
750	S	HV750S-S/S	75300	
750	M	HV750M-S/S	75301	
900	SS	HV900SS-S/S	75302	43.0
900	S	HV900S-S/S	75303	
900	M	HV900M-S/S	75304	
900	L	HV900L-S/S	75305	
1050	SS	HV1050SS-S/S	75306	47.0
1050	S	HV1050S-S/S	75307	
1050	M	HV1050M-S/S	75308	
1050	L	HV1050L-S/S	75309	
1200	SS	HV1200SS-S/S	75310	50.0
1200	S	HV1200S-S/S	75311	
1200	M	HV1200M-S/S	75312	
1200	L	HV1200L-S/S	75313	
1500	M	HV1500M-S/S	75314	64.0
1500	L	HV1500L-S/S	75315	
1500	LL	HV1500LL-S/S	75316	68.0
1600	M	HV1600M-S/S	75317	
1600	L	HV1600L-S/S	75318	
1600	LL	HV1600LL-S/S	75319	
1800	M	HVHD1800M-S/S	A1594	98.0
1800	L	HVHD1800L-S/S	A1595	
1800	LL	HVHD1800LL-S/S	A1596	
2100	M	HVHD2100M-S/S	A1597	104.0
2100	L	HVHD2100L-S/S	A1598	
2100	LL	HVHD2100LL-S/S	A1599	
2400	M	HVHD2400M-S/S	A1600	121.0
2400	L	HVHD2400L-S/S	A1601	
2400	LL	HVHD2400LL-S/S	A1602	
2600	M	HVHD2600M-S/S	A2462	125.0
2600	L	HVHD2600L-S/S	A2463	
2600	LL	HVHD2600LL-S/S	A2464	
3000	M	HVHD3000M-S/S	A2465	135.0
3000	L	HVHD3000L-S/S	A2466	
3000	LL	HVHD3000LL-S/S	A2467	

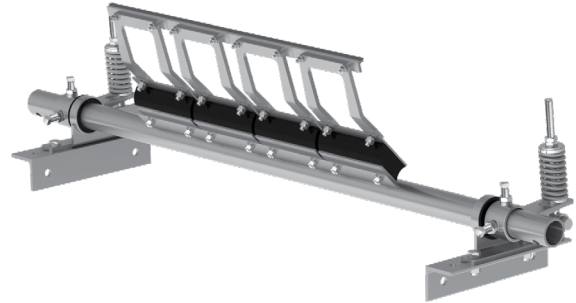
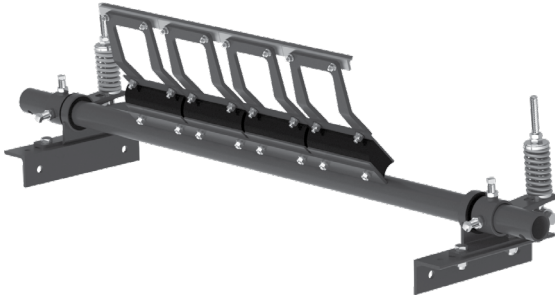
Specify arm size when ordering.

Stock items (non-shaded) refer to (*) for specific lead time, if not specified, standard lead time applies.

Non-stock items (shaded) please contact Flexco for dispatch options and lead times.

Product Ordering Information

H-Type® with V-Tips® and PCSTensioner Segmented Blade Primary Cleaner



H-Type® with V-Tips*-Powder Coated

BELT WIDTH mm	SUSPENSION ARM SIZE	ORDERING NUMBER	ITEM CODE	WT. KG
450	SS	HV450SS-PCST	63936	36.8
450	S	HV450S-PCST	63937	36.8
450	M	HV450M-PCST	63938	36.8
600	SS	HV600SS-PCST	63939	41.8
600	S	HV600S-PCST	63940	41.8
600	M	HV600M-PCST	63941	41.8
750	SS	HV750SS-PCST	63942	43.8
750	S	HV750S-PCST	63943	43.8
750	M	HV750M-PCST	63944	43.8
900	SS	HV900SS-PCST	63945	48.8
900	S	HV900S-PCST	63946	48.8
900	M	HV900M-PCST	63947	48.8
900	L	HV900L-PCST	63948	48.8
1050	SS	HV1050SS-PCST	64045	52.8
1050	S	HV1050S-PCST	63950	52.8
1050	M	HV1050M-PCST	63951	52.8
1050	L	HV1050L-PCST	63952	52.8
1200	SS	HV1200SS-PCST	63953	56.8
1200	S	HV1200S-PCST	63954	56.8
1200	M	HV1200M-PCST	63955	56.8
1200	L	HV1200L-PCST	63956	56.8
1500	M	HV1500M-PCST	63957	70.8
1500	L	HV1500L-PCST	63958	70.8
1500	LL	HV1500LL-PCST	63959	70.8
1600	M	HV1600M-PCST	63960	74.8
1600	L	HV1600L-PCST	63961	74.8
1600	LL	HV1600LL-PCST	63962	74.8
1800	M	HV1800M-PCST	63963	101.8
1800	L	HV1800L-PCST	63964	101.8
1800	LL	HV1800LL-PCST	63965	101.8
2100	M	HV2100M-PCST	63966	108.8
2100	L	HV2100L-PCST	63967	108.8
2100	LL	HV2100LL-PCST	63968	108.8
2400	M	HV2400M-PCST	63969	125.0
2400	L	HV2400L-PCST	63970	125.0
2400	LL	HV2400LL-PCST	63971	125.0
2600	M	HV2600M-PCST	63972	132.0
2600	L	HV2600L-PCST	63973	132.0
2600	LL	HV2600LL-PCST	63974	132.0
3000	M	HV3000M-PCST	63975	140.0
3000	L	HV3000L-PCST	63976	140.0
3000	LL	HV3000LL-PCST	63977	140.0

Specify arm size when ordering.

H-Type® with V-Tips*-Stainless Steel

BELT WIDTH mm	SUSPENSION ARM SIZE	ORDERING NUMBER	ITEM CODE	WT. KG
450	SS	HV450SS-PCST-S/S	63978	37.3
450	S	HV450S-PCST-S/S	63979	
450	M	HV450M-PCST-S/S	63980	
600	SS	HV600SS-PCST-S/S	63981	43.3
600	S	HV600S-PCST-S/S	63982	
600	M	HV600M-PCST-S/S	63983	
750	SS	HV750SS-PCST-S/S	63984	45.3
750	S	HV750S-PCST-S/S	63985	
750	M	HV750M-PCST-S/S	63986	
900	SS	HV900SS-PCST-S/S	63987	50.3
900	S	HV900S-PCST-S/S	63988	
900	M	HV900M-PCST-S/S	63989	
900	L	HV900L-PCST-S/S	63990	54.3
1050	SS	HV1050SS-PCST-S/S	63991	
1050	S	HV1050S-PCST-S/S	63992	
1050	M	HV1050M-PCST-S/S	63993	57.3
1050	L	HV1050L-PCST-S/S	63994	
1200	SS	HV1200SS-PCST-S/S	63995	
1200	S	HV1200S-PCST-S/S	63996	71.3
1200	M	HV1200M-PCST-S/S	63997	
1200	L	HV1200L-PCST-S/S	63998	
1500	M	HV1500M-PCST-S/S	63999	75.3
1500	L	HV1500L-PCST-S/S	64000	
1500	LL	HV1500LL-PCST-S/S	64001	
1600	M	HV1600M-PCST-S/S	64002	105.3
1600	L	HV1600L-PCST-S/S	64003	
1600	LL	HV1600LL-PCST-S/S	64004	
1800	M	HVHD1800M-PCST-S/S	64005	111.3
1800	L	HVHD1800L-PCST-S/S	64006	
1800	LL	HVHD1800LL-PCST-S/S	64007	
2100	M	HVHD2100M-PCST-S/S	64008	128.4
2100	L	HVHD2100L-PCST-S/S	64009	
2100	LL	HVHD2100LL-PCST-S/S	64010	
2400	M	HVHD2400M-PCST-S/S	64011	132.4
2400	L	HVHD2400L-PCST-S/S	64012	
2400	LL	HVHD2400LL-PCST-S/S	64013	
2600	M	HVHD2600M-PCST-S/S	64014	142.4
2600	L	HVHD2600L-PCST-S/S	64015	
2600	LL	HVHD2600LL-PCST-S/S	64016	
3000	M	HVHD3000M-PCST-S/S	64017	
3000	L	HVHD3000L-PCST-S/S	64018	
3000	LL	HVHD3000LL-PCST-S/S	64019	

Specify arm size when ordering.

Stock items (non-shaded) refer to (*) for specific lead time, if not specified, standard lead time applies.

Non-stock items (shaded) please contact Flexco for dispatch options and lead times.

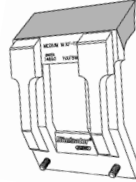
Product Ordering Information

Tips and Suspension Arms

H-Type with XF8-FRAS, XF8 Non-FRAS and XF2-Non-FRAS Tips

Replacement XF8-Non-FRAS Tips

SIZE	ORDERING NUMBER	COLOUR	ITEM CODE	WT. KG
SS	HXF8SS	Purple	74307	1.5
S	HXF8S	Purple	74689	1.7
M	HXF8M	Purple	74690	1.8
L	HXF8L	Purple	74691	2.0



Tip Sizing

HEAD PULLEY DIAMETER + BELT & LAGGING mm	XF-TIP SIZE
up to 499	SS
500-799	S
800-999	M
1000-1200	L

Over 1200 mm—contact Flexco®.

Replacement XF8-FRAS Tips

SIZE	ORDERING NUMBER	COLOUR	ITEM CODE	WT. KG
SS	HXF8SS-Blue	Blue	77518	2.0
S	HXF8S-Blue	Blue	77519	2.0
M	HXF8M-Blue	Blue	77520	2.0
L	HXF8L-Blue	Blue	77521	2.5

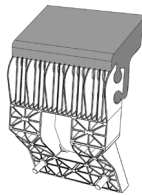


Tips Required Per Cleaner Size

BELT WIDTH mm	BLADE COVERAGE mm	XF-TIPS REQUIRED
450	400	2
600	600	3
750	600	3
900	800	4
1050	1000	5
1200	1200	6
1500	1400	7
1600	1600	8
1800	1800	9
2100	2000	10
2400	2400	12

Replacement XF2-Non-FRAS Tips

SIZE	ORDERING NUMBER	COLOUR	ITEM CODE	WT. KG
SS	HXF2-SS	Purple	75979	1.5
S	HXF2-S	Purple	75980	1.5
M	HXF2-M	Purple	75981	1.5
L	HXF2-L	Purple	75982	2.0



Specially formulated, long-wearing polyurethane blade tip. Impact-resistant, reinforced nylon base for rigidity and minimal deflection.

H-Type with V-Tips

Replacement V-Tips

ORDERING NUMBER	ITEM CODE	WT. KG
HSA200	73489	0.5
HVT8-S/S	75419	0.5
HVPT-S/S	73631	1.2
HSA200_EL15 (15mm)	76027	0.7
HVPT-S/S_EL15 (15mm)	62254	1.4
HSA200_XL20 (20mm)	67775	0.9

Suspension Arm Size

HEAD PULLEY DIAMETER + BELT & LAGGING mm	SUSPENSION ARM SIZE
up to 499	SS
500-799	S
800-999	M
1000-1199	L
1200-1700	LL

Over 1700 mm—contact Flexco.

Tips Required Per Cleaner Size

BELT WIDTH mm	BLADE COVERAGE mm	V-TIPS REQUIRED
450	400	2
600	600	3
750	600	3
900	800	4
1050	1000	5
1200	1200	6
1500	1400	7
1600	1600	8
1800	1800	9
2100	2000	10
2400	2400	12
2600	2600	13
3000	3000	15

Replacement Suspension Arms

SIZE	ORDERING NUMBER	ITEM CODE	WT. KG
SSS	HSA8SSS	75565	0.7
SS	HSA8SS-S/S	73771	0.9
S	HSA8S-S/S	73772	1.1
M	HSA8M-S/S	73773	1.3
L	HSA8L-S/S	73774	1.5
LL	HSA8LL-S/S	74033	1.7

Replacement Suspension Arms

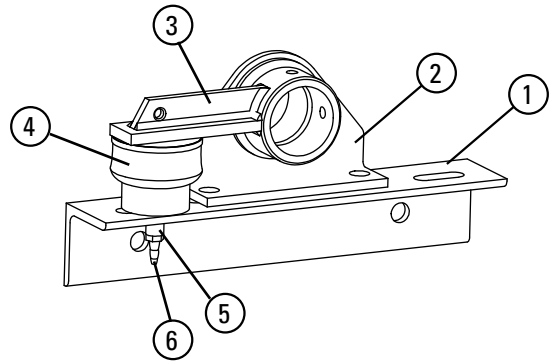
SIZE	ORDERING NUMBER	ITEM CODE	WT. KG.
SS	HSA8SS	73047	0.9
S	HSA8S	73048	1.1
M	HSA8M	73049	1.3
L	HSA8L	73063	1.5
LL	HSA8LL	73064	1.7

Replacement Parts List

H-Type with PCST Optional Tensioners

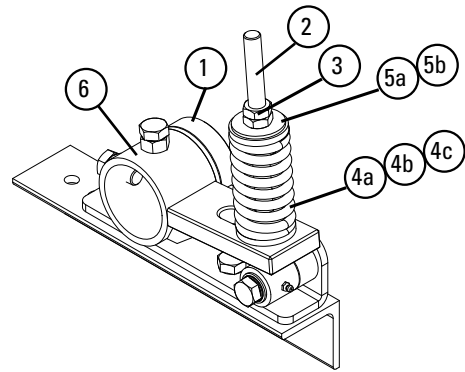
ATV Replacement Parts

REF	DESCRIPTION	ORDERING NUMBER	ITEM CODE	WT. KG
1	Air Primary Mount Bracket Stainless Steel	AIR HDMRK S/S	62034	2.0
2	Bearing Repair Kit 60mm	HBRK-S/S-60	75422	1.5
	Bearing Repair Kit 73mm	HBRK-S/S-73	76246	2.0
3	Air Primary Adjust Arm 60mm	AIR HARK-S/S-60	62035	1.5
	Air Primary Adjust Arm 73mm	AIR HARK-S/S-73	64175	2.0
4	Air Bag Primary	AIR BAG P	62036	0.5
5	Hex Nut	HEX NUT	G1211	0.1
6	Air Line Adapter	ATV-NIP	62037	0.1
-	Primary Ait Tension Kit 60mm (incl. 2 ea items AIR HDMRK S/S, HBRK-S/S-60, AIR HARK-S/S-60, AIR BAG P, HEX NUT, ATV-NIP)	HATDMK-S/S	63861	11.0
-	Primary Ait Tension Kit 73mm (incl. 2 ea items AIR HDMRK S/S, HBRK-S/S-73, AIR HARK-S/S-73, AIR BAG P, HEX NUT, ATV-NIP)	HDATDMK-S/S	63862	14.0



P-CST Replacement Parts - Mild Steel PCST 60mm

REF	DESCRIPTION	ORDERING NUMBER	ITEM CODE	WT. KG
1	H Bearing Bush 60mm	HCSBB-60	62513	0.1
2	Acme Pivot Rod Kit	ACME-PRK	62496	0.6
3	Acme Nut	ACME-N	62591	0.1
4a	Spring Black (To 1600 Belt Width Max)	STS-B	75844	0.5
4b	Spring Gold (To 2400 Belt Width Max)	STS-G	78142	0.5
5	Spring Bush Kit (Black/Gold)	HCSSB-B/G	62589	0.1
6	Torque Arm Kit 60mm	ESTAK-EST	76406	1.6
-	Black 60mm Compression Spring Side Assembly (to 1600 belt width max)	H60CSK-B	62747	11.0
-	Gold 60mm Compression Spring Side Assembly (to 2400 belt width max)	H60CSK-G	62741	11.0



P-CST Replacement Parts - Mild Steel PCST 73mm

REF	DESCRIPTION	ORDERING NUMBER	ITEM CODE	WT. KG
1	H Bearing Bush 73mm	HCSBB-73	62514	2.0
2	Acme Pivot Rod Kit	ACME-PRK	62496	0.6
3	Acme Nut	ACME-N	62591	0.1
4a	Spring Black (To 1600 Belt Width Max)	STS-B	75844	0.5
4b	Spring Gold (To 2400 Belt Width Max)	STS-G	78142	0.5
4c	Spring Silver (Above 2400 Belt Width)	PSTS-S	75899	0.5
5a	Spring Bush (Black/Gold)	HCSSB-B/G	62589	0.1
5b	Spring Bush (Silver)	HCSSB-S	62590	0.2
6	Torque Arm Kit 73mm	HCSTAK	62494	1.6
-	Black 73mm Compression Spring Side Assembly (to 1600 belt width max)	H73CSK-B	62749	17.8
-	Gold 73mm Compression Spring Side Assembly (to 2400 belt width max)	H73CSK-G	62743	17.8
-	Silver 73mm Compression Spring Side Assembly (above 2400)	H73CSK-S	62745	18.0

P-CST Replacement Parts - Stainless Steel PCST 73mm

REF	DESCRIPTION	ORDERING NUMBER	ITEM CODE	WT. KG
1	H Bearing Bush 73mm	HCSBB-73	62514	2.0
2	Acme Pivot Rod Kit	ACME-PRK	62496	0.6
3	Acme Nut	ACME-N	62591	0.1
4a	Spring Black (To 1600 Belt Width Max)	STS-B-S/S	77632	0.5
4b	Spring Gold (To 2400 Belt Width Max)	STS-G-S/S	79057	0.5
4c	Spring Silver (Above 2400 Belt Width)	PSTS-S-S/S	79056	0.5
5a	Spring Bush (Black/Gold)	HCSSB-B/G	62589	0.1
5b	Spring Bush (Silver)	HCSSB-S	62590	0.2
6	Torque Arm Kit 73mm	HCSTAK-S/S	62495	1.6
-	Black 73mm Compression Spring Side Assembly (to 1600 belt width max)	H73CSK-B-S/S	62750	18.3
-	Gold 73mm Compression Spring Side Assembly (to 2400 belt width max)	H73CSK-G-S/S	62744	18.3
-	Silver 73mm Compression Spring Side Assembly (above 2400 belt width max)	H73CSK-S-S/S	62746	18.4

P-CST Replacement Parts - Stainless Steel PCST 60mm

REF	DESCRIPTION	ORDERING NUMBER	ITEM CODE	WT. KG
1	H Bearing Bush 60mm	HCSBB-60	62513	0.1
2	Acme Pivot Rod Kit	ACME-PRK	62496	0.6
3	Acme Nut	ACME-N	62591	0.1
4a	Spring Black (To 1600 Belt Width Max)	STS-B-S/S	77632	0.5
4b	Spring Gold (To 2400 Belt Width Max)	STS-G-S/S	79057	0.5
5	Spring Bush Kit (Black/Gold)	HCSSB-B/G	62589	0.1
6	Torque Arm Kit 60mm	ESTAK-EST-S/S	78849	1.6
-	Black 60mm Compression Spring Side Assembly (to 1600 belt width max)	H60CSK-B-S/S	62748	17.3
-	Gold 60mm Compression Spring Side Assembly (to 2400 belt width max)	H60CSK-G-S/S	62742	17.3

Stock items (non-shaded) refer to (*) for specific lead time, if not specified, standard lead time applies.

Non-stock items (shaded) please contact Flexco for dispatch options and lead times.

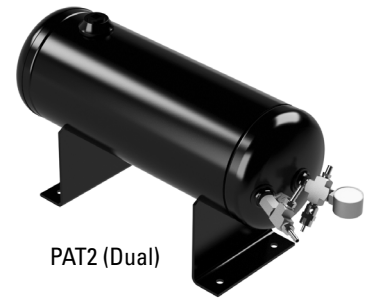
Replacement Parts List

H-Type with Air/Water Optional Tensioners

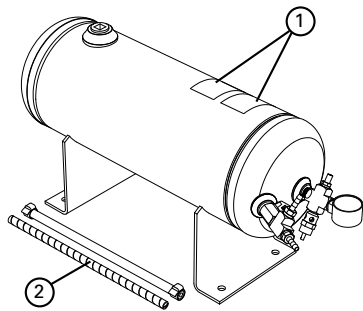
ORDERING NUMBER	ITEM CODE	WT. KG
PAT1	65571	5.9
PAT2	66056	5.9



PAT1 (Single)



PAT2 (Dual)



REF	DESCRIPTION	ORDERING NUMBER	ITEM CODE	WT. KG
1	Tank Label Kit	PATLK	78791	0.05
2	Tank Hose Kit (incl. 1 ea. 10' hose and 1' poly spiral wrap, 2 hose clamps)	PATHK	78794	0.9

H-Type Cleaner Air Tensioner Settings

Belt Width	SS	S	M	L	LL
450	45	55	60	65	80
600	65	80	90	95	120
750	65	80	90	95	120
900	85	105	115	125	155
1050	105	130	145	155	195
1200	125	155	175	185	235
1500	145	180	200	220	275
1600	170	205	230	250	310
1800	185	225	255	275	345
2100	205	250	285	305	385
2400	245	300	340	365	460
2600	265	325	370	395	500
3000	305	370	425	455	575

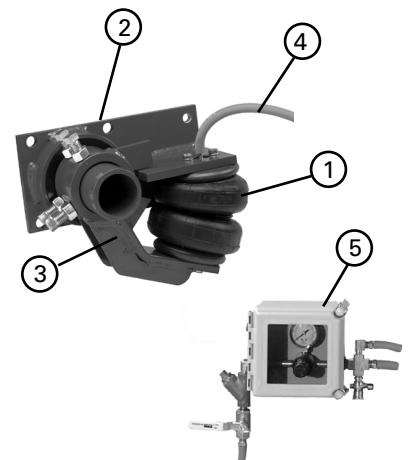
Product Notes:

- For use with PAT cleaner assemblies and PAT control box.
- Single for applications with one cleaner, double for applications with two cleaners.
- 150# pop-off valve for safe pressurizing/charging of Air Tank.
- ASME Construction.

Air/Water Tensioner Replacement Parts

REF	DESCRIPTION	ORDERING NUMBER	ITEM CODE	WT. KG
1	Air/Water Bag (1 ea.)	AWTB	75905	1.7
2	Mounting Base (1 ea.)	AWTMB	75906	10.4
3	Torque Arm* (1 ea.)	AWTA	75907	5.3
4	Hose Kit (15 M of hose and 6 hose clamps)	AWTHK	75909	3.1
5	Control Box (Complete)	AWTCB	75908	0.5
-	AWT Air/Water Tensioner (includes 2 each items 12, 13, & 14 and 1 each items 15 & 16)	AWT	75904	39.2
-	AWT Air/Water Tensioner w/o Control Box (includes 2 each items 12, 13, 14 & 1 each item 15)	AWTNCB	76069	34.2
-	AWT Air/Water Tensioner w/o Control Box, 1 side (includes 1 each items 12, 13, 14 & 15)	AWT-1S	76375	17.1

*Hardware Included

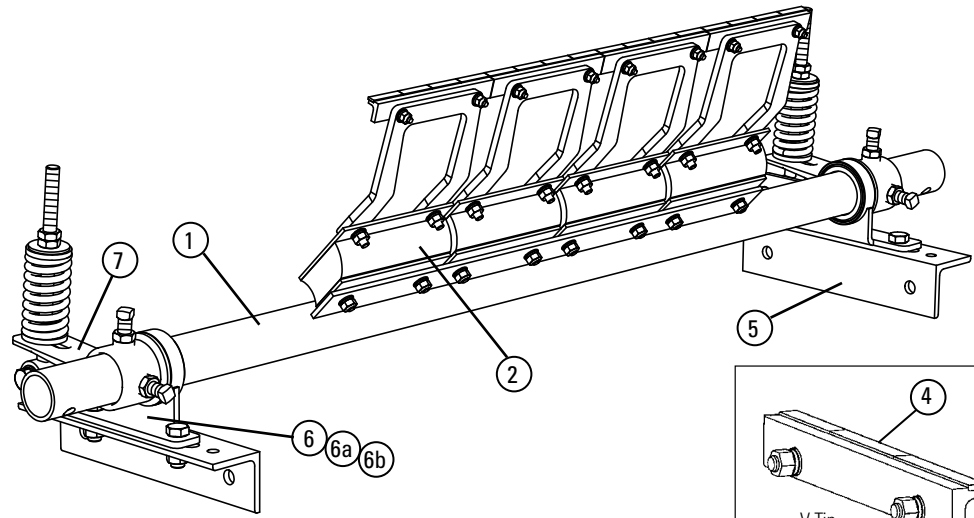
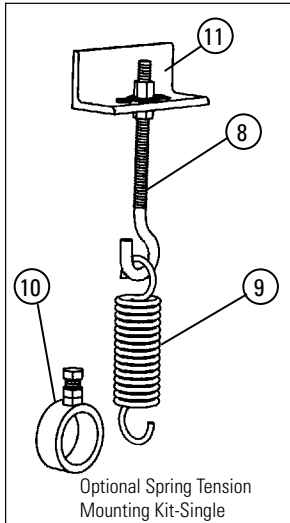


Stock items (non-shaded) refer to (*) for specific lead time, if not specified, standard lead time applies.

Non-stock items (shaded) please contact Flexco for dispatch options and lead times.

Replacement Parts List

H-Type® Segmented Blade Primary Cleaners



Replacement Parts*

REF	DESCRIPTION	BELT WIDTH	POLE LENGTH (MM)	POWDER COATED			STAINLESS STEEL	
				ORDERING NUMBER	ITEM CODE	WT. KG	ORDERING NUMBER	ITEM CODE
1	H-Type® Pole Standard- 60 mm Pole Diameter	450	1250	HP450	73027	10.0	HP450-S/S	75373
		600	1350	HP600	73029	11.0	HP600-S/S	75374
		750	1500	HP750	73031	13.0	HP750-S/S	75375
		900	1650	HP900	73033	15.0	HP900-S/S	75376
		1050	1800	HP1050	73035	20.0	HP1050-S/S	75377
	H-Type Pole Standard- 73 mm Pole Diameter	1200	1950	HP1200	73037	22.0	HP1200-S/S	75378
		1500	2350	HP1500	73066	24.0	HP1500-S/S	75379
		1600	2450	HP1600	73739	27.0	HP1600-S/S	75380
H-Type Pole Heavy-Duty- 73 mm Pole Diameter Braced and Gussetted	1800	2650	HPHD1800	74601	34.0	HPHD1800-S/S	A2063	
	2000	2950	HPHD2000	74547	39.0	HPHD2000-S/S	A1783	
	2400	3250	HPHD2400	74548	43.5	HPHD2400-S/S	A2590	

2	Cushion	HSA	73486	2.0	HVC-S/S	73494
	Heavy-Duty Cushion	SHSD	73483	2.0	SHSD-S/S	76467
-	H Polyshield (Not shown)	HPS8	73050	1.0	HSTSS	61173
4	V-Tip	HSA200	73489	0.5	HVT8-S/S	75419
					HVPT-S/S	73631

SIDE MOUNTING ASSEMBLY COMPONENTS- TO SUIT 60 mm

5	H Mounting Bracket	HDMRK	74582	2.0	HDMRK-S/S	76245
6	H Bearing	HBRK	73068	1.5	HBRK-S/S	75422
6a	H Poly Bush 60mm	UNB60	61369	0.1		
6b	H Poly Bush 73mm	UNB73	A2671	0.1		
7	H Adjusting Arm	HARK	73069	1.5	HARK-S/S	75423
8	J-Bolt	STJK	74417	1.0		
9	Tension Spring	STTS	74419	1.0	STTS-S/S	75585
10	Spring Tensioner Collar	STCK	74506	1.0	STCK-S/S	75425
11	Spring Tensioner J-Bolt Mount	STJM	74775	1.0	STJM-S/S	75426
-	Spring Tension Kit-Dual (incl. STJK, STTS, STCK, STJM - 2 ea.)	STKD	74504	5.0	STKD-S/S	75427
-	H Mounting Kit- Dual (incl. HDMRK, HBRK, HARK - 2 ea.)	HMK	73054	11.0	HMK-S/S	75424
-	Black Compression Spring Side Assembly 60mm	HCSTK-60-B	62747	11.0	HCSTK-60-B-S/S	62748
-	Gold Compression Spring Side Assembly 60mm	HCSTK-60-G	62741	11.0	HCSTK-60-G-S/S	62742

SIDE MOUNTING ASSEMBLY COMPONENTS- TO SUIT 73 mm

5	H Mounting Bracket	HDMRK	74582	3.0	HDMRK-S/S	76245
6	H Bearing	HBRKX	74549	2.0	HBRKX-S/S	76246
7	H Adjusting Arm	HDARK	74550	2.0	HDARK-S/S	76247
8	J-Bolt	STJK	74417	1.0		
9	Tension Spring	UTS	74420	1.0		
10	Spring Tensioner Collar	HDCK	74490	1.0	HDSTCK-S/S	A2189
11	Spring Tensioner J-Bolt Mount	STJM	74775	1.0	STJM-S/S	75426
-	Spring Tension Kit-Dual (incl. STJK, UTS, HDCK, STJM - 2 ea.)	HDSTKD	A2518	5.0	HDSTKD-S/S	A2519
-	H Mounting Kit- Dual (incl. HDMRK, HBRKX, HDARK - 2 ea.)	HDMK	74551	14.0	HDMK-S/S	76248
-	Black Compression Spring Side Assembly (to 1600 belt width max)	H73CSK-B	62749	17.8	H73CSK-B-S/S	62750
-	Gold Compression Spring Side Assembly (to 2400 belt width max)	H73CSK-G	62743	17.8	H73CSK-G-S/S	62744

*For P-CST replacement parts, please refer to page 43.

Product Ordering Information

H-Type ESAC (Mild Steel) HD Primary Cleaner with Enhanced Service Advantage Cartridge™

Powder Coated H-Type® ESAC with V-Tips

TIP WIDTH	ARM SIZE	ORDERING NUMBER	ITEM CODE	Wght. KG
Single Cartridge				
600	CS	HV-600-SAC-CS	62515	74.2
	CM	HV-600-SAC-CM	62516	74.9
	CL	HV-600-SAC-CL	62517	75.3
800	CS	HV-800-SAC-CS	62518	86.5
	CM	HV-800-SAC-CM	62519	87.5
	CL	HV-800-SAC-CL	62520	88.1
1000	CS	HV-1000-SAC-CS	62521	94.9
	CM	HV-1000-SAC-CM	62522	96.2
	CL	HV-1000-SAC-CL	62523	96.9
1200	CS	HV-1200-SAC-CS	62524	103.3
	CM	HV-1200-SAC-CM	62525	104.7
	CL	HV-1200-SAC-CL	62526	105.6
1400	CS	HV-1400-SAC-CS	62527	115.9
	CM	HV-1400-SAC-CM	62528	117.5
	CL	HV-1400-SAC-CL	62529	118.6
1600	CM	HV-1600-SAC-CM	62530	130.0
	CL	HV-1600-SAC-CL	62531	131.3
	CLL	HV-1600-SAC-CLL	62532	135.2
1800	CM	HV-1800-SAC-CM	62533	137.2
	CL	HV-1800-SAC-CL	62534	138.5
	CLL	HV-1800-SAC-CLL	62535	142.8
Dual Cartridge				
1200	CS	HV-1200-2SAC-CS	62557	128.7
	CM	HV-1200-2SAC-CM	62558	130.3
	CL	HV-1200-2SAC-CL	62559	131.2
	CLL	HV-1200-2SAC-CLL	62560	134.1
1400	CS	HV-1400-2SAC-CS	62561	137.4
	CM	HV-1400-2SAC-CM	62562	139.0
	CL	HV-1400-2SAC-CL	62563	140.1
	CLL	HV-1400-2SAC-CLL	62564	143.4
1600	CM	HV-1600-2SAC-CM	62565	147.9
	CL	HV-1600-2SAC-CL	62566	149.1
	CLL	HV-1600-2SAC-CLL	62567	152.9
1800	CM	HV-1800-2SAC-CM	62568	159.5
	CL	HV-1800-2SAC-CL	62569	160.9
	CLL	HV-1800-2SAC-CLL	62570	163.8
2000	CM	HV-2000-2SAC-CM	62571	169.2
	CL	HV-2000-2SAC-CL	62572	170.7
	CLL	HV-2000-2SAC-CLL	62573	174.0
2200	CM	HV-2200-2SAC-CM	62574	182.4
	CL	HV-2200-2SAC-CL	62575	184.1
	CLL	HV-2200-2SAC-CLL	62576	187.7
2400	CM	HV-2400-2SAC-CM	62577	187.5
	CL	HV-2400-2SAC-CL	62578	189.3
	CLL	HV-2400-2SAC-CLL	62579	193.3
2600	CM	HV-2600-2SAC-CM	62580	211.2
	CL	HV-2600-2SAC-CL	62581	213.2
	CLL	HV-2600-2SAC-CLL	62582	217.4
2800	CM	HV-2800-2SAC-CM	62583	220.9
	CL	HV-2800-2SAC-CL	62584	223.0
	CLL	HV-2800-2SAC-CLL	62585	227.7
3000	CM	HV-3000-2SAC-CM	62586	230.0
	CL	HV-3000-2SAC-CL	62587	232.3
	CLL	HV-3000-2SAC-CLL	62588	237.2

H-Type ESAC Mild Steel Replacement Cartridge Kits with V-Tips

TIP WIDTH	ARM SIZE	ORDERING NUMBER	ITEM CODE	Wght. KG
Single Cartridge Kits				
600	CS	H-CARK-600-CS	62536	23.2
	CM	H-CARK-600-CM	62537	24.0
	CL	H-CARK-600-CL	62538	24.5
800	CS	H-CARK-800-CS	62539	30.3
	CM	H-CARK-800-CM	62540	31.3
	CL	H-CARK-800-CL	62541	31.9
1000	CS	H-CARK-1000-CS	62542	36.1
	CM	H-CARK-1000-CM	62543	37.4
	CL	H-CARK-1000-CL	62544	38.2
1200	CS	H-CARK-1200-CS	62545	41.4
	CM	H-CARK-1200-CM	62546	43.3
	CL	H-CARK-1200-CL	62547	44.2
1400	CS	H-CARK-1400-CS	62548	49.0
	CM	H-CARK-1400-CM	62549	50.8
	CL	H-CARK-1400-CL	62550	51.9
1600	CM	H-CARK-1600-CS	62551	58.1
	CL	H-CARK-1600-CM	62552	59.3
	CLL	H-CARK-1600-CL	62553	63.1
1800	CM	H-CARK-1800-CS	62554	66.2
	CL	H-CARK-1800-CM	62555	67.6
	CLL	H-CARK-1800-CL	62556	71.9
Dual Cartridge Kits				
1200	CS	H-CARK2-1200-CS	62599	46.2
	CM	H-CARK2-1200-CM	62600	47.8
	CL	H-CARK2-1200-CL	62601	48.7
	CLL	H-CARK2-1200-CLL	62602	51.6
1400	CS	H-CARK2-1400-CS	62603	51.8
	CM	H-CARK2-1400-CM	62604	53.6
	CL	H-CARK2-1400-CL	62605	54.6
	CLL	H-CARK2-1400-CLL	62606	58.0
1600	CM	H-CARK2-1600-CM	62607	59.4
	CL	H-CARK2-1600-CL	62608	60.6
	CLL	H-CARK2-1600-CLL	62609	64.4
1800	CM	H-CARK2-1800-CM	62610	68.1
	CL	H-CARK2-1800-CL	62611	69.4
	CLL	H-CARK2-1800-CLL	62612	73.8
2000	CM	H-CARK2-2000-CM	62613	74.8
	CL	H-CARK2-2000-CL	62614	76.3
	CLL	H-CARK2-2000-CLL	62615	81.1
2200	CM	H-CARK2-2200-CM	62616	82.1
	CL	H-CARK2-2200-CL	62617	83.7
	CLL	H-CARK2-2200-CLL	62618	89.0
2400	CM	H-CARK2-2400-CM	62619	87.1
	CL	H-CARK2-2400-CL	62620	88.9
	CLL	H-CARK2-2400-CLL	62621	94.7
2600	CM	H-CARK2-2600-CM	62622	95.7
	CL	H-CARK2-2600-CL	62623	97.7
	CLL	H-CARK2-2600-CLL	62624	103.9
2800	CM	H-CARK2-2800-CM	62625	102.2
	CL	H-CARK2-2800-CL	62626	104.3
	CLL	H-CARK2-2800-CLL	62627	111.0
3000	CM	H-CARK2-3000-CM	62628	107.7
	CL	H-CARK2-3000-CL	62629	110.0
	CLL	H-CARK2-3000-CLL	62630	117.2

Stock items (non-shaded) refer to (*) for specific lead time, if not specified, standard lead time applies.

Non-stock items (shaded) please contact Flexco for dispatch options and lead times.

Product Ordering Information

H-Type ESAC (Stainless Steel) HD Primary Cleaner with Enhanced Service Advantage Cartridge™

Stainless Steel H-Type® ESAC with V-Tips

TIP WIDTH	ARM SIZE	ORDERING NUMBER	ITEM CODE	Wght. KG
Single Cartridge				
600	CS	HV-600-SAC-CS-S/S	62631	74.2
	CM	HV-600-SAC-CM-S/S	62632	74.9
	CL	HV-600-SAC-CL-S/S	62633	75.3
800	CS	HV-800-SAC-CS-S/S	62634	86.5
	CM	HV-800-SAC-CM-S/S	62635	87.5
	CL	HV-800-SAC-CL-S/S	62636	88.1
1000	CS	HV-1000-SAC-CS-S/S	62637	94.9
	CM	HV-1000-SAC-CM-S/S	62638	96.2
	CL	HV-1000-SAC-CL-S/S	62639	96.9
1200	CS	HV-1200-SAC-CS-S/S	62640	103.3
	CM	HV-1200-SAC-CM-S/S	62641	104.7
	CL	HV-1200-SAC-CL-S/S	62642	105.6
1400	CS	HV-1400-SAC-CS-S/S	62643	115.9
	CM	HV-1400-SAC-CM-S/S	62644	117.5
	CL	HV-1400-SAC-CL-S/S	62645	118.6
1600	CM	HV-1600-SAC-CM-S/S	62646	130.0
	CL	HV-1600-SAC-CL-S/S	62647	131.3
	CLL	HV-1600-SAC-CLL-S/S	62648	135.2
1800	CM	HV-1800-SAC-CM-S/S	62649	137.2
	CL	HV-1800-SAC-CL-S/S	62650	138.5
	CLL	HV-1800-SAC-CLL-S/S	62651	142.8
Dual Cartridge				
1200	CS	HV-1200-2SAC-CS-S/S	62673	128.7
	CM	HV-1200-2SAC-CM-S/S	62674	130.3
	CL	HV-1200-2SAC-CL-S/S	62675	131.2
	CLL	HV-1200-2SAC-CLL-S/S	62676	134.1
1400	CS	HV-1400-2SAC-CS-S/S	62677	137.4
	CM	HV-1400-2SAC-CM-S/S	62678	139.0
	CL	HV-1400-2SAC-CL-S/S	62679	140.1
	CLL	HV-1400-2SAC-CLL-S/S	62680	143.4
1600	CM	HV-1600-2SAC-CM-S/S	62681	147.9
	CL	HV-1600-2SAC-CL-S/S	62582	160.9
	CLL	HV-1600-2SAC-CLL-S/S	62683	152.9
1800	CM	HV-1800-2SAC-CM-S/S	62684	159.5
	CL	HV-1800-2SAC-CL-S/S	62685	160.9
	CLL	HV-1800-2SAC-CLL-S/S	62686	163.8
2000	CM	HV-2000-2SAC-CM-S/S	62687	169.2
	CL	HV-2000-2SAC-CL-S/S	62688	170.7
	CLL	HV-2000-2SAC-CLL-S/S	62689	174.0
2200	CM	HV-2200-2SAC-CM-S/S	62690	182.4
	CL	HV-2200-2SAC-CL-S/S	62691	184.1
	CLL	HV-2200-2SAC-CLL-S/S	62692	187.7
2400	CM	HV-2400-2SAC-CM-S/S	62693	187.5
	CL	HV-2400-2SAC-CL-S/S	62694	189.3
	CLL	HV-2400-2SAC-CLL-S/S	62695	193.3
2600	CM	HV-2600-2SAC-CM-S/S	62696	211.2
	CL	HV-2600-2SAC-CL-S/S	62697	213.2
	CLL	HV-2600-2SAC-CLL-S/S	62698	217.4
2800	CM	HV-2800-2SAC-CM-S/S	62699	220.9
	CL	HV-2800-2SAC-CL-S/S	62700	223.0
	CLL	HV-2800-2SAC-CLL-S/S	62701	227.7
3000	CM	HV-3000-2SAC-CM-S/S	62702	230.0
	CL	HV-3000-2SAC-CL-S/S	62703	232.3
	CLL	HV-3000-2SAC-CLL-S/S	62704	237.2

H-Type ESAC Stainless Steel Replacement Cartridge Kits with V-Tips

TIP WIDTH	ARM SIZE	ORDERING NUMBER	ITEM CODE	Wght. KG
Single Cartridge Kits				
600	CS	H CARK-600-CS-S/S	62652	23.2
	CM	H CARK-600-CM-S/S	62653	24.0
	CL	H CARK-600-CL-S/S	62654	24.5
800	CS	H CARK-800-CS-S/S	62655	30.3
	CM	H CARK-800-CM-S/S	62656	31.3
	CL	H CARK-800-CL-S/S	62657	31.9
1000	CS	H CARK-1000-CS-S/S	62658	36.1
	CM	H CARK-1000-CM-S/S	62659	37.4
	CL	H CARK-1000-CL-S/S	62660	38.2
1200	CS	H CARK-1200-CS-S/S	62661	41.4
	CM	H CARK-1200-CM-S/S	62662	43.3
	CL	H CARK-1200-CL-S/S	62663	44.2
1400	CS	H CARK-1400-CS-S/S	62664	49.0
	CM	H CARK-1400-CM-S/S	62665	50.8
	CL	H CARK-1400-CL-S/S	62666	51.9
1600	CM	H CARK-1600-CS-S/S	62667	58.1
	CL	H CARK-1600-CM-S/S	62668	59.3
	CLL	H CARK-1600-CL-S/S	62669	63.1
1800	CM	H CARK-1800-CS-S/S	62670	66.2
	CL	H CARK-1800-CM-S/S	62671	67.6
	CLL	H CARK-1800-CL-S/S	62672	71.9
Dual Cartridge Kits				
1200	CS	H-CARK2-1200-CS-S/S	62705	46.2
	CM	H-CARK2-1200-CM-S/S	62706	47.8
	CL	H-CARK2-1200-CL-S/S	62707	48.7
	CLL	H-CARK2-1200-CLL-S/S	62708	51.6
1400	CS	H-CARK2-1400-CS-S/S	62709	51.8
	CM	H-CARK2-1400-CM-S/S	62710	53.6
	CL	H-CARK2-1400-CL-S/S	62711	54.6
	CLL	H-CARK2-1400-CLL-S/S	62712	58.0
1600	CM	H-CARK2-1600-CM-S/S	62713	59.4
	CL	H-CARK2-1600-CL-S/S	62714	60.6
	CLL	H-CARK2-1600-CLL-S/S	62715	64.4
1800	CM	H-CARK2-1800-CM-S/S	62716	68.1
	CL	H-CARK2-1800-CL-S/S	62717	69.4
	CLL	H-CARK2-1800-CLL-S/S	62718	73.8
2000	CM	H-CARK2-2000-CM-S/S	62719	74.8
	CL	H-CARK2-2000-CL-S/S	62720	76.3
	CLL	H-CARK2-2000-CLL-S/S	62721	81.1
2200	CM	H-CARK2-2200-CM-S/S	62722	82.1
	CL	H-CARK2-2200-CL-S/S	62723	83.7
	CLL	H-CARK2-2200-CLL-S/S	62724	89.0
2400	CM	H-CARK2-2400-CM-S/S	62725	87.1
	CL	H-CARK2-2400-CL-S/S	62726	88.9
	CLL	H-CARK2-2400-CLL-S/S	62727	94.7
2600	CM	H-CARK2-2600-CM-S/S	62728	95.7
	CL	H-CARK2-2600-CL-S/S	62729	97.7
	CLL	H-CARK2-2600-CLL-S/S	62730	103.9
2800	CM	H-CARK2-2800-CM-S/S	62731	102.2
	CL	H-CARK2-2800-CL-S/S	62732	104.3
	CLL	H-CARK2-2800-CLL-S/S	62733	111.0
3000	CM	H-CARK2-3000-CM-S/S	62734	107.7
	CL	H-CARK2-3000-CL-S/S	62735	110.0
	CLL	H-CARK2-3000-CLL-S/S	62736	117.2

Stock items (non-shaded) refer to (*) for specific lead time, if not specified, standard lead time applies.

Non-stock items (shaded) please contact Flexco for dispatch options and lead times.

Product Ordering Information

Tips and Suspension Arms

H-Type ESAC — Mild and Stainless Steel

Replacement V-Tips - Mild Steel

ORDERING NUMBER	ITEM CODE	WT. KG
HSA200	73489	0.5

Replacement Suspension Arms - Mild Steel

SIZE	ORDERING NUMBER	ITEM CODE	WT. KG
CS	HSA8-CS	62505	0.5
CM	HSA8-CM	62506	0.5
CL	HSA8-CL	62507	0.5
CLL	HSA8-CLL	62508	0.5

Replacement V-Tips - Stainless Steel

ORDERING NUMBER	ITEM CODE	WT. KG
HVT8-S/S	75419	0.9
HVPT-S/S	73631	1.2

Replacement Suspension Arms - Stainless Steel

SIZE	ORDERING NUMBER	ITEM CODE	WT. KG
CS	HSA8CS-S/S	62509	1.1
CM	HSA8CM-S/S	62510	1.3
CL	HSA8CL-S/S	62511	1.5
CLL	HSA8CLL-S/S	62512	1.7

Suspension Arm Size

HEAD PULLEY DIAMETER + BELT & LAGGING mm	SUSPENSION ARM SIZE
500-799	CS
800-999	CM
1000-1199	CL
1200-1700	CLL

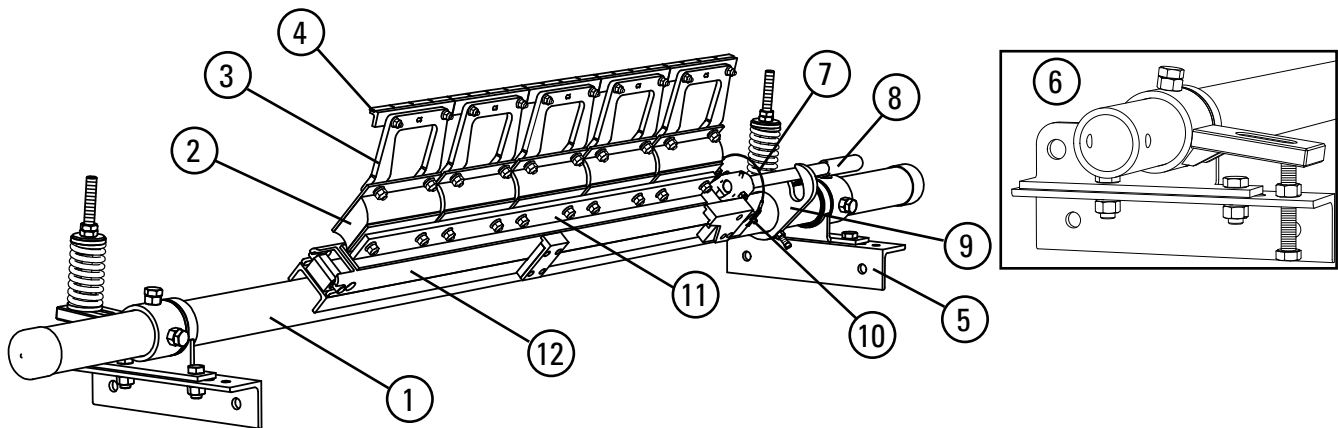
Over 1700mm - contact Flexco

Tips required per cleaner size

BELT WIDTH mm	BELT COVERAGE mm	V-TIPS REQUIRED
600	600	3
800	800	4
1000	1000	5
1200	1200	6
1400	1400	7
1600	1600	8
1800	1800	9
2000	2000	10
2200	2200	11
2400	2400	12
2600	2600	13
2800	2800	14
3000	3000	15

Replacement Parts List

H-Type ESAC Single HD Primary Cleaner with Enhanced Service Advantage Cartridge™



REPLACEMENT PARTS

REF	DESCRIPTION	MILD STEEL			STAINLESS STEEL		
		ORDERING NUMBER	ITEM CODE	WT. KG	ORDERING NUMBER	ITEM CODE	WT. KG
1	H-Type Single ESAC Cartridge Pole	HCP-600	62751	30.5	HCP-600-S/S	62757	31.4
		HCP-800	62752	35.6	HCP-800-S/S	62758	36.7
		HCP-1000	62753	38.1	HCP-1000-S/S	62759	39.3
		HCP-1200	62754	40.7	HCP-1200-S/S	62760	42
		HCP-1400	62755	45.9	HCP-1400-S/S	62761	47.3
		HCP-1800	62756	51.0	HCP-1800-S/S	62762	52.6
2	HD Cushion	HSHD	73483	2.0	HSHD-S/S	76467	2
3	Suspension Arm	HSA8CS	62505	0.9	HSA8CS-S/S	62509	1
		HSA8CM	62506	1.1	HSA8CM-S/S	62510	1.2
		HSA8CL	62507	1.3	HSA8CL-S/S	62511	1.3
		HSA8CLL	62508	1.8	HSA8CLL-S/S	62512	1.8
4	HV Tips	HSA200	73489	0.5	HVT8-S/S	75419	0.6
	HVPT Tips	-	-	-	HVPT-S/S	73631	0.6
5	Black Compression Spring Side Assembly (to 1600 belt width max)	H73CSK-B	62749	17.8	H73CSK-B-S/S	62750	18.3
	Gold Compression Spring Side Assembly (to 2400 belt width max)	H73CSK-G	62743	17.8	H73CSK-G-S/S	62744	18.3
6	Bolt Tension Side Assembly	H73BTK	63079	15.1	H73BTK-S/S	63080	15.6
7	SAC Removal Knuckle	SACRKN	77882	1.5			
8	SAC Removal Handle	SACRH	77883	1.4			
9	SAC Handle Lock Plate	SACRHL	77884	0.8			
10	Knuckle Retainer Pin	SACKRP	77885	0.1			

REF	DESCRIPTION	TIP WIDTH	ORDERING NUMBER	ITEM CODE	WT. KG
11	H-Type Cartridge Adapter Plate	600	H-SAC-AP-600	62452	3.5
		800	H-SAC-AP-800	62453	4.8
		1000	H-SAC-AP-1000	62454	6.0
		1200	H-SAC-AP-1200	62455	7.3
		1400	H-SAC-AP-1400	62456	8.5
		1600	H-SAC-AP-1600	62457	9.8
12	SAC Replacement Single Cartridge	600	CART-24/600-S/S	78576	4.5
		800	CART-36/900-S/S	78578	6.7
		1000	CART-42/1050-S/S	78579	7.8
		1200	CART2-48/1200-S/S	78580	8.9
		1400	CART-60/1500-S/S	78582	11.3
		1600	CART-72/1800-S/S	78583	13.5
		1800			

HV/HVP Single SAC Black Spring Length Chart (for optimal blade tensioning)

Belt Width	CS	CM	CL	CLL
600	111	110	109	107
800	109	107	107	104
1000	106	105	104	100
1200	104	102	101	97
1400	102	100	98	93
1600	100	97	96	90
1800	97	95	93	-

HV/HVP Single SAC Gold Spring Length Chart (for optimal blade tensioning)

Belt Width	CS	CM	CL	CLL
600	113	113	112	111
800	112	111	111	109
1000	111	110	109	107
1200	109	108	107	105
1400	108	106	106	102
1600	106	105	104	100
1800	105	103	102	98

HV/HVP Dual SAC Gold Spring Length Chart (for optimal blade tensioning)

Belt Width	CS	CM	CL	CLL
1200	109	108	108	105
1400	108	107	106	103
1600	107	105	104	101
1800	105	104	103	99
2000	104	102	101	96
2200	103	101	99	94

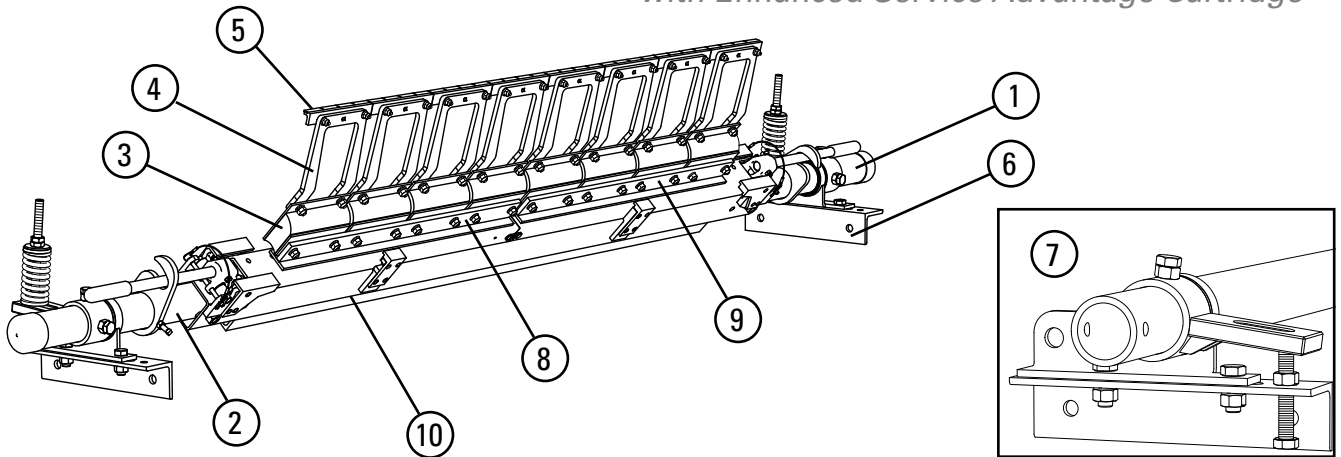
HV/HVP Dual SAC Silver Spring Length Chart (for optimal blade tensioning)

Belt Width	CS	CM	CL	CLL
2200	159	158	157	154
2400	158	157	156	153
2600	157	156	155	151
2800	157	155	154	150
3000	156	154	153	149

Stock items (non-shaded) refer to (*) for specific lead time, if not specified, standard lead time applies.
Non-stock items (shaded) please contact Flexco for dispatch options and lead times.

Replacement Parts List

H-Type ESAC Dual HD Primary Cleaner with Enhanced Service Advantage Cartridge™



REPLACEMENT PARTS

REF	DESCRIPTION	MILD STEEL			STAINLESS STEEL			
		ORDERING NUMBER	ITEM CODE	WT. KG	ORDERING NUMBER	ITEM CODE	WT. KG	
1	H-Type Dual ESAC Centre Pole	H2CP-1200	62763	39.7	H2CP-1200-S/S	62801	39.7	
		H2CP-1400	62764	42.6	H2CP-1400-S/S	62802	42.6	
		H2CP-1600	62765	45.7	H2CP-1600-S/S	62803	45.7	
		H2CP-1800	62766	48.6	H2CP-1800-S/S	62804	48.6	
		H2CP-2000	62767	51.6	H2CP-2000-S/S	62805	51.6	
		H2CP-2400	62768	57.6	H2CP-2400-S/S	62806	57.6	
		H2CP-2600	62769	71.0	H2CP-2600-S/S	62807	71.0	
		H2CP-2800	62770	74.3	H2CP-2800-S/S	62808	74.3	
		H2CP-3000	62771	77.8	H2CP-3000-S/S	62809	77.8	
2	Extender Pole	MHP-EP	76392	24.5	MHP-EP-S/S	77599	24.5	
3	HD Cushion	HSHD	73483	2.0	HSHD-S/S	76467	2.0	
4	Suspension Arm	HSA8CS	62505	0.9	HSA8CS-S/S	62509	1.0	
		HSA8CM	62506	1.1	HSA8CM-S/S	62510	1.2	
		HSA8CL	62507	1.3	HSA8CL-S/S	62511	1.3	
		HSA8CLL	62508	1.8	HSA8CLL-S/S	62512	1.8	
5	HV Tips	HSA200	73489	0.5	HVT8-S/S	75419	0.6	
	HVPT Tips	-	-	-	HVPT-S/S	73631	0.6	
6	Black Compression Spring Side Assembly (to 1600 belt width max)	H73CSK-B	62749	17.8	H73CSK-B-S/S	62750	18.3	
	Gold Compression Spring Side Assembly (to 2400 belt width max)	H73CSK-G	62743	17.8	H73CSK-G-S/S	62744	18.3	
	Silver 6" Compression Spring Side Assembly (above 2400)	H73CSK-S	62745	18.0	H73CSK-S-S/S	62746	18.4	
7	Bolt Tension Side Assembly	H73BTK	63079	15.1	H73BTK-S/S	63080	15.6	
REF	DESCRIPTION	TIP WIDTH	ITEM 8 / LEFT HAND			ITEM 9 / RIGHT HAND		
			ORDERING NUMBER	ITEM CODE	WT. KG	ORDERING NUMBER	ITEM CODE	WT. KG
8 & 9	H-Type Cartridge Adapter Plate	1200	H-SAC-AP-600	62452	3.5	H-SAC-AP-600	62452	3.5
		1400	H-SAC-AP-800	62453	4.8	H-SAC-AP-600	62452	3.5
		1600	H-SAC-AP-800	62453	4.8	H-SAC-AP-800	62453	4.8
		1800	H-SAC-AP-1000	62454	6.0	H-SAC-AP-800	62453	4.8
		2000	H-SAC-AP-1000	62454	6.0	H-SAC-AP-1000	62454	6.0
		2200	H-SAC-AP-1200	62455	7.3	H-SAC-AP-1000	62454	6.0
		2400	H-SAC-AP-1200	62455	7.3	H-SAC-AP-1200	62455	7.3
		2600	H-SAC-AP-1400	62456	8.5	H-SAC-AP-1200	62455	7.3
		2800	H-SAC-AP-1400	62456	8.5	H-SAC-AP-1400	62456	8.5
		3000	H-SAC-AP-1600	62457	9.8	H-SAC-AP-1400	62456	8.5
REF	DESCRIPTION	TIP WIDTH	ORDERING NUMBER	ITEM CODE	WT. KG			
10	SAC Replacement Dual Cartridge	1200	CART2-60/1500-S/S	78584	11.2			
		1400	CART2-66/1650-S/S	78634	12.3			
		1600	CART2-72/1800-S/S	78585	13.4			
		1800	CART2-78/1950-S/S	78635	14.5			
		2000	CART2-84/2100-S/S	78586	15.6			
		2200	CART2-96/2400-S/S	78587	17.8			
		2400						
		2600	CART2-114/2850-S/S	78639	23.7			
		2800	CART2-120/3000-S/S	78588	22.6			
		3000	CART2-126/3150-S/S	78640	23.7			

Product Ordering Information

H-Type ESAC with Extra Life V-Tips (Mild Steel) HD Primary Cleaner with Enhanced Service Advantage Cartridge™

Powder Coated H-Type® ESAC with Extra Life V-Tips

TIP WIDTH	ARM SIZE	ORDERING NUMBER	ITEM CODE	WT. KG
Single Cartridge				
600	CS	HV-600-SAC-CS-EL15	63206	74.2
	CM	HV-600-SAC-CM-EL15	63207	74.9
	CL	HV-600-SAC-CL-EL15	63208	75.3
800	CS	HV-800-SAC-CS-EL15	63209	86.5
	CM	HV-800-SAC-CM-EL15	63210	87.5
	CL	HV-800-SAC-CL-EL15	63211	88.1
1000	CS	HV-1000-SAC-CS-EL15	63212	94.9
	CM	HV-1000-SAC-CM-EL15	63213	96.2
	CL	HV-1000-SAC-CL-EL15	63214	96.9
1200	CS	HV-1200-SAC-CS-EL15	63215	103.3
	CM	HV-1200-SAC-CM-EL15	63216	104.7
	CL	HV-1200-SAC-CL-EL15	63217	105.6
1400	CS	HV-1400-SAC-CS-EL15	63218	115.9
	CM	HV-1400-SAC-CM-EL15	63219	117.5
	CL	HV-1400-SAC-CL-EL15	63220	118.6
1600	CM	HV-1600-SAC-CM-EL15	63221	130.0
	CL	HV-1600-SAC-CL-EL15	63222	131.3
	CLL	HV-1600-SAC-CLL-EL15	63223	135.2
1800	CM	HV-1800-SAC-CM-EL15	63224	137.2
	CL	HV-1800-SAC-CL-EL15	63225	138.5
	CLL	HV-1800-SAC-CLL-EL15	63226	142.8
Dual Cartridge				
1200	CS	HV-1200-2SAC-CS-EL15	63421	128.7
	CM	HV-1200-2SAC-CM-EL15	63422	130.3
	CL	HV-1200-2SAC-CL-EL15	63423	131.2
	CLL	HV-1200-2SAC-CLL-EL15	63424	134.1
1400	CS	HV-1400-2SAC-CS-EL15	63425	137.4
	CM	HV-1400-2SAC-CM-EL15	63426	139.0
	CL	HV-1400-2SAC-CL-EL15	63427	140.1
	CLL	HV-1400-2SAC-CLL-EL15	63428	143.4
1600	CM	HV-1600-2SAC-CM-EL15	63429	147.9
	CL	HV-1600-2SAC-CL-EL15	63430	149.1
	CLL	HV-1600-2SAC-CLL-EL15	63431	152.9
1800	CM	HV-1800-2SAC-CM-EL15	63432	159.5
	CL	HV-1800-2SAC-CL-EL15	63433	160.9
	CLL	HV-1800-2SAC-CLL-EL15	63434	163.8
2000	CM	HV-2000-2SAC-CM-EL15	63435	169.2
	CL	HV-2000-2SAC-CL-EL15	63436	170.7
	CLL	HV-2000-2SAC-CLL-EL15	63437	174.0
2200	CM	HV-2200-2SAC-CM-EL15	63438	182.4
	CL	HV-2200-2SAC-CL-EL15	63439	184.1
	CLL	HV-2200-2SAC-CLL-EL15	63440	187.7
2400	CM	HV-2400-2SAC-CM-EL15	63441	187.5
	CL	HV-2400-2SAC-CL-EL15	63442	189.3
	CLL	HV-2400-2SAC-CLL-EL15	63443	193.3
2600	CM	HV-2600-2SAC-CM-EL15	63444	211.2
	CL	HV-2600-2SAC-CL-EL15	63445	213.2
	CLL	HV-2600-2SAC-CLL-EL15	63446	217.4
2800	CM	HV-2800-2SAC-CM-EL15	63447	220.9
	CL	HV-2800-2SAC-CL-EL15	63448	223.0
	CLL	HV-2800-2SAC-CLL-EL15	63449	227.7
3000	CM	HV-3000-2SAC-CM-EL15	63450	230.0
	CL	HV-3000-2SAC-CL-EL15	63451	232.3
	CLL	HV-3000-2SAC-CLL-EL15	63452	237.2

H-Type ESAC Mild Steel Replacement Cartridge Kits with Extra Life V-Tips

TIP WIDTH	ARM SIZE	ORDERING NUMBER	ITEM CODE	WT. KG
Single Cartridge Kits				
600	CS	H-CARK-600-CS-EL15	63631	23.2
	CM	H-CARK-600-CM-EL15	63632	24.0
	CL	H-CARK-600-CL-EL15	63633	24.5
800	CS	H-CARK-800-CS-EL15	63634	30.3
	CM	H-CARK-800-CM-EL15	63635	31.3
	CL	H-CARK-800-CL-EL15	63636	31.9
1000	CS	H-CARK-1000-CS-EL15	63637	36.1
	CM	H-CARK-1000-CM-EL15	63638	37.4
	CL	H-CARK-1000-CL-EL15	63639	38.2
1200	CS	H-CARK-1200-CS-EL15	63640	41.4
	CM	H-CARK-1200-CM-EL15	63641	43.3
	CL	H-CARK-1200-CL-EL15	63642	44.2
1400	CS	H-CARK-1400-CS-EL15	63643	49.0
	CM	H-CARK-1400-CM-EL15	63644	50.8
	CL	H-CARK-1400-CL-EL15	63645	51.9
1600	CM	H-CARK-1600-CS-EL15	63646	58.1
	CL	H-CARK-1600-CM-EL15	63647	59.3
	CLL	H-CARK-1600-CL-EL15	63648	63.1
1800	CM	H-CARK-1800-CS-EL15	63649	66.2
	CL	H-CARK-1800-CM-EL15	63650	67.6
	CLL	H-CARK-1800-CL-EL15	63651	71.9
Dual Cartridge Kits				
1200	CS	H-CARK2-1200-CS-EL15	63567	46.2
	CM	H-CARK2-1200-CM-EL15	63568	47.8
	CL	H-CARK2-1200-CL-EL15	63569	48.7
	CLL	H-CARK2-1200-CLL-EL15	63570	51.6
1400	CS	H-CARK2-1400-CS-EL15	63571	51.8
	CM	H-CARK2-1400-CM-EL15	63572	53.6
	CL	H-CARK2-1400-CL-EL15	63573	54.6
	CLL	H-CARK2-1400-CLL-EL15	63574	58.0
1600	CM	H-CARK2-1600-CM-EL15	63575	59.4
	CL	H-CARK2-1600-CL-EL15	63576	60.6
	CLL	H-CARK2-1600-CLL-EL15	63577	64.4
1800	CM	H-CARK2-1800-CM-EL15	63578	68.1
	CL	H-CARK2-1800-CL-EL15	63579	69.4
	CLL	H-CARK2-1800-CLL-EL15	63580	73.8
2000	CM	H-CARK2-2000-CM-EL15	63581	74.8
	CL	H-CARK2-2000-CL-EL15	63582	76.3
	CLL	H-CARK2-2000-CLL-EL15	63583	81.1
2200	CM	H-CARK2-2200-CM-EL15	63584	82.1
	CL	H-CARK2-2200-CL-EL15	63585	83.7
	CLL	H-CARK2-2200-CLL-EL15	63586	89.0
2400	CM	H-CARK2-2400-CM-EL15	63587	87.1
	CL	H-CARK2-2400-CL-EL15	63588	88.9
	CLL	H-CARK2-2400-CLL-EL15	63589	94.7
2600	CM	H-CARK2-2600-CM-EL15	63590	95.7
	CL	H-CARK2-2600-CL-EL15	63591	97.7
	CLL	H-CARK2-2600-CLL-EL15	63592	103.9
2800	CM	H-CARK2-2800-CM-EL15	63593	102.2
	CL	H-CARK2-2800-CL-EL15	63594	104.3
	CLL	H-CARK2-2800-CLL-EL15	63595	111.0
3000	CM	H-CARK2-3000-CM-EL15	63596	107.7
	CL	H-CARK2-3000-CL-EL15	63597	110.0
	CLL	H-CARK2-3000-CLL-EL15	63598	117.2

Stock items (non-shaded) refer to (*) for specific lead time, if not specified, standard lead time applies.

Non-stock items (shaded) please contact Flexco for dispatch options and lead times.

Product Ordering Information

H-Type ESAC with Extra Life V-Tips (Stainless Steel) HD Primary Cleaner with Enhanced Service Advantage Cartridge™

Stainless Steel H-Type® ESAC with Extra Life V-Tips

TIP WIDTH	ARM SIZE	ORDERING NUMBER	ITEM CODE	WT. KG
Single Cartridge				
600	CS	HV-600-SAC-CS-S/S-EL15	63227	74.2
	CM	HV-600-SAC-CM-S/S-EL15	63228	74.9
	CL	HV-600-SAC-CL-S/S-EL15	63229	75.3
800	CS	HV-800-SAC-CS-S/S-EL15	63230	86.5
	CM	HV-800-SAC-CM-S/S-EL15	63231	87.5
	CL	HV-800-SAC-CL-S/S-EL15	63232	88.1
1000	CS	HV-1000-SAC-CS-S/S-EL15	63233	94.9
	CM	HV-1000-SAC-CM-S/S-EL15	63234	96.2
	CL	HV-1000-SAC-CL-S/S-EL15	63235	96.9
1200	CS	HV-1200-SAC-CS-S/S-EL15	63236	103.3
	CM	HV-1200-SAC-CM-S/S-EL15	63237	104.7
	CL	HV-1200-SAC-CL-S/S-EL15	63238	105.6
1400	CS	HV-1400-SAC-CS-S/S-EL15	63239	115.9
	CM	HV-1400-SAC-CM-S/S-EL15	63240	117.5
	CL	HV-1400-SAC-CL-S/S-EL15	63241	118.6
1600	CM	HV-1600-SAC-CM-S/S-EL15	63242	130.0
	CL	HV-1600-SAC-CL-S/S-EL15	63243	131.3
	CLL	HV-1600-SAC-CLL-S/S-EL15	63244	135.2
1800	CM	HV-1800-SAC-CM-S/S-EL15	63245	137.2
	CL	HV-1800-SAC-CL-S/S-EL15	63246	138.5
	CLL	HV-1800-SAC-CLL-S/S-EL15	63247	142.8
Dual Cartridge				
1200	CS	HV-1200-2SAC-CS-S/S-EL15	63453	128.7
	CM	HV-1200-2SAC-CM-S/S-EL15	63454	130.3
	CL	HV-1200-2SAC-CL-S/S-EL15	63455	131.2
	CLL	HV-1200-2SAC-CLL-S/S-EL15	63456	134.1
1400	CS	HV-1400-2SAC-CS-S/S-EL15	63457	137.4
	CM	HV-1400-2SAC-CM-S/S-EL15	63458	139.0
	CL	HV-1400-2SAC-CL-S/S-EL15	63459	140.1
	CLL	HV-1400-2SAC-CLL-S/S-EL15	63460	143.4
1600	CM	HV-1600-2SAC-CM-S/S-EL15	63461	147.9
	CL	HV-1600-2SAC-CL-S/S-EL15	63462	149.1
	CLL	HV-1600-2SAC-CLL-S/S-EL15	63463	152.9
1800	CM	HV-1800-2SAC-CM-S/S-EL15	63464	159.5
	CL	HV-1800-2SAC-CL-S/S-EL15	63465	160.9
	CLL	HV-1800-2SAC-CLL-S/S-EL15	63466	163.8
2000	CM	HV-2000-2SAC-CM-S/S-EL15	63467	169.2
	CL	HV-2000-2SAC-CL-S/S-EL15	63468	170.7
	CLL	HV-2000-2SAC-CLL-S/S-EL15	63469	174.0
2200	CM	HV-2200-2SAC-CM-S/S-EL15	63470	182.4
	CL	HV-2200-2SAC-CL-S/S-EL15	63471	184.1
	CLL	HV-2200-2SAC-CLL-S/S-EL15	63472	187.7
2400	CM	HV-2400-2SAC-CM-S/S-EL15	63473	187.5
	CL	HV-2400-2SAC-CL-S/S-EL15	63474	189.3
	CLL	HV-2400-2SAC-CLL-S/S-EL15	63475	193.3
2600	CM	HV-2600-2SAC-CM-S/S-EL15	63476	211.2
	CL	HV-2600-2SAC-CL-S/S-EL15	63477	213.2
	CLL	HV-2600-2SAC-CLL-S/S-EL15	63478	217.4
2800	CM	HV-2800-2SAC-CM-S/S-EL15	63479	220.9
	CL	HV-2800-2SAC-CL-S/S-EL15	63480	223.0
	CLL	HV-2800-2SAC-CLL-S/S-EL15	63481	227.7
3000	CM	HV-3000-2SAC-CM-S/S-EL15	63482	230.0
	CL	HV-3000-2SAC-CL-S/S-EL15	63483	232.3
	CLL	HV-3000-2SAC-CLL-S/S-EL15	63484	237.2

H-Type ESAC Stainless Steel Replacement Cartridge Kits with Extra Life V-Tips

TIP WIDTH	ARM SIZE	ORDERING NUMBER	ITEM CODE	WT. KG
Single Cartridge Kits				
600	CS	H CARK-600-CS-S/S-EL15	63652	23.2
	CM	H CARK-600-CM-S/S-EL15	63653	24.0
	CL	H CARK-600-CL-S/S-EL15	63654	24.5
800	CS	H CARK-800-CS-S/S-EL15	63655	30.3
	CM	H CARK-800-CM-S/S-EL15	63656	31.3
	CL	H CARK-800-CL-S/S-EL15	63657	31.9
1000	CS	H CARK-1000-CS-S/S-EL15	63658	36.1
	CM	H CARK-1000-CM-S/S-EL15	63659	37.4
	CL	H CARK-1000-CL-S/S-EL15	63660	38.2
1200	CS	H CARK-1200-CS-S/S-EL15	63661	41.4
	CM	H CARK-1200-CM-S/S-EL15	63662	43.3
	CL	H CARK-1200-CL-S/S-EL15	63663	44.2
1400	CS	H CARK-1400-CS-S/S-EL15	63664	49.0
	CM	H CARK-1400-CM-S/S-EL15	63665	50.8
	CL	H CARK-1400-CL-S/S-EL15	63666	51.9
1600	CM	H CARK-1600-CS-S/S-EL15	63667	58.1
	CL	H CARK-1600-CM-S/S-EL15	63668	59.3
	CLL	H CARK-1600-CL-S/S-EL15	63669	63.1
1800	CM	H CARK-1800-CS-S/S-EL15	63670	66.2
	CL	H CARK-1800-CM-S/S-EL15	63671	67.6
	CLL	H CARK-1800-CL-S/S-EL15	63672	71.9
Dual Cartridge Kits				
1200	CS	H-CARK2-1200-CS-S/S-EL15	63599	46.2
	CM	H-CARK2-1200-CM-S/S-EL15	63600	47.8
	CL	H-CARK2-1200-CL-S/S-EL15	63601	48.7
	CLL	H-CARK2-1200-CLL-S/S-EL15	63602	51.6
1400	CS	H-CARK2-1400-CS-S/S-EL15	63603	51.8
	CM	H-CARK2-1400-CM-S/S-EL15	63604	53.6
	CL	H-CARK2-1400-CL-S/S-EL15	63605	54.6
	CLL	H-CARK2-1400-CLL-S/S-EL15	63606	58.0
1600	CM	H-CARK2-1600-CM-S/S-EL15	63607	59.4
	CL	H-CARK2-1600-CL-S/S-EL15	63608	60.6
	CLL	H-CARK2-1600-CLL-S/S-EL15	63609	64.4
1800	CM	H-CARK2-1800-CM-S/S-EL15	63610	68.1
	CL	H-CARK2-1800-CL-S/S-EL15	63611	69.4
	CLL	H-CARK2-1800-CLL-S/S-EL15	63612	73.8
2000	CM	H-CARK2-2000-CM-S/S-EL15	63613	74.8
	CL	H-CARK2-2000-CL-S/S-EL15	63614	76.3
	CLL	H-CARK2-2000-CLL-S/S-EL15	63615	81.1
2200	CM	H-CARK2-2200-CM-S/S-EL15	63616	82.1
	CL	H-CARK2-2200-CL-S/S-EL15	63617	83.7
	CLL	H-CARK2-2200-CLL-S/S-EL15	63618	89.0
2400	CM	H-CARK2-2400-CM-S/S-EL15	63619	87.1
	CL	H-CARK2-2400-CL-S/S-EL15	63620	88.9
	CLL	H-CARK2-2400-CLL-S/S-EL15	63621	94.7
2600	CM	H-CARK2-2600-CM-S/S-EL15	63622	95.7
	CL	H-CARK2-2600-CL-S/S-EL15	63623	97.7
	CLL	H-CARK2-2600-CLL-S/S-EL15	63624	103.9
2800	CM	H-CARK2-2800-CM-S/S-EL15	63625	102.2
	CL	H-CARK2-2800-CL-S/S-EL15	63626	104.3
	CLL	H-CARK2-2800-CLL-S/S-EL15	63627	111.0
3000	CM	H-CARK2-3000-CM-S/S-EL15	63628	107.7
	CL	H-CARK2-3000-CL-S/S-EL15	63629	110.0
	CLL	H-CARK2-3000-CLL-S/S-EL15	63630	117.2

Stock items (non-shaded) refer to (*) for specific lead time, if not specified, standard lead time applies.

Non-stock items (shaded) please contact Flexco for dispatch options and lead times.

Product Ordering Information

Tips and Suspension Arms

H-Type ESAC with Extra Life V-Tips – Mild and Stainless Steel

Replacement V-Tips - Mild Steel

ORDERING NUMBER	ITEM CODE	WT. KG
HSA200	73489	0.5
HSA200-EL15	76027	0.6

Replacement Suspension Arms - Mild Steel

SIZE	ORDERING NUMBER	ITEM CODE	WT. KG
CS	HSA8CS	62505	1.1
CM	HSA8CM	62506	1.3
CL	HSA8CL	62507	1.5
CLL	HSA8CLL	62508	1.7

Replacement V-Tips - Stainless Steel

ORDERING NUMBER	ITEM CODE	WT. KG
HVT8-S/S	75419	0.9
HVPT-S/S	73631	1.2

Replacement Suspension Arms - Stainless Steel

SIZE	ORDERING NUMBER	ITEM CODE	WT. KG
CS	HSA8CS-S/S	62509	1.1
CM	HSA8CM-S/S	62510	1.3
CL	HSA8CL-S/S	62511	1.5
CLL	HSA8CLL-S/S	62512	1.7

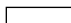
Suspension Arm Size


HEAD PULLEY DIAMETER + BELT & LAGGING mm	SUSPENSION ARM SIZE
500-799	CS
800-999	CM
1000-1199	CL
1200-1700	CLL

Over 1700mm - contact Flexco

Tips required per cleaner size

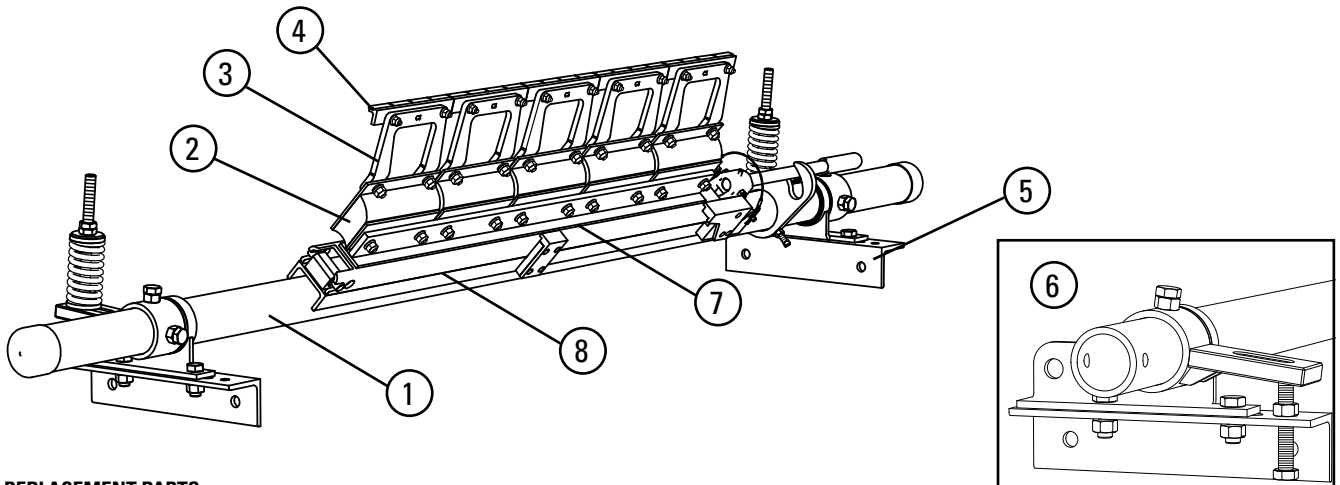
BELT WIDTH mm	BELT COVERAGE mm	V-TIPS REQUIRED
600	600	3
800	800	4
1000	1000	5
1200	1200	6
1400	1400	7
1600	1600	8
1800	1800	9
2000	2000	10
2200	2200	11
2400	2400	12
2600	2600	13
2800	2800	14
3000	3000	15

 Stock items (non-shaded) refer to (*) for specific lead time, if not specified, standard lead time applies.

 Non-stock items (shaded) please contact Flexco for dispatch options and lead times.

Replacement Parts List

H-Type ESAC with Extra Life V-Tips Single HD Primary Cleaner with Enhanced Service Advantage Cartridge™



REPLACEMENT PARTS

REF	DESCRIPTION	MILD STEEL			STAINLESS STEEL		
		ORDERING NUMBER	ITEM CODE	WT. KG	ORDERING NUMBER	ITEM CODE	WT. KG
1	H-Type Single ESAC Cartridge Pole	HCP-600	62751	30.5	HCP-600-S/S	62757	31.4
		HCP-800	62752	35.6	HCP-800-S/S	62758	36.7
		HCP-1000	62753	38.1	HCP-1000-S/S	62759	39.3
		HCP-1200	62754	40.7	HCP-1200-S/S	62760	42
		HCP-1400	62755	45.9	HCP-1400-S/S	62761	47.3
		HCP-1800	62756	51.0	HCP-1800-S/S	62762	52.6
2	HD Cushion	HSHD	73483	2.0	HSHD-S/S	76467	2.0
3	Suspension Arm	HSA8CS	62505	0.9	HSA8CS-S/S	62509	1.0
		HSA8CM	62506	1.1	HSA8CM-S/S	62510	1.2
		HSA8CL	62507	1.3	HSA8CL-S/S	62511	1.3
		HSA8CLL	62508	1.8	HSA8CLL-S/S	62512	1.8
4	HV Tips	HSA200	73489	0.5	HVT8-S/S	75419	0.6
	HV EL15 Tips	HSA200-EL15	76027	0.5	HVT8-EL15-S/S	62254	0.6
	-	-	-	-	HVPT-S/S	73631	0.6
5	Black Compression Spring Side Assembly (to 1600 belt width max)	H73CSK-B	62749	17.8	H73CSK-B-S/S	62750	18.3
	Gold Compression Spring Side Assembly (to 2400 belt width max)	H73CSK-G	62743	17.8	H73CSK-G-S/S	62744	18.3
6	Bolt Tension Side Assembly	H73BTK	63079	15.1	H73BTK-S/S	63080	15.6
REF	DESCRIPTION	TIP WIDTH	ORDERING NUMBER	ITEM CODE	WT. KG		
7	H-Type Cartridge Adapter Plate	600	H-SAC-AP-600	62452	3.5		
		800	H-SAC-AP-800	62453	4.8		
		1000	H-SAC-AP-1000	62454	6.0		
		1200	H-SAC-AP-1200	62455	7.3		
		1400	H-SAC-AP-1400	62456	8.5		
		1600	H-SAC-AP-1600	62457	9.8		
8	SAC Replacement Single Cartridge	600	CART-24/600-S/S	78576	4.5		
		800	CART-36/900-S/S	78578	6.7		
		1000	CART-42/1050-S/S	78579	7.8		
		1200	CART-48/1200-S/S	78580	8.9		
		1400	CART-60/1500-S/S	78582	11.3		
		1600	CART-72/1800-S/S	78583	13.5		
		1800					

HV/HVP Single SAC Black Spring Length Chart (for optimal blade tensioning)

Belt Width	CS	CM	CL	CLL
600	111	110	109	107
800	109	107	107	104
1000	106	105	104	100
1200	104	102	101	97
1400	102	100	98	93
1600	100	97	96	90
1800	97	95	93	-

HV/HVP Single SAC Gold Spring Length Chart (for optimal blade tensioning)

Belt Width	CS	CM	CL	CLL
600	113	113	112	111
800	112	111	111	109
1000	111	110	109	107
1200	109	108	107	105
1400	108	106	106	102
1600	106	105	104	100
1800	105	103	102	98

HV/HVP Dual SAC Gold Spring Length Chart (for optimal blade tensioning)

Belt Width	CS	CM	CL	CLL
1200	109	108	108	105
1400	108	107	106	103
1600	107	105	104	101
1800	105	104	103	99
2000	104	102	101	96
2200	103	101	99	94

HV/HVP Dual SAC Silver Spring Length Chart (for optimal blade tensioning)

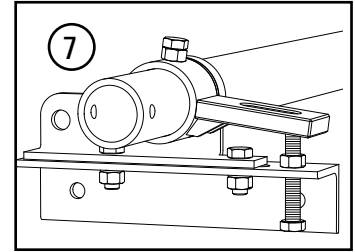
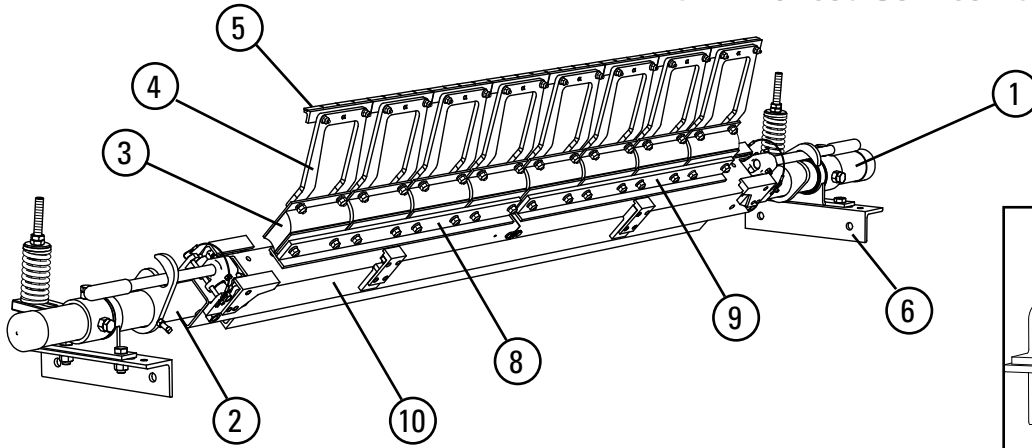
Belt Width	CS	CM	CL	CLL
2200	159	158	157	154
2400	158	157	156	153
2600	157	156	155	151
2800	157	155	154	150
3000	156	154	153	149

Stock items (non-shaded) refer to (*) for specific lead time, if not specified, standard lead time applies.

Non-stock items (shaded) please contact Flexco for dispatch options and lead times.

Replacement Parts List

H-Type ESAC with Extra Life V-Tips Dual HD Primary Cleaner with Enhanced Service Advantage Cartridge™



REPLACEMENT PARTS

REF	DESCRIPTION	MILD STEEL			STAINLESS STEEL		
		ORDERING NUMBER	ITEM CODE	WT. KG	ORDERING NUMBER	ITEM CODE	WT. KG
1	H-Type Dual ESAC Centre Pole	H2CP-1200	62763	39.7	H2CP-1200-S/S	62801	39.7
		H2CP-1400	62764	42.6	H2CP-1400-S/S	62802	42.6
		H2CP-1600	62765	45.7	H2CP-1600-S/S	62803	45.7
		H2CP-1800	62766	48.6	H2CP-1800-S/S	62804	48.6
		H2CP-2000	62767	51.6	H2CP-2000-S/S	62805	51.6
		H2CP-2400	62768	57.6	H2CP-2400-S/S	62806	57.6
		H2CP-2600	62769	71.0	H2CP-2600-S/S	62807	71.0
		H2CP-2800	62770	74.3	H2CP-2800-S/S	62808	74.3
		H2CP-3000	62771	77.8	H2CP-3000-S/S	62809	77.8
		2	Extender Pole	MHP-EP	76392	24.5	MHP-EP-S/S
3	HD Cushion	HSHD	73483	2.0	HSHD-S/S	76467	2.0
4	Suspension Arm	HSA8CS	62505	0.9	HSA8CS-S/S	62509	1.0
		HSA8CM	62506	1.1	HSA8CM-S/S	62510	1.2
		HSA8CL	62507	1.3	HSA8CL-S/S	62511	1.3
		HSA8CLL	62508	1.8	HSA8CLL-S/S	62512	1.8
5	HV Tips	HSA200	73489	0.5	HVT8-S/S	75419	0.6
	HV EL15 Tips	HSA200-EL15	76027	0.5	HVT8-EL15-S/S	63566	0.6
-	-	-	-	-	HVPT-S/S	73631	0.6
6	Black Compression Spring Side Assembly (to 1600 belt width max)	H73CSK-B	62749	17.8	H73CSK-B-S/S	62750	18.3
	Gold Compression Spring Side Assembly (to 2400 belt width max)	H73CSK-G	62743	17.8	H73CSK-G-S/S	62744	18.3
	Silver 6" Compression Spring Side Assembly (above 2400)	H73CSK-S	62745	18.0	H73CSK-S-S/S	62746	18.4
7	Bolt Tension Side Assembly	H73BTK	63079	15.1	H73BTK-S/S	63080	15.6

REF	DESCRIPTION	TIP WIDTH	ITEM 8/LEFT HAND			ITEM 9/RIGHT HAND		
			ORDERING NUMBER	ITEM CODE	WT. KG	ORDERING NUMBER	ITEM CODE	WT. KG
8 & 9	H-Type Cartridge Adapter Plate	1200	H-SAC-AP-600	62452	3.5	H-SAC-AP-600	62452	3.5
		1400	H-SAC-AP-800	62453	4.8	H-SAC-AP-600	62452	3.5
		1600	H-SAC-AP-800	62453	4.8	H-SAC-AP-800	62453	4.8
		1800	H-SAC-AP-1000	62454	6.0	H-SAC-AP-800	62453	4.8
		2000	H-SAC-AP-1000	62454	6.0	H-SAC-AP-1000	62454	6.0
		2200	H-SAC-AP-1200	62455	7.3	H-SAC-AP-1000	62454	6.0
		2400	H-SAC-AP-1200	62455	7.3	H-SAC-AP-1200	62455	7.3
		2600	H-SAC-AP-1400	62456	8.5	H-SAC-AP-1200	62455	7.3
		2800	H-SAC-AP-1400	62456	8.5	H-SAC-AP-1400	62456	8.5
		3000	H-SAC-AP-1600	62457	9.8	H-SAC-AP-1400	62456	8.5

REF	DESCRIPTION	TIP WIDTH	ORDERING NUMBER	ITEM CODE	WT. KG
10	SAC Replacement Dual Cartridge	1200	CART2-60/1500-S/S	78584	11.2
		1400	CART2-66/1650-S/S	78634	12.3
		1600	CART2-72/1800-S/S	78585	13.4
		1800	CART2-78/1950-S/S	78635	14.5
		2000	CART2-84/2100-S/S	78586	15.6
		2200	CART2-96/2400-S/S	78587	17.8
		2400			
		2600	CART2-114/2850-S/S	78639	23.7
		2800	CART2-120/3000-S/S	78588	22.6
		3000	CART2-126/3150-S/S	78640	23.7

Stock items (non-shaded) refer to (*) for specific lead time, if not specified, standard lead time applies.

Non-stock items (shaded) please contact Flexco for dispatch options and lead times.

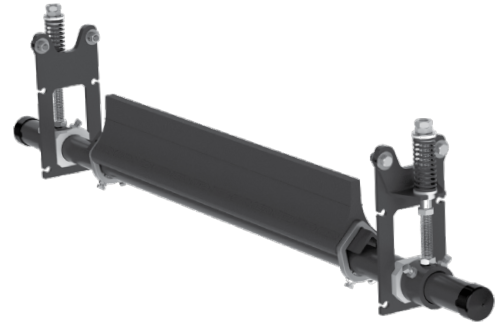
Product Ordering Information

Y-Type™ Standard Duty Secondary Cleaner with Carbide or Polyurethane Blades

Y-Type™ Standard Duty with Purple Polyurethane Blades and YST Tension

BELT WIDTH	ORDERING NUMBER	ITEM CODE	WT. KGS.
450	YT-450S	83229	26.8
600	YT-600S	83230	29.5
750	YT-750S	83231	32.3
900	YT-900S	83232	35.0
1050	YT-1050S	83233	37.7
1200	YT-1200S	83234	40.5

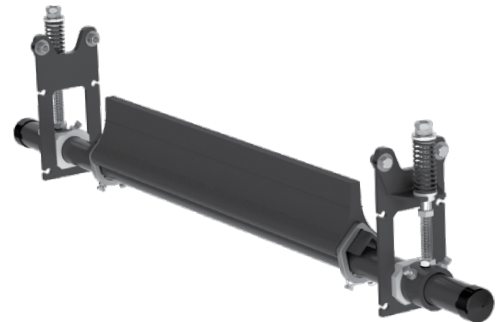
Lead time: 2 weeks



Y-Type™ Standard Duty with Red UHT Polyurethane Blades and YST Tension

BELT WIDTH	ORDERING NUMBER	ITEM CODE	WT. KG
mm			
450	YTR-18S	91798	26.8
600	YTR-24S	91799	29.5
750	YTR-30S	91800	32.2
900	YTR-36S	91801	34.9
1050	YTR-42S	91802	37.6
1200	YTR-48S	91803	40.4

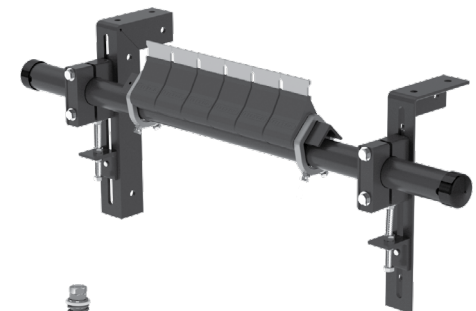
Lead time: 2 weeks



Y-Type™ Standard Duty with Carbide Blades and Bolt Tension

BELT WIDTH	ORDERING NUMBER	ITEM CODE	WT. KGS.
450	YTC-450	83223	30.6
600	YTC-600	83224	33.3
750	YTC-750	83225	36.1
900	YTC-900	83226	38.8
1050	YTC-1050	83227	41.5
1200	YTC-1200	83228	44.3

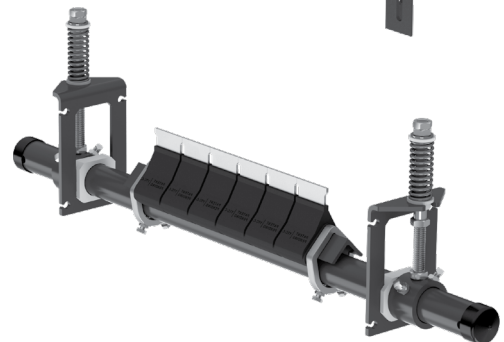
Lead time: 2 weeks



Y-Type™ Standard Duty with Carbide Blades and YST Tension

BELT WIDTH	ORDERING NUMBER	ITEM CODE	WT. KGS.
450	YT-TC-450S	83241	25.0
600	YT-TC-600S	83242	27.3
750	YT-TC-750S	83243	29.5
900	YT-TC-900S	83244	31.8
1050	YT-TC-1050S	83245	34.5
1200	YT-TC-1200S	83246	37.3

Lead time: 2 weeks



Product Notes:

- Works on reversing belts, vulcanized belts, and belts with mechanical fasteners.
- Visual Blade Tension Check: Measure the tension spring and refer to Spring Length Chart on mounting base for the correct length for best cleaning performance.
- Tensioner: Standard Duty YST Spring Tensioner for self-adjusting tensioning with easy retensioning adjustments. The tensioner can be mounted in pull-up or push-up position.
- Simple design makes changing the blades fast and easy. Blades can be removed and replaced individually, or all at once by replacing the cartridge.

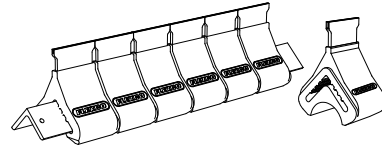
Product Ordering Information

Y-Type™ Standard Duty Replacement Blades/Cartridges

Replacement Blades/Cartridges - Standard Duty Carbide

BELT WIDTH	ORDERING NUMBER	ITEM CODE	WT. KGS.
-	YT-C*	79574	0.5
450	YCART-18/450-TC	79811	5.7
600	YCART-24/600-TC	79812	7.5
750	YCART-30/750-TC	79813	9.3
900	YCART-36/900-TC	79814	11.0
1050	YCART-42/1050-TC	79815	12.8
1200	YCART-48/1200-TC	79816	14.5

*Single 75mm (3") blade segment
Lead time: 2 weeks

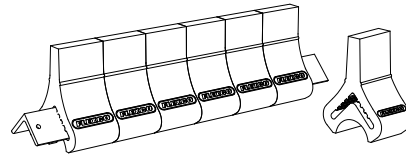


Y-Type™ Standard Duty Carbide Blade Cartridge

Replacement Blades/Cartridges - Standard Duty Purple Polyurethane

BELT WIDTH	ORDERING NUMBER	ITEM CODE	WT. KGS.
-	YT-P*	79573	0.5
450	YCART-18/450-P	79617	6.0
600	YCART-24/600-P	79618	7.8
750	YCART-30/750-P	79619	9.6
900	YCART-36/900-P	79620	11.4
1050	YCART-42/1050-P	79621	13.2
1200	YCART-48/1200-P	79622	15.0

*Single 75mm (3") blade segment
Lead time: 2 weeks

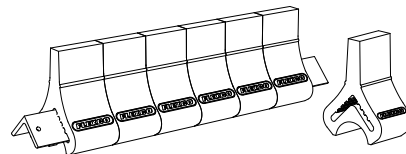


Y-Type™ Standard Duty Purple Polyurethane Blade Cartridge

Replacement Blades/Cartridges Standard Duty Red UHT Polyurethane

BELT WIDTH	ORDERING NUMBER	ITEM CODE	WT. KGS.
mm			
-	YT-R*	91804	0.5
450	YCART-18/450-R	91805	5.9
600	YCART-24/600-R	91806	7.7
750	YCART-30/750-R	91807	9.5
900	YCART-36/900-R	91808	11.3
1050	YCART-42/1050-R	91809	13.2
1200	YCART-48/1200-R	91810	15.0

*Single 75mm (3") blade segment
Lead time: 2 weeks



Y-Type™ Standard Duty Red UHT Polyurethane Blade Cartridge

Stock items (non-shaded) refer to (*) for specific lead time, if not specified, standard lead time applies.

Non-stock items (shaded) please contact Flexco for dispatch options and lead times.

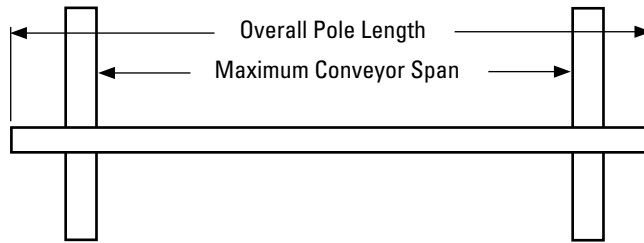
Specifications & Guidelines

Y-Type™ Standard Duty Secondary Cleaner with Carbide or Polyurethane Blades

Pole Length Specifications

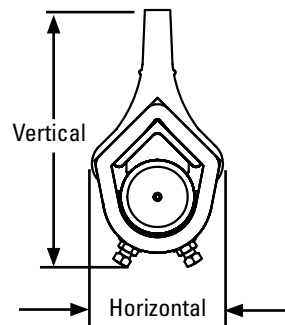
Cleaner Size		Pole Length		Maximum Conveyor Span	
mm	in.	mm	in.	mm	in.
450	18	1200	48	1025	40
600	24	1350	54	1175	46
750	30	1500	60	1325	52
900	36	1650	66	1475	58
1050	42	1800	72	1625	64
1200	48	1950	78	1775	70

Pole Length - Belt +750mm (30")
Pole Diameter - 60mm (2-3/8")



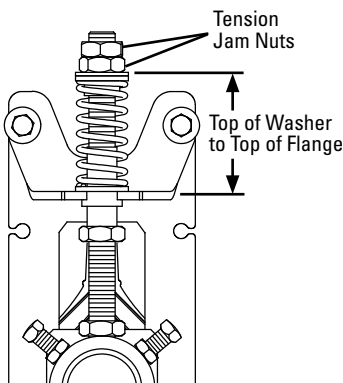
Clearance Guidelines for Installation

Cleaner Type	Belt Width/ Cleaner Size		Horizontal Clearance Required		Vertical Clearance Required	
	mm	in.	mm	in.	mm	in.
Y-Type® Polyurethane	450 - 1200	18 - 48	110	4-1/4	210	8-1/4
Y-Type Carbide	450 - 1200	18 - 48	110	4-1/4	184	7-3/4

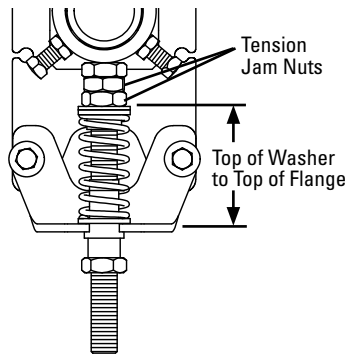


Y-Type Blade Specifications

Cushion	Durometer	Temperature Range
Purple (Standard)	86A	-35° to 82° C
Red (Ultra High-Temp)	90A	Up to 200° C Spikes to 232° C
Carbide	86A	-35° to 82° C



Pull-Up Tensioner Configuration (SD)



Push-Up Tensioner Configuration (SD)

YST SD Tensioner Spring Length Chart

Blade Width	Carbide Tip		Purple or White Polyurethane Tip		Red UHT Polyurethane Tip						
	Silver Springs	Yellow Springs	Purple Springs	Yellow Springs	Purple Springs						
mm	in.	mm	in.	mm	in.	mm	in.	mm	in.		
450	18	105	4 1/8	83	3 1/4	92	3 5/8	79	3 1/8	92	3 5/8
600	24	102	4	73	2 7/8	86	3 3/8	70	2 3/4	86	3 3/8
750	30	98	3 7/8	67	2 5/8	79	3 1/8	64	2 1/2	79	3 1/8
900	36	95	3 3/4	57	2 1/4	73	2 7/8	57	2 1/4	73	2 7/8
1050	42	92	3 5/8	NA	NA	67	2 5/8	NA	NA	67	2 5/8
1200	48	89	3 1/2	NA	NA	60	2 3/8	NA	NA	60	2 3/8

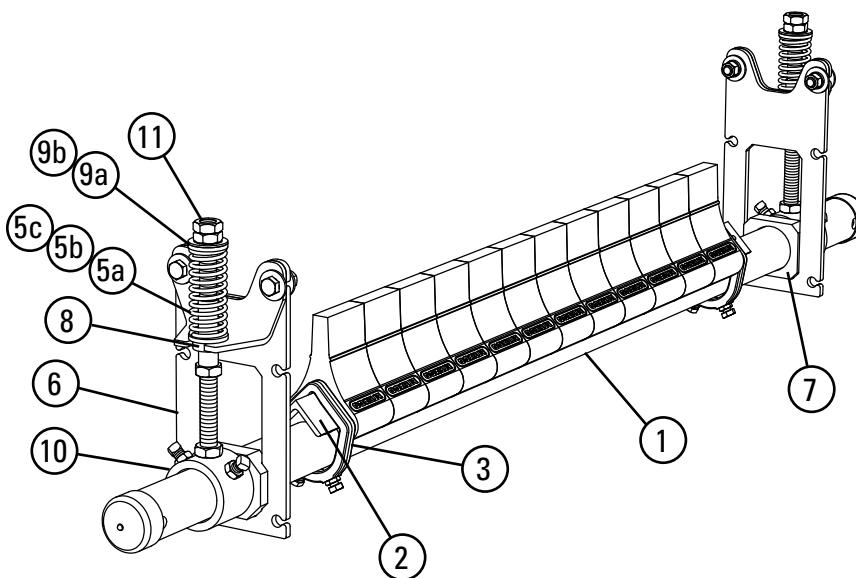
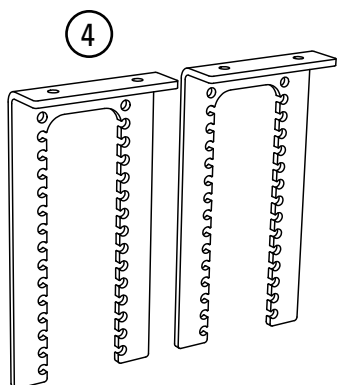
Shading indicates preferred spring option.

Specifications:

- Maximum Belt Speed..... 3 m/s (600 FPM)
- Usable Blade Wear Length..... 50mm (Polyurethane)
6mm (Carbide)
- Blade Materials **Purple:** Polyurethane (proprietary blend for abrasion resistance and long wear)
Red: Polyurethane (ultra high-temp)
Carbide: Tungsten Carbide
- Available for Belt Widths 450 to 1200mm. Other sizes available upon request.
- CEMA Cleaner Rating Class 2 (Standard-duty with polyurethane blades)
Class 3 (Standard-duty with Carbide blades)

Replacement Parts List

Y-Type™ Standard Duty Secondary Cleaner with Carbide or Polyurethane Blades



Replacement Parts

REF	DESCRIPTION	ORDERING NUMBER	ITEM CODE	WT. KG
1	450mm (18") Y-Type™ Pole	YTP-18/450	82932	9.2
	600mm (24") Y-Type Pole	YTP-24/600	82933	10.3
	750mm (30") Y-Type Pole	YTP-30/750	82934	11.5
	900mm (36") Y-Type Pole	YTP-36/900	82935	12.6
	1050mm (42") Y-Type Pole	YTP-42/1050	82936	13.7
	1200mm (48") Y-Type Pole	YTP-48/1200	82937	14.9
2	450mm (18") Y-Type Cushion Angle	YTA-18/450	82949	2.6
	600mm (24") Y-Type Cushion Angle	YTA-24/600	82950	3.3
	750mm (30") Y-Type Cushion Angle	YTA-30/750	82951	4.0
	900mm (36") Y-Type Cushion Angle	YTA-36/900	82952	4.7
	1050mm (42") Y-Type Cushion Angle	YTA-42/1050	82953	5
	1200mm (48") Y-Type Cushion Angle	YTA-48/1200	82954	6.2
3	Y-Type Angle Clamp* (2 Clamps)	YTAC	79623	1.0
4	YST Drop Bracket Kit (Optional Brackets)	YSTDBK	79844	9.0
5a	YST Spring Yellow	YSTS-Y	79795	0.1
5b	YST Spring Purple	YSTS-P	79796	0.2
5c	YST Spring Silver (Y-Type Carbide Cleaners)	CTS-S	77743	0.2
6	YST Mounting Bracket (incl. Angle Bracket)	YSTMB	79843	1.5
7	YST Guide Block Kit (Pair)	YSTGBK	79845	0.2
8	YST Lower Bushing Kit (Pair)	YSTLBK	79846	0.0
9a	YST Top Bushing Kit White (Pair)	YSTTBK-W	79847	0.0
9b	YST Top Bushing Kit Black (Pair)	YSTTBK-B	79855	0.0
10	YST Pole Mount Kit*	YSTPMK	79848	2.0
11	YST Adjusting Rod Nut Kit	YSTANK	79857	0.1

*Hardware included
Lead time: 2 weeks

Replacement Parts

REF	DESCRIPTION	ORDERING NUMBER	ITEM CODE	WT. KG
-	YST Tensioner w/Yellow Spring (Pair) (incl. 2 ea. item 5a, 6, 10, 11; 1 ea. items 7, 8, 9a)	YST-Y	79836	8.3
-	YST Tensioner w/Purple Spring (Pair) (incl. 2 ea. item 5b, 6, 10, 11; 1 ea. items 7, 8, 9a)	YST-P	79837	8.4
-	YST Tensioner w/Silver Spring (Pair) (incl. 2 ea. item 5c, 6, 10, 11; 1 ea. items 7, 8, 9b)	YST-S	79838	8.5
-	P Adjusting Bracket	PAB	75513	1.0
-	P Pole Clamp	PCB	75507	3.0
-	P Mounting Bracket Repair Kit (includes left or right mounting bracket)	PMBL (left)	75516	3.8
-		PMBR (right)	75519	3.8
-	P/R/I Mounting Kit (includes 2 each items PMB, PAB, PCB)	CCMK	78919	12.0

Lead time: 2 weeks

Blades Required per Cleaner Size

mm	450	600	750	900	1050	1200
in.	18	24	30	36	42	48
Blades Required	6	8	10	12	14	16

Spring Tensioner Selection Chart

Cleaner Blade Width	79838 YST-S	79836 YST-Y	79837 YST-P
Carbide 450 - 1200mm (18" - 48")	X		
Polyurethane 450 - 750mm (18" - 30")		X	
Polyurethane 900 - 1200mm (36" - 48")			X

Stock items (non-shaded) refer to (*) for specific lead time, if not specified, standard lead time applies.

Non-stock items (shaded) please contact Flexco for dispatch options and lead times.

U.S. Patent No. 9,586,765

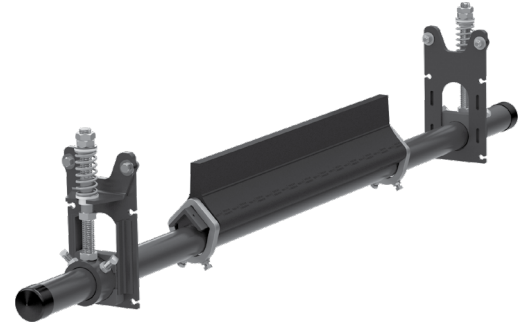
Product Ordering Information

Y-Type™ Heavy Duty Secondary Cleaner with HD Carbide or Urethane Blades

Y-Type™ HD with Purple Polyurethane Blades and YST Tension

BELT WIDTH	ORDERING NUMBER	ITEM CODE	WT. KGS.
900	YTHD-900S	83120	59.4
1050	YTHD-1050S	83121	63.5
1200	YTHD-1200S	83122	68.0
1350	YTHD-1350S	83123	71.7
1500	YTHD-1500S	83124	76.2
1800	YTHD-1800S	83126	84.4

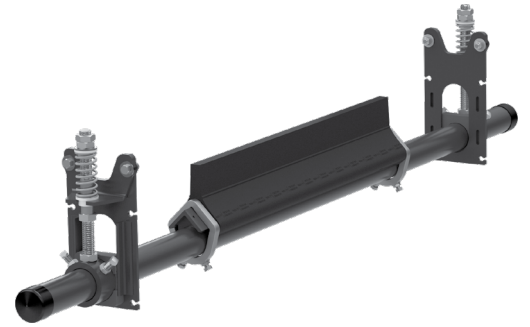
Lead time: 2 weeks



Y-Type™ HD with Red UHT Polyurethane Blades and YST Tension

BELT WIDTH mm	ORDERING NUMBER	ITEM CODE	WT. KG
900	YTHDR-36S	91816	59.4
1050	YTHDR-42S	91817	63.5
1200	YTHDR-48S	91818	68.0
1350	YTHDR-54S	91819	71.7
1500	YTHDR-60S	91820	76.2
1800	YTHDR-72S	91821	84.4

Lead time: 2 weeks



Y-Type™ HD with Carbide Blades and Bolt Tension

BELT WIDTH	ORDERING NUMBER	ITEM CODE	WT. KGS.
900	YTCHD-900	83099	59.0
1050	YTCHD-1050	83100	64.6
1200	YTCHD-1200	83101	68.9
1350	YTCHD-1350	83102	73.3
1500	YTCHD-1500	83103	77.6
1800	YTCHD-1800	83105	86.3

Lead time: 2 weeks



Y-Type™ HD with Carbide Blades and YST Tension

BELT WIDTH	ORDERING NUMBER	ITEM CODE	WT. KGS.
900	YTHD-TC-900S	83134	59.0
1050	YTHD-TC-1050S	83135	64.6
1200	YTHD-TC-1200S	83136	68.9
1350	YTHD-TC-1350S	83137	73.3
1500	YTHD-TC-1500S	83138	77.6
1800	YTHD-TC-1800S	83140	86.3

Lead time: 2 weeks



Product Notes:

- Works on reversing belts, vulcanized belts, and belts with mechanical fasteners.
- Visual Blade Tension Check: Measure the tension spring and refer to Spring Length Chart on mounting base for the correct length for best cleaning performance.
- Tensioner: Standard Duty YST Spring Tensioner for self-adjusting tensioning with easy retensioning adjustments. The tensioner can be mounted in pull-up or push-up position.
- Simple design makes changing the blades fast and easy. Blades can be removed and replaced individually, or all at once by replacing the cartridge.

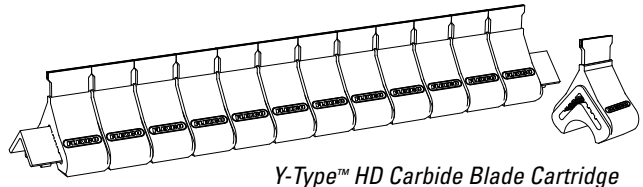
Product Ordering Information

Y-Type™ Heavy Duty Replacement Blades/Cartridges

Replacement Blades/Cartridges - Heavy-Duty Carbide

BELT WIDTH	ORDERING NUMBER	ITEM CODE	WT. KGS.
-	YT-HDC*	79728	0.8
900	YCART-36/900-HDTC	79829	17.5
1050	YCART-42/1050-HDTC	79830	20.2
1200	YCART-48/1200-HDTC	79831	23.0
1350	YCART-54/1350-HDTC	79832	25.8
1500	YCART-60/1500-HDTC	79833	28.6
1800	YCART-72/1800-HDTC	79834	34.2

*Single 75mm (3") blade segment
Lead time: 2 weeks

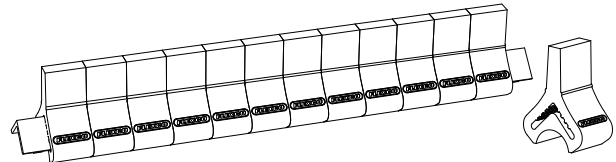


Y-Type™ HD Carbide Blade Cartridge

Replacement Blades/Cartridges - Heavy-Duty Purple Polyurethane

BELT WIDTH	ORDERING NUMBER	ITEM CODE	WT. KGS.
-	YT-HDP*	79677	0.8
900	YCART-36/900-HDP	79817	16.6
1050	YCART-42/1050-HDP	79818	19.2
1200	YCART-48/1200-HDP	79819	21.9
1350	YCART-54/1350-HDP	79820	24.5
1500	YCART-60/1500-HDP	79821	27.2
1800	YCART-72/1800-HDP	79822	32.5

*Single 75mm (3") blade segment
Lead time: 2 weeks

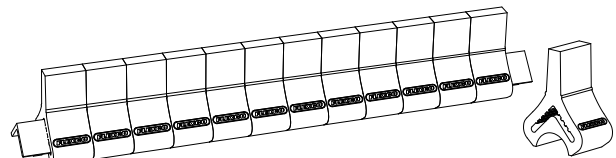


Y-Type™ HD Purple Polyurethane Blade Cartridge

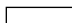
Replacement Blades/Cartridges HD Red UHT Polyurethane


BELT WIDTH	ORDERING NUMBER	ITEM CODE	WT. KGS.
mm			
-	YT-HDR*	91822	1.7
900	YCART-36/900-HDR	91823	36.5
1050	YCART-42/1050-HDR	91824	42.3
1200	YCART-48/1200-HDR	91825	48.1
1350	YCART-54/1350-HDR	91826	53.9
1500	YCART-60/1500-HDR	91827	59.8
1800	YCART-72/1800-HDR	91828	71.4

*Single 75mm (3") blade segment
Lead time: 2 weeks



Y-Type™ HD UHT Red Polyurethane Blade Cartridge

 **Stock items** (non-shaded) refer to (*) for specific lead time, if not specified, standard lead time applies.

 **Non-stock items** (shaded) please contact Flexco for dispatch options and lead times.

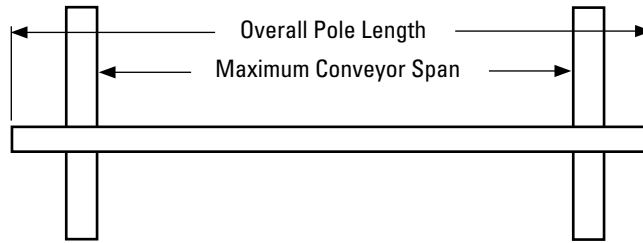
Specifications & Guidelines

Y-Type™ Heavy Duty Secondary Cleaner with HD Carbide or Urethane Blades

Pole Length Specifications

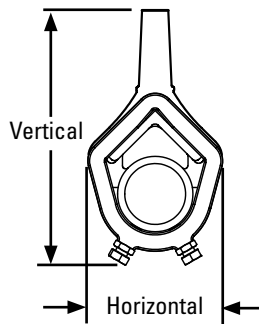
Cleaner Size		Pole Length		Maximum Conveyor Span	
mm	in.	mm	in.	mm	in.
900	36	2286	90	2083	82
1050	42	2438	96	2235	88
1200	48	2590	102	2388	94
1350	54	2743	108	2540	100
1500	60	2895	114	2692	106
1800	72	3200	126	2997	118

Pole Length - Belt +1350mm (54")
Pole Diameter - 73mm (2-7/8")



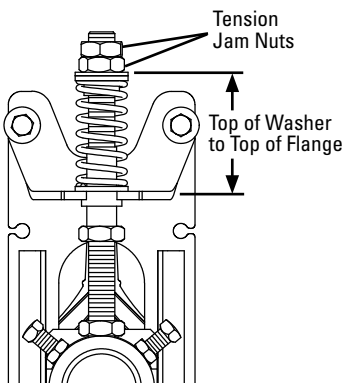
Clearance Guidelines for Installation

Cleaner Type	Belt Width/ Cleaner Size		Horizontal Clearance Required		Vertical Clearance Required	
	mm	in.	mm	in.	mm	in.
Y-Type® HD Polyurethane	900 - 1800	36 - 72	133	5-1/4	241	9-1/2
Y-Type HD Carbide	900 - 1800	36 - 72	133	5-1/4	248	9-3/4

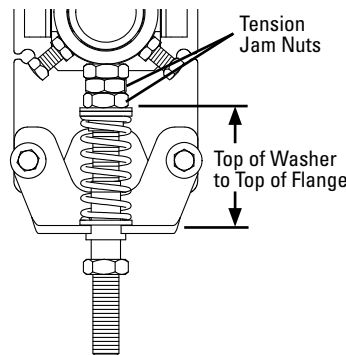


Y-Type Blade Specifications

Cushion	Durometer	Temperature Range
Purple (Standard)	86A	-35° to 82° C
Red (Ultra High-Temp)	90A	Up to 200° C Spikes to 232° C
Carbide	N/A	-35° to 82° C



Pull-Up Tensioner Configuration (HD)



Push-Up Tensioner Configuration (HD)

YST HD Tensioner Spring Length Chart

Blade Width		Carbide Tip				Polyurethane Tip			
		Silver Springs		Black Springs		Green Springs		Blue Springs	
mm	in.	mm	in.	mm	in.	mm	in.	mm	in.
900	36	98	3 7/8	102	4	76	3	86	3 3/8
1050	42	95	3 3/4	98	3 7/8	73	2 7/8	83	3 1/4
1200	48	92	3 5/8	95	3 3/4	67	2 5/8	79	3 1/8
1350	54	89	3 1/2	95	3 3/4	64	2 1/2	76	3
1500	60	86	3 3/8	92	3 5/8	NA	NA	73	2 7/8
1800	72	83	3 1/4	89	3 1/2	NA	NA	64	2 1/2

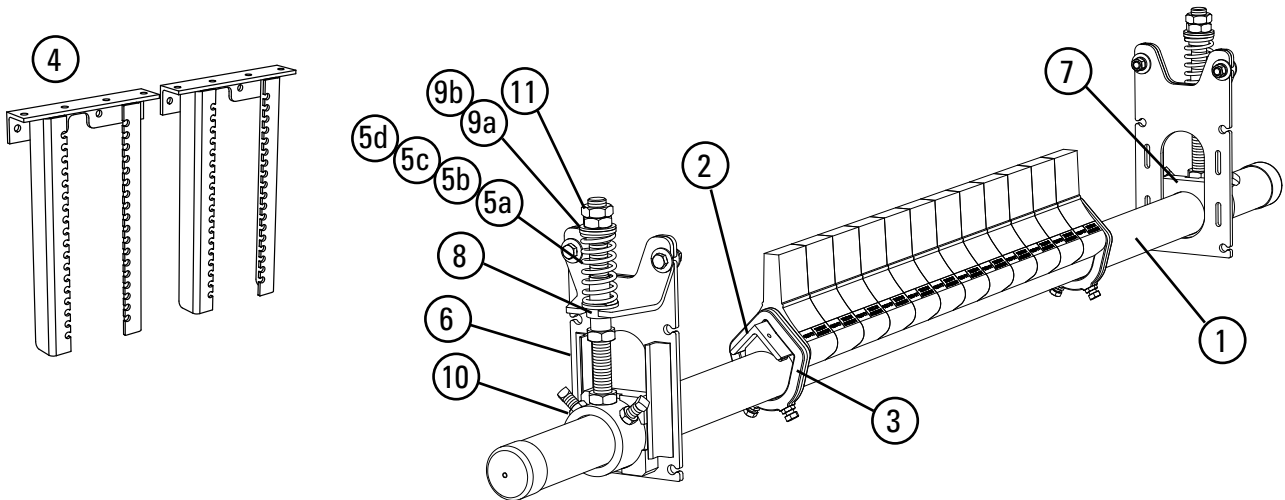
Shading indicates preferred spring option.

Specifications:

- Maximum Belt Speed..... 3.8 m/s (750 FPM)
- Usable Blade Wear Length..... 76mm (Polyurethane)
10mm (Carbide)
- Blade Materials **Purple:** Polyurethane (proprietary blend for abrasion resistance and long wear)
Red: Polyurethane (ultra high-temp)
Carbide: Tungsten Carbide
- Available for Belt Widths 900 to 1800mm. Other sizes available upon request.
- CEMA Cleaner Rating Class 3 (Heavy-duty with polyurethane or carbide blades)

Replacement Parts List

Y-Type™ Heavy Duty Secondary Cleaner with HD Carbide or Urethane Blades



Replacement Parts

REF	DESCRIPTION	ORDERING NUMBER	ITEM CODE	WT. KG
1	900mm (36") Y-Type™ HD Pole	YTPHD-36/900	83106	27.3
	1050mm (42") Y-Type HD Pole	YTPHD-42/1050	83107	28.8
	1200mm (48") Y-Type HD Pole	YTPHD-48/1200	83108	30.4
	1350mm (54") Y-Type HD Pole	YTPHD-54/1350	83109	31.9
	1500mm (60") Y-Type HD Pole	YTPHD-60/1500	83110	33.5
	1800mm (72") Y-Type HD Pole	YTPHD-72/1800	83112	35.0
2	900mm (36") Y-Type HD Cushion Angle	YTAHD-36/900	79805	7.5
	1050mm (42") Y-Type HD Cushion Angle	YTAHD-42/1050	79806	8.6
	1200mm (48") Y-Type HD Cushion Angle	YTAHD-48/1200	79807	9.7
	1350mm (54") Y-Type HD Cushion Angle	YTAHD-54/1350	79808	10.9
	1500mm (60") Y-Type HD Cushion Angle	YTAHD-60/1500	79809	12.0
	1800mm (72") Y-Type HD Cushion Angle	YTAHD-72/1800	79810	14.2
3	Y-Type HD Angle Clamp* (2 Clamps)	YTACHD	79835	2.2
4	YST HD Drop Bracket Kit (2 Brackets)	YSTDDBK	79850	14.6
5a	YST HD Spring, Green	YSTDHS-GR	79797	0.2
5b	SST Spring, Silver	STS-S	75843	0.4
5c	YST HD Spring, Blue (for Y-Type HD Carbide Cleaners)	YSTDHS-BL	79798	0.3
5d	SST Spring, Black (for Y-Type HD Carbide Cleaners)	STS-B	75844	0.5
6	YST HD Mounting Bracket	YSTDHMB	79849	3.0
7	YST HD Guide Block Kit (Pair)	YSTDHGBK	79851	0.5
8	YST HD Lower Bushing Kit (Pair)	YSTDHLBK	79852	0.05
9a	YST HD Top Bushing Kit White (Pair)	YSTDHBK-W	79853	0.05
9b	YST HD Top Bushing Kit Black (Pair)	YSTDHBK-B	79856	0.05
10	YST HD Pole Mount Kit*	YSTDHDMK	79854	3.5
11	YST Adjusting Rod Nut Kit	YSTANK	79858	0.1

*Hardware included

Replacement Parts

REF	DESCRIPTION	ORDERING NUMBER	ITEM CODE	WT. KG
-	YST Tensioner w/Silver Spring (Pair) (for belts 36" - 54" w/carbide tips) (incl. 2 ea. item 5b, 6, 10, 11; 1 ea. items 7, 8, 9a)	YSTHD-S	79840	15.2
-	YST Tensioner w/Black Spring (Pair) (for belts 60" - 72" w/carbide tips) (incl. 2 ea. item 5d, 6, 10, 11; 1 ea. items 7, 8, 9b)	YSTHD-BK	79842	15.5
-	YST Tensioner w/Green Spring (Pair) (for belts 36" - 48" w/Polyurethane tips) (incl. 2 ea. item 5a, 6, 10, 11; 1 ea. items 7, 8, 9a)	YSTHD-GR	79839	14.9
-	YST Tensioner w/Blue Spring (Pair) (for belts 54" - 72" w/Polyurethane tips) (incl. 2 ea. item 5c, 6, 10, 11; 1 ea. items 7, 8, 9b)	YSTHD-BL	79841	15.0
-	P Adjusting Bracket	PAB	75513	1.0
-	P Pole Clamp	PHDCB	75510	4.0
-	P Mounting Bracket Repair Kit (includes left or right mounting bracket)	PMBL (left) PMBR (right)	75516 75519	3.8 3.8
-	P/R/I Mounting Kit (includes 2 each items PMB, PAB, PHDCB)	CCMKHD	78920	16.7

Blades Required per Cleaner Size

mm	900	1050	1200	1350	1500	1800
in.	36	42	48	54	60	72
Blades Required	12	14	16	18	20	24

Spring Tensioner Selection Chart

Cleaner Blade Width	Silver YSTDH-S	Black YSTDH-BK	Green YSTDH-GR	Blue YSTDH-BL
Carbide 900 - 1350mm (36" - 54")	X			
Carbide 1500 - 1800mm (60" - 72")		X		
Polyurethane 900 - 1200mm (36" - 48")			X	
Polyurethane 1350 - 1800mm (54" - 72")				X

U.S. Patent No. 9,586,765

Stock items (non-shaded) refer to (*) for specific lead time, if not specified, standard lead time applies.

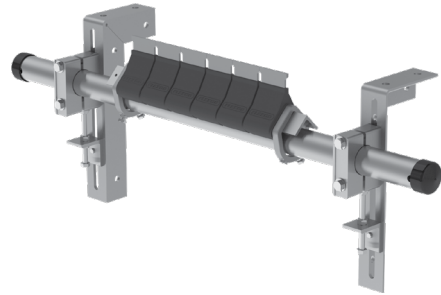
Non-stock items (shaded) please contact Flexco for dispatch options and lead times.

Product Ordering Information

Stainless Steel Y-Type™ Secondary Cleaners

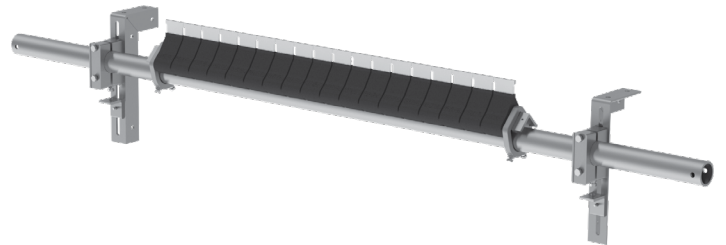
Stainless Steel Y-Type™ SD with Carbide Blades and Bolt Tensioner

BELT WIDTH	ORDERING NUMBER	ITEM CODE
600	YTC600-BT-S/S SECONDARY	67285
750	YTC750-BT-S/S SECONDARY	67286
900	YTC900-BT-S/S SECONDARY	67287
1050	YTC1050-BT-S/S SECONDARY	67288
1200	YTC1200-BT-S/S SECONDARY	67289



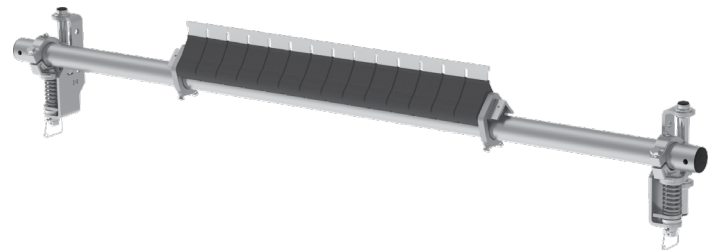
Stainless Steel Y-Type™ HD with Carbide Blades and Bolt Tensioner

BELT WIDTH	ORDERING NUMBER	ITEM CODE
900	YTCHD900-BT-S/S SECONDARY	67290
1050	YTCHD1050-BT-S/S SECONDARY	67291
1200	YTCHD1200-BT-S/S SECONDARY	67292
1350	YTCHD1350-BT-S/S SECONDARY	67293
1500	YTCHD1500-BT-S/S SECONDARY	67294
1800	YTCHD1800-BT-S/S SECONDARY	67295



Stainless Steel Y-Type™ HD with Carbide Blades and MST Tensioner

BELT WIDTH	ORDERING NUMBER	ITEM CODE
900	YTCHD900-MST-S/S SECONDARY	67308
1050	YTCHD1050-MST-S/S SECONDARY	67309
1200	YTCHD1200-MST-S/S SECONDARY	67310
1350	YTCHD1350-MST-S/S SECONDARY	67311
1500	YTCHD1500-MST-S/S SECONDARY	67312
1800	YTCHD1800-MST-S/S SECONDARY	67313



Stainless Steel Y-Type™ HD with Polyurethane Blades and MST Tensioner

BELT WIDTH	ORDERING NUMBER	ITEM CODE
900	YTFHD900-MST-S/S SECONDARY	67314
1050	YTFHD1050-MST-S/S SECONDARY	67315
1200	YTFHD1200-MST-S/S SECONDARY	67316
1350	YTFHD1350-MST-S/S SECONDARY	67317
1500	YTFHD1500-MST-S/S SECONDARY	67318
1800	YTFHD1800-MST-S/S SECONDARY	67319



Replacement Parts List

Stainless Steel Y-Type™ Secondary Cleaners

Replacement Poles

BELT WIDTH	ORDERING NUMBER	ITEM CODE
mm		
600	YPHD600-S/S POLE	67322
750	YPHD750-S/S POLE	67323
900	YPHD900-S/S POLE	64198
1050	YPHD1050-S/S POLE	64199
1200	YPHD1200-S/S POLE	64200
1350	YPHD1350-S/S POLE	64201
1500	YPHD1500-S/S POLE	64202
1800	YPHD1800-S/S POLE	64204

Other

ORDERING NUMBER	ITEM CODE
MSTHD-S-S/S	90182
MSTHD-B-S/S	90183
MSTHD-G-S/S	90184

Replacement Blades/Cartridges - Standard-Duty Carbide

BELT WIDTH	ORDERING NUMBER	ITEM CODE
mm		
600	YCART-S/S-24/600-SDTC	66749
750	YCART-S/S-30/750-SDTC	67750
900	YCART-S/S-36/900-SDTC	67751
1050	YCART-S/S-42/1050-SDTC	67752
1200	YCART-S/S-48/1200-SDTC	67753

Angle List - SD

BELT WIDTH	ITEM CODE
600	67324
750	67325
900	91090
1050	91091
1200	91092

Angle List - HD

BELT WIDTH	ITEM CODE
900	64205
1050	64206
1200	64207
1350	64208
1500	64209
1800	64211

Replacement Blades/Cartridges - Heavy-Duty Carbide

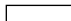
BELT WIDTH	ORDERING NUMBER	ITEM CODE
mm		
900	YCART-S/S-36/900-HDTC	67411
1050	YCART-S/S-42/1050-HDTC	67412
1200	YCART-S/S-48/1200-HDTC	67413
1350	YCART-S/S-54/1350-HDTC	67414
1500	YCART-S/S-60/1500-HDTC	67415
1800	YCART-S/S-72/1800-HDTC	67416


Angle Clamp Cost

	ITEM CODE
SD	GR298
HD	B0536

Replacement Blades/Cartridges - Heavy-Duty Purple Polyurethane

BELT WIDTH	ORDERING NUMBER	ITEM CODE
mm		
900	YCART-S/S-36/900-HDP	67417
1050	YCART-S/S-42/1050-HDP	67418
1200	YCART-S/S-48/1200-HDP	67419
1350	YCART-S/S-54/1350-HDP	67420
1500	YCART-S/S-60/1500-HDP	67421
1800	YCART-S/S-72/1800-HDP	67422

 Stock items (non-shaded) refer to (*) for specific lead time, if not specified, standard lead time applies.

 Non-stock items (shaded) please contact Flexco for dispatch options and lead times.

Product Ordering Information

P-Type®
Secondary Cleaner

P-Type® Secondary with V-Tips* Powder Coated

BELT WIDTH mm	ORDERING NUMBER	ITEM CODE	WT. KG
450	PV450	73435	36.0
600	PV600	73004	37.0
750	PV750	73006	38.0
900	PV900	73008	41.0
1050	PV1050	73010	47.0
1200	PV1200	73012	51.0
1400	PV1400	73436	55.0
1500	PV1500	73437	58.0
1800	PVHD1800	74598	92.0
2000	PVHD2000	75452	96.0
2100	PVHD2100	74553	100.0
2400	PVHD2400	74555	110.0

*NOTE: V-Tips can be used ONLY on vulcanised belts.
P-Type cleaners come standard with bolt tensioners.
Shaded items are made to order-contact Flexco customer service.



P-Type® Secondary with V-Tips* Stainless Steel

BELT WIDTH mm	ORDERING NUMBER	ITEM CODE	WT. KG
450	PV450-S/S	75323	37.0
600	PV600-S/S	75324	38.0
750	PV750-S/S	75325	39.0
900	PV900-S/S	75326	42.0
1050	PV1050-S/S	75327	48.0
1200	PV1200-S/S	75328	52.0
1400	PV1400-S/S	75329	56.0
1500	PV1500-S/S	75330	60.0
1800	PVHD1800-S/S	A1603	95.0
2000	PVHD2000-S/S	A2046	99.0
2100	PVHD2100-S/S	A1604	103.0
2400	PVHD2400-S/S	A1605	114.0

*NOTE: V-Tips can be used ONLY on vulcanised belts.
P-Type cleaners come standard with bolt tensioners.
Shaded items are made to order-contact Flexco customer service.

Tips Required Per Cleaner Size

BELT WIDTH mm	BLADE COVERAGE mm	V-TIPS REQUIRED
450	450	3
600	600	4
750	750	5
900	900	6
1050	1050	7
1200	1200	8
1400	1350	9
1500	1500	10
1800	1800	12
2000	1950	13
2100	2100	14
2400	2400	16

Product Notes:

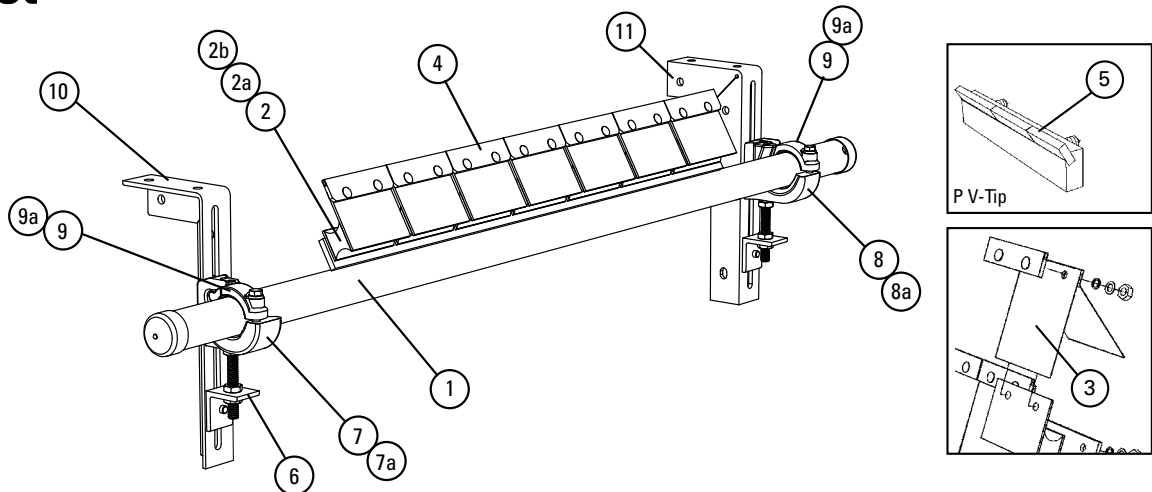
- C-Tip: specially formulated tungsten carbide blades to work with mechanical fasteners.
- V-Tip: for use on vulcanised belts only.
- Compact design: fits in small transfer areas and tight chutes.

Stock items (non-shaded) refer to (*) for specific lead time, if not specified, standard lead time applies.

Non-stock items (shaded) please contact Flexco for dispatch options and lead times.

Replacement Parts List

P-Type®
Secondary Cleaner



Replacement Parts

REF	DESCRIPTION	BELT WIDTH	POLE LENGTH (MM)	POWDER COATED			STAINLESS STEEL		
				ORDERING NUMBER	ITEM CODE	WT. KG	ORDERING NUMBER	ITEM CODE	WT. KG
1	P-Type® Pole 60 mm Pole Diameter	450	1250	PP450	73003	10.0	PP450-S/S	75382	10.0
		600	1350	PP600	73005	11.0	PP600-S/S	75383	11.0
		750	1500	PP750	73007	13.0	PP750-S/S	75384	13.0
		900	1650	PP900	73009	15.0	PP900-S/S	75385	15.0
		1050	1800	PP1050	73011	20.0	PP1050-S/S	75386	21.0
	P-Type Pole 73 mm Pole Diameter	1200	1950	PP1200	73013	20.0	PP1200-S/S	75387	23.0
		1400	2200	PP1400	73015	24.0	PP1400-S/S	75388	25.0
		1500	2350	PP1500	73016	25.0	PP1500-S/S	75389	26.0
		1800	2650	PPHD1800	74597	27.0	PPHD1800-S/S	A1781	28.0
		2000	2850	PPHD2000	74556	31.0	PPHD2000-S/S	A2120	29.0
	2100	2950	PPHD2100	A2803	38.0	PPHD2100-S/S	A1613	39.0	
	2400	3250	PPHD2400	74557	44.0	PPHD2400-S/S	A1775	45.0	
2	P Cushion			PHA	73626	1.0	PHSC-S/S	73433	1.0
2a	P-Type Powerflex Cushion						PFC-P-S/S	79289	1.9
2b	HD P-Type Cushion			70A	61003	1.7	HDPHSC-S/S	61001	1.9
3	P Polysield			PPS6	73024	1.0	PSSS	74773	1.0
-	PU150 P-Type Poly Tip FRAS			FRPU150	61742	1.0			
4	C-Tip (for mechanically spliced and vulcanised belts)			CT6	74535	0.4			
5	P V-Tip* (for vulcanised belts only)			PSA150	73156	0.4	PVT6-S/S	75420	0.4
5a	Extra Life P V-Tip - 15mm			PSA150_EL15	62094	0.6			
5b	Extra Life P V-Tip - 20mm			PSA150_XL20	67776	0.8			
5c	Extra Life Q V-Tip - 15mm			Q150-EL15	68240	0.7			
5d	Extra Life Q V-Tip - 20mm			Q150-20MM	68241	0.8			
6	Adjusting Bracket Kit* (1ea.)			PAB	75513	0.7	PAB-S/S	75515	0.7
7	Pole Clamp Kit Left* (1ea.) (incl. item 9) (for sizes 450-1200mm)			CCKL	79224	3.1	CCKL-S/S	79226	3.1
8	Pole Clamp Kit Right* (1ea.) (incl. item 9) (for sizes 450-1200mm)			CCKR	79228	3.1	CCKR-S/S	79230	3.1
9	Cradle Clamp Top Strap (1ea.) (for use on L or R Pole Clamp Kit)			CCKTS	79232	0.5	CCKTS-S/S	79234	0.5
10	Mounting Bracket Kit Left			PMBL (left)	75516	3.8	PMBL-S/S (left)	75518	3.8
11	Mounting Bracket Kit Right			PMBL (right)	75519	3.8	PMBL-S/S (right)	75521	3.8
-	Cradle Clamp Mounting Kit* (for sizes 450-1200mm) (incl. 2 ea. item 6, and 1 ea. Items 7, 8, 10 & 11)			CCMK	78919	15.0	CCMK-S/S	78921	15.0
HEAVY-DUTY COMPONENTS									
7a	HD Pole Clamp Kit Left* (1ea.) (incl. item 9a) (for sizes 1400-2400mm)			CCKHDL	79225	4.0	CCKHDL-S/S	79227	4.0
8a	HD Pole Clamp Kit Right* (1ea.) (incl. item 9a) (for sizes 1400-2400mm)			CCKHDR	79229	4.0	CCKHDR-S/S	79231	4.0
9a	HD Cradle Clamp Top Strap (1ea.) (for use on L or R HD Pole Clamp Kit)			CCKHDTs	79233	0.8	CCKHDTs-S/S	73235	0.8
-	HD Cradle Clamp Mounting Kit* (for sizes 1400-2400mm) (incl. 2 ea. item 6, and 1 ea. Items 7, 8, 10 & 11)			CCMKHD	78920	16.7	CCMKHD-S/S	78922	16.7

*Hardware included

Product Ordering Information

R-Type® Reversing Secondary Cleaner

R-Type® Reversing with V-Tips*

BELT WIDTH mm	ORDERING NUMBER	ITEM CODE	WT. KG
450	RV450	74633	36.0
600	RV600	74634	37.0
750	RV750	74635	38.0
900	RV900	74636	41.0
1050	RV1050	74637	47.0
1200	RV1200	74638	51.0
1400	RV1400	74639	55.0
1500	RV1500	74640	28.0
1800	RVHD1800	74642	92.0
2000	RVHD2000	75463	94.0
2100	RVHD2100	74643	100.0
2400	RVHD2400	74644	110.0

*NOTE: V-Tips can be used ONLY on vulcanised belts. Shaded items are made to order-contact Flexco customer service.



Stainless Steel R-Type® Reversing with V-Tips*

BELT WIDTH mm	ORDERING NUMBER	ITEM CODE	WT. KG
450	RV450-S/S	75341	37.0
600	RV600-S/S	75342	38.0
750	RV750-S/S	75343	39.0
900	RV900-S/S	75344	42.0
1050	RV1050-S/S	75345	48.0
1200	RV1200-S/S	75346	57.0
1400	RV1400-S/S	75347	56.0
1500	RV1500-S/S	75348	60.0
1800	RVHD1800-S/S	A1626	95.0
2100	RVHD2100-S/S	A1628	103.0
2400	RVHD2400-S/S	A1610	114.0

*NOTE: V-Tips can be used ONLY on vulcanised belts. Shaded items are made to order-contact Flexco customer service.

Tips Required Per Cleaner Size

BELT WIDTH mm	BLADE COVERAGE mm	C-TIPS OR V-TIPS REQUIRED
450	450	3
600	600	4
750	750	5
900	900	6
1050	1050	7
1200	1200	8
1500	1500	10
1800	1800	12
2000	1950	13
2100	2000	14
2400	2400	16

Product Notes:

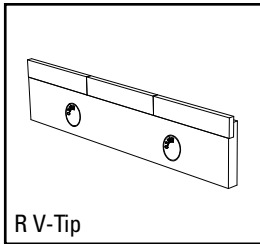
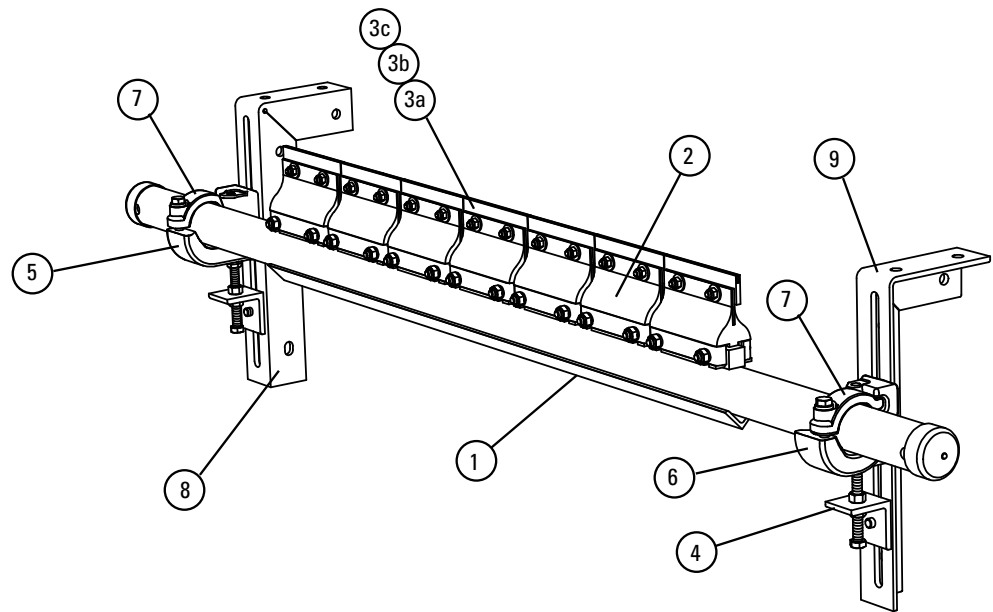
- Two-way cushions allow cleaning in both directions.
- Tungsten carbide tips for long wear and superior cleaning.

Stock items (non-shaded) refer to (*) for specific lead time, if not specified, standard lead time applies.

Non-stock items (shaded) please contact Flexco for dispatch options and lead times.

Replacement Parts List

R-Type®
Reversing Secondary Cleaner



Replacement Parts

REF	DESCRIPTION	BELT WIDTH	POLE LENGTH (MM)	POWDER COATED			STAINLESS STEEL		
				ORDERING NUMBER	ITEM CODE	WT. KG	ORDERING NUMBER	ITEM CODE	WT. KG
1	R-Type® Pole 60 mm Pole Diameter	450	1250	RP450	74604	10.0	RP450-S/S	75400	10.0
		600	1350	RP600	74605	11.0	RP600-S/S	75401	11.0
		750	1500	RP750	74606	13.0	RP750-S/S	75402	13.0
		900	1650	RP900	74607	15.0	RP900-S/S	75403	15.0
		1050	1800	RP1050	74608	20.0	RP1050-S/S	75404	21.0
		1200	1950	RP1200	74609	22.0	RP1200-S/S	75405	23.0
	R-Type Pole 73 mm Pole Diameter	1400	2200	RP1400	74610	24.0	RP1400-S/S	75406	25.0
		1500	2350	RP1500	74611	25.0	RP1500-S/S	75407	26.0
		1800	2650	RPHD1800	74613	27.0	RPHD1800-S/S	A1575	28.0
		2000	2850	RPHD2000	74614	31.0	RPHD2000-S/S	61270	29.0
		2100	2950	RPHD2100	A2527	38.0	RPHD2100-S/S	A1629	39.0
		2400	3250	RPHD2400	74615	44.0	RPHD2400-S/S	61271	45.0
2	R Cushion			RSA	76249	1.0	RC-S/S	76250	1.0
3a	R - V-Tip (for vulcanised belts only)			RSA150	73628	0.4	RVT6-S/S	76205	0.4
3b	Extra Life R - V-Tip (15mm) (for vulcanised belts only)			RSA150_EL15	61141	0.6			
3c	Extra Life R - V-Tip (20mm) (for vulcanised belts only)			RSA150-XL20	67777	0.7			
-	C-Tip (for mechanically spliced and vulcanised belts)			CT6	74535	0.4			
4	Adjusting Bracket Kit* (1ea.)			PAB	75513	0.7	PAB-S/S	75515	0.7
5	Pole Clamp Kit Left* (1ea.) (incl. item 7) (for sizes 450-1200mm)			CCKL	79224	3.1	CCKL-S/S	79226	3.1
6	Pole Clamp Kit Right* (1ea.) (incl. item 7) (for sizes 450-1200mm)			CCKR	79228	3.1	CCKR-S/S	79230	3.1
7	Cradle Clamp Top Strap (1ea.) (for use on L or R Pole Clamp Kit)			CCKTS	79232	0.5	CCKTS-S/S	79234	0.5
9	Mounting Bracket Kit Left			PMBL (left)	75516	3.8	PMBL-S/S (left)	75518	3.8
9	Mounting Bracket Kit Right			PMBL (right)	75519	3.8	PMBL-S/S (right)	75521	3.8
-	Cradle Clamp Mounting Kit* (for sizes 450-1200mm) (incl. 2 ea. item 6, and 1 ea. Items 7, 8, 10 & 11)			CCMK	78919	15.0	CCMK-S/S	78921	15.0
Heavy-Duty Components									
-	HD Pole Clamp Kit Left* (1ea.) (incl. item 9a) (for sizes 1200-2400mm)			CCKHDL	79225	4.0	CCKHDL-S/S	79227	4.0
-	HD Pole Clamp Kit Right* (1ea.) (incl. item 9a) (for sizes 1200-2400mm)			CCKHDR	79229	4.0	CCKHDR-S/S	79231	4.0
-	HD Cradle Clamp Top Strap (1ea.) (for use on L or R HD Pole Clamp Kit)			CCKHDTS	79233	0.8	CCKHDTS-S/S	73235	0.8
-	HD Cradle Clamp Mounting Kit* (for sizes 1200-2400mm) (incl. 2 ea. item 6, and 1 ea. items 7, 8, 10 & 11)			CCMKHD	78920	16.7	CCMKHD-S/S	78922	16.7

*Hardware included
For additional sizes contact Flexco

Stock items (non-shaded) refer to (*) for specific lead time, if not specified, standard lead time applies.

Non-stock items (shaded) please contact Flexco for dispatch options and lead times.

Product Ordering Information

FMS Heavy-Duty Secondary Cleaner (MST Tensioners)



FFMS Secondary with V-Tips (MST)

BELT WIDTH		ORDERING NUMBER	ITEM CODE	WT. KG
mm	in.			
600	24	FMS-600V	79647	44.4
750	30	FMS-750V	79648	49.3
900	36	FMS-900V	79649	54.3
1050	42	FMS-1050V	79650	59.2
1200	48	FMS-1200V	79651	64.1
1350	54	FMS-1350V	79652	69.0
1500	60	FMS-1500V	79653	73.9
1800	72	FMS-1800V	79654	83.6

FMS Secondary with V-Tips (MST) Stainless Steel

BELT WIDTH		ORDERING NUMBER	ITEM CODE	WT. KG
mm	in.			
600	24	FMS-600V-S/S	66106	44.9
750	30	FMS-750V-S/S	66107	49.8
900	36	FMS-900V-S/S	66108	54.8
1050	42	FMS-1050V-S/S	66109	59.7
1200	48	FMS-1200V-S/S	66110	64.6
1350	54	FMS-1350V-S/S	66111	69.5
1500	60	FMS-1500V-S/S	66112	74.4
1800	72	FMS-1800V-S/S	66113	84.1

For 2100mm and 2400mm options, please contact Flexco for pricing and availability
Lead time 3 weeks

FMS Secondary with EL V-Tips (MST)

BELT WIDTH		ORDERING NUMBER	ITEM CODE	WT. KG
mm	in.			
600	24	FMS-600-EL15	65660	44.4
750	30	FMS-750-EL15	65661	49.3
900	36	FMS-900-EL15	65662	54.3
1050	42	FMS-1050-EL15	65663	59.2
1200	48	FMS-1200-EL15	65664	64.1
1350	54	FMS-1350-EL15	65665	69.0
1500	60	FMS-1500-EL15	65666	73.9
1800	72	FMS-1800-EL15	65667	83.6

FMS Secondary with EL V-Tips (MST) Stainless Steel

BELT WIDTH		ORDERING NUMBER	ITEM CODE	WT. KG
mm	in.			
600	24	FMS-600-EL15-S/S	65670	44.9
750	30	FMS-750-EL15-S/S	65671	49.8
900	36	FMS-900-EL15-S/S	65672	54.8
1050	42	FMS-1050-EL15-S/S	65673	59.7
1200	48	FMS-1200-EL15-S/S	65674	64.6
1350	54	FMS-1350-EL15-S/S	65675	69.5
1500	60	FMS-1500-EL15-S/S	65676	74.4
1800	72	FMS-1800-EL15-S/S	65677	84.1

For 2100mm and 2400mm options, please contact Flexco for pricing and availability
Lead time 3 weeks

Replacement Tips

ORDERING NUMBER	ITEM CODE	WT. KG
CT6	74535	0.4
RSA150	73628	0.4
RVT6-S/S	76205	0.4
RSA150-EL	61141	0.4

Tips Required Per Cleaner Size

mm	450	600	750	900	1050	1200	1350	1500	1800
in.	18	24	30	36	42	48	54	60	72
C-Tips or V-Tips Required	3	4	5	6	7	8	9	10	12

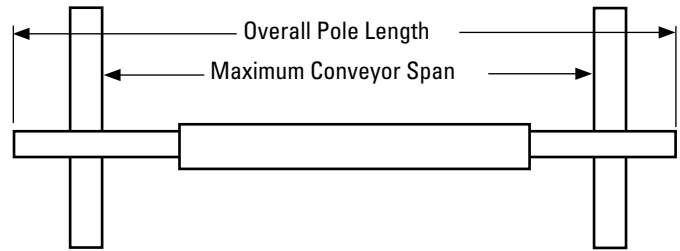
Stock items (non-shaded) refer to (*) for specific lead time, if not specified, standard lead time applies.

Non-stock items (shaded) please contact Flexco for dispatch options and lead times.

Specifications & Guidelines

Pole Length Specifications*

CLEANER SIZE		BLADE WIDTH		POLE LENGTH		MAXIMUM CONVEYOR SPAN	
mm	in.	mm	in.	mm	in.	mm	in.
600	24	600	24	1350	54	1100	44
750	30	750	30	1500	60	1250	50
900	36	900	36	1650	66	1400	56
1050	42	1050	42	1800	72	1550	62
1200	48	1200	48	1950	78	1700	68
1350	54	1350	54	2100	84	1850	74
1500	60	1500	60	2350	96	2100	86
1800	72	1800	72	2650	108	2400	98

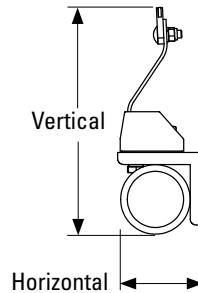


*For special extra long pole length requirements a Pole Extender Kit (#76024) is available that provides 750mm (30") of extended pole length. (page 131).

Pole Diameter - 73mm (2-7/8")

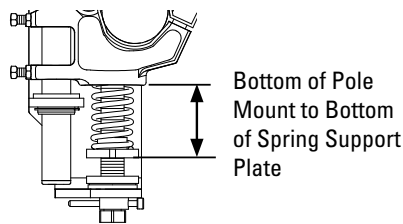
Clearance Guidelines for Installation

HORIZONTAL CLEARANCE REQUIRED		VERTICAL CLEARANCE REQUIRED	
mm	in.	mm	in.
89	3-1/2	245	10



MST Tensioner Spring Length Chart

Blade Width		2 White Springs		2 Silver Springs		2 Black Springs	
mm	in.	mm	in.	mm	in.	mm	in.
600	24	67	2 5/8	86	3 3/8	89	3 1/2
750	30	60	2 3/8	83	3 1/4	86	3 3/8
900	36	54	2 1/8	79	3 1/8	83	3 1/4
1050	42	N/A	N/A	76	3	79	3 1/8
1200	48	N/A	N/A	73	2 7/8	79	3 1/8
1350	54	N/A	N/A	70	2 3/4	76	3
1500	60	N/A	N/A	70	2 3/4	73	2 7/8
1800	72	N/A	N/A	N/A	N/A	70	2 3/4



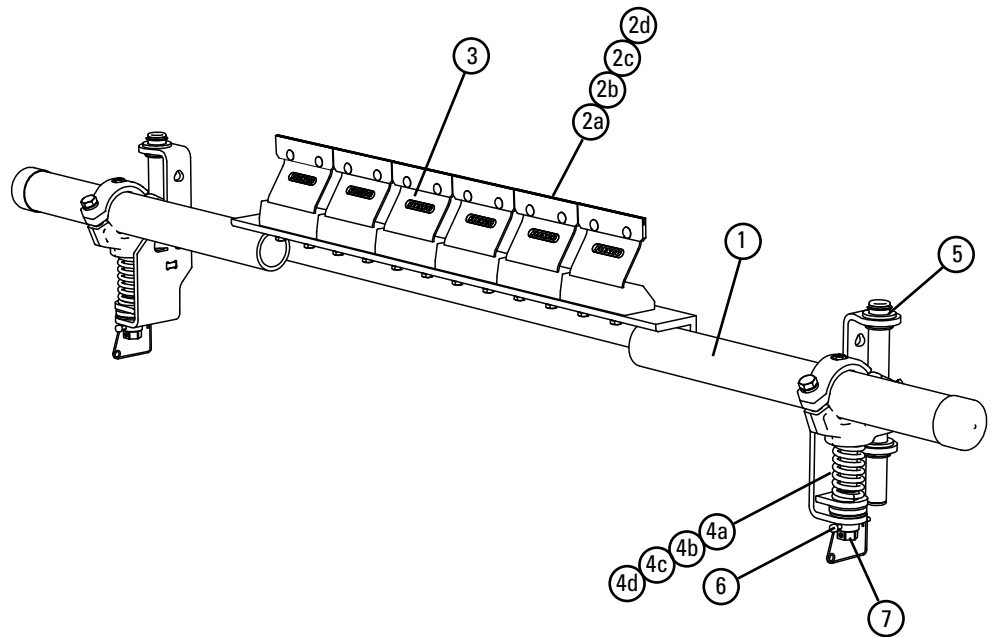
Shading indicates preferred spring option. Measure spring as shown.

Specifications

- Maximum Belt Speed 5 m/s (1000 FPM)
- Temperature Rating -35°C to 82°C (-30°F to 180°F)
- Usable Blade Wear Length..... 9mm (3/8")
- Blade Materials C-Tip: Impact Resistant Tungsten Carbide (works with mechanical fasteners)
..... V-Tip: Long Life Tungsten Carbide (for vulcanized belts only)
- Available for Belt Widths 600 to 2400mm (24" to 96"). Other sizes available upon request
- CEMA Cleaner Rating Class 4

Replacement Parts List

FMS Heavy-Duty Secondary Cleaner



Replacement Parts

REF	DESCRIPTION		ORDERING NUMBER	ITEM CODE	WT. KG	ORDERING NUMBER	ITEM CODE	WT. KG
	Belt Width	Pole Length						
1	600	1350	MHS-P600*	77499	21.0	MHS-P600S/S*	77508	21.5
	750	1500	MHS-P750*	77500	23.5	MHS-P750S/S*	77509	24.0
	900	1650	MHS-P900*	77501	26.0	MHS-P900S/S*	77510	26.5
	1050	1800	MHS-P1050*	77502	28.5	MHS-P1050S/S*	77511	29.0
	1200	1950	MHS-P1200*	77527	31.0	MHS-P1200S/S*	77528	31.8
	1350	2100	MHS-P1350*	77503	33.5	MHS-P1350S/S*	77512	34.3
	1500	2350	MHS-P1500*	77504	36.0	MHS-P1500S/S*	77513	36.8
	1800	2650	MHS-P1800*	77505	38.5	MHS-P1800S/S*	77514	39.3
2a	R - V-Tip (for vulcanised belts only)		RSA150	73628	0.4	RVT6-S/S	76205	0.4
2b	Extra Life R - V-Tip (15mm) (for vulcanised belts only)		RSA150-EL	61141	0.4			
2c	Extra Life R - V-Tip (20mm) (for vulcanised belts only)		RSA150-XL20	67777	0.7			
2d	C-Tip (for mechanically spliced and vulcanised belts)		CT6	74535	0.4			
3	FMS Cushion Kit		FMSC2	91444	1.9	FMSC2	91444	1.9
4a	Tension Spring - White (1 ea.) for belts 450-750mm		STS-W	75846	0.2	STS-W-S/S	77630	0.2
4b	Tension Spring - Silver (1 ea.) for belts 900-1350mm		STS-S	75843	0.4	STS-S-S/S	77631	0.4
4c	Tension Spring - Black (1 ea.) for belts 1500-1800mm		STS-B	75844	0.5	STS-B-S/S	77632	0.5
4d	Tension Spring - Gold (1 ea.) for belts over 2100mm		STS-G	78142	0.5	STS-G-S/S	79057	0.5
5	MST Bushing Kit (incl. 4 bushings)		MSTBBK	63067	0.1	MSTBBK	63067	0.1
6	MST Lock Pin		MSTLP	64930	0.1	MSTLP	64930	0.1
7	MST Adjusting Mechanism		MSTAM	79435	0.5	MSTAM-S/S	64931	0.5
-	MST HD Tensioner w/White Spring		MSTHD-W	79431	16.7	MSTHD-W-S/S	90181	16.7
-	MST HD Tensioner w/Silver Spring		MSTHD-S	79432	17.0	MSTHD-S-S/S	90182	17.0
-	MST HD Tensioner w/Black Spring		MSTHD-B	79433	17.3	MSTHD-B-S/S	90183	17.3
-	MST HD Tensioner w/Gold Spring		MSTHD-G	63020	17.3	MSTHD-G-S/S	90184	17.3

For 2100mm and 2400mm options, please contact Flexco for pricing and availability
 *Lead time 3 weeks

Stock items (non-shaded) refer to (*) for specific lead time, if not specified, standard lead time applies.
 Non-stock items (shaded) please contact Flexco for dispatch options and lead times.

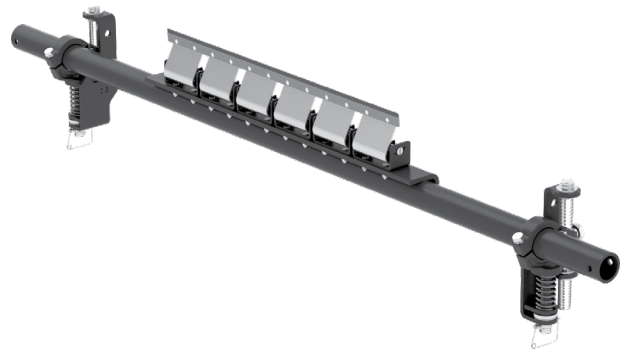
Product Ordering Information

MHS - MST Heavy Duty Secondary Cleaner

MHS HD with MST Tensioner - Mild Steel

BELT WIDTH	ORDERING NUMBER	ITEM CODE	TIP WIDTH	POLE LENGTH	WT. KG
mm			mm	mm	
600	MHS-600-MST	64020	600	1350	44.4
750	MHS-750-MST	64021	750	1500	49.3
900	MHS-900-MST	64022	900	1650	54.3
1050	MHS-1050-MST	64023	1050	1800	59.2
1200	MHS-1200-MST	64024	1200	1950	64.1
1350	MHS-1350-MST	64025	1350	2100	69
1500	MHS-1500-MST	64026	1500	2350	73.9
1800	MHS-1800-MST	64027	1800	2650	83.6
2100	MHS-2100-MST	64028	2100	3200	95.7
2400	MHS-2400-MST	64029	2400	3250	103.2

Lead time 3 weeks



MHS HD with MST Tensioner - Stainless Steel

BELT WIDTH	ORDERING NUMBER	ITEM CODE	TIP WIDTH	POLE LENGTH	WT. KG
mm			mm	mm	
600	MHS-600-MST-S/S	64030	600	1350	44.9
750	MHS-750-MST-S/S	64031	750	1500	49.8
900	MHS-900-MST-S/S	64032	900	1650	54.8
1050	MHS-1050-MST-S/S	64033	1050	1800	59.7
1200	MHS-1200-MST-S/S	64034	1200	1950	64.6
1350	MHS-1350-MST-S/S	64035	1350	2100	69.5
1500	MHS-1500-MST-S/S	64036	1500	2350	74.4
1800	MHS-1800-MST-S/S	64037	1800	2650	84.1
2100	MHS-2100-MST-S/S	64038	2100	3200	96.2
2400	MHS-2400-MST-S/S	64039	2400	3250	103.7

Lead time 3 weeks

Product Notes:

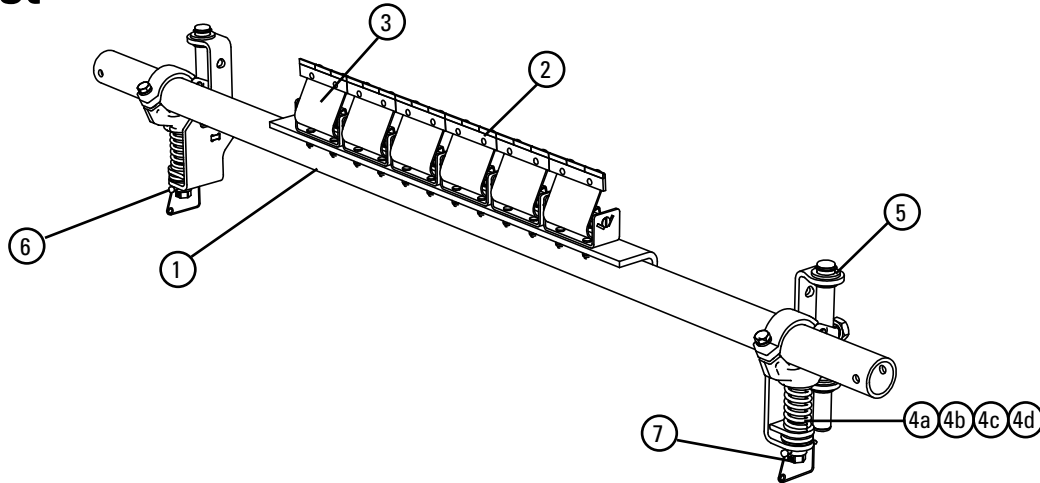
- Heavy-duty design to deliver maximum cleaning efficiency on the most demanding, abusive beltlines.
- Pole Length: Belt width plus 1350mm (54"). For longer requirements, see accessories - Pole Extender Kit (page 124).
- Patented PowerFlex™ cushion design to maintain continuous blade-to-belt contact and quick relief from passing mechanical splices.
- V-Tips are for vulcanized belts only.
- Visual Blade Tension Check: Measure the tension spring and refer to Spring Length Chart on mounting base for the correct length for best cleaning performance.
- Tensioner: MST Spring Tensioner for self-adjusting tensioning with easy retensioning adjustments.
- To make cleaner installation easier and quicker, see Optional Mounting Kits (page 124).

Stock items (non-shaded) refer to (*) for specific lead time, if not specified, standard lead time applies.

Non-stock items (shaded) please contact Flexco for dispatch options and lead times.

Replacement Parts List

MHS - MST Heavy Duty Secondary Cleaner



Replacement Parts

REF	DESCRIPTION		MILD STEEL			STAINLESS STEEL		
	BELT WIDTH mm	POLE LENGTH mm	ORDERING NUMBER	ITEM CODE	WT. KG	ORDERING NUMBER	ITEM CODE	WT. KG
1	600	1350	MHS-P600	77499	23.5	MHS-P600S/S	77508	24.0
	750	1500	MHS-P750	77500	26.0	MHS-P750S/S	77509	26.5
	900	1650	MHS-P900	77501	28.5	MHS-P900S/S	77510	29.0
	1050	1800	MHS-P1050	77502	31.0	MHS-P1050S/S	77511	31.7
	1200	1950	MHS-P1200	77527	33.5	MHS-P1200S/S	77528	34.3
	1350	2100	MHS-P1350	77503	36.0	MHS-P1350S/S	77512	36.8
	1500	2350	MHS-P1500	77504	38.5	MHS-P1500S/S	77513	39.3
	1800	2650	MHS-P1800	77505	43.5	MHS-P1800S/S	77514	44.4
	2100	3200	MHS-P2100	77506	51.0	MHS-P2100S/S	77515	52.0
	2400	3250	MHS-P2400	77507	58.0	MHS-P2400S/S	77516	59.3
2a	C-Tip (suits mechanical fastened belt)		CT6	74535	0.4	N/A	N/A	—
2b	V-Tip (suits vulcanised belt)		RSA150	73628	0.4	RVT6-S/S	76205	0.4
2c	Extra Life R - V-Tip (15mm) (for vulcanised belts only)		RSA150-EL	61141	0.4	N/A	N/A	—
2d	Extra Life R - V-Tip (20mm) (for vulcanised belts only)		RSA150-XL20	67777	0.7	N/A	N/A	—
—	Poly Tip Kit		PTK	65746	0.5	PTK	65746	0.5
3	PowerFlex™ Cushion		SPFC	79200	2.0	SPFC-S/S	79201	2.0
4a	Tension Spring - White (1 ea.) for belts 450-750mm		STS-W	75846	0.2	STS-W-S/S	77630	0.2
4b	Tension Spring - Silver (1 ea.) for belts 900-1350mm		STS-S	75843	0.4	STS-S-S/S	77631	0.4
4c	Tension Spring - Black (1 ea.) for belts 1500-1800mm		STS-B	75844	0.5	STS-B-S/S	77632	0.5
4d	Tension Spring - Gold (1 ea.) for belts over 2100mm		STS-G	78142	0.5	STS-G-S/S	79057	0.5
5	MST Bushing Kit (incl. 4 bushings)		MSTBBK	63067	0.1	MSTBBK	63067	0.1
6	MST Lock Pin		MSTLP	64930	0.1	MSTLP	64930	0.1
7	MST Adjustment Mechanism		MSTAM	79435	0.5	MSTAM-S/S	64931	0.5
—	MST HD Tensioner w/White Spring		MSTHD-W	79431	16.7	MSTHD-SS-W	90181	16.7
—	MST HD Tensioner w/Silver Spring		MSTHD-S	79432	17.0	MSTHD-SS-S	90182	17.0
—	MST HD Tensioner w/Black Spring		MSTHD-B	79433	17.3	MSTHD-SS-B	90183	17.3
—	MST HD Tensioner w/Gold Spring		MSTHD-G	63020	17.3	MSTHD-SS-G	90184	17.3

MST Spring Tensioner Selection Chart

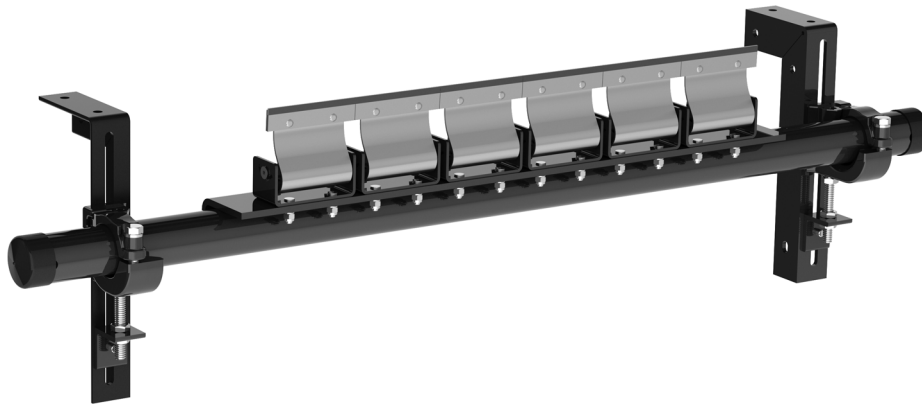
CLEANER SIZE	White Spring	Silver Spring	Black Spring	Gold Spring
MHS 450 - 750mm	X			
MHS 900 - 1350mm		X		
MHS 1500 - 1800mm			X	
MHS 1800 - 2400mm				X

Stock items (non-shaded) refer to (*) for specific lead time, if not specified, standard lead time applies.

Non-stock items (shaded) please contact Flexco for dispatch options and lead times.

Product Ordering Information

MHS - BT Heavy Duty Secondary Cleaner



MHS HD with Bolt Tensioner (MHS-BT) Mild Steel

BELT WIDTH mm	ORDERING NUMBER	ITEM CODE	TIP WIDTH mm	POLE LENGTH mm	WT. KG
600	MHS-600BTV	77481	600	1350	44.4
750	MHS-750BTV	77482	750	1500	49.3
900	MHS-900BTV	77483	900	1650	54.3
1050	MHS-1050BTV	77484	1050	1800	59.2
1200	MHS-1200BTV	77525	1200	1950	64.1
1350	MHS-1350BTV	77485	1350	2100	69.0
1500	MHS-1500BTV	77486	1500	2350	73.9
1800	MHS-1800BTV	77487	1800	2650	83.6
2100	MHS-2100BTV	77488	2100	3200	95.7
2400	MHS-2400BTV	77489	2400	3250	103.2

Lead time: 3 weeks

MHS HD with Bolt Tensioner (MHS-BT) Stainless Steel

BELT WIDTH mm	ORDERING NUMBER	ITEM CODE	TIP WIDTH mm	POLE LENGTH mm	WT. KG
600	MHS-600BTV-S/S	77490	600	1350	45.3
750	MHS-750BTV-S/S	77491	750	1500	50.3
900	MHS-900BTV-S/S	77492	900	1650	55.3
1050	MHS-1050BTV-S/S	77493	1050	1800	60.4
1200	MHS-1200BTV-S/S	77526	1200	1950	65.4
1350	MHS-1350BTV-S/S	77494	1350	2100	70.4
1500	MHS-1500BTV-S/S	77495	1500	2350	75.4
1800	MHS-1800BTV-S/S	77496	1800	2650	85.3
2100	MHS-2100BTV-S/S	77497	2100	3200	97.6
2400	MHS-2400BTV-S/S	77498	2400	3250	105.3

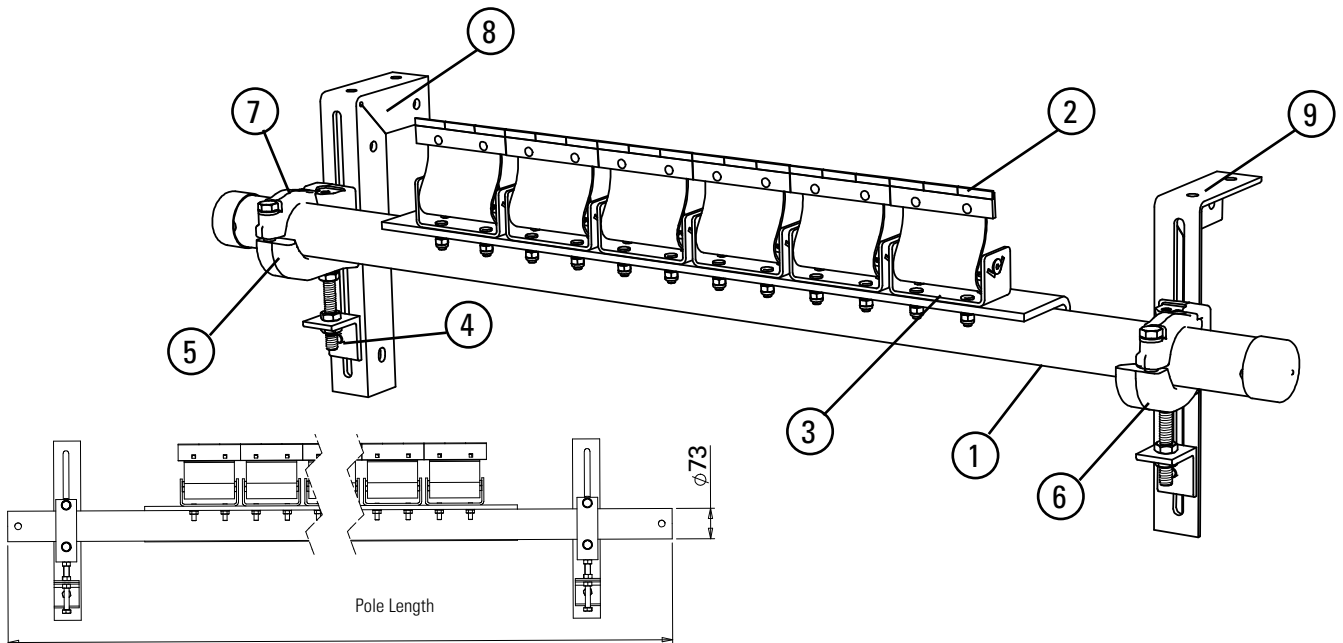
Lead time: 3 weeks

Stock items (non-shaded) refer to (*) for specific lead time, if not specified, standard lead time applies.

Non-stock items (shaded) please contact Flexco for dispatch options and lead times.

Replacement Parts List

MHS - BT Heavy Duty Secondary Cleaner



Replacement Parts

REF	DESCRIPTION		MILD STEEL			STAINLESS STEEL		
	BELT WIDTH mm	POLE LENGTH mm	ORDERING NUMBER	ITEM CODE	WT. KG	ORDERING NUMBER	ITEM CODE	WT. KG
1	600	1350	MHS-P600*	77499	21.0	MHS-P600S/S*	77508	21.5
	750	1500	MHS-P750*	77500	23.5	MHS-P750S/S*	77509	24.0
	900	1650	MHS-P900*	77501	26.0	MHS-P900S/S*	77510	26.5
	1050	1800	MHS-P1050*	77502	28.5	MHS-P1050S/S*	77511	29.0
	1200	1950	MHS-P1200*	77527	31.0	MHS-P1200S/S*	77528	31.8
	1350	2100	MHS-P1350*	77503	33.5	MHS-P1350S/S*	77512	34.3
	1500	2350	MHS-P1500*	77504	36.0	MHS-P1500S/S*	77513	36.8
	1800	2650	MHS-P1800*	77505	38.5	MHS-P1800S/S*	77514	39.3
	2100	3200	MHS-P2100*	77506	43.5	MHS-P2100S/S*	77515	44.5
	2400	3250	MHS-P2400*	77507	51.0	MHS-P2400S/S*	77516	52.0
2	R - V-Tip (for vulcanised belts only)		RSA150	73628	0.4	RVT6-S/S	76205	0.4
	Extra Life R - V-Tip (15mm) (for vulcanised belts only)		RSA150-EL	61141	0.4			
	Extra Life R - V-Tip (20mm) (for vulcanised belts only)		RSA150-XL20	67777	0.7			
	C-Tip (for mechanically spliced and vulcanised belts)		CT6	74535	0.4			
-	Poly Tip Kit		PTK	65746	0.5	PTK	65746	0.5
3	PowerFlex™ Cushion		SPFC	79200	2.0	SPFC-S/S	79201	2.0
4	Adjusting Bracket Kit* (1ea.)		PAB	75513	0.7	PAB-S/S	75515	0.7
5	HD Pole Clamp Kit Left* (1ea.) (incl. item 9a) (for sizes 1200-2400mm)		CCKHDL	79225	4.0	CCKHDL-S/S	79227	4.0
6	HD Pole Clamp Kit Right* (1ea.) (incl. item 9a) (for sizes 1200-2400mm)		CCKHDR	79229	4.0	CCKHDR-S/S	79231	4.0
7	HD Cradle Clamp Top Strap (1ea.) (for use on L or R HD Pole Clamp Kit)		CCKHDTS	79233	0.8	CCKHDTS-S/S	73235	0.8
8	Mounting Bracket Kit Left		PMBL (left)	75516	3.8	PMBL-S/S (left)	75518	3.8
9	Mounting Bracket Kit Right		PMBL (right)	75519	3.8	PMBL-S/S (right)	75521	3.8
-	HD Cradle Clamp Mounting Kit* (for sizes 1200-2400mm) (incl. 2 ea. item 4, and 1 ea. items 5, 6, 8 & 9)		CCMKHD	78920	16.7	CCMKHD-S/S	78922	16.7

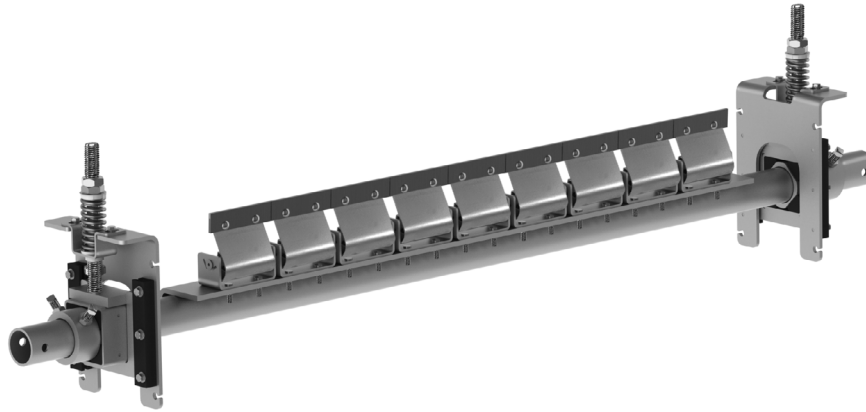
*Lead time: 3 weeks

Stock items (non-shaded) refer to (*) for specific lead time, if not specified, standard lead time applies.

Non-stock items (shaded) please contact Flexco for dispatch options and lead times.

Product Ordering Information

MHS - SST Heavy Duty Secondary Cleaner



MHS HD with SST Spring Tensioner (Complete MHS-FP Cleaner-V Tips)

BELT WIDTH mm	TIP WIDTH mm	POLE LENGTH mm	MILD STEEL			STAINLESS STEEL		
			ORDERING NUMBER	ITEM CODE	WT. KG	ORDERING NUMBER	ITEM CODE	WT. KG
600	600	1350	MHS-600FPV	77789	56.8	MHS-600FPV-S/S	77799	58.0
750	750	1500	MHS-750FPV	77790	61.8	MHS-750FPV-S/S	77800	63.0
900	900	1650	MHS-900FPV	77791	67.0	MHS-900FPV-S/S	77801	68.3
1050	1050	1800	MHS-1050FPV	77792	71.8	MHS-1050FPV-S/S	77802	73.3
1200	1200	1950	MHS-1200FPV	77793	76.8	MHS-1200FPV-S/S	77803	78.3
1350	1350	2100	MHS-1350FPV	77794	81.5	MHS-1350FPV-S/S	77804	83.3
1500	1500	2350	MHS-1500FPV	77795	86.5	MHS-1500FPV-S/S	77805	88.3
1800	1800	2650	MHS-1800FPV	77796	96.5	MHS-1800FPV-S/S	77806	98.5
2100	2100	3200	MHS-2100FPV	77797	108.5	MHS-2100FPV-S/S	77807	110.8
2400	2400	3250	MHS-2400FPV	77798	125.0	MHS-2400FPV-S/S	77808	127.0

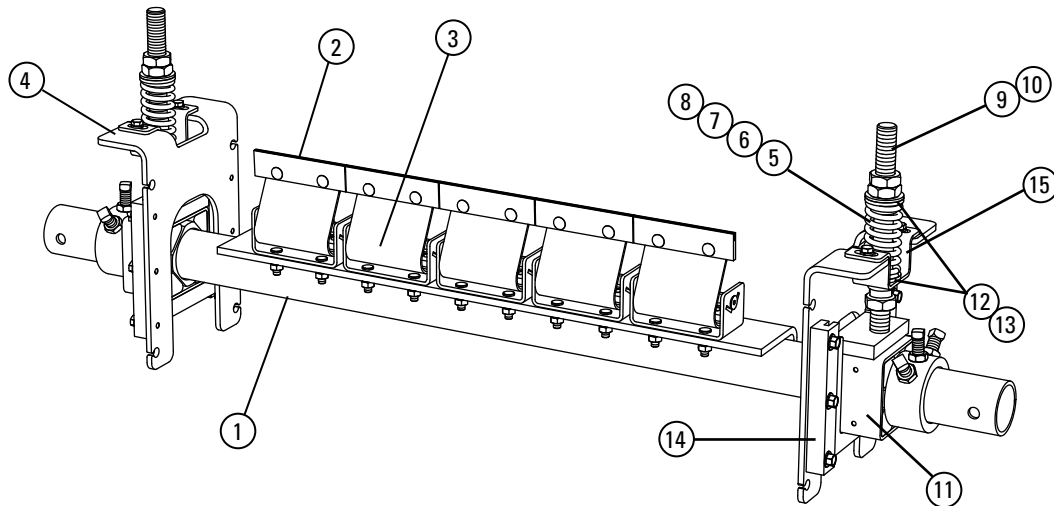
Lead time: 3 weeks

Stock items (non-shaded) refer to (*) for specific lead time, if not specified, standard lead time applies.

Non-stock items (shaded) please contact Flexco for dispatch options and lead times.

Replacement Parts List

MHS - SST Heavy Duty Secondary Cleaner



Replacement Parts

REF	DESCRIPTION		MILD STEEL			STAINLESS STEEL		
			ORDERING NUMBER	ITEM CODE	WT. KG	ORDERING NUMBER	ITEM CODE	WT. KG
	BELT WIDTH mm	POLE LENGTH mm						
1	600	1350	MHS-P600*	77499	23.5	MHS-P600S/S*	77508	24.0
	750	1500	MHS-P750*	77500	26.0	MHS-P750S/S*	77509	26.5
	900	1650	MHS-P900*	77501	28.5	MHS-P900S/S*	77510	29.0
	1050	1800	MHS-P1050*	77502	31.0	MHS-P1050S/S*	77511	31.7
	1200	1950	MHS-P1200*	77527	33.5	MHS-P1200S/S*	77528	34.3
	1350	2100	MHS-P1350*	77503	36.0	MHS-P1350S/S*	77512	36.8
	1500	2350	MHS-P1500*	77504	38.5	MHS-P1500S/S*	77513	39.3
	1800	2650	MHS-P1800*	77505	43.5	MHS-P1800S/S*	77514	44.4
	2100	3200	MHS-P2100*	77506	51.0	MHS-P2100S/S*	77515	52.0
	2400	3250	MHS-P2400*	77507	58.0	MHS-P2400S/S*	77516	59.3
2	C-Tip (suits mechanical fastened belt)		CT6	74535	0.4	N/A	N/A	—
	V-Tip (suits vulcanised belt)		RSA150	73628	0.4	RVT6-S/S	76205	0.4
-	Poly Tip Kit		PTK	65746	0.5	PTK	65746	0.5
3	PowerFlex™ Cushion		SPFC	79200	2.0	SPFC-S/S	79201	2.0
4	SST HD® Mounting Base Kit* (includes 1 mounting base and 2 slide guides)		SSTHDMK	77870	4.6	STHDMK2-S/S	77634	4.6
5	SST Spring - White (1 ea.) for belts 450-750mm		STS-W	75846	0.2	STS-W-S/S	77630	0.2
6	SST Spring - Silver (1 ea.) for belts 900-1500mm		STS-S	75843	0.4	STS-S-S/S	77631	0.4
7	SST Spring - Black (1 ea.) for belts 1800-2100mm		STS-B	75844	0.5	STS-B-S/S	77632	0.5
8	SST Spring - Gold (1 ea.) for belts over 2100mm		STS-G	78142	0.7			
9	SST Adj Rod Kit* (incl. 1 rod, 2 nuts, 2 bushings, 1 washer) for belts 450-1500 mm		STAK	75847	1.3	STAK	75847	1.3
10	SST HD Adj Rod Kit* (incl. 1 rod, 2 nuts, 2 HD bushings, 1 washer) for belts 1800-2100mm		STAKHD	75892	1.4	STAKHD	75892	1.4
11	SST HD Torsion Pole Mount* (1 ea.)		SSTHDPM	77868	6.8	STHDPM2-S/S	77633	6.8
12	SST Bushing Kit - White/Silver		SSTBK-W	76636	0.1	SSTBK-W	76636	0.1
13	SST Bushing Kit - Black/Gold		SSTBK-B	76637	0.1	SSTBK-B	76637	0.1
14	ST Slide Guide Kit		STGK2	77635	0.5	STGK2	77635	0.5
-	SST HD Cartridge Tensioner - White (includes 1 ea. item 5, 9, 12, 14) for belts 450-750 mm		SST1HDM-W	78517	13.7	SST1HDM-W-S/S	78394	13.7
-	SST HD Cartridge Tensioner - Silver (includes 1 ea. item 6, 9, 12, 14) for belts 900-1500 mm		SST1HDM-S	78518	13.9	SST1HDM-S-S/S	78395	13.9
-	SST HD Cartridge Tensioner - Black (includes 1 ea. item 7, 10, 13, 14) for belts 1800-2100 mm		SST1HDM-B	78519	14.1	SST1HDM-B-S/S	78396	14.1
-	SST HD Cartridge Tensioner - Gold (includes 1 ea. item 8, 10, 13, 14) for belts over 2100 mm		SST1HDM-G	79069	14.3	SST1HDM-G-S/S	79454	14.3
15	SST Hat Channel Kit		SSTHK	79070	0.7	SSTHK-S/S	79071	0.7

*Lead time: 3 weeks

Stock items (non-shaded) refer to (*) for specific lead time, if not specified, standard lead time applies.

Non-stock items (shaded) please contact Flexco for dispatch options and lead times.

Replacement Parts List

MHS - MST Heavy Duty Secondary Cleaner

Primary Replacement Parts

DESCRIPTION	ORDERING NUMBER	ITEM CODE	WT. KG
Primary Air Tension 60mm Complete Kit*	ATVKP-60	63861	15.2
Primary Air Tension 73mm Complete Kit*	ATVKP-73	63862	16.6
Air Tank Kit with PAT & Control Box 100psi**	ATV73-SS	66192	35.0

*includes one each: Mounting brackets, air bag, adjusting arm and hardware

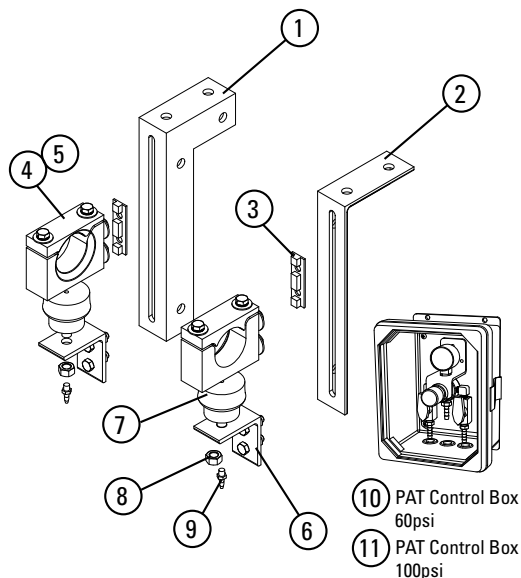
**includes one each of 63862, 65803, 65571 & 66068

Secondary Replacement Parts

REF	DESCRIPTION	ORDERING NUMBER	ITEM CODE	WT. KG
1	Mounting Bracket LH	PMBL-S/S	75518	3.8
2	Mounting Bracket RH	PMBR-S/S	75521	3.8
3	Air Tensioner Slider	ATV-SLIDE	62425	0.2
4	Air Tension Cradle Blocks 60mm Kit	ATV-MOUNT	62424	2.4
5	Air Tension Cradle Blocks 73mm Kit	ATV-MOUNT	63073	2.4
6	Air Tension Adjusting Angle	ATV-ANGLE	62426	1.0
-	Secondary Air Tension 60mm Complete Kit*	ATVK-60	62409	13.0
-	Secondary Air Tension 73mm Complete Kit*	ATVK-73	63072	15.0
-	Air Tank Kit with PAT & Control Box 100psi**	ATVK73-SEC-SS	64743	33.0

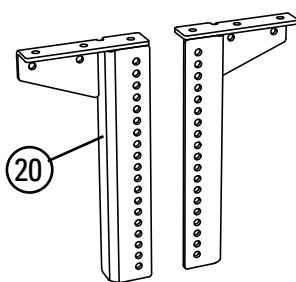
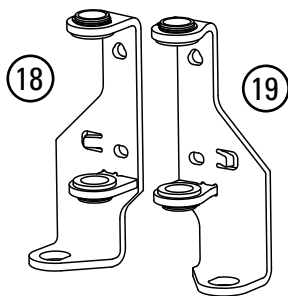
*includes one each: mounting brackets, air tension slider, cradle kit, adjusting angle, air bag and hardware

**includes one each of 63072, 65803, 65571 & 66068



Common Replacement Parts

REF	DESCRIPTION	ORDERING NUMBER	ITEM CODE	WT. KG
-	PAT 10MM Black Nylon Tube 20M	ATV-TUBE	66068	0.1
7	Air Bag	ATV-BAG	62079	0.2
8	Hex Nut S/S	HEX NUT	G1211	0.1
9	Air Line Adaptor	ATV-NIP	62037	0.1
10	PAT Control Box 60psi	PACB60	66055	5.0
11	PAT Control Box 100psi	PACB100	65803	5.0
-	PAT1 Tank	PAT1	65571	10.0
-	PAT2 Tank	PAT2	66056	12.0

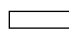



MST Tensioner Replacement Parts

REF	DESCRIPTION	ORDERING NUMBER	ITEM CODE	WT. KG
18	MST Mounting Bracket LH (incl. bushings)	MST-MBL	79436	2.6
19	MST Mounting Bracket RH (incl. bushings)	MST-MBR	79437	2.6
20	MST Drop Brackets (2)	MSTDB	79434	12.6

*Hardware included

Shaded items are made to order. Lead time 3 weeks.

 Stock items (non-shaded) refer to (*) for specific lead time, if not specified, standard lead time applies.

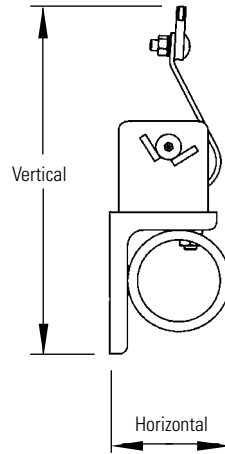
 Non-stock items (shaded) please contact Flexco for dispatch options and lead times.

Specifications & Guidelines

MHS - SST Heavy Duty Secondary Cleaner

Clearance Guidelines for Installation

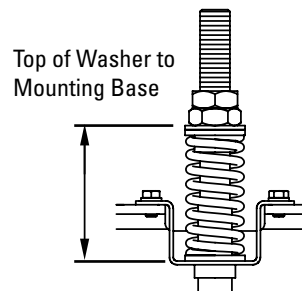
HORIZONTAL CLEARANCE REQUIRED mm	VERTICAL CLEARANCE REQUIRED mm
100	238



Spring Length Chart for SST Spring Tensioner

BLADE WIDTH mm	WHITE SPRINGS mm	SILVER SPRINGS mm	BLACK SPRINGS mm
450	80	100	N/A
600	70	90	N/A
750	70	90	N/A
900	N/A	90	90
1050	N/A	90	90
1200	N/A	80	90
1350	N/A	80	90
1500	N/A	80	80
1800	N/A	N/A	80
2100	N/A	N/A	70

Shading indicates preferred spring option.

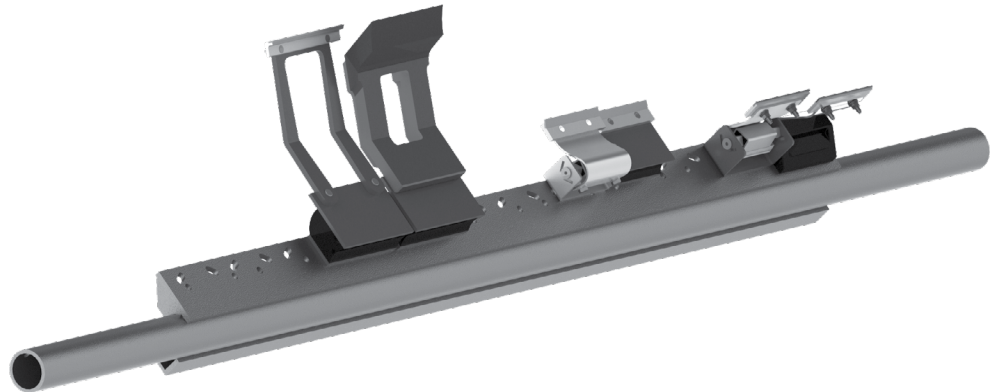


Specifications:

- Maximum Belt SpeedContact Flexco
- Temperature Rating-35°C to 82°C
- Usable Blade Wear Length.....9 mm
- Blade MaterialsC-Tip: Impact Resistant Tungsten Carbide (works with mechanical fasteners)
V-Tip: Long Life Tungsten Carbide (for vulcanised belts only)

Product Ordering Information

Universal Lightweight Pole For use with H-Type, FMS, MHS and P-Type Cleaners

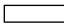



Universal Lightweight Pole

BELT WIDTH mm	ORDERING NUMBER	ITEM CODE	WT. KG
450	ULP450	66122	5.8
600	ULP600	66123	6.6
750	ULP750	66124	7.5
900	ULP900	66125	8.5
1050	ULP1050	66126	12.2
1200	ULP1200	66127	13.6
1350	ULP1350	66128	15.3
1500	ULP1500	66129	16.6
1650	ULP1650	66130	18.0
1800	ULP1800	67057	19.4
2000	ULP2000	67084	21.6
2200	ULP2200	67085	22.9
2400	ULP2400	67058	24.6
2600	ULP2600	67086	26.6
2800	ULP2800	67087	28.4
3000	ULP3000	67088	30.1

Product Notes:

- **Safety Driven Engineering.** The lightest cleaner pole on the market, engineered with safe lifting in mind.
- **Versatile.** Compatible with Flexco H-Type®, FMS, MHS & P-Type® Cleaners.
- **Made for Australian Mining Conditions.** Although lightweight, the universal pole has been tested to withstand the harshest mining conditions in Australia.

 **Stock items** (non-shaded) refer to (*) for specific lead time, if not specified, standard lead time applies.

 **Non-stock items** (shaded) please contact Flexco for dispatch options and lead times.

Product Ordering Information

H-Type®, P-Type®, R-Type® Lightweight Pole



H-Type Lightweight Pole



P-Type Lightweight Pole

H-Type® and P-Type® Lightweight Poles

DESCRIPTION	ORDERING NUMBER	ITEM CODE	WT. KG
H-Type			
HPA1200 LIGHTWEIGHT POLE	HPA1200	69469	12.5
HPA1350 LIGHTWEIGHT POLE	HPA1350	69470	13.4
HPA1500 LIGHTWEIGHT POLE	HPA1500	69471	14.7
HPA1600 LIGHTWEIGHT POLE	HPA1600	69472	16.1
HPA1800 LIGHTWEIGHT POLE	HPA1800	69473	17.4
HPA2000 LIGHTWEIGHT POLE	HPA2000	69474	19.0
HPA2200 LIGHTWEIGHT POLE	HPA2200	69475	20.5
HPA2400 LIGHTWEIGHT POLE	HPA2400	69476	22.0
HPA2600 LIGHTWEIGHT POLE	HPA2600	69477	23.8
HPA2800 LIGHTWEIGHT POLE	HPA2800	69478	25.3
HPA3000 LIGHTWEIGHT POLE	HPA3000	69479	26.8
P-Type			
PPA1200 LIGHTWEIGHT POLE	PPA1200	69480	12.5
PPA1350 LIGHTWEIGHT POLE	PPA1350	69481	14.0
PPA1500 LIGHTWEIGHT POLE	PPA1500	69482	15.1
PPA1650 LIGHTWEIGHT POLE	PPA1650	69483	16.3
PPA1800 LIGHTWEIGHT POLE	PPA1800	69484	17.4
PPA1950 LIGHTWEIGHT POLE	PPA1950	69485	18.8
PPA2100 LIGHTWEIGHT POLE	PPA2100	69486	20.1
PPA2250 LIGHTWEIGHT POLE	PPA2250	69487	21.4
PPA2400 LIGHTWEIGHT POLE	PPA2400	69488	22.0
R-Type			
RPA1200 LIGHTWEIGHT POLE	RPA1200	103602	12.5
RPA1350 LIGHTWEIGHT POLE	RPA1350	103603	14.1
RPA1500 LIGHTWEIGHT POLE	RPA1500	103604	15.3
RPA1800 LIGHTWEIGHT POLE	RPA1800	103605	17.6
RPA1950 LIGHTWEIGHT POLE	RPA1950	103606	19.0
RPA2100 LIGHTWEIGHT POLE	RPA2100	103607	20.6
RPA2400 LIGHTWEIGHT POLE	RPA2400	103608	22.3

Stock items (non-shaded) refer to (*) for specific lead time, if not specified, standard lead time applies.

Non-stock items (shaded) please contact Flexco for dispatch options and lead times.

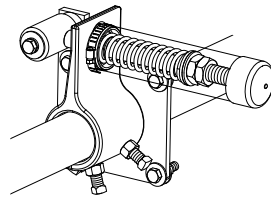
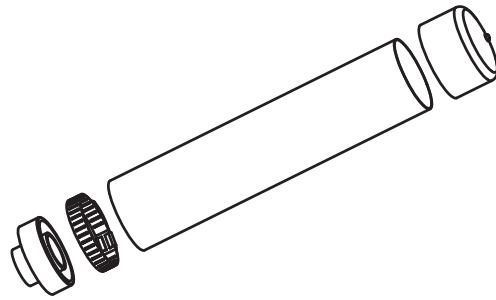
Product Ordering Information

Spring Covers and Tensioner Lock

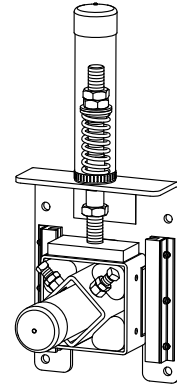
Spring Covers

ORDERING NUMBER	ITEM CODE	WT. KG
SPG-CVR-A	77387	0.14
SPG-CVR-B	77388	0.14
SPG-CVR-C	77389	0.14
SPG-CVR-D	77390	0.18
SPG-CVR-E	77391	0.18
SPG-CVR-F	77392	0.14
SPG-CVR-G	77393	0.14
SPG-CVR-H	77741	0.14

Includes 1 spring cover



Spring cover on Primary Cleaner tensioner



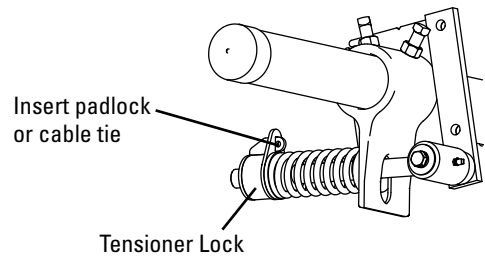
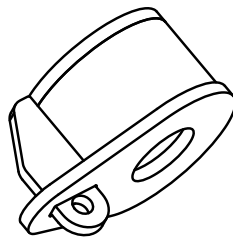
Spring cover on Secondary cleaner tensioner

Tensioner Lock

Designed to prevent tampering or unauthorized retensioning of the cleaner.

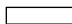
ORDERING NUMBER	ITEM CODE	WT. KG
TEN-LOCK-KIT	77443	0.18


*For MSP, MMP, MHP, MHCP, H-Type® Primary Cleaner and MSS, MHS, MDWS Secondary Cleaners
Includes 1 tensioner lock



Tensioner Lock

(Primary Cleaner tensioner shown)

 **Stock items** (non-shaded) refer to (*) for specific lead time, if not specified, standard lead time applies.

 **Non-stock items** (shaded) please contact Flexco for dispatch options and lead times.

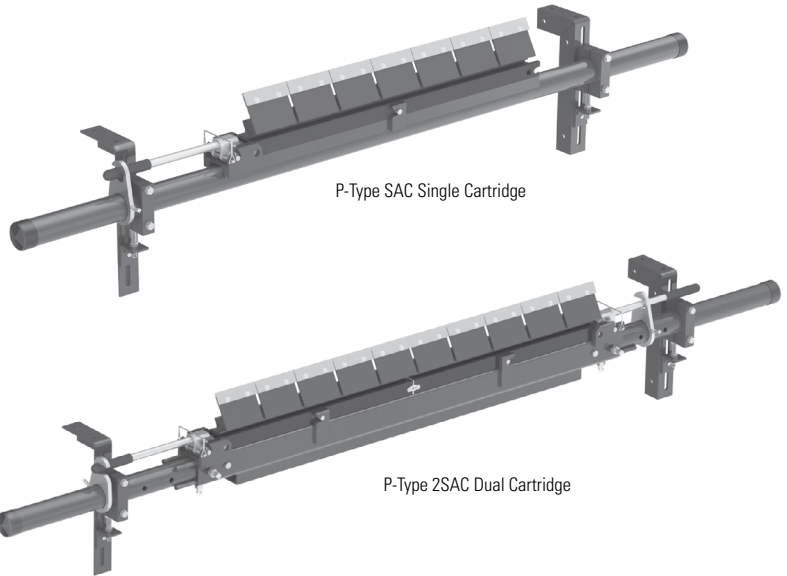
Product Ordering Information

P-Type® SAC Secondary Cleaner with Service Advantage Cartridge™

P-Type® SAC Secondary with V-Tips*

BELT WIDTH mm	ORDERING NUMBER	ITEM CODE	WT. KG
600	PV600-SAC	78020	62.3
750	PV750-SAC	78021	68.4
900	PV900-SAC	78022	74.4
1050	PV1050-SAC	78023	80.4
1200	PV1200-SAC	78024	86.4
1350	PV1350-SAC	78025	92.5
1500	PV1500-SAC	78026	98.5
1800	PV1800-SAC	78027	110.6
1500	PV1500-2SAC	78028	137.8
1800	PV1800-2SAC	78029	150.0
2100	PV2100-2SAC	78030	162.5
2400	PV2400-2SAC	78031	174.7
3000	PV3000-2SAC	78032	201.3

*NOTE: V-Tips can be used ONLY on vulcanised belts.



P-Type SAC Stainless Steel Secondary with V-Tips*

BELT WIDTH mm	ORDERING NUMBER	ITEM CODE	WT. KG
600	PV600-SAC-S/S	78329	62.3
750	PV750-SAC-S/S	78330	68.4
900	PV900-SAC-S/S	78331	74.4
1050	PV1050-SAC-S/S	78332	80.4
1200	PV1200-SAC-S/S	78333	86.4
1350	PV1350-SAC-S/S	78334	92.5
1500	PV1500-SAC-S/S	78335	98.5
1800	PV1800-SAC-S/S	78336	110.6
1500	PV1500-2SAC-S/S	78337	137.8
1800	PV1800-2SAC-S/S	78338	150.0
1950	PV1950-2SAC-S/S	78656	156.2
2100	PV2100-2SAC-S/S	78339	162.5
2400	PV2400-2SAC-S/S	78340	174.7
3000	PV3000-2SAC-S/S	78341	201.3

*NOTE: V-Tips can be used ONLY on vulcanised belts.

Replacement Tips

ORDERING NUMBER	ITEM CODE	WT. KG
CT6 (C-Tip)	74535	0.4
PSA150 (V-Tip)	73156	0.4

Tips Required Per Cleaner Size

BELT WIDTH mm	BLADE COVERAGE mm	V-TIPS REQUIRED
600	600	4
750	750	5
900	900	6
1050	1050	7
1200	1200	8
1350	1350	9
1500	1500	10
1800	1800	12
2100	2100	14
2400	2400	16
3000	3000	20

Product Notes:

- Patented Service Advantage Cartridge™ allows for easy removal in even the dirtiest conditions.
- Pole Length: Belt width plus 1350 mm (single cartridge cleaners); Belt width plus 1500 mm (dual cartridge cleaners).
- Tips are set at a non-aggressive 70° angle to give quick relief for passing mechanical splices.
- Tensioner mounting brackets included for fast and easy installation.
- Cartridge Removal Kit included for easy removal of the cartridge.

Stock items (non-shaded) refer to (*) for specific lead time, if not specified, standard lead time applies.

Non-stock items (shaded) please contact Flexco for dispatch options and lead times.

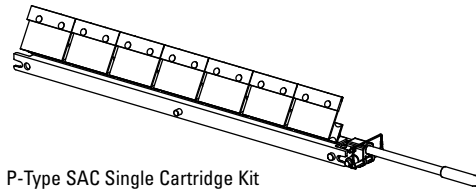
Product Ordering Information

P-Type® SAC
Secondary Cleaner
with Service Advantage Cartridge™

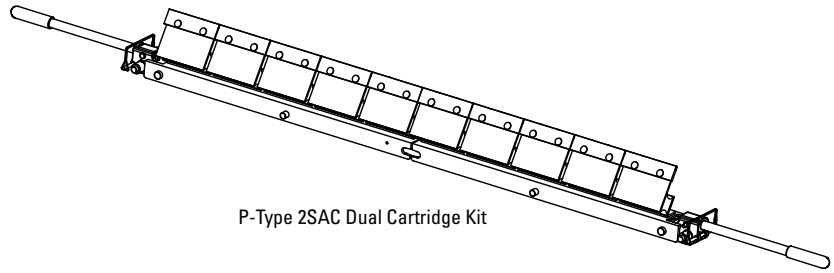
P-Type® SAC Cartridge Kits with V-Tips*

BELT WIDTH mm	ORDERING NUMBER	ITEM CODE	WT. KG
600	P-CARK-V24/600	78080	11.4
750	P-CARK-V30/750	78081	13.6
900	P-CARK-V36/900	78082	15.7
1050	P-CARK-V42/1050	78083	17.9
1200	P-CARK-V48/1200	78084	20.0
1350	P-CARK-V54/1350	78085	22.2
1500	P-CARK-V60/1500	78086	24.4
1800	P-CARK-V72/1800	78087	28.7
1500	P-CARK2-V60/1500	78093	39.7
1800	P-CARK2-V72/1800	78094	46.4
2100	P-CARK2-V84/2100	78095	53.2
2400	P-CARK2-V96/2400	78096	59.9
3000	P-CARK2-V120/3000	78097	73.6

*NOTE: V-Tips can be used ONLY on vulcanised belts.



P-Type SAC Single Cartridge Kit



P-Type 2SAC Dual Cartridge Kit

P-Type SAC Stainless Steel Cartridge Kits with V-Tips*

BELT WIDTH mm	ORDERING NUMBER	ITEM CODE	WT. KG
600	P-CARK-V24/600-S/S PVECKSS	82815	11.4
750	P-CARK-V30/750-S/S PVECKSS	82816	13.6
900	P-CARK-V36/900-S/S PVECKSS	82817	15.7
1050	P-CARK-V42/1050-S/S PVECKSS	82818	17.9
1200	P-CARK-V48/1200-S/S PVECKSS	82819	20.0
1350	P-CARK-V54/1350-S/S PVECKSS	82820	22.2
1500	P-CARK-V60/1500-S/S PVECKSS	82821	24.4
1800	P-CARK-V72/1800-S/S PVECKSS	82822	28.7
1500	P-CARK2-V60/1500-S/S PV2ECKSS	82823	39.7
1800	P-CARK2-V72/1800-S/S PV2ECKSS	82824	46.4
2000	P-CARK2-V78/1950-S/S PV2ECKSS	82876	49.2
2100	P-CARK2-V84/2100-S/S PV2ECKSS	82825	53.2
2400	P-CARK2-V96/2400-S/S PV2ECKSS	82826	59.9
3000	P-CARK2-V120/3000-S/S PV2ECKSS	82827	73.6

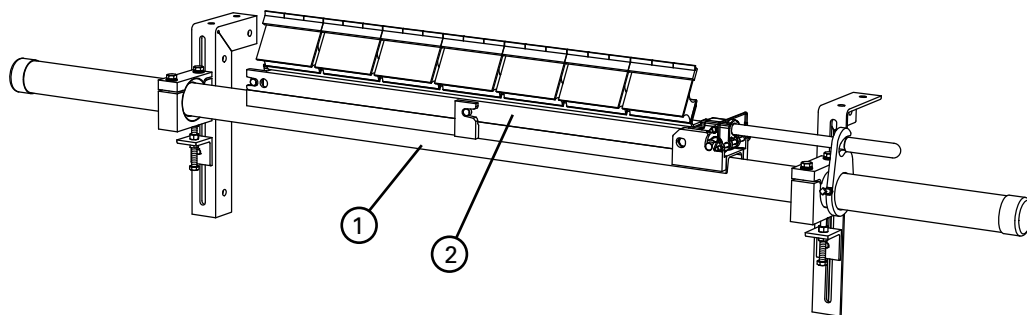
*NOTE: V-Tips can be used ONLY on vulcanised belts.

Stock items (non-shaded) refer to (*) for specific lead time, if not specified, standard lead time applies.

Non-stock items (shaded) please contact Flexco for dispatch options and lead times.

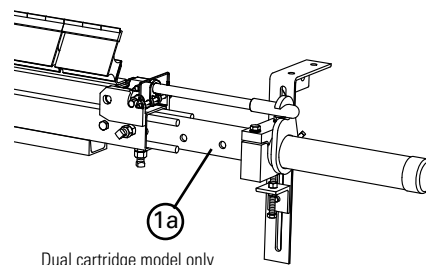
Replacement Parts List

P-Type® SAC (Mild Steel) Secondary Cleaner with Service Advantage Cartridge™



Replacement Parts

REF	DESCRIPTION	ORDERING NUMBER	ITEM CODE	WT. KG
1	SAC Cartridge Pole 600 mm	SACPL-24/600	77887	29.7
	SAC Cartridge Pole 750 mm	SACPL-30/750	77888	32.3
	SAC Cartridge Pole 900 mm	SACPL-36/900	77889	35.0
	SAC Cartridge Pole 1050 mm	SACPL-42/1050	77890	37.6
	SAC Cartridge Pole 1200 mm	SACPL-48/1200	77891	40.3
	SAC Cartridge Pole 1350 mm	SACPL-54/1350	77892	42.9
	SAC Cartridge Pole 1500 mm	SACPL-60/1500	77893	45.6
	SAC Cartridge Pole 1800 mm	SACPL-72/1800	77894	50.9
	SAC Cartridge Center Pole 1500 mm (Dual)	SACPL2-60/1500	77895	35.1
	SAC Cartridge Center Pole 1800 mm (Dual)	SACPL2-72/1800	77896	40.6
	SAC Cartridge Center Pole 2100 mm (Dual)	SACPL2-84/2100	77897	46.2
	SAC Cartridge Center Pole 2400 mm (Dual)	SACPL2-96/2400	77898	51.8
	SAC Cartridge Center Pole 3000 mm (Dual)	SACPL2-120/3000	77899	64.5
	1a	Extender Pole (for use with Dual Cartridge Center Pole)	MHP-EP	76392
2	SAC Repl Cartridge S/S 600 mm	CART-24/600-S/S	78576	4.5
	SAC Repl Cartridge S/S 750 mm	CART-30/750-S/S	78577	5.6
	SAC Repl Cartridge S/S 900 mm	CART-36/900-S/S	78578	6.7
	SAC Repl Cartridge S/S 1050 mm	CART-42/1050-S/S	78579	7.8
	SAC Repl Cartridge S/S 1200 mm	CART-48/1200-S/S	78580	8.9
	SAC Repl Cartridge S/S 1350 mm	CART-54/1350-S/S	78581	10.0
	SAC Repl Cartridge S/S 1500 mm	CART-60/1500-S/S	78582	11.3
	SAC Repl Cartridge S/S 1800 mm	CART-72/1800-S/S	78583	13.5
	SAC Repl Cartridge S/S 1500 mm (Dual)	CART2-60/1500-S/S	78584	11.2
	SAC Repl Cartridge S/S 1800 mm (Dual)	CART2-72/1800-S/S	78585	13.4
	SAC Repl Cartridge S/S 1950 mm (Dual)	CART2-78/1950-S/S	78635	14.5
	SAC Repl Cartridge S/S 2100 mm (Dual)	CART2-84/2100-S/S	78586	15.6
	SAC Repl Cartridge S/S 2400 mm (Dual)	CART2-96/2400-S/S	78587	17.8
	SAC Repl Cartridge S/S 3000 mm (Dual)	CART2-120/3000-S/S	78588	22.6

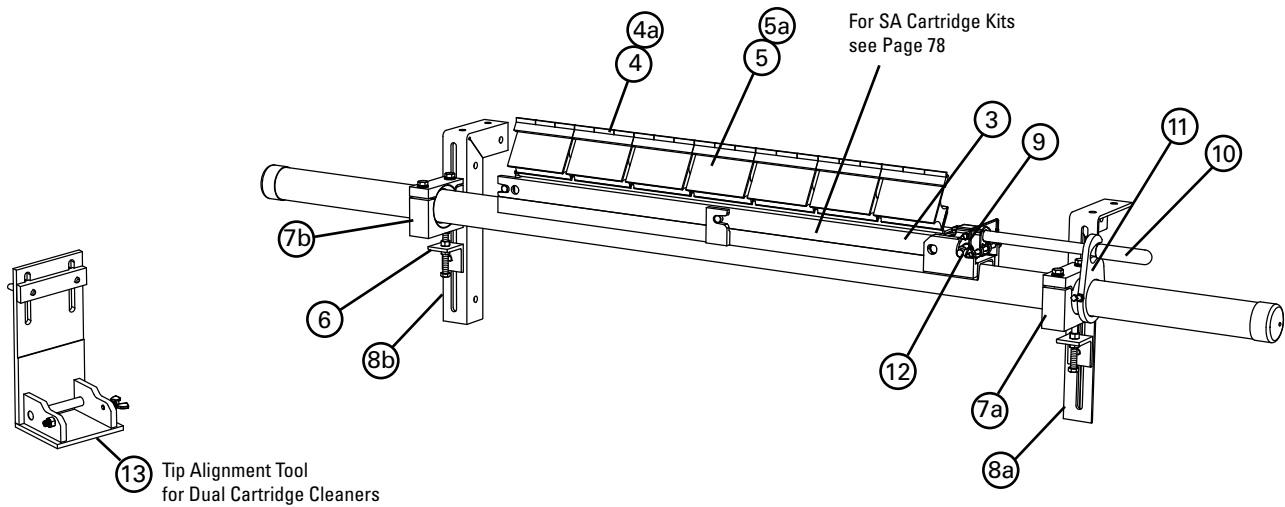


Stock items (non-shaded) refer to (*) for specific lead time, if not specified, standard lead time applies.

Non-stock items (shaded) please contact Flexco for dispatch options and lead times.

Replacement Parts List

P-Type® SAC (Mild Steel) Secondary Cleaner with Service Advantage Cartridge™



Replacement Parts (Continued)

REF	DESCRIPTION	ORDERING NUMBER	ITEM CODE	WT. KG
3	SAC Cartridge P-Type® Adapter Plate 600 mm	PCAP-24/600	77913	2.1
	SAC Cartridge P-Type Adapter Plate 750 mm §	PCAP-30/750	77914	2.8
	SAC Cartridge P-Type Adapter Plate 900 mm §	PCAP-36/900	77915	3.3
	SAC Cartridge P-Type Adapter Plate 1050 mm §	PCAP-42/1050	77916	3.9
	SAC Cartridge P-Type Adapter Plate 1200 mm §	PCAP-48/1200	77917	4.4
	SAC Cartridge P-Type Adapter Plate 1350 mm	PCAP-54/1350	77918	5.0
	SAC Cartridge P-Type Adapter Plate 1500 mm §	PCAP-60/1500	77919	5.6
	SAC Cartridge P-Type Adapter Plate 1800 mm	PCAP-72/1800	77920	6.7
4	C-Tip*	CT6	74535	0.4
4a	P V-Tip* (for vulcanised belts only)	PSA150	73156	0.4
5	Cushion*	PHA	73626	1.6
5a	HD P-Type Cushion	70A	61003	1.0
6	P/R Adjusting Bracket	PAB	75513	0.4
7a	Cradle Clamp Block RH	SMR-CCB-R73	A2843	1.2
7b	Cradle Clamp Block LH	SMR-CCB-L73	A2842	1.2
8a	Mounting Bracket Kit, RH	PMBR	75519	3.8
8b	Mounting Bracket Kit, LH	PMBL	75516	3.8
9	SAC Removal Knuckle	SACRKN	77882	1.5
10	SAC Removal Handle	SACRH	77883	1.4
11	SAC Handle Lock Plate	SACRHL	77884	0.8
12	Knuckle Retainer Pin	SACKRP	77885	0.1
-	SAC Removal Kit (includes 1 ea. items 9,10,11,12)	SACRKT	77886	4.1
13	SAC Cartridge Tip Alignment Tool (Dual)	SAC2-TIP-TL	77866	1.1
-	Cradle Clamp Heavy-Duty Mounting Kit (incl. 2 ea. item 6; incl. 1 ea. items 7a, 7b, 8a, 8b)	CRHMK	62400	10.8

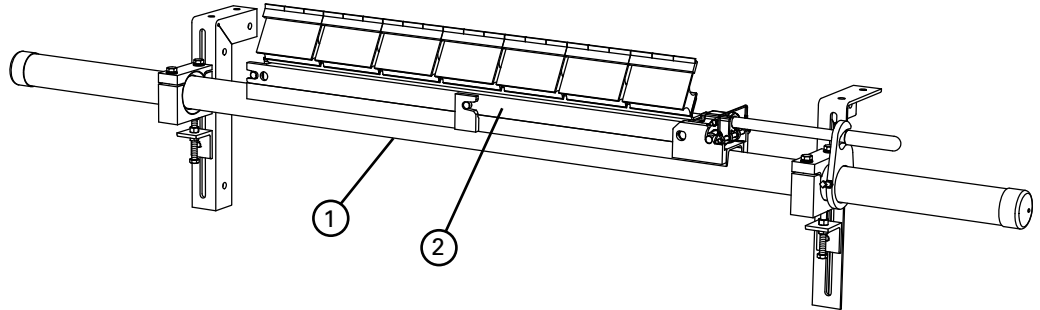
§ If using a dual cartridge, please take the cleaner size and divide by two. That dimension is the size of the brackets needed for conversion to a P-Type cleaner.

Stock items (non-shaded) refer to (*) for specific lead time, if not specified, standard lead time applies.

Non-stock items (shaded) please contact Flexco for dispatch options and lead times.

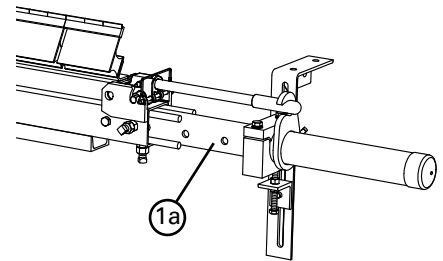
Replacement Parts List

P-Type® SAC (Stainless Steel) Secondary Cleaner with Service Advantage Cartridge™



Replacement Parts

REF	DESCRIPTION	ORDERING NUMBER	ITEM CODE	WT. KG
1	SAC S/S Cartridge Pole 600 mm	SACPL-24/600-S/S	78371	29.7
	SAC S/S Cartridge Pole 750 mm	SACPL-30/750-S/S	78372	32.3
	SAC S/S Cartridge Pole 900 mm	SACPL-36/900-S/S	78373	35.0
	SAC S/S Cartridge Pole 1050 mm	SACPL-42/1050-S/S	78374	37.6
	SAC S/S Cartridge Pole 1200 mm	SACPL-48/1200-S/S	78375	40.3
	SAC S/S Cartridge Pole 1350 mm	SACPL-54/1350-S/S	78376	42.9
	SAC S/S Cartridge Pole 1500 mm	SACPL-60/1500-S/S	78377	45.6
	SAC S/S Cartridge Pole 1800 mm	SACPL-72/1800-S/S	78378	50.9
	SAC S/S Cartridge Center Pole 1500 mm (Dual)	SACPL2-60/1500-S/S	78379	35.1
	SAC S/S Cartridge Center Pole 1800 mm (Dual)	SACPL2-72/1800-S/S	78380	40.6
	SAC S/S Cartridge Center Pole 1950 mm (Dual)	SACPL2-78/1950-S/S	78642	43.9
	SAC S/S Cartridge Center Pole 2100 mm (Dual)	SACPL2-84/2100-S/S	78381	46.2
	SAC S/S Cartridge Center Pole 2400 mm (Dual)	SACPL2-96/2400-S/S	78382	51.8
	SAC S/S Cartridge Center Pole 3000 mm (Dual)	SACPL2-120/3000-S/S	78383	64.5
1a	S/S Extender Pole (for use with S/S Dual Cartridge Center Pole)	MHP-EP-S/S	77599	24.5
2	SAC Repl Cartridge S/S 600 mm	CART-24/600-S/S	78576	4.5
	SAC Repl Cartridge S/S 750 mm	CART-30/750-S/S	78577	5.6
	SAC Repl Cartridge S/S 900 mm	CART-36/900-S/S	78578	6.7
	SAC Repl Cartridge S/S 1050 mm	CART-42/1050-S/S	78579	7.8
	SAC Repl Cartridge S/S 1200 mm	CART-48/1200-S/S	78580	8.9
	SAC Repl Cartridge S/S 1350 mm	CART-54/1350-S/S	78581	10.0
	SAC Repl Cartridge S/S 1500 mm	CART-60/1500-S/S	78582	11.3
	SAC Repl Cartridge S/S 1800 mm	CART-72/1800-S/S	78583	13.5
	SAC Repl Cartridge S/S 1500 mm (Dual)	CART2-60/1500-S/S	78584	11.2
	SAC Repl Cartridge S/S 1800 mm (Dual)	CART2-72/1800-S/S	78585	13.4
	SAC Repl Cartridge S/S 1950 mm (Dual)	CART2-78/1950-S/S	78635	14.5
	SAC Repl Cartridge S/S 2100 mm (Dual)	CART2-84/2100-S/S	78586	15.6
	SAC Repl Cartridge S/S 2400 mm (Dual)	CART2-96/2400-S/S	78587	17.8
	SAC Repl Cartridge S/S 3000 mm (Dual)	CART2-120/3000-S/S	78588	22.6



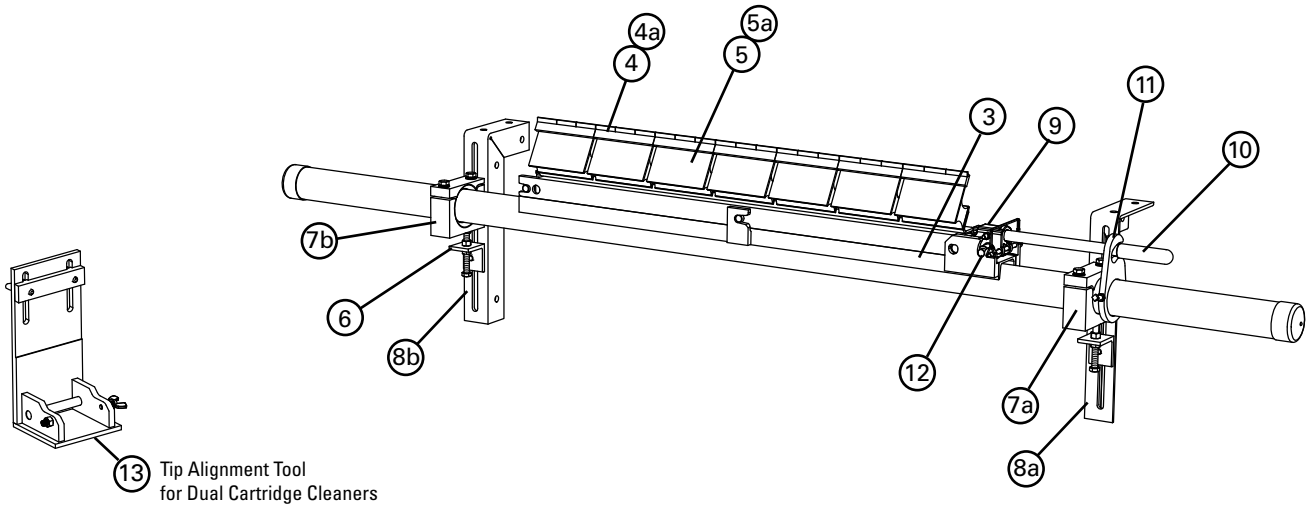
Dual cartridge model only

Stock items (non-shaded) refer to (*) for specific lead time, if not specified, standard lead time applies.

Non-stock items (shaded) please contact Flexco for dispatch options and lead times.

Replacement Parts List

P-Type® SAC (Stainless Steel) Secondary Cleaner with Service Advantage Cartridge™



Replacement Parts (Continued)

REF	DESCRIPTION	ORDERING NUMBER	ITEM CODE	WT. KG
3	SAC Cartridge P-Type® S/S Adapter Plate 600 mm	PCAP-24/600-S/S	78355	2.1
	SAC Cartridge P-Type S/S Adapter Plate 750 mm §	PCAP-30/750-S/S	78356	2.8
	SAC Cartridge P-Type S/S Adapter Plate 900 mm §	PCAP-36/900-S/S	78357	3.3
	SAC Cartridge P-Type S/S Adapter Plate 1050 mm §	PCAP-42/1050-S/S	78358	3.9
	SAC Cartridge P-Type S/S Adapter Plate 1200 mm §	PCAP-48/1200-S/S	78359	4.4
	SAC Cartridge P-Type S/S Adapter Plate 1350 mm	PCAP-54/1350-S/S	78360	5.0
	SAC Cartridge P-Type S/S Adapter Plate 1500 mm §	PCAP-60/1500-S/S	78361	5.6
	SAC Cartridge P-Type S/S Adapter Plate 1800 mm	PCAP-72/1800-S/S	78362	6.7
4	C-Tip	CT6	74535	0.4
4a	S/S P V-Tip	PVT6-S/S	75420	0.4
5	S/S P Cushion*	PHSC-S/S	73433	1.6
5a	HD P-Type Cushion S/S	HDPHSC-S/S	61001	1.0
6	P/R Adjusting Bracket S/S	PAB-S/S	75515	0.4
7a	Cradle Clamp LH S/S CRDLBLK-LH	CRDLBLK-RH-S/S	A2825	1.2
7b	Cradle Clamp RH S/S CRDLBLK-RH	CRDLBLK-LH-S/S	A2826	1.2
8a	Mounting Bracket Kit RH S/S	PMBR-S/S	75521	3.8
8b	Mounting Bracket Kit LH S/S	PMBL-S/S	75518	3.8
9	SAC Removal Knuckle	SACRKN	77882	1.5
10	SAC Removal Handle S/S	SACRH-S/S	78397	1.4
11	SAC Handle Lock Plate S/S	SACRHL-S/S	78398	0.8
12	Knuckle Retainer Pin S/S	SACKRP-S/S	78399	0.1
-	SAC Removal Kit S/S (includes 1 ea. items 9,10,11,12)	SACRKT-S/S	78401	4.1
13	SAC Cartridge Tip Alignment Tool (Dual)	SAC2-TIP-TL	77866	1.1
-	Cradle Clamp Stainless Steel Heavy-Duty Mounting Kit (incl. 2 ea. item 6; incl. 1 ea. items 7a, 7b, 8a, 8b)	CRHMK-S/S	62095	10.8

§ If using a dual cartridge, please take the cleaner size and divide by two. That dimension is the size of the brackets needed for conversion to a P-Type cleaner.

Stock items (non-shaded) refer to (*) for specific lead time, if not specified, standard lead time applies.

Non-stock items (shaded) please contact Flexco for dispatch options and lead times.

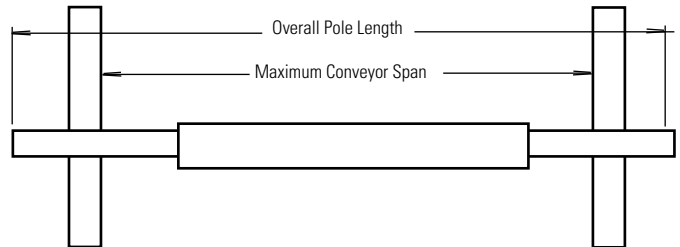
Specifications & Guidelines

P-Type[®] SAC
Secondary Cleaner
with Service Advantage Cartridge™

Pole Length Specifications*

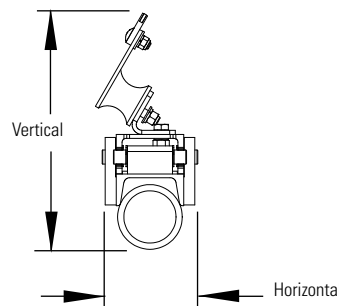
VERSION	CLEANER SIZE mm	BLADE WIDTH mm	POLE LENGTH mm	MAXIMUM CONVEYOR SPAN mm
Single	600	600	1950	1650
	750	750	2100	1800
	900	900	2250	1950
	1050	1050	2400	2100
	1200	1200	2550	2250
	1350	1350	2700	2400
	1500	1500	2850	2550
Dual	1800	1800	3150	2850
	1500	1500	3000	2700
	1800	1800	3300	3000
	2100	2100	3600	3300
	2400	2400	3900	3600
	3000	3000	4500	4200

*For special extra long pole length requirements a Pole Extender Kit (#76024) is available that provides 750 mm of extended pole length.
Pole Diameter - 73 mm



Clearance Guidelines for Installation

VERSION	HORIZONTAL CLEARANCE REQUIRED mm	VERTICAL CLEARANCE REQUIRED mm
Single	114	267
Dual	114	311



Specifications:

- Maximum Belt Speed5 m/s
- Temperature Rating-35°C to 82°C
- Usable Blade Wear Length.....9 mm
- Blade MaterialsC-Tip: Impact Resistant Tungsten Carbide (works with mechanical fasteners)
V-Tip: Long Life Tungsten Carbide (for vulcanised belts only)
- Available for Belt Widths600 to 3000 mm. Other sizes available upon request.

Product Ordering Information

R-Type® SAC Secondary Cleaner with Service Advantage Cartridge™

R-Type® SAC Secondary with V-Tips*

BELT WIDTH mm	ORDERING NUMBER	ITEM CODE	WT. KG
600	RV600-SAC	78033	58.3
750	RV750-SAC	78034	63.3
900	RV900-SAC	78035	68.3
1050	RV1050-SAC	78036	73.3
1200	RV1200-SAC	78037	78.3
1350	RV1350-SAC	78038	83.3
1500	RV1500-SAC	78039	88.4
1800	RV1800-SAC	78040	98.3
1500	RV1500-2SAC	78041	107.5
1800	RV1800-2SAC	78042	117.7
2100	RV2100-2SAC	78043	127.8
2400	RV2400-2SAC	78044	138.0
3000	RV3000-2SAC	78045	160.6

*NOTE: V-Tips can be used ONLY on vulcanised belts.

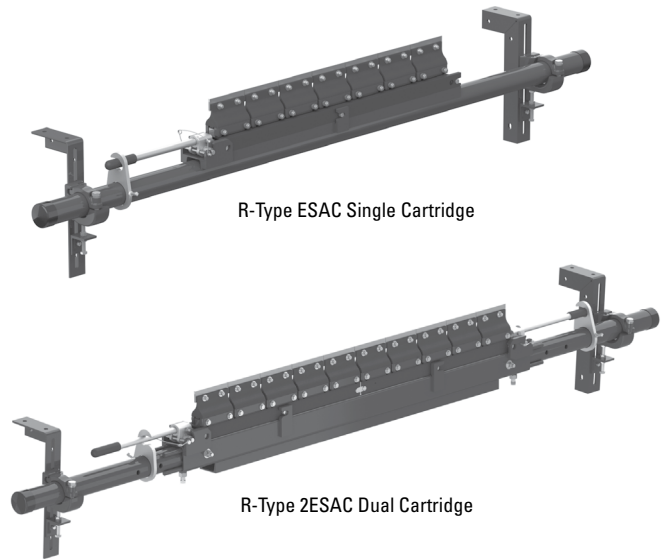
R-Type SAC Stainless Steel Secondary with V-Tips*

BELT WIDTH mm	ORDERING NUMBER	ITEM CODE	WT. KG
600	RV600-SAC-S/S	78342	58.3
750	RV750-SAC-S/S	78343	63.3
900	RV900-SAC-S/S	78344	68.3
1050	RV1050-SAC-S/S	78345	73.3
1200	RV1200-SAC-S/S	78346	78.3
1350	RV1350-SAC-S/S	78347	83.3
1500	RV1500-SAC-S/S	78348	88.4
1800	RV1800-SAC-S/S	78349	98.3
1500	RV1500-2SAC-S/S	78350	107.5
1800	RV1800-2SAC-S/S	78351	117.7
1950	RV1950-2SAC-S/S	78663	122.7
2100	RV2100-2SAC-S/S	78352	127.8
2400	RV2400-2SAC-S/S	78353	138.0
3000	RV3000-2SAC-S/S	78354	160.6

*NOTE: V-Tips can be used ONLY on vulcanised belts.

Product Notes:

- Patented Service Advantage Cartridge™ allows for easy removal in even the dirtiest conditions.
- Pole Length: Belt width plus 1350mm (single cartridge cleaners); Belt width plus 1500mm (dual cartridge cleaners).
- Two-way cushions allow cleaning in both directions.
- C-Tips are for mechanically fastened or vulcanised belts. V-Tips are for vulcanised belts only.
- Tensioner mounting brackets included for fast and easy installation.
- Cartridge Removal Kit included for easy removal of the cartridge.



R-Type ESAC Single Cartridge

R-Type 2ESAC Dual Cartridge

Replacement Tips

ORDERING NUMBER	ITEM CODE	WT. KG
CT6 (C-Tip)	74535	0.4
RSA150 (V-Tip)	73628	0.4

Tips Required Per Cleaner Size

BELT WIDTH mm	BLADE COVERAGE mm	V-TIPS REQUIRED
600	600	4
750	750	5
900	900	6
1050	1050	7
1200	1200	8
1350	1350	9
1500	1500	10
1800	1800	12
2100	2100	14
2400	2400	16
3000	3000	20

Stock items (non-shaded) refer to (*) for specific lead time, if not specified, standard lead time applies.

Non-stock items (shaded) please contact Flexco for dispatch options and lead times.

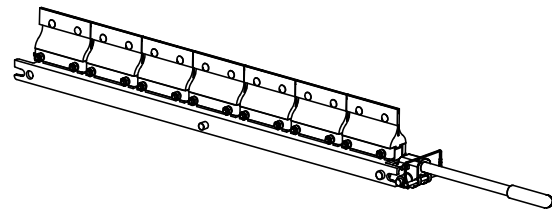
Product Ordering Information

R-Type® SAC
Secondary Cleaner
with Service Advantage Cartridge™

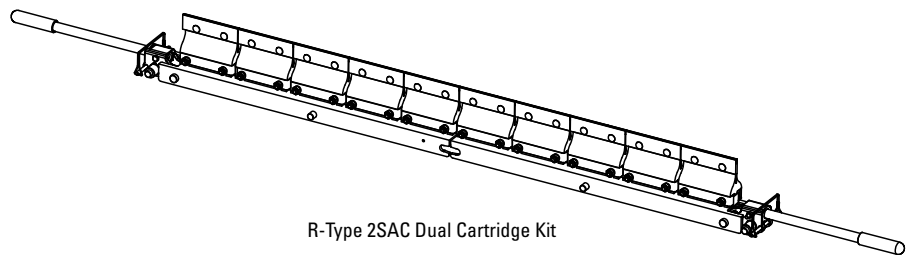
R-Type® SAC Cartridge Kits with V-Tips*

BELT WIDTH mm	ORDERING NUMBER	ITEM CODE	WT. KG
600	R-CARK-V24/600	78106	12.3
750	R-CARK-V30/750	78107	14.7
900	R-CARK-V36/900	78108	16.5
1050	R-CARK-V42/1050	78109	19.3
1200	R-CARK-V48/1200	78110	21.6
1350	R-CARK-V54/1350	78111	24.0
1500	R-CARK-V60/1500	78112	26.4
1800	R-CARK-V72/1800	78113	31.1
1500	R-CARK2-V60/1500	78119	31.6
1800	R-CARK2-V72/1800	78120	33.9
2100	R-CARK2-V84/2100	78121	38.6
2400	R-CARK2-V96/2400	78122	43.3
3000	R-CARK2-V120/3000	78123	52.8

*NOTE: V-Tips can be used ONLY on vulcanised belts.



R-Type SAC Single Cartridge Kit



R-Type 2SAC Dual Cartridge Kit

R-Type SAC Stainless Steel Cartridge Kits with V-Tips*

BELT WIDTH mm	ORDERING NUMBER	ITEM CODE	WT. KG
600	R-CARK-V24/600-S/S RVECKS/S	82828	12.3
750	R-CARK-V30/750-S/S RVECKS/S	82829	14.7
900	R-CARK-V36/900-S/S RVECKS/S	82830	16.5
1050	R-CARK-V42/1050-S/S RVECKS/S	82831	19.3
1200	R-CARK-V48/1200-S/S RVECKS/S	82832	21.6
1350	R-CARK-V54/1350-S/S RVECKS/S	82833	24.0
1500	R-CARK-V60/1500-S/S RVECKS/S	82834	26.4
1800	R-CARK-V72/1800-S/S RVECKS/S	82835	31.1
1500	R-CARK2-V60/1500-S/S RV2ECKSS	82836	31.6
1800	R-CARK2-V72/1800-S/S RV2ECKSS	82837	33.9
2100	R-CARK2-V84/2100-S/S RV2ECKSS	82838	38.6
2400	R-CARK2-V96/2400-S/S RV2ECKSS	82839	43.3
3000	R-CARK2-V120/3000-S/S RV2ECKSS	82840	52.8

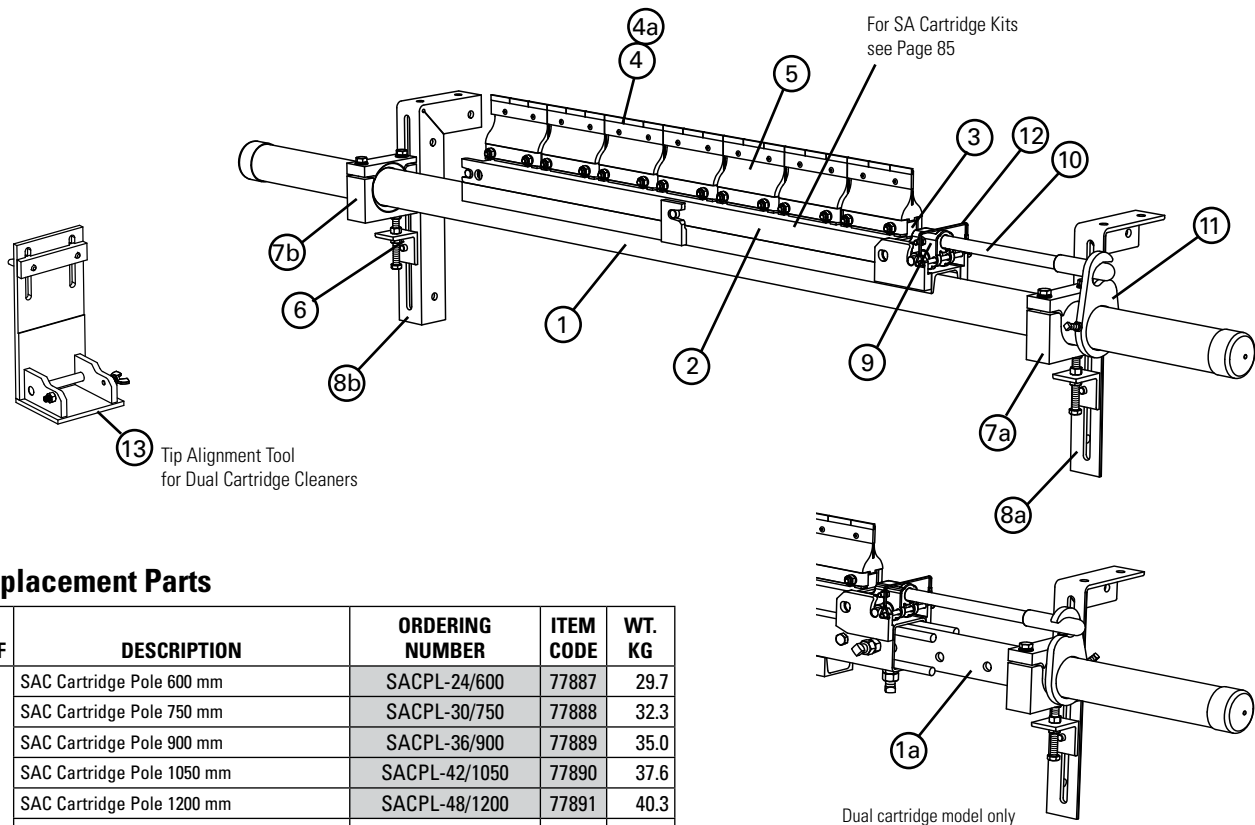
*NOTE: V-Tips can be used ONLY on vulcanised belts.

Stock items (non-shaded) refer to (*) for specific lead time, if not specified, standard lead time applies.

Non-stock items (shaded) please contact Flexco for dispatch options and lead times.

Replacement Parts List

R-Type® SAC (Mild Steel) Secondary Cleaner with Service Advantage Cartridge™



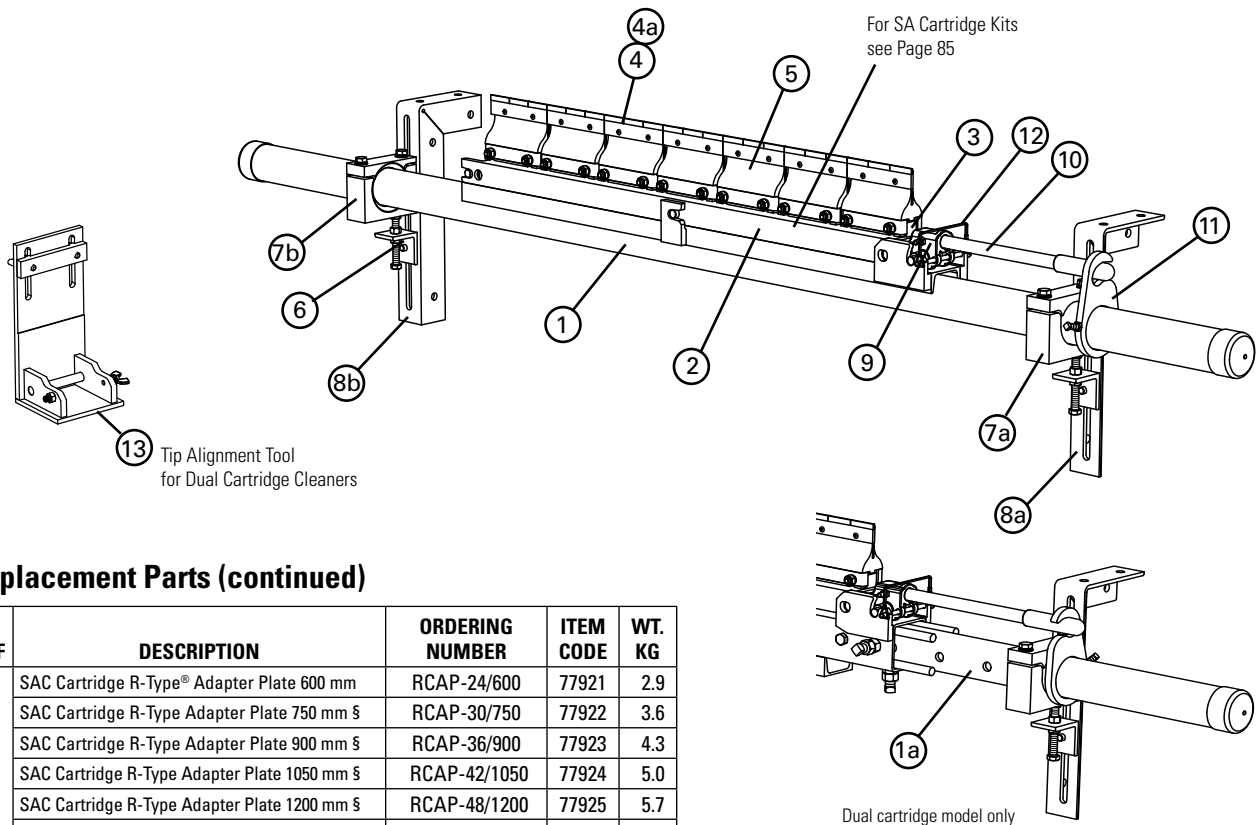
Replacement Parts

REF	DESCRIPTION	ORDERING NUMBER	ITEM CODE	WT. KG
1	SAC Cartridge Pole 600 mm	SACPL-24/600	77887	29.7
	SAC Cartridge Pole 750 mm	SACPL-30/750	77888	32.3
	SAC Cartridge Pole 900 mm	SACPL-36/900	77889	35.0
	SAC Cartridge Pole 1050 mm	SACPL-42/1050	77890	37.6
	SAC Cartridge Pole 1200 mm	SACPL-48/1200	77891	40.3
	SAC Cartridge Pole 1350 mm	SACPL-54/1350	77892	42.9
	SAC Cartridge Pole 1500 mm	SACPL-60/1500	77893	45.6
	SAC Cartridge Pole 1800 mm	SACPL-72/1800	77894	50.9
	SAC Cartridge Center Pole 1500 mm (Dual)	SACPL2-60/1500	77895	35.1
	SAC Cartridge Center Pole 1800 mm (Dual)	SACPL2-72/1800	77896	40.6
	SAC Cartridge Center Pole 2100 mm (Dual)	SACPL2-84/2100	77897	46.2
	SAC Cartridge Center Pole 2400 mm (Dual)	SACPL2-96/2400	77898	51.8
	SAC Cartridge Center Pole 3000 mm (Dual)	SACPL2-120/3000	77899	64.5
1a	Extender Pole (for use with Dual Cartridge Center Pole)	MHP-EP	76392	24.5
2	SAC Repl Cartridge S/S 600 mm	CART-24/600-S/S	78576	4.5
	SAC Repl Cartridge S/S 750 mm	CART-30/750-S/S	78577	5.6
	SAC Repl Cartridge S/S 900 mm	CART-36/900-S/S	78578	6.7
	SAC Repl Cartridge S/S 1050 mm	CART-42/1050-S/S	78579	7.8
	SAC Repl Cartridge S/S 1200 mm	CART-48/1200-S/S	78580	8.9
	SAC Repl Cartridge S/S 1350 mm	CART-54/1350-S/S	78581	10.0
	SAC Repl Cartridge S/S 1500 mm	CART-60/1500-S/S	78582	11.3
	SAC Repl Cartridge S/S 1800 mm	CART-72/1800-S/S	78583	13.5
	SAC Repl Cartridge S/S 1500 mm (Dual)	CART2-60/1500-S/S	78584	11.2
	SAC Repl Cartridge S/S 1800 mm (Dual)	CART2-72/1800-S/S	78585	13.4
	SAC Repl Cartridge S/S 1950 mm (Dual)	CART2-78/1950-S/S	78635	14.5
	SAC Repl Cartridge S/S 2100 mm (Dual)	CART2-84/2100-S/S	78586	15.6
	SAC Repl Cartridge S/S 2400 mm (Dual)	CART2-96/2400-S/S	78587	17.8
	SAC Repl Cartridge S/S 3000 mm (Dual)	CART2-120/3000-S/S	78588	22.6

Stock items (non-shaded) refer to (*) for specific lead time, if not specified, standard lead time applies.
 Non-stock items (shaded) please contact Flexco for dispatch options and lead times.

Replacement Parts List

R-Type® SAC (Mild Steel) Secondary Cleaner with Service Advantage Cartridge™



Replacement Parts (continued)

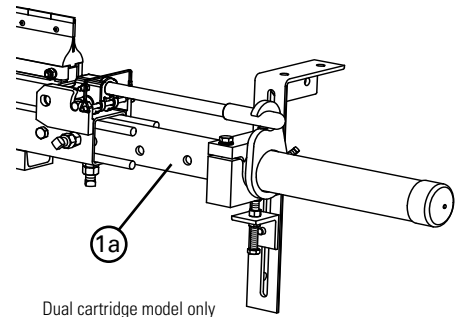
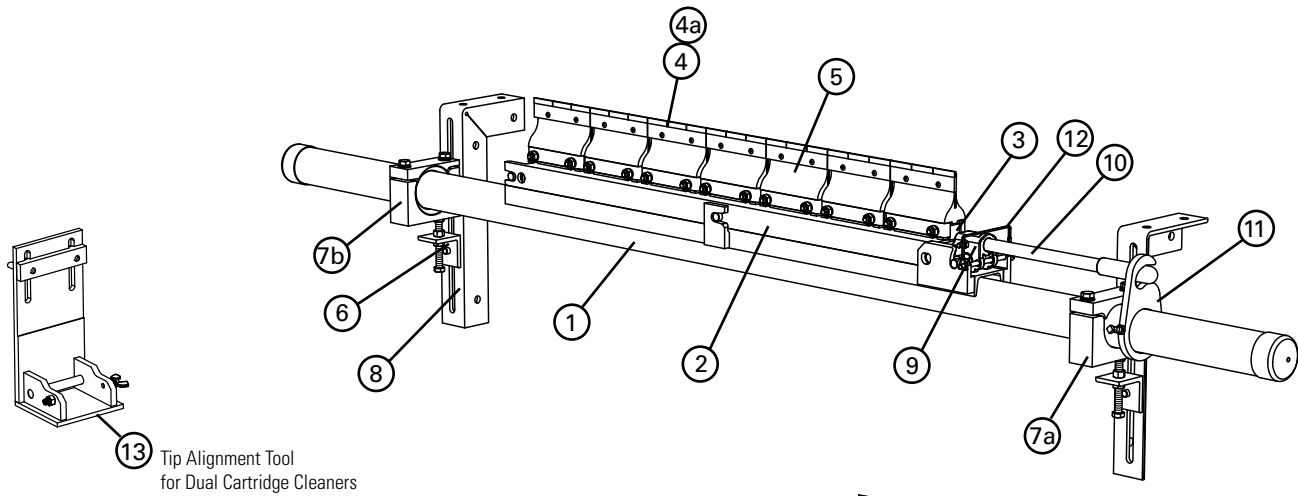
REF	DESCRIPTION	ORDERING NUMBER	ITEM CODE	WT. KG
3	SAC Cartridge R-Type® Adapter Plate 600 mm	RCAP-24/600	77921	2.9
	SAC Cartridge R-Type Adapter Plate 750 mm §	RCAP-30/750	77922	3.6
	SAC Cartridge R-Type Adapter Plate 900 mm §	RCAP-36/900	77923	4.3
	SAC Cartridge R-Type Adapter Plate 1050 mm §	RCAP-42/1050	77924	5.0
	SAC Cartridge R-Type Adapter Plate 1200 mm §	RCAP-48/1200	77925	5.7
	SAC Cartridge R-Type Adapter Plate 1350 mm	RCAP-54/1350	77926	6.4
	SAC Cartridge R-Type Adapter Plate 1500 mm §	RCAP-60/1500	77927	7.2
	SAC Cartridge R-Type Adapter Plate 1800 mm	RCAP-72/1800	77928	8.6
4	C-Tip*	CT6	74535	0.4
4a	R V-Tip* (for vulcanised belts only)	RSA150	73628	0.4
5	Cushion*	RSA	76249	0.4
6	P/R Adjusting Bracket	PAB	75513	0.4
7a	Cradle Clamp Block RH	SMR-CCB-R73	A2843	1.2
7b	Cradle Clamp Block LH	SMR-CCB-L73	A2842	1.2
8a	Mounting Bracket Kit, RH	PMBR	75519	3.8
8b	Mounting Bracket Kit, LH	PMBL	75516	3.8
9	SAC Removal Knuckle	SACRKN	77882	1.5
10	SAC Removal Handle	SACRH	77883	1.4
11	SAC Handle Lock Plate	SACRHL	77884	0.8
12	Knuckle Retainer Pin	SACKRP	77885	0.1
-	SAC Removal Kit (includes 1 ea. items 9,10,11,12)	SACRKT	77886	4.1
13	SAC Cartridge Tip Alignment Tool (Dual)	SAC2-TIP-TL	77866	1.1
-	Cradle Clamp Heavy-Duty Mounting Kit (inc. 2 ea. items 6, 8; 1 ea. items 7a, 7b)	CRHMK	62400	10.8

§ If using a dual cartridge, please take the cleaner size and divide by two. That dimension is the size of the brackets needed for conversion to an R-Type cleaner.

Stock items (non-shaded) refer to (*) for specific lead time, if not specified, standard lead time applies.
Non-stock items (shaded) please contact Flexco for dispatch options and lead times.

Replacement Parts List

R-Type® SAC (Stainless Steel) Secondary Cleaner with Service Advantage Cartridge™



Replacement Parts

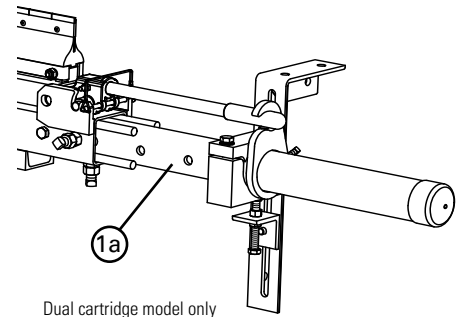
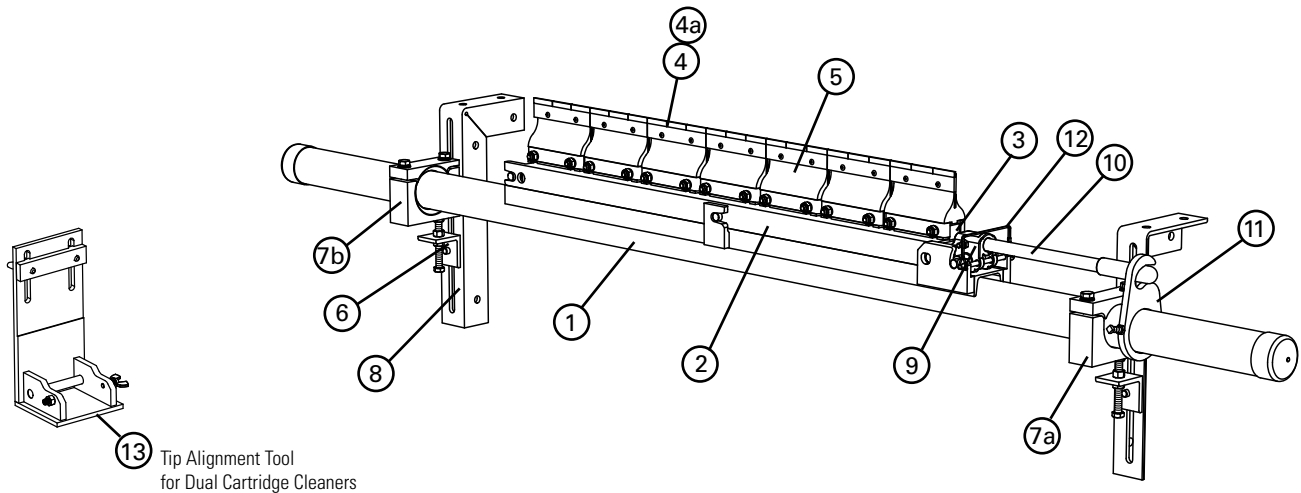
REF	DESCRIPTION	ORDERING NUMBER	ITEM CODE	WT. KG
1	SAC S/S Cartridge Pole 600 mm	SACPL-24/600-S/S	78371	29.7
	SAC S/S Cartridge Pole 750 mm	SACPL-30/750-S/S	78372	32.3
	SAC S/S Cartridge Pole 900 mm	SACPL-36/900-S/S	78373	35.0
	SAC S/S Cartridge Pole 1050 mm	SACPL-42/1050-S/S	78374	37.6
	SAC S/S Cartridge Pole 1200 mm	SACPL-48/1200-S/S	78375	40.3
	SAC S/S Cartridge Pole 1350 mm	SACPL-54/1350-S/S	78376	42.9
	SAC S/S Cartridge Pole 1500 mm	SACPL-60/1500-S/S	78377	45.6
	SAC S/S Cartridge Pole 1800 mm	SACPL-72/1800-S/S	78378	50.9
	SAC S/S Cartridge Center Pole 1500 mm (Dual)	SACPL2-60/1500-S/S	78379	35.1
	SAC S/S Cartridge Center Pole 1800 mm (Dual)	SACPL2-72/1800-S/S	78380	40.6
	SAC S/S Cartridge Center Pole 1950 mm (Dual)	SACPL2-78/1950-S/S	78642	43.9
	SAC S/S Cartridge Center Pole 2100 mm (Dual)	SACPL2-84/2100-S/S	78381	46.2
	SAC S/S Cartridge Center Pole 2400 mm (Dual)	SACPL2-96/2400-S/S	78382	51.8
	SAC S/S Cartridge Center Pole 3000 mm (Dual)	SACPL2-120/3000-S/S	78383	64.5
1a	S/S Extender Pole (for use with S/S Dual Cartridge Center Pole)	MHP-EP-S/S	77599	24.5
2	SAC Repl Cartridge S/S 600 mm	CART-24/600-S/S	78576	4.5
	SAC Repl Cartridge S/S 750 mm	CART-30/750-S/S	78577	5.6
	SAC Repl Cartridge S/S 900 mm	CART-36/900-S/S	78578	6.7
	SAC Repl Cartridge S/S 1050 mm	CART-42/1050-S/S	78579	7.8
	SAC Repl Cartridge S/S 1200 mm	CART-48/1200-S/S	78580	8.9
	SAC Repl Cartridge S/S 1350 mm	CART-54/1350-S/S	78581	10.0
	SAC Repl Cartridge S/S 1500 mm	CART-60/1500-S/S	78582	11.3
	SAC Repl Cartridge S/S 1800 mm	CART-72/1800-S/S	78583	13.5
	SAC Repl Cartridge S/S 1500 mm (Dual)	CART2-60/1500-S/S	78584	11.2
	SAC Repl Cartridge S/S 1800 mm (Dual)	CART2-72/1800-S/S	78585	13.4
	SAC Repl Cartridge S/S 1950 mm (Dual)	CART2-78/1950-S/S	78635	14.5
	SAC Repl Cartridge S/S 2100 mm (Dual)	CART2-84/2100-S/S	78586	15.6
	SAC Repl Cartridge S/S 2400 mm (Dual)	CART2-96/2400-S/S	78587	17.8
	SAC Repl Cartridge S/S 3000 mm (Dual)	CART2-120/3000-S/S	78588	22.6

Stock items (non-shaded) refer to (*) for specific lead time, if not specified, standard lead time applies.

Non-stock items (shaded) please contact Flexco for dispatch options and lead times.

Replacement Parts List

R-Type® SAC (Stainless Steel) Secondary Cleaner with Service Advantage Cartridge™



Replacement Parts (continued)

REF	DESCRIPTION	ORDERING NUMBER	ITEM CODE	WT. KG
3	SAC Cartridge R-Type® S/S Adapter Plate 600 mm	RCAP-24/600-S/S	78363	2.9
	SAC Cartridge R-Type S/S Adapter Plate 750 mm §	RCAP-30/750-S/S	78364	3.6
	SAC Cartridge R-Type S/S Adapter Plate 900 mm §	RCAP-36/900-S/S	78365	4.3
	SAC Cartridge R-Type S/S Adapter Plate 1050 mm §	RCAP-42/1050-S/S	78366	5.0
	SAC Cartridge R-Type S/S Adapter Plate 1200 mm §	RCAP-48/1200-S/S	78367	5.7
	SAC Cartridge R-Type S/S Adapter Plate 1350 mm	RCAP-54/1350-S/S	78368	6.4
	SAC Cartridge R-Type S/S Adapter Plate 1500 mm §	RCAP-60/1500-S/S	78369	7.2
	SAC Cartridge R-Type S/S Adapter Plate 1800 mm	RCAP-72/1800-S/S	78370	8.6
4	C-Tip	CT6	74535	0.4
4a	S/S V-Tip* (for vulcanised belts only)	RVT6-S/S	76205	0.4
5	S/S R Cushion*	RC-S/S	76250	1.4
6	P/R Adjusting Bracket S/S	PAB-S/S	75515	0.4
7a	Cradle Clamp LH S/S CRDLBLK-LH	CRDLBLK-RH-S/S	A2825	1.2
7b	Cradle Clamp RH S/S CRDLBLK-RH	CRDLBLK-LH-S/S	A2826	1.2
8a	Mounting Bracket Kit RH S/S	PMBR-S/S	75521	3.8
8b	Mounting Bracket Kit LH S/S	PMBL-S/S	75518	3.8
9	SAC Removal Knuckle	SACRKN	77882	1.5
10	SAC Removal Handle S/S	SACRH-S/S	78397	1.4
11	SAC Handle Lock Plate S/S	SACRHL-S/S	78398	0.8
12	Knuckle Retainer Pin S/S	SACKRP-S/S	78399	0.1
-	SAC Removal Kit S/S (includes 1 ea. items 9,10,11,12)	SACRKT-S/S	78401	4.1
13	SAC Cartridge Tip Alignment Tool (Dual)	SAC2-TIP-TL	77866	1.1
-	Cradle Clamp Stainless Steel Heavy-Duty Mounting Kit (incl. 2 ea. item 6; incl. 1 ea. items 7a, 7b, 8a, 8b)	CRHMK-S/S	62095	10.8

§ If using a dual cartridge, please take the cleaner size and divide by two. That dimension is the size of the brackets needed for conversion to an R-Type cleaner.

Stock items (non-shaded) refer to (*) for specific lead time, if not specified, standard lead time applies.

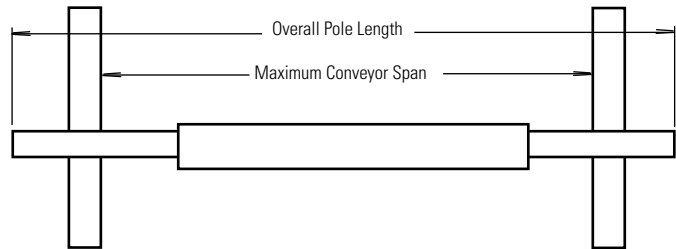
Non-stock items (shaded) please contact Flexco for dispatch options and lead times.

Specifications & Guidelines

R-Type® SAC
Secondary Cleaner
with Service Advantage Cartridge™

Pole Length Specifications*

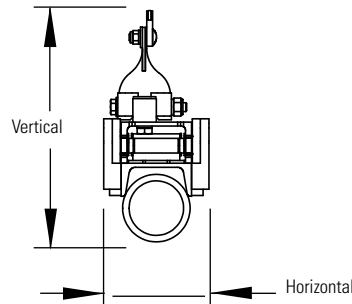
VERSION	CLEANER SIZE mm	BLADE WIDTH mm	POLE LENGTH mm	MAXIMUM CONVEYOR SPAN mm
Single	600	600	1950	1650
	750	750	2100	1800
	900	900	2250	1950
	1050	1050	2400	2100
	1200	1200	2550	2250
	1350	1350	2700	2400
	1500	1500	2850	2550
Dual	1800	1800	3150	2850
	1500	1500	3000	2700
	1800	1800	3300	3000
	2100	2100	3600	3300
	2400	2400	3900	3600
	3000	3000	4500	4200



*For special extra long pole length requirements a Pole Extender Kit (#76024) is available that provides 750 mm of extended pole length. Pole Diameter - 73 mm

Clearance Guidelines for Installation

VERSION	HORIZONTAL CLEARANCE REQUIRED mm	VERTICAL CLEARANCE REQUIRED mm
Single	114	254
Dual	114	298



Specifications:

- Maximum Belt Speed5 m/s
- Temperature Rating-35°C to 82°C
- Usable Blade Wear Length.....9 mm
- Blade MaterialsC-Tip: Impact Resistant Tungsten Carbide (works with mechanical fasteners)
V-Tip: Long Life Tungsten Carbide (for vulcanised belts only)
- Available for Belt Widths600 to 3000 mm. Other sizes available upon request.

Product Ordering Information

MHS SAC HD Secondary Cleaner with Service Advantage Cartridge™

MHS SAC Secondary with V-Tips*

BELT WIDTH mm	ORDERING NUMBER	ITEM CODE	WT. KG
600	MHS-600V-SAC	78162	88.5
750	MHS-750V-SAC	78163	93.7
900	MHS-900V-SAC	78164	99.1
1050	MHS-1050V-SAC	78165	104.4
1200	MHS-1200V-SAC	78166	109.6
1350	MHS-1350V-SAC	78167	114.8
1500	MHS-1500V-SAC	78168	120.2
1800	MHS-1800V-SAC	78169	130.8
1500	MHS-1500V-2SAC	78170	140.2
1800	MHS-1800V-2SAC	78171	151.0
2100	MHS-2100V-2SAC	78172	161.8
2400	MHS-2400V-2SAC	78173	172.9
3000	MHS-3000V-2SAC	78174	196.2

*NOTE: V-Tips can be used ONLY on vulcanised belts.

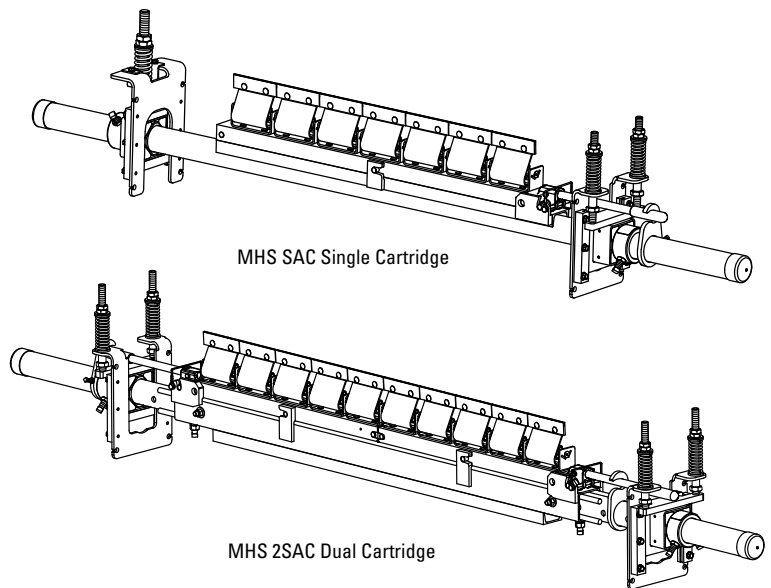
MHS SAC Stainless Steel Secondary with V-Tips*

BELT WIDTH mm	ORDERING NUMBER	ITEM CODE	WT. KG
600	MHS-600V-SAC-S/S	78537	88.5
750	MHS-750V-SAC-S/S	78538	93.7
900	MHS-900V-SAC-S/S	78539	99.1
1050	MHS-1050V-SAC-S/S	78540	104.4
1200	MHS-1200V-SAC-S/S	78541	109.6
1350	MHS-1350V-SAC-S/S	78542	114.8
1500	MHS-1500V-SAC-S/S	78543	120.2
1800	MHS-1800V-SAC-S/S	78544	130.8
1500	MHS-1500V-2SAC-S/S	78545	140.2
1800	MHS-1800V-2SAC-S/S	78546	151.0
1950	MHS-1950V-2SAC-S/S	78649	156.0
2100	MHS-2100V-2SAC-S/S	78547	161.8
2400	MHS-2400V-2SAC-S/S	78548	172.9
3000	MHS-3000V-2SAC-S/S	78549	196.2

*NOTE: V-Tips can be used ONLY on vulcanised belts.

Product Notes:

- Patented Service Advantage Cartridge™ allows for easy removal in even the dirtiest conditions.
- Heavy-duty design to deliver maximum cleaning efficiency on the most demanding, abusive beltlines.
- Pole Length: Belt width plus 1350 mm (single cartridge cleaners); Belt width plus 1500 mm (dual cartridge cleaners).
- Patented PowerFlex™ cushion design to maintain continuous blade-to-belt contact and quick relief from passing mechanical splices.
- C-Tips are for mechanically fastened or vulcanised belts. V-Tips are for vulcanised belts only.
- Visual Blade Tension Check: Measure the tension spring and refer to Spring Length Chart on mounting base for the correct length for best cleaning performance.
- Tensioner mounting brackets included for fast and easy installation.
- Cartridge Removal Kit included for easy removal of the cartridge.



Replacement Tips

ORDERING NUMBER	ITEM CODE	WT. KG
CT6 (C-Tip)	74535	0.4
RSA150 (V-Tip)	73628	0.4

Tips Required Per Cleaner Size

BELT WIDTH mm	BLADE COVERAGE mm	V-TIPS REQUIRED
600	600	4
750	750	5
900	900	6
1050	1050	7
1200	1200	8
1350	1350	9
1500	1500	10
1800	1800	12
2100	2100	14
2400	2400	16
3000	3000	20

Stock items (non-shaded) refer to (*) for specific lead time, if not specified, standard lead time applies.

Non-stock items (shaded) please contact Flexco for dispatch options and lead times.

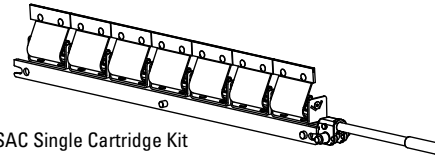
Product Ordering Information

MHS SAC
HD Secondary Cleaner
with Service Advantage Cartridge™

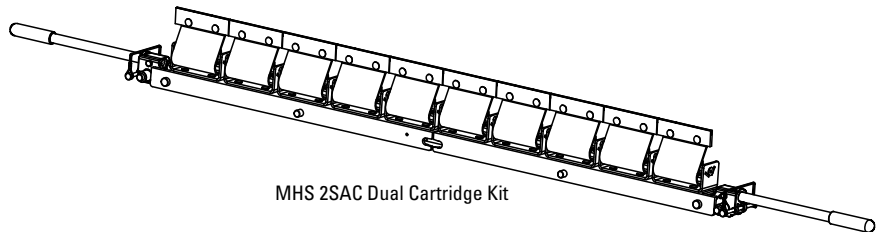
MHS SAC Cartridge Kits with V-Tips*

BELT WIDTH mm	ORDERING NUMBER	ITEM CODE	WT. KG
600	MHS-CARK-V24/600	77937	13.3
750	MHS-CARK-V30/750	77938	15.9
900	MHS-CARK-V36/900	77939	18.5
1050	MHS-CARK-V42/1050	77940	21.1
1200	MHS-CARK-V48/1200	77941	23.7
1350	MHS-CARK-V54/1350	77942	26.3
1500	MHS-CARK-V60/1500	77943	28.9
1800	MHS-CARK-V72/1800	77944	34.2
1500	MHS-CARK2-V60/1500	77950	31.8
1800	MHS-CARK2-V72/1800	77951	37.0
2100	MHS-CARK2-V84/2100	77952	42.2
2400	MHS-CARK2-V96/2400	77953	47.4
3000	MHS-CARK2-V120/3000	77954	57.9

*NOTE: V-Tips can be used ONLY on vulcanised belts.



MHS SAC Single Cartridge Kit



MHS 2SAC Dual Cartridge Kit

MHS SAC Stainless Steel Cartridge Kits with V-Tips*

BELT WIDTH mm	ORDERING NUMBER	ITEM CODE	WT. KG
600	MHS-CARK-V24/600-S/S MVECKS/S	82841	13.3
750	MHS-CARK-V30/750-S/S MVECKS/S	82842	15.9
900	MHS-CARK-V36/900-S/S MVECKS/S	82843	18.5
1050	MHS-CARK-V42/1050-S/S MVECKS/S	82844	21.1
1200	MHS-CARK-V48/1200-S/S MVECKS/S	82845	23.7
1350	MHS-CARK-V54/1350-S/S MVECKS/S	82846	26.3
1500	MHS-CARK-V60/1500-S/S MVECKS/S	82847	28.9
1800	MHS-CARK-V72/1800-S/S MVECKS/S	82848	34.2
1500	MHS-CARK2-V60/1500-S/S MV2CKSS	82849	31.8
1800	MHS-CARK2-V72/1800-S/S MV2CKSS	82850	37.0
2100	MHS-CARK2-V84/2100-S/S MV2CKSS	82851	42.2
2400	MHS-CARK2-V96/2400-S/S MV2CKSS	82852	47.4
3000	MHS-CARK2-V120/3000-S/S MV2CKS	82853	57.9

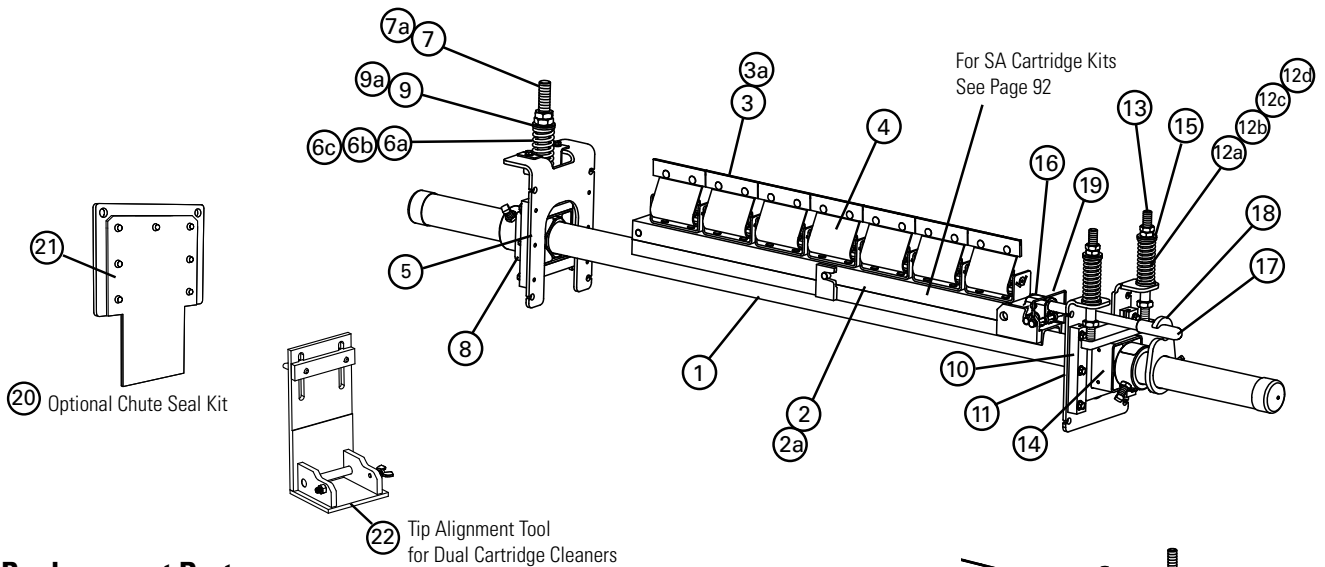
*NOTE: V-Tips can be used ONLY on vulcanised belts.

Stock items (non-shaded) refer to (*) for specific lead time, if not specified, standard lead time applies.

Non-stock items (shaded) please contact Flexco for dispatch options and lead times.

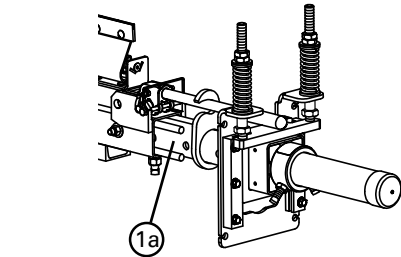
Replacement Parts List

MHS SAC (Mild Steel) HD Secondary Cleaner with Service Advantage Cartridge™



Replacement Parts

REF	DESCRIPTION	ORDERING NUMBER	ITEM CODE	WT. KG
1	SAC Cartridge Pole 600mm	SACPL-24/600	77887	29.7
	SAC Cartridge Pole 750mm	SACPL-30/750	77888	32.3
	SAC Cartridge Pole 900mm	SACPL-36/900	77889	35.0
	SAC Cartridge Pole 1050mm	SACPL-42/1050	77890	37.6
	SAC Cartridge Pole 1200mm	SACPL-48/1200	77891	40.3
	SAC Cartridge Pole 1350mm	SACPL-54/1350	77892	42.9
	SAC Cartridge Pole 1500mm	SACPL-60/1500	77893	45.6
	SAC Cartridge Pole 1800mm	SACPL-72/1800	77894	50.9
	SAC Cartridge Center Pole 1500mm (Dual)	SACPL2-60/1500	77895	35.1
	SAC Cartridge Center Pole 1800mm (Dual)	SACPL2-72/1800	77896	40.6
	SAC Cartridge Center Pole 2100mm (Dual)	SACPL2-84/2100	77897	46.2
	SAC Cartridge Center Pole 2400mm (Dual)	SACPL2-96/2400	77898	51.8
	SAC Cartridge Center Pole 3000mm (Dual)	SACPL2-120/3000	77899	64.5
1a	Extender Pole (for use with Dual Cartridge Center Pole)	MHP-EP	76392	24.5
2	SAC Repl Cartridge S/S 600 mm	CART-24/600-S/S	78576	4.5
	SAC Repl Cartridge S/S 750 mm	CART-30/750-S/S	78577	5.6
	SAC Repl Cartridge S/S 900 mm	CART-36/900-S/S	78578	6.7
	SAC Repl Cartridge S/S 1050 mm	CART-42/1050-S/S	78579	7.8
	SAC Repl Cartridge S/S 1200 mm	CART-48/1200-S/S	78580	8.9
	SAC Repl Cartridge S/S 1350 mm	CART-54/1350-S/S	78581	10.0
	SAC Repl Cartridge S/S 1500 mm	CART-60/1500-S/S	78582	11.3
	SAC Repl Cartridge S/S 1800 mm	CART-72/1800-S/S	78583	13.5
	SAC Repl Cartridge S/S 1500 mm (Dual)	CART2-60/1500-S/S	78584	11.2
	SAC Repl Cartridge S/S 1800 mm (Dual)	CART2-72/1800-S/S	78585	13.4
	SAC Repl Cartridge S/S 1950 mm (Dual)	CART2-78/1950-S/S	78635	14.5
	SAC Repl Cartridge S/S 2100 mm (Dual)	CART2-84/2100-S/S	78586	15.6
	SAC Repl Cartridge S/S 2400 mm (Dual)	CART2-96/2400-S/S	78587	17.8
SAC Repl Cartridge S/S 3000 mm (Dual)	CART2-120/3000-S/S	78588	22.6	
3	C-Tip*	CT6	74535	0.4
3a	V-Tip* (for vulcanised belts only)	RSA150	73628	0.4
4	PowerFlex™ Cushion*	SPFC	79200	0.9
5	SST HD Mounting Base Kit* (includes 1 mounting base and 2 slide guides)	SSTHDMK	77870	4.6



Dual cartridge model only

Stock items (non-shaded) refer to (*) for specific lead time, if not specified, standard lead time applies.
Non-stock items (shaded) please contact Flexco for dispatch options and lead times.

Replacement Parts List

MHS SAC (Mild Steel) HD® Secondary Cleaner with Service Advantage Cartridge™

Replacement Parts (continued)

REF	DESCRIPTION	ORDERING NUMBER	ITEM CODE	WT. KG
6a	SST Spring - White (1 ea.) for belts 450-750mm	STS-W	75846	0.2
6b	SST Spring - Silver (1 ea.) for belts 900-1500mm	STS-S	75843	0.4
6c	SST Spring - Black (1 ea.) for belts 1800-2100mm	STS-B	75844	0.5
6d	SST Spring - Gold (1 ea.) for belts over 2100mm	STS-G	78142	0.7
7	SST Adj Rod Kit*(incl. 1 rod, 2 nuts, 2 bushings, 1 washer) for belts 450-1500 mm	STAK	75847	1.3
7a	SST HD® Adj Rod Kit*(incl. 1 rod, 2 nuts, 2 HD bushings, 1 washer) for belts 1800-2100mm	STAKHD	75892	1.4
8	SST HD Torsion Pole Mount* (1 ea.)	SSTHDPM	77868	6.8
9	SST Bushing Kit - White/Silver	SSTBK-W	76636	0.1
9a	SST Bushing Kit - Black	SSTBK-B	76637	0.1
10	ST Slide Guide Kit	STGK2	77635	0.5
-	SST HD Cartridge Tensioner - White (includes 1 ea. item 5, 6a, 7, 8) for belts 450-750 mm	SST1HDM-W	78517	13.7
-	SST HD Cartridge Tensioner - Silver (includes 1 ea. item 5, 6b, 7, 8) for belts 900-1500 mm	SST1HDM-S	78518	13.9
-	SST HD Cartridge Tensioner - Black (includes 1 ea. item 5, 6c, 7a, 8) for belts 1800-2100 mm	SST1HDM-B	78519	14.1
-	SST HD Cartridge Tensioner - Gold (includes 1 ea. item 5, 6d, 7a, 8) for belts over 2100 mm	SST1HDM-G	79069	14.3
11	CST HD Mounting Base Kit*	CSTHDMK	77871	3.9
12a	CST Spring - White (1 ea.) for belts 450-750 mm	CTS-W	77742	0.2
12b	CST Spring - Silver (1 ea.) for belts 900-1500 mm	CTS-S	77743	0.2

REF	DESCRIPTION	ORDERING NUMBER	ITEM CODE	WT. KG
12c	CST Spring - Black (1 ea.) for belts 1800-2100 mm	CTS-B	77744	0.3
12d	CST Spring - Gold (1 ea.) for belts 2400-3000 mm	CTS-G	77745	0.4
13	CST Adj Rod Kit (incl. 2 rods, 4 nuts, 4 bushings, 2 washers)	CSTAK	77031	1.5
14	CST HD Torsion Pole Mount* (1 ea.)	CSTHDPM	77869	7.4
15	CST Bushing Kit (includes 4 bushings)	CSTBK	77037	0.1
-	CST HD Cartridge Tensioner - White (incl. 1 ea. item 11,13,14 and 2 ea. item 12) for belts 450-750 mm	CST1HDM-W	78513	13.7
-	CST HD Cartridge Tensioner - Silver (incl. 1 ea. item 11,13,14 and 2 ea. item 12a) for belts 900-1500 mm	CST1HDM-S	78514	13.7
-	CST HD Cartridge Tensioner - Black (includes 1 ea. item 11,13,14 and 2 ea. item 12b) for belts 1800-2100 mm	CST1HDM-B	78515	13.7
-	CST HD Cartridge Tensioner - Gold (includes 1 ea. item 11,13,14 and 2 ea. item 12c) for belts 2400-3000 mm	CST1HDM-G	78516	13.9
16	SAC Removal Knuckle	SACRKN	77882	1.5
17	SAC Removal Handle	SACRH	77883	1.4
18	SAC Handle Lock Plate	SACRHL	77884	0.8
19	Knuckle Retainer Pin	SACKRP	77885	0.1
-	SAC Removal Kit (includes 1 ea. items 16,17,18,19)	SACRKT	77886	4.1
20	SAC Chute Seal Kit	SACSK	77052	1.8
21	SAC Chute Seal Replacement Cover	SACSRC	77065	0.2
22	SAC Cartridge Tip Alignment Tool (Dual)	SAC2-TIP-TL	77866	1.1

Primary Replacement Parts

DESCRIPTION	ORDERING NUMBER	ITEM CODE	WT. KG
Primary Air Tension 60mm Complete Kit*	ATVKP-60	63861	15.2
Primary Air Tension 73mm Complete Kit*	ATVKP-73	63862	16.6
Air Tank Kit with PAT & Control Box 100psi**	ATV73-SS	66192	35.0

*includes one each: Mounting brackets, air bag, adjusting arm and hardware
**includes one each of 63862, 65803, 65571 & 66068

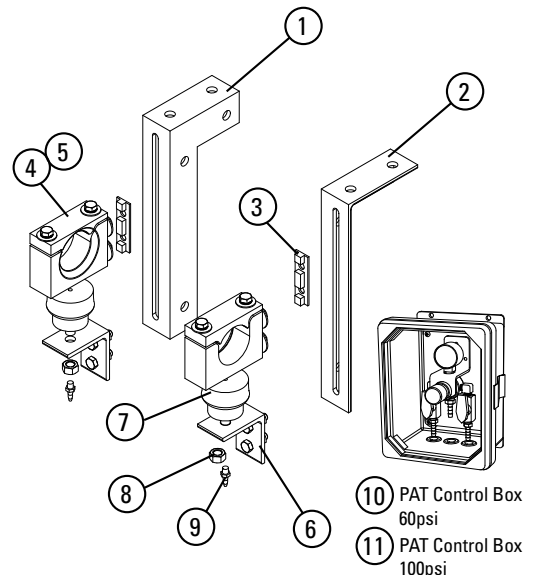
Secondary Replacement Parts

REF	DESCRIPTION	ORDERING NUMBER	ITEM CODE	WT. KG
1	Mounting Bracket LH	PMBL-S/S	75518	3.8
2	Mounting Bracket RH	PMBR-S/S	75521	3.8
3	Air Tensioner Slider	ATV-SLIDE	62425	0.2
4	Air Tension Cradle Blocks 60mm Kit	ATV-MOUNT	62424	2.4
5	Air Tension Cradle Blocks 73mm Kit	ATV-MOUNT	63073	2.4
6	Air Tension Adjusting Angle	ATV-ANGLE	62426	1.0
-	Secondary Air Tension 60mm Complete Kit*	ATVK-60	62409	13.0
-	Secondary Air Tension 73mm Complete Kit*	ATVK-73	63072	15.0
-	Air Tank Kit with PAT & Control Box 100psi**	ATVK73-SEC-SS	64743	33.0

*includes one each: mounting brackets, air tension slider, cradle kit, adjusting angle, air bag and hardware
**includes one each of 63072, 65803, 65571 & 66068

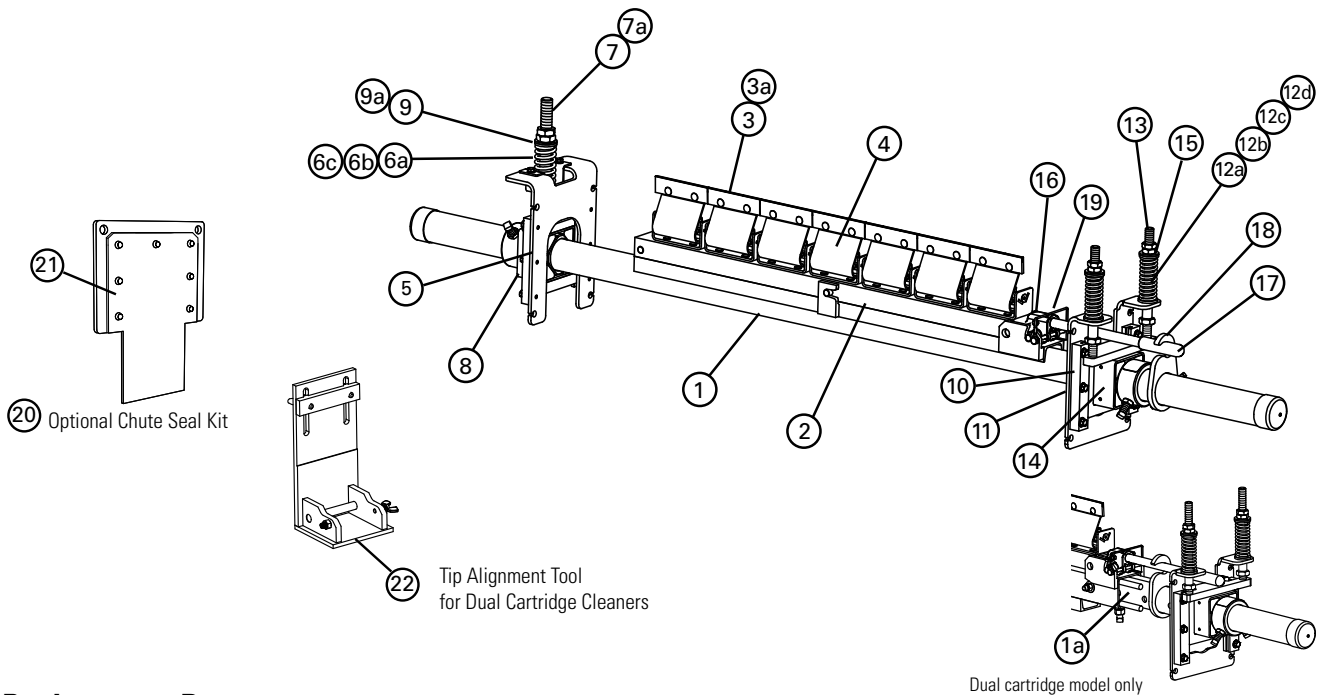
Common Replacement Parts

REF	DESCRIPTION	ORDERING NUMBER	ITEM CODE	WT. KG
-	PAT 10MM Black Nylon Tube 20M	ATV-TUBE	66068	0.1
7	Air Bag	ATV-BAG	62079	0.2
8	Hex Nut S/S	HEX NUT	G1211	0.1
9	Air Line Adaptor	ATV-NIP	62037	0.1
10	PAT Control Box 60psi	PACB60	66055	5.0
11	PAT Control Box 100psi	PACB100	65803	5.0
-	PAT1 Tank	PAT1	65571	10.0
-	PAT2 Tank	PAT2	66056	12.0



Replacement Parts List

MHS SAC (Stainless Steel) HD® Secondary Cleaner with Service Advantage Cartridge™



Replacement Parts

REF	DESCRIPTION	ORDERING NUMBER	ITEM CODE	WT. KG
1	SAC S/S Cartridge Pole 600mm	SACPL-24/600-S/S	78371	29.7
	SAC S/S Cartridge Pole 750mm	SACPL-30/750-S/S	78372	32.3
	SAC S/S Cartridge Pole 900mm	SACPL-36/900-S/S	78373	35.0
	SAC S/S Cartridge Pole 1050mm	SACPL-42/1050-S/S	78374	37.6
	SAC S/S Cartridge Pole 1200mm	SACPL-48/1200-S/S	78375	40.3
	SAC S/S Cartridge Pole 1350mm	SACPL-54/1350-S/S	78376	42.9
	SAC S/S Cartridge Pole 1500mm	SACPL-60/1500-S/S	78377	45.6
	SAC S/S Cartridge Pole 1800mm	SACPL-72/1800-S/S	78378	50.9
	SAC S/S Cartridge Center Pole 1500mm (Dual)	SACPL2-60/1500-S/S	78379	35.1
	SAC S/S Cartridge Center Pole 1800mm (Dual)	SACPL2-72/1800-S/S	78380	40.6
	SAC S/S Cartridge Center Pole 1950mm (Dual)	SACPL2-78/1950-S/S	78642	43.9
	SAC S/S Cartridge Center Pole 2100mm (Dual)	SACPL2-84/2100-S/S	78381	46.2
	SAC S/S Cartridge Center Pole 2400mm (Dual)	SACPL2-96/2400-S/S	78382	51.8
	SAC S/S Cartridge Center Pole 3000mm (Dual)	SACPL2-120/3000-S/S	78383	64.5
	1a	S/S Extender Pole (for use with S/S Dual Cartridge Center Pole)	MHP-EP-S/S	77599

REF	DESCRIPTION	ORDERING NUMBER	ITEM CODE	WT. KG
2	SAC Repl Cartridge S/S 600 mm	CART-24/600-S/S	78576	4.5
	SAC Repl Cartridge S/S 750 mm	CART-30/750-S/S	78577	5.6
	SAC Repl Cartridge S/S 900 mm	CART-36/900-S/S	78578	6.7
	SAC Repl Cartridge S/S 1050 mm	CART-42/1050-S/S	78579	7.8
	SAC Repl Cartridge S/S 1200 mm	CART-48/1200-S/S	78580	8.9
	SAC Repl Cartridge S/S 1350 mm	CART-54/1350-S/S	78581	10.0
	SAC Repl Cartridge S/S 1500 mm	CART-60/1500-S/S	78582	11.3
	SAC Repl Cartridge S/S 1800 mm	CART-72/1800-S/S	78583	13.5
	SAC Repl Cartridge S/S 1500 mm (Dual)	CART2-60/1500-S/S	78584	11.2
	SAC Repl Cartridge S/S 1800 mm (Dual)	CART2-72/1800-S/S	78585	13.4
	SAC Repl Cartridge S/S 1950 mm (Dual)	CART2-78/1950-S/S	78635	14.5
	SAC Repl Cartridge S/S 2100 mm (Dual)	CART2-84/2100-S/S	78586	15.6
	SAC Repl Cartridge S/S 2400 mm (Dual)	CART2-96/2400-S/S	78587	17.8
	SAC Repl Cartridge S/S 3000 mm (Dual)	CART2-120/3000-S/S	78588	22.6

Stock items (non-shaded) refer to (*) for specific lead time, if not specified, standard lead time applies.

Non-stock items (shaded) please contact Flexco for dispatch options and lead times.

Replacement Parts List

MHS SAC (Stainless Steel)
HD® Secondary Cleaner
 with Service Advantage Cartridge™

Replacement Parts (continued)

REF	DESCRIPTION	ORDERING NUMBER	ITEM CODE	WT. KG
3	C-Tip	CT6	74535	0.4
3a	S/S V-Tip* (for vulcanised belts only)	RVT6-S/S	76205	0.4
4	PowerFlex™ Cushion, S/S*	SPFC-S/S	79201	0.9
5	SST HD® Mounting Base Kit, S/S*	STHDMK2-S/S	77634	4.6
6a	SST Spring - White S/S (1 ea.)	STS-W-S/S	77630	0.2
6b	SST Spring - Silver S/S (1 ea.)	STS-S-S/S	77631	0.4
6c	SST Spring - Black S/S (1 ea.)	STS-B-S/S	77632	0.5
7	SST Adj Rod Kit*(incl. 1 rod, 2 nuts, 2 bushings, 1 washer) for belts 450-1500 mm	STAK	75847	1.3
7a	SST HD Adj Rod Kit*(incl. 1 rod, 2 nuts, 2 HD bushings, 1 washer) for belts 1800-2100mm	STAKHD	75892	1.4
8	SST HD Torsion Pole Mount S/S* (1 ea.)	STHDPM2-S/S	77633	6.8
9	SST Bushing Kit - White/Silver	SSTBK-W	76636	0.1
9a	SST Bushing Kit - Black	SSTBK-B	76637	0.1
10	ST Slide Guide Kit	STGK2	77635	0.5
-	SST HD Cartridge Tensioner S/S - White (includes 1 ea. item 5, 6a, 7, 9) for belts 450-750 mm	SST1HDM-W-S/S	78394	13.7
-	SST HD Cartridge Tensioner S/S - Silver (includes 1 ea. item 5, 6b, 7, 9) for belts 900-1500 mm	SST1HDM-S-S/S	78395	13.9
-	SST HD Cartridge Tensioner S/S - Black (includes 1 ea. item 5, 6c, 7a, 9a) for belts 1800-2100 mm	SST1HDM-B-S/S	78396	14.1
11	CST HD Mounting Base Kit S/S*	CSTHDMK-S/S	78384	3.9
12a	CST Spring - White S/S (1 ea.) for belts 450-750 mm	CTS-W-S/S	78385	0.2
12b	CST Spring - Silver S/S (1 ea.) for belts 900-1500 mm	CTS-S-S/S	78386	0.2
12c	CST Spring - Black S/S (1 ea.) for belts 1800-2100 mm	CTS-B-S/S	78387	0.3
12d	CST Spring - Gold S/S (1 ea.) for belts 2400-3000 mm	CTS-G-S/S	78388	0.4
13	CST Adj Rod Kit (incl. 2 rods, 4 nuts, 4 bushings, 2 washers)	CSTAK	77031	1.5
14	CST HD Torsion Pole Mount S/S* (1 ea.)	CSTHDPM-S/S	78389	7.4
15	CST Bushing Kit (includes 4 bushings)	CSTBK	77037	0.1
-	CST HD Cartridge Tensioner S/S - White (incl. 1 ea. item 11,13,14 and 2 ea. item 12a) for belts 450-750 mm	CST1HDM-W-S/S	78390	13.7
-	CST HD Cartridge Tensioner S/S - Silver (incl. 1 ea. item 11,13,14 and 2 ea. item 12b) for belts 900-1500 mm	CST1HDM-S-S/S	78391	13.7
-	CST HD Cartridge Tensioner S/S - Black (includes 1 ea. item 11,13,14 and 2 ea. item 12c) for belts 1800-2100 mm	CST1HDM-B-S/S	78392	13.7
-	CST HD Cartridge Tensioner S/S - Gold (includes 1 ea. item 11,13,14 and 2 ea. item 12d) for belts 2400-3000 mm	CST1HDM-G-S/S	78393	13.9
16	SAC Removal Knuckle	SACRKN	77882	1.5
17	SAC Removal Handle S/S	SACRH-S/S	78397	1.4
18	SAC Handle Lock Plate S/S	SACRHL-S/S	78398	0.8
19	Knuckle Retainer Pin S/S	SACKRP-S/S	78399	0.1
-	SAC Removal Kit S/S (includes 1 ea. items 16,17,18,19)	SACRKT-S/S	78401	4.1
20	SAC Chute Seal Kit	SACSK	77052	1.8
21	SAC Chute Seal Replacement Cover	SACSRC	77065	0.2
22	SAC Cartridge Tip Alignment Tool (Dual)	SAC2-TIP-TL	77866	1.1

Stock items (non-shaded) refer to (*) for specific lead time, if not specified, standard lead time applies.

Non-stock items (shaded) please contact Flexco for dispatch options and lead times.

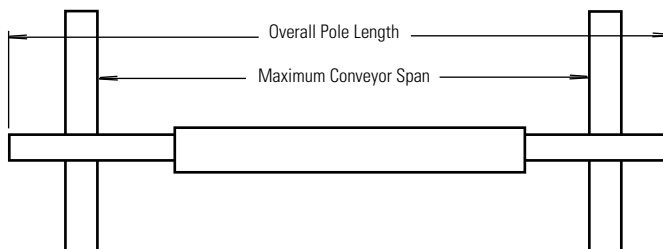
Specifications & Guidelines

MHS SAC
HD® Secondary Cleaner
with Service Advantage Cartridge™

Pole Length Specifications*

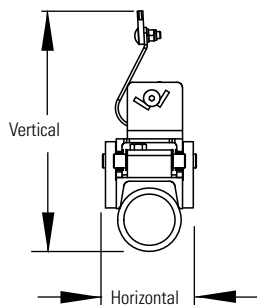
VERSION	CLEANER SIZE mm	BLADE WIDTH mm	POLE LENGTH mm	MAXIMUM CONVEYOR SPAN mm
Single	600	600	1950	1650
	750	750	2100	1800
	900	900	2250	1950
	1050	1050	2400	2100
	1200	1200	2550	2250
	1350	1350	2700	2400
	1500	1500	2850	2550
Dual	1500	1500	3000	2700
	1800	1800	3300	3000
	2100	2100	3600	3300
	2400	2400	3900	3600
	3000	3000	4500	4200

*For special extra long pole length requirements a Pole Extender Kit (#76024) is available that provides 750 mm of extended pole length. Pole Diameter - 73 mm



Clearance Guidelines for Installation

VERSION	HORIZONTAL CLEARANCE REQUIRED mm	VERTICAL CLEARANCE REQUIRED mm
Single	114	279
Dual	114	318



Aluminum Content

ALUMINUM ALLOY TYPE	PERCENT	
	MG MAGNESIUM	TI TITANIUM
6061	1.0%	0.0%

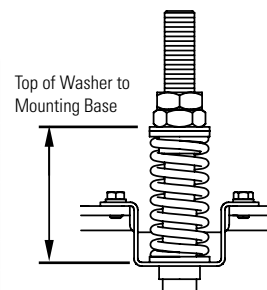
Specifications:

- Maximum Belt Speed 6 m/s
- Temperature Rating..... -35°C to 82°C
- Usable Blade Wear Length..... 9mm
- Blade Materials..... C-Tip: Impact Resistant Tungsten Carbide (works with mechanical fasteners)
V-Tip: Long Life Tungsten Carbide (for vulcanised belts only)
- Available for Belt Widths..... 600 to 3000 mm. Other sizes available upon request.

Spring Length Chart for SST Spring Tensioner (mm)

BLADE WIDTH	WHITE SPRING	SILVER SPRING	BLACK SPRING
600	78	99	N/A
750	72	97	N/A
900	N/A	94	98
1050	N/A	91	95
1200	N/A	88	93
1350	N/A	86	91
1500	N/A	83	89
1800	N/A	N/A	84

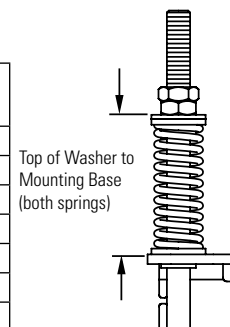
Shading indicates preferred spring option



Spring Length Chart for CST Spring Tensioner (mm)

BLADE WIDTH	WHITE SPRING	SILVER SPRING	BLACK SPRING	GOLD SPRING
600	78	99	N/A	N/A
750	72	97	N/A	N/A
900	N/A	94	98	N/A
1050	N/A	91	95	N/A
1200	N/A	88	93	N/A
1350	N/A	86	91	N/A
1500	N/A	83	89	103
1800	N/A	N/A	84	101
2100	N/A	N/A	80	99
2400	N/A	N/A	N/A	97
3000	N/A	N/A	N/A	93

Shading indicates preferred spring option



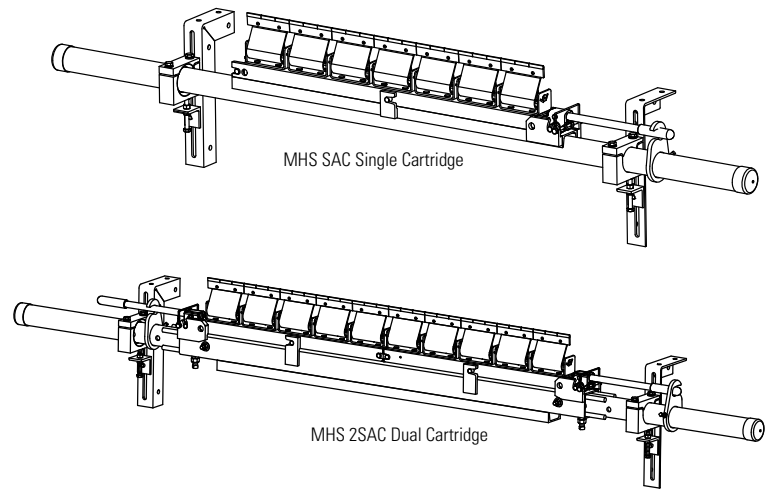
Product Ordering Information

MHS SAC BT HD® Secondary Cleaner with Service Advantage Cartridge™ & Bolt Tensioner

MHS SAC Secondary with V-Tips*

BELT WIDTH mm	ORDERING NUMBER	ITEM CODE	WT. KG
600	MHS-600BTV-SAC	78007	61.4
750	MHS-750BTV-SAC	78008	66.4
900	MHS-900BTV-SAC	78009	71.6
1050	MHS-1050BTV-SAC	78010	77.2
1200	MHS-1200BTV-SAC	78011	82.0
1350	MHS-1350BTV-SAC	78012	87.1
1500	MHS-1500BTV-SAC	78013	92.4
1800	MHS-1800BTV-SAC	78014	102.7
1500	MHS-1500BTV-2SAC	78015	105.2
1800	MHS-1800BTV-2SAC	78016	120.7
2100	MHS-2100BTV-2SAC	78017	131.4
2400	MHS-2400BTV-2SAC	78018	142.0
3000	MHS-3000BTV-2SAC	78019	165.0

*NOTE: V-Tips can be used ONLY on vulcanised belts.



MHS SAC Stainless Steel Secondary with V-Tips*

BELT WIDTH mm	ORDERING NUMBER	ITEM CODE	WT. KG
600	MHS-600BTV-SAC-S/S	78316	61.4
750	MHS-750BTV-SAC-S/S	78317	66.4
900	MHS-900BTV-SAC-S/S	78318	71.6
1050	MHS-1050BTV-SAC-S/S	78319	77.2
1200	MHS-1200BTV-SAC-S/S	78320	82.0
1350	MHS-1350BTV-SAC-S/S	78321	87.1
1500	MHS-1500BTV-SAC-S/S	78322	92.4
1800	MHS-1800BTV-SAC-S/S	78323	102.7
1500	MHS-1500BTV-2SAC-S/S	78324	105.2
1800	MHS-1800BTV-2SAC-S/S	78325	120.7
1950	MHS-1950BTV-2SAC-S/S	66255	126.0
2100	MHS-2100BTV-2SAC-S/S	78326	131.4
2400	MHS-2400BTV-2SAC-S/S	78327	142.0
3000	MHS-3000BTV-2SAC-S/S	78328	165.0

*NOTE: V-Tips can be used ONLY on vulcanised belts.

Replacement Tips

ORDERING NUMBER	ITEM CODE	WT. KG
RSA150 (V-Tip)	73628	0.4

Tips Required Per Cleaner Size

BELT WIDTH mm	BLADE COVERAGE mm	V-TIPS REQUIRED
600	600	4
750	750	5
900	900	6
1050	1050	7
1200	1200	8
1350	1350	9
1500	1500	10
1800	1800	12
2100	2100	14
2400	2400	16
3000	3000	20

Product Notes:

- Patented Service Advantage Cartridge™ allows for easy removal in even the dirtiest conditions.
- Heavy-duty design to deliver maximum cleaning efficiency on the most demanding, abusive beltlines.
- Pole Length: Belt width plus 1350mm (single cartridge cleaners); Belt width plus 1500 mm (dual cartridge cleaners).
- Patented PowerFlex™ cushion design to maintain continuous blade-to-belt contact and quick relief from passing mechanical splices.
- C-Tips are for mechanically fastened or vulcanised belts. V-Tips are for vulcanised belts only.
- Visual Blade Tension Check: Measure the tension spring and refer to Spring Length Chart on mounting base for the correct length for best cleaning performance.
- Tensioner mounting brackets included for fast and easy installation.
- Cartridge Removal Kit included for easy removal of the cartridge.

Stock items (non-shaded) refer to (*) for specific lead time, if not specified, standard lead time applies.

Non-stock items (shaded) please contact Flexco for dispatch options and lead times.

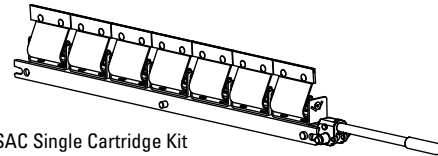
Product Ordering Information

MHS SAC BT
HD[®] Secondary Cleaner
with Service Advantage Cartridge™ & Bolt Tensioner

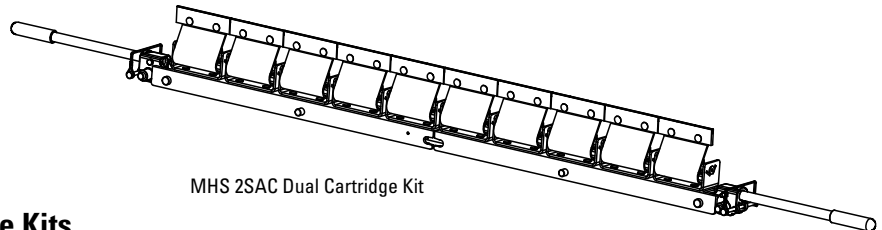
MHS SAC Cartridge Kits with V-Tips*

BELT WIDTH mm	ORDERING NUMBER	ITEM CODE	WT. KG
600	MHS-CARK-V24/600	77937	13.3
750	MHS-CARK-V30/750	77938	15.9
900	MHS-CARK-V36/900	77939	18.5
1050	MHS-CARK-V42/1050	77940	21.1
1200	MHS-CARK-V48/1200	77941	23.7
1350	MHS-CARK-V54/1350	77942	26.3
1500	MHS-CARK-V60/1500	77943	28.9
1800	MHS-CARK-V72/1800	77944	34.2
1500	MHS-CARK2-V60/1500	77950	31.8
1800	MHS-CARK2-V72/1800	77951	37.0
2100	MHS-CARK2-V84/2100	77952	42.2
2400	MHS-CARK2-V96/2400	77953	47.4
3000	MHS-CARK2-V120/3000	77954	57.9

*NOTE: V-Tips can be used ONLY on vulcanised belts.



MHS SAC Single Cartridge Kit



MHS 2SAC Dual Cartridge Kit

MHS SAC Stainless Steel Cartridge Kits with V-Tips*

BELT WIDTH mm	ORDERING NUMBER	ITEM CODE	WT. KG
600	MHS-CARK-V24/600-S/S MVECKS/S	82841	13.3
750	MHS-CARK-V30/750-S/S MVECKS/S	82842	15.9
900	MHS-CARK-V36/900-S/S MVECKS/S	82843	18.5
1050	MHS-CARK-V42/1050-S/S MVECKS/S	82844	21.1
1200	MHS-CARK-V48/1200-S/S MVECKS/S	82845	23.7
1350	MHS-CARK-V54/1350-S/S MVECKS/S	82846	26.3
1500	MHS-CARK-V60/1500-S/S MVECKS/S	82847	28.9
1800	MHS-CARK-V72/1800-S/S MVECKS/S	82848	34.2
1500	MHS-CARK2-V60/1500-S/S MV2CKSS	82849	31.8
1800	MHS-CARK2-V72/1800-S/S MV2CKSS	82850	37.0
2100	MHS-CARK2-V84/2100-S/S MV2CKSS	82851	42.2
2400	MHS-CARK2-V96/2400-S/S MV2CKSS	82852	47.4
3000	MHS-CARK2-V120/3000-S/S MV2CKS	82853	57.9

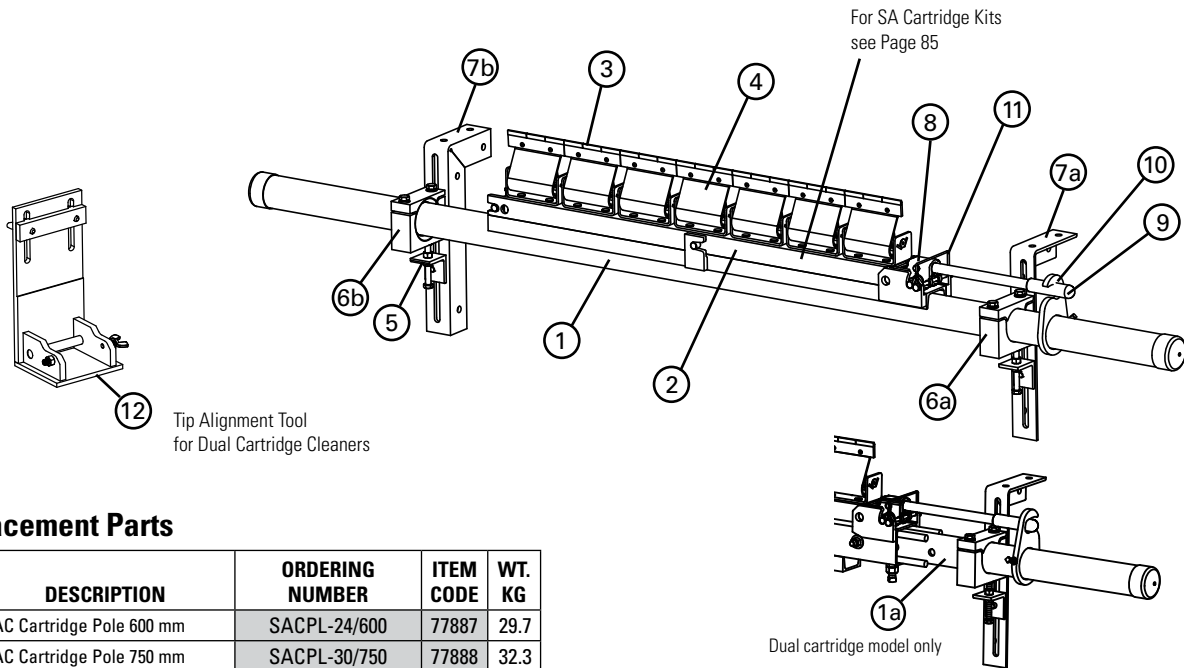
*NOTE: V-Tips can be used ONLY on vulcanised belts.

Stock items (non-shaded) refer to (*) for specific lead time, if not specified, standard lead time applies.

Non-stock items (shaded) please contact Flexco for dispatch options and lead times.

Replacement Parts List

MHS SAC BT (Mild Steel) HD® Secondary Cleaner with Service Advantage Cartridge™ & Bolt Tensioner



Replacement Parts

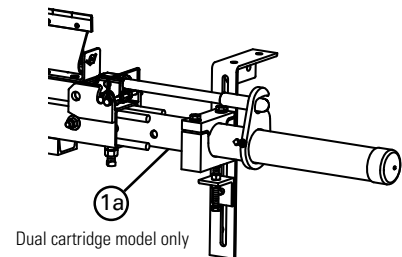
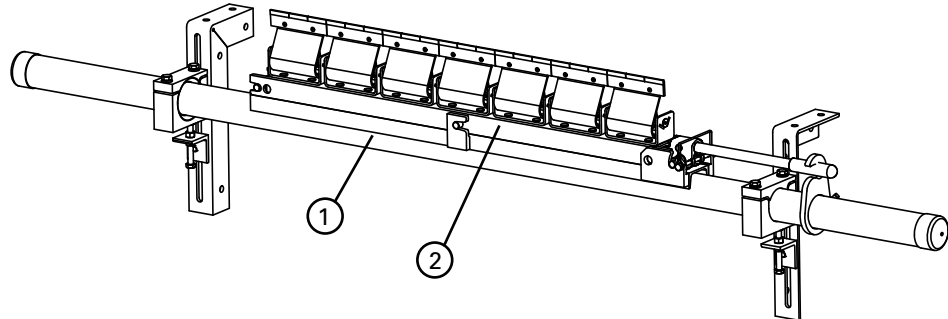
REF	DESCRIPTION	ORDERING NUMBER	ITEM CODE	WT. KG
1	SAC Cartridge Pole 600 mm	SACPL-24/600	77887	29.7
	SAC Cartridge Pole 750 mm	SACPL-30/750	77888	32.3
	SAC Cartridge Pole 900 mm	SACPL-36/900	77889	35.0
	SAC Cartridge Pole 1050 mm	SACPL-42/1050	77890	37.6
	SAC Cartridge Pole 1200 mm	SACPL-48/1200	77891	40.3
	SAC Cartridge Pole 1350 mm	SACPL-54/1350	77892	42.9
	SAC Cartridge Pole 1500 mm	SACPL-60/1500	77893	45.6
	SAC Cartridge Pole 1800 mm	SACPL-72/1800	77894	50.9
	SAC Cartridge Center Pole 1500 mm (Dual)	SACPL2-60/1500	77895	35.1
	SAC Cartridge Center Pole 1800 mm (Dual)	SACPL2-72/1800	77896	40.6
	SAC Cartridge Center Pole 2100 mm (Dual)	SACPL2-84/2100	77897	46.2
	SAC Cartridge Center Pole 2400 mm (Dual)	SACPL2-96/2400	77898	51.8
	SAC Cartridge Center Pole 3000 mm (Dual)	SACPL2-120/3000	77899	64.5
1a	Extender Pole (for use with Dual Cartridge Center Pole)	MHP-EP	76392	24.5
2	SAC Repl Cartridge S/S 600 mm	CART-24/600-S/S	78576	4.5
	SAC Repl Cartridge S/S 750 mm	CART-30/750-S/S	78577	5.6
	SAC Repl Cartridge S/S 900 mm	CART-36/900-S/S	78578	6.7
	SAC Repl Cartridge S/S 1050 mm	CART-42/1050-S/S	78579	7.8
	SAC Repl Cartridge S/S 1200 mm	CART-48/1200-S/S	78580	8.9
	SAC Repl Cartridge S/S 1350 mm	CART-54/1350-S/S	78581	10.0
	SAC Repl Cartridge S/S 1500 mm	CART-60/1500-S/S	78582	11.3
	SAC Repl Cartridge S/S 1800 mm	CART-72/1800-S/S	78583	13.5
	SAC Repl Cartridge S/S 1500 mm (Dual)	CART2-60/1500-S/S	78584	11.2
	SAC Repl Cartridge S/S 1800 mm (Dual)	CART2-72/1800-S/S	78585	13.4
	SAC Repl Cartridge S/S 1950 mm (Dual)	CART2-78/1950-S/S	78635	14.5
	SAC Repl Cartridge S/S 2100 mm (Dual)	CART2-84/2100-S/S	78586	15.6
	SAC Repl Cartridge S/S 2400 mm (Dual)	CART2-96/2400-S/S	78587	17.8
	SAC Repl Cartridge S/S 3000 mm (Dual)	CART2-120/3000-S/S	78588	22.6

REF	DESCRIPTION	ORDERING NUMBER	ITEM CODE	WT. KG
3	V-Tip* (for vulcanised belts only)	RSA150	73628	0.4
4	PowerFlex™ Cushion*	SPFC	79200	0.9
5	P/R Adjusting Bracket	PAB	75513	0.4
6a	Cradle Clamp Block RH	SMR-CCB-R73	A2843	1.2
6b	Cradle Clamp Block LH	SMR-CCB-L73	A2842	1.2
7a	Mounting Bracket Kit RH	PMBR	75519	3.8
7b	Mounting Bracket Kit LH	PMBL	75516	3.8
8	SAC Removal Knuckle	SACRKN	77882	1.5
9	SAC Removal Handle	SACRH	77883	1.4
10	SAC Handle Lock Plate	SACRHL	77884	0.8
11	Knuckle Retainer Pin	SACKRP	77885	0.1
-	SAC Removal Kit (incl. 1 ea. items 8,9,10,11)	SACRKT	77886	4.1
12	SAC Cartridge Tip Alignment Tool (Dual)	SAC2-TIP-TL	77866	1.1
-	Cradle Clamp Heavy-Duty Mounting Kit (incl. 2 ea. items 5, 7; 1 ea. items 6a, 6b)	CRHMK	62400	10.8

Stock items (non-shaded) refer to (*) for specific lead time, if not specified, standard lead time applies.
Non-stock items (shaded) please contact Flexco for dispatch options and lead times.

Replacement Parts List

MHS SAC BT (Stainless Steel) HD[®] Secondary Cleaner with Service Advantage Cartridge™ & Bolt Tensioner



Replacement Parts

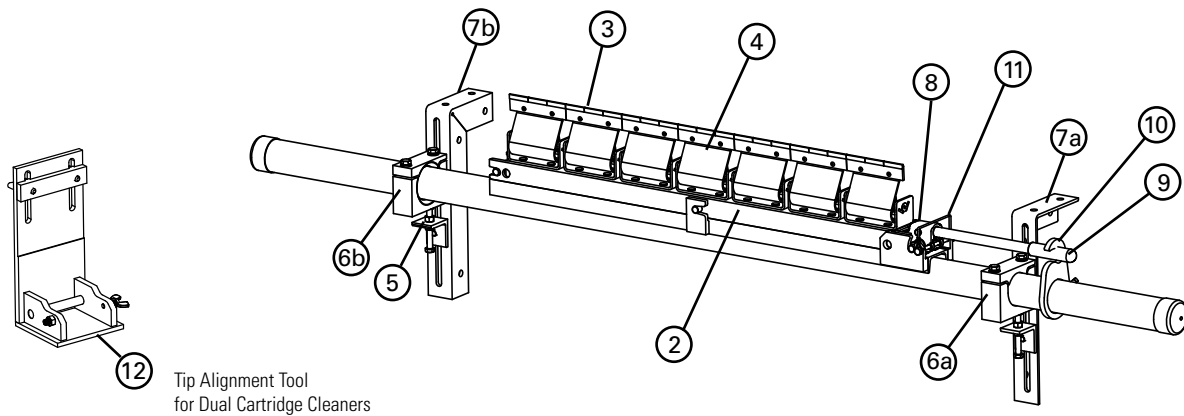
REF	DESCRIPTION	ORDERING NUMBER	ITEM CODE	WT. KG
1	SAC S/S Cartridge Pole 600 mm	SACPL-24/600-S/S	78371	29.7
	SAC S/S Cartridge Pole 750 mm	SACPL-30/750-S/S	78372	32.3
	SAC S/S Cartridge Pole 900 mm	SACPL-36/900-S/S	78373	35.0
	SAC S/S Cartridge Pole 1050 mm	SACPL-42/1050-S/S	78374	37.6
	SAC S/S Cartridge Pole 1200 mm	SACPL-48/1200-S/S	78375	40.3
	SAC S/S Cartridge Pole 1350 mm	SACPL-54/1350-S/S	78376	42.9
	SAC S/S Cartridge Pole 1500 mm	SACPL-60/1500-S/S	78377	45.6
	SAC S/S Cartridge Pole 1800 mm	SACPL-72/1800-S/S	78378	50.9
	SAC S/S Cartridge Center Pole 1500 mm (Dual)	SACPL2-60/1500-S/S	78379	35.1
	SAC S/S Cartridge Center Pole 1800 mm (Dual)	SACPL2-72/1800-S/S	78380	40.6
	SAC S/S Cartridge Center Pole 1950 mm (Dual)	SACPL2-78/1950-S/S	78642	43.9
	SAC S/S Cartridge Center Pole 2100 mm (Dual)	SACPL2-84/2100-S/S	78381	46.2
	SAC S/S Cartridge Center Pole 2400 mm (Dual)	SACPL2-96/2400-S/S	78382	51.8
	SAC S/S Cartridge Center Pole 3000 mm (Dual)	SACPL2-120/3000-S/S	78383	64.5
1a	S/S Extender Pole (for use with S/S Dual Cartridge Center Pole)	MHP-EP-S/S	77599	24.5
2	SAC Repl Cartridge S/S 600 mm	CART-24/600-S/S	78576	4.5
	SAC Repl Cartridge S/S 750 mm	CART-30/750-S/S	78577	5.6
	SAC Repl Cartridge S/S 900 mm	CART-36/900-S/S	78578	6.7
	SAC Repl Cartridge S/S 1050 mm	CART-42/1050-S/S	78579	7.8
	SAC Repl Cartridge S/S 1200 mm	CART-48/1200-S/S	78580	8.9
	SAC Repl Cartridge S/S 1350 mm	CART-54/1350-S/S	78581	10.0
	SAC Repl Cartridge S/S 1500 mm	CART-60/1500-S/S	78582	11.3
	SAC Repl Cartridge S/S 1800 mm	CART-72/1800-S/S	78583	13.5

Stock items (non-shaded) refer to (*) for specific lead time, if not specified, standard lead time applies.

Non-stock items (shaded) please contact Flexco for dispatch options and lead times.

Replacement Parts List

MHS SAC BT (Stainless Steel) HD® Secondary Cleaner with Service Advantage Cartridge™ & Bolt Tensioner



Tip Alignment Tool
for Dual Cartridge Cleaners

Replacement Parts (Continued)

REF	DESCRIPTION	ORDERING NUMBER	ITEM CODE	WT. KG
2	SAC Repl Cartridge S/S 1500 mm (Dual)	CART2-60/1500-S/S	78584	11.2
	SAC Repl Cartridge S/S 1800 mm (Dual)	CART2-72/1800-S/S	78585	13.4
	SAC Repl Cartridge S/S 1950 mm (Dual)	CART2-78/1950-S/S	78635	14.5
	SAC Repl Cartridge S/S 2100 mm (Dual)	CART2-84/2100-S/S	78586	15.6
	SAC Repl Cartridge S/S 2400 mm (Dual)	CART2-96/2400-S/S	78587	17.8
	SAC Repl Cartridge S/S 3000 mm (Dual)	CART2-120/3000-S/S	78588	22.6
3	S/S V-Tip* (for vulcanised belts only)	RVT6-S/S	76205	0.4
4	PowerFlex™ Cushion S/S*	SPFC-S/S	79201	0.9
5	P/R Adjusting Bracket S/S	PAB-S/S	75515	0.4
6a	Cradle Clamp LH S/S CRDLBLK-LH	CRDLBLK-RH-S/S	A2825	1.2
6b	Cradle Clamp RH S/S CRDLBLK-RH	CRDLBLK-LH-S/S	A2826	1.2
7a	Mounting Bracket Kit RH S/S	PMBR-S/S	75521	3.8
7b	Mounting Bracket Kit LH S/S	PMBL-S/S	75518	3.8
8	SAC Removal Knuckle	SACRKN	77882	1.5
9	SAC Removal Handle S/S	SACRH-S/S	78397	1.4
10	SAC Handle Lock Plate S/S	SACRHL-S/S	78398	0.8
11	Knuckle Retainer Pin S/S	SACKRP-S/S	78399	0.1
-	SAC Removal Kit S/S (includes 1 ea. items 8,9,10,11)	SACRKT-S/S	78401	4.1
12	SAC Cartridge Tip Alignment Tool (Dual)	SAC2-TIP-TL	77866	1.1
-	Cradle Clamp Stainless Steel Heavy-Duty Mounting Kit (incl. 2 ea. item 5; incl. 1 ea. items 6a, 6b, 7a, 7b)	CRHMK-S/S	62095	10.8

Stock items (non-shaded) refer to (*) for specific lead time, if not specified, standard lead time applies.

Non-stock items (shaded) please contact Flexco for dispatch options and lead times.

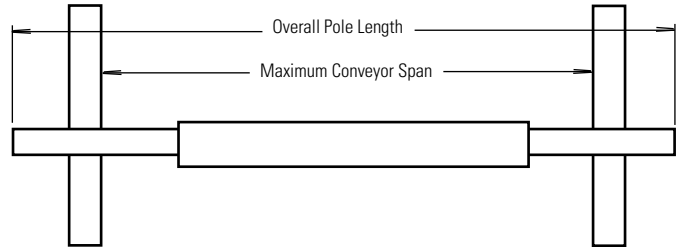
Specifications & Guidelines

MHS SAC BT HD® Secondary Cleaner with Service Advantage Cartridge™ & Bolt Tensioner

Pole Length Specifications*

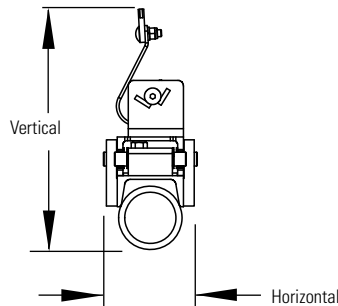
VERSION	CLEANER SIZE mm	BLADE WIDTH mm	POLE LENGTH mm	MAXIMUM CONVEYOR SPAN mm
Single	600	600	1950	1650
	750	750	2100	1800
	900	900	2250	1950
	1050	1050	2400	2100
	1200	1200	2550	2250
	1350	1350	2700	2400
	1500	1500	2850	2550
Dual	1800	1800	3150	2850
	1500	1500	3000	2700
	1800	1800	3300	3000
	2100	2100	3600	3300
	2400	2400	3900	3600
	3000	3000	4500	4200

*For special extra long pole length requirements a Pole Extender Kit (#76024) is available that provides 750 mm of extended pole length.
Pole Diameter - 73 mm



Clearance Guidelines for Installation

VERSION	HORIZONTAL CLEARANCE REQUIRED mm	VERTICAL CLEARANCE REQUIRED mm
Single	114	279
Dual	114	318



Specifications:

- Maximum Belt Speed5 m/s
- Temperature Rating-35°C to 82°C
- Usable Blade Wear Length.....9 mm
- Blade MaterialsC-Tip: Impact Resistant Tungsten Carbide (works with mechanical fasteners)
V-Tip: Long Life Tungsten Carbide (for vulcanised belts only)
- Available for Belt Widths600 to 3000 mm. Other sizes available upon request.

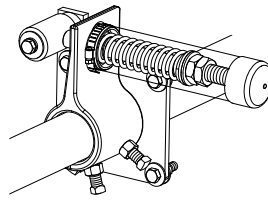
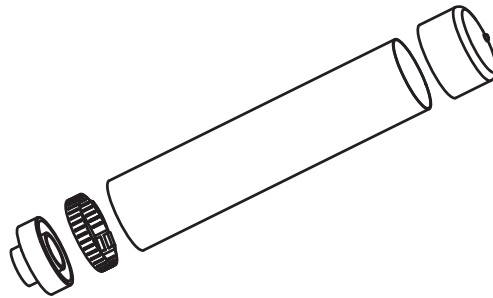
Product Ordering Information

Spring Covers and Tensioner Lock

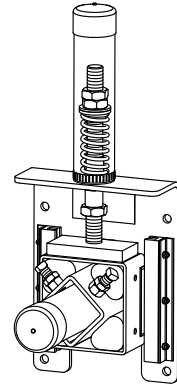
Spring Covers

ORDERING NUMBER	ITEM CODE	WT. KG
SPG-CVR-A	77387	0.14
SPG-CVR-B	77388	0.14
SPG-CVR-C	77389	0.14
SPG-CVR-D	77390	0.18
SPG-CVR-E	77391	0.18
SPG-CVR-F	77392	0.14
SPG-CVR-G	77393	0.14
SPG-CVR-H	7741	0.14

Includes 1 spring cover



Spring cover on Primary Cleaner tensioner



Spring cover on Secondary cleaner tensioner

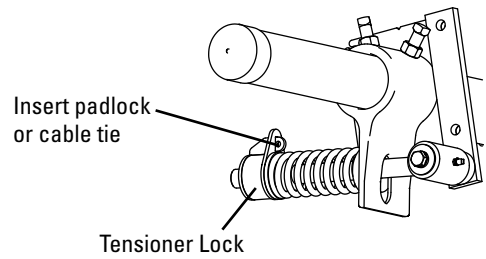
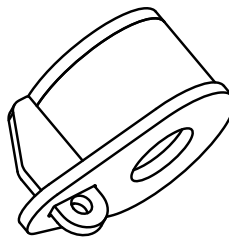
Tensioner Lock

Designed to prevent tampering or unauthorized retensioning of the cleaner.

ORDERING NUMBER	ITEM CODE	WT. KG
TEN-LOCK-KIT	77443	0.18

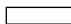
*For MSP, MMP, MHP, MHCP, H-Type® Primary Cleaners and MSS, MHS, MDWS Secondary Cleaners


Includes 1 tensioner lock



Tensioner Lock

(Primary Cleaner tensioner shown)

 **Stock items** (non-shaded) refer to (*) for specific lead time, if not specified, standard lead time applies.

 **Non-stock items** (shaded) please contact Flexco for dispatch options and lead times.

Product Ordering Information

U-Type® Secondary Cleaner with USTensioner



U-Type® with V-Blade (Tungsten Carbide)* and USTensioner, Mild Steel

CLEANER COMPLETE				REPLACEMENT V-BLADE		
BELT WIDTH mm	ORDERING NUMBER	ITEM CODE	WT. KG	ORDERING NUMBER	ITEM CODE	WT. KG
450	UTV450	77297	38.4	URVB18/450	76736	2.3
600	UTV600	77298	41.3	URVB24/600	76737	3.1
750	UTV750	77299	43.9	URVB30/750	76738	3.8
900	UTV900	77300	46.6	URVB36/900	76739	4.6
1050	UTV1050	77301	49.1	URVB42/1050	76740	5.3
1200	UTV1200	77302	51.9	URVB48/1200	76741	5.7
1350	UTV1350	77303	54.3	URVB54/1350	76742	6.8
1400	UTV1400	77304	55.1	URVB56/1400	77314	7.1
1500	UTV1500	77305	57.0	URVB60/1500	76743	7.6
1600	UTV1600	77306	59.0	URVB64/1600	77315	8.1
1800	UTV1800	77307	71.6	URVB72/1800	76744	9.2
2000	UTV2000	77308	75.3	URVB80/2000	77320	10.2
2100	UTV2100	77309	78.4	URVB84/2100	76745	10.7
2200	UTV2200	77310	81.7	URVB88/2200	77316	11.2
2400	UTV2400	77411	84.6	URVB94/2400	77421	12.0
2500	UTV2500	77412	87.1	URVB98/2500	77422	12.5

*NOTE: V-Blades (Tungsten Carbide) can be used on vulcanised belts and mechanically spliced belts ONLY IF the splice is skived (recessed into the belt's cover) (on solid plate splices the bolts must be ground).

CAUTION: The V-Blade CANNOT be used on belts with mechanical rip repair fasteners.

U-Type® with V-Blade (Tungsten Carbide)* and USTensioner, Stainless Steel

CLEANER COMPLETE				REPLACEMENT V-BLADE		
BELT WIDTH mm	ORDERING NUMBER	ITEM CODE	WT. KG	ORDERING NUMBER	ITEM CODE	WT. KG
450	UTV450-S/S	82707	17.0	URVB18/450	76736	2.3
600	UTV600-S/S	82708	18.2	URVB24/600	76737	3.1
750	UTV750-S/S	82709	19.6	URVB30/750	76738	3.8
900	UTV900-S/S	82710	21.7	URVB36/900	76739	4.6
1050	UTV1050-S/S	82711	23.1	URVB42/1050	76740	5.3
1200	UTV1200-S/S	82712	26.0	URVB48/1200	76741	5.7
1350	UTV1350-S/S	82713	27.7	URVB54/1350	76742	6.8
1400	UTV1400-S/S	82714	28.7	URVB56/1400	77314	7.1
1500	UTV1500-S/S	82715	31.0	URVB60/1500	76743	7.6
1600	UTV1600-S/S	82716	32.9	URVB64/1600	77315	8.1
1800	UTV1800-S/S	82717	36.4	URVB72/1800	76744	9.2
2000	UTV2000-S/S	82718	39.0	URVB80/2000	77320	10.2
2100	UTV2100-S/S	82719	41.7	URVB84/2100	76745	10.7
2200	UTV2200-S/S	82720	44.4	URVB88/2200	77316	11.2
2400	UTV2400-S/S	82721	47.1	URVB94/2400	77421	12.0
2500	UTV2500-S/S	82722	49.8	URVB98/2500	77422	12.5

*NOTE: V-Blades (Tungsten Carbide) can be used on vulcanised belts and mechanically spliced belts ONLY IF the splice is skived (recessed into the belt's cover) (on solid plate splices the bolts must be ground).

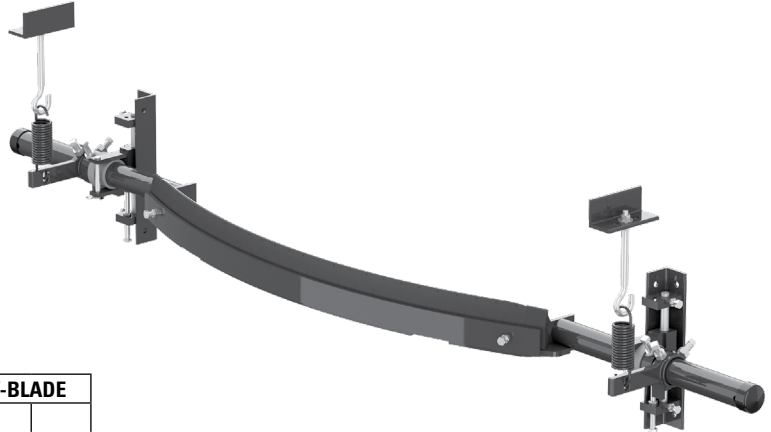
CAUTION: The V-Blade CANNOT be used on belts with mechanical rip repair fasteners.

Stock items (non-shaded) refer to (*) for specific lead time, if not specified, standard lead time applies.

Non-stock items (shaded) please contact Flexco for dispatch options and lead times.

Product Ordering Information

U-Type® Secondary Cleaner with J-Bolt Tensioner



U-Type® with V-Blade (Tungsten Carbide)* and J-Bolt Tensioner, Mild Steel

CLEANER COMPLETE				REPLACEMENT V-BLADE		
BELT WIDTH mm	ORDERING NUMBER	ITEM CODE	WT. KG	ORDERING NUMBER	ITEM CODE	WT. KG
450	UTV450-J	77283	37.3	URVB18/450	76736	2.3
600	UTV600-J	77284	40.0	URVB24/600	76737	3.1
750	UTV750-J	77285	43.2	URVB30/750	76738	3.8
900	UTV900-J	77286	47.7	URVB36/900	76739	4.6
1050	UTV1050-J	77287	50.9	URVB42/1050	76740	5.3
1200	UTV1200-J	77288	57.3	URVB48/1200	76741	5.7
1350	UTV1350-J	77289	60.9	URVB54/1350	76742	6.8
1400	UTV1400-J	77290	63.2	URVB56/1400	77314	7.1
1500	UTV1500-J	77291	68.2	URVB60/1500	76743	7.6
1600	UTV1600-J	77292	72.3	URVB64/1600	77315	8.1
1800	UTV1800-J	77293	80.0	URVB72/1800	76744	9.2
2000	UTV2000-J	77294	85.9	URVB80/2000	77320	10.2
2100	UTV2100-J	77295	91.8	URVB84/2100	76745	10.7
2200	UTV2200-J	77296	97.7	URVB88/2200	77316	11.2
2400	UTV2400-J	77413	103.6	URVB94/2400	77421	12.0
2500	UTV2500-J	77414	109.6	URVB98/2500	77422	12.5

*NOTE: V-Blades (Tungsten Carbide) can be used on vulcanised belts and mechanically spliced belts ONLY IF the splice is skived (recessed into the belt's cover) (on solid plate splices the bolts must be ground).

CAUTION: The V-Blade CANNOT be used on belts with mechanical rip repair fasteners.

U-Type® with V-Blade (Tungsten Carbide)* and J-Bolt Tensioner, Stainless Steel

CLEANER COMPLETE				REPLACEMENT V-BLADE		
BELT WIDTH MM	ORDERING NUMBER	ITEM CODE	WT. KG	ORDERING NUMBER	ITEM CODE	WT. KG
450	UTV450J-S/S	77259	37.3	URVB18/450	76736	2.3
600	UTV600J-S/S	77260	40.0	URVB24/600	76737	3.1
750	UTV750J-S/S	77261	43.2	URVB30/750	76738	3.8
900	UTV900J-S/S	77262	47.7	URVB36/900	76739	4.6
1050	UTV1050J-S/S	77263	50.9	URVB42/1050	76740	5.3
1200	UTV1200J-S/S	77264	57.3	URVB48/1200	76741	5.7
1350	UTV1350J-S/S	77265	60.9	URVB54/1350	76742	6.8
1400	UTV1400J-S/S	77266	63.2	URVB56/1400	77314	7.1
1500	UTV1500J-S/S	77267	68.2	URVB60/1500	76743	7.6
1600	UTV1600J-S/S	77268	72.3	URVB64/1600	77315	8.1
1800	UTV1800J-S/S	77269	80.0	URVB72/1800	76744	9.2
2000	UTV2000J-S/S	77270	85.9	URVB80/2000	77320	10.2
2100	UTV2100J-S/S	77271	91.8	URVB84/2100	76745	10.7
2200	UTV2200J-S/S	77272	97.7	URVB88/2200	77316	11.2
2400	UTV2400J-S/S	77417	103.6	URVB94/2400	77421	12.0
2500	UTV2500J-S/S	77418	109.6	URVB98/2500	77422	12.5

*NOTE: V-Blades (Tungsten Carbide) can be used on vulcanised belts and mechanically spliced belts ONLY IF the splice is skived (recessed into the belt's cover) (on solid plate splices the bolts must be ground).

CAUTION: The V-Blade CANNOT be used on belts with mechanical rip repair fasteners.

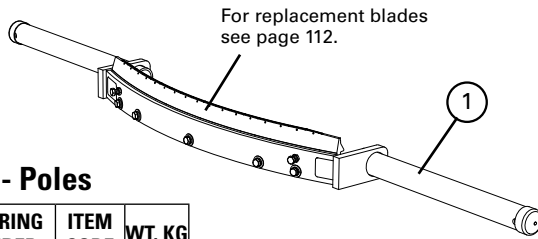
**Stainless Steel U-Type with C or F blade
available by special order**

Stock items (non-shaded) refer to (*) for specific lead time, if not specified, standard lead time applies.

Non-stock items (shaded) please contact Flexco for dispatch options and lead times.

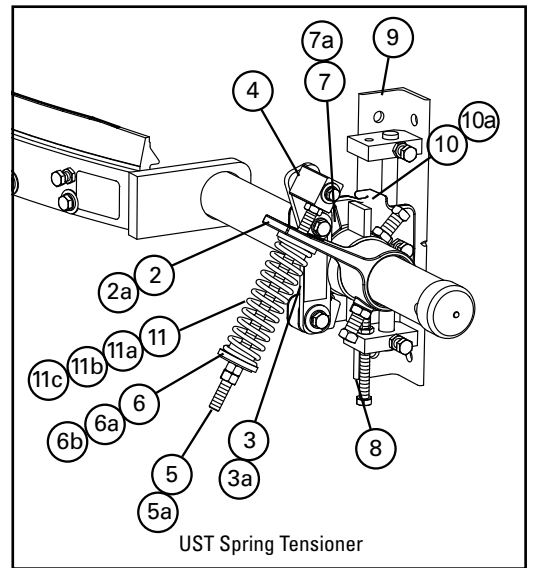
Replacement Parts List

U-Type® Secondary Cleaner with UST Tensioner or J-Bolt Tensioner



Replacement Parts - Poles

REF	DESCRIPTION	ORDERING NUMBER	ITEM CODE	WT. KG
1	450mm Pole	USP18/450	82689	18.6
	600mm Pole	USP24/600	82690	20.1
	750mm Pole	USP30/750	82691	21.6
	900mm Pole	USP36/900	82692	23.2
	1050mm Pole	USP42/1050	82693	24.8
	1200mm Pole	USP48/1200	82694	26.3
	1350mm Pole	USP54/1350	82695	27.9
	1400mm Pole	USP56/1400	82696	28.4
	1500mm Pole	USP60/1500	82697	29.5
	1600mm Pole	USP64/1600	82698	30.5
	1800mm Pole	USP72/1800	82699	32.6
	2000mm Pole	USP80/2000	82700	34.6
	2100mm Pole	USP84/2100	82701	35.7
	2200mm Pole	USP88/2200	82702	36.7
	2400mm Pole	USP94/2400	82703	38.3
2500mm Pole	USP98/2500	82704	39.4	



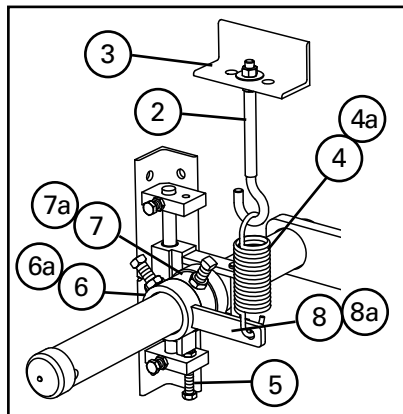
UST Spring Tensioner

Replacement Parts - UST Tensioner

REF	DESCRIPTION	ORDERING NUMBER	ITEM CODE	WT. KG
2	Torque Arm Kit (1 ea.)	ESTAK	76406	1.6
2A	Torque Arm Kit HD (1 ea.)	C-PSTA	81045	5.2
3	Pivot Shaft Bracket Kit (1 ea.)	MUPSBK	82896	0.8
3A	Pivot Shaft Bracket Kit HD (1 ea.)	QMTPSBK-CN	82182	2.0
4	Pivot Block Kit (1 ea.)	MESPBL	87895	0.5
5	Pivot Rod Kit (1 ea.)	MESPKR	81896	0.5
5A	Pivot Rod Kit HD (1 ea.)	PTPK-MT	82343	2.0
6	EST Bush Kit P&S MET	MESBK-PS	82364	0.05
6A	QMT Bush Kit W&S MET	QMTBK-WS-MT	82175	0.05
6B	QMT Bush Kit G MET	QMTBK-GCN	82174	0.05
7	Standard Pole Bearing (1 ea.)	USPB2	79206	0.05
7A	HD Pole Bearing (1 ea.)	UST	GN812	0.1
8	Adjusting Bolt Kit (1 ea. incl. lock nut)	ABU	79207	0.1
9	Mounting Bracket Kit (1 ea. incl. L & R)	UMBK-M	82890	4.4
10	Slide Plate Kit (1 ea.)	USPK	76790	2.1
10A	HD Slide Plate Kit (1 ea.)	UHSPK-M	82887	2.4
11	Tension Spring Purple (1 ea.)	QMTS-P	75845	0.3
11A	Tension Spring Silver (1 ea.)	ESS-S	76412	0.5
11B	Tension Spring White (1 ea.)	PSTS-W	75898	0.8
11C	Tension Spring Gold (1 ea.)	QMT-G	76484	0.8
-	UST Spring Tensioner Mounting Kit* - Purple (Incl. 1 ea. Items 2, 3, 4, 5, 6, 8, 9, 10 & 11)	UST-P-MT	82897	9.5
-	UST Spring Tensioner Mounting Kit* - Silver (Incl. 1 ea. Items 2A, 4, 5A, 6A, 8, 9, 10A & 11A)	UST-S-MT	82898	13.1
-	Heavy-Duty UST Spring Tensioner* - White (Incl. 1 ea. Items 2A, 4, 5A, 6A, 8, 9, 10A & 11B)	UST-W-MT	82899	16.7
-	Heavy-Duty UST Spring Tensioner* - Gold (Incl. 1 ea. Items 2A, 4, 5A, 6A, 8, 9, 10A & 11C)	UST-G-MT	82900	16.7

*Hardware included

Note: For belt widths equal to and larger than 1600mm use heavy-duty components.



For use in changing UST Spring Tensioner to a J-Bolt Tensioner

Replacement Parts - J-bolt Tensioner

REF	DESCRIPTION	ORDERING NUMBER	ITEM CODE	WT. KG
2	J-Bolt Kit* (incl. locknut and washer)	STJK-S/S	74417	0.3
3	J-Bolt Mount (1 ea.)	STJM	74775	1.4
4	450-1500mm Tension Spring (1 ea.)	STTS	74419	0.5
4a	1600 mm+ Tension Spring (1 ea.)	HDTS	74502	0.7
5	Adjusting Bolt Kit (incl. locknut)	ABU	76788	0.5
6	450-1500 mm UHMW Bearing (1 ea.)	USPB	79206	0.5
6a	1600 mm+ UHMW Bearing (1 ea.)	UHPB	76787	0.5
7	450-1500 mm Stop Collar* (1 ea.)	SCU60	82812	0.9
7a	1600 mm+ Stop Collar* (1 ea.)	SCUHD	82813	0.9
8	450-1500 mm Adjusting Arm* (1 ea.)	HARK	73069	0.9
8a	1600mm+ Adjusting Arm* (1 ea.)	HDARK	77329	0.9
-	450-1500 mm Mounting Kit* (incl. 2 of items 2, 3, 4, 5, 6, 7, 8, 9 & incl. 1 of Item 5)	MMKU	77324	18.2
-	1600 mm+ Mounting Kit* (incl. 2 of items 2, 3, 4a, 6, 7a, 8a, 9a & incl. 1 of item 5)	MMKUHD	77327	19.6

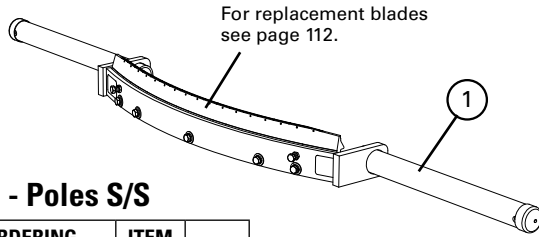
*Hardware included

Stock items (non-shaded) refer to (*) for specific lead time, if not specified, standard lead time applies.

Non-stock items (shaded) please contact Flexco for dispatch options and lead times.

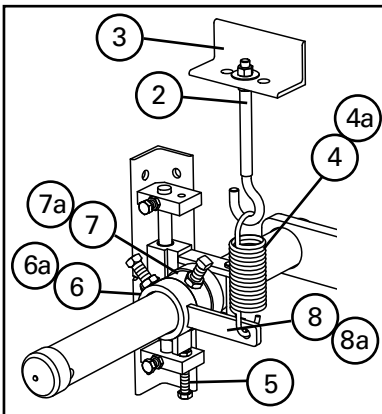
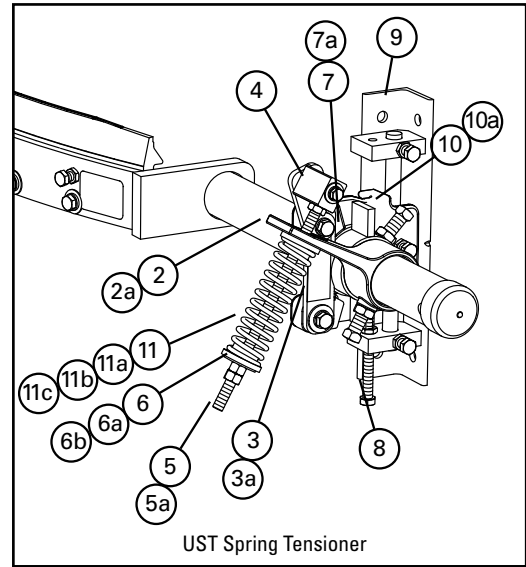
Replacement Parts List

Stainless Steel U-Type® Secondary Cleaner with UST Tensioner or J-Bolt Tensioner



Replacement Parts - Poles S/S

REF	DESCRIPTION	ORDERING NUMBER	ITEM CODE	WT. KG
1	450mm Pole	USP18/450-S/S	77339	18.6
	600mm Pole	USP24/600-S/S	77340	20.1
	750mm Pole	USP30/750-S/S	77341	21.6
	900mm Pole	USP36/900-S/S	77342	23.2
	1050mm Pole	USP42/1050-S/S	77343	24.8
	1200mm Pole	USP48/1200-S/S	77344	26.3
	1350mm Pole	USP54/1350-S/S	77345	27.9
	1400mm Pole	USP56/1400-S/S	77346	28.4
	1500mm Pole	USP60/1500-S/S	77347	29.5
	1600mm Pole	USP64/1600-S/S	77348	30.5
	1800mm Pole	USP72/1800-S/S	77349	32.6
	2000mm Pole	USP80/2000-S/S	77350	34.6
	2100mm Pole	USP84/2100-S/S	77351	35.7
	2200mm Pole	USP88/2200-S/S	77352	36.7
	2400mm Pole	USP94/2400-S/S	77419	38.3
2500mm Pole	USP98/2500-S/S	77420	39.4	



For use in changing UST Spring Tensioner to a J-Bolt Tensioner

Replacement Parts - J-bolt Tensioner S/S

REF	DESCRIPTION	ORDERING NUMBER	ITEM CODE	WT. KG
2	J-Bolt Kit* (incl. locknut and washer)	STJK-S/S	74417	0.3
3	J-Bolt Mount (1 ea.)	STJ-S/S	75426	1.4
4	450-1500mm Tension Spring (1 ea.)	STTS-S/S	75585	0.5
4a	1600 mm+ Tension Spring (1 ea.)	HDTS-S/S	75586	0.7
5	Adjusting Bolt Kit (incl. locknut)	ABU	76788	0.5
6	450-1500 mm UHMW Bearing (1 ea.)	USPB	79206	0.5
6a	1600 mm+ UHMW Bearing (1 ea.)	UHPB	76787	0.5
7	450-1500 mm Stop Collar* (1 ea.)	SCU60-S/S	82810	0.9
7a	1600 mm+ Stop Collar* (1 ea.)	SCUHD-S/S	82811	0.9
8	450-1500 mm Adjusting Arm* (1 ea.)	HARK-S/S	77364	0.9
8a	1600mm+ Adjusting Arm* (1 ea.)	HDARK-S/S	77331	0.9
-	450-1500 mm Mounting Kit* (incl. 2 of items 2, 3, 4, 5, 6, 7, 8, 9 & incl. 1 of Item 5)	MMKU-SS	77357	18.2
-	1600 mm+ Mounting Kit* (incl. 2 of items 2, 3, 4a, 6, 7a, 8a, 9a & incl 1 of item 5)	MMKUHD-SS	77358	19.6

*Hardware included

Replacement Parts - UST Tensioner S/S

REF	DESCRIPTION	ORDERING NUMBER	ITEM CODE	WT. KG
2	Torque Arm Kit (1 ea.)	ESTAK-SS	78849	1.6
2A	Torque Arm Kit HD (1 ea.)	MPSTA-S/S	82289	5.2
3	Pivot Shaft Bracket Kit (1 ea.)	MUPSBK-SS	82893	0.8
3A	Pivot Shaft Bracket Kit HD (1 ea.)	MQMTSBK-SS	82895	2.0
4	Pivot Block Kit (1 ea.)	MESPBL-SS	82892	0.5
5	Pivot Rod Kit (1 ea.)	MESPKR-S/S	82894	0.5
5A	Pivot Rod Kit HD (1 ea.)	PTPK-MT-S/S	82342	2.0
6	EST Bush Kit P&S MET	MESBK-PS	82364	0.05
6A	QMT Bush Kit W&S MET	QMTBK-WS-MT	82175	0.05
6B	QMT Bush Kit G MET	QMTBK-GCN	82174	0.05
7	Standard Pole Bearing (1 ea.)	USPB2	79206	0.05
7A	HD Pole Bearing (1 ea.)	UST	GN812	0.1
8	Adjusting Bolt Kit (1 ea. incl. lock nut)	ABU	76788	0.1
9	Mounting Bracket Kit (1 ea. incl. L & R)	UMBK-SS-M	82891	4.4
10	Slide Plate Kit (1 ea.)	USPK-SS-M	82888	2.1
10A	HD Slide Plate Kit (1 ea.)	UHSPK-SS-M	82889	2.4
11	Tension Spring Purple (1 ea.)	QMTS-P-SS	77450	0.3
11A	Tension Spring Silver (1 ea.)	ESS-S-S/S	79288	0.5
11B	Tension Spring White (1 ea.)	QMTS-W-SS	77451	0.8
11C	Tension Spring Gold (1 ea.)	QMTS-G-SS	77452	0.8
-	UST Spring Tensioner Mounting Kit* - Purple (Incl. 1 ea. Items 2, 3, 4, 5, 6, 8, 9, 10 & 11)	UST-P-MT-SS	82901	9.5
-	UST Spring Tensioner Mounting Kit* - Silver (Incl. 1 ea. Items 2A, 4, 5A, 6A, 8, 9, 10A & 11A)	UST-S-MT-SS	82902	13.1
-	Heavy-Duty UST Spring Tensioner* - White (Incl. 1 ea. Items 2A, 4, 5A, 6A, 8, 9, 10A & 11B)	UST-W-MT-SS	82903	16.7
-	Heavy-Duty UST Spring Tensioner* - Gold (Incl. 1 ea. Items 2A, 4, 5A, 6A, 8, 9, 10A & 11C)	UST-G-MT-SS	82904	16.7

*Hardware included

Note: For belt widths equal to and larger than 1600mm use heavy-duty components.

Stock items (non-shaded) refer to (*) for specific lead time, if not specified, standard lead time applies.

Non-stock items (shaded) please contact Flexco for dispatch options and lead times.

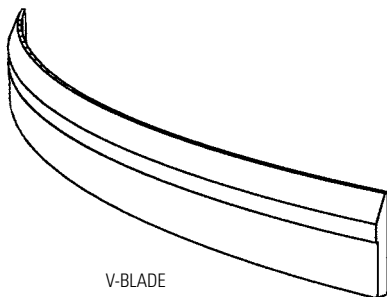
Replacement Parts List

U-Type®
Secondary Cleaner with USTensioner

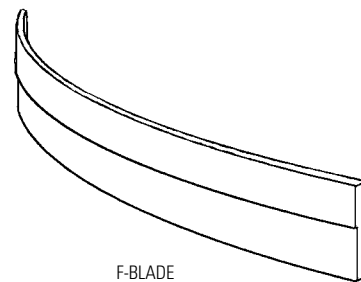
U-Type® V-Blades (Tungsten Carbide)*

BELT WIDTH mm	ORDERING NUMBER	ITEM CODE	WT. KG
450	URVB18/450	76736	2.3
600	URVB24/600	76737	3.1
750	URVB30/750	76738	3.8
900	URVB36/900	76739	4.6
1050	URVB42/1050	76740	5.3
1200	URVB48/1200	76741	6.1
1350	URVB54/1350	76742	6.8
1400	URVB56/1400	77314	7.1
1500	URVB60/1500	76743	7.6
1600	URVB64/1600	77315	8.1
1800	URVB72/1800	76744	9.2
2000	URVB80/2000	77320	10.2
2100	URVB84/2100	76745	10.7
2200	URVB88/2200	77316	11.2
2400	URVB94/2400	77421	12.0
2500	URVB98/2500	77422	12.5

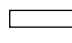
*NOTE: V-Blades (Tungsten Carbide) can be used on vulcanised belts. CAUTION: The V-Blade CANNOT be used on belts with mechanical rip repair fasteners. Use the F-Blade. Replacement blades also available in FRAS. Contact Flexco® for more information.




V-BLADE



F-BLADE

 Stock items (non-shaded) refer to (*) for specific lead time, if not specified, standard lead time applies.

 Non-stock items (shaded) please contact Flexco for dispatch options and lead times.

U-Type® F-Blades (Purple Urethane)*

BELT WIDTH mm	ORDERING NUMBER	ITEM CODE	WT. KG
450	UFB18	74448	1.4
600	UFB24	74449	1.8
750	UFB30	74450	2.3
900	UFB36	74451	2.7
1050	UFB42	74452	3.2
1200	UFB48	74453	3.6
1350	UFB54	74454	4.1
1500	UFB60	74455	4.6
1800	UFB72	74456	5.5
2100	UFB84	74460	6.4

*NOTE: F-Blades (Urethane) can be used on mechanically fastened belts and vulcanised belts.

U-Type® F-Blades FRAS (Blue Polyurethane)*

BELT WIDTH mm	ORDERING NUMBER	ITEM CODE	WT. KG
450	UFB18-B	67327	1.4
600	UFB24-B	67328	1.8
750	UFB30-B	67329	2.3
900	UFB36-B	67330	2.7
1050	UFB42-B	67331	3.2
1200	UFB48-B	67332	3.6
1350	UFB54-B	67333	4.1
1500	UFB60-B	67334	4.6
1800	UFB72-B	67335	5.5
2100	UFB84-B	67336	6.4

*NOTE: F-Blades (Polyurethane) can be used on mechanically fastened belts and vulcanised belts.

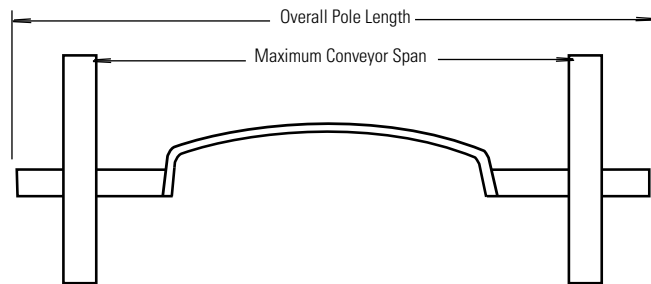
Specifications & Guidelines

U-Type® Secondary Cleaner

Pole Length Specifications

CLEANER SIZE mm	POLE LENGTH mm	MAXIMUM CONVEYOR SPAN mm
450	1375	1125
600	1575	1325
750	1825	1575
900	1975	1925
1050	2125	1875
1200	2375	2125
1350	2525	2275
1500	2650	2400
1800	2950	2700

Pole Diameter - 450-1500 mm cleaners: 60 mm
Pole Diameter - 1600 mm+ cleaners: 75 mm



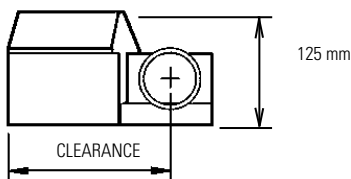
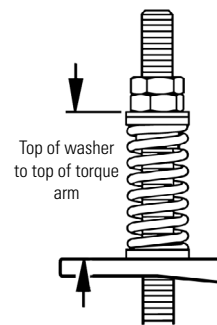
Clearance Guidelines For Installation

BELT WIDTH/ CLEANER SIZE mm	CLEARANCE REQUIRED mm
450	140
600	166
750	191
900	171
1050	217
1200	242
1350	242
1500	242
1800	261
2100	261

Spring Length Chart

(For Cleaners with UST Tensioners)

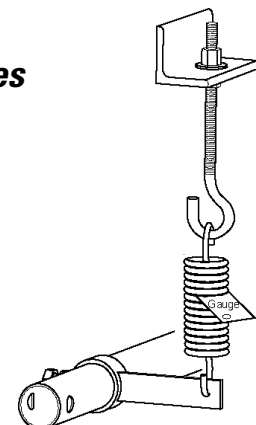
Blade Width mm	Purple Spring mm	Silver Spring mm	White Spring mm
450	154	160	162
600	148	148	160
750	140	156	158
900	136	152	156
1050	128	150	154
1200	N/A	146	152
1350	N/A	142	150
1500	N/A	140	150
1800	N/A	N/A	140
2100	N/A	N/A	136
2400	N/A	N/A	132



Spring Tensioner Guidelines

(For Cleaners with J-Bolt Tensioners)

- Spring gap = .7 mm minimum
- Gauge provided



Specifications:

- Maximum Belt SpeedContact Flexco
- Temperature Rating-35°C to 82°C
- Usable Blade Wear Length.....V-Blade and C-Blade - 9 mm; F-Blade - 44 mm
- Available for Belt Widths450 to 2500 mm.
Other sizes available upon request

Product Ordering Information

MDWS Secondary Cleaner DryWipe for Removing Water



MDWS Mild Steel Secondary Belt Cleaner with SST Tensioner

BELT WIDTH		ORDERING NUMBER	ITEM CODE	WT. KG	PRICE AUD
mm	in				
600	24	MDWS-24	75868	52.2	\$ 2,451.09
750	30	MDWS-30	75869	55.7	2,583.65
900	36	MDWS-36	75870	58.0	2,738.13
1050	42	MDWS-42	75871	62.7	2,870.68
1200	48	MDWS-48	75872	66.6	3,027.16
1350	54	MDWS-54	75873	70.1	3,163.73
1500	60	MDWS-60	75874	73.6	3,315.22
1800	72	MDWS-72	75875	80.6	3,607.28
2100	84	MDWS-84	76806	87.6	4,028.72
2400	96	MDWS-96	79063	94.7	4,589.58



MDWS Mild Steel Secondary Belt Cleaner with MST Tensioner

BELT WIDTH		ORDERING NUMBER	ITEM CODE	WT. KG	PRICE AUD
mm	in				
600	24	MDWS-MST-600	67559	52.2	\$ 2,226.09
750	30	MDWS-MST-750	67560	55.7	2,358.65
900	36	MDWS-MST-900	67561	58.0	2,513.13
1050	42	MDWS-MST-1050	67562	62.7	2,645.68
1200	48	MDWS-MST-1200	67563	66.6	2,802.16
1350	54	MDWS-MST-1350	67564	70.1	2,938.73
1500	60	MDWS-MST-1500	67565	73.6	3,090.22
1800	72	MDWS-MST-1800	67566	80.6	3,382.28
2100	84	MDWS-MST-2100	67567	87.6	3,803.72
2400	96	MDWS-MST-2400	67568	94.7	4,364.58

MDWS Stainless Steel Secondary Belt Cleaner with SST Tensioner

BELT WIDTH		ORDERING NUMBER	ITEM CODE	WT. KG	PRICE AUD
mm	in				
600	24	MDWS-600-S/S	67466	52.5	\$ 4,091.40
750	30	MDWS-750-S/S	67467	56.0	4,259.01
900	36	MDWS-900-S/S	67468	58.3	4,448.55
1050	42	MDWS-1050-S/S	67469	63.0	4,616.15
1200	48	MDWS-1200-S/S	67470	67.0	4,807.67
1350	54	MDWS-1350-S/S	67471	70.5	4,979.31
1500	60	MDWS-1500-S/S	67472	74.0	5,165.87
1800	72	MDWS-1800-S/S	67473	81.1	5,497.30
2100	84	MDWS-2100-S/S	67474	88.1	6,307.77
2400	96	MDWS-2400-S/S	67475	95.3	6,984.18

MDWS Stainless Steel Secondary Belt Cleaner with MST Tensioner

BELT WIDTH		ORDERING NUMBER	ITEM CODE	WT. KG	PRICE AUD
mm	in				
600	24	MDWS-MST-600-S/S	67476	42.5	\$ 3,056.40
750	30	MDWS-MST-750-S/S	67477	46.0	3,224.01
900	36	MDWS-MST-900-S/S	67478	48.3	3,413.55
1050	42	MDWS-MST-1050-S/S	67479	53.0	3,581.15
1200	48	MDWS-MST-1200-S/S	67480	57.0	3,772.67
1350	54	MDWS-MST-1350-S/S	67481	60.5	3,944.31
1500	60	MDWS-MST-1500-S/S	67482	64.0	4,130.87
1800	72	MDWS-MST-1800-S/S	67483	71.1	4,462.30
2100	84	MDWS-MST-2100-S/S	67484	78.1	5,272.77
2400	96	MDWS-MST-2400-S/S	67485	85.3	5,949.18

Product Notes:

- The ConShear™ “DryWipe” (DW) Blade is excellent for removing water from the belt. Use as the final cleaner in a cleaning system.
- Actual blade width is belt width plus 100mm (4"). The extra length ensures the water is removed from the belt.
- Pole Length: Belt width plus 1500mm (60") for cleaners up to 1500mm (60"), belt width plus 1350mm (54") for cleaners over 1500mm (60").
- Visual Blade Tension Check: Measure the tension spring and refer to the Spring Length Chart on mounting base for the correct length for best cleaning performance.

Stock items (non-shaded) refer to (*) for specific lead time, if not specified, standard lead time applies.

Non-stock items (shaded) please contact Flexco for dispatch options and lead times.

Replacement Parts List

MDWS
Secondary Cleaner
DryWipe for Removing Water

Replacement Poles

BELT WIDTH		MILD STEEL			STAINLESS STEEL		
		ORDERING NUMBER	ITEM CODE	WT. KG	ORDERING NUMBER	ITEM CODE	WT. KG
mm	in						
600	24	MSPP30	75804	46.0	MSPP30-S/S	77473	46.3
750	30	MSPP36	75805	50.5	MSPP36-S/S	77474	50.8
900	36	MSPP42	75806	55.5	MSPP42-S/S	77475	55.9
1050	42	MSPP48	75807	60.0	MSPP48-S/S	77476	60.4
1200	48	MSPP54	75808	64.0	MSPP54-S/S	77477	64.4
1350	54	MSPP60	75809	67.0	MSPP60-S/S	77478	67.4
1500	60	MSPP66	76695	76.0	MSPP66-S/S	77479	76.5
1800	72	DWP72	75883	90.0	DWP72-S/S	67409	90.6
2100	84	DWP84	76815	100.0	DWP84-S/S	67486	100.6
2400	96	DWP96	79060	116.0	DWP96-S/S	67487	110.7

MST Replacement Parts

DESCRIPTION	MILD STEEL			STAINLESS STEEL		
	ORDERING NUMBER	ITEM CODE	WT. KG	ORDERING NUMBER	ITEM CODE	WT. KG
Belt Width	Pole Length					
Tension Spring - White (1 ea.) for belts 450-750mm	STS-W	75846	0.2	STS-W-S/S	77630	0.2
Tension Spring - Silver (1 ea.) for belts 900-1350mm	STS-S	75843	0.4	STS-S-S/S	77631	0.4
Tension Spring - Black (1 ea.) for belts 1500-1800mm	STS-B	75844	0.5	STS-B-S/S	77632	0.5
Tension Spring - Gold (1 ea.) for belts over 2100mm	STS-G	78142	0.5	STS-G-S/S	79057	0.5
MST Bushing Kit (incl. 4 bushings)	MSTBBK	63067	0.1	MSTBBK	63067	0.1
MST Lock Pin	MSTLP	64930	0.1	MSTLP	64930	0.1
MST Adjusting Mechanism	MSTAM	79435	0.5	MSTAM-S/S	64931	0.5
MST HD Tensioner w/White Spring	MSTHD-W	79431	16.7	MSTHD-W-S/S	90181	16.7
MST HD Tensioner w/Silver Spring	MSTHD-S	79432	17.0	MSTHD-S-S/S	90182	17.0
MST HD Tensioner w/Black Spring	MSTHD-B	79433	17.3	MSTHD-B-S/S	90183	17.3
MST HD Tensioner w/Gold Spring	MSTHD-G	63020	17.3	MSTHD-G-S/S	90184	17.3

For 2100mm and 2400mm options, please contact Flexco for pricing and availability

SST Replacement Parts

DESCRIPTION	MILD STEEL			STAINLESS STEEL		
	ORDERING NUMBER	ITEM CODE	WT. KG	ORDERING NUMBER	ITEM CODE	WT. KG
SST HD® Mounting Base Kit* (includes 1 mounting base and 2 slide guides)	SSTHDMK	77870	4.6	STHDMK2-S/S	77634	4.6
SST Spring - White (1 ea.) for belts 450-750mm	STS-W	75846	0.2	STS-W-S/S	77630	0.2
SST Spring - Silver (1 ea.) for belts 900-1500mm	STS-S	75843	0.4	STS-S-S/S	77631	0.4
SST Spring - Black (1 ea.) for belts 1800-2100mm	STS-B	75844	0.5	STS-B-S/S	77632	0.5
SST Spring - Gold (1 ea.) for belts over 2100mm	STS-G	78142	0.7			
SST Adj Rod Kit* (incl. 1 rod, 2 nuts, 2 bushings, 1 washer) for belts 450-1500 mm	STAK	75847	1.3	STAK	75847	1.3
SST HD Adj Rod Kit* (incl. 1 rod, 2 nuts, 2 HD bushings, 1 washer) for belts 1800-2100mm	STAKHD	75892	1.4	STAKHD	75892	1.4
SST HD Torsion Pole Mount* (1 ea.)	SSTHDPM	77868	6.8	STHDPM2-S/S	77633	6.8
SST Bushing Kit - White/Silver	SSTBK-W	76636	0.1	SSTBK-W	76636	0.1
SST Bushing Kit - Black/Gold	SSTBK-B	76637	0.1	SSTBK-B	76637	0.1
ST Slide Guide Kit	STGK2	77635	0.5	STGK2	77635	0.5
SST HD Cartridge Tensioner - White (includes 1 ea. item 5, 9, 12, 14) for belts 450-750 mm	SST1HDM-W	78517	13.7	SST1HDM-W-S/S	78394	13.7
SST HD Cartridge Tensioner - Silver (includes 1 ea. item 6, 9, 12, 14) for belts 900-1500 mm	SST1HDM-S	78518	13.9	SST1HDM-S-S/S	78395	13.9
SST HD Cartridge Tensioner - Black (includes 1 ea. item 7, 10, 13, 14) for belts 1800-2100 mm	SST1HDM-B	78519	14.1	SST1HDM-B-S/S	78396	14.1
SST HD Cartridge Tensioner - Gold (includes 1 ea. item 8, 10, 13, 14) for belts over 2100 mm	SST1HDM-G	79069	14.3			
SST Hat Channel Kit	SSTHK	79070	0.7	SSTHK-S/S	79071	0.7

Replacement Parts List

MDWS
Secondary Cleaner
DryWipe for Removing Water

ConShear™ DW Replacement Blades

BELT WIDTH		ORDERING NUMBER	ITEM CODE	WT. KG
mm	in			
600	24	CDWB24	75884	5.8
750	30	CDWB30	75885	7.0
900	36	CDWB36	75886	8.3
1050	42	CDWB42	75887	9.5
1200	48	CDWB48	75888	10.8
1350	54	CDWB54	75889	12.0
1500	60	CDWB60	75890	13.2
1800	72	CDWB72	75891	15.7
2100	84	CDWB84	76942	18.4
2400	96	CDWB96	79062	21.0

Optional Mounting Kits

DESCRIPTION	ORDERING NUMBER	ITEM CODE	WT. KG
Blade Pins	MST LOCK PIN SS	G2309	0.1
Spring Mounting kit	SST1HDM-S Cartridge Tensioner	78518	13.5
Replacement Spring SST	STS-S Tension Spring	75843	0.4
Replacement Bush SST Kit	SSTBK-W Bushing Kit (Pair)	76636	9.1

Stock items (non-shaded) refer to (*) for specific lead time, if not specified, standard lead time applies.

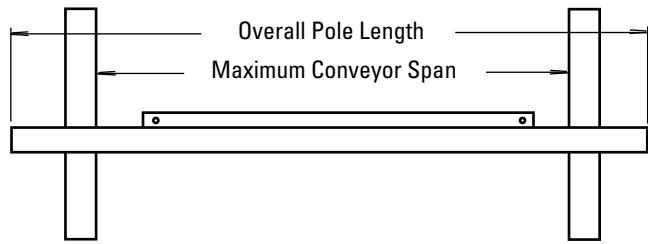
Non-stock items (shaded) please contact Flexco for dispatch options and lead times.

Specifications & Guidelines

MDWS Secondary Cleaner DryWipe for Removing Water

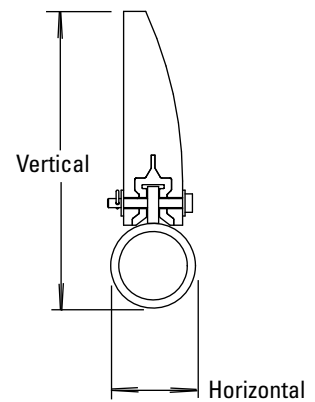
CLEANER SIZE	BLADE WIDTH	POLE LENGTH	MAXIMUM CONVEYOR SPAN
mm	mm	mm	mm
600	700	2100	1700
750	850	2250	1850
900	1000	2400	2000
1050	1150	2550	2150
1200	1300	2700	2300
1350	1450	2850	2450
1500	1600	3000	2600
1800	1900	3150	2900
2100	2200	3450	3200
2400	2500	3750	3500

*For special extra long pole length requirements a Pole Extender Kit (#76024) is available that provides 750mm (30") of extended pole length. Pole Diameter – 73mm (2-7/8")



Clearance Guidelines for Installation

HORIZONTAL CLEARANCE REQUIRED		VERTICAL CLEARANCE REQUIRED	
mm	in.	mm	in.
100	4	250	10

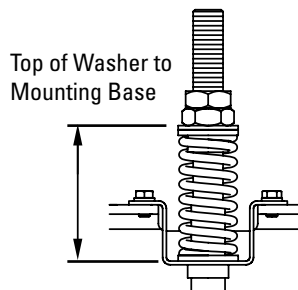


Spring Length Chart

with SST Spring Tensioner

Blade Width		White Spring		Silver Spring		Black Spring		Gold Spring	
mm	in.	mm	in.	mm	in.	mm	in.	mm	in.
450	18	86	3 3/8	102	4	N/A	N/A	N/A	N/A
600	24	79	3 1/8	98	3 7/8	N/A	N/A	N/A	N/A
750	30	73	2 7/8	95	3 3/4	N/A	N/A	N/A	N/A
900	36	N/A	N/A	95	3 3/4	98	3 7/8	N/A	N/A
1050	42	N/A	N/A	92	3 5/8	95	3 3/4	N/A	N/A
1200	48	N/A	N/A	89	3 1/2	92	3 5/8	N/A	N/A
1350	54	N/A	N/A	86	3 3/8	92	3 5/8	95	3 3/4
1500	60	N/A	N/A	83	3 1/4	89	3 1/2	95	3 3/4
1800	72	N/A	N/A	N/A	N/A	86	3 3/8	92	3 5/8
2100	84	N/A	N/A	N/A	N/A	79	3 1/8	89	3 1/2
2400	96	N/A	N/A	N/A	N/A	N/A	N/A	86	3 3/8
2700	108	N/A	N/A	N/A	N/A	N/A	N/A	89	3 1/2
3000	120	N/A	N/A	N/A	N/A	N/A	N/A	86	3 3/8

Shading indicates preferred spring option



Shading indicates preferred spring option

PAT Pressure Chart

Blade Width		Blades	Psi
mm	in.		
600	24"	4	19#
750	30"	5	23#
900	36"	6	27#
1050	42"	7	31#
1200	48"	8	35#
1350	54"	9	39#
1500	60"	10	43#
1800	72"	12	51#
2100	84"	14	59#
2400	96"	15	67#

Specifications:

- Maximum Belt Speed5m/s (1000 FPM)
- Temperature Rating-35°C to 82°C (-30°F to 180°F)
- Usable Blade Wear Length113mm (4-1/2")
- Blade Height.....185 mm (7-1/4")
- BladePolyurethane with UHMW additive (softer durometer to squeegee water off and additive to enhance blade life)
- Available for Belt Widths600 to 2400 mm (24" to 96")
Other sizes available upon request.
- CEMA Cleaner RatingClass 4

Product Ordering Information

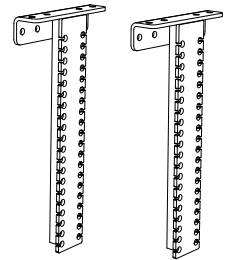
Motorised Brush Cleaner

Motorized Brush Cleaner

BELT WIDTH		ORDERING NUMBER	ITEM CODE	WT. KG
mm	in.			
450	18	MBC-18	79494	62.1
600	24	MBC-24	79495	66.6
750	30	MBC-30	79496	68.3
900	36	MBC-36	79497	71.1
1050	42	MBC-42	79498	73.9
1200	48	MBC-48	79499	81.4
1350	54	MBC-54	79500	84.5
1500	60	MBC-60	79501	87.3
1800	72	MBC-72	79502	93.2
2100	84	MBC-84	79503	98.9



Motorised Brush Cleaner



Replacement Brushes

BELT WIDTH		ORDERING NUMBER	ITEM CODE	WT. LBS.
mm	in.			
450	18	MBRD-18	79514	9.6
600	24	MBRD-24	79515	13.5
750	30	MBRD-30	79516	17.1
900	36	MBRD-36	79517	20.5
1050	42	MBRD-42	79518	23.7
1200	48	MBRD-48	79519	26.8
1350	54	MBRD-54	79520	30.7
1500	60	MBRD-60	79521	33.9
1800	72	MBRD-72	79522	41.0
2100	84	MBRD-84	79523	47.5

Optional Mounting Brackets (Pair)

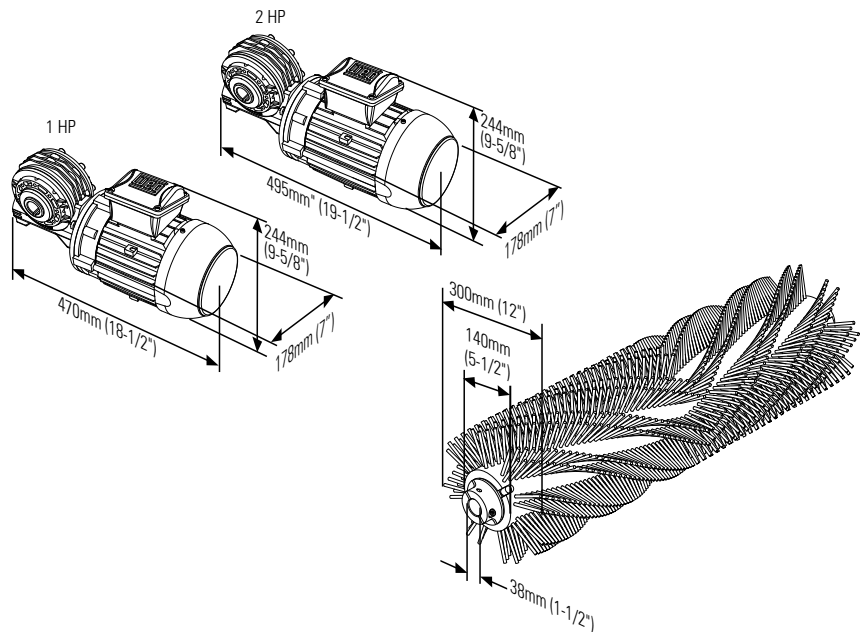
ORDERING NUMBER	ITEM CODE	WT. LBS.
MBCDBK	79536	28.9

Product Notes:

- Spins opposite the belt direction for optimal cleaning.
- Uniquely patterned bristles aid in reducing material buildup and clogging.
- Adjustable tensioners allow easy brush-to-belt adjustment as the bristles wear.
- Works on mechanically spliced or vulcanised belts.

Specifications & Guidelines

Belt Speed	3.5 m/s (Up to 700 fpm)
Vertical and Horizontal Clearance	305mm (12")
Temperature Range	-30°C to 82°C (-20°F to 180°F)
Maximum Chevron or Cleat Height	13mm (1/2")
Bristle Length	83mm (3-1/4")
Overall Diameter	305mm (12")
Shaft Length	Belt Width plus 915mm (36")
Shaft Diameter	38mm (1-1/2")
Motor HP	1 HP cleaners 450-1050mm (1050mm) 2 HP cleaners 1200-2100mm (48-84")
Motor voltage	230/400V

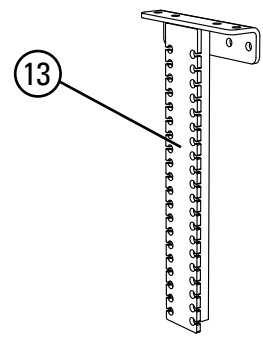
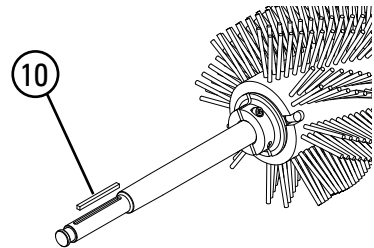
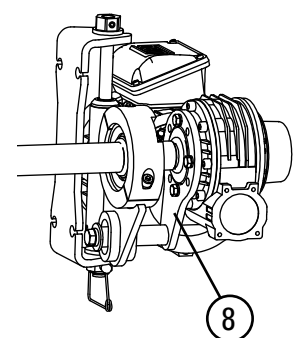
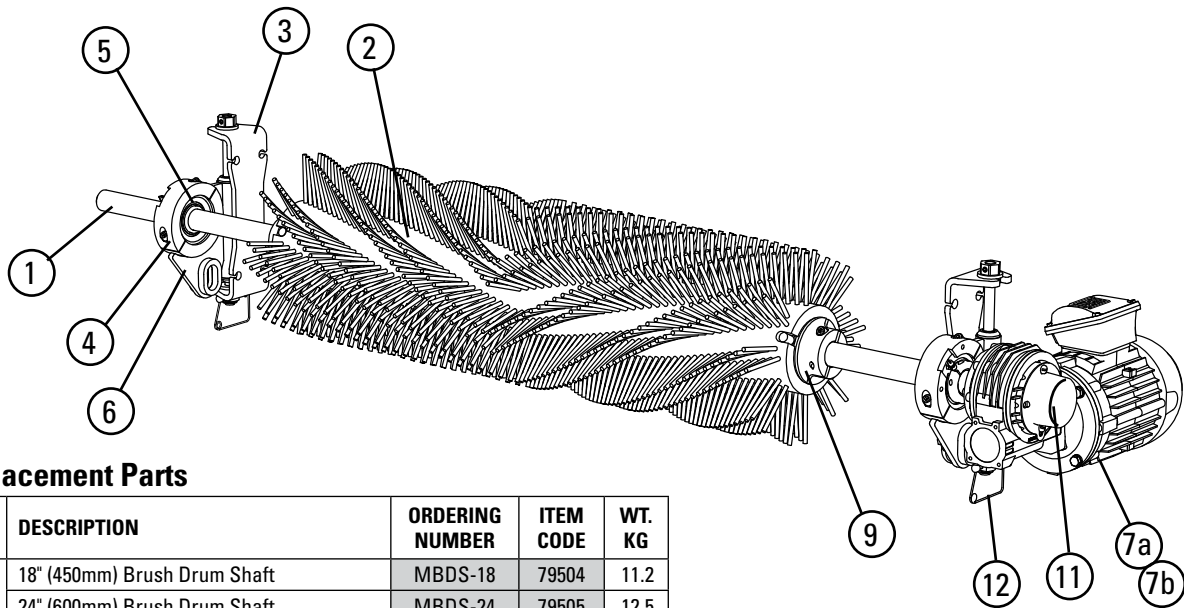


Stock items (non-shaded) refer to (*) for specific lead time, if not specified, standard lead time applies.

Non-stock items (shaded) please contact Flexco for dispatch options and lead times.

Replacement Parts List

Motorised Brush Cleaner



Replacement Parts

REF	DESCRIPTION	ORDERING NUMBER	ITEM CODE	WT. KG
1	18" (450mm) Brush Drum Shaft	MBDS-18	79504	11.2
	24" (600mm) Brush Drum Shaft	MBDS-24	79505	12.5
	30" (750mm) Brush Drum Shaft	MBDS-30	79506	13.9
	36" (900mm) Brush Drum Shaft	MBDS-36	79507	15.3
	42" (1050mm) Brush Drum Shaft	MBDS-42	79508	16.6
	48" (1200mm) Brush Drum Shaft	MBDS-48	79509	18.0
	54" (1350mm) Brush Drum Shaft	MBDS-54	79510	19.3
	60" (1500mm) Brush Drum Shaft	MBDS-60	79511	20.7
	72" (1800mm) Brush Drum Shaft	MBDS-72	79512	23.4
84" (2100mm) Brush Drum Shaft	MBDS-84	79513	26.1	
2	18" (450mm) Replacement Brush Drum	MBRD-18	79514	4.4
	24" (600mm) Replacement Brush Drum	MBRD-24	79515	6.1
	30" (750mm) Replacement Brush Drum	MBRD-30	79516	7.8
	36" (900mm) Replacement Brush Drum	MBRD-36	79517	9.3
	42" (1050mm) Replacement Brush Drum	MBRD-42	79518	10.8
	48" (1200mm) Replacement Brush Drum	MBRD-48	79519	12.2
	54" (1350mm) Replacement Brush Drum	MBRD-54	79520	14.0
	60" (1500mm) Replacement Brush Drum	MBRD-60	79521	15.4
	72" (1800mm) Replacement Brush Drum	MBRD-72	79522	18.6
84" (2100mm) Replacement Brush Drum	MBRD-84	79523	21.6	
3	Brush Mounting Base* (1)	MBCM	79524	2.1
4	Brush Bearing Clamp* (1)	MBCBC	79525	0.9
5	Brush Cleaner Bearings (2)	MBCB	79526	3.3
6	Brush Bearing Mount* (1)	MBCBM	79528	4.4
7a	Gearmotor Assy, 1 HP for belts up to 42" (1050mm)	MBCM-1	79529	25.0
7b	Gearmotor Assy, 2 HP for belts 48" (1200mm) and up	MBCM-2	79530	29.5
8	Brush Cleaner Torque Arm* (1)	MBCTA	79531	1.1
9	Brush Locks* (2)	MBCBL	79532	4.3
10	Brush Motor Key Kit (1)	MBCMCK	79533	0.1
11	MBC Shaft End Cap* (1)	MBCCEC	79534	0.0
12	Tensioner Lock Pins (2)	STLP	79535	0.1
13	Brush Cleaner Drop Brackets* (2)	MBCDBK	79536	13.1
-	Brush Cleaner Adjusting Bracket (1) (incl. bearing and 1 ea. items 3,4,6,&12)	MBADB	79527	8.2

*Hardware Included

Stock items (non-shaded) refer to (*) for specific lead time, if not specified, standard lead time applies.

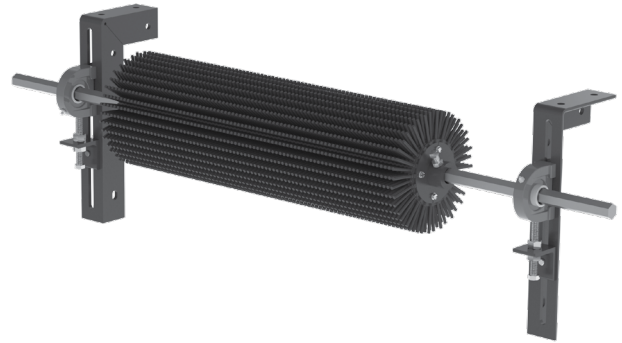
Non-stock items (shaded) please contact Flexco for dispatch options and lead times.

Product Ordering Information

Chevron Belt Cleaner

Chevron Belt Cleaner

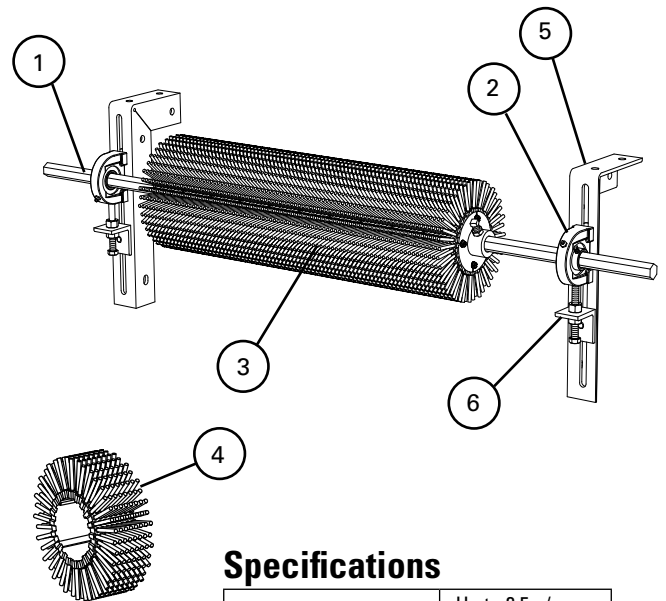
BELT WIDTH		DRUM WIDTH		ORDERING NUMBER	ITEM CODE	WT. KG
mm	in.	mm	in.			
450	18	450	18	CBC18	76668	34.9
600	24	600	24	CBC24	76669	40.0
750	30	750	30	CBC30	76670	45.0
900	36	900	36	CBC36	76671	50.1
1050	42	1050	42	CBC42	76672	55.1
1200	48	1200	48	CBC48	76673	60.2
1350	54	1350	54	CBC54	76674	65.2
1500	60	1500	60	CBC60	76675	70.3



Replacement Parts

REF	DESCRIPTION	ORDERING NUMBER	ITEM CODE	WT. KG
1	450 mm Drum Shaft	CBCS18	90537	6.9
	600 mm Drum Shaft	CBCS24	90538	7.7
	750 mm Drum Shaft	CBCS30	90539	8.6
	900 mm Drum Shaft	CBCS36	90540	9.5
	1050 mm Drum Shaft	CBCS42	90541	10.3
	1200 mm Drum Shaft	CBCS48	90542	11.2
	1350 mm Drum Shaft	CBCS54	90543	12.0
	1500 mm Drum Shaft	CBCS60	90544	12.9
2	Chevron Pillow Block*	CPB	76692	0.6
3	450 mm Replacement Drum w/Fingers*	CRDF18	90631	12.6
	600 mm Replacement Drum w/Fingers*	CRDF24	90632	16.8
	750 mm Replacement Drum w/Fingers*	CRDF30	90633	21.0
	900 mm Replacement Drum w/Fingers*	CRDF36	90634	25.2
	1050 mm Replacement Drum w/Fingers*	CRDF42	90635	29.4
	1200 mm Replacement Drum w/Fingers*	CRDF48	90636	33.6
	1350 mm Replacement Drum w/Fingers*	CRDF54	90637	37.8
	1500 mm Replacement Drum w/Fingers*	CRDF60	90638	42.0
4	75mm Replacement Finger Ring	CBC3R	90641	1.1
5	Mounting Bracket, Right	PMBR	75519	3.8
	Mounting Bracket, Left	PMBL	75516	3.8
6	Adjusting Bracket Kit* (1 ea.)	PAB	75513	0.9

*Hardware Included



Specifications

Belt Speed	Up to 2.5m/s (500 fpm)
Vertical and Horizontal Clearance	250mm (10")
Temperature Range	-35°C to 82°C (-30°F to 180°F)
Maximum Chevron or Cleat Height	25mm (1")
Finger Length	50mm (2")
Rubber Durometer	45A
Overall Diameter	238mm (9-1/2")
Shaft Length	Belt Width plus 750mm (30")
Shaft	25mm (1") Hex
CEMA Cleaner Rating	Class 3

Product Notes:

- Free-rotating. Works only when the belt is running.
- Self-cleaning. Finger length, spacing and the rotary action allows carryback to fall free instead of clogging.
- Easy to install. Few parts and step-by-step instructions make the job simple.
- Long-wearing SBR rubber. Drum life ranges from 1 to 3 years depending upon the application conditions and the material being conveyed.
- Works on reversing belts.
- Finger rings can be replaced individually or all at once by replacing the drum.

Stock items (non-shaded) refer to (*) for specific lead time, if not specified, standard lead time applies.

Non-stock items (shaded) please contact Flexco for dispatch options and lead times.

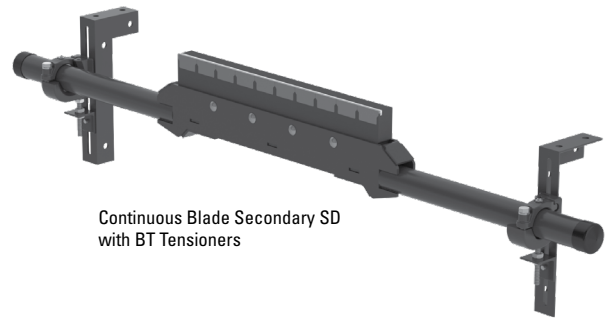
Product Ordering Information

Continuous Blade Secondary Cleaner

Continuous Blade Secondary Cleaners with BT Tensioners

	BELT WIDTH		ORDERING NUMBER	ITEM CODE	WT. KG.
	mm	in.			
Standard Duty	450	18	CBS-450-BT	103244	154.0
	600	24	CBS-600-BT	103245	168.0
	750	30	CBS-750-BT	103246	182.0
	900	36	CBS-900-BT	103247	196.0
	1050	42	CBS-1050-BT	103248	210.0
	1200	48	CBS-1200-BT	103249	224.0
	1350	54	CBS-1350-BT	103250	238.0
Heavy Duty	1500	60	CBSHD-1500-BT	103255	252.0
	1800	72	CBSHD-1800-BT	103256	280.0
	2100	84	CBSHD-2100-BT	103257	308.0
	2400	96	CBSHD-2400-BT	103258	336.0

Lead time: 1 day; shaded items 3 weeks



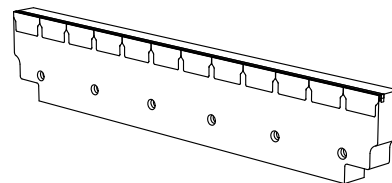
Continuous Blade Secondary SD with BT Tensioners

Continuous Blade Secondary HD with BT Tensioners

Replacement Blades for Continuous Blade Secondary Cleaners

BELT WIDTH		ORDERING NUMBER	ITEM CODE	WT. KG.
mm	in.			
450	18	CBSBLD18F	79947	7.3
600	24	CBSBLD24F	79948	10.0
750	30	CBSBLD30F	79949	12.3
900	36	CBSBLD36F	79950	15.0
1050	42	CBSBLD42F	79951	17.7
1200	48	CBSBLD48F	79952	20.4
1350	54	CBSBLD54F	79953	22.7
1500	60	CBSBLD60F	79954	25.4
1800	72	CBSBLD72F	79955	30.4
2100	84	CBSBLD84F	79956	35.8
2400	96	CBSBLD96F	79957	40.8

Lead time: 1 day; shaded items 3 weeks



CBS Flat Replacement Blade

Product Notes:

- Heavy-duty design to deliver maximum cleaning efficiency on the most demanding, abusive beltlines.
- It is recommended that mechanical fasteners on the belt be skived.

Stock items (non-shaded) refer to (*) for specific lead time, if not specified, standard lead time applies.

Non-stock items (shaded) please contact Flexco for dispatch options and lead times.

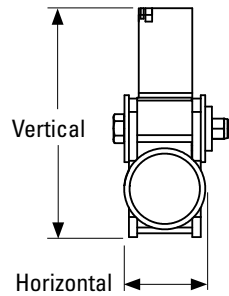
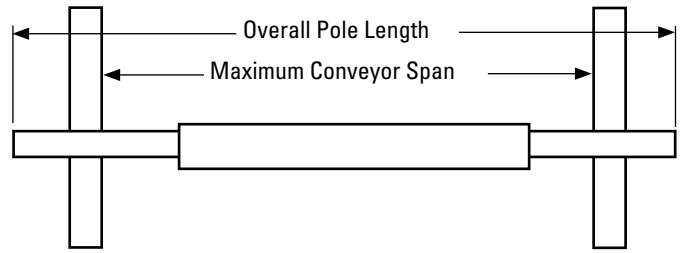
Specifications and Guidelines

Continuous Blade Secondary Cleaner

Pole Length Specifications*

CLEANER SIZE		BLADE WIDTH		POLE LENGTH		MAXIMUM CONVEYOR SPAN	
mm	in.	mm	in.	mm	in.	mm	in.
450	18	450	18	1800	72	1550	62
600	24	600	24	1950	78	1700	68
750	30	750	30	2100	84	1850	74
900	36	900	36	2250	90	2000	80
1050	42	1050	42	2400	96	2150	86
1200	48	1200	48	2550	102	2300	92
1350	54	1350	54	2700	108	2450	98
1500	60	1500	60	2850	114	2600	104
1800	72	1800	72	3150	126	2900	116
2100	84	2100	84	3450	138	3200	128
2400	96	2400	96	3750	150	3500	140

*For special extra long pole length requirements a Pole Extender Kit (#76024) is available that provides 750mm (30") of extended pole length. See Page 131. Pole Diameter - 73mm (2-7/8")



Clearance Guidelines for Installation

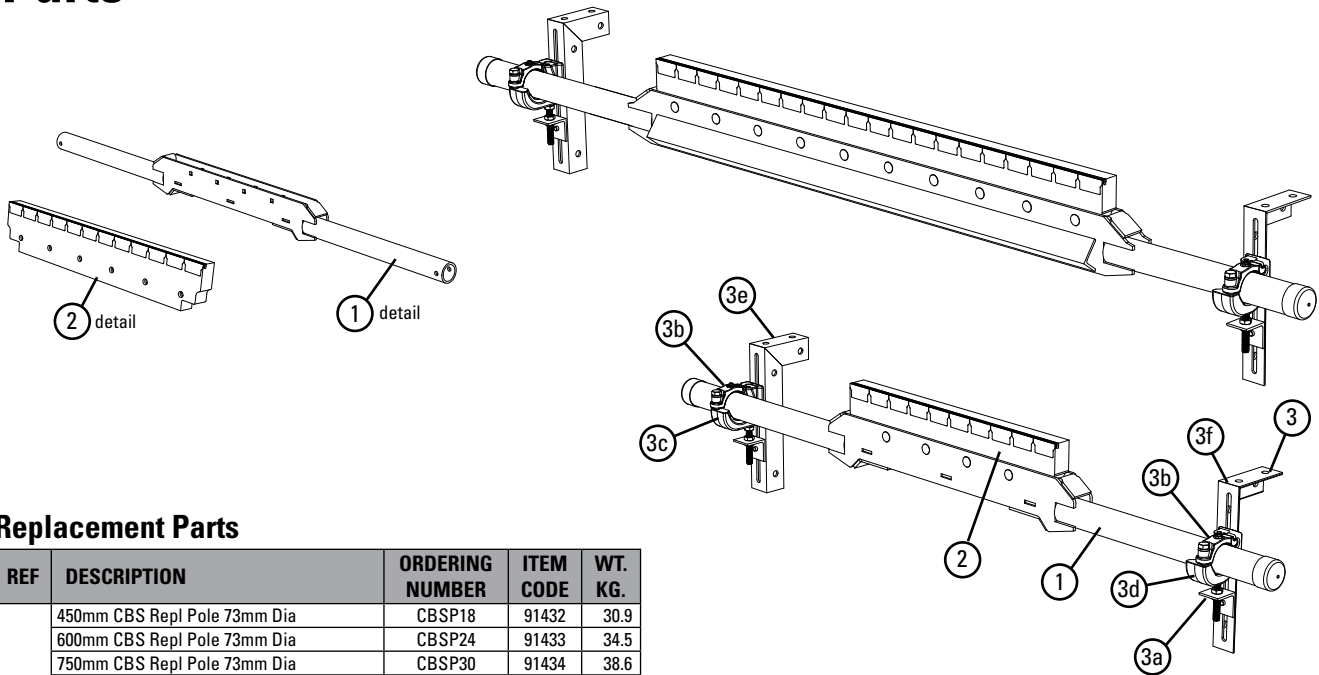
HORIZONTAL CLEARANCE REQUIRED		VERTICAL CLEARANCE REQUIRED	
mm	in.	mm	in.
115	4-1/2	229	9

Specifications:

- Maximum Belt Speed 4M/sec (800 FPM)
- Temperature Rating -35°C to 82°C (-30°F to 180°F)
- Available for Belt Widths 450 to 2400mm (18" to 96"). Other sizes available upon request.

Replacement Parts

Continuous Blade Secondary Cleaner

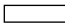



Replacement Parts

REF	DESCRIPTION	ORDERING NUMBER	ITEM CODE	WT. KG.
1	450mm CBS Repl Pole 73mm Dia	CBSP18	91432	30.9
	600mm CBS Repl Pole 73mm Dia	CBSP24	91433	34.5
	750mm CBS Repl Pole 73mm Dia	CBSP30	91434	38.6
	900mm CBS Repl Pole 73mm Dia	CBSP36	91435	42.2
	1050mm CBS Repl Pole 73mm Dia	CBSP42	91436	45.8
	1200mm CBS Repl Pole 73mm Dia	CBSP48	91437	49.5
	1350mm CBS Repl Pole 73mm Dia	CBSP54	91438	53.5
	1500mm CBS Repl Pole 73mm Dia Extra HD	CBSHD-1500P	84086	79.8
	1800mm CBS Repl Pole 73mm Dia Extra HD	CBSHD-1800P	84087	89.4
	2100mm CBS Repl Pole 73mm Dia Extra HD	CBSHD-2100P	84088	99.1
	2400mm CBS Repl Pole 73mm Dia Extra HD	CBSHD-2400P	84089	108.9
	2	450mm CBS Blade Flat	CBSBLD18F	79947
600mm CBS Blade Flat		CBSBLD24F	79948	10.0
750mm CBS Blade Flat		CBSBLD30F	79949	12.3
900mm CBS Blade Flat		CBSBLD36F	79950	15.0
1050mm CBS Blade Flat		CBSBLD42F	79951	17.7
1200mm CBS Blade Flat		CBSBLD48F	79952	20.4
1350mm CBS Blade Flat		CBSBLD54F	79953	22.7
1500mm CBS Blade Flat		CBSBLD60F	79954	25.4
1800mm CBS Blade Flat		CBSBLD72F	79955	30.4
2100mm CBS Blade Flat		CBSBLD84F	79956	35.8
2400mm CBS Blade Flat		CBSBLD96F	79957	40.8
3		Bolt Tensioner Kit	CCMKHD	78920
3a	Adjusting Bracket Kit	PAB	75513	0.7
3b	Cradle Clamp Top Strap	CCKHDTS	79232	0.8
3c	Pole Clamp Kit Left	CCKHDL	79225	4.0
3d	Pole Clamp Kit Right	CCKHDR	79229	4.0
3e	Mounting Bracket - Left Hand	PMBL	75516	3.8
3f	Mounting Bracket - Right Hand	PMBR	75519	3.8

*Hardware Included

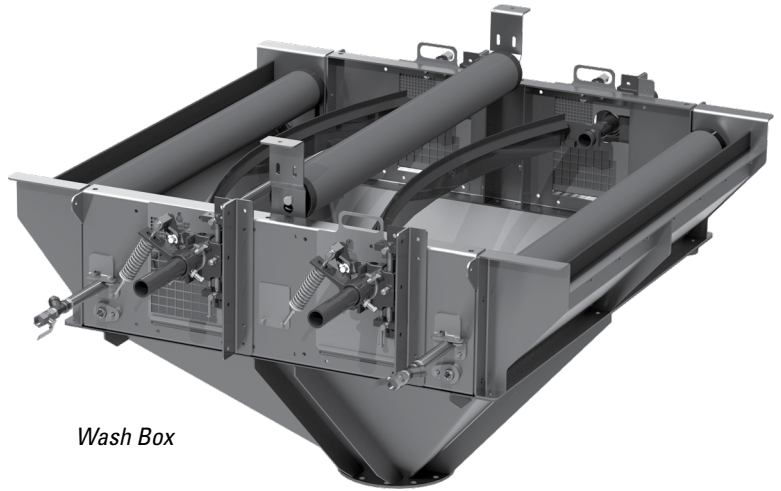
Lead time: 2 weeks

 Stock items (non-shaded) refer to (*) for specific lead time, if not specified, standard lead time applies.

 Non-stock items (shaded) please contact Flexco for dispatch options and lead times.

Product Ordering Information

Wash Box



Wash Box

Wash Box

Belt Width	"A"	"B"	"C"	"D"	MASS	VOLUME
	Outside Conveyor Stringers (mm)	Mounting Hole Centres (mm)	Overall Width (mm)	Height to Outlet Flange (mm)	Excludes Cleaners & Rollers (kg)	Enclosed in Wash Box (m ³)
600	910	850	1,085	940	295	0.7
750	1,060	1,000	1,235	955	310	0.8
900	1,210	1,150	1,385	995	330	1.0
1,050	1,360	1,300	1,535	1,015	345	1.1
1,200	1,510	1,450	1,685	1,060	365	1.3
1,350	1,710	1,650	1,885	1,110	390	1.5
1,400	1,760	1,700	1,935	1,125	395	1.6
1,500	1,860	1,800	2,035	1,150	410	1.7
1,600	2,060	2,000	2,235	1,210	435	1.9
1,800	2,260	2,200	2,435	1,265	465	2.2
2,000	2,460	2,400	2,635	1,325	505	2.4

Product Notes:

- Please contact Flexco for pricing and lead time.
- The dimensions, mass and volumes shown here are nominal for a standard Flexco Wash Box and will be confirmed to suit each specific application.
- Each Stainless Steel Wash Box comes equipped with a combination of pressure rollers, spray bars and recovery system.
- The Wash Box is designed to accommodate any two secondary cleaners from the Flexco range, the belt cleaners are sold separately.
- Non-standard sizes available, please contact Flexco.

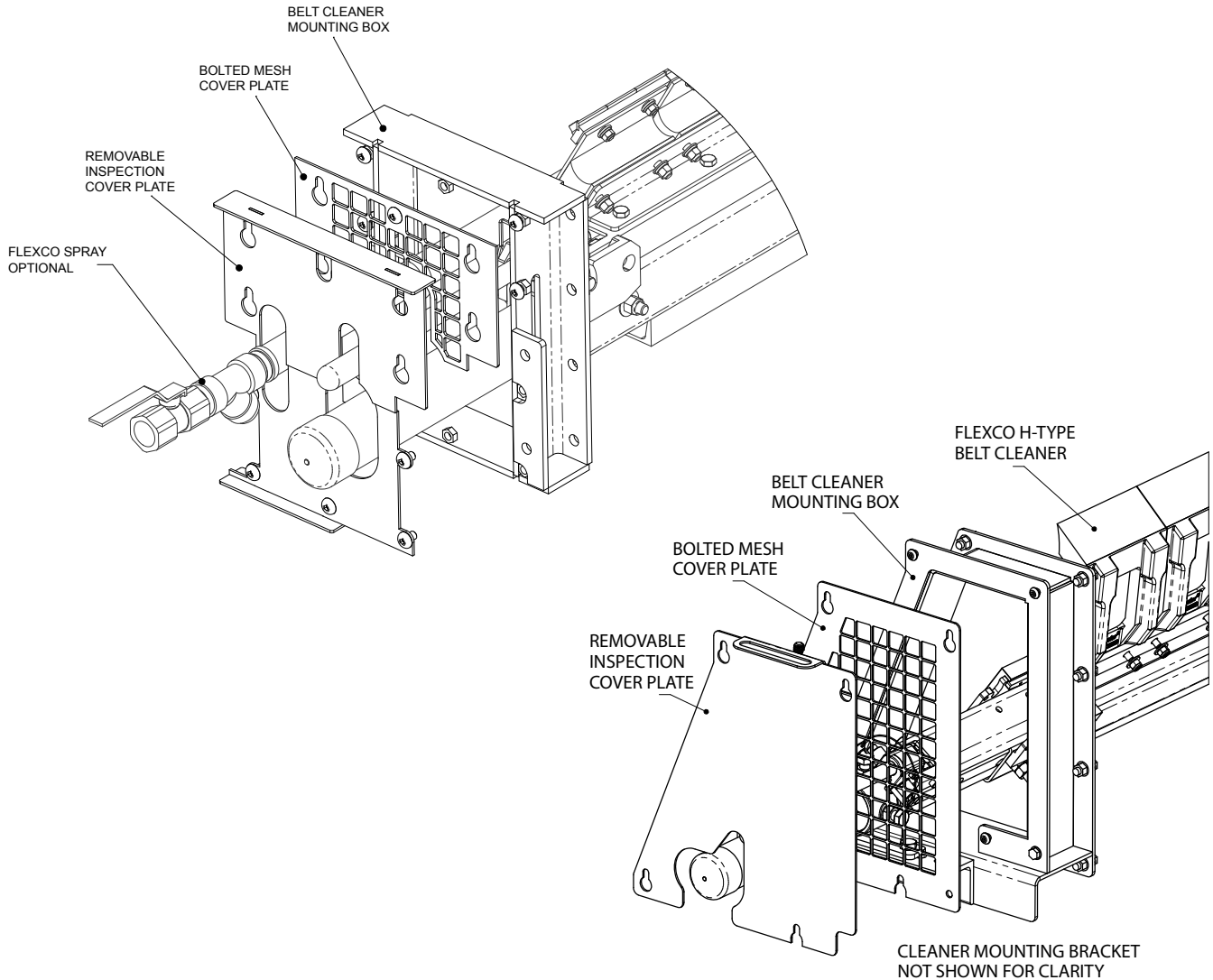
Stock items (non-shaded) refer to (*) for specific lead time, if not specified, standard lead time applies.

Non-stock items (shaded) please contact Flexco for dispatch options and lead times.

Product Ordering Information

Inspection Doors

Flexco can create inspection doors and cleaner mount inspection doors to suit your system. Please contact customer service for more details.



Product Notes:

- Please contact Flexco for pricing and lead times.
- Inspection doors are available in a range of sizes, please contact your Flexco representative or customer service for more information.
- Inspection doors can also be designed to your specifications.
- Constructed from heavy-duty grade 316 Stainless Steel.
- The solid outer door can be safely opened by hand without the need for any tools during normal operation of the equipment.
- The inner door features 3mm mesh at 50mm spacing and requires tools to remove ensuring workers remain safe behind the mesh.
- Cleaner tensions sit outside the mesh, allowing for staff to safely and effectively tension cleaners.

Stock items (non-shaded) refer to (*) for specific lead time, if not specified, standard lead time applies.

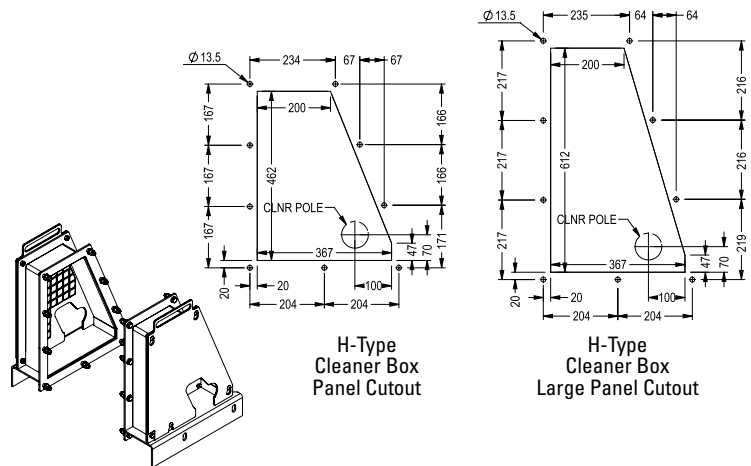
Non-stock items (shaded) please contact Flexco for dispatch options and lead times.

Product Ordering Information

Inspection Doors

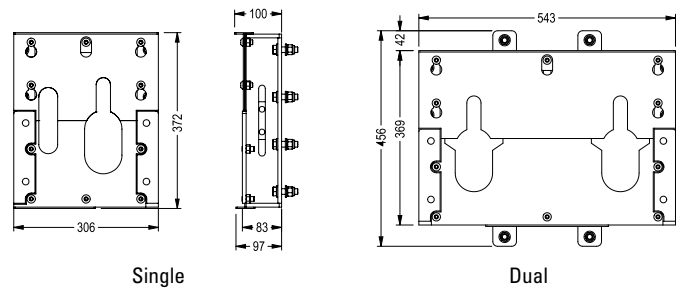
Inspection Boxes

Description	ITEM CODE
Small H-Type Cleaner Box Kit	67856
Large H-Type Cleaner Box Kit	67587



Inspection Boxes

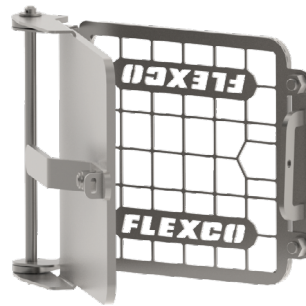
Description	ITEM CODE
Inspection Box - Dual Secondary MST	67268
Inspection Box - Single Secondary MST	67267



Inspection Doors

Description	ITEM CODE
ID300x300 S/S Inspection Door	62445
ID400x400 S/S Inspection Door	62446
ID500x500 S/S Inspection Door	62447
ID600x600 S/S Inspection Door	62448

All doors are weld-on installation, for bolt-on, please contact Flexco



Please note: All Access Doors are made from grade 316 stainless steel. The outer door is solid c/w with lockable handle and the inner door is 3mm mesh at 50mm spacing.

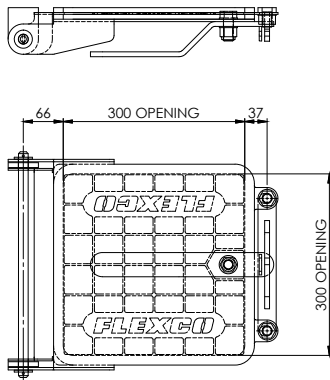
Stock items (non-shaded) refer to (*) for specific lead time, if not specified, standard lead time applies.

Non-stock items (shaded) please contact Flexco for dispatch options and lead times.

SAMPLE SPECIFICATIONS AND GUIDELINES

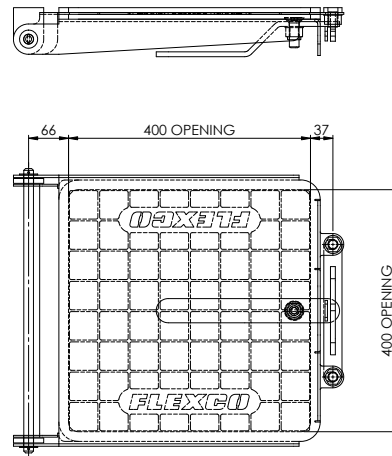
Inspection Door 300 mm x 300 mm

Chute Opening:	300 mm x 300 mm
Outer Door:	Solid c/w Lockable Handle
Inner Mesh Door:	3 mm mesh @ 50 mm spacing
Material:	Grade 316 Stainless Steel
Overall Weight:	8 kg



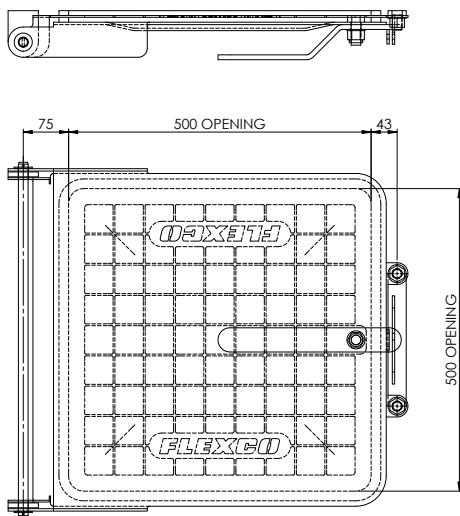
Inspection Door 400 mm x 400 mm

Chute Opening:	400 mm x 400 mm
Outer Door:	Solid c/w Lockable Handle
Inner Mesh Door:	3 mm mesh @ 50 mm spacing
Material:	Grade 316 Stainless Steel
Overall Weight:	13 kg



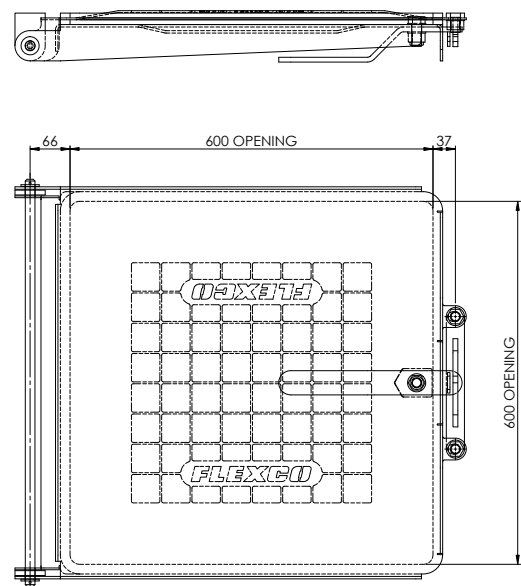
Inspection Door 500 mm x 500 mm

Chute Opening:	500 mm x 500 mm
Outer Door:	Solid c/w Lockable Handle
Inner Mesh Door:	3 mm mesh @ 50 mm spacing
Material:	Grade 316 Stainless Steel
Overall Weight:	18 kg



Inspection Door 600 mm x 600 mm

Chute Opening:	600 mm x 600 mm
Outer Door:	Solid c/w Lockable Handle
Inner Mesh Door:	3 mm mesh @ 50 mm spacing
Material:	Grade 316 Stainless Steel
Overall Weight:	32 kg



Product Ordering Information

Water Spray Pole Systems Belt Cleaner Accessories

Stand-Alone Spraybar Assemblies 38 mm dia.

BELT WIDTH mm	ORDERING NUMBER	ITEM CODE	WT. KG
600	SB600A	A0887	4.0
750	SB750A	A0407	5.0
900	SB900A	A0912	5.5
1050	SB1050A	A0435	6.0
1200	SB1200A	A0316	7.0
1400	SB1400A	A1620	8.0
1500	SB1500A	A1838	9.0
1800	SB1800A	A1357	10.0

Spray Assembly includes spraybar, brass plug, y strainer, nozzles, and brackets to mount independently to structure.

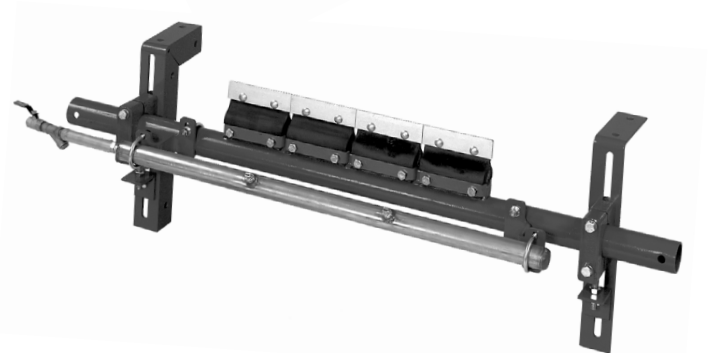


Secondary Spraybar Assemblies

BELT WIDTH mm	ORDERING NUMBER	ITEM CODE	WT. KG
600	SB600-SEC	61063	4.0
750	SB750-SEC	61064	5.0
900	SB900-SEC	61065	5.5
1050	SB1050-SEC	61066	6.0
1200	SB1200-SEC	61067	7.0
1400	SB1400-SEC	61068	8.0
1500	SB1500-SEC	61069	9.0
1800	SB1800-SEC	61070	10.0

Secondary Cleaner Spraybar Assemblies are designed to be clamped to secondary cleaners. Each assembly includes spraybar, nozzles, brass plug, y strainer, and clamping brackets to mount to secondary cleaner.

Lead time: 3 weeks

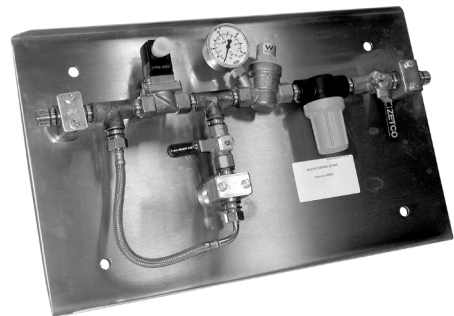


Water Control Manifold

ORDERING NUMBER	ITEM CODE	WT. KG
WCB	A0012	10.0

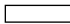
Water Control Manifolds come complete with the following:


- 13 mm BSP connections
- Solenoid valve (24V DC Standard)
- Pressure regulator
- Filter strainer
- Lockable ball valves
- Manual bypass line
- Stainless steel backing plate



Spray Nozzles Per Cleaner Size

mm	450	600	750	900	1050	1200	1350	1500	1800	2100	2400	3000
Spray Nozzles	1	2	2	3	3	4	4	5	6	7	8	10

 Stock items (non-shaded) refer to (*) for specific lead time, if not specified, standard lead time applies.

 Non-stock items (shaded) please contact Flexco for dispatch options and lead times.

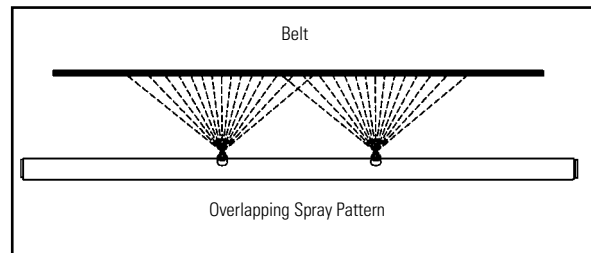
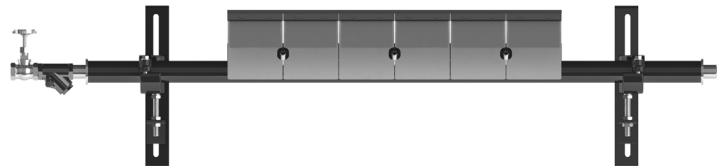
Product Ordering Information

Water Spray Pole Systems Belt Cleaner Accessories

PS Spraywash with V-Tips

BELT WIDTH mm	ORDERING NUMBER	ITEM CODE	WT. KG
600	PS600	73014	27.0
750	PS750	73541	31.0
900	PS900	73542	33.0
1050	PS1050	73543	37.0
1200	PS1200	73544	40.0
1400	PS1400	73546	42.0
1500	PS1500	73545	47.0
1800	PS1800	73537	62.0
2000	PS2000	73539	68.0

All Stainless Steel construction. Spraywash cleaners supplied standard with nozzles, deflector shields, Brass plug, and brass Y strainer.
Lead time: 3 weeks



Replacement Tips and Nozzles

BELT WIDTH mm	600	750	900	1050	1200	1400	1500	1800	2000
Tips/Cushions Required	4	5	6	7	8	9	10	12	13
Nozzles Required	2	3	3	3	4	5	5	6	7

Replacement Parts

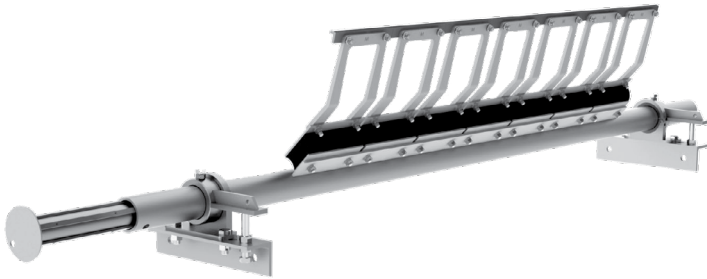
DESCRIPTION	POLE DIAMETER	BELT WIDTH	POLE LENGTH	ORDERING NUMBER	ITEM CODE	WT. KG
PS Spray Poles	60	600	1350	PS600PL	73582	15.0
		750	1500	PS750PL	73583	16.0
		900	1650	PS900PL	73584	19.0
		1050	1800	PS1050PL	73585	22.0
		1200	1950	PS1200PL	73586	26.0
	73	1400	2200	PS1400PL	73587	29.0
		1500	2350	PS1500PL	73588	33.0
		1800	2650	PS1800PL	74049	36.0
		2000	2850	PS2000 PL	74050	40.0
P-V Tip			PVT6-S/S	75420	0.4	
PH High Speed Cushion - Stainless			PHSC-S/S	73433	1.0	
Spray Nozzle			PSN11010	74053	1.0	
Valve Assembly			PSVA	73434	1.0	
Water Control Board - 24 Volt DC			WCB	A0012	10.0	
Stainless Shield - Notch			PSSS-N	73221	0.5	
Stainless Shield - Hole			PSSS-H	73222	0.5	
Spraybar 'U' Clamp			SB-UC38-S/S	A1536	0.1	
Spraybar Mounting Bracket			SB-MB-S/S	A1535	0.7	
Malex1' BSP			Reduce Adap F 3/4	61058	0.1	
BSP Brass			HEX Plug 3/4	61057	0.1	
600 mm Spraybar			SB600	A0886	2.1	
750 mm Spraybar			SB750	A0408	2.3	
900 mm Spraybar			SB900	A0696	2.6	
1050 mm Spraybar			SB1050	A0334	2.8	
1200 mm Spraybar			SB1200	A0863	3.0	
1400 mm Spraybar			SB1400	A0827	3.4	
1500 mm Spraybar			SB1500	A2033	3.7	
1800 mm Spraybar			SB1800	A0317	4.1	
2100 mm Spraybar			SB2100	61287	4.6	
2400 mm Spraybar			SB2400	A1776	5.0	

Specifications

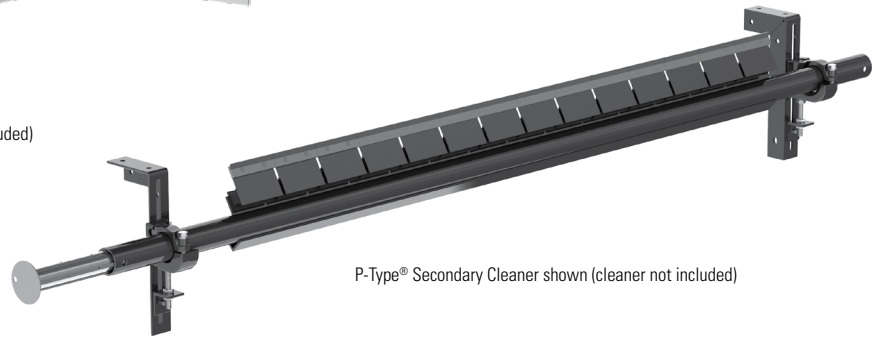
- Stainless steel pole with stainless steel clamping brackets.
- Spray nozzles are spaced on 300 mm centers.
- Spray nozzles delivers 3.9 litres per minute, per nozzle at 300 kPa.
- Maximum inlet pressure is 1000 kPa.
- Typical pressure setting is 200-600 kPa.

Product Ordering Information

Mandrel Safety Removal Systems Belt Cleaner Accessories



H-Type® primary cleaner shown (cleaner not included)



P-Type® Secondary Cleaner shown (cleaner not included)

Mandrel Poles

BELT WIDTH mm	CLEANER POLE DIA.	GALVANISED MANDREL POLE		
		ORDERING NUMBER	ITEM CODE	WT. KG
450	60	MR-450PG	A2836	5.0
600	60	MR-600PG	A2837	6.0
750	60	MR-750PG	A2838	6.5
900	60	MR-900PG	A2839	7.5
1050	60	MR-1050PG	A2840	8.5
1200	60	MR-1200PG	A2841	9.0
1500	73	MR-1500PG	A2829	10.0
1600	73	MR-1600PG	A2830	11.0
1800	73	MR-1800PG	A2831	12.0
2100	73	MR-2100PG	A2832	13.5
2400	73	MR-2400PG	A2833	15.0
2600	73	MR-2600PG	A2834	16.5
3000	73	MR-3000PG	A2835	19.0

A Mandrel Kit requires 1 pole, 1 left hand block and 1 right hand block.

Lead time: 3 weeks

Cradle H Bearings Primary Cleaners

POWDER COATED			
ORDERING NUMBER	ITEM CODE	POLE DIA.	WT. KG
PMR-CHB-L73	61075	73	1.5
PMR-CHB-R73	61076	73	1.5
PMR-CHB-L60	61073	60	1.3
PMR-CHB-R60	61074	60	1.3

Cradle Clamp Blocks Secondary Cleaners

POWDER COATED		
ORDERING NUMBER	ITEM CODE	POLE DIA.
SMR-CCB-L73	A2842	73
SMR-CCB-R73	A2843	73
SMR-CCB-L60	A2844	60
SMR-CCB-R60	A2845	60

Stock items (non-shaded) refer to (*) for specific lead time, if not specified, standard lead time applies.

Non-stock items (shaded) please contact Flexco for dispatch options and lead times.

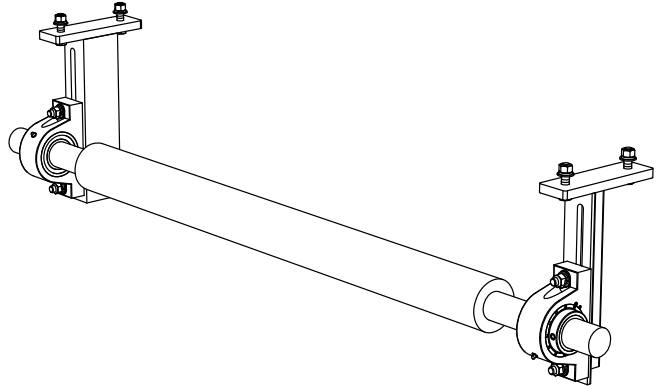
Product Ordering Information

Live-Shaft Hold-Down Roll Belt Cleaner Accessories

Live-Shaft Hold-Down Roll

BELT WIDTH		ROLL DIAMETER		ORDERING NUMBER	ITEM CODE	WT. KG
mm	in.	mm	in.			
600	24	114	4 1/2	HDR24	79010	72.3
750	30	114	4 1/2	HDR30	79011	76.8
900	36	114	4 1/2	HDR36	79012	81.8
1050	42	114	4 1/2	HDR42	79013	86.4
1200	48	114	4 1/2	HDR48	79014	113.2
1350	54	114	4 1/2	HDR54	79015	115.9
1500	60	114	4 1/2	HDR60	79016	120.5
1800	72	127	5	HDRS72*	79017	256.8
2100	84	127	5	HDRS84*	79018	279.5

*1800mm and 2100mm (72" and 84") feature solid roll



Replacement Roll

BELT WIDTH		ROLL DIAMETER		ORDERING NUMBER	ITEM CODE	WT. KG
mm	in.	mm	in.			
600	24	114	4 1/2	HDRR24	79019	51.8
750	30	114	4 1/2	HDRR30	79020	56.4
900	36	114	4 1/2	HDRR36	79021	61.4
1050	42	114	4 1/2	HDRR42	79022	65.9
1200	48	114	4 1/2	HDRR48	79023	92.7
1350	54	114	4 1/2	HDRR54	79024	95.5
1500	60	114	4 1/2	HDRR60	79025	100.0
1800	72	127	5	HDRRS72*	79026	236.4
2100	84	127	5	HDRRS84*	79027	259.1

*1800mm and 2100mm (72" and 84") feature solid roll

Roller Bracket Kit*

DESCRIPTION	ORDERING NUMBER	ITEM CODE	WT. KG
Hold Down Roll Bracket Kit - 600mm to 1500mm	HDRBK	79009	20.5
HD Hold Down Roll Bracket Kit - 1800mm to 2100mm	HDRBK-HD	79072	20.5

*Includes Left and Right Bracket

Add-On Grease Hose Extension Kit

DESCRIPTION	ORDERING NUMBER	ITEM CODE	WT. KG
Grease Hose Extension Kit (incl. 2 ea. 400mm (16") hose w/fittings and tie-downs)	HDRGK	79236	0.5

Specifications:

- Overall Roll Length.....Belt Width 150mm (+6")
- Overall Shaft LengthBelt Width 750mm (+30")
- Shaft Diameter.....600-1050mm (24" - 42") - 49.2mm (1-15/16") diameter
1200-1500mm (48" - 60") - 61.9mm (2-7/16") diameter
1800-2100mm (72" - 84") - 74.6 (2-15/16") diameter
- Shaft Construction600-1500mm (24" - 60") - 1045 CD
1800-2100mm (72" - 84") - turned from solid 4140 round stock

Product Notes:

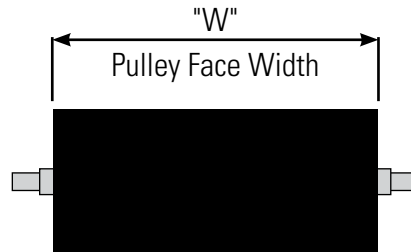
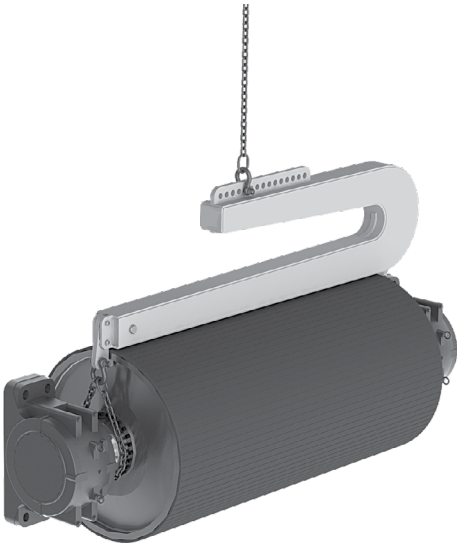
- For use in applications with belt cup or belt flap.
- By preventing these issues secondary cleaner performance and blade/tip life is enhanced.

Stock items (non-shaded) refer to (*) for specific lead time, if not specified, standard lead time applies.

Non-stock items (shaded) please contact Flexco for dispatch options and lead times.

Product Ordering Information

Standard Pulley Lifters

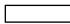



Pulley Face Widths

	800-1200	1200-1600	1600-2000	2000-2400
3 TONNE CAPACITY	1-PL-800-1200-3	1-PL-1200-1600-3	1-PL-1600-2000-3	1-PL-2000-2400-3
6 TONNE CAPACITY	1-PL-800-1200-6	1-PL-1200-1600-6	1-PL-1600-2000-6	1-PL-2000-2400-6
12 TONNE CAPACITY	1-PL-800-1200-12	1-PL-1200-1600-12	1-PL-1600-2000-12	1-PL-2000-2400-12

Product Notes:

- Please contact Flexco for pricing and lead times.
- Made from high strength steel to Australian Standards.
- Each pulley lifter proof load tested after manufacture and supplied with certificate of compliance and a safety operations and maintenance manual.
- Supplied in safety yellow as standard (other colours available on request).

 **Stock items** (non-shaded) refer to (*) for specific lead time, if not specified, standard lead time applies.

 **Non-stock items** (shaded) please contact Flexco for dispatch options and lead times.

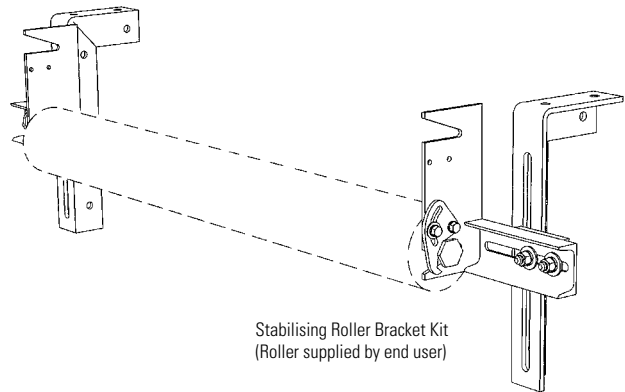
Product Ordering Information

Belt Cleaner Accessories

Stabilising Roller Bracket Kit*

Provides universal brackets to mount the user's return roller as a hold-down (stabilising) roller on top of the return side belt. Holds the belt flat so the belt cleaner can maximize its cleaning performance.

DESCRIPTION	ORDERING NUMBER	ITEM CODE	WT. KG
Stabilising Roller Bracket Kit	SRBK	74941	15.5

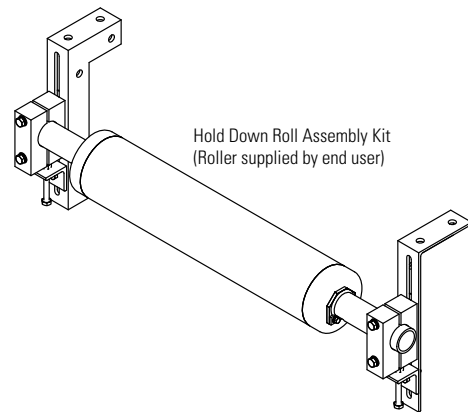


Hold Down Roll Assembly Kits

DESCRIPTION	ORDERING NUMBER	ITEM CODE	WT. KG
Hold Down Roll Assembly Kit S/S 17mm*	HDRP17	63679	1.9
Hold Down Roll Assembly Kit S/S 22mm*	HDRP22	63678	1.9

Kit includes:

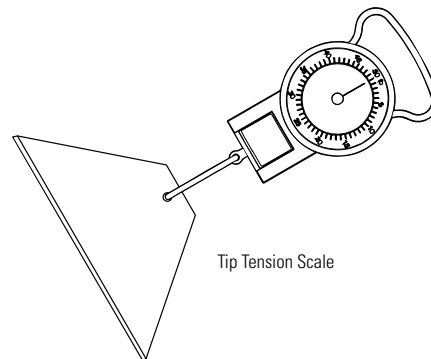
- Stainless Steel Hold Down Roller Pole Kit to suit 17mm or 22mm A/F Roller
- S/S Mounting Kit



Tip Tension Scale

For easy checking of blade tension on all H-Type® Primary Cleaners.

DESCRIPTION	ORDERING NUMBER	ITEM CODE	WT. KG
H Tip Tension Scale	HTTS	74141	0.1



Spring Tension Chart (recommended tensions)

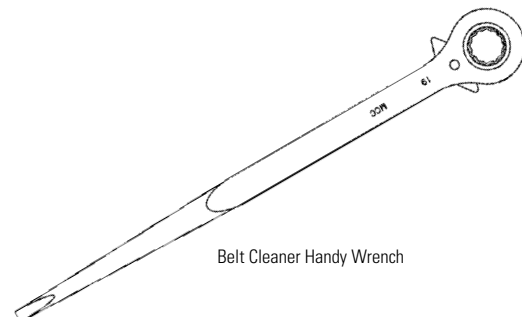
CLEANER	HXF	H V-TIP	H PROTECTED V-TIP	HI-TEMP V-TIP
Kg	12.7	8.2	8.2	8.2

For installation and for retensioning blades during maintenance.

Belt Cleaner Handy Wrench

A ratcheting wrench with 2 common socket sizes (11/16" & 3/4", 17mm & 19mm) for belt cleaner installation and maintenance.

DESCRIPTION	ORDERING NUMBER	ITEM CODE	WT. KG
Belt Cleaner Handy Wrench	HW-BC	74100	0.6



Stock items (non-shaded) refer to (*) for specific lead time, if not specified, standard lead time applies.

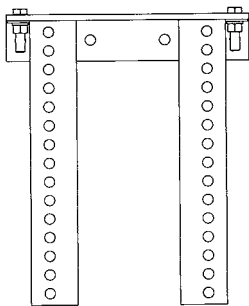
Non-stock items (shaded) please contact Flexco for dispatch options and lead times.

Product Ordering Information

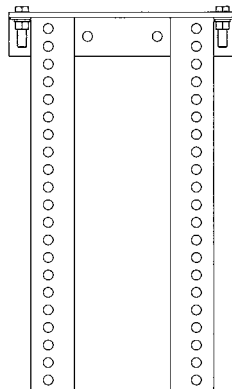
Optional Mounting Kits

OPTIONAL MOUNTING KITS FOR BELT CLEANERS

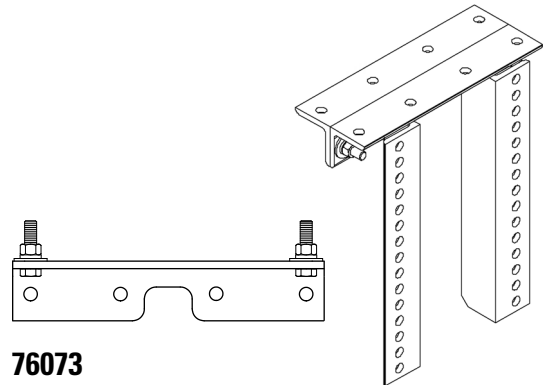
Versatile, adjustable brackets and plates that can be mounted on the conveyor structure so Primary Cleaners and secondary cleaners can be easily and quickly bolted into place.



76071
Standard Mounting Bracket Kit
• For most secondary cleaner installs.



76072
Long Mounting Bracket Kit
• For installations that require extra length legs.



76073
Optional Top Angle Kit
• Used with both standard and long mounting bracket kits for additional mounting options.

Optional Mounting Kits

(includes 2 brackets/bars)

DESCRIPTION	ORDERING NUMBER	ITEM CODE	WT. KG
Standard Mounting Bracket Kit*	SSTSMB	76071	15.6
Long Mounting Bracket Kit*	SSTLMB	76072	19.7

Hardware Included

Specifications

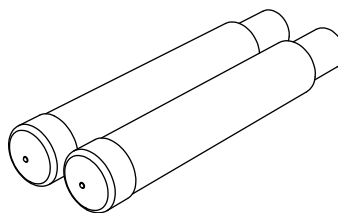
- Standard brackets are 330 mm W x 394 mm L.
- Long brackets are 330 mm W x 546 mm L.
- Mounting bars are 38 mm W x 406 mm L with (4) 16-279 mm tapped holes.
- Mounting plates are 406 mm W x 813 mm L with (4) 16 mm holes.

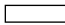
Pole Extender Kit


(includes 2 pole extenders)

DESCRIPTION	ORDERING NUMBER	ITEM CODE	WT. KG
Pole Extender Kit	MAPEK	76024	9.9

Provides 750 mm of extended pole length.



 Stock items (non-shaded) refer to (*) for specific lead time, if not specified, standard lead time applies.

 Non-stock items (shaded) please contact Flexco for dispatch options and lead times.

Specifications & Guidelines

Flexco Slider/Impact Beds

Easy Solution for Load Zone Problems

- Complete load zone offering with slider beds through impact beds for up to 100 kg-m of force.
- No specifying trough angle; each bed is adjustable for 20°, 35° and 45° trough settings (ships at 35° setting)
- Low-profile installation. Because Flexco beds feature trough wings that are adjustable, they lay flat during installation, providing more clearance.
- Full UHMW slider bars included on outside bar to provide proper sealing and long life.
- Unique Impact Bar Supports protect the impact bars from damage, extending service life. An Anti-Migratory Tab on each support secures the bar and prevents it from sliding in the direction of belt travel.
- All beds are manufactured for mounting holes belt width + 250mm (600-1200mm beds), + 300mm (1350-1500mm beds), and + 400mm (1800mm beds). For wider structure, contact Customer Service for special quote.

How to spec the correct slider/impact bed for your conveyor transfer point

Roller Size
 127mm 152mm 178mm
Belt Width: _____
Bed Length: 1200mm 1500mm

Impact Energy Calculation Chart

Impact Energy

Lump Weight (**w**) _____
 Drop Height (**h**) **x** _____

Total = **kg-m** See Below

0 kg-m — **EZSB-C**
 0 - 25kg-m — **EZSB-I or EZIB-L**
 25-100 kg-m — **EZIB-M**

Product Ordering Information

EZSB-C Flexco Slider Beds CoreTech™ Rolls

Contact Flexco for information and pricing on shorter lead times and non-standard impact beds. Please note that freight for all impact beds are ex-works



Flexco Slider Bed with CoreTech™ Rolls 1200mm (for non-impact areas)

BELT WIDTH mm	ORDERING NUMBER	ITEM CODE	WT. KG
600	EZSB600-1200C	82185	110.7
750	EZSB750-1200C	82186	119.4
900	EZSB900-1200C	82187	131.1
1050	EZSB1050-1200C	82188	162.7
1200	EZSB1200-1200C	82189	175.0
1350	EZSB1350-1200C	82190	206.4
1500	EZSB1500-1200C	82191	217.1
1800	EZSB1800-1200C	82192	232.7

Lead time: 4 weeks

Flexco Slider Bed with CoreTech™ Rolls 1500mm (for non-impact areas)

BELT WIDTH mm	ORDERING NUMBER	ITEM CODE	WT. KG
600	EZSB600-1500C	82193	118.4
750	EZSB750-1500C	82194	126.9
900	EZSB900-1500C	82195	138.6
1050	EZSB1050-1500C	82196	173.7
1200	EZSB1200-1500C	82197	186.2
1350	EZSB1350-1500C	82198	221.4
1500	EZSB1500-1500C	82199	232.1
1800	EZSB1800-1500C	82200	247.6

Lead time: 4 weeks



Adjustable Idler Set with CoreTech™ Rolls

(for placement in between 3 or more beds)

BELT WIDTH mm	ORDERING NUMBER	ITEM CODE	WT. KG
600	EZAI-600	82410	36.2
750	EZAI-750	82411	40.8
900	EZAI-900	82412	45.7
1050	EZAI-1050	82413	49.9
1200	EZAI-1200	82414	55.9
1350	EZAI-1350	82415	60.1
1500	EZAI-1500	82416	64.1
1800	EZAI-1800	82417	74.2

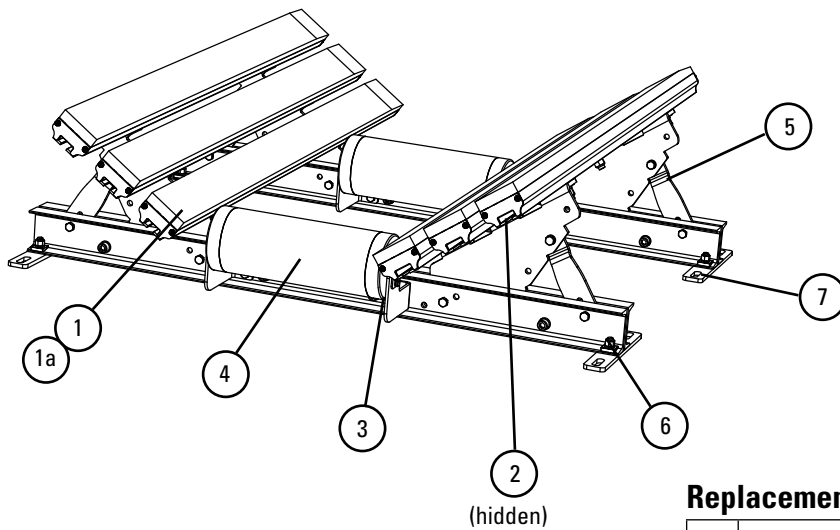
Lead time: 4 weeks

Product Notes:

- No need to specify troughing angle—designed to adjust to 20°, 35°, 45°.
- Designed for containment in the load zone, but not intended for impact zones.
- Slider bars are solid 25mm UHMW providing longer wear life and consistent load zone sealing.
- Product ships with two idlers. Additional idlers can be added by purchasing a EZRMK and the appropriate corresponding idler.

Replacement Parts List

EZSB-C
Flexco Slider Beds
CoreTech™ Rolls



Replacement Parts

REF	DESCRIPTION	ORDERING NUMBER	ITEM CODE	WT. KG
1	Slider Bar, 1200mm	SB4	78789	9.1
1a	Slider Bar, 1500mm	SB5	78790	10.9
2	Bar Bolt Kit (incl. 1 ea. 16mm carriage bolt, square washer, flat washer, lock washer, Nylock nut)	RIBBK	81250	0.2
3	Slider Roll Mount Kit*	EZRMMK	82344	2.3
4	CoreTech™ Roll 600mm	N6D3T-24-9-A45	26107	4.1
	CoreTech Roll 750mm	N6D3T-30-11-A45	26108	4.8
	CoreTech Roll 900mm	N6D3T-36-13-A45	26109	5.6
	CoreTech Roll 1050mm	N6D3T-42-15-A45	26110	6.3
	CoreTech Roll 1200mm	N6D3T-48-17-A45	26111	7.3
	CoreTech Roll 1350mm	N6D3T-54-19-A45	26112	7.7
	CoreTech Roll 1500mm	N6D3T-60-21-A45	26113	8.2
	CoreTech Roll 1800mm	N6D3T-72-25-A45	26114	9.8
5	Wing Plate Kit 600mm*	EZWPK-600	82345	7.7
	Wing Plate Kit 750mm*	EZWPK-750	82346	7.9
	Wing Plate Kit 900mm*	EZWPK-900	82347	9.6
	Wing Plate Kit 1050mm*	EZWPK-1050	82348	11.9
	Wing Plate Kit 1200mm*	EZWPK-1200	82349	13.7
	Wing Plate Kit 1350mm*	EZWPK-1350	82350	16.1
	Wing Plate Kit 1500mm*	EZWPK-1500	82351	17.7
	Wing Plate Kit 1800mm*	EZWPK-1800	82352	21.2
6	Cross Stringer Kit 600mm*	EZCSK-600	82353	22.3
	Cross Stringer Kit 750mm*	EZCSK-750	82354	25.6
	Cross Stringer Kit 900mm*	EZCSK-900	82355	28.9
	Cross Stringer Kit 1050mm*	EZCSK-1050	82356	32.1
	Cross Stringer Kit 1200mm*	EZCSK-1200	82357	35.6
	Cross Stringer Kit 1350mm*	EZCSK-1350	82358	38.9
	Cross Stringer Kit 1500mm*	EZCSK-1500	82359	42.2
	Cross Stringer Kit 1800mm*	EZCSK-1800	82360	45.0
7	Shim Kit Light Duty (incl. 4 shims)	SHIM-LDKIT	82393	6.2

*Hardware Included. Lead time: 4 weeks.

Replacement Quantities for EZSB-C

mm		600	750	900	1050	1200	1350	1500	1800
ROLLS REQUIRED		2	2	2	2	2	2	2	2
BARS REQUIRED	SLIDER	4	4	4	6	6	8	8	8
BAR BOLT KITS REQUIRED		8	8	8	12	12	16	16	16

Product Ordering Information

EZSB-I **Flexco Slider Beds** **CoreTech™ Impact Rolls**

Contact Flexco for information and pricing on shorter lead times and non-standard impact beds.
Please note that freight for all impact beds are ex-works



Flexco Slider Bed with CoreTech™ Impact Rolls 1200mm

(for impact zones with less than 25 Kg-m energy)

BELT WIDTH mm	ORDERING NUMBER	ITEM CODE	WT. KG
600	EZSB600-1200I	82201	125.6
750	EZSB750-1200I	82202	136.1
900	EZSB900-1200I	82203	149.7
1050	EZSB1050-1200I	82204	184.7
1200	EZSB1200-1200I	82205	198.2
1350	EZSB1350-1200I	82206	233.1
1500	EZSB1500-1200I	82207	246.3
1800	EZSB1800-1200I	82208	265.8

Lead time: 4 weeks

Flexco Slider Bed with CoreTech™ Impact Rolls 1500mm

(for impact zones with less than 25 Kg-m energy)

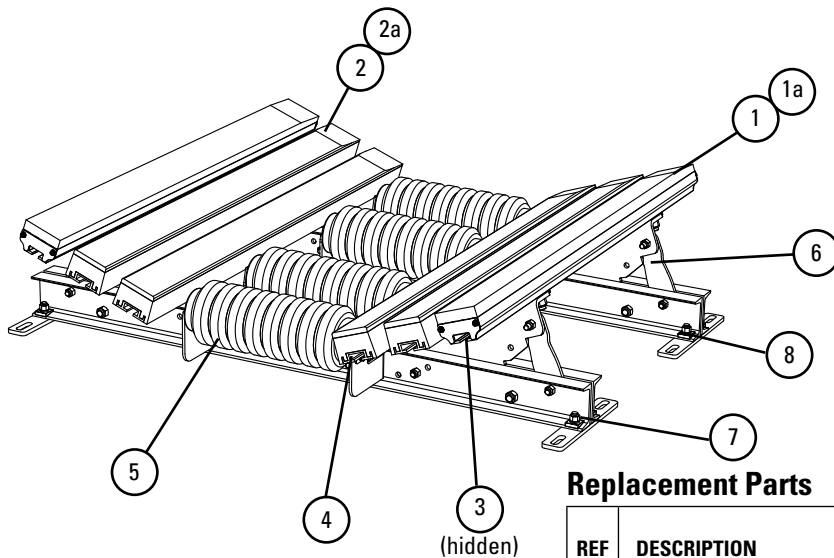
BELT WIDTH mm	ORDERING NUMBER	ITEM CODE	WT. KG
600	EZSB600-1500I	82209	133.4
750	EZSB750-1500I	82210	143.8
900	EZSB900-1500I	82211	157.5
1050	EZSB1050-1500I	82212	196.4
1200	EZSB1200-1500I	82213	210.0
1350	EZSB1350-1500I	82214	248.9
1500	EZSB1500-1500I	82215	262.1
1800	EZSB1800-1500I	82216	281.3

Product Notes:

- No need to specify troughing angle—designed to adjust to 20°, 35°, 45°.
- Outermost trough bar features 25mm solid UHMW slider bar to provide longer wear life and consistent load zone sealing where impact is not present.

Replacement Parts List

EZSB-I Flexco Slider Beds CoreTech™ Impact Rolls



Replacement Parts

REF	DESCRIPTION	ORDERING NUMBER	ITEM CODE	WT. KG
1	Slider Bar, 1200mm	SB4	78789	9.1
1a	Slider Bar, 1500mm	SB5	78790	10.9
2	Impact Bar, 1200mm	IB4	76926	7.7
2a	Impact Bar, 1500mm	IB5	76927	9.5
3	Bar Bolt Kit (incl. 1 ea. 16mm carriage bolt, square washer, flat washer, lock washer, Nylock nut)	RIBBK	81250	0.2
4	Slider Roll Mount Kit*	EZRMMK	82344	2.3
5	Impact CoreTech™ Roll 600mm	NI6D3T-24-9-A45	26184	4.6
	Impact CoreTech Roll 750mm	NI6D3T-30-11-A45	26185	5.4
	Impact CoreTech Roll 900mm	NI6D3T-36-13-A45	26186	6.3
	Impact CoreTech Roll 1050mm	NI6D3T-42-15-A45	26187	7.3
	Impact CoreTech Roll 1200mm	NI6D3T-48-17-A45	26188	8.1
	Impact CoreTech Roll 1350mm	NI6D3T-54-19-A45	26189	9.0
	Impact CoreTech Roll 1500mm	NI6D3T-60-21-A45	26190	9.8
	Impact CoreTech Roll 1800mm	NI6D3T-72-25-A45	26191	11.6
6	Wing Plate Kit 600mm*	EZWPK-600	82345	7.7
	Wing Plate Kit 750mm*	EZWPK-750	82346	7.9
	Wing Plate Kit 900mm*	EZWPK-900	82347	9.6
	Wing Plate Kit 1050mm*	EZWPK-1050	82348	11.9
	Wing Plate Kit 1200mm*	EZWPK-1200	82349	13.7
	Wing Plate Kit 1350mm*	EZWPK-1350	82350	16.1
	Wing Plate Kit 1500mm*	EZWPK-1500	82351	17.7
	Wing Plate Kit 1800mm*	EZWPK-1800	82352	21.2
7	Cross Stringer Kit 600mm*	EZCSK-600	82353	22.3
	Cross Stringer Kit 750mm*	EZCSK-750	82354	25.6
	Cross Stringer Kit 900mm*	EZCSK-900	82355	28.9
	Cross Stringer Kit 1050mm*	EZCSK-1050	82356	32.1
	Cross Stringer Kit 1200mm*	EZCSK-1200	82357	35.6
	Cross Stringer Kit 1350mm*	EZCSK-1350	82358	38.9
	Cross Stringer Kit 1500mm*	EZCSK-1500	82359	42.2
	Cross Stringer Kit 1800mm*	EZCSK-1800	82360	45.0
8	Shim Kit Light Duty (incl. 4 shims)	SHIM-LDKIT	82393	6.2

*Hardware Included. Lead time: 4 weeks.

Replacement Quantities for EZSB-I

mm	600	750	900	1050	1200	1350	1500	1800
ROLLS REQUIRED	4	4	4	4	4	4	4	4
BARS REQUIRED	SLIDER	2	2	2	2	2	2	2
	IMPACT	2	2	2	4	4	6	6
BAR BOLT KITS REQUIRED	8	8	8	12	12	16	16	16

Product Ordering Information

EZIB-L Flexco Impact Beds All Bars - Light Duty

Contact Flexco for information and pricing on shorter lead times and non-standard impact beds. Please note that freight for all impact beds are ex-works



Flexco® Impact Bed Light Duty 1200mm

(for impact zones with less than 25 Kg-m energy)

BELT WIDTH mm	ORDERING NUMBER	ITEM CODE	WT. KG
600	EZIB600-1200L-LP	68171	150.7
750	EZIB750-1200L-LP	68172	157.1
900	EZIB900-1200L-LP	68173	184.8
1050	EZIB1050-1200L-LP	68174	234.9
1200	EZIB1200-1200L-LP	68175	263.4
1350	EZIB1350-1200L-LP	68176	311.6
1500	EZIB1500-1200L-LP	68177	344.6
1800	EZIB1800-1200L-LP	68178	387.8

Lead time: 4 weeks

Flexco Impact Bed Light Duty 1500mm

(for impact zones with less than 25 Kg-m energy)

BELT WIDTH mm	ORDERING NUMBER	ITEM CODE	WT. KG
600	EZIB600-1500L-LP	68179	171.2
750	EZIB750-1500L-LP	68180	177.6
900	EZIB900-1500L-LP	68181	209.4
1050	EZIB1050-1500L-LP	68182	267.7
1200	EZIB1500-1500L-LP	68183	300.2
1350	EZIB1350-1500L-LP	68184	356.6
1500	EZIB1500-1500L-LP	68185	393.8
1800	EZIB1800-1500L-LP	68186	441.0

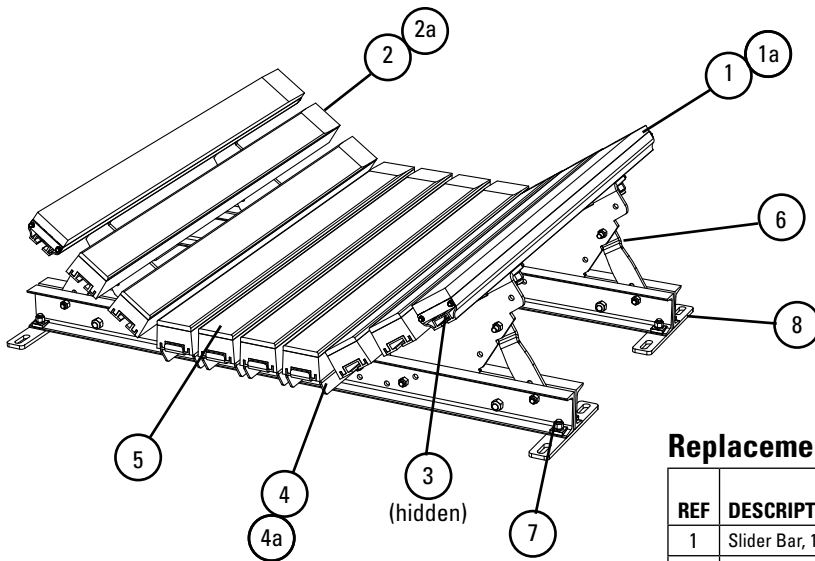
Lead time: 4 weeks

Product Notes:

- No need to specify troughing angle—designed to adjust to 20°, 35°, 45°.
- Outermost trough bar features 25mm solid UHMW slider bar to provide longer wear life and consistent load zone sealing where impact is not present.

Replacement Parts List

EZIB-L Flexco Impact Beds All Bars - Light Duty



Replacement Parts

REF	DESCRIPTION	ORDERING NUMBER	ITEM CODE	WT. KG
1	Slider Bar, 1200mm	SB4	78789	9.1
1a	Slider Bar, 1500mm	SB5	78790	10.9
2	Impact Bar, 1200mm	IB4	76926	7.7
2a	Impact Bar, 1500mm	IB5	76927	11.4
3	Bar Bolt Kit (incl. 1 ea. 16mm carriage bolt, square washer, flat washer, lock washer, Nylock nut)	RIBBK	81250	0.2
4	Impact Bar Support - 1.2M*	EZBS-1200	82361	7.3
4a	Impact Bar Support - 1.5M*	EZBS-1500	82362	9.3
5	Centre Bar Mount Kit 600mm*	EZBMK-600	82281	2.4
	Centre Bar Mount Kit 750mm*	EZBMK-750	82282	2.6
	Centre Bar Mount Kit 900mm*	EZBMK-900	82283	3.4
	Centre Bar Mount Kit 1050mm*	EZBMK-1050	82284	3.6
	Centre Bar Mount Kit 1200mm*	EZBMK-1200	82285	4.4
	Centre Bar Mount Kit 1350mm*	EZBMK-1350	82286	4.8
	Centre Bar Mount Kit 1500mm*	EZBMK-1500	82287	5.6
	Centre Bar Mount Kit 1800mm*	EZBMK-1800	82288	6.6
6	Wing Plate Kit 600mm*	EZWPK-600	82345	7.7
	Wing Plate Kit 750mm*	EZWPK-750	82346	7.9
	Wing Plate Kit 900mm*	EZWPK-900	82347	9.6
	Wing Plate Kit 1050mm*	EZWPK-1050	82348	11.9
	Wing Plate Kit 1200mm*	EZWPK-1200	82349	13.7
	Wing Plate Kit 1350mm*	EZWPK-1350	82350	16.1
	Wing Plate Kit 1500mm*	EZWPK-1500	82351	17.7
	Wing Plate Kit 1800mm*	EZWPK-1800	82352	21.2
7	Cross Stringer Kit 600mm*	EZRKL-600	68368	22.3
	Cross Stringer Kit 750mm*	EZRKL-750	68369	25.6
	Cross Stringer Kit 900mm*	EZRKL-900	68370	28.9
	Cross Stringer Kit 1050mm*	EZRKL-1050	68371	32.1
	Cross Stringer Kit 1200mm*	EZRKL-1200	68372	35.6
	Cross Stringer Kit 1350mm*	EZRKL-1350	68373	38.9
	Cross Stringer Kit 1500mm*	EZRKL-1500	68374	42.2
	Cross Stringer Kit 1800mm*	EZRKL-1800	68375	45.0
8	Shim Kit Light Duty (incl. 4 shims)	SHIM-LDKIT	82393	6.2

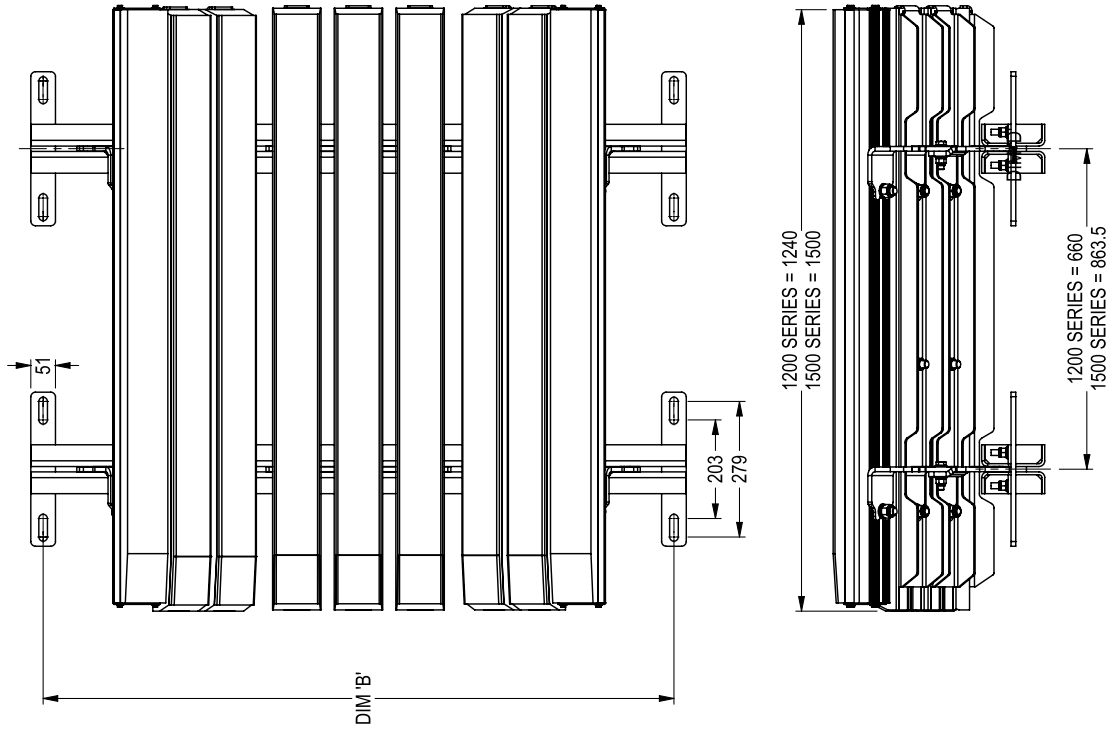
*Hardware Included. Lead time: 4 weeks.

Replacement Quantities for EZIB-L

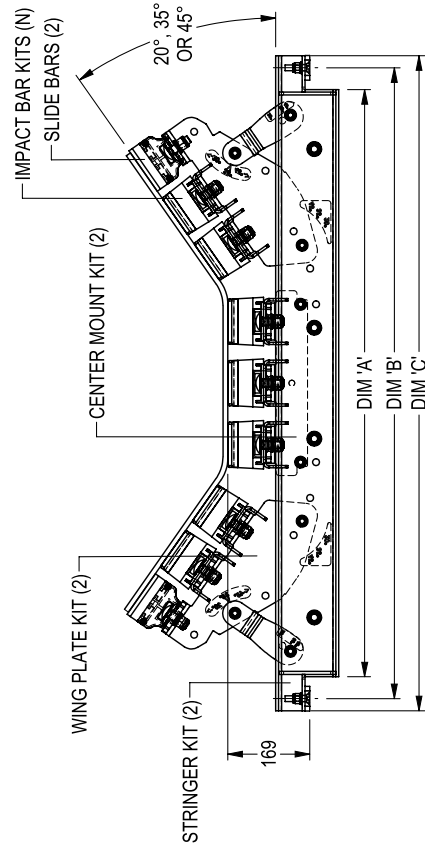
mm	600	750	900	1050	1200	1350	1500	1800
BARS REQUIRED	SLIDER	2	2	2	2	2	2	2
	IMPACT	4	4	5	7	8	10	12
BAR BOLT KITS REQUIRED	14	14	17	21	24	28	31	34
BAR SUPPORTS REQUIRED	2	2	3	3	4	4	5	6

Specifications & Guidelines

EZIB-L
Flexco® Impact Beds
All Bars - Light Duty



Bed Length	Item Code	Bed Width	Dim A	Dim B	Dim C
1200	68171	600	780	850	900
	68172	750	930	1000	1050
	68173	900	1060	1150	1200
	68174	1050	1210	1300	1350
	68175	1200	1360	1450	1500
	68176	1350	1560	1650	1700
1500	67177	1500	1710	1800	1850
	68187	1800	2110	2200	2250
	68179	600	780	850	900
	68180	750	930	1000	1050
	68181	900	1060	1150	1200
	68182	1050	1210	1300	1350
Light Duty	68183	1200	1360	1450	1500
	68184	1350	1560	1650	1700
	68185	1500	1710	1800	1850
	68186	1800	2110	2200	2250



Product Ordering Information

EZIB-M Flexco Impact Beds All Bars - Medium Duty

Contact Flexco for information and pricing on shorter lead times and non-standard impact beds.
Please note that freight for all impact beds are ex-works



Flexco® Impact Bed Medium Duty 1200mm

(for impact zones with 25-100 Kg-m energy)

BELT WIDTH mm	ORDERING NUMBER	ITEM CODE	WT. KG
600	EZIB600-1200M-LP	68187	180.8
750	EZIB750-1200M-LP	68188	190.5
900	EZIB900-1200M-LP	68189	223.2
1050	EZIB1050-1200M-LP	68190	280.8
1200	EZIB1500-1200M-LP	68191	314.8
1350	EZIB1350-1200M-LP	68192	369.6
1500	EZIB1500-1200M-LP	68193	410.4
1800	EZIB1800-1200M-LP	68194	466.4

Lead time: 4 weeks

Flexco Impact Bed Medium Duty 1500mm

(for impact zones with 25-100 Kg-m energy)

BELT WIDTH mm	ORDERING NUMBER	ITEM CODE	WT. KG
600	EZIB600-1500M-LP	68195	201.4
750	EZIB750-1500M-LP	68196	211.0
900	EZIB900-1500M-LP	68197	247.8
1050	EZIB1050-1500M-LP	68198	313.6
1200	EZIB1500-1500M-LP	68199	351.7
1350	EZIB1350-1500M-LP	68200	414.7
1500	EZIB1500-1500M-LP	68201	459.5
1800	EZIB1800-1500M-LP	68202	519.6

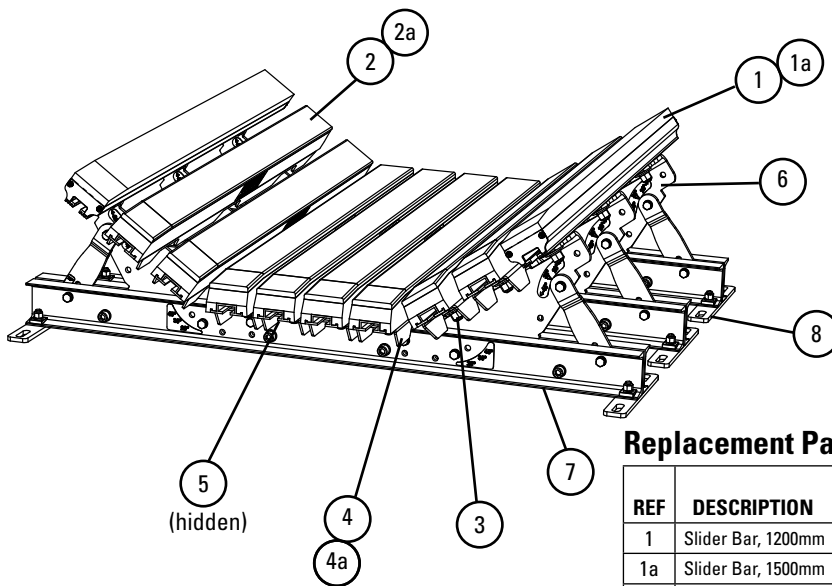
Lead time: 4 weeks

Product Notes:

- No need to specify troughing angle—designed to adjust to 20°, 35°, 45°.
- Outermost trough bar features 25mm solid UHMW slider bar to provide longer wear life and consistent load zone sealing where impact is not present.

Replacement Parts List

EZIB-M
Flexco Impact Beds
All Bars - Medium Duty



Replacement Parts

REF	DESCRIPTION	ORDERING NUMBER	ITEM CODE	WT. KG
1	Slider Bar, 1200mm	SB4	78789	9.1
1a	Slider Bar, 1500mm	SB5	78790	10.9
2	Impact Bar, 1200mm	IB4	76926	7.7
2a	Impact Bar, 1500mm	IB5	76927	11.4
3	Bar Bolt Kit (incl. 1 ea. 16mm carriage bolt, square washer, flat washer, lock washer, Nylock nut)	RIBBK	81250	0.2
4	Impact Bar Support - 1200mm*	IBS-M1200	82397	7.7
4a	Impact Bar Support - 1500mm*	IBS-M1500	82398	9.6
5	Centre Bar Mount Kit 600mm*	EZBMK-600	82281	2.4
	Centre Bar Mount Kit 750mm*	EZBMK-750	82282	2.6
	Centre Bar Mount Kit 900mm*	EZBMK-900	82283	3.4
	Centre Bar Mount Kit 1050mm*	EZBMK-1050	82284	3.6
	Centre Bar Mount Kit 1200mm*	EZBMK-1200	82285	4.4
	Centre Bar Mount Kit 1350mm*	EZBMK-1350	82286	4.8
	Centre Bar Mount Kit 1500mm*	EZBMK-1500	82287	5.6
	Centre Bar Mount Kit 1800mm*	EZBMK-1800	82288	6.6
6	Wing Plate Kit 600mm*	EZWPK-600	82345	7.7
	Wing Plate Kit 750mm*	EZWPK-750	82346	7.9
	Wing Plate Kit 900mm*	EZWPK-900	82347	9.6
	Wing Plate Kit 1050mm*	EZWPK-1050	82348	11.9
	Wing Plate Kit 1200mm*	EZWPK-1200	82349	13.7
	Wing Plate Kit 1350mm*	EZWPK-1350	82350	16.1
	Wing Plate Kit 1500mm*	EZWPK-1500	82351	17.7
	Wing Plate Kit 1800mm*	EZWPK-1800	82352	21.2
7	Cross Stringer Kit 600mm*	EZRKL-600	68368	22.3
	Cross Stringer Kit 750mm*	EZRKL-750	68369	25.6
	Cross Stringer Kit 900mm*	EZRKL-900	68370	28.9
	Cross Stringer Kit 1050mm*	EZRKL-1050	68371	32.1
	Cross Stringer Kit 1200mm*	EZRKL-1200	68372	35.6
	Cross Stringer Kit 1350mm*	EZRKL-1350	68373	38.9
	Cross Stringer Kit 1500mm*	EZRKL-1500	68374	42.2
	Cross Stringer Kit 1800mm*	EZRKL-1800	68375	45.0
8	Shim Kit Medium Duty (incl. 4 shims)	SHIM-MDKIT	82394	9.3

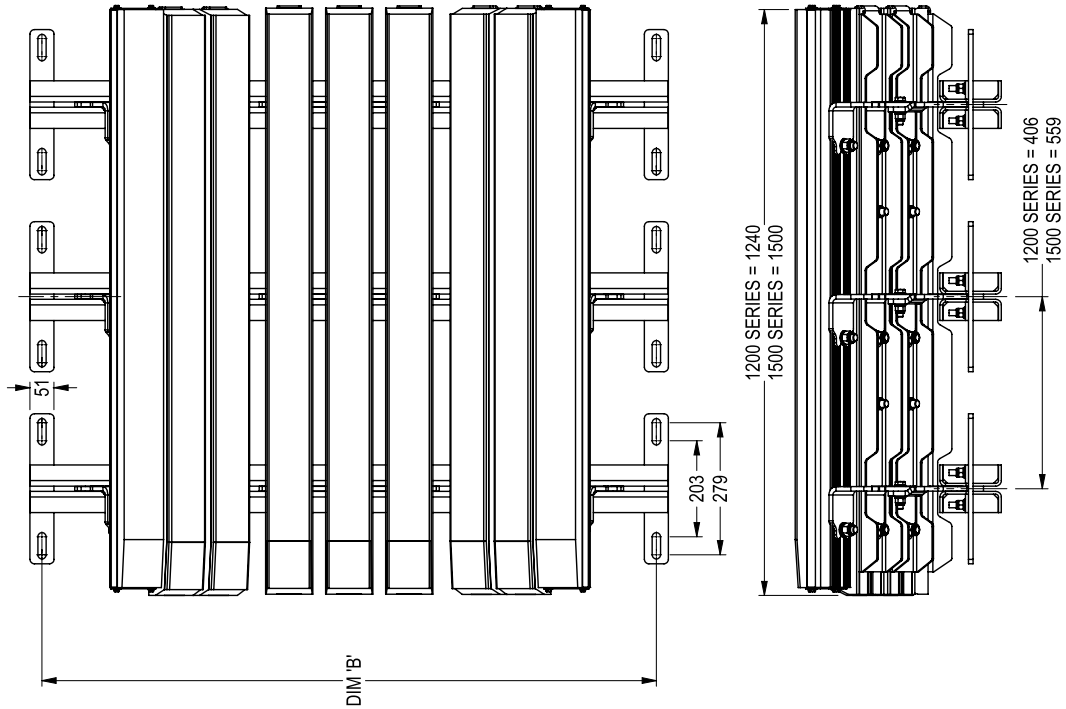
*Hardware Included. Lead time: 4 weeks.

Replacement Quantities for EZIB-M

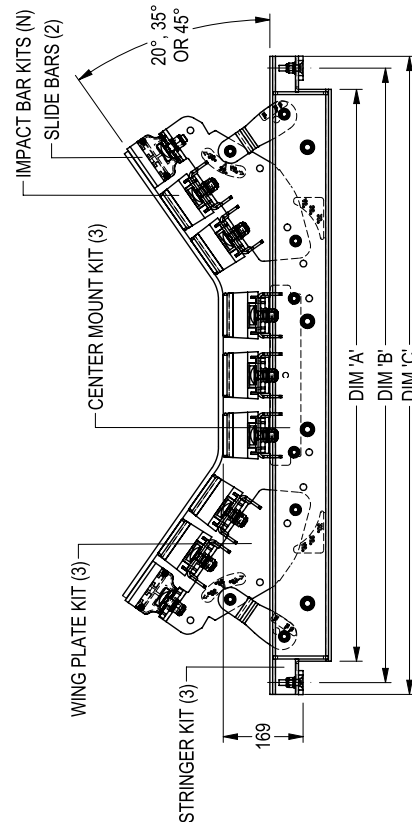
mm		600	750	900	1050	1200	1350	1500	1800
BARS REQUIRED	SLIDER	2	2	2	2	2	2	2	2
	IMPACT	4	4	5	7	8	10	11	12
BAR BOLT KITS REQUIRED		26	26	31	37	42	48	53	58
BAR SUPPORTS REQUIRED		4	4	5	5	6	6	7	8

Specifications & Guidelines

EZIB-M Flexco Impact Beds All Bars - Medium Duty



Bed Length	Item Code	Bed Width	Dim A	Dim B	Dim C
Medium Duty	68187	600	780	850	900
	68188	750	930	1000	1050
	68189	900	1060	1150	1200
	68190	1050	1210	1300	1350
	68191	1200	1360	1450	1500
	68192	1350	1560	1650	1700
	68193	1500	1710	1800	1850
	68194	1800	2110	2200	2250
	68195	600	780	850	900
	68196	750	930	1000	1050
1500	68197	900	1060	1150	1200
	68198	1050	1210	1300	1350
	68199	1200	1360	1450	1500
	68200	1350	1560	1650	1700
	68201	1500	1710	1800	1850
	68202	1800	2110	2200	2250



It's the Structure, not the bars

It absorbs more impact to save your belt. Our exclusive Velocity Reduction Technology™ provides two levels of impact relief.

Level 1: **Impact Bars** first absorb impact energy. Unique Impact Bar Supports on all DRX™ Impact Beds allow the impact bars to function properly - expanding and absorbing more impact energy.

Level 2: On DRX200, 750 and 1500 impact beds, **Isolation Mounts** provide a second level of reaction force reduction, absorbing additional impact energy and minimising transmission back to the belt. The DRX3000 Dynamic has **Impact Energy Absorbers** to disperse an immense amount of impact, even in extremely severe applications.

User-Friendly Slide-Out Service™

- All DRX Impact Beds separate in the middle to slide apart and out.
- Can be easily and safely converted from the run position to the service position.
- Impact bars are easy to get to for changeout. A complete changeout can be done in one or two hours.

Unique Impact Bar Supports protect the impact bars from damage, extending service life. An Anti-Migratory Tab on each support secures the bar and prevents it from sliding in the direction of the belt.

Other Features and Benefits

- Uses exclusive anti-spin square washers. Allows use of carriage bolts to secure impact bars instead of expensive T bolts.
- Centre bars are tilted 3° inward to help centre the load on the belt.

How to spec the correct impact bed for your conveyor transfer point

Impact Energy Calculation Chart

Largest Material Lump Weight (w)

Drop Height (h)

ROLLER SIZE

127 mm 152 mm

Belt Width _____

Troughing Angle: 20° 35°

Bed Length: 1.2 M 1.5 M

IMPACT ENERGY

Lump Weight (w) _____

Drop Height (h) x _____

Total=kg/Mtr _____ See Below

Up to 25 kg-m—DRX200
 25 to 100 kg-m—DRX750
 100 to 200 kg-m—DRX1500
 200 to 400 kg-m—DRX3000

Product Ordering Information

DRX™200
Impact Beds

DRX™200

1.2 M Beds, 20° Trough

BELT WIDTH mm	ORDERING NUMBER	ITEM CODE	WT. KG
600	DRXL-24-420	76816	118.2
750	DRXL-30-420	76817	128.2
900	DRXL-36-420	76818	146.8
1050	DRXL-42-420	76819	187.3
1200	DRXL-48-420	76820	196.8
1350	DRXL-54-420	76821	226.4
1500	DRXL-60-420	76822	246.8
1800	DRXL-72-420	76823	279.6

DRX200

1.5 M Beds, 20° Trough

BELT WIDTH mm	ORDERING NUMBER	ITEM CODE	WT. KG
600	DRXL-24-520	76824	131.8
750	DRXL-30-520	76825	141.4
900	DRXL-36-520	76826	162.3
1050	DRXL-42-520	76827	208.6
1200	DRXL-48-520	76828	218.2
1350	DRXL-54-520	76829	251.8
1500	DRXL-60-520	76830	273.6
1800	DRXL-72-520	76831	308.6

DRX200

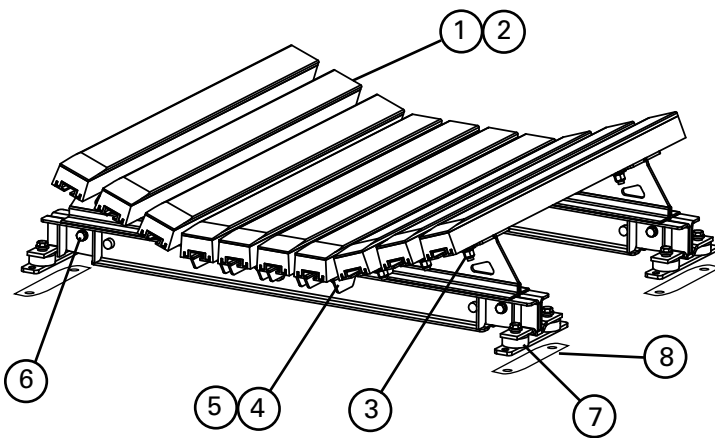
1.2 M Beds, 35° Trough

BELT WIDTH mm	ORDERING NUMBER	ITEM CODE	WT. KG
600	DRXL-24-435	76832	118.2
750	DRXL-30-435	76833	128.2
900	DRXL-36-435	76834	146.8
1050	DRXL-42-435	76835	187.3
1200	DRXL-48-435	76836	196.8
1350	DRXL-54-435	76837	226.4
1500	DRXL-60-435	76838	246.8
1800	DRXL-72-435	76839	279.6

DRX200

1.5 M Beds, 35° Trough

BELT WIDTH mm	ORDERING NUMBER	ITEM CODE	WT. KG
600	DRXL-24-535	76840	131.8
750	DRXL-30-535	76841	141.4
900	DRXL-36-535	76842	162.3
1050	DRXL-42-535	76843	208.6
1200	DRXL-48-535	76844	218.2
1350	DRXL-54-535	76845	251.8
1500	DRXL-60-535	76846	273.6
1800	DRXL-72-535	76847	308.6



Replacement Bars and Bolt Kits Required per Belt Width-DRX200

BELT WIDTH mm	600	750	900	1050	1200	1350	1500	1800
Impact Bar Supports Required	2	2	3	4	4	4	5	6
Impact Bars Required	6	6	7	10	10	12	13	14
Impact Bar Bolt Kits Required	14	14	17	24	24	28	31	34

Replacement Parts

REF	DESCRIPTION	ORDERING NUMBER	ITEM CODE	WT. KG
1	Impact Bar, 1.2 M	IB4	76926	7.7
2	Impact Bar, 1.5 M	IB5	76927	9.6
3	Impact Bar Bolt Kit incl. (1) ea 16 mm carriage bolt, square washer, flat washer, lock washer, Nylock nut	IBBK	76928	0.2
4	Impact Bar Support -L 1.2 M incl. (1) ea bar support, carriage bolt, square washer, lock washer, Nylock nut	IBS-L4	76929	7.6
5	Impact Bar Support -L 1.5 M incl. (1) ea bar support, carriage bolt, square washer, lock washer, Nylock nut	IBS-L5	76930	9.6
6	Sliding Support Arm Bolt Kit incl. (2) 50 mm bolts, (2) lock washers, (2) Nylock nuts	ISABK-LMH	77529	0.9
7	Isolation Mount Kit	IMK	76936	1.7
8	DRX200 Shim Kit (incl. 4 shims)	SHIM-KITL	77548	6.1

Product Ordering Information

DRX™750
Impact Beds

DRX™750

1.2 M Beds, 20° Trough

BELT WIDTH mm	ORDERING NUMBER	ITEM CODE	WT. KG
600	DRXM-24-420	76848	165.9
750	DRXM-30-420	76849	180.5
900	DRXM-36-420	76850	212.3
1050	DRXM-42-420	76851	269.1
1200	DRXM-48-420	76852	283.2
1350	DRXM-54-420	76853	320.0
1500	DRXM-60-420	76854	354.1
1800	DRXM-72-420	76855	407.3

DRX750

1.5 M Beds, 20° Trough

BELT WIDTH mm	ORDERING NUMBER	ITEM CODE	WT. KG
600	DRXM-24-520	76856	183.2
750	DRXM-30-520	76857	197.7
900	DRXM-36-520	76858	233.6
1050	DRXM-42-520	76859	298.2
1200	DRXM-48-520	76860	312.3
1350	DRXM-54-520	76861	353.2
1500	DRXM-60-520	76862	391.4
1800	DRXM-72-520	76863	447.7

DRX750

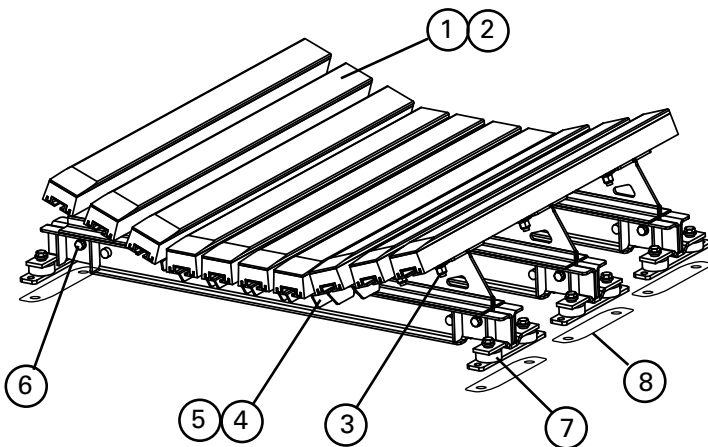
1.2 M Beds, 35° Trough

BELT WIDTH mm	ORDERING NUMBER	ITEM CODE	WT. KG
600	DRXM-24-435	76864	165.9
750	DRXM-30-435	76865	180.5
900	DRXM-36-435	76866	212.3
1050	DRXM-42-435	76867	269.1
1200	DRXM-48-435	76868	283.2
1350	DRXM-54-435	76869	320.0
1500	DRXM-60-435	76870	354.1
1800	DRXM-72-435	76871	407.3

DRX750

1.5 M Beds, 35° Trough

BELT WIDTH mm	ORDERING NUMBER	ITEM CODE	WT. KG
600	DRXM-24-535	76872	183.2
750	DRXM-30-535	76873	197.7
900	DRXM-36-535	76874	233.6
1050	DRXM-42-535	76875	298.2
1200	DRXM-48-535	76876	312.3
1350	DRXM-54-535	76877	353.2
1500	DRXM-60-535	76878	391.4
1800	DRXM-72-535	76879	447.7



Replacement Parts

REF	DESCRIPTION	ORDERING NUMBER	ITEM CODE	WT. KG
1	Impact Bar, 1.2 M	IB4	76926	7.7
2	Impact Bar, 1.5 M	IB5	76927	9.6
3	Impact Bar Bolt Kit incl. (1) ea 16 mm carriage bolt, square washer, flat washer, lock washer, Nylock nut	IBBK	76928	0.2
4	Impact Bar Support -M 1.2 M incl. (1) bar support, (2) ea carriage bolt, square washer, lock washer, Nylock nut	IBS-M4	76931	7.7
5	Impact Bar Support -M 1.5 M incl. (1) bar support, (2) ea carriage bolt, square washer, lock washer, Nylock nut	IBS-M5	76932	9.6
6	Sliding Support Arm Bolt Kit incl. (2) 50 mm bolts, (2) lock washers, (2) Nylock nuts	ISABK-LMH	77529	0.9
7	Isolation Mount Kit	IMK	76936	1.7
8	DRX750 Shim Kit (incl. 6 shims)	SHIM-KITM	77549	9.3

Replacement Bars and Bolt Kits Required per Belt Width-DRX750

BELT WIDTH mm	600	750	900	1050	1200	1350	1500	1800
Impact Bar Supports Required	4	4	5	6	6	6	7	8
Impact Bars Required	6	6	7	10	10	12	13	14
Impact Bar Bolt Kits Required	26	26	31	42	42	48	53	58

Product Ordering Information

DRX™ 1500
Impact Beds

DRX™1500

1.2 M Beds, 20° Trough

BELT WIDTH mm	ORDERING NUMBER	ITEM CODE	WT. KG
600	DRXH-24-420	76880	228.6
750	DRXH-30-420	76881	247.7
900	DRXH-36-420	76882	285.5
1050	DRXH-42-420	76883	366.4
1200	DRXH-48-420	76884	385.0
1350	DRXH-54-420	76885	444.1
1500	DRXH-60-420	76886	484.6
1800	DRXH-72-420	76887	550.0

DRX1500

1.5 M Beds, 20° Trough

BELT WIDTH mm	ORDERING NUMBER	ITEM CODE	WT. KG
600	DRXH-24-520	76888	253.6
750	DRXH-30-520	76889	273.2
900	DRXH-36-520	76890	314.6
1050	DRXH-42-520	76891	407.3
1200	DRXH-48-520	76892	425.9
1350	DRXH-54-520	76893	492.7
1500	DRXH-60-520	76894	536.8
1800	DRXH-72-520	76895	606.4

DRX1500

1.2 M Beds, 35° Trough

BELT WIDTH mm	ORDERING NUMBER	ITEM CODE	WT. KG
600	DRXH-24-435	76896	228.6
750	DRXH-30-435	76897	247.7
900	DRXH-36-435	76898	285.5
1050	DRXH-42-435	76899	366.4
1200	DRXH-48-435	76900	385.0
1350	DRXH-54-435	76901	444.1
1500	DRXH-60-435	76902	484.6
1800	DRXH-72-435	76903	550.0

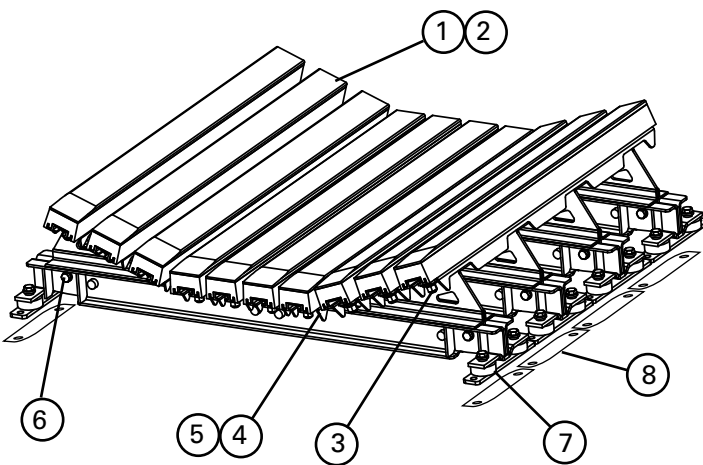
DRX1500

1.5 M Beds, 35° Trough

BELT WIDTH mm	ORDERING NUMBER	ITEM CODE	WT. KG
600	DRXH-24-535	76904	253.6
750	DRXH-30-535	76905	273.2
900	DRXH-36-535	76906	314.6
1050	DRXH-42-535	76907	407.3
1200	DRXH-48-535	76908	425.9
1350	DRXH-54-535	76909	492.7
1500	DRXH-60-535	76910	536.8
1800	DRXH-72-535	76911	606.4

Replacement Parts

REF	DESCRIPTION	ORDERING NUMBER	ITEM CODE	WT. KG
1	Impact Bar, 1.2 M	IB4	76926	7.7
2	Impact Bar, 1.5 M	IB5	76927	9.6
3	Impact Bar Bolt Kit incl. (1) ea 16 mm carriage bolt, square washer, flat washer, lock washer, Nylock nut	IBBK	76928	0.2
4	Impact Bar Support -H 1.2 M incl. (1) bar support, (2) ea carriage bolt, square washer, lock washer, Nylock nut	IBS-H4	76933	7.6
5	Impact Bar Support -DH 1.5 M incl. (1) bar support, (2) ea carriage bolt, square washer, lock washer, Nylock nut	IBS-DH5	76934	9.6
6	Sliding Support Arm Bolt Kit incl. (2) 50 mm bolts, (2) lock washers, (2) Nylock nuts	ISABK-LMH	77529	0.9
7	Isolation Mount Kit	IMK	76936	1.7
8	DRX1500 Shim Kit (incl. 8 shims)	SHIM-KITH	77550	12.3



Replacement Bars and Bolt Kits Required per Belt Width-DRX1500

BELT WIDTH mm	600	750	900	1050	1200	1350	1500	1800
Impact Bar Supports Required	6	6	7	10	10	12	13	14
Impact Bars Required	6	6	7	10	10	12	13	14
Impact Bar Bolt Kits Required	36	36	42	60	60	72	78	84

Product Ordering Information

DRX™3000
Dynamic Beds

DRX™3000

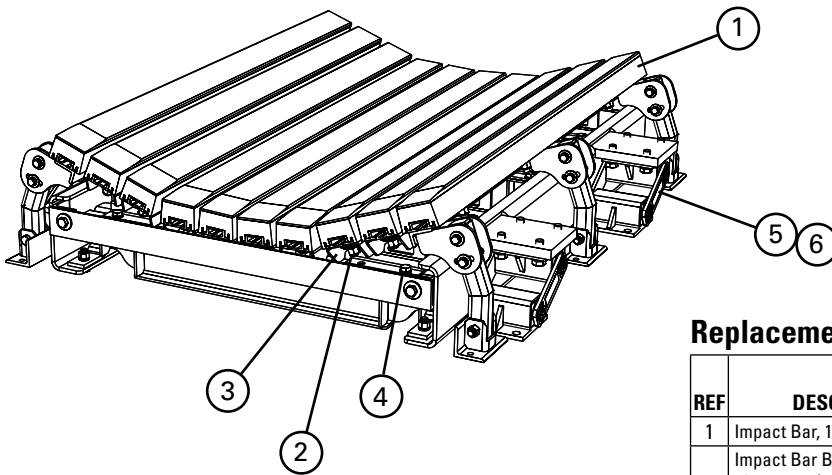
1.5 M Beds, 20° Trough

BELT WIDTH mm	ORDERING NUMBER	ITEM CODE	WT. KG
1050	DRXD-42-520	76912	614.1
1200	DRXD-48-520	76913	639.6
1350	DRXD-54-520	76914	712.7
1500	DRXD-60-520	76915	761.8
1800	DRXD-72-520	76916	953.6
2100	DRXD-84-520	76917	1027.7
2400	DRXD-96-520	76918	1185.9

DRX3000

1.5 M Beds, 35° Trough

BELT WIDTH mm	ORDERING NUMBER	ITEM CODE	WT. KG
1050	DRXD-42-535	76919	614.1
1200	DRXD-48-535	76920	639.6
1350	DRXD-54-535	76921	712.7
1500	DRXD-60-535	76922	761.8
1800	DRXD-72-535	76923	953.6
2100	DRXD-84-535	76924	1027.7
2400	DRXD-96-535	76925	1185.9



Replacement Bars and Bolt Kits Required per Belt Width-DRX3000

BELT WIDTH mm	1050	1200	1350	1500	1800	2100	2400
Impact Bars Required	10	10	12	13	16	16	20
Impact Bar Bolt Kits Required	56	56	64	70	88	88	112

Replacement Parts

REF	DESCRIPTION	ORDERING NUMBER	ITEM CODE	WT. KG
1	Impact Bar, 1.5 M	IB5	76927	9.6
2	Impact Bar Bolt Kit incl. (1) ea 16 mm carriage bolt, square washer, flat washer, lock washer, Nylock nut	IBBK	76928	0.2
3	Impact Bar Support - DH 1.5 M incl. (1) bar support, (2) ea carriage bolt, square washer, lock washer, Nylock nut	IBS-DH5	76934	9.6
4	Sliding Support Arm Bolt Kit incl. (4) 38 mm bolts, (2) 51 mm bolts, (6) lock washers, (6) Nylock nuts	ISABK	76935	0.9
5	Impact Energy Absorber 42-60	IEA42-60D	76937	19.1
6	Impact Energy Absorber 72-96	IEA72-96D	76938	30.0

Impact Bar Supports per Belt Width

BELT WIDTH mm	1050	1200	1350	1500	1800	2100	2400
Impact Bar Supports	8	8	8	9	12	12	16

Product Notes:

- For extreme impact applications up to 400 kgs.-M (lump size x drop height).
- Impact Energy Absorbers compress up to 75 mm to absorb extreme impact energy to minimize damaging forces and protect the belt.
- Slide-Out System™ allows direct access to service the impact bars.

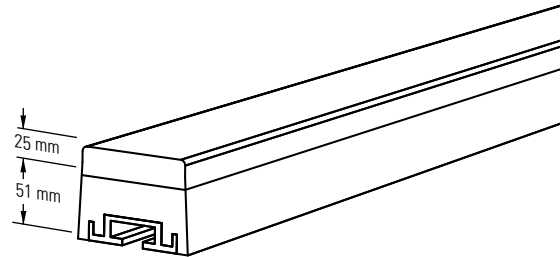
Product Ordering Information

DRX™ Impact Beds Optional Parts and Tools

Impact Bars with 25 mm UHMW

For impact beds that have heavy abrasive wear on the impact bars.

DESCRIPTION	ORDERING NUMBER	ITEM CODE	WT. KG
1.2 M Impact Bar with 25 mm UHMW	IB4-1U	76965	7.7
1.5 M Impact Bar with 25 mm UHMW	IB5-1U	76966	9.6



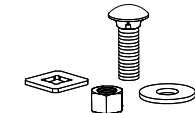
Impact Bar with 25 mm UHMW Cover

Impact Bar Bolt Kit for Other OEM Impact Beds*

13 mm carriage bolts, square washer, flat washer and Nylock nut to mount DRX Impact Bars on other OEM beds that use 13 mm T-bolts.

DESCRIPTION	ORDERING NUMBER	ITEM CODE	WT. KG
Optional Impact Bar Bolt Kit	OIBBK	76950	0.2

*Kit includes 1 ea. bolt, square washer, flat washer and nut.

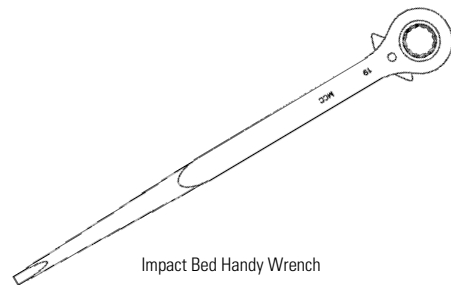


Optional Impact Bar Bolt Kit

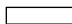
Impact Bed Handy Wrench


A ratcheting wrench with 2 common socket sizes 19 mm & 24 mm for installation and maintenance of impact beds.

DESCRIPTION	ORDERING NUMBER	ITEM CODE	WT. KG
Impact Bed Handy Wrench	HW-IMPB	76939	0.7



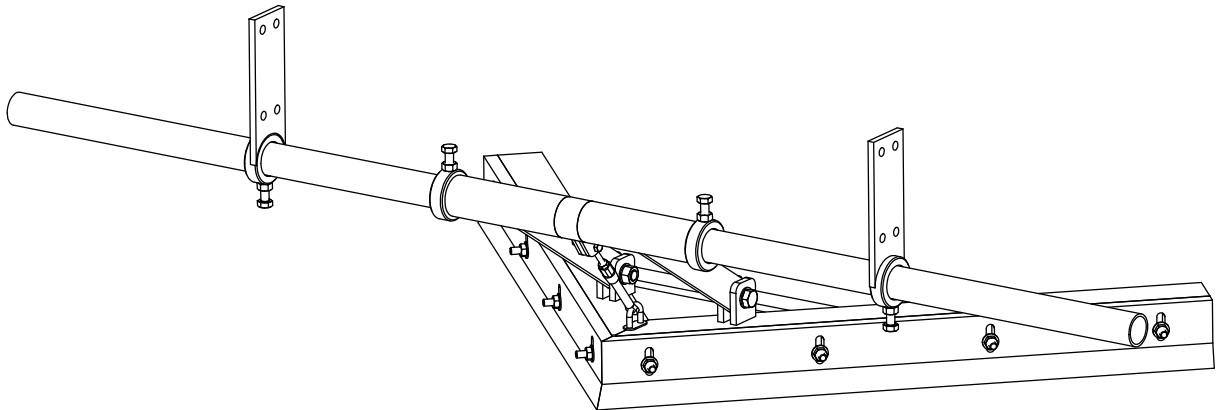
Impact Bed Handy Wrench

 **Stock items** (non-shaded) refer to (*) for specific lead time, if not specified, standard lead time applies.

 **Non-stock items** (shaded) please contact Flexco for dispatch options and lead times.

Product Ordering Information

V-Plough



Deflector™ V Plough-Mild Steel

BELT WIDTH mm	ORDERING NUMBER	ITEM CODE	WT. KG
450	BP450	73102	23
600	BP600	73104	25
750	BP750	73106	26
800	BP800	73107	28
900	BP900	73108	29
1050	BP1050	73110	31
1200	BP1200	73112	38
1400	BP1400	73113	42
1500	BP1500	73114	43
1600	BP1600	73115	44
1800	BP1800	73117	65

Note: Polyurethane Blades are approved for use in underground mines.
For belt widths over 1800 mm contact Flexco®.

Deflector™ V Plough-Stainless Steel

BELT WIDTH mm	ORDERING NUMBER	ITEM CODE	WT. KG
450	BP450-S/S	76337	24
600	BP600-S/S	76338	25
750	BP750-S/S	76339	27
800	BP800-S/S	76340	29
900	BP900-S/S	76341	30
1050	BP1050-S/S	76342	32
1200	BP1200-S/S	76343	39
1400	BP1400-S/S	76344	44
1500	BP1500-S/S	76345	45
1600	BP1600-S/S	76346	46
1800	BP1800-S/S	76347	67

Note: Polyurethane Blades are approved for use in underground mines.
For belt widths over 1800 mm contact Flexco.

Product Notes:

- Exclusive blade design - 20° slant on leading edge spirals debris off the belt.
- Self-adjusting blade - the blade floats on the belt and self-adjusts as it wears.
- Unique blade adjuster - turnbuckle-type adjuster allows the blade to be accurately positioned to the belt.
- Easy to install - comes fully assembled and can be placed right into position on the conveyor.

Stock items (non-shaded) refer to (*) for specific lead time, if not specified, standard lead time applies.

Non-stock items (shaded) please contact Flexco for dispatch options and lead times.

Replacement Parts List

V-Plough

Replacement Parts		POWDER COATED			STAINLESS STEEL		
DESCRIPTION	BELT WIDTH mm	ORDERING NUMBER	ITEM CODE	WT. KG	ORDERING NUMBER	ITEM CODE	WT. KG
PL Pole	450-750	BP450-750-PL	73109	2.8	BP450-750-PL-S/S	A0683	2.7
	800-1050	BP800-1050-PL	73111	3.2	BP800-1050-PL-S/S	A0613	3.2
	1200-1400	BP1200-1400-PL	73118	3.6	BP1200-1400-PL-S/S	A0621	3.6
	1500-1600	BP1500-1600-PL	73119	4.6	BP1500-1600-PL-S/S	A0647	5.0
	1800	BP1800-PL	73121	5.5	BP1800-PL-S/S	A1547	5.9
Frame	450-750	BP450-750MF	73152	6.7	BP450-750MF-S/S MAIN FRAME	A0682	6.7
	800-1050	BP800-1050MF	73153	9.8	BP800-1050MF-S/S MAIN FRAME	A0612	9.8
	1200-1400	BP1200-1400MF	73154	12.6	BP1200-1400MF-S/S MAIN FRAME	A0620	12.6
	1500-1600	BP1500-1600MF	73147	16.0	BP1500-1600MF-S/S MAIN FRAME	A0646	16.0
	1800	BP1800MF	73148	18.3	BP1800MF-S/S MAIN FRAME	A1546	18.3
	2000	BP2000MF	A1996	19.7			
Blades - Polyurethane Pair - 110mm	450	BP450-B	74055	0.9			
	600	BP600-B	73777	0.9			
	750	BP750-B	73778	1.8			
	800	BP800-B	74057	1.8			
	900	BP900-B	73779	1.8			
	1050	BP1050-B	73780	1.8			
	1200	BP1200-B	73781	1.8			
	1400	BP1400-B	73782	2.3			
	1500	BP1500-B	73783	2.7			
	1600	BP1600-B	73784	2.7			
Blades - Polyurethane Pair - 180mm (Heavy-Duty)	1800	BP1800-B	73785	3.2			
	750	HBP750-B	A0223	5.2			
	900	HBP900-B	A0224	6.3			
	1050	HBP1050-B	A2237	7.2			
	1200	HBP1200-B	73301	8.4			
	1400	HBP1400-B	73302	9.7			
	1500	HBP1500-B	73303	10.6			
	1600	HBP1600-B	73304	11.6			
	1800	HBP1800-B	73306	13.0			
	2000	HBP2000-B	73307	14.5			
	2200	HBP2200-B	73308	15.9			
	2400	HBP2400-B	73309	16.9			
	2500	HBP2500-B	73311	17.8			
Mounting Bracket		BP-MB	73123	0.5	BP-MB-S/S	A0615	0.5
Shaft Collar		BP-SC	73125	0.5	BP-SC-S/S	A0616	0.5
Linkage Arm		BP-LA	73127	0.9	BP-LA-S/S	A0614	0.9
Turnbuckle Linkage		BP-TL	73141	0.5	BP-TL-S/S	A0617	0.5
Standard Turnbuckle					BP-TB	73138	0.5
Standard U-Bolt					BP-UB	73139	0.5

Lead time: 3 weeks

Stock items (non-shaded) refer to (*) for specific lead time, if not specified, standard lead time applies.

Non-stock items (shaded) please contact Flexco for dispatch options and lead times.

Product Ordering Information

Twin Pole V-Plough



Deflector™ Twin Pole V Plough-Mild Steel UHMPE Blade

BELT WIDTH mm	ORDERING NUMBER	ITEM CODE	WT. KG
900	HBP900-TP	A2283	93.0
1050	HBP1050-TP	A2284	99.0
1200	HBP1200-TP	A2285	106.0
1400	HBP1400-TP	A2286	115.0
1500	HBP1500-TP	A2287	119.0
1600	HBP1600-TP	A2288	124.0
1800	HBP1800-TP	A2289	133.0
2000	HBP2000-TP	A2290	142.0
2200	HBP2200-TP	A2291	151.0
2400	HBP2400-TP	A2292	162.0
2500	HBP2500-TP	A2293	165.0

Note: Scraping blades are UHMPE material.
Blades are not FRAS approved.
For belt widths over 2500 mm contact Flexco®.
Lead time: 3 weeks

Deflector™ Twin Pole V Plough-Stainless Steel UHMPE Blade

BELT WIDTH mm	ORDERING NUMBER	ITEM CODE	WT. KG
900	HBP-TP-900 S/S	A2474	94.0
1050	HBP-TP-1050 S/S	A2475	100.0
1200	HBP-TP-1200 S/S	A2476	107.0
1400	HBP-TP-1400 S/S	A2477	116.0
1500	HBP-TP-1500 S/S	A2478	120.0
1600	HBP-TP-1600 S/S	A2479	125.0
1800	HBP-TP-1800 S/S	A2480	134.0
2000	HBP-TP-2000 S/S	A2481	143.0
2200	HBP-TP-2200 S/S	A2482	152.0
2400	HBP-TP-2400 S/S	A2483	163.0
2500	HBP-TP-2500 S/S	A2484	166.0

Note: Scraping blades are UHMPE material.
Blades are not FRAS approved.
For belt widths over 2500 mm contact Flexco.
Lead time: 3 weeks

Stock items (non-shaded) refer to (*) for specific lead time, if not specified, standard lead time applies.

Non-stock items (shaded) please contact Flexco for dispatch options and lead times.

Replacement Parts List

Twin Pole V-Plough

Replacement Parts		POWDER COATED			STAINLESS STEEL		
DESCRIPTION	BELT WIDTH mm	ORDERING NUMBER	ITEM CODE	WT. KG	ORDERING NUMBER	ITEM CODE	WT. KG
PL Pole	900	HBP900-PL-TP	A2294	14.0	HBP900-PL-TP-S/S	A2492	15.0
	1050	HBP1050-PL-TP	A2295	15.0	HBP1050-PL-TP-S/S	A2493	16.0
	1200	HBP1200-PL-TP	A2296	16.0	HBP1200-PL-TP-S/S	A2494	17.0
	1400	HBP1400-PL-TP	A2297	18.0	HBP1400-PL-TP-S/S	A2495	19.0
	1500	HBP1500-PL-TP	A2298	20.0	HBP1500-PL-TP-S/S	A2496	21.0
	1600	HBP1600-PL-TP	A2299	21.0	HBP1600-PL-TP-S/S	A2497	22.0
	1800	HBP1800-PL-TP	A2300	22.0	HBP1800-PL-TP-S/S	A2498	23.0
	2000	HBP2000-PL-TP	A2301	24.0	HBP2000-PL-TP-S/S	A2499	25.0
	2200	HBP2200-PL-TP	A2303	26.0	HBP2200-PL-TP-S/S	A2500	27.0
	2400	HBP2400-PL-TP	A2302	28.0	HBP2400-PL-TP-S/S	A2501	29.0
	2500	HBP2500-PL-TP	A2304	29.0	HBP2500-PL-TP-S/S	A2502	30.0
Frame	900	HBP900-MF-TP	A2305	26.0	HBP900-MF-TP-S/S	A2504	27.0
	1050	HBP1050-MF-TP	A2306	28.0	HBP1050-MF-TP-S/S	A2505	29.0
	1200	HBP1200-MF-TP	A2307	30.0	HBP1200-MF-TP-S/S	A2506	31.0
	1400	HBP1400-MF-TP	A2308	33.0	HBP1400-MF-TP-S/S	A2507	34.0
	1500	HBP1500-MF-TP	A2309	34.0	HBP1500-MF-TP-S/S	A2508	35.0
	1600	HBP1600-MF-TP	A2310	35.5	HBP1600-MF-TP-S/S	A2509	36.5
	1800	HBP1800-MF-TP	A2311	38.0	HBP1800-MF-TP-S/S	A2510	39.0
	2000	HBP2000-MF-TP	A2312	41.0	HBP2000-MF-TP-S/S	A2511	42.0
	2200	HBP2200-MF-TP	A2314	44.0	HBP2200-MF-TP-S/S	A2512	45.0
	2400	HBP2400-MF-TP	A2313	52.0	HBP2400-MF-TP-S/S	A2513	53.0
	2500	HBP2500-MF-TP	A2315	54.0	HBP2500-MF-TP-S/S	A2514	55.0
Blades	900	HBP900-B-TP	A2316	4.5			
	1050	HBP1050-B-TP	A2317	5.0			
	1200	HBP1200-B-TP	A2318	5.5			
	1400	HBP1400-B-TP	A2319	6.3			
	1500	HBP1500-B-TP	A2320	7.0			
	1600	HBP1600-B-TP	A2321	7.5			
	1800	HBP1800-B-TP	A2322	8.2			
	2000	HBP2000-B-TP	A2323	9.0			
	2200	HBP2200-B-TP	A2325	9.8			
	2400	HBP2400-B-TP	A2324	10.7			
	2500	HBP2500-B-TP	A2326	11.2			
Linkage Arm	900-2500	HBP-LA-TP	A2330	5.0	HBP-LA-TP-S/S	A2515	5.0
Mounting Bracket	900-2500	HBP-MB-TP	73922	2.1	HBP-MB-TP-S/S	A1155	2.1
Shaft Collar	900-2500	HBP-SC-TP	74490	0.7	HBP-SC-TP-S/S	A2189	0.7

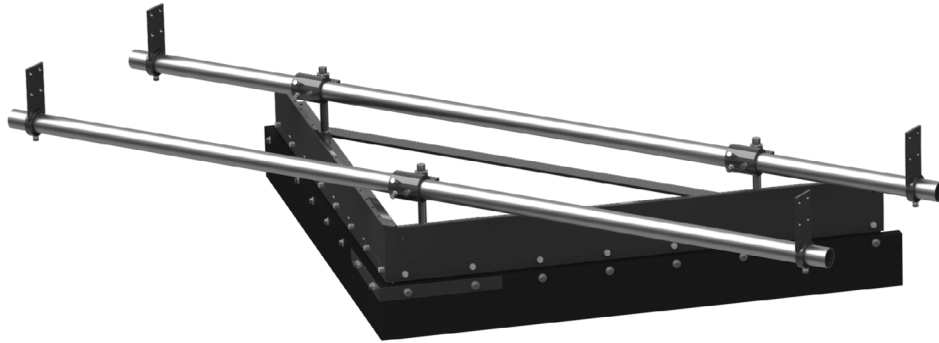
Lead time: 3 weeks

Stock items (non-shaded) refer to (*) for specific lead time, if not specified, standard lead time applies.

Non-stock items (shaded) please contact Flexco for dispatch options and lead times.

Product Ordering Information

HD Floating V-Plough



HD® Floating V Plough-Mild Steel UHMPE Blade

BELT WIDTH mm	ORDERING NUMBER	ITEM CODE	WT. KG
900	FBP900-TP	61750	133
1050	FBP1050-TP	61751	137
1200	FBP1200-TP	61752	163
1400	FBP1400-TP	61753	167
1500	FBP1500-TP	61754	189
1600	FBP1600-TP	61755	192
1800	FBP1800-TP	61756	218
2000	FBP2000-TP	61757	224
2200	FBP2200-TP	61758	256
2400	FBP2400-TP	61759	261
2500	FBP2500-TP	61760	284
2600	FBP2600-TP	61761	287

Note: Scraping blades are UHMPE material. Blades are not FRAS approved. For belt widths over 2600 mm contact Flexco®. Lead time: 3 weeks

HD Floating V Plough Stainless Steel UHMPE Blade

BELT WIDTH mm	ORDERING NUMBER	ITEM CODE	WT. KG
900	FBP900-TP S/S	61765	135
1050	FBP1050-TP S/S	61766	141
1200	FBP1200-TP S/S	61767	167
1400	FBP1400-TP S/S	61768	171
1500	FBP1500-TP S/S	61769	194
1600	FBP1600-TP S/S	61770	197
1800	FBP1800-TP S/S	61771	224
2000	FBP2000-TP S/S	61772	230
2200	FBP2200-TP S/S	61773	263
2400	FBP2400-TP S/S	61774	268
2500	FBP2500-TP S/S	61775	291
2600	FBP2600-TP S/S	61776	294

Note: Scraping blades are UHMPE material. Blades are not FRAS approved. For belt widths over 2600 mm contact Flexco. Lead time: 3 weeks

Replacement Blades

UHMPE - pair

BELT WIDTH mm	ORDERING NUMBER	ITEM CODE	WT. KG
900	FBP900-B	61780	11.0
1050	FBP1050-B	61781	12.6
1200	FBP1200-B	61782	14.3
1400	FBP1400-B	61783	16.4
1500	FBP1500-B	61784	17.5
1600	FBP1600-B	61785	18.5
1800	FBP1800-B	61786	20.5
2000	FBP2000-B	61787	22.6
2200	FBP2200-B	61788	24.6
2400	FBP2400-B	61789	26.7
2500	FBP2500-B	61790	28.3
2600	FBP2600-B	61791	29.8

Lead time: 3 weeks

Product Notes:

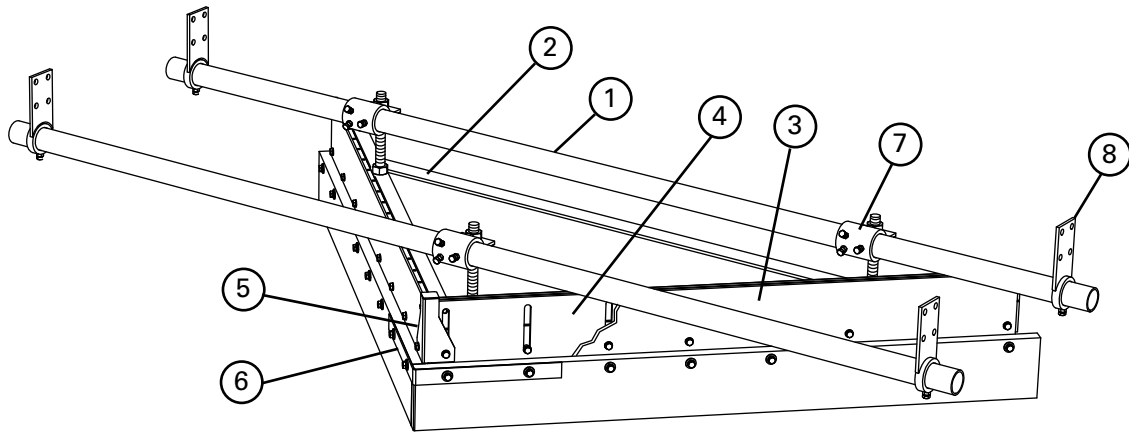
- Cleans the inside/clean side of the return belt.
- Eliminates conveyor damage and belt mistracking caused by debris lodging in the tail pulley or take-up.
- Floating design self-adjusts as blade wears, eliminating the need for manual adjustment.
- Available in a range of sizes for multiple belt widths.
- Removes carryback on both sides of the conveyor
- UHMWPE blades provide long life and easy change-out.

Stock items (non-shaded) refer to (*) for specific lead time, if not specified, standard lead time applies.

Non-stock items (shaded) please contact Flexco for dispatch options and lead times.

Replacement Parts List

HD® Floating V-Plough



Replacement Parts

REF	DESCRIPTION	BELT WIDTH mm	MILD STEEL			STAINLESS STEEL		
			ORDERING NUMBER	ITEM CODE	WT. KG	ORDERING NUMBER	ITEM CODE	WT. KG
1	Pole	900	HBP900-PL-TP	A2294		HBP900-PL-TP-S/S	A2492	
		1050	HBP1050-PL-TP	A2295		HBP1050-PL-TP-S/S	A2493	
		1200	HBP1200-PL-TP	A2296		HBP1200-PL-TP-S/S	A2494	
		1400	HBP1400-PL-TP	A2297		HBP1400-PL-TP-S/S	A2495	
		1500	HBP1500-PL-TP	A2298		HBP1500-PL-TP-S/S	A2496	
		1600	HBP1600-PL-TP	A2299		HBP1600-PL-TP-S/S	A2497	
		1800	HBP1800-PL-TP	A2300		HBP1800-PL-TP-S/S	A2498	
		2000	HBP2000-PL-TP	A2301		HBP2000-PL-TP-S/S	A2499	
		2200	HBP2200-PL-TP	A2303		HBP2200-PL-TP-S/S	A2500	
		2400	HBP2400-PL-TP	A2302		HBP2400-PL-TP-S/S	A2501	
		2500	HBP2500-PL-TP	A2304		HBP2500-PL-TP-S/S	A2502	
		2600	HBP2600-PL-TP	A0151		HBP2600-PL-TP-S/S	61877	
2	Frame	900-1050	FBP900-1050-MF	61795		FBP900-1050-MF-S/S	61803	
		1200-1400	FBP1200-1400-MF	61796		FBP1200-1400-MF-S/S	61804	
		1500-1600	FBP1500-1600-MF	61797		FBP1500-1600-MF-S/S	61805	
		1800-2000	FBP1800-2000-MF	61798		FBP1800-2000-MF-S/S	61806	
		2200-2400	FBP2200-2400-MF	61799		FBP2200-2400-MF-S/S	61807	
		2500-2600	FBP2500-2600-MF	61800		FBP2500-2600-MF-S/S	61808	
3	Protection Plate Kit	900-1050	FBP900-1050-PP	61890		FBP900-1050-PP-S/S	61898	
		1200-1400	FBP1200-1400-PP	61891		FBP1200-1400-PP-S/S	61899	
		1500-1600	FBP1500-1600-PP	61892		FBP1500-1600-PP-S/S	61900	
		1800-2000	FBP1800-2000-PP	61893		FBP1800-2000-PP-S/S	61901	
		2200-2400	FBP2200-2400-PP	61894		FBP2200-2400-PP-S/S	61902	
4	Slotted Plate Kit	900-1050	FBP900-1050-SP	61906		FBP900-1050-SP-S/S	61914	
		1200-1400	FBP1200-1400-SP	61907		FBP1200-1400-SP-S/S	61915	
		1500-1600	FBP1500-1600-SP	61908		FBP1500-1600-SP-S/S	61916	
		1800-2000	FBP1800-2000-SP	61909		FBP1800-2000-SP-S/S	61917	
		2200-2400	FBP2200-2400-SP	61910		FBP2200-2400-SP-S/S	61918	
		2500-2600	FBP2500-2600-SP	61911		FBP2500-2600-SP-S/S	61919	
5	Nose Protection	All	FBP-NP	61875		FBP-NP-S/S	61876	
6	Faceplate	All	FBP-FP	61888		FBP-FP-S/S	61889	
7	Linkage Mount Kit	All	FBP-LM	61882		FBP-LM-S/S	61883	
8	Mounting Bracket	All	HBP-MB-TP	73922		HBP-MB-TP-S/S	A1155	

Lead time: 3 weeks

Stock items (non-shaded) refer to (*) for specific lead time, if not specified, standard lead time applies.

Non-stock items (shaded) please contact Flexco for dispatch options and lead times.

Product Ordering Information

V-Plough Blade Kits



V-Plough Blade Kits

DESCRIPTION	ORDERING NUMBER	ITEM CODE
Standard-Duty Kits		
RVBP-SD-600-KIT VPLOUGH BLADE KIT	RBVP-SD-600	68267
RVBP-SD-750-KIT VPLOUGH BLADE KIT	RBVP-SD-750	68268
RVBP-SD-900-KIT VPLOUGH BLADE KIT	RBVP-SD-900	68269
RVBP-SD-1050-KIT VPLOUGH BLADE KIT	RBVP-SD-1050	68270
RVBP-SD-1200-KIT VPLOUGH BLADE KIT	RBVP-SD-1200	68271
RVBP-SD-1350-KIT VPLOUGH BLADE KIT	RBVP-SD-1350	68272
RVBP-SD-1500-KIT VPLOUGH BLADE KIT	RBVP-SD-1500	68273
RVBP-SD-1800-KIT VPLOUGH BLADE KIT	RBVP-SD-1800	68274
RVBP-SD-2000-KIT VPLOUGH BLADE KIT	RBVP-SD-2000	68275
RVBP-SD-2200-KIT VPLOUGH BLADE KIT	RBVP-SD-2200	68276
RVBP-SD-2400-KIT VPLOUGH BLADE KIT	RBVP-SD-2400	68277
RVBP-SD-2600-KIT VPLOUGH BLADE KIT	RBVP-SD-2600	68278
RVBP-SD-2800-KIT VPLOUGH BLADE KIT	RBVP-SD-2800	68279
Heavy-Duty Kits		
RVBP-HD-900-KIT VPLOUGH BLADE KIT	RBVP-HD-900	68252
RVBP-HD-1050-KIT VPLOUGH BLADE KIT	RBVP-HD-1050	68253
RVBP-HD-1200-KIT VPLOUGH BLADE KIT	RBVP-HD-1200	68254
RVBP-HD-1350-KIT VPLOUGH BLADE KIT	RBVP-HD-1350	68255
RVBP-HD-1500-KIT VPLOUGH BLADE KIT	RBVP-HD-1500	68256
RVBP-HD-1600-KIT VPLOUGH BLADE KIT	RBVP-HD-1600	68257
RVBP-HD-1800-KIT VPLOUGH BLADE KIT	RBVP-HD-1800	68258
RVBP-HD-2000-KIT VPLOUGH BLADE KIT	RBVP-HD-2000	68259
RVBP-HD-2200-KIT VPLOUGH BLADE KIT	RBVP-HD-2200	68260
RVBP-HD-2400-KIT VPLOUGH BLADE KIT	RBVP-HD-2400	68261
RVBP-HD-2500-KIT VPLOUGH BLADE KIT	RBVP-HD-2500	68262
RVBP-HD-2600-KIT VPLOUGH BLADE KIT	RBVP-HD-2600	68263
RVBP-HD-2800-KIT VPLOUGH BLADE KIT	RBVP-HD-2800	68264
RVBP-HD-3000-KIT VPLOUGH BLADE KIT	RBVP-HD-3000	68265
RVBP-HD-3200-KIT VPLOUGH BLADE KIT	RBVP-HD-3200	68266

Product Notes:

- Lasts up to 12 months longer than the leading competitor blade.
- Can be retrofitted to existing ESS V-Ploughs. The design of the blades allows a simple retrofit to existing ploughs.
- Simple and quick replacement for new blades. Due to the simple cartridge design of the blades, the replacement of blades is a quick and simple job, reducing the down time required.
- Discharges to both sides of the belt. The plough is angled to discharge materials to both sides of the belt, making it as convenient as possible for cleanup.
- Reduces belt mistracking.
- Use 93A durometer polyurethane to ensure exceptional wear life.

Stock items (non-shaded) refer to (*) for specific lead time, if not specified, standard lead time applies.

Non-stock items (shaded) please contact Flexco for dispatch options and lead times.

Product Ordering Information

V-Plough Blade Kits

Replacement Parts

DESCRIPTION	ORDERING NUMBER	ITEM CODE
Nose Cones		
RBVP-SD-N SD VPLOUGH NOSE	RBVP-SD-N	91768
RBVP-HD-N HD VPLOUGH NOSE	RBVP-HD-N	91782
Standard-Duty		
RBVP-SD-S-600 SD VPLOUGH SIDE	RBVP-SD-S-600	91769
RBVP-SD-S-750 SD VPLOUGH SIDE	RBVP-SD-S-750	91770
RBVP-SD-S-900 SD VPLOUGH SIDE	RBVP-SD-S-900	91771
RBVP-SD-S-1050 SD VPLOUGH SIDE	RBVP-SD-S-1050	91772
RBVP-SD-S-1200 SD VPLOUGH SIDE	RBVP-SD-S-1200	91773
RBVP-SD-S-1350 SD VPLOUGH SIDE	RBVP-SD-S-1350	91774
RBVP-SD-S-1500 SD VPLOUGH SIDE	RBVP-SD-S-1500	91775
RBVP-SD-S-1800 SD VPLOUGH SIDE	RBVP-SD-S-1800	91776
RBVP-SD-S-2000 SD VPLOUGH SIDE	RBVP-SD-S-2000	91777
RBVP-SD-S-2200 SD VPLOUGH SIDE	RBVP-SD-S-2200	91778
RBVP-SD-S-2400 SD VPLOUGH SIDE	RBVP-SD-S-2400	91779
RBVP-SD-S-2600 SD VPLOUGH SIDE	RBVP-SD-S-2600	91780
RBVP-SD-S-2800 SD VPLOUGH SIDE	RBVP-SD-S-2800	91781
Heavy-Duty		
RBVP-HD-S-900 HD VPLOUGH SIDE	RBVP-HD-S-900	91783
RBVP-HD-S-1050 HD VPLOUGH SIDE	RBVP-HD-S-1050	91784
RBVP-HD-S-1200 HD VPLOUGH SIDE	RBVP-HD-S-1200	91785
RBVP-HD-S-1350 HD VPLOUGH SIDE	RBVP-HD-S-1350	91786
RBVP-HD-S-1500 HD VPLOUGH SIDE	RBVP-HD-S-1500	91787
RBVP-HD-S-1600 HD VPLOUGH SIDE	RBVP-HD-S-1600	91788
RBVP-HD-S-1800 HD VPLOUGH SIDE	RBVP-HD-S-1800	91789
RBVP-HD-S-2000 HD VPLOUGH SIDE	RBVP-HD-S-2000	91790
RBVP-HD-S-2200 HD VPLOUGH SIDE	RBVP-HD-S-2200	91791
RBVP-HD-S-2400 HD VPLOUGH SIDE	RBVP-HD-S-2400	91792
RBVP-HD-S-2500 HD VPLOUGH SIDE	RBVP-HD-S-2500	91793
RBVP-HD-S-2600 HD VPLOUGH SIDE	RBVP-HD-S-2600	91794
RBVP-HD-S-2800 HD VPLOUGH SIDE	RBVP-HD-S-2800	91795
RBVP-HD-S-3000 HD VPLOUGH SIDE	RBVP-HD-S-3000	91796
RBVP-HD-S-3200 HD VPLOUGH SIDE	RBVP-HD-S-3200	91797



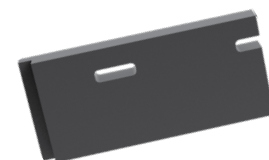
V-Plough SD Nose



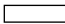
V-Plough SD Side




V-Plough HD Nose



V-Plough HD Side

 **Stock items** (non-shaded) refer to (*) for specific lead time, if not specified, standard lead time applies.

 **Non-stock items** (shaded) please contact Flexco for dispatch options and lead times.

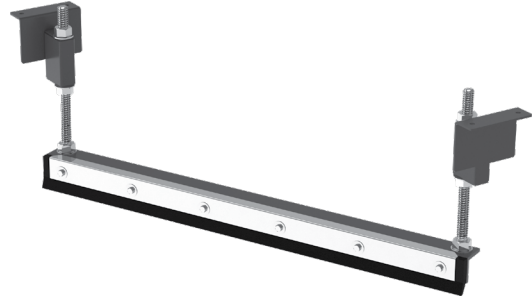
Product Ordering Information

Diagonal Plough

Diagonal Ploughs - Mild Steel*

BELT WIDTH mm	ORDERING NUMBER	ITEM CODE	WT. KG
450-750	CBD-S	76442	20.0
900-1050	CBD-M	76443	25.0
1200-1500	CBD-L	76444	32.0
1600-1800	CBD-XL	76445	43.0
2000-2400	CBD-XXL	64787	54.0

*Use next larger size for Belt Widths between ranges.



Diagonal Plough* - Stainless Steel*

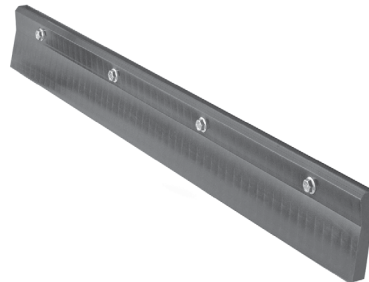
BELT WIDTH mm	ORDERING NUMBER	ITEM CODE	WT. KG
450-750	CBD-S-S/S	64178	20.0
900-1050	CBD-M-S/S	A1854	25.0
1200-1500	CBD-L-S/S	A1856	32.0
1600-1800	CBD-XL-S/S	76318	43.0
2000-2400	CBD-XXL-S/S	63554	54.0

*Use next larger size for Belt Widths between ranges.

Replacement Blade Kits-Polyurethane Blades

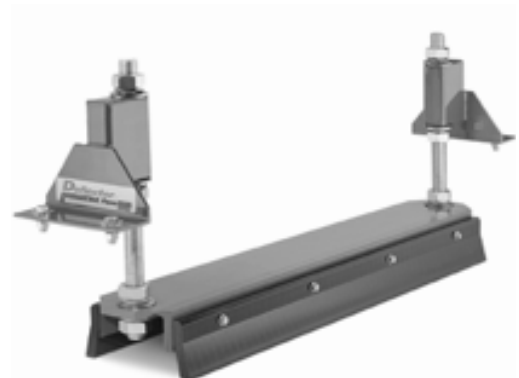
BELT WIDTH mm	ORDERING NUMBER	ITEM CODE	WT. KG
450-750	DBK-S	76446	2.0
900-1050	DBK-M	76447	3.0
1200-1500	DBK-L	76448	4.0
1600-2000	DBK-XL	76449	5.0
2100-2400	DBK-XXL	62595	6.0

Diagonal Plough requires 1 blade; Reversing Plough requires 2 blades.



Deflector™ Reversible Plough with Polyurethane Blades-Mild Steel

BELT WIDTH mm	ORDERING NUMBER	ITEM CODE	WT. KG
450-750	CBR-S	72483	40.0
900-1050	CBR-M	72484	48.0
1200-1500	CBR-L	72485	60.0
1600-2000	CBR-XL	72486	80.0



Product Notes:

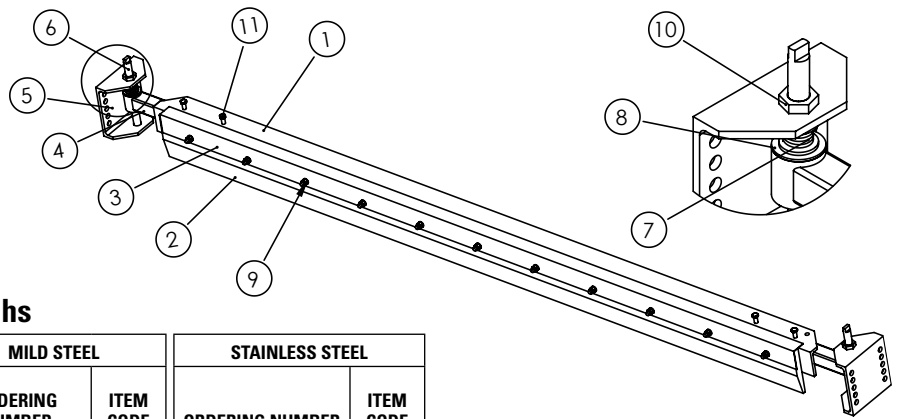
- A belt cleaner for the tail pulley. Prevents damage to the belt, pulley, lagging, and belt splice.
- Keeps fugitive materials off the inside of the belt and out of the tail pulley.
- Installed at a 45° angle across the belt to discharge material to one predetermined side.
- The blade is installed in a fixed position, eliminating any bouncing problems.
- Exclusive 20° angled blade quickly spirals material off the belt.

Stock items (non-shaded) refer to (*) for specific lead time, if not specified, standard lead time applies.

Non-stock items (shaded) please contact Flexco for dispatch options and lead times.

Product Ordering Information & Replacement Parts

Diagonal Plough HD Spring Tensioned



HD® Spring Tensioned Diagonal Ploughs

DESCRIPTION	BELT WIDTH mm	MILD STEEL		STAINLESS STEEL	
		ORDERING NUMBER	ITEM CODE	ORDERING NUMBER	ITEM CODE
Heavy-Duty Spring Tensioned Diagonal Plough	900-1050	CBD-ST-M	61077	CBD-ST-M-S/S	61079
	1200-1500	CBD-ST-L	61050	CBD-ST-L-S/S	61080
	1600-1800	CBD-ST-XL	61051	CBD-ST-XL-S/S	A2138
	2000-2400	CBD-ST-XXL	63747	CBD-ST-XXL-S/S	63748
Heavy-Duty Spring Tensioned Diagonal Plough with Polyurethane Blade	900-1050	CBD-ST-M-P	64772	CBD-ST-M-P-S/S	64623
	1200-1500	CBD-ST-L-P	64773	CBD-ST-L-P-S/S	64624
	1600-1800	CBD-ST-XL-P	64774	CBD-ST-XL-P-S/S	64625
	2000-2400	CBD-ST-XXL-P	64775	CBD-ST-XXL-P-S/S	64626
Heavy-Duty Spring Tensioned Diagonal Plough with Polyurethane Blade and Shield	900-1050	CBD-ST-M-PSS	64776	CBD-ST-M-PS-S/S	64780
	1200-1500	CBD-ST-L-PS	64777	CBD-ST-L-PS-S/S	64781
	1600-1800	CBD-ST-XL-PS	64778	CBD-ST-XL-PS-S/S	64782
	2000-2400	CBD-ST-XXL-PS	64779	CBD-ST-XXL-PS-S/S	64783

Lead time: 3 weeks

Replacement Parts

REF	DESCRIPTION	BELT WIDTH mm	BLADE WIDTH mm	MILD STEEL		STAINLESS STEEL	
				ORDERING NUMBER	ITEM CODE	ORDERING NUMBER	ITEM CODE
1	Diagonal Plough Main Frame	900-1050	N/A	CBD-ST-M-MF	61105	CBD-ST-M-MF-S/S	61108
		1200-1500	N/A	CBD-ST-L-MF	61106	CBD-ST-L-MF-S/S	61109
		1600-1800	N/A	CBD-ST-XL-MF	61107	CBD-ST-XL-MF-S/S	61110
		2000-2400	N/A	CBD-ST-XXL-MF	63749	CBD-ST-XXL-MF-S/S	63750
2	Standard Blade (FRAS)	900-1050	1750	CBD-ST-FR-B	61111		
		1200-1500	2250	CBD-ST-L-FR-B	A2218		
		1600-1800	2750	CBD-ST-XL-FR-B	A1784		
		2000-2400	3250	CBD-ST-XXL-FR-B	63752		
	Polyurethane Blade	900-1050	1750	CBD-ST-B	64620		
		1200-1500	2250	CBD-ST-L-B	64621		
		1600-1800	2750	CBD-ST-XL-B	64482		
		2000-2400	3250	CBD-ST-XXL-B	64622		
3	Stainless Steel Face Plate	900-1050	N/A	CBD-ST-M-FP	61112		
		1200-1500	N/A	CBD-ST-L-FP	61113		
		1600-1800	N/A	CBD-ST-XL-FP	61114		
		2000-2400	N/A	CBD-ST-XXL-FP	63751		
-	Diagonal Plough Shields	900-1050	N/A	CBD-ST-M-S	64784		
		1200-1500	N/A	CBD-ST-L-S	64785		
		1600-1800	N/A	CBD-ST-XL-S	63024		
		2000-2400	N/A	CBD-ST-XXL-S	63791		
4	Adjusting Arm		N/A	CBD-ST-AA	61096		
5	Mounting Channel		N/A	CBD-ST-MC	B0092		
6	Threaded Bar		N/A	CBD-ST-TB-S/S	A2629		
7	Compression Spring		N/A	CBD-ST-CS-S/S	A2215		
8	Bush with Brass Insert			CBD-ST-BB	64310		
9	M12 NYLOC, S/S 316 nut & flat washer		N/A		N/A		N/A
10	Fasteners kit (M24 half nuts & flat washers - SS304) Qty: 4 each		N/A		CBD-ST-HN-S/S	61100	
11	M12 X40 Hex bolt & nuts (SS316) Qty: 8 each		N/A		N/A		N/A

Lead time: 3 weeks

Product Ordering Information

Belt Positioner™

Belt Positioners with CoreTech™ Rollers

SIZE	BELT WIDTH (MIN-MAX) mm	POSITIONER WIDTH (MIN-MAX) mm	ORDERING NUMBER	ITEM CODE	WT. KG
Small	450-600	600-850	PSR-S	74558	29.2
Medium	750-1200	850-1400	PSR-M	74559	34.5
Large	1350-1800	1400-2075	PSR-L	74560	44.3
Extra Large	1800-2400	1800-3000	PSR-XL	74561	82.1

Note:

- Use next larger size for belt widths between ranges.
- Idler rollers on sizes:
 - S-M-L are 127 mm diameter
 - X are 152 mm diameter
- Finish: All steel parts are powder coated. All nuts and set screws are metric in 300 series Stainless Steel.
- This product is also available in Stainless Steel. Please contact Flexco for pricing.



Belt Positioners with Steel Rollers

SIZE	BELT WIDTH (MIN-MAX) mm	POSITIONER WIDTH (MIN-MAX) mm	ORDERING NUMBER	ITEM CODE	WT. KG
Small	450-600	600-850	PSR-S-F	62350	31.7
Medium	750-1200	850-1400	PSR-M-F	62351	38.5
Large	1350-1800	1400-2075	PSR-L-F	62352	49.8
Extra Large	1800-2400	1800-3000	PSR-XL-F	62353	90.7

Product Notes:

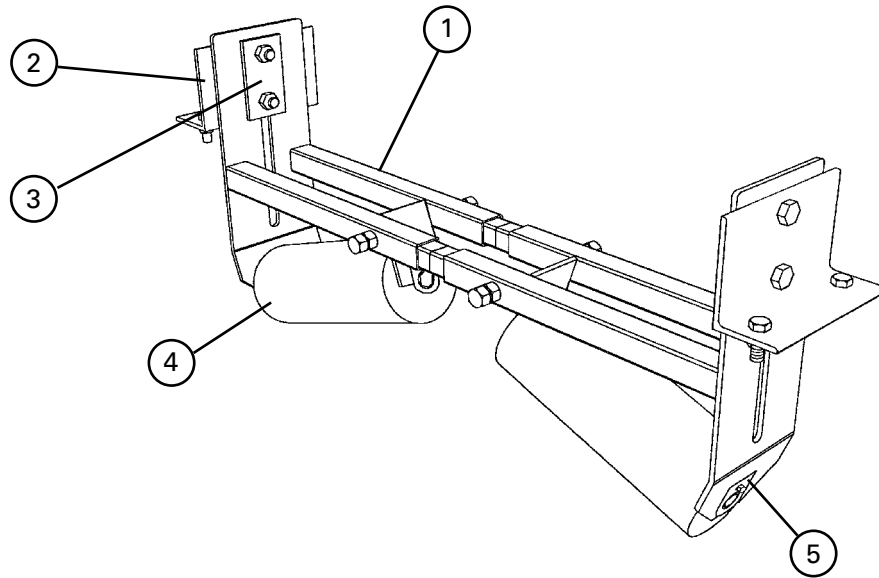
- The Positioner should be centered between two standard return rollers. For general applications-standard belts up to 1800 mm: position the unit no closer than 900 mm to a return roller and no farther than 1.8 meters.
- Works on the return side of the conveyor using simple angled rollers mounted in a fixed position to quickly and continuously funnel the belt into the correct path.
- A “quick fix” solution for belts that consistently wander to one side.
- Typically installed before the tail pulley to keep the belt centred at the critical loading point. Centre loading is the key to solving many top side tracking problems.
- Idler rollers make smooth contact with the return belt’s bottom cover, eliminating excessive wear and damage to the belt’s edges.
- Has no pivoting mechanism to freeze up and cause the unit to stop working.
- Once installed, no further adjustment is required.

Stock items (non-shaded) refer to (*) for specific lead time, if not specified, standard lead time applies.

Non-stock items (shaded) please contact Flexco for dispatch options and lead times.

Replacement Parts List

Belt Positioner™



Replacement Parts

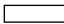
REF	DESCRIPTION	BELT WIDTH (MIN-MAX) mm	ORDERING NUMBER	ITEM CODE	WT. KG
1	Small Frame Kit* (1 ea.)	450-650	RBPFK-S	73946	5.7
	Medium Frame Kit* (1 ea.)	750-1200	RBPFK-M	73947	6.5
	Large Frame Kit* (1 ea.)	1350-1600	RBPFK-L	73948	8.8
	Extra Large Frame Kit* (1 ea.)	1800-2400	RBPFK-XL	73949	13.0
2	Mounting Bracket Kit* (1 ea.)		RBPMBK	74327	2.7
3	Clamp Plate	450-2400	RBPCP	73162	0.5


* Hardware included

Replacement Rollers

REF	DESCRIPTION	ORDERING NUMBER	ITEM CODE	WT. KG
4	Small Steel Roller	RBPSR-S	74562	5.5
	Medium Steel Roller	RBPSR-M	74563	7.5
	Large Steel Roller	RBPSR-L	74564	10.5
	Extra Large Steel Roller	RBPSR-XL	74565	16.6
	Small CoreTech™ Roller	RBPSR-S-CCT	28250	3
	Medium CoreTech Roller	RBPSR-M-CCT	28251	3.5
	Large CoreTech Roller	RBPSR-L-CCT	28253	5
	Extra Large CoreTech Roller	RBPSR-XL-CCT	28254	8
5	Roller Retainer Kit*	RBPRET	A1622	0.2

Positioners come standard with Steel rollers.

 **Stock items** (non-shaded) refer to (*) for specific lead time, if not specified, standard lead time applies.

 **Non-stock items** (shaded) please contact Flexco for dispatch options and lead times.

Product Ordering Information

PTEZ™
Belt Trainer

PTEZ™ Belt Trainer

BELT WIDTH		ORDERING NUMBER	ITEM CODE	WT. KG
mm	in.			
450	18	PTEZ-450	90265	54.4
600	24	PTEZ-600	90266	58.9
750	30	PTEZ-750	90267	63.5
900	36	PTEZ-900	90268	68
1050	42	PTEZ-1050	90269	72.6
1200	48	PTEZ-1200	90270	77.1



HD PTEZ™ Belt Trainer

BELT WIDTH		ORDERING NUMBER	ITEM CODE	WT. KG
mm	in.			
1050	42	PTEZHD-1050	90616	103.6
1200	48	PTEZHD-1200	90617	114.5
1350	54	PTEZHD-1350	90618	125.9
1400	56	PTEZHD-1500	90795	129.5
1500	60	PTEZHD-1500	90619	136.8
1600	64	PTEZHD-1600	90796	144.1
1800	72	PTEZHD-1800	90620	158.6
2000	80	PTEZHD-2000	90797	173.6
2100	84	PTEZHD-2100	90621	180.9

Product Notes:

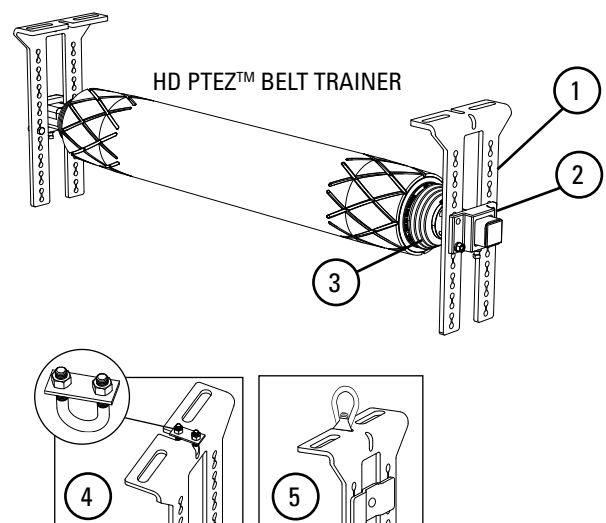
- Simple adjustable mounting brackets ensure quick and accurate installation.
- Urethane roller cover ensures long-lasting performance.
- Works in multiple applications, yet economical. Single-direction and reversing belts. Wet or dry conditions. Belts with edge damage or wear. Belts mistracking to one or both sides.
- Easy ordering and installation. Enhanced to meet instant demands for training solutions, the PTEZ is available on a one-working-day lead time. The simple brackets and component construction also ensure a quick and easy installation.
- Uses tapered and patterned roller to activate the trainer movement. Pivot influences direction while Tilt increases the tension on the mistracked side—the result is two forces quickly moving the belt back to center.
- Works with mechanically fastened or vulcanized belts.

Replacement Parts List

PTEZ™ Replacement Parts

REF	DESCRIPTION	ORDERING NUMBER	ITEM CODE	WT. KG
1	PTEZ HD Mount Bracket Kit (2 ea.)	PTEZHD-MBK	90803	8.6
2	PTEZ HD Pole Bracket Kit (2 ea.)	PTEZHD-PBK	90804	3.2
3	PTEZ HD Dust Cover Kit (2 ea.)	PTEZHD-DCK	90805	0.5
4	PTEZ HD Wire Rope Bolt Kit (2 ea.)	PTEZHD-WRBK	90806	0.5
5	PTEZ HD J Bolt Bracket Kit (2 ea.)	PTEZHD-JBBK	90807	0.9

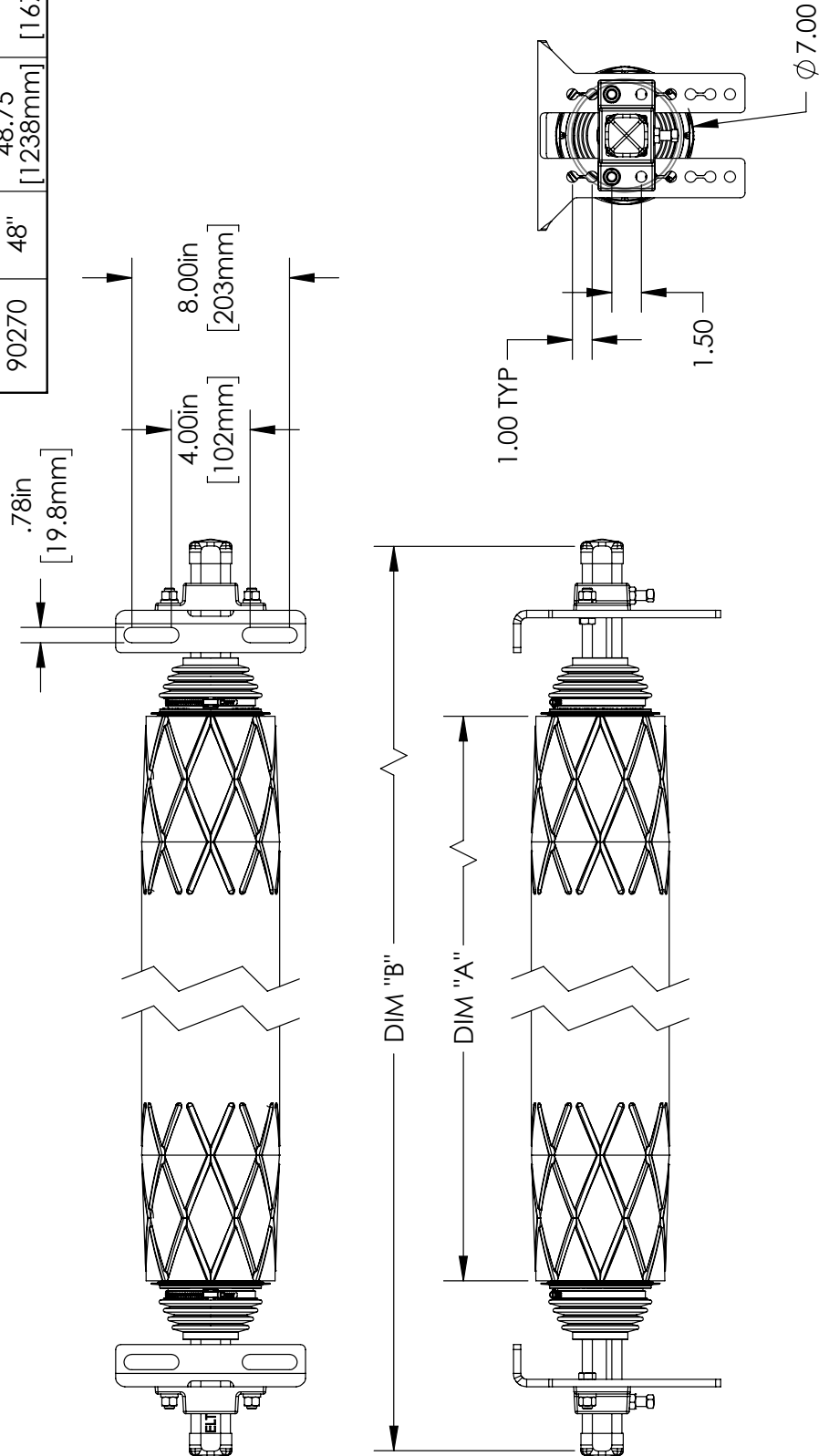
*Bracket set for 1 roller



Specifications & Guidelines

PTEZ™
Belt Trainer

PART NUMBER	BELT WIDTH	DIM "A"	DIM "B"
90265	18"	18.75" [476mm]	36" [914mm]
90266	24"	24.75" [629mm]	42" [1067mm]
90267	30"	30.75" [781mm]	48" [1219mm]
90268	36"	36.75" [933mm]	54" [1372mm]
90269	42"	42.75" [1086mm]	60" [1524mm]
90270	48"	48.75" [1238mm]	66" [1676mm]

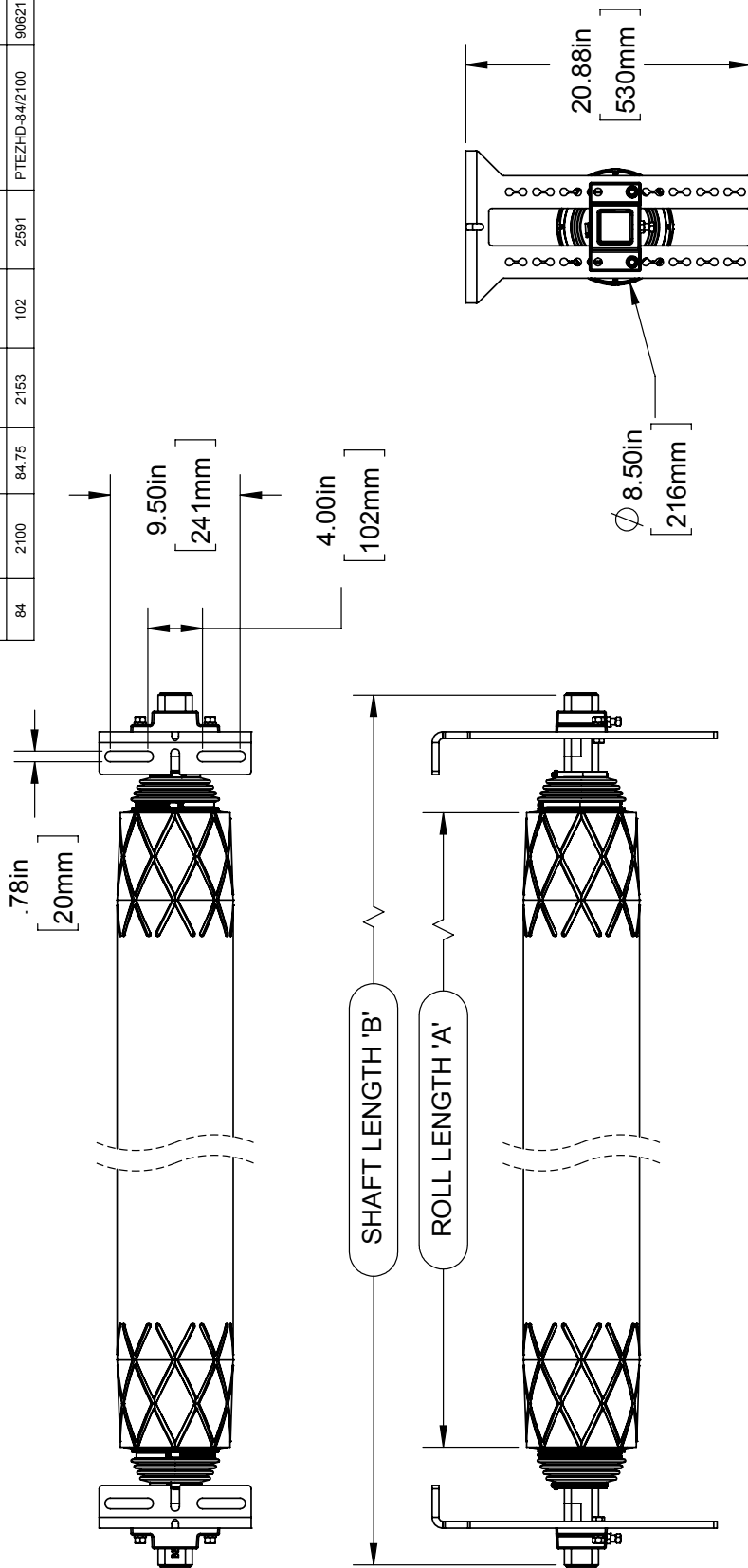


Specifications & Guidelines

HD PTEZ™
Belt Trainer

SPECIFICATIONS

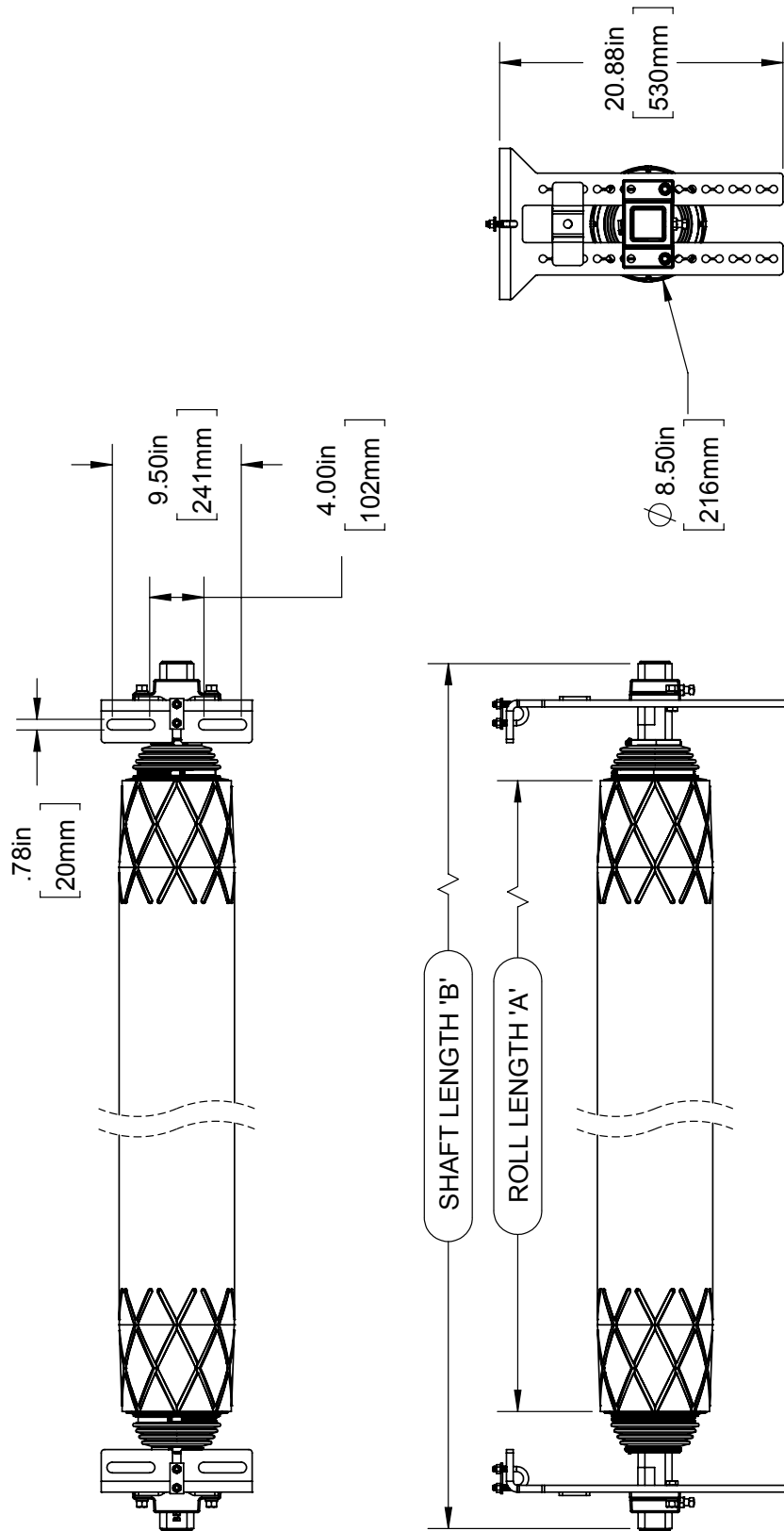
BELT WIDTH (in)		ROLL LENGTH 'A' (mm)		SHAFT LENGTH 'B' (in)		ITEM CODE
42	1050	42.75	1086	60	1524	90616
48	1200	48.75	1238	66	1676	90617
54	1350	54.75	1391	72	1829	90618
56	1400	56.75	1441	74	1880	90795
60	1500	60.75	1543	78	1981	90619
64	1600	64.75	1645	82	2083	90796
72	1800	72.75	1848	90	2286	90620
80	2000	80.75	2051	98	2489	90797
84	2100	84.75	2153	102	2591	90621



Specifications & Guidelines

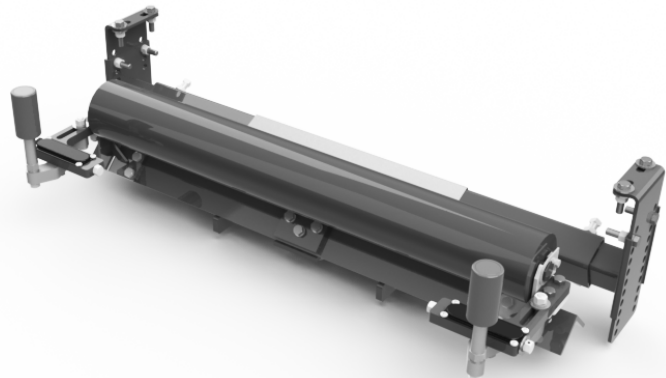
HD PTEZ™ Underground Belt Trainer

SPECIFICATIONS					
BELT WIDTH (in)	ROLL LENGTH 'A' (in)	ROLL LENGTH 'A' (mm)	SHAFT LENGTH 'B' (in)	SHAFT LENGTH 'B' (mm)	ITEM CODE
42	42.75	1086	60	1524	90798
48	48.75	1238	66	1676	90799
54	54.75	1391	72	1829	90800
60	60.75	1543	78	1981	90801
72	72.75	1848	90	2286	90802



Product Ordering Information

PT Smart™
Belt Trainer



PT Smart Standard
Belt Trainer
(Roller Included)

PT Smart™ Belt Trainer

BELT TRAINER COMPLETE			REPLACEMENT ROLLERS	
BELT WIDTH MM	ORDERING NUMBER	ITEM CODE	ORDERING NUMBER	ITEM CODE
450	PTS-18R	77664	PTS-RR21	77680
600	PTS-24R	77665	PTS-RR27	77681
750	PTS-30R	77666	PTS-RR33	77682
900	PTS-36R	77667	PTS-RR39	77683
1050	PTS-42R	77668	PTS-RR45	77684
1200	PTS-48R	77669	PTS-RR51	77685
1350	PTS-54R	77670	PTS-RR57	77686
1500	PTS-60R	77671	PTS-RR63	77687
1800	PTS-72R	77672	PTS-RR75	77689

Lead time: 1 week

Selection Guidelines

CONVEYOR CRITERIA	PT SMART™
Top side mistracking	NO
Return side mistracking	YES
Belt mistracking to one side	EXCELLENT
Belt mistracking to both sides	EXCELLENT
Inconsistent tracking problem	EXCELLENT
Belt is cupped (heavy)	GOOD
Belt has low running tension	EXCELLENT
Belt has medium running tension	EXCELLENT
Belt has high running tension	GOOD
Approx. "upstream" effect*	6 M
Approx. "downstream" effect*	36 - 45 M

Specifications:

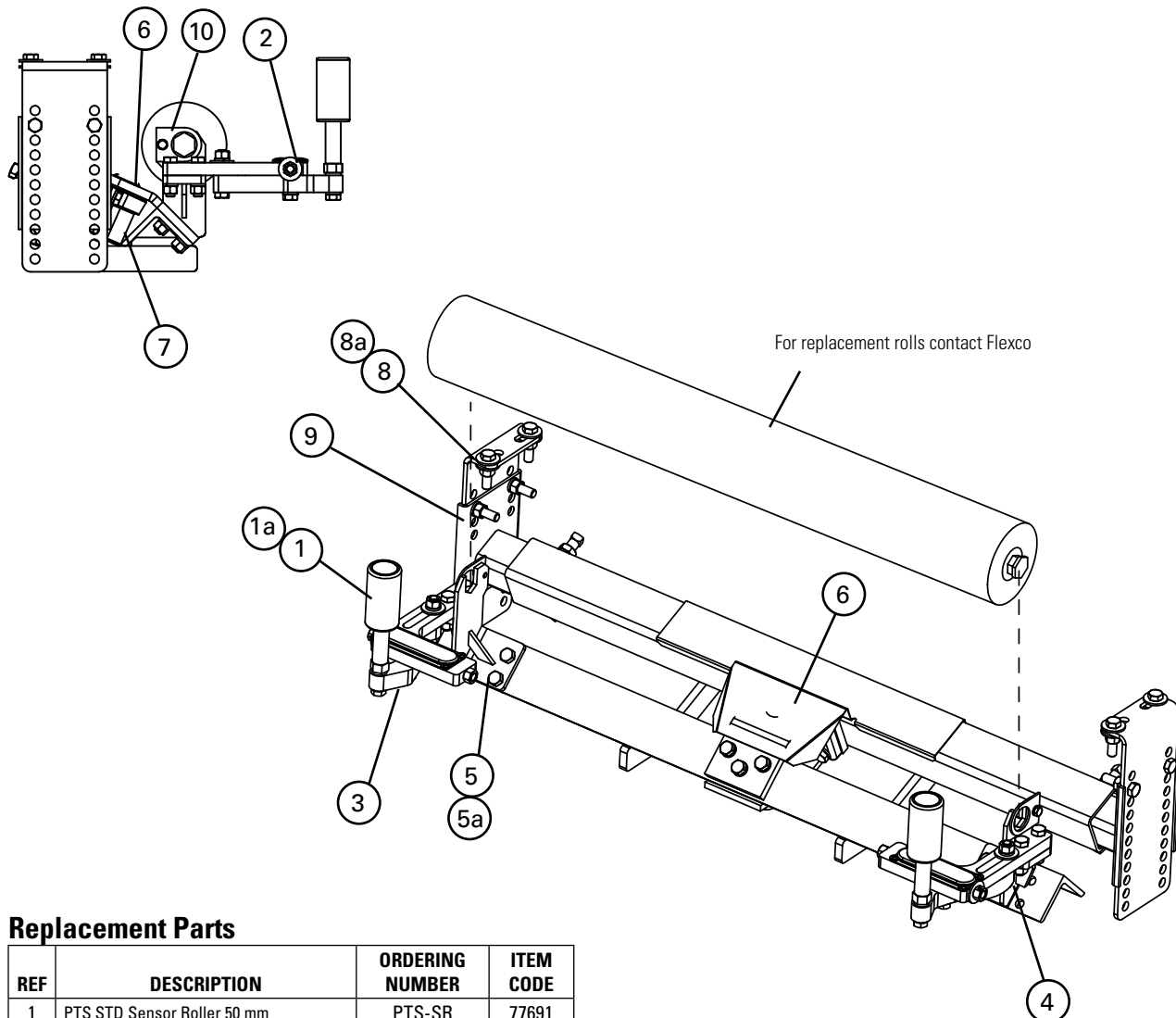
- Maximum Belt Speed5 m/s
- Temperature Rating-40°C to 71°C
- Belt DirectionOne way
- Available for Belt Widths450 to 1800 mm
- Application RangeMedium-duty belts up to 1600 PIW max tension.
Belt width + 75 mm idler.
Belt thickness 25 mm maximum.

Stock items (non-shaded) refer to (*) for specific lead time, if not specified, standard lead time applies.

Non-stock items (shaded) please contact Flexco for dispatch options and lead times.

Replacement Parts List

PT Smart™
Belt Trainer



Replacement Parts

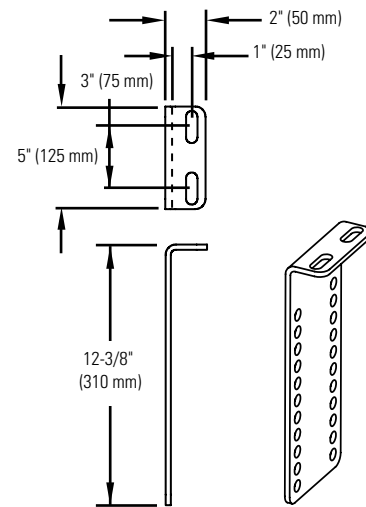
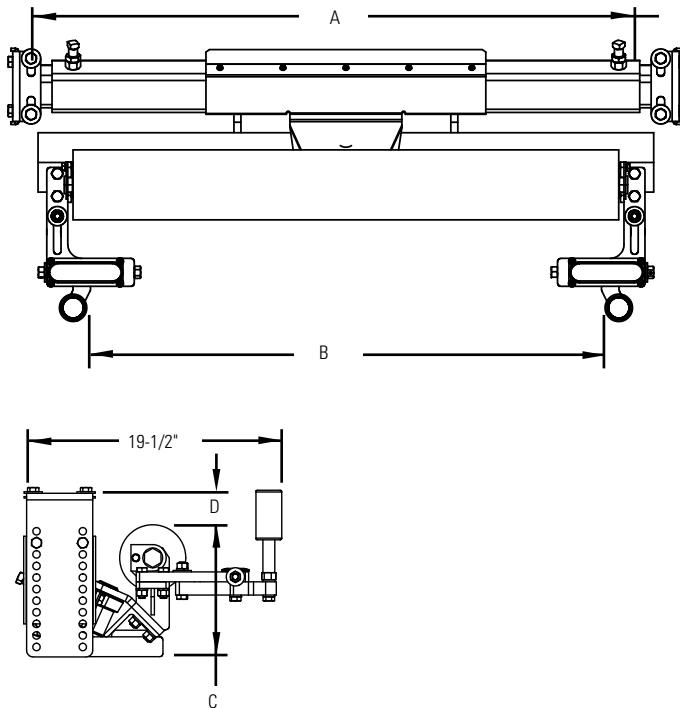
REF	DESCRIPTION	ORDERING NUMBER	ITEM CODE
1	PTS STD Sensor Roller 50 mm	PTS-SR	77691
1a	PTS HD Sensor Roller 75 mm	PTS-HDSR	77692
2	PTS Adjusting Bolt Kit	PTS-ABK	77693
3	PTS Sensor Arm Kit (incl. 1 ea.)	PTS-SAK	77694
4	PTS RH Sensor Adjuster Assy	PTS-RHSAA	77755
	PTS LH Sensor Adjuster Assy	PTS-LHSAA	77756
5	PTS Idler Bracket Kit (incl. L & R)	PTS-IBK	77696
5a	PTS HD Idler Bracket Kit (incl. L & R)	PTS-HIBK	77697
6	PTS Pivot Shield	PTS-PS	77698
7	PTS Pivot Assy (Axle and housing)	PTS-PA	77699
8	PTS Mounting Bracket Kit	PTS-MBK	77700
8a	PTS Mounting Bracket Kit U/G	PTS-MBKUG	77701
9	PTS Extending Bracket Kit (incl. L & R)	PTS-EBK	77702
10	Roller Retainer Kit	RBPRET	73163

*Hardware included

Stock items (non-shaded) refer to (*) for specific lead time, if not specified, standard lead time applies.
Non-stock items (shaded) please contact Flexco for dispatch options and lead times.

Specifications & Guidelines

PT Smart™
Belt Trainer



PT Smart™ Standard

BELT WIDTH mm	ITEM CODE	A	B	C	D (VERTICAL ADJUSTMENT)
450	77664	575-875mm	250-575 mm	250 mm	0-250 mm
600	77665	725-1025mm	400-725 mm		
750	77666	875-1175mm	550-875 mm		
900	77667	1025-1325mm	700-1025 mm		
1050	77668	1175-1475mm	825-1175 mm		
1200	77669	1325-1625mm	1000-1325 mm		
1350	77670	1475-1775mm	1150-1475 mm		
1500	77671	1625-1925mm	1300-1625 mm		
1800	77672	1925-2225mm	1600-1925 mm		

Product Ordering Information

PT Max™ Belt Trainer - Mild Steel

Please note that freight for all PT Max™ are ex-works.

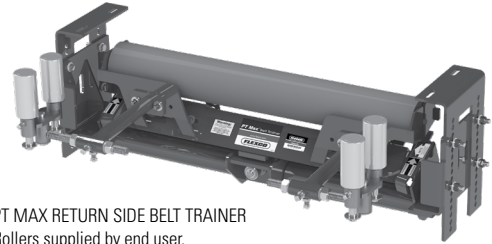
PT Max™ Top Side

	BELT WIDTH mm	ORDERING NUMBER	WT. KG
SD	750	PTM-750-3	130.0
	900	PTM-900-3	140.0
	1050	PTM-1050-3	147.0
	1200	PTM-1200-3	155.0
	1350	PTM-1350-3	161.0
	1500	PTM-1500-3	164.0
HD	1600	PTM-1600-3	168.0
	1800	PTM-1800-3	186.0
	2000	PTM-2000-3	204.0
	2400	PTM-2400-3	240.0
	2600	PTM-2600-3	258.0
	3000	PTM-3000-3	294.0

Finish: Steel parts are sandblasted, primed, and powder coated



PT MAX TOP SIDE BELT TRAINER:
The PT MAX is delivered without rollers, but is manufactured to accommodate on site rollers.
Includes Servo Rollers.



PT MAX RETURN SIDE BELT TRAINER
Rollers supplied by end user.

PT Max™ Return Side

	BELT WIDTH mm	ORDERING NUMBER	WT. KG
SD	750	PTM-750-1	130.0
	900	PTM-900-1	140.0
	1050	PTM-1050-1	147.0
	1200	PTM-1200-1	155.0
	1350	PTM-1350-1	161.0
	1500	PTM-1500-1	164.0
HD	1600	PTM-1600-1	168.0
	1800	PTM-1800-1	186.0
	2000	PTM-2000-1	204.0
	2400	PTM-2400-1	240.0
	2600	PTM-2600-1	258.0
	3000	PTM-3000-1	294.0

Finish: Steel parts are sandblasted, primed, and powder coated

PT Max™ V-Return

	BELT WIDTH mm	ORDERING NUMBER	WT. KG
SD	750	PTM-750-2	130.0
	900	PTM-900-2	140.0
	1050	PTM-1050-2	147.0
	1200	PTM-1200-2	155.0
	1350	PTM-1350-2	161.0
	1500	PTM-1500-2	164.0
HD	1600	PTM-1600-2	168.0
	1800	PTM-1800-2	186.0
	2000	PTM-2000-2	204.0
	2400	PTM-2400-2	240.0
	2600	PTM-2600-2	258.0
	3000	PTM-3000-2	294.0

Finish: Steel parts are sandblasted, primed, and powder coated

Replacement Servo Rollers

DESCRIPTION	ORDERING NUMBER	ITEM CODE	WT. KG
SERVO 149x102	PTMSR	A0235	2.0
PTM Sensor Roller 75mmx102	MSR	74914	3.0



PT MAX V-RETURN BELT TRAINER

Product Notes:

- Please note PT Max™ no longer utilises generic item codes. Each PT Max is specifically engineered and is allocated a unique 6 digit item code upon manufacture which is also the serial number.
- FPT Max™ is custom manufactured to suit your requirements. Manufacture cannot commence without a data sheet; contact Flexco for specification order sheet.
- For larger sizes please contact Flexco (Aust) Pty Ltd.
- Also available in other roller configurations—please contact Flexco.
- PT Max™ lead time is 4 weeks ex-Sydney from the receipt of an order and all data requirements.

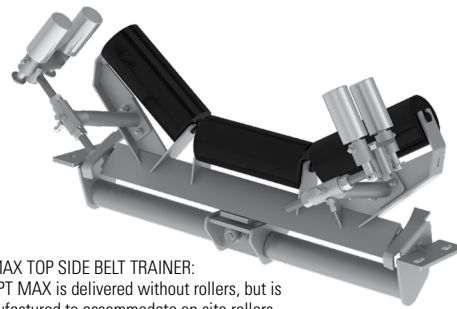
Product Ordering Information

PT Max™ Belt Trainer - Stainless Steel

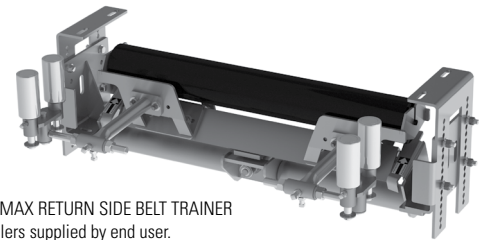
Please note that freight for all PT Max™ are ex-works.

PT Max™ Top Side

	BELT WIDTH mm	ORDERING NUMBER	WT. KG
SD	750	PTM-750-3-S/S	130.0
	900	PTM-900-3-S/S	140.0
	1050	PTM-1050-3-S/S	147.0
	1200	PTM-1200-3-S/S	155.0
	1350	PTM-1350-3-S/S	161.0
	1500	PTM-1500-3-S/S	165.0
HD	1600	PTM-1600-3-S/S	168.0
	1800	PTM-1800-3-S/S	186.0
	2000	PTM-2000-3-S/S	204.0
	2400	PTM-2400-3-S/S	240.0
	2600	PTM-2600-3-S/S	258.0
	3000	PTM-3000-3-S/S	294.0



PT MAX TOP SIDE BELT TRAINER:
The PT MAX is delivered without rollers, but is manufactured to accommodate on site rollers.
Includes Servo Rollers.



PT MAX RETURN SIDE BELT TRAINER
Rollers supplied by end user.

PT Max™ Return Side

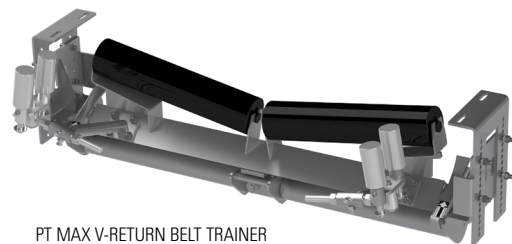
	BELT WIDTH mm	ORDERING NUMBER	WT. KG
SD	750	PTM-750-1-S/S	130.0
	900	PTM-900-1-S/S	140.0
	1050	PTM-1050-1-S/S	147.0
	1200	PTM-1200-1-S/S	155.0
	1350	PTM-1350-1-S/S	161.0
	1500	PTM-1500-1-S/S	165.0
HD	1600	PTM-1600-1-S/S	168.0
	1800	PTM-1800-1-S/S	186.0
	2000	PTM-2000-1-S/S	204.0
	2400	PTM-2400-1-S/S	240.0
	2600	PTM-2600-1-S/S	258.0
	3000	PTM-3000-1-S/S	294.0

PT Max™ V-Return

	BELT WIDTH mm	ORDERING NUMBER	WT. KG
SD	750	PTM-750-2-S/S	130.0
	900	PTM-900-2-S/S	140.0
	1050	PTM-1050-2-S/S	147.0
	1200	PTM-1200-2-S/S	155.0
	1350	PTM-1350-2-S/S	161.0
	1500	PTM-1500-2-S/S	165.0
HD	1600	PTM-1600-2-S/S	168.0
	1800	PTM-1800-2-S/S	186.0
	2000	PTM-2000-2-S/S	204.0
	2400	PTM-2400-2-S/S	240.0
	2600	PTM-2600-2-S/S	258.0
	3000	PTM-3000-2-S/S	294.0

Replacement Servo Rollers

DESCRIPTION	ORDERING NUMBER	ITEM CODE	WT. KG
PTM Sensor Roller 75mmx102	MSR2-S/S	79378	3.0



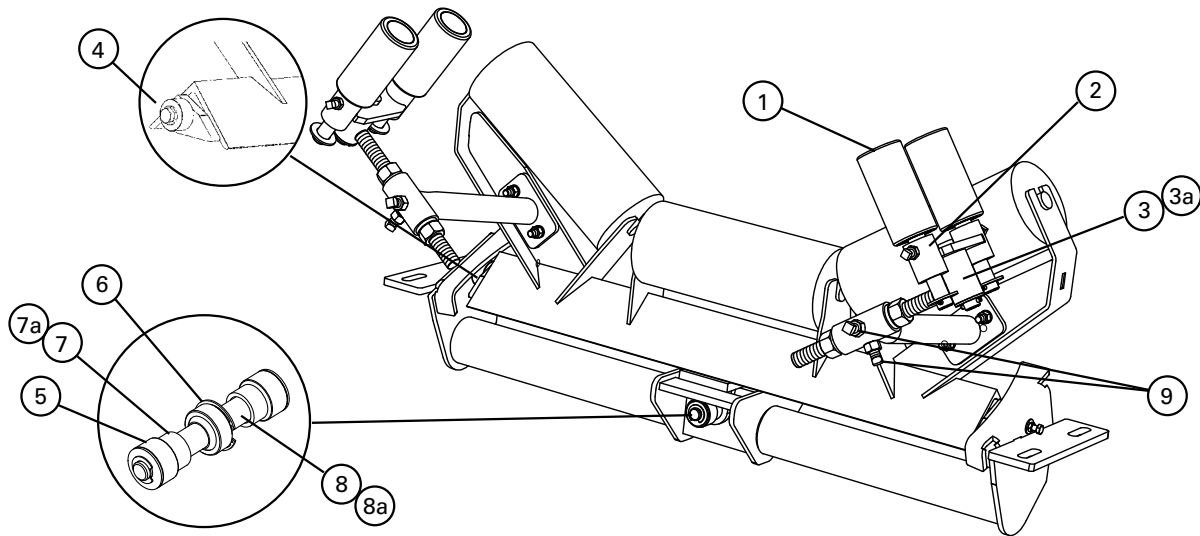
PT MAX V-RETURN BELT TRAINER

Product Notes:

- Please note PT Max™ no longer utilises generic item codes. Each PT Max is specifically engineered and is allocated a unique 6 digit item code upon manufacture which is also the serial number.
- PT Max™ is custom manufactured to suit your requirements. Manufacture cannot commence without a data sheet; contact Flexco for specification order sheet.
- Stainless Steel PT Max™ is made from 304 Stainless Steel as standard, please specify specific requirements in the data sheet.
- For larger sizes please contact Flexco (Aust) Pty Ltd.
- Please note that PT Max™ freight terms are ex-works Sydney.
- Also available in other roller configurations—please contact Flexco.

Replacement Parts List

PT Max™
Belt Trainer

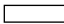



Replacement Parts

REF	DESCRIPTION	BELT WIDTH (mm)	MILD STEEL		STAINLESS STEEL	
			ORDERING NUMBER	ITEM CODE	ORDERING NUMBER	ITEM CODE
1	Sensor Roller* (3" solid roller) (1 ea.)	750-2100	MSR	74914	MSR-S/S	64924
2	Swivel Mount Kit*	750-2100	PMSMK	74916	PMSMK-S/S	64925
3	Adjusting Arm Kit*	750-1500	MAK	74918	MAK-S/S	64926
3a	HD Adjusting Arm Kit*	1350-2100	MAKHD	74919	MAKHD	74919
4	Outer Roller Kit* (incl. 2 rollers, roller thimbles and bolts, nuts and washers)	750-2100	MORK	74921	MORK	74921
5	Center Roller Kit* (incl. 2 rollers, 2 washers, and 2 cotter pins)	750-2100	MCRK	74923	MCRK	74923
6	Center Bearing*	750-2100	MCB	74925	MCB	74925
7	Center Shaft Spacer Kit (incl. 2 spacers)	750-1500	MCSK	74927	MCSK	74927
7a	HD Center Shaft Spacer Kit (incl. 2 spacers)	1350-2100	MCSKHD	74928	MCSKHD	74928
8	Center Shaft	750-1500	MCS	74930	MCS	74930
8a	HD Center Shaft	1350-2100	MCSHD	74931	MCSHD	74931
9	Frame Arm Set Screw Kit (incl. 2 setscrews and 2 jam nuts)	750-3000	MFASK	75531	MFASK	75531
-	Center Bearing Kit (incl. 1 ea. items 5, 6, 7, 8)	750-1500	MCBK	76025	MCBK	76025
-	HD Center Bearing Kit (incl. 1 ea. items 5, 6, 7a, 8a)	1350-2100	MCBKHD	76026	MCBKHD	76026

Lead time: 3 weeks

MSR - 20mm shaft; MSR-S/S - 25mm shaft

 **Stock items** (non-shaded) refer to (*) for specific lead time, if not specified, standard lead time applies.

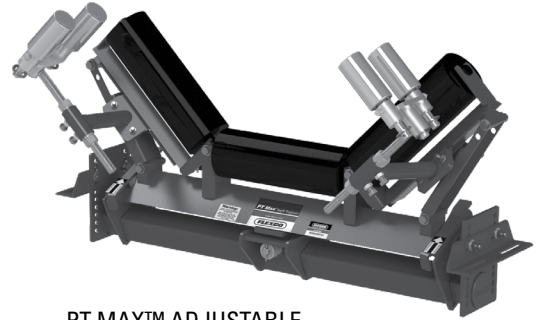
 **Non-stock items** (shaded) please contact Flexco for dispatch options and lead times.

Product Ordering Information

PT Max™ Adjustable Belt Trainer

PT Max™ Adjustable Top Side

VERSION	BELT WIDTH	ORDERING NUMBER	ITEM CODE	WT. KGS.
Standard	750	PTMA-750-3	83785	161.0
	900	PTMA-900-3	83661	170.0
	1050	PTMA-1050-3	83662	184.0
	1200	PTMA-1200-3	83663	193.0
	1350	PTMA-1350-3	83664	202.0
	1600	PTMA-1600-3	83665	229.0
	1800	PTMA-1800-3	83666	240.0
Heavy-Duty	1800	PTMAHD-1800-3	83734	277.0
	2000	PTMAHD-2000-3	83735	290.0
	2200	PTMAHD-2400-3	83736	304.0



PT MAX™ ADJUSTABLE TOP SIDE BELT TRAINER

PT Max Adjustable Return Side

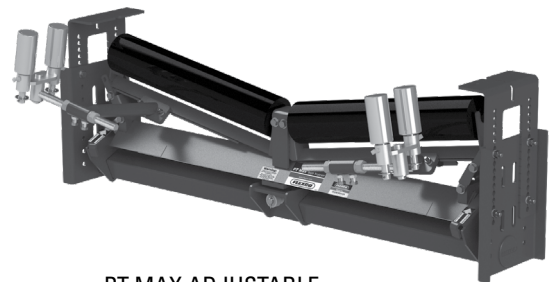
VERSION	BELT WIDTH	ORDERING NUMBER	ITEM CODE	WT. KGS.
Standard	750	PTMA-750-1	83786	154.0
	900	PTMA-900-1	83667	170.0
	1050	PTMA-1050-1	83668	179.0
	1200	PTMA-1200-1	83669	188.0
	1350	PTMA-1350-1	83670	195.0
	1600	PTMA-1600-1	83671	236.0
	1800	PTMA-1800-1	83672	245.0
Heavy-Duty	1800	PTMAHD-1800-1	83737	279.0
	2000	PTMAHD-2000-1	83738	290.0
	2200	PTMAHD-2400-1	83739	302.0



PT MAX ADJUSTABLE RETURN SIDE BELT TRAINER

PT Max Adjustable V-Return

VERSION	BELT WIDTH	ORDERING NUMBER	ITEM CODE	WT. KGS.
Standard	900	PTMA-750-2	83673	195.0
	1050	PTMA-1050-2	83674	204.0
	1200	PTMA-1200-2	83675	215.0
	1350	PTMA-1350-2	83676	225.0
	1600	PTMA-1600-2	83677	236.0
	1800	PTMA-1800-2	83678	277.0
Heavy-Duty	1800	PTMAHD-1800-2	83740	288.0
	2000	PTMAHD-2000-2	83741	329.0
	2200	PTMAHD-2400-2	83742	349.0



PT MAX ADJUSTABLE V-RETURN BELT TRAINER

Please contact Flexco for availability and lead times.

Product Notes:

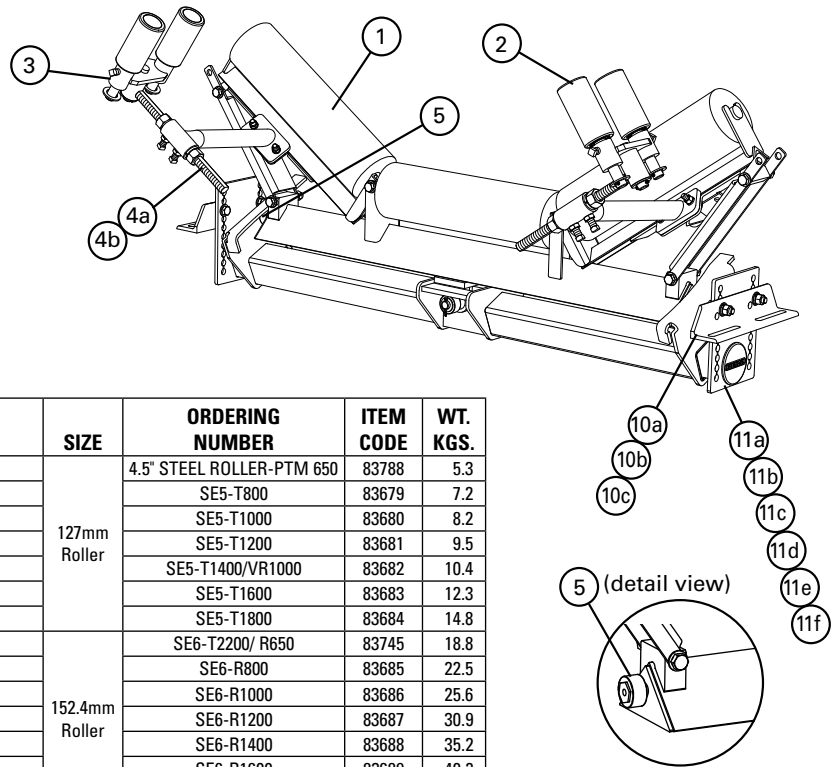
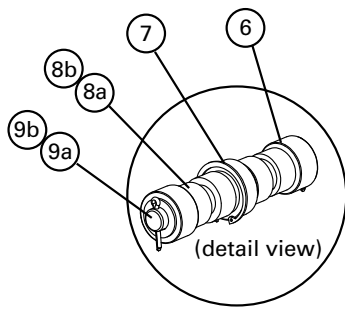
- PT Max Adjustable takes the best features from the PT Max and integrates the adaptability of the PT Smart™ to create a fully-adjustable design that can fit almost any conveyor configuration without needing a data sheet.
- Standardised parts allow us to manage costs, include the rollers, and reduce lead times – down to 1 day on core sizes.
- Works in multiple applications. Top side or return side belts. Heavy duty or medium duty operations. Wet or dry conditions. Belts mistracking to one side or both sides. Whatever the issue, PT Max Adjustable has the answer.

Stock items (non-shaded) refer to (*) for specific lead time, if not specified, standard lead time applies.

Non-stock items (shaded) please contact Flexco for dispatch options and lead times.

Replacement Parts List

PT Max™ Adjustable Belt Trainer



Replacement Parts

REF	DESCRIPTION	SIZE	ORDERING NUMBER	ITEM CODE	WT. KGS.
1	PTMA650T PT MAX TOP 650	127mm Roller	4.5" STEEL ROLLER-PTM 650	83788	5.3
	PTMA800T PT MAX TOP 800		SE5-T800	83679	7.2
	PTMA1000T PT MAX TOP 1000		SE5-T1000	83680	8.2
	PTMA1200T PT MAX TOP 1200		SE5-T1200	83681	9.5
	PTMA1400T PT MAX TOP 1400		SE5-T1400/VR1000	83682	10.4
	PTMA1600T PT MAX TOP 1600		SE5-T1600	83683	12.3
	PTMA1800T PT MAX TOP 1800		SE5-T1800	83684	14.8
	PTMA650R PT MAX RET 650	152.4mm Roller	SE6-T2200/ R650	83745	18.8
	PTMA800R PT MAX RET 800		SE6-R800	83685	22.5
	PTMA1000R PT MAX RET 1000		SE6-R1000	83686	25.6
	PTMA1200R PT MAX RET 1200		SE6-R1200	83687	30.9
	PTMA1400R PT MAX RET 1400		SE6-R1400	83688	35.2
	PTMA1600R PT MAX RET 1600		SE6-R1600	83689	40.2
	PTMA1800R PT MAX RET 1800		SE6-R1800	83690	46.5
	PT MAX V RETURN 800	127mm Roller	SE5-VR800	83691	8.5
	PT MAX V RETURN 1000		SE5-T1400 /VR1000	83682	10.5
	PT MAX V RETURN 1200		SE5-VR1200	83692	11.3
	PT MAX V RETURN 1400		SE5-VR1400	83693	12.5
	PT MAX V RETURN 1600		SE5-VR1600	83694	14.2
	PT MAX V RETURN 1800	SE5-VR1800	83695	16.2	
	PTMAHD1800T PT MAX TOP 1800	152.4mm Roller	SE6-T1800	83743	15.3
	PTMAHD2000T PT MAX TOP 2000		SE6-T2000	83744	17.1
	PTMAHD2200T PT MAX TOP 2200		SE6-T2200/ R650	83745	18.8
	PTMAHD1800R PT MAX RET 1800		SE6-R1800	83690	46.5
	PTMAHD2000R PT MAX RET 2000		SE6-R2000	83746	53.5
	PTMAHD2200R PT MAX RET 2200		SE6-R2200	83747	57.3
	PTMAHD1800VR PT MAX V-RET 1800		SE6-VR1800	83748	27.2
PTMAHD2000VR PT MAX V-RET 2000	SE6-VR2000	83749	30.3		
PTMAHD2200VR PT MAX V-RET 2200	SE6-VR2200	83750	35.5		
2	Sensor Roller 2.0* (3" solid roller)(1 ea.) (Top, Flat, V Return)		MSR2	79378	3.2
3	Swivel Mount Kit 2.0* (Top, Flat, V Return)		PMSMK2	79380	2.5
4a	PTMA Adjusting Arm Kit (Top, Flat, V Return)		PTMAAK	90194	2.7
4b	PTMA Adjusting Arm Kit HD (Top, Flat, V Return HD)		PTMAAKHD	90195	4.1
5	Outer Roller Kit (Top, Flat, V Return) (incl. 2 rollers, roller thimbles, and bolts, nuts, & washers)		PTMAORK	90197	0.5
6	Center Roller Kit (Top, Flat, V Return) (incl. 2 rollers, 2 washers, & 2 cotter pins)		MCRK	74923	0.5
7	Center Bearing (Top, Flat, V Return)		MCB	74925	0.8
8a	Center Shaft Spacer Kit (incl. 2 spacers) (Top, Flat, V Return)		MCSK	74927	0.1
8b	Center Shaft Spacer Kit HD (incl. 2 spacers) (Top, Flat, V Return HD)		MCSKHD	74928	0.2
9a	Center Shaft (Top, Flat, V Return)		MCS	74930	1.8
9b	Center Shaft HD (Top, Flat, V Return HD)		MCSHD	74931	5.9
10a	Frame Mount Kit (Top)		PTMAFMKT	90185	6.6
10b	Frame Mount Kit (Flat/V Return)		PTMAFMKR	90186	19.1
10c	Frame Mount Kit (Flat/V Return HD)		PTMAFMKHDR	90187	22.4
11a	Extender Kit (Top)		PTMAEKT	90188	15.4
11b	Extender Kit (Top HD)		PTMAEKHDT	90191	22.6
11c	Extender Kit (Flat Return)		PTMAEKR	90189	25.9
11d	Extender Kit (Flat Return HD)		PTMAEKHDR	90192	39.2
11e	Extender Kit (V Return)		PTMAEKVR	90190	34.5
11f	Extender Kit (V Return HD)		PTMAEKHDVR	90193	50.9
-	Center Bearing Kit (incl. 1 ea. Items 6, 7, 8a, 9a) (Top, Flat, V Return)		MCBK	76025	3.6
-	Center Bearing Kit HD (incl. 1 ea. Items 6, 7, 8b, 9b) (Top, Flat, V Return HD)		MCBKHD	76026	7.7

*Hardware included

Please contact Flexco for availability and lead times.

Product Ordering Information

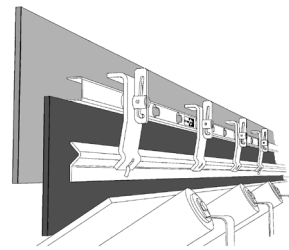
RMC1 Skirt Clamps

Flex-Lok™ Skirt Clamp-Mild Steel

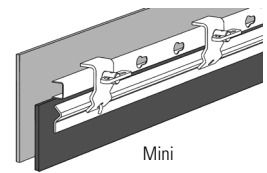
- One Standard Skirt Clamp includes one 2 M mounting channel, 4 clamp plates, 4 clamp pins and one 2 M restraining bar.
- One Mini Skirt Clamp includes one 2 M mounting channel, 3 clamp plates, 3 clamp pins and one 2 M restraining bar.
- Skirt board and rubber not included.

DESCRIPTION	ORDERING NUMBER	ITEM CODE	WT. KG
Flex-Lok™ Skirt Clamp Complete	FLSC2000	71053	18.0
Mini Flex-Lok™ Skirt Clamp Complete	FLSCM2000	71148	15.0
REPLACEMENT PARTS			
Toggle Pin	FLSC-TP	71056	1.0
Clamp Plate	FLSC-CP	71057	1.0
Mini Clamp Plate	FLSCM-CP	71140	1.0
Clamp Bar-2000 mm	FLSC2000-CB	71061	5.0
Mounting Channel-2000 mm	FLSC2000-MC	71059	3.0

Finish: Clamp plates and clamp bars are powder coated steel. Mounting channel is powder coated. Toggle pins are zinc passivated steel. Skirt rubber is not included.



Standard



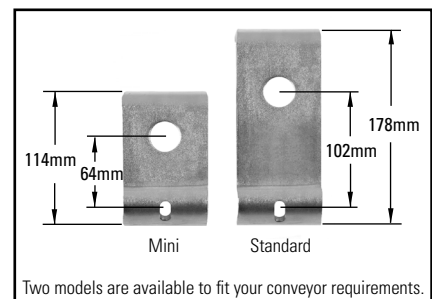
Mini

Flex-Lok™ Skirt Clamp-Stainless Steel

- One Standard Skirt Clamp includes one 2 M mounting channel, 4 clamp plates, 4 clamp pins and one 2 M restraining bar.
- One Mini Skirt Clamp includes one 2 M mounting channel, 3 clamp plates, 3 clamp pins and one 2 M restraining bar.
- Skirt board and rubber not included.

DESCRIPTION	ORDERING NUMBER	ITEM CODE	WT. KG
Flex-Lok™ Skirt Clamp Complete	FLSC2000-S/S	A1436	20.0
Mini Flex-Lok™ Skirt Clamp Complete	FLSCM2000-S/S	61471	15.0
REPLACEMENT PARTS			
Toggle Pin	FLSC-TP-S/S	A1437	1.0
Clamp Plate	FLSC-CP-S/S	A1438	1.0
Mini Clamp Plate	FLSCM-CP-S/S	A2596	1.0
Clamp Bar-2000 mm	FLSC2000-CB-S/S	A1439	5.0
Mounting Channel-2000 mm	FLSC2000-MC-S/S	A1440	3.0

All components supplied in 300 Series Stainless.



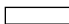
Two models are available to fit your conveyor requirements.


Flex-Lok™ Specifications

SKIRT RUBBER THICKNESS RANGE	
Thickness Range	8-25 mm

Product Notes:

- Solves material spillage problems in the conveyor loading zone.
- Stops material loss, eliminates safety hazards, and reduces wear on conveyor components.

 **Stock items** (non-shaded) refer to (*) for specific lead time, if not specified, standard lead time applies.

 **Non-stock items** (shaded) please contact Flexco for dispatch options and lead times.

Product Ordering Information

RMC1 Skirt Clamps

Flex-Seal™ Skirt System

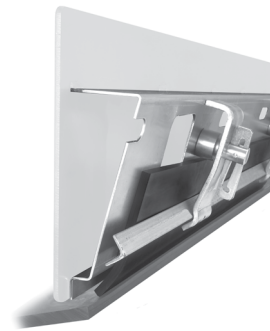
DESCRIPTION	ORDERING NUMBER	ITEM CODE	WT. KG
Flex-Seal™ Skirt System*	RMC-FS	76558	13.4
REPLACEMENT PARTS**			
Angle Plate	RMC2-AP	76559	8.6
Angle Plate Stainless Steel	RMC2-AP-S/S	A2704	8.6
PAL PAK	RMC1-PP	75832	3.0
Bolt-On PAL PAK	RMC1-BPP	76415	3.0
Clamp Bar	RMC1-CB	75817	1.8

*Flex-Seal Skirt System includes angle plate, one Bolt-On PAL PAK, and one 1.2 M clamp bar. Skirt board and rubber not included. Skirt rubber thickness range: 8 mm to 19 mm

**Replacement parts include two Bolt-On clamp pins and two clamp plates.

Flex-Seal™ Specifications

SKIRT RUBBER THICKNESS RANGE	
Width Required	150 mm
Thickness Range	8-19 mm



Bolt-On PAL PAK

Product Ordering Information

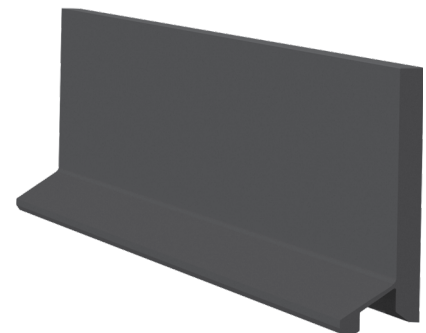
Dual Seal Polyurethane Skirting

Dual Seal Polyurethane Skirting

Height		Thickness		Length		CHAMFER	ORDERING NUMBER	ITEM CODE	WT. KG
mm	in	mm	in	m	ft				
150	6	12	1/2	7.6	25	35°	SKPU-DUAL-150x12x7.6	91400	21.3
150	6	20	3/4				SKPU-DUAL-150x20x7.6	91401	30.8
200	8	12	1/2				SKPU-DUAL-200x12x7.6	91402	27.4
200	8	20	3/4				SKPU-DUAL-200x20x7.6	91403	40.0
150	6	12	1/2	15.2	50		SKPU-DUAL-150x12x15.2	91404	42.6
150	6	20	3/4				SKPU-DUAL-150x20x15.2	91405	61.5
200	8	12	1/2				SKPU-DUAL-200x12x15.2	91406	54.9
200	8	20	3/4				SKPU-DUAL-200x20x15.2	91407	79.9

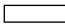
Lead time: 1 working day


Shaded items are made to order; please contact Flexco for availability



Product Notes:

- Secondary seal provides a floating contact area behind the main slab to prevent spillage.
- Polyurethane skirting offers a more wear-resistant material than typical rubber, often providing as much as 3-4 times the wear life in similar applications. The lower coefficient of friction reduces strain on the system.
- Works with Flexco series of skirt clamps that offer simple serviceability: RMC1/PAL-Pak, Flex-Lok™, and Flex-Seal™.
- Uses soft durometer (65A) polyurethane with exceptional tear resistance to ensure a good seal and long belt life.
- 7.6m (25') roll size ensures easy transportation, while the 35° chamfer eliminates the typical skirting break-in period.
- Suitable for most applications: single direction or reversing belts, wet or dry conditions, old or new belts, vulcanized or mechanically-spliced systems.
- Rated for temperatures from -30°C to 82°C (-20°F to 180°F).

 **Stock items** (non-shaded) refer to (*) for specific lead time, if not specified, standard lead time applies.

 **Non-stock items** (shaded) please contact Flexco for dispatch options and lead times.

Product Ordering Information

Standard Urethane Skirting

Standard Urethane Skirting with 35° Chamfer* - 7.6 M (25')

Height		Thickness		Length		ORDERING NUMBER	ITEM CODE	WT. KG
mm	in	mm	in	m	ft			
100	4	10	3/8	7.6	25	SKPU-100x10x7.6	91288	21.2
100	4	12	1/2	7.6	25	SKPU-100x12x7.6	91289	28.2
100	4	16	5/8	7.6	25	SKPU-100x16x7.6	91290	35.3
100	4	19	3/4	7.6	25	SKPU-100x19x7.6	91291	42.3
100	4	25	1	7.6	25	SKPU-100x25x7.6	91292	56.4
150	6	10	3/8	7.6	25	SKPU-150x10x7.6	91298	31.7
150	6	12	1/2	7.6	25	SKPU-150x12x7.6	90283	18.1
150	6	16	5/8	7.6	25	SKPU-150x16x7.6	91299	52.9
150	6	20	25/32	7.6	25	SKPU-150x20x7.6	90284	27.3
150	6	25	1	7.6	25	SKPU-150x25x7.6	91300	84.6
200	8	10	3/8	7.6	25	SKPU-200x10x7.6	91304	42.3
200	8	12	1/2	7.6	25	SKPU-200x12x7.6	90285	26.4
200	8	16	5/8	7.6	25	SKPU-200x16x7.6	91305	70.5
200	8	20	25/32	7.6	25	SKPU-200x20x7.6	90286	40.0
200	8	25	1	7.6	25	SKPU-200x25x7.6	91306	112.8
250	10	10	3/8	7.6	25	SKPU-250x10x7.6	91310	52.9
250	10	12	1/2	7.6	25	SKPU-250x12x7.6	91311	70.5
250	10	16	5/8	7.6	25	SKPU-250x16x7.6	91312	88.1
250	10	19	3/4	7.6	25	SKPU-250x19x7.6	91313	105.8
250	10	25	1	7.6	25	SKPU-250x25x7.6	91314	141.0
300	12	10	3/8	7.6	25	SKPU-300x10x7.6	91320	63.5
300	12	12	1/2	7.6	25	SKPU-300x12x7.6	91321	84.6
300	12	16	5/8	7.6	25	SKPU-300x16x7.6	91322	105.8
300	12	19	3/4	7.6	25	SKPU-300x19x7.6	91323	126.9
300	12	25	1	7.6	25	SKPU-300x25x7.6	91234	169.2



Standard Urethane Skirting with 35° Chamfer* - 15.2 M (50')

Height		Thickness		Length		ORDERING NUMBER	ITEM CODE	WT. KG
mm	in	mm	in	m	ft			
100	4	10	3/8	15.2	50	SKPU-100x10x15.2	91293	42.3
100	4	12	1/2	15.2	50	SKPU-100x12x15.2	91294	56.4
100	4	16	5/8	15.2	50	SKPU-100x16x15.2	91295	70.5
100	4	19	3/4	15.2	50	SKPU-100x19x15.2	91296	84.6
100	4	25	1	15.2	50	SKPU-100x25x15.2	91297	112.8
150	6	10	3/8	15.2	50	SKPU-150x10x15.2	91301	63.5
150	6	12	1/2	15.2	50	SKPU-150x12x15.2	91222	84.6
150	6	16	5/8	15.2	50	SKPU-150x16x15.2	91302	105.8
150	6	19	3/4	15.2	50	SKPU-150x19x15.2	91223	126.9
150	6	25	1	15.2	50	SKPU-150x25x15.2	91303	169.2
200	8	10	3/8	15.2	50	SKPU-200x10x15.2	91307	84.6
200	8	12	1/2	15.2	50	SKPU-200x12x15.2	91224	112.8
200	8	16	5/8	15.2	50	SKPU-200x16x15.2	91308	141.0
200	8	19	3/4	15.2	50	SKPU-200x19x15.2	91225	169.2
200	8	25	1	15.2	50	SKPU-200x25x15.2	91309	225.6
250	10	10	3/8	15.2	50	SKPU-250x10x15.2	91315	105.8
250	10	12	1/2	15.2	50	SKPU-250x12x15.2	91316	141.0
250	10	16	5/8	15.2	50	SKPU-250x16x15.2	91317	176.3
250	10	19	3/4	15.2	50	SKPU-250x19x15.2	91318	211.5
250	10	25	1	15.2	50	SKPU-250x25x15.2	91319	282.0
300	12	10	3/8	15.2	50	SKPU-300x10x15.2	91325	126.9
300	12	12	1/2	15.2	50	SKPU-300x12x15.2	91326	169.2
300	12	16	5/8	15.2	50	SKPU-300x16x15.2	91327	211.5
300	12	19	3/4	15.2	50	SKPU-300x19x15.2	91328	253.8
300	12	25	1	15.2	50	SKPU-300x25x15.2	91329	338.4

*Please contact Flexco for pricing and availability

Product Notes:

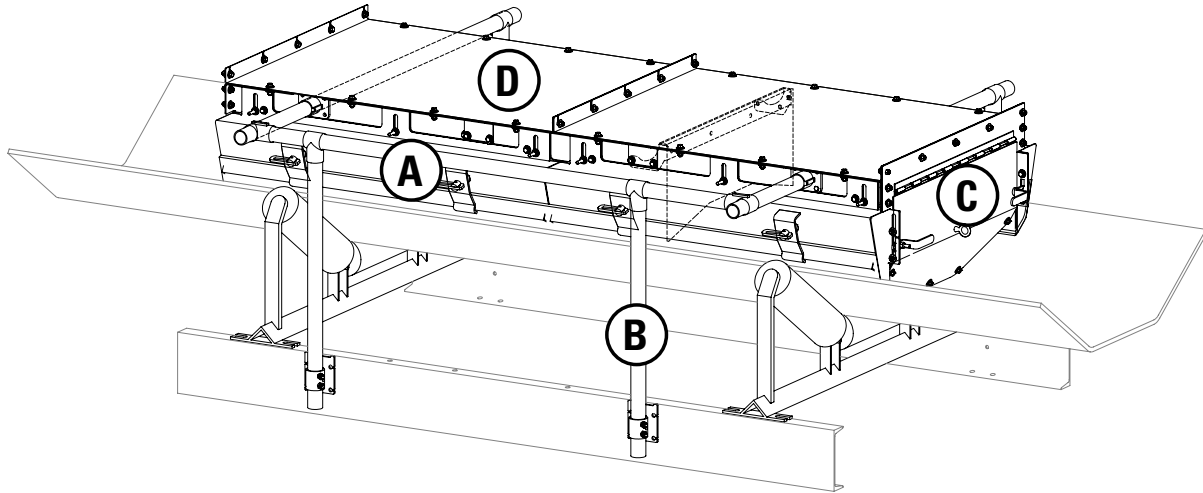
- Urethane skirting offers a more wear-resistant material than typical rubber, often providing as much as 3-4 times the wear life in similar applications. The lower coefficient of friction reduces strain on the system.
- Works with Flexco series of skirt clamps that offer simple serviceability: RMC1/PAL-Pak, Flex-Lok, and Flex-Seal.
- Uses soft durometer (65A) urethane with exceptional tear resistance to ensure a good seal and long belt life.
- 7.6M (25') roll size ensures easy transportation, while the 35° chamfer eliminates the typical skirting break-in period.
- Suitable for most applications: single direction or reversing belts, wet or dry conditions, old or new belts, vulcanised or mechanically-spliced systems.
- Rated for temperatures from -30°C to 82°C (-20°F to 180°F)

Stock items (non-shaded) refer to (*) for specific lead time, if not specified, standard lead time applies.

Non-stock items (shaded) please contact Flexco for dispatch options and lead times.

Product Ordering Information

Enclosed Skirt System



COMPONENTS

- | | |
|---|--|
| A. SKIRT BOARD – required
Available in 1200 or 2400 mm sections | C. END PLATE – optional
For belt widths 600 - 2400 mm |
| B. SUPPORT LEGS – required
For belt widths 600 - 2400 mm
Sold as two legs with a cross bar support | D. COVER PLATE – optional
Available in 1200 mm sections
For belt widths 600 - 2400 mm |

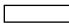
PRODUCT/ORDERING NOTES


- Maximum span between support legs is 2400mm (or 2.4M) and they are to be attached to the conveyor stringer or truss
- Skirting solutions do not include required skirt rubber; purchase from local Flexco distribution
- Straight skirt wall and tangential skirt wall available for different skirt rubber sealing options
- Product is built and sold to CEMA standards
- Skirt board liners are made with AR400 abrasive resistant plate steel

ORDERING EXAMPLE

For a covered 1200mm belt skirting system to cover 2.4M of conveyor, as shown above, with (2) 1200 skirt covers, (4) 1200mm tangential skirt walls, (1) rear seal, and (2) support legs the following should be ordered:

- (2) Covers, order number: SC-7-48
- (4) 48" Tangential Skirt Wall, order number: 4-X-15-4-T-1 or (2) 2400mm skirt walls, use 8-X-15-4-T-1
- (2) Support Legs, order number: LA-48
- (1) Rear Seal, order number: RS-1-15-48-35

 Stock items (non-shaded) refer to (*) for specific lead time, if not specified, standard lead time applies.

 Non-stock items (shaded) please contact Flexco for dispatch options and lead times.

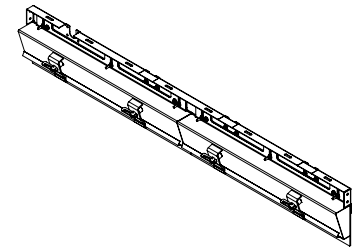
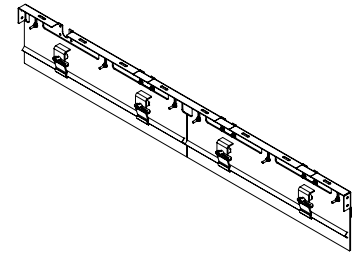
Product Ordering Information

Enclosed Skirt System

Skirt Walls

Skirting sections do not include required skirt rubber; purchase from local Flexco distribution.

WALL LENGTH		STRAIGHT SKIRT WALL	
mm	in.	ORDERING NUMBER	WEIGHT KG
1219	48	4-X-15-4-S-1	29.5
2438	96	8-X-15-4-S-1	59.0



WALL LENGTH		TANGENTIAL SKIRT WALL	
mm	in.	ORDERING NUMBER	WEIGHT KG
1219	48	4-X-15-4-T-1	41.3
2438	96	8-X-15-4-T-1	83.0

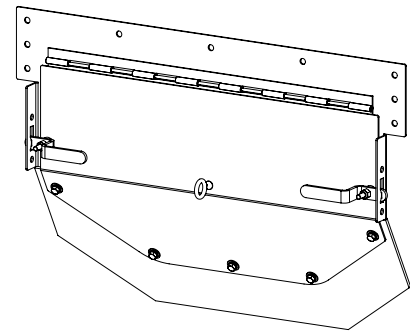
*Tangential skirt wall option requires a properly tracked belt within CEMA recommendations.

Rear Seal

A rear seal can be used to enclose the rear of a skirting while providing access into the system.

BELT WIDTH		REAR SEAL	
mm	in.	ORDERING NUMBER	WEIGHT KG
600	24	RS-1-15-24-35	7.7
750	30	RS-1-15-30-35	9.5
900	36	RS-1-15-36-35	11.3
1050	42	RS-1-15-42-35	13.6
1200	48	RS-1-15-48-35	15.4
1350	54	RS-1-15-54-35	17.7
1500	60	RS-1-15-60-35	20.0
1650	66	RS-1-15-66-35	21.8
1800	72	RS-1-15-72-35	24.5
2100	84	RS-1-15-84-35	30.0
2400	96	RS-1-15-96-35	35.8

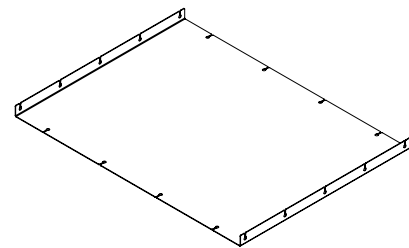
* Do not use a rear seal for a reversing conveyor belt.



Skirt Cover

BELT WIDTH		1200mm SKIRT COVER	
mm	in.	ORDERING NUMBER	WEIGHT KG
600	24	SC-7-24	4.5
750	30	SC-7-30	5.4
900	36	SC-7-36	6.4
1050	42	SC-7-42	7.3
1200	48	SC-7-48	6.2
1350	54	SC-7-54	9.1
1500	60	SC-7-60	10.0
1650	66	SC-7-66	10.7
1800	72	SC-7-72	12.2
2100	84	SC-7-84	14.1
2400	96	SC-7-96	15.9

*Skirt covers are made out of aluminum.



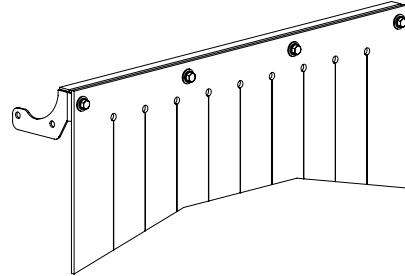
Stock items (non-shaded) refer to (*) for specific lead time, if not specified, standard lead time applies.
 Non-stock items (shaded) please contact Flexco for dispatch options and lead times.

Product Ordering Information

Enclosed Skirt System

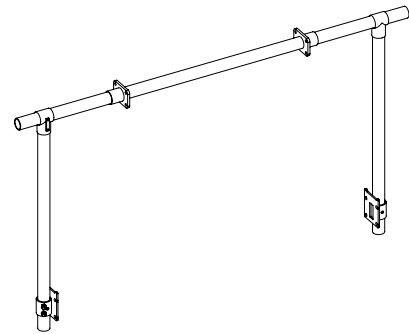
Dust Curtain

BELT WIDTH		DUST CURTAIN (OPTIONAL)	
mm	in.	ORDERING NUMBER	WEIGHT KG
600	24	DC-1-15-24-35	2.3
750	30	DC-1-15-30-35	2.7
900	36	DC-1-15-36-35	3.2
1050	42	DC-1-15-42-35	3.6
1200	48	DC-1-15-48-35	3.6
1350	54	DC-1-15-54-35	4.1
1500	60	DC-1-15-60-35	4.5
1650	66	DC-1-15-66-35	4.5
1800	72	DC-1-15-72-35	5.0
2100	84	DC-1-15-84-35	5.4
2400	96	DC-1-15-96-35	5.4



Support Leg Assembly

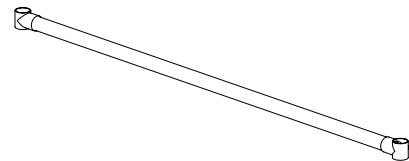
BELT WIDTH		SUPPORT LEG ASSEMBLY	
mm	in.	ORDERING NUMBER	WEIGHT KG
600	24	LA-24	14.1
750	30	LA-30	14.5
900	36	LA-36	15.4
1050	42	LA-42	16.3
1200	48	LA-48	17.2
1350	54	LA-54	17.7
1500	60	LA-60	19.1
1650	66	LA-66	19.5
1800	72	LA-72	20.0
2100	84	LA-84	21.8
2400	96	LA-96	23.6





*Locate a support leg at a maximum every 2400mm (or 2.4M).
Skirt walls can accommodate support legs every 600mm (or 0.6M).

Cross Brace Spanner

SPANNER LEG		CROSS BRACE SPANNER (OPTIONAL)	
mm	in.	ORDERING NUMBER	WEIGHT KG
609	24	SP-24	2.7
1219	48	SP-48	5.0
1829	72	SP-72	7.3
2438	96	SP-96	10.0



*Cross brace spanner can be used to connect between cross braces to locate the vertical section of the support leg assembly anywhere along the cross brace spanner. Support legs need to be located at a maximum of every 2400mm (or 2.4M).

 **Stock items** (non-shaded) refer to (*) for specific lead time, if not specified, standard lead time applies.
 **Non-stock items** (shaded) please contact Flexco for dispatch options and lead times.

Product Ordering Information

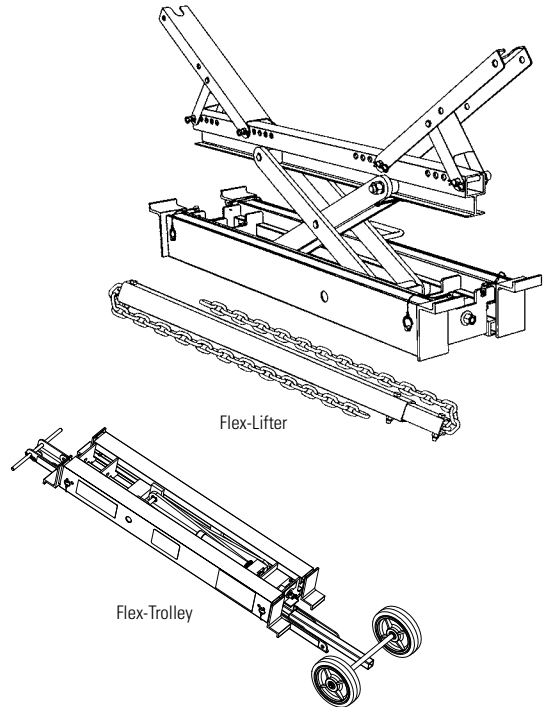
Flexco Belt Maintenance Tools Belt Lifters & Clamps

Flex-Lifter™ Conveyor Belt Lifter

Easy and safe way to lift tensioned belts so mechanical splicing or other maintenance work can be done.

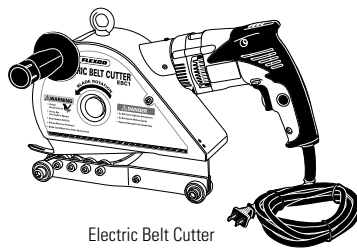
DESCRIPTION	ORDERING NUMBER	ITEM CODE	WT. KG
Medium Flex-Lifter 900 - 1500 mm	FLM	76979	27.3
Large Flex-Lifter 1200 - 1800 mm	FLL	76980	33.6
XL Flex-Lifter 1800 - 2400 mm	FLXL	76983	68.5
REPLACEMENT PARTS			
Extension Leg - Medium	FLEL-M	76472	1.4
Extension Leg - Large	FLEL-L	76473	1.7
Extension Leg - XL (includes 2 ext. legs)	FLELK-XL	76986	5.9
Extension Leg Pin (with lanyard)	FLELP	76474	0.1
Trough Wing - Medium (with brace)	FLTW-M	76476	0.6
Trough Wing - Large (with brace)	FLTW-L	76477	0.7
Trough Wing - XL (with brace)	FLTW-XL	76985	2.0
Retainer Pin Pack (includes 4 pins)	FLRP	76478	0.5
Retainer Clip Pack (includes 4 clips)	FLCP	76479	0.1
M-L Shear Pin Kit	FL-PKIT-ML	77250	0.1
XL Shear Pin Kit	FL-PKIT-XL	77251	0.2
Return Lift Bar - Medium	FLRLB-M	76482	8.4
Return Lift Bar - Large	FLRLB-L	76481	18.2
V-Return Lift Bar - XL	FLVRL-XL	76984	28.6
Flex-Trolley	FLCK	77729	N/A

Return lift bars included with medium and large models. Sold separately with XL models.



Aluminum Content Flex-Lifter

ALUMINUM ALLOY TYPE	PERCENT	
	MG-MAGNESIUM	TI-TITANIUM
4043	0.05%	0.2%
5356	5.5%	0.2%
6005	0.6%	0.1%
6061	1.0%	0.0%
6063	0.7%	0.0%
7075	2.5%	0.0%



Electric Belt Cutter

Cutting Capacity

BELT TYPE	EBC-1	EBC-2
Rubber	Up to 25 mm	Up to 50 mm
PVC	Up to 630 EP	Up to 2000 EP

Electric Belt Cutter

DESCRIPTION	ORDERING NUMBER	ITEM CODE	WT. KG
Electric Cutter Complete - 25 mm	EBC-1	30001	9.0
Electric Cutter Complete - 50 mm	EBC-2	30002	10.0
Cordless Electric Cutter Complete - 25 mm	CEBC-1	30018	9.0
Cordless Electric Cutter Complete - 50 mm	CEBC-2	30019	10.0
REPLACEMENT PARTS			
Replacement blade for EBC-1	EBC-1-B	30003	1.0
Replacement blade for EBC-2	EBC-2-B	30004	1.0
Retrofit Rail Kit for EBC1/CEBC1/PBC1	EBC1-RK	30033	0.6
Retrofit Rail Kit for EBC2/CEBC2/PBC2	EBC2-RK	30034	0.8

Pneumatic Belt Cutter

DESCRIPTION	ORDERING NUMBER	ITEM CODE	WT. KG
Pneumatic Cutter Complete - 25 mm	PBC-1	61356	12.5
Pneumatic Cutter Complete - 50 mm	PBC-2	61357	13.5
REPLACEMENT PARTS			
Filter Set	PBC-FR	61358	2.0

Stock items (non-shaded) refer to (*) for specific lead time, if not specified, standard lead time applies.

Non-stock items (shaded) please contact Flexco for dispatch options and lead times.

INDEX By Ordering Number

Ordering Number	Item Code	Page #	Ordering Number	Item Code	Page #	Ordering Number	Item Code	Page #	Ordering Number	Item Code	Page #
	67324	57	AWTNCB	76069	28	CART-30/750-S/S	78577	99	CART2-66/1650-S/S	78634	48
	67325	57	AWTNCB	76069	37	CART-36/900-S/S	78578	42	CART2-72/1800-S/S	78585	43
	64205	57	BP-LA	73127	145	CART-36/900-S/S	78578	47	CART2-72/1800-S/S	78585	48
	64206	57	BP-LA-S/S	A0614	145	CART-36/900-S/S	78578	77	CART2-72/1800-S/S	78585	77
	64207	57	BP-MB	73123	145	CART-36/900-S/S	78578	79	CART2-72/1800-S/S	78585	79
	64205	57	BP-MB-S/S	A0615	145	CART-36/900-S/S	78578	84	CART2-72/1800-S/S	78585	84
	64206	57	BP-SC	73125	145	CART-36/900-S/S	78578	86	CART2-72/1800-S/S	78585	86
	64207	57	BP-SC-S/S	A0616	145	CART-36/900-S/S	78578	91	CART2-72/1800-S/S	78585	91
	64208	57	BP-TB	73138	145	CART-36/900-S/S	78578	93	CART2-72/1800-S/S	78585	93
	64209	57	BP-TL	73141	145	CART-36/900-S/S	78578	98	CART2-72/1800-S/S	78585	98
	64211	57	BP-TL-S/S	A0617	145	CART-36/900-S/S	78578	99	CART2-72/1800-S/S	78585	100
	GR298	57	BP-UB	73139	145	CART-42/1050-S/S	78579	42	CART2-78/1950-S/S	78635	43
	B0536	57	BP1050	73110	144	CART-42/1050-S/S	78579	47	CART2-78/1950-S/S	78635	48
	67856	118	BP1050-B	73780	145	CART-42/1050-S/S	78579	77	CART2-78/1950-S/S	78635	77
	67587	118	BP1050-S/S	76342	144	CART-42/1050-S/S	78579	79	CART2-78/1950-S/S	78635	79
	67268	118	BP1200	73112	144	CART-42/1050-S/S	78579	84	CART2-78/1950-S/S	78635	84
	67267	118	BP1200-1400-PL	73118	145	CART-42/1050-S/S	78579	86	CART2-78/1950-S/S	78635	86
	62445	118	BP1200-1400-PL-S/S	A0621	145	CART-42/1050-S/S	78579	91	CART2-78/1950-S/S	78635	91
	62446	118	BP1200-1400MF	73154	145	CART-42/1050-S/S	78579	93	CART2-78/1950-S/S	78635	93
	62447	118	BP1200-1400MF-S/S	A0620	145	CART-42/1050-S/S	78579	98	CART2-78/1950-S/S	78635	98
	62448	118	BP1200-B	73781	145	CART-42/1050-S/S	78579	99	CART2-78/1950-S/S	78635	100
4-X-15-4-S-1		170	BP1200-S/S	76343	144	CART-48/1200-S/S	78580	77	CART2-84/2100-S/S	78586	43
4-X-15-4-T-1		170	BP1400	73113	144	CART-48/1200-S/S	78580	79	CART2-84/2100-S/S	78586	48
70A	61003	59	BP1400-B	73782	145	CART-48/1200-S/S	78580	84	CART2-84/2100-S/S	78586	77
70A	61003	78	BP1400-S/S	76344	144	CART-48/1200-S/S	78580	86	CART2-84/2100-S/S	78586	79
8-X-15-4-S-1		170	BP1500	73114	144	CART-48/1200-S/S	78580	91	CART2-84/2100-S/S	78586	84
8-X-15-4-T-1		170	BP1500-1600-PL	73119	145	CART-48/1200-S/S	78580	93	CART2-84/2100-S/S	78586	86
ABU	76788	105	BP1500-1600-PL-S/S	A0647	145	CART-48/1200-S/S	78580	98	CART2-84/2100-S/S	78586	91
ABU	76788	105	BP1500-1600MF	73147	145	CART-48/1200-S/S	78580	99	CART2-84/2100-S/S	78586	93
ABU	76788	106	BP1500-1600MF-S/S	A0646	145	CART-54/1350-S/S	78581	77	CART2-84/2100-S/S	78586	98
ABU	76788	106	BP1500-B	73783	145	CART-54/1350-S/S	78581	79	CART2-84/2100-S/S	78586	100
ACME-N	62591	36	BP1500-S/S	76345	144	CART-54/1350-S/S	78581	84	CART2-96/2400-S/S	78587	43
ACME-N	62591	36	BP1600	73115	144	CART-54/1350-S/S	78581	86	CART2-96/2400-S/S	78587	48
ACME-N	62591	36	BP1600-B	73784	145	CART-54/1350-S/S	78581	91	CART2-96/2400-S/S	78587	77
ACME-N	62591	36	BP1600-S/S	76346	144	CART-54/1350-S/S	78581	93	CART2-96/2400-S/S	78587	79
ACME-PRK	62496	36	BP1800	73117	144	CART-54/1350-S/S	78581	98	CART2-96/2400-S/S	78587	84
ACME-PRK	62496	36	BP1800-B	73785	145	CART-54/1350-S/S	78581	99	CART2-96/2400-S/S	78587	86
ACME-PRK	62496	36	BP1800-PL	73121	145	CART-60/1500-S/S	78582	42	CART2-96/2400-S/S	78587	91
ACME-PRK	62496	36	BP1800-PL-S/S	A1547	145	CART-60/1500-S/S	78582	47	CART2-96/2400-S/S	78587	93
AIRBAGP	62036	36	BP1800-S/S	76347	144	CART-60/1500-S/S	78582	77	CART2-96/2400-S/S	78587	98
AIRHARK-S/S-60	62035	36	BP1800MF	73148	145	CART-60/1500-S/S	78582	79	CART2-96/2400-S/S	78587	100
AIRHARK-S/S-73	64175	36	BP1800MF-S/S	A1546	145	CART-60/1500-S/S	78582	84	CBC18	76668	115
AIRHDMRKS/S	62034	36	BP2000MF	A1996	145	CART-60/1500-S/S	78582	86	CBC24	76669	115
ATV-ANGLE	62426	71	BP450	73102	144	CART-60/1500-S/S	78582	91	CBC30	76670	115
ATV-ANGLE	62426	92	BP450-750-PL	73109	145	CART-60/1500-S/S	78582	93	CBC36	76671	115
ATV-BAG	62079	71	BP450-750-PL-S/S	A0683	145	CART-60/1500-S/S	78582	98	CBC3R	90641	115
ATV-BAG	62079	92	BP450-750MF	73152	145	CART-60/1500-S/S	78582	99	CBC42	76672	115
ATV-MOUNT	62424	71	BP450-750MF-S/S	A0682	145	CART-72/1800-S/S	78583	42	CBC48	76673	115
ATV-MOUNT	63073	71	BP450-B	74055	145	CART-72/1800-S/S	78583	47	CBC54	76674	115
ATV-MOUNT	62424	92	BP450-S/S	76337	144	CART-72/1800-S/S	78583	77	CBC60	76675	115
ATV-MOUNT	63073	92	BP600	73104	144	CART-72/1800-S/S	78583	79	CBCS18	90537	115
ATV-NIP	62037	36	BP600-B	73777	145	CART-72/1800-S/S	78583	84	CBCS24	90538	115
ATV-NIP	62037	71	BP600-S/S	76338	144	CART-72/1800-S/S	78583	86	CBCS30	90539	115
ATV-NIP	62037	92	BP750	73106	144	CART-72/1800-S/S	78583	91	CBCS36	90540	115
ATV-SLIDE	62425	71	BP750-B	73778	145	CART-72/1800-S/S	78583	93	CBCS42	90541	115
ATV-SLIDE	62425	92	BP750-S/S	76339	144	CART-72/1800-S/S	78583	98	CBCS48	90542	115
ATV-TUBE	66068	71	BP800	73107	144	CART-72/1800-S/S	78583	99	CBCS54	90543	115
ATV-TUBE	66068	92	BP800-1050-PL	73111	145	CART2-114/2850-S/S	78639	43	CBCS60	90544	115
ATV73-SS	66192	71	BP800-1050-PL-S/S	A0613	145	CART2-114/2850-S/S	78639	48	CBD-L	76444	152
ATV73-SS	66192	92	BP800-1050MF	73153	145	CART2-120/3000-S/S	78588	43	CBD-L-S/S	A1856	152
ATVK-60	62409	71	BP800-1050MF-S/S	A0612	145	CART2-120/3000-S/S	78588	48	CBD-M	76443	152
ATVK-60	62409	92	BP800-B	74057	145	CART2-120/3000-S/S	78588	77	CBD-M-S/S	A1854	152
ATVK-73	63072	71	BP800-S/S	76340	144	CART2-120/3000-S/S	78588	79	CBD-S	76442	152
ATVK-73	63072	92	BP900	73108	144	CART2-120/3000-S/S	78588	84	CBD-S-S/S	64178	152
ATVK73-SEC-SS	64743	71	BP900-B	73779	145	CART2-120/3000-S/S	78588	86	CBD-ST-AA	61096	153
ATVK73-SEC-SS	64743	92	BP900-S/S	76341	144	CART2-120/3000-S/S	78588	91	CBD-ST-B	64620	153
ATVKP-60	63861	71	C-PSTA	81045	105	CART2-120/3000-S/S	78588	93	CBD-ST-BB	64310	153
ATVKP-60	63861	92	CART-24/600-S/S	78576	42	CART2-120/3000-S/S	78588	98	CBD-ST-CS-S/S	A2215	153
ATVKP-73	63862	71	CART-24/600-S/S	78576	47	CART2-120/3000-S/S	78588	100	CBD-ST-FR-B	61111	153
ATVKP-73	63862	92	CART-24/600-S/S	78576	77	CART2-126/3150-S/S	78640	43	CBD-ST-HN-S/S	61100	153
AWT	75904	28	CART-24/600-S/S	78576	79	CART2-126/3150-S/S	78640	48	CBD-ST-L	61050	153
AWT	75904	37	CART-24/600-S/S	78576	84	CART2-48/1200-S/S	78580	42	CBD-ST-L-B	64621	153
AWT-1S	76375	28	CART-24/600-S/S	78576	86	CART2-48/1200-S/S	78580	47	CBD-ST-L-FP	61113	153
AWT-1S	76375	37	CART-24/600-S/S	78576	91	CART2-60/1500-S/S	78584	43	CBD-ST-L-FR-B	A2218	153
AWTA	75907	28	CART-24/600-S/S	78576	93	CART2-60/1500-S/S	78584	48	CBD-ST-L-MF	61106	153
AWTA	75907	37	CART-24/600-S/S	78576	98	CART2-60/1500-S/S	78584	77	CBD-ST-L-MF-S/S	61109	153
AWTB	75905	28	CART-24/600-S/S	78576	99	CART2-60/1500-S/S	78584	79	CBD-ST-L-P	64773	153
AWTB	75905	37	CART-30/750-S/S	78577	77	CART2-60/1500-S/S	78584	84	CBD-ST-L-P-S/S	64624	153
AWTCB	75908	28	CART-30/750-S/S	78577	79	CART2-60/1500-S/S	78584	86	CBD-ST-L-PS	64777	153
AWTCB	75908	37	CART-30/750-S/S	78577	84	CART2-60/1500-S/S	78584	91	CBD-ST-L-PS-S/S	64781	153
AWTHK	75909	28	CART-30/750-S/S	78577	86	CART2-60/1500-S/S	78584	93	CBD-ST-L-S	64785	153
AWTHK	75909	37	CART-30/750-S/S	78577	91	CART2-60/1500-S/S	78584	98	CBD-ST-L-S/S	61080	153
AWTMB	75906	28	CART-30/750-S/S	78577	93	CART2-60/1500-S/S	78584	100	CBD-ST-M	61077	153
AWTMB	75906	37	CART-30/750-S/S	78577	98	CART2-66/1650-S/S	78634	43	CBD-ST-M-FP	61112	153

INDEX By Ordering Number

Ordering Number	Item Code	Page #	Ordering Number	Item Code	Page #	Ordering Number	Item Code	Page #	Ordering Number	Item Code	Page #
CBD-ST-M-MF	61105	153	CCMKHD-S/S	78922	68	CRB-W46	78477	18	DC-1-15-36-35		171
CBD-ST-M-MF-S/S	61108	153	CDWB24	75884	111	CRB-W52	78478	18	DC-1-15-42-35		171
CBD-ST-M-P	64772	153	CDWB30	75885	111	CRB-W58	78479	18	DC-1-15-48-35		171
CBD-ST-M-P-S/S	64623	153	CDWB36	75886	111	CRB-W64	78480	18	DC-1-15-54-35		171
CBD-ST-M-PS-S/S	64780	153	CDWB42	75887	111	CRB-W70	78481	18	DC-1-15-60-35		171
CBD-ST-M-PSS	64776	153	CDWB48	75888	111	CRB16	75629	18	DC-1-15-66-35		171
CBD-ST-M-S	64784	153	CDWB54	75889	111	CRB22	75630	18	DC-1-15-72-35		171
CBD-ST-M-S/S	61079	153	CDWB60	75890	111	CRB28	75631	18	DC-1-15-84-35		171
CBD-ST-MC	B0092	153	CDWB72	75891	111	CRB34	75632	18	DC-1-15-96-35		171
CBD-ST-PB	A2449	153	CDWB84	76942	111	CRB40	75633	18	DRXD-42-520	76912	142
CBD-ST-TB-S/S	A2629	153	CDWB96	79062	111	CRB46	75634	18	DRXD-42-535	76919	142
CBD-ST-XL	61051	153	CEBC-1	30018	172	CRB52	75635	18	DRXD-48-520	76913	142
CBD-ST-XL-B	64482	153	CEBC-2	30019	172	CRB58	75636	18	DRXD-48-535	76920	142
CBD-ST-XL-FP	61114	153	CFG-212	78838	14	CRB64	75775	18	DRXD-54-520	76914	142
CBD-ST-XL-FR-B	A1784	153	CFG-218	78839	14	CRB70	75773	18	DRXD-54-535	76921	142
CBD-ST-XL-MF	61107	153	CFG-224	78840	14	CRDF18	90631	115	DRXD-60-520	76915	142
CBD-ST-XL-MF-S/S	61110	153	CFG-230	78841	14	CRDF24	90632	115	DRXD-60-535	76922	142
CBD-ST-XL-P	64774	153	CFG-236	78842	14	CRDF30	90633	115	DRXD-72-520	76916	142
CBD-ST-XL-P-S/S	64625	153	CFG-242	78843	14	CRDF36	90634	115	DRXD-72-535	76923	142
CBD-ST-XL-PS	64778	153	CFG-248	78844	14	CRDF42	90635	115	DRXD-84-520	76917	142
CBD-ST-XL-PS-S/S	64782	153	CFG-254	78845	14	CRDF48	90636	115	DRXD-84-535	76924	142
CBD-ST-XL-S	63024	153	CFG-260	78846	14	CRDF54	90637	115	DRXD-96-520	76918	142
CBD-ST-XL-S/S	A2138	153	CFG-272	78847	14	CRDF60	90638	115	DRXD-96-535	76925	142
CBD-ST-XXL	63747	153	CLSFG-212	77144	10	CRDLBLK-LH-S/S	A2826	80	DRXH-24-420	76880	141
CBD-ST-XXL-B	64622	153	CLSFG-218	77145	10	CRDLBLK-LH-S/S	A2826	87	DRXH-24-435	76896	141
CBD-ST-XXL-FP	63751	153	CLSFG-224	77146	10	CRDLBLK-LH-S/S	A2826	100	DRXH-24-520	76888	141
CBD-ST-XXL-FR-B	63752	153	CLSFG-230	77147	10	CRDLBLK-RH-S/S	A2825	80	DRXH-24-535	76904	141
CBD-ST-XXL-MF	63749	153	CLSFG-236	77148	10	CRDLBLK-RH-S/S	A2825	87	DRXH-30-420	76881	141
CBD-ST-XXL-MF-S/S	63750	153	CLSFG-242	77149	10	CRDLBLK-RH-S/S	A2825	100	DRXH-30-435	76897	141
CBD-ST-XXL-P	64775	153	CLSFG-248	77150	10	CRHMK	62400	78	DRXH-30-520	76889	141
CBD-ST-XXL-P-S/S	64626	153	CLSFG-254	77151	10	CRHMK	62400	85	DRXH-30-535	76905	141
CBD-ST-XXL-PS	64779	153	CLSFG-260	77152	10	CRHMK	62400	98	DRXH-36-520	76882	141
CBD-ST-XXL-PS-S/S	64783	153	CPB	76692	115	CRHMK-S/S	62095	80	DRXH-36-435	76898	141
CBD-ST-XXL-S	63791	153	CRB-HT10	76593	18	CRHMK-S/S	62095	87	DRXH-36-520	76890	141
CBD-ST-XXL-S/S	63748	153	CRB-HT16	76594	18	CRHMK-S/S	62095	100	DRXH-36-535	76906	141
CBD-XL	76445	152	CRB-HT22	76595	18	CST1HDM-B	78515	92	DRXH-42-420	76883	141
CBD-XL-S/S	76318	152	CRB-HT28	76596	18	CST1HDM-B-S/S	78392	94	DRXH-42-435	76899	141
CBD-XXL	64787	152	CRB-HT34	76597	18	CST1HDM-G	78516	92	DRXH-42-520	76891	141
CBD-XXL-S/S	63554	152	CRB-HT40	76598	18	CST1HDM-G-S/S	78393	94	DRXH-42-535	76907	141
CBR-L	72485	152	CRB-HT46	76599	18	CST1HDM-S	78514	92	DRXH-48-420	76884	141
CBR-M	72484	152	CRB-HT52	76600	18	CST1HDM-S-S/S	78391	94	DRXH-48-435	76900	141
CBR-S	72483	152	CRB-HT58	76601	18	CST1HDM-W	78513	92	DRXH-48-520	76892	141
CBR-XL	72486	152	CRB-HT64	76602	18	CST1HDM-W-S/S	78390	94	DRXH-48-535	76908	141
CCKHDL	79225	59	CRB-HT70	76603	18	CSTAK	77031	92	DRXH-54-420	76885	141
CCKHDL	79225	61	CRB-LS10	77088	13	CSTAK	77031	94	DRXH-54-435	76901	141
CCKHDL	79225	68	CRB-LS10W	77097	13	CSTBK	77037	92	DRXH-54-520	76893	141
CCKHDL-S/S	79227	59	CRB-LS16	77089	13	CSTBK	77037	94	DRXH-54-535	76909	141
CCKHDL-S/S	79227	61	CRB-LS16HT	77552	13	CSTHDMK	77871	92	DRXH-60-420	76886	141
CCKHDL-S/S	79227	68	CRB-LS16W	77098	13	CSTHDMK-S/S	78384	94	DRXH-60-435	76902	141
CCKHDR	79229	59	CRB-LS22	77090	13	CSTHDPM	77869	92	DRXH-60-520	76894	141
CCKHDR	79229	61	CRB-LS22HT	77553	13	CSTHDPM-S/S	78389	94	DRXH-60-535	76910	141
CCKHDR	79229	68	CRB-LS22W	77099	13	CT6	74535	59	DRXH-72-420	76887	141
CCKHDR-S/S	79231	59	CRB-LS28	77091	13	CT6	74535	61	DRXH-72-435	76903	141
CCKHDR-S/S	79231	61	CRB-LS28HT	77554	13	CT6	74535	62	DRXH-72-520	76895	141
CCKHDR-S/S	79231	68	CRB-LS28W	77100	13	CT6	74535	64	DRXH-72-535	76911	141
CCKHDS	79233	59	CRB-LS34	77092	13	CT6	74535	66	DRXL-24-420	76816	139
CCKHDS	79233	61	CRB-LS34HT	77555	13	CT6	74535	68	DRXL-24-435	76832	139
CCKHDS	79233	68	CRB-LS34W	77101	13	CT6	74535	70	DRXL-24-520	76824	139
CCKHDS-S/S	73235	59	CRB-LS40	77093	13	CT6	74535	78	DRXL-24-535	76840	139
CCKHDS-S/S	73235	61	CRB-LS40HT	77556	13	CT6	74535	80	DRXL-30-420	76817	139
CCKHDS-S/S	73235	68	CRB-LS40W	77102	13	CT6	74535	85	DRXL-30-435	76833	139
CCKL	79224	59	CRB-LS46	77094	13	CT6	74535	87	DRXL-30-520	76825	139
CCKL	79224	61	CRB-LS46HT	77557	13	CT6	74535	91	DRXL-30-535	76841	139
CCKL-S/S	79226	59	CRB-LS46W	77103	13	CT6	74535	94	DRXL-36-420	76818	139
CCKL-S/S	79226	61	CRB-LS52	77095	13	CT6(C-Tip)	74535	75	DRXL-36-435	76834	139
CCKR	79228	59	CRB-LS52HT	77558	13	CT6(C-Tip)	74535	82	DRXL-36-520	76826	139
CCKR	79228	61	CRB-LS52W	77104	13	CT6(C-Tip)	74535	89	DRXL-36-535	76842	139
CCKR-S/S	79230	59	CRB-LS58	77096	13	CTS-B	77744	92	DRXL-42-420	76819	139
CCKR-S/S	79230	61	CRB-LS58HT	77559	13	CTS-B-S/S	78387	12	DRXL-42-435	76835	139
CCKTS	79232	59	CRB-LS58W	77105	13	CTS-B-S/S	78387	94	DRXL-42-520	76827	139
CCKTS	79232	61	CRB-UHT-1000	91258	18	CTS-G	77745	92	DRXL-42-535	76843	139
CCKTS-S/S	79234	59	CRB-UHT-1150	91259	18	CTS-G-S/S	78388	94	DRXL-48-420	76820	139
CCKTS-S/S	79234	61	CRB-UHT-1300	91260	18	CTS-S	77743	55	DRXL-48-435	76836	139
CCMK	78919	55	CRB-UHT-1450	91261	18	CTS-S	77743	92	DRXL-48-520	76828	139
CCMK	78919	59	CRB-UHT-1750	91263	18	CTS-S-S/S	78386	94	DRXL-48-535	76844	139
CCMK	78919	61	CRB-UHT-400	91254	18	CTS-W	77742	92	DRXL-54-420	76821	139
CCMK-S/S	78921	59	CRB-UHT-550	91255	18	CTS-W-S/S	78385	94	DRXL-54-435	76837	139
CCMK-S/S	78921	61	CRB-UHT-700	91256	18	DBK-L	76448	152	DRXL-54-520	76829	139
CCMKHD	78920	56	CRB-UHT-850	91257	18	DBK-M	76447	152	DRXL-54-535	76845	139
CCMKHD	78920	59	CRB-W16	78472	18	DBK-S	76446	152	DRXL-60-420	76822	139
CCMKHD	78920	61	CRB-W22	78473	18	DBK-XL	76449	152	DRXL-60-435	76838	139
CCMKHD	78920	68	CRB-W28	78474	18	DBK-XXL	62595	152	DRXL-60-520	76830	139
CCMKHD-S/S	78922	59	CRB-W34	78475	18	DC-1-15-24-35		171	DRXL-60-535	76846	139
CCMKHD-S/S	78922	61	CRB-W40	78476	18	DC-1-15-30-35		171	DRXL-72-420	76823	139

INDEX By Ordering Number

Ordering Number	Item Code	Page #	Ordering Number	Item Code	Page #	Ordering Number	Item Code	Page #	Ordering Number	Item Code	Page #
DRXL-72-435	76839	139	EZBMK-1050	82284	136	EZP-LS236HT-S/S	62849	10	EZP1T-230	78491	19
DRXL-72-520	76831	139	EZBMK-1200	82285	133	EZP-LS242	77132	10	EZP1T-236	78492	19
DRXL-72-535	76847	139	EZBMK-1200	82285	136	EZP-LS242-S/S	62841	10	EZP1T-242	78493	19
DRXM-24-420	76848	140	EZBMK-1350	82286	133	EZP-LS242HT	77751	10	EZP1T-248	78494	19
DRXM-24-435	76864	140	EZBMK-1350	82286	136	EZP-LS242HT-S/S	62850	10	EZP1T-254	78495	19
DRXM-24-520	76856	140	EZBMK-1500	82287	133	EZP-LS248	77133	10	EZP1T-260	78496	19
DRXM-24-535	76872	140	EZBMK-1500	82287	136	EZP-LS248-S/S	62842	10	EZP1T-272	78497	19
DRXM-30-420	76849	140	EZBMK-1800	82288	133	EZP-LS248HT	77752	10	EZPTBT	77384	20
DRXM-30-435	76865	140	EZBMK-1800	82288	136	EZP-LS248HT-S/S	62851	10	EZPTBTHD	77385	20
DRXM-30-520	76857	140	EZBMK-600	82281	133	EZP-LS254	77134	10	EZPTCK	78508	20
DRXM-30-535	76873	140	EZBMK-600	82281	136	EZP-LS254-S/S	62843	10	EZPTCKHD	78509	20
DRXM-36-420	76850	140	EZBMK-750	82282	133	EZP-LS254HT	77753	10	EZPTMPK	78507	20
DRXM-36-435	76866	140	EZBMK-750	82282	136	EZP-LS254HT-S/S	62852	10	EZPTSK	78511	20
DRXM-36-520	76858	140	EZBMK-900	82283	136	EZP-LS260	77135	10	EZPTSKHD	78512	20
DRXM-36-535	76874	140	EZBMK-9000	82283	133	EZP-LS260-S/S	62844	10	EZPTSR	78510	20
DRXM-42-420	76851	140	EZBS-1200	82361	133	EZP-LS260HT	77754	10	EZRKL-1050	68371	133
DRXM-42-435	76867	140	EZBS-1500	82362	133	EZP-LS260HT-S/S	62853	10	EZRKL-1050	68371	136
DRXM-42-520	76859	140	EZCSK-1050	82356	129	EZP1-218	75611	14	EZRKL-1200	68372	133
DRXM-42-535	76875	140	EZCSK-1050	82356	131	EZP1-218-S/S	61081	14	EZRKL-1200	68372	136
DRXM-48-420	76852	140	EZCSK-1200	82357	129	EZP1-224	75612	14	EZRKL-1350	68373	133
DRXM-48-435	76868	140	EZCSK-1200	82357	131	EZP1-224-S/S	61082	14	EZRKL-1350	68373	136
DRXM-48-520	76860	140	EZCSK-1350	82358	129	EZP1-230	75613	14	EZRKL-1500	68374	133
DRXM-48-535	76876	140	EZCSK-1350	82358	131	EZP1-230-S/S	61017	14	EZRKL-1500	68374	136
DRXM-54-420	76853	140	EZCSK-1500	82359	129	EZP1-236	75614	14	EZRKL-1800	68375	133
DRXM-54-435	76869	140	EZCSK-1500	82359	131	EZP1-236-S/S	61083	14	EZRKL-1800	68375	136
DRXM-54-520	76861	140	EZCSK-1800	82360	129	EZP1-242	75615	14	EZRKL-600	68368	133
DRXM-54-535	76877	140	EZCSK-1800	82360	131	EZP1-242-S/S	61016	14	EZRKL-600	68368	136
DRXM-60-420	76854	140	EZCSK-600	82353	129	EZP1-248	75616	14	EZRKL-750	68369	133
DRXM-60-435	76870	140	EZCSK-600	82353	131	EZP1-248-S/S	61084	14	EZRKL-750	68369	136
DRXM-60-520	76862	140	EZCSK-750	82354	129	EZP1-254	75617	14	EZRKL-900	68370	133
DRXM-60-535	76878	140	EZCSK-750	82354	131	EZP1-254-S/S	61085	14	EZRKL-900	68370	136
DRXM-72-420	76855	140	EZCSK-900	82355	129	EZP1-260	75618	14	EZRMKM	82344	129
DRXM-72-435	76871	140	EZCSK-900	82355	131	EZP1-260-S/S	61086	14	EZRMKM	82344	131
DRXM-72-520	76863	140	EZIB1050-1200L-LP	68174	132	EZP1-272	75771	14	EZSB1050-1200C	82188	128
DRXM-72-535	76879	140	EZIB1050-1200M-LP	68190	135	EZP1-272-S/S	61087	14	EZSB1050-1200I	82204	130
DWP72	75883	110	EZIB1050-1500L-LP	68182	132	EZP1-UHT2-1050-S/S	66960	14	EZSB1050-1500C	82196	128
DWP72-S/S	67409	110	EZIB1050-1500M-LP	68198	135	EZP1-UHT2-1200-S/S	66961	14	EZSB1050-1500I	82212	130
DWP84	76815	110	EZIB1200-1200L-LP	68175	132	EZP1-UHT2-1350-S/S	66962	14	EZSB1200-1200C	82189	128
DWP84-S/S	67486	110	EZIB1350-1200L-LP	68176	132	EZP1-UHT2-1500-S/S	66963	14	EZSB1200-1200I	82205	130
DWP96	79060	110	EZIB1350-1200M-LP	68192	135	EZP1-UHT2-1800-S/S	66964	14	EZSB1200-1500C	82197	128
DWP96-S/S	67487	110	EZIB1350-1500L-LP	68184	132	EZP1-UHT2-450-S/S	66956	14	EZSB1200-1500I	82213	130
EBC-1	30001	172	EZIB1350-1500M-LP	68200	135	EZP1-UHT2-600-S/S	66957	14	EZSB1350-1200C	82190	128
EBC-1-B	30003	172	EZIB1500-1200L-LP	68177	132	EZP1-UHT2-750-S/S	66958	14	EZSB1350-1200I	82206	130
EBC-2	30002	172	EZIB1500-1200M-LP	68191	135	EZP1-UHT2-900-S/S	66959	14	EZSB1350-1500C	82198	128
EBC-2-B	30004	172	EZIB1500-1200M-LP	68193	135	EZP1BP	75642	16	EZSB1350-1500I	82214	130
EBC1-RK	30033	172	EZIB1500-1500L-LP	68183	132	EZP1BP	75642	16	EZSB1500-1200C	82191	128
EBC2-RK	30034	172	EZIB1500-1500M-LP	68185	132	EZP1MPK	75637	20	EZSB1500-1200I	82207	130
ESBK-ATEX	90264	17	EZIB1500-1500M-LP	68199	135	EZP1MPK-S/S	78923	17	EZSB1500-1500C	82199	128
ESBK-B	76411	16	EZIB1500-1500M-LP	68201	135	EZP1P12	75619	16	EZSB1500-1500I	82215	130
ESBK-B	76411	17	EZIB1800-1200L-LP	68178	132	EZP1P12	75619	20	EZSB1800-1200C	82192	128
ESBK-BEST	76411	17	EZIB1800-1200M-LP	68194	135	EZP1P12-S/S	78812	17	EZSB1800-1200I	82208	130
ESBK-PS	76410	16	EZIB1800-1500L-LP	68186	132	EZP1P18	75620	16	EZSB1800-1500C	82200	128
ESBK-PS	76410	17	EZIB1800-1500M-LP	68202	135	EZP1P18	75620	20	EZSB1800-1500I	82216	130
ESPBK	76408	16	EZIB600-1200L-LP	68171	132	EZP1P18-S/S	61182	17	EZSB600-1200C	82185	128
ESPRK	76409	16	EZIB600-1200M-LP	68187	135	EZP1P24	75621	16	EZSB600-1200I	82201	130
ESPSBK	76407	16	EZIB600-1500L-LP	68179	132	EZP1P24	75621	20	EZSB600-1500C	82193	128
ESS-B	76413	16	EZIB600-1500M-LP	68195	135	EZP1P24-S/S	A2988	17	EZSB600-1500I	82209	130
ESS-S	76412	16	EZIB750-1200L-LP	68172	132	EZP1P30	75622	16	EZSB750-1200C	82186	128
ESS-S	76412	105	EZIB750-1200M-LP	68188	135	EZP1P30	75622	20	EZSB750-1200I	82202	130
ESS-S-S/S	79288	106	EZIB750-1500L-LP	68180	132	EZP1P30-S/S	A3041	17	EZSB750-1500C	82194	128
EST-B	76405	16	EZIB750-1500M-LP	68196	135	EZP1P36	75623	16	EZSB750-1500I	82210	130
EST-G-S/S	78810	17	EZIB900-1200L-LP	68173	132	EZP1P36	75623	20	EZSB900-1200C	82187	128
EST-G-S/S-UHT	66995	17	EZIB900-1200M-LP	68189	135	EZP1P36-S/S	A3119	17	EZSB900-1200I	82203	130
EST-P	76403	16	EZIB900-1500L-LP	68181	132	EZP1P42	75624	16	EZSB900-1500C	82195	128
EST-P-S/S	78808	17	EZIB900-1500M-LP	68197	135	EZP1P42	75624	20	EZSB900-1500I	82211	130
EST-P-S/S-UHT	66993	17	EZP-LS212	77127	10	EZP1P42-S/S	61183	17	EZWPK-1050	82348	129
EST-S	76404	16	EZP-LS212-S/S	62836	10	EZP1P48	75625	16	EZWPK-1050	82348	131
EST-W-S/S	78809	17	EZP-LS212HT	77746	10	EZP1P48	75625	20	EZWPK-1050	82348	133
EST-W-S/S-UHT	66994	17	EZP-LS212HT-S/S	62845	10	EZP1P48-S/S	61491	17	EZWPK-1050	82348	136
ESTAK	76406	16	EZP-LS218	77128	10	EZP1P54	75626	16	EZWPK-1200	82349	129
ESTAK	76406	105	EZP-LS218-S/S	62837	10	EZP1P54	75626	20	EZWPK-1200	82349	131
ESTAK-EST	76406	36	EZP-LS218HT	77747	10	EZP1P54-S/S	61184	17	EZWPK-1200	82349	133
ESTAK-EST-S/S	78849	17	EZP-LS218HT-S/S	62846	10	EZP1P60	75627	16	EZWPK-1200	82349	136
ESTAK-EST-S/S	78849	36	EZP-LS224	77129	10	EZP1P60	75627	20	EZWPK-1350	82350	129
ESTAK-SS	78849	106	EZP-LS224-S/S	62838	10	EZP1P60-S/S	61185	17	EZWPK-1350	82350	133
EZAI-1050	82413	128	EZP-LS224HT	77748	10	EZP1P72	75772	16	EZWPK-1350	82350	136
EZAI-1200	82414	128	EZP-LS224HT-S/S	62847	10	EZP1P72	75772	20	EZWPK-1350	82350	131
EZAI-1350	82415	128	EZP-LS230	77130	10	EZP1P72-S/S	61186	17	EZWPK-1500	82351	129
EZAI-1500	82416	128	EZP-LS230-S/S	62839	10	EZP1PL	75641	16	EZWPK-1500	82351	131
EZAI-1800	82417	128	EZP-LS230HT	77749	10	EZP1PL	75641	20	EZWPK-1500	82351	133
EZAI-600	82410	128	EZP-LS230HT-S/S	62848	10	EZP1PL-S/S	78848	17	EZWPK-1500	82351	136
EZAI-750	82411	128	EZP-LS236	77131	10	EZP1T-212	78488	19	EZWPK-1800	82352	129
EZAI-900	82412	128	EZP-LS236-S/S	62840	10	EZP1T-218	78489	19	EZWPK-1800	82352	131
EZBMK-1050	82284	133	EZP-LS236HT	77750	10	EZP1T-224	78490	19	EZWPK-1800	82352	133

INDEX By Ordering Number

Ordering Number	Item Code	Page #	Ordering Number	Item Code	Page #	Ordering Number	Item Code	Page #	Ordering Number	Item Code	Page #
EZWPK-1800	82352	136	FBP900-1050-PP	61890	149	H-CARK-1200-CS	62545	39	H-CARK2-1800-CM	62610	39
EZWPK-600	82345	129	FBP900-1050-PP-S/S	61898	149	H-CARK-1200-CS-EL15	63640	44	H-CARK2-1800-CM-EL15	63578	44
EZWPK-600	82345	131	FBP900-1050-SP	61906	149	H-CARK-1400-CL	62550	39	H-CARK2-1800-CM-S/S	62716	40
EZWPK-600	82345	133	FBP900-1050-SP-S/S	61914	149	H-CARK-1400-CL-EL15	63645	44	H-CARK2-1800-CM-S/S-EL15	63610	45
EZWPK-600	82345	136	FBP900-B	61780	148	H-CARK-1400-CM	62549	39	H-CARK2-2000-CL	62614	39
EZWPK-750	82346	129	FBP900-TP	61750	148	H-CARK-1400-CM-EL15	63644	44	H-CARK2-2000-CL-EL15	63582	44
EZWPK-750	82346	131	FBP900-TPS/S	61765	148	H-CARK-1400-CS	62548	39	H-CARK2-2000-CL-S/S	62720	40
EZWPK-750	82346	133	FL-PKIT-ML	77250	172	H-CARK-1400-CS-EL15	63643	44	H-CARK2-2000-CL-S/S-EL15	63614	45
EZWPK-750	82346	136	FL-PKIT-XL	77251	172	H-CARK-1600-CL	62553	39	H-CARK2-2000-CLL	62615	39
EZWPK-900	82347	129	FLCK	77729	172	H-CARK-1600-CL-EL15	63648	44	H-CARK2-2000-CLL-EL15	63583	44
EZWPK-900	82347	131	FLCP	76479	172	H-CARK-1600-CM	62552	39	H-CARK2-2000-CLL-S/S	62721	40
EZWPK-900	82347	133	FLEL-L	76473	172	H-CARK-1600-CM-EL15	63647	44	H-CARK2-2000-CLL-S/S-EL15	63615	45
EZWPK-900	82347	136	FLEL-M	76472	172	H-CARK-1600-CS	62551	39	H-CARK2-2000-CM	62613	39
FBP-FP	61888	149	FLELK-XL	76986	172	H-CARK-1600-CS-EL15	63646	44	H-CARK2-2000-CM-EL15	63581	44
FBP-FP-S/S	61889	149	FLELP	76474	172	H-CARK-1800-CL	62556	39	H-CARK2-2000-CM-S/S	62719	40
FBP-LM	61882	149	FLL	76980	172	H-CARK-1800-CL-EL15	63651	44	H-CARK2-2000-CM-S/S-EL15	63613	45
FBP-LM-S/S	61883	149	FLM	76979	172	H-CARK-1800-CM	62555	39	H-CARK2-2200-CL	62617	39
FBP-NP	61875	149	FLRLB-L	76481	172	H-CARK-1800-CM-EL15	63650	44	H-CARK2-2200-CL-EL15	63585	44
FBP-NP-S/S	61876	149	FLRLB-M	76482	172	H-CARK-1800-CS	62554	39	H-CARK2-2200-CL-S/S	62723	40
FBP1050-B	61781	148	FLRP	76478	172	H-CARK-1800-CS-EL15	63649	44	H-CARK2-2200-CL-S/S-EL15	63617	45
FBP1050-TP	61751	148	FLSC-CP	71057	166	H-CARK-600-CL	62538	39	H-CARK2-2200-CLL	62618	39
FBP1050-TPS/S	61766	148	FLSC-CP-S/S	A1438	166	H-CARK-600-CL-EL15	63633	44	H-CARK2-2200-CLL-EL15	63586	44
FBP1200-1400-MF	61796	149	FLSC-TP	71056	166	H-CARK-600-CM	62537	39	H-CARK2-2200-CLL-S/S	62724	40
FBP1200-1400-MF-S/S	61804	149	FLSC-TP-S/S	A1437	166	H-CARK-600-CM-EL15	63632	44	H-CARK2-2200-CLL-S/S-EL15	63618	45
FBP1200-1400-PP	61891	149	FLSC2000	71053	166	H-CARK-600-CS	62536	39	H-CARK2-2200-CM	62616	39
FBP1200-1400-PP-S/S	61899	149	FLSC2000-CB	71061	166	H-CARK-600-CS-EL15	63631	44	H-CARK2-2200-CM-EL15	63584	44
FBP1200-1400-SP	61907	149	FLSC2000-CB-S/S	A1439	166	H-CARK-800-CL	62541	39	H-CARK2-2200-CM-S/S	62722	40
FBP1200-1400-SP-S/S	61915	149	FLSC2000-MC	71059	166	H-CARK-800-CL-EL15	63636	44	H-CARK2-2200-CM-S/S-EL15	63616	45
FBP1200-B	61782	148	FLSC2000-MC-S/S	A1440	166	H-CARK-800-CM	62540	39	H-CARK2-2400-CL	62620	39
FBP1200-TP	61752	148	FLSC2000-S/S	A1436	166	H-CARK-800-CM-EL15	63635	44	H-CARK2-2400-CL-EL15	63588	44
FBP1200-TPS/S	61767	148	FLSCM-CP	71140	166	H-CARK-800-CS	62539	39	H-CARK2-2400-CL-S/S	62726	40
FBP1400-B	61783	148	FLSCM-CP-S/S	A2596	166	H-CARK-800-CS-EL15	63634	44	H-CARK2-2400-CL-S/S-EL15	63620	45
FBP1400-TP	61753	148	FLSCM2000	71148	166	H-CARK2-1200-CL	62601	39	H-CARK2-2400-CLL	62621	39
FBP1400-TPS/S	61768	148	FLSCM2000-S/S	61471	166	H-CARK2-1200-CL-EL15	63569	44	H-CARK2-2400-CLL-EL15	63589	44
FBP1500-1600-MF	61797	149	FLTW-L	76477	172	H-CARK2-1200-CL-S/S	62707	40	H-CARK2-2400-CLL-S/S	62727	40
FBP1500-1600-MF-S/S	61805	149	FLTW-M	76476	172	H-CARK2-1200-CL-S/S-EL15	63601	45	H-CARK2-2400-CLL-S/S-EL15	63621	45
FBP1500-1600-PP	61892	149	FLTW-XL	76985	172	H-CARK2-1200-CLL	62602	39	H-CARK2-2400-CM	62619	39
FBP1500-1600-PP-S/S	61900	149	FLVRL-XL	76984	172	H-CARK2-1200-CLL-EL15	63570	44	H-CARK2-2400-CM-EL15	63587	44
FBP1500-1600-SP	61908	149	FLXL	76983	172	H-CARK2-1200-CLL-S/S	62708	40	H-CARK2-2400-CM-S/S	62725	40
FBP1500-1600-SP-S/S	61916	149	FMS-1050-EL15	65663	62	H-CARK2-1200-CLL-S/S-EL15	63602	45	H-CARK2-2400-CM-S/S-EL15	63619	45
FBP1500-B	61784	148	FMS-1050-EL15-S/S	65673	62	H-CARK2-1200-CM	62600	39	H-CARK2-2600-CL	62623	39
FBP1500-TP	61754	148	FMS-1050V	79650	62	H-CARK2-1200-CM-EL15	63568	44	H-CARK2-2600-CL-EL15	63591	44
FBP1500-TPS/S	61769	148	FMS-1050V-S/S	66109	62	H-CARK2-1200-CM-S/S	62706	40	H-CARK2-2600-CL-S/S	62729	40
FBP1600-B	61785	148	FMS-1200-EL15	65664	62	H-CARK2-1200-CM-S/S-EL15	63600	45	H-CARK2-2600-CL-S/S-EL15	63623	45
FBP1600-TP	61755	148	FMS-1200-EL15-S/S	65674	62	H-CARK2-1200-CS	62599	39	H-CARK2-2600-CLL	62624	39
FBP1600-TPS/S	61770	148	FMS-1200V	79651	62	H-CARK2-1200-CS-EL15	63567	44	H-CARK2-2600-CLL-EL15	63592	44
FBP1800-2000-MF	61798	149	FMS-1200V-S/S	66110	62	H-CARK2-1200-CS-S/S	62705	40	H-CARK2-2600-CLL-S/S	62730	40
FBP1800-2000-MF-S/S	61806	149	FMS-1350-EL15	65665	62	H-CARK2-1200-CS-S/S-EL15	63599	45	H-CARK2-2600-CLL-S/S-EL15	63624	45
FBP1800-2000-PP	61893	149	FMS-1350-EL15-S/S	65675	62	H-CARK2-1400-CL	62603	39	H-CARK2-2600-CM	62622	39
FBP1800-2000-PP-S/S	61901	149	FMS-1350V	79652	62	H-CARK2-1400-CL-EL15	63573	44	H-CARK2-2600-CM-EL15	63590	44
FBP1800-2000-SP	61909	149	FMS-1350V-S/S	66111	62	H-CARK2-1400-CL-S/S	62711	40	H-CARK2-2600-CM-S/S	62728	40
FBP1800-2000-SP-S/S	61917	149	FMS-1500-EL15	65666	62	H-CARK2-1400-CL-S/S-EL15	63605	45	H-CARK2-2600-CM-S/S-EL15	63622	45
FBP1800-B	61786	148	FMS-1500-EL15-S/S	65676	62	H-CARK2-1400-CLL	62606	39	H-CARK2-2600-CL	62626	39
FBP1800-TP	61756	148	FMS-1500V	79653	62	H-CARK2-1400-CLL-EL15	63574	44	H-CARK2-2800-CL-EL15	63594	44
FBP1800-TPS/S	61771	148	FMS-1500V-S/S	66112	62	H-CARK2-1400-CLL-S/S	62712	40	H-CARK2-2800-CL-S/S	62732	40
FBP2000-B	61787	148	FMS-1800-EL15	65667	62	H-CARK2-1400-CLL-S/S-EL15	63606	45	H-CARK2-2800-CL-S/S-EL15	63626	45
FBP2000-TP	61757	148	FMS-1800-EL15-S/S	65677	62	H-CARK2-1400-CM	62604	39	H-CARK2-2800-CLL	62627	39
FBP2000-TPS/S	61772	148	FMS-1800V	79654	62	H-CARK2-1400-CM-EL15	63572	44	H-CARK2-2800-CLL-EL15	63595	44
FBP2200-2400-MF	61799	149	FMS-1800V-S/S	66113	62	H-CARK2-1400-CM-S/S	62710	40	H-CARK2-2800-CLL-S/S	62733	40
FBP2200-2400-MF-S/S	61807	149	FMS-600-EL15	65660	62	H-CARK2-1400-CM-S/S-EL15	63604	45	H-CARK2-2800-CLL-S/S-EL15	63627	45
FBP2200-2400-PP	61894	149	FMS-600-EL15-S/S	65670	62	H-CARK2-1400-CS	62603	39	H-CARK2-2800-CM	62625	39
FBP2200-2400-PP-S/S	61902	149	FMS-600V	79647	62	H-CARK2-1400-CS-EL15	63571	44	H-CARK2-2800-CM-EL15	63593	44
FBP2200-2400-SP	61910	149	FMS-600V-S/S	66106	62	H-CARK2-1400-CS-S/S	62709	40	H-CARK2-2800-CM-S/S	62731	40
FBP2200-2400-SP-S/S	61918	149	FMS-750-EL15	65661	62	H-CARK2-1400-CS-S/S-EL15	63603	45	H-CARK2-2800-CM-S/S-EL15	63625	45
FBP2200-B	61788	148	FMS-750-EL15-S/S	65671	62	H-CARK2-1600-CL	62608	39	H-CARK2-3000-CL	62629	39
FBP2200-TP	61758	148	FMS-750V	79648	62	H-CARK2-1600-CL-EL15	63576	44	H-CARK2-3000-CL-EL15	63597	44
FBP2200-TPS/S	61773	148	FMS-750V-S/S	66107	62	H-CARK2-1600-CL-S/S	62714	40	H-CARK2-3000-CL-S/S	62735	40
FBP2400-B	61789	148	FMS-900-EL15	65662	62	H-CARK2-1600-CL-S/S-EL15	63608	45	H-CARK2-3000-CL-S/S-EL15	63629	45
FBP2400-TP	61759	148	FMS-900-EL15-S/S	65672	62	H-CARK2-1600-CLL	62609	39	H-CARK2-3000-CLL	62630	39
FBP2400-TPS/S	61774	148	FMS-900V	79649	62	H-CARK2-1600-CLL-EL15	63577	44	H-CARK2-3000-CLL-EL15	63598	44
FBP2500-2600-MF	61800	149	FMS-900V-S/S	66108	62	H-CARK2-1600-CLL-S/S	62715	40	H-CARK2-3000-CLL-S/S	62736	40
FBP2500-2600-MF-S/S	61808	149	FMSC2	91444	64	H-CARK2-1600-CLL-S/S-EL15	63609	45	H-CARK2-3000-CLL-S/S-EL15	63630	45
FBP2500-2600-PP	61895	149	FMSC2	91444	64	H-CARK2-1600-CM	62607	39	H-CARK2-3000-CM	62628	39
FBP2500-2600-PP-S/S	61903	149	FRPU150	61742	59	H-CARK2-1600-CM-EL15	63575	44	H-CARK2-3000-CM-EL15	63596	44
FBP2500-2600-SP	61911	149	H-CARK-1000-CL	62544	39	H-CARK2-1600-CM-S/S	62713	40	H-CARK2-3000-CM-S/S	62734	40
FBP2500-2600-SP-S/S	61919	149	H-CARK-1000-CL-EL15	63639	44	H-CARK2-1600-CM-S/S-EL15	63607	45	H-CARK2-3000-CM-S/S-EL15	63628	45
FBP2500-B	61790	148	H-CARK-1000-CM	62543	39	H-CARK2-1800-CL	62611	39	H-SAC-AP-1000	62454	42
FBP2500-TP	61760	148	H-CARK-1000-CM-EL15	63638	44	H-CARK2-1800-CL-EL15	63579	44	H-SAC-AP-1000	62454	43
FBP2500-TPS/S	61775	148	H-CARK-1000-CS	62542	39	H-CARK2-1800-CL-S/S	62717	40	H-SAC-AP-1000	62454	43
FBP2600-B	61791	148	H-CARK-1000-CS-EL15	63637	44	H-CARK2-1800-CL-S/S-EL15	63611	45	H-SAC-AP-1000	62454	43
FBP2600-TP	61761	148	H-CARK-1200-CL	62547	39	H-CARK2-1800-CLL	62612	39	H-SAC-AP-1000	62454	

INDEX By Ordering Number

Ordering Number	Item Code	Page #	Ordering Number	Item Code	Page #	Ordering Number	Item Code	Page #	Ordering Number	Item Code	Page #
H-SAC-AP-1000	62454	48	H60CSK-G	62741	36	HBP1400-MF-TP	A2308	147	HBRK-S/S-60	75422	36
H-SAC-AP-1000	62454	48	H60CSK-G-S/S	62742	36	HBP1400-MF-TP-S/S	A2507	147	HBRK-S/S-73	76246	36
H-SAC-AP-1200	62455	42	H73BTK	63079	42	HBP1400-PL-TP	A2297	147	HBRKX	74549	38
H-SAC-AP-1200	62455	43	H73BTK	63079	43	HBP1400-PL-TP	A2297	149	HBRKX-S/S	76246	38
H-SAC-AP-1200	62455	43	H73BTK	63079	47	HBP1400-PL-TP-S/S	A2495	147	HCARK-1000-CL-S/S	62660	40
H-SAC-AP-1200	62455	43	H73BTK	63079	48	HBP1400-PL-TP-S/S	A2495	149	HCARK-1000-CL-S/S-EL15	63660	45
H-SAC-AP-1200	62455	43	H73BTK-S/S	63080	42	HBP1400-TP	A2286	146	HCARK-1000-CM-S/S	62659	40
H-SAC-AP-1200	62455	47	H73BTK-S/S	63080	43	HBP1400-TP	73303	145	HCARK-1000-CM-S/S-EL15	63659	45
H-SAC-AP-1200	62455	48	H73BTK-S/S	63080	47	HBP1500-B-TP	A2320	147	HCARK-1000-CS-S/S	62658	40
H-SAC-AP-1200	62455	48	H73BTK-S/S	63080	48	HBP1500-MF-TP	A2309	147	HCARK-1000-CS-S/S-EL15	63658	45
H-SAC-AP-1200	62455	48	H73CSK-B	62749	36	HBP1500-MF-TP-S/S	A2508	147	HCARK-1200-CL-S/S	62663	40
H-SAC-AP-1200	62455	48	H73CSK-B	62749	38	HBP1500-PL-TP	A2298	147	HCARK-1200-CL-S/S-EL15	63663	45
H-SAC-AP-1400	62456	42	H73CSK-B	62749	42	HBP1500-PL-TP	A2298	149	HCARK-1200-CM-S/S	62662	40
H-SAC-AP-1400	62456	43	H73CSK-B	62749	43	HBP1500-PL-TP-S/S	A2496	147	HCARK-1200-CM-S/S-EL15	63662	45
H-SAC-AP-1400	62456	43	H73CSK-B	62749	47	HBP1500-PL-TP-S/S	A2496	149	HCARK-1200-CS-S/S	62661	40
H-SAC-AP-1400	62456	43	H73CSK-B	62749	48	HBP1500-TP	A2287	146	HCARK-1200-CS-S/S-EL15	63661	45
H-SAC-AP-1400	62456	43	H73CSK-B-S/S	62750	36	HBP1500-TP	73304	145	HCARK-1400-CL-S/S	62666	40
H-SAC-AP-1400	62456	47	H73CSK-B-S/S	62750	38	HBP1600-B-TP	A2321	147	HCARK-1400-CL-S/S-EL15	63666	45
H-SAC-AP-1400	62456	48	H73CSK-B-S/S	62750	42	HBP1600-MF-TP	A2310	147	HCARK-1400-CM-S/S	62665	40
H-SAC-AP-1400	62456	48	H73CSK-B-S/S	62750	43	HBP1600-MF-TP-S/S	A2509	147	HCARK-1400-CM-S/S-EL15	63665	45
H-SAC-AP-1400	62456	48	H73CSK-B-S/S	62750	47	HBP1600-PL-TP	A2299	147	HCARK-1400-CS-S/S	62664	40
H-SAC-AP-1400	62456	48	H73CSK-B-S/S	62750	48	HBP1600-PL-TP	A2299	149	HCARK-1400-CS-S/S-EL15	63664	45
H-SAC-AP-1600	62457	42	H73CSK-G	62743	36	HBP1600-PL-TP-S/S	A2497	147	HCARK-1600-CL-S/S	62669	40
H-SAC-AP-1600	62457	43	H73CSK-G	62743	38	HBP1600-PL-TP-S/S	A2497	149	HCARK-1600-CL-S/S-EL15	63669	45
H-SAC-AP-1600	62457	47	H73CSK-G	62743	42	HBP1600-TP	A2288	146	HCARK-1600-CM-S/S	62668	40
H-SAC-AP-1600	62457	48	H73CSK-G	62743	43	HBP1600-TP	73306	145	HCARK-1600-CM-S/S-EL15	63668	45
H-SAC-AP-1800	62458	42	H73CSK-G	62743	47	HBP1800-B	73306	145	HCARK-1600-CS-S/S	62667	40
H-SAC-AP-1800	62458	47	H73CSK-G	62743	48	HBP1800-B-TP	A2322	147	HCARK-1600-CS-S/S-EL15	63667	45
H-SAC-AP-600	62452	42	H73CSK-G-S/S	62744	36	HBP1800-MF-TP	A2311	147	HCARK-1800-CL-S/S	62672	40
H-SAC-AP-600	62452	43	H73CSK-G-S/S	62744	38	HBP1800-MF-TP-S/S	A2510	147	HCARK-1800-CL-S/S-EL15	63672	45
H-SAC-AP-600	62452	43	H73CSK-G-S/S	62744	42	HBP1800-PL-TP	A2300	149	HCARK-1800-CM-S/S	62671	40
H-SAC-AP-600	62452	43	H73CSK-G-S/S	62744	43	HBP1800-PL-TP	A2300	149	HCARK-1800-CM-S/S-EL15	63671	45
H-SAC-AP-600	62452	47	H73CSK-G-S/S	62744	47	HBP1800-PL-TP-S/S	A2498	147	HCARK-1800-CS-S/S	62670	40
H-SAC-AP-600	62452	47	H73CSK-G-S/S	62744	47	HBP1800-PL-TP-S/S	A2498	149	HCARK-1800-CS-S/S-EL15	63670	45
H-SAC-AP-600	62452	48	H73CSK-G-S/S	62744	48	HBP1800-TP	A2289	146	HCARK-1800-CS-S/S	63670	45
H-SAC-AP-600	62452	48	H73CSK-G-S/S	62744	48	HBP1800-TP	A2289	146	HCARK-600-CL-S/S	62654	40
H-SAC-AP-800	62453	42	H73CSK-S	62745	36	HBP2000-B	73307	145	HCARK-600-CL-S/S-EL15	63654	45
H-SAC-AP-800	62453	42	H73CSK-S	62745	43	HBP2000-B-TP	A2323	147	HCARK-600-CM-S/S	62653	40
H-SAC-AP-800	62453	43	H73CSK-S-S/S	62746	36	HBP2000-MF-TP	A2312	147	HCARK-600-CM-S/S-EL15	63653	45
H-SAC-AP-800	62453	43	H73CSK-S-S/S	62746	38	HBP2000-MF-TP-S/S	A2511	147	HCARK-600-CS-S/S	62652	40
H-SAC-AP-800	62453	43	H73CSK-S-S/S	62746	43	HBP2000-PL-TP	A2301	147	HCARK-600-CS-S/S-EL15	63652	45
H-SAC-AP-800	62453	43	H73CSK-S-S/S	62746	48	HBP2000-PL-TP	A2301	149	HCARK-800-CL-S/S	62657	40
H-SAC-AP-800	62453	43	H73CSK-S-S/S	62746	48	HBP2000-PL-TP	A2301	149	HCARK-800-CL-S/S-EL15	63657	45
H-SAC-AP-800	62453	47	HARK	73069	38	HBP2000-PL-TP-S/S	A2499	147	HCARK-800-CM-S/S	62656	40
H-SAC-AP-800	62453	47	HARK	73069	105	HBP2000-PL-TP-S/S	A2499	149	HCARK-800-CM-S/S-EL15	63656	45
H-SAC-AP-800	62453	48	HARK-S/S	75423	38	HBP2000-TP	A2290	146	HCARK-800-CS-S/S	62655	40
H-SAC-AP-800	62453	48	HARK-S/S	77364	106	HBP2000-TP	73308	145	HCARK-800-CS-S/S-EL15	63655	45
H-SAC-AP-800	62453	48	HATDMK-S/S	63861	36	HBP2200-B-TP	A2325	147	HCARK-800-CS-S/S	62655	40
H-SAC-AP-800	62453	48	HBP-LA-TP	A2330	147	HBP2200-MF-TP	A2314	147	HCARK-800-CS-S/S-EL15	63655	45
H2CP-1200	62763	43	HBP-LA-TP-S/S	A2515	147	HBP2200-MF-TP-S/S	A2512	147	HCP-1000	62753	42
H2CP-1200	62763	48	HBP-MB-TP	73922	147	HBP2200-PL-TP	A2303	147	HCP-1000	62753	47
H2CP-1200-S/S	62801	43	HBP-MB-TP	73922	149	HBP2200-PL-TP	A2303	149	HCP-1000-S/S	62759	42
H2CP-1200-S/S	62801	48	HBP-MB-TP-S/S	A1155	147	HBP2200-PL-TP-S/S	A2500	147	HCP-1000-S/S	62759	47
H2CP-1400	62764	43	HBP-MB-TP-S/S	A1155	149	HBP2200-PL-TP-S/S	A2500	149	HCP-1200	62754	42
H2CP-1400	62764	48	HBP-SC-TP	74490	147	HBP2200-TP	A2291	146	HCP-1200	62754	47
H2CP-1400-S/S	62802	43	HBP-SC-TP-S/S	A2189	147	HBP2400-B	73309	145	HCP-1200-S/S	62760	42
H2CP-1400-S/S	62802	48	HBP-TP-1050S/S	A2475	146	HBP2400-B-TP	A2324	147	HCP-1200-S/S	62760	47
H2CP-1600	62765	43	HBP-TP-1200S/S	A2476	146	HBP2400-MF-TP	A2313	147	HCP-1400	62755	42
H2CP-1600	62765	48	HBP-TP-1400S/S	A2477	146	HBP2400-MF-TP-S/S	A2513	147	HCP-1400	62755	47
H2CP-1600-S/S	62803	43	HBP-TP-1500S/S	A2478	146	HBP2400-PL-TP	A2302	147	HCP-1400-S/S	62761	42
H2CP-1600-S/S	62803	48	HBP-TP-1600S/S	A2479	146	HBP2400-PL-TP	A2302	149	HCP-1400-S/S	62761	47
H2CP-1800	62766	43	HBP-TP-1800S/S	A2480	146	HBP2400-PL-TP-S/S	A2501	147	HCP-1800	62756	42
H2CP-1800	62766	48	HBP-TP-2000S/S	A2481	146	HBP2400-PL-TP-S/S	A2501	149	HCP-1800	62756	47
H2CP-1800-S/S	62804	43	HBP-TP-2200S/S	A2482	146	HBP2400-TP	A2292	146	HCP-1800-S/S	62762	42
H2CP-1800-S/S	62804	48	HBP-TP-2400S/S	A2483	146	HBP2400-TP	73311	145	HCP-1800-S/S	62762	47
H2CP-2000	62767	43	HBP-TP-2500S/S	A2484	146	HBP2500-B-TP	A2326	147	HCP-600	62751	42
H2CP-2000	62767	48	HBP-TP-900S/S	A2474	146	HBP2500-MF-TP	A2315	147	HCP-600	62751	47
H2CP-2000-S/S	62805	43	HBP1050-B	A2237	145	HBP2500-MF-TP-S/S	A2514	147	HCP-600-S/S	62757	42
H2CP-2000-S/S	62805	48	HBP1050-B-TP	A2317	147	HBP2500-PL-TP	A2304	147	HCP-600-S/S	62757	47
H2CP-2400	62768	43	HBP1050-MF-TP	A2306	147	HBP2500-PL-TP	A2304	149	HCP-800	62752	42
H2CP-2400	62768	48	HBP1050-MF-TP-S/S	A2505	147	HBP2500-PL-TP-S/S	A2502	147	HCP-800	62752	47
H2CP-2400-S/S	62806	43	HBP1050-PL-TP	A2295	147	HBP2500-PL-TP-S/S	A2502	149	HCP-800-S/S	62758	42
H2CP-2400-S/S	62806	48	HBP1050-PL-TP	A2295	149	HBP2500-TP	A2293	146	HCP-800-S/S	62758	47
H2CP-2600	62769	43	HBP1050-PL-TP-S/S	A2493	147	HBP2600-PL-TP	A0151	149	HCSBB-60	62513	36
H2CP-2600	62769	48	HBP1050-PL-TP-S/S	A2493	149	HBP2600-PL-TP-S/S	61877	149	HCSBB-60	62513	36
H2CP-2600-S/S	62807	43	HBP1050-TP	A2284	146	HBP750-B	A0223	145	HCSBB-73	62514	36
H2CP-2600-S/S	62807	48	HBP1200-B	73301	145	HBP900-B	A0224	145	HCSBB-73	62514	36
H2CP-2800	62770	43	HBP1200-B-TP	A2318	147	HBP900-B-TP	A2316	147	HCSBB-B/G	62589	36
H2CP-2800	62770	48	HBP1200-MF-TP	A2307	147	HBP900-MF-TP	A2305	147	HCSBB-B/G	62589	36
H2CP-2800-S/S	62808	43	HBP1200-MF-TP-S/S	A2506	147	HBP900-MF-TP-S/S	A2504	147	HCSBB-B/G	62589	36
H2CP-2800-S/S	62808	48	HBP1200-PL-TP	A2296	147	HBP900-PL-TP	A2294	147	HCSBB-B/G	62589	36
H2CP-3000	62771	43	HBP1200-PL-TP	A2296	149	HBP900-PL-TP	A2294	149	HCSBB-S	62590	36
H2CP-3000	62771	48	HBP1200-PL-TP-S/S	A2494	147	HBP900-PL-TP-S/S	A2492	147	HCSBB-S	62590	36
H2CP-3000-S/S	62809	43	HBP1200-PL-TP-S/S	A2494	149	HBP900-PL-TP-S/S	A2492	149	HCSTAK	62494	36
H2CP-3000-S/S	62809	48	HBP1200-TP	A2285	146	HBP900-TP	A2283	146	HCSTAK-S/S	62495	36
H60CSK-B	62747	36	HBP1400-B	73302	145	HBRK	73068	38	HCSTK-60-B	62747	38
H60CSK-B-S/S	62748	36	HBP1400-B-TP	A2319	147	HBRK-S/S	75422	38	HCSTK-60-B-S/S	62748	38

INDEX By Ordering Number

Ordering Number	Item Code	Page #	Ordering Number	Item Code	Page #	Ordering Number	Item Code	Page #	Ordering Number	Item Code	Page #
HCSTK-60-G	62741	38	HSA200-EL15	76027	48	HTF272	76667	14	HV-1600-SAC-CL-EL15	63222	44
HCSTK-60-G-S/S	62742	38	HSA8-CL	62507	41	HTF272-S/S	62835	14	HV-1600-SAC-CL-S/S	62647	40
HDARK	74550	38	HSA8-CLL	62508	41	HTTS	74141	125	HV-1600-SAC-CL-S/S-EL15	63243	45
HDARK	77329	105	HSA8-CM	62506	41	HV-1000-SAC-CL	62523	39	HV-1600-SAC-CLL	62532	39
HDARK-S/S	76247	38	HSA8-CS	62505	41	HV-1000-SAC-CL-EL15	63214	44	HV-1600-SAC-CLL-EL15	63223	44
HDARK-S/S	77331	106	HSA8CL	62507	42	HV-1000-SAC-CL-S/S	62639	40	HV-1600-SAC-CLL-S/S	62648	40
HDATDMK-S/S	63862	36	HSA8CL	62507	43	HV-1000-SAC-CL-S/S-EL15	63235	45	HV-1600-SAC-CLL-S/S-EL15	63244	45
HDCK	74490	38	HSA8CL	62507	46	HV-1000-SAC-CM	62522	39	HV-1600-SAC-CLL-S/S	62530	39
HDMK	74551	38	HSA8CL	62507	47	HV-1000-SAC-CM-EL15	63213	44	HV-1600-SAC-CM-EL15	63221	44
HDMK-S/S	76248	38	HSA8CL	62507	48	HV-1000-SAC-CM-S/S	62638	40	HV-1600-SAC-CM-S/S	62646	40
HDMRK	74582	38	HSA8CL-S/S	62511	41	HV-1000-SAC-CM-S/S-EL15	63234	45	HV-1600-SAC-CM-S/S-EL15	63242	45
HDMRK	74582	38	HSA8CL-S/S	62511	42	HV-1000-SAC-CS	62521	39	HV-1800-2SAC-CL	62569	39
HDMRK-S/S	76245	38	HSA8CL-S/S	62511	43	HV-1000-SAC-CS-EL15	63212	44	HV-1800-2SAC-CL-EL15	63433	44
HDMRK-S/S	76245	38	HSA8CL-S/S	62511	46	HV-1000-SAC-CS-S/S	62637	40	HV-1800-2SAC-CL-S/S	62685	40
HDPHSC-S/S	61001	59	HSA8CL-S/S	62511	47	HV-1000-SAC-CS-S/S-EL15	63233	45	HV-1800-2SAC-CL-S/S-EL15	63465	45
HDPHSC-S/S	61001	80	HSA8CL-S/S	62511	48	HV-1200-2SAC-CL	62559	39	HV-1800-2SAC-CLL	62570	39
HDR24	79010	123	HSA8CLL	62508	42	HV-1200-2SAC-CL-EL15	63423	44	HV-1800-2SAC-CLL-EL15	63434	44
HDR30	79011	123	HSA8CLL	62508	43	HV-1200-2SAC-CL-S/S	62675	40	HV-1800-2SAC-CLL-S/S	62686	40
HDR36	79012	123	HSA8CLL	62508	46	HV-1200-2SAC-CL-S/S-EL15	63455	45	HV-1800-2SAC-CLL-S/S-EL15	63466	45
HDR42	79013	123	HSA8CLL	62508	47	HV-1200-2SAC-CLL	62560	39	HV-1800-2SAC-CL-S/S	62568	39
HDR48	79014	123	HSA8CLL	62508	48	HV-1200-2SAC-CLL-EL15	63424	44	HV-1800-2SAC-CM-EL15	63432	44
HDR54	79015	123	HSA8CLL-S/S	62512	41	HV-1200-2SAC-CLL-S/S	62676	40	HV-1800-2SAC-CM-S/S	62684	40
HDR60	79016	123	HSA8CLL-S/S	62512	42	HV-1200-2SAC-CLL-S/S-EL15	63456	45	HV-1800-2SAC-CM-S/S-EL15	63464	45
HDRBK	79009	123	HSA8CLL-S/S	62512	43	HV-1200-2SAC-CM	62558	39	HV-1800-SAC-CL	62534	39
HDRBK-HD	79072	123	HSA8CLL-S/S	62512	46	HV-1200-2SAC-CM-EL15	63422	44	HV-1800-SAC-CL-EL15	63225	44
HDRGEK	79236	123	HSA8CLL-S/S	62512	47	HV-1200-2SAC-CM-S/S	62674	40	HV-1800-SAC-CL-S/S	62650	40
HDRP17	63679	125	HSA8CLL-S/S	62512	48	HV-1200-2SAC-CM-S/S-EL15	63454	45	HV-1800-SAC-CL-S/S-EL15	63246	45
HDRP22	63678	125	HSA8CM	62506	42	HV-1200-2SAC-CS	62557	39	HV-1800-SAC-CLL	62535	39
HDRR24	79019	123	HSA8CM	62506	43	HV-1200-2SAC-CS-EL15	63421	44	HV-1800-SAC-CLL-EL15	63226	44
HDRR30	79020	123	HSA8CM	62506	46	HV-1200-2SAC-CS-S/S	62673	40	HV-1800-SAC-CLL-S/S	62651	40
HDRR36	79021	123	HSA8CM	62506	47	HV-1200-2SAC-CS-S/S-EL15	63453	45	HV-1800-SAC-CLL-S/S-EL15	63247	45
HDRR42	79022	123	HSA8CM	62506	48	HV-1200-2SAC-CL	62526	39	HV-1800-SAC-CM	62533	39
HDRR48	79023	123	HSA8CM-S/S	62510	41	HV-1200-SAC-CL-EL15	63217	44	HV-1800-SAC-CM-EL15	63224	44
HDRR54	79024	123	HSA8CM-S/S	62510	42	HV-1200-SAC-CL-S/S	62642	40	HV-1800-SAC-CM-S/S	62649	40
HDRR60	79025	123	HSA8CM-S/S	62510	43	HV-1200-SAC-CL-S/S-EL15	63238	45	HV-1800-SAC-CM-S/S-EL15	63245	45
HDRR572	79026	123	HSA8CM-S/S	62510	46	HV-1200-SAC-CM	62525	39	HV-2000-2SAC-CL	62572	39
HDRR584	79027	123	HSA8CM-S/S	62510	47	HV-1200-SAC-CM-EL15	63216	44	HV-2000-2SAC-CL-EL15	63436	44
HDRS72	79017	123	HSA8CM-S/S	62510	48	HV-1200-SAC-CM-S/S	62641	40	HV-2000-2SAC-CL-S/S	62688	40
HDRS84	79018	123	HSA8CS	62505	42	HV-1200-SAC-CM-S/S-EL15	63237	45	HV-2000-2SAC-CL-S/S-EL15	63468	45
HDSTCK-S/S	A2189	38	HSA8CS	62505	43	HV-1200-SAC-CS	62524	39	HV-2000-2SAC-CLL	62573	39
HDSTCK	A2518	38	HSA8CS	62505	46	HV-1200-SAC-CS-EL15	63215	44	HV-2000-2SAC-CLL-EL15	63437	44
HDSTKD-S/S	A2519	38	HSA8CS	62505	47	HV-1200-SAC-CS-S/S	62640	40	HV-2000-2SAC-CLL-S/S	62689	40
HDT5	74502	105	HSA8CS	62505	48	HV-1200-SAC-CS-S/S-EL15	63236	45	HV-2000-2SAC-CLL-S/S-EL15	63469	45
HDT5-S/S	75586	106	HSA8CS-S/S	62509	41	HV-1400-2SAC-CL	62563	39	HV-2000-2SAC-CM	62571	39
HEXNUT	G1211	36	HSA8CS-S/S	62509	42	HV-1400-2SAC-CL-EL15	63427	44	HV-2000-2SAC-CM-EL15	63435	44
HEXNUT	G1211	71	HSA8CS-S/S	62509	43	HV-1400-2SAC-CL-S/S	62679	40	HV-2000-2SAC-CM-S/S	62687	40
HEXNUT	G1211	92	HSA8CS-S/S	62509	46	HV-1400-2SAC-CL-S/S-EL15	63459	45	HV-2000-2SAC-CM-S/S-EL15	63467	45
HEXPlug3/4	61057	121	HSA8CS-S/S	62509	47	HV-1400-2SAC-CLL	62564	39	HV-2200-2SAC-CL	62575	39
HMK	73054	38	HSA8CS-S/S	62509	48	HV-1400-2SAC-CLL-EL15	63428	44	HV-2200-2SAC-CL-EL15	63439	44
HMK-S/S	75424	38	HSA8L-S/S	73774	35	HV-1400-2SAC-CL-S/S	62680	40	HV-2200-2SAC-CL-S/S	62691	40
HP1050	73035	38	HSA8LL-S/S	74033	35	HV-1400-2SAC-CLL-S/S-EL15	63460	45	HV-2200-2SAC-CL-S/S-EL15	63471	45
HP1050-S/S	75377	38	HSA8M-S/S	73773	35	HV-1400-2SAC-CM	62562	39	HV-2200-2SAC-CLL	62576	39
HP1200	73037	38	HSA8S-S/S	73772	35	HV-1400-2SAC-CM-EL15	63426	44	HV-2200-2SAC-CLL-EL15	63440	44
HP1200-S/S	75378	38	HSA8SS-S/S	73771	35	HV-1400-2SAC-CM-S/S	62678	40	HV-2200-2SAC-CLL-S/S	62692	40
HP1500	73066	38	HSA8SSS	75565	35	HV-1400-2SAC-CM-S/S-EL15	63458	45	HV-2200-2SAC-CLL-S/S-EL15	63472	45
HP1500-S/S	75379	38	SHD	73483	38	HV-1400-2SAC-CS	62561	39	HV-2200-2SAC-CM	62574	39
HP1600	73739	38	SHD	73483	42	HV-1400-2SAC-CS-EL15	63425	44	HV-2200-2SAC-CM-EL15	63438	44
HP1600-S/S	75380	38	SHD	73483	43	HV-1400-2SAC-CS-S/S	62677	40	HV-2200-2SAC-CM-S/S	62690	40
HP450	73027	38	SHD	73483	47	HV-1400-2SAC-CS-S/S-EL15	63457	45	HV-2200-2SAC-CM-S/S-EL15	63470	45
HP450-S/S	75373	38	SHD	73483	48	HV-1400-SAC-CL	62529	39	HV-2400-2SAC-CL	62578	39
HP600	73029	38	SHD-S/S	76467	38	HV-1400-SAC-CL-EL15	63220	44	HV-2400-2SAC-CL-EL15	63442	44
HP600-S/S	75374	38	SHD-S/S	76467	42	HV-1400-SAC-CL-S/S	62645	40	HV-2400-2SAC-CL-S/S	62694	40
HP750	73031	38	SHD-S/S	76467	43	HV-1400-SAC-CL-S/S-EL15	63241	45	HV-2400-2SAC-CL-S/S-EL15	63474	45
HP750-S/S	75375	38	SHD-S/S	76467	47	HV-1400-SAC-CM	62528	39	HV-2400-2SAC-CLL	62579	39
HP900	73033	38	SHD-S/S	76467	48	HV-1400-SAC-CM-EL15	63219	44	HV-2400-2SAC-CLL-S/S	63443	44
HP900-S/S	75376	38	HSTSS	61173	38	HV-1400-SAC-CM-S/S	62644	40	HV-2400-2SAC-CLL-S/S	62695	40
HPHD1800	74601	38	HTF212	76658	14	HV-1400-SAC-CM-S/S-EL15	63240	45	HV-2400-2SAC-CLL-S/S-EL15	63475	45
HPHD1800-S/S	A2063	38	HTF212-S/S	62826	14	HV-1400-SAC-CS	62527	39	HV-2400-2SAC-CM	62577	39
HPHD2000	74547	38	HTF218	76659	14	HV-1400-SAC-CS-EL15	63218	44	HV-2400-2SAC-CM-EL15	63441	44
HPHD2000-S/S	A1783	38	HTF218-S/S	62827	14	HV-1400-SAC-CS-S/S	62643	40	HV-2400-2SAC-CM-S/S	62693	40
HPHD2400	74548	38	HTF224	76660	14	HV-1400-SAC-CS-S/S-EL15	63239	45	HV-2400-2SAC-CM-S/S-EL15	63473	45
HPHD2400-S/S	A2590	38	HTF224-S/S	62828	14	HV-1600-2SAC-CL	62566	39	HV-2600-2SAC-CL	62581	39
HPS8	73050	38	HTF230	76661	14	HV-1600-2SAC-CL-EL15	63430	44	HV-2600-2SAC-CL-EL15	63445	44
HSA	73486	38	HTF230-S/S	62829	14	HV-1600-2SAC-CL-S/S	62582	40	HV-2600-2SAC-CL-S/S	62697	40
HSA200	73489	35	HTF236	76662	14	HV-1600-2SAC-CL-S/S-EL15	63462	45	HV-2600-2SAC-CL-S/S-EL15	63477	45
HSA200	73489	38	HTF236-S/S	62830	14	HV-1600-2SAC-CLL	62567	39	HV-2600-2SAC-CLL	62582	39
HSA200	73489	41	HTF242	76663	14	HV-1600-2SAC-CLL-EL15	63431	44	HV-2600-2SAC-CLL-EL15	63446	44
HSA200	73489	42	HTF242-S/S	62831	14	HV-1600-2SAC-CLL-S/S	62683	40	HV-2600-2SAC-CLL-S/S	62698	40
HSA200	73489	43	HTF248	76664	14	HV-1600-2SAC-CLL-S/S-EL15	63463	45	HV-2600-2SAC-CLL-S/S-EL15	63478	45
HSA200	73489	46	HTF248-S/S	62832	14	HV-1600-2SAC-CM	62565	39	HV-2600-2SAC-CM	62580	39
HSA200	73489	47	HTF254	76665	14	HV-1600-2SAC-CM-EL15	63429	44	HV-2600-2SAC-CM-EL15	63444	44
HSA200	73489	48	HTF254-S/S	62833	14	HV-1600-2SAC-CM-S/S	62681	40	HV-2600-2SAC-CM-S/S	62696	40
HSA200-EL15	76027	46	HTF260	76666	14	HV-1600-2SAC-CM-S/S-EL15	63461	45	HV-2600-2SAC-CM-S/S-EL15	63476	45
HSA200-EL15	76027	47	HTF260-S/S	62834	14	HV-1600-SAC-CL	62531	39	HV-2800-2SAC-CL	62584	39

INDEX By Ordering Number

Ordering Number	Item Code	Page #	Ordering Number	Item Code	Page #	Ordering Number	Item Code	Page #	Ordering Number	Item Code	Page #
HV-2800-2SAC-CL-EL15	63448	44	HV1500L-PCST	63958	34	HV900S-PCST-S/S	63988	34	HXF1500L	74678	32
HV-2800-2SAC-CL-S/S	62700	40	HV1500L-PCST-S/S	64000	34	HV900S-S/S	75303	33	HXF1500L-S/S	75282	32
HV-2800-2SAC-CL-S/S-EL15	63480	45	HV1500L-S/S	75315	33	HV900SS	73055	33	HXF1500M	74677	32
HV-2800-2SAC-CLL	62585	39	HV1500LL	73215	33	HV900SS-PCST	63945	34	HXF1500M-S/S	75281	32
HV-2800-2SAC-CLL-EL15	63449	44	HV1500LL-PCST	63959	34	HV900SS-PCST-S/S	63967	34	HXF1600L	73444	32
HV-2800-2SAC-CLL-S/S	62701	40	HV1500LL-PCST-S/S	64001	34	HV900SS-S/S	75302	33	HXF1600L-S/S	75284	32
HV-2800-2SAC-CLL-S/S-EL15	63481	45	HV1500LL-S/S	75316	33	HVC-S/S	73494	38	HXF1600M	73443	32
HV-2800-2SAC-CM	62583	39	HV1500M	73177	33	HVHD1800L	74477	33	HXF1600M-S/S	75283	32
HV-2800-2SAC-CM-EL15	63447	44	HV1500M-PCST	63957	34	HVHD1800L-PCST-S/S	64006	34	HXF2-L	75982	35
HV-2800-2SAC-CM-S/S	62699	40	HV1500M-PCST-S/S	63999	34	HVHD1800L-S/S	A1595	33	HXF2-M	75981	35
HV-2800-2SAC-CM-S/S-EL15	63479	45	HV1500M-S/S	75314	33	HVHD1800LL	74478	33	HXF2-S	75980	35
HV-3000-2SAC-CL	62587	39	HV1600L	73638	33	HVHD1800LL-PCST-S/S	64007	34	HXF2-SS	75979	35
HV-3000-2SAC-CL-EL15	63451	44	HV1600L-PCST	63961	34	HVHD1800LL-S/S	A1596	33	HXF450M	74660	32
HV-3000-2SAC-CL-S/S	62703	40	HV1600L-PCST-S/S	64003	34	HVHD1800M	74602	33	HXF450M-S/S	75267	32
HV-3000-2SAC-CL-S/S-EL15	63483	45	HV1600L-S/S	75318	33	HVHD1800M-PCST-S/S	64005	34	HXF450S	74659	32
HV-3000-2SAC-CLL	62588	39	HV1600LL	73639	33	HVHD1800M-S/S	A1594	33	HXF450S-S/S	75266	32
HV-3000-2SAC-CLL-EL15	63452	44	HV1600LL-PCST	63962	34	HVHD2100L	74540	33	HXF600M	74662	32
HV-3000-2SAC-CLL-S/S	62704	40	HV1600LL-PCST-S/S	64004	34	HVHD2100L-PCST-S/S	64009	34	HXF600M-S/S	75269	32
HV-3000-2SAC-CLL-S/S-EL15	63484	45	HV1600LL-S/S	75319	33	HVHD2100L-S/S	A1598	33	HXF600S	74661	32
HV-3000-2SAC-CM	62586	39	HV1600M	73637	33	HVHD2100LL	74541	33	HXF600S-S/S	75268	32
HV-3000-2SAC-CM-EL15	63450	44	HV1600M-PCST	63960	34	HVHD2100LL-PCST-S/S	64010	34	HXF750M	74664	32
HV-3000-2SAC-CM-S/S	62702	40	HV1600M-PCST-S/S	64002	34	HVHD2100LL-S/S	A1599	33	HXF750M-S/S	75271	32
HV-3000-2SAC-CM-S/S-EL15	63482	45	HV1600M-S/S	75317	33	HVHD2100M	74539	33	HXF750S	74663	32
HV-600-SAC-CL	62517	39	HV1800L-PCST	63964	34	HVHD2100M-PCST-S/S	64008	34	HXF750S-S/S	75270	32
HV-600-SAC-CL-EL15	63208	44	HV1800L-PCST	63965	34	HVHD2100M-S/S	A1597	33	HXF8L	74691	35
HV-600-SAC-CL-S/S	62633	40	HV1800LL-PCST	63963	34	HVHD2400L	74545	33	HXF8L-Blue	77521	35
HV-600-SAC-CL-S/S-EL15	63229	45	HV2100L-PCST	63967	34	HVHD2400L-PCST-S/S	64012	34	HXF8M	74690	35
HV-600-SAC-CM	62516	39	HV2100L-PCST	63968	34	HVHD2400L-S/S	A1601	33	HXF8M-Blue	77520	35
HV-600-SAC-CM-EL15	63207	44	HV2400L-PCST	63970	34	HVHD2400LL	74546	33	HXF8S	74689	35
HV-600-SAC-CM-S/S	62632	40	HV2400L-PCST	63971	34	HVHD2400LL-PCST-S/S	64013	34	HXF8S-Blue	77519	35
HV-600-SAC-CS	62515	39	HV2400LL-PCST	63971	34	HVHD2400LL-S/S	A1602	33	HXF8SS	74307	35
HV-600-SAC-CS-EL15	63206	44	HV2600M-PCST	63969	34	HVHD2400M	74544	33	HXF8SS-Blue	77518	35
HV-600-SAC-CS-S/S	62631	40	HV2600M-PCST	63972	34	HVHD2400M-PCST-S/S	64011	34	HXF900L	74667	32
HV-600-SAC-CS-S/S-EL15	63227	45	HV3000L-PCST	63976	34	HVHD2400M-S/S	A1600	33	HXF900L-S/S	75274	32
HV-800-SAC-CL	62520	39	HV3000L-PCST	63977	34	HVHD2600L	A2461	33	HXF900M	74666	32
HV-800-SAC-CL-EL15	63211	44	HV3000LL-PCST	63977	34	HVHD2600L-PCST-S/S	64015	34	HXF900M-S/S	75273	32
HV-800-SAC-CL-S/S	62636	40	HV450M	73019	33	HVHD2600L-S/S	A2463	33	HXF900S	74665	32
HV-800-SAC-CL-S/S-EL15	63232	45	HV450M-PCST	63938	34	HVHD2600LL	A2397	33	HXF900S-S/S	75272	32
HV-800-SAC-CM	62519	39	HV450M-PCST-S/S	63980	34	HVHD2600LL-PCST-S/S	64016	34	HXFHD1800L	74682	32
HV-800-SAC-CM-EL15	63210	44	HV450M-S/S	75295	33	HVHD2600LL-S/S	A2464	33	HXFHD1800L-S/S	A1589	32
HV-800-SAC-CM-S/S	62635	40	HV450S	73028	33	HVHD2600M	A2396	33	HXFHD1800M	74681	32
HV-800-SAC-CM-S/S-EL15	63231	45	HV450S-PCST	63937	34	HVHD2600M-PCST-S/S	64014	34	HXFHD1800M-S/S	A1588	32
HV-800-SAC-CS	62518	39	HV450S-PCST-S/S	63979	34	HVHD2600M-S/S	A2462	33	HXFHD2100L	74684	32
HV-800-SAC-CS-EL15	63209	44	HV450SS	75294	33	HVHD3000L	74592	33	HXFHD2100L-S/S	A1591	32
HV-800-SAC-CS-S/S	62634	40	HV450SS-PCST	63979	34	HVHD3000L-PCST-S/S	64018	34	HXFHD2100M-S/S	A1590	32
HV-800-SAC-CS-S/S-EL15	63230	45	HV450SS-S/S	75293	33	HVHD3000L-S/S	A2466	33	HXFHD2100M-S/S	A1593	32
HV1050L	73179	33	HV600M	73173	33	HVHD3000LL	74593	33	HXFHD2400L	74686	32
HV1050L-PCST	63952	34	HV600M-PCST	63941	34	HVHD3000LL-PCST-S/S	64019	34	HXFHD2400M-S/S	A1592	32
HV1050L-PCST-S/S	63994	34	HV600M-PCST-S/S	63983	34	HVHD3000LL-S/S	A2465	33	IB4	76926	131
HV1050L-S/S	75309	33	HV600M-S/S	75298	33	HVPT-S/S	73631	35	IB4	76926	133
HV1050M	73036	33	HV600S	73030	33	HVPT-S/S	73631	41	IB4	76926	140
HV1050M-PCST	63951	34	HV600S-PCST	63940	34	HVPT-S/S	73631	42	IB4	76926	141
HV1050M-PCST-S/S	63993	34	HV600S-PCST-S/S	63982	34	HVPT-S/S	73631	43	IB4-1U	76965	143
HV1050M-S/S	75308	33	HV600S-S/S	75297	33	HVPT-S/S	73631	46	IB5	76927	131
HV1050S	73056	33	HV600SS	73045	33	HVPT-S/S	73631	47	IB5	76927	133
HV1050S-PCST	63950	34	HV600SS-PCST	63939	34	HVPT-S/S	73631	48	IB5	76927	136
HV1050S-PCST-S/S	63992	34	HV600SS-PCST-S/S	63981	34	HVPT-S/S	73631	48	IB5	76927	139
HV1050S-S/S	75307	33	HV600SS-S/S	75296	33	HVT8-EL15-S/S	62254	47	IB5	76927	140
HV1050SS	73057	33	HV750M	73174	33	HVT8-EL15-S/S	63566	48	IB5	76927	140
HV1050SS-PCST	64045	34	HV750M-PCST	63944	34	HVT8-S/S	75419	35	IB5	76927	141
HV1050SS-PCST-S/S	63991	34	HV750M-PCST-S/S	63986	34	HVT8-S/S	75419	38	IB5	76927	142
HV1050SS-S/S	75306	33	HV750M-S/S	75301	33	HVT8-S/S	75419	41	IB5-1U	76966	143
HV1200L	73180	33	HV750S	73032	33	HVT8-S/S	75419	42	IBBK	76928	139
HV1200L-PCST	63956	34	HV750S-PCST	63943	34	HVT8-S/S	75419	43	IBBK	76928	140
HV1200L-PCST-S/S	63998	34	HV750S-PCST-S/S	63985	34	HVT8-S/S	75419	46	IBBK	76928	141
HV1200L-S/S	75313	33	HV750S-S/S	75300	33	HVT8-S/S	75419	47	IBBK	76928	142
HV1200M	73038	33	HV750SS	73053	33	HVT8-S/S	75419	48	IBS-DH5	76934	141
HV1200M-PCST	63955	34	HV750SS-PCST	63942	34	HVT8-S/S	75419	125	IBS-DH5	76934	142
HV1200M-PCST-S/S	63997	34	HV750SS-PCST-S/S	63984	34	HVT8-S/S	75419	143	IBS-H4	76933	141
HV1200M-S/S	75312	33	HV750SS-S/S	75299	33	HVT8-S/S	75419	143	IBS-L4	76929	139
HV1200S	73058	33	HV900L	73178	33	HVT8-S/S	75419	46	IBS-L5	76930	139
HV1200S-PCST	63954	34	HV900L-PCST	63948	34	HVT8-S/S	75419	46	IBS-M1200	82397	136
HV1200S-PCST-S/S	63996	34	HV900L-PCST-S/S	63990	34	HVT8-S/S	75419	47	IBS-M1500	82398	136
HV1200S-S/S	75311	33	HV900L-S/S	75305	33	HVT8-S/S	75419	47	IBS-M4	76931	140
HV1200SS	73059	33	HV900M	73175	33	HVT8-S/S	75419	48	IBS-M5	76932	140
HV1200SS-PCST	63953	34	HV900M-PCST	63947	34	HVT8-S/S	75419	48	IEA42-60D	76937	142
HV1200SS-PCST-S/S	63995	34	HV900M-PCST-S/S	63989	34	HVT8-S/S	75419	125	IEA72-96D	76938	142
HV1200SS-S/S	75310	33	HV900M-S/S	75304	33	HVT8-S/S	75419	143	IMK	76936	139
HV1500L	73158	33	HV900S	73034	33	HVT8-S/S	75419	143	IMK	76936	140
			HV900S-PCST	63946	34	HVT8-S/S	75419	143	IMK	76936	141
						HVT8-S/S	75419	143	ISABK	76935	142

INDEX By Ordering Number

Ordering Number	Item Code	Page #	Ordering Number	Item Code	Page #	Ordering Number	Item Code	Page #	Ordering Number	Item Code	Page #
ISABK-LMH	77529	139	MBDS-42	79508	114	MESPBL	87895	105	MHP-CP1400	75966	28
ISABK-LMH	77529	140	MBDS-48	79509	114	MESPBL-SS	82892	106	MHP-CP1500	75967	28
ISABK-LMH	77529	141	MBDS-54	79510	114	MESPKR	81896	105	MHP-CP1800	75968	28
LA-24	171		MBDS-60	79511	114	MESPKR-SS	82894	106	MHP-CP2100	76811	28
LA-30	171		MBDS-72	79512	114	MFASK	75531	165	MHP-CP600	75961	28
LA-36	171		MBDS-84	79513	114	MFASK	75531	165	MHP-CP750	75962	28
LA-42	171		MBRD-18	79514	113	MHCP-1050S-S/S	61507	29	MHP-CP900	75963	28
LA-48	171		MBRD-18	79514	114	MHCP-1050S-S/S-FR	61627	29	MHP-EP	76392	24
LA-54	171		MBRD-24	79515	113	MHCP-1200S-S/S	61508	29	MHP-EP	76392	28
LA-60	171		MBRD-24	79515	114	MHCP-1200S-S/S-FR	61628	29	MHP-EP	76392	43
LA-66	171		MBRD-30	79516	113	MHCP-1350S-S/S	61509	29	MHP-EP	76392	48
LA-72	171		MBRD-30	79516	114	MHCP-1350S-S/S-FR	61629	29	MHP-EP	76392	77
LA-84	171		MBRD-36	79517	113	MHCP-1500S-S/S	61510	29	MHP-EP	76392	94
LA-96	171		MBRD-36	79517	114	MHCP-1500S-S/S-FR	61630	29	MHP-EP	76392	81
LS-BP	77114	12	MBRD-42	79518	113	MHCP-1650S-S/S	61511	29	MHP-EP	76392	98
LS-BP-S/S	77115	12	MBRD-42	79518	114	MHCP-1650S-S/S-FR	61631	29	MHP-EP-S/S	77599	24
LS-SP	77365	12	MBRD-48	79519	113	MHCP-1800S-S/S	61512	29	MHP-EP-S/S	77599	43
LS-SS	77118	12	MBRD-48	79519	114	MHCP-1800S-S/S-FR	61632	29	MHP-EP-S/S	77599	48
LS-SS	77118	12	MBRD-54	79520	113	MHCP-2100S-S/S	61513	29	MHP-EP-S/S	77599	79
LS-SW	77117	12	MBRD-54	79520	114	MHCP-2100S-S/S-FR	61633	29	MHP-EP-S/S	77599	86
LS-SW-S/S	78850	12	MBRD-60	79521	113	MHCP-24A	75937	26	MHP-EP-S/S	77599	93
LSP12	77070	12	MBRD-60	79521	114	MHCP-24S	75929	26	MHP-EP-S/S	77599	99
LSP12-S/S	77079	12	MBRD-72	79522	113	MHCP-2BC24	76638	28	MHS-1050-MST	64023	65
LSP18	77071	12	MBRD-72	79522	114	MHCP-2BC30	76639	28	MHS-1050-MST-S/S	64033	65
LSP18-S/S	77080	12	MBRD-84	79523	113	MHCP-2BC36	76640	28	MHS-1050BTV	77484	67
LSP24	77072	12	MBRD-84	79523	114	MHCP-2BC42	76641	28	MHS-1050BTV-S/S	77493	67
LSP24-S/S	77081	12	MCB	74925	165	MHCP-2BC48	76642	28	MHS-1050BTV-SAC	78010	96
LSP30	77073	12	MCB	74925	165	MHCP-2BC54	76643	28	MHS-1050BTV-SAC-S/S	78319	96
LSP30-S/S	77082	12	MCBK	76025	165	MHCP-2BC60	76644	28	MHS-1050FPV	77792	69
LSP36	77074	12	MCBK	76025	165	MHCP-2BC72	76645	28	MHS-1050FPV-S/S	77802	69
LSP36-S/S	77083	12	MCBKHD	76026	165	MHCP-2BC84	76812	28	MHS-1050V-SAC	78165	89
LSP42	77075	12	MCBKHD	76026	165	MHCP-30A	75938	26	MHS-1050V-SAC-S/S	78540	89
LSP42-S/S	77084	12	MCRK	74923	165	MHCP-30S	75930	26	MHS-1200-MST	64024	65
LSP48	77076	12	MCRK	74923	165	MHCP-36A	75939	26	MHS-1200-MST-S/S	64034	65
LSP48-S/S	77085	12	MCS	74930	165	MHCP-36S	75931	26	MHS-1200BTV	77525	67
LSP54	77077	12	MCS	74930	165	MHCP-42A	75940	26	MHS-1200BTV-S/S	77526	67
LSP54-S/S	77086	12	MCSHD	74931	165	MHCP-42S	75932	26	MHS-1200BTV-SAC	78011	96
LSP60	77078	12	MCSHD	74931	165	MHCP-48A	75941	26	MHS-1200BTV-SAC-S/S	78320	96
LSP60-S/S	77087	12	MCSK	74927	165	MHCP-48S	75933	26	MHS-1200FPV	77793	69
LST-B-S/S	77124	12	MCSK	74927	165	MHCP-54A	75942	26	MHS-1200FPV-S/S	77803	69
LST-P	77121	12	MCSKHD	74928	165	MHCP-54S	75934	26	MHS-1200V-SAC	78166	89
LST-S	77123	12	MCSKHD	74928	165	MHCP-600S-S/S	61504	29	MHS-1200V-SAC-S/S	78541	89
LST-TAK	77120	12	MDWS-1050-S/S	67469	109	MHCP-600S-S/S-FR	61624	29	MHS-1350-MST	64025	65
LST-TAK	77120	12	MDWS-1200-S/S	67470	109	MHCP-60A	75943	26	MHS-1350-MST-S/S	64035	65
LST-W	77122	12	MDWS-1350-S/S	67471	109	MHCP-60S	75935	26	MHS-1350BTV	77485	67
LST-W-S/S	77125	12	MDWS-1500-S/S	67472	109	MHCP-72A	75944	26	MHS-1350BTV-S/S	77494	67
LST-W-S/S-2	77126	12	MDWS-1800-S/S	67473	109	MHCP-72S	75936	26	MHS-1350BTV-SAC	78012	96
LSTMPK	77366	12	MDWS-2100-S/S	67474	109	MHCP-750S-S/S	61505	29	MHS-1350BTV-SAC-S/S	78321	96
LSTMPK-S/S	78933	12	MDWS-24	75868	109	MHCP-750S-S/S-FR	61625	29	MHS-1350FPV	77794	69
LSTMPK2-S/S	78462	12	MDWS-2400-S/S	67475	109	MHCP-84A	76801	26	MHS-1350FPV-S/S	77804	69
LSTPB-RK	77367	12	MDWS-30	75869	109	MHCP-84S	76800	26	MHS-1350V-SAC	78167	89
LSTPB-RK	77367	12	MDWS-36	75870	109	MHCP-900S-S/S	61506	29	MHS-1350V-SAC-S/S	78542	89
MAK	74918	165	MDWS-42	75871	109	MHCP-900S-S/S-FR	61626	29	MHS-1500-MST	64026	65
MAK-S/S	64926	165	MDWS-48	75872	109	MHCP-BS	76394	28	MHS-1500-MST-S/S	64036	65
MAKHD	74919	165	MDWS-54	75873	109	MHCP-CH	76393	28	MHS-1500BTV	77486	67
MAKHD	74919	165	MDWS-60	75874	109	MHCP-S/S-CBK	61550	31	MHS-1500BTV-2SAC	78015	96
MAPEK	76024	126	MDWS-600-S/S	67466	109	MHCP-S/S-CEB	61549	31	MHS-1500BTV-2SAC-S/S	78324	96
MBADB	79527	114	MDWS-72	75875	109	MHCP-S/S-CH	61548	31	MHS-1500BTV-S/S	77495	67
MBC-18	79494	113	MDWS-750-S/S	67467	109	MHCP-S/S-CK1050	61538	31	MHS-1500BTV-SAC	78013	96
MBC-20	79495	113	MDWS-84	76806	109	MHCP-S/S-CK1200	61539	31	MHS-1500BTV-SAC-S/S	78322	96
MBC-30	79496	113	MDWS-900-S/S	67468	109	MHCP-S/S-CK1350	61540	31	MHS-1500FPV	77795	69
MBC-36	79497	113	MDWS-96	79063	109	MHCP-S/S-CK1500	61541	31	MHS-1500FPV-S/S	77805	69
MBC-42	79498	113	MDWS-MST-1050	67562	109	MHCP-S/S-CK1650	61542	31	MHS-1500V-2SAC	78170	89
MBC-48	79499	113	MDWS-MST-1050-S/S	67479	109	MHCP-S/S-CK1800	61543	31	MHS-1500V-2SAC-S/S	78545	89
MBC-54	79500	113	MDWS-MST-1200	67563	109	MHCP-S/S-CK2100	61544	31	MHS-1500V-SAC	78168	89
MBC-60	79501	113	MDWS-MST-1200-S/S	67480	109	MHCP-S/S-CK600	61535	31	MHS-1500V-SAC-S/S	78543	89
MBC-72	79502	113	MDWS-MST-1350	67564	109	MHCP-S/S-CK750	61536	31	MHS-1800-MST	64027	65
MBC-84	79503	113	MDWS-MST-1350-S/S	67481	109	MHCP-S/S-CK900	61537	31	MHS-1800-MST-S/S	64037	65
MBCB	79526	114	MDWS-MST-1500	67565	109	MHCP-S/S-CLP	61545	31	MHS-1800BTV	77487	67
MBCBC	79525	114	MDWS-MST-1500-S/S	67482	109	MHCP-S/S-CP1050	61527	31	MHS-1800BTV-2SAC	78016	96
MBCBL	79532	114	MDWS-MST-1800	67566	109	MHCP-S/S-CP1200	61528	31	MHS-1800BTV-2SAC-S/S	78325	96
MBCBM	79528	114	MDWS-MST-1800-S/S	67483	109	MHCP-S/S-CP1350	61529	31	MHS-1800BTV-S/S	77496	67
MBCDBK	79536	113	MDWS-MST-2100	67567	109	MHCP-S/S-CP1500	61530	31	MHS-1800BTV-SAC	78014	96
MBCDBK	79536	114	MDWS-MST-2100-S/S	67484	109	MHCP-S/S-CP1650	61531	31	MHS-1800BTV-SAC-S/S	78323	96
MBCEC	79534	114	MDWS-MST-2400	67568	109	MHCP-S/S-CP1800	61532	31	MHS-1800FPV	77796	69
MBCM-1	79529	114	MDWS-MST-2400-S/S	67485	109	MHCP-S/S-CP2100	61533	31	MHS-1800FPV-S/S	77806	69
MBCM-2	79530	114	MDWS-MST-600	67559	109	MHCP-S/S-CP600	61634	31	MHS-1800V-2SAC	78171	89
MBCMCK	79524	114	MDWS-MST-600-S/S	67476	109	MHCP-S/S-CP750	61525	31	MHS-1800V-2SAC-S/S	78546	89
MBCMCK	79533	114	MDWS-MST-750	67560	109	MHCP-S/S-CP900	61526	31	MHS-1800V-SAC	78169	89
MBCTA	79531	114	MDWS-MST-750-S/S	67477	109	MHCP-S/S-PSTA	61547	31	MHS-1800V-SAC-S/S	78544	89
MBDS-18	79504	114	MDWS-MST-900	67561	109	MHCP-S/S-PSTW	61546	31	MHS-1950BTV-2SAC-S/S	66255	96
MBDS-24	79505	114	MDWS-MST-900-S/S	67478	109	MHCP-SS/EP	61534	31	MHS-1950V-2SAC-S/S	78649	89
MBDS-30	79506	114	MESBK-PS	82364	105	MHP-CP1050	75964	28	MHS-2100-MST	64028	65
MBDS-36	79507	114	MESBK-PS	82364	106	MHP-CP1200	75965	28	MHS-2100-MST-S/S	64038	65

INDEX By Ordering Number

Ordering Number	Item Code	Page #	Ordering Number	Item Code	Page #	Ordering Number	Item Code	Page #	Ordering Number	Item Code	Page #
MHS-2100BT	77488	67	MHS-CARK-V54/1350-			MHS-P1800S/S	77514	68	MR-1050PG	A2840	122
MHS-2100BTV-2SAC	78017	96	S/SMVECKS/S	82846	90	MHS-P1800S/S	77514	70	MR-1200PG	A2841	122
MHS-2100BTV-2SAC-S/S	78326	96	MHS-CARK-V54/1350-			MHS-P2100	77506	66	MR-1500PG	A2829	122
MHS-2100BTV-S/S	77497	67	S/SMVECKS/S	82846	97	MHS-P2100	77506	68	MR-1600PG	A2830	122
MHS-2100FPV	77797	69	MHS-CARK-V60/1500	77943	90	MHS-P2100	77506	70	MR-1800PG	A2831	122
MHS-2100FPV-S/S	77807	69	MHS-CARK-V60/1500	77943	97	MHS-P2100S/S	77515	66	MR-2100PG	A2832	122
MHS-2100V-2SAC	78172	89	MHS-CARK-V60/1500-			MHS-P2100S/S	77515	68	MR-2400PG	A2833	122
MHS-2100V-2SAC-S/S	78547	89	S/SMVECKS/S	82847	90	MHS-P2100S/S	77515	70	MR-2600PG	A2834	122
MHS-2400-MST	64029	65	MHS-CARK-V60/1500-			MHS-P2400	77507	66	MR-3000PG	A2835	122
MHS-2400-MST-S/S	64039	65	S/SMVECKS/S	82847	97	MHS-P2400	77507	68	MR-450PG	A2836	122
MHS-2400BT	77489	67	MHS-CARK-V72/1800	77944	90	MHS-P2400	77507	70	MR-600PG	A2837	122
MHS-2400BTV-2SAC	78018	96	MHS-CARK-V72/1800	77944	97	MHS-P2400S/S	77516	66	MR-750PG	A2838	122
MHS-2400BTV-2SAC-S/S	78327	96	MHS-CARK-V72/1800-			MHS-P2400S/S	77516	68	MR-900PG	A2839	122
MHS-2400BTV-S/S	77498	67	S/SMVECKS/S	82848	90	MHS-P2400S/S	77516	70	MSPBPK-S/S	77583	17
MHS-2400FPV	77798	69	MHS-CARK-V72/1800-			MHS-P600	77499	64	MSPMPK	75811	24
MHS-2400FPV-S/S	77808	69	S/SMVECKS/S	82848	97	MHS-P600	77499	66	MSPMPK-S/S	77582	24
MHS-2400V-2SAC	78173	89	MHS-CARK2-V120/3000	77954	90	MHS-P600	77499	68	MSP30	75804	110
MHS-2400V-2SAC-S/S	78548	89	MHS-CARK2-V120/3000	77954	97	MHS-P600	77499	70	MSP30-S/S	77473	110
MHS-3000BTV-2SAC	78019	96	MHS-CARK2-V120/3000-			MHS-P600S/S	77508	64	MSP36	75805	110
MHS-3000BTV-2SAC-S/S	78328	96	S/SMV2CKS	82853	90	MHS-P600S/S	77508	66	MSP36-S/S	77474	110
MHS-3000V-2SAC	78174	89	MHS-CARK2-V120/3000-			MHS-P600S/S	77508	68	MSP42	75806	110
MHS-3000V-2SAC-S/S	78549	89	S/SMV2CKS	82853	97	MHS-P600S/S	77508	70	MSP42-S/S	77475	110
MHS-600-MST	64020	65	MHS-CARK2-V60/1500	77950	90	MHS-P750	77500	64	MSP48	75807	110
MHS-600-MST-S/S	64030	65	MHS-CARK2-V60/1500	77950	97	MHS-P750	77500	66	MSP48-S/S	77476	110
MHS-600BT	77481	67	MHS-CARK2-V60/1500-			MHS-P750	77500	68	MSP54	75808	110
MHS-600BTV-S/S	77490	67	S/SMV2CKSS	82849	90	MHS-P750	77500	70	MSP54-S/S	77477	110
MHS-600BTV-SAC	78007	96	MHS-CARK2-V60/1500-			MHS-P750S/S	77509	64	MSP60	75809	110
MHS-600BTV-SAC-S/S	78316	96	S/SMV2CKSS	82849	97	MHS-P750S/S	77509	66	MSP60-S/S	77478	110
MHS-600FPV	77789	69	MHS-CARK2-V72/1800	77951	90	MHS-P750S/S	77509	68	MSP66	76695	110
MHS-600FPV-S/S	77799	69	MHS-CARK2-V72/1800	77951	97	MHS-P750S/S	77509	70	MSP66-S/S	77479	110
MHS-600V-SAC	78162	89	MHS-CARK2-V72/1800-			MHS-P900	77501	64	MSR	74914	163
MHS-600V-SAC-S/S	78537	89	S/SMV2CKSS	82850	90	MHS-P900	77501	66	MSR	74914	165
MHS-750-MST	64021	65	MHS-CARK2-V72/1800-			MHS-P900	77501	68	MSR-S/S	64924	165
MHS-750-MST-S/S	64031	65	S/SMV2CKSS	82850	97	MHS-P900	77501	70	MSR2-S/S	79378	164
MHS-750BT	77482	67	MHS-CARK2-V84/2100	77952	90	MHS-P900S/S	77510	64	MST-MBL	79436	71
MHS-750BTV-S/S	77491	67	MHS-CARK2-V84/2100	77952	97	MHS-P900S/S	77510	66	MST-MBR	79437	71
MHS-750BTV-SAC	78008	96	MHS-CARK2-V84/2100-			MHS-P900S/S	77510	68	MSTAM	79435	64
MHS-750BTV-SAC-S/S	78317	96	S/SMV2CKSS	82851	90	MHS-P900S/S	77510	70	MSTAM	79435	66
MHS-750FPV	77790	69	MHS-CARK2-V84/2100-			MMKU	77324	105	MSTAM	79435	110
MHS-750FPV-S/S	77800	69	S/SMV2CKSS	82851	97	MMKU-SS	77357	106	MSTAM-S/S	64931	64
MHS-750V-SAC	78163	89	MHS-CARK2-V96/2400	77953	90	MMKUHD	77327	105	MSTAM-S/S	64931	66
MHS-750V-SAC-S/S	78538	89	MHS-CARK2-V96/2400	77953	97	MMKUHD-SS	77358	106	MSTAM-S/S	64931	110
MHS-900-MST	64022	65	MHS-CARK2-V96/2400-			MMP-624	76450	22	MSTBBK	63067	64
MHS-900-MST-S/S	64032	65	S/SMV2CKSS	82852	90	MMP-624-S/S	77424	22	MSTBBK	63067	64
MHS-900BT	77483	67	MHS-CARK2-V96/2400-			MMP-630	76451	22	MSTBBK	63067	66
MHS-900BTV-S/S	77492	67	S/SMV2CKSS	82852	97	MMP-630-S/S	77425	22	MSTBBK	63067	66
MHS-900BTV-SAC	78009	96	MHS-P1050	77502	64	MMP-636	76452	22	MSTBBK	63067	110
MHS-900BTV-SAC-S/S	78318	96	MHS-P1050	77502	66	MMP-636-S/S	77426	22	MSTBBK	63067	110
MHS-900FPV	77791	69	MHS-P1050	77502	68	MMP-642	76453	22	MSTDB	79434	71
MHS-900FPV-S/S	77801	69	MHS-P1050	77502	70	MMP-642-S/S	77427	22	MSTHD-B	79433	64
MHS-900V-SAC	78164	89	MHS-P1050S/S	77511	64	MMP-648	76454	22	MSTHD-B	79433	66
MHS-900V-SAC-S/S	78539	89	MHS-P1050S/S	77511	66	MMP-648-S/S	77428	22	MSTHD-B	79433	110
MHS-CARK-V24/600	77937	90	MHS-P1050S/S	77511	68	MMP-654	76455	22	MSTHD-B-S/S	90183	57
MHS-CARK-V24/600	77937	97	MHS-P1050S/S	77511	70	MMP-654-S/S	77429	22	MSTHD-B-S/S	90183	64
MHS-CARK-V24/600-			MHS-P1200	77527	64	MMP-660	76456	22	MSTHD-B-S/S	90183	110
S/SMVECKS/S	82841	90	MHS-P1200	77527	66	MMP-660-S/S	77430	22	MSTHD-G	63020	64
MHS-CARK-V24/600-			MHS-P1200	77527	68	MMP-672	76457	22	MSTHD-G	63020	66
S/SMVECKS/S	82841	97	MHS-P1200	77527	70	MMP-672-S/S	77431	22	MSTHD-G	63020	110
MHS-CARK-V30/750	77938	90	MHS-P1200S/S	77528	64	MMP-684	76798	22	MSTHD-G-S/S	90184	57
MHS-CARK-V30/750	77938	97	MHS-P1200S/S	77528	66	MMP-684-S/S	77432	22	MSTHD-G-S/S	90184	64
MHS-CARK-V30/750-			MHS-P1200S/S	77528	68	MMPBPK	76466	24	MSTHD-G-S/S	90184	110
S/SMVECKS/S	82842	90	MHS-P1200S/S	77528	70	MMPBPK-S/S	77600	24	MSTHD-S	79432	64
MHS-CARK-V30/750-			MHS-P1350	77503	64	MMPCP24	76458	24	MSTHD-S	79432	66
S/SMVECKS/S	82842	97	MHS-P1350	77503	66	MMPCP24-S/S	77590	24	MSTHD-S	79432	110
MHS-CARK-V36/900	77939	90	MHS-P1350	77503	68	MMPCP30	76459	24	MSTHD-S-S/S	90182	57
MHS-CARK-V36/900	77939	97	MHS-P1350	77503	70	MMPCP30-S/S	77591	24	MSTHD-S-S/S	90182	64
MHS-CARK-V36/900-			MHS-P1350S/S	77512	64	MMPCP36	76460	24	MSTHD-S-S/S	90182	110
S/SMVECKS/S	82843	90	MHS-P1350S/S	77512	66	MMPCP36-S/S	77592	24	MSTHD-SS-B	90183	66
MHS-CARK-V36/900-			MHS-P1350S/S	77512	68	MMPCP42	76461	24	MSTHD-SS-G	90184	66
S/SMVECKS/S	82843	97	MHS-P1350S/S	77512	70	MMPCP42-S/S	77593	24	MSTHD-SS-S	90182	66
MHS-CARK-V42/1050	77940	90	MHS-P1500	77504	64	MMPCP48	76462	24	MSTHD-SS-W	90181	66
MHS-CARK-V42/1050	77940	97	MHS-P1500	77504	66	MMPCP48-S/S	77594	24	MSTHD-W	79431	64
MHS-CARK-V42/1050-			MHS-P1500	77504	68	MMPCP54	76463	24	MSTHD-W	79431	66
S/SMVECKS/S	82844	90	MHS-P1500	77504	70	MMPCP54-S/S	77595	24	MSTHD-W	79431	110
MHS-CARK-V42/1050-			MHS-P1500S/S	77513	64	MMPCP60	76464	24	MSTHD-W-S/S	90181	64
S/SMVECKS/S	82844	97	MHS-P1500S/S	77513	66	MMPCP60-S/S	77596	24	MSTHD-W-S/S	90181	110
MHS-CARK-V48/1200	77941	90	MHS-P1500S/S	77513	68	MMPCP72	76465	24	MSTLOCKPINS	G2309	111
MHS-CARK-V48/1200	77941	97	MHS-P1500S/S	77513	70	MMPCP72-S/S	77597	24	MSTLP	64930	64
MHS-CARK-V48/1200-			MHS-P1800	77505	64	MMPCP84	76808	24	MSTLP	64930	64
S/SMVECKS/S	82845	90	MHS-P1800	77505	66	MMPCP84-S/S	77598	24	MSTLP	64930	66
MHS-CARK-V48/1200-			MHS-P1800	77505	68	MORK	74921	165	MSTLP	64930	66
S/SMVECKS/S	82845	97	MHS-P1800	77505	70	MORK	74921	165	MSTLP	64930	110
MHS-CARK-V54/1350	77942	90	MHS-P1800S/S	77514	64	MPSTA-S/S	82289	106	MSTLP	64930	110
MHS-CARK-V54/1350	77942	97	MHS-P1800S/S	77514	66	MQMTSBK-SS	82895	106	MUPSBK	82896	105

INDEX By Ordering Number

Ordering Number	Item Code	Page #	Ordering Number	Item Code	Page #	Ordering Number	Item Code	Page #	Ordering Number	Item Code	Page #
MUPSBK-SS	82893	106	PATHK	78794	37	PP900	73009	59	PTM-1050-1		163
N6D3T-24-9-A45	26107	129	PATLK	78791	37	PP900-S/S	75385	59	PTM-1050-1-S/S		164
N6D3T-30-11-A45	26108	129	PBC-1	61356	172	PPHD1800	74597	59	PTM-1050-2		163
N6D3T-36-13-A45	26109	129	PBC-2	61357	172	PPHD1800-S/S	A1781	59	PTM-1050-2-S/S		164
N6D3T-42-15-A45	26110	129	PBC-FR	61358	172	PPHD2000	74556	59	PTM-1050-3		163
N6D3T-48-17-A45	26111	129	PCAP-24/600	77913	78	PPHD2000-S/S	A2120	59	PTM-1050-3-S/S		164
N6D3T-54-19-A45	26112	129	PCAP-24/600-S/S	78355	80	PPHD2100	A2803	59	PTM-1200-1		163
N6D3T-60-21-A45	26113	129	PCAP-30/750	77914	78	PPHD2100-S/S	A1613	59	PTM-1200-1-S/S		164
N6D3T-72-25-A45	26114	129	PCAP-30/750-S/S	78356	80	PPHD2400	74557	59	PTM-1200-2		163
NI6D3T-24-9-A45	26184	131	PCAP-36/900	77915	78	PPHD2400-S/S	A1775	59	PTM-1200-2-S/S		164
NI6D3T-30-11-A45	26185	131	PCAP-36/900-S/S	78357	80	PPS6	73024	59	PTM-1200-3		163
NI6D3T-36-13-A45	26186	131	PCAP-42/1050	77916	78	PS1050	73543	121	PTM-1200-3-S/S		164
NI6D3T-42-15-A45	26187	131	PCAP-42/1050-S/S	78358	80	PS1050PL	73585	121	PTM-1350-1		163
NI6D3T-48-17-A45	26188	131	PCAP-48/1200	77917	78	PS1200	73544	121	PTM-1350-1-S/S		164
NI6D3T-54-19-A45	26189	131	PCAP-48/1200-S/S	78359	80	PS1200PL	73586	121	PTM-1350-2		163
NI6D3T-60-21-A45	26190	131	PCAP-54/1350	77918	78	PS1400	73546	121	PTM-1350-2-S/S		164
NI6D3T-72-25-A45	26191	131	PCAP-54/1350-S/S	78360	80	PS1400PL	73587	121	PTM-1350-3		163
OIBBK	76950	143	PCAP-60/1500	77919	78	PS1500	73545	121	PTM-1350-3-S/S		164
P-CARK-V24/600	78080	76	PCAP-60/1500-S/S	78361	80	PS1500PL	73588	121	PTM-1500-1		163
P-CARK-V24/600-S/SPVECKS/S	82815	76	PCAP-72/1800	77920	78	PS1800	73537	121	PTM-1500-1-S/S		164
P-CARK-V30/750	78081	76	PCAP-72/1800-S/S	78362	80	PS1800PL	74049	121	PTM-1500-2		163
P-CARK-V30/750-S/SPVECKS/S	82816	76	PCB	75507	55	PS2000	73539	121	PTM-1500-2-S/S		164
P-CARK-V36/900	78082	76	PFC-P-S/S	79289	59	PS2000PL	74050	121	PTM-1500-3		163
P-CARK-V36/900-S/SPVECKS/S	82817	76	PHA	73626	59	PS600	73014	121	PTM-1500-3-S/S		164
P-CARK-V42/1050	78083	76	PHA	73626	78	PS600PL	73582	121	PTM-1600-1		163
P-CARK-V42/1050-S/SPVECKS/S	82818	76	PHDCB	75510	56	PS750	73541	121	PTM-1600-1-S/S		164
P-CARK-V48/1200	78084	76	PHSC-S/S	73433	59	PS750PL	73583	121	PTM-1600-2		163
P-CARK-V48/1200-S/SPVECKS/S	82819	76	PHSC-S/S	73433	80	PS900	73542	121	PTM-1600-2-S/S		164
P-CARK-V54/1350	78085	76	PHSC-S/S	73433	121	PS900PL	73584	121	PTM-1600-3		163
P-CARK-V54/1350-S/SPVECKS/S	82820	76	PMB	75895	28	PSA150	73156	59	PTM-1600-3-S/S		164
P-CARK-V60/1500	78086	76	PMBL	75516	78	PSA150	73156	78	PTM-1800-1		163
P-CARK-V60/1500-S/SPVECKS/S	82821	76	PMBL	75516	85	PSA150(V-Tip)	73156	75	PTM-1800-1-S/S		164
P-CARK-V72/1800	78087	76	PMBL	75516	98	PSN11010	74053	121	PTM-1800-2		163
P-CARK-V72/1800-S/SPVECKS/S	82822	76	PMBL	75516	115	PSR-L	74560	154	PTM-1800-2-S/S		164
P-CARK2-V120/3000	78097	76	PMBL-S/S	75518	71	PSR-L-F	62352	154	PTM-1800-3		163
P-CARK2-V120/3000-S/SPV2ECKSS	82827	76	PMBL-S/S	75518	80	PSR-M	74559	154	PTM-1800-3-S/S		164
P-CARK2-V60/1500	78093	76	PMBL-S/S	75518	87	PSR-M-F	62351	154	PTM-2000-1		163
P-CARK2-V60/1500-S/SPV2ECKSS	82823	76	PMBL-S/S	75518	92	PSR-S	74558	154	PTM-2000-1-S/S		164
P-CARK2-V72/1800	78094	76	PMBL-S/S	75518	100	PSR-S-F	62350	154	PTM-2000-2		163
P-CARK2-V72/1800-S/SPV2ECKSS	82824	76	PMBL-S/S(left)	75518	59	PSR-XL	74561	154	PTM-2000-2-S/S		164
P-CARK2-V78/1950	82876	76	PMBL-S/S(left)	75518	61	PSR-XL-F	62353	154	PTM-2000-3		163
P-CARK2-V84/2100	78095	76	PMBL-S/S(right)	75518	68	PSSS	74773	59	PTM-2000-3-S/S		164
P-CARK2-V84/2100-S/SPV2ECKSS	82825	76	PMBL-S/S(right)	75521	59	PSSS-H	73222	121	PTM-2400-1		163
P-CARK2-V96/2400	78096	76	PMBL(left)	75521	61	PSSS-N	73221	121	PTM-2400-1-S/S		164
P-CARK2-V96/2400-S/SPV2ECKSS	82826	76	PMBL(left)	75516	55	PST2-S	77724	28	PTM-2400-2		163
PAB	75513	55	PMBL(left)	75516	56	PST2-W	77723	28	PTM-2400-2-S/S		164
PAB	75513	56	PMBL(right)	75516	56	PSTA	75896	24	PTM-2400-3		163
PAB	75513	59	PMBR	75519	59	PSTA	75896	28	PTM-2400-3-S/S		164
PAB	75513	61	PMBR	75519	55	PSTA-S/S	77442	24	PTM-2600-1		163
PAB	75513	68	PMBR(right)	75519	56	PSTS-S	75899	28	PTM-2600-1-S/S		164
PAB	75513	78	PMR-CHB-L60	61073	122	PSTS-S	75899	31	PTM-2600-2		163
PAB	75513	85	PMR-CHB-L73	61075	122	PSTS-S	75899	36	PTM-2600-2-S/S		164
PAB	75513	98	PMR-CHB-R60	61074	122	PSTS-S	75899	36	PTM-2600-3		163
PAB	75513	115	PMR-CHB-R73	61076	122	PSTS-S-S/S	79056	36	PTM-2600-3-S/S		164
PAB-S/S	75515	59	PMSMK	74916	165	PSTS-W	75898	24	PTM-3000-1		163
PAB-S/S	75515	61	PMSMK-S/S	64925	165	PSTS-W	75898	28	PTM-3000-1-S/S		164
PAB-S/S	75515	68	PP1050	73011	59	PSTS-W	75898	31	PTM-3000-2		163
PAB-S/S	75515	80	PP1050-S/S	75386	59	PSVA	73434	121	PTM-3000-2-S/S		164
PAB-S/S	75515	87	PP1200	73013	59	PTEZ-1050	90269	156	PTM-3000-3		163
PAB-S/S	75515	100	PP1200-S/S	75387	59	PTEZ-1200	90270	156	PTM-3000-3-S/S		164
PACB100	65803	71	PP1400	73015	59	PTEZ-450	90265	156	PTM-750-1		163
PACB100	65803	92	PP1400-S/S	75388	59	PTEZ-600	90266	156	PTM-750-1-S/S		164
PACB60	66055	71	PP1500	73016	59	PTEZ-750	90267	156	PTM-750-2		163
PACB60	66055	92	PP1500-S/S	75389	59	PTEZ-900	90268	156	PTM-750-2-S/S		164
PAT1	65571	37	PP450	73003	59	PTEZHD-1050	90616	156	PTM-750-3		163
PAT1	65571	71	PP450-S/S	75382	59	PTEZHD-1200	90617	156	PTM-750-3-S/S		164
PAT1	65571	92	PP600	73005	59	PTEZHD-1350	90618	156	PTM-900-1		163
PAT2	66056	37	PP600-S/S	75383	59	PTEZHD-1500	90619	156	PTM-900-1-S/S		164
PAT2	66056	71	PP750	73007	59	PTEZHD-1500	90619	156	PTM-900-2		163
PAT2	66056	92	PP750-S/S	75384	59	PTEZHD-1600	90796	156	PTM-900-2-S/S		164
						PTEZHD-1800	90620	156	PTM-900-3		163
						PTEZHD-2000	90797	156	PTM-900-3-S/S		164
						PTEZHD-2100	90621	156	PTMSR	A0235	163
						PTEZHD-DCK	90805	156	PTPK	75897	28
						PTEZHD-JBBK	90807	156	PTPK-MT	82343	105
						PTEZHD-MBK	90803	156	PTPK-MT-S/S	82342	106
						PTEZHD-PBK	90804	156	PTS-18R	77664	160
						PTEZHD-WRBK	90806	156	PTS-24R	77665	160
						PTK	65746	66	PTS-30R	77666	160
						PTK	65746	66	PTS-36R	77667	160
						PTK	65746	68	PTS-42R	77668	160
						PTK	65746	68	PTS-48R	77669	160
						PTK	65746	70	PTS-54R	77670	160
						PTK	65746	70	PTS-60R	77671	160

INDEX By Ordering Number

Ordering Number	Item Code	Page #	Ordering Number	Item Code	Page #	Ordering Number	Item Code	Page #	Ordering Number	Item Code	Page #
PTS-72R	77672	160	QMTBK-G	76540	24	RBPSR-XL-CCT	28254	155	RMC1-CB	75817	167
PTS-ABK	77693	161	QMTBK-G	76540	24	RBVP-HD-1050	68253	150	RMC1-PP	75832	167
PTS-EBK	77702	161	QMTBK-GCN	82174	105	RBVP-HD-1200	68254	150	RMC2-AP	76559	167
PTS-HDSR	77692	161	QMTBK-GCN	82174	106	RBVP-HD-1350	68255	150	RMC2-AP-S/S	A2704	167
PTS-HIBK	77697	161	QMTBK-P	76097	24	RBVP-HD-1500	68256	150	RP1050	74608	61
PTS-IBK	77696	161	QMTBK-P	76097	24	RBVP-HD-1600	68257	150	RP1050-S/S	75404	61
PTS-LHSAA	77756	161	QMTBK-W	76098	24	RBVP-HD-1800	68258	150	RP1200	74609	61
PTS-MBK	77700	161	QMTBK-W	76098	24	RBVP-HD-2000	68259	150	RP1200-S/S	75405	61
PTS-MBKUG	77701	161	QMTBK-W	76098	28	RBVP-HD-2200	68260	150	RP1400	74610	61
PTS-PA	77699	161	QMTBK-W	76098	31	RBVP-HD-2400	68261	150	RP1400-S/S	75406	61
PTS-PS	77698	161	QMTBK-WS-MT	82175	105	RBVP-HD-2500	68262	150	RP1500	74611	61
PTS-RHSAA	77755	161	QMTBK-WS-MT	82175	106	RBVP-HD-2600	68263	150	RP1500-S/S	75407	61
PTS-RR21	77680	160	QMTPAK	76096	24	RBVP-HD-2800	68264	150	RP450	74604	61
PTS-RR27	77681	160	QMTPAK-S/S	77587	24	RBVP-HD-3000	68265	150	RP450-S/S	75400	61
PTS-RR33	77682	160	QMTPSBK	76099	24	RBVP-HD-3200	68266	150	RP600	74605	61
PTS-RR39	77683	160	QMTPSBK-CN	82182	105	RBVP-HD-900	68252	150	RP600-S/S	75401	61
PTS-RR45	77684	160	QMTPSBK-S/S	77588	24	RBVP-HD-N	91782	151	RP750	74606	61
PTS-RR51	77685	160	QMTS-G	76484	24	RBVP-HD-S-1050	91784	151	RP750-S/S	75402	61
PTS-RR57	77686	160	QMTS-G-S/S	77452	17	RBVP-HD-S-1200	91785	151	RP900	74607	61
PTS-RR63	77687	160	QMTS-G-S/S	77452	24	RBVP-HD-S-1350	91786	151	RP900-S/S	75403	61
PTS-RR75	77689	160	QMTS-G-SS	77452	106	RBVP-HD-S-1500	91787	151	RPHD1800	74613	61
PTS-SAK	77694	161	QMTS-P	75845	16	RBVP-HD-S-1600	91788	151	RPHD1800-S/S	A1575	61
PTS-SR	77691	161	QMTS-P	75845	24	RBVP-HD-S-1800	91789	151	RPHD2000	74614	61
PV1050	73010	58	QMTS-P	75845	105	RBVP-HD-S-2000	91790	151	RPHD2000-S/S	61270	61
PV1050-S/S	75327	58	QMTS-P-S/S	77450	17	RBVP-HD-S-2200	91791	151	RPHD2100	A2527	61
PV1050-SAC	78023	75	QMTS-P-S/S	77450	24	RBVP-HD-S-2400	91792	151	RPHD2100-S/S	A1629	61
PV1050-SAC-S/S	78332	75	QMTS-P-SS	77450	106	RBVP-HD-S-2500	91793	151	RPHD2400	74615	61
PV1200	73012	58	QMTS-W-S/S	77451	17	RBVP-HD-S-2600	91794	151	RPHD2400-S/S	61271	61
PV1200-S/S	75328	58	QMTS-W-SS	77451	106	RBVP-HD-S-2800	91795	151	RS-1-15-24-35		170
PV1200-SAC	78024	75	QSTS-W-S/S	77451	24	RBVP-HD-S-3000	91796	151	RS-1-15-30-35		170
PV1200-SAC-S/S	78333	75	R-CARK-V24/600	78106	83	RBVP-HD-S-3200	91797	151	RS-1-15-36-35		170
PV1350-SAC	78025	75	R-CARK-V24/600-S/SRVECKSS	82828	83	RBVP-HD-S-900	91783	151	RS-1-15-42-35		170
PV1350-SAC-S/S	78334	75	R-CARK-V30/750	78107	83	RBVP-SD-1050	68270	150	RS-1-15-48-35		170
PV1400	73436	58	R-CARK-V30/750-S/SRVECKSS	82829	83	RBVP-SD-1200	68271	150	RS-1-15-54-35		170
PV1400-S/S	75329	58	R-CARK-V30/750-S/SRVECKSS	82829	83	RBVP-SD-1350	68272	150	RS-1-15-60-35		170
PV1500	73437	58	R-CARK-V36/900	78108	83	RBVP-SD-1500	68273	150	RS-1-15-66-35		170
PV1500-2SAC	78028	75	R-CARK-V36/900-S/SRVECKSS	82830	83	RBVP-SD-1800	68274	150	RS-1-15-72-35		170
PV1500-2SAC-S/S	78337	75	R-CARK-V42/1050	78109	83	RBVP-SD-2000	68275	150	RS-1-15-84-35		170
PV1500-S/S	75330	58	R-CARK-V42/1050-S/SRVECKSS	82831	83	RBVP-SD-2200	68276	150	RS-1-15-96-35		170
PV1500-SAC	78026	75	R-CARK-V42/1050-S/SRVECKSS	82831	83	RBVP-SD-2400	68277	150	RSA	76249	61
PV1500-SAC-S/S	78335	75	R-CARK-V48/1200	78110	83	RBVP-SD-2600	68278	150	RSA	76249	85
PV1800-2SAC	78029	75	R-CARK-V48/1200-S/SRVECKSS	82832	83	RBVP-SD-2800	68279	150	RSA150	73628	61
PV1800-2SAC-S/S	78338	75	R-CARK-V48/1200-S/SRVECKSS	82832	83	RBVP-SD-600	68267	150	RSA150	73628	62
PV1800-SAC	78027	75	R-CARK-V54/1350	78111	83	RBVP-SD-750	68268	150	RSA150	73628	64
PV1800-SAC-S/S	78336	75	R-CARK-V54/1350-S/SRVECKSS	82833	83	RBVP-SD-900	68269	150	RSA150	73628	66
PV1950-2SAC-S/S	78656	75	R-CARK-V54/1350-S/SRVECKSS	82833	83	RBVP-SD-N	91768	151	RSA150	73628	68
PV2100-2SAC	78030	75	R-CARK-V60/1500	78112	83	RBVP-SD-S-1050	91772	151	RSA150	73628	70
PV2100-2SAC-S/S	78339	75	R-CARK-V60/1500-S/SRVECKSS	82834	83	RBVP-SD-S-1200	91773	151	RSA150	73628	85
PV2400-2SAC	78031	75	R-CARK-V60/1500-S/SRVECKSS	82834	83	RBVP-SD-S-1350	91774	151	RSA150	73628	91
PV2400-2SAC-S/S	78340	75	R-CARK-V72/1800	78113	83	RBVP-SD-S-1500	91775	151	RSA150	73628	98
PV3000-2SAC	78032	75	R-CARK-V72/1800-S/SRVECKSS	82835	83	RBVP-SD-S-1800	91776	151	RSA150-EL	61141	62
PV3000-2SAC-S/S	78341	75	R-CARK-V72/1800-S/SRVECKSS	82835	83	RBVP-SD-S-2000	91777	151	RSA150-EL	61141	64
PV450	73435	58	R-CARK2-V120/3000	78123	83	RBVP-SD-S-2200	91778	151	RSA150-EL	61141	64
PV450-S/S	75323	58	R-CARK2-V120/3000-S/SRV2ECKSS	82840	83	RBVP-SD-S-2400	91779	151	RSA150	73628	82
PV600	73004	58	R-CARK2-V60/1500	78119	83	RBVP-SD-S-2600	91780	151	RSA150	73628	89
PV600-S/S	75324	58	R-CARK2-V60/1500-S/SRV2ECKSS	82840	83	RBVP-SD-S-2800	91781	151	RSA150	73628	96
PV600-SAC	78020	75	R-CARK2-V60/1500-S/SRV2ECKSS	82836	83	RC-S/S	76250	61	RV1050	74637	60
PV600-SAC-S/S	78329	75	R-CARK2-V72/1800	78120	83	RC-S/S	76250	87	RV1050-S/S	75345	60
PV750	73006	58	R-CARK2-V72/1800-S/SRV2ECKSS	82837	83	RCAP-24/600	77921	85	RV1050-SAC	78036	82
PV750-S/S	75325	58	R-CARK2-V84/2100	78121	83	RCAP-24/600-S/S	78363	87	RV1050-SAC-S/S	78345	82
PV750-SAC	78021	75	R-CARK2-V84/2100-S/SRV2ECKSS	82838	83	RCAP-30/750	77922	85	RV1200-S/S	75346	60
PV750-SAC-S/S	78330	75	R-CARK2-V84/2100-S/SRV2ECKSS	82838	83	RCAP-30/750-S/S	78364	87	RV1200-SAC	78037	82
PV900	73008	58	R-CARK2-V96/2400	78122	83	RCAP-36/900	77923	85	RV1200-SAC-S/S	78346	82
PV900-S/S	75326	58	R-CARK2-V96/2400-S/SRV2ECKSS	82839	83	RCAP-36/900-S/S	78365	87	RV1350-SAC	78038	82
PV900-SAC	78022	75	RBPCP	73162	155	RCAP-42/1050	77924	85	RV1350-SAC-S/S	78347	82
PV900-SAC-S/S	78331	75	RBPFK-L	73948	155	RCAP-42/1050-S/S	78366	87	RV1400	74639	60
PVHD1800	74598	58	RBPFK-M	73947	155	RCAP-48/1200	77925	85	RV1400-S/S	75347	60
PVHD1800-S/S	A1603	58	RBPFK-S	73946	155	RCAP-48/1200-S/S	78367	87	RV1500	74640	60
PVHD2000	75452	58	RBPFK-XL	73949	155	RCAP-54/1350	77926	85	RV1500-2SAC	78041	82
PVHD2000-S/S	A2046	58	RBPRET	A1622	155	RCAP-54/1350-S/S	78368	87	RV1500-2SAC-S/S	78350	82
PVHD2100	74553	58	RBPRET	73163	161	RCAP-60/1500	77927	85	RV1500-SAC	78039	82
PVHD2100-S/S	A1604	58	RBPSR-L	74564	155	RCAP-60/1500-S/S	78369	87	RV1500-SAC-S/S	78348	82
PVHD2400	74555	58	RBPSR-L-CCT	28253	155	RCAP-72/1800	77928	85	RV1800-2SAC	78042	82
PVHD2400-S/S	A1605	58	RBPSR-L-CCT	28253	155	RCAP-72/1800-S/S	78370	87	RV1800-2SAC-S/S	78351	82
PVT6-S/S	75420	59	RBPSR-M	74563	155	ReduceAdapF3/4	61058	121	RV1800-SAC	78040	82
PVT6-S/S	75420	80	RBPSR-M-CCT	28251	155	RIBBK	81250	129	RV1800-SAC-S/S	78349	82
PVT6-S/S	75420	121	RBPSR-S	74562	155	RIBBK	81250	131	RV1950-2SAC-S/S	78663	82
QMT-G	76483	24	RBPSR-S-CCT	28250	155	RIBBK	81250	133	RV2100-2SAC	78043	82
QMT-G	76484	105	RBPSR-XL	74565	155	RIBBK	81250	136	RV2100-2SAC-S/S	78352	82
QMT-G-S/S	77586	24				RMC-FS	76558	167	RV2400-2SAC	78044	82
QMT-P	76074	24				RMC1-BPP	76415	167	RV2400-2SAC-S/S	78353	82
QMT-P-S/S	77584	24							RV3000-2SAC	78045	82
QMT-W	76075	24									
QMT-W-S/S	77585	24									

INDEX By Ordering Number

Ordering Number	Item Code	Page #	Ordering Number	Item Code	Page #	Ordering Number	Item Code	Page #	Ordering Number	Item Code	Page #
RV3000-2SAC-S/S	78354	82	SACPL-48/1200-S/S	78375	79	SACRHL	77884	92	SHIM-MDKIT	82394	136
RV450	74633	60	SACPL-48/1200-S/S	78375	86	SACRHL	77884	98	SKPU-10X1/2X25	91311	168
RV450-S/S	75341	60	SACPL-48/1200-S/S	78375	93	SACRHL-S/S	78398	80	SKPU-10X1/2X50	91316	168
RV600	74634	60	SACPL-48/1200-S/S	78375	99	SACRHL-S/S	78398	87	SKPU-10X1X25	91314	168
RV600-S/S	75342	60	SACPL-54/1350	77892	77	SACRHL-S/S	78398	94	SKPU-10X1X50	91319	168
RV600-SAC	78033	82	SACPL-54/1350	77892	84	SACRHL-S/S	78398	100	SKPU-10X3/4X25	91313	168
RV600-SAC-S/S	78342	82	SACPL-54/1350	77892	91	SACRKN	77882	42	SKPU-10X3/4X50	91318	168
RV750	74635	60	SACPL-54/1350	77892	98	SACRKN	77882	78	SKPU-10X3/8X25	91310	168
RV750-S/S	75343	60	SACPL-54/1350-S/S	78376	79	SACRKN	77882	80	SKPU-10X3/8X50	91315	168
RV750-SAC	78034	82	SACPL-54/1350-S/S	78376	86	SACRKN	77882	85	SKPU-10X5/8X25	91312	168
RV750-SAC-S/S	78343	82	SACPL-54/1350-S/S	78376	93	SACRKN	77882	87	SKPU-10X5/8X50	91317	168
RV900	74636	60	SACPL-54/1350-S/S	78376	99	SACRKN	77882	92	SKPU-12X1/2X25	91321	168
RV900-S/S	75344	60	SACPL-60/1500	77893	77	SACRKN	77882	94	SKPU-12X1/2X50	91326	168
RV900-SAC	78035	82	SACPL-60/1500	77893	84	SACRKN	77882	98	SKPU-12X1X35	91234	168
RV900-SAC-S/S	78344	82	SACPL-60/1500	77893	91	SACRKN	77882	100	SKPU-12X1X50	91329	168
RVHD1800	74642	60	SACPL-60/1500	77893	98	SACRKT	77886	78	SKPU-12X3/4/50	91328	168
RVHD1800-S/S	A1626	60	SACPL-60/1500-S/S	78377	79	SACRKT	77886	85	SKPU-12X3/8X25	91323	168
RVHD2000	75463	60	SACPL-60/1500-S/S	78377	86	SACRKT	77886	92	SKPU-12X3/8X25	91320	168
RVHD2100	74643	60	SACPL-60/1500-S/S	78377	93	SACRKT	77886	98	SKPU-12X3/8X50	91325	168
RVHD2100-S/S	A1628	60	SACPL-60/1500-S/S	78377	99	SACRKT-S/S	78401	80	SKPU-12X5/8X25	91322	168
RVHD2400	74644	60	SACPL-72/1800	77894	77	SACRKT-S/S	78401	87	SKPU-4X1/2X25	91289	168
RVHD2400-S/S	A1610	60	SACPL-72/1800	77894	84	SACRKT-S/S	78401	94	SKPU-4X1/2X50	91294	168
RVT6-S/S	76205	61	SACPL-72/1800	77894	91	SACRKT-S/S	78401	100	SKPU-4X1X25	91292	168
RVT6-S/S	76205	62	SACPL-72/1800	77894	98	SACSK	77052	92	SKPU-4X1X50	91297	168
RVT6-S/S	76205	64	SACPL-72/1800-S/S	78378	79	SACSK	77052	94	SKPU-4X3/4X25	91291	168
RVT6-S/S	76205	66	SACPL-72/1800-S/S	78378	86	SACSRC	77065	92	SKPU-4X3/4X50	91296	168
RVT6-S/S	76205	68	SACPL-72/1800-S/S	78378	93	SACSRC	77065	94	SKPU-4X3/8X25	91288	168
RVT6-S/S	76205	70	SACPL-72/1800-S/S	78378	99	SB-MB-S/S	A1535	121	SKPU-4X3/8X50	91293	168
RVT6-S/S	76205	87	SACPL2-120/3000	77899	77	SB-UC38-S/S	A1536	121	SKPU-4X5/8X25	91290	168
RVT6-S/S	76205	94	SACPL2-120/3000	77899	84	SB1050	A0334	121	SKPU-4X5/8X50	91295	168
RVT6-S/S	76205	100	SACPL2-120/3000	77899	91	SB1050-SEC	61066	120	SKPU-6X1/2x25	90283	168
SAC2-TIP-TL	77866	78	SACPL2-120/3000	77899	98	SB1050A	A0435	120	SKPU-6X1/2X50	91222	168
SAC2-TIP-TL	77866	80	SACPL2-120/3000-S/S	78383	79	SB1200	A0863	121	SKPU-6X1X25	91300	168
SAC2-TIP-TL	77866	85	SACPL2-120/3000-S/S	78383	86	SB1200-SEC	61067	120	SKPU-6X1X50	91303	168
SAC2-TIP-TL	77866	87	SACPL2-120/3000-S/S	78383	93	SB1200A	A0316	120	SKPU-6X3/4x25	90284	168
SAC2-TIP-TL	77866	92	SACPL2-120/3000-S/S	78383	99	SB1400	A0827	121	SKPU-6X3/4X50	91223	168
SAC2-TIP-TL	77866	94	SACPL2-60/1500	77895	77	SB1400-SEC	61068	120	SKPU-6X3/8X25	91298	168
SAC2-TIP-TL	77866	98	SACPL2-60/1500	77895	84	SB1400A	A1620	120	SKPU-6X3/8X50	91301	168
SAC2-TIP-TL	77866	100	SACPL2-60/1500	77895	91	SB1500	A2033	121	SKPU-6X5/8X25	91299	168
SACKRP	77885	42	SACPL2-60/1500	77895	98	SB1500-SEC	61069	120	SKPU-6X5/8X50	91302	168
SACKRP	77885	78	SACPL2-60/1500-S/S	78379	79	SB1500A	A1838	120	SKPU-8X1/2x25	90285	168
SACKRP	77885	85	SACPL2-60/1500-S/S	78379	86	SB1800	A0317	121	SKPU-8X1X25	91306	168
SACKRP	77885	92	SACPL2-60/1500-S/S	78379	93	SB1800-SEC	61070	120	SKPU-8X1X50	91224	168
SACKRP	77885	98	SACPL2-60/1500-S/S	78379	99	SB1800A	A1357	120	SKPU-8X1X50	91309	168
SACKRP-S/S	78399	80	SACPL2-72/1800	77896	77	SB2100	61287	121	SKPU-8X3/4x25	90286	168
SACKRP-S/S	78399	87	SACPL2-72/1800	77896	84	SB2400	A1776	121	SKPU-8X3/4X50	91225	168
SACKRP-S/S	78399	94	SACPL2-72/1800	77896	91	SB4	78789	129	SKPU-8X3/8X35	91304	168
SACKRP-S/S	78399	100	SACPL2-72/1800	77896	98	SB4	78789	131	SKPU-8X3/8X50	91307	168
SACPL-24/600	77887	77	SACPL2-72/1800-S/S	78380	79	SB4	78789	133	SKPU-8X5/8X35	91305	168
SACPL-24/600	77887	84	SACPL2-72/1800-S/S	78380	86	SB4	78789	136	SKPU-8X5/8X50	91308	168
SACPL-24/600	77887	91	SACPL2-72/1800-S/S	78380	93	SB5	78790	129	SKPU-DUAL-6X1/2X25	91400	167
SACPL-24/600	77887	98	SACPL2-72/1800-S/S	78380	99	SB5	78790	131	SKPU-DUAL-6X1/2X50	91404	167
SACPL-24/600-S/S	78371	79	SACPL2-78/1950-S/S	78642	79	SB5	78790	133	SKPU-DUAL-6X3/4X25	91401	167
SACPL-24/600-S/S	78371	86	SACPL2-78/1950-S/S	78642	86	SB5	78790	136	SKPU-DUAL-6X3/4X50	91405	167
SACPL-24/600-S/S	78371	93	SACPL2-78/1950-S/S	78642	93	SB600	A0886	121	SKPU-DUAL-8X1/2X25	91402	167
SACPL-24/600-S/S	78371	99	SACPL2-78/1950-S/S	78642	99	SB600-SEC	61063	120	SKPU-DUAL-8X1/2X50	91406	167
SACPL-30/750	77888	77	SACPL2-84/2100	77897	77	SB600A	A0887	120	SKPU-DUAL-8X3/4X25	91403	167
SACPL-30/750	77888	84	SACPL2-84/2100	77897	84	SB750	A0408	121	SKPU-DUAL-8X3/4X50	91407	167
SACPL-30/750	77888	91	SACPL2-84/2100	77897	91	SB750-SEC	61064	120	SKPUT-12X5/8X50	91327	168
SACPL-30/750	77888	98	SACPL2-84/2100	77897	98	SB750A	A0407	120	SMR-CCB-L60	A2844	122
SACPL-30/750-S/S	78372	79	SACPL2-84/2100-S/S	78381	79	SB900	A0696	121	SMR-CCB-L73	A2842	78
SACPL-30/750-S/S	78372	86	SACPL2-84/2100-S/S	78381	86	SB900-SEC	61065	120	SMR-CCB-L73	A2842	85
SACPL-30/750-S/S	78372	93	SACPL2-84/2100-S/S	78381	93	SB900A	A0912	120	SMR-CCB-L73	A2842	98
SACPL-30/750-S/S	78372	99	SACPL2-84/2100-S/S	78381	99	SC-7-24	170	170	SMR-CCB-L73	A2842	122
SACPL-36/900	77889	77	SACPL2-96/2400	77898	77	SC-7-30	170	170	SMR-CCB-R60	A2845	122
SACPL-36/900	77889	84	SACPL2-96/2400	77898	84	SC-7-36	170	170	SMR-CCB-R73	A2843	78
SACPL-36/900	77889	91	SACPL2-96/2400	77898	91	SC-7-42	170	170	SMR-CCB-R73	A2843	85
SACPL-36/900	77889	98	SACPL2-96/2400	77898	98	SC-7-48	170	170	SMR-CCB-R73	A2843	98
SACPL-36/900-S/S	78373	79	SACPL2-96/2400-S/S	78382	79	SC-7-54	170	170	SMR-CCB-R73	A2843	122
SACPL-36/900-S/S	78373	86	SACPL2-96/2400-S/S	78382	86	SC-7-60	170	170	SP-24	171	171
SACPL-36/900-S/S	78373	93	SACPL2-96/2400-S/S	78382	93	SC-7-66	170	170	SP-48	171	171
SACPL-36/900-S/S	78373	99	SACPL2-96/2400-S/S	78382	99	SC-7-72	170	170	SP-72	171	171
SACPL-42/1050	77890	77	SACRH	77883	42	SC-7-84	170	170	SP-96	171	171
SACPL-42/1050	77890	84	SACRH	77883	78	SC-7-96	170	170	SPFC	79200	66
SACPL-42/1050	77890	91	SACRH	77883	85	SCU60	82812	105	SPFC	79200	68
SACPL-42/1050	77890	98	SACRH	77883	92	SCU60-S/S	82810	106	SPFC	79200	70
SACPL-42/1050-S/S	78374	79	SACRH	77883	98	SCUHD	82813	105	SPFC	79200	91
SACPL-42/1050-S/S	78374	86	SACRH-S/S	78397	80	SCUHD-S/S	82811	106	SPFC	79200	98
SACPL-42/1050-S/S	78374	93	SACRH-S/S	78397	87	SHIM-KITH	77550	141	SPFC-S/S	79201	66
SACPL-42/1050-S/S	78374	99	SACRH-S/S	78397	94	SHIM-KITL	77548	139	SPFC-S/S	79201	68
SACPL-48/1200	77891	77	SACRH-S/S	78397	100	SHIM-KITM	77549	140	SPFC-S/S	79201	70
SACPL-48/1200	77891	84	SACRHL	77884	42	SHIM-LDKIT	82393	129	SPFC-S/S	79201	94
SACPL-48/1200	77891	91	SACRHL	77884	78	SHIM-LDKIT	82393	131	SPFC-S/S	79201	100
SACPL-48/1200	77891	98	SACRHL	77884	85	SHIM-LDKIT	82393	133	SPG-CVR-A	77387	21

INDEX By Ordering Number

Ordering Number	Item Code	Page #	Ordering Number	Item Code	Page #	Ordering Number	Item Code	Page #	Ordering Number	Item Code	Page #
SPG-CVR-A	77387	74	STAKHD	75892	92	STS-W-S/S	77630	94	URVB36/900	76739	104
SPG-CVR-A	77387	102	STAKHD	75892	94	STS-W-S/S	77630	110	URVB36/900	76739	104
SPG-CVR-B	77388	21	STAKHD	75892	110	STS-W-S/S	77630	110	URVB36/900	76739	107
SPG-CVR-B	77388	74	STAKHD	75892	110	STTS	74419	38	URVB42/1050	76740	103
SPG-CVR-B	77388	102	STCK	74506	38	STTS	74419	105	URVB42/1050	76740	103
SPG-CVR-C	77389	21	STCK-S/S	75425	38	STTS-S/S	75585	38	URVB42/1050	76740	104
SPG-CVR-C	77389	74	STGK2	77635	70	STTS-S/S	75585	106	URVB42/1050	76740	104
SPG-CVR-C	77389	102	STGK2	77635	70	TEN-LOCK-KIT	77443	21	URVB42/1050	76740	107
SPG-CVR-D	77390	21	STGK2	77635	92	TEN-LOCK-KIT	77443	74	URVB48/1200	76741	103
SPG-CVR-D	77390	74	STGK2	77635	94	TEN-LOCK-KIT	77443	102	URVB48/1200	76741	103
SPG-CVR-D	77390	102	STGK2	77635	110	TRB18	76485	23	URVB48/1200	76741	104
SPG-CVR-E	77391	21	STGK2	77635	110	TRB24	76486	23	URVB48/1200	76741	104
SPG-CVR-E	77391	74	STHDMK2-S/S	77634	70	TRB30	76487	23	URVB48/1200	76741	107
SPG-CVR-E	77391	102	STHDMK2-S/S	77634	94	TRB36	76488	23	URVB54/1350	76742	103
SPG-CVR-F	77392	21	STHDMK2-S/S	77634	110	TRB42	76489	23	URVB54/1350	76742	103
SPG-CVR-F	77392	74	STHDPM2-S/S	77633	70	TRB48	76490	23	URVB54/1350	76742	104
SPG-CVR-F	77392	102	STHDPM2-S/S	77633	94	TRB54	76491	23	URVB54/1350	76742	104
SPG-CVR-G	77393	21	STHDPM2-S/S	77633	110	TRB60	76492	23	URVB54/1350	76742	107
SPG-CVR-G	77393	74	STJ-S/S	75426	106	TRB66	76493	23	URVB56/1400	77314	103
SPG-CVR-G	77393	102	STJK	74417	38	TRB72	76494	23	URVB56/1400	77314	103
SPG-CVR-H	77741	21	STJK	74417	38	TRB78	76697	23	URVB56/1400	77314	104
SPG-CVR-H	77741	74	STJK-S/S	74417	105	TRB84	77047	23	URVB56/1400	77314	104
SPG-CVR-H	77741	102	STJK-S/S	74417	106	TRB90	77048	23	URVB56/1400	77314	107
SRBK	74941	125	STJM	74775	38	UFB18	74448	107	URVB60/1500	76743	103
SSFRB	78456	28	STJM	74775	38	UFB18-B	67327	107	URVB60/1500	76743	103
SSFRB	78456	31	STJM	74775	105	UFB24	74449	107	URVB60/1500	76743	104
SSRB	75978	28	STJM-S/S	75426	38	UFB24-B	67328	107	URVB60/1500	76743	104
SSRB	75978	31	STJM-S/S	75426	38	UFB30	74450	107	URVB60/1500	76743	107
SST1HDM-B	78519	70	STKD	74504	38	UFB30-B	67329	107	URVB64/1600	77315	103
SST1HDM-B	78519	92	STKD-S/S	75427	38	UFB36	74451	107	URVB64/1600	77315	103
SST1HDM-B	78519	110	STLP	79535	114	UFB36-B	67330	107	URVB64/1600	77315	104
SST1HDM-B-S/S	78396	70	STS-B	75844	36	UFB42	74452	107	URVB64/1600	77315	104
SST1HDM-B-S/S	78396	94	STS-B	75844	36	UFB42-B	67331	107	URVB64/1600	77315	107
SST1HDM-B-S/S	78396	110	STS-B	75844	56	UFB48	74453	107	URVB72/1800	76744	103
SST1HDM-G	79069	70	STS-B	75844	64	UFB48-B	67332	107	URVB72/1800	76744	103
SST1HDM-G	79069	92	STS-B	75844	66	UFB54	74454	107	URVB72/1800	76744	104
SST1HDM-G	79069	110	STS-B	75844	70	UFB54-B	67333	107	URVB72/1800	76744	104
SST1HDM-G-S/S	79454	70	STS-B	75844	92	UFB60	74455	107	URVB72/1800	76744	107
SST1HDM-S	78518	70	STS-B	75844	110	UFB60-B	67334	107	URVB80/2000	77320	103
SST1HDM-S	78518	92	STS-B	75844	110	UFB72	74456	107	URVB80/2000	77320	103
SST1HDM-S	78518	110	STS-B-S/S	77632	36	UFB72-B	67335	107	URVB80/2000	77320	104
SST1HDM-S-S/S	78395	70	STS-B-S/S	77632	36	UFB84	74460	107	URVB80/2000	77320	104
SST1HDM-S-S/S	78395	94	STS-B-S/S	77632	64	UFB84-B	67336	107	URVB80/2000	77320	107
SST1HDM-S-S/S	78395	110	STS-B-S/S	77632	66	UHPB	76787	105	URVB84/2100	76745	103
SST1HDM-S	78518	111	STS-B-S/S	77632	70	UHPB	76787	106	URVB84/2100	76745	103
SST1HDM-W	78517	70	STS-B-S/S	77632	94	UHSPK-M	82887	105	URVB84/2100	76745	104
SST1HDM-W	78517	92	STS-B-S/S	77632	110	UHSPK-SS-M	82889	106	URVB84/2100	76745	104
SST1HDM-W	78517	110	STS-B-S/S	77632	110	ULP1050	66126	73	URVB84/2100	76745	107
SST1HDM-W-S/S	78394	70	STS-G	78142	36	ULP1200	66127	73	URVB88/2200	77316	103
SST1HDM-W-S/S	78394	94	STS-G	78142	36	ULP1350	66128	73	URVB88/2200	77316	103
SST1HDM-W-S/S	78394	110	STS-G	78142	64	ULP1500	66129	73	URVB88/2200	77316	104
SSTBK-B	76637	70	STS-G	78142	66	ULP1650	66130	73	URVB88/2200	77316	104
SSTBK-B	76637	70	STS-G	78142	70	ULP1800	67057	73	URVB88/2200	77316	107
SSTBK-B	76637	92	STS-G	78142	92	ULP2000	67084	73	URVB94/2400	77421	103
SSTBK-B	76637	94	STS-G	78142	110	ULP2200	67085	73	URVB94/2400	77421	103
SSTBK-B	76637	110	STS-G	78142	110	ULP2400	67058	73	URVB94/2400	77421	104
SSTBK-B	76637	110	STS-G-S/S	79057	36	ULP2600	67086	73	URVB94/2400	77421	104
SSTBK-W	76636	70	STS-G-S/S	79057	36	ULP2800	67087	73	URVB94/2400	77421	107
SSTBK-W	76636	70	STS-G-S/S	79057	64	ULP3000	67088	73	URVB98/2500	77422	103
SSTBK-W	76636	92	STS-G-S/S	79057	66	ULP450	66122	73	URVB98/2500	77422	103
SSTBK-W	76636	94	STS-G-S/S	79057	110	ULP600	66123	73	URVB98/2500	77422	104
SSTBK-W	76636	110	STS-S	75843	56	ULP750	66124	73	URVB98/2500	77422	104
SSTBK-W	76636	110	STS-S	75843	64	ULP900	66125	73	URVB98/2500	77422	107
SSTBK-W	76636	111	STS-S	75843	66	UMBK-M	82890	105	USP18/450	82689	105
SSTHDMK	77870	70	STS-S	75843	70	UMBK-SS-M	82891	106	USP18/450-S/S	77339	106
SSTHDMK	77870	91	STS-S	75843	92	UNB60	61369	38	USP24/600	82690	105
SSTHDMK	77870	110	STS-S	75843	110	UNB73	A2671	38	USP24/600-S/S	77340	106
SSTHDPM	77868	70	STS-S	75843	110	URVB18/450	76736	103	USP30/750	82691	105
SSTHDPM	77868	92	STS-S-S/S	77631	64	URVB18/450	76736	103	USP30/750-S/S	77341	106
SSTHDPM	77868	110	STS-S-S/S	77631	66	URVB18/450	76736	104	USP36/900	82692	105
SSTHK	79070	70	STS-S-S/S	77631	70	URVB18/450	76736	104	USP36/900-S/S	77342	106
SSTHK	79070	110	STS-S-S/S	77631	94	URVB18/450	76736	107	USP42/1050	82693	105
SSTHK-S/S	79071	70	STS-S-S/S	77631	110	URVB24/600	76737	103	USP42/1050-S/S	77343	106
SSTHK-S/S	79071	110	STS-S-S/S	77631	110	URVB24/600	76737	103	USP48/1200	82694	105
SSTLMB	76072	126	STS-S	75843	111	URVB24/600	76737	104	USP48/1200-S/S	77344	106
SSTSMB	76071	126	STS-W	75846	64	URVB24/600	76737	104	USP54/1350	82695	105
STAK	75847	70	STS-W	75846	66	URVB24/600	76737	107	USP54/1350-S/S	77345	106
STAK	75847	70	STS-W	75846	70	URVB30/750	76738	103	USP56/1400	82696	105
STAK	75847	92	STS-W	75846	92	URVB30/750	76738	103	USP56/1400-S/S	77346	106
STAK	75847	94	STS-W	75846	110	URVB30/750	76738	104	USP60/1500	82697	105
STAK	75847	110	STS-W	75846	110	URVB30/750	76738	104	USP60/1500-S/S	77347	106
STAK	75847	110	STS-W-S/S	77630	64	URVB30/750	76738	107	USP64/1600	82698	105
STAKHD	75892	70	STS-W-S/S	77630	66	URVB36/900	76739	103	USP64/1600-S/S	77348	106
STAKHD	75892	70	STS-W-S/S	77630	70	URVB36/900	76739	103	USP72/1800	82699	105

INDEX By Ordering Number

Ordering Number	Item Code	Page #	Ordering Number	Item Code	Page #	Ordering Number	Item Code	Page #	Ordering Number	Item Code	Page #	
USP72/1800-S/S	77349	106	UTV750		77299	103	YSTTBK-B	79855	55	YTP-48/1200	82937	55
USP80/2000	82700	105	UTV750-J		77285	104	YSTTBK-W	79847	55	YTPHD-36/900	83106	56
USP80/2000-S/S	77350	106	UTV750-S/S		82709	103	YT-1050S	83233	49	YTPHD-42/1050	83107	56
USP84/2100	82701	105	UTV750J-S/S		77261	104	YT-1200S	83234	49	YTPHD-48/1200	83108	56
USP84/2100-S/S	77351	106	UTV900		77300	103	YT-450S	83229	49	YTPHD-54/1350	83109	56
USP88/2200	82702	105	UTV900-J		77286	104	YT-600S	83230	49	YTPHD-60/1500	83110	56
USP88/2200-S/S	77352	106	UTV900-S/S		82710	103	YT-750S	83231	49	YTPHD-72/1800	83112	56
USP94/2400	82703	105	UTV900J-S/S		77262	104	YT-900S	83232	49	YTR-18S	91798	49
USP94/2400-S/S	77419	106	WCB	A0012	120	YT-C	79574	52	YTR-24S	91799	49	
USP98/2500	82704	105	WCB	A0012	121	YT-HDC	79728	52	YTR-30S	91800	49	
USP98/2500-S/S	77420	106	YCART-18/450-P	79617	52	YT-HDP	79677	52	YTR-36S	91801	49	
USPB	79206	105	YCART-18/450-TC	79811	52	YT-P	79573	52	YTR-42S	91802	49	
USPB	79206	106	YCART-24/600-P	79618	52	YT-TC-1050S	83245	49	YTR-48S	91803	49	
USPB2	79206	105	YCART-24/600-TC	79812	52	YT-TC-1200S	83246	49				
USPB2	79206	106	YCART-30/750-P	79619	52	YT-TC-450S	83241	49				
USPK	76790	105	YCART-30/750-TC	79813	52	YT-TC-600S	83242	49				
USPK-SS-M	82888	106	YCART-36/900-HDP	79817	52	YT-TC-750S	83243	49				
UST	GN812	105	YCART-36/900-HDTC	79829	52	YT-TC-900S	83244	49				
UST	GN812	106	YCART-36/900-P	79620	52	YTA-18/450	82949	55				
UST-G-MT	82900	105	YCART-36/900-TC	79814	52	YTA-24/600	82950	55				
UST-G-MT-SS	82904	106	YCART-42/1050-HDP	79818	52	YTA-30/750	82951	55				
UST-P-MT	82897	105	YCART-42/1050-HDTC	79830	52	YTA-36/900	82952	55				
UST-P-MT-SS	82901	106	YCART-42/1050-P	79621	52	YTA-42/1050	82953	55				
UST-S-MT	82898	105	YCART-42/1050-TC	79815	52	YTA-48/1200	82954	55				
UST-S-MT-SS	82902	106	YCART-48/1200-HDP	79819	52	YTAC	79623	55				
UST-W-MT	82899	105	YCART-48/1200-HDTC	79831	52	YTACHD	79835	56				
UST-W-MT-SS	82903	106	YCART-48/1200-P	79622	52	YTAHD-36/900	79805	56				
UTS	74420	38	YCART-48/1200-TC	79816	52	YTAHD-42/1050	79806	56				
UTV1050	77301	103	YCART-54/1350-HDP	79820	52	YTAHD-48/1200	79807	56				
UTV1050-J	77287	104	YCART-54/1350-HDTC	79832	52	YTAHD-54/1350	79808	56				
UTV1050-S/S	82711	103	YCART-60/1500-HDP	79821	52	YTAHD-60/1500	79809	56				
UTV1050J-S/S	77263	104	YCART-60/1500-HDTC	79833	52	YTAHD-72/1800	79810	56				
UTV1200	77302	103	YCART-72/1800-HDP	79822	52	YTC-1050	83227	49				
UTV1200-J	77288	104	YCART-72/1800-HDTC	79834	52	YTC-1200	83228	49				
UTV1200-S/S	82712	103	YCART-S/S-24/600-SDTC	66749	57	YTC-450	83223	49				
UTV1200J-S/S	77264	104	YCART-S/S-30/750-SDTC	67750	57	YTC-600	83224	49				
UTV1350	77303	103	YCART-S/S-36/900-HDP	67417	57	YTC-750	83225	49				
UTV1350-J	77289	104	YCART-S/S-36/900-HDTC	67411	57	YTC-900	83226	49				
UTV1350-S/S	82713	103	YCART-S/S-36/900-SDTC	67751	57	YTC1050-BT-S/S	67288	51				
UTV1350J-S/S	77265	104	YCART-S/S-42/1050-HDP	67418	57	YTC1200-BT-S/S	67289	51				
UTV1400	77304	103	YCART-S/S-42/1050-HDTC	67412	57	YTC600-BT-S/S	67285	51				
UTV1400-J	77290	104	YCART-S/S-42/1050-SDTC	67752	57	YTC750-BT-S/S	67286	51				
UTV1400-S/S	82714	103	YCART-S/S-48/1200-HDP	67419	57	YTC900-BT-S/S	67287	51				
UTV1400J-S/S	77266	104	YCART-S/S-48/1200-HDTC	67413	57	YTCHD-1050	83100	50				
UTV1500	77305	103	YCART-S/S-48/1200-SDTC	67753	57	YTCHD-1200	83101	50				
UTV1500-J	77291	104	YCART-S/S-54/1350-HDP	67420	57	YTCHD-1350	83102	50				
UTV1500-S/S	82715	103	YCART-S/S-54/1350-HDTC	67414	57	YTCHD-1500	83103	50				
UTV1500J-S/S	77267	104	YCART-S/S-60/1500-HDP	67421	57	YTCHD-1800	83105	50				
UTV1600	77306	103	YCART-S/S-60/1500-HDTC	67415	57	YTCHD-900	83099	50				
UTV1600-J	77292	104	YCART-S/S-72/1800-HDP	67422	57	YTCHD1050-BT-S/S	67291	51				
UTV1600-S/S	82716	103	YCART-S/S-72/1800-HDTC	67416	57	YTCHD1050-MST-S/S	67309	51				
UTV1600J-S/S	77268	104	YPHD1050-S/SPOLE	64199	57	YTCHD1200-BT-S/S	67292	51				
UTV1800	77307	103	YPHD1200-S/SPOLE	64200	57	YTCHD1200-MST-S/S	67310	51				
UTV1800-J	77293	104	YPHD1350-S/SPOLE	64201	57	YTCHD1350-BT-S/S	67293	51				
UTV1800-S/S	82717	103	YPHD1500-S/SPOLE	64202	57	YTCHD1350-MST-S/S	67311	51				
UTV1800J-S/S	77269	104	YPHD1800-S/SPOLE	64204	57	YTCHD1500-BT-S/S	67294	51				
UTV2000	77308	103	YPHD600-S/SPOLE	67322	57	YTCHD1500-MST-S/S	67312	51				
UTV2000-J	77294	104	YPHD750-S/SPOLE	67323	57	YTCHD1800-BT-S/S	67295	51				
UTV2000-S/S	82718	103	YPHD900-S/SPOLE	64198	57	YTCHD1800-MST-S/S	67313	51				
UTV2000J-S/S	77270	104	YST-P	79837	55	YTCHD900-BT-S/S	67290	51				
UTV2100	77309	103	YST-S	79838	55	YTCHD900-MST-S/S	67308	51				
UTV2100-J	77295	104	YST-Y	79836	55	YTFHD1050-MST-S/S	67315	51				
UTV2100-S/S	82719	103	YSTANK	79857	55	YTFHD1200-MST-S/S	67316	51				
UTV2100J-S/S	77271	104	YSTANK	79858	56	YTFHD1350-MST-S/S	67317	51				
UTV2200	77310	103	YSTDBK	79844	55	YTFHD1500-MST-S/S	67318	51				
UTV2200-J	77296	104	YSTGBK	79845	55	YTFHD1800-MST-S/S	67319	51				
UTV2200-S/S	82720	103	YSTHD-BK	79842	56	YTFHD900-MST-S/S	67314	51				
UTV2200J-S/S	77272	104	YSTHD-BL	79841	56	YTHD-1050S	83121	50				
UTV2400	77411	103	YSTHD-GR	79839	56	YTHD-1200S	83122	50				
UTV2400-J	77413	104	YSTHD-S	79840	56	YTHD-1350S	83123	50				
UTV2400-S/S	82721	103	YSTHDBK-B	79856	56	YTHD-1500S	83124	50				
UTV2400J-S/S	77417	104	YSTHDBK-W	79853	56	YTHD-1800S	83126	50				
UTV2500	77412	103	YSTHDBK	79850	56	YTHD-900S	83120	50				
UTV2500-J	77414	104	YSTHDBGK	79851	56	YTHD-TC-1050S	83135	50				
UTV2500-S/S	82722	103	YSTHDLBK	79852	56	YTHD-TC-1200S	83136	50				
UTV2500J-S/S	77418	104	YSTHDMB	79849	56	YTHD-TC-1350S	83137	50				
UTV450	77297	103	YSTHDS-BL	79798	56	YTHD-TC-1500S	83138	50				
UTV450-J	77283	104	YSTHDS-GR	79797	56	YTHD-TC-1800S	83140	50				
UTV450-S/S	82707	103	YSTLBK	79846	55	YTHD-TC-900S	83134	50				
UTV450J-S/S	77259	104	YSTMB	79843	55	YTP-18/450	82932	55				
UTV600	77298	103	YSTPHDMK	79854	56	YTP-24/600	82933	55				
UTV600-J	77284	104	YSTPMK	79848	55	YTP-30/750	82934	55				
UTV600-S/S	82708	103	YSTS-P	79796	55	YTP-36/900	82935	55				
UTV600J-S/S	77260	104	YSTS-Y	79795	55	YTP-42/1050	82936	55				

INDEX By Item Code

Item Code	Ordering Number	Page #	Item Code	Ordering Number	Page #	Item Code	Ordering Number	Page #	Item Code	Ordering Number	Page #
26107	N6D3T-24-9-A45	134	61287	SB2100	126	61785	FBP1600-B	153	62452	H-SAC-AP-600	43
26108	N6D3T-30-11-A45	134	61356	PBC-1	179	61786	FBP1800-B	153	62452	H-SAC-AP-600	43
26109	N6D3T-36-13-A45	134	61357	PBC-2	179	61787	FBP2000-B	153	62452	H-SAC-AP-600	43
26110	N6D3T-42-15-A45	134	61358	PBC-FR	179	61788	FBP2200-B	153	62452	H-SAC-AP-600	47
26111	N6D3T-48-17-A45	134	61369	UNB60	38	61789	FBP2400-B	153	62452	H-SAC-AP-600	48
26112	N6D3T-54-19-A45	134	61471	FLSCM2000-S/S	173	61790	FBP2500-B	153	62452	H-SAC-AP-600	48
26113	N6D3T-60-21-A45	134	61491	EZP1P48-S/S	17	61791	FBP2600-B	153	62452	H-SAC-AP-600	48
26114	N6D3T-72-25-A45	134	61504	MHCP-600S-S/S	29	61795	FBP900-1050-MF	154	62453	H-SAC-AP-800	42
26184	NI6D3T-24-9-A45	136	61505	MHCP-750S-S/S	29	61796	FBP1200-1400-MF	154	62453	H-SAC-AP-800	43
26185	NI6D3T-30-11-A45	136	61506	MHCP-900S-S/S	29	61797	FBP1500-1600-MF	154	62453	H-SAC-AP-800	43
26186	NI6D3T-36-13-A45	136	61507	MHCP-1050S-S/S	29	61798	FBP1800-2000-MF	154	62453	H-SAC-AP-800	43
26187	NI6D3T-42-15-A45	136	61508	MHCP-1200S-S/S	29	61799	FBP2200-2400-MF	154	62453	H-SAC-AP-800	43
26188	NI6D3T-48-17-A45	136	61509	MHCP-1350S-S/S	29	61800	FBP2500-2600-MF	154	62453	H-SAC-AP-800	47
26189	NI6D3T-54-19-A45	136	61510	MHCP-1500S-S/S	29	61803	FBP900-1050-MF-S/S	154	62453	H-SAC-AP-800	48
26190	NI6D3T-60-21-A45	136	61511	MHCP-1650S-S/S	29	61804	FBP1200-1400-MF-S/S	154	62453	H-SAC-AP-800	48
26191	NI6D3T-72-25-A45	136	61512	MHCP-1800S-S/S	29	61805	FBP1500-1600-MF-S/S	154	62453	H-SAC-AP-800	48
28250	RBPSR-S-CCT	160	61513	MHCP-2100S-S/S	29	61806	FBP1800-2000-MF-S/S	154	62453	H-SAC-AP-800	48
28251	RBPSR-M-CCT	160	61525	MHCP-S/S-CP 750	31	61807	FBP2200-2400-MF-S/S	154	62454	H-SAC-AP-1000	42
28253	RBPSR-L-CCT	160	61526	MHCP-S/S-CP 900	31	61808	FBP2500-2600-MF-S/S	154	62454	H-SAC-AP-1000	43
28254	RBPSR-XL-CCT	160	61527	MHCP-S/S-CP 1050	31	61875	FBP-NP	154	62454	H-SAC-AP-1000	43
30001	EBC-1	179	61528	MHCP-S/S-CP 1200	31	61876	FBP-NP-S/S	154	62454	H-SAC-AP-1000	43
30002	EBC-2	179	61529	MHCP-S/S-CP 1350	31	61877	HBP2600-PL-TP-S/S	154	62454	H-SAC-AP-1000	43
30003	EBC-1-B	179	61530	MHCP-S/S-CP 1500	31	61882	FBP-LM	154	62454	H-SAC-AP-1000	47
30004	EBC-2-B	179	61531	MHCP-S/S-CP 1650	31	61883	FBP-LM-S/S	154	62454	H-SAC-AP-1000	48
30018	CEBC-1	179	61532	MHCP-S/S-CP 1800	31	61888	FBP-FP	154	62454	H-SAC-AP-1000	48
30019	CEBC-2	179	61533	MHCP-S/S-CP 2100	31	61889	FBP-FP-S/S	154	62454	H-SAC-AP-1000	48
30033	EBC1-RK	179	61534	MHCP-SS/EP	31	61890	FBP900-1050-PP	154	62454	H-SAC-AP-1000	48
30034	EBC2-RK	179	61535	MHCP-S/S-CK600	31	61891	FBP1200-1400-PP	154	62455	H-SAC-AP-1200	42
61001	HDPHSC-S/S	60	61536	MHCP-S/S-CK750	31	61892	FBP1500-1600-PP	154	62455	H-SAC-AP-1200	43
61001	HDPHSC-S/S	82	61537	MHCP-S/S-CK900	31	61893	FBP1800-2000-PP	154	62455	H-SAC-AP-1200	43
61003	70A	60	61538	MHCP-S/S-CK1050	31	61894	FBP2200-2400-PP	154	62455	H-SAC-AP-1200	43
61003	70A	80	61539	MHCP-S/S-CK1200	31	61895	FBP2500-2600-PP	154	62455	H-SAC-AP-1200	43
61016	EZP1-242-S/S	14	61540	MHCP-S/S-CK1350	31	61898	FBP900-1050-PP-S/S	154	62455	H-SAC-AP-1200	47
61017	EZP1-230-S/S	14	61541	MHCP-S/S-CK1500	31	61899	FBP1200-1400-PP-S/S	154	62455	H-SAC-AP-1200	48
61050	CBD-ST-L	158	61542	MHCP-S/S-CK1650	31	61900	FBP1500-1600-PP-S/S	154	62455	H-SAC-AP-1200	48
61051	CBD-ST-XL	158	61543	MHCP-S/S-CK1800	31	61901	FBP1800-2000-PP-S/S	154	62455	H-SAC-AP-1200	48
61057	HEX Plug 3/4	126	61544	MHCP-S/S-CK2100	31	61902	FBP2200-2400-PP-S/S	154	62455	H-SAC-AP-1200	48
61058	Reduce Adap F 3/4	126	61545	MHCP-S/S-CLP	31	61903	FBP2500-2600-PP-S/S	154	62456	H-SAC-AP-1400	42
61063	SB600-SEC	125	61546	MHCP-S/S-PSTW	31	61906	FBP900-1050-SP	154	62456	H-SAC-AP-1400	43
61064	SB750-SEC	125	61547	MHCP-S/S-PSTS	31	61907	FBP1200-1400-SP	154	62456	H-SAC-AP-1400	43
61065	SB900-SEC	125	61548	MHCP-S/S-CH	31	61908	FBP1500-1600-SP	154	62456	H-SAC-AP-1400	43
61066	SB1050-SEC	125	61549	MHCP-S/S-CEB	31	61909	FBP1800-2000-SP	154	62456	H-SAC-AP-1400	43
61067	SB1200-SEC	125	61550	MHCP-S/S-CBK	31	61910	FBP2200-2400-SP	154	62456	H-SAC-AP-1400	47
61068	SB1400-SEC	125	61624	MHCP-600S-S/S-FR	29	61911	FBP2500-2600-SP	154	62456	H-SAC-AP-1400	48
61069	SB1500-SEC	125	61625	MHCP-750S-S/S-FR	29	61914	FBP900-1050-SP-S/S	154	62456	H-SAC-AP-1400	48
61070	SB1800-SEC	125	61626	MHCP-900S-S/S-FR	29	61915	FBP1200-1400-SP-S/S	154	62456	H-SAC-AP-1400	48
61073	PMR-CHB-L60	127	61627	MHCP-1050S-S/S-FR	29	61916	FBP1500-1600-SP-S/S	154	62456	H-SAC-AP-1400	48
61074	PMR-CHB-R60	127	61628	MHCP-1200S-S/S-FR	29	61917	FBP1800-2000-SP-S/S	154	62457	H-SAC-AP-1600	42
61075	PMR-CHB-L73	127	61629	MHCP-1350S-S/S-FR	29	61918	FBP2200-2400-SP-S/S	154	62457	H-SAC-AP-1600	43
61076	PMR-CHB-R73	127	61630	MHCP-1500S-S/S-FR	29	61919	FBP2500-2600-SP-S/S	154	62457	H-SAC-AP-1600	47
61077	CBD-ST-M	158	61631	MHCP-1650S-S/S-FR	29	62034	AIR HDMRK S/S	36	62457	H-SAC-AP-1600	48
61079	CBD-ST-M-S/S	158	61632	MHCP-1800S-S/S-FR	29	62035	AIR HARK-S/S-60	36	62458	H-SAC-AP-1800	42
61080	CBD-ST-L-S/S	158	61633	MHCP-2100S-S/S-FR	29	62036	AIR BAG P	36	62458	H-SAC-AP-1800	47
61081	EZP1-218-S/S	14	61634	MHCP-S/S-CP 600	31	62037	ATV-NIP	36	62494	HCSTAK	36
61082	EZP1-224-S/S	14	61742	FRPU150	60	62037	ATV-NIP	72	62495	HCSTAK-S/S	36
61083	EZP1-236-S/S	14	61750	FBP900-TP	153	62037	ATV-NIP	94	62496	ACME-PRK	36
61084	EZP1-248-S/S	14	61751	FBP1050-TP	153	62079	ATV-BAG	72	62496	ACME-PRK	36
61085	EZP1-254-S/S	14	61752	FBP1200-TP	153	62079	ATV-BAG	94	62496	ACME-PRK	36
61086	EZP1-260-S/S	14	61753	FBP1400-TP	153	62094	PSA150_EL15	60	62496	ACME-PRK	36
61087	EZP1-272-S/S	14	61754	FBP1500-TP	153	62095	CRHMK-S/S	82	62505	HS8-CS	41
61096	CBD-ST-AA	158	61755	FBP1600-TP	153	62095	CRHMK-S/S	89	62505	HS8CS	42
61105	CBD-ST-M-MF	158	61756	FBP1800-TP	153	62095	CRHMK-S/S	102	62505	HS8CS	43
61106	CBD-ST-L-MF	158	61757	FBP2000-TP	153	62254	HVPT-S/S_EL15	35	62505	HS8CS	46
61107	CBD-ST-XL-MF	158	61758	FBP2200-TP	153	62254	HV78-EL15-S/S	47	62505	HS8CS	47
61108	CBD-ST-M-MF-S/S	158	61759	FBP2400-TP	153	62350	PSR-S-F	159	62505	HS8CS	48
61109	CBD-ST-L-MF-S/S	158	61760	FBP2500-TP	153	62351	PSR-M-F	159	62506	HS8-CSM	41
61110	CBD-ST-XL-MF-S/S	158	61761	FBP2600-TP	153	62352	PSR-L-F	159	62506	HS8CM	42
61111	CBD-ST-FR-B	158	61765	FBP900-TP S/S	153	62353	PSR-XL-F	159	62506	HS8CM	43
61112	CBD-ST-M-FP	158	61766	FBP1050-TP S/S	153	62400	CRHMK	80	62506	HS8CM	46
61113	CBD-ST-L-FP	158	61767	FBP1200-TP S/S	153	62400	CRHMK	87	62506	HS8CM	47
61114	CBD-ST-XL-FP	158	61768	FBP1400-TP S/S	153	62400	CRHMK	100	62506	HS8CM	48
61141	RSA150_EL15	62	61769	FBP1500-TP S/S	153	62409	ATVK-60	72	62507	HS8-CL	41
61141	RSA150-EL	63	61770	FBP1600-TP S/S	153	62409	ATVK-60	94	62507	HS8CL	42
61141	RSA150-EL	65	61771	FBP1800-TP S/S	153	62424	ATV-MOUNT	72	62507	HS8CL	43
61141	RSA150-EL	67	61772	FBP2000-TP S/S	153	62424	ATV-MOUNT	94	62507	HS8CL	46
61141	RSA150-EL	69	61773	FBP2200-TP S/S	153	62425	ATV-SLIDE	72	62507	HS8CL	47
61173	HSTSS	38	61774	FBP2400-TP S/S	153	62425	ATV-SLIDE	94	62507	HS8CL	48
61182	EZP1P18-S/S	17	61775	FBP2500-TP S/S	153	62426	ATV-ANGLE	72	62508	HS8-CLL	41
61183	EZP1P42-S/S	17	61776	FBP2600-TP S/S	153	62426	ATV-ANGLE	94	62508	HS8CLL	42
61184	EZP1P54-S/S	17	61780	FBP900-B	153	62445	FBP900-B	123	62508	HS8CLL	43
61185	EZP1P60-S/S	17	61781	FBP1050-B	153	62446	FBP1050-B	123	62508	HS8CLL	46
61186	EZP1P72-S/S	17	61782	FBP1200-B	153	62447	FBP1200-B	123	62508	HS8CLL	47
61270	RPHD2000-S/S	62	61783	FBP1400-B	153	62448	FBP1400-B	123	62508	HS8CLL	48
61271	RPHD2400-S/S	62	61784	FBP1500-B	153	62452	H-SAC-AP-600	42	62509	HS8CS-S/S	41

INDEX By Item Code

Item Code	Ordering Number	Page #	Item Code	Ordering Number	Page #	Item Code	Ordering Number	Page #	Item Code	Ordering Number	Page #
62509	HS A8CS-S/S	42	62572	HV-2000-2SAC-CL	39	62654	H CARK-600-CL-S/S	40	62742	H60CSK-G-S/S	36
62509	HS A8CS-S/S	43	62573	HV-2000-2SAC-CLL	39	62655	H CARK-800-CS-S/S	40	62742	HCSTK-60-G-S/S	38
62509	HS A8CS-S/S	46	62574	HV-2200-2SAC-CM	39	62656	H CARK-800-CM-S/S	40	62743	H73CSK-G	36
62509	HS A8CS-S/S	47	62575	HV-2200-2SAC-CL	39	62657	H CARK-800-CL-S/S	40	62743	H73CSK-G	38
62509	HS A8CS-S/S	48	62576	HV-2200-2SAC-CLL	39	62658	H CARK-1000-CS-S/S	40	62743	H73CSK-G	42
62510	HS A8CM-S/S	41	62577	HV-2400-2SAC-CM	39	62659	H CARK-1000-CM-S/S	40	62743	H73CSK-G	43
62510	HS A8CM-S/S	42	62578	HV-2400-2SAC-CL	39	62660	H CARK-1000-CL-S/S	40	62743	H73CSK-G	47
62510	HS A8CM-S/S	43	62579	HV-2400-2SAC-CLL	39	62661	H CARK-1200-CS-S/S	40	62743	H73CSK-G	48
62510	HS A8CM-S/S	46	62580	HV-2600-2SAC-CM	39	62662	H CARK-1200-CM-S/S	40	62744	H73CSK-G-S/S	36
62510	HS A8CM-S/S	47	62581	HV-2600-2SAC-CL	39	62663	H CARK-1200-CL-S/S	40	62744	H73CSK-G-S/S	38
62510	HS A8CM-S/S	48	62582	HV-2600-2SAC-CLL	39	62664	H CARK-1400-CS-S/S	40	62744	H73CSK-G-S/S	42
62511	HS A8CL-S/S	41	62582	HV-1600-2SAC-CL-S/S	40	62665	H CARK-1400-CM-S/S	40	62744	H73CSK-G-S/S	43
62511	HS A8CL-S/S	42	62583	HV-2800-2SAC-CM	39	62666	H CARK-1400-CL-S/S	40	62744	H73CSK-G-S/S	47
62511	HS A8CL-S/S	43	62584	HV-2800-2SAC-CL	39	62667	H CARK-1600-CS-S/S	40	62744	H73CSK-G-S/S	48
62511	HS A8CL-S/S	46	62585	HV-2800-2SAC-CLL	39	62668	H CARK-1600-CM-S/S	40	62745	H73CSK-S	36
62511	HS A8CL-S/S	47	62586	HV-3000-2SAC-CM	39	62669	H CARK-1600-CL-S/S	40	62745	H73CSK-S	43
62511	HS A8CL-S/S	48	62587	HV-3000-2SAC-CL	39	62670	H CARK-1800-CS-S/S	40	62745	H73CSK-S	48
62512	HS A8CLL-S/S	41	62588	HV-3000-2SAC-CLL	39	62671	H CARK-1800-CM-S/S	40	62746	H73CSK-S-S/S	36
62512	HS A8CLL-S/S	42	62589	HCSSB-B/G	36	62672	H CARK-1800-CL-S/S	40	62746	H73CSK-S-S/S	43
62512	HS A8CLL-S/S	43	62589	HCSSB-B/G	36	62673	HV-1200-2SAC-CS-S/S	40	62746	H73CSK-S-S/S	48
62512	HS A8CLL-S/S	46	62589	HCSSB-B/G	36	62674	HV-1200-2SAC-CM-S/S	40	62747	H60CSK-B	36
62512	HS A8CLL-S/S	47	62589	HCSSB-B/G	36	62675	HV-1200-2SAC-CL-S/S	40	62747	HCSTK-60-B	38
62512	HS A8CLL-S/S	48	62590	HCSSB-S	36	62676	HV-1200-2SAC-CLL-S/S	40	62747	H60CSK-B-S/S	36
62513	HCSBB-60	36	62590	HCSSB-S	36	62677	HV-1400-2SAC-CS-S/S	40	62748	HCSTK-60-B-S/S	38
62513	HCSBB-60	36	62591	ACME-N	36	62678	HV-1400-2SAC-CM-S/S	40	62749	H73CSK-B	36
62514	HCSBB-73	36	62591	ACME-N	36	62679	HV-1400-2SAC-CL-S/S	40	62749	H73CSK-B	38
62514	HCSBB-73	36	62591	ACME-N	36	62680	HV-1400-2SAC-CLL-S/S	40	62749	H73CSK-B	42
62515	HV-600-SAC-CS	39	62591	ACME-N	36	62681	HV-1600-2SAC-CM-S/S	40	62749	H73CSK-B	43
62516	HV-600-SAC-CM	39	62595	DBK-XXL	157	62683	HV-1600-2SAC-CLL-S/S	40	62749	H73CSK-B	47
62517	HV-600-SAC-CL	39	62599	H-CARK2-1200-CS	39	62684	HV-1800-2SAC-CM-S/S	40	62749	H73CSK-B	48
62518	HV-800-SAC-CS	39	62600	H-CARK2-1200-CM	39	62685	HV-1800-2SAC-CL-S/S	40	62750	H73CSK-B-S/S	36
62519	HV-800-SAC-CM	39	62601	H-CARK2-1200-CL	39	62686	HV-1800-2SAC-CLL-S/S	40	62750	H73CSK-B-S/S	38
62520	HV-800-SAC-CL	39	62602	H-CARK2-1200-CLL	39	62687	HV-2000-2SAC-CM-S/S	40	62750	H73CSK-B-S/S	42
62521	HV-1000-SAC-CS	39	62603	H-CARK2-1400-CS	39	62688	HV-2000-2SAC-CL-S/S	40	62750	H73CSK-B-S/S	43
62522	HV-1000-SAC-CM	39	62604	H-CARK2-1400-CM	39	62689	HV-2000-2SAC-CLL-S/S	40	62750	H73CSK-B-S/S	47
62523	HV-1000-SAC-CL	39	62605	H-CARK2-1400-CL	39	62690	HV-2200-2SAC-CM-S/S	40	62750	H73CSK-B-S/S	48
62524	HV-1200-SAC-CS	39	62606	H-CARK2-1400-CLL	39	62691	HV-2200-2SAC-CL-S/S	40	62751	HCP-600	42
62525	HV-1200-SAC-CM	39	62607	H-CARK2-1600-CM	39	62692	HV-2200-2SAC-CLL-S/S	40	62751	HCP-600	47
62526	HV-1200-SAC-CL	39	62608	H-CARK2-1600-CL	39	62693	HV-2400-2SAC-CM-S/S	40	62752	HCP-800	42
62527	HV-1400-SAC-CS	39	62609	H-CARK2-1600-CLL	39	62694	HV-2400-2SAC-CL-S/S	40	62752	HCP-800	47
62528	HV-1400-SAC-CM	39	62610	H-CARK2-1800-CM	39	62695	HV-2400-2SAC-CLL-S/S	40	62753	HCP-1000	42
62529	HV-1400-SAC-CL	39	62611	H-CARK2-1800-CL	39	62696	HV-2600-2SAC-CM-S/S	40	62753	HCP-1000	47
62530	HV-1600-SAC-CM	39	62612	H-CARK2-1800-CLL	39	62697	HV-2600-2SAC-CL-S/S	40	62754	HCP-1200	42
62531	HV-1600-SAC-CL	39	62613	H-CARK2-2000-CM	39	62698	HV-2600-2SAC-CLL-S/S	40	62754	HCP-1200	47
62532	HV-1600-SAC-CLL	39	62614	H-CARK2-2000-CL	39	62699	HV-2800-2SAC-CM-S/S	40	62755	HCP-1400	42
62533	HV-1800-SAC-CM	39	62615	H-CARK2-2000-CLL	39	62700	HV-2800-2SAC-CL-S/S	40	62755	HCP-1400	47
62534	HV-1800-SAC-CL	39	62616	H-CARK2-2200-CM	39	62701	HV-2800-2SAC-CLL-S/S	40	62756	HCP-1800	42
62535	HV-1800-SAC-CLL	39	62617	H-CARK2-2200-CL	39	62702	HV-3000-2SAC-CM-S/S	40	62756	HCP-1800	47
62536	H-CARK-600-CS	39	62618	H-CARK2-2200-CLL	39	62703	HV-3000-2SAC-CL-S/S	40	62757	HCP-600-S/S	42
62537	H-CARK-600-CM	39	62619	H-CARK2-2400-CM	39	62704	HV-3000-2SAC-CLL-S/S	40	62757	HCP-600-S/S	47
62538	H-CARK-600-CL	39	62620	H-CARK2-2400-CL	39	62705	H-CARK2-1200-CS-S/S	40	62758	HCP-800-S/S	42
62539	H-CARK-800-CS	39	62621	H-CARK2-2400-CLL	39	62706	H-CARK2-1200-CM-S/S	40	62758	HCP-800-S/S	47
62540	H-CARK-800-CM	39	62622	H-CARK2-2600-CM	39	62707	H-CARK2-1200-CL-S/S	40	62759	HCP-1000-S/S	42
62541	H-CARK-800-CL	39	62623	H-CARK2-2600-CL	39	62708	H-CARK2-1200-CLL-S/S	40	62759	HCP-1000-S/S	47
62542	H-CARK-1000-CS	39	62624	H-CARK2-2600-CLL	39	62709	H-CARK2-1400-CS-S/S	40	62760	HCP-1200-S/S	42
62543	H-CARK-1000-CM	39	62625	H-CARK2-2800-CM	39	62710	H-CARK2-1400-CM-S/S	40	62760	HCP-1200-S/S	47
62544	H-CARK-1000-CL	39	62626	H-CARK2-2800-CL	39	62711	H-CARK2-1400-CL-S/S	40	62761	HCP-1400-S/S	42
62545	H-CARK-1200-CS	39	62627	H-CARK2-2800-CLL	39	62712	H-CARK2-1400-CLL-S/S	40	62761	HCP-1400-S/S	47
62546	H-CARK-1200-CM	39	62628	H-CARK2-3000-CM	39	62713	H-CARK2-1600-CM-S/S	40	62762	HCP-1800-S/S	42
62547	H-CARK-1200-CL	39	62629	H-CARK2-3000-CL	39	62714	H-CARK2-1600-CL-S/S	40	62762	HCP-1800-S/S	47
62548	H-CARK-1400-CS	39	62630	H-CARK2-3000-CLL	39	62715	H-CARK2-1600-CLL-S/S	40	62763	H2CP-1200	43
62549	H-CARK-1400-CM	39	62631	HV-600-SAC-CS-S/S	40	62716	H-CARK2-1800-CM-S/S	40	62763	H2CP-1200	48
62550	H-CARK-1400-CL	39	62632	HV-600-SAC-CM-S/S	40	62717	H-CARK2-1800-CL-S/S	40	62764	H2CP-1400	43
62551	H-CARK-1600-CS	39	62633	HV-600-SAC-CL-S/S	40	62718	H-CARK2-1800-CLL-S/S	40	62764	H2CP-1400	48
62552	H-CARK-1600-CM	39	62634	HV-800-SAC-CS-S/S	40	62719	H-CARK2-2000-CM-S/S	40	62765	H2CP-1600	43
62553	H-CARK-1600-CL	39	62635	HV-800-SAC-CM-S/S	40	62720	H-CARK2-2000-CL-S/S	40	62765	H2CP-1600	48
62554	H-CARK-1800-CS	39	62636	HV-800-SAC-CL-S/S	40	62721	H-CARK2-2000-CLL-S/S	40	62766	H2CP-1800	43
62555	H-CARK-1800-CM	39	62637	HV-1000-SAC-CS-S/S	40	62722	H-CARK2-2200-CM-S/S	40	62766	H2CP-1800	48
62556	H-CARK-1800-CL	39	62638	HV-1000-SAC-CM-S/S	40	62723	H-CARK2-2200-CL-S/S	40	62767	H2CP-2000	43
62557	HV-1200-2SAC-CS	39	62639	HV-1000-SAC-CL-S/S	40	62724	H-CARK2-2200-CLL-S/S	40	62767	H2CP-2000	48
62558	HV-1200-2SAC-CM	39	62640	HV-1200-SAC-CS-S/S	40	62725	H-CARK2-2400-CM-S/S	40	62768	H2CP-2400	43
62559	HV-1200-2SAC-CL	39	62641	HV-1200-SAC-CM-S/S	40	62726	H-CARK2-2400-CL-S/S	40	62768	H2CP-2400	48
62560	HV-1200-2SAC-CLL	39	62642	HV-1200-SAC-CL-S/S	40	62727	H-CARK2-2400-CLL-S/S	40	62769	H2CP-2600	43
62561	HV-1400-2SAC-CS	39	62643	HV-1400-2SAC-CS-S/S	40	62728	H-CARK2-2600-CM-S/S	40	62769	H2CP-2600	48
62562	HV-1400-2SAC-CM	39	62644	HV-1400-SAC-CM-S/S	40	62729	H-CARK2-2600-CL-S/S	40	62770	H2CP-2800	43
62563	HV-1400-2SAC-CL	39	62645	HV-1400-SAC-CL-S/S	40	62730	H-CARK2-2600-CLL-S/S	40	62770	H2CP-2800	48
62564	HV-1400-2SAC-CLL	39	62646	HV-1600-SAC-CM-S/S	40	62731	H-CARK2-2800-CM-S/S	40	62771	H2CP-3000	43
62565	HV-1600-2SAC-CM	39	62647	HV-1600-SAC-CL-S/S	40	62732	H-CARK2-2800-CL-S/S	40	62771	H2CP-3000	48
62566	HV-1600-2SAC-CL	39	62648	HV-1600-SAC-CLL-S/S	40	62733	H-CARK2-2800-CLL-S/S	40	62801	H2CP-1200-S/S	43
62567	HV-1600-2SAC-CLL	39	62649	HV-1800-SAC-CM-S/S	40	62734	H-CARK2-3000-CM-S/S	40	62801	H2CP-1200-S/S	48
62568	HV-1800-2SAC-CM	39	62650	HV-1800-SAC-CL-S/S	40	62735	H-CARK2-3000-CL-S/S	40	62802	H2CP-1400-S/S	43
62569	HV-1800-2SAC-CL	39	62651	HV-1800-SAC-CLL-S/S	40	62736	H-CARK2-3000-CLL-S/S	40	62802	H2CP-1400-S/S	48
62570	HV-1800-2SAC-CLL	39	62652	H CARK-600-CS-S/S	40	62741	H60CSK-G	36	62803	H2CP-1600-S/S	43
62571	HV-2000-2SAC-CM	39	62653	H CARK-600-CM-S/S	40	62741	HCSTK-60-G	38	62803	H2CP-1600-S/S	48

INDEX By Item Code

Item Code	Ordering Number	Page #	Item Code	Ordering Number	Page #	Item Code	Ordering Number	Page #	Item Code	Ordering Number	Page #
62804	H2CP-1800-S/S	43	63228	HV-600-SAC-CM-S/S-EL15	45	63554	CBD-XXL-S/S	157	63649	H-CARK-1800-CS-EL15	44
62804	H2CP-1800-S/S	48	63229	HV-600-SAC-CL-S/S-EL15	45	63566	HVT8-EL15-S/S	48	63650	H-CARK-1800-CM-EL15	44
62805	H2CP-2000-S/S	43	63230	HV-800-SAC-CS-S/S-EL15	45	63567	H-CARK2-1200-CS-EL15	44	63651	H-CARK-1800-CL-EL15	44
62805	H2CP-2000-S/S	48	63231	HV-800-SAC-CM-S/S-EL15	45	63568	H-CARK2-1200-CM-EL15	44	63652	H CARK-600-CS-S/S-EL15	45
62806	H2CP-2400-S/S	43	63232	HV-800-SAC-CL-S/S-EL15	45	63569	H-CARK2-1200-CL-EL15	44	63653	H CARK-600-CM-S/S-EL15	45
62806	H2CP-2400-S/S	48	63233	HV-1000-SAC-CS-S/S-EL15	45	63570	H-CARK2-1200-CLL-EL15	44	63654	H CARK-600-CL-S/S-EL15	45
62807	H2CP-2600-S/S	43	63234	HV-1000-SAC-CM-S/S-EL15	45	63571	H-CARK2-1400-CS-EL15	44	63655	H CARK-800-CS-S/S-EL15	45
62807	H2CP-2600-S/S	48	63235	HV-1000-SAC-CL-S/S-EL15	45	63572	H-CARK2-1400-CM-EL15	44	63656	H CARK-800-CM-S/S-EL15	45
62808	H2CP-2800-S/S	43	63236	HV-1200-SAC-CS-S/S-EL15	45	63573	H-CARK2-1400-CL-EL15	44	63657	H CARK-800-CL-S/S-EL15	45
62808	H2CP-2800-S/S	48	63237	HV-1200-SAC-CM-S/S-EL15	45	63574	H-CARK2-1400-CLL-EL15	44	63658	H CARK-1000-CS-S/S-EL15	45
62809	H2CP-3000-S/S	43	63238	HV-1200-SAC-CL-S/S-EL15	45	63575	H-CARK2-1600-CM-EL15	44	63659	H CARK-1000-CM-S/S-EL15	45
62809	H2CP-3000-S/S	48	63239	HV-1400-SAC-CS-S/S-EL15	45	63576	H-CARK2-1600-CL-EL15	44	63660	H CARK-1000-CL-S/S-EL15	45
62826	HTF212-S/S	14	63240	HV-1400-SAC-CM-S/S-EL15	45	63577	H-CARK2-1600-CLL-EL15	44	63661	H CARK-1200-CS-S/S-EL15	45
62827	HTF218-S/S	14	63241	HV-1400-SAC-CL-S/S-EL15	45	63578	H-CARK2-1800-CM-EL15	44	63662	H CARK-1200-CM-S/S-EL15	45
62828	HTF224-S/S	14	63242	HV-1600-SAC-CM-S/S-EL15	45	63579	H-CARK2-1800-CL-EL15	44	63663	H CARK-1200-CL-S/S-EL15	45
62829	HTF230-S/S	14	63243	HV-1600-SAC-CL-S/S-EL15	45	63580	H-CARK2-1800-CLL-EL15	44	63664	H CARK-1400-CS-S/S-EL15	45
62830	HTF236-S/S	14	63244	HV-1600-SAC-CM-S/S-EL15	45	63581	H-CARK2-2000-CM-EL15	44	63665	H CARK-1400-CM-S/S-EL15	45
62831	HTF242-S/S	14	63245	HV-1800-SAC-CM-S/S-EL15	45	63582	H-CARK2-2000-CL-EL15	44	63666	H CARK-1400-CL-S/S-EL15	45
62832	HTF248-S/S	14	63246	HV-1800-SAC-CL-S/S-EL15	45	63583	H-CARK2-2000-CLL-EL15	44	63667	H CARK-1600-CS-S/S-EL15	45
62833	HTF254-S/S	14	63247	HV-1800-SAC-CM-S/S-EL15	45	63584	H-CARK2-2200-CM-EL15	44	63668	H CARK-1600-CM-S/S-EL15	45
62834	HTF260-S/S	14	63421	HV-1200-2SAC-CS-EL15	44	63585	H-CARK2-2200-CL-EL15	44	63669	H CARK-1600-CL-S/S-EL15	45
62835	HTF272-S/S	14	63422	HV-1200-2SAC-CM-EL15	44	63586	H-CARK2-2200-CLL-EL15	44	63670	H CARK-1800-CS-S/S-EL15	45
62836	EZP-LS212-S/S	10	63423	HV-1200-2SAC-CL-EL15	44	63587	H-CARK2-2400-CM-EL15	44	63671	H CARK-1800-CM-S/S-EL15	45
62837	EZP-LS218-S/S	10	63424	HV-1200-2SAC-CM-EL15	44	63588	H-CARK2-2400-CL-EL15	44	63672	H CARK-1800-CL-S/S-EL15	45
62838	EZP-LS224-S/S	10	63425	HV-1400-2SAC-CS-EL15	44	63589	H-CARK2-2400-CLL-EL15	44	63678	HDRP22	130
62839	EZP-LS230-S/S	10	63426	HV-1400-2SAC-CM-EL15	44	63590	H-CARK2-2600-CM-EL15	44	63679	HDRP17	130
62840	EZP-LS236-S/S	10	63427	HV-1400-2SAC-CL-EL15	44	63591	H-CARK2-2600-CL-EL15	44	63747	CBD-ST-XXL	158
62841	EZP-LS242-S/S	10	63428	HV-1400-2SAC-CM-EL15	44	63592	H-CARK2-2600-CLL-EL15	44	63748	CBD-ST-XXL-S/S	158
62842	EZP-LS248-S/S	10	63429	HV-1600-2SAC-CM-EL15	44	63593	H-CARK2-2800-CM-EL15	44	63749	CBD-ST-XXL-MF	158
62843	EZP-LS254-S/S	10	63430	HV-1600-2SAC-CL-EL15	44	63594	H-CARK2-2800-CL-EL15	44	63750	CBD-ST-XXL-MF-S/S	158
62844	EZP-LS260-S/S	10	63431	HV-1600-2SAC-CM-EL15	44	63595	H-CARK2-2800-CLL-EL15	44	63751	CBD-ST-XXL-FP	158
62845	EZP-LS212HT-S/S	10	63432	HV-1800-2SAC-CM-EL15	44	63596	H-CARK2-3000-CM-EL15	44	63752	CBD-ST-XXL-FR-B	158
62846	EZP-LS218HT-S/S	10	63433	HV-1800-2SAC-CL-EL15	44	63597	H-CARK2-3000-CL-EL15	44	63791	CBD-ST-XXL-S	158
62847	EZP-LS224HT-S/S	10	63434	HV-1800-2SAC-CM-EL15	44	63598	H-CARK2-3000-CLL-EL15	44	63861	HATDMK-S/S	36
62848	EZP-LS230HT-S/S	10	63435	HV-2000-2SAC-CM-EL15	44	63599	H-CARK2-1200-CS-S/S-EL15	45	63861	ATVKP-60	72
62849	EZP-LS236HT-S/S	10	63436	HV-2000-2SAC-CL-EL15	44	63600	H-CARK2-1200-CM-S/S-EL15	45	63861	ATVKP-60	94
62850	EZP-LS242HT-S/S	10	63437	HV-2000-2SAC-CM-EL15	44	63601	H-CARK2-1200-CL-S/S-EL15	45	63862	HATDMK-S/S	36
62851	EZP-LS248HT-S/S	10	63438	HV-2200-2SAC-CM-EL15	44	63602	H-CARK2-1200-CLL-S/S-EL15	45	63862	ATVKP-73	72
62852	EZP-LS254HT-S/S	10	63439	HV-2200-2SAC-CL-EL15	44	63603	H-CARK2-1400-CS-S/S-EL15	45	63862	ATVKP-73	94
62853	EZP-LS260HT-S/S	10	63440	HV-2200-2SAC-CM-EL15	44	63604	H-CARK2-1400-CM-S/S-EL15	45	63936	HV450SS-PCST	34
63020	MSTHD-G	65	63441	HV-2400-2SAC-CM-EL15	44	63605	H-CARK2-1400-CL-S/S-EL15	45	63937	HV450S-PCST	34
63020	MSTHD-G	112	63442	HV-2400-2SAC-CL-EL15	44	63606	H-CARK2-1400-CLL-S/S-EL15	45	63938	HV450M-PCST	34
63024	CBD-ST-XL-S	158	63443	HV-2400-2SAC-CM-EL15	44	63607	H-CARK2-1600-CM-S/S-EL15	45	63939	HV600SS-PCST	34
63067	MSTBBK	65	63444	HV-2600-2SAC-CM-EL15	44	63608	H-CARK2-1600-CL-S/S-EL15	45	63940	HV600S-PCST	34
63067	MSTBBK	65	63445	HV-2600-2SAC-CL-EL15	44	63609	H-CARK2-1600-CLL-S/S-EL15	45	63941	HV600M-PCST	34
63067	MSTBBK	67	63446	HV-2600-2SAC-CM-EL15	44	63610	H-CARK2-1800-CM-S/S-EL15	45	63942	HV750SS-PCST	34
63067	MSTBBK	67	63447	HV-2800-2SAC-CM-EL15	44	63611	H-CARK2-1800-CL-S/S-EL15	45	63943	HV750S-PCST	34
63067	MSTBBK	112	63448	HV-2800-2SAC-CL-EL15	44	63612	H-CARK2-1800-CLL-S/S-EL15	45	63944	HV750M-PCST	34
63067	MSTBBK	112	63449	HV-2800-2SAC-CM-EL15	44	63613	H-CARK2-2000-CM-S/S-EL15	45	63945	HV900SS-PCST	34
63072	ATVK-73	72	63450	HV-3000-2SAC-CM-EL15	44	63614	H-CARK2-2000-CL-S/S-EL15	45	63946	HV900S-PCST	34
63072	ATVK-73	94	63451	HV-3000-2SAC-CL-EL15	44	63615	H-CARK2-2000-CLL-S/S-EL15	45	63947	HV900M-PCST	34
63073	ATV-MOUNT	72	63452	HV-3000-2SAC-CM-EL15	44	63616	H-CARK2-2200-CM-S/S-EL15	45	63948	HV900L-PCST	34
63073	ATV-MOUNT	94	63453	HV-1200-2SAC-CS-S/S-EL15	45	63617	H-CARK2-2200-CL-S/S-EL15	45	63950	HV1050S-PCST	34
63079	H73BTK	42	63454	HV-1200-2SAC-CM-S/S-EL15	45	63618	H-CARK2-2200-CLL-S/S-EL15	45	63951	HV1050M-PCST	34
63079	H73BTK	43	63455	HV-1200-2SAC-CL-S/S-EL15	45	63619	H-CARK2-2400-CM-S/S-EL15	45	63952	HV1050L-PCST	34
63079	H73BTK	47	63456	HV-1200-2SAC-CM-S/S-EL15	45	63620	H-CARK2-2400-CL-S/S-EL15	45	63953	HV1200SS-PCST	34
63079	H73BTK	47	63457	HV-1400-2SAC-CS-S/S-EL15	45	63621	H-CARK2-2400-CLL-S/S-EL15	45	63954	HV1200S-PCST	34
63080	H73BTK-S/S	42	63458	HV-1400-2SAC-CM-S/S-EL15	45	63622	H-CARK2-2600-CM-S/S-EL15	45	63955	HV1200M-PCST	34
63080	H73BTK-S/S	43	63459	HV-1400-2SAC-CL-S/S-EL15	45	63623	H-CARK2-2600-CL-S/S-EL15	45	63956	HV1200L-PCST	34
63080	H73BTK-S/S	47	63460	HV-1400-2SAC-CM-S/S-EL15	45	63624	H-CARK2-2600-CLL-S/S-EL15	45	63957	HV1500M-PCST	34
63080	H73BTK-S/S	48	63461	HV-1600-2SAC-CM-S/S-EL15	45	63625	H-CARK2-2800-CM-S/S-EL15	45	63958	HV1500L-PCST	34
63206	HV-600-SAC-CS-EL15	44	63462	HV-1600-2SAC-CL-S/S-EL15	45	63626	H-CARK2-2800-CL-S/S-EL15	45	63959	HV1500L-PCST	34
63207	HV-600-SAC-CM-EL15	44	63463	HV-1600-2SAC-CM-S/S-EL15	45	63627	H-CARK2-2800-CLL-S/S-EL15	45	63960	HV1600M-PCST	34
63208	HV-600-SAC-CL-EL15	44	63464	HV-1800-2SAC-CM-S/S-EL15	45	63628	H-CARK2-3000-CM-S/S-EL15	45	63961	HV1600L-PCST	34
63209	HV-800-SAC-CS-EL15	44	63465	HV-1800-2SAC-CL-S/S-EL15	45	63629	H-CARK2-3000-CL-S/S-EL15	45	63962	HV1600L-PCST	34
63210	HV-800-SAC-CM-EL15	44	63466	HV-1800-2SAC-CM-S/S-EL15	45	63630	H-CARK2-3000-CLL-S/S-EL15	45	63963	HV1800M-PCST	34
63211	HV-800-SAC-CL-EL15	44	63467	HV-2000-2SAC-CM-S/S-EL15	45	63631	H-CARK-600-CS-EL15	44	63964	HV1800L-PCST	34
63212	HV-1000-SAC-CS-EL15	44	63468	HV-2000-2SAC-CL-S/S-EL15	45	63632	H-CARK-600-CM-EL15	44	63965	HV1800L-PCST	34
63213	HV-1000-SAC-CM-EL15	44	63469	HV-2000-2SAC-CM-S/S-EL15	45	63633	H-CARK-600-CL-EL15	44	63966	HV2100M-PCST	34
63214	HV-1000-SAC-CL-EL15	44	63470	HV-2200-2SAC-CM-S/S-EL15	45	63634	H-CARK-800-CS-EL15	44	63967	HV2100L-PCST	34
63215	HV-1200-SAC-CS-EL15	44	63471	HV-2200-2SAC-CL-S/S-EL15	45	63635	H-CARK-800-CM-EL15	44	63968	HV2100L-PCST	34
63216	HV-1200-SAC-CM-EL15	44	63472	HV-2200-2SAC-CM-S/S-EL15	45	63636	H-CARK-800-CL-EL15	44	63969	HV2400M-PCST	34
63217	HV-1200-SAC-CL-EL15	44	63473	HV-2400-2SAC-CM-S/S-EL15	45	63637	H-CARK-1000-CS-EL15	44	63970	HV2400L-PCST	34
63218	HV-1400-SAC-CS-EL15	44	63474	HV-2400-2SAC-CL-S/S-EL15	45	63638	H-CARK-1000-CM-EL15	44	63971	HV2400L-PCST	34
63219	HV-1400-SAC-CM-EL15	44	63475	HV-2400-2SAC-CM-S/S-EL15	45	63639	H-CARK-1000-CL-EL15	44	63972	HV2600M-PCST	34
63220	HV-1400-SAC-CL-EL15	44	63476	HV-2600-2SAC-CM-S/S-EL15	45	63640	H-CARK-1200-CS-EL15	44	63973	HV2600L-PCST	34
63221	HV-1600-SAC-CM-EL15	44	63477	HV-2600-2SAC-CL-S/S-EL15	45	63641	H-CARK-1200-CM-EL15	44	63974	HV2600L-PCST	34
63222	HV-1600-SAC-CL-EL15	44	63478	HV-2600-2SAC-CM-S/S-EL15	45	63642	H-CARK-1200-CL-EL15	44	63975	HV3000M-PCST	34
63223	HV-1600-SAC-CL-EL15	44	63479	HV-2800-2SAC-CM-S/S-EL15	45	63643	H-CARK-1400-CS-EL15	44	63976	HV3000L-PCST	34
63224	HV-1600-SAC-CM-EL15	44	63480	HV-2800-2SAC-CL-S/S-EL15	45	63644	H-CARK-1400-CM-EL15	44	63977	HV3000L-PCST	34
63225	HV-1800-SAC-CL-EL15	44	63481	HV-2800-2SAC-CM-S/S-EL15	45	63645	H-CARK-1400-CL-EL15	44	63978	HV450SS-PCST-S/S	34
63226	HV-1800-SAC-CL-EL15	44	63482	HV-3000-2SAC-CM-S/S-EL15	45	63646	H-CARK-1600-CS-EL15	44	63979	HV450S-PCST-S/S	34
63227	HV-600-SAC-CS-S/S-EL15	45	63483	HV-3000-2SAC-CL-S/S-EL15	45	63647	H-CARK-1600-CM-EL15	44	63980	HV450M-PCST-S/S	34
			63484	HV-3000-2SAC-CM-S/S-EL15	45	63648	H-CARK-1600-CL-EL15	44	63981	HV600SS-PCST-S/S	34

INDEX By Item Code

Item Code	Ordering Number	Page #	Item Code	Ordering Number	Page #	Item Code	Ordering Number	Page #	Item Code	Ordering Number	Page #
63982	HV600S-PCST-S/S	34	64772	CBD-ST-M-P	158	66958	EZP1-UHT2-750-S/S	14	67481	MDWS-MST-1350-S/S	111
63983	HV600M-PCST-S/S	34	64773	CBD-ST-L-P	158	66959	EZP1-UHT2-900-S/S	14	67482	MDWS-MST-1500-S/S	111
63984	HV750SS-PCST-S/S	34	64774	CBD-ST-XL-P	158	66960	EZP1-UHT2-1050-S/S	14	67483	MDWS-MST-1800-S/S	111
63985	HV750S-PCST-S/S	34	64775	CBD-ST-XXL-P	158	66961	EZP1-UHT2-1200-S/S	14	67484	MDWS-MST-2100-S/S	111
63986	HV750M-PCST-S/S	34	64776	CBD-ST-M-PSS	158	66962	EZP1-UHT2-1350-S/S	14	67485	MDWS-MST-2400-S/S	111
63987	HV900SS-PCST-S/S	34	64777	CBD-ST-L-PS	158	66963	EZP1-UHT2-1500-S/S	14	67486	DWP84-S/S	112
63988	HV900S-PCST-S/S	34	64778	CBD-ST-XL-PS	158	66964	EZP1-UHT2-1800-S/S	14	67487	DWP96-S/S	112
63989	HV900M-PCST-S/S	34	64779	CBD-ST-XXL-PS	158	66969	EST-P-S/S-UHT	17	67559	MDWS-MST-600	111
63990	HV900L-PCST-S/S	34	64780	CBD-ST-M-PS-S/S	158	66994	EST-W-S/S-UHT	17	67560	MDWS-MST-750	111
63991	HV1050SS-PCST-S/S	34	64781	CBD-ST-L-PS-S/S	158	66995	EST-G-S/S-UHT	17	67561	MDWS-MST-900	111
63992	HV1050S-PCST-S/S	34	64782	CBD-ST-XL-PS-S/S	158	67057	ULP1800	74	67562	MDWS-MST-1050	111
63993	HV1050M-PCST-S/S	34	64783	CBD-ST-XXL-PS-S/S	158	67058	ULP2400	74	67563	MDWS-MST-1200	111
63994	HV1050L-PCST-S/S	34	64784	CBD-ST-M-S	158	67084	ULP2000	74	67564	MDWS-MST-1350	111
63995	HV1200SS-PCST-S/S	34	64785	CBD-ST-L-S	158	67085	ULP2200	74	67565	MDWS-MST-1500	111
63996	HV1200S-PCST-S/S	34	64787	CBD-XXL	157	67086	ULP2600	74	67566	MDWS-MST-1800	111
63997	HV1200M-PCST-S/S	34	64924	MSR-S/S	170	67087	ULP2800	74	67567	MDWS-MST-2100	111
63998	HV1200L-PCST-S/S	34	64925	PMSMK-S/S	170	67088	ULP3000	74	67568	MDWS-MST-2400	111
63999	HV1500M-PCST-S/S	34	64926	MAK-S/S	170	67267		123	67587		123
64000	HV1500L-PCST-S/S	34	64930	MSTLP	65	67268		123	67750	YCARD-S/S-30/750-SDTC	58
64001	HV1500LL-PCST-S/S	34	64930	MSTLP	65	67285	YTC600-BT-S/S	57	67751	YCARD-S/S-36/900-SDTC	58
64002	HV1600M-PCST-S/S	34	64930	MSTLP	67	67286	YTC750-BT-S/S	57	67752	YCARD-S/S-42/1050-SDTC	58
64003	HV1600L-PCST-S/S	34	64930	MSTLP	67	67287	YTC900-BT-S/S	57	67753	YCARD-S/S-48/1200-SDTC	58
64004	HV1600LL-PCST-S/S	34	64930	MSTLP	112	67288	YTC1050-BT-S/S	57	67775	HSA200_XL20 (20mm)	35
64005	HVHD1800M-PCST-S/S	34	64930	MSTLP	112	67289	YTC1200-BT-S/S	57	67776	PSA150_XL20	60
64006	HVHD1800L-PCST-S/S	34	64931	MSTAM-S/S	65	67290	YTCHD900-BT-S/S	57	67777	RSA150-XL20	62
64007	HVHD1800LL-PCST-S/S	34	64931	MSTAM-S/S	67	67291	YTCHD1050-BT-S/S	57	67777	RSA150-XL20	65
64008	HVHD2100M-PCST-S/S	34	64931	MSTAM-S/S	112	67292	YTCHD1200-BT-S/S	57	67777	RSA150-XL20	67
64009	HVHD2100L-PCST-S/S	34	65571	PAT1	37	67293	YTCHD1350-BT-S/S	57	67777	RSA150-XL20	69
64010	HVHD2100LL-PCST-S/S	34	65571	PAT1	72	67294	YTCHD1500-BT-S/S	57	67856		123
64011	HVHD2400M-PCST-S/S	34	65571	PAT1	94	67295	YTCHD1800-BT-S/S	57	68240	Q150-EL15	60
64012	HVHD2400L-PCST-S/S	34	65660	FMS-600-EL15	63	67308	YTCHD900-MST-S/S	57	68241	Q150-20MM	60
64013	HVHD2400LL-PCST-S/S	34	65661	FMS-750-EL15	63	67309	YTCHD1050-MST-S/S	57	68252	RBVP-HD-900	155
64014	HVHD2600M-PCST-S/S	34	65662	FMS-900-EL15	63	67310	YTCHD1200-MST-S/S	57	68253	RBVP-HD-1050	155
64015	HVHD2600L-PCST-S/S	34	65663	FMS-1050-EL15	63	67311	YTCHD1350-MST-S/S	57	68254	RBVP-HD-1200	155
64016	HVHD2600LL-PCST-S/S	34	65664	FMS-1200-EL15	63	67312	YTCHD1500-MST-S/S	57	68255	RBVP-HD-1350	155
64017	HVHD3000M-PCST-S/S	34	65665	FMS-1350-EL15	63	67313	YTCHD1800-MST-S/S	57	68256	RBVP-HD-1500	155
64018	HVHD3000L-PCST-S/S	34	65666	FMS-1500-EL15	63	67314	YTFHD900-MST-S/S	57	68257	RBVP-HD-1600	155
64019	HVHD3000LL-PCST-S/S	34	65667	FMS-1800-EL15	63	67315	YTFHD1050-MST-S/S	57	68258	RBVP-HD-1800	155
64020	MHS-600-MST	66	65670	FMS-600-EL15-S/S	63	67316	YTFHD1200-MST-S/S	57	68259	RBVP-HD-2000	155
64021	MHS-750-MST	66	65671	FMS-750-EL15-S/S	63	67317	YTFHD1350-MST-S/S	57	68260	RBVP-HD-2200	155
64022	MHS-900-MST	66	65672	FMS-900-EL15-S/S	63	67318	YTFHD1500-MST-S/S	57	68261	RBVP-HD-2400	155
64023	MHS-1050-MST	66	65673	FMS-1050-EL15-S/S	63	67319	YTFHD1800-MST-S/S	57	68262	RBVP-HD-2500	155
64024	MHS-1200-MST	66	65674	FMS-1200-EL15-S/S	63	67322	YPHD600-S/S POLE	58	68263	RBVP-HD-2600	155
64025	MHS-1350-MST	66	65675	FMS-1350-EL15-S/S	63	67323	YPHD750-S/S POLE	58	68264	RBVP-HD-2800	155
64026	MHS-1500-MST	66	65676	FMS-1500-EL15-S/S	63	67324		58	68265	RBVP-HD-3000	155
64027	MHS-1800-MST	66	65677	FMS-1800-EL15-S/S	63	67325		58	68266	RBVP-HD-3200	155
64028	MHS-2100-MST	66	65746	PTK	67	67327	UFB18-B	109	68267	RBVP-SD-600	155
64029	MHS-2400-MST	66	65746	PTK	67	67328	UFB24-B	109	68268	RBVP-SD-750	155
64030	MHS-600-MST-S/S	66	65746	PTK	69	67329	UFB30-B	109	68269	RBVP-SD-900	155
64031	MHS-750-MST-S/S	66	65746	PTK	69	67330	UFB36-B	109	68270	RBVP-SD-1050	155
64032	MHS-900-MST-S/S	66	65746	PTK	71	67331	UFB42-B	109	68271	RBVP-SD-1200	155
64033	MHS-1050-MST-S/S	66	65746	PTK	71	67332	UFB48-B	109	68272	RBVP-SD-1350	155
64034	MHS-1200-MST-S/S	66	65803	PACB100	72	67333	UFB54-B	109	68273	RBVP-SD-1500	155
64035	MHS-1350-MST-S/S	66	65803	PACB100	94	67334	UFB60-B	109	68274	RBVP-SD-1800	155
64036	MHS-1500-MST-S/S	66	66055	PACB60	72	67335	UFB72-B	109	68275	RBVP-SD-2000	155
64037	MHS-1800-MST-S/S	66	66055	PACB60	94	67336	UFB84-B	109	68276	RBVP-SD-2200	155
64038	MHS-2100-MST-S/S	66	66056	PAT2	37	67409	DWP72-S/S	112	68277	RBVP-SD-2400	155
64039	MHS-2400-MST-S/S	66	66056	PAT2	72	67411	YCARD-S/S-36/900-HDTC	58	68278	RBVP-SD-2600	155
64045	HV1050SS-PCST	34	66056	PAT2	94	67412	YCARD-S/S-42/1050-HDTC	58	68279	RBVP-SD-2800	155
64175	AIR HARK-S/S-73	36	66068	ATV-TUBE	72	67413	YCARD-S/S-48/1200-HDTC	58	68368	EZRKL-600	138
64178	CBD-S-S/S	157	66068	ATV-TUBE	94	67414	YCARD-S/S-54/1350-HDTC	58	68368	EZRKL-600	141
64198	YPHD900-S/S POLE	58	66106	FMS-600V-S/S	63	67415	YCARD-S/S-60/1500-HDTC	58	68369	EZRKL-750	138
64199	YPHD1050-S/S POLE	58	66107	FMS-750V-S/S	63	67416	YCARD-S/S-72/1800-HDTC	58	68369	EZRKL-750	141
64200	YPHD1200-S/S POLE	58	66108	FMS-900V-S/S	63	67417	YCARD-S/S-36/900-HDP	58	68370	EZRKL-900	138
64201	YPHD1350-S/S POLE	58	66109	FMS-1050V-S/S	63	67418	YCARD-S/S-42/1050-HDP	58	68370	EZRKL-900	141
64202	YPHD1500-S/S POLE	58	66110	FMS-1200V-S/S	63	67419	YCARD-S/S-48/1200-HDP	58	68371	EZRKL-1050	138
64204	YPHD1800-S/S POLE	58	66111	FMS-1350V-S/S	63	67420	YCARD-S/S-54/1350-HDP	58	68371	EZRKL-1050	141
64205		58	66112	FMS-1500V-S/S	63	67421	YCARD-S/S-60/1500-HDP	58	68372	EZRKL-1200	138
64206		58	66113	FMS-1800V-S/S	63	67422	YCARD-S/S-72/1800-HDP	58	68372	EZRKL-1200	141
64207		58	66122	ULP450	74	67466	MDWS-600-S/S	111	68373	EZRKL-1350	138
64208		58	66123	ULP600	74	67467	MDWS-750-S/S	111	68373	EZRKL-1350	141
64209		58	66124	ULP750	74	67468	MDWS-900-S/S	111	68374	EZRKL-1500	138
64211		58	66125	ULP900	74	67469	MDWS-1050-S/S	111	68374	EZRKL-1500	141
64310	CBD-ST-BB	158	66126	ULP1050	74	67470	MDWS-1200-S/S	111	68375	EZRKL-1800	138
64482	CBD-ST-XL-B	158	66127	ULP1200	74	67471	MDWS-1350-S/S	111	68375	EZRKL-1800	141
64620	CBD-ST-B	158	66128	ULP1350	74	67472	MDWS-1500-S/S	111	69469	HPA1200	75
64621	CBD-ST-L-B	158	66129	ULP1500	74	67473	MDWS-1800-S/S	111	69470	HPA1350	75
64622	CBD-ST-XXL-B	158	66130	ULP1650	74	67474	MDWS-2100-S/S	111	69471	HPA1500	75
64623	CBD-ST-M-P-S/S	158	66192	ATV73-SS	72	67475	MDWS-2400-S/S	111	69472	HPA1600	75
64624	CBD-ST-L-P-S/S	158	66192	ATV73-SS	94	67476	MDWS-MST-600-S/S	111	69473	HPA1800	75
64625	CBD-ST-XL-P-S/S	158	66255	MHS-1950BTY-2SAC-S/S	98	67477	MDWS-MST-750-S/S	111	69474	HPA2000	75
64626	CBD-ST-XXL-P-S/S	158	66749	YCARD-S/S-24/600-SDTC	58	67478	MDWS-MST-900-S/S	111	69475	HPA2200	75
64743	ATVK73-SEC-SS	72	66956	EZP1-UHT2-450-S/S	14	67479	MDWS-MST-1050-S/S	111	69476	HPA2400	75
64743	ATVK73-SEC-SS	94	66957	EZP1-UHT2-600-S/S	14	67480	MDWS-MST-1200-S/S	111	69477	HPA2600	75

INDEX By Item Code

Item Code	Ordering Number	Page #	Item Code	Ordering Number	Page #	Item Code	Ordering Number	Page #	Item Code	Ordering Number	Page #
69478	HPA2800	75	73121	BP1800-PL	150	73628	RSA150	67	74535	CT6	84
69479	HPA3000	75	73123	BP-MB	150	73628	RSA150	69	74535	CT6	87
69480	PPA1200	75	73125	BP-SC	150	73628	RSA150	71	74535	CT6	89
69481	PPA1350	75	73127	BP-LA	150	73628	RSA150 (V-Tip)	84	74535	CT6	91
69482	PPA1500	75	73138	BP-TB	150	73628	RSA150	87	74535	CT6	93
69483	PPA1650	75	73139	BP-UB	150	73628	RSA150	91	74535	CT6	96
69484	PPA1800	75	73141	BP-TL	150	73628	RSA150	93	74539	HVHD2100M	33
69485	PPA1950	75	73147	BP1500-1600MF	150	73628	RSA150	98	74540	HVHD2100L	33
69486	PPA2100	75	73148	BP1800MF	150	73628	RSA150	100	74541	HVHD2100LL	33
69487	PPA2250	75	73152	BP450-750MF	150	73631	HVPT-S/S	35	74544	HVHD2400M	33
69488	PPA2400	75	73153	BP800-1050MF	150	73631	HVPT-S/S	38	74545	HVHD2400L	33
71053	FLSC2000	173	73154	BP1200-1400MF	150	73631	HVPT-S/S	41	74546	HVHD2400LL	33
71056	FLSC-TP	173	73156	PSA150	60	73631	HVPT-S/S	42	74547	HPHD2000	38
71057	FLSC-CP	173	73156	PSA150	77	73631	HVPT-S/S	43	74548	HPHD2400	38
71059	FLSC2000-MC	173	73156	PSA150	80	73631	HVPT-S/S	46	74549	HBRKX	38
71061	FLSC2000-CB	173	73158	HV1500L	33	73631	HVPT-S/S	47	74550	HDARK	38
71140	FLSCM-CP	173	73162	RBPCP	160	73631	HVPT-S/S	48	74551	HDMK	38
71148	FLSCM2000	173	73163	RBPRET	166	73637	HV1600M	33	74553	PVHD2100	59
72483	CBR-S	157	73173	HV600M	33	73638	HV1600L	33	74555	PVHD2400	59
72484	CBR-M	157	73174	HV750M	33	73639	HV1600LL	33	74556	PPHD2000	60
72485	CBR-L	157	73175	HV900M	33	73739	HP1600	38	74557	PPHD2400	60
72486	CBR-XL	157	73177	HV1500M	33	73771	HSA8SS-S/S	35	74558	PSR-S	159
73003	PP450	60	73178	HV900L	33	73772	HSA8S-S/S	35	74559	PSR-M	159
73004	PV600	59	73179	HV1050L	33	73773	HSA8M-S/S	35	74560	PSR-L	159
73005	PP600	60	73180	HV1200L	33	73774	HSA8L-S/S	35	74561	PSR-XL	159
73006	PV750	59	73215	HV1500LL	33	73777	BP600-B	150	74562	HVHD3000M	160
73007	PP750	60	73221	PSSS-N	126	73778	BP750-B	150	74563	RBPSR-M	160
73008	PV900	59	73222	PSSS-H	126	73779	BP900-B	150	74564	RBPSR-L	160
73009	PP900	60	73235	CCKHDT-S/S	60	73780	BP1050-B	150	74565	RBPSR-XL	160
73010	PV1050	59	73235	CCKHDT-S/S	62	73781	BP1200-B	150	74582	HDMRK	38
73011	PP1050	60	73235	CCKHDT-S/S	69	73782	BP1400-B	150	74582	HDMRK	38
73012	PV1200	59	73301	HBP1200-B	150	73783	BP1500-B	150	74591	HVHD3000M	33
73013	PP1200	60	73302	HBP1400-B	150	73784	BP1600-B	150	74592	HVHD3000L	33
73014	PS600	126	73303	HBP1500-B	150	73785	BP1800-B	150	74593	HVHD3000LL	33
73015	PP1400	60	73304	HBP1600-B	150	73922	HBP-MB-TP	152	74597	PPHD1800	60
73016	PP1500	60	73306	HBP1800-B	150	73922	HBP-MB-TP	154	74598	PVHD1800	59
73019	HV450M	33	73307	HBP2000-B	150	73946	RBPFK-S	160	74601	HPHD1800	38
73024	PPS6	60	73308	HBP2200-B	150	73947	RBPFK-M	160	74602	HVHD1800M	33
73026	HV450SS	33	73309	HBP2400-B	150	73948	RBPFK-L	160	74604	RP450	62
73027	HP450	38	73311	HBP2500-B	150	73949	RBPFK-XL	160	74605	RP600	62
73028	HV450S	33	73433	PHSC-S/S	60	74033	HSA8LL-S/S	35	74606	RP750	62
73029	HP600	38	73433	PHSC-S/S	82	74049	PS1800PL	126	74607	RP900	62
73030	HV600S	33	73433	PHSC-S/S	126	74050	PS2000 PL	126	74608	RP1050	62
73031	HP750	38	73434	PSVA	126	74053	PSN11010	126	74609	RP1200	62
73032	HV750S	33	73435	PV450	59	74055	BP450-B	150	74610	RP1400	62
73033	HP900	38	73436	PV1400	59	74057	BP800-B	150	74611	RP1500	62
73034	HV900S	33	73437	PV1500	59	74100	HW-BC	130	74613	RPHD1800	62
73035	HP1050	38	73443	HXF1600M	32	74141	HTTS	130	74614	RPHD2000	62
73036	HV1050M	33	73444	HXF1600L	32	74307	HXF8SS	35	74615	RPHD2400	62
73037	HP1200	38	73483	HSND	38	74327	RBPMBK	160	74633	RV450	61
73038	HV1200M	33	73483	HSND	42	74417	STJK	38	74634	RV600	61
73045	HV600SS	33	73483	HSND	43	74417	STJK	38	74635	RV750	61
73047	HSA8SS	35	73483	HSND	47	74417	STJK-S/S	107	74636	RV900	61
73048	HSA8S	35	73483	HSND	48	74417	STJK-S/S	108	74637	RV1050	61
73049	HSA8M	35	73486	HSA	38	74419	STTS	38	74638	RV1200	61
73050	HPS8	38	73489	HSA200	35	74419	STTS	107	74639	RV1400	61
73053	HV750SS	33	73489	HSA200	38	74420	UTS	38	74640	RV1500	61
73054	HMK	38	73489	HSA200	41	74448	UFB18	109	74642	RVHD1800	61
73055	HV900SS	33	73489	HSA200	42	74449	UFB24	109	74643	RVHD2100	61
73056	HV1050S	33	73489	HSA200	43	74450	UFB30	109	74644	RVHD2400	61
73057	HV1050SS	33	73489	HSA200	46	74451	UFB36	109	74659	HXF450S	32
73058	HV1200S	33	73489	HSA200	47	74452	UFB42	109	74660	HXF450M	32
73059	HV1200SS	33	73489	HSA200	48	74453	UFB48	109	74661	HXF600S	32
73063	HSA8L	35	73494	HVC-S/S	38	74454	UFB54	109	74662	HXF600M	32
73064	HSA8LL	35	73537	PS1800	126	74455	UFB60	109	74663	HXF750M	32
73066	HP1500	38	73539	PS2000	126	74456	UFB72	109	74664	HXF750M	32
73068	HBRK	38	73541	PS750	126	74460	UFB84	109	74665	HXF900S	32
73069	HARK	38	73542	PS900	126	74477	HVHD1800L	33	74666	HXF900M	32
73069	HARK	107	73543	PS1050	126	74478	HVHD1800LL	33	74667	HXF900L	32
73102	BP450	149	73544	PS1200	126	74490	HDCK	38	74668	HXF1050S	32
73104	BP600	149	73545	PS1500	126	74490	HBP-SC-TP	152	74669	HXF1050M	32
73106	BP750	149	73546	PS1400	126	74502	HDTS	107	74670	HXF1050L	32
73107	BP800	149	73582	PS600PL	126	74504	STDK	38	74671	HXF1200S	32
73108	BP900	149	73583	PS750PL	126	74506	STCK	38	74672	HXF1200M	32
73109	BP450-750-PL	150	73584	PS900PL	126	74535	CT6	60	74673	HXF1200L	32
73110	BP1050	149	73585	PS1050PL	126	74535	CT6	62	74677	HXF1500M	32
73111	BP800-1050-PL	150	73586	PS1200PL	126	74535	CT6	63	74678	HXF1500L	32
73112	BP1200	149	73587	PS1400PL	126	74535	CT6	65	74681	HXFHD1800M	32
73113	BP1400	149	73588	PS1500PL	126	74535	CT6	67	74682	HXFHD1800L	32
73114	BP1500	149	73626	PHA	60	74535	CT6	69	74683	HXFHD2100M	32
73115	BP1600	149	73626	PHA	80	74535	CT6	71	74684	HXFHD2100L	32
73117	BP1800	149	73628	RSA150	62	74535	CT6	77	74685	HXFHD2400M	32
73118	BP1200-1400-PL	150	73628	RSA150	63	74535	CT6	80	74686	HXFHD2400L	32
73119	BP1500-1600-PL	150	73628	RSA150	65	74535	CT6	82	74689	HXF8S	35

INDEX By Item Code

Item Code	Ordering Number	Page #	Item Code	Ordering Number	Page #	Item Code	Ordering Number	Page #	Item Code	Ordering Number	Page #
74690	HXF8M	35	75328	PV1200-S/S	59	75516	PMBL	120	75817	RMC1-CB	174
74691	HXF8L	35	75329	PV1400-S/S	59	75518	PMBL-S/S (left)	60	75832	RMC1-PP	174
74773	PSSS	60	75330	PV1500-S/S	59	75518	PMBL-S/S	62	75843	STS-S	56
74775	STJM	38	75341	RV450-S/S	61	75518	PMBL-S/S	69	75843	STS-S	65
74775	STJM	38	75342	RV600-S/S	61	75518	PMBL-S/S	72	75843	STS-S	67
74775	STJM	107	75343	RV750-S/S	61	75518	PMBL-S/S	82	75843	STS-S	71
74914	MSR	168	75344	RV900-S/S	61	75518	PMBL-S/S	89	75843	STS-S	94
74914	MSR	170	75345	RV1050-S/S	61	75518	PMBL-S/S	94	75843	STS-S	112
74916	PMSMK	170	75346	RV1200-S/S	61	75518	PMBL-S/S	102	75843	STS-S	112
74918	MAK	170	75347	RV1400-S/S	61	75519	PMBR (right)	52	75843	STS-S	113
74919	MAKHD	170	75348	RV1500-S/S	61	75519	PMBR (right)	56	75844	STS-B	36
74919	MAKHD	170	75373	HP450-S/S	38	75519	PMBR	60	75844	STS-B	36
74921	MORK	170	75374	HP600-S/S	38	75519	PMBL (right)	62	75844	STS-B	56
74921	MORK	170	75375	HP750-S/S	38	75519	PMBR	69	75844	STS-B	65
74923	MCRK	170	75376	HP900-S/S	38	75519	PMBR	80	75844	STS-B	67
74923	MCRK	170	75377	HP1050-S/S	38	75519	PMBR	87	75844	STS-B	71
74923	MCRK	172	75378	HP1200-S/S	38	75519	PMBR	100	75844	STS-B	94
74925	MCB	170	75379	HP1500-S/S	38	75519	PMBR	117	75844	STS-B	112
74925	MCB	170	75380	HP1600-S/S	38	75519	PMBR	120	75844	STS-B	112
74925	MCB	172	75382	PP450-S/S	60	75521	PMBL-S/S (right)	60	75845	QMTS-P	16
74927	MCSK	170	75383	PP600-S/S	60	75521	PMBR-S/S	62	75845	QMTS-P	24
74927	MCSK	170	75384	PP750-S/S	60	75521	PMBR-S/S	69	75845	QMTS-P	107
74927	MCSK	172	75385	PP900-S/S	60	75521	PMBR-S/S	72	75846	STS-W	65
74928	MCSKHD	170	75386	PP1050-S/S	60	75521	PMBR-S/S	82	75846	STS-W	67
74928	MCSKHD	170	75387	PP1200-S/S	60	75521	PMBR-S/S	89	75846	STS-W	71
74928	MCSKHD	172	75388	PP1400-S/S	60	75521	PMBR-S/S	94	75846	STS-W	94
74930	MCS	170	75389	PP1500-S/S	60	75521	PMBR-S/S	102	75846	STS-W	112
74930	MCS	170	75400	RP450-S/S	62	75531	MFASK	170	75846	STS-W	112
74930	MCS	172	75401	RP600-S/S	62	75531	MFASK	170	75847	STAK	71
74931	MCSHD	170	75402	RP750-S/S	62	75565	HSA8SSS	35	75847	STAK	71
74931	MCSHD	170	75403	RP900-S/S	62	75585	STTS-S/S	38	75847	STAK	96
74931	MCSHD	172	75404	RP1050-S/S	62	75585	STTS-S/S	108	75847	STAK	94
74941	SRBK	130	75405	RP1200-S/S	62	75586	HDTs-S/S	108	75847	STAK	112
75266	HXF450S-S/S	32	75406	RP1400-S/S	62	75611	EZP1-218	14	75847	STAK	112
75267	HXF450M-S/S	32	75407	RP1500-S/S	62	75612	EZP1-224	14	75868	MDWS-24	111
75268	HXF600S-S/S	32	75419	HVT8-S/S	35	75613	EZP1-230	14	75869	MDWS-30	111
75269	HXF600M-S/S	32	75419	HVT8-S/S	38	75614	EZP1-236	14	75870	MDWS-36	111
75270	HXF750S-S/S	32	75419	HVT8-S/S	41	75615	EZP1-242	14	75871	MDWS-42	111
75271	HXF750M-S/S	32	75419	HVT8-S/S	42	75616	EZP1-248	14	75872	MDWS-48	111
75272	HXF900S-S/S	32	75419	HVT8-S/S	43	75617	EZP1-254	14	75873	MDWS-54	111
75273	HXF900M-S/S	32	75419	HVT8-S/S	46	75618	EZP1-260	14	75874	MDWS-60	111
75274	HXF900L-S/S	32	75419	HVT8-S/S	47	75619	EZP1P12	16	75875	MDWS-72	112
75275	HXF1050S-S/S	32	75419	HVT8-S/S	48	75619	EZP1P12	16	75883	DWP72	111
75276	HXF1050M-S/S	32	75420	PVT6-S/S	60	75620	EZP1P18	20	75884	CDWB24	113
75277	HXF1050L-S/S	32	75420	PVT6-S/S	82	75620	EZP1P18	20	75885	CDWB30	113
75278	HXF1200S-S/S	32	75420	PVT6-S/S	126	75621	EZP1P24	16	75886	CDWB36	113
75279	HXF1200M-S/S	32	75422	HBRK-S/S-60	36	75621	EZP1P24	20	75887	CDWB42	113
75280	HXF1200L-S/S	32	75422	HBRK-S/S	38	75622	EZP1P30	16	75888	CDWB48	113
75281	HXF1500M-S/S	32	75423	HARK-S/S	38	75622	EZP1P30	20	75889	CDWB54	113
75282	HXF1500L-S/S	32	75424	HMK-S/S	38	75623	EZP1P36	16	75890	CDWB60	113
75283	HXF1600M-S/S	32	75425	STCK-S/S	38	75623	EZP1P36	20	75891	CDWB72	113
75284	HXF1600L-S/S	32	75426	STJM-S/S	38	75624	EZP1P42	16	75892	STAKHD	71
75293	HV450SS-S/S	33	75426	STJM-S/S	38	75624	EZP1P42	20	75892	STAKHD	71
75294	HV450S-S/S	33	75426	STJ-S/S	108	75625	EZP1P48	16	75892	STAKHD	94
75295	HV450M-S/S	33	75427	STKD-S/S	38	75625	EZP1P48	20	75892	STAKHD	96
75296	HV600SS-S/S	33	75452	PVHD2000	59	75626	EZP1P54	16	75892	STAKHD	112
75297	HV600S-S/S	33	75463	RVHD2000	61	75626	EZP1P54	20	75892	STAKHD	112
75298	HV600M-S/S	33	75507	PCB	52	75627	EZP1P60	16	75895	PMB	28
75299	HV750SS-S/S	33	75510	PHDCB	56	75627	EZP1P60	20	75896	PSTA	24
75300	HV750S-S/S	33	75513	PAB	52	75629	CRB16	18	75896	PSTA	28
75301	HV750M-S/S	33	75513	PAB	56	75630	CRB22	18	75897	PTPK	28
75302	HV900SS-S/S	33	75513	PAB	60	75631	CRB28	18	75898	PSTS-W	24
75303	HV900S-S/S	33	75513	PAB	62	75632	CRB34	18	75898	PSTS-W	28
75304	HV900M-S/S	33	75513	PAB	69	75633	CRB40	18	75898	PSTS-W	31
75305	HV900L-S/S	33	75513	PAB	80	75634	CRB46	18	75898	PSTS-W	107
75306	HV1050SS-S/S	33	75513	PAB	87	75635	CRB52	18	75899	PSTS-S	28
75307	HV1050S-S/S	33	75513	PAB	100	75636	CRB58	18	75899	PSTS-S	31
75308	HV1050M-S/S	33	75513	PAB	117	75637	EZP1MPK	16	75899	PSTS-S	36
75309	HV1050L-S/S	33	75513	PAB	120	75641	EZP1PL	16	75904	AWT	28
75310	HV1200SS-S/S	33	75515	PAB-S/S	60	75641	EZP1PL	20	75904	AWT	37
75311	HV1200S-S/S	33	75515	PAB-S/S	62	75642	EZP1BP	16	75905	AWTB	28
75312	HV1200M-S/S	33	75515	PAB-S/S	69	75642	EZP1BP	20	75905	AWTB	37
75313	HV1200L-S/S	33	75515	PAB-S/S	82	75771	EZP1-272	14	75906	AWTMB	28
75314	HV1500M-S/S	33	75515	PAB-S/S	89	75772	EZP1P72	16	75906	AWTMB	37
75315	HV1500L-S/S	33	75515	PAB-S/S	102	75772	EZP1P72	20	75907	AWTA	28
75316	HV1500LL-S/S	33	75516	PMBL (left)	52	75773	CRB70	18	75907	AWTA	28
75317	HV1600M-S/S	33	75516	PMBL (left)	56	75775	CRB64	18	75908	AWTCB	28
75318	HV1600L-S/S	33	75516	PMBL	60	75804	MSPP30	112	75908	AWTCB	37
75319	HV1600LL-S/S	33	75516	PMBL (left)	62	75805	MSPP36	112	75909	AWTHK	37
75323	PV450-S/S	59	75516	PMBL	69	75806	MSPP42	112	75909	AWTHK	28
75324	PV600-S/S	59	75516	PMBL	80	75807	MSPP48	112	75929	MHCP-24S	26
75325	PV750-S/S	59	75516	PMBL	87	75808	MSPP54	112	75930	MHCP-30S	26
75326	PV900-S/S	59	75516	PMBL	100	75809	MSPP60	112	75931	MHCP-36S	26
75327	PV1050-S/S	59	75516	PMBL	117	75811	MSPMPK	24	75932	MHCP-42S	26

INDEX By Item Code

Item Code	Ordering Number	Page #	Item Code	Ordering Number	Page #	Item Code	Ordering Number	Page #	Item Code	Ordering Number	Page #
75933	MHCP-48S	26	76392	MHP-EP	24	76593	CRB-HT10	18	76742	URVB54/1350	105
75934	MHCP-54S	26	76392	MHP-EP	28	76594	CRB-HT16	18	76742	URVB54/1350	106
75935	MHCP-60S	26	76392	MHP-EP	43	76595	CRB-HT22	18	76742	URVB54/1350	106
75936	MHCP-72S	26	76392	MHP-EP	48	76596	CRB-HT28	18	76742	URVB54/1350	109
75937	MHCP-25A	26	76392	MHP-EP	79	76597	CRB-HT34	18	76743	URVB60/1500	105
75938	MHCP-30A	26	76392	MHP-EP	86	76598	CRB-HT40	18	76743	URVB60/1500	105
75939	MHCP-36A	26	76392	MHP-EP	93	76599	CRB-HT46	18	76743	URVB60/1500	106
75940	MHCP-42A	26	76392	MHP-EP	100	76600	CRB-HT52	18	76743	URVB60/1500	106
75941	MHCP-48A	26	76393	MHCP-CH	28	76601	CRB-HT58	18	76743	URVB60/1500	109
75942	MHCP-54A	26	76394	MHCP-BS	28	76602	CRB-HT64	18	76744	URVB72/1800	105
75943	MHCP-60A	26	76403	EST-P	16	76603	CRB-HT70	18	76744	URVB72/1800	105
75944	MHCP-72A	26	76404	EST-S	16	76636	SSTBK-W	71	76744	URVB72/1800	106
75961	MHP-CP600	28	76405	EST-B	16	76636	SSTBK-W	71	76744	URVB72/1800	106
75962	MHP-CP750	28	76406	ESTAK	16	76636	SSTBK-W	94	76744	URVB72/1800	109
75963	MHP-CP900	28	76406	ESTAK-EST	36	76636	SSTBK-W	96	76745	URVB84/2100	105
75964	MHP-CP1050	28	76406	ESTAK	107	76636	SSTBK-W	112	76745	URVB84/2100	105
75965	MHP-CP1200	28	76407	ESPSBK	16	76636	SSTBK-W	112	76745	URVB84/2100	106
75966	MHP-CP1400	28	76408	ESPBK	16	76636	SSTBK-W	113	76745	URVB84/2100	106
75967	MHP-CP1500	28	76409	ESPRK	16	76637	SSTBK-B	71	76745	URVB84/2100	109
75968	MHP-CP1800	28	76410	ESBK-PS	16	76637	SSTBK-B	71	76787	UHPB	107
75978	SSRB	28	76410	ESBK-PS	17	76637	SSTBK-B	94	76787	UHPB	108
75978	SSRB	31	76411	ESBK-B	16	76637	SSTBK-B	96	76788	ABU	107
75979	HXF2-SS	35	76411	ESBK-B	17	76637	SSTBK-B	112	76788	ABU	108
75980	HXF2-S	35	76411	ESBK-B EST	17	76637	SSTBK-B	112	76788	ABU	108
75981	HXF2-M	35	76412	ESS-S	16	76638	MHCP-2BC24	28	76790	USPK	107
75982	HXF2-L	35	76412	ESS-S	107	76639	MHCP-2BC30	28	76798	MMP-684	22
76024	MAPEK	131	76413	ESS-B	16	76640	MHCP-2BC36	28	76800	MHCP-84S	26
76025	MCBK	170	76415	RMC1-BPP	174	76641	MHCP-2BC42	28	76801	MHCP-84A	26
76025	MCBK	170	76442	CBD-S	157	76642	MHCP-2BC48	28	76806	MDWS-84	111
76025	MCBK	172	76443	CBD-M	157	76643	MHCP-2BC54	28	76808	MMPCP84	24
76026	MCBKHD	170	76444	CBD-L	157	76644	MHCP-2BC60	28	76811	MHP-CP2100	28
76026	MCBKHD	170	76445	CBD-XL	157	76645	MHCP-2BC72	28	76812	MHCP-2BC84	28
76026	MCBKHD	172	76446	DBK-S	157	76658	HTF212	14	76815	DWP84	112
76027	HSA200-EL15	35	76447	DBK-M	157	76659	HTF218	14	76926	IB4	136
76027	HSA200-EL15	46	76448	DBK-L	157	76660	HTF224	14	76926	IB4	138
76027	HSA200-EL15	47	76449	DBK-XL	157	76661	HTF230	14	76926	IB4	141
76027	HSA200-EL15	48	76450	MMP-624	22	76662	HTF236	14	76926	IB4	144
76069	AWTNCB	28	76451	MMP-630	22	76663	HTF242	14	76926	IB4	145
76069	AWTNCB	37	76452	MMP-636	22	76664	HTF248	14	76926	IB4	146
76071	SSTSMB	131	76453	MMP-642	22	76665	HTF254	14	76927	IB5	136
76072	SSTLMB	131	76454	MMP-648	22	76666	HTF260	14	76927	IB5	138
76074	QMT-P	24	76455	MMP-654	22	76667	HTF272	14	76927	IB5	141
76075	QMT-W	24	76456	MMP-660	22	76668	CBC18	117	76927	IB5	144
76096	QMTPAK	24	76457	MMP-672	22	76669	CBC24	117	76927	IB5	145
76097	QMTBK-P	24	76458	MMPCP24	24	76670	CBC30	117	76927	IB5	146
76097	QMTBK-P	24	76459	MMPCP30	24	76671	CBC36	117	76927	IB5	147
76098	QMTBK-W	24	76460	MMPCP36	24	76672	CBC42	117	76928	IBBK	144
76098	QMTBK-W	24	76461	MMPCP42	24	76673	CBC48	117	76928	IBBK	145
76098	QMTBK-W	28	76462	MMPCP48	24	76674	CBC54	117	76928	IBBK	146
76098	QMTBK-W	31	76463	MMPCP54	24	76675	CBC60	117	76928	IBBK	147
76099	QMTPSBK	24	76464	MMPCP60	24	76692	CPB	117	76929	IBS-L4	144
76205	RVT6-S/S	62	76465	MMPCP72	24	76695	MSP66	112	76930	IBS-L5	144
76205	RVT6-S/S	63	76466	MMPBPK	24	76697	TRB78	23	76931	IBS-M4	145
76205	RVT6-S/S	65	76467	HSHD-S/S	38	76736	URVB18/450	105	76932	IBS-M5	145
76205	RVT6-S/S	67	76467	HSHD-S/S	42	76736	URVB18/450	105	76933	IBS-H4	146
76205	RVT6-S/S	69	76467	HSHD-S/S	43	76736	URVB18/450	106	76934	IBS-DH5	146
76205	RVT6-S/S	71	76467	HSHD-S/S	47	76736	URVB18/450	106	76934	IBS-DH5	147
76205	RVT6-S/S	89	76467	HSHD-S/S	48	76736	URVB18/450	109	76935	ISABK	147
76205	RVT6-S/S	96	76472	FLEL-M	179	76737	URVB24/600	105	76936	IMK	144
76205	RVT6-S/S	102	76473	FLEL-L	179	76737	URVB24/600	105	76936	IMK	145
76245	HDMRK-S/S	38	76474	FLELP	179	76737	URVB24/600	106	76936	IMK	146
76245	HDMRK-S/S	38	76476	FLTW-M	179	76737	URVB24/600	106	76937	IEA42-60D	147
76246	HBRK-S/S-73	36	76477	FLTW-L	179	76737	URVB24/600	109	76938	IEA72-96D	147
76246	HBRK-S/S	38	76478	FLRP	179	76738	URVB30/750	105	76939	HW-IMPB	148
76247	HDARK-S/S	38	76479	FLCP	179	76738	URVB30/750	105	76942	CDWB84	113
76248	HDMK-S/S	38	76481	FLRLB-L	179	76738	URVB30/750	106	76950	OIBBK	148
76249	RSA	62	76482	FLRLB-M	179	76738	URVB30/750	106	76965	IB4-1U	148
76249	RSA	87	76483	QMT-G	24	76738	URVB30/750	109	76966	IB5-1U	148
76250	RC-S/S	62	76484	QMTS-G	24	76739	URVB36/900	105	76979	FLM	179
76250	RC-S/S	89	76484	QMT-G	107	76739	URVB36/900	105	76980	FLL	179
76318	CBD-XL-S/S	157	76485	TRB18	23	76739	URVB36/900	106	76983	FLXL	179
76337	BP450-S/S	149	76486	TRB24	23	76739	URVB36/900	106	76984	FLVRL-XL	179
76338	BP600-S/S	149	76487	TRB30	23	76739	URVB36/900	109	76985	FLTW-XL	179
76339	BP750-S/S	149	76488	TRB36	23	76740	URVB42/1050	105	76986	FLELX-XL	179
76340	BP800-S/S	149	76489	TRB42	23	76740	URVB42/1050	105	77031	CSTAK	94
76341	BP900-S/S	149	76490	TRB48	23	76740	URVB42/1050	106	77031	CSTAK	96
76342	BP1050-S/S	149	76491	TRB54	23	76740	URVB42/1050	106	77037	CSTBK	94
76343	BP1200-S/S	149	76492	TRB60	23	76740	URVB42/1050	109	77037	CSTBK	96
76344	BP1400-S/S	149	76493	TRB66	23	76741	URVB48/1200	105	77047	TRB84	23
76345	BP1500-S/S	149	76494	TRB72	23	76741	URVB48/1200	105	77048	TRB90	23
76346	BP1600-S/S	149	76540	QMTBK-G	24	76741	URVB48/1200	106	77052	SACSK	94
76347	BP1800-S/S	149	76540	QMTBK-G	24	76741	URVB48/1200	106	77052	SACSK	94
76375	AWT-1S	28	76558	RMC-FS	174	76741	URVB48/1200	109	77065	SACSRC	96
76375	AWT-1S	37	76559	RMC2-AP	174	76742	URVB54/1350	105	77065	SACSRC	96

INDEX By Item Code

Item Code	Ordering Number	Page #	Item Code	Ordering Number	Page #	Item Code	Ordering Number	Page #	Item Code	Ordering Number	Page #
77070	LSP12	12	77284	UTV600-J	106	77390	SPG-CVR-D	76	77501	MHS-P900	65
77071	LSP18	12	77285	UTV750-J	106	77390	SPG-CVR-D	104	77501	MHS-P900	67
77072	LSP24	12	77286	UTV900-J	106	77391	SPG-CVR-E	21	77501	MHS-P900	69
77073	LSP30	12	77287	UTV1050-J	106	77391	SPG-CVR-E	76	77501	MHS-P900	71
77074	LSP36	12	77288	UTV1200-J	106	77391	SPG-CVR-E	104	77502	MHS-P1050	65
77075	LSP42	12	77289	UTV1350-J	106	77392	SPG-CVR-F	21	77502	MHS-P1050	67
77076	LSP48	12	77290	UTV1400-J	106	77392	SPG-CVR-F	76	77502	MHS-P1050	69
77077	LSP54	12	77291	UTV1500-J	106	77392	SPG-CVR-F	104	77502	MHS-P1050	71
77078	LSP60	12	77292	UTV1600-J	106	77393	SPG-CVR-G	21	77503	MHS-P1350	65
77079	LSP12-S/S	12	77293	UTV1800-J	106	77393	SPG-CVR-G	76	77503	MHS-P1350	67
77080	LSP18-S/S	12	77294	UTV2000-J	106	77393	SPG-CVR-G	104	77503	MHS-P1350	69
77081	LSP24-S/S	12	77295	UTV2100-J	106	77411	UTV2400	105	77503	MHS-P1350	71
77082	LSP30-S/S	12	77296	UTV2200-J	106	77412	UTV2500	105	77504	MHS-P1500	65
77083	LSP36-S/S	12	77297	UTV450	105	77413	UTV2400-J	106	77504	MHS-P1500	67
77084	LSP42-S/S	12	77298	UTV600	105	77414	UTV2500-J	106	77504	MHS-P1500	69
77085	LSP48-S/S	12	77299	UTV750	105	77417	UTV2400J-S/S	106	77504	MHS-P1500	71
77086	LSP54-S/S	12	77300	UTV900	105	77418	UTV2500J-S/S	106	77505	MHS-P1800	65
77087	LSP60-S/S	12	77301	UTV1050	105	77419	USP94/2400-S/S	108	77505	MHS-P1800	67
77088	CRB-LS10	13	77302	UTV1200	105	77420	USP98/2500-S/S	108	77505	MHS-P1800	69
77089	CRB-LS16	13	77303	UTV1350	105	77421	URVB94/2400	105	77505	MHS-P1800	71
77090	CRB-LS22	13	77304	UTV1400	105	77421	URVB94/2400	105	77506	MHS-P2100	67
77091	CRB-LS28	13	77305	UTV1500	105	77421	URVB94/2400	106	77506	MHS-P2100	69
77092	CRB-LS34	13	77306	UTV1600	105	77421	URVB94/2400	106	77506	MHS-P2100	71
77093	CRB-LS40	13	77307	UTV1800	105	77421	URVB94/2400	109	77507	MHS-P2400	67
77094	CRB-LS46	13	77308	UTV2000	105	77422	URVB98/2500	105	77507	MHS-P2400	69
77095	CRB-LS52	13	77309	UTV2100	105	77422	URVB98/2500	105	77507	MHS-P2400	71
77096	CRB-LS58	13	77310	UTV2200	105	77422	URVB98/2500	106	77508	MHS-P600S/S	65
77097	CRB-LS10W	13	77314	URVB56/1400	105	77422	URVB98/2500	106	77508	MHS-P600S/S	67
77098	CRB-LS16W	13	77314	URVB56/1400	105	77422	URVB98/2500	109	77508	MHS-P600S/S	69
77099	CRB-LS22W	13	77314	URVB56/1400	106	77424	MMP-624-S/S	22	77508	MHS-P600S/S	71
77100	CRB-LS28W	13	77314	URVB56/1400	106	77425	MMP-630-S/S	22	77509	MHS-P750S/S	65
77101	CRB-LS34W	13	77314	URVB56/1400	109	77426	MMP-636-S/S	22	77509	MHS-P750S/S	67
77102	CRB-LS40W	13	77315	URVB64/1600	105	77427	MMP-642-S/S	22	77509	MHS-P750S/S	69
77103	CRB-LS46W	13	77315	URVB64/1600	105	77428	MMP-648-S/S	22	77509	MHS-P750S/S	71
77104	CRB-LS52W	13	77315	URVB64/1600	106	77429	MMP-654-S/S	22	77510	MHS-P900S/S	65
77105	CRB-LS58W	13	77315	URVB64/1600	106	77430	MMP-660-S/S	22	77510	MHS-P900S/S	67
77114	LS-BP	12	77315	URVB64/1600	109	77431	MMP-672-S/S	22	77510	MHS-P900S/S	69
77115	LS-BP-S/S	12	77316	URVB88/2200	105	77432	MMP-684-S/S	22	77510	MHS-P900S/S	71
77117	LS-SW	12	77316	URVB88/2200	105	77442	PSTA-S/S	24	77511	MHS-P1050S/S	65
77118	LS-SS	12	77316	URVB88/2200	106	77443	TEN-LOCK-KIT	21	77511	MHS-P1050S/S	67
77118	LS-SS	12	77316	URVB88/2200	106	77443	TEN-LOCK-KIT	76	77511	MHS-P1050S/S	69
77120	LST-TAK	12	77316	URVB88/2200	109	77443	TEN-LOCK-KIT	104	77511	MHS-P1050S/S	71
77120	LST-TAK	12	77320	URVB80/2000	105	77450	QMTS-P-S/S	17	77512	MHS-P1350S/S	65
77121	LST-P	12	77320	URVB80/2000	105	77450	QMTS-P-S/S	24	77512	MHS-P1350S/S	67
77122	LST-W	12	77320	URVB80/2000	106	77450	QMTS-P-SS	108	77512	MHS-P1350S/S	69
77123	LST-S	12	77320	URVB80/2000	106	77451	QMTS-W-S/S	17	77512	MHS-P1350S/S	71
77124	LST-B-S/S	12	77320	URVB80/2000	109	77451	QSTS-W-S/S	24	77513	MHS-P1500S/S	65
77125	LST-W-S/S	12	77324	MMKU	107	77451	QMTS-W-SS	108	77513	MHS-P1500S/S	67
77126	LST-W-S/S-2	12	77327	MMKUHD	107	77452	QMTS-G-S/S	17	77513	MHS-P1500S/S	69
77127	EZP-LS212	10	77329	HDARK	107	77452	QMTS-G-S/S	24	77513	MHS-P1500S/S	71
77128	EZP-LS218	10	77331	HDARK-S/S	108	77452	QMTS-G-SS	108	77514	MHS-P1800S/S	65
77129	EZP-LS224	10	77339	USP18/450-S/S	108	77473	MSP30-S/S	112	77514	MHS-P1800S/S	67
77130	EZP-LS230	10	77340	USP24/600-S/S	108	77474	MSP36-S/S	112	77514	MHS-P1800S/S	69
77131	EZP-LS236	10	77341	USP30/750-S/S	108	77475	MSP42-S/S	112	77514	MHS-P1800S/S	71
77132	EZP-LS242	10	77342	USP36/900-S/S	108	77476	MSP48-S/S	112	77515	MHS-P2100S/S	65
77133	EZP-LS248	10	77343	USP42/1050-S/S	108	77477	MSP54-S/S	112	77515	MHS-P2100S/S	67
77134	EZP-LS254	10	77344	USP48/1200-S/S	108	77478	MSP60-S/S	112	77515	MHS-P2100S/S	69
77135	EZP-LS260	10	77345	USP54/1350-S/S	108	77479	MSP66-S/S	112	77516	MHS-P2400S/S	65
77144	CLSFG-212	10	77346	USP56/1400-S/S	108	77481	MHS-600BTV	68	77516	MHS-P2400S/S	67
77145	CLSFG-218	10	77347	USP60/1500-S/S	108	77482	MHS-750BTV	68	77516	MHS-P2400S/S	69
77146	CLSFG-224	10	77348	USP64/1600-S/S	108	77483	MHS-900BTV	68	77516	MHS-P2400S/S	71
77147	CLSFG-230	10	77349	USP72/1800-S/S	108	77484	MHS-1050BTV	68	77518	HXF8S-Blue	35
77148	CLSFG-236	10	77350	USP80/2000-S/S	108	77485	MHS-1350BTV	68	77519	HXF8S-Blue	35
77149	CLSFG-242	10	77351	USP84/2100-S/S	108	77486	MHS-1500BTV	68	77520	HXF8M-Blue	35
77150	CLSFG-248	10	77352	USP88/2200-S/S	108	77487	MHS-1800BTV	68	77521	HXF8L-Blue	35
77151	CLSFG-254	10	77357	MMKU-SS	108	77488	MHS-2100BTV	68	77525	MHS-1200BTV	68
77152	CLSFG-260	10	77358	MMKUHD-SS	108	77488	MHS-2100BTV	68	77526	MHS-1200BTV-S/S	68
77250	FL-PKIT-ML	179	77364	HARK-S/S	108	77489	MHS-2400BTV	68	77527	MHS-P1200	65
77251	FL-PKIT-XL	179	77365	LS-SP	12	77490	MHS-600BTV-S/S	68	77527	MHS-P1200	67
77259	UTV450J-S/S	106	77366	LSTMPK	12	77491	MHS-750BTV-S/S	68	77527	MHS-P1200	69
77260	UTV600J-S/S	106	77367	LSTPB-RK	12	77492	MHS-900BTV-S/S	68	77527	MHS-P1200	71
77261	UTV750J-S/S	106	77367	LSTPB-RK	12	77493	MHS-1050BTV-S/S	68	77528	MHS-P1200S/S	65
77262	UTV900J-S/S	106	77384	EZPTBT	20	77494	MHS-1350BTV-S/S	68	77528	MHS-P1200S/S	67
77263	UTV1050J-S/S	106	77385	EZPTBTHD	20	77495	MHS-1500BTV-S/S	68	77528	MHS-P1200S/S	69
77264	UTV1200J-S/S	106	77387	SPG-CVR-A	21	77497	MHS-1800BTV-S/S	68	77528	MHS-P1200S/S	71
77265	UTV1350J-S/S	106	77387	SPG-CVR-A	76	77497	MHS-2100BTV-S/S	68	77529	ISABK-LMH	144
77266	UTV1400J-S/S	106	77387	SPG-CVR-A	104	77498	MHS-2400BTV-S/S	68	77529	ISABK-LMH	145
77267	UTV1500J-S/S	106	77388	SPG-CVR-B	21	77499	MHS-P600	65	77529	ISABK-LMH	146
77268	UTV1600J-S/S	106	77388	SPG-CVR-B	76	77499	MHS-P600	67	77548	SHIM-KITL	144
77269	UTV1800J-S/S	106	77388	SPG-CVR-B	104	77499	MHS-P600	69	77549	SHIM-KITM	145
77270	UTV2000J-S/S	106	77389	SPG-CVR-C	21	77500	MHS-P600	71	77550	SHIM-KITH	146
77271	UTV2100J-S/S	106	77389	SPG-CVR-C	76	77500	MHS-P750	65	77552	CRB-LS16HT	13
77272	UTV2200J-S/S	106	77389	SPG-CVR-C	104	77500	MHS-P750	67	77553	CRB-LS22HT	13
77283	UTV450-J	106	77390	SPG-CVR-D	21	77500	MHS-P750	69	77554	CRB-LS28HT	13
						77500	MHS-P750	71	77555	CRB-LS34HT	13

INDEX By Item Code

Item Code	Ordering Number	Page #	Item Code	Ordering Number	Page #	Item Code	Ordering Number	Page #	Item Code	Ordering Number	Page #
77556	CRB-LS40HT	13	77698	PTS-PS	166	77885	SACKRP	87	77941	MHS-CARK-V48/1200	99
77557	CRB-LS46HT	13	77699	PTS-PA	166	77885	SACKRP	94	77942	MHS-CARK-V54/1350	92
77558	CRB-LS52HT	13	77700	PTS-MBK	166	77885	SACKRP	100	77942	MHS-CARK-V54/1350	99
77559	CRB-LS58HT	13	77701	PTS-MBKUG	166	77886	SACRKT	80	77943	MHS-CARK-V60/1500	92
77582	MSPMPK-S/S	24	77702	PTS-EBK	166	77886	SACRKT	87	77943	MHS-CARK-V60/1500	99
77583	MSPBPK-S/S	17	77723	PST2-W	28	77886	SACRKT	94	77944	MHS-CARK-V72/1800	92
77584	QMT-P-S/S	24	77724	PST2-S	28	77886	SACRKT	100	77944	MHS-CARK-V72/1800	99
77585	QMT-W-S/S	24	77729	FLCK	179	77887	SACPL-24/600	79	77950	MHS-CARK2-V60/1500	92
77586	QMT-G-S/S	24	77741	SPG-CVR-H	21	77887	SACPL-24/600	86	77950	MHS-CARK2-V60/1500	99
77587	QMTPAK-S/S	24	77741	SPG-CVR-H	76	77887	SACPL-24/600	93	77951	MHS-CARK2-V72/1800	92
77588	QMTSPBK-S/S	24	77741	SPG-CVR-H	104	77887	SACPL-24/600	100	77951	MHS-CARK2-V72/1800	99
77590	MMPCP24-S/S	24	77742	CTS-W	94	77888	SACPL-30/750	79	77952	MHS-CARK2-V84/2100	92
77591	MMPCP30-S/S	24	77743	CTS-S	52	77888	SACPL-30/750	86	77952	MHS-CARK2-V84/2100	99
77592	MMPCP36-S/S	24	77743	CTS-S	94	77888	SACPL-30/750	93	77953	MHS-CARK2-V96/2400	92
77593	MMPCP42-S/S	24	77744	CTS-B	94	77888	SACPL-30/750	100	77953	MHS-CARK2-V96/2400	99
77594	MMPCP48-S/S	24	77745	CTS-G	94	77889	SACPL-36/900	79	77954	MHS-CARK2-V120/3000	92
77595	MMPCP54-S/S	24	77746	EZP-LS212HT	10	77889	SACPL-36/900	86	77954	MHS-CARK2-V120/3000	99
77596	MMPCP60-S/S	24	77747	EZP-LS218HT	10	77889	SACPL-36/900	93	78007	MHS-600BTV-SAC	98
77597	MMPCP72-S/S	24	77748	EZP-LS224HT	10	77889	SACPL-36/900	100	78008	MHS-750BTV-SAC	98
77598	MMPCP84-S/S	24	77749	EZP-LS230HT	10	77890	SACPL-42/1050	79	78009	MHS-900BTV-SAC	98
77599	MHP-EP-S/S	24	77750	EZP-LS236HT	10	77890	SACPL-42/1050	86	78010	MHS-1050BTV-SAC	98
77599	MHP-EP-S/S	43	77751	EZP-LS242HT	10	77890	SACPL-42/1050	93	78011	MHS-1200BTV-SAC	98
77599	MHP-EP-S/S	48	77752	EZP-LS248HT	10	77890	SACPL-42/1050	100	78012	MHS-1350BTV-SAC	98
77599	MHP-EP-S/S	81	77753	EZP-LS254HT	10	77891	SACPL-48/1200	79	78013	MHS-1500BTV-SAC	98
77599	MHP-EP-S/S	88	77754	EZP-LS260HT	10	77891	SACPL-48/1200	86	78014	MHS-1800BTV-SAC	98
77599	MHP-EP-S/S	95	77755	PTS-RHSAA	166	77891	SACPL-48/1200	93	78015	MHS-1500BTV-2SAC	98
77599	MHP-EP-S/S	101	77756	PTS-LHSAA	166	77891	SACPL-48/1200	100	78016	MHS-1800BTV-2SAC	98
77600	MMBPBK-S/S	24	77789	MHS-600FPV	70	77892	SACPL-54/1350	79	78017	MHS-2100BTV-2SAC	98
77630	STS-W-S/S	65	77790	MHS-750FPV	70	77892	SACPL-54/1350	86	78018	MHS-2400BTV-2SAC	98
77630	STS-W-S/S	67	77791	MHS-900FPV	70	77892	SACPL-54/1350	93	78019	MHS-3000BTV-2SAC	98
77630	STS-W-S/S	71	77792	MHS-1050FPV	70	77892	SACPL-54/1350	100	78020	PV600-SAC	77
77630	STS-W-S/S	96	77793	MHS-1200FPV	70	77893	SACPL-60/1500	79	78021	PV750-SAC	77
77630	STS-W-S/S	112	77794	MHS-1350FPV	70	77893	SACPL-60/1500	86	78022	PV900-SAC	77
77630	STS-W-S/S	112	77795	MHS-1500FPV	70	77893	SACPL-60/1500	93	78023	PV1050-SAC	77
77631	STS-S-S/S	65	77796	MHS-1800FPV	70	77893	SACPL-60/1500	100	78024	PV1200-SAC	77
77631	STS-S-S/S	67	77797	MHS-2100FPV	70	77894	SACPL-72/1800	79	78025	PV1350-SAC	77
77631	STS-S-S/S	71	77798	MHS-2400FPV	70	77894	SACPL-72/1800	86	78026	PV1500-SAC	77
77631	STS-S-S/S	96	77799	MHS-600FPV-S/S	70	77894	SACPL-72/1800	93	78027	PV1800-SAC	77
77631	STS-S-S/S	112	77800	MHS-750FPV-S/S	70	77894	SACPL-72/1800	100	78028	PV1500-2SAC	77
77631	STS-S-S/S	112	77801	MHS-900FPV-S/S	70	77895	SACPL2-60/1500	79	78029	PV1800-2SAC	77
77632	STS-B-S/S	36	77802	MHS-1050FPV-S/S	70	77895	SACPL2-60/1500	86	78030	PV2100-2SAC	77
77632	STS-B-S/S	36	77803	MHS-1200FPV-S/S	70	77895	SACPL2-60/1500	93	78031	PV2400-2SAC	77
77632	STS-B-S/S	65	77804	MHS-1350FPV-S/S	70	77895	SACPL2-60/1500	100	78032	PV3000-2SAC	77
77632	STS-B-S/S	67	77805	MHS-1500FPV-S/S	70	77896	SACPL2-72/1800	79	78033	RV600-SAC	84
77632	STS-B-S/S	71	77806	MHS-1800FPV-S/S	70	77896	SACPL2-72/1800	86	78034	RV750-SAC	84
77632	STS-B-S/S	96	77807	MHS-2100FPV-S/S	70	77896	SACPL2-72/1800	93	78035	RV900-SAC	84
77632	STS-B-S/S	112	77808	MHS-2400FPV-S/S	70	77896	SACPL2-72/1800	100	78036	RV1050-SAC	84
77632	STS-B-S/S	112	77866	SAC2-TIP-TL	80	77897	SACPL2-84/2100	79	78037	RV1200-SAC	84
77633	STHDPM2-S/S	71	77866	SAC2-TIP-TL	82	77897	SACPL2-84/2100	86	78038	RV1350-SAC	84
77633	STHDPM2-S/S	96	77866	SAC2-TIP-TL	87	77897	SACPL2-84/2100	93	78039	RV1500-SAC	84
77633	STHDPM2-S/S	112	77866	SAC2-TIP-TL	89	77897	SACPL2-84/2100	100	78040	RV1800-SAC	84
77634	STHDMK2-S/S	71	77866	SAC2-TIP-TL	94	77898	SACPL2-96/2400	79	78041	RV1500-2SAC	84
77634	STHDMK2-S/S	96	77866	SAC2-TIP-TL	96	77898	SACPL2-96/2400	86	78042	RV1800-2SAC	84
77634	STHDMK2-S/S	112	77866	SAC2-TIP-TL	100	77898	SACPL2-96/2400	93	78043	RV2100-2SAC	84
77635	STGK2	71	77866	SAC2-TIP-TL	102	77898	SACPL2-96/2400	100	78044	RV2400-2SAC	84
77635	STGK2	71	77868	SSTHDPM	71	77899	SACPL2-120/3000	79	78045	RV3000-2SAC	84
77635	STGK2	94	77868	SSTHDPM	94	77899	SACPL2-120/3000	86	78080	P-CARK-V24/600	78
77635	STGK2	96	77868	SSTHDPM	112	77899	SACPL2-120/3000	93	78081	P-CARK-V30/750	78
77635	STGK2	112	77869	CSTHDPM	94	77899	SACPL2-120/3000	100	78082	P-CARK-V36/900	78
77635	STGK2	112	77870	SSTHDMK	71	77913	PCAP-24/600	80	78083	P-CARK-V42/1050	78
77664	PTS-18R	165	77870	SSTHDMK	93	77914	PCAP-30/750	80	78084	P-CARK-V48/1200	78
77665	PTS-24R	165	77870	SSTHDMK	112	77915	PCAP-36/900	80	78085	P-CARK-V54/1350	78
77666	PTS-30R	165	77871	CSTHDMK	94	77916	PCAP-42/1050	80	78086	P-CARK-V60/1500	78
77667	PTS-36R	165	77882	SACRKN	42	77917	PCAP-48/1200	80	78087	P-CARK-V72/1800	78
77668	PTS-42R	165	77882	SACRKN	80	77918	PCAP-54/1350	80	78093	P-CARK2-V60/1500	78
77669	PTS-48R	165	77882	SACRKN	82	77919	PCAP-60/1500	80	78094	P-CARK2-V72/1800	78
77670	PTS-54R	165	77882	SACRKN	87	77920	PCAP-72/1800	80	78095	P-CARK2-V84/2100	78
77671	PTS-60R	165	77882	SACRKN	89	77921	RCAP-24/600	87	78096	P-CARK2-V96/2400	78
77672	PTS-72R	165	77882	SACRKN	94	77922	RCAP-30/750	87	78097	P-CARK2-V120/3000	78
77680	PTS-RR21	165	77882	SACRKN	96	77923	RCAP-36/900	87	78106	R-CARK-V24/600	85
77681	PTS-RR27	165	77882	SACRKN	100	77924	RCAP-42/1050	87	78107	R-CARK-V30/750	85
77682	PTS-RR33	165	77882	SACRKN	102	77925	RCAP-48/1200	87	78108	R-CARK-V36/900	85
77683	PTS-RR39	165	77883	SACRH	42	77926	RCAP-54/1350	87	78109	R-CARK-V42/1050	85
77684	PTS-RR45	165	77883	SACRH	80	77927	RCAP-60/1500	87	78110	R-CARK-V48/1200	85
77685	PTS-RR51	165	77883	SACRH	87	77928	RCAP-72/1800	87	78111	R-CARK-V54/1350	85
77686	PTS-RR57	165	77883	SACRH	94	77937	MHS-CARK-V24/600	92	78112	R-CARK-V60/1500	85
77687	PTS-RR63	165	77883	SACRH	100	77937	MHS-CARK-V24/600	99	78113	R-CARK-V72/1800	85
77689	PTS-RR75	165	77884	SACRHL	42	77938	MHS-CARK-V30/750	92	78119	R-CARK2-V60/1500	85
77691	PTS-SR	166	77884	SACRHL	80	77938	MHS-CARK-V30/750	99	78120	R-CARK2-V72/1800	85
77692	PTS-HDSR	166	77884	SACRHL	87	77939	MHS-CARK-V36/900	92	78121	R-CARK2-V84/2100	85
77693	PTS-ABK	166	77884	SACRHL	94	77939	MHS-CARK-V36/900	99	78122	R-CARK2-V96/2400	85
77694	PTS-SAK	166	77884	SACRHL	100	77940	MHS-CARK-V42/1050	92	78123	R-CARK2-V120/3000	85
77696	PTS-IBK	166	77885	SACKRP	42	77940	MHS-CARK-V42/1050	99	78142	STS-G	36
77697	PTS-HIBK	166	77885	SACKRP	80	77941	MHS-CARK-V48/1200	92	78142	STS-G	36

INDEX By Item Code

Item Code	Ordering Number	Page #	Item Code	Ordering Number	Page #	Item Code	Ordering Number	Page #	Item Code	Ordering Number	Page #
78142	STS-G	65	78373	SACPL-36/900-S/S	95	78475	CRB-W34	18	78579	CART-42/1050-S/S	93
78142	STS-G	67	78373	SACPL-36/900-S/S	101	78476	CRB-W40	18	78579	CART-42/1050-S/S	95
78142	STS-G	71	78374	SACPL-42/1050-S/S	81	78477	CRB-W46	18	78579	CART-42/1050-S/S	100
78142	STS-G	94	78374	SACPL-42/1050-S/S	88	78478	CRB-W52	18	78579	CART-42/1050-S/S	101
78142	STS-G	112	78374	SACPL-42/1050-S/S	95	78479	CRB-W58	18	78580	CART2-48/1200-S/S	42
78142	STS-G	112	78374	SACPL-42/1050-S/S	101	78480	CRB-W64	18	78580	CART2-48/1200-S/S	47
78162	MHS-600V-SAC	91	78375	SACPL-48/1200-S/S	81	78481	CRB-W70	18	78580	CART-48/1200-S/S	79
78163	MHS-750V-SAC	91	78375	SACPL-48/1200-S/S	88	78488	EZP1T-212	19	78580	CART-48/1200-S/S	81
78164	MHS-900V-SAC	91	78375	SACPL-48/1200-S/S	95	78489	EZP1T-218	19	78580	CART-48/1200-S/S	86
78165	MHS-1050V-SAC	91	78375	SACPL-48/1200-S/S	101	78490	EZP1T-224	19	78580	CART-48/1200-S/S	88
78166	MHS-1200V-SAC	91	78376	SACPL-54/1350-S/S	81	78491	EZP1T-230	19	78580	CART-48/1200-S/S	93
78167	MHS-1350V-SAC	91	78376	SACPL-54/1350-S/S	88	78492	EZP1T-236	19	78580	CART-48/1200-S/S	95
78168	MHS-1500V-SAC	91	78376	SACPL-54/1350-S/S	95	78493	EZP1T-242	19	78580	CART-48/1200-S/S	100
78169	MHS-1800V-SAC	91	78376	SACPL-54/1350-S/S	101	78494	EZP1T-248	19	78580	CART-48/1200-S/S	101
78170	MHS-1500V-2SAC	91	78377	SACPL-60/1500-S/S	81	78495	EZP1T-254	19	78581	CART-54/1350-S/S	79
78171	MHS-1800V-2SAC	91	78377	SACPL-60/1500-S/S	88	78496	EZP1T-260	19	78581	CART-54/1350-S/S	81
78172	MHS-2100V-2SAC	91	78377	SACPL-60/1500-S/S	95	78497	EZP1T-272	19	78581	CART-54/1350-S/S	86
78173	MHS-2400V-2SAC	91	78377	SACPL-60/1500-S/S	101	78507	EZPTMPK	20	78581	CART-54/1350-S/S	88
78174	MHS-3000V-2SAC	91	78378	SACPL-72/1800-S/S	81	78508	EZPTCK	20	78581	CART-54/1350-S/S	93
78316	MHS-600BTV-SAC-S/S	98	78378	SACPL-72/1800-S/S	88	78509	EZPTCKHD	20	78581	CART-54/1350-S/S	95
78317	MHS-750BTV-SAC-S/S	98	78378	SACPL-72/1800-S/S	95	78510	EZPTSR	20	78581	CART-54/1350-S/S	100
78318	MHS-900BTV-SAC-S/S	98	78378	SACPL-72/1800-S/S	101	78511	EZPTSK	20	78581	CART-54/1350-S/S	101
78319	MHS-1050BTV-SAC-S/S	98	78379	SACPL2-60/1500-S/S	81	78512	EZPTSKHD	20	78582	CART-60/1500-S/S	42
78320	MHS-1200BTV-SAC-S/S	98	78379	SACPL2-60/1500-S/S	88	78513	CST1HDM-W	94	78582	CART-60/1500-S/S	47
78321	MHS-1350BTV-SAC-S/S	98	78379	SACPL2-60/1500-S/S	95	78514	CST1HDM-S	94	78582	CART-60/1500-S/S	79
78322	MHS-1500BTV-SAC-S/S	98	78379	SACPL2-60/1500-S/S	101	78515	CST1HDM-B	94	78582	CART-60/1500-S/S	81
78323	MHS-1800BTV-SAC-S/S	98	78380	SACPL2-72/1800-S/S	81	78516	CST1HDM-G	94	78582	CART-60/1500-S/S	86
78324	MHS-1500BTV-2SAC-S/S	98	78380	SACPL2-72/1800-S/S	88	78517	SST1HDM-W	71	78582	CART-60/1500-S/S	88
78325	MHS-1800BTV-2SAC-S/S	98	78380	SACPL2-72/1800-S/S	95	78517	SST1HDM-W	94	78582	CART-60/1500-S/S	93
78326	MHS-2100BTV-2SAC-S/S	98	78380	SACPL2-72/1800-S/S	101	78517	SST1HDM-W	112	78582	CART-60/1500-S/S	95
78327	MHS-2400BTV-2SAC-S/S	98	78381	SACPL2-84/2100-S/S	81	78518	SST1HDM-S	71	78582	CART-60/1500-S/S	100
78328	MHS-3000BTV-2SAC-S/S	98	78381	SACPL2-84/2100-S/S	88	78518	SST1HDM-S	94	78582	CART-60/1500-S/S	101
78329	PV600-SAC-S/S	77	78381	SACPL2-84/2100-S/S	95	78518	SST1HDM-S	112	78583	CART-72/1800-S/S	42
78330	PV750-SAC-S/S	77	78381	SACPL2-84/2100-S/S	101	78518	SST1HDM-S	113	78583	CART-72/1800-S/S	47
78331	PV900-SAC-S/S	77	78382	SACPL2-96/2400-S/S	81	78519	SST1HDM-B	71	78583	CART-72/1800-S/S	79
78332	PV1050-SAC-S/S	77	78382	SACPL2-96/2400-S/S	88	78519	SST1HDM-B	94	78583	CART-72/1800-S/S	81
78333	PV1200-SAC-S/S	77	78382	SACPL2-96/2400-S/S	95	78519	SST1HDM-B	112	78583	CART-72/1800-S/S	86
78334	PV1350-SAC-S/S	77	78382	SACPL2-96/2400-S/S	101	78537	MHS-600V-SAC-S/S	91	78583	CART-72/1800-S/S	88
78335	PV1500-SAC-S/S	77	78383	SACPL2-120/3000-S/S	81	78538	MHS-750V-SAC-S/S	91	78583	CART-72/1800-S/S	93
78336	PV1800-SAC-S/S	77	78383	SACPL2-120/3000-S/S	88	78539	MHS-900V-SAC-S/S	91	78583	CART-72/1800-S/S	95
78337	PV1500-2SAC-S/S	77	78383	SACPL2-120/3000-S/S	95	78540	MHS-1050V-SAC-S/S	91	78583	CART-72/1800-S/S	100
78338	PV1800-2SAC-S/S	77	78383	SACPL2-120/3000-S/S	101	78541	MHS-1200V-SAC-S/S	91	78583	CART-72/1800-S/S	101
78339	PV2100-2SAC-S/S	77	78384	CSTHDMK-S/S	96	78542	MHS-1350V-SAC-S/S	91	78584	CART2-60/1500-S/S	43
78340	PV2400-2SAC-S/S	77	78385	CTS-W-S/S	96	78543	MHS-1500V-SAC-S/S	91	78584	CART2-60/1500-S/S	48
78341	PV3000-2SAC-S/S	77	78386	CTS-S-S/S	96	78544	MHS-1800V-SAC-S/S	91	78584	CART2-60/1500-S/S	79
78342	RV600-SAC-S/S	84	78387	CTS-B-S/S	12	78545	MHS-1500V-2SAC-S/S	91	78584	CART2-60/1500-S/S	81
78343	RV750-SAC-S/S	84	78387	CTS-B-S/S	96	78546	MHS-1800V-2SAC-S/S	91	78584	CART2-60/1500-S/S	86
78344	RV900-SAC-S/S	84	78388	CTS-G-S/S	96	78547	MHS-2100V-2SAC-S/S	91	78584	CART2-60/1500-S/S	88
78345	RV1050-SAC-S/S	84	78389	CSTHDPM-S/S	96	78548	MHS-2400V-2SAC-S/S	91	78584	CART2-60/1500-S/S	93
78346	RV1200-SAC-S/S	84	78390	CST1HDM-W-S/S	96	78549	MHS-3000V-2SAC-S/S	91	78584	CART2-60/1500-S/S	95
78347	RV1350-SAC-S/S	84	78391	CST1HDM-S-S/S	96	78576	CART-24/600-S/S	42	78584	CART2-60/1500-S/S	100
78348	RV1500-SAC-S/S	84	78392	CST1HDM-B-S/S	96	78576	CART-24/600-S/S	47	78584	CART2-60/1500-S/S	102
78349	RV1800-SAC-S/S	84	78393	CST1HDM-G-S/S	96	78576	CART-24/600-S/S	79	78585	CART2-72/1800-S/S	43
78350	RV1500-2SAC-S/S	84	78394	SST1HDM-W-S/S	71	78576	CART-24/600-S/S	81	78585	CART2-72/1800-S/S	48
78351	RV1800-2SAC-S/S	84	78394	SST1HDM-W-S/S	96	78576	CART-24/600-S/S	86	78585	CART2-72/1800-S/S	79
78352	RV2100-2SAC-S/S	84	78394	SST1HDM-W-S/S	112	78576	CART-24/600-S/S	88	78585	CART2-72/1800-S/S	81
78353	RV2400-2SAC-S/S	84	78395	SST1HDM-S-S/S	71	78576	CART-24/600-S/S	93	78585	CART2-72/1800-S/S	86
78354	RV3000-2SAC-S/S	84	78395	SST1HDM-S-S/S	96	78576	CART-24/600-S/S	95	78585	CART2-72/1800-S/S	88
78355	PCAP-24/600-S/S	82	78395	SST1HDM-S-S/S	112	78576	CART-24/600-S/S	100	78585	CART2-72/1800-S/S	93
78356	PCAP-30/750-S/S	82	78396	SST1HDM-B-S/S	71	78576	CART-24/600-S/S	101	78585	CART2-72/1800-S/S	95
78357	PCAP-36/900-S/S	82	78396	SST1HDM-B-S/S	96	78577	CART-30/750-S/S	79	78585	CART2-72/1800-S/S	100
78358	PCAP-42/1050-S/S	82	78396	SST1HDM-B-S/S	112	78577	CART-30/750-S/S	81	78585	CART2-72/1800-S/S	102
78359	PCAP-48/1200-S/S	82	78397	SACRH-S/S	82	78577	CART-30/750-S/S	86	78586	CART2-84/2100-S/S	43
78360	PCAP-54/1350-S/S	82	78397	SACRH-S/S	89	78577	CART-30/750-S/S	88	78586	CART2-84/2100-S/S	48
78361	PCAP-60/1500-S/S	82	78397	SACRH-S/S	96	78577	CART-30/750-S/S	93	78586	CART2-84/2100-S/S	79
78362	PCAP-72/1800-S/S	82	78397	SACRH-S/S	102	78577	CART-30/750-S/S	95	78586	CART2-84/2100-S/S	81
78363	RCAP-24/600-S/S	89	78398	SACRHL-S/S	82	78577	CART-30/750-S/S	100	78586	CART2-84/2100-S/S	86
78364	RCAP-30/750-S/S	89	78398	SACRHL-S/S	89	78577	CART-30/750-S/S	101	78586	CART2-84/2100-S/S	88
78365	RCAP-36/900-S/S	89	78398	SACRHL-S/S	96	78578	CART-36/900-S/S	42	78586	CART2-84/2100-S/S	93
78366	RCAP-42/1050-S/S	89	78398	SACRHL-S/S	102	78578	CART-36/900-S/S	47	78586	CART2-84/2100-S/S	95
78367	RCAP-48/1200-S/S	89	78399	SACKRP-S/S	82	78578	CART-36/900-S/S	79	78586	CART2-84/2100-S/S	100
78368	RCAP-54/1350-S/S	89	78399	SACKRP-S/S	89	78578	CART-36/900-S/S	81	78586	CART2-84/2100-S/S	102
78369	RCAP-60/1500-S/S	89	78399	SACKRP-S/S	96	78578	CART-36/900-S/S	86	78587	CART2-96/2400-S/S	43
78370	RCAP-72/1800-S/S	89	78399	SACKRP-S/S	102	78578	CART-36/900-S/S	88	78587	CART2-96/2400-S/S	48
78371	SACPL-24/600-S/S	81	78401	SACRKT-S/S	82	78578	CART-36/900-S/S	93	78587	CART2-96/2400-S/S	79
78371	SACPL-24/600-S/S	88	78401	SACRKT-S/S	89	78578	CART-36/900-S/S	95	78587	CART2-96/2400-S/S	81
78371	SACPL-24/600-S/S	95	78401	SACRKT-S/S	96	78578	CART-36/900-S/S	100	78587	CART2-96/2400-S/S	86
78371	SACPL-24/600-S/S	101	78401	SACRKT-S/S	102	78578	CART-36/900-S/S	101	78587	CART2-96/2400-S/S	88
78372	SACPL-30/750-S/S	81	78456	SSFRB	28	78579	CART-42/1050-S/S	42	78587	CART2-96/2400-S/S	93
78372	SACPL-30/750-S/S	88	78456	SSFRB	31	78579	CART-42/1050-S/S	47	78587	CART2-96/2400-S/S	95
78372	SACPL-30/750-S/S	95	78462	LSTMPK2-S/S	12	78579	CART-42/1050-S/S	79	78587	CART2-96/2400-S/S	100
78372	SACPL-30/750-S/S	101	78472	CRB-W16	18	78579	CART-42/1050-S/S	81	78587	CART2-96/2400-S/S	102
78373	SACPL-36/900-S/S	81	78473	CRB-W22	18	78579	CART-42/1050-S/S	86	78588	CART2-120/3000-S/S	43
78373	SACPL-36/900-S/S	88	78474	CRB-W28	18	78579	CART-42/1050-S/S	88	78588	CART2-120/3000-S/S	48

INDEX By Item Code

Item Code	Ordering Number	Page #	Item Code	Ordering Number	Page #	Item Code	Ordering Number	Page #	Item Code	Ordering Number	Page #
78588	CART2-120/3000-S/S	79	79018	HDRS84	128	79433	MSTHD-B	65	79796	YSTS-P	52
78588	CART2-120/3000-S/S	81	79019	HDRR24	128	79433	MSTHD-B	67	79797	YSTDHS-GR	56
78588	CART2-120/3000-S/S	86	79020	HDRR30	128	79433	MSTHD-B	112	79798	YSTDHS-BL	56
78588	CART2-120/3000-S/S	88	79021	HDRR36	128	79434	MSTDB	72	79805	YTAHD-36/900	56
78588	CART2-120/3000-S/S	93	79022	HDRR42	128	79435	MSTAM	65	79806	YTAHD-42/1050	56
78588	CART2-120/3000-S/S	95	79023	HDRR48	128	79435	MSTAM	67	79807	YTAHD-48/1200	56
78588	CART2-120/3000-S/S	100	79024	HDRR54	128	79435	MSTAM	112	79808	YTAHD-54/1350	56
78588	CART2-120/3000-S/S	102	79025	HDRR60	128	79436	MST-MBL	72	79809	YTAHD-60/1500	56
78634	CART2-66/1650-S/S	43	79026	HDRR572	128	79437	MST-MBR	72	79810	YTAHD-72/1800	56
78634	CART2-66/1650-S/S	48	79027	HDRR584	128	79454	SST1HDM-G-S/S	71	79811	YCART-18/450-TC	50
78635	CART2-78/1950-S/S	43	79056	PSTS-S-S/S	36	79494	MBC-18	115	79812	YCART-24/600-TC	50
78635	CART2-78/1950-S/S	48	79057	STS-G-S/S	36	79495	MBC-24	115	79813	YCART-30/750-TC	50
78635	CART2-78/1950-S/S	79	79057	STS-G-S/S	36	79496	MBC-30	115	79814	YCART-36/900-TC	50
78635	CART2-78/1950-S/S	81	79057	STS-G-S/S	65	79497	MBC-36	115	79815	YCART-42/1050-TC	50
78635	CART2-78/1950-S/S	86	79057	STS-G-S/S	67	79498	MBC-42	115	79816	YCART-48/1200-TC	50
78635	CART2-78/1950-S/S	88	79057	STS-G-S/S	112	79499	MBC-48	115	79817	YCART-36/900-HDP	54
78635	CART2-78/1950-S/S	93	79060	DWP96	112	79500	MBC-54	115	79818	YCART-42/1050-HDP	54
78635	CART2-78/1950-S/S	95	79062	CDWB96	113	79501	MBC-60	115	79819	YCART-48/1200-HDP	54
78635	CART2-78/1950-S/S	100	79063	MDWS-96	111	79502	MBC-72	115	79820	YCART-54/1350-HDP	54
78635	CART2-78/1950-S/S	102	79069	SST1HDM-G	71	79503	MBC-84	115	79821	YCART-60/1500-HDP	54
78639	CART2-114/2850-S/S	43	79069	SST1HDM-G	94	79504	MBDS-18	116	79822	YCART-72/1800-HDP	54
78639	CART2-114/2850-S/S	48	79069	SST1HDM-G	112	79505	MBDS-24	116	79829	YCART-36/900-HDTC	54
78640	CART2-126/3150-S/S	43	79070	SSTHK	71	79506	MBDS-30	116	79830	YCART-42/1050-HDTC	54
78640	CART2-126/3150-S/S	48	79070	SSTHK	112	79507	MBDS-36	116	79831	YCART-48/1200-HDTC	54
78642	SACPL2-78/1950-S/S	81	79071	SSTHK-S/S	71	79508	MBDS-42	116	79832	YCART-54/1350-HDTC	54
78642	SACPL2-78/1950-S/S	88	79071	SSTHK-S/S	112	79509	MBDS-48	116	79833	YCART-60/1500-HDTC	54
78642	SACPL2-78/1950-S/S	95	79072	HDRBK-HD	128	79510	MBDS-54	116	79834	YCART-72/1800-HDTC	54
78642	SACPL2-78/1950-S/S	101	79200	SPFC	67	79511	MBDS-60	116	79835	YTAHCHD	56
78649	MHS-1950V-2SAC-S/S	91	79200	SPFC	69	79512	MBDS-72	116	79836	YST-Y	52
78656	PV1950-2SAC-S/S	77	79200	SPFC	71	79513	MBDS-84	116	79837	YST-P	52
78663	RV1950-2SAC-S/S	84	79200	SPFC	93	79514	MBRD-18	115	79838	YST-S	52
78789	SB4	134	79200	SPFC	100	79514	MBRD-18	116	79839	YSTDH-GR	56
78789	SB4	136	79201	SPFC-S/S	67	79515	MBRD-24	115	79840	YSTDH-S	56
78789	SB4	138	79201	SPFC-S/S	69	79515	MBRD-24	116	79841	YSTDH-BL	56
78789	SB4	141	79201	SPFC-S/S	71	79516	MBRD-30	115	79842	YSTDH-BK	56
78790	SB5	134	79201	SPFC-S/S	96	79516	MBRD-30	116	79843	YSTMB	52
78790	SB5	136	79201	SPFC-S/S	102	79517	MBRD-36	115	79844	YSTDDBK	52
78790	SB5	138	79206	USPB2	107	79517	MBRD-36	116	79845	YSTGBK	52
78790	SB5	141	79206	USPB	107	79518	MBRD-42	115	79846	YSTLBK	52
78791	PATLK	37	79206	USPB2	108	79518	MBRD-42	116	79847	YSTTBK-W	52
78794	PATHK	37	79206	USPB	108	79519	MBRD-48	115	79848	YSTPMK	52
78808	EST-P-S/S	17	79207	ABU	107	79519	MBRD-48	116	79849	YSTDHMB	56
78809	EST-W-S/S	17	79224	CCKL	60	79520	MBRD-54	115	79850	YSTDHDBK	56
78810	EST-G-S/S	17	79224	CCKL	62	79520	MBRD-54	116	79851	YSTDHGBK	56
78812	EZP1P12-S/S	17	79225	CCKHDL	60	79521	MBRD-60	115	79852	YSTDHLBK	56
78838	CFG-212	14	79225	CCKHDL	62	79521	MBRD-60	116	79853	YSTDHDBK-W	56
78839	CFG-218	14	79225	CCKHDL	69	79522	MBRD-72	115	79854	YSTPHDMK	56
78840	CFG-224	14	79225	CCKHDL	120	79522	MBRD-72	116	79855	YSTTBK-B	52
78841	CFG-230	14	79226	CCKL-S/S	60	79523	MBRD-84	115	79856	YSTDHDBK-B	56
78842	CFG-236	14	79226	CCKL-S/S	62	79523	MBRD-84	116	79857	YSTANK	52
78843	CFG-242	14	79227	CCKHDL-S/S	60	79524	MBCMK	116	79858	YSTANK	56
78844	CFG-248	14	79227	CCKHDL-S/S	62	79525	MBCBC	116	79947	CBSBLD18F	118
78845	CFG-254	14	79227	CCKHDL-S/S	69	79526	MBCB	116	79947	CBSBLD18F	120
78846	CFG-260	14	79228	CCKR	60	79527	MBADB	116	79948	CBSBLD24F	118
78847	CFG-272	14	79228	CCKR	62	79528	MBCBM	116	79948	CBSBLD24F	120
78848	EZP1PL-S/S	17	79229	CCKHDR	60	79529	MBCM-1	116	79949	CBSBLD30F	118
78849	ESTAK-EST-S/S	17	79229	CCKHDR	62	79530	MBCM-2	116	79949	CBSBLD30F	120
78849	ESTAK-EST-S/S	36	79229	CCKHDR	69	79531	MBCTA	116	79950	CBSBLD36F	118
78849	ESTAK-SS	108	79229	CCKHDR	120	79532	MBCBL	116	79950	CBSBLD36F	120
78850	LS-SW-S/S	12	79230	CCKR-S/S	60	79533	MBCMKK	116	79951	CBSBLD42F	118
78919	CCMK	52	79230	CCKR-S/S	62	79534	MBCEC	116	79951	CBSBLD42F	120
78919	CCMK	60	79231	CCKHDR-S/S	60	79535	STLP	116	79952	CBSBLD48F	118
78919	CCMK	62	79231	CCKHDR-S/S	62	79536	MBCDBK	115	79952	CBSBLD48F	120
78920	CCMKHD	56	79231	CCKHDR-S/S	69	79536	MBCDBK	116	79953	CBSBLD54F	118
78920	CCMKHD	60	79232	CCKTS	60	79573	YT-P	50	79953	CBSBLD54F	120
78920	CCMKHD	62	79232	CCKTS	62	79574	YT-C	50	79954	CBSBLD60F	118
78920	CCMKHD	69	79232	CCKHDT	120	79617	YCART-18/450-P	50	79954	CBSBLD60F	120
78920	CCMKHD	120	79233	CCKHDT	60	79618	YCART-24/600-P	50	79955	CBSBLD72F	118
78921	CCMK-S/S	60	79233	CCKHDT	62	79619	YCART-30/750-P	50	79955	CBSBLD72F	120
78921	CCMK-S/S	62	79233	CCKHDT	69	79620	YCART-36/900-P	50	79956	CBSBLD84F	118
78922	CCMKHD-S/S	60	79234	CCKTS-S/S	60	79621	YCART-42/1050-P	50	79956	CBSBLD84F	120
78922	CCMKHD-S/S	62	79234	CCKTS-S/S	62	79622	YCART-48/1200-P	50	79957	CBSBLD96F	118
78922	CCMKHD-S/S	69	79236	HDRGEK	128	79623	YTAC	52	79957	CBSBLD96F	120
78923	EZP1MPK-S/S	17	79288	ESS-S-S/S	108	79647	FMS-600V	63	81045	C-PSTA	107
78933	LSTMPK-S/S	12	79289	PFC-P-S/S	60	79648	FMS-750V	63	81250	RIBBK	134
79009	HDRBK	128	79378	MSR2-S/S	169	79649	FMS-900V	63	81250	RIBBK	136
79010	HDR24	128	79378	MSR2	172	79650	FMS-1050V	63	81250	RIBBK	138
79011	HDR30	128	79380	PMSMK2	172	79651	FMS-1200V	63	81250	RIBBK	141
79012	HDR36	128	79431	MSTHD-W	65	79652	FMS-1350V	63	81896	MESPKR	107
79013	HDR42	128	79431	MSTHD-W	67	79653	FMS-1500V	63	82174	QMTBK-GCN	107
79014	HDR48	128	79431	MSTHD-W	112	79654	FMS-1800V	63	82174	QMTBK-GCN	108
79015	HDR54	128	79432	MSTHD-S	65	79677	YT-HDP	54	82175	QMTBK-WS-MT	107
79016	HDR60	128	79432	MSTHD-S	67	79728	YT-HDC	54	82175	QMTBK-WS-MT	108
79017	HDRS72	128	79432	MSTHD-S	112	79795	YSTS-Y	52	82182	QMTPSBK-CN	107

INDEX By Item Code

Item Code	Ordering Number	Page #	Item Code	Ordering Number	Page #	Item Code	Ordering Number	Page #	Item Code	Ordering Number	Page #
82185	EZSB600-1200C	133	82352	EZWPK-1800	141	82821	P-CARK-V60/1500-S/S PVECKS/S	78	82852	MHS-CARK2-V96/2400-S/S	92
82186	EZSB750-1200C	133	82353	EZCSK-600	134				MV2CKSS		
82187	EZSB900-1200C	133	82353	EZCSK-600	136	82822	P-CARK-V72/1800-S/S PVECKS/S	78	82852	MHS-CARK2-V96/2400-S/S	99
82188	EZSB1050-1200C	133	82354	EZCSK-750	134				MV2CKSS		
82189	EZSB1200-1200C	133	82354	EZCSK-750	136	82823	P-CARK2-V60/1500-S/S	78	82853	MHS-CARK2-V120/3000-S/S	92
82190	EZSB1350-1200C	133	82355	EZCSK-900	134	PV2ECKSS			MV2CKS		
82191	EZSB1500-1200C	133	82355	EZCSK-900	136	82824	P-CARK2-V72/1800-S/S	78	82853	MHS-CARK2-V120/3000-S/S	99
82192	EZSB1800-1200C	133	82356	EZCSK-1050	134	PV2ECKSS			MV2CKS		
82193	EZSB600-1500C	133	82356	EZCSK-1050	136	82825	P-CARK2-V84/2100-S/S	78	82876	P-CARK2-V78/1950-S/S	78
82194	EZSB750-1500C	133	82357	EZCSK-1200	134	PV2ECKSS			PV2ECKSS		
82195	EZSB900-1500C	133	82357	EZCSK-1200	136	82826	P-CARK2-V96/2400-S/S	78	82887	UHSFK-M	107
82196	EZSB1050-1500C	133	82358	EZCSK-1350	134	PV2ECKSS			82888	USPK-SS-M	108
82197	EZSB1200-1500C	133	82358	EZCSK-1350	136	82827	P-CARK2-V120/3000-S/S	78	82889	UHSFK-SS-M	108
82198	EZSB1350-1500C	133	82359	EZCSK-1500	134	PV2ECKSS			82890	UMBK-M	107
82199	EZSB1500-1500C	133	82359	EZCSK-1500	136	82828	R-CARK-V24/600-S/S RVECKS/S	85	82891	UMBK-SS-M	108
82200	EZSB1800-1500C	133	82360	EZCSK-1800	134				82892	MESPBL-SS	108
82201	EZSB600-1200I	135	82360	EZCSK-1800	136	82829	R-CARK-V30/750-S/S RVECKS/S	85	82893	MUPS BK-SS	108
82202	EZSB750-1200I	135	82361	EZBS-1200	138				82894	MESPKR-SS	108
82203	EZSB900-1200I	135	82362	EZBS-1500	138	82830	R-CARK-V36/900-S/S RVECKS/S	85	82895	MQMTSBK-SS	108
82204	EZSB1050-1200I	135	82364	MESBK-PS	107				82896	MUPS BK	107
82205	EZSB1200-1200I	135	82364	MESBK-PS	108	82831	R-CARK-V42/1050-S/S RVECKS/S	85	82897	UST-P-MT	107
82206	EZSB1350-1200I	135	82393	SHIM-LDKIT	134				82898	UST-S-MT	107
82207	EZSB1500-1200I	135	82393	SHIM-LDKIT	136	82832	R-CARK-V48/1200-S/S RVECKS/S	85	82899	UST-W-MT	107
82208	EZSB1800-1200I	135	82393	SHIM-LDKIT	138				82900	UST-G-MT	107
82209	EZSB600-1500I	135	82394	SHIM-MDKIT	141	82833	R-CARK-V54/1350-S/S RVECKS/S	85	82901	UST-P-MT-SS	108
82210	EZSB750-1500I	135	82397	IBS-M1200	141				82902	UST-S-MT-SS	108
82211	EZSB900-1500I	135	82398	IBS-M1500	141	82834	R-CARK-V60/1500-S/S RVECKS/S	85	82903	UST-W-MT-SS	108
82212	EZSB1050-1500I	135	82410	EZAI-600	133				82904	UST-G-MT-SS	108
82213	EZSB1200-1500I	135	82411	EZAI-750	133	82835	R-CARK-V72/1800-S/S RVECKS/S	85	82932	YTP-18/450	52
82214	EZSB1350-1500I	135	82412	EZAI-900	133				82933	YTP-24/600	52
82215	EZSB1500-1500I	135	82413	EZAI-1050	133	82836	R-CARK2-V60/1500-S/S	85	82934	YTP-30/750	52
82216	EZSB1800-1500I	135	82414	EZAI-1200	133	RV2ECKSS			82935	YTP-36/900	52
82281	EZBMK-600	138	82415	EZAI-1350	133	82837	R-CARK2-V72/1800-S/S	85	82936	YTP-42/1050	52
82281	EZBMK-600	141	82416	EZAI-1500	133	RV2ECKSS			82937	YTP-48/1200	52
82282	EZBMK-750	138	82417	EZAI-1800	133	82838	R-CARK2-V84/2100-S/S	85	82949	YTA-18/450	52
82282	EZBMK-750	141	82689	USP18/450	107	RV2ECKSS			82950	YTA-24/600	52
82283	EZBMK-9000	138	82690	USP24/600	107	82839	R-CARK2-V96/2400-S/S	85	82951	YTA-30/750	52
82283	EZBMK-900	141	82691	USP30/750	107	RV2ECKSS			82952	YTA-36/900	52
82284	EZBMK-1050	138	82692	USP36/900	107	82840	R-CARK2-V120/3000-S/S	85	82953	YTA-42/1050	52
82284	EZBMK-1050	141	82693	USP42/1050	107	RV2ECKSS			82954	YTA-48/1200	52
82285	EZBMK-1200	138	82694	USP48/1200	107	82841	MHS-CARK-V24/600-S/S	92	83099	YTCHD-900	53
82285	EZBMK-1200	141	82695	USP54/1350	107	MVECKS/S			83100	YTCHD-1050	53
82286	EZBMK-1350	138	82696	USP56/1400	107	82841	MHS-CARK-V24/600-S/S	99	83101	YTCHD-1200	53
82286	EZBMK-1350	141	82697	USP60/1500	107	MVECKS/S			83102	YTCHD-1350	53
82287	EZBMK-1500	138	82698	USP64/1600	107	82842	MHS-CARK-V30/750-S/S	92	83103	YTCHD-1500	53
82287	EZBMK-1500	141	82699	USP72/1800	107	MVECKS/S			83105	YTCHD-1800	53
82288	EZBMK-1800	138	82700	USP80/2000	107	82842	MHS-CARK-V30/750-S/S	99	83106	YTPHD-36/900	56
82288	EZBMK-1800	141	82701	USP84/2100	107	MVECKS/S			83107	YTPHD-42/1050	56
82289	MPSTA-S/S	108	82702	USP88/2200	107	82843	MHS-CARK-V36/900-S/S	92	83108	YTPHD-48/1200	56
82342	PTPK-MT-S/S	107	82703	USP94/2400	107	MVECKS/S			83109	YTPHD-54/1350	56
82343	PTPK-MT	107	82704	USP98/2500	107	82843	MHS-CARK-V36/900-S/S	99	83110	YTPHD-60/1500	56
82344	EZRMKM	134	82707	UTV450-S/S	105	MVECKS/S			83112	YTPHD-72/1800	56
82344	EZRMKM	136	82708	UTV600-S/S	105	82844	MHS-CARK-V42/1050-S/S	92	83120	YTHD-900S	53
82345	EZWPK-600	134	82709	UTV750-S/S	105	MVECKS/S			83121	YTHD-1050S	53
82345	EZWPK-600	136	82710	UTV900-S/S	105	82844	MHS-CARK-V42/1050-S/S	99	83122	YTHD-1200S	53
82345	EZWPK-600	138	82711	UTV1050-S/S	105	MVECKS/S			83123	YTHD-1350S	53
82346	EZWPK-750	134	82712	UTV1200-S/S	105	82845	MHS-CARK-V48/1200-S/S	92	83124	YTHD-1500S	53
82346	EZWPK-750	136	82713	UTV1350-S/S	105	MVECKS/S			83126	YTHD-1800S	53
82346	EZWPK-750	138	82714	UTV1400-S/S	105	82845	MHS-CARK-V48/1200-S/S	99	83134	YTHD-TC-900S	53
82346	EZWPK-750	141	82715	UTV1500-S/S	105	MVECKS/S			83135	YTHD-TC-1050S	53
82347	EZWPK-900	134	82716	UTV1600-S/S	105	82846	MHS-CARK-V54/1350-S/S	92	83136	YTHD-TC-1200S	53
82347	EZWPK-900	136	82717	UTV1800-S/S	105	MVECKS/S			83137	YTHD-TC-1350S	53
82347	EZWPK-900	138	82718	UTV2000-S/S	105	82846	MHS-CARK-V54/1350-S/S	99	83138	YTHD-TC-1500S	53
82348	EZWPK-1050	134	82719	UTV2100-S/S	105	MVECKS/S			83140	YTHD-TC-1800S	53
82348	EZWPK-1050	136	82720	UTV2200-S/S	105	82847	MHS-CARK-V60/1500-S/S	92	83223	YTC-450	49
82348	EZWPK-1050	138	82720	UTV2200-S/S	108	MVECKS/S			83224	YTC-600	49
82348	EZWPK-1050	141	82721	UTV2400-S/S	105	82847	MHS-CARK-V60/1500-S/S	99	83225	YTC-750	49
82349	EZWPK-1200	134	82722	UTV2500-S/S	105	MVECKS/S			83226	YTC-900	49
82349	EZWPK-1200	136	82810	SCU60-S/S	108	82848	MHS-CARK-V72/1800-S/S	92	83227	YTC-1050	49
82349	EZWPK-1200	138	82811	SCUHD-S/S	108	MVECKS/S			83228	YTC-1200	49
82349	EZWPK-1200	141	82812	SCU60	107	82848	MHS-CARK-V72/1800-S/S	99	83229	YTC-450S	49
82350	EZWPK-1350	134	82813	SCUHD	107	MVECKS/S			83230	YT-600S	49
82350	EZWPK-13500	136	82815	P-CARK-V24/600-S/S PVECKS/S	78	82849	MHS-CARK2-V60/1500-S/S	92	83231	YT-750S	49
82350	EZWPK-1350	138	82816	P-CARK-V30/750-S/S PVECKS/S	78	MV2CKSS			83232	YT-900S	49
82350	EZWPK-1350	141	82817	P-CARK-V36/900-S/S PVECKS/S	78	82849	MHS-CARK2-V60/1500-S/S	99	83233	YT-1050S	49
82351	EZWPK-1500	134	82818	P-CARK-V42/1050-S/S PVECKS/S	78	MV2CKSS			83234	YT-1200S	49
82351	EZWPK-1500	136	82819	P-CARK-V48/1200-S/S PVECKS/S	78	82850	MHS-CARK2-V72/1800-S/S	92	83241	YT-TC-450S	49
82351	EZWPK-1500	138	82820	P-CARK-V54/1350-S/S PVECKS/S	78	MV2CKSS			83242	YT-TC-600S	49
82352	EZWPK-1800	134				82850	MHS-CARK2-V72/1800-S/S	99	83243	YT-TC-750S	49
82352	EZWPK-1800	136				MV2CKSS			83244	YT-TC-900S	49
82352	EZWPK-1800	138				82851	MHS-CARK2-V84/2100-S/S	92	83245	YT-TC-1050S	49
						MV2CKSS			83246	YT-TC-1200S	49
						82851	MHS-CARK2-V84/2100-S/S	99	83661	PTMA-900-3	171
						MV2CKSS			83662	PTMA-1050-3	171

INDEX By Item Code

Item Code	Ordering Number	Page #	Item Code	Ordering Number	Page #	Item Code	Ordering Number	Page #	Item Code	Ordering Number	Page #
83663	PTMA-1200-3	171	90192	PTMAEKHDR	172	91308	SKPU-200x16x15.2	175	91819	YTHDR-54S	53
83664	PTMA-1350-3	171	90193	PTMAEKHDVR	172	91309	SKPU-200x25x15.2	175	91820	YTHDR-60S	53
83665	PTMA-1600-3	171	90194	PTMAAK	172	91310	SKPU-250x10x7.6	175	91821	YTHDR-72S	53
83666	PTMA-1800-3	171	90195	PTMAAKHD	172	91311	SKPU-250x12x7.6	175	91822	YT-HDR	54
83667	PTMA-900-1	171	90197	PTMAORK	172	91312	SKPU-250x16x7.6	175	91823	YCART-36/900-HDR	54
83668	PTMA-1050-1	171	90264	ESBK-ATEX	17	91313	SKPU-250x19x7.6	175	91824	YCART-42/1050-HDR	54
83669	PTMA-1200-1	171	90265	PTEZ-450	161	91314	SKPU-250x25x7.6	175	91825	YCART-48/1200-HDR	54
83670	PTMA-1350-1	171	90266	PTEZ-600	161	91315	SKPU-250x10x15.2	175	91826	YCART-54/1350-HDR	54
83671	PTMA-1600-1	171	90267	PTEZ-750	161	91316	SKPU-250x12x15.2	175	91827	YCART-60/1500-HDR	54
83672	PTMA-1800-1	171	90268	PTEZ-900	161	91317	SKPU-250x16x15.2	175	91828	YCART-72/1800-HDR	54
83673	PTMA-750-2	171	90269	PTEZ-1050	161	91318	SKPU-250x19x15.2	175	103244	CBS-450-BT	118
83674	PTMA-1050-2	171	90270	PTEZ-1200	161	91319	SKPU-250x25x15.2	175	103245	CBS-600-BT	118
83675	PTMA-1200-2	171	90283	SKPU-150x12x7.6	175	91320	SKPU-300x10x7.6	175	103246	CBS-750-BT	118
83676	PTMA-1350-2	171	90284	SKPU-150x20x7.6	175	91321	SKPU-300x12x7.6	175	103247	CBS-900-BT	118
83677	PTMA-1600-2	171	90285	SKPU-200x12x7.6	175	91322	SKPU-300x16x7.6	175	103248	CBS-1050-BT	118
83678	PTMA-1800-2	171	90286	SKPU-200x20x7.6	175	91323	SKPU-300x19x7.6	175	103249	CBS-1200-BT	118
83679	SE5-T800	172	90297	CBCS18	117	91325	SKPU-300x10x15.2	175	103250	CBS-1350-BT	118
83680	SE5-T1000	172	90538	CBCS24	117	91326	SKPU-300x12x15.2	175	103255	CBSHD-1500-BT	118
83681	SE5-T1200	172	90539	CBCS30	117	91327	SKPU-300x16x15.2	175	103256	CBSHD-1800-BT	118
83682	SE5-T1400/VR1000	172	90540	CBCS36	117	91328	SKPU-300x19x15.2	175	103257	CBSHD-2100-BT	118
83682	SE5-T1400/VR1000	172	90541	CBCS42	117	91329	SKPU-300x25x15.2	175	103258	CBSHD-2400-BT	118
83683	SE5-T1600	172	90542	CBCS48	117	91400	SKPU-DUAL-150x12x7.6	174	103602	RPA1200	75
83684	SE5-T1800	172	90543	CBCS54	117	91401	SKPU-DUAL-150x20x7.6	174	103603	RPA1350	75
83685	SE6-R800	172	90544	CBCS60	117	91402	SKPU-DUAL-200x12x7.6	174	103604	RPA1500	75
83686	SE6-R1000	172	90616	PTEZHD-1050	161	91403	SKPU-DUAL-200x20x7.6	174	103605	RPA1800	75
83687	SE6-R1200	172	90617	PTEZHD-1200	161	91404	SKPU-DUAL-150x12x15.2	174	103606	RPA1950	75
83688	SE6-R1400	172	90618	PTEZHD-1350	161	91405	SKPU-DUAL-150x20x15.2	174	103607	RPA2100	75
83689	SE6-R1600	172	90619	PTEZHD-1500	161	91406	SKPU-DUAL-200x12x15.2	174	103608	RPA2400	75
83690	SE6-R1800	172	90620	PTEZHD-1800	161	91407	SKPU-DUAL-200x20x15.2	174	A1854	CBD-M-S/S	157
83690	SE6-R1800	172	90621	PTEZHD-2100	161	91432	CBSP18	120	A1856	CBD-L-S/S	157
83691	SE5-VR800	172	90631	CRDF18	117	91433	CBSP24	120	68171	EZIB600-1200L-LP	137
83692	SE5-VR1200	172	90632	CRDF24	117	91434	CBSP30	120	68172	EZIB750-1200L-LP	137
83693	SE5-VR1400	172	90633	CRDF30	117	91435	CBSP36	120	68173	EZIB900-1200L-LP	137
83694	SE5-VR1600	172	90634	CRDF36	117	91436	CBSP42	120	68174	EZIB1050-1200L-LP	137
83695	SE5-VR1800	172	90635	CRDF42	117	91437	CBSP48	120	68175	EZIB1200-1200L-LP	137
83734	PTMAHD-1800-3	171	90636	CRDF48	117	91438	CBSP54	120	68176	EZIB1350-1200L-LP	137
83735	PTMAHD-2000-3	171	90637	CRDF54	117	91444	FMSC2	65	68177	EZIB1500-1200L-LP	137
83736	PTMAHD-2400-3	171	90638	CRDF60	117	91444	FMSC2	65	68178	EZIB1800-1200L-LP	137
83737	PTMAHD-1800-1	171	90641	CBC3R	117	91768	RBVP-SD-N	156	68179	EZIB600-1500L-LP	137
83738	PTMAHD-2000-1	171	90795	PTEZHD-1500	161	91769	RBVP-SD-S-600	156	68180	EZIB750-1500L-LP	137
83739	PTMAHD-2400-1	171	90796	PTEZHD-1600	161	91770	RBVP-SD-S-750	156	68181	EZIB900-1500L-LP	137
83740	PTMAHD-1800-2	171	90797	PTEZHD-2000	161	91771	RBVP-SD-S-900	156	68182	EZIB1050-1500L-LP	137
83741	PTMAHD-2000-2	171	90803	PTEZHD-MBK	161	91772	RBVP-SD-S-1050	156	68183	EZIB1500-1500L-LP	137
83742	PTMAHD-2400-2	171	90804	PTEZHD-PBK	161	91773	RBVP-SD-S-1200	156	68184	EZIB1350-1500L-LP	137
83743	SE6-T1800	172	90805	PTEZHD-DCK	161	91774	RBVP-SD-S-1350	156	68185	EZIB1500-1500L-LP	137
83744	SE6-T2000	172	90806	PTEZHD-WRBK	161	91775	RBVP-SD-S-1500	156	68186	EZIB1800-1500L-LP	137
83745	SE6-T2200/R650	172	90807	PTEZHD-JBBK	161	91776	RBVP-SD-S-1800	156	68187	EZIB600-1500M-LP	140
83745	SE6-T2200/R650	172	91090		58	91777	RBVP-SD-S-2000	156	68188	EZIB750-1200M-LP	140
83746	SE6-R2000	172	91091		58	91778	RBVP-SD-S-2200	156	68189	EZIB900-1200M-LP	140
83747	SE6-R2200	172	91092		58	91779	RBVP-SD-S-2400	156	68190	EZIB1050-1200M-LP	140
83748	SE6-VR1800	172	91222	SKPU-150x12x15.2	175	91780	RBVP-SD-S-2600	156	68191	EZIB1500-1200M-LP	140
83749	SE6-VR2000	172	91223	SKPU-150x19x15.2	175	91781	RBVP-SD-S-2800	156	68192	EZIB1350-1200M-LP	140
83750	SE6-VR2200	172	91224	SKPU-200x12x15.2	175	91782	RBVP-HD-N	156	68193	EZIB1500-1500M-LP	140
83785	PTMA-750-3	171	91225	SKPU-200x19x15.2	175	91783	RBVP-HD-S-900	156	68194	EZIB1800-1200M-LP	140
83786	PTMA-750-1	171	91234	SKPU-300x25x7.6	175	91784	RBVP-HD-S-1050	156	68195	EZIB600-1500M-LP	140
83788	4.5" STEEL ROLLER - PTM	650	91254	CRB-UHT-400	18	91785	RBVP-HD-S-1200	156	68196	EZIB750-1500M-LP	140
		172	91255	CRB-UHT-550	18	91786	RBVP-HD-S-1350	156	68197	EZIB900-1500M-LP	140
84086	CBSHD-1500P	120	91256	CRB-UHT-700	18	91787	RBVP-HD-S-1500	156	68198	EZIB1050-1500M-LP	140
84087	CBSHD-1800P	120	91257	CRB-UHT-850	18	91788	RBVP-HD-S-1600	156	68199	EZIB1500-1500M-LP	140
84088	CBSHD-2100P	120	91258	CRB-UHT-1000	18	91789	RBVP-HD-S-1800	156	68200	EZIB1350-1500M-LP	140
84089	CBSHD-2400P	120	91259	CRB-UHT-1150	18	91790	RBVP-HD-S-2000	156	68201	EZIB1500-1500M-LP	140
87895	MESPL	107	91260	CRB-UHT-1300	18	91791	RBVP-HD-S-2200	156	68202	EZIB1800-1500M-LP	140
90181	MSTHD-W-S/S	65	91261	CRB-UHT-1450	18	91792	RBVP-HD-S-2400	156	A0012	WCB	125
90181	MSTHD-SS-VV	67	91263	CRB-UHT-1750	18	91793	RBVP-HD-S-2500	156	A0012	WCB	126
90181	MSTHD-W-S/S	112	91288	SKPU-100x10x7.6	175	91794	RBVP-HD-S-2600	156	A0151	HBP2600-PL-TP	154
90182	MSTHD-S-S/S	58	91289	SKPU-100x12x7.6	175	91795	RBVP-HD-S-2800	156	A0223	HBP750-B	150
90182	MSTHD-S-S/S	65	91290	SKPU-100x16x7.6	175	91796	RBVP-HD-S-3000	156	A0224	HBP900-B	150
90182	MSTHD-SS-S	67	91291	SKPU-100x19x7.6	175	91797	RBVP-HD-S-3200	156	A0235	PTMSR	168
90182	MSTHD-S-S/S	112	91292	SKPU-100x25x7.6	175	91798	YTR-18S	49	A0316	SB1200A	125
90183	MSTHD-B-S/S	58	91293	SKPU-100x10x15.2	175	91799	YTR-24S	49	A0317	SB1800	126
90183	MSTHD-B-S/S	65	91294	SKPU-100x12x15.2	175	91800	YTR-30S	49	A0334	SB1050	126
90183	MSTHD-SS-B	67	91295	SKPU-100x16x15.2	175	91801	YTR-36S	49	A0407	SB750A	125
90183	MSTHD-B-S/S	112	91296	SKPU-100x19x15.2	175	91802	YTR-42S	49	A0408	SB750	126
90184	MSTHD-G-S/S	58	91297	SKPU-100x25x15.2	175	91803	YTR-48S	49	A0435	SB1050A	125
90184	MSTHD-G-S/S	65	91298	SKPU-150x10x7.6	175	91804	YTR	50	A0612	BP800-1050MF-S/S	150
90184	MSTHD-SS-G	67	91299	SKPU-150x16x7.6	175	91805	YCART-18/450-R	50	A0613	BP800-1050-PL-S/S	150
90184	MSTHD-G-S/S	112	91300	SKPU-150x25x7.6	175	91806	YCART-24/600-R	50	A0614	BP-LA-S/S	150
90185	PTMAFMKT	172	91301	SKPU-150x10x15.2	175	91807	YCART-30/750-R	50	A0615	BP-MB-S/S	150
90186	PTMAFMKR	172	91302	SKPU-150x16x15.2	175	91808	YCART-36/900-R	50	A0616	BP-SC-S/S	150
90187	PTMAFMKHDR	172	91303	SKPU-150x25x15.2	175	91809	YCART-42/1050-R	50	A0617	BP-TL-S/S	150
90188	PTMAEKT	172	91304	SKPU-200x10x7.6	175	91810	YCART-48/1200-R	50	A0620	BP1200-1400MF-S/S	150
90189	PTMAEKR	172	91305	SKPU-200x16x7.6	175	91811	YTHDR-36S	53	A0621	BP1200-1400-PL-S/S	150
90190	PTMAEKVR	172	91306	SKPU-200x25x7.6	175	91817	YTHDR-42S	53	A0646	BP1500-1600MF-S/S	150
90191	PTMAEKHDT	172	91307	SKPU-200x10x15.2	175	91818	YTHDR-48S	53	A0647	BP1500-1600-PL-S/S	150

INDEX By Item Code

Item Code	Ordering Number	Page #	Item Code	Ordering Number	Page #	Item Code	Ordering Number	Page #	Item Code	Ordering Number	Page #
A0682	BP450-750MF-S/S	150	A2299	HBP1600-PL-TP	152	A2511	HBP2000-MF-TP-S/S	152			
A0683	BP450-750-PL-S/S	150	A2299	HBP1600-PL-TP	154	A2512	HBP2200-MF-TP-S/S	152			
A0696	SB900	126	A2300	HBP1800-PL-TP	152	A2513	HBP2400-MF-TP-S/S	152			
A0827	SB1400	126	A2300	HBP1800-PL-TP	154	A2514	HBP2500-MF-TP-S/S	152			
A0863	SB1200	126	A2301	HBP2000-PL-TP	152	A2515	HBP-LA-TP-S/S	152			
A0886	SB600	126	A2301	HBP2000-PL-TP	154	A2518	HDSTKD	38			
A0887	SB600A	125	A2302	HBP2400-PL-TP	152	A2519	HDSTKD-S/S	38			
A0912	SB900A	125	A2302	HBP2400-PL-TP	154	A2527	RPHD2100	62			
A1155	HBP-MB-TP-S/S	152	A2303	HBP2200-PL-TP	152	A2590	HPHD2400-S/S	38			
A1155	HBP-MB-TP-S/S	154	A2303	HBP2200-PL-TP	154	A2596	FLSCM-CP-S/S	173			
A1357	SB1800A	125	A2304	HBP2500-PL-TP	152	A2629	CBD-ST-TB-S/S	158			
A1436	FLSC2000-S/S	173	A2304	HBP2500-PL-TP	154	A2671	UNB73	38			
A1437	FLSC-TP-S/S	173	A2305	HBP900-MF-TP	152	A2704	RM2-AP-S/S	174			
A1438	FLSC-CP-S/S	173	A2306	HBP1050-MF-TP	152	A2803	PPHD2100	60			
A1439	FLSC2000-CB-S/S	173	A2307	HBP1200-MF-TP	152	A2825	CRDLBLK-RH-S/S	82			
A1440	FLSC2000-MC-S/S	173	A2308	HBP1400-MF-TP	152	A2825	CRDLBLK-RH-S/S	89			
A1535	SB-MB-S/S	126	A2309	HBP1500-MF-TP	152	A2825	CRDLBLK-RH-S/S	102			
A1536	SB-UC38-S/S	126	A2310	HBP1600-MF-TP	152	A2826	CRDLBLK-LH-S/S	82			
A1546	BP1800MF-S/S	150	A2311	HBP1800-MF-TP	152	A2826	CRDLBLK-LH-S/S	89			
A1547	BP1800-PL-S/S	150	A2312	HBP2000-MF-TP	152	A2826	CRDLBLK-LH-S/S	102			
A1575	RPHD1800-S/S	62	A2313	HBP2400-MF-TP	152	A2829	MR-1500PG	127			
A1588	HXFHD1800M-S/S	32	A2314	HBP2200-MF-TP	152	A2830	MR-1600PG	127			
A1589	HXFHD1800L-S/S	32	A2315	HBP2500-MF-TP	152	A2831	MR-1800PG	127			
A1590	HXFHD2100M-S/S	32	A2316	HBP900-B-TP	152	A2832	MR-2100PG	127			
A1591	HXFHD2100L-S/S	32	A2317	HBP1050-B-TP	152	A2833	MR-2400PG	127			
A1592	HXFHD2400M-S/S	32	A2318	HBP1200-B-TP	152	A2834	MR-2600PG	127			
A1593	HXFHD2400L-S/S	32	A2319	HBP1400-B-TP	152	A2835	MR-3000PG	127			
A1594	HVHD1800M-S/S	33	A2320	HBP1500-B-TP	152	A2836	MR-450PG	127			
A1595	HVHD1800L-S/S	33	A2321	HBP1600-B-TP	152	A2837	MR-600PG	127			
A1596	HVHD1800LL-S/S	33	A2322	HBP1800-B-TP	152	A2838	MR-750PG	127			
A1597	HVHD2100M-S/S	33	A2323	HBP2000-B-TP	152	A2839	MR-900PG	127			
A1598	HVHD2100L-S/S	33	A2324	HBP2400-B-TP	152	A2840	MR-1050PG	127			
A1599	HVHD2100LL-S/S	33	A2325	HBP2200-B-TP	152	A2841	MR-1200PG	127			
A1600	HVHD2400M-S/S	33	A2326	HBP2500-B-TP	152	A2842	SMR-CCB-L73	80			
A1601	HVHD2400L-S/S	33	A2330	HBP-LA-TP	152	A2842	SMR-CCB-L73	87			
A1602	HVHD2400LL-S/S	33	A2396	HVHD2600M	33	A2842	SMR-CCB-L73	100			
A1603	PVHD1800-S/S	59	A2397	HVHD2600LL	33	A2842	SMR-CCB-L73	127			
A1604	PVHD2100-S/S	59	A2461	HVHD2600L	33	A2843	SMR-CCB-R73	80			
A1605	PVHD2400-S/S	59	A2462	HVHD2600M-S/S	33	A2843	SMR-CCB-R73	87			
A1610	RVHD2400-S/S	61	A2463	HVHD2600L-S/S	33	A2843	SMR-CCB-R73	100			
A1613	PPHD2100-S/S	60	A2464	HVHD2600LL-S/S	33	A2843	SMR-CCB-R73	127			
A1620	SB1400A	125	A2465	HVHD3000M-S/S	33	A2844	SMR-CCB-L60	127			
A1622	RBPRET	160	A2466	HVHD3000L-S/S	33	A2845	SMR-CCB-R60	127			
A1626	RVHD1800-S/S	61	A2467	HVHD3000LL-S/S	33	A2988	EZP1P24-S/S	17			
A1628	RVHD2100-S/S	61	A2474	HBP-TP-900 S/S	151	A3041	EZP1P30-S/S	17			
A1629	RPHD2100-S/S	62	A2475	HBP-TP-1050 S/S	151	A3119	EZP1P36-S/S	17			
A1775	PPHD2400-S/S	60	A2476	HBP-TP-1200 S/S	151	B0092	CBD-ST-MC	158			
A1776	SB2400	126	A2477	HBP-TP-1400 S/S	151	B0536		58			
A1781	PPHD1800-S/S	60	A2478	HBP-TP-1500 S/S	151	G1211	HEX NUT	36			
A1783	HPPHD2000-S/S	38	A2479	HBP-TP-1600 S/S	151	G1211	HEX NUT	72			
A1784	CBD-ST-XL-FR-B	158	A2480	HBP-TP-1800 S/S	151	G1211	HEX NUT	94			
A1838	SB1500A	125	A2481	HBP-TP-2000 S/S	151	G2309	MST LOCK PIN SS	113			
A1996	BP2000MF	150	A2482	HBP-TP-2200 S/S	151	GN812	UST	107			
A2033	SB1500	126	A2483	HBP-TP-2400 S/S	151	GN812	UST	108			
A2046	PVHD2000-S/S	59	A2484	HBP-TP-2500 S/S	151	GR298		58			
A2063	HPPHD1800-S/S	38	A2492	HBP900-PL-TP-S/S	152						
A2120	PPHD2000-S/S	60	A2492	HBP900-PL-TP-S/S	154						
A2138	CBD-ST-XL-S/S	158	A2493	HBP1050-PL-TP-S/S	152						
A2189	HDSTCK-S/S	38	A2493	HBP1050-PL-TP-S/S	154						
A2189	HBP-SC-TP-S/S	152	A2494	HBP1200-PL-TP-S/S	152						
A2215	CBD-ST-CS-S/S	158	A2494	HBP1200-PL-TP-S/S	154						
A2218	CBD-ST-L-FR-B	158	A2495	HBP1400-PL-TP-S/S	152						
A2237	HBP1050-B	150	A2495	HBP1400-PL-TP-S/S	154						
A2283	HBP900-TP	151	A2496	HBP1500-PL-TP-S/S	152						
A2284	HBP1050-TP	151	A2496	HBP1500-PL-TP-S/S	154						
A2285	HBP1200-TP	151	A2497	HBP1600-PL-TP-S/S	152						
A2286	HBP1400-TP	151	A2497	HBP1600-PL-TP-S/S	154						
A2287	HBP1500-TP	151	A2498	HBP1800-PL-TP-S/S	152						
A2288	HBP1600-TP	151	A2498	HBP1800-PL-TP-S/S	154						
A2289	HBP1800-TP	151	A2499	HBP2000-PL-TP-S/S	152						
A2290	HBP2000-TP	151	A2499	HBP2000-PL-TP-S/S	154						
A2291	HBP2200-TP	151	A2500	HBP2200-PL-TP-S/S	152						
A2292	HBP2400-TP	151	A2500	HBP2200-PL-TP-S/S	154						
A2293	HBP2500-TP	151	A2501	HBP2400-PL-TP-S/S	152						
A2294	HBP900-PL-TP	152	A2501	HBP2400-PL-TP-S/S	154						
A2294	HBP900-PL-TP	154	A2502	HBP2500-PL-TP-S/S	152						
A2295	HBP1050-PL-TP	152	A2502	HBP2500-PL-TP-S/S	154						
A2295	HBP1050-PL-TP	154	A2504	HBP900-MF-TP-S/S	152						
A2296	HBP1200-PL-TP	152	A2505	HBP1050-MF-TP-S/S	152						
A2296	HBP1200-PL-TP	154	A2506	HBP1200-MF-TP-S/S	152						
A2297	HBP1400-PL-TP	152	A2507	HBP1400-MF-TP-S/S	152						
A2297	HBP1400-PL-TP	154	A2508	HBP1500-MF-TP-S/S	152						
A2298	HBP1500-PL-TP	152	A2509	HBP1600-MF-TP-S/S	152						
A2298	HBP1500-PL-TP	154	A2510	HBP1800-MF-TP-S/S	152						



Partners in Productivity

10 Solent Circuit
Norwest NSW 2153

Phone: +61 2-8818-2000 Fax: +61 2-8824-6333

Toll Free: 1300 098 435

E-mail: salesau@flexco.com

www.flexco.com