



Product Guide

EFFECTIVE JANUARY 1, 2023

BCPPGGER

Belt Conveyor Products



Flexco Europe GmbH
Maybachstrasse 9
72348 Rosenfeld

Tel: +49-7428-9406-0 Fax: +49-7428-9406-260

E-mail: europe@flexco.com

www.flexco.com

Patents: www.flexco.com/patents

General Terms and Conditions of Sales

1. Validity of these terms and conditions

All relations and transactions with the Purchaser will take place based on these general terms and conditions, at the exclusion of all other terms and conditions. No modification or supplementation of these general terms and conditions, no covenant, and no conditions of the Purchaser shall be effected unless accepted by us per written agreement.

2. Offers, documents

All offers made by us are not binding. Technical data in brochures, catalogues, printed matter, advertisements, circulars, and price lists represent the status at the time of printing and are approximations. The documentation comprised by the offer does not constitute a warranty of quality or of durability. They merely serve to present a general idea of the goods described therein, and may not be passed on to third parties. In view of the continuous development of our products we reserve the right to modify and improve our products without notice.

3. Requests (orders)

All orders are binding for the Purchaser. We are bound only by our written confirmation, delivery or invoice. If the Purchaser is not a reseller, acceptance of their order may be assumed if we do not decline the order within 20 days of receipt.

4. Prices and payment

- a) All prices are FCA Rosenfeld and exclude packaging, freight, postage, insurance and VAT.
- b) In cases of continuous debt, we reserve the right to adjust prices according to § 313 BGB if individual costs change before performance. The price will then be modified according to the updated costs. Should the price difference exceed 5%, the Purchaser may withdraw from the contract. After a period of 4 months, all contracted prices are subject to change.
- c) Payments for delivered goods must be made to our bank account within 30 days at no discount (date of receipt of funds) if no other payment terms have been confirmed in writing. Foreign bank charges are not paid by us.
- d) The Purchaser may not withhold payment to cover counter claims that do not result from the contract, or to counterbalance claims that we have objected to and that have not been declared legally valid.
- e) Should the Purchaser fail to comply with the terms of payment, or should other circumstances arise that are likely to impair the Purchaser's credit-worthiness, all our trade account receivables will become due immediately. In these cases we also reserve the right to supply goods only with advance payment or security deposit, as well as the right to withdraw from the contract after a reasonable extension period, and to file claims for damages.
- f) All payments must be made to the bank stated on our invoices.

5. Small order-charges and direct deliveries

- a) The following service fees will be charged for small orders:
Within Germany for orders under € 50,00 net order value = € 12,50
Within the EU for orders under € 100,00 net order value = € 17,50 All other countries for orders under € 100,00 net order value = € 25,00
- b) For direct deliveries to the purchaser's customer we will charge € 20,00

6. Delivery, mode of despatch and insurance

- a) Standard delivery terms are FCA Rosenfeld. We will arrange "free house delivery" charging the transport, packing and insurance costs, using the carrier of our choice.
- b) On behalf of the purchaser we will insure all shipments against damage or loss and will add following premium to the invoice value: Germany and European Union 1 ‰ of the invoice value; Other European Countries 2 ‰ of the invoice value; Australia, Africa, North America 5 ‰ of the invoice value; Asia and South America 8 ‰ of the invoice value.

7. Property right

- a) The property of goods shall not pass from us to the Purchaser until all sums due from the Purchaser to us under this contract will be paid in full.
- b) Should the Purchaser in any way process, assemble, or combine our goods with other goods, we gain joint ownership to the amount of the value of our goods.
- c) If the Purchaser is a reseller, they may dispose of the reserved goods by sales. No other disposal is permitted.
- d) The purchaser in advance cedes to us his claims resulting from a sale of the goods to the amount of the goods received from us.
- e) The Purchaser is authorized to collect the debt ceded to us. At our request he has to notify his debtors of the cession.
- f) The authorization of the Purchaser to dispose of the reserved goods, and to collect debts resulting from such transactions, expires in cases of non-compliance with the terms of payment stated above, cessation of payment, and/or protest of billed receivables or a check. In such cases we have the right to take possession of the reserved goods. The Purchaser bears all costs arising of any of these circumstances.

- g) The purchaser has to inform us immediately of any pending or executed third-party claims on the reserved goods or the claims ceded to us. The Purchaser bears all costs arising from an intervention.
- h) Should the total value of the securities given to us exceed our claims more than 20%, we are obliged to release the securities accordingly.

8. Delivery dates, delays

- a) If unexpected or unpredictable circumstances prevent us from delivering the goods in time, the delivery period is extended appropriately. A new delivery date must then have to be agreed upon.
- b) The delivery period begins once written order confirmation is provided, subject to receipt of any agreed payments and/or all supporting documents and technical specifications required for the execution of the order.
- c) The Purchaser has to fulfil all requirements in their obligation to allow an execution of order on schedule.
- d) The delivery dates agreed upon are met if we have declared readiness to perform.

9. Transport, transition of risk

- a) Any and all risks transfer to the Purchaser once the goods leave our premises. This is also the case when dispatch is carried out using our contracted carrier.
- b) If dispatch is delayed for reasons out of our responsibility, any and all risks pass to the Purchaser upon readiness for dispatch.
- c) Should the Purchaser not take the goods immediately upon delivery, we will store the goods if possible, at his risk. Such storage of the goods does not release the Purchaser from their payment obligation once we have made the goods available.

10. Requirement to inspect and give notice of a defect

- a) The Purchaser is obliged to inspect the goods immediately upon arrival and has 10 days from arrival/receipt of goods to notify us of any defect or reason whereof the Purchaser may allege that the goods are not in accordance with the confirmed order.
- b) Should the Purchaser fail to give such notice the goods will be deemed to be in all respects in accordance with the order and the purchaser shall be deemed to have accepted the goods accordingly.
- c) The Purchaser shall give us notice of any hidden defects within 10 days of their discovery.

11. Warranty, liability for defects

- a) The warranty period is:
- 6 months for consumer goods,
- 12 months for machines and tools,
- b) In view of various possible uses of our products as well as different requirements and applications, we cannot ensure their suitability for certain applications. The Purchaser is therefore obliged to check every product for its suitability for the given application.
- c) In the case of defective goods or services, the Purchaser is entitled to repair or replacement of goods. We reserve the right to decline repair parts or replacement goods if this would entail incommensurately high costs. Should the defect not be repaired, even after a second rework, the Purchaser is entitled to an annulment of the contract or to a price reduction and to damage claims according to No. 12 below.
- d) The Purchaser's claims arising from our liability for defects expires if they do not grant us the necessary time and opportunity to repair the defects within normal business hours,
- e) The liability for defects expires if defects are caused by interference by persons not authorized by us.
- f) The liability defined above (a-e) only extends to the amount of costs arising from a delivery of the purchased goods to the home or the place of business of the Purchaser. Increased costs caused by transportation of goods to another location must be borne by the Purchaser.

12. Other damage claims

All other damage claims of the Purchaser against us or our vicarious agents are excluded, particularly any claims for compensation of damages not to the delivered goods themselves. This is not valid in cases of intent, gross negligence, or lack of warranted properties, as well as in cases in which product liability law rules liability for personal injury and property damage to privately used items. In cases of negligence, we are also liable for violation of a substantial contract obligation and for personal injury.

13. Validity clause

Should individual sections of these general terms and conditions of sales be or become invalid in part or as a whole, the validity of the rest of these general terms and conditions of sales remains unaffected.

14. Place of jurisdiction, applicable law

- a) Place of jurisdiction is DE-72336 Balingen, Germany.
- b) These general terms and conditions of sales comply with and are construed according to the laws of the Federal Republic of Germany, which will also apply to all transactions made on the basis of these general terms and conditions for sales, at the exclusion of the United Nations agreement on the international purchase of goods.

Table of Contents

Belt Cleaners

Belt Cleaner Information and Selection Guide 5

Precleaners

EZP-LS Limited Space Preleaners & ConShear™ Replacement Blades	10
EZP1 Precleaner & ConShear™ Replacement Blades	19
EZP1T Twist TensionerPreleaner	22
EZP1 ATEX Standard Duty Precleaner & ConShear™ FRAS Replacement Blades	32
MSP Standard Mine-Duty Precleaners & ConShear™ Replacement Blades	36
MSP ATEX Standard Duty Precleaner.....	39
MMP Medium Mine-Duty Precleaner & TuffShear™ Replacement Blades.....	47
MMP ATEX Medium Mine-Duty Precleaner	49
MHP Mine Tough Heavy-Duty Precleaner & MegaShear™ Replacement Blades.....	54
MHCP Heavy-Duty Cartridge Precleaner	59
MXP Extreme-Duty Precleaner	63
H-Type® Precleaners.....	66
H-Type® ATEX Stainless Steel Segmented Blade Precleaner	77

Secondary Cleaners

EZS2 Standard Duty Secondary Cleaners	80
Y-Type® Secondary Cleaners.....	84
P-Type® Secondary Cleaners	91
R-Type® Reversing Secondary Cleaners	96
R-Type® ATEX Reversing Secondary Cleaner	98
T-Type™ Secondary Cleaner	102
FMS Medium-Duty Secondary Cleaner	105
MHS Heavy-Duty Secondary Cleaners.....	110
MHS ATEX Heavy-Duty Secondary Cleaners.....	111
U-Type® Secondary Cleaners	113
MDWS DryWipe Secondary Cleaner	118
Motorised Brush Cleaner	121
Chevron Belt Cleaner	124
Pole Extender Kits.....	125
Spring Covers and Tensioner Lock	126

Belt Cleaner Accessories

Inspection Doors.....	127
-----------------------	-----

Replacement Blades for Other OEM Cleaners

ConShear® Replacment Blades for other OEM Cleaners 129

Martin Engineering	131
Stephens-Adamson Metso/Trelles	134
Martin Engineering Durt Hawg®.....	135
Schulte Strathaus	136

Plows

V-Plow.....	137
Diagonal Plough	138

Impact Beds

Flexco Slider and Impact Beds

EZSB-C and EZSB-I Slider Beds; EZIB-L; EZIB-M and EZIB-H Impact Beds.....	141
---	-----

Table of Contents

DRX® Impact Beds

DRX200 - DRX1500 Impact Beds.....	157
DRX3000 Dynamic Bed.....	164
Optional Parts and Tools.....	166

Belt Conveyor Products

Belt Positioners and Trainers

Belt Positioner™.....	168
PTEZ.....	171
PT Smart™ Belt Trainer.....	174
PT Max™ Adjustable Belt Trainer.....	176

Skirting Systems

Standard Urethane Skirting.....	178
Dual Seal Polyurethane Skirting.....	179
Skirt Clamps-RMC1, Flex-Lok™, and FlexSeal™, Skirt Wear Liner Kit.....	180
Enclosed Skirt System.....	185

Pulley Lagging

Flex-Lag® Rubber Pulley Lagging.....	191
Flex-Lag® Medium-Duty Ceramic Pulley Lagging.....	192
Flex-Lag® Full Ceramic Pulley Lagging.....	193
Flex-Lag® Weld-On™ Rubber Pulley Lagging.....	194
Flex-Lag® Weld-On™ Ceramic Pulley Lagging.....	195

Index	196
--------------------	------------

Belt Cleaner Information and Selection Guide

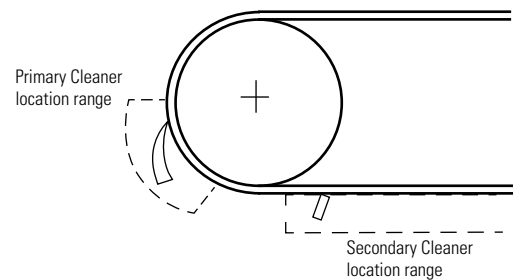
Why Are Belt Cleaners Needed?

- **Reduces Maintenance Costs**
 - Minimises manual cleanup.
 - Protects against belt mistracking.
 - Reduces conveyor component replacement costs.
 - Reducing carryback means a reduction in maintenance costs.
- **Improves Safety**
 - Reduces housekeeping problems.
 - A majority of conveyor-related accidents happen while maintenance tasks are being done.
- **Keeps Conveyors Running Efficiently and Consistently**
 - Reduces unscheduled downtime.
 - Increases production uptime.
- **Saves Money**
 - Increases belt wear life.
 - Extends life of rollers, pulleys and splices.
 - High cost of accidents.



Types of Belt Cleaners

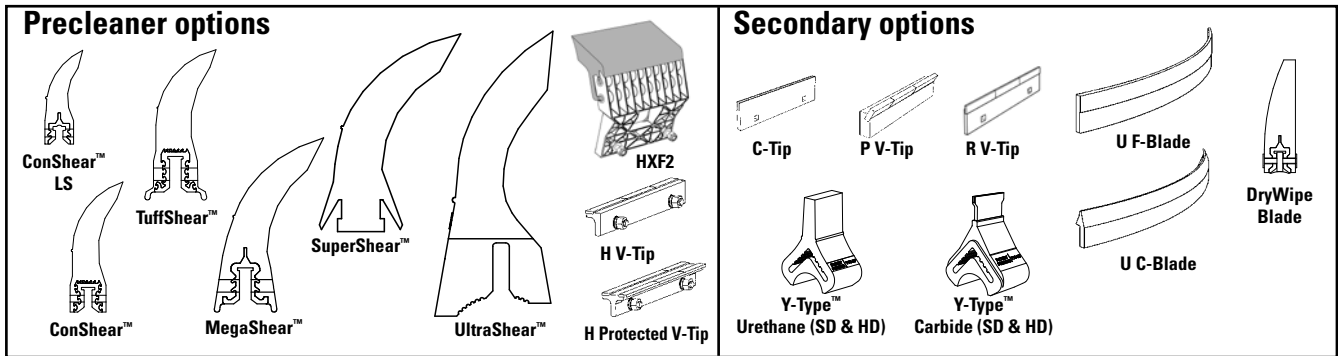
- **Primary Cleaners**
 - Mounted on the head pulley.
 - Mounted below the material flow.
 - Removes the big stuff. Typically cleans off up to 80% of the initial carryback.
- **Secondary Cleaners**
 - Located just past where the belt leaves the head pulley and anywhere down the beltline.
 - Special secondaries may allow for mounting under the head pulley.
 - Removes sticky fines – the final cleaning job.
 - May require a hold-down roller for maximum performance.
- **Specialty Cleaners**
 - Primary Cleaners or Secondaries designed especially for specific or extreme applications.



Definition of Terms

- **Carryback**—Material that sticks to the belt after it leaves the transfer point and continues falling off along the conveyor's return side.
- **Material Path**—The section of the belt where most of the material is conveyed. Typically the center 2/3 of the belt.
- **Hold-Down Roller**—A stabilising roller or pressure roller located on top of the return side of the belt to prevent belt flap or to provide a consistent flat surface for the blades on a lighter-tensioned belt.

Types of Cleaner Blades



F-Tip/Blade - for mechanically fastened belts **V-Tip/Blade** - for vulcanized belts only **C-Tip/Blade** - for both

Polyurethane Blades

Not all polyurethanes are the same. Flexco's polyurethane blades are specially formulated for abrasion resistance and long wear. Independent testing has shown that Flexco's polyurethane blades last as much as 30% longer than other OEM blades.

- Easy on the belt.
- Work well with mechanical splices.
- Economical.
- Specialty formulations for high heat, chemical resistance, or water removal.

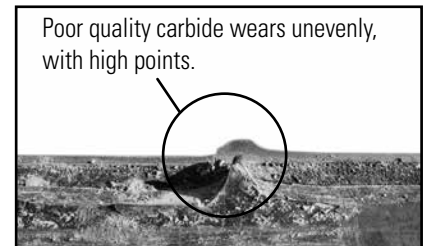


Less advanced polyurethane formulations result in blades that experience quicker wear and provide less efficient cleaning.

Tungsten Carbide

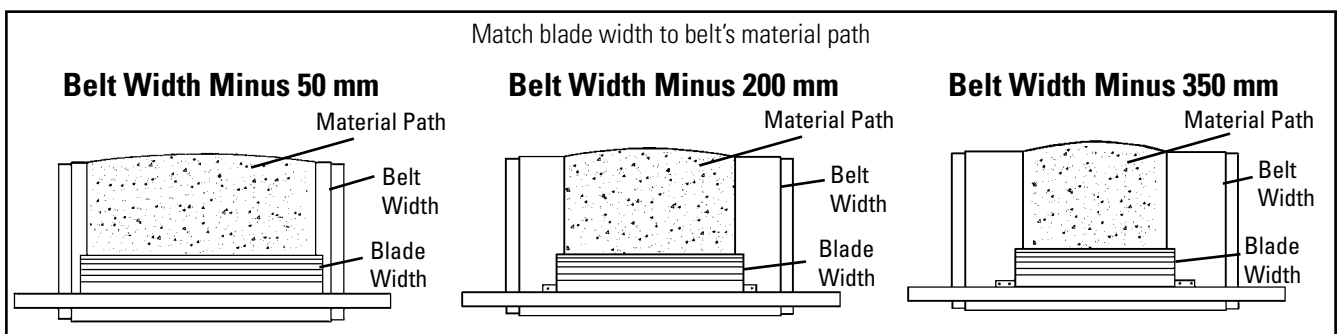
Excellent for superior cleaning efficiency and long wear. The quality and application of carbides can vary. Flexco has invested years of research and testing to develop tungsten carbide tips for both vulcanized and mechanically fastened belts. And a quality process ensures consistent results.

- Superior cleaning.
- Long wear.
- C-Tips/blades for mechanical splices and V-Tips/blades for vulcanized belts.

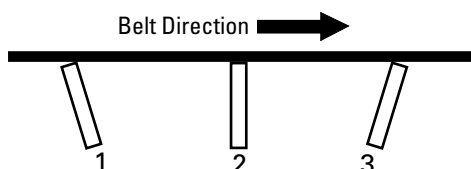


The "Material Path" Option (for Precleaners)

For optimal cleaning and reduced blade retensioning, the cleaner blade width should be sized to fit the material path of the belt. The material path is typically the center 2/3 of the belt width. Choosing a blade only slightly wider than the material path can decrease differential blade wear which reduces blade retensioning maintenance, as well as reducing the frequency of blade replacement.



Blade Angle (Secondary Cleaners)



- 1. Aggressive** – excellent cleanability, high risk for belt damage.
- 2. 90° to belt** – good cleaning efficiency; must have good blade relief for splices.
- 3. Wiping** – a little less cleaning power; safer on belts in poor condition or with poor mechanical splices.

Belt Cleaning Systems

Many applications will require more than one belt cleaner to do a satisfactory cleaning job. A typical system includes a pre-cleaner (to knock off the initial flow of carryback), one or more secondary cleaners (to take off the sticky fines) and many times, a final specialty cleaner (to remove the water).

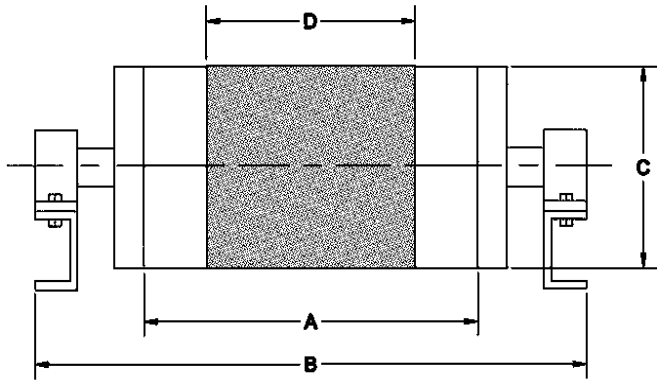
Keys to Good Belt Cleaning

- Proper cleaner selection for the application
- Correct installation
- Regular service maintenance

Spec'ing and Ordering Belt Cleaners

Information needed:

- A.** Belt Width
- B.** Conveyor frame (structure) width
- C.** Head pulley diameter
- D.** For Primary Cleaners - what is the belt's material path
- E.** Material conveyed (dry, wet, sticky, etc.)
- F.** Type of belt splice:
 - Mechanical - skived or unskived
 - Vulcanised
- G.** Temperature or other extreme environmental factors
- H.** Does the belt reverse



Precleaner Selection Guide

PRECLEANER SPECIFICATION CHART




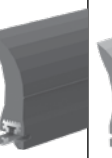
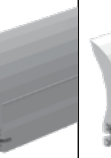

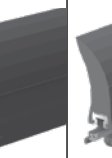




Application Description	EZP-LS	EZP1	MSP	MMP	MHP	MHCP	MPX
Belt Width*	300 - 1500 mm	300 - 1800 mm	600 - 2100 mm	600 - 2400 mm	600 - 2400 mm	600 - 2400 mm	1050 - 3000 mm
Belt Speed	2.5 m/s	3.5 m/s	3.5 m/s	5 m/s	7.5 m/s	6 m/s	10 m/s
Head Pulley Diameter	150 - 550 mm	250 - 900 mm	400 - 1050 mm	400 - 1200 mm	500 - 2100 mm	500 - 2100 mm	1200 - 2400 mm
Reversing Belts	Yes	Yes	Yes	Yes	Yes	Yes	Yes
Mechanical Fasteners	Yes	Yes	Yes	Yes	Yes	Yes	Yes

PRECLEANER SPECIFICATION CHART (cont.)

Application Description	H-Type®	H-Type®	High Temp	HV2
	(XF2- & XF-Tips)	(V-Tips)	(V-Tips)	(V-Tips)
Belt Width*	450 - 1800 mm	450 - 1800 mm	450 - 1200 mm	450 - 1800 mm
Belt Speed	5 m/s	7.5 m/s	5 m/s	7.5 m/s
Head Pulley Diameter	250 - 1175 mm	250 - 1675 mm	200 - 875 mm	250 - 1675 mm
Reversing Belts	Yes	Yes	Yes	Yes
Mechanical Fasteners	Yes	No	No	No



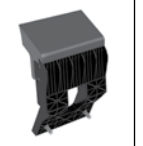


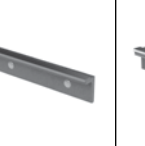

*Special sizes available upon request.

PRECLEANER BLADE SPECIFICATIONS

											
Blade Type	ConShear™ LS	ConShear™ LS High Temp	ConShear™ LS White (Chemical Resistant/ Food Grade)‡	ConShear™	ConShear™ High Temp	ConShear™ White (Chemical Resistant/ Food Grade)‡	ConShear™ Ultra High Temp	TuffShear™	TuffShear™ High Temp	Mega-Shear™	Super-Shear™
Belt Speed	2.5 m/s	2.5 m/s	2.5 m/s	3.5 m/s	3.5 m/s	3.5 m/s	3.5 m/s	5 m/s	5 m/s	7.5 m/s	6 m/s
Temperature Range	-35 to 82° C	up to 135° C with spikes to 163° C	-35 to 82° C	-35 to 82° C	up to 135° C with spikes to 163° C	-35 to 82° C	up to 200° C with spikes to 232° C	-35 to 82° C	up to 135° C with spikes to 163° C	-35 to 82° C	-35 to 82° C
Polyurethane	Yes	Yes	Yes	Yes	Yes	Yes	Yes	Yes	Yes	Yes	Yes
Durometer	83	93	83	83	93	83	90	83	93	93	93
Tungsten Carbide	No	No	No	No	No	No	No	No	No	No	No
Work with Mechanical Fasteners	Yes	Yes	Yes	Yes	Yes	Yes	Yes	Yes	Yes	Yes	Yes

‡ All ingredients used in the polyurethane formulation of this blade comply with the relevant requirements of 21 CFR (FDA Code of Federal Regulations) for use in repeated bulk dry food applications

PRECLEANER BLADE SPECIFICATIONS (cont.)

							
Blade Type	UltraShear™	HXF	HXF2	H V-Tip	H Protected V-Tip	HV2 Tip	Protected HV2 Tip
Belt Speed	10 m/s	3.5 m/s	3.5 m/s	5 m/s	5 m/s	7.5 m/s	7.5 m/s
Temperature Range	-35 to 135° C	-35 to 82° C	-35 to 82° C	-35 to 205° C	-35 to 205° C	-35 to 205° C	-35 to 205° C
Polyurethane	Yes	Yes	Yes	No	No	No	No
Durometer	93	84	83	N/A	N/A	N/A	N/A
Tungsten Carbide	No	No	No	Yes	Yes	Yes	Yes
Work with Mechanical Fasteners	Yes	Yes	Yes	No	No	No	No

Secondary Cleaner Selection Guide

SECONDARY CLEANER SPECIFICATION CHART

Application Description	Y-Type SD Polyurethane	Y-Type SD Carbide	Y-Type HD Polyurethane	Y-Type HD Carbide	EZS2	EZS2 High Temp	FMS (C-Tip)	FMS (V-Tip)	MHS (C-Tip)	MHS (V-Tip)
Belt Width*	450 - 1200mm	450 - 1200mm	900 - 1800mm	900 - 1800mm	450 - 1800mm	450 - 1800mm	1450 - 2100mm	1450 - 2100mm	450 - 2400mm	450 - 2400mm
Belt Speed	3 m/s	3 m/s	3.8 m/s	3.8 m/s	3.5 m/s	3.5 m/s	6 m/s	6 m/s	6 m/s	7.5 m/s
Reversing Belts	Yes	Yes	Yes	Yes	No	No	No	No	Yes	Yes
Works with Mechanical Fasteners	Yes	Yes	Yes	Yes	Yes	Yes	Yes	No	Yes	No








*Special sizes available upon request.

SECONDARY CLEANER SPECIFICATION CHART (cont.)





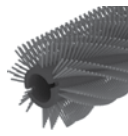
Application Description	MDWS	P-Type® (C-Tip)	P-Type (V-Tip)	U-Type® (F-Blade)	U-Type (C-Blade)	R-Type® (C-Tip)	R-Type (V-Tip)	T-Type (V-Tip)	Chevron	Brush Cleaner
Belt Width*	450 - 1800mm	450 - 1800mm	450 - 1800mm	450 - 2100mm	450 - 2100mm	450 - 1800mm	450 - 1800mm	400 - 1600mm	450 - 2100mm	450 - 2100mm
Belt Speed	5 m/s	5 m/s	6 m/s	5 m/s	6.6 m/s	5 m/s	5 m/s	4 m/s	2.5 m/s	3.5 m/s
Reversing Belts	Yes	No	No	No	No	Yes	Yes	No	Yes	No
Works with Mechanical Fasteners	Yes	Yes	No	Yes	Yes	Yes	No	No	Yes	Yes

*Special sizes available upon request.

SECONDARY CLEANER BLADE SPECIFICATIONS

							
Blade Type	C-Tip	P V-Tip	R V-Tip	Y-Type Polyurethane (Purple)	Y-Type Polyurethane (White)	Y-Type Carbide	T-Type V-Tip
Temperature Range	-35 to 205° C	-35 to 205° C	-35 to 205° C	-35 to 82° C	-35 to 82° C	-35 to 82° C	-35 to 82° C
Polyurethane	No	No	No	Yes	Yes	No	Yes
Durometer	N/A	N/A	N/A	86A	83A	N/A	N/A
Tungsten Carbide	Yes	Yes	Yes	No	No	Yes	Yes
Works with Mechanical Fasteners	Yes	No	No	Yes	Yes	Yes	No

SECONDARY CLEANER BLADE SPECIFICATIONS (cont.)

					
Blade Type	DryWipe Blade	U F-Blade	U C-Blade	Chevron	Brush Cleaner
Temperature Range	-35 to 82° C	-35 to 82° C	-35 to 82° C	-35 to 82° C	-35 to 82° C
Polyurethane	Yes	Yes	Rubber	Rubber	Poly-propylene
Durometer	59	90	84	N/A	N/A
Tungsten Carbide	No	No	Yes	No	No
Works with Mechanical Fasteners	Yes	Yes	Yes	Yes	Yes

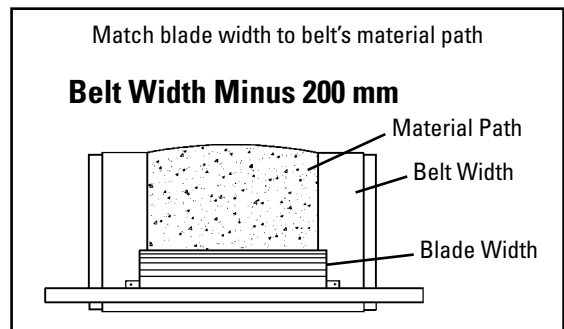
Product Ordering Information

EZP-LS Limited Space Precleaner



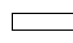
EZP-LS Precleaner Belt Width Minus 200mm

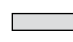
BELT WIDTH	BLADE WIDTH	ORDERING NUMBER	ITEM CODE	WT. KG
mm	mm			
450	250	EZP-LS818	77136	13.0
600	400	EZP-LS824	77137	14.0
750	550	EZP-LS830	77138	15.5
900	700	EZP-LS836	77139	17.0
1050	850	EZP-LS842	77140	19.0
1200	1000	EZP-LS848	77141	20.0
1350	1150	EZP-LS854	77142	22.0
1500	1300	EZP-LS860	77143	24.0
1600	1450	EZP-LS260	77135	24.0



Product Notes:

- For optimal cleaning and reduced blade retensioning maintenance, the cleaner blade width should be sized to fit the material path of the belt. The material path is typically 2/3 of the belt width.
- Each cleaner can be retrofitted with three replacement blade sizes (belt width minus 50 mm, minus 200 mm, or minus 350 mm).
- Comes complete with universal mounting plates and tensioner.
- Visual tension check. No guesswork on blade tensioning. Simply measure the spring, check label on tensioner and turn adjusting nut to restore optimal tension.
- Visual blade wear check. Tensioner has built-in gauge to monitor blade wear.
- Works with mechanical splices. Polyurethane blade glides over splices.
- Compatible with reversing belts.
- For replacement parts see the EZP-LS Parts List on page 14.
- For applications requiring longer pole lengths, go to the minus 200 mm chart and select the cleaner one belt width size larger. This will provide a pole 150 mm longer and a blade size of belt width minus 50 mm.

 Stock items (non-shaded) refer to (*) for specific lead time, if not specified, standard lead time applies.

 Non-stock items (shaded) please contact Flexco for dispatch options and lead times.

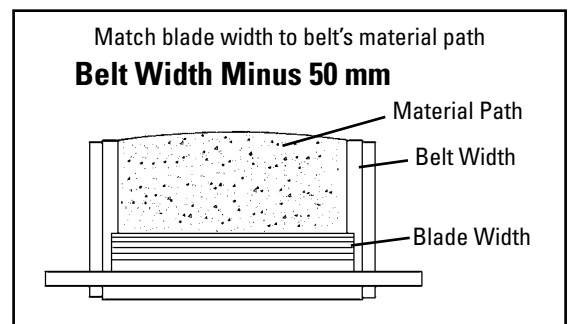
Product Ordering Information

EZP-LS High Temp Limited Space Precleaner



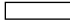
EZP-LS High-Temp Precleaner Belt Width Minus 50 mm


BELT WIDTH	BLADE WIDTH	ORDERING NUMBER	ITEM CODE	WT. KG
300	250	EZP-LS212HT	77746	13.0
450	400	EZP-LS218HT	77747	14.0
600	550	EZP-LS224HT	77748	15.5
750	700	EZP-LS230HT	77749	17.0
900	850	EZP-LS236HT	77750	19.0
1050	1000	EZP-LS242HT	77751	20.0
1200	1150	EZP-LS248HT	77752	22.0
1350	1300	EZP-LS254HT	77753	24.0
1500	1450	EZP-LS260HT	77754	24.0



Product Notes:

- The high-temp ConShear LS works in temperatures up to 135° C with spikes to 164° C.
- Each cleaner can be retrofitted with three replacement blade sizes (belt width minus 50 mm, minus 200 mm, or minus 350 mm).
- Comes complete with universal mounting plates and tensioner.
- Visual tension check. No guesswork on blade tensioning. Simply measure the spring, check label on tensioner and turn adjusting nut to restore optimal tension.
- Visual blade wear check. Tensioner has built-in gauge to monitor blade wear.
- Works with mechanical splices. Polyurethane blade glides over splices.
- Compatible with reversing belts.
- For replacement parts see the EZP-LS Parts List on page 14.

 **Stock items** (non-shaded) refer to (*) for specific lead time, if not specified, standard lead time applies.

 **Non-stock items** (shaded) please contact Flexco for dispatch options and lead times.

ConShear™-LS Replacement Blades

EZP-LS
Limited Space Precleaner

Replacement ConShear™-LS Blades

BLADE WIDTH	ORDERING NUMBER	ITEM CODE	WT. KG
mm			
250	CRB-LS10	77088	1.0
400	CRB-LS16	77089	1.5
550	CRB-LS22	77090	2.0
700	CRB-LS28	77091	3.0
850	CRB-LS34	77092	3.5
1000	CRB-LS40	77093	4.0
1150	CRB-LS46	77094	4.5
1300	CRB-LS52	77095	5.0
1450	CRB-LS58	77096	5.5

Other blade sizes available upon request.



Replacement High Temp ConShear™-LS Blades (Color Identification: Yellow)

BLADE WIDTH	ORDERING NUMBER	ITEM CODE	WT. KG
250	CRB-LS10HT	77551	1.0
400	CRB-LS16HT	77552	1.5
550	CRB-LS22HT	77553	2.0
700	CRB-LS28HT	77554	3.0
850	CRB-LS34HT	77555	3.5
1000	CRB-LS40HT	77556	4.0
1150	CRB-LS46HT	77557	4.5
1300	CRB-LS52HT	77558	5.0
1450	CRB-LS58HT	77559	5.5

Other blade sizes available upon request.

Replacement White ConShear™-LS White (Chemical Resistant/Food Grade)†

BLADE WIDTH	ORDERING NUMBER	ITEM CODE	WT. KG
mm			
250	CRB-LS10W	77097	1.0
400	CRB-LS16W	77098	1.5
550	CRB-LS22W	77099	2.0
700	CRB-LS28W	77100	3.0
850	CRB-LS34W	77101	3.5
1000	CRB-LS40W	77102	4.0
1150	CRB-LS46W	77103	4.5
1300	CRB-LS52W	77104	5.0
1450	CRB-LS58W	77105	5.5

†All ingredients used in the polyurethane formulation of this blade comply with the relevant requirements of 21 CFR (FDA Code of Federal Regulations) for use in repeated bulk dry food applications

Blade Width Selection

BELT WIDTH	BELT WIDTH 50 mm	BELT WIDTH 200 mm
300	250	N/A
450	400	250
600	550	400
750	700	550
900	850	700
1050	1000	850
1200	1150	1000
1350	1300	1150
1500	1450	1300

Product Notes:

- Take blade width and ordering number from the worn blade and use the Replacement Blade Chart.
- For optimal cleaning and reduced blade retensioning maintenance, the cleaner blade width should be sized to fit the material path of the belt. The material path is typically 2/3 of the belt width.
- The ConShear™ blade has a faceted profile that renews the cleaning edge as it wears.
- Visual tension check. No guesswork on blade tensioning. Simply measure the spring, check label on tensioner and turn adjusting nut to restore optimal tension.
- ConShear blades are made of a special long-wearing polyurethane.
- A molded-in blade wear line indicates when the blade is worn out and needs to be replaced.
- Blade replacement is quick. Pull one pin, remove the old blade and slide the new one in.

Stock items (non-shaded) refer to (*) for specific lead time, if not specified, standard lead time applies.

Non-stock items (shaded) please contact Flexco for dispatch options and lead times.

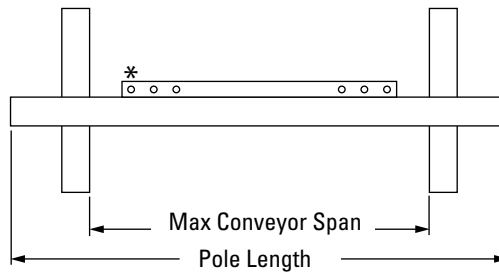
Specifications & Guidelines

EZP-LS Limited Space Precleaner

Pole Length Specifications

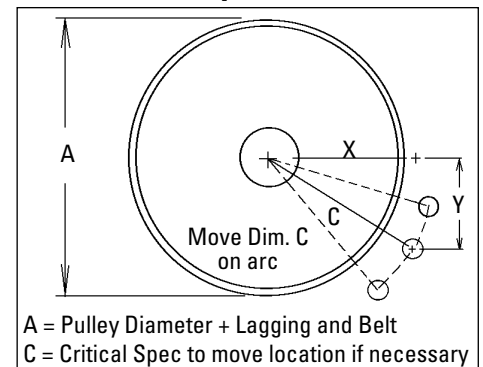
CLEANER SIZE	POLE LENGTH	MAXIMUM CONVEYOR SPAN
300	1050	925
450	1200	1075
600	1350	1225
750	1500	1375
900	1650	1525
1050	1800	1675
1200	1950	1825
1350	2200	2075
1500	2350	2225

Pole Diameter – 48 mm



*Each pole size can be used with a blade size either belt width minus 50 mm, belt width minus 200 mm, or belt width minus 350 mm.

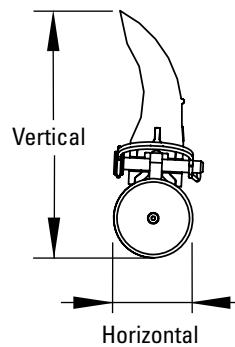
Pole Location Specs



A = Pulley Diameter + Lagging and Belt
C = Critical Spec to move location if necessary

Clearance Guidelines for Installation

HORIZONTAL CLEARANCE REQUIRED	VERTICAL CLEARANCE REQUIRED
75	165

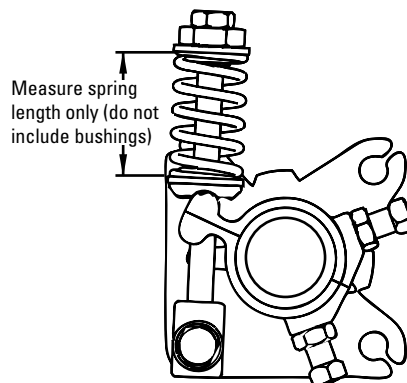


Spring Length Chart

EZP-LS w/Purple or Yellow Blade

BLADE WIDTH	PURPLE SPRING	WHITE SPRING	SILVER SPRING
250	51	N/A	N/A
400	48	54	N/A
550	N/A	51	N/A
700	N/A	48	N/A
850	N/A	44	N/A
1000	N/A	38	N/A
1150	N/A	35	51
1300	N/A	N/A	51
1450	N/A	N/A	48

Shading indicates preferred spring option



Pole Location Chart

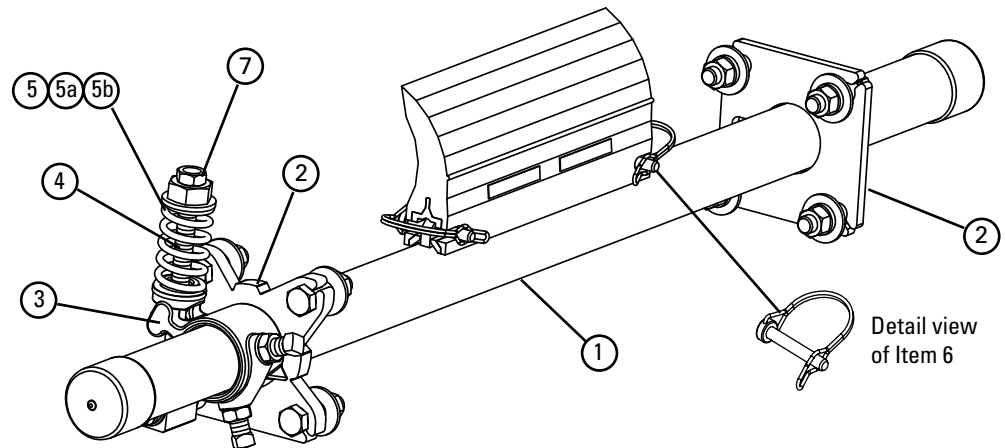
A	X	Y	C
150	65	140	150
175	81	140	155
200	96	140	162
225	109	140	171
250	125	140	179
275	138	140	189
300	153	140	198
325	166	140	209
350	178	140	219
375	191	140	229
400	206	140	239
425	219	140	252
450	231	140	263
475	244	140	273
500	256	140	284
525	269	140	295
550	281	140	307

Specifications:

- Maximum Belt Speed 2.5 m/s
- Temperature Rating (ConShear, ConShear White) -35° C to 82° C
- Temperature Rating (ConShear High Temp) Up to 135° C with spikes to 164° C
- Minimum Pulley Diameter 150 mm
- Blade Height 115 mm
- Usable Blade Wear Length 60 mm
- Blade Material Polyurethane (proprietary blend for abrasion resistance and long wear)
- Available for Belt Widths 300 to 1500 mm
- CEMA Cleaner Rating Class 2

Replacement Parts List

EZP-LS Limited Space Precleaner



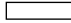
Replacement Parts


REF	DESCRIPTION	ORDERING NUMBER	ITEM CODE	WT. KG
1	450mm Pole	LSP18	77071	7.0
	600mm Pole	LSP24	77072	8.0
	750mm Pole	LSP30	77073	9.0
	900mm Pole	LSP36	77074	10.0
	1050mm Pole	LSP42	77075	11.0
	1200mm Pole	LSP48	77076	12.0
	1350mm Pole	LSP54	77077	13.0
	1500mm Pole	LSP60	77078	14.0
2	LS Blade Pin (1 ea.)	LS-BP	77114	.1.0

Hardware Included

Spring Tensioner Selection Chart

CLEANER BLADE WIDTH	77121 Purple	77122 White	77123 Silver
ConShear-LS 250 - 400 mm	X		
ConShear-LS 550 - 1150 mm		X	
ConShear-LS 1300 - 1450 mm			X

 Stock items (non-shaded) refer to (*) for specific lead time, if not specified, standard lead time applies.

 Non-stock items (shaded) please contact Flexco for dispatch options and lead times.

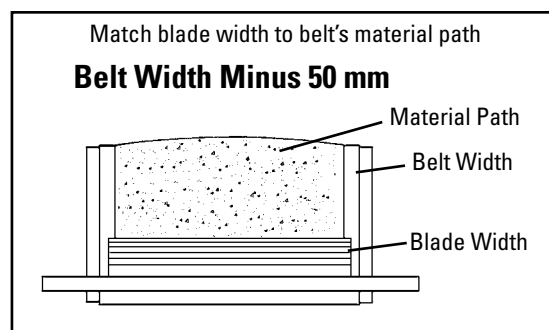
Product Ordering Information

EZP-LS Stainless Steel Limited Space Precleaner with White ConShear™ LS Blade



EZP-LS Stainless Steel Precleaner with White ConShear™ LS Blade Belt Width Minus 50mm

BELT WIDTH	BLADE WIDTH	ORDERING NUMBER	ITEM CODE	WT. KG
mm	mm			
300	250	CLSFG-212	77144	13.0
450	400	CLSFG-218	77145	14.0
600	550	CLSFG-224	77146	15.5
750	700	CLSFG-230	77147	17.0
900	850	CLSFG-236	77148	19.0
1050	1000	CLSFG-242	77149	20.0
1200	1150	CLSFG-248	77150	22.0
1350	1300	CLSFG-254	77151	24.0
1500	1450	CLSFG-260	77152	24.0



Product Notes:

- White food-grade ConShear Precleaner is chemical resistant and all ingredients used in polyurethane formulation comply with the relevant requirements of 21 CFR (FDA Code of Federal Regulations) for use in repeated bulk dry food applications.
- For optimal cleaning and reduced blade retensioning maintenance, the cleaner blade width should be sized to fit the material path of the belt. The material path is typically 2/3 of the belt width.
- Each cleaner can be retrofitted with three replacement blade sizes (belt width -50 mm, -200 mm, or -350 mm).
- Comes complete with universal mounting plates and tensioner(s).
- Visual tension check. No guesswork on blade tensioning. Simply measure the spring, check label on tensioner and turn adjusting nut to restore optimal tension.
- Visual blade wear check. Tensioner has built-in gauge to monitor blade wear.
- Works with mechanical splices. Polyurethane blade glides over splices.
- Compatible with reversing belts.
- For replacement parts see the EZP-LS SS Parts List on page 18.
- For applications requiring longer pole lengths, go to the minus 200 mm chart and select the cleaner one belt width size larger. This will provide a pole 150 mm longer and a blade size of belt width minus 50 mm.

Stock items (non-shaded) refer to (*) for specific lead time, if not specified, standard lead time applies.

 Non-stock items (shaded) please contact Flexco for dispatch options and lead times.

ConShear™ LS Replacement Blades

EZP-LS
Limited Space Precleaner

Replacement ConShear™-LS Blades Chemical Resistant/Food Grade (White)†

BLADE WIDTH	ORDERING NUMBER	ITEM CODE	WT. KG
250	CRB-LS10W	77097	1.0
400	CRB-LS16W	77098	1.5
550	CRB-LS22W	77099	2.0
700	CRB-LS28W	77100	3.0
850	CRB-LS34W	77101	3.5
1000	CRB-LS40W	77102	4.0
1150	CRB-LS46W	77103	4.5
1300	CRB-LS52W	77104	5.0
1450	CRB-LS58W	77105	5.5

Other blade sizes available upon request.

†All ingredients used in the polyurethane formulation of this blade comply with the relevant requirements of 21 CFR (FDA Code of Federal Regulations) for use in repeated bulk dry food applications



Replacement ConShear™-LS High-Temp Blades (Yellow)

BLADE WIDTH		ORDERING NUMBER	ITEM CODE	WT. KG
in.	mm			
10	250	CRB-LS10HT	77551	1.0
16	400	CRB-LS16HT	77552	1.5
22	550	CRB-LS22HT	77553	2.0
28	700	CRB-LS28HT	77554	3.0
34	850	CRB-LS34HT	77555	3.5
40	1000	CRB-LS40HT	77556	4.0
46	1150	CRB-LS46HT	77557	4.5
52	1300	CRB-LS52HT	77558	5.0
58	1450	CRB-LS58HT	77559	5.5

Other blade sizes available upon request.

Replacement ConShear™-LS Blades (Purple)

BLADE WIDTH	ORDERING NUMBER	ITEM CODE	WT. KG
mm			
250	CRB-LS10	77088	1.0
400	CRB-LS16	77089	1.5
550	CRB-LS22	77090	2.0
700	CRB-LS28	77091	3.0
850	CRB-LS34	77092	3.5
1000	CRB-LS40	77093	4.0
1150	CRB-LS46	77094	4.5
1300	CRB-LS52	77095	5.0
1450	CRB-LS58	77096	5.5

Other blade sizes available upon request.

Blade Width Selection

BELT WIDTH	BELT WIDTH 50 mm	BELT WIDTH 200 mm	BELT WIDTH 350 mm
300	250	N/A	N/A
450	400	250	N/A
600	550	400	250
750	700	550	400
900	850	700	550
1050	1000	850	700
1200	1150	1000	850
1350	1300	1150	1000
1500	1450	1300	1150

Product Notes:

- Take blade width and ordering number from the worn blade and use the Replacement Blade Chart.
- For optimal cleaning and reduced blade retensioning maintenance, the cleaner blade width should be sized to fit the material path of the belt. The material path is typically 2/3 of the belt width.
- The ConShear™ blade has a faceted profile that renews the cleaning edge as it wears.
- Visual tension check. No guesswork on blade tensioning. Simply measure the spring, check label on tensioner and turn adjusting nut to restore optimal tension.
- ConShear blades are made of a special long-wearing polyurethane.
- A molded-in blade wear line indicates when the blade is worn out and needs to be replaced.
- Blade replacement is quick. Pull one pin, remove the old blade and slide the new one in.

Stock items (non-shaded) refer to (*) for specific lead time, if not specified, standard lead time applies.

Non-stock items (shaded) please contact Flexco for dispatch options and lead times.

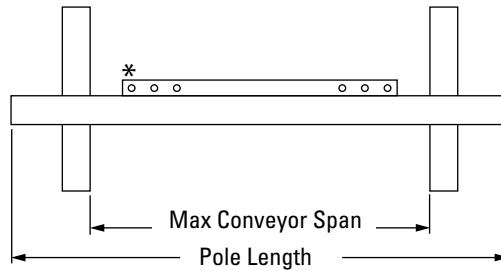
Specifications & Guidelines

EZP-LS Stainless Steel Limited Space Precleaner with White ConShear™ LS Blade

Pole Length Specifications

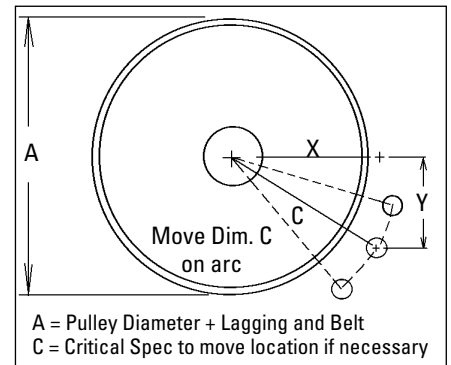
CLEANER SIZE	POLE LENGTH	MAXIMUM CONVEYOR SPAN
300	1050	925
450	1200	1075
600	1350	1225
750	1500	1375
900	1650	1525
1050	1800	1675
1200	1950	1825
1350	2200	2075
1500	2350	2225

Pole Diameter - 48 mm



*Each pole size can be used with a blade size either belt width minus 50 mm, belt width minus 200 mm, or belt width minus 350 mm.

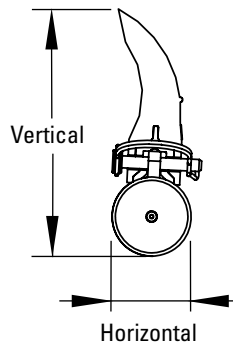
Pole Location Specs



A = Pulley Diameter + Lagging and Belt
C = Critical Spec to move location if necessary

Clearance Guidelines for Installation

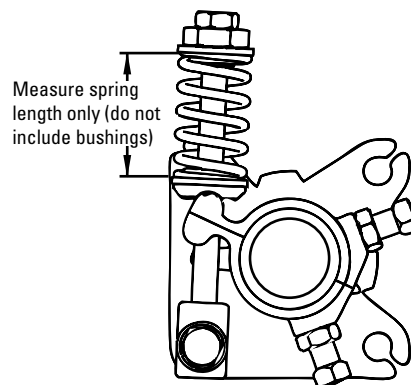
HORIZONTAL CLEARANCE REQUIRED	VERTICAL CLEARANCE REQUIRED
75	165



Spring Length Chart

BLADE WIDTH	BLACK SPRING	WHITE SPRING	DUAL WHITE SPRINGS
250	89	95	98
400	83	92	98
550	73	89	95
700	67	86	95
850	N/A	83	92
1000	N/A	79	92
1150	N/A	76	89
1300	N/A	N/A	89
1450	N/A	N/A	86

Shading indicates preferred spring option



Pole Location Chart – Metric

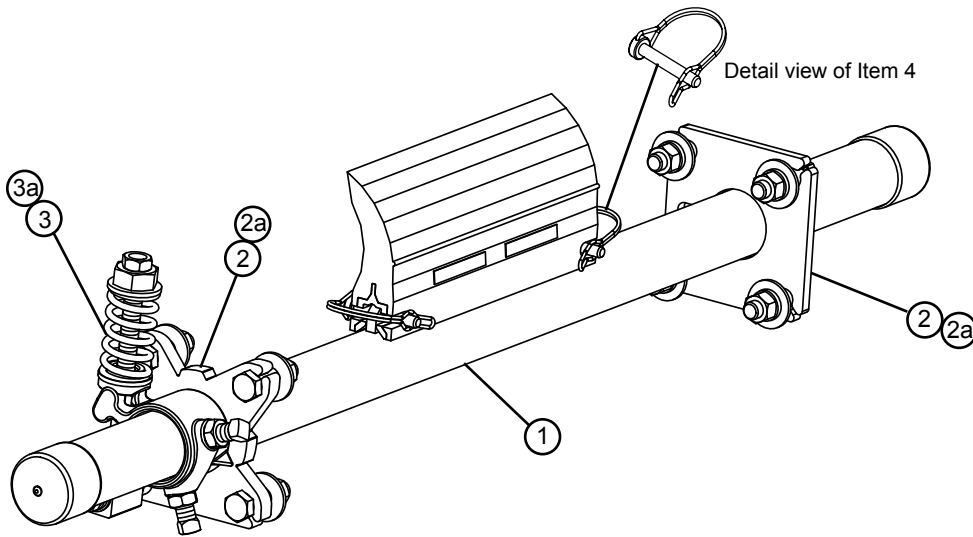
A	X	Y	C
150	65	140	150
175	81	140	155
200	96	140	162
225	109	140	171
250	125	140	179
275	138	140	189
300	153	140	198
325	166	140	209
350	178	140	219
375	191	140	229
400	206	140	239
425	219	140	252
450	231	140	263
475	244	140	273
500	256	140	284
525	269	140	295
550	281	140	307

Specifications:

- Maximum Belt Speed 2.5 m/s)
- Temperature Rating (ConShear, ConShear White)..... -35° C to 82° C
- Temperature Rating (ConShear High Temp) Up to 135° C with spikes to 164° C
- Minimum Pulley Diameter..... 150 mm
- Blade Height..... 115 mm
- Usable Blade Wear Length..... 60 mm
- Blade Material (ConShear White) Polyurethane (chemical resistant/food grade)
- Available for Belt Widths 300 to 1500 mm
- CEMA Cleaner Rating Class 2

Replacement Parts List

EZP-LS Stainless Steel Limited Space Precleaner with White ConShear™ LS Blade



Replacement Parts

REF	DESCRIPTION	ORDERING NUMBER	ITEM CODE	WT. KG
1	300mm SS Pole	LSP12-S/S	77079	13.3
	450mm SS Pole	LSP18-S/S	77080	15.5
	600mm SS Pole	LSP24-S/S	77081	17.7
	750mm SS Pole	LSP30-S/S	77082	19.9
	900mm SS Pole	LSP36-S/S	77083	22.1
	1050mm SS Pole	LSP42-S/S	77084	24.3
	1200mm SS Pole	LSP48-S/S	77085	26.5
	1350mm SS Pole	LSP54-S/S	77086	28.7
	1500mm SS Pole	LSP60-S/S	77087	31.0
2	SS Mounting Plate Kit (250-1150mm)* (incl. 1 tensioner mounting plate and 1 pole mounting plate)	LSTMPK-S/S	78933	3.6
2a	SS Mounting Plate Kit (1300mm+)* (incl. 2 tensioner mounting plates)	LSTMPK2-S/S	78462	7.2
3	Tension Spring – Black (1 ea.) for blades 250-700mm)	CTS-B-S/S	78387	0.2
3a	Tension Spring – White (1 ea.) for blades 850 - 1750mm)	LS-SW-S/S	78850	0.3
4	SS LS Blade Pin (1 ea.)	LS-BP-S/S	77115	0.1
-	SS LST Spring Tensioner* – Black (incl. 1 ea. items 2 & 3) for blades 250 - 700mm	LST-B-S/S	77124	7.5
-	SS LST Spring Tensioner* – White (incl. 1 ea. items 2 & 3a) for blades 850 - 1150mm	LST-W-S/S	77125	7.6
-	SS LST Spring Tensioner* – White (dua) (incl. 1 ea. item 2a and 2 ea. item 3a) for blades 1300 - 1750mm	LST-W-S/S-2	77126	15.2

*Hardware Included

Spring Tensioner Selection Chart

CLEANER BLADE WIDTH	77124 Black (single)	77125 White (single)	77126 White (dual)
Food Grade-LS 250 - 700 mm	X		
Food Grade-LS 850 - 1150 mm		X	
Food Grade-LS 1300 - 1750 mm			X

Stock items (non-shaded) refer to (*) for specific lead time, if not specified, standard lead time applies.

Non-stock items (shaded) please contact Flexco for dispatch options and lead times.

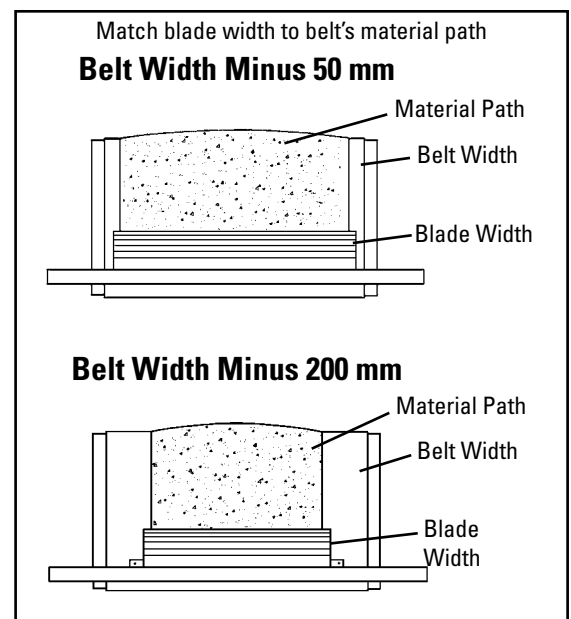
Product Ordering Information

EZP1 Standard Duty Precleaner



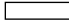
EZP1 Precleaner


BELT WIDTH	BLADE WIDTH	ORDERING NUMBER	ITEM CODE	WT. KG
mm	mm			
400 - 500	200	EZP1-400-200	78183	22.5
	300	EZP1-500-200	78184	24.5
	350	EZP1-400-50	78175	24.5
500 - 650	450	EZP1-650-200	78185	27.0
650 - 800	600	EZP1-800-200	78186	30.0
800	750	EZP1-800-50	78178	31.5
1000	800	EZP1-1000-200	78187	33.5
	950	EZP1-1000-50	78179	35.0
1200	1000	EZP1-1200-200	78188	37.0
	1150	EZP1-1200-50	78180	39.0
1400	1200	EZP1-1400-200	78189	40.5
	1350	EZP1-1400-50	78181	42.5
1600	1400	EZP1-1600-200	78190	43.0
	1550	EZP1-1600-50	78182	45.0



Product Notes:

- For optimal cleaning and reduced blade retensioning maintenance, the cleaner blade width should be sized to fit the material path of the belt. The material path is typically 2/3 of the belt width. In most cases a blade size of belt width minus 200 mm may be the best selection.
- Each cleaner can be retrofitted with three replacement blade sizes (belt width minus 50 mm, or minus 200 mm).
- Comes complete with universal mounting plates and tensioner.
- Visual tension check. No guesswork on blade tensioning. Simply measure the spring, check label on tensioner and turn adjusting nut to restore optimal tension.
- Works with mechanical splices. Polyurethane blade glides over splices.
- Compatible with reversing belts.
- For replacement parts see the EZP1 Parts List on page 26.
- For applications requiring longer pole lengths, go to the minus 200 mm chart and select the cleaner one belt width size larger. This will provide a pole 150 mm longer and a blade size of belt width minus 50 mm.

 Stock items (non-shaded) refer to (*) for specific lead time, if not specified, standard lead time applies.

 Non-stock items (shaded) please contact Flexco for dispatch options and lead times.

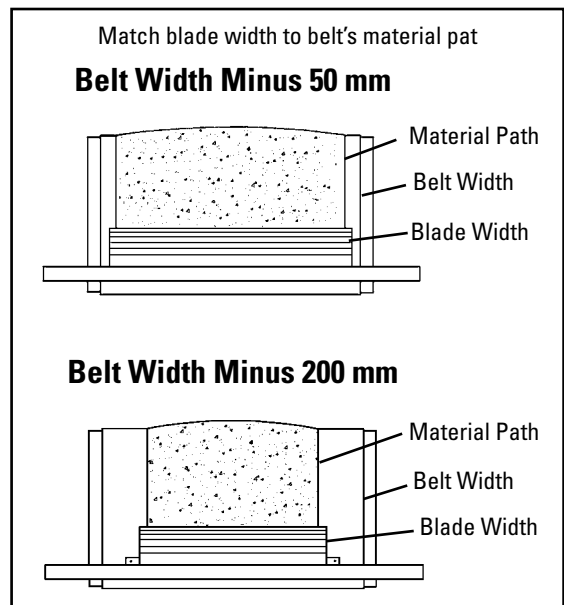
Product Ordering Information

EZP1 High Temp High Temperature Precleaner



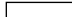
EZP1 Precleaner


BELT WIDTH	BLADE WIDTH	ORDERING NUMBER	ITEM CODE	WT. KG
mm	mm			
400 - 500	200	HTF-400-200	78215	22.5
	300	HTF-500-200	78216	24.5
	350	HTF-400-50	78207	24.5
500 - 650	450	HTF-650-200	78217	27.0
650 - 800	600	HTF-800-200	78218	30.0
800	750	HTF-800-50	78210	31.5
1000	800	HTF-1000-200	78219	33.5
	950	HTF-1000-50	78211	35.0
1200	1000	HTF-1200-200	78220	37.0
	1150	HTF-1200-50	78212	39.0
1400	1200	HTF-1400-200	78221	40.5
	1350	HTF-1400-50	78213	42.5
1600	1400	HTF-1600-200	78222	43.0
	1550	HTF-1600-50	78214	45.0



Product Notes:

- The High-Temp ConShear Precleaner works in temperatures up to 135° C with spikes to 164° C
- Comes complete with universal mounting plates and tensioner.
- Visual tension check. No guesswork on blade tensioning. Simply measure the spring, check label on tensioner and turn adjusting nut to restore optimal tension.
- Works with mechanical splices. Polyurethane blade glides over splices.
- For replacement parts see the EZP1 Parts List on page 26.
- Compatible with reversing belts.

 Stock items (non-shaded) refer to (*) for specific lead time, if not specified, standard lead time applies.

 Non-stock items (shaded) please contact Flexco for dispatch options and lead times.

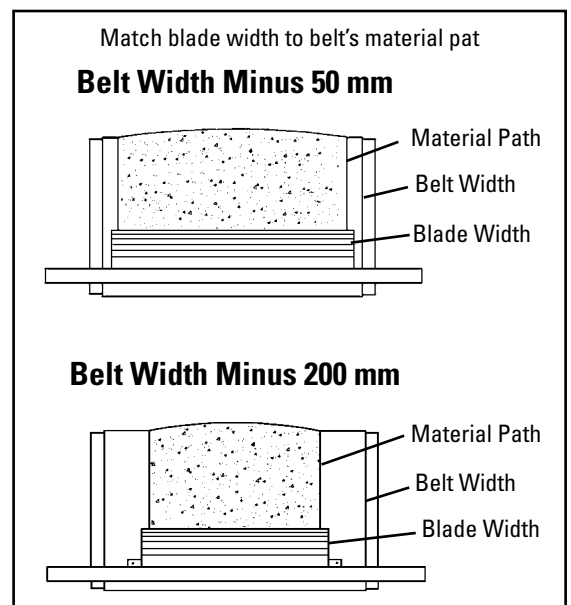
Product Ordering Information

EZP1 Ultra High-Temp Precleaner



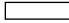
EZP1 Ultra High-Temp Precleaner


BELT WIDTH	BLADE WIDTH	ORDERING NUMBER	ITEM CODE	WT. KG
mm	mm			
650	450	EZP1-650-200UHT	91355	27.0
800	600	EZP1-800-200UHT	91356	30.0
	750	EZP1-800-50UHT	91350	31.5
1000	800	EZP1-1000-200UHT	91357	33.5
	950	EZP1-1000-50UHT	91351	35.0
1200	1000	EZP1-1200-200UHT	91358	37.0
	1150	EZP1-1200-50UHT	91352	39.0
1400	1200	EZP1-1400-200UHT	91359	40.5
	1350	EZP1-1400-50UHT	91353	42.5
1600	1400	EZP1-1600-200UHT	91360	43.0
	1550	EZP1-1600-50UHT	91354	45.0



Product Notes:

- The EZP1 Ultra High Temp Precleaner works in temperatures up to 200° C with spikes to 232° C.
- For optimal cleaning and reduced blade retensioning maintenance, the cleaner blade width should be sized to fit the material path of the belt. The material path is typically 2/3 of the belt width. In most cases a blade size of belt width minus 200 mm may be the best selection.
- Each cleaner can be retrofitted with three replacement blade sizes (belt width minus 50 mm, or minus 200 mm).
- Comes complete with universal mounting plates and tensioner.
- Visual tension check. No guesswork on blade tensioning. Simply measure the spring, check label on tensioner and turn adjusting nut to restore optimal tension.
- Works with mechanical splices. Polyurethane blade glides over splices.
- Compatible with reversing belts.

 **Stock items** (non-shaded) refer to (*) for specific lead time, if not specified, standard lead time applies.

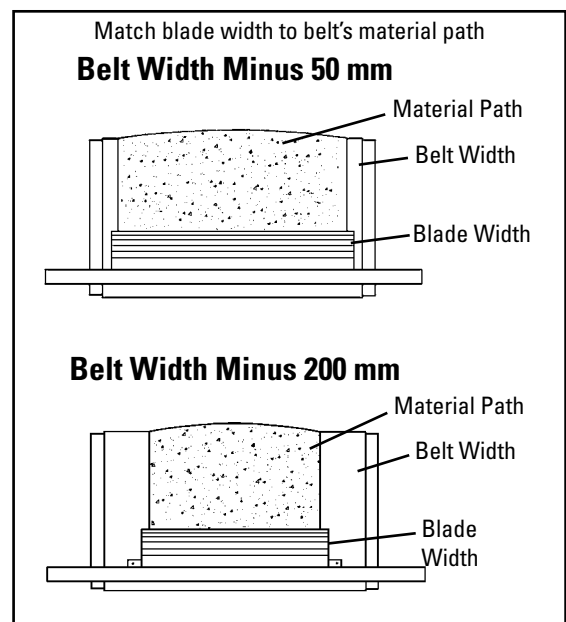
 **Non-stock items** (shaded) please contact Flexco for dispatch options and lead times.

Product Ordering Information

EZP1T Twist Tensioner Precleaner

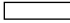
EZP1T Precleaner with Twist Tensioner


BELT WIDTH	BLADE WIDTH	ORDERING NUMBER	ITEM CODE	WT. KG
300	250	EZP1T-212	78488	17.5
450	400	EZP1T-218	78489	20.2
	250	EZP1T-818	78498	19.0
600	550	EZP1T-224	78490	22.9
	400	EZP1T-824	78499	21.7
750	700	EZP1T-230	78491	25.6
	550	EZP1T-830	78500	24.4
900	850	EZP1T-236	78492	28.3
	700	EZP1T-836	78501	26.7
1050	1000	EZP1T-242	78493	31.0
	850	EZP1T-842	78502	29.8
1200	1150	EZP1T-248	78494	33.7
	1000	EZP1T-848	78503	32.5
1350	1300	EZP1T-254	78495	38.0
	1150	EZP1T-854	78504	35.6
1500	1450	EZP1T-260	78496	41.7
	1300	EZP1T-860	78505	39.5
1800	1750	EZP1T-272	78497	46.1
	1600	EZP1T-872	78506	44.9



Product Notes:

- For optimal cleaning and reduced blade retensioning maintenance, the cleaner blade width should be sized to fit the material path of the belt. The material path is typically 2/3 of the belt width. In most cases a blade size of belt width minus 200 mm may be the best selection.
- Each cleaner can be retrofitted with three replacement blade sizes (belt width minus 50 mm, or minus 200 mm).
- Comes complete with universal mounting plates and tensioner.
- Visual tension check. No guesswork on blade tensioning. Simply measure the spring, check label on tensioner and turn adjusting nut to restore optimal tension.
- Works with mechanical splices. Polyurethane blade glides over splices.
- Compatible with reversing belts.
- For replacement parts see the EZP1T Parts List on page 27.
- For applications requiring longer pole lengths, go to the minus 200 mm chart and select the cleaner one belt width size larger. This will provide a pole 150 mm longer and a blade size of belt width minus 50 mm.

 Stock items (non-shaded) refer to (*) for specific lead time, if not specified, standard lead time applies.

 Non-stock items (shaded) please contact Flexco for dispatch options and lead times.

ConShear™ Replacement Blades

EZP1
Standard Duty Precleaner

Replacement ConShear™ Blades

(Color Identification: Purple)

BLADE WIDTH	ORDERING NUMBER	ITEM CODE	WT. KG
200	CRB-200	78239	2.0
300	CRB-300	78240	2.5
350	CRB-350	78241	3.0
450	CRB-450	78242	4.0
600	CRB-600	78243	5.0
750	CRB-750	78244	6.5
800	CRB-800	78245	7.0
950	CRB-950	78246	8.0
1000	CRB-1000	78247	8.5
1150	CRB-1150	78248	10.0
1200	CRB-1200	78249	10.5
1350	CRB-1350	78250	11.5
1400	CRB-1400	78251	12.0
1550	CRB-1550	78252	13.0
1600	CRB-1600	78253	13.5
1750	CRB-1750	78254	14.5
1800	CRB-1800	78255	15.0
1950	CRB-1950	78256	16.5

Replacement High Temp ConShear™ Blades

(Color Identification: Yellow)

BLADE WIDTH	ORDERING NUMBER	ITEM CODE	WT. KG
mm			
200	CRB-HT200	78257	2.0
300	CRB-HT300	78258	2.5
350	CRB-HT350	78259	3.0
450	CRB-HT450	78260	4.0
600	CRB-HT600	78261	5.0
750	CRB-HT750	78262	6.5
800	CRB-HT800	78263	7.0
950	CRB-HT950	78264	8.0
1000	CRB-HT1000	78265	8.5
1150	CRB-HT1150	78266	10.0
1200	CRB-HT1200	78267	10.5
1350	CRB-HT1350	78268	11.5
1400	CRB-HT1400	78269	12.0
1550	CRB-HT1550	78270	13.0
1600	CRB-HT1600	78271	13.5
1750	CRB-HT1750	78272	14.5
1800	CRB-HT1800	78273	15.0
1950	CRB-HT1950	78274	16.5

Replacement Chemical Resistant/ Food Grade ConShear™ Blades

(Color Identification: white)[†]

BLADE WIDTH	ORDERING NUMBER	ITEM CODE	WT. KG
250	CRB-W10	78471	2.0
400	CRB-W16	78472	3.5
550	CRB-W22	78473	5.0
700	CRB-W28	78474	6.0
850	CRB-W34	78475	7.0
1000	CRB-W40	78476	8.5
1150	CRB-W46	78477	9.5
1300	CRB-W52	78478	11.0
1450	CRB-W58	78479	12.0
1600	CRB-W64	78480	13.5
1750	CRB-W70	78481	15.0

[†]All ingredients used in the polyurethane formulation of this blade comply with the relevant requirements of 21 CFR (FDA Code of Federal Regulations) for use in repeated bulk dry food applications

Replacement Ultra High-Temp ConShear™ Blades

(Color Identification: Red)

BLADE WIDTH	ORDERING NUMBER	ITEM CODE	WT. KG
mm			
450	CRB-UHT450	91332	4.0
600	CRB-UHT600	91333	5.0
750	CRB-UHT750	91334	6.5
800	CRB-UHT800	91335	7.0
950	CRB-UHT950	91336	8.0
1000	CRB-UHT1000	91337	8.5
1150	CRB-UHT1150	91338	10.0
1200	CRB-UHT1200	91339	10.5
1350	CRB-UHT1350	91340	11.5
1400	CRB-UHT1400	91341	12.0
1550	CRB-UHT1550	91342	13.0
1600	CRB-UHT1600	91343	13.5
1750	CRB-UHT1750	91344	14.5
1800	CRB-UHT1800	91345	15.0
1950	CRB-UHT1950	91346	16.5

Product Notes:

- Take blade width and ordering number from the worn blade and use the Replacement Blade Chart.
- For optimal cleaning and reduced blade retensioning maintenance, the cleaner blade width should be sized to fit the material path of the belt. The material path is typically 2/3 of the belt width. In most cases a blade size of belt width minus 200 mm may be the best selection.
- The ConShear™ blade has a faceted profile that renews the cleaning edge as it wears.
- Visual tension check. No guesswork on blade tensioning. Simply measure the spring, check label on tensioner and turn adjusting nut to restore optimal tension.
- ConShear blades are made of a special long-wearing polyurethane.
- A molded-in blade wear line indicates when the blade is worn out and needs to be replaced.
- Blade replacement is quick. Pull one pin, remove the old blade and slide the new one in.

Blade Width Selection

BELT WIDTH	BELT WIDTH 50 mm	BELT WIDTH 200 mm
300	250	N/A
450	400	250
600	550	400
750	700	550
900	850	700
1050	1000	850
1200	1150	1000
1350	1300	1150
1500	1450	1300
1800	1600	1600

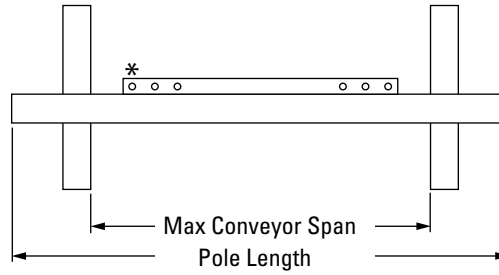
Specifications & Guidelines

EZP1 Standard Duty Precleaners

Pole Length Specifications

CLEANER SIZE	POLE LENGTH	MAXIMUM CONVEYOR SPAN
300	1050	925
450	1200	1075
600	1350	1225
750	1500	1375
900	1650	1525
1050	1800	1675
1200	1950	1825
1350	2200	2075
1500	2350	2225
1800	2650	2525

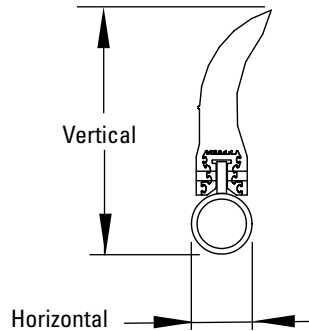
*For special extra long pole length requirements a Pole Extender Kit (#77423) is available which provides 750mm of extended pole length.
Pole Diameter - 60mm



*Each pole size can be used with a blade size either belt width minus 50 mm, belt width minus 200 mm, or belt width minus 350 mm.

Clearance Guidelines for Installation

HORIZONTAL CLEARANCE REQUIRED	VERTICAL CLEARANCE REQUIRED
100	238

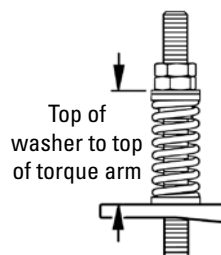


Spring Length Chart

with EST Spring Tensioner

BLADE WIDTH	PURPLE SPRING	SILVER SPRING	BLACK SPRING
250	146	159	N/A
400	133	152	N/A
550	121	149	N/A
700	108	143	N/A
850	N/A	137	143
1000	N/A	130	140
1150	N/A	127	133
1300	N/A	121	130
1450	N/A	N/A	127
1600	N/A	N/A	121
1750	N/A	N/A	117

Shading indicates preferred spring option



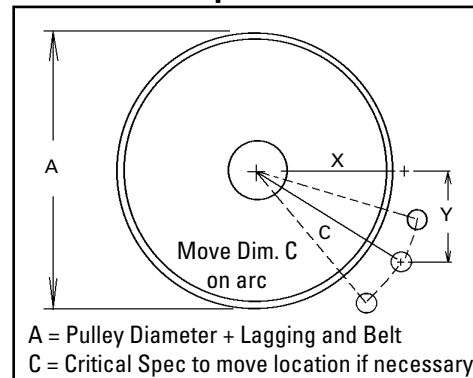
Specifications & Guidelines

EZP1 Standard Duty Precleaners

Pole Location Chart

A	X	Y	C
250	74	230	242
275	92	230	248
300	108	230	254
325	131	230	265
350	146	230	273
375	166	230	284
400	179	230	291
425	195	230	301
450	207	230	309
475	223	230	320
500	235	230	329
525	249	230	339
550	266	230	352
575	283	230	365
600	299	230	377
625	314	230	390
650	330	230	402
675	346	230	415
700	360	230	427
725	374	230	439
750	389	230	452
775	403	230	464
800	417	230	477
825	432	230	489
850	446	230	501
875	460	230	514
900	474	230	526

Pole Location Specs

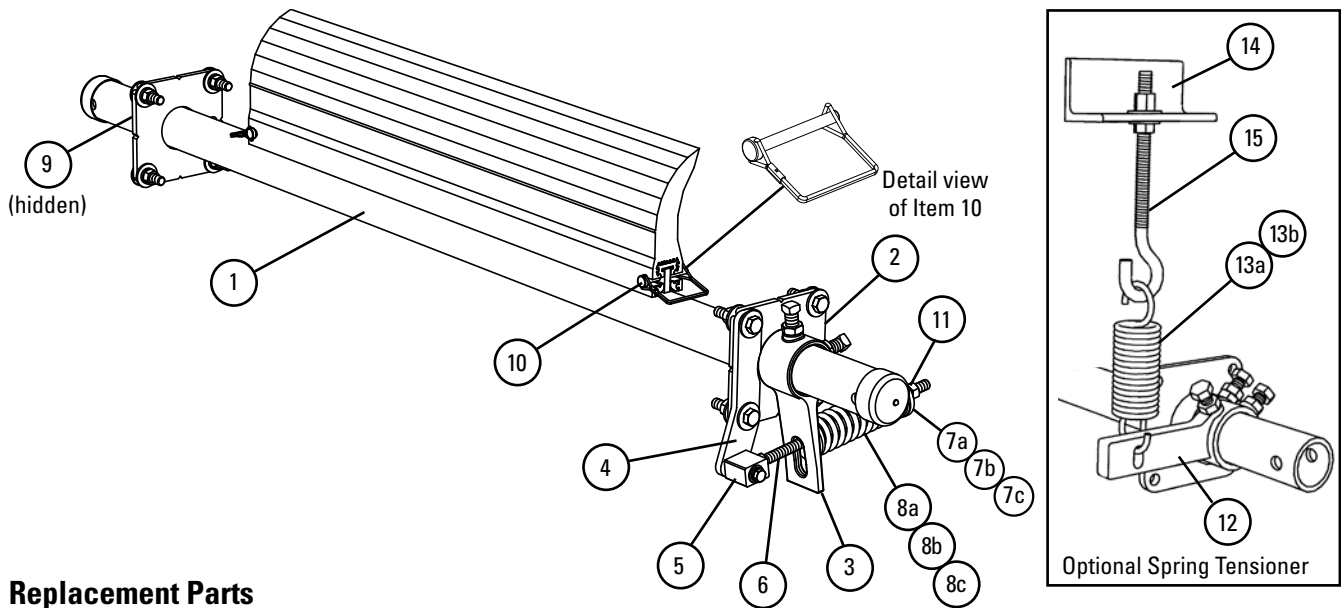


Specifications:

- Maximum Belt Speed 3.5 m/s)
- Temperature Rating (ConShear, ConShear White) -35° C to 82° C
- Temperature Rating (ConShear High Temp) Up to 135° C with spikes to 164° C
- Temperature Rating (ConShear Ultra High-Temp) Up to 200° C with spikes to 232° C
- Minimum Pulley Diameter 250 mm
- Blade Height 185 mm
- Usable Blade Wear Length 100 mm
- Blade Material Polyurethane (proprietary blend for abrasion resistance and long wear)
- Available for Belt Widths 300 to 1800 mm
- CEMA Cleaner Rating Class 2

Replacement Parts List

EZP1 Standard Duty Precleaner



Replacement Parts

REF	DESCRIPTION	LENGTH	ORDERING NUMBER	ITEM CODE	WT. KG
1	300, 350 mm Pole	1200	EZP1P400	78275	9.5
	300, 350 mm Pole	1350	EZP1P500	78276	10.5
	450 mm Pole	1500	EZP1P650	78277	12.0
	600 mm Pole	1650	EZP1P800	78278	14.0
	800 mm Pole	1800	EZP1P1000	78279	15.0
	1000 mm Pole	1950	EZP1P1200	78280	16.0
	1200 mm Pole	2350	EZP1P1400	78281	20.0
	1400 mm Pole	2650	EZP1P1600	78282	22.0
2	Mounting Plate Kit* (2 ea.)		EZP1MPK	75637	3.5
3	Torque Arm Kit* (1 ea.)		ESTAK-EST	76406	1.6
4	Pivot Shaft Bracket Kit* (1 ea.)		ESPSBK	76407	0.8
5	Pivot Block Kit*		ESPBK	76408	0.3
6	Pivot Rod Kit*		ESPRK	76409	0.6
7a	Bushing Kit – Purple and Silver (includes 2 bushings)		ESBK-PS	76410	0.1
7b	Bushing Kit – Black (includes 2 bushings)		ESBK-B	76411	0.1
7c	EST Bushing Kit (for Ultra High-Temp EZP1) (includes 2 bushings)		ESBK-ATEX	90264	0.1
8a	Tension Spring – Purple		QMTS-P	75845	0.5
8b	Tension Spring – Silver		ESS-S	76412	0.6
8c	Tension Spring – Black		ESS-B	76413	0.6
9	Pole Lock* (1 ea.)		EZP1PL	75641	0.5
-	EST Tensioner – Purple* for blade widths 300 - 700mm (includes 1 each items 3, 4, 5, 6, 7a & 8a)		EST-P	76403	3.5
-	EST Tensioner – Silver* for blade widths 850 - 1300mm (includes 1 each items 3, 4, 5, 6, 7a & 8b)		EST-S	76404	3.6
-	EST Tensioner – Black* for blade widths 1450 - 1750mm (includes 1 each items 3, 4, 5, 6, 7b & 8c)		EST-B	76405	3.7
-	EST Ultra High Temp Tensioner – Purple* for blade widths 250-700mm (includes 1 each items 3, 4, 5, 6, 7c & 8a)		EST-A-P	90814	3.5
-	EST Ultra High Temp Tensioner – Silver* for blade widths 850-1300mm (includes 1 each items 3, 4, 5, 6, 7c & 8b)		EST-A-S	90815	3.6
-	EST Ultra High Temp Tensioner – Black* for blade widths 1450-1750mm (includes 1 each items 3, 4, 5, 6, 7c & 8c)		EST-A-B	90816	3.7
10	Blade Pin (1 ea.)		EZP1BP	75642	0.1
11	Jam Nut Kit, EST Tensioner		JNK-A	79891	0.1

*Hardware Included

Optional Spring Tensioner & Parts

REF	DESCRIPTION	ORDERING NUMBER	ITEM CODE	WT. KG
12	Tension Arm Kit* (1 ea.)	HAR-K	78786	2.7
13	Tension Spring (1 ea.) for sizes 300 - 750mm	STTS	74419	0.6
13a	HD Tension Spring (1 ea.) for sizes 900 - 1800mm	HDTS	74502	0.9
14	Spring Tension J-Bolt Mount (1 ea.)	STJM	74775	1.4
15	J-Bolt Kit* (1 ea.)	STJK	74417	0.3
-	Optional Spring Tensioner Kit* for sizes 300 - 750mm	EZP10TK1	76418	5.1
-	Optional Spring Tensioner Kit* for sizes 900 - 1800mm	EZP10TK2	76419	5.4

* Hardware Included

Spring Tensioner Selection Chart

CLEANER BLADE WIDTH	76403 EST-P	76404 EST-S	76405 EST-B
ConShear 300 - 700 mm	X		
ConShear 850 - 1300 mm		X	
ConShear 1450 - 1750 mm			X

Spring Tensioner Selection Chart - EZP1 UHT Only

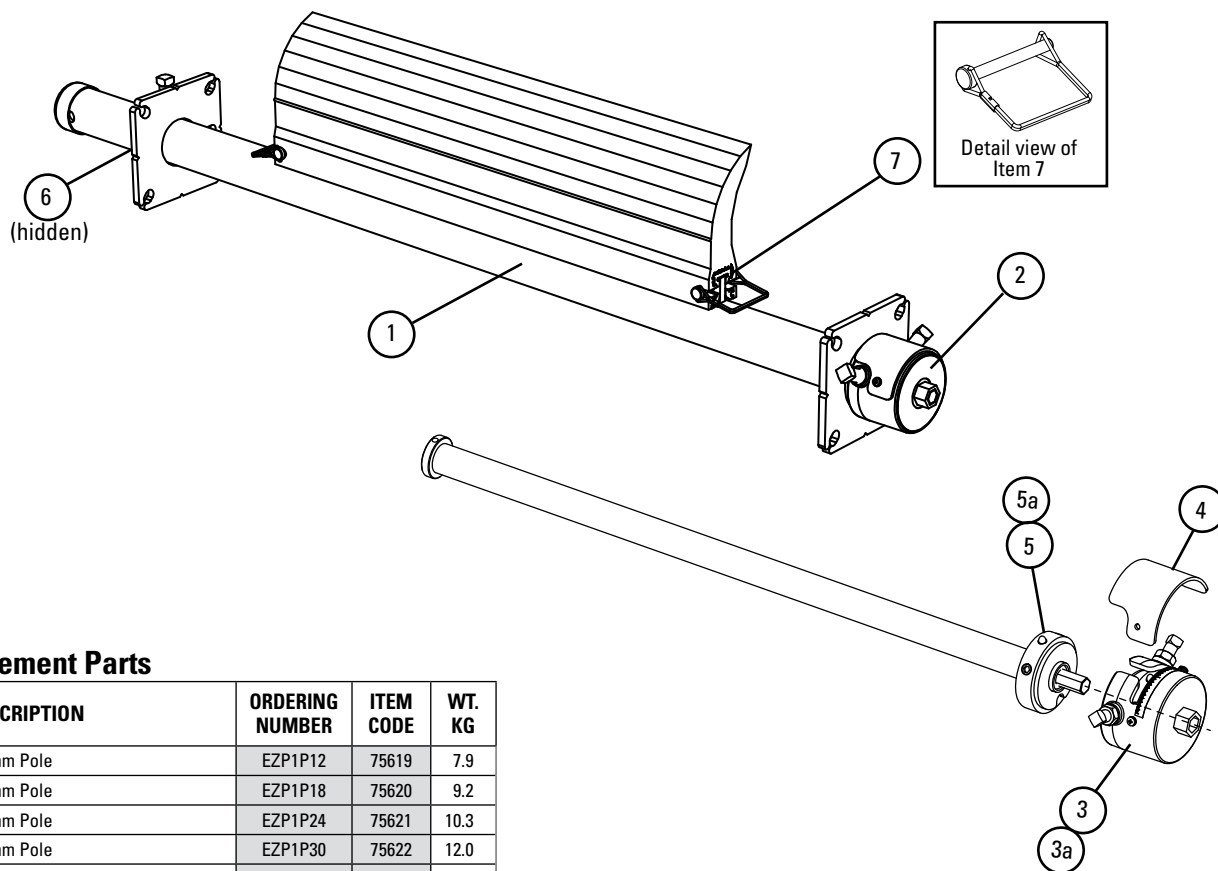
CLEANER BLADE WIDTH	90814 EST-A-P	90815 EST-A-S	90816 EST-A-B
UHT ConShear 250 - 700 mm	X		
UHT ConShear 850 - 1300 mm		X	
UHT ConShear 1450 - 1750 mm			X

Stock items (non-shaded) refer to (*) for specific lead time, if not specified, standard lead time applies.

Non-stock items (shaded) please contact Flexco for dispatch options and lead times.

Replacement Parts List

EZP1T Twist Tensioner Precleaner



Replacement Parts

REF	DESCRIPTION	ORDERING NUMBER	ITEM CODE	WT. KG
1	300mm Pole	EZP1P12	75619	7.9
	450mm Pole	EZP1P18	75620	9.2
	600mm Pole	EZP1P24	75621	10.3
	750mm Pole	EZP1P30	75622	12.0
	900mm Pole	EZP1P36	75623	13.8
	1050mm Pole	EZP1P42	75624	14.8
	1200mm Pole	EZP1P48	75625	16.0
	1350mm Pole	EZP1P54	75626	17.8
	1500mm Pole	EZP1P60	75627	19.6
1800mm Pole	EZP1P72	75772	21.9	
2	Torsion Mounting Plate Kit* (2 ea.)	EZPTMPK	78507	3.9
3	Torsion Cap Kit* (1 ea.) (includes 1 ea. Item 4)	EZPTCK	78508	1.5
3a	Torsion Cap Kit HD* (1 ea.) (includes 1 ea. Item 4)	EZPTCKHD	78509	1.5
4	Torsion Shield	EZPTSR	78510	0.05
5	Torsion Spring Kit	EZPTSK	78511	2.7
5a	Torsion Spring Kit HD	EZPTSKHD	78512	3.9
6	Pole Lock* (1 ea.)	EZP1PL	75641	0.5
-	Torsion Bar Tensioner for blade widths 300 - 1200mm (includes 1 each items 3, 4, & 5)	EZPTBT	77384	7.0
-	Torsion Bar Tensioner HD for blade widths 1350 - 1800mm (includes 1 each items 3a, 4, & 5a)	EZPTBTHD	77385	9.1
7	Blade Pin (1 ea.)	EZP1BP	75642	0.05

*Hardware Included

Torsion Bar Tensioner Selection Chart

CLEANER BLADE WIDTH	77384 EZPTBT	77385 EZPTBTHD
ConShear 300 - 1200 mm	X	
ConShear 1350 - 1800 mm		X

Stock items (non-shaded) refer to (*) for specific lead time, if not specified, standard lead time applies.

Non-stock items (shaded) please contact Flexco for dispatch options and lead times.

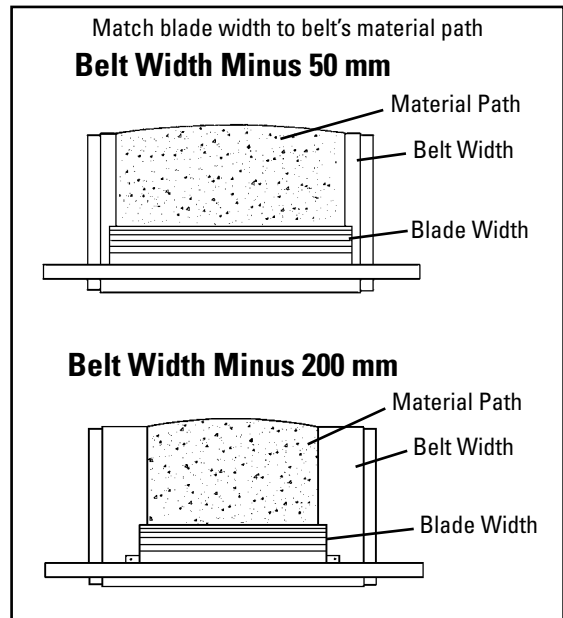
Product Ordering Information

EZP1 Stainless Steel Precleaner with Chemical Resistant/ Food Grade ConShear™ Blade



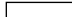
EZP1 Stainless Steel Precleaner with Chemical Resistant/Food Grade ConShear™ Blade Belt Width Minus 50 mm


BELT WIDTH	BLADE WIDTH	ORDERING NUMBER	ITEM CODE	WT. KG
300	250	CFG-212	78838	22.5
450	400	CFG-218	78839	24.5
600	550	CFG-224	78840	24.5
750	700	CFG-230	78841	27.0
900	850	CFG-236	78842	30.0
1050	1000	CFG-242	78843	31.5
1200	1150	CFG-248	78844	33.5
1350	1300	CFG-254	78845	35.0
1500	1450	CFG-260	78846	37.0



Product Notes:

- White food-grade ConShear Precleaner is chemical resistant and all ingredients used in polyurethane formulation comply with the relevant requirements of 21 CFR (FDA Code of Federal Regulations) for use in repeated bulk dry food applications.
- For optimal cleaning and reduced blade retensioning maintenance, the cleaner blade width should be sized to fit the material path of the belt. The material path is typically 2/3 of the belt width. In most cases a blade size of belt width minus 200 mm may be the best selection.
- Each cleaner can be retrofitted with three replacement blade sizes (belt width minus 50 mm, minus 200 mm, or minus 350 mm).
- Comes complete with universal mounting plates and tensioner.
- Visual tension check. No guesswork on blade tensioning. Simply measure the spring, check label on tensioner and turn adjusting nut to restore optimal tension.
- Works with mechanical splices. Polyurethane blade glides over splices.
- Compatible with reversing belts.
- For replacement parts see the EZP1 SS Parts List on page 31.
- For applications requiring longer pole lengths, go to the minus 200 mm chart and select the cleaner one belt width size larger. This will provide a pole 150 mm longer and a blade size of belt width minus 50 mm.

 Stock items (non-shaded) refer to (*) for specific lead time, if not specified, standard lead time applies.

 Non-stock items (shaded) please contact Flexco for dispatch options and lead times.

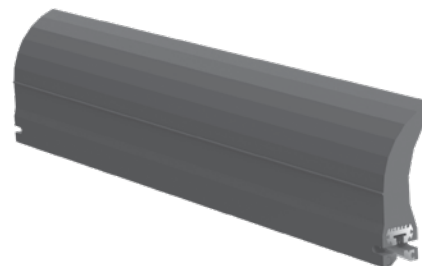
ConShear™ Replacement Blades

EZP1
Standard Duty Precleaner

Replacement ConShear™ Blades

(Color Identification: Purple)

BLADE WIDTH mm	ORDERING NUMBER	ITEM CODE	WT. KG
250	CRB10	75628	2.0
400	CRB16	75629	3.5
550	CRB22	75630	5.0
700	CRB28	75631	6.0
850	CRB34	75632	7.0
1000	CRB40	75633	8.5
1150	CRB46	75634	9.5
1300	CRB52	75635	11.0
1450	CRB58	75636	12.0
1600	CRB64	75775	13.5
1750	CRB70	75773	15.0



Replacement High Temp ConShear™ Blades

(Color Identification: Yellow)

BLADE WIDTH mm	ORDERING NUMBER	ITEM CODE	WT. KG
250	CRB-HT10	76593	2.0
400	CRB-HT16	76594	3.5
550	CRB-HT22	76595	5.0
700	CRB-HT28	76596	6.0
850	CRB-HT34	76597	7.0
1000	CRB-HT40	76598	8.5
1150	CRB-HT46	76599	9.5
1300	CRB-HT52	76600	11.0
1450	CRB-HT58	76601	12.0
1600	CRB-HT64	76602	13.5
1750	CRB-HT70	76603	15.0

Replacement Chemical Resistant/ Food Grade ConShear™ Blades

(Color Identification: white)*

BLADE WIDTH mm	ORDERING NUMBER	ITEM CODE	WT. KG
250	CRB-W10	78471	2.0
400	CRB-W16	78472	3.5
550	CRB-W22	78473	5.0
700	CRB-W28	78474	6.0
850	CRB-W34	78475	7.0
1000	CRB-W40	78476	8.5
1150	CRB-W46	78477	9.5
1300	CRB-W52	78478	11.0
1450	CRB-W58	78479	12.0

*All ingredients used in the polyurethane formulation of this blade comply with the relevant requirements of 21 CFR (FDA Code of Federal Regulations) for use in repeated bulk dry food applications

Blade Width Selection

BELT WIDTH	BELT WIDTH 50 mm	BELT WIDTH 200 mm
300	250	N/A
450	400	250
600	550	400
750	700	550
900	850	700
1050	1000	850
1200	1150	1000
1350	1300	1150
1500	1450	1300
1800	1600	1600

Product Notes:

- Take blade width and ordering number from the worn blade and use the Replacement Blade Chart.
- For optimal cleaning and reduced blade retensioning maintenance, the cleaner blade width should be sized to fit the material path of the belt. The material path is typically 2/3 of the belt width. In most cases a blade size of belt width minus 200 mm may be the best selection.
- The ConShear™ blade has a faceted profile that renews the cleaning edge as it wears.
- Visual tension check. No guesswork on blade tensioning. Simply measure the spring, check label on tensioner and turn adjusting nut to restore optimal tension.
- ConShear blades are made of a special long-wearing polyurethane.
- A molded-in blade wear line indicates when the blade is worn out and needs to be replaced.
- Blade replacement is quick. Pull one pin, remove the old blade and slide the new one in.
- For replacement parts see the EZP1 SS Parts List on page 31.

Stock items (non-shaded) refer to (*) for specific lead time, if not specified, standard lead time applies.

Non-stock items (shaded) please contact Flexco for dispatch options and lead times.

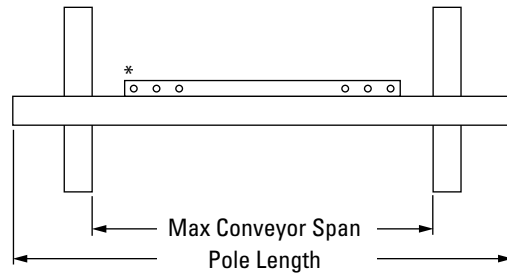
Specifications & Guidelines

EZP1 Stainless Steel Precleaner with Chemical Resistant/ Food Grade ConShear™ Blade

Pole Length Specifications

CLEANER SIZE	POLE LENGTH	MAXIMUM CONVEYOR SPAN
300	1050	925
450	1200	1075
600	1350	1225
750	1500	1375
900	1650	1525
1050	1800	1675
1200	1950	1825
1350	2200	2075
1500	2350	2225

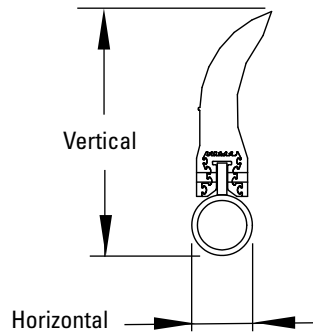
Pole Diameter – 60 mm



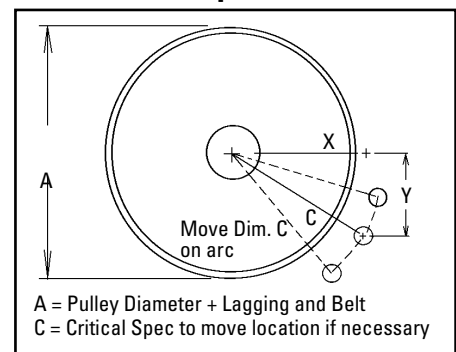
*Each pole size can be used with a blade size either belt width minus 50 mm, belt width minus 200 mm, or belt width minus 350 mm.

Clearance Guidelines for Installation

HORIZONTAL CLEARANCE REQUIRED	VERTICAL CLEARANCE REQUIRED
100	238



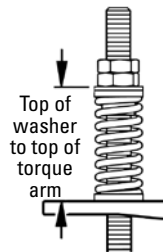
Pole Location Specs



Spring Length Chart

BLADE WIDTH	PURPLE SPRING	WHITE SPRING	GOLD SPRING
250	143	162	N/A
400	127	156	N/A
550	111	152	N/A
700	98	149	N/A
850	N/A	143	156
1000	N/A	140	152
1150	N/A	133	149
1300	N/A	130	149
1450	N/A	127	146
1600	N/A	121	143

Shading indicates preferred spring option



Pole Location Chart

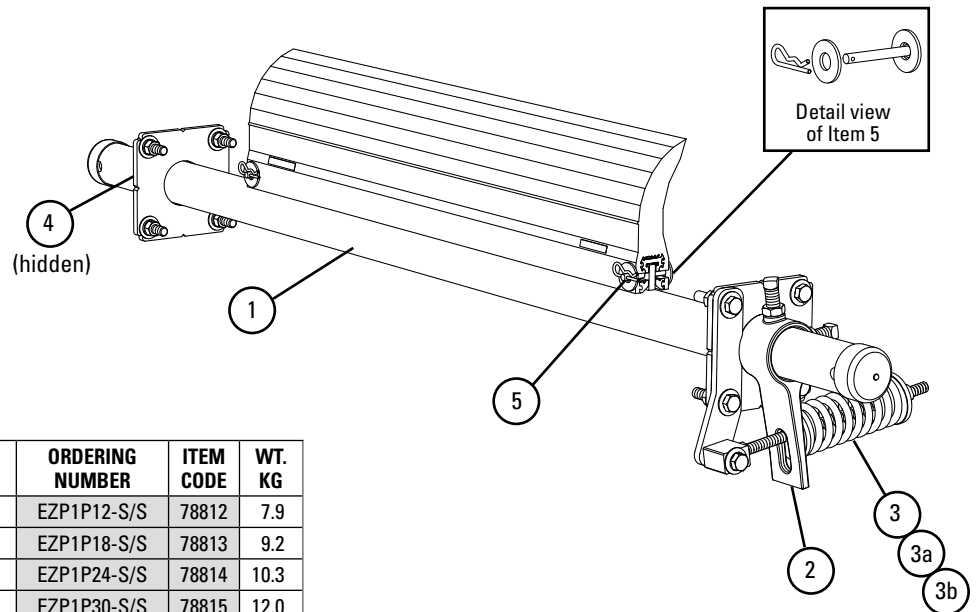
A	X	Y	C
250	74	230	242
275	92	230	248
300	108	230	254
325	131	230	265
350	146	230	273
375	166	230	284
400	179	230	291
425	195	230	301
450	207	230	309
475	223	230	320
500	235	230	329
525	249	230	339
550	266	230	352
575	283	230	365
600	299	230	377
625	314	230	390
650	330	230	402
675	346	230	415
700	360	230	427
725	374	230	439
775	389	230	452
775	403	230	464
825	417	230	477
825	432	230	489
850	446	230	501
875	460	230	514
900	474	230	526

Specifications:

- Maximum Belt Speed3.5 m/s
- Temperature Rating-35° C to 82° C
- Minimum Pulley Diameter.....250 mm
- Blade Height.....185 mm
- Usable Blade Wear Length.....100 mm
- Blade MaterialPolyurethane (chemical resistant/
food grade)
- Available for Belt Widths300 to 1500 mm
- CEMA Cleaner Rating.....Class 2

Replacement Parts List

EZP1 Stainless Steel Precleaner with Chemical Resistant/ Food Grade ConShear™ Blade



Replacement Parts

REF	DESCRIPTION	ORDERING NUMBER	ITEM CODE	WT. KG
1	300 mm SS Pole	EZP1P12-S/S	78812	7.9
	450 mm SS Pole	EZP1P18-S/S	78813	9.2
	600 mm SS Pole	EZP1P24-S/S	78814	10.3
	750 mm SS Pole	EZP1P30-S/S	78815	12.0
	900 mm SS Pole	EZP1P36-S/S	78816	13.8
	1050 mm SS Pole	EZP1P42-S/S	78817	14.8
	1200 mm SS Pole	EZP1P48-S/S	78818	16.0
	1350 mm SS Pole	EZP1P54-S/S	78819	17.8
	1500 mm SS Pole	EZP1P60-S/S	78820	19.6
	1800 mm SS Pole	EZP1P72-S/S	78821	21.9
2	SS Torque Arm Kit* (1 ea.)	ESTAK-EST-S/S	78849	1.6
3	SS Tension Spring – Purple	QMTS-P-S/S	77450	0.5
3a	SS Tension Spring – White	QMTS-W-S/S	77451	0.5
3b	SS Tension Spring – Gold	QMTS-G-S/S	77452	0.6
4	SS Pole Lock* (1 ea.)	EZP1PL-S/S	78848	0.5
–	SS EST Tensioner – Purple* for blade widths 300 - 700 mm (includes 1 each items 2, 3, 4)	EST-P-S/S	78808	3.5
–	SS EST Tensioner – White* for blade widths 850 - 1300 mm (includes 1 each items 2, 3, 4a)	EST-W-S/S	78809	3.6
–	SS EST Tensioner – Gold* for blade widths 1450 - 1750 mm (includes 1 each items 2, 3, 4b)	EST-G-S/S	78810	3.7
5	Blade Pin (1 ea.)	MSPBPK-S/S	77583	0.05

*Hardware Included

Spring Tensioner Selection Chart

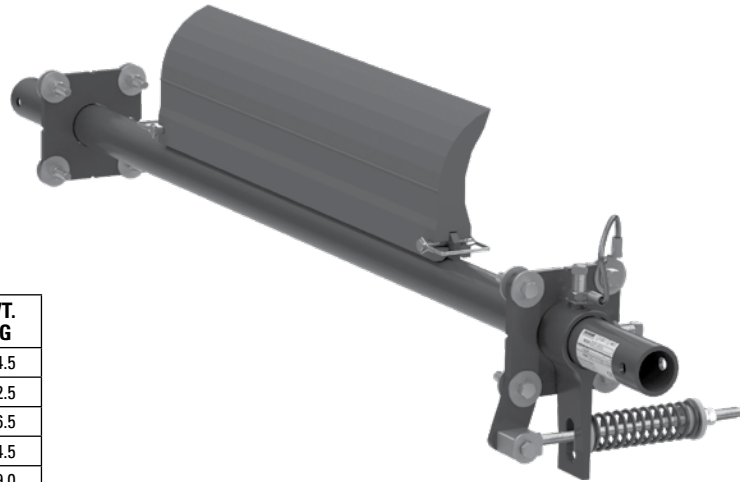
Cleaner Blade Width	78808 EST-P-S/S	78809 EST-W-S/S	78810 EST-G-S/S
ConShear 300 - 700 mm	X		
ConShear 850 - 1300 mm		X	
ConShear 1450 - 1750 mm			X

For best results use Flexco Genuine Replacement Blades and Parts.

Stock items (non-shaded) refer to (*) for specific lead time, if not specified, standard lead time applies.
Non-stock items (shaded) please contact Flexco for dispatch options and lead times.

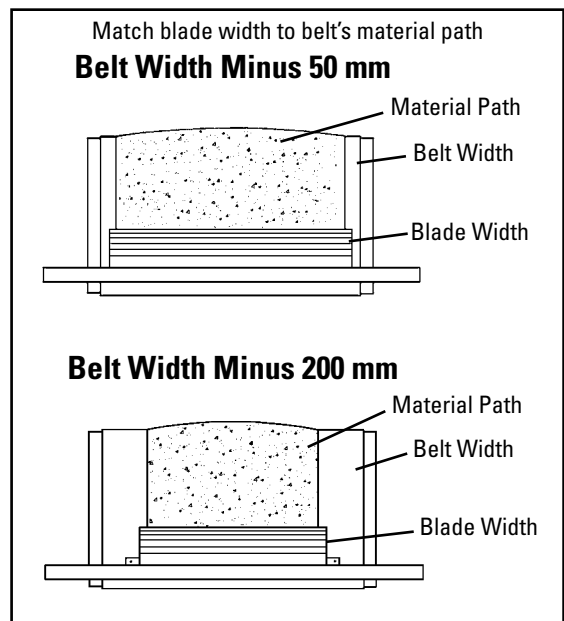
Product Ordering Information

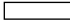
EZP1 ATEX Standard Duty Precleaner




EZP1 ATEX Standard-Duty Precleaner

BELT WIDTH	BLADE WIDTH	ORDERING NUMBER	ITEM CODE	WT. KG
400	350	EZP1-400-50-ATEX	90127	24.5
	200	EZP1-400-200-ATEX	90135	22.5
500	450	EZP1-500-50-ATEX	90128	26.5
	300	EZP1-500-200-ATEX	90136	24.5
500-650	600	EZP1-650-50-ATEX	90129	29.0
	450	EZP1-650-200-ATEX	90137	27.0
800	750	EZP1-800-50-ATEX	90130	31.5
	600	EZP1-800-200-ATEX	90138	29.5
1000	950	EZP1-1000-50-ATEX	90131	35.0
	800	EZP1-1000-200-ATEX	90139	33.0
1200	1150	EZP1-1200-50-ATEX	90132	39.0
	1000	EZP1-1200-200-ATEX	90140	37.0
1400	1350	EZP1-1400-50-ATEX	90133	42.5
	1200	EZP1-1400-200-ATEX	90141	40.5
1600	1550	EZP1-1600-50-ATEX	90134	45.0
	1400	EZP1-1600-200-ATEX	90142	43.0



 **Stock items** (non-shaded) refer to (*) for specific lead time, if not specified, standard lead time applies.

 **Non-stock items** (shaded) please contact Flexco for dispatch options and lead times.

Product Ordering Information

EZP1 Standard Duty Precleaner

Replacement ConShear™ FRAS Blades

(Color Identification: Blue)

BLADE WIDTH	ORDERING NUMBER	ITEM CODE	WT. KG
200	CRB-200F	90112	2.0
300	CRB-300F	90113	2.5
350	CRB-350F	90114	3.0
450	CRB-450F	90115	3.8
600	CRB-600F	90116	5.0
750	CRB-750F	90117	6.3
800	CRB-800F	90118	6.7
950	CRB-950F	90119	8.0
1000	CRB-1000F	90120	8.4
1150	CRB-1150F	90121	9.6
1200	CRB-1200F	90122	10.0
1350	CRB-1350F	90123	11.3
1400	CRB-1400F	90124	11.7
1550	CRB-1550F	90125	13.0
1600	CRB-1600F	90126	13.5

Order blade width for your belt width's material path: Belt Width -50mm or Belt Width -200mm

Stock items (non-shaded) refer to (*) for specific lead time, if not specified, standard lead time applies.

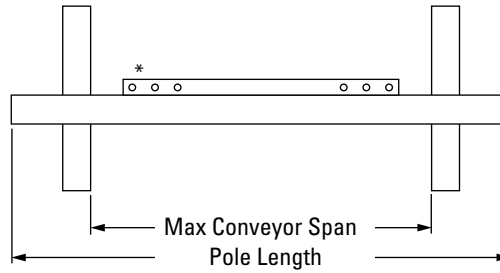
Non-stock items (shaded) please contact Flexco for dispatch options and lead times.

Specifications & Guidelines

Pole Length Specifications

Cleaner Size	Pole Length	Maximum Conveyor Span
300	1050	925
450	1200	1075
600	1350	1225
750	1500	1375
900	1650	1525
1050	1800	1675
1200	1950	1825
1350	2200	2075
1500	2350	2225
1800	2650	2525

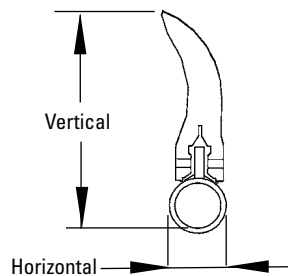
Pole Diameter - 60mm



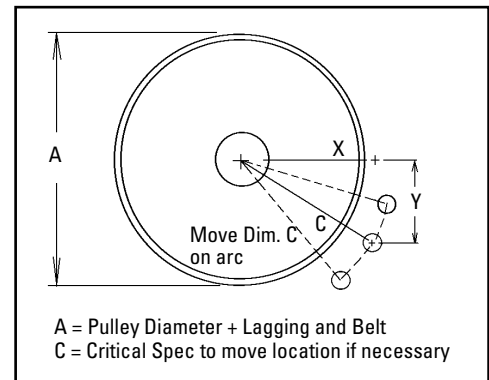
*Each pole size can be used with a blade size either belt width minus 50 mm, belt width minus 200 mm, or belt width minus 350 mm.

Clearance Guidelines For Installation

Horizontal Clearance Required	Vertical Clearance Required
100mm	238mm



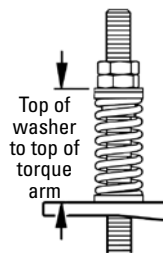
Pole Location Specs



Spring Length Chart

Blade Width	Purple Springs	Silver Springs	Black Springs
200	149	159	N/A
300	140	156	N/A
350	137	152	N/A
450	127	149	N/A
600	114	143	N/A
750	98	140	N/A
800	N/A	137	143
900	N/A	130	137
1000	N/A	130	137
1150	N/A	124	133
1200	N/A	121	130
1350	N/A	117	137
1400	N/A	N/A	124
1550	N/A	N/A	121

Shading indicates preferred spring option.



Specifications:

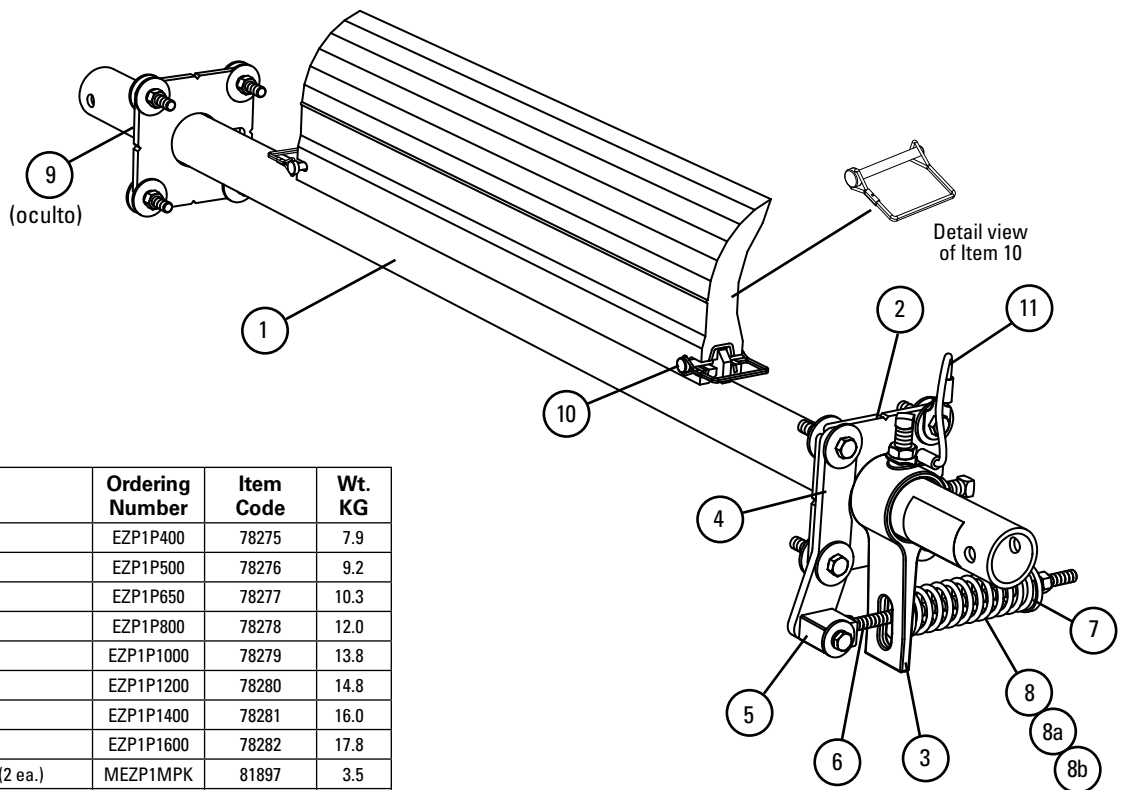
- Maximum Belt Speed3.5 m/s
- Temperature Rating-35° C to 82° C
- Minimum Pulley Diameter.....250 mm)
- Blade Height.....185 mm
- Usable Blade Wear Length.....100 mm
- Blade MaterialPolyurethane (proprietary blend for abrasion resistance and long wear)
- Available for Belt Widths300 to 1800 mm
- CEMA Cleaner RatingClass 3

Pole Location Chart

A	X	Y	C
250	74	230	242
275	92	230	248
300	108	230	254
325	131	230	265
350	146	230	273
375	166	230	284
400	179	230	291
425	195	230	301
450	207	230	309
475	223	230	320
500	235	230	329
525	249	230	339
550	266	230	352
575	283	230	365
600	299	230	377
625	314	230	390
650	330	230	402
675	346	230	415
700	360	230	427
725	374	230	439
775	389	230	452
775	403	230	464
825	417	230	477
825	432	230	489
850	446	230	501
875	460	230	514
900	474	230	526

Replacement Parts List

EZP1 ATEX Standard Duty Precleaner



Replacement Parts

Ref	Description	Ordering Number	Item Code	Wt. KG
1	400mm Pole	EZP1P400	78275	7.9
	500mm Pole	EZP1P500	78276	9.2
	650mm Pole	EZP1P650	78277	10.3
	800mm Pole	EZP1P800	78278	12.0
	1000mm Pole	EZP1P1000	78279	13.8
	1200mm Pole	EZP1P1200	78280	14.8
	1400mm Pole	EZP1P1400	78281	16.0
	1600mm Pole	EZP1P1600	78282	17.8
2	Mounting Plate Kit* (2 ea.)	MEZP1MPK	81897	3.5
3	Torque Arm Kit* (1 ea.)	ESTAK	81033	1.6
4	Pivot Shaft Bracket Kit* (1 ea.)	MESPBK	82363	0.8
5	Pivot Block Kit*	MESPBL	81895	0.3
6	Pivot Rod Kit*	MESPRK	77441	0.5
7	Bushing Kit (includes 2 bushings)	ESBK-ATEX	90264	0.05
8	Tension Spring - Purple	QMTS-P	75845	0.5
8a	Tension Spring - Silver	ESS-S	76412	0.5
8b	Tension Spring - Black	ESS-B	76413	0.6
9	Pole Lock* (1 ea.)	STCK	74506	0.5
-	EST Tensioner - Purple* for blade widths 200 - 750 mm (includes 1 each items 3, 4, 5, 6, 7 & 8)	MEST-P	81068	7.7
-	EST Tensioner - Silver* for blade widths (800 - 1350 mm (includes 1 each items 3, 4, 5, 6, 7 & 8a)	MEST-S	81069	7.9
-	EST Tensioner - Black* for blade widths 1400 - 1600 mm (includes 1 each items 3, 4, 5, 6, 7a & 8b)	MEST-B	81070	7.9
10	Blade Pin (1 ea.)	EZP1BP	75642	0.05
11	ATEX Grounding Wiring Kit	ATEX-GWK	90263	0.05

*Equipo incluido

Spring Tensioner Selection Chart

Cleaner Blade Width	C4437 EST-P	C4438 EST-S	C4439 EST-B
ConShear™ 350 - 750mm	X		
ConShear 950 - 1350mm		X	
ConShear 1550mm			X

Stock items (non-shaded) refer to (*) for specific lead time, if not specified, standard lead time applies.
Non-stock items (shaded) please contact Flexco for dispatch options and lead times.

Product Ordering Information

MSP/MSP High Temp Standard Mine-Duty Precleaner

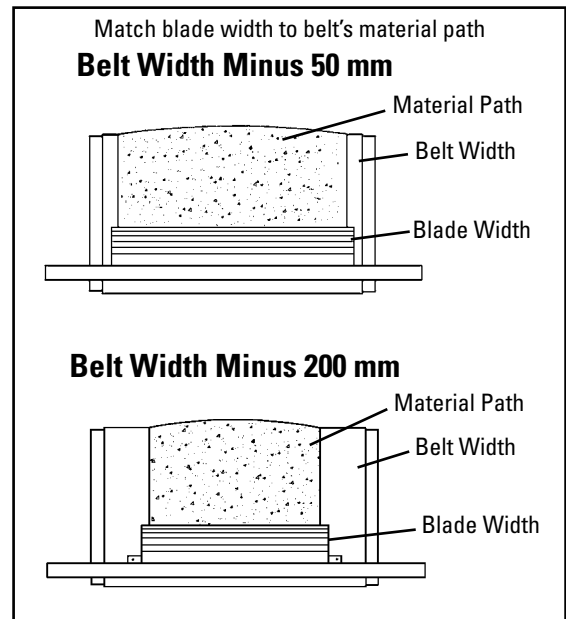
MSP Standard-Duty Precleaner

BELT WIDTH	BLADE WIDTH	ORDERING NUMBER	ITEM CODE	WT. KG
500 - 650	450	MSP-650-200	78231	39.5
650 - 800	600	MSP-800-200	78232	41.0
800	750	MSP-800-50	78224	42.5
1000	800	MSP-1000-200	78233	46.0
1000	950	MSP-1000-50	78225	47.0
1200	1000	MSP-1200-200	78234	51.0
1200	1150	MSP-1200-50	78226	52.0
1400	1200	MSP-1400-200	78235	55.0
1400	1350	MSP-1400-50	78227	56.0
1600	1400	MSP-1600-200	78236	58.0
1600	1550	MSP-1600-50	78228	60.0
1800	1600	MSP-1800-200	78237	62.0
1800	1750	MSP-1800-50	78229	64.0
2000	1800	MSP-2000-200	78238	69.0
2000	1950	MSP-2000-50	78230	71.0



MSP Standard-Duty High Temp Precleaner

BELT WIDTH	BLADE WIDTH	ORDERING NUMBER	ITEM CODE	WT. KG
500 - 650	450	MSP-650-200HT	90460	39.5
650 - 800	600	MSP-800-200HT	90461	41.0
800	750	MSP-800-50HT	90462	42.5
1000	800	MSP-1000-200HT	90463	46.0
1000	950	MSP-1000-50HT	90464	47.0
1200	1000	MSP-1200-200HT	90465	51.0
1200	1150	MSP-1200-50HT	90466	52.0
1400	1200	MSP-1400-200HT	90467	55.0
1400	1350	MSP-1400-50HT	90468	56.0
1600	1400	MSP-1600-200HT	90469	58.0
1600	1550	MSP-1600-50HT	90470	60.0
1800	1600	MSP-1800-200HT	90471	62.0
1800	1750	MSP-1800-50HT	90472	64.0
2000	1800	MSP-2000-200HT	90473	69.0
2000	1950	MSP-2000-50HT	90474	71.0



Product Notes:

- Recommended for standard-duty conveyor applications. For tougher belt applications see the MMP Medium-Duty Precleaner page 47. For extreme, abusive applications see the MHP Heavy-Duty Precleaner page 54 or the MHCP Heavy-Duty Cartridge Precleaner page 59.
- Material Path Option: Fit the blade width to the belt's material path. The material path is typically the center 2/3 of the belt width. In most cases a blade size of belt width minus 200 mm may be the best solution.
- Each cleaner pole is retrofittable for three blade sizes (belt width minus 50 mm, minus 200 mm or minus 350 mm).
- Pole Length: Belt width plus 1350 mm. For conveyors requiring longer pole lengths, go to the minus 200 mm chart and select the cleaner one belt width size larger. This will provide a pole 150 mm longer and a blade size of belt width minus 50 mm. For longer requirements see Installation Accessories – Pole Extender Kit page 123.
- Visual Tension Check: No guesswork on blade tensioning. Measure the spring and adjust to specified length per blade width to restore optimal tensioning.
- To make cleaner installation easier and quicker, see the Optional Mounting Kits in the above chart.
- For replacement parts see MSP Parts List on page 44.

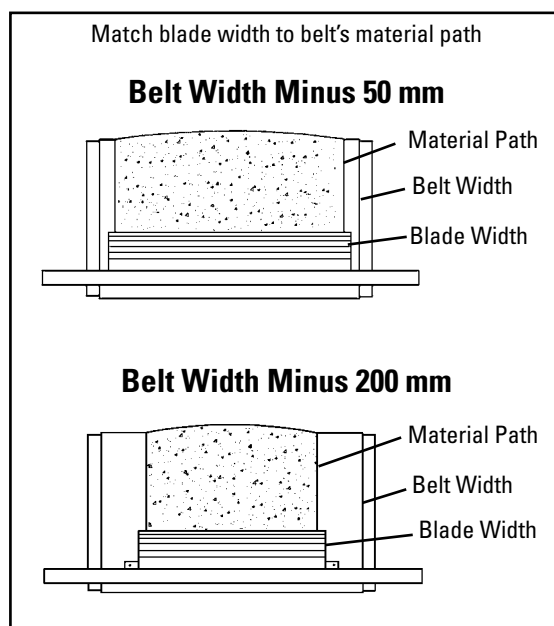
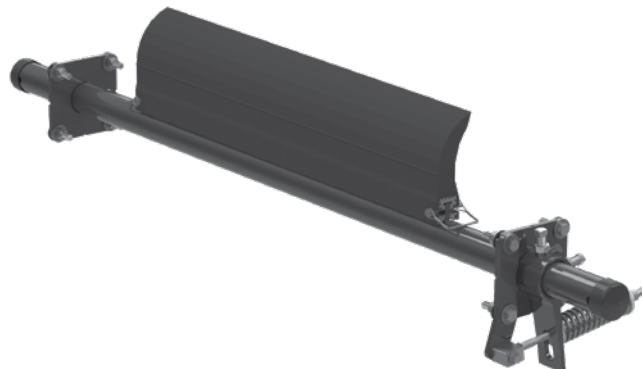
Stock items (non-shaded) refer to (*) for specific lead time, if not specified, standard lead time applies.
 Non-stock items (shaded) please contact Flexco for dispatch options and lead times.

Product Ordering Information

MSP Ultra High-Temp Standard Mine-Duty Precleaner

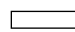
MSP Standard-Duty Ultra High Temp Precleaner


BELT WIDTH	BLADE WIDTH	ORDERING NUMBER	ITEM CODE	WT. KG
500 - 650	450	MSP-650-200UHT	91374	39.5
650 - 800	600	MSP-800-200UHT	91375	41.0
800	750	MSP-800-50UHT	91367	42.5
1000	800	MSP-1000-200UHT	91376	46.0
1000	950	MSP-1000-50UHT	91368	47.0
1200	1000	MSP-1200-200UHT	91377	51.0
1200	1150	MSP-1200-50UHT	91369	52.0
1400	1200	MSP-1400-200UHT	91378	55.0
1400	1350	MSP-1400-50UHT	91370	56.0
1600	1400	MSP-1600-200UHT	91379	58.0
1600	1550	MSP-1600-50UHT	91371	60.0
1800	1600	MSP-1800-200UHT	91380	62.0
1800	1750	MSP-1800-50UHT	91372	64.0
2000	1800	MSP-2000-200UHT	91381	69.0
2000	1950	MSP-2000-50UHT	91373	71.0



Product Notes:

- Material Path Option: Fit the blade width to the belt's material path. The material path is typically the center 2/3 of the belt width. In most cases a blade size of belt width minus 200 mm may be the best solution.
- Each cleaner pole is retrofittable for three blade sizes (belt width minus 50 mm, minus 200 mm or minus 350 mm).
- Pole Length: Belt width plus 1350 mm. For conveyors requiring longer pole lengths, go to the minus 200 mm chart and select the cleaner one belt width size larger. This will provide a pole 150 mm longer and a blade size of belt width minus 50 mm.
- Visual Tension Check: No guesswork on blade tensioning. Measure the spring and adjust to specified length per blade width to restore optimal tensioning.
- For replacement parts see MSP Parts List on page 44.

 Stock items (non-shaded) refer to (*) for specific lead time, if not specified, standard lead time applies.

 Non-stock items (shaded) please contact Flexco for dispatch options and lead times.

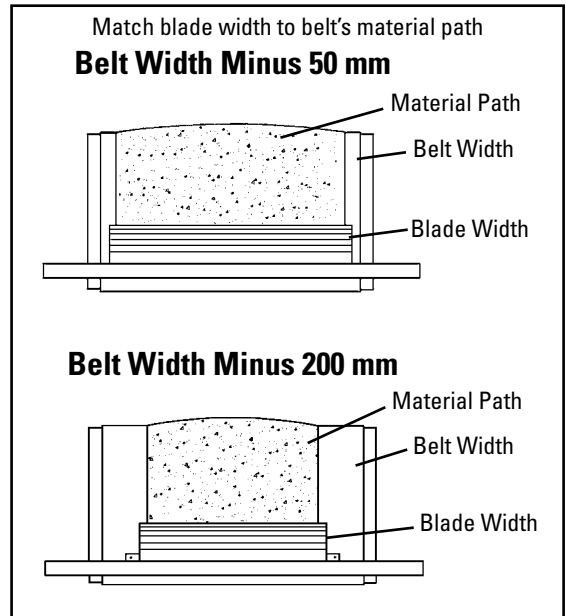
Product Ordering Information

MSP Stainless Steel Standard Mine-Duty Precleaner



MSP Stainless Steel Standard Mine-Duty Precleaner

BELT WIDTH	BLADE WIDTH	ORDERING NUMBER	ITEM CODE	WT. KG
500	400	MSP-824-S/S	77462	36.5
650	550	MSP-830-S/S	77463	39.5
800	700	MSP-836-S/S	77464	43.5
1000	850	MSP-842-S/S	77465	47.0
1200	1000	MSP-848-S/S	77466	51.0
1200	1150	MSP-854-S/S	77467	53.0
1400	1300	MSP-860-S/S	77468	56.0
1600	1450	MSP-260-S/S	77459	57.0
1800	1600	MSP-872-S/S	77470	62.0
1800	1750	MSP-272-S/S	77460	64.0
2000	1900	MSP-884-S/S	77471	72.5



Product Notes:

- Recommended for standard-duty conveyor applications, but in corrosive environments.
- Material Path Option: Fit the blade width to the belt's material path. The material path is typically the center 2/3 of the belt width. In most cases a blade size of belt width minus 200 mm) may be the best solution.
- Each cleaner pole is retrofittable for three blade sizes (belt width minus 50 mm, minus 200 mm or minus 350 mm).
- Pole Length: Belt width plus 1350 mm. For conveyors requiring longer pole lengths, go to the minus 200 mm chart and select the cleaner one belt width size larger. This will provide a pole 150 mm longer and a blade size of belt width minus 50 mm. For longer requirements see Installation Accessories – Pole Extender Kit page 123
- Visual Tension Check: No guesswork on blade tensioning. Measure the spring and adjust to specified length per blade width to restore optimal tensioning.
- To make cleaner installation easier and quicker, see Optional Mounting Kits page 36.
- For replacement parts see MSP Stainless Parts List on page 45.

Stock items (non-shaded) refer to (*) for specific lead time, if not specified, standard lead time applies.
 Non-stock items (shaded) please contact Flexco for dispatch options and lead times.

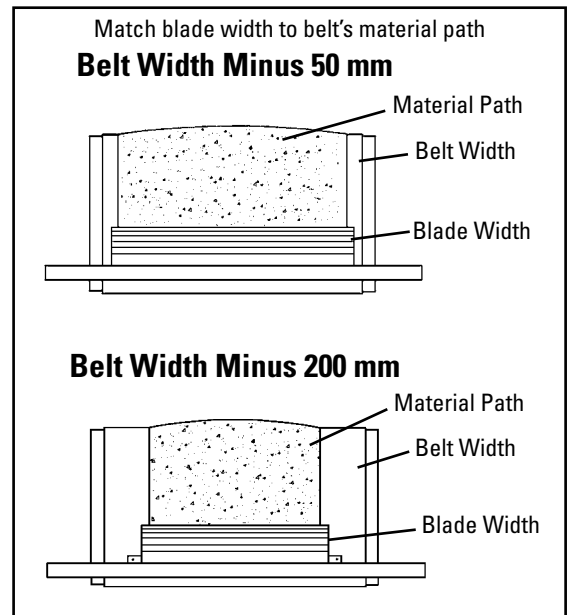
Product Ordering Information

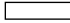
MSP ATEX Standard Mine-Duty Precleaner




MSP ATEX Standard Mine-Duty Precleaner

BELT WIDTH	BLADE WIDTH	ORDERING NUMBER	ITEM CODE	WT. KG
500-650	600	MSP-650-50-ATEX	90271	41.5
	450	MSP-650-200-ATEX	90277	39.5
800	750	MSP-800-50-ATEX	90272	42.5
	600	MSP-800-200-ATEX	90278	40.5
1000	950	MSP-1000-50-ATEX	90273	47.0
	800	MSP-1000-200-ATEX	90279	45.0
1200	1150	MSP-1200-50-ATEX	90274	52.0
	1000	MSP-1200-200-ATEX	90280	50.0
1400	1350	MSP-1400-50-ATEX	90275	55.0
	1200	MSP-1400-200-ATEX	90281	53.0
1600	1550	MSP-1600-50-ATEX	90276	60.0
	1400	MSP-1600-200-ATEX	90282	58.0
1800	1600	MSP-1800-200-ATEX	90309	62.0



 **Stock items** (non-shaded) refer to (*) for specific lead time, if not specified, standard lead time applies.

 **Non-stock items** (shaded) please contact Flexco for dispatch options and lead times.

ConShear™ Replacement Blades

MSP
Standard Mine-Duty Precleaner

Replacement ConShear™ Blades

(Color Identification: Purple)

BLADE WIDTH	ORDERING NUMBER	ITEM CODE	WT. KG
200	CRB-200	78239	2.0
300	CRB-300	78240	2.5
350	CRB-350	78241	3.0
450	CRB-450	78242	4.0
600	CRB-600	78243	5.0
750	CRB-750	78244	6.5
800	CRB-800	78245	7.0
950	CRB-950	78246	8.0
1000	CRB-1000	78247	8.5
1150	CRB-1150	78248	10.0
1200	CRB-1200	78249	10.5
1350	CRB-1350	78250	11.5
1400	CRB-1400	78251	12.0
1550	CRB-1550	78252	13.0
1600	CRB-1600	78253	13.5
1750	CRB-1750	78254	14.5
1800	CRB-1800	78255	15.0
1950	CRB-1950	78256	16.5

Other blade sizes available upon request.

Replacement High Temp ConShear™ Blades

(Color Identification: Yellow)

BLADE WIDTH	ORDERING NUMBER	ITEM CODE	WT. KG
200	CRB-HT200	78257	2.0
300	CRB-HT300	78258	2.5
350	CRB-HT350	78259	3.0
450	CRB-HT450	78260	4.0
600	CRB-HT600	78261	5.0
750	CRB-HT750	78262	6.5
800	CRB-HT800	78263	7.0
950	CRB-HT950	78264	8.0
1000	CRB-HT1000	78265	8.5
1150	CRB-HT1150	78266	10.0
1200	CRB-HT1200	78267	10.5
1350	CRB-HT1350	78268	11.5
1400	CRB-HT1400	78269	12.0
1550	CRB-HT1550	78270	13.0
1600	CRB-HT1600	78271	13.5
1750	CRB-HT1750	78272	14.5
1800	CRB-HT1800	78273	15.0
1950	CRB-HT1950	78274	16.5

Replacement Chemical Resistant/ Food Grade ConShear™ Blades

(Color Identification: white)[‡]

BLADE WIDTH	ORDERING NUMBER	ITEM CODE	WT. KG
250	CRB-W10	78471	2.2
400	CRB-W16	78472	3.5
550	CRB-W22	78473	4.7
700	CRB-W28	78474	6.0
850	CRB-W34	78475	7.3
1000	CRB-W40	78476	8.7
1150	CRB-W46	78477	9.9
1300	CRB-W52	78478	11.2
1450	CRB-W58	78479	12.5
1600	CRB-W64	78480	13.5
1750	CRB-W70	78481	15.0

[‡]All ingredients used in the polyurethane formulation of this blade comply with the relevant requirements of 21 CFR (FDA Code of Federal Regulations) for use in repeated bulk dry food applications

Replacement Ultra High-Temp ConShear™ Blades

(Color Identification: Red)

BLADE WIDTH	ORDERING NUMBER	ITEM CODE	WT. KG
450	CRB-UHT450	91332	4.0
600	CRB-UHT600	91333	5.0
750	CRB-UHT750	91334	6.5
800	CRB-UHT800	91335	7.0
950	CRB-UHT950	91336	8.0
1000	CRB-UHT1000	91337	8.5
1150	CRB-UHT1150	91338	10.0
1200	CRB-UHT1200	91339	10.5
1350	CRB-UHT1350	91340	11.5
1400	CRB-UHT1400	91341	12.0
1550	CRB-UHT1550	91342	13.0
1600	CRB-UHT1600	91343	13.5
1750	CRB-UHT1750	91344	14.5
1800	CRB-UHT1800	91345	15.0
1950	CRB-UHT1950	91346	16.5

Blade Width Selection

BELT WIDTH	BELT WIDTH 50 mm	BELT WIDTH 200 mm
600	550	400
750	700	550
900	850	700
1050	1000	850
1200	1150	1000
1350	1300	1150
1500	1450	1300
1800	1750	1600
2100	2050	1900

Product Notes:

- A molded-in wear line indicates when the blade is worn out and needs to be replaced.
- Faceted blade profile: Renews its cleaning edge as the blade wears.
- ConShear™ blades are made of a special long-wearing polyurethane.
- Quick blade replacement: Pull one pin, remove the old blade and slide the new one in.

Stock items (non-shaded) refer to (*) for specific lead time, if not specified, standard lead time applies.

Non-stock items (shaded) please contact Flexco for dispatch options and lead times.

ConShear™ Replacement Blades

MSP
Standard Mine-Duty Precleaner

Replacement ConShear™ FRAS Blades

(Color Identification: Blue)

BLADE WIDTH	ORDERING NUMBER	ITEM CODE	WT. KG
200	CRB-200F	90112	2.0
300	CRB-300F	90113	2.5
350	CRB-350F	90114	3.0
450	CRB-450F	90115	3.8
600	CRB-600F	90116	5.0
750	CRB-750F	90117	6.3
800	CRB-800F	90118	6.7
950	CRB-950F	90119	8.0
1000	CRB-1000F	90120	8.4
1150	CRB-1150F	90121	9.6
1200	CRB-1200F	90122	10.0
1350	CRB-1350F	90123	11.3
1400	CRB-1400F	90124	11.7
1550	CRB-1550F	90125	13.0
1600	CRB-1600F	90126	13.5

Order blade width for your belt width's material path: Belt Width -50mm or Belt Width -200mm

Stock items (non-shaded) refer to (*) for specific lead time, if not specified, standard lead time applies.

Non-stock items (shaded) please contact Flexco for dispatch options and lead times.

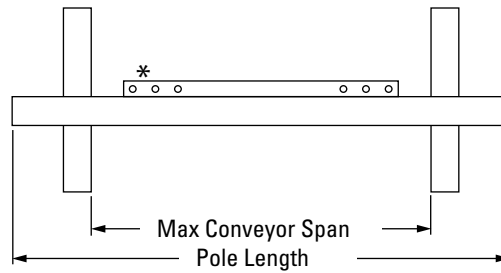
Specifications & Guidelines

Pole Length Specifications*

CLEANER SIZE	POLE LENGTH	MAXIMUM CONVEYOR SPAN
600	1950	1700
750	2100	1850
900	2250	2000
1050	2400	2150
1200	2550	2300
1350	2700	2450
1500	2850	2600
1800	3150	2900
2100	3450	3200

Pole Diameter – 73 mm

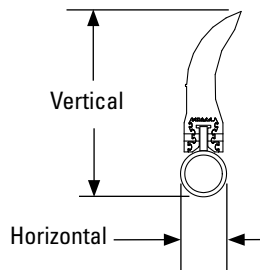
*For special extra long pole length requirements a Pole Extender Kit (#76024) is available that provides 750 mm of extended pole length.



*Each pole size can be used with a blade size either belt width minus 50 mm, belt width minus 200 mm, or belt width minus 350 mm.

Clearance Guidelines for Installation

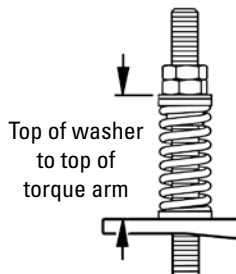
HORIZONTAL CLEARANCE REQUIRED	VERTICAL CLEARANCE REQUIRED
100	250



Spring Length Chart

BLADE WIDTH	PURPLE SPRING	WHITE SPRING	GOLD SPRING
400	133	159	N/A
550	121	156	N/A
700	105	149	N/A
850	N/A	146	156
1000	N/A	143	156
1150	N/A	140	152
1300	N/A	137	149
1450	N/A	130	149
1600	N/A	127	146
1750	N/A	124	143
1900	N/A	N/A	143
2050	N/A	N/A	140
2200	N/A	N/A	133
2350	N/A	N/A	130
2500	N/A	N/A	130
2650	N/A	N/A	127

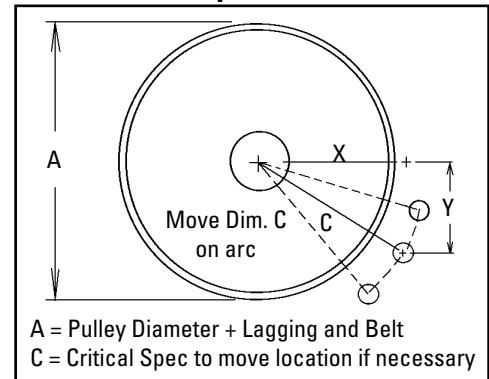
Shading indicates preferred spring option



Specifications:

- Maximum Belt Speed 3.5 m/s
- Temperature Rating (ConShear, ConShear White) -35° C to 82° C
- Temperature Rating (ConShear High Temp) Up to 135° C with spikes to 164° C
- Temperature Rating (ConShear Ultra High-Temp) Up to 200° C with spikes to 232° C
- Minimum Pulley Diameter 400 mm
- Blade Height 185 mm
- Usable Blade Wear Length 100 mm
- Blade Material Polyurethane (proprietary blend for abrasion resistance and long wear)
- Available for Belt Widths 600 to 2100 mm
- CEMA Cleaner Rating Class 3

Pole Location Specs



Pole Location Chart

A	X	Y	C
450	204	230	308
475	222	230	320
500	232	230	326
525	248	230	338
550	266	230	352
575	282	230	364
600	298	230	376
625	312	230	388
650	330	230	402
675	344	230	414
700	358	230	426
725	372	230	438
750	390	230	452
775	402	230	464
800	416	230	476
825	430	230	488
850	446	230	502
875	460	230	514
900	474	230	526
925	486	230	538
950	502	230	552
975	514	230	564
1000	528	230	576
1025	542	230	588
1050	556	230	602

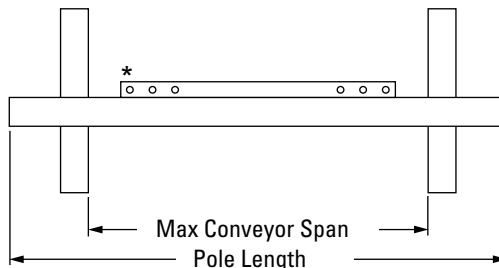
Specifications & Guidelines

MSP ATEX Standard Mine-Duty Precleaner

Pole Length Specifications*

Cleaner Size	Pole Length	Maximum Conveyor Span
650	2134	1883
800	2286	2036
1000	2438	2188
1200	2591	2340
1400	2896	2645
1600	3048	2804

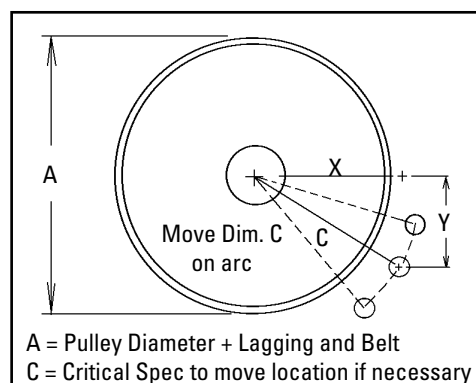
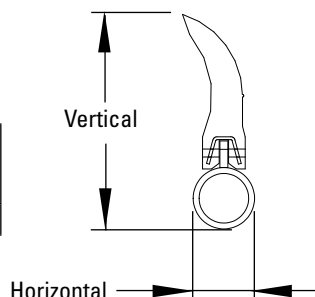
*For special extra long pole length requirements a Pole Extender Kit (#76024) is available that provides 750mm of extended pole length.
Pole Diameter - 73mm



*Each pole size can be used with a blade size either belt width minus 50mm or belt width minus 200mm

Clearance Guidelines for Installation

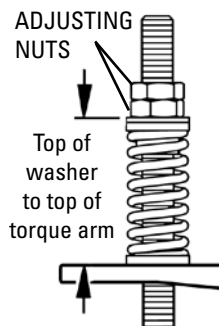
Horizontal Clearance Required	Vertical Clearance Required
100	250



Spring Length Chart

Blade Width	Purple Spring	White Spring
450	125	N/A
600	115	N/A
750	100	N/A
800	N/A	147
950	N/A	144
1000	N/A	142
1150	N/A	138
1200	N/A	137
1350	N/A	133
1400	N/A	132
1550	N/A	128
1600	N/A	127

Shading indicates preferred spring option



Pole Location Chart

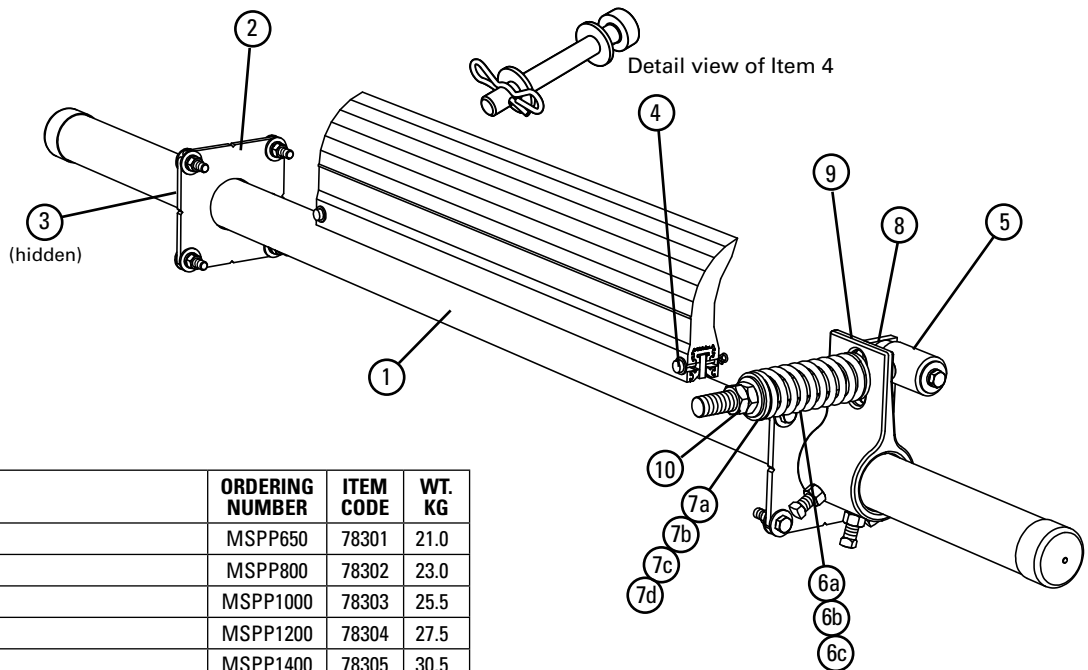
A	X	Y	C
400	179	230	291
425	195	230	301
450	207	230	309
475	223	230	320
500	235	230	329
525	249	230	339
550	266	230	352
575	283	230	365
600	299	230	377
625	314	230	390
650	330	230	402
675	346	230	415
700	360	230	427
725	374	230	439
750	389	230	452
775	403	230	464
800	417	230	477
825	432	230	489
850	446	230	501
875	460	230	514
900	474	230	526
925	488	230	539
950	502	230	552
975	516	230	565
1000	529	230	576
1025	542	230	589
1050	557	230	602

Specifications:

- Maximum Belt Speed3.5 m/s
- Temperature Rating-35° C to 82° C
- Minimum Pulley Diameter.....250 mm
- Blade Height.....185 mm
- Usable Blade Wear Length.....100 mm
- Blade Material.....Fire Resistant Anti-Static (FRAS) Polyurethane (proprietary blend for abrasion resistance and long wear)
- Available for Belt Widths650 to 1600 mm
Other sizes available upon request.
- CEMA Cleaner Rating.....Class 3

Replacement Parts List

MSP
Standard Mine-Duty Precleaner



Replacement Parts

REF	DESCRIPTION	ORDERING NUMBER	ITEM CODE	WT. KG
1	450 mm Pole	MSPP650	78301	21.0
	600 mm Pole	MSPP800	78302	23.0
	800 mm Pole	MSPP1000	78303	25.5
	1000 mm Pole	MSPP1200	78304	27.5
	1200 mm Pole	MSPP1400	78305	30.5
	1400 mm Pole	MSPP1600	78306	32.5
	1600 mm Pole	MSPP1800	78307	34.5
	1800 mm Pole	MSPP2000	78308	40.5
2	Mounting Plate Kit* (2 ea.)	MSPMPK	75811	3.8
3	Pole Lock* (1 ea.)	MSPPL	75816	0.9
4	Blade Pin Kit* (1 ea.)	MSPBPK	75831	0.05
5	Pivot Arm Kit* (1 ea.)	QMTPAK	76096	2.0
6a	Tension Spring – Purple (1 ea.) for blades 400 - 700mm	QMTS-P	75845	0.3
6b	Tension Spring – White (1 ea.) for blades 850 - 1750mm	PSTS-W	75898	0.8
6c	Tension Spring – Gold (1 ea.) for blades 1900 - 2050mm	QMTS-G	76484	1.1
7a	Bushing Kit – Purple (2 ea.)	QMTBK-P	76097	0.05
7b	Bushing Kit – White (2 ea.)	QMTBK-W	76098	0.1
7c	Bushing Kit – Gold (2 ea.)	QMTBK-G	76540	0.1
7d	QMT Bushing Kit – Ultra High-Temp (2 ea.)	QMT-ATEX	90435	0.1
8	Pivot Shaft Bracket Kit* (1 ea.)	QMTPSBK	76099	2.0
9	Torsion Arm Kit* (1 ea.)	PSTA	75896	5.2
10	Jam Nut Kit QMT Tensioner	JNK-C	79893	0.1
-	QMT Spring Tensioner* – Purple (incl. 1 ea. Items 5, 6a, 7a, 8, & 9) for blades 400 - 700mm	QMT-P	76074	9.3
-	QMT Spring Tensioner* – White (incl. 1 ea. Items 5, 6b, 7b, 8, & 9) for blades 850 - 1750mm	QMT-W	76075	9.9
-	QMT Spring Tensioner* – Gold (incl. 1 ea. Items 5, 6c, 7c, 8, & 9) for blades 1900 - 2050mm	QMT-G	76483	10.5
-	QMT Ultra High-Temp Tensioner* – Purple (incl. 1 ea. Items 5, 6a, 7, 8, & 9) for blade widths 400 - 700mm	QMT-A-P	91285	9.3
-	QMT Ultra High-Temp Tensioner* – White (incl. 1 ea. Items 5, 6b, 7, 8, & 9) for blades 850 - 1750mm	QMT-A-W	91286	9.9

*Hardware Included

Spring Tensioner Selection Chart

CLEANER BLADE WIDTH	76074 QMT-P	76075 QMT-W	76483 QMT-G
ConShear 400 - 700 mm	X		
ConShear 850 - 1750 mm		X	
ConShear 1900 - 2050 mm			X

Spring Tensioner Selection Chart MSP UHT Only

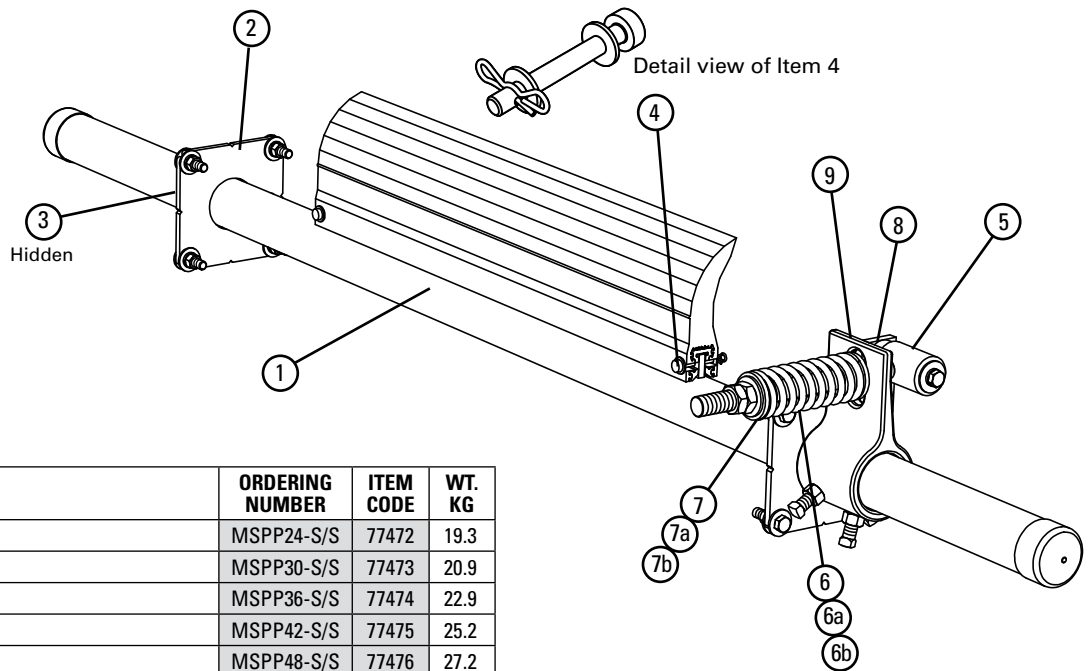
CLEANER BLADE WIDTH	91285 QMT-A-P	91286 QMT-A-W
UHT ConShear 400 - 700 mm	X	
UHT ConShear 850 - 1750 mm		X

Stock items (non-shaded) refer to (*) for specific lead time, if not specified, standard lead time applies.

Non-stock items (shaded) please contact Flexco for dispatch options and lead times.

Replacement Parts List

MSP Stainless Steel Standard Mine-Duty Precleaner



Replacement Parts

REF	DESCRIPTION	ORDERING NUMBER	ITEM CODE	WT. KG
1	600mm SS Pole	MSPP24-S/S	77472	19.3
	750mm SS Pole	MSPP30-S/S	77473	20.9
	900mm SS Pole	MSPP36-S/S	77474	22.9
	1050mm SS Pole	MSPP42-S/S	77475	25.2
	1200mm SS Pole	MSPP48-S/S	77476	27.2
	1350mm SS Pole	MSPP54-S/S	77477	29.0
	1500mm SS Pole	MSPP60-S/S	77478	30.4
	1800mm SS Pole	MSPP72-S/S	77479	34.8
	2100mm SS Pole	MSPP84-S/S	77480	40.2
2	SS Mounting Plate Kit* (2 ea.)	MSPMPK-S/S	77582	3.8
3	SS Pole Lock* (1 ea.)	MSPPL-S/S	77524	0.9
4	SS Blade Pin Kit* (1 ea.)	MSPBPK-S/S	77583	0.05
5	SS Pivot Arm Kit* (1 ea.)	QMTPAK-S/S	77587	2.0
6	SS Tension Spring – Purple (1 ea.) for blades 400 - 700mm	QMTS-P-S/S	77450	0.3
6a	SS Tension Spring – White (1 ea.) for blades 850 - 1750mm	QMTS-W-S/S	77451	0.8
6b	SS Tension Spring – Gold (1 ea.) for blades 1900 - 2050mm	QMTS-G-S/S	77452	1.1
7	Bushing Kit – Purple (2 ea.)	QMTBK-P	76097	0.05
7a	Bushing Kit – White (2 ea.)	QMTBK-W	76098	0.1
7b	Bushing Kit – Gold (2 ea.)	QMTBK-G	76540	0.1
8	SS Pivot Shaft Bracket Kit* (1 ea.)	QMTPSBK-S/S	77588	2.0
9	SS Torsion Arm Kit* (1 ea.)	PSTA-S/S	77442	5.2
–	SS QMT Spring Tensioner* – Purple (incl. 1 ea. Items 5, 6, 7, 8, & 9) for blades 400 - 700mm	QMT-P-S/S	77584	9.3
–	SS QMT Spring Tensioner* – White (incl. 1 ea. Items 5, 6a, 7a, 8, & 9) for blades 850 - 1750mm	QMT-W-S/S	77585	9.9
–	SS QMT Spring Tensioner* – Gold (incl. 1 ea. Items 5, 6b, 7b, 8, & 9) for blades 1900 - 2050mm	QMT-G-S/S	77586	10.5

*Hardware Included

Spring Tensioner Selection Chart

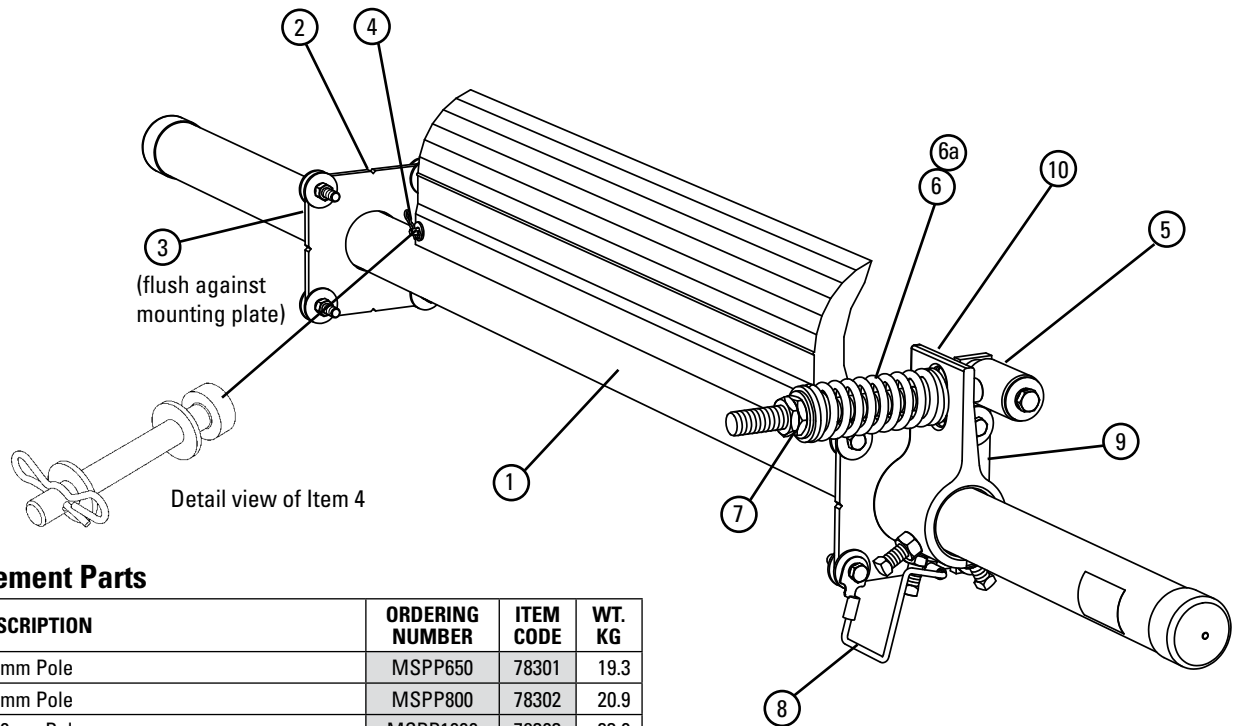
CLEANER BLADE WIDTH	77584 QMT-P-S/S	77585 QMT-W-S/S	77586 QMT-G-S/S
ConShear 400 - 700 mm	X		
ConShear 850 - 1750 mm		X	
ConShear 1900 - 2050 mm			X

Stock items (non-shaded) refer to (*) for specific lead time, if not specified, standard lead time applies.

Non-stock items (shaded) please contact Flexco for dispatch options and lead times.

Replacement Parts List

MSP ATEX Standard Mine-Duty Precleaner



Replacement Parts

REF	DESCRIPTION	ORDERING NUMBER	ITEM CODE	WT. KG
1	650mm Pole	MSPP650	78301	19.3
	800mm Pole	MSPP800	78302	20.9
	1000mm Pole	MSPP1000	78303	23.0
	1200mm Pole	MSPP1200	78304	25.2
	1400mm Pole	MSPP1400	78305	27.3
	1600mm Pole	MSPP1600	78306	29.1
2	Mounting Plate Kit* (2 ea.)	MSPMPK-CN	82184	3.8
3	Pole Lock* (1 ea.)	C-MSPPL	81044	0.9
4	Blade Pin Kit* (1 ea.)	MSPBPK	75831	0.1
5	Pivot Arm Kit* (1 ea.)	QMTPAK	76096	2.0
6	Tension Spring - Purple (1 ea.) for blades 450 - 750mm	QMTS-P	75845	0.3
6a	Tension Spring - White (1 ea.) for blades 800 - 1600mm	PSTS-W	75898	0.8
7	Bushing Kit - ATEX (2 ea.)	QMTBK-ATEX	90435	0.1
8	ATEX Grounding Wire Kit (1 ea.)	ATEX-GWK	90263	0.1
9	Pivot Shaft Bracket Kit* (1 ea.)	QMTPSBK	76099	2.0
10	Torsion Arm Kit* (1 ea.)	PSTA	75896	5.2
-	QMT Spring Tensioner* - Purple (incl. 1 ea. Items 5, 6, 7, 9, & 10) for blades 450 - 750mm	QMT-P-CN	82179	9.3
-	QMT Spring Tensioner* - White (incl. 1 ea. Items 5, 6a, 7a, 9, & 10) for blades 800 - 1600mm	QMT-W-CN	82180	9.9

*Hardware Included

Spring Tensioner Selection Chart

Cleaner Blade Width	82179 QMT-P-CN	82180 QMT-W-CN
ConShear 400 - 700mm	X	
ConShear 850 - 1600mm		X

Stock items (non-shaded) refer to (*) for specific lead time, if not specified, standard lead time applies.

Non-stock items (shaded) please contact Flexco for dispatch options and lead times.

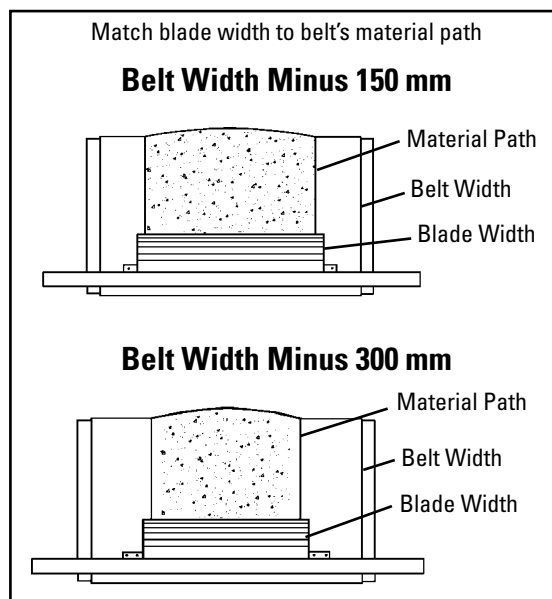
Product Ordering Information

MMP Medium Mine-Duty Precleaner



MMP Medium Mine-Duty Precleaner

BELT WIDTH	BLADE WIDTH	ORDERING NUMBER	ITEM CODE	WT. KG
600	450	MMP-624	76450	72.3
750	450	MMP-1230	76551	64.0
750	600	MMP-630	76451	68.0
900	600	MMP-1236	76552	82.5
900	750	MMP-636	76452	86.5
1050	750	MMP-1242	76553	89.5
1050	900	MMP-642	76453	93.5
1200	900	MMP-1248	76554	96.6
1200	1050	MMP-648	76454	100.6
1350	1050	MMP-1254	76555	103.7
1350	1200	MMP-654	76455	107.7
1500	1200	MMP-1260	76556	110.8
1500	1350	MMP-660	76456	114.8
1800	1500	MMP-1272	76557	128.0
1800	1650	MMP-672	76457	132.0
2100	1800	MMP-1284	76799	152.0
2100	1950	MMP-684	76798	156.0
2400	2100	MMP-1296	79034	162.0
2400	2250	MMP-696	79033	166.0
2800	2400	MMP-12108	90149	172.0
2800	2600	MMP-6108	90149	176.0
3000	2800	MMP12120	90150	182.0
3000	2900	MMP-6120	90148	186.0



Optional Mounting Kits

DESCRIPTION	ORDERING NUMBER	ITEM CODE	WT. KG
Optional Mounting Bar Kit*	MMBK	75830	8.8
Mounting Plate Kit* (2 plates)	MMPK	76537	63.5

*Hardware Included

Product Notes:

- Recommended for medium-duty conveyor applications. For abusive applications see the MHCP Heavy-Duty Cartridge Precleaner on page 9.
- Material Path Option: Fit the blade width to the belt's material path. The material path is typically the center 2/3 of the belt width. In most cases a blade size of belt width minus 150 mm may be the best solution.
- Each cleaner pole is retrofittable for three blade sizes (belt width minus 150 mm, minus 300 mm or minus 450 mm).
- Pole Length: Belt width plus 1350 mm. For longer requirements see Installation Accessories – Pole Extender Kit page 123.
- Visual Tension Check: No guesswork on blade tensioning. Measure the spring and adjust to specified length per blade width to restore optimal tensioning.
- To make cleaner installation easier and quicker, see the Optional Mounting Kits chart above.

Stock items (non-shaded) refer to (*) for specific lead time, if not specified, standard lead time applies.
Non-stock items (shaded) please contact Flexco for dispatch options and lead times.

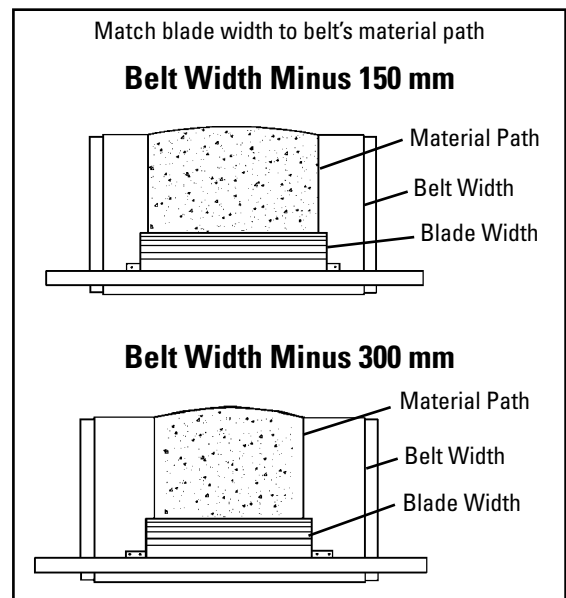
Product Ordering Information

MMP Stainless Steel Medium Mine-Duty Precleaner



MMP Stainless Steel Medium Mine-Duty Precleaner

BELT WIDTH	BLADE WIDTH	ORDERING NUMBER	ITEM CODE	WT. KG
600	450	MMP-624-S/S	77424	72.3
750	600	MMP-630-S/S	77425	79.4
900	750	MMP-636-S/S	77426	86.5
1050	900	MMP-642-S/S	77427	93.5
1200	1050	MMP-648-S/S	77428	100.6
1350	1200	MMP-654-S/S	77429	107.7
1500	1350	MMP-660-S/S	77430	114.8
1600	1500	MMP-1272-S/S	77439	128.0
1800	1650	MMP-672-S/S	77431	132.0
2000	1800	MMP-1284-S/S	77440	152.0
2100	1950	MMP-684-S/S	77432	156.1



Product Notes:

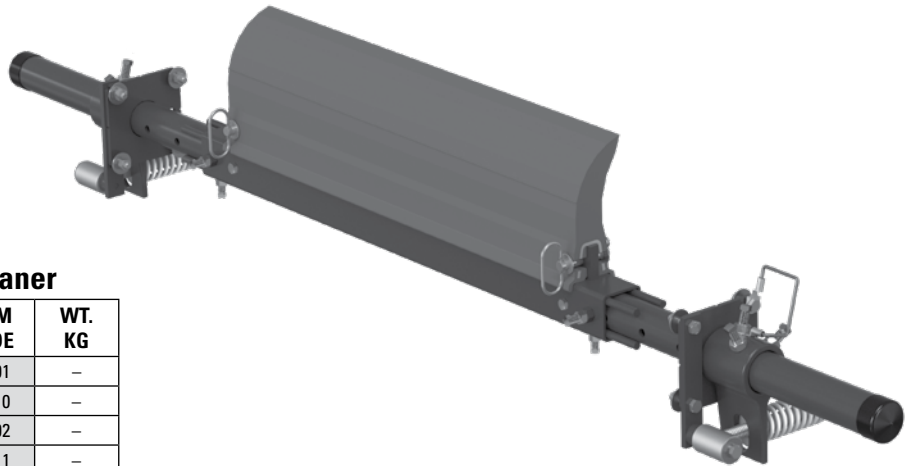
- Recommended for medium-duty conveyor applications, but in corrosive environments.
- Material Path Option: Fit the blade width to the belt's material path. The material path is typically the center 2/3 of the belt width. In most cases a blade size of belt width minus 150 mm may be the best solution.
- Each cleaner pole is retrofittable for three blade sizes (belt width minus 150 mm, minus 300 mm or minus 450 mm).
- Pole Length: Belt width plus 1350 mm. For longer requirements see Installation Accessories – Pole Extender Kit page 123.
- Visual Tension Check: No guesswork on blade tensioning. Measure the spring and adjust to specified length per blade width to restore optimal tensioning.
- To make cleaner installation easier and quicker, see Optional Mounting Kits page 47.

Stock items (non-shaded) refer to (*) for specific lead time, if not specified, standard lead time applies.

Non-stock items (shaded) please contact Flexco for dispatch options and lead times.

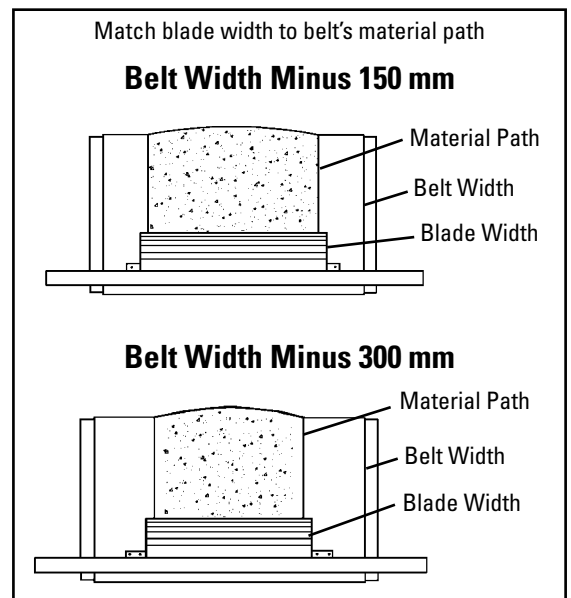
Product Ordering Information

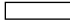
MMP ATEX Medium Mine-Duty Precleaner




MMP ATEX Medium-Duty Precleaner

BELT WIDTH	BLADE WIDTH	ORDERING NUMBER	ITEM CODE	WT. KG
600	500	MMP650-150-ATEX	90301	–
	500	MMP800-300-ATEX	90310	–
800	650	MMP800-150-ATEX	90302	–
	700	MMP1000-300-ATEX	90311	–
1000	850	MMP1000-150-ATEX	90303	–
	900	MMP1200-300-ATEX	90312	–
1200	1050	MMP1200-150-ATEX	90304	–
	1100	MMP1400-300-ATEX	90313	–
1400	1250	MMP1400-150-ATEX	90305	–
	1300	MMP1600-300-ATEX	90314	–
1600	1450	MMP1600-150-ATEX	90306	–
	1500	MMP1800-300-ATEX	90315	–
1800	1650	MMP1800-150-ATEX	90307	–
	1700	MMP2000-300-ATEX	90316	–
2000	1850	MMP2000-150-ATEX	90308	–
	1800	MMP2100-300-ATEX	90317	–

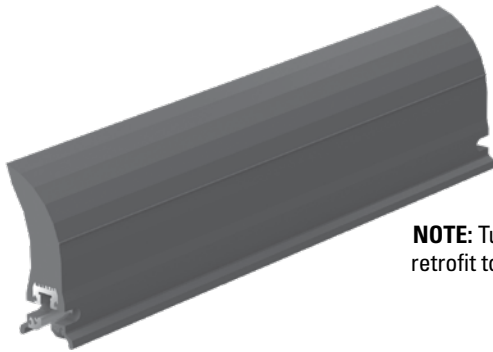


 **Stock items** (non-shaded) refer to (*) for specific lead time, if not specified, standard lead time applies.

 **Non-stock items** (shaded) please contact Flexco for dispatch options and lead times.

TuffShear™ Replacement Blades

MMP
Medium Mine-Duty Precleaner



NOTE: TuffShear replacement blades will retrofit to Martin® QC® XHD Cleaners.

Blade Width Selection

BELT WIDTH	BELT WIDTH 150 mm	BELT WIDTH 300 mm
600	450	N/A
750	600	450
900	750	600
1050	900	750
1200	1050	900
1350	1200	1050
1500	1350	1200
1800	1650	1500
2100	1950	1800
2400	2250	2100

Replacement TuffShear™ Blades

(Color Identification: Purple)

BLADE WIDTH	ORDERING NUMBER	ITEM CODE	WT. KG
450	TRB18	76485	9.5
600	TRB24	76486	12.7
750	TRB30	76487	15.9
900	TRB36	76488	19.1
1050	TRB42	76489	22.2
1200	TRB48	76490	25.4
1350	TRB54	76491	28.6
1500	TRB60	76492	31.8
1650	TRB66	76493	34.9
1800	TRB72	76494	38.1
1950	TRB78	76697	41.3
2100	TRB84	77047	44.5

Replacement High-Temp TuffShear™ Blades

(Color Identification: Yellow)

BLADE WIDTH	ORDERING NUMBER	ITEM CODE	WT. KG
450	TRB-HT18	78754	9.5
600	TRB-HT24	78755	12.7
750	TRB-HT30	78756	15.9
900	TRB-HT36	78757	19.1
1050	TRB-HT42	78758	22.2
1200	TRB-HT48	78759	25.4
1350	TRB-HT54	78760	28.6
1500	TRB-HT60	78761	31.8
1650	TRB-HT66	78762	34.9
1800	TRB-HT72	78763	38.1
1950	TRB-HT78	78764	41.3

Replacement FRAS TuffShear™ Blades

(Color Identification: Blue)

BLADE WIDTH	ORDERING NUMBER	ITEM CODE	WT. KG
500	TRB500F	90287	10.6
650	TRB650F	90288	13.8
700	TRB700F	90289	14.8
850	TRB850F	90290	18.0
900	TRB900F	90291	19.1
1050	TRB1050F	90292	22.3
1100	TRB1100F	90293	23.3
1250	TRB1250F	90294	26.5
1300	TRB1300F	90295	27.6
1450	TRB1450F	90296	30.8
1500	TRB1500F	90297	31.8
1650	TRB1650F	90298	35.0
1700	TRB1700F	90299	36.1
1800	TRB1800F	90300	38.2
1850	TRB1850F	90318	39.2

Replacement TuffShear™ Ultra High-Temp Blades

(Color Identification: Red)

BLADE WIDTH	ORDERING NUMBER	ITEM CODE	WT. KG
450	TRB-UHT18	91865	9.5
600	TRB-UHT24	91866	12.7
750	TRB-UHT30	91867	15.9
900	TRB-UHT36	91868	19.1
1050	TRB-UHT42	91869	22.2
1200	TRB-UHT48	91870	25.4
1350	TRB-UHT54	91871	28.6
1500	TRB-UHT60	91872	31.8
1650	TRB-UHT66	91873	34.9
1800	TRB-UHT72	91874	38.1
1950	TRB-UHT78	91875	41.3
2100	TRB-UHT84	91876	44.5
2250	TRB-UHT90	91877	47.6
2400	TRB-UHT96	92782	50.8
2550	TRB-UHT102	92788	54.0
2700	TRB-UHT108	92794	57.2
2850	TRB-UHT114	92800	60.3

Product Notes:

- A molded-in wear line indicates when the blade is worn out and needs to be replaced.
- Faceted blade profile: Renews its cleaning edge as the blade wears.
- TuffShear™ blades are made of a special long-wearing polyurethane.
- Quick blade replacement: Pull one pin, remove the old blade and slide the new one in.

Stock items (non-shaded) refer to (*) for specific lead time, if not specified, standard lead time applies.

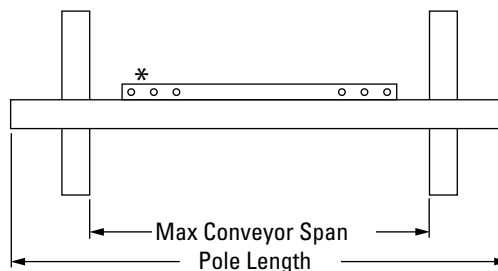
Non-stock items (shaded) please contact Flexco for dispatch options and lead times.

Specifications & Guidelines

Pole Length Specifications*

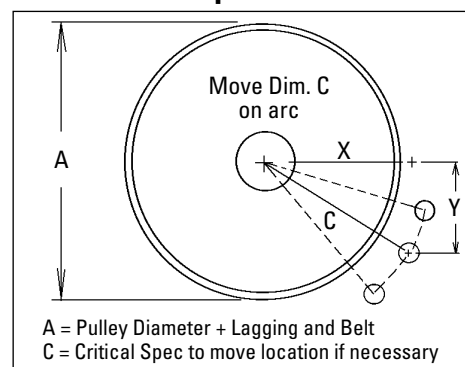
CLEANER SIZE	MAX OVERALL POLE LENGTH	CENTER POLE LENGTH	MAXIMUM CONVEYOR SPAN
600	1950	600	1650
750	2100	750	1800
900	2250	900	1950
1050	2400	1050	2100
1200	2550	1200	2250
1350	2700	1350	2400
1500	2850	1500	2550
1800	3150	1800	2850
2100	3450	2100	3150
2400	3750	2400	3450

*For special extra long pole length requirements a Pole Extender Kit (#76024) is available that provides 750 mm of extended pole length. Pole Diameter – 73 mm



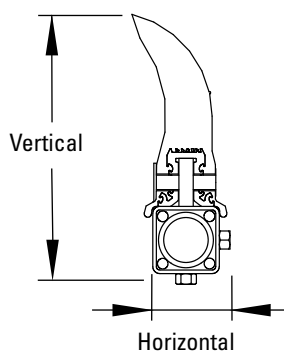
*Each pole size can be used with a blade size either belt width minus 150 mm, belt width minus 300 mm, or belt width minus 450 mm.

Pole Location Specs



Clearance Guidelines for Installation

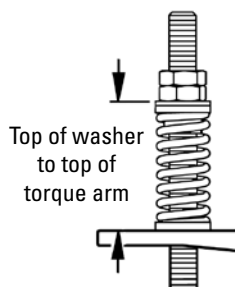
HORIZONTAL CLEARANCE REQUIRED	VERTICAL CLEARANCE REQUIRED
100	325



Spring Length Chart

Blade Width	Purple Springs	White Springs	Gold Springs	Silver Springs
450	117	152	159	161
600	102	149	159	162
750	N/A	143	156	162
900	N/A	140	152	159
1050	N/A	133	149	159
1200	N/A	130	146	155
1350	N/A	124	143	155
1500	N/A	121	143	155
1650	N/A	N/A	140	152
1800	N/A	N/A	137	152
1950	N/A	N/A	133	149
2100	N/A	N/A	130	149
2150	N/A	N/A	N/A	146
2400	N/A	N/A	N/A	143
2550	N/A	N/A	N/A	140
2700	N/A	N/A	N/A	140
2850	N/A	N/A	N/A	137

Shading indicates preferred spring option.



Air/Water or Nitrogen Pressure Chart

Blade Width	kPa
450	34.5
600	41.4
800	55.2
900	62.1
1050	75.8
1200	89.6
1350	96.5
1500	110.3
1650	117.2
1800	131.0
1950	144.8
2100	151.7
2250	165.5
2400	172.4
2550	186.2
2700	193.1
2850	206.8

kPa setting is based on the belt width.

Pole Location Chart

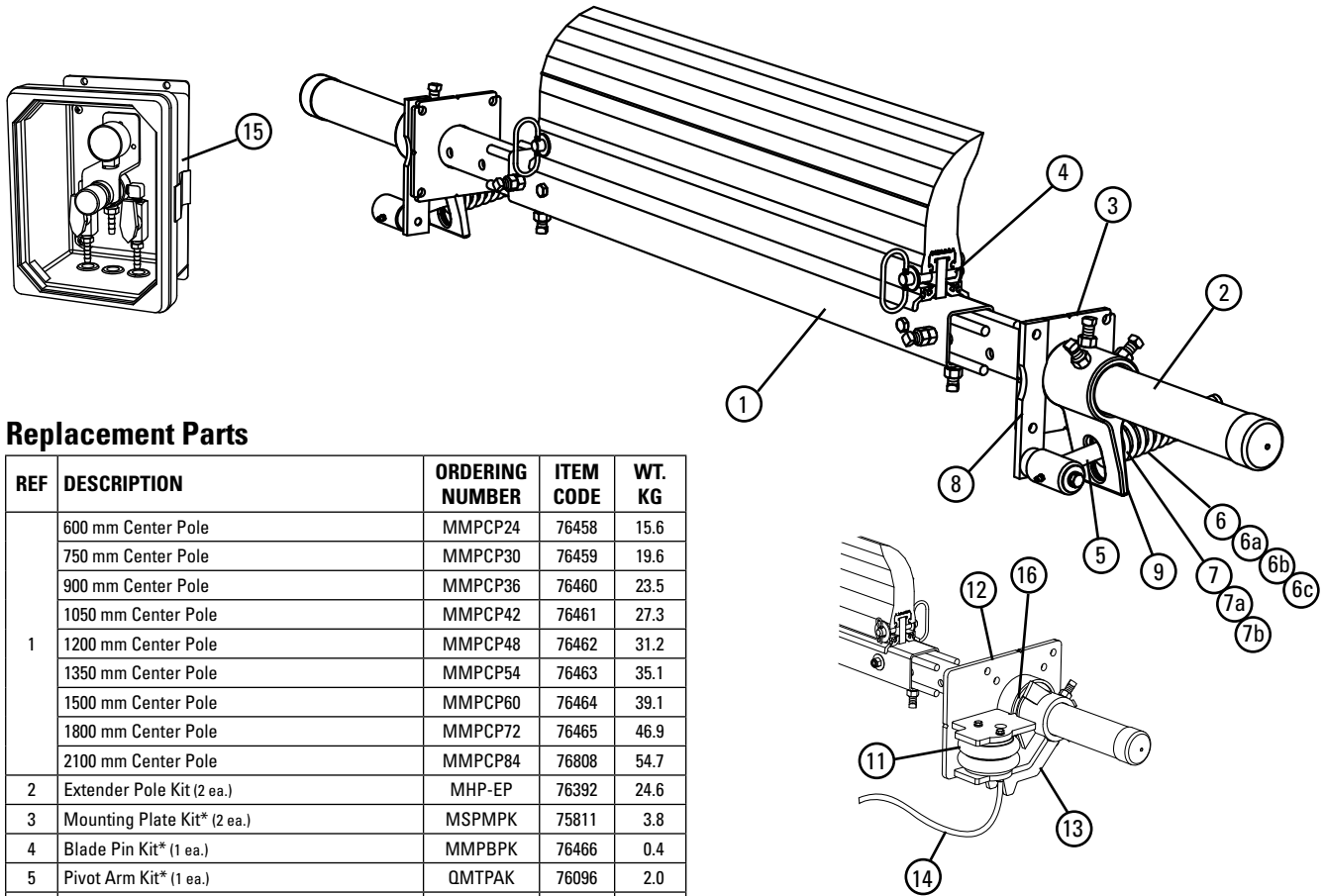
A	X	Y	C
400	204	305	367
425	218	305	375
450	231	305	383
475	244	305	390
500	259	305	400
525	274	305	410
550	288	305	419
575	300	305	428
600	315	305	438
625	328	305	448
650	341	305	457
675	353	305	467
700	366	305	476
725	380	305	487
775	392	305	497
775	403	305	506
825	417	305	517
825	432	305	528
850	444	305	539
875	457	305	549
900	469	305	559
925	483	305	571
950	496	305	582
975	508	305	592
1000	521	305	604
1025	533	305	614
1050	550	305	629
1075	569	305	646
1100	584	305	659
1125	601	305	674
1150	615	305	686
1175	632	305	702
1200	645	305	714

Specifications:

- Maximum Belt Speed5 m/s
- Temperature Rating (TuffShear).....-35° C to 82° C
- Temperature Rating (TuffShear High Temp).....Up to 135° C with spikes to 164° C
- Minimum Pulley Diameter.....400 mm
- Blade Height.....250 mm
- Usable Blade Wear Length.....150 mm
- Blade MaterialPolyurethane (proprietary blend for abrasion resistance and long wear)
- Available for Belt Widths600 to 2400 mm. Other sizes available upon request.
- CEMA Cleaner RatingClass 4

Replacement Parts List

MMP Medium Mine-Duty Precleaner



Replacement Parts

REF	DESCRIPTION	ORDERING NUMBER	ITEM CODE	WT. KG
1	600 mm Center Pole	MMPCP24	76458	15.6
	750 mm Center Pole	MMPCP30	76459	19.6
	900 mm Center Pole	MMPCP36	76460	23.5
	1050 mm Center Pole	MMPCP42	76461	27.3
	1200 mm Center Pole	MMPCP48	76462	31.2
	1350 mm Center Pole	MMPCP54	76463	35.1
	1500 mm Center Pole	MMPCP60	76464	39.1
	1800 mm Center Pole	MMPCP72	76465	46.9
	2100 mm Center Pole	MMPCP84	76808	54.7
2	Extender Pole Kit (2 ea.)	MHP-EP	76392	24.6
3	Mounting Plate Kit* (2 ea.)	MSPMPK	75811	3.8
4	Blade Pin Kit* (1 ea.)	MMPBPK	76466	0.4
5	Pivot Arm Kit* (1 ea.)	QMTPAK	76096	2.0
6	Tension Spring – Purple (1 ea.) for blades 600mm	QMTS-P	75845	0.3
6a	Tension Spring – White (1 ea.) for blades 750 - 2250mm	PSTS-W	75898	0.8
6b	Tension Spring – Gold (1 ea.) for blades 1350 - 1950mm	QMTS-G	76484	2.5
6c	Tension Spring – Silver (1 ea.) for blades 2100-2350mm	PSTS-S	75899	0.9
7	Bushing Kit – Purple (2 ea.)	QMTBK-P	76097	0.1
7a	Bushing Kit – White & Silver (2 ea.)	QMTBK-W	76098	0.1
7b	Bushing Kit – Gold (2 ea.)	QMTBK-G	76540	0.1
8	Pivot Shaft Bracket Kit* (1 ea.)	QMTPSBK	76099	2.0
9	Torsion Arm Kit* (1 ea.)	PSTA	75896	5.2
10	Jam Nut Kit, QMT Tensioner	JNK-C	79893	9.3
-	QMT Spring Tensioner* – Purple (incl. 1 ea. Items 5, 6, 7, 8, & 9) for blades 450 - 600mm	QMT-P	76074	10.0
-	QMT Spring Tensioner* – White (incl. 1 ea. Items 5, 6a, 7a, 8, & 9) for blades 750 - 1200mm	QMT-W	76075	10.6
-	QMT Spring Tensioner* – Gold (incl. 1 ea. Items 5, 6b, 7b, 8, & 9) for blades 1350 - 1950mm	QMT-G	76483	23.2
-	QMT Spring Tensioner* – Silver (incl. 1 ea. Items 5, 6c, 7a, 8 & 9) blades 2100-2350mm	QMT-S	79039	6.2
11	Air/Water Bag (1 ea.)	AWTB	75905	1.2
12	Mounting Base (1 ea.)	AWTMB	75906	7.0
13	Torque Arm* (1 ea.)	AWTA	75907	3.5
14	Hose Kit (15 m of hose and 6 hose clamps)	AWTHK	75909	2.0
15	PAT Control Box 413.7 kPa	PACB60	78683	3.4
16	AWT Pole Bearing Assy (for cleaners shipped after 4/2016)	AWTPBA	90000	0.7
-	PAT Kit – AWT Tensioner w/ Control Box (includes 2 ea. Items 11,12,13,14 & 1 ea. Item 15)	PAK	78705	26.3
-	AWT Air/Water Tensioner w/o Control Box (includes 2 ea. Items 11,12,13 & 14)	AWTNCB	76069	22.9

*Hardware Included

Spring Tensioner Selection Chart

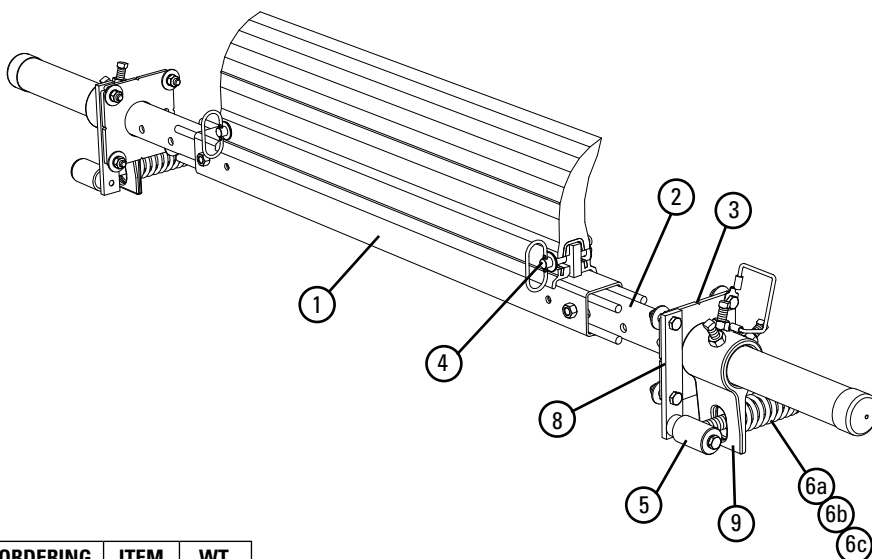
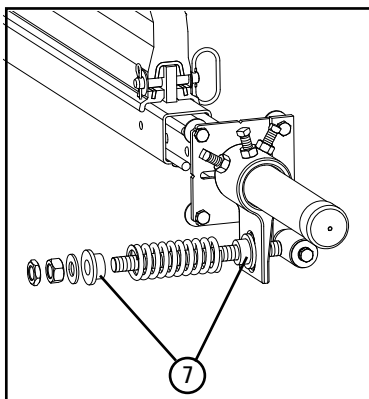
CLEANER BLADE WIDTH	76074 QMT-P	76075 QMT-W	76483 QMT-G	79039 QMT-S
TuffShear 450 - 600 mm	X			
TuffShear 750 - 1200 mm		X		
TuffShear 1350 - 1950 mm			X	
TuffShear 2100 - 2250 mm				X

Stock items (non-shaded) refer to (*) for specific lead time, if not specified, standard lead time applies.

Non-stock items (shaded) please contact Flexco for dispatch options and lead times.

Replacement Parts List

MMP ATEX Medium Mine-Duty Precleaner



Replacement Parts

REF	DESCRIPTION	ORDERING NUMBER	ITEM CODE	WT. KG
1	650mm Center Pole	MMPCP650	90421	16.9
	800mm Center Pole	MMPCP800	90422	20.8
	1000mm Center Pole	MMPCP1000	90423	26.0
	1200mm Center Pole	MMPCP1200	90424	31.2
	1400mm Center Pole	MMPCP1400	90425	36.4
	1600mm Center Pole	MMPCP1600	90426	41.6
	1800mm Center Pole	MMPCP1800	90427	46.8
	2000mm Center Pole	MMPCP2000	90428	52.0
	2100mm Center Pole	MMPCP2100	90429	54.6
2	Extender Pole Kit (2 ea.)	MHP-EP	76392	24.5
3	Mounting Plate Kit* (2 ea.)	MSPMPK	75811	3.8
4	Blade Pin Kit* (1 ea.)	MMPBPK	76466	0.4
5	Pivot Arm Kit* (1 ea.)	QMTPAK	76096	2.0
6a	Tension Spring - Purple (1 ea.) for blades 500 - 650mm	QMTS-P	75845	0.3
6b	Tension Spring - White (1 ea.) for blades 700 - 1300mm	PSTS-W	75898	0.8
6c	Tension Spring - Gold (1 ea.) for blades 1450 - 1850mm	QMTS-G	76484	1.1
7	QMT Bushing Kit - ATEX (2 ea.)	QMTBK-ATEX	90435	0.1
8	Pivot Shaft Bracket Kit* (1 ea.)	QMTPSBK	76099	2.0
9	Torsion Arm Kit* (1 ea.)	PSTA	75896	5.2
10	Grounding Wire Kit (1 ea.)	ATEX-GWK	90263	0.1
-	QMT Spring Tensioner* - Purple (incl. 1 ea. Items 5, 6, 7, 8, & 9) for blades 500 - 650mm	QMT-P-CN	82179	9.3
-	QMT Spring Tensioner* - White (incl. 1 ea. Items 5, 6a, 7, 8, & 9) for blades 700 - 1300mm	QMT-W-CN	82180	9.9
-	QMT Spring Tensioner* - Gold (incl. 1 ea. Items 5, 6b, 7, 8, & 9) for blades 1450 - 1850mm	QMT-G-CN	82181	10.5

*Hardware Included

Spring Tensioner Selection Chart

CLEANER BLADE WIDTH	82179 QMT-P-CN	82180 QMT-W-CN	82181 QMT-G-CN
TuffShear 500-650mm	X		
TuffShear 700-1300mm		X	
TuffShear 1450-1850mm			X

Stock items (non-shaded) refer to (*) for specific lead time, if not specified, standard lead time applies.

Non-stock items (shaded) please contact Flexco for dispatch options and lead times.

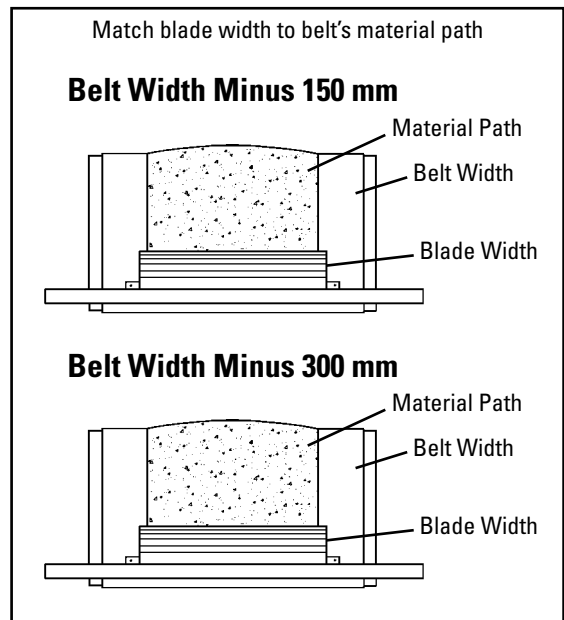
Product Ordering Information

MHP
Mine Tough Heavy-Duty Precleaner



MHP Precleaner

BELT WIDTH	BLADE WIDTH	ORDERING NUMBER	ITEM CODE	WT. KG
500 - 650	450	MHP-624	77703	114.0
650 - 800	600	MHP-630	77704	122.0
800 - 1000	750	MHP-636	77705	130.0
1000 - 1200	900	MHP-642	77706	138.0
1200 - 1400	1050	MHP-648	77707	147.0
1400 - 1600	1200	MHP-654	77708	155.0
1600 - 1800	1350	MHP-660	77709	164.0
1600 - 2000	1500	MHP-1272	77719	176.0
1800 - 2000	1650	MHP-672	77710	180.0
2000 - 2200	1800	MHP-1284	77720	197.0



Product Notes:

- Recommended for heavy-duty conveyor applications.
- Material Path Option: Fit the blade width to the belt's material path. The material path is typically the center 2/3 of the belt width. In most cases a blade size of belt width minus 150 mm may be the best solution.
- Each cleaner pole is retrofittable for four blade sizes (belt width -150 mm, -300 mm, -450 mm, or -600 mm).
- Pole Length: Belt width plus 1350 mm. For longer requirements see Installation Accessories - Pole Extender Kit page 123.
- Visual Tension Check: No guesswork on blade tensioning. Measure the spring and adjust to specified length per blade width to restore optimal tensioning.

Stock items (non-shaded) refer to (*) for specific lead time, if not specified, standard lead time applies.

Non-stock items (shaded) please contact Flexco for dispatch options and lead times.

Product Ordering Information

MegaShear™ Replacement Blades



BLADE WIDTH	ORDERING NUMBER	ITEM CODE	WT. KG
450	MRB18	77531	13.1
600	MRB24	77532	17.5
750	MRB30	77533	21.8
900	MRB36	77534	26.2
1050	MRB42	77535	30.6
1200	MRB48	77536	34.9
1350	MRB54	77537	39.3
1500	MRB60	77538	47.3
1650	MRB66	77539	48.0
1800	MRB72	77540	52.4

Product Notes:

- A molded-in wear line indicates when the blade is worn out and needs to be replaced.
- Faceted blade profile: Renews its cleaning edge as the blade wears.
- MegaShear™ blades are made of a special long-wearing polyurethane.
- Quick blade replacement: Pull one pin, remove the old blade and slide the new one in.

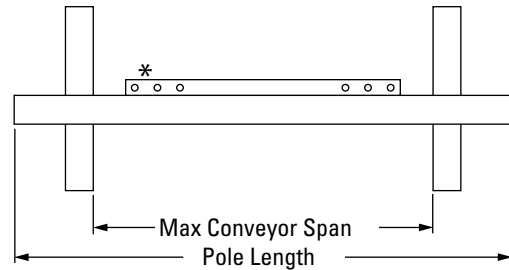
Stock items (non-shaded) refer to (*) for specific lead time, if not specified, standard lead time applies.
 Non-stock items (shaded) please contact Flexco for dispatch options and lead times.

Specifications & Guidelines

Pole Length Specifications*

CLEANER SIZE	MAX OVERALL POLE LENGTH	CENTER POLE LENGTH	MAXIMUM CONVEYOR SPAN
600	1950	600	1650
750	2100	750	1800
900	2250	900	1950
1050	2400	1050	2100
1200	2550	1200	2250
1350	2700	1350	2400
1500	2850	1500	2550
1800	3150	1800	2850
2100	3450	2100	3150
2400	3750	2400	3450

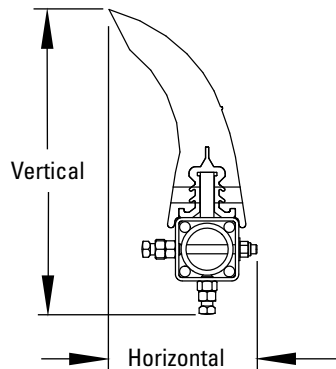
*For special extra long pole length requirements a Pole Extender Kit (#76024) is available that provides 750 mm of extended pole length. Pole Diameter – 73 mm



*Each pole size can be used with a blade size either belt width minus 150 mm, belt width minus 300 mm, or belt width minus 450 mm.

Clearance Guidelines for Installation

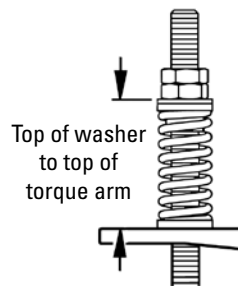
HORIZONTAL CLEARANCE REQUIRED	VERTICAL CLEARANCE REQUIRED
200	488



Spring Length Chart Metric

Blade Width	White Springs	Silver Springs	Red Springs
450	146	162	165
600	137	159	162
750	130	156	162
900	121	156	159
1050	114	152	159
1200	N/A	149	156
1350	N/A	146	156
1500	N/A	146	152
1650	N/A	143	152
1800	N/A	140	149
1950	N/A	130	149
2100	N/A	N/A	146
2250	N/A	N/A	143
2400	N/A	N/A	140
2550	N/A	N/A	140

Shading indicates preferred spring option.



Air/Water or Nitrogen Pressure Chart

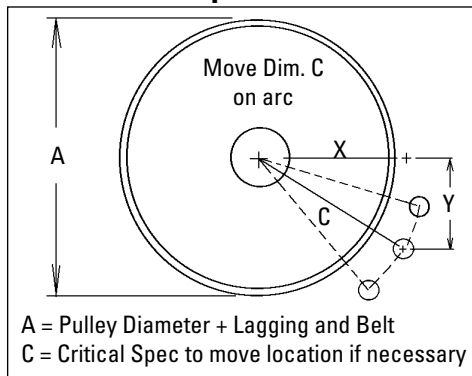
Blade Width	kPa
mm	
450	55.2
600	68.9
800	89.6
900	103.4
1050	124.1
1200	137.9
1350	158.6
1500	172.4
1650	193.1
1800	213.7
1950	227.5
2100	248.2
2250	262.0
2400	282.7
2550	296.5

Specifications:

- Maximum Belt Speed7.5 m/s 1500 FPM
- Temperature Rating-35° C to 82° C
- Minimum Pulley Diameter.....500 mm
- Blade Height.....306 mm
- Usable Blade Wear Length.....200 mm
- Blade MaterialPolyurethane 90 durometer (proprietary blend for abrasion resistance and long wear)
- Available for Belt Widths600 to 2400 mm. Other sizes available upon request.
- CEMA Cleaner RatingClass 5

Specifications & Guidelines

Pole Location Specs



X & Y Chart for Pole Location

Pulley Diameter (including belt and lagging)	X	Y	C
500	250	365	442
525	263	365	450
550	275	365	457
575	288	365	465
600	300	365	472
625	313	365	480
650	325	365	489
675	338	365	497
700	350	365	506
725	363	365	514
750	375	365	523
775	388	365	532
800	400	365	542
825	413	365	551
850	425	365	560
875	438	365	570
900	450	365	579
925	463	365	589
950	475	365	599
975	488	365	609
1000	500	365	619
1025	513	365	629
1050	525	365	639
1075	538	365	650
1100	550	365	660

X & Y Chart for Pole Location

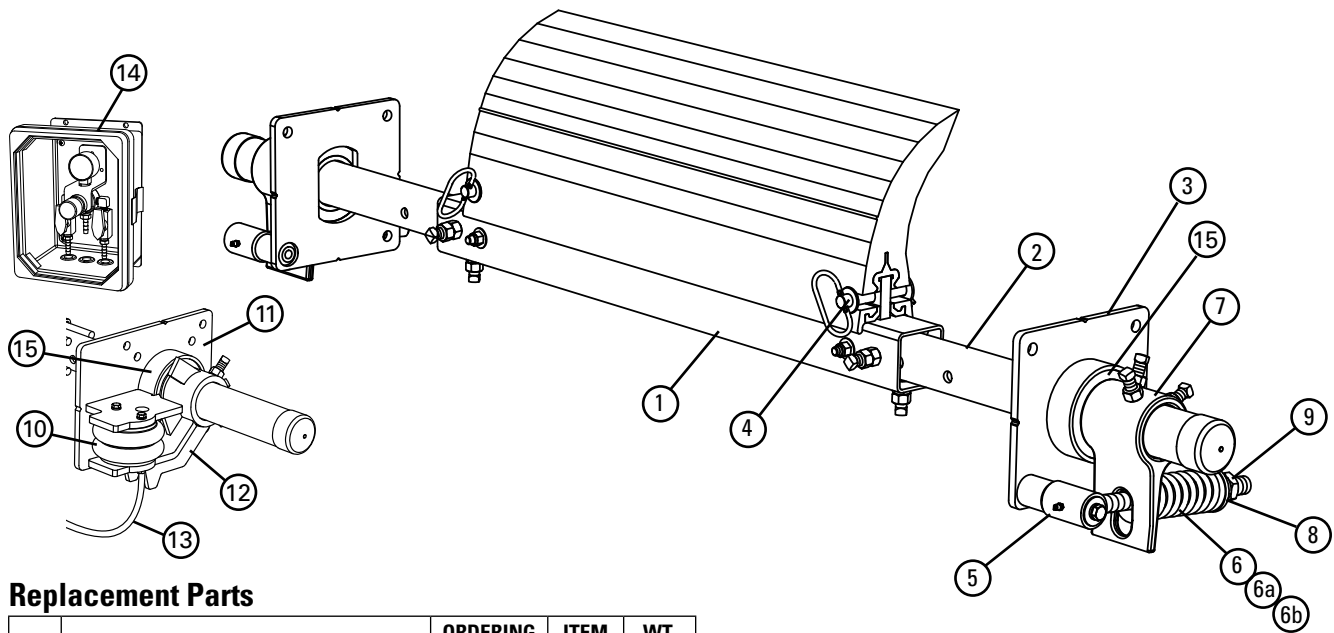
Pulley Diameter (including belt and lagging)	X	Y	C
1125	563	365	671
1150	575	365	681
1175	588	365	692
1200	600	365	702
1225	613	365	714
1250	628	365	727
1275	641	365	738
1300	657	365	752
1325	672	365	765
1350	685	365	776
1375	700	365	790
1400	713	365	801
1425	728	365	815
1450	741	365	826
1475	757	365	840
1500	769	365	851
1525	782	365	863
1550	797	365	877
1575	810	365	888
1600	826	365	903
1625	838	365	914
1650	850	365	925
1675	866	365	940
1700	879	365	951
1725	891	365	963

X & Y Chart for Pole Location

Pulley Diameter (including belt and lagging)	X	Y	C
1750	906	365	977
1775	919	365	989
1800	932	365	1001
1825	947	365	1015
1850	960	365	1027
1875	972	365	1039
1900	985	365	1050
1925	1000	365	1064
1950	1013	365	1077
1975	1026	365	1089
2000	1038	365	1100
2025	1053	365	1114
2050	1066	365	1127
2075	1079	365	1139
2100	1090	365	1150

Replacement Parts List

MHP
Mine Tough Heavy-Duty Precleaner



Replacement Parts

REF	DESCRIPTION	ORDERING NUMBER	ITEM CODE	WT. KG
1	600 mm Center Pole	MMPCP24	76458	15.6
	750 mm Center Pole	MMPCP30	76459	19.5
	900 mm Center Pole	MMPCP36	76460	23.4
	1050 mm Center Pole	MMPCP42	76461	27.3
	1200 mm Center Pole	MMPCP48	76462	31.2
	1350 mm Center Pole	MMPCP54	76463	35.1
	1500 mm Center Pole	MMPCP60	76464	39.0
	1800 mm Center Pole	MMPCP72	76465	46.8
	2100 mm Center Pole	MMPCP84	76808	54.6
2	Extender Pole Kit (2 ea.)	MHP-EP	76392	24.5
3	Mounting Plate Kit* (2 ea.)	MHPMPK	77727	13.5
4	Blade Pin Kit* (1 ea.)	MHPBPK	77728	0.4
5	Torque Pivot Kit* (1 ea.)	PTPK	75897	2.1
6	Tension Spring – White (1 ea.) for blades 450 - 1050mm	PSTS-W	75898	0.5
6a	Tension Spring – Silver (1 ea.) for blades 1200 - 1950mm	PSTS-S	75899	0.9
6b	Tension Spring – Red (1 ea.) for blades 2100 - 2250mm	PSTS-R	77726	1.3
7	Torque Arm Kit* (1 ea.)	PSTA	75896	3.5
8	Bushing Kit (2 ea.)	QMTBK-W	76098	0.1
9	Jam Nut Kit PST Tensioner	JNK-D	79894	0.1
-	PST Spring Tensioner* – White (incl. 2 ea. Items 3, 5, 6, 7, & 8) for blades 450 - 1050mm	PST2-W	77723	26.2
-	PST Spring Tensioner* – Silver (incl. 2 ea. Items 3, 5, 6a, 7, & 8) for blades 1200 - 1950mm	PST2-S	77724	26.6
-	PST Spring Tensioner* – Red (incl. 2 ea. Items 3, 5, 6b, 7 & 8) for blades 2100 - 2250mm	PST2-R	77725	27.1
10	Air/Water Bag (1 ea.)	AWTB	75905	1.2
11	Mounting Base (1 ea.)	AWTMB	75906	7.0
12	Torque Arm* (1 ea.)	AWTA	75907	3.5
13	Hose Kit (15 m of hose and 6 hose clamps)	AWTHK	75909	2.0
14	PAT Control Box 413.7 kPa	PACB60	78683	3.4
15	Pole Bearing Assy (for cleaners shipped after 4/2016)	AWTPBA	90000	0.7
-	PAT Kit- AWT Tensioner w/Control Box (includes 2 ea. Items 10, 11, 12 & 1 ea. Items 13, 14)	PAK	78705	26.3
-	AWT Air/Water Tensioner w/o Control Box (includes 2 each items 10, 11, 12 & 1 each item 13)	AWTNCB	76069	22.9

*Hardware Included

Spring Tensioner Selection Chart

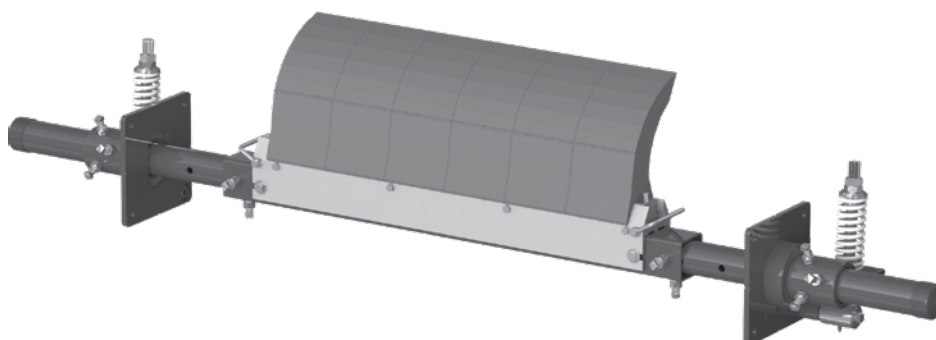
CLEANER BLADE WIDTH	77723 PST2-W	77724 PST2-S	77725 PST2-R
MegaShear 450 - 1050 mm	X		
MegaShear 1200 - 1950 mm		X	
MegaShear 2100 - 2250 mm			X

Stock items (non-shaded) refer to (*) for specific lead time, if not specified, standard lead time applies.

Non-stock items (shaded) please contact Flexco for dispatch options and lead times.

Product Ordering Information

MHCP Heavy-Duty Cartridge Precleaner




MHCP HD Cartridge Precleaner with Spring Tensioner (PST)

BELT WIDTH	BLADE WIDTH	ORDERING NUMBER	ITEM CODE	WT. KG
500 - 650	450	MHCP-24S	75929	87.1
650 - 800	600	MHCP-30S	75930	94.0
800 - 1000	750	MHCP-36S	75931	100.9
1000 - 1200	900	MHCP-42S	75932	107.7
1200 - 1400	1050	MHCP-48S	75933	114.5
1400 - 1600	1200	MHCP-54S	75934	121.4
1600 - 1800	1350	MHCP-60S	75935	128.2
1800 - 2000	1650	MHCP-72S	75936	141.9
2000 - 2400	1950	MHCP-84S	76800	165.5

Product Notes:

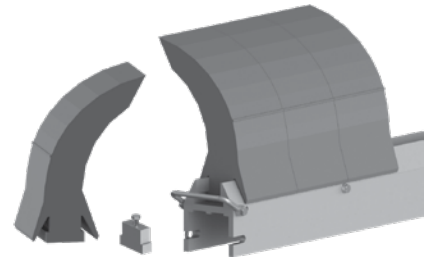
- Heavy-duty design with massive SuperShear™ blades for constant cleaning power on abusive beltlines.
- Blade width equals belt width minus 150 mm. Can be adjusted to belt's material path.
- Pole Length: Belt width plus 1450 mm. For longer requirements see Installation Accessories - Pole Extender Kit see page 123.
- Tensioner Options: 1) PST Spring Tensioner for self-adjusting tensioning with easy retensioning adjustments; 2) AWT Air/Water Tensioner for automatic tensioning throughout the life of the blades; 3) NT Nitrogen Tensioner for automatic tensioning with a nitrogen tank; 4) Portable Air Tensioner used for constant, automatic tension throughout the life of the blades. Can be used with site available air lines or with the add-on air tank.

 Stock items (non-shaded) refer to (*) for specific lead time, if not specified, standard lead time applies.

 Non-stock items (shaded) please contact Flexco for dispatch options and lead times.

Optional Assemblies, Tensioners & Kits

MHCP Heavy-Duty Cartridge Precleaner



Blade Cartridge Kit

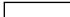
Blade Cartridge Kits


(Includes blades, cartridge, and mounting bolts)

BELT WIDTH	ORDERING NUMBER	ITEM CODE	WT. KG
500 - 650	MHCP-BCK24	75953	15.0
650 - 800	MHCP-BCK30	75954	20.0
800 - 1000	MHCP-BCK36	75955	25.0
1000 - 1200	MHCP-BCK42	75956	30.0
1200 - 1400	MHCP-BCK48	75957	35.0
1400 - 1600	MHCP-BCK54	75958	40.0
1600 - 1800	MHCP-BCK60	75959	45.0
1800 - 2000	MHCP-BCK72	75960	54.9
2000 - 2400	MHCP-BCK84	76810	64.0

Replacemtn Super Shear Blades

BELT WIDTH	ORDERING NUMBER	ITEM CODE	WT. KG
152	SSRB	75978	3.0
152	SSRB-ME85	J1520	3.0
152	SSRB-ME90	J1521	3.0
152	SSRB-MA85	J1517	3.0
152	SSRB-MA90	J1518	3.0
152	SSRB-ME95	J1519	3.0

 Stock items (non-shaded) refer to (*) for specific lead time, if not specified, standard lead time applies.

 Non-stock items (shaded) please contact Flexco for dispatch options and lead times.

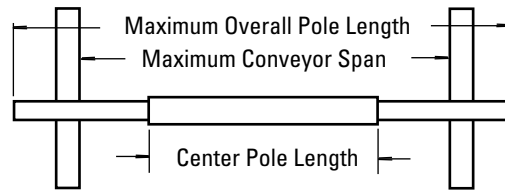
Specifications & Guidelines

MHCP Heavy-Duty Cartridge Precleaner

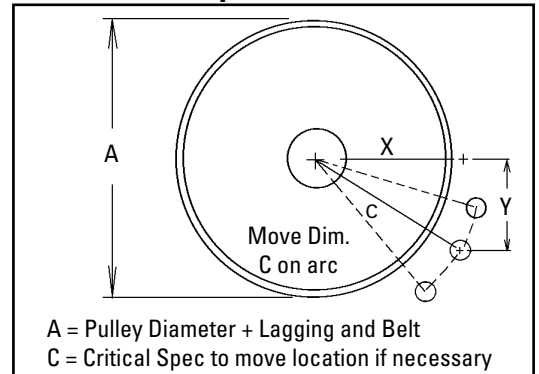
Telescoping Pole Length Specifications

CLEANER SIZE	MAX OVERALL POLE LENGTH	CENTER POLE LENGTH	MAXIMUM CONVEYOR SPAN
600	2050	700	1650
750	2200	850	1800
900	2350	1000	1950
1050	2500	1150	2100
1200	2650	1300	2250
1350	2800	1450	2400
1500	2950	1600	2550
1800	3250	1900	2850
2100	3550	2200	3150
2400	3850	2500	3450

Pole Diameter – 73 mm

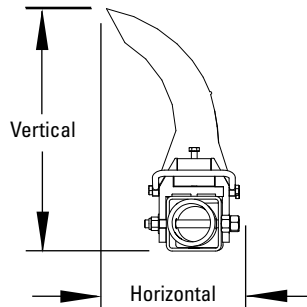


Pole Location Specs



Clearance Guidelines for Installation

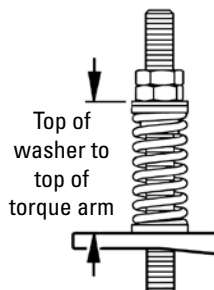
HORIZONTAL CLEARANCE REQUIRED	VERTICAL CLEARANCE REQUIRED
175	475



Spring Length Chart

Blade Width	White Springs	Silver Springs	Red Springs
450	146	162	165
600	137	159	162
750	130	156	162
900	121	156	159
1050	114	152	159
1200	N/A	149	156
1350	N/A	146	156
1500	N/A	146	152
1650	N/A	143	152
1800	N/A	140	149
1950	N/A	130	146
2100	N/A	N/A	146
2250	N/A	N/A	143
2400	N/A	N/A	140
2550	N/A	N/A	140

Shading indicates preferred spring option.



Air/Water or Nitrogen Pressure Chart

BLADE WIDTH	BLADES	kPa
450	3	55.2
600	4	69.0
750	5	89.6
900	6	103.4
1050	7	124.1
1200	8	137.9
1350	9	158.6
1500	10	172.4
1650	11	193.1
1800	12	213.7
1950	13	227.5
2100	14	248.2
2400	15	262.0

kPa setting is based on the number of blades on the cleaner, not the belt width.

Pole Location Chart

A	X	Y	C
500	254	365	445
525	267	365	451
550	279	365	460
575	292	365	467
600	305	365	476
625	318	365	483
650	330	365	492
675	343	365	502
700	356	365	511
725	368	365	518
750	381	365	527
775	394	365	537
800	406	365	546
825	419	365	556
850	432	365	565
875	445	365	575
900	457	365	584
925	470	365	594
950	483	365	606
975	495	365	616
1000	508	365	625
1025	521	365	635
1050	533	365	648
1075	546	365	657
1100	565	365	673
1125	581	365	686
1150	597	365	699
1175	610	365	711
1200	625	365	724

Specifications:

- Maximum Belt Speed 6 m/s
- Temperature Rating -35° C to 82° C
- Minimum Pulley Diameter..... 500 mm
- Blade Height..... 350 mm
- Usable Blade Wear Length..... 200 mm
- Blades Polyurethane (proprietary blend for abrasion resistance and long wear)
- Available for Belt Widths 600 to 2400 mm
Other sizes available upon request
- CEMA Cleaner Rating Class 5

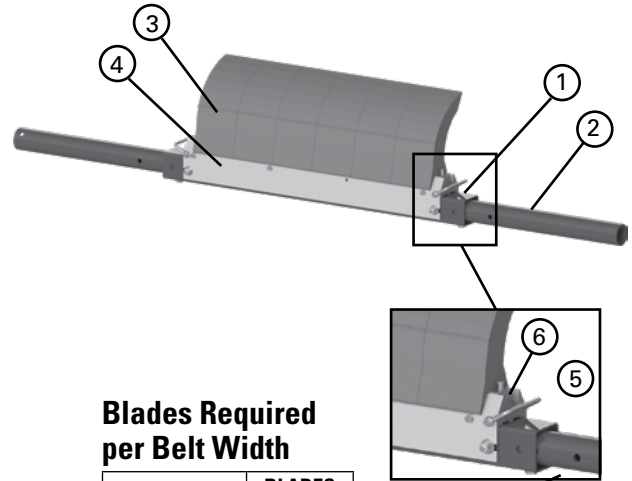
Replacement Parts List

MHCP Heavy-Duty Cartridge Precleaner

Replacement Parts

REF	DESCRIPTION	ORDERING NUMBER	ITEM CODE	WT. KG
1	600 mm Center Pole	MHP-CP24	75961	19.0
	750 mm Center Pole	MHP-CP30	75962	23.1
	900 mm Center Pole	MHP-CP36	75963	27.2
	1050 mm Center Pole	MHP-CP42	75964	31.2
	1200 mm Center Pole	MHP-CP48	75965	35.3
	1350 mm Center Pole	MHP-CP54	75966	39.4
	1500 mm Center Pole	MHP-CP60	75967	43.5
	1800 mm Center Pole	MHP-CP72	75968	51.6
	2100 mm Center Pole	MHP-CP84	76811	60.2
2	MHCP Extender Poles (2 ea.)	MHP-EP	76392	54.0
3	SuperShear™ Blade	SSRB	75978	6.6
4	600 mm 2-Piece Blade Cartridge*	MHCP-2BC24	76638	13.2
	750 mm 2-Piece Blade Cartridge*	MHCP-2BC30	76639	17.6
	900 mm 2-Piece Blade Cartridge*	MHCP-2BC36	76640	22.0
	1050 mm 2-Piece Blade Cartridge*	MHCP-2BC42	76641	26.4
	1200 mm 2-Piece Blade Cartridge*	MHCP-2BC48	76642	30.8
	1350 mm 2-Piece Blade Cartridge*	MHCP-2BC54	76643	35.2
	1500 mm 2-Piece Blade Cartridge*	MHCP-2BC60	76644	39.6
	1800 mm 2-Piece Blade Cartridge*	MHCP-2BC72	76645	48.4
	2100 mm 2-Piece Blade Cartridge*	MHCP-2BC84	76812	56.5
5	MHCP Cartridge Handle*	MHCP-CH	76393	0.4
6	MHCP Cartridge Blade Stop*	MHCP-BS	76394	0.4

*Hardware Included



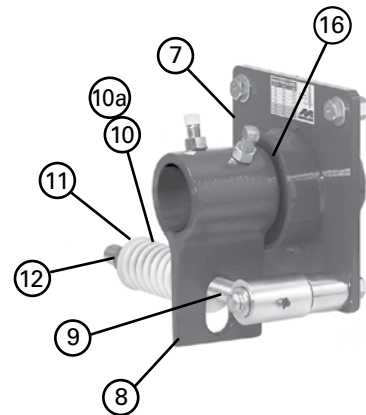
Blades Required per Belt Width

BELT WIDTH	BLADES REQUIRED
600	3
750	4
900	5
1050	6
1200	7
1350	8
1500	9
1800	11
2100	13
2400	15

Blades and cartridges can be purchased separately (see chart at left) or preassembled as a Blade Cartridge Kit on page 60.

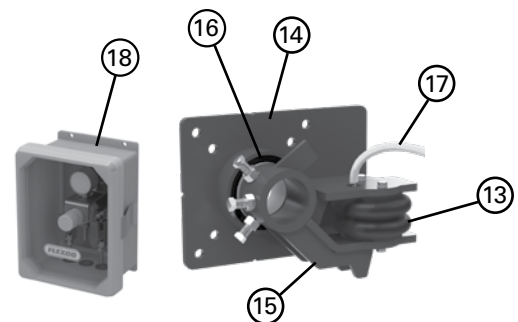
PST Spring Tensioner Replacement Parts

REF	DESCRIPTION	ORDERING NUMBER	ITEM CODE	WT. KG
7	Mounting Plate Kit * (2 ea.)	MHPMPK	77727	20.1
8	Torque Arm * (1 ea.)	PSTA	75896	5.1
9	Torque Pivot Kit (1 ea.) (no spring)	PTPK	75897	3.2
10	Tension Spring – White (1 ea.) for belts 600-1200mm	PSTS-W	75898	0.8
10a	Tension Spring – Silver (1 ea.) for belts 1350-2100mm	PSTS-S	75899	1.4
10b	Tension Spring – Red (1 ea.) for belts 2400mm	PSTS-R	77726	1.4
11	Bushing Kit (2 ea.) (for White, Silver, & Red Tensioners)	QMTBK-W	76098	0.1
12	Jam Nut Kit PST Tensioner	JNK-D	79894	0.1
-	PST Spring Tensioner* – White (includes 2 each items 7, 8, 9, 10 & 11) for belts 600-1200mm	PST2-W	77723	39.1
-	PST Spring Tensioner* – Silver (includes 2 each items 7, 8, 9, 10a & 11) for belts 1350-2100mm	PST2-S	77724	39.2
-	PST Spring Tensioner* – Red (incl. 2 each items 7, 8, 9, 10b & 11 for belts 2400mm	PST2-R	77725	39.1



Air/Water Tensioner Replacement Parts

REF	DESCRIPTION	ORDERING NUMBER	ITEM CODE	WT. KG
13	Air/Water Bag (1 ea.)	AWTB	75905	1.7
14	Mounting Base (1 ea.)	AWTMB	75906	10.4
15	Torque Arm* (1 ea.)	AWTA	75907	5.3
16	Pole Bearing Assy (for cleaners shipped after 4/2016)	AWTPBA	90000	2.3
17	Hose Kit (15 m of hose and 6 hose clamps)	AWTHK	75909	3.1
-	AWT Air/Water Tensioner w/o Control Box (includes 2 each items 12, 13, 14 & 1 each item 15)	AWTNCB	76069	34.2
18	PAT Control Box 413.7 kPa	PACB60	78683	5.0
-	PAT Kit - PAT Tensioner (includes 2 each items 12, 13, 14 & 1 each items 15 & 16)	PAK	78705	39.1



Stock items (non-shaded) refer to (*) for specific lead time, if not specified, standard lead time applies.
Non-stock items (shaded) please contact Flexco for dispatch options and lead times.

Product Ordering Information

MXP Extreme-Duty Precleaner



MXP Extreme-Duty Precleaner Belt Width 150 mm with Spring Tensioner (XDST)

BELT WIDTH	BLADE WIDTH	ORDERING NUMBER	ITEM CODE	WT. KG
1000 - 1200	900	MXP-642	90393	298.9
1200 - 1400	1050	MXP-648	90394	317.5
1400 - 1600	1200	MXP-654	90395	336.6
	1350	MXP-660	90396	355.2
1600 - 1800	1500	MXP-1272	90585	385.1
	1650	MXP-672	90397	394.2
2000 - 2200	1800	MXP-1284	90586	423.2
	1950	MXP-684	90398	432.3
2400 - 2600	2100	MXP-1296	90587	460.8
	2250	MXP-696	90399	469.9
2800 - 3000	2700	MXP-12120	90588	538.4
	2850	MXP-6120	90400	547.5

Product Notes:

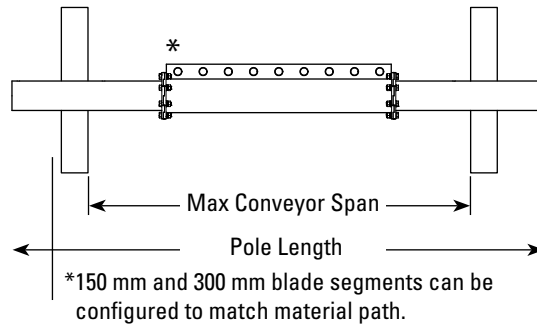
- Heavy-duty design with massive UltraShear™ blades for constant cleaning power on abusive beltlines.
- Blade width options for belt width minus 150 mm or belt width minus 300 mm. Can be adjusted to belt's material path.
- Pole Length: Belt width plus 2000 mm.
- Tensioner: XDST Spring Tensioner

Stock items (non-shaded) refer to (*) for specific lead time, if not specified, standard lead time applies.
 Non-stock items (shaded) please contact Flexco for dispatch options and lead times.

Specifications & Guidelines

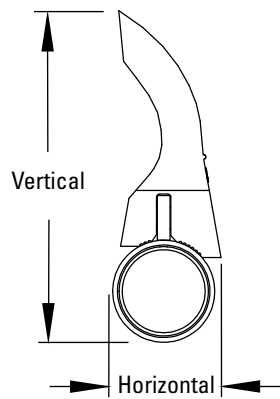
Pole Length Specifications*

CLEANER SIZE	MAX OVERALL POLE LENGTH	CENTER POLE LENGTH	MAXIMUM CONVEYOR SPAN
1050	3050	1200	2667
1200	3200	1350	2819
1350	3350	1500	2972
1500	3500	1650	3124
1800	3800	1950	3429
2100	4100	2250	3734
2400	4400	2550	4039
2700	4700	2850	4343
3000	5000	3150	4648



Clearance Guidelines for Installation

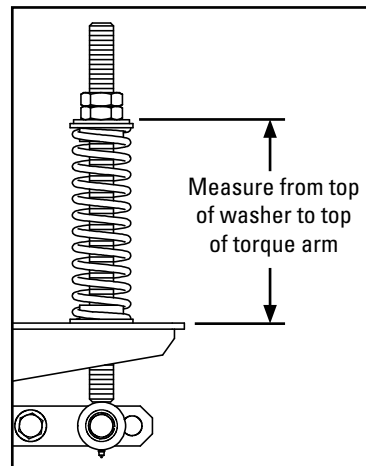
HORIZONTAL CLEARANCE REQUIRED	VERTICAL CLEARANCE REQUIRED
300	700



Spring Length Chart

BELT WIDTH	BLADE COVERAGE	NO. OF BLADES	PURPLE SPRINGS	WHITE SPRINGS	BLACK SPRINGS
1050	900	3	255	N/A	N/A
1200	1050	3.5	240	280	N/A
1350	1200	4	230	270	N/A
1500	1350	4.5	215	265	N/A
1800	1650	5.5	195	250	N/A
2100	1950	6.5	170	240	270
2400	2250	7.5	145	225	265
2700	2550	8.5	N/A	210	255
3000	2850	9.5	N/A	200	250

Shading indicates preferred spring option.

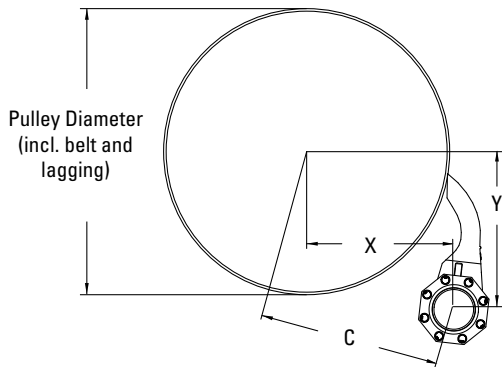


Specifications:

- Maximum Belt Speed10 m/s
- Temperature Rating-35° C to 135° C
- Minimum Pulley Diameter.....1200 mm
- Blade Height.....490 mm
- Usable Blade Wear Length.....290 mm
- Blade MaterialPolyurethane 93 durometer (proprietary blend for abrasion resistance and long wear)
- Available for Belt Widths1050 to 3000 mm. Other sizes available upon request.
- CEMA Cleaner RatingClass 5

Specifications & Guidelines

MXP
Extreme-Duty Precleaner



Pole Location Specs

X & Y Chart for Pole Location

Pulley Diameter (including belt and lagging)	X	Y	C
1225	520	665	845
1250	535	670	855
1275	545	670	865
1300	560	675	875
1325	570	675	885
1350	585	675	895
1375	595	680	905
1400	610	680	915
1425	620	685	925
1450	635	685	935
1475	645	690	945
1500	660	690	955
1525	670	695	965
1550	685	695	975
1575	695	695	985
1600	710	700	995
1625	720	700	1005
1650	735	705	1015
1675	745	705	1025
1700	760	710	1040
1725	770	710	1050
1750	785	710	1060
1775	795	715	1070
1800	810	715	1080
1825	820	720	1090

X & Y Chart for Pole Location (cont.)

Pulley Diameter (including belt and lagging)	X	Y	C
1850	835	720	1100
1875	845	725	1115
1900	860	725	1125
1925	870	730	1135
1950	885	730	1145
1975	895	730	1155
2000	910	735	1170
2025	920	735	1180
2050	935	740	1190
2075	945	740	1200
2100	960	745	1215
2125	970	745	1225
2150	985	750	1235
2175	995	750	1245
2200	1010	750	1260
2225	1020	755	1270
2250	1035	755	1280
2275	1045	760	1290
2300	1060	760	1305
2325	1070	765	1315
2350	1085	765	1325
2375	1095	770	1340
2400	1110	770	1350
2425	1120	770	1360

Product Ordering Information

H-Type with XF2-Tips Segmented Blade Precleaner



H-Type Precleaner with XF2-Tips
• 73 mm diameter pole.

H-Type® with XF2-Tips

BELT WIDTH	XF2-TIP SIZE	ORDERING NUMBER	ITEM CODE	WT. KG
450	SS	HXF2-18SS	76138	14.5
450	S	HXF2-18S	76289	44.0
450	M	HXF2-18M	76290	44.0
600	SS	HXF2-24SS	76139	49.9
600	S	HXF2-24S	76291	50.4
600	M	HXF2-24M	76292	51.0
900	SS	HXF2-36SS	76141	57.2
900	S	HXF2-36S	76295	58.0
900	M	HXF2-36M	76296	58.7
900	L	HXF2-36L	76297	59.2
1050	SS	HXF2-42SS	76142	62.9
1050	S	HXF2-42S	76298	63.8
1050	M	HXF2-42M	76299	64.7
1050	L	HXF2-42L	76300	65.4
1350	SS	HXF2-54SS	76144	70.2
1350	S	HXF2-54S	76304	71.3
1350	M	HXF2-54M	76305	73.3
1350	L	HXF2-54L	76306	74.2
1500	S	HXF2-60S	76145	89.0
1500	M	HXF2-60M	76307	90.3
1500	L	HXF2-60L	76308	91.2
1800	S	HXF2-72S	76146	98.3
1800	M	HXF2-72M	76309	100.0
1800	L	HXF2-72L	76310	100.9

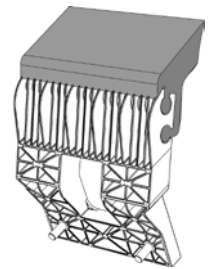
***NOTE:** XF2-Tips must be used on mechanically spliced belts. Can be used on vulcanized belts.

XF2-Tip size is determined by head pulley diameter – see chart. Additional sizes available upon request.

Replacement XF2-Tips

SIZE	ORDERING NUMBER	ITEM CODE	WT. KG
SS	HXF2-SS	75979	1.4
S	HXF2-S	75980	1.5
M	HXF2-M	75981	1.7
L	HXF2-L	75982	1.9

Specially formulated, long-wearing polyurethane blade tip. Impact-resistant, reinforced nylon base for rigidity and minimal deflection.



XF2-Tip Size

HEAD PULLEY DIAMETER + BELT & LAGGING	XF2-TIP SIZE
250 - 499	SS
500 - 799	S
800 - 999	M
1000 - 1200	L

Tips Required per Cleaner Size

mm	450	600	750	900	1050	1200	1350	1500	1800
XF2-Tips Required	2	3	3	4	5	5	6	7	8

Stock items (non-shaded) refer to (*) for specific lead time, if not specified, standard lead time applies.

Non-stock items (shaded) please contact Flexco for dispatch options and lead times.

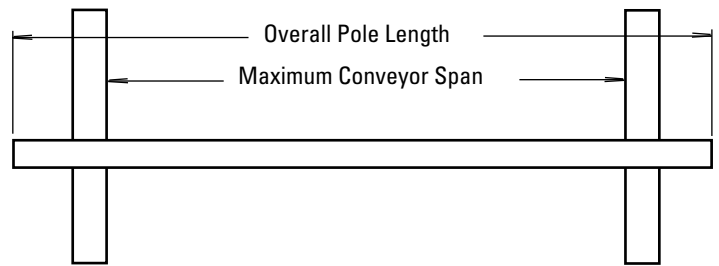
Specifications & Guidelines

H-Type with XF2-Tips Segmented Blade Precleaner

Pole Length Specifications*

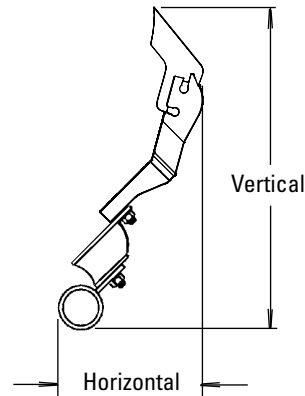
CLEANER SIZE	MAX OVERALL POLE LENGTH	MAXIMUM CONVEYOR SPAN
450	1650	1400
600	1800	1550
750	1950	1700
900	2100	1850
1050	2250	2000
1200	2400	2150
1350	2550	2300
1500	2700	2450
1800	3000	2750

*For special extra long pole length requirements a Pole Extender Kit (#76024) is available that provides 750 mm of extended pole length.
Pole Diameter – 73 mm



Clearance Guidelines for Installation

SUSPENSION ARM SIZE	HORIZONTAL CLEARANCE REQUIRED	VERTICAL CLEARANCE REQUIRED
SS	175	325
S	175	375
M	175	413
L	175	463
LL	175	550

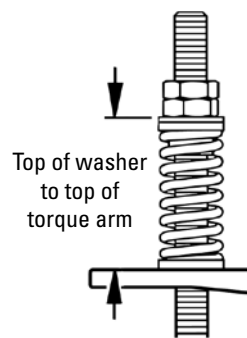


Spring Length Chart

with QMT Spring Tensioner

BELT WIDTH	TIPS	SPRING LENGTH			
		SS	S	M	L
450	2	114	102	146	N/A
600	3	143	140	137	N/A
750	3	143	140	137	N/A
900	4	137	130	127	108
1050	5	127	121	152	152
1200	5	127	121	152	152
1350	6	121	152	149	149
1500	7	N/A	149	146	146
1800	8	N/A	146	143	143

Purple Spring
 White Spring
 Silver Spring



Specifications:

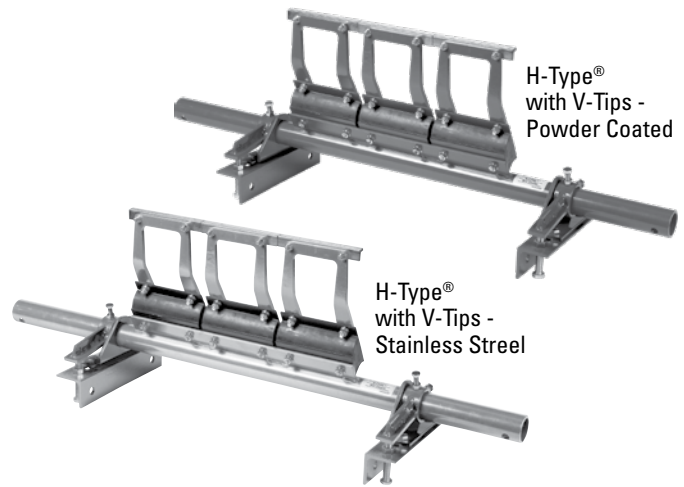
- Maximum Belt Speed5 m/s
- Temperature Rating-35° C to 82° C
- Usable Blade Wear Length.....75 mm
- Blade MaterialPolyurethane (proprietary blend for abrasion resistance and long wear)
- Available for Belt Widths450 mm to 1800 mm
Other sizes available upon request
- CEMA Cleaner RatingClass 4

Product Ordering Information

H-Type with V-Tips Segmented Blade Precleaner

H-Type® with V-Tips* (Bolt Tensioner)

BELT WIDTH	SUSPENSION ARM SIZE	ORDERING NUMBER	ITEM CODE	WT. KG
500	SSS	HV400SSS	64788	30.0
500	SS	HV400SS	73026	30.0
500	S	HV400S	73028	30.0
500	M	HV400M	73019	30.0
650-800	SSS	HV600SSS	64789	35.0
650-800	SS	HV600SS	73045	35.0
650-800	S	HV600S	73030	35.0
650-800	M	HV600M	73173	35.0
1000	SSS	HV800SSS	64790	42.0
1000	SS	HV800SS	73055	42.0
1000	S	HV800S	73034	42.0
1000	M	HV800M	73175	42.0
1000	L	HV800L	73178	42.0
1200	SSS	HV1000SSS	64901	46.0
1200	SS	HV1000SS	73057	46.0
1200	S	HV1000S	73056	46.0
1200	M	HV1000M	73036	46.0
1200	L	HV1000L	73179	46.0
1400	SS	HV1200SS	73059	50.0
1400	S	HV1200S	73058	50.0
1400	M	HV1200M	73038	50.0
1400	L	HV1200L	73180	50.0
1600	S	HV1400S	74203	64.0
1600	M	HV1400M	73177	64.0
1600	L	HV1400L	73158	64.0
1600	LL	HV1400LL	73215	64.0
1800	M	HV1600M	73637	68.0
1800	L	HV1600L	73638	68.0
1800	LL	HV1600LL	73639	68.0
2000	M	HVHD1800M	74602	95.0
2000	L	HVHD1800L	74477	95.0
2000	LL	HVHD1800LL	74478	95.0
2200	M	HVHD2000M	74539	102.0
2200	L	HVHD2000L	74540	102.0
2200	LL	HVHD2000LL	74541	102.0
2600	M	HVHD2400M	74544	118.0
2600	L	HVHD2400L	74545	118.0
2600	LL	HVHD2400LL	74546	118.0
2800	M	HVHD2600M	A2396	125.0
2800	L	HVHD2600L	A2461	125.0
2800	LL	HVHD2600LL	A2397	125.0
3200	M	HVHD3000M	74591	135.0
3200	L	HVHD3000L	74592	135.0
3200	LL	HVHD3000LL	74593	135.0



H-Type® with V-Tips - Powder Coated

H-Type® with V-Tips - Stainless Steel

H-Type® with V-Tips*-Stainless Steel (Bolt Tensioner)

BELT WIDTH mm	SUSPENSION ARM SIZE	ORDERING NUMBER	ITEM CODE	WT. KG
600	SS	HV400SS-S/S	75293	30.0
600	S	HV400S-S/S	75294	30.0
600	M	HV400M-S/S	75295	30.0
800	SS	HV600SS-S/S	75296	36.0
800	S	HV600S-S/S	75297	36.0
800	M	HV600M-S/S	75298	36.0
1000	SS	HV900SS-S/S	75302	43.0
1000	S	HV900S-S/S	75303	43.0
1000	M	HV900M-S/S	75304	43.0
1000	L	HV900L-S/S	75305	43.0
1200	SS	HV1050SS-S/S	75306	47.0
1200	S	HV1050S-S/S	75307	47.0
1200	M	HV1050M-S/S	75308	47.0
1200	L	HV1050L-S/S	75309	47.0
1400	SS	HV1200SS-S/S	75310	50.0
1400	S	HV1200S-S/S	75311	50.0
1400	M	HV1200M-S/S	75312	50.0
1400	L	HV1200L-S/S	75313	50.0
1600	M	HV1500M-S/S	75314	64.0
1600	L	HV1500L-S/S	75315	64.0
1600	LL	HV1500LL-S/S	75316	64.0
1800	M	HV1600M-S/S	75317	68.0
1800	L	HV1600L-S/S	75318	68.0
1800	LL	HV1600LL-S/S	75319	68.0
2000	M	HVHD1800M-S/S	A1594	98.0
2000	L	HVHD1800L-S/S	A1595	98.0
2000	LL	HVHD1800LL-S/S	A1596	98.0

Specify arm size when ordering.

*NOTE: V-Tips can be used ONLY on vulcanized belts. Suspension arm size is determined by head pulley diameter – see chart. Additional sizes available upon request.

Replacement Suspension Arms

SIZE	ORDERING NUMBER	ITEM CODE	WT. KG
SSS	HSA8SSS	75565	0.8
SS	HSA8SS	73047	0.9
S	HSA8S	73048	1.1
M	HSA8M	73049	1.3
L	HSA8L	73063	1.5
LL	HSA8LL	73064	1.7

HEAD PULLEY DIAMETER + BELT & LAGGING	SUSPENSION ARM SIZE
<250	SSS
250 - 499	SS
500 - 799	S
800 - 999	M
1000 - 1199	L
1200 - 1699	LL

Replacement V-Tips

ORDERING NUMBER	ITEM CODE	WT. KG
HVT8 (S/S)	75419	0.5

Replacement Suspension Arms

SIZE	ORDERING NUMBER	ITEM CODE	WT. KG
SS	HSA8SS-S/S	73771	1.0
S	HSA8S-S/S	73772	1.0
M	HSA8M-S/S	73773	1.0
L	HSA8L-S/S	73774	1.0
LL	HSA8LL-S/S	74033	1.0

H-Type® with V-Tips* (Bolt Tensioner)

mm	500	650-800	1000	1200	1400	1600	1800	2000	2200	2600	2800	3200
V-Tips Required	2	3	4	5	6	7	8	9	10	12	13	15

Product Ordering Information

H-Type with V-Tips Segmented Blade Precleaner



H-Type® with V-Tips* (Spring Tensioner)

BELT WIDTH	SUSPENSION ARM SIZE	ORDERING NUMBER	ITEM CODE	WT. KG
450	SS	HV-18SS	76101	43.7
450	S	HV-18S	76190	44.0
450	M	HV-18M	76191	44.5
600	SS	HV-24SS	76102	49.3
600	S	HV-24S	76192	49.8
600	M	HV-24M	76193	50.5
900	SS	HV-36SS	76104	56.6
900	S	HV-36S	76196	58.0
900	M	HV-36M	76197	58.9
900	L	HV-36L	76198	60.0
1050	SS	HV-42SS	76105	62.9
1050	S	HV-42S	76199	63.8
1050	M	HV-42M	76251	64.9
1050	L	HV-42L	76252	65.8
1350	S	HV-54S	76107	71.3
1350	M	HV-54M	76258	72.7
1350	L	HV-54L	76259	73.8
1500	S	HV-60S	76108	88.0
1500	M	HV-60M	76261	89.6
1500	L	HV-60L	76262	90.9
1800	S	HV-72S	76109	97.4
1800	M	HV-72M	76264	99.2
1800	L	HV-72L	76265	101.6

Replacement Suspension Arms

SIZE	ORDERING NUMBER	ITEM CODE	WT. KG
SSS	HSA8SSS	75565	0.8
SS	HSA8SS	73047	0.9
S	HSA8S	73048	1.1
M	HSA8M	73049	1.3
L	HSA8L	73063	1.5
LL	HSA8LL	73064	1.7

*NOTE: V-Tips can be used ONLY on vulcanized belts.
Suspension arm size is determined by head pulley diameter – see chart.
Additional sizes available upon request.

H-Type® with V-Tips* (Spring Tensioner)

mm	450	600	900	1050	1350	1500	1800
V-Tips Required	2	3	4	5	6	7	8

HEAD PULLEY DIAMETER + BELT & LAGGING	SUSPENSION ARM SIZE
<250	SSS
250 - 499	SS
500 - 799	S
800 - 999	M
1000 - 1199	L
1200 - 1699	LL

Stock items (non-shaded) refer to (*) for specific lead time, if not specified, standard lead time applies.

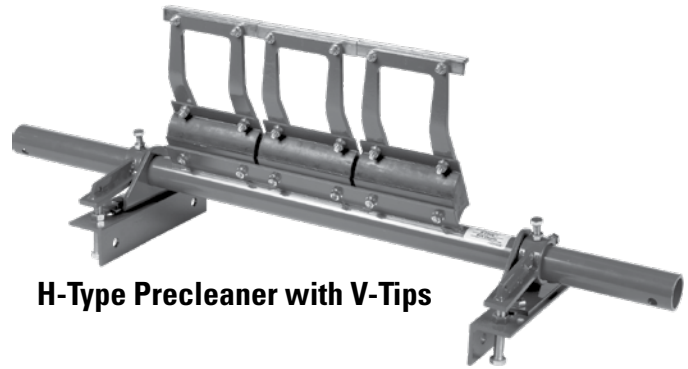
Non-stock items (shaded) please contact Flexco for dispatch options and lead times.

Product Ordering Information

H-Type PU with V-Tips Segmented Blade Precleaner

H-Type® PU with V-Tips* (Metric)

BELT WIDTH	SUSPENSION ARM SIZE	ORDERING NUMBER	ITEM CODE	WT. KG
500	SSS	HV400SSS-PU	93449	30.0
500	SS	HV400SS-PU	93450	30.0
500	S	HV400S-PU	93451	30.0
500	M	HV400M-PU	93452	30.0
650-800	SSS	HV600SSS-PU	93453	35.0
650-800	SS	HV600SS-PU	93454	35.0
650-800	S	HV600S-PU	93455	35.0
650-800	M	HV600M-PU	93456	35.0
1000	SSS	HV800SSS-PU	93457	42.0
1000	SS	HV800SS-PU	93458	42.0
1000	S	HV800S-PU	93459	42.0
1000	M	HV800M-PU	93460	42.0
1000	L	HV800L-PU	93461	42.0
1200	SSS	HV1000SSS-PU	93462	46.0
1200	SS	HV1000SS-PU	93463	46.0
1200	S	HV1000S-PU	93464	46.0
1200	M	HV1000M-PU	93465	46.0
1200	L	HV1000L-PU	93466	46.0
1400	SSS	HV1200SSS-PU	93467	50.0
1400	SS	HV1200SS-PU	93468	50.0
1400	S	HV1200S-PU	93469	50.0
1400	M	HV1200M-PU	93470	50.0
1400	L	HV1200L-PU	93471	64.0
1600	S	HV1400S-PU	93472	64.0
1600	M	HV1400M-PU	93473	64.0
1600	L	HV1400L-PU	93474	64.0
1600	LL	HV1400LL-PU	93475	68.0
1800	M	HV1600M-PU	93476	68.0
1800	L	HV1600L-PU	93477	68.0
1800	LL	HV1600LL-PU	93478	95.0
2000	M	HVHD1800M-PU	93479	95.0
2000	L	HVHD1800L-PU	93480	95.0
2000	LL	HVHD1800LL-PU	93481	102.0
2200	M	HVHD2000M-PU	93482	102.0
2200	L	HVHD2000L-PU	93483	102.0
2200	LL	HVHD2000LL-PU	93484	118.0
2600	M	HVHD2400M-PU	93485	118.0
2600	L	HVHD2400L-PU	93486	118.0
2600	LL	HVHD2400LL-PU	93487	125.0
2800	M	HVHD2600M-PU	93488	125.0
2800	L	HVHD2600L-PU	93489	125.0
2800	LL	HVHD2600LL-PU	93490	135.0
3200	M	HVHD3000M-PU	93491	135.0
3200	L	HVHD3000L-PU	93492	135.0
3200	LL	HVHD3000LL-PU	93493	136.0



H-Type Precleaner with V-Tips

Replacement Suspension Arms

SIZE	ORDERING NUMBER	ITEM CODE	WT. KG
SSS	HSA8SSS	75565	0.8
SS	HSA8SS	73047	0.9
S	HSA8S	73048	1.1
M	HSA8M	73049	1.3
L	HSA8L	73063	1.5
LL	HSA8LL	73064	1.7

*NOTE: V-Tips can be used ONLY on vulcanized belts.
Suspension arm size is determined by head pulley diameter – see chart.
Additional sizes available upon request.

H-Type® with V-Tips* (Bolt Tensioner)

mm	500	650-800	1000	1200	1400	1600	1800	2000	2200	2600	2800	3200
V-Tips Required	2	3	4	5	6	7	8	9	10	12	13	15

HEAD PULLEY DIAMETER + BELT & LAGGING	SUSPENSION ARM SIZE
<2 50	SSS
250 - 499	SS
500 - 799	S
800 - 999	M
1000 - 1199	L
1200 - 1699	LL

Stock items (non-shaded) refer to (*) for specific lead time, if not specified, standard lead time applies.

Non-stock items (shaded) please contact Flexco for dispatch options and lead times.

Specifications & Guidelines

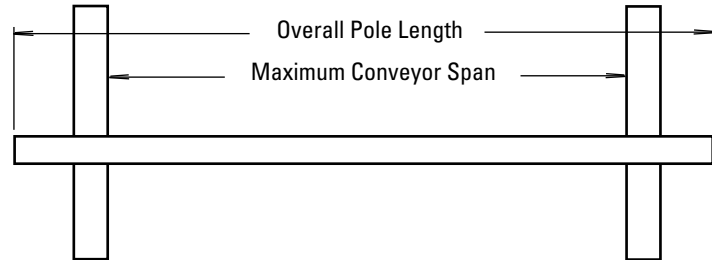
H-Type with V-Tips Segmented Blade Precleaner Bolt Tensioner

Pole Length Specifications*

CLEANER SIZE	MAX OVERALL POLE LENGTH	MAXIMUM CONVEYOR SPAN
450	1650	1400
600	1800	1550
750	1950	1700
900	2100	1850
1050	2250	2000
1200	2400	2150
1350	2550	2300
1500	2700	2450
1800	3000	2750

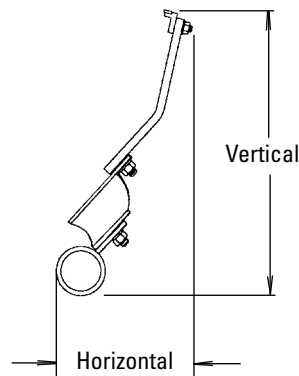
*For special extra long pole length requirements a Pole Extender Kit (#77423) is available that provides 750 mm of extended pole length.

Pole Diameter - 60mm up to cleaner size 1200
Pole Diameter - 73mm from cleaner size 1350



Clearance Guidelines for Installation

Suspension Arm Size	Horizontal Clearance Required	Vertical Clearance Required
	mm	mm
SSS	175	275
SS	175	325
S	175	375
M	175	413
L	175	463
LL	175	550



Specifications:

- Maximum Belt Speed5 m/s
- Temperature Rating-35°C to 82°C
- Usable Blade Wear Length.....9 mm
- Blade MaterialLong Life Tungsten Carbide (for vulcanized belts only)
- Available for Belt Widths450 mm to 1800 mm
Other sizes available upon request.
- CEMA Cleaner RatingClass 4

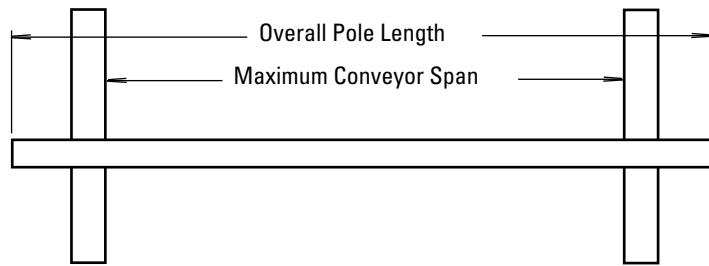
Specifications & Guidelines

H-Type with V-Tips Segmented Blade Precleaner Spring Tensioner

Pole Length Specifications*

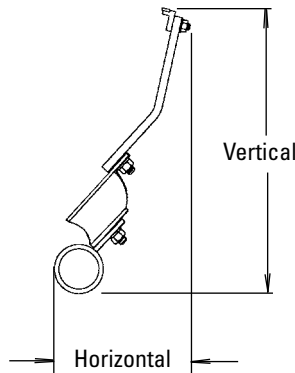
CLEANER SIZE	MAX OVERALL POLE LENGTH	MAXIMUM CONVEYOR SPAN
450	1650	1400
600	1800	1550
750	1950	1700
900	2100	1850
1050	2250	2000
1200	2400	2150
1350	2550	2300
1500	2700	2450
1800	3000	2750

*For special extra long pole length requirements a Pole Extender Kit (#76024) is available that provides 750 mm of extended pole length.
Pole Diameter – 73 mm



Clearance Guidelines for Installation

SUSPENSION ARM SIZE	HORIZONTAL CLEARANCE REQUIRED	VERTICAL CLEARANCE REQUIRED
SSS	175	275
SS	175	325
S	175	375
M	175	413
L	175	463
LL	175	550

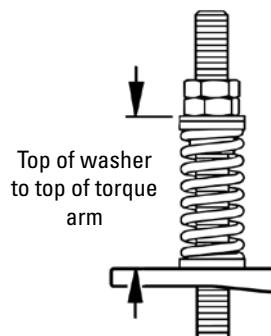


Spring Length Chart

with QMT Spring Tensioner

BELT WIDTH	TIPS	SPRING LENGTH				
		SS	S	M	L	LL
450	2	132	125	119	115	N/A
600	3	114	103	147	145	N/A
750	3	114	103	147	145	N/A
900	4	148	143	140	138	N/A
1050	5	142	137	133	130	120
1200	5	142	137	133	130	120
1350	6	N/A	131	126	122	152
1500	7	N/A	125	154	153	149
1800	8	N/A	154	152	151	146

Purple Spring
 White Spring



Specifications:

- Maximum Belt Speed5 m/s
- Temperature Rating-35° C to 82° C
- Usable Blade Wear Length.....9 mm
- Blade MaterialLong Life Tungsten Carbide (for vulcanized belts only)
- Available for Belt Widths450 mm to 1800 mm
Other sizes available upon request
- CEMA Cleaner RatingClass 4

Product Ordering Information

H-Type with Protected V-Tips Segmented Blade Precleaner

H-Type® with Protected V-Tips*

For abusive applications where materials being cleaned off the belt wear the back sides of the cleaner's V-Tips.

BELT WIDTH	SUSPENSION ARM SIZE	ORDERING NUMBER	ITEM CODE	WT. KG
450	S	HVP-18S	76124	45.0
450	M	HVP-18M	76267	45.4
450	L	HVP-18L	76268	45.7
600	S	HVP-24S	76125	51.2
600	M	HVP-24M	76269	51.8
600	L	HVP-24L	76270	52.4
900	SS	HVP-36SS	K0277	58.0
900	S	HVP-36S	76127	59.1
900	M	HVP-36M	76273	60.7
900	L	HVP-36L	76274	61.4
1050	SS	HVP-42SS	K0530	65.0
1050	S	HVP-42S	76128	66.0
1050	M	HVP-42M	76275	67.2
1050	L	HVP-42L	76276	68.1
1350	S	HVP-54S	76130	74.0
1350	M	HVP-54M	76280	75.4
1350	L	HVP-54L	76281	76.5
1500	S	HVP-60S	76131	91.2
1500	M	HVP-60M	76283	92.8
1500	L	HVP-60L	76284	94.1
1800	S	HVP-72S	76132	101.0
1800	M	HVP-72M	76286	102.8
1800	L	HVP-72L	76287	105.2

*NOTE: Protected V-Tips can be used ONLY on vulcanized belts.
Suspension arm size is determined by head pulley diameter – see chart.
Cleaners come standard with Stainless Steel Tip Shields.
Additional sizes available upon request.

Tips Required per Cleaner Size

mm	450	600	750	900	1050	1200	1350	1500	1800
Protected V-Tips Required	2	3	3	4	5	5	6	7	8



H-Type Precleaner with HVP-Tips

Replacement Protected V-Tips

ORDERING NUMBER	ITEM CODE	WT. KG
HVPT	73631	1.2

Replacement Suspension Arms

SIZE	ORDERING NUMBER	ITEM CODE	WT. KG
SS	HSA8SS	73047	0.9
S	HSA8S	73048	1.1
M	HSA8M	73049	1.3
L	HSA8L	73063	1.5
LL	HSA8LL	73064	1.7

Suspension Arm Size

HEAD PULLEY DIAMETER + BELT & LAGGING	SUSPENSION ARM SIZE
250-475	SS
500-775	S
800-975	M
1000-1175	L
1200-1675	LL

Stock items (non-shaded) refer to (*) for specific lead time, if not specified, standard lead time applies.

Non-stock items (shaded) please contact Flexco for dispatch options and lead times.

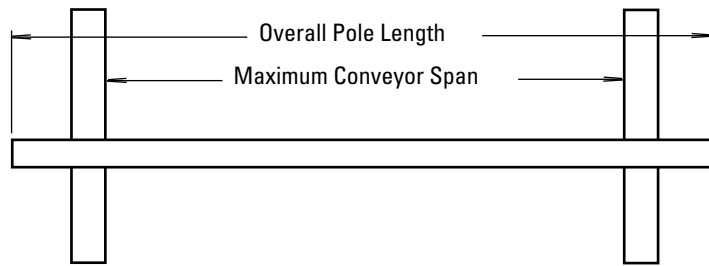
Specifications & Guidelines

H-Type with Protected V-Tips Segmented Blade Precleaner

Pole Length Specifications*

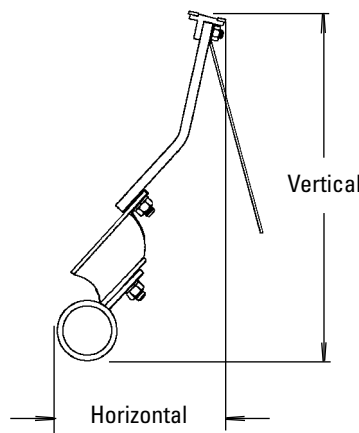
CLEANER SIZE	MAX OVERALL POLE LENGTH	MAXIMUM CONVEYOR SPAN
450	1650	1400
600	1800	1550
750	1950	1700
900	2100	1850
1050	2250	2000
1200	2400	2150
1350	2550	2300
1500	2700	2450
1800	3000	2750

*For special extra long pole length requirements a Pole Extender Kit (#76024) is available that provides 750 mm of extended pole length.
Pole Diameter – 73 mm



Clearance Guidelines for Installation

SUSPENSION ARM SIZE	HORIZONTAL CLEARANCE REQUIRED	VERTICAL CLEARANCE REQUIRED
SS	175	325
S	175	375
M	175	413
L	175	463
LL	175	550

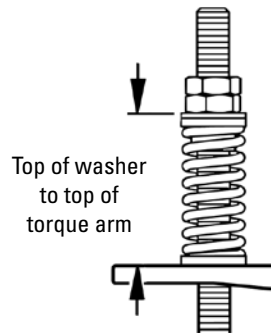


Spring Length Chart

with QMT Spring Tensioner

BELT WIDTH	TIPS	SPRING LENGTH				
		SS	S	M	L	LL
450	2	132	125	119	115	N/A
600	3	114	103	147	145	N/A
750	3	114	103	147	145	N/A
900	4	148	143	140	138	N/A
1050	5	142	137	133	130	120
1200	5	142	137	133	130	120
1350	6	N/A	131	126	122	152
1500	7	N/A	125	154	153	149
1800	8	N/A	154	152	151	146

Purple Spring
 White Spring

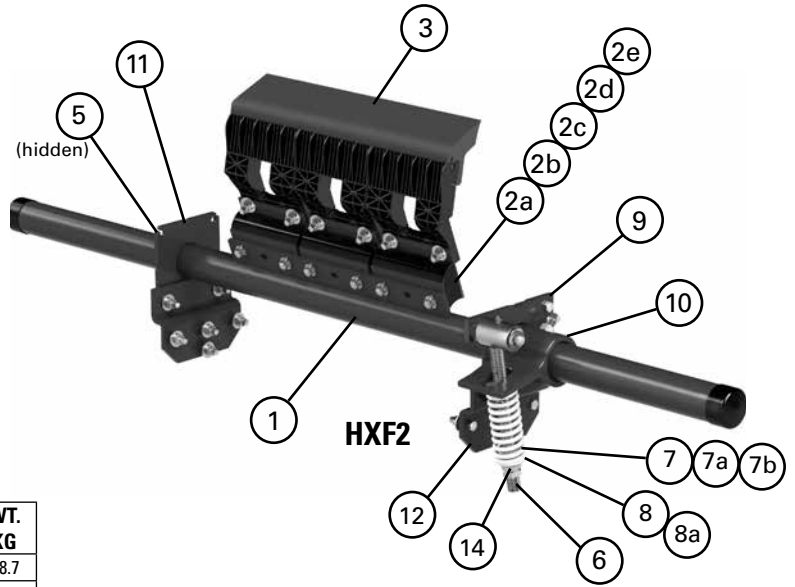
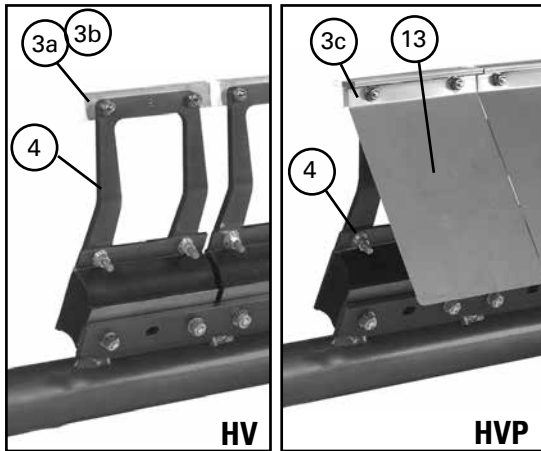


Specifications:

- Maximum Belt Speed5 m/s
- Temperature Rating-35° C to 82° C
- Usable Blade Wear Length.....9 mm
- Blade MaterialLong Life Tungsten Carbide (for vulcanized belts only)
- Available for Belt Widths450 mm to 1800 mm
Other sizes available upon request
- CEMA Cleaner RatingClass 4

Product Ordering Information

H-Type Segmented Blade Precleaners



Replacement Parts

REF	DESCRIPTION	ORDERING NUMBER	ITEM CODE	WT. KG
1	450mm Pole	H78P18	76110	18.7
	600mm Pole	H78P24	76111	21.5
	750mm Pole	H78P30	76112	22.8
	900mm Pole	H78P36	76113	25.3
	1050mm Pole	H78P42	76114	27.1
	1200mm Pole	H78P48	76115	29.4
	1350mm Pole	H78P54	76116	31.9
	1500mm Pole	H78P60	76117	45.3
1800mm Pole	H78P72	76118	51.3	
2a	H2 XF-Tip Cushion* (for S, M, L HXF2-Tips; or S - LL Susp. Arms)	HXFC2	75902	4.0
2b	H2 F-Tip Cushion* (for SS HXF2 Tips; or SS Susp. Arms)	HFC2	75901	4.0
2c	H Cushions Standard	HSA	73486	2.0
2d	H Cushions Heavy Duty	HSHD	73483	2.0
2e	H Cushions Heavy Duty Polyurethane	HSHD-PU85	17744	2.0
3	HXF2-Tip Extra Small*	HXF2-SS	75979	3.0
	HXF2-Tip Small*	HXF2-S	75980	3.4
	HXF2-Tip Medium*	HXF2-M	75981	3.8
	HXF2-Tip Large*	HXF2-L	75982	4.1
3a	H V-Tip Standard	HSA200	HSA200	0.5
3b	H V-Tip Stainless Steel* (1 ea.)	HVT8-S/S	75419	0.5
3c	H Protected V-Tip* (1 ea.) for vulcanized belts only (for abusive wear)	HVPT	73631	2.7
4	H SS Suspension Arm*	HSA8SS	73047	0.5
	H S Suspension Arm*	HSA8S	73048	1.0
	H M Suspension Arm*	HSA8M	73049	1.5
	H L Suspension Arm*	HSA8L	73063	2.0
	H LL Suspension Arm*	HSA8LL	73064	2.5
5	Pole Lock Collar* (1 ea.)	MSPPL	75816	0.9
6	Pivot Arm Kit* (1 ea.)	QMTPAK	76096	2.0
7	Tension Spring - Purple (1 ea.)	QMTS-P	75845	0.6
7a	Tension Spring - White (1 ea.)	PSTS-W	75898	1.7
7b	Tension Spring - Silver (1 ea.)	PSTS-S	75899	3.0
8	Bushing Kit - Purple (2 ea.) (for Item 7)	QMTBK-P	76097	0.1
8a	Bushing Kit - White (2 ea.) (for Items 7a & 7b)	QMTBK-W	76098	0.1
9	Pivot Shaft Bracket Kit* (1 ea.)	QMTPSBK	76099	2.0
10	Torque Arm Kit* (1 ea.)	PSTA	75896	5.2

*Hardware Included

Note: All poles and tensioners are heavy-duty style.

Replacement Parts continued

REF	DESCRIPTION	ORDERING NUMBER	ITEM CODE	WT. KG
11	Mounting Plate Kit* (2 ea.)	MSPMPK	75811	3.8
12	Offset Bracket Kit* (1 ea.)	HOBK	76399	5.6
13	H SS Tip Shield	HSSTS	74771	0.2
14	Jam Nut Kit QMT Tensioner	JNK-C	79893	0.1
-	J-Bolt Spring Tension Kit-Dual	STKD	74504	5.0
-	H SS Cushion Shield	HSSCS	74772	0.3
-	QMT Spring Tensioner* - Purple (incl. 1 ea. Items 6, 7, 8, 9, & 10)	QMT-P	76074	9.3
-	QMT Spring Tensioner* - White (incl. 1 ea. Items 6, 7a, 8a, 9, & 10)	QMT-W	76075	9.9
-	QMT Spring Tensioner* - Silver (incl. 1 ea. Items 6, 7b, 8a, 9, & 10)	QMT-S	79039	9.2

Spring Tensioner Selection Chart

CLEANER TYPE AND SIZE	76074 QMT-P	76075 QMT-W	79039 QMT-S
HXF2			
450 mm SS & S	X		
450 mm M; 600-750 mm; 1050-1200 mm SS & S; 1350 mm SS		X	
1050-1200 mmM & L; 1350-1800 mm S, M, L			X
HV			
450 mm SS, S, M; 600-750 mm SS & S	X		
600-750 mm M; 900-1200 mm, 1350 mm S, M, L; 1500 mm S		X	
1350 mm LL; 1500 mm M, L, LL; 1800 mm			X
HVP			
450 mm S, M; 600-750 mm S	X		
600-750 mm M; 900-1200 mm; 1350 mm S, M, L; 1500 mm S		X	
1350 mm LL; 1500 mmM, L, LL; 1800 mm			X

Stock items (non-shaded) refer to (*) for specific lead time, if not specified, standard lead time applies.
Non-stock items (shaded) please contact Flexco for dispatch options and lead times.

Product Ordering Information

H-Type with V-Tips High Temperature Precleaner



High Temp Precleaner with V-Tips

BELT WIDTH	SUSPENSION ARM SIZE	ORDERING NUMBER	ITEM CODE	WT. KG
450	SS	HTV18SS	74821	29.0
450	S	HTV18S	74828	29.5
600	SS	HTV24SS	74822	32.5
600	S	HTV24S	74829	32.9
900	SS	HTV36SS	74824	39.9
900	S	HTV36S	74831	36.3
900	M	HTV36M	74838	41.7
1050	SS	HTV42SS	74825	49.0
1050	S	HTV42S	74832	49.9
1050	M	HTV42M	74839	50.8
1200	SS	HTV48SS	74826	53.1
1200	S	HTV48S	74833	54.4
1200	M	HTV48M	74840	55.3

Suspension arm size is determined by head pulley diameter - see chart.
Pole Diameter - 60 mm

Replacement Suspension Arms

SUSPENSION ARM SIZE	ORDERING NUMBER	ITEM CODE	WT. KG
SS	HSA8SS	73047	0.2
S	HSA8S	73048	0.5
M	HSA8M	73049	0.7

Replacement V-Tips

ORDERING NUMBER	ITEM CODE	WT. KG
HVT8-S/S	75419	0.5

Replacement Spring

ORDERING NUMBER	ITEM CODE	WT. KG
HTTS-HT	79068	0.5

Suspension Arm Size


HEAD PULLEY DIAMETER + BELT & LAGGING	SUSPENSION ARM SIZE
200 - 399	SS
400 - 699	S
700 - 899	M


Tips Required per Cleaner Size

mm	450	600	750	900	1050	1200
V-Tips Required	2	3	3	4	5	5

Product Notes:

- The High Temp Precleaner works in ambient temperatures up to 204° C with spikes to 232° C
- V-Tips can be used ONLY on vulcanized belts.
- Cleaners come standard with stainless steel tip shields.
- Compatible with reversing belts.

 Stock items (non-shaded) refer to (*) for specific lead time, if not specified, standard lead time applies.

 Non-stock items (shaded) please contact Flexco for dispatch options and lead times.

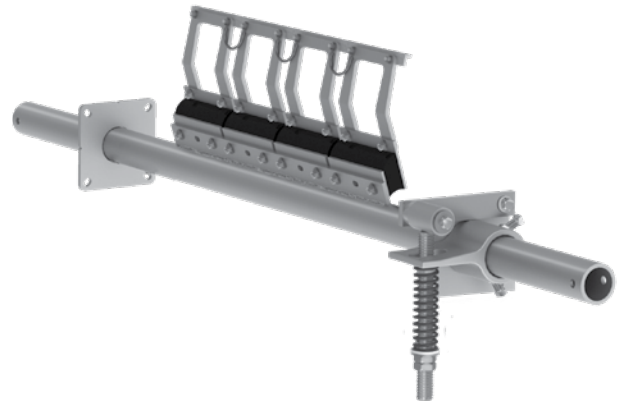
Product Ordering Information

H-Type ATEX with V-Tips Stainless Steel Segmented Blade Precleaner

H-Type® with V-Tips*

BELT WIDTH	SUSPENSION ARM SIZE	ORDERING NUMBER	ITEM CODE	WT. KG
450-600	SS	HV400SS-S/S-ATEX	90718	30.0
	S	HV400S-S/S-ATEX	90719	30.0
	M	HV400M-S/S-ATEX	90720	30.0
800	SS	HV600SS-S/S-ATEX	90721	36.0
	S	HV600S-S/S-ATEX	90722	36.0
	M	HV600M-S/S-ATEX	90723	36.0
1000	SS	HV800SS-S/S-ATEX	90724	43.0
	S	HV800S-S/S-ATEX	90725	43.0
	M	HV800M-S/S-ATEX	90726	43.0
1200	SS	HV1000SS-S/S-ATEX	90727	47.0
	S	HV1000S-S/S-ATEX	90728	47.0
	M	HV1000M-S/S-ATEX	90729	47.0
	L	HV1000L-S/S-ATEX	90730	47.0
1400	SS	HV1200SS-S/S-ATEX	90731	50.0
	S	HV1200S-S/S-ATEX	90732	50.0
	M	HV1200M-S/S-ATEX	90733	50.0
	L	HV1200L-S/S-ATEX	90734	50.0
1600	S	HV1400S-S/S-ATEX	90735	64.0
	M	HV1400M-S/S-ATEX	90736	64.0
	L	HV1400L-S/S-ATEX	90737	64.0
	LL	HV1400LL-S/S-ATEX	90738	64.0
1800	M	HV1600M-S/S-ATEX	90739	68.0
	L	HV1600L-S/S-ATEX	90740	68.0
	LL	HV1600LL-S/S-ATEX	90741	68.0
2000	M	HV1800M-S/S-ATEX	90742	98.0
	L	HV1800L-S/S-ATEX	90743	98.0
	LL	HV1800LL-S/S-ATEX	90744	98.0
2200	M	HV2000M-S/S-ATEX	90745	-
	L	HV2000L-S/S-ATEX	90746	-
	LL	HV2000LL-S/S-ATEX	90747	-
2400	M	HV2100M-S/S-ATEX	90748	-
	L	HV2100L-S/S-ATEX	90749	-
	LL	HV2100LL-S/S-ATEX	90750	-
2600	M	HV2400M-S/S-ATEX	90751	-
	L	HV2400L-S/S-ATEX	90752	-
	LL	HV2400LL-S/S-ATEX	90753	-
2800	M	HV2600M-S/S-ATEX	90754	-
	L	HV2600L-S/S-ATEX	90755	-
	LL	HV2600LL-S/S-ATEX	90756	-
3200	M	HV3000M-S/S-ATEX	90757	-
	L	HV3000L-S/S-ATEX	90758	-
	LL	HV3000LL-S/S-ATEX	90759	-

*NOTE: V-Tips can be used ONLY on vulcanized belts.
Suspension arm size is determined by head pulley diameter – see chart.
Additional sizes available upon request.



Replacement Suspension Arms

SIZE	ORDERING NUMBER	ITEM CODE	WT. KG
SS	HSA8SS-S/S	73771	1.0
S	HSA8S-S/S	73772	1.0
M	HSA8M-S/S	73773	1.0
L	HSA8L-S/S	73774	1.0
LL	HSA8LL-S/S	74033	1.0

HEAD PULLEY DIAMETER + BELT & LAGGING	SUSPENSION ARM SIZE
<250	SSS
250 - 499	SS
500 - 799	S
800 - 999	M
1000 - 1199	L
1200 - 1699	LL

H-Type® with V-Tips*

mm	400	600	800	1000	1200	1400	1600	1800	2000	2200	2400	2600	3000
V-Tips Required	2	3	4	5	6	7	8	9	10	11	12	13	15

Stock items (non-shaded) refer to (*) for specific lead time, if not specified, standard lead time applies.
 Non-stock items (shaded) please contact Flexco for dispatch options and lead times.

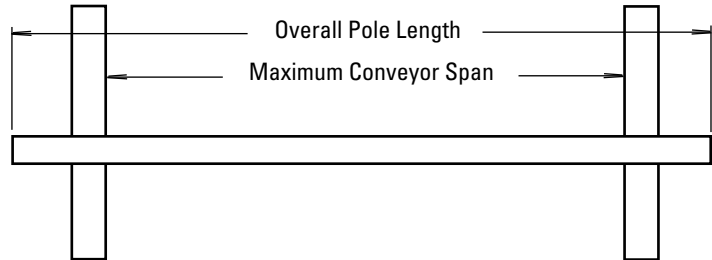
Specifications & Guidelines

H-Type ATEX with V-Tips Stainless Steel Segmented Blade Precleaner

Pole Length Specifications*

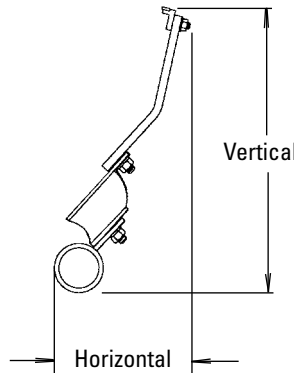
Cleaner Size	Pole Length	Maximum Conveyor Span
mm	mm	mm
400	1676	1422
600	1829	1575
800	2134	1880
1000	2438	2184
1200	2591	2337
1400	2743	2489
1600	3048	2794
1800	3200	2946
2000	3505	3251
2100	3810	3556
2400	3810	3556
2600	3912	3658
3000	4420	4166

*For special extra long pole length requirements a Pole Extender Kit (#76024) is available that provides 750mm of extended pole length.
Pole Diameter - 73mm



Clearance Guidelines for Installation

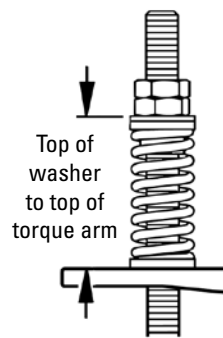
Suspension Arm Size	Horizontal Clearance Required	Vertical Clearance Required
	mm	mm
SS	175	325
S	175	375
M	175	413
L	175	463
LL	175	550



HV ATEX Spring Length Chart (for optimal blade tensioning)

Belt Width	Tips	Spring Length				
		SS	S	M	L	LL
400	2	133	127	120	N/A	N/A
600	3	117	107	98	N/A	N/A
800	4	101	88	76	N/A	N/A
1000	5	85	136	133	130	N/A
1200	6	136	130	127	123	N/A
1400	7	N/A	123	120	117	104
1600	8	N/A	N/A	114	111	95
1800	9	N/A	N/A	136	133	127
2000	10	N/A	N/A	133	130	120
2100	11	N/A	N/A	130	127	117
2400	12	N/A	N/A	127	123	114
2600	14	N/A	N/A	120	117	104
3000	16	N/A	N/A	117	114	101

Purple Spring
 White Spring

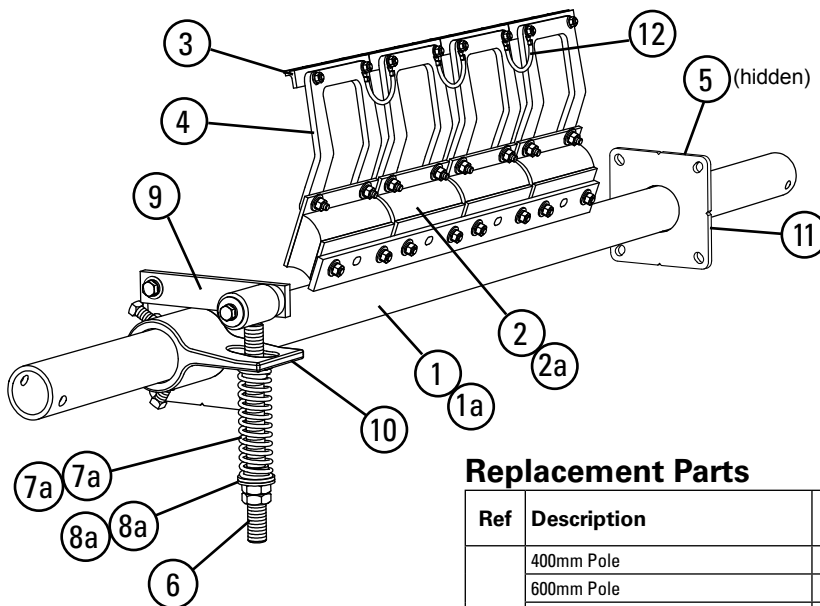


Specifications:

- Maximum Belt Speed5 m/s (1000 FPM)
- Temperature Rating-35°C to 82°C (-30°F to 180°F)
- Usable Blade Wear Length.....9mm (3/8")
- Blade Material.....Long Life Tungsten Carbide
(for vulcanized belts only)
- Available for Belt Widths400mm to 3000mm (16" to 120")
Other sizes available upon request.

Replacement Parts List

H-Type ATEX with V-Tips Stainless Steel Segmented Blade Precleaner



Replacement Parts

Ref	Description	Belt Width	Pole Length	Ordering Number	Item Code	Wt. KG
1a	400mm Pole	400	1676	HVP400-S/S	90703	18.7
	600mm Pole	600	1829	HVP600-S/S	90704	21.0
	800mm Pole	800	2134	HVP800-S/S	90706	22.8
	1000mm Pole	1000	2438	HVP1000-S/S	90707	25.3
	1200mm Pole	1200	2591	HVP1200-S/S	90709	29.4
	1400mm Pole	1400	2743	HVP1400-S/S	90710	31.9
	1600mm Pole	1600	3048	HVP1600-S/S	90711	45.3
1b	1800mm Pole, Braced and Gusseted	1800	3200	HVP1800-S/S	90712	58.0
	2000mm Pole, Braced and Gusseted	2000	3505	HVP2000-S/S	90713	64.0
	2100mm Pole, Braced and Gusseted	2200	3810	HVP2100-S/S	90714	70.0
	2400mm Pole, Braced and Gusseted	2400	3810	HVP2400-S/S	90715	70.0
	2600mm Pole, Braced and Gusseted	2600	3912	HVP2600-S/S	90716	75.0
	3000mm Pole, Braced and Gusseted	3000	4420	HVP3000-S/S	90717	84.0
2a	Cushion			HVC-S/S	73494	1.8
2b	Heavy-Duty Cushion			HSHD-S/S	76467	1.8
3	H V-Tip* (1 ea.)			HVT8-S/S	75419	0.5
4	H SS Suspension Arm*			HSA8SS-S/S	73771	0.2
	H S Suspension Arm*			HSA8S-S/S	73772	0.5
	H M Suspension Arm*			HSA8M-S/S	73773	0.7
	H L Suspension Arm*			HSA8L-S/S	73774	0.9
	H LL Suspension Arm*			HSA8LL-S/S	74033	1.1
5	Pole Lock Collar* (1 ea.)			MSPPL-S/S	77524	0.9
6	Pivot Arm Kit* (1 ea.)			QMTPAK-S/S	77587	2.0
7a	Tension Spring - Purple (1 ea.)			QMTS-P-S/S	77450	0.3
7b	Tension Spring - White (1 ea.)			QMTS-W-S/S	77451	0.8
8a	Bushing Kit - Purple (2 ea.) (for Item 7a)			QMTBK-P	76097	0.1
8b	Bushing Kit - White (2 ea.) (for Items 7b & 7c)			QMTBK-W	76098	0.1
9	Pivot Shaft Bracket Kit* (1 ea.)			QMTPSBK-S/S	77588	2.0
10	Torque Arm Kit* (1 ea.)			PSTA-S/S	77442	5.2
11	Mounting Plate Kit* (2 ea.)			MSPMPK-S/S	77582	3.8
12	Tip-to-Tip Grounding Wire			TT-GWK	90788	0.1
13	Tip-to-Structure Grounding Wire			TS-GWK	90789	0.1
-	QMT Spring Tensioner* - Purple (incl. 1 ea. Items 5, 6, 7a, 8a, 9, 10, 11)			QMT-P-S/S	77584	9.3
-	QMT Spring Tensioner* - White (incl. 1 ea. Items 5, 6, 7b, 8b, 9, 10, 11)			QMT-W-S/S	77585	9.9

Spring Tensioner Selection Chart

Cleaner Type and Size	77584 QMT-P-S/S	77585 QMT-W-S/S
400-800mm SS, S, M; 1000mm SS	X	
1000mm S, M, L; 1200mm SS, S, M, L; 1400mm S, M, L, LL; 1600-3000mm M, L, LL		X

*Hardware included

Note: All poles and tensioners are heavy-duty style (73mm dia).

Stock items (non-shaded) refer to (*) for specific lead time, if not specified, standard lead time applies.
Non-stock items (shaded) please contact Flexco for dispatch options and lead times.

Product Ordering Information

EZS2 Standard Duty Secondary Cleaner



EZS2 Standard Duty Secondary Cleaner

BLADE WIDTH	ORDERING NUMBER	ITEM CODE	WT. KG
450	EZS2-18	75643	32.2
600	EZS2-24	75644	34.4
750	EZS2-30	75645	36.2
900	EZS2-36	75646	38.8
1050	EZS2-42	75647	40.6
1200	EZS2-48	75648	42.7
1350	EZS2-54	75649	44.9
1500	EZS2-60	75650	61.8
1800	EZS2-72	75651	68.9

Replacement C-Tips

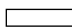
ORDERING NUMBER	ITEM CODE	WT. KG
ICT6	74535	0.3


Tips Required Per Cleaner Size

mm	450	600	750	900	1050	1200	1350	1500	1800
C-Tips Required	3	4	5	6	7	8	9	10	12

Product Notes:

- Blade width equals belt width.
- Can be installed in any location from where the belt leaves the pulley on down the beltline.
- FormFlex™ cushions automatically adjust the individual tension of each blade to the belt.
- Works with mechanical splices.
- A special cushion pad helps absorb the impact from mechanical splices and eliminates blade vibration.
- Comes complete with universal mounting brackets.
- Versatile tensioner can be installed to either push-up or pull-up the cleaner to the belt, depending on installation space constraints.
- If belt is cupped or has low tension, a hold-down roller may be required to flatten and support the belt for optimal cleaning results.

 Stock items (non-shaded) refer to (*) for specific lead time, if not specified, standard lead time applies.

 Non-stock items (shaded) please contact Flexco for dispatch options and lead times.

Product Ordering Information

EZS2 High Temp High Temp Secondary Cleaner

EZS2 High Temp Secondary Cleaner with C-Tips

BLADE WIDTH	ORDERING NUMBER	ITEM CODE	WT. KG
450	HTS18	76085	29.0
600	HTS24	76086	30.8
750	HTS30	76087	32.7
900	HTS36	76088	34.5
1050	HTS42	76089	36.3
1200	HTS48	76090	38.1
1350	HTS54	76091	40.0
1500	HTS60	76092	65.9
1800	HTS72	76093	67.8

Pole Diameter – 60 mm



Replacement C-Tips

ORDERING NUMBER	ITEM CODE	WT. KG
ICT6	74535	0.3

Replacement Cushion Kit

ORDERING NUMBER	ITEM CODE	WT. KG
HTSCK	76094	1.5

Tips Required Per Cleaner Size

mm	450	600	750	900	1050	1200	1350	1500	1800
C-Tips Required	3	4	5	6	7	8	9	10	12

Product Notes:

- The High Temp Secondary works in ambient temperatures up to 204° C with spikes to 232° C
- Works with mechanical fasteners.

Stock items (non-shaded) refer to (*) for specific lead time, if not specified, standard lead time applies.

Non-stock items (shaded) please contact Flexco for dispatch options and lead times.

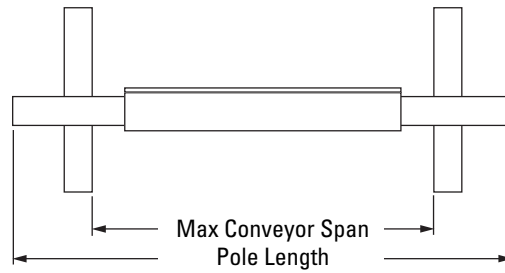
Specifications & Guidelines

EZS2 Standard Duty Secondary Cleaner

Pole Length Specifications

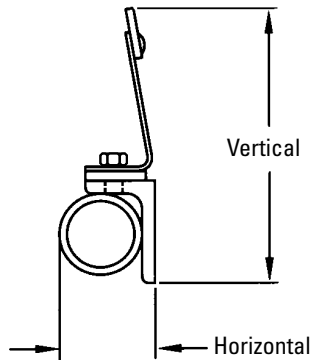
BELT WIDTH	BLADE WIDTH	POLE LENGTH	MAXIMUM CONVEYOR SPAN
450	450	1300	1175
600	600	1450	1325
750	750	1600	1475
900	900	1750	1625
1050	1050	1900	1775
1200	1200	2050	1925
1350	1350	2200	2075
1500	1500	2350	2225
1800	1800	2650	2525

Pole Diameter – 60 mm on 450-1350 mm
Pole Diameter – 73 mm on 1500-1800 mm



Clearance Guidelines for Installation

HORIZONTAL CLEARANCE REQUIRED	VERTICAL CLEARANCE REQUIRED
100	213
	238

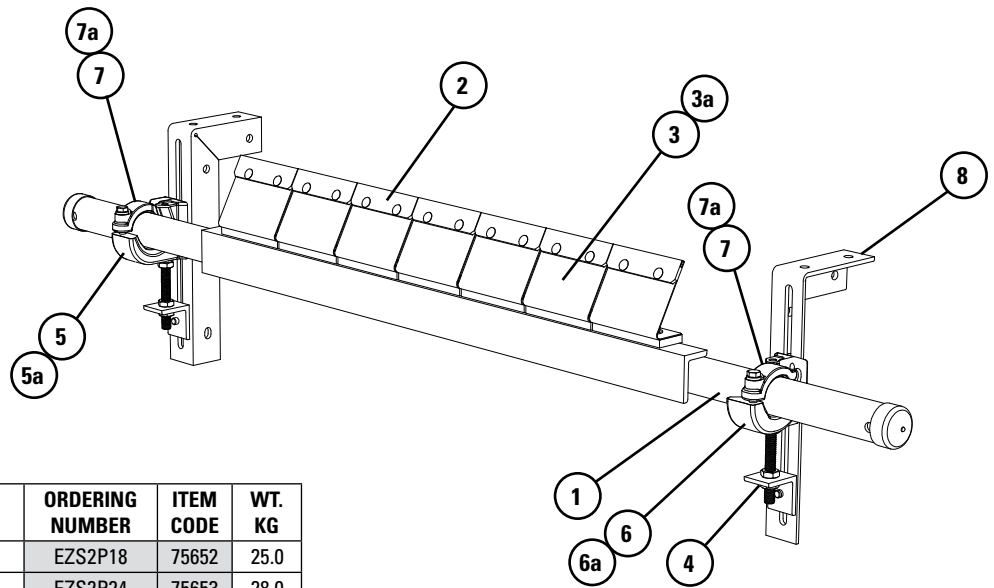


Specifications:

- Maximum Belt Speed3.5 m/s
- Temperature Rating (EZS2)-35° C to 93° C
- Temperature Rating (EZS2 High-Temp).....Up to 204° C with spikes to 232° C
- Usable Blade Wear Length.....9 mm
- Blade MaterialImpact Resistant Tungsten Carbide (works with mechanical fasteners)
- Available for Belt Widths450 to 1800 mm
- CEMA Cleaner RatingClass 3

Replacement Parts List

EZS2 Standard Duty Secondary Cleaner



Replacement Parts

REF	DESCRIPTION	ORDERING NUMBER	ITEM CODE	WT. KG
1	450 mm Pole	EZS2P18	75652	25.0
	600 mm Pole	EZS2P24	75653	28.0
	750 mm Pole	EZS2P30	75654	30.0
	900 mm Pole	EZS2P36	75655	34.0
	1050 mm Pole	EZS2P42	75656	36.0
	1200 mm Pole	EZS2P48	75657	39.0
	1350 mm Pole	EZS2P54	75658	42.0
	1500 mm Pole	EZS2P60	75659	77.0
	1800 mm Pole	EZS2P72	75660	89.0
2	C-Tip Kit* (1 ea.)	ICT6	74535	0.7
3	FormFlex™ Cushion Kit* (incl. 1 cushion & 1 pad)	FFCK	75661	1.5
3a	High Temp Replacement Cushion Kit (incl. 1 cushion & 1 pad)	HTSCK	76094	1.5
4	Adjusting Bracket Kit* (1 ea.)	PAB	75513	1.5
5	Pole Clamp Kit LEFT* (1 ea.) (incl. item 7) for sizes 450-1350mm	CCKL	79224	6.8
5a	HD Pole Clamp Kit LEFT* (1 ea.) (incl. item 7) for sizes 500-1800mm	CCKHDL	79225	8.7
6	Pole Clamp Kit RIGHT* (1 ea.) (incl. item 7) for sizes 450-1350mm	CCKR	79228	6.8
6a	HD Pole Clamp Kit RIGHT* (1 ea.) (incl. item 7a) for sizes 1500-1800mm	CCKHDR	79229	8.7
7	Cradle Clamp Top Strap (1 ea.) for use on L or R Pole Clamp Kit	CCKTS	79232	1.1
7a	HD Cradle Clamp Top Strap (1 ea.) for use on L or R HD Pole Clamp Kit	CCKHDTS	79233	1.7
8	Mounting Bracket Kit (1 Right and 1 Left)	EZS2MBK	75666	13.0
–	Cradle Clamp Mounting Kit* for sizes 450-1350mm (incl. 2 ea. Item 4 and 1 ea. Items 5, 6 & 8)	CCMK	78919	33.0
–	HD Cradle Clamp Mounting Kit* for sizes 1500-1800mm (incl. 2 ea. Item 4 and 1 ea. Items 5a, 6a & 8)	CCMKHD	78920	36.7

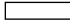

*Hardware Included

Mounting Kit Selection Chart

Cleaner Width	78919 CCMK	78920 CCMKHD
EZS2 450 - 1350 mm	X	
EZS2 1500 - 1800 mm		X

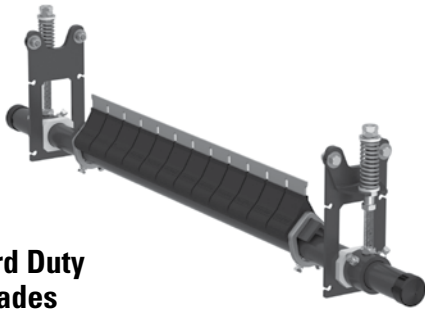
Cleaner Tips and Cushions Required Per Cleaner Size

mm	Tips Required
450	3
600	4
750	5
900	6
1050	7
1200	8
1350	9
1500	10
1800	12

 Stock items (non-shaded) refer to (*) for specific lead time, if not specified, standard lead time applies.
 Non-stock items (shaded) please contact Flexco for dispatch options and lead times.

Product Ordering Information

Y-Type™ Standard Duty Secondary Cleaner with Carbide or Polyurethane Blades and YST Tensioner



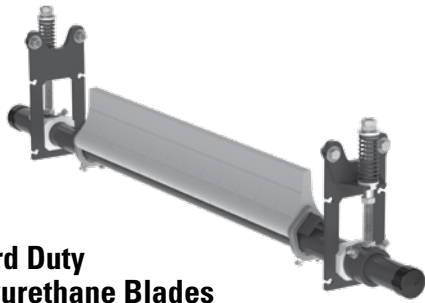
Y-Type™ Standard Duty with Carbide Blades

BELT WIDTH	ORDERING NUMBER	ITEM CODE	WT. KG
450	YT-TC-18S	79759	24.9
600	YT-TC-24S	79760	22.7
750	YT-TC-30S	79761	24.5
900	YT-TC-36S	79762	31.8
1050	YT-TC-42S	79763	34.5
1200	YT-TC-48S	79764	37.2



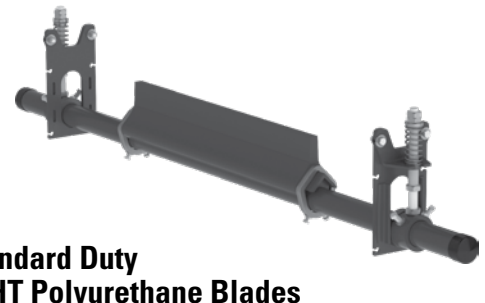
Y-Type™ Standard Duty with Purple Polyurethane Blades

BELT WIDTH	ORDERING NUMBER	ITEM CODE	WT. KG
450	YT-18S	79765	26.8
600	YT-24S	79766	29.5
750	YT-30S	79767	32.0
900	YT-36S	79768	34.9
1050	YT-42S	79769	37.6
1200	YT-48S	79770	40.4



Y-Type™ Standard Duty with White Polyurethane Blades

BELT WIDTH	ORDERING NUMBER	ITEM CODE	WT. KG
450	YTW-18S	79771	26.8
600	YTW-24S	79772	29.5
750	YTW-30S	79773	32.0
900	YTW-36S	79774	34.9
1050	YTW-42S	79775	37.6
1200	YTW-48S	79776	40.4

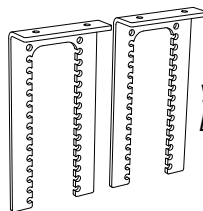


Y-Type™ Standard Duty with Red UHT Polyurethane Blades

BELT WIDTH	ORDERING NUMBER	ITEM CODE	WT. KG
450	YTR-18S	91798	26.8
600	YTR-24S	91799	29.5
750	YTR-30S	91800	32.2
900	YTR-36S	91801	34.9
1050	YTR-42S	91802	37.6
1200	YTR-48S	91803	40.4

Optional YST Drop Brackets (2)

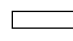
ORDERING NUMBER	ITEM CODE	WT. KG
YSTDBK	79844	8.9

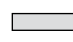


YST Standard Duty Drop Brackets

Product Notes:

- Works on reversing belts, vulcanized belts, and belts with mechanical fasteners.
- Pole Length: Belt width plus 750 mm. For longer requirements, see Installation Accessories – Pole Extender Kit page 123.
- Visual Blade Tension Check: Measure the tension spring and refer to Spring Length Chart on mounting base for the correct length for best cleaning performance.
- Tensioner: Standard Duty YST Spring Tensioner for self-adjusting tensioning with easy retensioning adjustments. The tensioner can be mounted in pull-up or push-up position.
- To make cleaner installation easier and quicker, see Optional Mounting Kits on replacement parts page.
- Simple design makes changing the blades fast and easy. Blades can be removed and replaced individually, or all at once by replacing the cartridge.

 Stock items (non-shaded) refer to (*) for specific lead time, if not specified, standard lead time applies.

 Non-stock items (shaded) please contact Flexco for dispatch options and lead times.

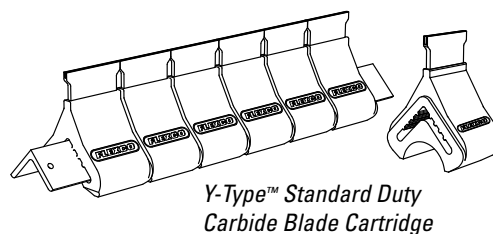
Product Ordering Information

Y-Type™ Standard Duty Secondary Cleaner with Carbide or Polyurethane Blades and YST Tensioner

Replacement Blades/Cartridges Standard Duty Carbide

BELT WIDTH	ORDERING NUMBER	ITEM CODE	WT. KG
75	YT-C*	79574	0.5
450	YCART-18/450-TC	79811	5.7
600	YCART-24/600-TC	79812	7.5
750	YCART-30/750-TC	79813	9.3
900	YCART-36/900-TC	79814	11.0
1050	YCART-42/1050-TC	79815	12.7
1200	YCART-48/1200-TC	79816	14.5

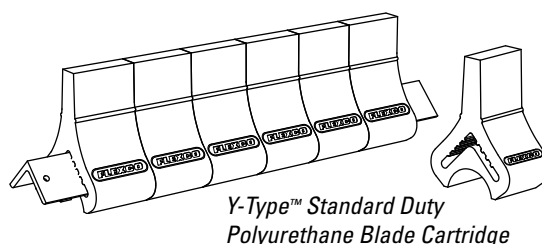
*Single 75 mm blade segment



Replacement Blades/Cartridges Standard Duty Purple Polyurethane

BELT WIDTH	ORDERING NUMBER	ITEM CODE	WT. KG
75	YT-P*	79573	0.5
450	YCART-18/450-P	79617	5.9
600	YCART-24/600-P	79618	7.8
750	YCART-30/750-P	79619	9.6
900	YCART-36/900-P	79620	11.4
1050	YCART-42/1050-P	79621	13.2
1200	YCART-48/1200-P	79622	15.0

*Single 75 mm blade segment



Replacement Blades/Cartridges Standard Duty White† Polyurethane

BELT WIDTH	ORDERING NUMBER	ITEM CODE	WT. KG
-	YT-W*	79572	0.5
450	YCART-18/450-W	79611	5.9
600	YCART-24/600-W	79612	7.8
750	YCART-30/750-W	79613	9.6
900	YCART-36/900-W	79614	11.4
1050	YCART-42/1050-W	79615	13.2
1200	YCART-48/1200-W	79616	15.0

*Single 75 mm blade segment

†White blades are chemical resistant, and all ingredients used in Polyurethane formulation comply with the relevant requirements of 21 CFR (FDA Code of Federal Regulations) for use in repeated bulk dry food applications.

Replacement Blades/Cartridges Standard Duty Red UHT Polyurethane

BELT WIDTH	ORDERING NUMBER	ITEM CODE	WT. KG
-	YT-R*	91804	0.5
450	YCART-18/450-R	91805	5.9
600	YCART-24/600-R	91806	7.8
750	YCART-30/750-R	91807	9.6
900	YCART-36/900-R	91808	11.4
1050	YCART-42/1050-R	91809	13.2
1200	YCART-48/1200-R	91810	15.0

*Single 75 mm blade segment

Stock items (non-shaded) refer to (*) for specific lead time, if not specified, standard lead time applies.
Non-stock items (shaded) please contact Flexco for dispatch options and lead times.

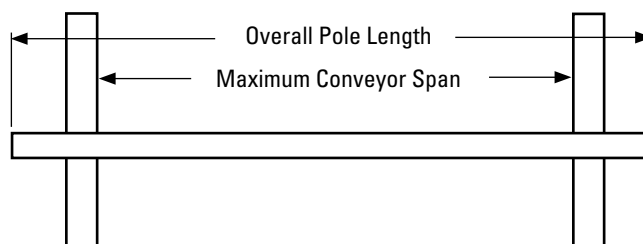
Specifications & Guidelines

Y-Type™ Standard Duty Secondary Cleaner with YST Tensioner

Pole Length Specifications

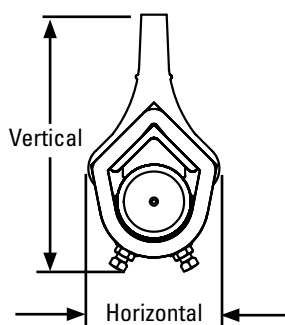
CLEANER SIZE	POLE LENGTH	MAXIMUM CONVEYOR SPAN
450	1200	1025
600	1350	1175
750	1500	1325
900	1650	1475
1050	1800	1625
1200	1950	1775

Pole Length – Belt +750 mm
Pole Diameter – 60 mm



Clearance Guidelines for Installation

Cleaner Type	Belt Width/Cleaner Size	Horizontal Clearance Required	Vertical Clearance Required
Y-Type® Polyurethane	450 - 1200	110	210
Y-Type Carbide	450 - 1200	110	184



Y-Type Blade Specifications

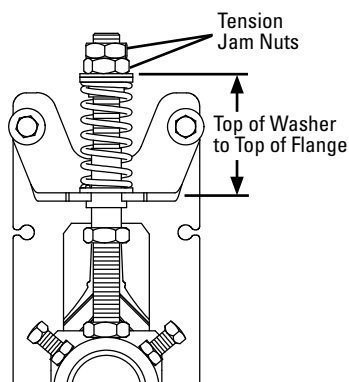
Cushion	Durometer	Temperature Range
Purple (Standard)	86A	-35° to 82° C
White (Food Grade) ‡	83A	-35° to 82° C
Red (Ultra High-Temp)	90A	Up to 200° C Spikes to 232° C
Carbide	86A	-35° to 82° C

‡All ingredients used in the Polyurethane formulation of this blade comply with the relevant requirements of 21 CFR (FDA Code of Federal Regulations) for use in repeated bulk dry food applications

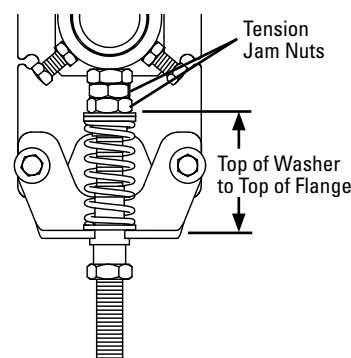
Spring Length Chart

Blade Width	Carbide Tip	Purple or White Polyurethane Tip			Red UHT Polyurethane Tip	
	Silver Springs	Yellow Springs	Purple Springs	Yellow Springs	Purple Springs	
450	105	83	92	79	92	
600	102	73	86	70	86	
750	98	67	79	64	79	
900	95	57	73	57	73	
1050	92	NA	67	NA	67	
1200	89	NA	60	NA	60	

Shading indicates preferred spring option.



Pull-Up Tensioner Configuration (SD)



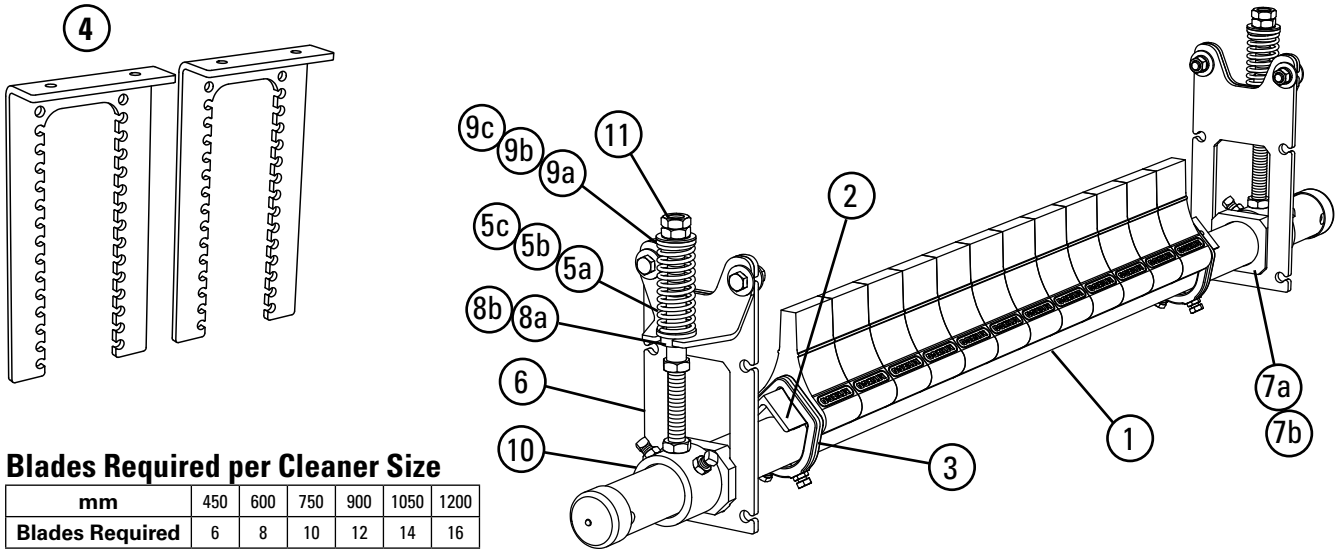
Push-Up Tensioner Configuration (SD)

Specifications:

- Maximum Belt Speed3 m/s
- Usable Blade Wear Length.....50 mm (Polyurethane)
6 mm (Carbide)
- Blade Materials.....**Purple:** Polyurethane (proprietary blend for abrasion resistance and long wear)
White: Polyurethane (chemical resistant/food grade)
Red: Polyurethane (ultra high-temp)
Carbide: Tungsten Carbide
- Available for Belt Widths450 to 1200 mm. Other sizes available upon request.
- CEMA Cleaner Rating.....Class 2 (Standard-duty with polyurethane blades)
Class 3 (Standard-duty with carbide blades)

Replacement Parts List

Y-Type™ Standard Duty Secondary Cleaner with YST Tensioner



Blades Required per Cleaner Size

mm	450	600	750	900	1050	1200
Blades Required	6	8	10	12	14	16

Replacement Parts

REF	DESCRIPTION	ORDERING NUMBER	ITEM CODE
1	450 mm Pole	YTP-18/450	79587
	600 mm Pole	YTP-24/600	79588
	750 mm Pole	YTP-30/750	79589
	900 mm Pole	YTP-36/900	79590
	1050 mm Pole	YTP-42/1050	79591
	1200 mm Pole	YTP-48/1200	79592
2	450 mm Y-Type Cushion Angle	YTA-18/450	79593
	600 mm Y-Type Cushion Angle	YTA-24/600	79594
	750 mm Y-Type Cushion Angle	YTA-30/750	79595
	900 mm Y-Type Cushion Angle	YTA-36/900	79596
	1050 mm Y-Type Cushion Angle	YTA-42/1050	79597
1200 mm Y-Type Cushion Angle	YTA-48/1200	79598	
3	Y-Type Angle Clamp* (2 Clamps)	YTAC	79623
4	YST Drop Bracket Kit (2 Brackets)	YSTDBK	79844
5a	YST Spring Yellow	YSTS-Y	79795
5b	YST Spring Purple	YSTS-P	79796
5c	YST Spring Silver (Y-Type Carbide Cleaners)	CTS-S	77743
6	YST Mounting Bracket (incl. Angle Bracket)	YSTMB	79843
7a	YST Guide Block Kit (Pair)	YSTGBK	79845
7b	YST Guide Block Kit UHT (Pair)	YSTGBK-R	91811
8a	YST Lower Bushing Kit (Pair)	YSTLBK	79846
8b	YST Lower Bushing Kit UHT (Pair)	YSTLBK-R	91812
9a	YST Top Bushing Kit White (Pair)	YSTTBK-W	79847
9b	YST Top Bushing Kit Black (Pair)	YSTTBK-B	79855
9c	YST Top Bushing Kit UHT (Pair)	YSTBKPU-R	91813
10	YST Pole Mount Kit*	YSTPMK	79848
11	YST Adjusting Rod Nut Kit	YSTANK	79857
-	YST Tensioner w/Yellow Spring (Pair) (incl. 2 ea. item 5a, 6, 10, 11; 1 ea. items 7a, 8a, 9a)	YST-Y	79836
-	YST Tensioner w/Purple Spring (Pair) (incl. 2 ea. item 5b, 6, 10, 11; 1 ea. items 7a, 8a, 9a)	YST-P	79837
-	YST Tensioner w/Silver Spring (Pair) (incl. 2 ea. item 5c, 6, 10, 11; 1 ea. items 7a, 8a, 9b)	YST-S	79838
-	YST Tensioner w/Yellow Spring UHT (Pair) (incl. 2 ea. item 5a, 6, 10, 11; 1 ea. items 7b, 8b, 9c)	YST-Y-R	91814
-	YST Tensioner w/Purple Spring UHT (Pair) (incl. 2 ea. item 5b, 6, 10, 11; 1 ea. items 7b, 8b, 9c)	YST-P-R	91815

Replacement Blades/Blade Cartridges

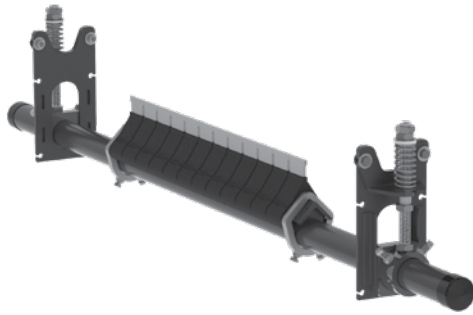
REF	DESCRIPTION	ORDERING NUMBER	ITEM CODE
12	Y-Type Carbide Blade (single)	YT-C	79574
13	450 mm Y-Type Carbide Blade Cartridge	YCART-18/450-TC	79811
	600 mm Y-Type Carbide Blade Cartridge	YCART-24/600-TC	79812
	750 mm Y-Type Carbide Blade Cartridge	YCART-30/750-TC	79813
	900 mm Y-Type Carbide Blade Cartridge	YCART-36/900-TC	79814
	1050 mm Y-Type Carbide Blade Cartridge	YCART-42/1050-TC	79815
	1200 mm Y-Type Carbide Blade Cartridge	YCART-48/1200-TC	79816
14	Y-Type Purple Polyurethane Blade (single)	YT-P	79573
15	450 mm Y-Type Purple Blade Cartridge	YCART-18/450-P	79617
	600 mm Y-Type Purple Blade Cartridge	YCART-24/600-P	79618
	750 mm Y-Type Purple Blade Cartridge	YCART-30/750-P	79619
	900 mm Y-Type Purple Blade Cartridge	YCART-36/900-P	79620
	1050 mm Y-Type Purple Blade Cartridge	YCART-42/1050-P	79621
	1200 mm Y-Type Purple Blade Cartridge	YCART-48/1200-P	79622
16	Y-Type White Polyurethane Blade (single)	YT-W	79572
17	450 mm Y-Type White Blade Cartridge	YCART-18/450-W	79611
	600 mm Y-Type White Blade Cartridge	YCART-24/600-W	79612
	750 mm Y-Type White Blade Cartridge	YCART-30/750-W	79613
	900 mm Y-Type White Blade Cartridge	YCART-36/900-W	79614
	1050 mm Y-Type White Blade Cartridge	YCART-42/1050-W	79615
1200 mm Y-Type White Blade Cartridge	YCART-48/1200-W	79616	
18	Y-Type Red Polyurethane Blade (single)	YT-R	91804
19	18" (450mm) Y-Type Red Blade Cartridge	YCART-18/450-R	91805
	24" (600mm) Y-Type Red Blade Cartridge	YCART-24/600-R	91806
	30" (750mm) Y-Type Red Blade Cartridge	YCART-30/750-R	91807
	36" (900mm) Y-Type Red Blade Cartridge	YCART-36/900-R	91808
	42" (1050mm) Y-Type Red Blade Cartridge	YCART-42/1050-R	91809
48" (1200mm) Y-Type Red Blade Cartridge	YCART-48/1200-R	91810	

*Hardware Included

Stock items (non-shaded) refer to (*) for specific lead time, if not specified, standard lead time applies.
Non-stock items (shaded) please contact Flexco for dispatch options and lead times.

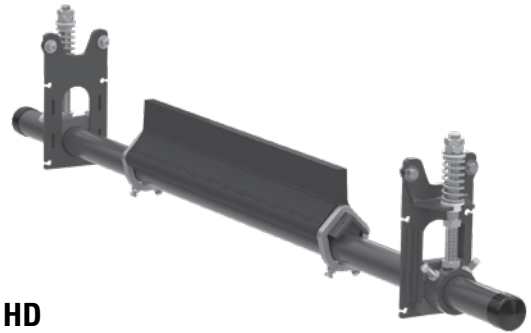
Product Ordering Information

Y-Type™ Heavy Duty Secondary Cleaner with HD Carbide or Urethane Blades and YST Tensioner



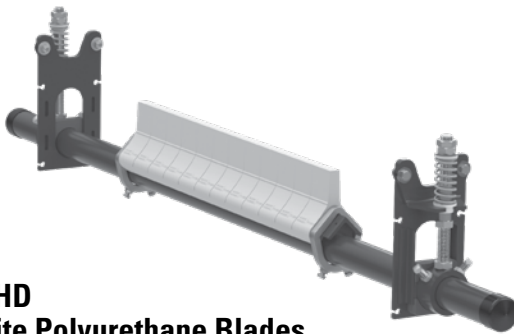
Y-Type™ HD with Carbide Blades

BELT WIDTH	ORDERING NUMBER	ITEM CODE	WT. KG
900	YTHD-TC-36S	79777	59.0
1050	YTHD-TC-42S	79778	64.6
1200	YTHD-TC-48S	79779	68.9
1350	YTHD-TC-54S	79780	73.3
1500	YTHD-TC-60S	79781	77.6
1800	YTHD-TC-72S	79782	86.2



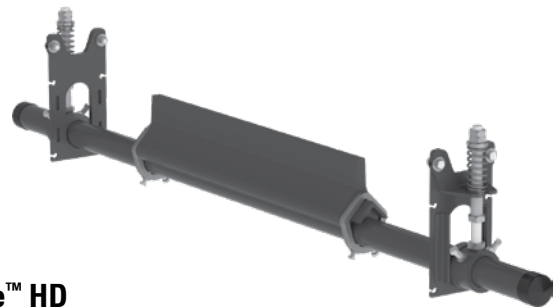
Y-Type™ HD with Purple Polyurethane Blades

BELT WIDTH	ORDERING NUMBER	ITEM CODE	WT. KG
900	YTHD-36S	79783	59.4
1050	YTHD-42S	79784	63.6
1200	YTHD-48S	79785	67.8
1350	YTHD-54S	79786	72.0
1500	YTHD-60S	79787	76.2
1800	YTHD-72S	79788	84.6



Y-Type™ HD with White Polyurethane Blades

BELT WIDTH	ORDERING NUMBER	ITEM CODE	WT. KG
900	YTHDW-36S	79789	59.4
1050	YTHDW-42S	79790	63.6
1200	YTHDW-48S	79791	67.8
1350	YTHDW-54S	79792	72.0
1500	YTHDW-60S	79793	76.2
1800	YTHDW-72S	79794	84.6

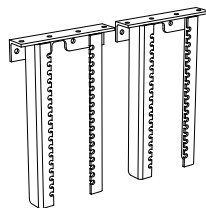


Y-Type™ HD with Red UHT Polyurethane Blades

BELT WIDTH	ORDERING NUMBER	ITEM CODE	WT. KG
900	YTHDR-36S	91816	59.4
1050	YTHDR-42S	91817	63.6
1200	YTHDR-48S	91818	67.8
1350	YTHDR-54S	91819	72.0
1500	YTHDR-60S	91820	76.2
1800	YTHDR-72S	91821	84.6

Optional YST Drop Brackets (2)

ORDERING NUMBER	ITEM CODE	WT. KG
YSTHDBK	79850	14.6



Product Notes:

- Works on reversing belts, vulcanized belts, and belts with mechanical fasteners.
- Pole Length: Belt width plus 1350 mm. For longer requirements, see Installation Accessories – Pole Extender Kit page 123.
- Visual Blade Tension Check: Measure the tension spring and refer to Spring Length Chart on mounting base for the correct length for best cleaning performance.
- Tensioner: Standard Duty YST Spring Tensioner for self-adjusting tensioning with easy retensioning adjustments. The tensioner can be mounted in pull-up or push-up position.
- To make cleaner installation easier and quicker, see Optional Mounting Kits on replacement parts page.
- Simple design makes changing the blades fast and easy. Blades can be removed and replaced individually, or all at once by replacing the cartridge.

Stock items (non-shaded) refer to (*) for specific lead time, if not specified, standard lead time applies.

Non-stock items (shaded) please contact Flexco for dispatch options and lead times.

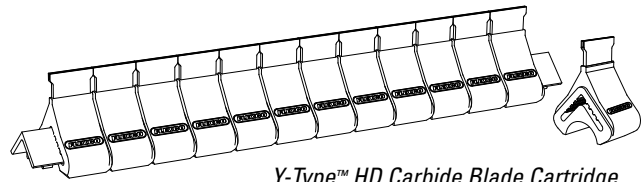
Product Ordering Information

Y-Type™ Heavy Duty Secondary Cleaner with HD Carbide or Urethane Blades and YST Tensioner

Replacement Blades/Cartridges - HD Carbide

BELT WIDTH	ORDERING NUMBER	ITEM CODE	WT. KG
–	YT-HDC*	79728	0.8
900	YCART-36/900-HDTC	79829	17.4
1050	YCART-42/1050-HDTC	79830	6.6
1200	YCART-48/1200-HDTC	79831	23.0
1350	YCART-54/1350-HDTC	79832	25.8
1500	YCART-60/1500-HDTC	79833	28.5
1800	YCART-72/1800-HDTC	79834	34.1

*Single 75 mm blade segment

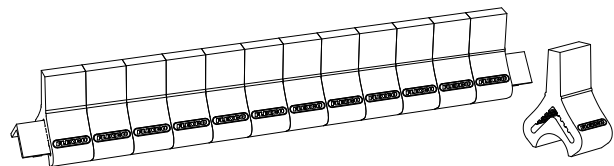


Y-Type™ HD Carbide Blade Cartridge

Replacement Blades/Cartridges HD Purple Polyurethane

BELT WIDTH	ORDERING NUMBER	ITEM CODE	WT. KG
–	YT-HDP*	79677	0.7
900	YCART-36/900-HDP	79817	16.6
1050	YCART-42/1050-HDP	79818	19.2
1200	YCART-48/1200-HDP	79819	21.8
1350	YCART-54/1350-HDP	79820	24.4
1500	YCART-60/1500-HDP	79821	27.1
1800	YCART-72/1800-HDP	79822	32.4

*Single 75 mm blade segment



Y-Type™ HD Polyurethane Blade Cartridge

Replacement Blades/Cartridges HD White† Polyurethane

BELT WIDTH	ORDERING NUMBER	ITEM CODE	WT. KG
–	YT-HDW*	79676	0.7
900	YCART-36/900-HDW	79823	16.6
1050	YCART-42/1050-HDW	79824	19.2
1200	YCART-48/1200-HDW	79825	21.8
1350	YCART-54/1350-HDW	79826	24.4
1500	YCART-60/1500-HDW	79827	27.1
1800	YCART-72/1800-HDW	79828	32.4

*Single 75 mm blade segment

†White blades are chemical resistant, and all ingredients used in Polyurethane formulation comply with the relevant requirements of 21 CFR (FDA Code of Federal Regulations) for use in repeated bulk dry food applications.

Replacement Blades/Cartridges HD Red UHT Polyurethane

BELT WIDTH	ORDERING NUMBER	ITEM CODE	WT. KG
–	YT-HDR*	91822	1.7
900	YCART-36/900-HDR	91823	36.5
1050	YCART-42/1050-HDR	91824	42.3
1200	YCART-48/1200-HDR	91825	48.1
1350	YCART-54/1350-HDR	91826	53.9
1500	YCART-60/1500-HDR	91827	59.8
1800	YCART-72/1800-HDR	91828	71.4

*Single 75 mm blade segment

Stock items (non-shaded) refer to (*) for specific lead time, if not specified, standard lead time applies.
Non-stock items (shaded) please contact Flexco for dispatch options and lead times.

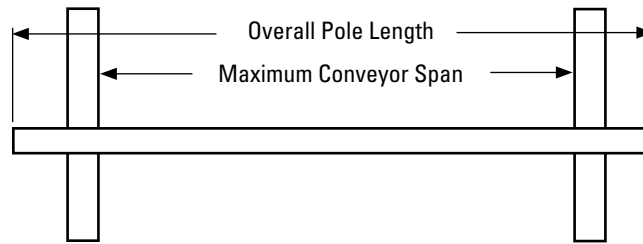
Specifications & Guidelines

Y-Type™ Heavy Duty Secondary Cleaner with YST Tensioner

Pole Length Specifications

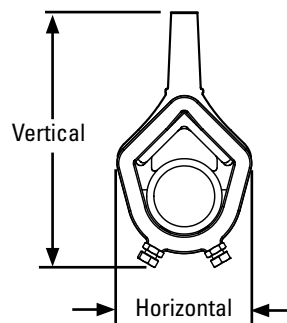
CLEANER SIZE	POLE LENGTH	MAXIMUM CONVEYOR SPAN
900	2286	2083
1050	2438	2235
1200	2590	2388
1350	2743	2540
1500	2895	2692
1800	3200	2997

Pole Length – Belt +1350 mm
Pole Diameter – 73 mm



Clearance Guidelines for Installation

Cleaner Type	Belt Width/Cleaner Size	Horizontal Clearance Required	Vertical Clearance Required
Y-Type® HD Polyurethane	900 - 1800	133	241
Y-Type HD Carbide	900 - 1800	133	248



Y-Type Blade Specifications

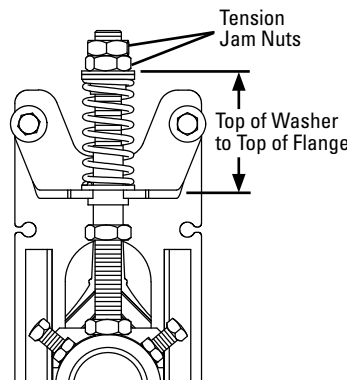
Cushion	Durometer	Temperature Range
Purple (Standard)	86A	-35° to 82° C
White (Food Grade) ‡	83A	-35° to 82° C
Red (Ultra High-Temp)	90A	Up to 200° C Spikes to 232° C
Carbide	86	-35° to 82° C

‡All ingredients used in the Polyurethane formulation of this blade comply with the relevant requirements of 21 CFR (FDA Code of Federal Regulations) for use in repeated bulk dry food applications

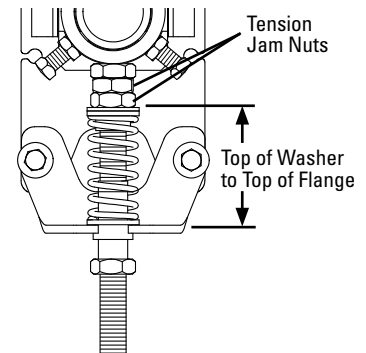
Spring Length Chart

Blade Width	Carbide Tip		Polyurethane Tip	
	Silver Springs	Black Springs	Green Springs	Blue Springs
900	98	102	76	86
1050	95	98	73	83
1200	92	95	67	79
1350	89	95	64	76
1500	86	92	NA	73
1800	83	89	NA	64

Shading indicates preferred spring option.



Pull-Up Tensioner Configuration (HD)



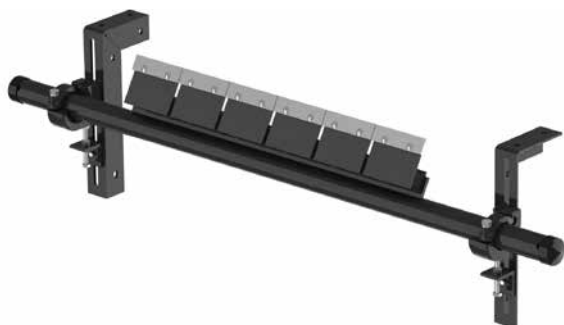
Push-Up Tensioner Configuration (HD)

Specifications:

- Maximum Belt Speed3.8 m/s
- Usable Blade Wear Length.....76 mm (Polyurethane)
10 mm (Carbide)
- Blade Materials**Purple:** Polyurethane (proprietary blend for abrasion resistance and long wear)
White: Polyurethane (chemical resistant/food grade)
Red: Polyurethane (ultra high-temp)
Carbide: Tungsten Carbide
- Available for Belt Widths900 to 1800 mm. Other sizes available upon request
- CEMA Cleaner RatingClass 3 (Heavy-duty with polyurethane or carbide blades)

Product Ordering Information

P-Type®
Secondary Precleaner



P-Type® Secondary with C-Tips*

BELT WIDTH	ORDERING NUMBER	ITEM CODE	WT. KG
450	PC450	62219	32.8
600	PC600	62220	36.0
750	PC750	62221	38.6
900	PC900	62222	41.8
1050	PC1050	62223	41.8
1200	PC1200	On Request	50.7
1350	PC1350	62224	55.4
1500	PC1500	62225	58.1
1800	PCHD1800		63.5
2100	PCHD2100	On Request	–
2400	PCHD2400		–

*NOTE: C-Tips can be used on mechanically spliced and vulcanized belts.

P-Type® Secondary with V-Tips*

BELT WIDTH	ORDERING NUMBER	ITEM CODE	WT. KG
450	PV450	64461	32.8
600	PV600	64462	36.0
750	PV750	64463	38.6
900	PV900	64464	41.8
1050	PV1050	64465	41.8
1200	PV1200	64466	50.7
1350	PV1400	64467	55.4
1500	PV1500	64468	58.1
1800	PVHD1800	64469	63.5
2100	PVHD2100	On Request	–
2400	PVHD2400	Request	–

*NOTE: V-Tips can be used ONLY on vulcanized belts.

P-Type® PU with V-Tips*

BELT WIDTH	BELT WIDTH	ORDERING NUMBER	ITEM CODE	WT. KG
500	450	PV450-PU	93494	32.8
650	600	PV600-PU	93495	36.0
800	750	PV750-PU	93496	38.6
800-1000	900	PV900-PU	93497	41.8
1000	1050	PV1050-PU	93498	41.8
1200	1200	PV1200-PU	93499	50.7
1400	1350	PV1350-PU	93500	55.4
1600	1500	PV1500-PU	93501	58.1
1800	1800	PVHD1800-PU	93502	63.5
2000-2200	2100	PVHD2100-PU	93503	–
2400	2400	PVHD2400-PU	93504	–

*NOTE: V-Tips can be used ONLY on vulcanized belts.

Replacement Tips

ORDERING NUMBER	ITEM CODE	WT. KG
ICT6	74535	0.3
PSA150	73156	0.5

Tips Required per Cleaner Size

mm	450	600	750	900	1050	1200	1350	1500	1800	2100	2400
C-Tips or V-Tips Required	3	4	5	6	7	8	9	10	12	14	16

Product Notes:

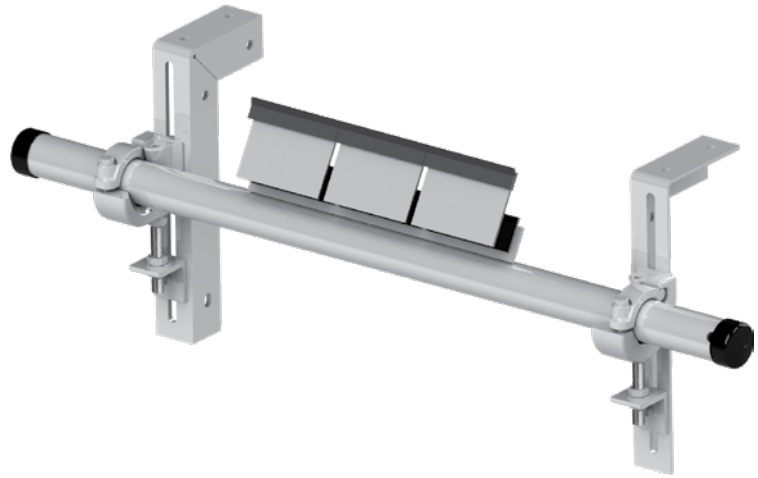
- C-Tip: specially formulated tungsten carbide blades to work with mechanical fasteners.
- V-Tip: for use on vulcanized belts only.
- Compact design: fits in small transfer areas and tight chutes.
- Tips set at a non-aggressive 70° angle to give quick relief for passing mechanical splices.

Stock items (non-shaded) refer to (*) for specific lead time, if not specified, standard lead time applies.

Non-stock items (shaded) please contact Flexco for dispatch options and lead times.

Product Ordering Information

P-Type® Stainless Steel Secondary Precleaner



P-Type® Secondary with V-Tips Stainless Steel*

BELT WIDTH	ORDERING NUMBER	ITEM CODE	WT. KG
450	PV450-S/S	75323	–
600	PV600-S/S	75324	–
750	PV750-S/S	75325	–
900	PV900-S/S	75326	–
1050	PV1050-S/S	75327	–
1200	PV1200-S/S	75328	–
1350	PV1400-S/S	75329	–
1500	PV1500-S/S	75330	–
1800	PVHD1800-S/S	A1603	–
2000	PVHD2000-S/S	A2046	–

*NOTE: V-Tips can be used ONLY on vulcanized belts.

Replacement Tips

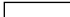
ORDERING NUMBER	ITEM CODE	WT. KG
ICT6	74535	0.3
PSA150	73156	0.5


Tips Required per Cleaner Size

mm	450	600	750	900	1050	1200	1350	1500	1800
C-Tips or V-Tips Required	3	4	5	6	7	8	9	10	12

Product Notes:

- C-Tip: specially formulated tungsten carbide blades to work with mechanical fasteners.
- V-Tip: for use on vulcanized belts only.
- Compact design: fits in small transfer areas and tight chutes.
- Tips set at a non-aggressive 70° angle to give quick relief for passing mechanical splices.

 Stock items (non-shaded) refer to (*) for specific lead time, if not specified, standard lead time applies.

 Non-stock items (shaded) please contact Flexco for dispatch options and lead times.

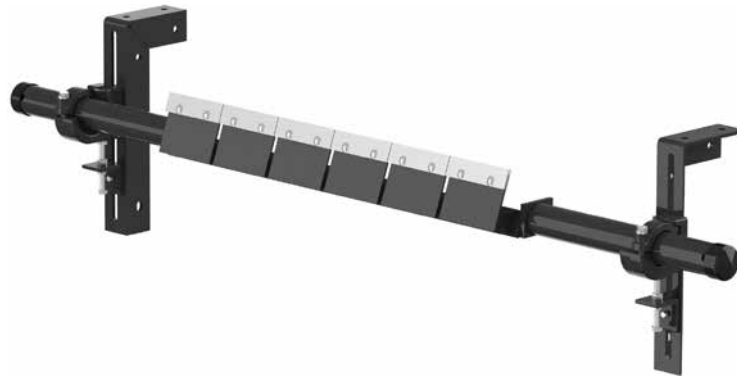
Specifications & Guidelines

P-Type® LS *Limited Space Secondary Cleaner*

P-Type® LS Belt Cleaner with C-Tips*

BELT WIDTH	ORDERING NUMBER	ITEM CODE	WT. KG
450	PLSC18	75588	33.3
600	PLSC24	75589	36.4
750	PLSC30	75590	39.1
900	PLSC36	75591	42.2
1050	PLSC42	75592	45.8
1200	PLSC48	75593	48.5
1350	PLSC54	75594	51.6

*NOTE: C-Tips can be used on mechanically spliced and vulcanized belts.



Replacement Tips

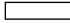
ORDERING NUMBER	ITEM CODE	WT. KG
ICT6	74535	0.3


Tips Required per Cleaner Size

mm	450	600	750	900	1050	1200	1350
C-Tips Required	3	4	5	6	7	8	9

Product Notes:

- LS = Limited Space. Requires only 138 mm of vertical clearance for installation.
- Not available in belt widths larger than 1350 mm.

 Stock items (non-shaded) refer to (*) for specific lead time, if not specified, standard lead time applies.

 Non-stock items (shaded) please contact Flexco for dispatch options and lead times.

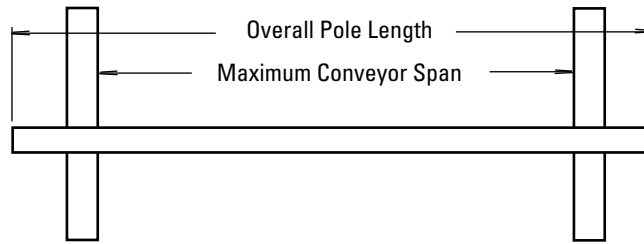
Specifications & Guidelines

P-Type[®]
Secondary Cleaner

Pole Length Specifications

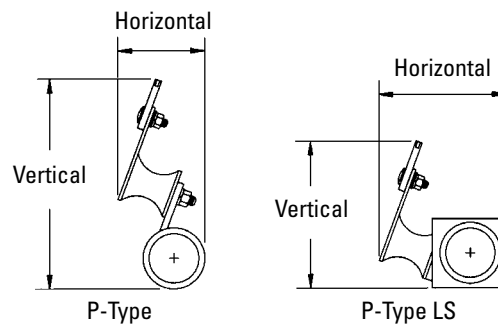
CLEANER SIZE	POLE LENGTH	MAXIMUM CONVEYOR SPAN
450	1200	1075
600	1350	1225
750	1500	1375
900	1650	1525
1050	1800	1675
1200	1950	1825
1350	2200	2075
1500	2350	2225

Pole Diameter - 60mm up to cleaner size 1200
Pole Diameter - 73mm from cleaner size 1350



Clearance Guidelines for Installation

Cleaner Type	Belt Width/Cleaner Size	Horizontal Clearance Required	Vertical Clearance Required
P-Type	450 - 1800	100	200
P-Type LS	450 - 1350	125	138



P-Type Cushion Specifications

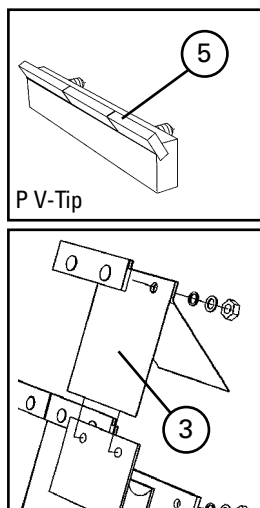
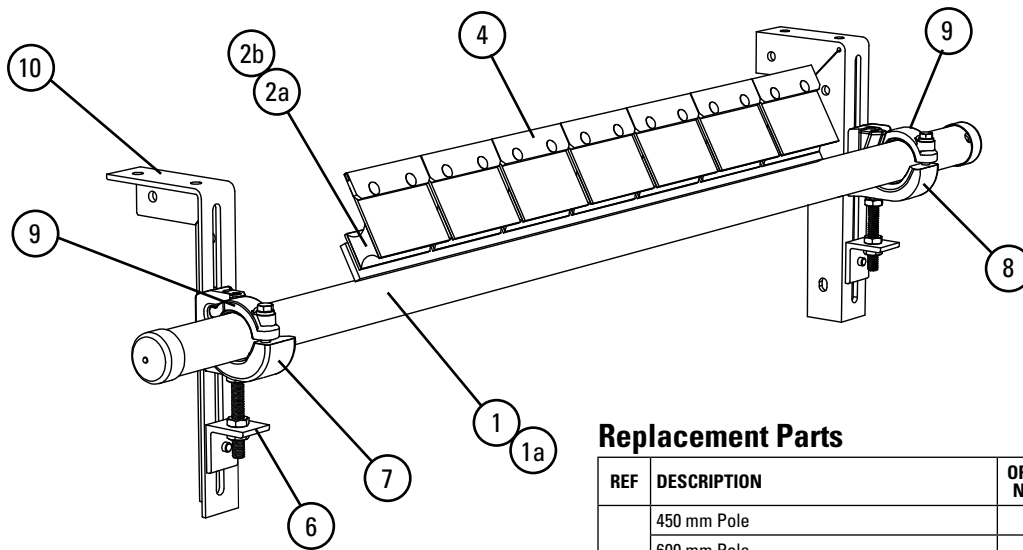
CUSHION	DUROMETER	TEMPERATURE RANGE
Standard	55A	-35° to 82° C
Polyurethane	85A	-32° to 82°C

Specifications:

- Maximum Belt Speed5 m/s
- Temperature Rating-35° C to 82° C
- Usable Blade Wear Length.....9 mm
- Blade MaterialsC-Tip: Impact Resistant Tungsten Carbide (works with mechanical fasteners)
V-Tip: Long Life Tungsten Carbide (works on vulcanized belts only)
- Available for Belt WidthsP-Type: 450 to 1800 mm
P-Type LS: 1450 to 1350 mm
Other sizes available upon request.
- CEMA Cleaner RatingClass 3

Replacement Parts List

P-Type®
Secondary Cleaner



Replacement Parts

REF	DESCRIPTION	ORDERING NUMBER	ITEM CODE	WT. KG	
1	450 mm Pole	PP450	73003	10.2	
	600 mm Pole	PP600	73005	11.8	
	750 mm Pole	PP750	73007	14.7	
	900 mm Pole	PP900	73009	15.0	
	1050 mm Pole	PP1050	73011	19.5	
	1200 mm Pole	PP1200	73013	21.5	
	1350 mm Pole	PP1400	73015	24.9	
	1500 mm Pole	PP1500	73016	26.3	
	1800 mm Pole	PPHD1800	74597	29.0	
	2100 mm Pole	PPHD2100	A2803	-	
	2400 mm Pole	PPHD2400	74557	-	
	1a	450 mm Pole	PLSP450	75595	14.7
		600 mm Pole	PLSP600	75596	16.3
		750 mm Pole	PLSP750	75597	17.6
900 mm Pole		PLSP900	75598	-	
1a	1050 mm Pole	PLSP1050	75599	-	
	1200 mm Pole	PLSP1200	75600	-	
	1350 mm Pole	PLSP1350	75601	-	
2a	P2 C-Tip Cushion*	PHA	73626	0.9	
2b	P V-Tip Cushion Polyurethane	PHA-PU85	17743	1.0	
3	P Polyshield	PPS6	73024	0.05	
4	C-Tip* Kit (1 ea.)	ICT6	74535	0.3	
5	P V-Tip* (for vulcanized belts only)	PVT6 (S/S)	75420	0.5	
6	Adjusting Bracket Kit* (1 ea.)	PAB	75513	0.7	
7	Pole Clamp Kit Left* (1 ea.) (incl. item 9)	CCKL	79224	3.1	
8	Pole Clamp Kit Right* (1 ea.) (incl. item 9)	CCKR	79228	3.1	
9	Cradle Clamp Top Strap (1 ea.) For use on left or right Pole Clamp Kit	CCKTS	79232	0.5	
10	Mounting Bracket Kit (1 Right and 1 Left)	EZS2MBK	75666	5.9	
-	Cradle Clamp Mounting Kit* (incl. 2 items 6 and 1 ea. item 7, 8 & 10)	CCMK	78919	15.0	
-	HD Cradle Clamp Mounting Kit* for sizes 1350-2400mm (incl. 2 items 6 and 1 ea. item 7, 8 & 10)	CCMKHD	78920	16.6	

*Hardware Included

Tips Required per Cleaner Size

mm	450	600	750	900	1050	1200	1350	1500	1800	2100	2400
C-Tips or V-Tips Required	3	4	5	6	7	8	9	10	12	14	16

Stock items (non-shaded) refer to (*) for specific lead time, if not specified, standard lead time applies.
Non-stock items (shaded) please contact Flexco for dispatch options and lead times.

Product Ordering Information

R-Type® Reversing Secondary Cleaner



R-Type® Reversing with C-Tips*

BELT WIDTH	ORDERING NUMBER	ITEM CODE	WT. KG
450	RC18	74618	33.0
600	RC24	74619	36.0
750	RC30	74620	38.6
900	RC36	74621	41.7
1050	RC42	74622	47.6
1200	RC48	74623	51.5
1350	RC54	74624	54.9
1500	RC60	74625	58.9
1800	RC72	74626	65.0
2100	RCHD2100	74628	100.0
2400	RCHD2400	74629	110.0

*NOTE: C-Tips can be used on mechanically spliced and vulcanized belts.

R-Type® Reversing with V-Tips*

BLADE WIDTH	ORDERING NUMBER	ITEM CODE	WT. KG
450	RV450	74633	72.4
600	RV600	74634	78.7
750	RV750	74635	84.6
900	RV900	74636	91.1
1050	RV1050	74637	104.0
1200	RV1200	74638	113.3
1350	RV1350	74639	119.9
1500	RV1500	74640	128.5
1800	RVHD1800	74642	139.7
2100	RVHD2100	74643	100.0
2400	RVHD2400	74644	110.0

*NOTE: V-Tips can be used ONLY on vulcanized belts.

R-Type® PU with C-Tips*

BELT WIDTH	ORDERING NUMBER	ITEM CODE	WT. KG
450	RC450-PU	90437	33.0
600	RC600-PU	90438	36.0
750	RC750-PU	90439	38.6
900	RC900-PU	90440	41.7
1050	RC1050-PU	90441	47.6
1200	RC1200-PU	90442	51.5
1350	RC1350-PU	90443	54.9
1500	RC1500-PU	90444	58.9
1800	RCHD1800-PU	90445	65.0
2100	RCHD2100-PU	90446	100.0
2400	RCHD2400-PU	90447	110.0

*NOTE: C-Tips can be used on mechanically spliced and vulcanized belts.

R-Type® PU with V-Tips*

BELT WIDTH	ORDERING NUMBER	ITEM CODE	WT. KG
450	RV450-PU	90448	33.0
600	RV600-PU	90449	36.0
750	RV750-PU	90450	38.6
900	RV900-PU	90451	41.7
1050	RV1050-PU	90452	47.6
1200	RV1200-PU	90453	51.5
1350	RV1350-PU	90454	54.9
1500	RV1500-PU	90455	58.9
1800	RVHD1800-PU	90456	65.0
2100	RVHD2100-PU	90457	100.0
2400	RVHD2400-PU	90458	110.0

*NOTE: V-Tips can be used ONLY on vulcanized belts.

Replacement Tips

ORDERING NUMBER	ITEM CODE	WT. KG
ICT6	74535	0.3
RSA150	73628	0.6

Tips Required per Cleaner Size

mm	450	600	750	900	1050	1200	1350	1500	1800	2100	2400
C-Tips Required	3	4	5	6	7	8	9	10	12	14	16

Product Notes:

- Two-way cushions allow cleaning in both directions.
- Tungsten carbide tips for long wear and superior cleaning.

Stock items (non-shaded) refer to (*) for specific lead time, if not specified, standard lead time applies.

Non-stock items (shaded) please contact Flexco for dispatch options and lead times.

Product Ordering Information

R-Type® Stainless Steel Reversing Secondary Cleaner



R-Type® Stainless Steel Reversing with C-Tips*

BELT WIDTH	ORDERING NUMBER	ITEM CODE	WT. KG
450	On Request	On Request	37.0
600			38.0
750			39.0
900			42.0
1050			48.0
1200			57.0
1350			56.0
1500			60.0
1800			95.0
2100			103.0

*NOTE: C-Tips can be used on mechanically spliced and vulcanized belts.

R-Type® Stainless Steel Reversing with V-Tips*

BELT WIDTH	ORDERING NUMBER	ITEM CODE	WT. KG
450	RV450-S/S	75341	34.0
600	RV600-S/S	75342	36.0
750	RV750-S/S	75343	39.0
900	RV900-S/S	75344	42.0
1050	RV1050-S/S	75345	48.0
1200	RV1200-S/S	75346	52.0
1350	RV1400-S/S	75347	55.0
1500	RV1500-S/S	75348	59.0
1800	RVHD1800-S/S	A1626	92.0
2100	RVHD2100-S/S	A1628	100.0

*NOTE: V-Tips can be used ONLY on vulcanized belts.

Replacement Tips

ORDERING NUMBER	ITEM CODE	WT. KG
ICT6	74535	0.3
RSA150	73628	0.6

Tips Required per Cleaner Size

mm	450	600	750	900	1050	1200	1350	1500	1800	2100	2400
C-Tips Required	3	4	5	6	7	8	9	10	12	14	16

Product Notes:

- Two-way cushions allow cleaning in both directions.
- Tungsten carbide tips for long wear and superior cleaning.

Stock items (non-shaded) refer to (*) for specific lead time, if not specified, standard lead time applies.

Non-stock items (shaded) please contact Flexco for dispatch options and lead times.

Product Ordering Information

R-Type® ATEX Reversing Secondary Cleaner



R-Type® ATEX Reversing with V-Tips*

BELT WIDTH	ORDERING NUMBER	ITEM CODE	WT. KG
500	RV450-ATEX	On Request	34.0
650	RV600-ATEX	90765	36.0
800	RV750-ATEX	90766	39.0
800-1000	RV900-ATEX	90767	42.0
1000	RV1050-ATEX	90768	48.0
1200	RV1200-ATEX	90769	52.0
1400	RV1350-ATEX	90770	55.0
1600	RV1500-ATEX	90771	59.0
1800	RVHD1800-ATEX	90522	92.0
2000-2100	RVHD2100-ATEX	90523	100.0
2400	RVHD2400-ATEX	On Request	110.0

*NOTE: V-Tips can be used ONLY on vulcanized belts.
Stainless steel on request.

Stock items (non-shaded) refer to (*) for specific lead time, if not specified, standard lead time applies.

Non-stock items (shaded) please contact Flexco for dispatch options and lead times.

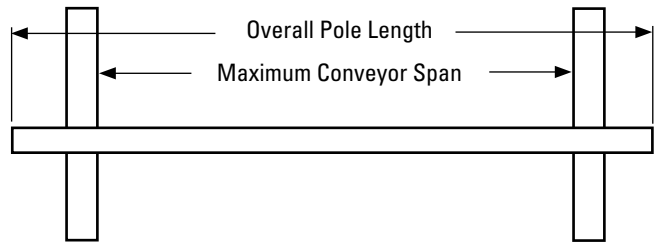
Specifications & Guidelines

R-Type® and R-Type® ATEX Reversing Secondary Cleaner

Pole Length Specifications

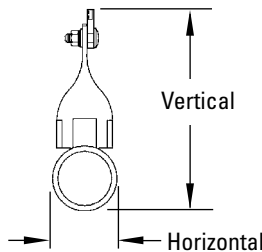
CLEANER SIZE	POLE LENGTH	MAXIMUM CONVEYOR SPAN
450	1200	1075
600	1350	1225
750	1500	1375
900	1650	1525
1050	1800	1675
1200	1950	1825
1350	2200	2075
1500	2350	2225
1800	2650	2525
2000	2900	2775
2100	3000	2875
2400	3300	3175

Pole Diameter - 60mm up to cleaner size 1200
 Pole Diameter - 73mm from cleaner size 1350



Clearance Guidelines for Installation

Cleaner Type	Belt Width/ Cleaner Size	Horizontal Clearance Required	Vertical Clearance Required
R-Type	450 - 2400	100	200
R-Type ATEX	450 - 2400	100	200



R-Type Cushion Specifications

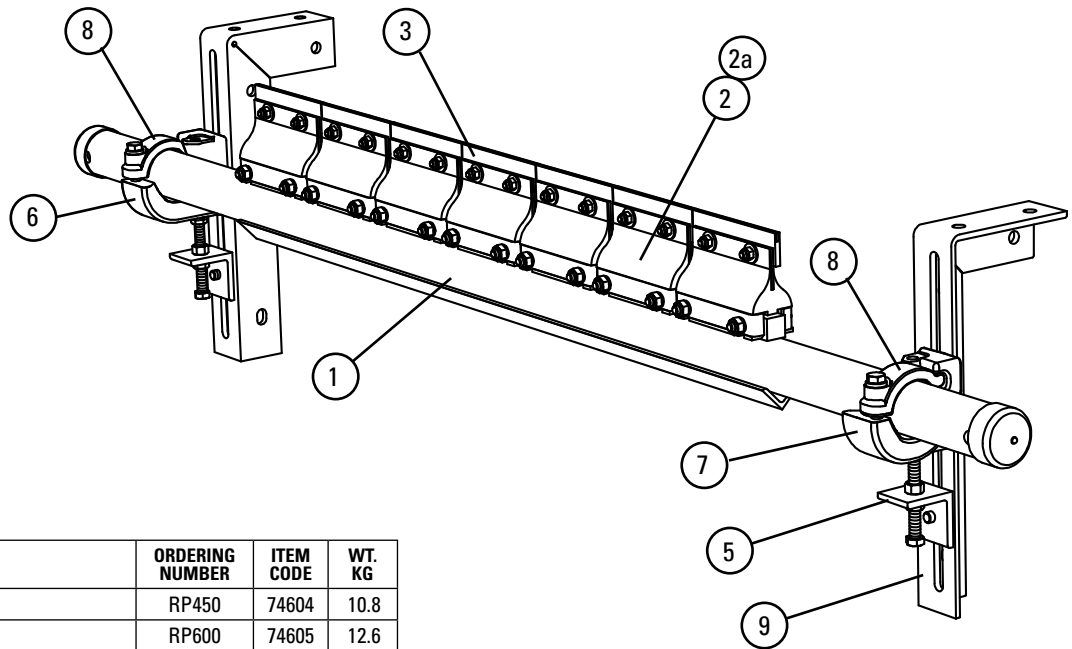
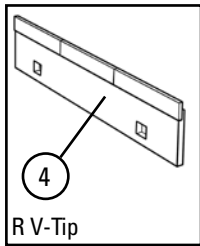
CUSHION	DUROMETER	TEMPERATURE RANGE
Standard	55A	-35° C to 82° C
Polyurethane	85A	-32° C to 82° C

Specifications:

- Maximum Belt Speed **R-Type:** 5 m/s
R-Type ATEX: 3.5 m/s
- Temperature Rating **Standard:** -35° C to 82° C
Polyurethane: -32° C to 82° C
- Usable Blade Wear Length 9 mm
- Blade Materials C-Tip: Impact Resistant Tungsten Carbide (works with mechanical fasteners)
V-Tip: Long Life Tungsten Carbide (works on vulcanized belts only)
- Available for Belt Widths **R-Type:** 450 to 2400 mm
R-Type ATEX: 450 to 2400mm
Other sizes available upon request
- CEMA Cleaner Rating Class 4

Replacement Parts List

R-Type®
Secondary Cleaner



Replacement Parts

REF	DESCRIPTION	ORDERING NUMBER	ITEM CODE	WT. KG
1	450 mm Pole	RP450	74604	10.8
	600 mm Pole	RP600	74605	12.6
	750 mm Pole	RP750	74606	14.1
	900 mm Pole	RP900	74607	16.0
	1050 mm Pole	RP1050	74608	20.7
	1200 mm Pole	RP1200	74609	23.0
	1350 mm Pole	RP1350	74610	25.7
	1500 mm Pole	RP1500	74611	28.4
	1800 mm Pole	RPHD1800	74613	32.4
	2100 mm Pole	RPHD2100	74614	—
	2400 mm Pole	RPHD2400	74615	—
2	R2 C-Tip Cushion*	RSA	76249	0.9
2a	PU R2 C-Tip Cushion*	RSA-PU85	90436	—
3	C-Tip Kit* (1 ea.)	ICT6	74535	0.3
4	R V-Tip* (for vulcanized belts only)	RSA150	73628	0.4
5	Adjusting Bracket Kit* (1 ea.)	PAB	75513	0.7
6	Pole Clamp Kit Left* (1 ea.) (incl. 1 item 8)	CCKL	79224	3.1
7	Pole Clamp Kit Right* (1 ea.) (incl. 1 item 8)	CCKR	79228	3.1
8	Pole Clamp Top Strap (1 ea.) For use on left or right Pole Clamp Kit	CCKTS	79232	0.5
9	Mounting Bracket Kit (1 Right and 1 Left)	EZS2MBK	75666	5.9
—	Cradle Clamp Mounting Kit* (incl. 2 ea. item 5 and 1 ea. item 6, 7 & 9)	CCMK	78919	15.0
-	HD Cradle Clamp Mounting Kit* for sizes 1350-2400mm (incl. 2 items 6 and 1 ea. item 7, 8 & 10)	CCMKHD	78920	16.6

*Hardware Included

Tips Required per Cleaner Size

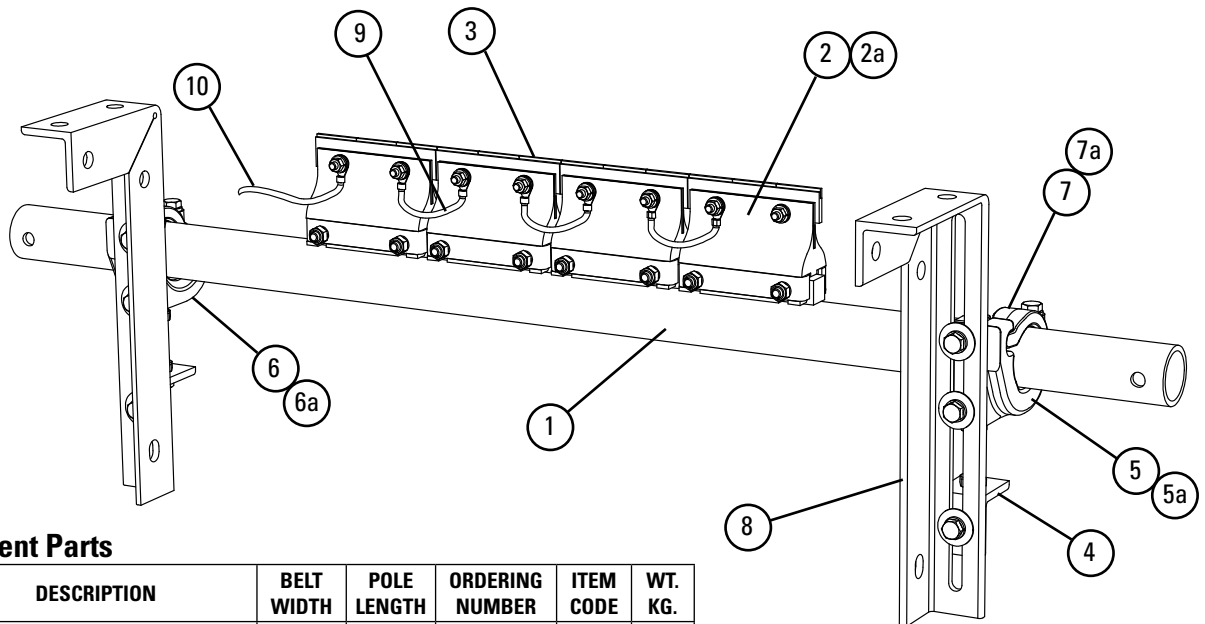
mm	450	600	750	900	1050	1200	1350	1500	1800	2100	2400
C-Tips or V-Tips Required	3	4	5	6	7	8	9	10	12	14	16

Stock items (non-shaded) refer to (*) for specific lead time, if not specified, standard lead time applies.

Non-stock items (shaded) please contact Flexco for dispatch options and lead times.

Product Ordering Information

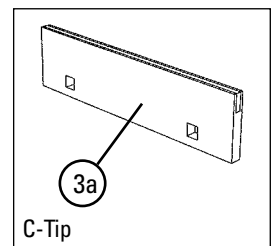
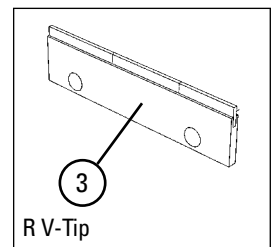
R-Type® ATEX Reversing Secondary Cleaner



Replacement Parts

REF	DESCRIPTION	BELT WIDTH	POLE LENGTH	ORDERING NUMBER	ITEM CODE	WT. KG.
1	R-Type® Pole 60 mm Pole Diameter	450	1200	RP-18	78426	10.0
		600	1350	RP-24	78427	11.0
		750	1500	RP-30	78428	13.0
		900	1650	RP-36	78429	15.0
		1050	1800	RP-42	78430	21.0
		1200	1950	RP-48	78431	23.0
		1400	2200	RP-54	78432	25.0
		1500	2350	RP-60	78433	26.0
		1800	2650	RP-72	74612	28.0
		2000	2900	RP-80	90932	29.0
1	R-Type® Pole 73 mm Pole Diameter	2100	3000	RP-84	90933	39.0
		2400	3300	RP-96	90934	45.0
2	R Cushion			RSA	76249	1.0
2a	R-Type Cushion Neoprene			RNC	74985	1.2
3	R V-Tip* (for vulcanised belts only)			RSA150	73628	0.4
3a	C-Tip Kit* (1 ea.)			ICT6	74535	0.7
4	Adjusting Bracket Kit* (1 ea.)			PAB	75513	0.7
5	Pole Clamp Kit Left* (1 ea.) (incl. item 8) (for sizes 450-1500mm)			CCKL	79224	3.1
5a	HD Pole Clamp Kit Left* (1 ea.) (incl. item 8a) (for sizes 1800-2400mm)			CCKHDL	79225	4.0
6	Pole Clamp Kit Right* (1 ea.) (incl. item 8) (for sizes 450-1500mm)			CCKR	79228	3.1
6a	HD Pole Clamp Kit Right* (1 ea.) (incl. item 8a) (for sizes 1800-2400mm)			CCKHDR	79229	4.0
7	Cradle Clamp Top Strap (1 ea.) (for use on L or R Pole Clamp Kit)			CCKTS	79232	0.5
7a	HD Cradle Clamp Top Strap (1 ea.) (for use on L or R HD Pole Clamp Kit)			CCKHDS	78233	0.8
8	Mounting Bracket Kit (Left and Right)			EZS2MBK	75666	7.6
9	Tip-to-Tip Grounding Wire			TT-GWK	90788	0.1
10	Tip-to-Structure Grounding Wire			TS-GWK	90789	0.1
-	Cradle Clamp Mounting Kit* (for sizes 450-1500mm) (incl. 2 ea. item 5, and 1 ea. items 6, 7 & 9)			CCMK	78919	15.0
-	HD Cradle Clamp Mounting Kit* (for sizes 1800-2400mm) (incl. 2 ea. item 5, and 1 ea. items 6a, 7a & 9)			CCMKHD	78920	16.7

*Hardware included



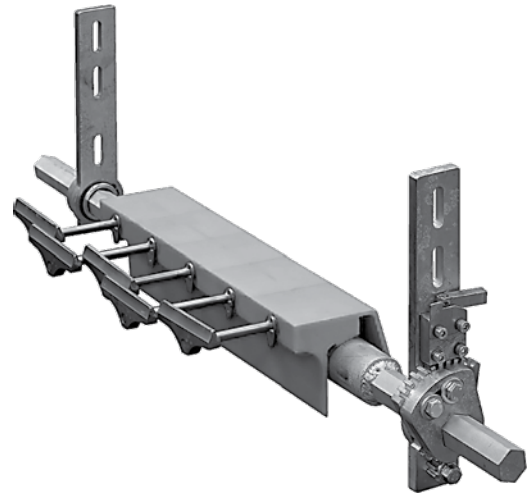
Tips Required per Cleaner Size

mm	450	600	750	900	1050	1200	1400	1500	1800	2100	2400
Tips Required	3	4	5	6	7	8	9	10	12	14	16

Stock items (non-shaded) refer to (*) for specific lead time, if not specified, standard lead time applies.
 Non-stock items (shaded) please contact Flexco for dispatch options and lead times.

Product Ordering Information

T-Type®
Secondary Cleaner



T-Type® Secondary with V-Tips*

BELT WIDTH	ORDERING NUMBER	ITEM CODE	WT. KG
400	TV400	93505	23.0
600	TV600	93506	27.0
800	TV800	93507	31.0
1000	TV1000	93508	35.0
1200	TV1200	93509	39.0
1400	TV1400	93510	43.0
1600	TV1600	93511	47.0

*NOTE: V-Tips can be used ONLY on vulcanized belts.

Replacement Tips

ORDERING NUMBER	ITEM CODE	WT. KG
TSAS (short)	93512	1.0
TSAL (long)	93513	1.0

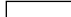
*Polyurethane segment includes tungsten carbide tip.


Tips Required per Cleaner Size

mm	400	600	800	1000	1200	1400	1600
TSAS	2	3	4	5	6	7	8
TSAL	1	2	3	4	5	6	7

Product Notes:

- V-Tip: for use on vulcanized belts only.
- Compact design: fits in small transfer areas and tight chutes.
- Tips set at a 90° angle for superior cleaning.

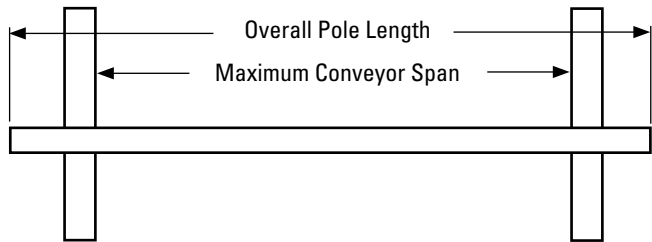
 Stock items (non-shaded) refer to (*) for specific lead time, if not specified, standard lead time applies.

 Non-stock items (shaded) please contact Flexco for dispatch options and lead times.

Specifications & Guidelines

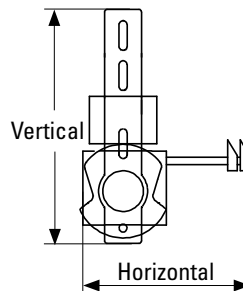
Pole Length Specifications

CLEANER SIZE	POLE LENGTH	MAXIMUM CONVEYOR SPAN
400	1140	960
600	1340	1160
800	1540	1360
1000	1740	1560
1200	1940	1760
1400	2090	1910
1600	2290	2110



Clearance Guidelines for Installation

Belt Width/ Cleaner Size	Horizontal Clearance Required	Vertical Clearance Required
400-1600	380	159



T-Type Cushion Specifications

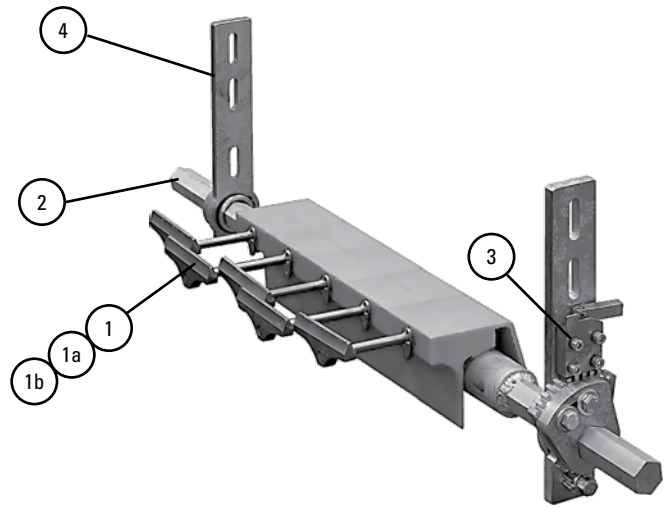
CUSHION	DUROMETER	TEMPERATURE RANGE
Polyurethane	92A	-35° C to 82° C

Specifications

- Maximum Belt Speed4 m/s
- Temperature Rating-35° C to 82° C
- Usable Blade Wear Length.....10 mm
- Blade Materials.....V-Tip: Long Life Tungsten Carbide (for vulcanized belts only)
- Available for Belt Widths400 to 1600 mm. Other sizes available upon request

Replacement Parts List

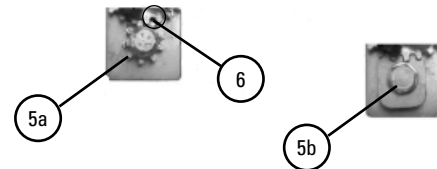
T-Type®
Secondary Cleaner



Replacement Parts

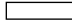
REF	DESCRIPTION	ORDERING NUMBER	ITEM CODE	WT. KG
1	PU Cushion V-Tip Short	TSAS	93512	1.0
	PU Cushions V-Tip Long	TSAL	93513	1.0
1a	V-Tip Short	TSAS-120	93514	0.4
	V-Tip Long	TSAL-120	93515	0.4
1b	PU Cushion	TSA	93516	0.6
2	T-Type Pole 400mm	TP400	93517	12.2
	T-Type Pole 600mm	TP600	93518	14.2
	T-Type Pole 800mm	TP800	93519	16.2
	T-Type Pole 1000mm	TP1000	93520	18.2
	T-Type Pole 1200mm	TP1200	93521	19.9
	T-Type Pole 1400mm	TP1400	93522	21.9
3	T Mtg Kit 400-1400mm	TMTG	93524	4.8
	T Mtg Kit Hd 1600mm	TMTGHD	93525	5.6
4	T Bearing Arm	TBA	93526	2.9
5a	T Gear Rack	TGR	93527	0.2
5b	T Block	TBLOCK	93528	0.1
6	T Auto Lock	TALOCK	93529	0.5


*Hardware Included



Tips Required per Cleaner Size

mm	400	600	800	1000	1200	1400	1600
TSAS	2	3	4	5	6	7	8
TSAL	1	2	3	4	5	6	7

 Stock items (non-shaded) refer to (*) for specific lead time, if not specified, standard lead time applies.

 Non-stock items (shaded) please contact Flexco for dispatch options and lead times.

Product Ordering Information

FMS Secondary Cleaner (MST Tensioners)

FMS Secondary Cleaner with C-Tips

BELT WIDTH	ORDERING NUMBER	ITEM CODE	WT. KG
450	FMS-18	79637	98.7
600	FMS-24	79638	111.2
750	FMS-30	79639	123.6
900	FMS-36	79640	136.1
1050	FMS-42	79641	148.6
1200	FMS-48	79642	161.1
1350	FMS-54	79643	173.5
1500	FMS-60	79644	186.0
1800	FMS-72	79645	211.0



FMS Secondary Cleaner with V-Tips

BELT WIDTH	ORDERING NUMBER	ITEM CODE	WT. KG
450	FMS-18V	79646	98.7
600	FMS-24V	79647	111.2
750	FMS-30V	79648	123.6
900	FMS-36V	79649	136.1
1050	FMS-42V	79650	148.6
1200	FMS-48V	79651	161.1
1350	FMS-54V	79652	173.5
1500	FMS-60V	79653	186.0
1800	FMS-72V	79654	211.0

*NOTE: V-Tips can be used ONLY on vulcanized belts.

Replacement Tips

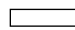
ORDERING NUMBER	ITEM CODE	WT. KG
ICT6	74535	0.3
RSA150	73628	0.6


Tips Required per Cleaner Size

mm	450	600	750	900	1050	1200	1350	1500	1800
C-Tips or V-Tips Required	3	4	5	6	7	8	9	10	12

Product Notes:

- Recommended for medium-duty conveyor applications.
- Pole Length: Belt width plus 1350 mm. For longer requirements, see Minline Installation Accessories – Pole Extender Kit on page 123.
- Cushion is designed to maintain continuous blade-to-belt contact and quick relief from passing mechanical splices.
- C-Tips are for mechanically fastened or vulcanized belts. V-Tips are for vulcanized belts only.
- Visual Blade Tension Check: Measure the tension spring and refer to Spring Length Chart for the correct length for best cleaning performance.
- Tensioner: MST Spring Tensioner for self-adjusting tensioning with easy retensioning adjustments.
- To make cleaner installation easier and quicker, see Optional Drop Brackets on page 107.

 Stock items (non-shaded) refer to (*) for specific lead time, if not specified, standard lead time applies.

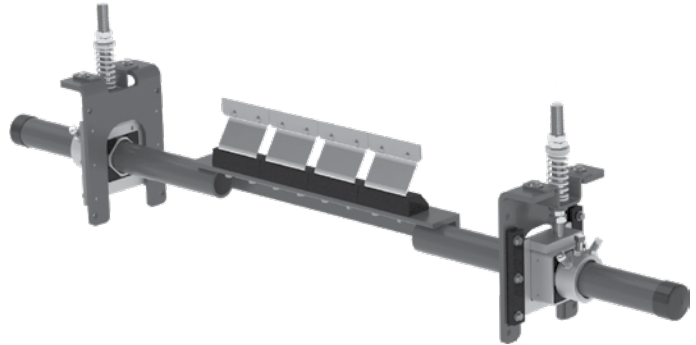
 Non-stock items (shaded) please contact Flexco for dispatch options and lead times.

Product Ordering Information

FMS Secondary Cleaner (SSTXD Tensioners)

FMS Secondary with C-Tips

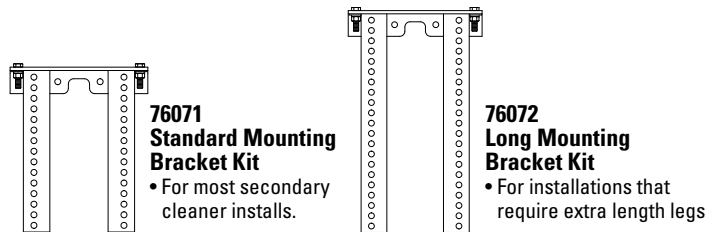
BELT WIDTH	ORDERING NUMBER	ITEM CODE	WT. KG
450	FMS-18-SSTXD	92185	44.8
600	FMS-24-SSTXD	92186	50.4
750	FMS-30-SSTXD	92187	56.1
900	FMS-36-SSTXD	92188	61.7
1050	FMS-42-SSTXD	92189	67.4
1200	FMS-48-SSTXD	92190	73.1
1350	FMS-54-SSTXD	92191	78.7
1500	FMS-60-SSTXD	92192	84.4
1800	FMS-72-SSTXD	92193	95.7



FMS Secondary with V-Tips

BELT WIDTH	ORDERING NUMBER	ITEM CODE	WT. KG
450	FMS-18V-SSTXD	92194	44.8
600	FMS-24V-SSTXD	92195	50.4
750	FMS-30V-SSTXD	92196	56.1
900	FMS-36V-SSTXD	92197	61.7
1050	FMS-42V-SSTXD	92198	67.4
1200	FMS-48V-SSTXD	92199	73.1
1350	FMS-54V-SSTXD	92200	78.7
1500	FMS-60V-SSTXD	92201	84.4
1800	FMS-72V-SSTXD	92202	95.7

*NOTE: V-Tips can be used ONLY on vulcanized belts.



76071 Standard Mounting Bracket Kit
• For most secondary cleaner installs.

76072 Long Mounting Bracket Kit
• For installations that require extra length legs

Replacement Tips

ORDERING NUMBER	ITEM CODE	WT. KG
ICT6	74535	0.3
RSA150	73628	0.6

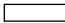
Optional SST Drop Brackets (2)


ORDERING NUMBER	ITEM CODE	WT. KG
SSTSMB	76071	15.6
SSTLMB	76072	19.7

mm	450	600	750	900	1050	1200	1350	1500	1800
C-Tips or V-Tips Required	3	4	5	6	7	8	9	10	12

Product Notes:

- Recommended for medium-duty conveyor applications.
- Pole Length: Belt width plus 54" (1350mm). For longer requirements, see Minline Installation Accessories – Pole Extender Kit (137).
- Cushion is designed to maintain continuous blade-to-belt contact and quick relief from passing mechanical splices.
- C-Tips are for mechanically fastened or vulcanized belts. V-Tips are for vulcanized belts only.
- Visual Blade Tension Check: Measure the tension spring and refer to Spring Length Chart for the correct length for best cleaning performance.
- To make cleaner installation easier and quicker, see Optional Drop Brackets on 99.

 Stock items (non-shaded) refer to (*) for specific lead time, if not specified, standard lead time applies.

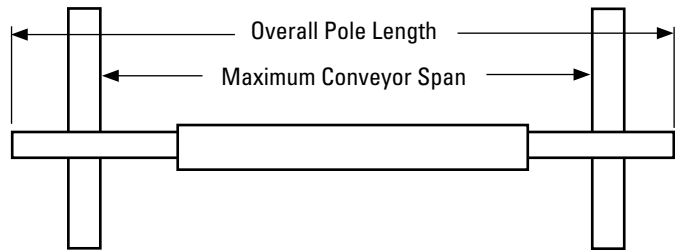
 Non-stock items (shaded) please contact Flexco for dispatch options and lead times.

Specifications & Guidelines

Pole Length Specifications*

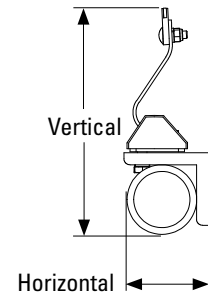
CLEANER SIZE	BLADE WIDTH	CENTER POLE LENGTH	MAXIMUM CONVEYOR SPAN
450	450	1800	1550
600	600	1950	1700
750	750	2100	1850
900	900	2250	2000
1050	1050	2400	2150
1200	1200	2550	2300
1350	1350	2700	2450
1500	1500	2850	2600
1800	1800	3150	2900

*For special extra long pole length requirements a Pole Extender Kit (#76024) is available that provides 750 mm of extended pole length. Pole Diameter – 73 mm



Clearance Guidelines for Installation

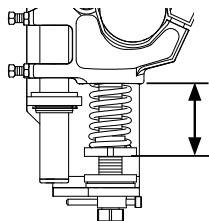
HORIZONTAL CLEARANCE REQUIRED	VERTICAL CLEARANCE REQUIRED
89	245



MST Tensioner Spring Length Chart

Blade W	2 White Springs	2 Silver Springs	2 Black Springs
450	73	89	89
600	67	86	89
750	60	83	86
900	54	79	83
1050	N/A	76	79
1200	N/A	73	79
1350	N/A	70	76
1500	N/A	70	73
1800	N/A	N/A	70

Shading indicates preferred spring option. Measure spring as shown.

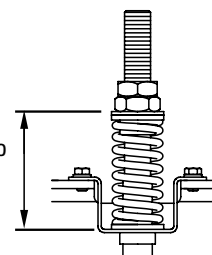


Bottom of Pole Mount to Bottom of Spring Support Plate

SST XD Tensioner Spring Length Chart

Blade Width	White Spring	Silver Spring	Black Spring
mm	mm	mm	mm
450	86	102	N/A
600	79	98	N/A
750	73	95	N/A
900	N/A	95	98
1050	N/A	92	95
1200	N/A	89	92
1350	N/A	86	92
1500	N/A	83	89
1800	N/A	N/A	86

Shading indicates preferred spring option.



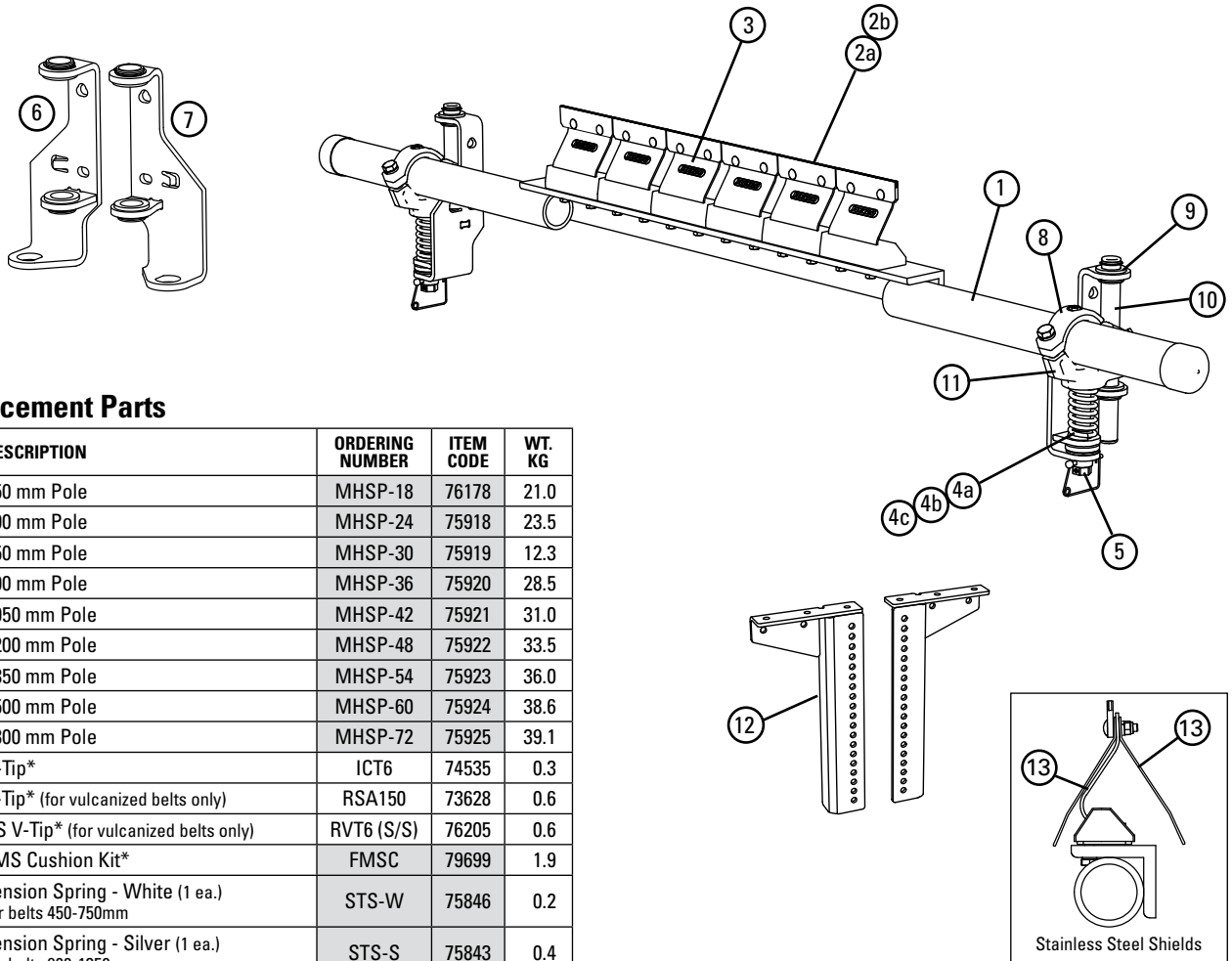
Top of Washer to Mounting Base

Specifications

- Maximum Belt Speed5 m/s
- Temperature Rating-35° C to 148° C
- Usable Blade Wear Length.....9 mm
- Blade MaterialsC-Tip: Impact Resistant Tungsten Carbide (works with mechanical fasteners)
V-Tip: Long Life Tungsten Carbide (for vulcanized belts only)
- Available for Belt Widths450 to 1800 mm. Other sizes available upon request
- CEMA Cleaner RatingClass 4

Replacement Parts List

FMS Secondary Cleaner (MST Tensioners)



Replacement Parts

REF	DESCRIPTION	ORDERING NUMBER	ITEM CODE	WT. KG
1	450 mm Pole	MHSP-18	76178	21.0
	600 mm Pole	MHSP-24	75918	23.5
	750 mm Pole	MHSP-30	75919	12.3
	900 mm Pole	MHSP-36	75920	28.5
	1050 mm Pole	MHSP-42	75921	31.0
	1200 mm Pole	MHSP-48	75922	33.5
	1350 mm Pole	MHSP-54	75923	36.0
	1500 mm Pole	MHSP-60	75924	38.6
1800 mm Pole	MHSP-72	75925	39.1	
2a	C-Tip*	ICT6	74535	0.3
2b	V-Tip* (for vulcanized belts only)	RSA150	73628	0.6
2c	SS V-Tip* (for vulcanized belts only)	RVT6 (S/S)	76205	0.6
3	FMS Cushion Kit*	FMSC	79699	1.9
4a	Tension Spring - White (1 ea.) for belts 450-750mm	STS-W	75846	0.2
4b	Tension Spring - Silver (1 ea.) for belts 900-1350mm	STS-S	75843	0.4
4c	Tension Spring - Black (1 ea.) for belts 1500-1800mm	STS-B	75844	0.5
5	MST Adjusting Mechanism	MSTAM	79435	1.3
6	MST Mounting Bracket LH (incl. bushings)	MST-MBL	79436	2.6
7	MST Mounting Bracket RH (incl. bushings)	MST-MBR	79437	2.6
8	MST HD Clamp*	MSTCHD	79439	1.1
9	MST Bushing Kit (incl. 4 bushings)	MSTBK	79440	0.1
10	MST Guide Pole	MSTGT	79441	0.7
11	MST HD Pole Mount*	MSTPMHD	79451	3.3
12	MST Drop Brackets (2)	MSTDB	79434	2.6
13	P SS Shield	PSSS	74773	0.2
-	MST HD Tensioner w/White Spring* (incl. 1 ea. items 6, 7; 2 ea. items 4a, 5, 8, 10 & 11)	MSTHD-W	79431	16.7
-	MST HD Tensioner w/Silver Spring* (incl. 1 ea. items 6, 7; 2 ea. items 4b, 5, 8, 10 & 11)	MSTHD-S	79432	17.0
-	MST HD Tensioner w/Black Spring* (incl. 1 ea. items 6, 7; 2 ea. items 4c, 5, 8, 10 & 11)	MSTHD-B	79433	17.3

*Hardware Included

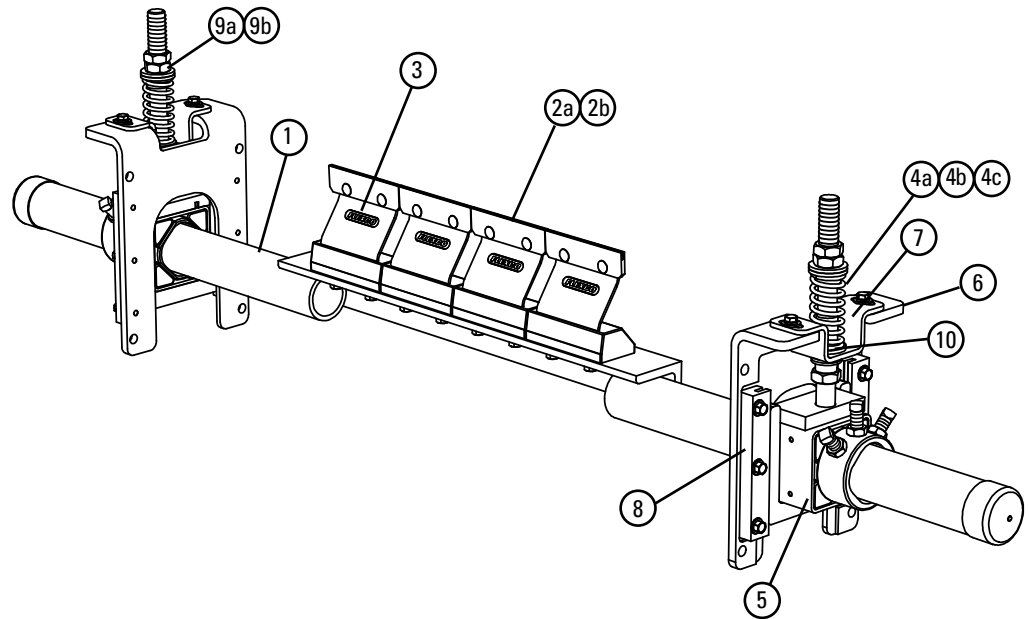
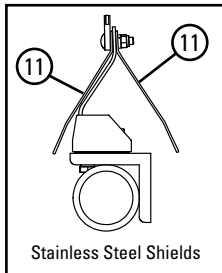
CLEANER SIZE	79431 MSTHD-W	79432 MSTHD-S	79433 MSTHD-B
FMS 450 - 750 mm	X		
FMS 900 - 1350 mm		X	
FMS 1500 - 1800 mm			X

Stock items (non-shaded) refer to (*) for specific lead time, if not specified, standard lead time applies.

Non-stock items (shaded) please contact Flexco for dispatch options and lead times.

Replacement Parts List

FMS Secondary Cleaner (SSTXD Tensioners)



Replacement Parts

REF	DESCRIPTION	ORDERING NUMBER	ITEM CODE	WT. KG
1	450mm Pole	MHSP-18	76178	21.0
	600mm Pole	MHSP-24	75918	23.5
	750mm Pole	MHSP-30	75919	25.9
	900mm Pole	MHSP-36	75920	28.5
	1050mm Pole	MHSP-42	75921	31.0
	1200mm Pole	MHSP-48	75922	33.5
	1350mm Pole	MHSP-54	75923	36.0
	1500mm Pole	MHSP-60	75924	38.6
	1800mm Pole	MHSP-72	75925	43.6
2	C-Tip*	ICT6	74535	0.3
2a	V-Tip* (for vulcanized belts only)	RSA150	73628	0.6
3	FMS Cushion Kit*	FMSC	79699	1.9
4a	Tension Spring - White (1 ea.) for belts 450-750mm	STS-W	75846	0.2
4b	Tension Spring - Silver (1 ea.) for belts 900-1200mm	STS-S	75843	0.4
4c	Tension Spring - Black (1 ea.) for belts 1350-2100mm	STS-B	75844	0.5
5	HD Torsion Pole Mount* (1 ea.) (includes HD adjusting rod, nuts & sleeve) (See 9 & 9a for bushings)	SSTHDPM	77868	6.8
6	SST XD Mounting Base Kit* (includes 1 mounting base, 2 slide guides, top hat bracket & bottom bushing)	SSTXDMK	91412	4.6
7	SST Hat Bracket (pair)	SSTHB	79582	1.4
8	Slide Guide Kit* (incl. 2 slide guides)	STGK2	77867	0.5
9a	SST Bushing Kit - White/Silver (includes 2 bushings)	SSTBK-W	76636	0.05
9b	SST Bushing Kit - Black (includes 2 bushings)	SSTBK-B	76637	0.05
10	SST Lower Bushing Kit (pair)	SSTLBK	79493	0.1
11	P Stainless Steel Shield	PSSS	74773	0.2
-	SST XD Spring Tensioner* - White (includes 2 each items 4a, 5, 6, & 9a) for belts 450-750mm	SSTXD-W	91408	27.5
-	SST XD Spring Tensioner* - Silver (includes 2 each items 4b, 5, 6, & 9a) for belts 900-1200mm	SSTXD-S	91409	27.9
-	SST XD Spring Tensioner* - Black (includes 2 each items 4c, 5, 6, & 9b) for belts 1350-2100mm	SSTXD-B	91410	28.1

*Hardware Included

SST Spring Tensioner Selection Chart

CLEANER SIZE	91408 SSTXD-W	91409 SSTXD-S	91410 SSTXD-B
450 - 750mm	X		
900 - 1200mm		X	
1350 - 1800mm			X

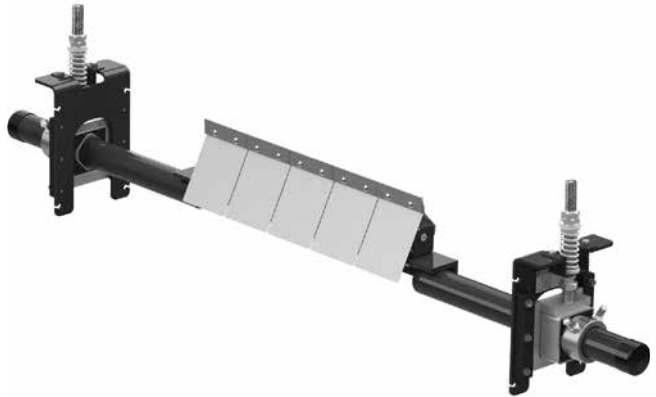
Stock items (non-shaded) refer to (*) for specific lead time, if not specified, standard lead time applies.
Non-stock items (shaded) please contact Flexco for dispatch options and lead times.

Product Ordering Information

MHS Reversing Heavy Duty Secondary Cleaner

MHS Reversing HD Secondary Cleaner with C-Tips

BELT WIDTH	ORDERING NUMBER	ITEM CODE	WT. KG
600	MHS-24R	76613	58.2
750	MHS-30R	76614	60.8
900	MHS-36R	76615	66.0
1050	MHS-42R	76616	71.1
1200	MHS-48R	76617	76.2
1350	MHS-54R	76618	81.4
1500	MHS-60R	76619	86.5
1800	MHS-72R	76620	99.4
2100	MHS-84R	76621	112.2



MHS Reversing HD Secondary Cleaner with V-Tips

BELT WIDTH	ORDERING NUMBER	ITEM CODE	WT. KG
450	MHS-18RV	76646	55.5
600	MHS-24RV	76647	58.2
750	MHS-30RV	76648	60.8
900	MHS-36RV	76649	66.0
1050	MHS-42RV	76650	71.1
1200	MHS-48RV	76651	76.2
1350	MHS-54RV	76652	81.4
1500	MHS-60RV	76653	86.5
1800	MHS-72RV	76654	99.4
2100	MHS-84RV	76805	115.9



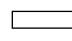
*NOTE: V-Tips can be used ONLY on vulcanized belts.


Replacement Tips

ORDERING NUMBER	ITEM CODE	WT. KG
ICT6	74535	0.3
RSA150	73628	0.6

Product Notes:

- A cleaner for applications where the belt travels in both directions.

 Stock items (non-shaded) refer to (*) for specific lead time, if not specified, standard lead time applies.

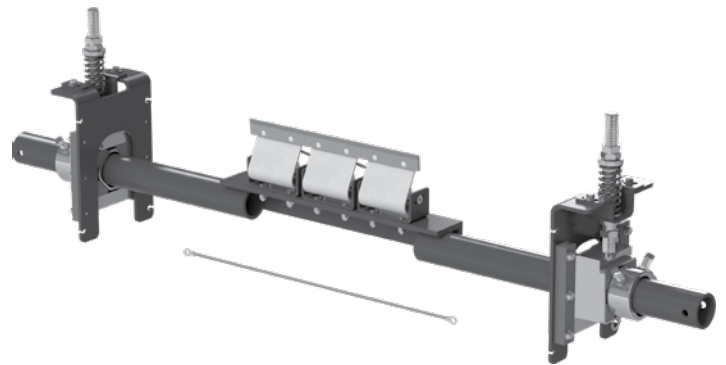
 Non-stock items (shaded) please contact Flexco for dispatch options and lead times.

Product Ordering Information

MHS ATEX Reversing Heavy Duty Secondary Cleaner

MHS ATEX Reversing with V-Tips

BELT WIDTH	ORDERING NUMBER	ITEM CODE
450	MHS-450V-ATEX	90488
600	MHS-600V-ATEX	90489
750	MHS-750V-ATEX	90490
900	MHS-900V-ATEX	90491
1050	MHS-1050V-ATEX	90492
1200	MHS-1200V-ATEX	90493
1400	MHS-1400V-ATEX	90494
1500	MHS-1500V-ATEX	90495
1800	MHS-1800V-ATEX	90496
2000	MHS-2000V-ATEX	90497
2400	MHS-2400V-ATEX	90498
2700	MHS-2700V-ATEX	90335
3000	MHS-3000V-ATEX	90336



MHS ATEX Reversing with C-Tips

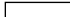
BELT WIDTH	ORDERING NUMBER	ITEM CODE
450	MHS-450ATEX	90475
600	MHS-600ATEX	90476
750	MHS-750ATEX	90477
900	MHS-900ATEX	90478
1050	MHS-1050ATEX	90479
1200	MHS-1200ATEX	90480
1400	MHS-1400ATEX	90481
1500	MHS-1500ATEX	90482
1800	MHS-1800ATEX	90483
2000	MHS-2000ATEX	90484
2400	MHS-2400ATEX	90485
2700	MHS-2700ATEX	90486
3000	MHS-3000ATEX	90487


Replacement Tips

ORDERING NUMBER	ITEM CODE	WT. KG
ICT6	74535	0.3
RSA150	73628	0.6

Tips Required per Cleaner Size

mm	450	600	750	900	1050	1200	1350	1500	1800	2100	2400
C-Tips or V-Tips Required	3	4	5	6	7	8	9	10	12	14	16

 Stock items (non-shaded) refer to (*) for specific lead time, if not specified, standard lead time applies.

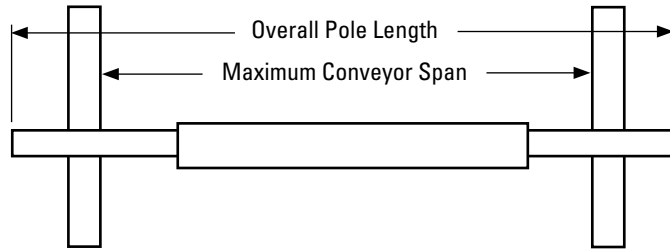
 Non-stock items (shaded) please contact Flexco for dispatch options and lead times.

Specifications & Guidelines

Pole Length Specifications*

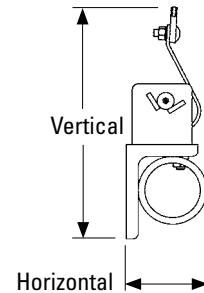
CLEANER SIZE	BLADE WIDTH	POLE LENGTH	MAXIMUM CONVEYOR SPAN
450	450	1800	1550
600	600	1950	1700
750	750	2100	1850
900	900	2250	2000
1050	1050	2400	2150
1200	1200	2550	2300
1350	1350	2700	2450
1500	1500	2850	2600
1800	1800	3150	2900
2100	2100	3450	3200
2400	2400	3750	3500

*For special extra long pole length requirements a Pole Extender Kit (#76024) is available that provides 750 mm of extended pole length. Pole Diameter – 73 mm



Clearance Guidelines for Installation

HORIZONTAL CLEARANCE REQUIRED	VERTICAL CLEARANCE REQUIRED
mm	mm
100	245



SST Tensioner Spring Length Chart

blade W	White Spring	Silver Spring	Black Spring	Gold Spring
450	86	102	N/A	N/A
600	79	98	N/A	N/A
750	73	95	N/A	N/A
900	N/A	95	98	N/A
1050	N/A	92	95	N/A
1200	N/A	89	92	N/A
1350	N/A	86	92	95
1500	N/A	83	89	95
1800	N/A	N/A	86	92
2100	N/A	N/A	79	89
2400	N/A	N/A	N/A	89
2700	N/A	N/A	N/A	86
3000	N/A	N/A	N/A	86

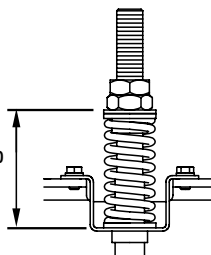
Shading indicates preferred spring option. Measure spring as shown.

SAT2 Tensioner Pressure Chart

Blade Width	Blades	Pressure kPa
450	3	103
600	4	131
750	5	159
900	6	186
1050	7	214
1200	8	241
1350	9	269
1500	10	296
1800	12	352
2100	14	407
2400	16	462

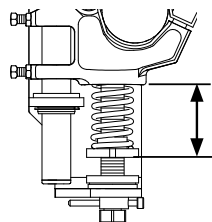
SST

Top of Washer to Mounting Base



MST

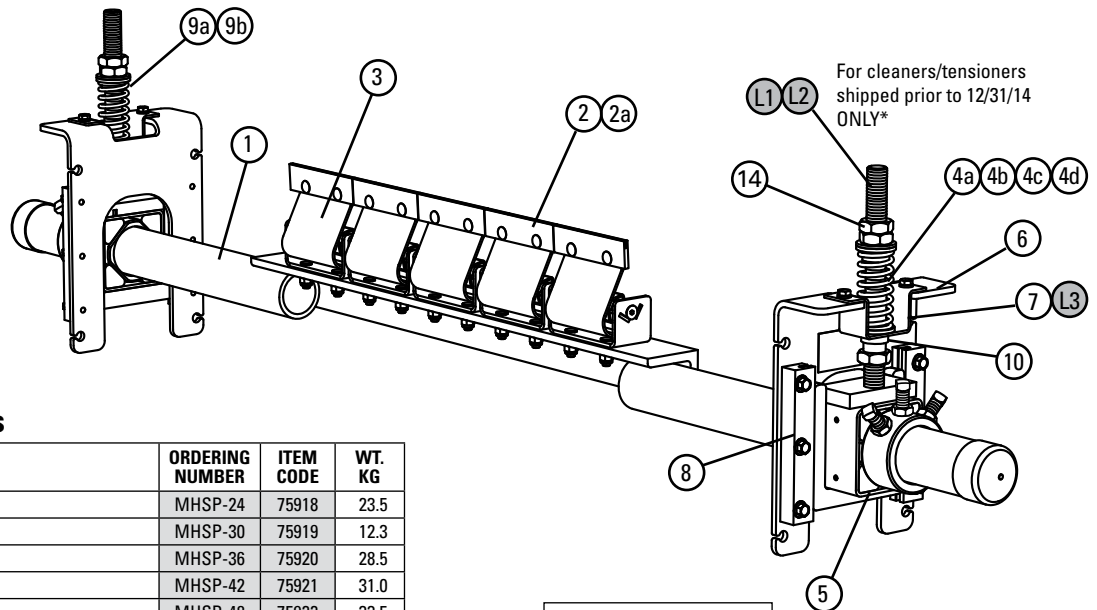
Bottom of Pole Mount to Bottom of Spring Support Plate



Specifications

- Maximum Belt SpeedSST/SAT2 Tensioner - 6 m/s
- Maximum Belt SpeedMST Tensioner - 5 m/s
- Temperature Rating-35° C to 82° C
- Usable Blade Wear Length.....9 mm
- Blade MaterialsC-Tip: Impact Resistant Tungsten Carbide (works with mechanical fasteners)
V-Tip: Long Life Tungsten Carbide (for vulcanized belts only)
- Available for Belt WidthsSST/SAT2 Tensioners – 450 to 2400 mm. Other sizes available upon request.
- Available for Belt WidthsMST Tensioners – 450 to 1800 mm. Other sizes available upon request.
- CEMA Cleaner RatingClass 5

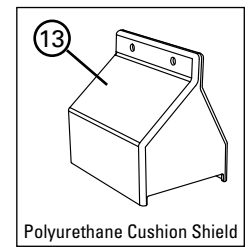
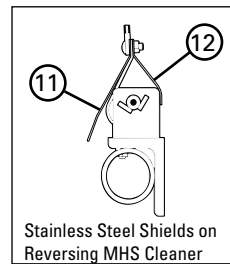
Replacement Parts List



Replacement Parts

REF	DESCRIPTION	ORDERING NUMBER	ITEM CODE	WT. KG
1	600 mm Pole	MHSP-24	75918	23.5
	750 mm Pole	MHSP-30	75919	12.3
	900 mm Pole	MHSP-36	75920	28.5
	1050 mm Pole	MHSP-42	75921	31.0
	1200 mm Pole	MHSP-48	75922	33.5
	1350mm Pole	MHSP-54	75923	36.0
	1500 mm Pole	MHSP-60	75924	38.6
	1800 mm Pole	MHSP-72	75925	39.1
	2100 mm Pole	MHSP-84	76814	50.8
	2400 mm Pole	MHSP-96	79052	128.1
2	C-Tip*	ICT6	74535	0.3
2a	V-Tip* (for vulcanized belts only)	RSA150	73628	0.6
3	PowerFlex™ Cushion* (complete)	PFC	75927	1.9
3a	PowerFlex Cushion* SS (complete)	PFC-SS	76560	1.9
4a	Tension Spring - White (1 ea.) for belts 450-750mm	STS-W	75846	0.2
4b	Tension Spring - Silver (1 ea.) for belts 900-1200mm	STS-S	75843	0.4
4c	Tension Spring - Black (1 ea.) for belts 1350-2100mm	STS-B	75844	.5
4d	Tension Spring - Gold (1 ea.) for belts 2400mm	STS-G	78142	0.6
5	HD Torsion Pole Mount* (1 ea.) (includes HD adjusting rod, nuts & sleeve) (See 9 & 9a for bushings)	SSTHDPM	77868	6.8
6	HD Mounting Base Kit* (includes 1 mounting base, 2 slide guides, top hat bracket & bottom bushing)	SSTHDMK	77870	4.6
7	SST Hat Bracket (pair)	SSTHB	79582	1.6
8	Slide Guide Kit* (incl. 2 slide guides)	STGK2	77867	0.5
9a	SST Bushing Kit - White/Silver (includes 2 bushings)	SSTBK-W	76636	0.1
9b	SST Bushing Kit - Black/Gold (includes 2 bushings)	SSTBK-B	76637	0.1
10	SST Lower Bushing Kit (pair)	SSTLBK	79493	0.1
11	P Stainless Steel Shield	PSSS	74773	0.2
12	PowerFlex™ Reverse Shield	PFRS	76622	0.2
13	Polyurethane Cushion Shield	UPFCC	79320	0.1
14	Jam Nut Kit SST	JNK-C	79893	0.1

*Hardware Included



Legacy Replacement Parts for Tensioners shipped prior to Dec. 31, 2014*

REF	DESCRIPTION	ORDERING NUMBER	ITEM CODE	WT. KG
L1	Adjusting Rod Kit (includes 1 rod, 2 nuts, 1 bushing, 1 washer) for belts 600-1500 mm)	STAK	75847	1.3
L2	HD Adjusting Rod Kit (includes 1 rod, 2 nuts, 1 HD bushing, 1 washer) for belts 1800-2400 mm)	STAKHD	75892	1.4
L3	Legacy SST Hat Channel Kit	SSTHK	79070	0.7
L4	SAT2 Adjusting Rod Kit (2 ea.)	SAT2AK	78733	2.3
-	SST Tensioner Bushing Update Kit (includes 2 lower bushings, 2 sleeves, 2 nuts)	SST-BUK	76943	0.1

*Verify if legacy parts are needed by looking at threaded rod. If it has standard threads, use legacy parts. If it has flat/acme threads, choose from regular replacement parts.



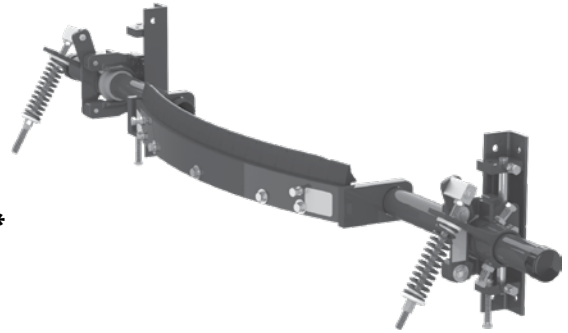
Spring Tensioner Selection Chart

CLEANER SIZE	77879 SST2HD-W	77880 SST2HD-S	77881 SST2HD-B	79041 SST2HD-G
MHS 450 - 750 mm	X			
MHS 900 - 1200 mm		X		
MHS 1350 - 2100 mm			X	
MHS 2400 mm				X

Stock items (non-shaded) refer to (*) for specific lead time, if not specified, standard lead time applies.
Non-stock items (shaded) please contact Flexco for dispatch options and lead times.

Product Ordering Information

U-Type® Secondary Cleaner with UST Tensioner (Mild Steel)



U-Type® with C-Blade (Impact-Resistant Tungsten Carbide)*

CLEANER				REPLACEMENT C-BLADE		
BELT WIDTH	ORDERING NUMBER	ITEM CODE	WT. KG	ORDERING NUMBER	ITEM CODE	WT. KG
450	UTC450	82739	45.4	URCB18/450	76748	2.3
600	UTC600	82740	48.4	URCB24/600	76749	3.0
750	UTC750	82741	51.9	URCB30/750	76750	3.8
900	UTC900	82742	54.5	URCB36/900	76751	4.6
1050	UTC1050	82743	57.5	URCB42/1050	76752	5.3
1200	UTC1200	82744	61.0	URCB48/1200	76753	6.1
1350	UTC1350	82745	64.0	URCB54/1350	76754	6.8
1500	UTC1500	82747	66.0	URCB60/1500	76755	7.6
1600	UTC1600	82748	67.5	URCB64/1600	77318	8.4
1800	UTC1800	82749	102.1	URCB72/1800	76756	9.2
2000	UTC2000	82750	109.5	URCB80/2000	77321	9.9
2100	UTC2100	82751	115.0	URCB84/2100	76757	10.7
2200	UTC2200	82752	120.0	URCB88/2200	76319	11.8
2400	UTC2400	82753	130.0	URCB94/2400	77448	13.0

*NOTE: C-Blades can be used on Flexco® Solid Plate, mechanically fastened and vulcanized belts.

U-Type® with F-Blade (Polyurethane)*

CLEANER				REPLACEMENT F-BLADE		
BELT WIDTH	ORDERING NUMBER	ITEM CODE	WT. KG	ORDERING NUMBER	ITEM CODE	WT. KG
450	UTF18	76724	44.5	UFB18	74448	1.4
600	UTF24	76725	47.2	UFB24	74449	1.8
750	UTF30	76726	60.3	UFB30	74450	2.3
900	UTF36	76727	52.6	UFB36	74451	2.7
1050	UTF42	76728	55.3	UFB42	74452	3.2
1200	UTF48	76729	58.5	UFB48	74453	3.6
1350	UTF54	76730	61.2	UFB54	74454	4.1
1500	UTF60	76731	64.4	UFB60	74455	4.5
1800	UTF72	76732	98.4	UFB72	74456	5.4
2100	UTF84	76733	105.2	UFB84	74460	6.4

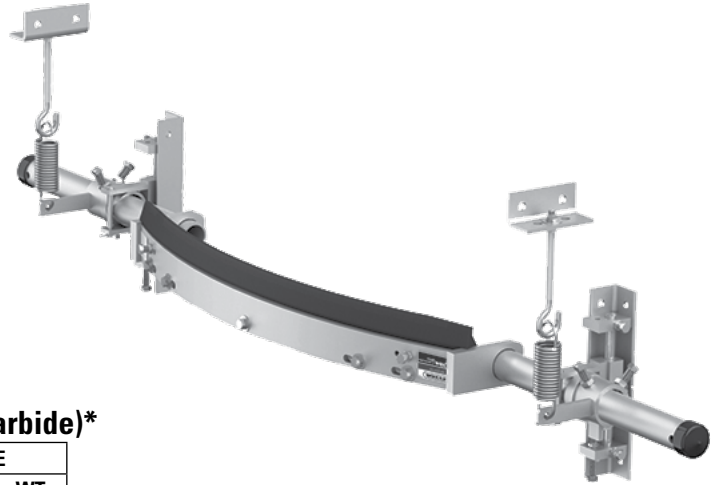
*NOTE: F-Blades (Polyurethane) can be used on mechanically spliced belts and vulcanized belts.

Stock items (non-shaded) refer to (*) for specific lead time, if not specified, standard lead time applies.

Non-stock items (shaded) please contact Flexco for dispatch options and lead times.

Product Ordering Information

U-Type® Secondary Cleaner with J-Bolt Tensioner (Stainless Steel)



U-Type® Stainless Steel w/C-Blade (Tungsten Carbide)*

CLEANER COMPLETE				REPLACEMENT C-BLADE		
BELT WIDTH	ORDERING NUMBER	ITEM CODE	WT. KG	ORDERING NUMBER	ITEM CODE	WT. KG
450	UTC450J-S/S	77259	37.3	URCB18/450	76748	2.3
600	UTC600J-S/S	77260	40.0	URCB24/600	76749	3.0
750	UTC750J-S/S	77261	43.2	URCB30/750	76750	3.8
900	UTC900J-S/S	77262	47.7	URCB36/900	76751	4.6
1050	UTC1050J-S/S	77263	50.9	URCB42/1050	76752	5.3
1200	UTC1200J-S/S	77264	57.3	URCB48/1200	76753	6.1
1350	UTC1350J-S/S	77265	60.9	URCB54/1350	76754	6.8
1500	UTC1500J-S/S	77267	68.2	URCB60/1500	76755	7.6
1800	UTC1800J-S/S	77269	80.0	URCB72/1800	76756	9.2
2100	UTC2100J-S/S	77271	91.8	URCB84/2100	76757	10.7

*NOTE: V-Blades (Tungsten Carbide) can be used on vulcanised belts and mechanically spliced belts ONLY IF the splice is skived (recessed into the belt's cover) (on solid plate splices the bolts must be ground).

Stock items (non-shaded) refer to (*) for specific lead time, if not specified, standard lead time applies.
Non-stock items (shaded) please contact Flexco for dispatch options and lead times.

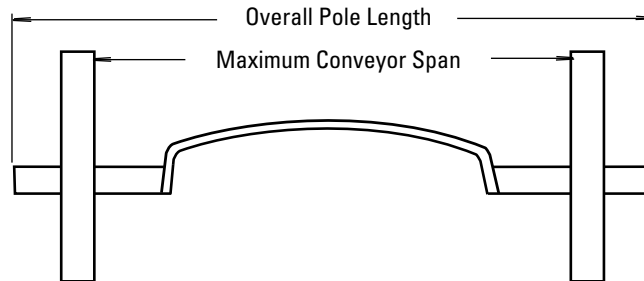
Specifications & Guidelines

U-Type®
Secondary Cleaner

Pole Length Specifications*

CLEANER SIZE	POLE LENGTH	MAXIMUM CONVEYOR SPAN
450	1600	1350
600	1750	1500
750	1900	1650
900	2050	1800
1050	2200	1950
1200	2350	2100
1350	2500	2250
1500	2650	2400
1800	3100	2850
2100	3400	3150

Pole Diameter – 60 mm up to 1500 mm
Pole Diameter – 73 mm from 1800 mm



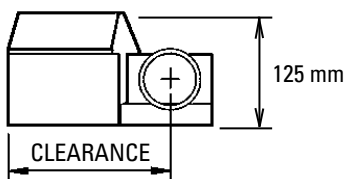
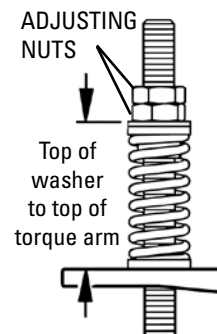
Cleaner Clearance Guidelines for Installation

U Cleaner Size	Clearance
450	155
600	180
750	205
900	205
1050	235
1200	270
1350	275
1500	275
1800	275
2100	275
2400	275

Spring Length Chart (for Cleaners with UST Tensioners)

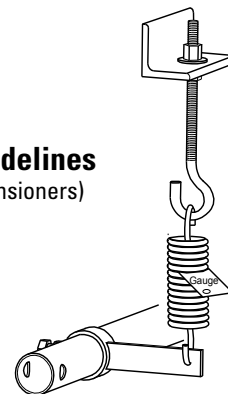
Blade Width	Purple Spring	Silver Spring	White Spring
450	143	N/A	N/A
600	133	152	N/A
750	117	146	156
900	108	143	152
1050	N/A	133	146
1200	N/A	124	140
1350	N/A	117	137
1500	N/A	N/A	133
1800	N/A	N/A	124
2100	N/A	N/A	117

Shading indicates preferred spring option.



Spring Tensioner Guidelines (For Cleaners with J-Bolt Tensioners)

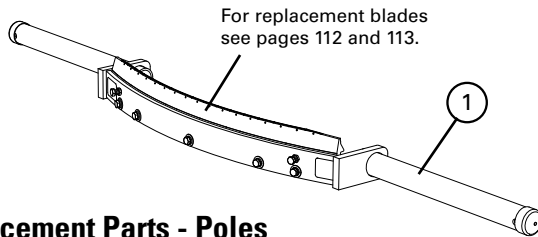
- Spring gap = .7 mm
- *Gauge provided



Specifications:

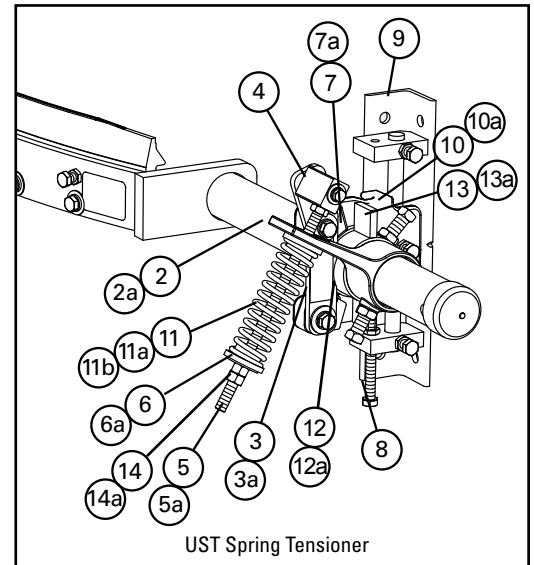
- Maximum Belt Speed6.6 m/s
- Temperature Rating-35° C to 82° C
- Usable Blade Wear Length..... 9 mm
- Available for Belt Widths450 to 2100 mm. Other sizes available upon request.
- CEMA Cleaner RatingClass 5

Replacement Parts List



Replacement Parts - Poles

REF	DESCRIPTION	ORDERING NUMBER	ITEM CODE	WT. KG
1	450 mm Pole	USP18/450	76772	18.5
	600 mm Pole	USP24/600	76773	20.0
	750 mm Pole	USP30/750	76774	22.0
	900 mm Pole	USP36/900	76775	23.5
	1050 mm Pole	USP42/1050	76776	25.0
	1200 mm Pole	USP48/1200	76777	26.5
	1350 mm Pole	USP54/1350	76778	28.0
	1500 mm Pole	USP60/1500	76779	29.5
	1800 mm Pole	USP72/1800	76780	32.5
	2100 mm Pole	USP84/2100	76781	35.0
	2200 mm Pole	USP88/2200	77338	36.0
	2400 mm Pole	USP94/2400	77415	38.5

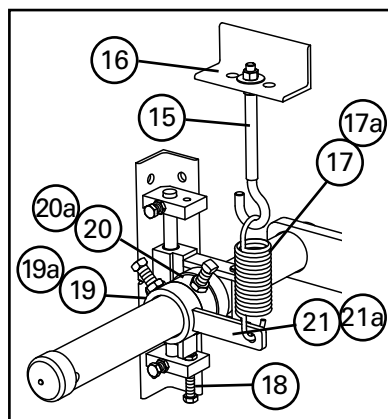


UST Spring Tensioner

Replacement Parts - UST Tensioner

REF	DESCRIPTION	ORDERING NUMBER	ITEM CODE	WT. LBS.
2	Torque Arm Kit* (1 ea.)†Δ	ESTAK-EST	76406	1.6
2a	Torque Arm Kit HD* (1 ea.)§	PSTA	75896	5.2
3	Pivot Shaft Bracket Kit* (1 ea.)†Δ	UPSBK	76784	0.8
3a	Pivot Shaft Bracket Kit HD* (1 ea.)§	QMTPSBK	76099	2.0
4	Pivot Block Kit* (1 ea.)†Δ	UPBK	76785	0.5
5	Pivot Rod Kit* (1 ea.)†Δ	ESPRK	76409	0.5
5a	Pivot Rod Kit HD* (1 ea.)§	QMTPAK	76096	2.0
6	Bushing Kit (incl. 2 bushings)†Δ	ESBK-PS	76410	0.05
6a	Bushing Kit HD (incl. 2 bushings)§	QMTBK-W	76098	0.05
7	Standard Pole Bearing (1 ea.)†Δ	USPB2	79206	0.05
7a	HD Pole Bearing (1 ea.)§	UHPB2	79207	0.1
8	Adjusting Bolt Kit (1 ea.) (incl. locknut)	ABU	76788	0.1
9	Mounting Bracket Kit* (1 ea.)	UMBK	76789	4.4
10	Slide Plate Kit* (1 ea.)†Δ	USPK	76790	2.1
10a	HD Slide Plate Kit* (1 ea.)§	UHSPK	76791	2.4
11	Tension Spring - Purple (1 ea.)†	QMTS-P	75845	0.3
11a	Tension Spring - Silver (1 ea.)Δ	ESS-S	76412	0.5
11b	Tension Spring - White (1 ea.)§	PSTS-W	75898	0.8
12	UST Stop Collar Retrofit Kit*†Δ	USTSCK	79202	2.3
12a	HD UST Stop Collar Retrofit Kit*§	USTSCKHD	79204	3.4
13	Stop Collar*	USTSC	79299	0.7
13a	HD Stop Collar*	USTSCHD	79300	1.0
14	Jam Nut Kit UST	JNK-F	79896	0.2
14a	Jam Nut Kit USTHD	JNK-C	79893	0.2
-	UST Spring Tensioner* - Purple† (incl. 1 ea. items 2, 3, 4, 5, 6, 8, 9, 10, 11)	UST-P	76794	9.5
-	UST Spring Tensioner* - SilverΔ (incl. 1 ea. items 2, 3, 4, 5, 6, 8, 9, 10, 11a)	UST-S	77757	13.1
-	HD UST Spring Tensioner* - White§ (incl. 1 ea. items 2a, 3a, 4, 5a, 6a, 8, 9, 10a, 11b)	UST-W	76795	16.7
-	Standard Mounting Kit* (incl. 1 ea. items 8, 9, 10)†Δ (for blade widths 450 - 1500mm)	USMK	76792	6.6
-	HD Mounting Kit* (incl. 1 ea. items 8, 9, 10a)§ (for blade widths 1800 - 2100mm)	UHMK	76793	7.0

*Hardware included
 † Standard components for blade widths 450-1050mm
 Δ Standard components for blade widths 1200-1500mm
 § HD components for blade widths 1800-2100mm



Replacement Parts

REF	DESCRIPTION	ORDERING NUMBER	ITEM CODE	WT. KG
15	J-Bolt Kit* (incl. locknut and washer)	STJK-S/S	77334	0.3
16	J-Bolt Mount (1 ea.)	STJ-S/S	75426	1.4
17	450-1500 mm Tension Spring (1 ea.)	STTS-S/S	75585	0.5
17a	1600 mm+ Tension Spring (1 ea.)	HDTS-S/S	75586	0.7
18	Adjusting Bolt Kit (incl. locknut)	ABU	76788	0.5
19	450-1500 mm UHMW Bearing (1 ea.)	USPB	79206	0.5
19a	1600 mm+ UHMW Bearing (1 ea.)	UHPB	76787	0.5
20	450-1500 mm Stop Collar* (1 ea.)	SCU60-S/S	82810	0.9
20a	1600 mm+ Stop Collar* (1 ea.)	SCUHD-S/S	82811	0.9
21	450-1500 mm Adjusting Arm* (1 ea.)	HARK-S/S	77364	0.9
21a	1600 mm+ Adjusting Arm* (1 ea.)	HDARK-S/S	77331	0.9
-	450-1500 mm Mounting Kit* (incl. 2 of items 2, 3, 4, 5, 6, 7, 8, 9 & incl. 1 of item 5)	MMKU-SS	77357	18.2
-	1600 mm+ Mounting Kit* (incl. 2 of items 2, 3, 4a, 6, 7a, 8a, 9a & incl. 1 of item 5)	MMKUHD-SS	77358	19.6

*Hardware Included

Product Ordering Information

MDWS Secondary Cleaner DryWipe for Removing Water

MDWS Secondary Belt Cleaner

BELT WIDTH	ORDERING NUMBER	ITEM CODE	WT. KG
600	MDWS-24	75868	52.2
750	MDWS-30	75869	55.7
900	MDWS-36	75870	58.0
1050	MDWS-42	75871	62.7
1200	MDWS-48	75872	66.6
1350	MDWS-54	75873	70.1
1500	MDWS-60	75874	73.6
1800	MDWS-72	75875	80.6
2100	MDWS-84	76806	87.6



Replacement ConShear™ DW Blades

(Color Identification: Black)

BELT WIDTH	ORDERING NUMBER	ITEM CODE	WT. KG
600	CDWB24	75884	5.8
750	CDWB30	75885	7.0
900	CDWB36	75886	8.3
1050	CDWB42	75887	9.5
1200	CDWB48	75888	10.7
1350	CDWB54	75889	12.0
1500	CDWB60	75890	13.2
1800	CDWB72	75891	15.7
2100	CDWB84	76942	18.4

Actual blade width is belt width + 100 mm.

ConShear DW Blades are black for easy identification.

Product Notes:

- The ConShear™ “DryWipe” (DW) Blade is excellent for removing water from the belt. Use as the final cleaner in a cleaning system.
- Actual blade width is belt width plus 100 mm. The extra length ensures the water is removed from the belt.
- Pole Length: Belt width plus 1500 mm for cleaners up to 1500 mm, belt width plus 1350 mm for cleaners over 1500 mm. For longer requirements, see Accessories – Pole Extender Kit on page 123.
- Visual Blade Tension Check: Measure the tension spring and refer to the Spring Length Chart on mounting base for the correct length for best cleaning performance.

Stock items (non-shaded) refer to (*) for specific lead time, if not specified, standard lead time applies.

Non-stock items (shaded) please contact Flexco for dispatch options and lead times.

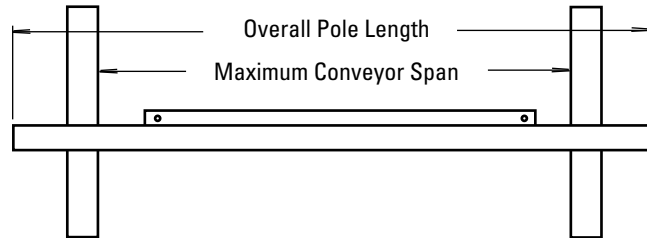
Specifications & Guidelines

MDWS Secondary Cleaner DryWipe for Removing Water

Pole Length Specifications*

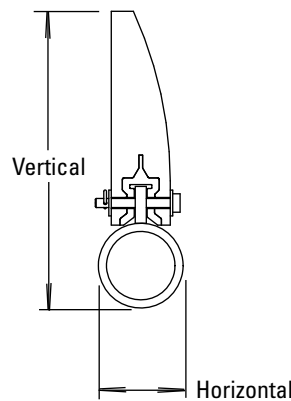
CLEANER SIZE	BLADE WIDTH	POLE LENGTH	MAXIMUM CONVEYOR SPAN
600	700	2100	1700
750	850	2250	1850
900	1000	2400	2000
1050	1150	2550	2150
1200	1300	2700	2300
1350	1450	2850	2450
1500	1600	3000	2600
1800	1900	3150	2900
2100	2200	3450	3200
2400	2500	3750	3500

*For special extra long pole length requirements a Pole Extender Kit (#76024) is available that provides 750 mm of extended pole length.
Pole Diameter – 73 mm



Clearance Guidelines for Installation

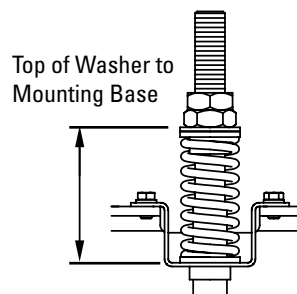
HORIZONTAL CLEARANCE REQUIRED	VERTICAL CLEARANCE REQUIRED
100	250



SST Tensioner Spring Length Chart

Blade Width	White Spring	Silver Spring	Black Spring	Gold Spring
600	79	98	N/A	N/A
750	73	95	N/A	N/A
900	N/A	95	98	N/A
1050	N/A	92	95	N/A
1200	N/A	89	92	N/A
1350	N/A	86	92	95
1500	N/A	83	89	95
1800	N/A	N/A	86	92
2100	N/A	N/A	79	89
2400	N/A	N/A	N/A	86
3000	N/A	N/A	N/A	86

Shading indicates preferred spring option.

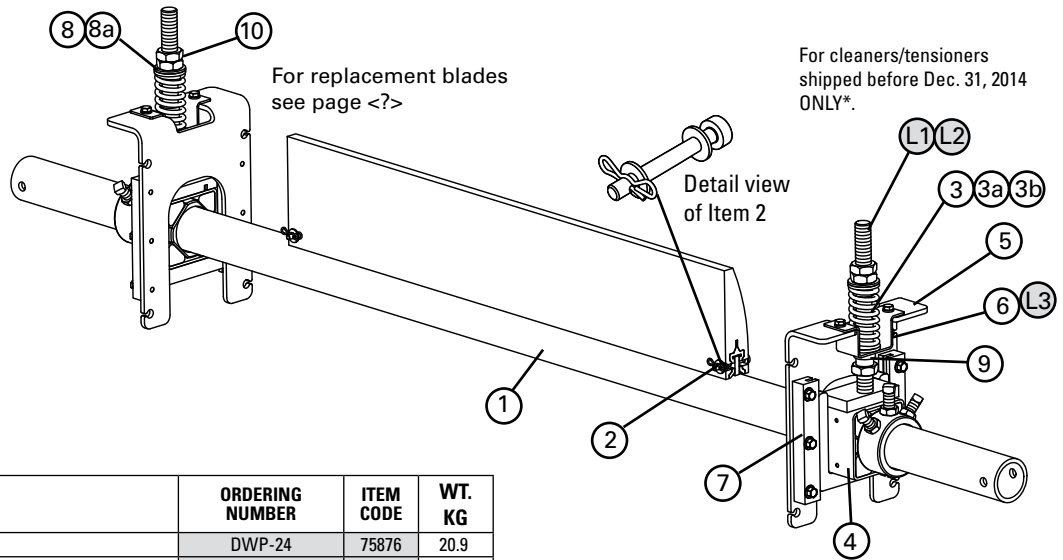


Specifications:

- Maximum Belt Speed5 m/s
- Temperature Rating-35° C to 82° C
- Usable Blade Wear Length.....113 mm
- Blade Height.....185 mm
- BladePolyurethane with UHMW additive
(softer durometer to squeegee water off and additive to enhance blade life)
- Available for Belt Widths600 to 2400 mm. Other sizes available upon request.
- CEMA Cleaner RatingClass 4

Replacement Parts List

MDWS Secondary Cleaner DryWipe for Removing Water



Replacement Parts

REF	DESCRIPTION	ORDERING NUMBER	ITEM CODE	WT. KG
1	600 mm Pole	DWP-24	75876	20.9
	750 mm Pole	DWP-30	75877	22.9
	900 mm Pole	DWP-36	75878	25.2
	1050 mm Pole	DWP-42	75879	27.2
	1200 mm Pole	DWP-48	75880	29.0
	1350 mm Pole	DWP-54	75881	25.9
	1500 mm Pole	DWP-60	75882	34.5
	1800 mm Pole	DWP-72	75883	40.8
	2400 mm Pole	DWP-84	76815	49.9
2	Blade Pin Kit* (1 ea.)	MSPBPK	75831	0.05
3	Tension Spring – White (1 ea.) for belts 450-750mm	STS-W	75846	0.2
3a	Tension Spring – Silver (1 ea.) for belts 900-1500mm	STS-S	75843	0.4
3b	Tension Spring – Black (1 ea.) for belts 1800-2100mm	STS-B	75844	0.5
3c	Tension Spring – Gold (1 ea.) for belts 2400mm	STS-G	78142	0.5
4	HD Torsion Pole Mount* (1 ea.) (includes adjusting rod, 3 nuts & sleeve) (See 8 & 8a for bushings)	SSTHDP	77868	6.8
5	SST HD Mounting Base Kit* (includes 1 mounting base, 2 slide guides, top hat bracket & bottom bushing)	SSTHDMK	77870	4.6
6	SST Hat Bracket (pair)	SSTHB	79582	1.6
7	SST Slide Guide Kit* (incl. 2 slide guides)	STGK2	77867	0.5
8	SST Bushing Kit – White/Silver (includes 2 bushings)	SSTBK-W	76636	0.05
8a	SST Bushing Kit – Black/Gold (includes 2 bushings)	SSTBK-B	76637	0.05
9	SST Lower Bushing Kit (pair)	SSTLBK	79493	0.05
10	Jam Nut Kit SST Tensioner	JNK-C	79893	0.1
–	HD Spring Tensioner* – White (includes 2 each items 3, 4, 5 & 8) for belts 450-750mm	SST2HD-W	77879	27.5
–	HD Spring Tensioner* – Silver (includes 2 each items 3a, 4, 5 & 8) for belts 900-1500mm	SST2HD-S	77880	27.9
–	HD Spring Tensioner* – Black (includes 2 each items 3b, 4, 5 & 8a) for belts 1800-2100mm	SST2HD-B	77881	28.1
–	HD Spring Tensioner* – Gold (includes 2 each items 3c, 4, 5 & 8a) for belts 2400mm	SST2HD-G	79041	28.4

*Hardware Included

Legacy Replacement Parts for Tensioners shipped prior to Dec. 31, 2014*

L1	Adjusting Rod Kit (includes 1 rod, 2 nuts, 1 bushing, 1 washer) for belts 600-1500mm	STAK	75847	1.3
L2	HD Adjusting Rod Kit (includes 1 rod, 2 nuts, 1 HD bushing, 1 washer) for belts 1800-2100mm	STAKHD	75892	1.4
L3	Legacy SST Hat Channel Kit	SSTHK	79070	0.7
L4	SAT2 Adjusting Rod Kit	SAT2AK	78733	2.3
–	SST Tensioner Bushing Update Kit (includes 2 lower bushings, 2 sleeves, 2 nuts)	SST-BUK	76943	0.1

*Verify if legacy parts are needed by looking at threaded rod. If it has standard threads, use legacy parts. If it has flat/acme threads, choose from regular replacement parts.



Spring Tensioner Selection Chart

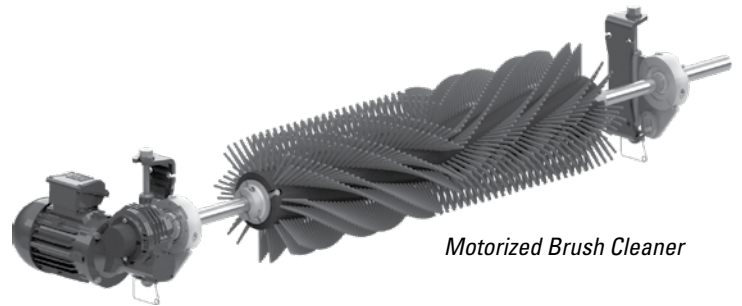
CLEANER SIZE	77879 SST2HD-W	77880 SST2HD-S	77881 SST2HD-B	79041 SST2HD-G
MDWS 600 - 750 mm	X			
MDWS 900 - 1500 mm		X		
MDWS 1800 - 2100 mm			X	
MDWS 2400 mm				X

Stock items (non-shaded) refer to (*) for specific lead time, if not specified, standard lead time applies.

Non-stock items (shaded) please contact Flexco for dispatch options and lead times.

Product Ordering Information

Motorized Brush Cleaner



Motorized Brush Cleaner

Motorized Brush Cleaner with 208-230/460VAC 3-Phase Motor IP55

BELT WIDTH	ORDERING NUMBER	ITEM CODE	WT. KG
450	MBC-18	79494	62.0
600	MBC-24	79495	66.5
750	MBC-30	79496	68.1
900	MBC-36	79497	71.0
1050	MBC-42	79498	73.8
1200	MBC-48	79499	81.2
1350	MBC-54	79500	84.3
1500	MBC-60	79501	87.1
1800	MBC-72	79502	93.0
2100	MBC-84	79503	98.7

with IP66 Motor

ORDERING NUMBER	ITEM CODE	WT. KG
MBC-18-S	91571	62.0
MBC-24-S	91572	66.5
MBC-30-S	91573	68.1
MBC-36-S	91574	71.0
MBC-42-S	91575	73.8
MBC-48-S	91576	81.2
MBC-54-S	91577	84.3
MBC-60-S	91578	87.1
MBC-72-S	91579	93.0
MBC-84-S	91580	98.7

Replacement Brushes

BELT WIDTH	ORDERING NUMBER	ITEM CODE	WT. KG
450	MBRD-18	79514	4.4
600	MBRD-24	79515	6.1
750	MBRD-30	79516	7.8
900	MBRD-36	79517	9.3
1050	MBRD-42	79518	10.8
1200	MBRD-48	79519	12.2
1350	MBRD-54	79520	13.9
1500	MBRD-60	79521	15.4
1800	MBRD-72	79522	18.6
2100	MBRD-84	79523	21.5

Product Notes:

- Spins opposite the belt direction for optimal cleaning.
- Uniquely patterned bristles aid in reducing material buildup and clogging.
- Adjustable tensioners allow easy brush-to-belt adjustment as the bristles wear.
- Works on mechanically spliced or vulcanized belts.

Stock items (non-shaded) refer to (*) for specific lead time, if not specified, standard lead time applies.

Non-stock items (shaded) please contact Flexco for dispatch options and lead times.

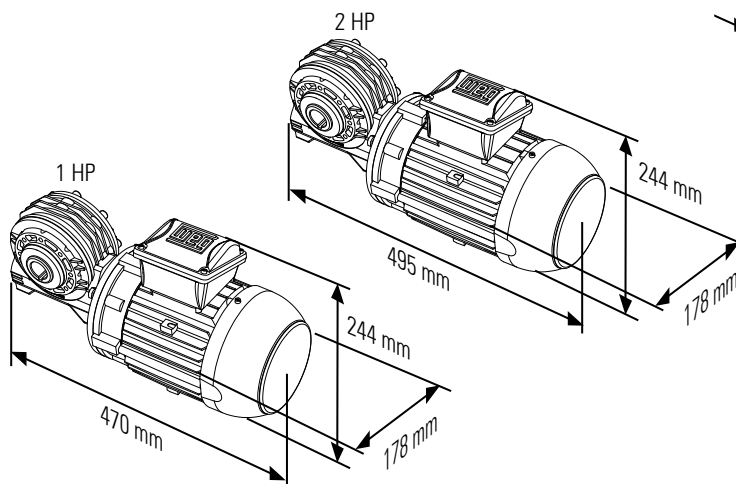
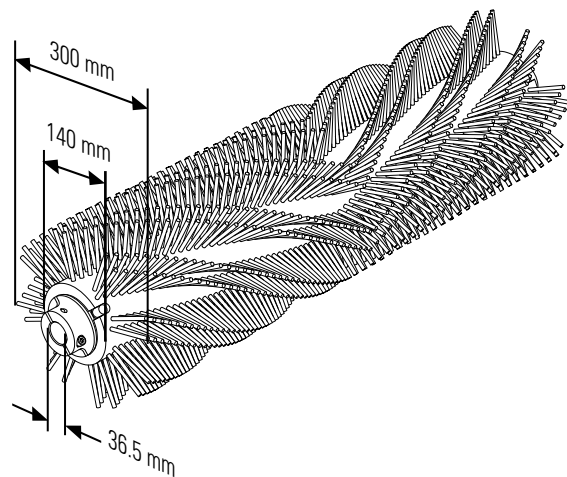
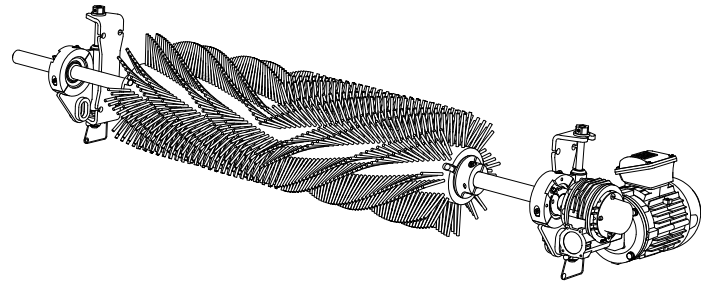
Specifications & Guidelines

Motorized Brush Cleaner

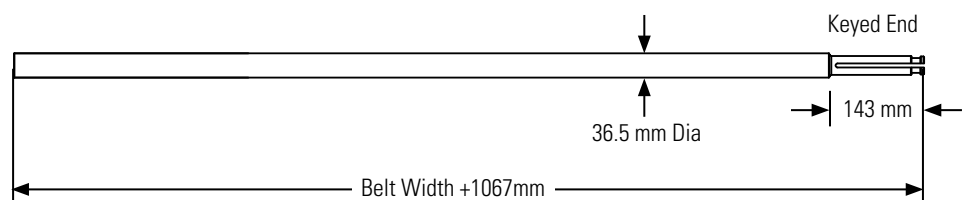
Specifications

Belt Speed	Up to 3.5 m/s
Vertical and Horizontal Clearance	305 mm
Temperature Range	-30°C to 82°C
Maximum Chevron or Cleat Height	13 mm
Bristle Length	83 mm
Overall Diameter	305 mm
Shaft Length	Belt Width plus 1067 mm
Shaft Diameter	36.5 mm
Motor Voltage and HP Options	208-230/460VAC 3 Phase* 1 HP (cleaners 450-1050 mm) 2 HP (cleaners 1200-2100 mm)
	575V 3 Phase* 1 HP (cleaners 450-900 mm) 2 HP (cleaners 1050-2100 mm)
Motor Ingress Protection	IP55 or IP66
CEMA Cleaner Rating	Class 4

*Other motors available upon request



Shaft Measurements

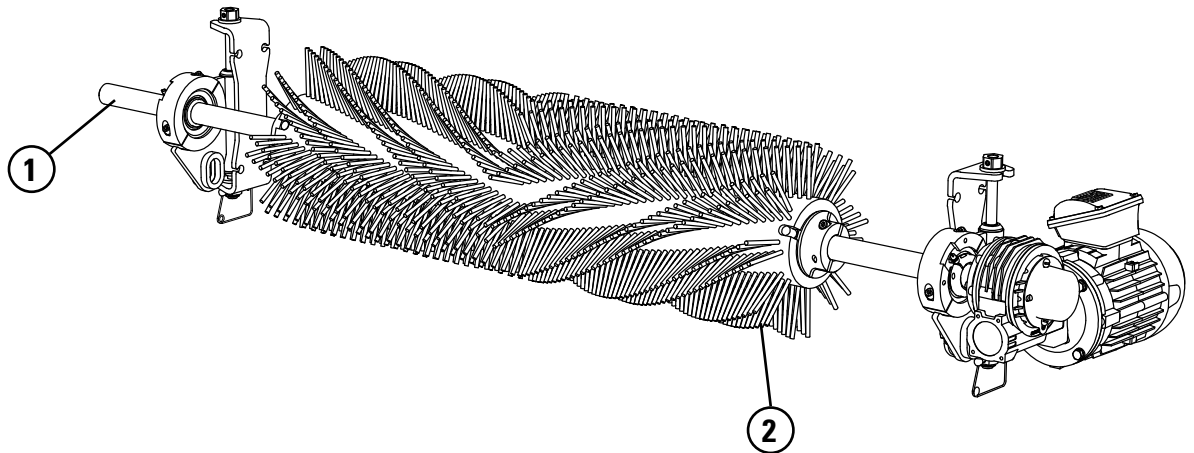


Product Notes:

- Spins opposite the belt direction for optimal cleaning.
- Uniquely patterned bristles aid in reducing material buildup and clogging.
- Adjustable tensioners allow easy brush-to-belt adjustment as the bristles wear.
- Works on mechanically spliced or vulcanized belts.

Replacement Parts List

Motorized Brush Cleaner



Replacement Parts

REF	DESCRIPTION	ORDERING NUMBER	ITEM CODE	WT. KG
1	450 mm Brush Drum Shaft	MBDS-18	79504	11.2
	600 mm Brush Drum Shaft	MBDS-24	79505	12.5
	750 mm Brush Drum Shaft	MBDS-30	79506	13.9
	900 mm Brush Drum Shaft	MBDS-36	79507	15.2
	1050 mm Brush Drum Shaft	MBDS-42	79508	16.6
	1200 mm Brush Drum Shaft	MBDS-48	79509	17.9
	1350 mm Brush Drum Shaft	MBDS-54	79510	19.3
	1500 mm Brush Drum Shaft	MBDS-60	79511	20.6
	1800 mm Brush Drum Shaft	MBDS-72	79512	23.4
	2100 mm Brush Drum Shaft	MBDS-84	79513	26.0
2	450 mm Replacement Brush Drum	MBRD-18	79514	9.6
	600 mm Replacement Brush Drum	MBRD-24	79515	6.1
	750 mm Replacement Brush Drum	MBRD-30	79516	7.8
	900 mm Replacement Brush Drum	MBRD-36	79517	9.3
	1050 mm Replacement Brush Drum	MBRD-42	79518	10.8
	1200 mm Replacement Brush Drum	MBRD-48	79519	12.2
	1350 mm Replacement Brush Drum	MBRD-54	79520	13.9
	1500 mm Replacement Brush Drum	MBRD-60	79521	15.4
	1800 mm Replacement Brush Drum	MBRD-72	79522	18.6
	2100 mm Replacement Brush Drum	MBRD-84	79523	21.5

Stock items (non-shaded) refer to (*) for specific lead time, if not specified, standard lead time applies.

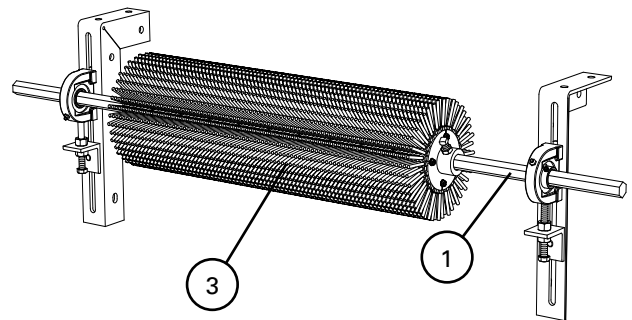
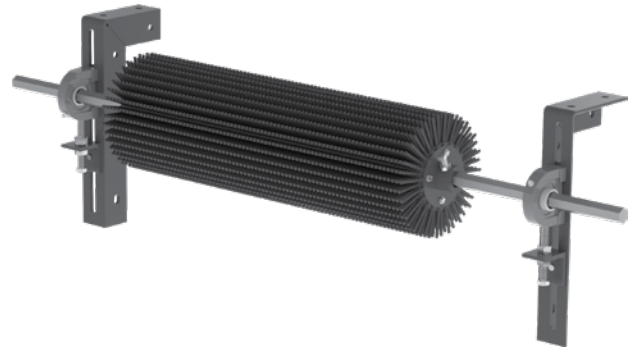
Non-stock items (shaded) please contact Flexco for dispatch options and lead times.

Product Ordering Information

**Chevron
Belt Cleaner**

Chevron Belt Cleaner

BELT WIDTH	DRUM WIDTH	ORDERING NUMBER	ITEM CODE	WT. KG
450	450	CBC18/450	76668	33.6
600	600	CBC24/600	76669	37.1
750	750	CBC30/750	76670	41.2
900	900	CBC36/900	76671	45.2
1050	1050	CBC42/1050	76672	47.4
1200	1200	CBC48/1200	76673	52.8
1350	1350	CBC54/1350	76674	56.4
1500	1500	CBC60/1500	76675	60.4
1800	1800	CBC72/1800	90762	68.0
2100	2100	CBC84/2100	90763	75.7



Replacement Parts

REF	DESCRIPTION	ORDERING NUMBER	ITEM CODE	WT. KG
1	450 mm Drum Shaft	CBCS18	90537	6.8
	600 mm Drum Shaft	CBCS24	90538	7.7
	750 mm Drum Shaft	CBCS30	90539	8.6
	900 mm Drum Shaft	CBCS36	90540	9.4
	1050 mm Drum Shaft	CBCS42	90541	10.3
	1200 mm Drum Shaft	CBCS48	90542	11.2
	1350 mm Drum Shaft	CBCS54	90543	12.0
	1500 mm Drum Shaft	CBCS60	90544	12.8
	1800 mm Drum Shaft	CBCS72	90554	15.4
	2100 mm Drum Shaft	CBCS84	90555	18.0
2	75 mm Repl Drum w/Fingers*	CBC3R	90641	-
	450 mm Repl Drum w/Fingers*	CRDF18	90631	11.3
	600 mm Repl Drum w/Fingers*	CRDF24	90632	14.1
	750 mm Repl Drum w/Fingers*	CRDF30	90633	17.2
	900 mm Repl Drum w/Fingers*	CRDF36	90634	20.4
	1050 mm Repl Drum w/Fingers*	CRDF42	90635	23.1
	1200 mm Repl Drum w/Fingers*	CRDF48	90636	26.3
	1350 mm Repl Drum w/Fingers*	CRDF54	90637	29.0
	1500 mm Repl Drum w/Fingers*	CRDF60	90638	32.2
	1800 mm Repl Drum w/Fingers*	CRDF72	90639	38.1
	2100 mm Repl Drum w/Fingers*	CRDF84	90640	44.0

*Hardware Included

Belt Speed	Up to 2.5 m/s
Vertical and Horizontal Clearance	250 mm
Temperature Range	-35°C to 82°C
Maximum Chevron or Cleat Height	25 mm
Finger Length	50 mm
Rubber Durometer	45A
Overall Diameter	238 mm
Shaft Length	Belt Width plus 750 mm
Shaft	25 mm Hex
CEMA Cleaner Rating	Class 3

Product Notes:

- Free-rotating. Works only when the belt is running.
- Self-cleaning. Finger length, spacing and the rotary action allows carryback to fall free instead of clogging.
- Easy to install. Few parts and step-by-step instructions make the job simple.
- Long-wearing SBR rubber. Drum life ranges from 1 to 3 years depending upon the application conditions and the material being conveyed.
- Works on reversing belts.
- Finger rings can be replaced individually or all at once by replacing the drum.

Stock items (non-shaded) refer to (*) for specific lead time, if not specified, standard lead time applies.

Non-stock items (shaded) please contact Flexco for dispatch options and lead times.

Optional Mounting Kits

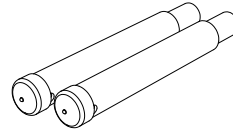
Installation Accessories

Pole Extender Kit (includes 2 pole extenders)

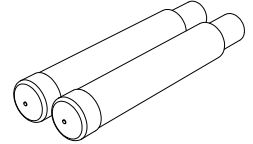
DESCRIPTION	ORDERING NUMBER	ITEM CODE	WT. KG
73 mm Pole Extender Kit	MAPEK	76024	9.9
60 mm Pole Extender Kit	RAPEK	77423	8.2

Provides 750 mm of extended pole length.

77423
60 mm Pole Extender Kit



76024
73 mm Pole Extender Kit



Stock items (non-shaded) refer to (*) for specific lead time, if not specified, standard lead time applies.

Non-stock items (shaded) please contact Flexco for dispatch options and lead times.

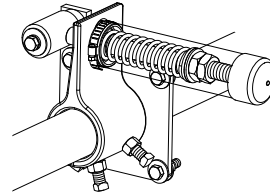
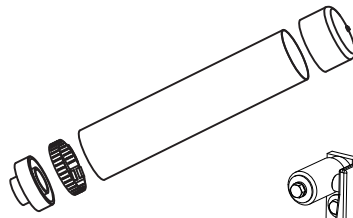
Product Ordering Information

Spring Tensioner Accessories

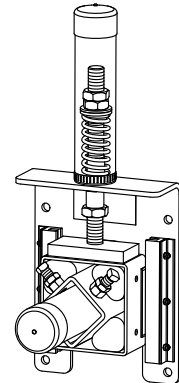
Spring Covers

ORDERING NUMBER	ITEM CODE	WT. KG
SPG-CVR-A	77387	0.1
SPG-CVR-B	77388	0.1
SPG-CVR-C	77389	0.1
SPG-CVR-D	77390	0.2
SPG-CVR-E	77391	0.2
SPG-CVR-F	77392	0.1
SPG-CVR-G	77393	0.1

Includes 1 spring cover



Spring cover on Precleaner tensioner



Spring cover on Secondary cleaner tensioner

Spring Tensioner Reference Chart

CLEANER	BLADE WIDTH	TENSION SPRING	ITEM CODE	SPRING COVER
EZP1	250 - 750	QMTS-P (purple)	75845	SPG-CVR-A
	800 - 1350	ESS-S (silver)	76412	SPG-CVR-A
	1400 - 1750	ESS-B (black)	76413	SPG-CVR-B
MSP	400 - 750	QMTS-P (purple)	75485	SPG-CVR-C
	400 - 1750	PSTS-W (white)	75898	SPG-CVR-D
	850 - 2050	QMTS-G (gold)	76484	SPG-CVR-E
MMP	450 - 600	QMTS-P (purple)	75845	SPG-CVR-C
	450 - 1500	PSTS-W (white)	75898	SPG-CVR-D
	450 - 1950	QMTS-G (gold)	76484	SPG-CVR-E
	450 - 2250	PSTS-S (silver)	75899	SPG-CVR-E
MHP, MHCP	450 - 1050	PSTS-W (white)	75898	SPG-CVR-D
	450 - 1950	PSTS-S (silver)	75899	SPG-CVR-D
	450 - 2250	PSTS-R (red)	77726	SPG-CVR-E
MHS, MDWS	450 - 750	STS-W (white)	75846	SPG-CVR-F
	450 - 1500	STS-S (silver)	75843	SPG-CVR-F
	900 - 2100	STS-B (black)	75844	SPG-CVR-G
	1350 - 2400	STS-G (gold)	78142	SPG-CVR-F
U-Type	450 - 1050	QMTS-P (purple)	75845	SPG-CVR-A
	450 - 1500	ESS-S (silver)	76412	SPG-CVR-A
	450 - 2100	PSTS-W (white)	75898	SPG-CVR-D

Spring Cover Selection Chart

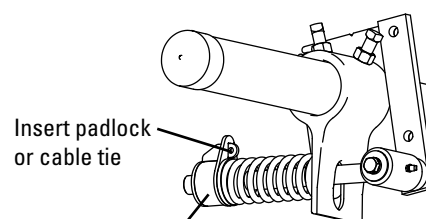
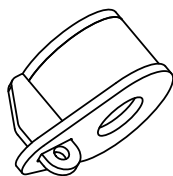
TENSIONER	SPRING COVER REQ'D
EST-P	77387
EST-S	77387
EST-B	77388
QMT-P	77389
QMT-W	77390
QMT-G	77391
QMT-S	77391
PST-R	77391
PST-W	77390
PST-S	77390
SST-W	77392
SST-S	77392
SST-B	77393
SST-G	77392
UST-P	77387
UST-S	77387
UST-W	77390
CST-W	77741
CST-S	77741
CST-B	77741
CST-G	77741

Tensioner Lock*

Designed to prevent tampering or unauthorized retensioning of the cleaner.

ORDERING NUMBER	ITEM CODE	WT. KG
TEN-LOCK-KIT	77443	0.2

*For MSP, MMP, MHP, MHCP, H-Type Precleaners and MSS, MHS, MDWS Secondary Cleaners. Includes 1 tensioner lock.



Tensioner Lock (Precleaner tensioner shown)

Stock items (non-shaded) refer to (*) for specific lead time, if not specified, standard lead time applies.
Non-stock items (shaded) please contact Flexco for dispatch options and lead times.

Product Ordering Information

Inspection Door



Inspection Doors

DESCRIPTION	ORDERING NUMBER	ITEM CODE	WT. KG
Inspection Door 300x300 mm*	INDR-1212	79303	19.2
Inspection Door 300x450 mm*	INDR-1218	79304	23.5
Inspection Door 450x600 mm*	INDR-1824	79305	35.2
Inspection Door 600x600 mm*	INDR-2424	79306	42.8

Inspection Door w/Screen 300x300 mm*	INDR-1212S	79307	21.2
Inspection Door w/Screen 300x450 mm*	INDR-1218S	79308	26.0
Inspection Door w/Screen 450x600 mm*	INDR-1824S	79309	39.7
Inspection Door w/Screen 600x600 mm*	INDR-2424S	79310	48.3

*Hardware Included.

Stock items (non-shaded) refer to (*) for specific lead time, if not specified, standard lead time applies.

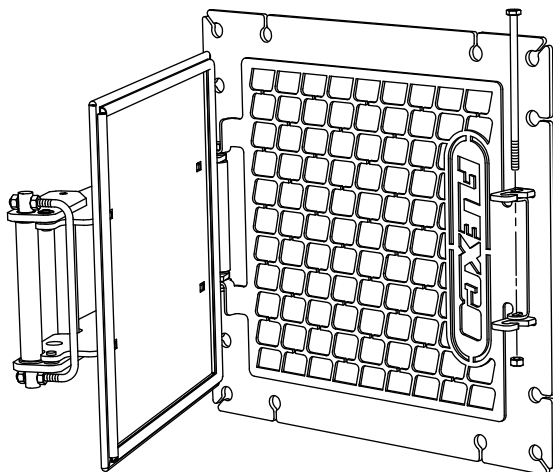
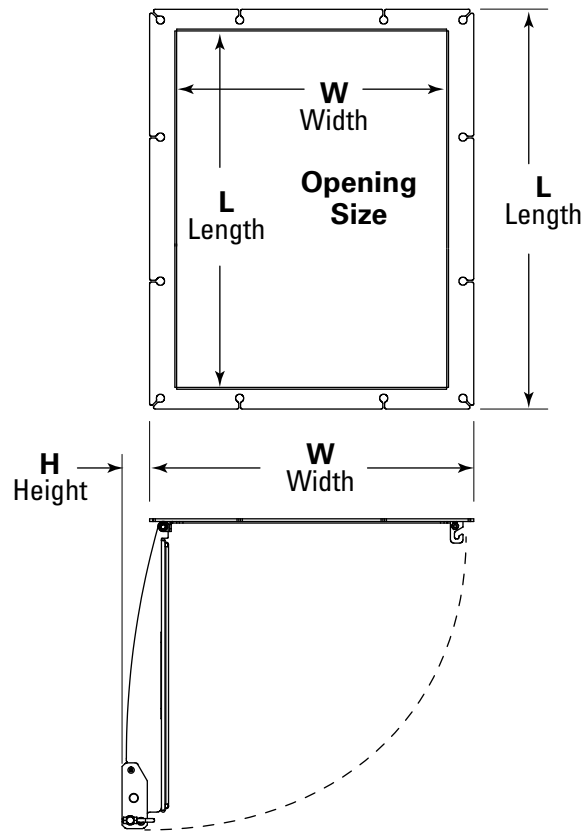
Non-stock items (shaded) please contact Flexco for dispatch options and lead times.

Specifications & Guidelines

Inspection Door

Inspection Door Specifications

DOOR (Opening) SIZE (Width, Length)	OUTER DIMENSIONS (Width, Length)	HEIGHT
300 W x 300 L	415 W x 400 L	90
300 W x 450 L	415 W x 555 L	90
450 W x 600 L	570 W x 705 L	90
600 W x 600 L	720 W x 705 L	90



Screen (Optional)

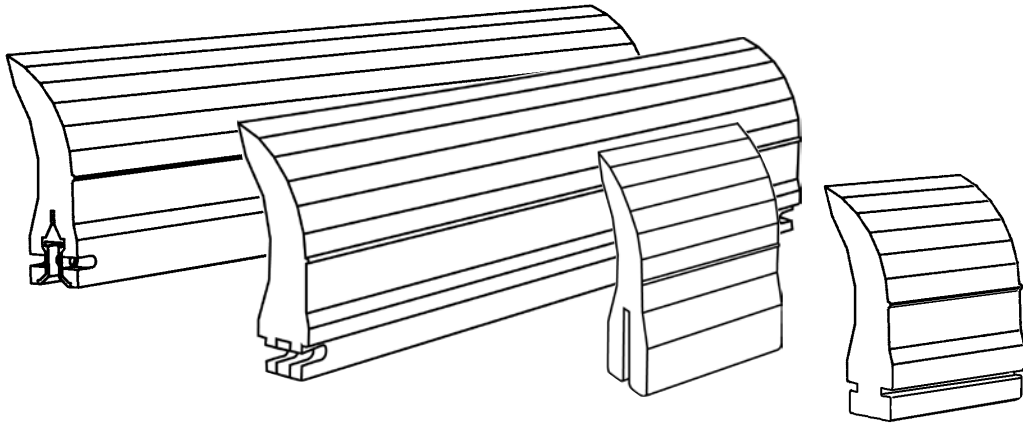
Screen serves as a guard that helps keep hands and tools from being placed into the chute/enclosure, but still allows visual access. Screen is hinged on the same side as the door and bolted in place on the other side so it does not require full removal for accessing the chute/enclosure. A wrench is required to remove the bolt that holds the screen in place as a safety feature. (Holes are sized per ANSI B11 and ISO 1819.)

Specifications:

- Temperature Rating-55° C to 175° C

Part Number Cross-Reference Guide

ConShear™ Replacement Blades for OEM Belt Cleaners

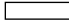



ConShear™ Blade Technology

The patented polyurethane blade design that delivers a conforming and shearing action to provide consistent belt cleaning.

- **Faceted Profile** – the blade forms a new cleaning edge each time the blade wears down to a new faceted section.
- **Long Wearing** – a proprietary polyurethane blend that provides up to 30% more wear life than conventional solid blades.
- **Material Path Option** – choose the blade size that spans just the material path on the belt. This minimizes differential wear between the ends and the center of the blade. It allows the blade to conform better to the belt for more cleaning power. See next page for more information.
- **Replacement Indicator** – a molded-in wear line provides easy visual notice when the blade is worn out and needs to be replaced.
- **Quick, Easy Change-Out** – simply pull one pin, remove the worn blade, insert the new blade and replace the pin.

For best cleaning and wear life results the ConShear blade must be located against the conveyor head pulley in the correct position and must be tensioned properly.
See next page for proper blade installation and tensioning instructions.

 **Stock items** (non-shaded) refer to (*) for specific lead time, if not specified, standard lead time applies.

 **Non-stock items** (shaded) please contact Flexco for dispatch options and lead times.

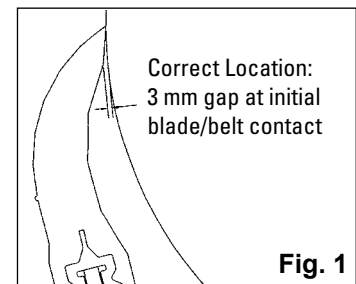
Installation and Tensioning Tips

ConShear™ Replacement Blades for OEM Belt Cleaners

For optimal cleaning efficiency and long wear life, the ConShear™ blade must be located and tensioned correctly on the belt head pulley. If the OEM cleaner pole is in the wrong location the performance of the new blade may be adversely affected. See "Possible Problems" below. For tensioning, please follow these instructions. Our recommended tensioning may be as much as 2 times more than the OEM recommendation, but the added tension is needed to take full advantage of the ConShear Blade Technology.

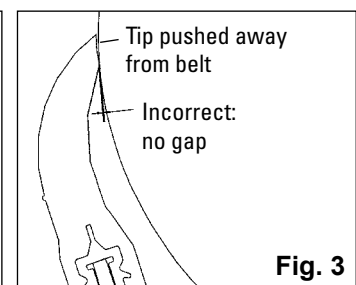
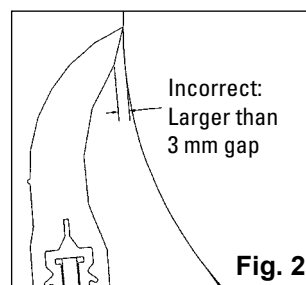
Correct Location:

When blade contact is made against the head pulley (prior to tensioning) there should be a 1.5 mm to 3 mm gap at the bottom of the blade face (Fig. 1).



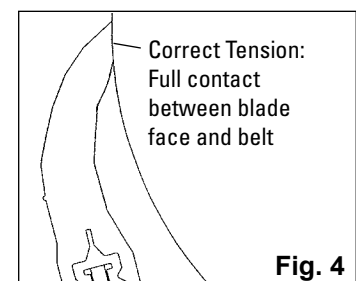
Possible Problems:

- **Pole location too far out** – The initial blade/belt contact gap will be larger than 3 mm (Fig. 2). If the blade is correctly tensioned it may flip through before it is fully worn. If tensioned too lightly, it will develop the "smile effect" quickly and not clean properly.
- **Pole location too far in** – If there is no gap at the initial blade/belt contact (Fig. 3), the tip of the blade may not be touching the belt. In this case, the blade will push away and lose its shearing (cleaning) effect. The blade may also develop a flap at the tip which may trap material.



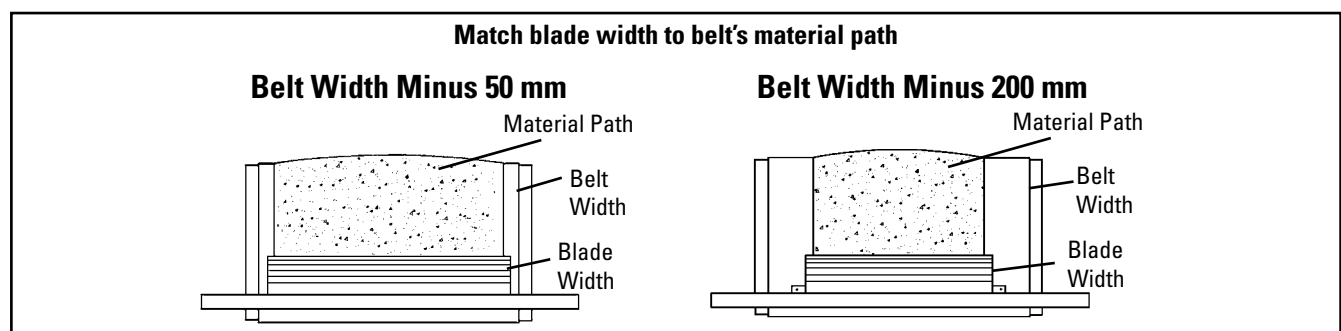
Correct Tensioning:

The blade should be tensioned until the gap is gone (Fig. 4).



The "Material Path" Option

For optimal cleaning and reduced blade retensioning, the cleaner blade width should be sized to fit the material path of the belt. The material path is typically the center 2/3 of the belt width. Choosing a blade only slightly wider than the material path can decrease differential blade wear which reduces blade retensioning maintenance, as well as reducing the frequency of blade replacement.



Part Number Cross-Reference Guide

Cross-Reference for Replacement of Martin® QC® #1 Standard Blades and Martin® Pit Viper™ Standard Blades

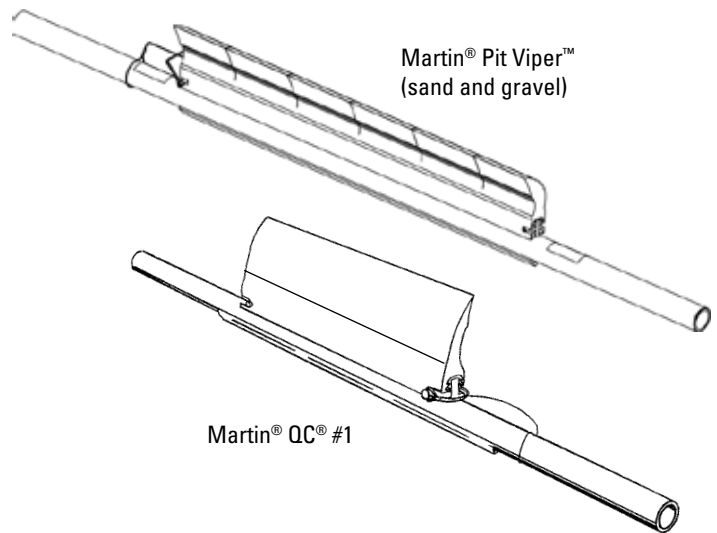
Spring Covers

BELT WIDTH	ACTUAL BLADE LENGTH	MARTIN® QC #1® PART NUMBER	MARTIN® PIT VIPER™ PART NUMBER	ORDERING NUMBER	CONSHEAR™ ITEM CODE	WT. KG
300	250	32773-1211	PV1211100R	CRB10	75628	2.1
450	400	32773-1811	PV1811160R	CRB16	75629	3.3
600	550	32773-2411	PV2411220R	CRB22	75630	4.6
750	700	32773-3011	PV3011280R	CRB28	75631	5.8
900	850	32773-3611	PV3611340R	CRB34	75632	7.0
1050	1000	32773-4211	PV4211400R	CRB40	75633	8.3
1200	1150	32773-4811	PV4811460R	CRB46	75634	9.5
1350	1300	32773-5411	PV5411520R	CRB52	75635	10.8
1500	1450	32773-6011	PV6011580R	CRB58	75636	12.0
1800	1750	32773-7211	PV7211700R	CRB70	75773	14.5

Additional blade sizes are available upon request. Call for pricing.
NOTE: Blade coverage is 50 mm less than belt width.
NOTE: Also works on Baker-Bohnert Yellow Jacket™ Primary Cleaners.

Replacement Blade Pin

ORDERING NUMBER	ITEM CODE	WT. KG
EZP1BP	75642	0.05

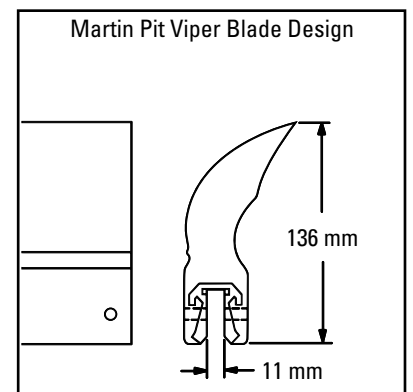
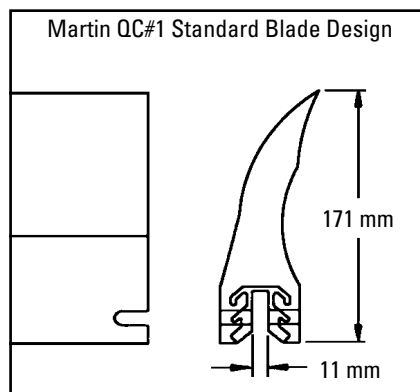
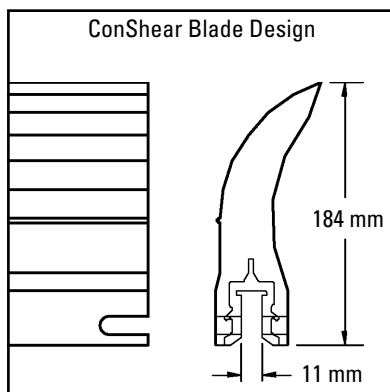


Specifications

SLOT WIDTH	POLE PLATE THICKNESS	CONSHEAR BLADE HEIGHT	QC#1 BLADE HEIGHT
11 mm	8 mm	184 mm	171 mm

Usable Blade Volume Comparison

BLADE TYPE	BLADE LENGTH	Usable BLADE AREA (cross-section)	Usable BLADE VOLUME
Martin® QC™ #1	71 cm	19.4 cm ²	592.0 cm ³
Martin® Pit Viper™	71 cm	27.1 cm ²	758.7 cm ³
ConShear™	71 cm	35.2 cm ²	993.5 cm ³



Martin® and QC® #1 are registered trademarks, and Pit Viper™ is a trademark of Martin Engineering, Neponset, IL.
 Yellow Jacket™ is a trademark of Baker-Bohnert, Louisville, KY

Stock items (non-shaded) refer to (*) for specific lead time, if not specified, standard lead time applies.
 Non-stock items (shaded) please contact Flexco for dispatch options and lead times.

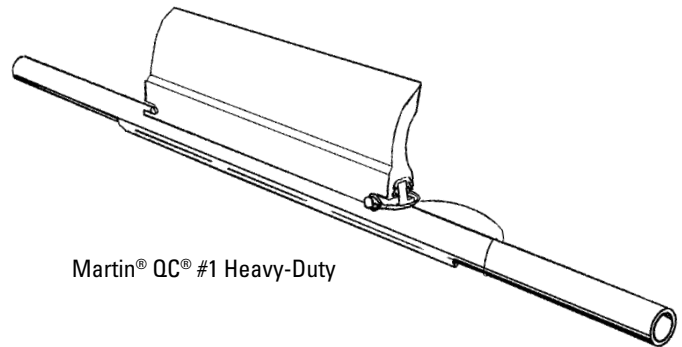
Part Number Cross-Reference Guide

Cross-Reference for Replacement of Martin® QC® #1 Heavy-Duty Blades

Spring Covers

BELT WIDTH	ACTUAL BLADE LENGTH	MARTIN® PART NUMBER	ORDERING NUMBER	CONShear™ ITEM CODE	WT. KG
450	300	35381-1811	RBQC1HD-12	75985	2.5
600	450	35381-2411	RBQC1HD-18	75986	3.8
750	600	35381-3011	RBQC1HD-24	75987	5.0
900	750	35381-3611	RBQC1HD-30	75988	6.3
1050	900	35381-4211	RBQC1HD-36	75989	7.5
1200	1050	35381-4811	RBQC1HD-42	75990	8.8
1350	1200	35381-5411	RBQC1HD-48	75991	10.0
1500	1350	35381-6011	RBQC1HD-54	75992	11.2
1800	1650	35381-7211	RBQC1HD-66	75993	13.8

Additional blade sizes are available upon request. Call for pricing.
NOTE: Blade coverage is 150 mm less than belt width.



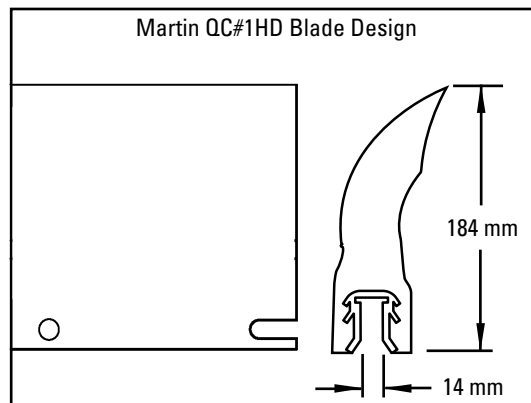
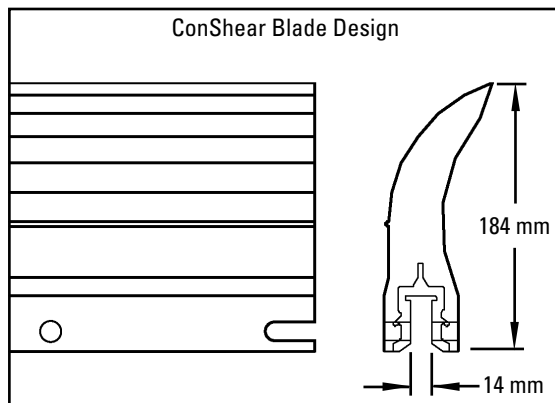
Martin® QC® #1 Heavy-Duty

Specifications

SLOT WIDTH	POLE PLATE THICKNESS	CONShear BLADE HEIGHT	QC#1 BLADE HEIGHT
14 mm	13 mm	184 mm	184 mm

Usable Blade Volume Comparison

BLADE TYPE	BLADE LENGTH	Usable BLADE AREA (cross-section)	Usable BLADE VOLUME
Martin® QC™ #1 HD	71 cm	43.0 cm ²	1201.3 cm ³
ConShear™	71 cm	35.5 cm ²	993.5 cm ³



Stock items (non-shaded) refer to (*) for specific lead time, if not specified, standard lead time applies.

Non-stock items (shaded) please contact Flexco for dispatch options and lead times.

Martin® and QC® #1 are registered trademarks of Martin Engineering, Neponset, IL.

Part Number Cross-Reference Guide

Cross-Reference for Replacement of Martin® QC® Extra Heavy-Duty Blades

Spring Covers

BELT WIDTH	ACTUAL BLADE LENGTH	MARTIN® PART NUMBER	ORDERING NUMBER	CON SHEAR™ ITEM CODE	WT. KG
600	450	35897-2411	TRB18	76485	9.5
750	600	35897-3011	TRB24	76486	12.7
900	750	35897-3611	TRB30	76487	15.9
1050	900	35897-4211	TRB36	76488	19.1
1200	1050	35897-4811	TRB42	76489	22.2
1350	1200	35897-5411	TRB48	76490	25.4
1500	1350	35897-6011	TRB54	76491	28.6
1650	1500	35897-6611	TRB60	76492	31.8
1800	1650	35897-7211	TRB66	76493	34.9
1950	1800	35897-7811	TRB72	76494	39.5
2100	1950	35897-8411	TRB78	76697	41.3
2250	2100	35897-9011	TRB84	77047	44.5
2400	2250	35897-9611	TRB90	77048	47.6

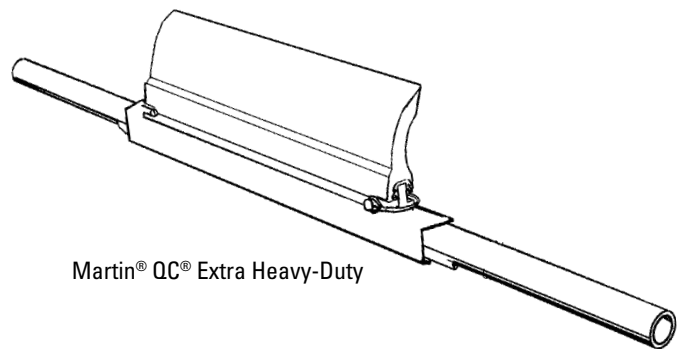
Additional blade sizes are available upon request. Call for pricing.
NOTE: Blade coverage is 150 mm less than belt width.

Replacement Blade Pin

ORDERING NUMBER	ITEM CODE	WT. KG
MMPBPK	76466	0.05

Specifications

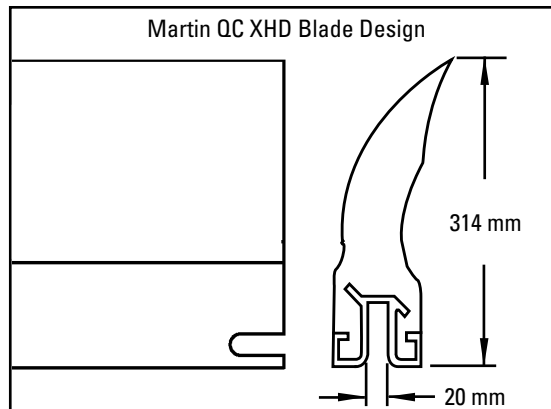
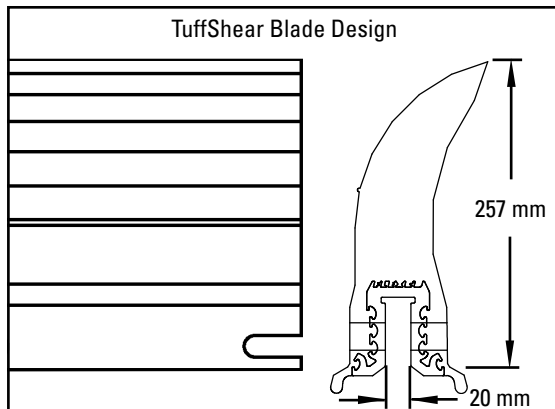
SLOT WIDTH	POLE PLATE THICKNESS	CON SHEAR BLADE HEIGHT	QC#1 BLADE HEIGHT
20 mm	19 mm	57 mm	314 mm



Martin® QC® Extra Heavy-Duty

Usable Blade Volume Comparison

BLADE TYPE	BLADE LENGTH	Usable BLADE AREA (cross-section)	Usable BLADE VOLUME
Martin® QC® XHD	76 cm	110.0 cm ²	3292.3 cm ³
TuffShear™	76 cm	503.2 cm ²	2340.0 cm ³



Stock items (non-shaded) refer to (*) for specific lead time, if not specified, standard lead time applies.
Non-stock items (shaded) please contact Flexco for dispatch options and lead times.

Martin® and QC® #1 are registered trademarks of Martin Engineering, Neponset, IL.

Part Number Cross-Reference Guide

Cross-Reference for Replacement of Stephens-Adamson Metso/Trellex Blades

Ordering Information

ACTUAL BLADE LENGTH	SA PART NUMBER	ORDERING NUMBER	CONShear™ ITEM CODE	WT. KG
152	ABC90	RB6SA	76570	1.4

Blades fit into cartridge that mounts on the pole.

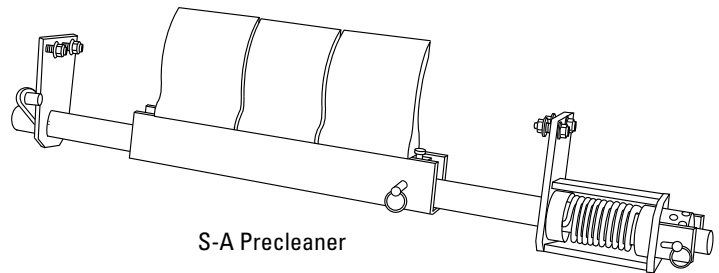
Tips Required per Cleaner Size

mm	450	600	750	900	1050	1200	1350	1500	1800
Blades Required	2	3	4	5	6	7	8	9	11

NOTE: Blade coverage is 150 mm less than the belt width.

Specifications

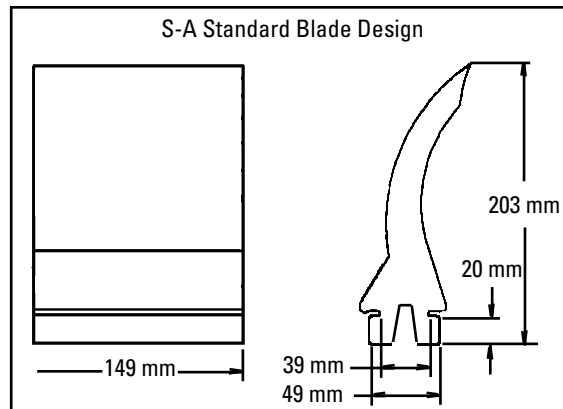
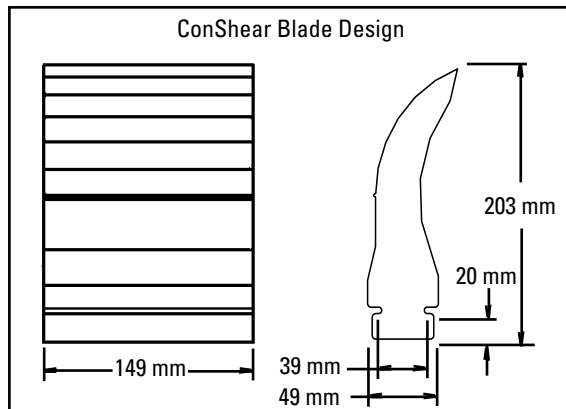
BASE WIDTH	BASE HEIGHT	CONShear BLADE HEIGHT	S-A BLADE HEIGHT
49 mm	20 mm	203 mm	203 mm



S-A Precleaner

Usable Blade Volume Comparison

BLADE TYPE	BLADE LENGTH	Usable BLADE AREA (cross-section)	Usable BLADE VOLUME
S-A Metso/Trellex	15 cm	25.0 cm ²	147.1 cm ³
ConShear™	15 cm	35.5 cm ²	213.0 cm ³



Stock items (non-shaded) refer to (*) for specific lead time, if not specified, standard lead time applies.
Non-stock items (shaded) please contact Flexco for dispatch options and lead times.

Part Number Cross-Reference Guide

Cross-Reference for Replacement of Martin® Durt Hawg® Precleaner Blades

Ordering Information

ACTUAL BLADE LENGTH	MARTIN® PART NUMBER	ORDERING NUMBER	CONShear™ ITEM CODE	WT. KG
152	27987-C	RB6DH	76571	1.5

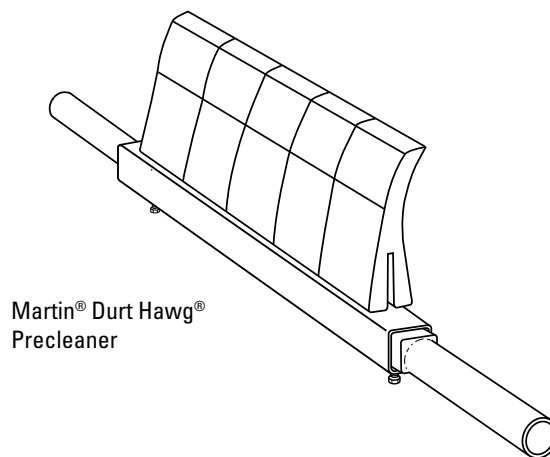
Tips Required per Cleaner Size

mm	450	600	750	900	1050	1200	1350	1500	1800
Blades Required	2	3	4	5	6	7	8	9	11

NOTE: Blade coverage is 150 mm less than the belt width.

Specifications

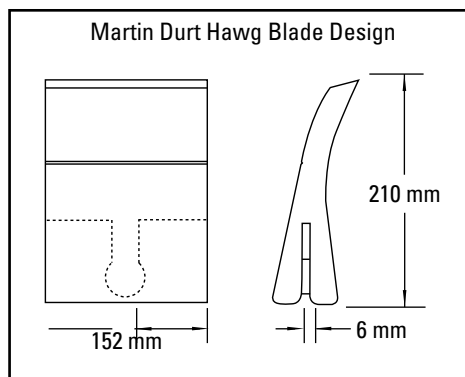
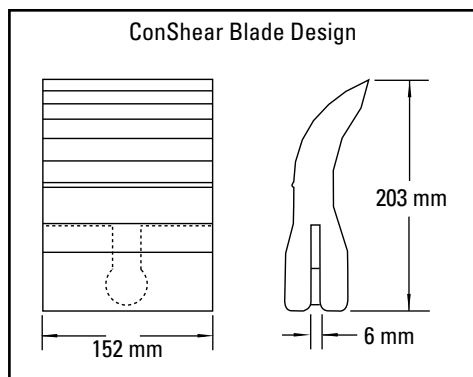
SLOT WIDTH	CONShear BLADE HEIGHT	DURT HAWG BLADE HEIGHT
6 mm	203 mm	210 mm



Martin® Durt Hawg®
Precleaner

Usable Blade Volume Comparison

BLADE TYPE	BLADE LENGTH	Usable BLADE AREA (cross-section)	Usable BLADE VOLUME
Martin® Durt Hawg	15 cm	24.5 cm ²	143.2 cm ³
ConShear™	15 cm	35.5 cm ²	213.0 cm ³



Martin® and Durt Hawg® are registered trademarks of Martin Engineering, Neponset, IL.

Stock items (non-shaded) refer to (*) for specific lead time, if not specified, standard lead time applies.

Non-stock items (shaded) please contact Flexco for dispatch options and lead times.

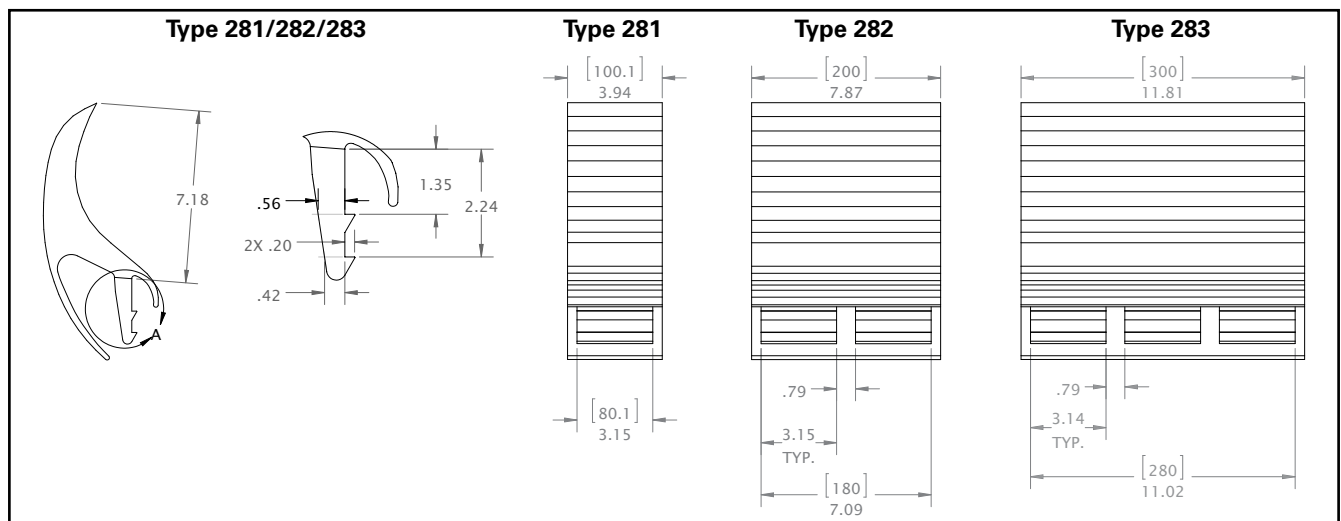
Part Number Cross-Reference Guide

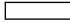
Cross-Reference for Replacement of Schulte Strathaus Replacement Blades


Ordering Information

SCHULTE STRATHAUS TYPE	BLADE WIDTH	ORDERING NUMBER	ITEM CODE
Type281	100	RBSST281	90791
Type282	200	RBSST282	90793
Type283	300	RBSST283	90794
Type18	100	RBSST18	On Request
95-SEG-56 NK	120	TSAS (SHORT)	93512
95-SEG-56 NL	120	TSAL (LONG)	93513

Blades fit into cartridge that mounts on the pole.



 Stock items (non-shaded) refer to (*) for specific lead time, if not specified, standard lead time applies.

 Non-stock items (shaded) please contact Flexco for dispatch options and lead times.

Product Ordering Information

V-Plow



V-Plow*

SIZE	BELT WIDTH	ORDERING NUMBER	ITEM CODE	WT. KG
Extra Small	400 - 600	CBV-XS	73131	24.0
Small	750 - 800	CBV-S	73132	29.5
Medium	1000 - 1200	CBV-M	73133	33.6
Large	1400	CBV-L	73134	38.1
1800	1600 - 1800	CBV-72	74389	68.0
2100	2000 - 2200	CBV-84	74390	79.4
2400	2400	CBV-96	74391	90.7

*Use next larger size for belt widths between ranges.

Replacement Blade Kits*

SIZE	BELT WIDTH	ORDERING NUMBER	ITEM CODE	WT. KG
Extra Small	400 - 600	VBK-XS	73190	2.0
Small	750 - 800	VBK-S	73191	2.7
Medium	1000 - 1200	VBK-M	73192	3.4
Large	1400	VBK-L	73193	4.1
1800	1600 - 1800	VBK-72	74457	5.9
2100	2000 - 2200	VBK-84	74458	6.8
2400	2400	VBK-96	74459	7.7

*Kit includes blades and replacement blade bolts.



Optional Polyurethane Blade Kits*

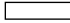
Typically provides 3 to 5 times longer wear life.


SIZE	BELT WIDTH	ORDERING NUMBER	ITEM CODE	WT. KG
Extra Small	400 - 600	VUBK-XS	75570	2.4
Small	750 - 800	VUBK-S	75571	3.6
Medium	1000 - 1200	VUBK-M	75572	4.8
Large	1400	VUBK-L	75573	5.9
1800	1600 - 1800	VUBK-72	75574	7.2
2100	2000 - 2200	VUBK-84	75575	8.4
2400	2400	VUBK-96	75576	9.5

*Kit includes blades and replacement blade bolts.

Product Notes:

- Exclusive blade design – 20° slant on leading edge spirals debris off the belt.
- Self-adjusting blade – the blade floats on the belt and self-adjusts as it wears.
- Unique blade adjuster – turnbuckle-type adjuster allows the blade to be accurately positioned to the belt.
- Easy to install – comes fully assembled and can be placed right into position on the conveyor.

 Stock items (non-shaded) refer to (*) for specific lead time, if not specified, standard lead time applies.

 Non-stock items (shaded) please contact Flexco for dispatch options and lead times.

Product Ordering Information

Diagonal Plow

Diagonal Plows*

SIZE	BELT WIDTH	ORDERING NUMBER	ITEM CODE	WT. KG
Small	400 - 650	RDP1-S	74692	20.4
Medium	800 - 1000	RDP1-M	74693	25.4
Large	1200 - 1400	RDP1-L	74694	31.8
Extra Large	1600 - 2200	RDP1-XL	74695	43.5

*Use next larger size for belt widths between ranges.



Replacement Blade Kits*

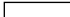
SIZE	BELT WIDTH	ORDERING NUMBER	ITEM CODE	WT. KG
Small	400 - 650	RDPBK-S	74699	1.8
Medium	800 - 1000	RDPBK-M	74700	2.5
Large	1200 - 1400	RDPBK-L	74701	3.8
Extra Large	1600 - 2200	RDPBK-XL	74702	5.4


**Kit includes blade and replacement blade bolts.



Product Notes:

- A belt cleaner for the tail pulley. Prevents damage to the belt, pulley, lagging, and belt splice.
- Keeps fugitive materials off the inside of the belt and out of the tail pulley.
- Installed at a 45° angle across the belt to discharge material to one predetermined side.
- The blade is installed in a fixed position, eliminating any bouncing problems.
- Exclusive 20° angled blade quickly spirals material off the belt.

 Stock items (non-shaded) refer to (*) for specific lead time, if not specified, standard lead time applies.

 Non-stock items (shaded) please contact Flexco for dispatch options and lead times.

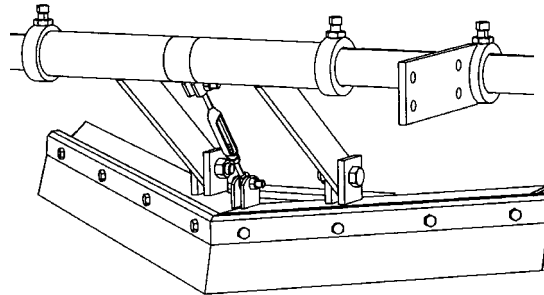
Specifications & Guidelines

V-Plow & Diagonal Plow

V-Plow Belt Width Specifications

SIZE	BELT WIDTH (Min-Max)
Extra Small	400 - 650
Small	750 - 800
Medium	1000 - 1200
Large	1400
1800	1600 - 1800
2100	2000 - 2200
2400	2400

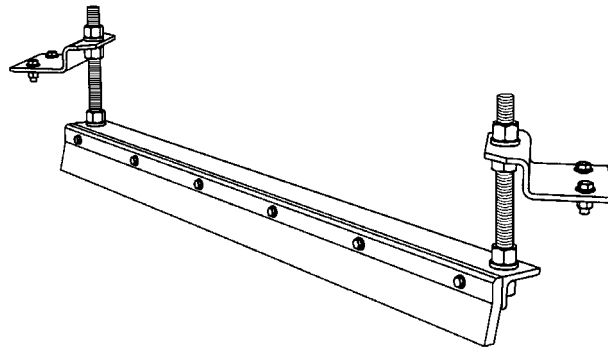
Use next larger size for belt widths between ranges.



Diagonal Plow Belt Width Specifications

SIZE	BELT WIDTH (Min-Max)
Small	400 - 650
Medium	800 - 1000
Large	1200 - 1400
Extra Large	1600 - 2200

Use next larger size for belt widths between ranges.

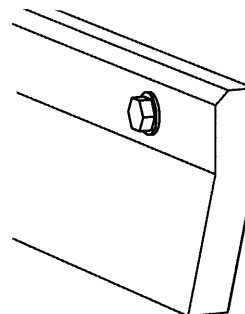


Application Guidelines

- Belt Splice Mechanically Fastened/Vulcanized
- Belt Speed 5 m/s for V-Plow; 3.5 m/s for Diagonal Plow
- Belt Direction One Way

V-Plow & Diagonal Plow Blade Specifications

Material	UHMWPE
Durometer	67-D
Working Temperature	
°C	-40° to 71° C
Grease & Chemical Resistance	Excellent
Sticky Material Performance	Excellent

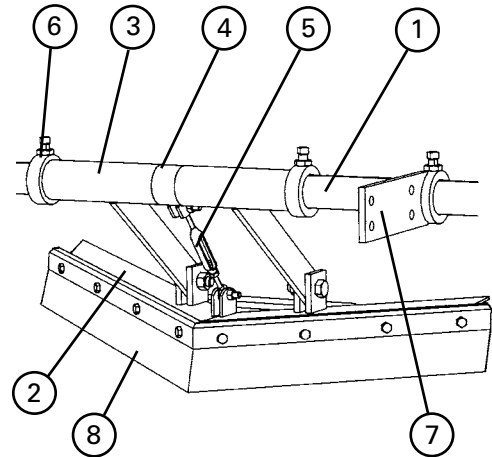


Replacement Parts List

V-Plow & Diagonal Plow

Replacement Parts – V-Plow

REF	DESCRIPTION	BELT WIDTH (Min.-Max.)	ORDERING NUMBER	ITEM CODE	WT. KG
1	V-Plow Pole XS	450 - 600	VPXS	73400	5.9
	V-Plow Pole S	750 - 900	VPS	73408	6.8
	V-Plow Pole M	1050 - 1200	VPM	73409	8.2
	V-Plow Pole L	1350 - 1500	VPL	73410	9.5
	V-Plow Pole 72	1800	VP72	74395	10.9
	V-Plow Pole 84	2100	VP84	74396	12.2
	V-Plow Pole 96	2400	VP96	74397	13.6
2	V-Plow Mainframe XS	450-600	VMFXS	73535	5.4
	V-Plow Mainframe S	750-900	VMFS	73549	6.8
	V-Plow Mainframe M	1050-1200	VMFM	74037	10.0
	V-Plow Mainframe L	1350-1500	VMFL	74038	12.7
	V-Plow Mainframe 72	1800	VMF72	74398	15.9
	V-Plow Mainframe 84	2100	VMF84	74399	19.1
	V-Plow Mainframe 96	2400	VMF96	74440	22.7
3	VP Main Linkage Kit* (1 ea.)		VMLK	74982	2.3
4	VP Center Sleeve		VCS	73533	0.5
5	V-Plow Adjuster Kit*		VAK	76416	0.2
6	VP Stop Collar* (1 ea.)		VSC	74983	0.5
7	VP Mounting Bracket Kit* (1 ea.)		VMBK	73399	2.3



REPLACEMENT BLADE KITS**

8	Replacement Blade Kit XS	450 - 600	VBK-XS	73190	2.0
	Replacement Blade Kit S	750 - 900	VBK-S	73191	2.7
	Replacement Blade Kit M	1050 - 1200	VBK-M	73192	3.4
	Replacement Blade Kit L	1350 - 1500	VBK-L	73193	4.1
	Replacement Blade Kit 72	1800 mm	VBK-72	74457	5.9
	Replacement Blade Kit 84	2100 mm	VBK-84	74458	6.8
	Replacement Blade Kit 96	2400 mm	VBK-96	74459	7.7

**Hardware included.

**Kit includes blades and replacement blade bolts.

Replacement Parts – Diagonal Plow

REPLACEMENT BLADE KITS*

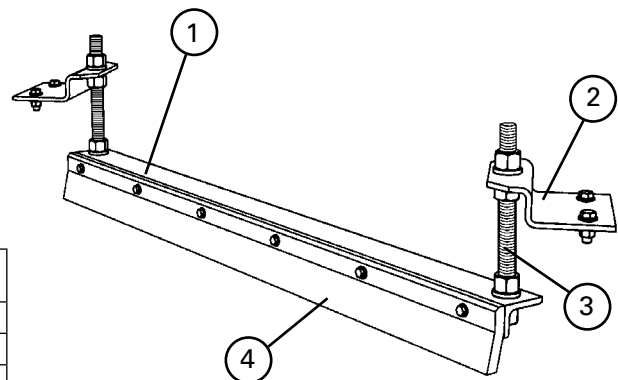
REF	DESCRIPTION	BELT WIDTH (Min.-Max.)	ORDERING NUMBER	ITEM CODE	WT. KG
1	Small Plow Blade Kit	450 - 750	RDPBK-S	74699	1.8
	Medium Plow Blade Kit	900 - 1050	RDPBK-M	74700	2.5
	Large Plow Blade Kit	1200 - 1500	RDPBK-L	74701	3.8
	Extra Large Plow Blade Kit	1800 - 2100	RDPBK-XL	74702	5.4
2	Mounting Bracket Kit* (1 ea.)		RDPMBK	74698	2.8
3	Mounting Shaft Kit* (1 ea.)		RDPMSK	74705	1.6


REPLACEMENT BLADE KITS**


4	Small Plow Blade Kit	450 - 750	RDPBK-S	74699	1.8
	Medium Plow Blade Kit	900 - 1050	RDPBK-M	74700	2.5
	Large Plow Blade Kit	1200 - 1500	RDPBK-L	74701	3.8
	Extra Large Plow Blade Kit	1800 - 2100	RDPBK-XL	74702	5.4

**Hardware included.

**Kit includes blades and replacement blade bolts.



 Stock items (non-shaded) refer to (*) for specific lead time, if not specified, standard lead time applies.

 Non-stock items (shaded) please contact Flexco for dispatch options and lead times.

Specifications & Guidelines

Flexco Slider/Impact Beds

Easy Solution for Load Zone Problems

- Complete load zone offering with slider beds through impact beds for up to 100 kg-m of force.
- No specifying trough angle; each bed is adjustable for 20°, 35° and 45° trough settings (ships at 35° setting).
- Low-profile installation. Because EZ Series beds feature trough wings that are adjustable, they lay flat during installation, providing more clearance.
- Full UHMW slider bars included on outside bar to provide proper sealing and long life.
- Unique Impact Bar Supports protect the impact bars from damage, extending service life. An Anti-Migratory Tab on each support secures the bar and prevents it from sliding in the direction of belt travel.
- All beds are manufactured for mounting holes belt width +225 mm, per CEMA. For wider structure, contact Customer Service for special quote.

How to spec the correct slider/impact bed for your conveyor transfer point

Roller Size and CEMA Rating

125 mm 150 mm

CEMA C D E

Belt Width: _____

Bed Length: 1.2 m 1.5 m

Impact Energy Calculation Chart

Largest Material Lump Weight (**w**)

Drop Height (**h**)

Impact Energy

Lump Weight (**w**) _____

Drop Height (**h**) x _____

Total = **kg-m** See Below

0 lb-ft— **EZSB-C**

0 - 25kg-m— **EZSB-I or EZIB-L**
(200 lb-ft)

25-100 kg-m— **EZIB-M**
(200 - 750 lb-ft)

Product Ordering Information

EZSB-C Flexco Slider Beds



Flexco Slider Bed (for non-impact areas)

BELT WIDTH	TONNAGE RATING (ton/hr)	1.2 m LENGTH			1.5 m LENGTH		
		ORDERING NUMBER	ITEM CODE	WT. KG	ORDERING NUMBER	ITEM CODE	WT. KG
600	–	EZSB24-4C	78855	110.7	EZSB24-5C	78863	118.4
750	–	EZSB30-4C	78856	119.4	EZSB30-5C	78864	126.9
900	–	EZSB36-4C	78857	131.1	EZSB36-5C	78865	138.6
1050	–	EZSB42-4C	78858	162.7	EZSB42-5C	78866	173.7
1200	–	EZSB48-4C	78859	175.0	EZSB48-5C	78867	186.2
1350	–	EZSB54-4C	78860	206.4	EZSB54-5C	78868	221.4
1500	–	EZSB60-4C	78861	217.1	EZSB60-5C	78869	232.1
1800	–	EZSB72-4C	78862	232.7	EZSB72-5C	78870	247.6

Product Notes:

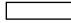
- CEMA D construction
- No need to specify troughing angle – designed to adjust to 20°, 35°, 45°.
- Designed for containment in the load zone, but not intended for impact zones.
- Slider bars are solid 25 mm UHMW providing longer wear life and consistent load zone sealing.
- Product ships with two rollers. Additional rollers can be added by purchasing an EZRMK and the appropriate corresponding roller.


Adjustable Idler Set

(for non-impact areas)
(for placement in between 3 or more beds or in transitions;
Adjusts from 10 - 45° in 5° increments)



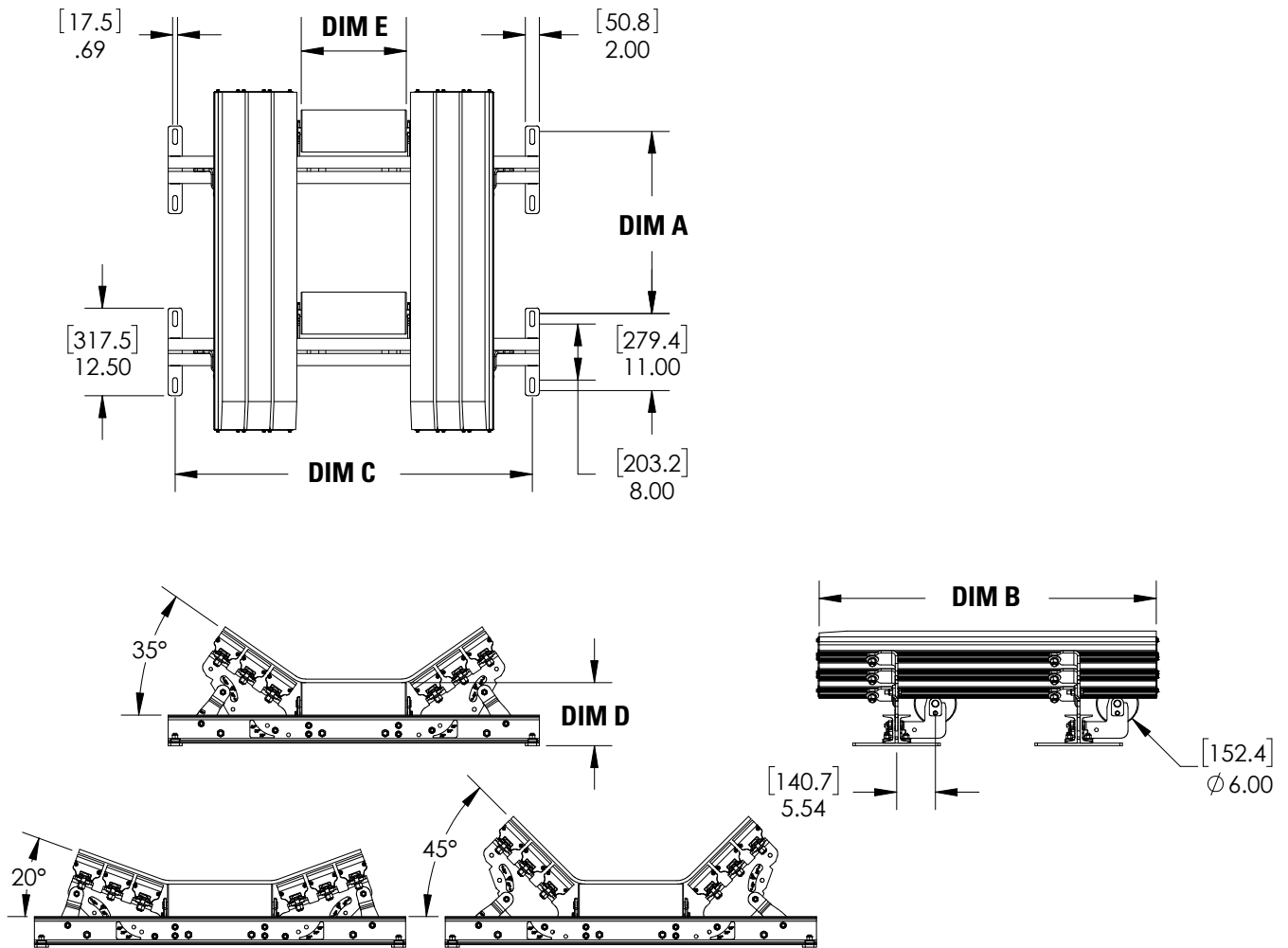
BELT WIDTH	ORDERING NUMBER	ITEM CODE	WT. KG
600	EZAI-24	79000	36.2
750	EZAI-30	79001	40.8
900	EZAI-36	79002	45.7
1050	EZAI-42	79003	49.9
1200	EZAI-48	79004	55.9
1350	EZAI-54	79005	60.1
1500	EZAI-60	79006	64.1
1800	EZAI-72	79007	74.2

 Stock items (non-shaded) refer to (*) for specific lead time, if not specified, standard lead time applies.

 Non-stock items (shaded) please contact Flexco for dispatch options and lead times.

Specifications & Guidelines

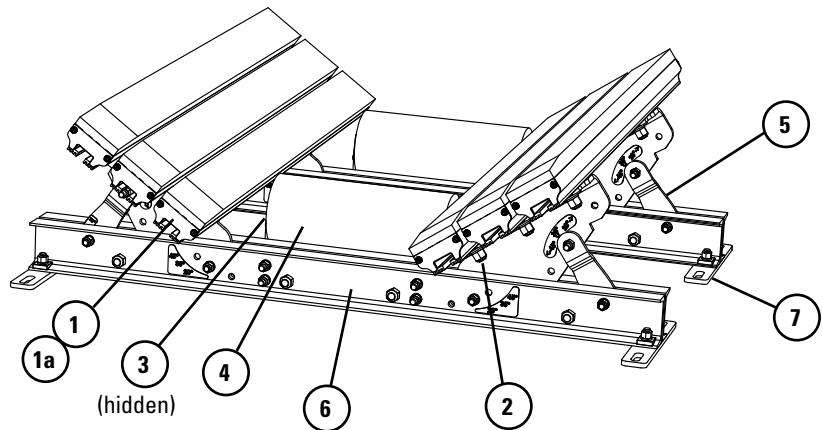
EZSB-C Flexco Slider Beds



Bed Length 1.4 m		Bed Length 1.5 m		Bed Width	Dim C	Dim D	Dim E
Dim A	Dim B	Dim A	Dim B				
660.4	1240	863.6	1500	600	838	229	229
				750	991	229	279
				900	1143	229	330
				1050	1295	229	381
				1200	1448	229	432
				1350	1600	235	483
				1500	1753	235	533
			1800	2057	241	635	

Replacement Parts List

EZSB-C Flexco Slider Beds



Replacement Parts

REF	DESCRIPTION	ORDERING NUMBER	ITEM CODE	WT. KG
1	Slider Bar, 1.2 m	SB4	78789	9.1
1a	Slider Bar, 1.5 m	SB5	78790	10.9
2	Bar Bolt Kit (incl. 1 ea. 15 mm carriage bolt, square washer, flat washer, lock washer, Nylock nut)	IBBK	76928	0.2
3	Slider Roll Mount Kit*	EZRMK	78952	2.3
4	Roller 600mm	RRTD6-24	79874	4.1
	Roller 750mm	RRTD6-30	79875	4.8
	Roller 900mm	RRTD6-36	79876	5.6
	Roller 1050mm	RRTD6-42	79877	6.3
	Roller 1200mm	RRTD6-48	79878	7.3
	Roller 1350mm	RRTD6-54	79879	7.7
	Roller 1500mm	RRTD6-60	79880	8.2
	Roller 1800mm	RRTD6-72	79881	9.8
5	Wing Plate Kit 600mm*	EZWPK-24	78970	7.7
	Wing Plate Kit 750mm*	EZWPK-30	78971	7.9
	Wing Plate Kit 900mm*	EZWPK-36	78972	9.6
	Wing Plate Kit 1050mm*	EZWPK-42	78973	11.9
	Wing Plate Kit 1200mm*	EZWPK-48	78974	13.7
	Wing Plate Kit 1350mm*	EZWPK-54	78975	16.1
	Wing Plate Kit 1500mm*	EZWPK-60	78976	17.7
	Wing Plate Kit 1800mm*	EZWPK-72	78977	21.2
6	Cross Stringer Kit 600mm*	EZCSK-24	78978	22.3
	Cross Stringer Kit 750mm*	EZCSK-30	78979	25.6
	Cross Stringer Kit 900mm*	EZCSK-36	78980	28.9
	Cross Stringer Kit 1050mm*	EZCSK-42	78981	32.1
	Cross Stringer Kit 1200mm*	EZCSK-48	78982	35.6
	Cross Stringer Kit 1350mm*	EZCSK-54	78983	38.9
	Cross Stringer Kit 1500mm*	EZCSK-60	78984	42.2
	Cross Stringer Kit 1800mm*	EZCSK-72	78985	45.0
7	Shim Kit Light Duty (incl. 4 shims)	SHIM-KITL	77548	6.2

Shim Requirements

IMPACT BED SIZE	CEMA C OR D, 125 mm Idlers	CEMA C OR D, 150 mm IDLERS
600 - 900 mm	Shim idler up 12.5 mm	No Kits Required
1050 - 1800 mm	No Kits Required	Use (1) SHIM-KITL; Shim up 12.5 mm

IMPACT BED SIZE	CEMA E, 150 mm IDLERS	CEMA E, 175 mm IDLERS
900 - 1500 mm	Use (3) SHIM-KITL; Shim up 37.5 mm	Use (4) SHIM-KITL; Shim up 50 mm
1800 mm	Use (4) SHIM-KITL; Shim up 50 mm	Use (5) SHIM-KITL; Shim up 62.5 mm

Replacement Quantities for EZSB-C

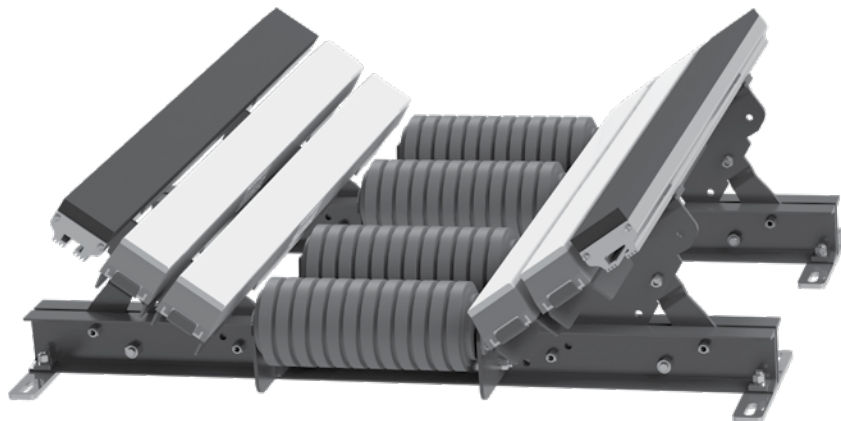
mm	600	750	900	1050	1200	1350	1500	1800
ROLLS REQUIRED	2	2	2	2	2	2	2	2
BARS REQUIRED	SLIDER	4	4	4	6	6	8	8
BAR BOLT KITS REQUIRED	8	8	8	12	12	16	16	16

Stock items (non-shaded) refer to (*) for specific lead time, if not specified, standard lead time applies.

Non-stock items (shaded) please contact Flexco for dispatch options and lead times.

Product Ordering Information

EZSB-I Flexco Slider Beds with Impact Rolls



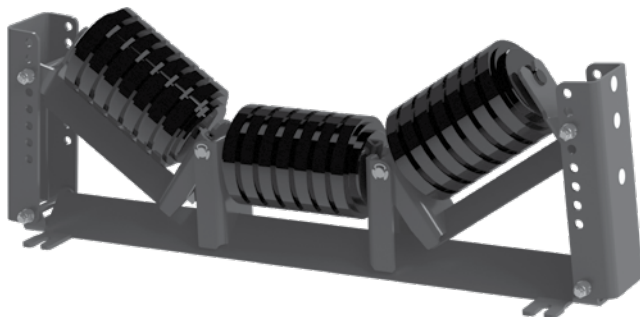
Flexco Slider Bed with Impact Rolls (for impact zones with less than 25kg energy)

BELT WIDTH	TONNAGE RATING (ton/hr)	1.2 m LENGTH			1.5 m LENGTH		
		ORDERING NUMBER	ITEM CODE	WT. KG	ORDERING NUMBER	ITEM CODE	WT. KG
600	3500	EZSB24-4I	78871	125.6	EZSB24-5I	78879	133.4
750	3500	EZSB30-4I	78872	136.1	EZSB30-5I	78880	143.8
900	4100	EZSB36-4I	78873	149.7	EZSB36-5I	78881	157.5
1050	4500	EZSB42-4I	78874	184.7	EZSB42-5I	78882	196.4
1200	4500	EZSB48-4I	78875	198.2	EZSB48-5I	78883	210.0
1350	4500	EZSB54-4I	78876	233.1	EZSB54-5I	78884	248.9
1500	4500	EZSB60-4I	78877	246.3	EZSB60-5I	78885	262.1
1800	4500	EZSB72-4I	78878	265.8	EZSB72-5I	78886	281.3

*1.5 m beds come with 5 impact rolls

Product Notes:

- CEMA D construction
- No need to specify troughing angle – designed to adjust to 20°, 35°, 45°.
- Outermost trough bar features 25 mm solid UHMW slider bar to provide longer wear life and consistent load zone sealing where impact is not present.



Adjustable Idler Set with Impact Rolls

(for placement in between 3 or more beds or in transitions;
Adjusts from 10 - 45° in 5° increments)

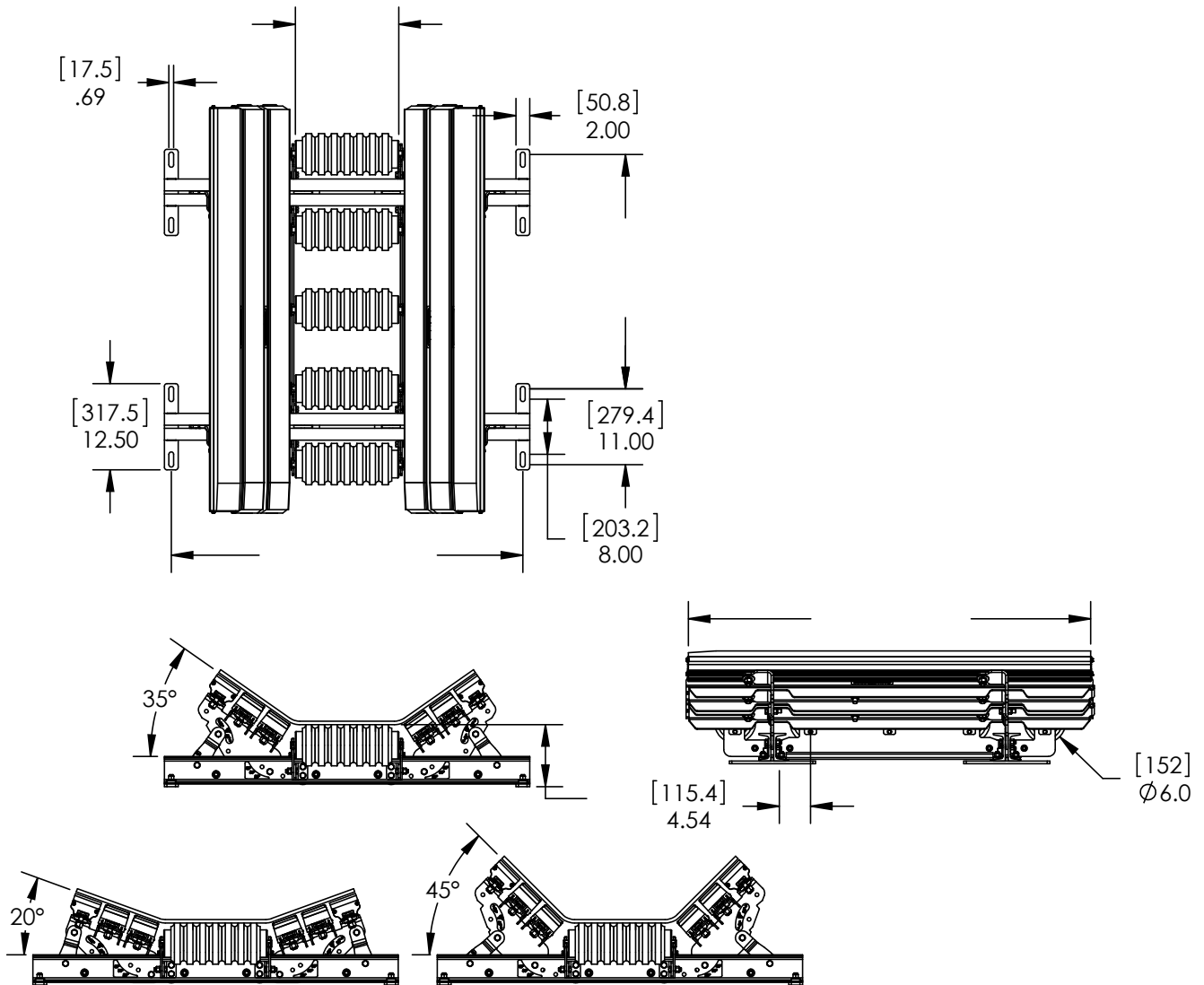
BELT WIDTH	ORDERING NUMBER	ITEM CODE	WT. KG
600	EZAI-24I	79091	40.8
750	EZAI-30I	79092	45.4
900	EZAI-36I	79093	50.2
1050	EZAI-42I	79094	54.4
1200	EZAI-48I	79095	60.5
1350	EZAI-54I	79096	64.6
1500	EZAI-60I	79097	68.6
1800	EZAI-72I	79098	78.7

Stock items (non-shaded) refer to (*) for specific lead time, if not specified, standard lead time applies.

Non-stock items (shaded) please contact Flexco for dispatch options and lead times.

Specifications & Guidelines

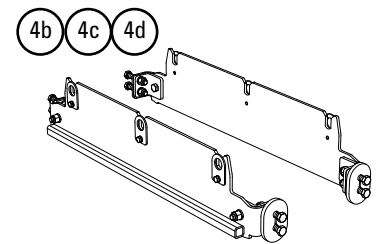
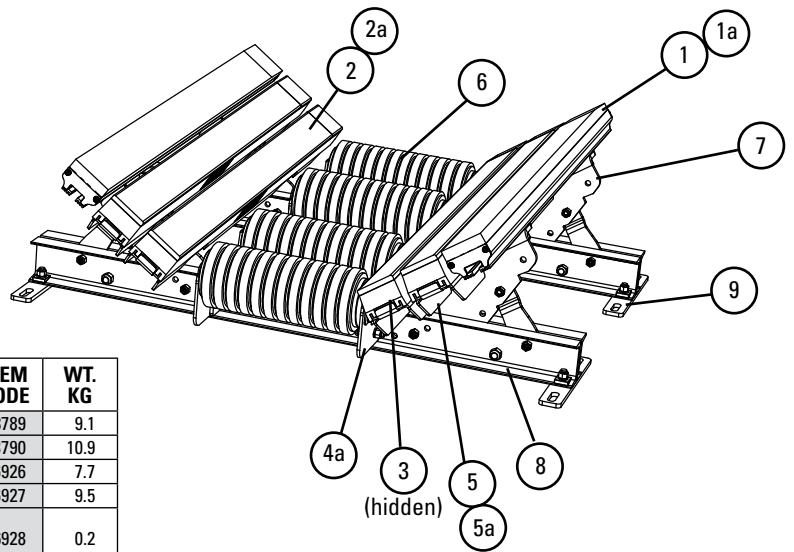
EZSB-I Flexco Slider Beds with Impact Rolls



Bed Length 1.4 m		Bed Length 1.5 m		Bed Width	Dim C	Dim D	Dim E
Dim A	Dim B	Dim A	Dim B				
660.4	1222.8	863.6	1482.9	600	838	229	229
				750	991	229	279
				900	1143	229	330
				1050	1295	229	381
				1200	1448	229	432
				1350	1600	235	483
				1500	1753	235	533
				1800	2057	241	635

Replacement Parts List

EZSB-I Flexco Slider Beds with Impact Rolls



Replacement Parts

REF	DESCRIPTION	ORDERING NUMBER	ITEM CODE	WT. KG
1	Slider Bar, 1.2 m	SB4	78789	9.1
1a	Slider Bar, 1.5 m	SB5	78790	10.9
2	Impact Bar, 1.2 m	IB4	76926	7.7
2a	Impact Bar, 1.5 m	IB5	76927	9.5
3	Bar Bolt Kit (incl. 1 ea. 15 mm carriage bolt, square washer, flat washer, lock washer, Nylock nut)	IBBK	76928	0.2
4a	Impact Roll Mount Kit*§	EZIRMK	79318	2.3
4b	Center Roll Mount Kit for 1.5M x 600-1200mm**	EZCRMK24-48	90434	19.7
4c	Center Roll Mount Kit for 1.5M x 1350-1500mm**	EZCRMK54-60	90261	19.7
4d	Center Roll Mount Kit for 1.5M x 1800mm**	EZCRMK72	90262	19.8
5	Impact Bar Support - 1.2M*	EZBS-L4	78953	7.3
5a	Impact Bar Support - 1.5M*	EZBS-L5	78954	9.3
6	Impact Roll 600mm)	EZBS-L4	78953	4.6
	Impact Roll 750mm)	EZBS-L5	78954	5.4
	Impact Roll 900mm)	RRTID6-24	79883	6.3
	Impact Roll 1050mm)	RRTID6-30	79884	7.3
	Impact Roll 1200mm)	RRTID6-36	79885	8.1
	Impact Roll 1350mm)	RRTID6-42	79886	9.0
	Impact Roll 1500mm)	RRTID6-48	79887	9.8
7	Impact Roll 1800mm)	RRTID6-54	79888	11.6
	Wing Plate Kit 600mm*	RRTID6-60	79889	7.7
	Wing Plate Kit 750mm*	RRTID6-72	79890	7.9
	Wing Plate Kit 900mm*	EZWPK-36	78972	9.6
	Wing Plate Kit 1050mm*	EZWPK-42	78973	11.9
	Wing Plate Kit 1200mm*	EZWPK-48	78974	13.7
	Wing Plate Kit 1350mm*	EZWPK-54	78975	16.1
8	Wing Plate Kit 1500mm*	EZWPK-60	78976	17.7
	Wing Plate Kit 1800mm*	EZWPK-72	78977	21.2
	Cross Stringer Kit 600mm*	EZCSK-24	78978	22.3
	Cross Stringer Kit 750mm*	EZCSK-30	78979	25.6
	Cross Stringer Kit 900mm*	EZCSK-36	78980	28.9
	Cross Stringer Kit 1050mm*	EZCSK-42	78981	32.1
	Cross Stringer Kit 1200mm*	EZCSK-48	78982	35.6
9	Cross Stringer Kit 1350mm*	EZCSK-54	78983	38.9
	Cross Stringer Kit 1500mm*	EZCSK-60	78984	42.2
	Cross Stringer Kit 1800mm*	EZCSK-72	78985	45.0
	Shim Kit Light Duty (incl. 4 shims)	SHIM-KITL	77548	6.2

§ 1.4 M beds require 2 ea item 4a;
1.5 M beds require 1 ea item 4a and 1 ea item 4b, 4c or 4d as needed for bed length.

*Hardware Included

** 1.5M beds come with 5 impact rolls

Shim Requirements

IMPACT BED SIZE	CEMA C OR D, 125 mm Idlers	CEMA C OR D, 150 mm IDLERS
600 - 900 mm	Shim idler up 12.5 mm	No Kits Required
1050 - 1800 mm	No Kits Required	Use (1) SHIM-KITL; Shim up 12.5 mm

IMPACT BED SIZE	CEMA E, 150 mm IDLERS	CEMA E, 175 mm IDLERS
900 - 1500 mm	Use (3) SHIM-KITL; Shim up 37.5 mm	Use (4) SHIM-KITL; Shim up 50 mm
1800 mm	Use (4) SHIM-KITL; Shim up 50 mm	Use (5) SHIM-KITL; Shim up 62.5 mm

Replacement Quantities for EZSB-I

mm	600	750	900	1050	1200	1350	1500	1800
ROLLS REQUIRED	4	4	4	4	4	4	4	4
BARS REQUIRED	SLIDER	2	2	2	2	2	2	2
	IMPACT	2	2	2	4	4	6	6
BAR BOLT KITS REQUIRED	10	10	10	16	16	22	22	22
BAR SUPPORTS REQUIRED	2	2	2	4	4	6	6	6

Stock items (non-shaded) refer to (*) for specific lead time, if not specified, standard lead time applies.
Non-stock items (shaded) please contact Flexco for dispatch options and lead times.

Product Ordering Information

EZIB-L Flexco Impact Beds Light Duty



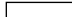
Flexco Slider Bed Impact Bars – Light Duty


(for impact zones with less than 25kg energy)

BELT WIDTH	TONNAGE RATING (ton/hr)	1.2 m LENGTH			1.5 m LENGTH		
		ORDERING NUMBER	ITEM CODE	WT. KG	ORDERING NUMBER	ITEM CODE	WT. KG
600	3500	EZIB24-4L	78887	138.0	EZIB24-5L	78895	153.7
750	3500	EZIB30-4L	78888	145.6	EZIB30-5L	78896	161.3
900	4100	EZIB36-4L	78889	174.5	EZIB36-5L	78897	194.2
1050	5200	EZIB42-4L	78890	206.1	EZIB42-5L	78898	229.7
1200	5800	EZIB48-4L	78891	235.1	EZIB48-5L	78899	262.8
1350	7000	EZIB54-4L	78892	267.2	EZIB54-5L	78900	298.8
1500	7600	EZIB60-4L	78893	295.7	EZIB60-5L	78901	331.1
1800	8100	EZIB72-4L	78894	327.3	EZIB72-5L	78902	366.8

Product Notes:

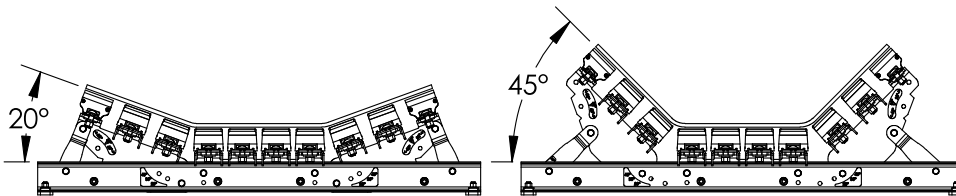
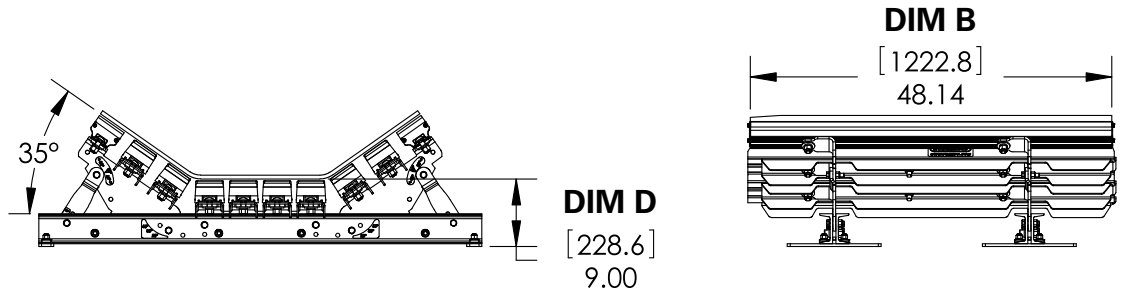
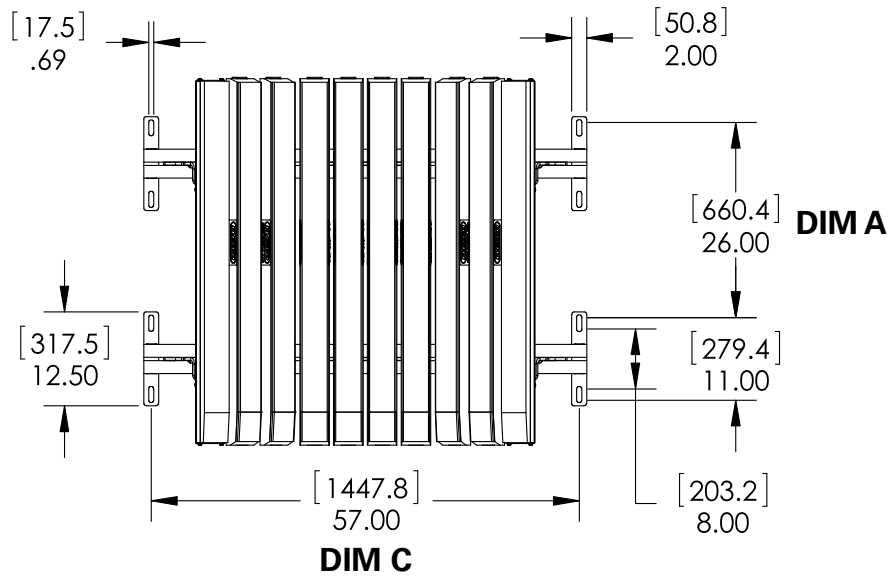
- CEMA D construction
- No need to specify troughing angle—designed to adjust to 20°, 35°, 45°.
- Outermost trough bar features 25 mm solid UHMW slider bar to provide longer wear life and consistent load zone sealing where impact is not present.

 Stock items (non-shaded) refer to (*) for specific lead time, if not specified, standard lead time applies.

 Non-stock items (shaded) please contact Flexco for dispatch options and lead times.

Specifications & Guidelines

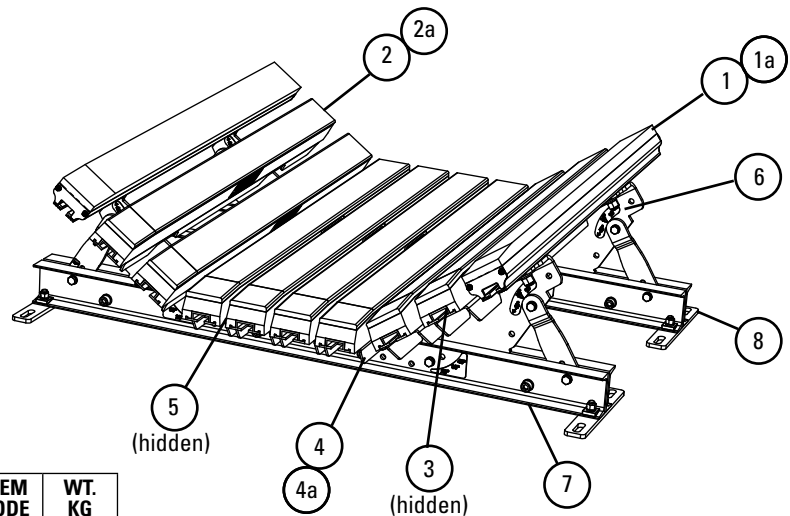
EZIB-L Flexco Impact Beds All Bars – Light Duty



Bed Length 1.4 m		Bed Length 1.5 m		Bed Width	Dim C	Dim D
Dim A	Dim B	Dim A	Dim B			
660.4	1222.8	863.6	1482.9	600	838	229
				750	991	229
				900	1143	229
				1050	1295	229
				1200	1448	229
				1350	1600	235
				1500	1753	235
				1800	2057	241

Replacement Parts List

EZIB-L Flexco Impact Beds Light Duty



Replacement Parts

REF	DESCRIPTION	ORDERING NUMBER	ITEM CODE	WT. KG
1	Slider Bar, 1.2 m	SB4	78789	9.1
1a	Slider Bar, 1.5 m	SB5	78790	10.9
2	Impact Bar, 1.2 m	IB4	76926	7.7
2a	Impact Bar, 1.5 m	IB5	76927	9.5
3	Bar Bolt Kit (incl. 1 ea. 15 mm carriage bolt, square washer, flat washer, lock washer, Nylock nut)	IBBK	76928	0.2
4	Impact Bar Support - 1.2 m*	EZBS-L4	78953	7.3
4a	Impact Bar Support - 1.5 m*	EZBS-L5	78954	9.3
5	Center Bar Mount Kit 600mm*	EZBMK-24	78944	2.4
	Center Bar Mount Kit 750mm*	EZBMK-30	78945	2.6
	Center Bar Mount Kit 900mm*	EZBMK-36	78946	3.4
	Center Bar Mount Kit 1050mm*	EZBMK-42	78947	3.6
	Center Bar Mount Kit 1200mm*	EZBMK-48	78948	4.4
	Center Bar Mount Kit 1350mm*	EZBMK-54	78949	4.8
	Center Bar Mount Kit 1500mm*	EZBMK-60	78950	5.6
	Center Bar Mount Kit 1800mm*	EZBMK-72	78951	6.6
6	Wing Plate Kit 600mm*	EZWPK-24	78970	7.7
	Wing Plate Kit 750mm*	EZWPK-30	78971	7.9
	Wing Plate Kit 900mm*	EZWPK-36	78972	9.6
	Wing Plate Kit 1050mm*	EZWPK-42	78973	11.9
	Wing Plate Kit 1200mm*	EZWPK-48	78974	13.7
	Wing Plate Kit 1350mm*	EZWPK-54	78975	16.1
	Wing Plate Kit 1500mm*	EZWPK-60	78976	17.7
	Wing Plate Kit 1800mm*	EZWPK-72	78977	21.2
7	Cross Stringer Kit 600mm*	EZCSK-24	78978	22.3
	Cross Stringer Kit 750mm*	EZCSK-30	78979	25.6
	Cross Stringer Kit 900mm*	EZCSK-36	78980	28.9
	Cross Stringer Kit 1050mm*	EZCSK-42	78981	32.1
	Cross Stringer Kit 1200mm*	EZCSK-48	78982	35.6
	Cross Stringer Kit 1350mm*	EZCSK-54	78983	38.9
	Cross Stringer Kit 1500mm*	EZCSK-60	78984	42.2
	Cross Stringer Kit 1800mm*	EZCSK-72	78985	45.0
8	Shim Kit Light Duty (incl. 4 shims)	SHIM-KITL	77548	6.2

*Hardware Included

Replacement Quantities for EZIB-L

mm		600	750	900	1050	1200	1350	1500	1800
BARS REQUIRED	SLIDER	2	2	2	2	2	2	2	2
	IMPACT	4	4	5	7	8	10	11	12
BAR BOLT KITS REQUIRED		16	16	19	25	28	34	37	40
BAR SUPPORTS REQUIRED		4	4	5	7	8	10	11	12

Shim Requirements

IMPACT BED SIZE	CEMA C OR D, 125 mm Idlers	CEMA C OR D, 150 mm IDLERS
600 - 900 mm	Shim idler up 12.5 mm	No Kits Required
1050 - 1800 mm	No Kits Required	Use (1) SHIM-KITL; Shim up 12.5 mm

IMPACT BED SIZE	CEMA E, 150 mm IDLERS	CEMA E, 175 mm IDLERS
900 - 1500 mm	Use (3) SHIM-KITL; Shim up 37.5 mm	Use (4) SHIM-KITL; Shim up 50 mm
1800 mm	Use (4) SHIM-KITL; Shim up 50 mm	Use (5) SHIM-KITL; Shim up 62.5 mm

Stock items (non-shaded) refer to (*) for specific lead time, if not specified, standard lead time applies.

Non-stock items (shaded) please contact Flexco for dispatch options and lead times.

Product Ordering Information

EZIB-M Flexco Impact Beds All Bars – Medium Duty



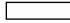
Flexco Slider Bed Impact Bars – Medium Duty


(for impact zones with 25-100kg energy)

BELT WIDTH	TONNAGE RATING (ton/hr)	1.2 m LENGTH			1.5 m LENGTH		
		ORDERING NUMBER	ITEM CODE	WT. KG	ORDERING NUMBER	ITEM CODE	WT. KG
600	8,100	EZIB600-1200M	82233	185.7	EZIB600-1500M	82241	205.3
750	8,100	EZIB750-1200M	82234	197.1	EZIB750-1500M	82242	216.6
900	9,500	EZIB900-1200M	82235	214.7	EZIB900-1500M	82243	234.3
1050	12,200	EZIB1050-1200M	82236	269.9	EZIB1050-1500M	82244	297.4
1200	13,600	EZIB1200-1200M	82237	305.2	EZIB1200-1500M	82245	336.7
1350	16,300	EZIB1350-1200M	82238	343.8	EZIB1350-1500M	82246	379.3
1500	17,600	EZIB1500-1200M	82239	361.1	EZIB1500-1500M	82247	396.6
1800	19,000	EZIB1800-1200M	82240	382.9	EZIB1800-1500M	82248	461.0

Product Notes:

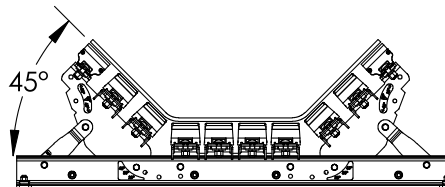
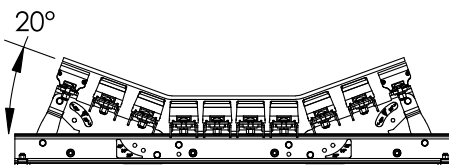
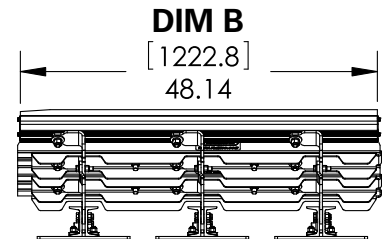
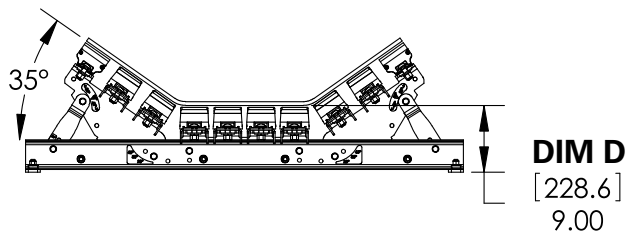
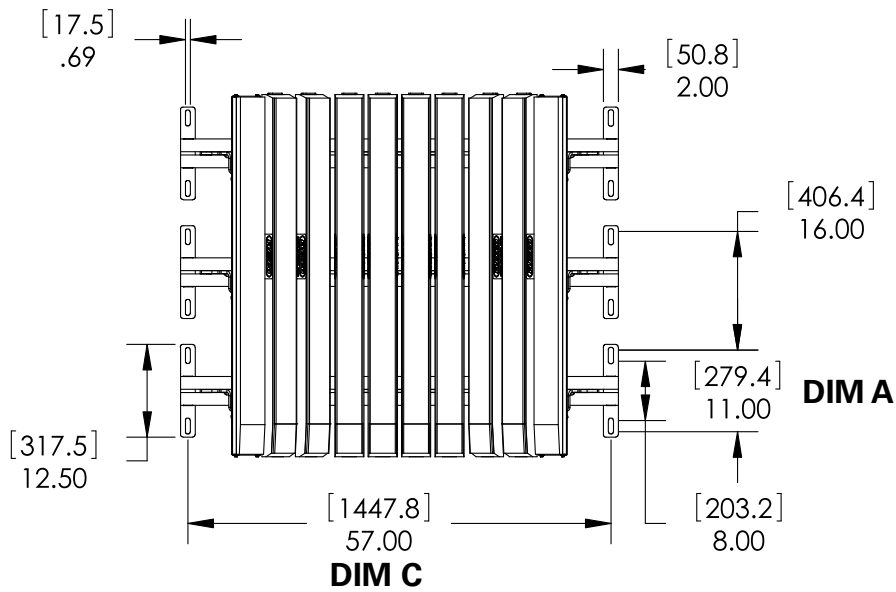
- CEMA D construction
- No need to specify troughing angle—designed to adjust to 20°, 35°, 45°.
- Outermost trough bar features 25 mm solid UHMW slider bar to provide longer wear life and consistent load zone sealing where impact is not present.

 Stock items (non-shaded) refer to (*) for specific lead time, if not specified, standard lead time applies.

 Non-stock items (shaded) please contact Flexco for dispatch options and lead times.

Specifications & Guidelines

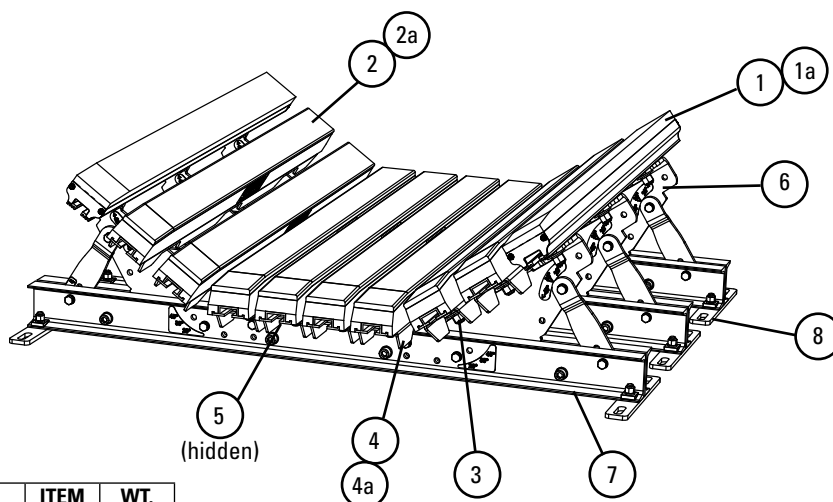
EZIB-M Flexco Impact Beds Medium Duty



Bed Length 1.4 m		Bed Length 1.5 m		Bed Width	Dim C	Dim D
Dim A	Dim B	Dim A	Dim B			
406.4	1222.8	558.8	1482.9	600	838	229
				750	991	229
				900	1143	229
				1050	1295	229
				1200	1448	229
				1350	1600	235
				1500	1753	235
				1800	2057	241

Replacement Parts List

EZIB-M Flexco Impact Beds Medium Duty



Replacement Parts

REF	DESCRIPTION	ORDERING NUMBER	ITEM CODE	WT. KG
1	Slider Bar, 1.2 m	SB4	78789	9.1
1a	Slider Bar, 1.5 m	SB5	78790	10.9
2	Impact Bar, 1.2 m	IB4	76926	7.7
2a	Impact Bar, 1.5 m	IB5	76927	9.5
3	Bar Bolt Kit (incl. 1 ea. 15 mm carriage bolt, square washer, flat washer, lock washer, Nylock nut)	IBBK	76928	0.2
4	Impact Bar Support - M 1.2 m*	IBS-M4	76931	7.7
4a	Impact Bar Support - M 1.5 m*	IBS-M5	76932	9.6
5	Center Bar Mount Kit 600mm*	EZBMK-24	78944	2.4
	Center Bar Mount Kit 750mm*	EZBMK-30	78945	2.6
	Center Bar Mount Kit 900mm*	EZBMK-36	78946	3.4
	Center Bar Mount Kit 1050mm*	EZBMK-42	78947	3.6
	Center Bar Mount Kit 1200mm*	EZBMK-48	78948	4.4
	Center Bar Mount Kit 1350mm*	EZBMK-54	78949	4.8
	Center Bar Mount Kit 1500mm*	EZBMK-60	78950	5.6
6	Center Bar Mount Kit 1800mm*	EZBMK-72	78951	6.6
	Wing Plate Kit 600mm*	EZWPK-24	78970	7.7
	Wing Plate Kit 750mm*	EZWPK-30	78971	7.9
	Wing Plate Kit 900mm*	EZWPK-36	78972	9.6
	Wing Plate Kit 1050mm*	EZWPK-42	78973	11.9
	Wing Plate Kit 1200mm*	EZWPK-48	78974	13.7
	Wing Plate Kit 1350mm*	EZWPK-54	78975	16.1
7	Wing Plate Kit 1500mm*	EZWPK-60	78976	17.7
	Wing Plate Kit 1800mm*	EZWPK-72	78977	21.2
	Cross Stringer Kit 600mm*	EZCSK-24	78978	22.3
	Cross Stringer Kit 750mm*	EZCSK-30	78979	25.6
	Cross Stringer Kit 900mm*	EZCSK-36	78980	28.9
	Cross Stringer Kit 1050mm*	EZCSK-42	78981	32.1
	Cross Stringer Kit 1200mm*	EZCSK-48	78982	35.6
8	Cross Stringer Kit 1350mm*	EZCSK-54	78983	38.9
	Cross Stringer Kit 1500mm*	EZCSK-60	78984	42.2
	Cross Stringer Kit 1800mm*	EZCSK-72	78985	45.0
	Shim Kit Medium Duty (incl. 4 shims)	SHIM-KITM	77549	9.3

*Hardware Included

Shim Requirements

IMPACT BED SIZE	CEMA C OR D, 125 mm Idlers	CEMA C OR D, 150 mm IDLERS
600 - 900 mm	Shim idler up 12.5 mm	No Kits Required
1050 - 1800 mm	No Kits Required	Use (1) SHIM-KITM; Shim up 12.5 mm

IMPACT BED SIZE	CEMA E, 150 mm IDLERS	CEMA E, 175 mm IDLERS
900 - 1500 mm	Use (3) SHIM-KITM; Shim up 37.5 mm	Use (4) SHIM-KITM; Shim up 50 mm
1800 mm	Use (4) SHIM-KITM; Shim up 50 mm	Use (5) SHIM-KITM; Shim up 62.5 mm

Replacement Quantities for EZIB-M

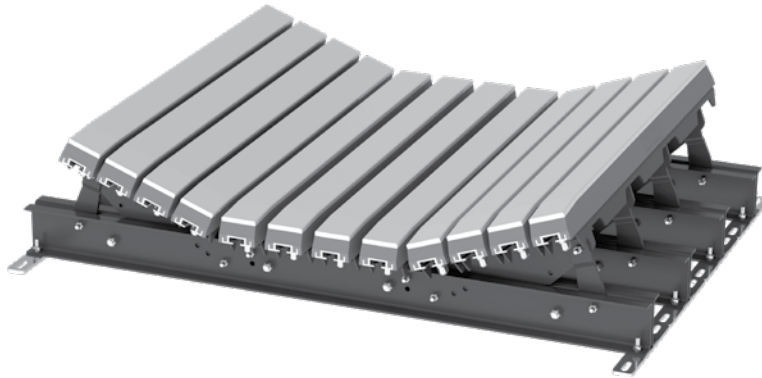
mm		600	750	900	1050	1200	1350	1500	1800
BARS REQUIRED	SLIDER	2	2	2	2	2	2	2	2
	IMPACT	4	4	5	7	8	10	11	12
BAR BOLT KITS REQUIRED		26	26	31	41	46	56	61	66
BAR SUPPORTS REQUIRED		4	4	5	7	8	10	11	12

Stock items (non-shaded) refer to (*) for specific lead time, if not specified, standard lead time applies.

Non-stock items (shaded) please contact Flexco for dispatch options and lead times.

Product Ordering Information

EZIB-H Flexco Impact Beds All Bars – Heavy Duty

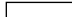



Flexco Slider Bed Impact Bars – Heavy Duty

BELT WIDTH	TONNAGE RATING	1.2 m LENGTH			1.5 m LENGTH		
		ORDERING NUMBER	ITEM CODE	WT. KG	ORDERING NUMBER	ITEM CODE	WT. KG
600	12,800	EZIB600-1200H	82265	187.5	EZIB600-1500H	82273	205.3
750	12,800	EZIB750-1200H	82266	197.1	EZIB750-1500H	82274	216.6
900	14,900	EZIB900-1200H	82267	214.7	EZIB900-1500H	82275	234.3
1050	19,200	EZIB1050-1200H	82268	269.9	EZIB1050-1500H	82276	297.4
1200	21,300	EZIB1200-1200H	82269	305.2	EZIB1200-1500H	82277	336.7
1350	25,600	EZIB1350-1200H	82270	343.8	EZIB1350-1500H	82278	379.3
1500	27,700	EZIB1500-1200H	82271	361.1	EZIB1500-1500H	82279	396.6
1800	29,900	EZIB1800-1200H	82272	382.9	EZIB1800-1500H	82280	461

Product Notes:

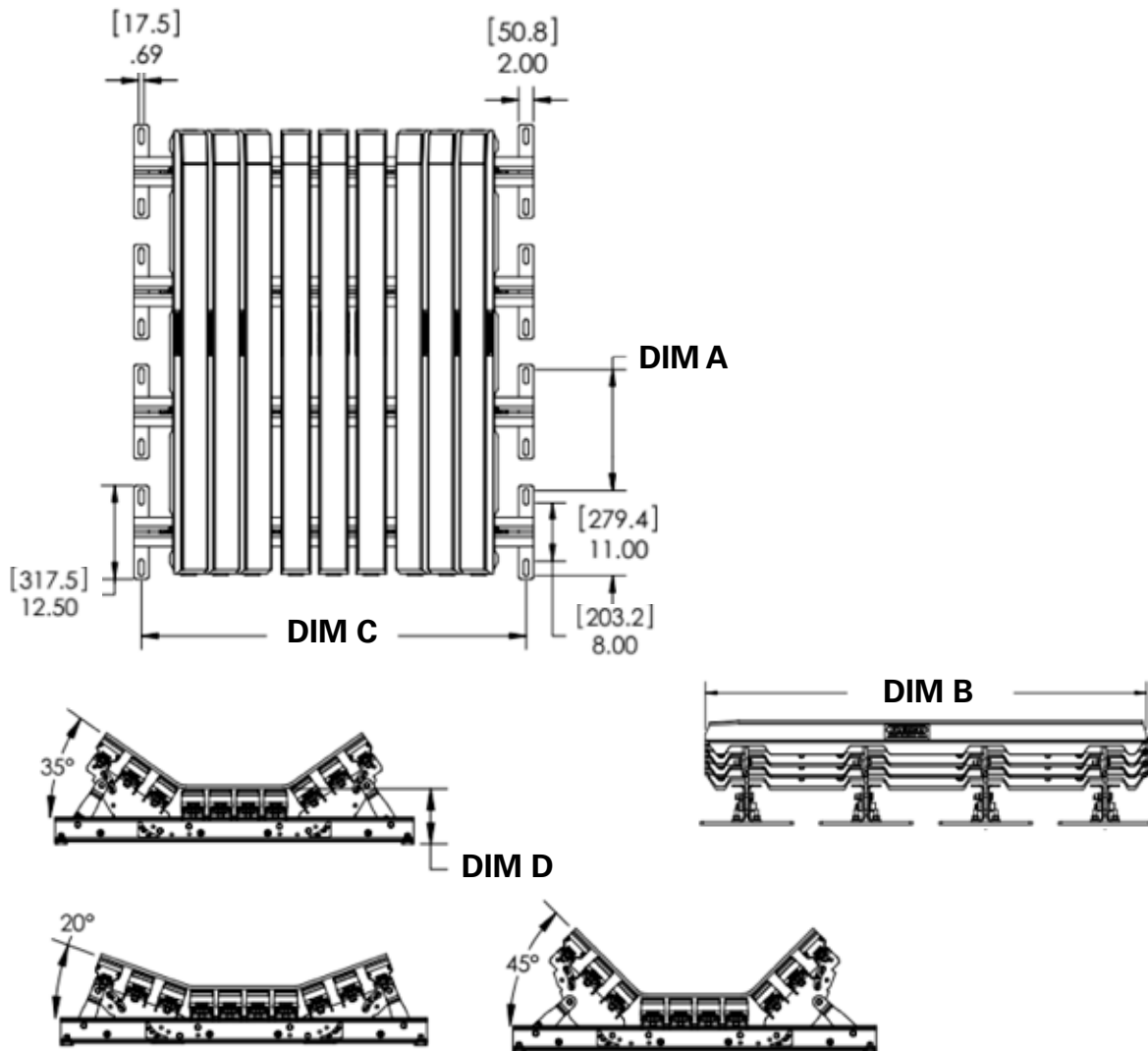
- CEMA D construction
- No need to specify troughing angle—designed to adjust to 20°, 35°, 45°.

 Stock items (non-shaded) refer to (*) for specific lead time, if not specified, standard lead time applies.

 Non-stock items (shaded) please contact Flexco for dispatch options and lead times.

Specifications & Guidelines

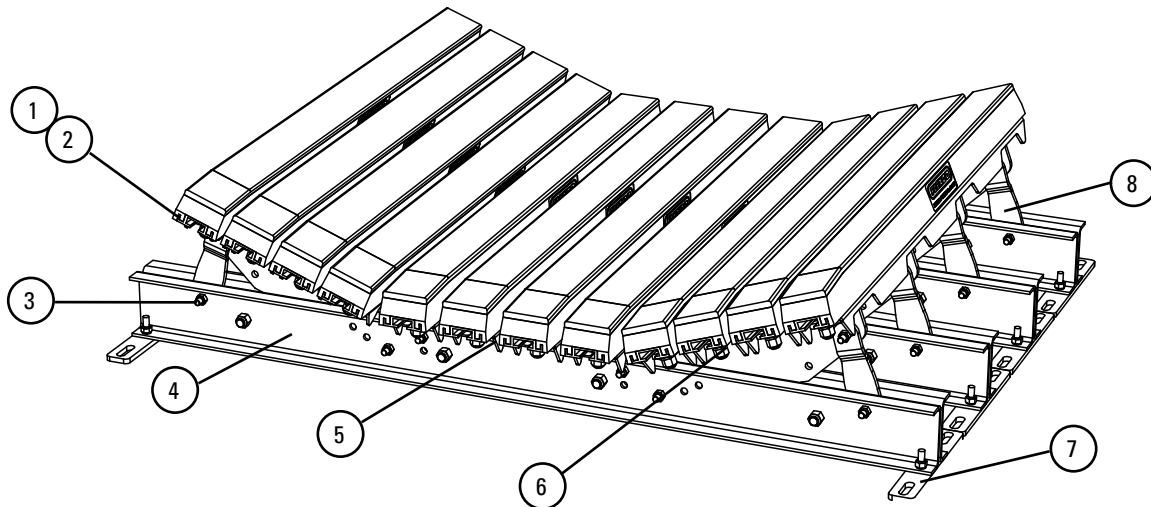
EZIB-H *Flexco Impact Beds* All Bars – Heavy Duty



Bed Length 1.4 m		Bed Length 1.5 m		Bed Width	Dim C	Dim D
Dim A	Dim B	Dim A	Dim B			
317	1240	406	1500	600	838	230
				750	991	230
				900	1143	237
				1050	1295	246
				1200	1448	257
				1350	1600	257
				1500	1753	265
				1800	2057	285

Replacement Parts List

EZIB-H
Flexco Impact Beds
All Bars – Heavy Duty



Replacement Parts

REF	DESCRIPTION	ORDERING NUMBER	ITEM CODE	WT. KG
1	Impact Bar Supt Drxh 1200Mm Hd	SB4	C8839	9.1
2	Impact Bar Supt Drxh 1500Mm Hd	SB5	C8840	10.9
3	Cross Stringer Connection Pin Metric	-	C7087	-
4	Tube Base Plate	-	C7076	-
5	Wing Ctr Plate Metric 600	EZBMK-24	C7079	2.4
	Wing Ctr Plate Metric 750	EZBMK-30	C7080	2.6
	Wing Ctr Plate Metric 900	EZBMK-36	C7081	3.4
	Wing Ctr Plate Metric 1050	EZBMK42	C7082	3.6
	Wing Ctr Plate Metric 1200	EZBMK-48	C7083	4.4
	Wing Ctr Plate Metric 1350	EZBMK-54	C7084	4.8
	Wing Ctr Plate Metric 1500	EZBMK-60	C7085	5.6
Wing Ctr Plate Metric 1800	EZBMK-72	C7086	6.6	
6	WING PIVOT PLATE RH-600mm	-	C7022	7.7
	WING PIVOT PLATE LH-600mm	-	C7030	7.7
	WING PIVOT PLATE RH-750mm	-	C7023	7.9
	WING PIVOT PLATE LH-750mm	-	C7031	7.9
	WING PIVOT PLATE RH-900mm	-	C7024	9.6
	WING PIVOT PLATE LH-900mm	-	C7032	9.6
	WING PIVOT PLATE RH-1050mm	-	C7025	11.9
	WING PIVOT PLATE LH-1050mm	-	C7033	11.9
	WING PIVOT PLATE RH-1200mm	-	C7026	13.7
	WING PIVOT PLATE LH-1200mm	-	C7034	13.7
	WING PIVOT PLATE RH-1350mm	-	C7027	16.1
	WING PIVOT PLATE LH-1350mm	-	C7035	16.1
	WING PIVOT PLATE RH-1500mm	-	C7028	17.7
	WING PIVOT PLATE LH-1500mm	-	C7036	17.7
WING PIVOT PLATE RH-1800mm	-	C7029	21.2	
WING PIVOT PLATE LH-1800mm	-	C7037	21.2	
7	Shim Kit Medium Duty (ind. 4 shims)	SHIM-KITM	82394	9.3
8	Wing Pivot Arm (600- 1050)	-	C7070	-
	Wing Pivot Arm(1 200-1350)	-	C7071	-
	Wing Pivot Arm- 1 500	-	C7072	-
	Wing Pivot Arm- ISUU	-	C7073	-

*Hardware Included

Shim Requirements

IMPACT BED SIZE	CEMA C OR D, 125 mm Idlers	CEMA C OR D, 150 mm IDLERS
600 - 900 mm	Shim idler up 12.5 mm	No Kits Required
1050 - 1800 mm	No Kits Required	Use (1) SHIM-KITM; Shim up 12.5 mm

IMPACT BED SIZE	CEMA E, 150 mm IDLERS	CEMA E, 175 mm IDLERS
900 - 1500 mm	Use (3) SHIM-KITM; Shim up 37.5 mm	Use (4) SHIM-KITM; Shim up 50 mm
1800 mm	Use (4) SHIM-KITM; Shim up 50 mm	Use (5) SHIM-KITM; Shim up 62.5 mm

Replacement Quantities for EZIB-H

mm	600	750	900	1050	1200	1350	1500	1800
IMPACT BARS REQUIRED	4	4	5	7	8	10	11	12
BAR BOLT KITS REQUIRED	26	26	31	41	46	56	61	66
BAR SUPPORTS REQUIRED	4	4	5	7	8	10	11	12

Stock items (non-shaded) refer to (*) for specific lead time, if not specified, standard lead time applies.

Non-stock items (shaded) please contact Flexco for dispatch options and lead times.

Specifications & Guidelines

It's the Structure, not the bars

It absorbs more impact to save your belt. Our exclusive Velocity Reduction Technology™ provides two levels of impact relief.

Level 1: Impact Bars first absorb impact energy. Unique Impact Bar Supports on all DRX Impact Beds allow the impact bars to function properly - expanding and absorbing more impact energy.

Level 2: On DRX200, 750 and 1500 impact beds, Isolation Mounts provide a second level of reaction force reduction, absorbing additional impact energy and minimizing transmission back to the belt. The DRX3000 Dynamic has Impact Energy Absorbers to disperse an immense amount of impact, even in extremely severe applications.

User-Friendly Slide-Out Service™

- All DRX Impact Beds separate in the middle to slide apart and out.
- Can be easily and safely converted from the run position to the service position.
- Impact bars are easy to get to for changeout. A complete changeout can be done in one or two hours.

Unique Impact Bar Supports protect the impact bars from damage, extending service life. An Anti-Migratory Tab on each support secures the bar and prevents it from sliding in the direction of the belt.

Other Features and Benefits

- Uses exclusive anti-spin square washers. Allows use of carriage bolts to secure impact bars instead of expensive T bolts.

How to spec the correct impact bed for your conveyor transfer point

Impact Energy Calculation Chart

Largest Material Lump Weight (**w**)

Drop Height (**h**)

Impact Energy

Lump Weight (**w**) _____
 Drop Height (**h**) x _____

 Total = lb-ft _____ See Below

Up to 25 kg-m—DRX200
 25 to 100 kg-m—DRX750
 100 to 200 kg-m—DRX1500
 200 to 400 kg-m—DRX3000

Roller Size and CEMA Rating

125 mm 150 mm

CEMA C D E

Belt Width _____

Troughing Angle: 20° 35°

Bed Length: 1.2 m 1.5 m

Product Ordering Information

DRX200 Impact Beds

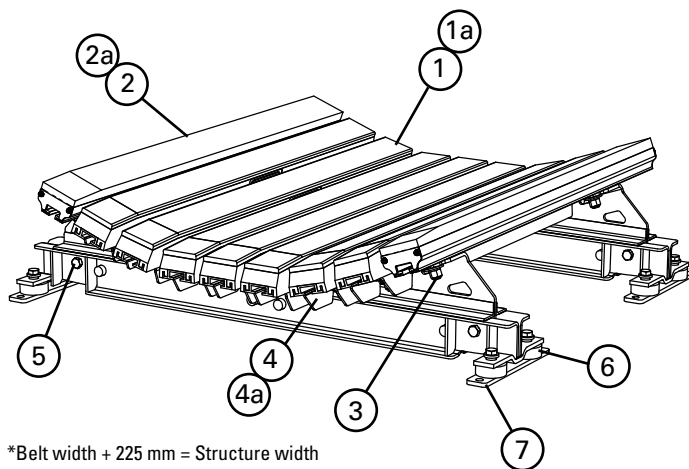
DRX200 CEMA D construction

BELT WIDTH	TONNAGE RATING (ton/hr)	1.2 M BED LENGTH, 20° TROUGH			1.2 M BED LENGTH, 35° TROUGH		
		ORDERING NUMBER	ITEM CODE	WT. KG	ORDERING NUMBER	ITEM CODE	WT. KG
600	3500	DRXL-24-420	76816	117.9	DRXL-24-435	81253	117.9
750	3500	DRXL-30-420	76817	127.9	DRXL-30-435	81257	127.9
900	4100	DRXL-36-420	76818	146.5	DRXL-36-435	81261	146.5
1050	5200	DRXL-42-420	76819	186.9	DRXL-42-435	81265	186.9
1200	5800	DRXL-48-420	76820	196.4	DRXL-48-435	81269	196.4
1350	7000	DRXL-54-420	76821	225.9	DRXL-54-435	81273	225.9
1500	7600	DRXL-60-420	76822	246.3	DRXL-60-435	81277	246.3
1800	8100	DRXL-72-420	76823	279.0	DRXL-72-435	81281	279.0

Product Notes:

- Rated for impacts up to 25 kg-m
- Rated for belt speeds up to 5 m/s
- Slide-out serviceability
- Velocity Reduction Technology provides multiple points of protection
- Alternative trough angles or picking idler profiles available by special quote

BELT WIDTH	TONNAGE RATING (ton/hr)	1.5 M BED LENGTH, 20° TROUGH			1.5 M BED LENGTH, 35° TROUGH		
		ORDERING NUMBER	ITEM CODE	WT. KG	ORDERING NUMBER	ITEM CODE	WT. KG
600	3500	DRXL-24-520	76824	131.5	DRXL-24-535	76840	131.5
750	3500	DRXL-30-520	76825	141.1	DRXL-30-535	76841	141.1
900	4100	DRXL-36-520	76826	161.9	DRXL-36-535	76842	161.9
1050	5200	DRXL-42-520	76827	208.2	DRXL-42-535	76843	208.2
1200	5800	DRXL-48-520	76828	217.7	DRXL-48-535	76844	217.7
1350	7000	DRXL-54-520	76829	251.3	DRXL-54-535	76845	251.3
1500	7600	DRXL-60-520	76830	273.1	DRXL-60-535	76846	273.1
1800	8100	DRXL-72-520	76831	308.0	DRXL-72-535	76847	308.0



*Belt width + 225 mm = Structure width

Replacement Parts

REF	DESCRIPTION	ORDERING NUMBER	ITEM CODE	WT. KG
1	Impact Bar, 1.2 m	IB4	76926	7.7
1a	Impact Bar, 1.5 m	IB5	76927	9.6
2	Slider Bar, 1.2 m	SB4	78789	9.1
2a	Slider Bar, 1.5 m	SB5	78790	10.9
3	Bar Bolt Kit (incl. 1 ea. 15 mm carriage bolt, square washer, flat washer, lock washer, Nylock nut)	IBBK	76928	0.2
4	Impact Bar Support – L 1.2 M incl. (1) ea bar support, carriage bolt, square washer, lock washer, Nylock nut	IBS-L4	76929	7.6
4a	Impact Bar Support – L 1.5 M incl. (1) ea bar support, carriage bolt, square washer, lock washer, Nylock nut	IBS-L5	76930	9.5
5	Sliding Support Arm Bolt Kit incl. (2) 50 mm bolts, (2) lock washers, (2) Nylock nuts	ISABK-LMH	77529	0.9
6	Isolation Mount Kit	IMK	76936	1.7
7	DRX200 Shim Kit (incl. 4 shims)	SHIM-KITL	77548	6.2

Shim Requirements

IMPACT BED SIZE	CEMA C OR D, 125 mm IDLERS	CEMA C OR D, 150 mm IDLERS
600 - 750 mm	Shim idler up 12.5 mm	No Kits Required
1050 - 1800 mm	No Kits Required	Use (1) SHIM-KITL; Shim up 12.5 mm

IMPACT BED SIZE	CEMA E, 150 mm IDLERS	CEMA E, 175 mm IDLERS
900 - 1500 mm	Use (3) SHIM-KITL; Shim up 37.5 mm	Use (4) SHIM-KITL; Shim up 50 mm
1800 mm	Use (4) SHIM-KITL; Shim up 50 mm	Use (5) SHIM-KITL; Shim up 62.5 mm

Replacement Bars, Bar Supports and Bolt Kits Required per Belt Width - DRX200

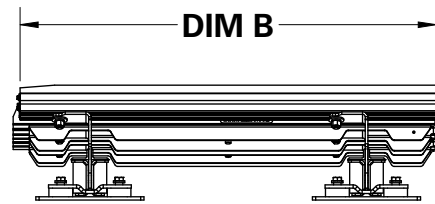
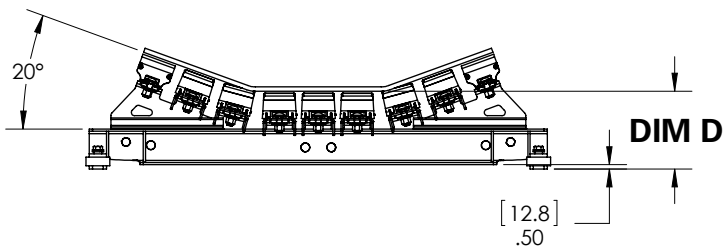
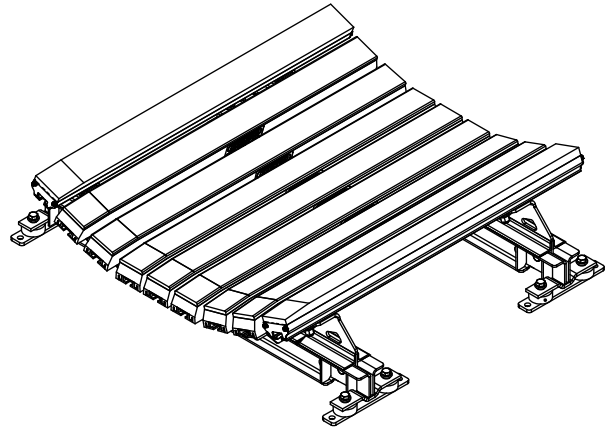
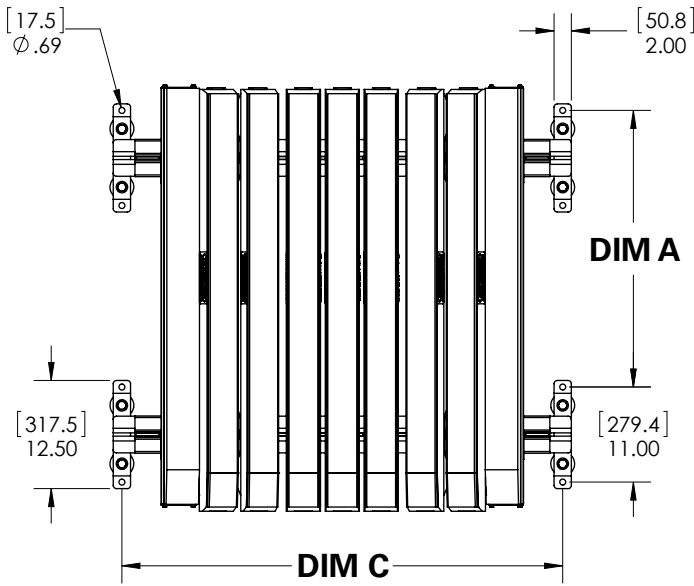
mm	600	750	900	1050	1200	1350	1500	1800
Slider Bars Required	2	2	2	2	2	2	2	4
Impact Bars Required	4	4	5	7	8	10	11	12
Impact Bar Supports Required	4	4	5	7	8	10	11	12
Impact Bar Bolt Kits Required	16	16	19	25	28	34	37	44

Stock items (non-shaded) refer to (*) for specific lead time, if not specified, standard lead time applies.

Non-stock items (shaded) please contact Flexco for dispatch options and lead times.

Specifications & Guidelines

DRX200 Impact Beds



Bed Length 1.4 m		Bed Length 1.5 m		Bed Width	Dim C	Dim D
Dim A	Dim B	Dim A	Dim B			
812.8	1222.8	1117.6	1482.9	600	838	229
				750	991	229
				900	1143	229
				1050	1295	229
				1200	1448	229
				1350	1600	235
				1500	1753	235
				1800	2057	241

Product Ordering Information

DRX750 Impact Beds

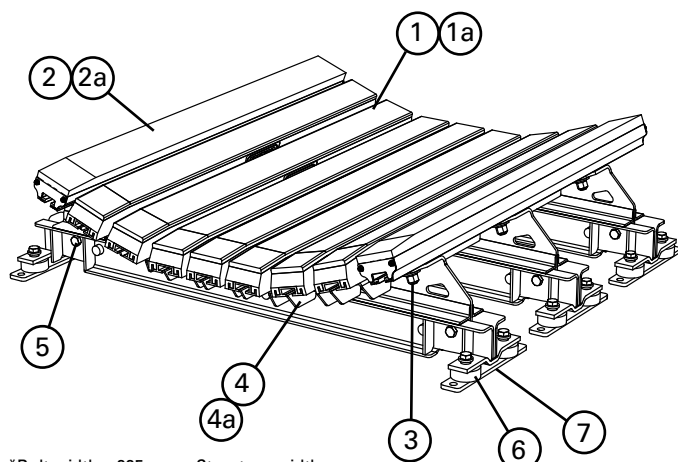
DRX750 CEMA D construction

BELT WIDTH	TONNAGE RATING (ton/hr)	1.2 M BED LENGTH, 20° TROUGH			1.2 M BED LENGTH, 35° TROUGH		
		ORDERING NUMBER	ITEM CODE	WT. KG	ORDERING NUMBER	ITEM CODE	WT. KG
600	8,100	DRXM-24-420	76848	165.6	DRXM-24-435	76864	165.6
750	8,100	DRXM-30-420	76849	180.1	DRXM-30-435	76865	180.1
900	9,500	DRXM-36-420	76850	211.8	DRXM-36-435	76866	211.8
1050	12,200	DRXM-42-420	76851	268.5	DRXM-42-435	76867	268.5
1200	13,600	DRXM-48-420	76852	282.6	DRXM-48-435	76868	282.6
1350	16,300	DRXM-54-420	76853	319.3	DRXM-54-435	76869	319.3
1500	17,600	DRXM-60-420	76854	353.3	DRXM-60-435	76870	353.3
1800	19,000	DRXM-72-420	76855	406.4	DRXM-72-435	76871	406.4

Product Notes:

- Rated for impacts up to 100 kg-m
- Rated for belt speeds up to 5 m/s
- Slide-out serviceability
- Velocity Reduction Technology provides multiple points of protection
- Alternative trough angles or picking idler profiles available by special quote

BELT WIDTH	TONNAGE RATING (ton/hr)	1.5 M BED LENGTH, 20° TROUGH			1.5 M BED LENGTH, 35° TROUGH		
		ORDERING NUMBER	ITEM CODE	WT. KG	ORDERING NUMBER	ITEM CODE	WT. KG
600	8,100	DRXM-24-520	76856	182.8	DRXM-24-535	76872	182.8
750	8,100	DRXM-30-520	76857	197.3	DRXM-30-535	76873	197.3
900	9,500	DRXM-36-520	76858	233.1	DRXM-36-535	76874	233.1
1050	12,200	DRXM-42-520	76859	297.6	DRXM-42-535	76875	297.6
1200	13,600	DRXM-48-520	76860	311.6	DRXM-48-535	76876	311.6
1350	16,300	DRXM-54-520	76861	352.4	DRXM-54-535	76877	352.4
1500	17,600	DRXM-60-520	76862	390.5	DRXM-60-535	76878	390.5
1800	19,000	DRXM-72-520	76863	446.8	DRXM-72-535	76879	446.8



*Belt width + 225 mm = Structure width

Replacement Parts

REF	DESCRIPTION	ORDERING NUMBER	ITEM CODE	WT. KG
1	Impact Bar, 1.2 m	IB4	76926	7.7
1a	Impact Bar, 1.5 m	IB5	76927	9.6
2	Slider Bar, 1.2 m	SB4	78789	9.1
2a	Slider Bar, 1.5 m	SB5	78790	10.9
3	Bar Bolt Kit (incl. 1 ea. 15 mm carriage bolt, square washer, flat washer, lock washer, Nylock nut)	IBBK	76928	0.2
4	Impact Bar Support – M 1.2 M (incl. (1) bar support, (2) ea carriage bolt, square washer, lock washer, Nylock nut)	IBS-M4	76931	7.6
4a	Impact Bar Support – M 1.5 M (incl. (1) bar support, (2) ea carriage bolt, square washer, lock washer, Nylock nut)	IBS-M5	76932	9.6
5	Sliding Support Arm Bolt Kit (incl. (2) 50 mm bolts, (2) lock washers, (2) Nylock nuts)	ISABK-LMH	77529	0.9
6	Isolation Mount Kit	IMK	76936	1.7
7	DRX750 Shim Kit (incl. 6 shims)	SHIM-KITM	77549	9.3

Shim Requirements

IMPACT BED SIZE	CEMA C OR D, 125 mm Idlers	CEMA C OR D, 150 mm IDLERS
600 - 900 mm	Shim idler up 12.5 mm	No Kits Required
1050 - 1800 mm	No Kits Required	Use (1) SHIM-KITM; Shim up 12.5 mm

IMPACT BED SIZE	CEMA E, 150 mm IDLERS	CEMA E, 175 mm IDLERS
900 - 1500 mm	Use (3) SHIM-KITM; Shim up 37.5 mm	Use (4) SHIM-KITM; Shim up 50 mm
1800 mm	Use (4) SHIM-KITM; Shim up 50 mm	Use (5) SHIM-KITM; Shim up 62.5 mm

Replacement Bars, Bar Supports and Bolt Kits Required per Belt Width - DRX750

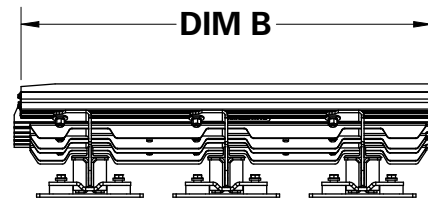
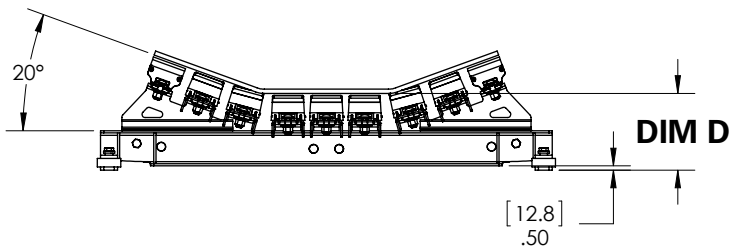
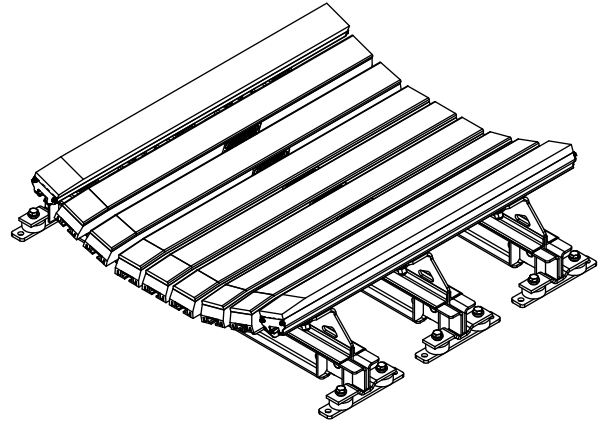
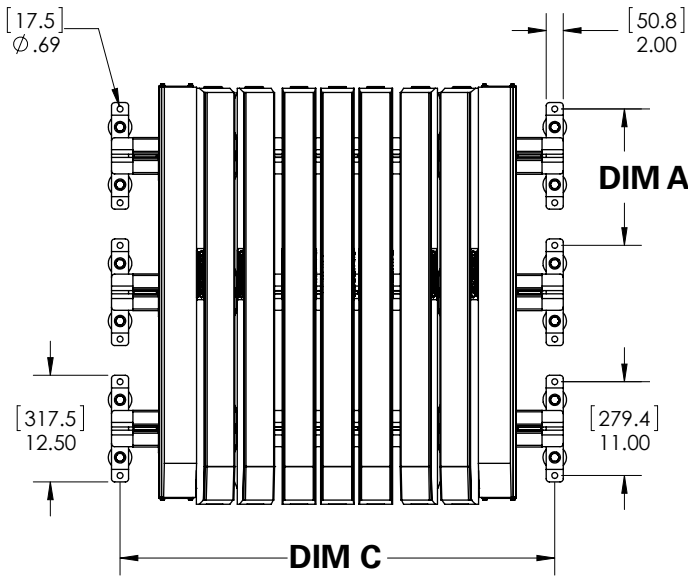
mm	600	750	900	1050	1200	1350	1500	1800
Slider Bars Required	2	2	2	2	2	2	2	4
Impact Bars Required	4	4	5	7	8	10	11	12
Impact Bar Supports Required	4	4	5	7	8	10	11	12
Impact Bar Bolt Kits Required	26	26	31	41	46	56	61	72

Stock items (non-shaded) refer to (*) for specific lead time, if not specified, standard lead time applies.

Non-stock items (shaded) please contact Flexco for dispatch options and lead times.

Specifications & Guidelines

DRX750 Impact Beds



Bed Length 1.4 m		Bed Length 1.5 m		Bed Width	Dim C	Dim D
Dim A	Dim B	Dim A	Dim B			
406.4	1222.8	558.8	1482.9	600	838	229
				750	991	229
				900	1143	229
				1050	1295	229
				1200	1448	229
				1350	1600	235
				1500	1753	235
				1800	2057	241

Product Ordering Information

DRX1500 Impact Beds

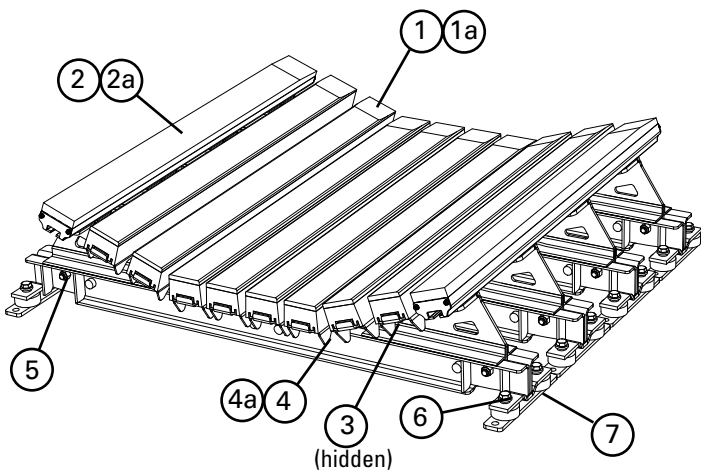
DRX1500 CEMA D construction

BELT WIDTH	TONNAGE RATING (ton/hr)	1.2 M BED LENGTH, 20° TROUGH			1.2 M BED LENGTH, 35° TROUGH		
		ORDERING NUMBER	ITEM CODE	WT. KG	ORDERING NUMBER	ITEM CODE	WT. KG
600	12,800	DRXH-24-420	76880	228.2	DRXH-24-435	76896	228.2
750	12,800	DRXH-30-420	76881	247.2	DRXH-30-435	76897	247.2
900	14,900	DRXH-36-420	76882	284.9	DRXH-36-435	76898	284.9
1050	19,200	DRXH-42-420	76883	365.6	DRXH-42-435	76899	365.6
1200	21,300	DRXH-48-420	76884	384.2	DRXH-48-435	76900	384.2
1350	25,600	DRXH-54-420	76885	443.2	DRXH-54-435	76901	443.2
1500	27,700	DRXH-60-420	76886	483.5	DRXH-60-435	76902	483.5
1800	29,900	DRXH-72-420	76887	548.8	DRXH-72-435	76903	548.8

Product Notes:

- Rated for impacts up to 200 kg-m
- Rated for belt speeds up to 5 m/s
- Slide-out serviceability
- Velocity Reduction Technology provides multiple points of protection
- Alternative trough angles or picking idler profiles available by special quote

BELT WIDTH	TONNAGE RATING (ton/hr)	1.5 M BED LENGTH, 20° TROUGH			1.5 M BED LENGTH, 35° TROUGH		
		ORDERING NUMBER	ITEM CODE	WT. KG	ORDERING NUMBER	ITEM CODE	WT. KG
600	12,800	DRXH-24-520	76888	253.1	DRXH-24-535	76904	253.1
750	12,800	DRXH-30-520	76889	272.6	DRXH-30-535	76905	272.6
900	14,900	DRXH-36-520	76890	313.9	DRXH-36-535	76906	313.9
1050	19,200	DRXH-42-520	76891	406.4	DRXH-42-535	76907	406.4
1200	21,300	DRXH-48-520	76892	425.0	DRXH-48-535	76908	425.0
1350	25,600	DRXH-54-520	76893	491.7	DRXH-54-535	76909	491.7
1500	27,700	DRXH-60-520	76894	535.7	DRXH-60-535	76910	535.7
1800	29,900	DRXH-72-520	76895	605.1	DRXH-72-535	76911	605.1



* Belt width + 225 mm = Structure width

Replacement Parts

REF	DESCRIPTION	ORDERING NUMBER	ITEM CODE	WT. KG
1	Impact Bar, 1.2 m	IB4	76926	7.7
1a	Impact Bar, 1.5 m	IB5	76927	9.6
2	Slider Bar, 1.2 m	SB4	78789	9.1
2a	Slider Bar, 1.5 m	SB5	78790	10.9
3	Bar Bolt Kit (incl. 1 ea. 15 mm carriage bolt, square washer, flat washer, lock washer, Nylock nut)	IBBK	76928	0.2
4	Impact Bar Support – H 1.2 M incl. (1) bar support, (2) ea carriage bolt, square washer, lock washer, Nylock nut	IBS-H4	76933	7.5
4a	Impact Bar Support – H 1.5 M incl. (1) bar support, (2) ea carriage bolt, square washer, lock washer, Nylock nut	IBS-H5	76934	9.5
5	Sliding Support Arm Bolt Kit incl. (2) 50 mm bolts, (2) lock washers, (2) Nylock nuts	ISABK-LMH	77529	0.9
6	Isolation Mount Kit	IMK	76936	1.7
7	DRX1500 Shim Kit (incl. 8 shims)	SHIM-KITH	77550	12.3

Shim Requirements

IMPACT BED SIZE	CEMA C OR D, 125 mm IDLERS	CEMA C OR D, 150 mm IDLERS
600 - 900 mm	Shim idler up 12.5 mm	No Kits Required
1050 - 1800 mm	No Kits Required	Use (1) SHIM-KITH; Shim up 12.5 mm

IMPACT BED SIZE	CEMA E, 150 mm IDLERS	CEMA E, 175 mm IDLERS
900 - 1500 mm	Use (3) SHIM-KITH; Shim up 37.5 mm	Use (4) SHIM-KITH; Shim up 50 mm
1800 mm	Use (4) SHIM-KITH; Shim up 50 mm	Use (5) SHIM-KITH; Shim up 62.5 mm

Replacement Bars and Bolt Kits Required per Belt Width - DRX1500

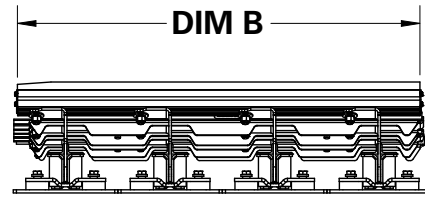
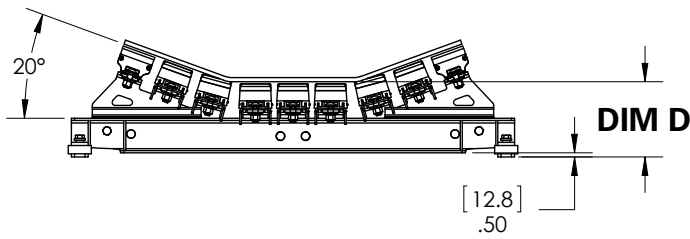
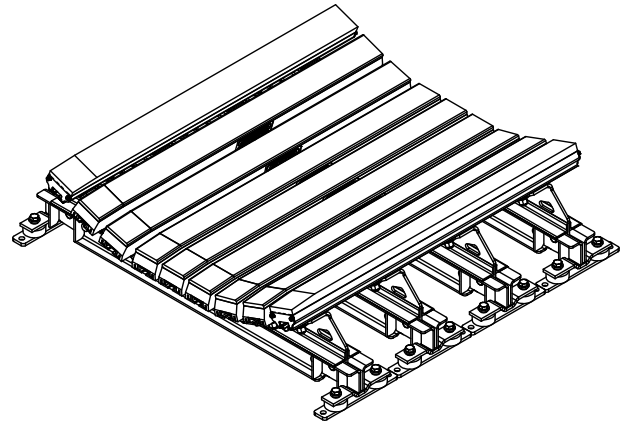
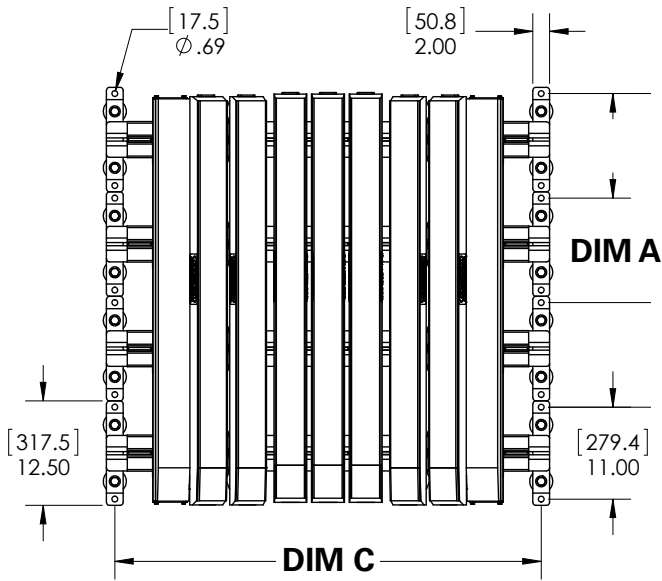
mm	600	750	900	1050	1200	1350	1500	1800
Slider Bars Required	2	2	2	2	2	2	2	4
Impact Bars Required	4	4	5	7	8	10	11	12
Impact Bar Supports Required	4	4	5	7	8	10	11	12
Impact Bar Bolt Kits Required	32	32	38	50	56	68	74	88

Stock items (non-shaded) refer to (*) for specific lead time, if not specified, standard lead time applies.

Non-stock items (shaded) please contact Flexco for dispatch options and lead times.

Specifications & Guidelines

DRX1500 Impact Beds



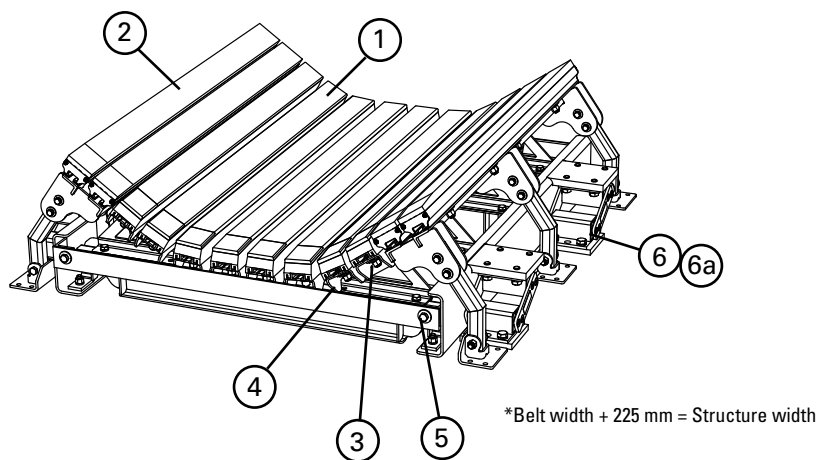
Bed Length 1.4 m		Bed Length 1.5 m		Bed Width	Dim C	Dim D
Dim A	Dim B	Dim A	Dim B			
317.5	1222.8	406.4	1482.9	600	838	229
				750	991	229
				900	1143	229
				1050	1295	229
				1200	1448	229
				1350	1600	235
				1500	1753	235
				1800	2057	241

Product Ordering Information

DRX3000 Dynamic Beds

DRX3000 CEMA E construction

BELT WIDTH	TONNAGE RATING (ton/hr)	1.5 M BED LENGTH, 20° TROUGH			1.5 M BED LENGTH, 35° TROUGH		
		ORDERING NUMBER	ITEM CODE	WT. KG	ORDERING NUMBER	ITEM CODE	WT. KG
1050	28,700	DRXD-42-520	76912	612.8	DRXD-42-535	76919	612.8
1200	31,900	DRXD-48-520	76913	638.2	DRXD-48-535	76920	638.2
1350	38,300	DRXD-54-520	76914	711.2	DRXD-54-535	76921	711.2
1500	41,500	DRXD-60-520	76915	760.2	DRXD-60-535	76922	760.2
1800	44,700	DRXD-72-520	76916	951.6	DRXD-72-535	76923	951.6
2100	51,100	DRXD-84-520	76917	1025.6	DRXD-84-535	76924	1025.6
2400	63,900	DRXD-96-520	76918	1183.4	DRXD-96-535	76925	1183.4



Product Notes:

- For extreme impact applications up to 400 kg-m (lump size x drop height).
- Rated for belt speeds up to 5 m/s
- Impact Energy Absorbers compress up to 75 mm to absorb extreme impact energy to minimize damaging forces and protect the belt.
- Alternative trough angles or picking idler profiles available by special quote

Replacement Parts

REF	DESCRIPTION	ORDERING NUMBER	ITEM CODE	WT. KG
1	Impact Bar, 1.5 m (13 mm UHMW)	IB5	76927	9.6
2	Slider Bar, 1.5 m	SB5	78790	10.9
3	Bar Bolt Kit (incl. 1 ea. 15 mm carriage bolt, square washer, flat washer, lock washer, Nylock nut)	IBBK	76928	0.2
4	Impact Bar Support - D 1.5 m incl. (1) bar support, (2) ea carriage bolt, square washer, lock washer, Nylock nut	IBS-D5	77530	9.5
5	Sliding Support Arm Bolt Kit incl. (4) 38 mm bolts, (2) 50 mm bolts, (6) lock washers, (6) Nylock nuts	ISABK	76935	0.9
6	Impact Energy Absorber 1050-1500 mm	IEA-42-60	76937	19.1
6a	Impact Energy Absorber 1800-2400 mm	IEA-72-96	76938	29.9

Replacement Bars and Bolt Kits Required per Belt Width - DRX3000

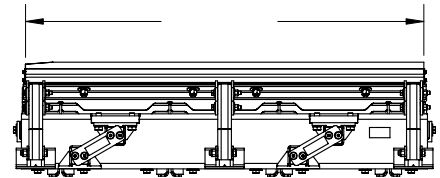
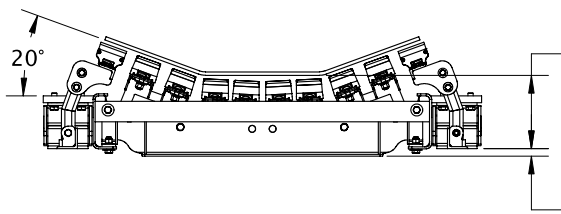
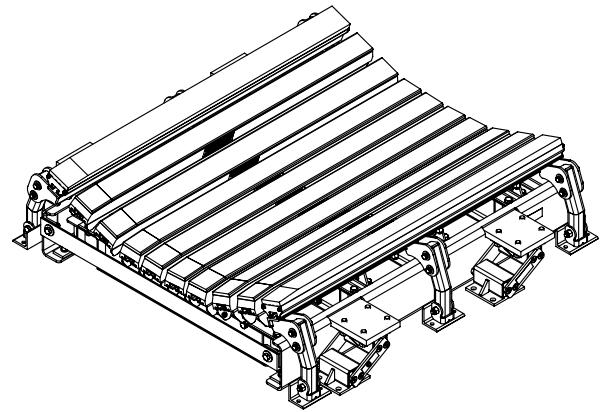
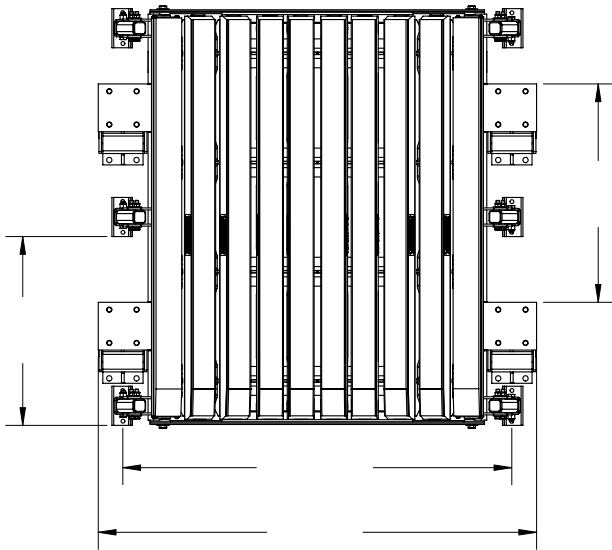
mm	1050	1200	1350	1500	1800	2100	2400
Slider Bars Required	2	2	4	4	4	4	4
Impact Bars Required	8	8	8	9	12	12	16
Impact Bar Supports Required	8	8	8	9	12	12	16
Impact Bar Bolt Kits Required	56	56	64	70	88	88	112

Stock items (non-shaded) refer to (*) for specific lead time, if not specified, standard lead time applies.

Non-stock items (shaded) please contact Flexco for dispatch options and lead times.

Specifications & Guidelines

DRX3000
Dynamic Beds



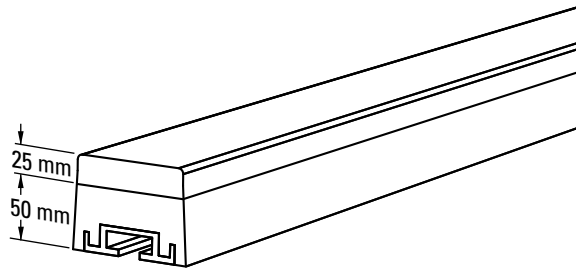
Bed Width	Dim A	Dim B	Dim C	Dim D
mm	mm	mm	mm	mm
1050	1295.4	273	27.7	1479.6
1200	1447.8	273	27.7	1632
1350	1600.2	273	27.7	1784.4
1500	1752.6	273	27.7	1936.8
1800	2057.4	292.1	29.1	2292.4
2100	2362.2	298.5	29.1	2597.2
2400	2667	298.5	29.1	2902

Product Ordering Information

DRX™ Impact Beds Optional Parts and Tools

Replacement Impact/Slider Bars

DESCRIPTION	ORDERING NUMBER	ITEM CODE	WT. KG
Impact Bar with 12.5 mm PE-UHMW	IB4	76926	8.0
Impact Bar with 12.5 mm PE-UHMW	IB5	76927	10.0
1.2 m Impact Bar with 25 mm UHMW	IB4-1U	76965	7.7
1.5 m Impact Bar with 25 mm UHMW	IB5-1U	76966	9.6
Slider Bar with 25 mm PE-UHMW	SB4	78789	9.0
Slider Bar with 25 mm PE-UHMW	SB5	78790	11.0
Bar Bolt Kit	IBBK	76928	0.3



Impact Bar with 25 mm UHMW Cover

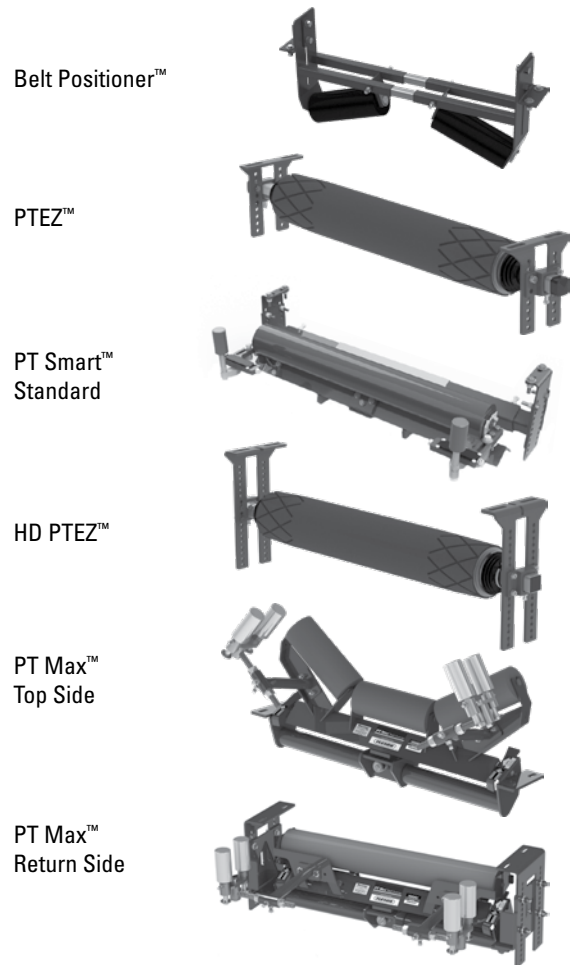
Stock items (non-shaded) refer to (*) for specific lead time, if not specified, standard lead time applies.

Non-stock items (shaded) please contact Flexco for dispatch options and lead times.

Selection Guidelines

Belt Tracking Products

MODEL	APPLICATION RANGE
Belt Positioner™	Return side only, 140 n/mm max tension on Small, Medium and Large; 210 n/mm max tension on Extra Large. Also works on reversing belts.
PTEZ™	Medium-duty belts up to 280 n/mm max tension. Also works on reversing belts. Belt width 450 - 1200 mm.
PT Smart™	Medium-duty belts up to 280 n/mm max tension. Belt width 1050 - 2100 mm. Belt thickness 25 mm maximum.
HD PTEZ™	Medium-duty belts up to 420 n/mm max tension. Belt widths + 229 mm idler. Belt thickness 25 mm maximum. Also works on reversing belts.
PT Max™	Heavy-duty belts up to 525 n/mm max tension. Generally 19 mm to 25 mm thick Belt width 600 - 1500 mm
HD PT Max™	Heavy-duty belts up to 1050 n/mm max tension. Belt width 1350 - 2100 mm



Conveyor Criteria	Belt Positioner™	PTEZ™	Heavy Duty PTEZ™	PT Smart™	PT Max™	Heavy Duty PT Max™	Super Duty PT Max™
Top side mistracking	No	No	No	No	Yes	Yes	Yes
Return side mistracking	Yes	Yes	Yes	Yes	Yes	Yes	Yes
Reversing	Yes	Yes	Yes	No	No	No	No
Belt mistracking to one side	Better	Better	Better	Better	Better	Better	Better
Belt mistracking to both sides	Acceptable	Better	Better	Best	Best	Best	Best
Inconsistent tracking problem	Good	Better	Better	Best	Best	Best	Best
Belt is cupped (heavy)	Best ‡	Better‡	Better‡	Better	Better	Better	Better
Belt has edge damage	Best	Best	Best	Good	Good	Good	Good
Ease of Installation	Best	Better	Better	Good	Good	Good	Good
Belt has low running tension (26-52 n/mm)	Good	Good	Good	Good	Good	N/A	N/A
Belt has medium running tension (52-280 n/mm)	Better	Better	Better	Better	Best	Best	Best
Belt has high running tension (280+ n/mm)	N/A	N/A	N/A	N/A	Better	Best	Best
Approx. "upstream" effect*Δ	15 m	6 m	6 m	6 m	15 m	15 m	15 m
Approx. "downstream" effect*Δ	15 m	30 - 36 m	30 - 36 m	36 - 45 m	45 - 61 m	45 - 61 m	45 - 61 m

‡ Installed on the clean side of the return belt

* Typical results; actual results may vary

Δ Disc idlers have the potential to reduce these numbers

Product Ordering Information

Belt Positioner™



Belt Positioners with Rubber Rollers

Size	BELT WIDTH (Min-Max)	POSITIONER WIDTH (Min-Max)	ORDERING NUMBER	ITEM CODE	WT. KG
Small	450 - 600	600-850	RBP1R-S	90646	60.5
Medium	750 - 1200	850-1400	RBP1R-M	90647	73.5
Large	1350 - 1800	1400-2075	RBP1R-L	90648	94.0
Extra Large	1800 - 2400	1800-3000	RBP1R-XL	90649	182.0

Belt Positioners with Steel Rollers

Size	BELT WIDTH (Min-Max)	POSITIONER WIDTH (Min-Max)	ORDERING NUMBER	ITEM CODE	WT. KG
Small	450 - 600	600-850	RBP1S-S	74558	69.8
Medium	750 - 1200	850-1400	RBP1S-M	74559	84.6
Large	1350 - 1800	1400-2075	RBP1S-L	74560	109.5
Extra Large	1800 - 2400	1800-3000	RBP1S-XL	74561	199.6

Use next larger size for belt widths between ranges.

NOTE: Idler Rollers on sizes S, M and L are 125 mm diameter and rated CEMA D. Idler Rollers on the XL size are 150 mm diameter and rated CEMA E.

Product Notes:

- The Positioner should be centered between two standard return rollers. For general applications – standard belts up to 1800 mm: position the unit no closer than .9 M to a return roller and no farther than 1.8 M.
- Works on the return side of the conveyor using simple angled rollers mounted in a fixed position to quickly and continuously funnel the belt into the correct path.
- A “quick fix” solution for belts that consistently wander to one side.
- Typically installed before the tail pulley to keep the belt centered at the critical loading point. Center loading is the key to solving many top side tracking problems.
- Idler rollers make smooth contact with the return belt’s bottom cover, eliminating excessive wear and damage to the belt’s edges.
- Has no pivoting mechanism to freeze up and cause the unit to stop working.
- Once installed, no further adjustment is required.

Stock items (non-shaded) refer to (*) for specific lead time, if not specified, standard lead time applies.

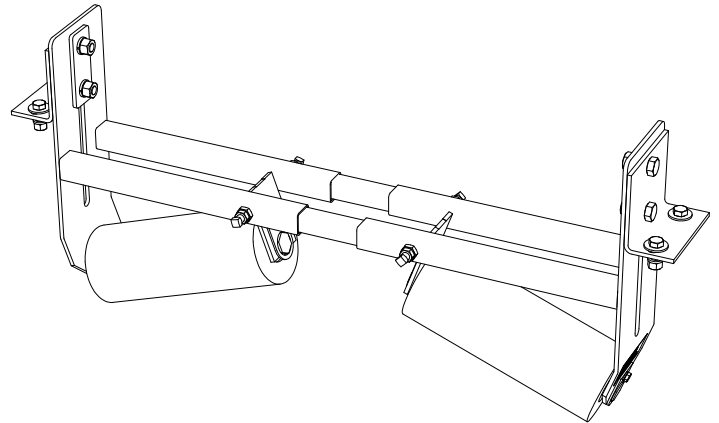
Non-stock items (shaded) please contact Flexco for dispatch options and lead times.

Specifications & Guidelines

Belt Width Specifications

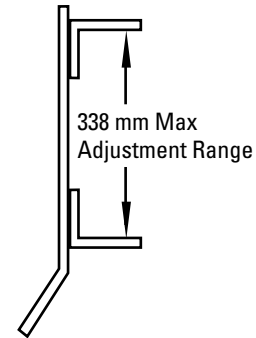
SIZE	BELT WIDTH (Min-Max)	POSITIONER WIDTH (Min-Max)
	mm	mm
Small	450 - 600	600 - 850
Medium	750 - 1200	850 - 1400
Large	1350 - 1800	1400 - 2075
Extra Large	1800 - 2400	1800 - 3000

Use next larger size for belt widths between ranges.



Application Guidelines

- Belt Splice Mechanically Fastened/Vulcanized
- Belt Speed 5 m/s
- Belt Direction..... Reversing



Roller Specifications

SPECIFICATION	Rubber	Steel
Material	STEEL and 9.5 mm RUBBER	STEEL
Durometer	60	N/A
Rating	CEMA D (XL is CEMA E)	CEMA D (XL is CEMA E)
Bearings	6305 Sealed Ball Bearing	6305 Sealed Ball Bearing
Shaft Diameter	25 mm	25 mm
Wall Thickness	9 Gauge (3.797) (XL - 6 mm)	9 Gauge (3.797) (XL - 6 mm)
Specific Gravity	Over 1	Over 1
Working Temperature	-20° to 104° C	-20° to 104° C
Grease & Chemical Resistance	Good	Good
Sticky Material Performance	Excellent	Good

Roller Dimensions

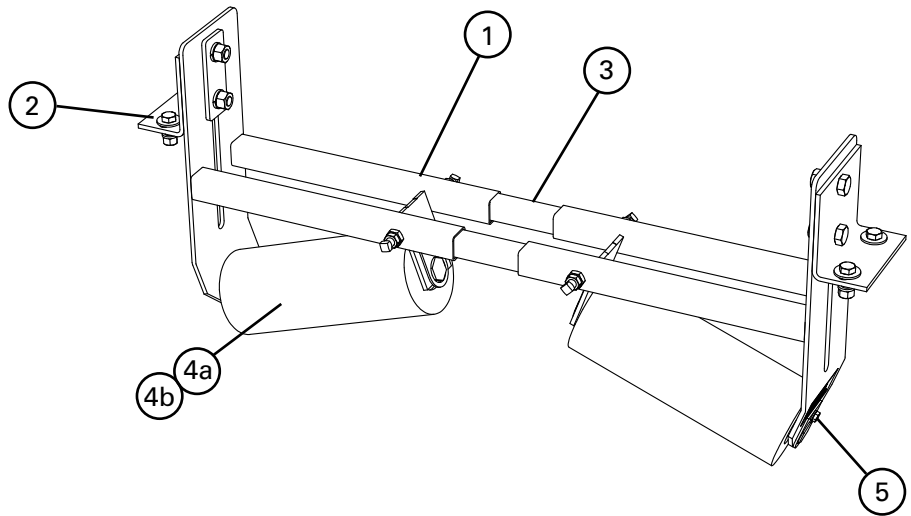
SIZE	LENGTH	DIAMETER
Small	225	125
Medium	325	125
Large	475	125
Extra Large	525	150

Product Notes:

- Optimal location: no closer than .9 m and no further than 1.8 m from a return roller.
- All rollers are "sealed for life". No regreasing maintenance is required.
- MSHA approved.

Replacement Parts List

Belt Positioner™



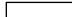

REF	DESCRIPTION	BELT WIDTH (Min-Max)	ORDERING NUMBER	ITEM CODE	WT. KG
1	Small Frame Kit* (1 ea.)	450-600	RBPFK-S	75522	5.7
	Medium Frame Kit* (1 ea.)	750-1200	RBPFK-M	75523	6.6
	Large Frame Kit* (1 ea.)	1350-1800	RBPFK-L	75524	8.8
	Extra Large Frame Kit* (1 ea.)	1800-2400	RBPFK-XL	75525	12.9
2	Mounting Bracket Kit* (1 ea.)		RBPMBK	75526	2.7
3	Small Inner Tube (1 ea.)	450-600	RBPIT-S	75527	1.4
	Medium Inner Tube (1 ea.)	750-1200	RBPIT-M	75528	2.0
	Large Inner Tube (1 ea.)	1350-1800	RBPIT-L	75529	2.9
	Extra Large Inner Tube (1 ea.)	1800-2400	RBPIT-XL	75530	4.1

* Hardware included
Lead time: 1 working day

Replacement Rollers

REF	DESCRIPTION	ORDERING NUMBER	ITEM CODE	WT. KG
4a	Small Rubber Roller	RBPRR-S	90650	3.6
	Medium Rubber Roller	RBPRR-M	90651	5.0
	Large Rubber Roller	RBPRR-L	90652	7.0
	Extra Large Rubber Roller	RBPRR-XL	90653	12.6
4b	Small Steel Roller	RBPSR-S	74562	5.5
	Medium Steel Roller	RBPSR-M	74563	7.5
	Large Steel Roller	RBPSR-L	74564	10.5
	Extra Large Steel Roller	RBPSR-XL	74565	16.6
5	Roller Retainer Kit *	RBPRET	73163	0.2

Idler rollers on sizes S, M and L are 125 mm diameter and rated CEMA D.
Idler rollers on the XL size are 150 mm diameter and rated CEMA E.

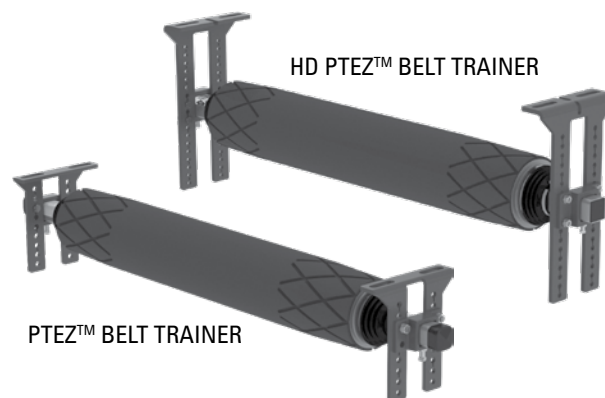
 Stock items (non-shaded) refer to (*) for specific lead time, if not specified, standard lead time applies.
 Non-stock items (shaded) please contact Flexco for dispatch options and lead times.

Product Ordering Information

PTEZ™
Belt Trainer

PTEZ™ Belt Trainer Polyurethane

BELT WIDTH	ORDERING NUMBER	ITEM CODE	WT. KG
450	PTEZ-18	90265	54.4
600	PTEZ-24	90266	59.0
750	PTEZ-30	90267	63.5
900	PTEZ-36	90268	68.0
1050	PTEZ-42	90269	72.6
1200	PTEZ-48	90270	77.1



PTEZ™ HD Belt Trainer Polyurethane

BELT WIDTH	ORDERING NUMBER	ITEM CODE	WT. KG
1050	PTEZHD-42/1050	90616	103.4
1200	PTEZHD-48/1200	90617	114.3
1350	PTEZHD-54/1350	90618	126.6
1400	PTEZHD-56/1400	90795	129.3
1500	PTEZHD-60/1500	90619	136.6
1600	PTEZHD-64/1600	90796	143.8
1800	PTEZHD-72/1800	90620	158.3
2000	PTEZHD-80/2000	90797	173.3
2100	PTEZHD-84/2100	90621	180.5

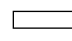
PTEZ™ Belt Trainer Rubber

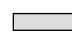
BELT WIDTH	ORDERING NUMBER	ITEM CODE	WT. KG
450	PTEZ-18R	90808	55.0
600	PTEZ-24R	90809	59.0
750	PTEZ-30R	90810	64.0
900	PTEZ-36R	90811	68.0
1050	PTEZ-42R	90812	73.0
1200	PTEZ-48R	90813	78.0



Product Notes:

- Simple adjustable mounting brackets ensure quick and accurate installation.
- Urethane roller cover ensures long-lasting performance.
- Works in multiple applications, yet economical. Single-direction and reversing belts. Wet or dry conditions. Belts with edge damage or wear. Belts mistracking to one or both sides.
- Easy ordering and installation. Enhanced to meet instant demands for training solutions, the PTEZ is available on a one-working-day lead time. The simple brackets and component construction also ensure a quick and easy installation.
- Uses tapered and patterned roller to activate the trainer movement. Pivot influences direction while Tilt increases the tension on the mistracked side – the result is two forces quickly moving the belt back to center.
- Works with mechanically fastened or vulcanized belts.

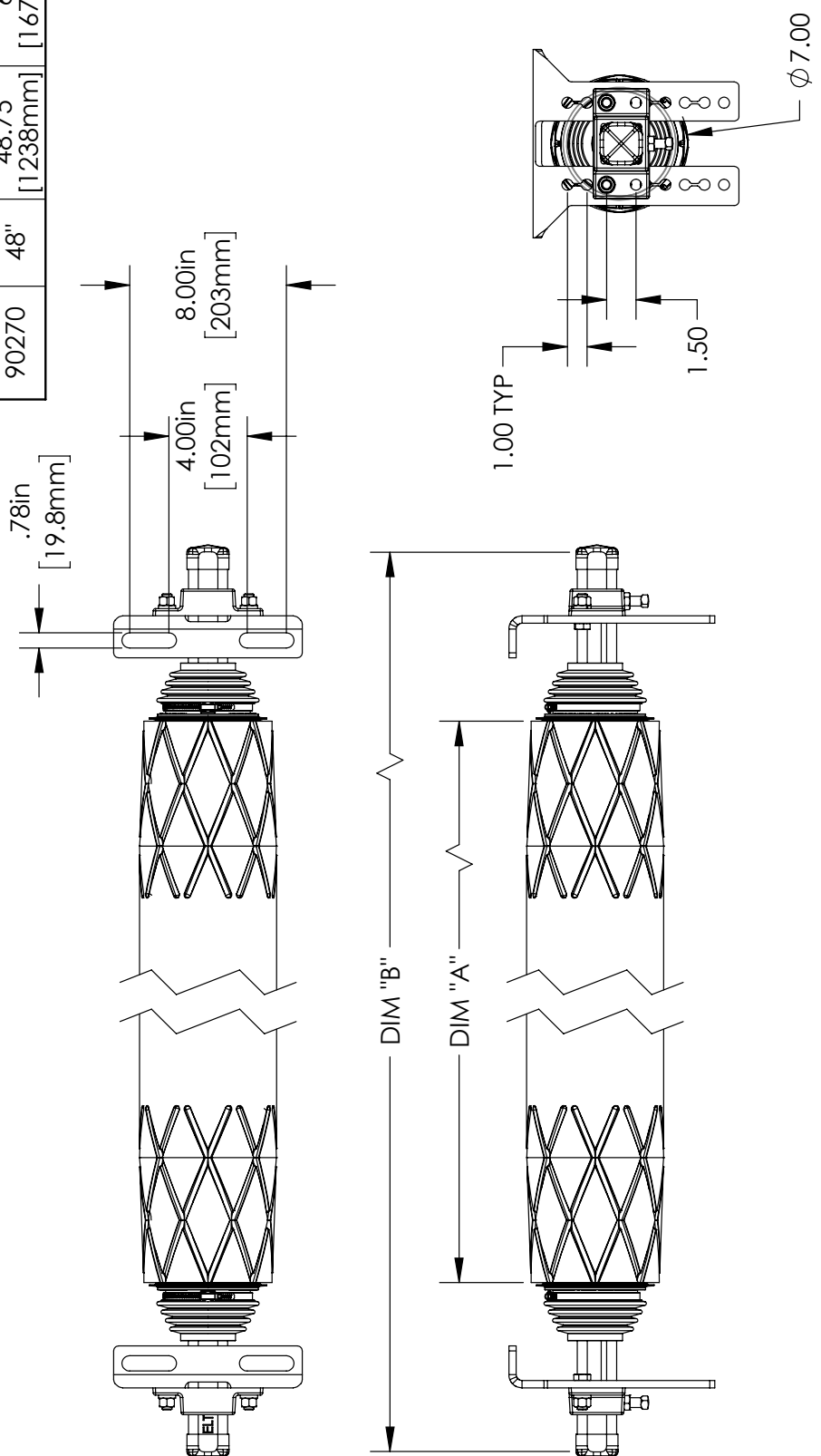
 Stock items (non-shaded) refer to (*) for specific lead time, if not specified, standard lead time applies.

 Non-stock items (shaded) please contact Flexco for dispatch options and lead times.

Specifications & Guidelines

PTEZ™
Belt Trainer

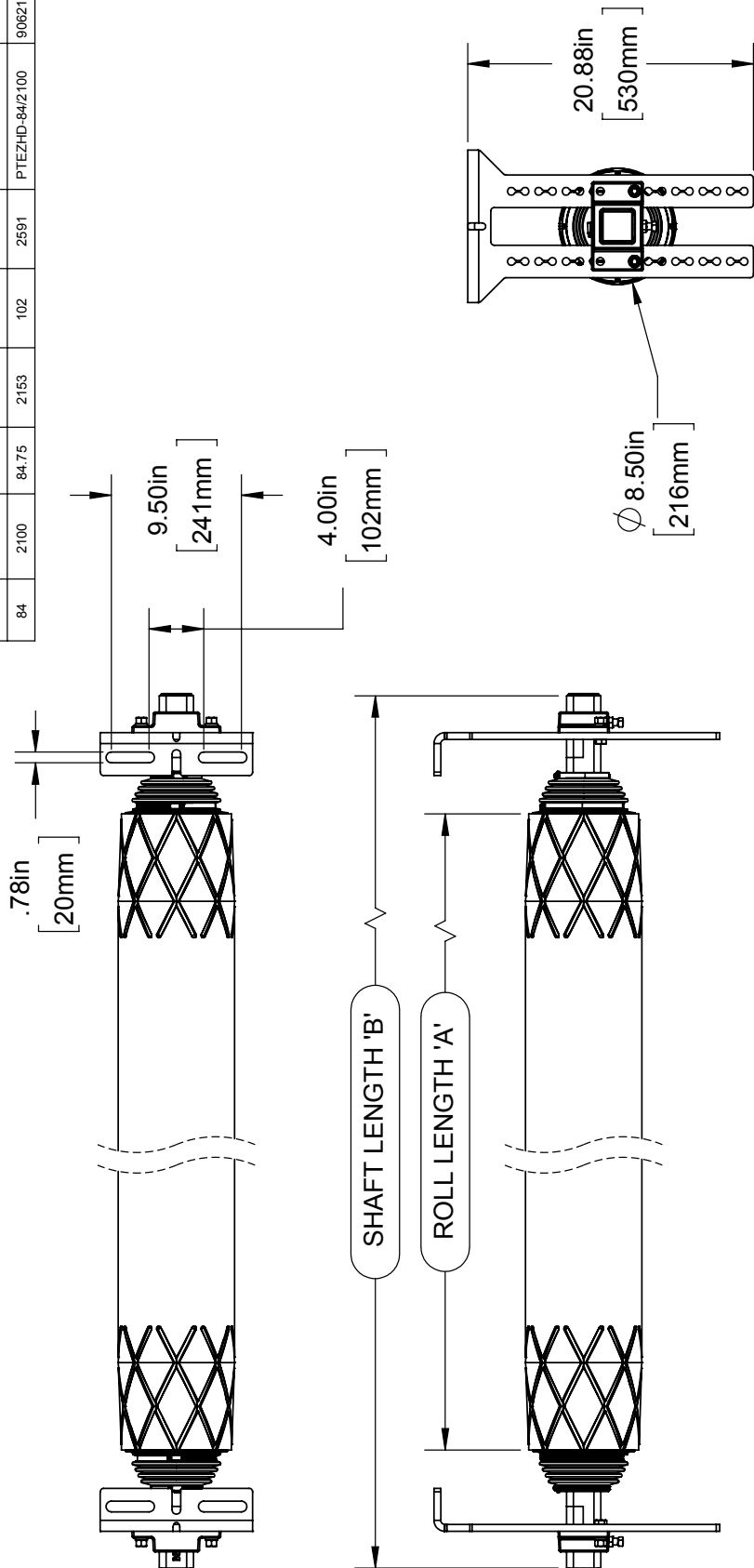
PART NUMBER	BELT WIDTH	DIM "A"	DIM "B"
90265	18"	18.75" [476mm]	36" [914mm]
90266	24"	24.75" [629mm]	42" [1067mm]
90267	30"	30.75" [781mm]	48" [1219mm]
90268	36"	36.75" [933mm]	54" [1372mm]
90269	42"	42.75" [1086mm]	60" [1524mm]
90270	48"	48.75" [1238mm]	66" [1676mm]



Specifications & Guidelines

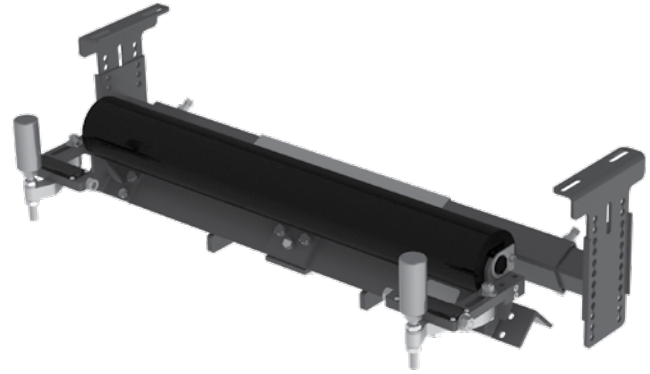
PTEZ™ HD
Belt Trainer

SPECIFICATIONS					
BELT WIDTH (in)	ROLL LENGTH 'A' (mm)	SHAFT LENGTH 'B' (in)	ORDERING NUMBER	ITEM CODE	
42	42.75	60	PTEZHD-42/1050	90616	
48	48.75	66	PTEZHD-48/1200	90617	
54	54.75	72	PTEZHD-54/1350	90618	
56	56.75	74	PTEZHD-56/1400	90795	
60	60.75	78	PTEZHD-60/1500	90619	
64	64.75	82	PTEZHD-64/1600	90796	
72	72.75	90	PTEZHD-72/1800	90620	
80	80.75	98	PTEZHD-80/2000	90797	
84	84.75	102	PTEZHD-84/2100	90621	



Product Ordering Information

PT Smart™
Belt Trainer



PT SMART™ STANDARD
BELT TRAINER
(Roller Included)

PT Smart™ Belt Trainer

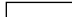
BELT WIDTH	BELT TRAINER COMPLETE			REPLACEMENT ROLLERS		
	ORDERING NUMBER	ITEM CODE	WT. KG	ORDERING NUMBER	ITEM CODE	WT. KG
450	PTS-18R	77664	54.9	PTS-RR21	77680	10.0
600	PTS-24R	77665	64.0	PTS-RR27	77681	12.2
750	PTS-30R	77666	69.9	PTS-RR33	77682	14.6
900	PTS-36R	77667	76.7	PTS-RR39	77683	16.3
1050	PTS-42R	77668	84.4	PTS-RR45	77684	18.8
1200	PTS-48R	77669	89.4	PTS-RR51	77685	20.4
1350	PTS-54R	77670	95.3	PTS-RR57	77686	21.5
1500	PTS-60R	77671	101.6	PTS-RR63	77687	24.0
1800	PTS-72R	77672	109.8	PTS-RR75	77689	25.9




PT SMART™
UNDERGROUND STRUCTURE
BELT TRAINER
(Roller Included)

PT Smart™ Underground Structure Belt Trainer

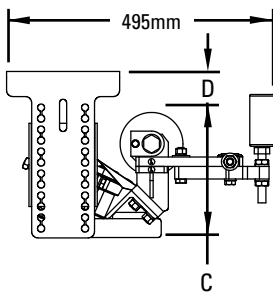
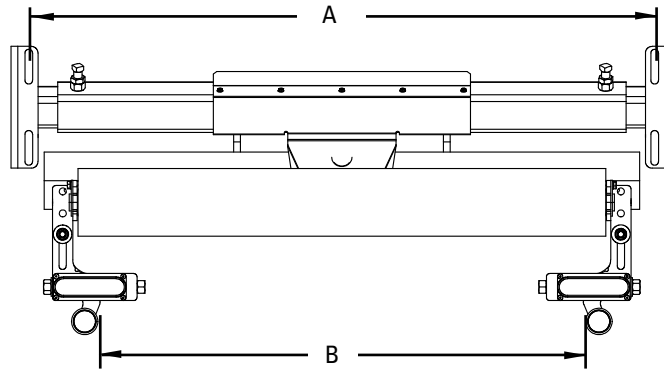
BELT WIDTH	BELT TRAINER COMPLETE			REPLACEMENT ROLLERS		
	ORDERING NUMBER	ITEM CODE	WT. KG	ORDERING NUMBER	ITEM CODE	WT. KG
750	PTS-30R-UG	77673	78.9	PTS-RR39	77683	16.3
900	PTS-36R-UG	77674	85.3	PTS-RR45	77684	18.8
1050	PTS-42R-UG	77675	88.9	PTS-RR51	77685	20.4
1200	PTS-48R-UG	77676	94.3	PTS-RR57	77686	21.5
1350	PTS-54R-UG	77677	99.8	PTS-RR63	77687	24.0
1500	PTS-60R-UG	77678	115.7	PTS-RR69	77688	25.9
1800	PTS-72R-UG	77679	120.2	PTS-RR81	77690	36.7

 Stock items (non-shaded) refer to (*) for specific lead time, if not specified, standard lead time applies.

 Non-stock items (shaded) please contact Flexco for dispatch options and lead times.

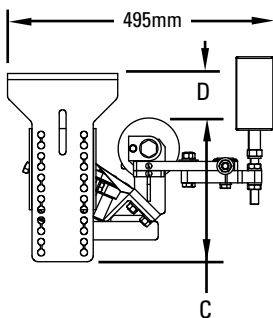
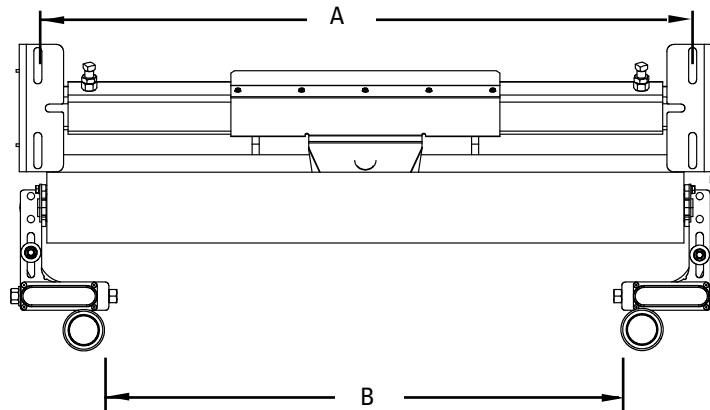
Specifications & Guidelines

PT Smart™
Belt Trainer



PT Smart Standard

BELT WIDTH	ITEM CODE	A	B	C	D (vertical adjustment)
450	77664	575-875 mm	250-575 mm	250 mm	0-250 mm
600	77665	725-1025 mm	400-725 mm		
750	77666	875-1175 mm	550-875 mm		
900	77667	1025-1325 mm	700-1025 mm		
1050	77668	1175-1475 mm	825-1175 mm		
1200	77669	1325-1625 mm	1000-1325 mm		
1350	77670	1475-1775 mm	1150-1475 mm		
1500	77671	1625-1925 mm	1300-1625 mm		
1800	77672	1925-2225 mm	1600-1925 mm		



PT Smart Underground Structure

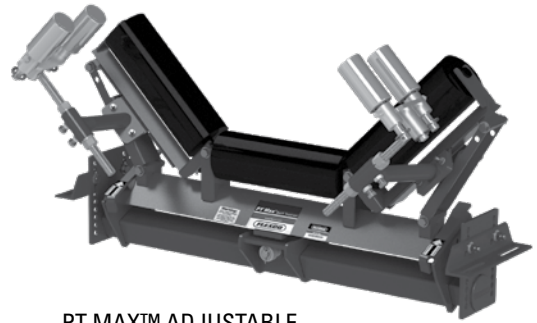
BELT WIDTH	ITEM CODE	A	B	C	D (vertical adjustment)
750	77673	875-1175 mm	675-1000 mm	250 mm	69 mm to 331 mm
900	77674	1025-1325 mm	825-1150 mm		
1050	77675	1175-1475 mm	975-1300 mm		
1200	77676	1025-1625 mm	1125-1450 mm		
1350	77677	1475-1775 mm	1275-1600 mm		
1500	77678	1625-1925 mm	1425-1750 mm	262 mm	56 mm to 319 mm
1800	77679	1925-2225 mm	1725-2050 mm		

Product Ordering Information

PT Max™ Adjustable Belt Trainer

PT Max™ Adjustable Top Side

VERSION	BELT WIDTH	ORDERING NUMBER	ITEM CODE	WT. KG
Standard	650	PTMA 650T	83785	161.0
	800	PTMA 800T	83661	170.1
	1000	PTMA1000T	83662	183.7
	1200	PTMA1200T	83663	192.8
	1400	PTMA1400T	83664	201.8
	1600	PTMA1600T	83665	229.0
	1800	PTMA1800T	83666	240.4
Heavy-Duty	1800	PTMAHD1800T	83734	276.7
	2000	PTMAHD2000T	83735	303.9
	2200	PTMAHD2200T	83735	–



PT MAX™ ADJUSTABLE TOP SIDE BELT TRAINER

PT Max Adjustable Return Side

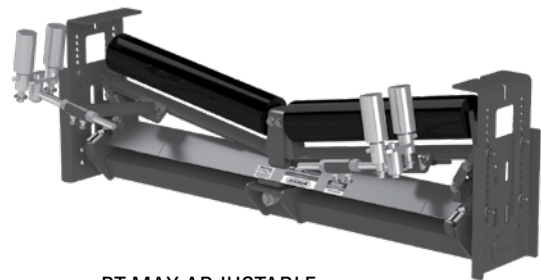
VERSION	BELT WIDTH	ORDERING NUMBER	ITEM CODE	WT. KG
Standard	650	PTMA650R	83786	154.2
	800	PTMA800R	83667	170.1
	1000	PTMA1000R	83668	179.2
	1200	PTMA1200R	83669	188.2
	1400	PTMA1400R	83670	195.0
	1600	PTMA1600R	83671	235.9
	1800	PTMA1800R	83672	244.9
Heavy-Duty	1800	PTMAHD1800R	83737	279.0
	2000	PTMAHD2000R	83738	301.6
	2200	PTMAHD2200R	83739	–



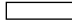
PT MAX ADJUSTABLE RETURN SIDE BELT TRAINER


PT Max Adjustable V-Return

VERSION	BELT WIDTH	ORDERING NUMBER	ITEM CODE	WT. KG
Standard	800	PTMA800VR	83673	195.0
	1000	PTMA1000VR	83674	204.1
	1200	PTMA1200VR	83675	215.5
	1400	PTMA1400VR	83676	224.6
	1600	PTMA1600VR	83677	235.9
	1800	PTMA1800VR	83678	276.7
Heavy-Duty	1800	PTMAHD1800VR	83740	288.0
	2000	PTMAHD2000VR	83741	328.9
	2200	PTMAHD2200VR	83742	349.3



PT MAX ADJUSTABLE V-RETURN BELT TRAINER

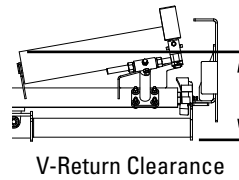
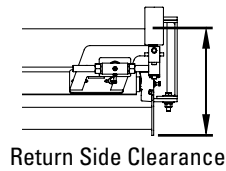
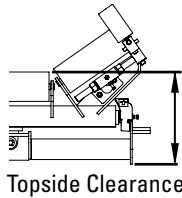
 Stock items (non-shaded) refer to (*) for specific lead time, if not specified, standard lead time applies.

 Non-stock items (shaded) please contact Flexco for dispatch options and lead times.

Specifications & Guidelines

PT Max™
Belt Trainer

ROLL DIAMETER	TOPSIDE		RETURN SIDE		V-RETURN	
	Standard	Heavy-Duty	Standard	Heavy-Duty	Standard	Heavy-Duty
mm	mm	mm	mm	mm	mm	mm
127	406	432	432	457	457	432
152	432	457	457	483	483	457
178	457	483	483	508	508	483



Product Ordering Information

Standard Urethane Skirting



Standard Urethane Skirting with 35° Chamfer

Height mm	Thickness mm	Length m	ORDERING NUMBER	ITEM CODE	WT. KG	PRICE
150	12	15.2	SKPU-6X1/2X50	91222	8.2	1.000,00 €
200	12	15.2	SKPU-8X1/2X50	91224	12.0	1.350,00

Price Per Meter for reference only; skirting is available standard in 15,2 m lengths.

Product Notes:

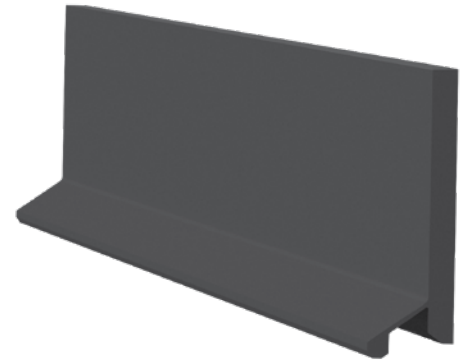
- Urethane skirting offers a more wear-resistant material than typical rubber, often providing as much as 3-4 times the wear life in similar applications. The lower coefficient of friction reduces strain on the system.
- Works with Flexco series of skirt clamps that offer simple serviceability: RMC1/PAL-Pak, Flex-Lok, and Flex-Seal.
- Uses soft durometer (65A) urethane with exceptional tear resistance to ensure a good seal and long belt life.
- Suitable for most applications: single direction or reversing belts, wet or dry conditions, old or new belts, vulcanized or mechanically-spliced systems.
- Rated for temperatures from -30° C to 82° C.

Stock items (non-shaded) refer to (*) for specific lead time, if not specified, standard lead time applies.

Non-stock items (shaded) please contact Flexco for dispatch options and lead times.

Product Ordering Information

Dual Seal Polyurethane Skirting



Dual Seal Polyurethane Skirting

Height	Thickness	Length	CHAMFER	ORDERING NUMBER	ITEM CODE	WT. KG
mm	mm	m				
150	12	15.2	35°	SKPU-DUAL-6X1/2X50	91404	42.0
200	12	15.2		SKPU-DUAL-8X1/2X50	91406	54.0

Price Per Meter for reference only; skirting is available standard in 15,2 m lengths.

Product Notes:

- Secondary seal provides a floating contact area behind the main slab to prevent spillage.
- Polyurethane skirting offers a more wear-resistant material than typical rubber, often providing as much as 3-4 times the wear life in similar applications.
The lower coefficient of friction reduces strain on the system.
- Works with Flexco series of skirt clamps that offer simple serviceability: RMC1/PAL-Pak, Flex-Lok™, and Flex-Seal™.
- Uses soft durometer (65A) polyurethane with exceptional tear resistance to ensure a good seal and long belt life.
- Suitable for most applications: single direction or reversing belts, wet or dry conditions, old or new belts, vulcanized or mechanically-spliced systems.
- Rated for temperatures from -30° C to 82° C.

Stock items (non-shaded) refer to (*) for specific lead time, if not specified, standard lead time applies.

Non-stock items (shaded) please contact Flexco for dispatch options and lead times.

Product Ordering Information

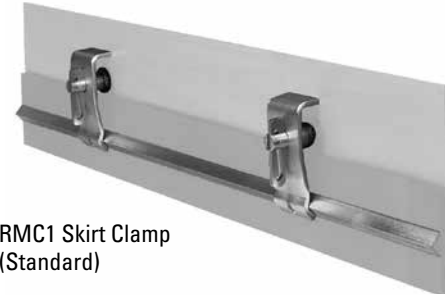
RMC1 Skirt Clamps

RMC1 Skirt Clamps*

DESCRIPTION	ORDERING NUMBER	ITEM CODE	WT. KG
Skirt Clamp	RMC1	75817	5.3
LS Skirt Clamp	RMC1-LS	75834	4.7
Skirt Clamp Bulk**	RMC1-50	75833	253.1

*Includes two clamp plates (Standard or LS - Limited Space), two clamp pins, and one 1.2 m clamp bar.

**Minimum order quantity 50 pcs.
Skirt board and rubber not included.
Skirt Rubber Thickness Range: 8 to 19 mm.



RMC1 Skirt Clamp (Standard)



Anti-Vibration Clamp Pins

PAL PAKs

The Pick-A-Length (PAL) PAK contains 2 clamp plates and 2 clamp pins. You supply the clamp bar (25 x 25 x 13 mm angle) to your required length.

PAL PAKS PER SYSTEM LENGTH					
Skirting System Length	0.3 - 1.2 m	1.5 - 2.4 m	2.8 - 3.8 m	4.0 - 4.9 m	5.2 - 6.1 m
PAL PAKs Needed	1	2	3	4	5

DESCRIPTION	ORDERING NUMBER	ITEM CODE	WT. KG
PAL PAK	RMC1-PP	75832	3.0
LS PAL PAK	RMC1-LSPP	75836	2.4
Bolt-On PAL PAK	RMC1-BPP	76415	2.9
Bolt-On LS PAL PAK	RMC1-LSBPP	76538	2.4

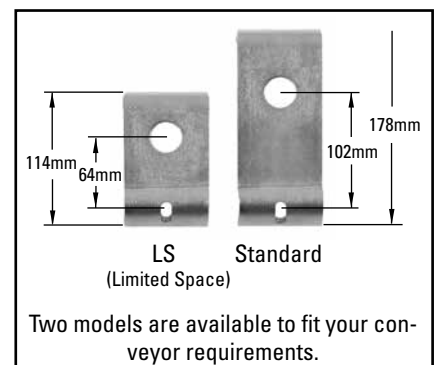


PAL PAK (Standard)

Bolt-On PAL PAK (Standard)

Replacement Parts

DESCRIPTION	ORDERING NUMBER	ITEM CODE	WT. KG
Clamp Pin	RMC1-CP	75819	0.5
Bolt-On Clamp Pin	RMC1-BCP	76414	0.5
Clamp Plate	RMC1-PL	75821	1.0
LS Clamp Plate	RMC1LS-PL	75835	0.7
Clamp Bar	RMC1-CB	75820	1.8



Product Notes:

- Solves material spillage problems in the conveyor loading zone.
- Stops material loss, eliminates safety hazards, and reduces wear on conveyor components.
- LS (Limited Space) model for restricted space areas and for portable equipment.
- Pick-A-Length (PAL) PAK option for special or longer length requirements.
- Bolt-on Clamp Pins eliminate welding on applications where sparking can be a safety hazard.
- Anti-Vibration (standard) Clamp Pin stays locked even in applications with severe vibration.

Stock items (non-shaded) refer to (*) for specific lead time, if not specified, standard lead time applies.

Non-stock items (shaded) please contact Flexco for dispatch options and lead times.

Product Ordering Information

Flex-Lok™
Skirt Clamps

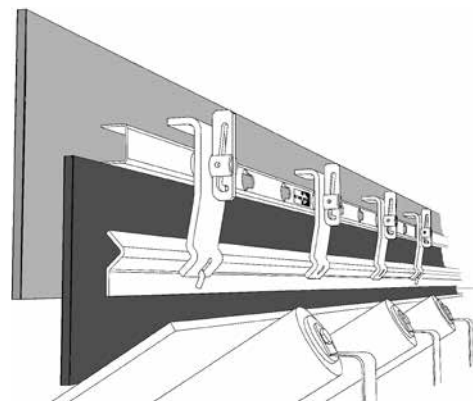
Flex-Lok™ Skirt Clamp

One Skirt Clamp includes one 1.8 m clamp runner, 4 clamp plates, 4 clamp pins and one 1.8 m restraining bar. Skirt board and rubber not included.

DESCRIPTION	ORDERING NUMBER	ITEM CODE	WT. KG
Skirt Clamp	FLSC-I	71052	14.1
Skirt Clamp Bulk*	FLSC-I-50	71054	705.3
REPLACEMENT PARTS			
Clamp Runner - 1.8 m	FL-RPI	71058	3.3
Clamp Plate	FL-PC-I	71057	1.0
Clamp Pin	FL-CP-I	71141	0.9
Restraining Bar - 1.8 m	FL-RBI	71060	5.1

Skirt Rubber Thickness Range: 8 - 25 mm

*Minimum order quantity 50 pcs.



Standard

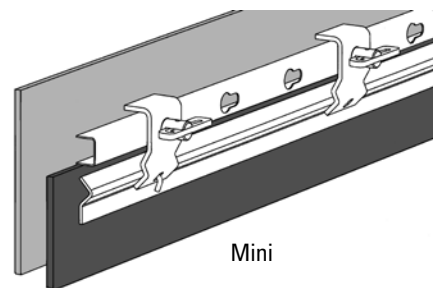
Mini Flex-Lok™ Skirt Clamp

One Mini Skirt Clamp includes one 1.8 m clamp runner, 3 mini clamp plates, 3 clamp pins and one 1.8 m restraining bar. Skirt board and rubber not included.

DESCRIPTION	ORDERING NUMBER	ITEM CODE	WT. KG
Mini Skirt Clamp	FLSCM-I	71055	12.5
Mini Skirt Clamp Bulk*	FLSCM-I-50	71100	626.0
REPLACEMENT PARTS			
Clamp Runner - 1.8 m	FL-RPI	71058	3.3
Mini Clamp Plate	FLM-PC	71140	0.7
Clamp Pin	FL-CP-I	71141	0.9
Restraining Bar - 1.8 m	FL-RBI	71060	5.1

Skirt Rubber Thickness Range: 8 - 16 mm

*Minimum order quantity 50 pcs.

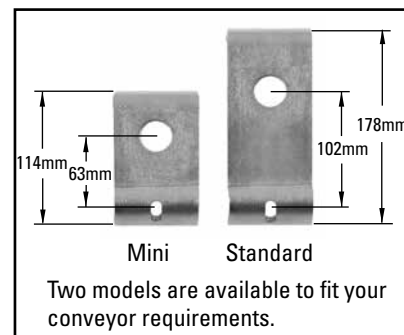


Mini

Stainless Steel* Flex-Lok™ Skirt Clamp

One SS Skirt Clamp includes one 1.8 m clamp runner, 4 clamp plates, 4 clamp pins and one 1.8 m restraining bar.

DESCRIPTION	ORDERING NUMBER	ITEM CODE	WT. KG
SS Skirt Clamp	FLSC-ISS	75778	11.3
REPLACEMENT PARTS			
SS Clamp Plate	FL-PC-ISS	71168	0.9
Clamp Pin	FL-CP-ISS	71164	0.9



Anti-Vibration Clamp Pins
(Standard)

SERVICE MAINTENANCE

- Inspection – Periodically inspect the clearance between the skirt rubber and the belt. If this gap is more than 6 mm or if excessive fines are escaping, readjust the skirt rubber.
- Adjustment – Unlock the wedges on the clamp pins and slide the skirt rubber down to the belt. Relock the clamp pins.

TROUBLESHOOTING

Problem: Skirt rubber slips out of skirt clamp.

Solution: 1. Check to insure wedges in clamp pins are locked.

2. Check skirt rubber position. Skirt rubber must not fold and lie on top of belt.

Stock items (non-shaded) refer to (*) for specific lead time, if not specified, standard lead time applies.

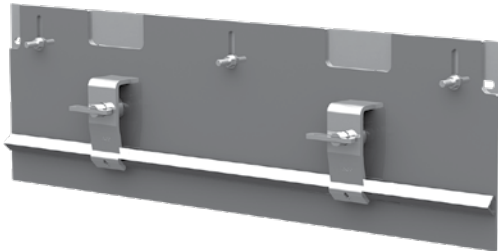
Non-stock items (shaded) please contact Flexco for dispatch options and lead times.

Product Ordering Information

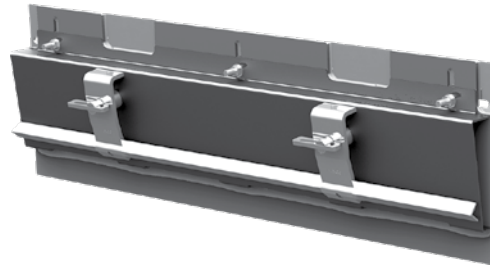
Skirt Wear Liner Kit

Belt Width	Height	Length	Ordering Number	Item Code	Wt. Kg
	mm	mm			
Straight Liner Kit with 6mm AR400	368	1200	SLAWK-48	93115	34.1
Straight Liner Kit with 125mm Canoe Liner	368	1200	SLUWK-48	93116	34.7
Tangent Liner Kit with 6mm AR400	368	1200	TLAWK-48	93117	43.7
Tangent Liner Kit with 25mm Canoe Liner	368	1200	TLUWK-48	93118	43.5

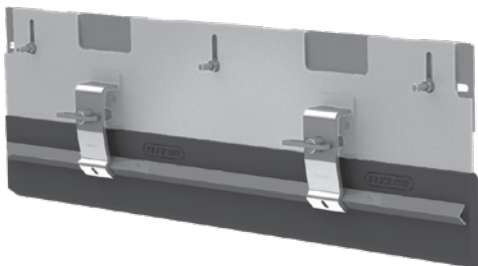
Includes on 1200mm section
Lead time: 1 working day



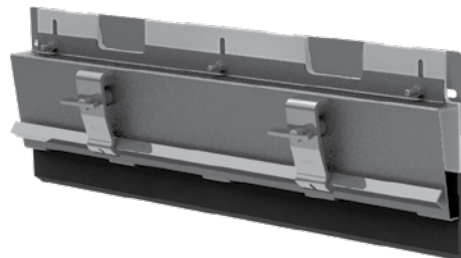
Straight Liner Kit with 6mm AR400



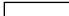

Tangent Liner Kit with 6mm AR400



Straight Liner Kit with 25mm Canoe Liner

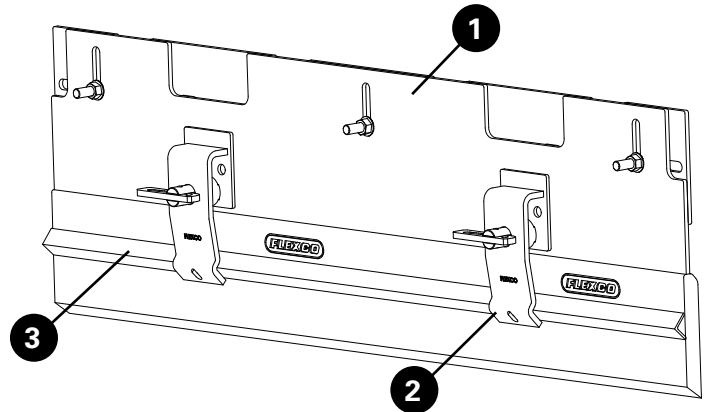


Tangent Liner Kit with 25mm Canoe Liner

 **Stock items** (non-shaded) refer to (*) for specific lead time, if not specified, standard lead time applies.
 **Non-stock items** (shaded) please contact Flexco for dispatch options and lead times.

Replacement Parts List

Skirt Wear Liner Kit



Ref	Belt Width	Ordering Number	Item Code	Wt. Lbs.
1	Replacement Straight Liner with 6mm AR400	SL-48	91841	20.6
	Replacement Tangent Liner with 6mm AR400	TL-48	91842	20.7
	Replacement Straight Liner with 25mm Canoe Liner	SLU-48	93113	21.4
	Replacement Tangent Liner with 25mm Canoe Liner	TLU-48	93114	20.5
2	Bolt-On Pal Pak	RMC1-BPP	76415	2.9
3	Clamp Bar	RMC1-CB	75820	1.8

Product Notes:

- Solves material spillage problems in the conveyor loading zone.
- Stops material loss, eliminates safety hazards, and reduces wear on conveyor components.
- Combines new liner wall with existing Flexco Skirting Kits to provide an upgraded sealing edge.
- Wear liner adjustable from outside the chute for quick and easy service.
- With long wearing 1/4" (6mm) AR400 plate or 1" (25mm) Polyurethane Canoe Liner

Stock items (non-shaded) refer to (*) for specific lead time, if not specified, standard lead time applies.

Non-stock items (shaded) please contact Flexco for dispatch options and lead times.

Product Ordering Information

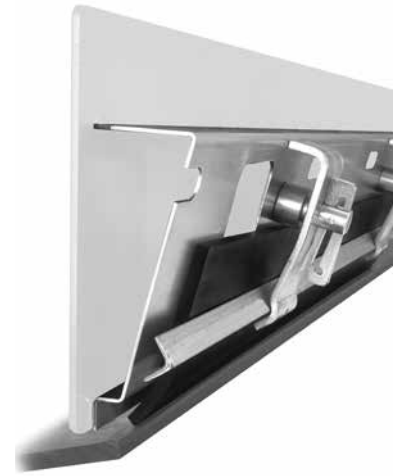
**Flex-Seal™
Skirt System**

Flex-Seal™ Skirt System*

DESCRIPTION	ORDERING NUMBER	ITEM CODE	WT. KG
Flex-Seal Skirt System	RMC2-FS-1	76558	13.4
Flex-Seal Bulk**	RMC2-FS-50	77330	669.0

*Includes angle plate, one Bolt-On PAL PAK, and one 1.2 m clamp bar. Skirt board and rubber not included.

**Minimum order quantity 50 pcs.
Skirt Rubber Thickness Range: 8 to 19 mm.



Replacement Parts

DESCRIPTION	ORDERING NUMBER	ITEM CODE	WT. KG
Angle Plate	RMC2-FSAPK	76559	8.6
Bolt-On PAL PAK*	RMC1-BPP	76415	2.9
Clamp Bar	RMC1-CB	75820	1.8

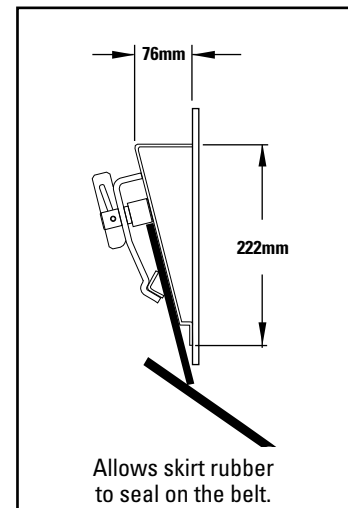
*Includes two bolt-on clamp pins and two clamp plates.



Bolt-On PAL PAK

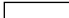
Specifications


SKIRT RUBBER WIDTH AND THICKNESS RANGE	
Width Required	150 mm
Thickness Range	(8 - 19 mm)



Product Notes:

- Solves material spillage problems in the conveyor loading zone.
- Stops material loss, eliminates safety hazards, and reduces wear on conveyor components.
- Anti-Vibration (standard) Clamp Pin with serrated wedge stays locked even in applications with severe vibration.

 Stock items (non-shaded) refer to (*) for specific lead time, if not specified, standard lead time applies.

 Non-stock items (shaded) please contact Flexco for dispatch options and lead times.

Product Ordering Information

Enclosed Skirting

Enclosed Skirting Base Unit

Base unit configuration options: belt width, length, no cover or cover, standard or tangential seal. One Leg Kit included with each Base Unit.



Product Notes:

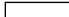
- Maximum span between support legs is 96" (or 8 ft) and they are to be attached to the conveyor stringer or truss – For each run of Enclosed Skirting one additional Leg Kit is required to complete the installation. See Leg Kits on the Replacement Parts page.
- Skirting solutions do not include required skirt rubber; purchase from local Flexco distribution
- Straight skirt wall and tangential skirt wall available for different skirt rubber sealing options
- Product is built and sold to CEMA standards
- Skirt board liners made with AR400 abrasive resistant plate steel


Standard Base Unit

BELT WIDTH	BASE UNIT LENGTH	STANDARD, NO COVER			STANDARD, COVERED		
		ORDERING NUMBER	ITEM CODE	WT. KG	ORDERING NUMBER	ITEM CODE	WT. KG
600	1200	ES24-4-SN	91653	80.1	ES24-4-SF	91664	99.1
750	1200	ES30-4-SN	91654	80.7	ES30-4-SF	91665	103.1
900	1200	ES36-4-SN	91655	81.3	ES36-4-SF	91666	107.3
1050	1200	ES42-4-SN	91656	82.5	ES42-4-SF	91667	112.1
1200	1200	ES48-4-SN	91657	83.1	ES48-4-SF	91668	116.4
1350	1200	ES54-4-SN	91658	83.7	ES54-4-SF	91669	120.5
1500	1200	ES60-4-SN	91659	85.0	ES60-4-SF	91670	125.2
1650	1200	ES66-4-SN	91660	85.5	ES66-4-SF	91671	129.3
1800	1200	ES72-4-SN	91661	86.1	ES72-4-SF	91672	133.6
2100	1200	ES84-4-SN	91662	88.0	ES84-4-SF	91673	142.4
2400	1200	ES96-4-SN	91663	89.8	ES96-4-SF	91674	151.4
600	2400	ES24-8-SN	91689	144.4	ES24-8-SF	91700	182.3
750	2400	ES30-8-SN	91690	145.0	ES30-8-SF	91701	189.9
900	2400	ES36-8-SN	91691	145.6	ES36-8-SF	91702	197.5
1050	2400	ES42-8-SN	91692	146.8	ES42-8-SF	91703	206.0
1200	2400	ES48-8-SN	91693	147.4	ES48-8-SF	91704	213.9
1350	2400	ES54-8-SN	91694	148.0	ES54-8-SF	91705	221.5
1500	2400	ES60-8-SN	91695	149.2	ES60-8-SF	91706	229.7
1650	2400	ES66-8-SN	91696	149.8	ES66-8-SF	91707	237.4
1800	2400	ES72-8-SN	91697	150.4	ES72-8-SF	91708	245.3
2100	2400	ES84-8-SN	91698	152.2	ES84-8-SF	91709	261.1
2400	2400	ES96-8-SN	91699	154.0	ES96-8-SF	91710	277.2

Tangential Base Unit

BELT WIDTH	BASE UNIT LENGTH	TANGENTIAL, NO COVER			TANGENTIAL, COVERED		
		ORDERING NUMBER	ITEM CODE	WT. KG	ORDERING NUMBER	ITEM CODE	WT. KG
600	1200						
750	1200						
900	1200						
1050	1200						
1200	1200	ES48-4-TN	91675	102.3	ES48-4-TF	91682	135.5
1350	1200	ES54-4-TN	91676	102.9	ES54-4-TF	91683	139.7
1500	1200	ES60-4-TN	91677	104.1	ES60-4-TF	91684	144.4
1650	1200	ES66-4-TN	91678	104.7	ES66-4-TF	91685	148.5
1800	1200	ES72-4-TN	91679	105.3	ES72-4-TF	91686	152.7
2100	1200	ES84-4-TN	91680	107.1	ES84-4-TF	91687	161.6
2400	1200	ES96-4-TN	91681	109.0	ES96-4-TF	91688	170.6
600	2400						
750	2400						
900	2400						
1050	2400						
1200	2400	ES48-8-TN	91711	185.7	ES48-8-TF	91718	252.2
1350	2400	ES54-8-TN	91712	186.3	ES54-8-TF	91719	259.9
1500	2400	ES60-8-TN	91713	187.6	ES60-8-TF	91720	268.1
1650	2400	ES66-8-TN	91714	188.2	ES66-8-TF	91721	275.7
1800	2400	ES72-8-TN	91715	188.7	ES72-8-TF	91722	283.6
2100	2400	ES84-8-TN	91716	190.6	ES84-8-TF	91723	299.5
2400	2400	ES96-8-TN	91717	192.4	ES96-8-TF	91724	315.6

 Stock items (non-shaded) refer to (*) for specific lead time, if not specified, standard lead time applies.

 Non-stock items (shaded) please contact Flexco for dispatch options and lead times.

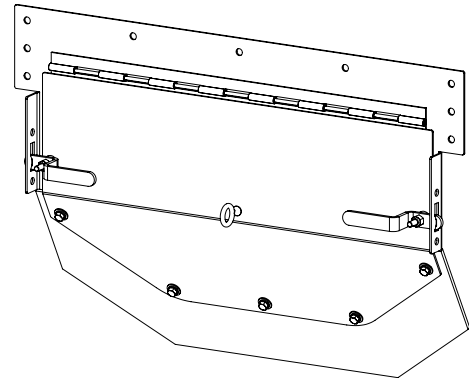
Product Ordering Information

Enclosed Skirting

Rear Seal

Used to enclose the rear of system while providing access into the system.

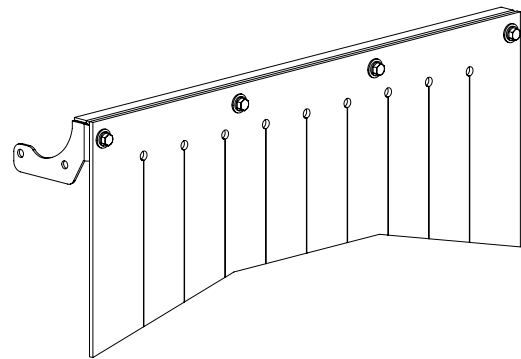
BELT WIDTH	ORDERING NUMBER	ITEM CODE	WT. KG
600	RS-24	91725	10.8
750	RS-30	91726	12.8
900	RS-36	91727	15.0
1050	RS-42	91728	17.3
1200	RS-48	91729	19.7
1350	RS-54	91730	22.0
1500	RS-60	91731	24.5
1650	RS-66	91732	26.9
1800	RS-72	91733	29.5
2100	RS-84	91734	35.4
2400	RS-96	91735	41.9



Dust Curtain

Can be located every two feet

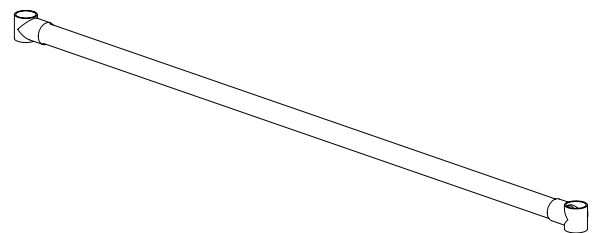
BELT WIDTH	ORDERING NUMBER	ITEM CODE	WT. KG
600	DC-24	91736	2.5
750	DC-30	91737	2.9
900	DC-36	91738	3.3
1050	DC-42	91739	3.6
1200	DC-48	91740	4.1
1350	DC-54	91741	4.4
1500	DC-60	91742	4.6
1650	DC-66	91743	5.0
1800	DC-72	91744	5.2
2100	DC-84	91745	5.8
2400	DC-96	91746	6.0



Spanners

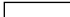
Can be located every two feet


SPANNER WIDTH	ORDERING NUMBER	ITEM CODE	WT. KG
600	SP-24	91747	2.5
750	SP-48	91748	4.9
900	SP-72	91749	7.3
1050	SP-96	91750	9.8



Product Notes:

- Add-on items attach to base unit to provide custom arrangement for your application

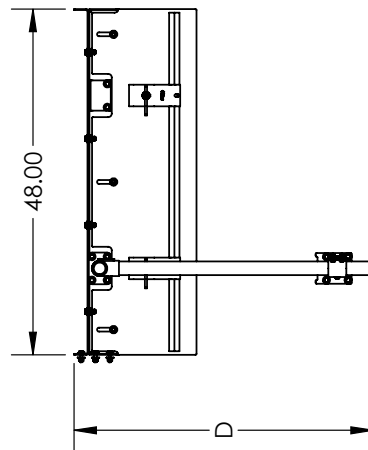
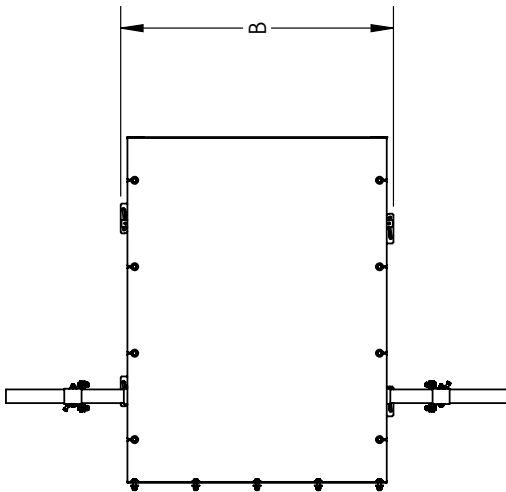
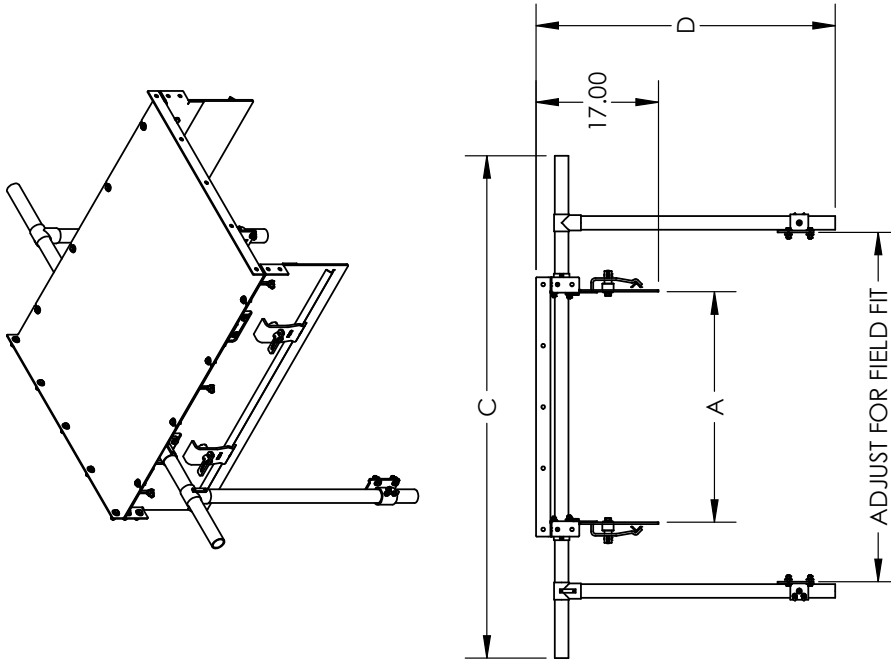
 Stock items (non-shaded) refer to (*) for specific lead time, if not specified, standard lead time applies.

 Non-stock items (shaded) please contact Flexco for dispatch options and lead times.

Specifications & Guidelines

Enclosed Skirting

1.2 M Base Unit

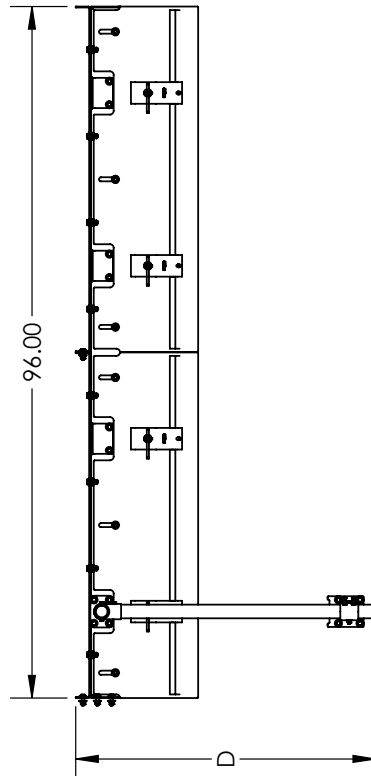
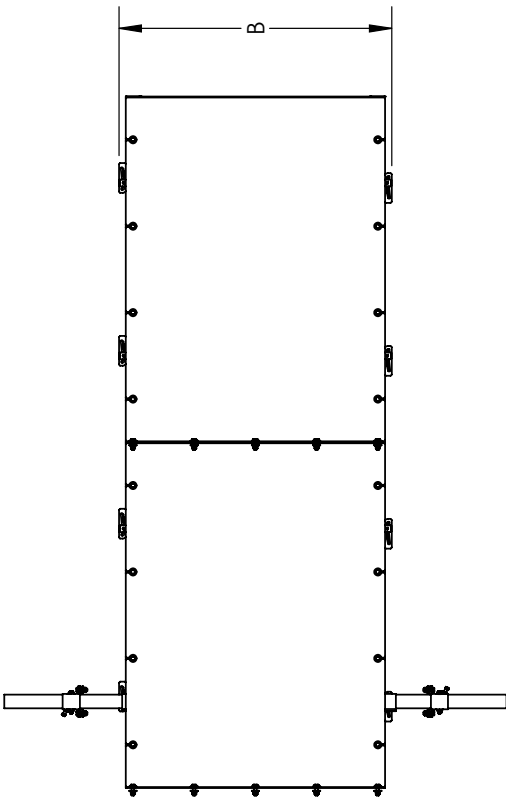
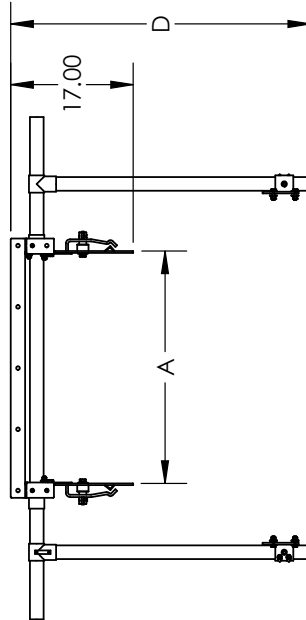
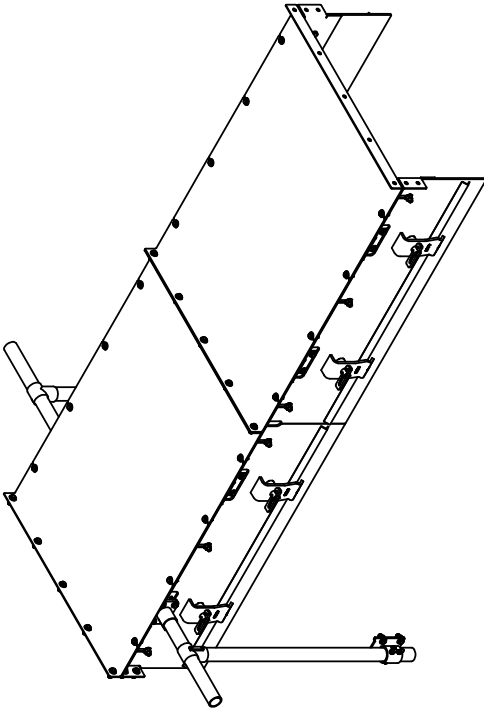


BELT WIDTH (in)	A (in)	B (in)	C (in)	D (in)
24	16	21.9	45.8	38.5
30	20	25.9	51.8	38.5
36	24	29.9	57.8	38.5
42	28	33.9	63.8	41.5
48	32	37.9	69.8	41.5
54	36	41.9	75.8	41.5
60	40	45.9	81.8	44.5
66	44	49.9	87.8	44.5
72	48	53.9	93.8	44.5
84	56	57.9	105.8	47.5
96	64	61.9	117.8	50.5

Specifications & Guidelines

Enclosed Skirting

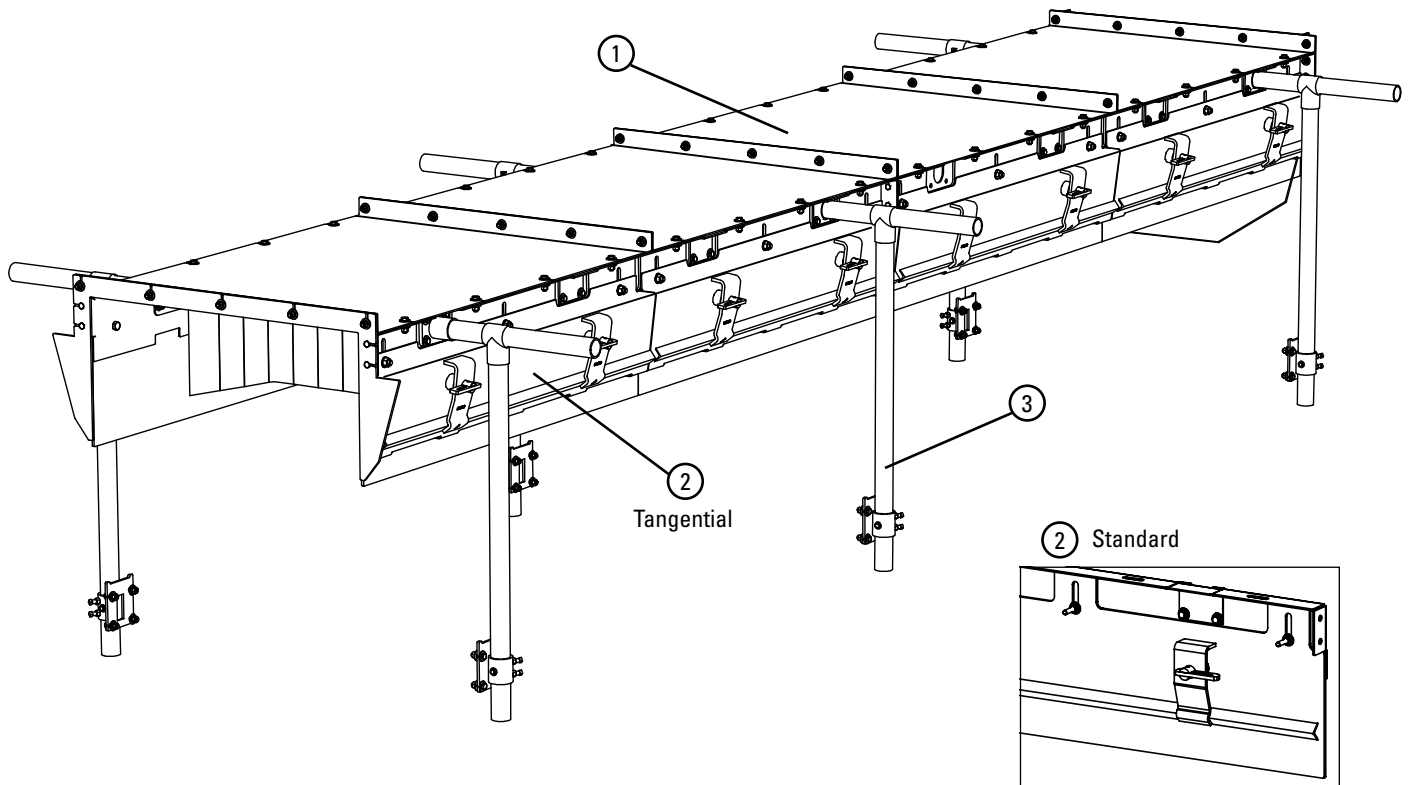
2.4 M Base Unit



BELT WIDTH (in)	A (in)	B (in)	C (in)	D (in)
24	16	21.9	45.8	38.5
30	20	25.9	51.8	38.5
36	24	29.9	57.8	38.5
42	28	33.9	63.8	41.5
48	32	37.9	69.8	41.5
54	36	41.9	75.8	41.5
60	40	45.9	81.8	44.5
66	44	49.9	87.8	44.5
72	48	53.9	93.8	44.5
84	56	57.9	105.8	47.5
96	64	61.9	117.8	50.5

Replacement Parts List

Enclosed Skirting



Replacement Parts

REF	DESCRIPTION	ORDERING NUMBER	ITEM CODE	WT. KG
1	600 mm Cover	SKC-24	91751	19.0
	750 mm Cover	SKC-30	91752	22.5
	900 mm Cover	SKC-36	91753	26.0
	1050 mm Cover	SKC-42	91754	29.6
	1200 mm Cover	SKC-48	91755	33.2
	1350 mm Cover	SKC-54	91756	36.7
	1500 mm Cover	SKC-60	91757	40.3
	1650 mm Cover	SKC-66	91758	43.8
	1800 mm Cover	SKC-72	91759	47.4
	2100 mm Cover	SKC-84	91760	54.4
	2400 mm Cover	SKC-96	91761	61.6
2	Standard AR400 Wear Plate*	SL-48	91841	20.6
	Tangential AR400 Wear Plate*	TL-48	91842	20.7
3	600 mm Leg Kit**	LA-24	91762	16.3
	750 mm Leg Kit**	LA-30	91763	17.0
	900 mm Leg Kit**	LA-36	91764	17.6
	1050 mm Leg Kit**	LA-42	91765	18.8
	1200 mm Leg Kit**	LA-48	91766	19.4
	1350 mm Leg Kit**	LA-54	91835	20.0
	1500 mm Leg Kit**	LA-60	91836	21.2
	1650 mm Leg Kit**	LA-66	91837	21.8
	1800 mm Leg Kit**	LA-72	91838	22.4
	2100 mm Leg Kit**	LA-84	91839	24.2
	2400 mm Leg Kit**	LA-96	91840	26.0

Hardware Included

*Item is single plate; two plates are required for every 1200 mm base unit
four plates are required for every 2400 mm base unit

**Kit includes 2 vertical legs, 1 crossmember, joints/mounts, and hardware

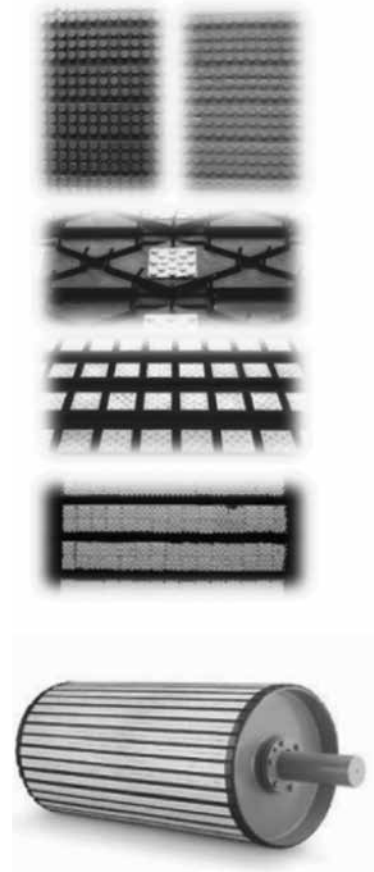
Lead time: 4 to 6 weeks

Stock items (non-shaded) refer to (*) for specific lead time, if not specified, standard lead time applies.
Non-stock items (shaded) please contact Flexco for dispatch options and lead times.

FLEX-LAG® Selection Chart - FLEX-LAG Pulley Lagging is manufactured in strips 200mm wide. The chart below informs you how many strips of FLEX-LAG you will need to lag a pulley in relation to the pulley diameter.

Note: Length of rubber lagging is 6.5m or 3.3m for LD lagging; Ceramic Lagging is manufactured to belt/pulley width. Furthermore we would like to draw your attention to our pulley diameter recommendations in regard to the use of HD rubber and ceramic lagging.

Pulley Diameter	Recommended Lagging Types	Strips Needed
50 (min) - 67 mm	6BLD/6WLD	1
b/valid from/valable á partir du/valida		2
130 - 196 mm		3
197 - 259 mm	6BLD/6WLD/10ND/12ND/ 10FRD/12FRD/12NDC/12FRDC	4
260 - 319 mm		5
320 - 381 mm	6BLD/6WLD/10ND - 20 ND/ 10FRD - 20 FRD/12NDC/12FRDC/ CL/CLFR	6
382 - 445 mm		7
446 - 510 mm		8
511 - 573 mm		9
574 - 636 mm		10
637 - 700 mm		11
701-764 mm		12
765 - 827 mm		13
828 - 891 mm		14
892 - 955 mm		15
956 - 1018 mm		16
1019 - 1082 mm		17
1083 - 1145 mm		18
1146 - 1210 mm		19
1211 - 1300 mm	20	



Product Ordering Information

Flex-Lag® Rubber Pulley Lagging

Flex-Lag® Light Duty Rubber*

PATTERN	THICKNESS	LENGTH	MATERIAL	ORDERING NUMBER	ITEM CODE
	mm	m			
Light Duty	6.0	3.3	SBR	6NLD3.3/11	71077
Light Duty	6.0	3.3	Nitrile	6WLD3.3/11	71076

Flex-Lag® Roll Lagging - SBR Rubber**

PATTERN	THICKNESS	LENGTH	MATERIAL	ORDERING NUMBER	WT. KG
	mm	m			
Diamond	10	6.5	10ND6.5/21	71002	12.6
Diamond	12	6.5	12ND6.5/21	71004	14.8
Diamond	15	6.5	15ND6.5/21	71006	18.8
Diamond	20	6.5	20ND6.5/21	71008	24.0
Diamond	25	6.5	25ND6.5/21	71152	N/A
Plain	10	6.5	10NP6.5/21	71010	14.0
Plain	12	6.5	12NP6.5/21	71012	16.0
Plain	15	6.5	15NP6.5/21	71017	22.0
Plain	20	6.5	20NP6.5/21	71021	N/A
Plain	25	6.5	25NP6.5/21	71163	N/A
Diamond Ceramic	12	6.5	12NDC6.5/21	71155	15.0
Medium Ceramic	15	6.5	CLMN6.5/21-15	62216	19.0

Flex-Lag® Roll Lagging - FRAS Rubber**

PATTERN	THICKNESS	LENGTH	MATERIAL	ORDERING NUMBER	WT. KG
	mm	m			
Diamond	10	6.5	10FRD6.5/21	71014	14.0
Diamond	12	6.5	12FRD6.5/21	71016	17.0
Diamond	15	6.5	15FRD6.5/21	71018	22.0
Diamond	20	6.5	20FRD6.5/21	71019	28.0
Plain	10	6.5	10FRP6.5/21	71020	15.5
Plain	12	6.5	12FRP6.5/21	71022	18.0
Plain	15	6.5	15FRP6.5/21	71015	25.0
Plain	20	6.5	20FRP6.5/21	72129	N/A
Diamond Ceramic	12	6.5	12FRDC6.5/21	71159	16.0
Medium Ceramic	15	6.5	CLMFR6.5/21-15	61319	22.0

FRAS (Fire Resistant Anti Static) MSHA Certification # - MSHA NO. IC-190
Ordering Number Key: **N** - SBR, **FR** - FRAS, **P** - Plain, **D** - Diamond, **DC** - Diamond Ceramic, **LD** - Light Duty

Strip Selection Chart

Pulley Diameter	Strips Required	Pulley Diameter	Strips Required
320 - 381	6	1083-1145	18
382 - 445	7	1146-1210	19
446 - 510	8	1211-1273	20
511 - 573	9	1274-1336	21
574 - 636	10	1337-1400	22
637 - 700	11	1403-1463	23
701 - 764	12	1466-1527	24
765 - 827	13	1529-1590	25
828 - 891	14	1593-1654	26
892 - 955	15	1656-1717	27
956 - 1018	16	1720-1781	28
1019 - 1082	17	1783-1844	29

Strips = Pulley Diameter (mm) x 3.14 ÷ 200 mm, then round up.

Rolls = $\frac{\text{Strips} \times (\text{Face Width} + 100 \text{ mm})}{\text{A or B}}$

A = Light Duty = 3300 mm; B = All Others = 6500 mm

*For Flex-Lag® Light Duty Rubber all material is 200 mm wide and 3.3 m rolls.

**For Flex-Lag® Natural Rubber and Flame-Resistant Rubber, all material is 200 mm wide in 6.5 m rolls.

Light Duty Lagging



Diamond Grooved Lagging



Plain Grooved Lagging



Specifications:

Temperature Rating

-15° C to 85° C

Rubber Compound

SBR (Styrene-Butadiene-Rubber)

Rubber Hardness

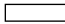
68 ± 3 Shore A


Ceramic Compound (Diamond Ceramic Lagging)

Aluminum Oxide (Al₂O₃)

Ceramic Hardness (Diamond Ceramic Lagging)

83 HRA Rockwell Hardness Scale A

 Stock items (non-shaded) refer to (*) for specific lead time, if not specified, standard lead time applies.

 Non-stock items (shaded) please contact Flexco for dispatch options and lead times.

Product Ordering Information

Flex-Lag® Medium Ceramic Pulley Lagging

Flex-Lag® Rubber Diamond Ceramic Lagging

DESCRIPTION	LENGTH	THICKNESS	ORDERING NUMBER	ITEM CODE	WT. KG
Rubber Black	6.5	12.0	12NDC	71155	25.0
Rubber Black (FRAS)	6.5	12.0	12FRDC	71159	27.0



Flex-Lag® Medium Ceramic Lagging - SBR Rubber

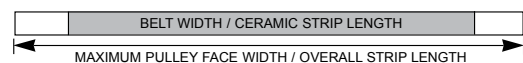
THICKNESS	BELT WIDTH	CERAMIC LENGTH	STRIP LENGTH	DIMPLED TILE		
				ORDERING NUMBER	ITEM CODE	WT. KG
15	450	474	880	CLMN450/18-15	61294	2.9
	600	626	1032	CLMN600/24-15	61295	3.4
	750	779	1185	CLMN750/30-15	61296	3.9
	900	931	1337	CLMN900/36-15	61297	4.4
	1050	1082	1488	CLMN1050/42-15	61298	4.7
	1200	1235	1641	CLMN1200/48-15	61299	5.7
	1350	1388	1794	CLMN1350/54-15	61300	6.1
	1500	1541	1947	CLMN1500/60-15	61301	6.7
	1800	1842	2248	CLMN1800/72-15	61302	7.7
2100	2155	2561	CLMN2100/84-15	61303	8.7	

Flex-Lag® Medium Ceramic Lagging - FRAS Rubber

THICKNESS	BELT WIDTH	CERAMIC LENGTH	STRIP LENGTH	DIMPLED TILE		
				ORDERING NUMBER	ITEM CODE	WT. KG
15	450	474	880	CLMFR450/18-15	61308	3.3
	600	626	1032	CLMFR600/24-15	61309	3.9
	750	779	1185	CLMFR750/30-15	61310	4.5
	900	931	1337	CLMFR900/36-15	61311	5.1
	1050	1082	1488	CLMFR1050/42-15	61312	5.4
	1200	1235	1641	CLMFR1200/48-15	61313	6.6
	1350	1388	1794	CLMFR1350/54-15	61314	7.0
	1500	1541	1947	CLMFR1500/60-15	61315	7.7
	1800	1842	2248	CLMFR1800/72-15	61316	8.9
2100	2155	2561	CLMFR2100/84-15	61317	10.0	

FRAS (Fire Resistant Anti Static) MSHA Certification # - MSHA NO. IC-190
Ordering Number Key: **N** - SBR, **FR** - FRAS

CERAMIC STRIP CONFIGURATION



Strips Required = Pulley Diameter (in) x 3.14" ÷ 8",
then round up.

Strip Selection Chart

Pulley Diameter mm	Strips Required	Pulley Diameter mm	Strips Required
320 - 381	6	1083-1145	18
382 - 445	7	1146-1210	19
446 - 510	8	1211-1273	20
511 - 573	9	1274-1336	21
574 - 636	10	1337-1400	22
637 - 700	11	1403-1463	23
701 - 764	12	1466-1527	24
765 - 827	13	1529-1590	25
828 - 891	14	1593-1654	26
892 - 955	15	1656-1717	27
956 - 1018	16	1720-1781	28
1019 - 1082	17	1783-1844	29

Specifications:

Temperature Rating
-15° C to 85° C

Rubber Compound
SBR (Styrene-Butadiene-Rubber)

Rubber Hardness
68 ± 3 Shore A

Ceramic Compound
Aluminum Oxide (Al₂O₃)

Ceramic Hardness
83 HRA Rockwell Hardness Scale A

39% Ceramic Coverage
Strips are 200 mm wide

Product Notes:

- No wasted ceramic with easy-to-specify dimensions by using pulley or belt width.
- Constructed from individual ceramic tiles molded into high-durometer rubber for superior abrasion resistance.
- Horizontal grooves trap and deflect water.
- Molded ceramic buttons grip the belt's underside for positive traction and no slippage.

Stock items (non-shaded) refer to (*) for specific lead time, if not specified, standard lead time applies.

Non-stock items (shaded) please contact Flexco for dispatch options and lead times.

Product Ordering Information

Flex-Lag®
Full Ceramic Pulley Lagging

Flex-Lag® Full Ceramic Lagging - SBR Rubber

THICKNESS	CERAMIC LENGTH	STRIP LENGTH	DIMPLED TILE		
			ORDERING NUMBER	ITEM CODE	WT. KG
12	460	860	CLN460/18.4-12	71111	3.3
	600	1000	CLN600/24-12	71112	3.6
	760	1160	CLN760/30.4-12	71113	4.2
	800	1200	CL800	71114	4.5
	900	1300	CLN900/36-12	71115	4.9
	1060	1500	CLN1060/42.4-12	71116	5.3
	1200	1600	CLN1200/48-12	71039	6.6
	1360	1800	CLN1360/54.4-12	71126	6.9
	1400	1900	CL1400	71040	7.0
	1520	2000	CLN1520/60.8-12	71127	7.1
	1600	2100	CL1600	71117	7.6
	1700	2200	CL1700	71041	8.1
	1800	2300	CLN1800/72-12	71042	8.6
	1900	2400	CL1900	71043	9.0
	2000	2500	CL2000	71037	9.3
	2100	2600	CLN2100/84-12	71044	9.8
	2200	2700	CL2200	71045	10.3
	2300	2800	CL2300	71046	10.6
	2400	2900	CL2400	71047	11.0
	2500	3000	CL2500	71048	11.4
2600	3000	CL2600	71049	11.9	
2800	3300	CL2800	71050	13.0	
3000	3300	CL3000	71000	14.0	



Flex-Lag® Full Ceramic Lagging - FRAS Rubber

THICKNESS	CERAMIC LENGTH	STRIP LENGTH	DIMPLED TILE		
			ORDERING NUMBER	ITEM CODE	WT. KG
12	460	860	CLFR460/18.4-12	71118	3.5
	600	1000	CLFR600/24-12	71119	3.9
	760	1160	CLFR760/30.4-12	71120	4.5
	800	1200	CLFR800	71121	4.9
	900	1300	CLFR900/36-12	71122	5.4
	1060	1500	CLFR1060/42.4-12	71123	5.6
	1200	1600	CLFR1200/48-12	71005	7.1
	1360	1800	CLFR1360/54.4-12	A1636	7.5
	1400	1900	CLFR1400	71107	7.7
	1520	2000	CLFR1520/60.8-12	71009	8.0
	1600	2100	CLFR1600	71124	8.3
	1700	2200	CLFR1700	71078	8.8
	1800	2300	CLFR1800/72-12	71079	9.4
	1900	2400	CLFR1900	71080	9.9
	2000	2500	CLFR2000	71081	10.2
	2100	2600	CLFR2100/84-12	71082	11.0
	2200	2700	CLFR2200	71083	13.3
	2300	2800	CLFR2300	71084	13.6
	2400	2900	CLFR2400	71085	14.0
	2500	3000	CLFR2500	71086	14.4
2600	3000	CLFR2600	71087	14.8	
2800	3300	CLFR2800	71088	15.2	
3000	3300	CLFR3000	71089	15.6	

Special Offerings

PRODUCT	PRICE COMPARED TO NATURAL RUBBER
15 mm Thickness	+5%
20 mm Thickness	+7 1/2%
25 mm Thickness	+15%

Specifications:

Temperature Rating
-15° C to 85° C

Rubber Compound
SBR (Styrene-Butadiene-Rubber)

Rubber Hardness
68 ± 3 Shore A

Ceramic Compound
Aluminum Oxide (Al₂O₃)

Ceramic Hardness
83 HRA Rockwell Hardness Scale A

80% Ceramic Coverage
Strips 200 mm wide

Strip Selection Chart

Pulley Diameter	Strips Required	Pulley Diameter	Strips Required
mm		mm	
320 - 381	6	1083-1145	18
382 - 445	7	1146-1210	19
446 - 510	8	1211-1273	20
511 - 573	9	1274-1336	21
574 - 636	10	1337-1400	22
637 - 700	11	1403-1463	23
701 - 764	12	1466-1527	24
765 - 827	13	1529-1590	25
828 - 891	14	1593-1654	26
892 - 955	15	1656-1717	27
956 - 1018	16	1720-1781	28
1019 - 1082	17	1783-1844	29

Stock items (non-shaded) refer to (*) for specific lead time, if not specified, standard lead time applies.

Non-stock items (shaded) please contact Flexco for dispatch options and lead times.

Product Ordering Information

Flex-Lag® Weld-On™ Rubber Pulley Lagging



Strip Selection Chart

Pulley Diameter	Strips Required
400	8
450	9
600	12
750	15
900	18
1050	21
1200	24
1350	27
1500	30
1800	36

Strips Required = Pulley Diameter (in) ÷ 2, then round down.

Flex-Lag® Weld-on Rubber Pulley Lagging

BELT WIDTH	STRIP LENGTH	ORDERING NUMBER	ITEM CODE
900	950	WR36/900-FLAT	P3594
1050	1100	WR42/1050-FLAT	P3595
1200	1275	WR48/1200-FLAT	P3596
1350	1425	WR54/1350-FLAT	P3597
1500	1575	WR60/1500-FLAT	P3598
1800	1875	WR72/1800-FLAT	P3599

Flex-Lag® Weld-on FRAS Rubber Pulley Lagging

BELT WIDTH	STRIP LENGTH	ORDERING NUMBER	ITEM CODE
900	950	FWR36/900-FRAS-FLAT	P3603
1050	1100	FWR42/1050-FRAS-FLAT	P3604
1200	1275	FWR48/1200-FRAS-FLAT	P3605
1350	1425	FWR54/1350-FRAS-FLAT	P3606
1500	1575	FWR60/1500-FRAS-FLAT	P3607
1800	1875	FWR72/1800-FRAS-FLAT	P3608

Stock items (non-shaded) refer to (*) for specific lead time, if not specified, standard lead time applies.

Non-stock items (shaded) please contact Flexco for dispatch options and lead times.

Product Ordering Information

Flex-Lag® Weld-On™ Ceramic Pulley Lagging



Strips Required = Pulley Diameter (in) ÷ 2, then round down.

Strip Selection Chart

Pulley Diameter	Strips Required
400	8
450	9
600	12
750	15
900	18
1050	21
1200	24
1350	27
1500	30
1800	36

Flex-Lag® Weld-on Rubber Pulley Lagging

BELT WIDTH	STRIP LENGTH	ORDERING NUMBER	ITEM CODE
900	950	WNC36/900-FLAT	P2900
1050	1100	WNC42/1050-FLAT	P2901
1200	1275	WNC48/1200-FLAT	P2902
1350	1425	WNC54/1350-FLAT	P2903
1500	1575	WNC60/1500-FLAT	P2904
1800	1875	WNC72/1800-FLAT	P2905

Flex-Lag® Weld-on FRAS Rubber Pulley Lagging

BELT WIDTH	STRIP LENGTH	ORDERING NUMBER	ITEM CODE
900	950	WNC36/900-FRAS-FLAT	61340
1050	1100	WNC42/1050-FRAS-FLAT	A75647
1200	1275	WNC48/1200-FRAS-FLAT	A1611
1350	1425	WNC54/1350-FRAS-FLAT	A1860
1500	1575	WNC60/1500-FRAS-FLAT	A2247
1800	1875	WNC72/1800-FRAS-FLAT	A2062

Stock items (non-shaded) refer to (*) for specific lead time, if not specified, standard lead time applies.

Non-stock items (shaded) please contact Flexco for dispatch options and lead times.

INDEX By Item Code

Item Code	Ordering Number	Page #	Item Code	Ordering Number	Page #	Item Code	Ordering Number	Page #	Item Code	Ordering Number	Page #
17743	PHA-PU85	95	71044	CLN2100/84-12	193	73026	HV400SS	68	73486	HSA	75
17744	HSKD-PU85	75	71045	CL2200	193	73028	HV400S	68	73494	HVC-S/S	79
61294	CLMN450/18-15	192	71046	CL2300	193	73030	HV600S	68	73533	VCS	140
61295	CLMN600/24-15	192	71047	CL2400	193	73034	HV800S	68	73535	VMFXS	140
61296	CLMN750/30-15	192	71048	CL2500	193	73036	HV1000M	68	73549	VMFS	140
61297	CLMN900/36-15	192	71049	CL2600	193	73038	HV1200M	68	73626	PHA	95
61298	CLMN1050/42-15	192	71050	CL2800	193	73045	HV600SS	68	73628	RSA150	96
61299	CLMN1200/48-15	192	71052	FLSC-I	181	73047	HSA8SS	68	73628	RSA150	97
61300	CLMN1350/54-15	192	71054	FLSC-I-50	181	73047	HSA8SS	69	73628	RSA150	100
61301	CLMN1500/60-15	192	71055	FLSCM-I	181	73047	HSA8SS	70	73628	RSA150	101
61302	CLMN1800/72-15	192	71057	FL-PC-I	181	73047	HSA8SS	73	73628	RSA150	105
61303	CLMN2100/84-15	192	71058	FL-RPI	181	73047	HSA8SS	75	73628	RSA150	108
61308	CLMFR450/18-15	192	71058	FL-RPI	181	73047	HSA8SS	76	73628	RSA150	109
61309	CLMFR600/24-15	192	71060	FL-RBI	181	73048	HSA8S	68	73628	RSA150	110
61310	CLMFR750/30-15	192	71060	FL-RBI	181	73048	HSA8S	69	73628	RSA150	111
61311	CLMFR900/36-15	192	71076	6WLD3.3/11	191	73048	HSA8S	70	73628	RSA150	113
61312	CLMFR1050/42-15	192	71077	6NLD3.3/11	191	73048	HSA8S	73	73628	RSA150	106
61313	CLMFR1200/48-15	192	71078	CLFR1700	193	73048	HSA8S	76	73631	HVPT	73
61314	CLMFR1350/54-15	192	71079	CLFR1800/72-12	193	73048	HSA8S	75	73631	HVPT	75
61315	CLMFR1500/60-15	192	71080	CLFR1900	193	73049	HSA8M	68	73637	HV1600M	68
61316	CLMFR1800/72-15	192	71081	CLFR2000	193	73049	HSA8M	69	73638	HV1600L	68
61317	CLMFR2100/84-15	192	71082	CLFR2100/84-12	193	73049	HSA8M	70	73639	HV1600LL	68
61319	CLMFR6.5/21-15	191	71083	CLFR2200	193	73049	HSA8M	73	73771	HSA8SS-S/S	68
61340	WNC36/900-FRAS-FLAT	195	71084	CLFR2300	193	73049	HSA8M	75	73771	HSA8SS-S/S	77
62216	CLMN6.5/21-15	191	71085	CLFR2400	193	73049	HSA8M	76	73771	HSA8SS-S/S	79
62219	PC450	91	71086	CLFR2500	193	73055	HV800SS	68	73772	HSA8S-S/S	68
62220	PC600	91	71087	CLFR2600	193	73056	HV1000S	68	73772	HSA8S-S/S	77
62221	PC750	91	71088	CLFR2800	193	73057	HV1000SS	68	73772	HSA8S-S/S	79
62222	PC900	91	71089	CLFR3000	193	73058	HV1200S	68	73773	HSA8M-S/S	68
62223	PC1050	91	71100	FLSCM-I-50	181	73059	HV1200SS	68	73773	HSA8M-S/S	77
62224	PC1350	91	71107	CLFR1400	193	73063	HSA8L	68	73773	HSA8M-S/S	79
62225	PC1500	91	71111	CLN460/18.4-12	193	73063	HSA8L	69	73774	HSA8L-S/S	68
64461	PV450	91	71112	CLN600/24-12	193	73063	HSA8L	70	73774	HSA8L-S/S	77
64462	PV600	91	71113	CLN760/30.4-12	193	73063	HSA8L	73	73774	HSA8L-S/S	79
64463	PV750	91	71114	CL800	193	73063	HSA8L	75	74033	HSA8LL-S/S	68
64464	PV900	91	71115	CLN900/36-12	193	73064	HSA8LL	68	74033	HSA8LL-S/S	77
64465	PV1050	91	71116	CLN1060/42.4-12	193	73064	HSA8LL	69	74033	HSA8LL-S/S	79
64466	PV1200	91	71117	CL1600	193	73064	HSA8LL	70	74037	VMFM	140
64467	PV1400	91	71118	CLFR460/18.4-12	193	73064	HSA8LL	73	74038	VMFL	140
64468	PV1500	91	71119	CLFR600/24-12	193	73064	HSA8LL	75	74203	HV1400S	68
64469	PVHD1800	91	71120	CLFR760/30.4-12	193	73131	CBV-XS	137	74389	CBV-72	137
64788	HV400SSS	68	71121	CLFR800	193	73132	CBV-S	137	74390	CBV-84	137
64789	HV600SSS	68	71122	CLFR900/36-12	193	73133	CBV-M	137	74391	CBV-96	137
64790	HV800SSS	68	71123	CLFR1060/42.4-12	193	73134	CBV-L	137	74395	VP72	140
64901	HV1000SSS	68	71124	CLFR1600	193	73156	PSA150	91	74396	VP84	140
71000	CL3000	193	71126	CLN1360/54.4-12	193	73156	PSA150	92	74397	VP96	140
71002	10ND6.5/21	191	71127	CLN1520/60.8-12	193	73158	HV1400L	68	74398	VMF72	140
71004	12ND6.5/21	191	71140	FLM-PC	181	73163	RBPRET	170	74399	VMF84	140
71005	CLFR1200/48-12	193	71141	FL-CP-I	181	73173	HV600M	68	74417	STJK	26
71006	15ND6.5/21	191	71141	FL-CP-I	181	73175	HV800M	68	74419	STTS	26
71008	20ND6.5/21	191	71152	25ND6.5/21	191	73177	HV1400M	68	74440	VMF96	140
71009	CLFR1520/60.8-12	193	71155	12NDC	192	73178	HV800L	68	74448	UFB18	114
71010	10NP6.5/21	191	71155	12NDC6.5/21	191	73179	HV1000L	68	74449	UFB24	114
71012	12NP6.5/21	191	71159	12FRDC	192	73180	HV1200L	68	74450	UFB30	114
71014	10FRD6.5/21	191	71159	12FRDC6.5/21	191	73190	VBK-XS	137	74451	UFB36	114
71015	15FRP6.5/21	191	71163	25NP6.5/21	191	73190	VBK-S	140	74452	UFB42	114
71016	12FRD6.5/21	191	71164	FL-CP-ISS	181	73191	VBK-S	137	74453	UFB48	114
71017	15NP6.5/21	191	71168	FL-PC-ISS	181	73191	VBK-S	140	74454	UFB54	114
71018	15FRD6.5/21	191	72129	20FRP6.5/21	191	73192	VBK-M	137	74455	UFB60	114
71019	20FRD6.5/21	191	73003	PP450	95	73192	VBK-M	140	74456	UFB72	114
71020	10FRP6.5/21	191	73005	PP600	95	73193	VBK-L	137	74457	VBK-72	137
71021	20NP6.5/21	191	73007	PP750	95	73193	VBK-L	140	74457	VBK-72	140
71022	12FRP6.5/21	191	73009	PP900	95	73215	HV1400LL	68	74458	VBK-84	137
71037	CL2000	193	73011	PP1050	95	73399	VMBK	140	74458	VBK-84	140
71039	CLN1200/48-12	193	73013	PP1200	95	73400	VPXS	140	74459	VBK-96	137
71040	CL1400	193	73015	PP1400	95	73408	VPS	140	74459	VBK-96	140
71041	CL1700	193	73016	PP1500	95	73409	VPM	140	74460	UFB84	114
71042	CLN1800/72-12	193	73019	HV400M	68	73410	VPL	140	74477	HVHD1800L	68
71043	CL1900	193	73024	PPS6	95	73483	HSKD	75	74478	HVHD1800LL	68

INDEX By Item Code

Item Code	Ordering Number	Page #	Item Code	Ordering Number	Page #	Item Code	Ordering Number	Page #	Item Code	Ordering Number	Page #
74502	HDS	26	74638	RV1200	96	75342	RV600-S/S	97	75631	CRB28	131
74504	STKD	75	74639	RV1350	96	75343	RV750-S/S	97	75632	CRB34	29
74506	STCK	35	74640	RV1500	96	75344	RV900-S/S	97	75632	CRB34	131
74535	ICT6	80	74642	RVHD1800	96	75345	RV1050-S/S	97	75633	CRB40	29
74535	ICT6	81	74643	RVHD2100	96	75346	RV1200-S/S	97	75633	CRB40	131
74535	ICT6	83	74644	RVHD2400	96	75347	RV1400-S/S	97	75634	CRB46	29
74535	ICT6	91	74692	RDP1-S	138	75348	RV1500-S/S	97	75634	CRB46	131
74535	ICT6	92	74693	RDP1-M	138	75419	HVT8(S/S)	68	75635	CRB52	29
74535	ICT6	93	74694	RDP1-L	138	75419	HVT8-S/S	75	75635	CRB52	131
74535	ICT6	95	74695	RDP1-XL	138	75419	HVT8-S/S	76	75636	CRB58	29
74535	ICT6	96	74699	RDPBK-S	138	75419	HVT8-S/S	79	75636	CRB58	131
74535	ICT6	97	74700	RDPBK-M	138	75420	PVT6(S/S)	95	75637	EZP1MPK	26
74535	ICT6	100	74701	RDPBK-L	138	75426	STJ-S/S	117	75641	EZP1PL	26
74535	ICT6	101	74702	RDPBK-XL	138	75485	QMTS-P	126	75641	EZP1PL	27
74535	ICT6	105	74771	HSSTS	75	75513	PAB	83	75642	EZP1BP	26
74535	ICT6	108	74772	HSSCS	75	75513	PAB	95	75642	EZP1BP	27
74535	ICT6	109	74773	PSSS	108	75513	PAB	100	75642	EZP1BP	35
74535	ICT6	110	74773	PSSS	109	75513	PAB	101	75642	EZP1BP	131
74535	ICT6	111	74773	PSSS	113	75522	RBPFK-S	170	75643	EZS2-18	80
74535	ICT6	113	74775	STJM	26	75523	RBPFK-M	170	75644	EZS2-24	80
74535	ICT6	106	74821	HTV18SS	76	75524	RBPFK-L	170	75645	EZS2-30	80
74539	HVHD2000M	68	74822	HTV24SS	76	75525	RBPFK-XL	170	75646	EZS2-36	80
74540	HVHD2000L	68	74824	HTV36SS	76	75526	RBPMBK	170	75647	EZS2-42	80
74541	HVHD2000LL	68	74825	HTV42SS	76	75527	RBPIIT-S	170	75648	EZS2-48	80
74544	HVHD2400M	68	74826	HTV48SS	76	75528	RBPIIT-M	170	75649	EZS2-54	80
74545	HVHD2400L	68	74828	HTV18S	76	75529	RBPIIT-L	170	75650	EZS2-60	80
74546	HVHD2400LL	68	74829	HTV24S	76	75530	RBPIIT-XL	170	75651	EZS2-72	80
74557	PPHD2400	95	74831	HTV36S	76	75565	HSA8SSS	68	75652	EZS2P18	83
74558	RBP1S-S	168	74832	HTV42S	76	75565	HSA8SSS	69	75653	EZS2P24	83
74559	RBP1S-M	168	74833	HTV48S	76	75565	HSA8SSS	70	75654	EZS2P30	83
74560	RBP1S-L	168	74838	HTV36M	76	75570	VUBK-XS	137	75655	EZS2P36	83
74561	RBP1S-XL	168	74839	HTV42M	76	75571	VUBK-S	137	75656	EZS2P42	83
74562	RBPSR-S	170	74840	HTV48M	76	75572	VUBK-M	137	75657	EZS2P48	83
74563	RBPSR-M	170	74982	VMLK	140	75573	VUBK-L	137	75658	EZS2P54	83
74564	RBPSR-L	170	74983	VSC	140	75574	VUBK-72	137	75659	EZS2P60	83
74565	RBPSR-XL	170	74985	RNC	101	75575	VUBK-84	137	75660	EZS2P72	83
74591	HVHD3000M	68	75293	HV400SS-S/S	68	75576	VUBK-96	137	75661	FFCK	83
74592	HVHD3000L	68	75294	HV400S-S/S	68	75585	STTS-S/S	117	75666	EZS2MBK	83
74593	HVHD3000LL	68	75295	HV400M-S/S	68	75586	HDS-S/S	117	75666	EZS2MBK	95
74597	PPHD1800	95	75296	HV600SS-S/S	68	75588	PLSC18	93	75666	EZS2MBK	100
74602	HVHD1800M	68	75297	HV600S-S/S	68	75589	PLSC24	93	75666	EZS2MBK	101
74604	RP450	100	75298	HV600M-S/S	68	75590	PLSC30	93	75772	EZP1P72	27
74605	RP600	100	75302	HV900SS-S/S	68	75591	PLSC36	93	75773	CRB70	29
74606	RP750	100	75303	HV900S-S/S	68	75592	PLSC42	93	75773	CRB70	131
74607	RP900	100	75304	HV900M-S/S	68	75593	PLSC48	93	75775	CRB64	29
74608	RP1050	100	75305	HV900L-S/S	68	75594	PLSC54	93	75778	FLSC-ISS	181
74609	RP1200	100	75306	HV1050SS-S/S	68	75595	PLSP450	95	75811	MSPMPK	44
74610	RP1350	100	75307	HV1050S-S/S	68	75596	PLSP600	95	75811	MSPMPK	52
74611	RP1500	100	75308	HV1050M-S/S	68	75597	PLSP750	95	75811	MSPMPK	53
74612	RP-72	101	75309	HV1050L-S/S	68	75598	PLSP900	95	75811	MSPMPK	75
74613	RPHD1800	100	75310	HV1200SS-S/S	68	75599	PLSP1050	95	75816	MSPPL	44
74614	RPHD2100	100	75311	HV1200S-S/S	68	75600	PLSP1200	95	75816	MSPPL	75
74615	RPHD2400	100	75312	HV1200M-S/S	68	75601	PLSP1350	95	75817	RMC1	180
74618	RC18	96	75313	HV1200L-S/S	68	75619	EZP1P12	27	75819	RMC1-CP	180
74619	RC24	96	75314	HV1500M-S/S	68	75620	EZP1P18	27	75820	RMC1-CB	180
74620	RC30	96	75315	HV1500L-S/S	68	75621	EZP1P24	27	75820	RMC1-CB	183
74621	RC36	96	75316	HV1500LL-S/S	68	75622	EZP1P30	27	75820	RMC1-CB	184
74622	RC42	96	75317	HV1600M-S/S	68	75623	EZP1P36	27	75821	RMC1-PL	180
74623	RC48	96	75318	HV1600L-S/S	68	75624	EZP1P42	27	75830	MMBK	36
74624	RC54	96	75319	HV1600LL-S/S	68	75625	EZP1P48	27	75830	MMBK	47
74625	RC60	96	75323	PV450-S/S	92	75626	EZP1P54	27	75831	MSPBPBK	44
74626	RC72	96	75324	PV600-S/S	92	75627	EZP1P60	27	75831	MSPBPBK	46
74628	RCHD2100	96	75325	PV750-S/S	92	75628	CRB10	29	75831	MSPBPBK	120
74629	RCHD2400	96	75326	PV900-S/S	92	75628	CRB10	131	75832	RMC1-PP	180
74633	RV450	96	75327	PV1050-S/S	92	75629	CRB16	29	75833	RMC1-50	180
74634	RV600	96	75328	PV1200-S/S	92	75629	CRB16	131	75834	RMC1-LS	180
74635	RV750	96	75329	PV1400-S/S	92	75630	CRB22	29	75835	RMC1LS-PL	180
74636	RV900	96	75330	PV1500-S/S	92	75630	CRB22	131	75836	RMC1-LSP	180
74637	RV1050	96	75341	RV450-S/S	97	75631	CRB28	29	75843	STS-S	108

INDEX By Item Code

Item Code	Ordering Number	Page #	Item Code	Ordering Number	Page #	Item Code	Ordering Number	Page #	Item Code	Ordering Number	Page #
75843	STS-S	109	75898	PSTS-W	75	75963	MHP-CP36	62	76099	QMTPSBK	52
75843	STS-S	113	75898	PSTS-W	117	75964	MHP-CP42	62	76099	QMTPSBK	53
75843	STS-S	120	75898	PSTS-W	126	75965	MHP-CP48	62	76099	QMTPSBK	75
75843	STS-S	126	75898	PSTS-W	126	75966	MHP-CP54	62	76099	QMTPSBK	117
75844	STS-B	108	75898	PSTS-W	126	75967	MHP-CP60	62	76101	HV-18SS	69
75844	STS-B	109	75898	PSTS-W	126	75968	MHP-CP72	62	76102	HV-24SS	69
75844	STS-B	113	75899	PSTS-S	52	75978	SSRB	60	76104	HV-36SS	69
75844	STS-B	120	75899	PSTS-S	58	75978	SSRB	60	76105	HV-42SS	69
75844	STS-B	126	75899	PSTS-S	62	75979	HXF2-SS	66	76107	HV-54S	69
75845	QMTS-P	26	75899	PSTS-S	75	75979	HXF2-SS	75	76108	HV-60S	69
75845	QMTS-P	35	75899	PSTS-S	126	75980	HXF2-S	66	76109	HV-72S	69
75845	QMTS-P	44	75899	PSTS-S	126	75980	HXF2-S	75	76110	H78P18	75
75845	QMTS-P	46	75901	HFC2	75	75981	HXF2-M	66	76111	H78P24	75
75845	QMTS-P	52	75902	HXFC2	75	75981	HXF2-M	75	76112	H78P30	75
75845	QMTS-P	53	75905	AWTB	52	75982	HXF2-L	66	76113	H78P36	75
75845	QMTS-P	75	75905	AWTB	58	75982	HXF2-L	75	76114	H78P42	75
75845	QMTS-P	117	75905	AWTB	62	75985	RBQC1HD-12	132	76115	H78P48	75
75845	QMTS-P	126	75906	AWTMB	52	75986	RBQC1HD-18	132	76116	H78P54	75
75845	QMTS-P	126	75906	AWTMB	58	75987	RBQC1HD-24	132	76117	H78P60	75
75845	QMTS-P	126	75906	AWTMB	62	75988	RBQC1HD-30	132	76118	H78P72	75
75846	STS-W	108	75907	AWTA	52	75989	RBQC1HD-36	132	76124	HVP-18S	73
75846	STS-W	109	75907	AWTA	58	75990	RBQC1HD-42	132	76125	HVP-24S	73
75846	STS-W	113	75907	AWTA	62	75991	RBQC1HD-48	132	76127	HVP-36S	73
75846	STS-W	120	75909	AWTHK	52	75992	RBQC1HD-54	132	76128	HVP-42S	73
75846	STS-W	126	75909	AWTHK	58	75993	RBQC1HD-66	132	76130	HVP-54S	73
75847	STAK	113	75909	AWTHK	62	76024	MAPEK	125	76131	HVP-60S	73
75847	STAK	120	75918	MHSP-24	108	76069	AWTNCB	52	76132	HVP-72S	73
75868	MDWS-24	118	75918	MHSP-24	109	76069	AWTNCB	58	76138	HXF2-18SS	66
75869	MDWS-30	118	75918	MHSP-24	113	76069	AWTNCB	62	76139	HXF2-24SS	66
75870	MDWS-36	118	75919	MHSP-30	108	76071	SSTSMB	106	76141	HXF2-36SS	66
75871	MDWS-42	118	75919	MHSP-30	109	76072	SSTLMB	106	76142	HXF2-42SS	66
75872	MDWS-48	118	75919	MHSP-30	113	76074	QMT-P	44	76144	HXF2-54SS	66
75873	MDWS-54	118	75920	MHSP-36	108	76074	QMT-P	52	76145	HXF2-60S	66
75874	MDWS-60	118	75920	MHSP-36	109	76074	QMT-P	75	76146	HXF2-72S	66
75875	MDWS-72	118	75920	MHSP-36	113	76075	QMT-W	44	76178	MHSP-18	108
75876	DWP-24	120	75921	MHSP-42	108	76075	QMT-W	52	76178	MHSP-18	109
75877	DWP-30	120	75921	MHSP-42	109	76075	QMT-W	75	76190	HV-18S	69
75878	DWP-36	120	75921	MHSP-42	113	76085	HTS18	81	76191	HV-18M	69
75879	DWP-42	120	75922	MHSP-48	108	76086	HTS24	81	76192	HV-24S	69
75880	DWP-48	120	75922	MHSP-48	109	76087	HTS30	81	76193	HV-24M	69
75881	DWP-54	120	75922	MHSP-48	113	76088	HTS36	81	76196	HV-36S	69
75882	DWP-60	120	75923	MHSP-54	108	76089	HTS42	81	76197	HV-36M	69
75883	DWP-72	120	75923	MHSP-54	109	76090	HTS48	81	76198	HV-36L	69
75884	CDWB24	118	75923	MHSP-54	113	76091	HTS54	81	76199	HV-42S	69
75885	CDWB30	118	75924	MHSP-60	108	76092	HTS60	81	76205	RV76-S/S	108
75886	CDWB36	118	75924	MHSP-60	109	76093	HTS72	81	76249	RSA	100
75887	CDWB42	118	75924	MHSP-60	113	76094	HTSCK	81	76249	RSA	101
75888	CDWB48	118	75925	MHSP-72	108	76094	HTSCK	83	76251	HV-42M	69
75889	CDWB54	118	75925	MHSP-72	109	76096	QMTPAK	44	76252	HV-42L	69
75890	CDWB60	118	75925	MHSP-72	113	76096	QMTPAK	46	76258	HV-54M	69
75891	CDWB72	118	75927	PFC	113	76096	QMTPAK	52	76259	HV-54L	69
75892	STAKHD	113	75929	MHCP-24S	59	76096	QMTPAK	53	76261	HV-60M	69
75892	STAKHD	120	75930	MHCP-30S	59	76096	QMTPAK	75	76262	HV-60L	69
75896	PSTA	44	75931	MHCP-36S	59	76096	QMTPAK	117	76264	HV-72M	69
75896	PSTA	46	75932	MHCP-42S	59	76097	QMTBK-P	44	76265	HV-72L	69
75896	PSTA	52	75933	MHCP-48S	59	76097	QMTBK-P	45	76267	HVP-18M	73
75896	PSTA	53	75934	MHCP-54S	59	76097	QMTBK-P	52	76268	HVP-18L	73
75896	PSTA	58	75935	MHCP-60S	59	76097	QMTBK-P	75	76269	HVP-24M	73
75896	PSTA	62	75936	MHCP-72S	59	76097	QMTBK-P	79	76270	HVP-24L	73
75896	PSTA	75	75953	MHCP-BCK24	60	76098	QMTBK-W	44	76273	HVP-36M	73
75896	PSTA	117	75954	MHCP-BCK30	60	76098	QMTBK-W	45	76274	HVP-36L	73
75897	PTPK	58	75955	MHCP-BCK36	60	76098	QMTBK-W	52	76275	HVP-42M	73
75897	PTPK	62	75956	MHCP-BCK42	60	76098	QMTBK-W	58	76276	HVP-42L	73
75898	PSTS-W	44	75957	MHCP-BCK48	60	76098	QMTBK-W	62	76280	HVP-54M	73
75898	PSTS-W	46	75958	MHCP-BCK54	60	76098	QMTBK-W	75	76281	HVP-54L	73
75898	PSTS-W	52	75959	MHCP-BCK60	60	76098	QMTBK-W	79	76283	HVP-60M	73
75898	PSTS-W	53	75960	MHCP-BCK72	60	76098	QMTBK-W	117	76284	HVP-60L	73
75898	PSTS-W	58	75961	MHP-CP24	62	76099	QMTPSBK	44	76286	HVP-72M	73
75898	PSTS-W	62	75962	MHP-CP30	62	76099	QMTPSBK	46	76287	HVP-72L	73

INDEX By Item Code

Item Code	Ordering Number	Page #	Item Code	Ordering Number	Page #	Item Code	Ordering Number	Page #	Item Code	Ordering Number	Page #
76289	HXF2-18S	66	76462	MMPCP48	58	76615	MHS-36R	110	76757	URCB84/2100	114
76290	HXF2-18M	66	76463	MMPCP54	52	76616	MHS-42R	110	76757	URCB84/2100	115
76291	HXF2-24S	66	76463	MMPCP54	58	76617	MHS-48R	110	76772	USP18/450	117
76292	HXF2-24M	66	76464	MMPCP60	52	76618	MHS-54R	110	76773	USP24/600	117
76295	HXF2-36S	66	76464	MMPCP60	58	76619	MHS-60R	110	76774	USP30/750	117
76296	HXF2-36M	66	76465	MMPCP72	52	76620	MHS-72R	110	76775	USP36/900	117
76297	HXF2-36L	66	76465	MMPCP72	58	76621	MHS-84R	110	76776	USP42/1050	117
76298	HXF2-42S	66	76466	MMPBPK	52	76622	PFRS	113	76777	USP48/1200	117
76299	HXF2-42M	66	76466	MMPBPK	53	76636	SSTBK-W	109	76778	USP54/1350	117
76300	HXF2-42L	66	76466	MMPBPK	133	76636	SSTBK-W	113	76779	USP60/1500	117
76304	HXF2-54S	66	76467	HSHD-S/S	79	76636	SSTBK-W	120	76780	USP72/1800	117
76305	HXF2-54M	66	76483	QMT-G	44	76637	SSTBK-B	109	76781	USP84/2100	117
76306	HXF2-54L	66	76483	QMT-G	52	76637	SSTBK-B	113	76784	UPSBK	117
76307	HXF2-60M	66	76484	QMTS-G	44	76637	SSTBK-B	120	76785	UPBK	117
76308	HXF2-60L	66	76484	QMTS-G	52	76638	MHCP-2BC24	62	76787	UHPB	117
76309	HXF2-72M	66	76484	QMTS-G	53	76639	MHCP-2BC30	62	76788	ABU	117
76310	HXF2-72L	66	76484	QMTS-G	126	76640	MHCP-2BC36	62	76788	ABU	117
76319	URCB88/2200	114	76484	QMTS-G	126	76641	MHCP-2BC42	62	76789	UMBK	117
76392	MHP-EP	52	76485	TRB18	50	76642	MHCP-2BC48	62	76790	USPK	117
76392	MHP-EP	53	76485	TRB18	133	76643	MHCP-2BC54	62	76791	UHSPK	117
76392	MHP-EP	58	76486	TRB24	50	76644	MHCP-2BC60	62	76792	USMK	117
76392	MHP-EP	62	76486	TRB24	133	76645	MHCP-2BC72	62	76793	UHMK	117
76393	MHCP-CH	62	76487	TRB30	50	76646	MHS-18RV	110	76794	UST-P	117
76394	MHCP-BS	62	76487	TRB30	133	76647	MHS-24RV	110	76795	UST-W	117
76399	HOBK	75	76488	TRB36	50	76648	MHS-30RV	110	76798	MMP-684	47
76403	EST-P	26	76488	TRB36	133	76649	MHS-36RV	110	76799	MMP-1284	47
76404	EST-S	26	76489	TRB42	50	76650	MHS-42RV	110	76800	MHCP-84S	59
76405	EST-B	26	76489	TRB42	133	76651	MHS-48RV	110	76805	MHS-84RV	110
76406	ESTAK-EST	26	76490	TRB48	50	76652	MHS-54RV	110	76806	MDWS-84	118
76406	ESTAK-EST	117	76490	TRB48	133	76653	MHS-60RV	110	76808	MMPCP84	52
76407	ESPSBK	26	76491	TRB54	50	76654	MHS-72RV	110	76808	MMPCP84	58
76408	ESPBK	26	76491	TRB54	133	76668	CBC18/450	124	76810	MHCP-BCK84	60
76409	ESPRK	26	76492	TRB60	50	76669	CBC24/600	124	76811	MHP-CP84	62
76409	ESPRK	117	76492	TRB60	133	76670	CBC30/750	124	76812	MHCP-2BC84	62
76410	ESBK-PS	26	76493	TRB66	50	76671	CBC36/900	124	76814	MHSP-84	113
76410	ESBK-PS	117	76493	TRB66	133	76672	CBC42/1050	124	76815	DWVP-84	120
76411	ESBK-B	26	76494	TRB72	50	76673	CBC48/1200	124	76816	DRXL-24-420	158
76412	ESS-S	26	76494	TRB72	133	76674	CBC54/1350	124	76817	DRXL-30-420	158
76412	ESS-S	35	76537	MMPK	36	76675	CBC60/1500	124	76818	DRXL-36-420	158
76412	ESS-S	117	76537	MMPK	47	76697	TRB78	50	76819	DRXL-42-420	158
76412	ESS-S	126	76538	RMC1-LSBPP	180	76697	TRB78	133	76820	DRXL-48-420	158
76412	ESS-S	126	76540	QMTBK-G	44	76724	UTF18	114	76821	DRXL-54-420	158
76413	ESS-B	26	76540	QMTBK-G	45	76725	UTF24	114	76822	DRXL-60-420	158
76413	ESS-B	35	76540	QMTBK-G	52	76726	UTF30	114	76823	DRXL-72-420	158
76413	ESS-B	126	76551	MMP-1230	47	76727	UTF36	114	76824	DRXL-24-520	158
76414	RMC1-BCP	180	76552	MMP-1236	47	76728	UTF42	114	76825	DRXL-30-520	158
76415	RMC1-BPP	180	76553	MMP-1242	47	76729	UTF48	114	76826	DRXL-36-520	158
76415	RMC1-BPP	183	76554	MMP-1248	47	76730	UTF54	114	76827	DRXL-42-520	158
76415	RMC1-BPP	184	76555	MMP-1254	47	76731	UTF60	114	76828	DRXL-48-520	158
76416	VAK	140	76556	MMP-1260	47	76732	UTF72	114	76829	DRXL-54-520	158
76418	EZP10TK1	26	76557	MMP-1272	47	76733	UTF84	114	76830	DRXL-60-520	158
76419	EZP10TK2	26	76558	RMC2-FS-1	184	76748	URCB18/450	114	76831	DRXL-72-520	158
76450	MMP-624	47	76559	RMC2-FSAPK	184	76748	URCB18/450	115	76840	DRXL-24-535	158
76451	MMP-630	47	76560	PFC-SS	113	76749	URCB24/600	114	76841	DRXL-30-535	158
76452	MMP-636	47	76570	RB6SA	134	76749	URCB24/600	115	76842	DRXL-36-535	158
76453	MMP-642	47	76571	RB6DH	135	76750	URCB30/750	114	76843	DRXL-42-535	158
76454	MMP-648	47	76593	CRB-HT10	29	76750	URCB30/750	115	76844	DRXL-48-535	158
76455	MMP-654	47	76594	CRB-HT16	29	76751	URCB36/900	114	76845	DRXL-54-535	158
76456	MMP-660	47	76595	CRB-HT22	29	76751	URCB36/900	115	76846	DRXL-60-535	158
76457	MMP-672	47	76596	CRB-HT28	29	76752	URCB42/1050	114	76847	DRXL-72-535	158
76458	MMPCP24	52	76597	CRB-HT34	29	76752	URCB42/1050	115	76848	DRXM-24-420	160
76458	MMPCP24	58	76598	CRB-HT40	29	76753	URCB48/1200	114	76849	DRXM-30-420	160
76459	MMPCP30	52	76599	CRB-HT46	29	76753	URCB48/1200	115	76850	DRXM-36-420	160
76459	MMPCP30	58	76600	CRB-HT52	29	76754	URCB54/1350	114	76851	DRXM-42-420	160
76460	MMPCP36	52	76601	CRB-HT58	29	76754	URCB54/1350	115	76852	DRXM-48-420	160
76460	MMPCP36	58	76602	CRB-HT64	29	76755	URCB60/1500	114	76853	DRXM-54-420	160
76461	MMPCP42	52	76603	CRB-HT70	29	76755	URCB60/1500	115	76854	DRXM-60-420	160
76461	MMPCP42	58	76613	MHS-24R	110	76756	URCB72/1800	114	76855	DRXM-72-420	160
76462	MMPCP48	52	76614	MHS-30R	110	76756	URCB72/1800	115	76856	DRXM-24-520	160

INDEX By Item Code

Item Code	Ordering Number	Page #	Item Code	Ordering Number	Page #	Item Code	Ordering Number	Page #	Item Code	Ordering Number	Page #
76857	DRXM-30-520	160	76926	IB4	147	77091	CRB-LS28	12	77318	URCB64/1600	114
76858	DRXM-36-520	160	76926	IB4	150	77091	CRB-LS28	16	77321	URCB80/2000	114
76859	DRXM-42-520	160	76926	IB4	153	77092	CRB-LS34	12	77330	RMC2-FS-50	184
76860	DRXM-48-520	160	76926	IB4	158	77092	CRB-LS34	16	77331	HDARK-S/S	117
76861	DRXM-54-520	160	76926	IB4	160	77093	CRB-LS40	12	77334	STJK-S/S	117
76862	DRXM-60-520	160	76926	IB4	162	77093	CRB-LS40	16	77338	USP88/2200	117
76863	DRXM-72-520	160	76926	IB4	166	77094	CRB-LS46	12	77357	MMKU-SS	117
76864	DRXM-24-435	160	76927	IB5	147	77094	CRB-LS46	16	77358	MMKUHD-SS	117
76865	DRXM-30-435	160	76927	IB5	150	77095	CRB-LS52	12	77364	HARK-S/S	117
76866	DRXM-36-435	160	76927	IB5	153	77095	CRB-LS52	16	77365	LS-SPK	14
76867	DRXM-42-435	160	76927	IB5	158	77096	CRB-LS58	12	77366	LSTMPK	14
76868	DRXM-48-435	160	76927	IB5	160	77096	CRB-LS58	16	77367	LSTPB-RK	14
76869	DRXM-54-435	160	76927	IB5	162	77097	CRB-LS10W	12	77384	EZPTBT	27
76870	DRXM-60-435	160	76927	IB5	164	77097	CRB-LS10W	16	77385	EZPTBTHD	27
76871	DRXM-72-435	160	76927	IB5	166	77098	CRB-LS16W	12	77387	SPG-CVR-A	126
76872	DRXM-24-535	160	76928	IBBK	144	77098	CRB-LS16W	16	77388	SPG-CVR-B	126
76873	DRXM-30-535	160	76928	IBBK	147	77099	CRB-LS22W	12	77389	SPG-CVR-C	126
76874	DRXM-36-535	160	76928	IBBK	150	77099	CRB-LS22W	16	77390	SPG-CVR-D	126
76875	DRXM-42-535	160	76928	IBBK	153	77100	CRB-LS28W	12	77391	SPG-CVR-E	126
76876	DRXM-48-535	160	76928	IBBK	158	77100	CRB-LS28W	16	77392	SPG-CVR-F	126
76877	DRXM-54-535	160	76928	IBBK	160	77101	CRB-LS34W	12	77393	SPG-CVR-G	126
76878	DRXM-60-535	160	76928	IBBK	162	77101	CRB-LS34W	16	77415	USP94/2400	117
76879	DRXM-72-535	160	76928	IBBK	164	77102	CRB-LS40W	12	77423	RAPEK	125
76880	DRXH-24-420	162	76928	IBBK	166	77102	CRB-LS40W	16	77424	MMP-624-S/S	48
76881	DRXH-30-420	162	76929	IBS-L4	158	77103	CRB-LS46W	12	77425	MMP-630-S/S	48
76882	DRXH-36-420	162	76930	IBS-L5	158	77103	CRB-LS46W	16	77426	MMP-636-S/S	48
76883	DRXH-42-420	162	76931	IBS-M4	153	77104	CRB-LS52W	12	77427	MMP-642-S/S	48
76884	DRXH-48-420	162	76931	IBS-M4	160	77104	CRB-LS52W	16	77428	MMP-648-S/S	48
76885	DRXH-54-420	162	76932	IBS-M5	153	77105	CRB-LS58W	12	77429	MMP-654-S/S	48
76886	DRXH-60-420	162	76932	IBS-M5	160	77105	CRB-LS58W	16	77430	MMP-660-S/S	48
76887	DRXH-72-420	162	76933	IBS-H4	162	77114	LS-BP	14	77431	MMP-672-S/S	48
76888	DRXH-24-520	162	76934	IBS-H5	162	77115	LS-BP-S/S	14	77432	MMP-684-S/S	48
76889	DRXH-30-520	162	76935	ISABK	164	77117	LS-SW	18	77439	MMP-1272-S/S	48
76890	DRXH-36-520	162	76936	IMK	158	77118	LS-SS	14	77440	MMP-1284-S/S	48
76891	DRXH-42-520	162	76936	IMK	160	77120	LST-TAK	14	77441	MESPRK	35
76892	DRXH-48-520	162	76936	IMK	162	77121	LST-P	14	77442	PSTA-S/S	45
76893	DRXH-54-520	162	76937	IEA-42-60	164	77122	LST-W	14	77442	PSTA-S/S	79
76894	DRXH-60-520	162	76938	IEA-72-96	164	77123	LST-S	14	77443	TEN-LOCK-KIT	126
76895	DRXH-72-520	162	76942	CDWB84	118	77124	LST-B-S/S	18	77448	URCB94/2400	114
76896	DRXH-24-435	162	76943	SST-BUK	113	77125	LST-W-S/S	18	77450	QMTS-P-S/S	31
76897	DRXH-30-435	162	76943	SST-BUK	120	77126	LST-W-S/S-2	18	77450	QMTS-P-S/S	45
76898	DRXH-36-435	162	76965	IB4-1U	166	77135	EZP-LS260	10	77450	QMTS-P-S/S	79
76899	DRXH-42-435	162	76966	IB5-1U	166	77136	EZP-LS818	10	77451	QMTS-W-S/S	31
76900	DRXH-48-435	162	77047	TRB84	50	77137	EZP-LS824	10	77451	QMTS-W-S/S	45
76901	DRXH-54-435	162	77047	TRB84	133	77138	EZP-LS830	10	77451	QMTS-W-S/S	79
76902	DRXH-60-435	162	77048	TRB90	133	77139	EZP-LS836	10	77452	QMTS-G-S/S	31
76903	DRXH-72-435	162	77071	LSP18	14	77140	EZP-LS842	10	77452	QMTS-G-S/S	45
76904	DRXH-24-535	162	77072	LSP24	14	77141	EZP-LS848	10	77459	MSP-260-S/S	38
76905	DRXH-30-535	162	77073	LSP30	14	77142	EZP-LS854	10	77460	MSP-272-S/S	38
76906	DRXH-36-535	162	77074	LSP36	14	77143	EZP-LS860	10	77462	MSP-824-S/S	38
76907	DRXH-42-535	162	77075	LSP42	14	77144	CLSFG-212	15	77463	MSP-830-S/S	38
76908	DRXH-48-535	162	77076	LSP48	14	77145	CLSFG-218	15	77464	MSP-836-S/S	38
76909	DRXH-54-535	162	77077	LSP54	14	77146	CLSFG-224	15	77465	MSP-842-S/S	38
76910	DRXH-60-535	162	77078	LSP60	14	77147	CLSFG-230	15	77466	MSP-848-S/S	38
76911	DRXH-72-535	162	77079	LSP12-S/S	18	77148	CLSFG-236	15	77467	MSP-854-S/S	38
76912	DRXD-42-520	164	77080	LSP18-S/S	18	77149	CLSFG-242	15	77468	MSP-860-S/S	38
76913	DRXD-48-520	164	77081	LSP24-S/S	18	77150	CLSFG-248	15	77470	MSP-872-S/S	38
76914	DRXD-54-520	164	77082	LSP30-S/S	18	77151	CLSFG-254	15	77471	MSP-884-S/S	38
76915	DRXD-60-520	164	77083	LSP36-S/S	18	77152	CLSFG-260	15	77472	MSPP24-S/S	45
76916	DRXD-72-520	164	77084	LSP42-S/S	18	77259	UTC450J-S/S	115	77473	MSPP30-S/S	45
76917	DRXD-84-520	164	77085	LSP48-S/S	18	77260	UTC600J-S/S	115	77474	MSPP36-S/S	45
76918	DRXD-96-520	164	77086	LSP54-S/S	18	77261	UTC750J-S/S	115	77475	MSPP42-S/S	45
76919	DRXD-42-535	164	77087	LSP60-S/S	18	77262	UTC900J-S/S	115	77476	MSP48-S/S	45
76920	DRXD-48-535	164	77088	CRB-LS10	12	77263	UTC1050J-S/S	115	77477	MSP54-S/S	45
76921	DRXD-54-535	164	77088	CRB-LS10	16	77264	UTC1200J-S/S	115	77478	MSP60-S/S	45
76922	DRXD-60-535	164	77089	CRB-LS16	12	77265	UTC1350J-S/S	115	77479	MSP72-S/S	45
76923	DRXD-72-535	164	77089	CRB-LS16	16	77267	UTC1500J-S/S	115	77480	MSP84-S/S	45
76924	DRXD-84-535	164	77090	CRB-LS22	12	77269	UTC1800J-S/S	115	77524	MSPPL-S/S	45
76925	DRXD-96-535	164	77090	CRB-LS22	16	77271	UTC2100J-S/S	115	77524	MSPPL-S/S	79

INDEX By Item Code

Item Code	Ordering Number	Page #	Item Code	Ordering Number	Page #	Item Code	Ordering Number	Page #	Item Code	Ordering Number	Page #
77529	ISABK-LMH	158	77683	PTS-RR39	174	78186	EZP1-800-200	19	78256	CRB-1950	23
77529	ISABK-LMH	160	77683	PTS-RR39	174	78187	EZP1-1000-200	19	78256	CRB-1950	40
77529	ISABK-LMH	162	77684	PTS-RR45	174	78188	EZP1-1200-200	19	78257	CRB-HT200	23
77530	IBS-D5	164	77684	PTS-RR45	174	78189	EZP1-1400-200	19	78257	CRB-HT200	40
77531	MRB18	55	77685	PTS-RR51	174	78190	EZP1-1600-200	19	78258	CRB-HT300	23
77532	MRB24	55	77685	PTS-RR51	174	78207	HTF-400-50	20	78258	CRB-HT300	40
77533	MRB30	55	77686	PTS-RR57	174	78210	HTF-800-50	20	78259	CRB-HT350	23
77534	MRB36	55	77686	PTS-RR57	174	78211	HTF-1000-50	20	78259	CRB-HT350	40
77535	MRB42	55	77687	PTS-RR63	174	78212	HTF-1200-50	20	78260	CRB-HT450	23
77536	MRB48	55	77687	PTS-RR63	174	78213	HTF-1400-50	20	78260	CRB-HT450	40
77537	MRB54	55	77688	PTS-RR69	174	78214	HTF-1600-50	20	78261	CRB-HT600	23
77538	MRB60	55	77689	PTS-RR75	174	78215	HTF-400-200	20	78261	CRB-HT600	40
77539	MRB66	55	77690	PTS-RR81	174	78216	HTF-500-200	20	78262	CRB-HT750	23
77540	MRB72	55	77703	MHP-624	54	78217	HTF-650-200	20	78262	CRB-HT750	40
77548	SHIM-KITL	144	77704	MHP-630	54	78218	HTF-800-200	20	78263	CRB-HT800	23
77548	SHIM-KITL	150	77705	MHP-636	54	78219	HTF-1000-200	20	78263	CRB-HT800	40
77549	SHIM-KITM	153	77706	MHP-642	54	78220	HTF-1200-200	20	78264	CRB-HT950	23
77549	SHIM-KITM	160	77707	MHP-648	54	78221	HTF-1400-200	20	78264	CRB-HT950	40
77550	SHIM-KITH	162	77708	MHP-654	54	78222	HTF-1600-200	20	78265	CRB-HT1000	23
77551	CRB-LS10HT	12	77709	MHP-660	54	78224	MSP-800-50	36	78265	CRB-HT1000	40
77551	CRB-LS10HT	16	77710	MHP-672	54	78225	MSP-1000-50	36	78266	CRB-HT1150	23
77552	CRB-LS16HT	12	77719	MHP-1272	54	78226	MSP-1200-50	36	78266	CRB-HT1150	40
77552	CRB-LS16HT	16	77720	MHP-1284	54	78227	MSP-1400-50	36	78267	CRB-HT1200	23
77553	CRB-LS22HT	12	77723	PST2-W	58	78228	MSP-1600-50	36	78267	CRB-HT1200	40
77553	CRB-LS22HT	16	77723	PST2-W	62	78229	MSP-1800-50	36	78268	CRB-HT1350	23
77554	CRB-LS28HT	12	77724	PST2-S	58	78230	MSP-2000-50	36	78268	CRB-HT1350	40
77554	CRB-LS28HT	16	77724	PST2-S	62	78231	MSP-650-200	36	78269	CRB-HT1400	23
77555	CRB-LS34HT	12	77725	PST2-R	58	78232	MSP-800-200	36	78269	CRB-HT1400	40
77555	CRB-LS34HT	16	77725	PST2-R	62	78233	CCKHDTS	101	78270	CRB-HT1550	23
77556	CRB-LS40HT	12	77726	PSTS-R	58	78233	MSP-1000-200	36	78270	CRB-HT1550	40
77556	CRB-LS40HT	16	77726	PSTS-R	62	78234	MSP-1200-200	36	78271	CRB-HT1600	23
77557	CRB-LS46HT	12	77726	PSTS-R	126	78235	MSP-1400-200	36	78271	CRB-HT1600	40
77557	CRB-LS46HT	16	77727	MHPMPK	58	78236	MSP-1600-200	36	78272	CRB-HT1750	23
77558	CRB-LS52HT	12	77727	MHPMPK	62	78237	MSP-1800-200	36	78272	CRB-HT1750	40
77558	CRB-LS52HT	16	77728	MHPBPK	58	78238	MSP-2000-200	36	78273	CRB-HT1800	23
77559	CRB-LS58HT	12	77743	CTS-S	87	78239	CRB-200	23	78273	CRB-HT1800	40
77559	CRB-LS58HT	16	77746	EZP-LS212HT	11	78239	CRB-200	40	78274	CRB-HT1950	23
77582	MSPMPK-S/S	45	77747	EZP-LS218HT	11	78240	CRB-300	23	78274	CRB-HT1950	40
77582	MSPMPK-S/S	79	77748	EZP-LS224HT	11	78240	CRB-300	40	78275	EZP1P400	26
77583	MSPBPK-S/S	31	77749	EZP-LS230HT	11	78241	CRB-350	23	78275	EZP1P400	35
77583	MSPBPK-S/S	45	77750	EZP-LS236HT	11	78241	CRB-350	40	78276	EZP1P500	26
77584	QMT-P-S/S	45	77751	EZP-LS242HT	11	78242	CRB-450	23	78276	EZP1P500	35
77584	QMT-P-S/S	79	77752	EZP-LS248HT	11	78242	CRB-450	40	78277	EZP1P650	26
77585	QMT-W-S/S	45	77753	EZP-LS254HT	11	78243	CRB-600	23	78277	EZP1P650	35
77585	QMT-W-S/S	79	77754	EZP-LS260HT	11	78243	CRB-600	40	78278	EZP1P800	26
77586	QMT-G-S/S	45	77757	UST-S	117	78244	CRB-750	23	78278	EZP1P800	35
77587	QMTPAK-S/S	45	77867	STGK2	109	78244	CRB-750	40	78279	EZP1P1000	26
77587	QMTPAK-S/S	79	77867	STGK2	113	78245	CRB-800	23	78279	EZP1P1000	35
77588	QMTPSBK-S/S	45	77867	STGK2	120	78245	CRB-800	40	78280	EZP1P1200	26
77588	QMTPSBK-S/S	79	77868	SSTHDPM	109	78246	CRB-950	23	78280	EZP1P1200	35
77664	PTS-18R	174	77868	SSTHDPM	113	78246	CRB-950	40	78281	EZP1P1400	26
77665	PTS-24R	174	77868	SSTHDPM	120	78247	CRB-1000	23	78281	EZP1P1400	35
77666	PTS-30R	174	77870	SSTHDMK	113	78247	CRB-1000	40	78282	EZP1P1600	26
77667	PTS-36R	174	77870	SSTHDMK	120	78248	CRB-1150	23	78282	EZP1P1600	35
77668	PTS-42R	174	77879	SST2HD-W	120	78248	CRB-1150	40	78301	MSPP650	44
77669	PTS-48R	174	77880	SST2HD-S	120	78249	CRB-1200	23	78301	MSPP650	46
77670	PTS-54R	174	77881	SST2HD-B	120	78249	CRB-1200	40	78302	MSPP800	44
77671	PTS-60R	174	78142	STS-G	113	78250	CRB-1350	23	78302	MSPP800	46
77672	PTS-72R	174	78142	STS-G	120	78250	CRB-1350	40	78303	MSPP1000	44
77673	PTS-30R-UG	174	78142	STS-G	126	78251	CRB-1400	23	78303	MSPP1000	46
77674	PTS-36R-UG	174	78175	EZP1-400-50	19	78251	CRB-1400	40	78304	MSPP1200	44
77675	PTS-42R-UG	174	78178	EZP1-800-50	19	78252	CRB-1550	23	78304	MSPP1200	46
77676	PTS-48R-UG	174	78179	EZP1-1000-50	19	78252	CRB-1550	40	78305	MSPP1400	44
77677	PTS-54R-UG	174	78180	EZP1-1200-50	19	78253	CRB-1600	23	78305	MSPP1400	46
77678	PTS-60R-UG	174	78181	EZP1-1400-50	19	78253	CRB-1600	40	78306	MSPP1600	44
77679	PTS-72R-UG	174	78182	EZP1-1600-50	19	78254	CRB-1750	23	78306	MSPP1600	46
77680	PTS-RR21	174	78183	EZP1-400-200	19	78254	CRB-1750	40	78307	MSPP1800	44
77681	PTS-RR27	174	78184	EZP1-500-200	19	78255	CRB-1800	23	78308	MSPP2000	44
77682	PTS-RR33	174	78185	EZP1-650-200	19	78255	CRB-1800	40	78387	CTS-B-S/S	18

INDEX By Item Code

Item Code	Ordering Number	Page #	Item Code	Ordering Number	Page #	Item Code	Ordering Number	Page #	Item Code	Ordering Number	Page #
78426	RP-18	101	78683	PACB60	62	78863	EZSB24-5C	142	78954	EZBS-L5	147
78427	RP-24	101	78705	PAK	52	78864	EZSB30-5C	142	78954	EZBS-L5	150
78428	RP-30	101	78705	PAK	58	78865	EZSB36-5C	142	78970	EZWPK-24	144
78429	RP-36	101	78705	PAK	62	78866	EZSB42-5C	142	78970	EZWPK-24	147
78430	RP-42	101	78733	SAT2AK	113	78867	EZSB48-5C	142	78970	EZWPK-24	150
78431	RP-48	101	78733	SAT2AK	120	78868	EZSB54-5C	142	78970	EZWPK-24	153
78432	RP-54	101	78754	TRB-HT18	50	78869	EZSB60-5C	142	78971	EZWPK-30	144
78433	RP-60	101	78755	TRB-HT24	50	78870	EZSB72-5C	142	78971	EZWPK-30	147
78462	LSTMPK2-S/S	18	78756	TRB-HT30	50	78871	EZSB24-4I	145	78971	EZWPK-30	150
78471	CRB-W10	23	78757	TRB-HT36	50	78872	EZSB30-4I	145	78971	EZWPK-30	153
78471	CRB-W10	29	78758	TRB-HT42	50	78873	EZSB36-4I	145	78972	EZWPK-36	144
78471	CRB-W10	40	78759	TRB-HT48	50	78874	EZSB42-4I	145	78972	EZWPK-36	147
78472	CRB-W16	23	78760	TRB-HT54	50	78875	EZSB48-4I	145	78972	EZWPK-36	150
78472	CRB-W16	29	78761	TRB-HT60	50	78876	EZSB54-4I	145	78972	EZWPK-36	153
78472	CRB-W16	40	78762	TRB-HT66	50	78877	EZSB60-4I	145	78973	EZWPK-42	144
78473	CRB-W22	23	78763	TRB-HT72	50	78878	EZSB72-4I	145	78973	EZWPK-42	147
78473	CRB-W22	29	78764	TRB-HT78	50	78879	EZSB24-5I	145	78973	EZWPK-42	150
78473	CRB-W22	40	78786	HAR-K	26	78880	EZSB30-5I	145	78973	EZWPK-42	153
78474	CRB-W28	23	78789	SB4	144	78881	EZSB36-5I	145	78974	EZWPK-48	144
78474	CRB-W28	29	78789	SB4	147	78882	EZSB42-5I	145	78974	EZWPK-48	147
78474	CRB-W28	40	78789	SB4	150	78883	EZSB48-5I	145	78974	EZWPK-48	150
78475	CRB-W34	23	78789	SB4	153	78884	EZSB54-5I	145	78974	EZWPK-48	153
78475	CRB-W34	29	78789	SB4	158	78885	EZSB60-5I	145	78975	EZWPK-54	144
78475	CRB-W34	40	78789	SB4	160	78886	EZSB72-5I	145	78975	EZWPK-54	147
78476	CRB-W40	23	78789	SB4	162	78887	EZIB24-4L	148	78975	EZWPK-54	150
78476	CRB-W40	29	78789	SB4	166	78888	EZIB30-4L	148	78975	EZWPK-54	153
78476	CRB-W40	40	78790	SB5	144	78889	EZIB36-4L	148	78976	EZWPK-60	144
78477	CRB-W46	23	78790	SB5	147	78890	EZIB42-4L	148	78976	EZWPK-60	147
78477	CRB-W46	29	78790	SB5	150	78891	EZIB48-4L	148	78976	EZWPK-60	150
78477	CRB-W46	40	78790	SB5	153	78892	EZIB54-4L	148	78976	EZWPK-60	153
78478	CRB-W52	23	78790	SB5	158	78893	EZIB60-4L	148	78977	EZWPK-72	144
78478	CRB-W52	29	78790	SB5	160	78894	EZIB72-4L	148	78977	EZWPK-72	147
78478	CRB-W52	40	78790	SB5	162	78895	EZIB24-5L	148	78977	EZWPK-72	150
78479	CRB-W58	23	78790	SB5	164	78896	EZIB30-5L	148	78977	EZWPK-72	153
78479	CRB-W58	29	78790	SB5	166	78897	EZIB36-5L	148	78978	EZCSK-24	144
78479	CRB-W58	40	78808	EST-P-S/S	31	78898	EZIB42-5L	148	78978	EZCSK-24	147
78480	CRB-W64	23	78809	EST-W-S/S	31	78899	EZIB48-5L	148	78978	EZCSK-24	150
78480	CRB-W64	29	78810	EST-G-S/S	31	78900	EZIB54-5L	148	78978	EZCSK-24	153
78480	CRB-W64	40	78812	EZP1P12-S/S	31	78901	EZIB60-5L	148	78979	EZCSK-30	144
78481	CRB-W70	23	78813	EZP1P18-S/S	31	78902	EZIB72-5L	148	78979	EZCSK-30	147
78481	CRB-W70	29	78814	EZP1P24-S/S	31	78919	CCMK	83	78979	EZCSK-30	150
78481	CRB-W70	40	78815	EZP1P30-S/S	31	78919	CCMK	95	78979	EZCSK-30	153
78488	EZP1T-212	22	78816	EZP1P36-S/S	31	78919	CCMK	100	78980	EZCSK-36	144
78489	EZP1T-218	22	78817	EZP1P42-S/S	31	78919	CCMK	101	78980	EZCSK-36	147
78490	EZP1T-224	22	78818	EZP1P48-S/S	31	78920	CCMKHD	83	78980	EZCSK-36	150
78491	EZP1T-230	22	78819	EZP1P54-S/S	31	78920	CCMKHD	95	78980	EZCSK-36	153
78492	EZP1T-236	22	78820	EZP1P60-S/S	31	78920	CCMKHD	100	78981	EZCSK-42	144
78493	EZP1T-242	22	78821	EZP1P72-S/S	31	78920	CCMKHD	101	78981	EZCSK-42	150
78494	EZP1T-248	22	78838	CFG-212	28	78932	CFG-860	28	78981	EZCSK-42	153
78495	EZP1T-254	22	78839	CFG-218	28	78933	LSTMPK-S/S	18	78982	EZCSK-48	144
78496	EZP1T-260	22	78840	CFG-224	28	78944	EZBMK-24	150	78982	EZCSK-48	150
78497	EZP1T-272	22	78841	CFG-230	28	78944	EZBMK-24	153	78982	EZCSK-48	153
78498	EZP1T-818	22	78842	CFG-236	28	78945	EZBMK-30	150	78983	EZCSK-54	144
78499	EZP1T-824	22	78843	CFG-242	28	78945	EZBMK-30	153	78983	EZCSK-54	150
78500	EZP1T-830	22	78844	CFG-248	28	78946	EZBMK-36	150	78983	EZCSK-54	153
78501	EZP1T-836	22	78845	CFG-254	28	78946	EZBMK-36	153	78984	EZCSK-60	144
78502	EZP1T-842	22	78846	CFG-260	28	78947	EZBMK-42	150	78984	EZCSK-60	150
78503	EZP1T-848	22	78847	CFG-272	28	78947	EZBMK-42	153	78984	EZCSK-60	153
78504	EZP1T-854	22	78848	EZP1PL-S/S	31	78948	EZBMK-48	150	78985	EZCSK-72	144
78505	EZP1T-860	22	78849	ESTAK-EST-S/S	31	78948	EZBMK-48	153	78985	EZCSK-72	150
78506	EZP1T-872	22	78850	LS-SW-S/S	18	78949	EZBMK-54	150	78985	EZCSK-72	153
78507	EZPTMPK	27	78855	EZSB24-4C	142	78949	EZBMK-54	153	79000	EZAI-24	142
78508	EZPTCK	27	78856	EZSB30-4C	142	78950	EZBMK-60	150	79001	EZAI-30	142
78509	EZPTCKHD	27	78857	EZSB36-4C	142	78950	EZBMK-60	153	79002	EZAI-36	142
78510	EZPTSR	27	78858	EZSB42-4C	142	78951	EZBMK-72	150	79003	EZAI-42	142
78511	EZPTSK	27	78859	EZSB48-4C	142	78951	EZBMK-72	153	79004	EZAI-48	142
78512	EZPTSKHD	27	78860	EZSB54-4C	142	78952	EZRMK	144	79005	EZAI-54	142
78683	PACB60	52	78861	EZSB60-4C	142	78953	EZBS-L4	147	79006	EZAI-60	142
78683	PACB60	58	78862	EZSB72-4C	142	78953	EZBS-L4	150	79007	EZAI-72	142

INDEX By Item Code

Item Code	Ordering Number	Page #	Item Code	Ordering Number	Page #	Item Code	Ordering Number	Page #	Item Code	Ordering Number	Page #
79033	MMP-696	47	79505	MBDS-24	123	79620	YCART-36/900-P	87	79812	YCART-24/600-TC	85
79034	MMP-1296	47	79506	MBDS-30	123	79621	YCART-42/1050-P	85	79812	YCART-24/600-TC	87
79039	QMT-S	52	79507	MBDS-36	123	79621	YCART-42/1050-P	87	79813	YCART-30/750-TC	85
79039	QMT-S	75	79508	MBDS-42	123	79622	YCART-48/1200-P	85	79813	YCART-30/750-TC	87
79041	SST2HD-G	120	79509	MBDS-48	123	79622	YCART-48/1200-P	87	79814	YCART-36/900-TC	85
79052	MHSP-96	113	79510	MBDS-54	123	79623	YTAC	87	79814	YCART-36/900-TC	87
79068	HTTS-HT	76	79511	MBDS-60	123	79637	FMS-18	105	79815	YCART-42/1050-TC	85
79070	SSTHK	113	79512	MBDS-72	123	79638	FMS-24	105	79815	YCART-42/1050-TC	87
79070	SSTHK	120	79513	MBDS-84	123	79639	FMS-30	105	79816	YCART-48/1200-TC	85
79091	EZAI-24I	145	79514	MBRD-18	121	79640	FMS-36	105	79816	YCART-48/1200-TC	87
79202	USTSCK	117	79514	MBRD-18	123	79641	FMS-42	105	79817	YCART-36/900-HDP	89
79204	USTSCKHD	117	79515	MBRD-24	121	79642	FMS-48	105	79818	YCART-42/1050-HDP	89
79206	USPB	117	79515	MBRD-24	123	79643	FMS-54	105	79819	YCART-48/1200-HDP	89
79206	USPB2	117	79516	MBRD-30	121	79644	FMS-60	105	79820	YCART-54/1350-HDP	89
79207	UHPB2	117	79516	MBRD-30	123	79645	FMS-72	105	79821	YCART-60/1500-HDP	89
79224	CCKL	83	79517	MBRD-36	121	79646	FMS-18V	105	79822	YCART-72/1800-HDP	89
79224	CCKL	95	79517	MBRD-36	123	79647	FMS-24V	105	79823	YCART-36/900-HDW	89
79224	CCKL	100	79518	MBRD-42	121	79648	FMS-30V	105	79824	YCART-42/1050-HDW	89
79224	CCKL	101	79518	MBRD-42	123	79649	FMS-36V	105	79825	YCART-48/1200-HDW	89
79225	CCKHDL	83	79519	MBRD-48	121	79650	FMS-42V	105	79826	YCART-54/1350-HDW	89
79225	CCKHDL	101	79519	MBRD-48	123	79651	FMS-48V	105	79827	YCART-60/1500-HDW	89
79228	CCKR	83	79520	MBRD-54	121	79652	FMS-54V	105	79828	YCART-72/1800-HDW	89
79228	CCKR	95	79520	MBRD-54	123	79653	FMS-60V	105	79829	YCART-36/900-HDTC	89
79228	CCKR	100	79521	MBRD-60	121	79654	FMS-72V	105	79830	YCART-42/1050-HDTC	89
79228	CCKR	101	79521	MBRD-60	123	79676	YT-HDW	89	79831	YCART-48/1200-HDTC	89
79229	CCKHDR	83	79522	MBRD-72	121	79677	YT-HDP	89	79832	YCART-54/1350-HDTC	89
79229	CCKHDR	101	79522	MBRD-72	123	79699	FMSC	108	79833	YCART-60/1500-HDTC	89
79232	CCKTS	83	79523	MBRD-84	121	79699	FMSC	109	79834	YCART-72/1800-HDTC	89
79232	CCKTS	95	79523	MBRD-84	123	79728	YT-HDC	89	79836	YST-Y	87
79232	CCKTS	100	79572	YT-W	87	79759	YT-TC-18S	84	79837	YST-P	87
79232	CCKTS	101	79572	YT-W	85	79760	YT-TC-24S	84	79838	YST-S	87
79233	CCKHDTs	83	79573	YT-P	87	79761	YT-TC-30S	84	79843	YSTMB	87
79299	USTSC	117	79573	YT-P	85	79762	YT-TC-36S	84	79844	YSTDBK	84
79300	USTSCHD	117	79574	YT-C	87	79763	YT-TC-42S	84	79844	YSTDBK	87
79303	INDR-1212	127	79574	YT-C	85	79764	YT-TC-48S	84	79845	YSTGBK	87
79304	INDR-1218	127	79582	SSTHB	109	79765	YT-18S	84	79846	YSTLBK	87
79305	INDR-1824	127	79582	SSTHB	113	79766	YT-24S	84	79847	YSTTBK-W	87
79306	INDR-2424	127	79582	SSTHB	120	79767	YT-30S	84	79848	YSTPMK	87
79307	INDR-1212S	127	79587	YTP-18/450	87	79768	YT-36S	84	79850	YSTDDBK	88
79308	INDR-1218S	127	79588	YTP-24/600	87	79769	YT-42S	84	79855	YSTTBK-B	87
79309	INDR-1824S	127	79589	YTP-30/750	87	79770	YT-48S	84	79857	YSTANK	87
79310	INDR-2424S	127	79590	YTP-36/900	87	79771	YTW-18S	84	79874	RRTD6-24	144
79318	EZIRMK	147	79591	YTP-42/1050	87	79772	YTW-24S	84	79875	RRTD6-30	144
79320	UPFCC	113	79592	YTP-48/1200	87	79773	YTW-30S	84	79876	RRTD6-36	144
79431	MSTHD-W	108	79593	YTA-18/450	87	79774	YTW-36S	84	79877	RRTD6-42	144
79432	MSTHD-S	108	79594	YTA-24/600	87	79775	YTW-42S	84	79878	RRTD6-48	144
79433	MSTHD-B	108	79595	YTA-30/750	87	79776	YTW-48S	84	79879	RRTD6-54	144
79434	MSTDB	108	79596	YTA-36/900	87	79777	YTHD-TC-36S	88	79880	RRTD6-60	144
79435	MSTAM	108	79597	YTA-42/1050	87	79778	YTHD-TC-42S	88	79881	RRTD6-72	144
79436	MST-MBL	108	79598	YTA-48/1200	87	79779	YTHD-TC-48S	88	79883	RRTID6-24	147
79437	MST-MBR	108	79611	YCART-18/450-W	85	79780	YTHD-TC-54S	88	79884	RRTID6-30	147
79439	MSTCHD	108	79611	YCART-18/450-W	87	79781	YTHD-TC-60S	88	79885	RRTID6-36	147
79440	MSTBK	108	79612	YCART-24/600-W	85	79782	YTHD-TC-72S	88	79886	RRTID6-42	147
79441	MSTGT	108	79612	YCART-24/600-W	87	79783	YTHD-36S	88	79887	RRTID6-48	147
79451	MSTPMHD	108	79613	YCART-30/750-W	85	79784	YTHD-42S	88	79888	RRTID6-54	147
79493	SSTLBK	109	79613	YCART-30/750-W	87	79785	YTHD-48S	88	79889	RRTID6-60	147
79493	SSTLBK	113	79614	YCART-36/900-W	85	79786	YTHD-54S	88	79890	RRTID6-72	147
79493	SSTLBK	120	79614	YCART-36/900-W	87	79787	YTHD-60S	88	79891	JNK-A	26
79494	MBC-18	121	79615	YCART-42/1050-W	85	79788	YTHD-72S	88	79892	JNK-B	14
79495	MBC-24	121	79615	YCART-42/1050-W	87	79789	YTHDW-36S	88	79893	JNK-C	44
79496	MBC-30	121	79616	YCART-48/1200-W	85	79790	YTHDW-42S	88	79893	JNK-C	52
79497	MBC-36	121	79616	YCART-48/1200-W	87	79791	YTHDW-48S	88	79893	JNK-C	75
79498	MBC-42	121	79617	YCART-18/450-P	85	79792	YTHDW-54S	88	79893	JNK-C	113
79499	MBC-48	121	79617	YCART-18/450-P	87	79793	YTHDW-60S	88	79893	JNK-C	117
79500	MBC-54	121	79618	YCART-24/600-P	85	79794	YTHDW-72S	88	79893	JNK-C	120
79501	MBC-60	121	79618	YCART-24/600-P	87	79795	YSTS-Y	87	79894	JNK-D	58
79502	MBC-72	121	79619	YCART-30/750-P	85	79796	YSTS-P	87	79894	JNK-D	62
79503	MBC-84	121	79619	YCART-30/750-P	87	79811	YCART-18/450-TC	85	79896	JNK-F	117
79504	MBDS-18	123	79620	YCART-36/900-P	85	79811	YCART-18/450-TC	87	81033	ESTAK	35

INDEX By Item Code

Item Code	Ordering Number	Page #	Item Code	Ordering Number	Page #	Item Code	Ordering Number	Page #	Item Code	Ordering Number	Page #
81044	C-MSPPL	46	82811	SCUHD-S/S	117	90133	EZP1-1400-50-ATEX	32	90318	TRB1850F	50
81068	MEST-P	35	83661	PTMA800T	176	90134	EZP1-1600-50-ATEX	32	90335	MHS-2700V-ATEX	111
81069	MEST-S	35	83662	PTMA1000T	176	90135	EZP1-400-200-ATEX	32	90336	MHS-3000V-ATEX	111
81070	MEST-B	35	83663	PTMA1200T	176	90136	EZP1-500-200-ATEX	32	90393	MXP-642	63
81253	DRXL-24-435	158	83664	PTMA1400T	176	90137	EZP1-650-200-ATEX	32	90394	MXP-648	63
81257	DRXL-30-435	158	83665	PTMA1600T	176	90138	EZP1-800-200-ATEX	32	90395	MXP-654	63
81261	DRXL-36-435	158	83666	PTMA1800T	176	90139	EZP1-1000-200-ATEX	32	90396	MXP-660	63
81265	DRXL-42-435	158	83667	PTMA800R	176	90140	EZP1-1200-200-ATEX	32	90397	MXP-672	63
81269	DRXL-48-435	158	83668	PTMA1000R	176	90141	EZP1-1400-200-ATEX	32	90398	MXP-684	63
81273	DRXL-54-435	158	83669	PTMA1200R	176	90142	EZP1-1600-200-ATEX	32	90399	MXP-696	63
81277	DRXL-60-435	158	83670	PTMA1400R	176	90148	MMP-6120	47	90400	MXP-6120	63
81281	DRXL-72-435	158	83671	PTMA1600R	176	90149	MMP-12108	47	90421	MMPCP650	53
81895	MESPBL	35	83672	PTMA1800R	176	90149	MMP-6108	47	90422	MMPCP800	53
81897	MEZP1MPK	35	83673	PTMA800VR	176	90150	MMP12120	47	90423	MMPCP1000	53
82179	QMT-P-CN	46	83674	PTMA1000VR	176	90261	EZCRMK54-60	147	90424	MMPCP1200	53
82179	QMT-P-CN	53	83675	PTMA1200VR	176	90262	EZCRMK72	147	90425	MMPCP1400	53
82180	QMT-W-CN	46	83676	PTMA1400VR	176	90263	ATEX-GWK	35	90426	MMPCP1600	53
82180	QMT-W-CN	53	83677	PTMA1600VR	176	90263	ATEX-GWK	53	90427	MMPCP1800	53
82181	QMT-G-CN	53	83678	PTMA1800VR	176	90264	ESBK-ATEX	26	90428	MMPCP2000	53
82184	MSPMPK-CN	46	83734	PTMAHD1800T	176	90264	ESBK-ATEX	35	90429	MMPCP2100	53
82233	EZIB600-1200M	151	83735	PTMAHD2000T	176	90265	PTEZ-18	171	90434	EZCRMK24-48	147
82234	EZIB750-1200M	151	83735	PTMAHD2200T	176	90266	PTEZ-24	171	90435	QMT-ATEX	44
82235	EZIB900-1200M	151	83737	PTMAHD1800R	176	90267	PTEZ-30	171	90435	QMTBK-ATEX	46
82236	EZIB1050-1200M	151	83738	PTMAHD2000R	176	90268	PTEZ-36	171	90435	QMTBK-ATEX	53
82237	EZIB1200-1200M	151	83739	PTMAHD2200R	176	90269	PTEZ-42	171	90436	RSA-PU85	100
82238	EZIB1350-1200M	151	83740	PTMAHD1800VR	176	90270	PTEZ-48	171	90437	RC450-PU	96
82239	EZIB1500-1200M	151	83741	PTMAHD2000VR	176	90271	MSP-650-50-ATEX	39	90438	RC1500-PU	96
82240	EZIB1800-1200M	151	83742	PTMAHD2200VR	176	90272	MSP-800-50-ATEX	39	90439	RC750-PU	96
82241	EZIB600-1500M	151	83785	PTMA650T	176	90273	MSP-1000-50-ATEX	39	90440	RC900-PU	96
82242	EZIB750-1500M	151	83786	PTMA650R	176	90274	MSP-1200-50-ATEX	39	90441	RC1050-PU	96
82243	EZIB900-1500M	151	90000	AWTPBA	52	90275	MSP-1400-50-ATEX	39	90442	RC1200-PU	96
82244	EZIB1050-1500M	151	90000	AWTPBA	58	90276	MSP-1600-50-ATEX	39	90443	RC1350-PU	96
82245	EZIB1200-1500M	151	90000	AWTPBA	62	90277	MSP-650-200-ATEX	39	90444	RC1500-PU	96
82246	EZIB1350-1500M	151	90112	CRB-200F	33	90278	MSP-800-200-ATEX	39	90445	RCHD1800-PU	96
82247	EZIB1500-1500M	151	90112	CRB-200F	41	90279	MSP-1000-200-ATEX	39	90446	RCHD2100-PU	96
82248	EZIB1800-1500M	151	90113	CRB-300F	33	90280	MSP-1200-200-ATEX	39	90447	RCHD2400-PU	96
82265	EZIB600-1200H	154	90113	CRB-300F	41	90281	MSP-1400-200-ATEX	39	90448	RV450-PU	96
82266	EZIB750-1200H	154	90114	CRB-350F	33	90282	MSP-1600-200-ATEX	39	90449	RV600-PU	96
82267	EZIB900-1200H	154	90114	CRB-350F	41	90287	TRB500F	50	90450	RV750-PU	96
82268	EZIB1050-1200H	154	90115	CRB-450F	33	90288	TRB650F	50	90451	RV900-PU	96
82269	EZIB1200-1200H	154	90115	CRB-450F	41	90289	TRB700F	50	90452	RV1050-PU	96
82270	EZIB1350-1200H	154	90116	CRB-600F	33	90290	TRB850F	50	90453	RV1200-PU	96
82271	EZIB1500-1200H	154	90116	CRB-600F	41	90291	TRB900F	50	90454	RV1350-PU	96
82272	EZIB1800-1200H	154	90117	CRB-750F	33	90292	TRB1050F	50	90455	RV1500-PU	96
82273	EZIB600-1500H	154	90117	CRB-750F	41	90293	TRB1100F	50	90456	RVHD1800-PU	96
82274	EZIB750-1500H	154	90118	CRB-800F	33	90294	TRB1250F	50	90457	RVHD2100-PU	96
82275	EZIB900-1500H	154	90118	CRB-800F	41	90295	TRB1300F	50	90458	RVHD2400-PU	96
82276	EZIB1050-1500H	154	90119	CRB-950F	33	90296	TRB1450F	50	90460	MSP-650-200HT	36
82277	EZIB1200-1500H	154	90119	CRB-950F	41	90297	TRB1500F	50	90461	MSP-800-200HT	36
82278	EZIB1350-1500H	154	90120	CRB-1000F	33	90298	TRB1650F	50	90462	MSP-800-50HT	36
82279	EZIB1500-1500H	154	90120	CRB-1000F	41	90299	TRB1700F	50	90463	MSP-1000-200HT	36
82280	EZIB1800-1500H	154	90121	CRB-1150F	33	90300	TRB1800F	50	90464	MSP-1000-50HT	36
82363	MESPBK	35	90121	CRB-1150F	41	90301	MMP650-150-ATEX	49	90465	MSP-1200-200HT	36
82394	SHIM-KITM	156	90122	CRB-1200F	33	90302	MMP800-150-ATEX	49	90466	MSP-1200-50HT	36
82739	UTC450	114	90122	CRB-1200F	41	90303	MMP1000-150-ATEX	49	90467	MSP-1400-200HT	36
82740	UTC600	114	90123	CRB-1350F	33	90304	MMP1200-150-ATEX	49	90468	MSP-1400-50HT	36
82741	UTC750	114	90123	CRB-1350F	41	90305	MMP1400-150-ATEX	49	90469	MSP-1600-200HT	36
82742	UTC900	114	90124	CRB-1400F	33	90306	MMP1600-150-ATEX	49	90470	MSP-1600-50HT	36
82743	UTC1050	114	90124	CRB-1400F	41	90307	MMP1800-150-ATEX	49	90471	MSP-1800-200HT	36
82744	UTC1200	114	90125	CRB-1550F	33	90308	MMP2000-150-ATEX	49	90472	MSP-1800-50HT	36
82745	UTC1350	114	90125	CRB-1550F	41	90309	MSP-1800-200-ATEX	39	90473	MSP-2000-200HT	36
82747	UTC1500	114	90126	CRB-1600F	33	90310	MMP800-300-ATEX	49	90474	MSP-2000-50HT	36
82748	UTC1600	114	90126	CRB-1600F	41	90311	MMP1000-300-ATEX	49	90475	MHS-450ATEX	111
82749	UTC1800	114	90127	EZP1-400-50-ATEX	32	90312	MMP1200-300-ATEX	49	90476	MHS-600ATEX	111
82750	UTC2000	114	90128	EZP1-500-50-ATEX	32	90313	MMP1400-300-ATEX	49	90477	MHS-750ATEX	111
82751	UTC2100	114	90129	EZP1-650-50-ATEX	32	90314	MMP1600-300-ATEX	49	90478	MHS-900ATEX	111
82752	UTC2200	114	90130	EZP1-800-50-ATEX	32	90315	MMP1800-300-ATEX	49	90479	MHS-1050ATEX	111
82753	UTC2400	114	90131	EZP1-1000-50-ATEX	32	90316	MMP2000-300-ATEX	49	90480	MHS-1200ATEX	111
82810	SCU60-S/S	117	90132	EZP1-1200-50-ATEX	32	90317	MMP2100-300-ATEX	49	90481	MHS-1400ATEX	111

INDEX By Item Code

Item Code	Ordering Number	Page #	Item Code	Ordering Number	Page #	Item Code	Ordering Number	Page #	Item Code	Ordering Number	Page #
90482	MHS-1500ATEX	111	90716	HVP2600-S/S	79	90814	EST-A-P	26	91409	SSTXD-S	109
90483	MHS-1800ATEX	111	90717	HVP3000-S/S	79	90815	EST-A-S	26	91410	SSTXD-B	109
90484	MHS-2000ATEX	111	90718	HV400SS-S/S-ATEX	77	90816	EST-A-B	26	91412	SSTXDMK	109
90485	MHS-2400ATEX	111	90719	HV400S-S/S-ATEX	77	90932	RP-80	101	91571	MBC-18-S	121
90486	MHS-2700ATEX	111	90720	HV400M-S/S-ATEX	77	90933	RP-84	101	91572	MBC-24-S	121
90487	MHS-3000ATEX	111	90721	HV600SS-S/S-ATEX	77	90934	RP-96	101	91573	MBC-30-S	121
90488	MHS-450V-ATEX	111	90722	HV600S-S/S-ATEX	77	91222	SKPU-6X1/2X50	178	91574	MBC-36-S	121
90489	MHS-600V-ATEX	111	90723	HV600M-S/S-ATEX	77	91224	SKPU-8X1/2X50	178	91575	MBC-42-S	121
90490	MHS-750V-ATEX	111	90724	HV800SS-S/S-ATEX	77	91285	QMT-A-P	44	91576	MBC-48-S	121
90491	MHS-900V-ATEX	111	90725	HV800S-S/S-ATEX	77	91286	QMT-A-W	44	91577	MBC-54-S	121
90492	MHS-1050V-ATEX	111	90726	HV800M-S/S-ATEX	77	91332	CRB-UHT450	23	91578	MBC-60-S	121
90493	MHS-1200V-ATEX	111	90727	HV1000SS-S/S-ATEX	77	91332	CRB-UHT450	40	91579	MBC-72-S	121
90494	MHS-1400V-ATEX	111	90728	HV1000S-S/S-ATEX	77	91333	CRB-UHT600	23	91580	MBC-84-S	121
90495	MHS-1500V-ATEX	111	90729	HV1000M-S/S-ATEX	77	91333	CRB-UHT600	40	91653	ES24-4-SN	185
90496	MHS-1800V-ATEX	111	90730	HV1000L-S/S-ATEX	77	91334	CRB-UHT750	23	91654	ES30-4-SN	185
90497	MHS-2000V-ATEX	111	90731	HV1200SS-S/S-ATEX	77	91334	CRB-UHT750	40	91655	ES36-4-SN	185
90498	MHS-2400V-ATEX	111	90732	HV1200S-S/S-ATEX	77	91335	CRB-UHT800	23	91656	ES42-4-SN	185
90522	RVHD1800-ATEX	98	90733	HV1200M-S/S-ATEX	77	91335	CRB-UHT800	40	91657	ES48-4-SN	185
90523	RVHD2100-ATEX	98	90734	HV1200L-S/S-ATEX	77	91336	CRB-UHT950	23	91658	ES54-4-SN	185
90537	CBCS18	124	90735	HV1400S-S/S-ATEX	77	91336	CRB-UHT950	40	91659	ES60-4-SN	185
90538	CBCS24	124	90736	HV1400M-S/S-ATEX	77	91337	CRB-UHT1000	23	91660	ES66-4-SN	185
90539	CBCS30	124	90737	HV1400L-S/S-ATEX	77	91337	CRB-UHT1000	40	91661	ES72-4-SN	185
90540	CBCS36	124	90738	HV1400LL-S/S-ATEX	77	91338	CRB-UHT1150	23	91662	ES84-4-SN	185
90541	CBCS42	124	90739	HV1600M-S/S-ATEX	77	91338	CRB-UHT1150	40	91663	ES96-4-SN	185
90542	CBCS48	124	90740	HV1600L-S/S-ATEX	77	91339	CRB-UHT1200	23	91664	ES24-4-SF	185
90543	CBCS54	124	90741	HV1600LL-S/S-ATEX	77	91339	CRB-UHT1200	40	91665	ES30-4-SF	185
90544	CBCS60	124	90742	HV1800M-S/S-ATEX	77	91340	CRB-UHT1350	23	91666	ES36-4-SF	185
90554	CBCS72	124	90743	HV1800L-S/S-ATEX	77	91340	CRB-UHT1350	40	91667	ES42-4-SF	185
90555	CBCS84	124	90744	HV1800LL-S/S-ATEX	77	91341	CRB-UHT1400	23	91668	ES48-4-SF	185
90585	MXP-1272	63	90745	HV2000M-S/S-ATEX	77	91341	CRB-UHT1400	40	91669	ES54-4-SF	185
90586	MXP-1284	63	90746	HV2000L-S/S-ATEX	77	91342	CRB-UHT1550	23	91670	ES60-4-SF	185
90587	MXP-1296	63	90747	HV2000LL-S/S-ATEX	77	91342	CRB-UHT1550	40	91671	ES66-4-SF	185
90588	MXP-12120	63	90748	HV2100M-S/S-ATEX	77	91343	CRB-UHT1600	23	91672	ES72-4-SF	185
90616	PTEZHD-42/1050	171	90749	HV2100L-S/S-ATEX	77	91343	CRB-UHT1600	40	91673	ES84-4-SF	185
90617	PTEZHD-48/1200	171	90750	HV2100LL-S/S-ATEX	77	91344	CRB-UHT1750	23	91674	ES96-4-SF	185
90618	PTEZHD-54/1350	171	90751	HV2400M-S/S-ATEX	77	91344	CRB-UHT1750	40	91675	ES48-4-TN	185
90619	PTEZHD-60/1500	171	90752	HV2400L-S/S-ATEX	77	91345	CRB-UHT1800	23	91676	ES54-4-TN	185
90620	PTEZHD-72/1800	171	90753	HV2400LL-S/S-ATEX	77	91345	CRB-UHT1800	40	91677	ES60-4-TN	185
90621	PTEZHD-84/2100	171	90754	HV2600M-S/S-ATEX	77	91346	CRB-UHT1950	23	91678	ES66-4-TN	185
90631	CRDF18	124	90755	HV2600L-S/S-ATEX	77	91346	CRB-UHT1950	40	91679	ES72-4-TN	185
90632	CRDF24	124	90756	HV2600LL-S/S-ATEX	77	91350	EZP1-800-50UHT	21	91680	ES84-4-TN	185
90633	CRDF30	124	90757	HV3000M-S/S-ATEX	77	91351	EZP1-1000-50UHT	21	91681	ES96-4-TN	185
90634	CRDF36	124	90758	HV3000L-S/S-ATEX	77	91352	EZP1-1200-50UHT	21	91682	ES48-4-TF	185
90635	CRDF42	124	90759	HV3000LL-S/S-ATEX	77	91353	EZP1-1400-50UHT	21	91683	ES54-4-TF	185
90636	CRDF48	124	90762	CBC72/1800	124	91354	EZP1-1600-50UHT	21	91684	ES60-4-TF	185
90637	CRDF54	124	90763	CBC84/2100	124	91355	EZP1-650-200UHT	21	91685	ES66-4-TF	185
90638	CRDF60	124	90765	RV600-ATEX	98	91356	EZP1-800-200UHT	21	91686	ES72-4-TF	185
90639	CRDF72	124	90766	RV750-ATEX	98	91357	EZP1-1000-200UHT	21	91687	ES84-4-TF	185
90640	CRDF84	124	90767	RV900-ATEX	98	91358	EZP1-1200-200UHT	21	91688	ES96-4-TF	185
90641	CBC3R	124	90768	RV1050-ATEX	98	91359	EZP1-1400-200UHT	21	91689	ES24-8-SN	185
90646	RBP1R-S	168	90769	RV1200-ATEX	98	91360	EZP1-1600-200UHT	21	91690	ES30-8-SN	185
90647	RBP1R-M	168	90770	RV1350-ATEX	98	91367	MSP-800-50UHT	37	91691	ES36-8-SN	185
90648	RBP1R-L	168	90771	RV1500-ATEX	98	91368	MSP-1000-50UHT	37	91692	ES42-8-SN	185
90649	RBP1R-XL	168	90788	TT-GWK	79	91369	MSP-1200-50UHT	37	91693	ES48-8-SN	185
90650	RBPRR-S	170	90788	TT-GWK	101	91370	MSP-1400-50UHT	37	91694	ES54-8-SN	185
90651	RBPRR-M	170	90789	TS-GWK	79	91371	MSP-1600-50UHT	37	91695	ES60-8-SN	185
90652	RBPRR-L	170	90789	TS-GWK	101	91372	MSP-1800-50UHT	37	91696	ES66-8-SN	185
90653	RBPRR-XL	170	90791	RBSST281	136	91373	MSP-2000-50UHT	37	91697	ES72-8-SN	185
90703	HVP400-S/S	79	90793	RBSST282	136	91374	MSP-650-200UHT	37	91698	ES84-8-SN	185
90704	HVP600-S/S	79	90794	RBSST283	136	91375	MSP-800-200UHT	37	91699	ES96-8-SN	185
90706	HVP800-S/S	79	90795	PTEZHD-56/1400	171	91376	MSP-1000-200UHT	37	91700	ES24-8-SF	185
90707	HVP1000-S/S	79	90796	PTEZHD-64/1600	171	91377	MSP-1200-200UHT	37	91701	ES30-8-SF	185
90709	HVP1200-S/S	79	90797	PTEZHD-80/2000	171	91378	MSP-1400-200UHT	37	91702	ES36-8-SF	185
90710	HVP1400-S/S	79	90808	PTEZ-18R	171	91379	MSP-1600-200UHT	37	91703	ES42-8-SF	185
90711	HVP1600-S/S	79	90809	PTEZ-24R	171	91380	MSP-1800-200UHT	37	91704	ES48-8-SF	185
90712	HVP1800-S/S	79	90810	PTEZ-30R	171	91381	MSP-2000-200UHT	37	91705	ES54-8-SF	185
90713	HVP2000-S/S	79	90811	PTEZ-36R	171	91404	SKPU-DUAL-6X1/2X50	179	91706	ES60-8-SF	185
90714	HVP2100-S/S	79	90812	PTEZ-42R	171	91406	SKPU-DUAL-8X1/2X50	179	91707	ES66-8-SF	185
90715	HVP2400-S/S	79	90813	PTEZ-48R	171	91408	SSTXD-W	109	91708	ES72-8-SF	185

INDEX By Item Code

Item Code	Ordering Number	Page #	Item Code	Ordering Number	Page #	Item Code	Ordering Number	Page #	Item Code	Ordering Number	Page #
91709	ES84-8-SF	185	91806	YCART-24/600-R	87	92788	TRB-UHT102	50	93509	TV1200	102
91710	ES96-8-SF	185	91807	YCART-30/750-R	85	92794	TRB-UHT108	50	93510	TV1400	102
91711	ES48-8-TN	185	91807	YCART-30/750-R	87	92800	TRB-UHT114	50	93511	TV1600	102
91712	ES54-8-TN	185	91808	YCART-36/900-R	85	93113	SLU-48	183	93512	TSAS	104
91713	ES60-8-TN	185	91808	YCART-36/900-R	87	93114	TLU-48	183	93512	TSAS	102
91714	ES66-8-TN	185	91809	YCART-42/1050-R	85	93115	SLAWK-48	182	93512	TSAS	136
91715	ES72-8-TN	185	91809	YCART-42/1050-R	87	93116	SLUWK-48	182	93513	TSAL	104
91716	ES84-8-TN	185	91810	YCART-48/1200-R	85	93117	TLAWK-48	182	93513	TSAL	102
91717	ES96-8-TN	185	91810	YCART-48/1200-R	87	93118	TLUWK-48	182	93513	TSAL	136
91718	ES48-8-TF	185	91811	YSTGBK-R	87	93449	HV400SSS-PU	70	93514	TSAS-120	104
91719	ES54-8-TF	185	91812	YSTLBK-R	87	93450	HV400SS-PU	70	93515	TSAL-120	104
91720	ES60-8-TF	185	91813	YSTBKPU-R	87	93451	HV400S-PU	70	93516	TSA	104
91721	ES66-8-TF	185	91814	YST-Y-R	87	93452	HV400M-PU	70	93517	TP400	104
91722	ES72-8-TF	185	91815	YST-P-R	87	93453	HV600SSS-PU	70	93518	TP600	104
91723	ES84-8-TF	185	91816	YTHDR-36S	88	93454	HV600SS-PU	70	93519	TR800	104
91724	ES96-8-TF	185	91817	YTHDR-42S	88	93455	HV600S-PU	70	93520	TP1000	104
91725	RS-24	186	91818	YTHDR-48S	88	93456	HV600M-PU	70	93521	TP1200	104
91726	RS-30	186	91819	YTHDR-54S	88	93457	HV800SSS-PU	70	93522	TP1400	104
91727	RS-36	186	91820	YTHDR-60S	88	93458	HV800SS-PU	70	93523	TP1600	104
91728	RS-42	186	91821	YTHDR-72S	88	93459	HV800S-PU	70	93524	TMTG	104
91729	RS-48	186	91822	YT-HDR	89	93460	HV800M-PU	70	93525	TMTGHD	104
91730	RS-54	186	91823	YCART-36/900-HDR	89	93461	HV800L-PU	70	93526	TBA	104
91731	RS-60	186	91824	YCART-42/1050-HDR	89	93462	HV1000SSS-PU	70	93527	TGR	104
91732	RS-66	186	91825	YCART-48/1200-HDR	89	93463	HV1000SS-PU	70	93528	TBLOCK	104
91733	RS-72	186	91826	YCART-54/1350-HDR	89	93464	HV1000S-PU	70	93529	TALOCK	104
91734	RS-84	186	91827	YCART-60/1500-HDR	89	93465	HV1000M-PU	70	79092	EZAI-30I	145
91735	RS-96	186	91828	YCART-72/1800-HDR	89	93466	HV1000L-PU	70	79093	EZAI-36I	145
91736	DC-24	186	91835	LA-54	189	93467	HV1200SSS-PU	70	79094	EZAI-42I	145
91737	DC-30	186	91836	LA-60	189	93468	HV1200SS-PU	70	79095	EZAI-48I	145
91738	DC-36	186	91837	LA-66	189	93469	HV1200S-PU	70	79096	EZAI-54I	145
91739	DC-42	186	91838	LA-72	189	93470	HV1200M-PU	70	79097	EZAI-60I	145
91740	DC-48	186	91839	LA-84	189	93471	HV1200L-PU	70	79098	EZAI-72I	145
91741	DC-54	186	91840	LA-96	189	93472	HV1400S-PU	70	77548	SHIM-KITL	158
91742	DC-60	186	91841	SL-48	183	93473	HV1400M-PU	70	90263	ATEX-GWK	46
91743	DC-66	186	91841	SL-48	189	93474	HV1400L-PU	70	A1594	HVHD1800M-S/S	68
91744	DC-72	186	91842	TL-48	183	93475	HV1400LL-PU	70	A1595	HVHD1800L-S/S	68
91745	DC-84	186	91842	TL-48	189	93476	HV1600M-PU	70	A1596	HVHD1800LL-S/S	68
91746	DC-96	186	91865	TRB-UHT18	50	93477	HV1600L-PU	70	A1603	PVHD1800-S/S	92
91747	SP-24	186	91866	TRB-UHT24	50	93478	HV1600LL-PU	70	A1611	WNC48/1200-FRAS-FLAT	195
91748	SP-48	186	91867	TRB-UHT30	50	93479	HVHD1800M-PU	70	A1626	RVHD1800-S/S	97
91749	SP-72	186	91868	TRB-UHT36	50	93480	HVHD1800L-PU	70	A1628	RVHD2100-S/S	97
91750	SP-96	186	91869	TRB-UHT42	50	93481	HVHD1800LL-PU	70	A1636	CLFR1360/54.4-12	193
91751	SKC-24	189	91870	TRB-UHT48	50	93482	HVHD2000M-PU	70	A1860	WNC54/1350-FRAS-FLAT	195
91752	SKC-30	189	91871	TRB-UHT54	50	93483	HVHD2000L-PU	70	A2046	PVHD2000-S/S	92
91753	SKC-36	189	91872	TRB-UHT60	50	93484	HVHD2000LL-PU	70	A2062	WNC72/1800-FRAS-FLAT	195
91754	SKC-42	189	91873	TRB-UHT66	50	93485	HVHD2400M-PU	70	A2247	WNC60/1500-FRAS-FLAT	195
91755	SKC-48	189	91874	TRB-UHT72	50	93486	HVHD2400L-PU	70	A2396	HVHD2600M	68
91756	SKC-54	189	91875	TRB-UHT78	50	93487	HVHD2400LL-PU	70	A2397	HVHD2600LL	68
91757	SKC-60	189	91876	TRB-UHT84	50	93488	HVHD2600M-PU	70	A2461	HVHD2600L	68
91758	SKC-66	189	91877	TRB-UHT90	50	93489	HVHD2600L-PU	70	A2803	PPHD2100	95
91759	SKC-72	189	92185	FMS-18-SSTXD	106	93490	HVHD2600LL-PU	70	A75647	WNC42/1050-FRAS-FLAT	195
91760	SKC-84	189	92186	FMS-24-SSTXD	106	93491	HVHD3000M-PU	70	C7022		156
91761	SKC-96	189	92187	FMS-30-SSTXD	106	93492	HVHD3000L-PU	70	C7023		156
91762	LA-24	189	92188	FMS-36-SSTXD	106	93493	HVHD3000LL-PU	70	C7024		156
91763	LA-30	189	92189	FMS-42-SSTXD	106	93494	PV450-PU	91	C7025		156
91764	LA-36	189	92190	FMS-48-SSTXD	106	93495	PV600-PU	91	C7026		156
91765	LA-42	189	92191	FMS-54-SSTXD	106	93496	PV750-PU	91	C7027		156
91766	LA-48	189	92192	FMS-60-SSTXD	106	93497	PV900-PU	91	C7028		156
91798	YTR-18S	84	92193	FMS-72-SSTXD	106	93498	PV1050-PU	91	C7029		156
91799	YTR-24S	84	92194	FMS-18V-SSTXD	106	93499	PV1200-PU	91	C7030		156
91800	YTR-30S	84	92195	FMS-24V-SSTXD	106	93500	PV1350-PU	91	C7031		156
91801	YTR-36S	84	92196	FMS-30V-SSTXD	106	93501	PV1500-PU	91	C7032		156
91802	YTR-42S	84	92197	FMS-36V-SSTXD	106	93502	PVHD1800-PU	91	C7033		156
91803	YTR-48S	84	92198	FMS-42V-SSTXD	106	93503	PVHD2100-PU	91	C7034		156
91804	YT-R	87	92199	FMS-48V-SSTXD	106	93504	PVHD2400-PU	91	C7035		156
91804	YT-R	85	92200	FMS-54V-SSTXD	106	93505	TV400	102	C7036		156
91805	YCART-18/450-R	85	92201	FMS-60V-SSTXD	106	93506	TV600	102	C7037		156
91805	YCART-18/450-R	87	92202	FMS-72V-SSTXD	106	93507	TV800	102	C7070		156
91806	YCART-24/600-R	85	92782	TRB-UHT96	50	93508	TV1000	102	C7071		156

INDEX By Item Code

Item Code	Ordering Number	Page #	Item Code	Ordering Number	Page #	Item Code	Ordering Number	Page #	Item Code	Ordering Number	Page #
C7072		156	C8840	SB5	156	P2903	WNC54/1350-FLAT	195	P3606	FWR54/1350-FRAS-FLAT	194
C7073		156	HSA200	HSA200	75	P2904	WNC60/1500-FLAT	195	P3607	FWR60/1500-FRAS-FLAT	194
C7076		156	J1517	SSRB-MA85	60	P2905	WNC72/1800-FLAT	195	P3608	FWR72/1800-FRAS-FLAT	194
C7079	EZBMK-24	156	J1518	SSRB-MA90	60	P3594	WR36/900-FLAT	194		PC1200	91
C7080	EZBMK-30	156	J1519	SSRB-ME95	60	P3595	WR42/1050-FLAT	194		PCHD1800	91
C7081	EZBMK-36	156	J1520	SSRB-ME85	60	P3596	WR48/1200-FLAT	194		PCHD2100	91
C7082	EZBMK42	156	J1521	SSRB-ME90	60	P3597	WR54/1350-FLAT	194		PCHD2400	91
C7083	EZBMK-48	156	K0277	HVP-36SS	73	P3598	WR60/1500-FLAT	194		PVHD2100	91
C7084	EZBMK-54	156	K0530	HVP-42SS	73	P3599	WR72/1800-FLAT	194		PVHD2400	91
C7085	EZBMK-60	156	P2900	WNC36/900-FLAT	195	P3603	FWR36/900-FRAS-FLAT	194		RBSST18	136
C7086	EZBMK-72	156	P2901	WNC42/1050-FLAT	195	P3604	FWR42/1050-FRAS-FLAT	194		RV450-ATEX	98
C7087		156	P2902	WNC48/1200-FLAT	195	P3605	FWR48/1200-FRAS-FLAT	194		RVHD2400-ATEX	98
C8839	SB4	156									

INDEX By Ordering Number

Ordering Number	Item Code	Page #	Ordering Number	Item Code	Page #	Ordering Number	Item Code	Page #	Ordering Number	Item Code	Page #
10FRD6.5/21	71014	191	CBV-72	74389	137	CLFR1400	71107	193	CRB-1200	78249	23
10FRP6.5/21	71020	191	CBV-84	74390	137	CLFR1520/60.8-12	71009	193	CRB-1200	78249	40
10ND6.5/21	71002	191	CBV-96	74391	137	CLFR1600	71124	193	CRB-1200F	90122	33
10NP6.5/21	71010	191	CBV-L	73134	137	CLFR1700	71078	193	CRB-1200F	90122	41
12FRD6.5/21	71016	191	CBV-M	73133	137	CLFR1800/72-12	71079	193	CRB-1350	78250	23
12FRDC	71159	192	CBV-S	73132	137	CLFR1900	71080	193	CRB-1350	78250	40
12FRDC6.5/21	71159	191	CBV-XS	73131	137	CLFR2000	71081	193	CRB-1350F	90123	33
12FRP6.5/21	71022	191	CCKHDL	79225	83	CLFR2100/84-12	71082	193	CRB-1350F	90123	41
12ND6.5/21	71004	191	CCKHDL	79225	101	CLFR2200	71083	193	CRB-1400	78251	23
12NDC	71155	192	CCKHDR	79229	83	CLFR2300	71084	193	CRB-1400	78251	40
12NDC6.5/21	71155	191	CCKHDR	79229	101	CLFR2400	71085	193	CRB-1400F	90124	33
12NP6.5/21	71012	191	CCKHDS	79233	83	CLFR2500	71086	193	CRB-1400F	90124	41
15FRD6.5/21	71018	191	CCKHDS	78233	101	CLFR2600	71087	193	CRB-1550	78252	23
15FRP6.5/21	71015	191	CCKL	79224	83	CLFR2800	71088	193	CRB-1550	78252	40
15ND6.5/21	71006	191	CCKL	79224	95	CLFR3000	71089	193	CRB-1550F	90125	33
15NP6.5/21	71017	191	CCKL	79224	100	CLFR460/18.4-12	71118	193	CRB-1550F	90125	41
20FRD6.5/21	71019	191	CCKL	79224	101	CLFR600/24-12	71119	193	CRB-1600	78253	23
20FRP6.5/21	72129	191	CCKR	79228	83	CLFR760/30.4-12	71120	193	CRB-1600	78253	40
20ND6.5/21	71008	191	CCKR	79228	95	CLFR800	71121	193	CRB-1600F	90126	33
20NP6.5/21	71021	191	CCKR	79228	100	CLFR900/36-12	71122	193	CRB-1600F	90126	41
25ND6.5/21	71152	191	CCKR	79228	101	CLMFR1050/42-15	61312	192	CRB-1750	78254	23
25NP6.5/21	71163	191	CCKTS	79232	83	CLMFR1200/48-15	61313	192	CRB-1750	78254	40
6WLD3.3/11	71076	191	CCKTS	79232	95	CLMFR1350/54-15	61314	192	CRB-1800	78255	23
6NLD3.3/11	71077	191	CCKTS	79232	100	CLMFR1500/60-15	61315	192	CRB-1800	78255	40
ABU	76788	117	CCKTS	79232	101	CLMFR1800/72-15	61316	192	CRB-1950	78256	23
ABU	76788	117	CCMK	78919	83	CLMFR2100/84-15	61317	192	CRB-1950	78256	40
ATEX-GWK	90263	35	CCMK	78919	95	CLMFR450/18-15	61308	192	CRB-200	78239	23
ATEX-GWK	90263	46	CCMK	78919	100	CLMFR6.5/21-15	61319	191	CRB-200	78239	40
ATEX-GWK	90263	53	CCMK	78919	101	CLMFR600/24-15	61309	192	CRB-200F	90112	33
AWTA	75907	52	CCMKHD	78920	83	CLMFR750/30-15	61310	192	CRB-200F	90112	41
AWTA	75907	58	CCMKHD	78920	95	CLMFR900/36-15	61311	192	CRB-300	78240	23
AWTA	75907	62	CCMKHD	78920	100	CLMN1050/42-15	61298	192	CRB-300	78240	40
AWTB	75905	52	CCMKHD	78920	101	CLMN1200/48-15	61299	192	CRB-300F	90113	33
AWTB	75905	58	CDWB24	75884	118	CLMN1350/54-15	61300	192	CRB-300F	90113	41
AWTB	75905	62	CDWB30	75885	118	CLMN1500/60-15	61301	192	CRB-350	78241	23
AWTHK	75909	52	CDWB36	75886	118	CLMN1800/72-15	61302	192	CRB-350	78241	40
AWTHK	75909	58	CDWB42	75887	118	CLMN2100/84-15	61303	192	CRB-350F	90114	33
AWTHK	75909	62	CDWB48	75888	118	CLMN450/18-15	61294	192	CRB-350F	90114	41
AWTMB	75906	52	CDWB54	75889	118	CLMN6.5/21-15	62216	191	CRB-450	78242	23
AWTMB	75906	58	CDWB60	75890	118	CLMN600/24-15	61295	192	CRB-450	78242	40
AWTMB	75906	62	CDWB72	75891	118	CLMN750/30-15	61296	192	CRB-450F	90115	33
AWTNCB	76069	52	CDWB84	76942	118	CLMN900/36-15	61297	192	CRB-450F	90115	41
AWTNCB	76069	58	CFG-212	78838	28	CLN1060/42.4-12	71116	193	CRB-600	78243	23
AWTNCB	76069	62	CFG-218	78839	28	CLN1200/48-12	71039	193	CRB-600	78243	40
AWTPBA	90000	52	CFG-224	78840	28	CLN1360/54.4-12	71126	193	CRB-600F	90116	33
AWTPBA	90000	58	CFG-230	78841	28	CLN1520/60.8-12	71127	193	CRB-600F	90116	41
AWTPBA	90000	62	CFG-236	78842	28	CLN1800/72-12	71042	193	CRB-750	78244	23
C-MSPP	81044	46	CFG-242	78843	28	CLN2100/84-12	71044	193	CRB-750	78244	40
CBC18/450	76668	124	CFG-248	78844	28	CLN460/18.4-12	71111	193	CRB-750F	90117	33
CBC24/600	76669	124	CFG-254	78845	28	CLN600/24-12	71112	193	CRB-750F	90117	41
CBC30/750	76670	124	CFG-260	78846	28	CLN760/30.4-12	71113	193	CRB-800	78245	23
CBC36/900	76671	124	CFG-272	78847	28	CLN900/36-12	71115	193	CRB-800	78245	40
CBC3R	90641	124	CFG-860	78932	28	CLSFG-212	77144	15	CRB-800F	90118	33
CBC42/1050	76672	124	CL1400	71040	193	CLSFG-218	77145	15	CRB-800F	90118	41
CBC48/1200	76673	124	CL1600	71117	193	CLSFG-224	77146	15	CRB-950	78246	23
CBC54/1350	76674	124	CL1700	71041	193	CLSFG-230	77147	15	CRB-950	78246	40
CBC60/1500	76675	124	CL1900	71043	193	CLSFG-236	77148	15	CRB-950F	90119	33
CBC72/1800	90762	124	CL2000	71037	193	CLSFG-242	77149	15	CRB-950F	90119	41
CBC84/2100	90763	124	CL2200	71045	193	CLSFG-248	77150	15	CRB-HT10	76593	29
CBCS18	90537	124	CL2300	71046	193	CLSFG-254	77151	15	CRB-HT1000	78265	23
CBCS24	90538	124	CL2400	71047	193	CLSFG-260	77152	15	CRB-HT1000	78265	40
CBCS30	90539	124	CL2500	71048	193	CRB-1000	78247	23	CRB-HT1150	78266	23
CBCS36	90540	124	CL2600	71049	193	CRB-1000	78247	40	CRB-HT1150	78266	40
CBCS42	90541	124	CL2800	71050	193	CRB-1000F	90120	33	CRB-HT1200	78267	23
CBCS48	90542	124	CL3000	71000	193	CRB-1000F	90120	41	CRB-HT1200	78267	40
CBCS54	90543	124	CL800	71114	193	CRB-1150	78248	23	CRB-HT1350	78268	23
CBCS60	90544	124	CLFR1060/42.4-12	71123	193	CRB-1150	78248	40	CRB-HT1350	78268	40
CBCS72	90554	124	CLFR1200/48-12	71005	193	CRB-1150F	90121	33	CRB-HT1400	78269	23
CBCS84	90555	124	CLFR1360/54.4-12	A1636	193	CRB-1150F	90121	41	CRB-HT1400	78269	40

INDEX By Ordering Number

Ordering Number	Item Code	Page #	Ordering Number	Item Code	Page #	Ordering Number	Item Code	Page #	Ordering Number	Item Code	Page #
CRB-HT1550	78270	23	CRB-LS40HT	77556	16	CRB-W46	78477	23	DRXD-84-520	76917	164
CRB-HT1550	78270	40	CRB-LS40W	77102	12	CRB-W46	78477	29	DRXD-84-535	76924	164
CRB-HT16	76594	29	CRB-LS40W	77102	16	CRB-W46	78477	40	DRXD-96-520	76918	164
CRB-HT1600	78271	23	CRB-LS46	77094	12	CRB-W52	78478	23	DRXD-96-535	76925	164
CRB-HT1600	78271	40	CRB-LS46	77094	16	CRB-W52	78478	29	DRXH-24-420	76880	162
CRB-HT1750	78272	23	CRB-LS46HT	77557	12	CRB-W52	78478	40	DRXH-24-435	76896	162
CRB-HT1750	78272	40	CRB-LS46HT	77557	16	CRB-W58	78479	23	DRXH-24-520	76888	162
CRB-HT1800	78273	23	CRB-LS46W	77103	12	CRB-W58	78479	29	DRXH-24-535	76904	162
CRB-HT1800	78273	40	CRB-LS46W	77103	16	CRB-W58	78479	40	DRXH-30-420	76881	162
CRB-HT1950	78274	23	CRB-LS52	77095	12	CRB-W64	78480	23	DRXH-30-435	76897	162
CRB-HT1950	78274	40	CRB-LS52	77095	16	CRB-W64	78480	29	DRXH-30-520	76889	162
CRB-HT200	78257	23	CRB-LS52HT	77558	12	CRB-W64	78480	40	DRXH-30-535	76905	162
CRB-HT200	78257	40	CRB-LS52HT	77558	16	CRB-W70	78481	23	DRXH-36-420	76882	162
CRB-HT22	76595	29	CRB-LS52W	77104	12	CRB-W70	78481	29	DRXH-36-435	76898	162
CRB-HT28	76596	29	CRB-LS52W	77104	16	CRB-W70	78481	40	DRXH-36-520	76890	162
CRB-HT300	78258	23	CRB-LS58	77096	12	CRB10	75628	29	DRXH-36-535	76906	162
CRB-HT300	78258	40	CRB-LS58	77096	16	CRB10	75628	131	DRXH-42-420	76883	162
CRB-HT34	76597	29	CRB-LS58HT	77559	12	CRB16	75629	29	DRXH-42-435	76899	162
CRB-HT350	78259	23	CRB-LS58HT	77559	16	CRB16	75629	131	DRXH-42-520	76891	162
CRB-HT350	78259	40	CRB-LS58W	77105	12	CRB22	75630	29	DRXH-42-535	76907	162
CRB-HT40	76598	29	CRB-LS58W	77105	16	CRB22	75630	131	DRXH-48-420	76884	162
CRB-HT450	78260	23	CRB-UHT1000	91337	23	CRB28	75631	29	DRXH-48-435	76900	162
CRB-HT450	78260	40	CRB-UHT1000	91337	40	CRB28	75631	131	DRXH-48-520	76892	162
CRB-HT46	76599	29	CRB-UHT1150	91338	23	CRB34	75632	29	DRXH-48-535	76908	162
CRB-HT52	76600	29	CRB-UHT1150	91338	40	CRB34	75632	131	DRXH-54-420	76885	162
CRB-HT58	76601	29	CRB-UHT1200	91339	23	CRB40	75633	29	DRXH-54-435	76901	162
CRB-HT600	78261	23	CRB-UHT1200	91339	40	CRB40	75633	131	DRXH-54-520	76893	162
CRB-HT600	78261	40	CRB-UHT1350	91340	23	CRB46	75634	29	DRXH-54-535	76909	162
CRB-HT64	76602	29	CRB-UHT1350	91340	40	CRB46	75634	131	DRXH-60-420	76886	162
CRB-HT70	76603	29	CRB-UHT1400	91341	23	CRB52	75635	29	DRXH-60-435	76902	162
CRB-HT750	78262	23	CRB-UHT1400	91341	40	CRB52	75635	131	DRXH-60-520	76894	162
CRB-HT750	78262	40	CRB-UHT1550	91342	23	CRB58	75636	29	DRXH-60-535	76910	162
CRB-HT800	78263	23	CRB-UHT1550	91342	40	CRB58	75636	131	DRXH-72-420	76887	162
CRB-HT800	78263	40	CRB-UHT1600	91343	23	CRB64	75775	29	DRXH-72-435	76903	162
CRB-HT950	78264	23	CRB-UHT1600	91343	40	CRB70	75773	29	DRXH-72-520	76895	162
CRB-HT950	78264	40	CRB-UHT1750	91344	23	CRB70	75773	131	DRXH-72-535	76911	162
CRB-LS10	77088	12	CRB-UHT1750	91344	40	CRDF18	90631	124	DRXL-24-420	76816	158
CRB-LS10	77088	16	CRB-UHT1800	91345	23	CRDF24	90632	124	DRXL-24-435	81253	158
CRB-LS10HT	77551	12	CRB-UHT1800	91345	40	CRDF30	90633	124	DRXL-24-520	76824	158
CRB-LS10HT	77551	16	CRB-UHT1950	91346	23	CRDF36	90634	124	DRXL-24-535	76840	158
CRB-LS10W	77097	12	CRB-UHT1950	91346	40	CRDF42	90635	124	DRXL-30-420	76817	158
CRB-LS10W	77097	16	CRB-UHT450	91332	23	CRDF48	90636	124	DRXL-30-435	81257	158
CRB-LS16	77089	12	CRB-UHT450	91332	40	CRDF54	90637	124	DRXL-30-520	76825	158
CRB-LS16	77089	16	CRB-UHT600	91333	23	CRDF60	90638	124	DRXL-30-535	76841	158
CRB-LS16HT	77552	12	CRB-UHT600	91333	40	CRDF72	90639	124	DRXL-36-420	76818	158
CRB-LS16HT	77552	16	CRB-UHT750	91334	23	CRDF84	90640	124	DRXL-36-435	81261	158
CRB-LS16W	77098	12	CRB-UHT750	91334	40	CTS-B-S/S	78387	18	DRXL-36-520	76826	158
CRB-LS16W	77098	16	CRB-UHT800	91335	23	CTS-S	77743	87	DRXL-36-535	76842	158
CRB-LS22	77090	12	CRB-UHT800	91335	40	DC-24	91736	186	DRXL-42-420	76819	158
CRB-LS22	77090	16	CRB-UHT950	91336	23	DC-30	91737	186	DRXL-42-435	81265	158
CRB-LS22HT	77553	12	CRB-UHT950	91336	40	DC-36	91738	186	DRXL-42-520	76827	158
CRB-LS22HT	77553	16	CRB-W10	78471	23	DC-42	91739	186	DRXL-42-535	76843	158
CRB-LS22W	77099	12	CRB-W10	78471	29	DC-48	91740	186	DRXL-48-420	76820	158
CRB-LS22W	77099	16	CRB-W10	78471	40	DC-54	91741	186	DRXL-48-435	81269	158
CRB-LS28	77091	12	CRB-W16	78472	23	DC-60	91742	186	DRXL-48-520	76828	158
CRB-LS28	77091	16	CRB-W16	78472	29	DC-66	91743	186	DRXL-48-535	76844	158
CRB-LS28HT	77554	12	CRB-W16	78472	40	DC-72	91744	186	DRXL-54-420	76821	158
CRB-LS28HT	77554	16	CRB-W22	78473	23	DC-84	91745	186	DRXL-54-435	81273	158
CRB-LS28W	77100	12	CRB-W22	78473	29	DC-96	91746	186	DRXL-54-520	76829	158
CRB-LS28W	77100	16	CRB-W22	78473	40	DRXD-42-520	76912	164	DRXL-54-535	76845	158
CRB-LS34	77092	12	CRB-W28	78474	23	DRXD-42-535	76919	164	DRXL-60-420	76822	158
CRB-LS34	77092	16	CRB-W28	78474	29	DRXD-48-520	76913	164	DRXL-60-435	81277	158
CRB-LS34HT	77555	12	CRB-W28	78474	40	DRXD-48-535	76920	164	DRXL-60-520	76830	158
CRB-LS34HT	77555	16	CRB-W34	78475	23	DRXD-54-520	76914	164	DRXL-60-535	76846	158
CRB-LS34W	77101	12	CRB-W34	78475	29	DRXD-54-535	76921	164	DRXL-72-420	76823	158
CRB-LS34W	77101	16	CRB-W34	78475	40	DRXD-60-520	76915	164	DRXL-72-435	81281	158
CRB-LS40	77093	12	CRB-W40	78476	23	DRXD-60-535	76922	164	DRXL-72-520	76831	158
CRB-LS40	77093	16	CRB-W40	78476	29	DRXD-72-520	76916	164	DRXL-72-535	76847	158
CRB-LS40HT	77556	12	CRB-W40	78476	40	DRXD-72-535	76923	164	DRXM-24-420	76848	160

INDEX By Ordering Number

Ordering Number	Item Code	Page #	Ordering Number	Item Code	Page #	Ordering Number	Item Code	Page #	Ordering Number	Item Code	Page #
DRXM-24-435	76864	160	ES54-8-SN	91694	185	ESTAK	81033	35	EZCSK-54	78983	144
DRXM-24-520	76856	160	ES54-8-TF	91719	185	ESTAK-EST	76406	26	EZCSK-54	78983	150
DRXM-24-535	76872	160	ES54-8-TN	91712	185	ESTAK-EST	76406	117	EZCSK-54	78983	153
DRXM-30-420	76849	160	ES60-4-SF	91670	185	ESTAK-EST-S/S	78849	31	EZCSK-60	78984	144
DRXM-30-435	76865	160	ES60-4-SN	91659	185	EZAI-24	79000	142	EZCSK-60	78984	150
DRXM-30-520	76857	160	ES60-4-TF	91684	185	EZAI-24I	79091	145	EZCSK-60	78984	153
DRXM-30-535	76873	160	ES60-4-TN	91677	185	EZAI-30	79001	142	EZCSK-72	78985	144
DRXM-36-420	76850	160	ES60-8-SF	91706	185	EZAI-30I	79092	145	EZCSK-72	78985	150
DRXM-36-435	76866	160	ES60-8-SN	91695	185	EZAI-36	79002	142	EZCSK-72	78985	153
DRXM-36-520	76858	160	ES60-8-TF	91720	185	EZAI-36I	79093	145	EZIB1050-1200H	82268	154
DRXM-36-535	76874	160	ES60-8-TN	91713	185	EZAI-42	79003	142	EZIB1050-1200M	82236	151
DRXM-42-420	76851	160	ES66-4-SF	91671	185	EZAI-42I	79094	145	EZIB1050-1500H	82276	154
DRXM-42-435	76867	160	ES66-4-SN	91660	185	EZAI-48	79004	142	EZIB1050-1500M	82244	151
DRXM-42-520	76859	160	ES66-4-TF	91685	185	EZAI-48I	79095	145	EZIB1200-1200H	82269	154
DRXM-42-535	76875	160	ES66-4-TN	91678	185	EZAI-54	79005	142	EZIB1200-1200M	82237	151
DRXM-48-420	76852	160	ES66-8-SF	91707	185	EZAI-54I	79096	145	EZIB1200-1500H	82277	154
DRXM-48-435	76868	160	ES66-8-SN	91696	185	EZAI-60	79006	142	EZIB1200-1500M	82245	151
DRXM-48-520	76860	160	ES66-8-TF	91721	185	EZAI-60I	79097	145	EZIB1350-1200H	82270	154
DRXM-48-535	76876	160	ES66-8-TN	91714	185	EZAI-72	79007	142	EZIB1350-1200M	82238	151
DRXM-54-420	76853	160	ES72-4-SF	91672	185	EZAI-72I	79098	145	EZIB1350-1500H	82278	154
DRXM-54-435	76869	160	ES72-4-SN	91661	185	EZBMK-24	78944	150	EZIB1350-1500M	82246	151
DRXM-54-520	76861	160	ES72-4-TF	91686	185	EZBMK-24	78944	153	EZIB1500-1200H	82271	154
DRXM-54-535	76877	160	ES72-4-TN	91679	185	EZBMK-24	C7079	156	EZIB1500-1200M	82239	151
DRXM-60-420	76854	160	ES72-8-SF	91708	185	EZBMK-30	78945	150	EZIB1500-1500H	82279	154
DRXM-60-435	76870	160	ES72-8-SN	91697	185	EZBMK-30	78945	153	EZIB1500-1500M	82247	151
DRXM-60-520	76862	160	ES72-8-TF	91722	185	EZBMK-30	C7080	156	EZIB1800-1200H	82272	154
DRXM-60-535	76878	160	ES72-8-TN	91715	185	EZBMK-36	78946	150	EZIB1800-1200M	82240	151
DRXM-72-420	76855	160	ES84-4-SF	91673	185	EZBMK-36	78946	153	EZIB1800-1500H	82280	154
DRXM-72-435	76871	160	ES84-4-SN	91662	185	EZBMK-36	C7081	156	EZIB1800-1500M	82248	151
DRXM-72-520	76863	160	ES84-4-TF	91687	185	EZBMK-42	78947	150	EZIB24-4L	78887	148
DRXM-72-535	76879	160	ES84-4-TN	91680	185	EZBMK-42	78947	153	EZIB24-5L	78895	148
DWP-24	75876	120	ES84-8-SF	91709	185	EZBMK-48	78948	150	EZIB30-4L	78888	148
DWP-30	75877	120	ES84-8-SN	91698	185	EZBMK-48	78948	153	EZIB30-5L	78896	148
DWP-36	75878	120	ES84-8-TF	91723	185	EZBMK-48	C7083	156	EZIB36-4L	78889	148
DWP-42	75879	120	ES84-8-TN	91716	185	EZBMK-54	78949	150	EZIB36-5L	78897	148
DWP-48	75880	120	ES96-4-SF	91674	185	EZBMK-54	78949	153	EZIB42-4L	78890	148
DWP-54	75881	120	ES96-4-SN	91663	185	EZBMK-54	C7084	156	EZIB42-5L	78898	148
DWP-60	75882	120	ES96-4-TF	91688	185	EZBMK-60	78950	150	EZIB48-4L	78891	148
DWP-72	75883	120	ES96-4-TN	91681	185	EZBMK-60	78950	153	EZIB48-5L	78899	148
DWP-84	76815	120	ES96-8-SF	91710	185	EZBMK-60	C7085	156	EZIB54-4L	78892	148
ES24-4-SF	91664	185	ES96-8-SN	91699	185	EZBMK-72	78951	150	EZIB54-5L	78900	148
ES24-4-SN	91653	185	ES96-8-TF	91724	185	EZBMK-72	78951	153	EZIB60-4L	78893	148
ES24-8-SF	91700	185	ES96-8-TN	91717	185	EZBMK-72	C7086	156	EZIB60-5L	78901	148
ES24-8-SN	91689	185	ESBK-ATEX	90264	26	EZBMK-42	C7082	156	EZIB600-1200H	82265	154
ES30-4-SF	91665	185	ESBK-ATEX	90264	35	EZBS-L4	78953	147	EZIB600-1200M	82233	151
ES30-4-SN	91654	185	ESBK-B	76411	26	EZBS-L4	78953	150	EZIB600-1500H	82273	154
ES30-8-SF	91701	185	ESBK-PS	76410	26	EZBS-L5	78954	147	EZIB600-1500M	82241	151
ES30-8-SN	91690	185	ESBK-PS	76410	117	EZBS-L5	78954	150	EZIB72-4L	78894	148
ES36-4-SF	91666	185	ESPBK	76408	26	EZCRMK24-48	90434	147	EZIB72-5L	78902	148
ES36-4-SN	91655	185	ESPRK	76409	26	EZCRMK54-60	90261	147	EZIB750-1200H	82266	154
ES36-8-SF	91702	185	ESPRK	76409	117	EZCRMK72	90262	147	EZIB750-1200M	82234	151
ES36-8-SN	91691	185	ESPSBK	76407	26	EZCSK-24	78978	144	EZIB750-1500H	82274	154
ES42-4-SF	91667	185	ESS-B	76413	26	EZCSK-24	78978	147	EZIB750-1500M	82242	151
ES42-4-SN	91656	185	ESS-B	76413	35	EZCSK-24	78978	150	EZIB900-1200H	82267	154
ES42-8-SF	91703	185	ESS-B	76413	126	EZCSK-24	78978	153	EZIB900-1200M	82235	151
ES42-8-SN	91692	185	ESS-S	76412	26	EZCSK-30	78979	144	EZIB900-1500H	82275	154
ES48-4-SF	91668	185	ESS-S	76412	35	EZCSK-30	78979	147	EZIB900-1500M	82243	151
ES48-4-SN	91657	185	ESS-S	76412	117	EZCSK-30	78979	150	EZIRMK	79318	147
ES48-4-TF	91682	185	ESS-S	76412	126	EZCSK-30	78979	153	EZP-LS212HT	77746	11
ES48-4-TN	91675	185	ESS-S	76412	126	EZCSK-36	78980	144	EZP-LS218HT	77747	11
ES48-8-SF	91704	185	EST-A-B	90816	26	EZCSK-36	78980	147	EZP-LS224HT	77748	11
ES48-8-SN	91693	185	EST-A-P	90814	26	EZCSK-36	78980	150	EZP-LS230HT	77749	11
ES48-8-TF	91718	185	EST-A-S	90815	26	EZCSK-36	78980	153	EZP-LS236HT	77750	11
ES48-8-TN	91711	185	EST-B	76405	26	EZCSK-42	78981	144	EZP-LS242HT	77751	11
ES54-4-SF	91669	185	EST-G-S/S	78810	31	EZCSK-42	78981	150	EZP-LS248HT	77752	11
ES54-4-SN	91658	185	EST-P	76403	26	EZCSK-42	78981	153	EZP-LS254HT	77753	11
ES54-4-TF	91683	185	EST-P-S/S	78808	31	EZCSK-48	78982	144	EZP-LS260	77135	10
ES54-4-TN	91676	185	EST-S	76404	26	EZCSK-48	78982	150	EZP-LS260HT	77754	11
ES54-8-SF	91705	185	EST-W-S/S	78809	31	EZCSK-48	78982	153	EZP-LS818	77136	10

INDEX By Ordering Number

Ordering Number	Item Code	Page #	Ordering Number	Item Code	Page #	Ordering Number	Item Code	Page #	Ordering Number	Item Code	Page #
EZP-LS824	77137	10	EZP1P30	75622	27	EZS2P36	75655	83	EZWPK-72	78977	153
EZP-LS830	77138	10	EZP1P30-S/S	78815	31	EZS2P42	75656	83	FFCK	75661	83
EZP-LS836	77139	10	EZP1P36	75623	27	EZS2P48	75657	83	FL-CP-I	71141	181
EZP-LS842	77140	10	EZP1P36-S/S	78816	31	EZS2P54	75658	83	FL-CP-I	71141	181
EZP-LS848	77141	10	EZP1P400	78275	26	EZS2P60	75659	83	FL-CP-ISS	71164	181
EZP-LS854	77142	10	EZP1P400	78275	35	EZS2P72	75660	83	FL-PC-I	71057	181
EZP-LS860	77143	10	EZP1P42	75624	27	EZSB24-4C	78855	142	FL-PC-ISS	71168	181
EZP1-1000-200	78187	19	EZP1P42-S/S	78817	31	EZSB24-4I	78871	145	FL-RBI	71060	181
EZP1-1000-200-ATEX	90139	32	EZP1P48	75625	27	EZSB24-5C	78863	142	FL-RBI	71060	181
EZP1-1000-200UHT	91357	21	EZP1P48-S/S	78818	31	EZSB24-5I	78879	145	FL-RPI	71058	181
EZP1-1000-50	78179	19	EZP1P500	78276	26	EZSB30-4C	78856	142	FL-RPI	71058	181
EZP1-1000-50-ATEX	90131	32	EZP1P500	78276	35	EZSB30-4I	78872	145	FLM-PC	71140	181
EZP1-1000-50UHT	91351	21	EZP1P54	75626	27	EZSB30-5C	78864	142	FLSC-I	71052	181
EZP1-1200-200	78188	19	EZP1P54-S/S	78819	31	EZSB30-5I	78880	145	FLSC-I-50	71054	181
EZP1-1200-200-ATEX	90140	32	EZP1P60	75627	27	EZSB36-4C	78857	142	FLSC-ISS	75778	181
EZP1-1200-200UHT	91358	21	EZP1P60-S/S	78820	31	EZSB36-4I	78873	145	FLSCM-I	71055	181
EZP1-1200-50	78180	19	EZP1P650	78277	26	EZSB36-5C	78865	142	FLSCM-I-50	71100	181
EZP1-1200-50-ATEX	90132	32	EZP1P650	78277	35	EZSB36-5I	78881	145	FMS-18	79637	105
EZP1-1200-50UHT	91352	21	EZP1P72	75772	27	EZSB42-4C	78858	142	FMS-18-SSTXD	92185	106
EZP1-1400-200	78189	19	EZP1P72-S/S	78821	31	EZSB42-4I	78874	145	FMS-18V	79646	105
EZP1-1400-200-ATEX	90141	32	EZP1P800	78278	26	EZSB42-5C	78866	142	FMS-18V-SSTXD	92194	106
EZP1-1400-200UHT	91359	21	EZP1P800	78278	35	EZSB42-5I	78882	145	FMS-24	79638	105
EZP1-1400-50	78181	19	EZP1PL	75641	26	EZSB48-4C	78859	142	FMS-24-SSTXD	92186	106
EZP1-1400-50-ATEX	90133	32	EZP1PL	75641	27	EZSB48-4I	78875	145	FMS-24V	79647	105
EZP1-1400-50UHT	91353	21	EZP1PL-S/S	78848	31	EZSB48-5C	78867	142	FMS-24V-SSTXD	92195	106
EZP1-1600-200	78190	19	EZP1T-212	78488	22	EZSB48-5I	78883	145	FMS-30	79639	105
EZP1-1600-200-ATEX	90142	32	EZP1T-218	78489	22	EZSB54-4C	78860	142	FMS-30-SSTXD	92187	106
EZP1-1600-200UHT	91360	21	EZP1T-224	78490	22	EZSB54-4I	78876	145	FMS-30V	79648	105
EZP1-1600-50	78182	19	EZP1T-230	78491	22	EZSB54-5C	78868	142	FMS-30V-SSTXD	92196	106
EZP1-1600-50-ATEX	90134	32	EZP1T-236	78492	22	EZSB54-5I	78884	145	FMS-36	79640	105
EZP1-1600-50UHT	91354	21	EZP1T-242	78493	22	EZSB60-4C	78861	142	FMS-36-SSTXD	92188	106
EZP1-400-200	78183	19	EZP1T-248	78494	22	EZSB60-4I	78877	145	FMS-36V	79649	105
EZP1-400-200-ATEX	90135	32	EZP1T-254	78495	22	EZSB60-5C	78869	142	FMS-36V-SSTXD	92197	106
EZP1-400-50	78175	19	EZP1T-260	78496	22	EZSB60-5I	78885	145	FMS-42	79641	105
EZP1-400-50-ATEX	90127	32	EZP1T-272	78497	22	EZSB72-4C	78862	142	FMS-42-SSTXD	92189	106
EZP1-500-200	78184	19	EZP1T-818	78498	22	EZSB72-4I	78878	145	FMS-42V	79650	105
EZP1-500-200-ATEX	90136	32	EZP1T-824	78499	22	EZSB72-5C	78870	142	FMS-42V-SSTXD	92198	106
EZP1-500-50-ATEX	90128	32	EZP1T-830	78500	22	EZSB72-5I	78886	145	FMS-48	79642	105
EZP1-650-200	78185	19	EZP1T-836	78501	22	EZWPK-24	78970	144	FMS-48-SSTXD	92190	106
EZP1-650-200-ATEX	90137	32	EZP1T-842	78502	22	EZWPK-24	78970	147	FMS-48V	79651	105
EZP1-650-200UHT	91355	21	EZP1T-848	78503	22	EZWPK-24	78970	150	FMS-48V-SSTXD	92199	106
EZP1-650-50-ATEX	90129	32	EZP1T-854	78504	22	EZWPK-24	78970	153	FMS-54	79643	105
EZP1-800-200	78186	19	EZP1T-860	78505	22	EZWPK-30	78971	144	FMS-54-SSTXD	92191	106
EZP1-800-200-ATEX	90138	32	EZP1T-872	78506	22	EZWPK-30	78971	147	FMS-54V	79652	105
EZP1-800-200UHT	91356	21	EZPTBT	77384	27	EZWPK-30	78971	150	FMS-54V-SSTXD	92200	106
EZP1-800-50	78178	19	EZPTBTHD	77385	27	EZWPK-30	78971	153	FMS-60	79644	105
EZP1-800-50-ATEX	90130	32	EZPTCK	78508	27	EZWPK-36	78972	144	FMS-60-SSTXD	92192	106
EZP1-800-50UHT	91350	21	EZPTCKHD	78509	27	EZWPK-36	78972	147	FMS-60V	79653	105
EZP1BP	75642	26	EZPTMPK	78507	27	EZWPK-36	78972	150	FMS-60V-SSTXD	92201	106
EZP1BP	75642	27	EZPTSK	78511	27	EZWPK-36	78972	153	FMS-72	79645	105
EZP1BP	75642	35	EZPTSXHD	78512	27	EZWPK-42	78973	144	FMS-72-SSTXD	92193	106
EZP1BP	75642	131	EZPTSR	78510	27	EZWPK-42	78973	147	FMS-72V	79654	105
EZP1MPK	75637	26	EZRMK	78952	144	EZWPK-42	78973	150	FMS-72V-SSTXD	92202	106
EZP1OTK1	76418	26	EZS2-18	75643	80	EZWPK-42	78973	153	FMSC	79699	108
EZP1OTK2	76419	26	EZS2-24	75644	80	EZWPK-48	78974	144	FMSC	79699	109
EZP1P1000	78279	26	EZS2-30	75645	80	EZWPK-48	78974	147	FWR36/900-FRAS-FLAT	P3603	194
EZP1P1000	78279	35	EZS2-36	75646	80	EZWPK-48	78974	150	FWR42/1050-FRAS-FLAT	P3604	194
EZP1P12	75619	27	EZS2-42	75647	80	EZWPK-48	78974	153	FWR48/1200-FRAS-FLAT	P3605	194
EZP1P12-S/S	78812	31	EZS2-48	75648	80	EZWPK-54	78975	144	FWR54/1350-FRAS-FLAT	P3606	194
EZP1P1200	78280	26	EZS2-54	75649	80	EZWPK-54	78975	147	FWR60/1500-FRAS-FLAT	P3607	194
EZP1P1200	78280	35	EZS2-60	75650	80	EZWPK-54	78975	150	FWR72/1800-FRAS-FLAT	P3608	194
EZP1P1400	78281	26	EZS2-72	75651	80	EZWPK-54	78975	153	H78P18	76110	75
EZP1P1400	78281	35	EZS2MBK	75666	83	EZWPK-60	78976	144	H78P24	76111	75
EZP1P1600	78282	26	EZS2MBK	75666	95	EZWPK-60	78976	147	H78P30	76112	75
EZP1P1600	78282	35	EZS2MBK	75666	100	EZWPK-60	78976	150	H78P36	76113	75
EZP1P18	75620	27	EZS2MBK	75666	101	EZWPK-60	78976	153	H78P42	76114	75
EZP1P18-S/S	78813	31	EZS2P18	75652	83	EZWPK-72	78977	144	H78P48	76115	75
EZP1P24	75621	27	EZS2P24	75653	83	EZWPK-72	78977	147	H78P54	76116	75
EZP1P24-S/S	78814	31	EZS2P30	75654	83	EZWPK-72	78977	150	H78P60	76117	75

INDEX By Ordering Number

Ordering Number	Item Code	Page #	Ordering Number	Item Code	Page #	Ordering Number	Item Code	Page #	Ordering Number	Item Code	Page #
H78P72	76118	75	HTF-400-200	78215	20	HV1050M-S/S	75308	68	HV400S	73028	68
HAR-K	78786	26	HTF-400-50	78207	20	HV1050S-S/S	75307	68	HV400S-PU	93451	70
HARK-S/S	77364	117	HTF-500-200	78216	20	HV1050SS-S/S	75306	68	HV400S-S/S	75294	68
HDARK-S/S	77331	117	HTF-650-200	78217	20	HV1200L	73180	68	HV400S-S/S-ATEX	90719	77
HDT5	74502	26	HTF-800-200	78218	20	HV1200L-PU	93471	70	HV400SS	73026	68
HDT5-S/S	75586	117	HTF-800-50	78210	20	HV1200L-S/S	75313	68	HV400SS-PU	93450	70
HFC2	75901	75	HTS18	76085	81	HV1200L-S/S-ATEX	90734	77	HV400SS-S/S	75293	68
HOBK	76399	75	HTS24	76086	81	HV1200M	73038	68	HV400SS-S/S-ATEX	90718	77
HSA	73486	75	HTS30	76087	81	HV1200M-PU	93470	70	HV400SSS	64788	68
HSA200	HSA200	75	HTS36	76088	81	HV1200M-S/S	75312	68	HV400SSS-PU	93449	70
HSA8L	73063	68	HTS42	76089	81	HV1200M-S/S-ATEX	90733	77	HV600M	73173	68
HSA8L	73063	69	HTS48	76090	81	HV1200S	73058	68	HV600M-PU	93456	70
HSA8L	73063	70	HTS54	76091	81	HV1200S-PU	93469	70	HV600M-S/S	75298	68
HSA8L	73063	73	HTS60	76092	81	HV1200S-S/S	75311	68	HV600M-S/S-ATEX	90723	77
HSA8L	73063	75	HTS72	76093	81	HV1200S-S/S-ATEX	90732	77	HV600S	73030	68
HSA8L-S/S	73774	68	HTSCK	76094	81	HV1200SS	73059	68	HV600S-PU	93455	70
HSA8L-S/S	73774	77	HTSCK	76094	83	HV1200SS-PU	93468	70	HV600S-S/S	75297	68
HSA8L-S/S	73774	79	HTTS-HT	79068	76	HV1200SS-S/S	75310	68	HV600S-S/S-ATEX	90722	77
HSA8LL	73064	68	HTV18S	74828	76	HV1200SS-S/S-ATEX	90731	77	HV600SS	73045	68
HSA8LL	73064	69	HTV18SS	74821	76	HV1200SSS-PU	93467	70	HV600SS-PU	93454	70
HSA8LL	73064	70	HTV24S	74829	76	HV1400L	73158	68	HV600SS-S/S	75296	68
HSA8LL	73064	73	HTV24SS	74822	76	HV1400L-PU	93474	70	HV600SS-S/S-ATEX	90721	77
HSA8LL	73064	75	HTV36M	74838	76	HV1400L-S/S-ATEX	90737	77	HV600SSS	64789	68
HSA8LL-S/S	74033	68	HTV36S	74831	76	HV1400LL	73215	68	HV600SSS-PU	93453	70
HSA8LL-S/S	74033	77	HTV36SS	74824	76	HV1400LL-PU	93475	70	HV800L	73178	68
HSA8LL-S/S	74033	79	HTV42M	74839	76	HV1400LL-S/S-ATEX	90738	77	HV800L-PU	93461	70
HSA8M	73049	68	HTV42S	74832	76	HV1400M	73177	68	HV800M	73175	68
HSA8M	73049	69	HTV42SS	74825	76	HV1400M-PU	93473	70	HV800M-PU	93460	70
HSA8M	73049	70	HTV48M	74840	76	HV1400M-S/S-ATEX	90736	77	HV800M-S/S-ATEX	90726	77
HSA8M	73049	73	HTV48S	74833	76	HV1400S	74203	68	HV800S	73034	68
HSA8M	73049	75	HTV48SS	74826	76	HV1400S-PU	93472	70	HV800S-PU	93459	70
HSA8M	73049	76	HV-18M	76191	69	HV1400S-S/S-ATEX	90735	77	HV800S-S/S-ATEX	90725	77
HSA8M-S/S	73773	68	HV-18S	76190	69	HV1500L-S/S	75315	68	HV800SS	73055	68
HSA8M-S/S	73773	77	HV-18SS	76101	69	HV1500LL-S/S	75316	68	HV800SS-PU	93458	70
HSA8M-S/S	73773	79	HV-24M	76193	69	HV1500M-S/S	75314	68	HV800SS-S/S-ATEX	90724	77
HSA8S	73048	68	HV-24S	76192	69	HV1600L	73638	68	HV800SSS	64790	68
HSA8S	73048	69	HV-24SS	76102	69	HV1600L-PU	93477	70	HV800SSS-PU	93457	70
HSA8S	73048	70	HV-36L	76198	69	HV1600L-S/S	75318	68	HV900L-S/S	75305	68
HSA8S	73048	73	HV-36M	76197	69	HV1600L-S/S-ATEX	90740	77	HV900M-S/S	75304	68
HSA8S	73048	76	HV-36S	76196	69	HV1600LL	73639	68	HV900S-S/S	75303	68
HSA8S	73048	75	HV-36SS	76104	69	HV1600LL-PU	93478	70	HV900SS-S/S	75302	68
HSA8S-S/S	73772	68	HV-42L	76252	69	HV1600LL-S/S	75319	68	HVC-S/S	73494	79
HSA8S-S/S	73772	77	HV-42M	76251	69	HV1600LL-S/S-ATEX	90741	77	HVHD1800L	74477	68
HSA8S-S/S	73772	79	HV-42S	76199	69	HV1600M	73637	68	HVHD1800L-PU	93480	70
HSA8SS	73047	68	HV-42SS	76105	69	HV1600M-PU	93476	70	HVHD1800L-S/S	A1595	68
HSA8SS	73047	69	HV-54L	76259	69	HV1600M-S/S	75317	68	HVHD1800LL	74478	68
HSA8SS	73047	70	HV-54M	76258	69	HV1600M-S/S-ATEX	90739	77	HVHD1800LL-PU	93481	70
HSA8SS	73047	73	HV-54S	76107	69	HV1800L-S/S-ATEX	90743	77	HVHD1800LL-S/S	A1596	68
HSA8SS	73047	75	HV-60L	76262	69	HV1800LL-S/S-ATEX	90744	77	HVHD1800M	74602	68
HSA8SS	73047	76	HV-60M	76261	69	HV1800M-S/S-ATEX	90742	77	HVHD1800M-PU	93479	70
HSA8SS-S/S	73771	68	HV-60S	76108	69	HV2000L-S/S-ATEX	90746	77	HVHD1800M-S/S	A1594	68
HSA8SS-S/S	73771	77	HV-72L	76265	69	HV2000LL-S/S-ATEX	90747	77	HVHD2000L	74540	68
HSA8SS-S/S	73771	79	HV-72M	76264	69	HV2000M-S/S-ATEX	90745	77	HVHD2000L-PU	93483	70
HSA8SSS	75565	68	HV-72S	76109	69	HV2100L-S/S-ATEX	90749	77	HVHD2000LL	74541	68
HSA8SSS	75565	69	HV1000L	73179	68	HV2100LL-S/S-ATEX	90750	77	HVHD2000LL-PU	93484	70
HSA8SSS	75565	70	HV1000L-PU	93466	70	HV2100M-S/S-ATEX	90748	77	HVHD2000M	74539	68
HSHD	73483	75	HV1000L-S/S-ATEX	90730	77	HV2400L-S/S-ATEX	90752	77	HVHD2000M-PU	93482	70
HSHD-PU85	17744	75	HV1000M	73036	68	HV2400LL-S/S-ATEX	90753	77	HVHD2400L	74545	68
HSHD-S/S	76467	79	HV1000M-PU	93465	70	HV2400M-S/S-ATEX	90751	77	HVHD2400L-PU	93486	70
HSSCS	74772	75	HV1000M-S/S-ATEX	90729	77	HV2600L-S/S-ATEX	90755	77	HVHD2400LL	74546	68
HSSTS	74771	75	HV1000S	73056	68	HV2600LL-S/S-ATEX	90756	77	HVHD2400LL-PU	93487	70
HTF-1000-200	78219	20	HV1000S-PU	93464	70	HV2600M-S/S-ATEX	90754	77	HVHD2400M	74544	68
HTF-1000-50	78211	20	HV1000S-S/S-ATEX	90728	77	HV3000L-S/S-ATEX	90758	77	HVHD2400M-PU	93485	70
HTF-1200-200	78220	20	HV1000SS	73057	68	HV3000LL-S/S-ATEX	90759	77	HVHD2600L	A2461	68
HTF-1200-50	78212	20	HV1000SS-PU	93463	70	HV3000M-S/S-ATEX	90757	77	HVHD2600L-PU	93489	70
HTF-1400-200	78221	20	HV1000SS-S/S-ATEX	90727	77	HV400M	73019	68	HVHD2600LL	A2397	68
HTF-1400-50	78213	20	HV1000SSS	64901	68	HV400M-PU	93452	70	HVHD2600LL-PU	93490	70
HTF-1600-200	78222	20	HV1000SSS-PU	93462	70	HV400M-S/S	75295	68	HVHD2600M	A2396	68
HTF-1600-50	78214	20	HV1050L-S/S	75309	68	HV400M-S/S-ATEX	90720	77	HVHD2600M-PU	93488	70

INDEX By Ordering Number

Ordering Number	Item Code	Page #	Ordering Number	Item Code	Page #	Ordering Number	Item Code	Page #	Ordering Number	Item Code	Page #
HVHD3000L	74592	68	HXF2-72L	76310	66	IMK	76936	162	MAPEK	76024	125
HVHD3000L-PU	93492	70	HXF2-72M	76309	66	INDR-1212	79303	127	MBC-18	79494	121
HVHD3000LL	74593	68	HXF2-72S	76146	66	INDR-1212S	79307	127	MBC-18-S	91571	121
HVHD3000LL-PU	93493	70	HXF2-L	75982	66	INDR-1218	79304	127	MBC-24	79495	121
HVHD3000M	74591	68	HXF2-L	75982	75	INDR-1218S	79308	127	MBC-24-S	91572	121
HVHD3000M-PU	93491	70	HXF2-M	75981	66	INDR-1824	79305	127	MBC-30	79496	121
HVP-18L	76268	73	HXF2-M	75981	75	INDR-1824S	79309	127	MBC-30-S	91573	121
HVP-18M	76267	73	HXF2-S	75980	66	INDR-2424	79306	127	MBC-36	79497	121
HVP-18S	76124	73	HXF2-S	75980	75	INDR-2424S	79310	127	MBC-36-S	91574	121
HVP-24L	76270	73	HXF2-SS	75979	66	ISABK	76935	164	MBC-42	79498	121
HVP-24M	76269	73	HXF2-SS	75979	75	ISABK-LMH	77529	158	MBC-42-S	91575	121
HVP-24S	76125	73	HXFC2	75902	75	ISABK-LMH	77529	160	MBC-48	79499	121
HVP-36L	76274	73	IB4	76926	147	ISABK-LMH	77529	162	MBC-48-S	91576	121
HVP-36M	76273	73	IB4	76926	150	JNK-A	79891	26	MBC-54	79500	121
HVP-36S	76127	73	IB4	76926	153	JNK-B	79892	14	MBC-54-S	91577	121
HVP-36SS	K0277	73	IB4	76926	158	JNK-C	79893	44	MBC-60	79501	121
HVP-42L	76276	73	IB4	76926	160	JNK-C	79893	52	MBC-60-S	91578	121
HVP-42M	76275	73	IB4	76926	162	JNK-C	79893	75	MBC-72	79502	121
HVP-42S	76128	73	IB4	76926	166	JNK-C	79893	113	MBC-72-S	91579	121
HVP-42SS	K0530	73	IB4-1U	76965	166	JNK-C	79893	117	MBC-84	79503	121
HVP-54L	76281	73	IB5	76927	147	JNK-C	79893	120	MBC-84-S	91580	121
HVP-54M	76280	73	IB5	76927	150	JNK-D	79894	58	MBDS-18	79504	123
HVP-54S	76130	73	IB5	76927	153	JNK-D	79894	62	MBDS-24	79505	123
HVP-60L	76284	73	IB5	76927	158	JNK-F	79896	117	MBDS-30	79506	123
HVP-60M	76283	73	IB5	76927	160	LA-24	91762	189	MBDS-36	79507	123
HVP-60S	76131	73	IB5	76927	162	LA-30	91763	189	MBDS-42	79508	123
HVP-72L	76287	73	IB5	76927	164	LA-36	91764	189	MBDS-48	79509	123
HVP-72M	76286	73	IB5	76927	166	LA-42	91765	189	MBDS-54	79510	123
HVP-72S	76132	73	IB5-1U	76966	166	LA-48	91766	189	MBDS-60	79511	123
HVP1000-S/S	90707	79	IBBK	76928	144	LA-54	91835	189	MBDS-72	79512	123
HVP1200-S/S	90709	79	IBBK	76928	147	LA-60	91836	189	MBDS-84	79513	123
HVP1400-S/S	90710	79	IBBK	76928	150	LA-66	91837	189	MBRD-18	79514	121
HVP1600-S/S	90711	79	IBBK	76928	153	LA-72	91838	189	MBRD-18	79514	123
HVP1800-S/S	90712	79	IBBK	76928	158	LA-84	91839	189	MBRD-24	79515	121
HVP2000-S/S	90713	79	IBBK	76928	160	LA-96	91840	189	MBRD-24	79515	123
HVP2100-S/S	90714	79	IBBK	76928	162	LS-BP	77114	14	MBRD-30	79516	121
HVP2400-S/S	90715	79	IBBK	76928	164	LS-BP-S/S	77115	18	MBRD-30	79516	123
HVP2600-S/S	90716	79	IBBK	76928	166	LS-SPK	77365	14	MBRD-36	79517	121
HVP3000-S/S	90717	79	IBS-D5	77530	164	LS-SS	77118	14	MBRD-36	79517	123
HVP400-S/S	90703	79	IBS-H4	76933	162	LS-SW	77117	14	MBRD-42	79518	121
HVP600-S/S	90704	79	IBS-H5	76934	162	LS-SW-S/S	78850	18	MBRD-42	79518	123
HVP800-S/S	90706	79	IBS-L4	76929	158	LSP12-S/S	77079	18	MBRD-48	79519	121
HVPT	73631	73	IBS-L5	76930	158	LSP18	77071	14	MBRD-48	79519	123
HVPT	73631	75	IBS-M4	76931	153	LSP18-S/S	77080	18	MBRD-54	79520	121
HVT8(S/S)	75419	68	IBS-M4	76931	160	LSP24	77072	14	MBRD-54	79520	123
HVT8-S/S	75419	75	IBS-M5	76932	153	LSP24-S/S	77081	18	MBRD-60	79521	121
HVT8-S/S	75419	76	IBS-M5	76932	160	LSP30	77073	14	MBRD-60	79521	123
HVT8-S/S	75419	79	ICT6	74535	80	LSP30-S/S	77082	18	MBRD-72	79522	121
HXF2-18M	76290	66	ICT6	74535	81	LSP36	77074	14	MBRD-72	79522	123
HXF2-18S	76289	66	ICT6	74535	83	LSP36-S/S	77083	18	MBRD-84	79523	121
HXF2-18SS	76138	66	ICT6	74535	91	LSP42	77075	14	MBRD-84	79523	123
HXF2-24M	76292	66	ICT6	74535	92	LSP42-S/S	77084	18	MDWS-24	75868	118
HXF2-24S	76291	66	ICT6	74535	93	LSP48	77076	14	MDWS-30	75869	118
HXF2-24SS	76139	66	ICT6	74535	95	LSP48-S/S	77085	18	MDWS-36	75870	118
HXF2-36L	76297	66	ICT6	74535	96	LSP54	77077	14	MDWS-42	75871	118
HXF2-36M	76296	66	ICT6	74535	97	LSP54-S/S	77086	18	MDWS-48	75872	118
HXF2-36S	76295	66	ICT6	74535	100	LSP60	77078	14	MDWS-54	75873	118
HXF2-36SS	76141	66	ICT6	74535	101	LSP60-S/S	77087	18	MDWS-60	75874	118
HXF2-42L	76300	66	ICT6	74535	105	LST-B-S/S	77124	18	MDWS-72	75875	118
HXF2-42M	76299	66	ICT6	74535	108	LST-P	77121	14	MDWS-84	76806	118
HXF2-42S	76298	66	ICT6	74535	109	LST-S	77123	14	MESPBK	82363	35
HXF2-42SS	76142	66	ICT6	74535	110	LST-TAK	77120	14	MESPBK	81895	35
HXF2-54L	76306	66	ICT6	74535	111	LST-W	77122	14	MESPRK	77441	35
HXF2-54M	76305	66	ICT6	74535	113	LST-W-S/S	77125	18	MEST-B	81070	35
HXF2-54S	76304	66	ICT6	74535	106	LST-W-S/S-2	77126	18	MEST-P	81068	35
HXF2-54SS	76144	66	IEA-42-60	76937	164	LSTMPK	77366	14	MEST-S	81069	35
HXF2-60L	76308	66	IEA-72-96	76938	164	LSTMPK-S/S	78933	18	MEZP1MPK	81897	35
HXF2-60M	76307	66	IMK	76936	158	LSTMPK2-S/S	78462	18	MHCP-24S	75929	59
HXF2-60S	76145	66	IMK	76936	160	LSTPB-RK	77367	14	MHCP-2BC24	76638	62

INDEX By Ordering Number

Ordering Number	Item Code	Page #	Ordering Number	Item Code	Page #	Ordering Number	Item Code	Page #	Ordering Number	Item Code	Page #
MHCP-2BC30	76639	62	MHS-24RV	76647	110	MMP-1272-S/S	77439	48	MMPCP800	90422	53
MHCP-2BC36	76640	62	MHS-2700ATEX	90486	111	MMP-1284	76799	47	MMPCP84	76808	52
MHCP-2BC42	76641	62	MHS-2700V-ATEX	90335	111	MMP-1284-S/S	77440	48	MMPCP84	76808	58
MHCP-2BC48	76642	62	MHS-3000ATEX	90487	111	MMP-1296	79034	47	MMPK	76537	36
MHCP-2BC54	76643	62	MHS-3000V-ATEX	90336	111	MMP-6108	90149	47	MMPK	76537	47
MHCP-2BC60	76644	62	MHS-30R	76614	110	MMP-6120	90148	47	MRB18	77531	55
MHCP-2BC72	76645	62	MHS-30RV	76648	110	MMP-624	76450	47	MRB24	77532	55
MHCP-2BC84	76812	62	MHS-36R	76615	110	MMP-624-S/S	77424	48	MRB30	77533	55
MHCP-30S	75930	59	MHS-36RV	76649	110	MMP-630	76451	47	MRB36	77534	55
MHCP-36S	75931	59	MHS-42R	76616	110	MMP-630-S/S	77425	48	MRB42	77535	55
MHCP-42S	75932	59	MHS-42RV	76650	110	MMP-636	76452	47	MRB48	77536	55
MHCP-48S	75933	59	MHS-450ATEX	90475	111	MMP-636-S/S	77426	48	MRB54	77537	55
MHCP-54S	75934	59	MHS-450V-ATEX	90488	111	MMP-642	76453	47	MRB60	77538	55
MHCP-60S	75935	59	MHS-48R	76617	110	MMP-642-S/S	77427	48	MRB66	77539	55
MHCP-72S	75936	59	MHS-48RV	76651	110	MMP-648	76454	47	MRB72	77540	55
MHCP-84S	76800	59	MHS-54R	76618	110	MMP-648-S/S	77428	48	MSP-1000-200	78233	36
MHCP-BCK24	75953	60	MHS-54RV	76652	110	MMP-654	76455	47	MSP-1000-200-ATEX	90279	39
MHCP-BCK30	75954	60	MHS-600ATEX	90476	111	MMP-654-S/S	77429	48	MSP-1000-200HT	90463	36
MHCP-BCK36	75955	60	MHS-600V-ATEX	90489	111	MMP-660	76456	47	MSP-1000-200UHT	91376	37
MHCP-BCK42	75956	60	MHS-60R	76619	110	MMP-660-S/S	77430	48	MSP-1000-50	78225	36
MHCP-BCK48	75957	60	MHS-60RV	76653	110	MMP-672	76457	47	MSP-1000-50-ATEX	90273	39
MHCP-BCK54	75958	60	MHS-72R	76620	110	MMP-672-S/S	77431	48	MSP-1000-50HT	90464	36
MHCP-BCK60	75959	60	MHS-72RV	76654	110	MMP-684	76798	47	MSP-1000-50UHT	91368	37
MHCP-BCK72	75960	60	MHS-750ATEX	90477	111	MMP-684-S/S	77432	48	MSP-1200-200	78234	36
MHCP-BCK84	76810	60	MHS-750V-ATEX	90490	111	MMP-696	79033	47	MSP-1200-200-ATEX	90280	39
MHCP-BS	76394	62	MHS-84R	76621	110	MMP1000-150-ATEX	90303	49	MSP-1200-200HT	90465	36
MHCP-CH	76393	62	MHS-84RV	76805	110	MMP1000-300-ATEX	90311	49	MSP-1200-200UHT	91377	37
MHP-1272	77719	54	MHS-900ATEX	90478	111	MMP1200-150-ATEX	90304	49	MSP-1200-50	78226	36
MHP-1284	77720	54	MHS-900V-ATEX	90491	111	MMP1200-300-ATEX	90312	49	MSP-1200-50-ATEX	90274	39
MHP-624	77703	54	MHSP-18	76178	108	MMP12120	90150	47	MSP-1200-50HT	90466	36
MHP-630	77704	54	MHSP-18	76178	109	MMP1400-150-ATEX	90305	49	MSP-1200-50UHT	91369	37
MHP-636	77705	54	MHSP-24	75918	108	MMP1400-300-ATEX	90313	49	MSP-1400-200	78235	36
MHP-642	77706	54	MHSP-24	75918	109	MMP1600-150-ATEX	90306	49	MSP-1400-200-ATEX	90281	39
MHP-648	77707	54	MHSP-24	75918	113	MMP1600-300-ATEX	90314	49	MSP-1400-200HT	90467	36
MHP-654	77708	54	MHSP-30	75919	108	MMP1800-150-ATEX	90307	49	MSP-1400-200UHT	91378	37
MHP-660	77709	54	MHSP-30	75919	109	MMP1800-300-ATEX	90315	49	MSP-1400-50	78227	36
MHP-672	77710	54	MHSP-30	75919	113	MMP2000-150-ATEX	90308	49	MSP-1400-50-ATEX	90275	39
MHP-CP24	75961	62	MHSP-36	75920	108	MMP2000-300-ATEX	90316	49	MSP-1400-50HT	90468	36
MHP-CP30	75962	62	MHSP-36	75920	109	MMP2100-300-ATEX	90317	49	MSP-1400-50UHT	91370	37
MHP-CP36	75963	62	MHSP-36	75920	113	MMP650-150-ATEX	90301	49	MSP-1600-200	78236	36
MHP-CP42	75964	62	MHSP-42	75921	108	MMP800-150-ATEX	90302	49	MSP-1600-200-ATEX	90282	39
MHP-CP48	75965	62	MHSP-42	75921	109	MMP800-300-ATEX	90310	49	MSP-1600-200HT	90469	36
MHP-CP54	75966	62	MHSP-42	75921	113	MMPBPK	76466	52	MSP-1600-200UHT	91379	37
MHP-CP60	75967	62	MHSP-48	75922	108	MMPBPK	76466	53	MSP-1600-50	78228	36
MHP-CP72	75968	62	MHSP-48	75922	109	MMPBPK	76466	133	MSP-1600-50-ATEX	90276	39
MHP-CP84	76811	62	MHSP-48	75922	113	MMPCP1000	90423	53	MSP-1600-50HT	90470	36
MHP-EP	76392	52	MHSP-54	75923	108	MMPCP1200	90424	53	MSP-1600-50UHT	91371	37
MHP-EP	76392	53	MHSP-54	75923	109	MMPCP1400	90425	53	MSP-1800-200	78237	36
MHP-EP	76392	58	MHSP-54	75923	113	MMPCP1600	90426	53	MSP-1800-200-ATEX	90309	39
MHP-EP	76392	62	MHSP-60	75924	108	MMPCP1800	90427	53	MSP-1800-200HT	90471	36
MHPBPK	77728	58	MHSP-60	75924	109	MMPCP2000	90428	53	MSP-1800-200UHT	91380	37
MHPMPK	77727	58	MHSP-60	75924	113	MMPCP2100	90429	53	MSP-1800-50	78229	36
MHPMPK	77727	62	MHSP-72	75925	108	MMPCP24	76458	52	MSP-1800-50HT	90472	36
MHS-1050ATEX	90479	111	MHSP-72	75925	109	MMPCP24	76458	58	MSP-1800-50UHT	91372	37
MHS-1050V-ATEX	90492	111	MHSP-74	76814	113	MMPCP30	76459	52	MSP-2000-200	78238	36
MHS-1200ATEX	90480	111	MHSP-82	79052	113	MMPCP36	76460	52	MSP-2000-200HT	90473	36
MHS-1200V-ATEX	90493	111	MHSP-96	79052	113	MMPCP36	76460	52	MSP-2000-200UHT	91381	37
MHS-1400ATEX	90481	111	MMBK	75830	36	MMPCP36	76460	58	MSP-2000-50	78230	36
MHS-1400V-ATEX	90494	111	MMBK	75830	47	MMPCP42	76461	52	MSP-2000-50HT	90474	36
MHS-1500ATEX	90482	111	MMKU-SS	77357	117	MMPCP42	76461	58	MSP-2000-50UHT	91373	37
MHS-1500V-ATEX	90495	111	MMKUHD-SS	77358	117	MMPCP48	76462	52	MSP-260-S/S	77459	38
MHS-1800ATEX	90483	111	MMP-12108	90149	47	MMPCP48	76462	58	MSP-272-S/S	77460	38
MHS-1800V-ATEX	90496	111	MMP-1230	76551	47	MMPCP54	76463	52	MSP-650-200	78231	36
MHS-18RV	76646	110	MMP-1236	76552	47	MMPCP54	76463	58	MSP-650-200-ATEX	90277	39
MHS-2000ATEX	90484	111	MMP-1242	76553	47	MMPCP60	76464	52	MSP-650-200HT	90460	36
MHS-2000V-ATEX	90497	111	MMP-1248	76554	47	MMPCP60	76464	58	MSP-650-200UHT	91374	37
MHS-2400ATEX	90485	111	MMP-1254	76555	47	MMPCP650	90421	53	MSP-650-50-ATEX	90271	39
MHS-2400V-ATEX	90498	111	MMP-1260	76556	47	MMPCP72	76465	52	MSP-800-200	78232	36
MHS-24R	76613	110	MMP-1272	76557	47	MMPCP72	76465	58	MSP-800-200-ATEX	90278	39

INDEX By Ordering Number

Ordering Number	Item Code	Page #	Ordering Number	Item Code	Page #	Ordering Number	Item Code	Page #	Ordering Number	Item Code	Page #
MSP-800-200HT	90461	36	MXP-6120	90400	63	PST2-W	77723	58	PTMA1800T	83666	176
MSP-800-200UHT	91375	37	MXP-642	90393	63	PST2-W	77723	62	PTMA1800VR	83678	176
MSP-800-50	78224	36	MXP-648	90394	63	PSTA	75896	44	PTMA650R	83786	176
MSP-800-50-ATEX	90272	39	MXP-654	90395	63	PSTA	75896	46	PTMA800R	83667	176
MSP-800-50HT	90462	36	MXP-660	90396	63	PSTA	75896	52	PTMA800VR	83673	176
MSP-800-50UHT	91367	37	MXP-672	90397	63	PSTA	75896	53	PTMAHD1800R	83737	176
MSP-824-S/S	77462	38	MXP-684	90398	63	PSTA	75896	58	PTMAHD1800T	83734	176
MSP-830-S/S	77463	38	MXP-696	90399	63	PSTA	75896	62	PTMAHD1800VR	83740	176
MSP-836-S/S	77464	38	PAB	75513	83	PSTA	75896	75	PTMAHD2000R	83738	176
MSP-842-S/S	77465	38	PAB	75513	95	PSTA	75896	117	PTMAHD2000T	83735	176
MSP-848-S/S	77466	38	PAB	75513	100	PSTA-S/S	77442	45	PTMAHD2000VR	83741	176
MSP-854-S/S	77467	38	PAB	75513	101	PSTA-S/S	77442	79	PTMAHD2200R	83739	176
MSP-860-S/S	77468	38	PACB60	78683	52	PSTS-R	77726	58	PTMAHD2200T	83735	176
MSP-872-S/S	77470	38	PACB60	78683	58	PSTS-R	77726	62	PTMAHD2200VR	83742	176
MSP-884-S/S	77471	38	PACB60	78683	62	PSTS-R	77726	126	PTPK	75897	58
MSPBPK	75831	44	PAK	78705	52	PSTS-S	75899	52	PTPK	75897	62
MSPBPK	75831	46	PAK	78705	58	PSTS-S	75899	58	PTS-18R	77664	174
MSPBPK	75831	120	PAK	78705	62	PSTS-S	75899	62	PTS-24R	77665	174
MSPBPK-S/S	77583	31	PC1050	62223	91	PSTS-S	75899	75	PTS-30R	77666	174
MSPBPK-S/S	77583	45	PC1200		91	PSTS-S	75899	126	PTS-30R-UG	77673	174
MSPMPK	75811	44	PC1350	62224	91	PSTS-S	75899	126	PTS-36R	77667	174
MSPMPK	75811	52	PC1500	62225	91	PSTS-W	75898	44	PTS-36R-UG	77674	174
MSPMPK	75811	53	PC450	62219	91	PSTS-W	75898	46	PTS-42R	77668	174
MSPMPK	75811	75	PC600	62220	91	PSTS-W	75898	52	PTS-42R-UG	77675	174
MSPMPK-CN	82184	46	PC750	62221	91	PSTS-W	75898	53	PTS-48R	77669	174
MSPMPK-S/S	77582	45	PC900	62222	91	PSTS-W	75898	58	PTS-48R-UG	77676	174
MSPMPK-S/S	77582	79	PCHD1800		91	PSTS-W	75898	62	PTS-54R	77670	174
MSPP1000	78303	44	PCHD2100		91	PSTS-W	75898	75	PTS-54R-UG	77677	174
MSPP1000	78303	46	PCHD2400		91	PSTS-W	75898	117	PTS-60R	77671	174
MSPP1200	78304	44	PFC	75927	113	PSTS-W	75898	126	PTS-60R-UG	77678	174
MSPP1200	78304	46	PFC-SS	76560	113	PSTS-W)	75898	126	PTS-72R	77672	174
MSPP1400	78305	44	PFRS	76622	113	PSTS-W	75898	126	PTS-72R-UG	77679	174
MSPP1400	78305	46	PHA	73626	95	PSTS-W	75898	126	PTS-RR21	77680	174
MSPP1600	78306	44	PHA-PU85	17743	95	PTEZ-18	90265	171	PTS-RR27	77681	174
MSPP1600	78306	46	PLSC18	75588	93	PTEZ-18R	90808	171	PTS-RR33	77682	174
MSPP1800	78307	44	PLSC24	75589	93	PTEZ-24	90266	171	PTS-RR39	77683	174
MSPP2000	78308	44	PLSC30	75590	93	PTEZ-24R	90809	171	PTS-RR39	77683	174
MSPP24-S/S	77472	45	PLSC36	75591	93	PTEZ-30	90267	171	PTS-RR45	77684	174
MSPP30-S/S	77473	45	PLSC42	75592	93	PTEZ-30R	90810	171	PTS-RR45	77684	174
MSPP36-S/S	77474	45	PLSC48	75593	93	PTEZ-36	90268	171	PTS-RR51	77685	174
MSPP42-S/S	77475	45	PLSC54	75594	93	PTEZ-36R	90811	171	PTS-RR51	77685	174
MSPP48-S/S	77476	45	PLSP1050	75599	95	PTEZ-42	90269	171	PTS-RR57	77686	174
MSPP54-S/S	77477	45	PLSP1200	75600	95	PTEZ-42R	90812	171	PTS-RR57	77686	174
MSPP60-S/S	77478	45	PLSP1350	75601	95	PTEZ-48	90270	171	PTS-RR63	77687	174
MSPP650	78301	44	PLSP450	75595	95	PTEZ-48R	90813	171	PTS-RR63	77687	174
MSPP650	78301	46	PLSP600	75596	95	PTEZHD-42/1050	90616	171	PTS-RR69	77688	174
MSPP72-S/S	77479	45	PLSP750	75597	95	PTEZHD-48/1200	90617	171	PTS-RR75	77689	174
MSPP800	78302	44	PLSP900	75598	95	PTEZHD-54/1350	90618	171	PTS-RR81	77690	174
MSPP800	78302	46	PP1050	73011	95	PTEZHD-56/1400	90795	171	PV1050	64465	91
MSPP84-S/S	77480	45	PP1200	73013	95	PTEZHD-60/1500	90619	171	PV1050-PU	93498	91
MSPLL	75816	44	PP1400	73015	95	PTEZHD-64/1600	90796	171	PV1050-S/S	75327	92
MSPLL	75816	75	PP1500	73016	95	PTEZHD-72/1800	90620	171	PV1200	64466	91
MSPLL-S/S	77524	45	PP450	73003	95	PTEZHD-80/2000	90797	171	PV1200-PU	93499	91
MSPLL-S/S	77524	79	PP600	73005	95	PTEZHD-84/2100	90621	171	PV1200-S/S	75328	92
MST-MBL	79436	108	PP750	73007	95	PTMA650T	83785	176	PV1350-PU	93500	91
MST-MBR	79437	108	PP900	73009	95	PTMA800T	83661	176	PV1400	64467	91
MSTAM	79435	108	PPHD1800	74597	95	PTMA1000R	83668	176	PV1400-S/S	75329	92
MSTBK	79440	108	PPHD2100	A2803	95	PTMA1000T	83662	176	PV1500	64468	91
MSTCHD	79439	108	PPHD2400	74557	95	PTMA1000VR	83674	176	PV1500-PU	93501	91
MSTDB	79434	108	PPS6	73024	95	PTMA1200R	83669	176	PV1500-S/S	75330	92
MSTGT	79441	108	PSA150	73156	91	PTMA1200T	83663	176	PV450	64461	91
MSTHD-B	79433	108	PSA150	73156	92	PTMA1200VR	83675	176	PV450-PU	93494	91
MSTHD-S	79432	108	PSSS	74773	108	PTMA1400R	83670	176	PV450-S/S	75323	92
MSTHD-W	79431	108	PSSS	74773	109	PTMA1400T	83664	176	PV600	64462	91
MSTPMHD	79451	108	PSSS	74773	113	PTMA1400VR	83676	176	PV600-PU	93495	91
MXP-12120	90588	63	PST2-R	77725	58	PTMA1600R	83671	176	PV600-S/S	75324	92
MXP-1272	90585	63	PST2-R	77725	62	PTMA1600T	83665	176	PV750	64463	91
MXP-1284	90586	63	PST2-S	77724	58	PTMA1600VR	83677	176	PV750-PU	93496	91
MXP-1296	90587	63	PST2-S	77724	62	PTMA1800R	83672	176	PV750-S/S	75325	92

INDEX By Ordering Number

Ordering Number	Item Code	Page #	Ordering Number	Item Code	Page #	Ordering Number	Item Code	Page #	Ordering Number	Item Code	Page #
PV900	64464	91	QMTS-G	76484	44	RC1350-PU	90443	96	RPHD2100	74614	100
PV900-PU	93497	91	QMTS-G	76484	52	RC1500-PU	90444	96	RPHD2400	74615	100
PV900-S/S	75326	92	QMTS-G	76484	53	RC18	74618	96	RRTD6-24	79874	144
PVHD1800	64469	91	QMTS-G	76484	126	RC24	74619	96	RRTD6-30	79875	144
PVHD1800-PU	93502	91	QMTS-G	76484	126	RC30	74620	96	RRTD6-36	79876	144
PVHD1800-S/S	A1603	92	QMTS-G-S/S	77452	31	RC36	74621	96	RRTD6-42	79877	144
PVHD2000-S/S	A2046	92	QMTS-G-S/S	77452	45	RC42	74622	96	RRTD6-48	79878	144
PVHD2100		91	QMTS-P	75845	26	RC450-PU	90437	96	RRTD6-54	79879	144
PVHD2100-PU	93503	91	QMTS-P	75845	35	RC48	74623	96	RRTD6-60	79880	144
PVHD2400		91	QMTS-P	75845	44	RC54	74624	96	RRTD6-72	79881	144
PVHD2400-PU	93504	91	QMTS-P	75845	46	RC60	74625	96	RRTID6-24	79883	147
PVT6-S/S	75420	95	QMTS-P	75845	52	RC600-PU	90438	96	RRTID6-30	79884	147
QMT-A-P	91285	44	QMTS-P	75845	53	RC72	74626	96	RRTID6-36	79885	147
QMT-A-W	91286	44	QMTS-P	75845	75	RC750-PU	90439	96	RRTID6-42	79886	147
QMT-ATEX	90435	44	QMTS-P	75845	117	RC900-PU	90440	96	RRTID6-48	79887	147
QMT-G	76483	44	QMTS-P	75845	126	RCHD1800-PU	90445	96	RRTID6-54	79888	147
QMT-G	76483	52	QMTS-P	75485	126	RCHD2100	74628	96	RRTID6-60	79889	147
QMT-G-CN	82181	53	QMTS-P	75845	126	RCHD2100-PU	90446	96	RRTID6-72	79890	147
QMT-G-S/S	77586	45	QMTS-P	75845	126	RCHD2400	74629	96	RS-24	91725	186
QMT-P	76074	44	QMTS-P-S/S	77450	31	RCHD2400-PU	90447	96	RS-30	91726	186
QMT-P	76074	52	QMTS-P-S/S	77450	45	RDP1-L	74694	138	RS-36	91727	186
QMT-P	76074	75	QMTS-P-S/S	77450	79	RDP1-M	74693	138	RS-42	91728	186
QMT-P-CN	82179	46	QMTS-W-S/S	77451	31	RDP1-S	74692	138	RS-48	91729	186
QMT-P-CN	82179	53	QMTS-W-S/S	77451	45	RDP1-XL	74695	138	RS-54	91730	186
QMT-P-S/S	77584	45	QMTS-W-S/S	77451	79	RDPBK-L	74701	138	RS-60	91731	186
QMT-P-S/S	77584	79	RAPEK	77423	125	RDPBK-M	74700	138	RS-66	91732	186
QMT-S	79039	52	RB6DH	76571	135	RDPBK-S	74699	138	RS-72	91733	186
QMT-S	79039	75	RB6SA	76570	134	RDPBK-XL	74702	138	RS-84	91734	186
QMT-W	76075	44	RBP1R-L	90648	168	RMC1	75817	180	RS-96	91735	186
QMT-W	76075	52	RBP1R-M	90647	168	RMC1-50	75833	180	RSA	76249	100
QMT-W	76075	75	RBP1R-S	90646	168	RMC1-BCP	76414	180	RSA	76249	101
QMT-W-CN	82180	46	RBP1R-XL	90649	168	RMC1-BPP	76415	180	RSA-PU85	90436	100
QMT-W-CN	82180	53	RBP1S-L	74560	168	RMC1-BPP	76415	183	RSA150	73628	96
QMT-W-S/S	77585	45	RBP1S-M	74559	168	RMC1-BPP	76415	184	RSA150	73628	97
QMT-W-S/S	77585	79	RBP1S-S	74558	168	RMC1-CB	75820	180	RSA150	73628	100
QMTBK-ATEX	90435	46	RBP1S-XL	74561	168	RMC1-CB	75820	183	RSA150	73628	101
QMTBK-ATEX	90435	53	RBPFK-L	75524	170	RMC1-CB	75820	184	RSA150	73628	105
QMTBK-G	76540	44	RBPFK-M	75523	170	RMC1-CP	75819	180	RSA150	73628	108
QMTBK-G	76540	45	RBPFK-S	75522	170	RMC1-LS	75834	180	RSA150	73628	109
QMTBK-G	76540	52	RBPFK-XL	75525	170	RMC1-LSBPP	76538	180	RSA150	73628	110
QMTBK-P	76097	44	RBPI-T-L	75529	170	RMC1-LSPP	75836	180	RSA150	73628	111
QMTBK-P	76097	45	RBPI-T-M	75528	170	RMC1-PL	75821	180	RSA150	73628	113
QMTBK-P	76097	52	RBPI-T-S	75527	170	RMC1-PP	75832	180	RSA150	73628	106
QMTBK-P	76097	75	RBPI-T-XL	75530	170	RMC1LS-PL	75835	180	RV1050	74637	96
QMTBK-P	76097	79	RBPMBK	75526	170	RMC2-FS-1	76558	184	RV1050-ATEX	90768	98
QMTBK-W	76098	44	RBPRET	73163	170	RMC2-FS-50	77330	184	RV1050-PU	90452	96
QMTBK-W	76098	45	RBPRR-L	90652	170	RMC2-FSAPK	76559	184	RV1050-S/S	75345	97
QMTBK-W	76098	52	RBPRR-M	90651	170	RNC	74985	101	RV1200	74638	96
QMTBK-W	76098	58	RBPRR-S	90650	170	RP-18	78426	101	RV1200-ATEX	90769	98
QMTBK-W	76098	62	RBPRR-XL	90653	170	RP-24	78427	101	RV1200-PU	90453	96
QMTBK-W	76098	75	RBPSR-L	74564	170	RP-30	78428	101	RV1200-S/S	75346	97
QMTBK-W	76098	79	RBPSR-M	74563	170	RP-36	78429	101	RV1350	74639	96
QMTBK-W	76098	117	RBPSR-S	74562	170	RP-42	78430	101	RV1350-ATEX	90770	98
QMTPAK	76096	44	RBPSR-XL	74565	170	RP-48	78431	101	RV1350-PU	90454	96
QMTPAK	76096	46	RBQC1HD-12	75985	132	RP-54	78432	101	RV1400-S/S	75347	97
QMTPAK	76096	52	RBQC1HD-18	75986	132	RP-60	78433	101	RV1500	74640	96
QMTPAK	76096	53	RBQC1HD-24	75987	132	RP-72	74612	101	RV1500-ATEX	90771	98
QMTPAK	76096	75	RBQC1HD-30	75988	132	RP-80	90932	101	RV1500-PU	90455	96
QMTPAK	76096	117	RBQC1HD-36	75989	132	RP-84	90933	101	RV1500-S/S	75348	97
QMTPAK-S/S	77587	45	RBQC1HD-42	75990	132	RP-96	90934	101	RV450	74633	96
QMTPAK-S/S	77587	79	RBQC1HD-48	75991	132	RP1050	74608	100	RV450-ATEX		98
QMTPSBK	76099	44	RBQC1HD-54	75992	132	RP1200	74609	100	RV450-PU	90448	96
QMTPSBK	76099	46	RBQC1HD-66	75993	132	RP1350	74610	100	RV450-S/S	75341	97
QMTPSBK	76099	52	RBSST18		136	RP1500	74611	100	RV600	74634	96
QMTPSBK	76099	53	RBSST281	90791	136	RP450	74604	100	RV600-ATEX	90765	98
QMTPSBK	76099	75	RBSST282	90793	136	RP600	74605	100	RV600-PU	90449	96
QMTPSBK	76099	117	RBSST283	90794	136	RP750	74606	100	RV600-S/S	75342	97
QMTPSBK-S/S	77588	45	RC1050-PU	90441	96	RP900	74607	100	RV750	74635	96
QMTPSBK-S/S	77588	79	RC1200-PU	90442	96	RPHD1800	74613	100	RV750-ATEX	90766	98

INDEX By Ordering Number

Ordering Number	Item Code	Page #	Ordering Number	Item Code	Page #	Ordering Number	Item Code	Page #	Ordering Number	Item Code	Page #
RV750-PU	90450	96	SP-48	91748	186	STS-S	75843	108	TRB1800F	90300	50
RV750-S/S	75343	97	SP-72	91749	186	STS-S	75843	109	TRB1850F	90318	50
RV900	74636	96	SP-96	91750	186	STS-S	75843	113	TRB24	76486	50
RV900-ATEX	90767	98	SPG-CVR-A	77387	126	STS-S	75843	120	TRB24	76486	133
RV900-PU	90451	96	SPG-CVR-B	77388	126	STS-S	75843	126	TRB30	76487	50
RV900-S/S	75344	97	SPG-CVR-C	77389	126	STS-W	75846	108	TRB30	76487	133
RVHD1800	74642	96	SPG-CVR-D	77390	126	STS-W	75846	109	TRB36	76488	50
RVHD1800-ATEX	90522	98	SPG-CVR-E	77391	126	STS-W	75846	113	TRB36	76488	133
RVHD1800-PU	90456	96	SPG-CVR-F	77392	126	STS-W	75846	120	TRB42	76489	50
RVHD1800-S/S	A1626	97	SPG-CVR-G	77393	126	STS-W	75846	126	TRB42	76489	133
RVHD2100	74643	96	SSRB	75978	60	STTS	74419	26	TRB48	76490	50
RVHD2100-ATEX	90523	98	SSRB	75978	62	STTS-S/S	75585	117	TRB48	76490	133
RVHD2100-PU	90457	96	SSRB-MA85	J1517	60	TALOCK	93529	104	TRB500F	90287	50
RVHD2100-S/S	A1628	97	SSRB-MA90	J1518	60	TBA	93526	104	TRB54	76491	50
RVHD2400	74644	96	SSRB-ME85	J1520	60	TBLOCK	93528	104	TRB54	76491	133
RVHD2400-ATEX		98	SSRB-ME90	J1521	60	TEN-LOCK-KIT	77443	126	TRB60	76492	50
RVHD2400-PU	90458	96	SSRB-ME95	J1519	60	TGR	93527	104	TRB60	76492	133
RVT6-S/S	76205	108	SST-BUK	76943	113	TL-48	91842	183	TRB650F	90288	50
SAT2AK	78733	113	SST-BUK	76943	120	TL-48	91842	189	TRB66	76493	50
SAT2AK	78733	120	SST2HD-B	77881	120	TLAWK-48	93117	182	TRB66	76493	133
SB4	78789	144	SST2HD-G	79041	120	TLU-48	93114	183	TRB700F	90289	50
SB4	78789	147	SST2HD-S	77880	120	TLUWK-48	93118	182	TRB72	76494	50
SB4	78789	150	SST2HD-W	77879	120	TMTG	93524	104	TRB72	76494	133
SB4	78789	153	SSTBK-B	76637	109	TMTGHD	93525	104	TRB78	76697	50
SB4	C8839	156	SSTBK-B	76637	113	TP1000	93520	104	TRB78	76697	133
SB4	78789	158	SSTBK-B	76637	120	TP1200	93521	104	TRB84	77047	50
SB4	78789	160	SSTBK-W	76636	109	TP1400	93522	104	TRB84	77047	133
SB4	78789	162	SSTBK-W	76636	113	TP1600	93523	104	TRB850F	90290	50
SB4	78789	166	SSTBK-W	76636	120	TP400	93517	104	TRB90	77048	133
SB5	78790	144	SSTHB	79582	109	TP600	93518	104	TRB900F	90291	50
SB5	78790	147	SSTHB	79582	113	TP800	93519	104	TS-GWK	90789	79
SB5	78790	150	SSTHB	79582	120	TRB-HT18	78754	50	TS-GWK	90789	101
SB5	78790	153	SSTHDMK	77870	113	TRB-HT24	78755	50	TSA	93516	104
SB5	C8840	156	SSTHDMK	77870	120	TRB-HT30	78756	50	TSAL	93513	104
SB5	78790	158	SSTHDPM	77868	109	TRB-HT36	78757	50	TSAL	93513	102
SB5	78790	160	SSTHDPM	77868	113	TRB-HT42	78758	50	TSAL	93513	136
SB5	78790	162	SSTHDPM	77868	120	TRB-HT48	78759	50	TSAL-120	93515	104
SB5	78790	164	SSTHK	79070	113	TRB-HT54	78760	50	TSAS	93512	104
SB5	78790	166	SSTHK	79070	120	TRB-HT60	78761	50	TSAS	93512	102
SCU60-S/S	82810	117	SSTLBK	79493	109	TRB-HT66	78762	50	TSAS	93512	136
SCUHD-S/S	82811	117	SSTLBK	79493	113	TRB-HT72	78763	50	TSAS-120	93514	104
SHIM-KITH	77550	162	SSTLBK	79493	120	TRB-HT78	78764	50	TT-GWK	90788	79
SHIM-KITL	77548	144	SSTLMB	76072	106	TRB-UHT102	92788	50	TT-GWK	90788	101
SHIM-KITL	77548	150	SSTSMB	76071	106	TRB-UHT108	92794	50	TV1000	93508	102
SHIM-KITL	77548	158	SSTXD-B	91410	109	TRB-UHT114	92800	50	TV1200	93509	102
SHIM-KITM	77549	153	SSTXD-S	91409	109	TRB-UHT18	91865	50	TV1400	93510	102
SHIM-KITM	82394	156	SSTXD-W	91408	109	TRB-UHT24	91866	50	TV1600	93511	102
SHIM-KITM	77549	160	SSTXDMK	91412	109	TRB-UHT30	91867	50	TV400	93505	102
SKC-24	91751	189	STAK	75847	113	TRB-UHT36	91868	50	TV600	93506	102
SKC-30	91752	189	STAK	75847	120	TRB-UHT42	91869	50	TV800	93507	102
SKC-36	91753	189	STAKHD	75892	113	TRB-UHT48	91870	50	UFB18	74448	114
SKC-42	91754	189	STAKHD	75892	120	TRB-UHT54	91871	50	UFB24	74449	114
SKC-48	91755	189	STCK	74506	35	TRB-UHT60	91872	50	UFB30	74450	114
SKC-54	91756	189	STGK2	77867	109	TRB-UHT66	91873	50	UFB36	74451	114
SKC-60	91757	189	STGK2	77867	113	TRB-UHT72	91874	50	UFB42	74452	114
SKC-66	91758	189	STGK2	77867	120	TRB-UHT78	91875	50	UFB48	74453	114
SKC-72	91759	189	STJ-S/S	75426	117	TRB-UHT84	91876	50	UFB54	74454	114
SKC-84	91760	189	STJK	74417	26	TRB-UHT90	91877	50	UFB60	74455	114
SKC-96	91761	189	STJK-S/S	77334	117	TRB-UHT96	92782	50	UFB72	74456	114
SKPU-6X1/2X50	91222	178	STJM	74775	26	TRB1050F	90292	50	UFB84	74460	114
SKPU-8X1/2X50	91224	178	STKD	74504	75	TRB1100F	90293	50	UHMK	76793	117
SKPU-DUAL-6X1/2X50	91404	179	STS-B	75844	108	TRB1250F	90294	50	UHPB	76787	117
SKPU-DUAL-8X1/2X50	91406	179	STS-B	75844	109	TRB1300F	90295	50	UHPB2	79207	117
SL-48	91841	183	STS-B	75844	113	TRB1450F	90296	50	UHSPK	76791	117
SL-48	91841	189	STS-B	75844	120	TRB1500F	90297	50	UMBK	76789	117
SLAWK-48	93115	182	STS-B	75844	126	TRB1650F	90298	50	UPBK	76785	117
SLU-48	93113	183	STS-G	78142	113	TRB1700F	90299	50	UPFCC	79320	113
SLUWK-48	93116	182	STS-G	78142	120	TRB18	76485	50	UPSBK	76784	117
SP-24	91747	186	STS-G	78142	126	TRB18	76485	133	URCB18/450	76748	114

INDEX By Ordering Number

Ordering Number	Item Code	Page #	Ordering Number	Item Code	Page #	Ordering Number	Item Code	Page #	Ordering Number	Item Code	Page #
URCB18/450	76748	115	UTC900J-S/S	77262	115	YCART-18/450-P	79617	85	YCART-72/1800-HDR	91828	89
URCB24/600	76749	114	UTF18	76724	114	YCART-18/450-P	79617	87	YCART-72/1800-HDTC	79834	89
URCB24/600	76749	115	UTF24	76725	114	YCART-18/450-R	91805	85	YCART-72/1800-HDW	79828	89
URCB30/750	76750	114	UTF30	76726	114	YCART-18/450-R	91805	87	YST-P	79837	87
URCB30/750	76750	115	UTF36	76727	114	YCART-18/450-TC	79811	85	YST-P-R	91815	87
URCB36/900	76751	114	UTF42	76728	114	YCART-18/450-TC	79811	87	YST-S	79838	87
URCB36/900	76751	115	UTF48	76729	114	YCART-18/450-W	79611	85	YST-Y	79836	87
URCB42/1050	76752	114	UTF54	76730	114	YCART-18/450-W	79611	87	YST-Y-R	91814	87
URCB42/1050	76752	115	UTF60	76731	114	YCART-24/600-P	79618	85	YSTANK	79857	87
URCB48/1200	76753	114	UTF72	76732	114	YCART-24/600-P	79618	87	YSTBKPU-R	91813	87
URCB48/1200	76753	115	UTF84	76733	114	YCART-24/600-R	91806	85	YSTDBK	79844	84
URCB54/1350	76754	114	VAK	76416	140	YCART-24/600-R	91806	87	YSTDBK	79844	87
URCB54/1350	76754	115	VBK-72	74457	137	YCART-24/600-TC	79812	85	YSTGBK	79845	87
URCB60/1500	76755	114	VBK-72	74457	140	YCART-24/600-TC	79812	87	YSTGBK-R	91811	87
URCB60/1500	76755	115	VBK-84	74458	137	YCART-24/600-W	79612	85	YSTHDDBK	79850	88
URCB64/1600	77318	114	VBK-84	74458	140	YCART-24/600-W	79612	87	YSTLBK	79846	87
URCB72/1800	76756	114	VBK-96	74459	137	YCART-30/750-P	79619	85	YSTLBK-R	91812	87
URCB72/1800	76756	115	VBK-96	74459	140	YCART-30/750-P	79619	87	YSTMB	79843	87
URCB80/2000	77321	114	VBK-L	73193	137	YCART-30/750-R	91807	85	YSTPMK	79848	87
URCB84/2100	76757	114	VBK-L	73193	140	YCART-30/750-R	91807	87	YSTS-P	79796	87
URCB84/2100	76757	115	VBK-M	73192	137	YCART-30/750-TC	79813	85	YSTS-Y	79795	87
URCB88/2200	76319	114	VBK-M	73192	140	YCART-30/750-TC	79813	87	YSTTBK-B	79855	87
URCB94/2400	77448	114	VBK-S	73191	137	YCART-30/750-W	79613	85	YSTTBK-W	79847	87
USMK	76792	117	VBK-S	73191	140	YCART-30/750-W	79613	87	YT-18S	79765	84
USP18/450	76772	117	VBK-XS	73190	137	YCART-36/900-HDP	79817	89	YT-24S	79766	84
USP24/600	76773	117	VBK-XS	73190	140	YCART-36/900-HDR	91823	89	YT-30S	79767	84
USP30/750	76774	117	VCS	73533	140	YCART-36/900-HDTC	79829	89	YT-36S	79768	84
USP36/900	76775	117	VMBK	73399	140	YCART-36/900-HDW	79823	89	YT-42S	79769	84
USP42/1050	76776	117	VMF72	74398	140	YCART-36/900-P	79620	85	YT-48S	79770	84
USP48/1200	76777	117	VMF84	74399	140	YCART-36/900-P	79620	87	YT-C	79574	87
USP54/1350	76778	117	VMF96	74440	140	YCART-36/900-R	91808	85	YT-C	79574	85
USP60/1500	76779	117	VMFL	74038	140	YCART-36/900-R	91808	87	YT-HDC	79728	89
USP72/1800	76780	117	VMFM	74037	140	YCART-36/900-TC	79814	85	YT-HDP	79677	89
USP84/2100	76781	117	VMFS	73549	140	YCART-36/900-TC	79814	87	YT-HDR	91822	89
USP88/2200	77338	117	VMFXS	73535	140	YCART-36/900-W	79614	85	YT-HDW	79676	89
USP94/2400	77415	117	VMLK	74982	140	YCART-36/900-W	79614	87	YT-P	79573	87
USPB	79206	117	VP72	74395	140	YCART-42/1050-HDP	79818	89	YT-P	79573	85
USPB2	79206	117	VP84	74396	140	YCART-42/1050-HDR	91824	89	YT-R	91804	87
USPK	76790	117	VP96	74397	140	YCART-42/1050-HDTC	79830	89	YT-R	91804	85
UST-P	76794	117	VPL	73410	140	YCART-42/1050-HDW	79824	89	YT-TC-18S	79759	84
UST-S	77757	117	VPM	73409	140	YCART-42/1050-P	79621	85	YT-TC-24S	79760	84
UST-W	76795	117	VPS	73408	140	YCART-42/1050-P	79621	87	YT-TC-30S	79761	84
USTSC	79299	117	VPXS	73400	140	YCART-42/1050-R	91809	85	YT-TC-36S	79762	84
USTSCHD	79300	117	VSC	74983	140	YCART-42/1050-R	91809	87	YT-TC-42S	79763	84
USTSCK	79202	117	VUBK-72	75574	137	YCART-42/1050-TC	79815	85	YT-TC-48S	79764	84
USTSCKHD	79204	117	VUBK-84	75575	137	YCART-42/1050-TC	79815	87	YT-W	79572	87
UTC1050	82743	114	VUBK-96	75576	137	YCART-42/1050-W	79615	85	YT-W	79572	85
UTC1050J-S/S	77263	115	VUBK-L	75573	137	YCART-42/1050-W	79615	87	YTA-18/450	79593	87
UTC1200	82744	114	VUBK-M	75572	137	YCART-48/1200-HDP	79819	89	YTA-24/600	79594	87
UTC1200J-S/S	77264	115	VUBK-S	75571	137	YCART-48/1200-HDR	91825	89	YTA-30/750	79595	87
UTC1350	82745	114	VUBK-XS	75570	137	YCART-48/1200-HDTC	79831	89	YTA-36/900	79596	87
UTC1350J-S/S	77265	115	WNC36/900-FLAT	P2900	195	YCART-48/1200-HDW	79825	89	YTA-42/1050	79597	87
UTC1500	82747	114	WNC36/900-FRAS-FLAT	61340	195	YCART-48/1200-P	79622	85	YTA-48/1200	79598	87
UTC1500J-S/S	77267	115	WNC42/1050-FLAT	P2901	195	YCART-48/1200-P	79622	87	YTAC	79623	87
UTC1600	82748	114	WNC42/1050-FRAS-FLAT	A75647	195	YCART-48/1200-R	91810	85	YTHD-36S	79783	88
UTC1800	82749	114	WNC48/1200-FLAT	P2902	195	YCART-48/1200-R	91810	87	YTHD-42S	79784	88
UTC1800J-S/S	77269	115	WNC48/1200-FRAS-FLAT	A1611	195	YCART-48/1200-TC	79816	85	YTHD-48S	79785	88
UTC2000	82750	114	WNC54/1350-FLAT	P2903	195	YCART-48/1200-TC	79816	87	YTHD-54S	79786	88
UTC2100	82751	114	WNC54/1350-FRAS-FLAT	A1860	195	YCART-48/1200-W	79616	85	YTHD-60S	79787	88
UTC2100J-S/S	77271	115	WNC60/1500-FLAT	P2904	195	YCART-48/1200-W	79616	87	YTHD-72S	79788	88
UTC2200	82752	114	WNC60/1500-FRAS-FLAT	A2247	195	YCART-54/1350-HDP	79820	89	YTHD-TC-36S	79777	88
UTC2400	82753	114	WNC72/1800-FLAT	P2905	195	YCART-54/1350-HDR	91826	89	YTHD-TC-42S	79778	88
UTC450	82739	114	WNC72/1800-FRAS-FLAT	A2062	195	YCART-54/1350-HDTC	79832	89	YTHD-TC-48S	79779	88
UTC450J-S/S	77259	115	WR36/900-FLAT	P3594	194	YCART-54/1350-HDW	79826	89	YTHD-TC-54S	79780	88
UTC600	82740	114	WR42/1050-FLAT	P3595	194	YCART-60/1500-HDP	79821	89	YTHD-TC-60S	79781	88
UTC600J-S/S	77260	115	WR48/1200-FLAT	P3596	194	YCART-60/1500-HDR	91827	89	YTHD-TC-72S	79782	88
UTC750	82741	114	WR54/1350-FLAT	P3597	194	YCART-60/1500-HDTC	79833	89	YTHDR-36S	91816	88
UTC750J-S/S	77261	115	WR60/1500-FLAT	P3598	194	YCART-60/1500-HDW	79827	89	YTHDR-42S	91817	88
UTC900	82742	114	WR72/1800-FLAT	P3599	194	YCART-72/1800-HDP	79822	89	YTHDR-48S	91818	88

INDEX By Ordering Number

Ordering Number	Item Code	Page #	Ordering Number	Item Code	Page #	Ordering Number	Item Code	Page #	Ordering Number	Item Code	Page #
YTHDR-54S	91819	88	YTP-36/900	79590	87	YTW-42S	79775	84	C7087		156
YTHDR-60S	91820	88	YTP-42/1050	79591	87	YTW-48S	79776	84	C7022		156
YTHDR-72S	91821	88	YTP-48/1200	79592	87	C7076		156	C7023		156
YTHDW-36S	79789	88	YTR-18S	91798	84	C7030		156	C7024		156
YTHDW-42S	79790	88	YTR-24S	91799	84	C7031		156	C7032		156
YTHDW-48S	79791	88	YTR-30S	91800	84	C7025		156	C7033		156
YTHDW-54S	79792	88	YTR-36S	91801	84	C7026		156	C7034		156
YTHDW-60S	79793	88	YTR-42S	91802	84	C7027		156	C7035		156
YTHDW-72S	79794	88	YTR-48S	91803	84	C7028		156	C7036		156
YTP-18/450	79587	87	YTW-18S	79771	84	C7037		156	C7029		156
YTP-24/600	79588	87	YTW-24S	79772	84	C7070		156	C7071		156
YTP-30/750	79589	87	YTW-30S	79773	84	C7073		156	C7072		156



Partners in Productivity

Flexco Europe GmbH
Maybachstrasse 9
72348 Rosenfeld

Tel: +49-7428-9406-0 Fax: +49-7428-9406-260

E-mail: europa@flexco.com

www.flexco.com