



February 11, 2019

Kate Dodson
Environmental Coordinator
ConocoPhillips Alaska, Inc.
PO Box 100360
Anchorage, AK 99501

RE: LONS 85-102, ConocoPhillips Alaska, Inc. Kuparuk River Unit, DS-3R, West Sak Wells and Modules Unit Plan of Operations Amendment Decision

Dear Ms. Dodson:

The Alaska Department of Natural Resources, Division of Oil and Gas (Division), in accordance with Alaska Statute 38.05 and Alaska Oil and Gas Leasing Regulations (11 AAC 83) grants authorization to conduct activities on state lands as proposed in the Kuparuk River Unit (KRU) Plan of Operations (Plan) amendment application dated January 14, 2019 for the above referenced project.

Scope:

ConocoPhillips Alaska, Inc., (CPAI) requests approval to drill five new wells, associated conductors and temporary mouseholes. Install a variable speed drive (VSD) module and platform, install a line interrupter switch and platform, install 46 vertical support members (VSMs), install 10 horizontal support members (HSMs), and install tie-in piping on Drill Site 3R (DS-3R) pad in the KRU.

Plan activities include:

- Install VSMs, HSMs, modules, and platforms
- Install mouseholes, drill wells, and complete well houses and tie-in work

Location information:

KRU

DS-3R

Meridian: Umiat

Township: 13N

Range: 9E

Section: 9

Lat: 70.4977, Long: -149.8385

ADL(s): 355023

DS-3R is located along the coastline approximately 1 mile SE of Oliktok Point.

Agency review:

As a courtesy, the amendment application was circulated to Alaska Department of Fish and Game, DNR: Divisions of Mining, Land & Water and Oil and Gas.

Conditions/Stipulations:

1. A certified As-Built survey of the activity shall be provided within one year of placement of the improvement. This As-Built must contain a hard copy, as well as a digital GIS file containing a Shapefile or ESRI Feature Class.

Please attach this amendment approval with the original decision. This unit operations amendment approval is issued in accordance with Alaska Statute 38.05, Alaska Administrative Codes 11 AAC 83.346 and 11 AAC 83.303. The Division reviewed this amendment under the unit regulation for the Plan, 11 AAC 83.346, and considers the factors set forth in 11 AAC 83.303(a) and (b). The amendment was also evaluated against the KRU agreement for conformance.

A person affected by this decision may appeal it, in accordance with 11 AAC 02. Any appeal must be received within 20 calendar days after issuance of the decision, as defined in 11 AAC 02.040(c) and (d) and may be mailed or delivered to the Commissioner, Department of Natural Resources, 550 W 7th Avenue, Suite 1400, Anchorage, Alaska 99501; faxed to 1-907-269-8918, or sent by electronic mail to dnr.appeals@alaska.gov. This decision takes effect immediately. If no appeal is filed by the appeal deadline, this decision becomes a final administrative order and decision of the department on the 31st day after issuance. An eligible person must first appeal this decision in accordance with 11 AAC 02 before appealing this decision to Superior Court. A copy of 11 AAC 02 may be obtained from any regional information office of the Department of Natural Resources.

This approval signifies only that the State of Alaska has no objection to the operations outlined in the Plan amendment application. It does not constitute certification of any property right or land status claimed by the applicant nor does it relieve the applicant of responsibility to obtain approvals or permits from other persons or governmental agencies that may also be required. All stipulations contained in the original lease and subsequent Plan approvals remain in full force and effect.

If activities have not commenced, this approval expires on February 11, 2022. Failure to comply with the terms and conditions outlined in the lease, the attached stipulations, and this authorization may result in revocation of this unit operations approval.

Any questions or concerns about this amendment may be directed to Natural Resource Specialist Paul Blanche at 907-269-8570 or emailed to paul.blanche@alaska.gov.

Sincerely,

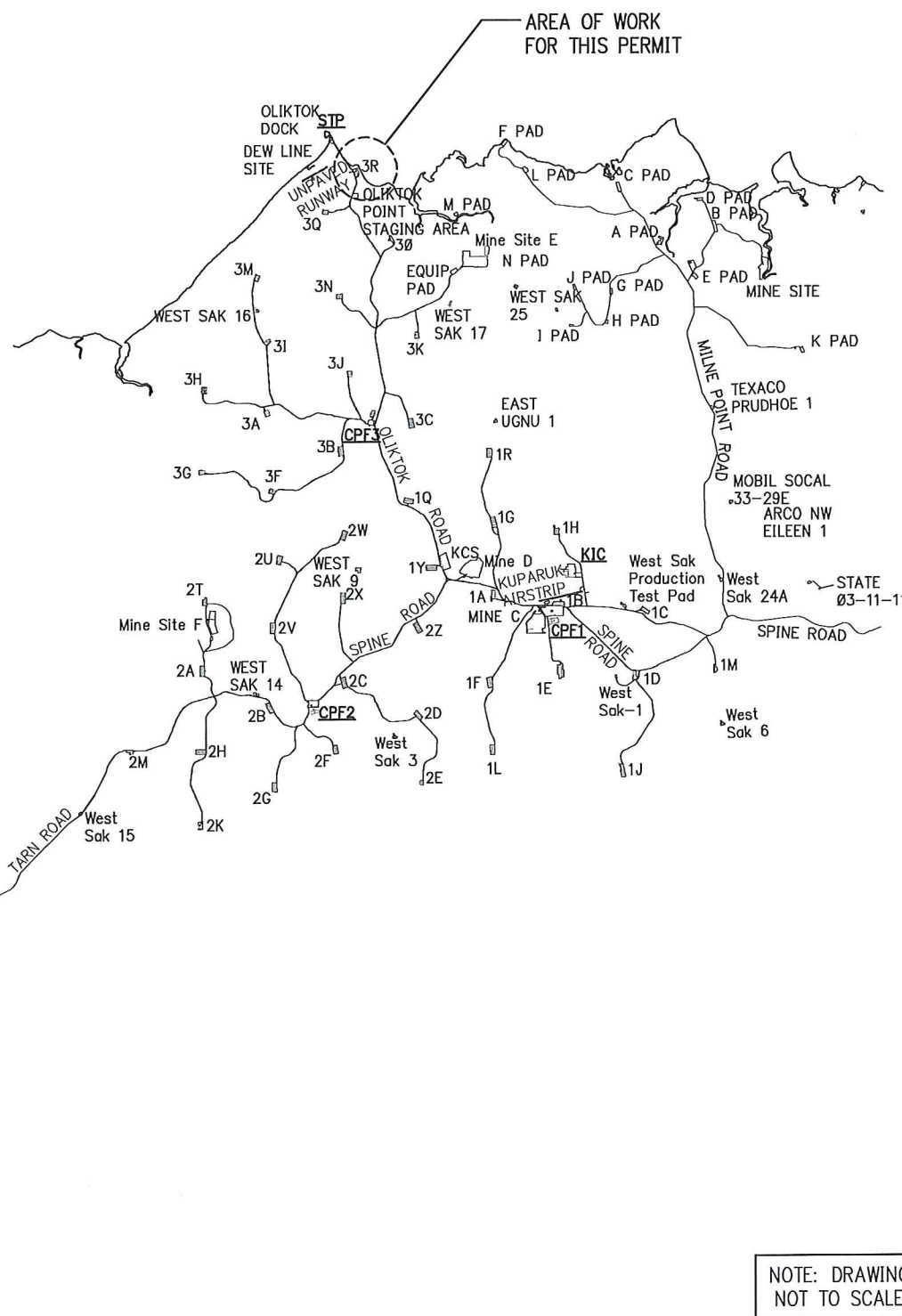


Nathaniel Emery
Natural Resource Specialist

Attachments: Figure 1-10
2018 North Slope Mitigation Measures

ecc: DOG: Graham Smith, Nathaniel Emery, James Hyun, and Mark Henspeter
DMLW: Melissa Head, Kimberly Maher, and Becky Baird
ADF&G: Jack Winters

REV	DATE	BY	CK	APP	DESCRIPTION	REV	DATE	BY	CK	APP	DESCRIPTION



NOTE: DRAWING NOT TO SCALE



AREA: 3R MODULE: 3RYD UNIT: D3
 KUPARUK VICINITY MAP
 DRILLSITE 3R
 VSM PERMITTING

CADD FILE NO.
SK-001

12/18

DRAWING NO:

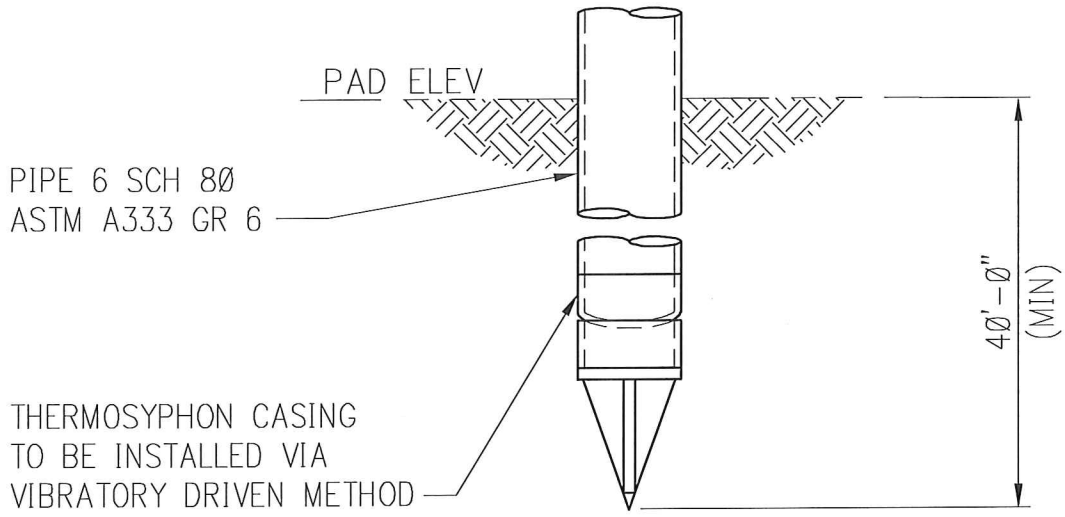
SK-001

PART:
001 OF -

REV:
0

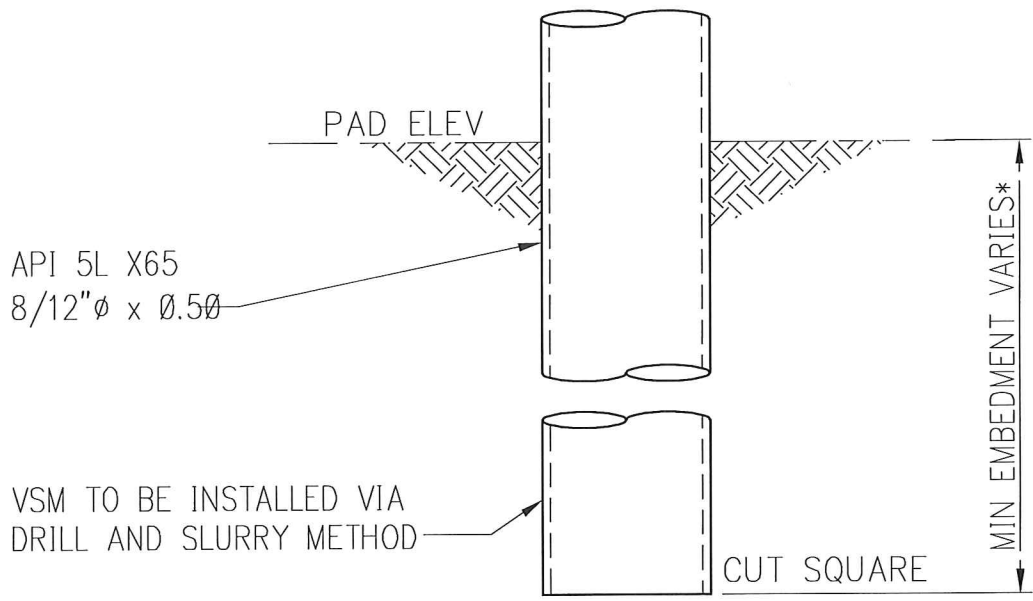
REV	DATE	BY	CK	APP	DESCRIPTION	REV	DATE	BY	CK	APP	DESCRIPTION
0	12/18	KW									

NOTE: DRAWING NOT TO SCALE



6" ϕ THERMOSYPHON

SCALE: NONE



8" ϕ / 12" ϕ PILE

SCALE: NONE

*PILE EMBEDMENT VARIES BETWEEN 20'-0" AND 26'-6"

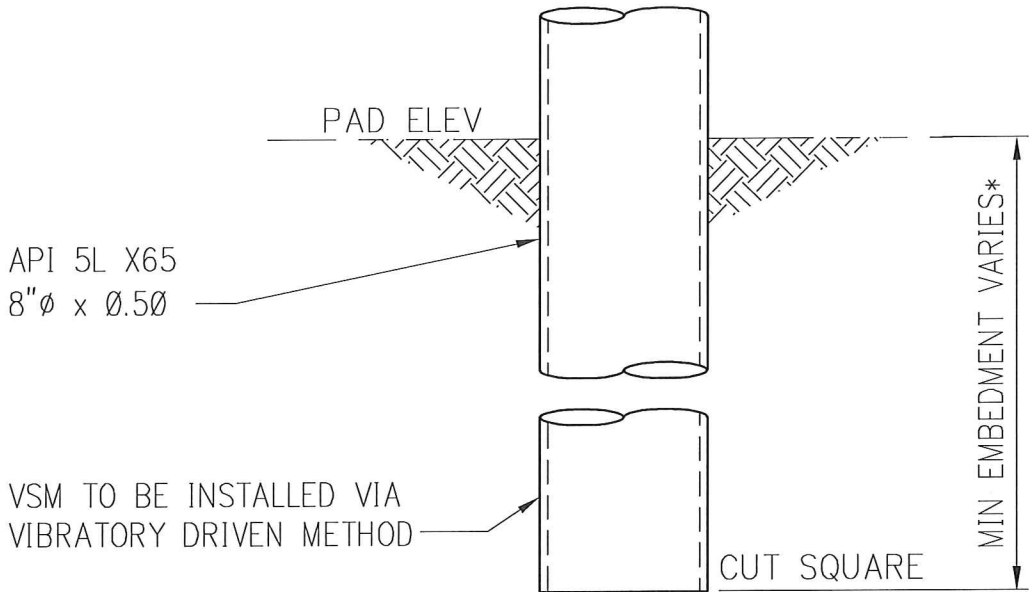


AREA: 3R MODULE: 3RYD UNIT: D2
 DS3R
 VSM PERMITTING

CADD FILE NO. SK-002	12/18	DRAWING NO: SK-002	PART: 001 OF -	REV: 0
-------------------------	-------	-----------------------	-------------------	-----------

REV	DATE	BY	CK	APP	DESCRIPTION	REV	DATE	BY	CK	APP	DESCRIPTION
0	12/18	KW									

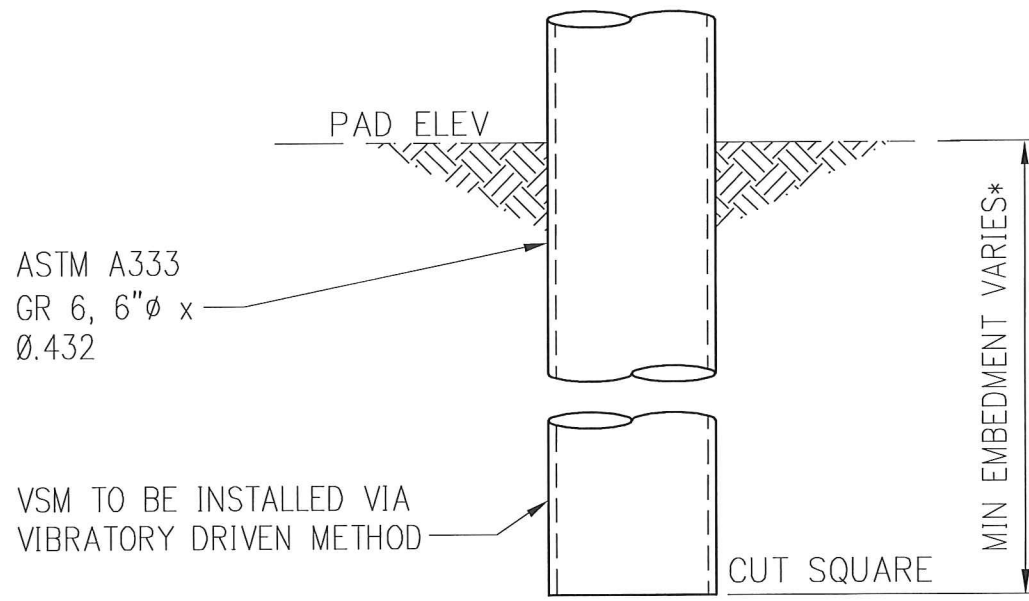
NOTE: DRAWING NOT TO SCALE



8"Ø PILE

SCALE: NONE

*PILE EMBEDMENT VARIES BETWEEN 25'-6" AND 28'-0"



6"Ø VSM

SCALE: NONE

*VSM EMBEDMENT VARIES BETWEEN 25'-0" AND 28'-0"



AREA: 3R MODULE: 3RYD UNIT: D2
 DS3R
 VSM PERMITTING

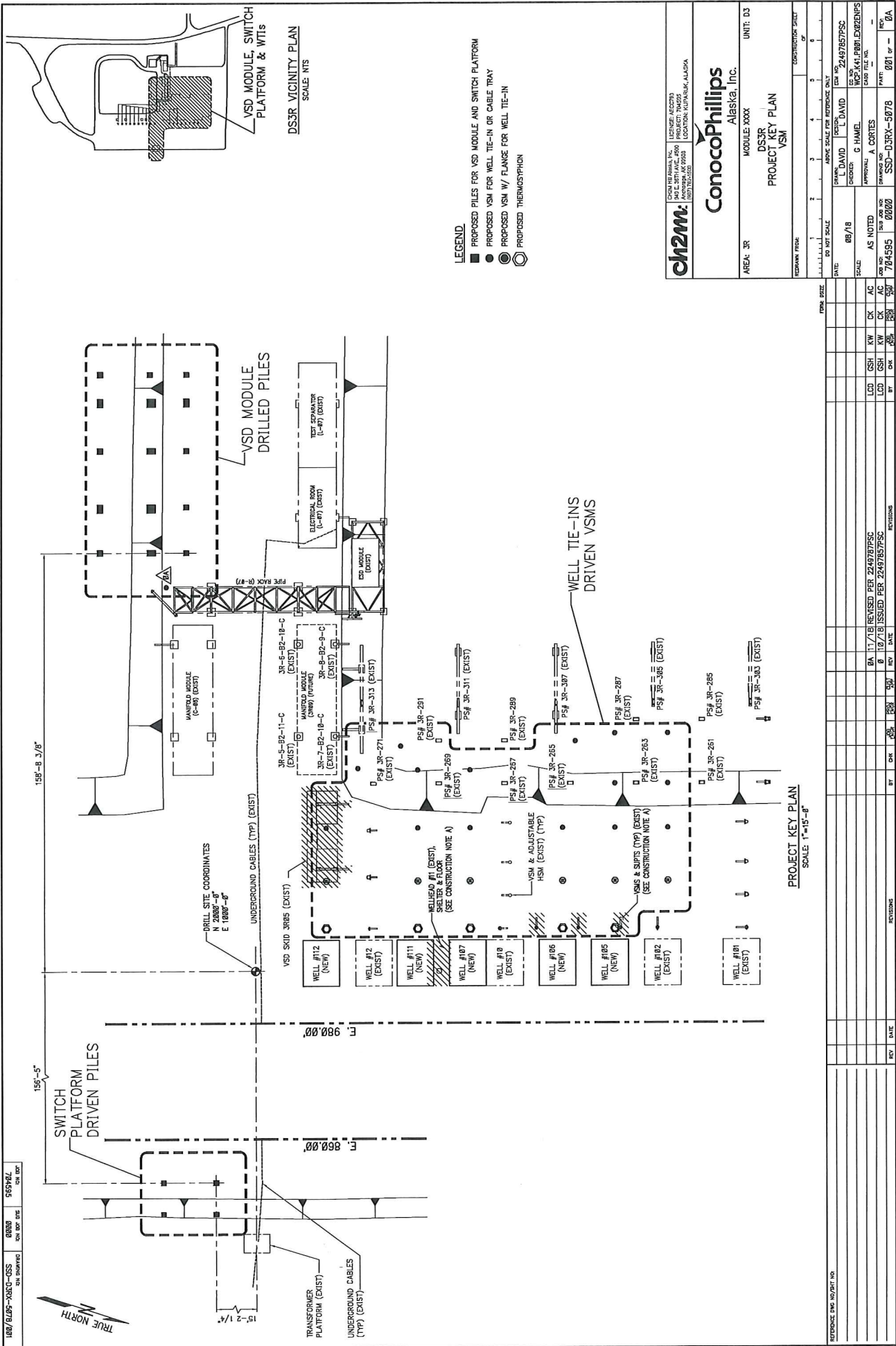
CADD FILE NO. SK-003	12/18	DRAWING NO: SK-003	PART: 001 OF -	REV: 0
-------------------------	-------	-----------------------	-------------------	-----------

100/ 6L06-3XBC-GS-01 (REVISED) 0000 704592 5/18/08 3/18/08

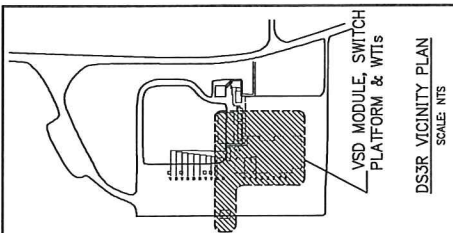


15'-5"
SWITCH PLATFORM DRIVEN PILES

15'-8 3/8"



- LEGEND**
- PROPOSED PILES FOR VSD MODULE AND SWITCH PLATFORM
 - PROPOSED VSM FOR WELL TIE-IN OR CABLE TRAY
 - PROPOSED VSM 1/4" FLANGE FOR WELL TIE-IN
 - PROPOSED THERMISTOPHON



ch2m
CH2M HILLIARD, INC.
1402 L STREET, N.W.
WASHINGTON, DC 20004
TEL: 202.293.2000
WWW.CH2MHILL.COM

ConocoPhillips
Alaska, Inc.

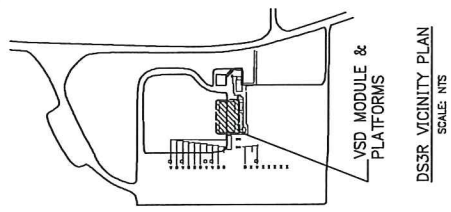
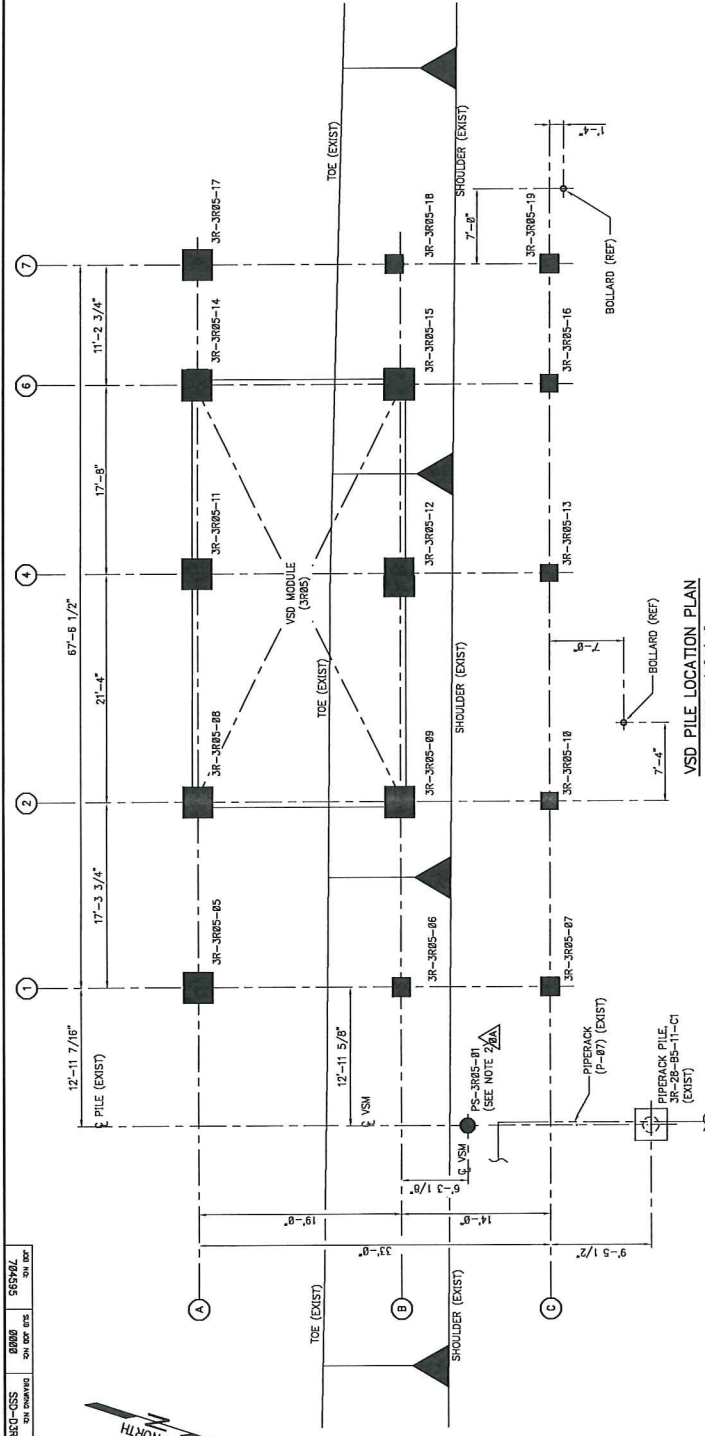
UNIT: 03
MODULE: XXXX
DSSR
PROJECT KEY PLAN
VSM

AREA: 3R	DATE: 08/18	SCALE: AS NOTED	DATE: 08/18	SCALE: AS NOTED
DESIGNED BY: L. DAVID	CHECKED BY: G. HAMEL	APPROVED BY: A. CORTES	DATE: 08/18	SCALE: AS NOTED
PROJECT NO: 22497857PSC	CLIENT: WPC/KAL/P00/LEW/ENPS	ISSUED FOR: 704595	ISSUED PER: 22497857PSC	ISSUED DATE: 08/18
REVISIONS	NO.	DATE	BY	DESCRIPTION

PROJECT KEY PLAN
SCALE: 1"=15'-0"

DATE: 08/18	SCALE: AS NOTED	DATE: 08/18	SCALE: AS NOTED	
DESIGNED BY: L. DAVID	CHECKED BY: G. HAMEL	APPROVED BY: A. CORTES	DATE: 08/18	
PROJECT NO: 22497857PSC	CLIENT: WPC/KAL/P00/LEW/ENPS	ISSUED FOR: 704595	ISSUED PER: 22497857PSC	
ISSUED DATE: 08/18	ISSUED BY: [Signature]	ISSUED FOR: 704595	ISSUED PER: 22497857PSC	
REVISIONS	NO.	DATE	BY	DESCRIPTION

180/6/09-0360-GSS
SHEET NO. 56594/L
SHEET OF 8



NOTES:
1. FOR PILE DETAILS, SEE DRAWING SSD-D3RY-5062/001.
2. FOR TYPE 8A-XX VSM DETAILS, SEE DRAWING SSD-D3RY-5063/001.
3. ALL PILES ON THIS SHEET ARE TO BE DRILLED AND SLURRIED.

LEGEND:
■ PROPOSED 8" PILES FOR VSD MODULE & PLATFORM;(7) 8" #
■ PROPOSED 12" PILES FOR VSD MODULE AND SWITCH PLATFORM;(0) 12" #
● PROPOSED VSM FOR CABLE TRAY; (1) 8" #

VSD PILE LOCATION PLAN
SCALE: 3/16"=1'-0"

ch2m CONSULTANTS, INC. 1000 WEST 14TH AVENUE, SUITE 2000 ANCHORAGE, AK 99501
PROJECT: 22497857PSC
LOCATION: KAPUKALIK, ALASKA

ConocoPhillips
Alaska, Inc.

AREA: 3R
MODULE: 3R85
DSSR
PILE LOCATION PLAN
VSD

UNIT: D3

DATE: 08/18
DESIGNED BY: L. DAVID
CHECKED BY: G. HAMEL
APPROVAL: A. CORTES
DRAWING NO.: 704595
SCALE: 3/16"=1'-0"

REVISIONS

NO.	DATE	BY	CHK	APP	DESCRIPTION
01	08/11/18	REVISOR PER 22497857PSC			
02	08/18/18	ISSUED PER 22497857PSC			

CONSTRUCTION SHEET

DO NOT SCALE
ASPECT SCALE FOR REFERENCE ONLY

1 2 3 4 5 6
0' 6'

REFERENCE SHEET NO.

DATE: 08/18

DESIGNED BY: L. DAVID

CHECKED BY: G. HAMEL

APPROVAL: A. CORTES

DRAWING NO.: 704595

SCALE: 3/16"=1'-0"

REVISIONS

NO.	DATE	BY	CHK	APP	DESCRIPTION
01	08/11/18	REVISOR PER 22497857PSC			
02	08/18/18	ISSUED PER 22497857PSC			

CONSTRUCTION SHEET

DO NOT SCALE
ASPECT SCALE FOR REFERENCE ONLY

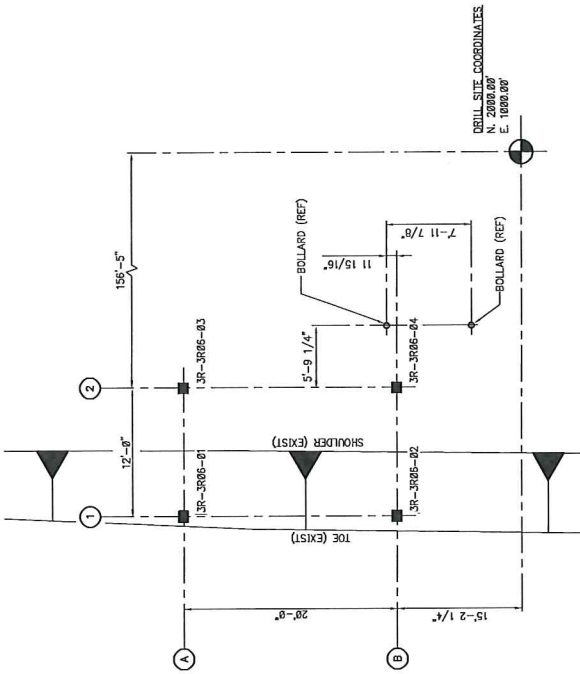
1 2 3 4 5 6
0' 6'

1000/6000-5000-SSC-SSC
 704595

0000
 0000

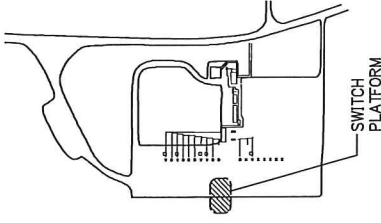
504595

0000



SWITCH PLATFORM PILE LOCATION PLAN

SCALE: 3/16"=1'-0"



DSSR VICINITY PLAN
 SCALE: NTS

LEGEND

- PROPOSED PILES FOR SWITCH PLATFORM; (4) 8"ø

NOTES:

- FOR PILE DETAILS, SEE DRAWING SSD-D3R1-5082/001.
- ALL PILES ON THIS SHEET ARE TO BE VIBRATORY DRIVEN.

ch2m

CONSTRUCTION SERVICES
 501 E. 20TH AVE., 4TH FLOOR
 ANCHORAGE, ALASKA 99501
 PROJECT: 104020
 LOCATION: KULJARIK, ALASKA

ConocoPhillips
 Alaska, Inc.

AREA: 3R MODULE: 3R06 UNIT: D3

DSSR
 PILE LOCATION PLAN
 SWITCH PLATFORM

REVISION FROM: 1 2 3 4 5 6

DATE:	10/18/18	ISSUED PER 2249787PSC
DESIGNER:	L. DAVID	CON NO: 2249787PSC
CHECKER:	G. HANUEL	ISSUED BY: 441 BRH, EX02E1P5
APPROVAL:	C. JOHNSON	ISSUED DATE: 10/18/18
SCALE:	AS NOTED	ISSUED BY: 441 BRH, EX02E1P5
PROJECT NO.:	704595	ISSUED DATE: 10/18/18
PROJECT NAME:	SSD-D3R6-5080	ISSUED BY: 441 BRH, EX02E1P5
PROJECT LOCATION:		ISSUED DATE: 10/18/18
PROJECT NUMBER:	001 of 0	ISSUED BY: 441 BRH, EX02E1P5

NO.	DATE	BY	CHK	APP	REV	DATE	REVISIONS
0	10/18/18	441 BRH	441 BRH	441 BRH	1	10/18/18	ISSUED PER 2249787PSC

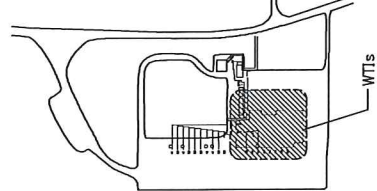
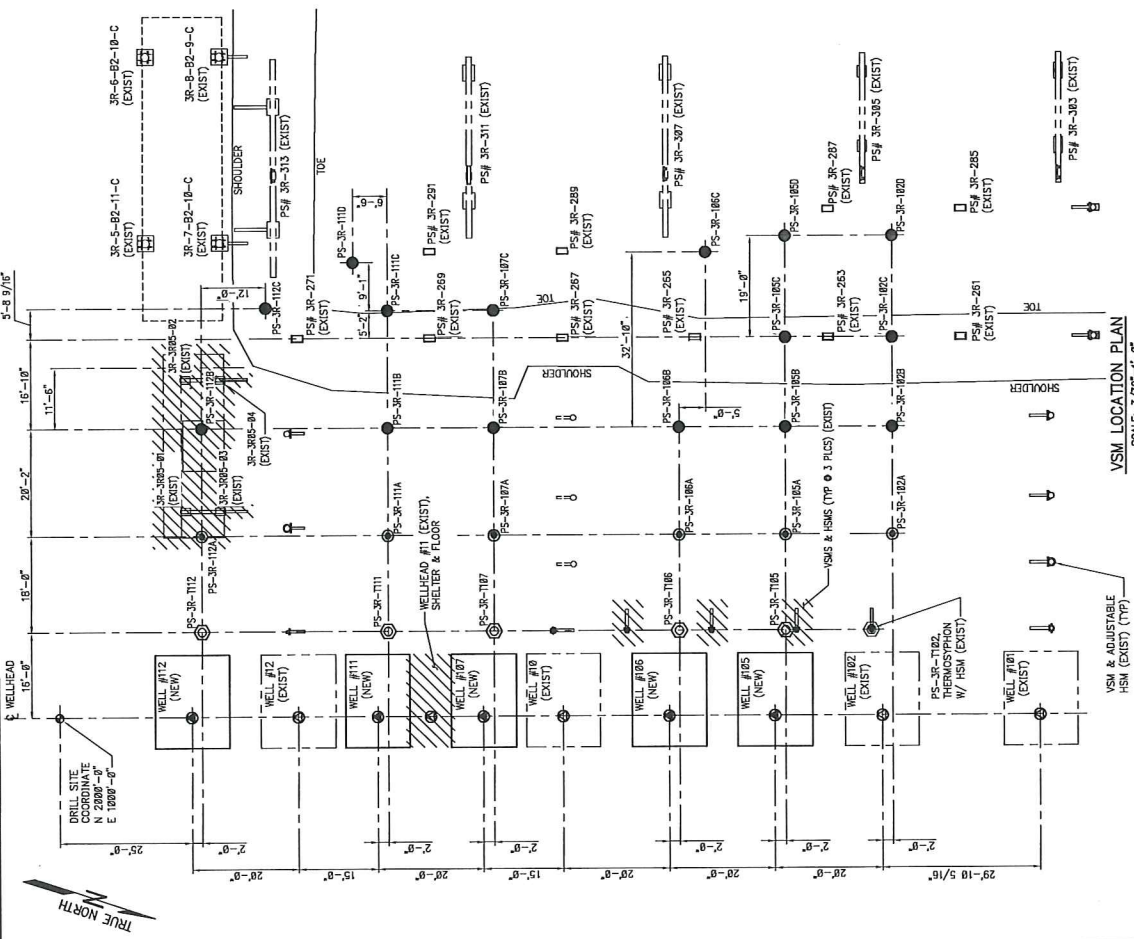
INTRODUCE THIS NO./DATE NO.

FORM 0022

DO NOT SCALE

CONSTRUCTION SHEET

1867/1865-ANCC-CSS 00000
 58576L
 SHEET NO. 1 OF 1



- LEGEND.**
- PROPOSED 6" VSM FOR WELL TIE-IN(15) 6" #
 - PROPOSED VSM W/ FLANGE FOR WELL TIE-IN(6) 6" #
 - ⊗ PROPOSED THERMOPHON(S) 6" #
 - WELLHEAD (EXIST)
 - WELLHEAD (NEW)
- NOTES.**
1. FOR VSM DETAILS, SEE DRAWING SSD-D3RY-5883/001.
 2. FOR THERMOPHON DETAILS, SEE DRAWING SSD-D3RY-5884/001.
 3. ALL PILES ON THIS SHEET ARE TO BE VIBRATORY DRIVEN.

ch2m: CH2M HILL
 1400 17TH AVENUE, SUITE 1000
 DENVER, COLORADO 80202
 TEL: 303.733.1000
 FAX: 303.733.1001
 WWW.CH2MHILL.COM

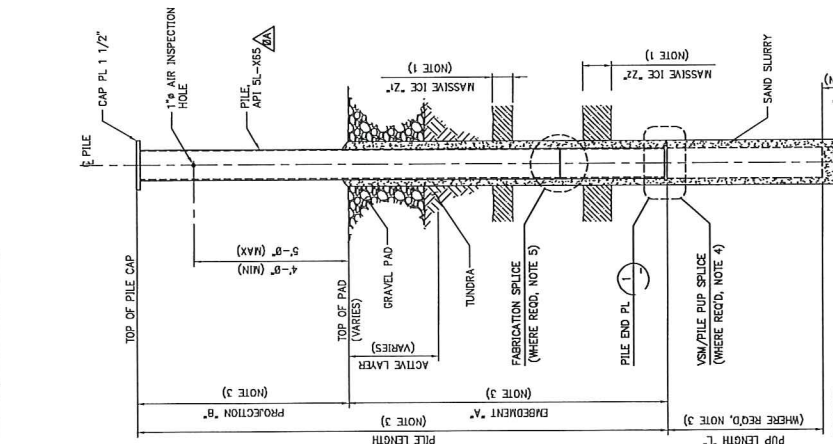
ConocoPhillips
 Alaska, Inc.

AREA: 3R
 MODULE: 3RYD
 DS3R
 VSM LOCATION PLAN
 YARD PIPE SUPPORTS

UNIT: D3

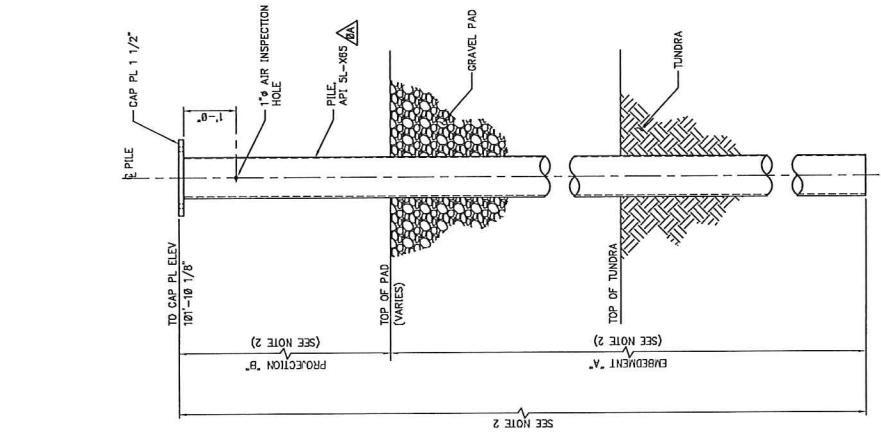
DATE: 08/18
 DRAWN: L DAVID
 CHECKED: L DAVID
 SCALE: AS NOTED
 APPROVAL: G HAMEL
 CAD FILE NO.: W05(K4)P001.E02E0PNS
 DRAWING NO.: 704595
 SHEET NO.: 0000
 PROJECT: 22497857PSC
 SHEET: 001 OF 0

REV	DATE	BY	CHK	APP	REV	DATE	BY	CHK	APP	DESCRIPTION
1	08/18/08	L DAVID								ISSUED PER 22497857PSC
2	10/7/08									ISSUED PER 22497857PSC

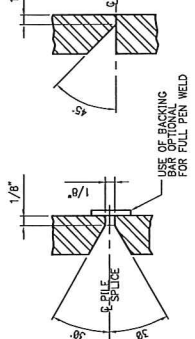


NOTES:
 TOTAL CUMULATIVE MASSIVE ICE ENCOUNTERED IS EQUAL TO Z1 + Z2 + Z3 + Z4
 Z1 - DEPTH OF ALL OTHER MASSIVE ICE ENCOUNTERED DURING DRILLING (SEE NOTE 1)

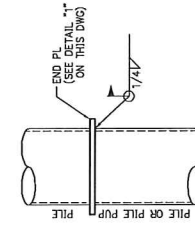
TYPICAL DRILLED SAND SLURRY PILE ELEVATION
 SCALE: NTS



TYPICAL DRIVEN PILE ELEVATION
 SCALE: NTS



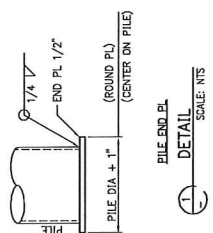
FABRICATION SPLICES AND FIELD SPLICE AT VSM
 SCALE: NTS



FIELD SPLICE AT PILE WITH END BLADE
 SCALE: NTS

NOTE:
 CAP SPLICE WELD MAY BE PER AWS D11 OR ASME B31.4.

NOTE:
 USE OF BACKING BAR OR OPTIONAL BAR FOR FULL PER WELD



PILE END BL DETAIL
 SCALE: NTS

NOTES:
 1. PILE PUP EXTENSIONS ARE ONLY REQUIRED WHEN TOTAL CUMULATIVE MASSIVE ICE ENCOUNTERED IS EQUAL TO Z1 + Z2 + Z3 + Z4
 2. SEE SCHEDULE ON DRAWING SSD-D3R6-5880/001.
 3. SEE SCHEDULE ON DRAWING SSD-D3R5-5879/001.

ch2m
 CH2M HILL
 1401 30TH AVE, 8TH FLOOR
 ANCHORAGE, AK 99503
 TEL: 907.562.2000
 FAX: 907.562.2001

ConocoPhillips
 Alaska, Inc.

AREA: 3R
 MODULE: 3RD
 DS3R
 ELEVATIONS AND DETAILS
 PILES
 UNIT: 03

REVISION FROM:	1	2	3	4	5	6
DATE						
SCALE	AS NOTED	AS NOTED	AS NOTED	AS NOTED	AS NOTED	AS NOTED

DESIGNED BY	L. DAVID	DATE	08/18
CHECKED BY	G. HAMEL	DATE	08/18
APPROVAL BY	A. CORTES	DATE	08/18
PROJECT NO.	SSD-D3R5-5879/001	DATE	08/18
DRAWING NO.	SSD-D3R5-5879/001	DATE	08/18
SHEET NO.	001	TOTAL SHEETS	01

INTRODUCTION SHEET NO.	
FORM SIZE	
SCALE	
DATE	
DESIGNED BY	
CHECKED BY	
APPROVAL BY	
PROJECT NO.	
DRAWING NO.	
SHEET NO.	
TOTAL SHEETS	

180/1985-1350-CSS
REV. 001
56578L
REV. 001

VSM & CAP PL
CAP PL 1/4"x6 1/4"
ASTM A36 CENTERED (15)

VSM & CAP PL
CAP PL 1/4"x6 1/4"
ASTM A36 CENTERED (15)

VSM & CAP PL
CAP PL 1/4"x6 1/4"
ASTM A36 CENTERED (15)

VSM & CAP PL
CAP PL 1/4"x6 1/4"
ASTM A36 CENTERED (15)

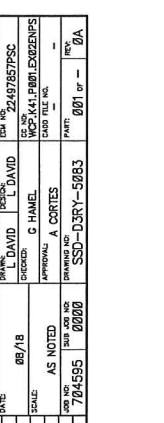
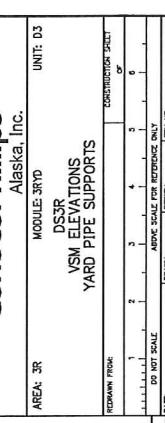
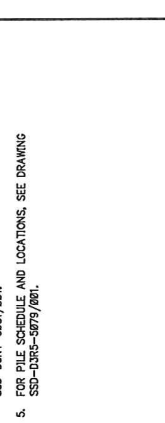
VSM & CAP PL
CAP PL 1/4"x6 1/4"
ASTM A36 CENTERED (15)

VSM & CAP PL
CAP PL 1/4"x6 1/4"
ASTM A36 CENTERED (15)

VSM & CAP PL
CAP PL 1/4"x6 1/4"
ASTM A36 CENTERED (15)

VSM & CAP PL
CAP PL 1/4"x6 1/4"
ASTM A36 CENTERED (15)

NOTES:
1. THE TYPICAL IDENTIFICATION FOR A VSM IS 6B-XX. THE NUMBER INDICATES THE DIAMETER (NOMINAL) AND IS EXpressed WITH THE VSM LENGTH IN FEET. IE, 6B-48 INDICATES A 6" DIAMETER VSM THAT IS NOMINAL 48'-0" LONG.
2. TYPE 6A AND 6B VSM LENGTH SHALL BE A DOUBLE RANDOM SECTION FOR NOMINAL 48'-0" LONG VSM.
3. THE MINIMUM EMBEDMENT FROM TOP OF GRADE ON-PAD IS 28'-0" FOR DRYEN VSM.
4. FOR VSM SCHEDULE AND LOCATIONS, SEE DRAWING SSD-D3RY-5687/001.
5. FOR PILE SCHEDULE AND LOCATIONS, SEE DRAWING SSD-D3RY-5679/001.



(15 RECD)
TYPE 6A-XX VSM ELEVATION
SCALE: 1 1/2" = 1'-0"

(6 LOWER VSMS & 3 UPPER VSMS RECD)
TYPE 6B-XX VSM ELEVATION
SCALE: 1 1/2" = 1'-0"

(PS-3R05-01)
TYPE 8A-XX VSM ELEVATION
SCALE: 1 1/2" = 1'-0"

DATE	08/18	DESIGNED	L. DAVID	CHECKED	G. HAMEL
SCALE	AS NOTED	APPROVAL	A. CORTES	DATE	08/18
PROJECT NO.	2449787PSC	PROJECT LOCATION	2449787PSC	PROJECT NAME	2449787PSC
ISSUED FOR	00000	ISSUED BY	SSD-D3RY-5683	ISSUED DATE	08/18

REV	DATE	BY	CHK	APP	DESCRIPTION

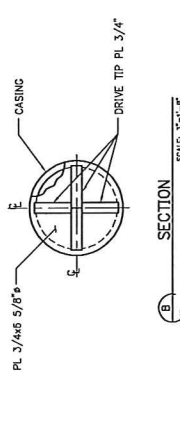
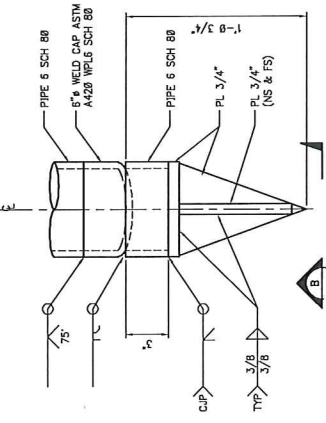
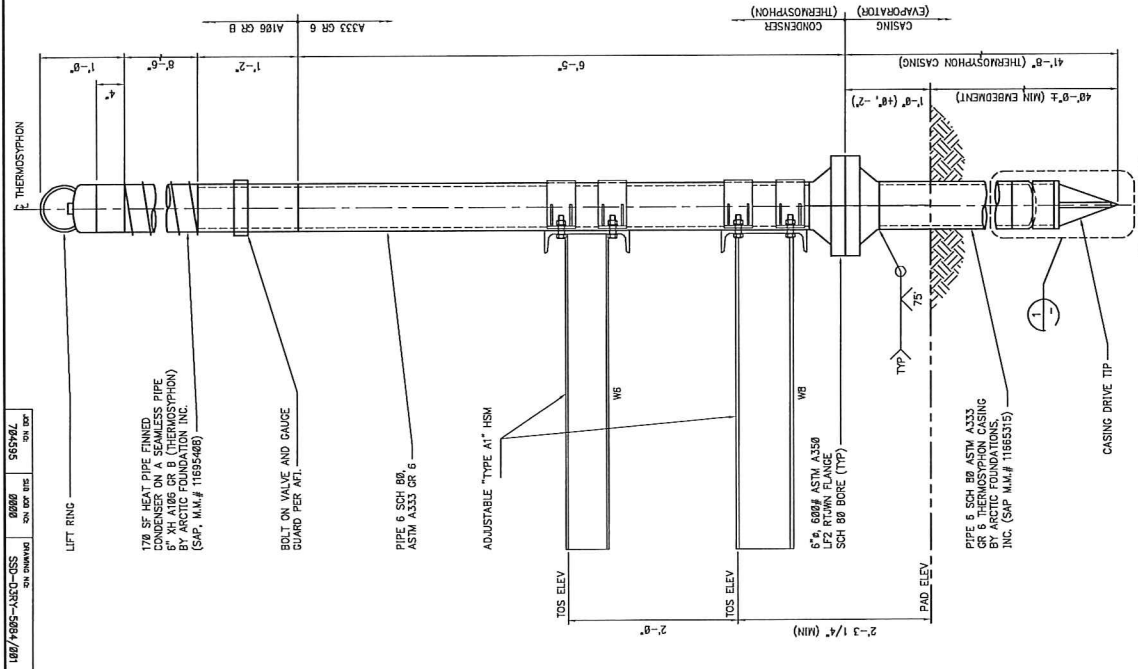
REV	DATE	BY	CHK	APP	DESCRIPTION

REV	DATE	BY	CHK	APP	DESCRIPTION

REV	DATE	BY	CHK	APP	DESCRIPTION

CONOCO PHILLIPS
Alaska, Inc.

188/1985-3350-CSS
SHEET NO. 1 OF 1
565742
REV. DATE



NOTES:
1. FOR THERMOSYPHON LOCATION, SEE DRAWING SSD-03RY-58B1/60T1.

CH2M CONSULTING ENGINEERS, INC.
 500 NORTH AVENUE, SUITE 3000
 ANCHORAGE, ALASKA 99503
 PHONE: 907.561.6000
 FAX: 907.561.6005
 LOCATION: KUPARUK, ALASKA

ConocoPhillips
 Alaska, Inc.

AREA: 3R
 MODULE: 3RYD
 UNIT: D3

THERMOSYPHON ELEVATION SECTION AND DETAIL
YARD PIPE SUPPORTS

DRAWN: JDA
 DATE: 08/18
 SCALE: AS NOTED
 SHEET NO.: 704595
 DRAWING NO.: 00000

DESIGNED: L DAVID
 CHECKED: G HAMEL
 APPROVAL: A CORTES
 DESIGNED BY: 22497857PSC
 CHECKED BY: 22497857PSC
 DRAWN BY: 22497857PSC
 PART NO.: 001

REVISION NO. | DATE | BY | CHK | REVISION
 1 | 10/18 | JDA | [] | [] | ISSUED PER 22497857PSC

NO.	DATE	BY	CHK	REVISION
1	10/18	JDA	[]	[] ISSUED PER 22497857PSC

REV	DATE	BY	CHK	REVISION