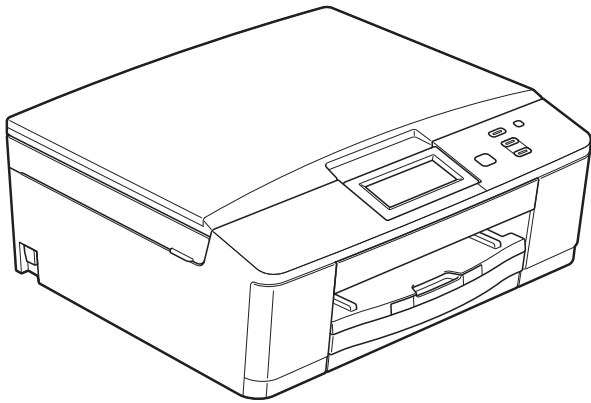


brother®

BASIC USER'S GUIDE



DCP-J525W
DCP-J725DW

If you need to call Customer Service

Please complete the following information for future reference:

Model Number: DCP-J525W and DCP-J725DW
(Circle your model number)

Serial Number: ¹ _____

Date of Purchase: _____

Place of Purchase: _____

¹ **The serial number is on the back of the unit. Retain this User's Guide with your sales receipt as a permanent record of your purchase, in the event of theft, fire or warranty service.**

Register your product on-line at

<http://www.brother.com/registration/>

User's Guides and where do I find it?

Which manual?	What's in it?	Where is it?
Product Safety Guide	Read this Guide first. Please read the Safety Instructions before you set up your machine. See this Guide for trademarks and legal limitations.	Printed / In the box
Quick Setup Guide	Follow the instructions for setting up your machine and installing the drivers and software for the operating system and connection type you are using.	Printed / In the box
Basic User's Guide	Learn the basic Copy, Scan and PhotoCapture Center™ ¹ operations and how to replace consumables. See troubleshooting tips.	Printed / In the box
Advanced User's Guide	Learn more advanced operations: Copy, printing reports and performing routine maintenance.	PDF file / CD-ROM
Software User's Guide	Follow these instructions for Printing, Scanning, Network Scanning, PhotoCapture Center™ ¹ , Web Services (Scan), and using the Brother ControlCenter utility.	PDF file / CD-ROM
Network Glossary	This Guide provides basic information about advanced network features of Brother machines along with explanations about general networking and common terms.	PDF file / CD-ROM
Network User's Guide	This Guide provides useful information about wireless network settings and security settings using the Brother machine. You can also find supported protocol information for your machine and detailed troubleshooting tips.	PDF file / CD-ROM
Mobile Print/Scan Guide	This Guide provides useful information about printing data from your mobile phone and transmitting scanned data from the Brother machine to your mobile phone.	PDF file / Brother Solutions Center ²

¹ DCP-J725DW only

² Visit us at <http://solutions.brother.com/>.

Table of Contents

(BASIC USER'S GUIDE)

1	General information	1
	Using the documentation	1
	Symbols and conventions used in the documentation	1
	Accessing the Advanced User's Guide, Software User's Guide, Network User's Guide, and Network Glossary	1
	Viewing Documentation	1
	Accessing Brother Support (Windows®)	3
	Accessing Brother Support (Macintosh)	4
	Control panel overview	5
	LCD screen indications	6
	Status LED (DCP-J725DW only)	6
	Basic Operations	7
	Favourite Settings	8
	Registering Favourite Settings	8
	Changing Favourite Settings	9
	Deleting Favourite Settings	9
	Recalling Favourite Settings	9
	Beeper Volume	9
	LCD display	10
	Setting the backlight brightness	10
2	Loading paper	11
	Loading paper and other print media	11
	Loading envelopes and postcards	13
	Loading photo paper (DCP-J725DW only)	15
	Printable area	18
	Paper settings	19
	Paper Type	19
	Paper Size	19
	Acceptable paper and other print media	20
	Recommended print media	20
	Handling and using print media	21
	Choosing the right print media	22
3	Loading documents	24
	How to load documents	24
	Using the ADF (DCP-J725DW only)	24
	Using the scanner glass	25
	Unscannable area	26

4	Making copies	27
	How to copy	27
	Stop copying	27
	Copy settings	27
	Paper Options	28
5	Printing photos from a memory card or USB Flash memory drive (DCP-J725DW only)	29
	PhotoCapture Center™ operations (Photo mode)	29
	Using a memory card or USB Flash memory drive	29
	Getting started	30
	Print Images	32
	View Photos	32
	PhotoCapture Center™ print settings	32
	How to scan to a memory card or USB Flash memory drive	33
6	How to print from a computer	34
	Printing a document	34
7	How to scan to a computer	35
	Scanning a document	35
	Scanning using the scan button	35
	Scanning using a scanner driver	36
	Scanning using the ControlCenter	36
A	Routine maintenance	37
	Replacing the ink cartridges	37
	Cleaning and checking the machine	40
	Cleaning the scanner glass	40
	Cleaning the print head	41
	Checking the print quality	41
	Checking the print alignment	42
B	Troubleshooting	43
	Error and Maintenance messages	43
	Error animations display	49
	Document jam (DCP-J725DW)	49
	Printer jam or paper jam	50
	Troubleshooting	55
	If you are having difficulty with your machine	55
	Machine Information	60
	Checking the serial number	60
	Reset functions	60
	How to reset the machine	60

C	Menu and features	61
	On-screen programming	61
	Menu table	62
	Entering Text	75
	Inserting spaces	75
	Making corrections	75
	Repeating letters	75
D	Specifications	76
	General	76
	Print media	79
	Copy	80
	PhotoCapture Center™ (DCP-J725DW only).....	81
	PictBridge (DCP-J725DW only).....	82
	Scanner	83
	Printer	84
	Interfaces	84
	Computer requirements	85
	Consumable items	86
	Network (LAN)	87
E	Index	88

Table of Contents

(ADVANCED USER'S GUIDE)

The Advanced User's Guide explains the following features and operations.

You can view the Advanced User's Guide on the CD-ROM.

1 General setup

IMPORTANT NOTE

Memory storage

*Automatic Daylight Saving Time
(MFC models only)*

Sleep Mode

Auto Power Down (DCP models only)

LCD display

Mode Timer (MFC models only)

2 Security features (MFC models only)

TX Lock

3 Sending a fax (MFC models only)

Additional sending options

Additional sending operations

Polling overview

4 Receiving a fax (MFC models only)

Memory Receive (Monochrome only)

Remote Retrieval

Additional receiving operations

Polling overview

5 Dialling and storing numbers (MFC models only)

Voice operations

Additional dialling operations

Additional ways to store numbers

6 Printing reports

Fax reports (MFC models only)

Reports

7 Making copies

Copy settings

8 Printing photos from a memory card or USB Flash memory drive (MFC-J625DW and DCP-J725DW only)

PhotoCapture Center™ operations

Print Images

PhotoCapture Center™ print settings

*Scan to a memory card or USB Flash
memory drive*

9 Printing photos from a camera (MFC-J625DW and DCP-J725DW only)

*Printing photos directly from a
PictBridge camera*

*Printing photos directly from a digital
camera (without PictBridge)*

A Routine maintenance

Cleaning and checking the machine

Packing and shipping the machine

B Glossary

C Index



Using the documentation

Thank you for buying a Brother machine! Reading the documentation will help you make the most of your machine.

Symbols and conventions used in the documentation

The following symbols and conventions are used throughout the documentation.

Bold	Bold typeface identifies specific buttons on the machine's control panel, or on the computer screen.
<i>Italics</i>	Italicized typeface emphasizes an important point or refers you to a related topic.
Courier New	Text in the Courier New font identifies messages on the LCD of the machine.

WARNING

WARNING indicates a potentially hazardous situation which, if not avoided, could result in death or serious injuries.

CAUTION

CAUTION indicates a potentially hazardous situation which, if not avoided, may result in minor or moderate injuries.

IMPORTANT

IMPORTANT indicates a potentially hazardous situation which, if not avoided, may result in damage to property or loss of product functionality.



Notes tell you how you should respond to a situation that may arise or give tips about how the operation works with other features.



Electrical Hazard icons alert you to possible electrical shocks.

Accessing the Advanced User's Guide, Software User's Guide, Network User's Guide, and Network Glossary

This Basic User's Guide does not contain all the information about the machine, such as how to use the advanced features of the Copy, PhotoCapture Center™ (DCP-J725DW only), Printer, Scanner, and Network. When you are ready to learn detailed information about these operations, you can read the **Advanced User's Guide**, **Software User's Guide**, **Network User's Guide**, and **Network Glossary** that are on the CD-ROM.

Viewing Documentation

Viewing Documentation (Windows®)

To view the documentation, from the **Start** menu, select **Brother**, **DCP-XXXX** (where XXXX is your model name) from the programs list, and then choose **User's Guides**.

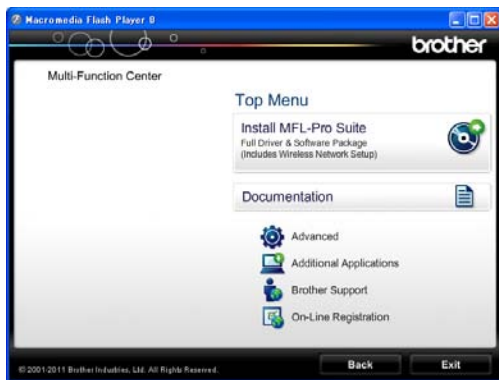
If you have not installed the software, you can find the documentation on the CD-ROM by following the instructions below:

- 1 Turn on your PC. Insert the Brother CD-ROM into your CD-ROM drive.

Note

If the Brother screen does not appear automatically, go to **My Computer (Computer)**, double-click the CD-ROM icon, and then double-click **start.exe**.

- 2 If the model name screen appears, click your model name.
- 3 If the language screen appears, click your language. The CD-ROM Top Menu will appear.



- 4 Click **Documentation**.
- 5 Click **PDF documents**. If the country screen appears, choose your country. After the list of User's Guides appears, choose the guide you want to read.

Viewing Documentation (Macintosh)

- 1 Turn on your Macintosh. Insert the Brother CD-ROM into your CD-ROM drive. The following window will appear.



- 2 Double-click the **Documentation** icon.
- 3 Double-click your language folder.
- 4 Double-click **top.pdf**. If the country screen appears, choose your country.
- 5 After the list of User's Guides appears, choose the guide you want to read.

How to find Scanning instructions

There are several ways you can scan documents. You can find the instructions as follows:

Software User's Guide

- *Scanning*
- *ControlCenter*
- *Network Scanning*

ScanSoft™ PaperPort™ 12SE with OCR How-to-Guides (DCP-J725DW only)

(Windows® users)

- The complete ScanSoft™ PaperPort™ 12SE with OCR How-to-Guides can be viewed from the Help section in the ScanSoft™ PaperPort™ 12SE application.

Presto! PageManager User's Guide (DCP-J725DW only) (Macintosh users)



Note

Presto! PageManager must be downloaded and installed before use. See *Accessing Brother Support (Macintosh)* >> page 4 for further instructions.

- The complete Presto! PageManager User's Guide can be viewed from the Help section in the Presto! PageManager application.

How to find Network setup instructions

Your machine can be connected to a wireless network.

Basic setup instructions

>> Quick Setup Guide

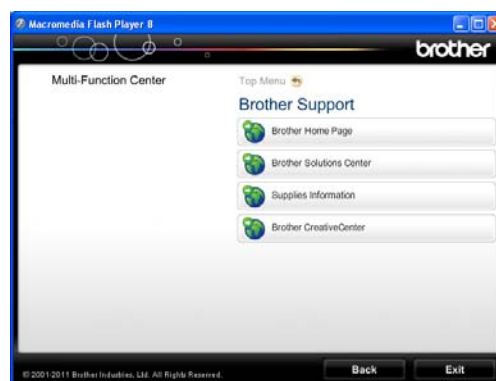
If your wireless access point or router supports Wi-Fi Protected Setup or AOSS™ >> Quick Setup Guide

Network setup >> Network User's Guide

Accessing Brother Support (Windows®)

You can find all the contacts you will need, such as Web support (Brother Solutions Center) on the CD-ROM.

- Click **Brother Support** on the **Top Menu**. The following screen will appear:

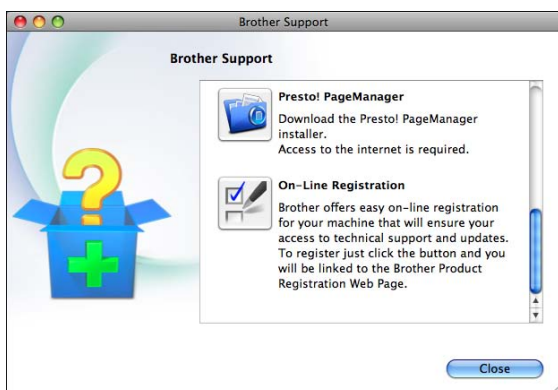


- To access our website (<http://www.brother.com/>), click **Brother Home Page**.
- For the latest news and product support information (<http://solutions.brother.com/>), click **Brother Solutions Center**.
- To visit our website for original Brother Supplies (<http://www.brother.com/original/>), click **Supplies Information**.
- To access the Brother CreativeCenter (<http://www.brother.com/creativecenter/>) for FREE photo projects and printable downloads, click **Brother CreativeCenter**.
- To return to the top menu, click **Back** or if you have finished, click **Exit**.

Accessing Brother Support (Macintosh)

You can find all the contacts you will need, such as Web support (Brother Solutions Center) on the CD-ROM.

- Double-click the **Brother Support** icon.
The following screen will appear:



- (DCP-J725DW only)
To download and install Presto! PageManager, click **Presto! PageManager**.
- To register your machine from the Brother Product Registration Page (<http://www.brother.com/registration/>), click **On-Line Registration**.
- For the latest news and product support information (<http://solutions.brother.com/>), click **Brother Solutions Center**.
- To visit our website for original Brother Supplies (<http://www.brother.com/original/>), click **Supplies Information**.

Control panel overview

The DCP-J525W and DCP-J725DW have the same control panel keys.



1 LCD (Liquid Crystal Display)

This is a Touchscreen LCD. You can access the menus and options by pressing buttons displayed on the screen.

Also, you can adjust the angle of the screen by lifting it.



Lets you return to the Ready mode.

3 Start keys:

■ Mono Start


Lets you start making copies in monochrome. Also lets you start a scanning operation (in colour or mono depending on the scan setting in the ControlCenter software).

■ Colour Start


Lets you start making copies in full colour. Also lets you start a scanning operation (in colour or mono, depending on the scan setting in the ControlCenter software).



You can turn the machine on and off.

Press  to turn the machine on.

Press and hold down  to turn the machine off. The LCD will show *Shutting Down* and will stay on for a few seconds before going off.

If you turn the machine off using the  button, it will still periodically clean the print head to maintain print quality. To prolong print head life, provide the best ink cartridge economy, and maintain print quality, you should keep your machine connected to the power at all times.

5 Stop/Exit

Stops an operation or exits the menu.

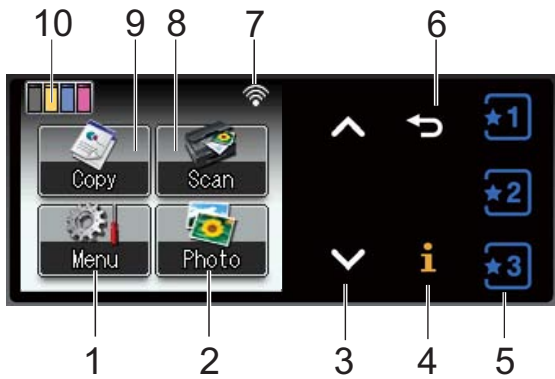


Note

Most of the illustrations in this User's Guide show the DCP-J525W.

LCD screen indications

The LCD shows the current machine status when the machine is idle.



1 Menu

Lets you access the main menu.

2 Photo (DCP-J725DW only)

Lets you access the PHOTO mode.

3 ^ or v

Press to display the previous or next page. The Up and Down arrow buttons do not light up when there is only one page.

4 i

If the Information button lights up, you can press it to view information about machine functions or error messages.

5 *1 *2 *3

Press to recall present Favourite settings. These buttons are always lit, even when you have not registered your Favourite settings. Press a Favourite button to display instructions about how to set up a Favourite.

6 ↶

Press to go back to the previous menu level. It does not light up when its performance is rejected.

7 Wireless Status

A four level indicator shows the current wireless signal strength if you are using a wireless connection.



8 Scan


Lets you access the SCAN mode.

9 Copy

Lets you access the COPY mode.

10 Ink indicator

Lets you see the available ink volume. Also, lets you access the Ink menu.

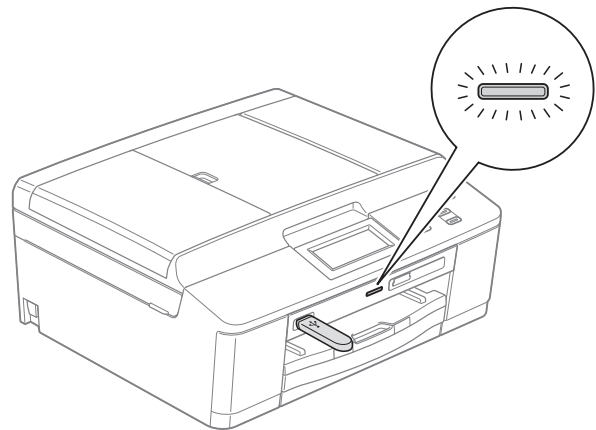
The warning icon  appears when there is an error or maintenance message. For details, see *Error and Maintenance messages* >> page 43.

Status LED (DCP-J725DW only)

When you turn the machine on, the status LED lights up.

When the memory card or USB Flash memory drive is being read or written to, the status LED blinks.

When the machine is in Sleep Mode, the status LED will be off.

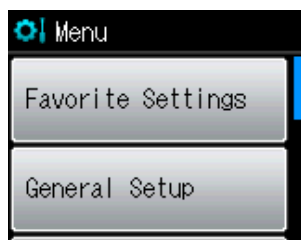


Basic Operations

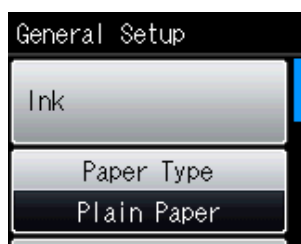
To operate the Touchscreen, use your finger to press the **Menu** or option button directly on the Touchscreen. To display and access all the screen menus or options in a setting, press **▲** or **▼** to scroll through them.

The following steps show how to change a setting in the machine. In this example the **Paper Type** setting is changed from **Plain Paper** to **Inkjet Paper**.

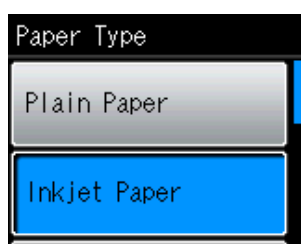
- 1 Press **Menu**.
- 2 Press **▲** or **▼** to display **General Setup**.



- 3 Press **General Setup**.
- 4 Press **▲** or **▼** to display **Paper Type**.



- 5 Press **Paper Type**.
- 6 Press **▲** or **▼** to display **Inkjet Paper**.
- 7 Press **Inkjet Paper**.



Note

Press **↶** to go back to the previous level if necessary.

- 8 Press **Stop/Exit**.

Favourite Settings

You can register the copy and scan settings you use most often by setting them as your Favourite Settings. Later you can recall and apply those settings quickly and easily. You can register three Favourites.

The following settings can be included in a copy or scan Favourite:

Copy

- Quality
- Paper Type
- Paper Size
- Enlarge/Reduce
- Density
- Stack/Sort¹
- Page Layout
- Duplex Copy¹

Scan (Scan to Media)¹

- Quality
- File Type
- File Name

¹ DCP-J725DW only

Registering Favourite Settings

- 1 Press **Menu**.
- 2 Press **▲** or **▼** to display Favorite Settings. Press **Favorite Settings**.
- 3 Press a Favourite displayed as "-Blank-".



Note


Each Favourite button will show the word "-Blank-" next to it before you register it.

- 4 Press **Next** to display the modes **Copy** and **Scan**.
- 5 Press **Copy** or **Scan** for the mode you want to register.
- 6 Press **▲** or **▼** to display the available settings for the mode you chose in step 5, and then press the setting you want to store.
- 7 Press **▲** or **▼** to display the available options for the setting, and then press the option you want. Repeat steps 6 and 7 until you have chosen all the settings for this Favourite.
- 8 When you finish, press **OK**.
- 9 Use the buttons on the Touchscreen to enter a name for the Favourite. (To help you enter letters, see *Entering Text* >> page 75.) Press **OK**.
- 10 To finish and register the settings for this Favourite, press **Yes**.
- 11 Press **OK** to confirm.
- 12 Press **Stop/Exit**.

Changing Favourite Settings

You can change the settings registered to a Favourite.

- 1 Press **Menu**.
- 2 Press **▲** or **▼** to display Favorite Settings. Press **Favorite Settings**.
- 3 Press the Favourite (1, 2, or 3) you want to change.
- 4 Press **Change**, and then **Yes** to confirm.
- 5 Press **▲** or **▼** to display the available settings, and then press the setting you want to change.
- 6 Press **▲** or **▼** to display the available options, and then choose your new option.

Repeat steps 5 and 6 to change other settings as needed.
- 7 Press **OK** when you are finished changing settings.
- 8 To edit the name, hold down  to delete the current name, and then enter a new name by pressing the buttons on the Touchscreen. (To help you enter letters, see *Entering Text* >> page 75.) Press **OK**.
- 9 To finish and register the settings for this Favourite, press **Yes**.
- 10 Press **OK** to confirm.
- 11 Press **Stop/Exit**.

Deleting Favourite Settings

You can delete a Favourite.

- 1 Press **Menu**.
- 2 Press **▲** or **▼** to display Favorite Settings. Press **Favorite Settings**.
- 3 Press the Favourite (1, 2, or 3) that you want to delete.
- 4 Press **Delete** to delete the Favourite that you chose in step 3. Press **Yes** to confirm.
- 5 Press **Stop/Exit**.

Recalling Favourite Settings



Buttons for each Favourite are always displayed on the screen. To recall a Favourite, simply press its button.

Beeper Volume

When the beeper is on, the machine will beep when you press a key, or make a mistake.

You can choose from a range of beeper volume levels, from **High** to **Off**.

- 1 Press **Menu**.
- 2 Press **▲** or **▼** to display **General Setup**.
- 3 Press **General Setup**.
- 4 Press **▲** or **▼** to display **Beeper**.
- 5 Press **Beeper**.
- 6 Press **Low**, **Med**, **High** or **Off**.
- 7 Press **Stop/Exit**.

LCD display

Setting the backlight brightness

If you are having difficulty reading the LCD, try changing the brightness setting.

- 1 Press **Menu**.
- 2 Press **▲** or **▼** to display **General Setup**.
- 3 Press **General Setup**.
- 4 Press **▲** or **▼** to display **LCD Settings**.
- 5 Press **LCD Settings**.
- 6 Press **▲** or **▼** to display **Backlight**.
- 7 Press **Backlight**.
- 8 Press **Light**, **Med** or **Dark**.
- 9 Press **Stop/Exit**.

2

Loading paper

Loading paper and other print media



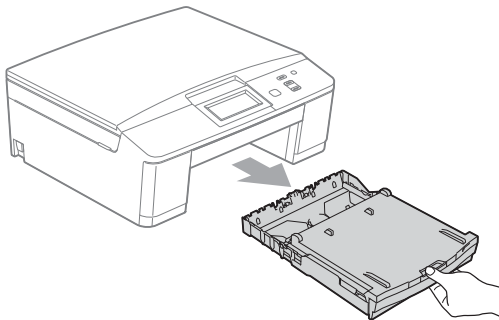
Note

(DCP-J725DW only)

To print on Photo (10 × 15 cm) or Photo L (89 × 127 mm) paper, you must use the photo paper tray. (See *Loading photo paper (DCP-J725DW only)* >> page 15.)

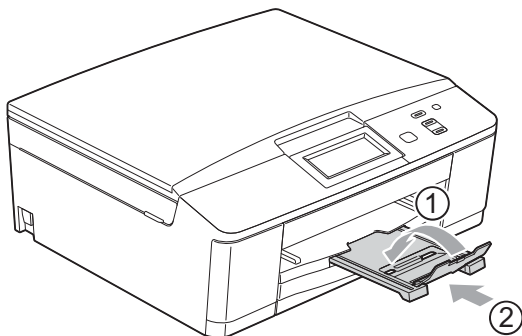
Load only one size of paper and one type of paper in the paper tray at any one time.

- 1 Pull the paper tray completely out of the machine.

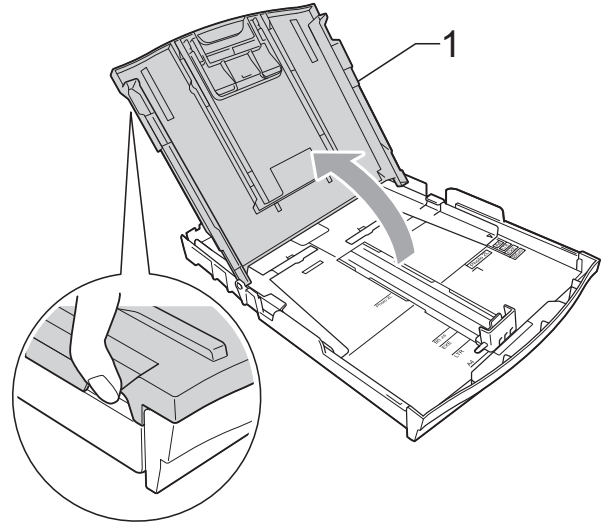


Note

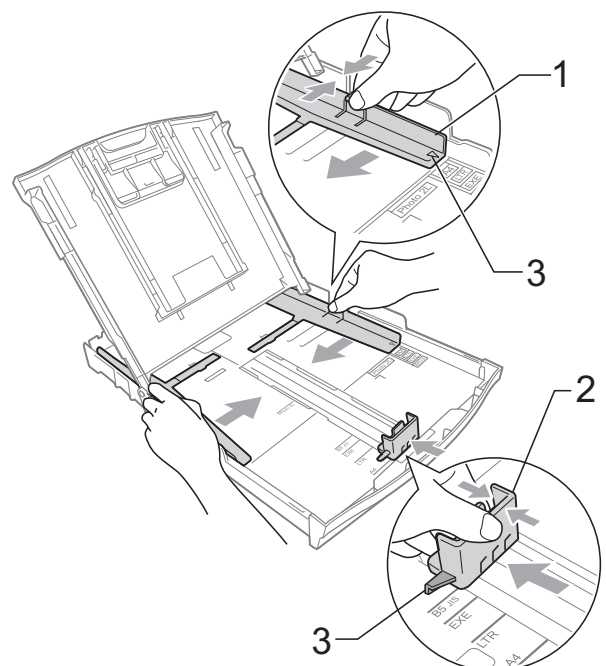
If the paper support flap (1) is open, close it, and then close the paper support (2).



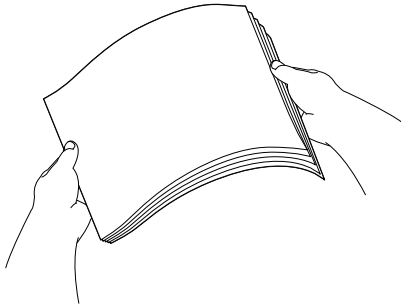
- 2 Lift the output paper tray cover (1).



- 3 With both hands, gently press and slide the paper side guides (1) and then the paper length guide (2) to fit the paper size. Make sure that the triangular marks (3) on the paper side guides (1) and paper length guide (2) line up with the marks for the paper size you are using.



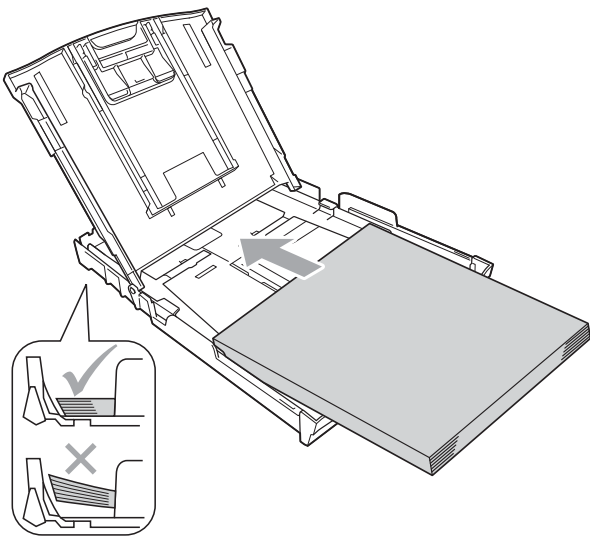
- 4 Fan the stack of paper well to avoid paper jams and misfeeds.



 **Note**

Always make sure that the paper is not curled or wrinkled.

- 5 Gently put the paper into the paper tray print side down and top edge in first. Check that the paper is flat in the tray.



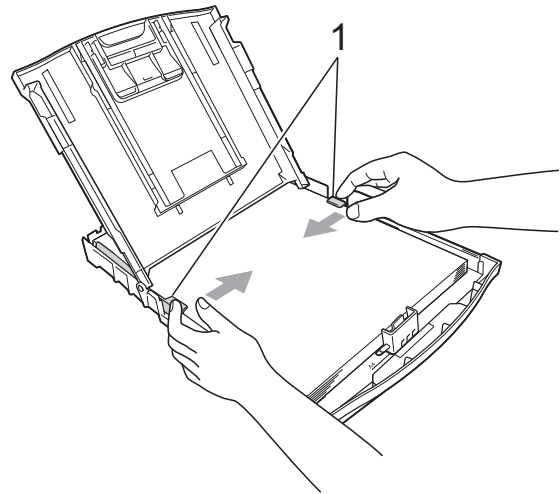
 **IMPORTANT**

Be careful not to push the paper in too far; it may lift at the back of the tray and cause paper feed problems.

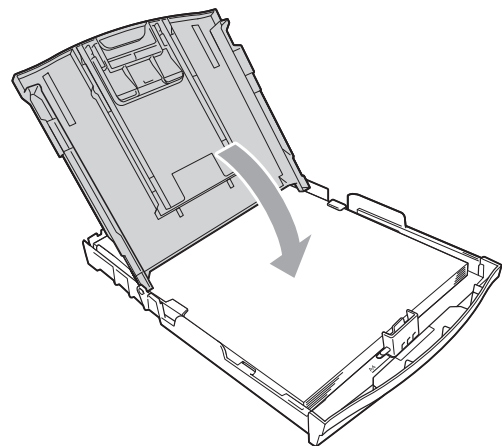
 **Note**

When there are only a few sheets of paper left in the paper tray, the machine may start to misfeed. Load at least 10 sheets of paper into the paper tray.

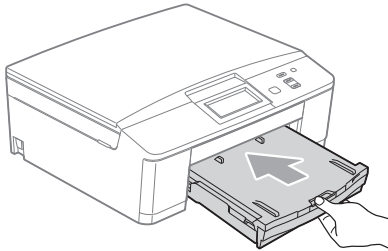
- 6 Gently adjust the paper side guides (1) to fit the paper using both hands. Make sure the paper side guides touch the sides of the paper.



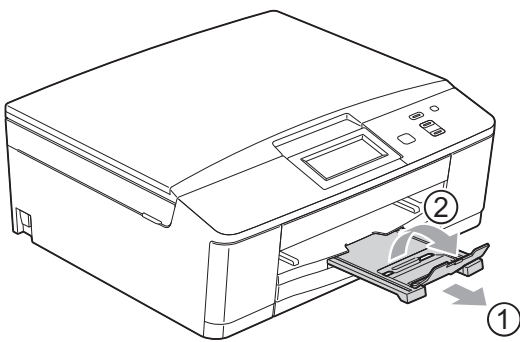
- 7 Close the output paper tray cover.



- 8 *Slowly* push the paper tray completely into the machine.



- 9 While holding the paper tray in place, pull out the paper support (1) until it clicks, and then unfold the paper support flap (2).



Loading envelopes and postcards

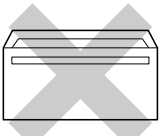
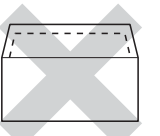
About envelopes

- Use envelopes that weigh between 80 to 95 g/m².
- Some envelopes need margin settings to be set in the application. Make sure you do a test print first before printing many envelopes.

! IMPORTANT

DO NOT use any of the following types of envelopes, as they will cause paper feed problems:

- That are of a baggy construction.
- That have windows.
- That are embossed (have raised writing on them).
- That have clasps or staples.
- That are pre-printed on the inside.

Glue	Double flaps
	

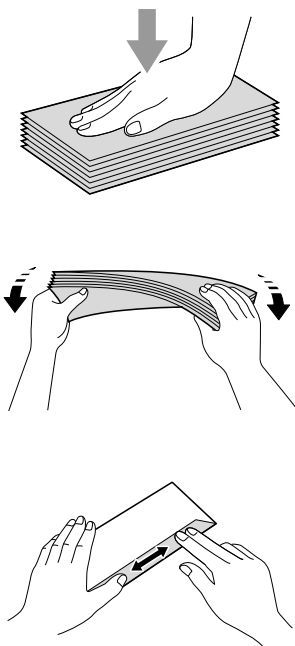
Occasionally you may experience paper feed problems caused by the thickness, size and flap shape of the envelopes you are using.

Loading envelopes and postcards

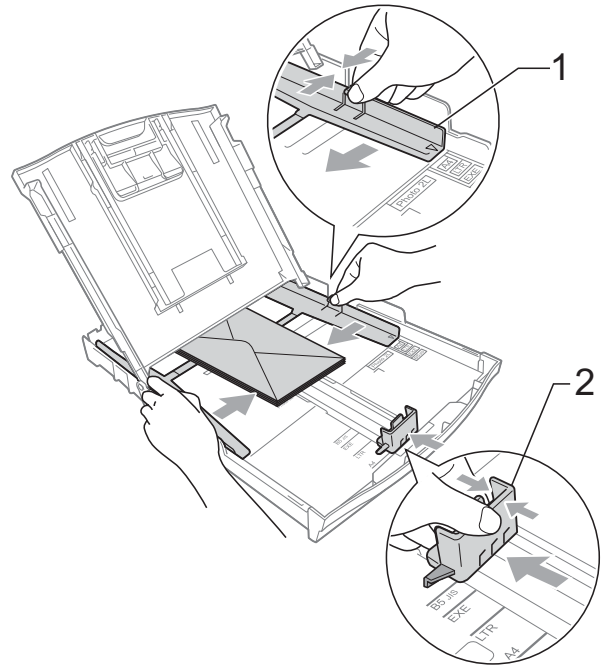
- 1 Before loading, press the corners and sides of envelopes or postcards to make them as flat as possible.

! IMPORTANT

If envelopes or postcards are “double-feeding”, put one envelope or postcard in the paper tray at a time.

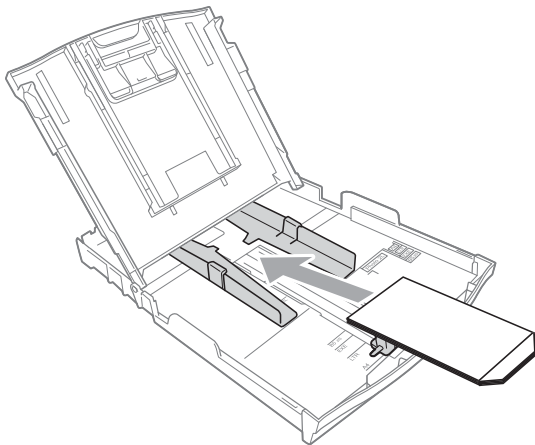


- 2 Put envelopes or postcards in the paper tray with the address side down and the leading edge (top of the envelopes) in first as shown in the illustration. Using both hands, gently press and slide the paper side guides (1) and paper length guide (2) to fit the size of the envelopes or postcards.



If you have problems printing on envelopes with the flap on the short edge, try the following:

- 1 Open the envelope flap.
- 2 Put the envelope into the paper tray with the address side down and the flap positioned as shown in the illustration.

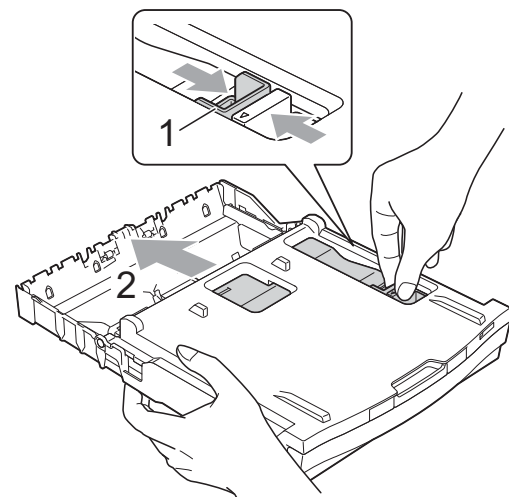


- 3 Select **Reverse Print** in the printer driver's dialogue box and then adjust the size and margin in your application.
 - Software User's Guide: *Printing* (Windows®)
 - Software User's Guide: *Printing and Faxing* (Macintosh)

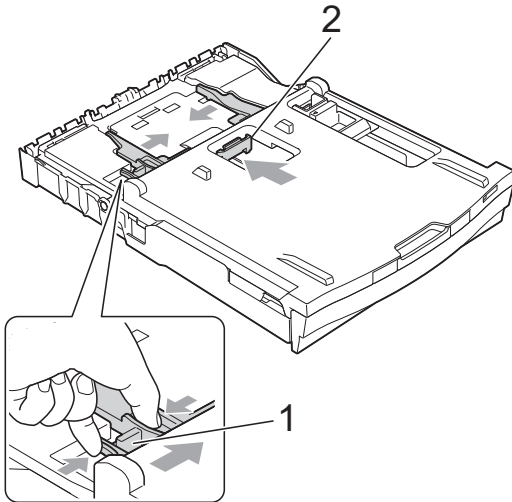
Loading photo paper (DCP-J725DW only)

Use the photo paper tray which has been assembled on the top of the output paper tray cover, to print on Photo (10 × 15 cm) and Photo L (89 × 127 mm) size paper. When you use the photo paper tray, you do not have to take out the paper that is in the tray beneath it. (For the maximum number of photo cards you can load, see *Paper weight, thickness and capacity* ➤➤ page 23.)

- 1 Squeeze the blue photo paper tray release button (1) using your right index finger and thumb and push the photo paper tray forward until it clicks into the photo printing position (2).



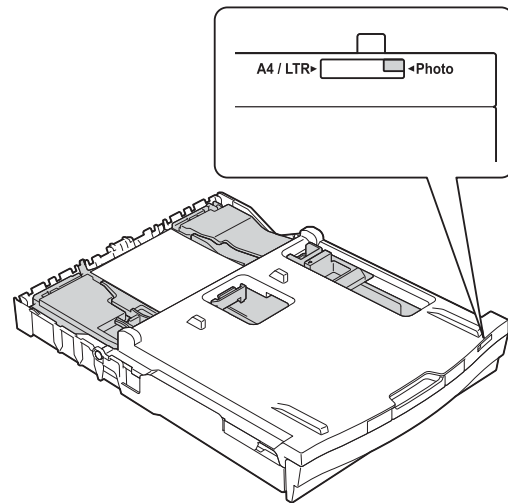
- 2 Press and slide the paper side guides (1) and paper length guide (2) to fit the paper size.



- 3 Put the photo paper into the photo paper tray and gently adjust the paper side guides to the paper. Make sure the paper side guides touch the sides of the paper. Check that the paper is flat in the tray.

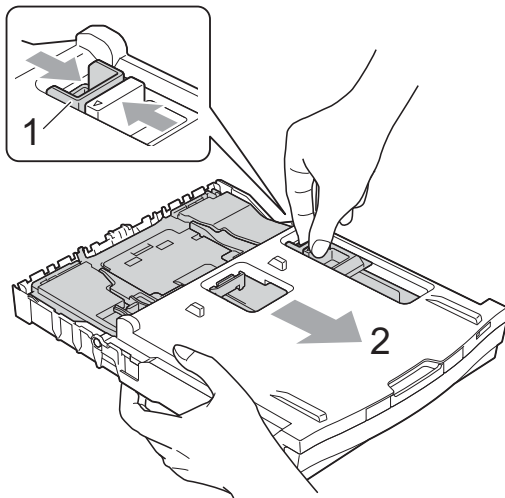
 **Note**

- Always make sure that the paper is not curled or wrinkled.
- The Photo indicator confirms that the photo paper tray is in the *Photo* printing position. The A4/LTR indicator confirms that the photo paper tray is in the *Normal* printing position.



- 4 When you have finished printing photos return the photo paper tray to the *Normal* printing position. If you do not, you will get a *No Paper Fed* error when using A4 sized paper.

Squeeze the blue photo paper tray release button (1) using your right index finger and thumb and pull the photo paper tray back until it clicks (2).



! IMPORTANT

If you do not return the photo paper tray to the *Normal* printing position after printing photos, you will get a *No Paper Fed* error when you use cut sheet paper.

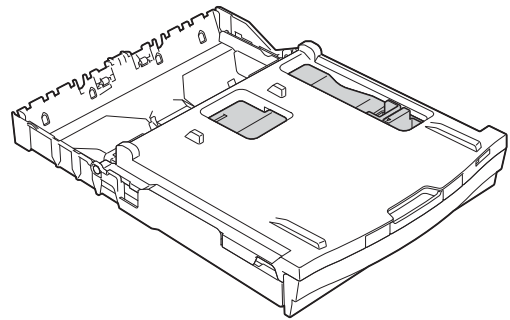


Photo paper tray in the normal printing position

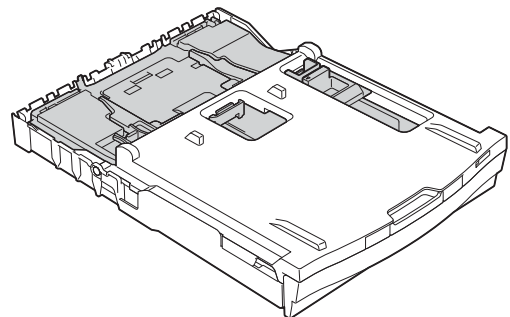


Photo paper tray in the photo printing position

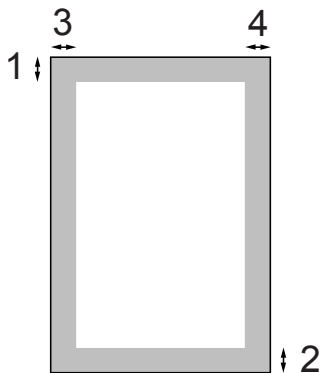
Printable area

The printable area depends on the settings in the application you are using. The figures below show the unprintable areas on cut sheet paper and envelopes. The machine can print in the shaded areas of cut sheet paper when the Borderless print feature is available and turned on.

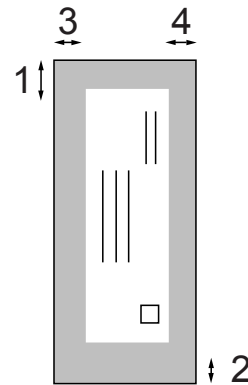
➤➤ Software User's Guide: *Printing* (Windows®)

➤➤ Software User's Guide: *Printing and Faxing* (Macintosh)

Cut Sheet Paper



Envelopes



	Top (1)	Bottom (2)	Left (3)	Right (4)
Cut Sheet	3 mm	3 mm	3 mm	3 mm
Envelopes	22 mm	22 mm	3 mm	3 mm



Note

The Borderless feature is not available for envelopes and duplex printing.

Paper settings

Paper Type

To get the best print quality, set the machine for the type of paper you are using.

- 1 Press **Menu**.
- 2 Press **▲** or **▼** to display **General Setup**.
- 3 Press **General Setup**.
- 4 Press **▲** or **▼** to display **Paper Type**.
- 5 Press **Paper Type**.
- 6 Press **▲** or **▼** to display **Plain Paper**, **Inkjet Paper**, **Brother BP71**, **Brother BP61**, **Other Glossy** or **Transparency**, and then press the option you want to set.
- 7 Press **Stop/Exit**.



Note

The machine ejects paper with printed surfaces face up onto the paper tray at the front of the machine. When you use transparencies or glossy paper, remove each sheet at once to prevent smudging or paper jams.

Paper Size

You can use four sizes of paper for printing copies: A4, A5, Letter and 10 × 15 cm. When you change the size of paper you load in the machine, you will need to change the paper size setting at the same time.

- 1 Press **Menu**.
- 2 Press **▲** or **▼** to display **General Setup**.
- 3 Press **General Setup**.
- 4 Press **▲** or **▼** to display **Paper Size**.
- 5 Press **Paper Size**.
- 6 Press **▲** or **▼** to display **A4**, **A5**, **10x15cm** or **Letter**, and then press the option you want to set.
- 7 Press **Stop/Exit**.

Acceptable paper and other print media

The print quality can be affected by the type of paper you use in the machine.

To get the best print quality for the settings you have chosen, always set the Paper Type to match the type of paper that is loaded in the tray.

You can use plain paper, inkjet paper (coated paper), glossy paper, transparencies and envelopes.

We recommend testing various paper types before buying large quantities.

For best results, use Brother paper.

- When you print on inkjet paper (coated paper), transparencies and glossy paper, be sure to choose the correct print media in the “**Basic**” tab of the printer driver or in the Paper Type setting of the menu. (See *Paper Type* >> page 19.)
- When you print on Brother Photo paper, load one extra sheet of the same photo paper in the paper tray. An extra sheet has been included in the paper package for this purpose.
- When printing on transparencies, load one extra sheet in the paper tray.
- When you use transparencies or photo paper, remove each sheet at once to prevent smudging or paper jams.
- Avoid touching the printed surface of the paper immediately after printing; the surface may not be completely dry and may stain your fingers.

Recommended print media

To get the best print quality, we suggest using Brother paper. (See the table below.)

If Brother paper is not available in your country, we recommend testing various papers before purchasing large quantities.

We recommend using “3M Transparency Film” when you print on transparencies.

Brother paper

Paper Type	Item
A4 Plain	BP60PA
A4 Glossy Photo	BP71GA4
A4 Inkjet (Matte)	BP60MA
10 × 15 cm Glossy Photo	BP71GP

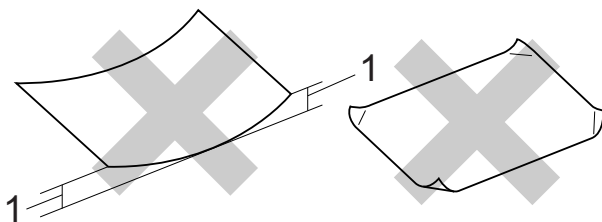
Handling and using print media

- Store paper in its original packaging and keep it sealed. Keep the paper flat and away from moisture, direct sunlight and heat.
- Avoid touching the shiny (coated) side of photo paper. Load photo paper with the shiny side facing down.
- Avoid touching either side of transparencies because they absorb water and perspiration easily, and this may cause decreased output quality. Transparencies designed for laser printers/copiers may stain your next document. Use only transparencies recommended for inkjet printing.

! IMPORTANT

DO NOT use the following kinds of paper:

- Damaged, curled, wrinkled, or irregularly shaped paper



1 2 mm or greater curl may cause jams to occur.

- Extremely shiny or highly textured paper
- Paper that cannot be arranged uniformly when stacked
- Short grain paper

Paper capacity of the output paper tray cover

Up to 50 sheets of 80 g/m² A4 paper.

- Transparencies and photo paper must be picked up from the output paper tray cover one page at a time to avoid smudging.

Choosing the right print media

Paper type and size for each operation

Paper Type	Paper Size		Usage		
			Copy	Photo Capture ¹	Printer
Cut Sheet	A4	210 × 297 mm (8.3 × 11.7 in.)	Yes	Yes	Yes
	Letter	215.9 × 279.4 mm (8 1/2 × 11 in.)	Yes	Yes	Yes
	Executive	184 × 267 mm (7 1/4 × 10 1/2 in.)	–	–	Yes
	JIS B5	182 × 257 mm (7.2 × 10.1 in.)	–	–	User Defined
	A5	148 × 210 mm (5.8 × 8.3 in.)	Yes	–	Yes
	A6	105 × 148 mm (4.1 × 5.8 in.)	–	–	Yes
Cards		10 × 15 cm (4 × 6 in.)	Yes	Yes	Yes
		89 × 127 mm (3 1/2 × 5 in.)	–	–	Yes
		13 × 18 cm (5 × 7 in.)	–	Yes	Yes
		127 × 203 mm (5 × 8 in.)	–	–	Yes
	Postcard 1	100 × 148 mm (3.9 × 5.8 in.)	–	–	User Defined
	Postcard 2 (Double)	148 × 200 mm (5.8 × 7.9 in.)	–	–	User Defined
Envelopes	C5 Envelope	162 × 229 mm (6.4 × 9 in.)	–	–	Yes
	DL Envelope	110 × 220 mm (4.3 × 8.7 in.)	–	–	Yes
	COM-10	105 × 241 mm (4 1/8 × 9 1/2 in.)	–	–	Yes
	Monarch	98 × 191 mm (3 7/8 × 7 1/2 in.)	–	–	Yes
	Y4 Envelope	105 × 235 mm (4.1 × 9.3 in.)	–	–	User Defined
Transparencies	A4	210 × 297 mm (8.3 × 11.7 in.)	Yes	–	Yes
	Letter	215.9 × 279.4 mm (8 1/2 × 11 in.)	Yes	–	Yes
	A5	148 × 210 mm (5.8 × 8.3 in.)	Yes	–	Yes

¹ DCP-J725DW only.

Paper weight, thickness and capacity

Paper Type		Weight	Thickness	No. of sheets
Cut Sheet	Plain Paper	64 to 120 g/m ²	0.08 to 0.15 mm	100 ¹
	Inkjet Paper	64 to 200 g/m ²	0.08 to 0.25 mm	20
	Glossy Paper	Up to 220 g/m ²	Up to 0.25 mm	20 ^{2 3}
Cards	Photo Card	Up to 220 g/m ²	Up to 0.25 mm	20 ^{2 3}
	Index Card	Up to 120 g/m ²	Up to 0.15 mm	30
	Postcard	Up to 200 g/m ²	Up to 0.25 mm	30
Envelopes		75 to 95 g/m ²	Up to 0.52 mm	10
Transparencies		–	–	10

¹ Up to 100 sheets of 80 g/m² paper.

² (DCP-J725DW only)

For Photo 10 × 15 cm paper and Photo L 89 × 127 mm paper, use the photo paper tray. (See *Loading photo paper (DCP-J725DW only)* >> page 15.)

³ BP71 (260 g/m²) paper is especially designed for Brother inkjet machines.

3

Loading documents

How to load documents

You can make copies and scan from the ADF (automatic document feeder) (DCP-J725DW only) and from the scanner glass.

Using the ADF (DCP-J725DW only)

The ADF can hold up to 15 pages ¹ and feeds each sheet individually. Use 90 g/m² paper and always fan the edges of the pages before placing them in the ADF.

- ¹ The ADF can hold up to 20 pages, if you stagger the pages and meet the following conditions:
Temperature: 20 - 26 °C
Humidity: 40 - 50% without condensation
Paper: XEROX4200 75 g/m²

Document Sizes and Weights

Length:	148 to 355.6 mm
Width:	148 to 215.9 mm
Weight:	64 to 90 g/m ²

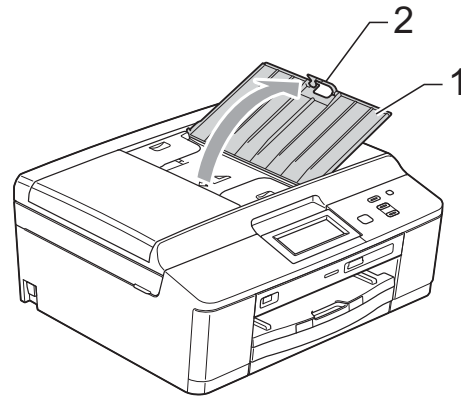
How to load documents

! IMPORTANT

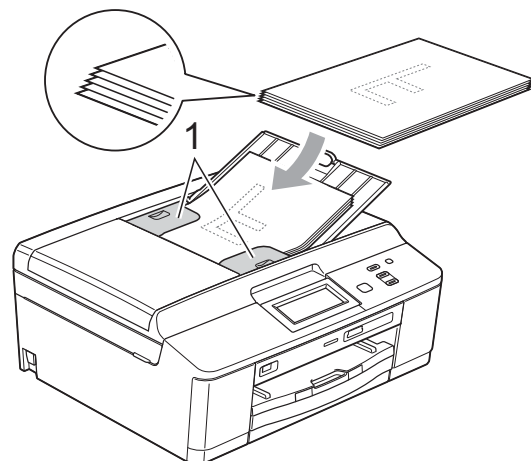
- DO NOT pull on the document while it is feeding.
- DO NOT use paper that is curled, wrinkled, folded, ripped, stapled, paper clipped, pasted or taped.
- DO NOT use cardboard, newspaper or fabric.

Make sure documents written with ink or modified with correction fluid are completely dry.

- 1 Unfold the ADF Document Support (1) and the ADF Document Support Flap (2).



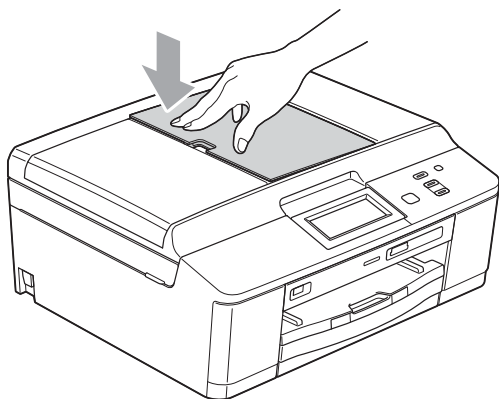
- 2 Fan the pages well.
- 3 Adjust the paper guides (1) to fit the width of your documents. Stagger the pages of the documents and place them **face down, top edge first** in the ADF underneath the guides until you feel them touch the feed rollers. The screen will display ADF Ready.



! IMPORTANT

DO NOT leave thick documents on the scanner glass. If you do this, the ADF may jam.

- 4 After using the ADF, fold down the ADF Document Support Flap and then close the ADF Document Support. Then push down on the upper-left portion of the ADF Document Support to close it completely.

**Using the scanner glass**

You can use the scanner glass to copy or scan pages of a book or one page at a time.

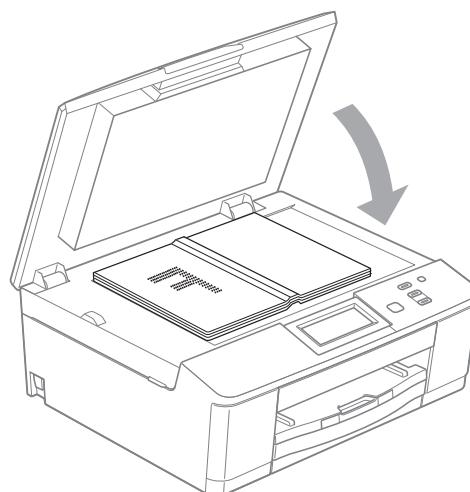
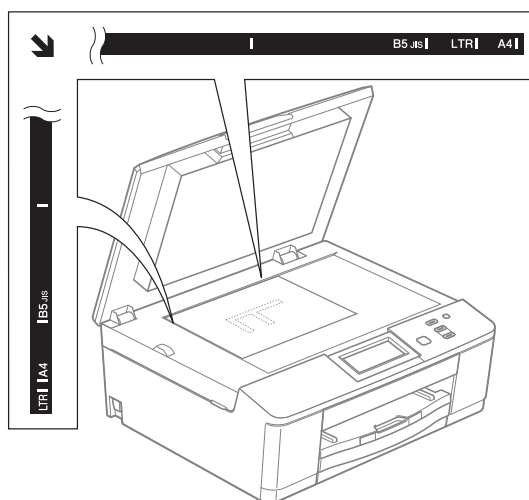
Document Sizes Supported

Length:	Up to 297 mm
Width:	Up to 215.9 mm
Weight:	Up to 2 kg

How to load documents**Note**

To use the scanner glass, the ADF must be empty. (DCP-J725DW only)

- 1 Lift the document cover.
- 2 Using the document guidelines on the left and top, place the document **face down** in the upper left corner of the scanner glass.



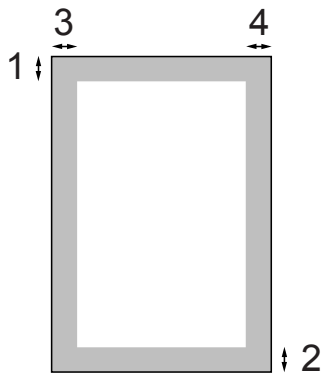
- 3 Close the document cover.

! IMPORTANT

If you are scanning a book or thick document, DO NOT slam the cover down or press on it.

Unscannable area

The scannable area depends on the settings in the application you are using. The figures below show unscannable areas.



Usage	Document Size	Top (1) Bottom (2)	Left (3) Right (4)
Copy	All paper sizes	3 mm	3 mm
Scan			

How to copy

The following steps show the basic copy operation.

- 1 Make sure you are in copy mode, press Copy.

- The LCD shows:



1 No. of Copies

You can enter the number of copies by pressing - or + on the screen (as shown above).

- 2 Do one of the following to load your document:
 - Place the document face down in the ADF. (DCP-J725DW only)
(See *Using the ADF (DCP-J725DW only)* >> page 24.)
 - Place the document *face down* on the scanner glass.
(See *Using the scanner glass* >> page 25.)
- 3 If you want more than one copy, enter the number (up to 99).
- 4 Press **Mono Start** or **Colour Start**.

Stop copying

To stop copying, press **Stop/Exit**.

Copy settings

You can change the following copy settings. Press **Copy** and then press **Options**. Press **▲** or **▼** to scroll through the copy settings. When the setting you want is displayed, press it and choose your option.

(Basic User's Guide)

For details about changing the following copy settings >> page 28.

- Paper Type
- Paper Size

(Advanced User's Guide)

For details about changing the following copy settings

>>>Advanced User's Guide: *Copy settings*

- Quality
- Enlarge/Reduce
- Page Layout
- 2in1 (ID)
- Stack/Sort
(DCP-J725DW only)
- Density
- Duplex Copy
(DCP-J725DW only)
- Set New Default
- Factory Reset



Note

If you want to sort copies, use the ADF.
(DCP-J725DW only)

Paper Options

Paper Type

If you are copying on a special type of paper, set the machine for the type of paper you are using to get the best print quality.

- 1 Press **Copy**.
- 2 Load your document.
- 3 Enter the number of copies you want.
- 4 Press **Options**.
- 5 Press **^** or **v** to display **Paper Type**.
- 6 Press **Paper Type**.
- 7 Press **^** or **v** to display **Plain Paper**, **Inkjet Paper**, **Brother BP71**, **Brother BP61**, **Other Glossy** or **Transparency**, and then press the option you want to set.
- 8 If you do not want to change additional settings, press **Mono Start** or **Colour Start**.

Paper Size

If you are copying on paper other than A4 size, you will need to change the Paper Size setting. You can copy only on A4, A5, Photo 10 × 15 cm or Letter paper.

- 1 Press **Copy**.
- 2 Load your document.
- 3 Enter the number of copies you want.
- 4 Press **Options**.
- 5 Press **^** or **v** to display **Paper Size**.
- 6 Press **Paper Size**.
- 7 Press **^** or **v** to display **A4**, **A5**, **10x15cm** or **Letter**, and then press the option you want to set.
- 8 If you do not want to change additional settings, press **Mono Start** or **Colour Start**.

Printing photos from a memory card or USB Flash memory drive (DCP-J725DW only)

PhotoCapture Center™ operations (Photo mode)

Even if your machine is *not* connected to your computer, you can print photos directly from digital camera media or a USB Flash memory drive. (See *Print Images* >> page 32.)

You can scan documents and save them directly to a memory card or USB Flash memory drive. (See *How to scan to a memory card or USB Flash memory drive* >> page 33.)

If your machine is connected to a computer, you can access a memory card or USB Flash memory drive that is inserted in the front of the machine from your computer.

>>Software User's Guide: *PhotoCapture Center™* (Windows®)

>>Software User's Guide: *Remote Setup & PhotoCapture Center™* (Macintosh)

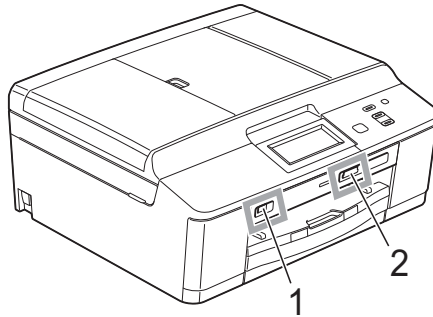
Using a memory card or USB Flash memory drive

Your Brother machine has media drives (slots) for use with the following popular digital camera media: Memory Stick™, Memory Stick PRO™, Memory Stick Duo™, Memory Stick PRO Duo™, SD Memory Card, SDHC Memory Card, SDXC Memory Card, MultiMedia Card, MultiMedia Card plus and USB Flash memory drives.

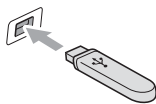
The PhotoCapture Center™ feature lets you print digital photos from your digital camera at high resolution to get photo quality printing.

Getting started

Firmly put a memory card or USB Flash memory drive into the correct slot.



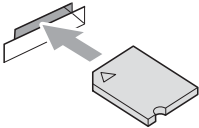


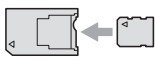
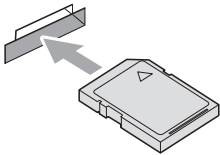
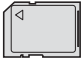
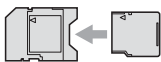
1 USB Flash memory drive



! IMPORTANT

The USB direct interface supports only a USB Flash memory drive, a PictBridge-compatible camera, or a digital camera that uses the USB mass storage as standard. Any other USB devices are not supported.

2 Memory card slot

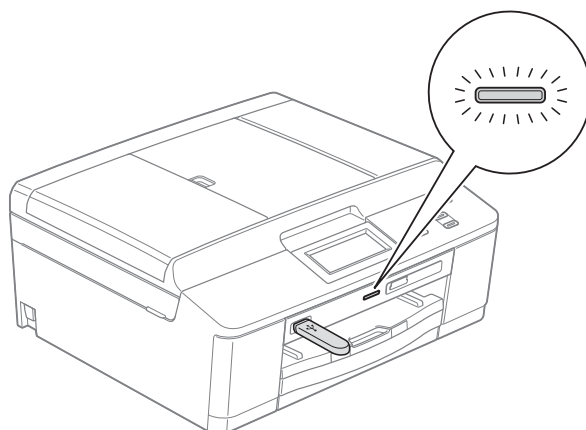
Slot	Compatible memory cards	
Upper slot 		Memory Stick™ Memory Stick PRO™
		Memory Stick Duo™ Memory Stick PRO Duo™
		Memory Stick Micro™ (Adapter required)
Lower slot 		SD Memory Card SDHC Memory Card SDXC Memory Card MultiMedia Card MultiMedia Card plus
		mini SD (Adapter required) mini SDHC (Adapter required) micro SD (Adapter required) micro SDHC (Adapter required) MultiMedia Card mobile (Adapter required)

! IMPORTANT

DO NOT insert a Memory Stick Duo™ into the lower SD slot, this may cause damage to the machine.

Status LED

When the memory card or USB Flash memory drive is being read or written to, the status LED blinks.



! IMPORTANT

DO NOT unplug the power cord or remove the memory card or USB Flash memory drive from the media drive (slot) or USB direct interface while the machine is reading or writing to the memory card or USB Flash memory drive (the status LED is blinking). **You will lose your data or damage the card.**

The machine can only read one device at a time.

Print Images

View Photos

You can preview your photos on the LCD before you print them. If your photos are large files there may be a delay before each photo is displayed on the LCD.

- 1 Make sure you have put the memory card or USB Flash memory drive in the correct slot.
Press **Photo**.
- 2 Press **View Photos**.
- 3 Press **▲** or **▼** to display the photo you want to print.
- 4 Press **+** or **-** to select the number of copies you want to print.
- 5 Repeat step 3 and 4 until you have chosen all the photos that you want to print.
Press **OK**.
- 6 You now have the following options.
 - If you want to change the print settings, press **Options**.
(▶▶Advanced User's Guide: *PhotoCapture Center™ print settings*)
 - If you do not want to change any settings, go to step 7.
- 7 Press **Colour Start** to print.

PhotoCapture Center™ print settings

You can change the print settings temporarily for the next print.

The machine returns to its default settings after 3 minutes.



Note

You can save the print settings you use most often by setting them as the default. (▶▶Advanced User's Guide: *Setting your changes as a new default*)



How to scan to a memory card or USB Flash memory drive

You can scan monochrome and colour documents onto a memory card or USB Flash memory drive. Monochrome documents will be stored in PDF (*.PDF) or TIFF (*.TIF) file formats. Colour documents may be stored in PDF (*.PDF) or JPEG (*.JPG) file formats. The factory setting is Color 200 dpi and the default file format is PDF. The machine automatically creates file names based on the current date. (▶▶Quick Setup Guide) For example, the fifth image scanned on July 1, 2011 would be named 01071105.PDF. You can change the colour and quality.

Quality	Selectable File Format
Color 100 dpi	JPEG / PDF
Color 200 dpi	JPEG / PDF
Color 300 dpi	JPEG / PDF
Color 600 dpi	JPEG / PDF
B/W 100 dpi	TIFF / PDF
B/W 200 dpi	TIFF / PDF
B/W 300 dpi	TIFF / PDF

- 1 Make sure you have put the memory card or USB Flash memory drive in the correct slot.

! IMPORTANT

DO NOT take out the memory card or USB Flash memory drive while the status LED is blinking to avoid damaging the card, USB Flash memory drive or data stored on them.

- 2 Load your document.
- 3 Press Scan.
- 4 Press Scan to Media.

- 5 Press Options.
Do one of the following:
 - To change the quality, press **^** or **v** to display **Quality**. Press **Quality** and choose Color 100 dpi, Color 200 dpi, Color 300 dpi, Color 600 dpi, B/W 100 dpi, B/W 200 dpi or B/W 300 dpi.
 - To change the file type, press **^** or **v** to display **File Type**. Press **File Type** and choose PDF, JPEG or TIFF.
 - If you want to change the file name, press **^** or **v** to display **File Name**. Press **File Name** and enter the file name.

You can only change the first 6 characters.

Press **OK**.
 - To start scanning without changing additional settings, go to step 6.



Note

- If you chose colour in the resolution setting, you cannot choose the file type TIFF.
- If you chose monochrome in the resolution setting, you cannot choose the file type JPEG.

- 6 Press **Mono Start** or **Colour Start**.

Printing a document

The machine can receive data from your computer and print it. To print from a computer, you must install the printer driver.

➤➤ Software User's Guide: *Printing*

(Windows®)

➤➤ Software User's Guide: *Printing and Faxing* (Macintosh)

- 1 Install the Brother printer driver from the CD-ROM. (➤➤ Quick Setup Guide)
- 2 From your application, choose the Print command.
- 3 Choose the name of your machine in the **Print** dialog box and click **Preferences**.
- 4 Choose the settings you want to change in the Properties dialog box.
 - **Media Type**
 - **Print Quality**
 - **Paper Size**
 - **Orientation**
 - **Colour/Greyscale**
 - **Ink Save Mode**
 - **Scaling**
- 5 Click **OK**.
- 6 Click **Print** to begin printing.

Scanning a document

There are several ways to scan documents. You can use the **Scan** button on the screen or the scanner drivers on your computer.

- 1 To use the machine as a scanner, you must install a scanner driver. If the machine is on a Network, configure it with a TCP/IP address.
 - Install the scanner drivers from the CD-ROM. (➤➤Quick Setup Guide)
 - Configure the machine with a TCP/IP address if network scanning does not work. (➤➤Software User's Guide: *Configuring Network Scanning for Windows®* and *Configuring network scanning for Macintosh*)
- 2 Load your document. (See *How to load documents* ➤➤ page 24.)
 - Use the ADF to scan multiple pages of documents. It feeds each sheet automatically. (DCP-J725DW only)
 - Use the scanner glass to scan a page of a book or one sheet at a time.
- 3 Do one of the following:
 - To scan using the **Scan** button on the screen, go to *Scanning using the scan button*.
 - To scan using a scanner driver at your computer, go to *Scanning using a scanner driver*.

Scanning using the scan button

For more information

➤➤Software User's Guide: *Using the Scan key*

- 1 Press **Scan**.
- 2 Press **▲** or **▼** to display the available scan modes, and then press the scan mode you want to use.
 - Scan to File
 - Scan to Media (DCP-J725DW only)
 - Scan to email
 - Scan to OCR¹ (DCP-J725DW only)
 - Scan to Image
 - Web Service² (Web Services Scan)
 - ¹ (Macintosh users)
Presto! PageManager must be downloaded and installed before use. See *Accessing Brother Support (Macintosh)* ➤➤ page 4 for further instructions.
 - ² (Windows® users only)
(➤➤Software User's Guide: *Using Web Services for scanning (Windows Vista® SP2 or later and Windows® 7) on your network*)
- 3 (For network users)
Choose the computer you want to send the data to.
- 4 Press **Start** to begin scanning.

Scanning using a scanner driver

- Software User's Guide: *Scanning a document using the TWAIN driver* (Windows®)
- Software User's Guide: *Scanning a document using the WIA driver* (Windows®)
- Software User's Guide: *Scanning a document using the TWAIN driver* (Macintosh)
- Software User's Guide: *Scanning a document using the ICA driver (Mac OS X 10.6.x)*

- 1 Start a scanning application and click the **Scan** button.
- 2 Adjust the settings such as **Resolution**, **Brightness** and **Scan Type** in the **Scanner Setup** dialog box.
- 3 Click **Start** or **Scan** to begin scanning.

Scanning using the ControlCenter

- Software User's Guide: *ControlCenter4* (Windows®)
- Software User's Guide: *ControlCenter2* (Macintosh)

Replacing the ink cartridges

Your machine is equipped with an ink dot counter. The ink dot counter automatically monitors the level of ink in each of the four cartridges. When the machine detects an ink cartridge is running out of ink, the machine will display a message on the LCD.

The LCD will show which ink cartridge is low or needs replacing. Be sure to follow the LCD prompts to replace the ink cartridges in the correct order.

Even though the machine tells you to replace an ink cartridge, there will be a small amount of ink left in the ink cartridge. It is necessary to keep some ink in the ink cartridge to prevent air from drying out and damaging the print head assembly.

CAUTION

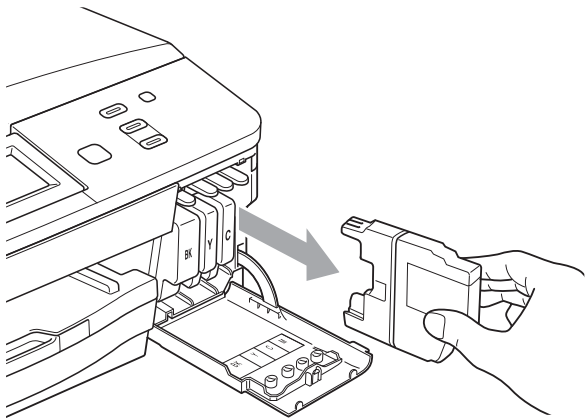
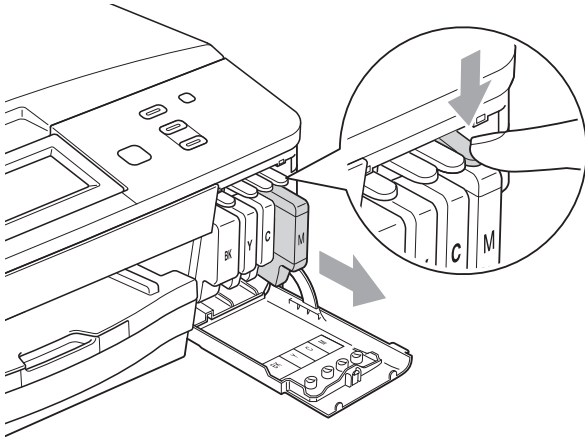
If ink gets in your eyes, wash it out with water at once and call a doctor if you are concerned.

IMPORTANT

Brother multifunction machines are designed to work with ink of a particular specification and will work to a level of optimum performance and reliability when used with Brother Original ink cartridges. Brother cannot guarantee this optimum performance and reliability if ink or ink cartridges of other specifications are used. Brother does not therefore recommend the use of cartridges other than Brother Original cartridges or the refilling of used cartridges with ink from other sources. If damage is caused to the print head or other parts of this machine as a result of using incompatible products with this machine, any repairs required as a result may not be covered by the warranty.

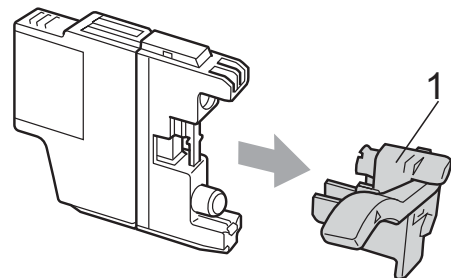
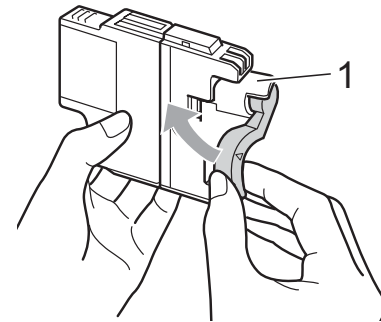
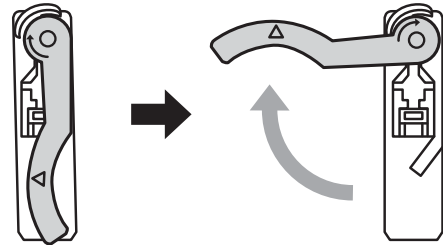
- 1 Open the ink cartridge cover. If one or more of the ink cartridges have reached the end of their life, the LCD shows **B&W Print Only** or **Cannot Print**.

- 2 Press the lock release lever as shown to release the cartridge indicated on the LCD. Remove the cartridge from the machine.

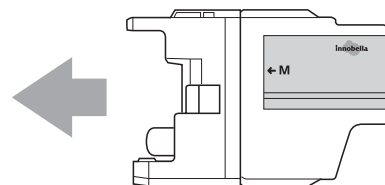


- 3 Open the new ink cartridge bag for the colour shown on the LCD, and then take out the ink cartridge.

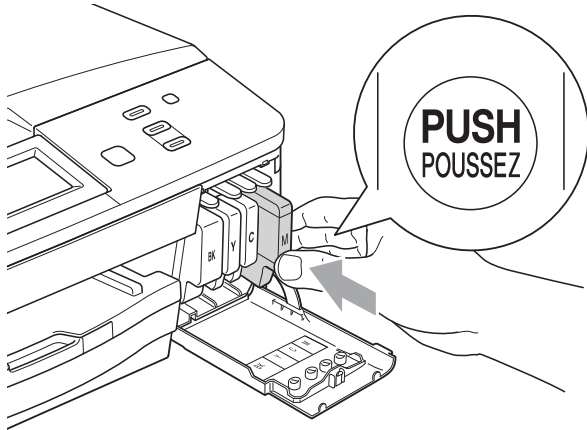
- 4 Turn the green release lever on the orange protective packing (1) clockwise until it clicks to release the vacuum seal. Then remove the orange protective packing as shown.



- 5 Each colour has its own correct position. Insert the ink cartridge in the direction of the arrow on the label.



- 6 Gently push the back of the ink cartridge marked “PUSH” until it clicks, and then close the ink cartridge cover.



- 7 The machine will automatically reset the ink dot counter.



Note

- If you replaced an ink cartridge, for example Black, the LCD may ask you to verify that it was a brand new one (for example, Did You Change **BK** Black). For each new cartridge you installed, press **Yes** to automatically reset the ink dot counter for that colour. If the ink cartridge you installed is not a brand new one, be sure to press **No**.
- If the LCD shows **No Ink Cartridge or Cannot Detect** after you install the ink cartridges, check that the ink cartridges are brand new Original Brother and that they are installed correctly.

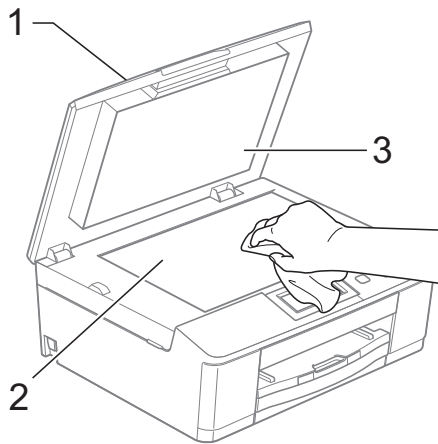
! IMPORTANT

- DO NOT take out ink cartridges if you do not need to replace them. If you do so, it may reduce the ink quantity and the machine will not know the quantity of ink left in the cartridge.
- DO NOT touch the cartridge insertion slots. If you do so, the ink may stain your skin.
- If ink gets on your skin or clothing immediately wash it off with soap or detergent.
- If you mix the colours by installing an ink cartridge in the wrong position, clean the print head several times after correcting the cartridge installation.
- Once you open an ink cartridge, install it in the machine and use it up within six months of installation. Use unopened ink cartridges by the expiration date written on the cartridge package.
- DO NOT dismantle or tamper with the ink cartridge; this can cause the ink to leak out of the cartridge.

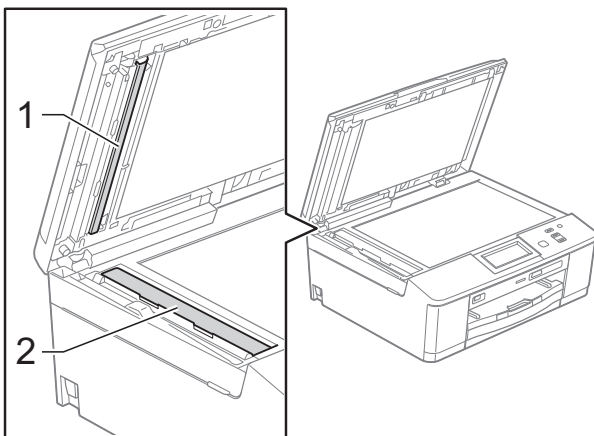
Cleaning and checking the machine

Cleaning the scanner glass

- 1 Unplug the machine from the electrical socket.
- 2 Lift the document cover (1). Clean the scanner glass (2) and the white plastic (3) with a soft lint-free cloth moistened with a non-flammable glass cleaner.



- 3 (DCP-J725DW only) In the ADF unit, clean the white bar (1) and the glass strip (2) with a lint-free cloth moistened with a non-flammable glass cleaner.



Note

In addition to cleaning the glass strip with a non-flammable glass cleaner, run your finger tip over the glass strip to see if you can feel anything on it. If you feel dirt or debris, clean the glass strip again concentrating on that area. You may need to repeat the cleaning process three or four times. To test, make a copy after each cleaning attempt.



When there is a spot of dirt or correction fluid on the glass strip the printed sample shows a vertical line.



After the glass strip is cleaned the vertical line is gone.

Cleaning the print head


To maintain good print quality, the machine will automatically clean the print head when needed. You can start the cleaning process manually if there is a print quality problem.

Clean the print head if you get a horizontal line in the text or graphics, or blank text on your printed pages. You can clean Black only, three colours at a time (Yellow/Cyan/Magenta), or all four colours at once.

Cleaning the print head consumes ink. Cleaning too often uses ink unnecessarily.

! IMPORTANT

DO NOT touch the print head. Touching the print head may cause permanent damage and may void the print head's warranty.

- 1 Press .
- 2 Press **Cleaning**.
- 3 Press **^** or **v** to display **Black**, **Color** or **All**, and then press the option you want to clean.
The machine cleans the print head. When cleaning is finished, the machine will go back to the Ready mode automatically.


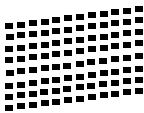
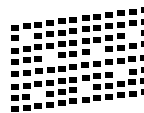


Note

If you clean the print head at least five times and the print has not improved, try installing a new Brother Original Innobella™ ink cartridge for each problem colour. Try cleaning the print head again up to five more times. If the print has not improved call your Brother dealer.

Checking the print quality

If faded or streaked colours and text appear on your printouts, some of the print head nozzles may be clogged. You can check this by printing the Print Quality Check Sheet and looking at the nozzle check pattern.

- 1 Press .
 - 2 Press **Test Print**.
 - 3 Press **Print Quality**.
 - 4 Press **Start**.
The machine begins printing the Print Quality Check Sheet.
 - 5 Check the quality of the four colour blocks on the sheet.
 - 6 The LCD asks you if the print quality is OK.
Do one of the following:
 - If all lines are clear and visible, press **Yes** to finish the Print Quality check and go to step 10.
 - If you can see missing short lines as shown below, press **No**.
- | | |
|--|---|
| OK | Poor |
|  |  |
- 7 The LCD asks you if the print quality is OK for black and then the three colours. Press **Yes** or **No**.
 - 8 The LCD asks you if you want to start cleaning.
Press **Yes**.
The machine starts cleaning the print head.

- 9 After the cleaning procedure is finished, press **Start**.

The machine starts printing the Print Quality Check Sheet again and repeat the procedure from step 5.

- 10 Press **Stop/Exit**.

If you repeat this procedure at least five times and the print quality is still poor, replace the ink cartridge for the clogged colour.

After replacing the ink cartridge, check the print quality. If the problem still exists, repeat the cleaning and test print procedures at least five times for the new ink cartridge. If ink is still missing, call your Brother dealer.

! IMPORTANT

DO NOT touch the print head. Touching the print head may cause permanent damage and may void the print head's warranty.

Note




When a print head nozzle is clogged the printed sample looks like this.

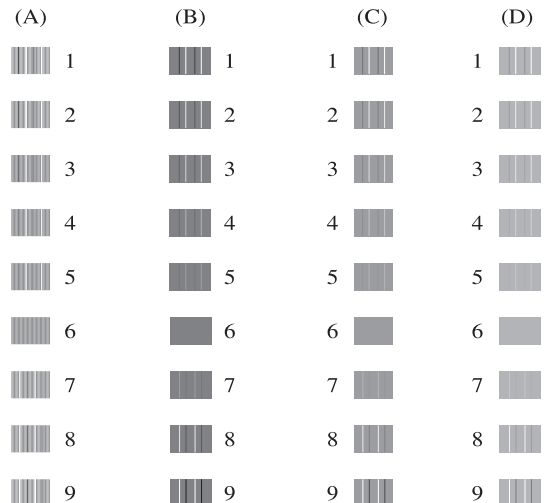


After the print head nozzle is cleaned, the horizontal lines are gone.

Checking the print alignment

You may need to adjust the print alignment after transporting the machine, if your printed text becomes blurred or images become faded.

- 1 Press .
- 2 Press **Test Print**.
- 3 Press **Alignment**.
- 4 Press **Start**.
The machine starts printing the Alignment Check Sheet.



- 5 For the "A" pattern, press the number of the test print that has the least visible vertical stripes (1-9).
- 6 For the "B" pattern, press the number of the test print that has the least visible vertical stripes (1-9).
- 7 For the "C" pattern, press the number of the test print that has the least visible vertical stripes (1-9).
- 8 For the "D" pattern, press the number of the test print that has the least visible vertical stripes (1-9).
- 9 Press **Stop/Exit**.

Error and Maintenance messages


As with any sophisticated office product, errors may occur and consumable items may need to be replaced. If this happens, your machine identifies the error and shows an error message. The most common error and maintenance messages are shown below.

You can correct most errors and routine maintenance by yourself. If you need more help, the Brother Solutions Center offers the latest FAQs and troubleshooting tips.

Visit us at <http://solutions.brother.com/>.




Note

The information button () lights up when an error message appears on the screen. Press to display the error message screen.

Error Message	Cause	Action
B&W Print Only Replace Ink	<p>One or more of the colour ink cartridges have reached the end of their life.</p> <p>You can use the machine in monochrome mode for approximately four weeks depending on the number of pages you print.</p> <p>While this message appears on the LCD, each operation works in the following way:</p> <ul style="list-style-type: none"> ■ Printing <p>If you choose Greyscale in the Advanced tab of the printer driver you can use the machine as a monochrome printer.</p> <p>Duplex print is not available when this message appears. (DCP-J725DW)</p> ■ Copying <p>If the paper type is set to Plain Paper you can make copies in monochrome.</p> <p>Duplex copy is not available when this message appears. (DCP-J725DW)</p> <p>If the paper type is set to Other Glossy, Brother BP71 or Brother BP61 the machine will stop all print operations.</p>	<p>Replace the ink cartridges. (See <i>Replacing the ink cartridges</i> >> page 37.)</p> <p><i>If you unplug the machine or take out the ink cartridge, you cannot use the machine until you change to a new ink cartridge.</i></p>

Error Message	Cause	Action
Cannot Detect	You installed a new ink cartridge too quickly and the machine did not detect it.	Take out the new ink cartridge and re-install it slowly until it clicks.
	If you are using non Brother Original ink the machine may not detect the ink cartridge.	Replace the cartridge with a Brother Original ink cartridge. If the error message remains, contact your Brother dealer.
	An ink cartridge is not installed correctly.	Take out the new ink cartridge and re-install it slowly until it clicks. (See <i>Replacing the ink cartridges</i> >> page 37.)
Cannot Print Replace Ink	One or more of the ink cartridges have reached the end of their life. The machine will stop all print operations.	Replace the ink cartridges. (See <i>Replacing the ink cartridges</i> >> page 37.)
Cover is Open	The scanner cover is not completely closed.	Lift the scanner cover and then close it again.
	The ink cartridge cover is not completely closed.	Firmly close the ink cartridge cover until it clicks.
Data Remaining	Print data is left in the machine's memory.	Press Stop/Exit . The machine will cancel the job and clear it from the memory. Try to print again.
Document Jam (DCP-J725DW)	The document was not inserted or fed correctly, or the document scanned from the ADF was too long.	(See <i>Using the ADF (DCP-J725DW only)</i> >> page 24.) (See <i>Document jam (DCP-J725DW)</i> >> page 49.)
High Temperature	The print head is too warm.	Allow the machine to cool down.
Hub is Unusable. (DCP-J725DW)	A Hub or USB Flash memory drive with Hub has been connected to the USB direct interface.	Hubs, including USB Flash memory drives that have a hub built-in, are not supported. Unplug the device from the USB direct interface.


Error Message	Cause	Action
Ink Absorber Full	<p>The ink absorber box or flushing box is full. These components are periodic maintenance items that may require replacement after a period of time to ensure optimum performance from your Brother machine. Because these components are periodic maintenance items, the replacement is not covered under the warranty. The need to replace these items and the time period before replacement is dependent on the number of purges and flushes required to clean the ink system. These boxes acquire amounts of ink during the different purging and flushing operations. The number of times a machine purges and flushes for cleaning varies depending on different situations. For example, frequently powering the machine on and off will cause numerous cleaning cycles since the machine automatically cleans upon power up. The use of non-Brother ink may cause frequent cleanings because non-Brother ink could cause poor print quality which is resolved by cleaning. The more cleaning the machine requires the faster these boxes will fill up.</p> <p> Note</p> <p><i>Repairs resulting from the use of non-Brother supplies may not be covered under the stated product warranty.</i></p>	<p>The ink absorber box or flushing box will need to be replaced. Contact Brother Customer Service or your local Brother Authorised Service Centre to have your machine serviced.</p> <p>Other reasons for cleaning are:</p> <ol style="list-style-type: none"> 1 The machine automatically cleans itself after sitting idle for more than 30 days (infrequent use). 2 The machine automatically cleans itself after the ink cartridges have been replaced 12 times.
InkAbsorberNearFull	The ink absorber box or flushing box is near full.	Call Brother Customer Service / your Brother dealer.
Ink low	One or more of the ink cartridges are near the end of their life.	Order a new ink cartridge. You can continue printing until the LCD shows <i>Cannot Print</i> . (See <i>Replacing the ink cartridges</i> >> page 37.)
Low Temperature	The print head is too cold.	Allow the machine to warm up.
Media Error (DCP-J725DW)	The memory card is either corrupted, incorrectly formatted, or there is a problem with the memory card.	Put the card firmly into the slot again to make sure it is in the correct position. If the error remains, check the media drive (slot) of the machine by putting in another memory card that you know is working.

B

Error Message	Cause	Action
Media is Full. (DCP-J725DW)	The memory card or USB Flash memory drive you are using has no available space or already contains 999 files.	Your machine can only save to your memory card or USB Flash memory drive if it contains less than 999 files. Delete unused files to free some space and try again.
No File (DCP-J725DW)	The memory card or USB Flash memory drive in the media drive does not contain a .JPG file.	Put the correct memory card or USB Flash memory drive into the slot again.
No Ink Cartridge	An ink cartridge is not installed correctly.	Take out the new ink cartridge and re-install it slowly until it clicks. (See <i>Replacing the ink cartridges</i> >> page 37.)
No Paper Fed	The Photo Paper Tray is in the <i>Photo</i> printing position. (DCP-J725DW)	Verify that the Photo Paper Tray is in the <i>Normal</i> printing position. (See step ④ and the Important note in <i>Loading photo paper (DCP-J725DW only)</i> >> page 15.)
	The machine is out of paper or paper is not correctly loaded in the paper tray.	Do one of the following: <ul style="list-style-type: none"> ■ Refill the paper in the paper tray, and then press Mono Start or Colour Start. ■ Remove the paper and load it again, and then press Mono Start or Colour Start. (See <i>Loading paper and other print media</i> >> page 11.)
	The paper is jammed in the machine.	Remove the jammed paper by following the steps in <i>Printer jam or paper jam</i> >> page 50. (DCP-J725DW only) If this error occurs often during duplex copying or duplex printing, the paper feed rollers may be stained with ink. Clean the paper feed rollers. (>>Advanced User's Guide: <i>Cleaning the paper feed rollers</i>)
	Paper dust has accumulated on the surface of the paper pick-up rollers.	Clean the paper pick-up rollers. (>>Advanced User's Guide: <i>Cleaning the paper pick-up rollers</i>)
	The Jam Clear Cover is not closed correctly.	Check the Jam Clear Cover is closed evenly at both ends. (See <i>Printer jam or paper jam</i> >> page 50.)

Error Message	Cause	Action
Out of Memory	The machine's memory is full.	If a copy operation is in process Press Stop/Exit and wait until the other operations that are in progress finish, and then try again.
	The memory card or USB Flash memory drive you are using does not have enough free space to scan the documents. (DCP-J725DW)	Press Stop/Exit . Delete unused files from your memory card or USB Flash memory drive to make some free space and then try again.
Paper Jam [Front] (DCP-J725DW)	Paper is jammed in the machine.	Remove the jammed paper by following the steps in <i>Paper is jammed at the front of the machine</i> (DCP-J725DW) >> page 50. Make sure the paper length guide is set to the correct paper size.
Paper Jam (DCP-J525W) PaperJam Front,Rear (DCP-J725DW)	Paper is jammed in the machine.	Remove the jammed paper by following the steps in <i>Paper is jammed at the front and back of the machine</i> >> page 51. Make sure the paper length guide is set to the correct paper size.
Paper Jam [Rear] (DCP-J725DW)	Paper is jammed in the machine.	Remove the jammed paper by following the steps in <i>Paper is jammed at the back of the machine</i> (DCP-J725DW) >> page 51. Make sure the paper length guide is set to the correct paper size.
	Paper dust has accumulated on the surface of the paper pick-up rollers.	Clean the paper pick-up rollers. (>>Advanced User's Guide: <i>Cleaning the paper pick-up rollers</i>)
Screen init. Fail	The Touchscreen was pressed before the power on initialization was completed.	Make sure that nothing is touching or resting on the Touchscreen.
	Debris may be stuck between the lower part of the touchscreen and its frame.	Insert a piece of stiff paper between the lower part of the touchscreen and its frame and slide it back and forth to push out the debris.
Unable to CleanXX Unable to Init.XX Unable to PrintXX Unable to ScanXX	The machine has a mechanical problem. —OR— A foreign object such as a paper clip or ripped paper is in the machine.	Open the scanner cover and remove any foreign objects and paper scraps from inside the machine. If the error message continues, disconnect the machine from the power for several minutes and reconnect it.



Error Message	Cause	Action
Unusable Device Disconnect device from front connector & turn machine off & then on (DCP-J725DW)	A broken device has been connected to the USB direct interface.	Unplug the device from the USB direct interface, then press  to turn the machine off and then on again.
Unusable Device Please Disconnect USB Device. (DCP-J725DW)	A USB device or USB Flash memory drive that is not supported has been connected to the USB direct interface. For more information, visit us at http://solutions.brother.com/ .	Unplug the device from the USB direct interface. Turn the machine off and then on again.
Wrong Ink Colour	A colour ink cartridge has been installed in the Black ink cartridge position.	Check which ink cartridges are not matched by colour to their ink cartridge positions and move them to their correct positions.
Wrong Paper Size	The Paper Size setting does not match the size of paper in the tray. Or, you did not set the paper guides in the tray to the indicators for the paper size you are using.	<ol style="list-style-type: none"> 1 Check that the paper size you choose matches the size of paper in the tray. 2 Make sure you loaded the paper in a Portrait position, by setting the paper guides at the indicators for your paper size. 3 After you have checked the paper size and the paper position, press Mono Start or Colour Start.

Error animations display

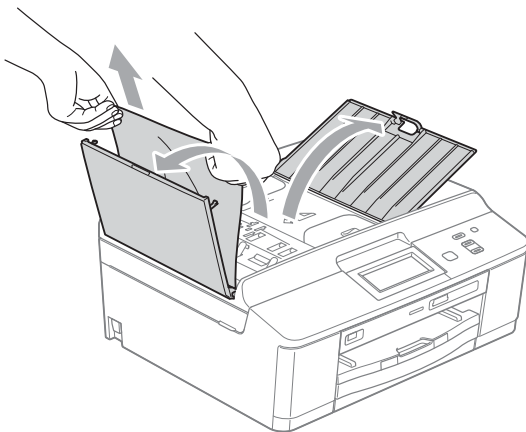
Error animations display step-by-step instructions when paper gets jammed. You can read the steps at your own pace by pressing **▼** to see the next step and **▲** to go back a step.

Document jam (DCP-J725DW)

Documents can jam in the ADF unit if they are not inserted or fed correctly, or if they are too long. Follow the steps below to clear a document jam.

Document is jammed in the top of the ADF unit

- 1 Take out any paper from the ADF that is not jammed.
- 2 Open the ADF cover.
- 3 Remove the jammed document by pulling it upward.



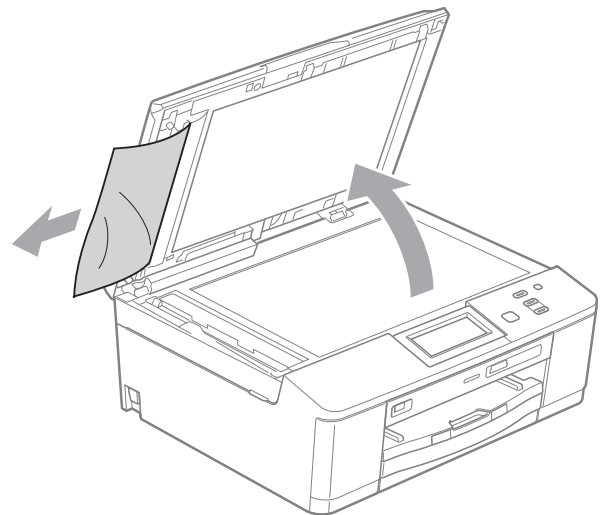
- 4 Close the ADF cover.
- 5 Press **Stop/Exit**.

! IMPORTANT

To avoid document jams close the ADF cover correctly by pushing it gently in the middle.

Document is jammed inside the ADF unit

- 1 Take out any paper from the ADF that is not jammed.
- 2 Lift the document cover.
- 3 Pull the jammed document out to the left.



- 4 Close the document cover.
- 5 Press **Stop/Exit**.

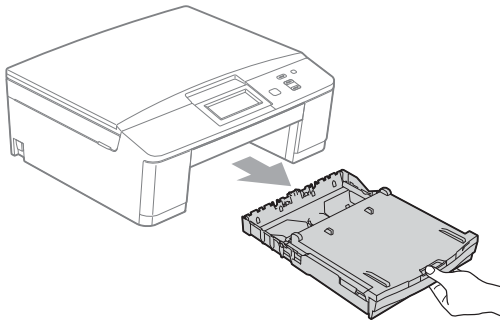
Printer jam or paper jam

Take out the jammed paper depending on where it is jammed in the machine.

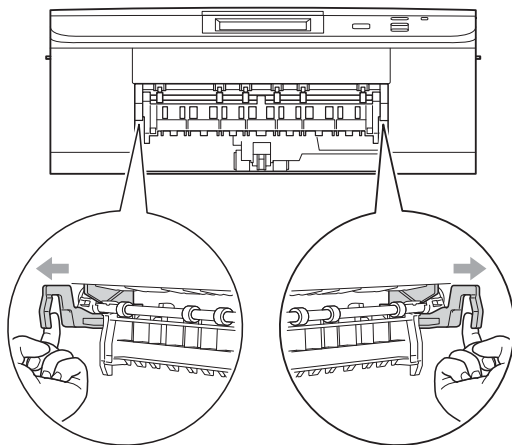
Paper is jammed at the front of the machine (DCP-J725DW)

If the LCD shows Paper Jam [Front], follow these steps:

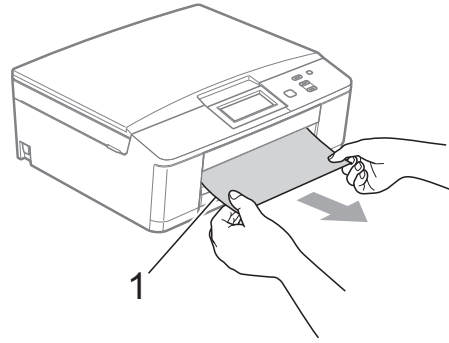
- 1 Unplug the machine from the electrical socket.
- 2 If the paper support flap is open, close it, and then close the paper support. Pull the paper tray completely out of the machine.



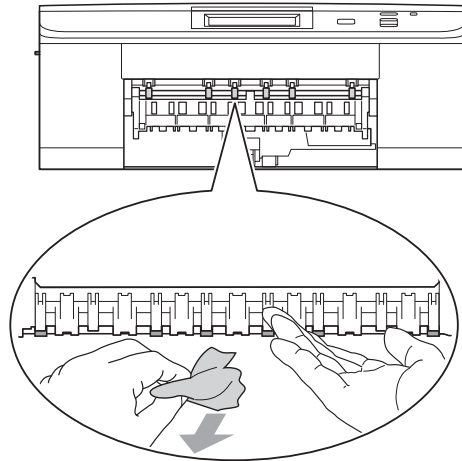
- 3 Pull the two green levers inside the machine to release the jammed paper.



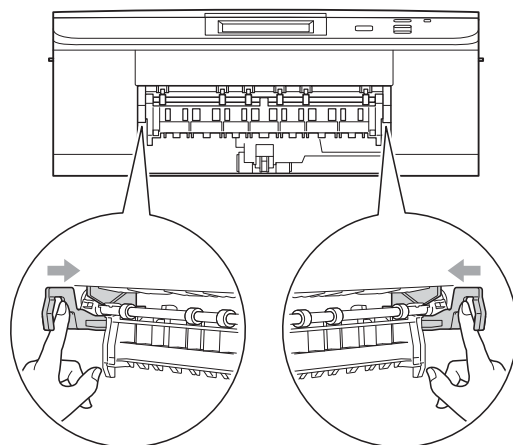
- 4 Pull out the jammed paper (1).



- 5 Lift the Jam Clear Flap, and remove the jammed paper.



- 6 Push the two green levers back to the original positions.



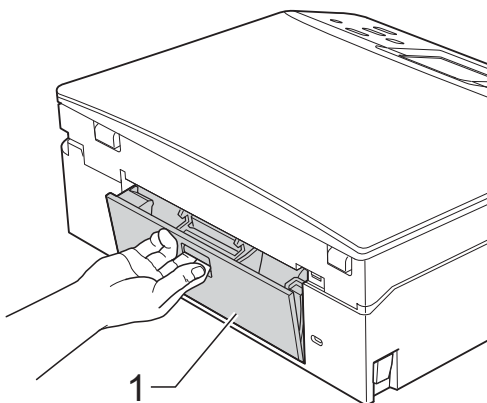
- 7 Push the paper tray firmly back into the machine.

- 8 While holding the paper tray in place, pull out the paper support until it clicks, and then unfold the paper support flap. Make sure you pull out the paper support until it clicks.
- 9 Re-connect the power cord.

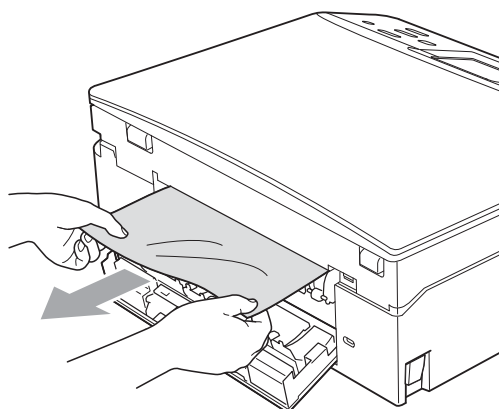
Paper is jammed at the back of the machine (DCP-J725DW)

If the LCD shows Paper Jam [Rear], follow these steps:

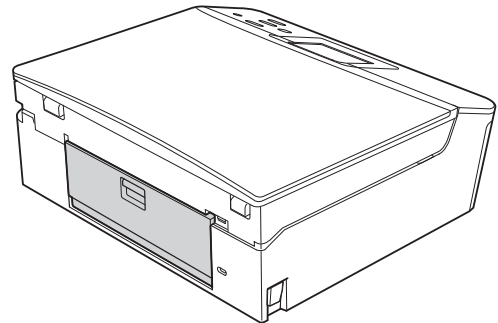
- 1 Unplug the machine from the electrical socket.
- 2 Open the Jam Clear Cover (1) at the back of the machine.



- 3 Pull the jammed paper out of the machine.



- 4 Close the Jam Clear Cover. Make sure the cover is closed correctly.

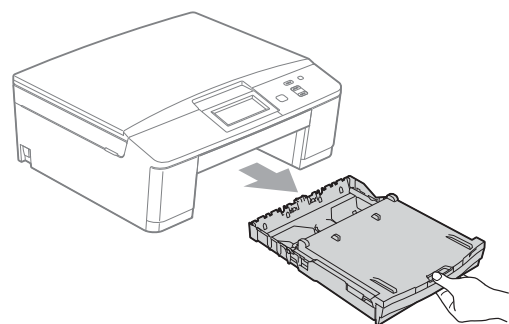


- 5 Re-connect the power cord.

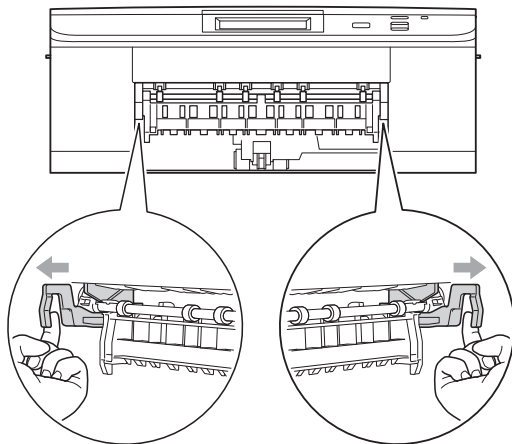
Paper is jammed at the front and back of the machine

If the LCD shows Paper Jam (DCP-J525W) or PaperJam Front, Rear (DCP-J725DW), follow these steps.

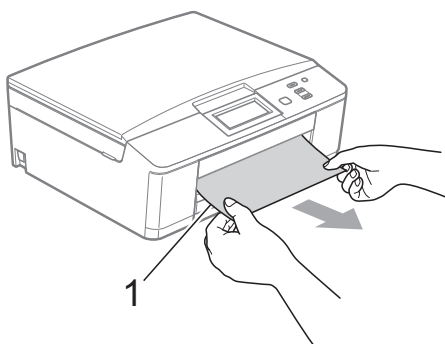
- 1 Unplug the machine from the electrical socket.
- 2 If the paper support flap is open, close it, and then close the paper support. Pull the paper tray completely out of the machine.



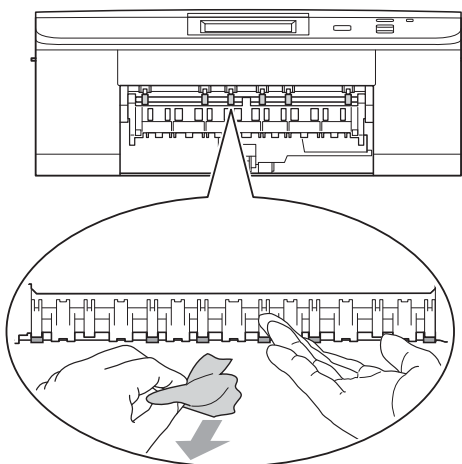
- 3 Pull the two green levers inside the machine to release the jammed paper.



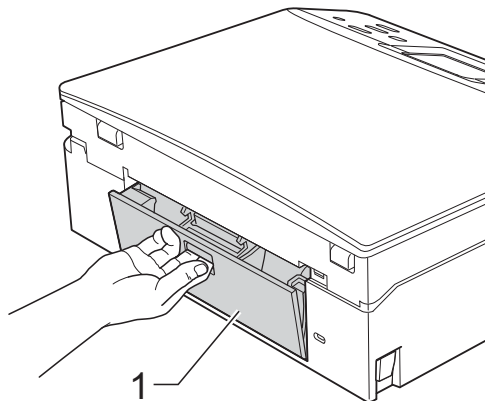
- 4 Pull out the jammed paper (1).



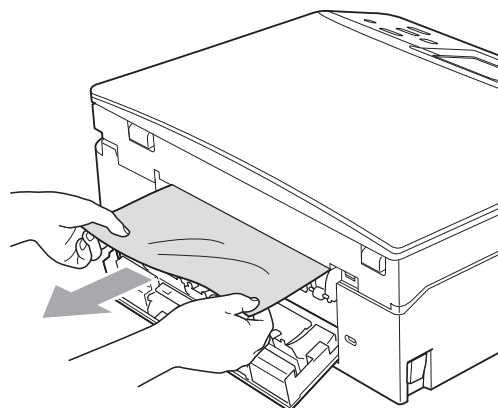
- 5 Lift the Jam Clear Flap, and remove the jammed paper.



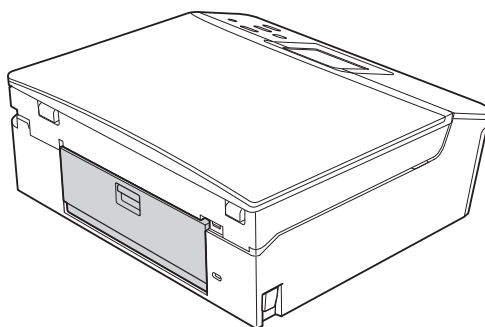
- 6 Open the Jam Clear Cover (1) at the back of the machine.



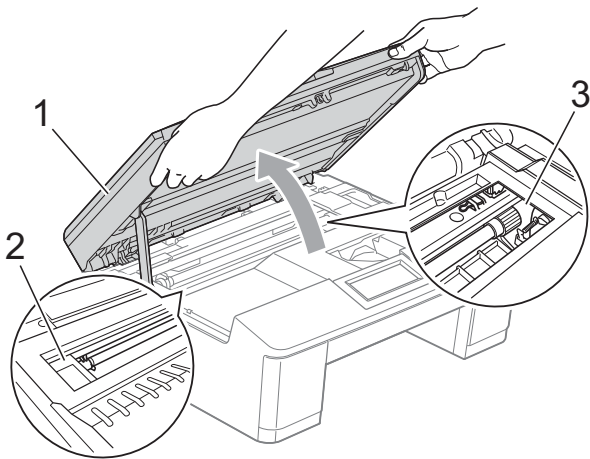
- 7 Pull the jammed paper out of the machine.



- 8 Close the Jam Clear Cover. Make sure the cover is closed correctly.



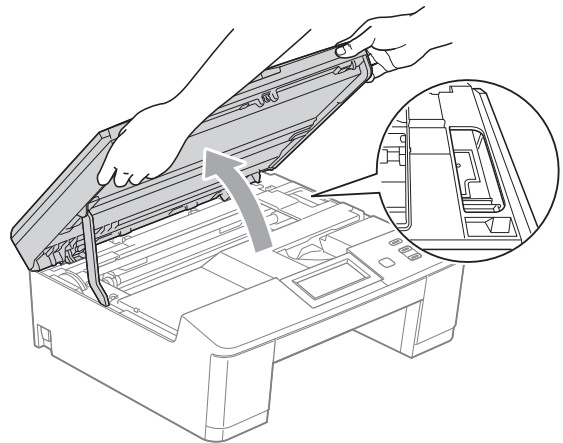
- 9 Using both hands, use the plastic tabs on both sides of the machine to lift the scanner cover (1) to the open position.



Move the print head (if necessary) to take out any paper remaining in this area. Make sure that jammed paper is not left in the corners of the machine (2) and (3).

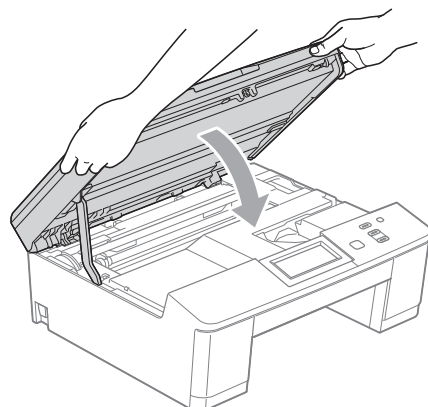
! IMPORTANT

- If the paper is jammed under the print head, unplug the machine from the power source, and then move the print head to take out the paper.
- If the print head is in the right corner as shown in the illustration, you cannot move it. Re-connect the power cord. Hold down **Stop/Exit** until the print head moves to the centre. Then unplug the machine from the power source and take out the paper.

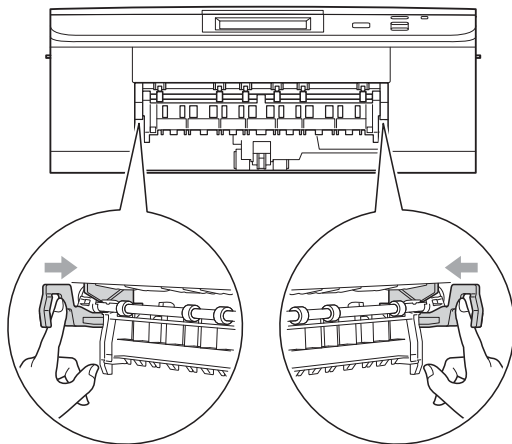


- If ink gets onto your skin, immediately wash with soap and plenty of water.

- 10 Using both hands, grasp the plastic tabs on both sides of the machine and gently close the scanner cover.



- 11 Push the two green levers back to the original positions.



- 12 Push the paper tray firmly back into the machine.
- 13 While holding the paper tray in place, pull out the paper support until it clicks, and then unfold the paper support flap. Make sure you pull out the paper support until it clicks.
- 14 Re-connect the power cord.

Troubleshooting


If you think there is a problem with your machine, check the chart below and follow the troubleshooting tips.

Most problems can be easily resolved by yourself. If you need additional help, the Brother Solutions Center offers the latest FAQs and troubleshooting tips.

Visit us at <http://solutions.brother.com/>.

If you are having difficulty with your machine

Printing

Difficulty	Suggestions
No printout.	Check the interface cable or wireless connection on both the machine and your computer. (▶▶Quick Setup Guide)
	Check that the machine is plugged in and that the  key is on.
	One or more ink cartridges have reached the end of their life. (See <i>Replacing the ink cartridges</i> ▶▶ page 37.)
	Check to see if the LCD is showing an error message. (See <i>Error and Maintenance messages</i> ▶▶ page 43.)
	If the LCD shows <code>Cannot Print and Replace Ink</code> , see <i>Replacing the ink cartridges</i> ▶▶ page 37.
	Check that the correct printer driver has been installed and chosen.
	(Windows® users only) Make sure that the machine is online. Click Start and then Printers and Faxes . Right-click and choose Brother DCP-XXXXX (where XXXXX is your model name), and make sure that Use Printer Offline is unchecked.
Poor print quality.	Check the print quality. (See <i>Checking the print quality</i> ▶▶ page 41.)
	Make sure that the Media Type setting in the printer driver or the <i>Paper Type</i> setting in the machine's menu matches the type of paper you are using. See <i>Paper Type</i> ▶▶ page 19. ▶▶Software User's Guide: <i>Printing</i> (Windows®) ▶▶Software User's Guide: <i>Printing and Faxing</i> (Macintosh)
	Make sure that your ink cartridges are fresh. The following may cause ink to clog: <ul style="list-style-type: none"> ■ The expiration date written on the cartridge package has passed. (Brother Original cartridges stay usable for up to two years if kept in their original packaging.) ■ The ink cartridge has been in your machine for over six months. ■ The ink cartridge may not have been stored correctly before use.
	Make sure you are using Brother Original Innobella™ ink. Brother does not recommend the use of cartridges other than Brother Original cartridges or the refilling of used cartridges with ink from other sources.
	Try using the recommended types of paper. (See <i>Acceptable paper and other print media</i> ▶▶ page 20.)
	The recommended environment for your machine is between 20 °C to 33 °C.



Printing (continued)

Difficulty	Suggestions
White horizontal lines appear in text or graphics.	Clean the print head. (See <i>Cleaning the print head</i> >> page 41.)
	Make sure you are using Brother Original Innobella™ ink.
	Try using the recommended types of paper. (See <i>Acceptable paper and other print media</i> >> page 20.)
The machine prints blank pages.	Clean the print head. (See <i>Cleaning the print head</i> >> page 41.)
	Make sure you are using Brother Original Innobella™ ink.
Characters and lines are blurred.	Check the printing alignment. (See <i>Checking the print alignment</i> >> page 42.)
Printed text or images are skewed.	Make sure the paper is loaded correctly in the paper tray and the paper side guides are adjusted correctly. (See <i>Loading paper and other print media</i> >> page 11.)
	Make sure the Jam Clear Cover is closed correctly.
Smudge or stain at the top centre of the printed page.	Make sure the paper is not too thick or curled. (See <i>Acceptable paper and other print media</i> >> page 20.)
Printing appears dirty or ink seems to run.	Make sure you are using the recommended types of paper. (See <i>Acceptable paper and other print media</i> >> page 20.) Don't handle the paper until the ink is dry.
	Make sure you are using Brother Original Innobella™ ink.
	If you are using photo paper, make sure that you have set the correct paper type. If you are printing a photo from your PC, set the Media Type of the printer driver.
Stains appear on the reverse side or at the bottom of the page.	Make sure the printer platen is not dirty with ink. (>>Advanced User's Guide: <i>Cleaning the machine's printer platen</i>)
	Make sure you are using Brother Original Innobella™ ink.
	Make sure you are using the paper support flap. (See <i>Loading paper and other print media</i> >> page 11.)
	Make sure the paper feed roller is not dirty with ink. (>>Advanced User's Guide: <i>Cleaning the paper feed rollers</i>)
The machine prints dense lines on the page.	Check Reverse Order in the Basic tab of the printer driver.
The printouts are wrinkled.	(Windows® users) In the printer driver Advanced tab, click Colour Settings , and uncheck Bi-Directional Printing .
	(Macintosh users) In the printer driver, choose Print Settings , click Advanced , choose Other Print Options , and uncheck Bi-Directional Printing .
	Make sure you are using Brother Original Innobella™ ink.
Cannot perform "Page Layout" printing.	Check that the paper size setting in the application and in the printer driver are the same.
Print speed is too slow.	Try changing the printer driver setting. The highest resolution needs longer data processing, sending and printing time. Try the other quality settings in the printer driver Advanced tab (Windows®) or Print Settings (Macintosh). Also, click Colour Settings , and make sure you uncheck Colour Enhancement .
	Turn the borderless feature off. Borderless printing is slower than normal printing. >>>Software User's Guide: <i>Printing</i> (Windows®) >>>Software User's Guide: <i>Printing and Faxing</i> (Macintosh)

Printing (continued)

Difficulty	Suggestions
Colour Enhancement is not working correctly.	If the image data is not full colour in your application (such as 256 colour), Colour Enhancement will not work. Use at least 24 bit colour data with the Colour Enhancement feature.
Photo paper does not feed correctly.	When you print on Brother Photo paper, load one extra sheet of the same photo paper in the paper tray. An extra sheet has been included in the paper package for this purpose.
	Clean the paper pick-up rollers. (►►Advanced User's Guide: <i>Cleaning the paper pick-up rollers</i>)
Machine feeds multiple pages.	Make sure the paper is loaded correctly in the paper tray. (See <i>Loading paper and other print media</i> ►► page 11.)
There is a paper jam.	Make sure the paper length guide is set to the correct paper size. (See <i>Printer jam or paper jam</i> ►► page 50.)
The paper jams when you use duplex copy or duplex print. (DCP-J725DW)	Use one of the jam prevention settings, Duplex1 or Duplex2.
	For copying ►►Advanced User's Guide: <i>Duplex (2-sided) copying</i>
	For printing ►►Software User's Guide: <i>Duplex / Booklet</i> (Windows®) ►►Software User's Guide: <i>Duplex Printing</i> (Macintosh)
	If paper jams often when using duplex copy or duplex print, the paper feed rollers may be stained with ink. Clean the paper feed rollers. (►►Advanced User's Guide: <i>Cleaning the paper feed rollers</i>)
Printed pages are not stacked neatly.	Make sure you are using the paper support flap. (See <i>Loading paper and other print media</i> ►► page 11.)
Machine does not print from Adobe® Illustrator®.	Try to reduce the print resolution. ►►Software User's Guide: <i>Printing</i> (Windows®) ►►Software User's Guide: <i>Printing and Faxing</i> (Macintosh)
Ink is smudged or running when using glossy photo paper.	Make sure to check the front and back of the paper. Place the glossy surface (printing surface) face down. (See <i>Paper Type</i> ►► page 19.)
	If you use glossy photo paper, make sure that the paper type setting is correct.

Copying Difficulties

Difficulty	Suggestions
Poor copy results when using the ADF. (DCP-J725DW)	Try using the scanner glass. (See <i>Using the scanner glass</i> ►► page 25.)
Vertical black lines or streaks appear in copies. (DCP-J725DW)	Vertical black lines or streaks on copies are typically caused by dirt or correction fluid on the glass strip. Clean the glass strip. (See <i>Cleaning the scanner glass</i> ►► page 40.)
Fit to Page does not work correctly.	Make sure your source document is not skewed. Reposition the document and try again.

Scanning Difficulties

Difficulty	Suggestions
TWAIN or WIA errors appear when starting to scan. (Windows®)	Make sure the Brother TWAIN or WIA driver is chosen as the primary source in your scanning application. For example, in PaperPort™ 12SE with OCR, click Scan Settings, Select to choose the Brother TWAIN/WIA driver. (DCP-J725DW only)
TWAIN or ICA errors appear when starting to scan. (Macintosh)	Make sure the Brother TWAIN driver is chosen as the primary source. In PageManager, click File, Select Source and choose the Brother TWAIN driver. (DCP-J725DW only) Mac OS X 10.6.x users can also scan documents using the ICA Scanner Driver. >>>Software User's Guide: <i>Scanning a document using the ICA driver (Mac OS X 10.6.x)</i>
Poor scanning results when using the ADF. (DCP-J725DW)	Try using the scanner glass. (See <i>Using the scanner glass</i> >>> page 25.)
OCR does not work. (DCP-J725DW)	Try increasing the scanner resolution. (Macintosh users) Presto! PageManager must be downloaded and installed before use. See <i>Accessing Brother Support (Macintosh)</i> >>> page 4 for further instructions.

Software Difficulties

Difficulty	Suggestions
Cannot install software or print.	(Windows® users only) Run the Repair MFL-Pro Suite program on the CD-ROM. This program will repair and reinstall the software.
"Device Busy"	Make sure the machine is not showing an error message on the LCD.
Cannot print images from FaceFilter Studio.	To use FaceFilter Studio, you must install the FaceFilter Studio application from the CD-ROM supplied with your machine. (>>>Quick Setup Guide) Also, before you start FaceFilter Studio for the first time, you must make sure your Brother machine is turned on and connected to your computer. This will allow you to access all the functions of FaceFilter Studio.

PhotoCapture Center™ Difficulties (DCP-J725DW)

Difficulty	Suggestions
Removable Disk does not work correctly.	<ol style="list-style-type: none"> 1 Take out the memory card or USB Flash memory drive and put it back in again. 2 If you have tried "Eject" from within Windows®, take out the memory card or USB Flash memory drive before you continue. 3 If an error message appears when you try to eject the memory card or USB Flash memory drive, it means the card is being accessed. Wait a while and then try again. 4 If all of the above do not work, turn off your PC and machine, and then turn them on again.
Cannot access Removable Disk from Desktop icon.	Make sure that you have correctly inserted the memory card or USB Flash memory drive.

PhotoCapture Center™ Difficulties (DCP-J725DW) (continued)

Difficulty	Suggestions
Part of my photo is missing when printed.	Make sure that Borderless printing and Cropping are turned off. (▶▶Advanced User's Guide: <i>Borderless printing and Cropping</i>)

Network Difficulties

Difficulty	Suggestions
Cannot print over the network.	Make sure that your machine is powered on and is online and in the Ready mode. Print a Network Configuration Report (▶▶Advanced User's Guide: <i>Reports</i>) and check the current Network settings printed in this list. If you are using a wireless connection or are having Network problems ▶▶Network User's Guide: <i>Troubleshooting</i>
The network scanning feature does not work.	(Windows® users) It is necessary to configure the third-party Security/Firewall Software to allow Network scanning. To add port 54925 for Network scanning, enter the information below: In Name: Enter any description, for example Brother NetScan. In Port number: Enter 54925. In Protocol: UDP is selected. Please refer to the instruction manual that came with your third-party Security/Firewall Software or contact the software manufacturer. (Macintosh users) Re-select your machine in the Device Selector application located in Macintosh HD/Library/Printers/Brother/Utilities/DeviceSelector or from the model list in ControlCenter2.
The Brother software cannot be installed.	(Windows® users) Allow network access to the following programs if your security software displays an alert message during MFL-Pro Suite installation. (Macintosh users) If you are using a firewall function of anti-spyware or antivirus security software, temporarily disable it and then install the Brother software.
Cannot connect to wireless network.	Investigate the problem using the WLAN Report. Press Menu, and then press ▲ or ▼ to display Print Reports. Press Print Reports. Press ▲ or ▼ to display WLAN Report, and then press WLAN Report. (▶▶Network User's Guide)
Reset the network settings.	Press Menu, and then press ▲ or ▼ to display Network. Press Network. Press ▲ or ▼ to display Network Reset, and then press Network Reset. (▶▶Network User's Guide)



Machine Information

Checking the serial number

You can see the machine's serial number on the LCD.

- 1 Press **Menu**.
- 2 Press **▲** or **▼** to display `Machine Info`.
- 3 Press `Machine Info`.
- 4 Press `Serial No.`
- 5 Press **Stop/Exit**.

Reset functions

The following reset functions are available:

1 Network

You can reset the print server back to its default factory settings, such as the password and IP address information.

2 All Settings

You can restore all settings to their factory defaults.

Brother strongly recommends performing this procedure before handing over or disposing of the machine.

How to reset the machine

- 1 Press **Menu**.
- 2 Press **▲** or **▼** to display `Initial Setup`.
- 3 Press `Initial Setup`.
- 4 Press **▲** or **▼** to display `Reset`.
- 5 Press `Reset`.
- 6 Press the **Reset** options `Network` or `All Settings` you want to reset.
- 7 Press **Yes** to confirm.
- 8 Press **Yes** for 2 seconds to reboot the machine.

On-screen programming


Your machine is designed to be easy to operate with LCD on-screen programming using the menu buttons on the Touchscreen. User-friendly programming helps you take full advantage of all the menu selections your machine has to offer.

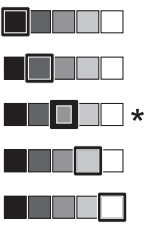

Since your programming is done on the LCD, we have created step-by-step on-screen instructions to help you program your machine. All you need to do is follow the instructions as they guide you through the menu selections and programming options.

Menu table

The menu table will help you understand the menu selections and options that are found in the machine's programs. The factory settings are shown in **Bold** with an asterisk.

Menu

Level1	Level2	Level3	Options	Descriptions	Page
Favorite Settings	1/2/3	Copy	Quality Paper Type Paper Size Enlarge/Reduce Density Stack/Sort (DCP-J725DW only) Page Layout Duplex Copy (DCP-J725DW only)	Lets you quickly and easily recall and apply your previously registered preferred settings.	8
		Scan (DCP-J725DW only)	(Scan to Media) Quality File Type File Name		
General Setup	Ink	Test Print	Print Quality Alignment	Lets you check the print quality or alignment.	41
		Cleaning	Black Color All	Lets you clean the print head.	41
		Ink Volume	—	Lets you check the available ink volume.	See ◆ .
	Paper Type	—	Plain Paper* Inkjet Paper Brother BP71 Brother BP61 Other Glossy Transparency	Sets the type of paper in the paper tray.	19
◆ Advanced User's Guide					
 The factory settings are shown in Bold with an asterisk.					

Level1	Level2	Level3	Options	Descriptions	Page	
General Setup (Continued)	Paper Size	—	A4* A5 10x15cm Letter	Sets the size of paper in the paper tray.	19	
	Beeper	—	Off Low* Med High	Adjusts the beeper volume.	9	
	LCD Settings	LCD Contrast			Adjust the contrast of the LCD.	See ◆.
		Backlight		Light* Med Dark	You can adjust the brightness of the LCD backlight.	10
		Dim Timer		Off 10Secs 20Secs 30Secs*	You can set how long the LCD backlight stays on for after the last key press.	See ◆.
	Sleep Mode	—	1Min 2Mins 3Mins 5Mins* 10Mins 30Mins 60Mins	You can choose how long the machine will remain idle before it goes into Sleep mode.		
	Auto Power Down	—	Off On*	When this feature is set to On the machine will turn itself off one hour after entering Sleep Mode. When set to Off , the machine will not power off automatically.		
◆ Advanced User's Guide						
 The factory settings are shown in Bold with an asterisk.						


Network menu

Level1	Level2	Level3	Options	Descriptions	Page
Network	TCP/IP	BOOT Method	Auto* Static RARP BOOTP DHCP	Chooses the BOOT method that best suits your needs.	See +.
		IP Address	[000-255]. [000-255]. [000-255]. [000-255]	Enter the IP address.	
		Subnet Mask	[000-255]. [000-255]. [000-255]. [000-255]	Enter the Subnet mask.	
		Gateway	[000-255]. [000-255]. [000-255]. [000-255]	Enter the Gateway address.	
		Node Name	BRWXXXXXXXXXXXX	Enter the Node name.	
		WINS Config	Auto* Static	Chooses the WINS configuration mode.	
		WINS Server	(Primary) 000.000.000.000 (Secondary) 000.000.000.000	Specifies the IP address of the primary or secondary WINS server.	
		DNS Server	(Primary) 000.000.000.000 (Secondary) 000.000.000.000	Specifies the IP address of the primary or secondary DNS server.	
		APIPA	On* Off	Automatically allocates the IP address from the link-local address range.	
		Setup Wizard	—	—	
	WPS/AOSS	—	—	You can easily configure your wireless network settings using the one-button push method.	


+ Network User's Guide




The factory settings are shown in Bold with an asterisk.


Level1	Level2	Level3	Options	Descriptions	Page
Network (Continued)	WPS w/PIN Code	—	—	You can easily configure your wireless network settings using WPS with a PIN code.	See + .
	WLAN Status	Status	—	You can see the current wireless network status.	
		Signal	—	You can see the current wireless network signal strength.	
		SSID	—	You can see the current SSID.	
		Comm. Mode	—	You can see the current Communication Mode.	
	MAC Address	—	—	You can see your machine's MAC address from the control panel.	
	WLAN Enable	—	On Off*	Lets you use the wireless network connection.	
Network Reset	—	—	Restore all network settings to factory default.		
+ Network User's Guide					
 The factory settings are shown in Bold with an asterisk.					

Menu (continued)


Level1	Level2	Level3	Options	Descriptions	Page
Print Reports	User Settings	—	—	Prints these lists and reports.	See ◆ .
	Network Config	—	—		
	WLAN Report	—	—		
Machine Info.	Serial No.	—	—	Lets you check the serial number of your machine.	60
Initial Setup	Date&Time	—	—	Sets the date and time in your machine.	See ‡ .
	Reset	Network	—	Resets the print server back to its factory default settings, such as the password and IP address information.	60
		All Settings	—	Resets all the machine's settings back to the factory default.	
	Local Language	—	(Choose the language you want to use)	Allows you to change the LCD language for your country.	See ◆ .
◆ Advanced User's Guide					
‡ Quick Setup Guide					
 The factory settings are shown in Bold with an asterisk.					

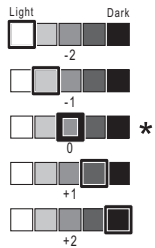
Scan

Level1	Option1	Option2	Option3	Descriptions	Page
Scan to File	—	—	—	You can scan a monochrome or a colour document into your computer.	See □.
Scan to Media (when a memory card or USB Flash memory drive is inserted) (DCP-J725DW only)	Start	—	—	Lets you scan directly to a memory card or USB Flash memory drive.	33
	Options	Quality	Color 100 dpi	You can choose the scan resolution and file format for your document.	33
			Color 200 dpi*		
			Color 300 dpi		
		Color 600 dpi			
		B/W 100 dpi			
		B/W 200 dpi			
		B/W 300 dpi			
	File Type	(If you choose Colour option in Quality setting)			
		PDF* JPEG			
		(If you choose Mono option in Quality setting)			
		TIFF			
		PDF*			
	File Name	—		You can rename the file.	
	Set New Default	Quality		You can save your scan settings as the default settings.	See ◆.
		File Type			
	Factory Reset	—		You can restore all settings back to the original factory default settings.	
<input type="checkbox"/> Software User's Guide <input checked="" type="checkbox"/> Advanced User's Guide					
 The factory settings are shown in Bold with an asterisk.					

Level1	Option1	Option2	Option3	Descriptions	Page
Scan to email	—	—	—	You can scan a monochrome or a colour document into your E-mail application.	See <input type="checkbox"/> .
Scan to OCR (Available after Presto! PageManager is downloaded for Macintosh users. See <i>Accessing Brother Support (Macintosh)</i> >> page 4.) (DCP-J725DW only)	—	—	—	You can have your text document converted to an editable text file.	
Scan to Image	—	—	—	You can scan a colour picture into your graphics application.	
Web Service (Appears when you install a Web Services Scanner, which is displayed in your computer's Windows® Explorer.)	Scan	—	—	You can scan data by using the Web Services protocol.	
	Scan for E-mail	—	—		
	Scan for OCR	—	—		
	Scan for Fax	—	—		
	Scan for Print	—	—		
<input type="checkbox"/> Software User's Guide <input checked="" type="checkbox"/> Advanced User's Guide					
 The factory settings are shown in Bold with an asterisk.					

Copy

Level1	Level2	Level3	Options	Descriptions	Page	
Mono Start	—	—	—	Lets you make a monochrome copy.	27	
Colour Start	—	—	—	Lets you make a colour copy.		
Options	Quality	—	Fast Normal* Best	Choose the Copy resolution for the next copy.	See ◆.	
	Paper Type	—	Plain Paper* Inkjet Paper Brother BP71 Brother BP61 Other Glossy Transparency	Choose the paper type that matches the paper in the tray.	28	
	Paper Size	—	A4* A5 10x15cm Letter	Choose the paper size that matches the paper in the tray.	28	
	Enlarge/Reduce	100%*	—	—	—	See ◆.
		Enlarge	—	198% 10x15cm→A4 186% 10x15cm→LTR 141% A5→A4	You can choose the enlargement ratio for the next copy.	
		Reduce	—	97% LTR→A4 93% A4→LTR 83% (DCP-J525W) 83% LGL→A4 (DCP-J725DW) 69% A4→A5 47% A4→10x15cm	You can choose the reduction ratio for the next copy.	
		Fit to Page	—	—	Your machine will adjust the size automatically to the paper size you set.	
		Custom (25-400%)	—	—	You can choose the enlargement or reduction ratio for your type of document.	
◆ Advanced User's Guide						
 The factory settings are shown in Bold with an asterisk.						


Level1	Level2	Level3	Options	Descriptions	Page	
Options (Continued)	Density	—		Adjusts the density of copies.	See ◆ .	
	Stack/Sort (DCP-J725DW only)	—	Stack* Sort	You can choose to stack or sort multiple copies.		
	Page Layout	—	Off (1in1)* 2in1 (P) 2in1 (L) 2in1 (ID) 4in1 (P) 4in1 (L) Poster (2x1) Poster (2x2) Poster (3x3)	You can make N in 1, 2 in 1 ID, or Poster copies.		
	Duplex Copy (DCP-J725DW only)	Off*	—	—	You can choose the duplex print settings.	
			Portrait LongEdgeFlip	—		
			Landscape LongEdgeFlip	—		
			Portrait ShortEdgeFlip	—		
			Landscape ShortEdgeFlip	—		
Advanced	Normal* Duplex1 Duplex2					
Set New Default	—	Quality Enlarge/Reduce Density Page Layout Duplex Copy (DCP-J725DW only)	You can save your copy settings.			
Factory Reset	—	—	You can restore all the settings to factory default.			

◆ Advanced User's Guide




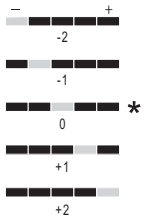
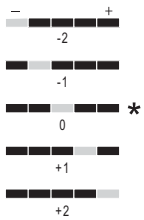
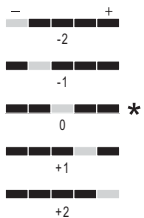

The factory settings are shown in Bold with an asterisk.


Photo (DCP-J725DW only)

Level1	Level2	Level3	Options	Descriptions	Page
View Photos	OK	Start	—	You can print your chosen photos.	32
		Options	For details, see the Options in the following table.	You can adjust your photos with the options.	See ◆ .
Print All	Start	—	—	You can print all photos in your memory card or USB Flash memory drive.	
	Options	—	For details, see the Options in the following table.	You can adjust your photos with the options.	
Index Print	Index Sheet	6 IMGs/Line 5 IMGs/Line	For details, see Options (for Index Sheet) (DCP-J725DW only) >> page 74.	You can print a thumbnail page.	
	Print Photos	Start	—	You can print an individual image.	
		Options	For details, see the Options in the following table.	You can adjust your photos with the options.	
◆ Advanced User's Guide					
 The factory settings are shown in Bold with an asterisk.					


Options (for Photo) (DCP-J725DW only)

Option1	Option2	Option3	Option4	Descriptions	Page
Print Quality (Not available for DPOF printing.)	Normal Photo*	—	—	Choose the print quality.	See ◆ .
Paper Type	Plain Paper Inkjet Paper Brother BP71 Brother BP61 Other Glossy*	—	—	Choose the paper type.	
Paper Size	10x15cm* 13x18cm A4 Letter	(When A4 or Letter is chosen) 8x10cm 9x13cm 10x15cm 13x18cm 15x20cm Max. Size*	—	Choose the paper and print size.	
Brightness		—	—	Adjusts the brightness.	
Contrast		—	—	Adjusts the contrast.	
◆ Advanced User's Guide					
 The factory settings are shown in Bold with an asterisk.					


Option1	Option2	Option3	Option4	Descriptions	Page
Color Enhance	On Off*	White Balance		Adjusts the hue of the white areas.	See ◆ .
		Sharpness		Enhances the detail of the image.	
		Color Density		Adjusts the total amount of colour in the image.	
Cropping	On* Off	—	—	Crops the image around the margin to fit the paper size or print size. Turn this feature off if you want to print whole images or prevent unwanted cropping.	
Borderless	On* Off	—	—	Expands the printable area to fit the edges of the paper.	
Date Print (Not available for DPOF printing.)	On Off*	—	—	Prints the date on your photo.	
Set New Default	Print Quality Paper Type Paper Size Brightness Contrast Color Enhance Cropping Borderless Date Print	—	—	You can save your print settings as the default settings.	
◆ Advanced User's Guide					
 The factory settings are shown in Bold with an asterisk.					

Option1	Option2	Option3	Option4	Descriptions	Page
Factory Reset	—	—	—	You can restore all the settings to the factory default.	See ◆ .
◆ Advanced User's Guide					
 The factory settings are shown in Bold with an asterisk.					

Options (for Index Sheet) (DCP-J725DW only)


Options1	Options2	Options3	Options4	Descriptions	Page
Paper Type	Plain Paper* Inkjet Paper Brother BP71 Brother BP61 Other Glossy	—	—	Choose the paper type.	See ◆ .
Paper Size	Letter A4*	—	—	Choose the paper size.	
◆ Advanced User's Guide					
 The factory settings are shown in Bold with an asterisk.					

Ink ()

Level1	Level2	Level3	Options	Descriptions	Page
Ink	Test Print	—	Print Quality Alignment	Lets you check the print quality or alignment.	41
	Cleaning	—	Black Color All	Lets you clean the print head.	41
	Ink Volume	—	—	Lets you check the available ink volume.	See ◆ .
◆ Advanced User's Guide					
 The factory settings are shown in Bold with an asterisk.					





Entering Text

When you are setting certain menu selections, you may need to enter text into the machine.

Press  to cycle between letters, numbers and special characters. Up to four letters are assigned to each letter button on the LCD. By pressing the correct button repeatedly, you can access the character you want.





Inserting spaces



To enter a space, press  to choose special characters, then press the space button  or . Or, you can press the  twice to move the cursor.

Note

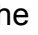
The characters available may differ depending on your country.

Making corrections

If you entered an incorrect character and want to change it, press  to move the cursor under the incorrect character. Then press . Enter the correct character. You can also insert letters by moving the cursor and entering a character.

If the screen does not show a  button, press  repeatedly until you have erased the incorrect character. Enter the correct characters.

Repeating letters

If you need to enter a character that is on the same button as the letter before it, press  to move the cursor to the right before you press the same button again.

General



Note

This chapter provides a summary of the machines' specifications. For additional specifications visit <http://www.brother.com/> for details.

Printer Type	Inkjet
Print Head	Mono: Piezo with 210 nozzles × 1 Colour: Piezo with 210 nozzles × 3
Memory Capacity	40 MB (DCP-J525W) 64 MB (DCP-J725DW)
LCD (Liquid Crystal Display)	Touchscreen 1.9 in. (49.0 mm) STN Colour LCD
Power Source	AC 220 to 240V 50/60Hz
Power Consumption ¹	(DCP-J525W) Copying Mode: Approx. 18 W ² Ready Mode: Approx. 5 W Sleep Mode: Approx. 1.2 W Off: Approx. 0.15 W (DCP-J725DW) Copying Mode: Approx. 18 W ² Ready Mode: Approx. 5.5 W Sleep Mode: Approx. 1.3 W Off: Approx. 0.15 W

¹ Measured when the machine is connected to the USB interface.

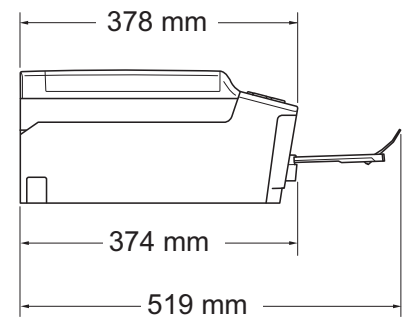
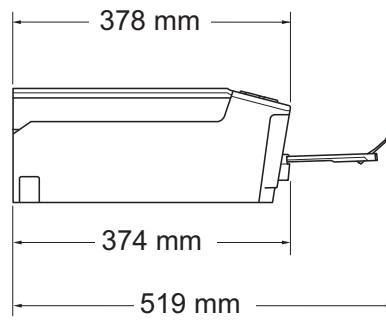
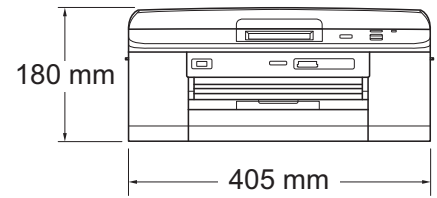
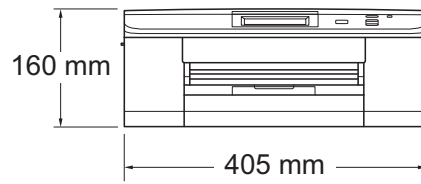
² When using ADF, single-side printing, resolution: standard / document: ISO/IEC 24712 printed pattern. (DCP-J725DW)

When resolution: standard / document: ISO/IEC 24712 printed pattern. (DCP-J525W)

Dimensions

(DCP-J525W)

(DCP-J725DW)



Weight

(DCP-J525W) 8.7 kg

(DCP-J725DW) 9 kg

Noise Noise per ISO9296	Operating:	LPAm = 50 dB or less ¹
	Copying:	LWAd = 6.28 B(A) ² (Mono) (DCP-J525W) LWAd = 6.27 B(A) ² (Mono) (DCP-J725DW) LWAd = 5.71 B(A) (Colour) (DCP-J525W) LWAd = 5.83 B(A) (Colour) (DCP-J725DW)
	Ready:	LWAd = 3.00 B(A) (Mono/Colour) (DCP-J525W) LWAd = 3.10 B(A) (Mono/Colour) (DCP-J725DW)
Temperature	Operating:	10 to 35 °C
	Best Print Quality:	20 to 33 °C
Humidity	Operating:	20 to 80% (without condensation)
	Best Print Quality:	20 to 80% (without condensation)
ADF (automatic document feeder) (DCP-J725DW only)		Up to 15 pages ³ (Paper: 90 g/m ² A4 or Letter size)
Document Size		Up to 20 pages with conditions ⁴
		ADF Width: 148 mm to 215.9 mm (DCP-J725DW only)
		ADF Length: 148 mm to 355.6 mm (DCP-J725DW only)
		Scanner Glass Width: Max. 215.9 mm
		Scanner Glass Length: Max. 297 mm

¹ Noise depends on printing conditions.

² Office equipment with LWAd>6.30 B(A) is not suitable for use in room where people do primarily intellectual work. Such equipment should be placed in separate rooms because of the noise emission.

³ Using standard 64 to 90 g/m² paper.

⁴ Using XEROX4200 75 g/m² paper, temperature 20 - 26 °C, humidity 40 - 50% without condensation.

Print media

Paper Input

Paper Tray

- Paper type:

Plain paper, inkjet paper (coated paper), glossy paper¹ and transparency^{1 2}

- Paper size:

A4, Executive, Letter, A5, A6, Envelopes (commercial No.10, DL, C5, Monarch), Photo 10 × 15 cm, Photo 2L 13 × 18 cm and Index Card 127 × 203 mm³

Width: 98 mm - 215.9 mm

Length: 148 mm - 297 mm

For more details, see *Paper weight, thickness and capacity* >> page 23.

- Maximum paper tray capacity:

Approx. 100 sheets of 80 g/m² plain paper

Photo Paper Tray (DCP-J725DW only)

- Paper type:

Plain Paper, Inkjet Paper (coated paper) and Glossy Paper¹

- Paper size:

Photo 10 × 15 cm and Photo L 89 × 127 mm

Width: 89 mm - 102 mm

Length: 127 mm - 152 mm

- Maximum paper tray capacity:

Approx. 20 sheets

Paper Output

Up to 50 sheets of A4 plain paper (face up print delivery to the output paper tray)¹

¹ For glossy paper or transparencies, remove printed pages from the output paper tray immediately after they exit the machine to avoid smudging.

² Use only transparencies recommended for inkjet printing.

³ See *Paper type and size for each operation* >> page 22.

Copy

Colour/Monochrome

Yes/Yes

Copy Width

Max. 210 mm

Multiple Copies

Stacks/Sorts up to 99 pages (DCP-J725DW)

Stacks up to 99 pages (DCP-J525W)

Enlarge/Reduce

25% to 400% (in increments of 1%)

Resolution

Prints up to 1200 × 1200 dpi

**Duplex (2-sided)
(DCP-J725DW only)**

Yes

■ Paper type:

Plain paper

■ Paper size:

A4, Letter, A5

PhotoCapture Center™ (DCP-J725DW only)

Compatible Media ¹	Memory Stick™ (16 MB - 128 MB) Memory Stick PRO™ (256 MB - 32 GB) Memory Stick Duo™ (16 MB - 128 MB) Memory Stick PRO Duo™ (256 MB - 32 GB) Memory Stick Micro™ (M2™) with Adapter MultiMedia Card (32 MB - 2 GB) MultiMedia Card plus (128 MB - 4 GB) MultiMedia Card mobile with Adapter (64 MB - 1 GB) SD Memory Card (16 MB - 2 GB) miniSD with Adapter microSD with Adapter SDHC Memory Card (4 GB - 32 GB) miniSDHC with Adapter microSDHC with Adapter USB Flash memory drive ² SDXC Memory Card (48 GB - 64 GB)
Resolution	Up to 1200 × 2400 dpi
File Extension (Media Format) (Image Format)	DPOF (ver. 1.0, ver. 1.1), Exif DCF (up to ver. 2.1) Photo Print: JPEG ³ Scan to Media: JPEG, PDF (Colour) TIFF, PDF (Monochrome)
Number of Files	Up to 999 files (The folder inside memory cards or USB Flash memory drive is also counted.)
Folder	File must be stored in the 4th folder level of the memory card or USB Flash memory drive.
Borderless	A4, Letter, Photo 10 × 15 cm, Photo 2L 13 × 18 cm ⁴

¹ Memory cards, adapters and USB Flash memory drive are not included.

² USB 2.0 Standard
USB Mass Storage standard from 16 MB to 32 GB
Support format: FAT12/FAT16/FAT32/exFAT

³ Progressive JPEG format is not supported.

⁴ See *Paper type and size for each operation* >> page 22.

PictBridge (DCP-J725DW only)

Compatibility

Supports the Camera & Imaging Products Association PictBridge standard CIPA DC-001.

Visit <http://www.cipa.jp/pictbridge/> for more information.

Interface

USB direct interface

Scanner

Colour/Monochrome	Yes/Yes
TWAIN Compliant	Yes (Windows® XP ¹ /Windows Vista®/Windows® 7) Mac OS X 10.4.11, 10.5.x, 10.6.x ²
WIA Compliant	Yes (Windows® XP ¹ /Windows Vista®/Windows® 7)
ICA Compliant	Yes (Mac OS X 10.6.x)
Colour Depth	36 bit colour Processing (Input) 24 bit colour Processing (Output)
Resolution	Up to 19200 × 19200 dpi (interpolated) ³ Up to 1200 × 2400 dpi (optical) (Scanner Glass) Up to 1200 × 600 dpi (optical) (ADF) (DCP-J725DW only)
Scanning Width and Length	(Scanner Glass) Width: Up to 210 mm Length: Up to 291 mm (ADF, DCP-J725DW only) Width: Up to 210 mm Length: Up to 349.6 mm
Greyscale	256 levels

¹ Windows® XP in this User's Guide includes Windows® XP Home Edition, Windows® XP Professional, and Windows® XP Professional x64 Edition.

² For the latest driver updates for the Mac OS X you are using, visit us at <http://solutions.brother.com/>.

³ Maximum 1200 × 1200 dpi scanning when using the WIA Driver for Windows® XP, Windows Vista® and Windows® 7 (resolution up to 19200 × 19200 dpi can be selected by using the Brother scanner utility).

Printer

Resolution	Up to 1200 × 6000 dpi
Printing Width ³	204 mm [210 mm (borderless) ¹]
Borderless ²	A4, Letter, A6, Photo 10 × 15 cm, Index Card 127 × 203 mm, Photo L 89 × 127 mm (DCP-J725DW only), Photo 2L 13 × 18 cm
Duplex (2-sided) (DCP-J725DW only)	■ Paper type: Plain paper ■ Paper size: A4, Letter, A5, A6, Executive
Print Speed ⁴	

¹ When the Borderless feature is set to On.

² See *Paper type and size for each operation* ►► page 22.

³ When printing on A4 size paper.

⁴ For detailed specifications visit <http://www.brother.com/>.

Interfaces

USB ^{1 2}	A USB 2.0 interface cable that is no longer than 2 m.
Wireless LAN	IEEE 802.11b/g/n (Infrastructure/Ad-hoc Mode)

¹ Your machine has a Hi-Speed USB 2.0 interface. The machine can also be connected to a computer that has a USB 1.1 interface.

² Third party USB ports are not supported.

Computer requirements

SUPPORTED OPERATING SYSTEMS AND SOFTWARE FUNCTIONS								
Computer Platform & Operating System Version		Supported PC Software Functions	PC Interface	Processor Minimum Speed	Minimum RAM	Recommended RAM	Hard Disk Space to install	
							For Drivers	For Applications
Windows® Operating System	Windows® XP Home ^{1 3} Windows® XP Professional ^{1 3}	Printing, Scanning, Removable Disk ⁴	USB, Wireless 802.11b/g/n	Intel® Pentium® II or equivalent	128 MB	256 MB	150 MB	1 GB
	Windows® XP Professional x64 Edition ^{1 3}			64-bit (Intel® 64 or AMD64) supported CPU	256 MB	512 MB	150 MB	1 GB
	Windows Vista® ^{1 3}			Intel® Pentium® 4 or equivalent	512 MB	1 GB	500 MB	1.3 GB
	Windows® 7 ^{1 3}			64-bit (Intel® 64 or AMD64) supported CPU	1 GB (32 bit) 2 GB (64 bit)	1 GB (32 bit) 2 GB (64 bit)	650 MB	1.3 GB
	Windows Server® 2003 (print only via network)	Printing	Wireless 802.11b/g/n	Intel® Pentium® III or equivalent	256 MB	512 MB	50 MB	N/A
	Windows Server® 2003 x64 Edition (print only via network)			64-bit (Intel® 64 or AMD64) supported CPU				
	Windows Server® 2003 R2 (print only via network)			Intel® Pentium® III or equivalent				
	Windows Server® 2003 R2 x64 Edition (print only via network)			64-bit (Intel® 64 or AMD64) supported CPU	512 MB	1 GB		
	Windows Server® 2008 (print only via network)			Intel® Pentium® 4 or equivalent 64-bit (Intel® 64 or AMD64) supported CPU		2 GB		
	Windows Server® 2008 R2 (print only via network)			64-bit (Intel® 64 or AMD64) supported CPU				
Macintosh Operating System	Mac OS X 10.4.11, 10.5.x	Printing, Scanning, Removable Disk ⁴	USB ² , Wireless 802.11b/g/n	PowerPC G4/G5 Intel® Processor	512 MB	1 GB	80 MB	550 MB
	Mac OS X 10.6.x			Intel® Processor	1 GB	2 GB		

Conditions:

- ¹ For WIA, 1200 × 1200 resolution. Brother Scanner Utility enables to enhance up to 19200 × 19200 dpi.
- ² Third party USB ports are not supported.
- ³ PaperPort™ 12SE supports Windows® XP Home (SP3 or greater), XP Professional (SP3 or greater), XP Professional x64 Edition (SP2 or greater), Windows Vista® (SP2 or greater) and Windows® 7.
- ⁴ Removable disk is a function of PhotoCapture Center™. (DCP-J725DW only)

For the latest driver updates, visit us at <http://solutions.brother.com/>.

All trademarks, brand and product names are the property of their respective companies.

Consumable items

Ink The machine uses individual Black, Yellow, Cyan and Magenta ink cartridges that are separate from the print head assembly.

Service Life of Ink Cartridge The first time you install a set of ink cartridges the machine will use an amount of ink to fill the ink delivery tubes for high quality printouts. This process will only happen once. After this process is complete the cartridges provided with your machine will have a lower yield than standard cartridges (80%). With all following ink cartridges you can print the specified number of pages.

Replacement Consumables

- <Standard Yield Black> LC1220BK
- <Standard Yield Yellow> LC1220Y
- <Standard Yield Cyan> LC1220C
- <Standard Yield Magenta> LC1220M

Black, Yellow, Cyan and Magenta - Approximately 300 pages ¹

- <High Yield Black> LC1240BK
- <High Yield Yellow> LC1240Y
- <High Yield Cyan> LC1240C
- <High Yield Magenta> LC1240M

Black, Yellow, Cyan and Magenta - Approximately 600 pages ¹

¹ Approx. cartridge yield is declared in accordance with ISO/IEC 24711.

For more information about the replacement consumables, visit us at <http://www.brother.com/pageyield/>.

What is Innobella™?

Innobella™ is a range of genuine consumables offered by Brother. The name "Innobella™" derives from the words "Innovation" and "Bella" (meaning "Beautiful" in Italian) and is a representation of the "innovative" technology providing you with "beautiful" and "long lasting" print results.

When you print photo images, Brother recommends Innobella™ glossy photo paper (BP71 series) for high quality. Brilliant prints are made easier with Innobella™ Ink and paper.



Network (LAN)



Note

For more information about the Network specifications >>Network User's Guide

LAN	You can connect your machine to a network for Network Printing, Network Scanning and access photos from PhotoCapture Center™ ^{1 3} . Also included is Brother BRAdmin Light ² Network Management software.	
Wireless Network Security	SSID (32 chr), WEP 64/128 bit, WPA-PSK (TKIP/AES), WPA2-PSK (AES)	
Setup Support Utility	AOSS™	Yes
	WPS	Yes

¹ See the Computer Requirements chart on page 85.

² If you require more advanced printer management, use the latest Brother BRAdmin Professional utility version that is available as a download from <http://solutions.brother.com/>.

³ PhotoCapture Center™ is available for DCP-J725DW only.

E

Index

- A**
-
- ADF (automatic document feeder)24
 - Apple Macintosh
 - See Software User's Guide.
- B**
-
- Brother
 - CreativeCenter3
- C**
-
- Cleaning
 - print head41
 - scanner40
 - Consumable items86
 - Control panel overview5
 - ControlCenter
 - See Software User's Guide.
 - Copy
 - paper size28
 - paper type28
 - using scanner glass25
- D**
-
- Document
 - loading 24, 25
- E**
-
- Envelopes 13, 14, 22, 23
 - Error messages on LCD43
 - B&W Print Only43
 - Cannot Detect44
 - Cannot Print44
 - Cover is Open44
 - Data Remaining44
 - Document Jam44
 - Ink Absorber Full45
 - Ink low45
 - InkAbsorberNearFull45
 - No Ink Cartridge46
 - No Paper Fed46
 - Out of Memory47
 - Paper Jam47
 - Unable to Clean 47
 - Unable to Init. 47
 - Unable to Print 47
 - Unable to Scan 47
 - Wrong Paper Size 48
- F**
-
- Favourite Settings 8
 - changing 9
 - deleting 9
 - recalling 9
 - registering 8
- G**
-
- Greyscale 83
- H**
-
- Help
 - LCD messages 61
 - Menu Table 62
- I**
-
- Ink cartridges
 - ink dot counter 37
 - replacing 37
 - Innobella™ 86
- J**
-
- Jams
 - document 49
 - paper 50
- L**
-
- LCD (Liquid Crystal Display)6, 61
 - Brightness 10

M

Macintosh	
See Software User's Guide.	
Maintenance, routine	
replacing ink cartridges	37
Mode, entering	
COPY	6
PHOTO	6
SCAN	6

N

Network	
Printing	
See Network User's Guide.	
Scanning	
See Software User's Guide.	

P

Paper	20, 79
capacity	23
loading	11, 13
loading envelopes and postcards	13
loading photo paper	15
printable area	18
size	19
size of document	24
type	19, 22
PaperPort™ 12SE with OCR	
See Software User's Guide. Also see Help in the PaperPort™ 12SE application.	
Photo Paper Tray	15
PhotoCapture Center™	
from PC	
See Software User's Guide.	
Memory Stick PRO™	29
Memory Stick™	29
MultiMedia Card	29
Preview photos	32
Print settings	32
Scan to Media	
change file name	33
SD Memory Card	29
SDHC Memory Card	29
SDXC Memory Card	29
specifications	81

Presto! PageManager	
See Software User's Guide. Also see Help in the Presto! PageManager application.	
Print	
difficulties	55
paper jams	50
printable area	18
resolution	84
specifications	84
Printing	
See Software User's Guide.	
Programming your machine	61

R

Resolution	
copy	80
print	84
scan	83

S

Scanning	
See Software User's Guide.	
Serial Number	
how to find	See inside front cover

T

Text, entering	75
Transparencies	20, 21, 23, 79
Troubleshooting	55
document jam	49
error messages on LCD	43
if you are having difficulty	
copying	57
document jam	49
Network	59
PhotoCapture Center™	58
printing	55
scanning	58
software	58
maintenance messages on LCD	43
paper jam	50

U

Unscannable area	26
------------------------	----

V

Volume, setting
beeper9

W

Windows®
See Software User's Guide.
Wireless Network
See Quick Setup Guide and Network
User's Guide.

brother®

Visit us on the World Wide Web
<http://www.brother.com/>

These machines are approved for use in the country of purchase only. Local Brother companies or their dealers will only support machines purchased in their own countries.