

SC-S70600 Series
SC-S50600 Series
SC-S30600 Series

User's Guide

Copyrights and Trademarks

Copyrights and Trademarks

No part of this publication may be reproduced, stored in a retrieval system, or transmitted in any form or by any means, electronic, mechanical, photocopying, recording, or otherwise, without the prior written permission of Seiko Epson Corporation. The information contained herein is designed only for use with this Epson printer. Epson is not responsible for any use of this information as applied to other printers.

Neither Seiko Epson Corporation nor its affiliates shall be liable to the purchaser of this product or third parties for damages, losses, costs, or expenses incurred by the purchaser or third parties as a result of accident, misuse, or abuse of this product or unauthorized modifications, repairs, or alterations to this product, or (excluding the U.S.) failure to strictly comply with Seiko Epson Corporation's operating and maintenance instructions.

Seiko Epson Corporation shall not be liable for any damages or problems arising from the use of any options or any consumable products other than those designated as Original Epson Products or Epson Approved Products by Seiko Epson Corporation.

Seiko Epson Corporation shall not be held liable for any damage resulting from electromagnetic interference that occurs from the use of any interface cables other than those designated as Epson Approved Products by Seiko Epson Corporation.

EPSON and EPSON EXCEED YOUR VISION or EXCEED YOUR VISION and their logos are registered trademarks or trademarks of Seiko Epson Corporation.

Microsoft®, Windows®, and Windows Vista® are registered trademarks of Microsoft Corporation.

Apple®, Macintosh®, Mac OS®, and OS X® are registered trademarks of Apple Inc.

Intel® is a registered trademark of Intel Corporation.

PowerPC® is a registered trademark of International Business Machines Corporation.

Bemcot™ is a trademark of Asahi Kasei Corporation.

YouTube® and the YouTube logo are registered trademarks or trademarks of YouTube, LLC.

General Notice: Other product names used herein are for identification purposes only and may be trademarks of their respective owners. Epson disclaims any and all rights in those marks.

© 2012 Seiko Epson Corporation. All rights reserved.

Contents

Contents

Copyrights and Trademarks

Introduction

| | |
|---------------------------------------------------------------------------------|----|
| Important Safety Instructions. | 5 |
| When choosing a place for this product. | 5 |
| When setting up this product. | 5 |
| When using this product. | 5 |
| When handling the ink cartridges. | 6 |
| Notes on Manuals. | 6 |
| Manual Organization. | 6 |
| Meaning of Symbols. | 6 |
| Video Manuals. | 6 |
| Illustrations. | 7 |
| Printer Parts. | 8 |
| Front section (SC-S70600 series, SC-S50600 series). | 8 |
| Front section (SC-S30600 series). | 11 |
| Inside (SC-S70600 series, SC-S50600 series). | 14 |
| Inside (SC-S30600 series). | 16 |
| Back. | 17 |
| LAN port. | 18 |
| Control panel. | 20 |
| Understanding the Display. | 21 |
| Features. | 24 |
| Realizing High Productivity. | 24 |
| High Print Quality. | 24 |
| Superior Ease of Use. | 24 |
| Notes on Usage and Storage. | 25 |
| Installation space. | 25 |
| Notes when using the printer. | 25 |
| Notes when not using the printer. | 26 |
| Notes on handling ink cartridges. | 27 |
| Handling Media. | 28 |
| Notes on Usage of Spot color Inks (SC-S70600 series, SC-S50600 series). | 28 |
| Using the Supplied Software. | 30 |
| Contents of the Software Disc. | 30 |
| Starting EPSON LFP Remote Panel 2. | 31 |
| Exiting EPSON LFP Remote Panel 2. | 31 |
| Uninstalling Software. | 31 |

Basic Operations

| | |
|---------------------------------------|----|
| Loading and Exchanging Media. | 33 |
| Notes on loading media. | 33 |

| | |
|-----------------------------------------------------------------------------------------------------|----|
| Positioning of the pressure rollers and media (For SC-S70600 series and SC-S50600 series) | 35 |
| Loading Media (SC-S70600 series, SC-S50600 series). | 37 |
| Loading Media (SC-S30600 series). | 51 |
| Viewing and Changing Media Settings. | 63 |
| Replacing and removing media. | 64 |
| Using the Auto Take-up Reel Unit. | 67 |
| Notes when using the auto take-up reel unit. | 67 |
| Attaching the Roll Core. | 67 |
| Take-up with the Printed Side Facing Out. | 70 |
| Take-up with the Printed Side Facing In. | 76 |
| Removing the Take-up Roll. | 81 |
| Before Printing. | 82 |
| Saving media settings. | 83 |
| Basic setting flow | 83 |
| Precautions regarding settings. | 84 |
| Setting (normal). | 84 |
| Media Adjust. | 86 |
| Changing settings during printing. | 89 |
| Printable area. | 91 |
| SC-S70600 series/SC-S50600 series. | 91 |
| SC-S30600 series. | 94 |

Maintenance

| | |
|--------------------------------------------------------------------------------|-----|
| When to Perform Various Maintenance Operations. | 97 |
| Cleaning. | 97 |
| Replacing Consumables. | 98 |
| Other maintenance. | 99 |
| Preparation and Notes. | 101 |
| What You'll Need. | 101 |
| Precautions regarding maintenance. | 102 |
| Moving the Print Head. | 102 |
| Using Ink Cleaner. | 103 |
| Cleaning. | 103 |
| Cleaning Around the Print Head (Daily). | 103 |
| Cleaning Around the Caps (Daily). | 106 |
| Cleaning the Entire Wiper and Attachment Point (Once Every Two Weeks). | 111 |
| Cleaning the Wiper Rail (Once Every Two Weeks). | 112 |
| Cleaning Inside the Printer (Once a week to once a month). | 113 |
| Cleaning the Flushing Pad (When It Is Dirty) | 115 |

Contents

| | |
|-------------------------------------------------------------------------------|-----|
| Cleaning the Sides of the Auto Take-up Reel Unit (When It Is Dirty) | 116 |
| Cleaning Check Sheet | 117 |
| Replacing Consumables | 118 |
| Shaking and Replacing Ink Cartridges | 118 |
| Disposing of Waste Ink | 119 |
| Replacing the Wiper and Wiper Cleaner | 120 |
| Replacing the Flushing Pad | 122 |
| Replacing the media holding plates | 123 |
| Disposal of used consumables | 126 |
| Consumable Replacement Check Sheet | 127 |
| Other maintenance | 128 |
| Checking for clogged nozzles | 128 |
| Head Cleaning | 129 |
| Head Washing | 130 |
| Ink Refresh | 132 |
| Long-term Storage (Pre-storage Maintenance) | 132 |
| Change Color Mode (SC-S70600 series only) | 134 |
| Applying Secondary Carriage Rod Grease | 135 |
| Parts That Are Periodically Replaced | 136 |

Using the Control Panel Menu

| | |
|---------------------------------------|-----|
| Menu Operations | 137 |
| Menu List | 138 |
| Details of the Menu | 144 |
| The Media Setup Menu | 144 |
| The Printer Setup Menu | 149 |
| The Maintenance Menu | 151 |
| The Ink Level Menu | 153 |
| The Print Logs Menu | 153 |
| The Printer Status Menu | 154 |
| The Network Setup Menu | 154 |
| The Preference Menu | 154 |
| The Reset All Settings Menu | 155 |

Problem Solver

| | |
|----------------------------------------------------------------------|-----|
| When a Message is Displayed | 156 |
| When a Maintenance Call/Service Call Occurs | 159 |
| Troubleshooting | 160 |
| You cannot print (because the printer does not work) | 160 |
| The printer sounds like it is printing, but nothing prints | 160 |
| The prints are not what you expected | 161 |
| Media | 167 |
| Others | 169 |

Appendix

| | |
|------------------------------------------------------------------|-----|
| Options and Consumable Products | 171 |
| Supported Media | 176 |
| Moving and Transporting the Printer | 176 |
| Moving the Printer | 176 |
| Transport | 177 |
| Recommended Media Settings | 178 |
| Microweave (M/W) Setting and Banding Association Table | 180 |
| System Requirements | 183 |
| Specifications Table | 183 |
| Standards and Approvals | 184 |

Where To Get Help

| | |
|---------------------------------------------|-----|
| Technical Support Web Site | 186 |
| Contacting Epson Support | 186 |
| Before Contacting Epson | 186 |
| Help for Users in North America | 187 |
| Help for Users in Europe | 187 |
| Help for Users in Taiwan | 187 |
| Help for Users in Australia | 188 |
| Help for Users in Singapore | 188 |
| Help for Users in Thailand | 189 |
| Help for Users in Vietnam | 189 |
| Help for Users in Indonesia | 189 |
| Help for Users in Hong Kong | 190 |
| Help for Users in Malaysia | 190 |
| Help for Users in India | 190 |
| Help for Users in the Philippines | 191 |

Software License Terms

| | |
|------------------------------------------|-----|
| Open Source Software Licenses | 192 |
| Bonjour | 192 |
| Other Software Licenses | 197 |
| Info-ZIP Copyright and License | 197 |

Introduction

Introduction

Important Safety Instructions

Read all of these instructions before using the printer. Also be sure to follow all warnings and instructions marked on the printer.

When choosing a place for this product

- ❑ Place this product on a flat, stable surface that is larger than this product. This product will not operate properly if it is tilted or at an angle.
- ❑ Avoid places subject to rapid changes in temperature and humidity. Also keep it away from direct sunlight, strong light, or heat sources.
- ❑ Avoid places subject to shocks and vibrations.
- ❑ Keep this product away from dusty areas.
- ❑ Place this product near a wall outlet where the plug can be easily unplugged.

When setting up this product

- ❑ This product's power cord is for use with this product only. Use with other equipment may result in fire or electric shock.
- ❑ Connect all equipment to properly grounded power outlets. Avoid using outlets on the same circuit as copiers or air control systems that regularly switch on and off.
- ❑ Avoid electrical outlets controlled by wall switches or automatic timers.
- ❑ Keep the entire computer system away from potential sources of electromagnetic interference, such as loudspeakers or the base units of cordless telephones.
- ❑ Use only the type of power source indicated on the product's label.

- ❑ Use only the power cord that comes with this product. Use of another cord may result in fire or electric shock.
- ❑ Do not use a damaged or frayed power cord.
- ❑ If you use an extension cord with this product, make sure the total ampere rating of the devices plugged into the extension cord does not exceed the cord's ampere rating. Also, make sure the total ampere rating of all devices plugged into the wall outlet does not exceed the wall outlet's ampere rating.
- ❑ If you plan to use the printer in Germany, observe the following:

To provide adequate short-circuit protection and over-current protection for this printer, the building installation must be protected by a 10 or 16 amp circuit breaker.

- ❑ If damage occurs to the plug, replace the cord set or consult a qualified electrician. If there are fuses in the plug, make sure you replace them with fuses of the correct size and rating.

When using this product

- ❑ Do not block or cover the openings in this product's cabinet.
- ❑ Do not insert objects through the slots. Take care not to spill liquid on this product.
- ❑ Do not attempt to service this product yourself.
- ❑ Unplug this product and refer servicing to qualified service personnel under the following conditions: The power cord or plug is damaged; liquid has entered the product; the product has been dropped or the cabinet damaged; the product does not operate normally or exhibits a distinct change in performance.
- ❑ Do not move the print heads by hand; otherwise you may damage this product.
- ❑ Always turn the product off using the Power button on the control panel. When this button is pressed, the Power light flashes briefly then goes off. Do not unplug the power cord or turn off the product until the Power light stops flashing.

Introduction

- ❑ This device has two power systems. There is a risk of electric shock unless the two power cables are unplugged during the maintenance.

When handling the ink cartridges

- ❑ Keep ink cartridges out of the reach of children and do not drink.
- ❑ Do not touch the green IC chip on the side of the cartridge. This may affect normal operation and printing.
- ❑ The IC chip on this ink cartridge retains a variety of cartridge-related information, such as the ink cartridge status, so that the cartridge may be removed and reinserted freely.
- ❑ If you remove an ink cartridge for later use, protect the ink supply area from dirt and dust, and store it in the same environment as this product. Note that there is a valve in the ink supply port, making covers or plugs unnecessary, but care is needed to prevent the ink from staining items that the cartridge touches. Do not touch the ink supply port or surrounding area.

Notes on Manuals

Manual Organization

The following manuals are supplied with the printer.

The PDF manuals can be found on the software disc supplied with the printer. You can view the PDF manuals using Adobe Reader or Preview (Mac OS X).




The Epson Video Manuals have been uploaded to the Epson video manual YouTube channel. You can view these on your Web browser.

| | |
|-------------|------------------------------------------------------------------------------------------------------------------------------------------------|
| Setup Guide | Provides information on how to setup the printer after unpacking it from the box. Make sure you read this manual to perform operations safely. |
|-------------|------------------------------------------------------------------------------------------------------------------------------------------------|

| | |
|---------------------------|-------------------------------------------------------------------------------------------------------------------------------------------------------|
| User's Guide (this guide) | Provides information on basic printer operations, maintenance operations, troubleshooting and so on. |
| Network Guide (PDF) | Provides information on using the printer over a network. |
| Epson Video Manuals | Provides videos on media setup, basic maintenance operations, and so on. |
| Using Orange Ink* (PDF) | Provides information on using two types of Orange ink with the SC-S70600 series. Make sure you check this guide when changing the type of Orange ink. |


* SC-S70600 series only

Meaning of Symbols

| | |
|-------------------------------------------------------------------------------------------------------|----------------------------------------------------------------------------------|
|  Warning: | Warnings must be followed to avoid serious bodily injury. |
|  Caution: | Cautions must be followed to avoid bodily injury. |
|  Important: | Important must be followed to avoid damage to this product. |
| Note: | Notes contain useful or additional information on the operation of this product. |

Video Manuals

Click the following links to display a list of videos that have been registered to YouTube for the model being used. Select the video you want to view from the playlist.

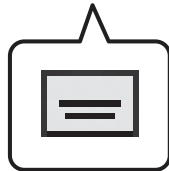
SC-S70600 series  <https://www.youtube.com/playlist?list=PLD67cTLxxk9M3XJ7ytYW5QkJDXITlbJOj>

SC-S50600 series  https://www.youtube.com/playlist?list=PLD67cTLxxk9OWBIEifb1tAruevhTX-_f9

Introduction

SC-S30600 series <https://www.youtube.com/playlist?list=PLD67cTLxxk9P6FW3ylGgUd98QUdyAFEGr>

If the subtitles are not displayed when you play the video, click the subtitles icon shown in the image below.



Illustrations

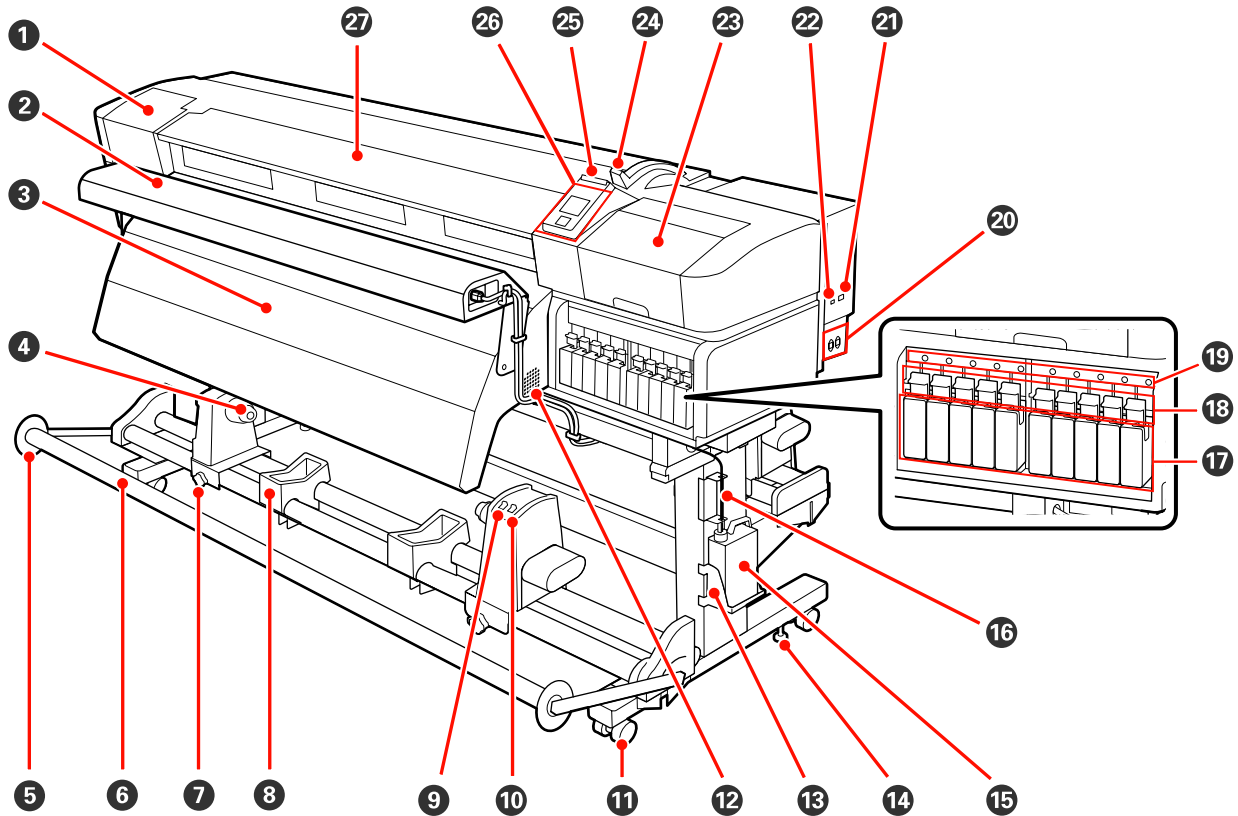
Unless otherwise noted, the illustrations in this manual show the SC-S30600 series.

Introduction

Printer Parts

Front section (SC-S70600 series, SC-S50600 series)

The illustration shows the SC-S50600 series.



1 Maintenance cover (left)

Open this cover to clean the area around the print head. Normally closed when using the printer.

[“Cleaning Around the Print Head \(Daily\)” on page 103](#)

2 Additional print drying system

The heater can be used to rapidly dry ink after printing. Available separately for the SC-S70600 series.

[Additional Print Drying System Setup Guide](#)

3 After heater

The heater can be used to rapidly dry ink after printing.

[“Heating & Drying” on page 85](#)

4 Roll core holder

Place the roll core for media take-up on these holders. There are same parts on both the left and the right.

[“Using the Auto Take-up Reel Unit” on page 67](#)

Introduction

5 Tensioner media guide

The tensioner media guide prevents the take-up roll from skewing when using the auto take-up reel unit. When not using the auto take-up reel unit, move the guide out of the way toward both edges of the tensioner.

 [“Using the Auto Take-up Reel Unit” on page 67](#)

6 Tensioner

The tensioner maintains tension to prevent the media sagging as it is taken up.

7 Roll core holder locking screw

The locking screws keep the roll core holders in place once they have been attached to the roll core. There are same parts on both the left and the right.

8 Roll support

Rest media temporarily on these supports when removing the take-up roll. There are same parts on both the left and the right.

9 Auto switch

Use this switch to select the auto take-up direction. Choose Off to disable auto take-up.

10 Manual switch

Use this switch to select the manual take-up direction. The selected option takes effect when the Auto switch is in the Off position.

11 Casters

There are two casters on each leg. Once installation is complete, the front casters should be kept locked while the printer is in use.

12 Airflow vents

Allows air to flow into the printer. Do not obstruct these vents.

13 Waste ink bottle holder

Place the waste ink bottle in this holder.

14 Adjuster

The adjusters keep the printer in place. After installing the printer, keep it securely in place during use.

15 Waste ink bottle

Waste ink collects in this bottle.

Replace with a new waste ink bottle when the level approaches the line.

16 Waste ink tube

Waste ink is discharged from this tube. Be sure the end of this tube is in the waste ink bottle while the printer is in use.

17 Ink cartridges

Install all ink cartridges into each slot. Depending on the selected ColorMode, install the replacement cartridge or Cleaning cartridge.

18 Lock levers

Raise the levers to unlock the ink cartridges prior to removal. Lower the levers to lock the cartridges in place after insertion.

Introduction

19 Cartridge check lamp

This lamp lights when an ink cartridge error occurs.

On : An error occurred. Check the contents of the error on the control panel's screen.

Off : No error.

20 AC inlet #1/AC inlet #2

Connects the power cable. Be sure to connect both cables.

21 LAN port

 [“LAN port” on page 18](#)

22 USB port

Connects the USB cable.

23 Maintenance cover (right)

Open this cover when performing regular maintenance. Normally closed when using the printer.

 [“Cleaning” on page 103](#)

24 Media loading lever

After loading media, lower the media loading lever to keep the media in place. Raise the lever to release the media prior to removal.

25 Alert lamp

This lamp lights or flashes when an error occurs.

Light/Flash : An error occurred. The type of error is indicated by how the lamp lights or flashes. Check the contents of the error on the control panel's screen.

Off : No error.

26 Control panel

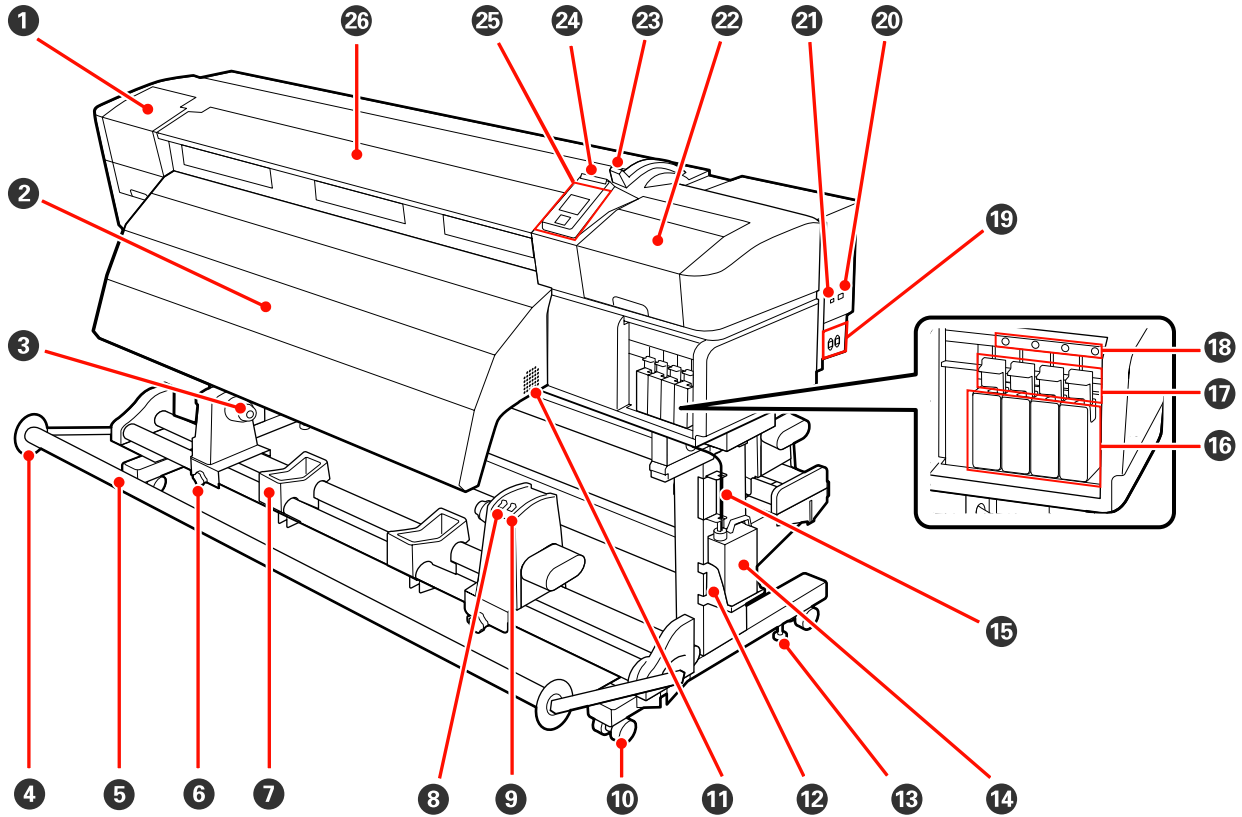
 [“Control panel” on page 20](#)

27 Front cover

Open when loading media, cleaning the inside of the printer, or removing jammed media. Normally closed when using the printer.

Introduction

Front section (SC-S30600 series)



1 Maintenance cover (left)

Open this cover to clean the area around the print head. Normally closed when using the printer.

[“Cleaning Around the Print Head \(Daily\)” on page 103](#)

2 After heater

The heater can be used to rapidly dry ink after printing.

[“Heating & Drying” on page 85](#)

3 Roll core holder

Place the roll core for media take-up on these holders. There are same parts on both the left and the right.

[“Using the Auto Take-up Reel Unit” on page 67](#)

4 Tensioner media guide

The tensioner media guide prevents the take-up roll from skewing when using the auto take-up reel unit. When not using the auto take-up reel unit, move the guide out of the way toward both edges of the tensioner.

[“Using the Auto Take-up Reel Unit” on page 67](#)

5 Tensioner

The tensioner maintains tension to prevent the media sagging as it is taken up.

Introduction

⑥ Roll core holder locking screw

The locking screws keep the roll core holders in place once they have been attached to the roll core. There are same parts on both the left and the right.

⑦ Roll support

Rest media temporarily on these supports when removing the take-up roll. There are same parts on both the left and the right.

⑧ Auto switch

Use this switch to select the auto take-up direction. Choose Off to disable auto take-up.

⑨ Manual switch

Use this switch to select the manual take-up direction. The selected option takes effect when the Auto switch is in the Off position.

⑩ Casters

There are two casters on each leg. Once installation is complete, the front casters should be kept locked while the printer is in use.

⑪ Airflow vents

Allows air to flow into the printer. Do not obstruct these vents.

⑫ Waste ink bottle holder

Place the waste ink bottle in this holder.

⑬ Adjuster

The adjusters keep the printer in place. After installing the printer, keep it securely in place during use.

⑭ Waste ink bottle

Waste ink collects in this bottle.

Replace with a new waste ink bottle when the level approaches the line.

⑮ Waste ink tube

Waste ink is discharged from this tube. Be sure the end of this tube is in the waste ink bottle while the printer is in use.

⑯ Ink cartridges

Install all ink cartridges into each slot.

⑰ Lock levers

Raise the levers to unlock the ink cartridges prior to removal. Lower the levers to lock the cartridges in place after insertion.

⑱ Cartridge check lamp

This lamp lights when an ink cartridge error occurs.

On : An error occurred. Check the contents of the error on the control panel's screen.

Off : No error.

⑲ AC inlet #1/AC inlet #2

Connects the power cable. Be sure to connect both cables.

Introduction

20 LAN port


 [“LAN port” on page 18](#)

21 USB port

Connects the USB cable.

22 Maintenance cover (right)

Open this cover when performing regular maintenance. Normally closed when using the printer.

 [“Cleaning” on page 103](#)

23 Media loading lever

After loading media, lower the media loading lever to keep the media in place. Raise the lever to release the media prior to removal.

24 Alert lamp

This lamp lights or flashes when an error occurs.

Light/Flash : An error occurred. The type of error is indicated by how the lamp lights or flashes. Check the contents of the error on the control panel's screen.

Off : No error.

25 Control panel

 [“Control panel” on page 20](#)

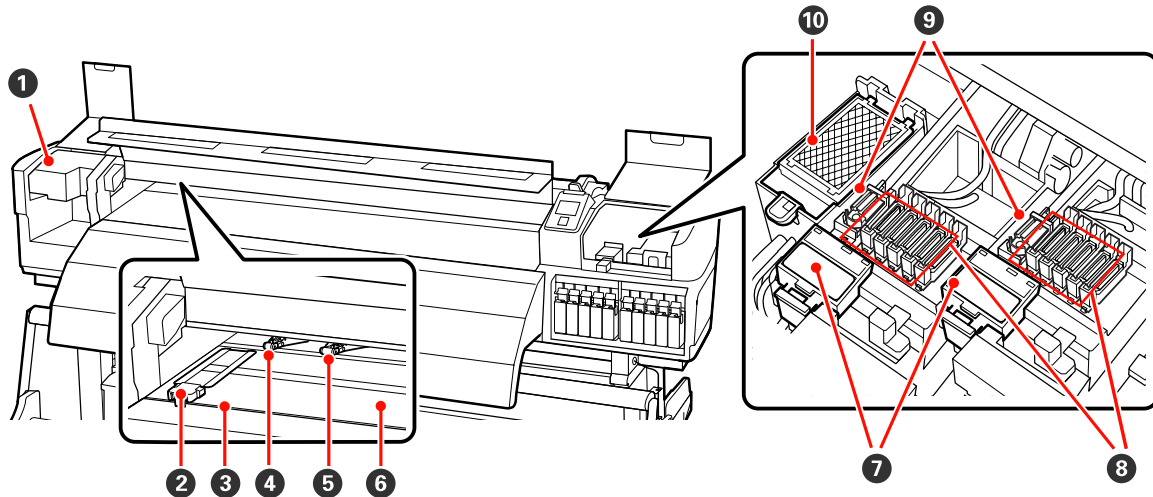
26 Front cover

Open when loading media, cleaning the inside of the printer, or removing jammed media. Normally closed when using the printer.

Introduction

Inside (SC-S70600 series, SC-S50600 series)

Dirt on any of the following parts may reduce print quality. Regularly clean or exchange these parts as described in the chapters listed in the reference sections below. The illustration shows the SC-S70600 series.



1 Print head

The print head prints by moving left and right while emitting ink. The print head on the left is “Head1”, the print head on the right is “Head2”. We recommend that this unit be cleaned at the end of each workday.

[“Cleaning Around the Print Head \(Daily\)” on page 103](#)

2 Media holding plates

The media holding plates prevent the media riding up and keeps fibers on the cut edge of the media from touching the print head. Position the plates at either side of the media before printing. There are two types: sliding plate and removable plate.

[“Loading Media \(SC-S70600 series, SC-S50600 series\)” on page 37](#)

3 Cutter groove

Pass the blade of a cutter (available in the market) down this groove to cut media.

4 Pressure rollers (high)

There are ten rollers in total; the high pressure rollers are the two on the outside edges. They press down on the edges of the media when transparent or milky white film is used and during ink layering.

[“Positioning of the pressure rollers and media \(For SC-S70600 series and SC-S50600 series\)” on page 35](#)

[“Cleaning Inside the Printer \(Once a week to once a month\)” on page 113](#)

5 Pressure rollers (low)

There are ten rollers in total; all of which are low pressure rollers apart from the two on the outside edges. They press down on the media during normal printing (which excludes transparent or milky white film loading and ink layering). The number used varies with the width of the media.

[“Positioning of the pressure rollers and media \(For SC-S70600 series and SC-S50600 series\)” on page 35](#)

[“Cleaning Inside the Printer \(Once a week to once a month\)” on page 113](#)

Introduction

6 Platen heater

The platen heater ensures that the ink adheres evenly.

 [“Heating & Drying” on page 85](#)

 [“Cleaning Inside the Printer \(Once a week to once a month\)” on page 113](#)

7 Wiper cleaner

The wiper cleaner removes ink from the wiper. This is a consumable; replace about once every three months.

 [“Replacing the Wiper and Wiper Cleaner” on page 120](#)

8 Caps

Except during printing, these caps cover the print head nozzles to prevent them drying out. We recommend that this unit be cleaned at the end of each workday.

 [“Cleaning Around the Caps \(Daily\)” on page 106](#)

9 Wiper

The wiper removes ink from the print head nozzles. We recommend that this unit be cleaned at the end of each workday. This is a consumable; replace about once every three months.

 [“Cleaning Around the Caps \(Daily\)” on page 106](#)

 [“Replacing the Wiper and Wiper Cleaner” on page 120](#)

10 Flushing pad

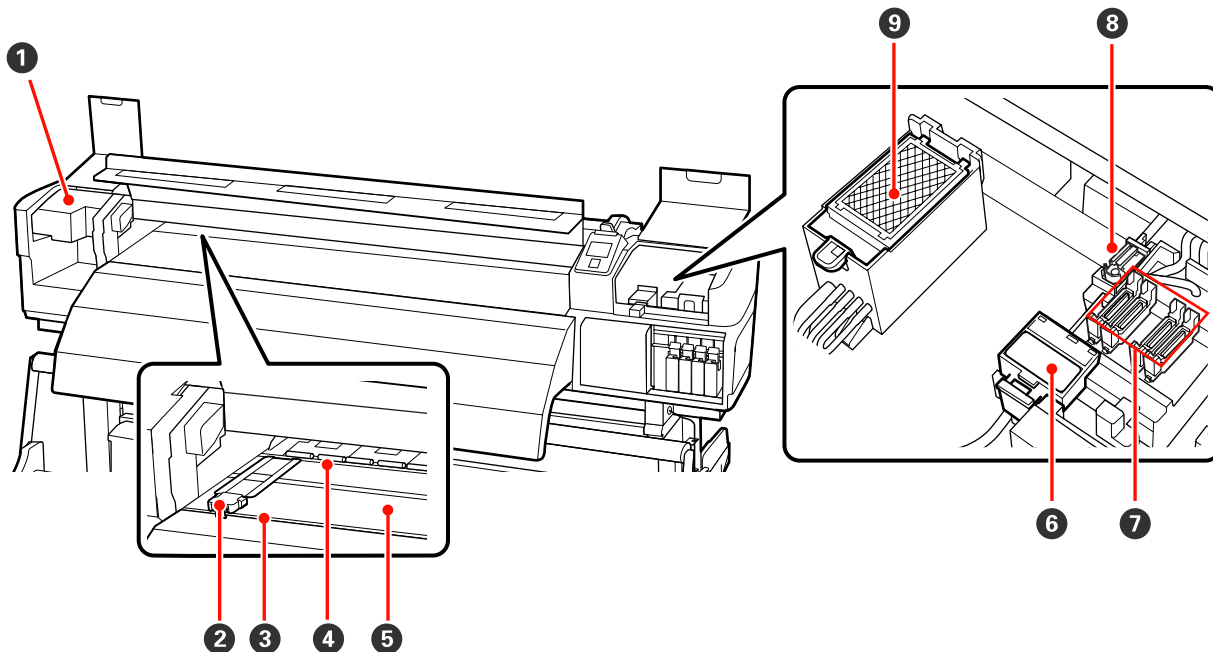
Ink is discharged onto this pad during flushing. This is a consumable; replace about once every three months.

 [“Replacing the Flushing Pad” on page 122](#)

Introduction

Inside (SC-S30600 series)

Dirt on any of the following parts may reduce print quality. Regularly clean or exchange these parts as described in the chapters listed in the reference sections below.



1 Print head

The print head prints by moving left and right while emitting ink. We recommend that this unit be cleaned at the end of each workday.

 [“Cleaning Around the Print Head \(Daily\)” on page 103](#)

2 Media holding plates

The media holding plates prevent the media riding up and keeps fibers on the cut edge of the media from touching the print head. Position the plates at either side of the media before printing. There are two types: sliding plate and removable plate.

 [“Loading Media \(SC-S30600 series\)” on page 51](#)

3 Cutter groove

Pass the blade of a cutter (available in the market) down this groove to cut media.

4 Pressure rollers

These rollers press down on the media during printing.

 [“Cleaning Inside the Printer \(Once a week to once a month\)” on page 113](#)

5 Platen heater

The platen heater ensures that the ink adheres evenly.

 [“Heating & Drying” on page 85](#)

 [“Cleaning Inside the Printer \(Once a week to once a month\)” on page 113](#)

Introduction

6 Wiper cleaner

The wiper cleaner removes ink from the wiper. This is a consumable; replace about once every three months.

 [“Replacing the Wiper and Wiper Cleaner” on page 120](#)

7 Caps

Except during printing, these caps cover the print head nozzles to prevent them drying out. We recommend that this unit be cleaned at the end of each workday.

 [“Cleaning Around the Caps \(Daily\)” on page 106](#)

8 Wiper

The wiper removes ink from the print head nozzles. We recommend that this unit be cleaned at the end of each workday. This is a consumable; replace about once every three months.

 [“Cleaning Around the Caps \(Daily\)” on page 106](#)

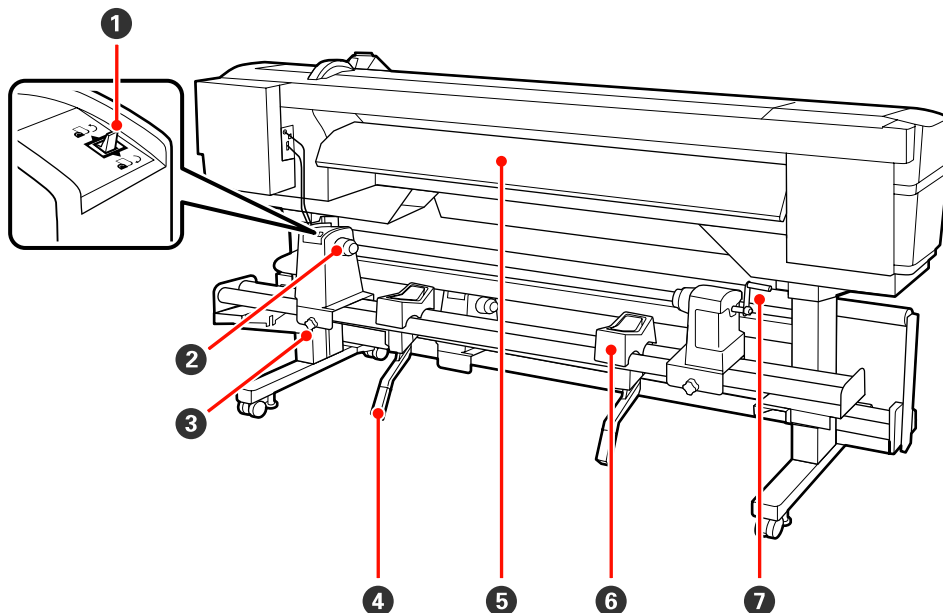
 [“Replacing the Wiper and Wiper Cleaner” on page 120](#)

9 Flushing pad

Ink is discharged onto this pad during flushing. This is a consumable; replace about once every three months.

 [“Replacing the Flushing Pad” on page 122](#)

Back



1 Drive switch

The drive switch is used to feed the media during loading and to rewind the media for replacement.

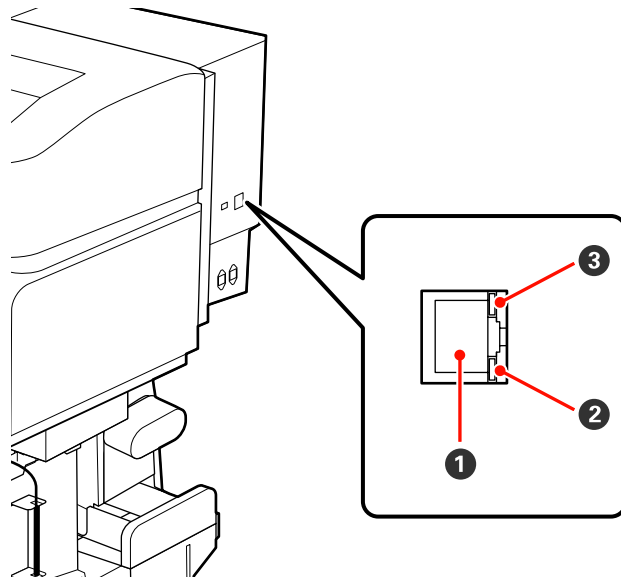
2 Roll holder

Place media on these holders. There are same parts on both the left and the right.

Introduction

- 3 Roll holder fixing screw**
These screws fix the roll holders in place once the media has been installed. There are same parts on both the left and the right.
- 4 Lift lever**
If the media to be mounted on the roll holders seems heavy, use these levers to raise the media effortlessly to the level of the roll holders. There are same parts on both the left and the right.
- 5 Pre-heater**
Heats the media before printing so that the print area is not subject to sudden changes in temperature.
- 6 Roll support**
Rest media on these supports before placing it on the roll holders. There are same parts on both the left and the right.
- 7 Handle**
After placing media on the right roll holder, rotate the handle to press the holder and apply pressure to the roll core.

LAN port



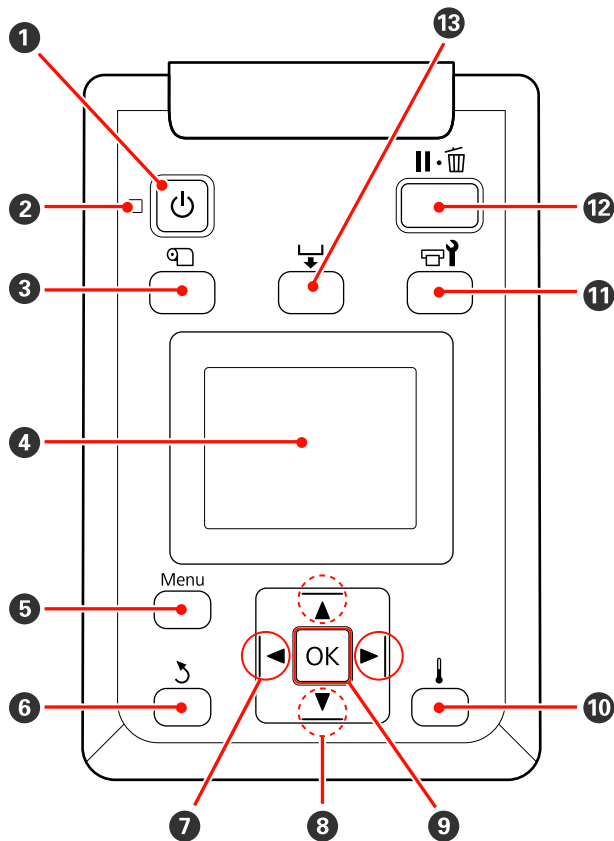
- 1 RJ-45 connector**
Connects the LAN cable. Use a shielded twisted pair cable (category 5 or higher).
- 2 Data lamp**
The data lamp shows connection status and indicates whether the printer is receiving data.
- 3 Status lamp (green/red)**
The status lamp indicates network connection speed.

Introduction

| Data lamp | Status lamp (green/red) | Status |
|-----------|-------------------------|-------------------------------------------------------------|
| On | On (green) | The printer is connected using a 100base-T connection. |
| Flashing | | The printer is receiving data over a 100base-T connection. |
| On | On (red) | The printer is connected using a 100base-TX connection. |
| Flashing | | The printer is receiving data over a 100base-TX connection. |

Introduction

Control panel

**1**  **button (power button)**

Turns the power on and off.

2  **light (power light)**

The printer's operational status is indicated by a lit or flashing light.

On : The power is on.

Flashing : The printer is receiving data or performing head cleaning or other operations during shut-down.

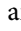
Off : The power is off.

3  **button (media setup button)**


Press this button to display the Media Setup menu, which contains such items as **Media Remaining**, **Select Media**, **Customize Settings**, and **Print Media List**. This button is disabled during printing.

 [“The Media Setup Menu” on page 144](#)

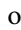
4 **Display**

Displays the printer's status, menus, error messages, and so on.  [“Understanding the Display” on page 21](#)

5 **Menu button**

Press this button to display menus.  [“Using the Control Panel Menu” on page 137](#)





6 **Back button (back button)**


Press this button to exit to the previous menu when options are displayed.  [“Menu Operations” on page 137](#)

7 **Left and right arrow buttons (left and right arrow buttons)**


Use to position the cursor when performing such tasks as entering a **Setting Name** or **IP Address** in the setup menu.


8 **Up and down buttons (up and down buttons)**

When the media loading lever is in a lowered position and the  button is pressed, media is fed. If the  button is pressed, media is rewound. This occurs regardless of the way the loaded media is rolled. If the  button is pushed and held in a printable state, at screens after adjustments or check pattern printing, or at the media feed screen, media is fed a maximum of 103 cm. Keep the  button pressed to rewind the media up to 25 cm.


Note that when the  button is used to rewind, the media will stop when its edge reaches the starting print position. Rewind can be resumed by releasing the button and then pressing it again.

When the media loading lever in a raised position, the button to rewind media depends on how the loaded media is rolled.

Printable Side Out: Press the  button.

Printable Side In: Press the  button.

Keep the button pressed to rewind the media up to 25 cm.

When the menus are displayed, these buttons can be used to select menu items and options.  [“Menu Operations” on page 137](#)

9 **OK button**

Introduction

- ❑ Pressing this button when a menu item is highlighted displays options for the selected item.
- ❑ Pressing this button when an option is highlighted selects the highlighted item or performs the selected operation.
- ❑ Pressing this button while the alert buzzer is sounding stops the buzzer.

10 **button (heating/drying button)**

Pressing this button displays the Heating & Drying menu, where you can adjust the **Heater Temperature**. If the additional print drying system (supplied with the SC-S50600 series; optional with other models) is attached, you can also adjust **Additional Dryer** settings. These options can be adjusted during printing.


 [“Heating & Drying” on page 89](#)

11 **button (maintenance button)**

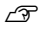
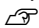
Pressing this button displays the Maintenance menu on the screen to perform **Nozzle Check, Cleaning, Ink Circulation, Ink Refresh, Head Maintenance, Waste Ink Counter, Head Washing, and Pre-Storage Maint.** This button is disabled during printing.

 [“The Maintenance Menu” on page 151](#)

12 **button (pause/cancel button)**

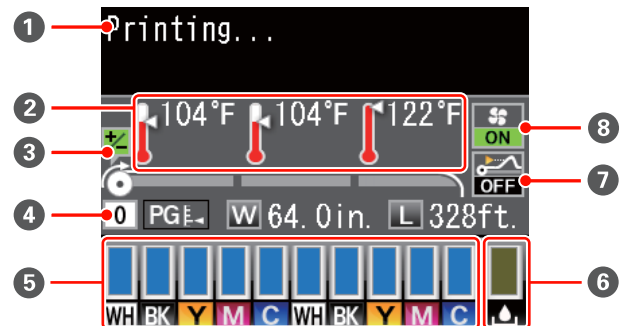
- ❑ The printer enters pause status if this is pressed while printing. To release the pause status, press the  button again, or select **Pause Cancel** on the screen and then press the OK button. To cancel print jobs being processed, select **Job Cancel** on the screen and then press the OK button.
- ❑ Pressing this button when menus are displayed closes the menus and returns the printer to ready status.

13 **button (media feed button)**

- ❑ When the printer is in the ready state, you can feed the media to the cut position by pressing this button and then OK.
 [“Cutting Media” on page 64](#)
- ❑ When printing is in progress, you can use this button to perform feed adjustment.
 [“Feed Adjustment” on page 90](#)

Understanding the Display

The illustration shows the display for the SC-S50600 series.



1 **Messages**

Displays the printer's status, operation, and error messages.

 [“When a Message is Displayed” on page 156](#)

2 **Heater temperature**

From left to right, this display shows the temperature settings for the pre-heater, platen heater, and after heater. The thermometer icons give a rough indication of the current temperatures of the heaters.



: The heater has reached the selected temperature.



: The heater has not reached the selected temperature.

3 **Feed adjustment information during printing**

This information is displayed when the adjustment value is specified during printing.

 [“Feed Adjustment” on page 90](#)

4 **Media info**

- ❑ From left to right, this display shows the selected media, platen gap, media width, and media remaining.
- ❑ If a media setting bank number registered with this printer is selected as the print media, the number (from 1 to 30) will be displayed. When **RIP Settings** is selected, 0 will be displayed.
- ❑ The selected platen gap is shown as follows.

Introduction

 : 1.5

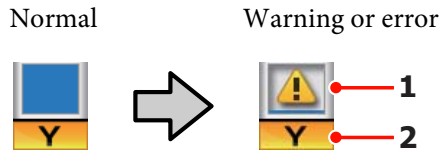
 : 2.0

 : 2.5

- ❑ The media remaining is not displayed if **Off** is selected for **Remaining Setup** in the **Media Remaining** menu.
[☞ "Media Remaining" on page 144](#)


5 Ink cartridge status


Displays the approximate level of remaining ink and the current status. When ink runs low or an error occurs, the display changes as shown below.



1 Status indicators


The ink cartridge status is indicated as follows.


 : Ready to print. The height of the indicator changes with the level of ink remaining.


 : Ink is low. You need to prepare a new ink cartridge.


 : The level of ink remaining has reached the limit. Replace the old ink cartridge with a new one when using the SC-S30600 series or when not using spot color inks.

Replace the old ink cartridge with a new one promptly when using spot color inks. If the old cartridge is not replaced, the print head or other parts may be damaged.

 : The ink cartridge is not latched. Lower the lock lever to engage the latch.

 : No ink cartridge is inserted. Insert the ink cartridge and lower the lock lever to engage the latch.

 : An error occurred. Check the message on the screen, and clear the error.

 : A Cleaning cartridge is installed. The height of the indicator changes with the level of cleaning fluid remaining.

Note:

You can also check the level of ink remaining using the Ink Level option in the menus.

[☞ "The Ink Level Menu" on page 153](#)

2 Ink color codes

SC-S70600 series

MS : Metallic Silver

LK : Light Black

BK : Black

C : Cyan

M : Magenta

Y : Yellow

OR : Orange

OR+ : Orange Plus

LC : Light Cyan

LM : Light Magenta

WH : White

SC-S50600 series

WH : White

BK : Black

Y : Yellow

M : Magenta

C : Cyan

Introduction

SC-S30600 series

BK : Black

Y : Yellow

M : Magenta

C : Cyan




6 Waste ink bottle status

Displays the approximate amount of space available in the waste ink bottle. The display changes as shown below when the waste ink bottle is nearly full or an error occurs.





1 Status indicators

The status of the waste ink bottle is shown as follows.

-  : No error. The indicator changes to show the amount of space available.
-  : The waste ink bottle is almost full. Ready a new waste ink bottle.
-  : The waste ink bottle is full. Replace with a new waste ink bottle.

7 Media rise detection status

This is displayed by the SC-S50600 series only.


-  : The printer checks whether the media rises during printing.
-  : The printer does not check whether the media rises during printing.


 [“The Maintenance Menu” on page 151](#)

8 Additional print drying system status

This display shows settings for the additional print drying system (supplied with the SC-S50600 series; optional with other models).

No icon : Not installed, or it is not installed correctly.

 : The drying fan is enabled.

 : The drying fan is not enabled. To start the fan, select **Additional Dryer** for **On** in the setup menu.

 [“Heating & Drying” on page 89](#)

Introduction

Features

This wide-format color ink jet printer supports roll media 1626 mm (64 inches) in width. The main features of this printer are described below.

Realizing High Productivity

Triple Heaters

The three heaters listed below support improved productivity and print quality.

The pre-heater: Warms media before printing to protect the print area from sudden changes in temperature.

The platen heater: Ensures that the ink adheres evenly.

The after heater: Can be used to rapidly dry ink after printing.

Media Feeding Unit Accommodates High-Capacity Rolls

The standard media feeding unit can handle high-capacity rolls with external diameters of up to 250 mm and weights of up to 40 kg, ensuring that media requires less frequent replacement.

With the optional heavy roll media system, the printer can handle even larger 80 kg rolls with external diameters of 300 mm.

Auto Take-up Reel Unit Comes Standard

The auto take-up reel unit automatically takes up printed media cleanly, with no wrinkles. You'll find it comes in handy for banner printing, high-volume print jobs, and continuous overnight printing.

High-Capacity Ink Cartridges

The printer uses high-capacity, 700 ml ink cartridges (white ink cartridges 600 ml, metallic silver cartridges 350 ml) to ensure productivity, reducing the nuisance of frequent ink replacements.

High-Speed Printing

The SC-S50600 series is equipped with two heads for faster printing. High speeds are supported by using two cartridges for each color of ink.

Additional Print Drying System Available

The additional print drying system (supplied with the SC-S50600 series; optional with other models) can be used for increased drying performance and improved productivity. It is recommended when using the SC-S70600 series in 10 Color mode, as the white and metallic silver inks are slow to dry.

High Print Quality


Smooth Tone Gradations, High-Fidelity Color Reproduction

The SC-S70600 series is equipped for light-colored inks (Light Black, Light Cyan and Light Magenta), reducing graininess for continuous tone gradation, while the use of Orange ink increases the color gamut for high-fidelity color reproduction. It is capable of print quality of a level sufficient for car wraps and indoor display advertising that can be inspected at close range.

Support for White and Metallic Silver Inks

A variety of print effects are available when using the SC-S70600 series with White and Metallic Silver inks or the SC-S50600 series with White ink. The White ink is high opacity, making it suitable for masking on transparent media (window graphics). Other inks can be printed over White or Metallic Silver inks (ink layering), preventing color inks showing through and allowing for a variety of metallic colors.

When using spot color inks, see:

 [“Notes on Usage of Spot color Inks \(SC-S70600 series, SC-S50600 series\)” on page 28](#)

Superior Ease of Use

Media Installation and Take up a Snap

The roll and roll core holders require no spindles, eliminating the need to attach spindles before installing media. Just bring the media to the printer and install it directly. Never having to juggle long spindles makes installing media a snap even where space is limited.

In addition to roll supports that give you a place to rest media during installation, the printer offers lift levers that allow heavy media to be effortlessly raised to the level of the roll holders.

Introduction

Nearly Odorless Solvent Ink

The distinctive odor of solvent-based inks has been reduced with our solvent inks. This not only improves the work environment during printing but ensures that items intended for indoor display can be exhibited in any venue.

Media Rise Detection


The SC-S50600 series is equipped with a system for detecting media rise during printing. If the media rises during printing, printing will stop to prevent the media coming into contact with the print head. Stopping printing avoids printing errors and prevents waste of ink and media.

Ease of Maintenance

Print quality can only be ensured through daily maintenance. The design of this printer leaves plenty of space for maintenance, making maintenance a snap.

E-Mail Error/Warning Notification

The EpsonNet Config with Web Browser system built into the printer's network interface offers e-mail notification. Once configured for e-mail notification, the printer will send errors and warnings to selected e-mail addresses. This ensures peace of mind when the printer is left unattended during overnight operation and in other similar situations.

Starting EpsonNet Config (with Web Browser)  [Network Guide \(pdf\)](#)

Lamp and Buzzer Error Alerts

When an error occurs, a buzzer will sound and the alert lamp will light. The large alert lamp is highly visible, even at a distance.

A buzzer sounds simultaneously to prevent time wasted while stoppages due to errors go unnoticed.

High-Speed USB/Gigabit Ethernet

The printer comes equipped with high-speed USB and 100 Base-TX/1000 Base-T network interfaces.

Notes on Usage and Storage

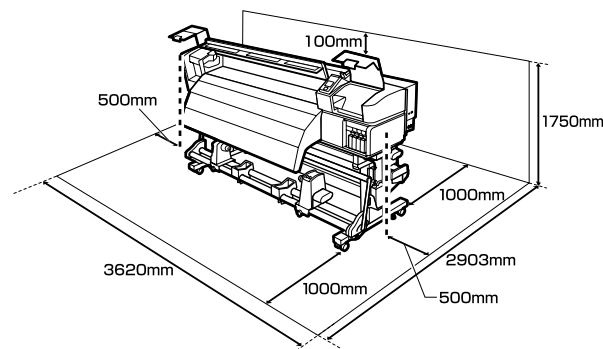
In this document, White ink and Metallic Silver ink are listed as "spot color ink".

Installation space

Make sure that you secure the following space, clear of any other objects, so that paper ejection and consumable replacement are not obstructed.

See the "Specifications Table" for the external dimensions of the printer.


 ["Specifications Table" on page 183](#)




Notes when using the printer

Note the following points when using this printer to avoid breakdowns, malfunctions, and print quality decline.

When using spot color ink, observe the following points as well.

 ["Notes on Usage of Spot color Inks \(SC-S70600 series, SC-S50600 series\)" on page 28](#)

- When using the printer, observe the operating temperature and humidity range described in the "Specifications Table".  ["Specifications Table" on page 183](#)

Note, however, that the desired results may not be achieved if the temperature and humidity are within the limits for the printer but not within those for the media. Be sure the operating conditions suit

Introduction

the media. For more information, see the documentation supplied with the media.

Also, when operating in dry areas, air conditioned environment, or under direct sunlight, maintain the appropriate humidity.

- ❑ Avoid using the printer in locations with heat sources or that are exposed to direct draughts from ventilators or air conditioners. The print head nozzles could dry out and clog.
- ❑ Do not bend or tug the waste ink tube. Ink could spill inside or around the printer.
- ❑ Maintenance such as cleaning and replacement must be performed according to usage frequency or at recommended intervals. Failure to perform regular maintenance could result in loss of print quality. In the absence of the appropriate maintenance, continued use could damage the print head.


 [“When to Perform Various Maintenance Operations” on page 97](#)

- ❑ The print head may not be capped (the print head may not return to the right side) if the printer is turned off when the media is jammed or an error has occurred. Capping is a function for automatically covering the print head with a cap (lid) to prevent the print head from drying out. In this case, turn on the power and wait a while until capping is performed automatically.
 - ❑ When the power is on, do not remove the power plug or cut the power at the breaker. The print head may not be capped properly. In this case, turn on the power and wait a while until capping is performed automatically.
 - ❑ The print head is automatically cleaned at a fixed interval after printing to keep the nozzle from clogging.
- Be sure that the waste ink bottle is placed whenever the printer is on.
- ❑ As well as being expended during printing, ink is used during head cleaning and other maintenance required to keep the print head in working order.

Notes when not using the printer

If you are not using it, note the following points when storing the printer. If it is not stored correctly, you may not be able to print properly the next time it is used.

When using spot color ink, observe the following points as well.

 [“Notes on Usage of Spot color Inks \(SC-S70600 series, SC-S50600 series\)” on page 28](#)

- ❑ If the printer will not be used for an extended period (and switched off), use Cleaning cartridge (available separately) and perform Pre-Storage Maint. Leaving the heads unwashed causes permanent clogs.

See the following for more information.

 [“Long-term Storage \(Pre-storage Maintenance\)” on page 132](#)

- ❑ If you do not print for a long time and do not perform pre-storage maintenance, turn the printer on at least once every seven days.

If you do not print for a long time, the print head nozzles may become clogged. Head cleaning will be performed automatically after the printer is turned on and started. Head cleaning prevents clogged print heads and maintains print quality. Do not turn the printer off until cleaning is complete.

- ❑ If you have not used the printer for a long time, check the print head for clogging before you start printing. Perform head cleaning if the print head is clogged.

 [“Printing nozzle check patterns” on page 128](#)

- ❑ The pressure rollers may crease media left in the printer. The media may also become wavy or curled, causing jams or resulting in the media coming into contact with the print head. Remove the media before putting the printer in storage.

Introduction

- ❑ Store the printer after confirming that the print head has been capped (the print head is positioned at the far right). If the print head is left uncapped for a long time, the print quality may decline.

Note:


If the print head is not capped, turn the printer on, and then turn it off.

- ❑ Close all covers before placing the printer in storage. If you are not using the printer for a long time, put an anti-static cloth or cover on the printer to prevent dust. The print head nozzles are very small, and they can become clogged easily if fine dust gets on the print head, and you may not be able to print properly.
- ❑ When storing the printer, be sure that it is level: do not store it on an angle, on end, or upside down.

Notes on handling ink cartridges

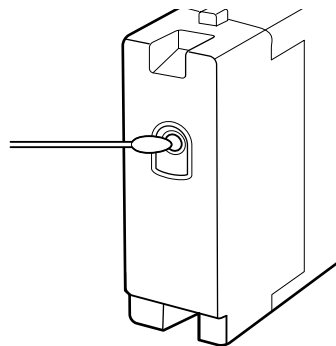
Note the following points when handling ink cartridges to maintain good print quality.

When using spot color ink, observe the following points as well.

 “Notes on Usage of Spot color Inks (SC-S70600 series, SC-S50600 series)” on page 28

- ❑ Extra ink is required to fully charge the print head nozzles the first time the printer is used; replacement cartridges will be needed earlier than usual.
- ❑ Store ink cartridges at room temperature in a location that is not exposed to direct sunlight.
- ❑ To ensure print quality, use all the ink in the cartridge before the earlier of the following dates:
 - ❑ The expiry date shown on the ink cartridge packaging
 - ❑ Six months after opening the package of ink cartridge
- ❑ If you move ink cartridges from a cold place to a warm place, leave it at room temperature for more than four hours before using the ink cartridge.

- ❑ Do not touch the ink cartridge IC chip. You may not be able to print properly.
- ❑ In 8 Color (Fixed) mode or 4C Mode, use replacement cartridges as well to fill all slots with cartridges. In 8 Color (Unfixed) mode or 9 Color mode, use Cleaning cartridge to fill all slots with cartridges. You cannot print if any of the slots are empty.
- ❑ Do not leave the printer without ink cartridges installed. The ink in the printer will dry out and the printer will not function as expected. Leave ink cartridges or replacement cartridges in all slots even when the printer is not in use.
- ❑ Because the green IC chip contains the cartridge's own information such as the remaining ink level, you can still reinstall and use the ink cartridge after removing it from the printer.
- ❑ Use a cleaning stick from the supplied maintenance kit to wipe ink from the ink supply port of cartridges that have been removed from the printer before all the ink is used. Dried ink on the supply port may cause ink leaks when the cartridge is reinserted and used.




While cartridges are in storage, keep the ink supply ports free of dust. The ink supply port has a valve in it so it does not need to be capped.

- ❑ Removed ink cartridges may have ink around the ink supply port, so be careful not to get any ink on the surrounding area when removing the cartridges.
- ❑ To maintain the quality of the print head, this printer stops printing before ink cartridges are completely expended.
- ❑ Although the ink cartridges may contain recycled materials, this does not effect printer function or performance.

Introduction

- ❑ Do not dismantle or remodel ink cartridges. You may not be able to print properly.
- ❑ Do not drop or knock it against hard objects; otherwise, the ink may leak from the cartridge.
- ❑ With the exception of spot color inks, ink cartridges must be removed and thoroughly shaken once every three weeks.

Shaking ink cartridges  [“Shaking” on page 118](#)

- ❑ Do not insert or remove replacement cartridges during printing.

Handling Media

Note the following when handling or storing media. Media that are in poor condition will not produce good quality prints.

Be sure to read the documentation provided with each type of media.

Notes on Handling

- ❑ Do not fold the media or damage the printable surface.
- ❑ Do not touch the printable surface. Moisture and oils from your hands can affect print quality.
- ❑ When handling media, hold it by both edges. We recommend wearing cotton gloves.
- ❑ Keep the media dry.
- ❑ Packaging materials can be used to store media and should not be thrown away.
- ❑ Avoid locations that are subject to direct sunlight, excessive heat, or humidity.
- ❑ When not in use, media should be removed from the printer, rewound, and inserted in its original packaging for storage. Leaving media in the printer for extended periods may cause it to deteriorate.

Handling Media After Printing

To maintain long lasting, high quality print results, note the following points.

- ❑ Do not rub or scratch the printed surface. If they are rubbed or scratched, the ink may peel off.
- ❑ Do not touch the printed surface, as this may remove the ink.
- ❑ Make sure printouts are completely dry before folding or stacking, otherwise discoloration or other marks may appear where the prints touch. These marks will disappear if the prints are immediately separated and dried but will become permanent if the surfaces are not separated.
- ❑ Avoid direct sunlight.
- ❑ To prevent discoloration, display and store prints as instructed in the documentation supplied with the media.

Notes on Usage of Spot color Inks (SC-S70600 series, SC-S50600 series)


Spot color inks may be sedimented (components settling to the bottom of the liquid) due to ink characteristics. Sedimentation triggers tint unevenness in printing results or clogged nozzles.

Before using spot color inks, take note of the following cautions.

- ❑ The printer provides a function (auto ink circulation) that automatically circulates inks in the print head or tube at periodic intervals to prevent inks from being sedimented.
 - ❑ When using this function, we recommend that you do not turn the printer off. If the power is turned off, auto ink circulation is not performed at the appropriate times. This causes irresolvable sedimentation, which results in damage. When not using the printer for a long period of time, see:

 [“Long-term Storage \(Pre-storage Maintenance\)” on page 132](#)


Introduction

- ❑ To cancel auto ink circulation, press the  button while **Circulating ink...** is being displayed on the control panel screen. However, it cannot be canceled while ink circulation is required. If auto ink circulation is canceled to make prints using spot color inks, tint unevenness may occur in printing results.

To avoid cancellation of the auto ink circulation process, we recommend that you perform **Ink Circulation** before starting printing.

 [“The Maintenance Menu” on page 151](#)

- ❑ Spot color ink cartridges must be removed and thoroughly shaken once every 24 hours.

Shaking ink cartridges  [“Shaking” on page 118](#)

- ❑ Spot color ink cartridges must be stored flat (i.e., laid on their sides). If the cartridges are stored vertically, even shaking the cartridges before use may fail to dissolve the materials that have sedimented in the ink during storage.
- ❑ When tint unevenness is detected in printing results, perform **Ink Refresh** from the menu on the control panel.

 [“Ink Refresh” on page 132](#)

- ❑ Note the following when using ink layering.
 - ❑ Use media at least 2% longer than specified in document size settings.
 - ❑ Note that the auto take-up reel unit may not function as expected, causing a decline in print quality.
 - ❑ Some media do not support ink layering. For details, refer to the documentation supplied with the media or contact the manufacturer.

Introduction

Using the Supplied Software

Contents of the Software Disc

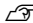

The following applications are available on the supplied software disk. Install as required.

For information about these applications, see the *Network Guide* (pdf) or the on-line help for the application in question.



Note:

- ❑ *The supplied disk does not contain printer drivers. A software RIP is required for printing. Software not on the supplied software disk (including software RIPs and plug-ins for this printer) is available from the Epson website.*
- ❑ *The latest applications can be downloaded from the Epson website.*

For Windows

| Software Name | Summary |
|----------------------------|-------------------------------------------------------------------------------------------------------------------------------------------------------------------------------------------------------------------------------------------------------------------------------------------------------------------------------------------------------------------------------------------------------------------------------------------------------------------------------------------------------------------------------------------------------------------|
| EPSON LFP Remote Panel 2 | <p>EPSON LFP Remote Panel 2 is used to update firmware from a computer and copy media settings bank created in the printer's setup menu to a computer.</p> <p> "Starting EPSON LFP Remote Panel 2" on page 31</p> <p> "Exiting EPSON LFP Remote Panel 2" on page 31</p> |
| Epson Driver and Utilities | <p>Epson communications drivers (the EPSON SC-S70600 Series Comm Driver, EPSON SC-S50600 Series Comm Driver, or EPSON SC-S30600 Series Comm Driver) are installed.</p> <p>The Epson communications driver is required to copy media settings using EPSON LFP Remote Panel 2. It is not a printer driver. In addition, the software RIP may not display printer status if the Epson communications driver is not installed when the printer is connected to a computer via USB. See the software RIP documentation for more information on the status display.</p> |
| Epson Network Utilities | Install and launch a wizard that will help you enter IP addresses for a simple network connection. |
| EpsonNet Config | With this software, you can configure various network settings for the printer from your computer. This is useful as it allows you to enter addresses and names using the keyboard. |

For Mac OS X

| Software Name | Summary |
|--------------------------|-------------------------------------------------------------------------------------------------------------------------------------------------------------------------------------------------------------------------------------------------------------------------------------------------------------------------------------------------------------------------------------------------------------------------------------------------------------------------------|
| EPSON LFP Remote Panel 2 | <p>EPSON LFP Remote Panel 2 is used to update firmware from a computer and copy media settings bank created in the printer's setup menu to a computer.</p> <p> "Starting EPSON LFP Remote Panel 2" on page 31</p> <p> "Exiting EPSON LFP Remote Panel 2" on page 31</p> |
| Epson Network Utilities | Install and launch a wizard that will help you enter IP addresses for a simple network connection. |
| EpsonNet Config | With this software, you can configure various network settings for the printer from your computer. This is useful as it allows you to enter addresses and names using the keyboard. |

Introduction

Starting EPSON LFP Remote Panel 2

Launch EPSON LFP Remote Panel 2 after confirming that the printer displays **Ready**.

Windows

- 1 The application can be launched using either of the following two methods.
 - Double-click the **EPSON LFP Remote Panel 2** icon on the desktop. The **EPSON LFP Remote Panel 2** icon is created when this application is installed.
 - Click **Start > All Programs (or Programs) > EPSON LFP Remote Panel 2 > EPSON LFP Remote Panel 2**.

- 2 Click the desired item in the main window of EPSON LFP Remote Panel 2.

For details, see the EPSON LFP Remote Panel 2 help.

Mac OS X

Double-click **Applications > Epson Software > EPSON LFP Remote Panel 2 > EPSON LFP Remote Panel 2** to open the EPSON LFP Remote Panel 2 main window.

Exiting EPSON LFP Remote Panel 2

Click **Finish** in the EPSON LFP Remote Panel 2 main window.

Uninstalling Software



Important:

- Login to a "Computer administrator" account (an account with Administrators group privileges).*
- Enter the administrator password when prompted and then proceed with the remainder of the operation.*
- Exit any other applications that may be running.*

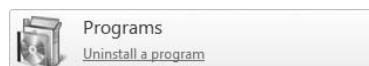
Windows

This section describes how to uninstall EPSON LFP Remote Panel 2 and the Epson communications driver using them as an example.

- 1 Turn off the printer, and unplug the interface cable.

- 2 Go to the **Control Panel** and click **Uninstall a program** from the **Programs** category.

In Windows XP, go to the **Control Panel** and click **Add or Remove Programs**.



- 3 Select the software you want to remove and then click **Uninstall/Change** (or **Change/Remove**).

Selecting the following deletes the Epson communications drivers.

- EPSON SC-S70600 Series Comm Driver Printer Uninstall
- EPSON SC-S50600 Series Comm Driver Printer Uninstall
- EPSON SC-S30600 Series Comm Driver Printer Uninstall

To uninstall EPSON LFP Remote Panel 2, select EPSON LFP Remote Panel 2.

- 4 Select the target printer icon, and then click **OK**.

Introduction

5 Follow the on-screen instructions to continue.

When the delete confirmation message appears, click **Yes**.

If you are reinstalling the Epson communications driver, restart the computer.

Mac OS X

The following describes how to remove the EPSON LFP Remote Panel 2.

1 Quit EPSON LFP Remote Panel 2.

2 Select **Applications - Epson Software**, and drag and drop the entire **EPSON LFP Remote Panel 2** folder into **Trash** to delete.

Use the Uninstaller to uninstall other software. Uninstall the affected applications before performing a reinstall or update.

Download

The "Uninstaller" can be downloaded from the Epson website.

URL: <http://www.epson.com>

Uninstall

When obtaining the "Uninstaller", check the procedure, and follow it to perform uninstallation.

Basic Operations

Basic Operations

Loading and Exchanging Media

The process for loading media varies with the model of printer or type of media feeding unit used. Choose the method suited to your particular setup.

When using the SC-S70600 series or SC-S50600 series

The position to set the pressure rollers depends on the printing type or media width. Media is set in consideration of the positioning of the pressure rollers. Therefore, check the positioning of the pressure rollers in advance.

Positioning pressure rollers

 [“Positioning of the pressure rollers and media \(For SC-S70600 series and SC-S50600 series\)” on page 35](#)

Loading media

 [“Loading Media \(SC-S70600 series, SC-S50600 series\)” on page 37](#)

Using the SC-S30600 series

 [“Loading Media \(SC-S30600 series\)” on page 51](#)

Notes on loading media

Whenever you attempt to load the media, check the following cautions beforehand.

For information on the media that can be used in the printer, see:

 [“Supported Media” on page 176](#)

Caution:

- The heaters and media holding plate may be hot; observe all necessary precautions. Failure to observe the necessary precautions could result in burns.
- Be careful not to trap your hands or fingers when opening or closing the front cover. Failure to observe this precaution could result in injury.
- Do not rub your hands along the edges of the media. The edges of the media are sharp and can cause injury.
- Because the media is heavy, it should not be carried by one person.

Load the media just before printing

The pressure rollers may crease media left in the printer. The media may also become wavy or curled, causing jams or resulting in the media coming into contact with the print head.

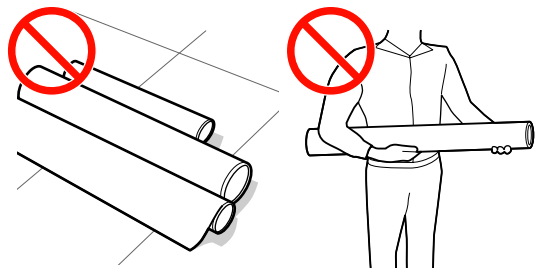
Observe the following points when handling media

If the following points are not observed when handling media, small amounts of dust and lint may stick to the media surface and cause ink drops in the print results.

- Do not place exposed media directly on the floor.

Media should be rewound and inserted in its original packaging for storage.
- Do not carry media with the media surface pressed against clothing.

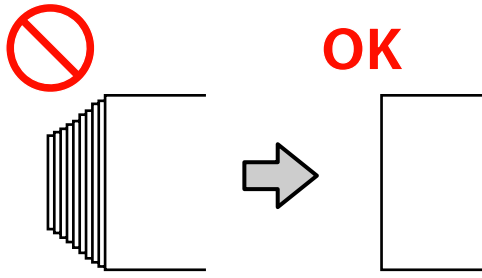
Handle media in its individual packaging until just before loading the media in the printer.



Do not set media if its right and left edges are uneven

If media is loaded and the right and left edges of the roll are uneven, media feeding problems may cause the media to move around during printing. Either rewind to align the edges or use a roll without any issues.

Basic Operations



Basic Operations

Positioning of the pressure rollers and media (For SC-S70600 series and SC-S50600 series)

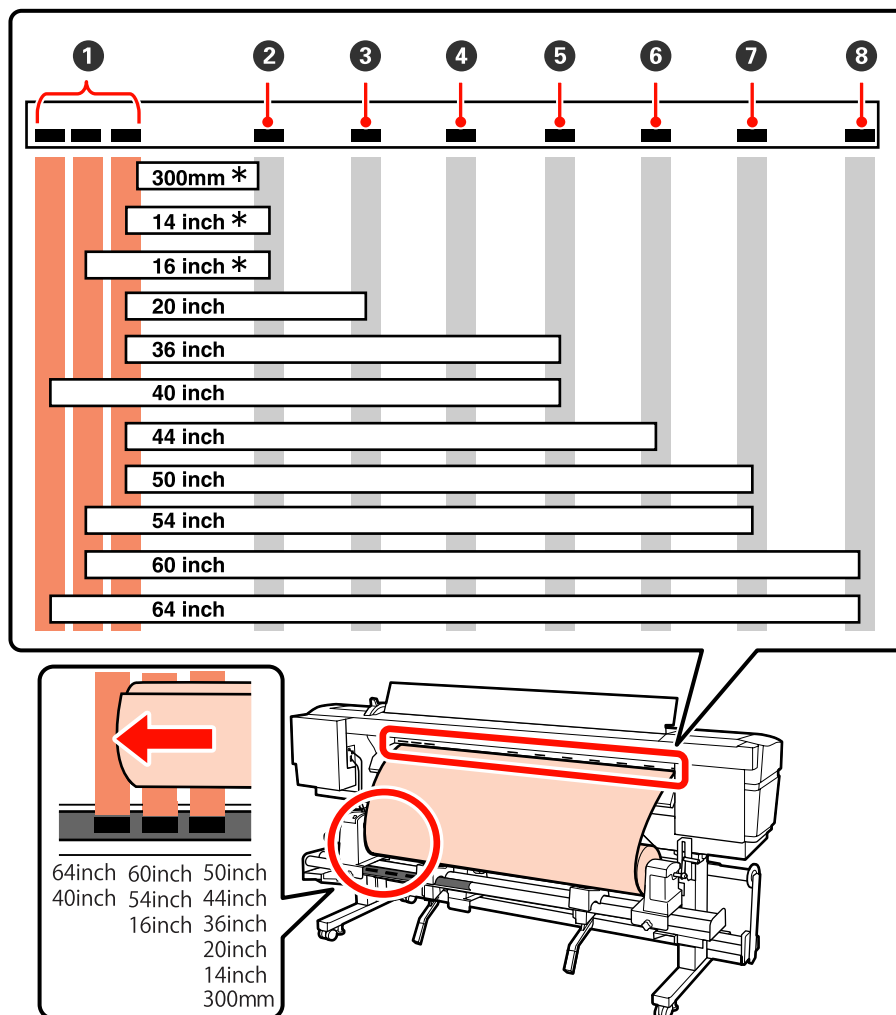
Pressure rollers must be set in the correct position to obtain good print results.

Positioning of media

There are square holes to indicate the pressure roller positions on the rear side of the printer.

Observe the following cautions when positioning media to ensure that the positioning of pressure rollers is appropriate for the media width.

- ❑ Ensure that the left edge of the media always passes within the range of ①.
- ❑ The right edge of the media must pass within the squares of ② through ⑧ according to the media width.

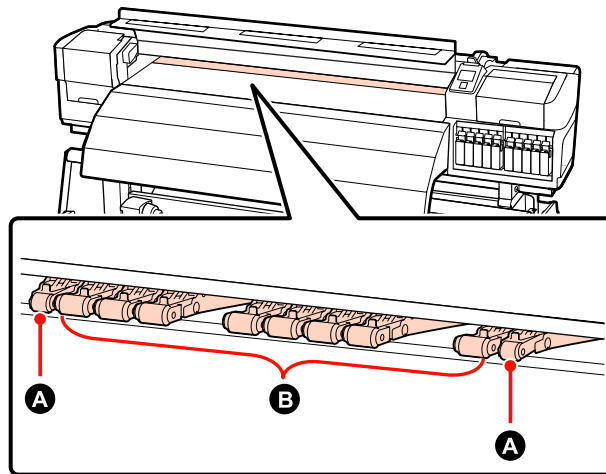


* Only when media except for transparent or milky white film is loaded, or when not performing ink layering

Basic Operations

Pressure roller types

There are two types of pressure rollers. As shown below, the pressure roller to use depends on the type of printing.



Normal printing

Use low pressure rollers **B**. Note that the quantity of rollers to use depends on the media width.

When transparent or milky white film is loaded or during ink layering

Use high pressure rollers **A**.

Note:

- If low pressure rollers are used when loading transparent or milky white film, the pressure rollers may leave the traces in the print area.
- If low pressure holders are used during ink layering, ink layering is not performed correctly.

Basic Operations

Loading Media (SC-S70600 series, SC-S50600 series)

Follow the steps below when using the supplied media feeding unit.

When the Heavy Roll Media Feeding Unit is installed, see: [☞ “Using the Optional Heavy Roll Media Feeding Unit” on page 44](#)

When the Standard Media Feeding Unit Is Installed

This section uses the SC-S70600 series to illustrate the process of loading media when the supplied media feeding unit is installed.


The video is available to check the procedure.

SC-S70600 series [☞ https://www.youtube.com/playlist?list=PLD67cTLxxk9M3XJ7ytYW5QkJDXIT1bJOj](https://www.youtube.com/playlist?list=PLD67cTLxxk9M3XJ7ytYW5QkJDXIT1bJOj)

SC-S50600 series [☞ https://www.youtube.com/playlist?list=PLD67cTLxxk9OWBIEifb1tAruevhTX-_f9](https://www.youtube.com/playlist?list=PLD67cTLxxk9OWBIEifb1tAruevhTX-_f9)

Before loading media, be sure to read the following:

[☞ “Notes on loading media” on page 33](#)

- 1 Press the  button, and wait until **Load media.** appears on the screen.



Important:

When spot color inks are installed, circulation will be performed automatically to prevent ink accumulating in the printer and causing clogs when the printer is not in use. Because turning the printer off prevents automatic circulation from being performed, leading to printer malfunction, we recommend that the printer not be turned off.

2

- 2 Open the front cover, and move the media holding plates out of the way.

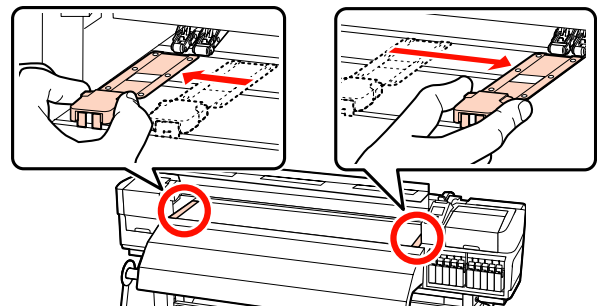


Important:

If the media holding plates are not moved out of the way, media insertion may fail or damage may occur to the edge of the media.

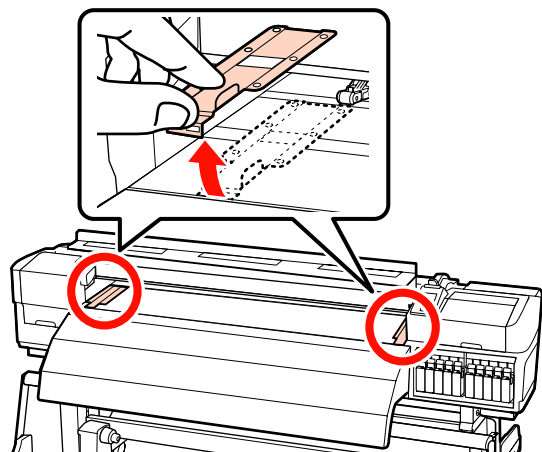
Sliding media holding plates

Move the media holding plates to the right and left sides of the platen. Hold both tabs on the media holding plates to move them.



Insertable media holding plates

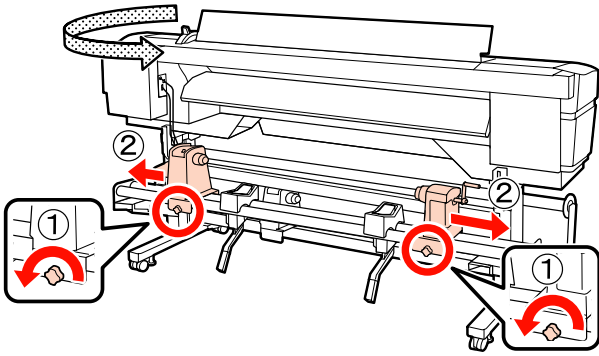
Remove the media holding plates from both edges of the media.



Basic Operations

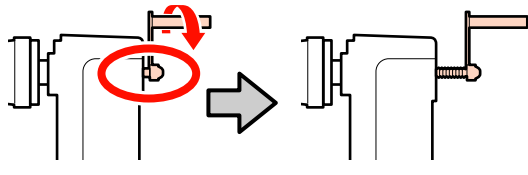
- 3** Loosen the roll holder fixing screws sufficiently and adjust the roll holders so that the distance between the two is wider than the media.

Center the roll supports between the roll holders.

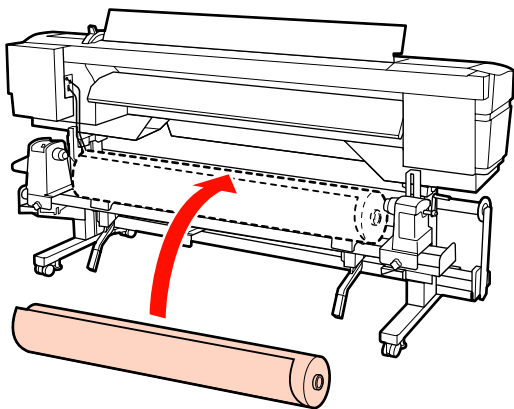


! Important:

If the right holder handle shaft is not visible, rotate the handle forward until it stops. The media can not be properly loaded if the handle shaft is not visible.



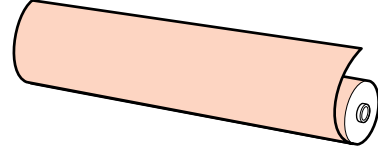
- 4** Temporarily place media on the roll supports.



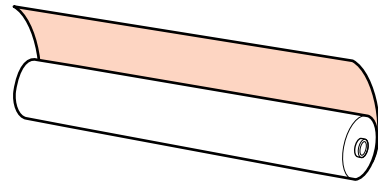
Note:

The method of placing the roll media varies as follows depending on how media is rolled.

Printable Side Out



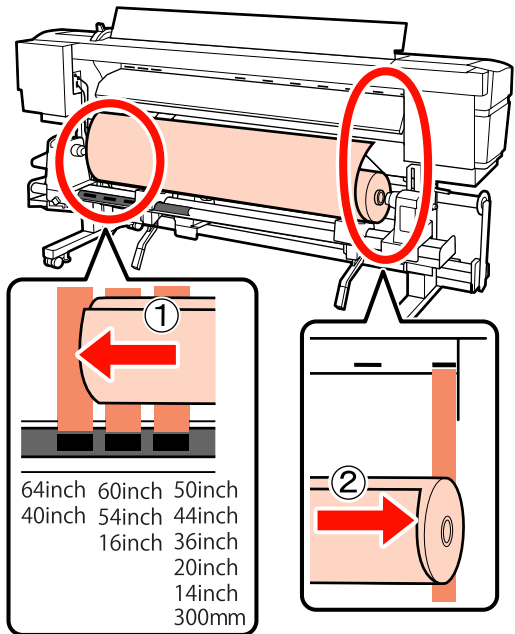
Printable Side In



- 5** Align the left and right edges of the media with the set positions according to the media width.

Recommended positioning by media width

"Positioning of the pressure rollers and media (For SC-S70600 series and SC-S50600 series)" on page 35



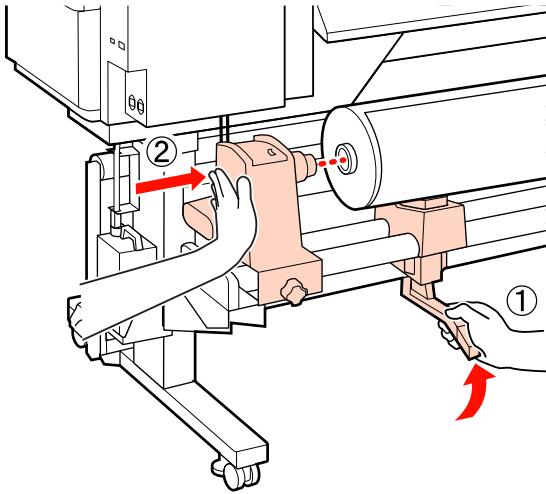
Note:

If the label with black squares is not in place, affix the label as described in the Setup Guide.

Setup Guide

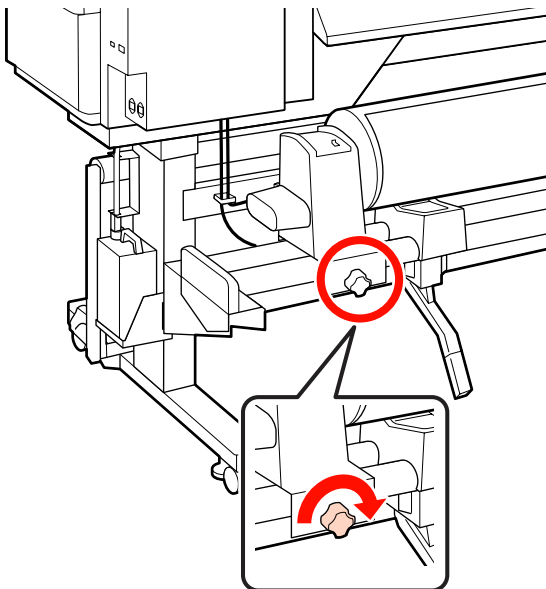
Basic Operations

- 6** Raise the lift lever on the left side of the printer to lift the media into position, then firmly insert the roll holder.

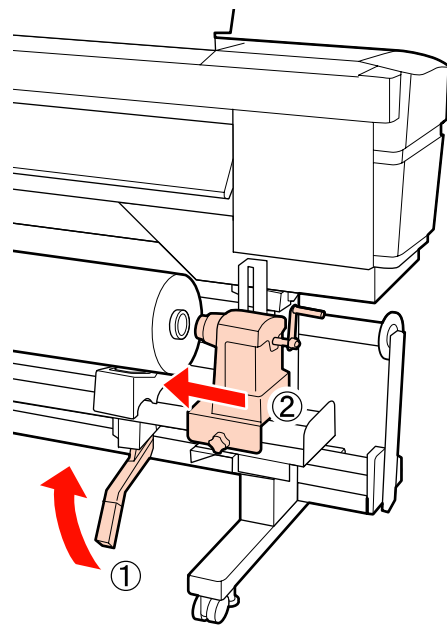


Note:
If the media roll has an outer diameter that is less than 140 mm, lift it manually, and load it to the roll holder. The roll core will not reach the holder when raised using the lift lever.

- 7** Tighten the roll holder screw until the screw no longer turns to fix the roll holder in place.

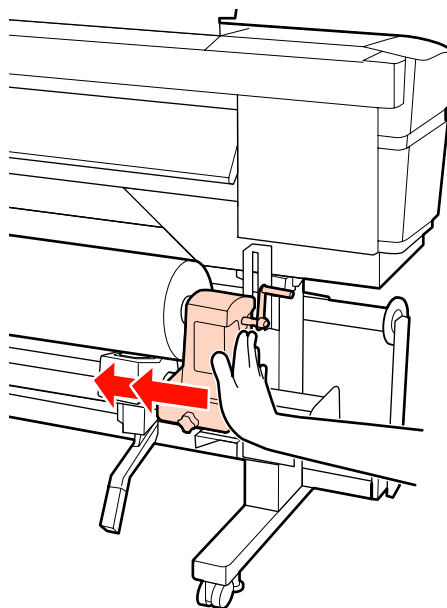


- 8** Raise the lift lever on the right side of the printer to lift the media into position, then firmly insert the roll holder.



Note:
If the media roll has an outer diameter that is less than 140 mm, lift it manually, and load it to the roll holder.

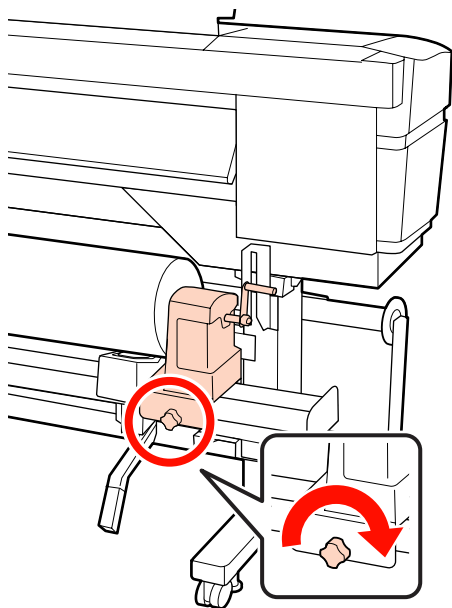
- 9** To ensure the roll holder is inserted into the roll core sufficiently, push the center section on the side of the roll holder towards the roll end twice.



Basic Operations

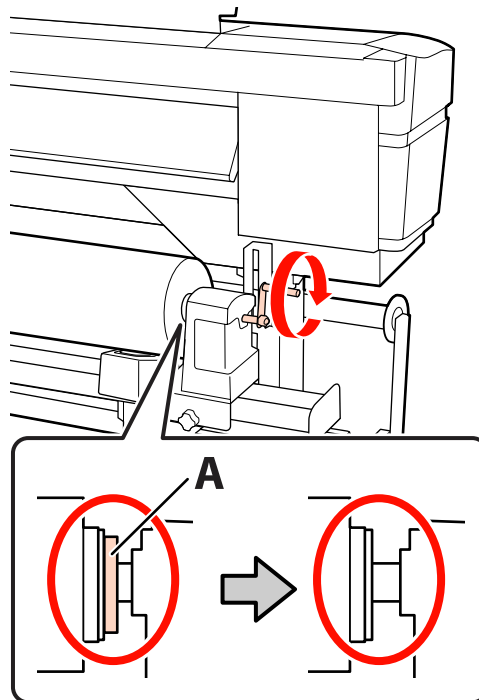
! Important:
 If the roll holder is inserted into the roll core insufficiently, media is not fed correctly during printing because of slippage between the roll holder and roll core.
 This may cause banding in the print results.

10 Tighten the roll holder screw until the screw no longer turns to fix the roll holder in place.



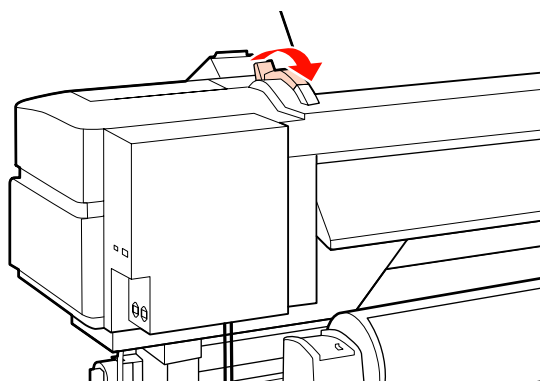
! Important:
 If the roll holder screw is loose, the roll holder may move during printing. This could cause stripes and unevenness in the print results.

11 Rotate the handle until part A in the illustration below is fully inserted.



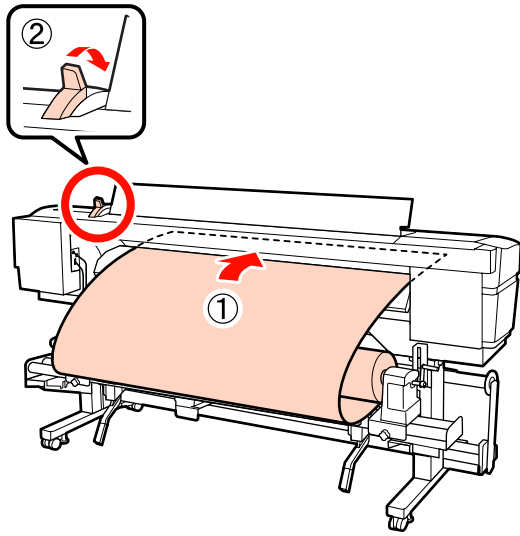
! Important:
 Once part A is hidden, do not turn the handle any further. Failure to observe this precaution could damage the roll holder.
 If part A is still visible even after the handle has been turned fully, rewind the handle. Loosen the roll holder screw on the right side, and then restart from Step 9.

12 Raise the media loading lever.



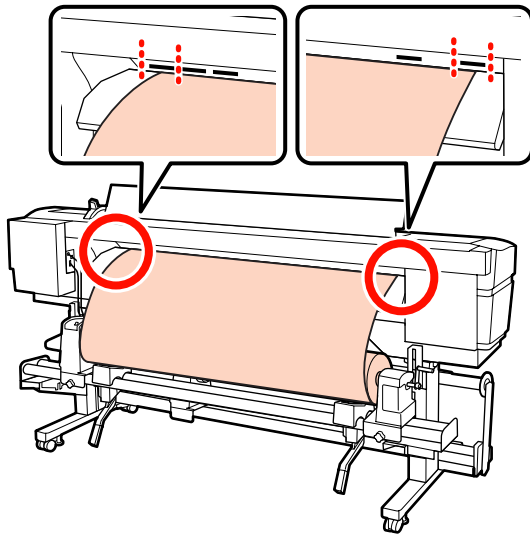
Basic Operations

13 Insert the media approximately 30 cm into the opening, then lower the media loading lever.



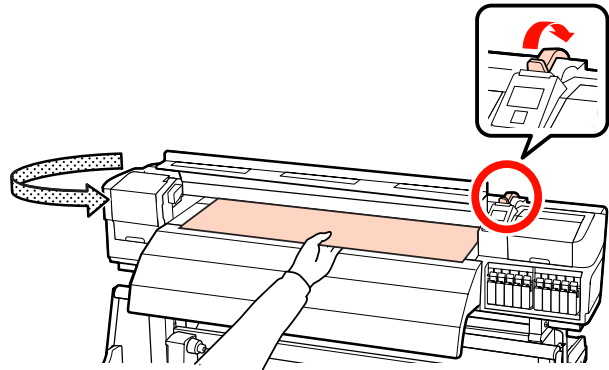
14 Check that the edges of the media pass within the dimensions of the square that was adjusted in Step 5.

Example of setting media with a width of 64 inches

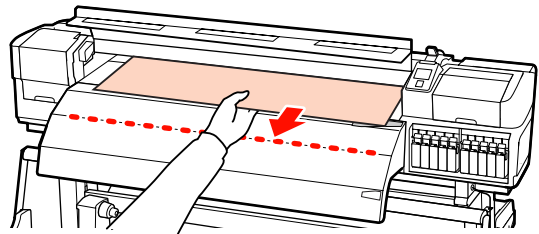


! Important:
 Perform Steps 13 to 5 in reverse order and repeat the loading process if the edges of the media are not within the square holes. Do not attempt to reposition the roll holders while they are inserted in the media.

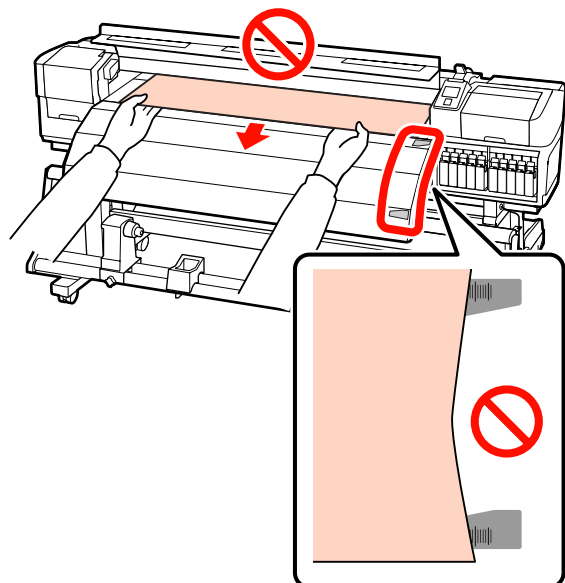
15 Hold the center of the media and raise the media loading lever.



16 Pull the media straight to the center of the after heater.



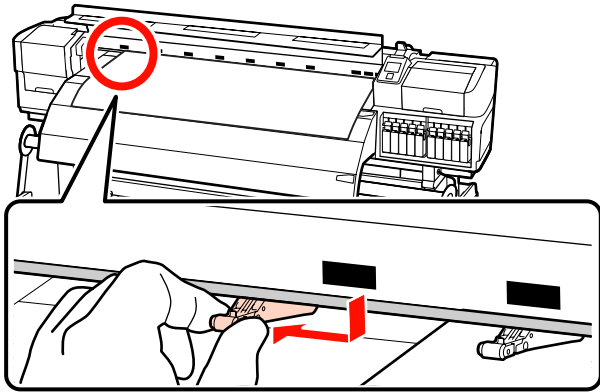
- Do not pull the media with both hands. This could cause the media to skew or move around.
- The labels on the after heater are not used when media is loaded. If it is adjusted to forcefully, the media may move around or become loose.



Basic Operations

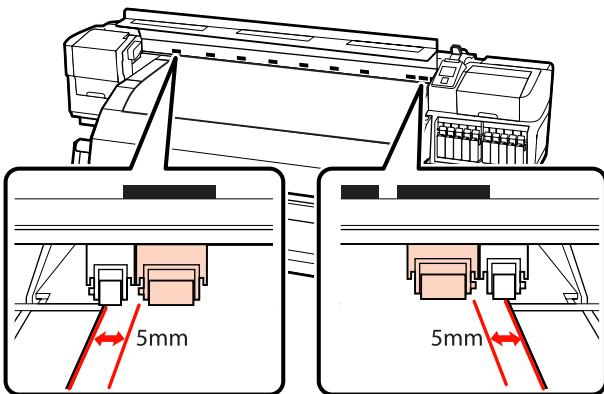
- 17** Hold both sides of the pressure roller, and move while pressing it down to set.

Note:
Do not touch the shaft (grayed part in the figure) at the top of the roller. Otherwise you might get grease on your skin.



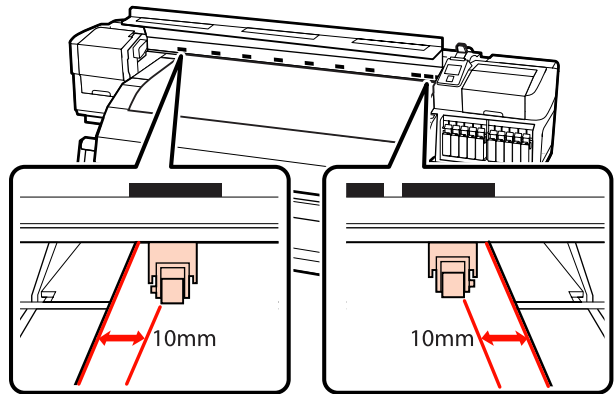
Normal printing

- Use low pressure rollers.
 - Move the high pressure rollers to right or left until they contact the ends.
- We recommend setting the low pressure rollers to be set at the edges of the media within 5 mm of the edges.
- Position the remaining low pressure rollers within the black square labels. There may be extraneous low pressure rollers depending on the media width. Position the extraneous low pressure rollers away from the black square labels.

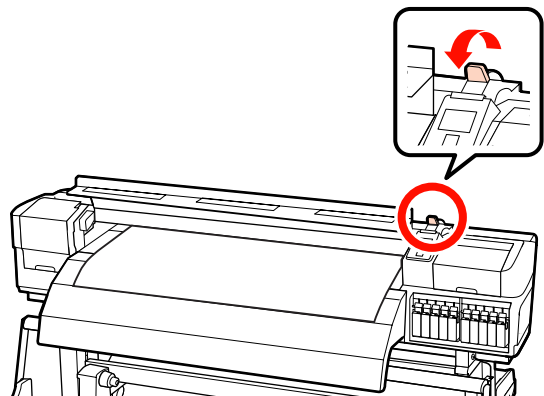


When transparent or milky white film is loaded or during ink layering

- Use high pressure rollers only.
- We recommend positioning the rollers within 10 mm from the left and right edges of the media.
- Position the low pressure rollers away from the black square labels.



- 18** If the media loading lever is lowered, the pressure rollers set at the black square labels secure the media.



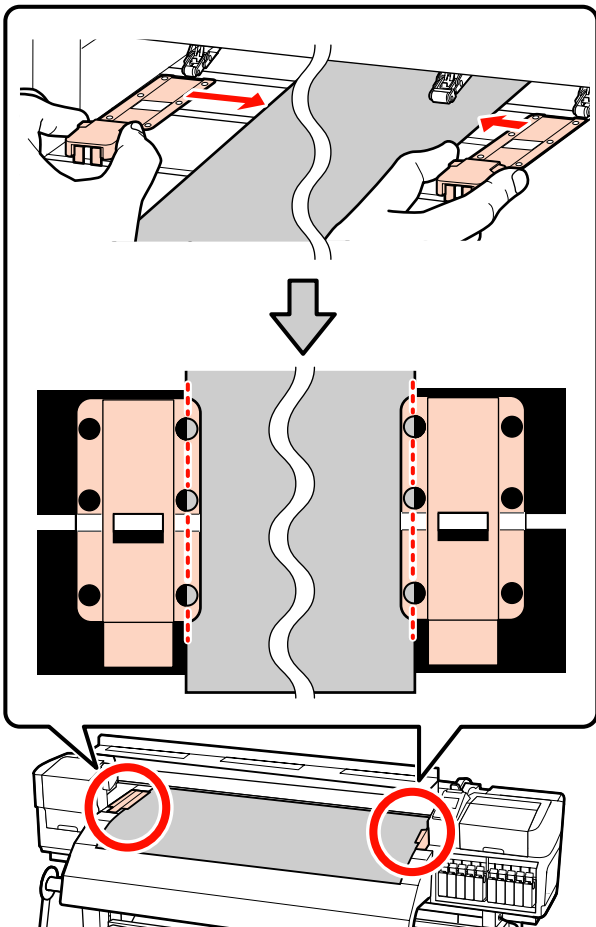
Basic Operations

- 19** Set the media holding plates at both sides of the media.

Sliding media holding plates

While holding the tabs of the media holding plates on both sides, move the plate to the edge of the media.

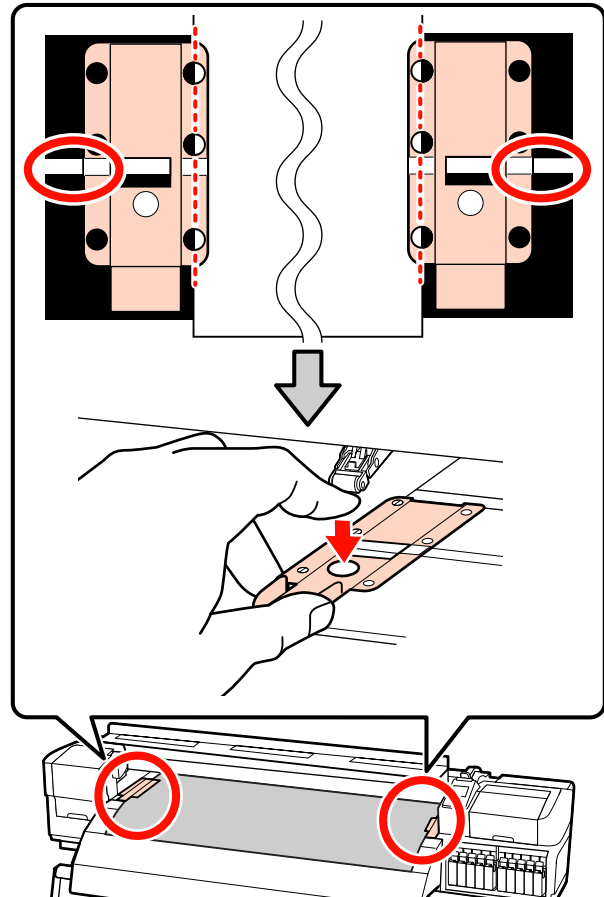
Adjust so that the edge of the media is aligned to the center of the round holes in the media holding plates.



Insertable media holding plates

Position the media holding plates, while the media is placed over them, in such a way that each edge of the media is aligned to the middle of a row of the round holes in the media holding plates.

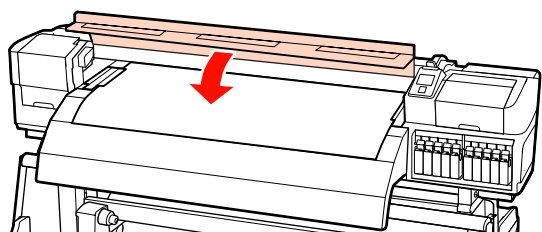
- (1) Align the white lines of the media holding plates with the white lines of the platen.
- (2) To keep the plates from lifting, push them down until you hear a clicking sound.



! Important:

- ❑ Do not use the media holding plates with media that is 0.4 mm or thicker. The media holding plates could touch and damage the print head.
- ❑ Always position the plates so that the edges of the media are at the centers of the round holes. Incorrect positioning causes banding (horizontal banding, tint unevenness, or stripes) during printing.
- ❑ Move the media holding plates to the left and right edges of the platen when they are not in use.
- ❑ Do not use the media holding plates if the sides of the printed media are smudged or torn.

- 20** Close the front cover.



Basic Operations

When using the auto take-up reel unit, see:

 [“Using the Auto Take-up Reel Unit” on page 67](#)

When not using the auto take-up reel unit, proceed to the media check and setting change steps.

 [“Viewing and Changing Media Settings” on page 63](#)

Using the Optional Heavy Roll Media Feeding Unit

This section uses the SC-S70600 series to illustrate how to load media when the optional heavy roll media feeding unit is installed.



Caution:
Because the media is heavy, it should not be carried by one person. The use of a lifter is recommended when handling media that weigh 40 kg or more.

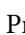
The explanation that follows assumes that a lifter is used.

The following types of lifter can be used.

- Fork or platform thickness: 28 mm or less
- Fork or platform can be lowered to approx. 190 mm from the floor.

Before loading media, be sure to read the following:

 [“Notes on loading media” on page 33](#)

- 1** Press the  button, and wait until **Load media.** appears on the screen.

Important:

When spot color inks are installed, circulation will be performed automatically to prevent ink accumulating in the printer and causing clogs when the printer is not in use. Because turning the printer off prevents automatic circulation from being performed, leading to printer malfunction, we recommend that the printer not be turned off.

2

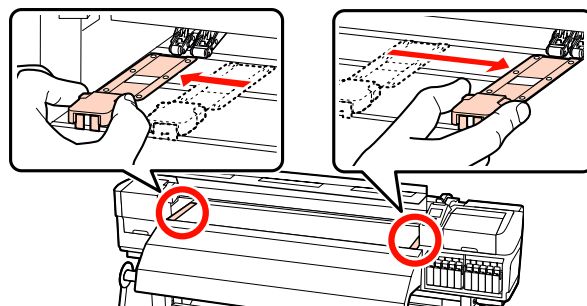
Open the front cover, and move the media holding plates out of the way.

Important:

If the media holding plates are not moved out of the way, media insertion may fail or damage may occur to the edge of the media.

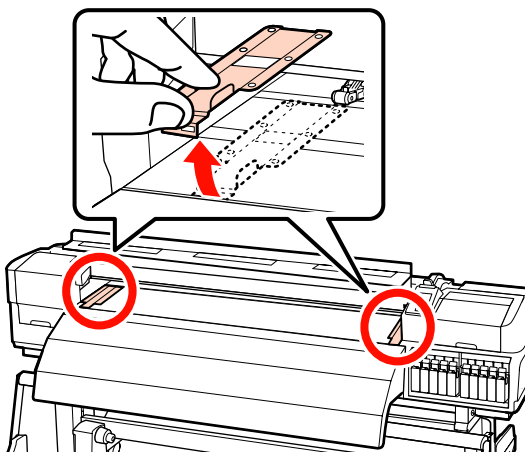
Sliding media holding plates

Move the media holding plates to the right and left sides of the platen. Hold both tabs on the media holding plates to move them.



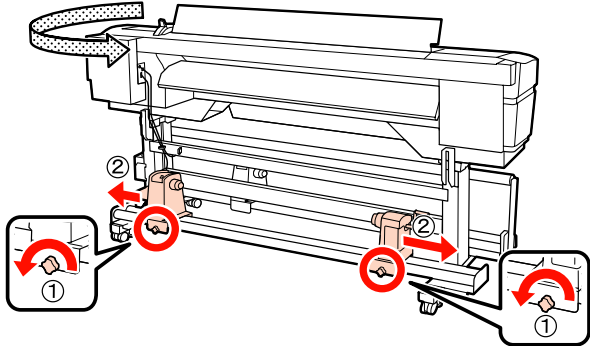
Insertable media holding plates

Remove the media holding plates from both edges of the media.

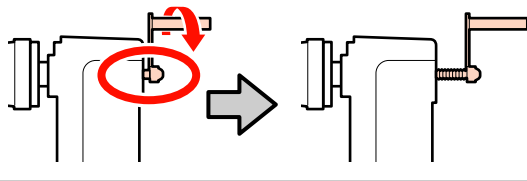


Basic Operations

- 3** Loosen the left and right roll holder fixing screws sufficiently and separate the roll holders so that the distance between them is wider than the media.

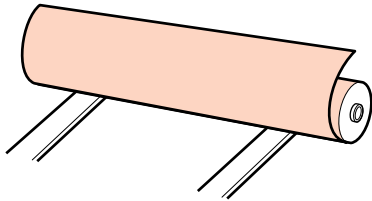


! Important:
If the right holder handle shaft is not visible, rotate the handle forward until it stops. The media can not be properly loaded if the handle shaft is not visible.

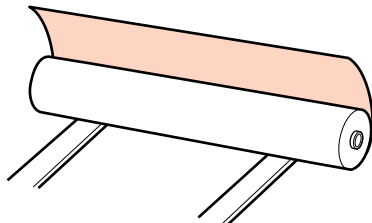


- 4** Temporarily place media on the lifter oriented according to how it is rolled (see below).

Printable Side Out



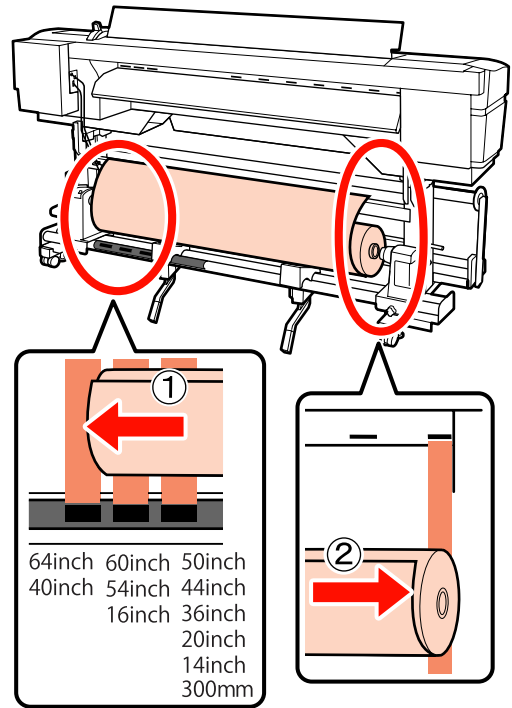
Printable Side In



- 5** Align the left and right edges of the media with the set positions according to the media width.

Recommended positioning by media width

☞ “Positioning of the pressure rollers and media (For SC-S70600 series and SC-S50600 series)” on page 35

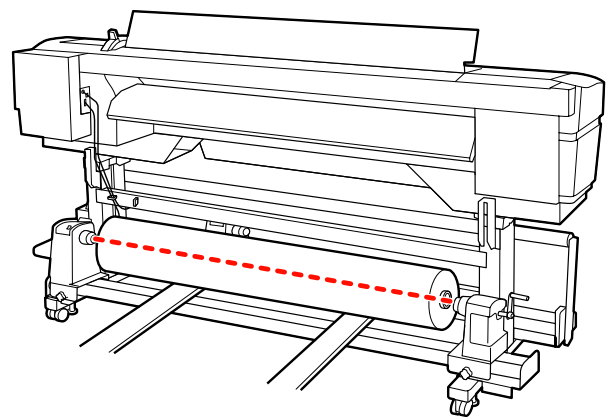


Note:
If the label with black squares is not in place, affix the label as described in the Setup Guide.

☞ Setup Guide

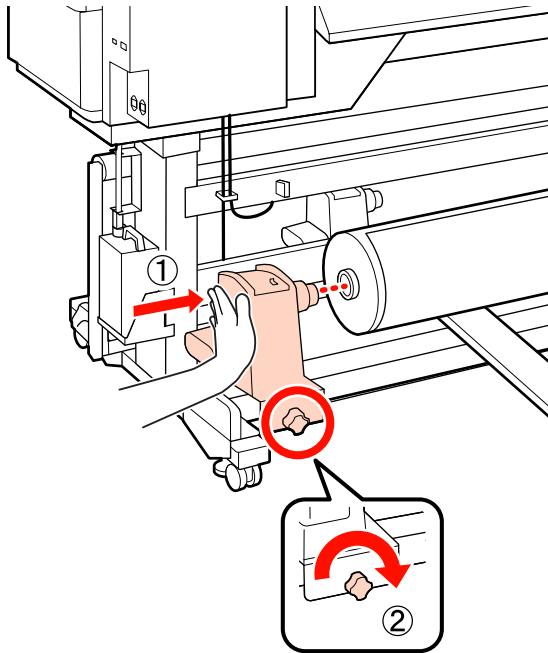
- 6** Align the media and the roll holders.

Raise or lower the lifter until the media roll core is level with the roll holders.

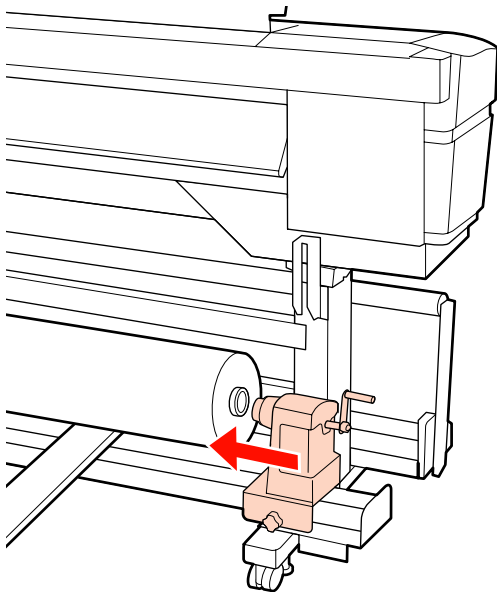


Basic Operations

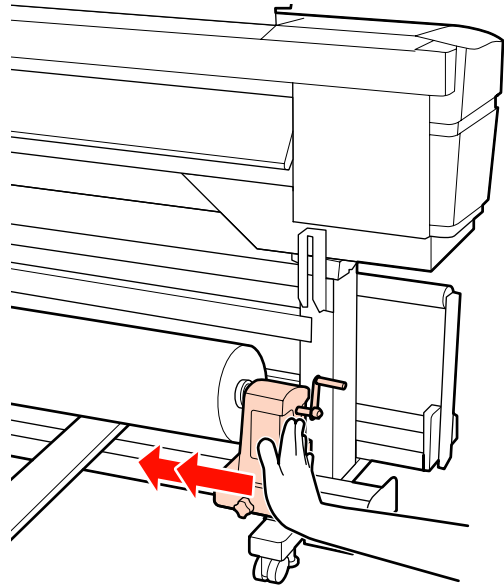
- 7** Fully insert the left roll holder. Next, tighten the roll holder screw until the screw no longer turns to fix the roll holder in place.



- 8** Fully insert the right roll holder.



- 9** To ensure the roll holder is inserted into the roll core sufficiently, push the center section on the side of the roll holder towards the roll end twice.



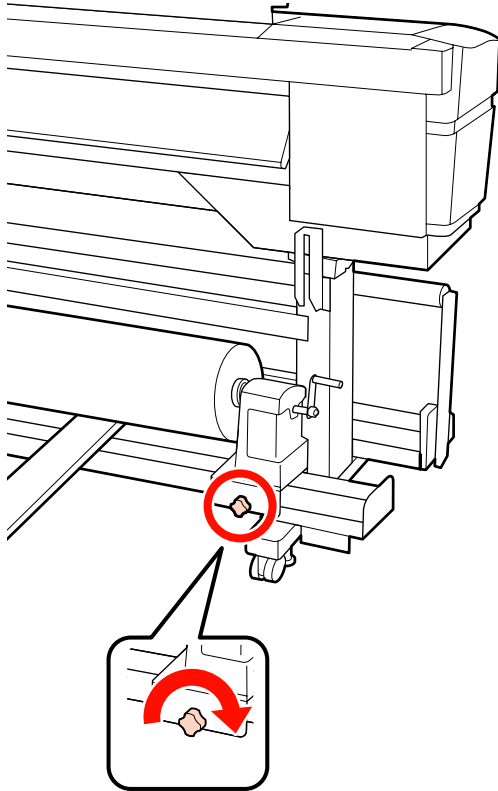
Important:

If the roll holder is inserted into the roll core insufficiently, media is not fed correctly during printing because of slippage between the roll holder and roll core.

This may cause banding in the print results.

Basic Operations

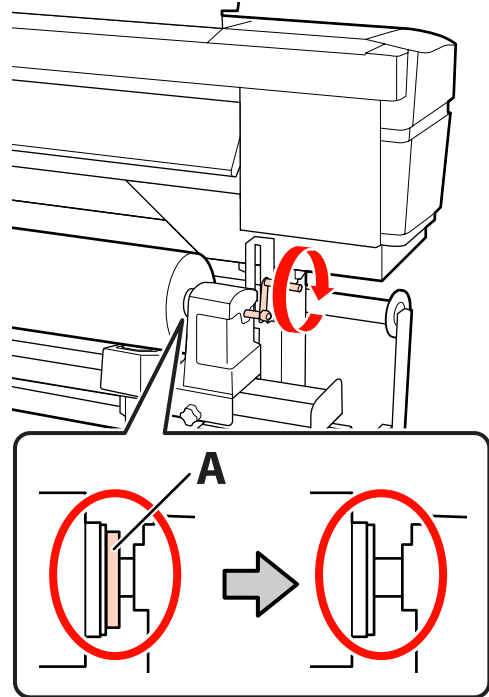
- 10** Tighten the roll holder screw until the screw no longer turns to fix the roll holder in place.



! Important:
 If the roll holder screw is loose, the roll holder may move during printing. This could cause stripes and unevenness in the print results.

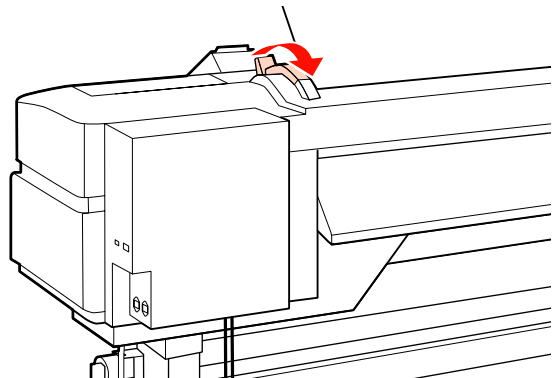
- 11** Remove the lifter.

- 12** Rotate the handle until part A in the illustration below is fully inserted.



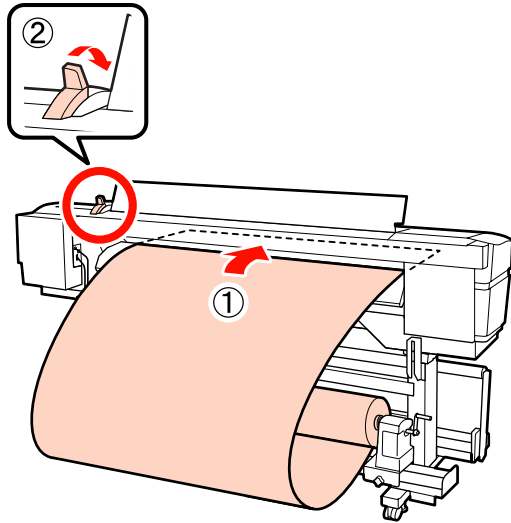
! Important:
 Once part A is hidden, do not turn the handle any further. Failure to observe this precaution could damage the roll holder.
 If part A is still visible even after the handle has been turned fully, rewind the handle. Loosen the roll holder screw on the right side, and then restart from Step 8.

- 13** Raise the media loading lever.



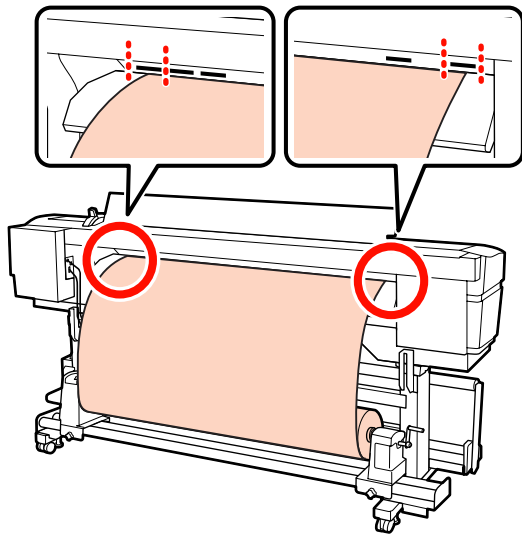
Basic Operations

14 Insert the media approximately 30 cm into the opening, then lower the media loading lever.



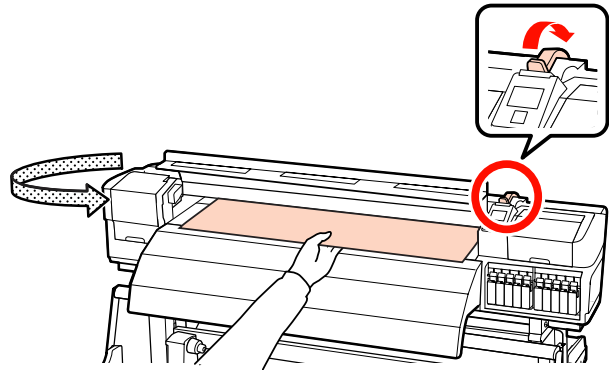
15 Check that the edges of the media pass within the dimensions of the square that was adjusted in Step 5.

Example of setting media with a width of 64 inches

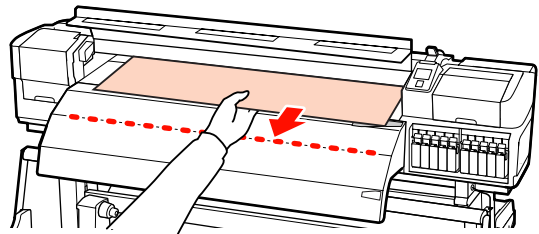


! Important:
 Perform Steps 14 to 5 in reverse order and repeat the loading process if the edges of the media are not within the square holes. Do not attempt to reposition the roll holders while they are inserted in the media.

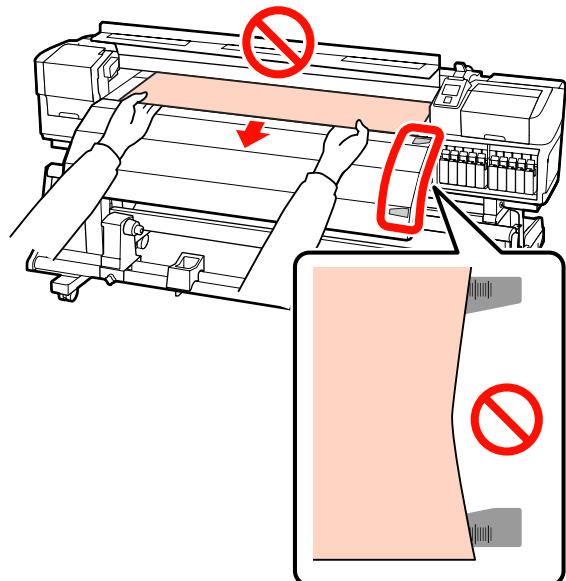
16 Hold the center of the media and raise the media loading lever.



17 Pull the media straight to the center of the after heater.



- ❑ Do not pull the media with both hands. This could cause the media to skew or move around.
- ❑ The labels on the after heater are not used when media is loaded. If it is adjusted to forcefully, the media may move around or become loose.

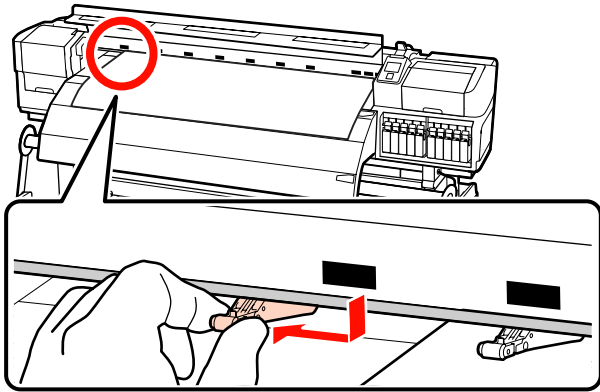


Basic Operations

- 18** Hold both sides of the pressure roller, and move while pressing it down to set.

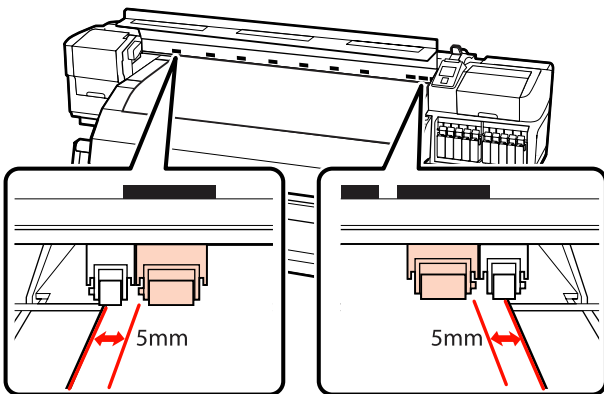
Note:

Do not touch the shaft (grayed part in the figure) at the top of the roller. Otherwise you might get grease on your skin.



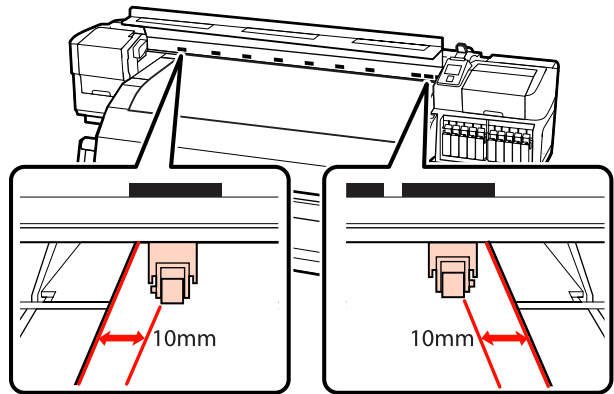
Normal printing

- ❑ Use low pressure rollers.
 - Move the high pressure rollers to right or left until they contact the ends.
- ❑ We recommend setting the low pressure rollers to be set at the edges of the media within 5 mm of the edges.
- ❑ Position the remaining low pressure rollers within the black square labels. There may be extraneous low pressure rollers depending on the media width. Position the extraneous low pressure rollers away from the black square labels.

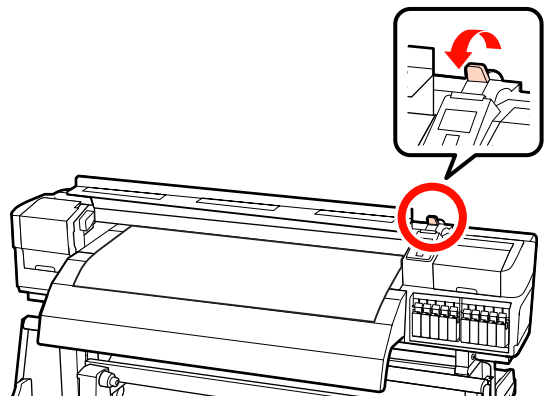


When transparent or milky white film is loaded or during ink layering

- ❑ Use high pressure rollers only.
- ❑ We recommend positioning the rollers within 10 mm from the left and right edges of the media.
- ❑ Position the low pressure rollers away from the black square labels.



- 19** If the media loading lever is lowered, the pressure rollers set at the black square labels secure the media.



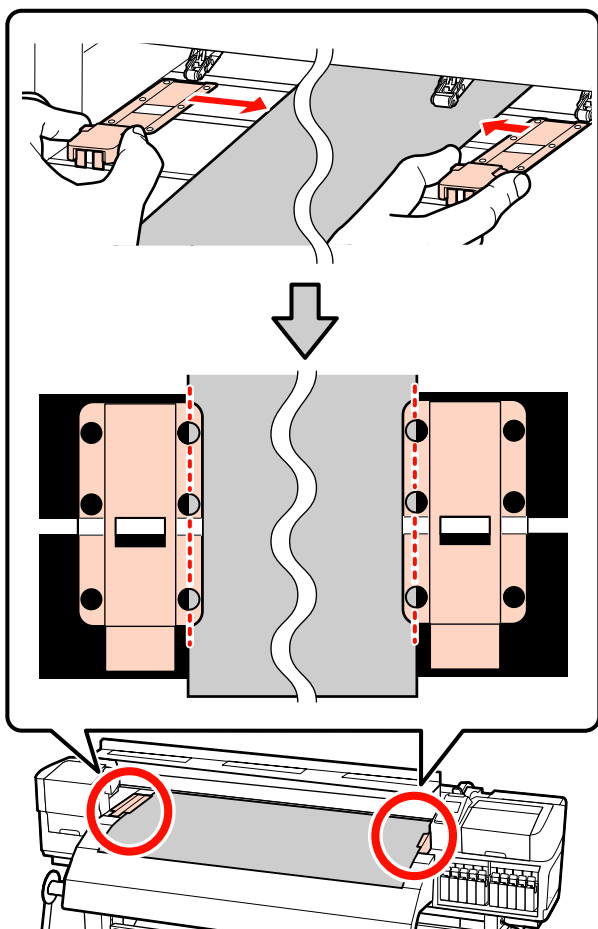
Basic Operations

- 20** Set the media holding plates at both sides of the media.

Sliding media holding plates

While holding the tabs of the media holding plates on both sides, move the plate to the edge of the media.

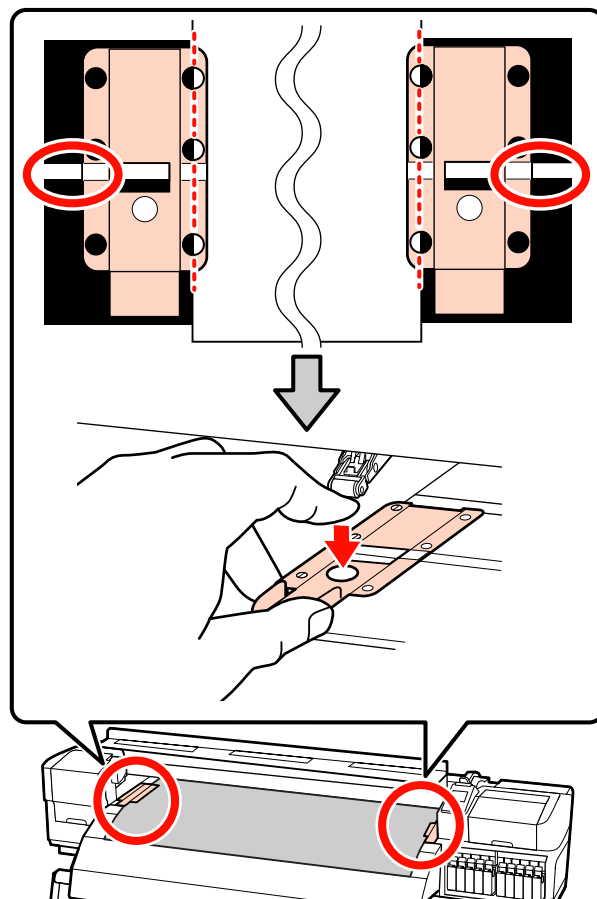
Adjust so that the edge of the media is aligned to the center of the round holes in the media holding plates.



Insertable media holding plates

Position the media holding plates, while the media is placed over them, in such a way that each edge of the media is aligned to the middle of a row of the round holes in the media holding plates.

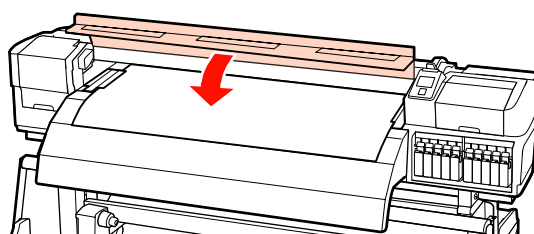
- (1) Align the white lines of the media holding plates with the white lines of the platen.
- (2) To keep the plates from lifting, push them down until you hear a clicking sound.



! Important:

- ❑ Do not use the media holding plates with media that is 0.4 mm or thicker. The media holding plates could touch and damage the print head.
- ❑ Always position the plates so that the edges of the media are at the centers of the round holes. Incorrect positioning causes banding (horizontal banding, tint unevenness, or stripes) during printing.
- ❑ Move the media holding plates to the left and right edges of the platen when they are not in use.
- ❑ Do not use the media holding plates if the sides of the printed media are smudged or torn.

- 21** Close the front cover.



Basic Operations

When using the auto take-up reel unit, see:

🔗 “Using the Auto Take-up Reel Unit” on page 67

When not using the auto take-up reel unit, proceed to the media check and setting change steps.

🔗 “Viewing and Changing Media Settings” on page 63

Loading Media (SC-S30600 series)

Follow the steps below when using the supplied media feeding unit.

When the Heavy Roll Media Feeding Unit is installed, see: 🔗 “Using the Optional Heavy Roll Media Feeding Unit” on page 57

When the Standard Media Feeding Unit Is Installed

This section describes how to load media when the standard media feeding unit is installed.

The video is available to check the procedure.

🔗 <https://www.youtube.com/playlist?list=PLD67cTLxxk9P6FW3yIGgUd98QUDyAFEGr>

Before loading media, be sure to read the following:

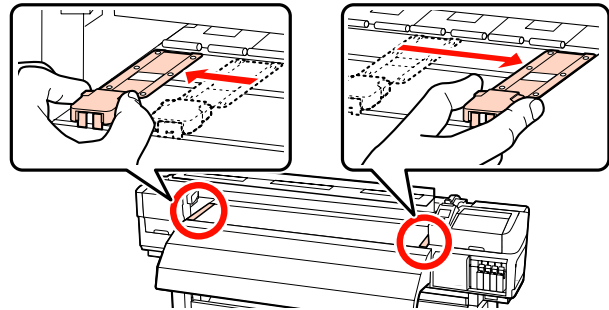
🔗 “Notes on loading media” on page 33

- 1 Press the ⏻ button, and wait until **Load media.** appears on the screen.
- 2 Open the front cover, and move the media holding plates out of the way.

! **Important:**
If the media holding plates are not moved out of the way, media insertion may fail or damage may occur to the edge of the media.

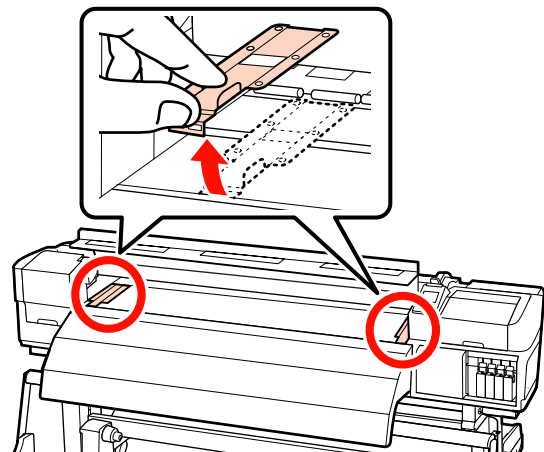
Sliding media holding plates

Move the media holding plates to the right and left sides of the platen. Hold both tabs on the media holding plates to move them.



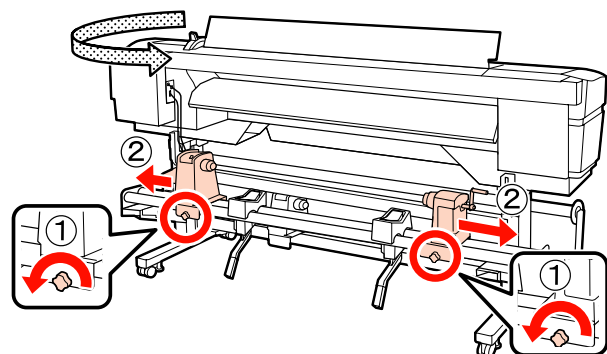
Insertable media holding plates

Remove the media holding plates from both edges of the media.



- 3 Loosen the roll holder fixing screws sufficiently and adjust the roll holders so that the distance between the two is wider than the media.

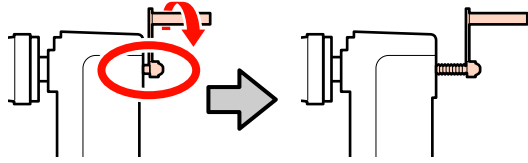
Center the roll supports between the roll holders.



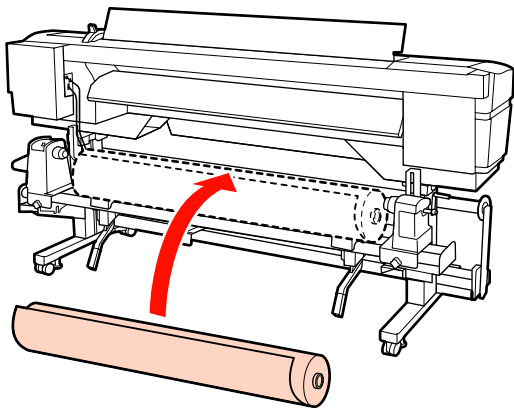
Basic Operations

! Important:

If the right holder handle shaft is not visible, rotate the handle forward until it stops. The media can not be properly loaded if the handle shaft is not visible.



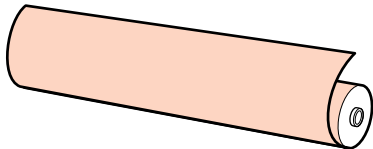
4 Temporarily place media on the roll supports.



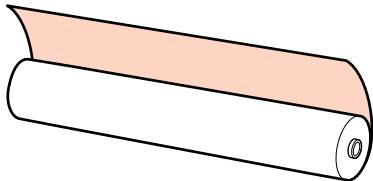
Note:

The method of placing the roll media varies as follows depending on how media is rolled.

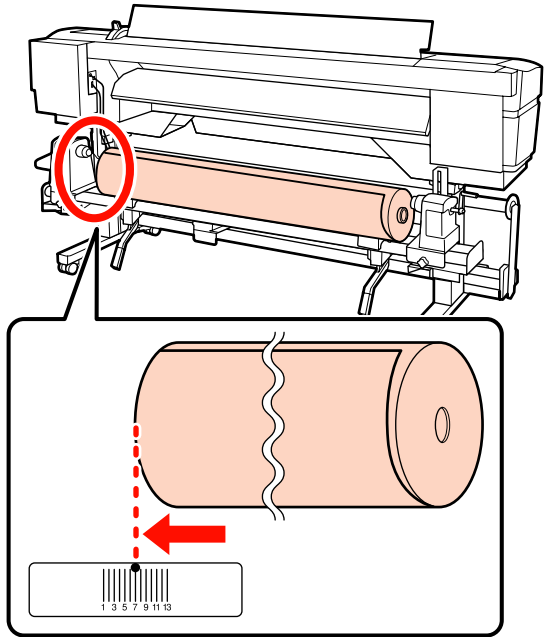
Printable Side Out



Printable Side In



5 Align the left edge of the media with the position on the label.

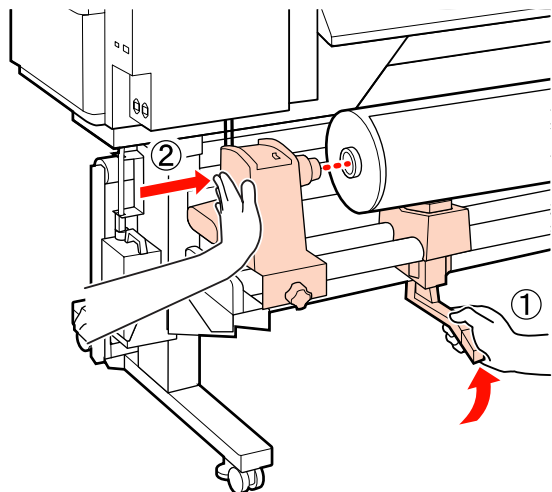


Note:

If the label does not have the loading position, mark it on the label as instructed in the Setup Guide.

Setup Guide

6 Raise the lift lever on the left side of the printer to lift the media into position, then firmly insert the roll holder.

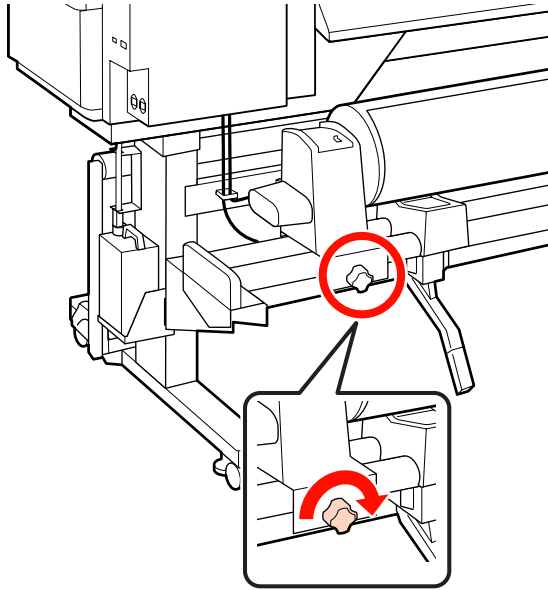


Basic Operations

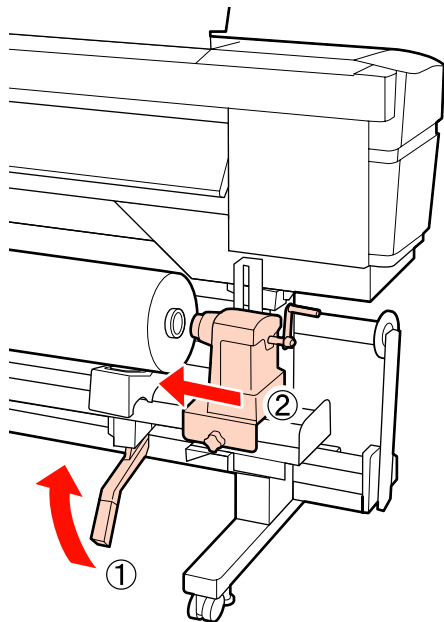
Note:

If the media roll has an outer diameter that is less than 140 mm, lift it manually, and load it to the roll holder. The roll core will not reach the holder when raised using the lift lever.

- 7** Tighten the roll holder screw until the screw no longer turns to fix the roll holder in place.



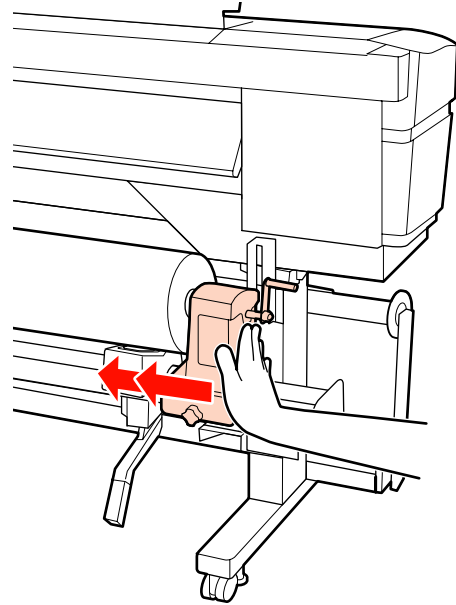
- 8** Raise the lift lever on the right side of the printer to lift the media into position, then firmly insert the roll holder.



Note:

If the media roll has an outer diameter that is less than 140 mm, lift it manually, and load it to the roll holder.

- 9** To ensure the roll holder is inserted into the roll core sufficiently, push the center section on the side of the roll holder towards the roll end twice.



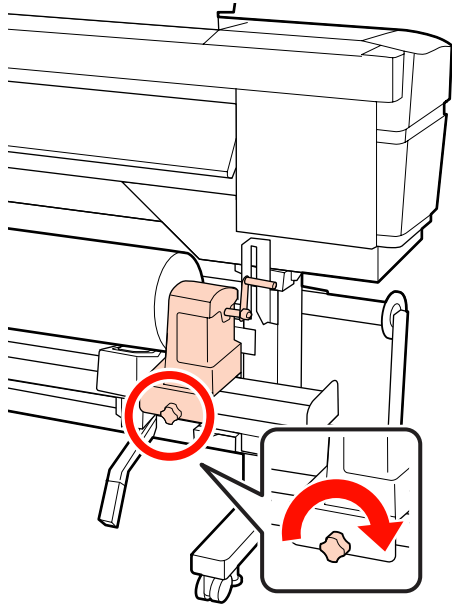
! Important:

If the roll holder is inserted into the roll core insufficiently, media is not fed correctly during printing because of slippage between the roll holder and roll core.

This may cause banding in the print results.

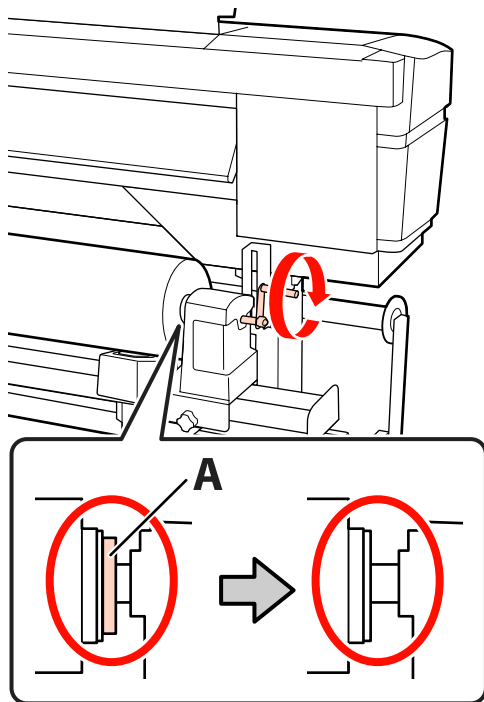
Basic Operations

- 10** Tighten the roll holder screw until the screw no longer turns to fix the roll holder in place.



! Important:
 If the roll holder screw is loose, the roll holder may move during printing. This could cause stripes and unevenness in the print results.

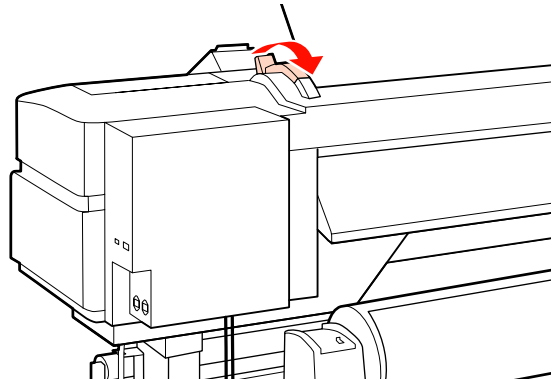
- 11** Rotate the handle until part A in the illustration below is fully inserted.



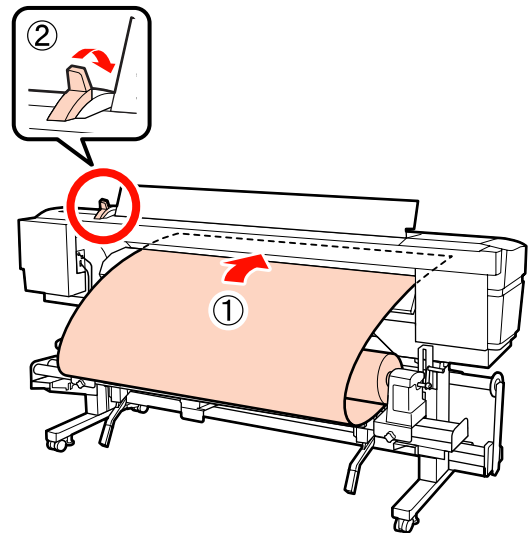
! Important:
 Once part A is hidden, do not turn the handle any further. Failure to observe this precaution could damage the roll holder.

If part A is still visible even after the handle has been turned fully, rewind the handle. Loosen the roll holder screw on the right side, and then restart from Step 8.

- 12** Raise the media loading lever.

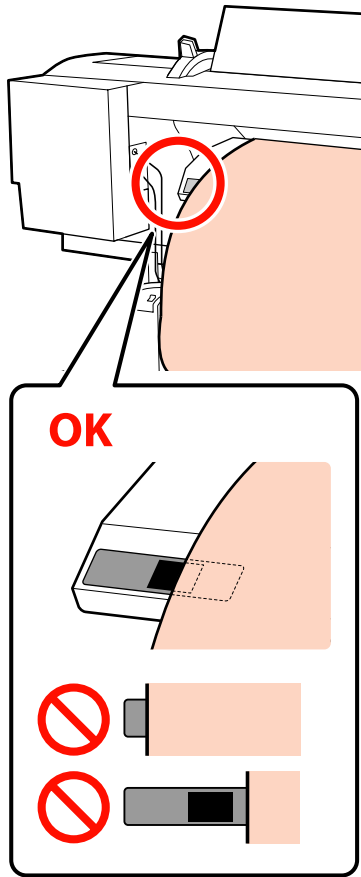


- 13** Insert the media approximately 30 cm into the opening, then lower the media loading lever.



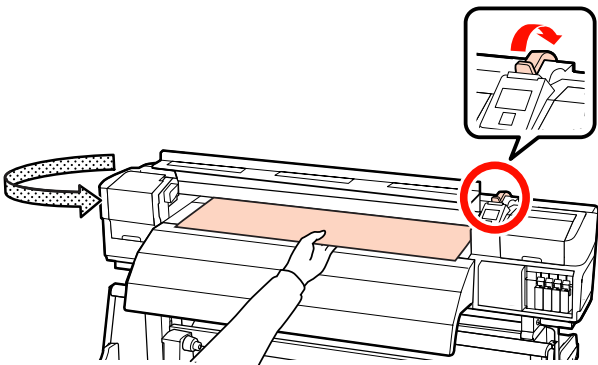
Basic Operations

- 14** Confirm that the left edge of the media passes within the square of the label on the pre-heater.

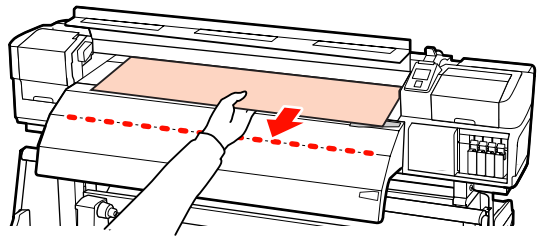


! **Important:**
 Perform Steps 13 to 5 in reverse order and repeat the loading process if the left edge of the media is not within the black square of the label. Do not attempt to reposition the roll holders while they are inserted in the media.

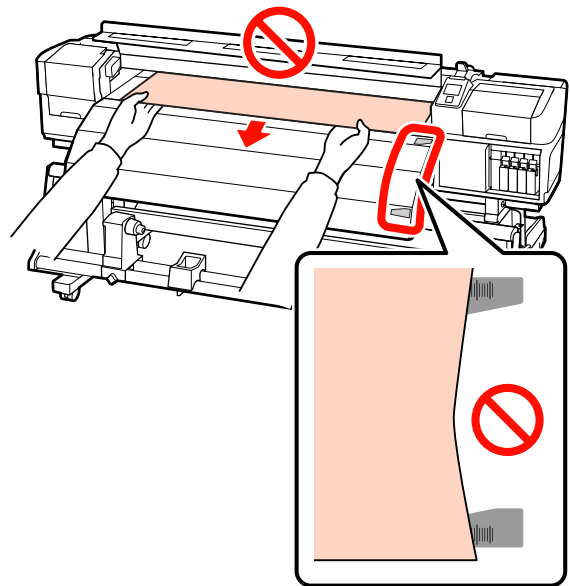
- 15** Hold the center of the media and raise the media loading lever.



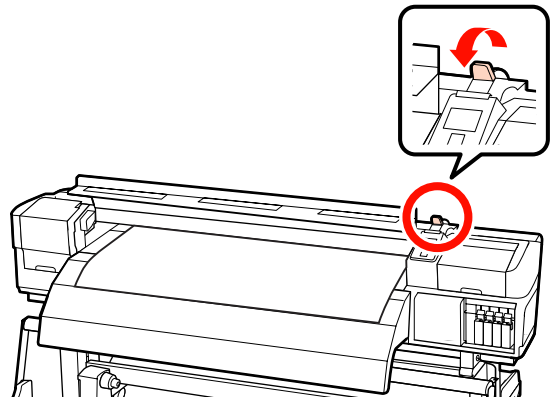
- 16** Pull the media straight to the center of the after heater.



- ❑ Do not pull the media with both hands. This could cause the media to skew or move around.
- ❑ The labels on the after heater are not used when media is loaded. If it is adjusted to forcefully, the media may move around or become loose.



- 17** Lower the media loading lever to hold the media in place.



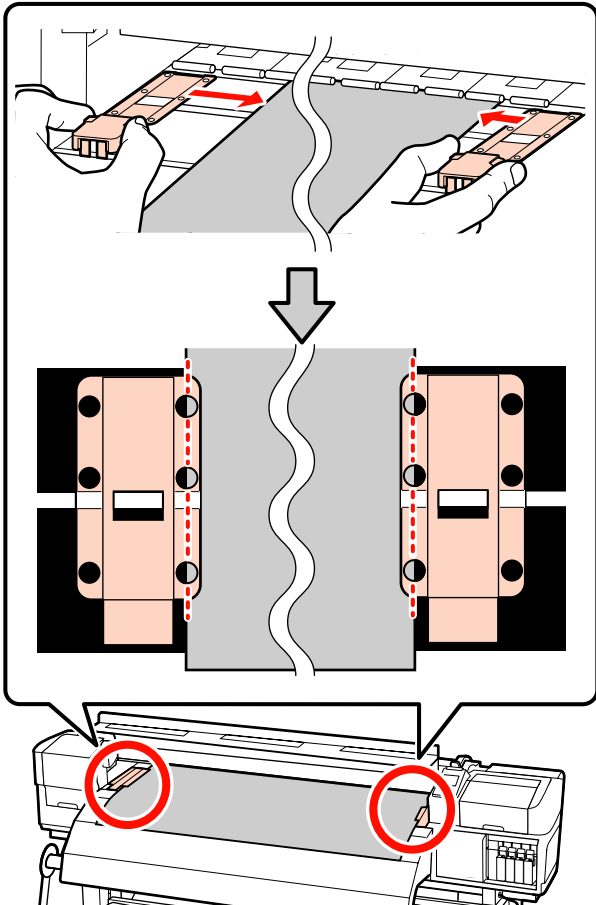
Basic Operations

18 Set the media holding plates at both sides of the media.

Sliding media holding plates

While holding the tabs of the media holding plates on both sides, move the plate to the edge of the media.

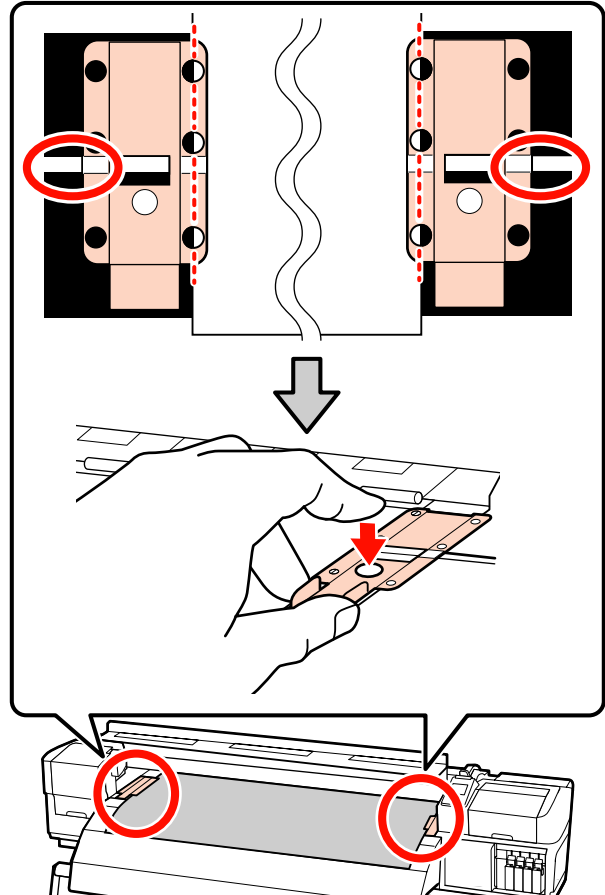
Adjust so that the edge of the media is aligned to the center of the round holes in the media holding plates.



Insertable media holding plates

Position the media holding plates, while the media is placed over them, in such a way that each edge of the media is aligned to the middle of a row of the round holes in the media holding plates.

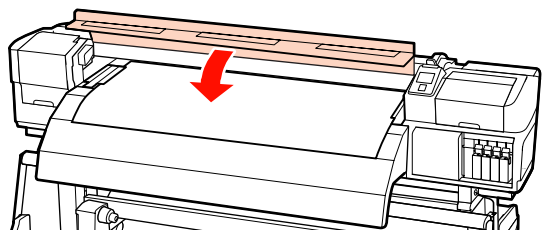
- (1) Align the white lines of the media holding plates with the white lines of the platen.
- (2) To keep the plates from lifting, push them down until you hear a clicking sound.



! Important:

- ❑ Do not use the media holding plates with media that is 0.4 mm or thicker. The media holding plates could touch and damage the print head.
- ❑ Always position the plates so that the edges of the media are at the centers of the round holes. Incorrect positioning causes banding (horizontal banding, tint unevenness, or stripes) during printing.
- ❑ Move the media holding plates to the left and right edges of the platen when they are not in use.
- ❑ Do not use the media holding plates if the sides of the printed media are smudged or torn.

19 Close the front cover.



Basic Operations

When using the auto take-up reel unit, see:

 [“Using the Auto Take-up Reel Unit” on page 67](#)

When not using the auto take-up reel unit, proceed to the media check and setting change steps.

 [“Viewing and Changing Media Settings” on page 63](#)

Using the Optional Heavy Roll Media Feeding Unit

This section describes how to load media when the optional heavy roll media feeding unit is installed.



Caution:

Because the media is heavy, it should not be carried by one person. The use of a lifter is recommended when handling media that weigh 40 kg or more.


The explanation that follows assumes that a lifter is used.

The following types of lifter can be used.

- Fork or platform thickness: 28 mm or less
- Fork or platform can be lowered to approx. 190 mm from the floor.

Before loading media, be sure to read the following:

 [“Notes on loading media” on page 33](#)

- 1** Press the  button, and wait until **Load media.** appears on the screen.
- 2** Open the front cover, and move the media holding plates out of the way.

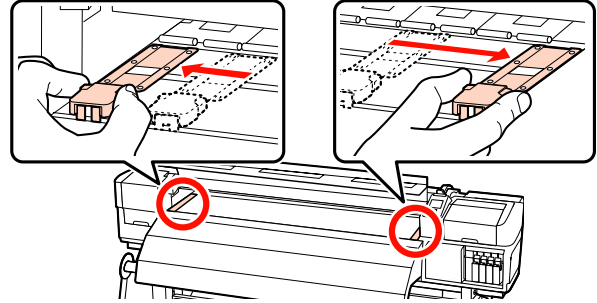


Important:

If the media holding plates are not moved out of the way, media insertion may fail or damage may occur to the edge of the media.

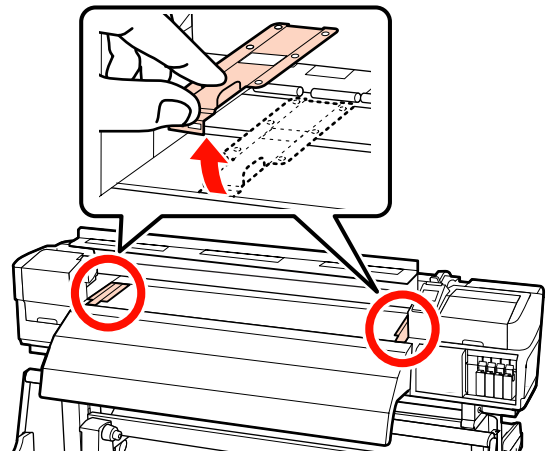
Sliding media holding plates

Move the media holding plates to the right and left sides of the platen. Hold both tabs on the media holding plates to move them.



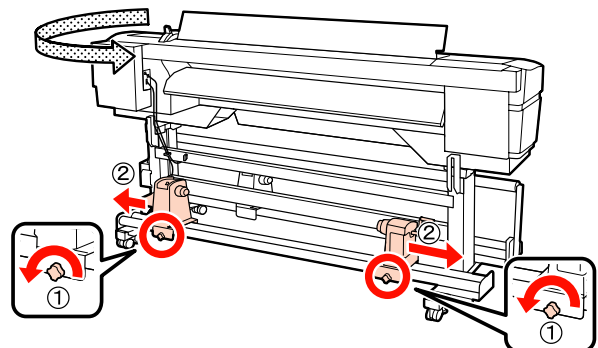
Insertable media holding plates

Remove the media holding plates from both edges of the media.



3

Loosen the left and right roll holder fixing screws sufficiently and separate the roll holders so that the distance between them is wider than the media.

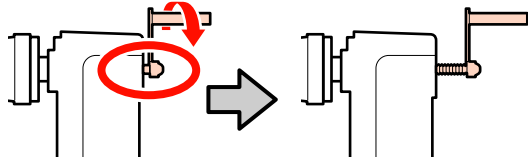


Basic Operations



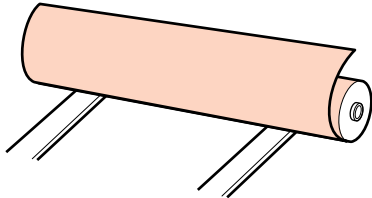
Important:

If the right holder handle shaft is not visible, rotate the handle forward until it stops. The media can not be properly loaded if the handle shaft is not visible.

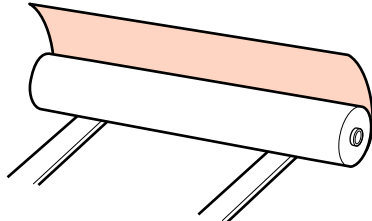


- 4** Temporarily place media on the lifter oriented according to how it is rolled (see below).

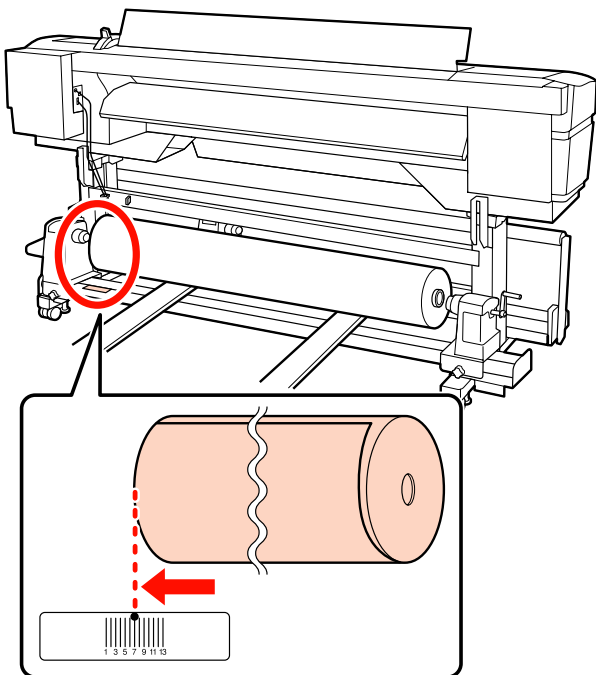
Printable Side Out



Printable Side In



Move the lifter so that the left edge of the media matches the set position on the label.



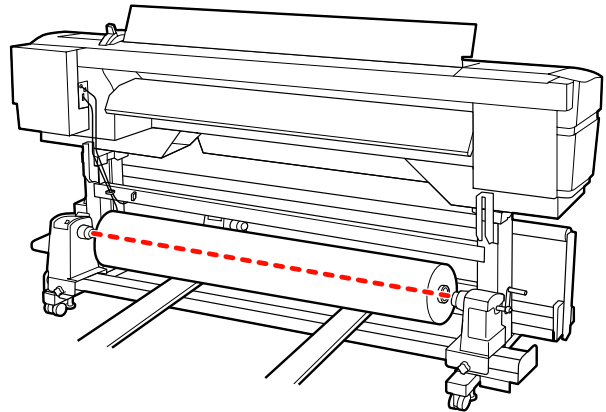
Note:

If the label does not have the loading position, mark it on the label as instructed in the Setup Guide.

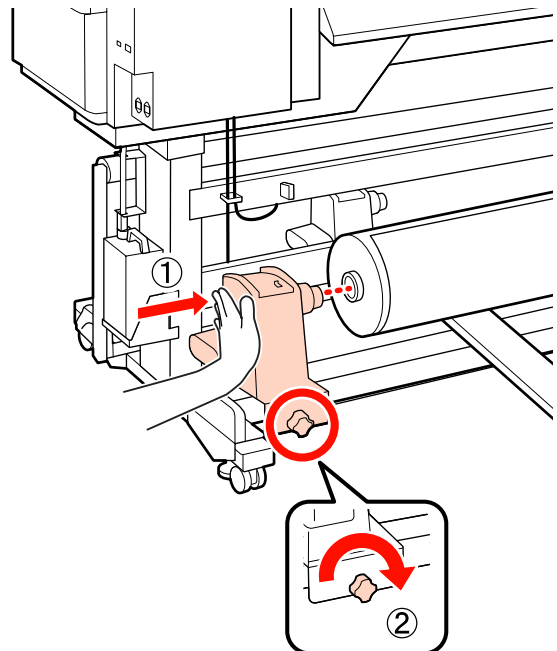
Setup Guide

- 5** Align the media and the roll holders.

Raise or lower the lifter until the media roll core is level with the roll holders.

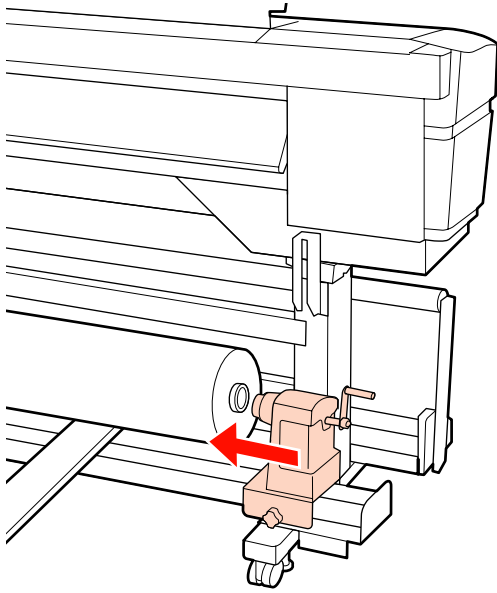


- 6** Fully insert the left roll holder. Next, tighten the roll holder screw until the screw no longer turns to fix the roll holder in place.

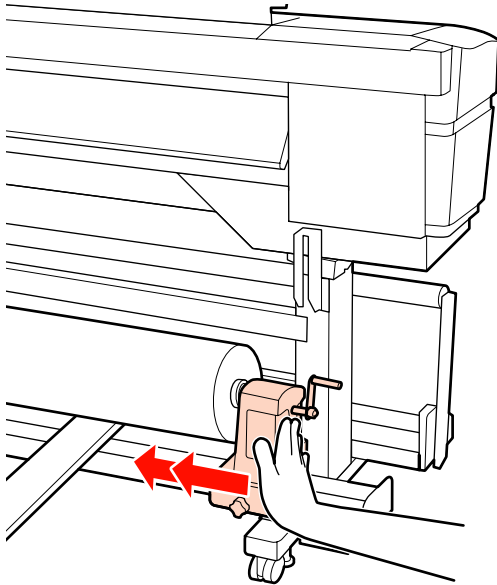


Basic Operations

- 7** Fully insert the right roll holder.

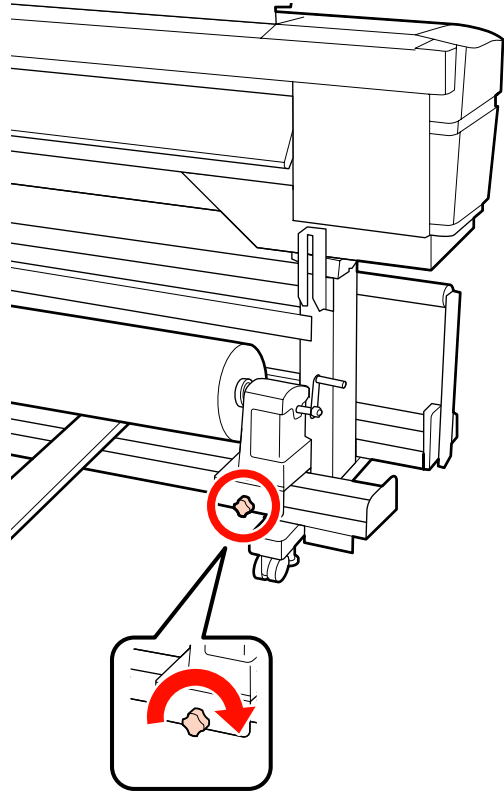


- 8** To ensure the roll holder is inserted into the roll core sufficiently, push the center section on the side of the roll holder towards the roll end twice.



! Important:
 If the roll holder is inserted into the roll core insufficiently, media is not fed correctly during printing because of slippage between the roll holder and roll core.
 This may cause banding in the print results.

- 9** Tighten the roll holder screw until the screw no longer turns to fix the roll holder in place.

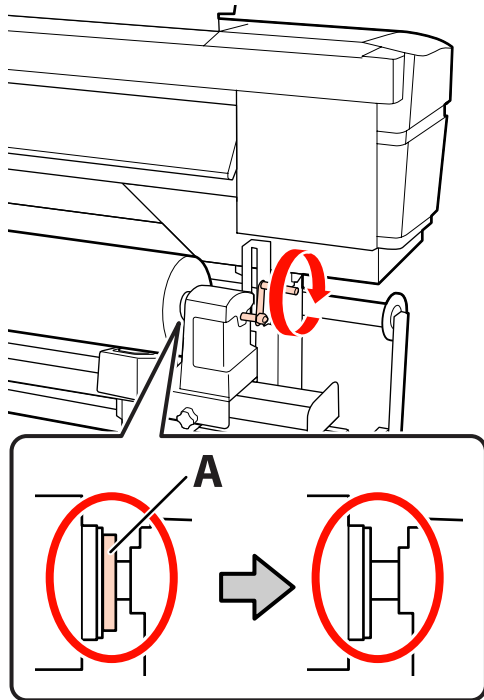


! Important:
 If the roll holder screw is loose, the roll holder may move during printing. This could cause stripes and unevenness in the print results.

- 10** Remove the lifter.

Basic Operations

- 11** Rotate the handle until part A in the illustration below is fully inserted.

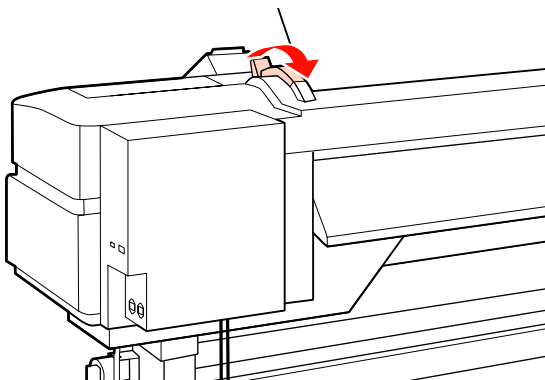


Important:

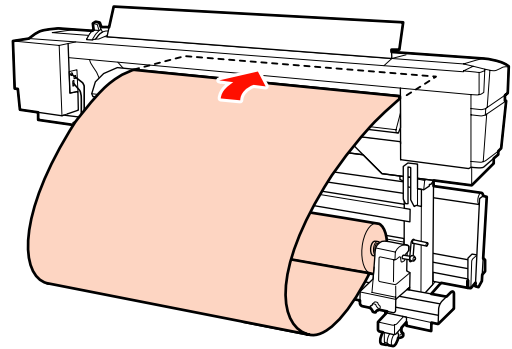
Once part A is hidden, do not turn the handle any further. Failure to observe this precaution could damage the roll holder.

If part A is still visible even after the handle has been turned fully, rewind the handle. Loosen the roll holder screw on the right side, and then restart from Step 7.

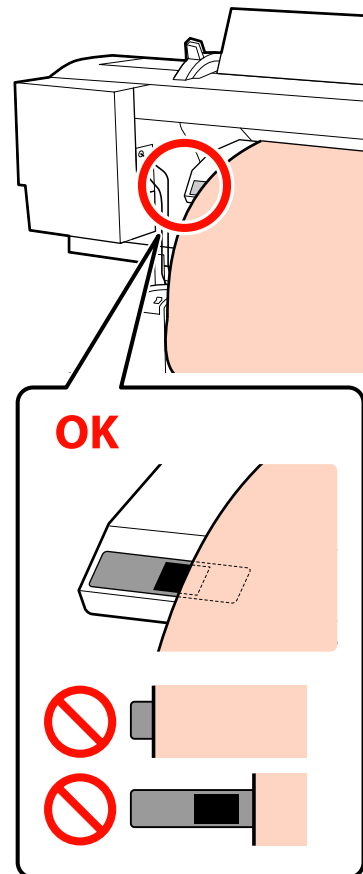
- 12** Raise the media loading lever.



- 13** Insert the media approximately 30 cm into the opening, then lower the media loading lever.



- 14** Confirm that the left edge of the media passes within the square of the label on the pre-heater.

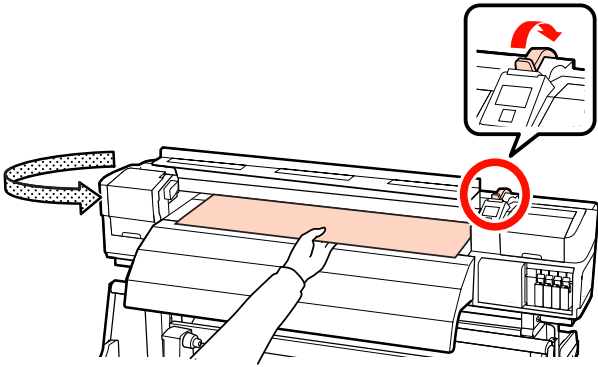


Important:

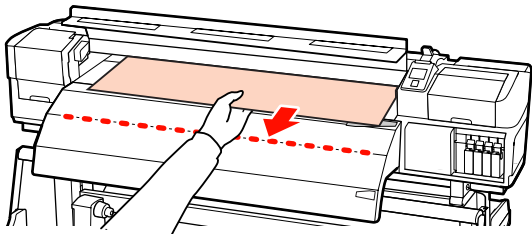
Perform Steps 13 to 4 in reverse order and repeat the loading process if the left edge of the media is not within the black square of the label. Do not attempt to reposition the roll holders while they are inserted in the media.

Basic Operations

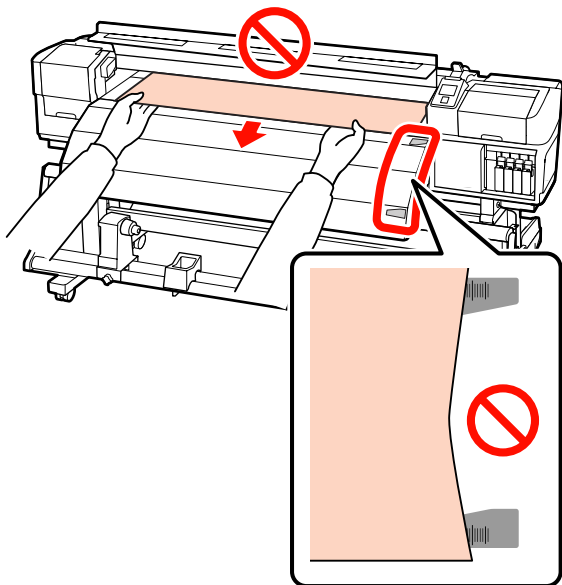
15 Hold the center of the media and raise the media loading lever.



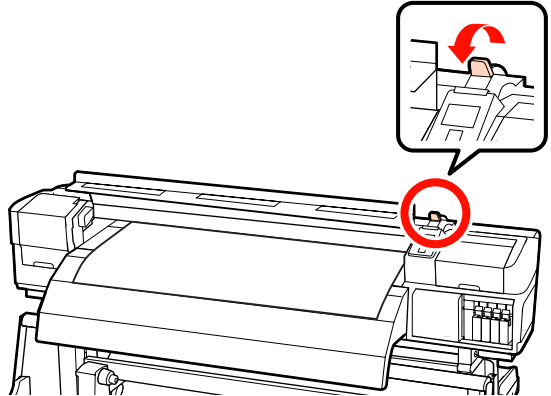
16 Pull the media straight to the center of the after heater.



- ❑ Do not pull the media with both hands. This could cause the media to skew or move around.
- ❑ The labels on the after heater are not used when media is loaded. If it is adjusted to forcefully, the media may move around or become loose.



17 Lower the media loading lever to hold the media in place.

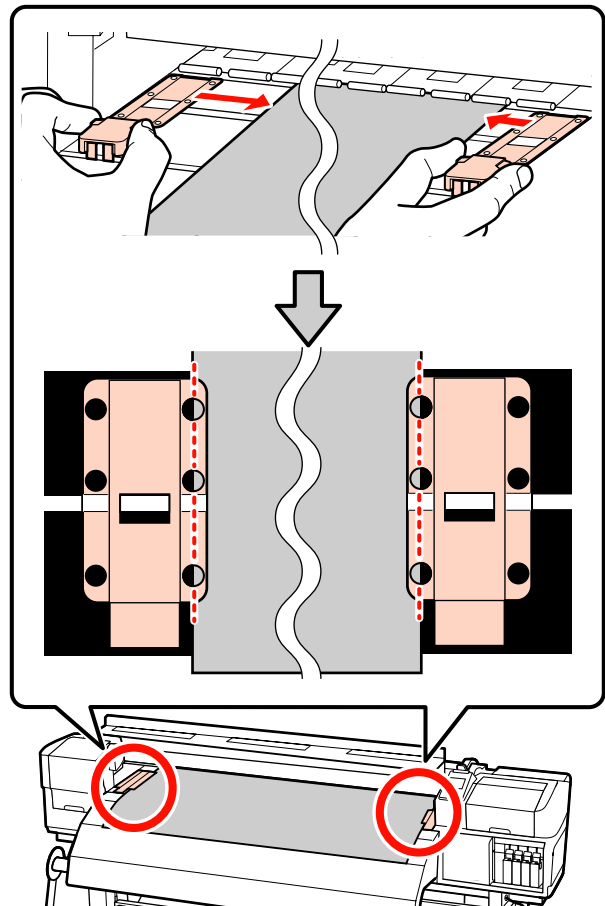


18 Set the media holding plates at both sides of the media.

Sliding media holding plates

While holding the tabs of the media holding plates on both sides, move the plate to the edge of the media.

Adjust so that the edge of the media is aligned to the center of the round holes in the media holding plates.

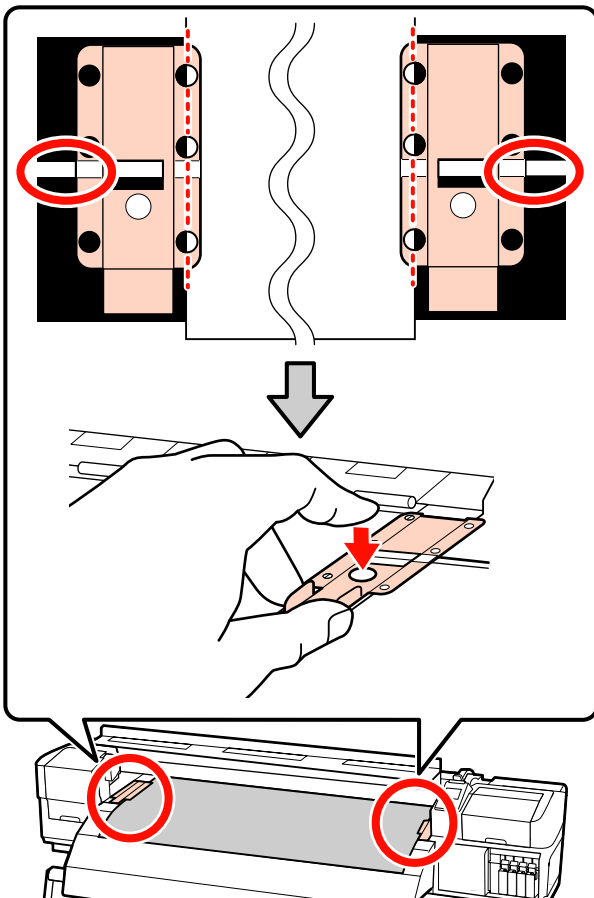


Basic Operations

Insertable media holding plates

Position the media holding plates, while the media is placed over them, in such a way that each edge of the media is aligned to the middle of a row of the round holes in the media holding plates.

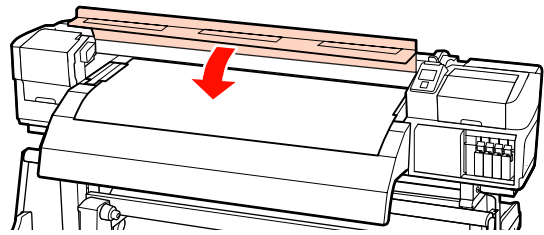
- (1) Align the white lines of the media holding plates with the white lines of the platen.
- (2) To keep the plates from lifting, push them down until you hear a clicking sound.



! Important:

- ❑ Do not use the media holding plates with media that is 0.4 mm or thicker. The media holding plates could touch and damage the print head.
- ❑ Always position the plates so that the edges of the media are at the centers of the round holes. Incorrect positioning causes banding (horizontal banding, tint unevenness, or stripes) during printing.
- ❑ Move the media holding plates to the left and right edges of the platen when they are not in use.
- ❑ Do not use the media holding plates if the sides of the printed media are smudged or torn.

19 Close the front cover.



When using the auto take-up reel unit, see:

[☞ “Using the Auto Take-up Reel Unit” on page 67](#)

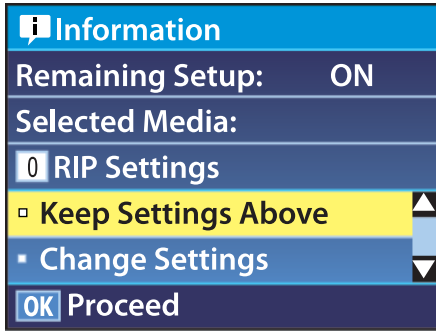
When not using the auto take-up reel unit, proceed to the media check and setting change steps.

[☞ “Viewing and Changing Media Settings” on page 63](#)

Basic Operations

Viewing and Changing Media Settings

The control panel displays the following information once the media is loaded.



This display can be used to view or change the following two options:

Remaining Setup

On: The printer displays the amount of media remaining.

Off: The printer does not display the amount of media remaining.

When **Remaining Setup** is **On**, the printer will calculate the approximate amount of media remaining based on the length of the roll and the amount used for printing and display this information in the control panel. The display gives a rough idea of the amount of media available before printing, making it easier to know when media requires replacement.

In addition, a warning will be displayed when the amount of media remaining reaches a specified level.

Selected Media

Displays the parameters on which media settings are based as shown below.

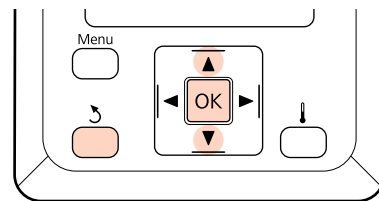
0 RIP Settings: Media settings are based on those in the RIP.

1 XXXXXXXXXXXXXXXXXXXX: Media settings are based on those stored in the printer in media settings bank No. 1.

Media settings banks can store a variety of settings for different media based on the options selected in the **Heater Temperature, Media Suction, Head Alignment**, and other menus. Up to 30 combinations of settings can be stored by assigning them to banks No. 1 to 30.

Media Settings [“Setting \(normal\)” on page 84](#)

Buttons that are used in the following settings



1 Select an option.

To print at current settings:

Use the **▼/▲** buttons to select **Keep Settings Above** and press the **OK** button.

Proceed to Step 6.

To change settings:

Use the **▼/▲** buttons to select **Change Settings** and press the **OK** button.

2 Select the items you want to change and press the **OK** button.

3 Select the desired option and press the **OK** button.

4 Press the **↻** button to display the dialog shown in Step 2 and then press the **↻** button again.

Basic Operations

- 5 After confirming that the settings are correct, use the ▼/▲ buttons to select **Keep Settings Above** and press the OK button.
- 6 The roll type selection screen is displayed.
Use the ▼/▲ buttons to select the roll type that matches the loaded roll and press the OK button.
- 7 If **On** is selected for **Remaining Setup**, you will be prompted to enter the length of the current media.
Use the ▼/▲ buttons to choose a length between 1.0 and 999.5 m and press the OK button. You can set in 0.5 m increments.

The printer will display **Ready** after a brief pause, showing that it is ready to print. Transmit the data to be printed from the computer.

Replacing and removing media

To replace or remove the media after printing, print the amount of media remaining, cut the media, and remove the roll.

Printing the Amount of Media Remaining

The printer displays the amount of media remaining and any media low warnings in the control panel. This makes it possible to determine whether the media requires replacement before printing.

The amount of media remaining can only be displayed if the correct length is entered when the media is loaded.

You can print the amount of media remaining on the leading edge of the roll before it is removed from the printer and then enter this number the next time the media is loaded for accurate information on the amount remaining.

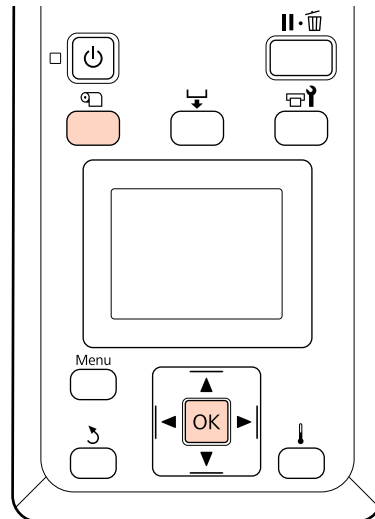
Note:


The printer does not calculate or display the amount of media remaining when **Off** is selected for **Remaining Setup** in the setup menu.

 [“Viewing and Changing Media Settings” on page 63](#)

The following section describes how to print the amount of media remaining.

Buttons that are used in the following settings



- 1 Confirm that the printer is ready to print.
- 2 Press the  button, select **Media Remaining** in the menu, and press the OK button.
- 3 Select **Print Remaining Length** and press the OK button.
- 4 Press the OK button to print the amount of media remaining.

Cutting Media

Use a cutter (available in the market) to cut the media when printing is complete. This section described how to use a cutter to cut the media.

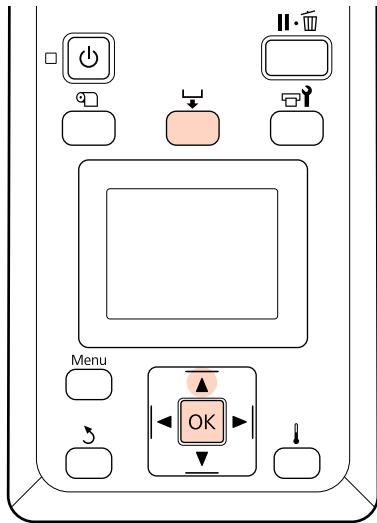



Caution:

- The heaters and media holding plate may be hot; observe all necessary precautions. Failure to observe the necessary precautions could result in burns.
- When cutting media, be careful not to cut your fingers or hands with the cutter or other blades.


Basic Operations

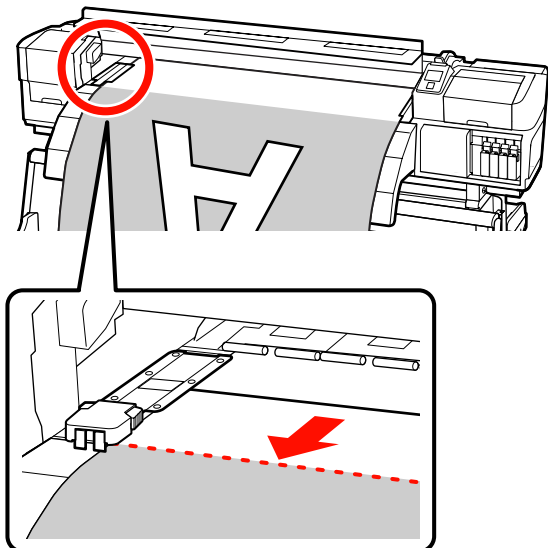
Buttons that are used in the following settings



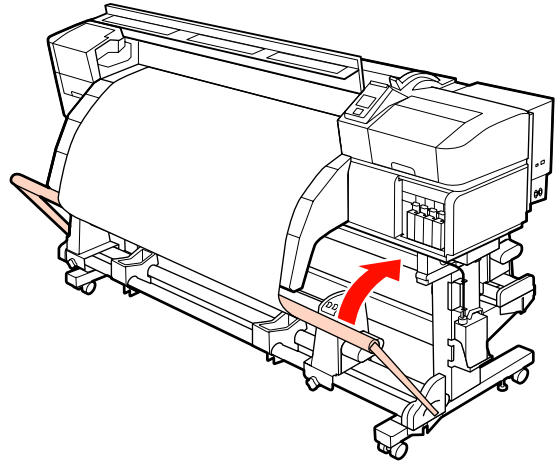
1 After checking that the printer is ready, press the  button, and press the OK button.

2 Check that the trailing edge of the printed media is fed to the position over the cutter groove, and open the front cover.

If you have printed the amount of media remaining, press the  button to rewind the media so that this information will remain on the roll after the media is cut.



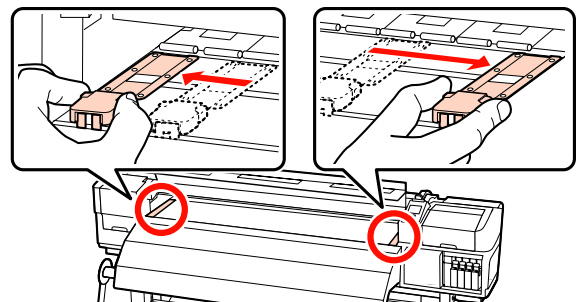
When the auto take-up reel unit is used, raise the tensioner.



3 Open the front cover, and move the media holding plates out of the way.

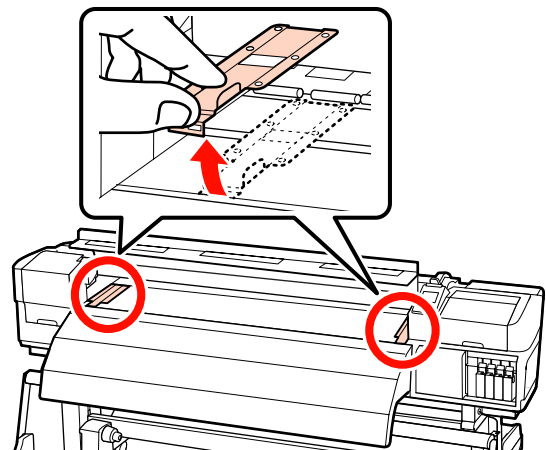
Sliding media holding plates

Move the media holding plates to the right and left sides of the platen. Hold both tabs on the media holding plates to move them.



Insertable media holding plates

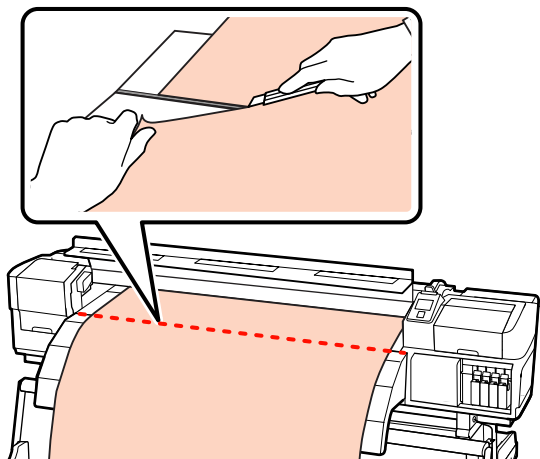
Remove the media holding plates from both edges of the media.



Basic Operations

4 Cut the media with the cutter.

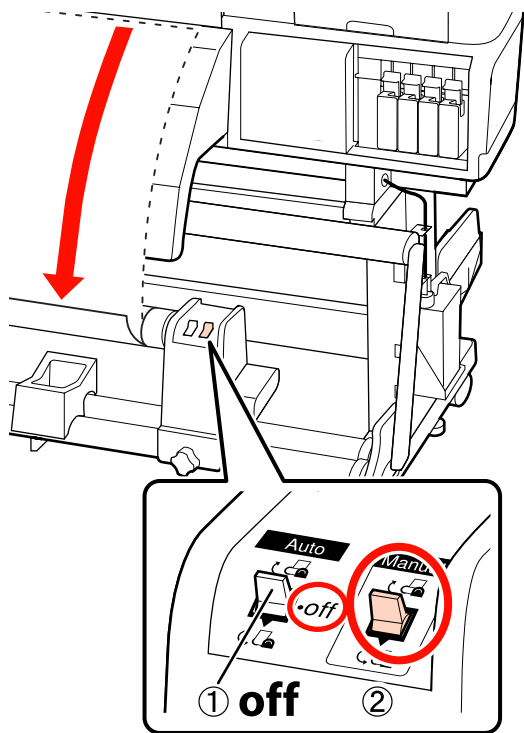
Pass the blade of the cutter down the cutting groove.



When the auto take-up reel unit is used, proceed to Step 5.

Otherwise, proceed to Step 7.

5 Set the Auto switch to OFF. Take up the cut media completely by operating the Manual switch according to how the media is rolled.



6 Remove the take-up roll.

➔ “Removing the Take-up Roll” on page 81

7 To remove the media, reverse the steps you followed to load it.

➔ “Loading Media (SC-S70600 series, SC-S50600 series)” on page 37

➔ “Loading Media (SC-S30600 series)” on page 51

! Important:

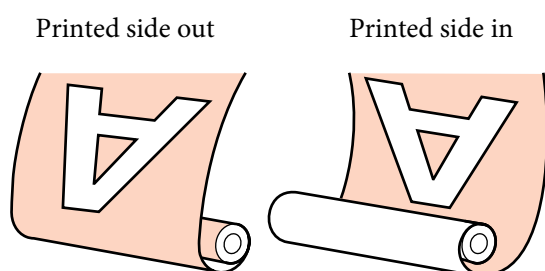
To finish the procedure in the SC-S70600 series or SC-S50600 series, raise the media loading lever. Otherwise, the pressure rollers will be deformed.

Basic Operations

Using the Auto Take-up Reel Unit

The auto take-up reel unit automatically takes up media as it is printed. This improves the efficiency of unmanned operation.

The auto take-up reel unit for this printer can take up media in either of the following directions.



Taking-up with printed side out places the printed surface on the outside of the roll.

Taking-up with printed side in places the printed surface on the inside of the roll.

Follow the procedures below to attach the roll core to the auto take-up reel unit, and then attach the media to the roll core depending on how the media is rolled.

The explanation uses the supplied auto take-up reel unit for illustrative purposes, but the same procedure can be followed when using the optional auto take-up reel unit for heavy media unless otherwise stated.

[📄](#) “Attaching the Roll Core” on page 67

[📄](#) “Take-up with the Printed Side Facing Out” on page 70

[📄](#) “Take-up with the Printed Side Facing In” on page 76

Notes when using the auto take-up reel unit



Caution:

- ❑ Follow the instructions in the manual when loading media or roll cores or removing the take-up roll.

Dropping media, roll cores, or take-up rolls could result in injury.

- ❑ Be sure that your hands or hair do not get caught in the media feeding unit or auto take-up reel unit while it is operating.

Failure to observe this precaution could result in injury.

Use a roll core that is longer than the width of the media.

This allows the media to be taken up without protruding from the core.

Attach media to the roll core using the paper tape supplied.

Using the paper tape reduces a take-up roll misalignment error. When the supplied parts have been completely used, purchase commercially available paper tape with a width of 20 to 25 mm (that is not easily stretched or cut). If you do not have any paper tape, cut media into pieces of 20 to 25 mm wide and 60 cm long.

For ink layering, the auto take-up reel unit is not available. (SC-S70600 series and SC-S50600 series only)

Take-up may not be possible, or print quality may decline.

Attaching the Roll Core

The video is available to check the procedure.


SC-S70600 series [📄 https://www.youtube.com/playlist?list=PLD67cTLxxk9M3XJ7ytYW5QkJDXITlbJOj](https://www.youtube.com/playlist?list=PLD67cTLxxk9M3XJ7ytYW5QkJDXITlbJOj)

SC-S50600 series [📄 https://www.youtube.com/playlist?list=PLD67cTLxxk9OWBIEifb1tAruevhTX-_f9](https://www.youtube.com/playlist?list=PLD67cTLxxk9OWBIEifb1tAruevhTX-_f9)

SC-S30600 series [📄 https://www.youtube.com/playlist?list=PLD67cTLxxk9P6FW3ylGgUd98QUdyAFEGr](https://www.youtube.com/playlist?list=PLD67cTLxxk9P6FW3ylGgUd98QUdyAFEGr)

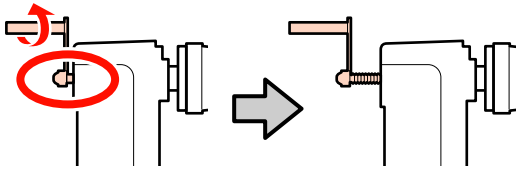
Basic Operations

Before starting operations, be sure to read the following:

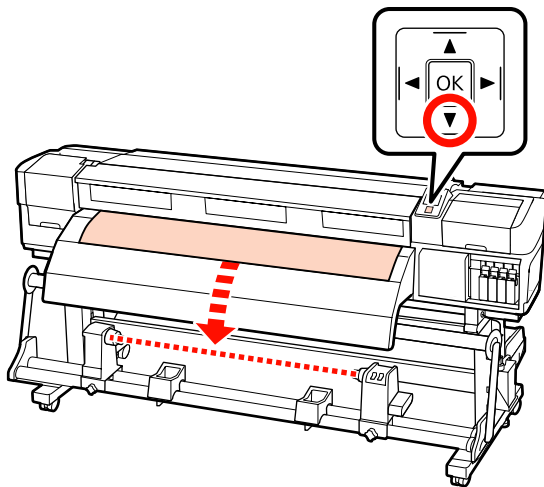
 "Notes when using the auto take-up reel unit" on page 67

! **Important:**

When using the optional heavy roll media system and before starting this procedure, check that the handle shaft of the unit on the left is visible. If the shaft is not visible, turn the handle in the direction shown below until it does not turn any more.



- 1** After confirming that the media is loaded correctly, keep the ▼ button pressed until the leading edge of the media reaches the roll core holder.

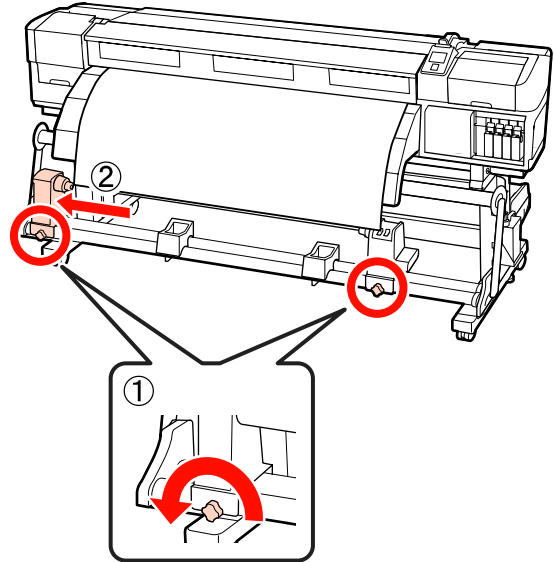


! **Important:**

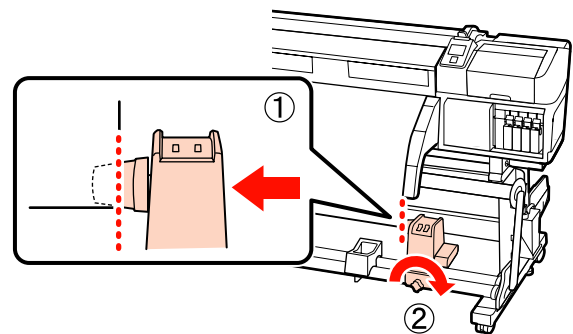
Always press the ▼ button to feed the media as far as the roll core holder. If the media is pulled by hand, the media may twist during take-up.

- 2** Loosen the roll core holder fixing screws at both sides and adjust the left roll core holder.

Center the roll supports between the roll holders.



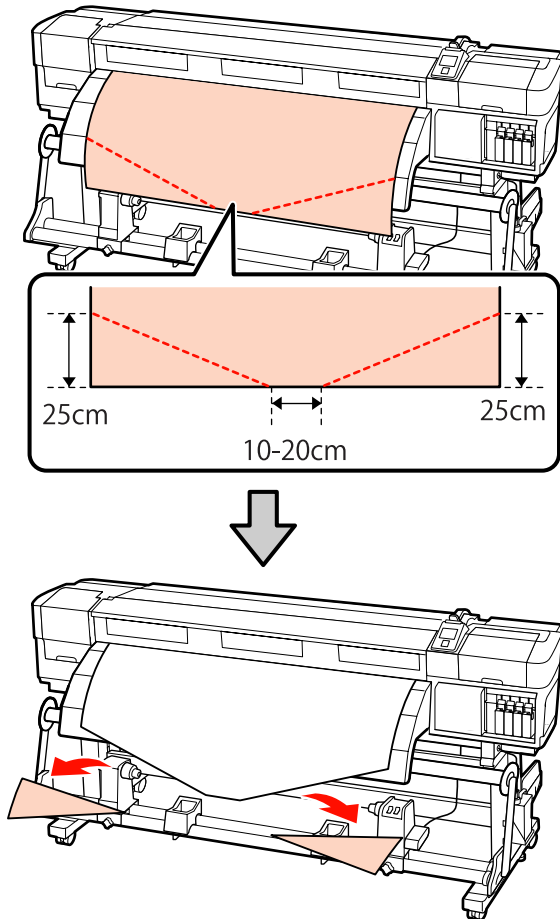
- 3** Align the right roll core holder with the right edge of the media and tighten the fixing screw.



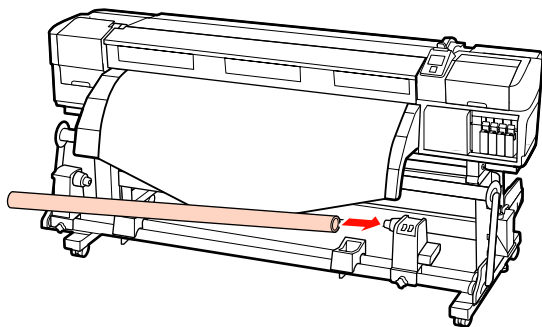
Basic Operations

- 4** Cut the left and right corners of the media as shown in the illustration below.

Cutting the media prevents feeding problems, such as the left and right corners of media being folded and caught at the start of take-up.



- 5** Insert the roll core onto the right holder.

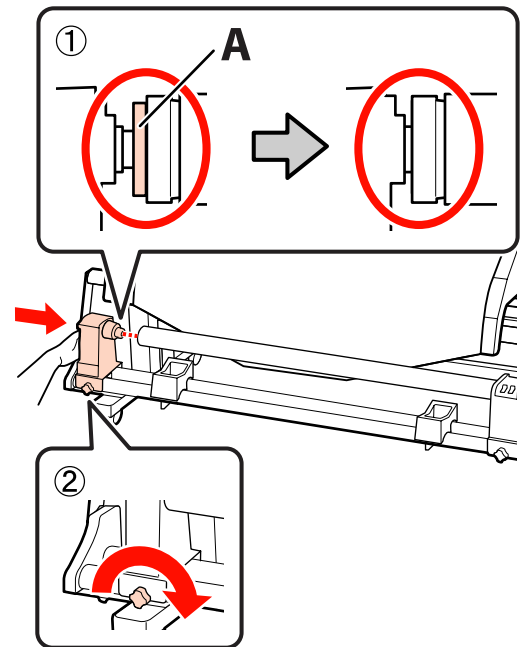


The following procedure varies depending on the type of media unit installed.

When using the standard roll media system:
Proceed to step 6.

When using the heavy roll media system (optional): Proceed to step 7.

- 6** Push the holder until part A shown in the illustration below is fully inserted, and tighten the screw.



! Important:
Stop when part A is no longer visible. The take-up reel unit may not function as expected if the holder is inserted too far.

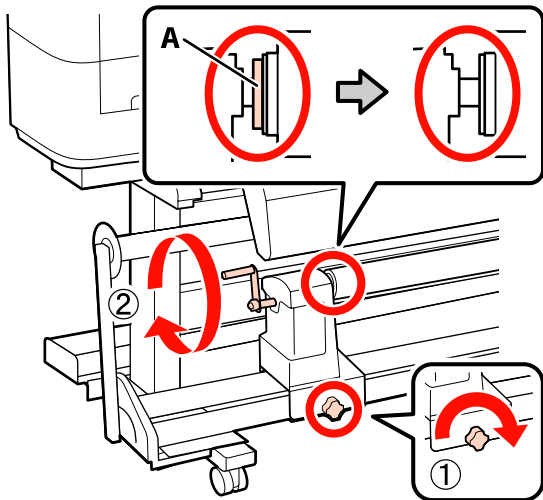
For the subsequent steps, depending on how media is rolled, see:

For information on taking-up with printed side out, see [“Take-up with the Printed Side Facing Out”](#) on page 70.

For information on taking-up with printed side in, see [“Take-up with the Printed Side Facing In”](#) on page 76.

Basic Operations

- 7** Securely push the roll core holder into the roll core using both hands, and then tighten the fixing screws. Rotate the handle until part A in the illustration below is fully inserted.



! **Important:**

Once part A is hidden, do not turn the handle any further. Failure to observe this precaution could damage the roll core holder. If part A is still visible even after the handle has been turned fully, rewind the handle. Then, loosen the left roll core holder fixing screw, and reattach the roll core.

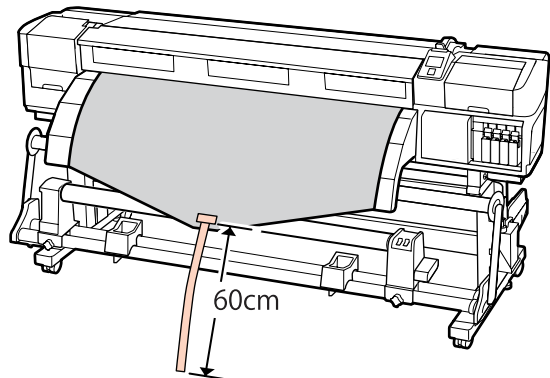
For the subsequent steps, depending on how media is rolled, see:

For information on taking-up with printed side out, see [☞ “Take-up with the Printed Side Facing Out” on page 70.](#)

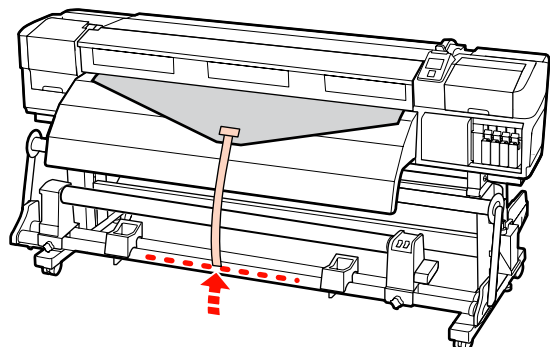
For information on taking-up with printed side in, see [☞ “Take-up with the Printed Side Facing In” on page 76.](#)

Take-up with the Printed Side Facing Out

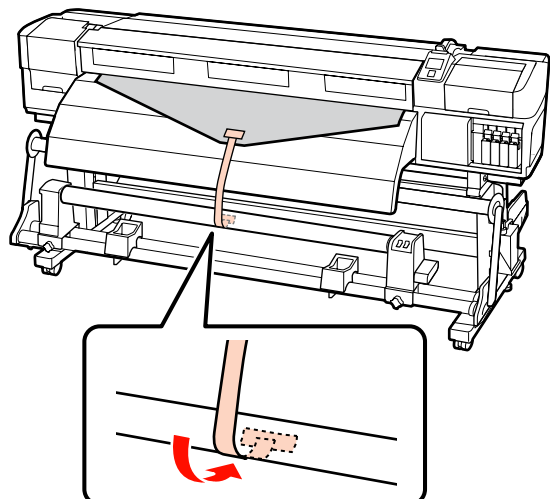
- 1** Cut the paper tape approximately 60 cm in length, and paste it approximately in the center of the media using commercially available adhesive tape.



- 2** Hold down the ▲ button until the tip of the tape reaches the center of the pipe.




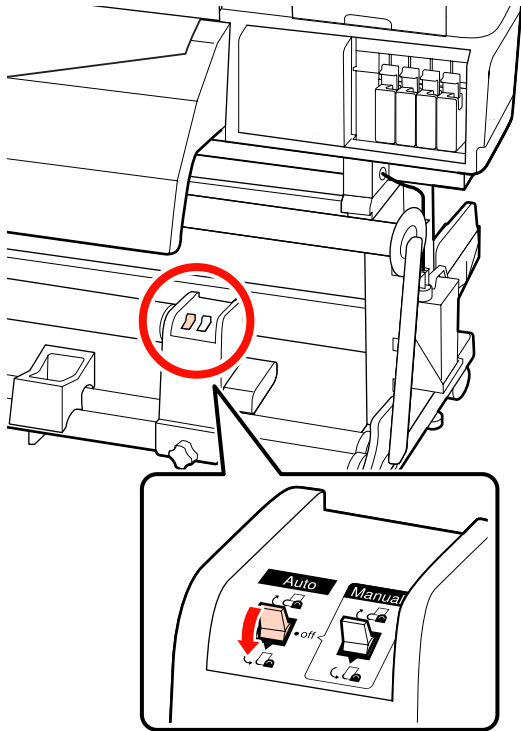
- 3** Turn the paper tape over from the front of the roll core, and stick using commercially available adhesive tape.



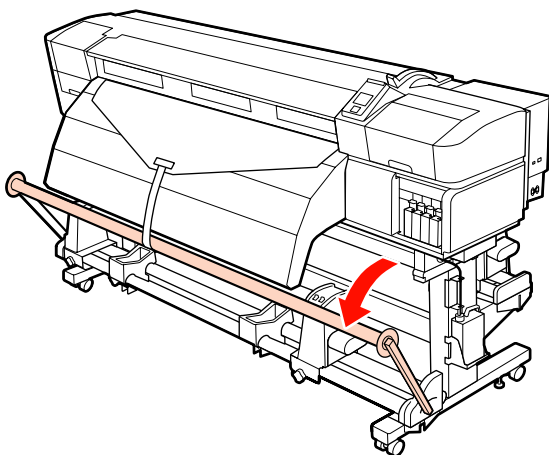
Basic Operations

! Important:
 Attach the media to the take up roll core with the media in a taut state. If media is attached in a loose state, the media may move around during take-up.

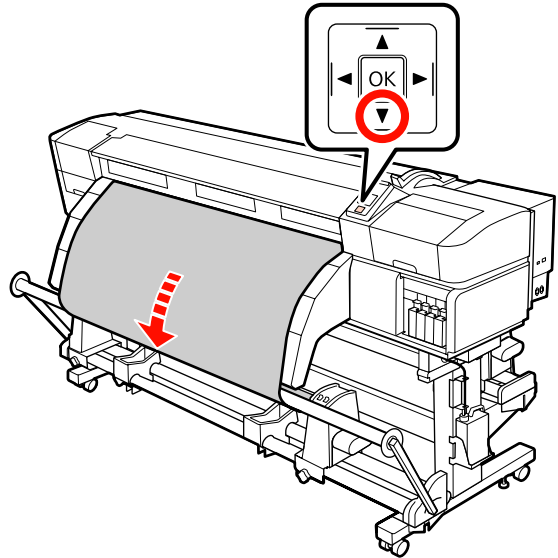
4 Flip the Auto switch to .



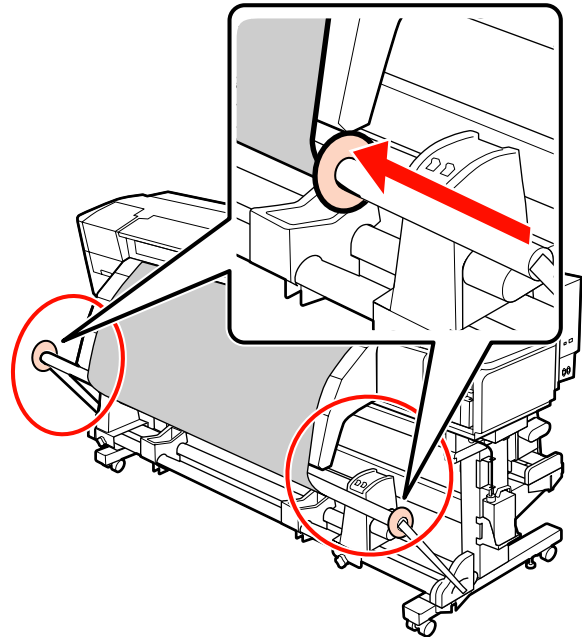
5 Lower the tensioner until it slightly touches the paper tape.



6 Continue holding down the ▼ button until both edges of the media reach the paper core and wrap around once or twice.

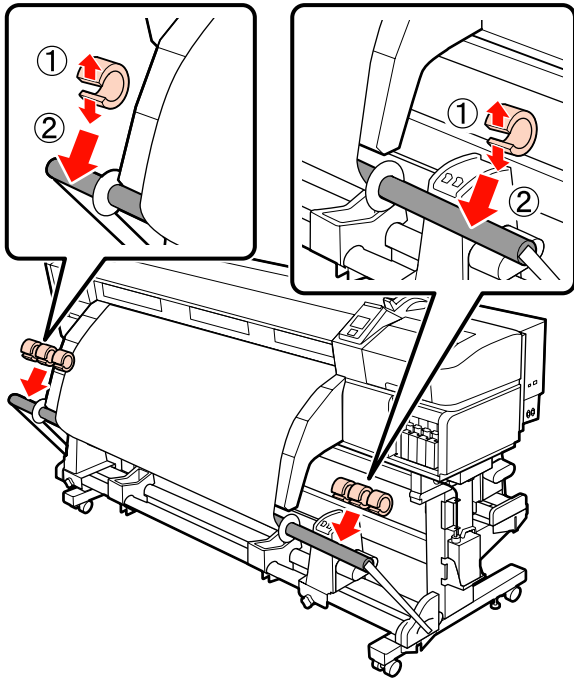


7 Position the right and left tensioner media guides until they slightly touch the media.



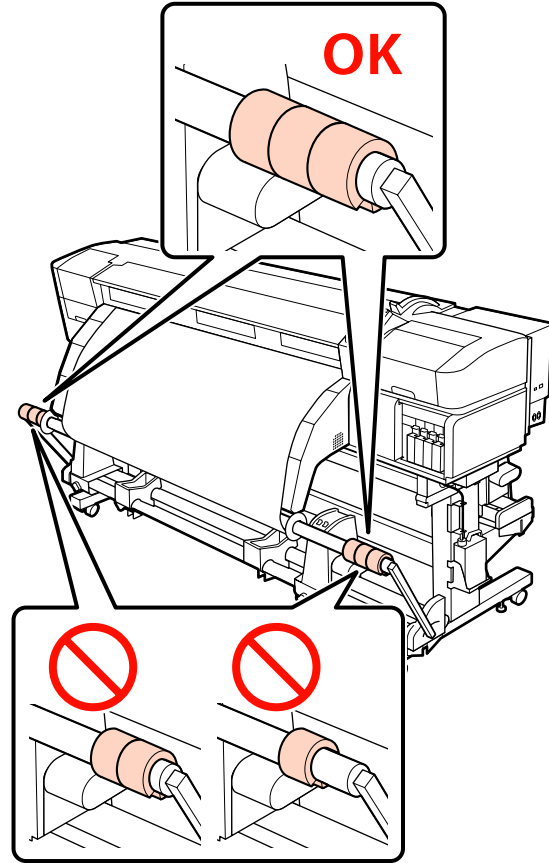
Basic Operations

- 8** When loading banner media, attach three counter weights to both ends of the tensioners.



! **Important:**

- ❑ Always attach three each on the left and right. Take-up will not be performed correctly if counterweights are added to one side only or the quantities are different on the left and right.



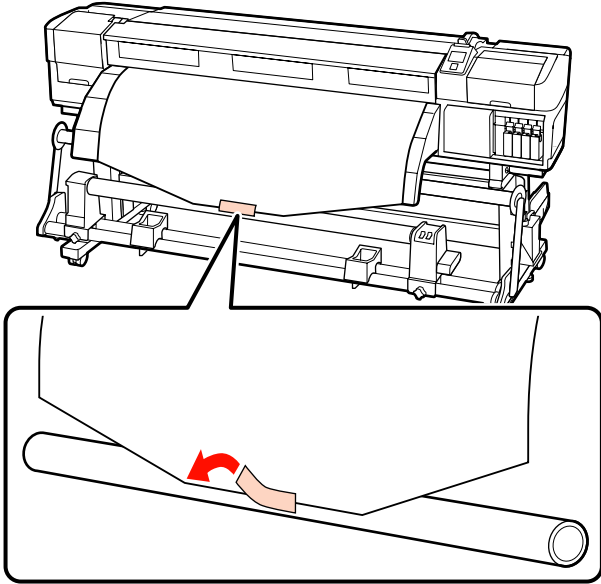
- ❑ For media other than banner media, always remove the counterweights before printing. Failure to do so may cause the print head to strike the media during printing.

To remove counterweights, open them in the same way as when attaching them.

Basic Operations

When there is no paper tape

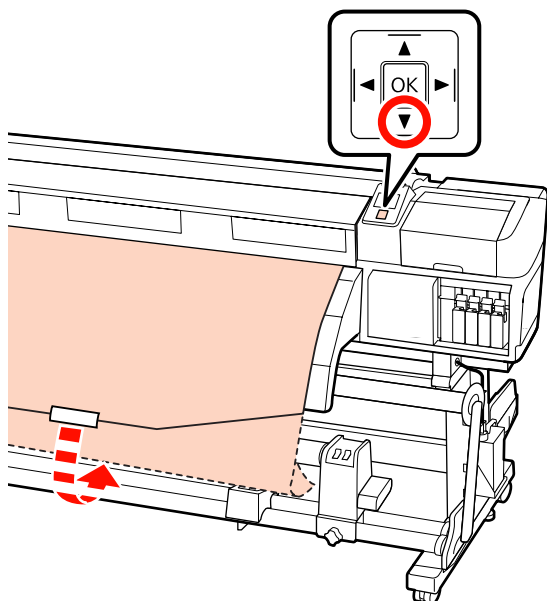
- 1 While pulling the center section of the media straight down, affix the media to the take up roll core with tape.



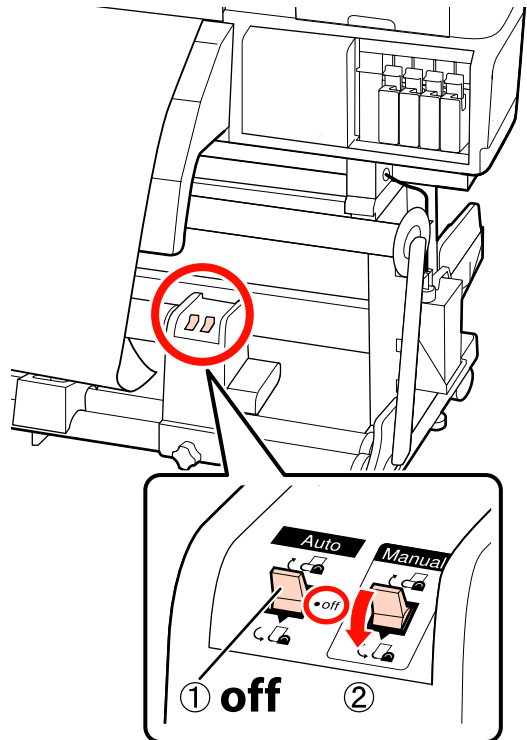
! Important:

Attach the media to the take up roll core with the media in a taut state. If media is attached in a loose state, the media may move around during take-up.

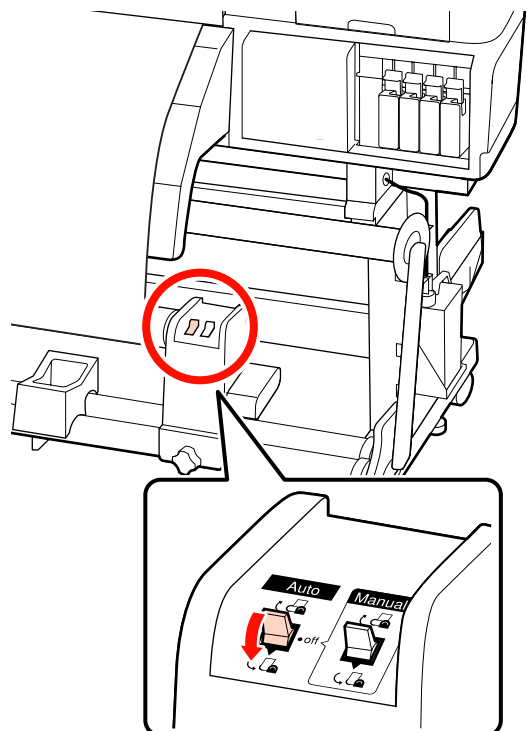
- 2 Press the ▼ button in the control panel to feed enough media for a single wrap around the roll core.



- 3 Flip the Auto switch to Off, and hold down the Manual switch to wrap the media once around the roll core.

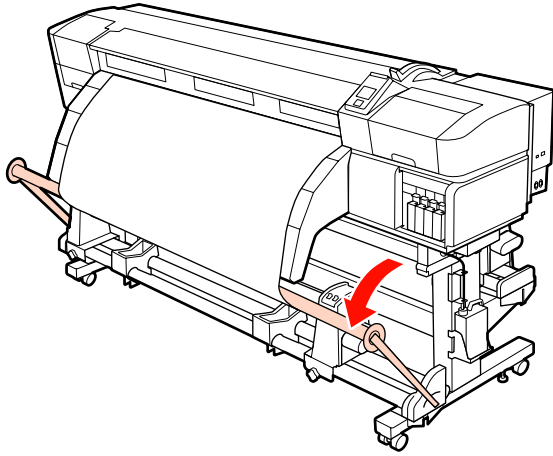


- 4 Flip the Auto switch to On.



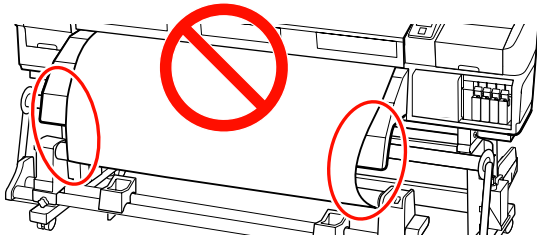
Basic Operations

- 5** Lower the tensioner until it slightly touches to the media.



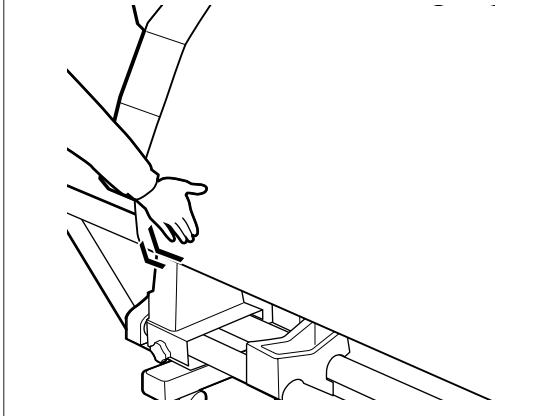
- 6** Confirm that the media is attached without looseness.

If the tension on the left and right of the media is different in the areas shown in the illustration below, the media will not be taken up correctly. When one side is loose, restart the procedure from Step 1.

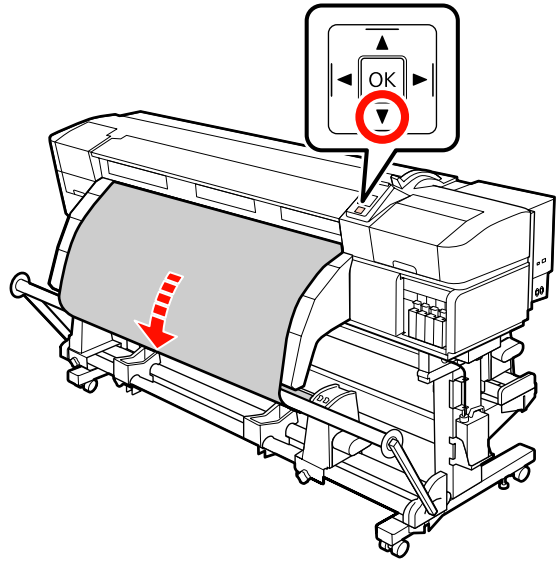


Note:

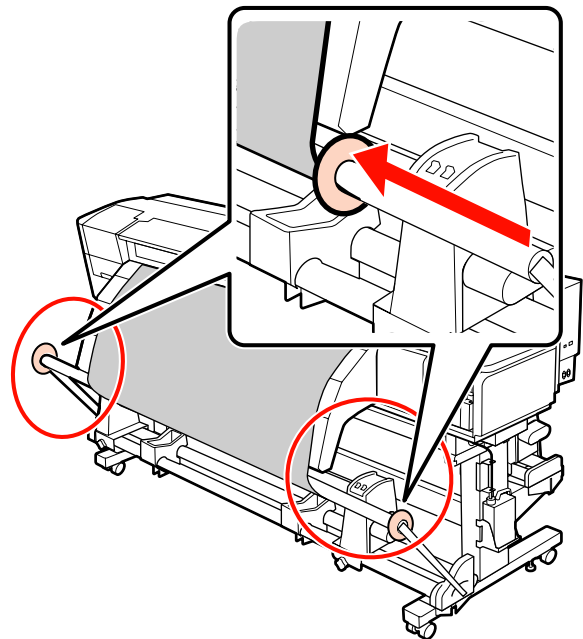
You can confirm differences in tension by lightly tapping both edges of the media as shown in the illustration below.



- 7** Continue holding down the ▼ button until the media has wrapped around once or twice.

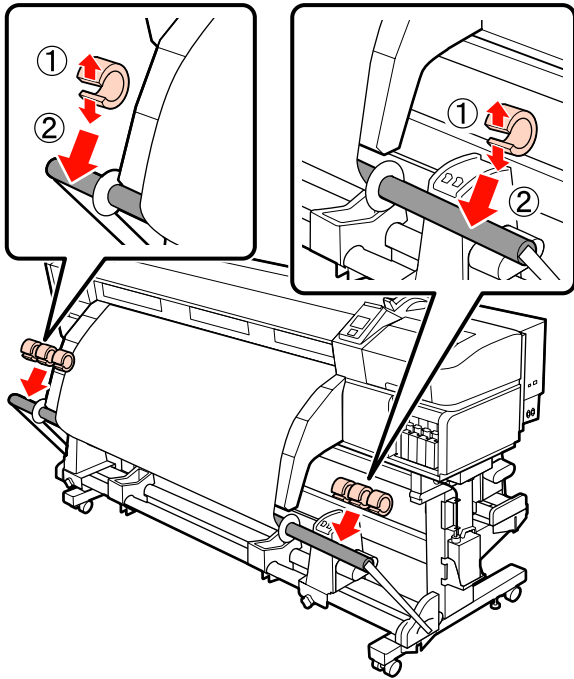


- 8** Position the right and left tensioner media guides until they slightly touch the media.



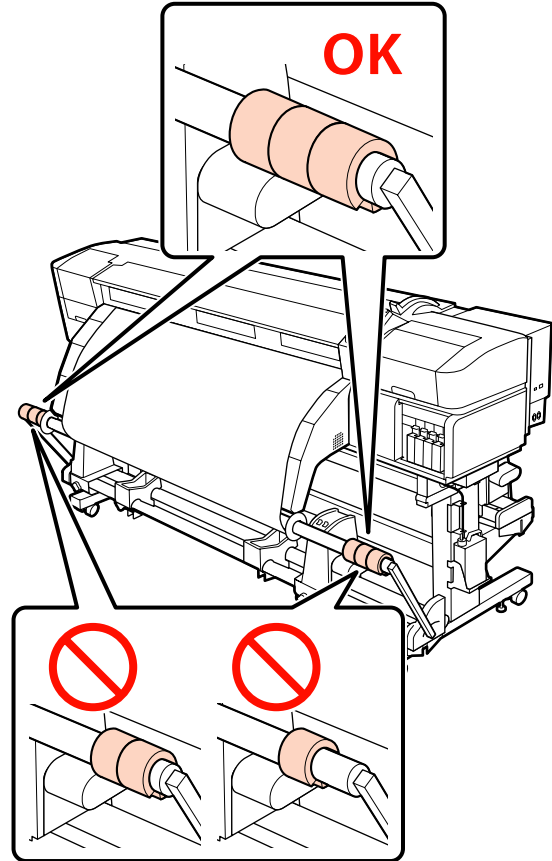
Basic Operations

- 9** When loading banner media, attach three counter weights to both ends of the tensioners.



! **Important:**

- ❑ Always attach three each on the left and right. Take-up will not be performed correctly if counterweights are added to one side only or the quantities are different on the left and right.



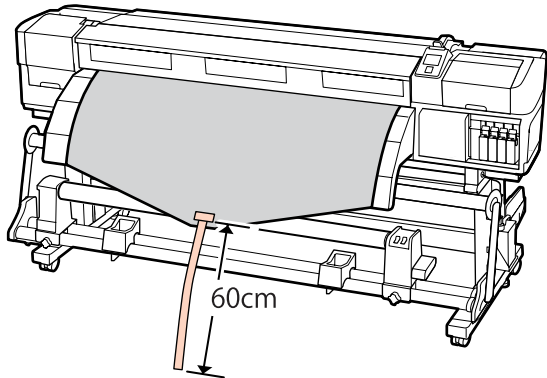
- ❑ For media other than banner media, always remove the counterweights before printing. Failure to do so may cause the print head to strike the media during printing.

To remove counterweights, open them in the same way as when attaching them.

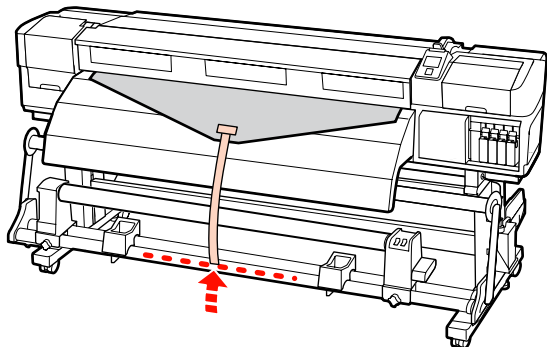
Basic Operations

Take-up with the Printed Side Facing In

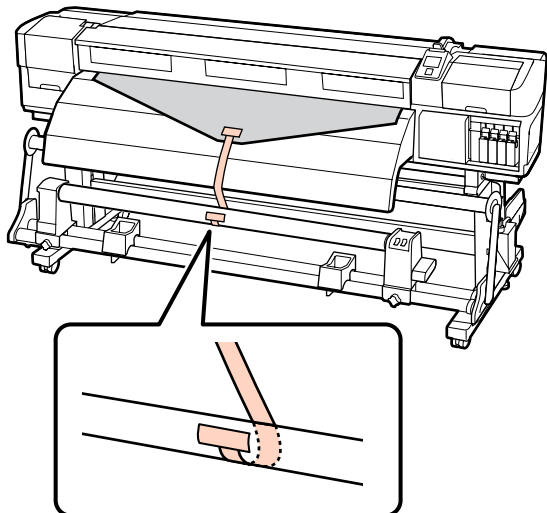
- 1 Cut the paper tape approximately 60 cm in length, and paste it approximately in the center of the media using commercially available adhesive tape.




- 2 Hold down the ▲ button until the tip of the tape reaches the center of the pipe.

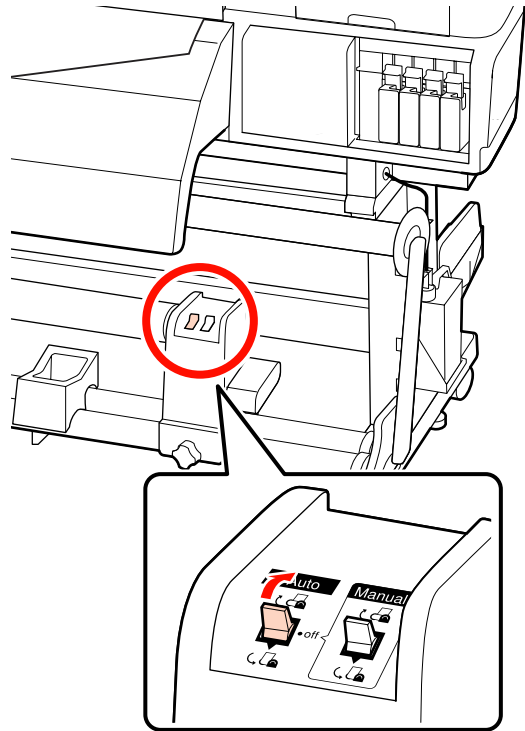


- 3 Turn the paper tape over from the front of the roll core, and stick using commercially available adhesive tape.

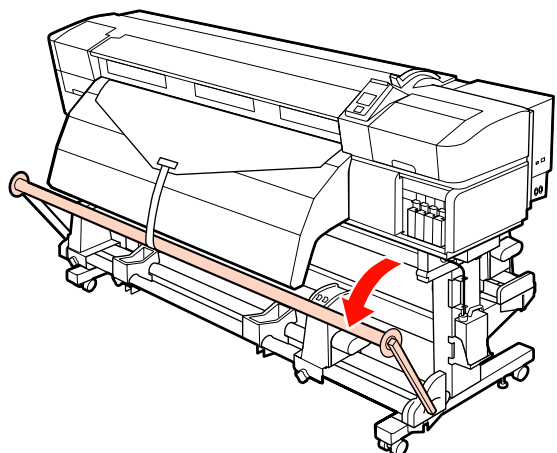


! Important:
Attach the media to the take up roll core with the media in a taut state. If media is attached in a loose state, the media may move around during take-up.

- 4 Flip the Auto switch to .

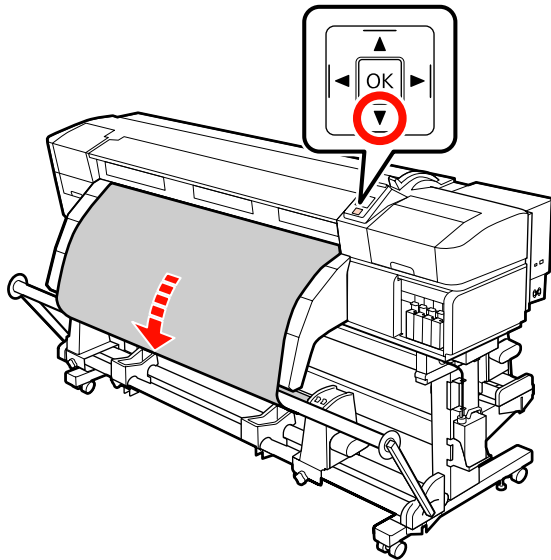


- 5 Lower the tensioner until it slightly touches the paper tape.

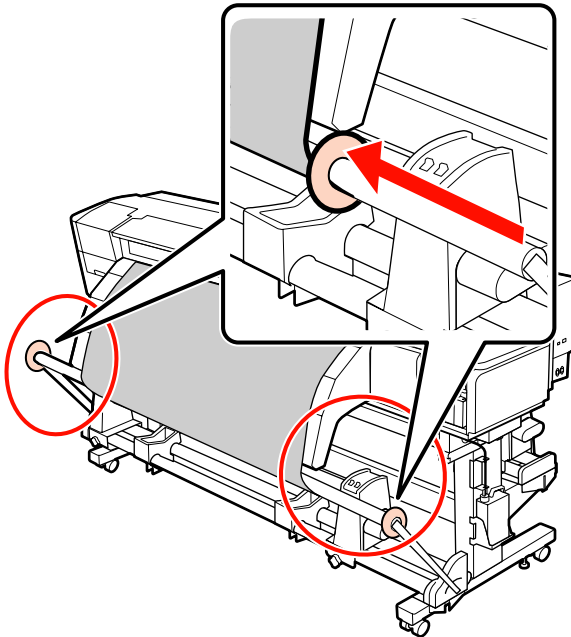


Basic Operations

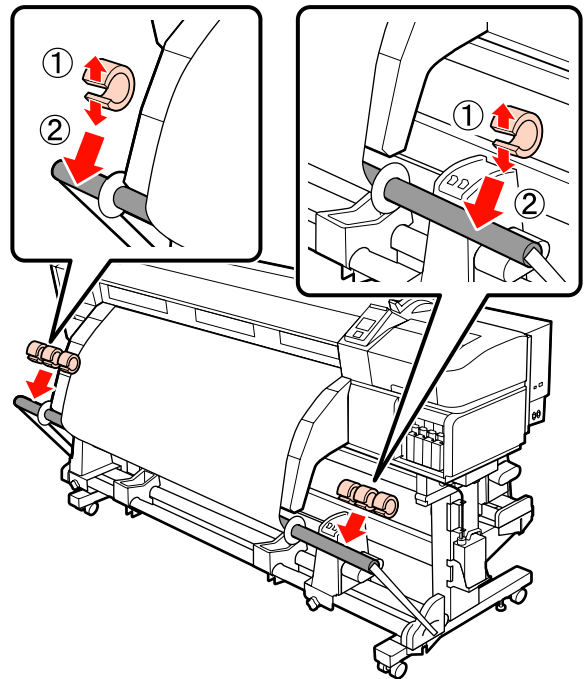
- 6** Continue holding down the ▼ button until both edges of the media has wrapped around once or twice.



- 7** Position the right and left tensioner media guides until they slightly touch the media.



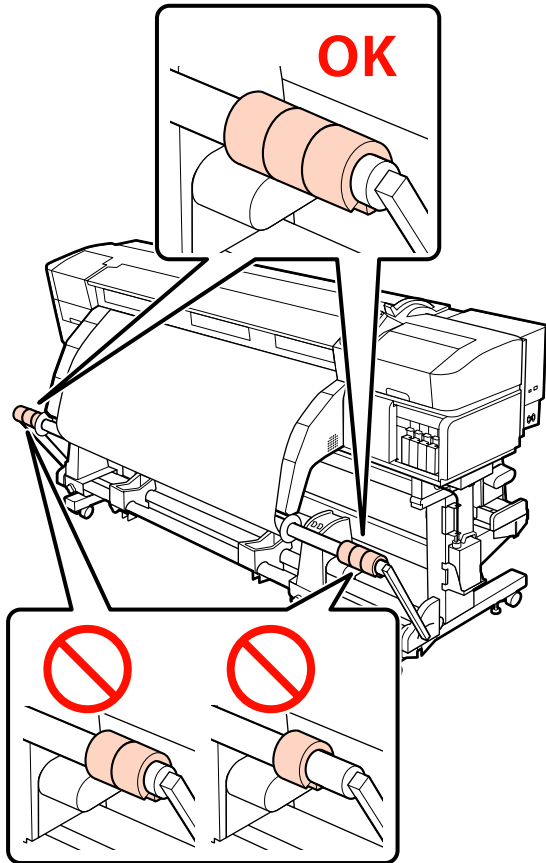
- 8** When loading banner media, attach three counter weights to both ends of the tensioners.



Basic Operations

! Important:

- Always attach three each on the left and right. Take-up will not be performed correctly if counterweights are added to one side only or the quantities are different on the left and right.

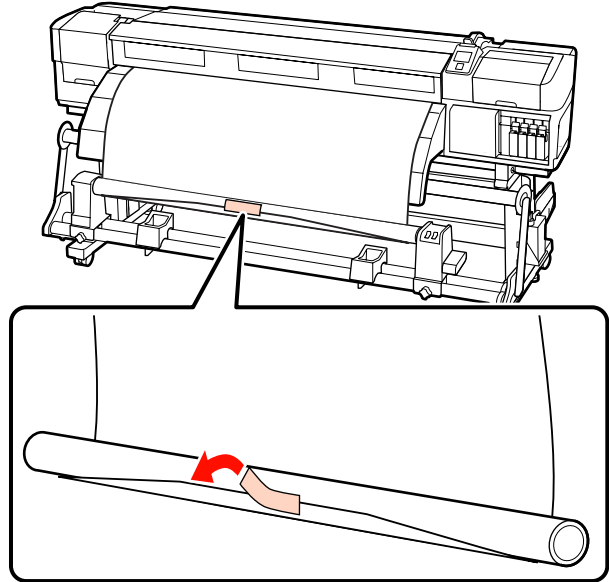


- For media other than banner media, always remove the counterweights before printing. Failure to do so may cause the print head to strike the media during printing.

To remove counterweights, open them in the same way as when attaching them.

When there is no paper tape

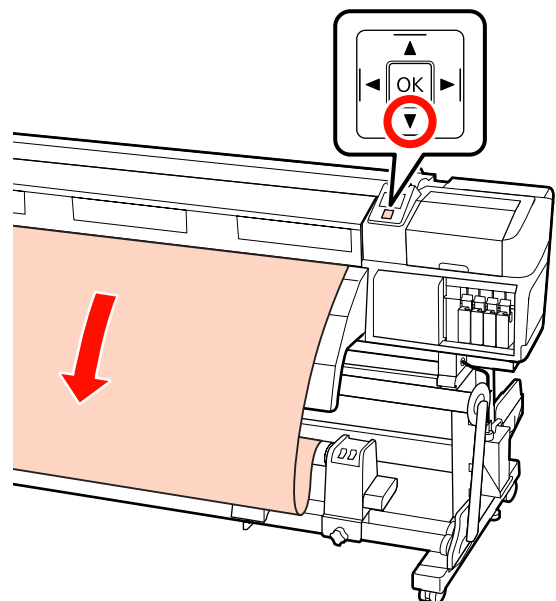
- While pulling the center section of the media straight down, affix the media to the take up roll core with tape.




! Important:

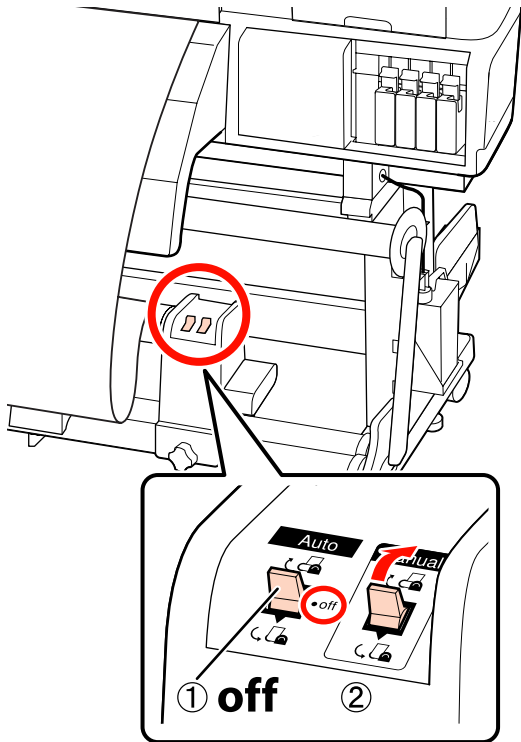
Attach the media to the take up roll core with the media in a taut state. If media is attached in a loose state, the media may move around during take-up.

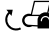
- Press the ▼ button in the control panel to feed enough media for a single wrap around the roll core.

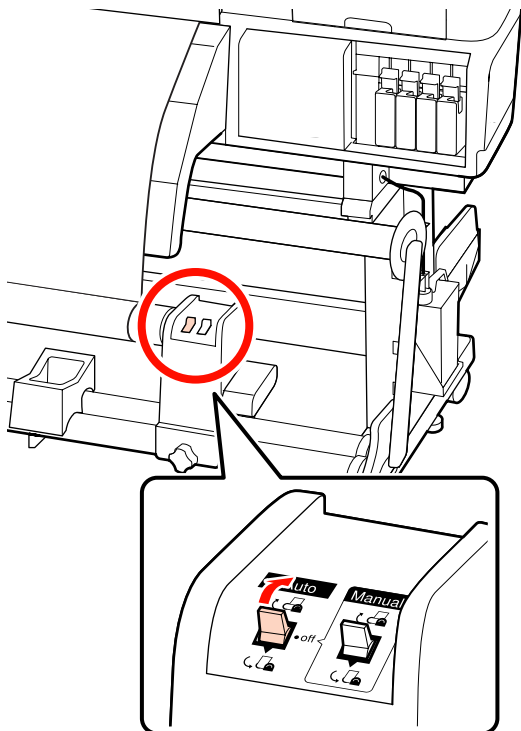


Basic Operations

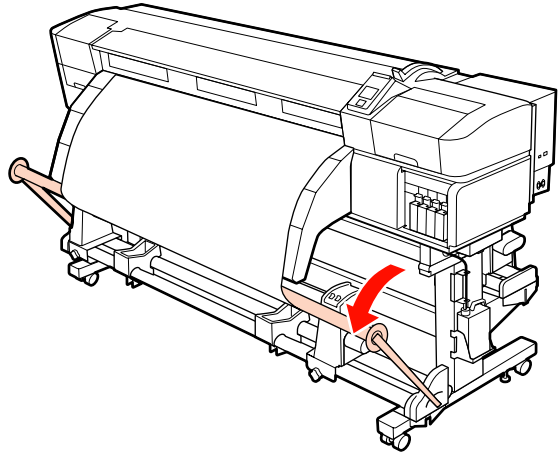
- 3** Flip the Auto switch to Off, and hold down the Manual switch to  to wrap the media once around the roll core.



- 4** Flip the Auto switch to .

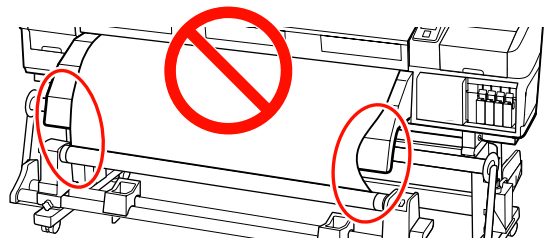


- 5** Lower the tensioner until it slightly touches to the media.



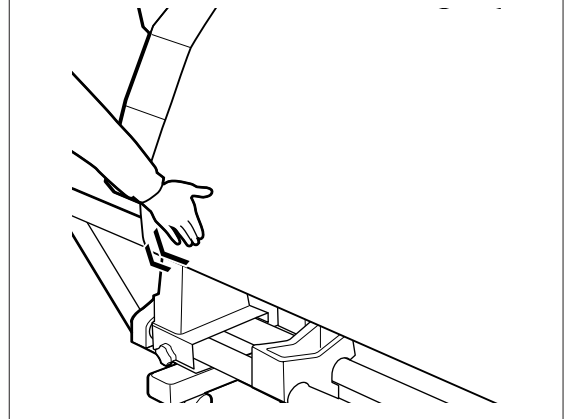
- 6** Confirm that the media is attached without looseness.

If the tension on the left and right of the media is different in the areas shown in the illustration below, the media will not be taken up correctly. When one side is loose, restart the procedure from Step 1.



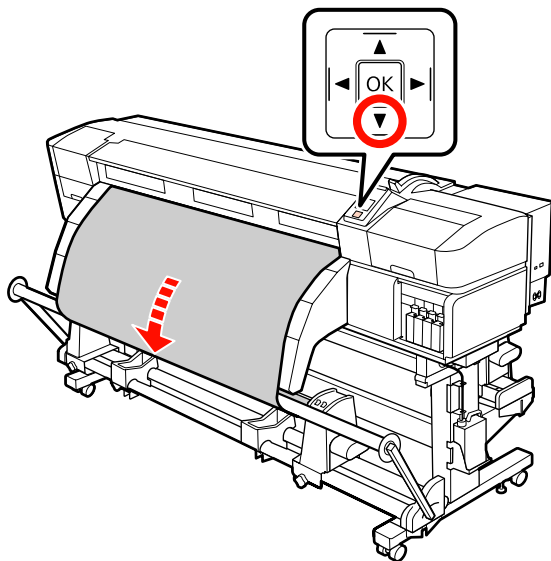
Note:

You can confirm differences in tension by lightly tapping both edges of the media as shown in the illustration below.

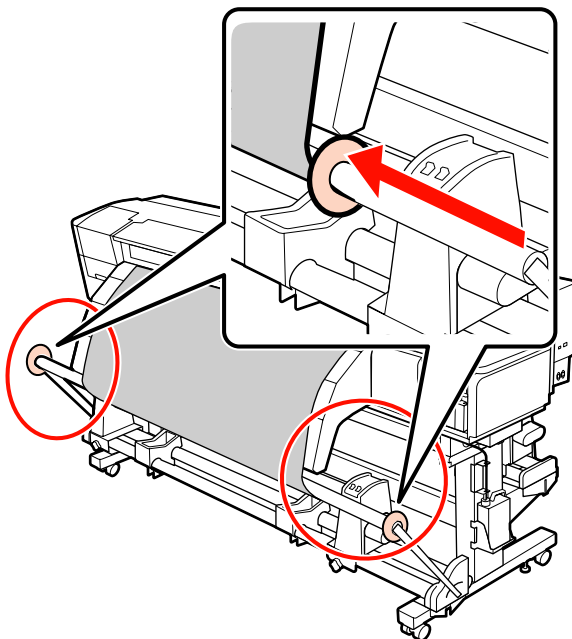


Basic Operations

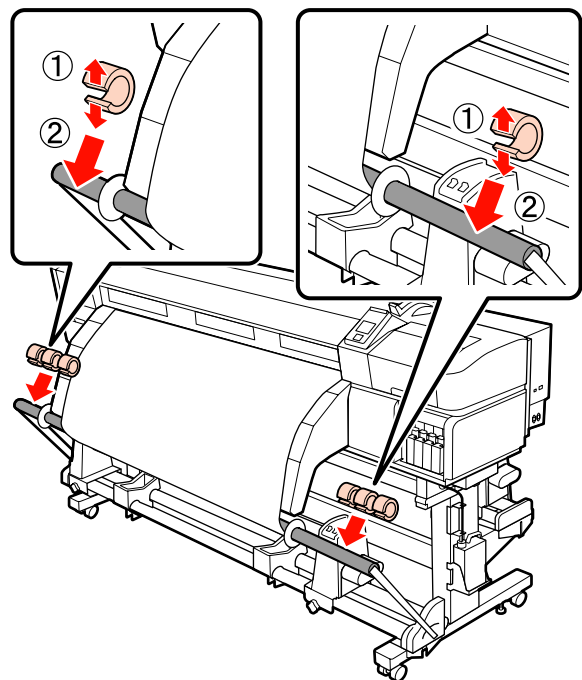
- 7** Continue holding down the ▼ button until the media reach the paper core and wrap around once or twice.



- 8** Position the right and left tensioner media guides until they slightly touch the media.



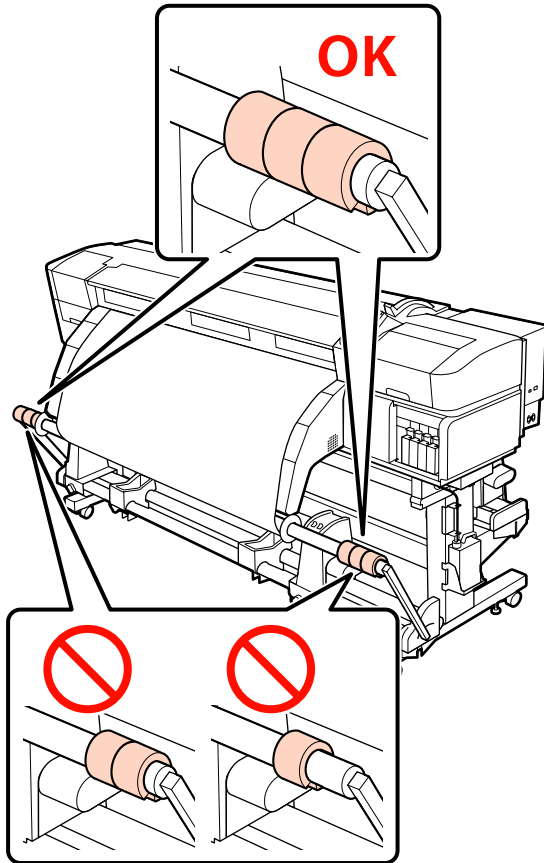
- 9** When loading banner media, attach three counter weights to both ends of the tensioners.



Basic Operations

! Important:

- Always attach three each on the left and right. Take-up will not be performed correctly if counterweights are added to one side only or the quantities are different on the left and right.



- For media other than banner media, always remove the counterweights before printing. Failure to do so may cause the print head to strike the media during printing.

To remove counterweights, open them in the same way as when attaching them.

Removing the Take-up Roll

The procedure for removing media varies depending on whether you are using the supplied auto take-up reel unit or the optional auto take-up reel unit for heavy media.

Follow the steps below when using the supplied auto take-up reel unit.

When the Heavy Roll Auto Take-up Reel Unit is installed [☞ “Using the Optional Heavy Roll Auto Take-up Reel Unit” on page 82](#)

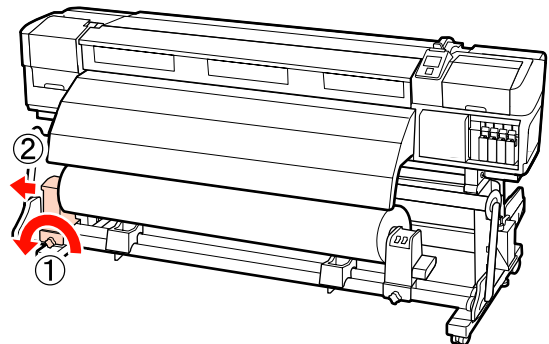
When the Standard Auto Take-up Reel Unit Is Installed

This section describes how to remove media from the take-up reel.

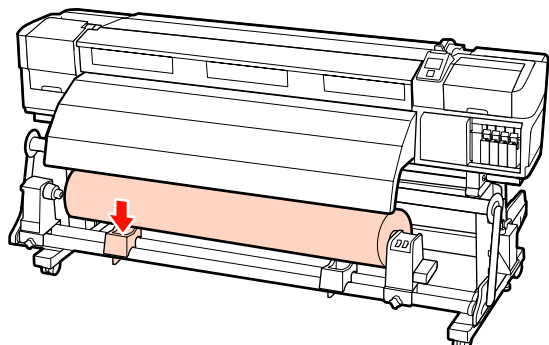
! Caution:

- Because the media is heavy, it should not be carried by one person.
 - Follow the instructions in the manual when removing media or take-up roll.
- Dropping media or take-up rolls could result in injury.

- Cut the media and roll the cut end onto the take-up reel.
[☞ “Cutting Media” on page 64](#)
- To prevent the media from sliding off the roll, support the roll at its left end.
- Loosen the left roll core holder fixing screw and remove the roll core holder from the roll.

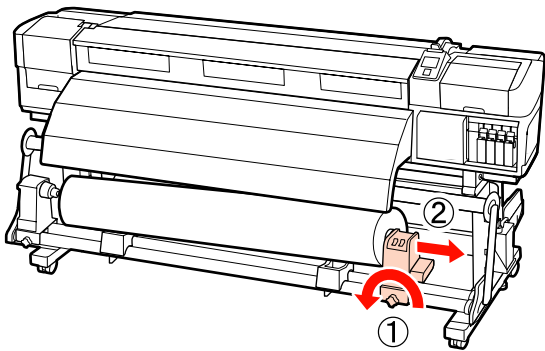


- Lower the roll onto the roll support.

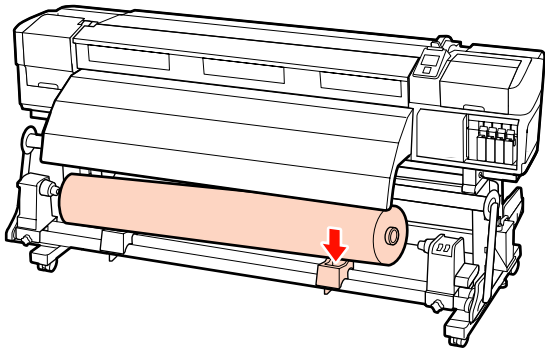


Basic Operations

- 5 To prevent the media from sliding off the roll, support the roll at its right end.
- 6 Loosen the right roll core holder fixing screw and remove the roll core holder from the roll.



- 7 Lower the roll onto the roll support.



Using the Optional Heavy Roll Auto Take-up Reel Unit

This section explains how to remove media from the take-up reel using a lifter.

The following types of lifter can be used.

- Fork or platform thickness: 28 mm or less
- Fork or platform can be lowered to approx. 190 mm from the floor.

Caution:

- Because the media is heavy, it should not be carried by one person.

The use of a lifter is recommended when handling media that weigh 40 kg or more.

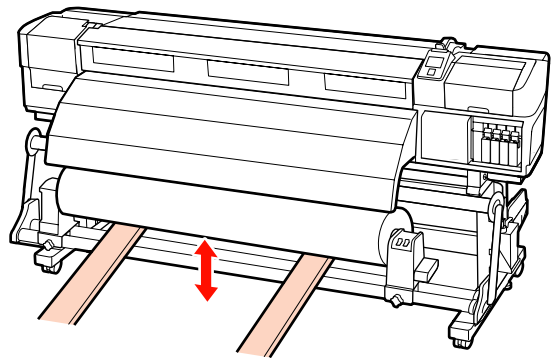
- Follow the instructions in the manual when removing media or take-up roll.

Dropping media or take-up rolls could result in injury.

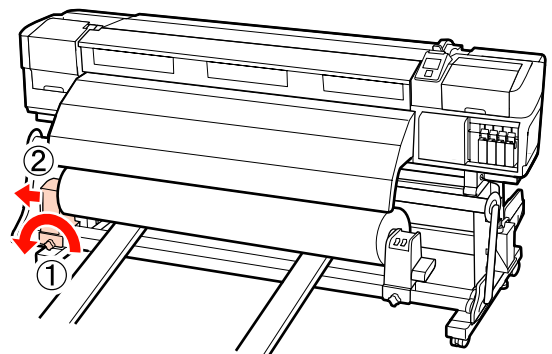
- 1 Cut the media and roll the cut end onto the take-up reel.

 [“Cutting Media” on page 64](#)

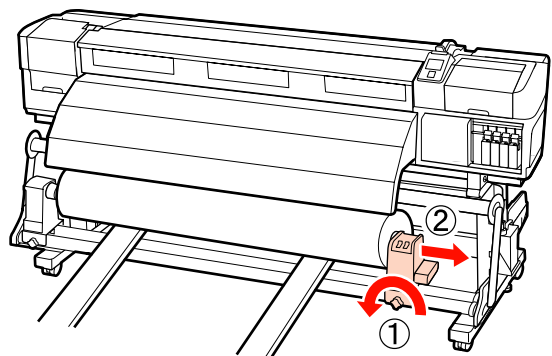
- 2 Insert the lifter between the media and the auto take-up reel unit and adjust the height to support the take-up roll.



- 3 Loosen the left roll core holder fixing screw and remove the roll core holder from the roll.



- 4 Loosen the right roll core holder fixing screw and remove the roll core holder from the roll.



Before Printing

To maintain print quality, perform the following inspection before starting work each day.

Basic Operations

- ❑ Check the amount of ink remaining:

If ink is expended during printing, printing can be resumed once the affected cartridge has been replaced. However, when replacing ink during a print job, you may see a difference in color depending on the drying conditions. If you know that the print job will be a large one, we recommend that you use new cartridges to replace those that are running low before you start. The old cartridges can be reinserted and used at a later date.

Ink level is shown by an icon. [☞ “Understanding the Display” on page 21](#)

Replacing Ink Cartridges [☞ “Replacement procedure” on page 118](#)

- ❑ Shaking spot color inks

Spot color ink must be removed and shaken once every 24 hours. Although a message is displayed in the control panel 24 hours after the inks were last removed, we recommend that they be removed and shaken before the start of work.

Shaking ink cartridges [☞ “Shaking” on page 118](#)

- ❑ Print Check Pattern

Print a check pattern to check for clogged nozzles.

Perform head cleaning if parts of the pattern are faint or missing.

Print a Check Pattern [☞ “Printing nozzle check patterns” on page 128](#)

Head Cleaning [☞ “Head Cleaning” on page 129](#)

Saving media settings

Basic setting flow

To use new media, configure its settings in advance according to the media characteristics. Media setting banks store the following:

- ❑ Setting Name
- ❑ Platen Gap

- ❑ Auto Media Adjust

- ❑ Media Adjust

- ❑ Heating & Drying

- ❑ Advanced Settings (Media Suction, Media Tension, etc.)

During general use, follow the flow below to configure settings. However, for some types of media, you need to manually configure **Media Adjust** in Step (2) or change the values specified in **Advanced Settings**. See the following for more information.

Target media [☞ “Recommended Media Settings” on page 178](#)

Advanced settings [☞ “Customize Settings” on page 145](#)

(1) Setting Name



(2) Auto Media Adjust

You can automatically perform **Feed Adjustment** and **Head Alignment** by one operation.



(3) Heating & Drying

Set to the temperature appropriate for the media.

If you have changed printing conditions after saving media settings, reconfigure media settings. Reconfiguring settings requires only either **Feed Adjustment** or **Head Alignment** in **Media Adjust**, enabling you to complete settings at short times. For details, see:

[☞ “Media Adjust” on page 86](#)

Basic Operations

Precautions regarding settings

- ❑ Correctly load the media to be adjusted in the same state as for the actual printing. For example, if you are using the auto take-up reel unit for printing, the auto take-up reel unit should also be used for adjustment.

 “Loading and Exchanging Media” on page 33

 “Using the Auto Take-up Reel Unit” on page 67

- ❑ Using curled, creased, waved, folded, or curved media may cause an adjustment failure. Cut off the curled, creased, waved, folded, or curved part, and load the media just before printing.

Cutting Media  “Cutting Media” on page 64

- ❑ If the media has different widths even when the media type is the same, the media settings have to be reconfigured. Save media settings for each media width.
- ❑ When using the same type of media with different lots, you should reconfigure media settings.
- ❑ When using the SC-S70600 series or SC-S50600 series, do not use the media part that has been fed and rewound for adjustment. Media that has been fed and then rewound may have traces or other issues from rollers and it may not be possible to adjust correctly.

Setting (normal)

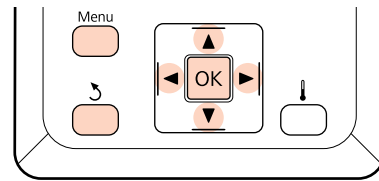
The printer offers a total of 30 media setting banks. Follow the steps below to save media settings.

Note:

The media settings saved in the printer can be changed using EPSON LFP Remote Panel 2.

For details, see the EPSON LFP Remote Panel 2 help.

Buttons that are used in the following settings



Choosing a Media Setting Bank

- 1 After confirming that the printer is ready, press the **Menu** button.

The settings menu will be displayed.

- 2 Select **Media Setup** and press the OK button.

- 3 Use the ▼/▲ buttons to select **Customize Settings** and press the OK button.

- 4 Use the ▼/▲ buttons to select the desired media number, and press the OK button.

If a number with the saved settings is selected, the existing settings are overwritten.

Setting Name

Name the media setting bank. Using distinctive names makes it easier to select banks for use.

- 1 Select **Setting Name** and press the OK button.

- 2 Use the ▼/▲ buttons to display letters and symbols. When the desired character is displayed, press the ► button to select the next entry position.

Mistakes can be erased by pressing the ◀ button to delete the previous character and move the cursor back one spot.

- 3 After entering the name, press the OK button.

Basic Operations

Auto Media Adjust

When this menu is executed, the printer automatically reads adjustment patterns using the sensor while printing the patterns, and continuously performs **Feed Adjustment** and **Head Alignment**.

Change the setting values of the following items before executing this menu.

- Platen Gap**
- Advanced Settings**

 [“Customize Settings” on page 145](#)

Important:

- In the following cases, **Auto Media Adjust** may not be executed. Take the appropriate action, and re-execute the job.*
- The printer is exposed to direct sunlight or interference from other ambient light sources.
Shade the printer from sources of interference.
- Nozzles are clogged.
Perform **Head Cleaning** to remove any clogs.
- In the following cases, **Auto Media Adjust** is not available. In **Media Adjust**, execute the manual menu for each item.*
- The media is transparent or colored.
- Platen Gap** is set to **2.5**.
- After **Auto Media Adjust** is performed, banding or graininess is found.

 [“Media Adjust” on page 86](#)

The approximate maximum length of the media required to print the test pattern is given below. The amount of media used varies with the printer model and the media system used.

SC-S70600 series, SC-S50600 series

| | |
|----------------------------|-----------------|
| Standard roll media system | Approx. 987 mm |
| Heavy Roll Media System | Approx. 1116 mm |

SC-S30600 series

| | |
|----------------------------|-----------------|
| Standard roll media system | Approx. 1061 mm |
| Heavy Roll Media System | Approx. 1190 mm |

Setting procedure

- 1** Load the media according to the actual usage conditions.

When usage conditions change, the adjustment results will also change.

When using the auto take-up reel unit

Load the media on the printer, and attach it to the auto take-up reel unit.

 [“Loading and Exchanging Media” on page 33](#)

 [“Using the Auto Take-up Reel Unit” on page 67](#)

When not using the auto take-up reel unit

Pull the media straight forward until the edge has past the label on the top side of the after heater.

 [“Loading and Exchanging Media” on page 33](#)

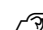
- 2** Use the ▼ or ▲ button to select **Auto Media Adjust**, and press the OK button.

This mode automatically performs pattern printing and adjustment.

When **Ready** is displayed on the screen of the control panel, adjustment is completed.

Heating & Drying

You can set the temperature of each heater or turn the fan for the additional print drying system (standard with the SC-S50600 series; optional with other models) on or off. Heater status can be viewed on the control panel display.

 [“Understanding the Display” on page 21](#)

Setting procedure

- 1** Use the ▼/▲ buttons to select **Heating & Drying** and press the OK button.
- 2** Use the ▼/▲ buttons to select the desired option and press the OK button.

Basic Operations

3

Choose a value.

Heater Temperature

The temperatures for the pre-, platen, and after heaters can each be adjusted separately.

Note:

- The standard heater temperatures are as follows.
 - Set the heaters to the temperatures recommended in the documentation provided with the media, if available.
 - Raise the temperature if the print results are blurred or smudged or the ink clots. Note, however, that raising the temperature too high can cause the media to shrink, wrinkle, or deteriorate.
- The time needed for the heaters to reach the specified temperatures varies with the ambient temperature.

- (1) Use the ►/◀ buttons to select a heater. From left, the options are pre-heater, platen heater, and after heater.
- (2) After selecting the desired heater, use the ▼/▲ buttons to choose the temperature.
- (3) After making the setting, press the OK button.

Additional Dryer

Note:

- This menu is displayed only when the optional additional print drying system (supplied with the SC-S50600 series; optional with other models) is installed.
- The default setting is set to **On**, and the drying fan turns on automatically when printing starts.

- (1) Use the ▼/▲ buttons to select **On** or **Off**.
- (2) Press the OK button.

4

Press the ⌂ button twice to return to the customize settings menu.

Media Adjust

This menu is used to adjust media when **Auto Media Adjust** cannot be used or when reconfiguring media settings is required due to a change made in printing conditions after saving the media settings. In this menu, perform **Feed Adjustment** and **Head Alignment** individually.

Media adjustment when Auto Media Adjust cannot be used

When you cannot adjust media using **Auto Media Adjust** or when banding or graininess is detected in printing results even after **Auto Media Adjust** has been performed, select **Feed Adjustment - Manual** and **Head Alignment - Standard (Manual)** to take appropriate actions.

When changing printing conditions after saving media settings

After saving media settings, select **Feed Adjustment - Auto** in this menu when:

- The **Media Tension** or **Media Suction** setting has been changed in **Advanced Settings**;
- Counterweights have been attached to or detached from the tensioner;
- The standard media unit and the optional heavy roll media system have been switched; or
- The configuration of pressure rollers have been changed (SC-S70600 series, SC-S50600 series).

When **Platen Gap** has been changed, select **Head Alignment - Standard (Auto)** in this menu. However, if the setting value is changed to **2.5**, auto adjustment becomes unavailable. Perform **Standard (Manual)**.

Change the setting values of the following items before executing this menu.

- Platen Gap**
- Advanced Settings**

 [“Customize Settings” on page 145](#)

Feed Adjustment

This menu is used when banding (horizontal banding, tint unevenness, or stripes) is detected in printing results.

Basic Operations

This menu provides two modes: **Auto** and **Manual**.

Auto

The printer reads adjustment patterns using the sensor while printing the patterns, and makes adjustment automatically.

Manual

Visually check the printed adjustment patterns, and specify the optimal adjustment values. Use this if graininess or misalignment occurs when using Auto.

The approximate maximum length of the media required to print the test pattern is given below. The amount of media used varies with the printer model and the media system used.

SC-S70600 series, SC-S50600 series

| | Auto | Manual |
|----------------------------|--------------------|--------------------|
| Standard roll media system | Approx. 987 mm | Approx. 1170 mm |
| Heavy Roll Media System | Approx. 1116 mm | Approx. 1170 mm |

SC-S30600 series

| | Auto | Manual |
|----------------------------|--------------------|--------------------|
| Standard roll media system | Approx. 1061 mm | Approx. 1170 mm |
| Heavy Roll Media System | Approx. 1190 mm | Approx. 1170 mm |

When making adjustment, note the following points.

 [“Precautions regarding settings” on page 84](#)

Setting procedure

- 1 Check that the printer is ready, and load the media according to the actual usage conditions.

When using the Auto Take-up Reel Unit, attach the media to the Auto Take-up Reel Unit.

 [“Loading and Exchanging Media” on page 33](#)

 [“Using the Auto Take-up Reel Unit” on page 67](#)

- 2 Press the **Menu** button to display the setup menu.

- 3 Use the ▼/▲ buttons to select **Media Setup**, and press the OK button.

- 4 Use the ▼/▲ buttons to select **Customize Settings** and press the OK button.

- 5 Use the ▼/▲ buttons to select the media number targeted for adjustment, and press the OK button.

If a number with the saved settings is selected, the existing settings are overwritten.

- 6 Use the ▼/▲ buttons to select **Media Adjust**, and press the OK button.

- 7 Use the ▼/▲ buttons to select **Feed Adjustment**, and press the OK button.

- 8 Use the ▼/▲ buttons to select either one of the following modes, and press the OK button.

Auto

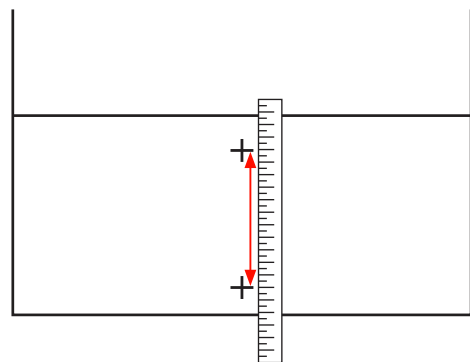
This mode automatically performs pattern printing and adjustment.

When **Ready** is displayed on the screen of the control panel, adjustment is completed.

Manual

The adjustment pattern selection screen is displayed. Select the adjustment pattern to be printed, and press the OK button twice to proceed to Step 9. The longer the pattern is, the more accurate the adjustment becomes.

- 9 Measure the distance between the symbols "+" on the printed adjustment pattern using a ruler.



Basic Operations

- 10** Pattern length is displayed in the control panel.
- Use the **▶/◀** buttons to change the numeric value to the value obtained in Step 9, and press the **OK** button.

When the setting is completed, the printer returns to the **Ready** state.

Head Alignment

You can perform the following three types of adjustments from this menu.

Standard (Auto)

The printer reads adjustment patterns using the sensor while printing the patterns, and makes adjustment automatically.

Standard (Manual)

Visually check the printed adjustment patterns, and specify the optimal adjustment values. Use this if graininess or misalignment occurs when using Standard (Auto).

Block pattern

Visually check the printed adjustment patterns, and specify the optimal adjustment values. Use this if graininess or misalignment occurs when using Standard (Manual).

Perform Manual(Uni-D) first and then Manual(Bi-D). For SC-S70600 series and SC-S50600 series, you should perform Manual(Dual Head).

When making each adjustment, note the following points.

 [“Precautions regarding settings” on page 84](#)

Setting procedure

- 1** Check that the printer is ready, and load the media according to the actual usage conditions.

When using the Auto Take-up Reel Unit, attach the media to the Auto Take-up Reel Unit.

 [“Loading and Exchanging Media” on page 33](#)

 [“Using the Auto Take-up Reel Unit” on page 67](#)

- 2** Press the **Menu** button to display the setup menu.

- 3** Use the **▼/▲** buttons to select **Media Setup**, and press the **OK** button.

- 4** Use the **▼/▲** buttons to select **Customize Settings** and press the **OK** button.

- 5** Use the **▼/▲** buttons to select the media number targeted for adjustment, and press the **OK** button.

If a number with the saved settings is selected, the existing settings are overwritten.

- 6** Use the **▼/▲** buttons to select **Media Adjust**, and press the **OK** button.

- 7** Use the **▼/▲** buttons to select **Head Alignment** and press the **OK** button.

If **RIP Settings** is selected, enter the thickness of the media to be used, and press the **OK** button.

- 8** Use the **▼/▲** buttons to select either one of the following modes, and press the **OK** button.

Standard (Auto)

This mode automatically performs pattern printing and adjustment.

When **Ready** is displayed on the screen of the control panel, adjustment is completed.

Standard (Manual)

Press the **OK** button to proceed to Step 9.

Block pattern

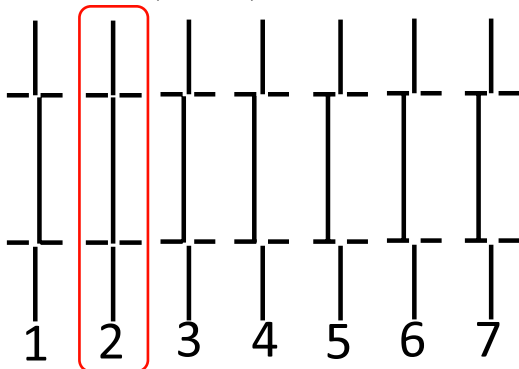
The adjustment menu selection screen is displayed. Select any menu, and press the **OK** button twice to proceed to Step 9.

- 9** Check the printed adjustment pattern.

Select "2" in the cases shown below.

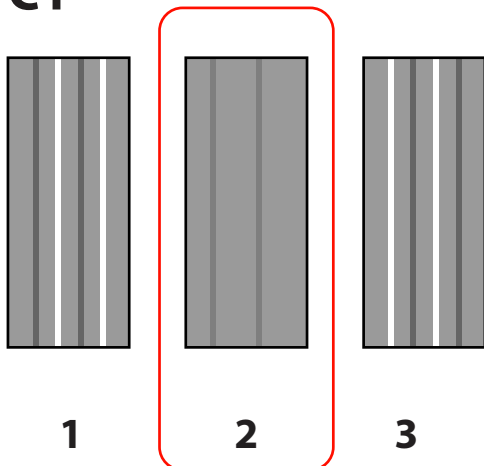
Basic Operations

In Standard (Manual)



In Block pattern

C1



10 The screen to enter a numeric value is displayed. Using the ▲/▼ buttons, enter the pattern number recorded in Step 9 and press the OK button.

11 When multiple check patterns have been printed, select the number per check pattern, and then press the OK button.

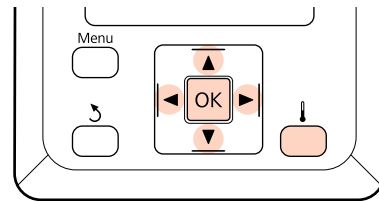
The media setup menu will be displayed when you enter the pattern number for the last color.


Changing settings during printing

Heating & Drying and **Feed Adjustment** can be changed during printing using the procedures shown below.

Heating & Drying

Buttons that are used in the following settings



1 Press the  button during printing.

The **Heating & Drying** menu is displayed.

2 Use the ▼/▲ buttons to select the desired option and press the OK button.

3 Choose a value.

Heater Temperature


(1) Use the ►/◄ buttons to select a heater. From left, the options are pre-heater, platen heater, and after heater.

(2) After selecting the desired heater, use the ▼/▲ buttons to choose the temperature.

Additional Dryer

Use the ▼/▲ buttons to select **On** or **Off**.

4 Pressing the OK button updates the currently selected media settings.

5 Press the  button twice to return to the customize settings menu.

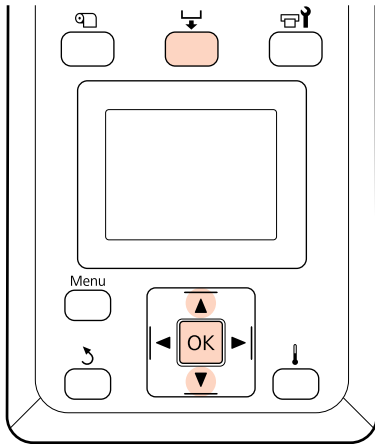
Note:


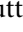
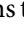
The time needed for the heaters to reach the specified temperatures varies with the ambient temperature.

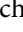
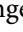
Basic Operations

Feed Adjustment

Buttons that are used in the following settings



- 1 Press the  button during printing.
The current adjustment value is displayed.
- 2 Use the / buttons to change the current value.
If the feed amount is too small, black bands (dark stripes) will appear; adjust the feed amount upwards.

If, in contrast, the feed amount is too large, white bands (pale stripes) will appear; adjust the feed amount downwards.
- 3 Check the printing result. If you are not satisfied with the results, use the / buttons to change the value.

This updates the setting value of **Feed Adjustment** in the currently selected media settings.

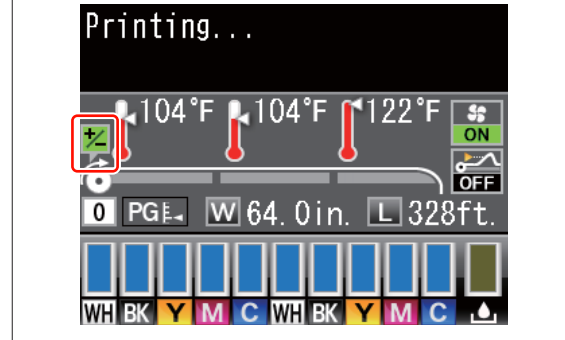
4

Press the OK button to exit the menu.

Note:

If the setting is changed, the icon is displayed on the control panel screen as shown below. To clear this icon, carry out the following operations.

- Re-execute **Auto Media Adjust** or **Feed Adjustment**.
- Execute **Restore Settings**.



Basic Operations

Printable area

SC-S70600 series/SC-S50600 series

The printable area depends on whether low or high pressure rollers are used to set the media.

When using low pressure rollers (normal printing)

The gray area in the illustration below shows the printable area. The arrow indicates the feed direction. "A" indicates the pressure rollers on both edges when the pressure rollers have been set correctly on the media.

The left and right edges of media recognized by the printer varies as shown below according to the Media Size Check settings.

On : The printer automatically detects the left and right edges of the loaded media.

When media holding plates are attached, within 5 mm of the left and right edges of the media is recognized as the media edge.

The edges of the media are not detected correctly if the media holding plates are not attached correctly.

 [“When the Standard Media Feeding Unit Is Installed” on page 37](#)

 [“Using the Optional Heavy Roll Media Feeding Unit” on page 44](#)

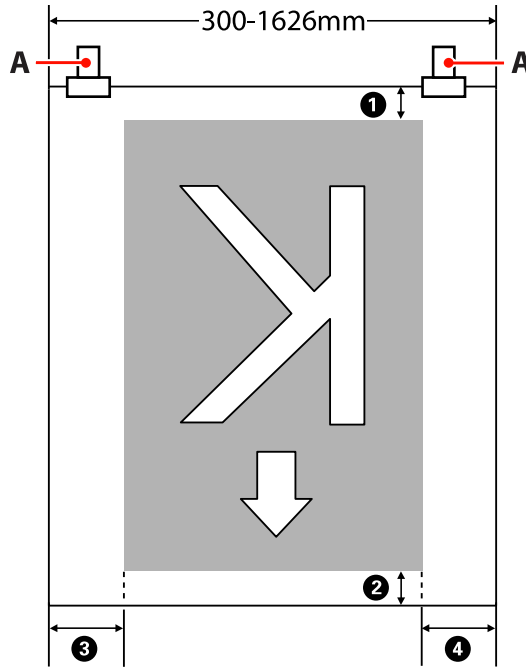
Off : 5 mm at the exterior from "A" is recognized as the edge of the media.

If the pressure rollers are not positioned correctly, printing may occur outside the left and right edges of the media.

Ink used outside the edges of the media will stain the inside of the printer.

 [“Positioning of the pressure rollers and media \(For SC-S70600 series and SC-S50600 series\)” on page 35](#)

Basic Operations



① to ④ indicates the margins on all four sides. See the following for more details.

| Margin Position | Explanation | Available Setting Range |
|--------------------------|-------------------------------------------------------------------------------------------------------------------------------------------------------------------------------------------------------------------------------------------------------------------------------|-------------------------|
| ① Bottom* ¹ | This can be configured in RIP. To maintain media feeding accuracy, if the settings are less than 5 mm or more than 17 mm, the settings are switched to 5 mm and 17 mm respectively. | 5 to 17 mm |
| ② Top* ¹ | This can be configured in RIP. Differs by the length the media was pulled when the media is loaded. For continuous printing, although the margins set in RIP are added, to maintain media feeding accuracy, if the setting is less than 5 mm the setting is switched to 5 mm. | 5 mm or more |
| ③ Left* ^{2, 3} | The value selected for Side Margin(Left) in the printer's setup menu. The default setting is 5 mm. | 3 to 25 mm |
| ④ Right* ^{2, 3} | The total of the values selected for Print Start Position and Side Margin(Right) in the printer's setup menu. The default setting for Print Start Position is 0 mm and Side Margin(Right) is 5 mm. | 3 to 825 mm |

*1 The configured margin and the actual print results may differ depending on the RIP being used. Contact the RIP manufacturer for more information.

*2 This may be available in the RIP depending on the software RIP being used. Contact the RIP manufacturer for more information.

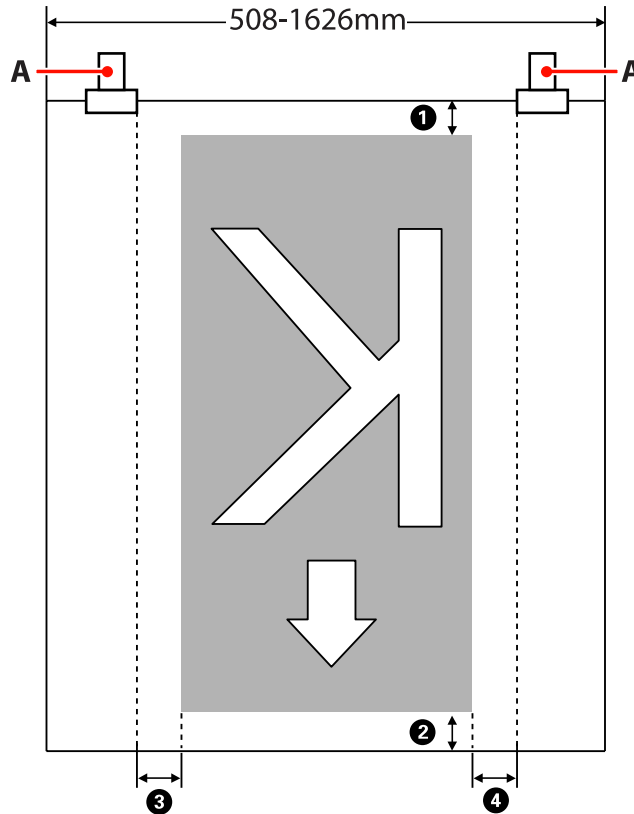
*3 Note the following points when setting margins.

- Leave margins of 10 mm or more when using media holding plates. Narrower margins could result in printer printing over the plates.
- If the total of the print data width and set left and right margins exceeds the printable area, a portion of the data will not be printed.

Basic Operations

When using high pressure rollers (when using transparent or milky white film or for ink layering)

The printable area is the area excluding the margins configured from the positioning of pressure rollers. (See the gray area in the illustration below.) The arrow indicates the feed direction. "A" indicates the position of the high pressure rollers.



① to ④ indicates the margins on all four sides. See the following for more details.

| Margin Position | Explanation | Available Setting Range |
|-----------------|-------------------------------------------------------------------------------------------------------------------------------------------------------------------------------------------------------------------------------------------------------------------------------|-------------------------|
| ① Bottom*1 | This can be configured in RIP. To maintain media feeding accuracy, if the settings are less than 5 mm or more than 17 mm, the settings are switched to 5 mm and 17 mm respectively. | 5 to 17 mm |
| ② Top*1 | This can be configured in RIP. Differs by the length the media was pulled when the media is loaded. For continuous printing, although the margins set in RIP are added, to maintain media feeding accuracy, if the setting is less than 5 mm the setting is switched to 5 mm. | 5 mm or more |
| ③ Left*2, *3 | The value selected for Side Margin(Left) in the printer's setup menu. The default setting is 5 mm. | 3 to 25 mm |
| ④ Right*2, *3 | The total of the values selected for Print Start Position and Side Margin(Right) in the printer's setup menu. The default setting for Print Start Position is 0 mm and Side Margin(Right) is 5 mm. | 3 to 825 mm |

*1 The configured margin and the actual print results may differ depending on the RIP being used. Contact the RIP manufacturer for more information.

Basic Operations

- *2 This may be available in the RIP depending on the software RIP being used. Contact the RIP manufacturer for more information.
- *3 Note the following points when setting margins.
 - Regardless of the Media Size Check setting, the margin start point is within "A" (indicated by the broken line).
 - If the total of the print data width and set left and right margins exceeds the printable area, a portion of the data will not be printed.

SC-S30600 series

The gray area in the illustration below shows the printable area. The arrow indicates the feed direction.

The left and right edges of media recognized by the printer varies as shown below according to the Media Size Check settings.

On : The printer automatically detects the left and right edges of the loaded media.

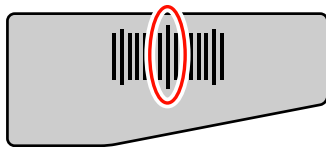
When media holding plates are attached, within 5 mm of the left and right edges of the media is recognized as the media edge.

The edges of the media are not detected correctly if the media holding plates are not attached correctly.

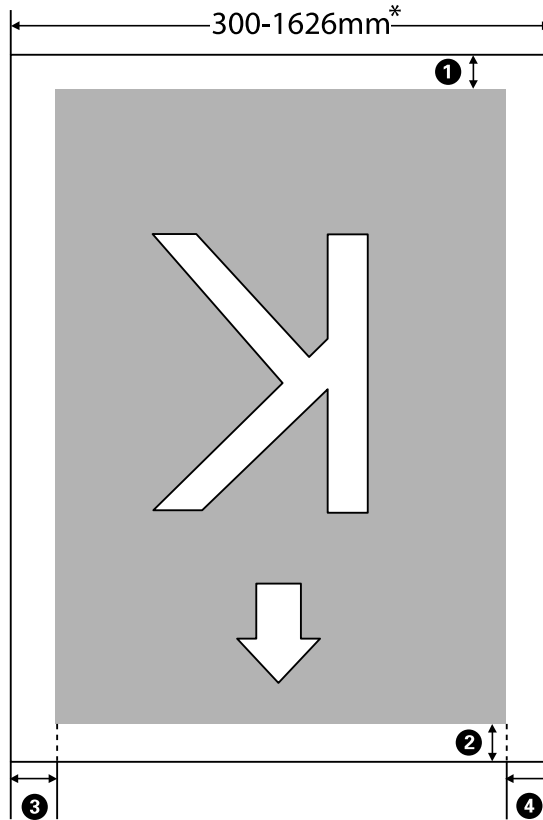
 [“When the Standard Media Feeding Unit Is Installed” on page 51](#)

 [“Using the Optional Heavy Roll Media Feeding Unit” on page 57](#)

Off : The longest scale on the after heater's label (in the illustration below) is used as the reference position for the right edge of the media. Regardless of the width of the loaded media, the left edge of the media is determined to be 1,626 mm (64 inches) from the reference position for the right edge.



Basic Operations



* When Media Size Check is set to **Off**, this is 1,626 mm (64 inches) regardless of the width of the loaded media.

1 to 4 indicates the margins on all four sides. See the following for more details.

| Margin Position | Explanation | Available Setting Range |
|-----------------|-------------------------------------------------------------------------------------------------------------------------------------------------------------------------------------------------------------------------------------------------------------------------------|-------------------------|
| 1 Bottom*1 | This can be configured in RIP. To maintain media feeding accuracy, if the settings are less than 5 mm or more than 17 mm, the settings are switched to 5 mm and 17 mm respectively. | 5 to 17 mm |
| 2 Top*1 | This can be configured in RIP. Differs by the length the media was pulled when the media is loaded. For continuous printing, although the margins set in RIP are added, to maintain media feeding accuracy, if the setting is less than 5 mm the setting is switched to 5 mm. | 5 mm or more |
| 3 Left*2, *3 | The value selected for Side Margin(Left) in the printer's setup menu. The default setting is 5 mm. | 3 to 25 mm |
| 4 Right*2, *3 | The total of the values selected for Print Start Position and Side Margin(Right) in the printer's setup menu. The default setting for Print Start Position is 0 mm and Side Margin(Right) is 5 mm. | 3 to 825 mm |

*1 The configured margin and the actual print results may differ depending on the RIP being used. Contact the RIP manufacturer for more information.

*2 This may be available in the RIP depending on the software RIP being used. Contact the RIP manufacturer for more information.

Basic Operations

*3 Note the following points when setting margins.

- Leave margins of 10 mm or more when using media holding plates. Narrower margins could result in printer printing over the plates.
- If the total of the print data width and set left and right margins exceeds the printable area, a portion of the data will not be printed.

Note:

*If the following points are not observed when Media Size Check is **Off**, printing may occur outside the left and right edges of the media. Ink used outside the edges of the media will stain the inside of the printer.*

- Ensure that the print data width does not exceed the loaded media width.*
- When media is loaded to the left of the right side reference position, align the **Print Start Position** setting with the position where the media set.*

 [“The Printer Setup Menu” on page 149](#)

Maintenance

Maintenance

When to Perform Various Maintenance Operations

It is necessary to perform proper maintenance at appropriate frequency to maintain print quality. Failure to perform appropriate maintenance will shorten product life. Read this section and perform maintenance appropriately.

This document comes with a check sheet so that you can tell at a glance when maintenance was last performed. Print the check sheet to help schedule maintenance.

 [“Cleaning Check Sheet” on page 117](#)

 [“Consumable Replacement Check Sheet” on page 127](#)

Cleaning

Clean the printer at the frequency listed the chart below. If cleaning is neglected, and the printer is used with ink stains, lint, and dust attached, the following trouble may occur.

- Ink drops from lint or dust on the nozzle surface of the print head.



- Clogged nozzles during printing.
- Nozzle clogs cannot be cleared even after repeated head cleaning.
- Print head damage.

Maintenance

| When to perform | Component to be cleaned |
|----------------------------------------------------------------------------------------------------------------------------|-------------------------------------------------------------------------------------------------------------------------------------------------------------------------------------------------------------------------------------------------------------------------------------------------------------------------------------------------------------------------------------------------------------------------------------------------------------------------------------------------------------------------------------------------------------------------------------------------------------------------------------------------------------------------------------------------------------------------------------------------------------------------------------------------------------------------------------------------------------------------------------------------------------------------------------------------------------------------------------|
| <p>Daily (at the end of every workday)</p> <p>If maintenance is not performed, ink hardens and is difficult to remove.</p> | <ul style="list-style-type: none"> <input type="checkbox"/> Around the print head ↗ "Cleaning Around the Print Head (Daily)" on page 103 <input type="checkbox"/> Around the caps (wiper (rubber part), caps, wiper cleaner) ↗ "Cleaning Around the Caps (Daily)" on page 106 <p>The video is available to check the procedure.</p> <p>SC-S70600 series ↗ https://www.youtube.com/playlist?list=PLD67cTLxxk9M3XJ7ytYW5QkJDXITlbJOj</p> <p>SC-S50600 series ↗ https://www.youtube.com/playlist?list=PLD67cTLxxk9OWBIEifb1tAruevhTX-_f9</p> <p>SC-S30600 series ↗ https://www.youtube.com/playlist?list=PLD67cTLxxk9P6FW3yIGgUd98QUDyAFEGr</p> |
| Once every two weeks | <p>Entire wiper and attachment point, and wiper rail</p> <p>↗ "Cleaning the Entire Wiper and Attachment Point (Once Every Two Weeks)" on page 111</p> <p>↗ "Cleaning the Wiper Rail (Once Every Two Weeks)" on page 112</p> <p>The video is available to check the procedure.</p> <p>SC-S70600 series ↗ https://www.youtube.com/playlist?list=PLD67cTLxxk9M3XJ7ytYW5QkJDXITlbJOj</p> <p>SC-S50600 series ↗ https://www.youtube.com/playlist?list=PLD67cTLxxk9OWBIEifb1tAruevhTX-_f9</p> <p>SC-S30600 series ↗ https://www.youtube.com/playlist?list=PLD67cTLxxk9P6FW3yIGgUd98QUDyAFEGr</p> |
| From once a week to once a month (depending on the condition) | <p>Inside (Platen heater, pressure rollers, media holding plates, and left-side maintenance cover interior)</p> <p>↗ "Cleaning Inside the Printer (Once a week to once a month)" on page 113</p> |
| When ink stains, lint, and dust are adhered | <p>Flushing pad</p> <p>↗ "Cleaning the Flushing Pad (When It Is Dirty)" on page 115</p> |

Replacing Consumables

| When to perform | Component to be replaced |
|-----------------------------------------------------------------------------------------------------------------------------------|---------------------------------------------------------------------------------------|
| If an ink low warning is displayed on the control panel display, we recommend replacing the ink cartridge(s) as soon as possible. | <p>Ink cartridges</p> <p>↗ "Replacement procedure" on page 118</p> |
| When a prepare and replacement message is displayed on the control panel screen | <p>Waste ink bottle</p> <p>↗ "Disposing of Waste Ink" on page 119</p> |



Maintenance

| When to perform | Component to be replaced |
|-----------------------------------------|------------------------------------------------------------------------------------------------------------------------------------------------------------------------------------------------------------------------------------------------------------------------------------------------------------------------------------------------------------------------------------------------------------------------------------------------------------------------------------------------------------------------------------------------------------------------------------------------------------------------------------------------------------------------|
| Once every three months | <ul style="list-style-type: none"> <input type="checkbox"/> Wiper, wiper cleaner Be sure to replace the wiper and the wiper cleaner at the same time. These should also be replaced if ink adheres to the absorbent section on the rear of the wiper cleaner, or when the wiper section is worn or deteriorated. ↗ "Replacing the Wiper and Wiper Cleaner" on page 120 <input type="checkbox"/> Flushing pad This should also be replaced if you are unable to remove lint or dust even after cleaning, or when ink stains appear on the media. ↗ "Replacing the Flushing Pad" on page 122 |
| When the plates are deformed or damaged | Media holding plates ↗ "Replacing the media holding plates" on page 123 |

Other maintenance

| When to perform | Type |
|-----------------------------------------------------------------------------------------------------------------------------------------------------------------------------------------------------------------------------------------------------------------------------------------|------------------------------------------------------------------------------------------------------------------------------------------------------------------------------------------------------------------------------------------------------------------------------------------------------------------------------------------------------|
| When the following message is displayed on the control panel display (displayed once every 24 hours) Remove and shake (MS/WH) ink cartridges. | Shaking ink cartridges (spot color) ↗ "Shaking" on page 118 |
| Once every three weeks (no message is displayed) | Shaking ink cartridges (except for spot color) ↗ "Shaking" on page 118 |
| <ul style="list-style-type: none"> <input type="checkbox"/> When checking if nozzles are clogged <input type="checkbox"/> When checking which colors are clogged <input type="checkbox"/> Horizontal stripes or tint unevenness (banding) are appeared | Print a check pattern and check which color nozzles are missing. ↗ "Checking for clogged nozzles" on page 128 If no nozzles are clogged, see "Horizontal stripes or tint unevenness (banding)" in "Problem Solver" for other solutions. ↗ "Horizontal stripes or tint unevenness (banding)" on page 164 |
| When a clog is found after checking for clogged nozzles | Head Cleaning ↗ "Head Cleaning" on page 129 |
| If nozzle clogs cannot be cleared even after head cleaning or cleaning around the print head and caps | Head Washing ↗ "Head Washing" on page 130 |
| When tint unevenness (areas of uneven density) is detected in printing results | Ink Refresh ↗ "Ink Refresh" on page 132 |
| When the printer will not be used for an extended period (and switched off) | Pre-storage maintenance (perform Pre-Storage Maint.) The storage period guideline varies with the model of printer used. ↗ "Long-term Storage (Pre-storage Maintenance)" on page 132 |

Maintenance

| When to perform | Type |
|---------------------------------------------------------------------------------------------------------------------------------------------------------------------------------------------------------------------------------------------------|---------------------------------------------------------------------------------------------------------------------------------------------------------------------------------------------------------------------------------------------------------------------------------------------|
| <ul style="list-style-type: none"> <input type="checkbox"/> When spot color ink printing is not carried out for longer than a specified period of time <input type="checkbox"/> When spot color ink printing is restarted | <p>Change Color Mode (SC-S70600 series only)</p> <p>The specified period guideline varies with the selected ColorMode.</p> <p> "Change Color Mode (SC-S70600 series only)" on page 134</p> |
| <p>When the following message is displayed on the control panel screen</p> <p>Apply secondary carriage rod grease. See manual.</p> | <p>Applying Secondary Carriage Rod Grease</p> <p> "Applying Secondary Carriage Rod Grease" on page 135</p> |

Maintenance

Preparation and Notes

What You'll Need

Ready the following items before beginning cleaning and replacement.

Protective eyeglasses (available in the market)

Protects your eyes from ink and ink cleaner.

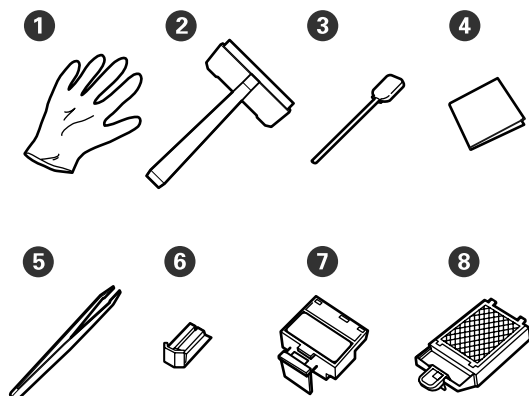
Mask (available in the market)

Protects your nose and mouth from ink and ink cleaner.

Maintenance kit (supplied with the printer)

For general cleaning.

The following items are in the kit.



| | | |
|---|------------------|--------|
| 1 | Glove | 2 |
| 2 | Cleaning wiper | 1 |
| 3 | Cleaning stick | 50 |
| 4 | Clean-room wiper | 100 |
| 5 | Tweezers | 1 |
| 6 | Wiper* | 2 or 1 |
| 7 | Wiper cleaner* | |
| 8 | Flushing pad* | |

* The SC-S70600 series and SC-S50600 series provide two units for each item, and the SC-S30600 series provides one unit for each unit.

Ink cleaner (supplied with the printer)

Use when wiping ink stains.

Usage method [“Using Ink Cleaner” on page 103](#)

A metal tray (supplied with the printer)



Use when putting cleaning utensils, removed consumables, or ink cleaner moved in the container supplied with the printer.

! Important:
 If the used cleaning stick, etc. are directly put on the printer, it may cause a deformation from the characteristics of the ink cleaner.

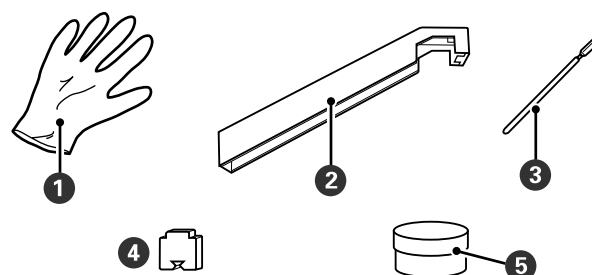
Soft cloth, brush (available in the market)

Use when cleaning inside the printer. We recommend an item that is not likely to generate lint or static electricity.

Grease kit (supplied with the printer)

Use when applying grease to the secondary carriage rod.

The following items are in the kit.



| | | |
|---|----------------------------------------|----|
| 1 | Glove | 10 |
| 2 | Grease tool | 1 |
| 3 | Cleaning stick | 5 |
| 4 | Pad | 5 |
| 5 | Secondary carriage rod grease (grease) | 1 |

When the supplied parts have been completely used, purchase new consumables.

[“Options and Consumable Products” on page 171](#)

Maintenance

Precautions regarding maintenance

To make maintenance, note the following points. Before handling ink cartridges, Cleaning cartridge, ink cleaner, secondary carriage rod grease, or waste ink, read the "Safety data sheet".

You can download it at your local Epson Web site.

Caution:

- ❑ Store ink cartridges, Cleaning cartridge, ink cleaner, secondary carriage rod grease, or waste ink in a location out of reach of children.

- ❑ During maintenance, wear protective clothing, including protective eyewear, gloves, and a mask.

Should fluid such as ink or waste ink contact your skin or enter your eyes or mouth, immediately take the following actions:

- ❑ If fluid adheres to your skin, immediately wash it off using large volumes of soapy water. Consult a physician if the skin appears irritated or is discolored.
- ❑ If fluid enters your eyes, rinse immediately with water. Failure to observe this precaution could result in bloodshot eyes or mild inflammation. If problems persist, consult with a physician.
- ❑ If fluid enters your mouth, consult a physician immediately.
- ❑ If fluid is swallowed, do not force the person to vomit, and consult with a physician immediately. If the person is forced to vomit, fluid may get caught in the trachea which can be dangerous.
- ❑ After replacing the waste ink bottle or using the ink cleaner, wash your hands and gargle thoroughly.

- ❑ Remove the media from the printer before proceeding.
- ❑ Never touch the belts, circuit boards, or any parts that do not require cleaning. Failure to observe this precaution could result in malfunction or reduced print quality.
- ❑ Use only the supplied cleaning sticks or sticks contained in a maintenance kit. Other types of sticks that produce lint will damage the print head.
- ❑ Always use fresh cleaning sticks. Re-using sticks can make stains even harder to remove.

- ❑ Do not touch the tips of the cleaning sticks. Oil from your hands could damage the print head.
- ❑ Do not get alcohol or water on the caps or the nozzle surface. Ink congeals when mixed with water or alcohol.
- ❑ Touch a metallic object before starting work to discharge any static electricity.

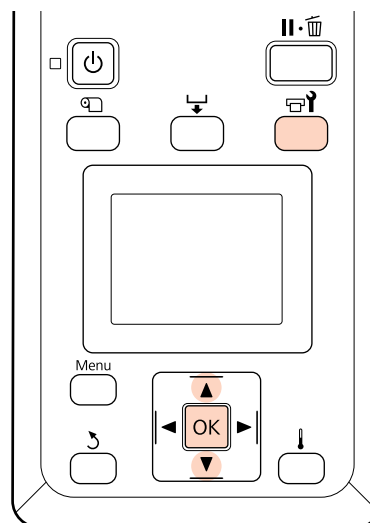
Moving the Print Head


This section describes how to position the print head for part cleaning.

Important:

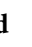

Be sure to follow the steps below when positioning the print head. Moving the print head manually could cause malfunction.

Buttons that are used in the following settings



- 1** Confirm that the printer is on and press the  button.

The Maintenance menu will be displayed.

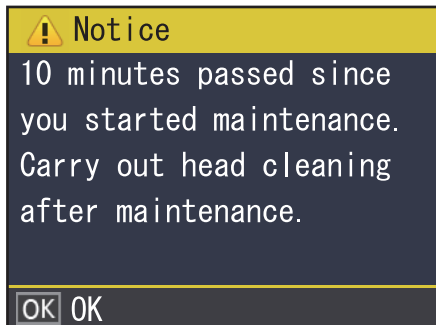
- 2** Use the / buttons to select **Head Maintenance** and press the OK button.

The print head moves to the cleaning position.

Maintenance

Note:

The buzzer sounds 10 minutes after the print head is moved (default setting). Press the OK button to continue the cleaning process. After 10 more minutes have passed, the buzzer sounds again.



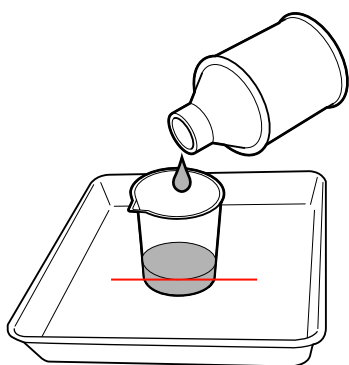
Using Ink Cleaner

Use ink cleaner to clean around the print head, around the caps, and the flushing pad only. Using ink cleaner on other parts of the printer could damage the product.

Before starting this procedure, be sure to read the following:

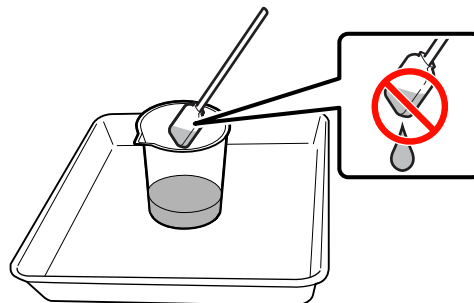
[“Precautions regarding maintenance” on page 102](#)

- 1 Put the cup supplied with the ink cleaner on the metal tray, and pour approximately 10 ml of ink cleaner into the cup.



- 2 Dampen the cleaning stick with ink cleaner.

Do not allow ink cleaner to drip from the cleaning stick.



When dampening a clean-room wiper with ink cleaner, use ink cleaner poured into a cup.

Important:

- Do not reuse ink cleaner. Using dirty ink cleaner will make staining worse.
- Used ink cleaner, cleaning stick, and clean-room wipers are industrial waste. Dispose of them in the same way as for waste inks.
 - [“Disposal of used consumables” on page 126](#)
- Store ink cleaner at room temperature out of direct sunlight.
- After using the ink cleaner, be sure to first close the inner cap and then the outer cap. Failure to securely close these caps may cause a leakage or volatilization of the ink cleaner.

Cleaning

Cleaning Around the Print Head (Daily)

If you notice any ink clots, lint, or dust when checking the area around the print head, clean the area by following the steps below.

SC-S70600 series, and SC-S50600 series have 2 print heads. Clean both.

Maintenance

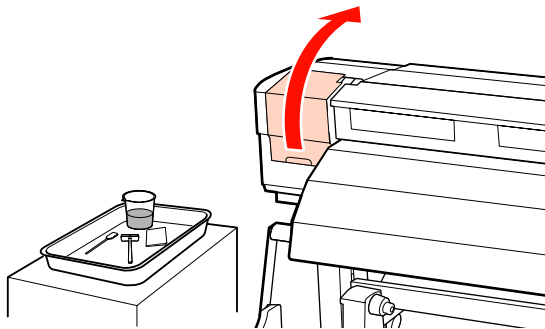
Before starting this procedure, be sure to read the following:

 [“Precautions regarding maintenance” on page 102](#)

1 Position the print head for maintenance purposes.

 [“Moving the Print Head” on page 102](#)

2 After the print head moves to the left end of the printer, open the left maintenance cover.




3 Dampen the cleaning stick with ink cleaner.
Use new cleaning stick and ink cleaner.

 [“Using Ink Cleaner” on page 103](#)

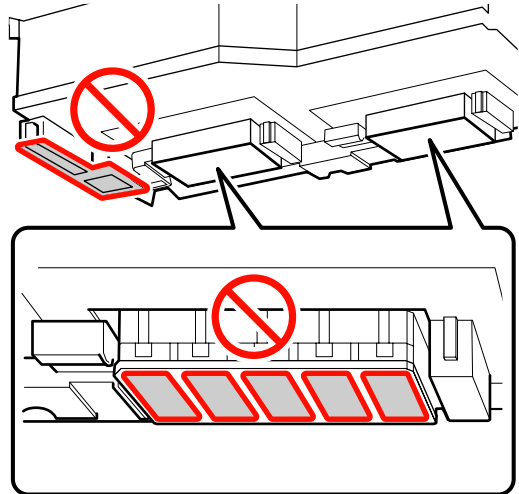
! Important:

- Rinse a cleaning stick using ink cleaner for each step.
- After removing a clot of ink with a cleaning stick, wipe off using a clean-room wiper.

4 Wipe off any adhered ink, lint, and dust from the parts that are indicated by  below.

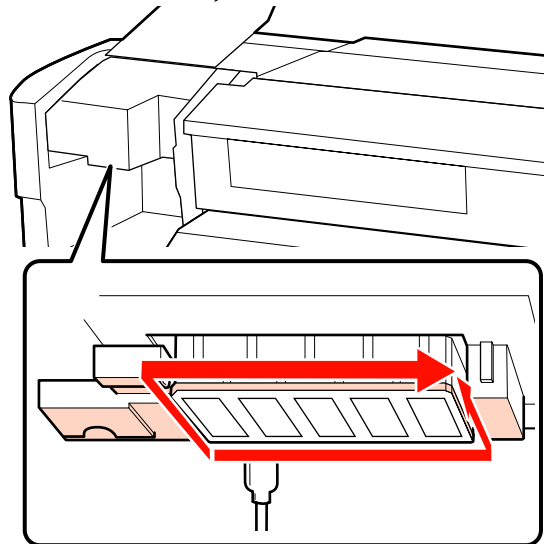
! Important:

Do not touch the parts framed below. Failure to observe this precaution could affect print quality.



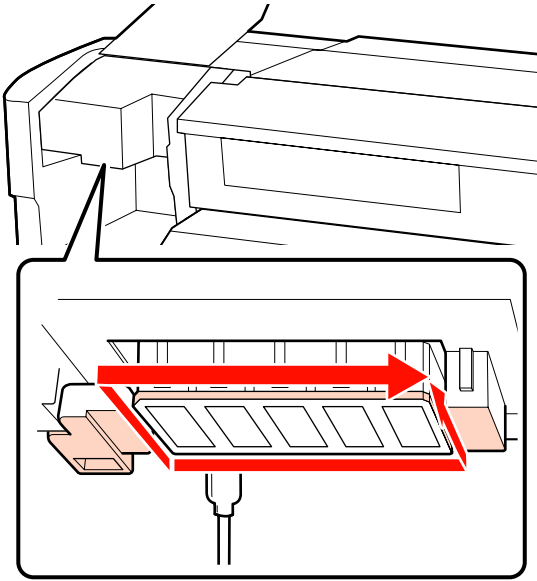
** Right print head only in SC-S30600 series.*

Right-hand print head for SC-S30600 series, SC-S70600 series, and SC-S50600 series



Maintenance

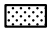
Left-hand print head for SC-S70600 series and SC-S50600 series

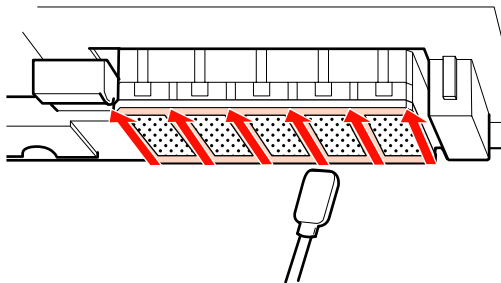


Ink is prone to adhere to the areas indicated by the arrows, so be sure to wipe off any ink found.

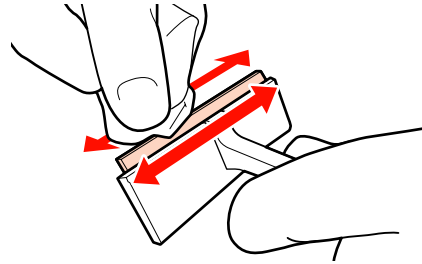
If any lint or dust is caught, hook it using the tip of a cleaning stick.

- 5** Apply ink cleaner to the areas indicated by the arrows to dissolve adhered ink stains.

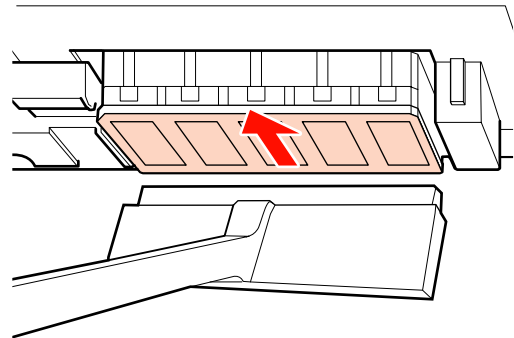
! Important:
 When applying ink cleaner, make sure you do not press too hard on the nozzles (parts indicated by  shown below). Also, make sure you move the cleaning stick in one direction; do not move it back and forth.



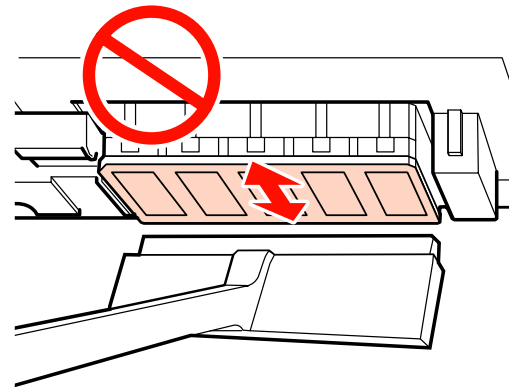
- 6** Dampen a new clean-room wiper with the ink cleaner, then wipe away any dust and dirt on the front, back, and sides of the wiper blade.



- 7** Wipe away ink stains and so on from the print head surface by moving the cleaning wiper from the inside toward you once.

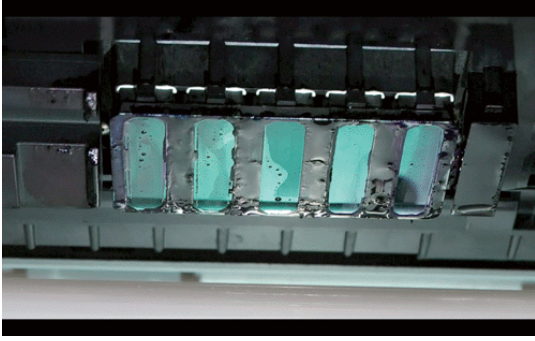


! Important:
 Do not move the cleaning wiper back and forth.
 Otherwise, the print head may be damaged.



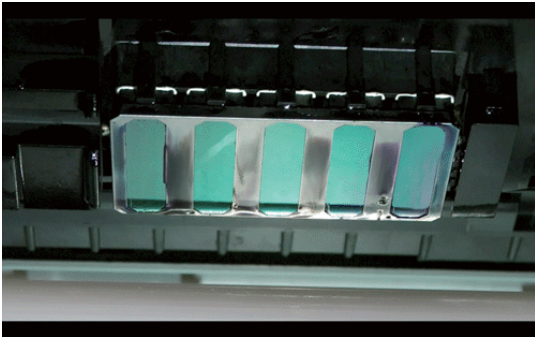
Maintenance

Before cleaning



After cleaning

The following shows that dried and adhered ink, lint, and dust are cleanly removed.



If any ink, lint, or dust remain, repeat steps 6 and 7.



Important:

If stains are wiped off while the surface of the print head remains dried, the print head may be damaged. If the surface is dried, return to Step 5 to apply ink cleaner.

8 Wipe stains off the cleaning wiper, and store it in a location away from direct sunlight.

9 Close the left maintenance cover.

Next, clean around the caps.

Cleaning Around the Caps (Daily)

Make sure you clean the wipers (rubber part) first.

The following chart shows the number of cleaning areas by printer model.

| | SC-S70600 series SC-S50600 series | SC-S30600 series |
|----------------------|--------------------------------------|------------------|
| Wiper | 2 | 1 |
| Caps | 10 | 4 |
| Wiper cleaner | 2 | 1 |

Before starting this procedure, be sure to read the following:

[“Precautions regarding maintenance” on page 102](#)

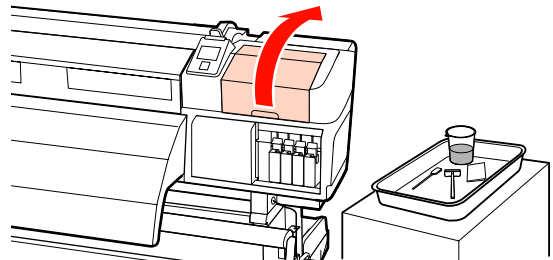
Cleaning a wiper (rubber part) (daily)

Instead of following this procedure, clean the entire wiper and attachment point once every two weeks.

[“Cleaning the Entire Wiper and Attachment Point \(Once Every Two Weeks\)” on page 111](#)

1

Open the right maintenance cover.



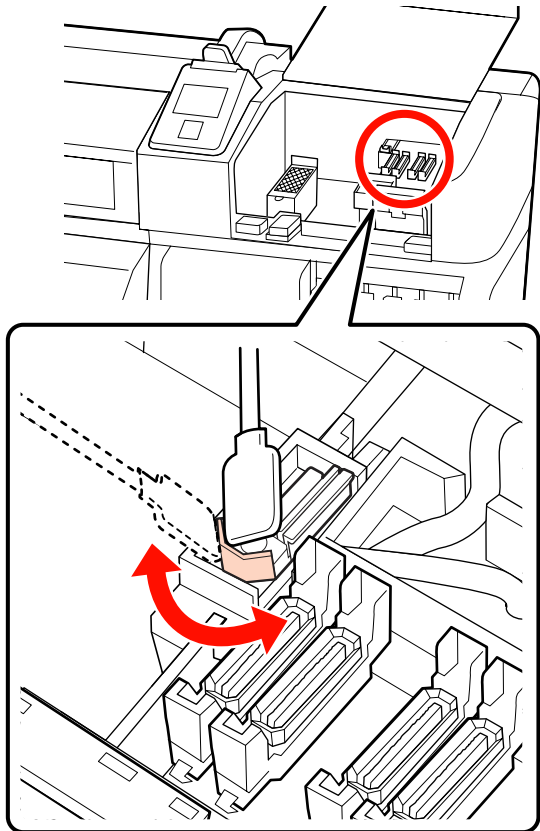
2

Dampen the cleaning stick with ink cleaner.

[“Using Ink Cleaner” on page 103](#)

Maintenance

- 3** Clean the front and back of the rubber on the wiper with a cleaning stick. For SC-S70600 series and SC-S50600 series, clean the other wipers in the same way.

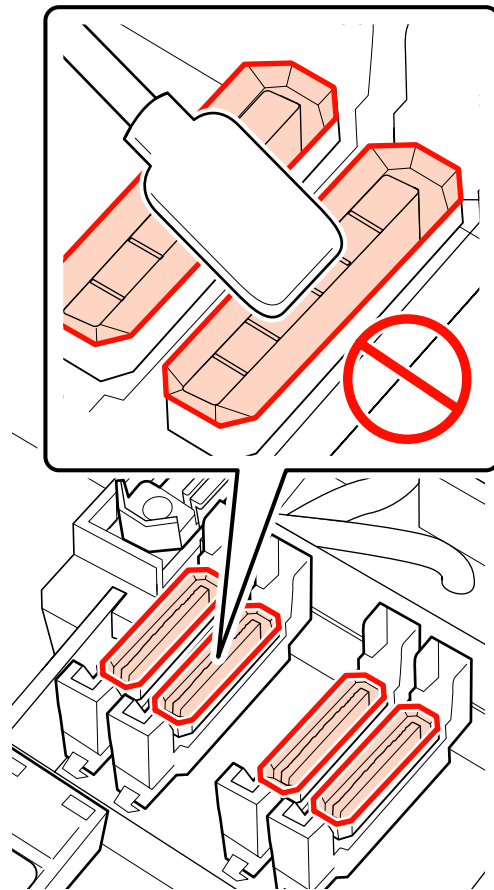


Next, proceed to the cap cleaning procedure.

Cleaning caps (daily)

For SC-S70600 series and SC-S50600 series, clean both of the caps.

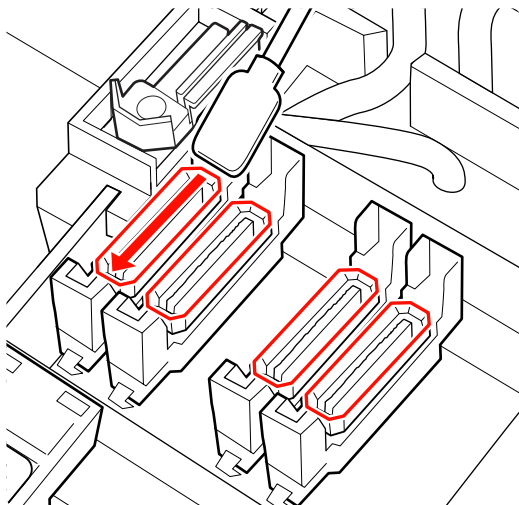
! **Important:**
 Do not push strongly against the edges or the surrounding area of the cap, or touch the inner side of the cap with a cleaning stick or tweezers. The part maybe deformed, and it may no longer be possible to perform capping correctly.



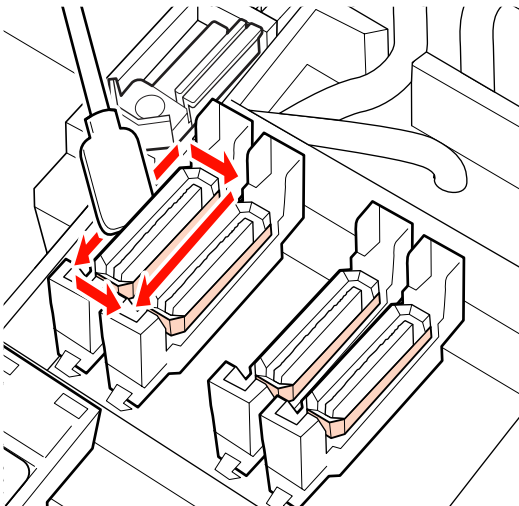
- 1** Dampen the cleaning stick with ink cleaner.
 ↗ [“Using Ink Cleaner” on page 103](#)

Maintenance

- 2** Hold the cleaning stick flat and wipe the edges of all the caps.



- 3** Hold the cleaning stick in a perpendicular orientation, and wipe the outer areas of all the caps.



If ink adheres as a film to the guide section in front of and behind the caps, and lint adheres to the inside of the cap, see the next section.

If nothing adheres to the caps, proceed to the following section.

 [“Cleaning the wiper cleaner \(daily\)” on page 109](#)

Cleaning Around the Caps (When Dirty)

Perform the following procedures depending on the condition of the printer. When you have finished, proceed to the cleaning process of the wiper cleaner.

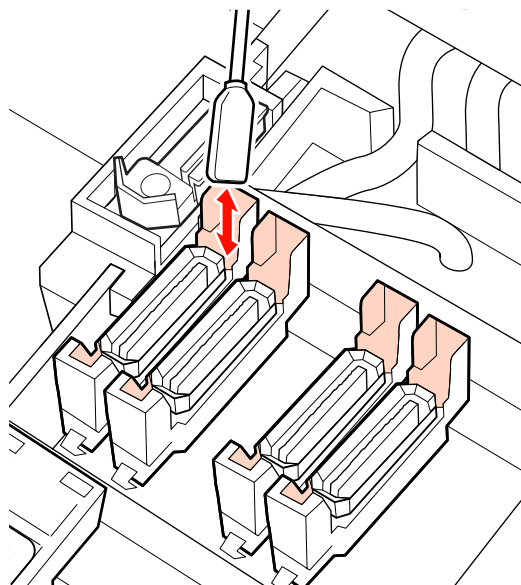
 [“Cleaning the wiper cleaner \(daily\)” on page 109](#)

When ink adheres to the guide section

- 1** Dampen the cleaning stick with ink cleaner.

 [“Using Ink Cleaner” on page 103](#)

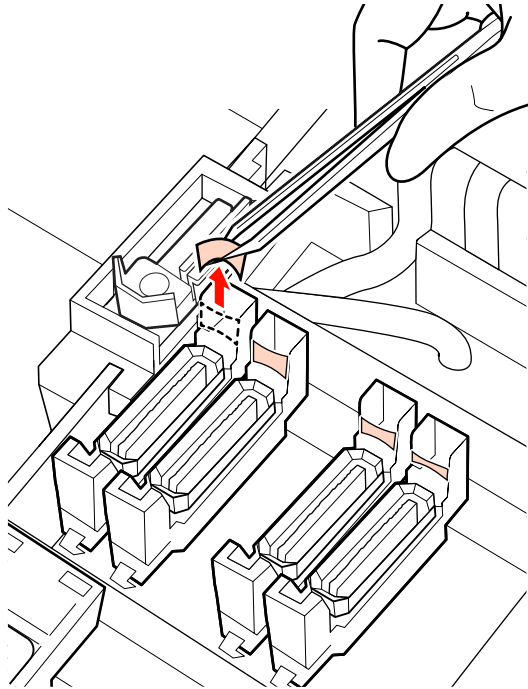
- 2** Apply ink cleaner to the guide section, and then wipe it down.



Maintenance

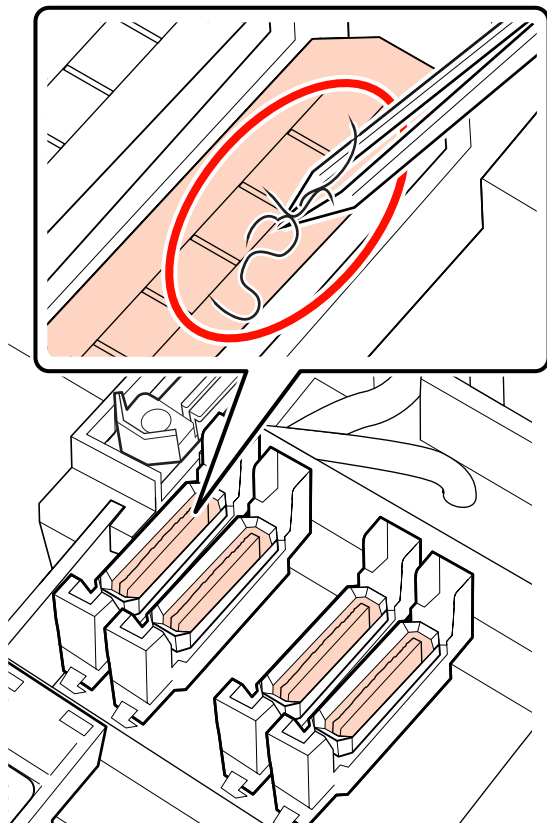
When a film of ink adheres to the guide section

If a film-like layer of adhered ink cannot be removed completely using a cleaning stick, remove it using tweezers.



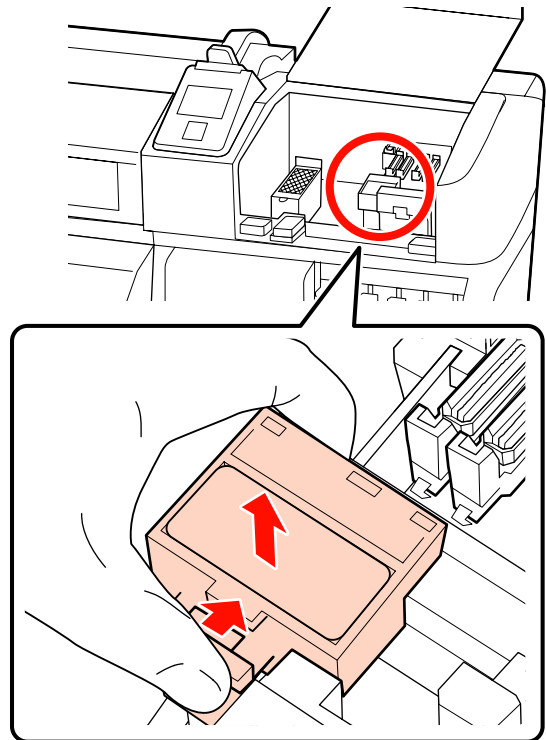
When there is lint or dust in the cap

Remove using the tip of the cleaning stick or tweezers.



Cleaning the wiper cleaner (daily)

- 1 Press the OK button in the control panel and confirm that the wiper has moved to the back.
- 2 Grasp the wiper cleaner as shown and lift it from the printer.



- 3 Place the wiper cleaner face down, and check that no lint or dust has attached to the rear side.

Otherwise, proceed to Step 5.

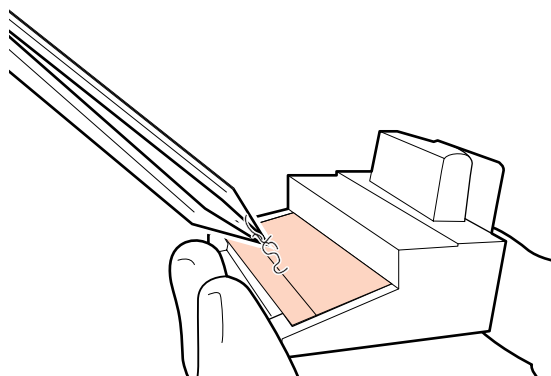
Attached ink does not present any problems, however, if a film of ink has adhered around the part circled in the photo below, you should replace the wiper cleaner with a new one.

Maintenance

[🔗 “Replacing the Wiper and Wiper Cleaner” on page 120](#)



- 4** Remove lint or dust that has adhered to the bottom surface of the wiper cleaner using tweezers.

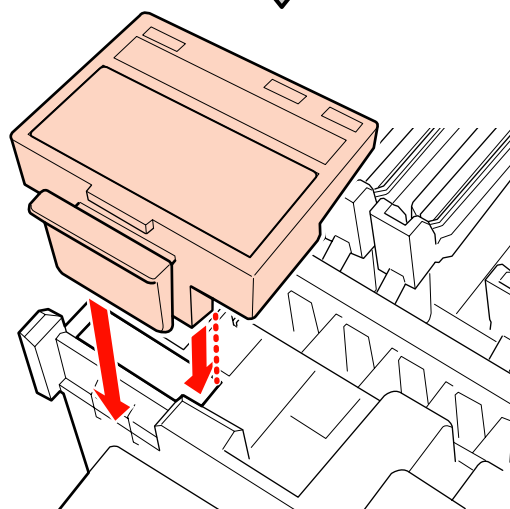
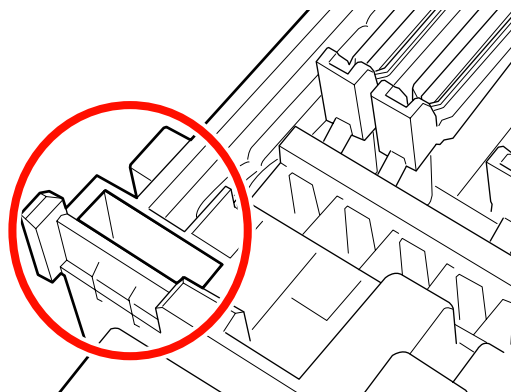


- 5** Clean the wiper rail once every two weeks. If two weeks have not passed since the last time the wiper rail was cleaned, go to step 6.

[🔗 “Cleaning the Wiper Rail \(Once Every Two Weeks\)” on page 112](#)

- 6** Attach the wiper cleaner.

Place on the attachment point and press down until you hear a click.



For the SC-S70600 series and SC-S50600 series, clean the other wiper cleaner in the same way.

- 7** After cleaning, close the right maintenance cover and press the OK button.

The menu will close when the print head returns to its normal position.

To continuously make prints, perform **Nozzle Check**.

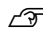
[🔗 “Printing nozzle check patterns” on page 128](#)

Disposing of used ink cleaner, cleaning stick, and clean-room wipers [🔗 “Disposal of used consumables” on page 126](#)

Maintenance

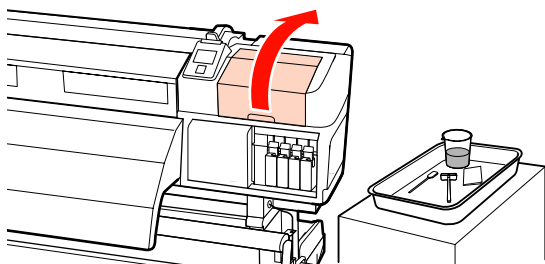
Cleaning the Entire Wiper and Attachment Point (Once Every Two Weeks)

Perform the following cleaning instead of cleaning the wipers (rubber section).

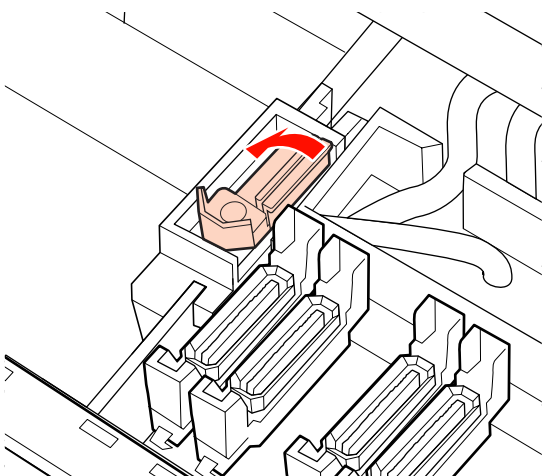
 [“Cleaning a wiper \(rubber part\) \(daily\)” on page 106](#)

If the use of the printer continues while ink clots remain adhered to the bottom or an attached part of the wiper, it will cause the adhered ink to be spread around the caps, which results in nozzle clogs that cannot be cleared even after repeated head cleaning.

- 1** Open the right maintenance cover.



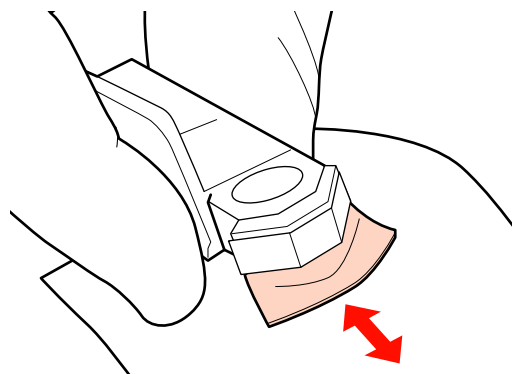
- 2** Holding the wiper by the attachment point, tilt it left and lift it out.



- 3** Dampen the clean-room wiper with ink cleaner.

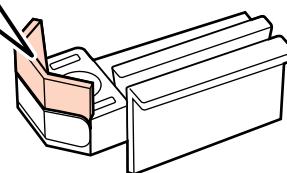
 [“Using Ink Cleaner” on page 103](#)

- 4** Press the front and rear side of the rubber part of the wiper against the clean-room wiper, then wipe off any adhered ink clots, lint, and dust.



If the wiper part has split off or is broken, we recommend replacing it with a new one.

 [“Replacing the Wiper and Wiper Cleaner” on page 120](#)

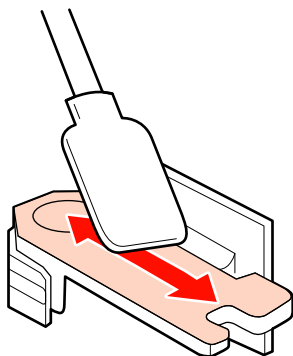


- 5** Dampen the cleaning stick with ink cleaner.

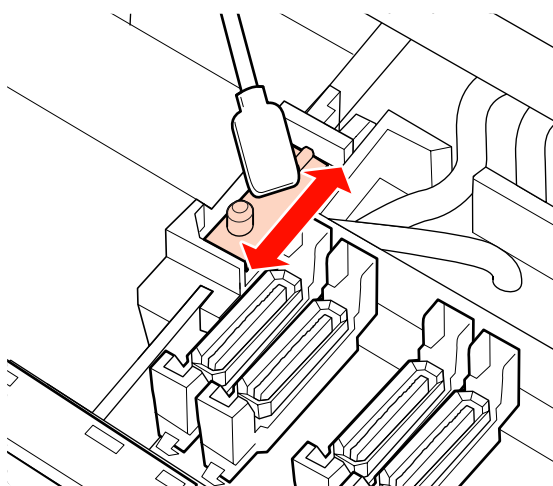
 [“Using Ink Cleaner” on page 103](#)

Maintenance

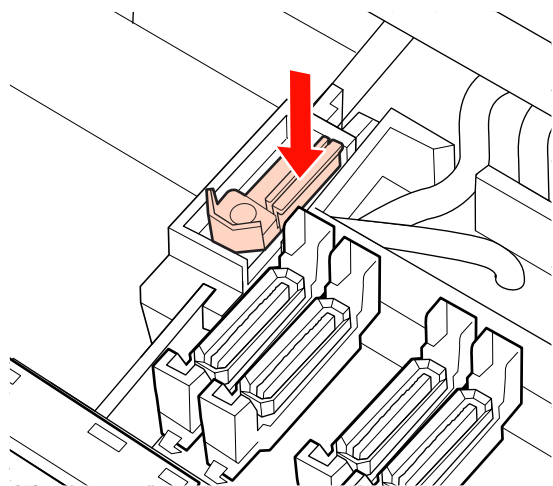
- 6** Wipe off any ink that has hardened at the bottom of the wiper with the cleaning stick.



- 7** Wipe off any ink that has hardened at the wiper attachment point with the cleaning stick.



- 8** When you have finished cleaning, place the wiper on the attachment point and press down until you hear a click.



In the SC-S70600 series and SC-S50600 series, return to Step 3 to clean another wiper in the same way.

Next, proceed to the cap cleaning procedure.

[☞ “Cleaning caps \(daily\)” on page 107](#)

Cleaning the Wiper Rail (Once Every Two Weeks)

Perform this after cleaning the wiper cleaner in step 4.

[☞ “Cleaning the wiper cleaner \(daily\)” on page 109](#)

If ink adheres to the wiper rail, it may stop the wipers from moving which prevents ink from being wiped from the print head nozzles. As a result, nozzle clogs cannot be cleared even after repeated head cleaning.

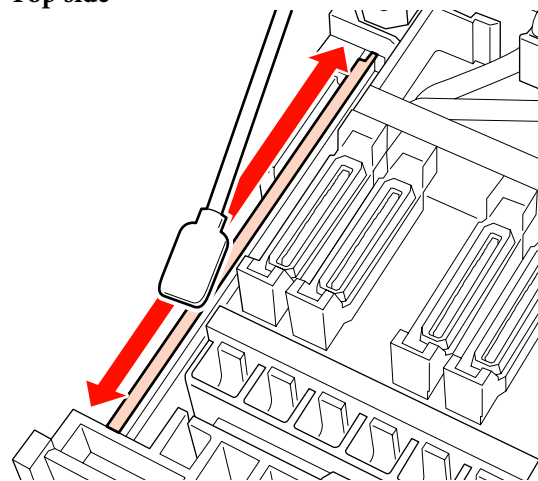
! Important:
If this is cleaned more than once every two weeks, it could cause a malfunction.

- 1** Dampen the cleaning stick with ink cleaner.

[☞ “Using Ink Cleaner” on page 103](#)

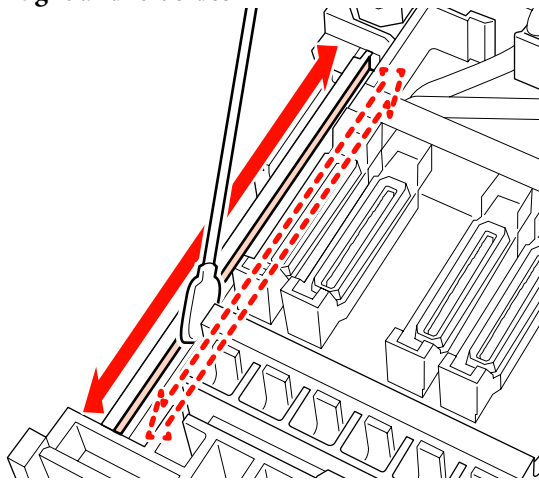
- 2** Wipe off any ink that has become attached to the top, right, and left sides of the wiper rail.

Top side



Maintenance

Right and left sides



For the SC-S70600 series and SC-S50600 series, clean the other wiper rails in the same way.

Next, go to Step 6 in Cleaning the wiper cleaner.

[“Cleaning the wiper cleaner \(daily\)” on page 109](#)

Cleaning Inside the Printer (Once a week to once a month)

Lint, dust, and ink accumulate on the platen heater, pressure rollers, and media holding plates. Ink on these surfaces may be transferred to the media. Furthermore, if any accumulated lint or dust is left inside the left maintenance cover, it may adhere around the print head.

Caution:

- ❑ The heaters and media holding plate may be hot; observe all necessary precautions. Failure to observe the necessary precautions could result in burns.
- ❑ Be careful not to trap your hands or fingers when opening or closing the front cover. Failure to observe this precaution could result in injury.

Important:

When cleaning inside the printer, do not use ink cleaner. Failure to observe this precaution could result in damaged parts.

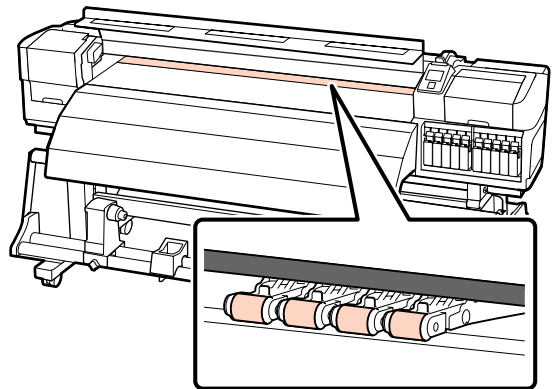
- 1** Make sure the printer is turned off and the screen has turned off, and then unplug the power cable from the outlet.
- 2** Leave the printer for a minute.
- 3** Open the front cover.
- 4** Raise the media loading lever.
- 5** Remove stains on the pressure rollers using a dry, soft cloth.

SC-S70600 series/SC-S50600 series

Wipe while rotating the roller sections one by one.

Important:

Ensure the cloth does not touch the shaft above the rollers (gray area in the illustration) when wiping. Otherwise, grease will adhere to the cloth. If a stained cloth touches the roller, the roller is stained with grease.



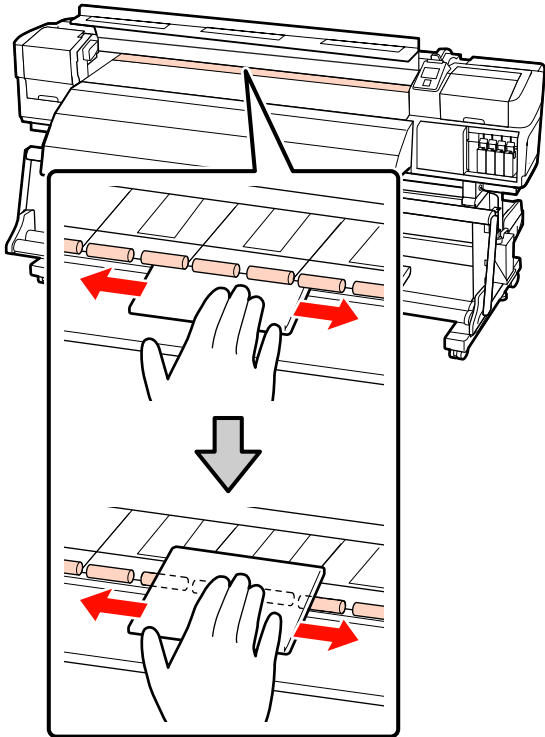
SC-S30600 series

Slide a dry cloth between the pressure rollers and the platen and over the upper part of the pressure rollers to wipe the area.

Important:

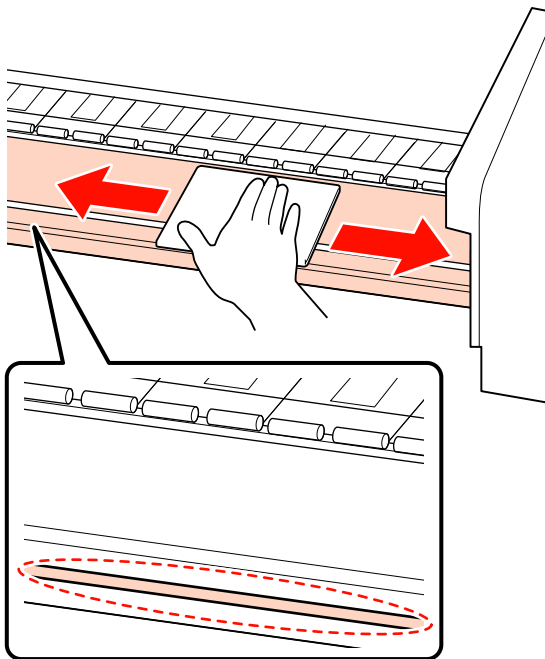
Do not press strongly on the rollers when wiping. This may detach the rollers.

Maintenance



6 Wipe lint, dust, and adhered ink using a brush or soft cloth that has been soaked in water and squeezed well.

Carefully remove lint and dust stuck in the groove of the platen.



7 Wipe off the media holding plates using a soft cloth that has been soaked in water.

! Important:

When media with glue has been used, wipe away glue using a diluted neutral detergent. If glue from the media adheres to the rear side of the plates, it may result in the print head striking during printing.

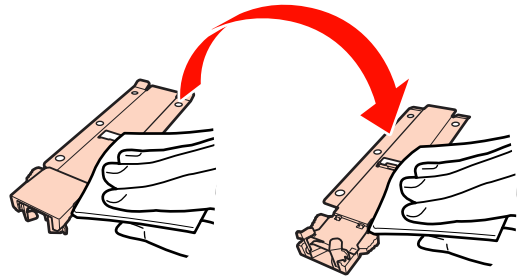
Sliding media holding plates

Normally, wipe off any lint and dust that has attached to the surface, without removing the media holding plates.

When self-adhesive media is used or ink has adhered to the surface of the media holding plates, remove the plates, and wipe stains off both the front and rear surfaces.

When stains are removed, be sure to attach the plates to their original positions.

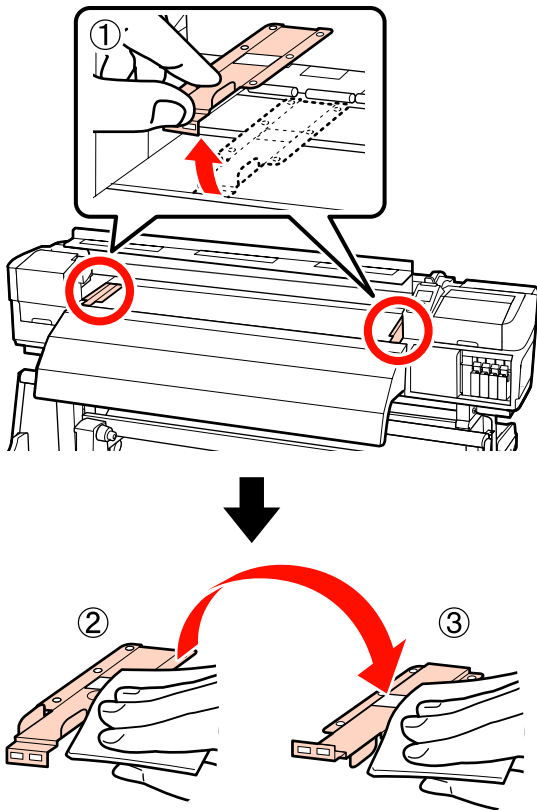
Removing and attaching the media holding plates ↗ [“Replacing the media holding plates”](#) on page 123



Maintenance

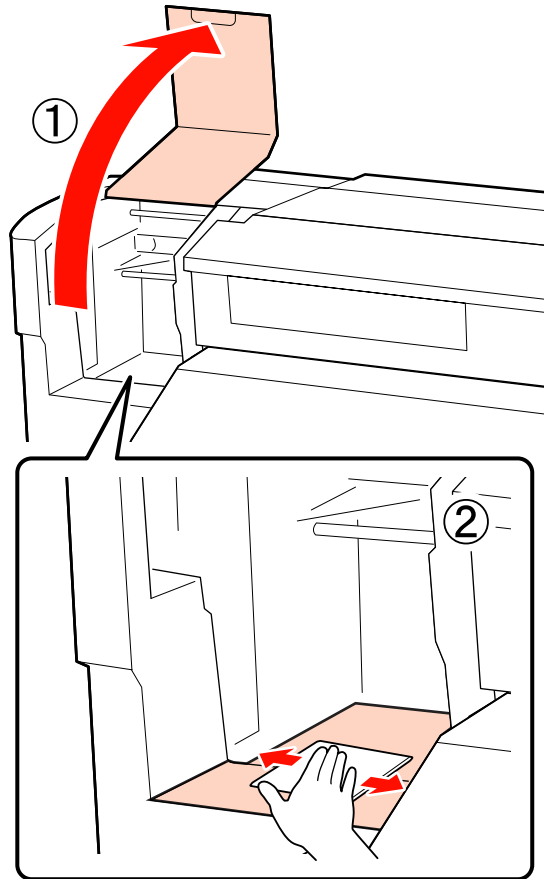
Insertable media holding plates

Remove the media holding plates and wipe stains from the front and rear surfaces.



- 8** Open the left maintenance cover and clean inside.

Wipe lint and dust with a brush or soft cloth that has been soaked in water and squeezed well.



- 9** After cleaning, close the front cover and left maintenance cover.

Cleaning the Flushing Pad (When It Is Dirty)

If lint or dust adhere to the surface of the flushing pad, it may contact the the print head and clog nozzles. Use the following procedure for cleaning.

Before starting this procedure, be sure to read the following:

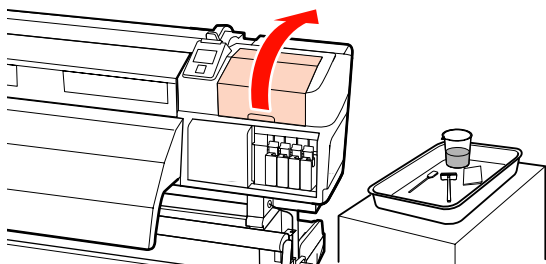
 ["Precautions regarding maintenance" on page 102](#)

Maintenance

- 1 Position the print head for maintenance purposes.

 [“Moving the Print Head” on page 102](#)

- 2 After the print head moves to the left end of the printer, open the right maintenance cover.

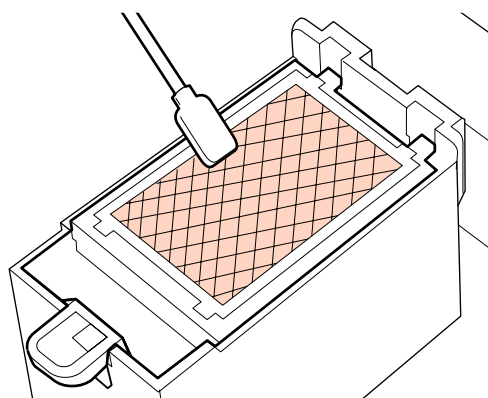


- 3 Dampen the cleaning stick with ink cleaner.
Use new cleaning stick and ink cleaner.

 [“Using Ink Cleaner” on page 103](#)

- 4 Clean the top surface of the flushing pad.
Wipe lint and dust with the tip of a cleaning stick.

! **Important:**
Do not deform the metal section of the top surface. If they are deformed, they may damage the print head.




If the ink has solidified and lint and dust cannot be removed, we recommend exchanging the flushing pad with a new one.

 [“Replacing the Flushing Pad” on page 122](#)

- 5 Close the maintenance cover and press the OK button twice.

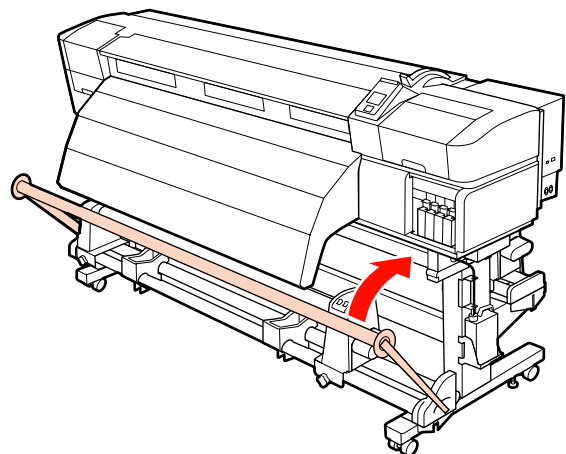
The menus will close when the print head returns to its normal position.

Disposing of used ink cleaner and cleaning stick
 [“Disposal of used consumables” on page 126](#)

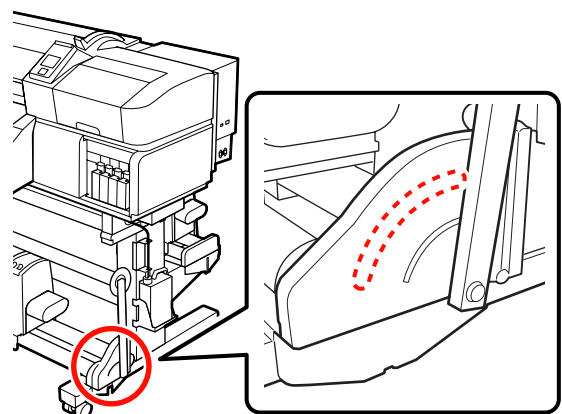
Cleaning the Sides of the Auto Take-up Reel Unit (When It Is Dirty)

White powdered stains may have been created due to rubbing between the tensioner and side plate of the auto take-up reel unit. If stains are not removed, it causes a tensioner malfunction, and it may result in a take-up failure. If stains are found, clean the sides.

- 1 Raise the tensioner.



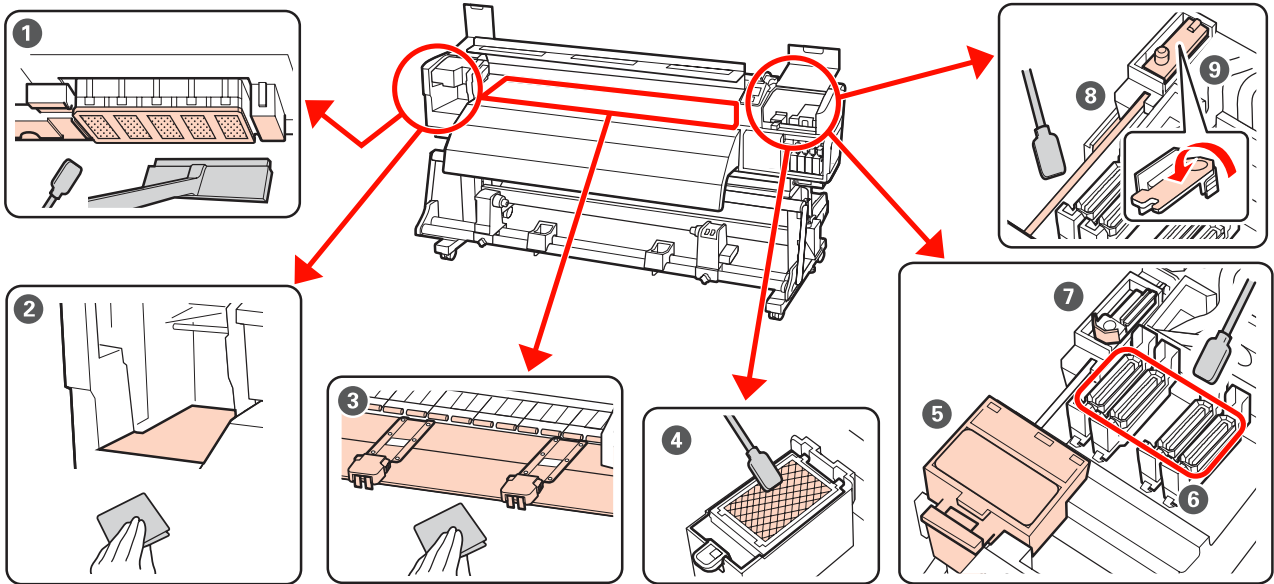
- 2 Wipe off any white powder that is in the area indicated by a broken line as shown below using a dry, soft cloth.



Maintenance

Cleaning Check Sheet

Print this page to track maintenance tasks.



| When to perform | Component to be cleaned | Cleaned on date | | | | | |
|---------------------------------------------------------------------------------------------------------------------|------------------------------------------------------------------------------------------|----------------------------------------------------------------------------------------------------------------|---|---|---|---|---|
| Daily (at the end of every workday) If maintenance is not performed, ink hardens and is difficult to remove. | 1 Around the Print Head ↗ "Cleaning Around the Print Head (Daily)" on page 103 | / | / | / | / | / | |
| | 5 - 7 Around caps ↗ "Cleaning Around the Caps (Daily)" on page 106 | / | / | / | / | / | |
| | | / | / | / | / | / | |
| | | / | / | / | / | / | |
| | | / | / | / | / | / | |
| | Once every two weeks | 8 Wiper rail ↗ "Cleaning the Wiper Rail (Once Every Two Weeks)" on page 112 | / | / | / | / | / |
| | | 9 Entire Wiper ↗ "Cleaning the Entire Wiper and Attachment Point (Once Every Two Weeks)" on page 111 | / | / | / | / | / |
| | Once a week to once a month | 2 - 3 Inside ↗ "Cleaning Inside the Printer (Once a week to once a month)" on page 113 | / | / | / | / | / |
| When dirty | | 4 Flushing pad ↗ "Cleaning the Flushing Pad (When It Is Dirty)" on page 115 | / | / | / | / | / |
| | | | / | / | / | / | / |

Maintenance

Replacing Consumables

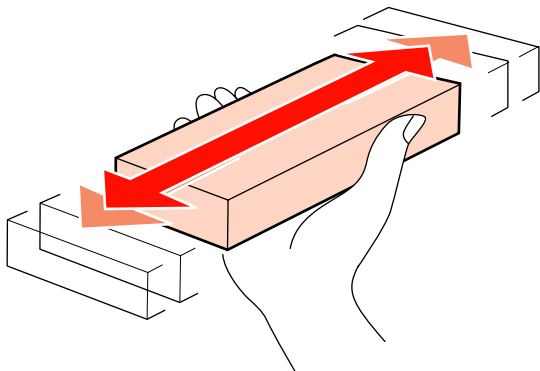
Shaking and Replacing Ink Cartridges

Shaking

As shown in the illustration, hold the cartridge horizontally and shake it in both directions about 5 cm 15 times in 5 seconds.

For spot color inks, Orange, and Orange Plus inks, when replacing the ink, shake them about 50 times in 15 seconds.

When replacing a cartridge, remove it from the bag and then shake it.


Important:

Due to ink characteristics, the ink cartridges of this printer are prone to sedimentation (components settling to the bottom of the liquid). Shake a new ink cartridge before installing it. After installing it in the printer, remove and shake it periodically.

Replacement procedure

If an ink low warning is displayed, replace as soon as possible. If one of the installed ink cartridges is expended, printing cannot be performed.


Important:

If **⊗ Ink Cartridge Expended** appears when using spot color inks, replace the old ink cartridge with a new one promptly. If the ink expended warning is left displayed, the print head or other parts may be damaged.

If an ink cartridge is expended while printing, you can continue printing after replacing the ink cartridge. However, when replacing ink during a print job, you may see a difference in color depending on the drying conditions.

The following procedure explains how to replace an ink cartridge and a cleaning cartridge.


Important:

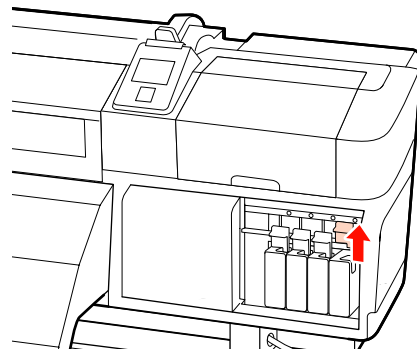
Epson recommends the use of genuine Epson ink cartridges. Epson cannot guarantee the quality or reliability of non-genuine ink. The use of non-genuine ink may cause damage that is not covered by Epson's warranties, and under certain circumstances, may cause erratic printer behavior. Information about non-genuine ink levels may not be displayed, and use of non-genuine ink is recorded for possible use in service support.

1

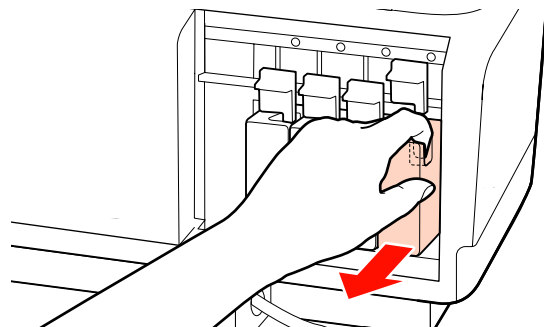
Make sure the printer is on.

2

Lift the lock lever for the cartridge you intend to replace.


3

Insert a finger into the depression on the top of the cartridge and pull the cartridge straight toward you.



Maintenance

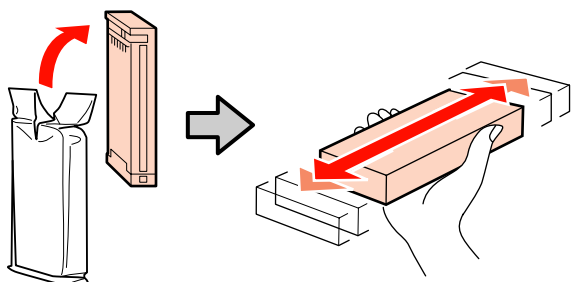


Important:

Removed ink cartridges may have ink around the ink supply port, so be careful not to get any ink on the surrounding area when removing the cartridges.

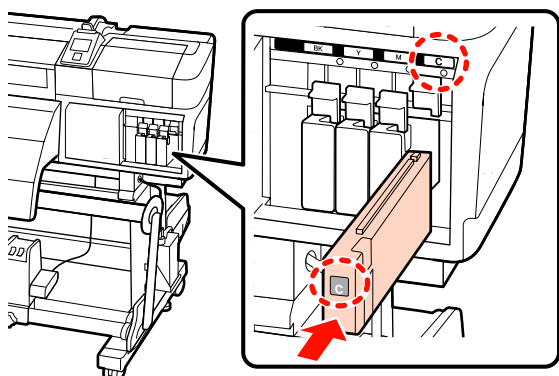
4

Hold the cartridge horizontally and shake it in both directions about 5 cm 15 times in 5 seconds. For spot color inks, Orange, and Orange Plus inks, shake them about 50 times in 15 seconds.



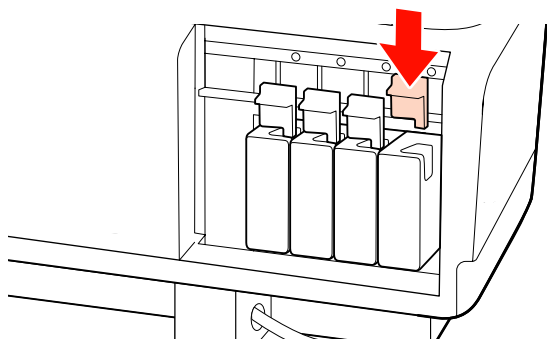
5

Match the color of the cartridge to the color of the label on the printer and insert.



6

Lower the lock lever to engage the latch.



Repeat Steps 2 to 6 to replace other ink cartridges.



Important:

Install all ink cartridges into each slot. You cannot print if any of the slots are empty.

Disposal "Disposal of used consumables" on page 126

Disposing of Waste Ink

Be sure to replace the waste ink bottle when the following message is displayed in the control panel.

- Prepare empty waste ink bottle.
- Replace waste ink bottle and press OK.

Leave the waste ink in the waste ink bottle for disposal; do not transfer it to another container.



Important:

During printing or while the printer is running the operations shown below, do not remove the waste ink bottle unless instructed to do so by the on-screen instructions. Failure to observe this precaution could cause ink to leak.

- Head Cleaning
- Head Washing
- Ink Refresh
- Pre-Storage Maint.
- Change Color Mode

Waste Ink Counter

The printer uses the waste ink counter to track waste ink and displays a message when the counter reaches the warning level. If you follow the message instructions and replace the waste ink bottle, the waste ink counter is cleared automatically.

If you replace the waste ink bottle before being prompted by a message, run the Waste Ink Counter option in the Maintenance menu after replacement.

"The Maintenance Menu" on page 151



Important:

If you replace the waste ink bottle before being prompted by a message, always clear the waste ink counter. Otherwise, the replacement interval for the waste ink bottle will no longer be notified correctly from the next message.

Maintenance

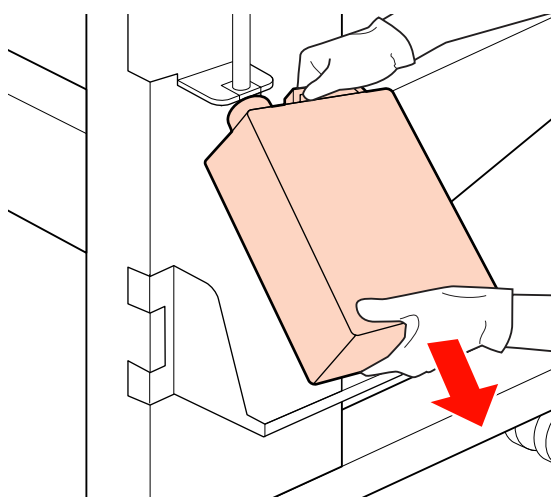
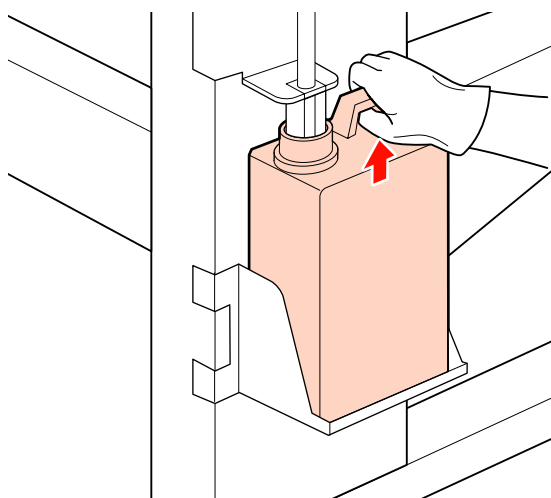
Replacing the Waste Ink Bottle

Follow the procedure below to replace the parts.

Before starting this procedure, be sure to read the following:

 [“Precautions regarding maintenance” on page 102](#)

- 1 Remove the waste ink bottle from the waste ink bottle holder.



- 2 Insert the waste ink tube into the mouth of the new waste ink bottle and place the waste ink bottle in the holder.

Tightly seal the lid on the used waste ink bottle.

 **Important:**


You will need the lid for the waste ink bottle when disposing of waste ink. Keep the lid in a safe place; do not throw it out.

- 3 Press the OK button.

- 4 Check again to confirm that a new waste ink bottle has been installed correctly. Press the OK button to reset the waste ink counter.

 **Important:**

Be sure to confirm that the waste ink tube is inserted in the mouth of the waste ink bottle. Ink will spill onto the surrounding area if the tube is not inserted in the bottle.

Disposal of used waste ink bottles  [“Disposal” on page 126](#)

Replacing the Wiper and Wiper Cleaner

Follow the procedure below to replace the parts.

Before starting this procedure, be sure to read the following:

 [“Precautions regarding maintenance” on page 102](#)

 **Important:**

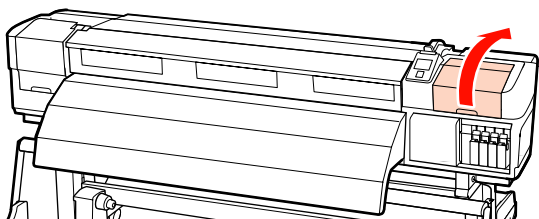
Leave the used wiper cleaner and wiper that have been removed on the metal tray until they are disposed of. If such a part is directly placed on the printer, it may leave stains that may be difficult to remove due to the characteristics of the ink.

- 1 Position the print head for maintenance purposes.

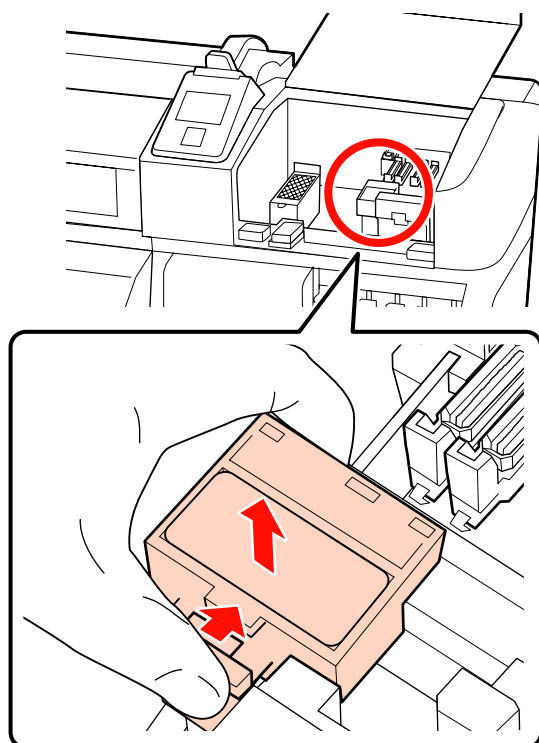
 [“Moving the Print Head” on page 102](#)

Maintenance

- 2** After the print head moves to the left end of the printer, open the right maintenance cover.

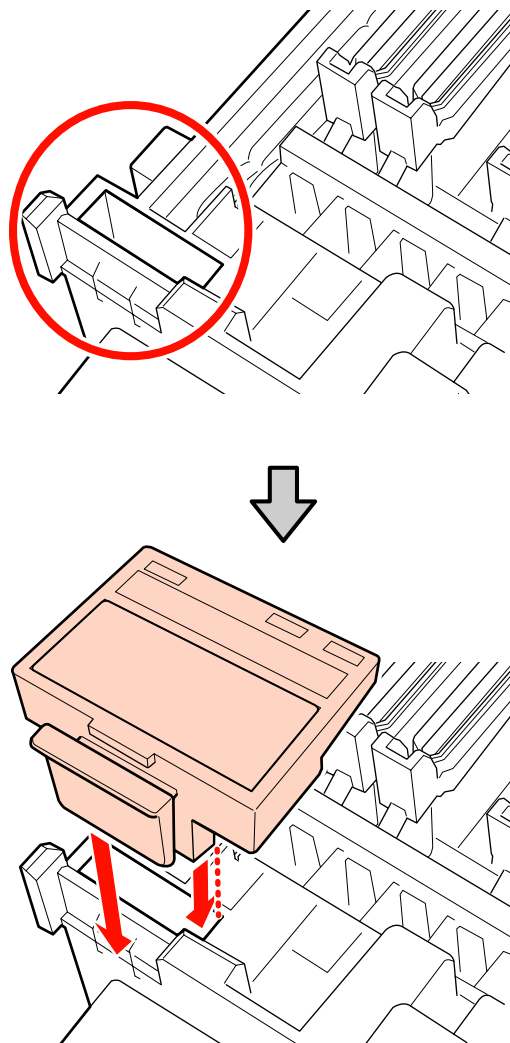


- 3** Remove the wiper cleaner.
Grasp the cleaner as shown and lift it from the printer.



- 4** Insert a new wiper cleaner.

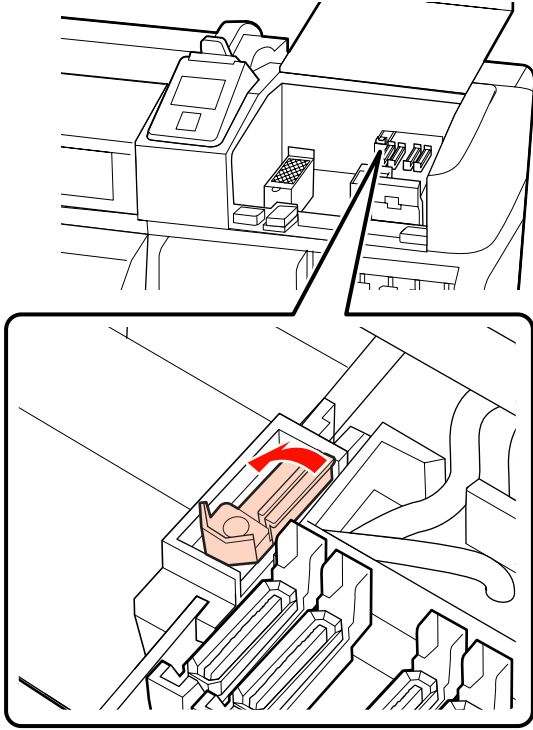
Place on the attachment point and press down until you hear a click.



Maintenance

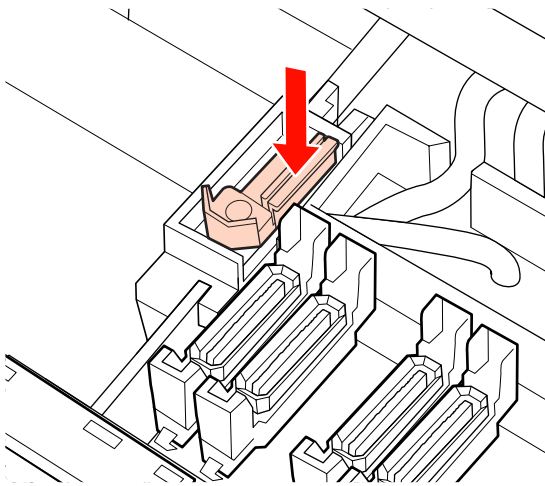
5 Remove the wiper.

Holding the wiper by the attachment point, tilt it left and lift it out.



6 Insert new wiper.

Place on the attachment point and press down until you hear a click.



In the SC-S70600 series or SC-S50600 series, return to Step 2 to also replace another wiper.

7 Close the maintenance cover, and then close the setup menu.

If the OK button is pressed once, the wiper moves to the inner side. If the OK button is pressed again, the print head returns to its normal position and the menu closes.

Disposal of used wipers and wiper cleaners [“Disposal” on page 126](#)

Replacing the Flushing Pad

Follow the procedure below to replace the parts.

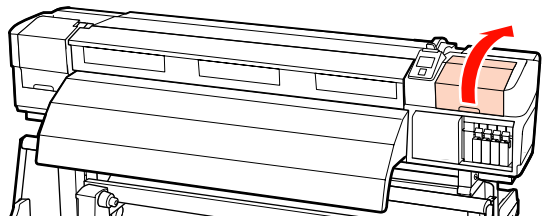
Before starting this procedure, be sure to read the following:

[“Precautions regarding maintenance” on page 102](#)

1 Position the print head for maintenance purposes.

[“Moving the Print Head” on page 102](#)

2 After the print head moves to the left end of the printer, open the right maintenance cover.

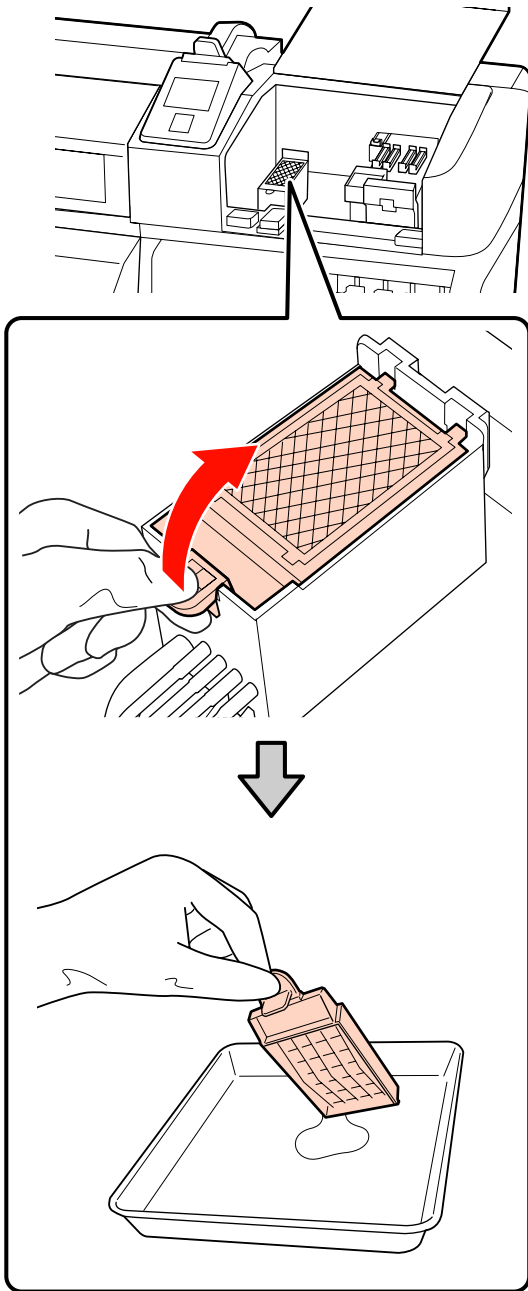


3 Remove the flushing pad.

Grasp the tab as shown below and lift the pad out of the printer.

Maintenance

Wait until ink stops dripping from the bottom surface of the flushing pad. Remove the pad and then place it in the metal tray.



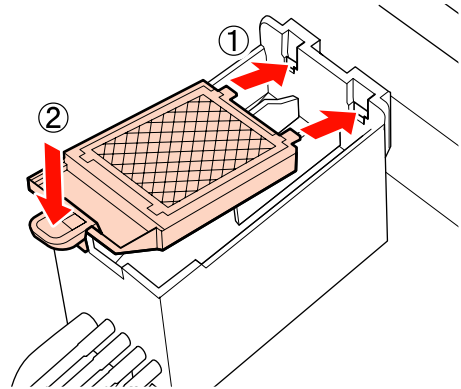
Important:

Leave the used flushing pad that has been removed on the metal tray until it is disposed of. If such a part is directly placed on the printer, it may leave stains that may be difficult to remove due to the characteristics of the ink.

4

Insert a new flushing pad.

Insert the two hooks on the flushing pad into the slots as shown and press the tab down until the pad clicks into place.



5

Close the maintenance cover, and then close the setup menu.

If the OK button is pressed once, the wiper moves to the inner side. If the OK button is pressed again, the print head returns to its normal position and the menu closes.

Disposal of used flushing pads [“Disposal” on page 126](#)

Replacing the media holding plates

When the media holding plates supplied with the printer are deformed or damaged, be sure to replace them with new ones.

Media holding plates available on the printer

[“Options and Consumable Products” on page 171](#)



Important:

- If a deformed or damaged media holding plate continues to be used, it may result in damage to the print head.
- When replacing the insertable media holding plates, replace both the right and left plates with the sliding media holding plates.

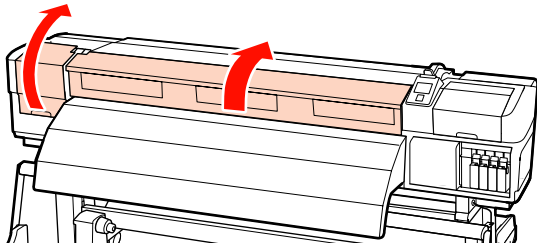
Maintenance

Replacement procedure

1 Remove media, and press the ⏻ button to turn the printer off.

📖 “Replacing and removing media” on page 64

2 Open the left maintenance cover and front cover.



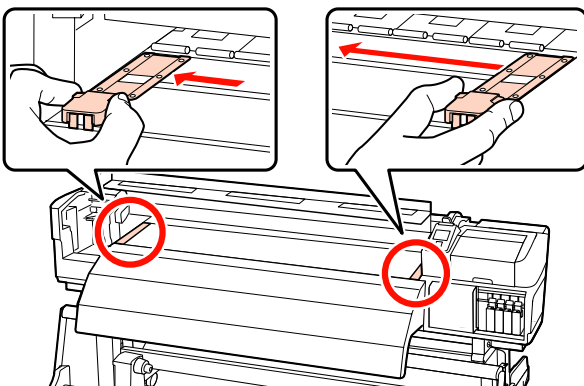
3 Remove the target media holding plate.

Remove the sliding media holding plate in the steps shown below.

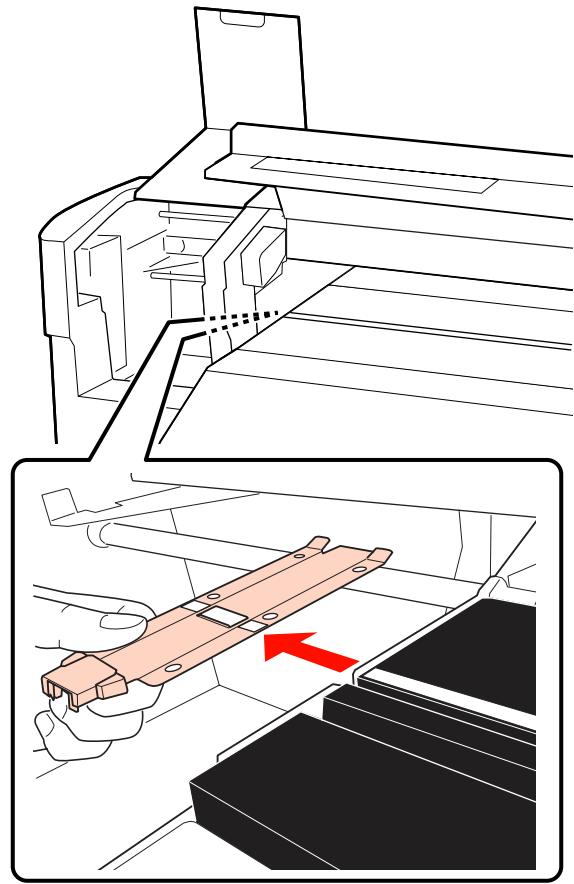
(1) While holding the tabs of the media holding plate on both sides, move the plate to the left edge of the platen.

! Important:

Be sure to remove the media holding plate from the left edge of the platen. If the plate is removed from the right edge, it will drop into the printer and cause malfunction.



(2) Remove the left media holding plate, and then remove the right one.



4 Insert a new media holding plate into the left edge of the platen.

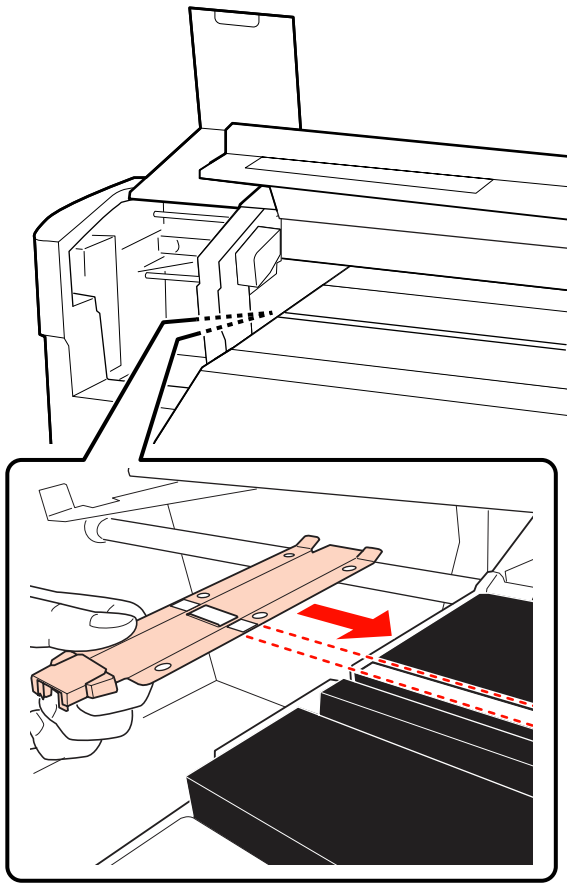
! Important:

If the media holding plate is inserted into the right edge, it will drop into the printer and cause malfunction.

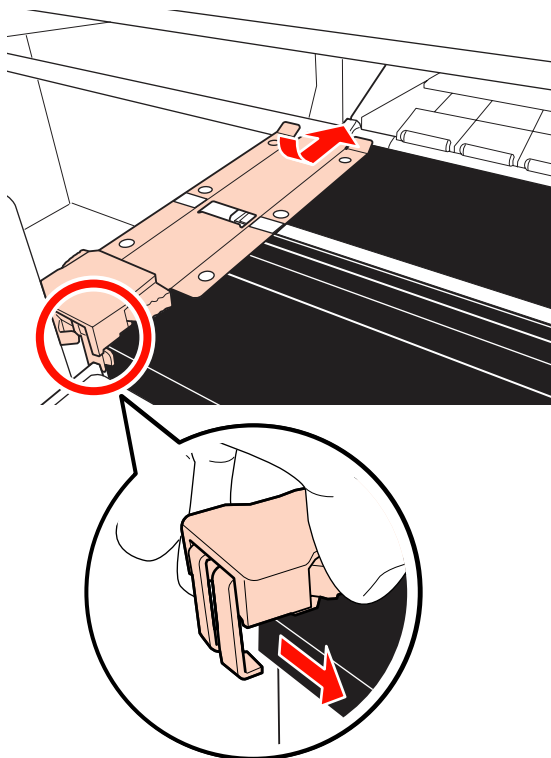
When inserting the plate, check the following two points.

(1) Align the white line on the platen with that of the media holding plate.

Maintenance

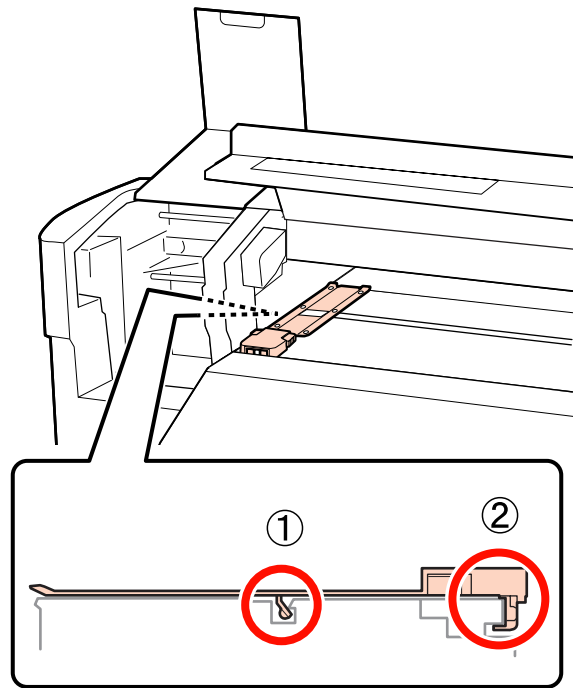


(2) While pressing the tip of the metallic plate against the platen, attach the hooked sections to the front corner of the platen.



5 Check that two hooked sections at the rear of the media holding plate are securely applied as shown below and that they are attached with no gap between the plate and platen.

- (1) Latch at the rear of square hole: Groove in front of white line
- (2) Latch at the rear of tab: Front corner of the platen

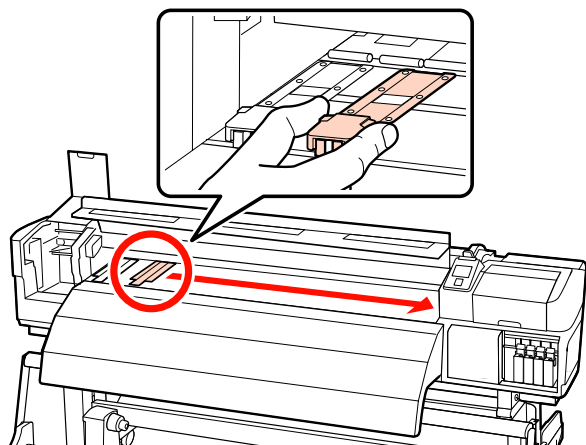


! Important:
 If both hooked sections are not positioned correctly, return to Step 3 to attach them again. Otherwise, the head may be damaged.

Maintenance

- 6** While holding the tabs of each media holding plate on both sides, move both the plates to the left and right edges of the platen respectively.

Releasing the tab fixes the media holding plate.



- 7** Close the left maintenance cover and front cover.

Disposal of used consumables

Disposal

Used cleaning sticks, dirty ink cleaner, waste ink bottles, wipers, wiper cleaners, flushing pads and post-printing media are industrial waste.

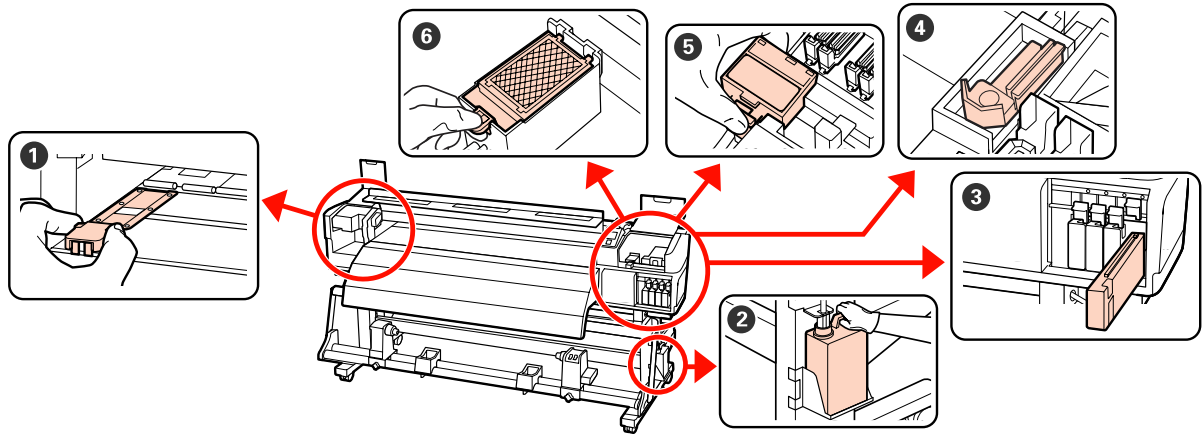
Dispose of items according to local laws and regulations. For example, contract a industrial waste disposal company for disposal. In such cases, submit the "Safety data sheet" to the industrial waste disposal company.

You can download it at your local Epson Web site.

Maintenance

Consumable Replacement Check Sheet

Print this page to track maintenance tasks.



| When to perform | Component to be replaced | Cleaned on date | | | | | |
|---------------------------------------------------------------------|-----------------------------------------------------------------------------------------------------|-------------------------------------------------------------------------------------|---|---|---|---|---|
| When a replacement message is displayed on the control panel screen | ② Waste ink bottle ⓘ "Disposing of Waste Ink" on page 119 | / | / | / | / | / | |
| | ③ Ink cartridge ⓘ "Replacement procedure" on page 118 | / | / | / | / | / | |
| | | / | / | / | / | / | |
| | | / | / | / | / | / | |
| | | / | / | / | / | / | |
| | | / | / | / | / | / | |
| | Once every three months Be sure to replace the wiper and the wiper cleaner at the same time. | ④ Wiper ⑤ Wiper cleaner ⓘ "Replacing the Wiper and Wiper Cleaner" on page 120 | / | / | / | / | / |
| | | ⑥ Flushing pad ⓘ "Replacing the Flushing Pad" on page 122 | / | / | / | / | / |
| | When the plates are deformed or damaged | ① Media holding plates ⓘ "Replacing the media holding plates" on page 123 | / | / | / | / | / |

Maintenance

Other maintenance

Checking for clogged nozzles

We recommend that you check the nozzles for clogs each time you print to ensure quality results.

Ways to Check for Clogs

There are three ways to check for clogs.

❑ Auto Nozzle Check

The printer automatically checks for clogs at specified intervals by scanning a test pattern with a sensor as it is being printed. If a clog is detected, the printer will perform a pre-selected option, either **Stop Printing** or **Continue Printing**.

🔗 “The Printer Setup Menu” on page 149

Note:

❑ *Auto Nozzle Check is not available under the following conditions: Print nozzle check patterns, and check nozzles for clogging.*

❑ White ink used in 10 Color mode (SC-S70600 series) or 5C Mode (SC-S50600 series). The check can still be performed with other colors.

❑ The media is transparent or colored.

❑ **2.5** is selected for **Platen Gap** in the setup menu.

❑ *If the printer is exposed to direct sunlight or interference from other ambient light sources, Auto Nozzle Check may not be executed. In such a case, shade the printer from these sources.*

❑ Print Nozzle Pattern

At specified intervals, the printer prints a test pattern at the start of normal printing. When printing is complete, you can visually inspect the pattern to determine whether there may be faint or

missing colors in the preceding or following printout.

Use **Print Nozzle Pattern** with media not suited to **Auto Nozzle Check** or if you feel that **Auto Nozzle Check** would take too long.

🔗 “The Printer Setup Menu” on page 149

❑ On-Demand Nozzle Pattern

Nozzle patterns can be printed as required and inspected visually to determine whether the nozzles are clogged.

Depending on the width of the media used, you can save media by printing additional test patterns in the space beside an existing pattern:

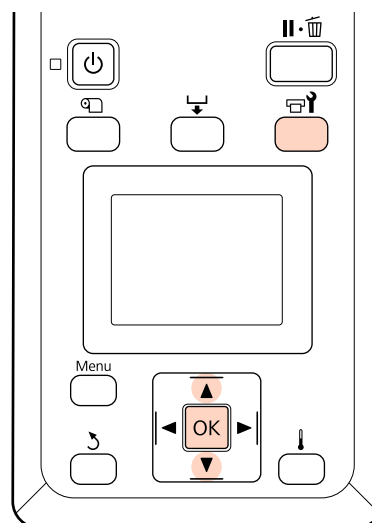
❑ If the width is equal to or greater than 51 inches but less than 64 inches, up to three patterns can be printed (one on the left, one in the center, and one on the right).

❑ If the width is equal to or greater than 34 inches but less than 51 inches, up to two patterns can be printed (one on the left and one on the right).

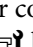
Patterns can not be printed side-by-side if the media is less than 34 inches wide or if **Media Size Check** is **Off**.

Printing nozzle check patterns

Buttons that are used in the following settings



Maintenance

- 1 After confirming that the printer is ready, press the  button.

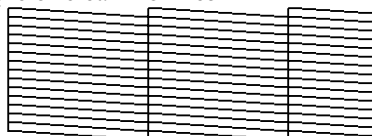
The Maintenance menu will be displayed.

- 2 Select **Nozzle Check**, choose a position, and press the OK button.

A nozzle pattern will be printed.

- 3 Cut media as necessary, and check the printed patterns.

Example of clean nozzles



The pattern contains no gaps.

Example of clogged nozzles



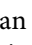
Perform head cleaning if any segments are missing from the pattern.

 [“Head Cleaning” on page 129](#)

Important:

Always remove clogs from the nozzles of all colors before resuming use. If clogged nozzles (including clogged nozzles for colors that are not used) remain when printing after resuming use, the clogs can no longer be removed.

- 4 The menus close when printing is complete.

To print the post-cleaning test pattern in the space beside an existing pattern, press the  button to rewind the media until the print start position is aligned with the pressure rollers.

Head Cleaning

Should the nozzle pattern contain faint or missing segments, you may be able to unclog the nozzles by cleaning the print head.

There is no need to clean the head if the print result does not contain faint areas or other color problems.

You can also clean the head while printing is paused. Note, however, that hues in the printout may change when printing is resumed.

Head Cleaning Level

Choose from three levels of head cleaning.

Select **Execute (Light)** first. If the pattern still contains faint or missing segments after head cleaning has been performed once, try again using **Execute (Medium)** or **Execute (Heavy)**.

Auto Maintenance Options

The printer features handy auto maintenance options for performing regular head cleaning at an interval selected as described below.

- Periodical Cleaning

Head cleaning is performed automatically at selected intervals of 1 to 240 hours.

 [“The Printer Setup Menu” on page 149](#)

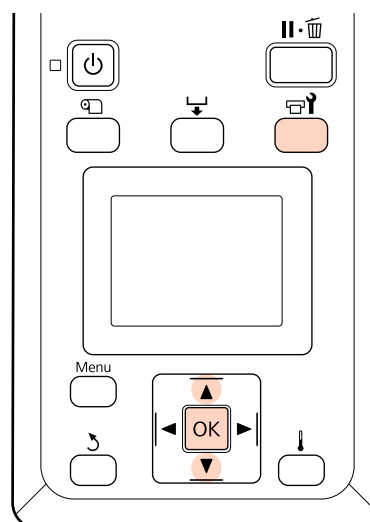
- Cleaning Cycle

Head cleaning is performed automatically at selected intervals of 1 to 10 pages.

 [“The Printer Setup Menu” on page 149](#)

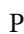
Head cleaning procedure



Buttons that are used in the following settings



Maintenance

1 Pressing the  button when the printer is ready to print displays the Maintenance menu.

Pressing the  button when printing is paused takes you to Step 3.

2 Use the / buttons to select **Cleaning** and press the OK button.

3 Choose the nozzles to be cleaned.



All Nozzles

Choose this option if all patterns in the printed nozzle check results contain faint or missing segments. If you select **All Nozzles**, proceed to Step 5.

Selected Nozzles

Choose this option if only some of the numbered patterns (nozzle arrays) in the printed nozzle check results contained faint or missing segments. You can select multiple nozzle arrays.

4 Choose the nozzle arrays to be cleaned.

- Use the / buttons to choose the nozzle arrays with faint or missing segments in the nozzle check pattern and press the OK button.
- After selecting the arrays you wish to clean, select **Proceed** and press the OK button.

5 Select a cleaning level and press the OK button.

6 Head cleaning will be performed.

The menu will close when cleaning is complete. Print a nozzle pattern and inspect the results to determine whether the problem has been resolved.

 [“Printing nozzle check patterns” on page 128](#)

If you paused the printer in Step 1, printing will resume when head cleaning is complete; check the printout to confirm whether the problem has been resolved.

If nozzle clogs cannot be cleared even after repeated head cleaning, the area around the print head may be stained. See the following sections and clean each part.

 [“Cleaning Around the Print Head \(Daily\)” on page 103](#)

 [“Cleaning Around the Caps \(Daily\)” on page 106](#)

 [“Cleaning the Flushing Pad \(When It Is Dirty\)” on page 115](#)

If nozzle clogs cannot be cleared by cleaning, perform **Head Washing** in the Maintenance menu.

 [“Head Washing” on page 130](#)

Head Washing

If nozzle clogs cannot be cleared even after you have performed normal head cleaning several times and cleaned around the print head, perform **Head Washing** from the Maintenance menu.

Check colors with faint or missing segments in the nozzle check pattern, and select the appropriate ones from the menu items below.

SC-S70600 series/SC-S30600 series

| Item | Explanation |
|-------------|-------------------------------------------------------------------------------------------------------------------------|
| XX/XX* | Clean only the selected color nozzle. Select this item when faint or missing segments of a specific color are detected. |
| All Nozzles | Clean all the nozzles. Select this item when faint or missing segments of all colors are detected. |

* "XX" indicates an ink color code.

SC-S50600 series

| Item | Explanation |
|----------------------------------------|----------------------------------------------------------------------------------------------------------------------------------------|
| Head1 XX/XX* Head2 XX/XX* | Clean only the selected color nozzle. Select this item when faint or missing segments are detected on a specific color. |
| Head1 All Nozzles Head2 All Nozzles | Clean all the nozzles of one print head. Select this item when faint or missing segments of all colors of one print head are detected. |

Maintenance

| Item | Explanation |
|-------------|------------------------------------------------------------------------------------------------------------------------------------------------|
| All Nozzles | Clean all the nozzles of both the print heads. Select this item when faint or missing segments of all colors of both print heads are detected. |

* "XX" indicates an ink color code.

Use Cleaning cartridge (available separately) for **Head Washing**. The required number of Cleaning cartridge is provided below.

- ❑ When specifying colors before cleaning: 2
- ❑ When cleaning all the nozzles: As shown below.

| Product name | Color mode | Cartridges |
|--------------------|-------------------|------------|
| SC-S70600 series | 10 Color | 10 |
| | 9 Color | 9 |
| | 8 Color (unfixed) | 8*1 |
| | 8 Color (fixed) | 8 |
| SC-S50600 series*2 | 5C Mode | 10 (5) |
| | 4C Mode | 8 (4) |
| SC-S30600 series | - | 4 |

*1 Eight cartridges are required, excluding the two attached cartridges.

*2 The number enclosed in parentheses indicates the number of required cartridges when **Head1 All Nozzles** or **Head2 All Nozzles** is selected.

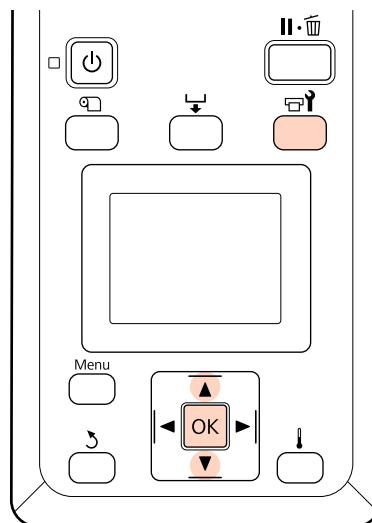
Head Washing procedure



Important:

If the amount of remaining ink or cleaning fluid is insufficient, the function may not run. When there is an insufficient amount remaining, have new cartridges on hand as a precaution.

Buttons that are used in the following settings



- 1 After confirming that the printer is ready, press the button.

The Maintenance menu will be displayed.

- 2 Use the / buttons to select **Head Washing**, and press the OK button.

- 3 Use the / buttons to select any mode, and press the OK button.

Then, follow the on-screen instructions to replace the cartridge. When **Ready** appears on the screen, head washing is completed. Print a nozzle pattern and inspect the results to determine whether the problem has been resolved.

[“Printing nozzle check patterns” on page 128](#)

Note:

In the SC-S70600 series or SC-S50600 series, if only one print head has a clogged nozzle that cannot be cleared by head washing, you can continue printing with the unclogged head using the **Head Mode** setting in the Printer Setup menu.

[“The Printer Setup Menu” on page 149](#)

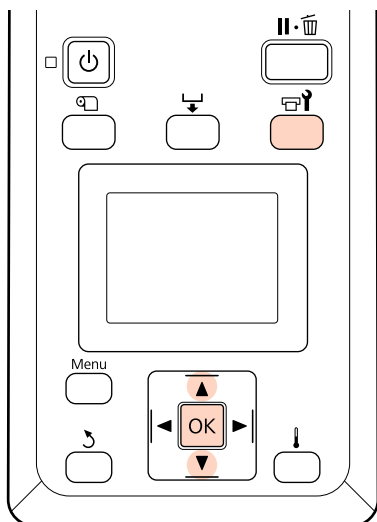
If nozzle clogs cannot be cleared, contact your dealer or Epson Support.

Maintenance

Ink Refresh

When tint unevenness (areas of uneven density) is detected in printing results, execute **Ink Refresh**.

Buttons that are used in the following settings



- 1 After confirming that the printer is ready, press the **Home** button.

The Maintenance menu will be displayed.

- 2 Use the **▼/▲** buttons to select **Ink Refresh**, and press the **OK** button.

- 3 Select a nozzle row for **Ink Refresh**.

The available menus vary depending on your product or ColorMode.

9 Color mode/10 Color mode, 5C Mode (SC-S50600 series)

Select the appropriate menu depending on the part (printing color) with tint unevenness being detected. If tint unevenness is detected in all areas, perform both menus in sequence.

Tint unevenness of spot color: **MS/WH** or **WH**

Tint unevenness of colors other than spot color: **All (except MS/WH)** or **All (except WH)**

8 Color mode (SC-S70600 series), 4C Mode (SC-S50600 series), SC-S30600 series
Perform **All Nozzles**.

Ink Refresh is performed.

Long-term Storage (Pre-storage Maintenance)

If the printer will not be used for an extended period (and switched off), perform **Pre-Storage Maint.** in the Maintenance menu before storage. Failure to perform pre-storage maintenance causes permanent clogs.

Use Cleaning cartridge (available separately) for **Pre-Storage Maint.**

The following chart shows the storage interval guidelines for **Pre-Storage Maint.** and the necessary number of Cleaning cartridge by color mode.

SC-S70600 series (10 Color mode)

| Interval | Cartridges | Colors |
|-----------------|------------|--------------------------|
| 7 to 13 days* | 2 | MS/WH |
| 2 weeks or more | 10 | All Nozzles (all colors) |

* If the storage interval is short, you can perform **Pre-Storage Maint.** for spot color ink only.

SC-S70600 series (9 Color mode)

| Interval | Cartridges | Colors |
|-----------------|------------|----------------------------------------|
| 7 to 13 days* | 1 | WH |
| 2 weeks or more | 9 | All Nozzles (all colors except for WH) |

* If the storage interval is short, you can perform **Pre-Storage Maint.** for spot color ink only.

SC-S70600 series (8 Color mode)

| Interval | Cartridges | Colors |
|-----------------|------------|--------------------------|
| 2 weeks or more | 8 | All Nozzles (all colors) |

SC-S50600 series (5C Mode)

| Interval | Cartridges | Colors |
|---------------|------------|--------|
| 7 to 20 days* | 2 | WH |

Maintenance

| Interval | Cartridges | Colors |
|-----------------|------------|--------------------------|
| 3 weeks or more | 10 | All Nozzles (all colors) |

* If the storage interval is short, you can perform **Pre-Storage Maint.** for spot color ink only.

SC-S50600 series (4C Mode)

| Interval | Cartridges | Colors |
|-----------------|------------|--------------------------|
| 3 weeks or more | 8 | All Nozzles (all colors) |

SC-S30600 series

| Interval | Cartridges | Colors |
|-----------------|------------|--------------------------|
| 1 month or more | 4 | All Nozzles (all colors) |



Important:

After performing **Pre-Storage Maint.** for spot color ink only, you must charge spot color ink if you want to change **Pre-Storage Maint.** to **All Nozzles.**

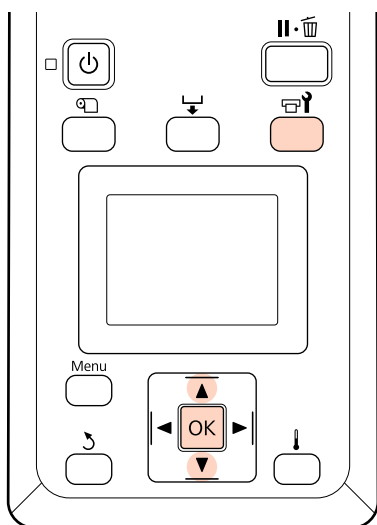
Pre-Storage Operations



Important:

If the amount of remaining ink or cleaning fluid is insufficient, the function may not run. When there is an insufficient amount remaining, have new cartridges on hand as a precaution.

Buttons that are used in the following settings



1

After confirming that the printer is ready, press the button.

The Maintenance menu will be displayed.

2

Use the / buttons to select **Pre-Storage Maint.**, and press the OK button.

3

Select the target menu, and press the OK button.

When not using spot color inks

Select **All Nozzles.**

When using spot color inks

You can select **MS/WH** (SC-S70600 series: 10 Color mode), **WH** (SC-S70600 series: 9 Color mode, SC-S50600 series 5C Mode), or **All Nozzles** depending on the storage period.

Follow the on-screen instructions to replace the cartridge.

Observe the following cautions when storing the printer and ink cartridges that were removed during use.

[“Notes when not using the printer” on page 26](#)

[“Notes on handling ink cartridges” on page 27](#)

Restarting use of the printer



Important:

When restarting use of the printer, charge the printer with ink. When charging using removed ink cartridges, have new ink cartridges on hand as a precaution.

Switch on the power and follow the on-screen instructions.

When first printing after restarting use, perform a nozzle check and check that there are no clogs.

[“Printing nozzle check patterns” on page 128](#)

Maintenance

Change Color Mode (SC-S70600 series only)

The printer consumes ink periodically for auto maintenance. When spot color ink printing is not performed for longer than a specified period of time, install a Cleaning cartridge instead of a spot color ink using the Change Color Mode function, reducing consumption of spot color ink. However, this function is not available in **8 Color (Fixed)** mode.

To restart spot color ink printing, return to the color mode for spot color ink.

Perform **Change Color Mode** on the control panel. The required time varies depending on the specified color mode, but it takes up to approximately 1 hour.

The following shows the contents of the **Change Color Mode** function as well as the type and the required number of cartridges to execute the function.

! Important:

If the period in which the spot color inks are not used is shorter than the recommended periods shown below, we do not recommend that you change the color mode because ink consumption increases when the color mode is changed.

Changing from 10 Color mode

- When not using only the Metallic Silver for three months* or more:
Select **9 Color**.

One Cleaning cartridge is required.

- When not using both spot color inks for three months* or more:
Select **8 Color (Unfixed)**.

Two Cleaning cartridge is required.

Changing from 9 Color mode

- When restarting the use of Metallic Silver:
Select **10 Color**.

One Metallic Silver ink cartridge is required.

- When White is not used in addition to Metallic Silver for one* month or more:
Select **8 Color (Unfixed)**.

One Cleaning cartridge is required.

Changing from 8 Color (Unfixed) mode

- When restarting the use of only the White ink:
Select **9 Color**.
One White ink cartridge is required.
- When restarting the use of both spot colors:
Select **10 Color**.
One White ink cartridge and one Metallic Silver ink cartridge are required respectively.

* The standard period is indicated, assuming the following usage conditions.

- The power always remains turned on.
- Monthly number of operating days: 20

Change Color Mode procedure

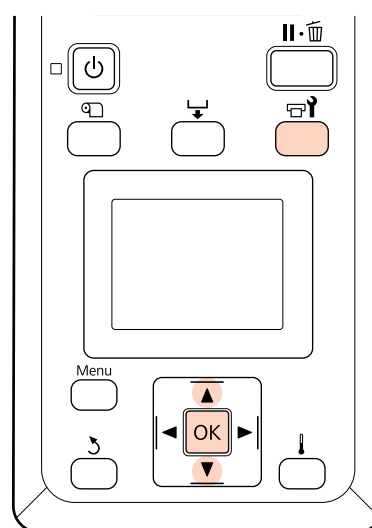


Important:

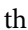
If the amount of remaining ink or cleaning fluid is insufficient, the function may not run.

- If is displayed on the level of ink cartridge, perform operations as soon as possible. This function cannot be performed if the error **Ink Cartridge Expended** is displayed.
- When there is an insufficient amount remaining, have new cartridges on hand as a precaution.





Buttons that are used in the following settings



Maintenance

- 1 After confirming that the printer is ready, press the  button.

The Maintenance menu will be displayed.

- 2 Use the / buttons to select **Change Color Mode**, and press the OK button.
- 3 Use the / buttons to select any mode, and press the OK button.

Then, follow the on-screen instructions to replace the cartridge.

Observe the following cautions when storing the ink cartridges that were removed during use.

 [“Notes on handling ink cartridges” on page 27](#)

Applying Secondary Carriage Rod Grease

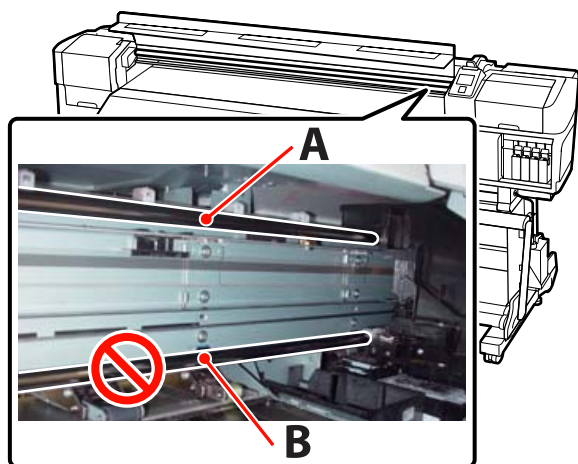
If **Apply secondary carriage rod grease**. See **manual**. is displayed on the screen of the control panel, grease using the grease kit supplied with the printer.

Notes on applying grease

The secondary carriage rod is rod A.

Make sure you do not touch the B rod (main carriage rod) with the grease tools during this operation. The printer may malfunction if grease is removed from rod B.

The secondary carriage rod grease is only for rod A.
This cannot be used for rod B.



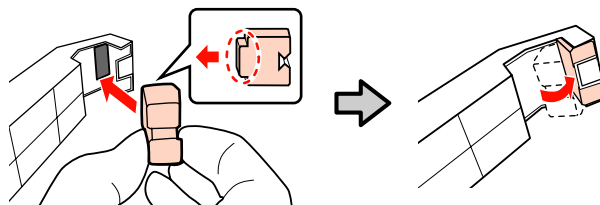
The photo shows SC-S70600 series.

Greasing procedure

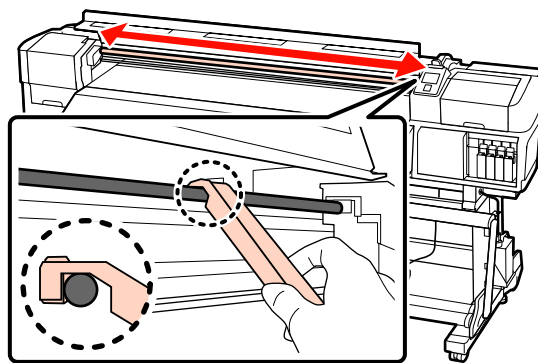
Before starting this procedure, be sure to read the following:

 [“Precautions regarding maintenance” on page 102](#)

- 1 Attach a fresh pad to the grease tool.
Insert the tab of the pad firmly into the rectangular slot on the grease tool and fit the pad to the tool as shown.



- 2 Turn off the printer, and open the front cover.
- 3 Hold the grease tool against the secondary carriage rod (rod A) so that the pad on the tool is placed firmly against the back of the rod, and then slide it smoothly twice from one end to the other and back again to wipe off stains on the rod.



- 4 Using a new cleaning stick, stir the grease in the container about ten times.
- 5 Wipe the tip of the cleaning stick on the edge of the container to remove excess grease.

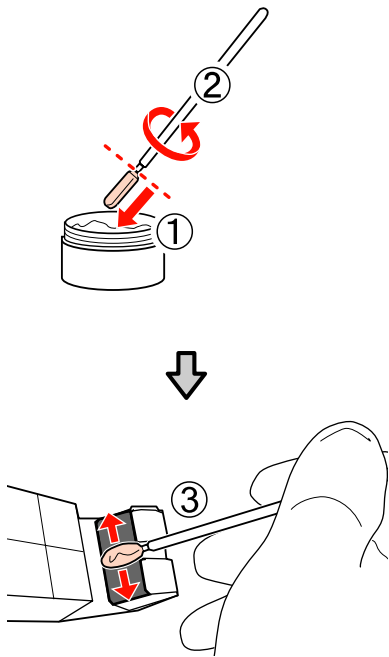
Important:

Failure to remove the excess could result in falling grease dirtying the platen and media.

Maintenance

6 Using a cleaning stick, apply grease to the pad as described below.

- (1) Fully submerge the tip of the cleaning stick in the grease.
- (2) Rotate the cleaning stick two or three times, and then remove it.
- (3) Apply the grease to the pad at the end of the grease tool.



7 Hold the grease tool against the secondary carriage rod and smoothly slide it twice from one end to the other and back again as shown in Step 3.

8 Remove the stained pad, and then store the grease tool with the grease.

Disposing of used pads, cleaning sticks, and other items used to apply grease

[“Disposal of used consumables” on page 126](#)

Storage

- ❑ Replace the cap to prevent foreign objects falling into the grease.

- ❑ Store the container at room temperature with the cap uppermost in a location that is not exposed to direct sunlight.



Parts That Are Periodically Replaced

The following parts require periodic replacement.

Carriage encoder: The time until replacement varies according to the conditions of use. When replacing the carriage encoder, you also need to replace the carriage scale.

When it is almost time to replace parts, a maintenance request is displayed on the control panel. The printer can still be used while the maintenance request is displayed.

[“When a Maintenance Call/Service Call Occurs” on page 159](#)

The part life varies with operating conditions. Base the decision to replace the part on the quality of the print results.

Contact your dealer or Epson Support for information on replacing components.

Component status can be printed by selecting **Print Status Sheet** in the setup menu.

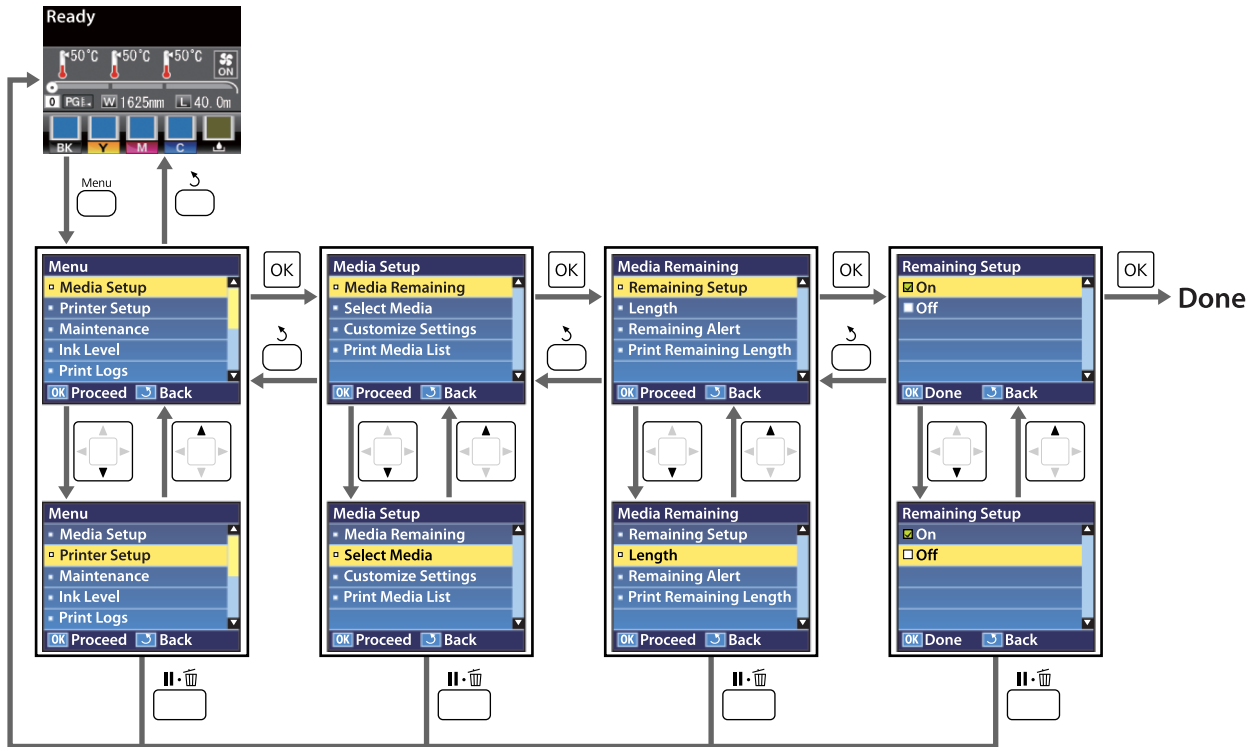
[“The Printer Status Menu” on page 154](#)

Using the Control Panel Menu

Using the Control Panel Menu

Menu Operations

The menus are used as shown below.




Using the Control Panel Menu

Menu List

The following items and parameters can be set and executed in the Menu. See the reference pages for more details on each item.

Media Setup

For more information on these items, see  [“The Media Setup Menu” on page 144.](#)

Setting items and setting values marked with asterisks indicate the following printer models.

*1: SC-S70600 series and SC-S50600 series only supported *2: SC-S50600 series only supported *3: SC-S30600 series only supported *4: SC-S70600 series only supported

| Item | Parameter |
|------------------------|---------------------------------------------------|
| Media Remaining | |
| Remaining Setup | On, Off |
| Length | 1.0 to 999.5 m (3 to 3000 ft) |
| Remaining Alert | 1 to 15 m (4 to 50 ft) |
| Print Remaining Length | Print |
| Select Media | RIP Settings, 1 to 30 (media setting bank number) |
| Customize Settings | |


Using the Control Panel Menu

| Item | Parameter |
|-------------------------------------|---------------------------------------------------|
| Current Settings | |
| RIP Settings | |
| Platen Gap | 1.5, 2.0, 2.5 |
| Head Alignment | Input thickness. 0.1 to 1.0 mm (4 to 40 mil) |
| Standard (Auto) | Print |
| Standard (Manual) | Print |
| Block pattern | Manual(Uni-D), Manual(Bi-D), Manual(Dual Head)*1 |
| Roll Type | Printable Side Out, Printable Side In |
| Tension Measurement | Periodically, Every Page, Off |
| Media Tension | 0 to 40 |
| Restore Settings | Yes, No |
| 1 to 30 (media setting bank number) | |
| Setting Name | Up to 22 half-size characters |
| Platen Gap | 1.5, 2.0, 2.5 |
| Auto Media Adjust | Print |
| Media Adjust | |
| Feed Adjustment | Auto, Manual |
| Head Alignment | Standard (Auto), Standard (Manual), Block pattern |

Using the Control Panel Menu

| Item | Parameter |
|-----------------------|------------------------------------------------------------------------------------------------------|
| Heating & Drying | |
| Heater Temperature | Pre-heater/platen heater: 30°C to 50°C (86°F to 122°F) After heater: 30°C to 55°C (86°F to 131°F) |
| Drying Time Per Pass | 0 to 10 sec |
| After Heater Feed | Mode 1, Mode 2, Off |
| Additional Dryer | On, Off |
| Advanced Settings | |
| Media Tension | 0 to 40 |
| Media Suction | 0 to 10 |
| Head Movement | Data Width, Printer Full Width |
| Tension Measurement | Periodically, Every Page, Off |
| Multi-Strike Printing | Off, 2 to 8 |
| Feed Speed | Auto, Lv1, Lv2 |
| Roll Type | Printable Side Out, Printable Side In |
| Restore Settings | Yes, No |
| Print Media List | Print |

Printer Setup

For more information on these items, see  [“The Printer Setup Menu” on page 149.](#)

Setting items and setting values marked with asterisks indicate the following printer models.


*1: SC-S70600 series and SC-S50600 series only supported *2: SC-S50600 series only supported *3: SC-S30600 series only supported *4: SC-S70600 series only supported

| Item | Parameter |
|-----------------------------------|----------------------------------|
| Side Margin(Right) | 3 to 25 mm (0.12 to 1.00 inch) |
| Side Margin(Left) | 3 to 25 mm (0.12 to 1.00 inch) |
| Print Start Position | 0 to 800 mm (0.00 to 32.00 inch) |
| Media Size Check | On, Off |
| Media End Check | On, Off |
| Media Skew Check | On, Off |
| Head Strike Warning* ² | |
| Warning Options | On, Off |
| Warning Level Options | 1 to 5 |

Using the Control Panel Menu

| Item | Parameter |
|----------------------|----------------------------------|
| Auto Nozzle Check | |
| Nozzle Check Cycle | Off, 1 to 10 pages |
| Options When Clogged | Continue Printing, Stop Printing |
| Print Nozzle Pattern | Off, 1 to 10 pages |
| Periodical Cleaning | |
| Light | Off, 1 to 240 hours |
| Medium | |
| Heavy | |
| Power*3 | |
| Cleaning Cycle | Off, 1 to 10 pages |
| Heat Off Timer | 15 to 240 minutes |
| Head Mode*1 | 2 Heads Mode, Head1, Head2 |
| Restore Settings | Yes, No |

Maintenance

For more information on these items, see  [“The Maintenance Menu” on page 151.](#)

Setting items and setting values marked with asterisks indicate the following printer models.

*1: SC-S70600 series and SC-S50600 series only supported *2: SC-S50600 series only supported *3: SC-S30600 series only supported *4: SC-S70600 series only supported

| Item | Parameter |
|---------------------------------|--------------------------------------------------------------------------------------------------------------------|
| Nozzle Check | Print |
| Print At Right | (The options available vary with the option selected for Media Size Check and the width of the media used.) |
| Print At Center | |
| Print At Left | |
| Cleaning | |
| All Nozzles | Execute (Light), Execute (Medium), Execute (Heavy) |
| Head1/Head2*2, Head1*2, Head2*2 | |
| Selected Nozzles | Execute (Light), Execute (Medium), Execute (Heavy) |
| Head Maintenance | Move Head |
| Waste Ink Counter | - |
| Ink Circulation*1 | Execute |

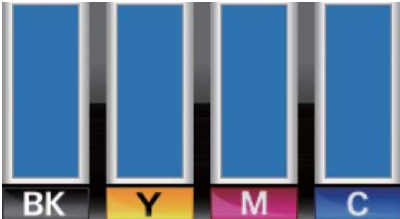
Using the Control Panel Menu

| Item | Parameter |
|---------------------------------|-----------------------------------------------------------------------------------------------------------------------------------------------------------------------------------------------------------------------------------------------------------------------------------------|
| Ink Refresh | All Nozzles, All (except MS/WH) ^{*4} , All (except WH) ^{*3} , MS/WH ^{*4} , WH ^{*1} (The displayed menu varies depending on your model or the specified color mode.) |
| Head Washing | XX/XX ^{*3, *4} , Head1 XX/XX ^{*2} , Head2 XX/XX ^{*2} , Head1 All Nozzles ^{*2} , Head2 All Nozzles ^{*2} , All Nozzles (The displayed menu varies depending on your model or the specified color mode. "XX" indicates an ink color code.) |
| Pre-Storage Maint. | MS/WH ^{*4} , WH ^{*1} (The menu displayed in the setting item varies depending on the currently specified mode.) |
| Change Color Mode ^{*4} | 8 Color (Unfixed), 9 Color, 10 Color (The menu displayed in the setting item varies depending on the currently specified mode.) |
| Change Orange Ink ^{*4} | - |

Ink Level

The ink level is displayed depending on your model or the specified color mode. There are not required setting items for this option.

Details on menu  [“The Ink Level Menu” on page 153](#)

| Parameter |
|-------------------------------------------------------------------------------------|
|  |

Print Logs

Details on menu  [“The Print Logs Menu” on page 153](#)

| Item | Parameter |
|---------------------|------------------------------------------------|
| Print Job Log Sheet | Print |
| Show Total Prints | XXXXXXm ² (XXXXXX ft ²) |

Printer Status

Details on menu  [“The Printer Status Menu” on page 154](#)

| Item | Parameter |
|--------------------|-----------|
| Print Status Sheet | Print |

Using the Control Panel Menu

| Item | Parameter |
|-----------------------|-------------------------------------------------------------------------------------|
| myEpsonPrinter Status | Not Started, Disabled, Enabled Last Uploaded: (Not Uploaded), MM/DD/YY HH:MM GMT |
| Firmware Version | XXXXXXXX,X_XX,XXXX |

Network Setup

Details on menu  [“The Network Setup Menu” on page 154](#)

| Item | Parameter |
|--------------------|-------------------------------------------------------------------------------------------------------------------------|
| IP Address Setting | |
| Auto | - |
| Panel | IP: 000.000.000.000 – 255.255.255.255 SM: 000.000.000.000 – 255.255.255.255 DG: 000.000.000.000 – 255.255.255.255 |
| BONJOUR | On, Off |
| Print Status Sheet | Print |
| Restore Settings | Yes, No |

Preference

Details on menu  [“The Preference Menu” on page 154](#)

| Item | Parameter |
|---------------------|--------------------------------------------------------------------------------------------------|
| Date And Time | MM/DD/YY HH:MM |
| Language | Japanese, English, French, Italian, German, Portuguese, Spanish, Dutch, Russian, Korean, Chinese |
| Unit: Length | m, ft/in |
| Unit: Temperature | °C, F |
| Alert Sound Setting | On, Off |
| Alert Lamp Setting | On, Off |

Reset All Settings


Details on menu  [“The Reset All Settings Menu” on page 155](#)


| Setting |
|---------|
| Yes, No |

Using the Control Panel Menu

Details of the Menu

The Media Setup Menu

The Media Setup menu can be accessed directly by pressing the  button.

 indicates default settings.

Media Remaining

| Item | Parameter | Explanation |
|------------------------|-------------------------------|----------------------------------------------------------------------------------------------------------------------------------------------------------------------------------------------------------------------------------------------------------------------------------------------------------------------------------------------------------------------------------------------------|
| Remaining Setup | On | Choose On to display and record, or Off to not display and not record, the amount of media remaining. Length , Remaining Alert , and Print Remaining Length options are available when On is selected. The display panel shows the amount of media remaining based on the value selected for Length and the amount of media used during printing. |
| | Off | |
| Length | 1.0 to 999.5 m (3 to 3000 ft) | Enter a value for overall roll length between 1.0 and 999.5 m (3 to 3000 ft). You can set in 0.5 m (1 ft) increments. |
| Remaining Alert | 1 to 15 m (4 to 50 ft) | An alert will be displayed if the amount of media remaining reaches this length. Choose from values between 1 and 15 m (4 and 50 ft). You can set in 0.5 m (1 ft) increments. |
| Print Remaining Length | Print | Use Print Remaining Length to print the amount of media remaining on the current roll before replacing it with another type of media. You can then enter this number as the media the length the next time the roll is used. |

Select Media

| Parameter | Explanation |
|-------------------------------------|----------------------------------------------------------------------------------------------------------------------------------------------------------------------------------------------------------------------------------------------------------------------------------------------------------------------------------------------------------------------------------------------------------|
| RIP Settings | Choose the media settings used for printing. |
| 1 to 30 (media setting bank number) | <p>If RIP Settings is selected, the media settings selected in the software RIP will be used. When printing without using the media settings registered in the printer, select RIP Settings.</p> <p>Select a number between 1 and 30 to use the settings in the corresponding media setting bank.</p> <p>To register a new setting or change a setting, use Customize Settings.</p> |

Using the Control Panel Menu

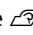
Customize Settings

| Item | Explanation |
|-------------------------------------|------------------------------------------------------------------------------------------------------------------------------------------------------------------------------------------------------------------------------------------------|
| Current Settings | To change the currently selected setting, select Current Settings . The customizable setting items vary depending on whether RIP Settings or a media setting bank number 1 to 30 is selected. |
| RIP Settings | |
| 1 to 30 (media setting bank number) | |
| | When registering a new setting or customizing the registered setting, select RIP Settings or a media setting bank number 1 to 30. For the items that can be registered or customized in each setting, see the following section. |

RIP Settings

Setting items and setting values marked with asterisks indicate the following printer models.

*1: SC-S70600 series and SC-S50600 series only supported *2: SC-S50600 series only supported *3: SC-S30600 series only supported *4: SC-S70600 series only supported

| Item | Parameter | Explanation |
|-----------------|------------------------------------------------------------|-------------------------------------------------------------------------------------------------------------------------------------------------------------------------------------------------------------------------------------------------------------------------------------------------------------------------------------------------------------------------------------------------------------------------------------------------------------------------------------------------------------------------------------------------------------|
| Platen Gap | 1.5 | Choose the platen gap (the distance between the print head and the media). If this setting is changed, the setting value registered on the printer has priority over the setting value specified in the software RIP. The default setting of 1.5 is recommended in most situations. Choose 2.0 if printout is scratched or smudged. Select 2.5 only if print results are still smudged when 2.0 is selected. Choosing a larger gap than required may result in ink stains inside the printer, reduced print quality, or shorter product life. |
| | 2.0 | |
| | 2.5 | |
| Head Alignment | Input thickness. 0.1 to 1.0 mm (4 to 40 mil) | |
| Standard (Auto) | Print | Select Head Alignment to realign the print head when print results show graininess or out-of-focus characteristics. Before making adjustment, select the thickness of the target media between 0.1 to 1.0 mm (4 to 40 mil). Adjustment types and execution procedure  "Head Alignment" on page 88 |
| | Print | |
| | Manual(Uni-D) , Manual(Bi-D), Manual(Dual Head)*1 | |
| Roll Type | Printable Side Out | Choose Printable Side Out or Printable Side In according to how the media is rolled. |
| | Printable Side In | |


Using the Control Panel Menu

| Item | Parameter | Explanation |
|---------------------|--------------|------------------------------------------------------------------------------------------------------------------------------------------------------------------------------------------------------------------------------------------------------------------------------------------------------------------------------------------------------------------------------------------------------------------------------------------------------------------------------------------------------------------------------------------------------------------------------------------------------------------------------------------------------------------------------------------------------------------------------------------------------------------------------------------------------------------------------------------------------------------------------------------------------------------------------------------------------------------------------------------------------------------------------------------------------------------------------------------------------------------------------------------------------------|
| Tension Measurement | Periodically | <p>Select Periodically or Every Page to automatically measure the media tension and adjust to the optimal media feeding operation, or Off to disable automatic tension adjustment.</p> <p>Periodically is recommended in most circumstances.</p> <p>Selecting Every Page enhances the tension measurement accuracy for the optimal adjustment, but the printing time is longer than when Periodically is selected.</p> <p>The printer may however be unable to adjust tension appropriately for some media, resulting in excessive slack or other maladjustments that cause printing problems, in which case you should select Off. Note, however, that Off may result in unusually large margin between pages. In addition, after media has been ended, printing may not stop and the inside of the printer may become stained. Observe the following precautions:</p> <ul style="list-style-type: none"> <input type="checkbox"/> Do not print at the end of a roll. <input type="checkbox"/> Do not set Media End Check to Off in the Printer Setup menu. |
| | Every Page | |
| | Off | |
| Media Tension | 0 to 40 | Increase tension if creases appear in the media during printing. The higher the value, the greater the tension. |
| Restore Settings | Yes | If Yes is selected, the content of configured RIP Settings are returned to the default settings. |
| | No | |

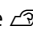
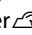
1 to 30 (media setting bank number)

Setting items and setting values marked with asterisks indicate the following printer models.

*1: SC-S70600 series and SC-S50600 series only supported *2: SC-S50600 series only supported *3: SC-S30600 series only supported *4: SC-S70600 series only supported

| Item | Parameter | Explanation |
|-------------------|-----------|------------------------------------------------------------------------------------------------------------------------------------------------------------------------------------------------------------------------------------------------------------------------------------------------------------------------------------------------------------------------------------------------------------------|
| Setting Name | | Assign the media setting bank a name up to 22 half-size characters long. Using distinctive names makes it easier to select banks for use. |
| Platen Gap | 1.5 | <p>Choose the platen gap (the distance between the print head and the media).</p> <p>The default setting of 1.5 is recommended in most situations. Choose 2.0 if printout is scratched or smudged. Select 2.5 only if print results are still smudged when 2.0 is selected. Choosing a larger gap than required may result in ink stains inside the printer, reduced print quality, or shorter product life.</p> |
| | 2.0 | |
| | 2.5 | |
| Auto Media Adjust | | <p>The printer automatically reads settings using the sensor while printing patterns, and continuously performs Feed Adjustment and Head Alignment.</p> <p>Execution procedure  "Auto Media Adjust" on page 85</p> |

Using the Control Panel Menu

| Item | Parameter | Explanation |
|----------------------|------------------------------------------------------------------------------------------------------|---------------------------------------------------------------------------------------------------------------------------------------------------------------------------------------------------------------------------------------------------------------------------------------------------------------------------------------------------------------------------------------------------------------------------------------------------------------------------------------------------------------------------------------------------------------------------------------------------------------------------------------------------------------------------------------------------------------------------|
| Media Adjust | | <p>Select this option to adjust media with Auto Media Adjust disabled or make readjustment when changing printing conditions after saving media settings.</p> <p>In this menu, perform Feed Adjustment and Head Alignment individually.</p> <p>Adjustment types and execution procedure  “Media Adjust” on page 86</p> |
| Feed Adjustment | | |
| Auto | Print | |
| Manual | Print | |
| Head Alignment | | |
| Standard (Auto) | Print | |
| Standard (Manual) | Print | |
| Block pattern | Manual(Uni-D) | |
| | Manual(Bi-D) | |
| | Manual(Dual Head)* ¹ | |
| Heating & Drying | | |
| Heater Temperature | Pre-heater/platen heater: 30°C to 50°C (86°F to 122°F) After heater: 30°C to 55°C (86°F to 131°F) | The temperatures for the pre-, platen, and after heaters can each be adjusted separately. |
| Drying Time Per Pass | 0 to 10 sec | <p>Select the time the print head pauses to allow drying after each pass. Choose from values between 0.0 and 10.0 seconds. The time needed for the ink to dry varies with ink density and the media used. If the ink blurs on the media, set a longer time for drying the ink.</p> <p>Increasing the drying time increases the time needed to print.</p> |
| After Heater Feed | Mode 1 | <p>To feed media to the after heater after printing, choose Mode 1 or Mode 2; otherwise, choose Off.</p> <p>If Mode 1 is selected, the portion fed for drying will not be rewound before the next job starts. Select this option if the media will be cut before the next job starts.</p> <p>If Mode 2 is selected, the portion fed for drying will be rewound before the next job starts, eliminating unnecessary margin. Select this option if multiple jobs will be printed consecutively.</p> |
| | Mode 2 | |
| | Off | |
| Additional Dryer | On | <p>This item is displayed only when the additional print drying system (supplied with the SC-S50600 series; optional with other models) is installed.</p> <p>Select On to enable, or Off to disable, the additional print drying system (supplied with the SC-S50600 series; optional with other models). Note that even when On is selected, the additional print drying system will turn off with the heaters when the Heat Off Timer expires. The additional print drying system will turn back on when the heaters resume operation. Heat Off Timer  “The Printer Setup Menu” on page 149</p> |
| | Off | |
| Advanced Settings | | <p>During general use, use the default setting value without changing it.</p> <p>When using special media or when a problem such as head striking or banding is detected in printing results, change the default.</p> |

Using the Control Panel Menu


| Item | Parameter | Explanation |
|-----------------------|--------------------|-------------------------------------------------------------------------------------------------------------------------------------------------------------------------------------------------------------------------------------------------------------------------------------------------------------------------------------------------------------------------------------------------------------------------------------------------------------------------------------------------------------------------------------------------------------------------------------------------------------------------------|
| Media Tension | 0 to 40 | Increase tension if creases appear in the media during printing. The higher the value, the greater the tension. |
| | Media Suction | 0 to 10 When media is waved on the platen, increase the Media Suction . The higher the value, the greater the suction. If graininess or out-of-focus characteristics are detected in printing results obtained using thin or soft media or if the media is not fed normally, reduce the Media Suction . |
| Head Movement | Data Width | Choose the range in which the print head moves during printing. Data Width restricts print head movement to the printed area. Restricting the extent of print head movement increases print speed. |
| | Printer Full Width | If Printer Full Width is selected, the print head will move the full width of the largest media supported by the printer. Select this option for more even print results with less variation. |
| Tension Measurement | Periodically | Select Periodically or Every Page to automatically measure the media tension and adjust to the optimal media feeding operation, or Off to disable automatic tension adjustment. Periodically is recommended in most circumstances. |
| | Every Page | Selecting Every Page enhances the accuracy of the Tension Measurement for the optimal adjustment, but the printing time is longer than when Periodically is selected. |
| | Off | The printer may however be unable to adjust tension appropriately for some media, resulting in excessive slack or other maladjustments that cause printing problems, in which case you should select Off . Note, however, that Off may result in unusually large margin between pages. In addition, after media has been ended, printing may not stop and the inside of the printer may become stained. Observe the following precautions: <input type="checkbox"/> Do not print at the end of a roll. <input type="checkbox"/> Do not set Media End Check in Printer Setup to Off . |
| Multi-Strike Printing | Off | Choose the number of times each line is printed. |
| | 2 to 8 | To carry out high-density printing using backlight films, increase the frequency. |
| Feed Speed | Auto | Auto is recommended in normal circumstances. If this option is set to Auto , media is fed at the optimal speed depending on the number of printing passes. |
| | Lv1 | Select Lv1 for media that tends to stick together and for thin media that is easily creased or torn. |
| | Lv2 | Select Lv2 for faster printing. Note, however, that the feed speed will not change if the number of passes is large. |
| Roll Type | Printable Side Out | This option is set according to the setting that you selected when you loaded the media. |
| | Printable Side In | |
| Restore Settings | Yes | If Yes is selected, the setting content of selected media settings are returned to the default settings. |
| | No | |

Using the Control Panel Menu

Print Media List




| Parameter | Explanation |
|-----------|----------------------------------------------------|
| Print | Print the contents of media setting banks 1 to 30. |

The Printer Setup Menu

 indicates default settings.

Setting items and setting values marked with asterisks indicate the following printer models.


*1: SC-S70600 series and SC-S50600 series only supported *2: SC-S50600 series only supported *3: SC-S30600 series only supported *4: SC-S70600 series only supported

| Item | Parameter | Explanation |
|-----------------------|----------------------------------|------------------------------------------------------------------------------------------------------------------------------------------------------------------------------------------------------------------------------------------------------------------------------------------------------------------------------------------------------------------------------------------------------------------------------------------------------------------------------------------------------------------------------------------------------------------------------------------------------------------------------------------------------------------|
| Side Margin(Right) | 3 to 25 mm (0.12 to 1.00 inch) | Choose the width of the right margin when media is loaded in the printer. Margin widths vary with the model of printer used. See the following for more information.  "Printable area" on page 91 |
| Side Margin(Left) | 3 to 25 mm (0.12 to 1.00 inch) | Choose the width of the left margin when media is loaded in the printer. Margin widths vary with the model of printer used. See the following for more information.  "Printable area" on page 91 |
| Print Start Position | 0 to 800 mm (0.00 to 32.00 inch) | Adjust this parameter if you want to print from the near center of the media or if you want to shift the printed area left from the Side Margin(Right) setting. The area between the right edge of the media and Print Start Position is left blank. If a value is selected for Side Margin(Right) , an additional area corresponding to the width selected for Side Margin(Right) will be left blank. Margin widths vary with the model of printer used. See the following for more information.  "Printable area" on page 91 |
| Media Size Check | On | Choose whether the printer automatically detects (On), or does not automatically detect (Off), the edges of the media. Try Off if the printer displays a Media Size Error when the media is correctly loaded. Note, however, that the printer may print beyond the edges of the media when Off is selected. Ink used outside the edges of the media will stain the inside of the printer. We generally recommend to operate with this setting set to On . |
| | Off | |
| Media End Check | On | Choose whether the printer automatically detects (On) or does not automatically detect (Off), the end of the media. Try Off if the printer displays Media Out when the media is correctly loaded. We generally recommend to operate with this setting set to On . |
| | Off | |
| Media Skew Check | On | When skewed media is detected, the printer will either stop printing and display an error (On) or continue printing (Off). On is recommended in most circumstances, as skewed media may cause the printer to jam. |
| | Off | |
| Head Strike Warning*2 | | |

Using the Control Panel Menu

| Item | Parameter | Explanation |
|-----------------------|-------------------|----------------------------------------------------------------------------------------------------------------------------------------------------------------------------------------------------------------------------------------------------------------------------------------------------------------------------------------------------------------------------------------------------------------------------------------------------------------------------------------------------------------------------------------------------------------------------------------------------------------------------------------------------------------------------------------------------------------------------------------------------------------------------------------------------------------------------------------------------------------------------------------------------------------------------------------------------------------------------------------------------------------------------------------------------------------------------------------------------------------------------|
| Warning Options | Off | Choose whether the printer automatically detects (On) or does not automatically detect (Off), the media rising during printing. |
| | On | <p>If On is selected, the printer will stop when the media rises to prevent a head strike.</p> <p>On is recommended if you will be performing other tasks and are unable to give the printer your full attention during printing.</p> <p>This may not be detected in the following instances even when On is selected. Visually check that the media has not risen before you start printing.</p> <ul style="list-style-type: none"> <input type="checkbox"/> Set Media Size Check to Off. <input type="checkbox"/> Set Platen Gap to 2.5. <input type="checkbox"/> When printing patterns for Auto Media Adjust, Media Adjust (Feed Adjustment, Head Alignment), and Nozzle Check (auto/manual). <input type="checkbox"/> When printing the job log, status sheets, and network settings. <p>When using transparent film or high-gloss media, media rise cannot be detected even if this is set to On. If the media rubs against the print head frequently, visually check the condition before you start printing.</p> |
| Warning Level Options | 1 to 5 | <p>The higher the value, the more sensitive the printer to media rise.</p> <p>Choose lower values to reduce the number of stoppages.</p> |
| Auto Nozzle Check | | |
| Nozzle Check Cycle | Off | Choose the frequency with which the printer performs an Auto Nozzle Check : never (Off) or once every 1 to 10 pages. Auto Nozzle Check will not be performed while Off is selected. If 1 to 10 is selected, the printer will automatically check for clogs at the specified intervals by scanning a test pattern with a sensor as it is being printed. |
| | 1 to 10 pages | <p>Note that Auto Nozzle Check is not capable of detected all types of clog. In addition, Auto Nozzle Check is not available depending on media types or conditions.</p> <p>☞ "Checking for clogged nozzles" on page 128</p> |
| Options When Clogged | Continue Printing | Choose how the printer responds when Auto Nozzle Check detects clogged nozzles. |
| | Stop Printing | <p>If Continue Printing is selected, the printer will display Nozzle Clog Detected but keep printing. Stop printing and perform head cleaning if you judge it necessary on inspecting the print results.</p> <p>☞ "Head Cleaning" on page 129</p> <p>If Stop Printing is selected, the printer will display Nozzle Clog Detected and pause printing. Inspect the print results and choose whether to resume or suspend printing according to the extent of the clog.</p> |
| Print Nozzle Pattern | Off | Choose the frequency with which the printer prints a nozzle test pattern: never (Off) or once every 1 to 10 pages. Periodic test patterns will not be printed while Off is selected. To print a test pattern at the top of every 1 to 10 pages, select an option between 1 and 10 . When printing is complete, you can visually inspect the pattern to determine whether there may be faint or missing colors in the preceding or following printout. |
| | 1 to 10 pages | |
| Periodical Cleaning | | |

Using the Control Panel Menu

| Item | Parameter | Explanation |
|-------------------------------------------------|----------------------|--------------------------------------------------------------------------------------------------------------------------------------------------------------------------------------------------------------------------------------------------------------------------------------------------------------------------------------------------------------------------------------------------------------------------------------------------------------------------------------------------------------------------------------------------------------------------------------------------------------------------------------------------------------------------------------------------------------------------------------------------------------------------------------------------------------------------------------------------------------------------------------------------------------------------------------------------------------------------------------------------------------------------------------------------------|
| Light Medium Heavy Power* ³ | Off | <p>Select the timing and intensity level to periodically perform head cleaning. Periodical cleaning will not be performed while Off is selected. If a value between 1 and 240 hours is selected, head cleaning will be performed after the specified number of hours. However, if the specified time for cleaning is reached during printing, head cleaning is performed after printing is completed.</p> <p>The following reset the timer:</p> <ul style="list-style-type: none"> <input type="checkbox"/> When the specified time has been changed; or <input type="checkbox"/> When All Nozzles has been performed over the level selected in this setting. |
| | After 1 to 240 hours | |
| | | |
| | | |
| Cleaning Cycle | Off | <p>Choose the frequency with which the performs auto head cleaning: never (Off) or once every 1 to 10 pages. Cleaning Cycle will not be performed while Off is selected. Select 1 to 10 to perform head cleaning before the specified number of pages is printed.</p> |
| | 1 to 10 pages | |
| Heat Off Timer | 15 to 240 minutes | <p>You can turn off the heaters automatically when no errors are detected and no print jobs are in progress. This option is used to choose the interval before the heaters turn off automatically.</p> <p>The printer will enter sleep mode when the Heat Off Timer expires. In sleep mode, the control panel turns off and the internal motors and other components consume less power. If an additional print drying system (supplied with the SC-S50600 series; optional with other models) is installed, it will turn off automatically.</p> <p>To reactivate the control panel display, press any button in the control panel except . The control panel display will however turn off again if no operations are performed for another 30 seconds under these conditions. The printer and heaters are only fully reactivated when a print job is received, the media loading lever is used, or another operation involving printer hardware is performed.</p> |
| Head Mode* ¹ | 2 Heads Mode | Use in 2 Heads Mode in most situations. |
| | Head1 | <p>For example, if there is a clogged nozzle in a single print head and the clog cannot be cleared after repeated head cleaning, you continue printing using the unclogged print head. This feature is convenient because printing can continue during work time, and Head Washing and other maintenance can be done after work.</p> <p>Check the check pattern printed in the Nozzle Check, and then select the unclogged head.</p> |
| | Head2 | |
| Restore Settings | Yes | <p>Select Yes to restore all items in the Printer Setup menu to their default settings.</p> |
| | No | |

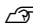

The Maintenance Menu

The Maintenance menu can be accessed directly by pressing the  button.

Setting items and setting values marked with asterisks indicate the following printer models.

*1: SC-S70600 series and SC-S50600 series only supported *2: SC-S50600 series only supported *3: SC-S30600 series only supported *4: SC-S70600 series only supported


Using the Control Panel Menu

| Item | Parameter | Explanation |
|-------------------------------|-------------------------------------------------------------------------------------------------------------------------------------------------------------------------------------------------------------------------------|--------------------------------------------------------------------------------------------------------------------------------------------------------------------------------------------------------------------------------------------------------------------------------------------------------------------------------------------------------------------------------------------------------------------------------------------------------------------------------------------------------------|
| Nozzle Check | Print | A nozzle pattern will be printed. Inspect the pattern visually and perform head cleaning if you detect faint or missing colors.  "Printing nozzle check patterns" on page 128 |
| Print At Right | | |
| Print At Center | | |
| Print At Left | | The options available vary with the option selected for Media Size Check and the width of the media used. |
| Cleaning | | |
| All Nozzles | Execute (Light)/ Execute (Medium)/ Execute (Heavy) | The options displayed vary with the model of printer used. Note the numbers of patterns that contain faint or missing colors and clean all or selected nozzles with problems. Selecting All Nozzles cleans all nozzles (SC-S70600 series and SC-S30600 series) or all nozzles in a selected print head (SC-S50600 series). Choose Selected Nozzles to clean only the nozzles in selected arrays. |
| Head1/Head2* ² | | |
| Head1* ² | | |
| Head2* ² | | |
| Selected Nozzles | Execute (Light)/ Execute (Medium)/ Execute (Heavy) | The level of cleaning can be selected from Execute (Light) , Execute (Medium) , and Execute (Heavy) . Select Execute (Light) first. If the problem persists after you have used Execute (Light) , choose Execute (Medium) . If the problem persists after you have used Execute (Medium) , choose Execute (Heavy) .  "Head Cleaning" on page 129 |
| Head Maintenance | Move Head | Position the print head for maintenance. Perform such maintenance as cleaning the wiper, caps, and the area around print head only after using this option to position the head for cleaning. Moving the print head manually could cause malfunction.  "Cleaning" on page 103 |
| Waste Ink Counter | - | If you replace the waste ink bottle before being prompted by a message indicating the replacement interval of the waste ink bottle in the control panel, run the Waste Ink Counter option after replacement. |
| Ink Circulation* ¹ | | Circulate a spot color ink to prevent sedimentation in the print head or tube. This function is available when avoiding an operation interrupt by the auto ink circulation function of the printer. |
| Ink Refresh | All Nozzles, All (except MS/WH)* ⁴ , All (except WH)* ¹ , MS/WH* ⁴ , WH* ¹ | This function is available when tint unevenness (areas of uneven density) are detected in printing results. The displayed menu varies depending on your model or the specified color mode.  "Ink Refresh" on page 132 |
| Head Washing | XX/XX* ^{3, 4} , Head1 XX/XX* ² , Head2 XX/XX* ² , Head1 All Nozzles* ² , Head2 All Nozzles* ² , All Nozzles ("XX" indicates an ink color code.) | Use this function if nozzle clogs cannot be cleared even after performing head cleaning several times or cleaning around the print head. The displayed menu varies depending on your model or the specified color mode. For details, see:  "Head Washing" on page 130 |

Using the Control Panel Menu

| Item | Parameter | Explanation |
|---------------------------------|--------------------------------------------------------|---------------------------------------------------------------------------------------------------------------------------------------------------------------------------------------------------------------------------------------------------------------------------------------------------------------------------------------------------------------------------------------------------------------|
| Pre-Storage Maint. | MS/WH* ⁴ WH* ¹ All Nozzles | Always perform pre-storage maintenance if the printer will not be used for an extended period (and switched off.) If the storage interval is short, you can perform pre-storage maintenance for spot color ink only. See the following for more information. ☞ "Long-term Storage (Pre-storage Maintenance)" on page 132 |
| Change Color Mode* ⁴ | 8 Color (Unfixed), 9 Color, 10 Color | The menu displayed in the setting item varies depending on the currently specified mode. When spot color ink printing is not performed at all for longer than a specified period of time, change spot color inks to Cleaning cartridge to reduce ink consumption. For details on execution conditions and procedure, see: ☞ "Change Color Mode (SC-S70600 series only)" on page 134 |
| Change Orange Ink* ⁴ | - | Execute when changing the type of Orange ink. For details, see: ☞ Using Orange Ink (PDF) |

The Ink Level Menu

| Item | Explanation |
|-------------------------------------------------------------------------------------|-----------------------------------------------------------------------------------------------------------------------------------------|
|  | View the approximate level of ink in each cartridge. When you replace an ink cartridge, the remaining ink level is automatically reset. |

The Print Logs Menu

These items are used to track consumables.

| Item | Parameter | Explanation |
|---------------------|-----------|---------------------------------------------------------------------------------------------------------------------------------------------------------------------------------------------------------------------------------------------------------------------------------------------------------------------------------------------------------------------------------------------------------------------------------------------------------------------------------------------------------------------------------------------------------------------------------------------------------------------------------------------------------------------------------------------------------------------------------------|
| Print Job Log Sheet | Print | Press the OK button to print the print job log. Notes on ink consumption This is a simple tool for estimating ink consumption for a given print job. EPSON DOES NOT WARRANT ACCURACY. Actual ink consumption varies considerably depending on such factors as software used, firmware version, image printed, print settings, substrate types, frequency of use, temperature, and variations in printer performance and user preferences and practices. Estimates do not account for ink used over the life of the cartridge for ink remaining in the cartridge after the replace cartridge signal. Some Epson printers have multiple tools for estimating cost or ink consumption and not all tools work the same way. |

Using the Control Panel Menu

| Item | Parameter | Explanation |
|-------------------|-------------------------------------------------|-------------------------------------------------------------------------------------------------|
| Show Total Prints | XXXXXX m ² (XXXXXX ft ²) | Select Show Total Prints to view the total area of media printed (to a maximum of six figures). |

The Printer Status Menu

These items track printer use and settings.

| Item | Parameter | Explanation |
|-----------------------|---------------------------------------------------|------------------------------------------------------------------------------------------------------------------------------------------------------------------------------------------------------------------------------------------------|
| Print Status Sheet | Print | Print a status sheet showing current printer settings, and the status of periodic replacement parts. Use this option to view a variety of information about the printer on a single sheet and help schedule the periodic replacement of parts. |
| myEpsonPrinter Status | Not Started, Disabled, Enabled | You can see if myEpsonPrinter is enabled or disabled. If it is enabled, the last uploaded time is displayed. This function is not supported in some areas and some countries. |
| | Last Uploaded: (Not Uploaded), MM/DD/YY HH:MM GMT | |
| Firmware Version | XXXXXXXX,X_XX,XXXX | View the printer Firmware Version. |

The Network Setup Menu

 indicates default settings.

| Item | Parameter | Explanation |
|--------------------|---------------------|-------------------------------------------------------------------------------------------------------------------------------------------------------------------------------------------------------------------------------------------------------------------------|
| IP Address Setting | | |
| Auto | - | Choose whether IP addresses are obtained automatically (Auto) using DHCP or manually (Panel). If Panel is selected, enter an IP address, subnet mask, and default gateway address. Contact your system administrator for detailed information. |
| | IP: XXX.XXX.XXX.XXX | |
| | SM: XXX.XXX.XXX.XXX | |
| Panel | DG: XXX.XXX.XXX.XXX | |
| | | |
| BONJOUR | On | Choose whether Bonjour is used (On), or is not used (Off), in the network interface. |
| | Off | |
| Print Status Sheet | Print | Select to print the current network status. Use this information for a complete overview of network settings. |
| Restore Settings | Yes | Select Yes to restore all items in the Network Setup menu to their default settings. |
| | No | |

The Preference Menu

 indicates default settings.

Using the Control Panel Menu

| Item | Parameter | Explanation |
|---------------------|----------------|----------------------------------------------------------------------------------------------------------------|
| Date And Time | MM/DD/YY HH:MM | Set the printer's built-in clock. The time provided by the clock is used when printing logs and status sheets. |
| Language | Japanese | Select the language used in the control panel display. |
| | English | |
| | French | |
| | Italian | |
| | German | |
| | Portuguese | |
| | Spanish | |
| | Dutch | |
| | Russian | |
| | Korean | |
| | Chinese | |
| Unit: Length | m | Choose the units of length used in the control panel display and when printing test patterns. |
| | ft/in | |
| Unit: Temperature | °C | Choose the temperature units used in the control panel display. |
| | °F | |
| Alert Sound Setting | On | Enable (On) or disable (Off) the buzzer that sounds when an error occurs. |
| | Off | |
| Alert Lamp Setting | On | Enable (On) or disable (Off) the alert lamp that lights when an error occurs. |
| | Off | |

The Reset All Settings Menu



| Parameter | Explanation |
|-----------|---------------------------------------------------------------------------------------------------------------------------------------------------------------------|
| Yes | Select Yes to reset all settings in the Preference menu except Date And Time , Language , Unit: Length , and Unit: Temperature . |
| No | |

Problem Solver


Problem Solver

When a Message is Displayed



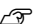
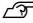
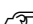

If one of the following messages is displayed, read and follow the instructions below.

| Messages | What to do |
|---------------------------------------------------------------------------------------------------|------------------------------------------------------------------------------------------------------------------------------------------------------------------------------------------------------------------------------------------------------------------------------------------------------------------------------------------------------------------------------------------------------------------------------------------------------------------------------------------------------------------------------------------------------------------------------------------------------------------------------------------------------------------------------------------------------------------------------------------------------------------------------------------------------------------------------|
| Prepare empty waste ink bottle. | The waste ink bottle is getting full. Ready a new waste ink bottle. ☞ "Options and Consumable Products" on page 171 |
| Ink Cartridge Error Ink cartridge cannot be recognized. Insert again or replace ink cartridge. | <input type="checkbox"/> Remove and reinsert the ink cartridge. If the message persists, insert a new ink cartridge (do not reinsert the ink cartridge that caused the error). <input type="checkbox"/> Remove and reinsert the replacement cartridge. If this message appears in the control panel again, contact your dealer or Epson Support. ☞ "Replacement procedure" on page 118 <input type="checkbox"/> Condensation may have formed inside the cartridge. Leave it at room temperature for at least four hours before installing the cleaning cartridge. ☞ "Notes on handling ink cartridges" on page 27 <input type="checkbox"/> When using a different type of Orange ink, see the following to change the Orange ink. ☞ Using Orange Ink (PDF) |
| Ink Cartridge Error Ink cartridge cannot be detected. Insert again or replace ink cartridge. | |
| Ink Cartridge Error Replace cleaning cartridge. | <input type="checkbox"/> Remove and reinsert the Cleaning cartridge. If the message persists, insert a new Cleaning cartridge (do not reinsert the Cleaning cartridge that caused the error). ☞ "Replacement procedure" on page 118 <input type="checkbox"/> Condensation may have formed inside the cartridge. Leave it at room temperature for at least four hours before installing the cleaning cartridge. |
| Ink Low | The ink is low. Ready a new ink cartridge. ☞ "Options and Consumable Products" on page 171 |
| Warming Up... OK Force to start printing | One or more heaters is still being warmed to the specified temperature. To start printing without waiting for the heater to warm up, press the OK button. |
| Command Error Check print settings on RIP. | <input type="checkbox"/> Press the  button and select Job Cancel . Check that the installed software RIP is compatible with the printer. <input type="checkbox"/> In the SC-S50600 series, if Platen Gap is set to 2.0 to make White ink printing, this error message may be displayed. Press the  button, and select Job Cancel to cancel printing. Then, set Platen Gap to 1.5 or change RIP settings to make prints. |
| Print Data Error (MS) Data containing MS cannot be printed if printer is in 9 color mode. | This error message is displayed when print data using Metallic Silver is sent while the color mode is set to 9 Color. Change to print data not using Metallic Silver, or select Change Color Mode to change the color mode to 10 Color. ☞ "Change Color Mode (SC-S70600 series only)" on page 134 |



Problem Solver

| Messages | What to do |
|---------------------------------------------------------------------------------------------------------------------|-------------------------------------------------------------------------------------------------------------------------------------------------------------------------------------------------------------------------------------------------------------------------------------------------------------------------------------------------------------------------------------------------------------------------------------------------------------------------------------------------------------------------------------------|
| Unit Matching Error Check combination of Media Feeding Unit and Auto Take-up Reel Unit. Then restart printer. | The standard media feeding unit is used only with the standard auto take-up reel unit, the heavy roll media feeding unit only with the heavy roll auto take-up reel unit. If you have mismatched the feeding and take-up reel units, turn the printer off and install the correct equipment. 🔗 Setup Guide 🔗 Heavy Media Roll System Setup Guide |
| Clogged nozzles detected. Cleaning recommended. | Stop printing and perform head cleaning if you judge it necessary on inspecting the print results. 🔗 "Head Cleaning" on page 129 |
| F/W Install Error Firmware update failed. Restart the printer. | Turn the printer off, wait for a few minutes, and then turn on the printer again. Use EPSON LFP Remote Panel 2 to update the firmware again. If this message appears in the control panel again, contact your dealer or Epson Support. |
| Print head is nearing end of service life. | The current print head is nearing the end of its service life. Contact your dealer or Epson Support. |
| Auto Take-up Reel Unit stopped. | Media is not correctly attached to the auto take-up reel unit. Press the  button and select Job Cancel to cancel printing. Flip the Auto switch on the auto take-up reel unit to the Off position, then flip it back and reattach the media to the auto take-up reel unit. 🔗 "Take-up with the Printed Side Facing Out" on page 70 🔗 "Take-up with the Printed Side Facing In" on page 76 |
| Media Size Error Load correct size media. | The media currently loaded is not the correct width. Raise the media loading lever and remove the media. The narrowest width supported by the printer is 300 mm (508 mm for ink layering). Be sure the media is at least 300 mm wide. If this message is displayed even though the media is the correct width, the printer may print if Off is selected for Media Size Check . 🔗 "The Printer Setup Menu" on page 149 |

Problem Solver

| Messages | What to do |
|---------------------------------------------------------------------------------------------------------------------------------------|----------------------------------------------------------------------------------------------------------------------------------------------------------------------------------------------------------------------------------------------------------------------------------------------------------------------------------------------------------------------------------------------------------------------------------------------------------------------------------------------------------------------------------------------------------------------------------------------------------------------------------------------------------------------------------------------------------------------------------------------------------------------------------------------------------------------------------------------------------------------------------------------------------------------------------------------------------------------------------------------------------------------------------------------------------------------------------------------------------------------------------------------------------------------------------------------------------------------------------------------------------------------------------------------------------------------------------------------------------------------------------------------------------------------------------------------------------------------------------------------------------------------------------------------------------------------------------------------------------------------------------------------------------------------------------------------------------------------------------------------------------------------------------------------------------------------------------------------------------------------------------------------------------------------------------------------------------------------------------------------------------------------------------------------------------------------------------------------------------------------------------------------------------------------------------------------|
| <p>Media Sensor Error Loaded media or print out has a problem. Refer to documentation for details.</p> | <p>Press the  button to clear the message from the display.</p> <p>The auto menu of Auto Media Adjust, Auto Nozzle Check, and Media Adjust of the media settings are not available in the following media setting or conditions.</p> <ul style="list-style-type: none"> <input type="checkbox"/> Transparent or colored media, or tracing paper is used. <input type="checkbox"/> Platen Gap is set to 2.5 in the media settings. <input type="checkbox"/> The printer is used in a place that is exposed to direct sunlight or interference from other ambient light sources. <p>In these cases, execute the manual menu.</p> <p>When executing Auto Media Adjust or Media Adjust:  "Media Adjust" on page 86</p> <p>When executing Auto Nozzle Check:  "Printing nozzle check patterns" on page 128</p> <p>If the printer is exposed to interference from ambient light sources, shade the printer from these sources and perform the function again; it may succeed. When the function has failed after shading the printer, execute the manual menu.</p> <p>If this error is displayed when executing under conditions other than those listed above, when executing Auto Media Adjust, or the auto menu of Media Adjust, adjustment pattern printing may fail due to nozzle clogging. Perform head cleaning, and execute them again.</p> <p> "Head Cleaning" on page 129</p> <p>If this error is displayed under conditions other than those listed above, confirm that the currently loaded media match usage conditions of the printer.</p> <p> "Supported Media" on page 176</p> |
| <p>Pressure Roller Error Pressure rollers are positioned incorrectly. Release media loading lever and reposition rollers.</p> | <p>One of the following has occurred. Reposition the rollers as described in "Printable Area".</p> <ul style="list-style-type: none"> <input type="checkbox"/> None of the rollers is positioned inside the bounds of the black labels. <input type="checkbox"/> Only one of the rollers is positioned inside the bounds of the black labels. <input type="checkbox"/> The rollers at the edges of the media are not the same type. (A high pressure roller is at one edge, a low pressure roller at the other.) <input type="checkbox"/> On is selected for Media Size Check in the printer settings menu and a roller is positioned in a black label that is not over the media. <input type="checkbox"/> Two rollers are positioned inside the bounds of the same black label. <p> "Printable area" on page 91</p> |
| <p>Ink Layering Error Pressure rollers are positioned incorrectly. Reposition rollers.</p> | <p>You are using the low pressure rollers. Use the high pressure rollers for ink layering.</p> |
| <p>Roll Type Error Release and then reset the media loading lever, then match Roll Type setting to actual media.</p> | <ul style="list-style-type: none"> <input type="checkbox"/> Does the Roll Type specified at media loading match the actual roll type? Raise the media loading lever to resolve the error. Lower the media loading lever again, and follow the on-screen instructions of the printer to correctly specify the Roll Type. |

Problem Solver

| Messages | What to do |
|-----------------------------------------------------------------------------------------------------------------------|-------------------------------------------------------------------------------------------------------------------------------------------------------------------------------------------------------------------------------------------------------------------------------------------------------------------------------------------------------------------------------------------|
| Press  and perform Head Maintenance. | <p>This message is displayed when regular cleaning has not been performed within the set schedule. If you continue to use the printer without performing regular cleaning, ink drops, nozzle clogging, or print head damage may occur in the printer.</p> <p> "Cleaning" on page 103</p> |

When a Maintenance Call/Service Call Occurs

| Error messages | What to do |
|----------------------------------------------------------------------------------------------------------------------------|------------------------------------------------------------------------------------------------------------------------------------------------------------------------------------------------------------------------------------------------------------------------------------------------------------------------------------------------------------------------------------------------------------------------------------------------------------------------------------------------------------------------------------------------------------------------------------------------------------------------------------------------------------------------|
| Maintenance Request Replace Part Now/Replace Part Soon XXXXXXXX | <p>A part used in the printer is nearing the end of its service life.</p> <p>Contact your dealer or Epson Support and tell them the maintenance request code.</p> <p>You cannot clear the maintenance request until the part is replaced. A service call occurs if you continue to use the printer.</p> |
| Call For Service XXXX Error XXXX Power off and then on. If this doesn't work, note the code and call for service. | <p>A call for service occurs when:</p> <ul style="list-style-type: none"> <input type="checkbox"/> The power cable is not connected securely <input type="checkbox"/> An error that cannot be cleared occurs <p>When a call for service has occurred, the printer automatically stops printing. Turn off the printer, disconnect the power cable from the outlet and from the AC inlet on the printer, and then reconnect. Turn on the printer again multiple times.</p> <p>If the same call for service is displayed on the LCD panel, contact your dealer or EpsonSupport for assistance. Tell them the call for service code is "XXXX".</p> |

Problem Solver

Troubleshooting

You cannot print (because the printer does not work)

The printer does not turn on.

■ **Is the power cable plugged into the electrical outlet or the printer?**

Make sure the power cable is securely plugged into the printer.

■ **Is there any problem with the electrical outlet?**

Make sure your outlet works by connecting the power cable for another electric product.

The printer is not communicating with the computer.

■ **Is the cable plugged in properly?**

Make sure the printer's interface cable is securely plugged into the correct terminal of the computer and the printer. Also, make sure the cable is not broken nor bent. If you have a spare cable, try connecting with the spare cable.

■ **Does the interface cable specification match the specifications for the computer?**

Make sure the interface cable specifications match the specifications for the printer and the computer.

 ["Specifications Table" on page 183](#)

■ **When using a USB hub, is it being used correctly?**

In the USB specification, daisy-chains of up to five USB hubs are possible. However, we recommend that you connect the printer to the first hub connected directly to the computer. Depending on the hub you are using, the operation of the printer may become unstable. If this should occur, plug the USB cable directly into your computer's USB port.

■ **Is the USB hub recognized correctly?**

Make sure the USB hub is recognized correctly on the computer. If it has, disconnect the USB hub from the computer and connect the computer directly to the printer. Ask the USB hub manufacturer about USB hub operation.

You cannot print under the network environment.

■ **Are the network settings correct?**


Ask your network administrator for the network settings.

■ **Connect the printer directly to the computer using a USB cable, and then try to print.**

If you can print via USB, there are some problems on the network environment. Ask your system administrator, or refer to the manual for your network system. If you cannot print via USB, see the appropriate section in this User's Guide.

The printer has an error.

■ **Confirm if errors have occurred in the printer by checking the lights and messages on the printer's control panel.**


 ["Control panel" on page 20](#)

 ["When a Message is Displayed" on page 156](#)

The printer sounds like it is printing, but nothing prints

The print head moves, but nothing prints.

■ **Confirm the printer operation.**

Print a test pattern. Test patterns can be printed without connecting the printer to a computer and hence can be used to check printer function and status.  ["Printing nozzle check patterns" on page 128](#)

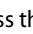
Refer to the following section for information on what to do if the pattern does not print correctly.

■ **Is the message Motor Self Adjustment displayed on the control panel's screen?**

The printer adjusts the internal motor. Wait for a while without turning off the printer.

Problem Solver

■ Is Circulating ink... displayed on the screen of the control panel?

The printer is performing auto ink circulation to prevent spot color ink sedimentation in the print head or tube. If **Cancel** is displayed on the lower left of the screen, press the  button to cancel ink circulation. However, it cannot be canceled while ink circulation is required.

 ["Notes on Usage of Spot color Inks \(SC-S70600 series, SC-S50600 series\)" on page 28](#)


Test pattern does not print correctly.

■ Perform head cleaning.

The nozzles may be clogged. Print a test pattern again after performing head cleaning.

 ["Head Cleaning" on page 129](#)

■ Has the printer been left unused for a long time?

If the printer has not been used for a long time, the nozzles may have dried up and have been clogged. Steps to take when the printer has not been used for a long time  ["Notes when not using the printer" on page 26](#)

The prints are not what you expected

Print quality is poor, uneven, too light, too dark, obvious graininess, or the tone differs.

■ Are the print head nozzles clogged?

If the nozzles are clogged, specific nozzles do not fire ink and the print quality declines. Try printing a test pattern.

 ["Printing nozzle check patterns" on page 128](#)

■ Perform Head Alignment.

Given that there is a slight gap between the print head and the media, the landing sites for the different colors of ink may be affected by humidity, temperature, inertial forces imparted by the print head, the direction of the print head as it moves from right to left or left to right, or the use of two print heads (all models except SC-S30600 series). As a result, the printing result may show obvious graininess or out-of-focus characteristics.

Select **Media Adjust - Head Alignment** in the media settings to adjust a print head misalignment that occurs during printing.

 ["Head Alignment" on page 88](#)

■ Perform Feed Adjustment.

Large discrepancies in the feed amount cause banding (horizontal banding, tint unevenness, or stripes). Select **Media Adjust - Feed Adjustment** in the media settings to make adjustment based on the target media.

 ["Feed Adjustment" on page 86](#)

■ Are you using a genuine Epson ink cartridge?

This printer is developed for use with Epson ink cartridges. If you use non-Epson ink cartridges, printouts may be faint, or the color of the printed image may be changed because the remaining ink level is not correctly detected. Be sure to use the correct ink cartridge.

■ Are you using an old ink cartridge?

The print quality declines when an old ink cartridge is used. Replace the old ink cartridge with a new one. Use all the ink in the cartridge before the date printed on the package or within six months of opening, whichever is sooner.

■ Are the heaters at the correct temperature?

Raise the temperature if the print results are blurred or smudged or the ink clots. Note, however, that raising the temperature too high can cause the media to shrink, wrinkle, or deteriorate.

In addition, the heaters may require some time to reach the desired temperature if the ambient temperature is low. The heaters may also not have the desired effect after reaching the selected temperature if the media is too cold. Allow the media to warm to room temperature before use.

■ Are media settings correct?

Confirm that the media settings in the software RIP or on the printer match the media actually in use.

Problem Solver

■ **Is Data Width selected for Head Movement?**

Selecting **Data Width** for **Head Movement** in the setup menu increases print speed but may slightly reduce print quality. For better quality results, select **Printer Full Width** for **Head Movement**.

[🔗](#) "The Printer Setup Menu" on page 149

■ **Have you compared the printing result with the image on the display monitor?**

Since monitors and printers produce colors differently, printed colors will not always match on-screen colors perfectly.

■ **Was a printer cover opened during printing?**

Opening covers during printing causes the print head to stop abruptly, resulting in uneven colors. Do not open the covers while printing is in progress.

■ **Is Ink Low displayed on the control panel's screen?**

The print quality may decline when the ink is low. We recommend replacing the ink cartridge with a new one. If there is a difference in color after replacing the ink cartridge, try performing head cleaning a few times.

■ **Shake ink cartridges.**

Components may have sedimented from (settled to the bottom of) the White or Metallic Silver ink. Shake the cartridge thoroughly and perform **Ink Circulation** several times.

Shaking ink cartridges [🔗](#) "Shaking" on page 118

Ink Circulation [🔗](#) "The Maintenance Menu" on page 151

If the problem persists, perform **Ink Refresh**.

[🔗](#) "Ink Refresh" on page 132

■ **Was the Orange ink type changed?**

If you notice that the color tone changes after switching the type of Orange ink, create a profile for the dedicated Orange ink type you are using, and then recreate the print data.

The print is not positioned properly on the media.

■ **Is the media loaded correctly and are the margins correct?**

If the media is not loaded correctly, the results may be off center or part of the data may not be printed. You should also check whether the correct options are selected for **Side Margin** and **Print Start Position** in the setup menu.

[🔗](#) "Loading Media (SC-S70600 series, SC-S50600 series)" on page 37

[🔗](#) "Loading Media (SC-S30600 series)" on page 51

[🔗](#) "The Printer Setup Menu" on page 149

■ **Is the media skewed?**

If **Off** is selected for **Media Skew Check** in the setup menu, printing will continue when the media is skewed and data will appear outside the print area. Set **Media Skew Check** to **On** in the Menu.

[🔗](#) "The Printer Setup Menu" on page 149

■ **Is the media wide enough for the print data?**

Although printing normally stops if the print image is wider than the media, data will be printed beyond the edges of the media if **Off** is selected for **Media Size Check** in the setup menu. Choose **On** for **Media Size Check** in the setup menu.

[🔗](#) "The Printer Setup Menu" on page 149

Vertical ruled lines are misaligned.

■ **Is the media wavy?**

Certain types of media may develop waves under some conditions (humidity and temperature) while installed in the printer. If a wave has developed, press the ▼ button in the control panel to feed the media and avoid the affected area. We recommend that you lower the temperature and humidity to prevent waves developing.

■ **Is the print head misaligned?**

If the print head is misaligned, ruled lines may be misaligned accordingly. In this case, select **Media Adjust - Head Alignment** in the media settings to adjust a print head misalignment that occurs during printing.

[🔗](#) "Head Alignment" on page 88

Problem Solver

The printed surface is scuffed or soiled.

- **Is the media too thick or too thin?**
Check media specifications to confirm that it is compatible with the printer. If you are using a software RIP, contact the manufacturer for information on the settings and media that can be used.

- **Is the media wavy?**
Certain types of media may develop waves under some conditions (humidity and temperature) while installed in the printer. If a wave has developed, press the ▼ button in the control panel to feed the media and avoid the affected area. We recommend that you lower the temperature and humidity to prevent waves developing.

- **Is the media creased or folded?**
Media that is creased or folded may rise from the platen and contact the print head, resulting in smudges or uneven colors.

- **Are the wiper, caps, or print head stained?**
Ink clots, lint or dust around the wiper, caps, or print head may result in stains caused by ink drops. Clean the affected area.

 ["Cleaning" on page 103](#)

- **Is the print head striking the printed surface?**
If the printed side of the media is scuffed, select **Media Setup - Customize Settings** on the control panel to change **Platen Gap** according to the currently loaded media.


If a scuff recurs after **Platen Gap** has been changed, increase the value of **Media Tension**; this symptom may be improved.

 ["Customize Settings" on page 145](#)

When **Platen Gap** or **Media Tension** has been changed, perform **Media Adjust** again.

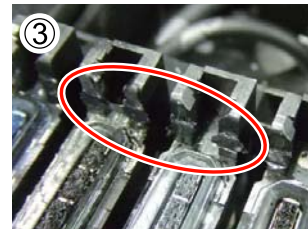
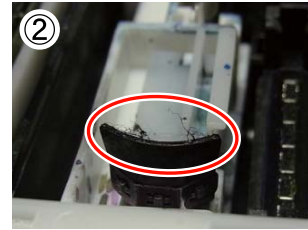
 ["Media Adjust" on page 86](#)

Areas secured by pressure rollers are stained.

- **Are the pressure rollers stained?**
Clean the pressure rollers.
 ["Cleaning Inside the Printer \(Once a week to once a month\)" on page 113](#)

Nozzle clogs cannot be cleared.

- **Is cleaning being performed regularly?**



If lint or dust adheres to the area around the print head, caps (photo 1), wiper (photo 2), or flushing pad, nozzle clogs may occur during printing. Moreover, if the lint or dust is left adhered, nozzle clogs cannot be cleared even after repeated head cleaning. Also, as shown in photo (3), if a film of ink has adhered, capping fails, causing a printing failure.

Clean the affected area periodically.

 ["Cleaning" on page 103](#)

- **Replace consumables.**

If the problem persists after **Head Cleaning** has been performed several times or regular cleaning has been performed, the wipers or wiper cleaners may be worn or deteriorated. We recommend that you replace them when the following symptoms are detected.

- ❑ Wiper: The wiper edge remains rough even after stains were wiped off using the clean-room wiper. Otherwise, the wiper is cracked.
- ❑ Wiper cleaner: A film of ink has adhered to the rear surface of the absorbent section.

 ["Replacing the Wiper and Wiper Cleaner" on page 120](#)

- ❑ Flushing pad: Ink has adhered to the surface, and lint or dust cannot be removed.

 ["Replacing the Flushing Pad" on page 122](#)

Problem Solver

Ink drops

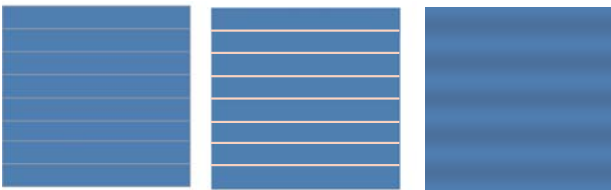


■ Is media being handled appropriately?

If the following points are not observed when handling media, small amounts of dust and lint may stick to the media surface and cause ink drops in the print results.

- Do not place exposed media directly on the floor.
Media should be rewound and inserted in its original packaging for storage.
- Do not carry media with the media surface pressed against clothing.
Handle media in its individual packaging until just before loading the media in the printer.

Horizontal stripes or tint unevenness (banding)



Multiple causes are possible.

Perform the following sequence until the print results have improved.

If the following problems remain unsolved, this symptom will not be able to be resolved by taking any actions. Before taking any actions, check that such problems have been resolved.

- Nozzles are clogged.

 [“Checking for clogged nozzles” on page 128](#)

- Media settings are not configured correctly.

 [“Saving media settings” on page 83](#)

1 Check the attachment of the media holding plates

If a media holding plate is not installed correctly, media feeding may be disturbed. See the following reference and reattach the media holding plates.

 [“Loading and Exchanging Media” on page 33](#)

If installing the media holding plate correctly still does not resolve the problem, perform the following measure.

2 Resolving ink sedimentation

Ink sedimentation (components settling to the bottom of the liquid) may occur inside the printer. Perform **Ink Refresh**.

 [“Ink Refresh” on page 132](#)

If this error recurs after **Ink Refresh** was performed, take the following action.

3 Feed Adjustment

Feed adjustment may be required independently depending on the media used. If the roll width is different, independent adjustment is required even with the same media. In **Media Adjust**, select **Feed Adjustment - Manual - 500mm Pattern** to make adjustment.

 [“Changing settings during printing” on page 89](#)

If feed adjustment does not resolve the problem, perform the following measure.

4 Resolving ink drying time differences

During bidirectional printing, print head movement may cause an ink drying time difference. Firstly, perform unidirectional printing from RIP. If this improves the print results, change the **Heater Temperature** or **Drying Time Per Pass**, and adjust so that stripes and unevenness are improved during bidirectional printing.

Problem Solver

 [“Heating & Drying” on page 89](#)

First, configure **Heater Temperature** as described below.

- 1) Configure temperature settings for the pre-, platen, and after heaters to a temperature higher than the normal setting temporarily.
- 2) Perform bidirectional printing and check if the print results have improved.
- 3) If the problem is not resolved, set temperature settings for the pre-, platen, and after heaters slightly lower.

Repeat Steps 2 and 3 until print results are improved.

If changing the **Heater Temperature** does not resolve the problem, adjust **Drying Time Per Pass** in the following manner.

- 1) Set the setting value to **0.1**.
- 2) Perform bidirectional printing and check if the print results have improved.
- 3) If the problem is not resolved, raise the setting value further.

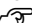
Repeat Steps 2 and 3 until print results are improved.

If the measures above do not resolve the problem, perform the following measure.

5 Checking the microweave (M/W) setting

The RIP microweave (M/W) setting may be inappropriate.

Refer to the microweave (M/W) setting and banding association table researched by Epson, change the settings according to the media being used, and then check for improvement.

Microweave (M/W) setting and banding association table researched by Epson  [“Microweave \(M/W\) Setting and Banding Association Table” on page 180](#)

Stains Due to Head Striking



The media and print head are contacting during printing.

Perform the following sequence until the print results have improved.

1 Cut sections of media with wrinkles or waviness

If media is stored inappropriately or left loaded in the printer, wrinkles and waviness may occur. If media is used in this state, the print head and the raised surface of the media may contact and cause staining. Cut sections with wrinkles or waviness before using media.


Furthermore, store media as described in the manual accompanying the printer and load media in the printer just before printing.

If the problem is not resolved even when printing on sections without wrinkles or waviness, perform the following measure.

2 Loading the media in the printer correctly and configuring the media settings appropriately

If the media loading method, heating temperature, tension, suction and other settings are inappropriate, wrinkles and waviness occur on the media. Make sure the loading method and settings are correct.

 [“Loading and Exchanging Media” on page 33](#)

 [“Precautions regarding settings” on page 84](#)

If the measures above do not resolve the problem, perform the following measure.

Problem Solver

3

Adjusting the **Heater Temperature**

The heater temperature setting may be too high.

Configure **Heater Temperature** as described below.

- 1) Configure the temperature setting of each heater to the following temperatures temporarily.

Pre-heater: **30**, platen heater: **30**, after heater: **40**

 [“Heating & Drying” on page 89](#)

- 2) Print and see if waviness has improved.

If the waviness of the media improved, the heater temperature setting was too high.

- 3) While gradually raising the pre-heater, platen heater, and after heater temperature settings, repeat test printing until the optimal state is reached.

If the problem is not resolved after performing 1, return **Heater Temperature** to the original setting, and then perform the following measure.

4

Adjusting **Media Tension**

Adjustment of **Media Tension** differs by the media used.

When using vinyl, transparent or milky white film, or canvas

Use the following procedure to adjust **Media Tension**.

- 1) Set the setting value to **2** temporarily.

 [“Customize Settings” on page 145](#)

- 2) Print and check if the print results have improved.
- 3) If the problem is not resolved, raise the setting value one level.

Repeat steps 2 and 3 until print results are improved in the range up to a setting value of **5**.

- If you are using SC-S70600 series or SC-S50600 series and adjusting the **Media Tension** does not resolve the problem, perform the following measure.

- 1) Set **Feed Speed** to **Lv1**.

 [“Customize Settings” on page 145](#)

- 2) Set the **Media Tension** setting value to **2** temporarily.
- 3) Print and check if the print results have improved.
- 4) If the problem is not resolved, raise the setting value one level.

Repeat steps 3 and 4 until print results are improved in the range up to a setting value of **5**.

If the measures above do not resolve the problem, return the **Media Tension** setting to default and perform the following measure.

- On the SC-S30600 series, if adjusting **Media Tension** does not resolve the problem, return the **Media Tension** setting to default and perform the following measure.

When using banners

Find the procedure for your printer model below and adjust **Media Tension**.

- When using the SC-S70600 series or SC-S50600 series

- 1) Set the setting value to **2** temporarily.

 [“Customize Settings” on page 145](#)

- 2) Print and check if the print results have improved.
- 3) If the problem is not resolved, raise the setting value one level.

Problem Solver

Repeat steps 2 and 3 until print results are improved in the range up to a setting value of 5.

If changing **Media Tension** does not resolve the problem, return the **Media Tension** setting to default and perform the following measure.

- When using SC-S30600 series

- 1) Set the setting value to **40**.

 [“Customize Settings” on page 145](#)

- 2) Print and check if the print results have improved.

If changing **Media Tension** does not resolve the problem, return the **Media Tension** setting to default and perform the following measure.

5

Checking that the media is loaded correctly in the auto take-up reel unit

If the method to attach the media to the take up roll core or the method to attach the counterweights is inappropriate, media may move around during take-up, which may cause wrinkles and raised sections.

Check if the following actions were performed correctly: attachment of media on the auto take-up reel unit and attachment of counterweights.

 [“Using the Auto Take-up Reel Unit” on page 67](#)

If the measures above do not resolve the problem, perform the following measure.

6

Adjusting **Media Suction**

Media may rise because the media suction is weak.

Adjust **Media Suction** in the following manner.

- 1) Set the setting value to **10** temporarily.

 [“Customize Settings” on page 145](#)

- 2) Print and check if creasing is improved.

If the creasing of media has improved, media suction was too low.

- 3) While gradually lowering the **Media Suction** setting, repeat test printing until the optimal state is reached.

Media

Media Is Creased.

■ Are the Media Tension or Feed Speed options in the setup menu correct for the current media?

If these options are not correctly adjusted for the current media, the media may be creased or torn during printing.

 [“Customize Settings” on page 145](#)

■ Are the heaters set too high?

Adjust heater temperature to suit the media.

■ Try selecting Off for Tension Measurement in the setup menus.

Automatic tensioning may fail to maintain some types of media at the appropriate tension, resulting in excessive slack or other tensioning problems that interfere with printing.

 [“Customize Settings” on page 145](#)

Media Jams.

■ Is media curled, folded, curved, creased, or waved?

Cut and remove the curled, folded, curved, creased, or waved part.

 [“Cutting Media” on page 64](#)

■ Is media loaded just before printing?

The pressure rollers may crease media left in the printer, or the media may also become wavy or curled.

Problem Solver

- **Is the media too thick or too thin?**
 - ❑ Check the media specifications to determine whether it can be used in the printer.
 - 🔗 ["Supported Media" on page 176](#)
 - ❑ For information on how to configure print settings using the software RIP, contact the RIP manufacturer.

- **Is Media Suction set too high?**
Reduce Media Suction (force to suction media to the media route).
 - 🔗 ["Customize Settings" on page 145](#)

Printing does not stop when the roll ends.

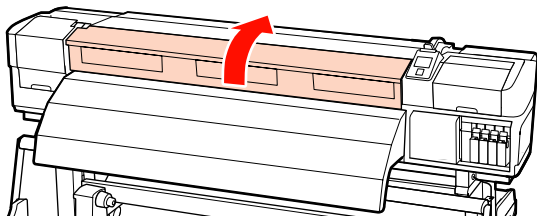
- **Is the item for having the printer detect the end of the media set to Off?**
If **Advanced Settings - Tension Measurement** in media settings or **Media End Check** in the Printer Setup menu is set to **Off**, the end of the media cannot be detected.
 - 🔗 ["Customize Settings" on page 145](#)
 - 🔗 ["The Printer Setup Menu" on page 149](#)

Removing Jammed Media.

Follow the steps below to remove jammed media.

- ⚠ **Caution:**
Be careful not to trap your hands or fingers when opening or closing the front cover. Failure to observe this precaution could result in injury.

- 1 Open the front cover.



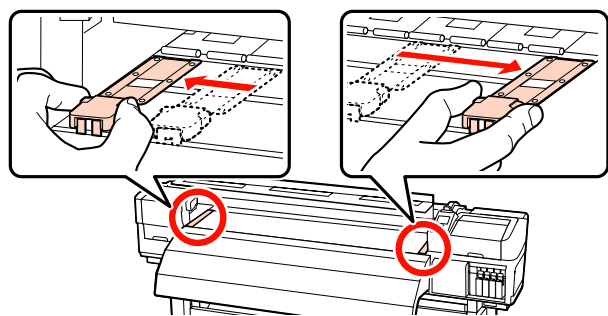
- 2 Turn off the printer.
If a message is displayed and the printer will not turn off, unplug both power cables.

- 3 Move the media holding plates out of the way.

- ⚠ **Important:**
Cease use of the printer if the media holding plates are deformed. Continued use could damage the pressure rollers or print head. Contact your dealer or Epson Support.

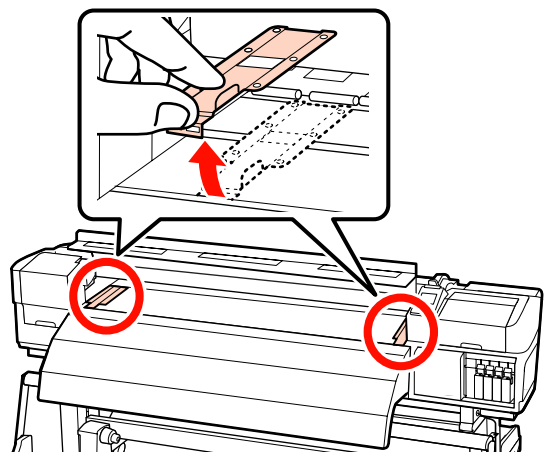
Sliding media holding plates

Move the media holding plates to the right and left sides of the platen. Hold both tabs on the media holding plates to move them.

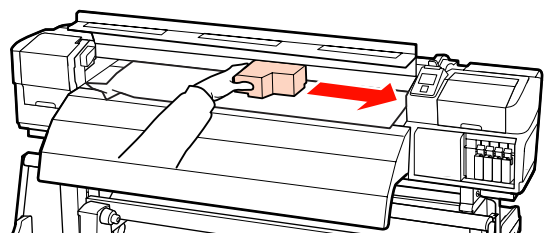


Insertable media holding plates

Remove the media holding plates from both edges of the media.



- 4 If the print head is over the media, move it away from the jam.



Problem Solver

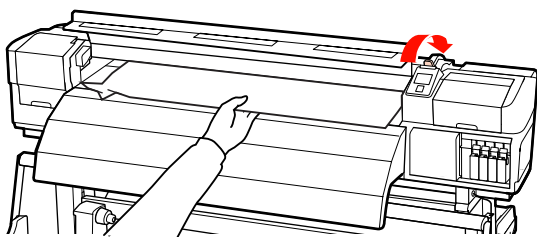


Important:

Move the print head only after moving the media holding plates out of the way. Contact with deformed media holding plates could damage the print head.

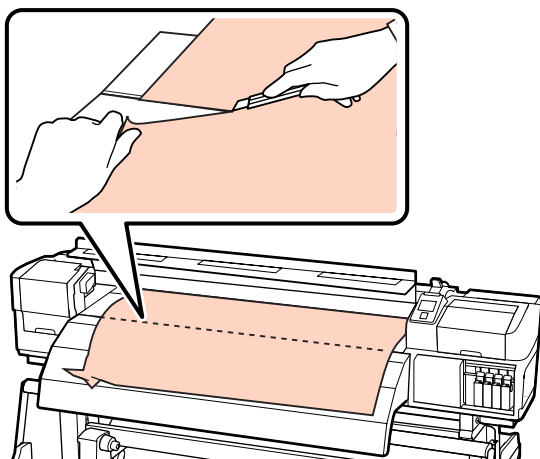
5

Raise the media loading lever.



6

Pull the media to the cutter groove and use a cutter to remove torn or creased portions.



7

Manually rewind the cut media.

8

Remove any media that remains inside the printer.

9

Turn the printer on.



Important:

If the printer is left off for an extended period, the print head will be left uncapped and dry out, and will not print properly when printing resumes.

Turning the printer on automatically caps the print head.

Reload the media and resume printing.

[“Loading Media \(SC-S70600 series, SC-S50600 series\)” on page 37](#)

[“Loading Media \(SC-S30600 series\)” on page 51](#)

Others

Periodical Cleaning is set to Off, but auto cleaning is performed.

- The printer performs head cleaning by the auto maintenance function to prevent the print head from being damaged due to nozzle clogging.

Even if **Periodical Cleaning** is set to **Off**, auto maintenance is necessarily performed when the specified time lapsed after printing.

Heaters Turn off or the Optional Additional Print Drying System Stops.

- The pre-, platen, and after heaters will turn off if no print job is received for some time and no error occurs. The time before the heaters turn off automatically can be selected using the **Heat Off Timer** option in the setup menu. [“The Printer Setup Menu” on page 149](#)

The heaters will be reactivated when a print job is received, the media loading lever is used, or another operation involving printer hardware is performed.

An additional print drying system is supplied with the SC-S50600 series.

The control panel display keeps turning off.

- **Is the printer in sleep mode?**
The printer enters sleep mode when the **Heat Off Timer** expires and the heaters turn off. The time before the heaters turn off can be selected in the Printer Setup menu.

[“The Printer Setup Menu” on page 149](#)


The heaters will be reactivated and sleep mode will end when a print job is received, the media loading lever is used, or another operation involving printer hardware is performed.

Problem Solver

The red light is on inside the printer.

- **This is not a failure.**
The red light is a light inside the printer.

White powdered stains are detected on the sides of the auto take-up reel unit.

- **See the following sections and clean the part.**
 ["Cleaning the Sides of the Auto Take-up Reel Unit \(When It Is Dirty\)" on page 116](#)

Appendix

Appendix

Options and Consumable Products

The following options and consumable products are available for use with this printer. (As of November 2014)

For the latest information, see the Epson Web site.

Ink cartridges*1

| Printer model | Product | Part number | |
|---------------|----------------|-----------------|-------|
| SC-S70600 | Ink cartridges | Black | T7131 |
| | | Cyan | T7132 |
| | | Magenta | T7133 |
| | | Yellow | T7134 |
| | | Light Cyan | T7135 |
| | | Light Magenta | T7136 |
| | | Light Black | T7137 |
| | | Orange*2 | T7138 |
| | | Orange Plus*2 | T7139 |
| | | White | T713A |
| | | Metallic Silver | T713B |
| SC-S70610 | Ink cartridges | Black | T7141 |
| | | Cyan | T7142 |
| | | Magenta | T7143 |
| | | Yellow | T7144 |
| | | Light Cyan | T7145 |
| | | Light Magenta | T7146 |
| | | Light Black | T7147 |
| | | Orange*2 | T7148 |
| | | Orange Plus*2 | T7149 |
| | | White | T714A |
| | | Metallic Silver | T714B |

Appendix


| Printer model | Product | | Part number |
|---------------|----------------|-----------------|-------------|
| SC-S70670 | Ink cartridges | Black | T7151 |
| | | Cyan | T7152 |
| | | Magenta | T7153 |
| | | Yellow | T7154 |
| | | Light Cyan | T7155 |
| | | Light Magenta | T7156 |
| | | Light Black | T7157 |
| | | Orange*2 | T7158 |
| | | Orange Plus*2 | T7159 |
| | | White | T715A |
| | | Metallic Silver | T715B |
| SC-S70680 | Ink cartridges | Black | T7161 |
| | | Cyan | T7162 |
| | | Magenta | T7163 |
| | | Yellow | T7164 |
| | | Light Cyan | T7165 |
| | | Light Magenta | T7166 |
| | | Light Black | T7167 |
| | | Orange*2 | T7168 |
| | | Orange Plus*2 | T7169 |
| | | White | T716A |
| | | Metallic Silver | T716B |
| SC-S50600 | Ink cartridges | Black | T6871 |
| | | Cyan | T6872 |
| | | Magenta | T6873 |
| | | Yellow | T6874 |
| | | White | T713A |

Appendix

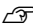
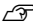
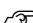


| Printer model | Product | | Part number |
|---------------|----------------|---------|-------------|
| SC-S50610 | Ink cartridges | Black | T6881 |
| | | Cyan | T6882 |
| | | Magenta | T6883 |
| | | Yellow | T6884 |
| | | White | T714A |
| SC-S50670 | Ink cartridges | Black | T6891 |
| | | Cyan | T6892 |
| | | Magenta | T6893 |
| | | Yellow | T6894 |
| | | White | T715A |
| SC-S50680 | Ink cartridges | Black | T6901 |
| | | Cyan | T6902 |
| | | Magenta | T6903 |
| | | Yellow | T6904 |
| | | White | T716A |
| SC-S30600 | Ink cartridges | Black | T6871 |
| | | Cyan | T6872 |
| | | Magenta | T6873 |
| | | Yellow | T6874 |
| SC-S30610 | Ink cartridges | Black | T6881 |
| | | Cyan | T6882 |
| | | Magenta | T6883 |
| | | Yellow | T6884 |
| SC-S30670 | Ink cartridges | Black | T6891 |
| | | Cyan | T6892 |
| | | Magenta | T6893 |
| | | Yellow | T6894 |
| SC-S30680 | Ink cartridges | Black | T6901 |
| | | Cyan | T6902 |
| | | Magenta | T6903 |
| | | Yellow | T6904 |

Appendix

- *1 Epson recommends the use of genuine Epson ink cartridges. Epson cannot guarantee the quality or reliability of nongenuine ink. The use of non-genuine ink may cause damage that is not covered by Epson's warranties, and under certain circumstances, may cause erratic printer behavior. Information about non-genuine ink levels may not be displayed, and use of non-genuine ink is recorded for possible use in service support.
- *2 When switching the Orange ink type, see the "Using Orange Ink" (PDF) to perform the operations correctly. If the operations are not performed correctly and a different type of Orange ink is installed, an error occurs and the printer cannot be used.

 [Using Orange Ink \(PDF\)](#)

Others

| Product | Part number | Explanation |
|-----------------------------------|-------------|-----------------------------------------------------------------------------------------------------------------------------------------------------------------------------------------------------------------------------------------------------------------------------------------------------------------------------------------------------------|
| Cleaning cartridge | T6990 | Used to change the color mode to 8 Color (Unfixed) or 9 Color for Head Washing, Pre-Storage Maint., or Change Color Mode. |
| Maintenance Kit | T7241 | Contains the cleaning sticks, gloves, wiper, wiper cleaner, flushing pad and cleaning wiper required for printer maintenance.  "Cleaning" on page 103 |
| Secondary Carriage Rod Grease Kit | S210036 | Identical to the grease kit supplied with the printer.  "Applying Secondary Carriage Rod Grease" on page 135 |
| Ink Cleaner | T6993 | Identical to the ink cleaner supplied with the printer.  "Cleaning" on page 103 |
| Waste Ink Bottle | T7240 | Identical to the waste ink bottle supplied with the printer. |
| Cleaning Wiper | S090012 | Identical to the maintenance kit items supplied with the printer. |
| Cleaning Stick | S090013 | |
| Clean Room Wiper*1 | S090016 | |
| Flushing Pad*2 | S090014 | |
| Wiper Kit*2 | S090015 | Wiper and wiper cleaner set identical to items supplied with the printer. |
| Media Holding Plate | C12C932121 | Identical to the sliding media holding plate supplied with the printer. Sold on a 1-plate basis. When replacing a removable media holding plate, replace both the right and left plates together.  "Replacing the media holding plates" on page 123 |
| Additional Print Drying System | C12C890751 | Uses a fan to blow air over the media and assist drying. Supplied with SC-S50600 series printers.  "Heating & Drying" on page 89 |
| Heavy Roll Media System | C12C890761 | A media feeding unit and auto take-up reel unit for heavy rolls (up to 80 kg). |

Appendix

- *1 Not available for purchase in some countries and regions. We recommend BEMCOT M-3II by Asahi Kasei Corporation when purchasing commercial products.
- *2 Not available for purchase in some countries and regions.

Appendix

Supported Media

The following media can be used with the printer.

Print quality is greatly affected by the type and quality of media used. Choose a media suited to the task at hand. For information on use, refer to the documentation supplied with the media or contact the manufacturer. Before buying media in large quantities, try printing on a smaller sample and check the results.



Important:

Do not use media that is wrinkled, scuffed, torn, or dirty.

Standard roll media system

| | |
|---------------------|------------------------------|
| Roll core size | 2 or 3 inches |
| Roll outer diameter | Up to 250 mm |
| Media width | 300* to 1,626 mm (64 inches) |
| Media thickness | Up to 1 mm |
| Roll weight | Up to 40 kg |

* 508 mm for ink layering.

Heavy Roll Media System

| | |
|---------------------|------------------------------|
| Roll core size | 2 or 3 inches |
| Roll outer diameter | Up to 300 mm |
| Media width | 300* to 1,626 mm (64 inches) |
| Media thickness | Up to 1 mm |
| Roll weight | Up to 80 kg |

* 508 mm for ink layering.

Moving and Transporting the Printer

This section describes how to move and transport the product.

Moving the Printer

This section assumes that the product is being moved to another location on the same floor without traversing stairs, ramps, or lifts. See below for information on moving the printer between floors or to another building.

 [“Transport” on page 177](#)



Caution:


Do not tilt the product more than 10 degrees forward or back while moving it. Failure to observe this precaution could result in the printer falling over, causing accidents.



Important:

Do not remove the ink cartridges. Failure to observe this precaution could cause the print head nozzles to dry out.

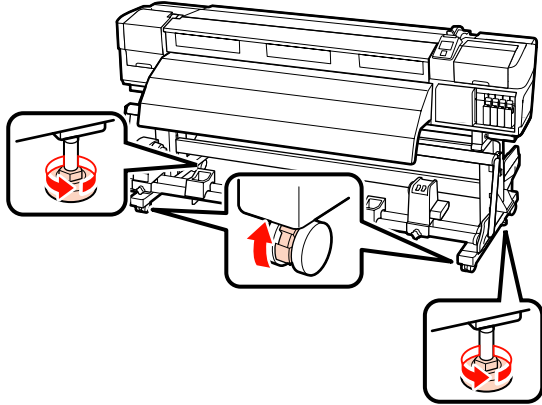
Getting Ready

- 1 Confirm that the printer is off.
- 2 Remove the waste ink bottle.
 [“Replacing the Waste Ink Bottle” on page 120](#)
- 3 Disconnect the power cords and all other cables.
- 4 Remove media from the media feeding unit and auto take-up reel unit.

Appendix

5 Unlock the stand.

Release the caster locks on the left and right legs and fully raise the adjusters.



6 Move the printer.

! **Important:**
Use the casters on the dedicated printer stand to move the printer indoors a short distance over a level floor. They can not be used for transport.

Post-Move Setup

After moving the printer, follow the steps below to ready it for use.

1 Check that the location is appropriate for installation, and set up the printer.

After setup, be sure to perform parallel adjustment again.

[Setup Guide](#)

If you do not have the *Setup Guide*, contact your dealer or Epson Support.

[“Where To Get Help” on page 186](#)

2 Plug in the power cables and turn the printer on.

[Setup Guide](#)

3 Perform a nozzle check to check for clogged nozzles.

[“Printing nozzle check patterns” on page 128](#)

4 Perform **Auto Media Adjust** in the media settings, and check the print quality.

[“Auto Media Adjust” on page 85](#)

Transport

Before transporting the printer, contact your dealer or Epson Support.

[“Where To Get Help” on page 186](#)

Appendix


Recommended Media Settings

To register media settings, refer to the table shown below.

For all the item values in the media settings, you can use default setting, except for the item marked by *² of the SC-S30600 series.

SC-S70600 series, SC-S50600 series

| | Adhesive vinyl | Transparent film/ Milky white film | Banner | Canvas |
|-------------------------------|----------------|---------------------------------------|--------|--------|
| Platen Gap | 1.5 | 1.5 | 1.5 | 1.5 |
| Heater Temperature | | | | |
| Pre-heater | 40 | 40 | 40 | 40 |
| Platen heater | 40 | 40 | 40 | 40 |
| After heater | 50 | 50 | 50 | 50 |
| Advanced Settings | | | | |
| Media Suction | 4 | 4 | 4 | 4 |
| Media Tension | 15 | 15 | 15 | 15 |
| Pressure roller* ¹ | Low | High | Low | Low |
| Counterweight* ² | - | - | Attach | - |


*¹  [“Positioning of the pressure rollers and media \(For SC-S70600 series and SC-S50600 series\)” on page 35](#)

*² How to attach counterweights  [“Using the Auto Take-up Reel Unit” on page 67](#)

SC-S30600 series

| | Adhesive vinyl | Transparent film/ Milky white film | Banner | Canvas |
|-----------------------------|----------------|---------------------------------------|------------------|--------|
| Platen Gap | 1.5 | 1.5 | 1.5 | 1.5 |
| Heater Temperature | | | | |
| Pre-heater | 40 | 40 | 40 | 40 |
| Platen heater | 40 | 40 | 40 | 40 |
| After heater | 50 | 50 | 50 | 50 |
| Advanced Settings | | | | |
| Media Suction | 4 | 4 | 4 | 4 |
| Media Tension | 15 | 15 | 30* ² | 15 |
| Counterweight* ¹ | - | - | Attach | - |

Appendix

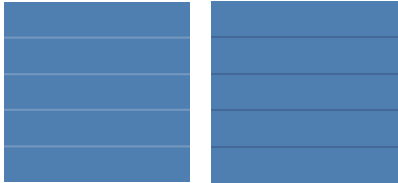
- *1 How to attach counterweights  [“Using the Auto Take-up Reel Unit” on page 67](#)
- *2 Change the factory default setting value.

Appendix

Microweave (M/W) Setting and Banding Association Table

The tables below show setting examples for the ONYX Graphics software RIP. For the banding status described under "Result", refer to the figure shown below.

Stripe banding example



Tint unevenness example



SC-S70600 series

| Resolution (dpi) | Number of passes | M/W level | Result | Recommendation |
|------------------------------------|------------------|-----------|-------------------------------------------------------------|----------------|
| Banner | | | | |
| 720×720 | 6 | 1 | Stripe banding less likely | |
| | | 2 | Tint unevenness less likely | ✓ |
| Vinyl | | | | |
| 720×720 | 8 | 3 | Stripe banding less likely | |
| | | 4 | Tint unevenness less likely, but stripe banding more likely | |
| | | 5 | Stripe banding less likely | ✓ |
| | | 6 | Tint unevenness less likely, but stripe banding more likely | |
| All media (Including Banner/Vinyl) | | | | |
| 720×1440 | 12 | 3 | Stripe banding less likely | ✓ |
| | | 4 | Tint unevenness less likely | |

SC-S50600 series

| Resolution (dpi) | Number of passes | M/W level | Result | Recommendation |
|------------------|------------------|-----------|--------|----------------|
| Banner | | | | |

Appendix

| Resolution (dpi) | Number of passes | M/W level | Result | Recommendation |
|------------------------------------|------------------|-----------|-------------------------------------------------------------|----------------|
| 720×720 | 4 | 1 | Stripe banding less likely | |
| | | 2 | Tint unevenness less likely, but stripe banding more likely | |
| | | 3 | Stripe banding less likely | ✓ |
| | | 4 | Tint unevenness less likely, but stripe banding more likely | |
| Vinyl | | | | |
| 720×1440 | 6 | 0 | Stripe banding less likely | ✓ |
| | | 1 | Tint unevenness less likely, but stripe banding more likely | |
| All media (Including Banner/Vinyl) | | | | |
| 720×1440 | 8 | 2 | Stripe banding less likely | |
| | | 3 | Tint unevenness less likely | ✓ |

If banding cannot be cleared using the settings described above, select the HQ1 mode in RIP print settings. Stripe banding and tint unevenness will less likely to occur.

If the banding cannot be cleared completely with HQ1 mode, then select HQ2 mode in RIP print settings. However, graininess might be obvious than printing with HQ1 mode.

The print speed of HQ1/HQ2 mode becomes lower than when other print modes that use the same number of passes are selected.

Followings are the example of the RIP print setting mode. Display of setting mode will be different depending on the software RIP.

- 720x720 4pass (HQ1) / 720x720 4pass (HQ2)
- 720x1440 6pass (HQ1) / 720x1440 6pass (HQ2)
- 720x1440 8pass (HQ1) / 720x1440 8pass (HQ2)

Note:

In some cases, your software RIP does not support the above-mentioned print modes.

SC-S30600 series

| Resolution (dpi) | Number of passes | M/W level | Result | Recommendation |
|------------------|------------------|-----------|--------|----------------|
| Banner | | | | |

Appendix

| Resolution (dpi) | Number of passes | M/W level | Result | Recommendation |
|------------------------------------|-------------------------|------------------|-----------------------------|-----------------------|
| 720×720 | 4 | 2 | Tint unevenness less likely | |
| | | 3 | Stripe banding less likely | ✓ |
| Vinyl | | | | |
| 720×1440 | 6 | 0 | Tint unevenness less likely | |
| | | 1 | Stripe banding less likely | ✓ |
| All media (Including Banner/Vinyl) | | | | |
| 720×1440 | 8 | 3 | Tint unevenness less likely | |
| | | 4 | Stripe banding less likely | ✓ |

Appendix

System Requirements

Consult the documentation for your software RIP.

Specifications Table

| Printer Specifications | |
|--------------------------------|-------------------------------------------------------------------------------------------------------------------------------------------------------------------------------------------------------------------------------------------------------------------------------------------------------------------------------------------------------------------------------------|
| Printing method | On-demand ink jet |
| Nozzle configuration | <p>SC-S70600 series: 360 nozzles x 2 rows x 10 colors (Metallic Silver, Light Black, Black, Cyan, Magenta, Yellow, Orange/Orange Plus, Light Cyan, Light Magenta, White)</p> <p>SC-S50600 series: 360 nozzles x 2 x 2 rows x 5 colors (White, Black, Cyan, Magenta, Yellow)</p> <p>SC-S30600 series: 360 nozzles x 2 rows x 4 colors (Black, Cyan, Magenta, Yellow)</p> |
| Resolution (maximum) | 1440 x 1440 dpi |
| Control code | ESC/P raster (undisclosed command) |
| Media feed method | Friction feed |
| Built-in memory | 512 MB for Main 128 MB for Network |
| Interface | Hi-Speed USB-Compatible with the USB 2.0 Specification. 100Base-TX/1000Base-T*1 |
| Rated voltage (#1, #2, #3*2) | AC 100 to 120V AC 200 to 240V |
| Rated frequency (#1, #2, #3*2) | 50 to 60Hz |
| Rated current (#1, #2) | 10A (100 to 120V AC) 5A (200 to 240V AC) |
| Rated current (#3*2) | 1A (100 to 120V AC) 0.5A (200 to 240V AC) |

| Printer Specifications | |
|------------------------|-------------------------------------------------------------------------------------------------------------------------------------------------------------------------------|
| Power consumption | <p>SC-S70600 series (total for numbers 1 and 2) Printing: Approx. 800 W Ready mode: Approx. 580 W Sleep mode: Approx. 12 W Power off: 0.6 W or less</p> |
| | <p>SC-S50600 series (total for numbers 1, 2, and 3*2) Printing: Approx. 895 W Ready mode: Approx. 775 W Sleep mode: Approx. 14 W Power off: 0.9 W or less</p> |
| | <p>SC-S30600 series (total for numbers 1 and 2) Printing: Approx. 650 W Ready mode: Approx. 520 W Sleep mode: Approx. 10 W Power off: 0.6 W or less</p> |
| Temperature | <p>Operating: 15 to 35°C (59 to 95°F) (20 to 32°C/68 to 89°F recommended)</p> <p>Storage: -20 to 40°C (-4 to 104°F) (within a month at 40°C (104°F))</p> |
| Humidity | <p>Operating: 20 to 80% (40 to 60% recommended) (without condensation)</p> <p>Storage: 5 to 85% (without condensation)</p> |

Appendix

| Printer Specifications | |
|-------------------------------------------------|------------------------------------------------------------------------------------------------------------------------------------|
| <p>Operation temperature and humidity range</p> | |
| Dimension | <p>Storage (minimum) dimensions: 2620 (W) × 963 (D) × 1311 (H) mm</p> <p>Maximum dimensions: 2620 (W) × 1259 (D) × 1650 (H) mm</p> |
| Weight*3 | <p>SC-S70600 series: Approx. 229 kg</p> <p>SC-S50600 series: Approx. 238 kg</p> <p>SC-S30600 series: Approx. 219 kg</p> |

*1 Use a shielded twisted pair cable (category 5 or better).
 *2 For additional print drying system supplied with SC-S50600 series
 *3 Supplied media system installed; ink cartridges not included

| Ink Specifications | |
|--------------------------------|---------------------------------------------------------------------------------------------------------------------------------------------------------------------------------------------------------------------------------------------------------------------------|
| Type | Special ink cartridges |
| Pigment ink | <p>SC-S70600 series: Metallic Silver, Light Black, Black, Cyan, Magenta, Yellow, Orange, Orange Plus, Light Cyan, Light Magenta, White</p> <p>SC-S50600 series: White, Black, Cyan, Magenta, Yellow</p> <p>SC-S30600 series: Black, Cyan, Magenta, Yellow</p> |
| Use by date | See the date printed on the package (at normal temperature) |
| Print quality guarantee expiry | Six months (from date package containing ink cartridge is opened) |
| Storage temperature | <p>Uninstalled: -20 to 40°C (within a month at 40°C)</p> <p>Installed: -10 to 40°C (maximum four days at 40°C)</p> <p>Transporting: -20 to 60°C (within a month at 40°C, within 72 hours at 60°C)</p> |
| Cartridge dimensions | 40 (W) × 305 (D) × 110 (H) mm |
| Capacity | <p>White: 600 ml</p> <p>Metallic Silver: 350 ml</p> <p>Other colors: 700 ml</p> |

! *Important:*
Do not refill the ink.

Standards and Approvals

| | | |
|--------|----------------------------------|------------|
| Safety | UL 60950-1 | |
| | CSA C22.2 No.60950-1 | |
| | Low Voltage Directive 2006/95/EC | EN 60950-1 |

Appendix

| | | |
|--------------|----------------------------------|------------------|
| EMC | FCC part 15 subpart B Class A | |
| | CAN/CSA-CEI/IEC CISPR 22 Class A | |
| | AS/NZS CISPR 22 Class A | |
| | EMC Directive 2004/108/EC | EN 55022 Class A |
| | | EN 55024 |
| EN 61000-3-2 | | |
| EN 61000-3-3 | | |



Warning:

This is a class A product. In a domestic environment this product may cause radio interference in which case the user may be required to take adequate measures.

Where To Get Help

Where To Get Help

Technical Support Web Site

Epson's Technical Support Web Site provides help with problems that cannot be solved using the troubleshooting information in your product documentation. If you have a Web browser and can connect to the Internet, access the site at:

<http://support.epson.net/>

If you need the latest drivers, FAQs, manuals, or other downloadables, access the site at:

<http://www.epson.com>

Then, select the support section of your local Epson Web site.

Contacting Epson Support

Before Contacting Epson

If your Epson product is not operating properly and you cannot solve the problem using the troubleshooting information in your product documentation, contact Epson support services for assistance. If Epson support for your area is not listed below, contact the dealer where you purchased your product.

Epson support will be able to help you much more quickly if you give them the following information:

- Product serial number
(The serial number label is usually on the back of the product.)
- Product model
- Product software version
(Click **About**, **Version Info**, or similar button in the product software.)
- Brand and model of your computer
- Your computer operating system name and version
- Names and versions of the software applications you normally use with your product

Where To Get Help

Help for Users in North America

Epson provides the technical support services listed below.

Internet Support

Visit Epson's support website at <http://epson.com/support> and select your product for solutions to common problems. You can download drivers and documentation, get FAQs and troubleshooting advice, or e-mail Epson with your questions.

Speak to a Support Representative

Dial: (562) 276-1300 (U.S.), or (905) 709-9475 (Canada), 6 am to 6 pm, Pacific Time, Monday through Friday. Days and hours of support are subject to change without notice. Toll or long distance charges may apply.

Before you call Epson for support, please have the following information ready:

- Product name
- Product serial number
- Proof of purchase (such as a store receipt) and date of purchase
- Computer configuration
- Description of the problem

Note:

For help using any other software on your system, see the documentation for that software for technical support information.

Purchase Supplies and Accessories

You can purchase genuine Epson ink cartridges, ribbon cartridges, paper, and accessories from an Epson authorized reseller. To find the nearest reseller, call 800-GO-EPSON (800-463-7766). Or you can purchase online at <http://www.epsonstore.com> (U.S. sales) or <http://www.epson.ca> (Canadian sales).

Help for Users in Europe

Check your **Pan-European Warranty Document** for information on how to contact Epson support.

Help for Users in Taiwan

Contacts for information, support, and services are:

World Wide Web (<http://www.epson.com.tw>)

Information on product specifications, drivers for download, and products enquiry are available.

Epson HelpDesk (Phone: +0800212873)

Our HelpDesk team can help you with the following over the phone:

- Sales enquiries and product information
- Product usage questions or problems
- Enquiries on repair service and warranty

Repair service center:

| Telephone number | Fax number | Address |
|------------------|-------------|----------------------------------------------------------------------------------------|
| 02-23416969 | 02-23417070 | No.20, Beiping E. Rd., Zhongzheng Dist., Taipei City 100, Taiwan |
| 02-27491234 | 02-27495955 | 1F., No.16, Sec. 5, Nanjing E. Rd., Songshan Dist., Taipei City 105, Taiwan |
| 02-32340688 | 02-32340699 | No.1, Ln. 359, Sec. 2, Zhongshan Rd., Zhonghe City, Taipei County 235, Taiwan |
| 039-605007 | 039-600969 | No.342-1, Guangrong Rd., Luodong Township, Yilan County 265, Taiwan |
| 038-312966 | 038-312977 | No.87, Guolian 2nd Rd., Hualien City, Hualien County 970, Taiwan |
| 03-4393119 | 03-4396589 | 5F., No.2, Nandong Rd., Pingzhen City, Taoyuan County 32455, Taiwan (R.O.C.) |

Where To Get Help

| Telephone number | Fax number | Address |
|------------------|-------------|-------------------------------------------------------------------------------|
| 03-5325077 | 03-5320092 | 1F., No.9, Ln. 379, Sec. 1, Jinguo Rd., North Dist., Hsinchu City 300, Taiwan |
| 04-23011502 | 04-23011503 | 3F., No.30, Dahe Rd., West Dist., Taichung City 40341, Taiwan (R.O.C.) |
| 04-23805000 | 04-23806000 | No.530, Sec. 4, Henan Rd., Nantun Dist., Taichung City 408, Taiwan |
| 05-2784222 | 05-2784555 | No.463, Zhongxiao Rd., East Dist., Chiayi City 600, Taiwan |
| 06-2221666 | 06-2112555 | No.141, Gongyuan N. Rd., North Dist., Tainan City 704, Taiwan |
| 07-5520918 | 07-5540926 | 1F., No.337, Minghua Rd., Gushan Dist., Kaohsiung City 804, Taiwan |
| 07-3222445 | 07-3218085 | No.51, Shandong St., Sanmin Dist., Kaohsiung City 807, Taiwan |
| 08-7344771 | 08-7344802 | 1F., No.113, Shengli Rd., Pingtung City, Pingtung County 900, Taiwan |

Help for Users in Australia

Epson Australia wishes to provide you with a high level of customer service. In addition to your product documentation, we provide the following sources for obtaining information:

Your Dealer

Don't forget that your dealer can often help identify and resolve problems. The dealer should always be the first call for advise on problems; they can often solve problems quickly and easily as well as give advise on the next step to take.

Internet URL

<http://www.epson.com.au>

Access the Epson Australia World Wide Web pages. Worth taking your modem here for the occasional surf! The site provides a download area for drivers, Epson contact points, new product information and technical support (e-mail).

Epson Helpdesk

Epson Helpdesk is provided as a final backup to make sure our clients have access to advice. Operators on the Helpdesk can aid you in installing, configuring and operating your Epson product. Our Pre-sales Helpdesk staff can provide literature on new Epson products and advise where the nearest dealer or service agent is located. Many types of queries are answered here.

The Helpdesk numbers are:

Phone: 1300 361 054

Fax: (02) 8899 3789

We encourage you to have all the relevant information on hand when you ring. The more information you prepare, the faster we can help solve the problem. This information includes your Epson product documentation, type of computer, operating system, application programs, and any information you feel is required.

Help for Users in Singapore

Sources of information, support, and services available from Epson Singapore are:

World Wide Web

<http://www.epson.com.sg>

Information on product specifications, drivers for download, Frequently Asked Questions (FAQ), Sales Enquiries, and Technical Support via e-mail are available.

Epson HelpDesk

(Phone: (65) 6586 3111)

Our HelpDesk team can help you with the following over the phone:

Where To Get Help

- Sales enquiries and product information
- Product usage questions or problems
- Enquiries on repair service and warranty

Help for Users in Thailand

Contacts for information, support, and services are:

World Wide Web

(<http://www.epson.co.th>)

Information on product specifications, drivers for download, Frequently Asked Questions (FAQ), and e-mail are available.

Epson Hotline

(Phone: (66)2685-9899)

Our Hotline team can help you with the following over the phone:

- Sales enquiries and product information
- Product usage questions or problems
- Enquiries on repair service and warranty

Help for Users in Vietnam

Contacts for information, support, and services are:

Epson Hotline (Phone): 84-8-823-9239

Service Center: 80 Truong Dinh Street,
District 1, Hochiminh City
Vietnam

Help for Users in Indonesia

Contacts for information, support, and services are:

World Wide Web

(<http://www.epson.co.id>)

- Information on product specifications, drivers for download

- Frequently Asked Questions (FAQ), Sales Enquiries, questions through e-mail

Epson Hotline

- Sales enquiries and product information
- Technical support

Phone (62) 21-572 4350

Fax (62) 21-572 4357

Epson Service Center

Jakarta Mangga Dua Mall 3rd floor No 3A/B
Jl. Arteri Mangga Dua,
Jakarta

Phone/Fax: (62) 21-62301104

Bandung Lippo Center 8th floor
Jl. Gatot Subroto No.2
Bandung

Phone/Fax: (62) 22-7303766

Surabaya Hitech Mall It IIB No. 12
Jl. Kusuma Bangsa 116 – 118
Surabaya

Phone: (62) 31-5355035
Fax: (62)31-5477837

Yogyakarta Hotel Natour Garuda
Jl. Malioboro No. 60
Yogyakarta

Phone: (62) 274-565478

Medan Wisma HSBC 4th floor
Jl. Diponegoro No. 11
Medan

Phone/Fax: (62) 61-4516173

Makassar MTC Karebosi Lt. Ill Kav. P7-8
Jl. Ahmad Yani No.49
Makassar

Phone: (62)411-350147/411-350148

Where To Get Help

Help for Users in Hong Kong

To obtain technical support as well as other after-sales services, users are welcome to contact Epson Hong Kong Limited.

Internet Home Page

Epson Hong Kong has established a local home page in both Chinese and English on the Internet to provide users with the following information:

- Product information
- Answers to Frequently Asked Questions (FAQs)
- Latest versions of Epson product drivers

Users can access our World Wide Web home page at:

<http://www.epson.com.hk>

Technical Support Hotline

You can also contact our technical staff at the following telephone and fax numbers:

Phone: (852) 2827-8911

Fax: (852) 2827-4383

Help for Users in Malaysia

Contacts for information, support, and services are:

World Wide Web

<http://www.epson.com.my>

- Information on product specifications, drivers for download
- Frequently Asked Questions (FAQ), Sales Enquiries, questions through e-mail

Epson Trading (M) Sdn. Bhd.

Head Office.

Phone: 603-56288288

Fax: 603-56288388/399

Epson Helpdesk

- Sales enquiries and product information (Infoline)

Phone: 603-56288222

- Enquiries on repair services & warranty, product usage and technical support (Techline)

Phone: 603-56288333

Help for Users in India

Contacts for information, support, and services are:

World Wide Web

<http://www.epson.co.in>

Information on product specifications, drivers for download, and products enquiry are available.

Epson India Head Office - Bangalore

Phone: 080-30515000

Fax: 30515005

Epson India Regional Offices:

| Location | Telephone number | Fax number |
|------------|----------------------|--------------|
| Mumbai | 022-28261515 / 16/17 | 022-28257287 |
| Delhi | 011-30615000 | 011-30615005 |
| Chennai | 044-30277500 | 044-30277575 |
| Kolkata | 033-22831589 / 90 | 033-22831591 |
| Hyderabad | 040-66331738/ 39 | 040-66328633 |
| Cochin | 0484-2357950 | 0484-2357950 |
| Coimbatore | 0422-2380002 | NA |

Where To Get Help

| Location | Telephone number | Fax number |
|-----------|-----------------------------------------|--------------|
| Pune | 020-30286000 / 30286001 /30286002 | 020-30286000 |
| Ahmedabad | 079-26407176 / 77 | 079-26407347 |

Helpline

For Service, Product info or to order a cartridge -
18004250011 (9AM - 9PM) - This is a Toll-free number.

For Service (CDMA & Mobile Users) - 3900 1600 (9AM
- 6PM) Prefix local STD code

Help for Users in the Philippines

To obtain technical support as well as other after sales services, users are welcome to contact the Epson Philippines Corporation at the telephone and fax numbers and e-mail address below:

Trunk Line: (63-2) 706 2609

Fax: (63-2) 706 2665

Helpdesk (63-2) 706 2625
Direct Line:

E-mail: epchelpdesk@epc.epson.com.ph

World Wide Web

(<http://www.epson.com.ph>)

Information on product specifications, drivers for download, Frequently Asked Questions (FAQ), and E-mail Enquiries are available.

Toll-Free No. 1800-1069-EPSON(37766)

Our Hotline team can help you with the following over the phone:

- Sales enquiries and product information
- Product usage questions or problems
- Enquiries on repair service and warranty

Software License Terms

Software License Terms

Open Source Software Licenses

Bonjour

This printer product includes the open source software programs which apply the Apple Public Source License Version 1.2 or its latest version ("Bonjour Programs").

We provide the source code of the Bonjour Programs pursuant to the Apple Public Source License Version 1.2 or its latest version until five (5) years after the discontinuation of same model of this printer product. If you desire to receive the source code of the Bonjour Programs, please see the "Contacting Customer Support" in Appendix or Printing Guide of this User's Guide, and contact the customer support of your region.

You can redistribute Bonjour Programs and/or modify it under the terms of the Apple Public Source License Version 1.2 or its latest version.

These Bonjour Programs are WITHOUT ANY WARRANTY; without even the implied warranty of MERCHANTABILITY AND FITNESS FOR A PARTICULAR PURPOSE.

The Apple Public Source License Version 1.2 is as follows. You also can see the Apple Public Source License Version 1.2 at <http://www.opensource.apple.com/apsl/>.

APPLE PUBLIC SOURCE LICENSE
Version 2.0 - August 6, 2003

1. General; Definitions. This License applies to any program or other work which Apple Computer, Inc. ("Apple") makes publicly available and which contains a notice placed by Apple identifying such program or work as "Original Code" and stating that it is subject to the terms of this Apple Public Source License version 2.0 ("License"). As used in this License:

1.1 "Applicable Patent Rights" mean: (a) in the case where Apple is the grantor of rights, (i) claims of patents that are now or hereafter acquired, owned by or assigned to Apple and (ii) that cover subject matter contained in the Original Code, but only to the extent necessary to use, reproduce and/or distribute the Original Code without infringement; and (b) in the case where You are the grantor of rights, (i) claims of patents that are now or hereafter acquired, owned by or assigned to You and (ii) that cover subject matter in Your Modifications, taken alone or in combination with Original Code.

1.2 "Contributor" means any person or entity that creates or contributes to the creation of Modifications.

1.3 "Covered Code" means the Original Code, Modifications, the combination of Original Code and any Modifications, and/or any respective portions thereof.

1.4 "Externally Deploy" means: (a) to sublicense, distribute or otherwise make Covered Code available, directly or indirectly, to anyone other than You; and/or (b) to use Covered Code, alone or as part of a Larger Work, in any way to provide a service, including but not limited to delivery of content, through electronic communication with a client other than You.

1.5 "Larger Work" means a work which combines Covered Code or portions thereof with code not governed by the terms of this License.

Software License Terms

1.6 "Modifications" mean any addition to, deletion from, and/or change to, the substance and/or structure of the Original Code, any previous Modifications, the combination of Original Code and any previous Modifications, and/or any respective portions thereof. When code is released as a series of files, a Modification is: (a) any addition to or deletion from the contents of a file containing Covered Code; and/or (b) any new file or other representation of computer program statements that contains any part of Covered Code.

1.7 "Original Code" means (a) the Source Code of a program or other work as originally made available by Apple under this License, including the Source Code of any updates or upgrades to such programs or works made available by Apple under this License, and that has been expressly identified by Apple as such in the header file(s) of such work; and (b) the object code compiled from such Source Code and originally made available by Apple under this License

1.8 "Source Code" means the human readable form of a program or other work that is suitable for making modifications to it, including all modules it contains, plus any associated interface definition files, scripts used to control compilation and installation of an executable (object code).

1.9 "You" or "Your" means an individual or a legal entity exercising rights under this License. For legal entities, "You" or "Your" includes any entity which controls, is controlled by, or is under common control with, You, where "control" means (a) the power, direct or indirect, to cause the direction or management of such entity, whether by contract or otherwise, or (b) ownership of fifty percent (50%) or more of the outstanding shares or beneficial ownership of such entity.

2. Permitted Uses; Conditions & Restrictions. Subject to the terms and conditions of this License, Apple hereby grants You, effective on the date You accept this License and download the Original Code, a world-wide, royalty-free, non-exclusive license, to the extent of Apple's Applicable Patent Rights and copyrights covering the Original Code, to do the following:

2.1 Unmodified Code. You may use, reproduce, display, perform, internally distribute within Your organization, and Externally Deploy verbatim, unmodified copies of the Original Code, for commercial or non-commercial purposes, provided that in each instance:

(a) You must retain and reproduce in all copies of Original Code the copyright and other proprietary notices and disclaimers of Apple as they appear in the Original Code, and keep intact all notices in the Original Code that refer to this License; and

(b) You must include a copy of this License with every copy of Source Code of Covered Code and documentation You distribute or Externally Deploy, and You may not offer or impose any terms on such Source Code that alter or restrict this License or the recipients' rights hereunder, except as permitted under Section 6.

2.2 Modified Code. You may modify Covered Code and use, reproduce, display, perform, internally distribute within Your organization, and Externally Deploy Your Modifications and Covered Code, for commercial or non-commercial purposes, provided that in each instance You also meet all of these conditions:

(a) You must satisfy all the conditions of Section 2.1 with respect to the Source Code of the Covered Code;

(b) You must duplicate, to the extent it does not already exist, the notice in Exhibit A in each file of the Source Code of all Your Modifications, and cause the modified files to carry prominent notices stating that You changed the files and the date of any change; and

(c) If You Externally Deploy Your Modifications, You must make Source Code of all Your Externally Deployed Modifications either available to those to whom You have Externally Deployed Your Modifications, or publicly available. Source Code of Your Externally Deployed Modifications must be released under the terms set forth in this License, including the license grants set forth in Section 3 below, for as long as you Externally Deploy the Covered Code or twelve (12) months from the date of initial External Deployment, whichever is longer. You should preferably distribute the Source Code of Your Externally Deployed Modifications electronically (e.g. download from a web site).

Software License Terms

2.3 Distribution of Executable Versions. In addition, if You Externally Deploy Covered Code (Original Code and/or Modifications) in object code, executable form only, You must include a prominent notice, in the code itself as well as in related documentation, stating that Source Code of the Covered Code is available under the terms of this License with information on how and where to obtain such Source Code.

2.4 Third Party Rights. You expressly acknowledge and agree that although Apple and each Contributor grants the licenses to their respective portions of the Covered Code set forth herein, no assurances are provided by Apple or any Contributor that the Covered Code does not infringe the patent or other intellectual property rights of any other entity. Apple and each Contributor disclaim any liability to You for claims brought by any other entity based on infringement of intellectual property rights or otherwise. As a condition to exercising the rights and licenses granted hereunder, You hereby assume sole responsibility to secure any other intellectual property rights needed, if any. For example, if a third party patent license is required to allow You to distribute the Covered Code, it is Your responsibility to acquire that license before distributing the Covered Code.

3. Your Grants. In consideration of, and as a condition to, the licenses granted to You under this License, You hereby grant to any person or entity receiving or distributing Covered Code under this License a non-exclusive, royalty-free, perpetual, irrevocable license, under Your Applicable Patent Rights and other intellectual property rights (other than patent) owned or controlled by You, to use, reproduce, display, perform, modify, sublicense, distribute and Externally Deploy Your Modifications of the same scope and extent as Apple's licenses under Sections 2.1 and 2.2 above.

4. Larger Works. You may create a Larger Work by combining Covered Code with other code not governed by the terms of this License and distribute the Larger Work as a single product. In each such instance, You must make sure the requirements of this License are fulfilled for the Covered Code or any portion thereof.

5. Limitations on Patent License. Except as expressly stated in Section 2, no other patent rights, express or implied, are granted by Apple herein. Modifications and/or Larger Works may require additional patent licenses from Apple which Apple may grant in its sole discretion.

6. Additional Terms. You may choose to offer, and to charge a fee for, warranty, support, indemnity or liability obligations and/or other rights consistent with the scope of the license granted herein ("Additional Terms") to one or more recipients of Covered Code. However, You may do so only on Your own behalf and as Your sole responsibility, and not on behalf of Apple or any Contributor. You must obtain the recipient's agreement that any such Additional Terms are offered by You alone, and You hereby agree to indemnify, defend and hold Apple and every Contributor harmless for any liability incurred by or claims asserted against Apple or such Contributor by reason of any such Additional Terms.

7. Versions of the License. Apple may publish revised and/or new versions of this License from time to time. Each version will be given a distinguishing version number. Once Original Code has been published under a particular version of this License, You may continue to use it under the terms of that version. You may also choose to use such Original Code under the terms of any subsequent version of this License published by Apple. No one other than Apple has the right to modify the terms applicable to Covered Code created under this License.

Software License Terms

8. NO WARRANTY OR SUPPORT. The Covered Code may contain in whole or in part pre-release, untested, or not fully tested works. The Covered Code may contain errors that could cause failures or loss of data, and may be incomplete or contain inaccuracies. You expressly acknowledge and agree that use of the Covered Code, or any portion thereof, is at Your sole and entire risk. THE COVERED CODE IS PROVIDED "AS IS" AND WITHOUT WARRANTY, UPGRADES OR SUPPORT OF ANY KIND AND APPLE AND APPLE'S LICENSOR(S) (COLLECTIVELY REFERRED TO AS "APPLE" FOR THE PURPOSES OF SECTIONS 8 AND 9) AND ALL CONTRIBUTORS EXPRESSLY DISCLAIM ALL WARRANTIES AND/OR CONDITIONS, EXPRESS OR IMPLIED, INCLUDING, BUT NOT LIMITED TO, THE IMPLIED WARRANTIES AND/OR CONDITIONS OF MERCHANTABILITY, OF SATISFACTORY QUALITY, OF FITNESS FOR A PARTICULAR PURPOSE, OF ACCURACY, OF QUIET ENJOYMENT, AND NONINFRINGEMENT OF THIRD PARTY RIGHTS. APPLE AND EACH CONTRIBUTOR DOES NOT WARRANT AGAINST INTERFERENCE WITH YOUR ENJOYMENT OF THE COVERED CODE, THAT THE FUNCTIONS CONTAINED IN THE COVERED CODE WILL MEET YOUR REQUIREMENTS, THAT THE OPERATION OF THE COVERED CODE WILL BE UNINTERRUPTED OR ERROR-FREE, OR THAT DEFECTS IN THE COVERED CODE WILL BE CORRECTED. NO ORAL OR WRITTEN INFORMATION OR ADVICE GIVEN BY APPLE, AN APPLE AUTHORIZED REPRESENTATIVE OR ANY CONTRIBUTOR SHALL CREATE A WARRANTY. You acknowledge that the Covered Code is not intended for use in the operation of nuclear facilities, aircraft navigation, communication systems, or air traffic control machines in which case the failure of the Covered Code could lead to death, personal injury, or severe physical or environmental damage.

9. LIMITATION OF LIABILITY. TO THE EXTENT NOT PROHIBITED BY LAW, IN NO EVENT SHALL APPLE OR ANY CONTRIBUTOR BE LIABLE FOR ANY INCIDENTAL, SPECIAL, INDIRECT OR CONSEQUENTIAL DAMAGES ARISING OUT OF OR RELATING TO THIS LICENSE OR YOUR USE OR INABILITY TO USE THE COVERED CODE, OR ANY PORTION THEREOF, WHETHER UNDER A THEORY OF CONTRACT, WARRANTY, TORT (INCLUDING NEGLIGENCE), PRODUCTS LIABILITY OR OTHERWISE, EVEN IF APPLE OR SUCH CONTRIBUTOR HAS BEEN ADVISED OF THE POSSIBILITY OF SUCH DAMAGES AND NOTWITHSTANDING THE FAILURE OF ESSENTIAL PURPOSE OF ANY REMEDY. SOME JURISDICTIONS DO NOT ALLOW THE LIMITATION OF LIABILITY OF INCIDENTAL OR CONSEQUENTIAL DAMAGES, SO THIS LIMITATION MAY NOT APPLY TO YOU. In no event shall Apple's total liability to You for all damages (other than as may be required by applicable law) under this License exceed the amount of fifty dollars (\$50.00).

10. Trademarks. This License does not grant any rights to use the trademarks or trade names "Apple", "Apple Computer", "Mac", "Mac OS", "QuickTime", "QuickTime Streaming Server" or any other trademarks, service marks, logos or trade names belonging to Apple (collectively "Apple Marks") or to any trademark, service mark, logo or trade name belonging to any Contributor. You agree not to use any Apple Marks in or as part of the name of products derived from the Original Code or to endorse or promote products derived from the Original Code other than as expressly permitted by and in strict compliance at all times with Apple's third party trademark usage guidelines which are posted at <http://www.apple.com/legal/guidelinesfor3rdparties.html>.

11. Ownership. Subject to the licenses granted under this License, each Contributor retains all rights, title and interest in and to any Modifications made by such Contributor. Apple retains all rights, title and interest in and to the Original Code and any Modifications made by or on behalf of Apple ("Apple Modifications"), and such Apple Modifications will not be automatically subject to this License. Apple may, at its sole discretion, choose to license such Apple Modifications under this License, or on different terms from those contained in this License or may choose not to license them at all.

12. Termination.

12.1 Termination. This License and the rights granted hereunder will terminate:

(a) automatically without notice from Apple if You fail to comply with any term(s) of this License and fail to cure such breach within 30 days of becoming aware of such breach;

(b) immediately in the event of the circumstances described in Section 13.5(b); or

Software License Terms

(c) automatically without notice from Apple if You, at any time during the term of this License, commence an action for patent infringement against Apple; provided that Apple did not first commence an action for patent infringement against You in that instance.

12.2 Effect of Termination. Upon termination, You agree to immediately stop any further use, reproduction, modification, sublicensing and distribution of the Covered Code. All sublicenses to the Covered Code which have been properly granted prior to termination shall survive any termination of this License. Provisions which, by their nature, should remain in effect beyond the termination of this License shall survive, including but not limited to Sections 3, 5, 8, 9, 10, 11, 12.2 and 13. No party will be liable to any other for compensation, indemnity or damages of any sort solely as a result of terminating this License in accordance with its terms, and termination of this License will be without prejudice to any other right or remedy of any party.

13. Miscellaneous.

13.1 Government End Users. The Covered Code is a "commercial item" as defined in FAR 2.101. Government software and technical data rights in the Covered Code include only those rights customarily provided to the public as defined in this License. This customary commercial license in technical data and software is provided in accordance with FAR 12.211 (Technical Data) and 12.212 (Computer Software) and, for Department of Defense purchases, DFAR 252.227-7015 (Technical Data -- Commercial Items) and 227.7202-3 (Rights in Commercial Computer Software or Computer Software Documentation). Accordingly, all U.S. Government End Users acquire Covered Code with only those rights set forth herein.

13.2 Relationship of Parties. This License will not be construed as creating an agency, partnership, joint venture or any other form of legal association between or among You, Apple or any Contributor, and You will not represent to the contrary, whether expressly, by implication, appearance or otherwise.

13.3 Independent Development. Nothing in this License will impair Apple's right to acquire, license, develop, have others develop for it, market and/or distribute technology or products that perform the same or similar functions as, or otherwise compete with, Modifications, Larger Works, technology or products that You may develop, produce, market or distribute.

13.4 Waiver; Construction. Failure by Apple or any Contributor to enforce any provision of this License will not be deemed a waiver of future enforcement of that or any other provision. Any law or regulation which provides that the language of a contract shall be construed against the drafter will not apply to this License.

13.5 Severability. (a) If for any reason a court of competent jurisdiction finds any provision of this License, or portion thereof, to be unenforceable, that provision of the License will be enforced to the maximum extent permissible so as to effect the economic benefits and intent of the parties, and the remainder of this License will continue in full force and effect. (b) Notwithstanding the foregoing, if applicable law prohibits or restricts You from fully and/or specifically complying with Sections 2 and/or 3 or prevents the enforceability of either of those Sections, this License will immediately terminate and You must immediately discontinue any use of the Covered Code and destroy all copies of it that are in your possession or control.

13.6 Dispute Resolution. Any litigation or other dispute resolution between You and Apple relating to this License shall take place in the Northern District of California, and You and Apple hereby consent to the personal jurisdiction of, and venue in, the state and federal courts within that District with respect to this License. The application of the United Nations Convention on Contracts for the International Sale of Goods is expressly excluded.

13.7 Entire Agreement; Governing Law. This License constitutes the entire agreement between the parties with respect to the subject matter hereof. This License shall be governed by the laws of the United States and the State of California, except that body of California law concerning conflicts of law.

Where You are located in the province of Quebec, Canada, the following clause applies: The parties hereby confirm that they have requested that this License and all related documents be drafted in English.

Les parties ont exigé que le présent contrat et tous les documents connexes soient rédigés en anglais.

Software License Terms

EXHIBIT A.

"Portions Copyright (c) 1999-2003 Apple Computer, Inc. All Rights Reserved.

This file contains Original Code and/or Modifications of Original Code as defined in and that are subject to the Apple Public Source License Version 2.0 (the 'License'). You may not use this file except in compliance with the License. Please obtain a copy of the License at <http://www.opensource.apple.com/apsl/> and read it before using this file.

The Original Code and all software distributed under the License are distributed on an 'AS IS' basis, WITHOUT WARRANTY OF ANY KIND, EITHER EXPRESS OR IMPLIED, AND APPLE HEREBY DISCLAIMS ALL SUCH WARRANTIES, INCLUDING WITHOUT LIMITATION, ANY WARRANTIES OF MERCHANTABILITY, FITNESS FOR A PARTICULAR PURPOSE, QUIET ENJOYMENT OR NON-INFRINGEMENT. Please see the License for the specific language governing rights and limitations under the License."

Other Software Licenses

Info-ZIP Copyright and License

This is version 2007-Mar-4 of the Info-ZIP license. The definitive version of this document should be available at <ftp://ftp.info-zip.org/pub/infozip/license.html> indefinitely and a copy at <http://www.info-zip.org/pub/infozip/license.html>.

Copyright © 1990-2007 Info-ZIP. All rights reserved.

For the purposes of this copyright and license, "Info-ZIP" is defined as the following set of individuals:

Mark Adler, John Bush, Karl Davis, Harald Denker, Jean-Michel Dubois, Jean-loup Gailly, Hunter Goatley, Ed Gordon, Ian Gorman, Chris Herborth, Dirk Haase, Greg Hartwig, Robert Heath, Jonathan Hudson, Paul Kienitz, David Kirschbaum, Johnny Lee, Onno van der Linden, Igor Mandrichenko, Steve P. Miller, Sergio Monesi, Keith Owens, George Petrov, Greg Roelofs, Kai Uwe Rommel, Steve Salisbury, Dave Smith, Steven M. Schweda, Christian Spieler, Cosmin Truta, Antoine Verheijen, Paul von Behren, Rich Wales, Mike White.

Permission is granted to anyone to use this software for any purpose, including commercial applications, and to alter it and redistribute it freely, subject to the above disclaimer and the following restrictions:

1. Redistributions of source code (in whole or in part) must retain the above copyright notice, definition, disclaimer, and this list of conditions.
2. Redistributions in binary form (compiled executables and libraries) must reproduce the above copyright notice, definition, disclaimer, and this list of conditions in documentation and/or other materials provided with the distribution. The sole exception to this condition is redistribution of a standard UnZipSFX binary (including SFXWiz) as part of a self-extracting archive; that is permitted without inclusion of this license, as long as the normal SFX banner has not been removed from the binary or disabled.

Software License Terms

3. Altered versions--including, but not limited to, ports to new operating systems, existing ports with new graphical interfaces, versions with modified or added functionality, and dynamic, shared, or static library versions not from Info-ZIP--must be plainly marked as such and must not be misrepresented as being the original source or, if binaries, compiled from the original source. Such altered versions also must not be misrepresented as being Info-ZIP releases--including, but not limited to, labeling of the altered versions with the names "Info-ZIP" (or any variation thereof, including, but not limited to, different capitalizations), "Pocket UnZip," "WiZ" or "MacZip" without the explicit permission of Info-ZIP. Such altered versions are further prohibited from misrepresentative use of the Zip-Bugs or Info-ZIP e-mail addresses or the Info-ZIP URL(s), such as to imply Info-ZIP will provide support for the altered versions.
4. Info-ZIP retains the right to use the names "Info-ZIP," "Zip," "UnZip," "UnZipSFX," "WiZ," "Pocket UnZip," "Pocket Zip," and "MacZip" for its own source and binary releases.