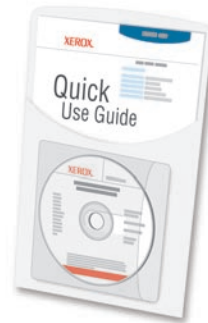


XEROX.

# Quick Use Guide



Phaser® 6180



color laser printer

Printer Tour

Supported Papers

Basic Printing

Troubleshooting



More Information

[www.xerox.com/office/6180support](http://www.xerox.com/office/6180support)

- [Printer drivers and utilities](#)
- [User manuals and instructions](#)
- [Online Support Assistant](#)
- [Safety specifications](#) (in *User Guide*)

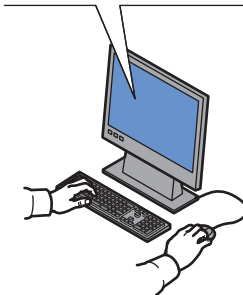
[www.xerox.com/msds](http://www.xerox.com/msds) (U.S./Canada)

[www.xerox.com/environment\\_europe](http://www.xerox.com/environment_europe)

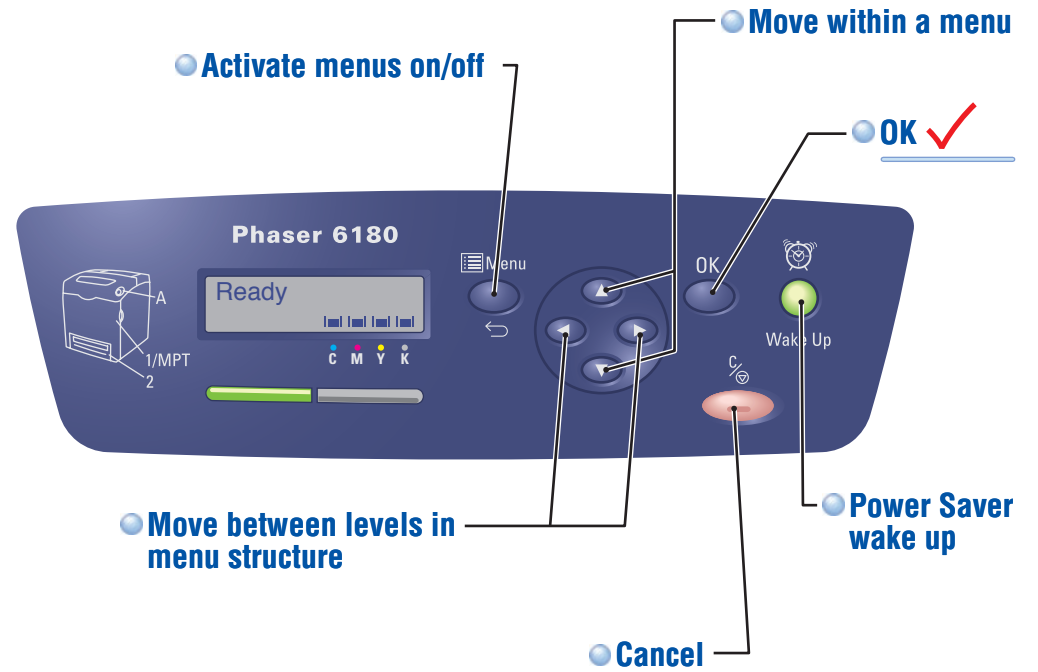
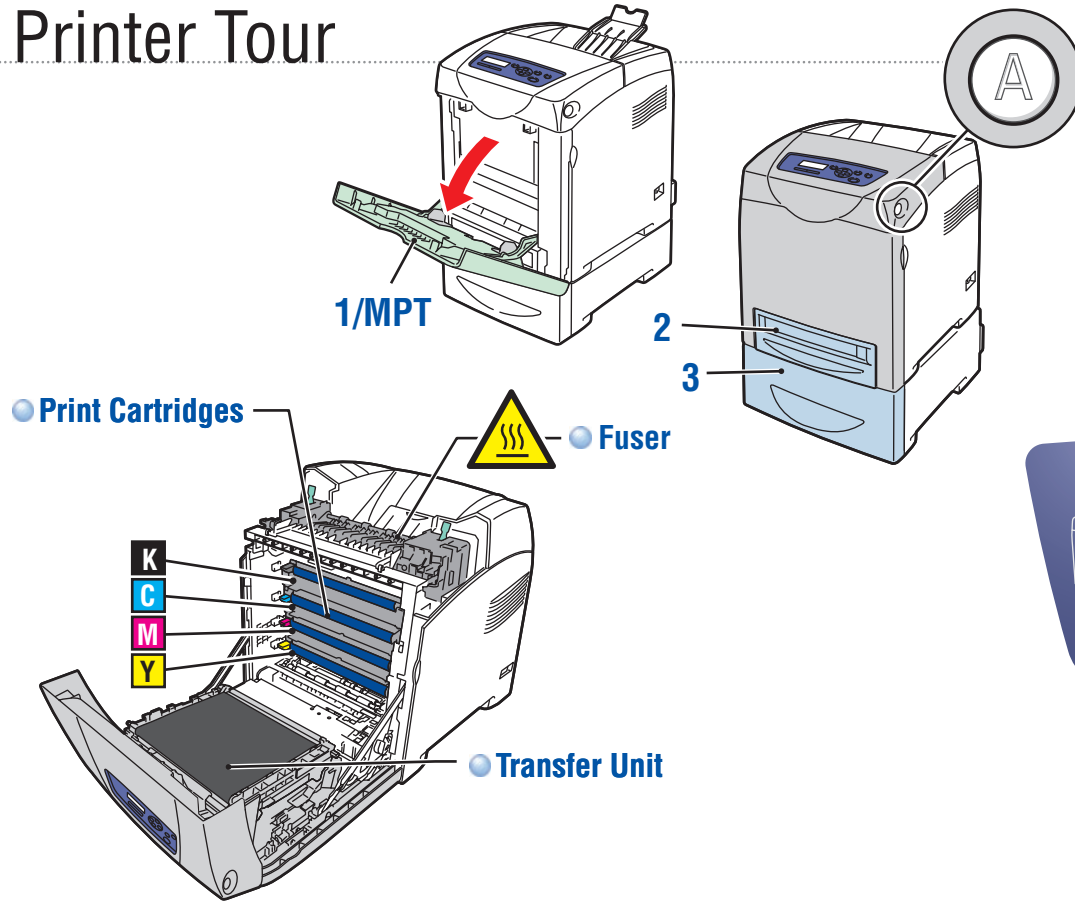
Material Safety Data Sheets

[www.colorconnection.xerox.com](http://www.colorconnection.xerox.com)

Templates, tips, and tutorials



# Printer Tour



Print Cartridges

K

C

M

Y

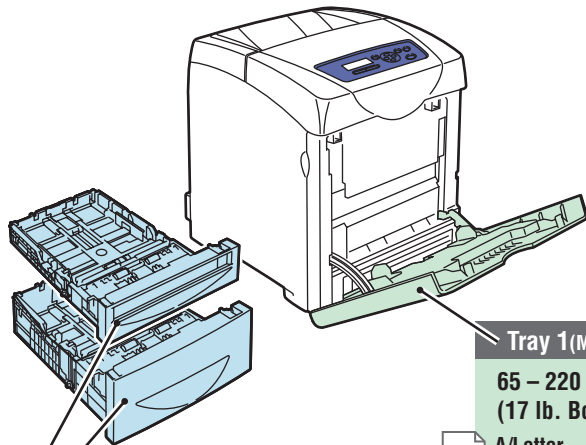
See label

Consumables Reorder		Toner	Standard Capacity	High Capacity
www.xerox.com/office/6180supplies		Cyan	150,000 pages	150,000 pages
Genuine XEROX®		Magenta	150,000 pages	150,000 pages
		Yellow	150,000 pages	150,000 pages
		Black	150,000 pages	150,000 pages
		Tray 1 MPT Tray 2 2-Side		
Plain Paper	85-100 gsm / 15-20 lb. bond	•	•	•
Thin Card Stock	100-120 gsm / 18-40 lb. cover	•	•	•
Thick Card Stock	100-220 gsm / 40-80 lb. cover	•	•	•
Transparency	Transparency	•	•	•
Gloss Coated Paper	100-120 gsm / 18-40 lb. bond	•	•	•
Thick Gloss Coated Paper	100-220 gsm / 40-80 lb. bond	•	•	•
Labels		•	•	•
Paper Envelope		•	•	•

For ordering supplies, contact your local reseller, or visit the **Xerox Supplies** website.

[www.xerox.com/office/6180supplies](http://www.xerox.com/office/6180supplies)

# Supported Papers



## Tray 2, 3

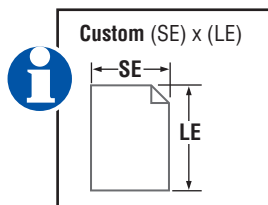
65 – 220 g/m<sup>2</sup>  
(17 lb. Bond – 80 lb. Cover)

A/Letter	8.5 x 11.0 in.
Legal	8.5 x 14.0 in.
Executive	7.25 x 10.5 in.
Folio	8.5 x 13.0 in.

A4	210 x 297 mm
A5	148 x 210 mm
B5	176 x 250 mm

A/Letter	8.5 x 11.0 in.
A4	210 x 297 mm

**Custom**.....(SE) x (LE)  
SE: 148 – 216 mm (5.8 – 8.5 in.)  
LE: 210 – 355.6 mm (8.2 – 14.0 in.)



## Tray 1 (MPT)

65 – 220 g/m<sup>2</sup>  
(17 lb. Bond – 80 lb. Cover)

A/Letter	8.5 x 11.0 in.
Legal	8.5 x 14.0 in.
Executive	7.25 x 10.5 in.
Folio	8.25 x 13.0 in.

#10 Commercial	4.1 x 9.5 in.
Monarch	3.8 x 7.5 in.

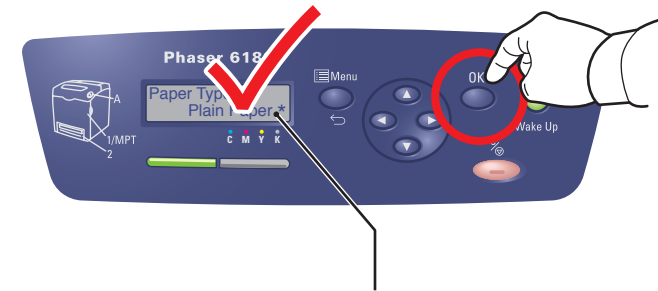
A4	210 x 297 mm
A5	148 x 210 mm
B5	176 x 250 mm

DL	110 x 220 mm
C5	162 x 229 mm

A/Letter	8.5 x 11.0 in.
A4	210 x 297 mm

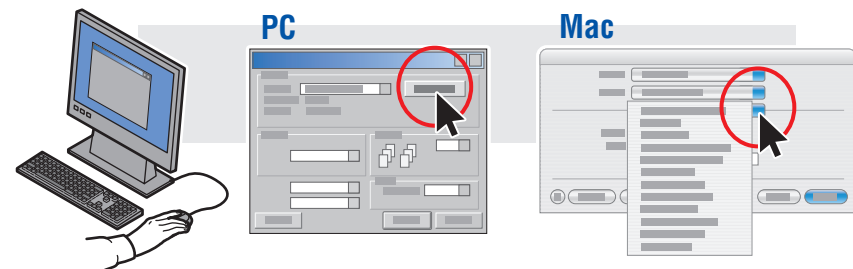
**Custom**.....(SE) x (LE)  
SE: 76.2 – 220 mm (3.0 – 8.7 in.)  
LE: 127 – 355.6 mm (5.0 – 14.0 in.)

● When loading paper: Select appropriate settings on the control panel.

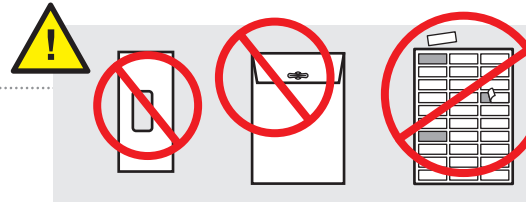
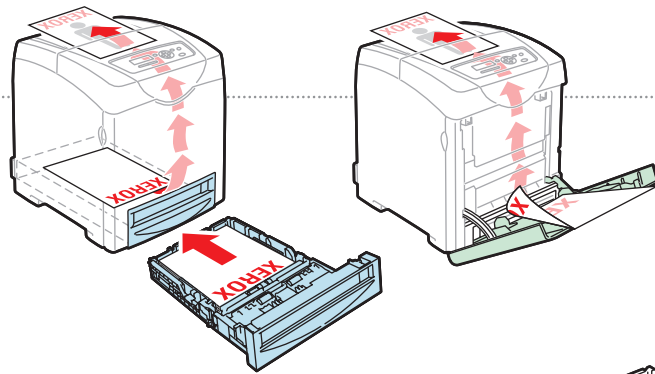


65-120 g/m <sup>2</sup> (17-32 lb. Bond)	Plain Paper
100-163 g/m <sup>2</sup> (28 lb. Bond – 60 lb. Cover)	Thin Card Stock
160-220 g/m <sup>2</sup> (60-80 lb. Cover)	Thick Card Stock
100-160 g/m <sup>2</sup> (28 lb. Bond – 60 lb. Cover)	Glossy Paper
160-220 g/m <sup>2</sup> (60-80 lb. Cover)	Thick Glossy Paper

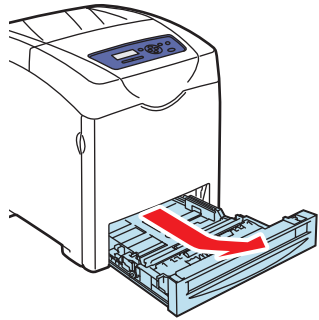
● When Printing: Select properties. Use Xerox printer driver.



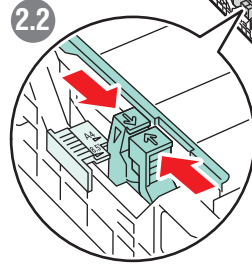
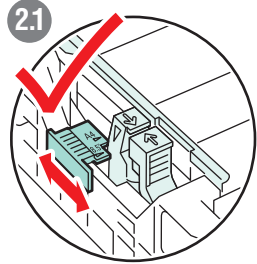
# Basic Printing



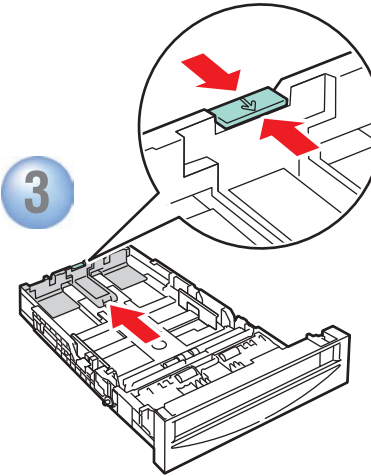
1



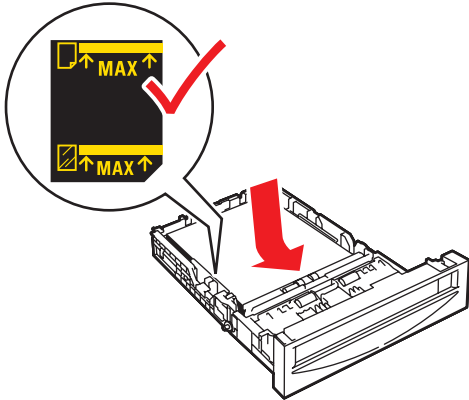
2



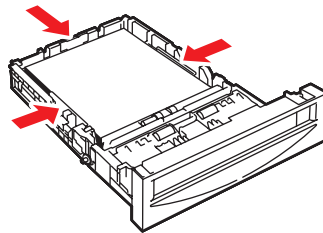
3



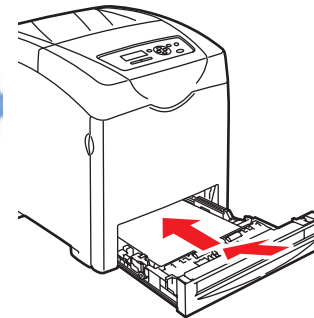
4



5

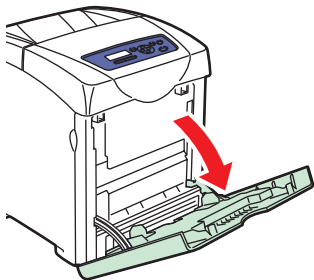


6

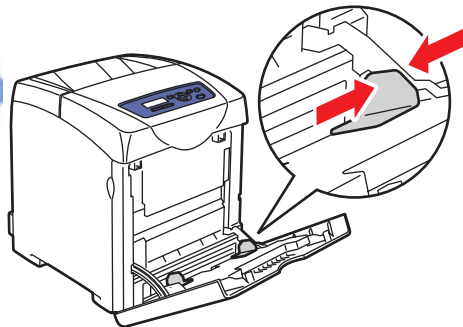


• See **Printing Basics** in the *User Guide* for more information.

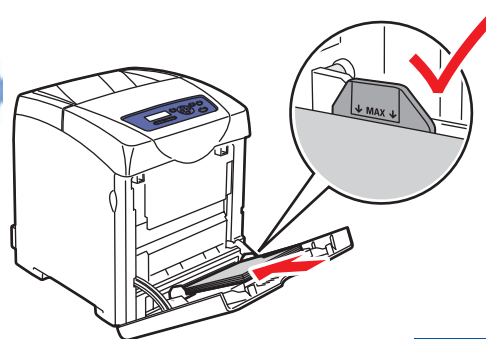
1



2

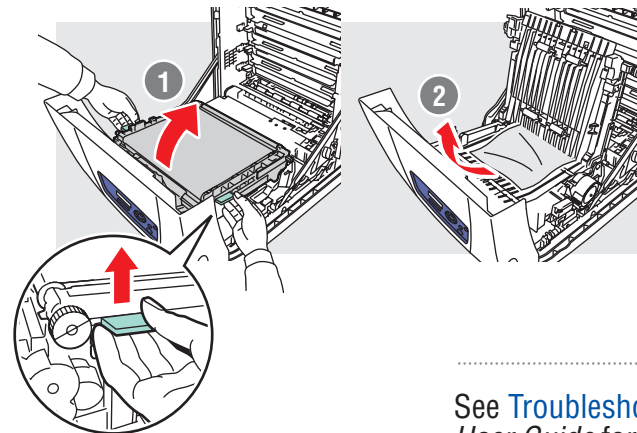
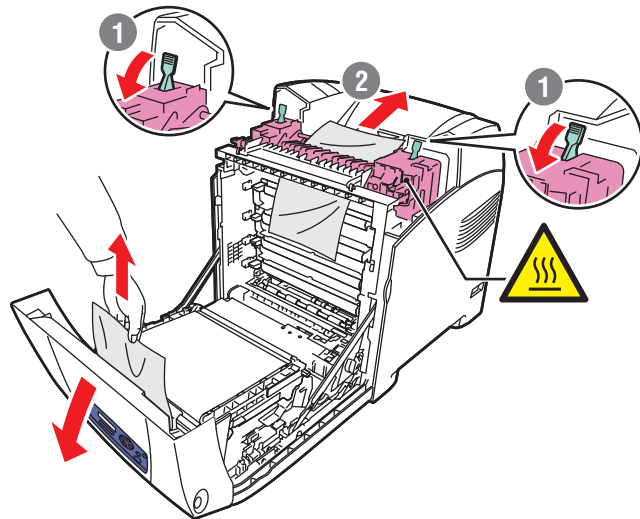
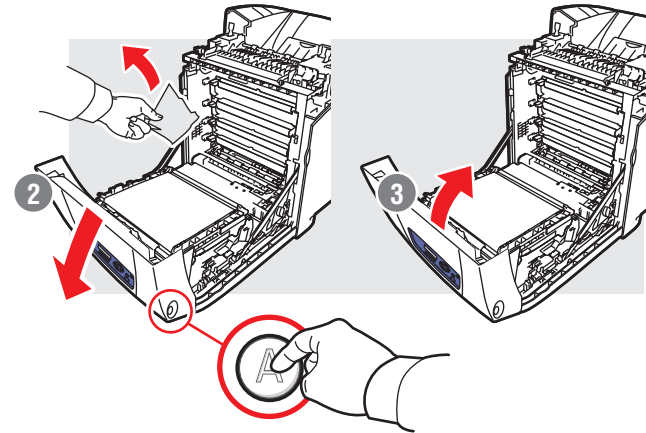
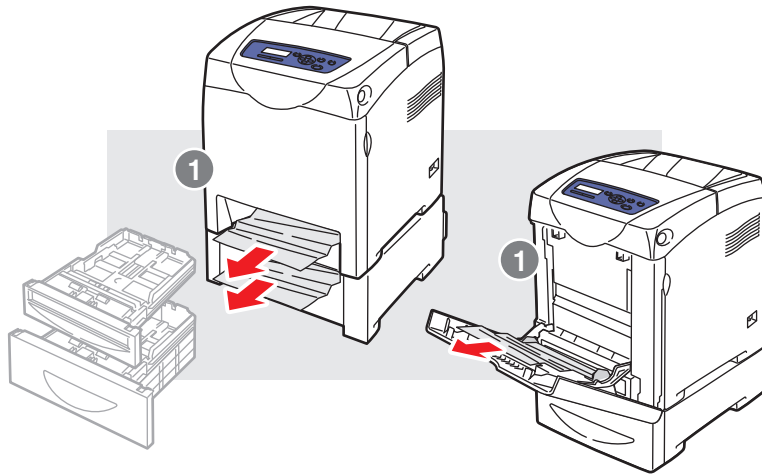


3



# Troubleshooting

## Paper Jams



See [Troubleshooting](#) in the *User Guide* for more information on:

- **Print-quality problems**
- **Color registration**
- **Error messages**

