



# PRO-AV CATALOGUE

2022-2023





For almost 50 years, Vogel's has been developing innovative, reliable and user-friendly mounting solutions for both the consumer and professional markets.

Solutions that excel in design, safety and ease of installation. So you never choose just any mounting solution. You choose the certainty of the best solution.

**Vogel's. For Sure.**

# TABLE OF CONTENTS

Unique Product Development Centre.....	<b>5</b>	PFW 3000 Series Wall Mounts.....	<b>96</b>
Why Vogel's?.....	<b>6</b>	PFW 4000 Series Wall Mounts.....	<b>98</b>
Vogel's. For Tomorrow.....	<b>7</b>	PFW 6000 Series Wall Mounts.....	<b>101</b>
Quality guaranteed .....	<b>8</b>	XXL Wall Mounts.....	<b>104</b>
Pro-AV Mount Advisor.....	<b>9</b>	Video Wall Pop-out Mounts + Connect-it.....	<b>108</b>
Vogel's Connect-it .....	<b>10</b>	Video Wall Pop-out Mounts - Kits.....	<b>109</b>
Connect-it Wall - accessories .....	<b>20</b>	Video Wall Pop-out Mounts.....	<b>111</b>
Connect-it Ceiling Mounts.....	<b>22</b>	RISE Motorized Display Lifts.....	<b>114</b>
PUC 21 Series.....	<b>23</b>	RISE Motorized Display Lifts - Floor Stands.....	<b>115</b>
PUC 24 Series .....	<b>26</b>	RISE Motorized Display Lifts - Trolleys.....	<b>116</b>
PUC 24 Series - Ceiling Kits.....	<b>27</b>	RISE Motorized Display Lifts - floor-wall.....	<b>118</b>
PUC 24 Series - accessories.....	<b>33</b>	RISE Motorized Display Lifts - accessories ....	<b>120</b>
PUC 25 Series.....	<b>34</b>	Motorized Trolley for LED and LCD.....	<b>124</b>
PUC 25 Series - Ceiling Kits - fixed .....	<b>35</b>	Motorized Trolley - LED Kits.....	<b>125</b>
PUC 25 Series - Ceiling Kits - turn .....	<b>36</b>	Motorized Display Trolleys.....	<b>128</b>
PUC 25 Series - Ceiling Kits - double pole.....	<b>37</b>	Motorized Display Trolleys - Kits.....	<b>129</b>
PUC 25 Series - accessories .....	<b>43</b>	Motorized Display Wall Mount .....	<b>131</b>
Height adjustable Ceiling Mounts.....	<b>46</b>	Motorized Display Wall Mount & Kit.....	<b>132</b>
Connect-it Floor solutions.....	<b>48</b>	Motorized solutions - accessories.....	<b>133</b>
PUC 27 Series - Kits Floor Stand single pole....	<b>50</b>	Motorized Touch Table.....	<b>134</b>
PUC 27 Series - Kits Floor Stand double pole..	<b>51</b>	Video Conferencing Furniture.....	<b>136</b>
PUC 27 Series - Kits floor mounted.....	<b>53</b>	Video Conferencing Speakers.....	<b>138</b>
PUC 27 Series - Kits Trolley single pole.....	<b>54</b>	Solution for Samsung OMN-D Series.....	<b>140</b>
PUC 27 Series - Kits Trolley double pole.....	<b>56</b>	Trolleys and Stands.....	<b>142</b>
PUC 27 Series - Back Covers.....	<b>62</b>	Trolleys and Stand - PlasmaBoy® .....	<b>145</b>
PUC 27 Series - accessories.....	<b>65</b>	Stainless steel Floor Stands .....	<b>146</b>
Universal Video Wall solutions .....	<b>70</b>	Stainless steel - Kits Floor Stand.....	<b>147</b>
PUC 29 Series - Kits Floor Stand.....	<b>71</b>	Stainless steel - Kits floor mounted .....	<b>148</b>
PUC 29 Series - Kits Trolley.....	<b>72</b>	Outdoor solutions for LG XE4F Series.....	<b>151</b>
PUC 29 Series - Kits floor mounted.....	<b>73</b>	LG Outdoor - Kits Floor Stand.....	<b>152</b>
PUC 29 Series - Kits floor to ceiling.....	<b>74</b>	LG Outdoor - Kits Wall.....	<b>153</b>
PUC 29 Series - Kits Ceiling.....	<b>75</b>	Monitor Mounts.....	<b>157</b>
PUC 29 Series - accessories.....	<b>83</b>	TabLock® Tablet Holders .....	<b>160</b>
LED Wall solutions.....	<b>86</b>	Universal TabLock® .....	<b>162</b>
Barco UniSee® and TruePix solutions.....	<b>91</b>	Projector Lift Systems.....	<b>166</b>
PFW 1000 Series Wall Mounts .....	<b>92</b>	Projector Ceiling Mounts.....	<b>172</b>
PFW 2000 Series Wall Mounts.....	<b>94</b>	Index.....	<b>178</b>



## Unique Product Development Centre

### **In-house development**

All Vogel's products are developed in-house. Over the years our mechanical Engineers and Product Designers have gained a lot of knowledge and experience in the field of AV installations.

This is bundled at one location in 's-Hertogenbosch, the Netherlands. We are proud to report that our Product Development Centre (PDC) is one of the most extensive R&D departments in Europe in the field of AV mounting solutions for the B2B market.

### **Specialized team**

Based on many years of experience in the development and installation of AV equipment, we offer advice and support for all kind of projects, such as complex video wall installations.

Where necessary, we even provide on-site advice. Our specialized team of Engineers and Product Designers is ready to assist you with optimal product support and service!



## Why Vogel's?

### **The best solution**

In our Product Development Centre, we develop products that fully meet the wishes of the end user and those of the installer. This is the starting point of any new product development process at Vogel's. What do we add to that? Future proof design. So that, even after many years of intensive use, the end user is as happy as ever with it.

### **The best materials**

At Vogel's, we don't compromise on quality. You have to be confident that you have bought a very strong, solid and sustainable product. For us, quality is key in every step of the design process.

### **Maximum safety**

Vogel's products are almost always TÜV-certified. An independent guarantee that you have an absolutely safe product. We test many products for the professional market at five times the maximum weight capacity.

### **Quick and easy installation**

Every Vogel's product is designed for easy mounting. As an installer, this saves you a lot of time, especially on large projects.

### **Service and support**

As easy as our solutions are to install, sometimes extra support is needed. In corporate environments, you also encounter complex and large installation challenges. Our engineers and product designers have a great deal of experience and are happy to offer you expert advice.



“ Corporate social responsibility is not an optional task. We owe it to our future generations.

Gerdi Vogels, CEO ”



## Vogel's. For Tomorrow.

As a market leader and innovator, we like to lead the way with high-quality products. We are always looking for the ultimate solution.

**Corporate Social Responsibility** is part of this. Respect for people and the environment is an important value to us. And we act accordingly.

### **People**

Investing in people is investing in the future. This includes being a good employer and doing business fairly. Important themes that have already brought us a lot.

### **Planet**

As a market leader, we want the production and consumption of our products to be as responsible as possible. This includes reducing our carbon footprint, which is an ongoing process.

### **Profit**

As a part of society, we like to do our bit. Vogel's feels involved and likes to make a positive contribution to the local economy and community.

### **Sustainable packaging**

For our latest product lines we developed fully recyclable packaging. We use 95% less single-use plastics and all EPS (Styrofoam) has been replaced by paper pulp.

### **Raw materials and production process**

We apply strict environmental guidelines to our production process. We also look carefully at the origin of our raw materials. In order to leave these raw materials undamaged as much as possible, we strive for high quality products with a long lifespan.





## Quality guaranteed

### **TÜV NORD**

The TÜV NORD label is an additional confirmation that Vogel's products are safe. All Vogel's products for the consumer market and the professional market are tested thoroughly, so they meet the strict requirements of this certification agency. TÜV NORD is an independent certification authority for products and manufacturing processes. They carry out independent quality and safety tests and are recognized globally as the label of excellent quality.

Almost all Vogel's products carry the TÜV NORD label. Vogel's has this voluntary certification carried out as additional proof that its products are safe. Part of this process is an accelerated sustainability test.

All certified products for professional use are tested to carry at least five times the indicated weight without collapsing (deformation is possible).

### **fischer® mounting materials**

Professionals around the world trust the innovative products, materials and services by fischer® for mounting solutions. We have chosen the fischer wall plugs because of their great expertise and proven solidity. This is reflected in the high quality of their products and possibilities for different wall types.

## Pro-AV Mount Advisor

### Find the exact solution you need

Vogel's has developed the Pro-AV Mount Advisor. The product range of Vogel's consists of an extensive number of (modular) products. It is possible to compose a solution for nearly every application.



Check out the Pro-AV Mount Advisor on the Vogel's website: [vogels.com/pro-avmountadvisor](https://vogels.com/pro-avmountadvisor)

So many mounting options,  
unlimited solutions...

Configure your solution in just  
a few easy steps!





# Vogel's Connect-it

**Limited components,  
unlimited possibilities**

Vogel's Connect-it modular concept consists of a complete range of universal wall-, ceiling- and floor solutions for all kind of displays.

The modularity of Connect-it is unique. With only a few standard components you can create solutions for almost every situation. From basic, single display solutions to more complex, multiple display solutions such as back-to-back, side-by-side, floor to ceiling and even all kind of video walls.

**Universal display interface for  
multiple solutions**

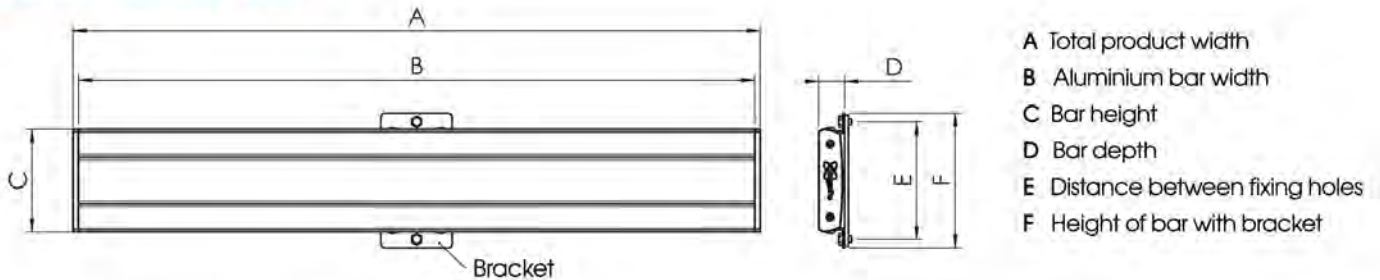
The modular display interface consists of two separate components: an interface bar and a set of two display interface strips. The interface bar is for the horizontal display fitment and the display interface strips are for the vertical fitment. The combination of bars and strips creates the perfect fitment for any display.

Whether you require a wall solution, ceiling solution, a floor solution or a video wall solution, a Connect-it display interface is needed.

# Connect-it Wall Mounts

A Connect-it wall mount consists of two separate components: a display interface bar and two display interface strips. The interface bar is for the horizontal display fitment and the display interface strips are for the vertical fitment.

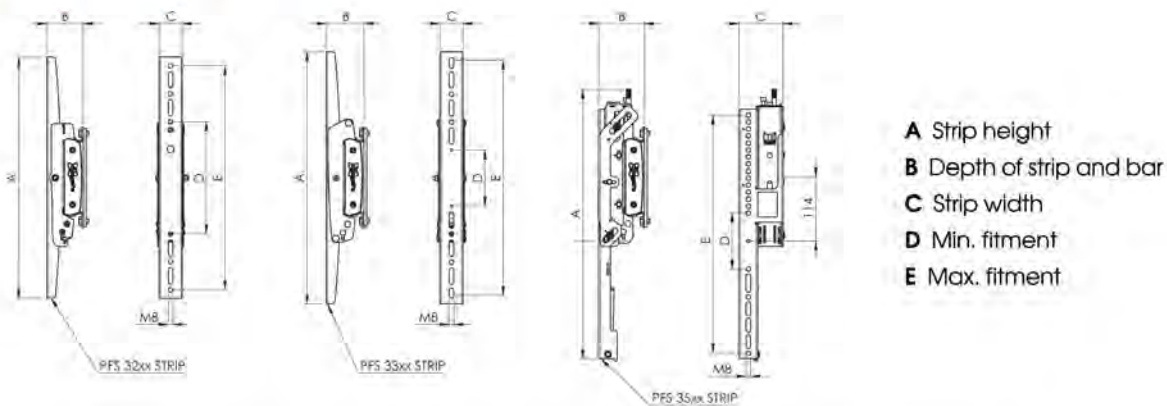
## Display Interface Bars



- A Total product width
- B Aluminium bar width
- C Bar height
- D Bar depth
- E Distance between fixing holes
- F Height of bar with bracket

	Dimensions (mm)						Max. horizontal fitment			Depth of bar including strip			Brackets	Max. weight (kg)
	A	B	C	D	E	F	PFS 32xx	PFS 33xx	PFS 35xx	PFS 32xx	PFS 33xx	PFS 35xx		
PFB 3402	290	275	137	35	157	180	225	225	310	67	67	73-90	1	80
PFB 3405	515	500	137	35	157	180	450	450	535	67	67	73-90	1	80
PFB 3407	715	700	137	35	157	180	650	650	735	67	67	73-90	1	80
PFB 3409	915	900	137	35	157	180	850	850	935	67	67	73-90	1	80
PFB 3411	1175	1160	137	35	157	180	1110	1110	1195	67	67	73-90	2	160
PFB 3419	1915	1900	137	35	157	180	1850	1850	1935	67	67	73-90	3	160
PFB 3427	2765	2750	137	35	157	180	2700	2700	2785	67	67	73-90	3	160
PFB 3433	3315	3300	137	35	157	180	3250	3250	3335	67	67	73-90	3	160

## Display Interface Strips



- A Strip height
- B Depth of strip and bar
- C Strip width
- D Min. fitment
- E Max. fitment

	Strips	Dimensions (mm)			Min. fitment	Max. fitment	Tilt °	Max. weight (kg)
		A	B	C	D	E		
160 kg strips	PFS 3204	430	67	41	200	400	+3/0/-3	80
	PFS 3208	830	67	41	200	800	+3/0/-3	80
Tilt strips	PFS 3302	295	67	41	75	270	+20/+15/+10/0	80
	PFS 3304	450	67	41	100	420	+20/+15/+10/0	80
	PFS 3306	630	67	41	200	600	+20/+15/+10/0	80
	PFS 3308	830	67	41	200	800	+20/+15/+10/0	80
	PFS 3311	1130	67	41	200	1100	+20/+15/+10/0	80
Video wall strips	PFS 3504	482	73-90	79	200	400	+7/0/-3	80
	PFS 3508	857	73-90	79	200	800	+7/0/-3	80

## PFB 3402

Display Interface Bar

## PFB 3405

Display Interface Bar

## DISPLAY INTERFACE BARS



### Specifications

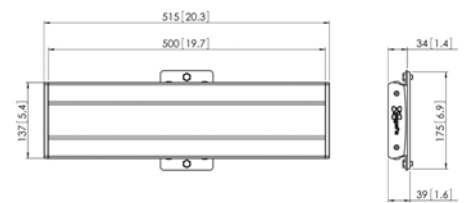
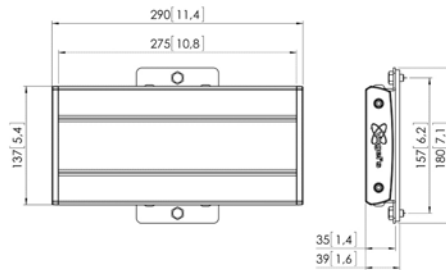
Max. weight load on wall (kg)	53	53
Width (mm)	290	515
Min. horizontal hole pattern (mm)	100	100
Max. horizontal hole pattern (mm)	225	450

### Guarantee

TÜV certified		
Guarantee	5 years	5 years

### General

Colour	Black   Silver	Black   Silver
Article number	7234020 (Black) 7234024 (Silver)	7234050 (Black) 7234054 (Silver)
EAN single box	8712285329401 (Black) 8712285323027 (Silver)	8712285329425 (Black) 8712285318764 (Silver)



## PFB 3407

Display Interface Bar



53  
715  
100  
650

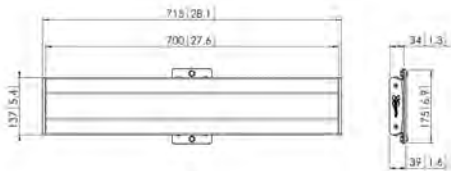


5 years

Black | Silver

7234070 (Black)  
7234074 (Silver)

8712285329449 (Black)  
8712285318788 (Silver)



## PFB 3409

Display Interface Bar



53  
915  
100  
850

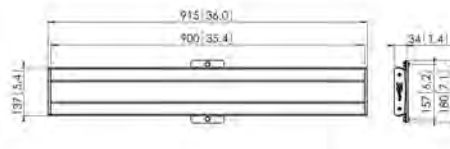


5 years

Black | Silver

7234090 (Black)  
7234094 (Silver)

8712285329463 (Black)  
8712285318801 (Silver)



## PFB 3411

Display Interface Bar



106  
1175  
100  
1110

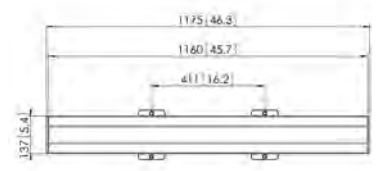


5 years

Black | Silver

7234110 (Black)  
7234114 (Silver)

8712285329487 (Black)  
8712285318825 (Silver)



## DISPLAY INTERFACE BARS

### PFB 3419

Display Interface Bar

### PFB 3427

Display Interface Bar



#### Specifications

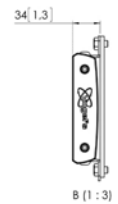
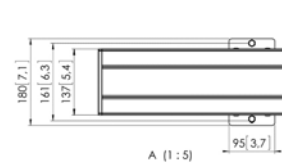
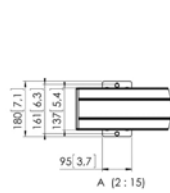
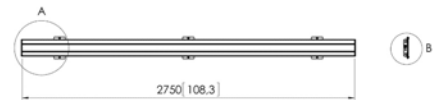
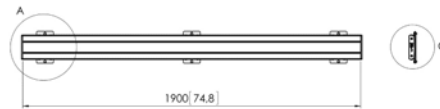
Max. weight load on wall (kg)	160	160
Width (mm)	1915	2750
Min. horizontal hole pattern (mm)	100	100
Max. horizontal hole pattern (mm)	1850	2700

#### Guarantee

TÜV certified		
Guarantee	5 years	5 years

#### General

Colour	Black   Silver	Black   Silver
Article number	7234190 (Black) 7234194 (Silver)	7234270 (Black) 7234274 (Silver)
EAN single box	8712285328749 (Black) 8712285330209 (Silver)	8712285328763 (Black) 8712285330223 (Silver)





**PFB 3433**

Display Interface Bar



160

3300

100

3250



5 years

Black | Silver

7234330 (Black)

7234334 (Silver)

8712285328787 (Black)

8712285330247 (Silver)



A (1 : 5)



C (1 : 3)

## DISPLAY INTERFACE STRIPS

### PFS 3204

Display Interface Strips heavy weight



### PFS 3208

Display Interface Strips heavy weight



#### Specifications

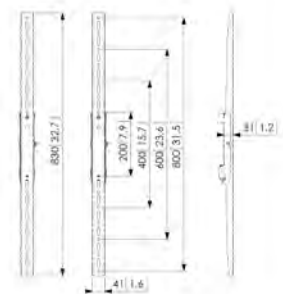
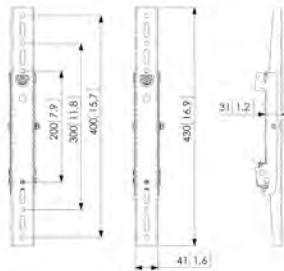
Max. weight load (kg)	160	160
Min. vertical hole pattern (mm)	200	200
Max. vertical hole pattern (mm)	400	800
Height (mm)	430	830
Tilt	Tilt -3°/+3°	Tilt -3°/+3°

#### Guarantee

TÜV certified		
Guarantee	5 years	5 years

#### General

Colour	Black	Black
Article number	7232040	7232080
EAN single box	8712285329302	8712285329326



## PFS 3302

Display Interface Strips tilt



80  
75  
270  
295

Tilt up to 20°

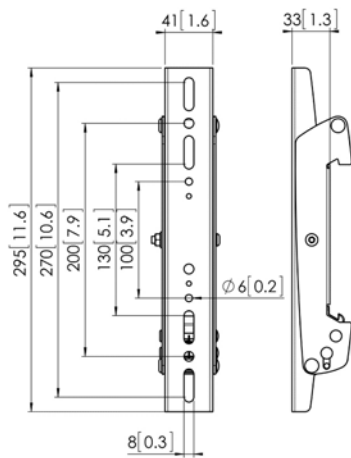


5 years

Black

7233020

8712285323041



## PFS 3304

Display Interface Strips tilt



80  
100  
420  
450

Tilt up to 20°

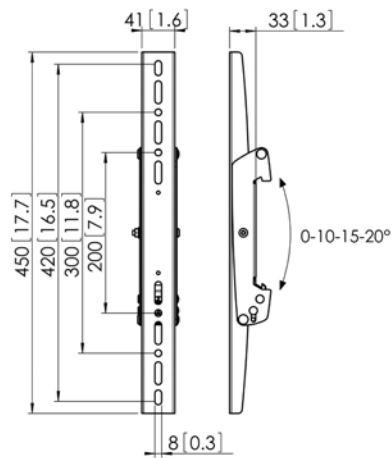


5 years

Black

7233040

8712285318863



## PFS 3306

Display Interface Strips tilt



80  
200  
600  
630

Tilt up to 20°

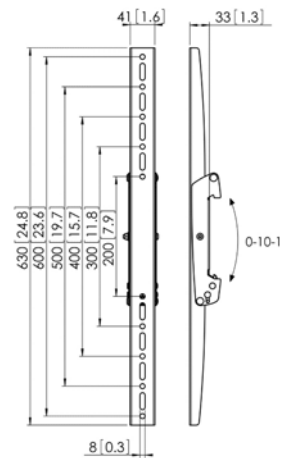


5 years

Black

7233060

8712285318900



## DISPLAY INTERFACE STRIPS

### PFS 3308

Display Interface Strips tilt



### PFS 3311

Display Interface Strips tilt



#### Specifications

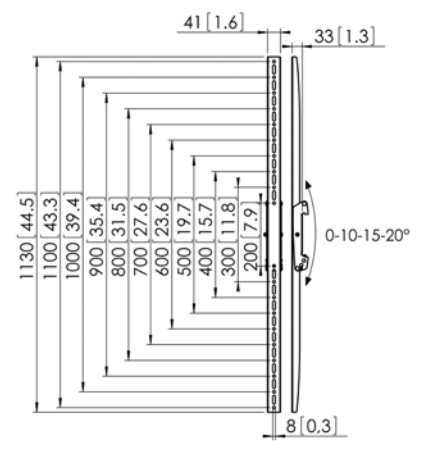
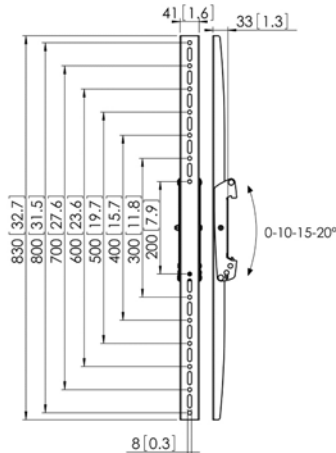
Max. weight load (kg)	80	80
Min. vertical hole pattern (mm)	200	200
Max. vertical hole pattern (mm)	800	1100
Height (mm)	830	1130
Tilt	Tilt up to 20°	Tilt up to 20°

#### Guarantee

TÜV certified		
Guarantee	5 years	5 years

#### General

Colour	Black	Black
Article number	7233080	7233110
EAN single box	8712285318924	8712285318948



**PFS 3504**

Display Interface Strips 3D adjustable



80

100

400

482

Tilt -3°/+7°

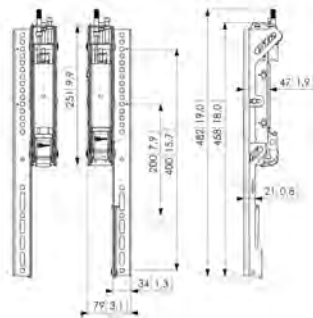


5 years

Black

7235040

8712285328800



**PFS 3508**

Display Interface Strips 3D adjustable



80

200

800

857

Tilt -3°/+7°

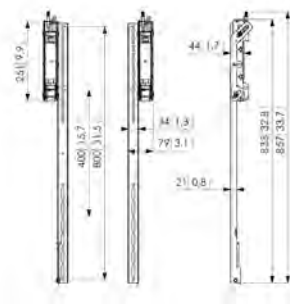


5 years

Black

7235080

8712285328824







**PFA 9122**

Z-Bracket for PFS 3504



80

Tilt up to 8°

**PFA 9168**

Cisco Webex Adapter



55

85

**PFA 9109**

Padlock for PFS strips

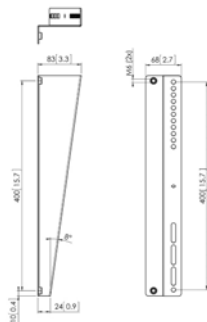


5 years

Black

7291220

8712285328664

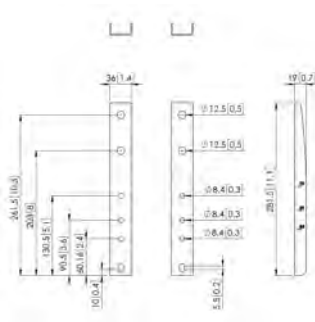


5 years

Black

7291680

8712285351402

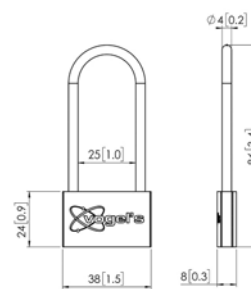


5 years

Black

7291090

8712285321023





## Connect-it Ceiling Mounts

Depending on the situation you choose the right ceiling plate and required pole length. The modular display interface can be selected based on the fitment of your display. With the standard Connect-it components it is also possible to create a diversity of multiple display solutions; back-to-back, side-by-side, etc. All of this including the well-known ease-of-installation features.

### **PUC 21 /24 Series**

When you need a ceiling solution (single display) for small- to medium-sized displays you can choose the PUC 21 or PUC 24 Series.

### **PUC 25 Series**

When you are in need of a ceiling solution for medium- to large-sized displays and you want to create a diversity of multiple displays: back-to-back or side-by-side, etc. then choose the PUC 25 Series.

### **PUC 29 Series**

Do you want to built a video wall or you need a ceiling solution for large- to XL-sized displays then choose the PUC 29 Series.

## PUC 21 Series

### Small- to medium-sized displays

The PUC 21 Series is part of the modular Connect-it system with which you can create a ceiling solution. The ceiling plate allows you to install the mount to any flat ceiling. The round shape of the poles makes the PUC 21 Series perfectly suitable for suspended ceilings. The poles are equipped with a CIS® Cable Inlay System, which ensures that all cables are concealed.

### Display mounting

For small VESA sizes up to 200x200 mm, there are two special display interfaces with a step-by-step tilt function (see page 32). These interfaces are also compatible with the PUC 24 Series poles.



### Key features

- Quick and easy to install
- Aluminium, easy to cut to length
- TÜV-5 certified
- Compatible with projector mounts  
PPC 1500/2500 (see page 173)

### PUC 21 Series contains:

- Ceiling plates for flat ceilings
- Poles (three lengths)
- Small display interfaces (see page 32)
- Accessories

## CEILING PLATE AND POLES

**PUC 1011**  
Ceiling Plate fixed



**PUC 2108**  
Pole



### Specifications

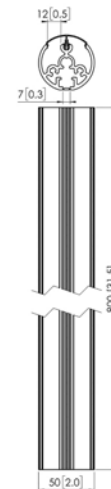
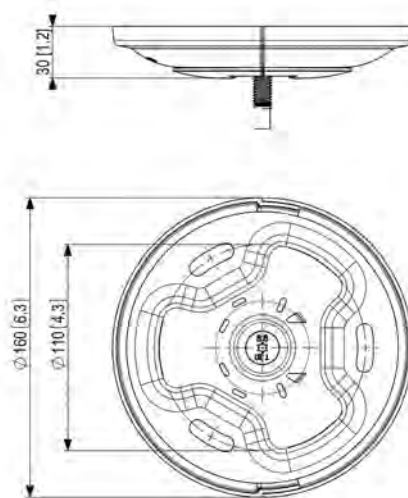
Max. weight load (kg)	30	30
Length (mm)		800
Ceiling types	Flat ceiling	

### Guarantee

TÜV certified		
Guarantee	5 years	5 years

### General

Colour	Black	Silver
Article number	7210110	7221084
EAN single box	8712285319365	8712285317149





**PUC 2115**

Pole



30

1500

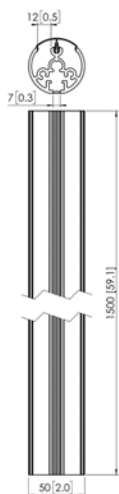


5 years

Silver

7221154

8712285317163



**PUC 2130**

Pole



30

3000

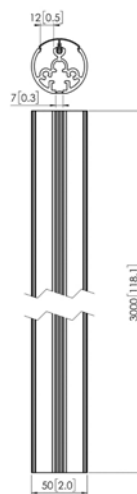


5 years

Silver

7221304

8712285317187





## PUC 24 Series

### Small- to medium-sized displays

The PUC 24 Series is part of the modular Connect-it system with which you can create a ceiling solution for small- to medium-sized displays.

Thanks to its round shape and the 360° turn function, a suspended ceiling can also be completed quickly and professionally. The tilt function in the ceiling plate ensures that the support can also be mounted to inclined ceilings. All existing Connect-it accessories can be used with the PUC 24 Series. The innovative nut channel now makes it easy to add accessories after installation. The PUC 24 Series is also equipped with a CIS® Cable Inlay System.

The PUC 24 poles are available in different lengths and are easy to shorten.

### Display mounting

For small VESA sizes, Vogel's has developed two special display interfaces with a step-by-step tilt function. For large VESA sizes, it is possible to use the conventional display interface bars and display interface strips from the modular Connect-it system (see page 11-19).

### Key features

- Quick and easy to install
- Strong and flexible options for use
- Add accessories after installation
- TÜV-5 certified

### PUC 24 Series contains:

- Ceiling plate and truss adapter
- Poles (compatible with PPC 1500/2500)
- Small display interfaces
- Display interface bars and strips
- Accessories
- PUC 24 ceiling kits

CEILING KITS

**CT240811**

Ceiling Mount turn

**CT241511**

Ceiling Mount turn

**CT242211**

Ceiling Mount turn

**CT243011**

Ceiling Mount turn



**Specifications**

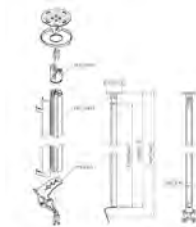
Max. weight load (kg)	30	30	30	30
Max. distance to ceiling - center display (mm)	1009	1709	2409	3209
Min./ Max. screen size (inch)	10 / 32	10 / 32	10 / 32	10 / 32
Ceiling types	Flat / inclined ceiling	Flat / inclined ceiling	Flat / inclined ceiling	Flat / inclined ceiling
Turn	Up to 360°	Up to 360°	Up to 360°	Up to 360°
Tilt	Tilt up to 20°	Tilt up to 20°	Tilt up to 20°	Tilt up to 20°
Min. VESA hole pattern (mm)	50 x 50	50 x 50	50 x 50	50 x 50
Max. VESA hole pattern (mm)	100 x 100	100 x 100	100 x 100	100 x 100

**Guarantee**

TÜV certified				
Guarantee	5 years	5 years	5 years	5 years

**General**

Colour	Black   Silver	Black   Silver	Black   Silver	Black   Silver
Article number	7955010 (Black) 7955014 (Silver)	7955030 (Black) 7955034 (Silver)	7955060 (Black) 7955064 (Silver)	7955080 (Black) 7955084 (Silver)



## CEILING KITS

### CT240822

Ceiling Mount turn

### CT241522

Ceiling Mount turn

### CT242222

Ceiling Mount turn

### CT243022

Ceiling Mount turn



#### Specifications

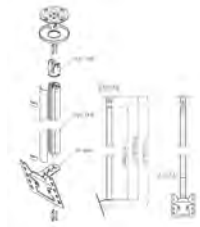
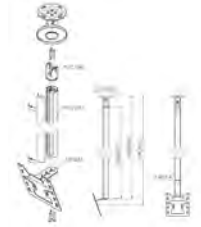
Max. weight load (kg)	30	30	30	30
Max. distance to ceiling - center display (mm)	978	1678	2378	3178
Min./ Max. screen size (inch)	19 / 43	19 / 43	19 / 43	19 / 43
Ceiling types	Flat / inclined ceiling	Flat / inclined ceiling	Flat / inclined ceiling	Flat / inclined ceiling
Turn	Up to 360°	Up to 360°	Up to 360°	Up to 360°
Tilt	Tilt up to 20°	Tilt up to 20°	Tilt up to 20°	Tilt up to 20°
Min. VESA hole pattern (mm)	100 x 100	100 x 100	100 x 100	100 x 100
Max. VESA hole pattern (mm)	200 x 200	200 x 200	200 x 200	200 x 200

#### Guarantee

TÜV certified				
Guarantee	5 years	5 years	5 years	5 years

#### General

Colour	Black   Silver	Black   Silver	Black   Silver	Black   Silver
Article number	7955020 (Black) 7955024 (Silver)	7955040 (Black) 7955044 (Silver)	7955070 (Black) 7955074 (Silver)	7955090 (Black) 7955094 (Silver)



CEILING KITS

**CT240844**  
Ceiling Mount turn

**CT241544**  
Ceiling Mount turn

**CT242244**  
Ceiling Mount turn

**CT243044**  
Ceiling Mount turn



**Specifications**

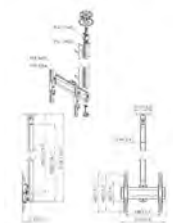
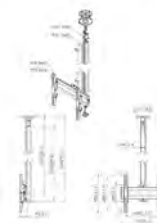
Max. weight load (kg)	40	40	40	40
Max. distance to ceiling - center display (mm)	821	1521	2221	3021
Min./ Max. screen size (inch)	32 / 65	32 / 65	32 / 65	32 / 65
Ceiling types	Flat / inclined ceiling	Flat / inclined ceiling	Flat / inclined ceiling	Flat / inclined ceiling
Turn	Up to 360°	Up to 360°	Up to 360°	Up to 360°
Tilt	Tilt up to 20°	Tilt up to 20°	Tilt up to 20°	Tilt up to 20°
Min. VESA hole pattern (mm)	100 x 100	100 x 100	100 x 100	100 x 100
Max. VESA hole pattern (mm)	400 x 400	400 x 400	400 x 400	400 x 400

**Guarantee**

TÜV certified				
Guarantee	5 years	5 years	5 years	5 years

**General**

Colour	Black   Silver	Black   Silver	Black   Silver	Black   Silver
Article number	7955100 (Black) 7955104 (Silver)	7955110 (Black) 7955114 (Silver)	7955120 (Black) 7955124 (Silver)	7955130 (Black) 7955134 (Silver)



## CEILING PLATES

### PUC 1045

Ceiling Plate turn & tilt



### PUC 1051

Truss Adapter



#### Specifications

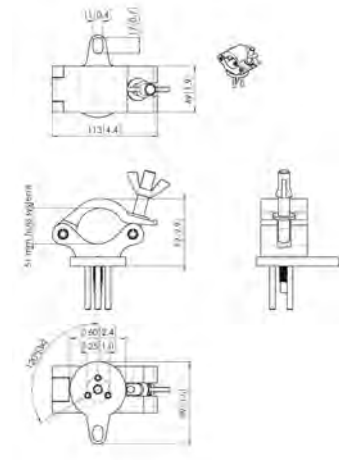
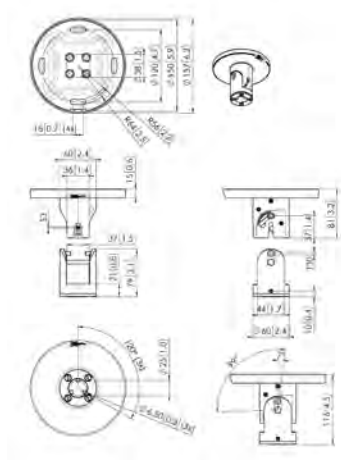
Max. weight load (kg)	40	40
Turn	Up to 360°	
Tilt	Tilt up to 90°	
Ceiling types	Flat / inclined ceiling	Truss system

#### Guarantee

TÜV certified		
Guarantee	5 years	5 years

#### General

Colour	Black	Stainless Steel
Article number	7210450	7210514
EAN single box	8712285343940	8712285344404



POLES

**PUC 2408**

Pole

**PUC 2415**

Pole

**PUC 2422**

Pole

**PUC 2430**

Pole



**Specifications**

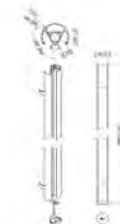
Max. weight load (kg)	40	40	40	40
Length (mm)	800	1500	2200	3000

**Guarantee**

TÜV certified				
Guarantee	5 years	5 years	5 years	5 years

**General**

Colour	Black   Silver	Black   Silver	Black   Silver	Black   Silver
Article number	7224080 (Black) 7224084 (Silver)	7224150 (Black) 7224154 (Silver)	7224220 (Black) 7224224 (Silver)	7224300 (Black) 7224304 (Silver)
EAN single box	8712285344428 (Black) 8712285344442 (Silver)	8712285344466 (Black) 8712285344480 (Silver)	8712285344503 (Black) 8712285344527 (Silver)	8712285344541 (Black) 8712285344565 (Silver)



INTERFACES

**PFI 3015**  
Display Interface



**PFI 3045**  
Display Interface



**Specifications**

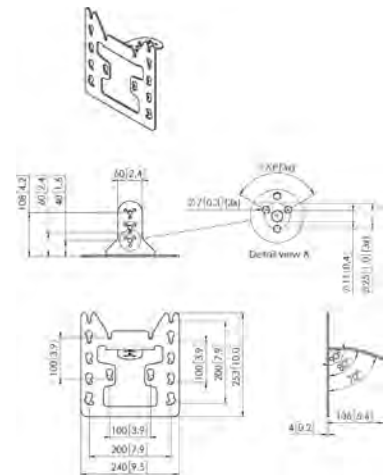
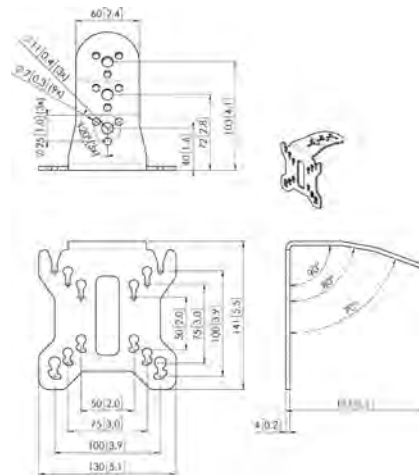
Max. weight load (kg)	30	30
Min./ Max. screen size (inch)	10 / 32	19 / 43
Tilt	Tilt up to 20°	Tilt up to 20°
Hole pattern (VESA)	50 mm x 50 mm 75 mm x 75 mm 100 mm x 100 mm	100 mm x 100 mm 200 mm x 100 mm 200 mm x 200 mm

**Guarantee**

TÜV certified		
Guarantee	5 years	5 years

**General**

Colour	Black	Black
Article number	7230150	7230450
EAN single box	8712285343865	8712285343889





ACCESSORIES

<b>PUA 9515</b> Girder H-Beam clamp 70-180 mm	<b>PUA 9516</b> Girder H-Beam clamp 150-300 mm	<b>PUA 9510</b> Stabilization Kit for PUC 24	<b>PFA 9149</b> T-Slot Nuts
--	---	---	--------------------------------



**Specifications**

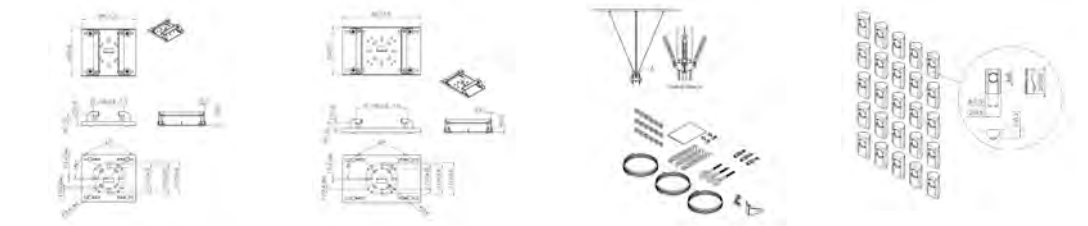
Max. weight load (kg)	80	80		
H-beam size	70-180 mm	150-300 mm		
Length (mm)			4000	

**Guarantee**

TÜV certified				
Guarantee	5 years	5 years	5 years	5 years

**General**

Colour	Black	Black	Stainless Steel	Silver
Article number	7295154	7295164	7295104	7291490
EAN single box	8712285345166	8712285345180	8712285335884	8712285345425



## PUC 25 Series

### Medium- to large-sized displays

The PUC 25 Series is part of the modular Connect-it system with which you can create a ceiling solution for medium- to large-sized displays.

The poles of the PUC 25 Series are equipped with a multiple cable inlay system with which you can quickly and simply ensure that all cables are hidden. The pole is made of aluminium and therefore, it can simply be cut at the required length.

Multiple displays can easily be installed back-to-back, on top of each other or next to each other.



Combine this pole with one of the Connect-it ceiling plates, Connect-it display interface bar and Connect-it interface strips (see page 11-19) for a complete ceiling solution.

### Key features

- CIS® cable management
- Aluminium, easy to cut to length
- Multiple display mounting
- Safety end cap included

### PUC 25 Series contains:

- Ceiling plates
- Poles (three lengths)
- Display interface bars and strips
- Accessories
- PUC 25 ceiling kits

CEILING KITS - FIXED

**C0844**  
Ceiling Mount fixed

**C1544**  
Ceiling Mount fixed

**C3044**  
Ceiling Mount fixed



**Specifications**

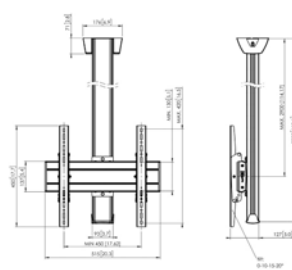
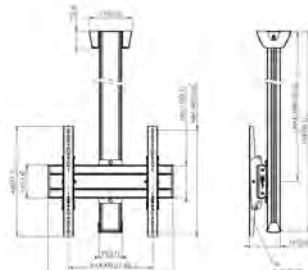
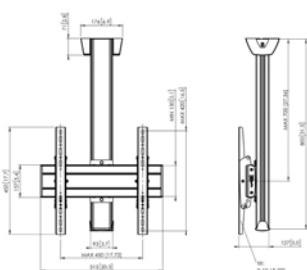
Max. weight load (kg)	80	80	80
Max. distance to ceiling - center display (mm)	700	1400	2900
Max. screen size (inch)	65	65	65
Tilt	Tilt up to 20°	Tilt up to 20°	Tilt up to 20°
Ceiling types	Flat ceiling	Flat ceiling	Flat ceiling
Min. VESA hole pattern (mm)	100 x 100	100 x 100	100 x 100
Max. VESA hole pattern (mm)	450 x 420	450 x 420	450 x 420

**Guarantee**

TÜV certified			
Guarantee	5 years	5 years	5 years

**General**

Colour	Black   Silver	Black   Silver	Black   Silver
Article number	7950010 (Black) 7950014 (Silver)	7950020 (Black) 7950024 (Silver)	7950030 (Black) 7950034 (Silver)



## CEILING KITS - TURN

**CT0844**  
Ceiling Mount turn

**CT1544**  
Ceiling Mount turn

**CT3044**  
Ceiling Mount turn



### Specifications

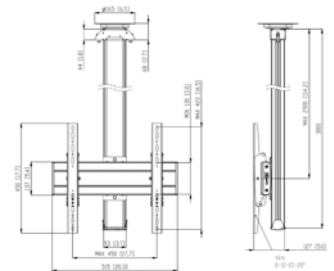
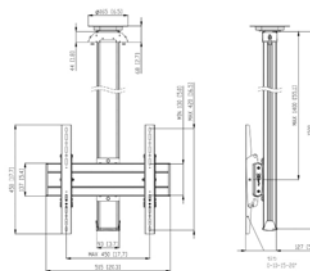
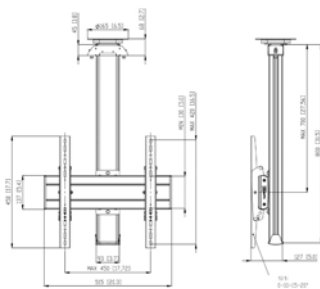
Max. weight load (kg)	80	80	80
Max. distance to ceiling - center display (mm)	700	1400	2900
Max. screen size (inch)	65	65	65
Turn	Up to 360°	Up to 360°	Up to 360°
Tilt	Tilt up to 20°	Tilt up to 20°	Tilt up to 20°
Ceiling types	Flat ceiling	Flat ceiling	Flat ceiling
Min. VESA hole pattern (mm)	100 x 100	100 x 100	100 x 100
Max. VESA hole pattern (mm)	450 x 420	450 x 420	450 x 420

### Guarantee

TÜV certified			
Guarantee	5 years	5 years	5 years

### General

Colour	Black   Silver	Black   Silver	Black   Silver
Article number	7950080 (Black) 7950084 (Silver)	7950090 (Black) 7950094 (Silver)	7950100 (Black) 7950104 (Silver)



## CEILING KITS - DOUBLE POLE

### CD1564

Ceiling Mount double pole



### CD3064

Ceiling Mount double pole



#### Specifications

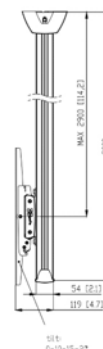
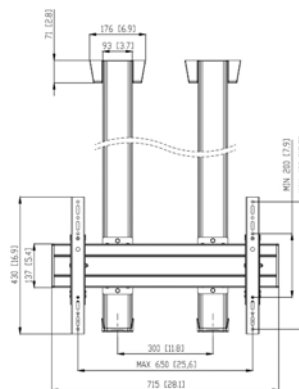
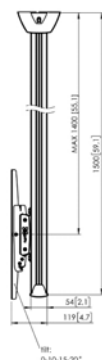
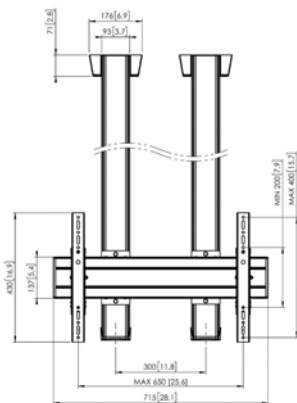
Max. weight load (kg)	160	160
Max. distance to ceiling - center display (mm)	1400	2900
Min. screen size (inch)	65	65
Tilt	Tilt -3°/+3°	Tilt -3°/+3°
Ceiling types	Flat ceiling	Flat ceiling
Min. VESA hole pattern (mm)	100 x 100	100 x 100
Max. VESA hole pattern (mm)	650 x 400	650 x 400

#### Guarantee

TÜV certified		
Guarantee	5 years	5 years

#### General

Colour	Black   Silver	Black   Silver
Article number	7950040 (Black) 7950044 (Silver)	7950060 (Black) 7950064 (Silver)



## CEILING KITS - DOUBLE POLE

### CD1584

Ceiling Mount double pole



### CD3084

Ceiling Mount double pole



#### Specifications

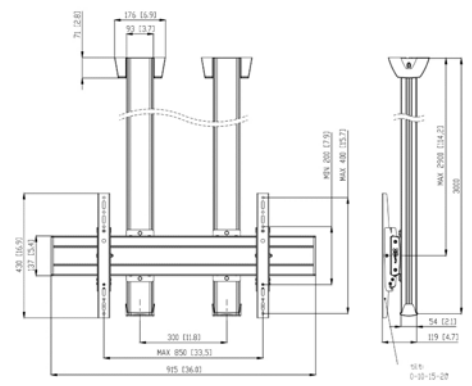
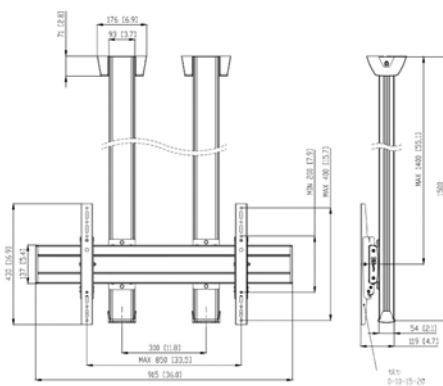
Max. weight load (kg)	160	120
Max. distance to ceiling - center display (mm)	1400	2900
Min. screen size (inch)	65	65
Tilt	Tilt -3°/+3°	Tilt -3°/+3°
Ceiling types	Flat ceiling	Flat ceiling
Min. VESA hole pattern (mm)	100 x 100	100 x 100
Max. VESA hole pattern (mm)	850 x 400	850 x 400

#### Guarantee

TÜV certified		
Guarantee	5 years	5 years

#### General

Colour	Black   Silver	Black   Silver
Article number	7950050 (Black) 7950054 (Silver)	7950070 (Black) 7950074 (Silver)





**DRINKEN**

WATER	€ 0,50
SOEP	€ 1,50
COCA-COLA	€ 2,50
COCA-COLA LIGHT	€ 2,50
FRUIT ORANJE	€ 2,50
SPRIT	€ 2,50
CHOUFFENTALE BLAUW	€ 2,50
NESTLE GREEN TEA	€ 2,50
CAPRI SUN	€ 2,50
PIJEL	€ 2,50
WARM CHOCOLAT	€ 2,50
KOFFIE - THEE	€ 2,50

**SNOEP**

Mars	€ 1,50
Telix	€ 1,50
Snickers	€ 1,50
M&M's	€ 4,00
Haribo kindermix 200 - 200 gr	€ 4,00
Haribo starmix 200 - 200 gr	€ 3,00
Naturel chips medium 100 gr	€ 3,00
Paprika chips medium 100 gr	€ 3,00

**DRINKEN**

	Normaal	0,5 Liter
Bavaria Bier	€ 2,50	€ 5,00
Bavaria 0.0% Bier	€ 2,50	€ 5,00
Coca-Cola Regular	€ 2,50	€ 5,00
Coca-Cola Light	€ 2,50	€ 5,00
Fanta Orange	€ 2,50	€ 5,00
Sprita	€ 2,50	€ 5,00
Chouffentale Blauw	€ 2,50	€ 5,00
Nestle Green Tea	€ 2,50	€ 5,00
Capri Sun	€ 2,50	€ 5,00
Pijel	€ 2,50	€ 5,00
Warm Chococat	€ 2,50	€ 5,00
Koffie - Thee	€ 2,50	€ 5,00

**SNOEP**

Mars	€ 1,50
Telix	€ 1,50
Snickers	€ 1,50
M&M's	€ 4,00
Haribo kindermix 200 - 200 gr	€ 4,00
Haribo starmix 200 - 200 gr	€ 3,00
Naturel chips medium 100 gr	€ 3,00
Paprika chips medium 100 gr	€ 3,00




## CEILING PLATES

**PUC 1060**  
Ceiling Plate fixed

**PUC 1065**  
Ceiling Plate turn

**PUC 1070**  
Ceiling Plate tilt



### Specifications

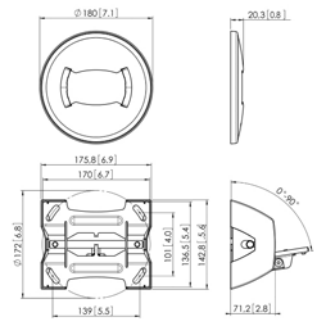
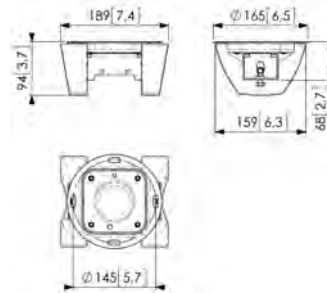
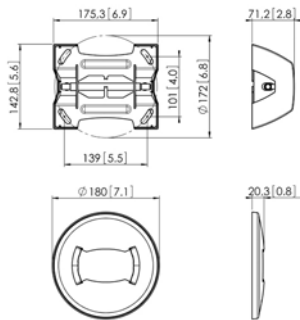
Max. weight load (kg)	80	80	80
Turn		Up to 360°	
Tilt			Tilt up to 90°
Ceiling types	Flat ceiling	Flat ceiling	Flat / inclined ceiling

### Guarantee

TÜV certified			
Guarantee	5 years	5 years	5 years

### General

Colour	Black	Black	Black
Article number	7210604	7210650	7210704
EAN single box	8712285318665	8712285324123	8712285318689



**PUC 1080**

Ceiling Plate turn & tilt

**PUC 1090**

Truss Adapter



80

80

Up to 360°

Tilt up to 60°

Flat / inclined ceiling

Truss system



5 years



5 years

Black

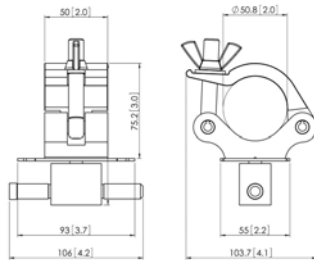
Silver

7210804

7210904

8712285320767

8712285319389





## POLES

### PUC 2508

Pole

### PUC 2515

Pole

### PUC 2530

Pole



#### Specifications

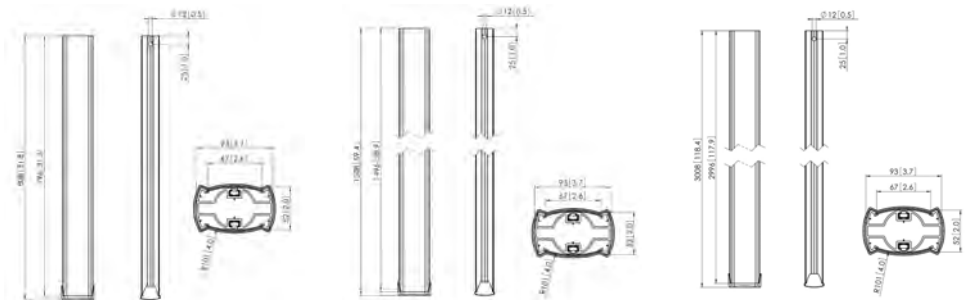
Max. weight load (kg)	80	80	80
Length (mm)	800	1500	3000

#### Guarantee

TÜV certified			
Guarantee	5 years	5 years	5 years

#### General

Colour	Black   Silver	Black   Silver	Black   Silver
Article number	7225080 (Black) 7225084 (Silver)	7225150 (Black) 7225154 (Silver)	7225300 (Black) 7225304 (Silver)
EAN single box	8712285329340 (Black) 8712285318702 (Silver)	8712285329364 (Black) 8712285318726 (Silver)	8712285329388 (Black) 8712285318740 (Silver)



# ACCESSORIES

## PUA 9507

Accessory Tray for PUC 24/25/27



## PFA 9127

Accessory Clamp for PUC 24/25/27



### Specifications

Max. weight load (kg)

10

10

Length (mm)

### Guarantee

Guarantee

5 years

5 years

### General

Colour

Black | Silver

Black

Article number

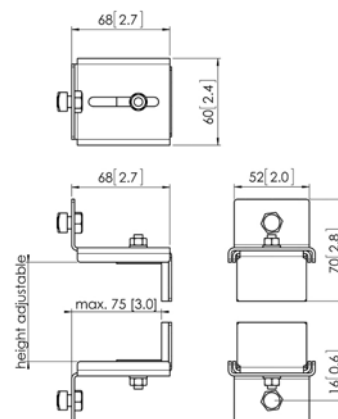
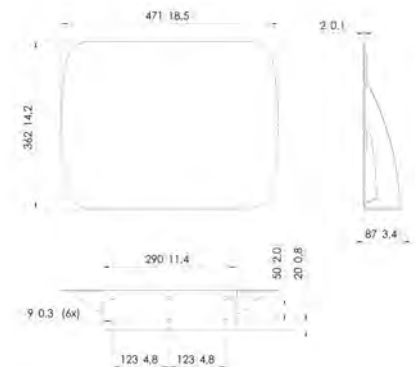
7295095 (Black)  
7295094 (Silver)

7091270

EAN single box

8712285325045 (Black)  
8712285321047 (Silver)

8712285331985



ACCESSORIES

**PFA 9103**

Floor Plate for PUC 25

**PUA 9503**

Pole Coupler for PUC 25



**Specifications**

Max. weight load (kg)

80

Length (mm)

**Guarantee**

Guarantee

5 years

5 years

**General**

Colour

Black

Silver

Article number

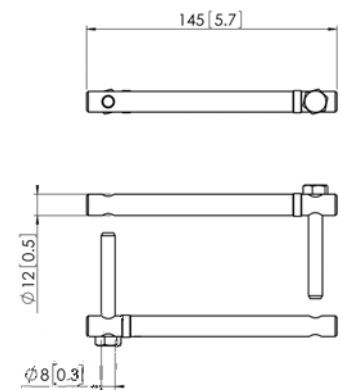
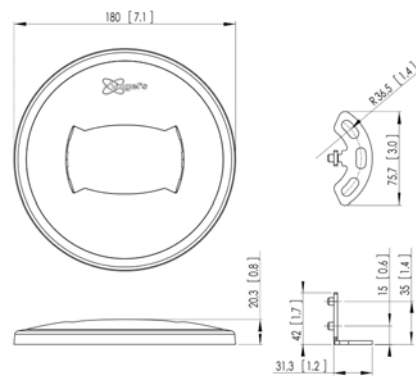
7291030

7295054

EAN single box

8712285320729

8712285319402





**PUA 9504**

Stabilisation Kit for PUC 25



4000

5 years

Silver

7295064

8712285319426

**PFA 9107**

Pole Cover for PUC 25



5 years

White

7291071

8712285320989

**PFA 9108**

Ceiling Cover for PUC 25

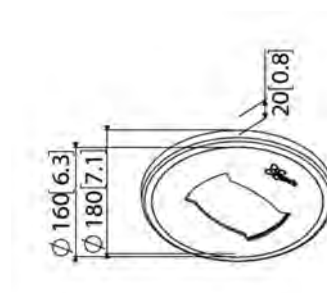
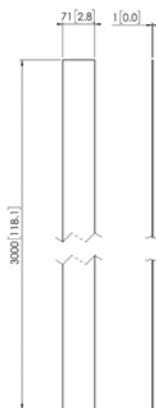


5 years

White

7291081

8712285321009



mm (inch)

# Height adjustable Ceiling Mounts

## Complete kits

For small displays, there are two complete ceiling mount kits available, including a universal ceiling plate, height adjustable pole and a VESA 200x200 mm display interface with tilt function.



## Key features

- Adjustable in height (telescopic pole)
- For flat and inclined ceilings
- CIS® cable management
- Post-installation levelling

## CEILING KITS

### PFC 555

Ceiling Mount



### PFC 585

Ceiling Mount



#### Specifications

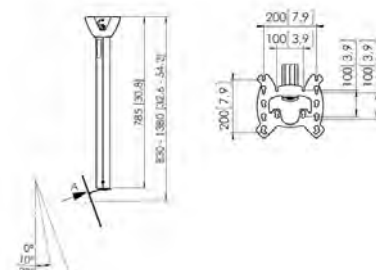
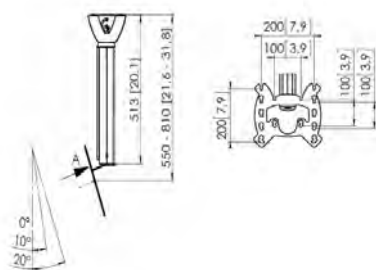
Max. weight load (kg)	20	20
Min./ Max. screen size (inch)	19 / 43	19 / 43
Min. distance to ceiling (mm)	550	830
Max. distance to ceiling - center display (mm)	810	1380
Tilt	Tilt up to 20°	Tilt up to 20°
Ceiling types	Flat / inclined ceiling	Flat / inclined ceiling
Hole pattern (VESA)	100 mm x 100 mm 200 mm x 100 mm 200 mm x 200 mm	100 mm x 100 mm 200 mm x 100 mm 200 mm x 200 mm

#### Guarantee

TÜV certified		
Guarantee	5 years	5 years

#### General

Colour	Silver	Silver
Article number	7305554	7305854
EAN single box	8712285330742	8712285330766



# Connect-it Floor solutions

## Floor Stands and Trolleys

Flexibility is the key feature of the Connect-it floor stands and trolleys, from a basic single to any imaginable multiple solution.

Creating a video conferencing trolley or stand is easy with the standard components and the wide range of accessories. With Connect-it floor you can create your own custom set-up. The length of the pole in combination with the weight and VESA of the display lead to the perfect Connect-it floor solution.

With each solution don't forget to order an interface bar and display interface strips, which depend on the screen size (see page 11-19).



### Key features

- Flexible modular system
- Multiple display mounting
- Modular display interface for a perfect fit
- Extensive cable space

### Floor solution Series contains:

- Floor plates
- Trolley frames
- Poles (PUC 27 Series)
- Display interface bars and -strips
- Accessories
- Connect-it floor kits

### How to choose the correct floor solution?

- Choose floor stand or trolley
- Choose length of the pole
- Check the weight of your display
- Length of the pole in combination with the weight of the display determine the size of the foot plate or trolley frame

See overview for your perfect solution:

Pole	Length	Floor stands					Trolleys	
		PFF 7020	PFF 7030	PFF 7040	PFF 7060	PFF 7070	PFT 8520	PFT 8530
				Back-to-back	Floor mounted			
<b>PUC 2715</b>	<b>1,5 m</b>	105 kg	160 kg	2x 80 kg	(2x) 150 kg	(2x) 160 kg	105 kg	160 kg
<b>PUC 2718</b>	<b>1,8 m</b>	80 kg	160 kg	2x 60 kg	(2x) 150 kg	(2x) 160 kg	80 kg	160 kg
<b>PUC 2720</b>	<b>2,0 m</b>	60 kg	120 kg	2x 40 kg	(2x) 150 kg	(2x) 160 kg	60 kg	150 kg



FLOOR STAND KITS

**F1544**

Floor Stand

**F1844**

Floor Stand

**F2044**

Floor Stand



**Specifications**

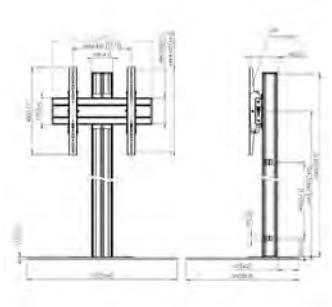
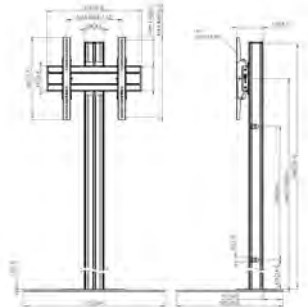
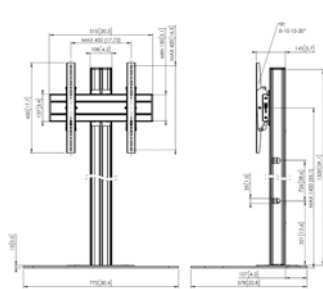
Max. weight load (kg)	80	80	60
Height (mm)	1500	1800	2000
Max. screen size (inch)	65	65	65
Min. VESA hole pattern (mm)	100 x 100	100 x 100	100 x 100
Max. VESA hole pattern (mm)	450 x 420	450 x 420	450 x 420

**Guarantee**

TÜV certified			
Guarantee	5 years	5 years	5 years

**General**

Colour	Black   Silver	Black   Silver	Black   Silver
Article number	7951010 (Black) 7951014 (Silver)	7951020 (Black) 7951024 (Silver)	7951030 (Black) 7951034 (Silver)



FLOOR STAND KITS

**FD1564**

Floor Stand double pole

**FD1864**

Floor Stand double pole

**FD2064**

Floor Stand double pole



**Specifications**

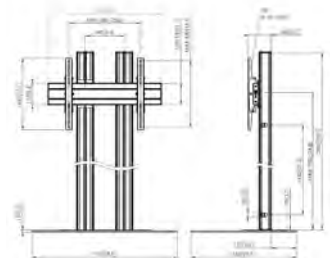
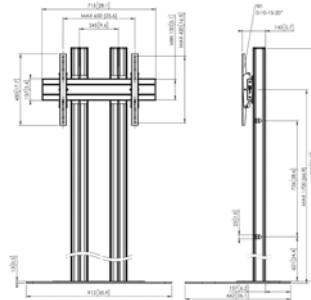
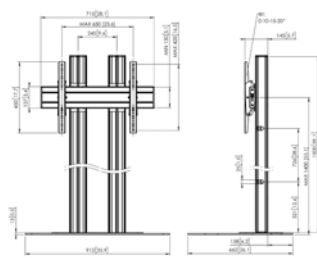
Max. weight load (kg)	80	80	80
Height (mm)	1500	1800	2000
Min. screen size (inch)	65	65	65
Min. VESA hole pattern (mm)	100 x 100	100 x 100	100 x 100
Max. VESA hole pattern (mm)	650 x 420	650 x 420	650 x 420

**Guarantee**

TÜV certified			
Guarantee	5 years	5 years	5 years

**General**

Colour	Black   Silver	Black   Silver	Black   Silver
Article number	7951040 (Black) 7951044 (Silver)	7951060 (Black) 7951064 (Silver)	7951080 (Black) 7951084 (Silver)



## FLOOR STAND KITS

### FD1584

Floor Stand double pole

### FD1884

Floor Stand double pole

### FD2084

Floor Stand double pole



#### Specifications

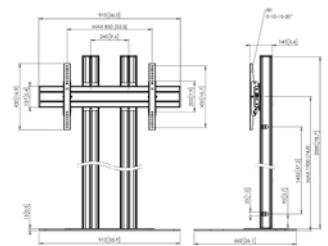
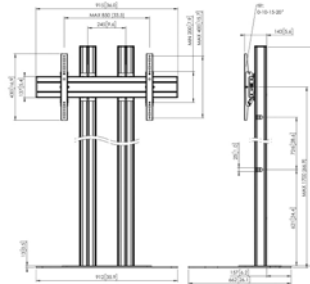
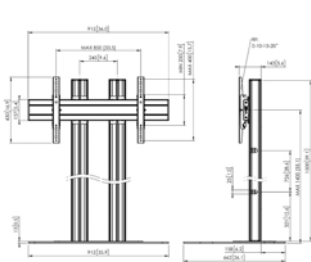
Max. weight load (kg)	160	160	120
Height (mm)	1500	1800	2000
Min. screen size (inch)	65	65	65
Min. VESA hole pattern (mm)	100 x 100	100 x 100	100 x 100
Max. VESA hole pattern (mm)	850 x 400	850 x 400	850 x 400

#### Guarantee

TÜV certified			
Guarantee	5 years	5 years	5 years

#### General

Colour	Black   Silver	Black   Silver	Black   Silver
Article number	7951050 (Black) 7951054 (Silver)	7951070 (Black) 7951074 (Silver)	7951090 (Black) 7951094 (Silver)



FLOOR MOUNTED KITS

**FM1544**

Floor Stand, fixed to floor

**FM1844**

Floor Stand, fixed to floor

**FM2044**

Floor Stand, fixed to floor



**Specifications**

Max. weight load (kg)	80	80	80
Height (mm)	1500	1800	2000
Max. screen size (inch)	65	65	65
Min. VESA hole pattern (mm)	100 x 100	100 x 100	100 x 100
Max. VESA hole pattern (mm)	420 x 450	450 x 420	450 x 420

**Guarantee**

TÜV certified



Guarantee

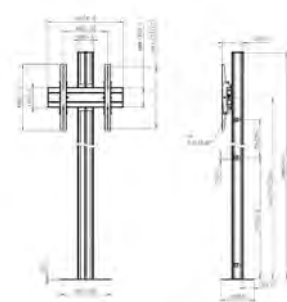
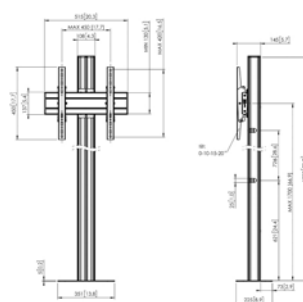
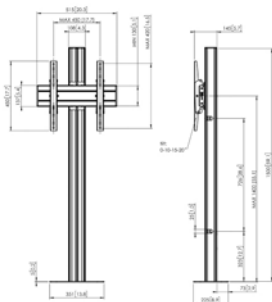
5 years

5 years

5 years

**General**

Colour	Black   Silver	Black   Silver	Black   Silver
Article number	7952010 (Black) 7952014 (Silver)	7952020 (Black) 7952024 (Silver)	7952030 (Black) 7952034 (Silver)



TROLLEY KITS

**T1544**  
Trolley

**T1844**  
Trolley

**T2044**  
Trolley



**Specifications**

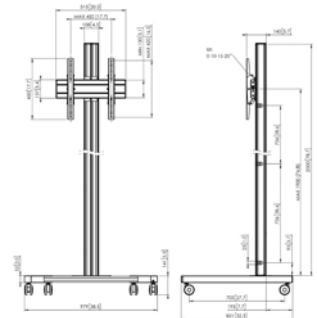
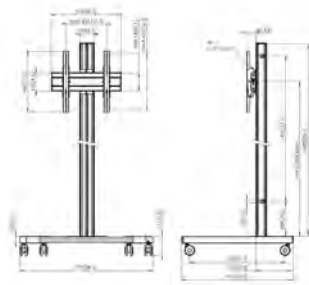
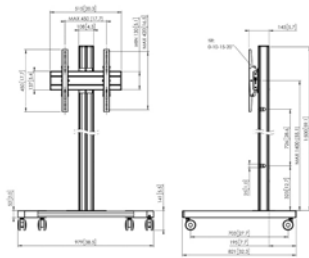
Max. weight load (kg)	80	80	60
Height (mm)	1641	1941	2141
Max. screen size (inch)	65	65	65
Min. VESA hole pattern (mm)	100 x 100	100 x 100	100 x 100
Max. VESA hole pattern (mm)	450 x 420	450 x 420	420 x 450

**Guarantee**

TÜV certified			
Guarantee	5 years	5 years	5 years

**General**

Colour	Black   Silver	Black   Silver	Black   Silver
Article number	7953010 (Black) 7953014 (Silver)	7953020 (Black) 7953024 (Silver)	7953030 (Black) 7953034 (Silver)







## TROLLEY KITS

**TD1564**  
Trolley double pole



**TD1864**  
Trolley double pole



**TD2064**  
Trolley double pole



### Specifications

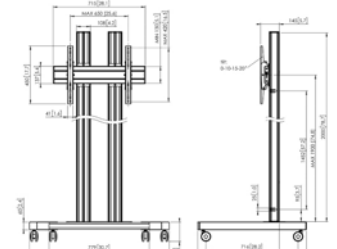
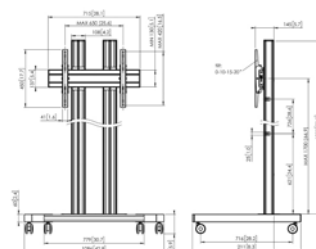
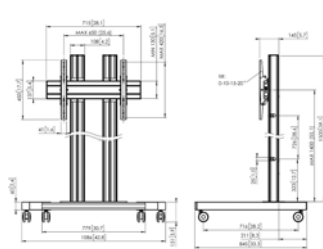
Max. weight load (kg)	80	80	80
Height (mm)	1651	1951	2151
Min. screen size (inch)	65	65	65
Min. VESA hole pattern (mm)	100 x 100	100 x 100	100 x 100
Max. VESA hole pattern (mm)	650 x 420	650 x 420	650 x 420

### Guarantee

TÜV certified			
Guarantee	5 years	5 years	5 years

### General

Colour	Black   Silver	Black   Silver	Black   Silver
Article number	7953040 (Black) 7953044 (Silver)	7953060 (Black) 7953064 (Silver)	7953080 (Black) 7953084 (Silver)



**TD1584**

Trolley double pole

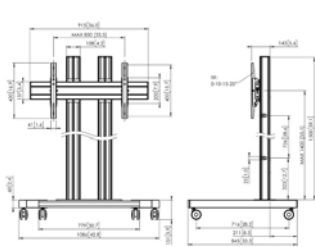


160  
1651  
65  
100 x 100  
850 x 400



5 years

Black | Silver  
7953050 (Black)  
7953054 (Silver)



**TD1884**

Trolley double pole

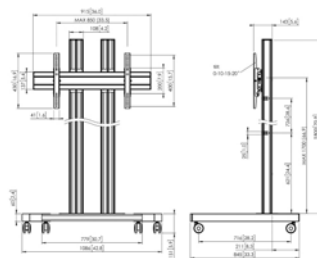


160  
1951  
65  
100 x 100  
850 x 400



5 years

Black | Silver  
7953070 (Black)  
7953074 (Silver)



**TD2084**

Trolley double pole

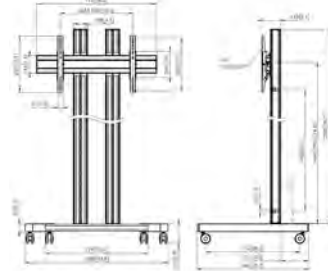


150  
2151  
65  
100 x 100  
850 x 400



5 years

Black | Silver  
7953090 (Black)  
7953094 (Silver)



## FLOOR PLATES

### PFF 7020

Floor Plate

### PFF 7030

Floor Plate



#### Specifications

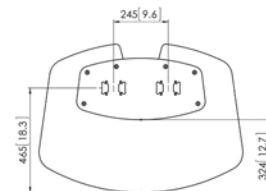
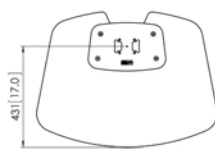
Width (mm)	772	912
Depth (mm)	578	662
Height (mm)	13	13

#### Guarantee

TÜV certified		
Guarantee	5 years	5 years

#### General

Colour	Black   Silver	Black   Silver
Article number	7327020 (Black) 7327024 (Silver)	7327030 (Black) 7327034 (Silver)
EAN single box	8712285323744 (Black) 8712285323768 (Silver)	8712285323782 (Black) 8712285323805 (Silver)



**PFF 7040**

Floor Plate back-to-back



820  
580  
13



5 years

Black

7327040

8712285323829

**PFF 7060**

Floor Mounting Plate



351  
225  
5



5 years

Black | Silver

7327060 (Black)  
7327064 (Silver)

8712285323867 (Black)  
8712285323881 (Silver)

**PFF 7070**

Floor Mounting Plate



550  
215  
5

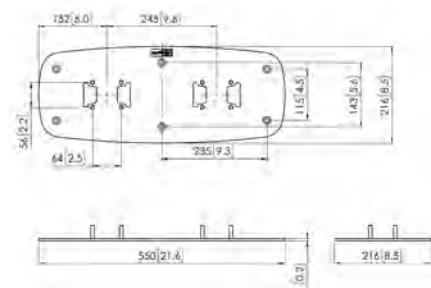
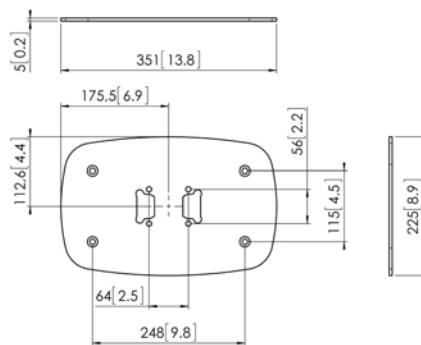
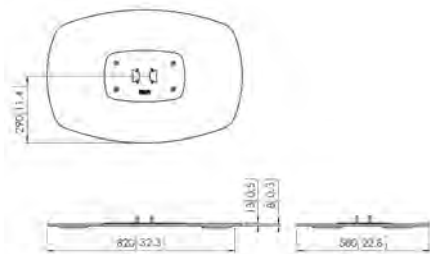


5 years

Black

7327070

8712285355004



## PFT 8520

Trolley Frame

## PFT 8530

Trolley Frame

## TROLLEY FRAMES



### Specifications

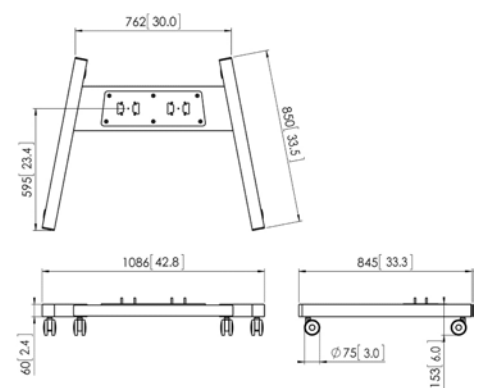
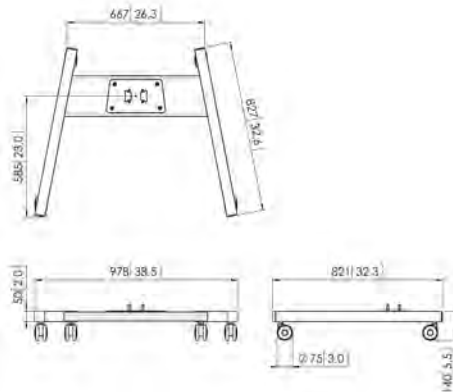
Width (mm)	978	1086
Depth (mm)	826	849
Height (mm)	140	153

### Guarantee

TÜV certified		
Guarantee	5 years	5 years

### General

Colour	Black   Silver	Black   Silver
Article number	7328520 (Black) 7328524 (Silver)	7328530 (Black) 7328534 (Silver)
EAN single box	8712285323904 (Black) 8712285323928 (Silver)	8712285323942 (Black) 8712285323966 (Silver)



POLES

**PUC 2715**  
Pole

**PUC 2718**  
Pole

**PUC 2720**  
Pole



**Specifications**

Length (mm)

1500

1800

2000

**Guarantee**

TÜV certified



Guarantee

5 years

5 years

5 years

**General**

Colour

Black | Silver

Black | Silver

Black | Silver

Article number

7227150 (Black)  
7227154 (Silver)

7227180 (Black)  
7227184 (Silver)

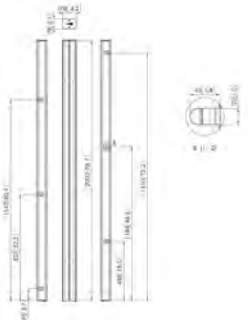
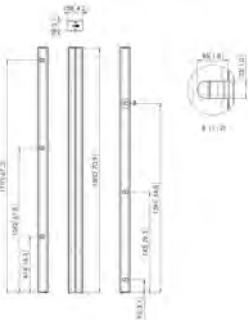
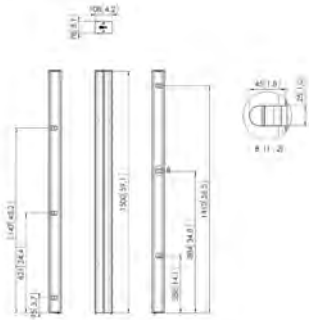
7227200 (Black)  
7227204 (Silver)

EAN single box

8712285323621 (Black)  
8712285323645 (Silver)

8712285323669 (Black)  
8712285323683 (Silver)

8712285323706 (Black)  
8712285323720 (Silver)



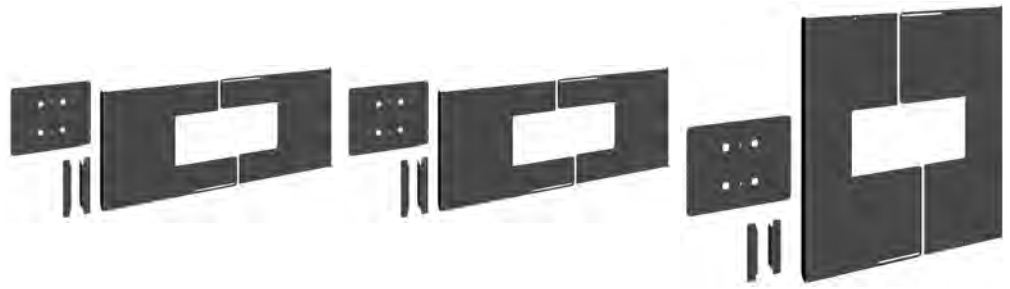


BACK COVERS

**PFA 9115**  
Back Cover landscape 42-49"

**PFA 9116**  
Back Cover landscape 50-55"

**PFA 9120**  
Back Cover portrait 42-49"



**Specifications**

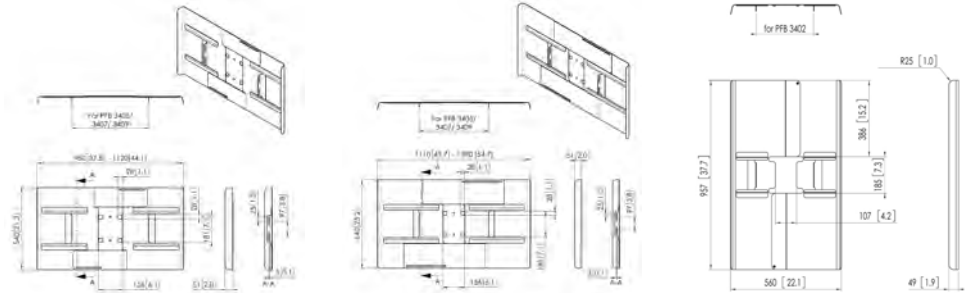
Min./ Max. screen size (inch)	42 / 49	50 / 55	42 / 49
-------------------------------	---------	---------	---------

**Guarantee**

Guarantee	5 years	5 years	5 years
-----------	---------	---------	---------

**General**

Colour	Black	Black	Black
Article number	7291150	7291160	7291200
EAN single box	8712285324864	8712285324888	8712285327469



**PFA 9121**

Back Cover portrait 50-55"



50 / 55

5 years

Black

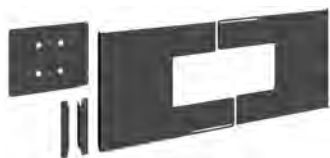
7291210

8712285327483



**PFA 9159**

Back Cover landscape 65-70"



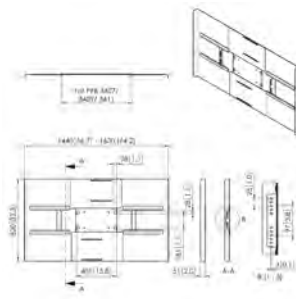
65 / 70

5 years

Black

7291590

8712285350627



**PFA 9160**

Back Cover portrait 65-70"



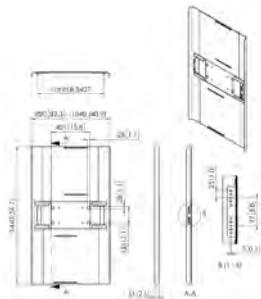
65 / 70

5 years

Black

7291600

8712285350641



**PFA 9161**

Back Cover landscape 75-80"



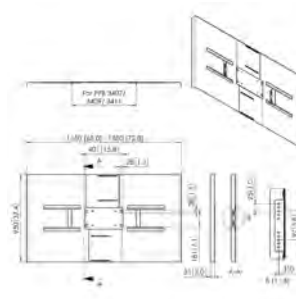
75 / 80

5 years

Black

7291610

8712285350665



BACK COVERS

**PFA 9162**

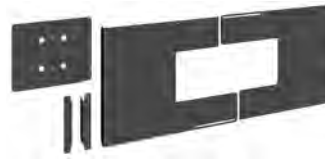
Back Cover portrait 75-80"

**PFA 9163**

Back Cover landscape 84-86"

**PFA 9164**

Back Cover portrait 84-86"



**Specifications**

Min./ Max. screen size (inch)

75 / 80

84 / 86

84 / 86

**Guarantee**

Guarantee

5 years

5 years

5 years

**General**

Colour

Black

Black

Black

Article number

7291620

7291630

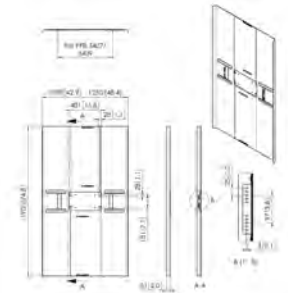
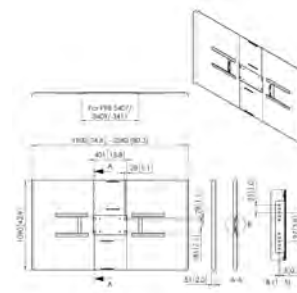
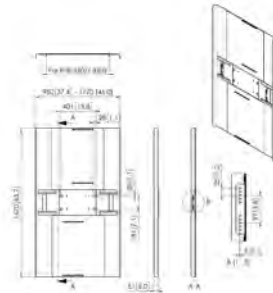
7291640

EAN single box

8712285350689

8712285350702

8712285350726



# ACCESSORIES

## PVA 5050

Camera/Speaker Holder

## PVA 5070

Camera/Speaker Holder



### Specifications

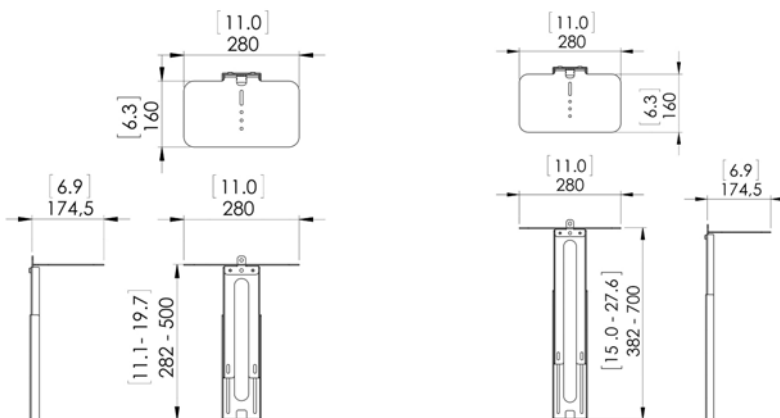
Max. weight load (kg)	10	10
Min./ Max. screen size (inch)	40 / 55	55 / 90

### Guarantee

Guarantee	5 years	5 years
-----------	---------	---------

### General

Colour	Black	Black
Article number	7015050	7015070
EAN single box	8712285329128	8712285329104



ACCESSORIES

**PFA 9112**  
Locking Cabinet

**PFA 9113**  
Locking Cabinet



**Specifications**

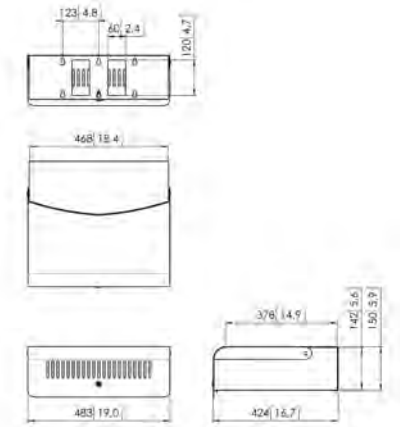
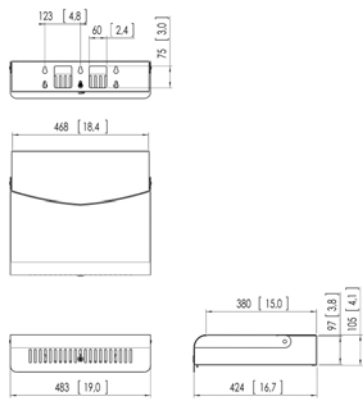
Max. weight load (kg)	10	20
Min./ Max. screen size (inch)	- / -	- / -

**Guarantee**

Guarantee	5 years	5 years
-----------	---------	---------

**General**

Colour	Silver	Silver
Article number	7291124	7291134
EAN single box	8712285324024	8712285324048



**PUA 9507**

Accessory Tray for PUC 24/25/27



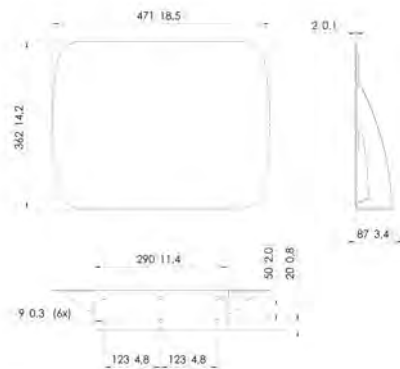
10  
- / -

5 years

Black | Silver

7295095 (Black)  
7295094 (Silver)

8712285325045 (Black)  
8712285321047 (Silver)



**PFA 9165**

Accessory Holder



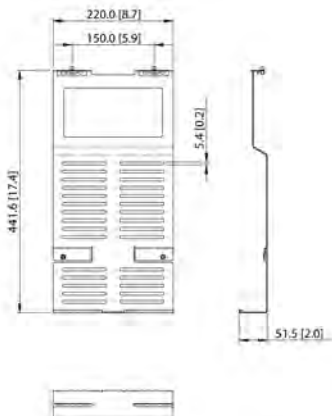
2  
55 / -

5 years

Black

7291650

8712285350863



**PFA 9166**

Extension Set for PFA 9165



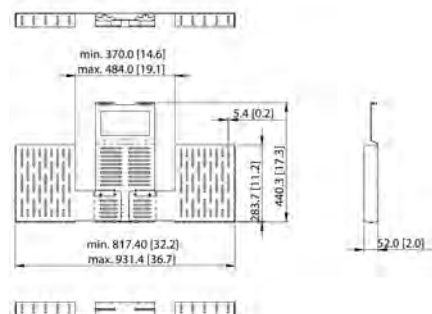
2  
55 / -

5 years

Black

7291660

8712285350887





ACCESSORIES

**PFA 9114**

Wheels heavy duty



**PFA 9124**

Grip for PUC 27/29



**Specifications**

Max. weight load (kg)

160

Min./ Max. screen size (inch)

- / -

- / -

**Guarantee**

Guarantee

5 years

5 years

**General**

Colour

Silver

Black

Article number

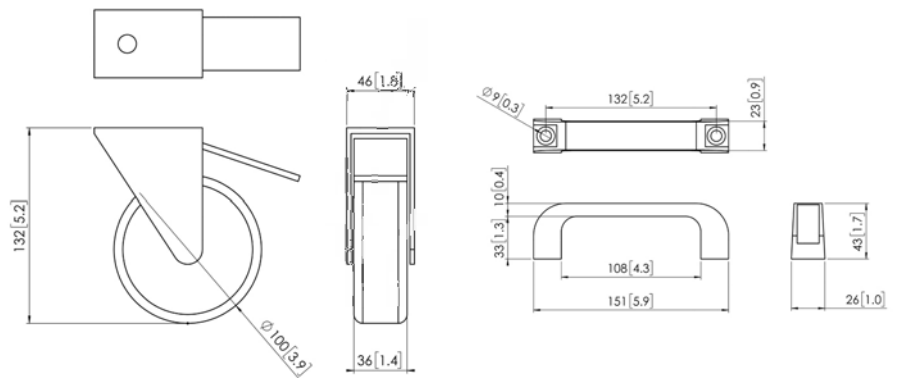
7291144

7291240

EAN single box

8712285324062

8712285330186



**PFA 9127**

Accessory Clamp for PUC 24/25/27



10

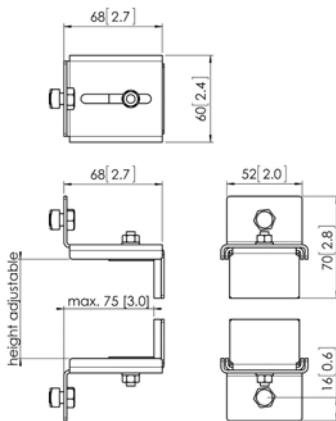
- / -

5 years

Black

7091270

8712285331985





# Universal Video Wall solutions

## A new revolution

Vogel's always keeps pushing the boundaries of video wall mounting solutions. The complete range of universal video wall solutions of our existing Connect-it system, is expanded with applications for LCD video walls - in terms of size, position, mobility and flexibility. In addition, we can also offer solutions for LED walls, for a futureproof standard.

## Height, width and quality

A minimal number of linkable components can be combined to create a mounting solution for all sizes of video walls. Vogel's existing Connect-it interface bars and display strips are the basis for any LCD video wall mounting solution. The unique connectable poles allow video walls to ascend to great heights.

Whether you need a ceiling, floor-to-wall, floor-to-ceiling, free-standing, back-to back, fixed or mobile solution, installation is clear and simple. One system for a host of applications, which is as durable as it is versatile, and with easy access for maintenance.

## Safe and secure

Solidity, stability and safety are key. Solid support options and clear placement advice ensure correct and safe installation. And as always, this union of innovation and safety is sealed with TÜV-5 certification.

FLOOR  
STAND KITS

**FVW2255**

Video Wall Floor Stand 2x2

**FVW3347**

Video Wall Floor Stand 3x3

**FVW3355**

Video Wall Floor Stand 3x3



**Specifications**

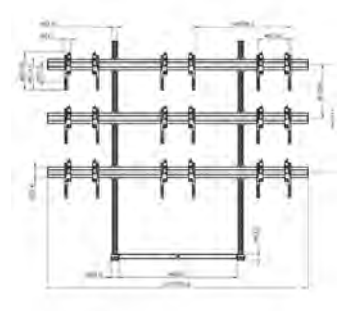
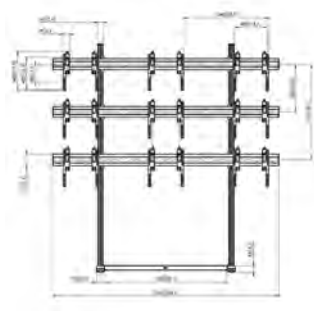
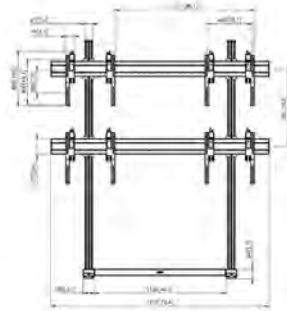
Max. weight load (kg)	80	45	45
Height (mm)	2091	2790	2790
Min./ Max. screen size (inch)	46 / 55	46 / 47	55 / 55

**Guarantee**

TÜV certified			
Guarantee	5 years	5 years	5 years

**General**

Colour	Black	Black	Black
Article number	7922550	7933470	7933550



## TROLLEY KITS

### TVW2255

Video Wall Trolley 2x2

### TVW3347

Video Wall Trolley 3x3

### TVW3355

Video Wall Trolley 3x3



#### Specifications

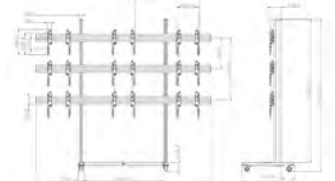
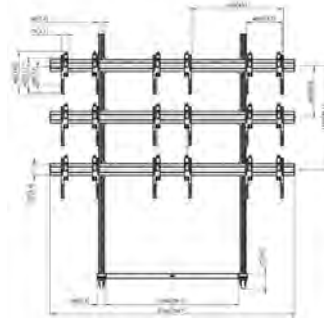
Max. weight load (kg)	80	45	45
Height (mm)	2178	2878	2878
Min./ Max. screen size (inch)	46 / 55	46 / 47	55 / 55

#### Guarantee

TÜV certified			
Guarantee	5 years	5 years	5 years

#### General

Colour	Black	Black	Black
Article number	7922560	7933480	7933560



FLOOR MOUNTED KITS

**FMVW2255**

Video Wall Floor Stand, fixed to floor  
2x2



**FMVW3347**

Video Wall Floor Stand, fixed to floor  
3x3



**FMVW3355**

Video Wall Floor Stand, fixed to floor  
3x3



**Specifications**

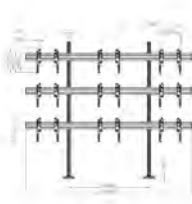
Max. weight load (kg)	80	45	45
Height (mm)	2017	2725	2725
Min./ Max. screen size (inch)	46 / 55	46 / 47	55 / 55

**Guarantee**

TÜV certified			
Guarantee	5 years	5 years	5 years

**General**

Colour	Black	Black	Black
Article number	7922570	7933490	7933570





## FLOOR TO CEILING KITS

### FCVW2255

Video Wall floor-ceiling 2x2



### FCVW3347

Video Wall floor-ceiling 3x3



### FCVW3355

Video Wall floor-ceiling 3x3



#### Specifications

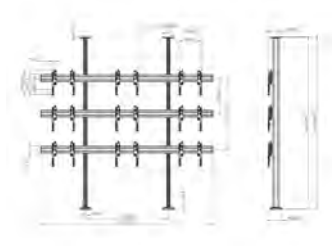
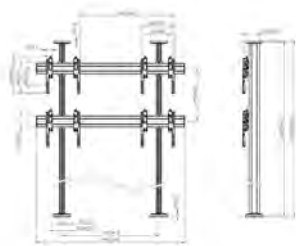
Max. weight load (kg)	80	53	53
Height (mm)	3322	3322	3322
Min./ Max. screen size (inch)	46 / 55	46 / 47	55 / 55

#### Guarantee

TÜV certified			
Guarantee	5 years	5 years	5 years

#### General

Colour	Black	Black	Black
Article number	7922580	7933500	7933580



CEILING KITS

**CVW2255**

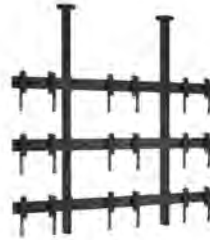
Video Wall Ceiling solution 2x2

**CVW3347**

Video Wall Ceiling solution 3x3

**CVW3355**

Video Wall Ceiling solution 3x3



**Specifications**

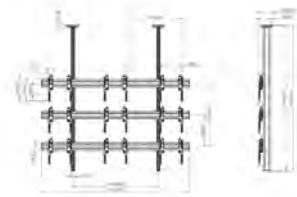
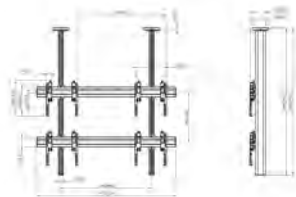
Max. weight load (kg)	80	45	45
Height (mm)	2025	2725	2725
Min./ Max. screen size (inch)	55 / 55	46 / 47	55 / 55

**Guarantee**

TÜV certified			
Guarantee	5 years	5 years	5 years

**General**

Colour	Black	Black	Black
Article number	7922590	7933510	7933590



- Touch Destination for  
Directions to Check In Area
- 1st Floor
  - 101 Human Resources
  - 109 Surgery Registry
  - 118 Outpatient Surgery
  - 119 Physical Therapy
  - 124 TRIAGE Unit
  - 131 Prenatal Care
  - 4th Floor
  - 408 Speech Therapy
  - 417 Cancer Therapy
  - 419 Cardiology
  - 425 X-Ray & MRI Registry
  - 428 Laboratory
  - 430 X-Ray Laboratory
  - 431 MRI & CT Scan

# Fourth Floor

# Ground Floor

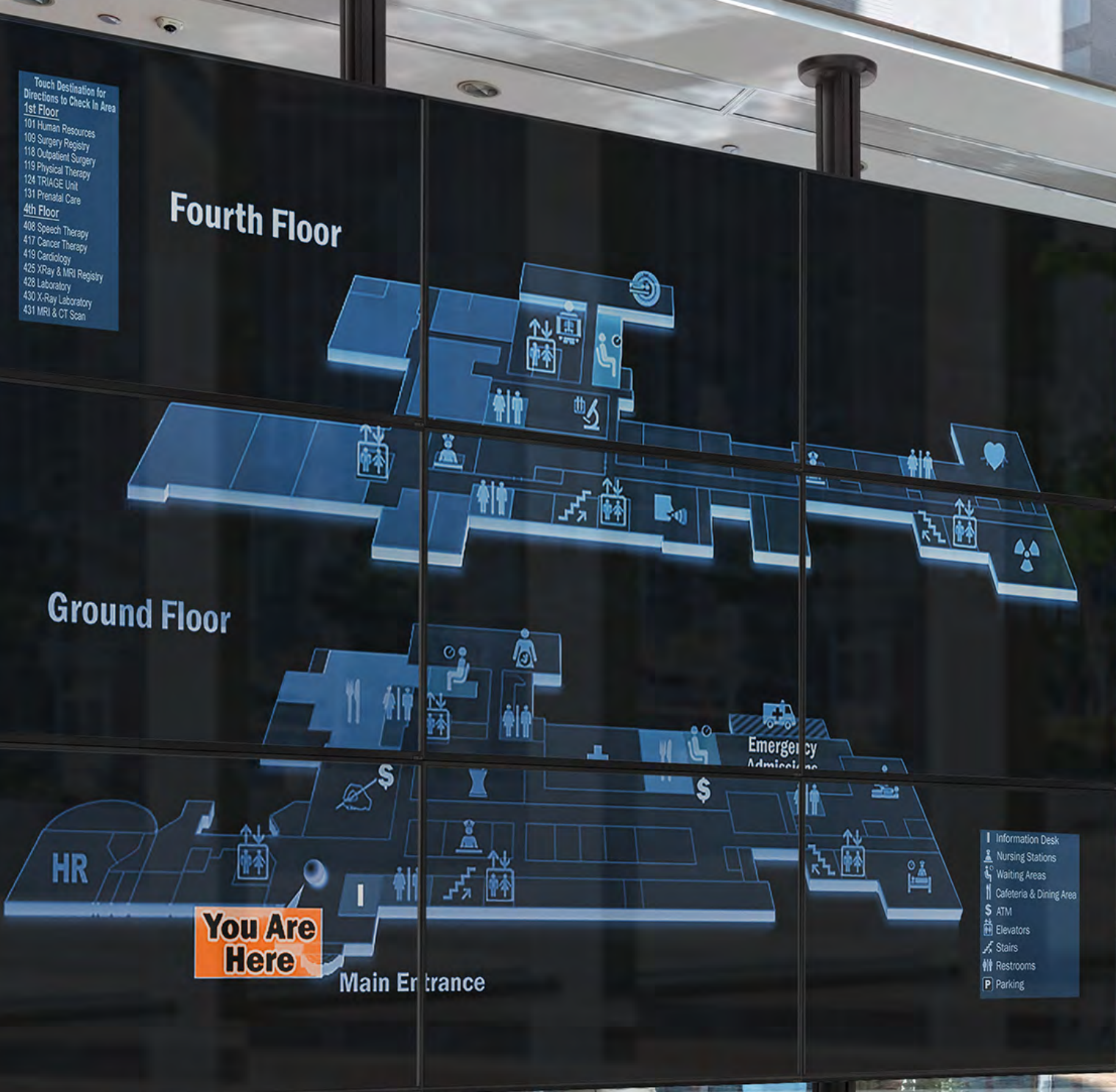
HR

**You Are Here**

Main Entrance

Emergency  
Admission

- Information Desk
- Nursing Stations
- Waiting Areas
- Cafeteria & Dining Area
- ATM
- Elevators
- Stairs
- Restrooms
- Parking



	<b>PFF 7920</b> Video Wall Floor Stand Base	<b>PFT 8920</b> Video Wall Trolley base	<b>PFA 9129</b> Video Wall Cross Bar	<b>PFA 9130</b> Video Wall Cross Bar
--	--	--	---	---



## FLOOR BASES



### Specifications

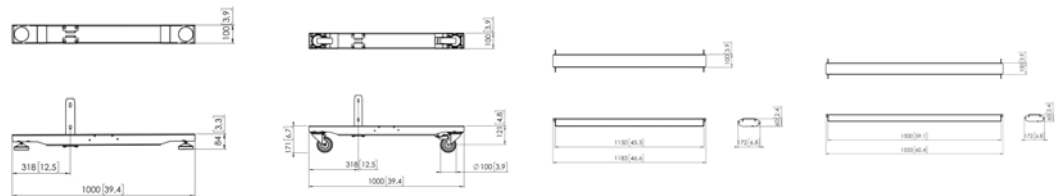
Max. weight load (kg)	202.5	202.5		
Length (mm)	1000	1000	1150	1500
Width (mm)	100	100	172	172
Height (mm)	84	171	60	60

### Guarantee

TÜV certified				
Guarantee	5 years	5 years	5 years	5 years

### General

Colour	Black	Black	Black	Black
Article number	7279200	7289200	7291290	7291300
EAN single box	8712285336669	8712285336645	8712285336683	8712285336706





## FLOOR / CEILING PLATES

### PFF 7965

Floor/Ceiling Mounting Plate adjustable

### PFA 9132

Floor/Ceiling Support



#### Specifications

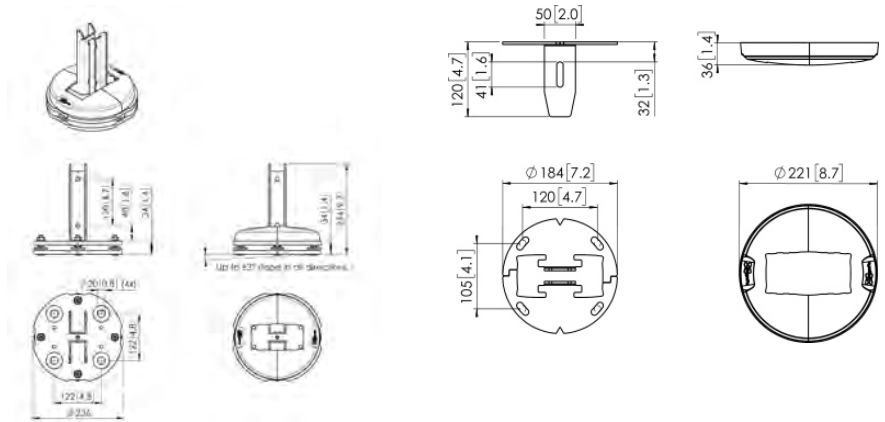
Max. weight load (kg)	337.5	
Width (mm)	236	184
Height (mm)	234	120
Exceptions   Remarks		Combine with PFF 7965

#### Guarantee

TÜV certified		
Guarantee	5 years	5 years

#### General

Colour	Black	Black
Article number	7279650	7291320
EAN single box	8712285343186	8712285336829



POLES

**PUC 2920**

Pole

**PUC 2927**

Pole

**PUC 2933**

Pole



**Specifications**

Length (mm)

2000

2700

3300

**Guarantee**

TÜV certified



Guarantee

5 years

5 years

5 years

**General**

Colour

Black

Black

Black

Article number

7229200

7229270

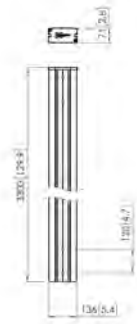
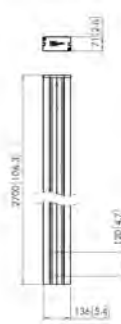
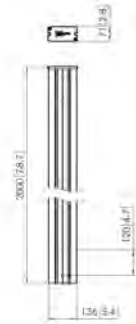
7229330

EAN single box

8712285335761

8712285336720

8712285336744







**PFB 3411**

Display Interface Bar

**PFB 3419**

Display Interface Bar

**PFB 3427**

Display Interface Bar

**PFB 3433**

Display Interface Bar



1175

100

1110

1915

100

1850

2750

100

2700

3300

100

3250



5 years



5 years



5 years



5 years

Black | Silver

7234110 (Black)  
7234114 (Silver)

8712285329487 (Black)  
8712285318825 (Silver)

Black | Silver

7234190 (Black)  
7234194 (Silver)

8712285328749 (Black)  
8712285330209 (Silver)

Black | Silver

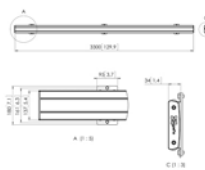
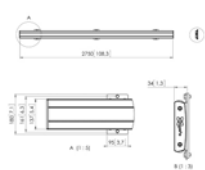
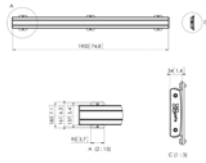
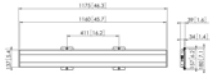
7234270 (Black)  
7234274 (Silver)

8712285328763 (Black)  
8712285330223 (Silver)

Black | Silver

7234330 (Black)  
7234334 (Silver)

8712285328787 (Black)  
8712285330247 (Silver)



## DISPLAY INTERFACE STRIPS

### PFS 3504

Display Interface Strips 3D adjustable



### PFS 3508

Display Interface Strips 3D adjustable



#### Specifications

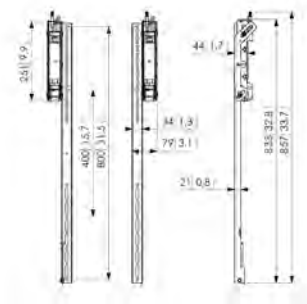
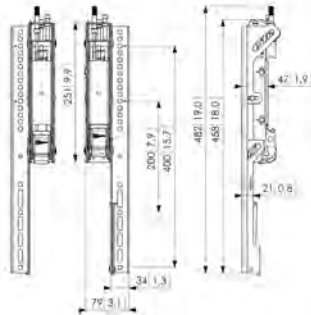
Max. weight load (kg)	80	80
Min. vertical hole pattern (mm)	100	200
Max. vertical hole pattern (mm)	400	800
Max. height of interface (mm)	482	857
Tilt	Tilt -3°/+7°	Tilt -3°/+7°

#### Guarantee

TÜV certified		
Guarantee	5 years	5 years

#### General

Colour	Black	Black
Article number	7235040	7235080
EAN single box	8712285328800	8712285328824



ACCESSORIES

**PFA 9141**

Wall support sliding bracket basic kit long

**PFA 9142**

Wall support extension kit 2 arms



**Specifications**

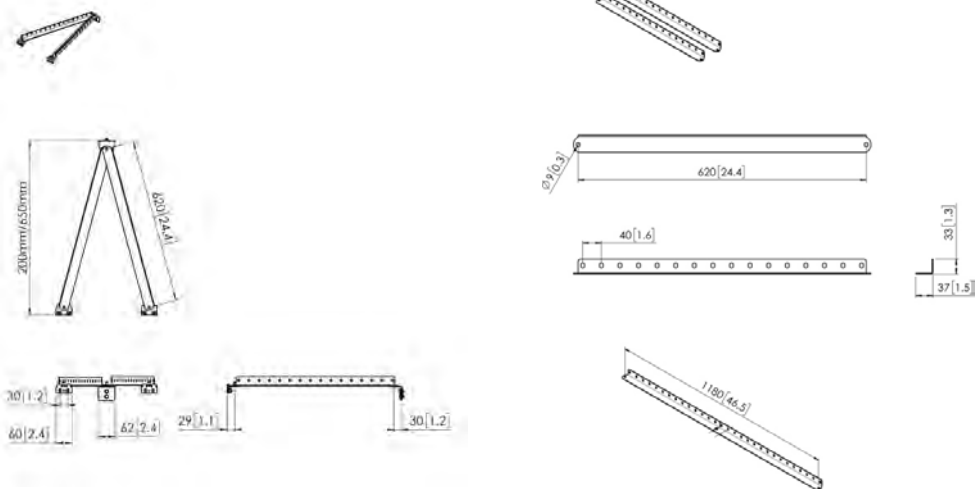
Length (mm)	620	620
Adjustable depth	•	

**Guarantee**

TÜV certified		
Guarantee	5 years	5 years

**General**

Colour	Black	Black
Article number	7291410	7291420
EAN single box	8712285342967	8712285343223











## LED Wall solutions

### Multiple mounting options

The use of LED displays is becoming more and more popular and they can be connected in an endless number of ways. The size of a LED wall is not limited to standard sizes. That's why Vogel's has developed a LED interface that is suitable for the Vogel's Connect-it system. This means that there are many different conceivable mounting options.

### Dedicated LED Interfaces and Bolts

Vogel's has dedicated PLA 84 LED Interface accessories and PLA 88 LED Mounting Bolts for specific LED cabinets available. Universal interface kits are also available, so there is a solution for every LED wall.

### A solution for many brands

To make it easy for the user, specific interface kits are available for brands such as Samsung, LG, Optoma and Philips (including Philips 7000 Series dvLED wall).

These interface kits can be mounted directly on the wall, on Connect-it floor stands or trolleys and some can even be mounted on Vogel's Motorized Trolley PFT 7120.

### Why choose a Vogel's LED Wall Mount

- Both exclusively developed products for renowned LED wall brands and universal solutions
- Precision designed and manufactured with display-specific interfaces and mounting patterns
- Vogel's quality, designed to TÜV standards
- Can be combined with Vogel's unique Connect-it system
- For wall, ceiling or floor mounting
- Easy, fast and seamless installation
- Integrated or guided cabling
- Hardware easy and neat to conceal
- Lightweight aluminium frame

For all up-to-date solutions visit our website.

# Universal LED Wall Mount

PFB 34xx  
Connect-it Interface Bars



## LED WALL MOUNTS

	<b>PLM 8030</b> Profile 3000 mm	<b>PLS 8001</b> Vertical Profile Mounting Strips	<b>PLA 8401</b> dvLED Interface	<b>PLA 8800</b> Mounting bolts M6, M8, M10
				
<b>Specifications</b>				
Length (mm)	3000			
<b>Guarantee</b>				
TÜV certified				
Guarantee	5 years	5 years	5 years	5 years
<b>General</b>				
Colour	Black	Black	Silver	Silver
Article number	7380300	7380010	7184014	7188004
EAN single box	8712285339363	8712285339387	8712285352669	8712285354960



LED WALL  
INTERFACES

**INT8001**

LED Wall Interface for Philips FHD 110BDL9112



PHILIPS

**INT8101**

LED Wall Interface for Samsung IFR/IER 1.5 mm, 3x3



SAMSUNG

**Specifications**

Orientation

Landscape

Landscape

LED brand

Philips

Samsung

**Guarantee**

TÜV certified



Guarantee

5 years

5 years

**General**

Colour

Black

Black

Article number

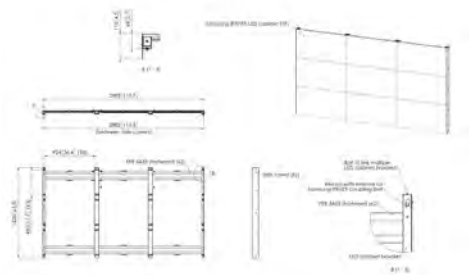
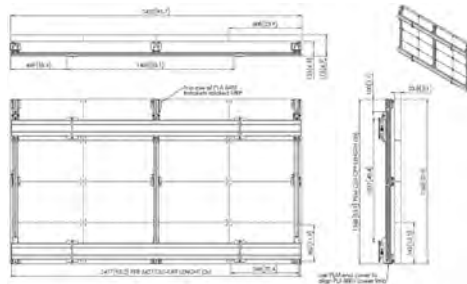
7951150

7951220

EAN single box

8712285352102

8712285352225



## LED WALL INTERFACES

### INT8201

LED Wall Interface for LG 130 All-in-one (LAAF series)



### INT8301

LED Wall Interface for Optoma Quad 130"



#### Specifications

Orientation

Landscape

Landscape

LED brand

LG

Optoma

#### Guarantee

TÜV certified



Guarantee

5 years

5 years

#### General

Colour

Black

Black

Article number

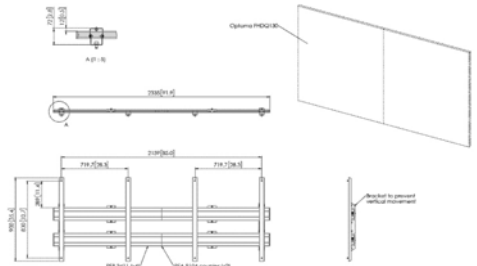
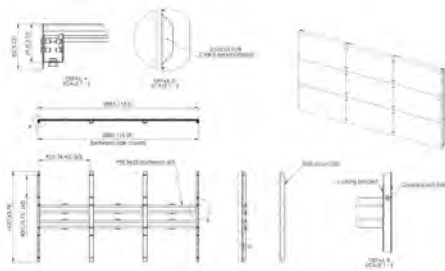
7951260

7283010

EAN single box

8712285352300

8712285351440





## Barco UniSee® and TruePix solutions

### **A solution for any Barco UniSee® and TruePix configuration**

Vogel's is preferred supplier for mounting Barco UniSee (LCD) and Barco TruePix (LED) video walls in curved setups. In close cooperation with Barco, Vogel's developed dedicated mounting solutions for both Barco UniSee and TruePix, that present the video walls in its best light in any configuration.

For Barco TruePix flat wall mounting, there are also special wall mounting plates available. The depth of our wall solution (including cabinet) is only 4 inch which makes our solution ADA compliant.

Combine the dedicated UniSee adapters or TruePix interface kits with the Vogel's Connect-it system and you will be able to create any type

of Barco video wall configuration: ceiling, floor, floor-wall, floor-ceiling, back-to-back, freestanding, fixed, or mobile. Curved solutions can be mounted directly on the floor.

High quality video wall mounting requires extreme precision, as all displays have to fit together seamlessly. That's why all Vogel's video wall solutions are intelligently designed.

### **Key features**

- Modular and universal system
- Lightweight aluminium profiles
- Integrated cable management
- Dedicated UniSee/TruePix mounting adapters
- Dedicated TruePix interface kits
- Quick, easy and seamless installation
- TÜV-5 certified
- ADA compliant





## PFW 1000 Series Wall Mounts

### Designed for various markets

Whether displaying in the hospitality, the office market or other businesses, it's all about providing your guests and customers with the best possible services. The PFW 1000 Series is, thanks to its clean aesthetics and slim profile, perfect to make your content pop.

The included discrete padlock ensures that your display is secured.

### Key features

- Stylish high-end design
- VESA 50x50, 75x75, 100x100 mm
- Theft-delaying padlock
- Continuous smooth tilt
- TÜV certified



## 1000 SERIES

### PFW 1030

Wall Mount turn & tilt

### PFW 1040

Wall Mount turn & tilt



#### Specifications

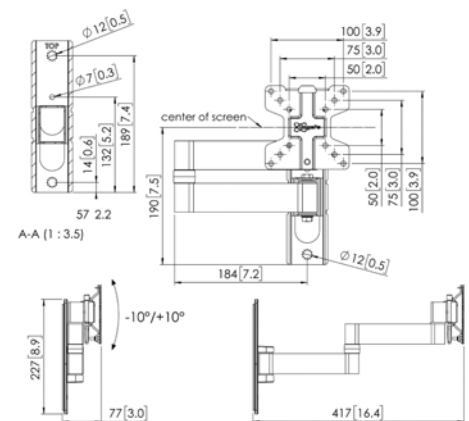
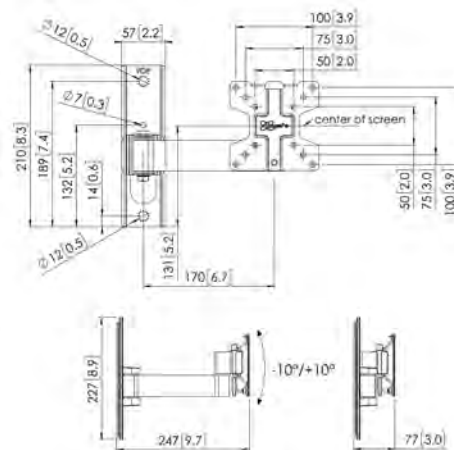
Max. weight load (kg)	16	16
Min./ Max. screen size (inch)	10 / 28	10 / 28
Number of pivot points	2	3
Turn	Up to 120°	Up to 180°
Tilt	Tilt -10°/+10°	Tilt -10°/+10°
Lock options	Lock included / integrated	Lock included / integrated
Min. distance to the wall (mm)	77	77
Max. distance to the wall (mm)	247	417
Hole pattern (VESA)	50 mm x 50 mm 75 mm x 75 mm 100 mm x 100 mm	50 mm x 50 mm 75 mm x 75 mm 100 mm x 100 mm

#### Guarantee

TÜV certified		
Guarantee	5 years	5 years

#### General

Colour	Black	Black
Article number	7310300	7310400
EAN single box	8712285342424	8712285342448





## PFW 2000 Series Wall Mounts

### **Designed with the hospitality market in mind**

Hospitality is about providing your guests with the best possible services. One of those services is in-room entertainment, of which guests expect nothing but the best. The PFW 2000 Series is, thanks to its clean aesthetics and slim profile, perfect to make your content shine. The included discrete padlock ensures that your HotelTV is secure. This, together with TÜV certification, guarantees a slim and safe solution.

### **Key features**

- Stylish high-end design
- VESA 75x75, 100x100, 200x200 mm
- Post-installation levelling
- Theft-delaying padlock
- Continuous smooth tilt
- TÜV certified

## 2000 SERIES

### PFW 2020

Wall Mount turn & tilt

### PFW 2030

Wall Mount turn & tilt

### PFW 2040

Wall Mount turn & tilt



### Specifications

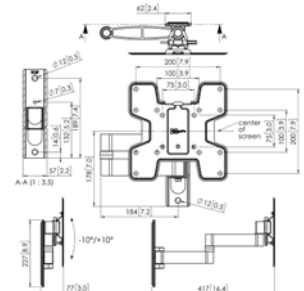
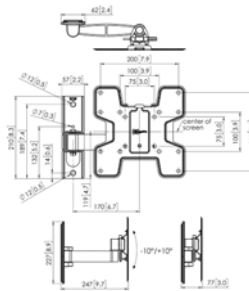
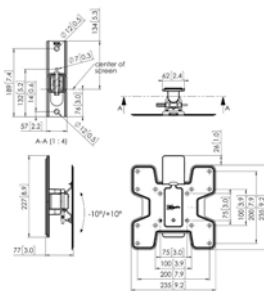
Max. weight load (kg)	16	16	16
Min./ Max. screen size (inch)	19 / 43	19 / 43	19 / 43
Number of pivot points	1	2	3
Turn	Up to 60°	Up to 120°	Up to 180°
Tilt	Tilt -10°/+10°	Tilt -10°/+10°	Tilt -10°/+10°
Lockable	•	•	•
Min. distance to the wall (mm)	77	77	77
Max. distance to the wall (mm)	77	247	417
Hole pattern (VESA)	75 mm x 75 mm 100 mm x 100 mm 200 mm x 100 mm 200 mm x 200 mm	75 mm x 75 mm 100 mm x 100 mm 200 mm x 100 mm 200 mm x 200 mm	75 mm x 75 mm 100 mm x 100 mm 200 mm x 100 mm 200 mm x 200 mm

### Guarantee

TÜV certified			
Guarantee	5 years	5 years	5 years

### General

Colour	Black	Black	Black
Article number	7320200	7320300	7320400
EAN single box	8712285335105	8712285335129	8712285335143





## PFW 3000 Series Wall Mounts

### **Designed for the high demanding hospitality market**

In-room entertainment is a big part of a guest's experience. Vogel's understands that and designed the PFW 3000 Series to give everybody an outstanding AV experience. We make sure that the content is viewable from every angle. The mount's discrete padlock ensures that a HotelTV or any other display is secure in most occasions. With a maximum fitment of 400x400 mm the mount can hold a large range of displays. The TÜV certified PFW 3000 Series provides an exceptional safe and elegant solution.

### **Key features**

- Stylish high-end design
- VESA 100x100, 200x200, 300x300, 400x400 mm
- Post-installation levelling
- Theft-delaying padlock
- Continuous smooth tilt
- TÜV certified
- Cable management

## 3000 SERIES

### PFW 3030

Wall Mount turn & tilt



### PFW 3040

Wall Mount turn & tilt



#### Specifications

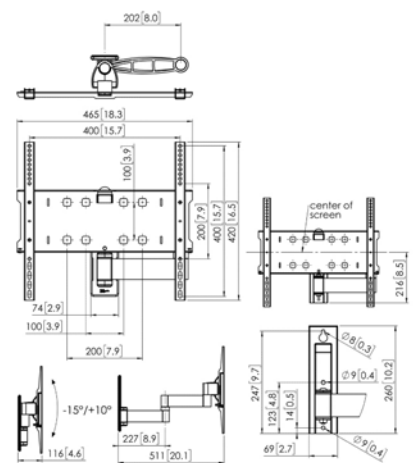
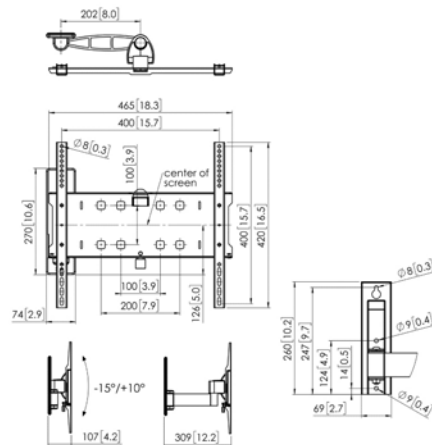
Max. weight load (kg)	35	35
Min./ Max. screen size (inch)	39 / 55	39 / 55
Number of pivot points	2	3
Turn	Up to 120°	Up to 180°
Tilt	Tilt -15°/+10°	Tilt -15°/+10°
Lockable	•	•
Min. distance to the wall (mm)	107	116
Max. distance to the wall (mm)	309	511
Hole pattern (VESA)	100 mm x 100 mm 100 mm x 200 mm 200 mm x 100 mm 200 mm x 200 mm 300 mm x 200 mm 300 mm x 300 mm 400 mm x 200 mm 400 mm x 300 mm 400 mm x 400 mm	100 mm x 100 mm 100 mm x 200 mm 200 mm x 100 mm 200 mm x 200 mm 300 mm x 200 mm 300 mm x 300 mm 400 mm x 200 mm 400 mm x 300 mm 400 mm x 400 mm

#### Guarantee

TÜV certified		
Guarantee	5 years	5 years

#### General

Colour	Black	Black
Article number	7330300	7330400
EAN single box	8712285335167	8712285335181







## PFW 4000 Series Wall Mounts

### **Maximum security in public places**

A straightforward wall mount with the renowned Vogel's quality. A simple and affordable solution for installing displays in public spaces where supervision is limited. Displays can be locked in two ways for an optimal theft-delaying solution.

### **Attractive design and price**

The PFW 4000 Series offers a reliable Vogel's wall mount for displays from 10" to 80". The wall mounts ensure a completely flat wall installation and are available in fixed and tilting versions. The tilt function can be adjusted in steps, making higher mounted displays easy to see and read.

### **Always level**

Specially shaped drill holes allow the position of the wall plate to be adjusted once it has been mounted to the wall. This ensures that the mount

is always level. Everything you need for installation is supplied in the box, including high quality mounting materials. This ensures that you have everything to hand.

### **Key features**

- Tilt in steps 0°, 7°, 12° and 15°
- VESA max. 600x400 mm
- Fixed tilt position
- Autolock® locking system
- Locking bar and padlock
- TÜV certified

## 4000 SERIES

**PFW 4200**  
Wall Mount fixed

**PFW 4500**  
Wall Mount fixed

**PFW 4700**  
Wall Mount fixed



### Specifications

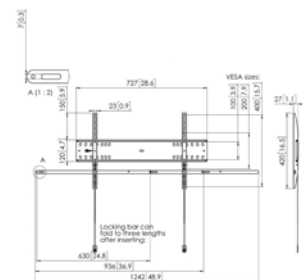
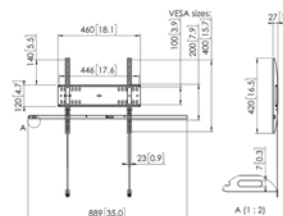
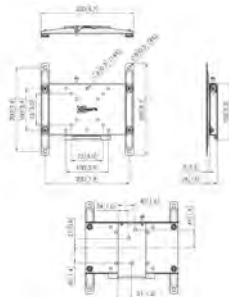
Max. weight load (kg)	30	50	75
Min./ Max. screen size (inch)	10 / 43	42 / 55	55 / 80
Tilt			
Lockable	•	•	•
Min. distance to the wall (mm)	27	27	27
Hole pattern (VESA)	50 mm x 50 mm 75 mm x 75 mm 100 mm x 100 mm 100 mm x 200 mm 200 mm x 100 mm 200 mm x 200 mm	100 mm x 100 mm 100 mm x 200 mm 200 mm x 100 mm 200 mm x 200 mm 300 mm x 200 mm 300 mm x 300 mm 400 mm x 200 mm 400 mm x 300 mm 400 mm x 400 mm	100 mm x 100 mm 100 mm x 200 mm 200 mm x 100 mm 200 mm x 200 mm 300 mm x 200 mm 300 mm x 300 mm 400 mm x 200 mm 400 mm x 300 mm 400 mm x 400 mm 500 mm x 200 mm 500 mm x 300 mm 500 mm x 400 mm 600 mm x 200 mm 600 mm x 300 mm 600 mm x 400 mm

### Guarantee

TÜV certified			
Guarantee	5 years	5 years	5 years

### General

Colour	Black	Black	Black
Article number	7042000	7045000	7047000
EAN single box	8712285330988	8712285338601	8712285338649





## 4000 SERIES

### PFW 4210

Wall Mount tilt

### PFW 4510

Wall Mount tilt

### PFW 4710

Wall Mount tilt



#### Specifications

Max. weight load (kg)	30	50	75
Min./ Max. screen size (inch)	10 / 43	42 / 55	55 / 65
Tilt	Tilt up to 15°	Tilt up to 15°	Tilt up to 15°
Lockable	•	•	•
Min. distance to the wall (mm)	53	52	52

#### Hole pattern (VESA)

50 mm x 50 mm  
75 mm x 75 mm  
100 mm x 100 mm  
100 mm x 200 mm  
200 mm x 100 mm  
200 mm x 200 mm

100 mm x 100 mm  
100 mm x 200 mm  
200 mm x 100 mm  
200 mm x 200 mm  
300 mm x 200 mm  
300 mm x 300 mm  
400 mm x 200 mm  
400 mm x 300 mm  
400 mm x 400 mm

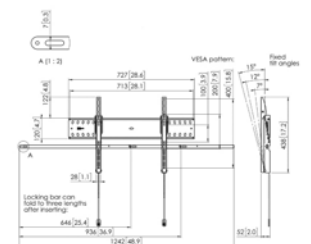
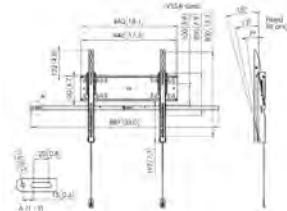
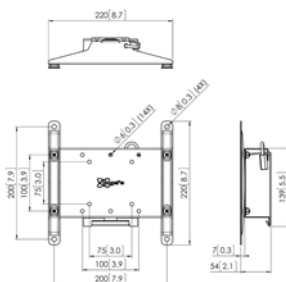
100 mm x 100 mm  
100 mm x 200 mm  
200 mm x 100 mm  
200 mm x 200 mm  
300 mm x 200 mm  
300 mm x 300 mm  
400 mm x 200 mm  
400 mm x 300 mm  
400 mm x 400 mm  
500 mm x 200 mm  
500 mm x 300 mm  
500 mm x 400 mm  
600 mm x 200 mm  
600 mm x 300 mm  
600 mm x 400 mm

#### Guarantee

TÜV certified			
Guarantee	5 years	5 years	5 years

#### General

Colour	Black	Black	Black
Article number	7042100	7045100	7047100
EAN single box	8712285331008	8712285338625	8712285338663





## PFW 6000 Series Wall Mounts

### Heavy-duty wall mounts

Meet our 'next level' professional wall mounts. This series combines all we know about quality and ease-of- installation. For instance, post-installation levelling, self centering screws and easy access for maintenance. All of this for displays up to 120" and max. 230 kg.

The design of the PFW 6000 Series is both robust and elegant. There are several models available as fixed wall mount or tilting up to 15°. In addition, all types have an easy accessible integrated lock. As always with Vogel's, these wall mounts come with a 5-year material and manufacturing error warranty.

### Key features

- Easy levelling and installation
- Horizontal levelling (post-installation)
- Self-centering display bolts
- Easy accessible integrated lock
- Locked service position
- Tilt function up to 15°
- TÜV certified

## 6000 SERIES

### PFW 6400

Wall Mount fixed

### PFW 6410

Wall Mount tilt

### PFW 6800

Wall Mount fixed



### Specifications

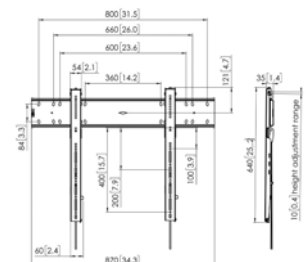
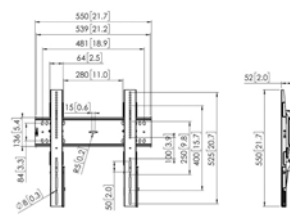
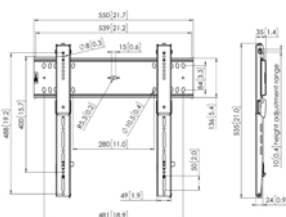
	PFW 6400	PFW 6410	PFW 6800
Max. weight load (kg)	100	75	100
Min./ Max. screen size (inch)	46 / 65	46 / 65	55 / 80
Tilt		Tilt up to 15°	
Levelling function	Post-installation horizontal levelling	Post-installation horizontal levelling	Post-installation horizontal levelling
Lock options	Lock included / integrated	Lock included / integrated	Lock included / integrated
Min. distance to the wall (mm)	35	52	35
Exceptions   Remarks			
Hole pattern (VESA)	75 mm x 75 mm 200 mm x 100 mm 200 mm x 200 mm 300 mm x 200 mm 300 mm x 300 mm 400 mm x 200 mm 400 mm x 300 mm 400 mm x 400 mm	75 mm x 75 mm 100 mm x 100 mm 100 mm x 200 mm 200 mm x 100 mm 200 mm x 200 mm 300 mm x 200 mm 300 mm x 300 mm 400 mm x 200 mm 400 mm x 300 mm 400 mm x 400 mm	75 mm x 75 mm 100 mm x 100 mm 100 mm x 200 mm 200 mm x 100 mm 200 mm x 200 mm 300 mm x 200 mm 300 mm x 300 mm 400 mm x 200 mm 400 mm x 300 mm 400 mm x 400 mm 500 mm x 200 mm 500 mm x 300 mm 500 mm x 400 mm 600 mm x 200 mm 600 mm x 300 mm 600 mm x 400 mm 700 mm x 400 mm 800 mm x 400 mm

### Guarantee

	PFW 6400	PFW 6410	PFW 6800
TÜV certified			
Guarantee	5 years	5 years	5 years

### General

	PFW 6400	PFW 6410	PFW 6800
Colour	Black	Black	Black
Article number	7364000	7364100	7368000
EAN single box	8712285334122	8712285334146	8712285334160







## XXL Wall Mounts

### **For heavy weight displays up to 227 kg**

When mounting a display that is heavier or bigger than average, you must be certain to use the correct mounting system. Vogel's offers a range of display wall mounts for displays of different weight classes, which are also handy for positioning in a recess or corner.

Robust yet flexible that is what the XXL Series offers in this range of display wall mounts. And each with its own specific features. The heaviest displays can still be turned and tilted easily and can even be rotated from landscape to portrait perspective in one simple movement.

### **Installation facilitated**

All you need for installation is supplied in the box, ensuring that you have everything to hand. The mounting materials are of the highest quality. Not only are the wall mounts suitable for the heaviest displays, the mounting materials are also specially selected for this purpose.



## XXL WALL MOUNTS

### PFW 6850

Wall Mount turn & tilt



### PFW 6851

Wall Mount turn & tilt



#### Specifications

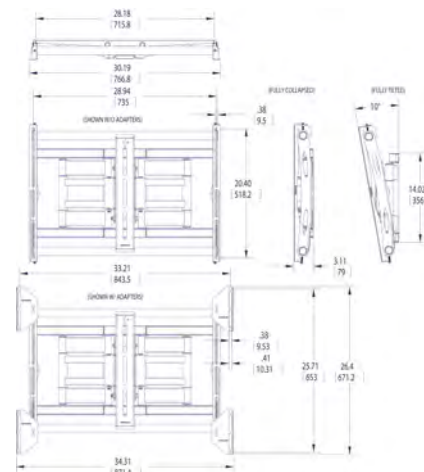
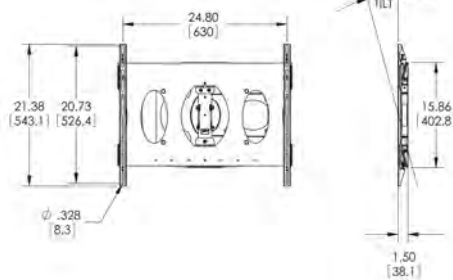
Max. weight load (kg)	40	80
Min./ Max. screen size (inch)	42 / 65	42 / 85
Number of pivot points	3	3
Turn	Up to 180°	Up to 90°
Tilt	Tilt up to 15°	Tilt up to 10°
Min. distance to the wall (mm)	38	79
Max. distance to the wall (mm)	749	404
Max. VESA hole pattern (mm)	630 x 526	800 x 600
Exceptions   Remarks		

#### Guarantee

TÜV certified		
Guarantee	5 years	5 years

#### General

Colour	Black	Black
Article number	7368500	7368510
EAN single box	8712285323362	8712285323386



## XXL WALL MOUNTS

### PFW 6852

Wall Mount turn & tilt



### PFW 6855

Wall Mount turn, tilt & rotate



#### Specifications

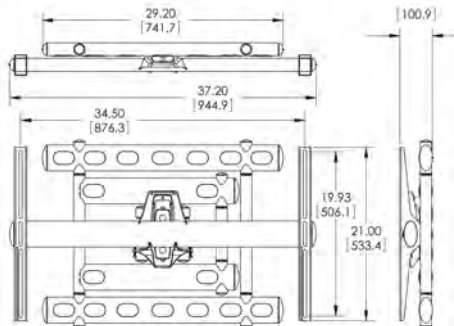
Max. weight load (kg)	136	227
Min./ Max. screen size (inch)	40 / 98	65 / 120
Number of pivot points	3	3
Turn	Up to 180°	Up to 90°
Tilt	Tilt -10°/+10°	Tilt -4°/+4°
Min. distance to the wall (mm)	101	216
Max. distance to the wall (mm)	658	623
Max. VESA hole pattern (mm)	985 x 665	907 x 600
Exceptions   Remarks		

#### Guarantee

TÜV certified		
Guarantee	5 years	5 years

#### General

Colour	Black	Black
Article number	7368520	7368550
EAN single box	8712285323409	8712285323201





**PFW 6858**

Wall Mount rotate, 90°



72

42 / 65

Up to 90°

95

870 x 505

Compatible with FD/TD kits

**PFA 9158**

Adapter for Samsung Flip 2 65"



72

- / 65

5 years

Black

7291580

8712285348266

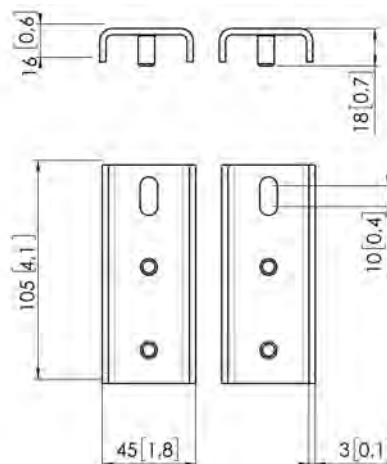
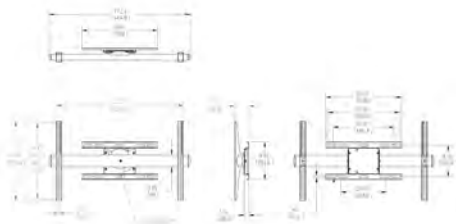


5 years

Black

7368580

8712285342165





## Video Wall Pop-out Mounts + Connect-it

These pop-out mounts are engineered for even faster and easier installation of LCD video walls. The pop-in/pop-out mechanism guarantees quick and easy servicing and maintenance.

### Connect-it compatible

The pop-out mount can be mounted directly on the wall, making it an ideal solution for recessed single display or video wall installations.

Combine the video wall pop-out mount with a Connect-it PFB 34xx Interface Bar for even faster installation and easy alignment. Perfect for installations on bumpy, uneven walls and stud walls. Unlike other Vogel's pop-out systems, this pop-out mount is compatible with the Connect-it PUC 29 Series. This makes it really easy to install a floor to ceiling, floor to wall or fixed to the floor video wall solution with pop-out mounts.

### Key features

- Compatible with Vogel's Connect-it
- Always quick and easy service access
- Single-latch pop-out mechanism ensures always level pop-in/pop-out display position
- Perfect for recessed and built-in video wall installations
- TÜV-5 certified for extra safety
- Designed for LCD displays from 40" to 65"
- Suitable for landscape and portrait mounting
- VESA 200x200 to 600x800 mm

Check [vogels.com](http://vogels.com) for more information.

**PPM6704**

Video Wall Pop-out Mount landscape

**PPM6708**

Video Wall Pop-out Mount portrait

VIDEO WALL  
POP-OUT  
MOUNT - KITS



**Specifications**

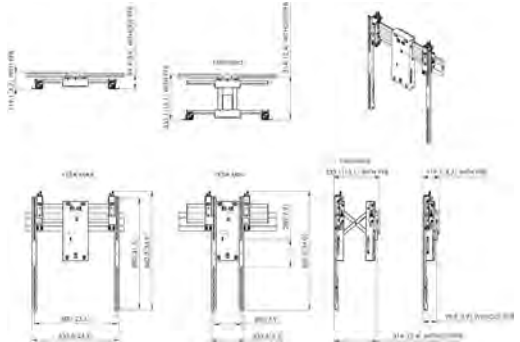
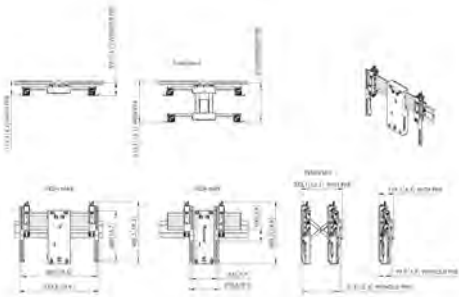
Max. weight load (kg)	45	45
Min. / Max. screen size (inch)	40 / 65	40 / 65
Orientation	Landscape / Portrait	Portrait
Min. VESA hole pattern (mm)	200 x 200	200 x 200
Max. VESA hole pattern (mm)	600 x 400	600 x 800

**Guarantee**

TÜV certified		
Guarantee	5 years	5 years

**General**

Colour	Black	Black
Article number	7950300	7950310



## PFW 6706

Video Wall Pop-out Module

## VIDEO WALL POP-OUT MODULE



### Specifications

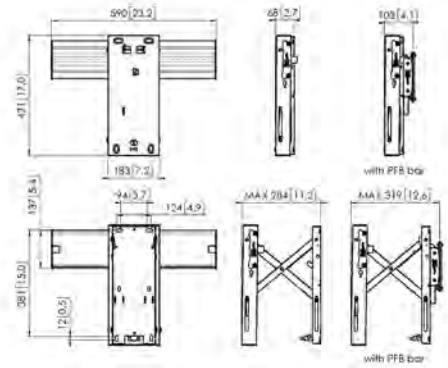
Max. weight load (kg)	45
Min. / Max. screen size (inch)	37 / 65
Min. distance to the wall (mm)	67
Orientation	Landscape / Portrait
Exceptions   Remarks	Combine with PFS 35xx

### Guarantee

TÜV certified	
Guarantee	5 years

### General

Colour	Black
Article number	7267060
EAN single box	8712285345029





# Video Wall Pop-out Mounts

## Perfectly aligned

Video wall pop-out mounts are making installation and service of video walls very easy. By just gently pressing on the display the spring loaded mechanism will be released and will push the display forward. The unique top-adjustable display mounting strips provide alignment along the x, y and z axis to ensure that all displays can be exactly leveled and aligned. Beside the pop-out mechanism the tilt service position is creating even more space to install and service any display.

## Key features

- Spring-loaded display pop-out mechanism
- Audible click sound confirms the display is pushed-in correctly
- Top-adjustable display mounting strips to align and level all displays in a video wall
- Custom spacers for most displays, saving drastically on installation time

## VIDEO WALL POP-OUT MOUNTS

### PFW 6870

Video Wall Pop-out Wall Mount



### PFW 6875

Video Wall Pop-out Wall Mount portrait



#### Specifications

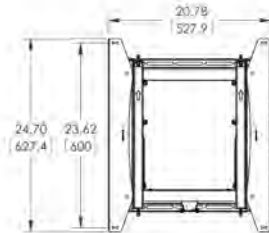
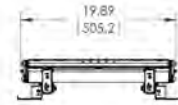
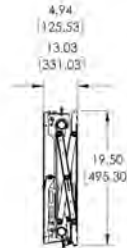
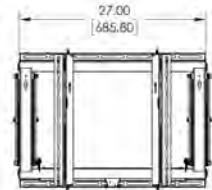
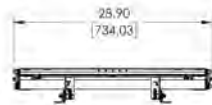
Max. weight load (kg)	72	72
Min./ Max. screen size (inch)	37 / 65	37 / 65
Min. distance to the wall (mm)	127	127
Min. VESA hole pattern (mm)	200 x 200	200 x 200
Max. VESA hole pattern (mm)	600 x 400	400 x 600

#### Guarantee

TÜV certified		
Guarantee	5 years	5 years

#### General

Colour	Black	Black
Article number	7368700	7368750
EAN single box	8712285323461	8712285324840





**PFW 6880**

Video Wall Pop-out Wall Mount



45.5  
37 / 65  
51  
200 x 200  
600 x 400

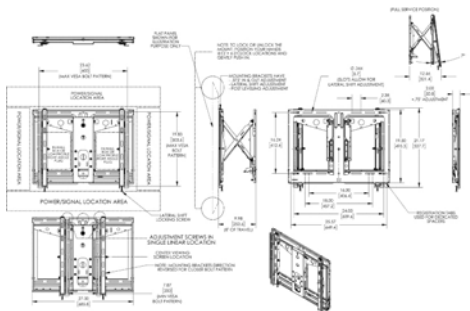


5 years

Black

7368800

8712285329227



**PFW 6885**

Video Wall Pop-out Wall Mount portrait



45  
37 / 65  
51  
200 x 200  
400 x 600

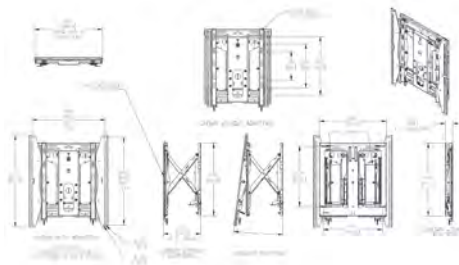


5 years

Black

7368850

8712285334023







## RISE Motorized Display Lifts

### RISE to the occasion

As a professional AV installer or IT company, RISE provides you with a series of stylish, safe and user-friendly electrically operated lifts to raise/lower interactive screens and large displays of up to 86" and max. 140 kg to any desired height.

RISE Motorized Display Lifts are available in different versions: floor-wall solution, trolley and floor stand. The fixed wall system offers maximum safety, especially in educational environments.

The trolley version offers maximum flexibility.

This mobile solution can be moved easily to any location within a building. The floor stand is an excellent choice if you want an interactive display at a fixed location, where wall mounting is not an option.

### Key features

- 980 mm height adjustment range for all users
- QuickRise™: 80 or 50 mm/s speed for displays of up to 140 kg (floor-wall solution) and 120 kg (trolley / floor stand)
- Top-down assembly ensures quick installation
- Anti Collision safety mechanism
- Specially designed base for extra safety
- TÜV and CE certified (UL and GS certification pending)
- Complete with handy accessories
- Sustainable design and recyclable packaging

Check [vogels.com](http://vogels.com) for more information.

## DISPLAY LIFT - FLOOR STANDS

### RISE 5105

Motorized Display Lift Floor Stand 50 mm/s



### RISE 5108

Motorized Display Lift Floor Stand 80 mm/s



#### Specifications

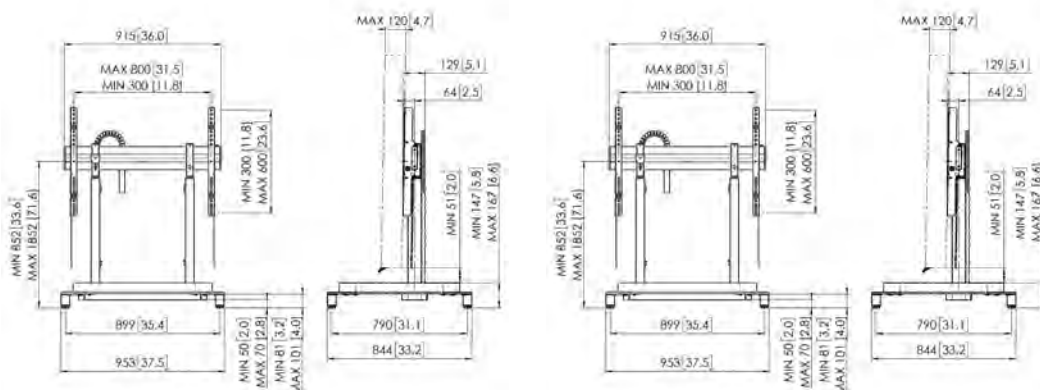
Max. weight load (kg)	120	120
Liftspeed	50 mm/s	80 mm/s
Min./ Max. screen size (inch)	65 / 86	65 / 86
Min./ Max. distance to floor - center display (mm)	887 / 1867	887 / 1867
Motorized	•	•
Height adjustment (mm)	980	980
Depth from front of interface	446	446
Min. VESA hole pattern (mm)	300 x 300	300 x 300
Max. VESA hole pattern (mm)	800 x 600	800 x 600

#### Guarantee

TÜV certified		
Guarantee	5 years	5 years

#### General

Colour	Black	Black
Article number	7351050 (European Union) 7351052 (USA & Canada) 7351054 (United Kingdom)	7351082 (USA & Canada) 7351084 (United Kingdom) 7351080 (European Union)
EAN single box	8712285357541 (European Union) 8712285357589 (USA & Canada) 8712285357626 (United Kingdom)	8712285357701 (USA & Canada) 8712285357749 (United Kingdom) 8712285357664 (European Union)



## DISPLAY LIFT - TROLLEYS

### RISE 5205

Motorized Display Lift Trolley 50 mm/s



### RISE 5208

Motorized Display Lift Trolley 80 mm/s



#### Specifications

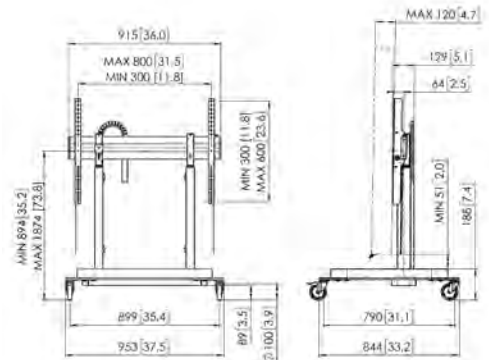
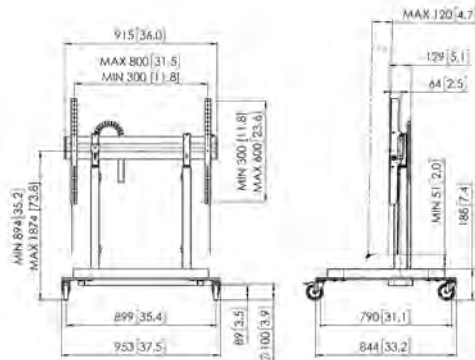
Max. weight load (kg)	120	120
Liftspeed	50 mm/s	80 mm/s
Min./ Max. screen size (inch)	65 / 86	65 / 86
Wheel type	Single wheel	Single wheel
Min./ Max. distance to floor - center display (mm)	887 / 1867	887 / 1867
Motorized	•	•
Height adjustment (mm)	980	980
Depth from front of interface	446	446
Min. VESA hole pattern (mm)	300 x 300	300 x 300
Max. VESA hole pattern (mm)	800 x 600	800 x 600

#### Guarantee

TÜV certified		
Guarantee	5 years	5 years

#### General

Colour	Black   Silver	Black   Silver
Article number	7352050 (European Union) 7352052 (USA & Canada) 7352054 (United Kingdom)	7352080 (European Union) 7352082 (USA & Canada) 7352084 (United Kingdom)
EAN single box	8712285357787 (European Union) 8712285357824 (USA & Canada) 8712285357862 (United Kingdom)	8712285357909 (European Union) 8712285357947 (USA & Canada) 8712285357985 (United Kingdom)



## RISE 5305

Motorized Display Lift Trolley 50 mm/s



## RISE 5308

Motorized Display Lift Trolley 80 mm/s



120

50 mm/s

65 / 86

Double wheel

887 / 1867

•

980

446

300 x 300

800 x 600



5 years

120

80 mm/s

65 / 86

Double wheel

893 / 1873

•

980

446

300 x 300

800 x 600



5 years

Black | Silver

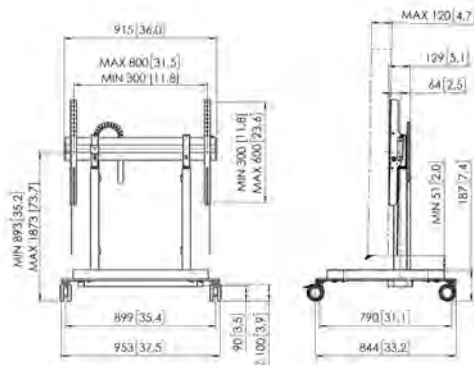
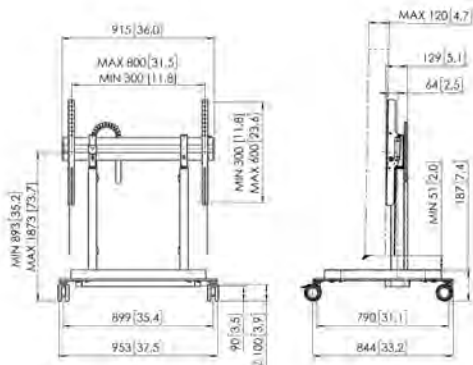
7353050 (European Union)  
7353052 (USA & Canada)  
7353054 (United Kingdom)

Black | Silver

7353080 (European Union)  
7353082 (USA & Canada)  
7353084 (United Kingdom)

8712285358029 (European Union)  
8712285358067 (USA & Canada)  
8712285358104 (United Kingdom)

8712285358142 (European Union)  
8712285358180 (USA & Canada)  
8712285358227 (United Kingdom)



## DISPLAY LIFTS FLOOR - WALL SOLUTIONS

### RISE 2005

Motorized Display Lift Floor-Wall solution 50 mm/s



### RISE 2008

Motorized Display Lift Floor-Wall solution 80 mm/s



#### Specifications

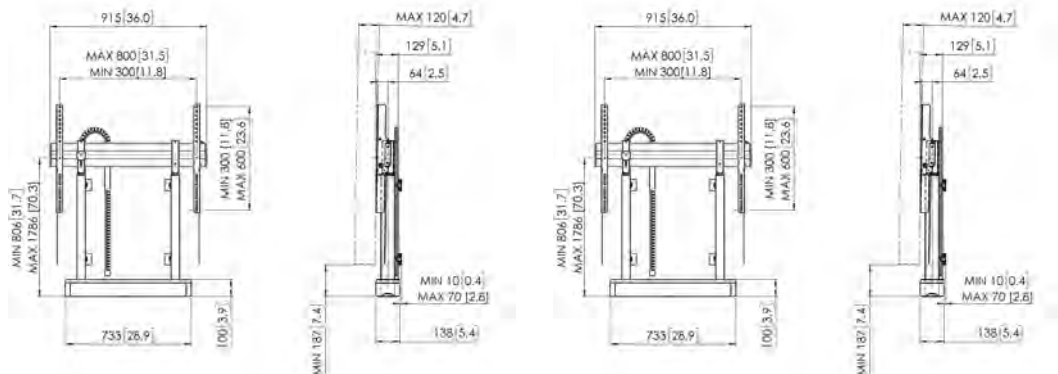
Max. weight load (kg)	140	140
Liftspeed	50 mm/s	80 mm/s
Min./ Max. screen size (inch)	65 / 86	65 / 86
Min./ Max. distance to floor - center display (mm)	806 / 1786	806 / 1786
Motorized	•	•
Height adjustment (mm)	980	980
Min./ Max. depth from front of interface (mm)	143 / 203	143 / 203
Min. VESA hole pattern (mm)	300 x 300	300 x 300
Max. VESA hole pattern (mm)	800 x 600	800 x 600

#### Guarantee

TÜV certified		
Guarantee	5 years	5 years

#### General

Colour	Black   White	Black   White
Article number	7320050 (European Union) 7320051 (European Union) 7320052 (USA & Canada) 7320053 (USA & Canada) 7320054 (United Kingdom) 7320055 (United Kingdom)	7320080 (European Union) 7320081 (European Union) 7320082 (USA & Canada) 7320083 (USA & Canada) 7320084 (United Kingdom) 7320085 (United Kingdom)
EAN single box	8712285357183 (European Union) 8712285357206 (European Union) 8712285357220 (USA & Canada) 8712285357244 (USA & Canada) 8712285357268 (United Kingdom) 8712285357282 (United Kingdom)	8712285357305 (European Union) 8712285357329 (European Union) 8712285357343 (USA & Canada) 8712285357367 (USA & Canada) 8712285357381 (United Kingdom) 8712285357404 (United Kingdom)









## WHITEBOARD SETS

### RISE A216

Whiteboard Set 65" for RISE Motorized Display Lift Floor-Wall solution

### RISE A217

Whiteboard Set 75" for RISE Motorized Display Lift Floor-Wall solution

### RISE A218

Whiteboard Set 86" for RISE Motorized Display Lift Floor-Wall solution



#### Specifications

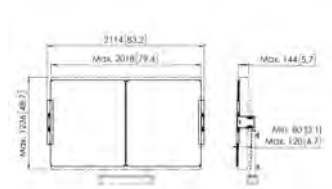
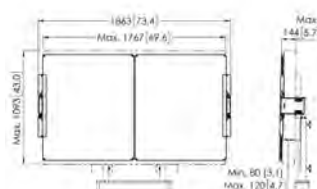
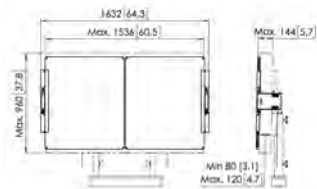
Screen size (inch)	65	75	86
Width (mm)	3166	3627	4130
Height (mm)	892	1020	1157
Depth (mm)	142	142	142
Adjustable depth	•	•	•
Tilt	Tilt -4°/+4°	Tilt -4°/+4°	Tilt -4°/+4°

#### Guarantee

Guarantee	5 years	5 years	5 years
TÜV certified			

#### General

Colour	White	White	White
Article number	7302160	7302170	7302180
EAN single box	8712285356841	8712285356865	8712285356889



## RISE A226

Whiteboard Set 65" for RISE Motorized Display Lift Trolley or Floor Stand



65

3166

892

142

•

Tilt -4°/+4°

5 years



White

7302260

8712285358906

## RISE A227

Whiteboard Set 75" for RISE Motorized Display Lift Trolley or Floor Stand



75

3627

1020

142

•

Tilt -4°/+4°

5 years



White

7302270

8712285358920

## RISE A228

Whiteboard Set 86" for RISE Motorized Display Lift Trolley or Floor Stand



86

4130

1157

142

•

Tilt -4°/+4°

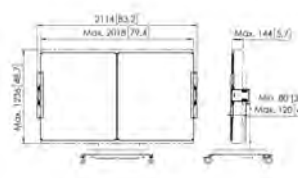
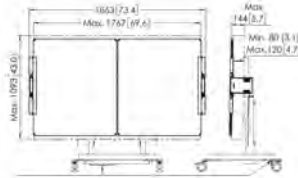
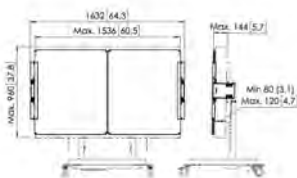
5 years



White

7302280

8712285358944



## ACCESSORIES

### RISE A111

Accessory Mounting Kit for RISE Motorized Display Lifts



### RISE A121

Sound Bar Mount for RISE Motorized Display Lifts



### RISE A131

Laptop Support for RISE Motorized Display Lifts



#### Specifications

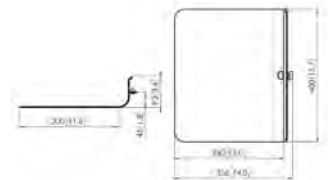
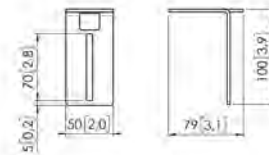
Max. weight load (kg)	15	6	5
Width (mm)	858	50	
Height (mm)	536	100	93
Length (mm)			
Depth (mm)	35	79	300
Height adjustable (mm)	•	•	
Exceptions   Remarks		Combine with RISE A111	Combine with RISE A111

#### Guarantee

Guarantee	5 years	5 years	5 years
TÜV certified			

#### General

Colour	Black	Black	Black
Article number	7301110	7301210	7301310
EAN single box	8712285356766	8712285356780	8712285356803



## RISE A141

Video Conferencing Camera Platform for RISE Motorized Display Lifts



4

230

92

274

Combine with RISE A111

5 years



Black

7301410

8712285356827

## RISE A311

Hidden Storage Unit for RISE Motorized Display Lifts



10

356

403

120

5 years



Black

7303110

8712285356902

## RISE A321

Extension Bar for Hidden Storage Unit for RISE Motorized Display Lifts



14

127

257

72

Combine with RISE A311

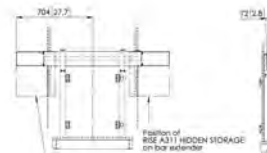
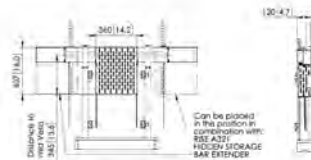
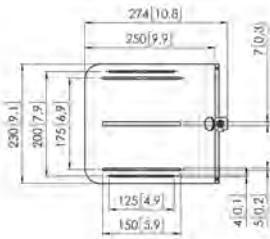
5 years



Black

7303210

8712285356926





## Motorized Trolley for LED and LCD

### Robust trolley with formidable design

The PFTE 7120 Motorized Trolley for LED and LCD is specially designed to safely mount LED walls and LCD displays of 98" and larger. The maximum weight load is 225 kg.

The PFTE 7120 Motorized Trolley is supplied as standard with castors and adjustable legs. If the trolley is going to be used in a fixed position, mounting the supplied feet is the most attractive and practical solution. The installation is elegant and stylish, despite its size, so it enhances any modern setting. The high quality materials and beautiful finish give the trolley an upmarket appearance, and as you would expect from a Vogel's product, all the cables are neatly concealed in the housing.

### Mounting the displays

The motorized trolley features a universal or custom interface which is suitable for any type of LED wall or large LCD display, irrespective of the brand.

Vogel's supplies complete matching interface kits for popular LED displays from Philips, Samsung, LG and Optoma. Check [vogels.com](http://vogels.com) for more LED solutions.

### Key features

- Adjustable in height up to 50 cm
- TÜV and CE certified
- Mobile and/or stand alone
- Lockable cabinet
- Easy install

## MOTORIZED TROLLEY LED - KITS

### TLWE78002

Motorized Trolley for Philips FHD 137BDL9115 LED Wall



### TLWE78101

Motorized Trolley for Samsung IFR/IER 1.5 mm LED Wall



#### Specifications

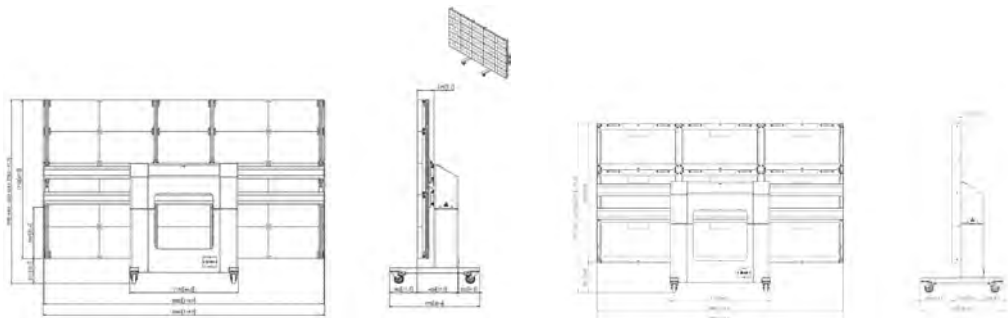
Max. weight load (kg)	225	225
Min. distance to floor - center display (mm)	1075	1075
Max. distance to floor - center display (mm)	1575	1575
Motorized	•	•
Height adjustment (mm)	500	500

#### Guarantee

TÜV certified		
Guarantee	5 years	2 years

#### General

Colour	Black	Black
Article number	7951280	7951290





## MOTORIZED TROLLEY LED - KITS

### TLWE78201

Motorized Trolley for LG 130" All-in-one LED Wall



### TLWE78302

Motorized Trolley for Optoma Quad 163" LED Wall



#### Specifications

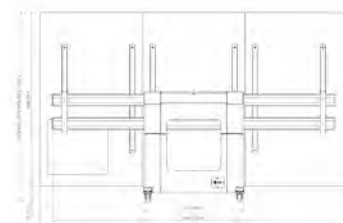
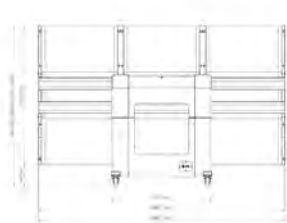
Max. weight load (kg)	225	225
Min. distance to floor - center display (mm)	1075	1075
Max. distance to floor - center display (mm)	1575	1575
Motorized	•	•
Height adjustment (mm)	500	500

#### Guarantee

TÜV certified		
Guarantee	5 years	5 years

#### General

Colour	Black	Black
Article number	7951310	7951330



## MOTORIZED TROLLEY LED/LCD

### PFTE 7120

Motorized Trolley for LED and LCD



### PLA 8902

Bracket Kit for PFTE 7120



#### Specifications

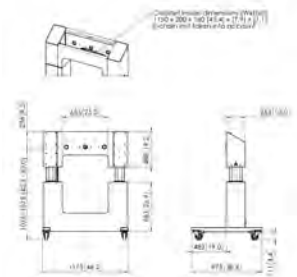
Max. weight load (kg)	225	
Min./ Max. screen size (inch)	- / -	- / -
Min. distance to floor - center display (mm)	1075	
Max. distance to floor - center display (mm)	1575	
Motorized	•	
Height adjustment (mm)	500	

#### Guarantee

TÜV certified		
Guarantee	5 years	5 years

#### General

Colour	Black	Black
Article number	7371200	7189024
EAN single box	8712285351266	8712285351969





## Motorized Display Trolleys

Interactive displays are very popular for education and business use. For different users the height needs to be adjusted and as interactive displays can be quite heavy, a motorized trolley or wall mount proves to be a perfect solution.

### Display mounting

In order to mount a display to your motorized solution you simply choose the appropriate Vogel's Connect-it interface bar (PFB 34xx) and display strips (PFS 32xx) to create the perfect fit (see page 11-19).

### Key features

- Adjustable in height up to 65 cm
- Ample storage space for AV equipment
- Solid construction
- Suitable for heavy displays

## MOTORIZED TROLLEY KITS

### TE1164

Motorized Trolley with Cabinet



### TE1264

Motorized Trolley



#### Specifications

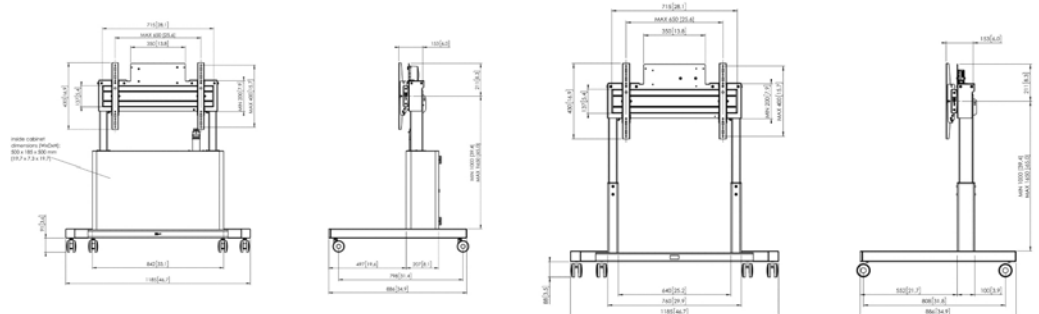
Max. weight load (kg)	160	160
Min./ Max. screen size (inch)	42 / 86	42 / 86
Remote controlled	•	•
Motorized	•	•
Height adjustment (mm)	650	650
Max. distance to floor - center display (mm)	1650	1650
Min. VESA hole pattern (mm)	100 x 100	100 x 100
Max. VESA hole pattern (mm)	600 x 400	600 x 400

#### Guarantee

TÜV certified		
Guarantee	5 years	5 years

#### General

Colour	Silver	Black
Article number	7911644	7912644



## MOTORIZED TROLLEYS

### PFTE 7111

Motorized Trolley with Cabinet



### PFTE 7112

Motorized Trolley



#### Specifications

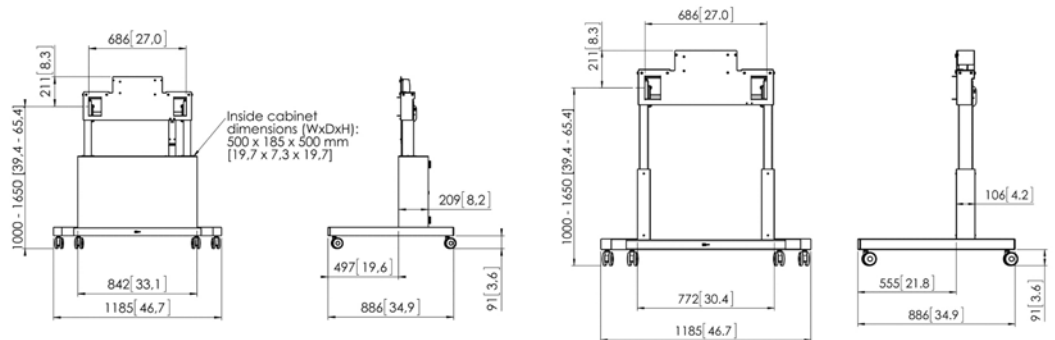
Max. weight load (kg)	160	160
Min./ Max. screen size (inch)	42 / 86	42 / 86
Remote controlled	•	•
Motorized	•	•
Height adjustment (mm)	650	650
Max. distance to floor - center display (mm)	1650	1650
Exceptions   Remarks	Not compatible with PFB 3402/3405	Not compatible with PFB 3402/3405

#### Guarantee

TÜV certified		
Guarantee	5 years	5 years

#### General

Colour	Silver	Black
Article number	7371114	7371124
EAN single box	8712285323560	8712285323584





# Motorized Display Wall Mount

Interactive displays mounted to a wall need height adjustment to comply with users of different heights, especially in education but also for business use. As interactive displays are heavy, the Vogel's PFW 7150 is a stylish and ergonomic solution. This motorized wall mount can be installed directly to the wall. For weaker walls there are optional wall mount supports.

## Display mounting

In order to mount a display to your motorized solution you simply choose the appropriate Vogel's Connect-it interface bar (PFB 34xx) and display strips (PFS 32xx) to create the perfect fit (see page 11-19).

## Key features

- Stylish high-end design
- Adjustable in height up to 65 cm
- Ergonomic design
- Suitable for heavy displays



## WE5064

Motorized Wall Mount

## PFWE 7150

Motorized Wall Mount

# MOTORIZED WALL MOUNT & KIT



### Specifications

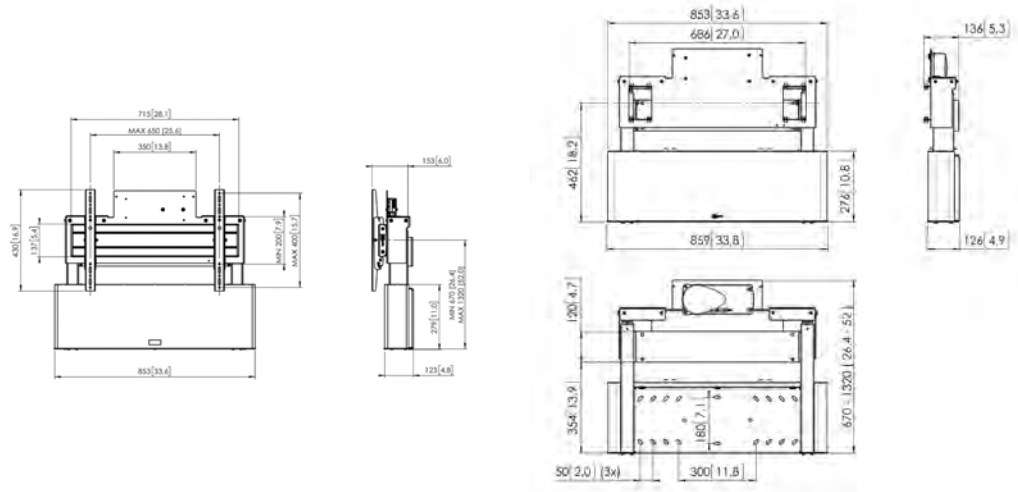
Max. weight load (kg)	160	160
Min./ Max. screen size (inch)	42 / 86	42 / 86
Remote controlled	•	•
Motorized	•	•
Height adjustment (mm)	650	650
Min. VESA hole pattern (mm)	100 x 100	
Max. VESA hole pattern (mm)	600 x 400	
Exceptions   Remarks		Not compatible with PFB 3402/3405

### Guarantee

Guarantee	5 years	5 years
-----------	---------	---------

### General

Colour	Silver	Silver
Article number	7950644	7371504
EAN single box	8712285339769	8712285323607



ACCESSORIES

**PFA 9117**

Wall Mount Support for PFWE 7150



**PFA 9118**

PC Holder for PFTE 7112



**PFA 9119**

Electronic Safety Strip



**Specifications**

Max. weight load (kg)

10

**Guarantee**

Guarantee

5 years

5 years

2 years

**General**

Colour

Black

Black

Black

Article number

7291170

7291180

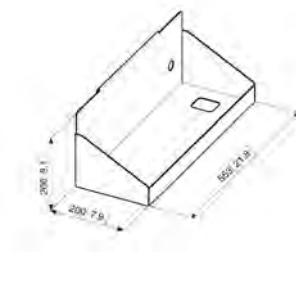
7291190

EAN single box

8712285324000

8712285323980

8712285324086



## Motorized Touch Table

### Supporting interactivity in every aspect

Whether it is a museum, trade fair or a university, the touch table allows you to show your content at its best. Vogel's touch table is designed to be used by multiple people at the same time. When you use the standup position, the touch table is perfect for presentations. If the display is completely flat, you have an immersive surface to draw and interact with its content. Thanks to its lift and tilt actuators there will always be an ergonomic and comfortable position.

### Key features

- Adjustable in height up to 500 mm (center display: 800-1300 mm)
- Ample storage space for AV equipment
- Lockable cabinet
- Solid construction
- Ergonomic design
- Suitable for heavy displays
- Tilt function 0-90°
- VESA 700x400 mm



**PFTE 7121**  
Motorized Touch Table

MOTORIZED  
TOUCH TABLE



**Specifications**

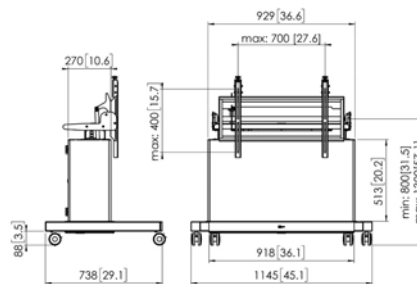
Max. weight load (kg)	160
Min./ Max. screen size (inch)	50 / 86
Max. distance to floor - center display (mm)	1300
Remote controlled	•
Motorized	•
Height adjustment (mm)	500
Min. VESA hole pattern (mm)	100 x 100
Max. VESA hole pattern (mm)	700 x 400

**Guarantee**

Guarantee	5 years
-----------	---------

**General**

Colour	Silver
Article number	7371214
EAN single box	8712285337161



## Video Conferencing Furniture

In situations where people heavily depend on video conferencing, a professional solution is an absolute necessity. It is not just choosing the right equipment that is important; the right set-up also needs careful consideration.

### Attention to design and detail

Vogel's supplies various models of video conferencing furniture with ample of storage space and each with its own specific features. What they all have in common is their superior finish and quality.

### Mounting your display, camera and speaker

In order to mount one or two displays, you choose a Connect-it interface bar and display interface strips to create the perfect fit (see page 11-19). Easily mount a camera/speaker onto the furniture with a holder (see page 65).



## VIDEO CONFERENCING FURNITURE

### PVF 4112

Video Conferencing Furniture

### PFF 5100

Video Conferencing Furniture

### PFF 5211

Video Conferencing Furniture



#### Specifications

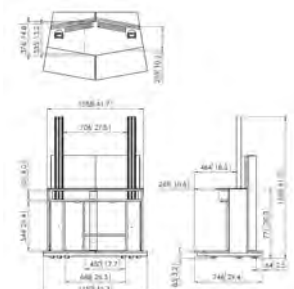
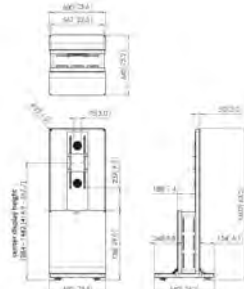
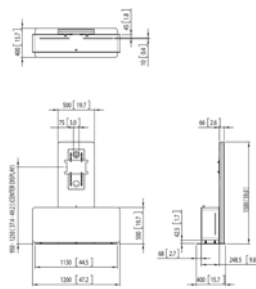
Max. weight load (kg)	80	80	80
Max. screen size (inch)	90	55	90
Lockable	•		
Exceptions   Remarks	Not compatible with PFB 3402	Not compatible with PFB 3402	Not compatible with PFB 3402/3405/3407

#### Guarantee

TÜV certified			
Guarantee	5 years	5 years	5 years

#### General

Colour	Silver   White	Silver	Silver
Article number	7141124 (Silver) 7141121 (White)	7321514	7321524
EAN single box	8712285330346 (Silver) 8712285330384 (White)	8712285322563	8712285326844







# Video Conferencing Speakers

## **Amplified Video Conferencing Speakers**

Good sound quality is critical if you want to have a productive video conference.

Vogel's developed a unique range of speakers, specially designed for video conferencing. Our speakers give you a truly high-quality voice audio experience to match the video quality.

## **Natural sound**

The core of the loudspeaker is the built-in Digital Sound Processor (DSP), which makes the speaker sound like your video conferencing partners are actually in the room with you.

Nearly all traditional loudspeakers are optimized for music reproduction. In contrast, our speakers with a DSP are tuned for natural-sounding speech. Even the positioning of your video conferencing partners is clear due to the stereo setup. Vogel's video conferencing speakers are available in several sizes, optimized for smaller and larger rooms.

## **Camera/Speaker Holder**

Easily mount your speaker with the camera/speaker holder (see page 65).

## VIDEO CONFERENCING SPEAKERS

### PVA 4307

Video Conferencing Speaker

### PVA 4310

Video Conferencing Speaker



#### Specifications

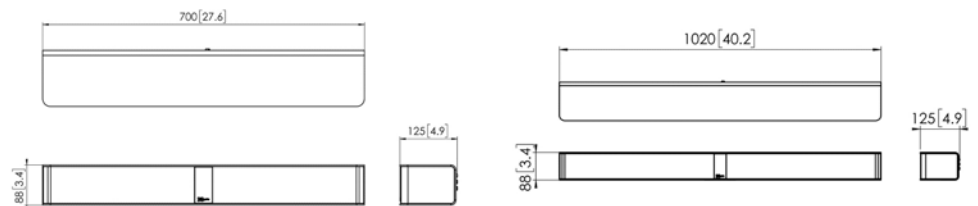
Width (mm)	700	1020
Depth (mm)	125	125
Height (mm)	91	91
Speaker output in decibel (dB)	89	92
Standby Power Consumption (W)	0.3	0.3
Remote control standard	RS-232 RS-485	RS-232 RS-485
Voltage	120 V, 60 Hz 220 V, 50 Hz 230 V, 50 Hz	120 V, 60 Hz 220 V, 50 Hz 230 V, 50 Hz

#### Guarantee

Guarantee	2 years	2 years
-----------	---------	---------

#### General

Colour	Black	Black
Article number	7243070	7243100
EAN single box	8712285333668	8712285333682





## Solution for Samsung OMN-D Series

Vogel's created a retail display mount exclusively designed for the Samsung's OMN-D Series double sided displays, for both 46" and 55" sizes, to maximize this dual communication display.

### **Ideal solution for both ceiling and floor**

Vogel's PFFC 4655 can be used to mount OM46N-D or OM55N-D. With this solution, Vogel's offers the best way to mount this display with just one product. This new retail display mounting solution includes a ceiling mount, floor mount and floor-to-ceiling mount option to suit the possibilities and preferences of the store where it is to be installed.

### **Mount without drilling**

There are times when it is not possible to drill holes in the ceiling or floor, or you simply want the option to easily relocate the device at any time. For these cases, Vogel's also has a special base available, which does not require any drilling.

### **Key features**

- Easy and quick installation
- Lightweight aluminium profiles
- Cable management system

SOLUTION  
SAMSUNG  
OMN-D SERIES

**PFFC 4655**

Mount for Samsung OMN-D

**PFF 2046**

Floor Plate for Samsung OM46N-D

**PFF 2055**

Floor Plate for Samsung OM55N-D



**Specifications**

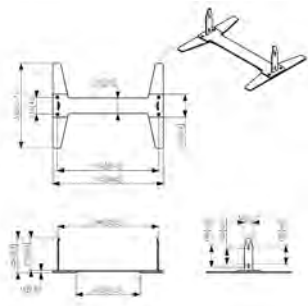
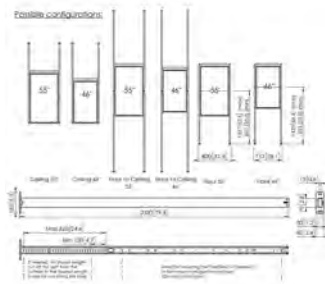
Min./ Max. screen size (inch)	46 / 55	46 / 46	55 / 55
Depth (mm)	160	550	550
Height (mm)	2020	225	225

**Guarantee**

Guarantee	5 years	5 years	5 years
-----------	---------	---------	---------

**General**

Colour	Black	Black	Black
Article number	7346550	7320460	7320550
EAN single box	8712285345289	8712285345548	8712285345562



## Trolleys and Stands

### **Superb quality and design**

The series of AV trolleys are designed to provide maximum communication power or design integration. The trolley needs to be combined with the Connect-it interface bars and display interface strips.

To create a complete video conferencing solution use the Vogel's camera/speaker holders and speakers (see page 65/139).

### **Display mounting**

In order to mount one or two displays, you choose the display interface bar and strips to create the perfect fit (see page 11-19).



### **Key features**

- Stylish design
- Full cable management
- Suitable for video conferencing



TROLLEYS  
AND STAND

**PFF 2420**  
Floor Stand

**PFT 2515**  
Trolley

**PFT 2520**  
Trolley



**Specifications**

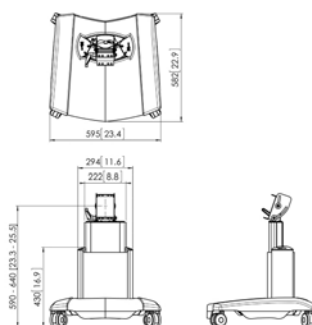
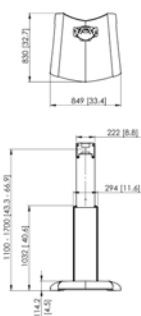
Max. weight load (kg)	70	70	55
Min./ Max. screen size (inch)	32 / 65	32 / 65	32 / 65
Min. distance to floor - center display (mm)	1100	590	1130
Max. distance to floor - center display (mm)	1700	640	1770
Height adjustable (mm)	•	•	•

**Guarantee**

TÜV certified			
Guarantee	5 years	5 years	5 years

**General**

Colour	Black	Black	Black
Article number	7324205	7325155	7325210
EAN single box	8712285331107	8712285331121	8712285331145





## ACCESSORIES

**PFA 9033**  
Accessory Shelf

**PFA 9034**  
Locking Cabinet

**PFA 9052**  
Locking Cabinet



### Specifications

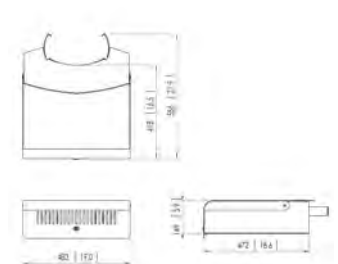
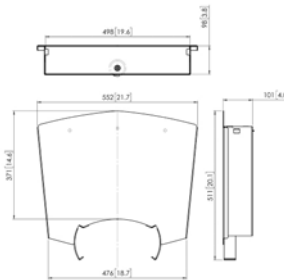
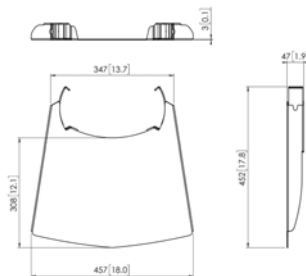
Max. weight load (kg)	10	10	20
Lockable		•	•

### Guarantee

TÜV certified			
Guarantee	5 years	5 years	5 years

### General

Colour	Silver	Silver	Silver
Article number	7390334	7390344	7390524
EAN single box	8712285315008	8712285315022	8712285322808



PLASMABOY®  
TROLLEYS AND  
STAND

**PB 050**

Table Stand

**PB 150**

Trolley

**PB 175**

Trolley



**Specifications**

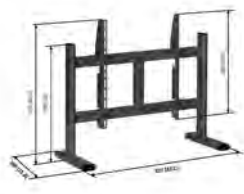
Max. weight load (kg)	50	50	50
Min./ Max. screen size (inch)	36 / 55	36 / 55	36 / 55
Max. horizontal hole pattern (mm)	670	670	670
Max. vertical hole pattern (mm)	510	510	510

**Guarantee**

Guarantee	5 years	5 years	5 years
-----------	---------	---------	---------

**General**

Colour	Black	Black	Black
Article number	7320500	7321500	7321750
EAN single box	8712285336140	8712285336164	8712285336188



## Stainless steel Floor Stands

### **Stylish brushed stainless steel**

These stylish brushed stainless steel floor stands can be used in many different locations like boardrooms, hotel lobbies, retail shops, custom install showrooms, car showrooms, shows and exhibitions.

Combine the floor stand with a special turn unit and Connect-it display interface bar and strips (see page 11-19), and you can easily create a perfect configuration.

The optional accessory shelf can easily be mounted to the floor stand at any desired height.



### **Key features**

- Stylish design
- Cable management
- Modular display interface for a perfect fit

### **Stainless steel Series contains**

- Brushed stainless steel floor stands
- Stainless steel floor mounting stand
- Stainless steel kits

FLOOR STAND KITS

**F1622RVS**  
Floor Stand



**F1644RVS**  
Floor Stand



**Specifications**

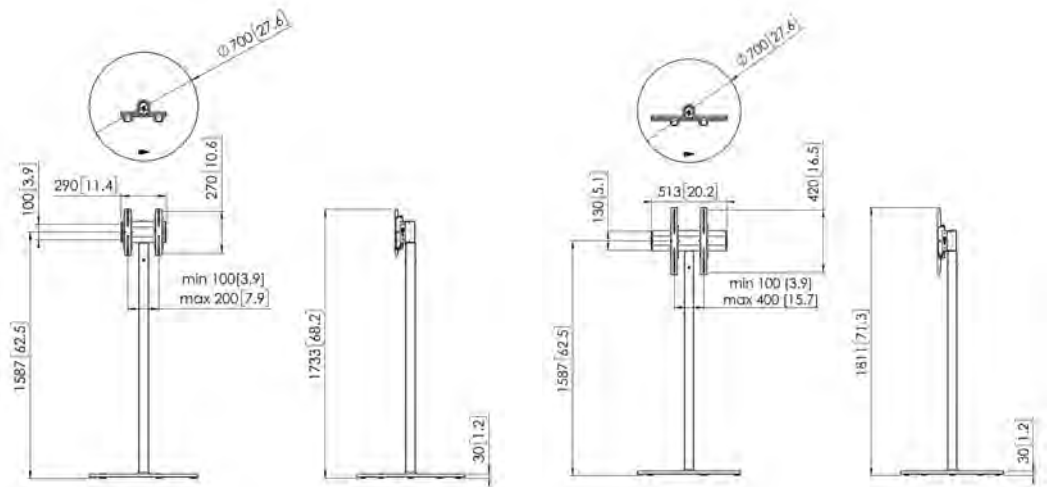
Max. weight load (kg)	40	40
Min./ Max. screen size (inch)	19 / 55	19 / 55
Max. distance to floor - center display (mm)	1587	1587
Min. VESA hole pattern (mm)	100 x 100	100 x 100
Max. VESA hole pattern (mm)	200 x 200	400 x 400

**Guarantee**

TÜV certified		
Guarantee	5 years	5 years

**General**

Colour	Stainless Steel	Stainless Steel
Article number	7951114	7951124



## FLOOR MOUNTED KITS

### FM1622RVS

Floor Stand, fixed to floor



### FM1644RVS

Floor Stand, fixed to floor



#### Specifications

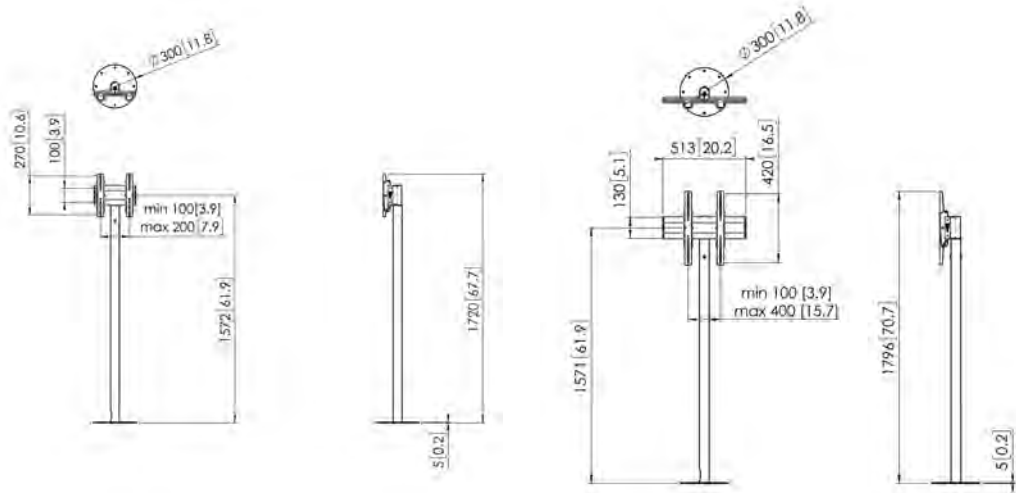
Max. weight load (kg)	40	40
Min./ Max. screen size (inch)	19 / 55	19 / 55
Max. distance to floor - center display (mm)	1572	1572
Min. VESA hole pattern (mm)	100 x 100	100 x 100
Max. VESA hole pattern (mm)	200 x 200	400 x 400

#### Guarantee

TÜV certified		
Guarantee	5 years	5 years

#### General

Colour	Stainless Steel	Stainless Steel
Article number	7952044	7952054



FLOOR STANDS

**PFF 1560**

Floor Stand



**PFA 9155**

Floor Stand, fixed to floor



**Specifications**

Max. weight load (kg)	40	50
Min./ Max. screen size (inch)	19 / 55	19 / 55
Max. distance to floor - center display (mm)	1587	1571

**Guarantee**

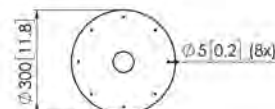
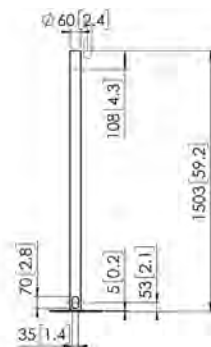
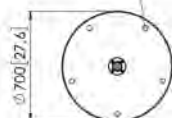
TÜV certified		
Guarantee	5 years	5 years

**General**

Colour	Stainless Steel	Stainless Steel
Article number	7321604	7291554
EAN single box	8712285345449	8712285350788



Five height adjustable screws for floor plate





## FLOOR STANDS INTERFACE AND ACCESSORY

### PFA 9148

Turn Unit



### PFA 9038

Accessory Shelf



#### Specifications

Max. weight load (kg)

40

10

Turn

Up to 128°

#### Guarantee

TÜV certified



Guarantee

5 years

5 years

#### General

Colour

Black

Silver

Article number

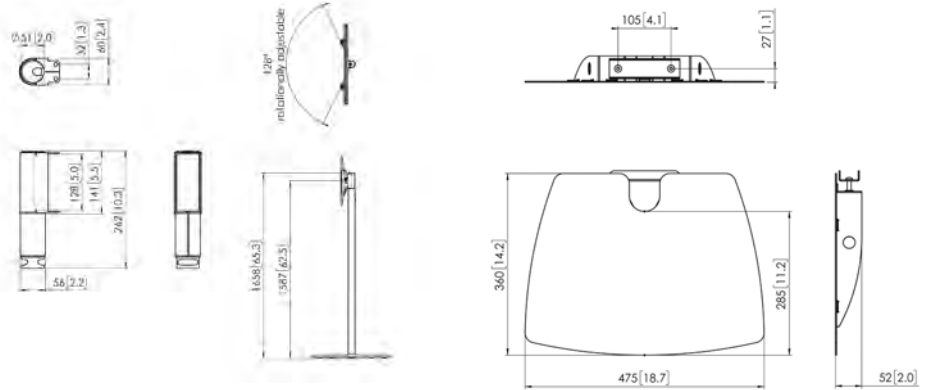
7291480

7390384

EAN single box

8712285345241

8712285316081



## Outdoor solutions for LG XE4F Series

### The ideal outdoor display solution

LG has developed a 49" and 55" all-in-one outdoor display with a slim and robust design. By combining this display with a Vogel's mounting solution, the entire set-up will be watertight and the screen will be able to withstand extreme temperatures from -30°C to +50°C. The combination of the LG XE4F Series for outdoors and Vogel's mounting solutions can be used for a wide range of applications.

### Key features

- Perfectly suitable for outdoor environments
- Anti-corrosion treatment for most extreme weather conditions
- Display mounting in landscape and portrait position
- Theft prevention
- Easy installation



## OUTDOOR KITS - FLOOR STAND

### OFMLG49XE4F

Outdoor Floor Stand for LG 49XE4F



### OFMLG55XE4F

Outdoor Floor Stand for LG 55XE4F



#### Specifications

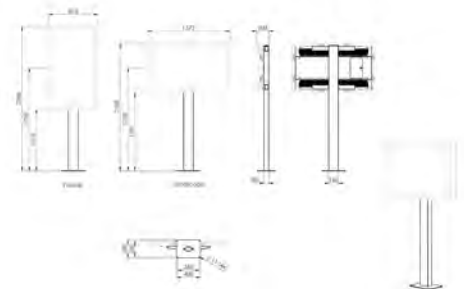
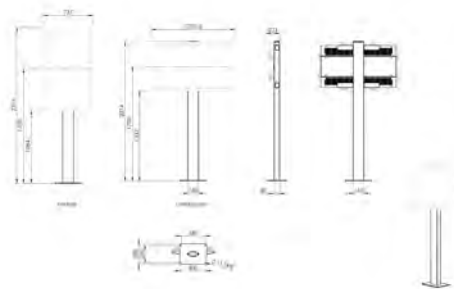
Max. weight load (kg)	35	45
Screen size (inch)	49	55
Height (mm)	2074	2108
Min. distance to floor - center display (mm)	1700	1700
Orientation	Landscape / Portrait	Landscape / Portrait

#### Guarantee

TÜV certified		
Guarantee	2 years	2 years

#### General

Colour	Black	Black
Article number	7951130	7951140



OUTDOOR  
KITS - WALL

**OWMLG49XE4F**

Outdoor Wall Mount for LG 49XE4F

**OWMLG55XE4F**

Outdoor Wall Mount for LG 55XE4F



**Specifications**

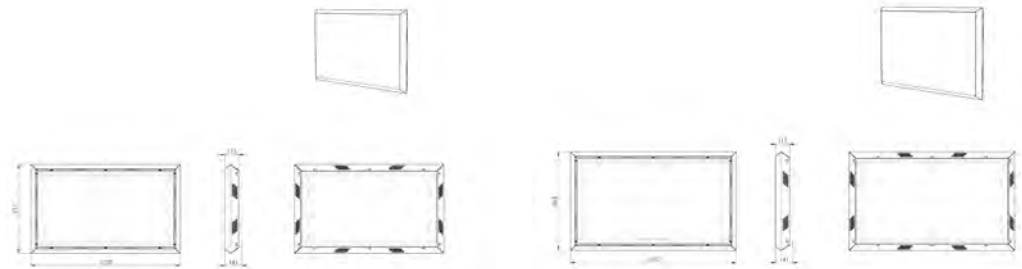
Max. weight load (kg)	35	45
Screen size (inch)	49	55
Orientation	Landscape / Portrait	Landscape / Portrait

**Guarantee**

TÜV certified		
Guarantee	2 years	2 years

**General**

Colour	Black	Black
Article number	7951110	7951120



## WALL MOUNTS

### POW 1601

Outdoor Wall Mount for LG 49XE4F



### POW 1602

Outdoor Wall Mount for LG 55XE4F



#### Specifications

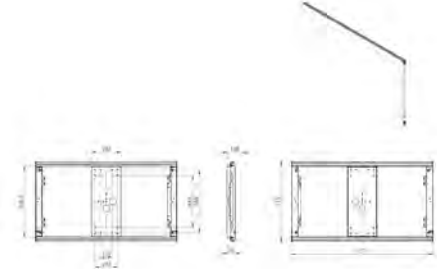
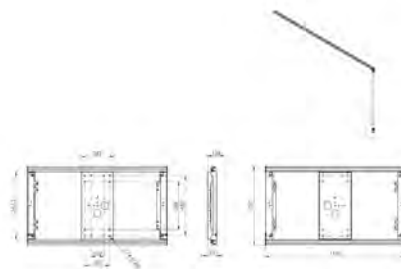
Max. weight load (kg)	35	45
Screen size (inch)	49	55
Orientation	Landscape / Portrait	
Min. distance to the wall (mm)	75	75

#### Guarantee

TÜV certified		
Guarantee	5 years	5 years

#### General

Colour	Black	Black
Article number	7216010	7216020
EAN single box	8712285351921	8712285351945



FRAMES

**POA 9601**

Outdoor frame for LG 49XE4F

**POA 9602**

Outdoor frame for LG 55XE4F



**Specifications**

Screen size (inch)

49

55

**Guarantee**

Guarantee

2 years

2 years

**General**

Colour

Black

Black

Article number

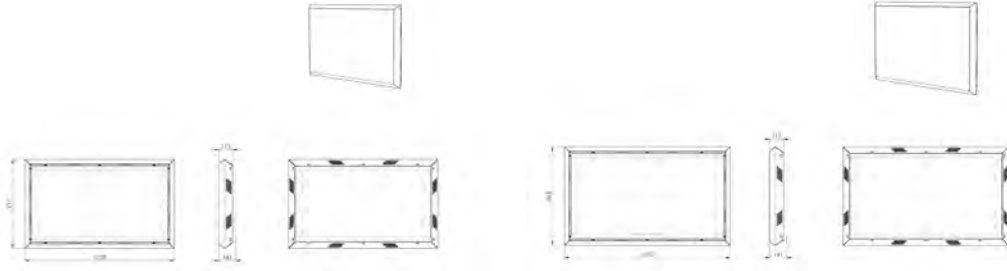
7296010

7296020

EAN single box

8712285351884

8712285351907





## FLOOR STANDS

### POF 7601

Outdoor Floor Stand for LG 49XE4F



### POF 7602

Outdoor Floor Stand for LG 55XE4F



#### Specifications

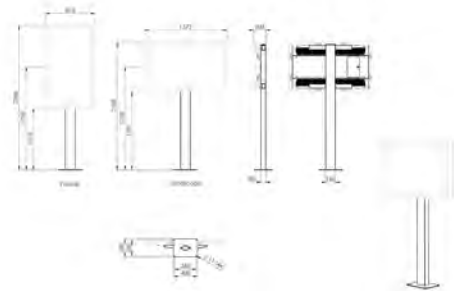
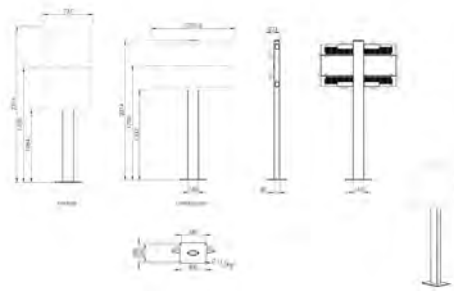
Screen size (inch)	49	55
Height (mm)	2074	2074
Min. distance to floor - center display (mm)	1700	1700

#### Guarantee

Guarantee	2 years	2 years
-----------	---------	---------

#### General

Colour	Black	Black
Article number	7276010	7276020
EAN single box	8712285351983	8712285352003





# Monitor Mounts

## **Professional mounting with a Monitor Mount**

By securing your computer monitor to a Vogel's monitor mount, not only do you save space on your desk, but you can also adjust the monitor's position to precisely match your personal preferences.

## **Multiple mounting options**

The Flexmount™ allows you to install any monitor mount in up to six different ways without having to purchase extra accessories: desk clamp, thru-desk, wall, grommet hole, side bolt and reverse wall.

## **Key features**

- Flexible viewing height
- Movable arm for minimal space on your desk
- Tilt and rotate your monitor in any direction
- Ergonomic design
- Easy to install
- VESA 75x75, 100x100 mm

## MONITOR MOUNTS

### PFD 8522

Monitor Mount static

### PFD 8523

Monitor Mount static

### PFD 8541

Monitor Mount dynamic



#### Specifications

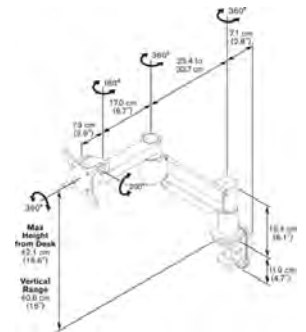
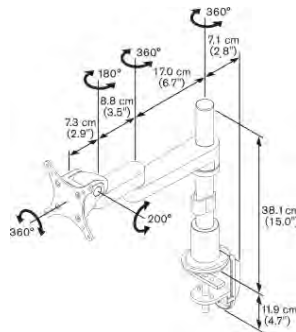
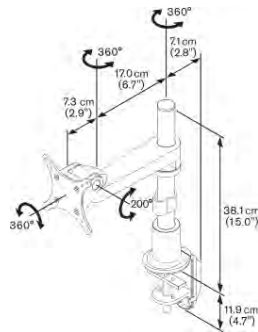
Min. weight load (kg)	0	0	2
Max. weight load (kg)	13	13	5.7
Min./ Max. screen size (inch)	10 / 29	10 / 29	10 / 29
Gas spring	-	-	•
Exceptions   Remarks	Max. desktop thickness: 83 mm	Max. desktop thickness: 83 mm	Max. desktop thickness: 83 mm

#### Guarantee

Guarantee	10 years	10 years	10 years
-----------	----------	----------	----------

#### General

Colour	Silver	Silver	Silver   White
Article number	7185224	7185234	7185414 (Silver) 7185411 (White)
EAN single box	8712285318344	8712285318368	8712285318405 (Silver) 8712285338922 (White)



**PFD 8543**

Monitor Mount dynamic



5.6

11

10 / 29

•

Max. desktop thickness: 83 mm

10 years

Silver | White

7185434 (Silver)  
7185431 (White)

8712285318429 (Silver)  
8712285338953 (White)

**PFA 9102**

Dual Monitor Adapter for PFD Mounts



12

10 / 24

Max. monitor width: 580 mm

10 years

Silver

7191024

8712285318382

**PFA 9125**

Dual Monitor Mount Adapter



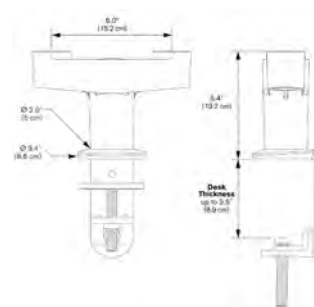
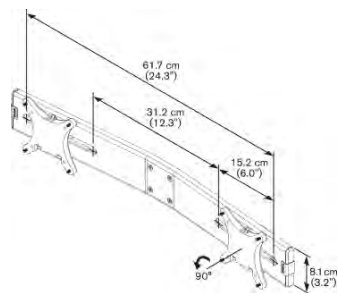
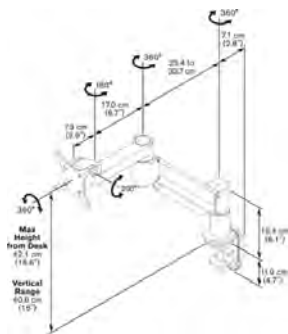
- / -

5 years

Silver | White

7291254 (Silver)  
7291251 (White)

8712285330421 (Silver)  
8712285338977 (White)





## TabLock® Tablet Holders

### **Professional enclosures for your tablet**

More often, iPads or Android tablets can be found in public areas, such as airports, museums and showrooms. They are ideal for viewing video files, product information and for interactive communication.

In order to use a tablet in public, it needs a secure enclosure that gives accessibility for users, while simultaneously providing protection against theft or unauthorised use. Vogel's has developed the perfect tablet solution: TabLock®.

### **Several versions for iPad and Galaxy Tab**

Most models of the Vogel's TabLock (for Apple iPads and Samsung Galaxy Tabs) have two versions. One version has an accessible home button, which allows users to close the current application and start another. The other version has the home button completely hidden. The pinopenings can be used to turn the tablet on or off, and to adjust the volume. The Lock & Key system, which is a unique locking mechanism within the TabLock, prevents theft but still gives quick access to the tablet.



## TabLock® for iPad and Galaxy Tab

### Key features

- Theft preventing
- Quick and easy installation
- Direct wall mounting is possible
- Internal cable management
- Pin holes for power and volume buttons to prevent unauthorized operation (depending on the model)
- Wifi, 3G/4G/5G and bluetooth functionality are unimpeded
- Portrait or landscape position possible
- VESA 100x100 mm mounting holes for mounting the TabLock on all Vogel's VESA compatible mounts



### Solutions for latest models

We have a secure tablet solution available for the most common tablets from Apple and Samsung.

Please check [vogels.com](http://vogels.com) for latest models.



# Universal TabLock®

## Universal Tablet Holder for your tablet

Tablets are great for providing information in public spaces, such as retail shops, museums, showrooms and exhibitions. However, they are easy to damage or steal, and there are so many different versions. Vogel's developed the Universal TabLock® enclosure to protect your tablet while still allowing access to the touch screen. Because of the universal design, the Universal TabLock is perfect for several models of iPads, Galaxy Tabs and other tablets up to 10 inch.



### Sleek design and high-quality materials

A safe tablet holder does not have to be clunky and difficult to use. The sleek design of the Vogel's Universal TabLock fits in with the high-end image you want to provide for your customers. It is easy to install and use, and does not compromise the user experience. The Universal TabLock is made of high-quality materials: 3 mm steel and high-end aluminium. The enclosure can be mounted directly to the wall, or to any compatible Vogel's mounts. The top panel closes with a unique push-in lock, securing the tablet and preventing access to the mounting screws.

**PTS 2010**

Universal TabLock

UNIVERSAL  
TABLOCK®



**Specifications**

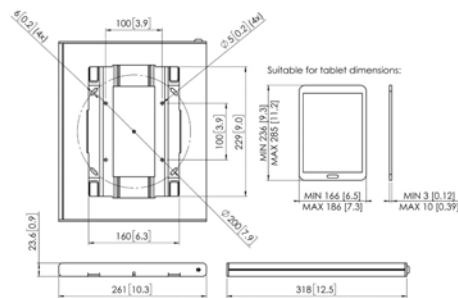
Max. weight load (kg)	3
Hole pattern (VESA)	100 mm x 100 mm

**Guarantee**

Guarantee	5 years
-----------	---------

**General**

Colour	Silver
Article number	7495264
EAN single box	8712285331183



TABLOCK®  
ACCESSORIES

**PTA 3101**  
Floor Stand

**PTA 3102**  
Table Stand



**Specifications**

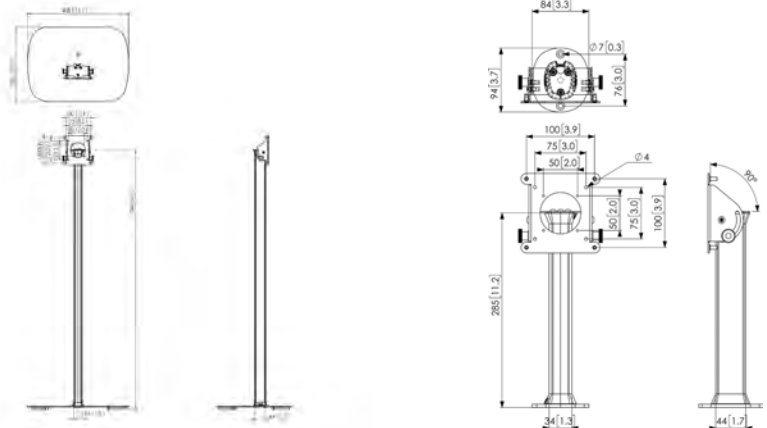
Max. weight load (kg)	3	3
Min./ Max. screen size (inch)	7 / 26	7 / 26
Tilt	Tilt up to 90°	Tilt up to 90°
Cable management	Integrated cable management	Integrated cable management
Max. distance to floor - center display (mm)	1000	260
Hole pattern (VESA)	50 mm x 50 mm 75 mm x 75 mm 100 mm x 100 mm	50 mm x 50 mm 75 mm x 75 mm 100 mm x 100 mm

**Guarantee**

TÜV certified		
Guarantee	5 years	5 years

**General**

Colour	Black	Black
Article number	7493110	7493120
EAN single box	8712285334726	8712285334740



**PTA 3103**

Wall/Table Mount



10

7 / 26

50 mm x 50 mm  
75 mm x 75 mm  
100 mm x 100 mm

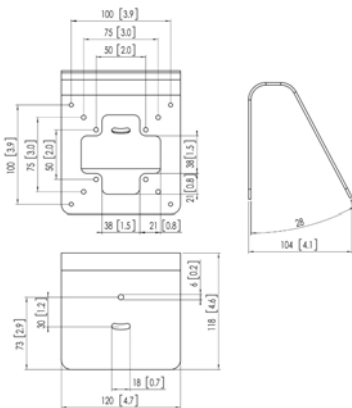


5 years

Black

7493130

8712285335242



**PTA 3105**

Table Stand with foot plate



3

7 / 26

Tilt up to 90°  
Integrated cable management

260

50 mm x 50 mm  
75 mm x 75 mm  
100 mm x 100 mm

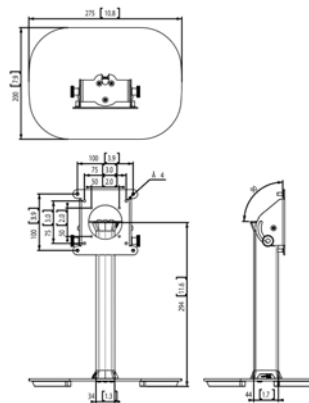


5 years

Black

7493150

8712285334764





# Projector Lift Systems

## Projector Ceiling Lift systems

The PPL Ceiling Lift systems are the perfect solution for integrating projectors into ceilings in board rooms, home cinemas, auditoriums and conference halls. Not only is the projector neatly hidden, it is also theft delaying. The lifts run whisper quiet and offer two very easy and accurate adjustable positions: top and show.

## Key features

- Lightweight and solid construction
- Adjustable top position
- Lift motion with an accuracy of  $< 1$  mm
- Good product price ratio
- Easy to control
- Durable
- Easy to install

## PROJECTOR LIFT SYSTEMS

### PPL 2035

Projector Lift System



### PPL 2040

Projector Lift System



#### Specifications

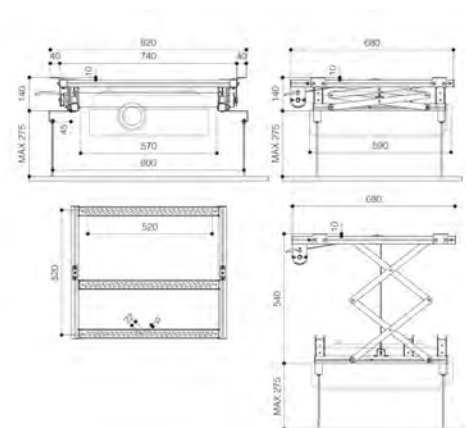
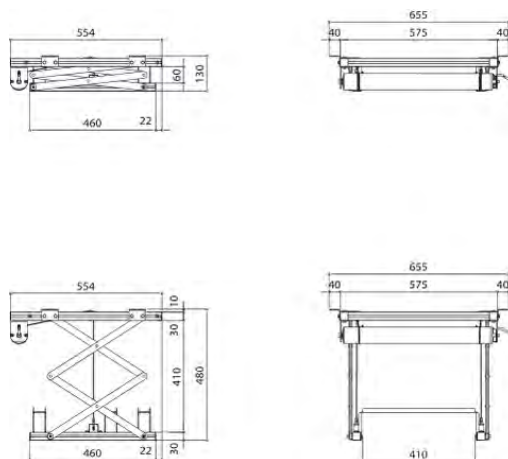
Max. weight load (kg)	15	30
Depth (mm)	554	680
Width (mm)	655	820
Min. distance to ceiling (mm)	130	140
Max. distance to ceiling (mm)	480	540
Voltage	220 V, 50 Hz 230 V, 50 Hz	220 V, 50 Hz 230 V, 50 Hz
Max. projector size	400 x 450 mm	570 x 590 mm

#### Guarantee

TÜV certified		
Guarantee on Electrical Parts	2 years	2 years

#### General

Colour	Silver	Silver
Article number	7020354	7020404
EAN single box	8712285338342	8712285350801





## PROJECTOR LIFT SYSTEMS

### PPL 2100

Projector Lift System



### PPL 2170

Projector Lift System



#### Specifications

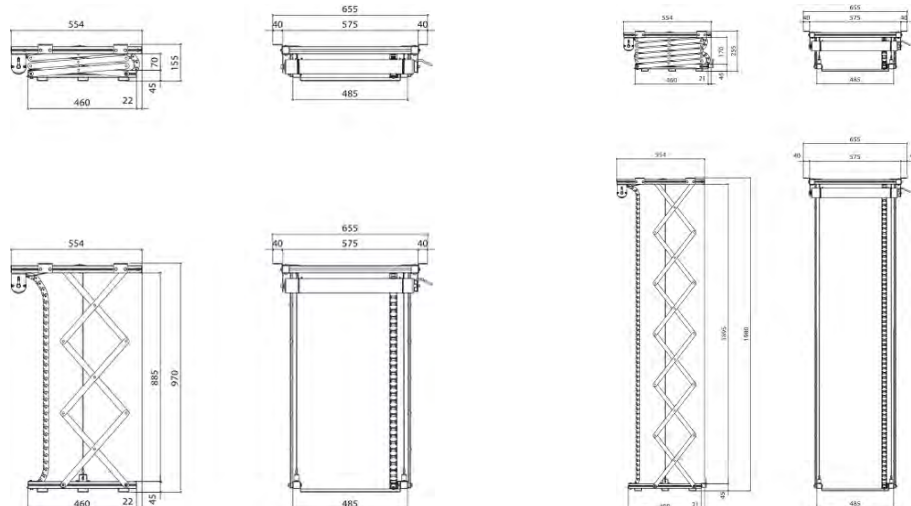
Max. weight load (kg)	30	30
Depth (mm)	554	554
Width (mm)	575	575
Min. distance to ceiling (mm)	155	255
Max. distance to ceiling (mm)	970	1979
Voltage	220 V, 50 Hz 230 V, 50 Hz	220 V, 50 Hz 230 V, 50 Hz
Max. projector size	570 x 600 mm	570 x 600 mm

#### Guarantee

TÜV certified		
Guarantee on Electrical Parts	2 years	2 years

#### General

Colour	Silver	Silver
Article number	7021004	7021704
EAN single box	8712285338380	8712285338427



**PPL 2500**

Projector Lift System



70

890

790

705

5705

230 V, 50 Hz

570 x 600 mm

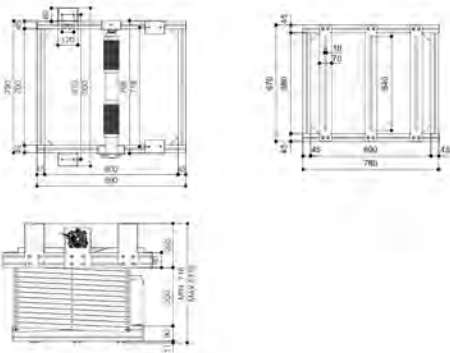


2 years

Black

7025000

8712285338465



## ACCESSORIES

### PPA 901

Ceiling Tile Holder



### PPA 902

RF Remote Control kit



### PPA 903

Control Pad for RF Remote Control Kit



#### Specifications

Voltage		220 V, 50 Hz 230 V, 50 Hz	220 V, 50 Hz 230 V, 50 Hz
Width (mm)	600		
Exceptions   Remarks	Not compatible with PPL 2500	Not compatible with PPL 2500	Not compatible with PPL 2500

#### Guarantee

Guarantee	2 years	2 years	2 years
-----------	---------	---------	---------

#### General

Colour	White	White	White
Article number	7099011	7099021	7099081
EAN single box	8712285338182	8712285338205	8712285338243

**PPA 904**

Low Voltage Contact



220 V, 50 Hz  
230 V, 50 Hz

Not compatible with PPL 2500

2 years

White

7099041

8712285338267

**PPA 905**

Interface switch 12V



220 V, 50 Hz  
230 V, 50 Hz

Not compatible with PPL 2500

2 years

Silver

7099054

8712285338304



# Projector Ceiling Mounts

Vogel's offers a complete range of projector ceiling mounts. These projector mounts are especially designed for the latest generation projectors weighing up to 30 kg. The range includes basic projector ceiling mounts and height adjustable kits with telescopic poles.

## **Universal projector interface**

All mounts come with a universal projector interface. This projector interface is equipped with fine-tune adjustability for precise alignment to the projection surface. Once aligned, the projector stays in position. Turning the unique friction ring will eliminate all play from the interface connections, making the mount a solid and very stable solution.

## **Height adjustable Projector**

### **Ceiling Mount kits**

The height adjustable projector ceiling mount kits can be used when the height of the ceiling is not known or when flexibility is required. These mounts come in three lengths offering variable height adjustment from 400 to 1350 mm. This range of projector ceiling mounts is suitable for mounting to flat and inclined ceilings up to 90°. The CIS® Cable Inlay System runs the full length of the pole and even allows for cable routing after installation.

## PROJECTOR CEILING MOUNTS

### PPC 1500

Projector Ceiling Mount



### PPC 2500

Projector Ceiling Mount



#### Specifications

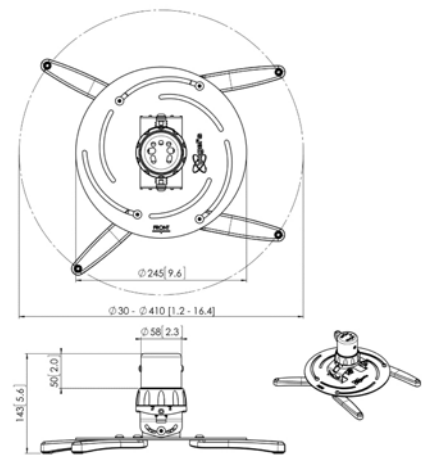
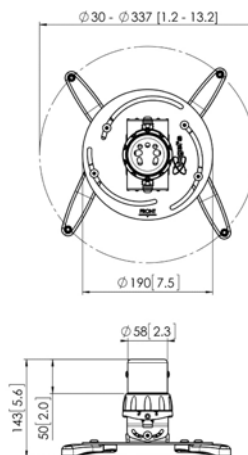
Max. weight load (kg)	20	30
Range (diameter)	30 - 337 mm	30 - 410 mm
Min. distance to ceiling (mm)	124	124
Max. distance to ceiling (mm)	124	124
Tilt	Tilt up to 15°	Tilt up to 15°
Exceptions   Remarks	Can be mounted directly to ceiling	Can be mounted directly to ceiling

#### Guarantee

TÜV certified		
Guarantee	5 years	5 years

#### General

Colour	Silver   White	Silver
Article number	7015014 (Silver) 7015001 (White)	7025004
EAN single box	8712285325069 (Silver) 8712285325144 (White)	8712285325229





## PROJECTOR CEILING MOUNTS

### PPC 1540

Projector Ceiling Mount



### PPC 1555

Projector Ceiling Mount



#### Specifications

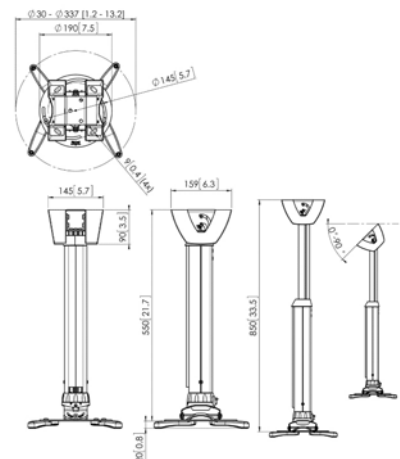
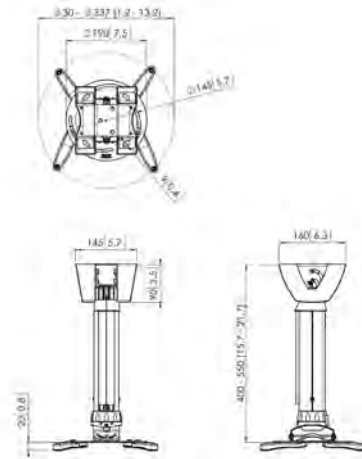
Max. weight load (kg)	20	20
Range (diameter)	30 - 337 mm	30 - 337 mm
Min. distance to ceiling (mm)	400	550
Max. distance to ceiling (mm)	550	850
Tilt	Tilt up to 15°	Tilt up to 15°
Exceptions   Remarks		

#### Guarantee

TÜV certified		
Guarantee	5 years	5 years

#### General

Colour	Silver   White	Silver   White
Article number	7015404 (Silver) 7015401 (White)	7015554 (Silver) 7015551 (White)
EAN single box	8712285325083 (Silver) 8712285325168 (White)	8712285325106 (Silver) 8712285325182 (White)



## PPC 1585

Projector Ceiling Mount



20

30 - 337 mm

850

1350

Tilt up to 15°

## PPC 2540

Projector Ceiling Mount



30

30 - 410 mm

400

550

Tilt up to 15°

## PPC 2555

Projector Ceiling Mount



30

30 - 410 mm

550

850

Tilt up to 15°



5 years



5 years



5 years

Silver | White

7015854 (Silver)  
7015851 (White)

8712285325120 (Silver)  
8712285325205 (White)

Silver

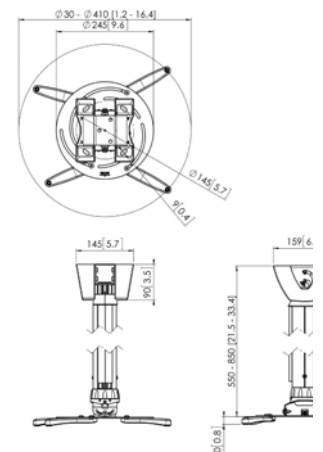
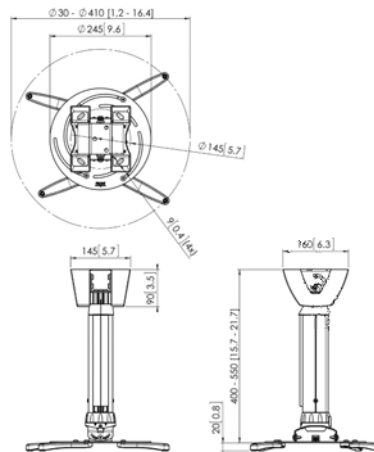
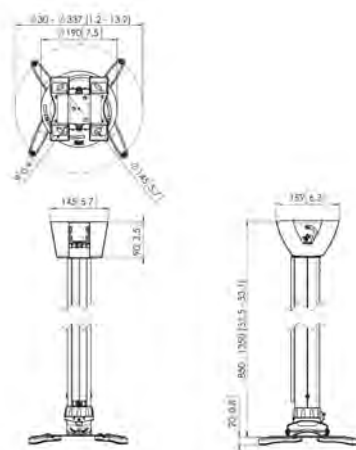
7025404

8712285325243

Silver

7025554

8712285325267



## PPC 2585

Projector Ceiling Mount

## PROJECTOR CEILING MOUNTS



### Specifications

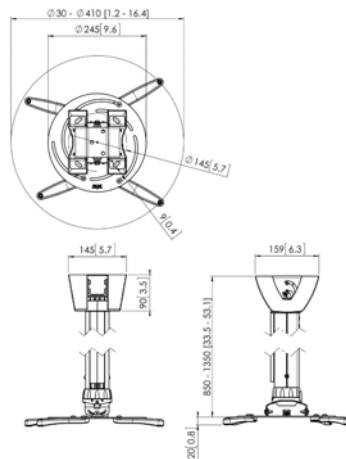
Max. weight load (kg)	30
Range (diameter)	30 - 410 mm
Min. distance to ceiling (mm)	850
Max. distance to ceiling (mm)	1350
Tilt	Tilt up to 15°
Exceptions   Remarks	

### Guarantee

TÜV certified	
Guarantee	5 years

### General

Colour	Silver
Article number	7025854
EAN single box	8712285325281



## ACCESSORIES

### PPA 310

Projector anti-theft housing



### PPA 320

Projector anti-theft housing



#### Specifications

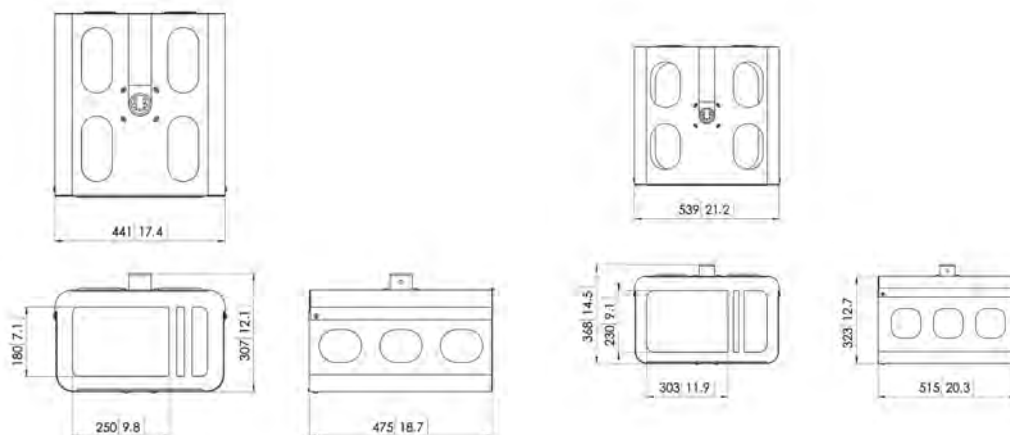
Height (mm)	264	323
Width (mm)	341	539
Depth (mm)	475	515
Max. projector size	410 x 410 x 130 mm	510 x 460 x 180 mm
Exceptions   Remarks	Can be mounted directly to ceiling	Can be mounted directly to ceiling

#### Guarantee

Guarantee	5 years	5 years
-----------	---------	---------

#### General

Colour	Silver	Silver
Article number	7093104	7093204
EAN single box	8712285322709	8712285322723



Type nr.	Pag.	Type nr.	Pag.	Type nr.	Pag.	Type nr.	Pag.	Type nr.	Pag.
<b>C</b>		INT8301	90	PFA 9166	67	PFW 4210	100	PTA 3103	165
C0844	35			PFA 9168	21	PFW 4500	99	PTA 3105	165
C1544	35	<b>O</b>		PFB 3402	12, 80	PFW 4510	100	PTS 2010	163
C3044	35	OFMLG49XE4F	152	PFB 3405	12, 80	PFW 4700	99	PUA 9503	44
CD1564	37	OFMLG55XE4F	152	PFB 3407	13, 80	PFW 4710	100	PUA 9504	45
CD1584	38	OWMLG49XE4F	153	PFB 3409	13, 80	PFW 6400	102	PUA 9507	43, 67
CD3064	37	OWMLG55XE4F	153	PFB 3411	13, 81	PFW 6410	102	PUA 9510	33
CD3084	38			PFB 3419	14, 81	PFW 6706	110	PUA 9515	33
CT0844	36	<b>P</b>		PFB 3427	14, 81	PFW 6800	102	PUA 9516	33
CT1544	36	PB 050	145	PFB 3433	15, 81	PFW 6810	103	PUC 1011	24
CT240811	27	PB 150	145	PFC 555	47	PFW 6815	103	PUC 1045	30
CT240822	28	PB 175	145	PFC 585	47	PFW 6850	105	PUC 1051	30
CT240844	29	PFA 9033	144	PFD 8522	158	PFW 6851	105	PUC 1060	40
CT241511	27	PFA 9034	144	PFD 8523	158	PFW 6852	106	PUC 1065	40
CT241522	28	PFA 9038	150	PFD 8541	158	PFW 6855	106	PUC 1070	40
CT241544	29	PFA 9052	144	PFD 8543	159	PFW 6858	107	PUC 1080	41
CT242211	27	PFA 9102	159	PFF 1560	149	PFW 6870	112	PUC 1090	41
CT242222	28	PFA 9103	44	PFF 2046	141	PFW 6875	112	PUC 2108	24
CT242244	29	PFA 9104	20, 85	PFF 2055	141	PFW 6880	113	PUC 2115	25
CT243011	27	PFA 9107	45	PFF 2420	143	PFW 6885	113	PUC 2130	25
CT243022	28	PFA 9108	45	PFF 5100	137	PFW 6900	103	PUC 2408	31
CT243044	29	PFA 9109	21	PFF 5211	137	PFW 6910	103	PUC 2415	31
CT3044	36	PFA 9112	66	PFF 7020	58	PFW 7150	132	PUC 2422	31
CVW2255	75	PFA 9113	66	PFF 7030	58	PLA 8401	88	PUC 2430	31
CVW3347	75	PFA 9114	68	PFF 7040	59	PLA 8800	88	PUC 2508	42
CVW3355	75	PFA 9115	62	PFF 7060	59	PLA 8902	127	PUC 2515	42
		PFA 9116	62	PFF 7070	59	PLM 8030	88	PUC 2530	42
		PFA 9117	133	PFF 7920	77	PLS 8001	88	PUC 2715	61
<b>F</b>		PFA 9118	133	PFF 7965	78	POA 9601	155	PUC 2718	61
F1544	50	PFA 9119	133	PFFC 4655	141	POA 9602	155	PUC 2720	61
F1622RVS	147	PFA 9120	62	PFI 3015	32	POF 7601	156	PUC 2920	79
F1644RVS	147	PFA 9121	63	PFI 3045	32	POF 7602	156	PUC 2927	79
F1844	50	PFA 9122	21	PFS 3204	16	POW 1601	154	PUC 2933	79
F2044	50	PFA 9124	68	PFS 3208	16	POW 1602	154	PVA 4307	139
FCVW2255	74	PFA 9125	159	PFS 3302	17	PPA 310	177	PVA 4310	139
FCVW3347	74	PFA 9126	20	PFS 3304	17	PPA 320	177	PVA 5050	65
FCVW3355	74	PFA 9127	43, 69	PFS 3306	17	PPA 901	170	PVA 5070	65
FD1564	51	PFA 9128	85	PFS 3308	18	PPA 902	170	PVF 4112	137
FD1584	52	PFA 9129	77	PFS 3311	18	PPA 903	170		
FD1864	51	PFA 9130	77	PFS 3504	19, 82	PPA 904	171	<b>R</b>	
FD1884	52	PFA 9132	78	PFS 3508	19, 82	PPA 905	171	RISE 2005	118
FD2064	51	PFA 9141	83	PFT 2515	143	PPC 1500	173	RISE 2008	118
FD2084	52	PFA 9142	83	PFT 2520	143	PPC 1540	174	RISE 5105	115
FM1544	53	PFA 9143	84	PFT 8520	60	PPC 1555	174	RISE 5108	115
FM1622RVS	148	PFA 9144	84	PFT 8530	60	PPC 1585	175	RISE 5205	116
FM1644RVS	148	PFA 9145	20	PFT 8920	77	PPC 2500	173	RISE 5208	116
FM1844	53	PFA 9148	150	PFTE 7111	130	PPC 2540	175	RISE 5305	117
FM2044	53	PFA 9149	33	PFTE 7112	130	PPC 2555	175	RISE 5308	117
FMVW2255	73	PFA 9155	149	PFTE 7120	127	PPC 2585	176	RISE A111	122
FMVW3347	73	PFA 9156	84	PFTE 7121	135	PPL 2035	167	RISE A121	122
FMVW3355	73	PFA 9158	107	PFW 1030	93	PPL 2040	167	RISE A131	122
FVW2255	71	PFA 9159	63	PFW 1040	93	PPL 2100	168	RISE A141	123
FVW3347	71	PFA 9160	63	PFW 2020	95	PPL 2170	168	RISE A216	120
FVW3355	71	PFA 9161	63	PFW 2030	95	PPL 2500	169	RISE A217	120
		PFA 9162	64	PFW 2040	95	PPM6704	109	RISE A218	120
<b>I</b>		PFA 9163	64	PFW 3030	97	PPM6708	109	RISE A226	121
INT8001	89	PFA 9164	64	PFW 3040	97	PTA 3101	164	RISE A227	121
INT8101	89	PFA 9165	67	PFW 4200	99	PTA 3102	164	RISE A228	121
INT8201	90								

<u>Type nr.</u>	<u>Pag.</u>	<u>Type nr.</u>	<u>Pag.</u>	<u>Type nr.</u>	<u>Pag.</u>	<u>Type nr.</u>	<u>Pag.</u>	<u>Type nr.</u>	<u>Pag.</u>
RISE A311	123	T2044	54	TD2084	57	TLWE78302	126	WE5064	132
RISE A321	123	TD1564	56	TE1164	129	TVW2255	72		
		TD1584	57	TE1264	129	TVW3347	72		
<b>T</b>		TD1864	56	TLWE78002	125	TVW3355	72		
T1544	54	TD1884	57	TLWE78101	125				
T1844	54	TD2064	56	TLWE78201	126	<b>W</b>			



Follow Vogel's:



[/Vogels/Experience/Vogels/Experience](#) [/company/vogels](#) [/Vogels/Experience/Vogels/Experience](#)

**Disclaimer:** While every effort is made to ensure the accuracy of the information provided, Vogel's shall not be held responsible for any errors. This also applies to mistakes or omissions in respect of prices or measurements. Not all products are available in every country.

**Vogel's.** For Sure.