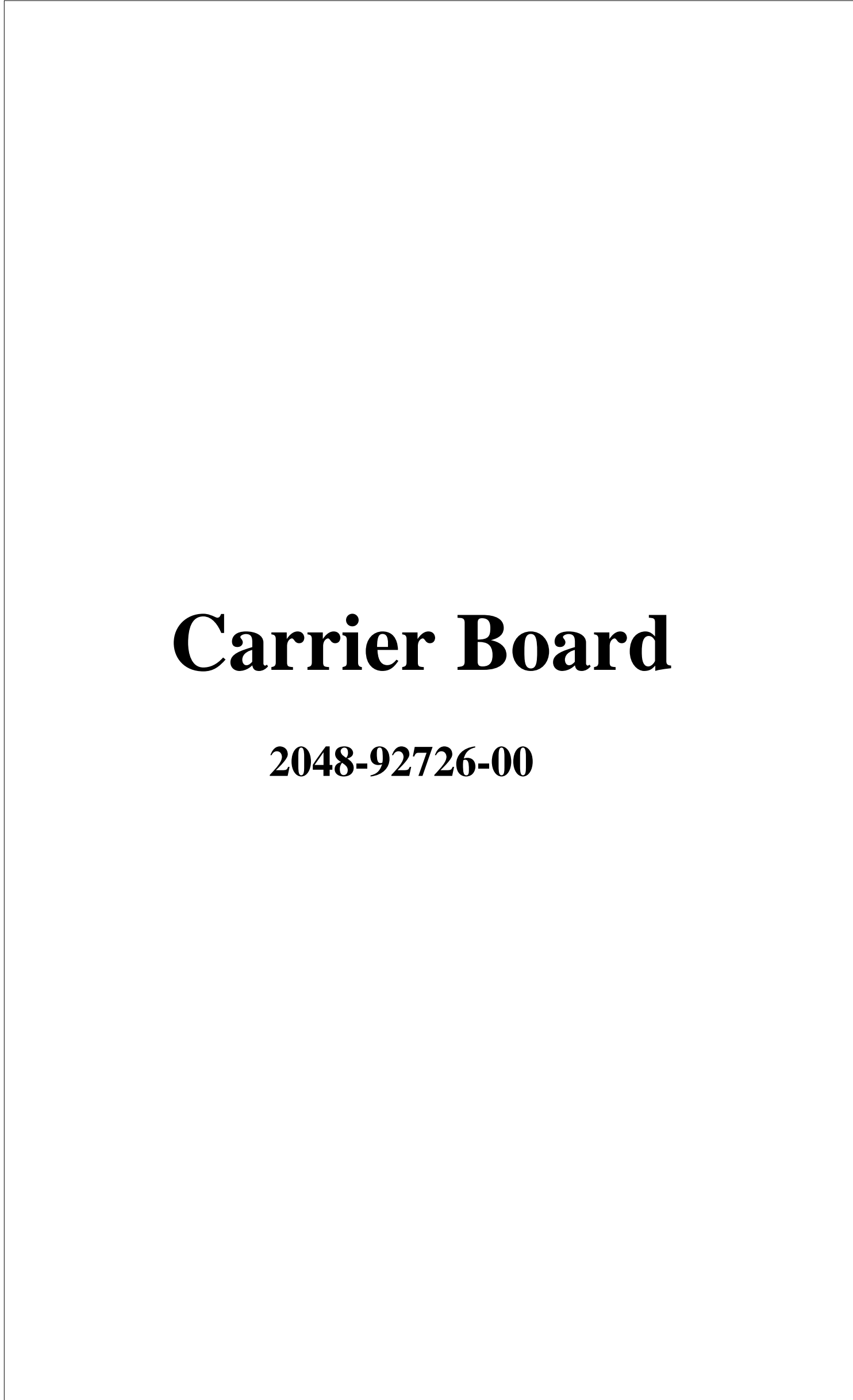


SMARTmr MK2

SFP Transiever
2048-92729-00

Panel Connectors
Multiuse , Radio , Roip
2048-92727-00

Panel Connectors
LAN
2048-92728-00



Display:VGA,,PWR OUT,LAN,COM Port
MU:UARTS x 2,USB x 3,Audio,Discrettes
LAN x 10 , USB x 2

SATA 3.0x3
HDMI
USB3.0

ROIP

G20

G20 CTRL & Radio signals

PS 1275

Battery
Compartment

19V DC

SM-BUS

V_Batt

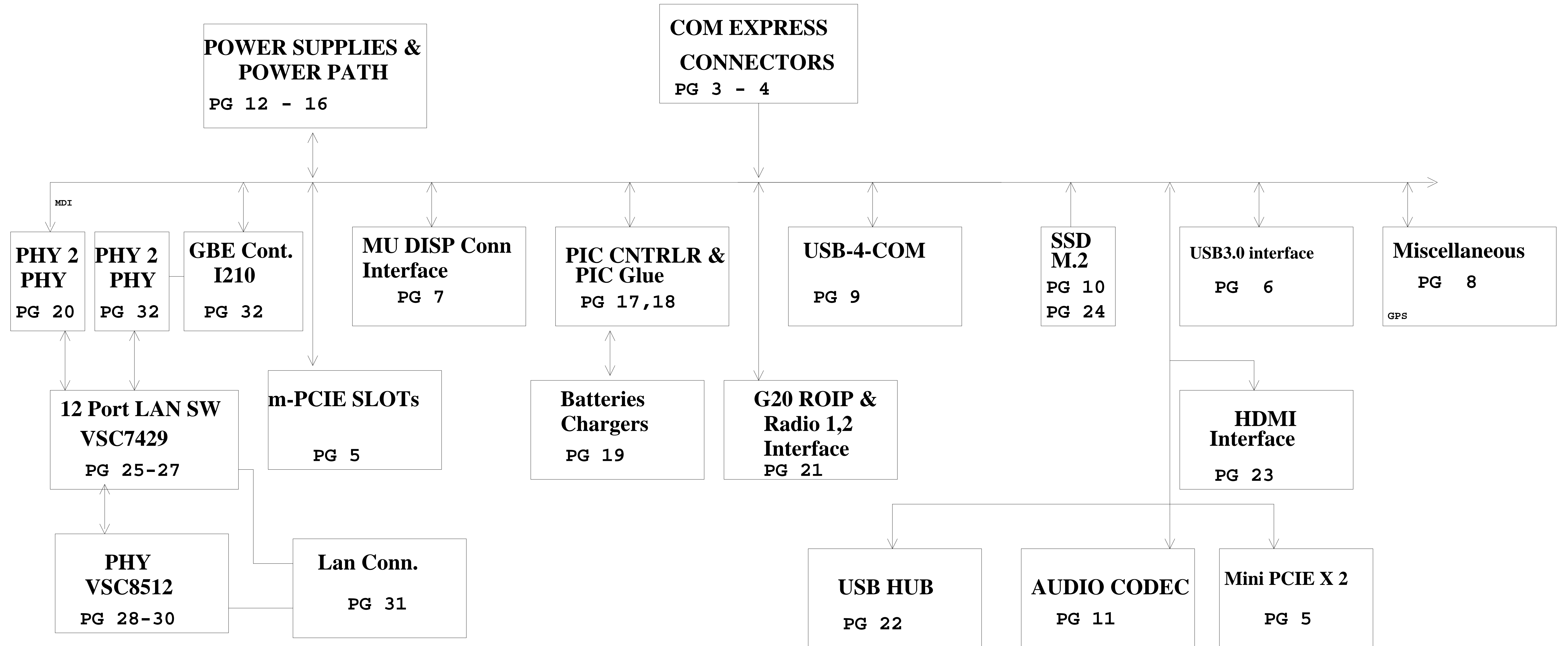
DISCRETES

DC-IN 18-36V

DC IN

Schematic Rev-A PCB Rev A

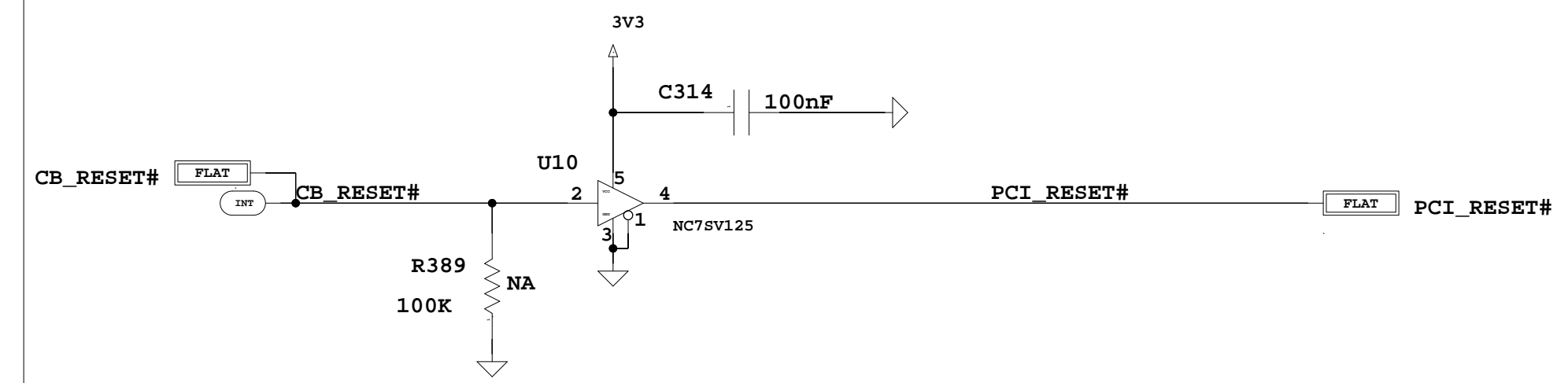
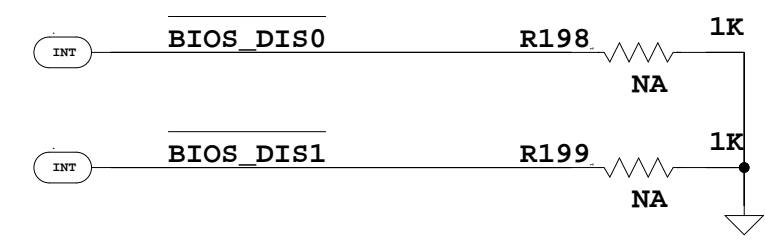
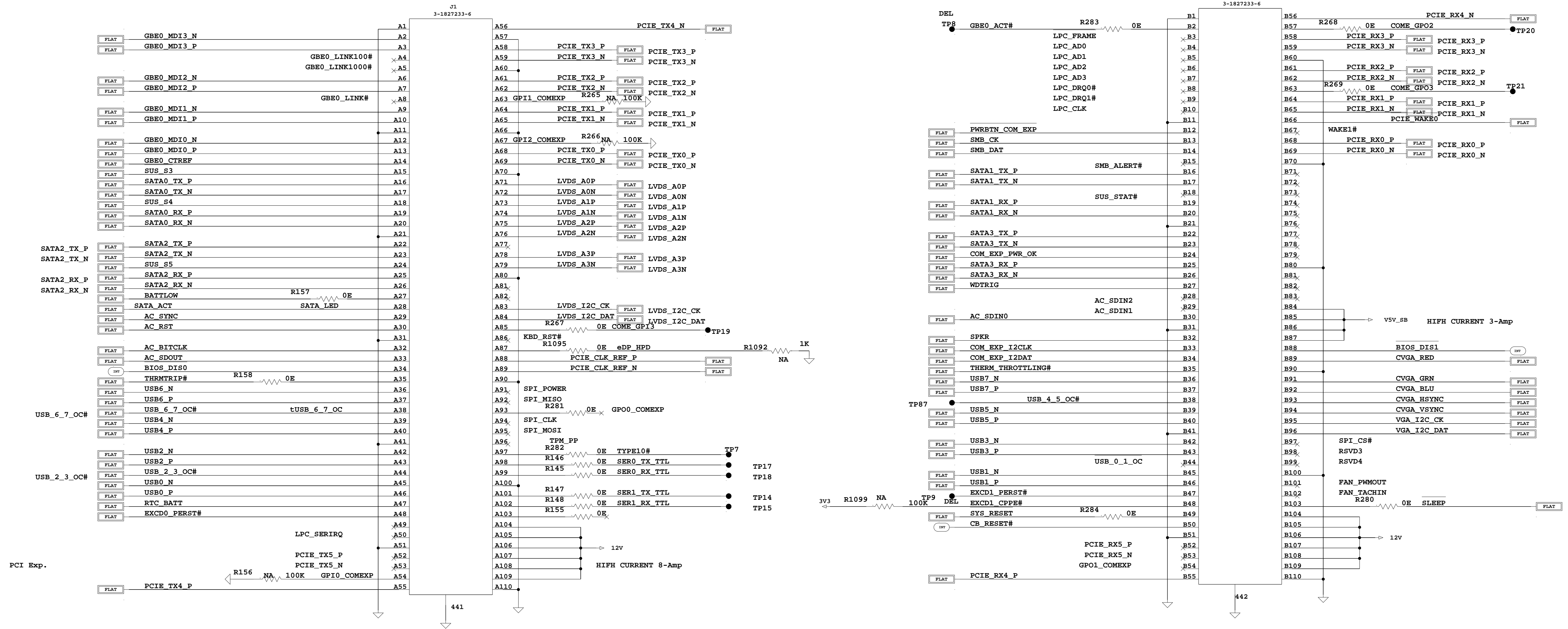
PC Peripherals Block Diagram



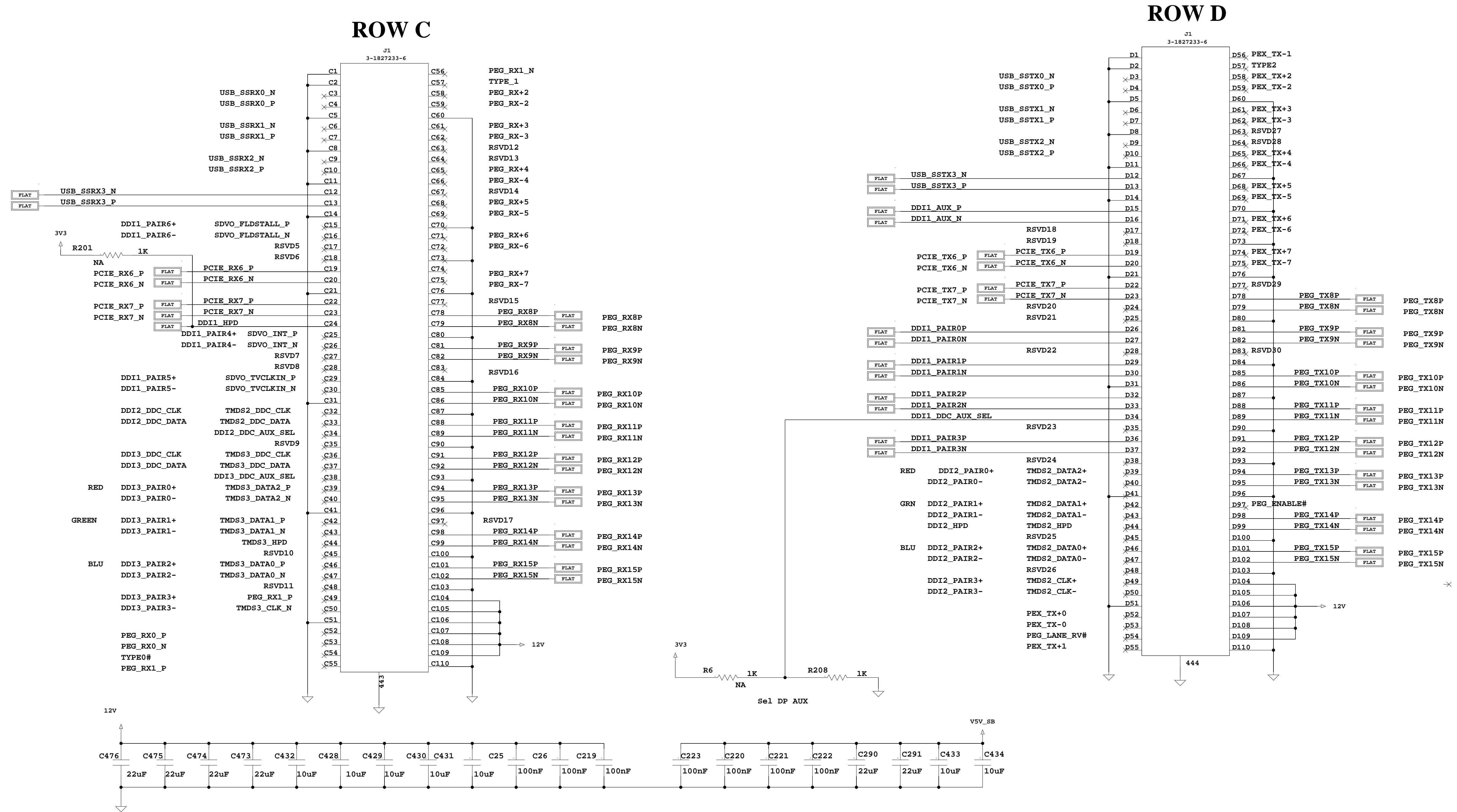
COM EXPRESS CONNECTOR TYPE 6 A/B

ROW A

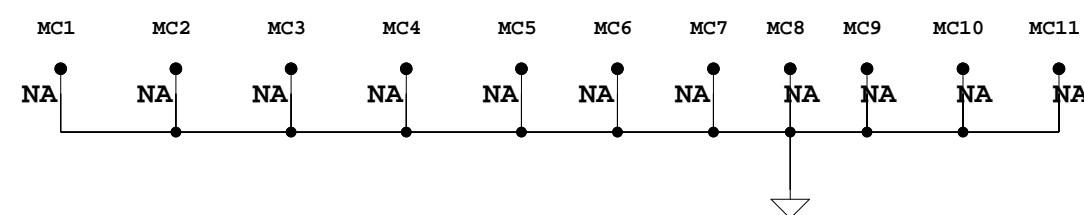
ROW B



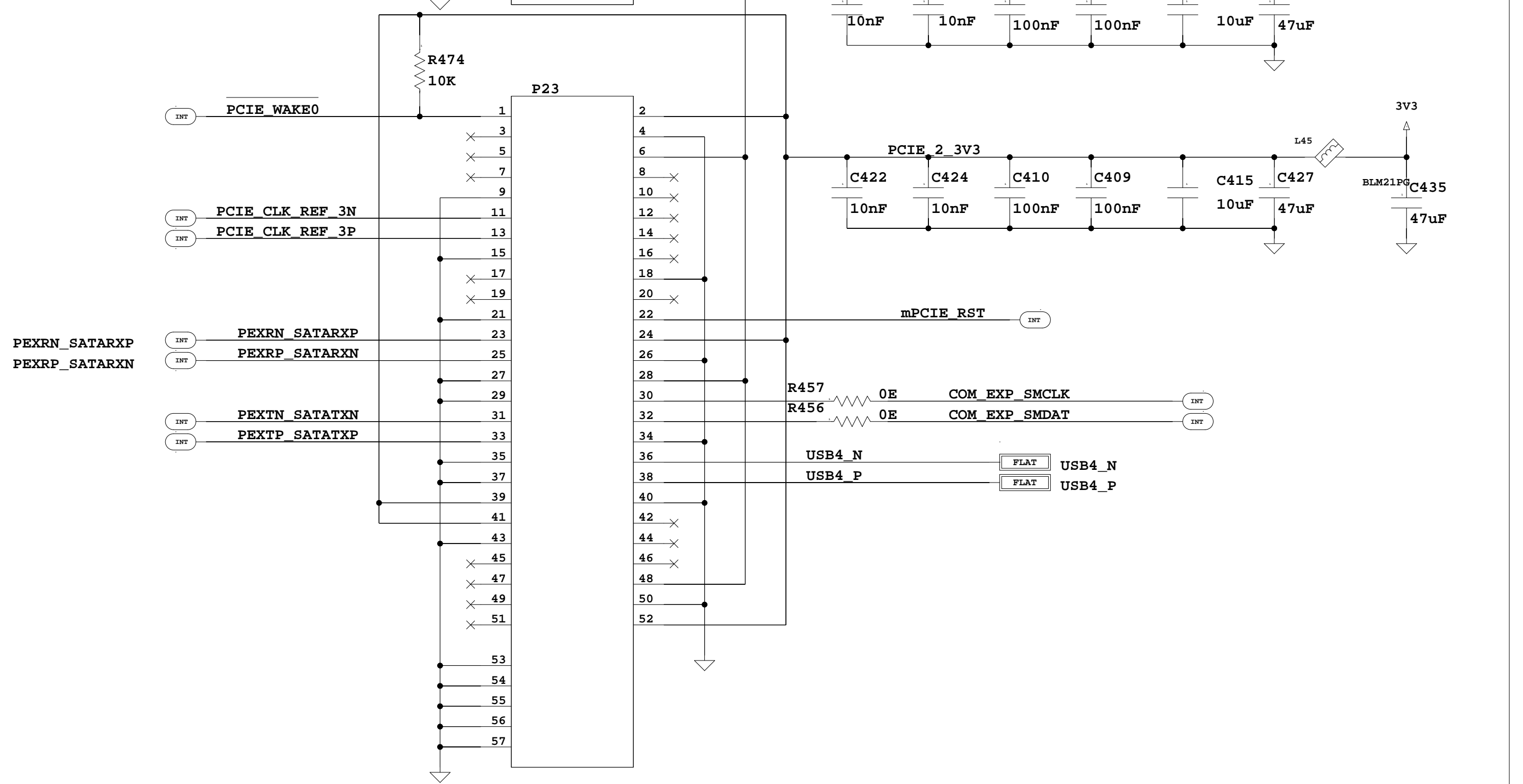
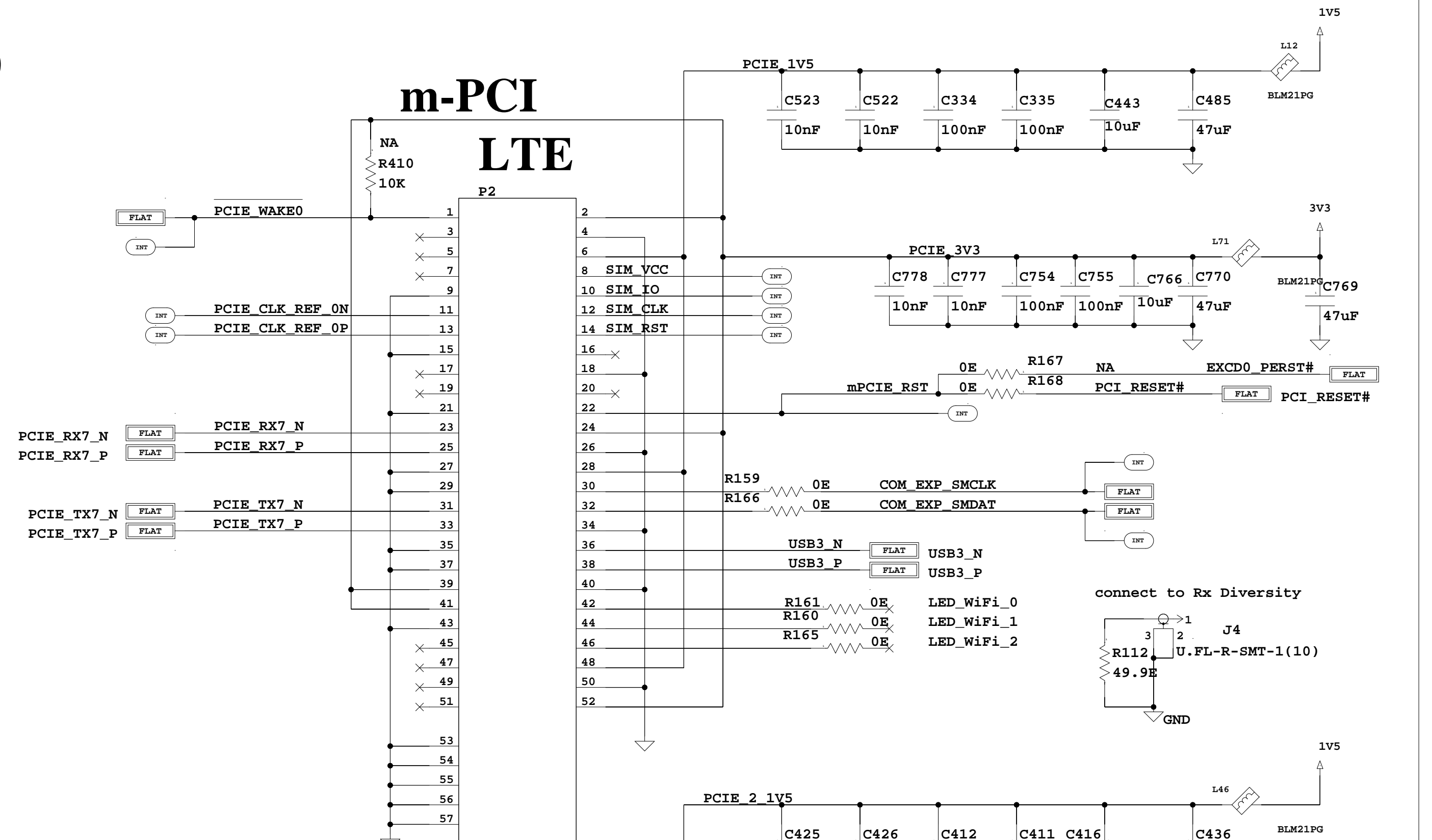
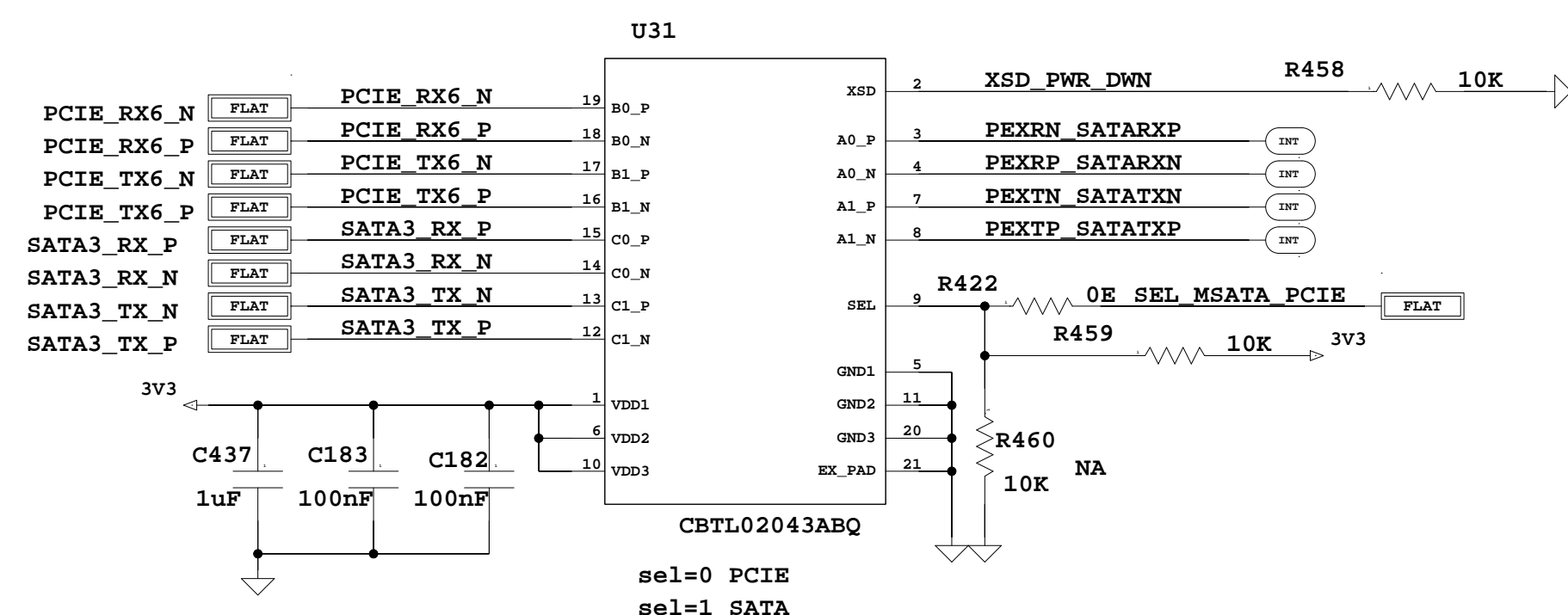
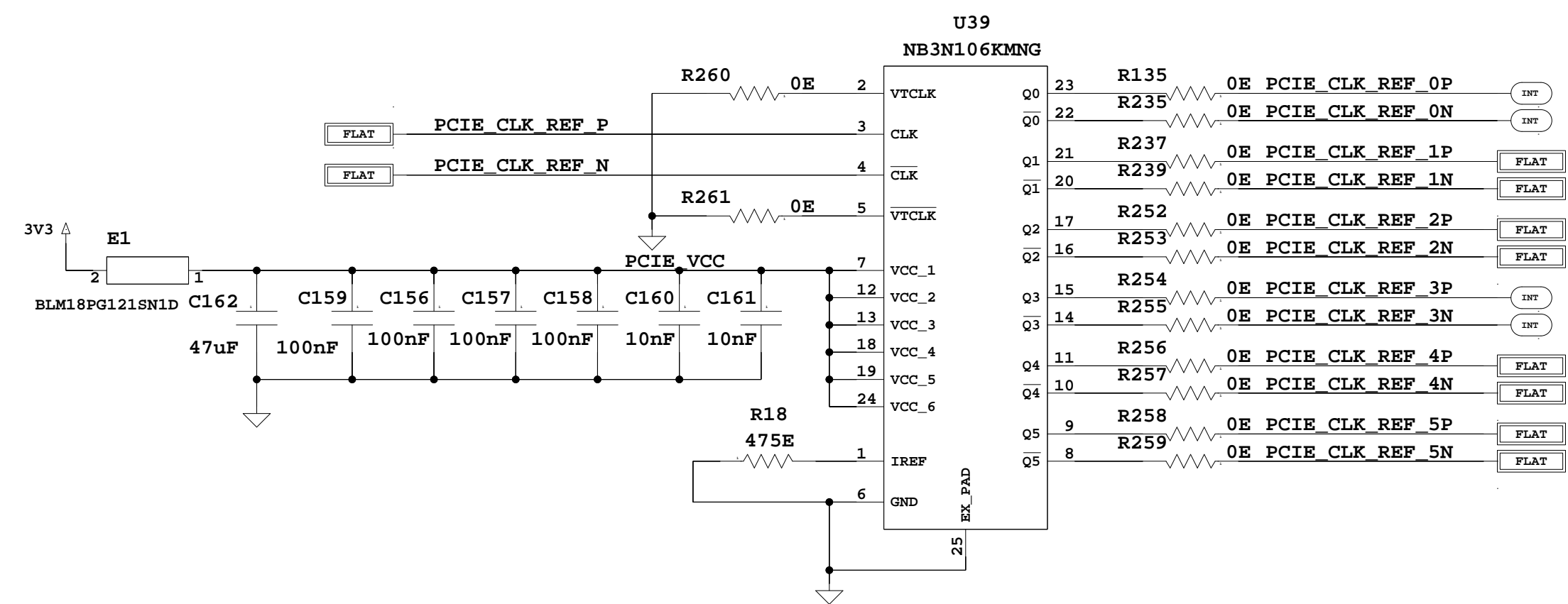
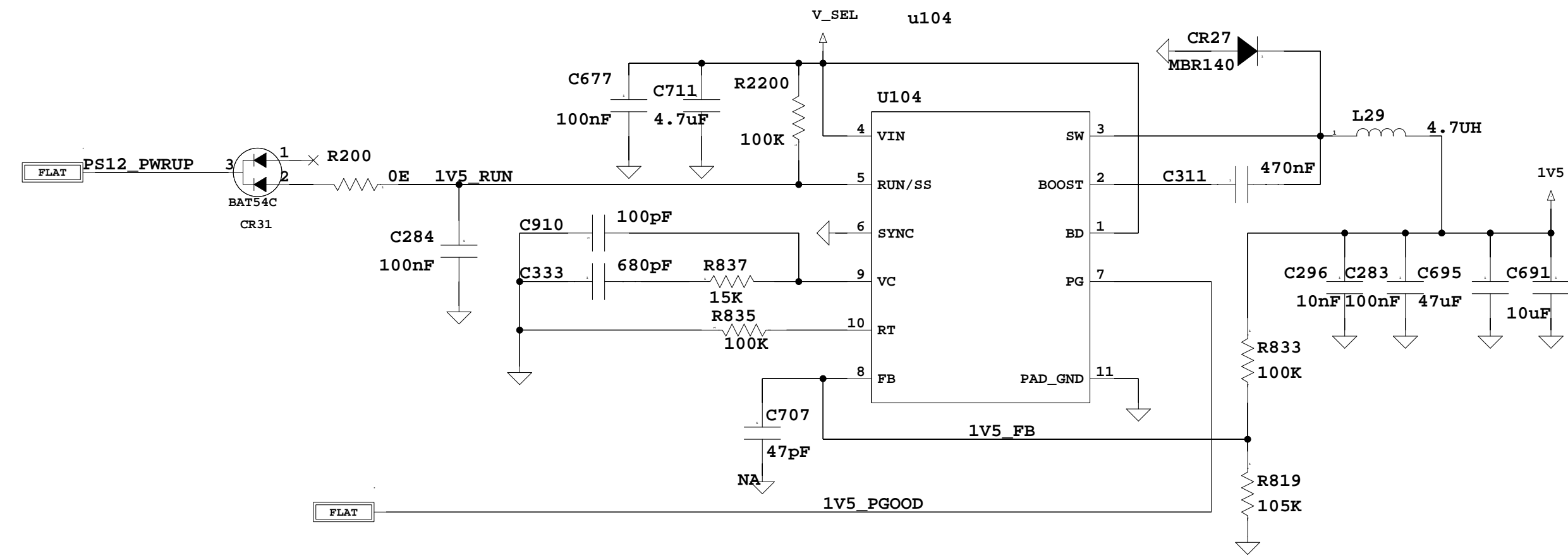
COM EXPRESS CONNECTOR TYPE 6 C/D



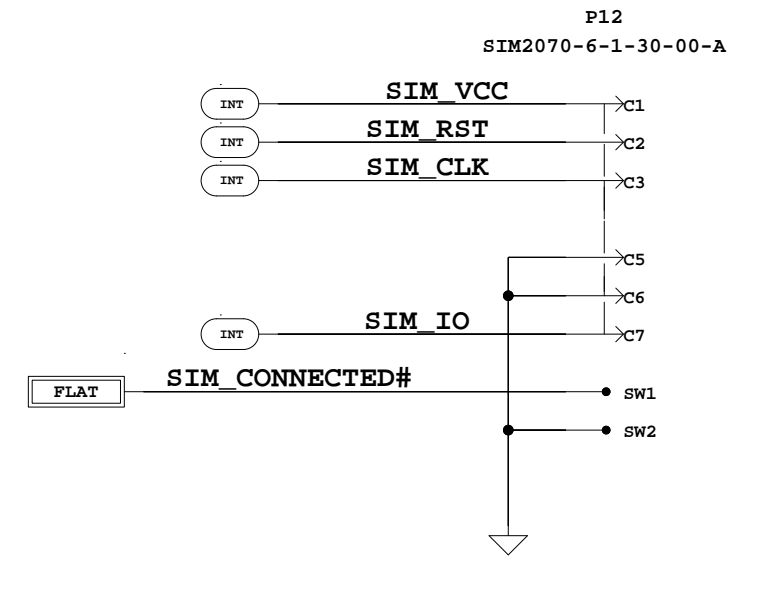
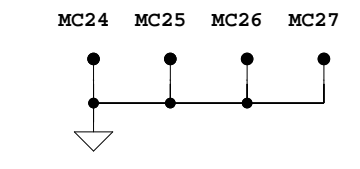
Mechanical Holes



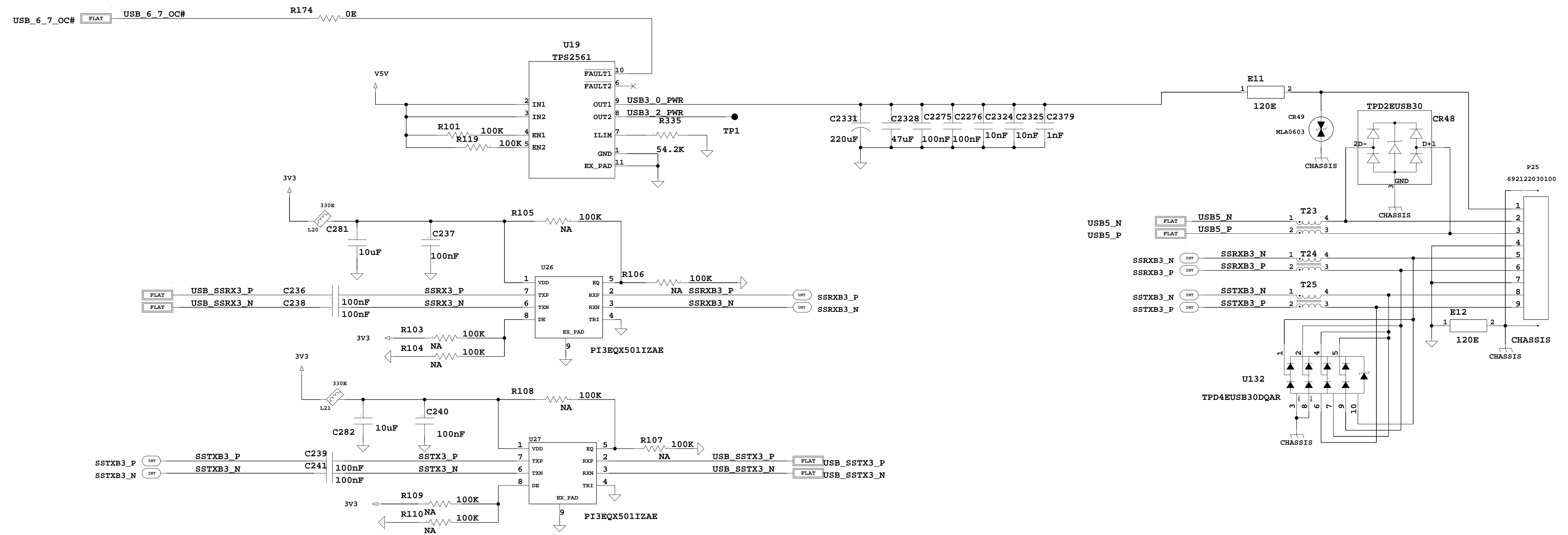
m-PCI EXPRESS SLOT (WiFi)



m-SATA

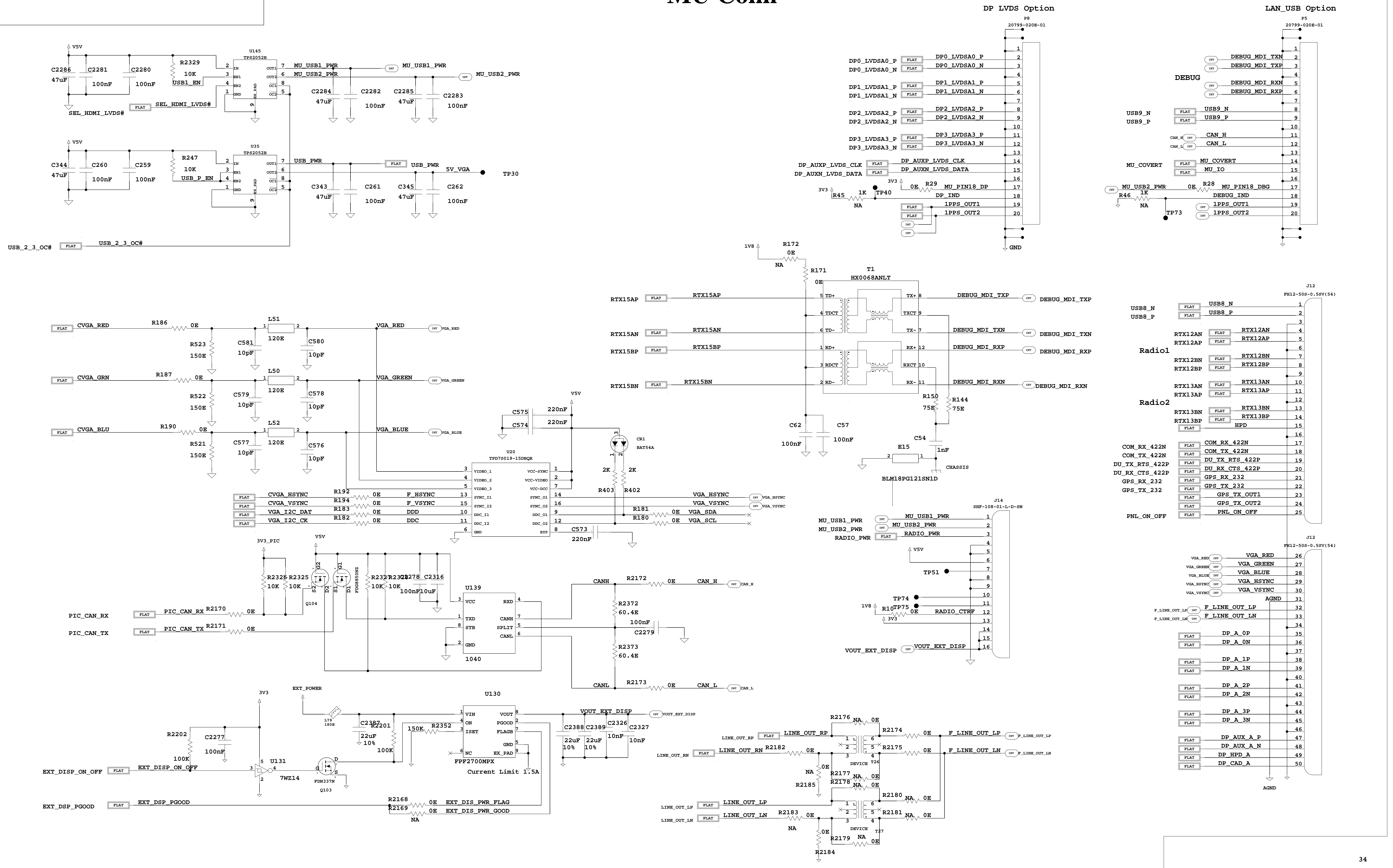


USB3 Interface

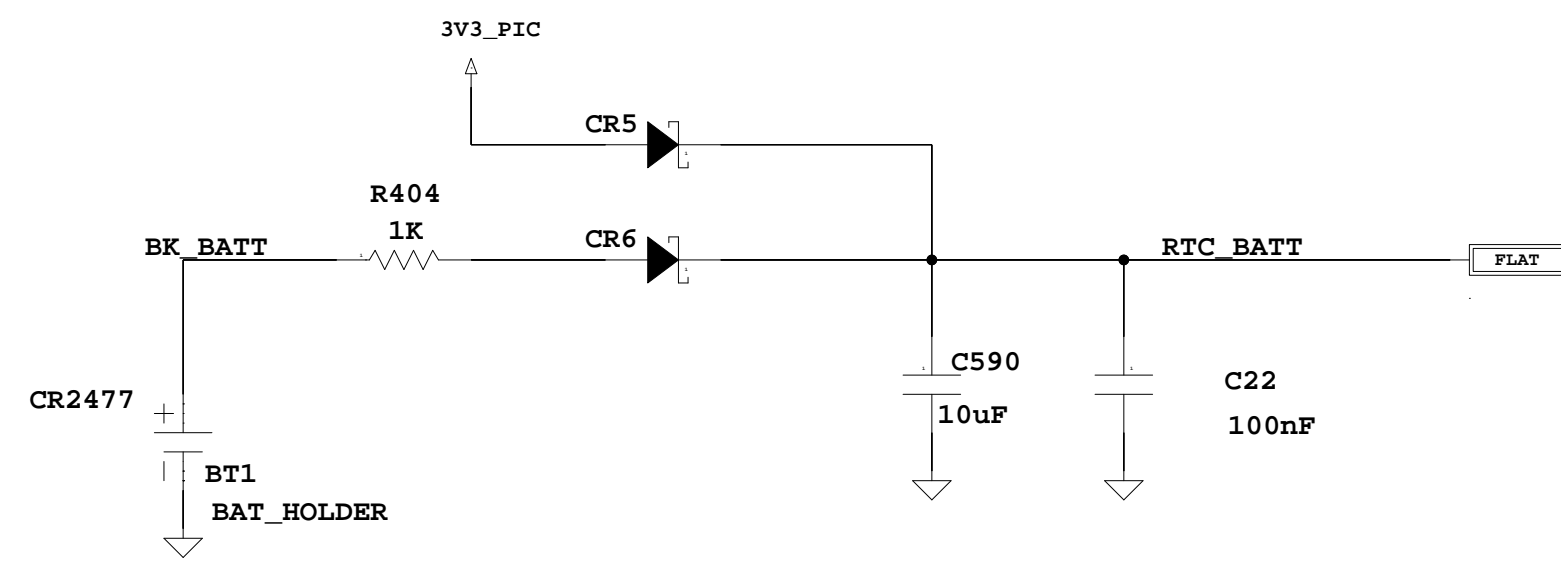


DOOR

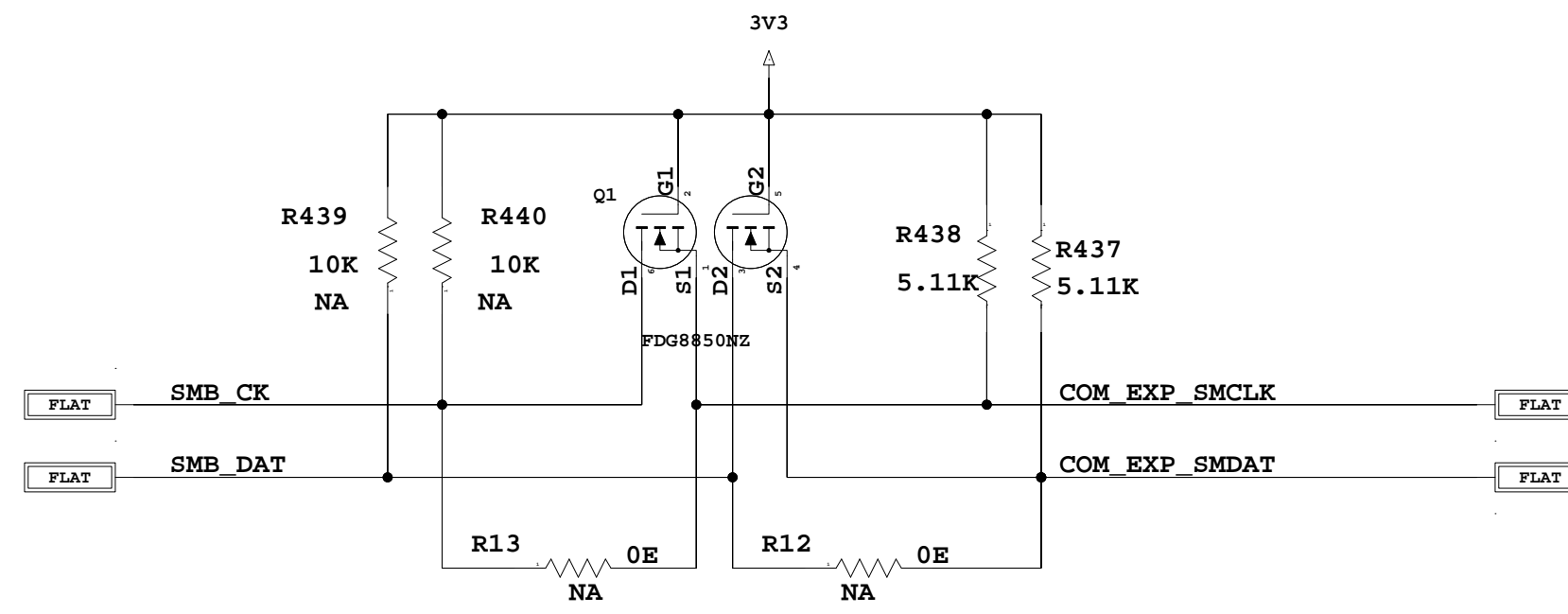
MU Conn



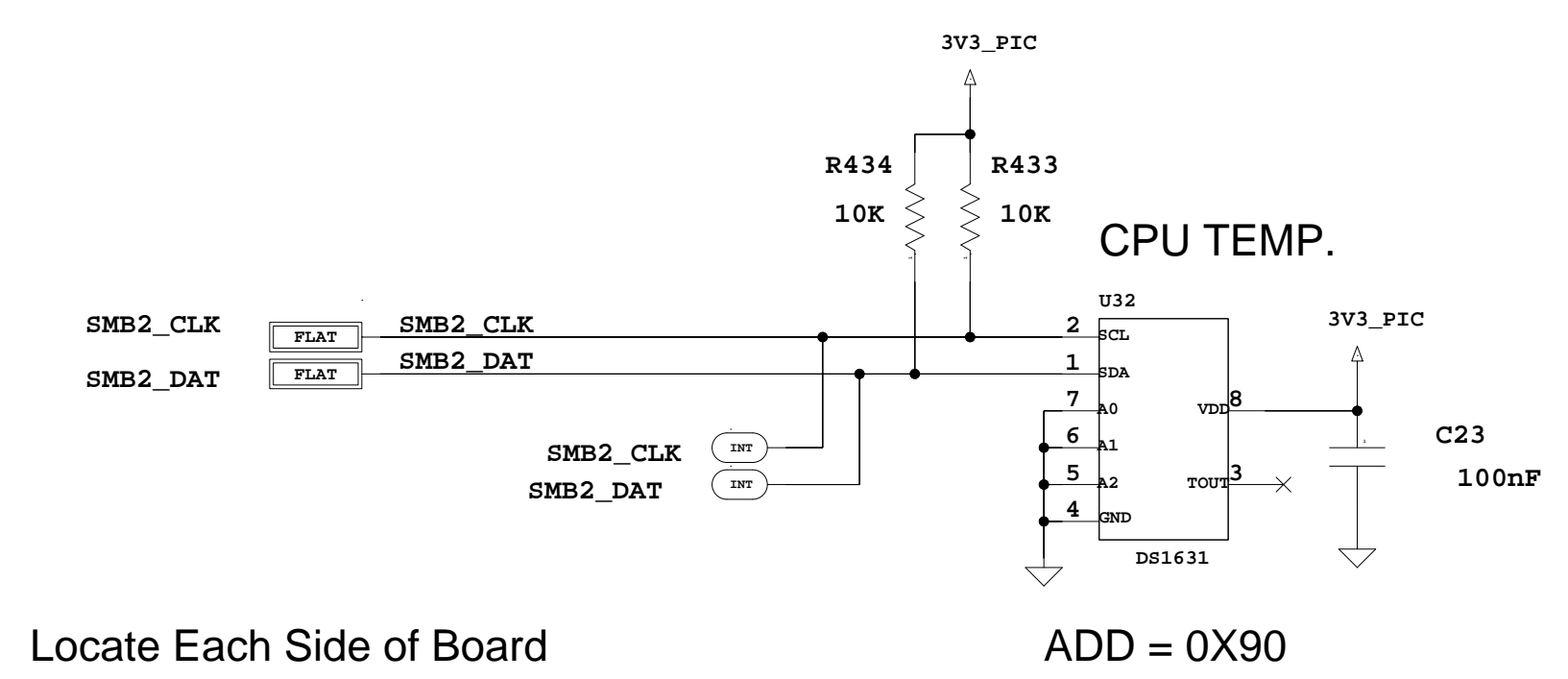
Battery Back-up



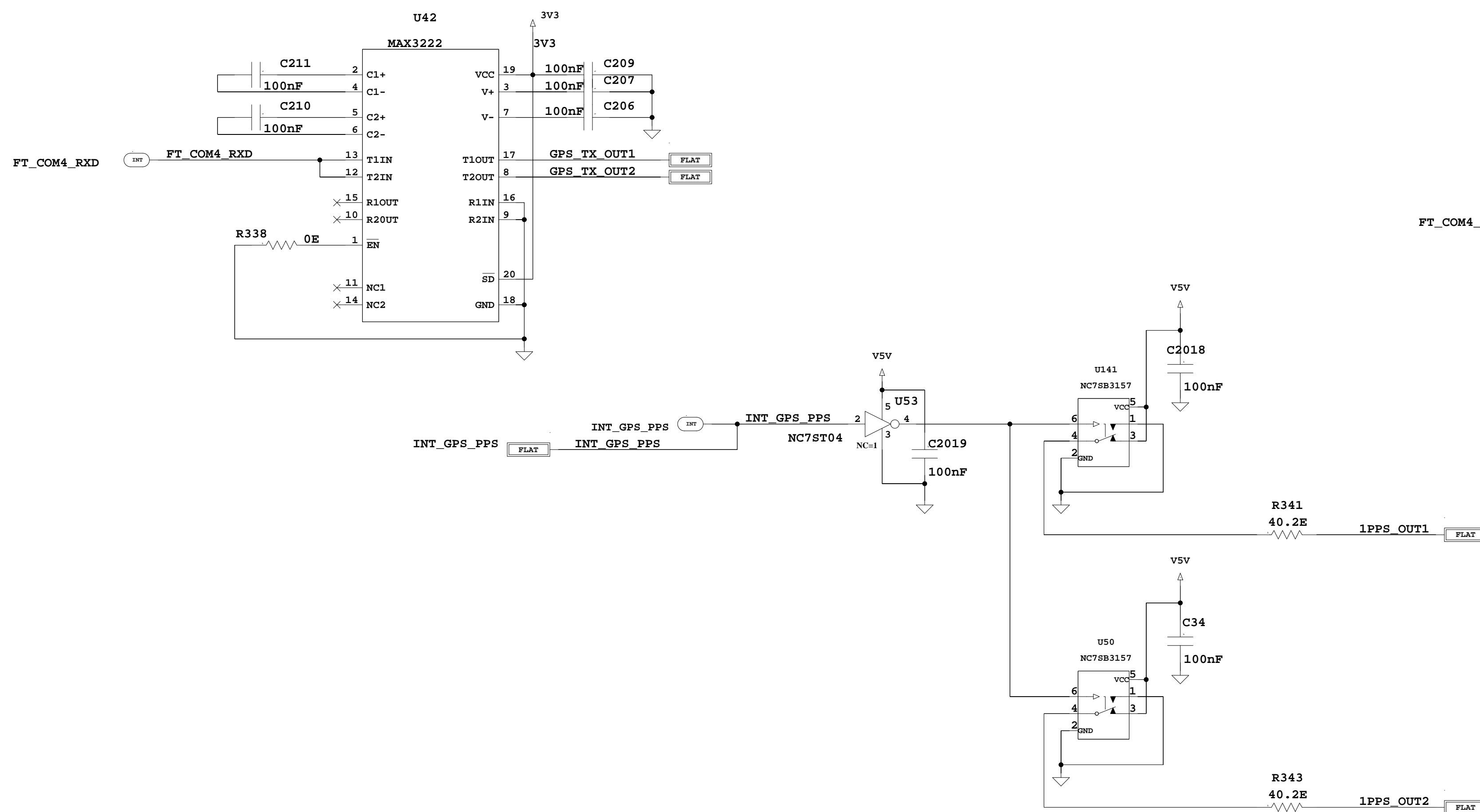
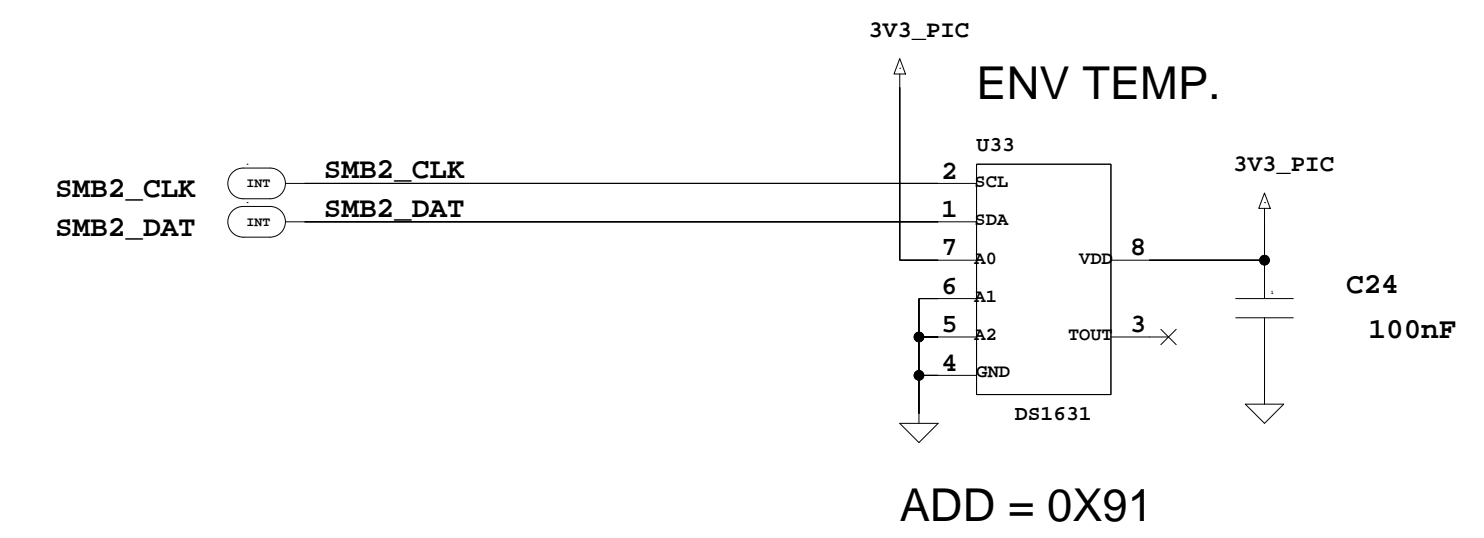
SM-Bus Buffer



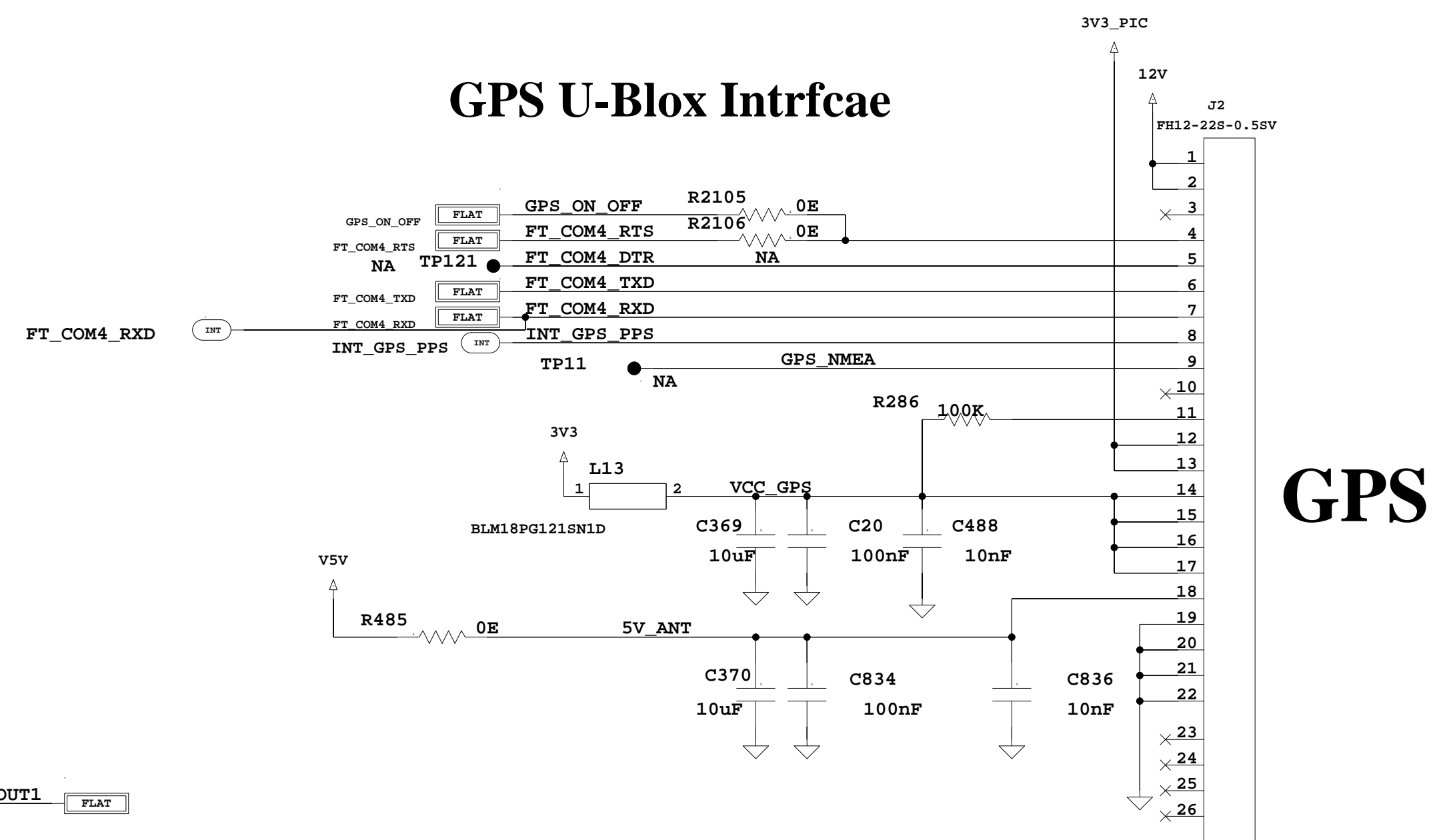
Temperature Sensors



Locate Each Side of Board

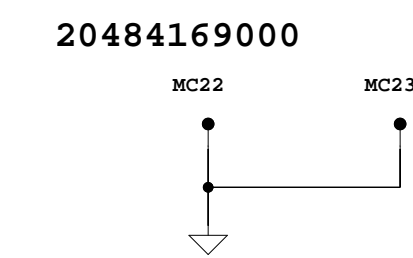


GPS U-Blox Interface

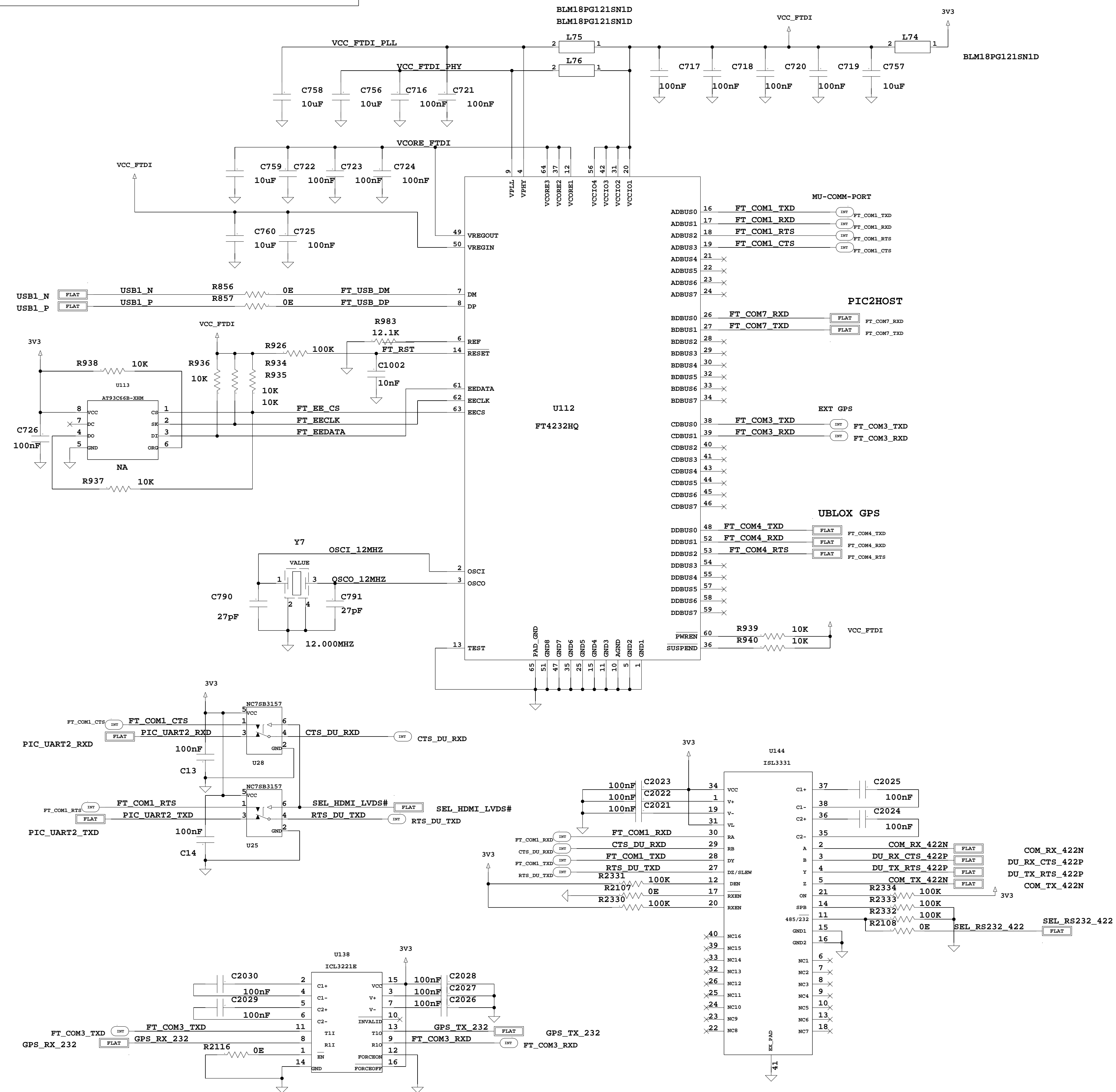


GPS

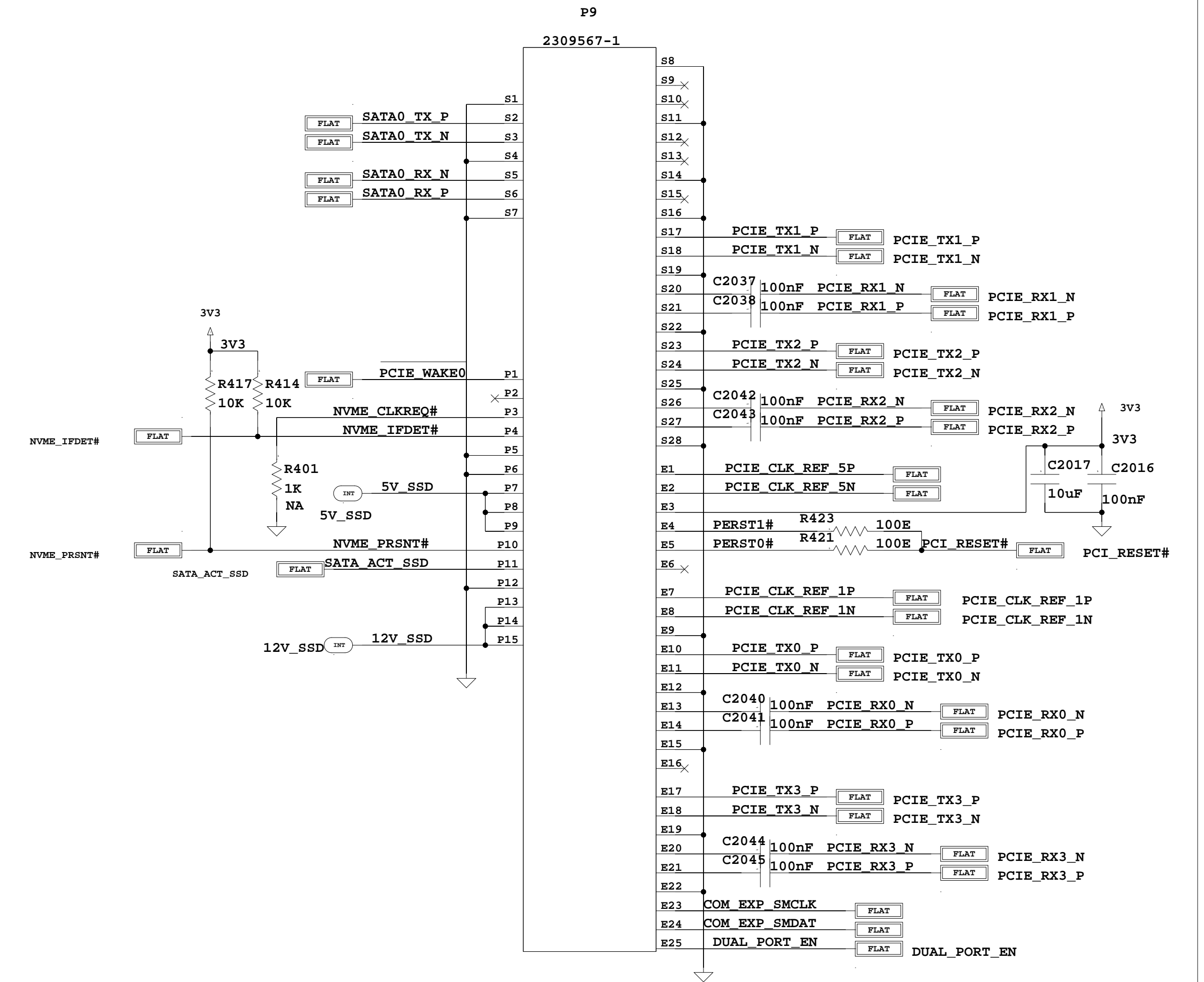
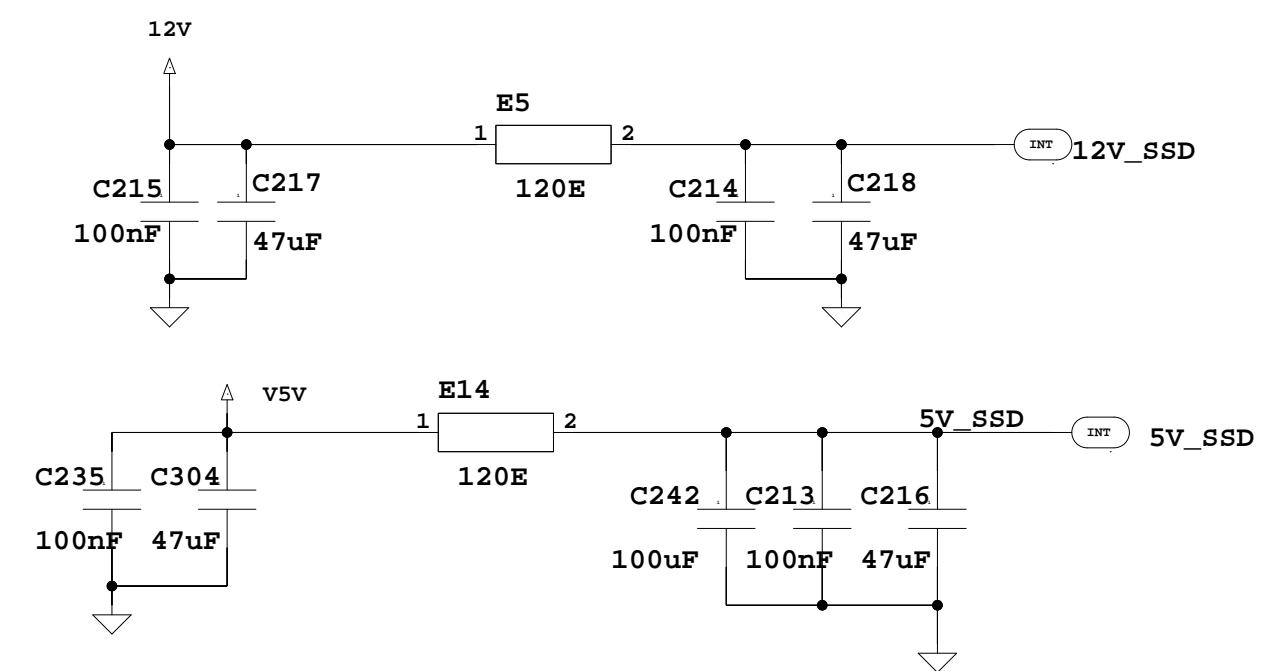
Mechanical Holes



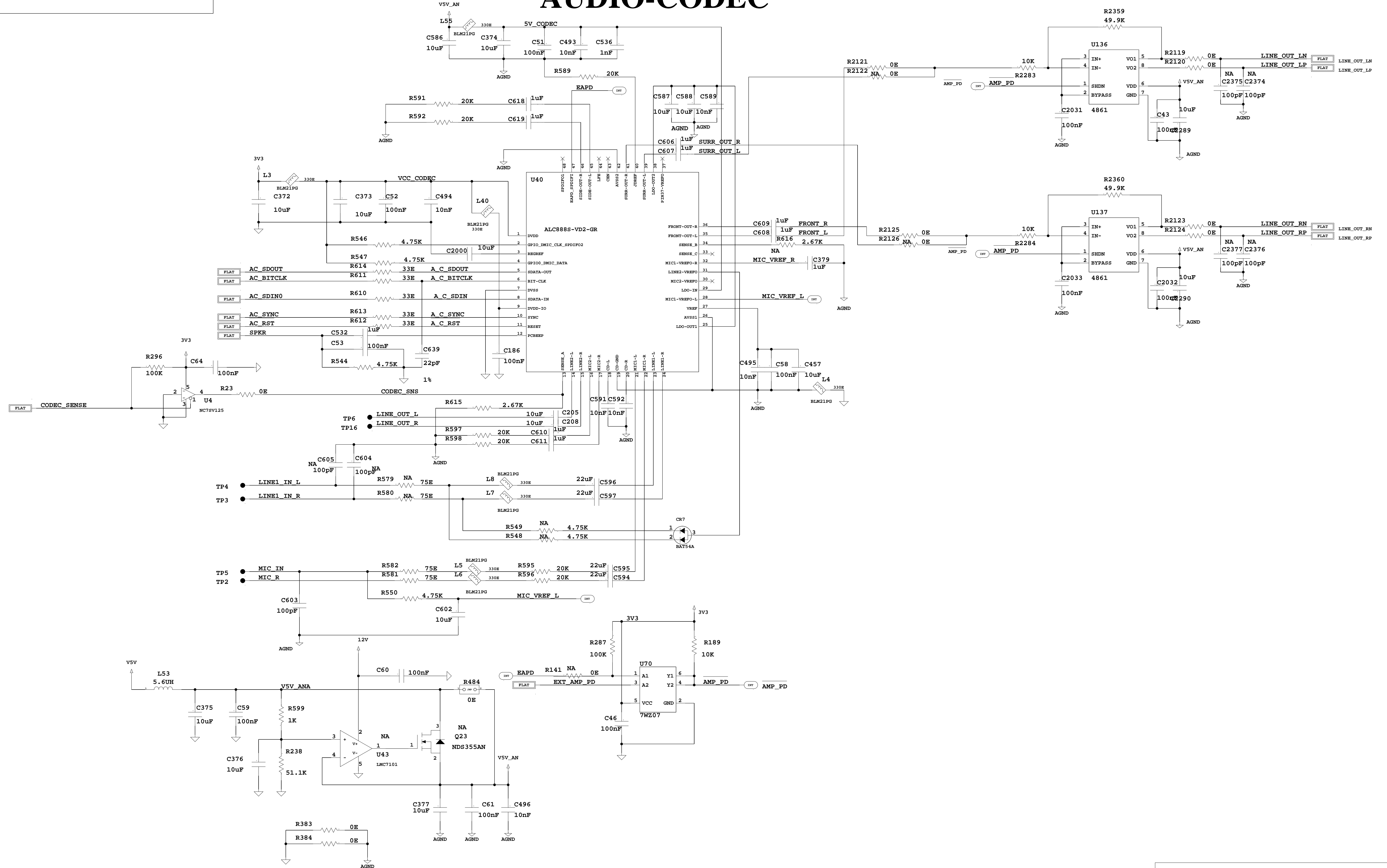
USB-4-COM



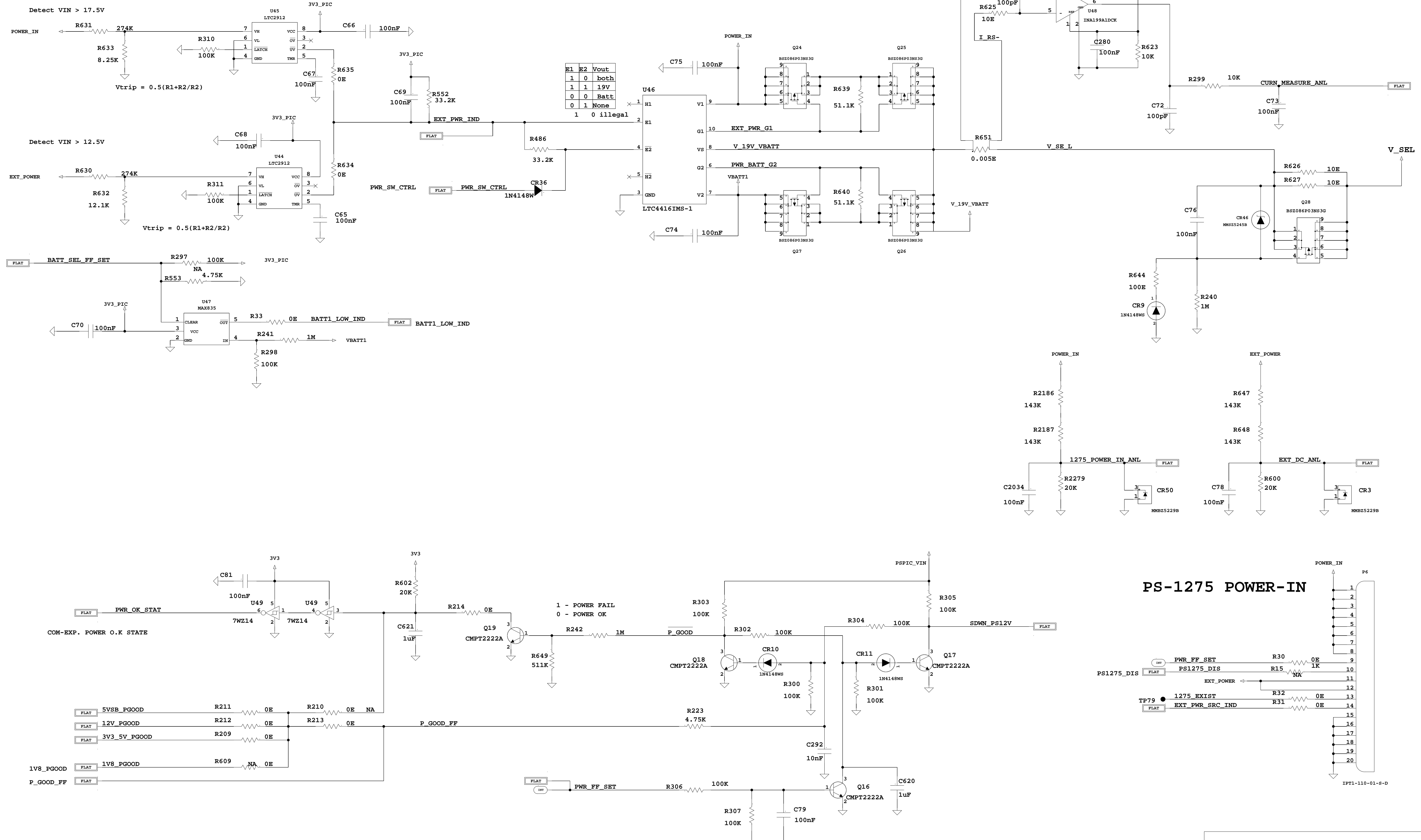
SSD OR NVME



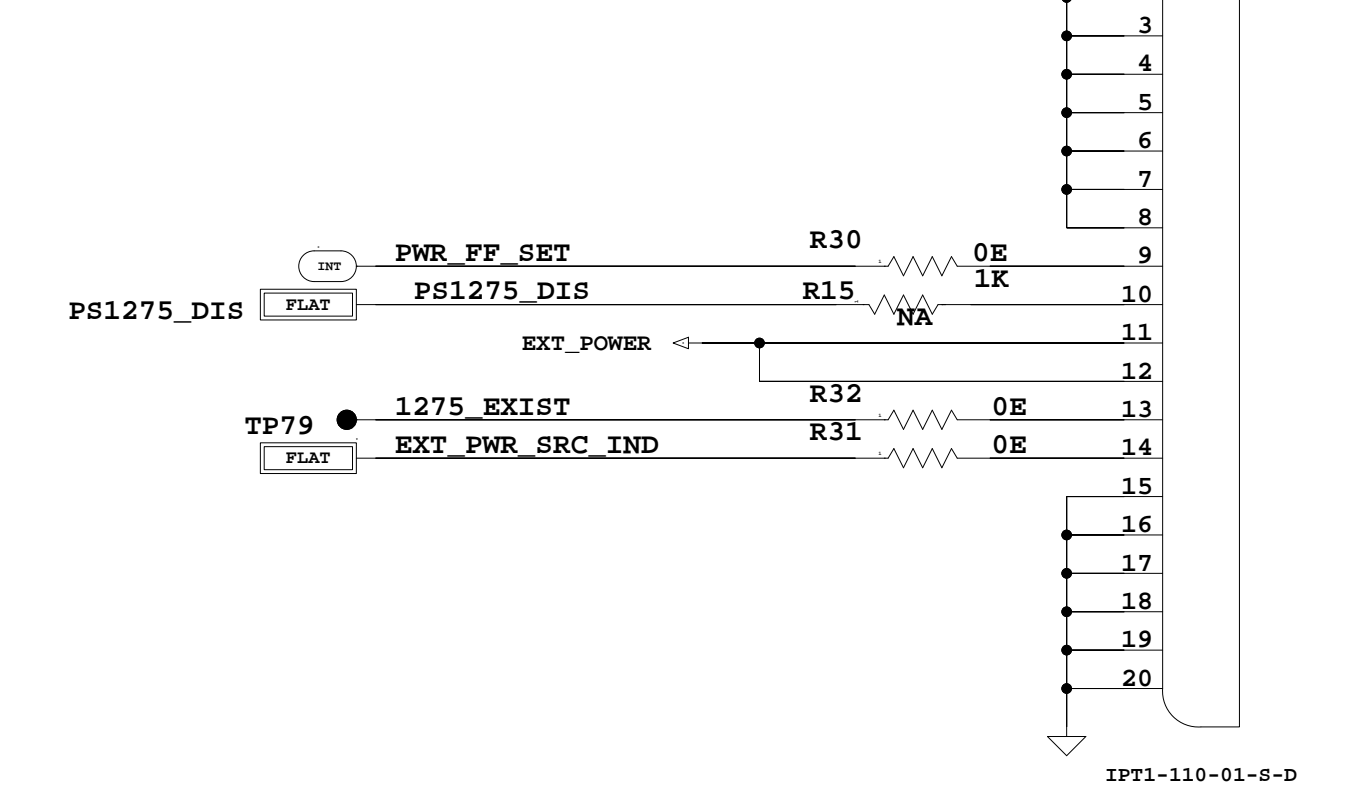
AUDIO-CODEC



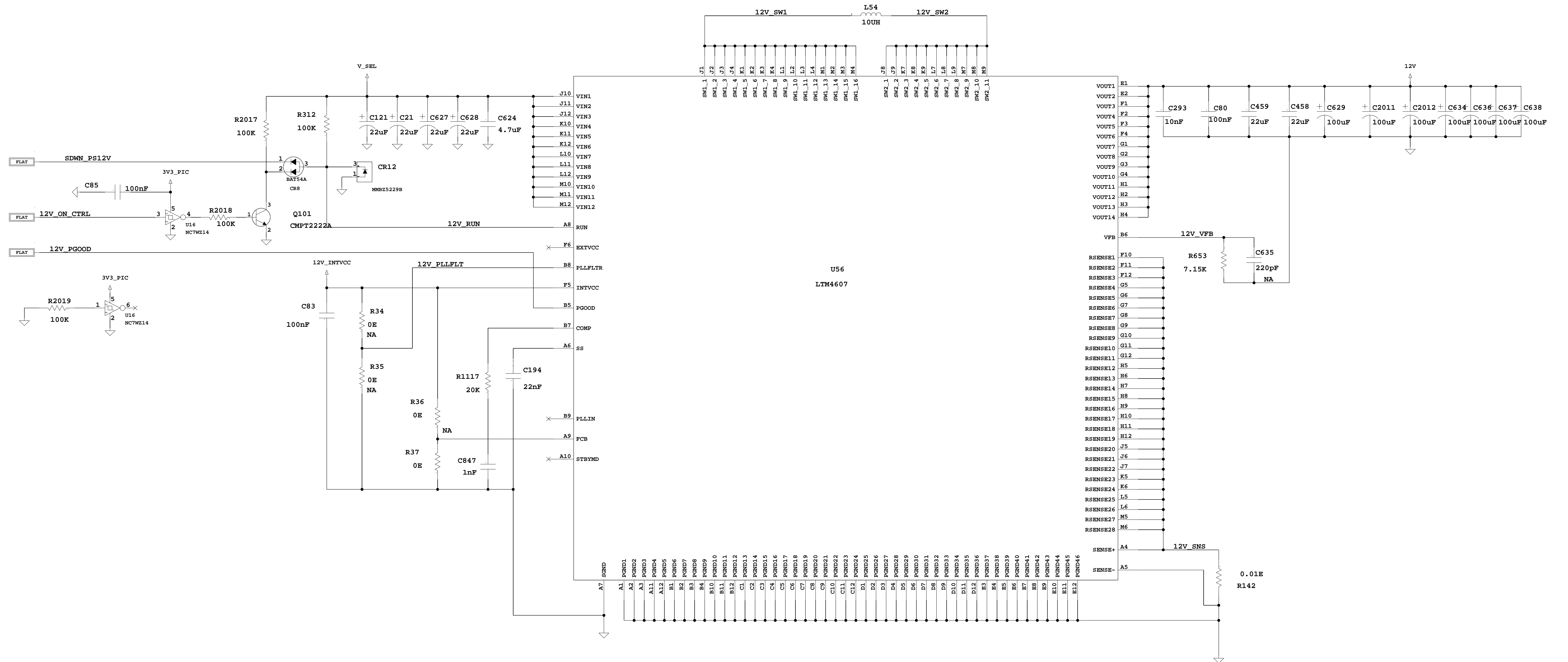
POWER-PATH



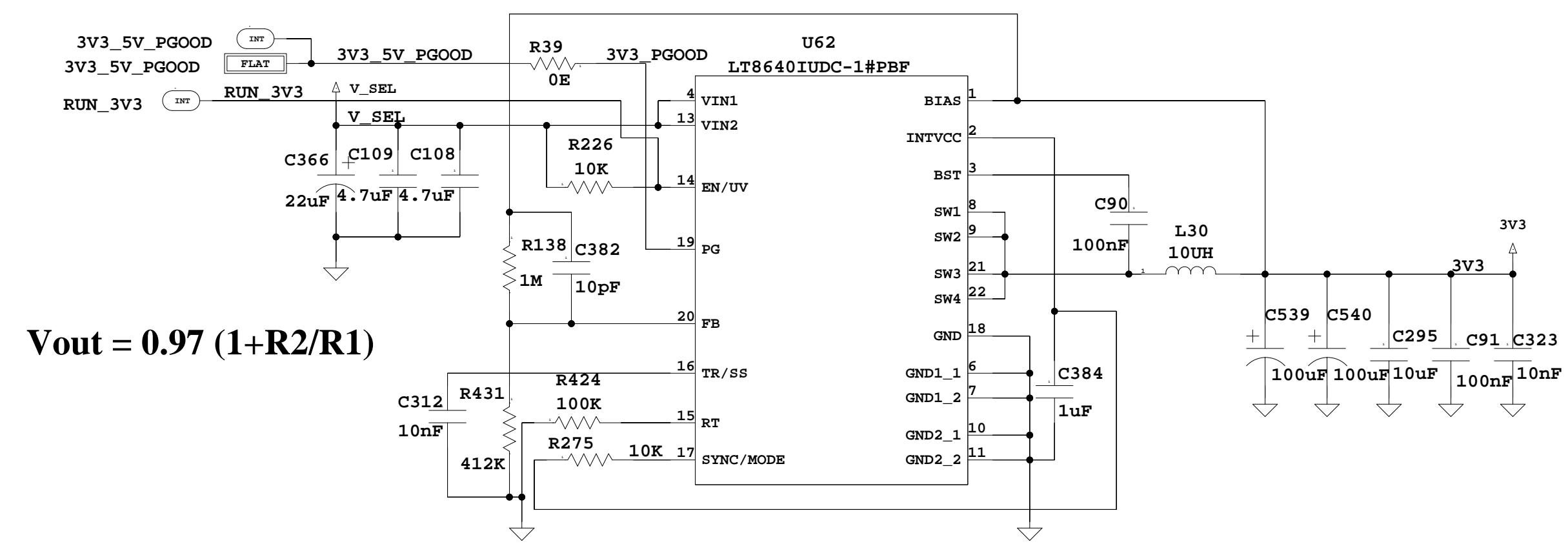
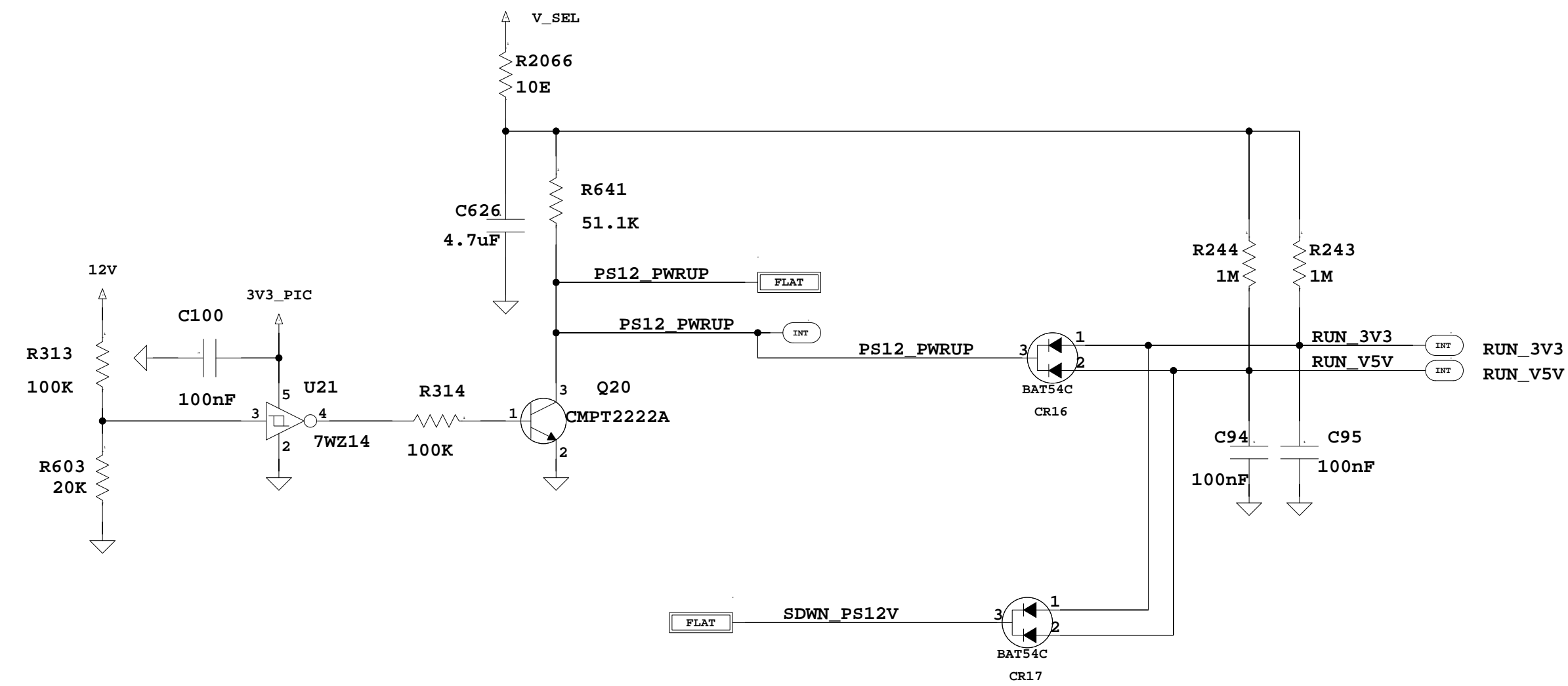
PS-1275 POWER-IN



12V POWER SUPPLY

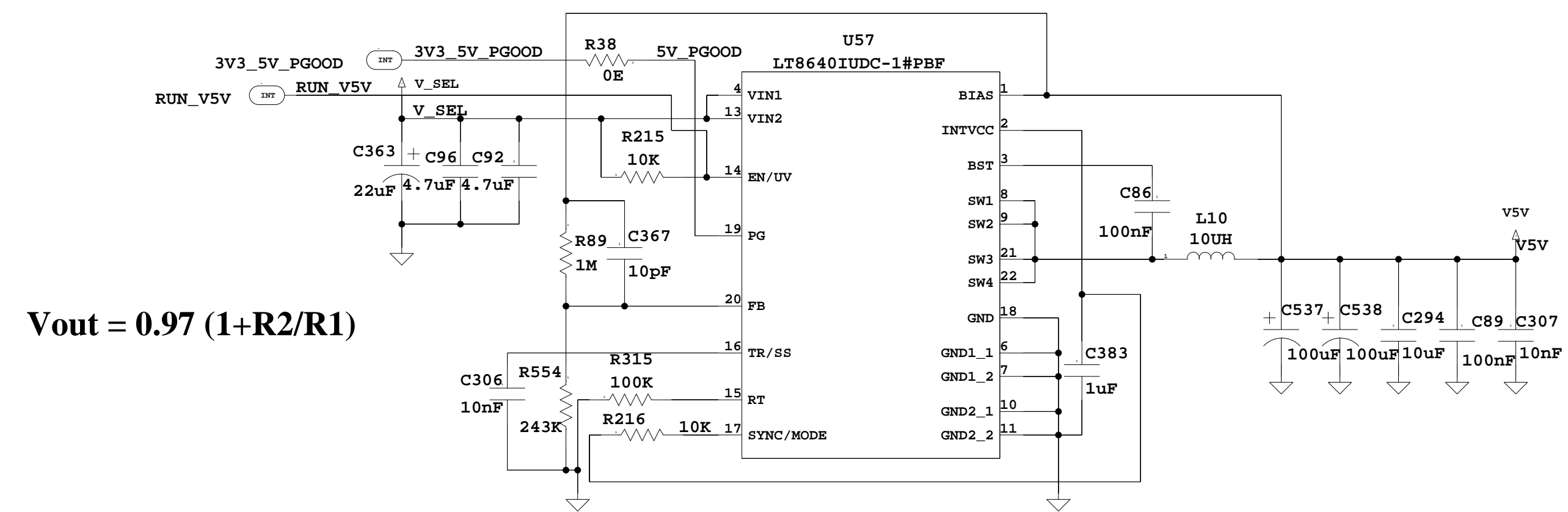


Power Supply 3V3



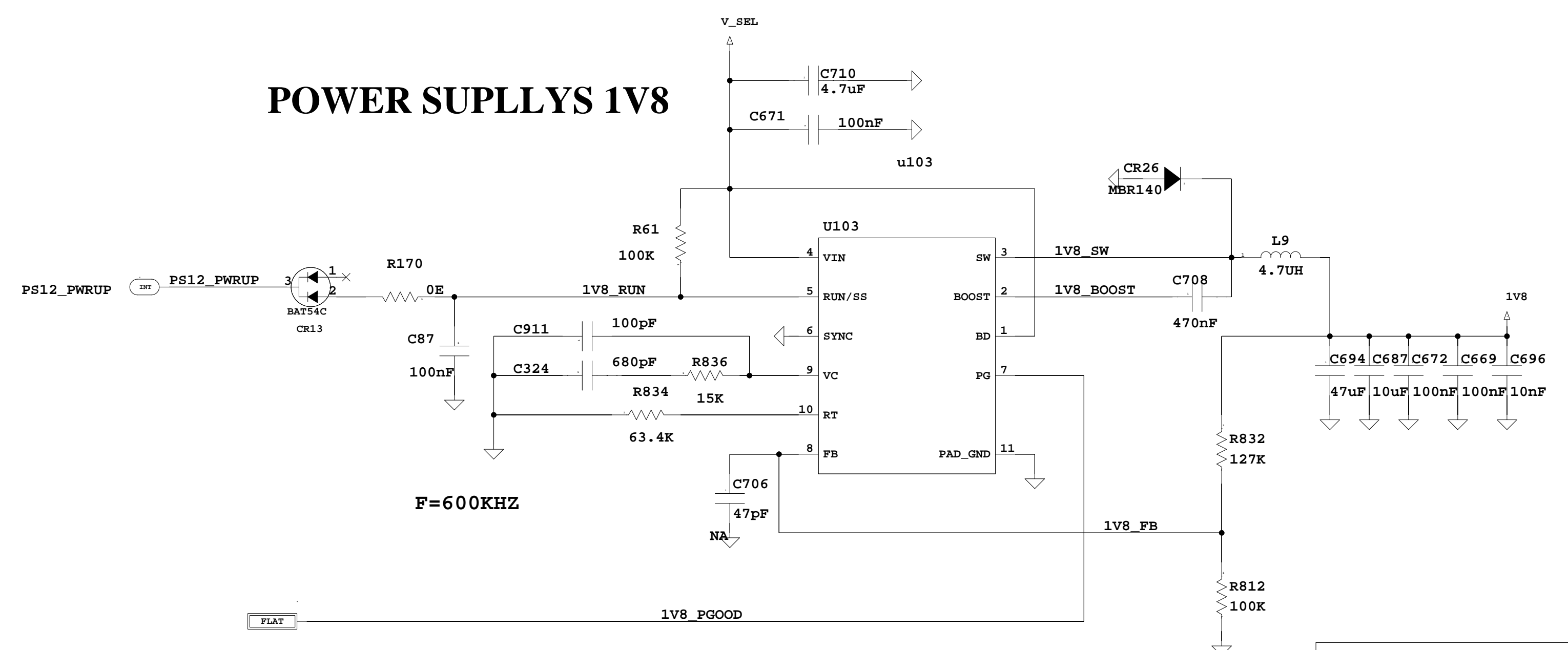
$$V_{out} = 0.97 (1 + R2/R1)$$

Power Supply V5V



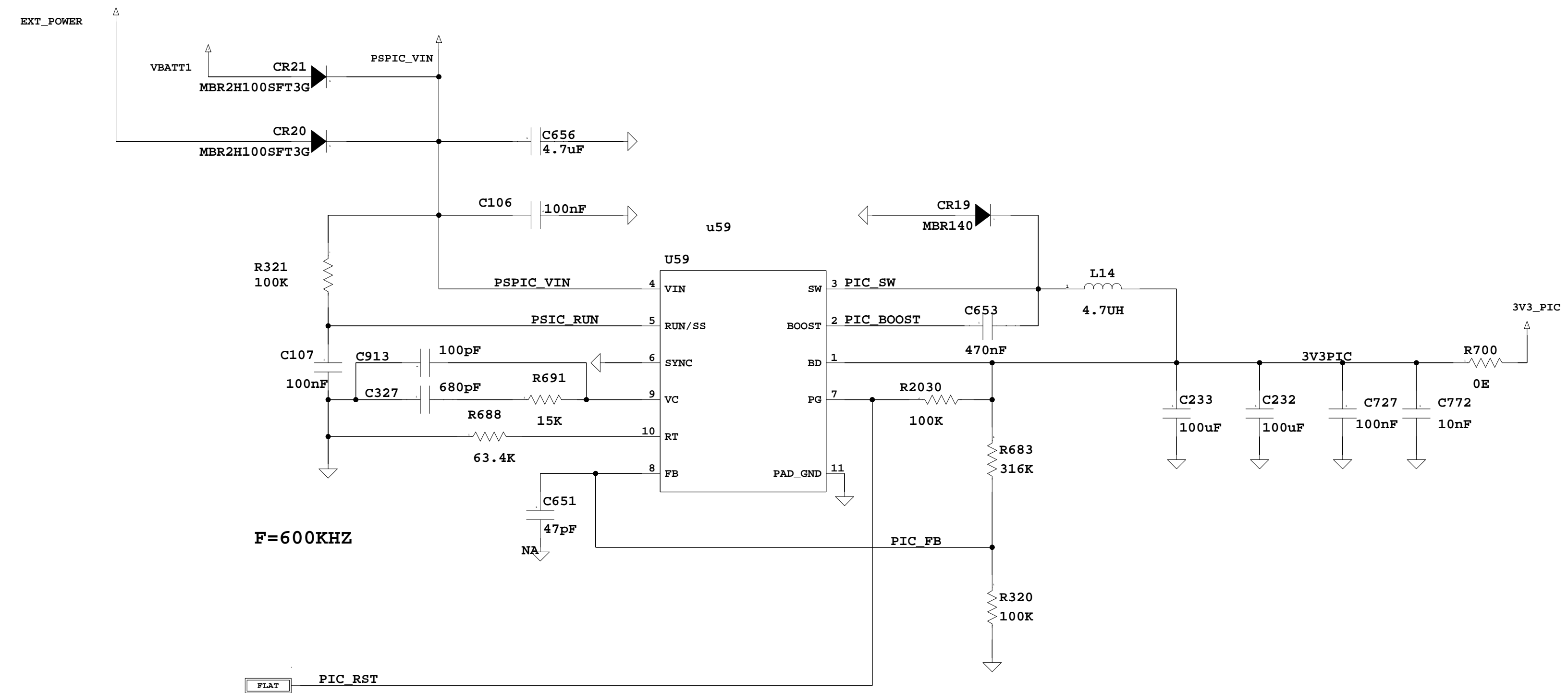
$$V_{out} = 0.97 (1 + R2/R1)$$

POWER SUPPLYS 1V8

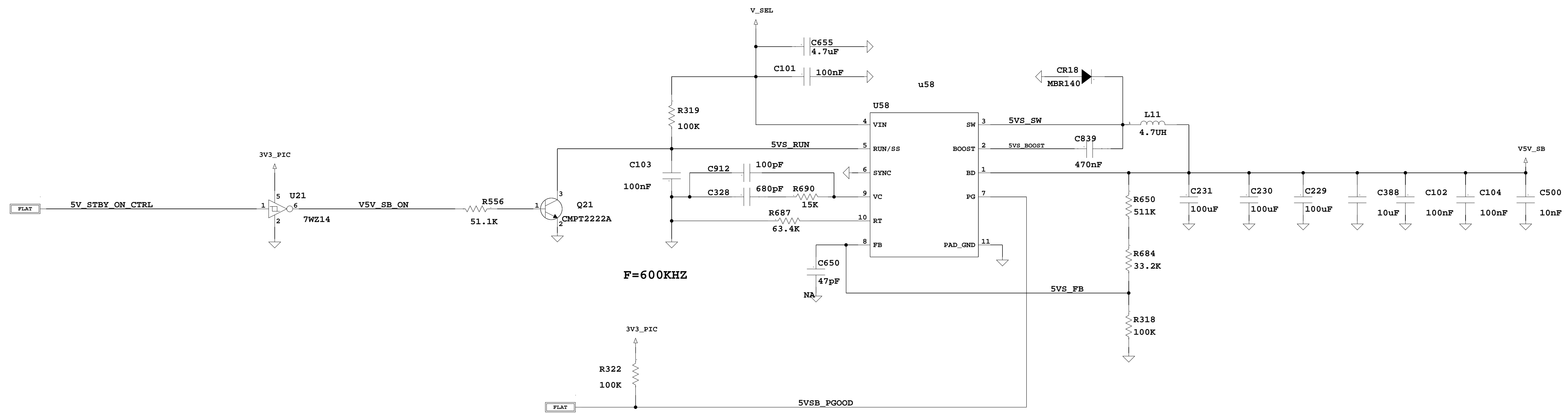


$$F = 600KHZ$$

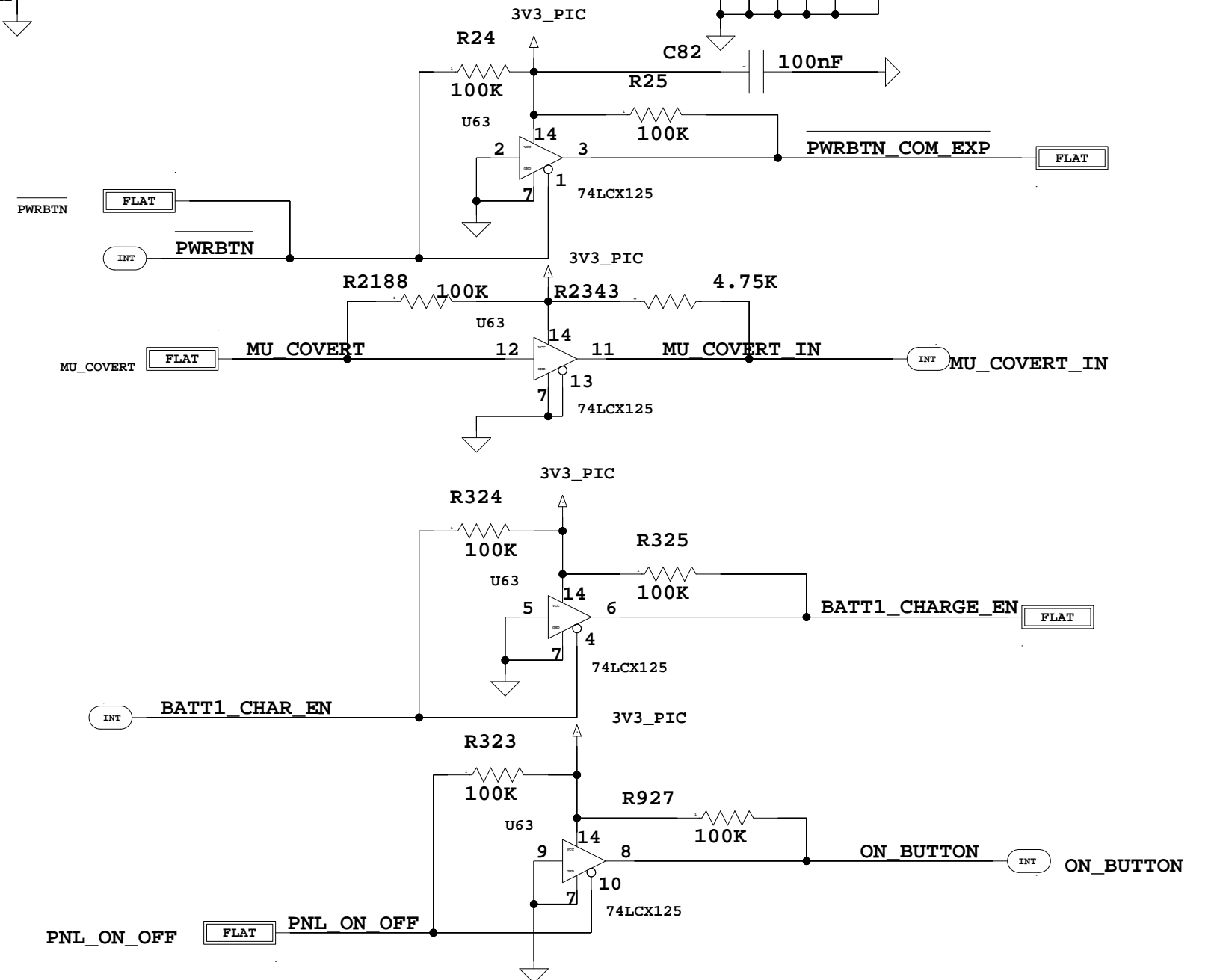
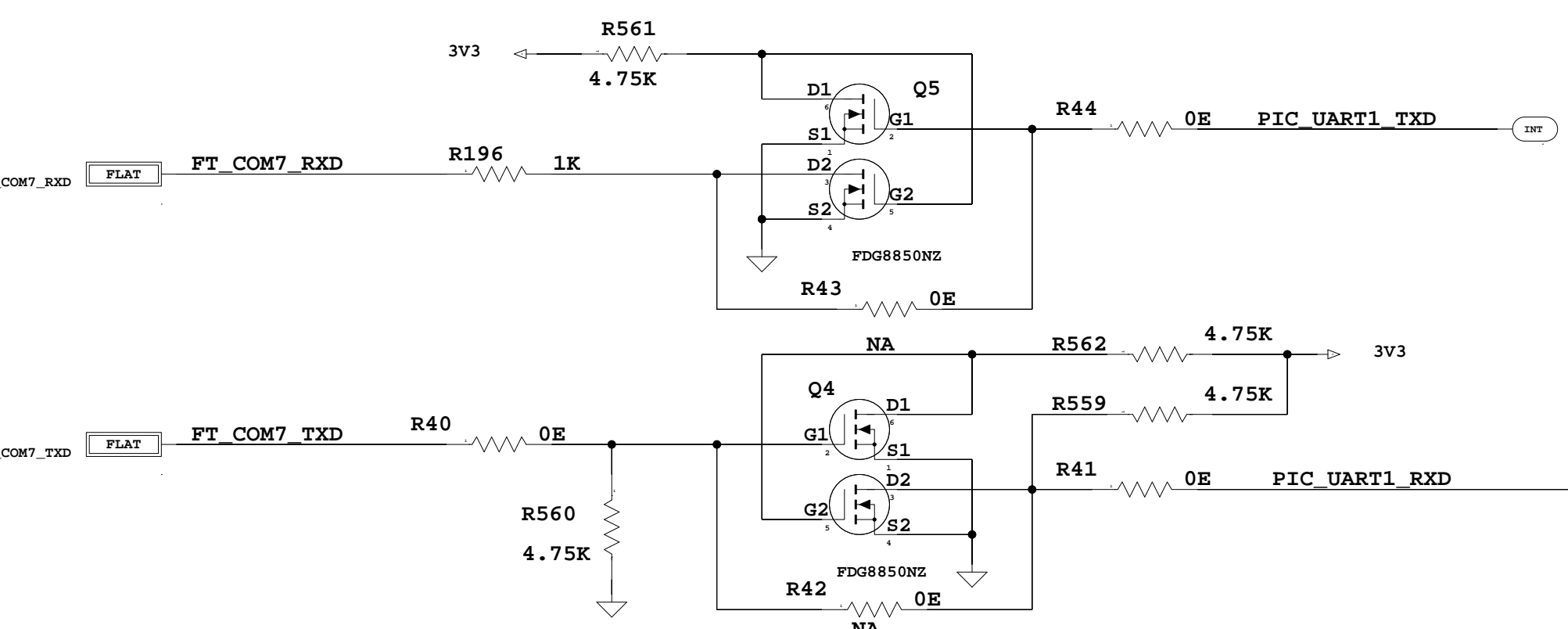
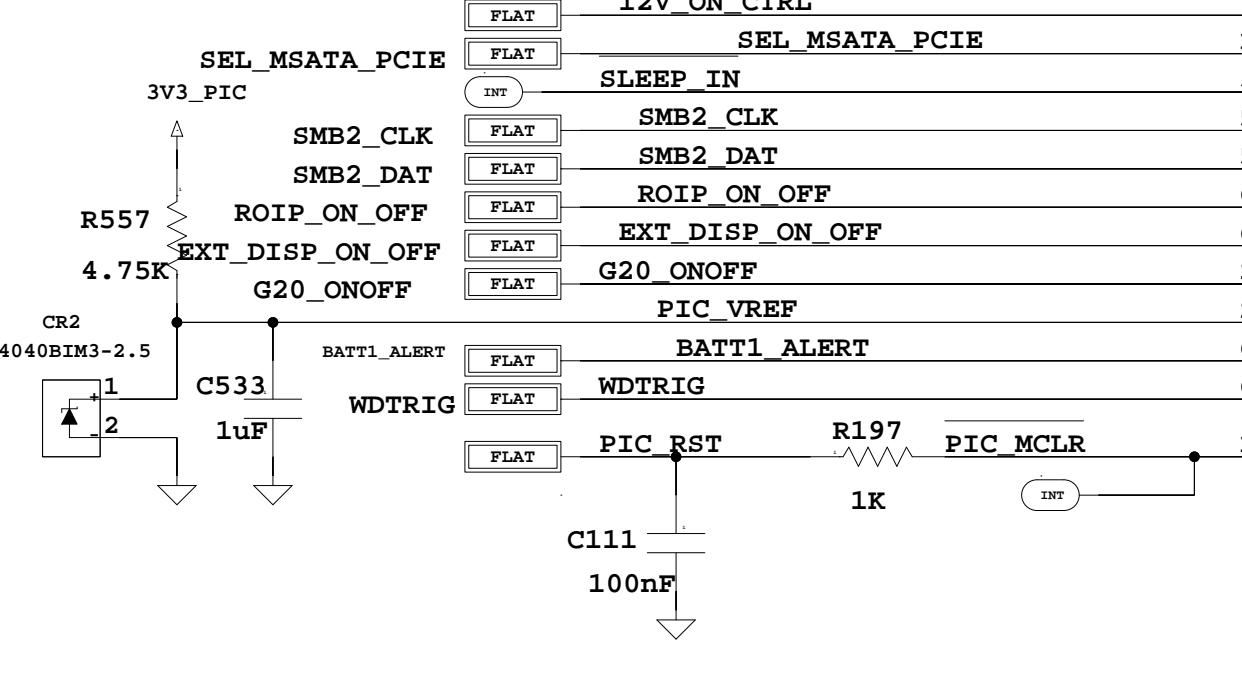
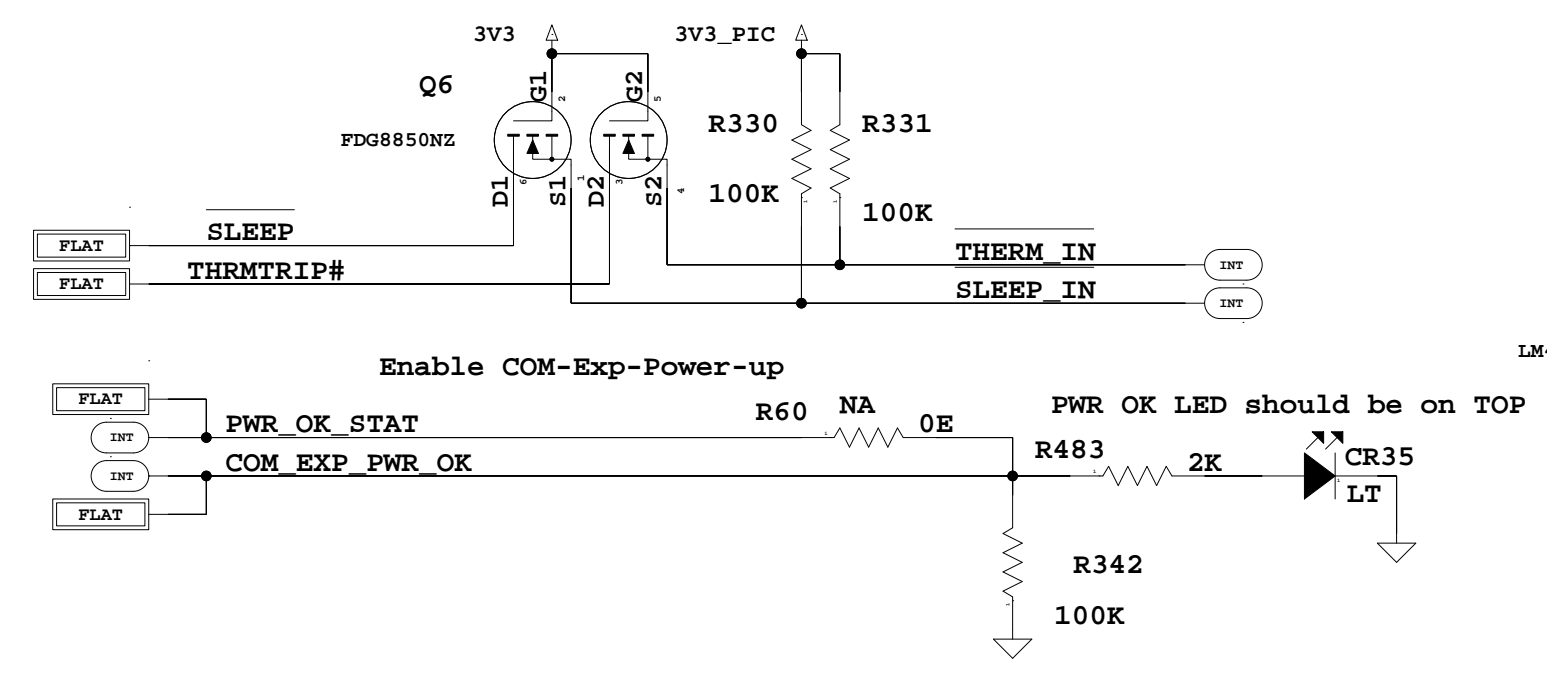
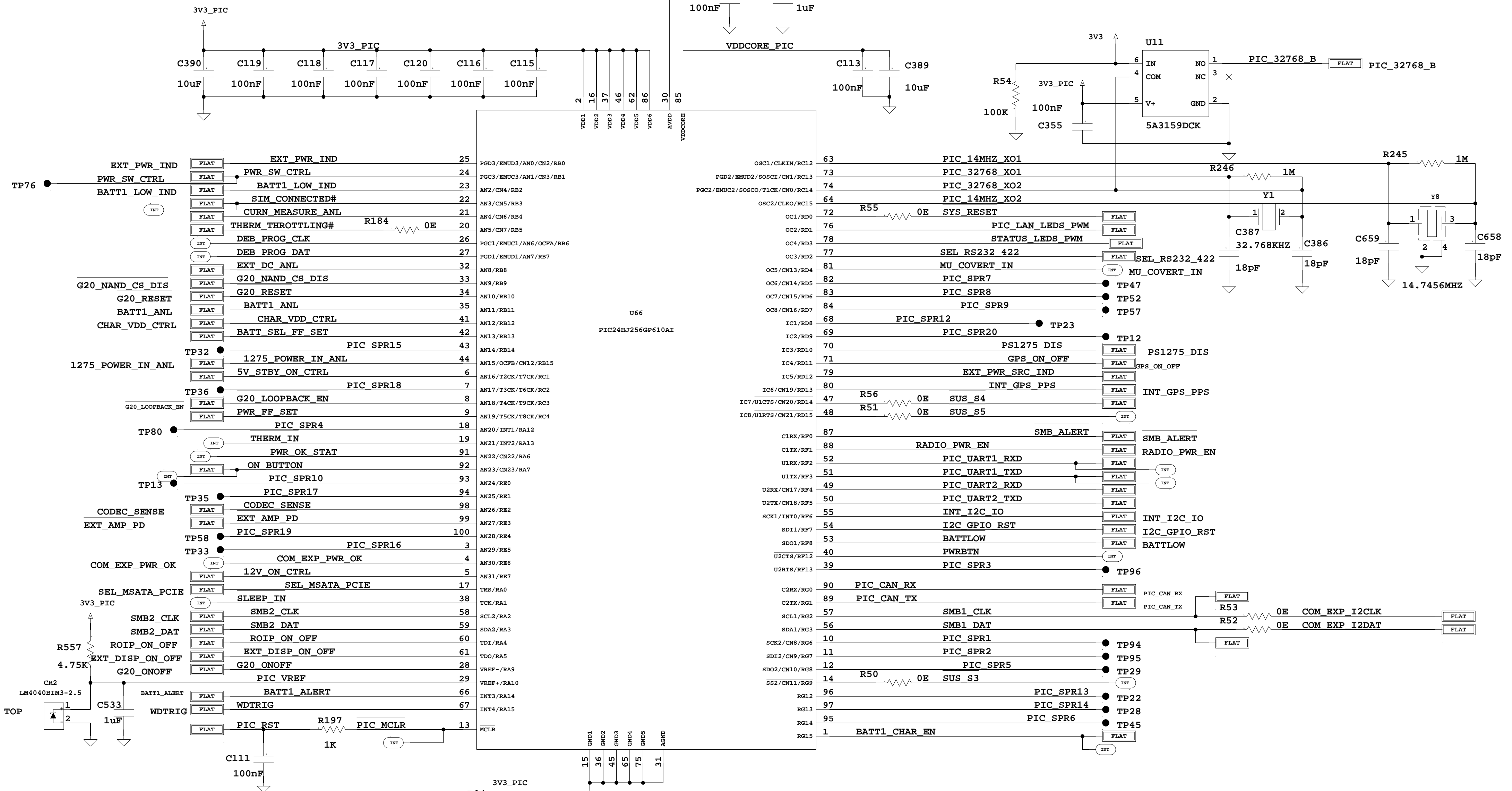
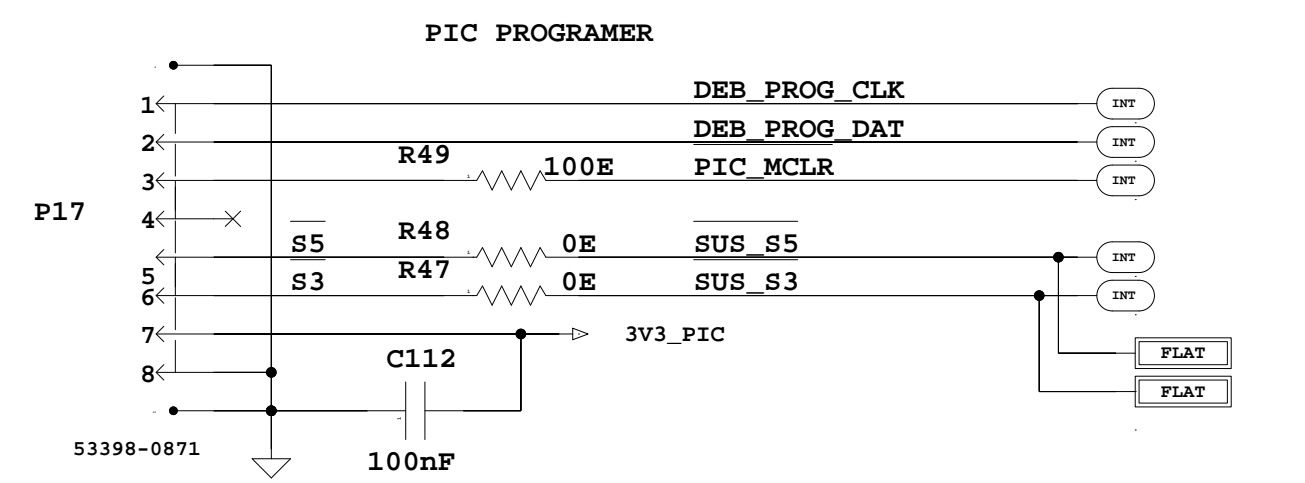
PIC,3V STANDBAY POWER SUPPLY

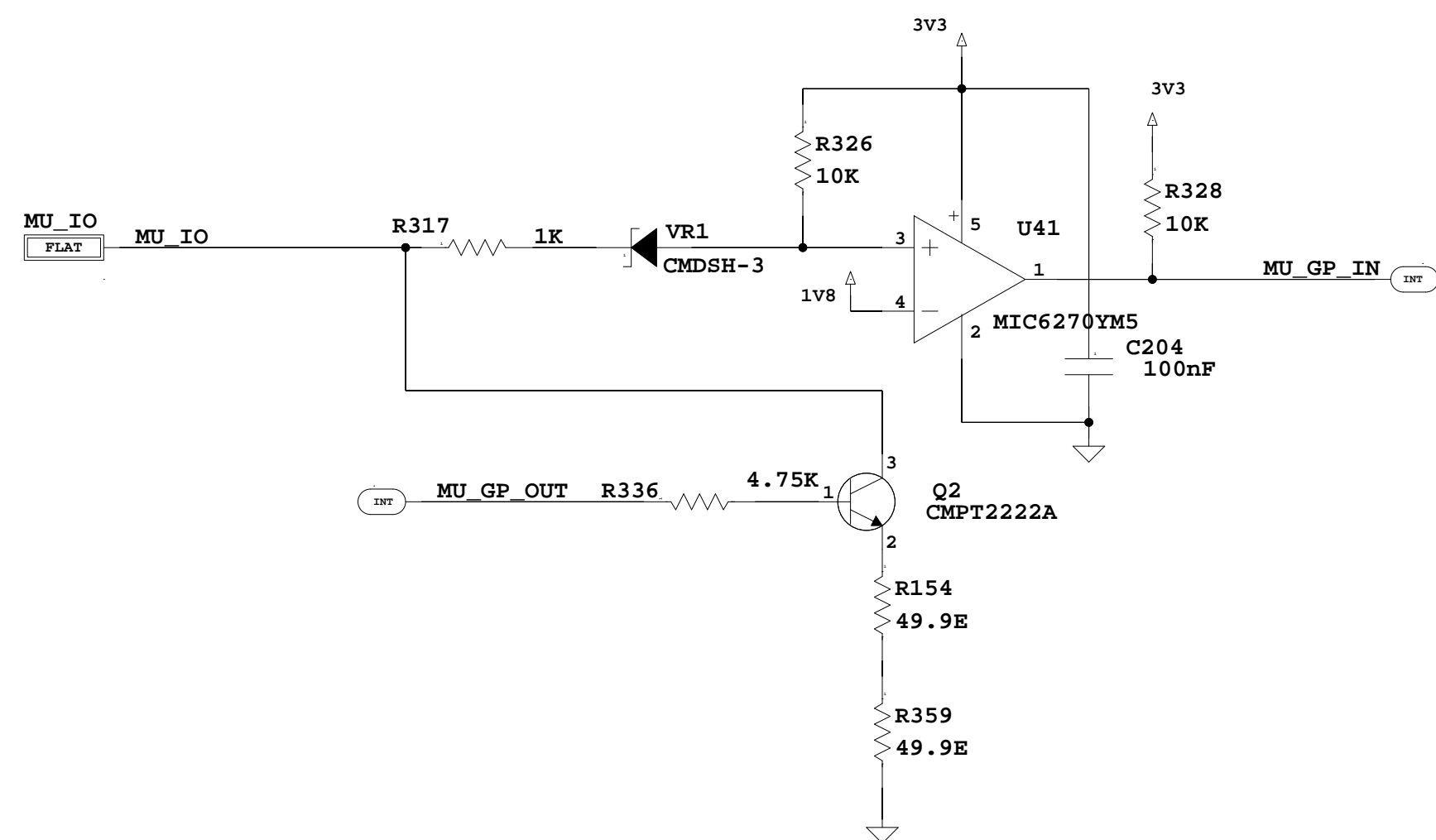
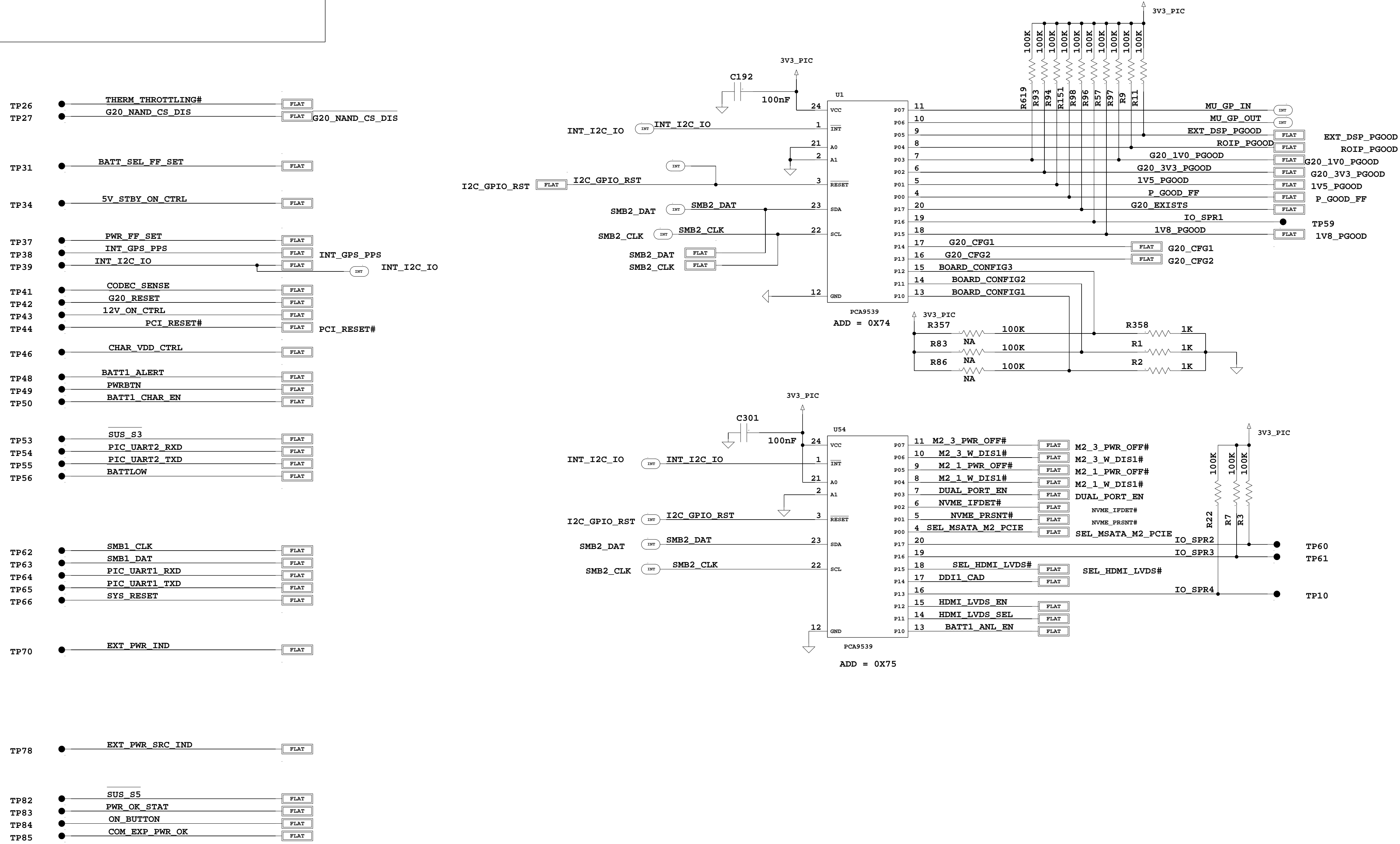


5V STANDBAY POWER SUPPLY

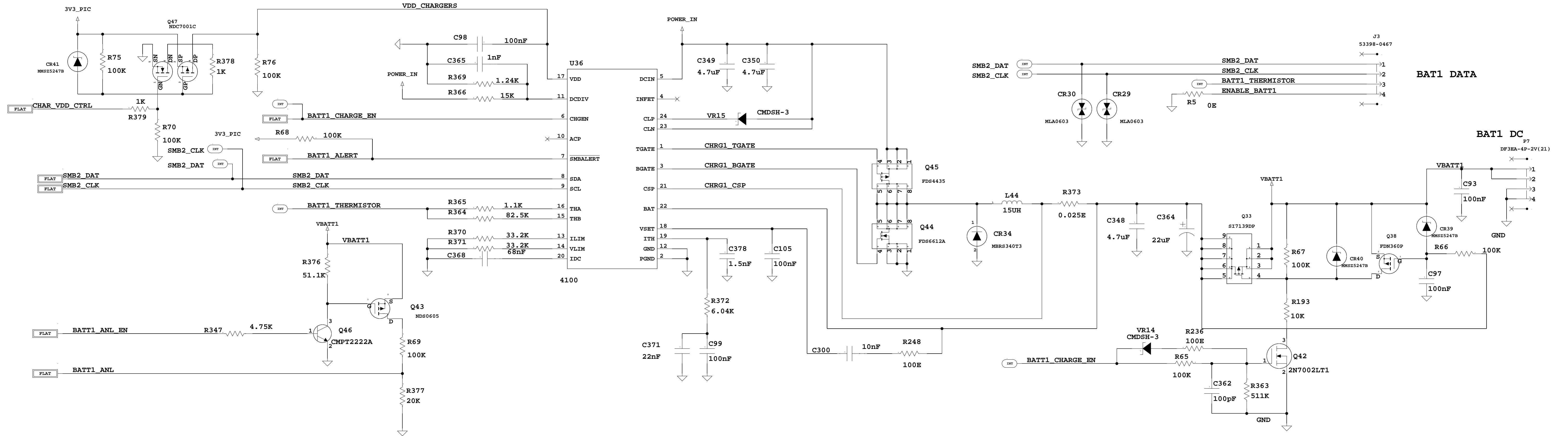


PIC CONTROLLER



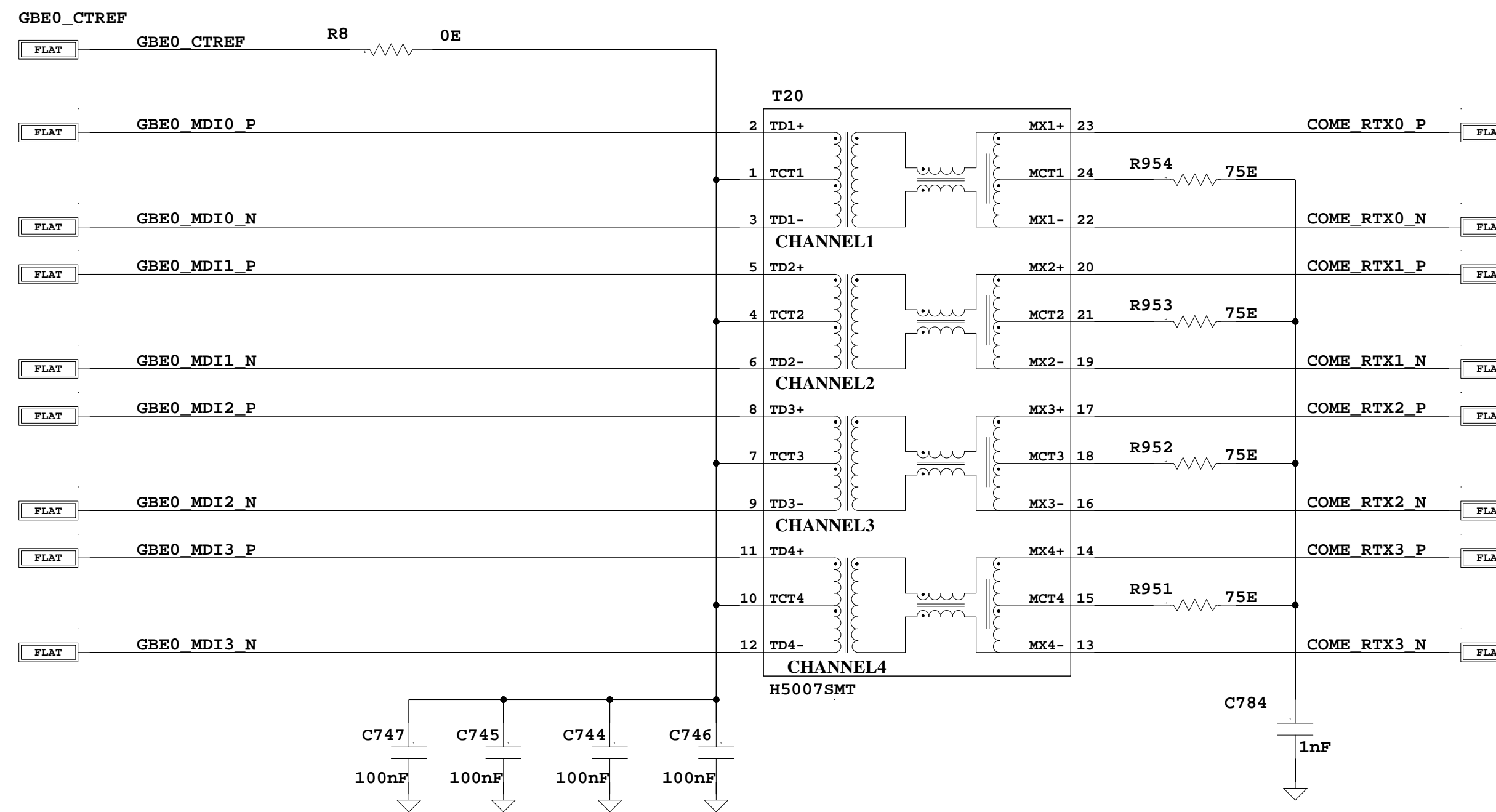


Battery Chargers



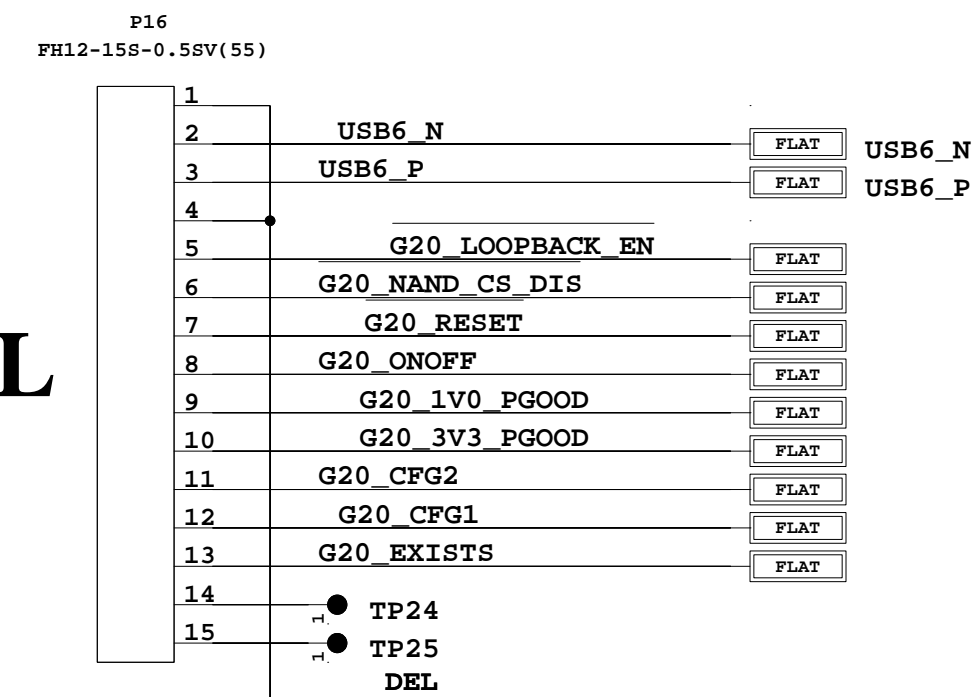
COM-EXPRESS

COMe PHY

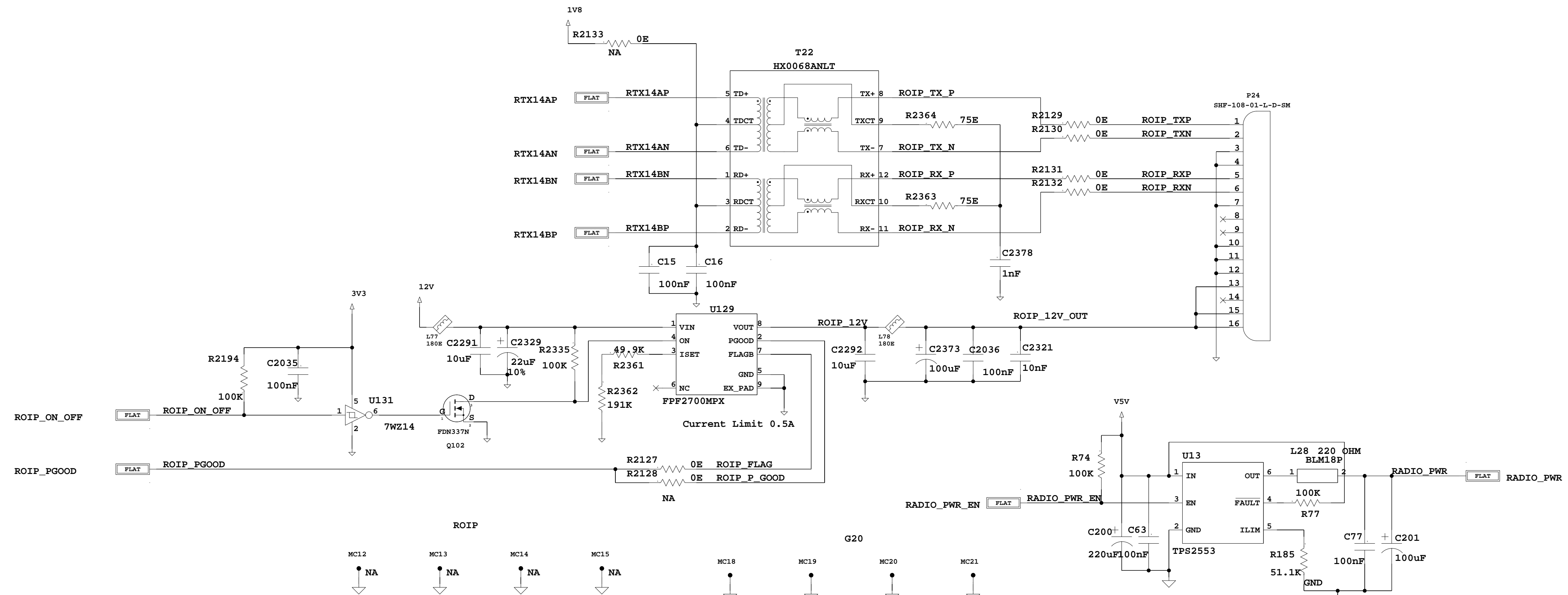
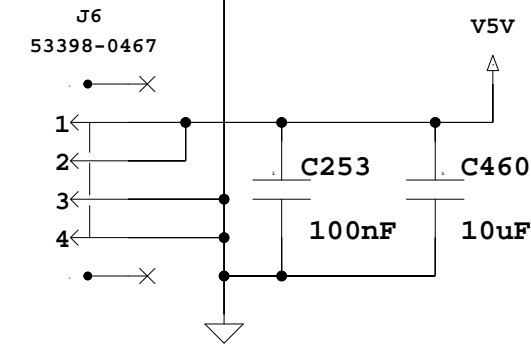


G20 & Radio connectors Interface

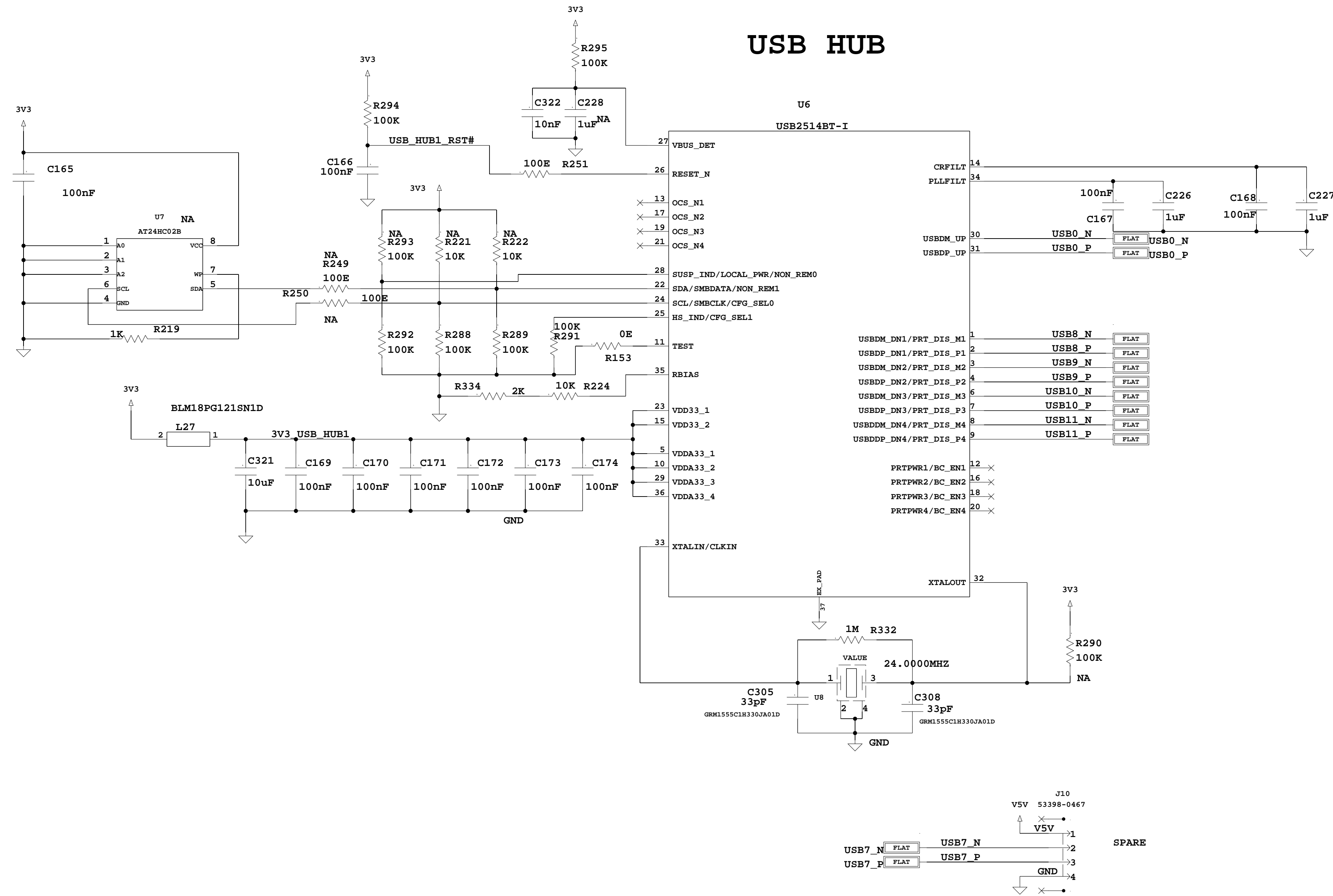
G20 CTL



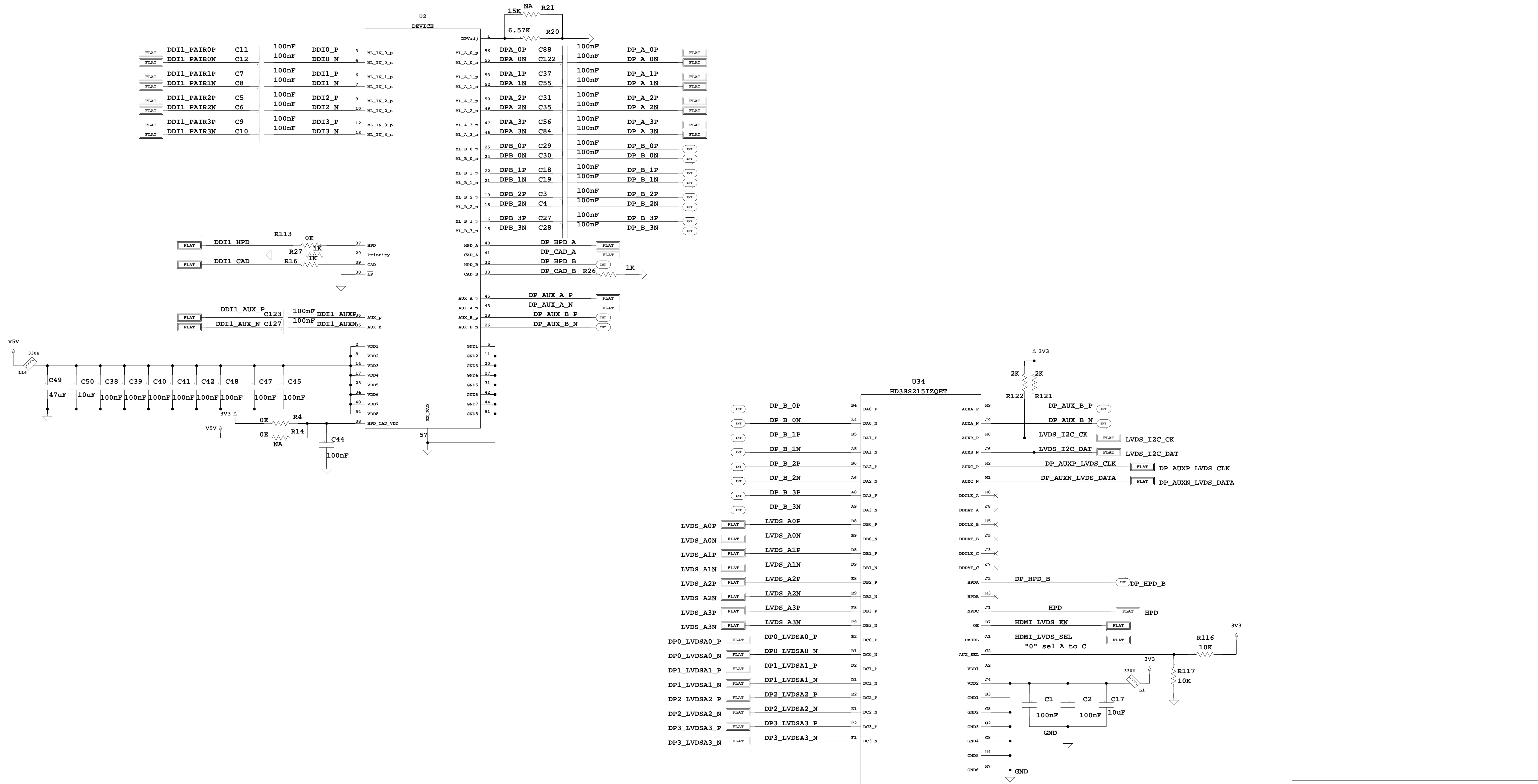
G20 PWR



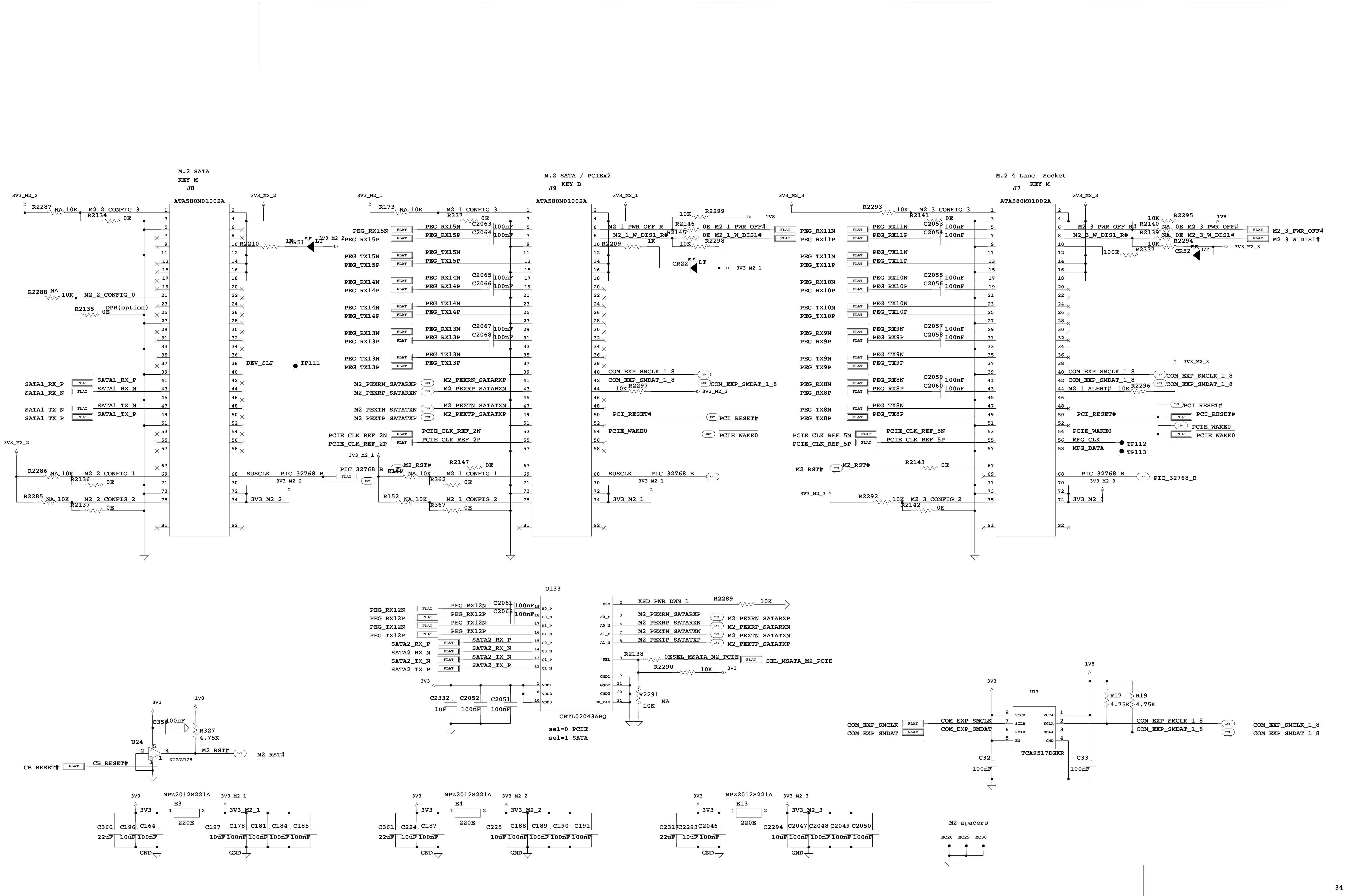
USB HUB



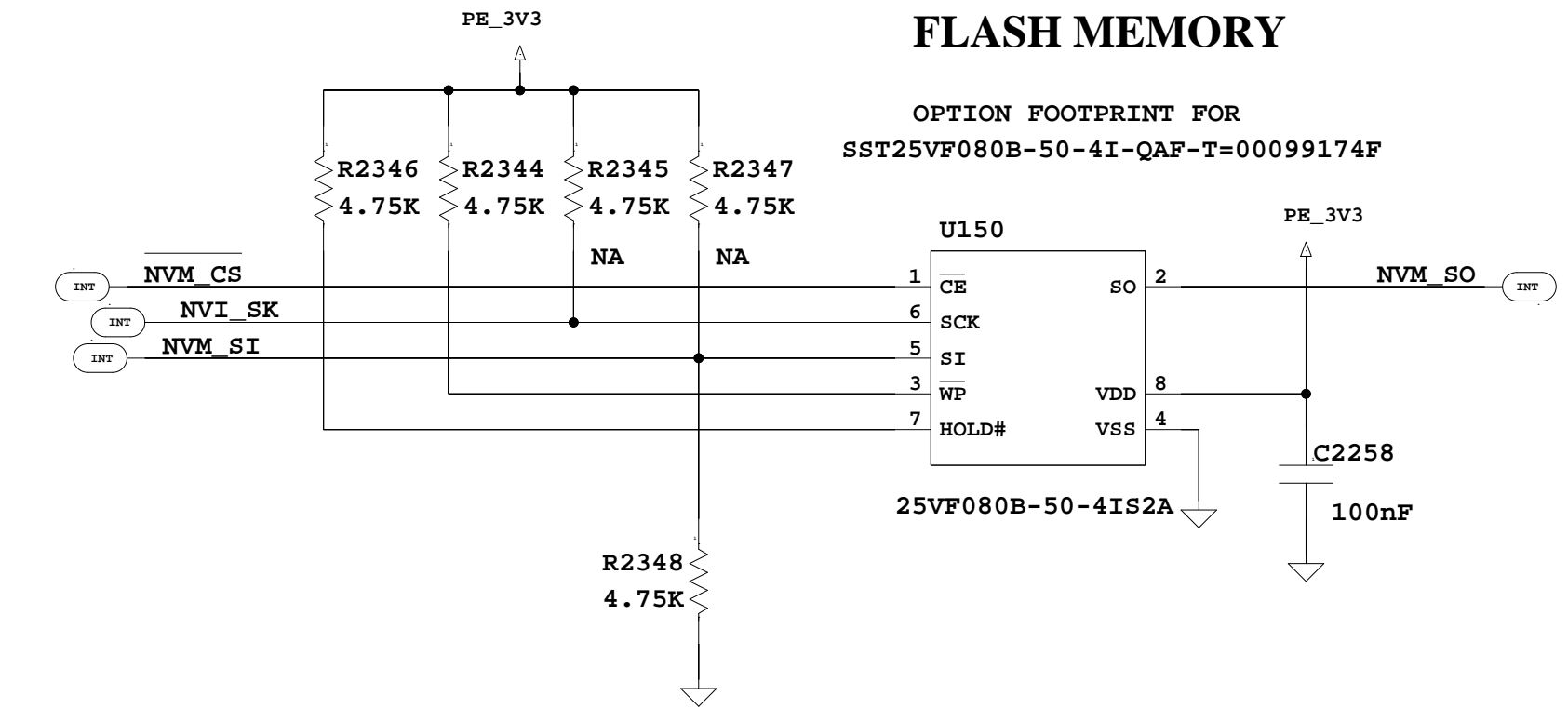
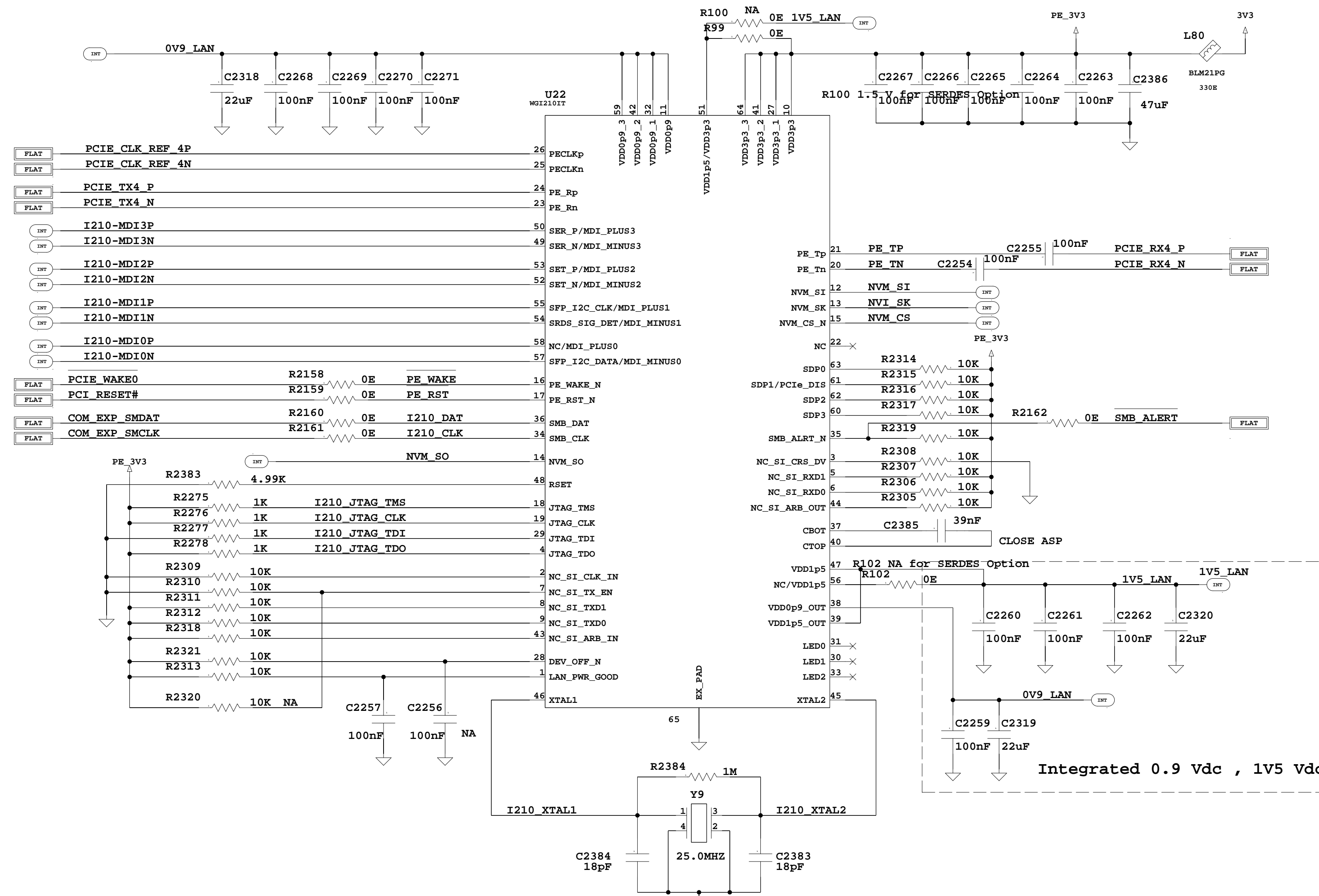
DP 1 to 2



Port A B Inputs C output



I210 GBE CONTROLLER



I210

CHASSIS PLANE I210 PHY

