



# Rhino SD2/XD2 Type-H Control Modules

## Description

**NOTE:** Throughout this document, the Rhino SD2/XD2 Type-H Control Modules are referred to as the Control Module.

See Figure 1. The Control Module (1) provides the pneumatic operating functions for Rhino SD2/XD2 bulk unloaders (2). It mounts to the side of small- and large-frame Rhino SD2/XD2 bulk unloaders.

Four Large Frame Control Modules are available:

- 55-Gallon Drum with Pneumatic Changeover
- 55-Gallon Drum with Electric Changeover
- 55-Gallon Drum with Electric Changeover for Urethane Applications
- 5-Gallon Pail with Electric Changeover

The control module can be configured for use on standalone or changeover Rhino SD2/XD2 bulk unloaders. The changeover configuration allows the operator to change the empty container of one Rhino SD2/XD2 bulk unloader while the other one is operating.

See Figure 2 and refer to Table 1 for a list of the control module components.

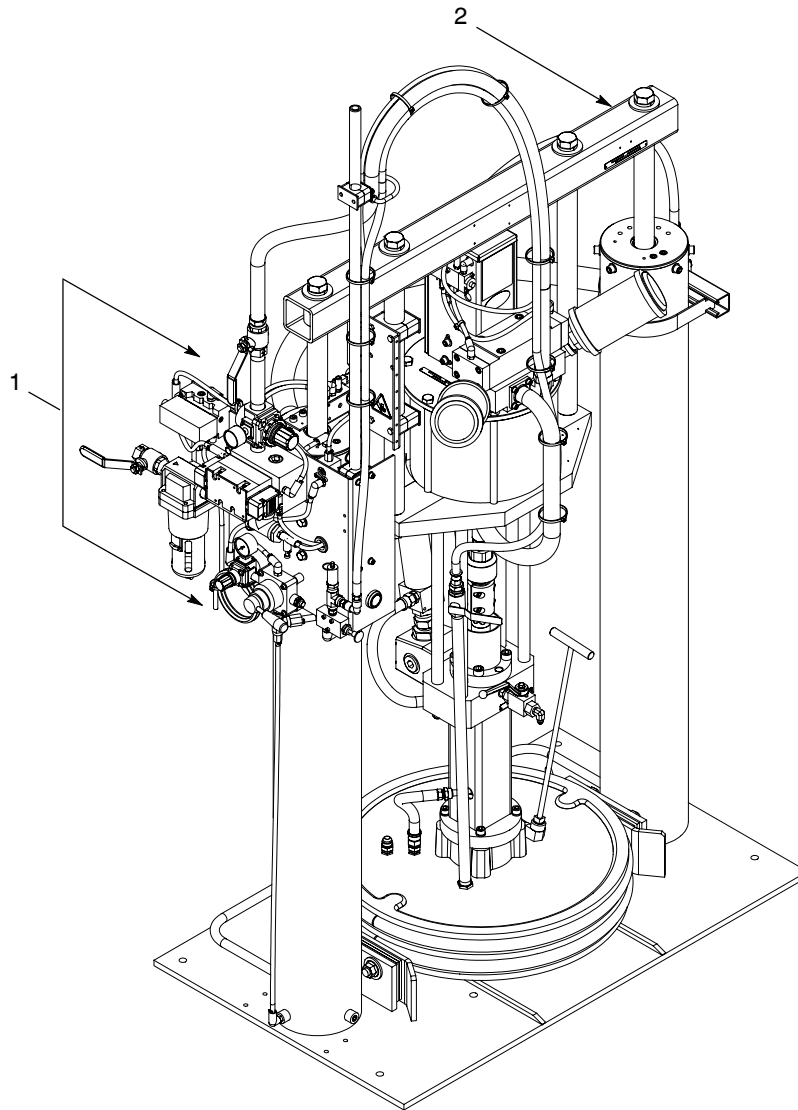


Figure 1 Typical Control Module

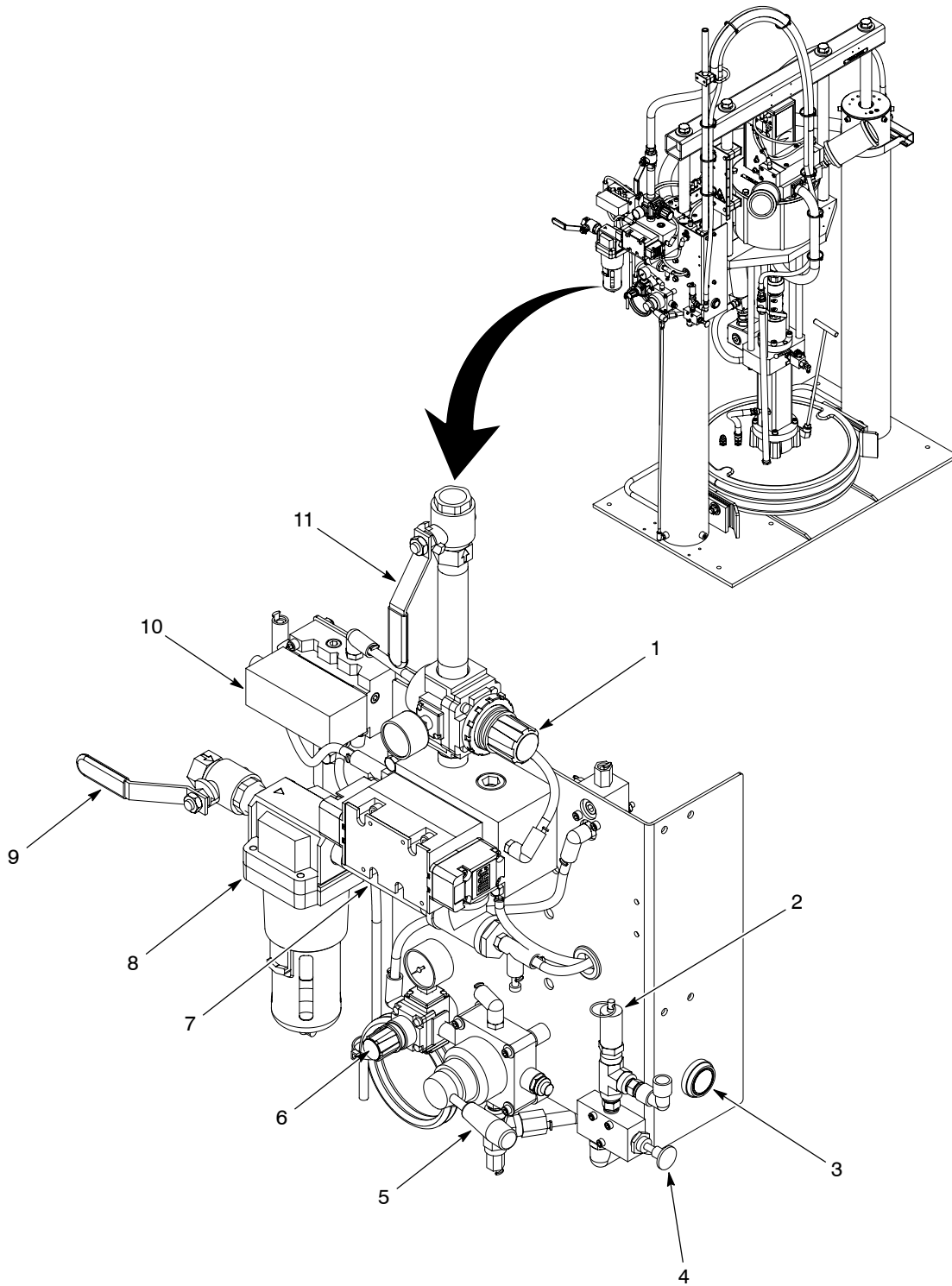


Figure 2 Typical Control Module Components (Large frame 55-gallon drum with pneumatic changeover shown)

Table 1 Control Module Components

Item	Function
1	Air Motor Regulator: Sets the amount of air pressure going to the air motor which determines the amount of material pressure exiting the unloader.
2	Safety Relief Valve: Ensures that no more the 15 psi is supplied to the material drum or pail.
3	Material Purge Push Button: Supplies air to the air motor and allows the pump to purge material or air from the system. Allows the operator to purge an unloader even if the opposite unloader is active.
4	Blowoff Control Valve: When the ram control valve is in the UP position, the blowoff circuit routes air pressure under the follower. The air pressure under the follower provides the force to remove the drum from the follower when the rams are raised.
5	<p>Ram Control Valve: Rotary valve that initiates ram movement.</p> <p>Placing the ram control valve in the</p> <ul style="list-style-type: none"> <li>• RAM UP position, raises the ram and follower plate and supplies air to the blow-off valve.</li> <li>• NEUTRAL position, halts ram movement.</li> <li>• RAM DOWN position, lowers the ram and follower plate assembly into the material container.</li> </ul> <p><b>NOTE:</b> The Neutral position does not mechanically lock the ram. Air pressure remains in the ram cylinders. Small air leaks in the circuit can cause the ram to drift upward or downward. Never leave the bulk unloader in the Neutral position to perform maintenance, or when it is not in use for long periods of time. When performing maintenance, make sure that the ram and follower plate are on the bulk unloader base or secured using support blocks.</p>
6	Ram Up/Down Regulator: Sets the amount of air pressure going to the top and the bottom of the ram cylinders.
7	Air Motor Control Valve: Receives signals to control the air motor.
8	Filter/Separator: Has a 5-micron filter element that removes most contaminants and moisture from the supply air.
9	Master Air Lockout Valve: When this valve is in the open position, it supplies air to the unloader pneumatic circuit. Closing this valve, disables the unloader and also bleeds off air.
10	Air Logic Valve: Prevents an empty unloader from receiving an Empty signal from the other controller.
11	Air Lockout Valve: This valve locks out and vents air pressure to the air motor. It prevents the pump from stroking but does not shut off ram air. The follower plate can be raised and lowered but the air motor will not activate and cause the pump to stroke.

## Installation



**WARNING:** Allow only qualified personnel to perform the following tasks. Follow the safety instructions in this document and all other related documentation.

**NOTE:** Read and understand the *Safety* section in the *Nordson System Documentation* that shipped with the system before installing the Control Module.

### ***Install the Control Module to a Bulk Unloader Frame***

See Figure 3. Mount the Control Module onto the bulk unloader using the supplied screws (1) and washers (2). Tighten the screws securely.

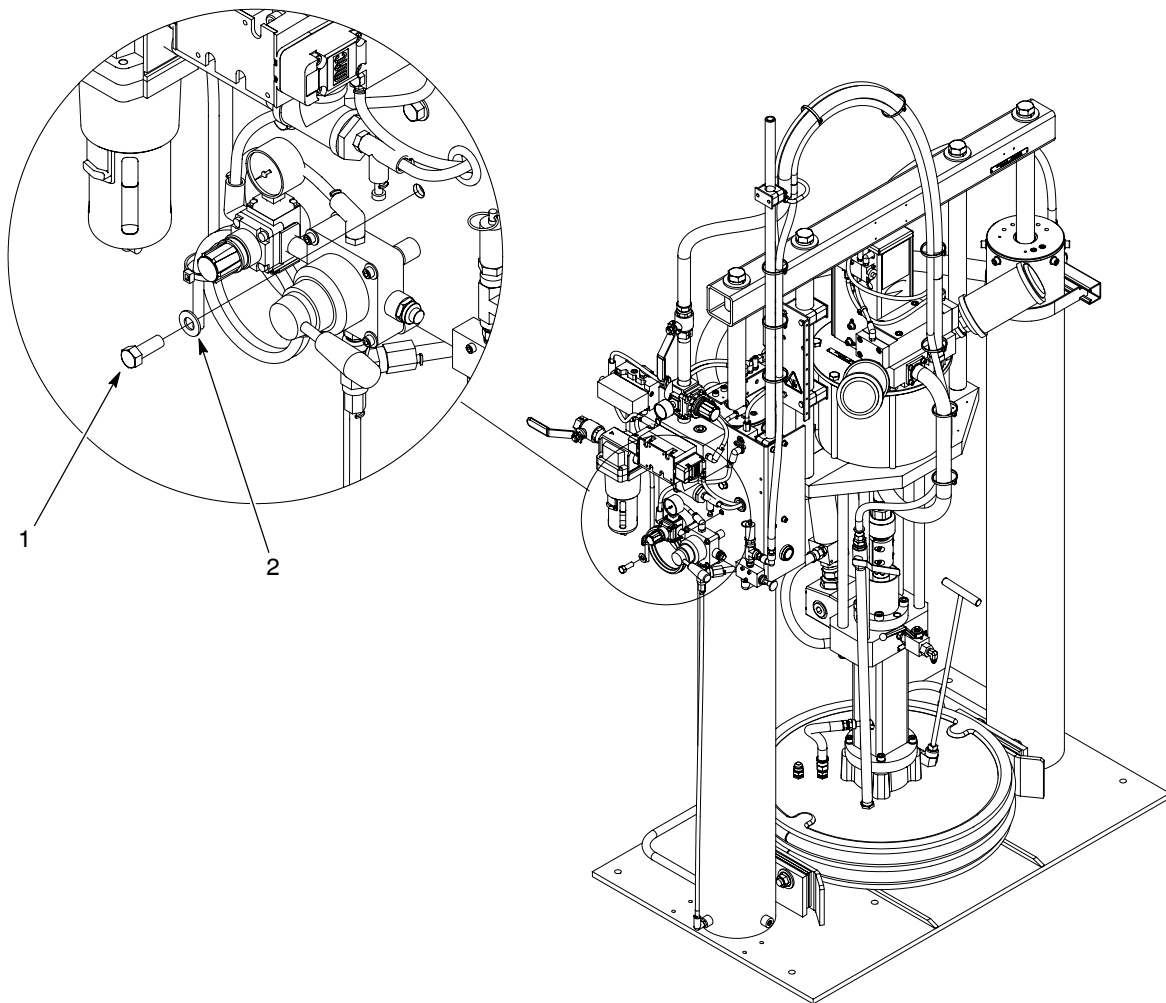


Figure 3 Typical Control Module Installation (*Large frame shown*)

## Connect the Ram Up and Ram Down Tubing

See Figure 4. Connect the tubing (A, B) as shown.

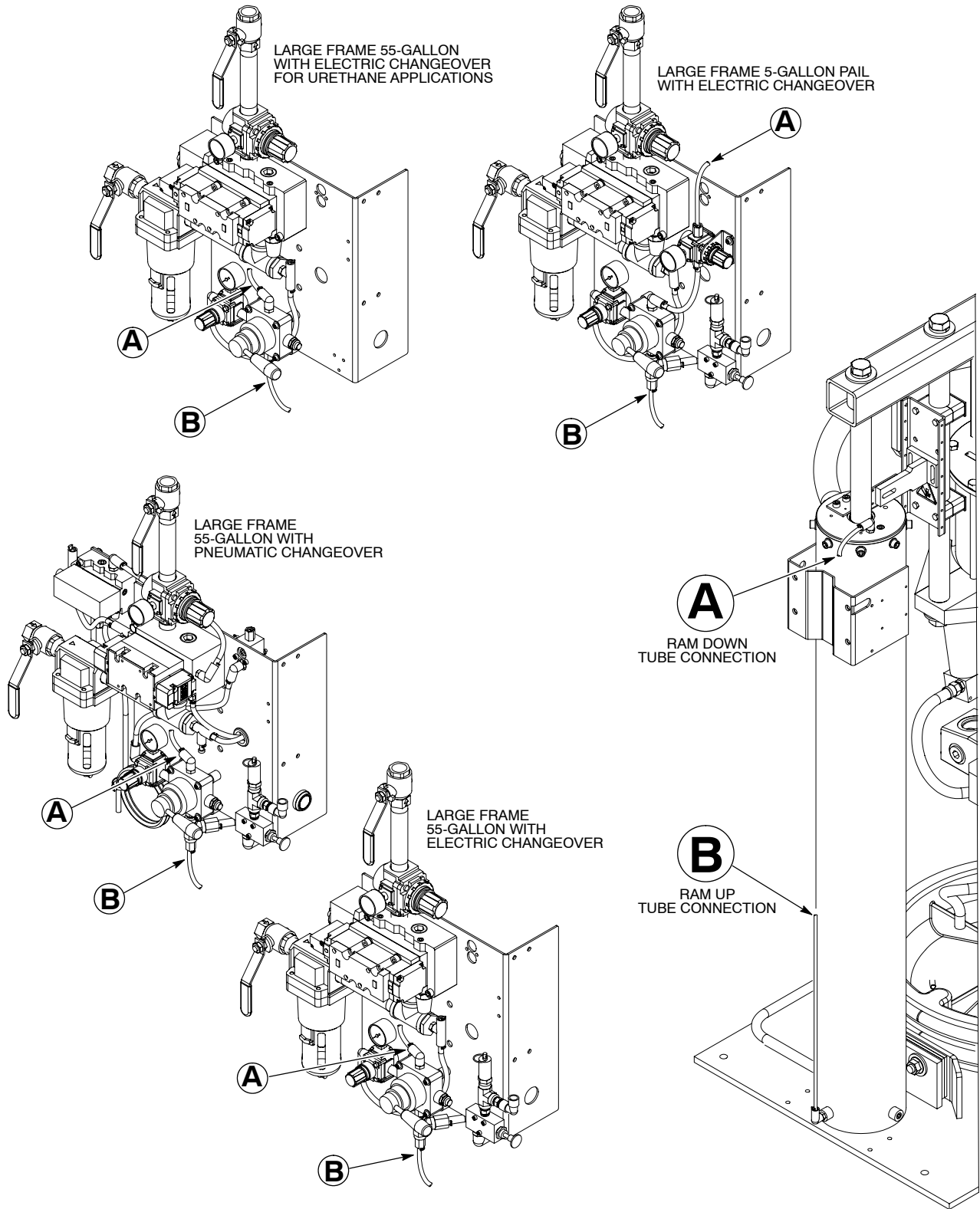


Figure 4 Ram Up and Ram Down Tubing Connections

## Connect the Tubing for Pneumatic Standalone or Changeover Configurations

The Control module can be configured for standalone and changeover systems. Perform the applicable procedures.

### Standalone Systems

1. See Figure 5. Remove the plug and install it as shown for standalone systems.
2. Cut the tubing to the desired length and connect it to the fitting as shown.

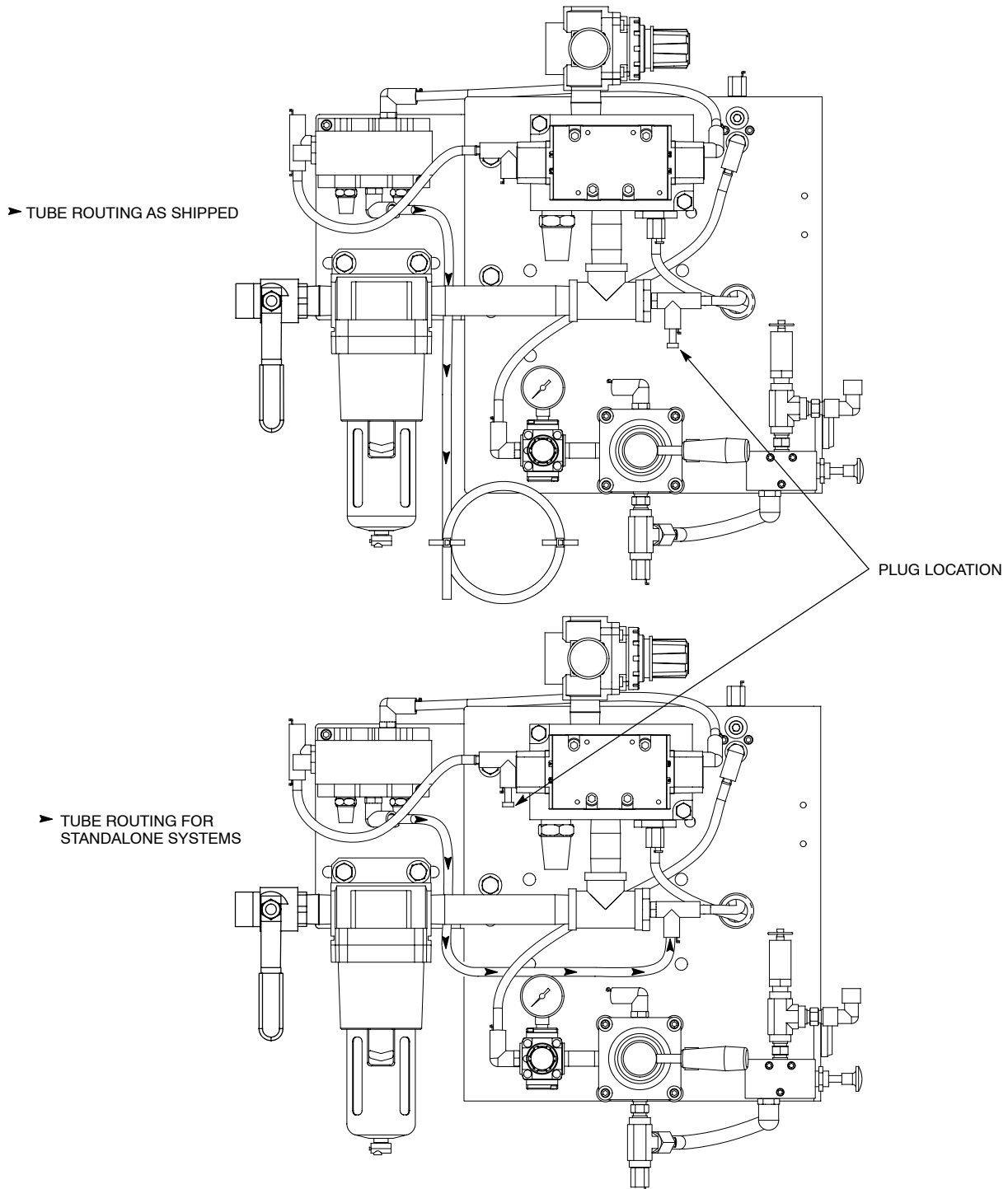


Figure 5 Standalone Configuration

## Changeover Systems

Connect the tubing as shown on Figure 6.

## Operation

Control Module operation is dependent upon the system application. Refer to the Nordson *System Documentation* that shipped with the system for specific application parameters and operating procedures.

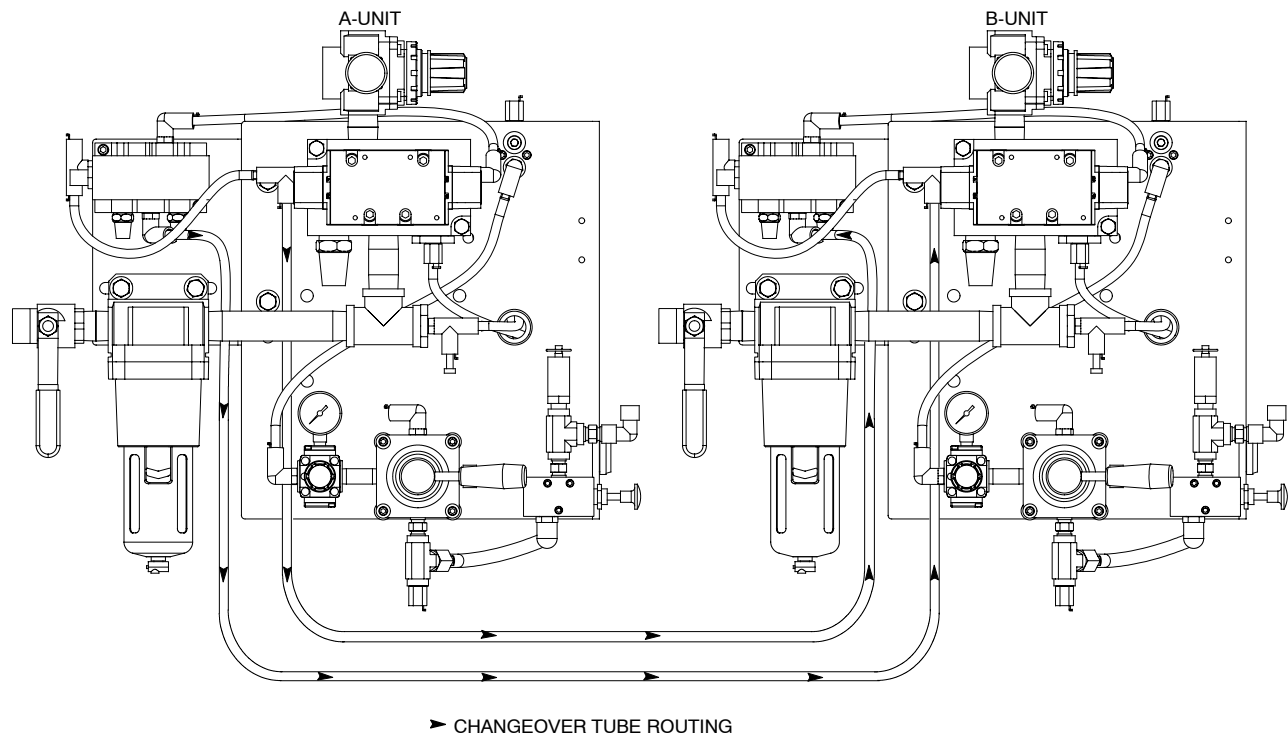


Figure 6 Changeover Configuration

# Parts

To order parts, call the Nordson Customer Service Center or your local Nordson representative.

## 55-Gallon Drum Control Module with Pneumatic Changeover

See Figures 7 and 8 along with the following parts list.

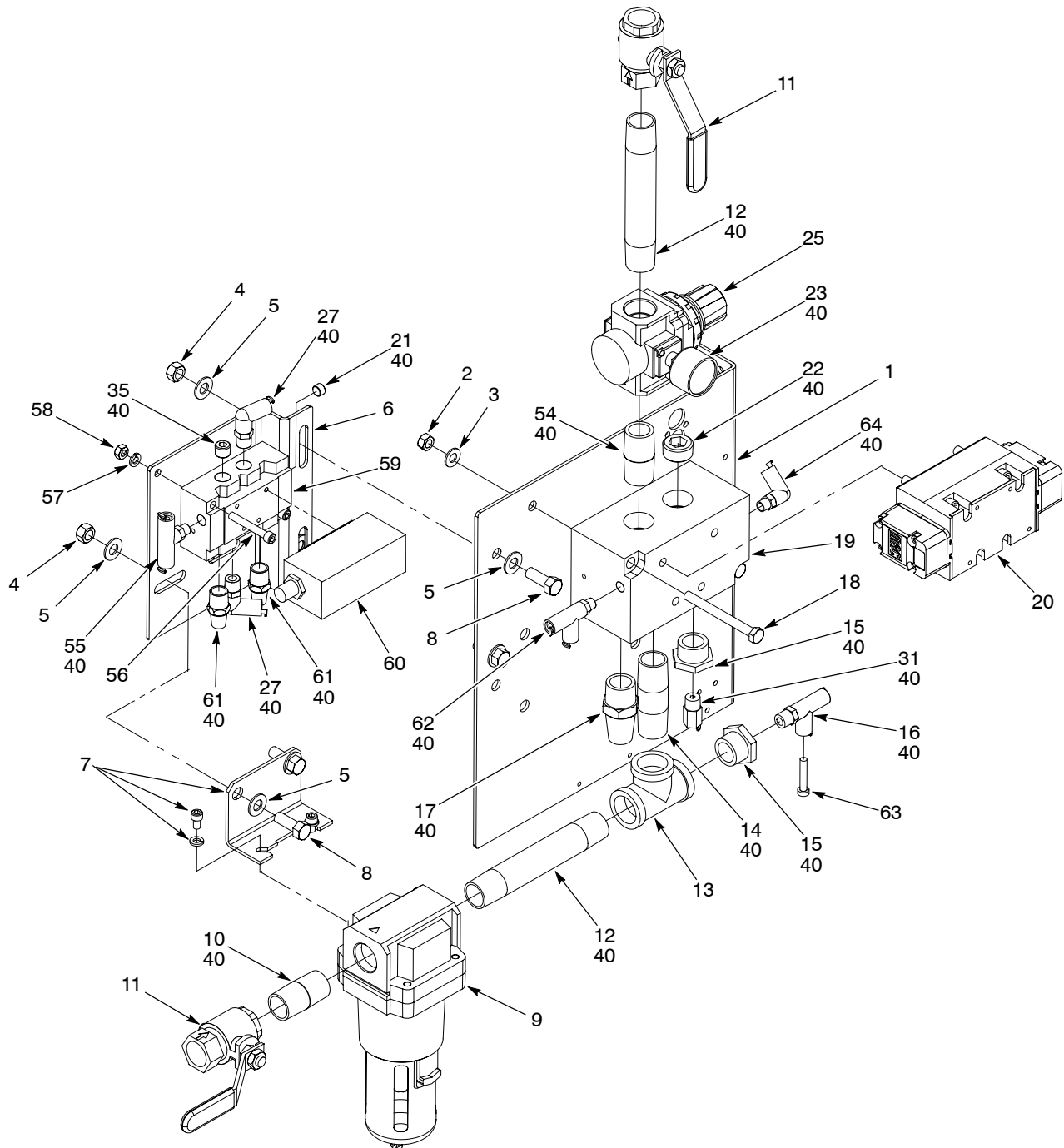


Figure 7 55-Gallon Drum Control Module with Pneumatic Changeover



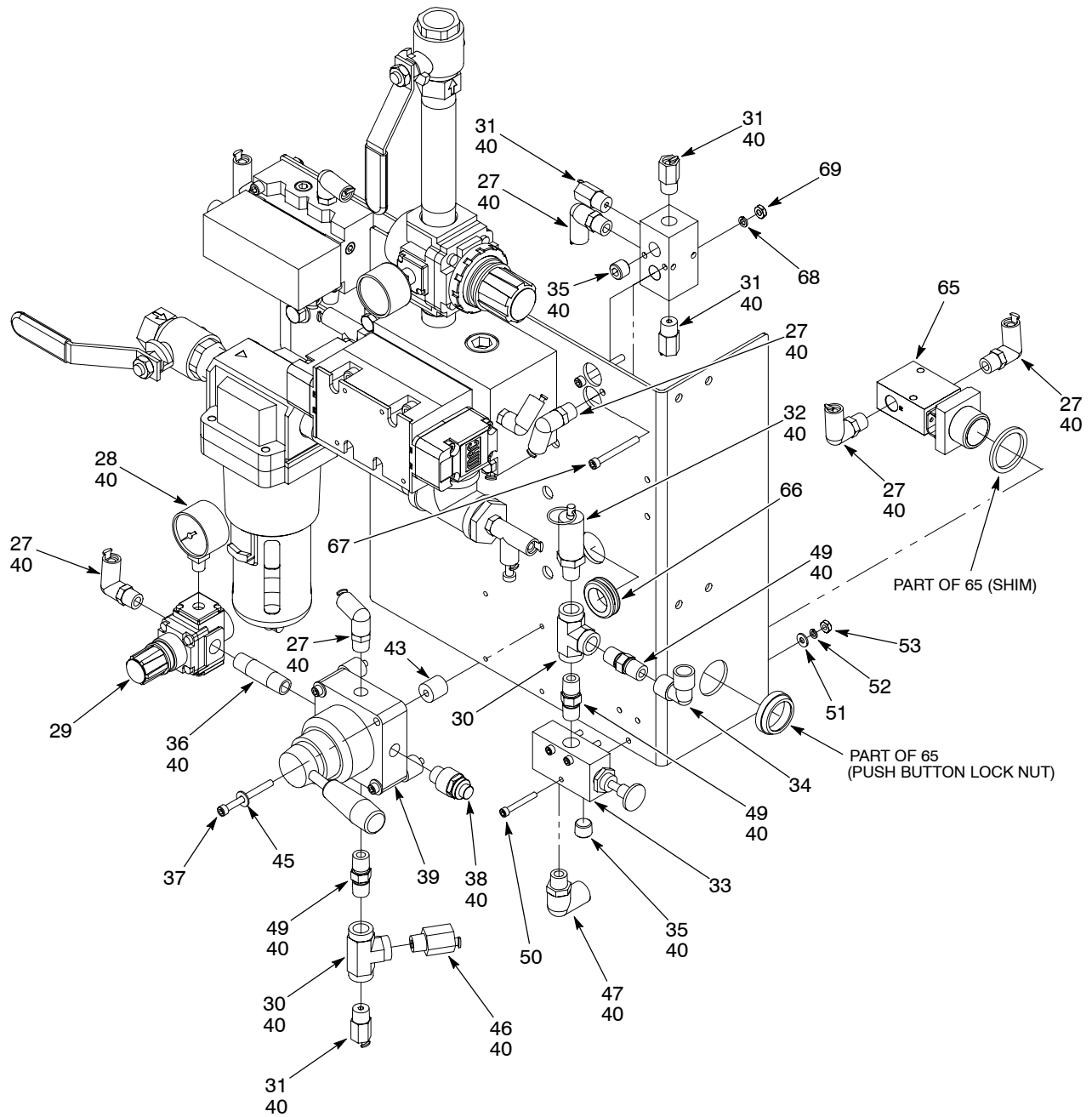


Figure 8 55-Gallon Drum Control Module with Pneumatic Changeover (Continued)

## 55-Gallon Drum Control Module with Pneumatic Changeover Parts List

Item	Part	Description	Qty	Note
—	1090295	Module, controls, XD2, R-port, pneumatic changeover	1	
1	1090561	• Plate, mounting controls, CHIY	1	
2	984449	• Nut, hex, 5/16-18, G8	2	
3	345938	• Washer, flat, 0.375 x 0.875 x 0.083	2	
4	345840	• Nut, hex, 3/8-16, zinc	4	
5	345929	• Washer, flat, 3/8, zinc	8	
6	1090325	• Bracket, filter, controls, pneumatic cross-over	1	
7	1065691	• Bracket, mounting, filter, 3/4 NPT	1	
8	981402	• Screw, hex, 3/8-16 x 1, cap, zinc	4	
9	1082113	• Filter, air, G 3/4	1	
10	1082114	• Nipple, steel, schedule 40, R 3/4, galvanized	1	
11	1082043	• Valve, ball, 2-2, G 3/4, 250	2	
12	1083693	• Nipple, steel, schedule 40, R 3/4 x 6 galvanized	2	
13	1082116	• Tee, pipe, class 150, R 3/4, galvanized	1	
14	1083694	• Nipple, steel, schedule 40, R 3/4 x 3, galvanized	1	
15	1082117	• Bushing, pipe, schedule 40, R 3/4 x R 1/4	2	
16	1090471	• Tee, male run, 6 mm T x R 1/4	1	
17	1082119	• Muffler, R 3/4, brass	1	
18	981314	• Screw, hex, 5/16-18 x 3.5, cap, zinc	2	
19	1090305	• Base, manifold, ISO 5599, Size 3, RC 3/4	1	
20	1025777	• Valve, ISO size 3, air pilot, 2-position, 4-way	1	
21	1082120	• Plug, pipe, socket, flush, R 1/8, zinc	2	
22	1082121	• Plug, pipe, socket, flush, R 3/4, zinc	1	
23	1082139	• Gage, air, 0-160 psi, 1.1 mPa, R 1/4, back mount	1	
24	324289	• Strap, cable, 0.06-4, black	2	
25	1081939	• Regulator, 0-160 psi, G 3/4	1	
26	1082097	• Tubing, 6 mm Polyethylene, green, flame resistant	28 ft	
27	1082108	• Elbow, male, 6 mm tube x R 1/4	8	
28	1083797	• Gage, air, 0-160 psi, 1 mPa, R1/8, bottom mount	1	
29	1082123	• Regulator, air, 0-1 mPa, RC 1/4	1	
30	1082124	• Tee, pipe, G 1/4, brass, nickel	2	
31	1082126	• Connector, male, 6 mm tube x R 1/4	5	
32	1082283	• Valve, relief, 15 psi, 1/4 NPT, brass	1	
33	1082128	• Valve, 2-position, 3-port, R 1/4, pushbutton	1	
34	1083696	• Elbow, pipe, 90, G 1/4, brass, nickel	1	
35	1082107	• Plug, pipe, socket, flush, R 1/4	3	
36	1082135	• Nipple, Schedule 40, R 1/4, 0.87, galvanized	1	
37	1058756	• Screw, socket, #10-32 x 2, black	4	
38	1082136	• Muffler, flow-control, R 1/4, 145 psi	1	
39	1082137	• Valve, rotary, control, 3 pos, G 1/4 ports	1	
40	900481	• Adhesive, sealant	AR	
41-42	-----	• Not used on this configuration	—	

Continued...

Item	Part	Description	Qty	Note
—	1090295	Module, controls, XD2, R-port, pneumatic changeover	1	
43	1082286	• Spacer, un-threaded, 5/8 long, aluminum ,size 10 screw	4	
44	-----	• Not used on this configuration	—	
45	983123	• Washer, flat, 0.219 x 0.500 x 0.049, zinc	4	
46	1083657	• Connector, male, 10 mm R 1/4, brass	1	
47	1083656	• Connector, male, elbow, 10 mm tube x R1/4, brass	1	
48	1083690	• Tubing, 10 mm Polyurethane, green, flame resistant	0.6 ft	
49	1083695	• Nipple, hex, R 1/4 x R 1/4	3	
50	981656	• Screw, socket, 8-32 x 1.250, black	3	
51	983010	• Washer, flat, 0.188 x 0.375 x 0.040, zinc	3	
52	983111	• Washer, lock ,#8	3	
53	984111	• Nut, hex, machined, #8-32	3	
54	1083712	• Nipple, steel, Schedule 40, R 3/4 x 2, galvanized	1	
55	1090493	• Tee, branch, 6 mm tube x 1/8	1	
56	981557	• Screw socket, 1/4-20 x 1.750, zinc	2	
57	345977	• Washer, lock, 1/4, 14451-GA	2	
58	345836	• Nut, hex, 1/4-20, 14441-GA	2	
59	1090301	• Base, manifold, ISO 5599, size 1, RC 1/4	1	
60	1044436	• Valve, air pilot, ISO 5591/1,2 position 4-way	1	
61	1090365	• Muffler, R 3/8, 40 microns, brass	2	
62	1090491	• Tee, male run, 6 mm tube x R 1/8	1	
63	1090431	• Plug, push-in, 6 mm tube	1	
64	1082101	• Elbow, male, 6 mm tube x R 1/8	1	
65	1090306	• Valve, pushbutton, 2-position, 3-port, RC 1/4	1	
66	324896	• Grommet, rubber, 0.812 ID x 1.25 OD	1	
67	981913	• Screw, socket, #10-32 x 1.750	2	
68	983079	• Washer, lock, SPT, #10	2	
69	984120	• Nut, hex, machined, #10-32,14448-FA	2	

### 55-Gallon Control Module Drum with Pneumatic Changeover Recommended Spare Parts List

Item	Part	Description
20	1025777	Valve, ISO size 3, air pilot, 2-position, 4-way
60	1044436	Valve, air pilot, ISO 5591/1,2 position 4-way

## 55-Gallon Drum Control Module with Electric Changeover

See Figures 9 and 10 along with the following parts list.

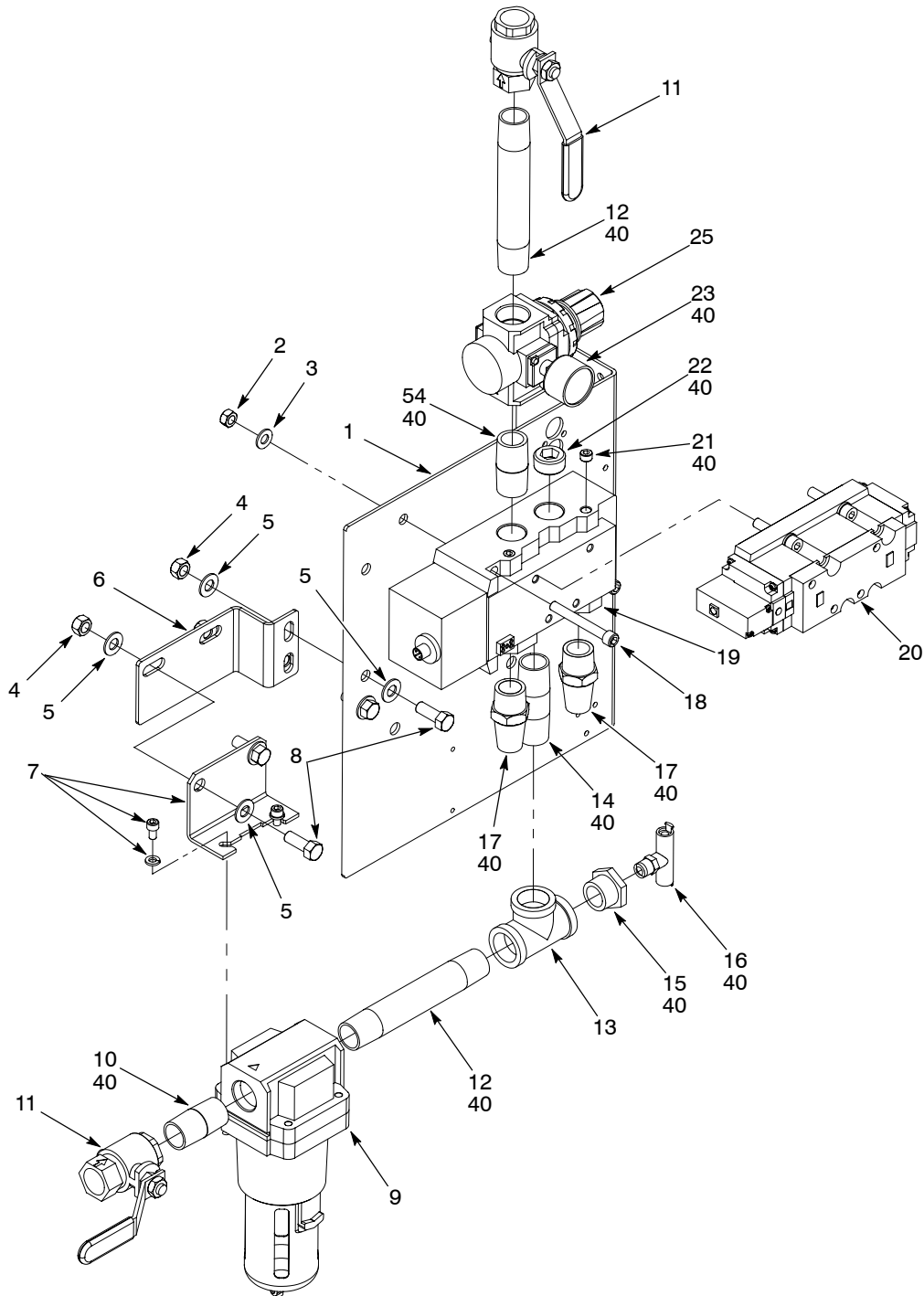


Figure 9 55-Gallon Drum Control Module with Electric Changeover

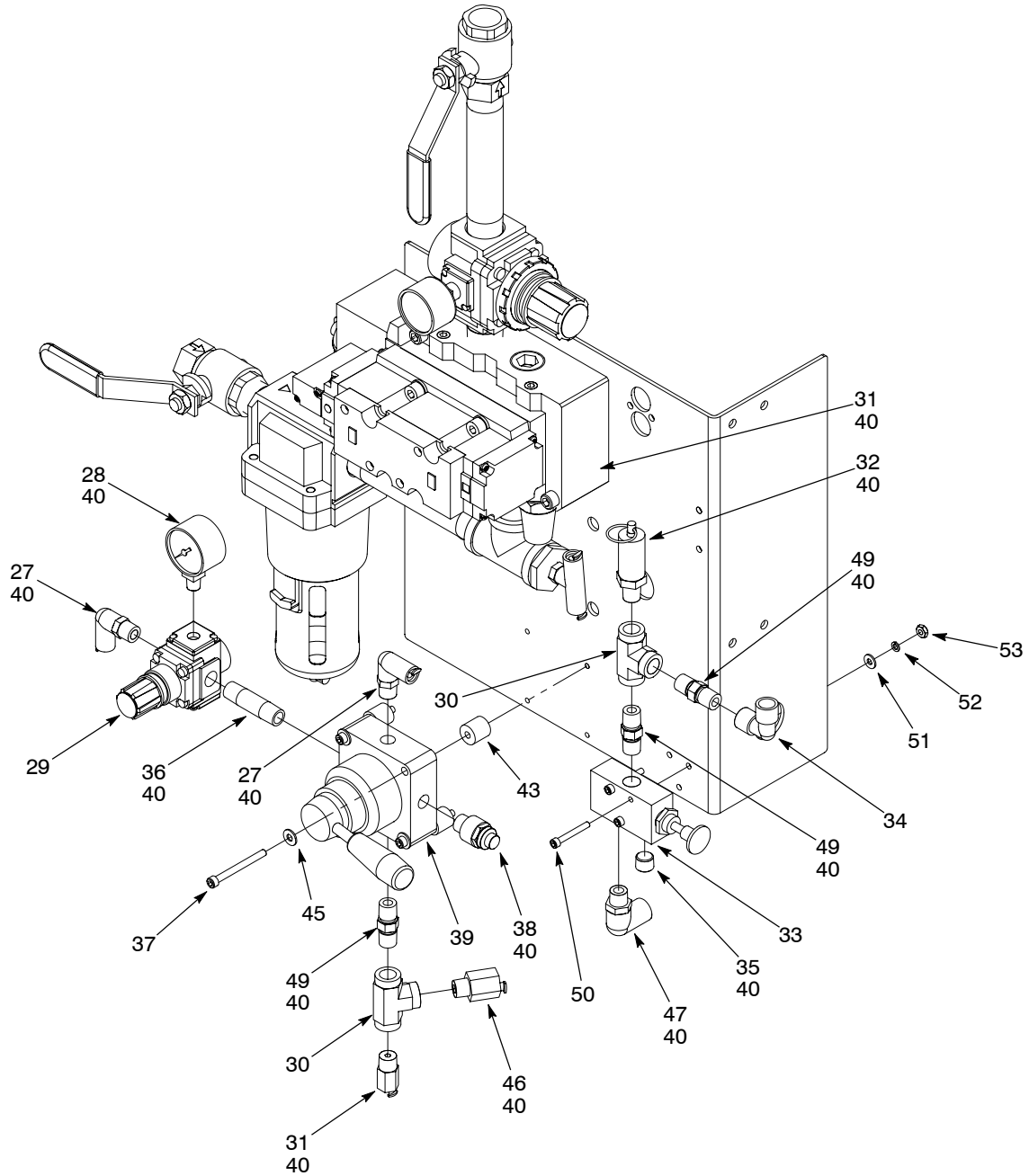


Figure 10 55-Gallon Drum Control Module with Electric Changeover (Continued)

## 55-Gallon Drum Control Module with Electric Changeover Parts List

Item	Part	Description	Qty	Note
—	1082084	Module, controls, Rhino XD2, G-port, electric changeover	1	
1	1090561	• Plate, mounting controls, CHIY	1	
2	984449	• Nut, hex, 5/16-18, G8	2	
3	345938	• Washer, flat, 0.375 x 0.875 x 0.083	2	
4	345840	• Nut, hex, 3/8-16, zinc	4	
5	345929	• Washer, flat, 3/8, zinc	8	
6	1079432	• Bracket, filter, controls	1	
7	1065691	• Bracket, mounting, filter, 3/4 NPT	1	
8	981402	• Screw, hex, 3/8-16 x 1, cap, zinc	4	
9	1082113	• Filter, air, G 3/4	1	
10	1082114	• Nipple, steel, schedule 40, R 3/4, galvanized	1	
11	1082043	• Valve, ball, 2-2, G 3/4, 250	2	
12	1083693	• Nipple, steel, schedule 40, R 3/4 x 6 galvanized	2	
13	1082116	• Tee, pipe, class 150, R 3/4, galvanized	1	
14	1083694	• Nipple, steel, schedule 40, R 3/4 x 3, galvanized	1	
15	1082117	• Bushing, pipe, schedule 40, R 3/4 x R 1/4	1	
16	1082118	• Tee, branch, 6 mm tube x R 1/4	1	
17	1082119	• Muffler, R 3/4, brass	2	
18	303654	• Screw, socket, 5/16-18 x 2.5, cap, zinc	2	
19	1082125	• Base, manifold, ISO Size 3, 5-port, G 3/4	1	
20	1044953	• Valve, ISO size 3, 2-position, 4-way, 24 Vdc	1	
21	1082120	• Plug, pipe, socket, flush, R 1/8, zinc	2	
22	1082121	• Plug, pipe, socket, flush, R 3/4, zinc	1	
23	1082139	• Gage, air, 0-160 psi, 1.1 mPa, R 1/4, back mount	1	
24	-----	• Not used on this configuration	—	
25	1081939	• Regulator, 0-160 psi, G 3/4	1	
26	1082097	• Tubing, 6 mm Polyethylene, green, flame resistant	2 ft	
27	1082108	• Elbow, male, 6 mm tube x R 1/4	2	
28	1083797	• Gage, air, 0-160 psi, 1 mPa, R1/8, bottom mount	1	
29	1082123	• Regulator, air, 0-1 mPa, RC 1/4	1	
30	1082124	• Tee, pipe, G 1/4, brass, nickel	2	
31	1082126	• Connector, male, 6 mm tube x R 1/4	1	
32	1082283	• Valve, relief, 15 psi, 1/4 NPT, brass	1	
33	1082128	• Valve, 2-position, 3-port, R 1/4, pushbutton	1	
34	1083696	• Elbow, pipe, 90, G 1/4, brass, nickel	1	
35	1082107	• Plug, pipe, socket, flush, R 1/4	1	
36	1082135	• Nipple, Schedule 40, R 1/4, 0.87, galvanized	1	
37	1058756	• Screw, socket, #10-32 x 2, black	4	
38	1082136	• Muffler, flow-control, R 1/4, 145 psi	1	
39	1082137	• Valve, rotary, control, 3 pos, G 1/4 ports	1	
40	900481	• Adhesive, sealant	AR	
41-42	-----	• Not used on this configuration	—	

Continued...

Item	Part	Description	Qty	Note
—	1080284	Module, controls, Rhino XD2, G-port, electric changeover	1	
43	1082286	• Spacer, un-threaded, 5/8 long, aluminum ,size 10 screw	4	
44	-----	• Not used on this configuration	—	
45	983123	• Washer, flat, 0.219 x 0.500 x 0.049, zinc	4	
46	1083657	• Connector, male, 10 mm R 1/4, brass	1	
47	1083656	• Connector, male, elbow, 10 mm tube x R1/4, brass	1	
48	1083690	• Tubing, 10 mm Polyurethane, green, flame resistant	0.6 ft	
49	1083695	• Nipple, hex, R 1/4 x R 1/4	3	
50	981656	• Screw, socket, 8-32 x 1.250, black	3	
51	983010	• Washer, flat, 0.188 x 0.375 x 0.040, zinc	3	
52	983111	• Washer, lock ,#8	3	
53	984111	• Nut, hex, machined, #8-32	3	
54	1083712	• Nipple, steel, Schedule 40, R 3/4 x 2, galvanized	1	

### 55-Gallon Drum Control Module with Electric Changeover Recommended Spare Parts List

Item	Part	Description
20	1044953	Valve, ISO size 3, 2-position, 4-way, 24 Vdc

## 55-Gallon Drum Control Module with Electric Changeover for Urethane Applications

See Figures 11 and 12 along with the following parts list.

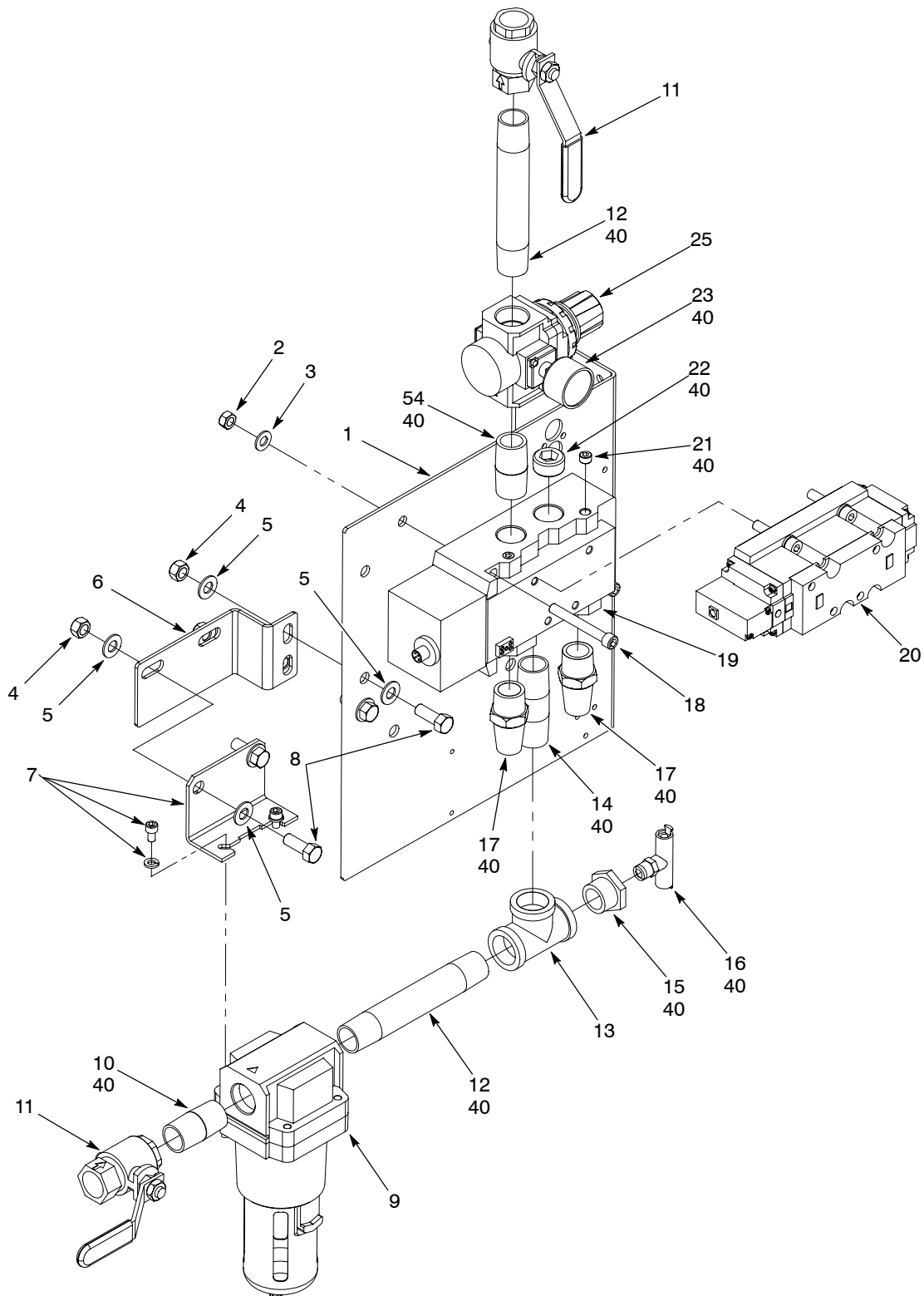


Figure 11 55-Gallon Drum Control Module with Electric Changeover for Urethane Applications



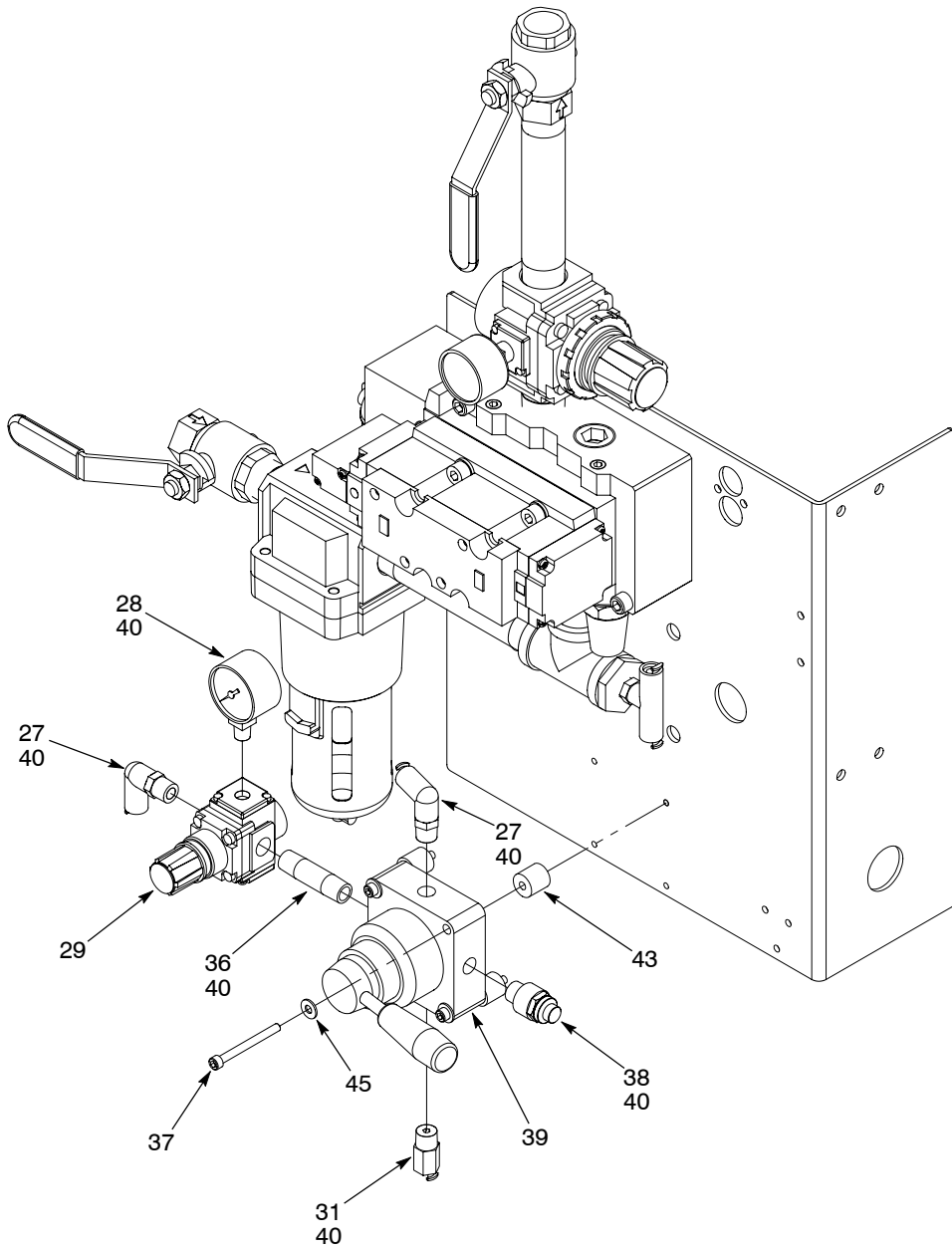


Figure 12 55-Gallon Drum Control Module with Electric Changeover for Urethane Applications (Continued)

## 55-Gallon Drum Control Module with Electric Changeover for Urethane Applications Parts List

Item	Part	Description	Qty	Note
—	1087098	Module, controls, G-port. glass	1	
1	1090561	• Plate, mounting controls, CHIY	1	
2	984449	• Nut, hex, 5/16-18, G8	2	
3	345938	• Washer, flat, 0.375 x 0.875 x 0.083	2	
4	345840	• Nut, hex, 3/8-16, zinc	4	
5	345929	• Washer, flat, 3/8, zinc	8	
6	1079432	• Bracket, filter, controls	1	
7	1065691	• Bracket, mounting, filter, 3/4 NPT	1	
8	981402	• Screw, hex, 3/8-16 x 1, cap, zinc	4	
9	1082113	• Filter, air, G 3/4	1	
10	1082114	• Nipple, steel, schedule 40, R 3/4, galvanized	1	
11	1082043	• Valve, ball, 2-2, G 3/4, 250	2	
12	1083693	• Nipple, steel, schedule 40, R 3/4 x 6 galvanized	2	
13	1082116	• Tee, pipe, class 150, R 3/4, galvanized	1	
14	1083694	• Nipple, steel, schedule 40, R 3/4 x 3, galvanized	1	
15	1082117	• Bushing, pipe, schedule 40, R 3/4 x R 1/4	1	
16	1082118	• Tee, branch, 6 mm tube x R 1/4	1	
17	1082119	• Muffler, R 3/4, brass	2	
18	303654	• Screw, socket, 5/16-18 x 2.5, cap, zinc	2	
19	1082125	• Base, manifold, ISO Size 3, 5-port, G 3/4	1	
20	1044953	• Valve, ISO size 3, 2-position, 4-way, 24 Vdc	1	
21	1082120	• Plug, pipe, socket, flush, R 1/8, zinc	2	
22	1082121	• Plug, pipe, socket, flush, R 3/4, zinc	1	
23	1082139	• Gage, air, 0-160 psi, 1.1 mPa, R 1/4, back mount	1	
24	-----	• Not used on this configuration	—	
25	1081939	• Regulator, 0-160 psi, G 3/4	1	
26	1082097	• Tubing, 6 mm Polyethylene, green, flame resistant	1.3 ft	
27	1082108	• Elbow, male, 6 mm tube x R 1/4	2	
28	1083797	• Gage, air, 0-160 psi, 1 mPa, R1/8, bottom mount	1	
29	1082123	• Regulator, air, 0-1 mPa, RC 1/4	1	
30	-----	• Not used on this configuration	—	
31	1082126	• Connector, male, 6 mm tube x R 1/4	1	

Continued...

Item	Part	Description	Qty	Note
—	1087098	Module, controls, G-port. glass	1	
32-35	-----	• Not used on this configuration	—	
36	1082135	• Nipple, Schedule 40, R 1/4, 0.87, galvanized	1	
37	1058756	• Screw, socket, #10-32 x 2, black	4	
38	1082136	• Muffler, flow-control, R 1/4, 145 psi	1	
39	1082137	• Valve, rotary, control, 3 pos, G 1/4 ports	1	
40	900481	• Adhesive, sealant	AR	
41-42	-----	• Not used on this configuration	—	
43	1082286	• Spacer, un-threaded, 5/8 long, aluminum ,size 10 screw	4	
45	983123	• Washer, flat, 0.219 x 0.500 x 0.049, zinc	4	
40	-----	• Not used on this configuration	—	
46-53	-----	• Not used on this configuration	—	
54	1083712	• Nipple, steel, Schedule 40, R 3/4 x 2, galvanized	1	

### 55-Gallon Drum Control Module with Electric Changeover for Urethane Applications Recommended Spare Parts List

Item	Part	Description
20	1044953	Valve, ISO size 3, 2-position, 4-way, 24 Vdc

## Large Frame 5-Gallon Pail Control Module with Electric Changeover

See Figures 13 and 14 along with the following parts list.

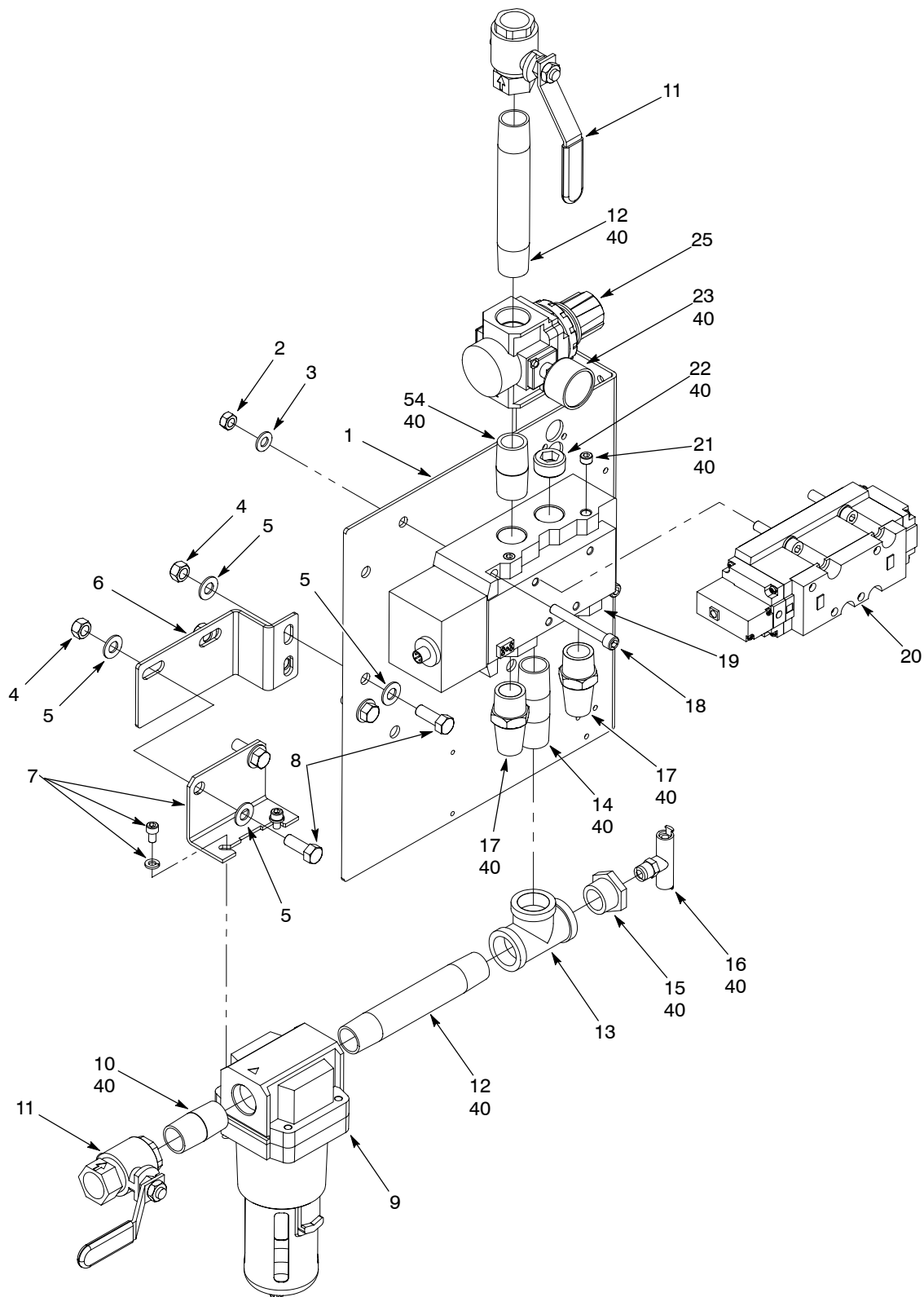


Figure 13 Large Frame 5-Gallon Pail Control Module with Electric Changeover

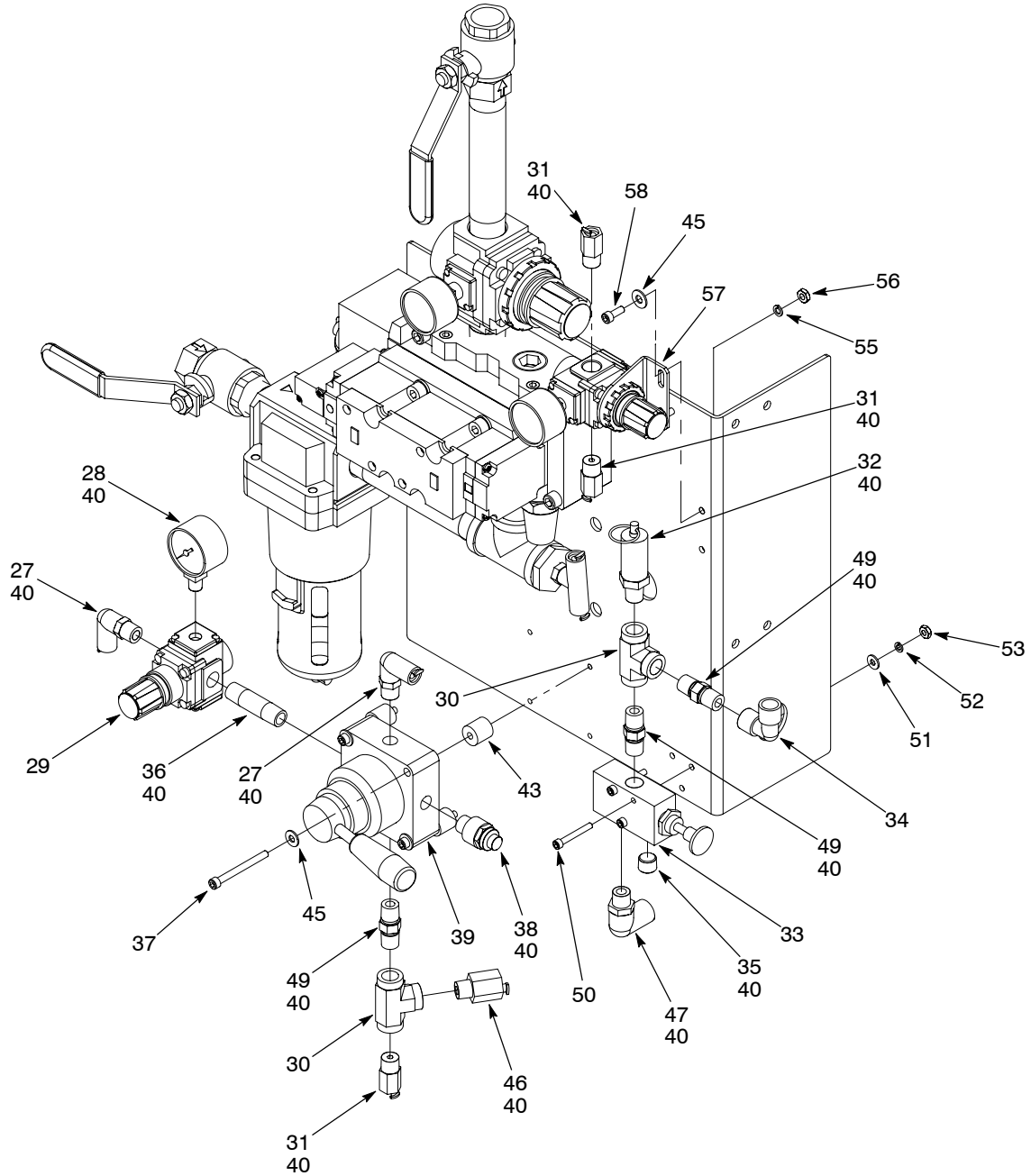


Figure 14 Large Frame 5-Gallon Pail Control Module with Electric Changeover (Continued)

## Large Frame 5-Gallon Pail Control Module with Electric Changeover Parts List

Item	Part	Description	Qty	Note
—	1083791	Module, controls, 5-gallon, large frame, G-port	1	
1	1090561	• Plate, mounting controls, CHIY	1	
2	984449	• Nut, hex, 5/16-18, G8	2	
3	345938	• Washer, flat, 0.375 x 0.875 x 0.083	2	
4	345840	• Nut, hex, 3/8-16, zinc	4	
5	345929	• Washer, flat, 3/8, zinc	8	
6	1079432	• Bracket, filter, controls	1	
7	1065691	• Bracket, mounting, filter, 3/4 NPT	1	
8	981402	• Screw, hex, 3/8-16 x 1, cap, zinc	4	
9	1082113	• Filter, air, G 3/4	1	
10	1082114	• Nipple, steel, schedule 40, R 3/4, galvanized	1	
11	1082043	• Valve, ball, 2-2, G 3/4, 250	2	
12	1083693	• Nipple, steel, schedule 40, R 3/4 x 6 galvanized	2	
13	1082116	• Tee, pipe, class 150, R 3/4, galvanized	1	
14	1083694	• Nipple, steel, schedule 40, R 3/4 x 3, galvanized	1	
15	1082117	• Bushing, pipe, schedule 40, R 3/4 x R 1/4	1	
16	1082118	• Tee, branch, 6 mm tube x R 1/4	1	
17	1082119	• Muffler, R 3/4, brass	2	
18	303654	• Screw, socket, 5/16-18 x 2.5, cap, zinc	2	
19	1082125	• Base, manifold, ISO Size 3, 5-port, G 3/4	1	
20	1044953	• Valve, ISO size 3, 2-position, 4-way, 24 Vdc	1	
21	1082120	• Plug, pipe, socket, flush, R 1/8, zinc	2	
22	1082121	• Plug, pipe, socket, flush, R 3/4, zinc	1	
23	1082139	• Gage, air, 0-160 psi, 1.1 mPA, R 1/4, back mount	1	
24	-----	• Not used on this configuration	—	
25	1081939	• Regulator, 0-160 psi, G 3/4	1	
26	1082097	• Tubing, 6 mm Polyethylene, green, flame resistant	2 ft	
27	1082108	• Elbow, male, 6 mm tube x R 1/4	2	
28	1083797	• Gage, air, 0-160 psi, 1 mPA, R1/8, bottom mount	1	
29	1082123	• Regulator, air, 0-1 mPa, RC 1/4	1	
30	1082124	• Tee, pipe, G 1/4, brass, nickel	2	
31	1082126	• Connector, male, 6 mm tube x R 1/4	3	
32	1082283	• Valve, relief, 15 psi, 1/4 NPT, brass	1	
33	1082128	• Valve, 2-position, 3-port, R 1/4, pushbutton	1	
34	1083696	• Elbow, pipe, 90, G 1/4, brass, nickel	1	
35	1082107	• Plug, pipe, socket, flush, R 1/4	1	
36	1082135	• Nipple, Schedule 40, R 1/4, 0.87, galvanized	1	
37	1058756	• Screw, socket, #10-32 x 2, black	4	
38	1082136	• Muffler, flow-control, R 1/4, 145 psi	1	
39	1082137	• Valve, rotary, control, 3 pos, G 1/4 ports	1	
40	900481	• Adhesive, sealant	AR	
41-42	-----	• Not used on this configuration	—	

Continued...

Item	Part	Description	Qty	Note
—	1083719	Module, controls, 5-gallon, large frame, G-port	1	
43	1082286	• Spacer, unthreaded, 5/8 long, aluminum ,size 10 screw	4	
44	-----	• Not used on this configuration	—	
45	983123	• Washer, flat, 0.219 x 0.500 x 0.049, zinc	6	
46	1083657	• Connector, male, 10 mm R 1/4, brass	1	
47	1083656	• Connector, male, elbow, 10 mm tube x R1/4, brass	1	
48	1083690	• Tubing, 10 mm Polyurethane, green, flame resistant	0.6 ft	
49	1083695	• Nipple, hex, R 1/4 x R 1/4	3	
50	981656	• Screw, socket, 8-32 x 1.250, black	3	
51	983010	• Washer, flat, 0.188 x 0.375 x 0.040, zinc	3	
52	983111	• Washer, lock, #8	3	
53	984111	• Nut, hex, machined, #8-32	3	
54	1083712	• Nipple, steel, Schedule 40, R 3/4 x 2, galvanized	1	
55	983121	• Washer, lock, #10	2	
56	984121	• Nut, hex, machined, #10-24	2	
57	1083796	• Regulator, air, 0-2 mPA, RC 1/4, Gage/Bracket	1	
58	981669	• Screw, socket, #10-32 x 0.5, black	2	

### Large Frame 5-Gallon Pail Control Module with Electric Changeover Recommended Spare Parts List

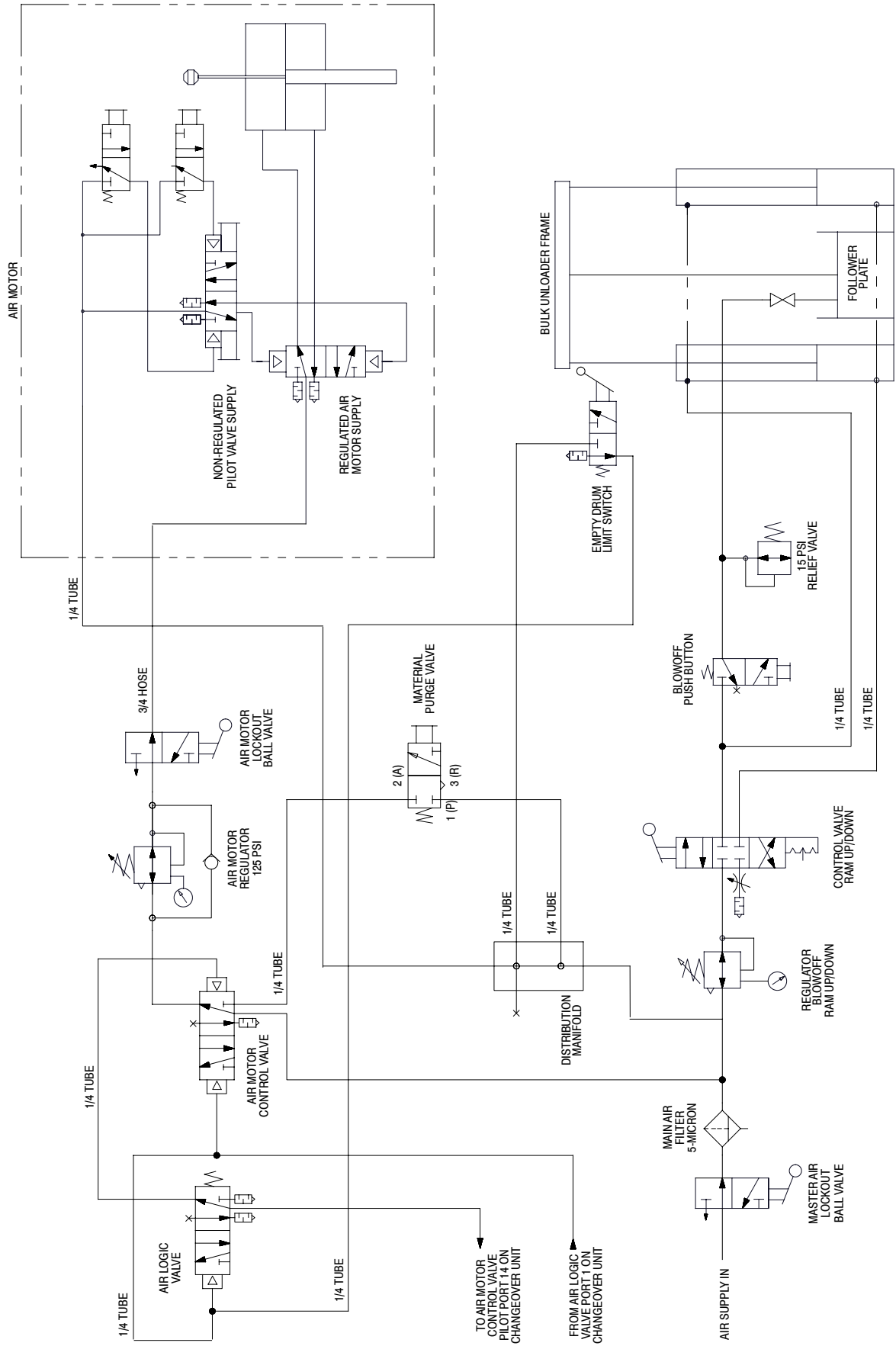
Item	Part	Description
20	1044953	Valve, ISO size 3, 2-position, 4-way, 24 Vdc

## Pneumatic Schematics

See the applicable schematic:

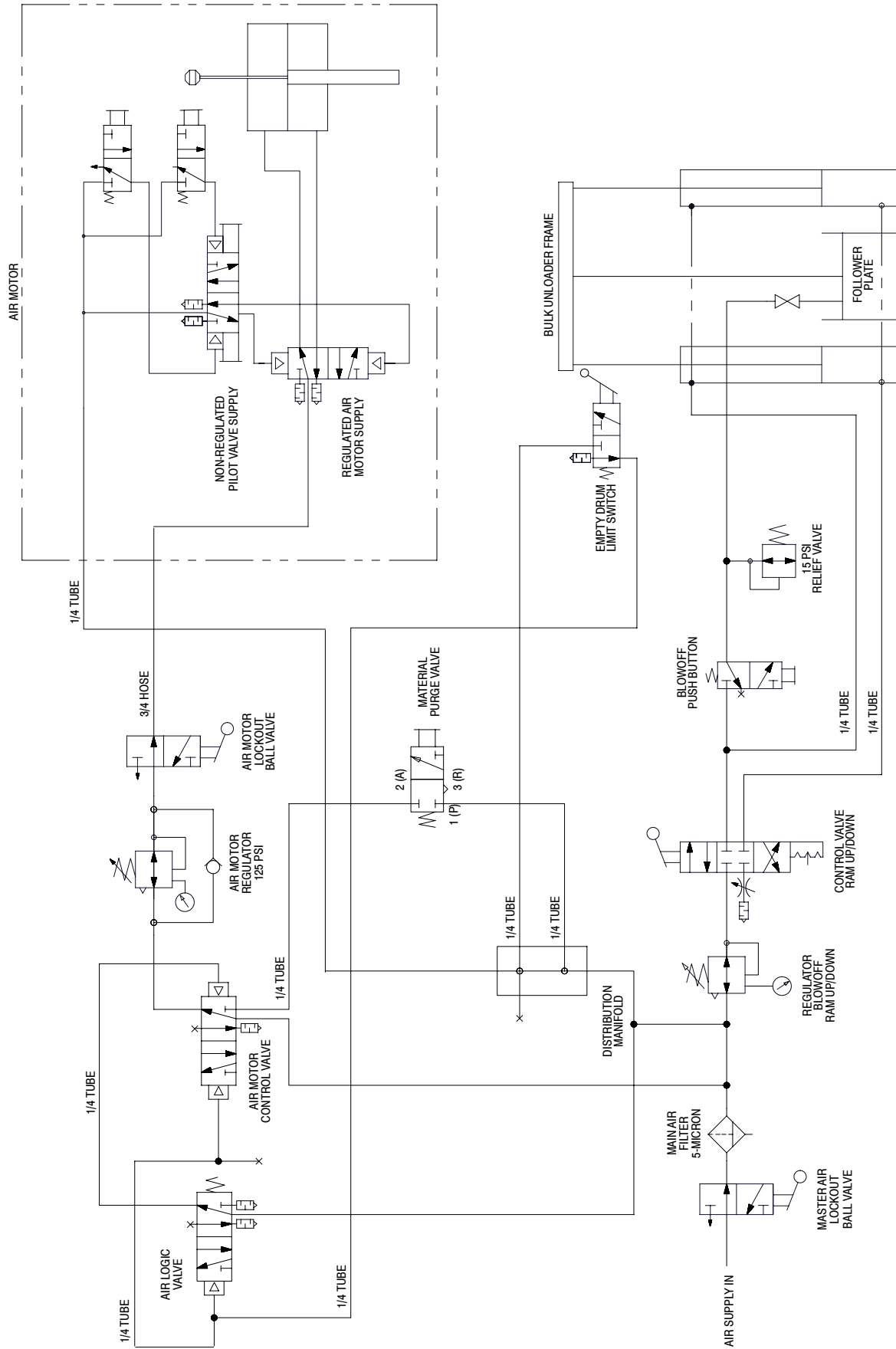
Large Frame Control Module	Schematic
1090295: Pneumatic Changeover Pneumatic Standalone	1090596 (Sheet 1) 1090596 (Sheet 2)
1082084: Electric Changeover	1082036
1087098: Electric Changeover for Urethane Applications	1087092
1083791: 5-Gallon Pail with Electric Changeover	1082595

**CONTROL MODULE 1090295: PNEUMATIC CHANGEOVER  
SCHEMATIC 1090296 SHEET 1 OF 2**

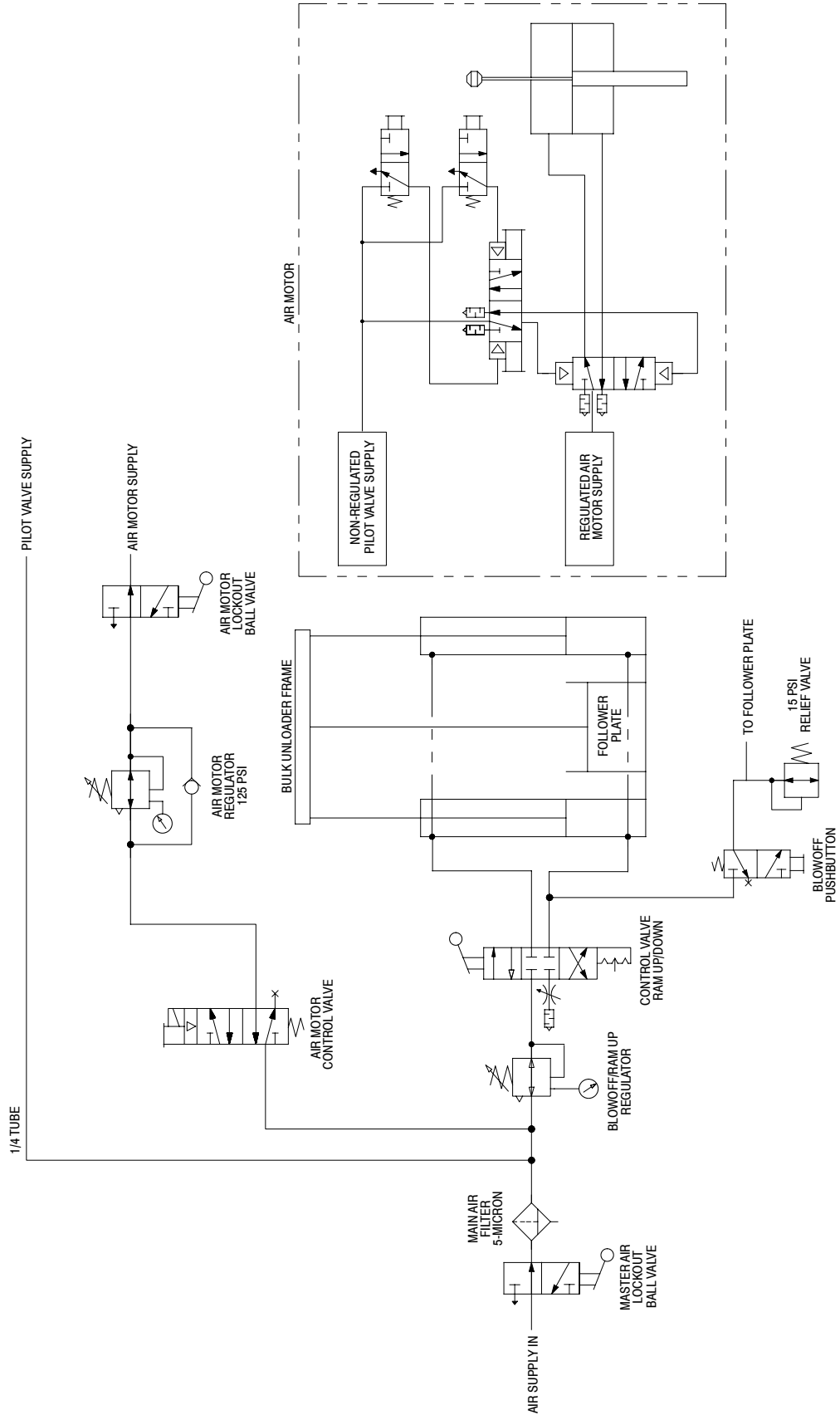




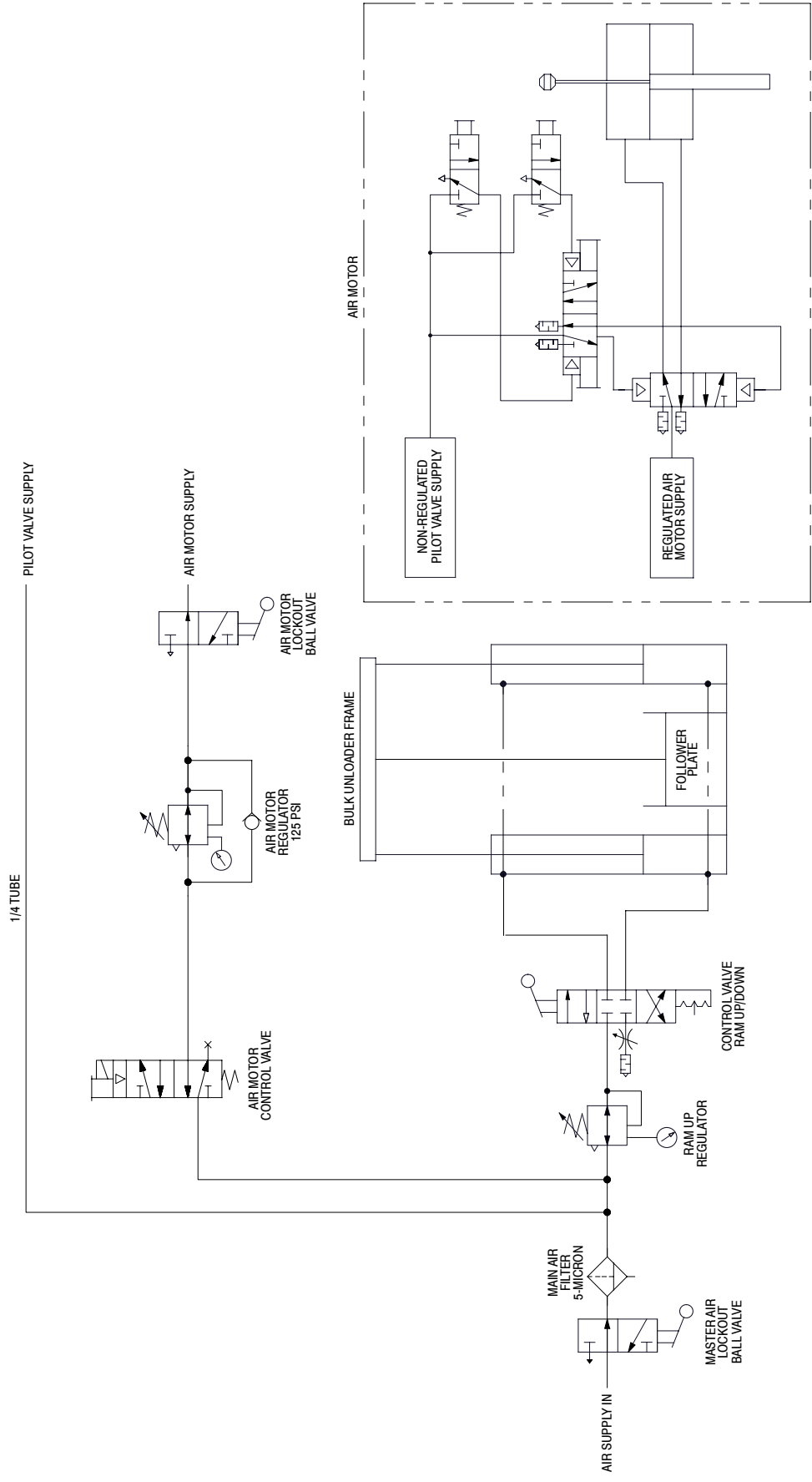
**CONTROL MODULE 1090295: PNEUMATIC STANDALONE  
SCHEMATIC 1090296 SHEET 2**



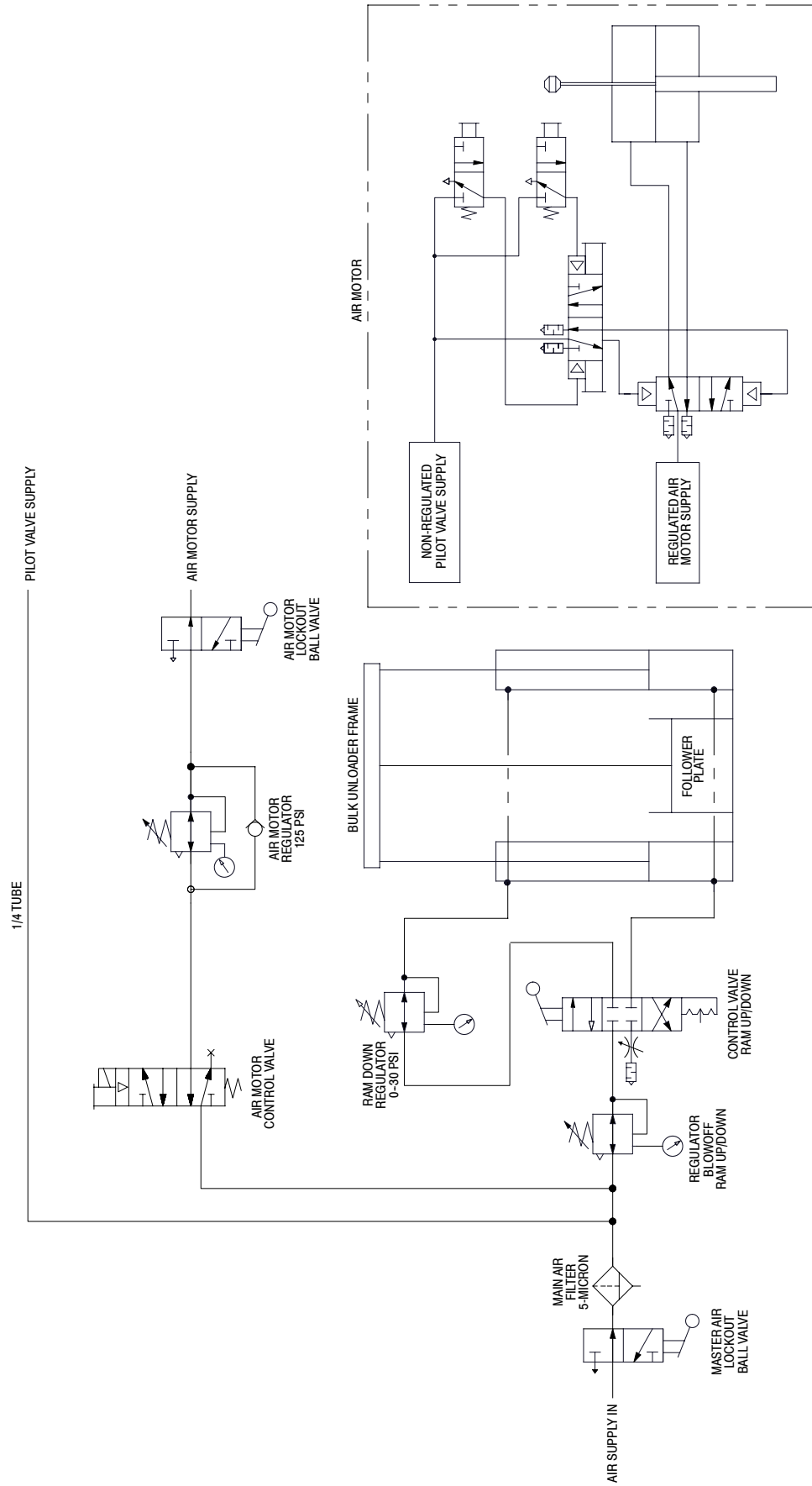
**CONTROL MODULE 1082084: ELECTRIC CHANGEOVER  
SCHEMATIC 1082306**



**CONTROL MODULE 1087098: ELECTRIC CHANGEOVER FOR URETHANE APPLICATIONS  
SCHEMATIC 1087092**



**CONTROL MODULE 1083791: 5-GALLON PAIL WITH ELECTRIC CHANGEOVER  
SCHEMATIC 1082595**



**Notes:**


# Change Record

Revision	Date	Change
A01	6/09	Released

Issued 6/09  
Original copyright date 2009. Nordson, the Nordson logo, and Rhino are registered trademarks of Nordson Corporation.  
All other trademarks are the property of their respective owners.