

**BenQ**

FP202W V3/FP202W A

20.1" (51.1cm) Wide-Screen LCD Monitor

User Manual

**Welcome**

# Copyright

Copyright © 2007 by BenQ Corporation. All rights reserved. No part of this publication may be reproduced, transmitted, transcribed, stored in a retrieval system or translated into any language or computer language, in any form or by any means, electronic, mechanical, magnetic, optical, chemical, manual or otherwise, without the prior written permission of BenQ Corporation.

# Disclaimer

BenQ Corporation makes no representations or warranties, either expressed or implied, with respect to the contents hereof and specifically disclaims any warranties, merchantability or fitness for any particular purpose. Further, BenQ Corporation reserves the right to revise this publication and to make changes from time to time in the contents hereof without obligation of BenQ Corporation to notify any person of such revision or changes.

# Please follow these safety instructions for best performance, and long life for your monitor

## Power Safety

- The AC plug isolates this equipment from the AC supply.
- The power supply cord serves as a power disconnect device for pluggable equipment. The socket outlet should be installed near the equipment and be easily accessible.
- This product should be operated from the type of power indicated on the marked label. If you are not sure of the type of power available, consult your dealer or local power company.

## Care And Cleaning

- Cleaning. Always unplug your monitor from the wall outlet before cleaning. Clean the LCD monitor surface with a lint-free, non-abrasive cloth. Avoid using any liquid, aerosol or glass cleaners.
- Slots and openings on the back or top of the cabinet are for ventilation. They must not be blocked or covered. Your monitor should never be placed near or over a radiator or heat source, or in a built-in installation unless proper ventilation is provided.
- Never push objects or spill liquid of any kind into this product.

## Servicing

- Do not attempt to service this product yourself, as opening or removing covers may expose you to dangerous voltages or other risks. If any of the above mentioned misuse or other accident such as dropping or mishandling occurs, contact qualified service personnel for servicing.

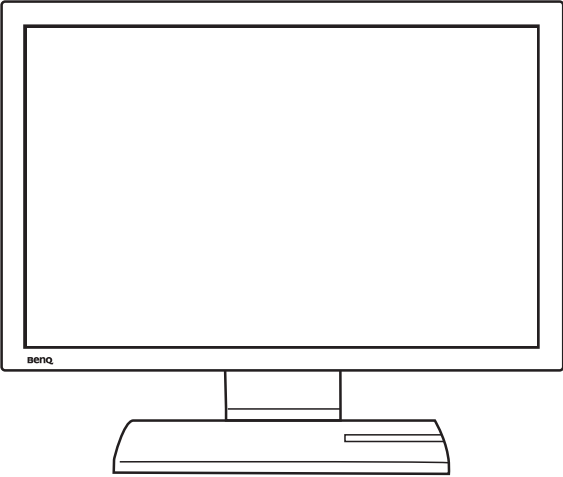


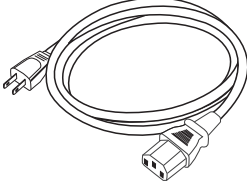
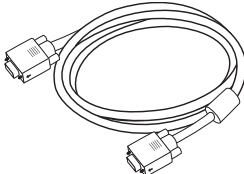
# Table of Contents

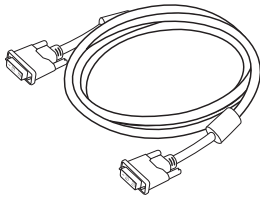
<b>Getting started</b> .....	<b>4</b>
<b>Getting to know your monitor</b> .....	<b>6</b>
Front view .....	6
Back view (FP202W V3) .....	6
Back view (FP202W A) .....	7
<b>How to assemble your monitor hardware</b> .....	<b>8</b>
How to detach the stand base .....	11
<b>Getting the most from your BenQ monitor</b> .....	<b>12</b>
To install the monitor on a new computer .....	13
To upgrade the monitor on an existing computer .....	14
How to install on Windows Vista system .....	15
How to install on Windows XP system .....	16
<b>How to adjust the screen resolution</b> .....	<b>17</b>
<b>How to adjust the screen refresh rate</b> .....	<b>18</b>
<b>Picture optimization</b> .....	<b>19</b>
<b>How to adjust your monitor</b> .....	<b>20</b>
The control panel .....	20
Hot key mode .....	21
Main menu mode .....	22
<b>Troubleshooting</b> .....	<b>32</b>
Frequently asked questions (FAQ) .....	32
Need more help? .....	33
<b>Supported PC Timings</b> .....	<b>34</b>
<b>Specifications</b> .....	<b>35</b>


# 1. Getting started

Your FP202W V3/FP202W A will provide the optimal display performance of the video resolution standard of 1680 x 1050. Please ensure that your graphic card supports the resolution of 1680 x 1050.

When unpacking please check you have the following items. If any are missing or damaged, please contact the place of purchase for a replacement.

BenQ LCD Monitor	 A line drawing of a BenQ LCD monitor with a wide bezel and a stand. The BenQ logo is visible in the bottom left corner of the bezel.
Quick Start Guide	 A line drawing of a folded quick start guide booklet. The cover features the BenQ logo and some text, along with a small image of the monitor.
CD-ROM	 A line drawing of a CD-ROM disc with a standard reflective surface and a central hole.
Power Cord (Picture may differ from product supplied for your region)	 A line drawing of a power cord with a standard three-prong AC power plug on one end and a two-prong DC power plug on the other.
Signal Cable: D-Sub	 A line drawing of a D-Sub signal cable with a 15-pin D-sub connector on one end and a 25-pin D-sub connector on the other.

<p>Signal Cable: DVI-D (optional)</p> <p>(Not available for FP202W A)</p>	
---	---

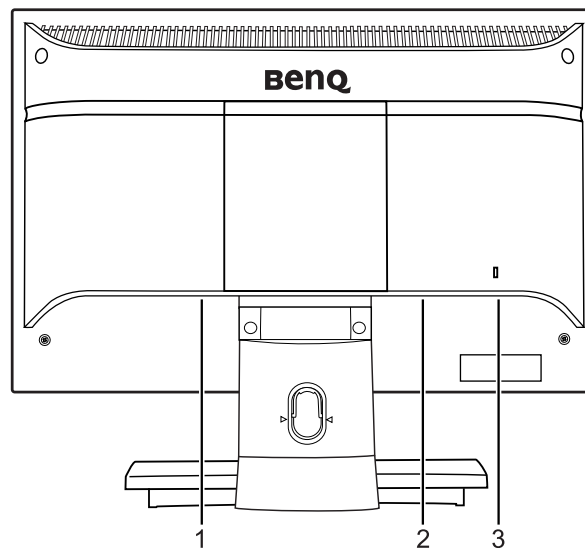
 Consider keeping the box and packaging in storage for use in the future when you may need to transport the monitor. The fitted foam packing is ideal for protecting the monitor during transport.

## 2. Getting to know your monitor

Front view

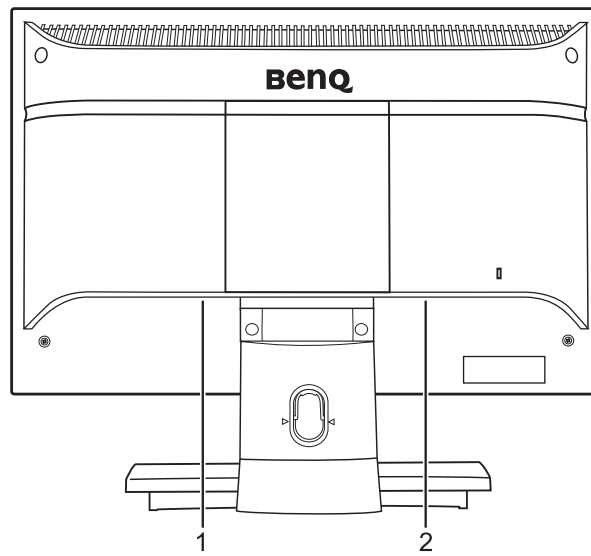


Back view (FP202W V3)



1. Power AC input jack
2. DVI-D Connector
3. D-Sub Connector

## Back view (FP202W A)



1. Power AC input jack
2. D-Sub Connector

### 3. How to assemble your monitor hardware

☞ If the computer is turned on you must turn it off before continuing.  
Do not plug-in or turn-on the power to the monitor until instructed to do so.

1. Attach the monitor base.

☞ Please be careful to prevent damage to the monitor. Placing the screen surface on an object like a stapler or a mouse will crack the glass or damage the LCD substrate voiding your warranty. Sliding or scraping the monitor around on your desk will scratch or damage the monitor surround and controls.

Protect the monitor and screen by clearing a flat open area on your desk and placing a soft item like the monitor packaging bag on the desk for padding.

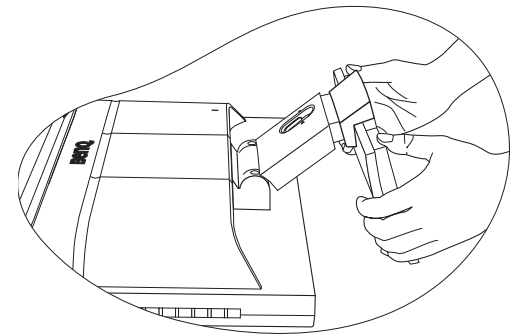
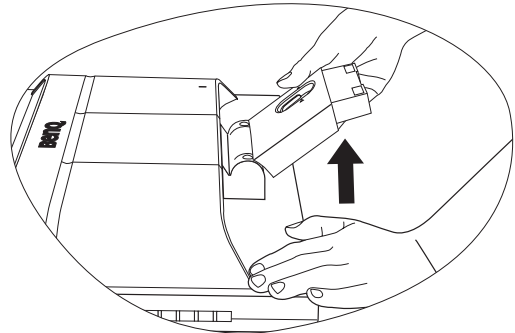
Gently lay the screen face down on a flat clean padded surface.

While holding the monitor firmly against the desk, pull the monitor stand arm upwards clear of the monitor.

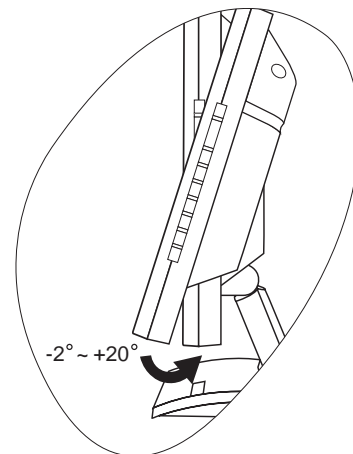
Orient and align the stand base socket with the end of the stand arm, then push them together until they click and lock into place.

Gently attempt to pull them back apart to check that they have properly engaged.

Carefully lift the monitor, turn it over and place it upright on its stand on a flat even surface.



💡 You should position the monitor and angle the screen to minimize unwanted reflections from other light sources.





## 2. Connect the PC video cable.

- Do not use both DVI-D cable and D-Sub cable on the same PC. The only case in which both cables can be used is if they are connected to two different PCs with appropriate video systems. (Not available for FP202W A)

Connect one end of the DVI-D cable to the monitor DVI-D socket and the other end to the DVI-D port on your computer. (optional, not available for FP202W A)

- The DVI-D format is used for direct digital connection between source video and digital LCD monitors or projectors. The digital video signals produce a superior quality picture than analog video signals.

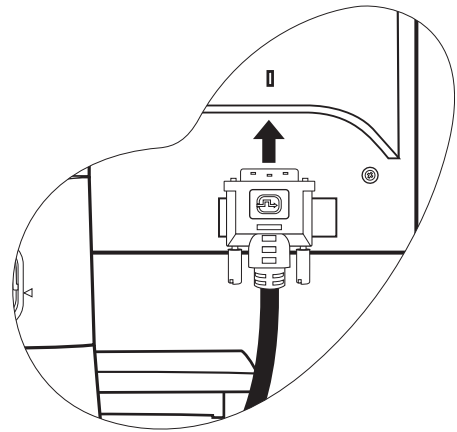
Connect the plug of the D-Sub cable (at the end without the ferrite filter) to the monitor D-Sub socket. Connect the other plug of the D-Sub cable (at the end with the ferrite filter) to the computer video D-Sub socket.

Tighten all finger screws to prevent the plugs from accidentally falling out during use.

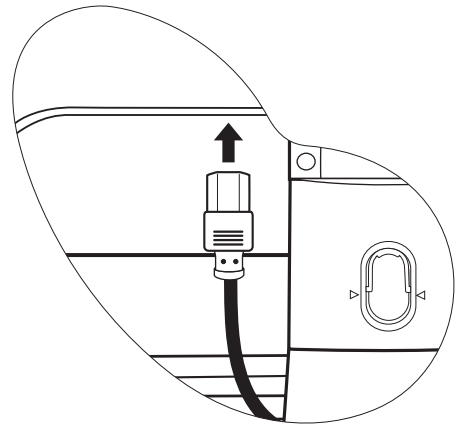
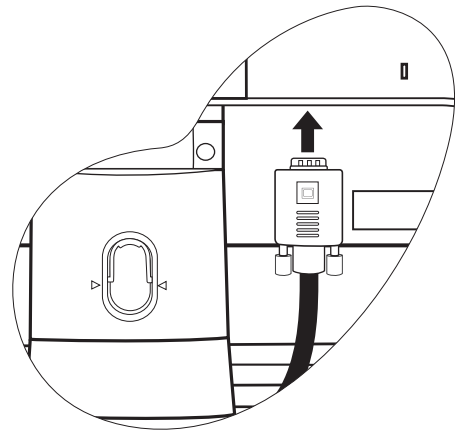
## 3. Connect the power cable to the monitor.

Plug one end of the power cord into the socket labelled 'POWER IN' on the rear of the monitor. Do not connect the other end to a power point just yet.

**Either**

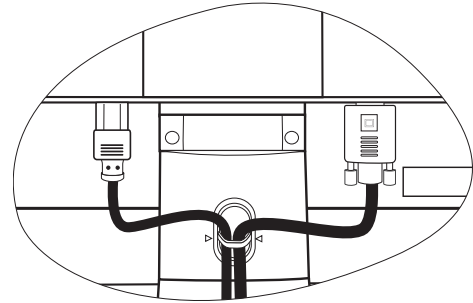
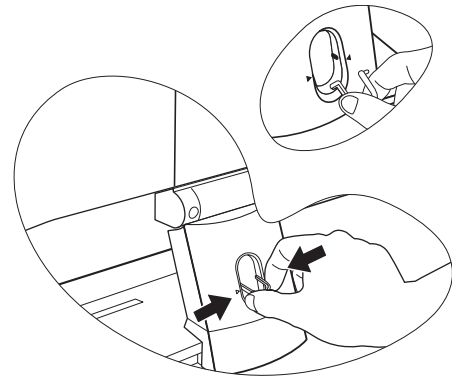


**Or**



4. Route the cables via the cable clip.

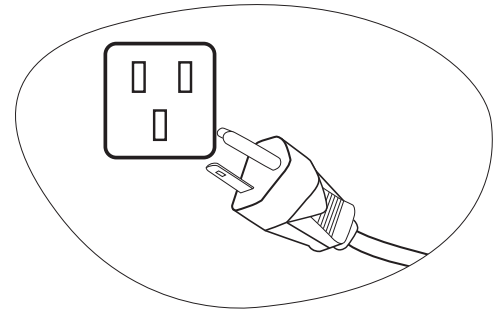
Release the cable retaining clip by squeezing the clip inwards as illustrated. Position the cables together and reinsert the clip over them to retain the cables neatly in place behind the monitor stand.



5. Connect the power cable to a wall power outlet and press **Power** on the monitor.

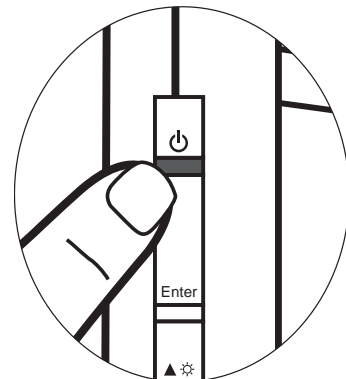
Plug the other end of the power cord into a power outlet and turn it on.

 Picture may differ from product supplied for your region.



Turn on the monitor by pressing the power key located at the top of the row of keys on the right edge of the monitor.

Turn on the computer too, and follow the instructions in Section 4: [Getting the most from your BenQ monitor on page 12](#) to install the monitor software.



## How to detach the stand base

### 1. Prepare the monitor and area.

Turn off the monitor and the power before unplugging the power cable. Turn off the computer before unplugging the monitor signal cable.

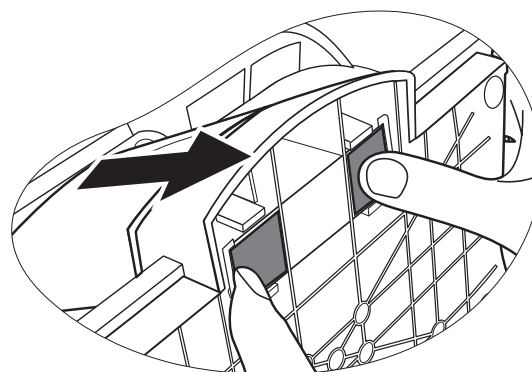
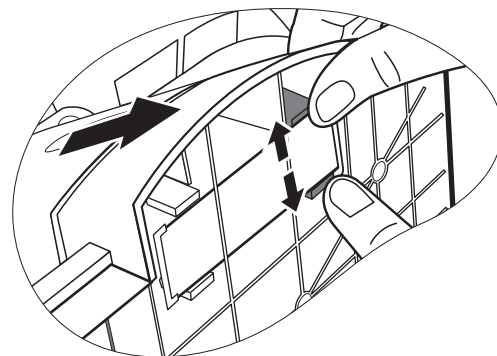
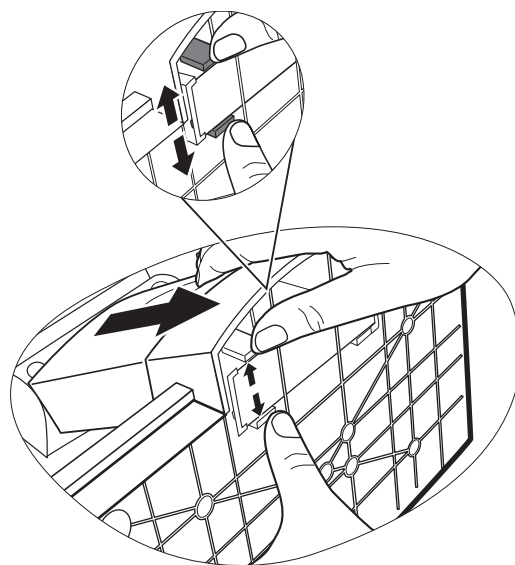


Please be careful to prevent damage to the monitor. Placing the screen surface on an object like a stapler or a mouse will crack the glass or damage the LCD substrate voiding your warranty. Sliding or scraping the monitor around on your desk will scratch or damage the monitor surround and controls.

Protect the monitor and screen by clearing a flat open area on your desk and placing a soft item like a towel on the desk for padding, before laying the screen face down on a flat clean padded surface.

### 2. Release the locking clip on one side of the stand base while pulling the edge of the base away from the stand arm.

### 3. Release the other locking clip to detach the stand base from the monitor stand arm.



## 4. Getting the most from your BenQ monitor


To gain the most benefit from your new BenQ color LCD flat screen monitor, you should install the custom BenQ LCD Monitor driver software as provided on the BenQ LCD Monitor CD-ROM.

The circumstances under which you connect and install your BenQ LCD Monitor will determine which process you need to follow to successfully install the BenQ LCD Monitor driver software. These circumstances relate to which version of Microsoft Windows you are using, and whether you are connecting the monitor and installing the software onto a new computer (without existing monitor driver software), or whether you are upgrading an existing installation (which already has existing monitor driver software) with a newer monitor.

In either case however, the very next time you turn on your computer (after connecting the monitor to your computer), Windows will automatically recognise the new (or different) hardware, and will launch its **Found New Hardware** wizard.


Follow the wizard instructions until it asks you to select a monitor model. At that point, click the **Have Disk** button, insert the BenQ LCD Monitor CD-ROM and select the appropriate monitor model. Further details and step-by-step instructions for both an automatic (new) or upgrade (existing) installation follow. See:

- [To install the monitor on a new computer on page 13.](#)
- [To upgrade the monitor on an existing computer on page 14](#)

 If you require a User Name and Password to login to your Windows computer, you must be logged on as an Administrator or as a member of the Administrators group in order to install the monitor driver software. Furthermore, if your computer is connected to a network which has security access requirements, network policy settings may prevent you from installing software on your computer.

## To install the monitor on a new computer


This instruction details the procedure for selecting and installing the BenQ LCD Monitor driver software on a new computer which has never had a monitor driver installed before. This instruction is only suitable for a computer which has never been used before, and for which the BenQ LCD Monitor is the first ever monitor to be connected to it.

 If you are adding the BenQ LCD Monitor to an existing computer that has already had another monitor connected to it (and has monitor driver software installed), you should not be following these instructions. You should instead be following the instructions for [To upgrade the monitor on an existing computer on page 14](#).

1. Follow the instructions in [How to assemble your monitor hardware on page 8](#).  
When Windows starts, it will automatically detect the new monitor and launch the **Found New Hardware Wizard**. Follow the prompts until it displays the option to **Install Hardware Device drivers**.
2. Insert the BenQ LCD Monitor CD-ROM into a CD drive on the computer.
3. Check **Search for a suitable driver for my device** option, and click **Next**.
4. Check the option for **CD-ROM drives** (uncheck all others) and click **Next**.
5. Look to confirm that the wizard has selected the correct name of your monitor as “BenQ FP202W/FP202WA” and click **Next**.
6. Click **Finish**.
7. Restart the computer.

## To upgrade the monitor on an existing computer

This instruction details the procedure for manually updating the existing monitor driver software on your Microsoft Windows computer. It is currently tested as compatible (and recommended only) for Windows XP and Windows Vista Operating System (OS).

 The BenQ LCD Monitor driver for your model may well function perfectly with other versions of Windows, however, as at the time of writing, BenQ has done no testing of this driver on other versions of Windows and cannot guarantee its operation on those systems.

Installing monitor driver software involves selecting an appropriate information file (.inf) on the BenQ LCD Monitor CD-ROM for the particular model monitor you have connected, and letting Windows install the corresponding driver files from the CD. You need only steer it in the right direction. Windows has an Upgrade Device Driver Wizard to automate the task and guide you through the file selection and installation process.

### See:

- [How to install on Windows Vista system on page 15.](#)
- [How to install on Windows XP system on page 16.](#)

## How to install on Windows Vista system

1. Open **Display Settings**.

Right-click the desktop and select **Personalize** from the popup menu.

Select **Display Settings** from the **Personalize appearance and sounds** window.

The **Display Settings** window will display.

2. Click the **Advanced Settings** button.

The **Generic PnP Monitor Properties** window will display.

3. Click the **Monitor** tab and the **Properties** button.

4. Click **Continue** in the prompted **User Account Control** window.

5. Click the **Driver** tab and the **Update Driver** button.

6. Insert the BenQ LCD Monitor CD-ROM into a CD drive on the computer.

7. In the **Update Driver Software** window, select the option '**Browse my computer for driver software**'.

8. Click '**Browse**' and select **Driver > Windows Vista > FP202W/FP202WA** from the CD, and click the **Next** button.

This will copy and install the appropriate monitor driver files to your computer.

9. Click **Close**.

You do not need to restart Windows Vista, as the BenQ LCD monitor drivers will operate immediately with no further action required by you.

## How to install on Windows XP system

### 1. Open **Display Properties**.

The quickest shortcut to **Display Properties** is through the Windows desktop. Right-click the desktop and select **Properties** from the popup menu.

Alternatively, the Windows menu to **Display Properties** is located in **Control Panel**.

In Windows XP version, **Control Panel** is located directly under the main **Start** menu item. The menu options displayed will depend upon which type of view is selected for your system.

- Under the Classic view, click **Start | Control Panel | Display**.
- Under the Category view, click **Start | Control Panel | Appearance and Themes | Change the screen resolution**.

The **Display Properties** window will display.

### 2. Click the **Settings** tab and the **Advanced** button.

The **Advanced Display Properties** window will display.

### 3. Click the **Monitor** tab and select the 'Plug and Play Monitor' from the list.

If there is only one monitor in the list, it will already be selected for you.

### 4. Click the **Properties** button.

The **Monitor Properties** window will display.

If the driver provider is listed as BenQ, and the model matches that of your new monitor, the proper drivers are already installed, and you need do nothing further. Cancel out of these property windows.

However, if BenQ is not listed as the manufacturer, or the correct model is not currently shown, you will need to continue with these instructions.

### 5. Click the **Driver** tab and the **Update Driver** button.


The **Hardware Update Wizard** will display. Follow the wizard instructions noting the steps below:

### 6. Insert the BenQ LCD Monitor CD-ROM into a CD drive on the computer.

### 7. Check the option '**Install from a list or specific location**' and click **Next**.

### 8. Check the option '**Search for the best driver in these locations**' and also check '**Search removable media**', then click **Next**.

Please wait while the wizard searches for drives and the BenQ LCD Monitor CD inserted in step 6. When completes, the wizard should have found and selected the BenQ driver on the CD appropriate to your monitor model, in this case 'BenQ FP202W/FP202WA' in the location 'd:\Driver\Windows XP\FP202W\FP202WA\BenQFP202W.inf/BenQFP202WA.inf' or similar.

 The drive letter for your CD drive may differ from the example above depending upon your system – it may be 'D:' or 'E:' or 'F:' etc.

### 9. Select (single-click) the file named '**BenQ FP202W/FP202WA**' on the CD, and click the **Next** button.

This will copy and install the appropriate monitor driver files to your computer.

### 10. Click **Finish**.

This will close the wizard and return you to the **Monitor Properties** window, now renamed **BenQ FP202W/FP202WA Properties**.


### 11. Click **Close, OK, and OK**.

This will close the **Display Properties** windows. You do not need to restart Windows XP, as the BenQ LCD monitor drivers will operate immediately with no further action required by you.



## 5. How to adjust the screen resolution

Due to the nature of liquid crystal display (LCD) technology, the picture resolution is always fixed. The best possible picture for your FP202W V3/FP202W A is achieved with a resolution of 1680 x 1050. This is called “Native Resolution” or maximal resolution – that is, the clearest picture. Lower resolutions are displayed on a full screen through an interpolation circuit. Image blurring across pixel boundaries can occur with the interpolated resolution depending upon the image type and its initial resolution.


 To take full advantage of LCD technology you should select the native resolution setting of 1680 x 1050 on your PC screen resolution setting as described below. Be aware that not all PC video cards provide this resolution value. If your doesn't, check with the video card manufacturer's website for an updated driver for your particular model PC video card which supports this resolution. Software video drivers are often updated and available for new hardware video resolutions. If necessary, you may need to replace and update the PC video card hardware to be able to support the native resolution of the monitor.

1. Open **Display Properties** and select the **Settings** tab.

You can open **Display Properties** by right-clicking on the Windows desktop and selecting **Properties** from the pop-up menu.

2. Use the slider in the ‘Screen area’ section to adjust the screen resolution.

Select the recommended resolution of 1680 x 1050 then click **Apply**.

 If you select some other resolution, be aware that this other resolution is interpolated and may not accurately display the screen image as well as it could do at the native resolution setting.

3. Click **OK** then **Yes**.
4. Close the **Display Properties** window.

## 6. How to adjust the screen refresh rate

You don't have to choose the highest possible refresh rate on an LCD display, because it is not technically possible for an LCD display to flicker. The best results are obtained by using the factory modes already set in your computer. There is a table with the factory modes in the specification section of this Users Manual: [Supported PC Timings on page 34](#)





You can choose 60 Hertz for the native resolution of 1680 x 1050.

1. Double click the **Display** icon in **Control Panel**.
2. From the **Display Properties** window, select the **Settings** tab and click the **Advanced** button.
3. Select the **Adapter** tab, and select an appropriate refresh rate to match one of the applicable factory modes as listed in the specification table.
4. Click **Change**, **OK**, then **Yes**.
5. Close the **Display Properties** window.

## 7. Picture optimization

The easiest way to obtain an optimal display from an analog (D-Sub) input is to use the *i* key function. Press the *i* key to optimize the currently displayed image to the screen.

 When you connect a digital video output using a digital (DVI) cable to your monitor, the *i* key and the **Auto Adjustment** function will be disabled, because the monitor will automatically display the best image.

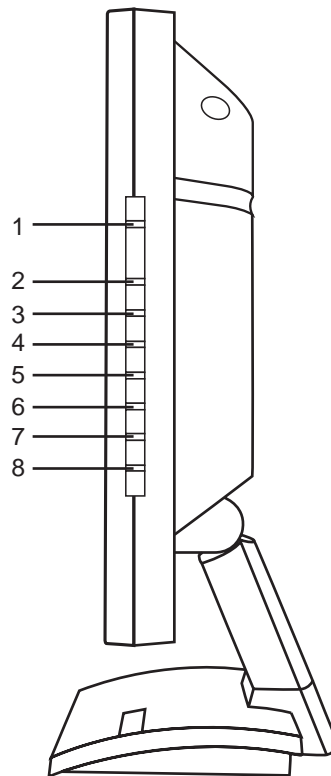
 Please ensure that the connected graphic card on your computer is set to the native resolution of the monitor (1680 x 1050) when you use the *i* key function.

If you wish, you can always adjust the screen geometric settings manually using geometry menu items. To assist you in this endeavour, BenQ has provided a screen test image utility which you can use to check for screen color, grayscale and line gradient display.

1. Run the test program auto.exe from CD-ROM. You could also use any other image, such as the desktop of your operating system. However, we recommend that you use auto.exe. As you run auto.exe, a test pattern displays.
2. Press the *i* key on the monitor.
3. Press the **Exit** key to access the monitor On-Screen Display (OSD) menu.
4. Use the **▲** or **▼** keys to select **DISPLAY** and press the **ENTER** key to enter the menu.
5. If you notice a vertical noise (like a curtain effect-shimmering of vertical lines), press the **▲** or **▼** keys to select **Pixel Clock** and press the **ENTER** key. Then press the **▲** or **▼** keys to adjust the monitor until the noise disappears.
6. If you notice a horizontal noise, press the **▲** or **▼** keys to select **Phase** and press the **ENTER** key. Then press the **▲** or **▼** keys adjust the monitor until the noise disappears.

## 8. How to adjust your monitor

### The control panel



1. “Power”: Turn the power on or off.
2. “ENTER” key: Enter sub menus and select items.
3. ▲ (Up) key: For Up/Increase adjustment. The key is also the hot key for **Brightness**.
4. ▼ (Down) key: For Down/Decrease adjustment. The key is also the hot key for **Contrast**.
5. “Exit” key: Activate OSD main menu and return to the previous menu or exit OSD.
6. “Mode” key: Switch between different modes, including **Standard, Movie, Dynamics, Photo**, and **sRGB**.
7. “Input” key: Manually switch the input signal between D-Sub and DVI. (Not available for FP202W A)
8. “ikey” : Adjust vertical position, phase, horizontal position and pixel clock automatically.



OSD = On Screen Display.

The hot-keys will display a graduated scale for adjusting the value of that setting, and will only operate while the OSD menu is not currently displaying. Hot-key displays will disappear after a few seconds of no key activity. See [Hot key mode on page 21](#).

## Hot key mode

The monitor keys perform as hotkeys to provide direct access to particular functions whenever the menu isn't currently displaying on-screen.

### Brightness hot key



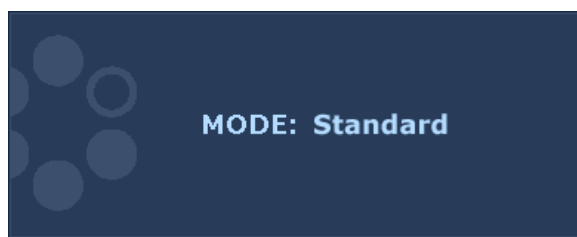
Press the **▲** key to display the **Brightness** indicator. Further press the **▲** key to increase or the **▼** key to decrease the screen brightness, and press the **Exit** key to exit.

### Contrast hot key



Press the **▼** key to display the **Contrast** indicator. Further press the **▲** key to increase or the **▼** key to decrease the screen contrast, and press the **Exit** key to exit.

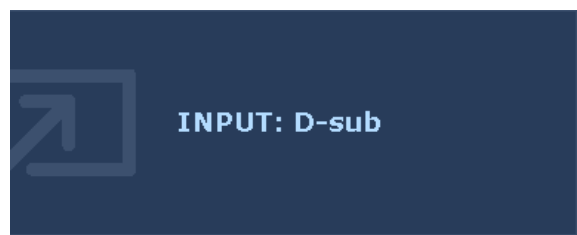
### Mode hot key



Press the key continually to switch between the 5 modes for the main window, including **Standard**, **Movie**, **Dynamics**, **Photo**, and **sRGB**. The setting will take effect immediately.

See also [Picture Mode on page 27](#).

### Input hot key (Not available for FP202W A)



Press the **Input** key to toggle between different PC video signal inputs that may be connected to your monitor.

The setting will take effect immediately.

See also [Input on page 29](#).

## Main menu mode

You can use the OSD (On Screen Display) menu to adjust all the settings on your monitor. Press the **Exit** key to display the following main OSD menu.



There are four main OSD menus:

1. Display
2. Picture
3. Picture Advanced
4. System

Use the ▲ (Up) or ▼ (Down) keys to highlight a menu item, and press the ENTER key to enter the Menu item settings.

💡 The OSD menu languages may differ from the product supplied to your region, see “[Language on page 30](#)” under “OSD Settings” for more details.

For more information on each menu, please refer to the following pages:

- [Display menu on page 23](#)
- [Picture menu on page 25](#)
- [Picture Advanced menu on page 27](#)
- [System menu on page 29](#)

## Display menu



1. Press the **Exit** key to display the main menu.
2. Press the **▲** or **▼** keys to select **DISPLAY** and then press the **ENTER** key to enter the menu.
3. Press the **▲** or **▼** keys to move the highlight to a menu item and then press the **ENTER** key to select that item.
4. Press the **▲** or **▼** keys to make adjustments or selections.
5. To return to the previous menu, press the **Exit** button.

Item	Function	Operation	Range
Auto Adjustment	<p>Optimizes and adjusts the screen settings automatically for you. The <i>i</i> key is a 'hot-key' for this function.</p> <p>☞ When you connect a digital video output using a digital (DVI) cable to your monitor, the <i>i</i> key and the <b>Auto Adjustment</b> function will be disabled.</p>	Press the <b>ENTER</b> key to select this option and make adjustment.	

H. Position	Adjusts the horizontal position of the screen image.	Press the ▲ or ▼ keys to adjust the value.	0 to 100
V. Position	Adjusts the vertical position of the screen image.		0 to 100
Pixel Clock	Adjusts the pixel clock frequency timing to synchronize with the analog input video signal. Not applicable to a digital input signal.  See also: <a href="#">Picture optimization on page 19</a>		0 to 100
Phase	Adjusts the pixel clock phase timing to synchronize with the analog input video signal. Not applicable to a digital input signal.  See also: <a href="#">Picture optimization on page 19</a>		0 to 63



## Picture menu



1. Press the **Exit** key to display the main menu.
2. Press the **▲** or **▼** keys to select **PICTURE** and then press the **ENTER** key to enter the menu.
3. Press the **▲** or **▼** keys to move the highlight to a menu item and then press the **ENTER** key to select that item.
4. Press the **▲** or **▼** keys to make adjustments or selections.
5. To return to the previous menu, press the **Exit** button.

Item	Function	Operation	Range
Brightness	Adjusts the balance between light and dark shades.	Press the <b>▲</b> key to increase the brightness and press the <b>▼</b> key to decrease the brightness.	0 to 100
Contrast	Adjusts the degree of difference between darkness and lightness.	Press the <b>▲</b> key to increase the contrast and press the <b>▼</b> key to decrease the contrast.	0 to 100
Sharpness	Adjusts the clarity and visibility of the edges of the subjects in the image.	Press the <b>▲</b> key to improve the crispness of the display and press the <b>▼</b> key to have softness effect on the display.	1 to 5
<b>Color</b> - Press <b>ENTER</b> to enter the <b>Color</b> menu.			
Normal	Allows video and still photographs to be viewed with natural coloring. This is the factory default color.	Press the <b>▲</b> or <b>▼</b> keys to select this option.	
Bluish	Applies a cool tint to the image and is factory pre-set to the PC industry standard white color.		
Reddish	Applies a warm tint to the image and is factory pre-set to the news print standard white color.		

User Mode	Tailors the image color tint. The blend of the Red, Green and Blue primary colors can be altered to change the color tint of the image. The default start setting is 50. Decreasing one or more of the colors will reduce their respective influence on the color tint of the image. e.g. if you reduce the Blue level the image will gradually take on a yellowish tint. If you reduce Green, the image will become a magenta tint.	Press the ▲ or ▼ keys and the <b>ENTER</b> key to select <b>Red</b> , <b>Green</b> , or <b>Blue</b> . Then use the ▲ or ▼ keys to make the color adjustments.	<ul style="list-style-type: none"> <li>• Red (0 to 100)</li> <li>• Green (0 to 100)</li> <li>• Blue (0 to 100)</li> </ul>
Reset Color	Resets the <b>User Mode</b> custom color settings to the factory defaults.	Press the ▲ or ▼ keys to adjust the value.	<ul style="list-style-type: none"> <li>• Yes</li> <li>• No</li> </ul>

## Picture Advanced menu



1. Press the **Exit** key to display the main menu.
2. Press the **▲** or **▼** keys to select **PICTURE ADVANCED** and then press the **ENTER** key to enter the menu.
3. Press the **▲** or **▼** keys to move the highlight to a menu item and then press the **ENTER** key to select that item.
4. Press the **▲** or **▼** keys to make adjustments or selections.
5. To return to the previous menu, press the **Exit** key.

Item	Function	Operation	Range
Picture Mode	<p>Selects a picture mode that best suits the type of images shown on the screen.</p> <ul style="list-style-type: none"> <li>• Standard - for basic PC application.</li> <li>• Movie - for viewing videos.</li> <li>• Dynamics - for viewing landscape-specific videos and playing games.</li> <li>• Photo - for viewing still images.</li> <li>• sRGB - for better color matching representation with the peripheral devices, such as printers, DSCs, etc.</li> </ul>	Press the <b>▲</b> or <b>▼</b> keys to change the settings.	<ul style="list-style-type: none"> <li>• Standard</li> <li>• Movie</li> <li>• Dynamics</li> <li>• Photo</li> <li>• sRGB</li> </ul>

Senseye Demo	Displays the preview of screen images under the selected mode from <b>Picture Mode</b> . The screen will be divided into two windows; the left window demonstrates images of Standard mode, while the right window presents the images under the specified mode.	Press the ▲ or ▼ keys to change the settings.	<ul style="list-style-type: none"><li>• ON</li><li>• OFF</li></ul>
--------------	--	---	--


## System menu



☞ FP202W A does not have the **Input** function.

1. Press the **Exit** key to display the main menu.
2. Press the **▲** or **▼** keys to select **SYSTEM** and then press the **ENTER** key to enter the menu.
3. Press the **▲** or **▼** keys to move the highlight to a menu item and then press the **ENTER** key to select that item.
4. Press the **▲** or **▼** keys to make adjustments or selections.
5. To return to the previous menu, press the **Exit** button.

Item	Function	Operation	Range
Input	<p>Selects the D-sub (analog) or DVI (digital) input. Use this to change the input to that appropriate to your video cable connection type.</p> <p>☞ FP202W A does not have the <b>Input</b> function.</p>	Press the <b>▲</b> or <b>▼</b> keys to adjust the value.	<ul style="list-style-type: none"> <li>• DVI</li> <li>• D-sub</li> </ul>
<b>OSD Settings</b> - Press <b>ENTER</b> to enter the <b>OSD Settings</b> menu.			

Language	Sets the OSD menu language.	<p>Press the ▲ or ▼ keys to adjust the value.</p> <p> The language options displayed on your OSD may differ from those shown on the right, depending on the product supplied in your region.</p>	<ul style="list-style-type: none"> <li>• English</li> <li>• French</li> <li>• German</li> <li>• Italian</li> <li>• Spanish</li> <li>• Polish/ Japanese</li> <li>• Czech/ Traditional Chinese</li> <li>• Hungarian/ Simplified Chinese</li> <li>• Serbo-Croatian</li> <li>• Romanian</li> <li>• Dutch</li> <li>• Russian</li> <li>• Swedish</li> <li>• Portuguese</li> </ul>
H. Position	Adjusts the horizontal position of the OSD menu.	<p>Press the ▲ or ▼ keys to adjust the value.</p>	0 to 100
V. Position	Adjusts the vertical position of the OSD menu.		0 to 100
Display Time	Adjusts the display time of the OSD menu.		<ul style="list-style-type: none"> <li>• 5 Sec.</li> <li>• 10 Sec.</li> <li>• 15 Sec.</li> <li>• 20 Sec.</li> <li>• 25 Sec.</li> <li>• 30 Sec.</li> </ul>

OSD Lock	Prevents all the monitor settings from being accidentally changed. When this function is activated, the OSD controls and hotkey operations will be disabled.	Press the ▲ or ▼ keys to change the settings.  ☞ To unlock the OSD controls when the OSD is preset to be locked, press and hold the 'Exit' button for 5 seconds to enter the 'OSD Lock' option and make changes. Alternatively, you may use the ▲ or ▼ keys to select 'OFF' in the 'OSD Lock' submenu from the 'OSD Settings' menu, and all OSD controls will be accessible.	<ul style="list-style-type: none"> <li>• ON</li> <li>• OFF</li> </ul>
Press <b>Exit</b> to leave the <b>OSD Settings</b> menu.			
Information	Displays the current monitor property settings.	Press the <b>ENTER</b> key to select this option.	
Reset All	Resets all mode, color and geometry settings to the factory default values.	Press the ▲ or ▼ keys to adjust the value.	<ul style="list-style-type: none"> <li>• Yes</li> <li>• No</li> </ul>

## 9. Troubleshooting

### Frequently asked questions (FAQ)

② The image is blurred:

☞ Read the [How to adjust the screen resolution on page 17](#) section, and then select the correct resolution, refresh rate and make adjustments based on these instructions.

☞ How do you use a VGA extension cable?

Remove the extension cable for the test. Is the image now in focus? If not, optimize the image by working through the instructions in the [How to adjust the screen refresh rate on page 18](#) section. It is normal for blurring to occur due to conduction losses in extension cables. You can minimize these losses by using an extension cable with better conduction quality or with a built-in booster.

☞ Does the blurring only occur at resolutions lower than the native (maximum) resolution?

Read the [How to adjust the screen resolution on page 17](#) section. Select the native resolution.

② Pixel errors can be seen:

☞ One of several pixels is permanently black, one or more pixels are permanently white, one or more pixels are permanently red, green, blue or another color.

- Clean the LCD screen.
- Cycle power on-off.
- These are pixels that are permanently on or off and is a natural defect that occurs in LCD technology.

② The image has a faulty coloration:

☞ It has a yellow, blue or pink appearance.

Select Exit > PICTURE > Color > Reset Color, and then choose “Yes” in the “Caution” message box to reset the color settings to the factory defaults.

If the image is still not correct and the OSD also has faulty coloration, this means one of the three primary colors is missing in the signal input. Now check the signal cable connectors. If any pin is bent or broken off, please contact your dealer to get necessary support.

② No image can be seen:

☞ Is the prompt on the display illuminated in green?

If the LED is illuminated in green and there is a message “Out of Range” on the screen, this means you are using a display mode that this monitor does not support, please change the setting to one of the supported mode. Please read “[Supported PC Timings on page 34](#)” section. Recommended mode is 1680 x 1050 @ 60Hz.

② Is the prompt on the display illuminated in orange?

If the LED is illuminated in orange, the power management mode is active. Press any button on the computer keyboard or move the mouse. If that does not help, check the signal cable connectors. If any pin is bent or broken off, please contact your dealer to get necessary support.

☞ Is the prompt on the display not illuminated at all?

Check the power supply mains socket, the external power supply and the mains switch.



② The image is distorted, flashes or flickers:

☞ Read the [How to adjust the screen resolution on page 17](#) section and then select the correct resolution, refresh rate and make adjustments based on these instructions.

② The image is displaced in one direction:

☞ Read the [How to adjust the screen resolution on page 17](#) section and then select the correct resolution, refresh rate and make adjustments based on these instructions.

② The OSD controls are inaccessible:

- To unlock the OSD controls when the OSD is preset to be locked, press and hold the “Exit” key for 5 seconds to enter the “OSD Lock” option and make changes.
- Alternatively, you may use the ▲ or ▼ keys to select “OFF” in the “OSD Lock” submenu from the “OSD Settings” menu (under SYSTEM), and all OSD controls will be accessible.

## Need more help?

If your problems remain after checking this manual, please contact your place of purchase or e-mail us at: [Support@BenQ.com](mailto:Support@BenQ.com)


## 10. Supported PC Timings

Incoming display mode (Input timing)				
Resolution	Horizontal Frequency (KHz)	Vertical Frequency (Hz)	Pixel Frequency (MHz)	Comment
640x350	31.47	70.08	25.17	DOS
720x400	31.47	70.08	28.32	DOS
640x480	31.47	60.00	25.18	DOS
640x480	35.00	67.00	30.24	Macintosh
640x480	37.86	72.80	31.50	VESA
640x480	37.50	75.00	31.50	VESA
800x600	37.88	60.32	40.00	VESA
800x600	48.08	72.19	50.00	VESA
800x600	46.86	75.00	49.50	VESA
832x624	49.72	74.55	57.29	Macintosh
1024x768	48.36	60.00	65.00	VESA
1024x768	56.48	70.10	75.00	VESA
1024x768	60.02	75.00	78.75	VESA
1024x768	60.24	74.93	80.00	Macintosh
1152x864	67.50	75.00	108.00	VESA
1152x870	68.68	75.06	100.00	Macintosh
1152x900	61.80	66.00	94.50	SUN 66
1152x900	71.81	76.14	108.00	SUN
1280x1024	64.00	60.00	108.00	VESA
1280x1024	75.83	71.53	128.00	IBMI
1280x1024	80.00	75.00	135.00	VESA
1280x1024	81.18	76.16	135.09	SPARC2
1680x1050	75.00	60.00	162.00	VESA

- Image disruption may occur as a result of signal frequency differences from graphic cards which do not correspond with the usual standard. This is not, however, an error. You may improve this situation by altering an automatic setting or by manually changing the phase setting and the pixel frequency from the “Display” menu.
- To extend the service life of the product, we recommend that you use your computer's power management function.

# 11. Specifications


## BenQ FP202W V3

Model	FP202W V3
Display type	20.1", active, TFT
Viewable diagonal	51.1 cm
Native (maximum) resolution	1,680 x 1,050 @ 60 Hz *
Colors	16.7 million
Contrast / Brightness	1000:1 / 300 cd/m <sup>2</sup>
Response time	5 ms
Viewing angle (left/right, up/down)	160, 160 (CR <sub>≥</sub> 10)
Line frequency	31 - 83 kHz Multi- frequency monitor
Image frequency	56 - 76 Hz, exception: 1680 x 1050 @ 60 Hz (Max.) only
Image diagnostics	Digital, OSD Technology, <i>i</i> key (automatic image setting)
Controls	7 buttons and <i>i</i> key.
Functions	Contrast, brightness, vert. & hor. image position, phase, pixel clock, color balance, color palette, picture mode, Senseye demo, multiple-language OSD, OSD position, OSD lock, input selection
Power management	VESA DPMS, EPA
Max. power consumption	≤ 50 Watt
Standby power consumption	≤ 1 Watt, 120 V ≤ 2 Watt, 240 V
	 This product complies with ENERGY STAR® Program Requirements for Computer Monitors. Version 4.0.
Input signal	
PC	RGB analog 0.7 Vpp/75 Ohm positive Digital: DVI-D (optional)
Synchronization	TTL separate signal connection 15-pin mini D-sub cable
Temperature (operating)	0 °C - 40 °C
Air humidity (operating)	10% - 90%
Certifications	TCO 99/03 (optional), TÜV/Ergonomics, TÜV/GS, FCC Class B, ISO 13406-2, VCCI, CSA, CB Report, CE, C-Tick, BSMI, Fimko, GOST, CCC, UL, PSB, SASO

Operating voltage	Automatic switched mode power supply, 100-240 V, 50-60 Hz
Dimensions (H x W x D)	396.7 x 479.6 x 169.9 mm
Weight	4.8 kg

- \* Please note that not all graphics cards will support the video resolution of 1680 x 1050. To obtain the optimal display performance, please inquire with the system manufacturer to confirm resolution support, or you may consider buying a graphics card supporting the resolution of 1680 x 1050.

## BenQ FP202W A

Model	FP202W A
Display type	20.1", active, TFT
Viewable diagonal	51.1 cm
Native (maximum) resolution	1,680 x 1,050 @ 60 Hz *
Colors	16.7 million
Contrast / Brightness	1000:1 / 300 cd/m <sup>2</sup>
Response time	5 ms
Viewing angle (left/right, up/down)	160, 160 (CR <sub>≥</sub> 10)
Line frequency	31 - 83 kHz Multi- frequency monitor
Image frequency	56 - 76 Hz, exception: 1680 x 1050 @ 60 Hz (Max.) only
Image diagnostics	Analog, OSD Technology, <i>i</i> key (automatic image setting)
Controls	7 buttons and <i>i</i> key.
Functions	Contrast, brightness, vert. & hor. image position, phase, pixel clock, color balance, color palette, picture mode, Senseye demo, multiple-language OSD, OSD position, OSD lock
Power management	VESA DPMS, EPA
Max. power consumption	≤ 50 Watt
Standby power consumption	≤ 1 Watt, 120 V ≤ 2 Watt, 240 V
	 This product complies with ENERGY STAR® Program Requirements for Computer Monitors. Version 4.0.
Input signal	RGB analog 0.7 V <sub>pp</sub> /75 Ohm positive
Synchronization	TTL separate signal connection 15-pin mini D-sub cable
Temperature (operating)	0 °C - 40 °C
Air humidity (operating)	10% - 90%
Certifications	TCO 99/03 (optional), TÜV/Ergonomics, TÜV/GS, FCC Class B, ISO 13406-2, VCCI, CSA, CB Report, CE, C-Tick, BSMI, Fimko, GOST, CCC, UL, PSB, SASO
Operating voltage	Automatic switched mode power supply, 100-240 V, 50-60 Hz
Dimensions (H x W x D)	396.7 x 479.6 x 169.9 mm
Weight	4.8 kg

- \* Please note that not all graphics cards will support the video resolution of 1680 x 1050. To obtain the optimal display performance, please inquire with the system manufacturer to confirm resolution support, or you may consider buying a graphics card supporting the resolution of 1680 x 1050.