



# EUPHORIA™

AUDIO PERFECTION



**2023 - 2024** PRODUCT GUIDE

# MONO AMPLIFIERS

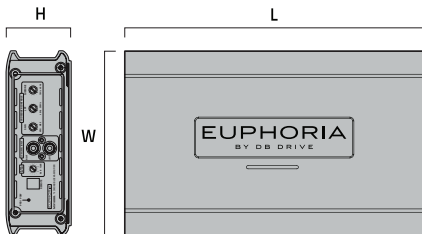


**BASS REMOTE**



- Frequency Response : 10Hz - 250Hz
- Low Level Input : 6V - 0.2mV
- Variable Low Pass Filter : 40Hz - 200Hz
- Variable Subsonic Filter : 10Hz - 40Hz
- 12 dB Slope Low-Pass Filter
- 12 dB Slope Subsonic Filter
- Enclosure Compensation Bass EQ 0-12dB @ 45Hz
- Large Gauge Power Wire Inputs
- Remote Bass Control (Included)
- Working Voltage 12 - 16 Volts

MODEL	DESCRIPTION	1Ω @ 14.4 VOLTS	2Ω @ 14.4 VOLTS	4Ω @ 14.4 VOLTS
<b>MX600.1</b>	Monoblock Class D Technology	1 x 600 W	1 x 300 W	1 x 150 W
<b>MX1200.1</b>	Monoblock Class D Technology	1 x 1200 W	1 x 600 W	1 x 300 W
<b>MX2000.1</b>	Monoblock Class D Technology	1 x 2000 W	1 x 1000 W	1 x 500 W
<b>MX3000.1</b>	Monoblock Class D Technology	1 x 3000 W	1 x 1500 W	1 x 750 W



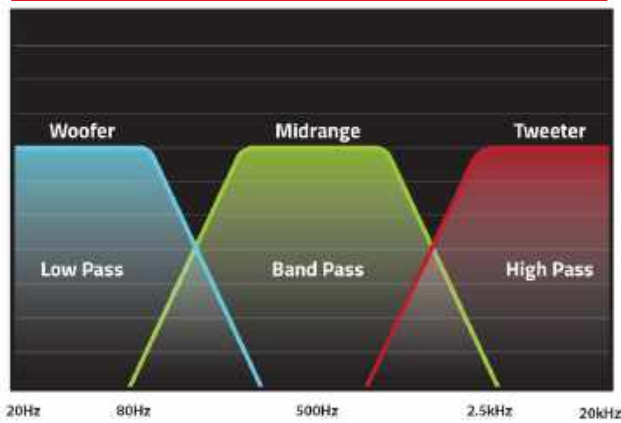
DIMENSIONS	LENGTH	HEIGHT	WIDTH
<b>MX600.1</b>	9 in. ( 229 mm )	2.25 in. ( 57 mm )	6.25 in. ( 159 mm )
<b>MX1200.1</b>	12 in. ( 305 mm )	2.25 in. ( 57 mm )	6.25 in. ( 159 mm )
<b>MX2000.1</b>	15.125 in. ( 384 mm )	2.25 in. ( 57 mm )	6.25 in. ( 159 mm )
<b>MX3000.1</b>	18.62 in. ( 473 mm )	2.25 in. ( 57 mm )	6.25 in. ( 159 mm )



# 4 CHANNEL AMPLIFIERS



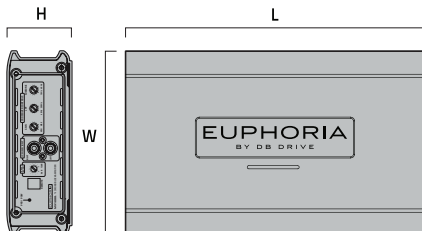
## VARIABLE FREQUENCY RESPONSE



- Frequency Response : 10Hz - 25KHz
- Low Level Input: 6V - 0.2mV
- Variable High Pass Filter : 20Hz - 5KHz
- Variable Band Pass Filter : 20Hz - 5KHz
- Variable Low Pass Filter : 50Hz - 500Hz
- Large Gauge Power Wire Inputs
- Enclosure Compensation Bass EQ 0-12dB @ 45Hz
- Direct Connect Speaker Terminals
- Remote Bass Control (Sold separately)
- Working Voltage 12 - 16 Volts



MODEL	DESCRIPTION	4Ω @ 14.4 VOLTS	2Ω @ 14.4 VOLTS	4Ω BRIDGED @ 14.4 VOLTS
<b>FX90.4</b>	4 Channel Class A/B Technology	4 x 90 W	4 x 180 W	2 x 360 W
<b>FX125.4</b>	4 Channel Class A/B Technology	4 x 125 W	4 x 250 W	2 x 500 W



DIMENSIONS	LENGTH	HEIGHT	WIDTH
<b>FX90.4</b>	13.25 in. ( 337 mm )	2.25 in. ( 57 mm )	6.25 in. ( 159 mm )
<b>FX125.4</b>	16.63 in. ( 422 mm )	2.25 in. ( 57 mm )	6.25 in. ( 159 mm )

# MONO

## MINI AMPLIFIERS

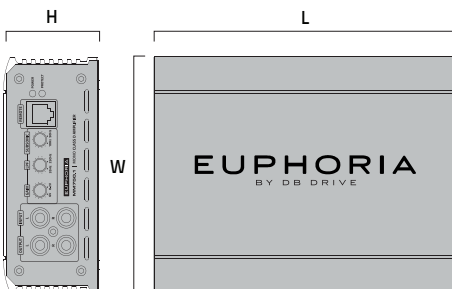


ULTRA EFFICIENT  
**CLASS D**  
TECHNOLOGY

- Frequency Response : 10Hz - 250Hz
- Low Level Input : 6V - 0.2mV
- Variable Low Pass Filter : 35Hz - 250Hz
- 12 dB Slope Low-Pass Filter
- Variable Subsonic Filter : 10Hz - 50Hz
- 12 dB Slope Subsonic Filter
- Large Gauge Power Wire Inputs
- Direct Connect Speaker Terminals
- Remote Bass Control (Included)
- Working Voltage 12 - 16 Volts
- Vented Enclosure Subsonic Frequency Filter



MODEL	DESCRIPTION	1Ω @ 14.4 VOLTS	2Ω @ 14.4 VOLTS	4Ω @ 14.4 VOLTS
<b>MM750.1</b>	Monoblock Class D Technology	1 x 750 W	1 x 400 W	1 x 200 W
<b>MM1500.1</b>	Monoblock Class D Technology	1 x 1500 W	1 x 800 W	1 x 400 W



DIMENSIONS	LENGTH	HEIGHT	WIDTH
<b>MM750.1</b>	7.87 in. ( 200 mm )	1.96 in. ( 50 mm )	4.72 in. ( 120 mm )
<b>MM1500.1</b>	11.81 in. ( 300 mm )	1.96 in. ( 50 mm )	4.72 in. ( 120 mm )



# 4 CHANNEL MINI AMPLIFIERS

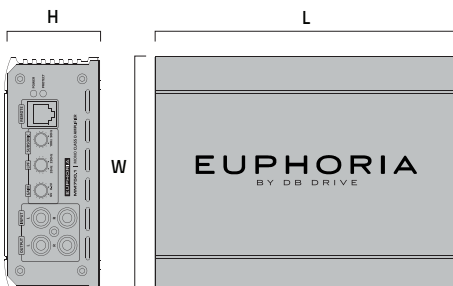


COMPACT  
**CHASSIS**  
DESIGN

- Frequency Response 10Hz - 25KHz
- Low Level Input : 6V - 0.2mV
- Variable High Pass Filter : 50Hz - 500Hz
- 12dB Slope High Pass Filter
- Variable Low Pass Filter : 50Hz - 500Hz
- 12dB Slope Low Pass Filter
- Large Gauge Power Wire Inputs
- Removable Molex Style Speaker Connector
- Working Voltage 12 - 16 Volts
- Active 2-Way Crossover Network



MODEL	DESCRIPTION	4Ω @ 14.4 VOLTS	2Ω @ 14.4 VOLTS	4Ω BRIDGED @ 14.4 VOLTS
<b>FM75.4</b>	4 Channel Class D Technology	4 x 75 W	4 x 150 W	2 x 300 W
<b>FM100.4</b>	4 Channel Class D Technology	4 x 100 W	4 x 200 W	2 x 400 W



DIMENSIONS	LENGTH	HEIGHT	WIDTH
<b>FM75.4</b>	6.29 in. ( 160 mm )	1.96 in. ( 50 mm )	4.72 in. ( 120 mm )
<b>FM100.4</b>	7.87 in. ( 200 mm )	1.96 in. ( 50 mm )	4.72 in. ( 120 mm )

# EDSP31-610

DIGITAL SOUND PROCESSOR



## 31 BAND DIGITAL BAND PROCESSOR



### EDSP31-REM Wired Remote Control with LCD Display



- Compatible with EDSP31-610, EDSP31-68, & EDSP31-24BT
- Including connection wire 19" (500mm)
- Main level
- Preset selection
- Mute function
- Master Gain control
- Subwoofer Gain
- **Sold Separately**

### EDSP31-BTD USB Interface for Wireless Music Streaming



- Interface for wireless music streaming
- Compatible with EDSP31-610, EDSP31-68, & EDSP31-24BT
- iOS App
- Android App
- Range up to 10m
- **Sold Separately**

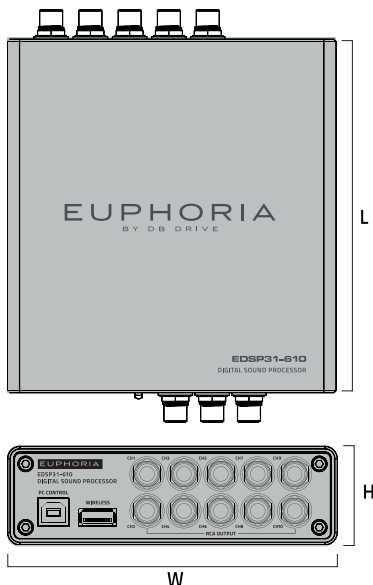
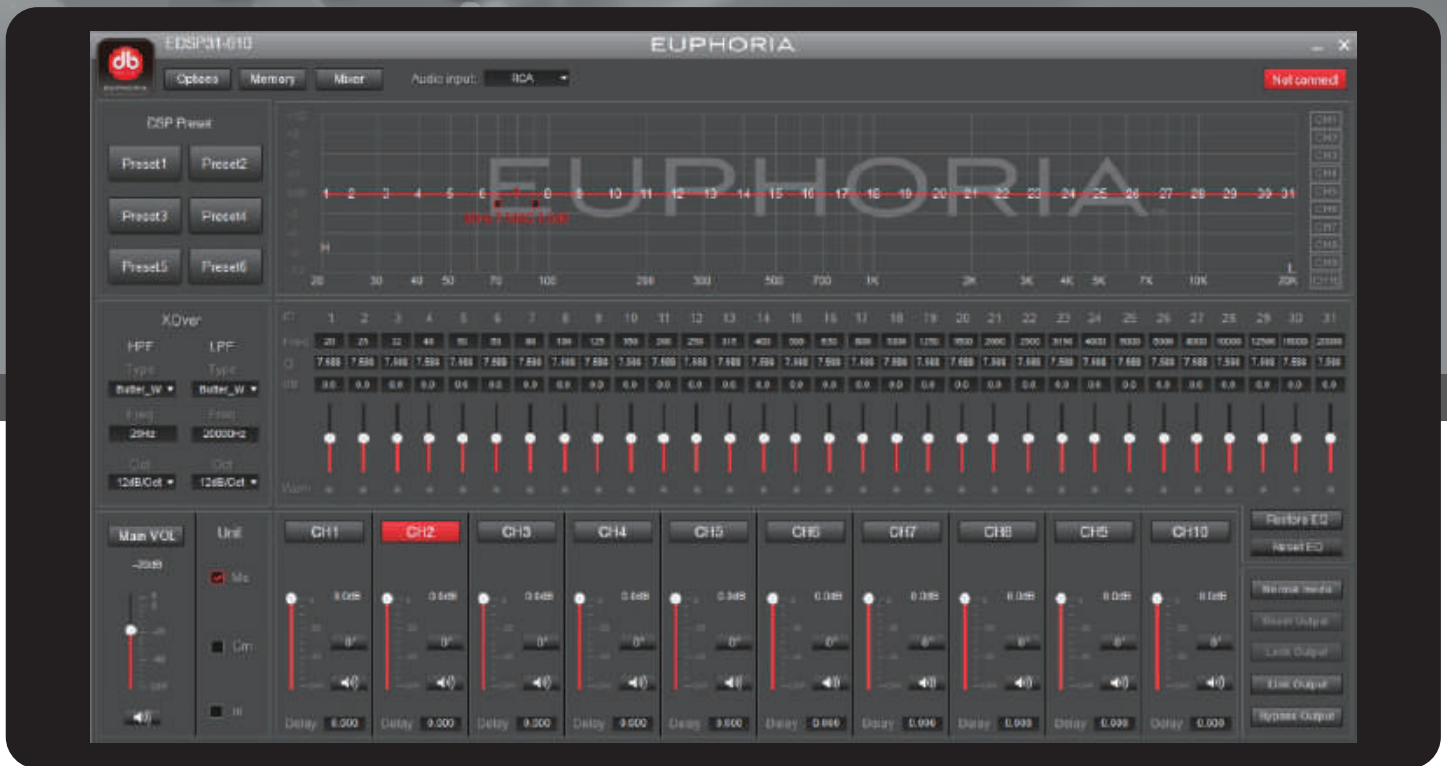




# EDSP31-610

DIGITAL SOUND PROCESSOR

## COMPACT CHASSIS DESIGN

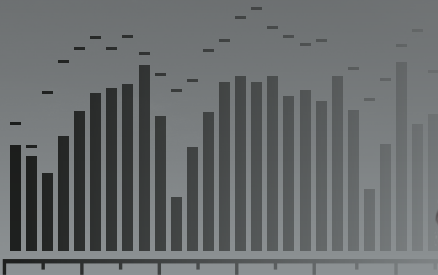


- DSP Settings and Adjustments made via PC or Optional Smart Phone App
- 6 Assignable Inputs
- Selectable Audio Input: Front, Rear and Subwoofer Low-Level- Front and Rear Hi-Level
- Optional Wireless Audio Streaming Dongle ( Sold separately )
- 10 Independently Assignable Low-Level Outputs
- Summable Input Channel
- Selectable Crossover Slopes: ( 6, 12, 18, 24, 30, 36, 42, 48 dB/Octave )
- 31 Band Graphic EQ with Fine Tuning
- Adjustable High, Band-Pass, or Low-Pass Filters (20KHz-20Hz)
- Adjustable Time Alignment per Output Channel
- Adjustable Q-Factor per Frequency
- Phase Adjustment: Switchable 0/180 Degrees on all Output Channels
- Audio Sensing Auto Remote Output QR Code
- Optional Dash Remote with Subwoofer Control (Sold separately)
- Compatible Microsoft Windows® XP SP3 / Vista / 7 / 8 / 8.1 / 10

DIMENSIONS	LENGTH	HEIGHT	WIDTH
<b>EDSP31-610</b>	5.66 in. ( 144 mm )	1.57 in. ( 40 mm )	5.27 in. ( 134 mm )

# EDSP 31-68

DIGITAL SOUND PROCESSOR



## 31 BAND DIGITAL BAND PROCESSOR



### EDSP31-REM Wired Remote Control with LCD Display



- Compatible with EDSP31-610, EDSP31-68, & EDSP31-24BT
- Including connection wire 19" (500mm)
- Main level
- Preset selection
- Mute function
- Master Gain control
- Subwoofer Gain
- **Sold Separately**

### EDSP31-BTD USB Interface for Wireless Music Streaming



- Interface for wireless music streaming
- Compatible with EDSP31-610, EDSP31-68, & EDSP31-24BT
- iOS App
- Android App
- Range up to 10m
- **Sold Separately**

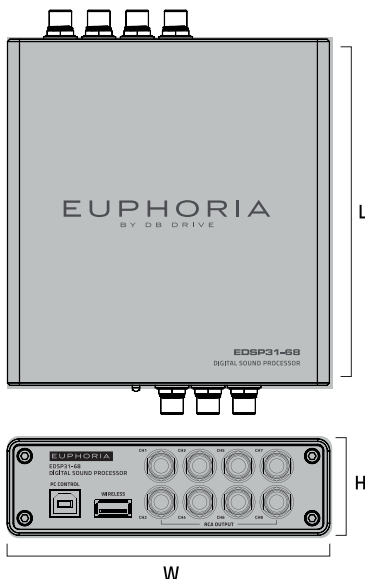




# EDSP 31-68

DIGITAL SOUND PROCESSOR

## COMPACT CHASSIS DESIGN



- DSP Settings and Adjustments made via PC or Optional Smart Phone App
- 6 Assignable Inputs
- Selectable Audio Input: Front, Rear and Subwoofer Low-Level- Front and Rear Hi-Level
- Optional Wireless Audio Streaming Dongle ( Sold separately )
- 8 Independently Assignable Low-Level Outputs
- Summable Input Channel
- Selectable Crossover Slopes: ( 6, 12, 18, 24, 30, 36, 42, 48 dB/Octave )
- 31 Band Graphic EQ with Fine Tuning
- Adjustable High, Band-Pass, or Low-Pass Filters (20KHz-20Hz)
- Adjustable Time Alignment per Output Channel
- Adjustable Q-Factor per Frequency
- Phase Adjustment: Switchable 0/180 Degrees on all Output Channels
- Audio Sensing Auto Remote Output QR Code
- Optional Dash Remote with Subwoofer Control (Sold separately)
- Compatible Microsoft Windows® XP SP3 / Vista / 7 / 8 / 8.1 / 10

DIMENSIONS	LENGTH	HEIGHT	WIDTH
<b>EDSP31-68</b>	5.66 in. ( 144 mm )	1.57 in. ( 40 mm )	5.27 in. ( 134 mm )

# EDSP 31-24BT

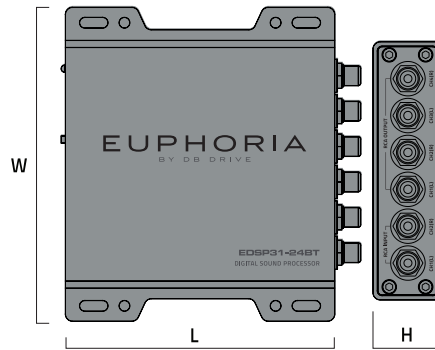
DIGITAL SOUND PROCESSOR



## 31 BAND DIGITAL BAND PROCESSOR



- 2 Assignable inputs
- Selectable Audio Input: Low-Level or Hi-Level
- DSP Settings and Adjustments made via PC or Optional Smart Phone App
- 4 independently Assignable Low-Level Outputs
- 31 Band Graphic EQ with Fine Tuning
- Adjustable High, Band-Pass, or Low-Pass Filters (20KHz-20Hz)
- Adjustable Time Alignment per Output Channel
- Adjustable Q-Factor per Frequency
- Selectable Crossover Slopes: ( 6, 12, 18, 24, 30, 36, 42, 48 dB/Octave )
- Phase Adjustment: Switchable 0/180 Degrees on all Output Channels
- Audio Sensing Auto Remote Output QR Code
- Includes USB Cable and Software Download QR codes for Windows
- Optional Dash Remote with Subwoofer Control (Sold separately)
- Compatible Microsoft Windows® XP SP3 / Vista / 7 / 8 / 8.1 / 10



DIMENSIONS	LENGTH	HEIGHT	WIDTH
<b>EDSP31-24BT</b>	4.48 in. ( 144 mm )	1.10 in. ( 28 mm )	5.23 in. ( 133 mm )

### EDSP31-REM Wired Remote Control with LCD Display



- Compatible with EDSP31-610, EDSP31-68, & EDSP31-24BT
- Including connection wire 19" (500mm)
- Main level
- Preset selection
- Mute function
- Master Gain control
- Subwoofer Gain
- **Sold Separately**

### EDSP31-BTD USB Interface for Wireless Music Streaming



- Interface for wireless music streaming
- Compatible with EDSP31-610, EDSP31-68, & EDSP31-24BT
- iOS App
- Android App
- Range up to 10m
- **Sold Separately**





# EXBE-2

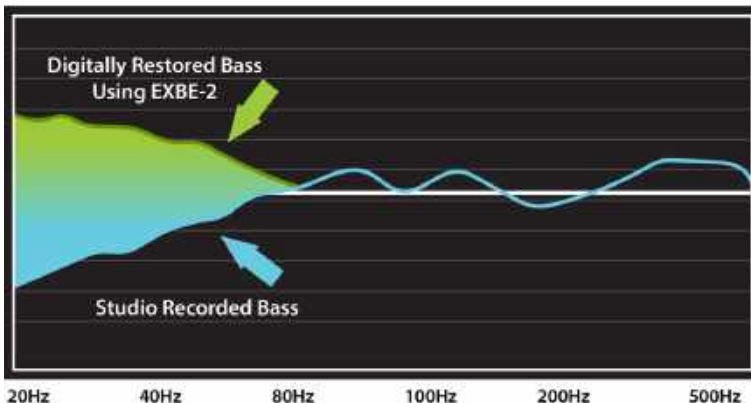
DIGITAL BASS RESTORATION PROCESSOR



- Factory Radio Speaker Hi-level inputs
- Balanced Inputs RCA Low Level inputs
- Intergrated Line Driver output
- Variable Subsonic Filter
- Variable Gain Adjustment with Clip LED indicator
- Auto Turn-On Audio Signal Detect
- +12V Remote Output (for factory radio integration)
- Selectable Ground Isolation
- Removable Power/Speaker Terminals
- Audiophile Tiffany RCA inputs
- Includes Remote Level Control with Effect Defeat



## DIGITAL BASS RESTORATION



### INPUT SENSITIVITY

Hi-Level : 2-20Vs - 4-40V (internally selectable)

RCA : 0.5-5V- 1-10V (internally selectable)

Maximum Hi-Level Input Voltage : 40Vrms

Frequency Response : 15Hz to >25kHz

THD+N (SPK/RCA) : <0.05% / <0.1%

Maximum Output Voltage -10Vrms

### BASS RESTORATION

Effect Gain : 0 - 18dB

Width : Nar-Wide

Freq : 30-80Hz

Variable Subsonic Filter : 15Hz-50Hz

+12V Remote Output : 500mA

Chassis Dimensions : 1.1"x3.5"x5.2" (29x90x133mm)



## EWX 6NEO

6.5" 4 Ω DVC SUBWOOFER  
500 WATTS DYNAMIC  
250 WATTS NOMINAL

## EWX 8NEO

8" 2 Ω DVC SUBWOOFER  
600 WATTS DYNAMIC  
300 WATTS NOMINAL

Optimized for Low Tuned Vented Enclosures

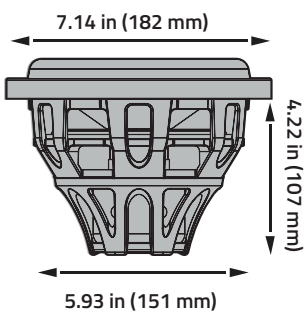
Perfect for Truck Enclosures or Compact Cars

BIG BASS out of a small enclosure

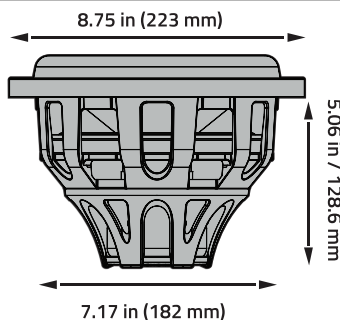
High Efficiency Neo Magnets

- N38 Neodymium Motor Design
- Pulp Fiber Reinforced Cone
- Multi-Layer Foam Surround
- Progressive Dampeners
- 1.5" ( 38 mm ) Dual 4 Ω Voice Coil (EWX 6NEO)
- 2" ( 51 mm ) Dual 2 Ω Voice Coil (EWX 8NEO)

### EWX6NEO



### EWX8NEO



### RECOMMENDED AIR SPACE

#### SEALED VOLUME

#### VENTED VOLUME

**EWX 6NEO** 0.3 cu ft. (8.5 L) 0.42 cu ft. (11.89 L)

**EWX 8NEO** 0.5 cu ft. (14.16L) 0.6 cu ft. (17L)

### RECONE KITS

**EWX6NEO RC** Recone for EWX6NEO

**EWX8NEO RC** Recone for EWX8NEO





**EWXC 12D4**

12" 4 Ω DVC SUBWOOFER  
4000 WATTS DYNAMIC  
2000 WATTS NOMINAL

**EWXC 15D4**

15" 4 Ω DVC SUBWOOFER  
4000 WATTS DYNAMIC  
2000 WATTS NOMINAL

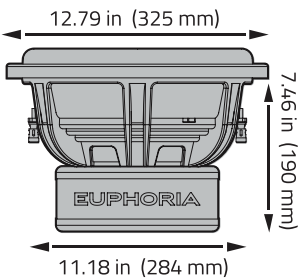
Ceramic Ferrite Magnets

Die-Cast Aluminum Vented Basket

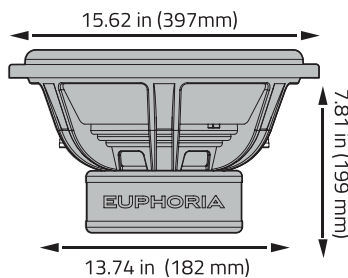
High Excursion Spider Design

- 184oz Ceramic Ferrite Magnet
- Low Carbon Steel and Bottom Plates
- 1.5" Wide DFM Foam Blend
- Designed to Optimize SPL Performance
- High Excursion Spider Design
- Dual 4Ω Voice Coils

**EWXC 12D4**



**EWXC 15D4**



**RECOMMENDED AIR SPACE**

	SEALED VOLUME	VENTED VOLUME
<b>EWXC 12D4</b>	1.9 cu ft. (53.82 L)	3.27 cu ft. (92.59 L)
<b>EWXC 15D4</b>	3.1 cu ft. (61.73L)	4.08 cu ft. (115.53L)



Designed to Optimize SPL Performance

Blacked Out Cosmetic Design

High Excursion Multi-Layer Foam Surround

Optimized for High Output Bass

- High Temperature Voice Coil
- 120 oz. Ceramic Ferrite Magnet ( EWX8D2/8D4 Only )
- 145 oz. Ceramic Ferrite Magnet
- High Grade Low Carbon Steel Top & Bottom Plate
- Design to optimize SPL Performance
- 1" High Roll Foam Surround
- Large Gauge Push Button Speaker Terminals
- Available in Dual 2Ω or Dual 4Ω Voice Coil

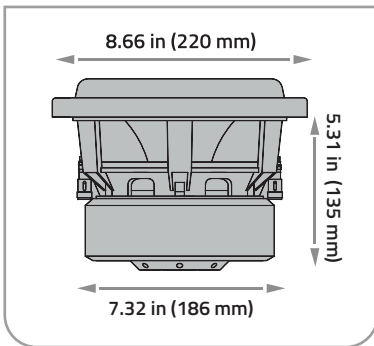


MODEL	SIZE	VOICE COIL	DYNAMIC POWER HANDLING	POWER HANDLING
EWXB 8D2	8" Subwoofer	2Ω Dual Voice Coil	1500 Watts	600 Watts
EWXB 8D4	8" Subwoofer	4Ω Dual Voice Coil	1500 Watts	600 Watts
EWXB 10D2	10" Subwoofer	2Ω Dual Voice Coil	2500 Watts	1000 Watts
EWXB 10D4	10" Subwoofer	4Ω Dual Voice Coil	2500 Watts	1000 Watts
EWXB 12D2	12" Subwoofer	2Ω Dual Voice Coil	2500 Watts	1000 Watts
EWXB 12D4	12" Subwoofer	4Ω Dual Voice Coil	2500 Watts	1000 Watts
EWXB 15D2	15" Subwoofer	2Ω Dual Voice Coil	2500 Watts	1000 Watts
EWXB 15D4	15" Subwoofer	4Ω Dual Voice Coil	2500 Watts	1000 Watts

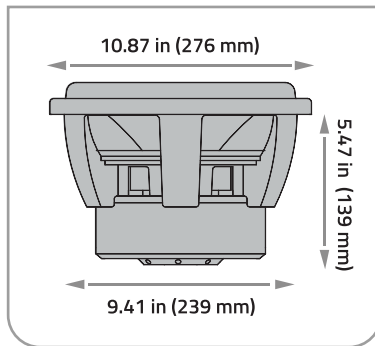




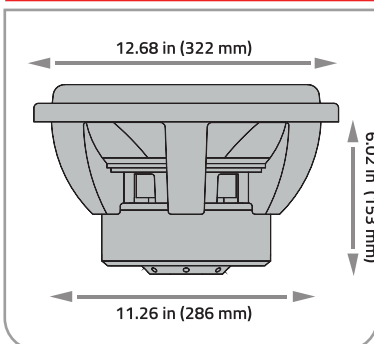
### EWXB 8D2 / EWXB 8D4



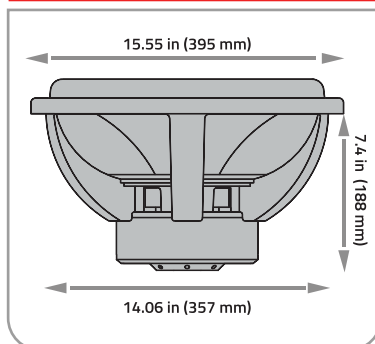
### EWXB 10D2 / EWXB 10D4



### EWXB 12D2 / EWXB 12D4



### EWXB 15D2 / EWXB 15D4



### RECOMMENDED AIR SPACE

	SEALED VOLUME	VENTED VOLUME
EWXB 8D2	0.5 cu ft.	0.94 cu ft.
EWXB 8D4	0.5 cu ft.	0.94 cu ft.
EWXB 10D2	1.27 cu ft.	1.49 cu ft.
EWXB 10D4	1.27 cu ft.	1.49 cu ft.
EWXB 12D2	1.49 cu ft.	1.8 cu ft.
EWXB 12D4	1.49 cu ft.	1.8 cu ft.
EWXB 15D2	2.8 cu ft.	3.10 cu ft.
EWXB 15D4	2.8 cu ft.	3.10 cu ft.



## Distortion Free Excursion

## SQL Designed Performance

## Optimized for Small Enclosures

- Foam ribbed surround
- Non-pressed paper cone with high excursion
- Large gauge push button speaker wire terminals
- High temp voice coil wire around a vented ksv former
- Pole piece and radial basket venting for optimum
- Voice coil cooling
- Linear roll progressive dampener
- Proprietary protective magnet band
- Anti-resonance heavy gauge solid steel frame



### RECOMMENDED AIR SPACE

	SEALED VOLUME	VENTED VOLUME
EWXPW 8D2	0.6 cu ft.	0.95 cu ft.
EWXPW 8D4	0.6 cu ft.	0.95 cu ft.
EWXPW 10D4	1.0 cu ft.	1.09 cu ft.
EWXPW 12D4	1.25 cu ft.	1.78 cu ft.

EWXPW 8D2 / 8D4	EWXPW 10D4	EWXPW 12D4

MODEL	SIZE	VOICE COIL	DYNAMIC POWER HANDLING	POWER HANDLING
EWXPW 8D2	8" Subwoofer	2Ω Dual Voice Coil	500 Watts	250 Watts
EWXPW 8D4	8" Subwoofer	4Ω Dual Voice Coil	500 Watts	250 Watts
EWXPW 10D4	10" Subwoofer	4Ω Dual Voice Coil	1500 Watts	500 Watts
EWXPW 12D4	12" Subwoofer	4Ω Dual Voice Coil	1500 Watts	500 Watts





**EPSW 10**  
10" Powered Subwoofer

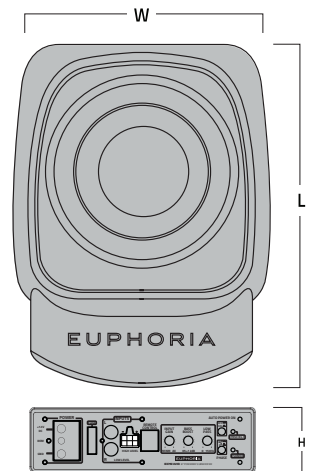
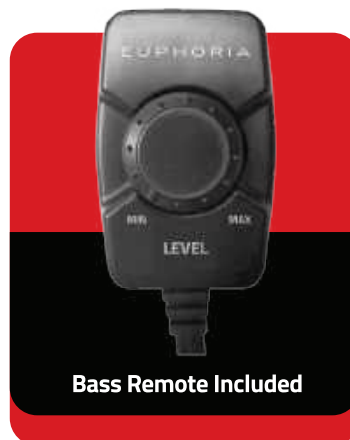
## COMPACT CHASSIS DESIGN



**EPSW 8**  
8" Powered Subwoofer

- Power Status Led
- Phase Shift
- Auto Power ON
- Low Pass Filter
- Bass Boost
- Input Gain Control
- Remote Level Control Port
- Low Level RCA Inputs
- High Level (Speaker Level) Inputs

SPECIFICATIONS	EPSW8	EPSW10
Max Power	250 Watts	300 Watts
RMS Power	125 Watts	150 Watts
THD	<0.2%	<0.2%
Freq. Response	25Hz-300Hz	20Hz-250Hz
Input Sensitivity - High Level	5V-20V	5V-20V
Input Sensitivity - Low Level	0.2V - 5V	0.2V - 5V
Low Pass Filter	50Hz - 150Hz	50Hz - 150Hz
Bass Boost	12dB	12dB
Subwoofer	8"	10"



**EPSW-RM2**  
Optional Bass Remote with  
*Dual* Subwoofer Output  
Compatible with EPSW10/EPSW8

MODEL	LENGTH	HEIGHT	WIDTH
<b>EPSW8</b>	12.625 in. (320 mm)	3 in. ( 76 mm )	9.5 in. (241 mm)
<b>EPSW10</b>	14.375 in. (365 mm)	3 in. ( 76 mm )	10.5 in. (267 mm)



- Plush Protective Carpet
- High Output Low Velocity Flared Venting
- High Excursion Protective Grills

## COMPACT DESIGN

PRELOADED WITH  
**EWXPW**  
SERIES  
SUBWOOFERS

- High Grade MDF Construction
- Dual Layer Front Baffle Thick
- Plush Protective Carpet with Signature Euphoria Logo
- Factory Tuned Vent @ 38Hz
- 1Ω Dual Voice Coil
- Selectable 1Ω & 4Ω (EWXPW8-1B)



MODEL	SIZE	DYNAMIC POWER	RMS POWER	DIMENSIONS		
<b>EWXPW8-1B</b>	Single 8" Subwoofer	500 Watts	250 Watts	L: 17.12 in. (435mm)	W: 10.43 in. (265 mm)	H: 9.44 in. (240 mm)
<b>EWXPW8-2B</b>	Dual 8" Subwoofer	1000 Watts	500 Watts	L: 20 in. (610 mm)	W: 10.43 in. (265 mm)	H: 9.44 in. (240 mm)
<b>EWXPW12-2B</b>	Dual 12" Subwoofer	3000 Watts	1500 Watts	L: 27.9 in. (710mm)	W: 12.9 in. (330 mm)	H: 14.9 in. (380 mm)
<b>EWXPW8-1SB</b>	Single 8" Shallow Sub	500 Watts	250 Watts	L: 18.5 in (470mm)	W: 6.24 in. (159 mm)	H: 13 in. (330 mm)





## **EWXPW8-1SB**

Plush Protective Carpet

High Output Low Velocity Flared Venting

High Excursion Protective Grills

Factory Tuned at 38Hz



→ ] **MICRO PROFILE** [ ←  
**DESIGN**

PRELOADED WITH

**EWXPW**  
SERIES

SUBWOOFERS

- High Grade MDF Construction
- Dual Layer Front Baffle Thick
- Plush Protective Carpet with Signature Euphoria Logo
- Factory Tuned Vent @ 38Hz
- Spring Loaded Terminals
- Selectable 1Ω & 4Ω

# EW7

SHALLOW SERIES



Great for Under Seat Pick-Up Enclosures or Compact Cars

Optimized for Shallow Enclosures with Minimal Airspace

High Strength Inverted IMMP Cone with Foam Surround



IMMP CONE



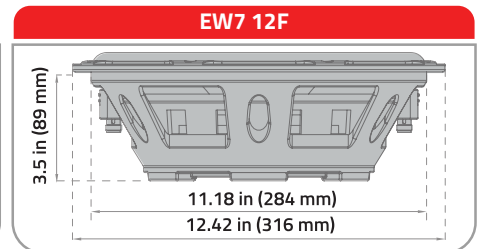
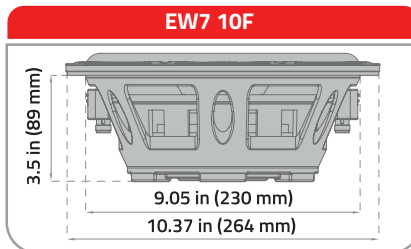
Radial VC Venting



Shallow Mounting

### RECOMMENDED AIR SPACE

	SEALED VOLUME	VENTED VOLUME
EW7 10F	0.45 cu ft.	N/A
EW7 12F	0.55 cu ft.	N/A



MODEL	SIZE	VOICE COIL	DYNAMIC POWER HANDLING	POWER HANDLING
EW7 10F	10" Subwoofer	4Ω DVC	1000 Watts	300 Watts
EW7 12F	12" Subwoofer	4 Ω DVC	1000 Watts	300 Watts





## HIGH PASSION PERFORMANCE ENGINEERED FOR THE MASSES

Performance packed engineering make the **EUPHORIA EW5 SUBWOOFERS** the elite subwoofers in their class.

Innovative motor structure maximizes bass output while keeping music sounding as tight and accurate as the day it was recorded.

Radial venting for voice coil cooling extends durability for endless musical performance. The EW5 subwoofers are the ideal fit in any vented or sealed application.



**Powerful  
Motor Structure**



**Stealth  
Lock Gasket**

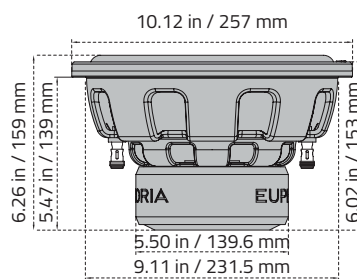


**Radial VC Venting**

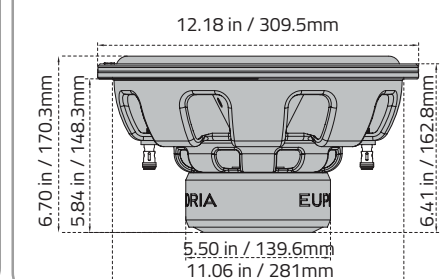
### RECOMMENDED AIR SPACE

	SEALED VOLUME	VENTED VOLUME
<b>EW5 10D4</b>	1.15 cu ft.	1.31 cu ft.
<b>EW5 12D4</b>	1.3 cu ft.	1.58 cu ft.

### EW5 10D4



### EW5 12D4



MODEL	SIZE	VOICE COIL	DYNAMIC POWER HANDLING	POWER HANDLING
<b>EW5 10D4</b>	10" Subwoofer	4Ω DVC	1000 Watts	350 Watts
<b>EW5 12D4</b>	12" Subwoofer	4 Ω DVC	1000 Watts	350 Watts

# EW3 SERIES



HIGH PERFORMANCE  
**BASS**  
UNTOUCHABLE PRICE

The **EUPHORIA EW3 SUBWOOFERS** are loaded with many of the same features found in the EW5 subwoofers, included at a value that can't be touched.

The EW3 are the perfect upgrade to any factory sound system. High performance bass that you have grown to expect from any DB Drive subwoofer. Wanting a kick ass stereo system doesn't have to be a crime, don't let the competition steal your money.



**Powerful Motor Structure**

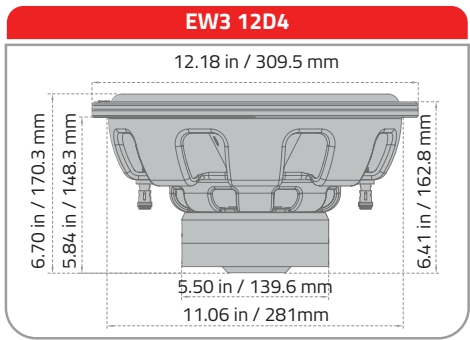
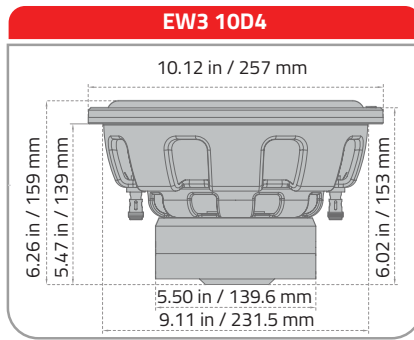


**Stealth Lock Gasket**



**Radial VC Venting**

RECOMMENDED AIR SPACE		
	SEALED VOLUME	VENTED VOLUME
<b>EW3 10D4</b>	0.86 cu ft.	1.43 cu ft.
<b>EW3 12D4</b>	1.32 cu ft.	1.49 cu ft.



MODEL	SIZE	VOICE COIL	DYNAMIC POWER HANDLING	POWER HANDLING
<b>EW3 10D4</b>	10" Subwoofer	4Ω DVC	750 Watts	250 Watts
<b>EW3 12D4</b>	12" Subwoofer	4Ω DVC	750 Watts	250 Watts



# SUBWOOFER / AMPLIFIER

## COMPABILITY CHART

SUBWOOFER	NUMBER OF SUBWOOFERS	RECOMMENDED AMPLIFIER	
<b>EWX SERIES</b>			
EWXPW8-1SB	Enclosure	MM750.1	MX600.1
EWXP8-1B	Enclosure	MM750.1	MX600.1
EWXPW8-2B	Enclosure	MM750.1	MX600.1
EWXPW12-2B	Enclosure	M1500.1	MX600.1
<b>EWXB SERIES</b>			
EWXB8D4	1 Sub @ 1 Ω	MX600.1	MM750.1
EWXB8D2	2 Subs @ 1 Ω	MX600.1	MM750.1
EWXB10D4	1 Sub @ 1 Ω	MX1200.1	MM1500.1
EWXB10D2	2 Subs @ 1 Ω	MX1200.1	MM1500.1
EWXB12D4	1 Sub @ 1 Ω	MX2000.1	MM1500.1
EWXB12D2	2 Subs @ 1 Ω	MX2000.1	MM1500.1
EWXB15D4	1 Sub @ 1 Ω	MX2000.1	MM1500.1
EWXB15D2	2 Subs @ 1 Ω	MX2000.1	MM1500.1
<b>EWXPW SERIES</b>			
EWXPW8D2	1 Sub @ 4 Ω	FM75.4	FX90.4
EWXPW8D4	2 Subs @ 1 Ω	MM750.1	MX600.1
EWXPW10D4	2 Subs @ 1 Ω	MM750.1	MX600.1
EWXPW12D4	2 Subs @ 1 Ω	MM1500.1	MX1200.1
<b>EWX SERIES</b>			
EWX8D4	2 Subs @ 1 Ω	MX1200.1	MM750.1
EWX8D2	1 Sub @ 1 Ω	MX600.1	MM750.1
EWX10D4	2 Subs @ 1 Ω	MX1200.1	MM1500.1
EWX10D2	1 Sub @ 1 Ω	MX600.1	MM750.1
EWX12D4	2 Subs @ 1 Ω	MX2000.1	MM1500.1
EWX12D2	1 Sub @ 1 Ω	MX1200.1	MM1500.1
EWX15D4	2 Subs @ 1 Ω	MX2000.1	MX1200.1
EWX15D2	1 Sub @ 1 Ω	MX1200.1	MM1500.1
<b>EW SERIES</b>			
EW7 10F	2 Subs @ 1 Ω	MM750.1	MX600.1
EW7 12F	2 Subs @ 1 Ω	MM750.1	MX600.1
EW3 10D4	2 Subs @ 1 Ω	MM750.1	MX600.1
EW3 12D4	2 Subs @ 1 Ω	MM750.1	MX600.1
EW5 10D4	2 Subs @ 1 Ω	MM1500.1	MX600.1
EW5 12D4	2 Subs @ 1 Ω	MM1500.1	MX600.1



## E6 Component System

### ETW-1 Silk Dome Tweeter

- Dampened Aluminum Alloy Chassis
- High Energy N40 Neodymium Magnet
- Under Diaphragm Dampening
- Low Frequency Rear Resonance Chamber
- Canted Bottom Back Wave Deflector

### E6 6.5" Mid-Range Driver

- Polycarbonate Non-Magnetic Frame Structure
- Radial Frame Venting
- Kraft Pulp Wool Mixed Paper Cone
- Soft Fillet Roll NB UV Resistant Surround
- 30.5mm CCAW Kapton Former
- 10mm Extended Gap Depth
- Barium Ferrite Push Magnet
- Active Induction Copper Modulation Pole Cap
- Reverse EMF Bucking Neo Magnet

### Audiophile Grade 2-Way Passive Crossover System

- High Current Pure Copper Air Core Coil Inductors
- Metalized Polypropylene Capacitors
- Aluminum Chassis Wire-Wounds Non-Inductive Resistors
- 3 Position Adjustable Tweeter Attenuation



### ETW-1 Silk Dome Tweeter

Chassis Dimensions H x W: 2.67" x 3.23" ( 68 mm x 82 mm )

Mounting Depth: 1.16" ( 30 mm )

Cutout Diameter: 2.22" ( 57 mm )

### E6 6.5" Mid Range Driver

Frame Diameter: 6.29" ( 160mm )

Mounting Depth: 2.95" ( 75mm )

Cutout Diameter: 5.62" ( 143mm )

### E6 2-Way Passive Crossover Chassis

Width: 2.95" ( 75mm )

Height: 4.92" ( 125mm )

Depth: 1.67" ( 42.5mm )



## The Ultimate Sound Quality Loudspeaker

The **E6 6.5 component system** was designed and developed from the best of DB Drive's technologies. With engineering standards taken from the most prestigious home hi-fi speakers. The E6 is a true purpose built hi-fi loud speaker system for your car. The success of the E6, is that it is built completely from the ground up. The E6 is composed of a composite coned mid-bass driver developed for the sole purpose of extreme transparent audio reproduction. The E6 30mm silk dome tweeter with rear resonance chamber technology is designed for the extremely low distortion and crystal clear reproduction.

The E6 component system goes way beyond the reasonable expectations of a conventions component system and offers unparalleled acoustical efficiency. Built for your car with no restraints demanding music lover!

## Studio Sound for your Wheels



**E6 COMPONENT SYSTEM FREQUENCY RESPONSE**



**DIE-CAST BASKET**



### DIE-CAST BASKET

**6.5**  
INCH

**2-WAY**  
COMPONENT  
SYSTEM

**225**  
WATTS

## E5 Component System

### E5T-1 Silk Dome Tweeter

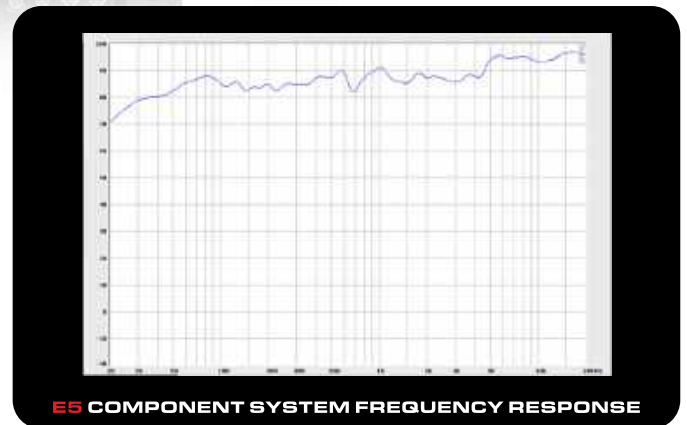
- Flush Mount Aluminum chassis
- High energy Neodymium Magnet
- Under Dome Dampening
- Low Frequency Resonance Micro -Chamber

### E5 6.5" Mid-Range Driver

- Die Cast Aluminum Frame Structure
- Radial Frame Venting
- TSD Coated Pulp Mixed Paper Cone
- Soft Bi-Roll Rubber Surround
- 30.5mm KSV Voice Coil Former
- Barium Ferrite Magnet

### Audiophile Grade 2-Way Passive Crossover System

- High Current Inductors
- Polypropylene Capacitors
- 3 Position Adjustable Tweeter Attenuation



### E5T-1" Silk Dome Tweeter

Mounting Depth: 0.5" ( 13 mm )

Cutout Diameter: 2.03" ( 52 mm )

### E6 6.5" Mid Range Driver

Frame Diameter: 6.5" ( 166 mm )

Mounting Depth: 2.8" ( 72 mm )

Cutout Diameter: 5.6" ( 143 mm )

### E5 2-Way Passive Crossover Chassis

Length: 5.07" ( 129 mm )

Width: 3.34" ( 85 mm )





## The perfect add-on or replacement tweeter FOR YOUR SOUND QUALITY SYSTEM

Immersive on and off axis frequency response keeps you in the sweet spot



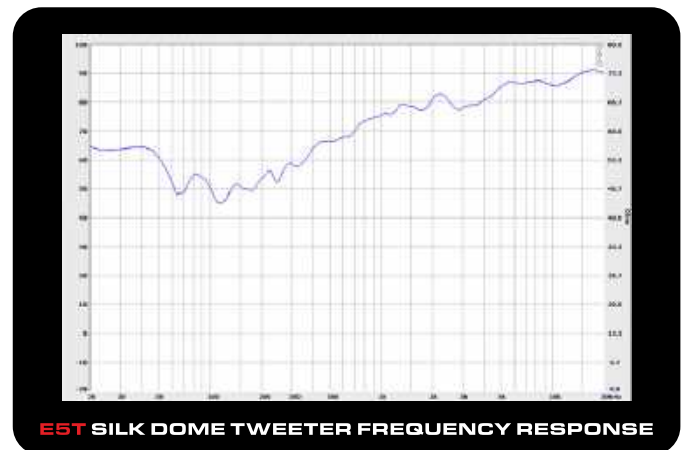
### E5T Silk Dome Tweeters

#### E5T-1 Silk Dome Tweeter

- Flush Mount Aluminum chassis
- High energy Neodymium Magnet
- Under Dome Dampening
- Low Frequency Resonance Micro -Chamber
- Power Handling: 75 Watts
- Dynamic Power Handling: 150 Watts

#### Audiophile Grade 2-Way Passive Crossover System

- High Current Inductors
- Polypropylene Capacitors
- 3 Position Adjustable Tweeter Attenuation



#### E5T-1" Silk Dome Tweeter

Mounting Depth: 0.5" ( 13 mm )

Cutout Diameter: 2.03" ( 52 mm )

#### E5 2-Way Passive Crossover Chassis

Length: 5.07" ( 129 mm )

Width: 3.34" ( 85 mm )

# EPC1TW

COMPONENT TWEETER



Balanced Aluminum Dome adds extended high frequencies  
**TO YOUR FACTORY OR CUSTOM SOUND SYSTEM**

**1.25"**  
**32MM**

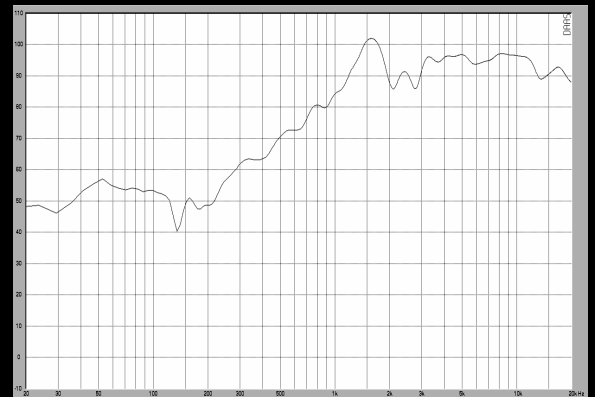
## EPC-1TW Dome Tweeter

### Features & Specifications

- 1.25" ( 32 mm ) High Efficiency Component Tweeters
- Aluminum Dome
- Neo Magnet with Rear Resonance Chamber
- Surface and Flush mount application Hardware included
- 6db Passive Crossover Included
- Designed for High Output
- Frequency Response 4KHz - 22.5KHz
- Sensitivity 101.4dB
- Power Handling: 150 Watts RMS / 225 Watts Peak
- 4Ω Rated Impedance
- 1 Pair

Rear resonance chamber enables smoother tweeter  
to mid-range frequency blending

Multi-Mount installation fits in any car application



**EPC1TW FREQUENCY RESPONSE**

### EPC-1TW Dome Tweeter

Mounting Depth: 0.89" ( 22 mm )

Cutout Diameter: 2.24" ( 57mm )



# EPT1N

HIGH OUTPUT NEO TWEETER

## PRO AUDIO

HIGH OUTPUT TITANIUM DIAPHRAGM



**mini**

Radial dispersion waveguide design fills the area with sound

Ultra Shallow Design fits most door panels

**NEO**

1.25"  
32<sup>MM</sup>

**TITANIUM  
DIAPHRAGM**

**300  
WATTS**

### EPT1N High Output NEO Tweeter

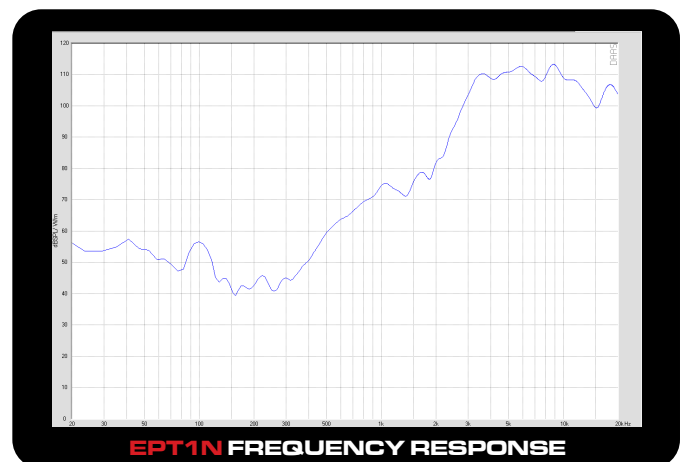
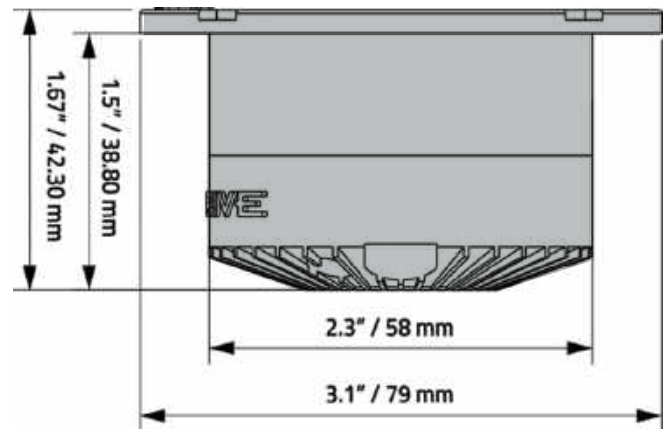
#### Features & Specifications

- 1.25" Voice Coil
- Titanium Diaphragm
- Neodymium Magnet
- Ultra-Shallow Mounting design
- Aluminum Die-Cast Waveguide Construction
- Includes 6dB Per Octave Crossover
- Frequency Response 5KHz - 22KHz
- Power Handling: 125 Watts RMS / 300 Watts Peak
- Sensitivity: 105 dB
- 4Ω Rated Impedance
- 1 Pair

**EPT1N High Output NEO Tweeter**

Mounting Depth: 1.5" ( 38 mm )

Cutout Diameter: 2.3" ( 58 mm )



**EPT1N RC**

Recone for EPT1N

# EPM65N

6.5" NEO MID-RANGE



**NEO** **6.5** **MID-RANGE**  
INCH

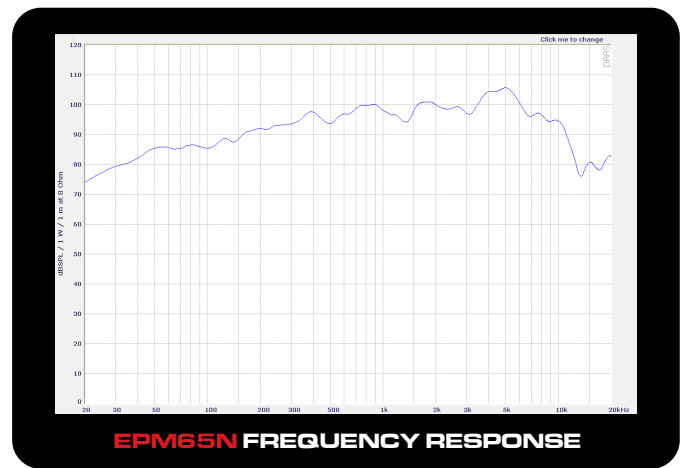
## EPM65N NEO Mid-Range

6.5" (165 mm) NEO Mid-Range

- Weather Resistant Treated Paper Cone
- Bi-ribbed Cloth Surround
- High Temperature Voice Coil
- Copper Frequency Modulation Ring
- Die-Cast Aluminum Basket
- Mono Radial Neodymium Ring Magnet
- Shallow Mount Design
- Protective grill included
- Sold as single
- RMS Power Handling: 180 Watts
- Dynamic Power Handling: 350 Watts
- Recommended Power Range RMS: 100 Watts - 150 Watts
- Frequency Response: 80Hz - 5500Hz
- Impedance: 4  $\Omega$
- Sensitivity: 92 dB

**SOLD AS**  
**SINGLE**

**DIE-CAST BASKET**



**EPM65N NEO Mid Rangez**

Mounting Depth: 2.61" ( 66 mm )

Cutout Diameter: 5.66" ( 144 mm )



## The EPC6K is the result of the commingling of Car audio and Pro-audio Speaker technologies.

This Revolutionary High-Impact Sound quality component will far out perform traditional loudspeakers with its super-efficient mid and long-throw tweeter that is perfectly balanced for audiophile musical reproduction at amazing volume levels.

# EPC6K

## COMPONENT SYSTEM



**6.5**  
INCH

**2-WAY**  
COMPONENT  
SYSTEM

**500**  
WATTS

**DIE-CAST BASKET**

## EPC6K Component System

### Features & Specifications

- High Efficiency Component System
- 6.5" Component Loudspeaker
- Ultra Light Weight Paper Cone
- High Reaction Ribbed Surround
- 1" ( 25 mm ) High Temperature Voice Coil
- Die-Cast Aluminum Anti Resonance Basket
- 1.25" ( 28 mm ) Aluminum Dome Tweeter
- Muti-Mount Tweeter Flange
- 12dB Passive Crossover Network
- Grill Included
- 6.5" 2-Way Component System
- RMS Power Handling : 250 Watts
- Dynamic Power Handling : 500 Watts
- Recommended Power Range RMS : 75 Watts - 150 Watts
- Frequency Response : 80 Hz - 21 KHz
- Impedance : 4Ω
- Sensitivity : 103.5 dB



**PROTECTIVE GRILL**

# ES9 SERIES



## ES9 Component System

### Features & Specifications

- 6.5" Component Speaker
- 1" (25mm) Aluminum / Magnesium Polymer Dome
- Ultra-light Hybrid Glass Fiber Cone
- Butyl Rubber Surround
- 1" (25mm) High Temperature Voice Coil
- Die-Cast Basket Design
- Anti-resonance Basket treatment
- Proprietary Protective Magnet Band
- 12 db External Premium X-over
- RMS Power Handling: 100 Watts
- Dynamic Power Handling: 300 Watts
- Recommended Power Range RMS: 75 Watts - 100 Watts
- Frequency Response: 30 Hz - 22 Hz
- Impedance: 4  $\Omega$
- Sensitivity: 93 dB

## DIE-CAST BASKET

**6.5**  
INCH

**2-WAY**  
COMPONENT  
SYSTEM

**300**  
WATTS

### ES9 Component System

Mounting Depth: 2.56" ( 65 mm )

Cutout Diameter: 5.63" ( 143 mm )





Offering the highest level of perfection in every aspect,  
**the Euphoria Series is the pinnacle of modern-day car  
audio technology and craftsmanship.**

Taking the “live” music concept into a new realm, this high-end lineup utilizes new materials, transducer advances and proprietary. (sounds off)

# ES9 SERIES



## DIE-CAST BASKET

**3.5**  
INCH

**3-WAY**  
ADD-ON KIT

**MID-RANGE**

**300**  
WATTS

## ES9 3.5" Component Mid-Range

### Features & Specifications

- 3.5" (88.9mm) Component Mid-Range
- Hybrid Complex Polypropylene Cone
- Cloth Surround
- High Temperature Voice Coil
- Die-Cast Basket design
- Anti-resonance Basket treatment
- Shallow Neo Magnet
- 3.5" Mid-Range add on kit for ES9 6C
- ES9 X3.5 Passive Crossover recommended
- RMS Power Handling: 100 Watts
- Dynamic Power Handling: 300 Watts
- Recommended Power Range RMS: 75 Watts - 100 Watts
- Frequency Response: 200Hz - 3200Hz
- Impedance: 3.1  $\Omega$
- Sensitivity: 89 dB



### ES9 Component Mid-Range

Mounting Depth: 1.55" ( 39 mm )

Cutout Diameter: 3" ( 76 mm )





## ES9 1T 1" Aluminum Tweeter

### Features & Specifications

- 1" ( 25mm ) Aluminum / Magnesium Poler Dome Tweeter
- Flush and Surface Mount Function
- 12 db External Premium X-Over
- RMS Power Handling : 85 Watts
- Dynamic Power Handling : 250 Watts
- Recommended Power Range RMS : 45 Watts – 85 Watts
- Frequency Response : 3.5 Hz – 20 KHz
- Impedence : 4Ω
- Sensitivity : 91 dB

## ES9 X3.5 3-Way Passive Crossover

### Features & Specifications

- Tweeter High Pass Filter: 4600 Hz HP @ 12db per octave
- Mid-Range Band Pass Filter: 1600 Hz HP @ 6 db per Octave
- Mid-bass Low Pass Filter: 1600 Hz HP @ 6 db per Octave
- Designer to Convert your ES9 way Component into a 3 -way Component [ ES9 3.5 Component Miderange is Required ]
- The ES9 3.5X3 -Way Passive Crossover Replaces the ES9 6C included 2 Way Passive Crossover.



(Sold Separately)

# ES7 SERIES



## STAMPED STEEL BASKET

**6.5**  
INCH

**2-WAY**  
COMPONENT  
SYSTEM

**225**  
WATTS

## ES7 6C Component Mid-Range

### Features & Specifications

- 6.5" Component Speaker
- 1" ( 25mm ) Iridium Aluminum Dome
- Hybrid Complex Polypropylene Cone
- Butyl Rubber Surround
- 1" ( 25mm ) high temperature voice coil
- Rigid Stamped Steel DB Basket design
- Anti-resonance Basket treatment
- Proprietary protective magnet band
- 12 db External X-over
- RMS Power Handling: 85 Watts
- Dynamic Power Handling: 225 Watts
- Recommended Power Range RMS: 75 Watts - 100 Watts
- Frequency Response: 200Hz - 3200Hz
- Impedance: 3.1  $\Omega$
- Sensitivity: 89 dB

### ES7 6C Component Mid-Range

Mounting Depth: 2.56" ( 65 mm )

Cutout Diameter: 5.63" ( 143 mm )



# ES7 SERIES



**ES7 69** 6x9" 3-Way Speaker



**STAMPED STEEL BASKET**

## ES7 Speakers

### Features & Specifications

- Hybrid Complex Polypropylene Cone
- Butyl Rubber Surround Heavy Gauge Steel
- Proprietary Stamped Basket
- 1" ( 25mm ) Voice coil/ Ferrite Oxide Magnet
- Tweeter- 1" ( 25mm ) Black Aluminum Dome
- Neodymium Magnet

**ES7 60** 6.5" 2-Way Speaker

MODEL	DESCRIPTION	NOMINAL POWER	MAX POWER	FREQ. RESPONSE
<b>ES7 1T</b>	1" Aluminum Tweeter	75 Watts	200 Watts	3 KHz - 22 KHz
<b>ES7 60</b>	6.5" 2-Way Speaker	75 Watts	225 Watts	30 Hz - 22 KHz
<b>ES7 57</b>	5x7" 2-Way Speaker	75 Watts	225 Watts	30 Hz - 22 KHz
<b>ES7 69</b>	6x9" 3-Way Speaker	95 Watts	280 Watts	28 Hz - 22 KHz

# ES5 SERIES



## STAMPED STEEL BASKET

**6.5**  
INCH

**2**  
WAY

**190**  
WATTS

## ES5 6C Component Mid-Range

### Features & Specifications

- 6.5" Component Speaker
- 1/2" ( 13 mm ) PEI Dome Tweeter
- Polypropylene Cone
- Even-Pressure Foam Surround
- 1" ( 25 mm ) high temperature voice coil
- Rigid Stamped Steel DB Basket design
- Anti-resonance Basket treatment
- Proprietary protective magnet band
- RMS Power Handling : 85 Watts
- Dynamic Power Handling : 190 Watts
- Power Range RMS : 50 Watts - 85 Watts
- Frequency Response : 35 Hz - 21 KHz
- Impedence : 4Ω
- Sensitivity : 91 dB

Many speakers make a lot of promises, but very few speakers can deliver extreme performance and sound quality like the Euphoria ES5 series.

The Euphoria ES5 Loudspeakers can be at home with a custom designed amplified system with no problem , but are also designed to be very efficient, which also makes them a perfect replacement match for any factory head unit power.

In any application the Euphoria ES5 Loudspeakers acoustical performance will leave the competition in the shadows.

### ES5 6C Component Mid-Range

Mounting Depth: 2.32" ( 59 mm )

Cutout Diameter: 5.51" ( 140 mm )



# ES5 SERIES



ES5 60 6.5" 2-Way Speaker



ES5 69 6x9" 3-Way Speaker



**STAMPED STEEL  
BASKET**

## ES5 Speakers

### Features & Specifications

- PEI Dome Tweeter
- Polypropylene Cone
- Even-Pressure Foam Surround
- 1" ( 25mm ) high temperature voice coil
- Rigid Stamped Steel DB Basket design
- Anti-resonance Basket treatment
- Proprietary protective magnet band



ES5 50 5.25" 2-Way Speaker



MODEL	DESCRIPTION	NOMINAL POWER	MAX POWER	FREQ. RESPONSE
ES5 50	5.25" 2-Way Speaker	55 Watts	160 Watts	30 Hz - 22 KHz
ES5 60	6.5" 2-Way Speaker	60 Watts	180 Watts	35 Hz - 20 KHz
ES5 57	5x7" 2-Way Speaker	65 Watts	180 Watts	30 Hz - 20 KHz
ES5 69	6x9" 3-Way Speaker	85 Watts	160 Watts	35 Hz - 21 KHz

# ES3 SERIES



STAMPED STEEL  
BASKET

6.5  
INCH

2-WAY  
COMPONENT  
SYSTEM

175  
WATTS

## ES3 6C Component Mid-Range

### Features & Specifications

- 6.5" Component Speaker
- 1/2" (12mm) PEI Dome Tweeter
- Neodymium Tweeter Magnet
- Foam Surround
- 1" (25mm) High Temperature Voice Coil
- Polypropylene Cone
- Ferrite Oxide Magnet
- 12 db External Premium X-Over
- RMS Power Handling : 75 Watts
- Dynamic Power Handling : 175 Watts
- Recommended Power Range RMS:
  - 50 Watts - 75 Watts
- Frequency Response : 40 Hz - 20 KHz
- Impedance : 4Ω
- Sensitivity : 91 dB

Looking for a high performance step up from your factory speakers? **Euphoria ES3 Loudspeakers** feature the same acoustical properties as their bigger Euphoria brothers at a more affordable value.

Wanting a better sound in your car shouldn't break the bank. **Euphoria ES3 Loudspeakers** are the perfect option if you need to replace your factory speakers or if you're on your way to building a startup system. To reproduce quality sound, you will need quality speakers ES3 delivers.

### ES3 6C Component Mid-Range

Mounting Depth: 2.56" ( 65 mm )

Cutout Diameter: 5.63" ( 143 mm )



# ES3 SERIES



**ES3 60** 6.5" 2-Way Speaker

**ES3 693** 6x9" 3-Way Speaker



## ES3 Speakers

### Features & Specifications

- 1/2" (13 mm ) PEI Dome Tweeter
- Polypropylene CoVne
- Even-Pressure Foam Surround
- 1" ( 25mm ) high temperature voice coil
- Rigid Stamped Steel Basket
- Anti-resonance Basket treatment
- Proprietary protective magnet band

## STAMPED STEEL BASKET



**ES3 603** 6.5" 3-Way Speaker

MODEL	DESCRIPTION	NOMINAL POWER	MAX POWER	FREQ. RESPONSE
<b>ES3 35</b>	3.5" 2-Way Speaker	35 Watts	75 Watts	85 Hz - 20 KHz
<b>ES3 40</b>	4" 2 Way Speaker	40 Watts	80 Watts	75 Hz - 20 KHz
<b>ES3 46</b>	4x6" 2-Way Speaker	40 Watts	80 Watts	65 Hz - 20 KHz
<b>ES3 50</b>	5.25" 2-Way Speaker	45 Watts	90 Watts	55 Hz - 20 KHz
<b>ES3 57</b>	5x7" 2-Way Speaker	55 Watts	125 Watts	40 Hz - 20 KHz
<b>ES3 60</b>	6.5" 2-Way Speaker	50 Watts	150 Watts	35 Hz - 20 KHz
<b>ES3 603</b>	6.5" 3-Way Speaker	55 Watts	125 Watts	40Hz - 20 KHz
<b>ES3 693</b>	6x9" 3-Way Speaker	75 Watts	150 Watts	40Hz - 20 KHz



**STAMPED STEEL  
BASKET**

**6.5  
INCH**

**2-WAY  
COMPONENT  
LOUDSPEAKER**

**250  
WATTS**

## ES1 65C Component Mid-Range

### Features & Specifications

- 6.5 in. Component Speaker
- 1" Silk Dome Tweeter
- Heavy Gauge Stamped Steel Basket
- Aluminum Voice Coil
- Butyl Rubber Surround
- TSD Coated Pressed Paper Cone
- RMS Power Handling : 65 Watts
- Dynamic Power Handling : 250 Watts
- Frequency Response : 40Hz - 20KHz
- Impedance : 4Ω
- Sensitivity : 92 dB

**THE ULTIMATE AUDIO UPGRADE IN THE  
PERFORMANCE TO VALUE CATEGORY.**

The Euphoria S1 series loudspeakers offer a superior audio upgrade over factory sound.

### ES1 6C Component Mid-Range

Mounting Depth: 2.36" ( 60 mm )

Cutout Diameter: 5.63" ( 143 mm )





## STAMPED STEEL BASKET

**6.5**  
INCH

**2**  
WAY

**110**  
WATTS

## ES1 60 Speakers

### Features & Specifications

- Dome Material 1/2" (13mm) Mylar
- Dome Magnet Material
- Cone Material : Polypropylene
- Surround : Rubber Butyl
- Voice Coil Diameter 1" (25mm)
- Magnet Material : Ferrite Oxide



### ES1 60 Component Mid-Range

Mounting Depth: 2.25" ( 57 mm )

Cutout Diameter: 5.5" ( 140 mm )



# EUPHORIA™

[euphoriacaraudio.com](http://euphoriacaraudio.com)



302 Hanmore Industrial Parkway/Harlingen, TX 78550

Toll Free: (877) 787-0101 Fax: (956) 421-4513

[www.euphoriacaraudio.com](http://www.euphoriacaraudio.com) [sales@dbdrive.net](mailto:sales@dbdrive.net)

Printed in China

**ECAT23A**

ECAT23A  
81153603 780