

A. Oral Test 口試 (共 10 分) _____

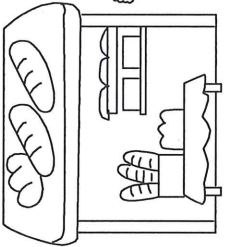
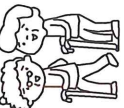
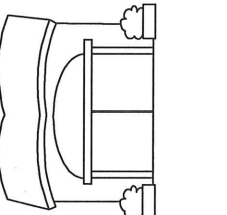
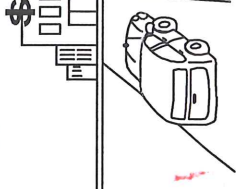

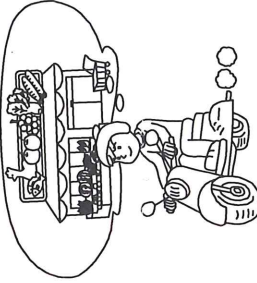
B. Listen and Circle 聽 CD 圈出對應的發音組合 (6 分)

1. a_e e_e i_e
2. ai ee
3. i

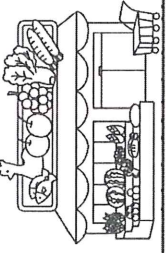


C. Listen and Write 聽 CD, 寫出正確的單字 (4 分)

1. _____ bus
2. _____ bakery

D. Listen and Number 聽 CD, 將圖片依序標號 (8 分)

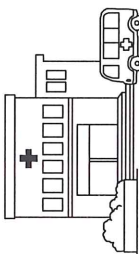

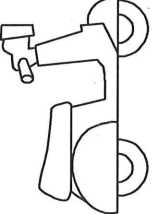
(1)  (2)  (3)  (4)   

E. Listen and Choose 聽 CD 選出正確的句子代號 (2 分)

1. (B)

F. Look and Spell 看圖拼出正確的單字 (6 分)

1.  hospital
2.  car
3.  scooter

G. Choose 依上下文選出正確的答案 (4 分)

- (C) 1. A: Where is Betty going?
B: She's going to the _____. She likes to read books there.
(A) bank
(B) post office
(C) library
- (B) 2. Mark is sick. He's going to the _____.
(A) park
(B) hospital
(C) post office

H. Choose 文法選擇 (20 分)

- (C) 1. Jamie is _____ to the hospital.
(A) go (B) goes (C) going
- (A) 2. Abby and I _____ going to the park.
(A) am (B) are (C) is
- (B) 3. A: I'm going _____ the bank. How about you?
B: Me, _____.
(A) on, to (B) to, too (C) too, too
- (A) 4. A: Is Tom going to the post office?
B: No, he _____.
(A) isn't (B) aren't (C) doesn't
- (C) 5. A: Where _____ you going?
B: I _____ going to the restroom.
(A) am, are (B) are, are (C) are, am
- (B) 6. A: _____ are they going?
B: They're going to the classroom.
(A) How (B) Where (C) What
- (A) 7. You can get to the post office _____ bus.
(A) by (B) to (C) in
- (A) 8. A: _____ can Shelly get to the gym?
B: She can get there by scooter.
(A) How (B) What (C) Where
- (B) 9. Amy can _____ to the bakery by bike.
(A) gets (B) get (C) getting
- (B) 10. A: _____ we get to the park by MRT?
B: Yes, we _____.
(A) Are, are (B) Can, can (C) Do, don't

I. Look and Number 看圖填對應的句子數字 (12 分)

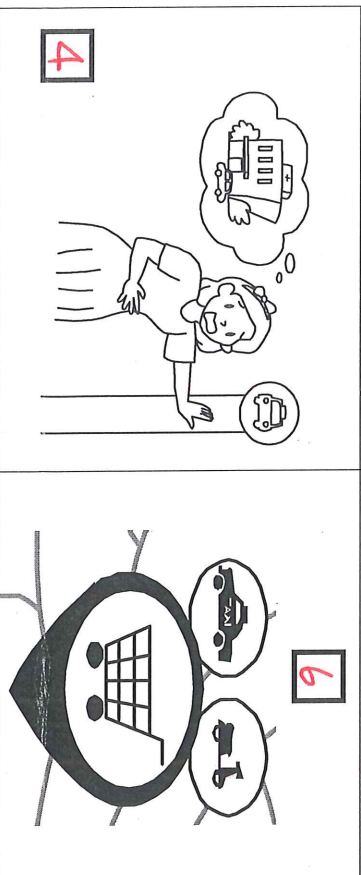
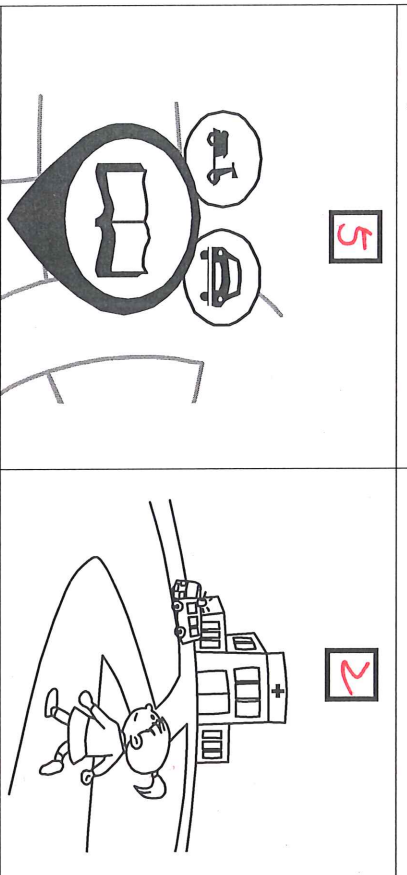
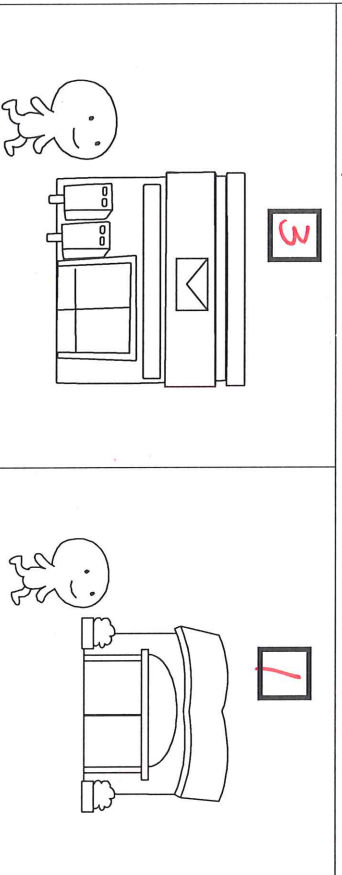
- (1) I'm going to the library. 3
- (2) Rita is going to the hospital.
- (3) John is going to the post office.
- (4) She can get to the hospital by taxi.

(5) A: How can I get to the library?

B: You can get there by scooter.

(6) A: Can we get to the supermarket by MRT?

B: No, we can't.



J. Unscramble 重組句子：(共 6 分)

1. you/ How/ to/ get /the/hospital/?/can

How can you get to the hospital?

2. are/going/Where /you/?/

Where are you going?

3. He/going/the /post office/is/. /to

He is going to the post office.

K. Read and Choose 閱讀並選擇：(共 6 分)

Hi, I'm Lisa. It's seven thirty. My mom is going to the hospital. She can get there by scooter.

My dad is going to the post office. He can get there by bike.

My sister is going to the bank. She can get there by bus.

I'm going to school. The school is nearby. I can walk there.

(C) (1) Where is Lisa's mother going?

(A) She's going to the bank.

(B) She's going to the library.

(C) She's going to the hospital.

(B) (2) Can Lisa's father get to the post office by train?

(A) Yes, he can.

(B) No, he can't. He can get there by bike.

(C) No, he isn't. He is going to the supermarket.

(A) (3) How can Lisa get to her school?

(A) She can walk there.

(B) She can get there by boat.

(C) She can get there by train.

L. Choose 澎湖灣單字：(共 6 分)

1. are Where library bakery is am How

* bread 麵包

A: Where is Henry?

B: He's sleeping in his room.

A: Where are you going?

B: We're going to the bakery. We want to buy some bread.

M. Choose 澎湖灣單字：(共 10 分)

(C) 1. 看見 (A) see (B) bee (C) sea

(B) 2. 加入 (A) joy (B) join (C) point

(A) 3. 高的 (A) tall (B) all (C) fall

(B) 4. 聽見 (A) ear (B) hear (C) pear

(B) 5. 黎明 (A) draw (B) dawn (C) way

(C) 6. 動物園 (A) too (B) cool (C) zoo

(A) 7. 他們(受詞) (A) them (B) then (C) than

(B) 8. 如何 (A) what (B) how (C) who

(B) 9. 誰 (A) what (B) who (C) which

(A) 10. 哪個 (A) which (B) what (C) how

100 分	人	70-79 分	人
90-99 分	人	60-69 分	人
80-89 分	人	60 分以下	人