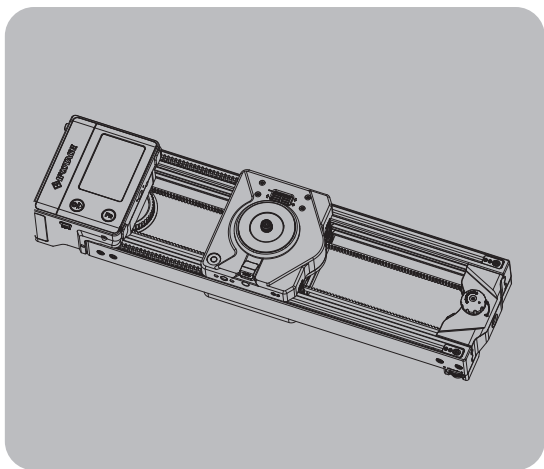




**Shark Slider**  
*nano*

**Shark Slider Nano  
Instruction Manual**



Thank you for purchasing this iFootage product. The Shark Slider Nano is compact, lightweight, easy to carry and is ideal for time-lapse, stop-motion and interior or exterior location camera movement. To get the most from your Shark Slider Nano, please read the following instructions carefully before operating the equipment. Please keep the manual safe for future reference.

This instruction manual supports the following:

1. Shark Slider Nano Standard
2. Shark Slider Nano Bundle

## CONTENTS

■ TECHNICAL INFORMATION .....	01
■ FEATURES .....	02
■ PRECAUTIONS .....	02
■ COMPONENT DESCRIPTION .....	03
■ INSTALLATION GUIDE AND FUNCTIONS .....	04-09
■ SET UP .....	10
■ SCENARIOS .....	11-13

## TECHNICAL INFORMATION

Shark Slider Nano	Track Specifications	421x108x71 mm	
Weight	2.15kg	Slider endurance time	4H
Working temperature	-25 °C~+65 °C	Humidity	≤80%
Battery model	750 lithium battery	Vertical payload	2.0kg
Material	Aluminum alloys + SUS304 Stainless steel + Polymer composite		
Input	5V --- 2A or 9V --- 2A(Type-C)		
Table horizontal payload	3.5kg	Tripod horizontal payload	2.5kg
Useable Length	Table mounted: 200±1.5mm Tripod mounted: 400±3mm		
-----			
Pan Axis Accuracy	0.004°	Pan Axis Slowest Speed	0.0041°/sec
Slide Axis Accuracy	0.0019mm	Slide Axis Slowest Speed	0.0002mm/sec
Pan Axis Fastest Speed	360°/sec		
Slide Axis Fastest Speed	150mm/s		



### Note: Please read the following information:

1. Whilst every care has been taken to ensure that this manual supports the product and our customers, some ambiguity or description omissions may exist. We always welcome customer feedback on how we can improve the product manual.
2. Please note that customers who have purchased the following will need to download the iFootage App which currently supports iPhone IOS9.3 and Android 6.0.
3. Please check all components and packaging for any damage. In the case of missing or defective parts, please contact your distributor as soon as possible.
4. For Shark Slider Nano first time use, please read the 'precautions' section.
5. Please install the battery prior to using this equipment. When the battery level is low, power can be supplied via the Micro USB port whilst simultaneously charging the battery during operation.
6. Please note that the camera, head, tripod, smart phone, vertical shoot quick release plate and battery are not included in the package and are used for illustrative purposes only.

## FEATURES

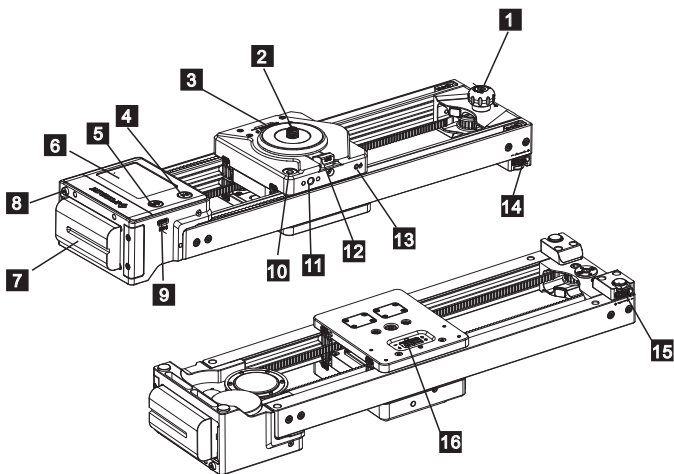
1. Lightweight, compact, portable and easy to deploy.
2. Provides USB power supply whilst simultaneously charging battery.
3. Reliable, wireless control using Bluetooth BLE 5.0 and 2.4 GHz.
4. Instant automatic connectivity via Smartphone Bluetooth BLE 5.0.
5. iFootage motion control App with free firmware updates allowing you to experience the very latest functionality.
6. Ultra silent, brushless, servo drive technology providing accurate positioning: super smooth and super quiet.
7. Unique 2 in 1 dual axis motion control design combines slide movement with 360 degree pan movement.
8. Lightweight and supremely compact Bi-directional maximum movement achieved with minimum body length.
9. Enjoy total slider functionality and control via the innovative highlight IPS touchscreen or Smartphone App.
10. iFootage Moco App interface simultaneously supports control of the slider carriage and the recording.

## PRECAUTIONS

1. Prior to opening the App please ensure that your Smartphone's Bluetooth is activated. If using an Android device please ensure that the Smartphone's GPS is activated.
2. It is recommended to use F750 batteries.
3. As a result of lithium battery discharge characteristics and the overall power requirements for the Shark Slider Nano to operate, should the battery power be 20% or less, the operation time may be reduced to less than 10 minutes. Please ensure the battery is fully charged so that there is sufficient power for sustained operation. When battery power is low, it is possible to switch to a USB power supply which will also recharge the battery in addition to powering the unit.
4. The output current for the charging power adapter should be above 2A in order to charge effectively.
5. Once activated, the Nano automatically moves to the initial status/zero point. Please ensure that the track is clear of obstacles prior to starting. It is recommended that users keep their hands clear of the tracks to avoid damage or injury.
6. Always protect the equipment when working in dusty, damp or wet environments. Failure to ensure adequate protection from elements may result in equipment failure.
7. Do not use this motion control unit in environments above 65°C and below -25°C degrees.
8. Any disassembly or modification without authorization or improper use of the equipment may result in damage and affect the warranty.
9. In order to operate the Nano via the iFootage Moco App please follow the download instructions below:  
IOS users: search "iFootage Moco" / "iFootage" in the Apple App Store and then download, or scan the QR code to download.  
Android users: search "iFootage Moco" / "iFootage" in the Android App Store and then download, or scan the QR code to download.

## COMPONENT DESCRIPTION

### ■ Shark Slider Nano



**1** Carriage lock button

**2** 1/4" & 3/8" connection screw

**3** Carriage tightness adjustment button

**4** Fn gesture control button

**5** On/Off switch & Confirm button

**6** Touchscreen

**7** Battery

**8** Battery release button

**9** USB-C port

**10** Spirit level

**11** 1/4" switch port

**12** Pan axis lock button

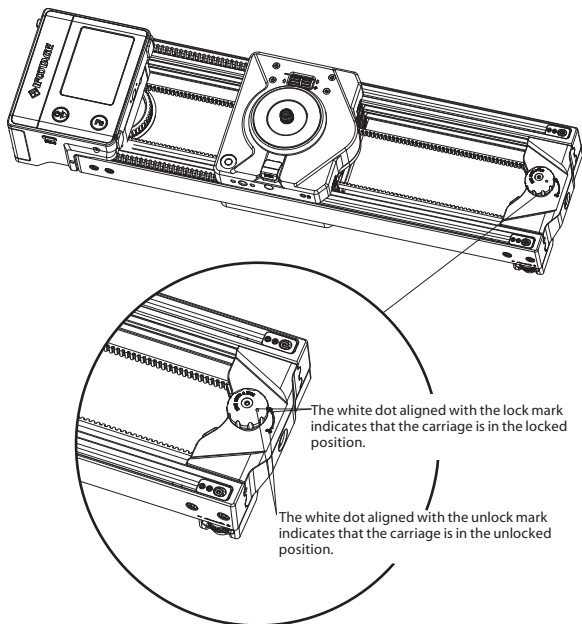
**13** 2.5mm Shutter port

**14** Left side height adjustment control

**15** Right side height adjustment control

**16** Bottom carriage tightness adjustment control

## INSTALLATION GUIDE AND FUNCTIONS



### ■ Note:

It is important that prior to operating the Shark Slider Nano the carriage must be in the 'unlocked' position.

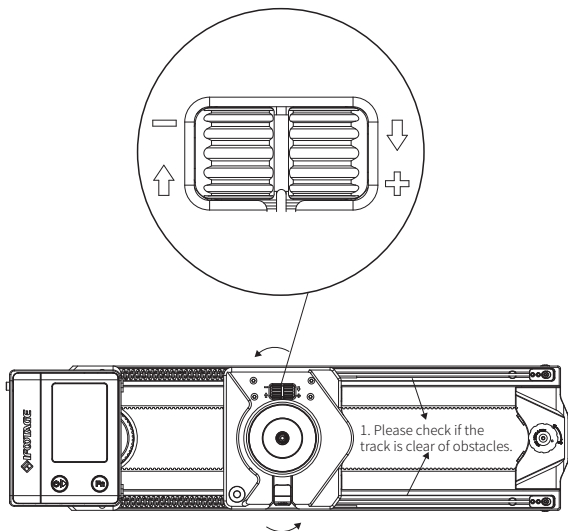
1. If the carriage is in the locked position, please press the button and rotate towards the unlock mark and release.  
(Press down and rotate the button until it will no longer rotate - it is then in place)

## INSTALLATION GUIDE AND FUNCTIONS

### ■ Note:

1. Please ensure that the track is clear of obstacles prior to starting.
2. Please check that the carriage movement is 'firm'. You can adjust the carriage using the carriage tightness adjustment button.

Note: Do not over tighten.

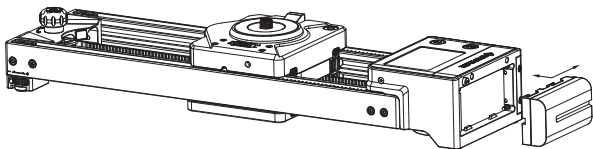


2. Adjustment can be found underneath the carriage.

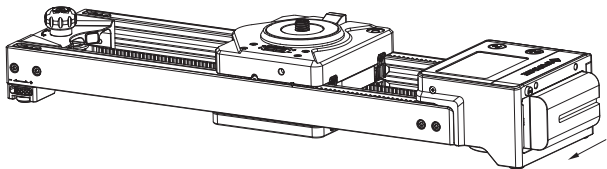
## INSTALLATION GUIDE AND FUNCTIONS

### ■ Installation and removal of the battery

\*Please install the battery prior to starting.



Installation: Carefully place the battery in the receiving port and gently push to the right. An audible click indicates that the battery is correctly installed.



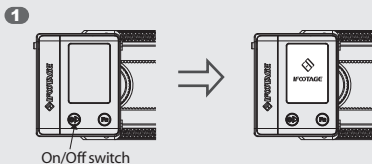
Removal: To remove the battery, press the battery release button, slide the battery left and lift out.



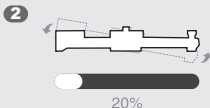
## INSTALLATION GUIDE AND FUNCTIONS

### ■ Start up

Step 1: Please follow the procedure below.



To turn on, please press and hold the 'ON' switch for 3 seconds until the boot animation appears.



Prior to attaching any equipment, level the slider and await the 'dynamic calibration process' to indicate 100%. Avoid any contact with the slider during this procedure.



Install the device and place the camera lens perpendicular to the track. After the setting is completed, press "calibrated" to confirm before normal use.

**Note:** Auto calibration takes place after each restart.

#### APP download:

Scan the QR code or search **iFootage Moco** directly. Please visit **[www.footagegear.com](http://www.footagegear.com)** for more information.

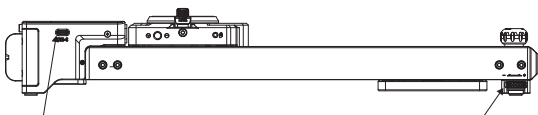


 **IFOOTAGE**

## INSTALLATION GUIDE AND FUNCTIONS

### ■ Start up

Step 2: When using the Nano on a table top or on the ground, you can adjust the legs to required height.



USB-C QC port: allows for battery to be charged whilst Nano is in operation.

Rotate here to adjust the height of legs.

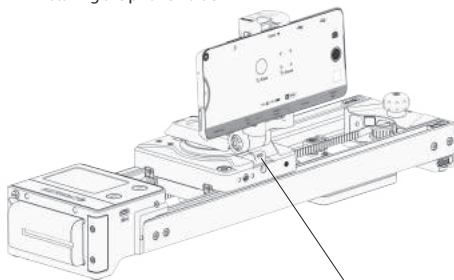
### ■ Shut down

Press and hold the On/Off switch for 3 seconds to turn off the screen.

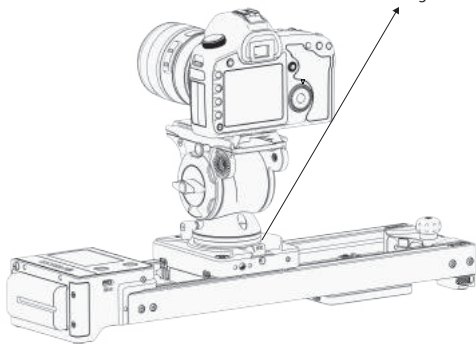
## INSTALLATION GUIDE AND FUNCTIONS

### ■ Installation of phone holder and head

Installing the phone holder



Installing the head

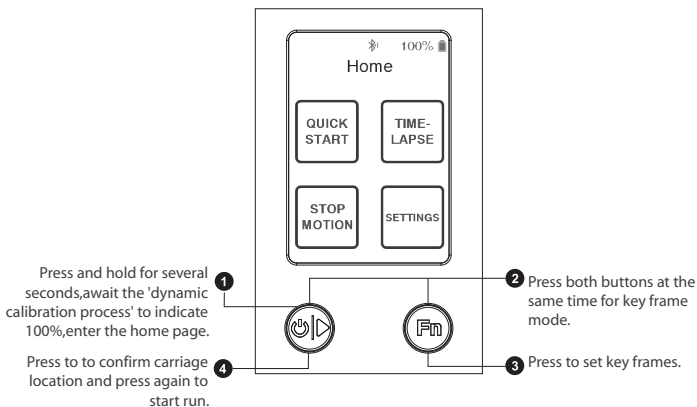


When installing the head or phone holder, please press the Pan Axis Lock button first, then tighten the head or phone holder.

## SET UP

### ■ Quick start

1. Press and hold the On/Off switch for several seconds, level the slider and await the 'dynamic calibration process' to indicate 100%, then enter the home page.
2. Press the On/Off switch and Fn gesture control button at same time, to initiate the quick start mode.
3. Press the Fn gesture control button to set key frame point A and point B.
4. Press the button a second time and the carriage will return to zero point to start its run.

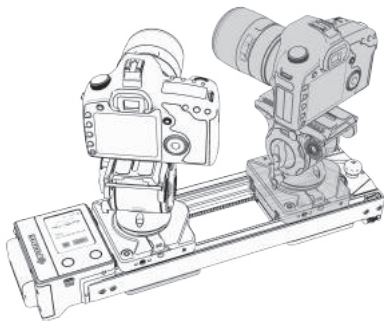
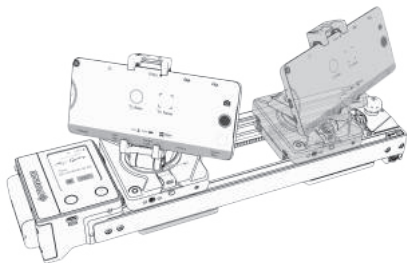


\*For more information on functions please download the iFootage Moco App or visit the website: [www.ifoottagegear.com](http://www.ifoottagegear.com) for access to the software user manual.

## SCENARIOS

### ■ Use in horizontal position

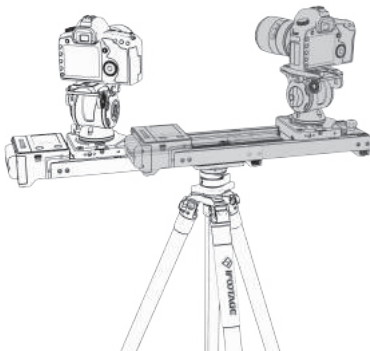
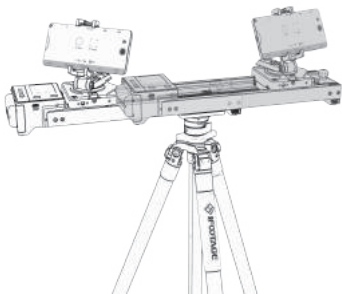
When using the Nano on the ground or on a table top please ensure that the track is free from any obstacle prior to start up.



## SCENARIOS

### ■ Mounting the Nano on a tripod for bi-directional movement.

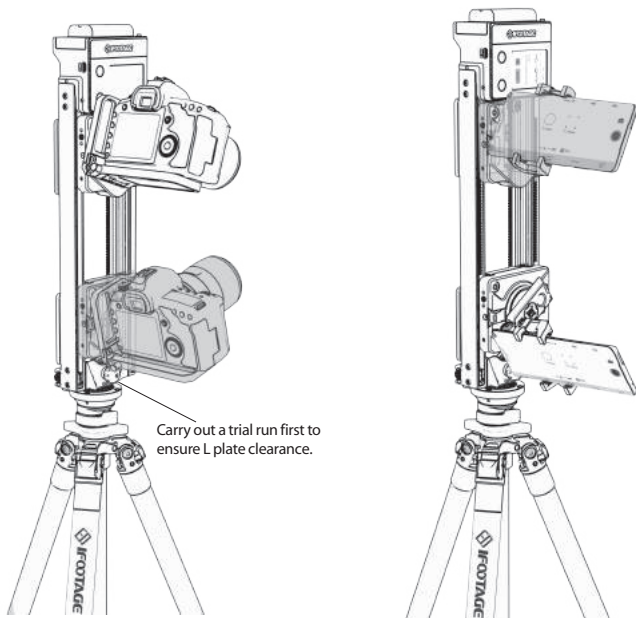
When using the Nano slider on a tripod please ensure that the tripod legs are spread sufficiently to fully support the carriage and camera movement.



## SCENARIOS

### ■ Use in vertical position

Safety note: When using the Nano in the vertical position please ensure that you initially mount the slider to the tripod, then install the battery and lastly, after setting the carriage in the start position, attach the camera.



## STATEMENT

iFootage and its associates will not be held responsible for the use or misuse of any of the iFootage products or any direct, indirect, punitive, incidental, special consequential property or life damage responsibility. The risk of users or any other person using this product shall be borne by the user. This will not affect your legal rights.



Please scan the QR code to download the iFootage Moco App. More information on functions and the software user manual can be found at: [www.ifootagegear.com](http://www.ifootagegear.com)

## MANUFACTURER INFORMATION



IFOOTAGE INTERNATIONAL (HK) LIMITED

UK Design & Made in China

Origin: China

Website: [www.ifootagegear.com](http://www.ifootagegear.com)



Caution: The user is cautioned that changes or modifications not expressly approved by the party responsible for compliance could void the user's authority to operate the equipment.

This device complies with Part 15 of the FCC Rules and Industry Canada licence-exempt RSS standard(s). Operation is subject to the following two conditions:

- (1) this device may not cause harmful interference, and
- (2) this device must accept any interference received, including interference that may cause undesired operation.

Le présent appareil est conforme aux CNR d'Industrie Canada applicables aux appareils radio exempts de licence. L'exploitation est autorisée aux deux conditions suivantes :

- (1) l'appareil ne doit pas produire de brouillage, et
- (2) l'utilisateur de l'appareil doit accepter tout brouillage radioélectrique subi, même si le brouillage est susceptible d'en compromettre le fonctionnement.

NOTE: This equipment has been tested and found to comply with the limits for a Class B digital device, pursuant to Part 15 of the FCC Rules. These limits are designed to provide reasonable protection against harmful interference in a residential installation. This equipment generates, uses and can radiate radio frequency energy and, if not installed and used in accordance with the instructions, may cause harmful interference to radio communications. However, there is no guarantee that interference will not occur in a particular installation.

If this equipment does cause harmful interference to radio or television reception, which can be determined by turning the equipment off and on, the user is encouraged to try to correct the interference by one or more of the following measures:

- Reorient or relocate the receiving antenna.
- Increase the separation between the equipment and receiver.
- Connect the equipment into an outlet on a circuit different from that to which the receiver is connected.
- Consult the dealer or an experienced radio/TV technician for help.

#### **FCC& IC Radiation Exposure Statement:**

This equipment complies with FCC and Canada radiation exposure limits set forth for an uncontrolled environment. **This equipment should be installed and operated with a minimum distance of 20cm between the radiator and your body.**

This transmitter must not be co-located or operating in conjunction with any other antenna or transmitter.

#### **Déclaration d'IC sur l'exposition aux radiations:**

Cet équipement est conforme aux limites d'exposition aux radiations définies par le Canada pour des environnements non contrôlés. **Cet équipement doit être installé et utilisé à une distance minimum de 20 cm entre l'antenne et votre corps.**

Cet émetteur ne doit pas être installé au même endroit ni utilisé avec une autre antenne ou un autre émetteur.