

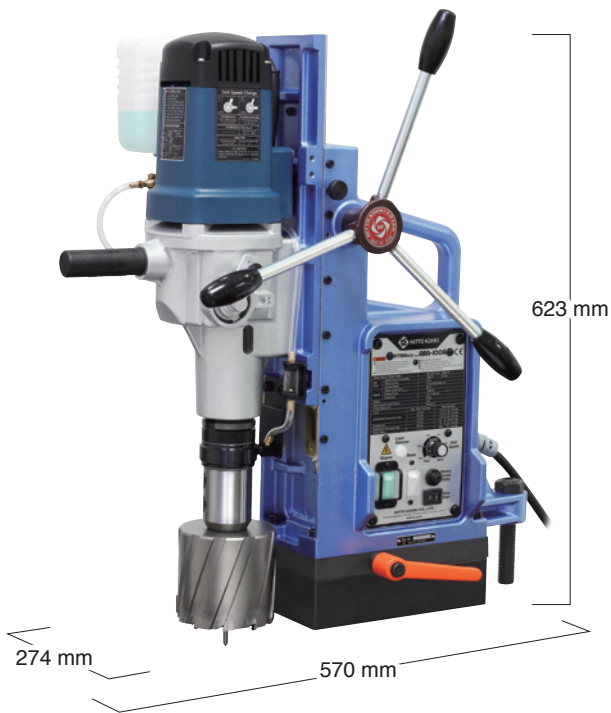
# BORING

Portable Magnetic Base Drilling Machine

## ATRA ACE manual feed

Model **ARA-100A** 

• Max. 100 mm dia. x 75 mm deep



### The versatile drilling machine with top-class power

- Accepts various cutters for diverse drilling
- Advanced electronic control for efficient drilling and operator safety

#### Specifications

Model		ARA-100A	
Power Source (Single Phase)		220 - 240 V AC, 50/60 Hz	
Electric Drill	Rated Power Consumption	W	1800
	Rated Current	A	8.2
	No-load Speed	min <sup>-1</sup> (rpm)	110 - 210 / 330 - 660
	Morse Taper No.		MT3
	Rated Duty	min	30
Magnet Power Consumption		W	80
Hole Capacity mm	Cutter	Hole Diameter	Plate Thickness
	One-touch Type JETBROACH 35L	17.5 to 40	13 to 35
	One-touch Type JETBROACH 50L	17.5 to 50	13 to 50
	One-touch Type JETBROACH 75L	17.5 to 50	13 to 75
	JETBROACH 75L	50 to 100	13 to 75
	One-touch Type HI-BROACH 25L	17.5 to 35	13 to 25
	One-touch Type HI-BROACH 50L	18 to 35	13 to 50
Twist Drill		Max. 32 mm dia.	
Magnet Holding Power		N(kgf)	17000 (1733)
Magnet Dimensions		mm 110 x 220	
Cutter Position	Straight Front to Back	mm	20
Adjustment	Swivel angle		30°
Power Cord Length		m	5
Mass (Weight)		kg	30

#### Accessories Included

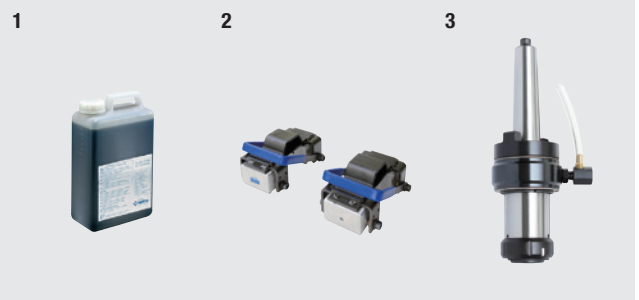
- Pilot Pin 12075
- Side Handle
- 2.5 mm Hex. Socket Screw Key
- 5 mm Hex. Socket Screw Key
- 6 mm Hex. Socket Screw Key
- 8 mm Hex. Socket Screw Key
- Drill Drift
- 7 x 8 mm Spanner
- Safety Chain
- Guard
- Oil Tank
- Oil Tank Bracket
- 3 pieces of Rod Handle

#### Optional Accessories

Ref. No.	PN	Description	Sales Unit
1	TB01507	Cutting Oil 2L	1 piece
2	TB04374	Supporting Magnet Ass'y	
3	TB09727	Holder MT03075 One-touch	

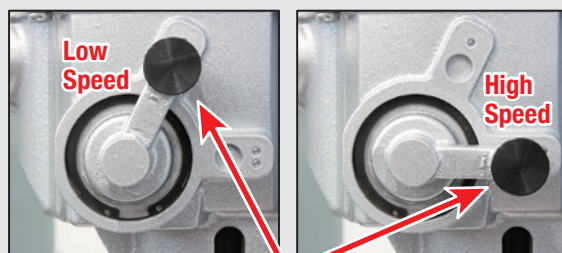
#### Slow Starting Function

Slow speed at the beginning of boring will securely set a hole cutting position.

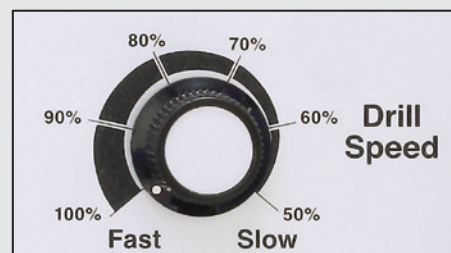


#### Two speed electric drill with speed adjustment

Optimum drill speed adjustment can be made to bore a hole on difficult-to-cut materials or to securely set a hole cutting position at initial cutting stage.



Shift Lever



## Load Indication and LED Condition

### Load Indication

The load indicator (LED) indicates the condition of the load with different color of LED light.

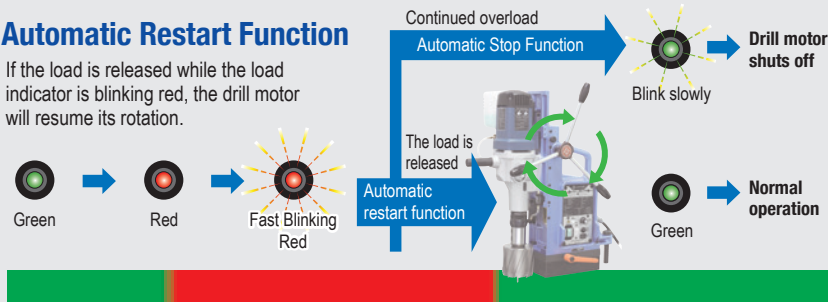
- The LED lights up in green. → The load on the drill motor is normal.
- The LED lights up in red. → The load on the drill motor is close to overload.
- The LED blinks in red. → The drill motor is overloaded.

### Automatic Stop Function

As the drilling load increases, the load indicator will change in color from green to red. In addition, if excessive feeding force is applied, the load indicator will rapidly blink red and the rotation of the drill motor will slow down and stop. After the drill motor has come to a complete stop, the load indicator will slowly blink in green. To resume the rotation of the drill motor release the load and turn off the switch of the drill motor, and then turn it on.

### Automatic Restart Function

If the load is released while the load indicator is blinking red, the drill motor will resume its rotation.



### Built-in Motion Sensor

If any lateral movement or excess vibration is detected during drilling a hole, the drill motor stop instantly and the LED blink red. To resume operation, turn the magnet switch off and on.



### Fail-safe Restart

The magnetic field will become active, but the drill will not re-start even if power is re-supplied after accidental shutdown. The LED will blink green at this stage. Drilling can only be continued after turning on the drill switch.

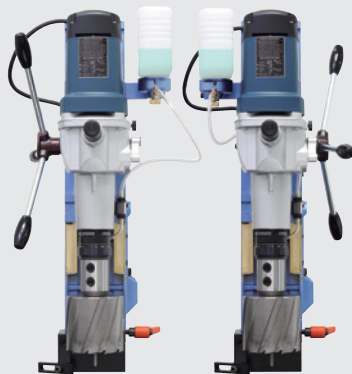
### Magnet Open-circuit Sensor

The drill will not start until the magnetic field is active. If malfunction occurs on the magnet, the LED will blink red slowly and the drill motor will not revolve.



## Features

### Reversible Feed Handles

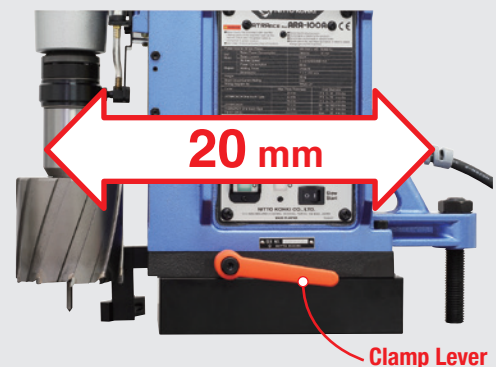


Feed handles can be positioned on the right or left hand side for ease of drilling. When changing the feed handle position, oil tank is required to be positioned opposite to the feed handles.

### Drilling Position Adjustment



When the clamp lever is loosened, the drill position can be adjusted back and forth by 20 mm and pivoted 15 degrees to the left or right. The clamp lever can be positioned for left hand or right hand operation.



## One-Touch Cutter Replacement (Holder MT03075 One-Touch)



### Mounting the cutter

Align the depression in the cutter shank with the white line on the sleeve, and then insert the cutter.



### Removing the cutter

Turn the sleeve counterclockwise. The cutter will come off.



## Available in the market

### Twist Drill Bit

MT3



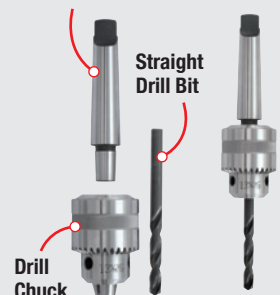
MT3 Morse taper shank drill bit can be directly installed.

Morse taper sleeve MT3



Use Morse taper sleeve MT3 for other sizes than MT3

Drill chuck Arbor MT3



A drill chuck is required to install a straight drill bit.

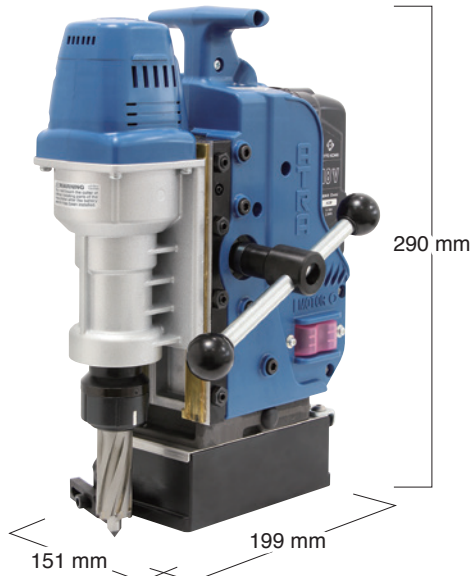
# BORING

Portable Magnetic Base Drilling Machine

## ATRA ACE manual feed

Model **CLA-2720** 

• Max. 27 mm dia. x 20 mm deep



**Compact and cordless operation,  
powered by a rechargeable lithium-ion battery.**

- Weighs only 7 kg with battery installed
- Compact size allows drilling in tight spots

### Specifications

<b>Model</b>		<b>CLA-2720</b>	
<b>Voltage</b>		18 V DC	
<b>Battery Pack (Lithium-ion Battery)</b>		NBL18006 (18V 4.0 Ah)	
<b>No-load Speed</b>		min <sup>-1</sup> (rpm) 430	
<b>Hole Capacity</b> mm	<b>Cutter</b>	<b>Hole Diameter</b>	<b>Plate Thickness</b>
	<b>One-touch Type JETBROACH 25L</b>	12 to 17	6 to 12
	<b>One-touch Type JETBROACH 35L</b>	17.5 to 27	6 to 20
	<b>One-touch Type HI-BROACH 25L</b>	12 to 15 16 to 27	6 to 12 6 to 20
<b>Magnet Holding Power</b>		N(kgf)	5500 (561)
<b>Magnet Dimensions</b>		mm	65 x 126
<b>Cutter Position</b>	<b>Pivot Side to Side</b>	mm	10
<b>Adjustment</b>	<b>Straight Front to Back</b>	mm	10
<b>Mass (Weight)</b>		kg	7*

\*Including Battery Pack and Feed Handle

<b>Battery Charger</b>	<b>NC14435</b>
<b>Power Source</b>	220 - 240 V AC
<b>Charging Time</b>	90 min*
<b>Chargeable Battery Pack</b>	NBL18006 (18 V 4.0 Ah)

\*In case of a full charge from an empty battery. However, it can be charged up to 95% in 45 min.

### Accessories Included

- Carry Case
- Cutting Oil 0.5L
- Jet Oiler No.3013
- Tube 4 x 7 mm, 1 m Long
- Handle
- Battery Charger
- 2 pieces of Battery Pack 18V NBL18006
- Blade
- 3 mm Hex. Socket Screw Key
- 4 mm Hex. Socket Screw Key
- Hex. Socket Head Cap Screw 5 x 12
- Hex. Socket Head Set Screw 8 x 28
- Spanner 8 x 10
- Guard
- Safety Strap

### TOP-LEVEL SAFETY

#### Highly Sensitive Sensor Equipped

Side slip and inclination detected by a built-in sensor

#### Self-check Function

The machine checks for faults itself

### Highly Advanced Energy-Saving

#### Magnetic Force Control Function

The magnet force is automatically reduced when the drill is not running.

#### Soft Start Function

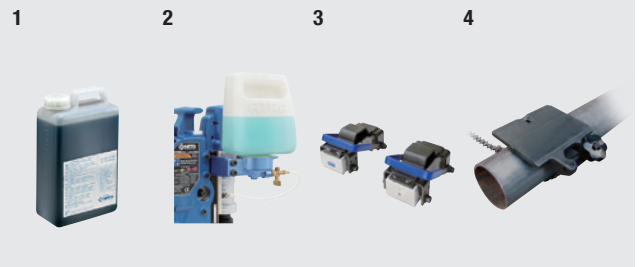
The large electric current on start-up is prevented by starting the electric drill gently.

#### Automatic Drill Stop and Warning Function

Unnecessary operations are eliminated.

### Optional Accessories

Ref. No.	PN	Description	Sales Unit
1	TB01507	Cutting Oil 2L	1 piece
2	TB09657	Oil Tank Ass'y	
3	TB04374	Supporting Magnet Ass'y	
4	TB07696	Pipe Attachment Ass'y	
		One-touch Type JETBROACH 25L, 35L	
		One-touch Type HI-BROACH 25L	



### Reversible Feed Handle

Feed handles can be positioned on the right or left side for ease of drilling and mounting in confined spaces.



Lithium-ion batteries are required to be recycled; never discard a lithium-ion battery in the waste. Please contact your local sales office or community recycling program for information on properly disposing of lithium-ion batteries.

## CLA-2720 LED Indication Light Safety Features

LED INDICATION – Battery level and Motor load can be monitored while drilling

VOLTAGE LEVEL				
BATTERY LEVEL INDICATION				
	GREEN 3 TIMES*	YELLOW 3 TIMES*	RED 3 TIMES*	RED BLINKING CONTINUOUS
MEANING	BATTERY FULL	PARTIALLY CHARGED	REQUIRE CHARGING	BATTERY LEVEL LOW

LED Indication Light



\*After turning on the magnet switch the light flashes 3 times with the color according to the battery level, then the light will turn green and the tool is ready for use. If the light flashes red 3 times or continuously, replace the low battery pack with a charged battery pack.

ELECTRIC CURRENT OF THE ELECTRIC DRILL					
MOTOR LOAD INDICATION					
	GREEN	YELLOW	RED	RED BLINKING	(WHITE)BLINKING
MEANING	LIGHT LOAD	MEDIUM LOAD	OVERLOAD		MOTOR STOPPED BY OVERLOAD

“Caution” If an excessive load is maintained during the cut, the motor will shut-off to prevent damage or injury to the operator.

SLIDE SLIP DETECTION		When a slide slip is detected, the blue light will flash and the Motor will stop automatically.	<b>SAFETY</b>
“NO LOAD” DETECTION		While the electric drill is running, if no load is applied for 7 seconds, the green light will flash. After another 3 seconds without load, the electric drill will be stopped automatically.	<b>ENERGY-SAVING</b>
MOTOR NOT ACTIVATED IN TIME		After the Magnet switch is turned on, if the Motor switch is not turned on within 10 seconds, the green light will flash.	

### Chip Breaker

This chip breaker prevents the cutter from becoming jammed with metal shavings.



### Powered by Lithium-ion Battery

Using the Lithium-ion battery it takes about 90 minutes for a full charge. Sufficient charge (95%) can be achieved in just 45 minutes.



### Drilling Position Adjustment

After engaging the magnet, the drill position can be adjusted up to 10 mm travel on each axis straight front to back and pivot side to side.



# BORING

Portable Magnetic Base Drilling Machine

## ATRA ACE manual feed

Model **LO-3550** 

• Max. 35 mm dia. x 50 mm deep

**Compact, light weight, low profile design gives you greater hole making mobility**

- Drilling on 100 mm or more width web and flange of wide flange beam
- Designed to improve drilling on walls, confined and elevated locations
- Drill position can be adjusted up to 10 mm travel on each axis straight front to back and pivot side to side



### Specifications

Model		LO-3550		
Power Source (Single Phase)		220 - 240 V AC, 50/60 Hz		
Electric	Rated Power Consumption	W		
	Rated Current	A		
	No-load Speed	min <sup>1</sup> (rpm)		
Hole Capacity	Cutter	Hole Diameter	Plate Thickness	
		One-touch Type JETBROACH 25L	12 to 17	6 to 25
		One-touch Type JETBROACH 35L	17.5 to 35	6 to 35
	One-touch Type JETBROACH 50L	12 to 35	6 to 50	
Magnet Holding Power		N(kgf)	5500 (561)	
Magnet Dimensions		mm	65 x 145	
Cutter Position	Pivot Side to Side	mm	10	
Adjustment	Straight Front to Back	mm	10	
Power Cord Length		m	3	
Mass (Weight)		kg	8.7*	

\*Without an electric cord and a sub handle

### Accessories Included

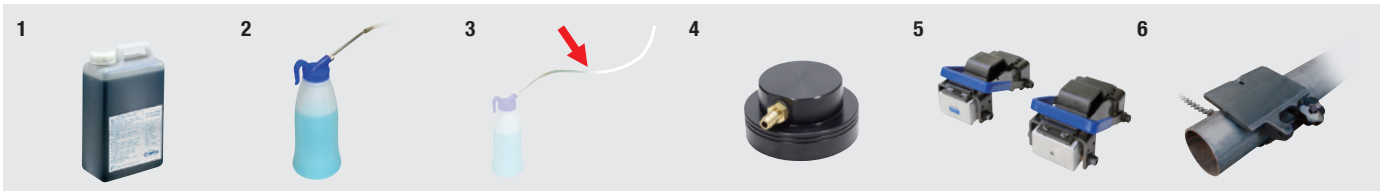
- Carry Case
- Cutting Oil 0.5L
- Feed Handle
- Sub Handle
- Pilot Pin 08035
- Spanner 17
- Blade
- Hex. Socket Bolt 5 x 12
- Hex. Socket Head Set Screw 8 x 28
- 4 mm Hex. Socket Screw Key
- 5 mm Hex. Socket Screw Key
- Spanner 7 x 8
- Guard
- Safety Strap

### Chip Breaker



### Optional Accessories

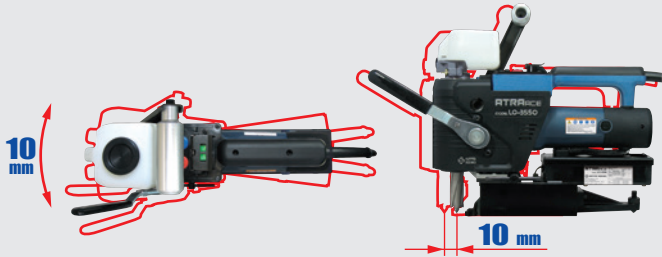
Ref. No.	PN	Description	Sales Unit
1	TB01507	Cutting Oil 2L	1 piece
2	TQ10581	Jet Oiler	
3	TB01098	Tube 4 x 7 x 3000 Ass'y	
4	TB07306	Lubrication Adapter Ass'y	
5	TB04374	Supporting Magnet Ass'y	
6	TB07696	Pipe Attachment Ass'y	
*50L for stacked plates		One-touch Type JETBROACH 25L, 35L, 50L	



# BORING

## Easy Drilling Position Adjustment

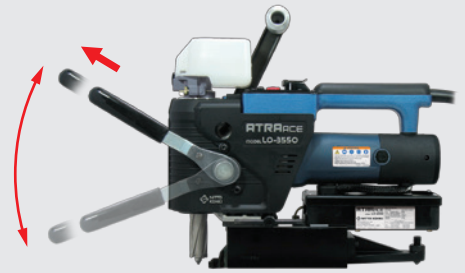
After engaging the magnet, the drill position can be adjusted up to 10 mm travel on each axis straight front to back and pivot side to side.



## Adjustable Feed Handle

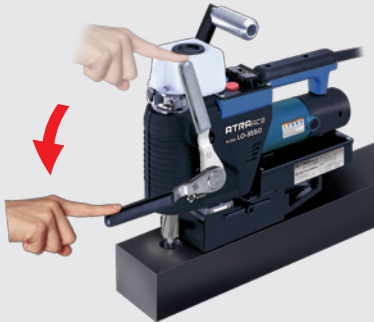
The feed handle can be locked at varying angles to enhance productivity.

Pull the feed handle to adjust the angle.



## Light Handle Operation

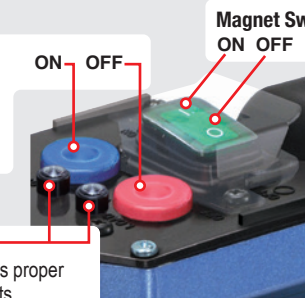
Fast revolution of Jetbroach cutter makes less cutting resistance and smooth handling.



## Easy-to-use Switch Panel

On / off buttons of the magnet and the drill motor are on the front panel and can be operated by one hand. Drilling conditions can be checked by lamp colors.

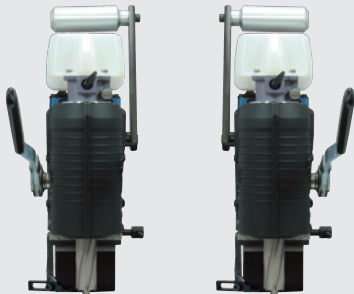
**Motor Switch**  
The motor switch can be activated after the magnet switch is turned on.



**LED Load Indicator**  
The LED load display allows proper cutting pressure adjustments.

## Reversible Feed Handle

The feed handle can be positioned on the right or left hand side for ease of drilling and mounting in confined spaces.



## A Carrying Case Is Provided

The carrying case is a rugged accessory that provides a convenient way to transport and store the LO-3550.



## Optional Accessories for ATRA ACE

### Pipe Attachment Ass'y

The Pipe Attachment Ass'y is an optional base to securely fasten an ATRA ACE on pipe for drilling. The chain can easily and securely fit around pipes having an outside diameter of 48.6 to 318.5 mm.

#### Example of installation on a pipe



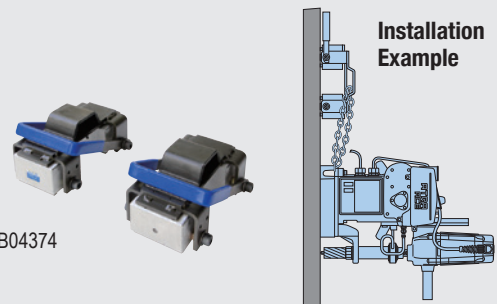
Applicable Pipe Size:  
48.6 to 318.5 mm

PN : TB07696

Applicable Models when a 35 mm or 50 mm length one touch type Jetbroach cutter is used:  
**CLA-2720, WOJ-3200, LO-3550, WA-3500, and QA-4000**

### Supporting Magnet Ass'y

If the accessory safety strap or chain is unable to be properly secured to prevent the ATRA ACE from falling off the workpiece, the supporting magnet ass'y is recommended. It employs a permanent magnet and can secure the ATRA ACE even if power is interrupted.



PN : TB04374

Applicable Models:  
**CLA-2720, LO-3550, WA-3500, WOJ-3200, AO-5575A, QA-4000, and QA-6500**

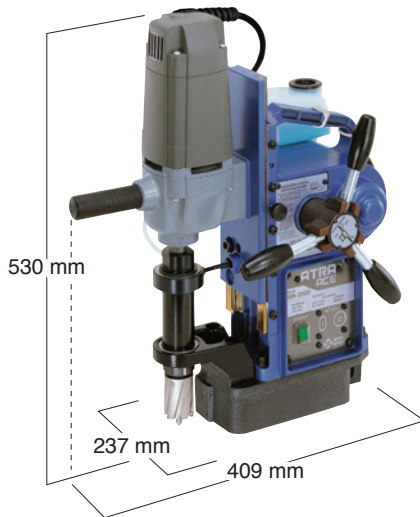
# BORING

Portable Magnetic Base Drilling Machine

## ATRA ACE auto

Model **WA-3500** 

• Max. 35 mm dia. x 50 mm deep

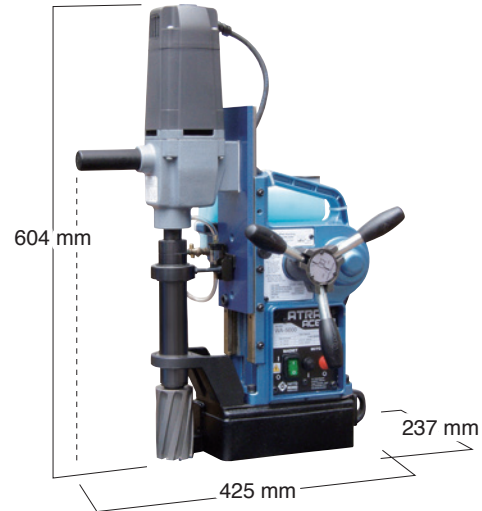


## High-performance feed system & high-tech components

• Drilling time and cutting performance are enhanced by the automatic feed function.

Model **WA-5000** 

• Max. 50 mm dia. x 75 mm deep



### Specifications

Model		WA-3500		WA-5000	
Power Source (Single Phase)		110 - 120 V AC, 50/60 HZ	220 - 240 V AC, 50/60 Hz	110 - 120 V AC, 50/60 HZ	220 - 240 V AC, 50/60 Hz
Electric Drill	Rated Power Consumption	W 1100		W 1150	
	Rated Current	A 10.2	A 5.1	A 10.8	A 5.4
	No-load Speed	min <sup>-1</sup> (rpm) 950		min <sup>-1</sup> (rpm) 350 / 650	
Magnet Power Consumption		W 34		W 75	
Hole Capacity mm	Cutter	Hole Diameter	Plate Thickness	Hole Diameter	Plate Thickness
	One-touch Type JETBROACH 25L	-	-	12 to 17	9 to 25
	One-touch Type JETBROACH 35L	17.5 to 35	9 to 35	17.5 to 40	9 to 35
	One-touch Type JETBROACH 50L	17.5 to 35	9 to 50	12 to 50	9 to 50
	One-touch Type JETBROACH 75L	-	-	17.5 to 50	9 to 75
	One-touch Type HI-BROACH 25L	14 to 35	9 to 25	14 to 50	9 to 25
One-touch Type HI-BROACH 50L	-	-	14 to 50	9 to 50	
Max. Stroke	mm	83		107	
Magnet Holding Power	N(kgf)	7056 (720)		9800 (1000)	
Magnet Dimensions	mm	92 x 213		101 x 201	
Power Cord Length	m	3		3	
Mass (Weight)	kg	20		23	
Accessories Included		<ul style="list-style-type: none"> <li>• Carry Case</li> <li>• Cutting Oil 0.5L</li> <li>• Pilot Pin 08035</li> <li>• Side Handle</li> </ul>		<ul style="list-style-type: none"> <li>• 3 mm Hex. Socket Screw Key</li> <li>• 8 x 10 mm Spanner</li> <li>• Guard</li> <li>• Chain</li> </ul>	
				<ul style="list-style-type: none"> <li>• Carry Case</li> <li>• Cutting Oil 0.5L</li> <li>• Pilot Pin 08050</li> <li>• Side Handle</li> <li>• 3 mm Hex. Socket Screw Key</li> </ul>	
				<ul style="list-style-type: none"> <li>• 4 mm Hex. Socket Screw Key</li> <li>• 8 x 10 mm Spanner</li> <li>• Guard</li> <li>• Chain</li> <li>• Chip Breaker</li> </ul>	

### Optional Accessories

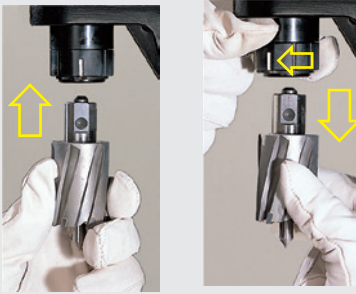
Ref. No.	PN	Description	Sales Unit	Applicable Model	
				WA-3500	WA-5000
1	TB05186	Chip Breaker Ass'y	1 piece	●	
2	TB01507	Cutting Oil 2L	1 piece	●	●
3	TB04374	Supporting Magnet Ass'y	1 piece	●	●
4	TB02536	Sleeve 6.5 for Triangle Shank Drill Bit	1 piece	●	●
5	TB07696	Pipe Attachment Ass'y	1 piece	●	
		One-touch Type JETBROACH 25L	1 piece		●
		One-touch Type JETBROACH 35L	1 piece	●	●
		One-touch Type JETBROACH 50L	1 piece	●	●
		One-touch Type JETBROACH 75L	1 piece		●
		One-touch Type HI-BROACH 25L	1 piece	●	●
		One-touch Type HI-BROACH 50L	1 piece		●



# BORING

## One-touch Cutter Replacement

Replacement is quick and easy with our unique push fit self-centering cutter system.



Mounting the cutter

Removing the cutter

## Coolant into the Heart of the Cut

Coolant is fed directly to the inside of the cut. The coolant system also features an auto shut-off.



## Improved Bearing Bracket

Our precision bearing bracket aligns cutters precisely, which increases cutter life.



## Fail-Safe Protection

### Built-in Motion Sensor

If any lateral movement or excess vibration is detected, both the drill and the feed motor stop. Nitto Kohki is the first company to incorporate this feature into magnetic base drills.

### Fail-safe Restart

The drill will not re-start even if power is re-supplied after accidental shutdown. Drilling can only be continued after turning on the drill switch.

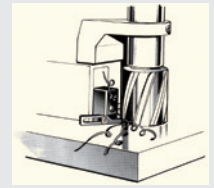
### Magnet Open-circuit Sensor

The drill will not start until the magnetic field is active.

## Chip Breaker

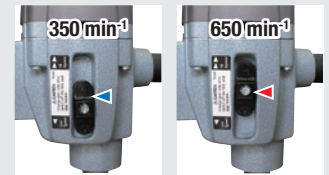
This chip breaker prevents the cutter from becoming jammed with metal shavings.

- Standard accessory for the WA-5000
- Optional accessory for the WA-3500



## Two Speed Selection (WA-5000)

Speed can be changed to suit the type and size of the cutter.



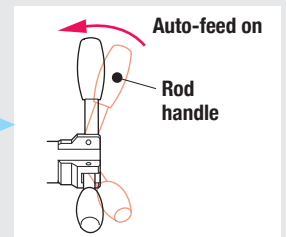
## New drill control prevents cutters from breaking

### Slow Start Mechanism

The feed speed is reduced for the first few seconds after boring begins to ensure a smooth cut through the mill scale.

### Auto-feed

Automatic control & feed are activated by simply pushing the Rod handle to engage the clutch.



### Load Sensor

The dual sensing system responds to both drilling and feeding forces on the cutter for the optimum cutting condition.

### Variable Automatic Feed

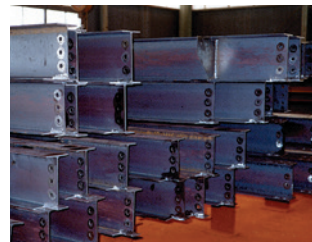
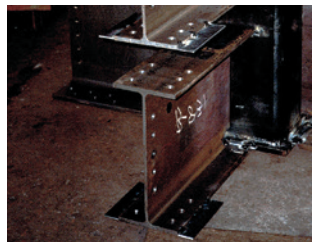
The feed speed is continuously monitored and updated proportionally to the load on the cutter.

### Cycle Stop

After the cut has finished, a detector responds to the reduction in load and both the drill and the feed motor automatically stop.

### Overload Stop

When an excessive load is applied to the cutter, both the drill and the feed motor will stop automatically.





# BORING

Portable Magnetic Base Drilling Machine

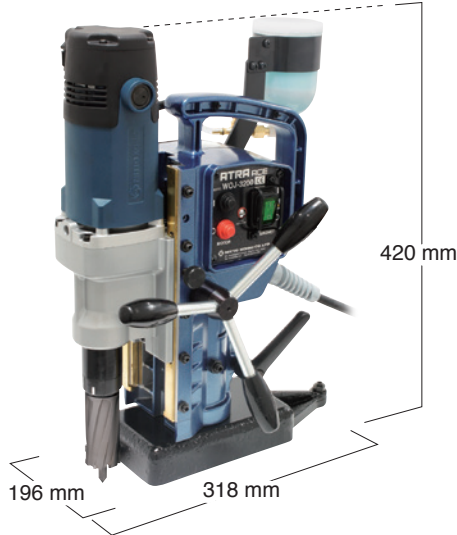
## ATRA ACE manual feed

*New generation magnetic base drilling machines help meet productivity and safety goals.*

- Advanced safety system

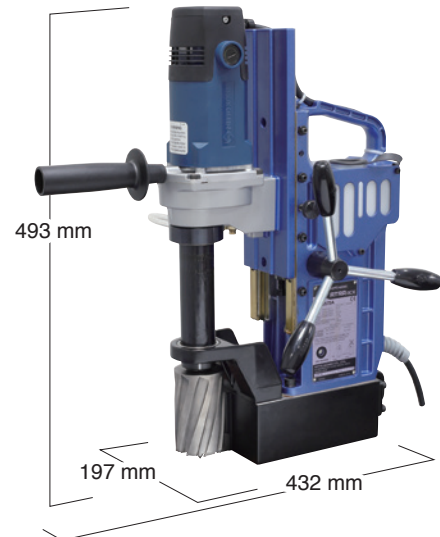
### Model **WOJ-3200**

- Max. 32 mm dia. x 50 mm deep



### Model **AO-5575A**

- Max. 55 mm dia. x 75 mm deep



Specifications		WOJ-3200		AO-5575A	
<b>Model</b>					
<b>Power Source (Single Phase)</b>		110 - 120 V AC, 50/60 Hz	220 - 240 V AC, 50/60 Hz	220 - 240 V AC, 50/60 Hz	
<b>Electric Drill</b>	<b>Rated Power Consumption</b> W	950		950	
	<b>Rated Current</b> A	8.6	4.3	4.3	
	<b>No-load Speed</b> min <sup>-1</sup> (rpm)	870		520	
<b>Magnet Power Consumption</b> W		38	30	50	
<b>Hole Capacity</b> mm	<b>Cutter</b>	Hole Diameter	Plate Thickness	Hole Diameter	Plate Thickness
	<b>One-touch Type JETBROACH 25L</b>	12 to 17	9 to 25	12 to 17	9 to 25
	<b>One-touch Type JETBROACH 35L</b>	17.5 to 32	9 to 35	17.5 to 40	9 to 35
	<b>One-touch Type JETBROACH 50L</b>	12 to 32	9 to 50	12 to 55	9 to 50
	<b>One-touch Type JETBROACH 75L</b>	-	-	17.5 to 55	9 to 75
	<b>One-touch Type HI-BROACH 25L</b>	-	-	12 to 50	9 to 25
	<b>One-touch Type HI-BROACH 50L</b>	-	-	12 to 50	9 to 50
<b>Twist Drill</b>		Max. 13 mm dia.		-	
<b>Max. Stroke</b>	mm	130		105	
<b>Magnet Holding Power</b>	N(kgf)	9000 (918)		10000 (1020)	
<b>Magnet Dimensions</b>	mm	99 x 177		86 x 170	
<b>Power Cord Length</b>	m	3		3	
<b>Mass (Weight)</b>	kg	13		17.5	
<b>Accessories Included</b>		<ul style="list-style-type: none"> <li>• Carry Case</li> <li>• Oil Tank</li> <li>• Pilot Pin 08035</li> <li>• Sub Handle</li> <li>• 2 pieces of Hex. Socket Head Bolt 5 x 10 mm</li> <li>• 3 pieces of Rod Handle</li> </ul>		<ul style="list-style-type: none"> <li>• 3 mm Hex. Socket Screw Key</li> <li>• 4 mm Hex. Socket Screw Key</li> <li>• 6 mm Hex. Socket Screw Key</li> <li>• 8 x 10 mm Spanner</li> <li>• Guard</li> <li>• Safety Strap</li> </ul>	
		<ul style="list-style-type: none"> <li>• 5 mm Hex. Socket Screw Key</li> <li>• 8 x 10 mm Spanner</li> <li>• Guard</li> <li>• Chain</li> </ul>		<ul style="list-style-type: none"> <li>• Carry Case</li> <li>• Cutting Oil 0.5L</li> <li>• Pilot Pin 08050</li> <li>• Side Handle</li> <li>• 3 mm Hex. Socket Screw Key</li> </ul>	

### Optional Accessories

Ref. No.	PN	Description	Sales Unit	Applicable Model	
				WOJ-3200	AO-5575A
1	TB07691	Chip Breaker Ass'y	1 piece	●	
2	TB07474	Chip Breaker Ass'y	1 piece		●
3	TQ10581	Jet Oiler No.3013	1 piece	●	
4	TB01098	Tube 4 x 7 x 3000 Ass'y	1 piece	●	●
5	TB01507	Cutting Oil 2L	1 piece	●	●
6	TB07696	Pipe Attachment Ass'y	1 piece	●	
7	TB04374	Supporting Magnet Ass'y	1 piece	●	●
8	TB07690	One-touch Drill Adapter	1 piece	●	
9	TB02536	Sleeve 6.5 for Triangle Shank Drill Bit	1 piece		●
		One-touch Type JETBROACH 25L	1 piece	●	●
		One-touch Type JETBROACH 35L	1 piece	●	●
		One-touch Type JETBROACH 50L	1 piece	●	●
		One-touch Type JETBROACH 75L	1 piece		●
		One-touch Type HI-BROACH 25L	1 piece		●
		One-touch Type HI-BROACH 50L	1 piece		●

\*50L for stacked plates



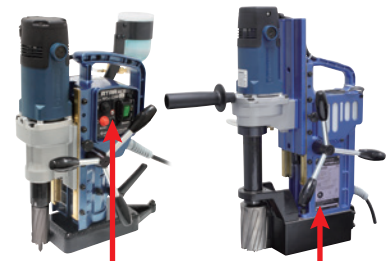
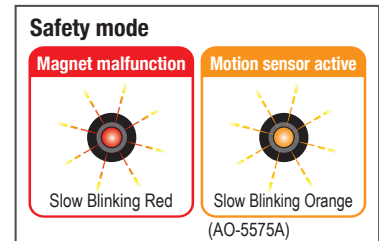
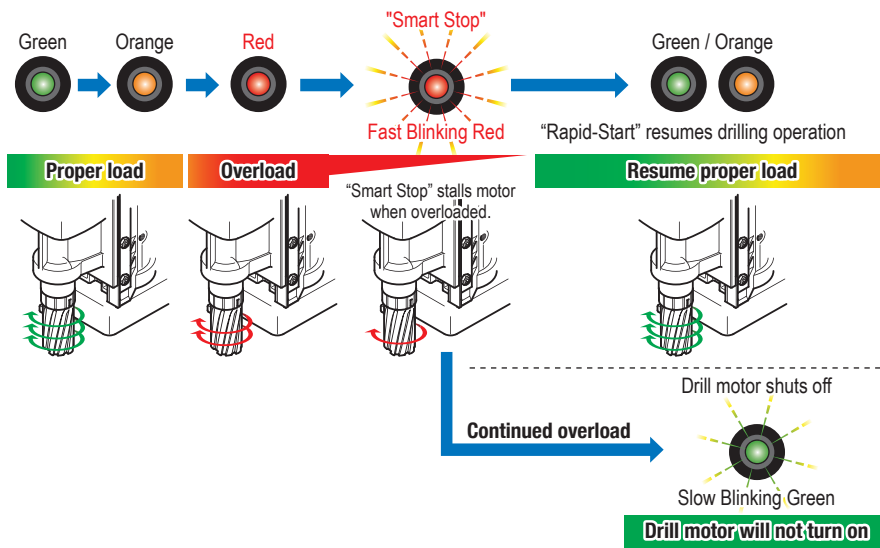
## Load Detector with "Smart-Stop/Rapid-Restart" Technology

### The world's first manual feed with "Smart-Stop / Rapid-Restart" technology for WOJ-3200 / AO-5575A

This new feature is a breakthrough in the Manual drill industry. Formerly only found on high end Nitto Kohki Automatic drills, this technology displays the current drill status via the LED Load Indicator. Customers will experience a cutting edge drill management system designed solely around saving time and money in replacement parts and cutters in addition to reducing user fatigue and down time.

As the drilling load increases, the load indicator will change in color from green to orange to red. In addition, if excessive feeding force is applied, the load indicator will rapidly blink red and the rotation of the drill motor will slow down and temporarily stop. If the load is released while the load indicator is blinking red, the drill motor will resume its rotation.

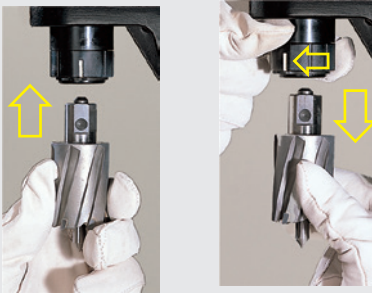
#### LED load indicator



LED load indicator

#### One-Touch Cutter Replacement

Replacement is quick and easy with our unique push fit self-centering cutter system.



Mounting the cutter

Removing the cutter

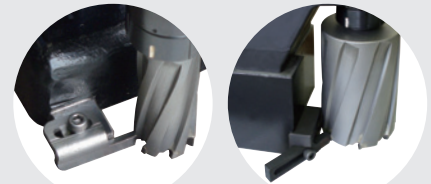
#### Reversible Feed Handle

Feed handles can be positioned on the right or left side for ease of drilling and mounting in confined spaces.



#### Chip Breaker (Optional)

This chip breaker prevents the cutter from becoming jammed with metal shavings.

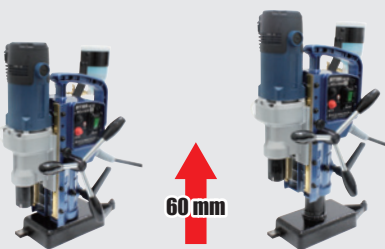


WOJ-3200

AO-5575A

#### Body Height Adjustment (WOJ-3200)

The use of Jetbroach cutters require the frame to be at the lowest position, while twist bit drilling requires the appropriate amount of elevation to be adjusted for safe operation.



60 mm

#### One-Touch Drill Adapter (WOJ-3200)

Optional one-touch drill adapter allows the use of up to 13 mm twist drills to be used in the original arbor.



\*Twist drills are not provided with the one-touch drill adapter.

#### Built-in coolant tank to protect against damage (AO-5575A)

