

EN **User Manual** 2
Tumble Dryer
DE **Benutzerinformation** 25
Wäschetrockner

TP6060TW



 **AEG**
perfekt in form und funktion

CONTENTS

1. SAFETY INFORMATION.....	3
2. SAFETY INSTRUCTIONS.....	5
3. PRODUCT DESCRIPTION.....	7
4. ACCESSORIES.....	8
5. CONTROL PANEL.....	9
6. PROGRAMME TABLE.....	10
7. OPTIONS.....	13
8. BEFORE FIRST USE.....	14
9. DAILY USE.....	14
10. HINTS AND TIPS.....	16
11. CARE AND CLEANING.....	17
12. TROUBLESHOOTING.....	20
13. TECHNICAL DATA.....	21
14. INSTALLATION.....	22
15. GUARANTEE	23

FOR PERFECT RESULTS

Thank you for choosing this AEG product. We have created it to give you impeccable performance for many years, with innovative technologies that help make life simpler features you might not find on ordinary appliances. Please spend a few minutes reading to get the very best from it.

Visit our website for:



Get usage advice, brochures, trouble shooter, service information:
www.aeg.com



Register your product for better service:
www.registeraeg.com



Buy Accessories, Consumables and Original spare parts for your appliance:
www.aeg.com/shop

CUSTOMER CARE AND SERVICE

Always use original spare parts.

When contacting our Authorised Service Centre, ensure that you have the following data available: Model, PNC, Serial Number.

The information can be found on the rating plate.



Warning / Caution-Safety information



General information and tips



Environmental information

Subject to change without notice.

1. SAFETY INFORMATION

Before the installation and use of the appliance, carefully read the supplied instructions. The manufacturer is not responsible if an incorrect installation and use causes injuries and damages. Always keep the instructions with the appliance for future reference.



- Read the supplied instructions.

1.1 Children and vulnerable people safety



WARNING!

Risk of suffocation, injury or permanent disability.

- This appliance can be used by children aged from 8 years and above and persons with reduced physical, sensory or mental capabilities or lack of experience and knowledge if they have been given supervision or instruction concerning use of the appliance in a safe way and understand the hazards involved.
- Do not let children play with the appliance.
- Children of less than 3 years should be kept away unless continuously supervised.
- Keep all packaging away from children.
- Keep all detergents away from children.
- Keep children and pets away from the appliance door when it is open.
- If the appliance has a child safety device, we recommend you activate it.
- Cleaning and user maintenance shall not be made by children without supervision.

1.2 General Safety

- Do not change the specification of this appliance.
- If the tumble dryer is put on top of a washing machine, use the stacking kit. The stacking kit, available from your authorized vendor, can be used

only with the appliance specified in the instructions, supplied with the accessory. Read it carefully before installation (Refer to the Installation leaflet).

- The appliance can be installed as freestanding or below the kitchen counter with correct space (Refer to the Installation leaflet).
- Do not install the appliance behind a lockable door, a sliding door or a door with a hinge on the opposite side, where the appliance door can not be fully opened.
- The ventilation openings in the base (if applicable) must not be obstructed by a carpet.
- Connect the mains plug to the mains socket only at the end of the installation. Make sure that there is access to the mains plug after the installation.
- Ensure you have good ventilation in the installation room to avoid the back flow of gases into the room from appliances burning other fuels, including open fires.
- Exhaust air must not be discharged into a flue which is used for exhausting fumes from appliances burning gas or other fuels. (if applicable)
- If the supply cord is damaged, it must be replaced by the manufacturer, its Authorised Service Centre or similarly qualified persons in order to avoid a hazard.
- Obey the maximum load volume of 8kg (refer to the "Programme chart" chapter).
- Do not use the appliance if industrial chemicals have been used for cleaning.
- Wipe away lint that has accumulated around the appliance.
- Do not run the appliance without a filter. Clean the lint filter before or after each use.
- Do not dry unwashed items in the tumble dryer.
- Items that have been soiled with substances such as cooking oil, acetone, alcohol, petrol, kerosene, spot removers, turpentine, waxes and wax removers should

be washed in hot water with an extra amount of detergent before being dried in the tumble dryer.

- Items such as foam rubber (latex foam), shower caps, waterproof textiles, rubber backed articles and clothes or pillows fitted with foam rubber pads should not be dried in the tumble dryer.
- Fabric softeners, or similar products, should be used as specified by the fabric softener instructions.
- Remove all objects from pockets such as lighters and matches.
- Never stop a tumble dryer before the end of the drying cycle unless all items are quickly removed and spread out so that the heat is dissipated.
- The final part of a tumble dryer cycle occurs without heat (cool down cycle) to ensure that the items are left at a temperature that ensures that the items will not be damaged.
- Before maintenance, deactivate the appliance and disconnect the mains plug from the mains socket.

2. SAFETY INSTRUCTIONS

2.1 Installation

- Remove all the packaging.
- Do not install or use a damaged appliance.
- Obey the installation instruction supplied with the appliance.
- Always be careful when you move the appliance because it is heavy. Always wear safety gloves.
- Do not install or use the appliance where the temperature is less than 5°C or higher than 35°C.
- Make sure that the floor where you install the appliance is flat, stable, heat resistant and clean.
- Make sure that there is air circulation between the appliance and the floor.
- Always move the appliance vertically.
- The rear surface of the appliance must be put against the wall.
- When the appliance is put in its permanent position, check if it is fully level with the aid of a spirit level. If it is not, adjust the feet until it is.

2.2 Electrical connection



WARNING!

Risk of fire and electrical shock.

- The appliance must be earthed.
- Make sure that the electrical information on the rating plate agrees with the power supply. If not, contact an electrician.
- Always use a correctly installed shockproof socket.
- Do not use multi-plug adapters and extension cables.
- Do not pull the mains cable to disconnect the appliance. Always pull the mains plug.
- Do not touch the mains cable or the mains plug with wet hands.
- Only for UK and Ireland. The appliance has a 13 amp mains plug. If it is necessary to change the fuse in the mains plug, use a 13 amp ASTA (BS 1362) fuse.

- This appliance complies with the E.E.C. Directives.

2.3 Use



WARNING!

Risk of injury, electrical shock, fire, burns or damage to the appliance.

- Use this appliance in a household only.
- Do not dry the damaged items which contain padding or fillings.
- Only dry fabrics which are applicable to dry in the tumble dryer. Follow the instructions on the fabric label.
- If you have washed your laundry with a stain remover start an extra rinse cycle before you start the dryer.
- Do not drink or prepare food with the condensed water/distilled water. It can cause health problems to people and pets.
- Do not sit or stand on the open door.
- Do not dry dripping wet clothes in the tumble dryer.

2.4 Internal light



WARNING!

Risk of injury.

- Visible LED radiation, do not look directly into the beam.
- The type of light bulb or halogen lamp used for this appliance is only for household appliances. Do not use it for house lighting.
- To replace the internal light, contact the Authorised Service Centre.

2.5 Care and cleaning



WARNING!

Risk of injury or damage to the appliance.

- Do not use water spray and steam to clean the appliance.
- Clean the appliance with a moist soft cloth. Only use neutral detergents. Do not use abrasive products, abrasive cleaning pads, solvents or metal objects.

2.6 Compressor



WARNING!

Risk of damage to the appliance.

- The compressor and its system in the tumble dryer is filled with the special agent which is free from fluoro-chloro-hydrocarbons. This system must stay tight. The damage of the system can cause a leakage.

2.7 Disposal

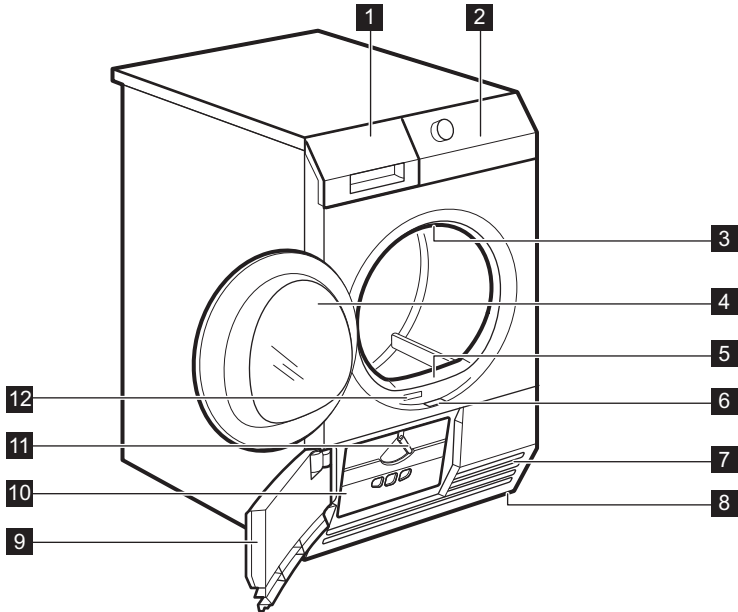


WARNING!

Risk of injury or suffocation.

- Disconnect the appliance from the mains supply.
- Cut off the mains cable and discard it.
- Remove the door catch to prevent children and pets to get closed in the appliance.

3. PRODUCT DESCRIPTION

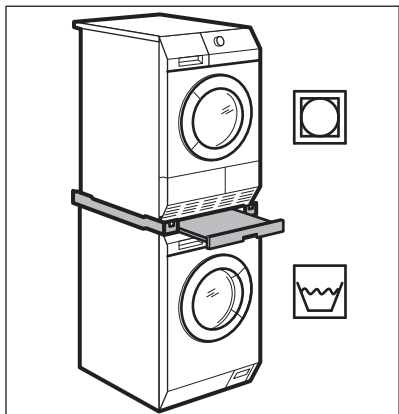


- | | |
|---|---|
| 1 Water container | 8 Adjustable feet |
| 2 Control panel | 9 Heat exchanger door |
| 3 Internal light | 10 Heat exchanger cover |
| 4 Appliance door | 11 The knob to lock the heat exchanger cover |
| 5 Filter | 12 Rating plate |
| 6 The button to open the heat exchanger door | |
| 7 Airflow slots | |

i The load door can be installed by the user in the opposite side. It can help to easily put and remove the laundry or if there is a limit to install the appliance (see separate leaflet).

4. ACCESSORIES

4.1 Stacking kit

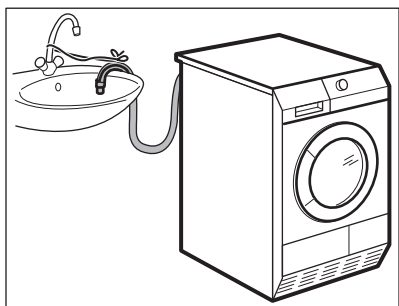


Accessory name: SKP11, STA8, STA9
Available from your authorized vendor.

Stacking kit can be used only with the washing machines specified in the leaflet. See the leaflet attached.

Read carefully the instructions supplied with the accessory.

4.2 Draining kit



Accessory name: DK11.

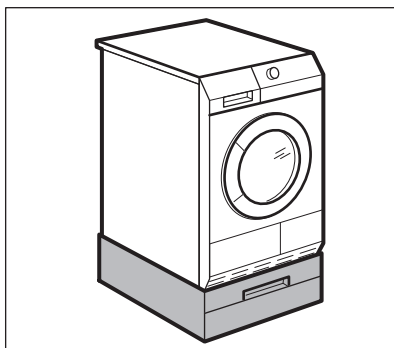
It is available from your authorized vendor (can be attached to some types of the tumble dryers)

The accessory for through draining of the condensed water into a basin, siphon, gully, etc. After the installation, the water container is drained automatically. The water container must stay in the appliance.

The installed hose must be on the height from minimum of 50 cm to maximum of 1 m from floor level. The hose cannot be in loop. Decrease the length of the hose if necessary.

Read carefully the instructions supplied with the accessory.

4.3 Pedestal with the drawer



Accessory name: PDSTP10.

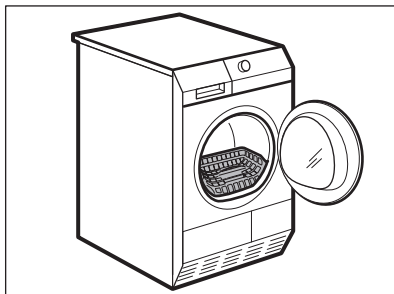
It is available from your authorized vendor.

To put the appliance higher at the level what helps to easy load and remove the laundry.

The drawer can be used for laundry storage e.g. : towels, cleaning products and more.

Read carefully the instructions supplied with the accessory.

4.4 Drying rack



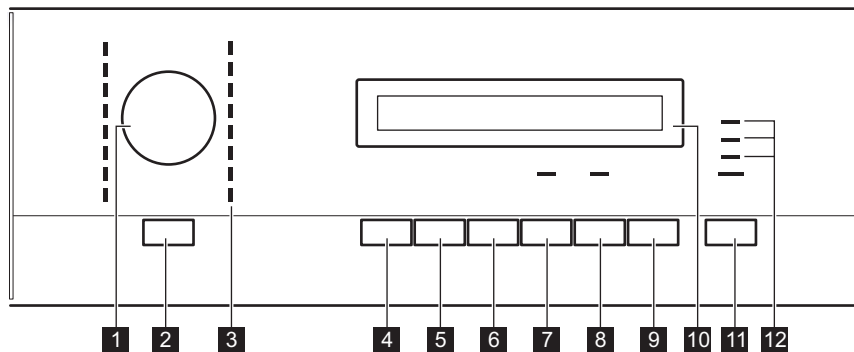
Accessory name: RA5, RA6, RA11, RA12.

It is available from your authorized vendor (can be attached to some types of the tumble dryers). Do the check with the vendor or on the web site if the accessory is compatible with your appliance.

Drying rack accessory let to dry safely in the tumble dryer:

- sport shoes
 - wool
 - soft toys
 - lingerie
- Read carefully the instructions supplied with the accessory.

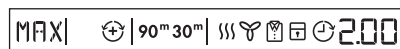
5. CONTROL PANEL



- 1** Programme dial
- 2** On/Off (Ein/Aus) button
- 3** Programme indicators
- 4** Dry Plus (Trocken+) button
- 5** Reverse Plus button
- 6** Anti-crease (Knitterschutz) button
- 7** Buzzer (Signal) button
- 8** Time Dry (Zeitwahl) button
- 9** Delay Start (Zeitvorwahl) button




- 10** Display
- 11** Start/Pause button
- 12** Indicators:
 - Water container (Behälter)** - drain the water container
 - Filter (Sieb)** - clean filter
 - Heat exchanger (Kondensator)** - heat exchanger check

5.1 Display




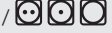
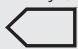








MIN	default laundry dryness
MED	moderate laundry dryness
MAX	maximum laundry dryness














	reverse plus option on
30 _m / 90 _m	anti-crease phase duration
≡	drying phase indicator
	cooling phase indicator

	crease guard phase indicator
	child lock option on
	delay start option on
2 . 00	cycle time indication

10' - 2 . 0 0	time programme selection (10min.-2h)
30' - 20h	delay start selection (30min.-20h)


6. PROGRAMME TABLE

Programmes	Load ¹⁾	Properties / Fabric mark
Cotton (Baumwolle)		
Extra Dry (Extratrocken)	8 kg	Drying level: extra dry. / 
Cupboard Dry +(Schrank-trocken+)	8 kg	Drying level: cupboard dry +. / 
Cupboard Dry (Schrank-trocken)  ²⁾³⁾	8 kg	Drying level: cupboard dry. / 
Iron Dry (Bügel trocken) ²⁾	8 kg	Drying level: applicable for iron. / 
Jeans	8 kg	Leisure clothing such as jeans, sweat-shirts of different material thicknesses (e.g. at the neck, cuffs and seams). / 
Bed Linen (Bettwäsche)	3 kg	To dry bed linen such as: single and double sheet, pillowcase, bed-spread. / 
Duvets (Daunen)	3 kg	To dry one or two duvet and pillows (with feather, down or synthetic fillings). / 
Time (Zeitprogramm)	8 kg	With this programme you can use the option Time (Zeitwahl) and set the programme duration. / 
Synthetic (Mischgewebe)		
Extra Dry (Extratrocken)	3,5 kg	Drying level: extra dry. / 
Cupboard Dry (Schrank-trocken) ²⁾	3,5 kg	Drying level: cupboard dry. / 

Programmes	Load 1)	Properties / Fabric mark
Iron Dry (Bügel trocken)	3,5 kg	Drying level: applicable for iron. /   
Easy Iron (Leichtbügel)	1 kg (or 5 shirts)	Easy care fabrics for which a minimum of ironing is necessary. The drying results can be different from one type of fabric to the other. Shake the items before you put them in the appliance. When the programme is completed, immediately remove the items and put them on a hanger. /   
Outdoor	2 kg	To dry outdoor pieces of clothing, technical, sports, pile fabrics, waterproof and breathable jackets, shell jacket teamed with a removable fleece or inner insulation.
Silk/Lingerie (Seide)	1 kg	To dry silk/lingerie with warm air and gentle movement. /   
Wool (Wolle) 4)	1 kg	To dry the cloths made of wool. The cloths become soft and cosy. We recommend to remove the cloths immediately after the programme end. To increase or to decrease the level of the remaining moisture of the laundry you can use the function Dry Plus (Trocken+).  WOOL HAND WASH SAFE
Extra Quick Mixed (Mix Extra Kurz)	3 kg	To dry cotton and synthetic fabrics. /   

1) The maximum weight refers to dry items.

2) **For test institutes only:** Standard programmes for tests are specified in the EN 61121 document. If is necessary to correct the remaining moisture level of the laundry, adjust the programme with the Dry Plus (Trocken+) option Clean the filter after each cycle

3) The  Cotton (Baumwolle) Cupboard Dry (Schranktrocken) programme is the "Standard cotton programme" and it is suitable to dry normal wet cotton laundry and it is the most efficient programme in terms of energy consumption for drying wet cotton laundry.

4) The wool drying cycle of this tumble drying machine has been tested and approved by The **Woolmark** Company. The cycle is suitable to dry wool garments, which are labelled "hand wash" provided that the garments are washed in a **Woolmark** endorsed hand washing cycle and tumble dried according to the instructions issued by the manufacturer. **1780SW13W**.

6.1 Programmes and options selection

Programmes ¹⁾	Options			
	Dry Plus (Trocken+)	Reverse Plus	Anti- crease (Knitter- schutz)	Time Dry (Zeitwahl)
Cotton (Baumwolle); Extra Dry (Extratrocken)	■		■	
Cotton (Baumwolle); Cupboard Dry + (Schranktrocken+)	■		■	
Cotton (Baumwolle); Cupboard Dry (Schranktrocken) ◁	■		■	
Cotton (Baumwolle); Iron Dry (Bügel- trocken)	■		■	
Jeans	■		■	
Bed Linen (Bettwäsche)	■		■	
Duvets (Daunen)	■			
Time (Zeitprogramm)			■	■
Synthetic (Mischgewebe); Extra Dry (Extratrocken)	■	■	■	
Synthetic (Mischgewebe); Cupboard Dry (Schranktrocken)	■	■	■	
Synthetic (Mischgewebe); Iron Dry (Bügeltrocken)	■	■	■	
Easy Iron (Leichtbügeln)	■		■	
Outdoor	■			
Silk/Lingerie (Seide)	■		■	
Wool (Wolle)	■			■ ²⁾
Extra Quick Mixed (Mix Extra Kurz)	■		■	

¹⁾ Together with the programme you can set 1 or more options.

²⁾ Only with the drying rack — see chapter ACCESSORIES.

6.2 Consumption Data

Programme	Spun at / residual humidity	Drying time	Energy consumption
Cotton (Baumwolle) 8 kg			
Cupboard Dry (Schranktrocken)	1400 rpm / 50%	149 min.	1,70 kWh
	1000 rpm / 60%	170 min.	1,94 kWh
Iron Dry (Bügeltrocken)	1400 rpm / 50%	110 min.	1,19 kWh
	1000 rpm / 60%	125 min.	1,35 kWh
Synthetic (Mischgewebe) 3,5 kg			
Cupboard Dry (Schranktrocken)	1200 rpm / 40%	56 min.	0,54 kWh
	800 rpm / 50%	64 min.	0,61 kWh

7. OPTIONS

7.1 Dry Plus (Trocken+)


This option helps to get the laundry more dried. There are 3 possible selections:

MIN - the default selection which is related to the programme.

MED - the selection to get the laundry lightly dried.

MAX - the selection to get the laundry more dried.

7.2 Reverse Plus

To dry more lightly the sensitive and temperature sensitive textiles (e.g. acrylic, viscose). This option helps also to decrease the creases on the laundry. For fabrics with the symbol  on the fabric label.

7.3 Anti-crease (Knitterschutz)

Extends anti-crease phase (30 minutes) at the end of the drying cycle to 90 minutes. This option prevents laundry from creases. Laundry can be removed during the anti-crease phase.

7.4 Buzzer (Signal)

When the buzzer option is activated you can hear the buzzer at the:

- cycle end
- anti-crease phase start and end
- cycle interruption

The buzzer option is by default always on. You can use this function to activate or deactivate the sound.



You can activate the Buzzer (Signal) option with all programmes.

7.5 Time Dry (Zeitwahl)

Operates only with the Time (Zeitprogramm) programme. Lets the user to set special time of drying programme from minimum 10 min. to maximum of 2 hours (in 10 min. steps).

7.6 Delay Start (Zeitvorwahl)



Lets to delay the start of a drying programme from minimum of 30 minutes to maximum of 20 hours.

1. Set the drying programme and options.
2. Push the Delay Start (Zeitvorwahl) button again and again.

the necessary time of the delay come into the view on the display (e.g. 12h if the programme has to start after 12 hours.)

3. To activate the Delay Start (Zeitvorwahl) option, push the Start/Pause button. The time to start decreases on the display.

8. BEFORE FIRST USE

Before you use the appliance for the first time do these operations:

- Clean the tumble dryer drum with a moist cloth.
- Start a short programme (e.g. 30 minutes) with moist laundry.



At the beginning of drying cycle (3-5 min.) there could be a slightly higher sound level. It is because of start of the compressor that is normal for compressor powered appliances such: refrigerators, freezers.

9. DAILY USE

9.1 Preparing the laundry

- Close the zippers.
- Close the fasteners of the duvet covers.
- Do not keep ties or ribbons loose (e.g. apron ribbons). Tie them before you start a programme.
- Remove all items from the pockets.
- If an item has the internal layer made of cotton, turn it inside out. Make sure that the cotton layer is always external
- We recommend that you set the correct programme applicable for the type of fabrics that are in the appliance.
- Do not put fabrics with strong colours together with fabrics with light colours. Strong colours can bleed.
- Use an applicable programme for cotton jersey and knitwear to prevent the items to shrink.
- Make sure that the laundry weight is not more than the maximum weight that is in the programme table.
- Dry only the laundry that is applicable for tumble dryer. Refer to the fabric label on the items.

Fabric label	Description
	Laundry that is applicable for tumble drying.
	Laundry that is applicable for tumble drying and resists higher drying temperature.
	Laundry that is applicable for tumble drying but only with low drying temperature.
	Laundry that is not applicable for tumble drying.

9.2 Loading the laundry



CAUTION!

Do not lock the laundry in between the appliance door and rubber seal.

1. Pull the appliance door.
2. Load loosely the laundry.
3. Close the appliance door.

9.3 Turning on the appliance

To turn on the appliance:

Push the On/Off (Ein/Aus) button. If the appliance is on, some indications come in to the view on the display.

9.4 Auto stand-by function

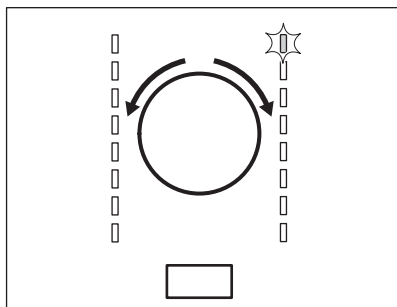
To decrease the energy consumption, the automatic stand-by function deactivates the appliance:

- if the Start/Pause button was not pushed in the time of 5 minutes.
- after 5 minutes from the programme end.

Push the On/Off (Ein/Aus) button to activate the appliance.

If the appliance is on, some indications come in to the view on the display.

9.5 Setting a programme



Use the programme dial to set the programme.

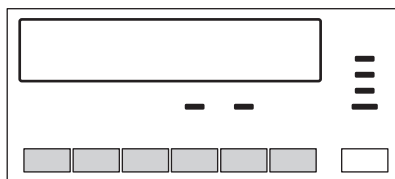
The possible time to complete the programme comes into the view on the display.



The drying time you see is related to the load of 5 kg for cotton and jeans programmes. For the other programmes the drying time is related to the recommended loads. The drying time of the cotton and jeans programmes with the load more than 5 kg is longer.

9.6 Options

Together with the programme you can set 1 or more special options.



To activate or deactivate the option push the applicable button .

When the option is activated the LED above the button or symbol on the display comes into the view.

9.7 Child lock option


The child lock can be set to prevent the children to play with the appliance. The child lock option locks all push buttons and the programme dial (this option does not lock **On/Off (Ein/Aus)** button).

You can activate the child lock option:

- before you push the **Start/Pause** button - the appliance cannot start
- after you push the **Start/Pause** button - programmes and option selection is off.

Child lock option activation:

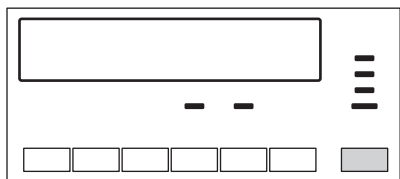
1. Turn on the dryer.
2. Wait approximately 8 seconds.
3. Select 1 of the available programmes.
4. Push at the same time and hold down the **Dry Plus (Trocken+)** and **Reverse Plus** buttons .

The symbol  comes into the view on the display.

5. To deactivate the child lock, push again the above buttons until the symbol goes out of the view.

9.8 Starting a programme

To start the programme:



Push the **Start/Pause** button. The appliance starts and the LED above the button does not flash but is stable.

9.9 Programme change

To change a programme:

1. Push the On/Off (Ein/Aus) button to turn off the appliance.
2. Push again the On/Off (Ein/Aus) button to turn on the appliance.


10. HINTS AND TIPS


10.1 Ecological hints


- Spin good the laundry before drying.
- Use the load volumes which are specified in the programme chart.
- Clean the filter after each drying cycle.
- Do not use fabric softener to wash and then dry. In the tumble dryer laundry becomes soft automatically.
- Use the condensate as distilled water, e.g. for steam ironing. If it is necessary clean the condensate before (e.g. with a coffee filter) to remove possible small pieces of fluff.
- Always keep the airflow slots on the bottom of the appliance clear.
- Make sure that is good airflow in the appliance installation position.

3. Set a new programme.

9.10 Programme end

-  Clean the filter and drain the water container after each drying cycle. (See chapter CARE AND CLEANING.)

If the drying cycle is completed, the symbol  flashes on the display. If the Buzzer (Signal) option is on, the acoustic signal sounds intermittently for 1 minute.

-  If you do not turn off the appliance, the crease guard phase starts. Laundry can be removed during this phase.

To remove the laundry:

1. Push the On/Off (Ein/Aus) button for 2 seconds to turn off the appliance.
2. Open the appliance door.
3. Remove the laundry.
4. Close the appliance door.

10.2 Adjustment of the remaining laundry moisture degree

To change the default degree of the remaining moisture of the laundry:

1. Turn on the appliance.
2. Wait approximately 8 seconds.
3. Select 1 of available programmes.
4. Push at the same time and hold down the **Dry Plus (Trocken+)** and **Anti-crease (Knitterschutz)** buttons.

One of the symbols goes into the view on the display:

 - the maximum dry laundry

 - the more dry laundry

 - the standard dry laundry

5. Push the **Start/Pause** button again and again until you set necessary degree.
6. To memorise the setting, push at the same time the **Dry Plus (Trocken+)**

and **Anti-crease (Knitterschutz)** buttons for approximately 2 seconds.

10.3 Deactivating the Water container (Behälter) indicator



The water container indicator is by default on. It starts to light at the end of the drying cycle or during the cycle if the water reservoir is full. If the draining kit is installed the water container is drained automatically and indicator can be permanently off.

To deactivate the indicator:

1. Turn on the appliance.
2. Wait approximately 8 seconds.

3. Select 1 of available programmes.
4. Push at the same time and hold down the **Dry Plus (Trocken+)** and **Buzzer (Signal)** buttons.

One of 2 configurations is possible:

- the Water container (Behälter) indicator: is on and the symbol  goes into the view - the water container indicator is permanently **on**
- the Water container (Behälter) indicator: is off and the symbol  goes into the view - the water container indicator is permanently **off**

11. CARE AND CLEANING

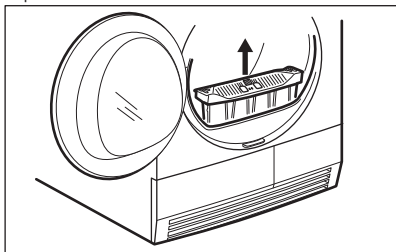
11.1 Cleaning the filter

At the end of each cycle the indicator **Filter (Sieb)** is on and you must clean the filter.

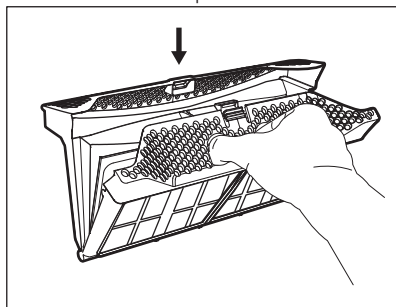


The filter collects the fluff. The fluff occurs while the cloths are dried in the tumble dryer.

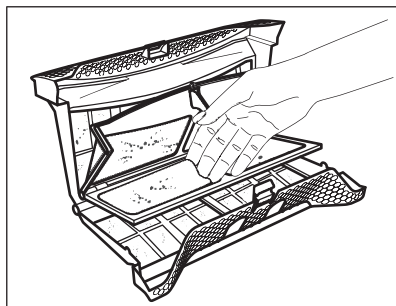
1. Open the door. Pull the filter.



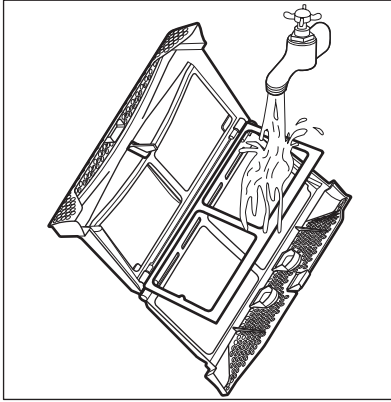
2. Push the hook to open the filter.



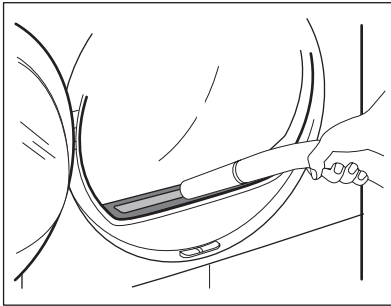
3. Use a moist hand to clean both parts of the filter.



4. If necessary clean the filter with the brush under warm tap water and/or a vacuum cleaner. Close the filter.



5. If necessary remove fluff from the filter socket and gasket. You can use a vacuum cleaner. Put the filter inside the filter socket.



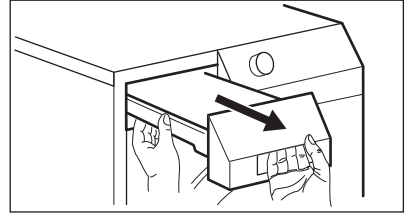
11.2 Draining the water container

Drain the condensed water container after each drying cycle.

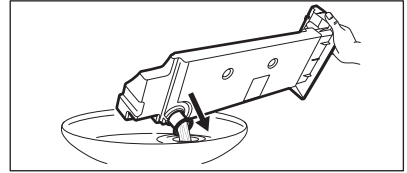
If the condensed water container is full, the programme breaks off automatically. The indicator **Water container (Behälter)** is on and you must drain the water container.

To drain the water container:

1. Pull the water container and keep it in horizontal position.



2. Move the plastic connection out and drain the water into a basin or equivalent receptacle.



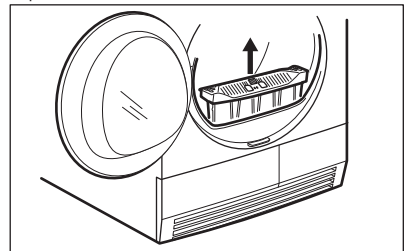
3. Move plastic connection in and install water container.
4. To continue the programme press the Start/Pause button.

11.3 Cleaning the heat exchanger

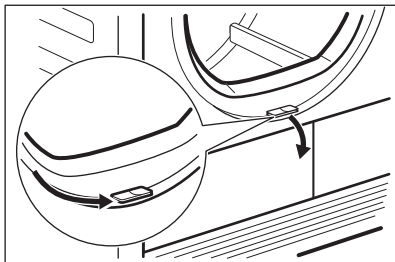
If the indicator **Heat exchanger (Kondensator)** flashes, do the inspection of the heat exchanger and its compartment. If there is a dirt, clean it.

To do the inspection:

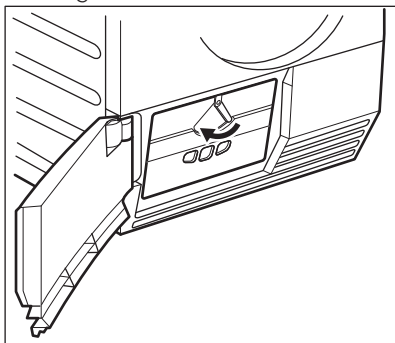
1. Open the door. Pull the filter.



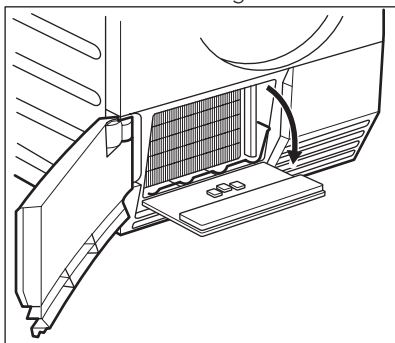
2. Move the release button on the bottom of the door to open the heat exchanger door.



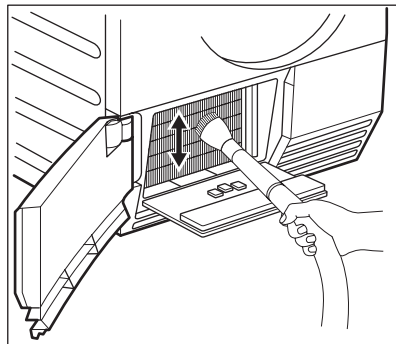
3. Turn the blockage to unlock the heat exchanger cover.



4. Lower the heat exchanger cover.



5. If necessary, remove the fluff from the heat exchanger and its compartment. You can use wet cloth and/or a vacuum cleaner with the brush.



6. Close the heat exchanger cover.
7. Lock the blockage until it snaps.
8. Put the filter back.

11.4 Cleaning the drum



WARNING!

Disconnect the appliance before you clean it.

Use a standard neutral soap detergent to clean the inner surface of the drum and drum ribs. Dry the cleaned surfaces with a soft cloth.



CAUTION!

Do not use abrasive materials or steel wool to clean the drum.

11.5 Cleaning the control panel and housing

Use a standard neutral soap detergent to clean the control panel and housing.

Use a moist cloth to clean. Dry the cleaned surfaces with a soft cloth.



CAUTION!

Do not use furniture cleaning agents or cleaning agents which can cause corrosion to clean the appliance.

11.6 Cleaning the airflow slots

Use a vacuum cleaner to remove the fluff from the airflow slots.

12. TROUBLESHOOTING

Problem 1)	Possible cause	Remedy
The tumble dryer does not operate.	The tumble dryer is not connected to mains supply.	Connect in at mains socket. Check fuse in fuse box (domestic installation).
	The loading door is opened.	Close the loading door.
	The On/Off (Ein/Aus) button was not pushed.	Push the On/Off (Ein/Aus) button.
	The Start/Pause button was not pushed.	Push the Start/Pause button.
	The appliance is in the standby mode.	Push the On/Off (Ein/Aus) button.
Unsatisfactory drying result.	Incorrect programme selection.	Do the selection of the applicable programme. 2)
	The filter is clogged.	Clean the filter. 3)
	The Dry Plus (Trocken+) option was in minimum level. 4)	Change the Dry Plus (Trocken+) option to the moderate or maximum level. 4)
	Too high volume of the load.	Obeys the maximum load volume.
	The airflow grill is clogged.	Clean the airflow grill in the bottom of the appliance.
	Dirt on the humidity sensor in the drum.	Clean the front surface of the drum.
	Incorrect remaining laundry moisture degree.	Adjust remaining laundry moisture degree. 5)
	The heat exchanger is clogged.	Clean the heat exchanger. 3)
The loading door does not closed	The filter not locked in the position.	Put the filter in the correct position.
	The laundry is locked between the door and the seal.	Put the load correctly in the drum.
Err (Error) on the display.	You try to change the programme or the option after the start of the cycle.	Turn the tumble dryer off and on. Make the new selection.
	The option you try to activate is not applicable with the selected programme.	Turn the tumble dryer off and on. Make the new selection.

Problem 1)	Possible cause	Remedy
No drum light	Defective drum lamp.	Contact the service centre to replace the drum lamp.
Abnormally elapsing time on the display.	The time to end is calculated on the basis of the volume and dampness of the laundry.	The automatic procedure — this is not the appliance malfunction.
Programme inactive.	The water container is full.	Drain the water container, push the Start/Pause button. 3)
Drying cycle too short.	Too small laundry volume.	Do the selection of time programme. The time value must be related to the load. To dry 1 item or small quantities of the laundry we recommend to use short times.
	The laundry is too dry.	Do the selection of time programme or higher drying level (e.g. Extra Dry (Extratrocken))
Drying cycle too long 6)	The filter is clogged.	Clean the filter.
	Too high volume of the load.	Obey the maximum load volume.
	The laundry not spun sufficiently.	Spin correctly the laundry.
	Too low or too high room temperature - this is not the appliance malfunction.	Ensure a room temperature higher than +5°C and lower then +35°C.

1) If there is an error message on the display (e.g. **E51**): Turn the tumble dryer off and on. Make a selection of the new programme. Push the Start/Pause button. Does not operate? - contact the service centre and give the error code.

2) Follow the programme description — see PROGRAMME TABLE

3) See chapter CARE AND CLEANING

4) Only dryers with the Dry Plus (Trocken+) option

5) See HINTS AND TIPS chapter

6) Note: After maximum 5 hours the drying cycle ends automatically.

13. TECHNICAL DATA

Height x Width x Depth	850 x 600 x 600 mm (maximal 640 mm)
Max. depth with the appliance door open	1090 mm
Max. width with the appliance door open	950 mm
Adjustable height	850 mm (+ 15 mm - feet regulation)
Drum volume	118 l
Maximum load volume	8 kg

Voltage	230 V
Frequency	50 Hz
Necessary fuse	4 A
Total power	900 W
Energy efficiency class	A++
Energy consumption ¹⁾	1,94 kWh
Annual energy consumption ²⁾	235 kWh
Left—on mode power absorption	0,50 W
Off mode power absorption	0,50 W
Type of use	Household
Permitted ambient temperature	+ 5°C to + 35°C
Level of protection against ingress of solid particles and moisture ensured by the protective cover, except where the low voltage equipment has no protection against moisture	IPX4

1) With reference to EN 61121. 8kg of cotton centrifuged at 1000 rpm.

2) Energy consumption per year in kWh, based on 160 drying cycles of the standard cotton programme at full and partial load, and the consumption of the low-power modes. Actual energy consumption per cycle will depend on how the appliance is used (REGULATION (EU) No 392/2012).

14. INSTALLATION

14.1 Unpacking

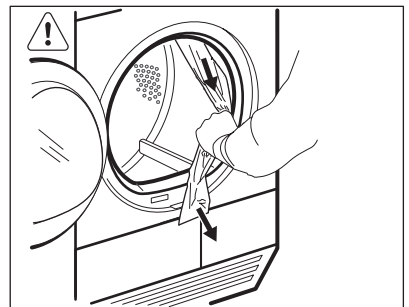


CAUTION!

Before use all parts of the transport packaging must be removed.

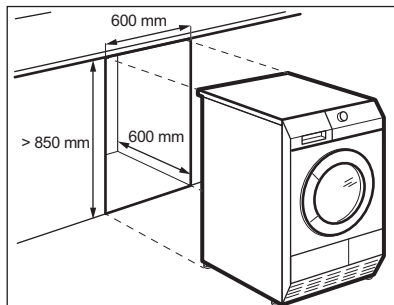
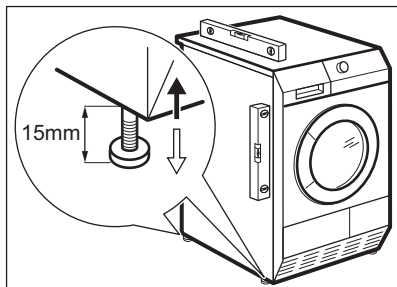
To remove the polystyrene blockages:

1. Open the door.
2. Pull plastic hose with the polystyrene blockages out from the drum.



14.2 Feet regulation

It is possible to adjust the height of the tumble dryer. To do that adjust the feet.



14.3 Installation under a counter

The appliance can be installed as freestanding or below the kitchen counter with correct space (see picture).

15. GUARANTEE

Customer Service Centres

Point of Service		
Industriestrasse 10 5506 Mägenwil	Le Trési 6 1028 Prévèrenge	Via Violino 11 6928 Manno
Morgenstrasse 131 3018 Bern		
Zürcherstrasse 204E 9000 St. Gallen		
Seetalstrasse 11 6020 Emmenbrücke		
St. Jakob-Turm Birsstrasse 320B 4052 Basel		
Comercialstrasse 19 7000 Chur		





Spare parts service Industriestrasse 10, 5506 Mägenwil, Tel. 0848 848 111

Specialist advice/Sale Badenerstrasse 587, 8048 Zürich, Tel. 044 405 81 11

Warranty For each product we provide a two-year guarantee from the date of purchase or delivery to the consumer (with a guarantee certificate, invoice or sales receipt serving as proof). The

guarantee covers the costs of materials, labour and travel. The guarantee will lapse if the operating instructions and conditions of use are not adhered to, if the product is incorrectly installed, or in the event of damage caused by external influences, force majeure, intervention by third parties or the use of non-genuine components.

16. ENVIRONMENT CONCERNS

Recycle the materials with the symbol . Put the packaging in applicable containers to recycle it. Help protect the environment and human health and to recycle waste of electrical and electronic appliances. Do not dispose appliances marked with the symbol  with the household waste. Return the product to your local recycling facility or contact your municipal office.



For Switzerland:

Where should you take your old equipment?

Anywhere that sells new equipment or hand it in to official SENS collection points or official SENS recycling firms.

The list of official SENS collection points can be found at www.erecycling.ch

INHALTSVERZEICHNIS

1. SICHERHEITSHINWEISE.....	26
2. SICHERHEITSANWEISUNGEN.....	29
3. GERÄTEBESCHREIBUNG.....	31
4. ZUBEHÖR.....	32
5. BEDIENFELD.....	33
6. PROGRAMMÜBERSICHT.....	34
7. OPTIONEN.....	37
8. VOR DER ERSTEN INBETRIEBNAHME.....	38
9. TÄGLICHER GEBRAUCH.....	38
10. TIPPS UND HINWEISE.....	41
11. REINIGUNG UND PFLEGE.....	41
12. FEHLERSUCHE.....	44
13. TECHNISCHE DATEN.....	46
14. MONTAGE.....	47
15. GARANTIE.....	48

FÜR PERFEKTE ERGEBNISSE

Danke, dass Sie sich für dieses AEG-Produkt entschieden haben. Wir haben es geschaffen, damit Sie viele Jahre von seiner ausgezeichneten Leistung und den innovativen Technologien, die Ihnen das Leben erleichtern, profitieren können. Es ist mit Funktionen ausgestattet, die in gewöhnlichen Geräten nicht vorhanden sind. Nehmen Sie sich ein paar Minuten Zeit zum Lesen, um seine Vorzüge kennen zu lernen.

Besuchen Sie uns auf unserer Website, um:



Anwendungshinweise, Prospekte, Fehlerbehebungs- und Service-Informationen zu erhalten:

www.aeg.com



Ihr erworbenes Produkt zu registrieren, um den besten Service dafür zu gewährleisten:

www.registeraeg.com



Zubehör, Verbrauchsmaterial und Original-Ersatzteile für Ihr Gerät zu erwerben:

www.aeg.com/shop

REPARATUR- UND KUNDENDIENST

Bitte verwenden Sie ausschließlich Original-Ersatzteile für Ihre Produkte.

Halten Sie folgende Angaben bereit, wenn Sie sich an den Kundendienst wenden
Modell, Produktnummer (PNC), Seriennummer.

Diese Informationen finden Sie auf dem Typenschild.



Warnungs-/ Sicherheitshinweise



Allgemeine Informationen und Empfehlungen



Informationen zum Umweltschutz

Änderungen vorbehalten.

1. ⚠️ SICHERHEITSHINWEISE

Lesen Sie vor der Montage und dem Gebrauch des Geräts zuerst die Gebrauchsanleitung. Der Hersteller übernimmt keine Verantwortung für Verletzungen und Beschädigungen durch unsachgemäße Montage. Bewahren Sie die Gebrauchsanleitung griffbereit auf.



- Lesen Sie bitte die mitgelieferte Anleitung.

1.1 Sicherheit von Kindern und schutzbedürftigen Personen



WARNUNG!

Erstickungs- und Verletzungsgefahr sowie Gefahr einer dauerhaften Behinderung.

- Das Gerät kann von Kindern ab 8 Jahren und Personen mit eingeschränkten physischen, sensorischen oder geistigen Fähigkeiten oder mit mangelnder Erfahrung und/oder mangelndem Wissen nur dann verwendet werden, wenn sie durch eine für ihre Sicherheit zuständige Person beaufsichtigt werden oder in die sichere Verwendung des Geräts eingewiesen wurden und die mit dem Gerät verbundenen Gefahren verstanden haben.
- Kinder dürfen nicht mit dem Gerät spielen.
- Halten Sie Kinder unter 3 Jahren vom Gerät fern, wenn sie nicht ständig beaufsichtigt werden.
- Alle Verpackungsmaterialien von Kindern fernhalten.
- Alle Reinigungsmittel von Kindern fernhalten.
- Halten Sie Kinder und Haustiere vom geöffneten Gerät fern.
- Falls Ihr Gerät mit einer Kindersicherung ausgestattet ist, empfehlen wir, diese einzuschalten.
- Wartung oder Reinigung des Geräts dürfen nicht von Kindern ohne Aufsicht erfolgen.

1.2 Allgemeine Sicherheit

- Nehmen Sie keine technischen Änderungen am Gerät vor.
- Wenn der Wäschetrockner auf einer Waschmaschine aufgestellt wird, muss die Befestigung mithilfe des Bausatzes Wasch-Trocken-Säule erfolgen. Der Bausatz Wasch-Trocken Säule, der bei Ihrem autorisierten Lieferanten erhältlich ist, kann nur für die in der mitgelieferten Anleitung aufgeführten Geräte verwendet werden. Lesen Sie die Anleitung aufmerksam vor der Montage (siehe Montageanleitung).
- Das Gerät kann freistehend oder unter einer Küchenarbeitsplatte in einer Nische mit den entsprechenden Abmessungen montiert werden (siehe Montageanleitung).
- Das Gerät darf nicht hinter einer verschließbaren Tür, einer Schiebetür oder einer Tür mit einem Scharnier, das dem des Gerätes gegenüber liegt und eine vollständige Öffnung der Gerätetür verhindert, aufgestellt werden.
- Die Lüftungsöffnungen im Gerätesockel (falls vorhanden) dürfen nicht von einem Teppichboden blockiert werden.
- Stecken Sie den Netzstecker erst nach Abschluss der Montage in die Steckdose. Stellen Sie sicher, dass der Netzstecker nach der Montage noch zugänglich ist.
- Der Raum, in dem das Gerät aufgestellt wird, muss gut belüftet sein, damit keine Gase in den Raum zurückströmen, die von offenem Feuer oder von anderen Geräten stammen, die mit Brennstoffen arbeiten.
- Die Abluft darf nicht über denselben Abzug abgeleitet werden, durch den der Dunstabzug von mit Gas oder sonstigen Brennstoffen betriebenen Geräten gewährleistet wird. (falls zutreffend)

- Wenn das Netzkabel beschädigt ist, muss es vom Hersteller, seinem autorisierten Kundenservice oder einer gleichermaßen qualifizierten Person ausgetauscht werden, um Gefahrenquellen zu vermeiden.
- Beachten Sie die maximale Beladungsmenge von 8 kg (siehe Kapitel „Programmtabelle“).
- Verwenden Sie das Gerät nicht, wenn es mit Industriechemikalien gereinigt wurde.
- Wischen Sie die um das Gerät ggf. angesammelten Flusen weg.
- Benutzen Sie das Gerät niemals ohne Filter. Reinigen Sie den Flusenfilter vor oder nach jedem Gebrauch.
- Trocknen Sie keine ungewaschenen Wäschestücke im Trockner.
- Wäschestücke, die mit Speiseöl verschmutzt sind oder die mit Aceton, Alkohol, Kerosin, Fleckentfernern, Terpentin und Wachsentfernern behandelt worden sind, müssen vor dem Trocknen in dem Wäschetrockner in heißem Wasser und zusätzlichem Waschmittel gewaschen werden.
- Artikel wie Schaumgummi (Latexschaumgummi), Duschhauben, imprägnierte Textilien, gummibeschichtete Wäschestücke und Kleider oder Kissen mit Schaumgummipolster dürfen in dem Gerät nicht getrocknet werden.
- Weichspüler oder ähnliche Produkte dürfen nur entsprechend den Herstelleranweisungen benutzt werden.
- Entfernen Sie alle Gegenstände, wie Feuerzeuge und Streichhölzer, aus den Taschen.
- Wenn Sie die Trockentrommel vor dem Ende des Trockengangs anhalten müssen, entnehmen Sie bitte sofort die gesamte Wäsche und breiten Sie diese zur Wärmeableitung aus.
- Der letzte Teil eines Trockenprogramms findet ohne Hitze statt (Abkühlzyklus), um sicherzustellen, dass die

Wäsche auf einer Temperatur bleibt, bei der sie nicht beschädigt wird.

- Schalten Sie das Gerät immer aus und ziehen Sie den Netzstecker aus der Steckdose, bevor Reinigungsarbeiten durchgeführt werden.

2. SICHERHEITSANWEISUNGEN

2.1 Montage

- Entfernen Sie das Verpackungsmaterial.
- Stellen Sie ein beschädigtes Gerät nicht auf und benutzen Sie es nicht.
- Halten Sie sich an die mitgelieferte Montageanleitung.
- Seien Sie beim Umsetzen des Geräts vorsichtig, denn es ist schwer. Tragen Sie stets Sicherheitshandschuhe.
- Das Gerät darf nicht an einem Ort aufgestellt oder verwendet werden, an dem die Temperatur unter 5 °C absinken oder auf über 35°C steigen kann.
- Stellen Sie sicher, dass der Boden, auf dem das Gerät aufgestellt wird, eben, hitzebeständig und sauber ist.
- Stellen Sie sicher, dass die Luft zwischen Gerät und Boden zirkulieren kann.
- Das Gerät darf ausschließlich stehend transportiert oder umgesetzt werden.
- Die Geräterückseite muss gegen die Wand zeigen.
- Überprüfen Sie den waagrechten Stand des Geräts mit einer Wasserwaage, wenn es an seinen endgültigen Platz gestellt wird. Richten Sie es gegebenenfalls mit den Schraubfüßen waagrecht aus.

2.2 Elektrischer Anschluss



WARNUNG!

Brand- und Stromschlaggefahr.

- Das Gerät muss geerdet sein.
- Stellen Sie sicher, dass die elektrischen Daten auf dem Typenschild den Daten Ihrer Stromversorgung entsprechen. Wenden Sie sich andernfalls an eine Elektrofachkraft.

- Schließen Sie das Gerät nur an eine ordnungsgemäß installierte Schutzkontaktsteckdose an.
- Verwenden Sie keine Mehrfachsteckdosen oder Verlängerungskabel.
- Ziehen Sie nicht am Netzkabel, wenn Sie das Gerät von der Stromversorgung trennen möchten. Ziehen Sie stets am Netzstecker.
- Fassen Sie das Netzkabel oder den Netzstecker nicht mit nassen Händen an.
- Nur für GB und Irland. Das Gerät besitzt einen Netzstecker mit einer 13 A Sicherung. Muss die Sicherung im Netzstecker ausgetauscht werden, setzen Sie eine 13 A Sicherung des Typs ASTA (BS 1362) ein.
- Das Gerät entspricht den EWG-Richtlinien.

2.3 Gebrauch



WARNUNG!

Verletzungs-, Stromschlag-, Brand-, Verbrennungsgefahr sowie Risiko von Schäden am Gerät.

- Das Gerät ist ausschließlich für die Verwendung im Haushalt vorgesehen.
- Beschädigte Wäschestücke mit Wattierungen oder Füllungen dürfen nicht im Gerät getrocknet werden.
- Nur Textilien trocknen, die für Wäschetrockner geeignet sind. Beachten Sie die Pflegehinweise auf dem Textiletikett.
- Für Wäsche, die mit einem Fleckenentferner behandelt wurde, muss vor dem Trocknen ein zusätzlicher Spülgang durchgeführt werden.

- Das Kondenswasser/destillierte Wasser darf nicht getrunken oder für das Zubereiten von Speisen verwendet werden. Dies kann bei Mensch und Tier gesundheitliche Schäden hervorrufen.
- Setzen oder stellen Sie sich niemals auf die geöffnete Gerätetür.
- Trocknen Sie keine tropfnassen Wäschestücke im Trockner.

2.4 Innenbeleuchtung



WARNUNG!

Verletzungsgefahr.

- Sichtbare LED-Abstrahlung; vermeiden Sie es, direkt in den Lichtstrahl zu blicken.
- Die Leuchtmittel in diesem Gerät sind nur für Haushaltsgeräte geeignet. Benutzen Sie sie nicht für die Raumbelichtung.
- Für den Austausch der Innenbeleuchtung wenden Sie sich bitte an den Kundendienst.

2.5 Reinigung und Pflege



WARNUNG!

Verletzungsgefahr sowie Risiko von Schäden am Gerät.

- Reinigen Sie das Gerät nicht mit einem Wasser- oder Dampfstrahl.

- Reinigen Sie das Gerät mit einem weichen, feuchten Tuch. Verwenden Sie ausschließlich Neutralreiniger. Benutzen Sie keine Scheuermittel, scheuernde Reinigungsschwämmchen, Lösungsmittel oder Metallgegenstände.

2.6 Kompressor



WARNUNG!

Das Gerät könnte beschädigt werden.

- Das Kompressorsystem des Wäschetrockners ist mit einem speziellem Mittel gefüllt, das keine Fluorchlorkohlenwasserstoffe enthält. Das System muss dicht bleiben. Eine Beschädigung des Systems kann zu einem Leck führen.

2.7 Entsorgung

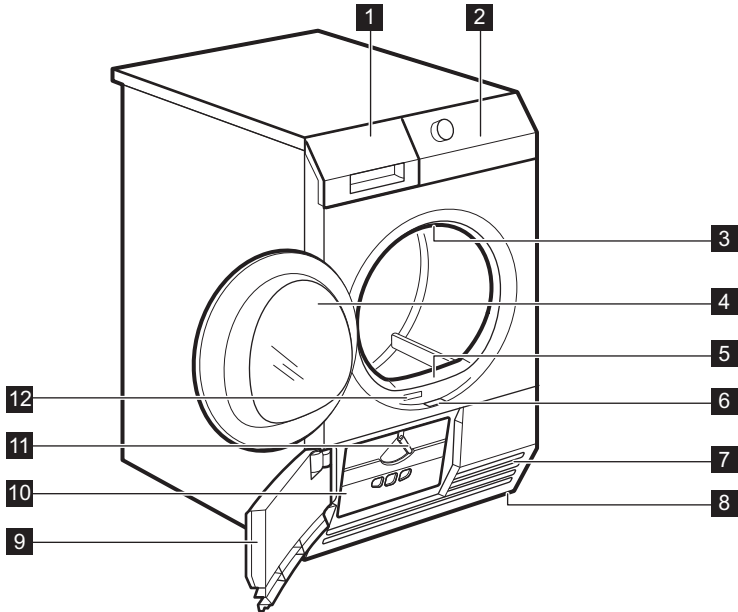


WARNUNG!

Verletzungs- und Erstickungsgefahr.

- Trennen Sie das Gerät von der Stromversorgung.
- Schneiden Sie das Netzkabel ab, und entsorgen Sie es.
- Entfernen Sie das Türschloss, um zu verhindern, dass sich Kinder oder Haustiere in dem Gerät einschliessen.

3. GERÄTEBESCHREIBUNG



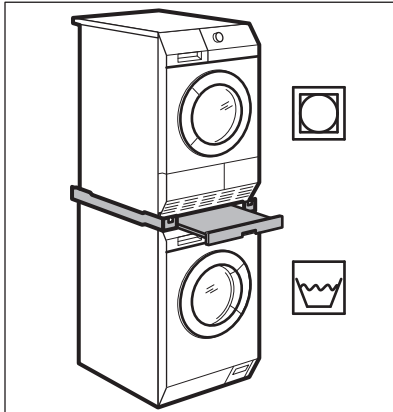
- | | |
|--|---|
| 1 Wasserbehälter | 8 Schraubfüße |
| 2 Bedienfeld | 9 Zugangstür zum Wärmetauscher |
| 3 Innenbeleuchtung | 10 Wärmetauscherabdeckung |
| 4 Gerätetür | 11 Taste zum Verriegeln der Wärmetauscherabdeckung |
| 5 Filter | 12 Typenschild |
| 6 Taste zum Öffnen der Wärmetauschertür | |
| 7 Luftschlitze | |



Die Einfülltür kann vom Benutzer an der gegenüberliegenden Seite angebracht werden. So kann die Wäsche in einigen Fällen einfacher eingelegt und entnommen werden (siehe separate Broschüre).

4. ZUBEHÖR

4.1 Bausatz Wasch-Trocken-Säule



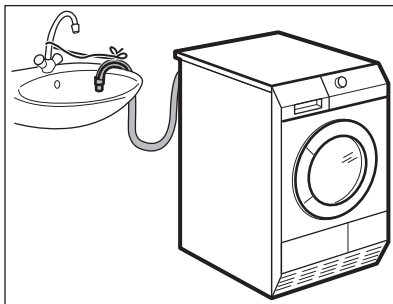
Zubehörbezeichnung: SKP11, STA8, STA9

Sie erhalten den Bausatz bei Ihrem Vertragshändler.

Der Bausatz Wasch-Trocken-Säule kann nur mit den in der Broschüre aufgeführten Waschmaschinen verwendet werden. Siehe beiliegende Broschüre.

Lesen Sie die dem Zubehör beiliegende Anleitung sorgfältig durch.

4.2 Bausatz zur Ableitung des Kondenswassers



Zubehörbezeichnung: DK11.

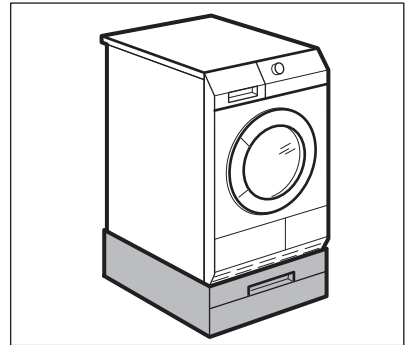
Erhältlich bei Ihrem autorisierten Händler (kann bei einigen Modellen des Wäschetrockners angebracht werden)

Zubehör für die Ableitung des Kondenswassers in ein Waschbecken, einen Siphon, einen Gully o. ä. Nach der Montage wird der Wasserbehälter automatisch geleert. Der Wasserbehälter muss im Gerät bleiben.

Der Schlauch muss mindestens 50 cm und höchstens 1 m über dem Boden installiert werden. Der Schlauch darf keine Schleife bilden. Kürzen Sie den Schlauch bei Bedarf.

Lesen Sie die dem Zubehör beiliegende Anleitung sorgfältig durch.

4.3 Sockel mit Schublade



Zubehörbezeichnung: PDSTP10.

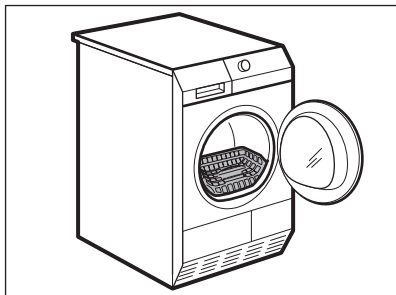
Sie erhalten den Bausatz bei Ihrem Vertragshändler.

Damit wird das Gerät auf eine höhere Ebene gebracht und das Be- und Entladen erleichtert.

Die Schublade kann zur Aufbewahrung von Wäsche benutzt werden, z. B. für Handtücher, Reinigungsprodukte usw.

Lesen Sie die dem Zubehör beiliegende Anleitung sorgfältig durch.

4.4 Trockenkorb



Zubehörbezeichnung: RA5, RA6, RA11, RA12.

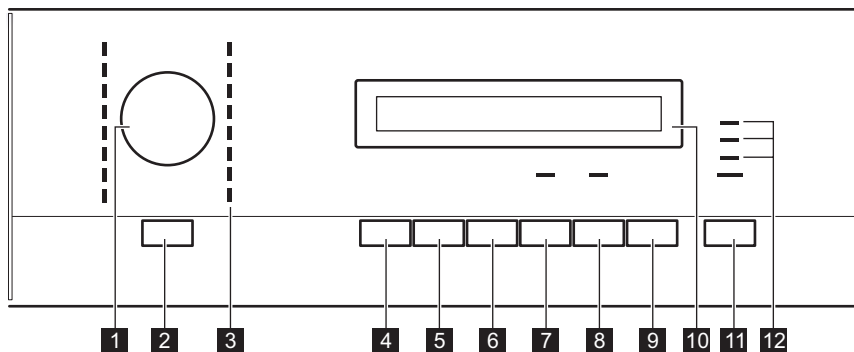
Erhältlich bei Ihrem autorisierten Händler (kann bei einigen Modellen des Wäschetrockners angebracht werden). Informieren Sie sich bei Ihrem Händler oder auf der Website, ob das Zubehör mit Ihrem Gerät kompatibel ist.

Trockenkorb zum sicheren Trocknen im Wäschetrockner von:

- Turnschuhen
- Wolle
- Stofftieren
- Dessous

Lesen Sie die dem Zubehör beiliegende Anleitung sorgfältig durch.

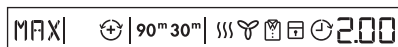
5. BEDIENFELD







- 1 Programmwahlschalter
- 2 Taste Ein/Aus
- 3 Programmkontrolllampen
- 4 Taste Trocken+
- 5 Taste Reverse Plus
- 6 Taste Knitterschutz
- 7 Taste Signal
- 8 Taste Zeitwahl



- 9 Taste Zeitvorwahl
- 10 Display
- 11 Taste Start/Pause
- 12 Kontrolllampen:
Behälter - Wasserbehälter leeren
Sieb - Filter reinigen
Kondensator - Prüfung des Wärmetauschers

5.1 Display



MIN	Standard-Trocken-grad
MED	mittlerer Trocken-grad


MAX	höchster Trockengrad
	Reverse Plus Option eingeschaltet
30m/90m	Dauer der Knitterschutzphase
	Anzeige Trockensphase
	Anzeige Abkühlphase
	Anzeige Knitterschutzphase

	Kindersicherung eingeschaltet
	Option Zeitvorwahl eingeschaltet
2.00	Anzeige der Programmdauer
10'-2.0 0	Eingestelltes Zeitprogramm (10 Minuten - 2 Stunden)
30'-20h	Eingestellte Zeitvorwahl (30 Minuten - 20 Stunden)

6. PROGRAMMÜBERSICHT


Programme	Beladung ¹⁾	Wäschetyp/Pflegesymbol
Baumwolle		
Extratrocken	8 kg	Trockengrad: Extratrocken. / 
Schrantrocken +	8 kg	Trockengrad: Schrantrocken +. / 
Schrantrocken  2)3)	8 kg	Trockengrad: Schrantrocken. / 
Bügeltrocken 2)	8 kg	Trockengrad: Bügeltrocken. / 
Jeans	8 kg	Zum Trocknen von Freizeitkleidung wie Jeans, Sweatshirts mit unterschiedlicher Materialstärke (z. B. am Kragen, an den Manschetten und Nähten). / 
Bettwäsche	3 kg	Zum Trocknen von Bettwäsche wie: Einzel-/Doppelbettlaken, Kissenbezügen, Tagesdecken. / 
Daunen	3 kg	Zum Trocknen von 1-2 Bettdecken und Kopfkissen (mit Feder-, Daunen- oder Synthetikfüllung). / 
Zeitprogramm	8 kg	Für dieses Programm kann die Option Time verwendet und die Programmdauer eingestellt werden. / 
Mischgewebe		

Programme	Beladung ¹⁾	Wäschetyp/Pflegesymbol
Extratrocken	3,5 kg	Trockengrad: Extratrocken. / ☹️☹️☹️
Schrantrocken ²⁾	3,5 kg	Trockengrad: Schrantrocken. / ☹️☹️☹️
Bügeltrocken	3,5 kg	Trockengrad: Bügeltrocken. / ☹️☹️☹️
Leichtbügeln	1 kg (oder 5 Hemden)	<p>Pflegeleichte Textilien, die nur leicht gebügelt werden müssen. Das Trocknungsergebnis kann je nach Gewebeart unterschiedlich ausfallen. Schütteln Sie jedes Wäschestück leicht aus, bevor Sie es in das Gerät legen. Nehmen Sie die Wäsche unmittelbar nach Abschluss des Programms aus dem Gerät und hängen Sie sie auf Kleiderbügel.</p> <p>/ ☹️☹️☹️</p>
Outdoor	2 kg	Zum Trocknen von Outdoorbekleidung, Sport- und Florgewebe, imprägnierten und atmungsaktiven Jacken, Jacken mit herausnehmbarem Fleeceanteil oder Innenwattierung.
Seide	1 kg	Zum Trocknen von Seide und Dessous mit Warmluft und sanfter Bewegung. / ☹️☹️☹️
Wolle ⁴⁾	1 kg	<p>Zum Trocknen von Textilien aus Wolle. Die Kleidungsstücke werden weich und anschmiegsam. Wir empfehlen, die Wäsche sofort nach dem Programmende zu entnehmen. Um den Restfeuchtegrad der Wäsche zu erhöhen oder zu reduzieren, verwenden Sie die Funktion Trocken+.</p> <div style="text-align: center;">  <p>WOOL HAND WASH SAFE</p> </div>

Programme	Beladung ¹⁾	Wäschetyp/Pflegesymbol
Mix Extra Kurz	3 kg	Trocknen von Baumwoll- und Mischgewebe. 


1) Die Angabe des maximalen Gewichts bezieht sich auf trockene Wäsche.

2) **Nur für Prüfinstitute:** Standardprogramme für Prüfungen sind im Dokument EN 61121 angegeben. Um den Restfeuchtegrad der Wäsche zu erhöhen oder zu reduzieren, verwenden Sie die Option Trocken+. Reinigen Sie das Sieb nach jedem Programm.

3) Das  Baumwolle Schranktrocken-Programm ist das „Standardprogramm für Baumwolle“ und eignet sich zum Trocknen von normaler, feuchter Baumwollwäsche und ist in Bezug auf den Energieverbrauch zum Trocknen feuchter Baumwollwäsche das effizienteste Programm.

4) Das Programm Wolle dieses Wäschetrockners wurde von der **Woolmark** Company geprüft und anerkannt. Dieses Programm eignet sich zum Trocknen von Kleidungsstücken aus Wolle, die mit dem Hinweis „Handwäsche“ versehen sind, jedoch ausschließlich dann, wenn diese zuvor mit einem von **Woolmark** anerkannten Handwäsche-Programm gewaschen wurden, und bei der Trocknung die Herstelleranleitung befolgt wird. **1780SW13W**.

6.1 Programm- und Optionsauswahl

Programme ¹⁾	Optionen			
	Trocken+	Reverse Plus	Knitterschutz	Zeitwahl
Baumwolle; Extratrocken	■		■	
Baumwolle; Schranktrocken +	■		■	
Baumwolle; Schranktrocken 	■		■	
Baumwolle; Bügeltrocken	■		■	
Jeans	■		■	
Bettwäsche	■		■	
Daunen	■			
Zeitprogramm			■	■
Mischgewebe; Extratrocken	■	■	■	
Mischgewebe; Schranktrocken	■	■	■	
Mischgewebe; Bügeltrocken	■	■	■	
Leichtbügeln	■		■	
Outdoor	■			

Programme ¹⁾	Optionen			
	Trocken+	Reverse Plus	Knitterschutz	Zeitwahl
Seide	■		■	
Wolle	■			■ ²⁾
Mix Extra Kurz	■		■	

¹⁾ Sie können zusammen mit dem Programm eine oder mehrere Optionen wählen.

²⁾ Nur mit Trockenkorb – siehe Abschnitt ZUBEHÖR.

6.2 Verbrauchswerte

Programm	U/min / Restfeuchte	Trockenzeit	Energieverbrauch
Baumwolle 8 kg			
Schrantrocken	1400 U/min / 50%	149 Min.	1,70 kWh
	1000 U/min / 60%	170 Min.	1,94 kWh
Bügelrocken	1400 U/min / 50%	110 Min.	1,19 kWh
	1000 U/min / 60%	125 Min.	1,35 kWh
Mischgewebe 3,5 kg			
Schrantrocken	1200 U/min / 40 %	56 Min.	0,54 kWh
	800 U/min / 50%	64 Min.	0,61 kWh

7. OPTIONEN

7.1 Trocken+

Mit dieser Option kann die Wäsche stärker getrocknet werden. Es stehen 3 Optionen zur Verfügung:


MIN – Die zum Programm gehörende Standardauswahl.

MED – Auswahl für leicht getrocknete Wäsche.

MAX – Auswahl für etwas stärker getrocknete Wäsche.

7.2 Reverse Plus

Zum sanften Trocknen empfindlicher und temperaturempfindlicher Textilien (z. B.

Acryl, Viskose). Mit dieser Option kommt die Wäsche beinahe knitterfrei aus der Maschine. Für Textilien mit dem Symbol  auf dem Etikett.

7.3 Knitterschutz

Verlängert die Knitterschutzphase (30 Minuten) am Ende des Trockenprogramms auf 90 Minuten. Diese Option beugt Knitterfalten in den Textilien vor. Während der Knitterschutzphase kann Wäsche entnommen werden.

7.4 Signal

Wenn die Option „Alarmer“ eingeschaltet ist, ertönt das Signal:

- am Programmende
- zu Beginn und Ende der Knitterschutzphase
- bei einer Unterbrechung des Programms

Die Option Summer ist standardmäßig eingeschaltet. Mit dieser Funktion können Sie den Ton ein- oder ausschalten.



Die Option Signal kann für alle Programme eingestellt werden.

7.5 Zeitwahl

Nur zusammen mit dem Zeitprogramm-Programm. Damit kann die Dauer des Trockenprogramms von min. 10 Minuten

bis max. 2 Stunden (in Schritten von 10 Minuten) eingestellt werden.

7.6 Zeitvorwahl



Zur Verzögerung des Programmstarts um mindestens 30 Minuten bis höchstens 20 Stunden.

1. Wählen Sie ein Trockenprogramm und Optionen.
2. Drücken Sie wiederholt die Taste Zeitvorwahl.
Die erforderliche Zeit für die Verzögerung wird auf dem Display angezeigt (z.B. 12h wenn das Programm nach 12 Stunden starten soll.)
3. Zum Einschalten der Zeitvorwahl-Option drücken Sie die Taste Start/Pause. Auf dem Display wird angezeigt, wie viel Zeit noch bis zum Programmstart verbleibt.

8. VOR DER ERSTEN INBETRIEBNAHME

Führen Sie vor der erstmaligen Inbetriebnahme des Geräts die folgenden Schritte aus:

- Reinigen Sie die Trommel des Wäschetrockners mit einem feuchten Tuch.
- Beladen Sie die Trommel mit feuchter Wäsche und starten Sie ein kurzes Programm (z. B. 30 Minuten).



Zu Beginn eines Trockengangs (in den ersten 3-5 Min.) ist der Geräuschpegel möglicherweise etwas höher. Dieser wird vom Kompressorlauf erzeugt, was auch bei folgenden, mit einem Kompressor ausgestatteten Geräten normal ist: Kühl- und Gefrierschränke.

9. TÄGLICHER GEBRAUCH

9.1 Vorbereiten der Wäsche





- Schließen Sie die Reißverschlüsse.
- Wenn Sie Bettbezüge trocken, knöpfen Sie diese zu.
- Binden Sie sämtliche losen Gürtel oder Bänder (z.B. von Schürzen) zusammen, bevor Sie ein Programm starten.
- Entfernen Sie alle Gegenstände aus den Taschen.
- Drehen Sie Wäschestücke mit Baumwollfutter auf links. Achten Sie

darauf, dass sich das Baumwollfutter immer außen befindet.

- Wir empfehlen, die zu trocknende Gewebeat bei der Programmeinstellung zu berücksichtigen.
- Bunte und helle Textilien sollten nicht zusammen getrocknet werden. Kräftige Farben können abfärben.
- Achten Sie auf die Auswahl von geeigneten Programmen für Trikotwäsche und Strickwaren, um das Einlaufen der Wäsche zu verhindern.

- Achten Sie darauf, dass das Gewicht der Wäsche nicht das in der Programmübersicht angegebene Höchstgewicht überschreitet.
- Trocknen Sie nur Textilien, die für Wäschetrockner geeignet sind.

Beachten Sie das Pflegeetikett der Textilien.

Pflegeetikett	Beschreibung
	Kann im Trockner getrocknet werden.
	Kann auch bei höheren Temperaturen im Trockner getrocknet werden.
	Kann nur bei niedriger Temperatur im Trockner getrocknet werden.
	Kann nicht im Trockner getrocknet werden.

9.2 Einfüllen der Wäsche



ACHTUNG!

Die Wäsche nicht zwischen Gerätetür und Gummidichtung einklemmen.

1. Ziehen Sie die Gerätetür auf.
2. Legen Sie die Wäsche locker ein.
3. Schließen Sie die Gerätetür.

9.3 Einschalten des Geräts

Einschalten des Geräts:

Drücken Sie die Ein/Aus-Taste. Wenn das Gerät eingeschaltet ist, erscheinen auf dem Display einige Anzeigen.

9.4 Automatische Standby-Funktion

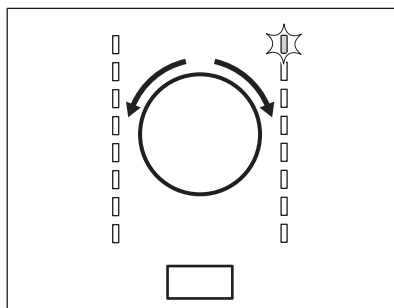
Die automatische Standby-Funktion schaltet das Gerät automatisch in folgenden Fällen aus, um den Energieverbrauch zu senken:

- Wenn die Start/Pause-Taste nicht innerhalb von 5 Min. betätigt wird.
- 5 Minuten nach Programmende.

Drücken Sie die Taste Ein/Aus, um das Gerät einzuschalten.

Wenn das Gerät eingeschaltet ist, erscheinen auf dem Display einige Anzeigen.

9.5 Einstellen eines Programms



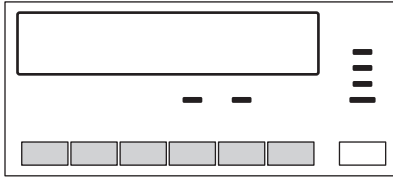
Wählen Sie das gewünschte Programm mit dem Programmwahlschalter aus. Die mögliche Programmdauer erscheint im Display.



Die angegebene Trockenzeit bezieht sich auf eine Beladung mit 5 kg für Baumwoll- und Jeansprogramme. Für andere Programme bezieht sich die Trockenzeit auf die empfohlene Beladungsmenge. Die Trockenzeit für Baumwoll- und Jeansprogramme ist länger, wenn die Beladung 5 kg übersteigt.

9.6 Optionen

Sie können zusammen mit dem Programm eine oder mehrere Optionen wählen.



Zum Ein- oder Ausschalten der Option die entsprechende Taste drücken. Ist die Option eingeschaltet, leuchtet die Kontrolllampe über der Taste auf oder das Symbol erscheint auf dem Display.

9.7 Kindersicherung

Die Kindersicherung kann eingeschaltet werden, um zu verhindern, dass Kinder mit dem Gerät spielen. Die Kindersicherung sperrt alle Tasten sowie den Programmwahlschalter (diese Option sperrt nicht die **Ein/Aus**-Taste).

Die Kindersicherung kann eingeschaltet werden:

- Bevor Sie die Taste **Start/Pause** drücken - das Gerät kann nicht starten
- Nachdem Sie die Taste **Start/Pause** gedrückt haben - die Programme- und Optionenauswahl ist ausgeschaltet.

Einschalten der Kindersicherung:

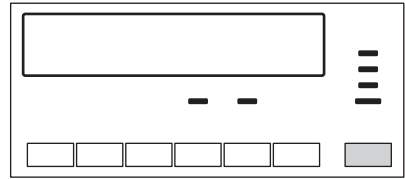
1. Schalten Sie den Trockner ein.
2. Warten Sie etwa 8 Sekunden.
3. Wählen Sie eines der verfügbaren Programme.
4. Halten Sie gleichzeitig die Tasten **Trocken+** und **Reverse Plus** gedrückt.

Das Symbol  leuchtet auf dem Display auf.

5. Zum Ausschalten der Kindersicherung drücken Sie erneut die obigen Tasten, bis das Symbol im Display erlischt.

9.8 Starten eines Programms

So starten Sie das Programm:



Drücken Sie die **Start/Pause**-Taste. Das Gerät startet und die Kontrolllampe über der Taste hört auf zu blinken und leuchtet kontinuierlich.

9.9 Programmänderung


Ändern eines Programms:

1. Schalten Sie das Gerät über die Ein/Aus-Taste aus.
2. Schalten Sie das Gerät über die Ein/Aus-Taste wieder ein.
3. Wählen Sie ein neues Programm.

9.10 Programmende



Reinigen Sie den Filter und entleeren Sie den Wasserbehälter nach jedem Trockengang. (Siehe Kapitel REINIGUNG UND PFLEGE.)

Nach Abschluss des Trockenprogramms blinkt das Symbol  im Display. Ist die Option Signal eingeschaltet, ertönt etwa eine Minute lang eine akustische Signalfolge.



Wenn Sie das Gerät nicht abschalten, beginnt die Knitterschutzphase. Während dieser Phase kann Wäsche entnommen werden.

Entnehmen der Wäsche:

1. Halten Sie die Ein/Aus-Taste 2 Sekunden lang gedrückt, um das Gerät auszuschalten.
2. Öffnen Sie die Gerätetür.
3. Entnehmen Sie die Wäsche.
4. Schließen Sie die Gerätetür.

10. TIPPS UND HINWEISE

10.1 Umwelttipps

- Schleudern Sie die Wäsche vor dem Trocknen gut.
- Halten Sie sich an die in der Programmtabelle aufgeführten Füllmengen.
- Reinigen Sie das Sieb nach jedem Trockenprogramm.
- Benutzen Sie keinen Weichspüler für Wäsche, die Sie anschließend in den Trockner geben. Im Wäschetrockner wird die Wäsche automatisch weich.
- Das Kondenswasser kann als destilliertes Wasser verwendet werden, z. B. zum Bügeln mit einem Dampfbügeleisen. Reinigen Sie das Kondensat zuvor (z. B. mit einem Kaffeefilter), um eventuelle Rückstände oder Flusen zu entfernen.
- Halten Sie die Lüftungsschlitze unten am Gerät stets frei.
- Achten Sie darauf, dass am Installationsort des Geräts eine gute Luftzirkulation herrscht.

10.2 Einstellen des Restfeuchtegrads der Wäsche

Ändern des werkseitig eingestellten Restfeuchtegrads:

1. Schalten Sie das Gerät ein.
2. Warten Sie etwa 8 Sekunden.
3. Wählen Sie eines der verfügbaren Programme.
4. Halten Sie gleichzeitig die Tasten **Trocken+** und **Knitterschutz** gedrückt.

Eines der Symbole leuchtet auf dem Display auf:

 - höchster Trocknungsgrad

 - stärkerer Trocknungsgrad



 - voreingestellter Trocknungsgrad

5. Drücken Sie die Taste **Start/Pause** wiederholt, bis der gewünschte Grad eingestellt ist.
6. Zum Speichern der Einstellung drücken Sie gleichzeitig ca. 2 Sekunden lang die Tasten **Trocken+** und **Knitterschutz**.

10.3 Ausschalten der Anzeige Behälter

Die Anzeige des Wasserbehälters ist werkseitig aktiviert. Sie leuchtet am Ende des Trockenprogramms oder während des Programms, wenn der Wasserbehälter voll ist. Wenn der Bausatz zur Ableitung des Kondenswassers installiert ist, wird das Wasser automatisch abgepumpt und die Anzeige kann dauerhaft ausgeschaltet werden.

Ausschalten der Anzeige:

1. Schalten Sie das Gerät ein.
 2. Warten Sie etwa 8 Sekunden.
 3. Wählen Sie eines der verfügbaren Programme.
 4. Halten Sie die Tasten **Trocken+** und **Signal** gleichzeitig gedrückt.
- Eine von 2 Konfigurationen ist möglich:
- Die Anzeige Behälter leuchtet und das Symbol  erscheint - die Anzeige des Wasserbehälters ist **aktiviert**
 - Die Anzeige Behälter leuchtet nicht und das Symbol  erscheint - die Anzeige des Wasserbehälters ist dauerhaft **ausgeschaltet**

11. REINIGUNG UND PFLEGE

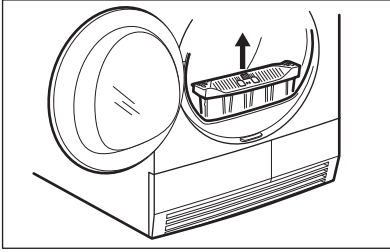
11.1 Reinigen des Siebs

Am Ende jedes Programms leuchtet die Anzeige **Sieb** auf, und Sie müssen das Sieb reinigen.

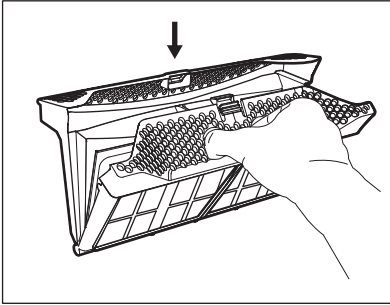


Das Sieb hält Flusen zurück. Die Flusen lösen sich während des Trockengangs von der Wäsche.

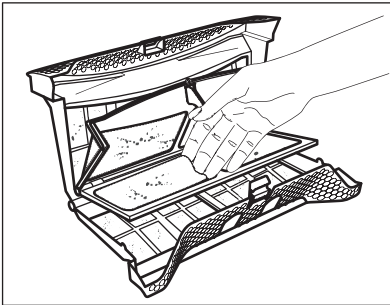
1. Öffnen Sie die Tür. Ziehen Sie das Sieb heraus.



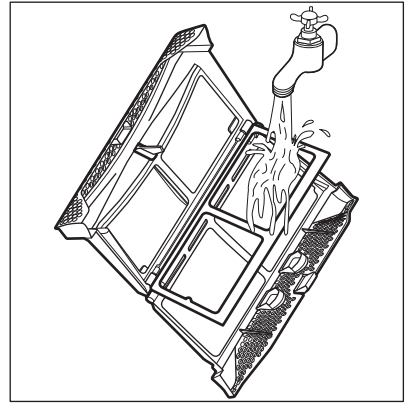
2. Drücken Sie auf den Haken, um das Sieb zu öffnen.



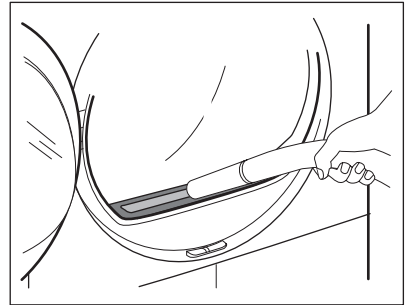
3. Reinigen Sie beide Teile des Siebs mit der feuchten Hand.



4. Bei Bedarf können Sie auch die Bürste und warmes Leitungswasser und/oder einen Staubsauger zum Reinigen des Siebs verwenden. Schließen Sie das Sieb.



5. Entfernen Sie, falls erforderlich, Flusen vom Sockel des Siebs und von der Dichtung. Hierfür können Sie einen Staubsauger verwenden. Setzen Sie das Sieb in den Sockel ein.



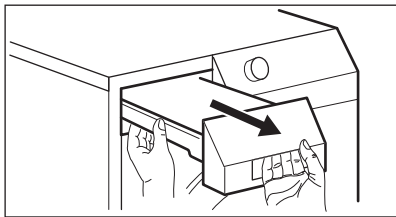
11.2 Leeren des Wasserbehälters

Der Kondensatbehälter muss nach jedem Trockengang entleert werden.

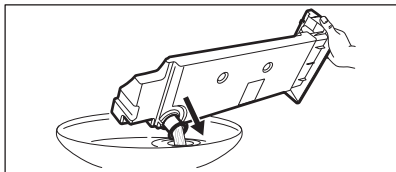
Wenn der Kondensatbehälter voll ist, bricht das Programm automatisch ab. Die Kontrolllampe **Behälter** leuchtet auf, Sie müssen den Wasserbehälter entleeren.

Entleeren des Wasserbehälters:

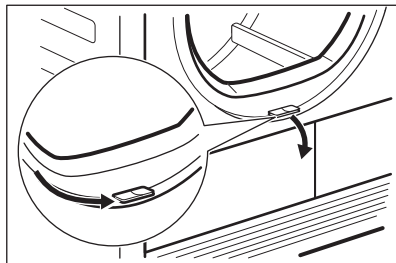
1. Ziehen Sie den Wasserbehälter heraus und halten Sie ihn waagrecht.



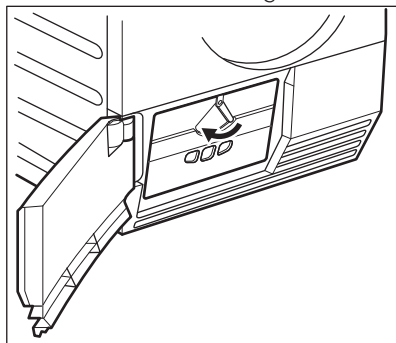
2. Ziehen Sie die Kunststoffverbindung heraus und entleeren Sie das Wasser in ein Waschbecken.



3. Schieben Sie die Kunststoffverbindung ein und setzen Sie den Behälter ein.
4. Drücken Sie die Taste Start/Pause, um das Programm fortzusetzen.



3. Drehen Sie die Verriegelung, um die Wärmetauscherabdeckung zu öffnen.

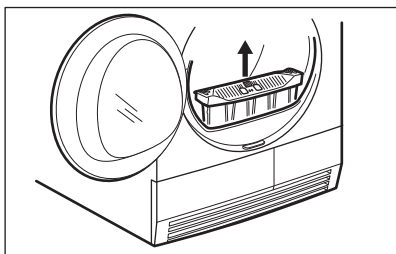


11.3 Reinigen des Wärmetauschers

Wenn die Anzeige **Kondensator** blinkt, müssen der Wärmetauscher und sein Fach überprüft werden. Sind sie verschmutzt, reinigen Sie beide.

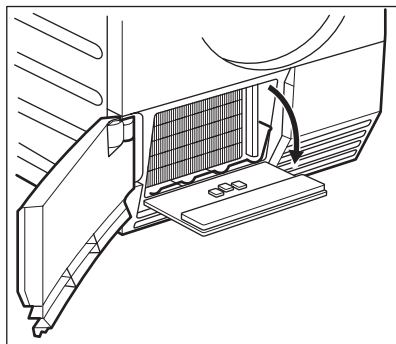
So führen Sie die Prüfung durch:

1. Öffnen Sie die Tür. Ziehen Sie das Sieb heraus.

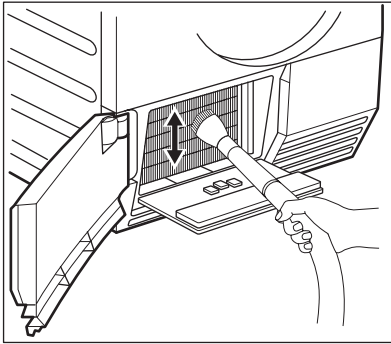


2. Schieben Sie den Entriegelungsknopf am unteren Rand der Einfüllöffnung zur Seite, um die Wärmetauschartür zu öffnen.

4. Klappen Sie die Wärmetauscherabdeckung nach unten.



5. Entfernen Sie, falls erforderlich, die Flusen aus dem Wärmetauscher und seinem Fach. Hierzu können Sie einen feuchten Lappen und/oder einen Staubsauger mit Bürste verwenden.



6. Schließen Sie die Wärmetauscherabdeckung.
7. Verriegeln Sie die Abdeckung, bis sie einrastet.
8. Setzen Sie das Sieb wieder ein.

11.4 Reinigen der Trommel



WARNUNG!

Ziehen Sie vor der Reinigung des Geräts den Netzstecker.

Verwenden Sie einen handelsüblichen neutralen Reiniger zur Reinigung der Trommelinnenflächen und Wäscheabweiser. Trocknen Sie die gereinigten Flächen mit einem weichen Tuch.



ACHTUNG!

Verwenden Sie keine Scheuermittel oder Metallschwämmchen zum Reinigen der Trommel.

11.5 Bedienfeld und Gehäuse reinigen

Verwenden Sie einen handelsüblichen neutralen Reiniger zur Reinigung des Bedienfelds und Gehäuses.

Verwenden Sie zur Reinigung ein feuchtes Tuch. Trocknen Sie die gereinigten Flächen mit einem weichen Tuch.



ACHTUNG!

Verwenden Sie keine Möbelreiniger oder Reinigungsmittel, die eine Korrosion des Geräts verursachen können.

11.6 Reinigen der Lüftungsschlitze

Benutzen Sie einen Staubsauger, um Flusen aus den Lüftungsschlitzen zu entfernen.

12. FEHLERSUCHE

Problem 1)	Mögliche Ursache	Abhilfe
Der Wäschetrockner funktioniert nicht.	Der Wäschetrockner ist nicht an die Stromversorgung angeschlossen.	Stecken Sie den Netzstecker in die Steckdose. Kontrollieren Sie die Sicherung der Hausinstallation.
	Die Einfülltür ist offen.	Schließen Sie die Einfülltür.
	Die Taste Ein/Aus wurde nicht gedrückt.	Drücken Sie die Taste Ein/Aus.
	Die Taste Start/Pause wurde nicht gedrückt.	Drücken Sie die Taste Start/Pause.
	Das Gerät befindet sich im Standby-Modus.	Drücken Sie die Taste Ein/Aus.

Problem 1)	Mögliche Ursache	Abhilfe
Nicht zufriedenstellendes Trocknungsergebnis.	Es wurde ein falsches Programm eingestellt.	Wählen Sie das passende Programm. 2)
	Das Sieb ist verstopft.	Reinigen Sie das Sieb. 3)
	Die Option Trocken+ war auf die niedrigste Stufe eingestellt. 4)	Ändern Sie die Option Trocken+ in mittel oder maximal. 4)
	Die Beladung des Geräts ist zu hoch.	Beachten Sie die maximale Beladungsmenge.
	Das Lüftungsgitter ist verstopft.	Reinigen Sie das Lüftungsgitter am Boden des Geräts.
	Schmutz auf dem Feuchtigkeitssensor in der Trommel.	Reinigen Sie die vordere Fläche der Trommel.
	Falscher Restfeuchtigkeitsgrad der Wäsche.	Stellen Sie den Restfeuchtigkeitsgrad der Wäsche ein. 5)
Die Einfülltür schließt nicht.	Der Wärmetauscher ist verstopft.	Reinigen Sie den Wärmetauscher. 3)
	Das Sieb ist nicht verriegelt.	Setzen Sie das Sieb in die richtige Position ein.
Err (Fehler) auf dem Display.	Die Wäsche ist zwischen der Tür und der Dichtung eingeklemmt.	Laden Sie die Wäsche richtig in die Trommel.
	Sie haben nach dem Programmstart versucht, das Programm oder die Option zu ändern.	Schalten Sie den Wäschetrockner aus und wieder ein. Wählen Sie ein neues Programm.
Die Option, die Sie einschalten möchten, lässt sich nicht mit dem ausgewählten Programm kombinieren.		Schalten Sie den Wäschetrockner aus und wieder ein. Wählen Sie ein neues Programm.
Die Trommelbeleuchtung funktioniert nicht	Die Trommellampe ist defekt.	Kontaktieren Sie den Kundendienst und lassen Sie die Trommellampe austauschen.
Ungewöhnlicher Zeitablauf im Display.	Die Endzeit wird unter Berücksichtigung der Menge und des Feuchtigkeitsgrades der Wäsche errechnet.	Dieser Vorgang erfolgt automatisch; es handelt sich nicht um eine Gerätestörung.
Das Programm bleibt stehen.	Der Wasserbehälter ist voll.	Leeren Sie den Wasserbehälter, drücken Sie die Taste Start/Pause. 3)

Problem 1)	Mögliche Ursache	Abhilfe
Das Trockenprogramm ist zu kurz.	Es befindet sich nicht genügend Wäsche in der Trommel.	Wählen Sie das Zeitprogramm. Die Zeitdauer ist entsprechend der Wäschemenge einzustellen. Wir empfehlen zum Trocknen von einem einzelnen Wäschestück oder einer kleinen Menge eine kurze Zeit einzustellen.
	Die Wäsche ist zu trocken.	Wählen Sie das Zeitprogramm oder einen höheren Trockengrad (z.B. Extratrocken)
Das Trockenprogramm ist zu lang 6)	Das Sieb ist verstopft.	Reinigen Sie das Sieb.
	Die Beladung des Geräts ist zu hoch.	Beachten Sie die maximale Beladungsmenge.
	Die Wäsche wurde nicht genug geschleudert.	Schleudern Sie die Wäsche richtig.
	Die Raumtemperatur ist zu niedrig oder zu hoch; es handelt sich nicht um eine Gerätestörung.	Stellen Sie sicher, dass die Raumtemperatur über +5 °C und unter +35 °C liegt.

1) Wird im Display eine Fehlermeldung angezeigt (z.B. **E51**): Schalten Sie den Wäschetrockner aus und wieder ein. Wählen Sie ein neues Programm. Drücken Sie die Start/Pause-Taste. Funktioniert das Gerät nicht? - Wenden Sie sich an den Kundendienst unter Angabe des Fehlercodes.

2) Beachten Sie die Programmbeschreibung - siehe PROGRAMMÜBERSICHT

3) Siehe Kapitel REINIGUNG UND PFLEGE

4) Nur Trockner mit der Option Trocken+

5) Siehe Kapitel TIPPS UND HINWEISE

6) Hinweis: Nach maximal 5 Stunden wird der Trockengang automatisch abgebrochen.

13. TECHNISCHE DATEN

Höhe x Breite x Tiefe	850 x 600 x 600 mm (maximal 640 mm)
Max. Tiefe bei geöffneter Gerätetür	1090 mm
Max. Breite bei geöffneter Gerätetür	950 mm
Höhenverstellbar	850 mm (+ 15 mm - FußEinstellung)
Trommelvolumen	118 Liter
Max. Fassungsvermögen	8 kg
Spannung	230 V
Frequenz	50 Hz
Notwendige Sicherung	4 A

Gesamte Leistungsaufnahme	900 W
Energie-Effizienzklasse	A++
Energieverbrauch ¹⁾	1,94 kWh
Jährlicher Energieverbrauch ²⁾	235 kWh
Leistungsaufnahme im Ein-Zustand	0,50 W
Leistungsaufnahme im Aus-Zustand	0,50 W
Verwendungsart	Haushalt
Zulässige Umgebungstemperatur	+5 °C bis +35 °C
Die Schutzverkleidung gewährleistet einen Schutz gegen das Eindringen von festen Fremdkörpern und Spritzwasser (Feuchtigkeit), außer an den Stellen, an denen das Niederspannungsgerät keinen Schutz gegen Feuchtigkeit besitzt.	IPX4

¹⁾ Gemäß EN 61121; bei einer Beladung von 8 kg Baumwolle und einer Drehzahl von 1000 U/min.

²⁾ Jährlicher Energieverbrauch in kWh, ausgehend von 160 Trockenprogrammen mit dem Standard-Baumwollprogramm bei voller Beladung und bei Teilbeladung und vom Verbrauch der energiesparenden Betriebsmodi. Der tatsächliche Energieverbrauch pro Trockenprogramm hängt davon ab, wie das Gerät verwendet wird (VERORDNUNG (EU) Nr. 392/2012).

14. MONTAGE

14.1 Auspacken

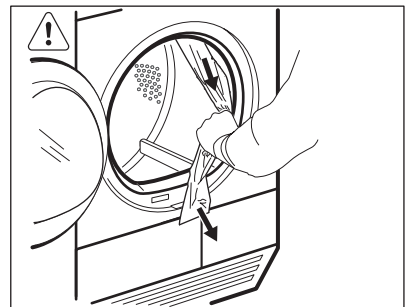


ACHTUNG!

Entfernen Sie vor dem Gebrauch das gesamte Verpackungsmaterial.

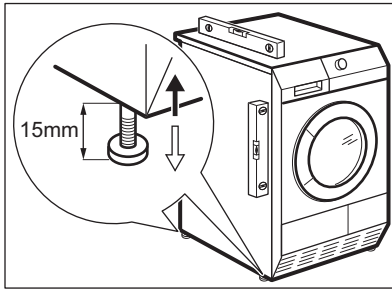
Entfernen der Styroporteile:

1. Öffnen Sie die Tür.
2. Ziehen Sie den Kunststoffschlauch mit den Styroporteilen aus der Trommel heraus.

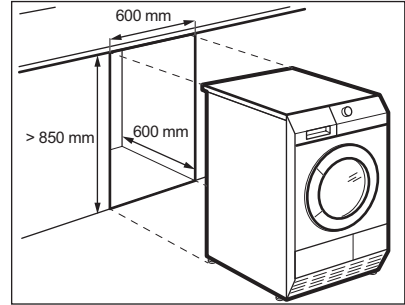


14.2 Einstellung der Gerätefüße

Die Höhe des Wäschetrockners ist verstellbar. Justieren Sie dazu die Füße.



mit den entsprechenden Abmessungen montiert werden (siehe Abbildung).



14.3 Montage als Einbaugerät

Das Gerät kann freistehend oder unter einer Küchenarbeitsplatte in einer Nische

15. GARANTIE

Kundendienst

Servicestellen		
Industriestrasse 10 5506 Mägenwil	Le Trési 6 1028 Prévèrenge	Via Violino 11 6928 Manno
Morgenstrasse 131 3018 Bern		
Zürcherstrasse 204E 9000 St. Gallen		
Seetalstrasse 11 6020 Emmenbrücke		
St. Jakob-Turm Birsstrasse 320B 4052 Basel		
Comercialstrasse 19 7000 Chur		



Ersatzteilverkauf Industriestrasse 10,
5506 Mägenwil, Tel. 0848 848 111


Fachberatung/Verkauf Badenerstrasse
587, 8048 Zürich, Tel. 044 405 81 11


Garantie Für jedes Produkt gewähren wir ab Verkauf bzw. Lieferdatum an den Endverbraucher eine Garantie von 2 Jahren. (Ausweis durch Garantieschein, Faktura oder Verkaufsbeleg). Die Garantieleistung umfasst die Kosten für

Material, Arbeits- und Reisezeit. Die Garantieleistung entfällt bei Nichtbeachtung der Gebrauchsanweisung und Betriebsvorschriften, unsachgerechter Installation, sowie bei Beschädigung durch äussere Einflüsse, höhere Gewalt, Eingriffe Dritter und Verwendung von Nicht-Original Teilen.

16. UMWELTTIPPS

Recyclen Sie Materialien mit dem Symbol

 Entsorgen Sie die Verpackung in den entsprechenden Recyclingbehältern. Recyclen Sie zum Umwelt- und Gesundheitsschutz elektrische und elektronische Geräte. Entsorgen Sie

Geräte mit diesem Symbol  nicht mit dem Hausmüll. Bringen Sie das Gerät zu Ihrer örtlichen Sammelstelle oder wenden Sie sich an Ihr Gemeindeamt.



Für die Schweiz:

Wohin mit den Altgeräten? Überall dort wo neue Geräte verkauft werden oder Abgabe bei den offiziellen SENS-Sammelstellen oder offiziellen SENS-Recyclern. Die Liste der offiziellen SENS-Sammelstellen findet sich unter www.erecycling.ch

www.aeg.com/shop



136937130-A-532014

