

BUBBLE JET PRINTER

i960/i965

Quick Start Guide

Table of Contents

Preface	1
Shipping Materials	1
Introduction	1
Setting Up	2
Preparing the Printer	2
Connecting the Printer to the Computer	2
Installing the Print Head	4
Loading Paper	7
Installing the Printer Driver	8
Aligning the Print Head	12
Basic Operations	16
Printing with Windows	16
Printing with Macintosh	18
Print Head Maintenance	20
Appendix	22
Printing Photographs Directly from a Digital Camera	21
Notes on Handling the USB Interface (for Windows Users)	22
For Further Details...	22
Printer Accessories	23

Exif Print

This printer supports Exif 2.2 (also called “Exif Print”).

Exif Print is a standard for enhancing the communication between digital cameras and printers. By connecting to an Exif Print-compliant digital camera, the camera’s image data at the time of shooting is used and optimized, yielding extremely high quality prints.

Canadian Radio Interference Regulations

This digital apparatus does not exceed the Class B limits for radio noise emissions from a digital apparatus as set out in the interference-causing equipment standard entitled “Digital Apparatus,” ICES-003 of the Industry Canada.

Cet appareil numérique respecte les limites de bruits radioélectriques applicables aux appareils numériques de Classe B prescrites dans la norme sur le matériel brouilleur NMB-003 d'Industrie Canada intitulée « Appareils numériques ».

International ENERGY STAR® Program

As an ENERGY STAR® Partner, Canon Inc. has determined that this product meets the ENERGY STAR guidelines for efficiency.



The International ENERGY STAR® Office Equipment Program is a global program that promotes energy saving through the use of computer and other office equipment. The program backs the development and dissemination of products with functions that effectively reduce energy consumption. It is an open system in which business can participate voluntarily. The targeted products are office equipment such as computers, monitors, printers, faxes and copiers.

Their standards and logos are uniform among participating nations.

Power Requirements

Never use a power supply voltage other than that supplied in the country of purchase. Using the incorrect voltage could cause a fire or electric shock. The correct power supply voltages and frequencies are as follows:

AC 100-127V, 50-60Hz

AC 220-240V, 50-60Hz

Preface

Shipping Materials

Thank you for purchasing a Canon Bubble Jet Printer.

Check that all the following items are in the box. If anything is missing or is damaged, contact your Canon Authorized Dealer or Sales Representative.

- Printer
- Photo Paper Tray
- Setup Software & User's Guide CD-ROM
- Quick Start Guide
- Print Head
- 6 Ink Tanks

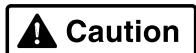
* A USB cable should be purchased separately according to your computer. For details on cable specifications, refer to page 2.

Introduction

This Quick Start Guide uses the following symbols to indicate important information. Always observe the instructions indicated by these symbols.



Instructions that, if ignored, could result in death or serious personal injury caused by incorrect operation of the equipment. These must be observed for safe operation.



Instructions that, if ignored, could result in personal injury or material damage caused by incorrect operation of the equipment. These must be observed for safe operation.

The computer screens in this manual refer to the i965. The operations are exactly the same with the i960.

Also read the Safety Precautions in the User's Guide. Observe the warnings and cautions to avoid personal injury or damage to the printer.

For information about printing when you connect a PictBridge-compliant digital camera and digital video camcorder, refer to "Direct Printing for PictBridge-compliant Digital Cameras".

Trademark Notices

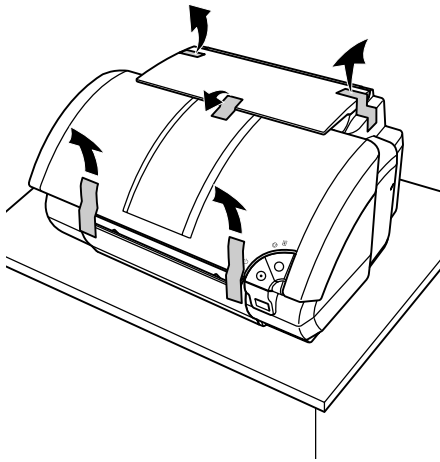
- Canon[®] is a registered trademark of Canon Inc.
- BJ[™] is a trademark of Canon Inc.
- Microsoft[®] and Windows[®] are registered trademarks of Microsoft Corporation in the U.S. and other countries.
- Apple, Mac, Macintosh are trademarks of Apple Computer, Inc., registered in the U.S. and other countries.
- All other trademarks and registered trademarks appearing in this Quick Start Guide are the property of their respective owners.

Copyright ©2003 CANON INC.

All rights reserved. No part of this publication may be transmitted or copied in any form whatsoever without the express written permission.

Setting Up

1 Preparing the Printer



- 1 Place the printer on a flat surface.
- 2 Remove the packing material and tape from the printer as shown.

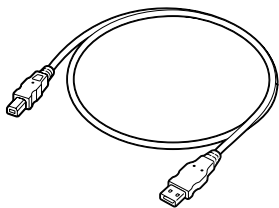
The tape position is subject to change.

2 Connecting the Printer to the Computer

Use a USB cable. This printer has two types of USB ports.

- USB 2.0 Hi-Speed port (upper USB port)
Connect to this port only when you use Windows XP or Windows 2000 and, your computer and USB cables also support USB 2.0 Hi-Speed. To determine whether your computer supports USB 2.0 Hi-Speed, refer to its manual or contact its manufacturer.
- USB 2.0 Full Speed port (lower USB port)
Connect to this port when your computer or your cables do not support USB 2.0 Hi-Speed or when it is not clear whether they support it. Connect to this port when using a Macintosh computer.

USB cable



Recommended

USB 2.0 Hi Speed: Certified USB Hi-Speed cable, up to 3 meters in length.

USB 2.0 Full Speed: Canon or other computer manufacturer cable, up to 5 meters in length.

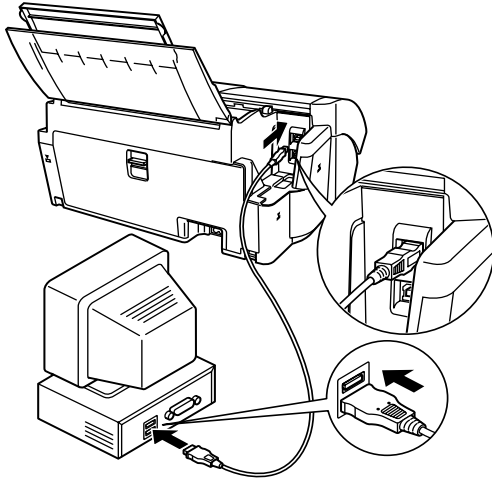
→ Notes

- Correct operation of USB Hi-Speed 2.0 is not guaranteed under Windows Me, Windows 98, Mac OS 8.6-9.x or Mac OS X.
 - If your computer has an earth connection, make sure that this is attached.
 - If you do not intend to use the printer for a long period of time, unplug the power cord from the power outlet after turning off the printer.
-

↳ Notes

- Use the USB 2.0 driver supplied by Microsoft.
The driver is available when updating Windows or applying a Windows Service Pack.
Correct operation is not guaranteed with non-Microsoft USB 2.0 drivers.
 - If your computer has an earth connection, make sure that this is attached.
-

Figure A

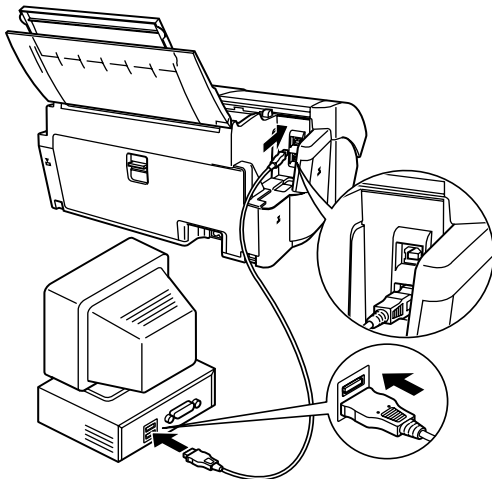


Follow the steps below to install the printer driver correctly.

- 1** Ensure the printer and the computer are switched off.
- 2** Connect the cable.

Figure A shows the USB 2.0 Hi-Speed cable connection and figure B shows the USB 2.0 Full Speed cable connection.

Figure B



↳ Note

If the Add New Hardware Wizard or Found New Hardware Wizard screen appears when carrying out the following operations, click **Cancel** and turn off the computer.



3 Installing the Print Head

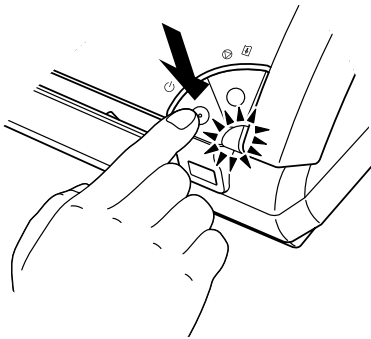
Warning

- Never attempt to plug the power cord into the power outlet or unplug the power cord when your hands are wet.
- Never damage, modify, stretch, or excessively bend or twist the power cord. Do not place heavy objects on the power cord.
- Never use any power supply other than the standard power supply available in the country of purchase. Using the incorrect voltage and frequency could cause a fire or electric shock.
- Always push the plug all the way into the power outlet.

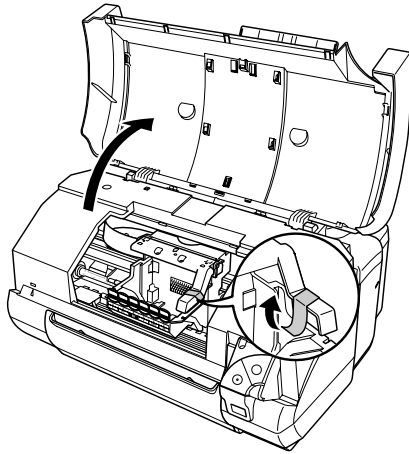
■ Installing the Print Head

- 1** Plug the printer in.
- 2** Turn on the printer. Do NOT turn on the computer yet.

The POWER lamp flashes and the printer begins to operate. Wait until the POWER lamp remains fully lit.



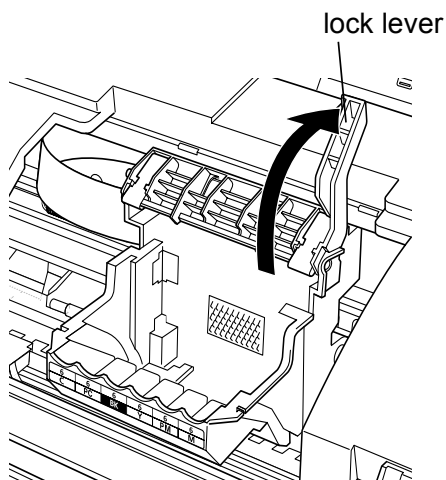
- 3** Open the front cover.

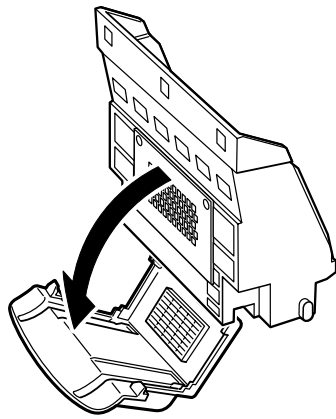


- 4** Remove the tape.

- 5** Raise the lock lever.

Do not touch internal parts other than the lock lever.

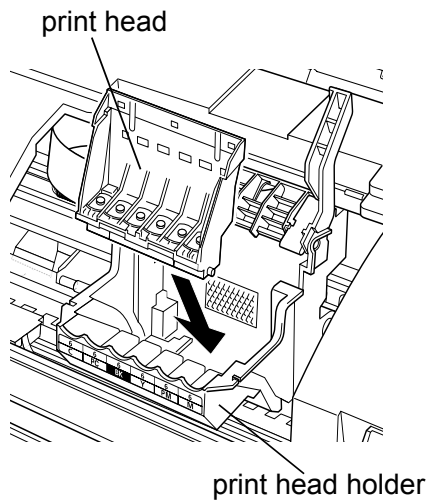
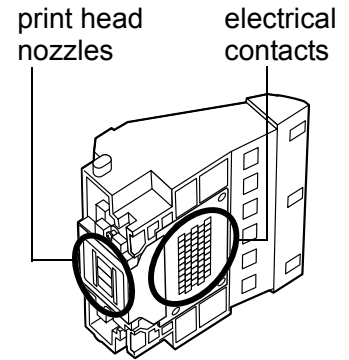




6 Remove the protective cap from the print head.

→ **Notes**

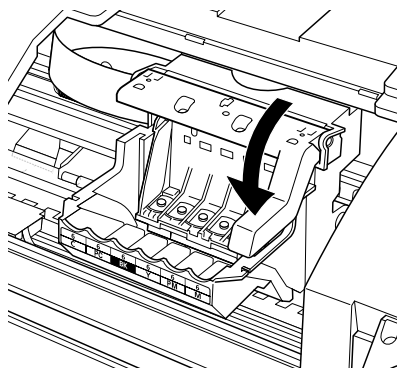
- Do not touch the print head nozzles or electrical contacts.
- Do not attempt to reattach the protective cap once it has been removed.



7 Place the print head in the holder.

→ **Notes**

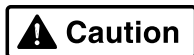
Be careful not to touch any parts inside the printer.



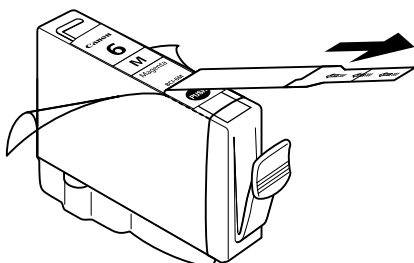
8 Lock the print head into place by lowering the lever.

Do not touch the lock lever once the print head has been installed.

■ **Installing the Ink Tanks**



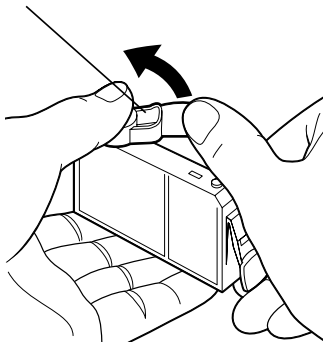
- For safety reasons, store ink tanks out of the reach of small children.
- Do not drop or shake ink tanks as this may cause the ink to leak out and stain your clothes and hands.



1 Take out the magenta ink tank.

2 Pull the orange tape in the direction of the arrow and remove the clear film.

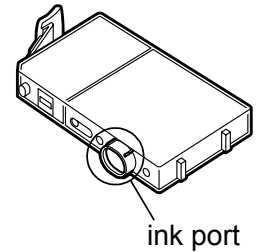
protective cap



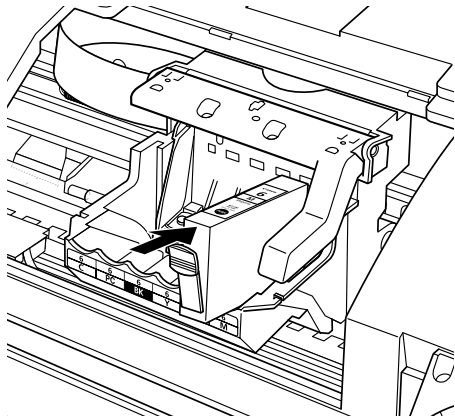
- 3** Hold the ink tank as shown in the diagram and remove the protective cap.

→ **Notes**

- Do not squeeze the sides of the ink tanks as this may cause the ink to leak out and stain your clothes and hands.
- Do not touch the ink port.
- Do not attempt to reattach the protective cap once it has been removed.



- 4** Insert the magenta ink tank into the right-hand slot. Press the top until it clicks into place.

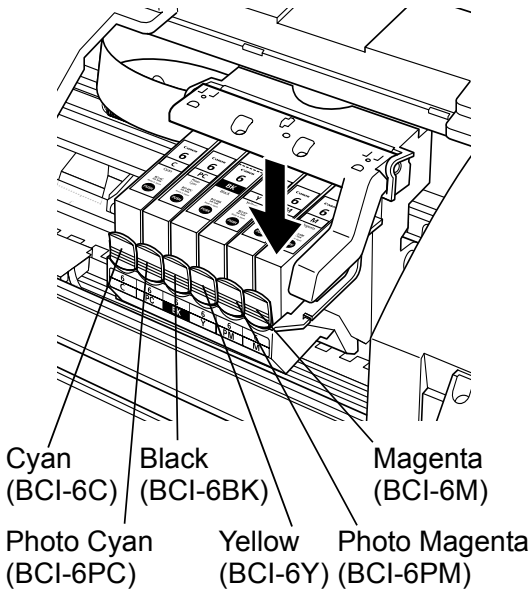


- 5** Use the same procedure to install the other ink tanks in their appropriate slots.

Check the labels to make sure that each tank is in the correct position.

→ **Notes**

- Only install the ink tanks in the positions specified by the labels.
- If ink tanks are not installed in the right position, colors will not be printed correctly. Immediately reinstall the tank in the correct position and carry out print head cleaning. For details, refer to the User's Guide.

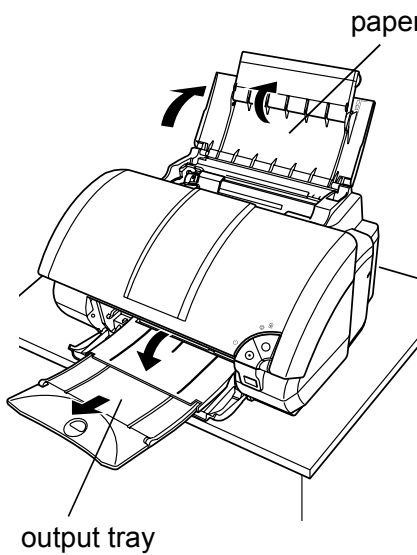


- 6** Close the front cover.

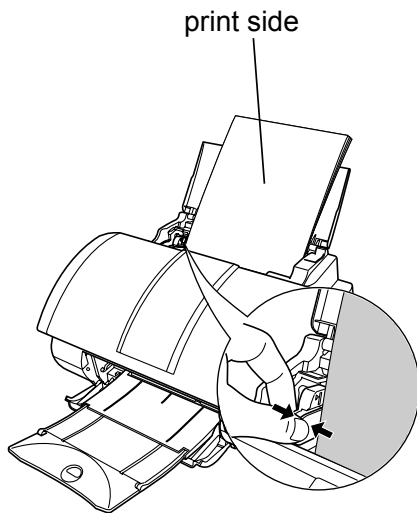
Wait until the POWER lamp remains fully lit (about 60 seconds).

4 Loading Paper

■ Loading A4 (Letter) Size Plain Paper



- 1** Pull out the paper rest and the output tray completely as shown.



- 2** Load the paper, aligning it with the right side of the sheet feeder.

You can load up to 150 sheets of plain paper (64 gsm).
Do not exceed this limit.

- 3** Pinch the paper guide and slide it against the left side of the stack of paper.

You now need to install the printer driver:

Windows: Go to page 8

Mac OS X: Go to page 10

5 Installing the Printer Driver

■ Installing the Printer Driver – Windows

→ Notes

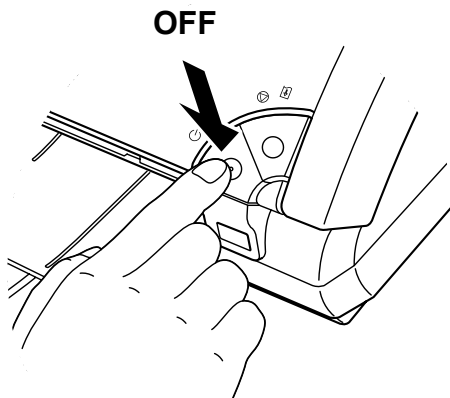
- Do not disconnect the cable or remove the CD-ROM during the installation. The driver cannot be correctly installed.
- The screens below refer to Windows XP installation. Screen may differ depending on the operating system you are using.
- When installing the printer driver in Windows XP, Windows 2000, log on to the system as a member of the **Administrators** group.

If the following screen appears automatically, click **Cancel** and follow steps 1 to 7 to install the printer driver.



Special Notes for Windows Me or Windows 98 USB Users

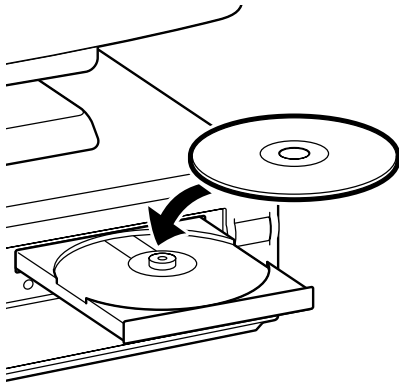
Click **Cancel** to quit the screen and turn off the printer. Next, remove and replace the USB cable connected to your computer.



1 Ensure the printer and computer are switched off.

2 Turn on the computer and start Windows. If any applications automatically run, quit them.

Disable any virus detection programs.
Do NOT turn the printer on at this stage.



- 3 Place the Setup Software & User's Guide CD-ROM in the CD-ROM drive.

→ **Notes**

- If the CD-ROM does not run automatically, click **Start** and select **My Computer**, then double-click the CD-ROM icon. For non-XP Windows, double-click **My Computer** in the Windows screen, then double-click the CD-ROM icon.
- If the language selection screen appears, select a language, then click the **OK** button.



- 4 Follow the instructions displayed on screen. When the screen shown on the left is displayed, click **Install**.

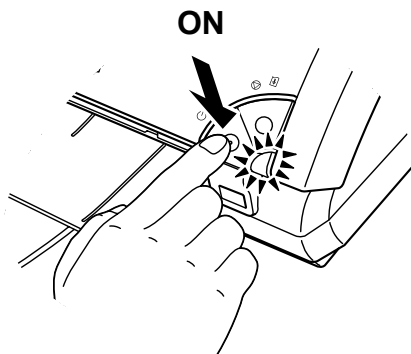


- 5 When the screen shown on the left appears, turn the printer on.

If the printer is recognized, the printer driver will be automatically installed.

→ **Note**

If the connection is not recognized, refer to the section “Notes on Handling the USB Interface (for Windows Users)” on page 22.



- 6 Click **OK**.

Before you use the printer, you must carry out print head alignment on page 12.





- 7 When the screen shown on the left appears, click **Exit**.

↳ Notes

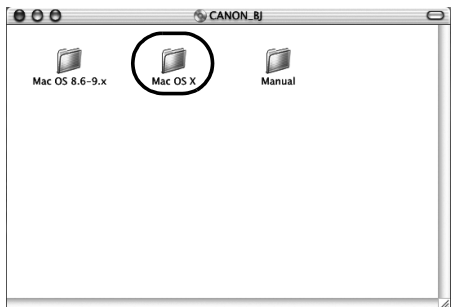
- The User's Guide is also installed when you install the printer driver. To view the User's Guide, double-click the User's Guide short-cut icon on the desktop.
- If a message prompting you to restart the computer appears, click **Yes**.

■ Installing the Printer Driver – Macintosh

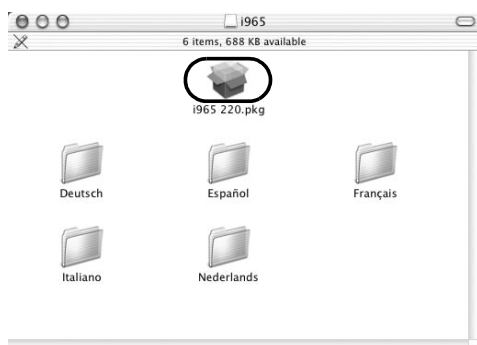
↳ Notes

- Do not remove or insert the USB cable during installation, as this may result in the computer or printer not operating normally.
- Before installing the driver, disable all virus detection programs and automatically loading programs or remove them from your system folder.
- For Mac OS 8.6-9.x users, refer to the Printer Driver Guide for Mac OS 9 for instructions on how to install the printer driver. To view the Printer Driver Guide for Mac OS 9, double-click the **Manual** folder and **Additional Guide for OS 9 Users** folder and select a language folder.

- 1 Turn on the Mac.
- 2 Place the Setup Software & User's Guide CD-ROM in the CD-ROM drive.
- 3 Double-click the **Mac OS X** folder, then double-click the **Printer Driver** folder.



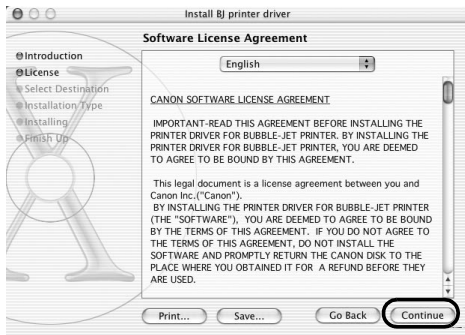
- 4 Double-click **i960 220.pkg/i965 220.pkg**.



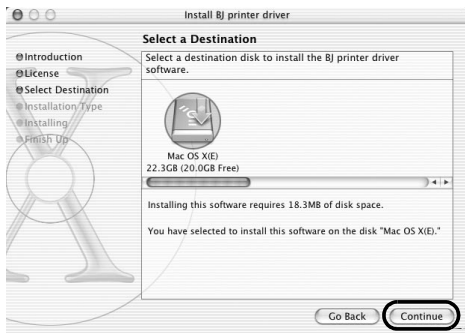
- 5 Enter an administrator name and a password, then click **OK**.

6 Click **Continue**.

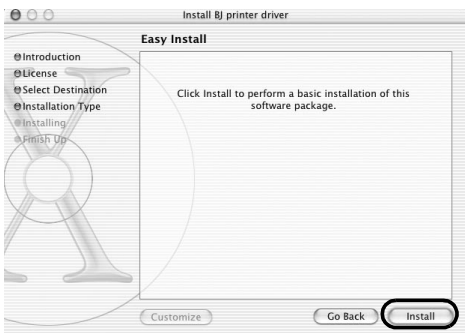
7 Read the License Agreement and click **Continue**, then click **Agree**.



8 Select a destination to where you want to install the printer driver, and click **Continue**.



9 Click **Install**.



10 A message asking for your confirmation to restart your computer appears on the screen. Read the message, then click **Continue Installation**.

Software installation will start.

11 Software installation is complete. Restart your computer.

Before you use the printer, you must carry out print head alignment on page 14.



6 Aligning the Print Head

This operation must be carried out when using the printer for the first time. Aligning the print head positions allows you to print without shifts in the color registration.

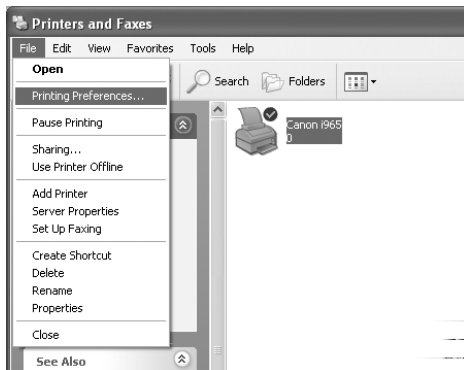
■ Aligning the Print Head – Windows

- 1 Click **Start** and select **Control Panel, Printers and Other Hardware**, and then **Printers and Faxes**.

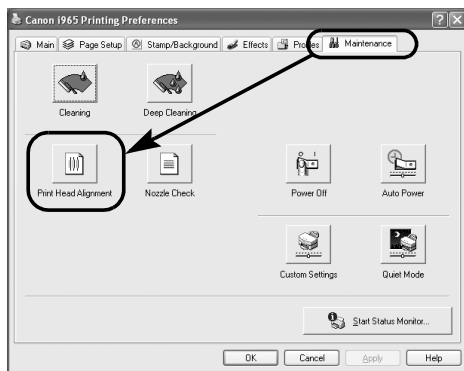
↳ **Note**

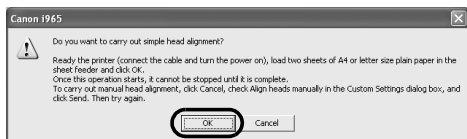
For non-XP Windows, click **Start**, then select **Settings, Printers**.

- 2 Click the icon for your printer.
- 3 Open the **File** menu and select:
 - Windows XP/Windows 2000 → [Printing Preferences...]
 - Windows Me/Windows 98 → [Properties]to open the setting screen.



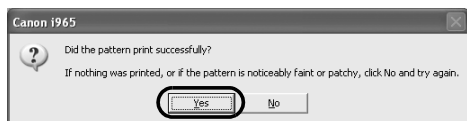
- 4 Click the **Maintenance** tab, and click **Print Head Alignment**.





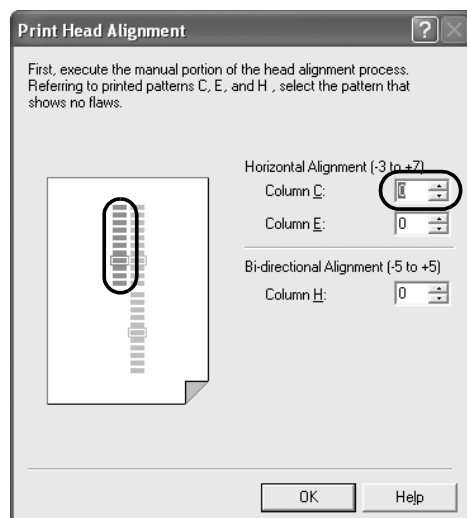
- 5 Check that A4 or Letter-sized paper is loaded in the printer and click **OK**. If a message warning you not to perform other operations appears, click **OK**.

It takes about 60 seconds to start printing.

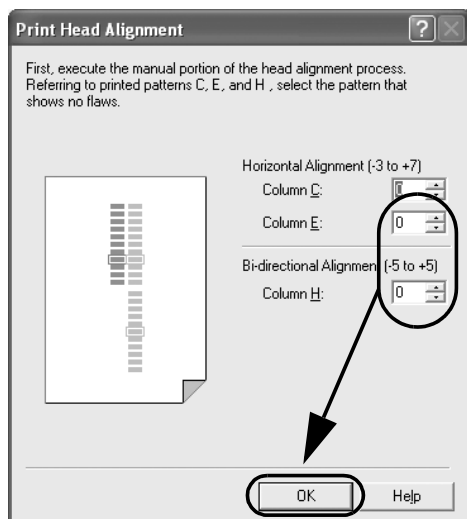


- 6 After the pattern is printed, click **Yes**.

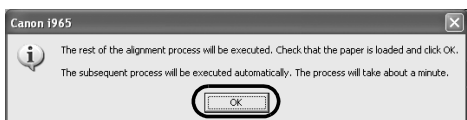
If the pattern is not printed successfully, open the front cover and ensure that the ink tanks are correctly installed.



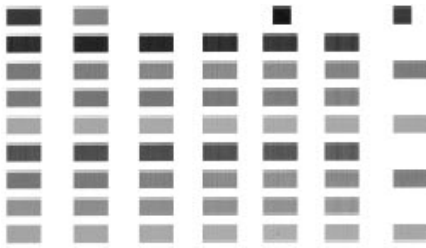
- 7 Look at the print-out. From the patterns in Column C, select the most even, least irregular pattern and enter the number.



- 8 In the same way, one by one, select the most even patterns printed with the least irregularities from each of Columns E and H, enter their numbers, and click **OK**.



- 9 Check that A4 or Letter-sized paper is loaded in the printer and click **OK**. If a message warning you not to perform other operations appears, click **OK**.



- 10** After the pattern is printed, the print head is aligned semi-automatically. The printer is now ready to use.

If the printer is not printed successfully, open the front cover and ensure that the ink tanks are correctly installed.

➔ **Notes**

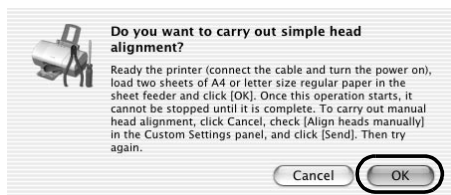
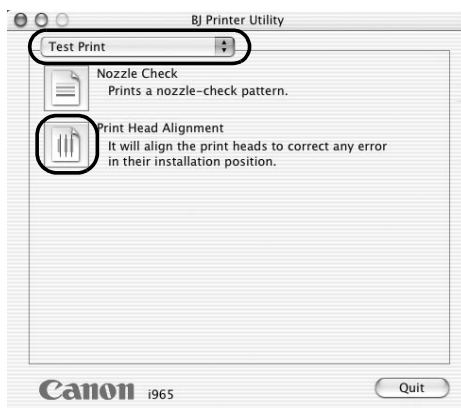
If the pattern is not printed as shown on the left, refer to Troubleshooting of the User's Guide.

■ Aligning the Print Head – Macintosh

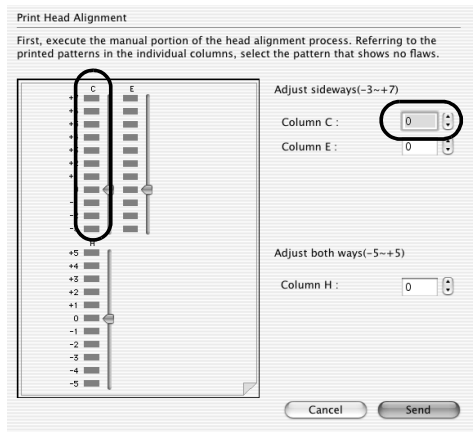
➔ **Note**

For Mac OS 8.6-9.x users, refer to the Printer Driver Guide for Mac OS 9 for instructions on how to align the print head.

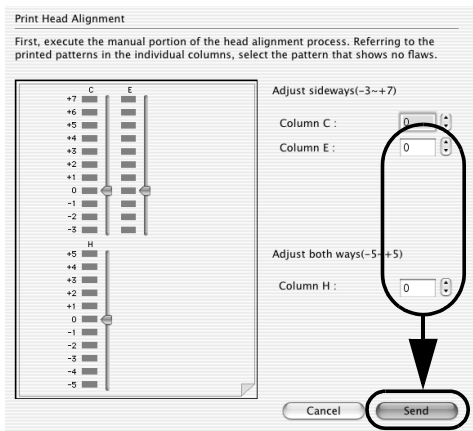
- 1** Double-click the hard disk icon where the printer driver was installed, the **Applications** folder, and then the **Utilities** folder.
- 2** Double-click the **Print Center** icon.
- 3** Select your printer from the **Name** list and click **Configure**.
- 4** Select your printer from the **Product** List and click **Select**.
- 5** Select **Test Print** from the pop-up menu, and click **Print Head Alignment**.



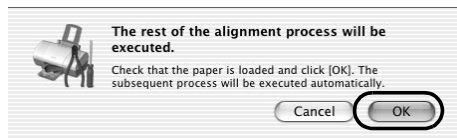
- 6** Check that A4 or Letter-sized paper is loaded in the printer and click **OK**.



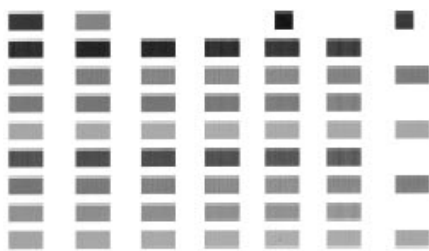
7 Look at the print-out. From the patterns in Column C, select the most even, least irregular pattern and enter the number.



8 In the same way, one by one, select the most even patterns printed with the least irregularities from each of Columns E and H, enter their numbers, and click **Send**.



9 Check that A4 or Letter-sized paper is loaded in the printer and click **OK**.



10 The pattern is printed, and the rest of the print head is aligned semi-automatically. The printer is now ready to use.

If the pattern is not printed successfully, open the front cover and ensure that the ink tanks are correctly installed.

➔ Notes

If the pattern is not printed as shown on the left, refer to Troubleshooting of the User's Guide.

Basic Operations

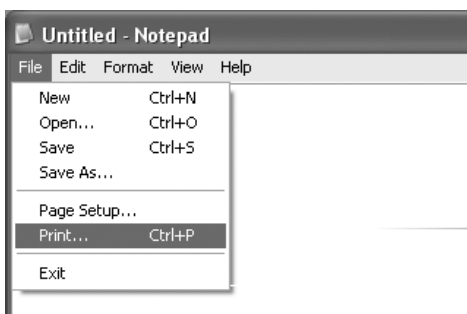
⚠ Caution

- If you detect smoke, unusual smells or strange noises around the printer, immediately switch the printer off and always unplug the printer. Contact your local Canon service representative.
- To avoid injury, never put your hand or fingers inside the printer while it is printing.

Printing with Windows

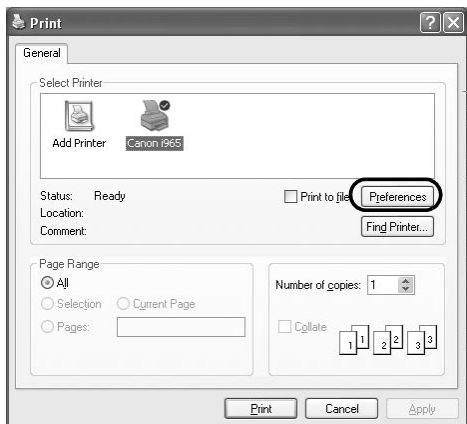
Adjusting the print settings according to your needs allows you to produce better quality prints. In this section, we will use WordPad for the purpose of explanation. The procedures you use and the screens that appear on your computer may differ according to the application that you use.

■ Printing



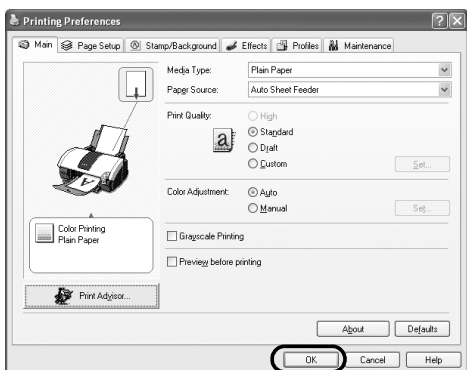
1 Print the document from the application.

On the **File** menu, click **Print**.
Check the application's users manual for the actual procedures.



2 Ensure your printer is selected, then click:

- Windows XP → [Preferences]
- Windows Me/Windows 98 → [Properties]
- Windows 2000 → [Main] tab



3 Specify the required settings and click **OK**.

↳ Note

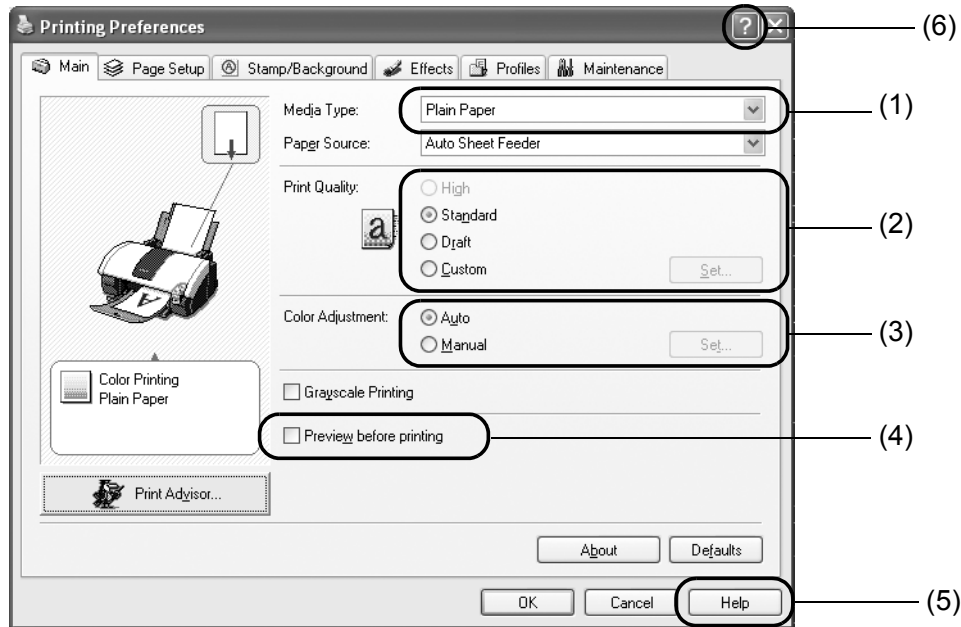
If you use anything other than plain paper, please refer to "Basic Printing Settings" on page 17.

4 To start printing, click **OK**.

Printing will start in a few moments.

■ Basic Printing Settings

For the best print quality, specify the minimum requirement settings in the **Main** tab. To get the best results, ensure you select the type of media loaded in the printer when printing on paper other than plain paper.



(1) Media Type	Select the type of media loaded in the printer.
(2) Print Quality	Select one option from High , Standard and Draft . Select Custom to set the print quality manually.
(3) Color Adjustment	If you wish to control the color adjustment settings in more detail, select Manual .
(4) Preview before printing	Select this to check the layout before printing.
(5) Help	Click this for a more detailed explanation of the functions in the tab. (This may not appear when using Windows XP, Windows 2000. If this happens, click Start then select All Programs (or Programs) - Canon i960/i965 - Guide).
(6) ?	Click this to change the cursor shape to ?. By clicking on the item's name with this ? cursor, an explanation will be displayed.

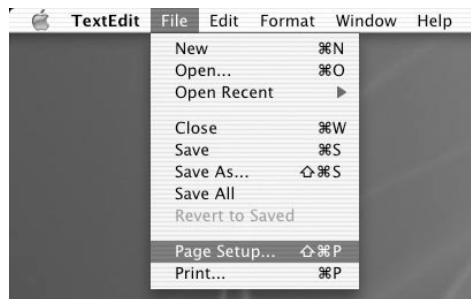
→ Notes

- Clicking the **Print Advisor** allows you to change to the most appropriate print settings simply by answering questions when prompted.
- Use the application to set the paper size and paper orientation. Before printing, open the settings screen and check that the **Page Size** in the **Page Setup** tab is the same as that specified within the application.
- The print settings are automatically changed according to the type of paper loaded in the printer if **Plain Paper** has been selected in **Media Type**.
This function may not work properly for some media.
To ensure high printing quality, you are recommended to select the desired type of paper in **Media Type** first.
- Refer to the User's Guide for more information about printer driver functionality.

Printing with Macintosh

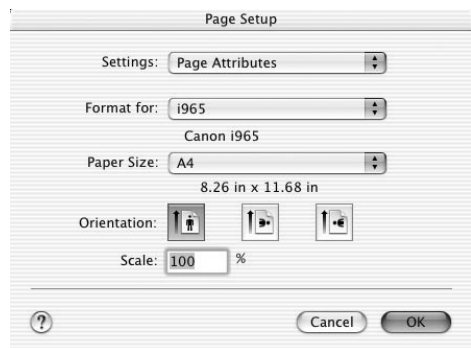
Adjusting the print settings according to your needs allows you to produce better quality prints.

■ Printing



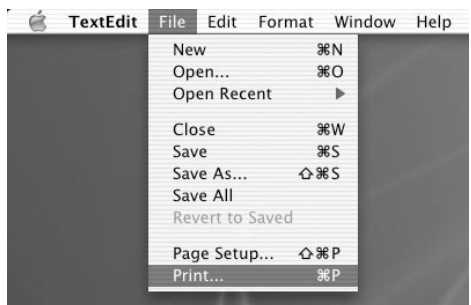
- 1 Open the **Page Setup** dialog box in your application.

On the **File** menu, click **Page Setup**. Check the application's users manual for the actual procedures.



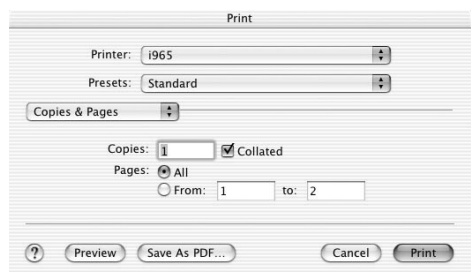
- 2 Specify the page setup.

For details, refer to “Page Setup” on page 19.



- 3 Open the Print dialog box in your application to print the document.

On the **File** menu, click **Print**. Check the application's users manual for the actual procedures.



- 4 Specify the printing settings according to your requirements.

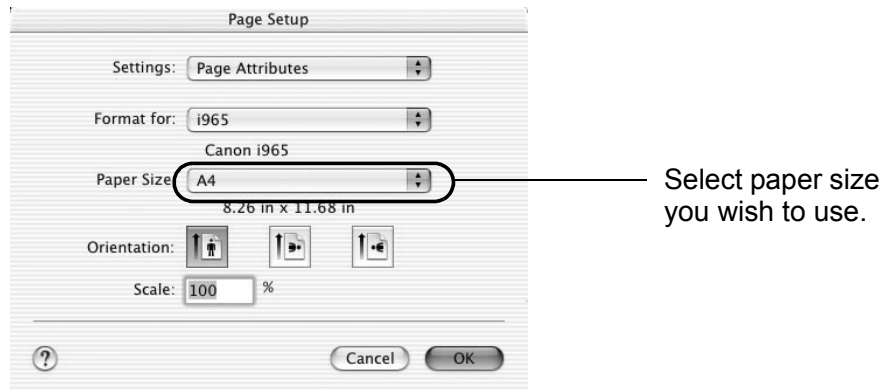
For details, refer to “Basic Printing Settings” on page 19.

- 5 Click **Print**.

Printing will start in a few moments.

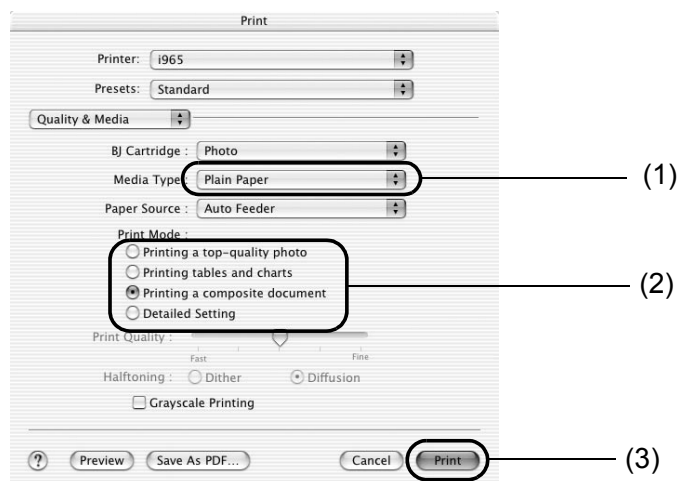
■ Page Setup

Use the **Page Setup** dialog box to specify the paper size settings.




■ Basic Printing Settings

For the best print quality, specify the minimum requirement settings in the **Print** dialog box. Select **Quality & Media** from the pop-up menu to change the display of the dialog box. To get the best results, ensure you select the type of media loaded in the printer when printing on paper other than plain paper.



(1) Media Type	Select the type of media loaded in the printer.
(2) Print Mode	Select the type of document you want to print. To specify more detailed settings for the print quality, click Detailed Setting .
(3) Print	Click this to start printing.

➔ Notes

- See Help for more information about other printer driver functions.
Click  in the **Page Setup** dialog box or the **Print** dialog box.
- The print settings are automatically changed according to the type of paper loaded in the printer if **Plain Paper** has been selected in **Media Type**.
This function may not work properly for some media.
To ensure high printing quality, you are recommended to select the desired type of paper in **Media Type** first.
- Refer to the User's Guide for more information about printer driver functionality.

Print Head Maintenance

■ If Blurring Occurs or If a Specific Color Does Not Print

Perform print head cleaning to improve the print quality. Ensure that the printer is turned on and follow the instructions below.

- Windows
Open the printer driver settings screen and click the **Maintenance** tab. Click **Cleaning**. See page 12 for details on how to open the setting screen.
- Macintosh
Open the **BJ Printer Utility** dialog box and click **Utilities**. Click **Cleaning**.

■ When the Printer Runs out of Ink

Replace the empty ink tank with a new one.
Specify the following ink tanks when purchasing.

Cyan : BCI-6C



Photo Cyan :
BCI-6PC



Black : BCI-6BK



Yellow : BCI-6Y



Photo Magenta :
BCI-6PM

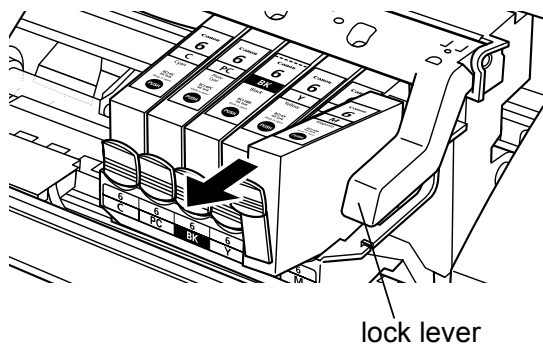


Magenta : BCI-6M



1 Open the front cover and remove the empty ink tank.

Do not touch the lock lever.



2 Install the new ink tank.

Close the front cover when finished.

↳ **Note**

For more details about maintenance, refer to the User's Guide.

Appendix

Printing Photographs Directly from a Digital Camera

Connecting a digital camera to the printer allows you to print recorded images directly without using a computer. Connect the USB cable that came with your digital camera.

→ **Notes**

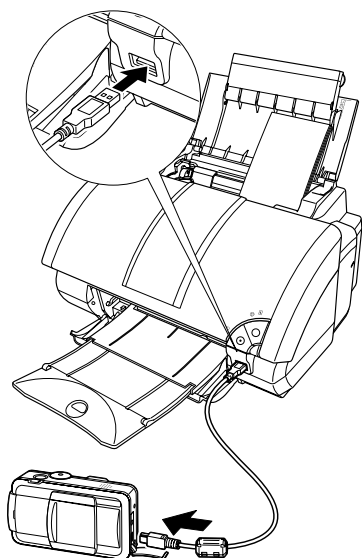
- To print directly from a digital camera or digital video camcorder, use only "PictBridge" or Canon "Bubble Jet Direct" compatible digital cameras or digital video camcorders. This section describes how to print from a digital camera or digital video camcorder that is compatible with "Bubble Jet Direct". For details on how to use "PictBridge", refer to "Direct Printing for PictBridge-compliant Digital Cameras".
- When printing from your PC, be sure to unplug the cable connecting the Canon digital camera with Bubble Jet Direct.

■ **Media Types for a Digital Camera**

When you connect a digital camera, you can use the following media:

Digital Camera Setting	Media Type
Card #1	Photo Paper Pro 4" x 6" / 101.6 x 152.4 mm
Card #2	Photo Paper Plus Glossy 4" x 6" / 101.6 x 152.4 mm
Card #3	Photo Paper Plus Glossy 5" x 7" / 127.0 x 177.8 mm
LTR	Photo Paper Pro or Photo Paper Plus Glossy Letter
A4	Photo Paper Pro or Photo Paper Plus Glossy A4

■ **Printing from a Digital Camera**



- 1** Ensure the printer is turned on.
- 2** Load the paper on the paper rest.
- 3** Ensure the digital camera is turned off.
- 4** Connect the digital camera and printer with the USB cable that came with the digital camera.

The digital camera is automatically turned on.
If not, turn it on manually.

- 5** Start printing using the print function of the digital camera.

Notes on Handling the USB Interface (for Windows Users)

If installation of the printer driver does not proceed as instructed in this Quick Start Guide, there may be a problem with the USB driver installation.

Try reinstalling the printer driver.

■ Reinstalling



If you cannot proceed beyond the **Printer Port** screen:

- 1** Click **Cancel**.
- 2** When the **Terminate Installation** screen is displayed, click **OK**.
- 3** Click **Exit**, then remove the CD-ROM.
- 4** Turn the printer off.
- 5** Restart the computer.
- 6** Reinstall the printer driver (see page 8).

For Further Details...

For more information, refer to the User's Guide.

■ User's Guide Contents.

- Printer parts and their functions
- Printer driver functions
- Routine maintenance
- Printing media
- Troubleshooting
- Specifications

■ How to View the User's Guide

For Windows

Double-click the **User's Guide** short-cut icon on the desk top, or select **All programs (or Programs)** from the **Start** menu, then **Canon i960/i965 - User's Guide**.

For Mac OS X

- (1) Load the CD-ROM in your computer, and click the OS X folder.
- (2) Double-click the **Manual** folder.
- (3) Select a language folder.
- (4) Double-click the **User's Guide** folder.
- (5) Double-click the icon for the **i960/i965_UG_ENG.htm** file.

■ BJ Printer Driver Systems Requirements

For Windows

- Use a computer on which Windows XP, Windows 2000, Windows Me, or Windows 98 can operate.
- USB* interface
- CD-ROM drive
- Available hard-disk space for printer driver installation

Windows XP/Windows 2000: 50MB

Windows Me/Windows 98: 15MB

* USB operation can only be guaranteed on a PC with pre-installed Windows XP, Windows 2000, Windows Me, or Windows 98. (This includes Windows XP, Windows 2000, or Windows Me upgraded from pre-installed Windows 98 or later)

For Macintosh

- Use a Macintosh series computer equipped with USB interface on which Mac OS 8.6-9.x or Mac OS X v.10.2.1 or later can operate.
- Available hard-disk space for printer driver installation

Mac OS 8.6-9.x: 30 MB

Mac OS X v.10.2.1 or later: 100 MB

- The following functions are not supported when using Mac OS X v.10.2.1 or later:
 - Duplex Printing
 - Photo Optimizer Pro

Additional Systems Requirements for User's Guide

- Pentium® 75 MHz equivalent or higher processor (Pentium® 133MHz equivalent or higher processor recommended)
- 2x or higher CD-ROM drive (4x or higher recommended)
- 15 MB of available hard-disk space (when installing the User's Guide)
- Microsoft Internet Explorer 5.0 or later

Printer Accessories

■ Photo Paper Tray

The Photo Paper Tray allows you to print on a certain type of paper, like Photo Paper Pro, while another type of paper is loaded through the Auto Sheet Feeder of the printer. You can simply select with to use, without having to change the paper for feeding.

For details on printing using the Photo Paper Tray, refer to User's Guide.



The following ink tanks are compatible with this printer.
For details on ink tank replacement, refer to "Print Head Maintenance" in this guide.



BCI-6C



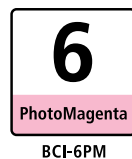
BCI-6PC



BCI-6BK



BCI-6Y



BCI-6PM



BCI-6M