



Epson SureColor[®] P6000/P7000/P8000/P9000 User's Guide

Contents

Epson SureColor P6000/P7000/P8000/P9000 User's Guide	9
Introduction to Your Printer	10
Printer Features	10
Optional Equipment and Replacement Parts.....	10
Notations Used in the Documentation	11
Printer Part Locations	11
Product Parts - Front	12
Product Parts - Back.....	13
Control Panel Parts	14
Media Handling	18
Roll Paper Handling	18
Loading Roll Paper	18
Cutting Roll Paper	28
Cutting Roll Paper Manually.....	29
Printing Trim Lines	29
Removing Roll Paper.....	30
Cut Sheet Handling	34
Loading Cut Sheets	35
Loading Thick or Large Cut Sheets	37
Adjusting the Platen Gap.....	40
Using the Paper Basket.....	41
Catching Printouts Under the Product	41
Catching Printouts in Front of the Product	49
Storing the Paper Basket.....	53
Creating Paper Configurations	56
Printing a Paper Configuration List	58
Selecting Custom Paper Configurations.....	58
Using the Auto Take-up Reel	59
About the Optional Auto Take-up Reel	59
Take Up with the Printable Side In.....	59

Take Up with the Printable Side Out	63
Removing Media from the Optional Auto Take-up Reel.....	68
Available Epson Papers	69
Borderless Paper Type Compatibility	78
Printing from a Computer	79
Printing with Windows	79
Selecting Basic Print Settings - Windows	79
Paper Configuration Options - Windows	83
Advanced B&W Photo Options - Windows.....	84
Print Quality Options - Windows	85
Color Management Options - Windows	85
Advanced Color Controls - Windows	87
Paper Source Options - Windows	87
Roll Paper Options - Windows	88
Using Layout Manager - Windows Only	91
Selecting Print Layout Options - Windows.....	97
Reduce/Enlarge Options - Windows	98
Multi-Page Printing Options - Windows.....	98
Selecting Additional Settings - Windows	99
Printing Your Document or Photo - Windows.....	101
Checking Print Status - Windows	103
Saving, Sharing, and Customizing the Printer Settings	103
Saving and Sharing Print Settings - Windows	104
Saving and Sharing Media Settings - Windows.....	105
Editing Print Setting Displays - Windows	106
Selecting Default Print Settings - Windows.....	108
Changing the Language of the Printer Software Screens	109
Changing Automatic Update Options	111
Printing with OS X	111
Selecting Basic Print Settings - OS X	112
Advanced Color Settings - OS X.....	117
Output Resolution Settings - OS X.....	119
Print Options - OS X.....	119

Selecting Roll Paper Settings - OS X.....	120
Selecting Paper Configuration Settings - OS X.....	123
Advanced Media Control Options - OS X.....	124
Selecting Print Layout Options - OS X.....	125
Managing Color - OS X.....	125
Color Matching Options - OS X.....	126
Sizing Printed Images - OS X.....	127
Selecting Printing Preferences - OS X.....	127
Printing Preferences - OS X.....	128
Printing Your Document or Photo - OS X.....	129
Checking Print Status - OS X.....	129
Using the Control Panel Menus.....	131
Accessing the Printer's Menus	131
Maintenance Menu Settings.....	131
Paper Menu Settings.....	133
Printer Setup Menu Settings	137
Printer Status Menu Settings.....	140
Network Setup Menu Settings.....	140
Preferences Menu Settings	141
Administrator Menu Settings	141
Replacing Ink Cartridges	144
Checking Ink and Maintenance Box Status With Windows	144
Checking Cartridge Status with OS X.....	146
Purchase Epson Ink Cartridges.....	147
Ink Cartridge and Maintenance Box Part Numbers.....	147
Removing and Installing Ink Cartridges.....	149
Replacing Maintenance Boxes.....	152
Switch Black Ink Type	154
Switching the Black Ink Type.....	155
Black Ink Type Media List.....	155
Adjusting Print Quality.....	157
Print Head Maintenance.....	157
Print Head Nozzle Check.....	157

Checking the Nozzles Using the Product Control Panel	157
Checking the Nozzles Using a Computer Utility	158
Print Head Cleaning	160
Cleaning the Print Head Using the Product Control Panel	161
Cleaning the Print Head Using a Computer Utility	162
Print Head Alignment	164
Aligning the Print Head Automatically Using the Product Control Panel	165
Aligning the Print Head Automatically Using a Computer Utility	166
Aligning the Print Head Manually Using the Product Control Panel	167
Maintenance.....	169
Cleaning Your Product	169
Replacing the Cutter.....	172
Moving or Transporting the Product	175
Moving the Product Short Distances	175
Moving the Product Long Distances.....	176
Solving Problems	180
Product Status Messages	180
Solving Printer Problems.....	186
Printer Does Not Turn On	186
LCD Screen Shuts Off	186
Solving Printing Problems	186
Nothing Prints	187
Cannot Print Over a Network.....	187
Print Head Moves But Nothing Prints	188
Red Light Shines Inside the Printer	188
Solving Paper Problems.....	188
Paper Feeding Problems.....	189
Roll Paper Jam Problems	189
Cut Sheet Paper Jam Problems	195
Paper Does Not Collect in the Basket or is Creased.....	198
Solving Print Quality Problems.....	198
Nozzle Check Pattern Prints Incorrectly	198
Overall Print Quality is Poor.....	199

Lines Are Misaligned	200
Prints are Scuffed or Smearred	200
Margins Appear in Borderless Prints	201
Too Much Ink is Consumed	202
Where to Get Help.....	202
Technical Specifications	204
Windows System Requirements	204
Mac System Requirements	205
Paper Specifications	205
Printable Area Specifications	207
Ink Cartridge Specifications.....	210
Dimension Specifications	211
Electrical Specifications	212
Environmental Specifications	212
Interface Specifications	213
Safety and Approvals Specifications	213
Notices	214
Important Safety Instructions.....	214
General Product Safety Instructions	214
Ink Cartridge Safety Instructions.....	216
FCC Compliance Statement.....	217
Open Source Software License	217
Trademarks	227
Copyright Notice.....	227
A Note Concerning Responsible Use of Copyrighted Materials.....	228
Copyright Attribution	228

Epson SureColor P6000/P7000/P8000/P9000 User's Guide

Welcome to the Epson SureColor P6000/P7000/P8000/P9000 *User's Guide*.

For a printable PDF copy of this guide, [click here](#).

Introduction to Your Printer

Refer to these sections to learn more about your printer and this manual.

[Printer Features](#)

[Notations Used in the Documentation](#)

[Printer Part Locations](#)

Printer Features

The Epson SureColor P6000/P7000/P8000/P9000 Series printers include these special features:

High productivity

- Precise Piezo-based print head capable of 8 or 10 channels with 360 nozzles per inch
- Available 150, 300, or 700 ml large-capacity ink cartridges
- Optional internal print server offloads print data from computer and network quickly

Reliability

- User-scheduled cleaning cycles improve print head health over prolonged idle periods
- Ink repellent print head surface for reduced nozzle clogging

High resolution

- Prints at resolutions up to 2880 x 1440 dpi
- Supports variable-sized droplet technology as small as 3.5 picoliter

Easy-to-use setup and operation

- Intuitive, easy-to-read, color LCD display
- Front-loaded media for easy access
- Easy-to-use software

[Optional Equipment and Replacement Parts](#)

Parent topic: [Introduction to Your Printer](#)

Optional Equipment and Replacement Parts

For information on how to purchase genuine Epson ink, accessories and paper visit epson.com (U.S. sales) or epson.ca (Canadian sales). You can also purchase accessories from an Epson authorized reseller. To find the nearest one, call 800-GO-EPSON (800-463-7766).

Option or part	Part number
Replacement ink maintenance box	T699700
SpectroProofer 24" UVS (SC-P6000/SC-P7000)	Spectro24UVS
SpectroProofer 44" UVS (SC-P8000/SC-P9000)	Spectro44UVS
Automatic Take-Up Reel System (SC-P8000/SC-P9000)	C12C815321
Internal print server	C12C848031
Additional roll media adapters	C12C811241
Replacement printer cutter blade	C12C815331
1-year extended Epson Preferred Plus service plan for SpectroProofer	EPPSPB1
1-year extended Epson Preferred Plus service plan	EPP900B1
2-year extended Epson Preferred Plus service plan	EPP900B2

Parent topic: [Printer Features](#)

Notations Used in the Documentation

Follow the guidelines in these notations as you read your documentation:

- **Warnings** must be followed carefully to avoid bodily injury.
- **Cautions** must be observed to avoid damage to your equipment.
- **Notes** contain important information about your printer.
- **Tips** contain additional printing information.

Parent topic: [Introduction to Your Printer](#)

Printer Part Locations

Check the printer part illustrations to learn about the parts on your printer.

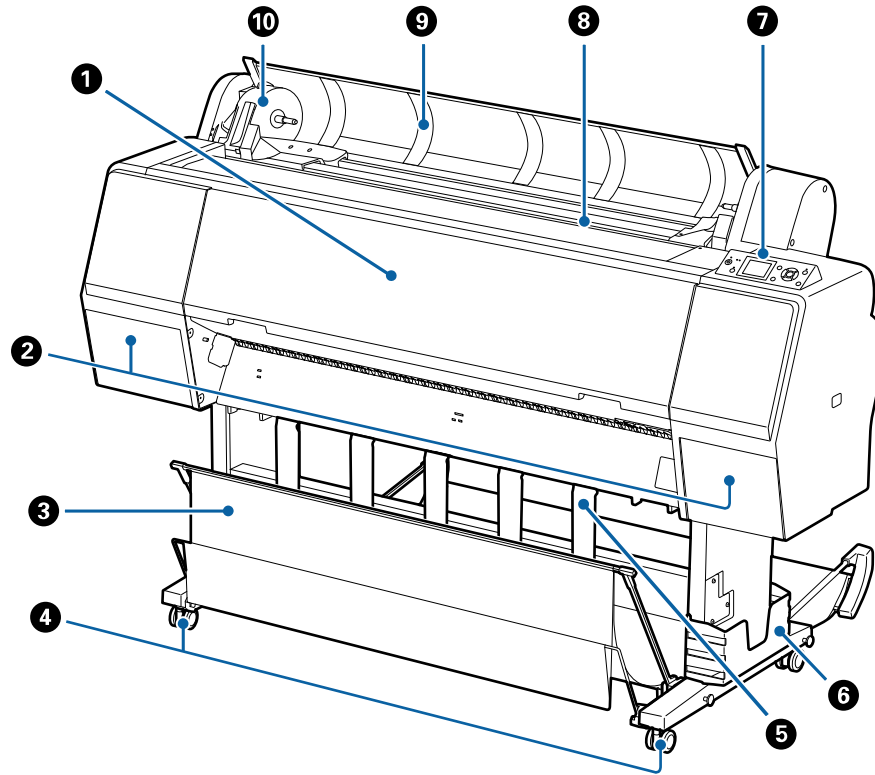
[Product Parts - Front](#)

[Product Parts - Back](#)

[Control Panel Parts](#)

Parent topic: [Introduction to Your Printer](#)

Product Parts - Front

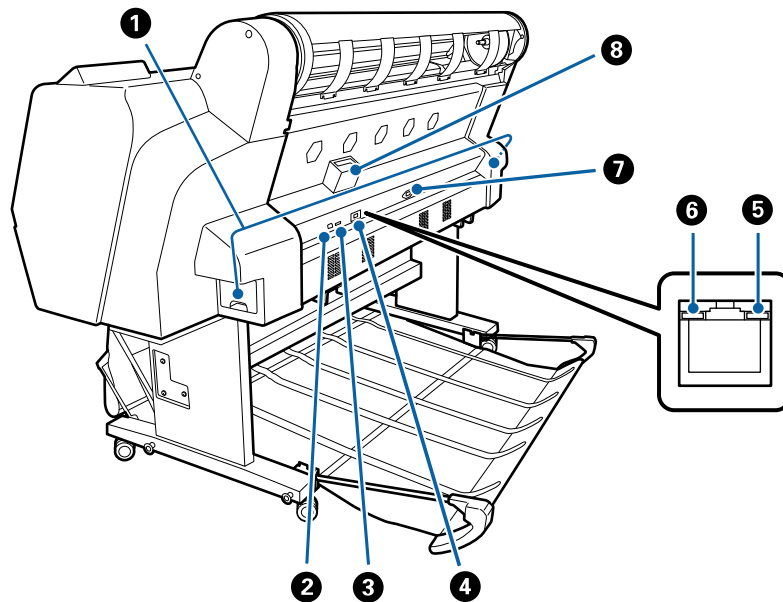


- 1 Front cover
- 2 Left and right ink bays
- 3 Paper basket
- 4 Casters
- 5 Paper supports
- 6 Manual holder
- 7 Control panel
- 8 Paper feed slot

- 9 Roll paper cover
- 10 Roll paper holder

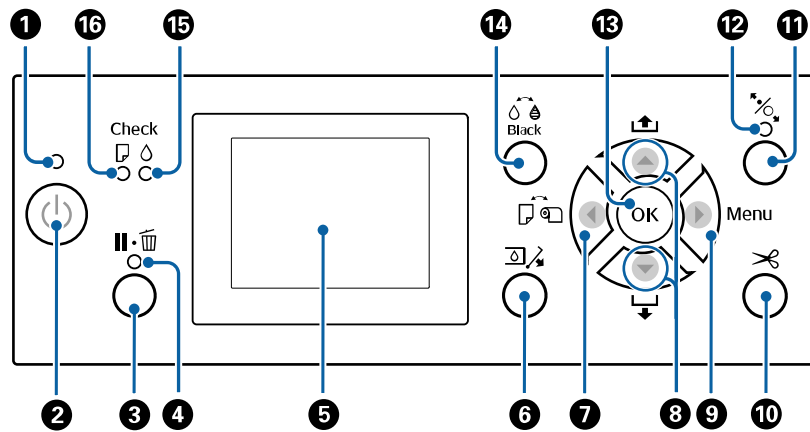
Parent topic: [Printer Part Locations](#)







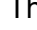

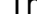

Product Parts - Back



- 1 Maintenance box
- 2 **USB** port
- 3 Interface for optional equipment
- 4 LAN port
- 5 LAN data light
- 6 LAN status light
- 7 AC inlet
- 8 Slot for optional internal print server

Control Panel Parts



- 1 The  power light
- 2 The  power button
- 3 The  pause/cancel button
- 4 The  pause/cancel light
- 5 LCD screen
- 6 The  open ink cover button
- 7 The  paper source and left arrow button
- 8 The paper feed and arrow buttons
- 9 The **Menu** and right arrow button
- 10 The  paper cut button
- 11 The  load paper button
- 12 The  load paper light
- 13 The **OK** button
- 14 The  **Black** ink button

- 15 The Δ **Check** ink light
- 16 The \square **Check** paper light

LCD Screen Display



- 1 Status messages
- 2 Paper source and the selected Paper Type
The icon indicates the current paper source settings. The selected Paper Type is listed to the right of the icon.
 - \square : Roll paper with Auto Cut enabled
 - \square : Roll paper with Auto Cut disabled
 - \square : Cut sheet paper

3 Platen gap setting

: **Standard**

: **Narrow**

: **Wide**

: **Wider**

: **Widest**

4 Roll paper margin setting

5 Ink status



: Amount of ink remaining in the cartridge



: Ink level is low



: Ink cartridge is expended



: Ink error; check the status message on the LCD screen

6 Optional accessory status (if applicable)



: Auto-Take Up Reel (SC-P8000/SC-P9000 only)



: SpectroProofer®



: Optional Internal Print Server is installed



: Optional Internal Print Server is being accessed

7 Photo Black or Matte Black ink selected

Press the  **Black** ink button to switch cartridge types

8 Maintenance box status



: Amount of space remaining in the maintenance box



: Maintenance box is nearing the end of its service life



: Maintenance box is full

9 Roll paper remaining

Parent topic: [Printer Part Locations](#)

Media Handling

See these sections to load and handle media on your product.

[Roll Paper Handling](#)

[Cut Sheet Handling](#)

[Using the Paper Basket](#)

[Creating Paper Configurations](#)

[Using the Auto Take-up Reel](#)

[Available Epson Papers](#)

[Borderless Paper Type Compatibility](#)

Roll Paper Handling

See these sections to load, cut, and remove roll paper in your product.

[Loading Roll Paper](#)

[Cutting Roll Paper](#)

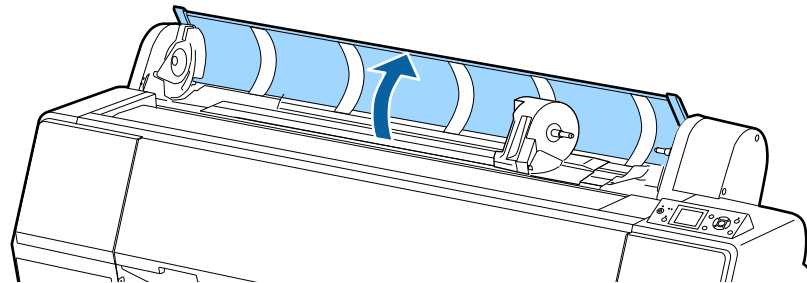
[Removing Roll Paper](#)

Parent topic: [Media Handling](#)

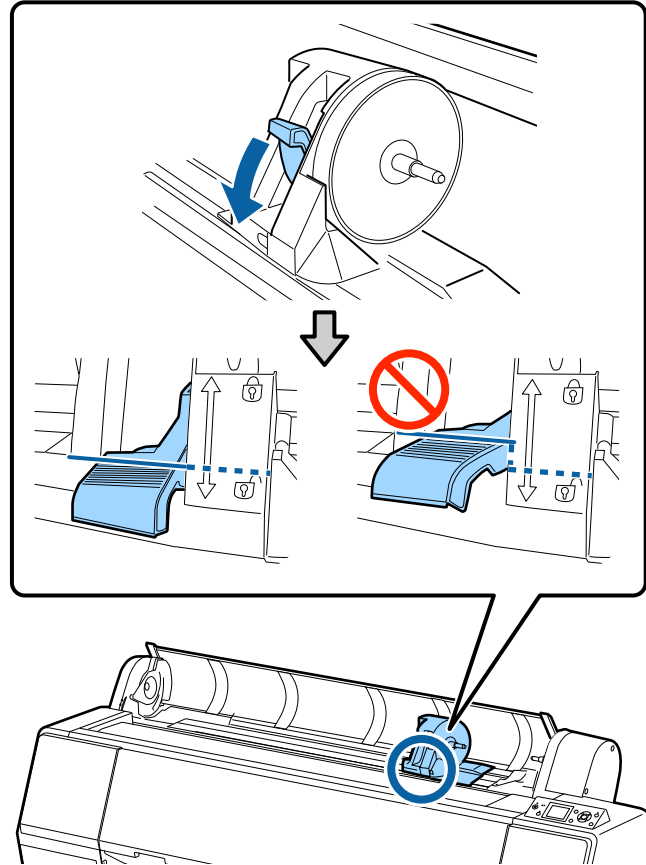
Loading Roll Paper

You can load roll paper with a 2- or 3-inch core and a width of up to 24 inches (61 cm) (SC-P6000/SC-P7000) or 44 inches (112 cm) (SC-P8000/SC-P9000).

1. Open the roll paper cover.

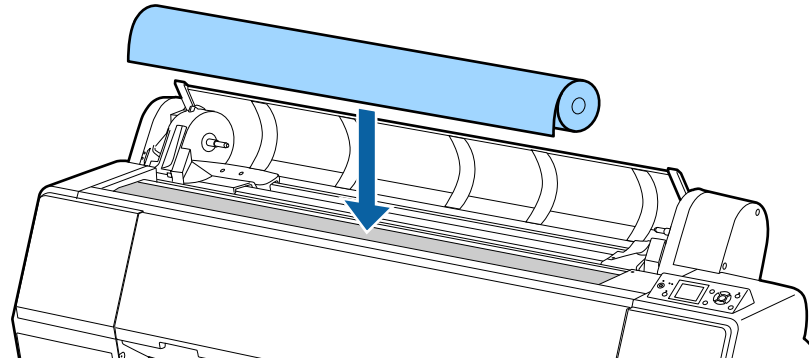


2. Firmly push down the lock lever on the roll paper holder and move the holder to the left.



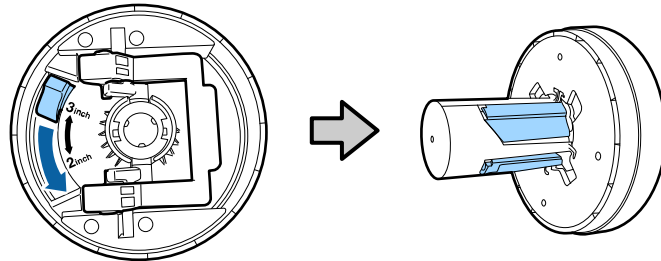
Note: Make sure you push the lock lever all the way down to unlock it completely.

3. Place the roll paper on top of the printer.

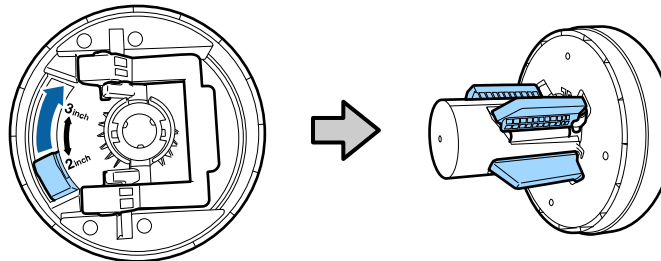


4. If necessary, slide the tabs on the roll media adapters to the position that matches the core size of the roll paper.

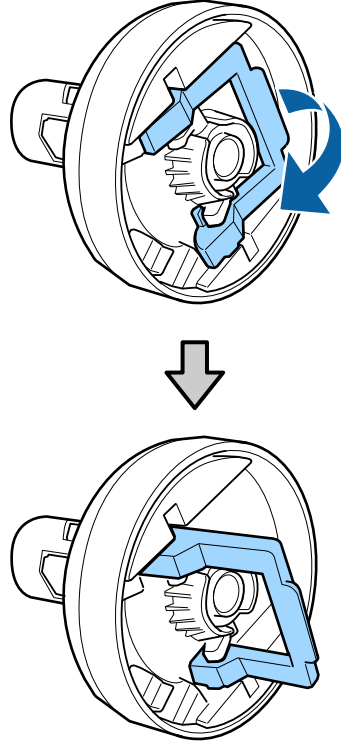
2-inch core:



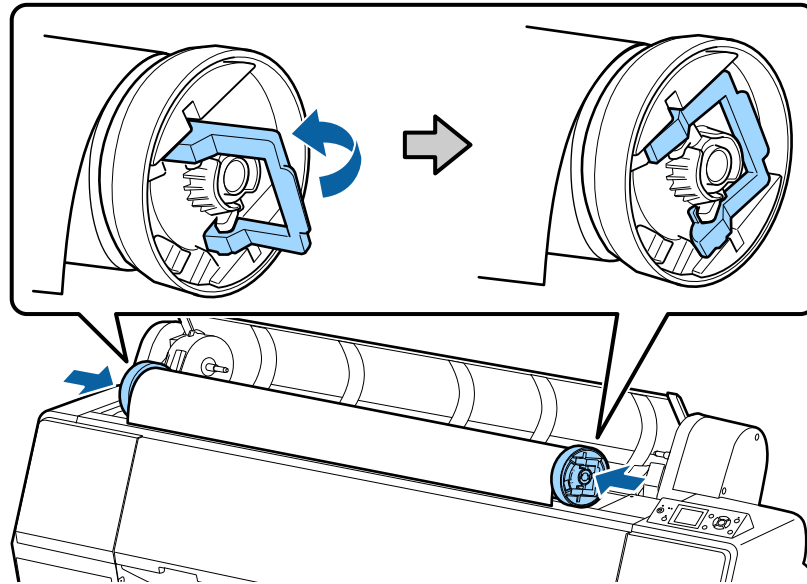
3-inch core:



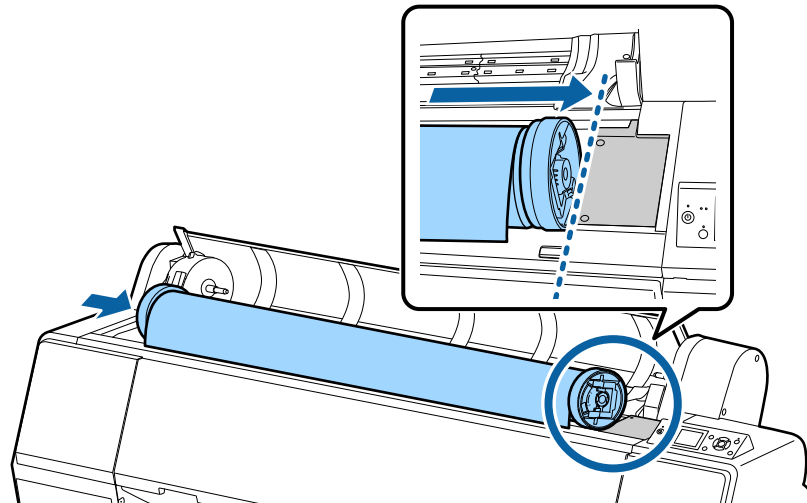
5. Release the tension levers on both roll media adapters.



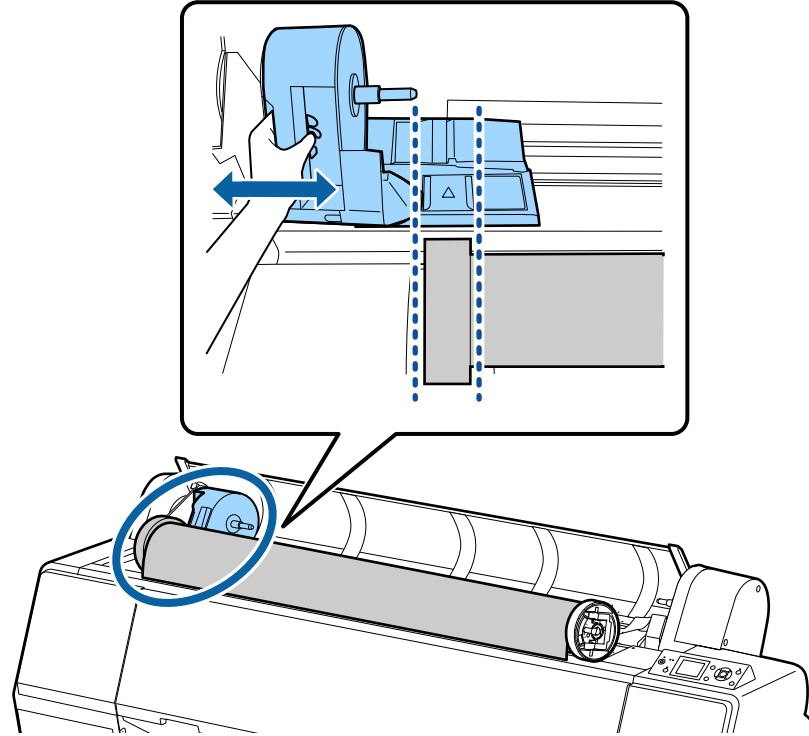
6. Push the adapters into the paper core at both ends of the roll. Then push down the tension levers.



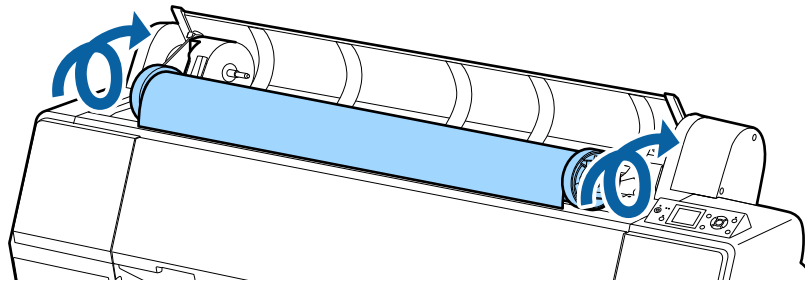
7. Move the roll paper to the right side until it touches the roll paper guide.



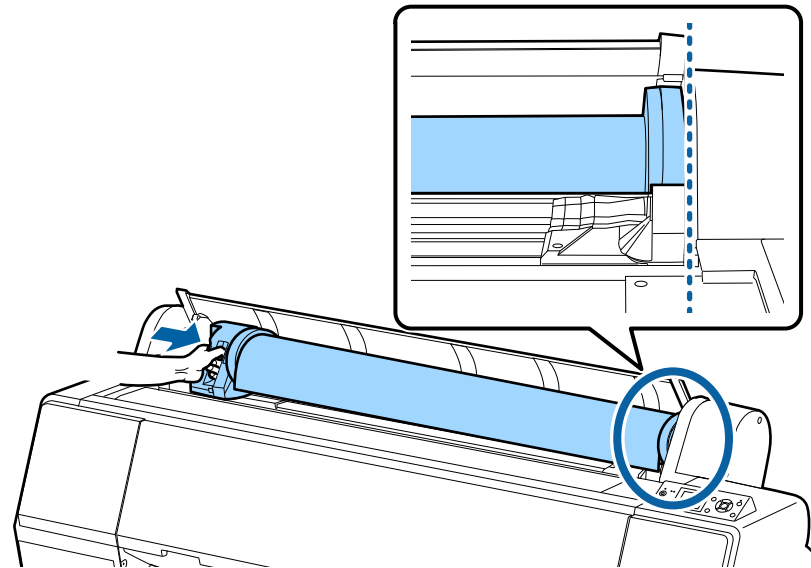
8. Slide the roll paper holder until the left adapter aligns with the arrow on the holder.



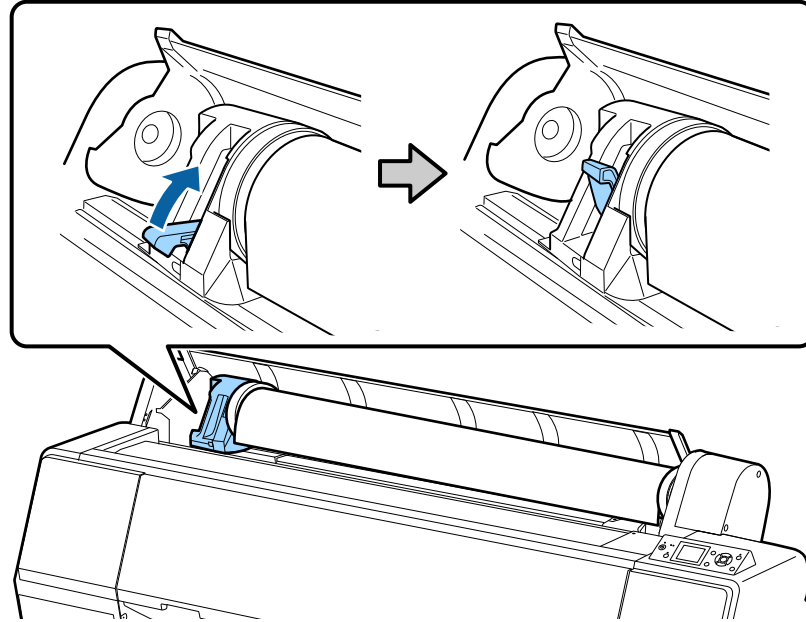
9. Roll the paper slowly into position.

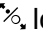
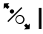


10. Slide the roll paper holder to the right to secure it in the printer. Make sure both ends of the roll paper are secured in the adapters.

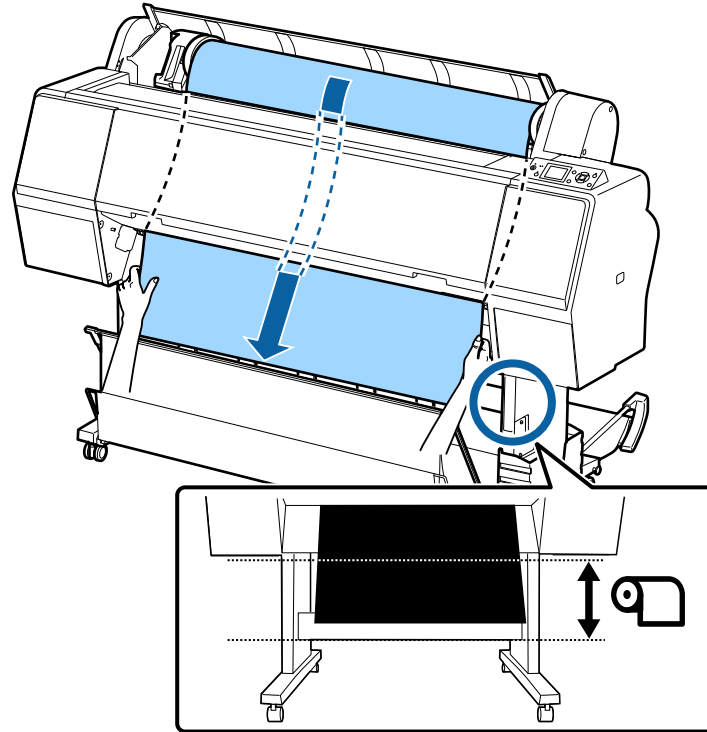



11. Pull up the lock lever on the roll paper holder to it in place.



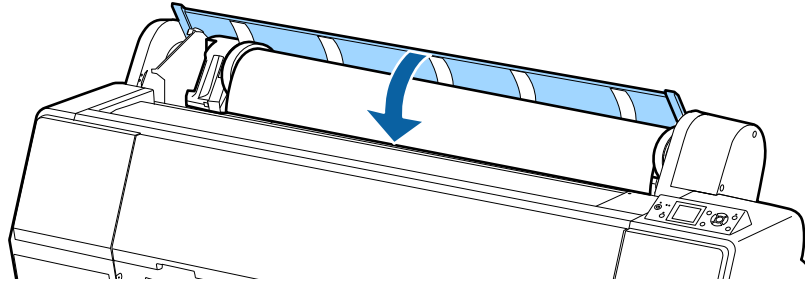
12. If the  load paper light is not on, press the  load paper button.

13. Insert the paper into the paper feed slot and pull it down until the edge of the paper is even with the center of the stand.






Note: If the paper does not feed through the slot, you may need to decrease the suction by pressing the  paper feed button. Make sure you return the suction to its default setting after the paper is loaded.


14. Close the roll paper cover.



Note: To prevent dust from accumulating inside the printer, always keep the roll paper cover closed unless you are loading or unloading media.

15. Press the , load paper button.

Note: An uneven or damaged leading edge on the roll paper may cause loading issues. Press the  paper cut button once within 3 seconds of pressing the , load paper button to trim the edge of the roll paper.

16. Press the  pause/cancel button to move the paper into printing position or wait for the paper to move into position automatically.
17. On the screen that appears, select one of the following settings:
 - If the paper settings are correct, select **Keep Settings Above**.
 - Select **Change Settings** so you can adjust the settings.
18. Press the **OK** button.

To avoid indenting or creasing the paper, remove it from the paper path and roll it up when you are not printing.

Note: Store roll paper on its end or horizontally (if the packaging end-caps are installed). Never store roll paper on its edge, as a flat spot can develop and lead to imaging artifacts on the prints.

Parent topic: [Roll Paper Handling](#)

Related references

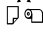
[Available Epson Papers](#)

[Paper Specifications](#)

Related tasks

[Storing the Paper Basket](#)

Cutting Roll Paper

The printer has a built-in cutter that can automatically cut most paper types, or you can cut your prints manually. To switch between cutting methods, press the  paper source button on the control panel or adjust the auto cut settings in the printer driver. The setting selected in the printer driver overrides the control panel setting.

Note: If you are using the optional Auto Take-up Reel, disable the auto cut setting in the printer driver and on the control panel.

Caution: Do not use the built-in cutter with these paper types or you may damage or dull the built-in cutter:

- Fine art paper
- Canvas
- Vinyl
- Matte poster board
- Adhesive paper
- Banner media

When you print on these paper types, you need to disable the Auto Cut setting and cut the print by hand.

[Cutting Roll Paper Manually](#)

[Printing Trim Lines](#)

Parent topic: [Roll Paper Handling](#)

Related references

[Roll Paper Options - Windows](#)

Related tasks

[Selecting Roll Paper Settings - OS X](#)



Related topics


[Using the Auto Take-up Reel](#)

Cutting Roll Paper Manually

You can disable the Auto Cut option to keep your prints on the roll until you manually cut them.

Note: The built-in cutter may not be able to cut some types of media. Heavy or thick media types may dull the cutter.

1. Before you print, press the **Menu** button.
2. Press the down arrow button to select **Paper** and press the right arrow button.
3. Select **Roll Paper Setup** and press the right arrow button.
4. Press the right arrow button to select **Auto Cut**.
5. Press the up or down arrow button to select **Off**.
6. Press the **OK** button to save the setting.
A check mark appears next to the setting.
7. Press the **II**  pause/cancel button to exit the menu.
8. Run your print job.
9. Press the  paper cut button.


Note: If the paper cannot be cut by the built-in cutter, press the  paper feed button until your print is clear of the printer, then cut the print by hand.

Parent topic: [Cutting Roll Paper](#)

Printing Trim Lines

When you disable the Auto Cut setting, you can print a trim line (page line) between print jobs as a guide for manual cutting.

1. Before you print, press the **Menu** button.
2. Press the down arrow button to select **Paper** and press the right arrow button.
3. Select **Roll Paper Setup** and press the right arrow button.
4. Select **Page Line** and press the right arrow button.
5. Press the up or down arrow button to select **On**.
6. Press the **OK** button to save the setting.
A check mark appears next to the setting.

7. Press the  pause/cancel button to exit the menu.
8. Run your print job.

Parent topic: [Cutting Roll Paper](#)

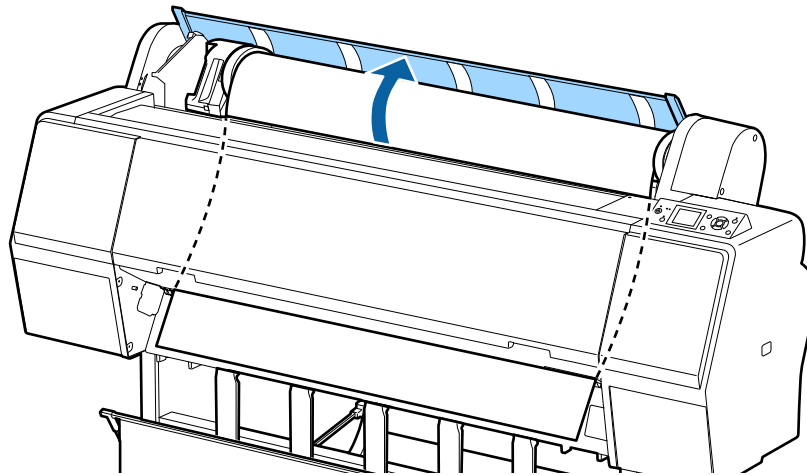
Related references

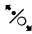
[Paper Menu Settings](#)

Removing Roll Paper

When you finish printing on roll paper, you should remove it from the printer to avoid indenting or creasing the paper.

1. Open the roll paper cover.

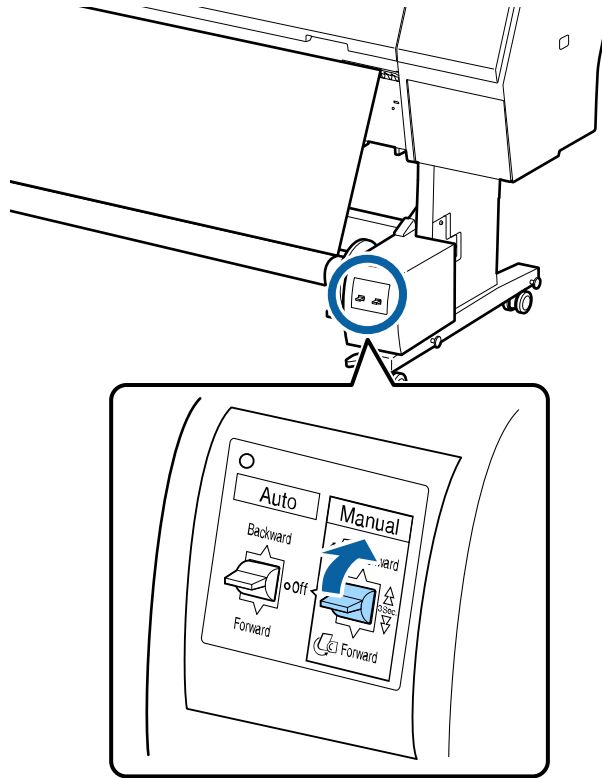


2. Press the  load paper button to release the paper.

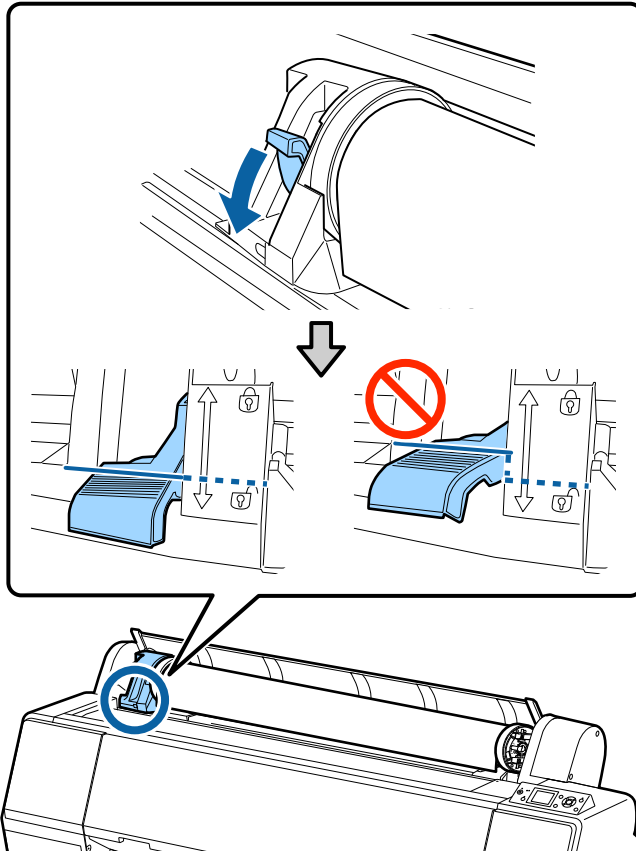
The following may now occur:

- If automatic media tracking is on, the barcode and paper information is printed.
- If you are not using the optional Auto Take-Up Reel, the paper rewinds automatically.

- If you are using the optional Auto Take-Up Reel, rewind the paper using the Manual switch.

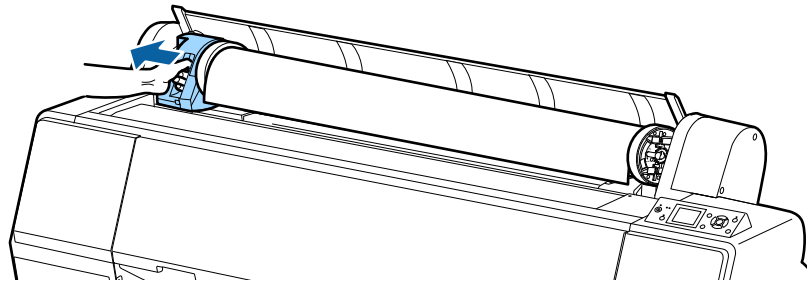


3. Firmly push down the lock lever on the roll paper holder to release it.



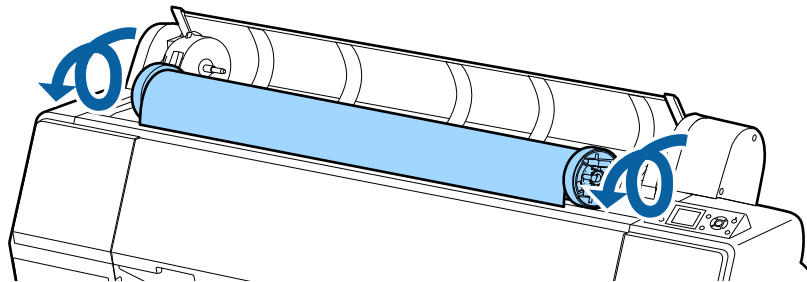
Note: Make sure you push the lock lever all the way down to unlock it completely.

- Using the handle, slide the roll paper holder all the way to the left and remove it from the end of the roll.

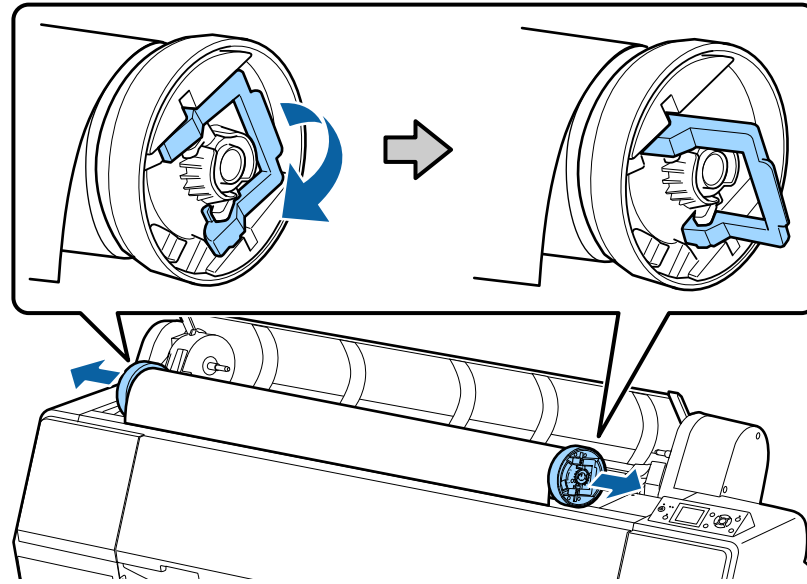


Note: Always use the handle when sliding the roll paper holder.

- Roll the paper forward so that it rests on top of the printer.



6. Pull up the tension levers on the roll media adapters and remove the adapters from both ends of the paper roll.



7. Rewind the paper carefully and place it in its original package.

Note: Store roll paper on its end or horizontally (if the packaging end-caps are installed). Never store roll paper on its edge, as a flat spot can develop and lead to imaging artifacts on the prints.

Parent topic: [Roll Paper Handling](#)

Related topics

[Using the Auto Take-up Reel](#)

Cut Sheet Handling

You can load a variety of types and sizes of cut sheet paper in your product.


[Loading Cut Sheets](#)

[Loading Thick or Large Cut Sheets](#)

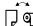
[Adjusting the Platen Gap](#)

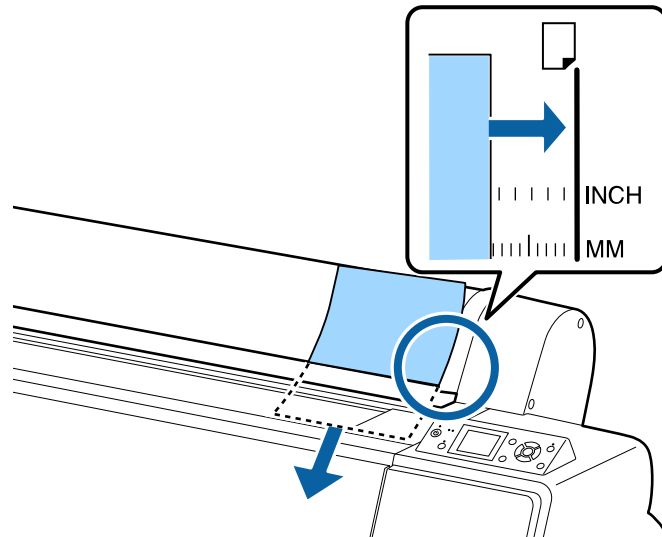
Parent topic: [Media Handling](#)

Loading Cut Sheets

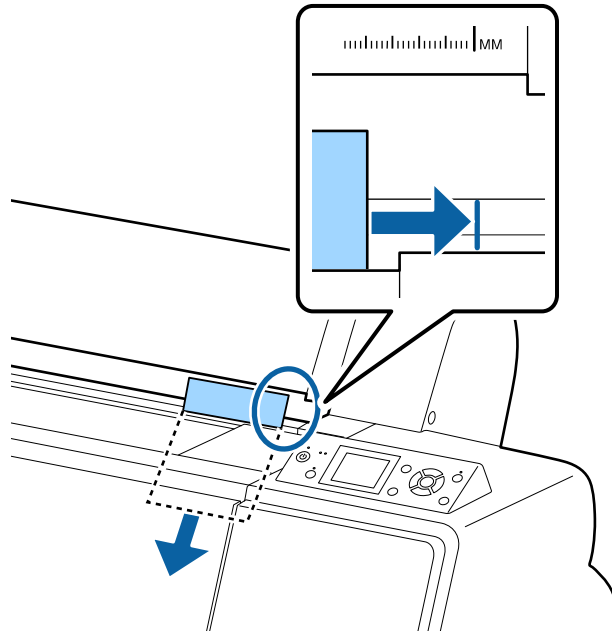
Always load cut sheet paper in the portrait orientation (short edge first). You can load most photo and fine art sheet papers up to 19 mil (0.5 mm) thick without pressing the  load paper button.

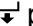

Note: Make sure the paper path is clear and any roll paper is rolled up before you load cut sheet paper.

1. Make sure the printer is turned on and the roll paper cover is closed.
2. Press the  paper source button.
3. Select **Cut Sheet** and press the **OK** button.
4. Feed the sheet into the right side of the paper slot until it meets resistance. Align the sheet with the vertical line on the roll paper cover.



Note: For paper smaller than letter or A4 size, align the right edge of the sheet with the vertical line below the roll paper cover.



5. Press the  paper feed button. The sheet feeds into printing position automatically.
6. On the LCD screen, select one of these settings:
 - If the paper settings are correct, select **Keep Settings Above**.
 - Select **Change Settings** so you can adjust the settings.
7. Press the **OK** button.
8. Print your page.
After printing, the sheet stays in the printer.
9. To remove your print, hold the sheet and press the  paper feed button.

Note: Store cut sheet media flat in its original packaging. Storing sheet media unprotected or on its long or short edge can lead to excess paper curl and cause damage to the printer and ruined prints.

Parent topic: [Cut Sheet Handling](#)

Related references

[Available Epson Papers](#)

[Paper Specifications](#)

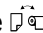
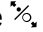
Related tasks

[Storing the Paper Basket](#)

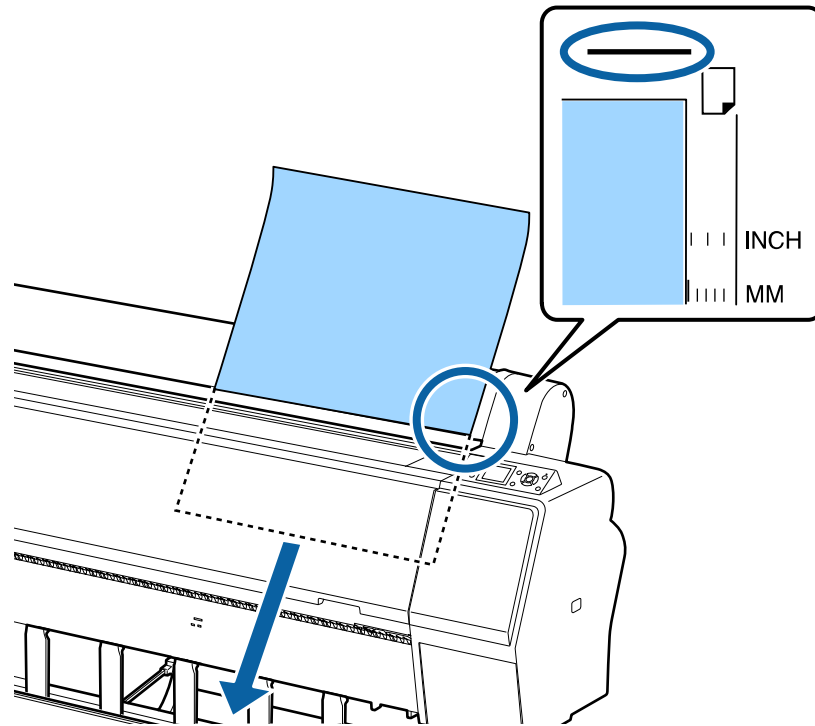
Loading Thick or Large Cut Sheets

Load most thick or large papers in the portrait orientation (short edge first). Load paper that is more than 19 mil (0.5 mm) thick and 30 inches (762 mm) long in landscape orientation (SC-P8000/SC-P9000).

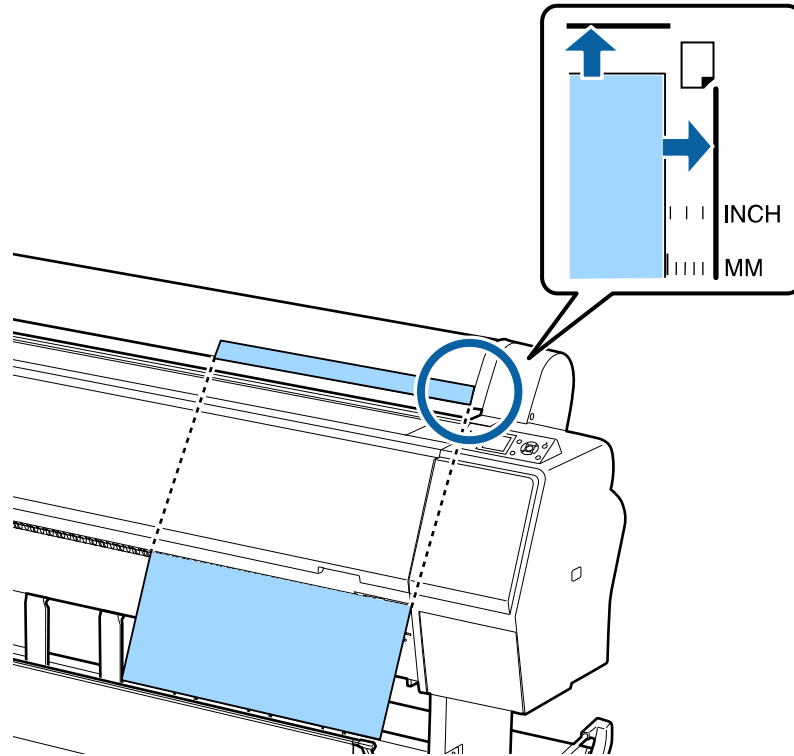
Note: Make sure the paper path is clear and any roll paper is rolled up before you load cut sheet paper.

1. Make sure the printer is turned on and the roll paper cover is closed.
2. Press the  paper source button.
3. Select **Cut Sheet** and press the **OK** button.
4. Press the  load paper button.



5. Feed the sheet into the right side of the paper slot until the trailing edge is below the horizontal line on the roll paper cover.



- Adjust the paper until the right and top edges are aligned with the horizontal and vertical lines on the printer.



Note: You may need to increase the suction by pressing the up arrow button. This helps hold the paper in place during loading and printing.

- Press the  load paper button.
- Press the  pause/cancel button to move the paper into printing position or wait for the paper to move into position automatically.
- On the LCD screen, select one of the following:
 - If the paper settings are correct, select **Keep Settings Above**.
 - Select **Change Settings** so you can adjust the settings.
- Press the **OK** button.

11. Print your page.

After printing, the sheet stays in the printer.

12. To remove your print, hold the sheet and press the  paper feed button.

Note: Store cut sheet media flat in its original packaging. Storing sheet media unprotected or on its long or short edge can lead to excess paper curl and cause damage to the printer and ruined prints.

Parent topic: [Cut Sheet Handling](#)

Related references

[Available Epson Papers](#)

[Paper Specifications](#)

Related tasks

[Storing the Paper Basket](#)

Adjusting the Platen Gap

If the print quality is not satisfactory when printing on very thin or very thick media, you may need to adjust the Platen Gap setting.

Note: If you notice scuffs on the first few inches of your prints, this is caused by paper curl and print head strikes. Make sure your paper is flat. You can also try changing the Platen Gap setting to **Wide**. If that doesn't solve the problem, try changing it to **Wider**.

1. Press the **Menu** button.
2. Press the down arrow button to select **Printer Setup** and press the right arrow button.
3. Press the right arrow button to select **Platen Gap**.
4. Press the up or down arrow to select a platen gap setting and press the **OK** button.

Note: To avoid damaging the printer, do not select the **Narrow** setting when loading thick media.

A check mark appears next to the selected setting.

5. Press the  pause/cancel button to exit the menu.

The platen gap symbol on the LCD screen changes to match the new setting.

Parent topic: [Cut Sheet Handling](#)

Related references

[Printer Setup Menu Settings](#)

Using the Paper Basket

The paper basket catches printouts and keeps them from getting dirty or scratched. You can set up the basket to catch paper under the printer or in front of the printer.

Caution: For fine art and other sensitive prints, do not allow media to stack in the paper basket.

[Catching Printouts Under the Product](#)

[Catching Printouts in Front of the Product](#)

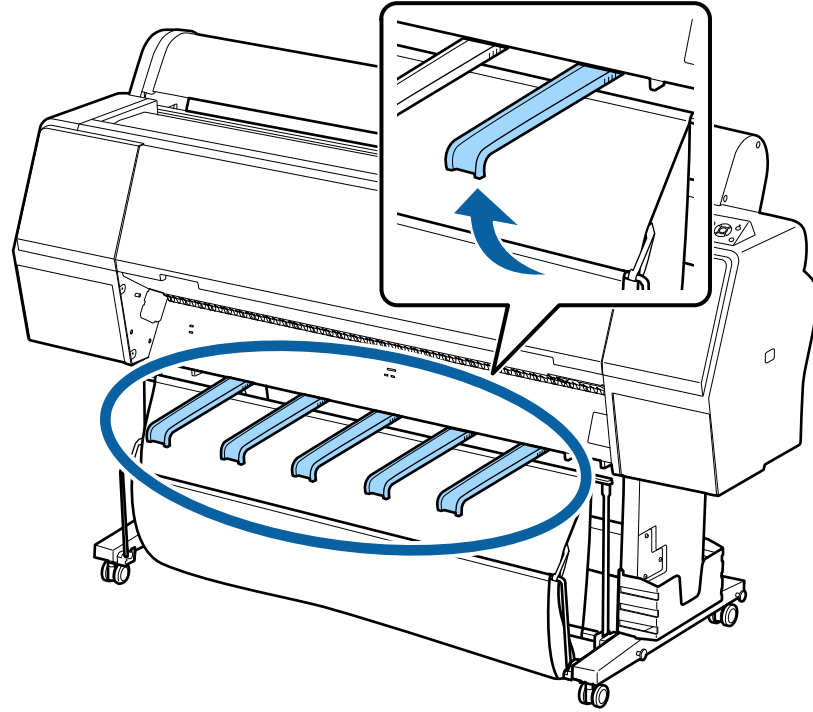
[Storing the Paper Basket](#)

Parent topic: [Media Handling](#)

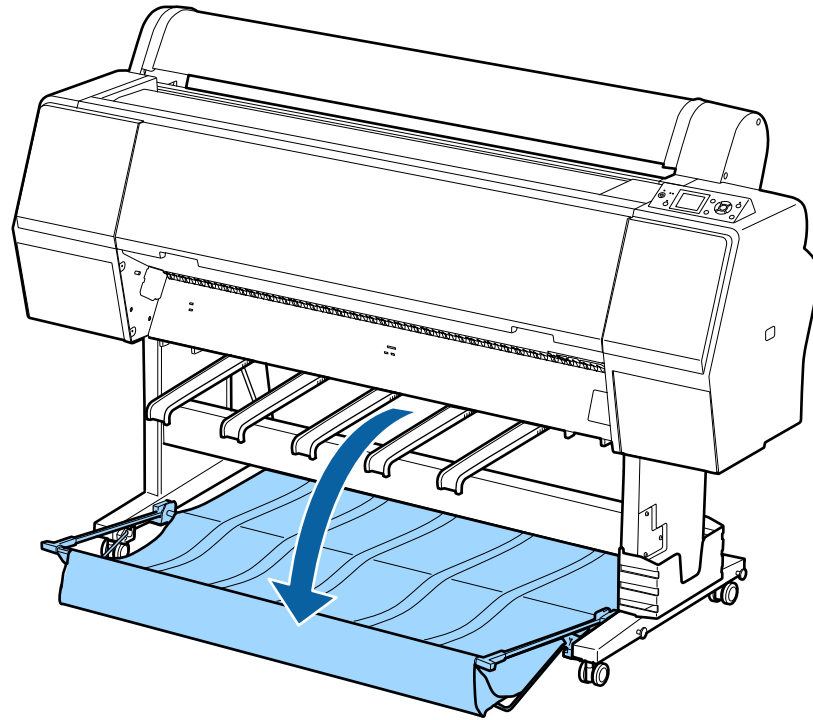
Catching Printouts Under the Product

For printouts less than 19 mil (0.5 mm) thick and up to 36 inches (914.4 mm) long (SC-P6000/SC-P7000) or 62 inches (1580 mm) long (SC-P8000/SC-P9000), you can configure the paper basket to catch printouts under the product.

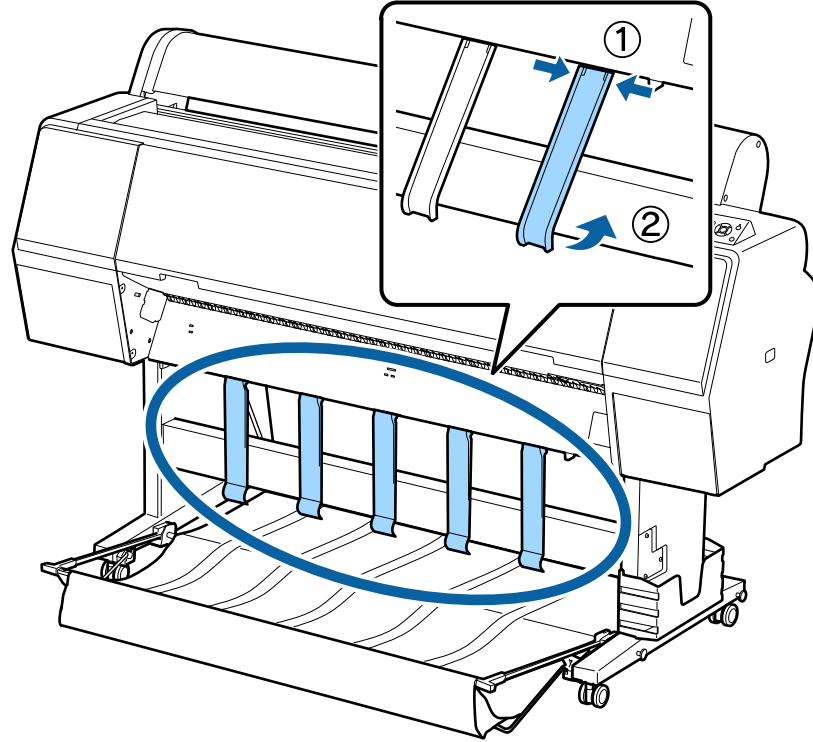
1. Raise the paper guides.



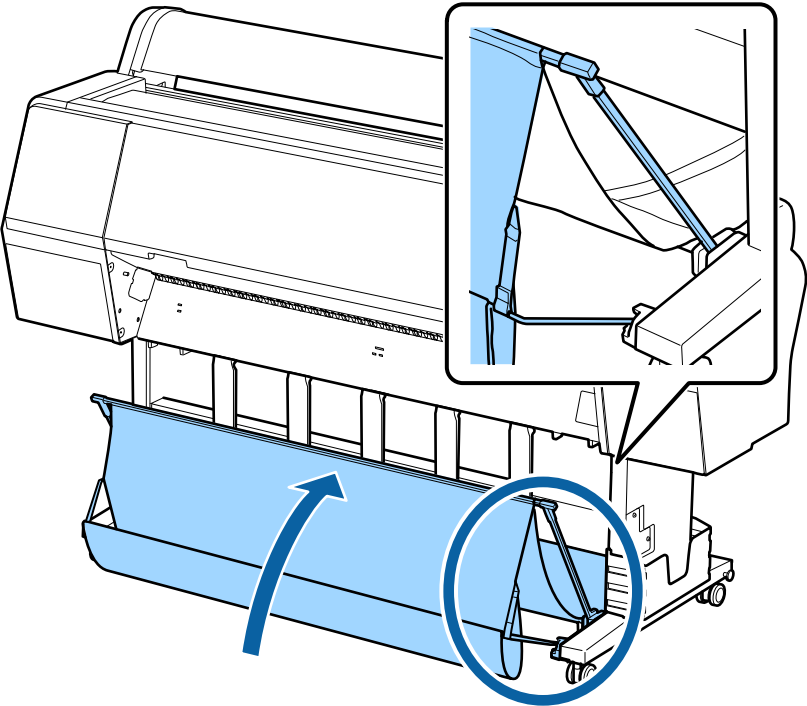
2. Lower the front of the paper basket.



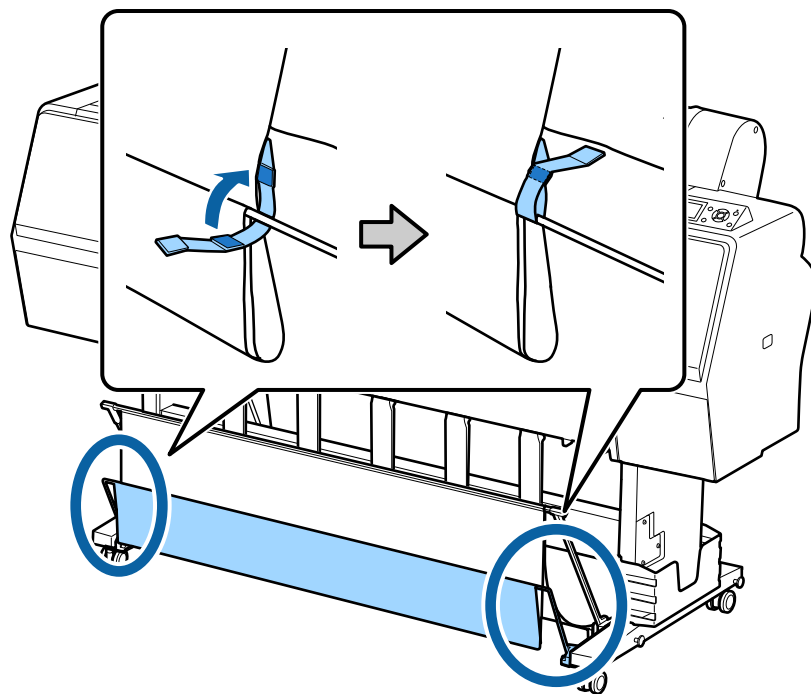
3. Press in on the left and right sides of the paper guides, and lower them until they are vertical.



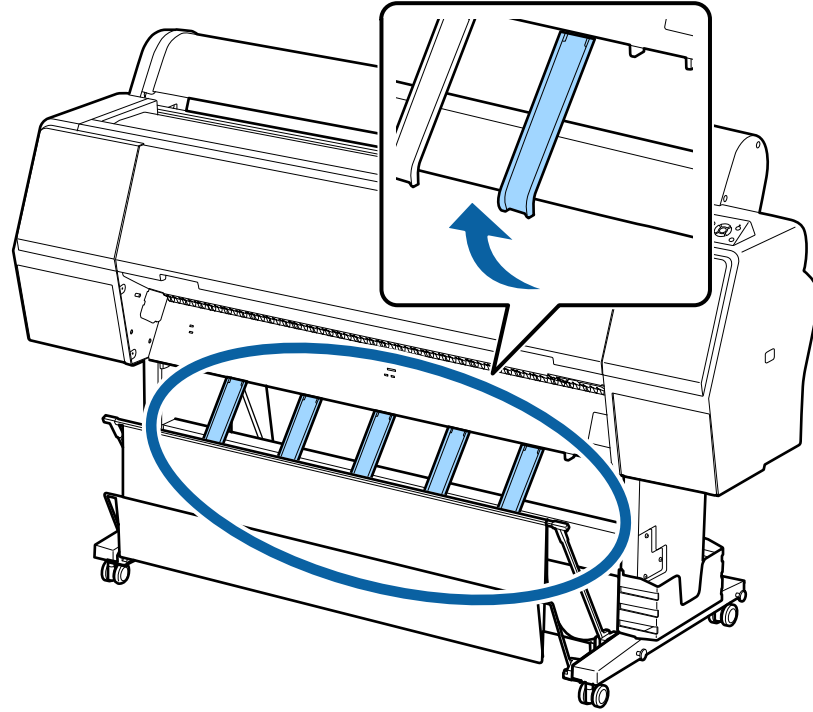
4. Raise the front of the basket one level.



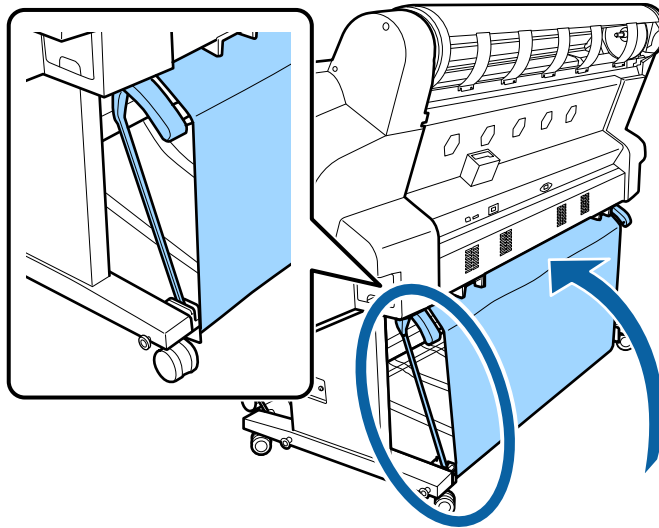
5. Fasten the front of the basket with the tabs.



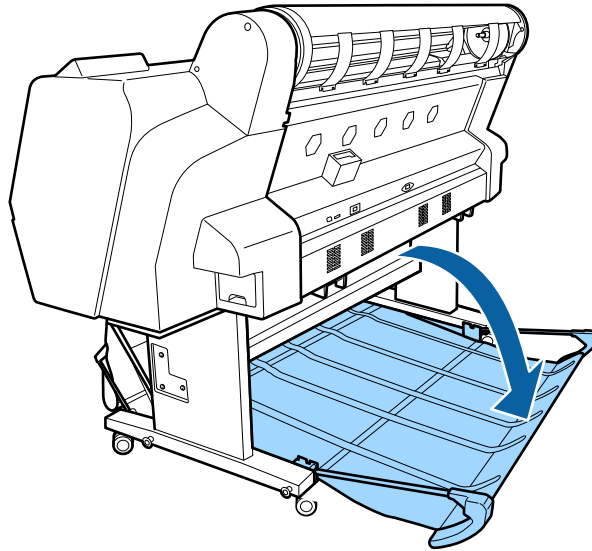
Note: If printouts on matte paper are smudged or have banding, raise the paper guides one level.



6. Adjust the basket based on your print size (SC-P8000/SC-P9000):
- For media in this size or smaller, raise the rear of the basket: A1 (23.4 × 33.1 inches [594 × 841 mm]).



- For media larger than this size, lower the rear of the basket: A1 (23.4 × 33.1 inches [594 × 841 mm]).

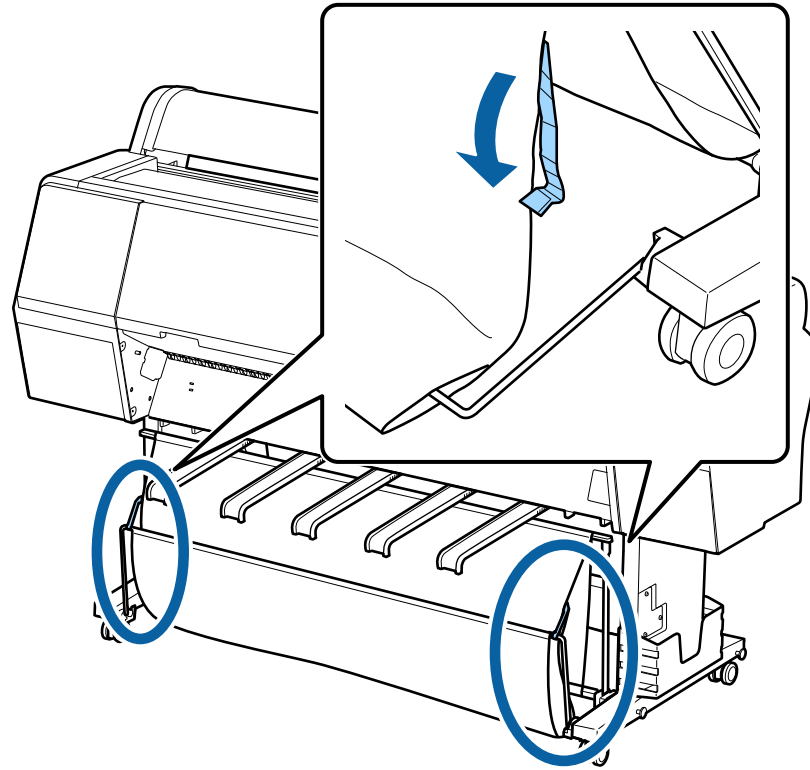


Parent topic: [Using the Paper Basket](#)

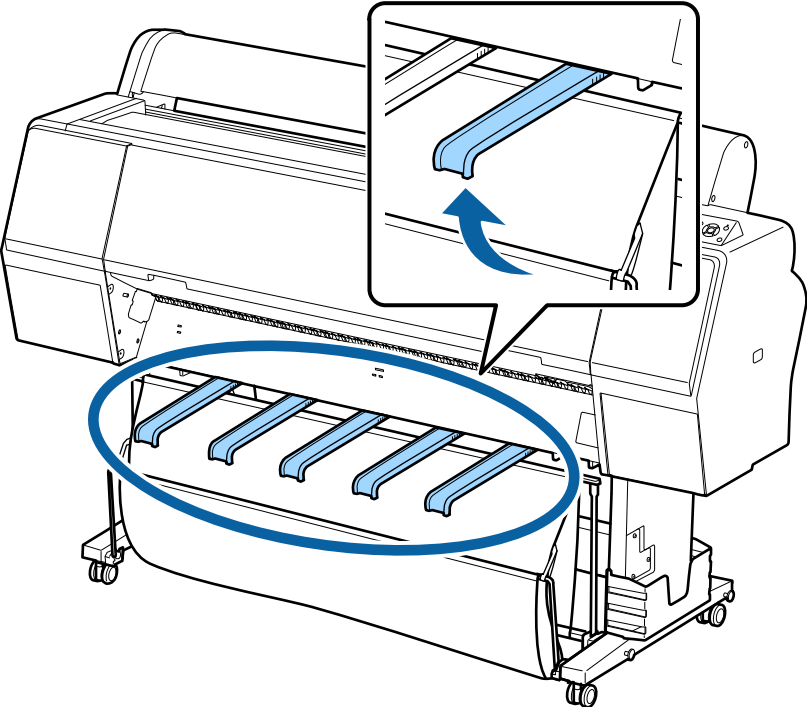
Catching Printouts in Front of the Product

For printouts more than 19 mil (0.5 mm) thick or any prints over 36 inches (914.4 mm) long (SC-P6000/SC-P7000) or 62 inches (1580 mm) long (SC-P8000/SC-P9000), you can configure the paper basket to catch printouts in the front the product.

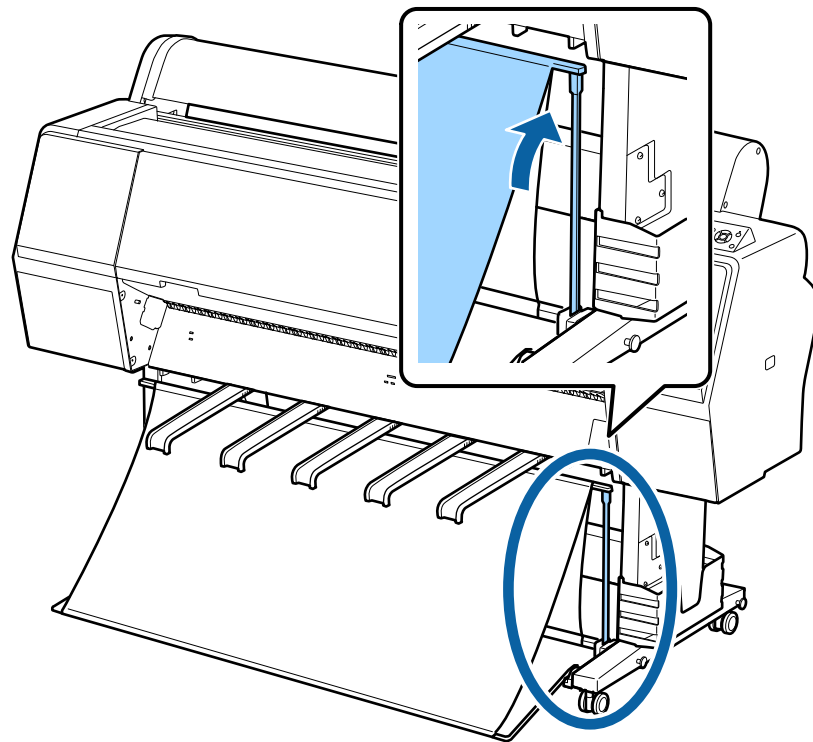
1. Unfasten the tabs at the front of the paper basket.



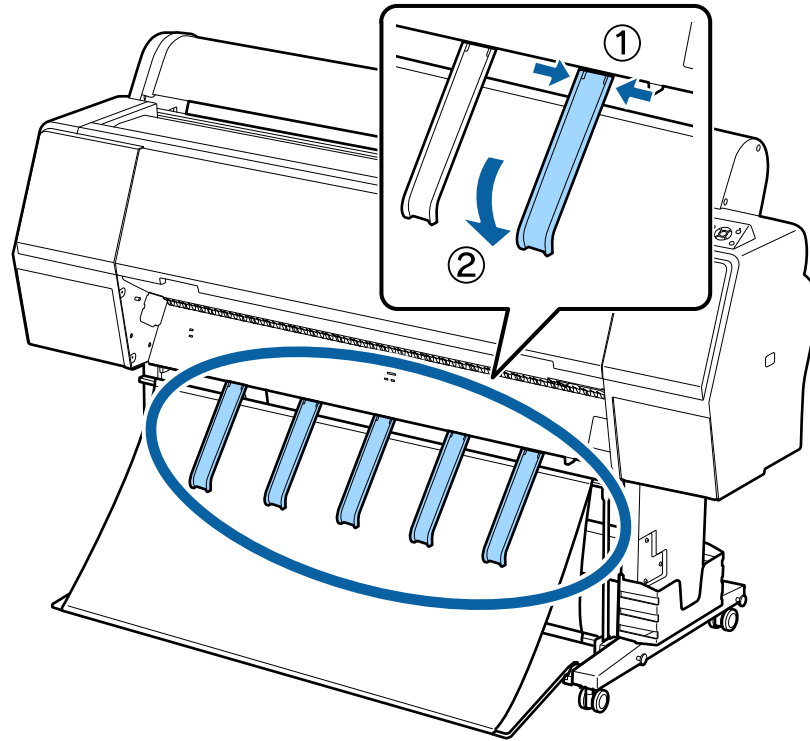
2. Raise the paper guides.



3. Raise the front of the basket so that the cloth is pulled taut.



4. Press in on the left and right sides of the paper guides and lower them until they touch the basket.



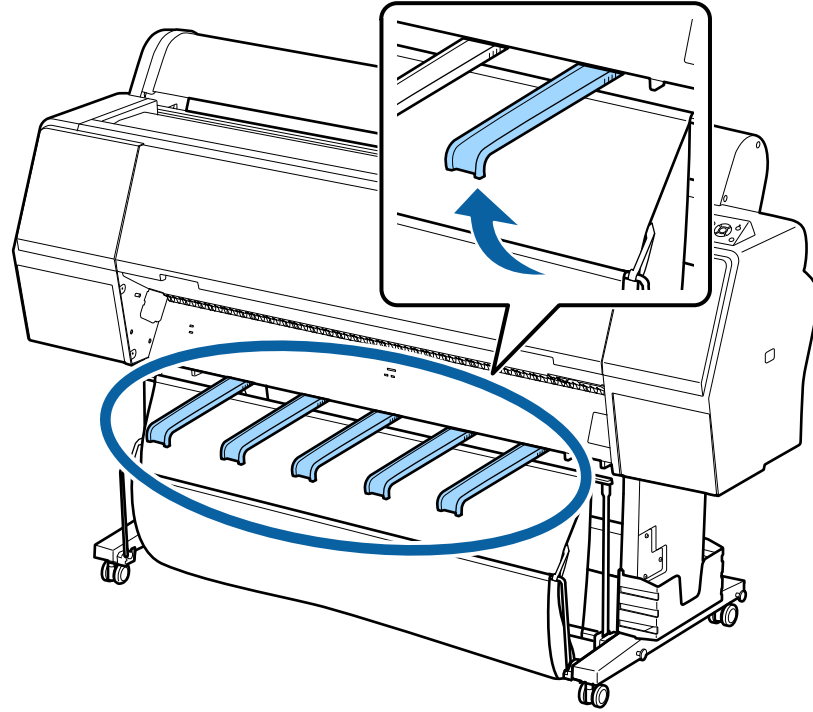
Parent topic: [Using the Paper Basket](#)

Storing the Paper Basket

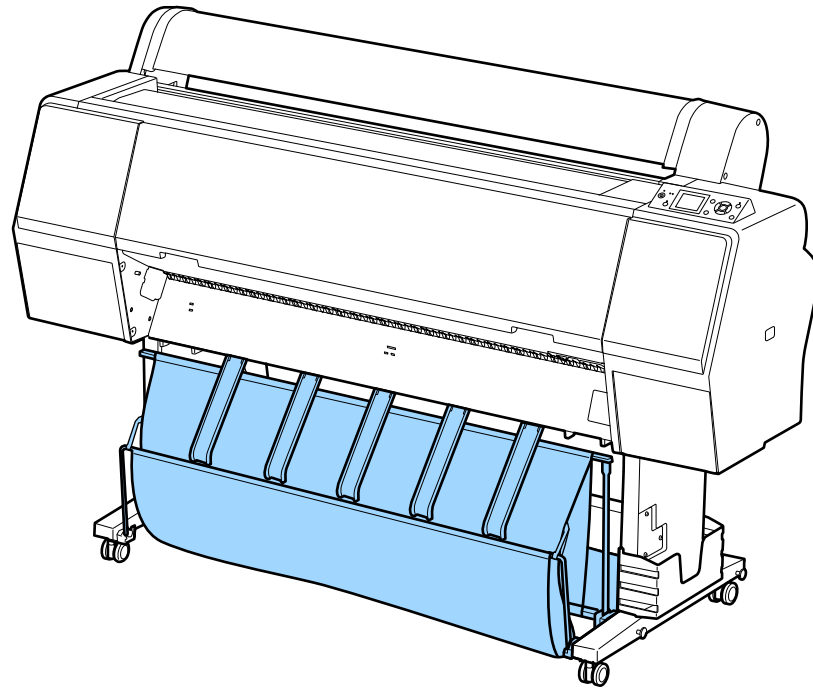
You should store the paper basket whenever you do the following:

- You are not using the basket
- You are loading paper
- You are moving the printer

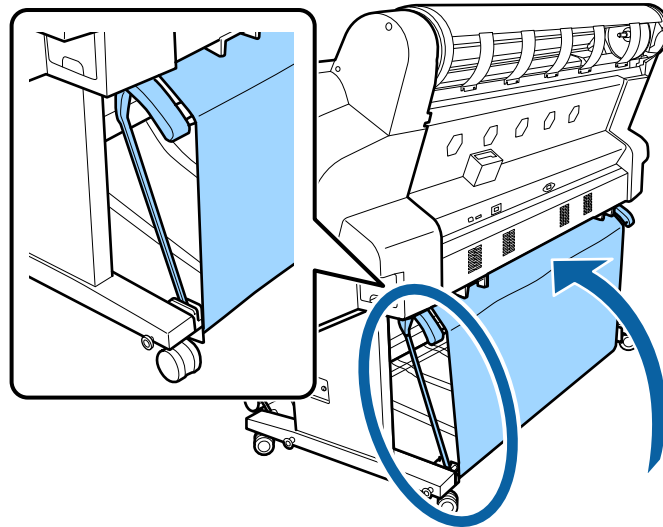
1. Raise the paper guides.



2. Raise the front of the basket and lower the paper guides.



3. Raise the rear of the basket (SC-P8000/SC-P9000).



Parent topic: [Using the Paper Basket](#)

Related topics

[Moving or Transporting the Product](#)

Creating Paper Configurations

You can create and store up to 10 custom paper configurations for use in printing on non-Epson paper or paper that is not supported by the Epson printer driver.

Note: Custom paper configurations are based on the existing Uni-D and Bi-D print head alignment. For best results, perform the head alignments on Epson Doubleweight Matte Paper.

1. Load the type of paper that you want to configure in the printer.
2. Press the **Menu** button.
3. Press the up or down arrow button to select **Paper** and press the right arrow button.
4. Select **Custom Paper Setting** and press the right arrow button.
5. Select a number for the custom paper configuration and press the **OK** button.

6. Select **Select Reference Paper** and press the right arrow button.
7. Select a paper preset that is similar to the paper that you loaded and press the **OK** button.

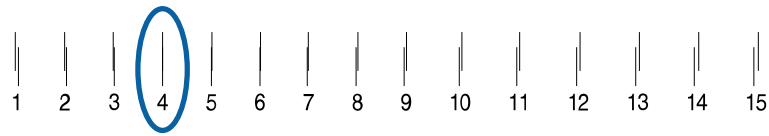
Note: Use the following guidelines when selecting the reference paper that is closest to the paper you are using:

- Glossy paper: **Photo Paper** or **Proofing Paper**.
- Thick paper that isn't glossy: **Matte Paper**.
- Thin, soft paper that isn't glossy: **Plain Paper**.
- Cotton paper with a rough surface: **Fine Art Paper**.
- Special media such as film, cloth, poster board, or tracing paper: **Others**.

8. Select **Platen Gap** and press the right arrow button.
9. Select a platen gap setting and press the **OK** button.
10. Select **Detect Paper Thickness** and press the right arrow button.
11. Press the **OK** button.

A paper thickness pattern prints.

12. Check the printed pattern and locate the pattern with the most evenly overlapping lines.



13. Select the number of the most even pattern and press the **OK** button.
14. Select any additional settings in the Custom Paper Settings menu, as necessary.
15. When you finish changing the paper configuration settings, press **II**·**⏏** pause/cancel to exit the menu.

After you create paper configurations, you can print a list of the presets and the settings for each one.

Note: You can also use the LFP Remote Panel Utility software to create custom paper configurations.

[Printing a Paper Configuration List](#)

[Selecting Custom Paper Configurations](#)

Parent topic: [Media Handling](#)

Related references

[Paper Menu Settings](#)

Printing a Paper Configuration List

You can print a list of the settings for all the paper configurations that you have created.

1. Press the **Menu** button.
2. Press the down arrow button to select **Paper** and press the right arrow button.
3. Select **Print Paper List** and press the right arrow button.
4. Press the **OK** button to print the list of your paper configurations.


Parent topic: [Creating Paper Configurations](#)

Related references

[Paper Menu Settings](#)

Selecting Custom Paper Configurations

Once you have created a paper configuration, you can select the configuration whenever you print on the associated media.

1. Press the **Menu** button.
2. Press the up or down arrow button to select **Paper** and press the right arrow button.
3. Select **Select Paper Type** and press the right arrow button.
4. Select **Custom Paper** and press the right arrow button.
5. Select the paper configuration you want to use and press the **OK** button.
6. Press the **II**  pause/cancel button to exit the menu.

The custom paper configuration you selected is displayed on the LCD screen.

Parent topic: [Creating Paper Configurations](#)

Related references

[Paper Menu Settings](#)

Using the Auto Take-up Reel

See these sections to use the auto take-up reel with your product.

[About the Optional Auto Take-up Reel](#)

[Take Up with the Printable Side In](#)

[Take Up with the Printable Side Out](#)

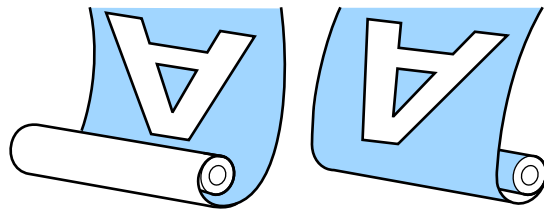
[Removing Media from the Optional Auto Take-up Reel](#)

Parent topic: [Media Handling](#)

About the Optional Auto Take-up Reel

The optional auto take-up reel automatically rolls up printed media as you print.

You can use the auto take-up reel for media with the printable side in (on the left) or printable side out (on the right).



It is best to do the following when using the auto take-up reel:

- Make sure that the end of the roll is cut straight across.
- Load media with the printable side in.
- Use a take-up roll core that is the same width as your media so the core does not bend or take up media incorrectly.

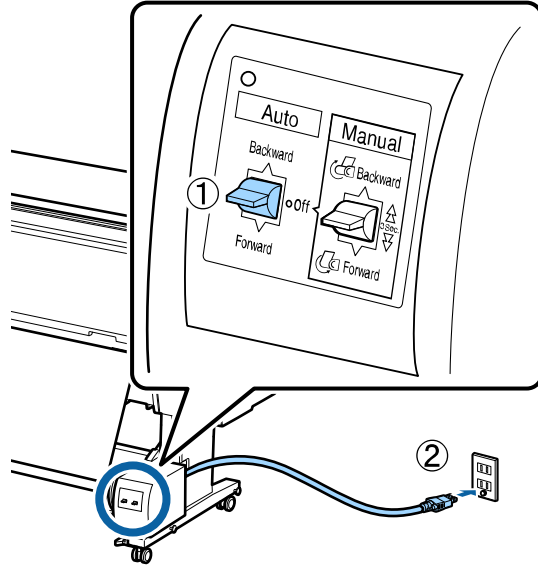
Parent topic: [Using the Auto Take-up Reel](#)

Take Up with the Printable Side In

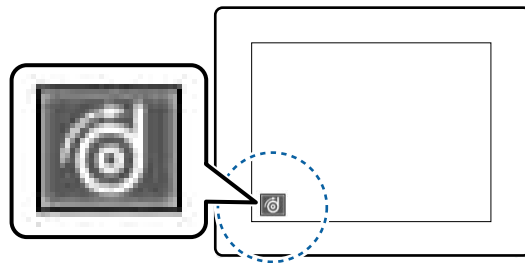
After you attach the roll core on the Auto Take-up Reel as described in the documentation that came with the Auto Take-up Reel, follow these steps to take up media with the printable side in.

Note: Make sure **Auto Cut** is set to **Off** when you use the Auto Take-up Reel.


1. Move the **Auto** switch on the take-up reel to the **Off** position and plug in the power cable.




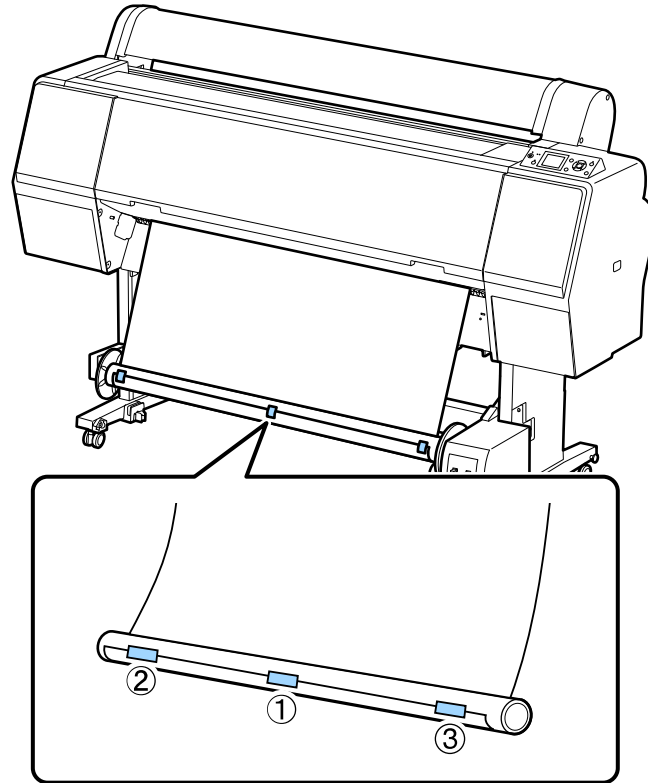
2. Turn on the printer.
3. Load roll media in the printer.
4. Check that the Auto Take-up Reel icon appears on the LCD screen.




Note: If you don't see the icon, make sure the take-up reel is turned on and connected correctly.

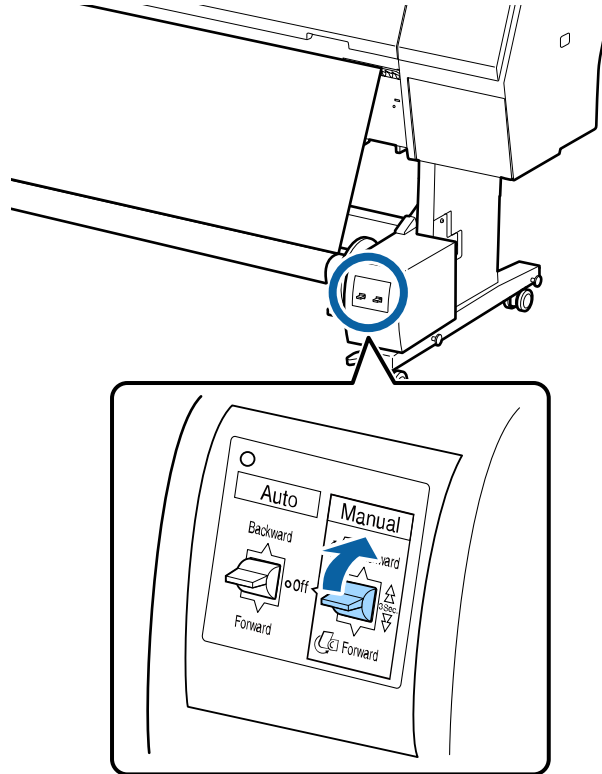
5. Press the  paper source button on the printer.

6. Select **Roll Paper / No Cut** and press the **OK** button.
7. Press and hold the  paper feed button until the edge of the roll media reaches the roll core.
8. Wind the edge of the media around the back of the roll core.
9. Tape the edge of the media to the center of the core, then tape the edge to the left and right ends.



10. Press and hold the  paper feed button on the printer until it feeds enough media to wrap around the roll core three times.

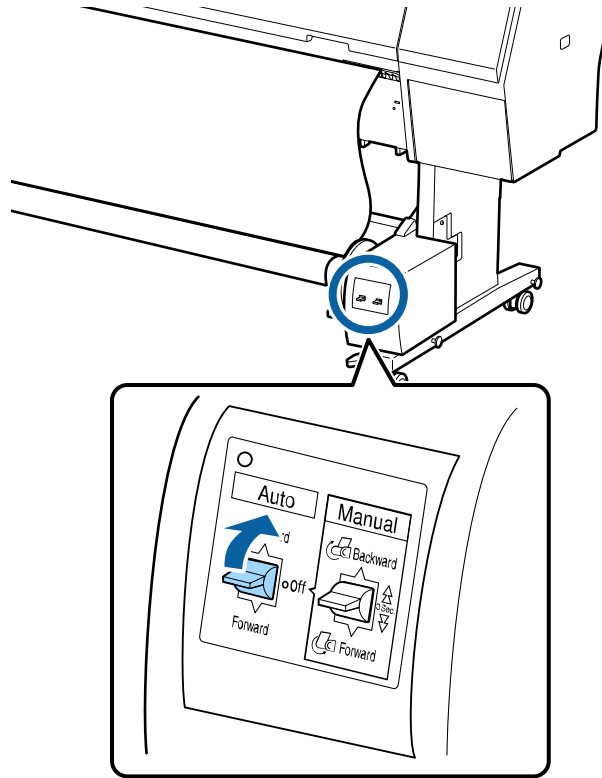
11. Move the **Manual** switch on the take-up reel to the **Backward** position and hold it until the media wraps around the core three times.



12. Make sure that there is some slack in the media and that it loads evenly on both sides.

Note: The media will not take up correctly if it is looser on one side than the other.

13. Move the **Auto** switch on the take-up reel to the **Backward** position.



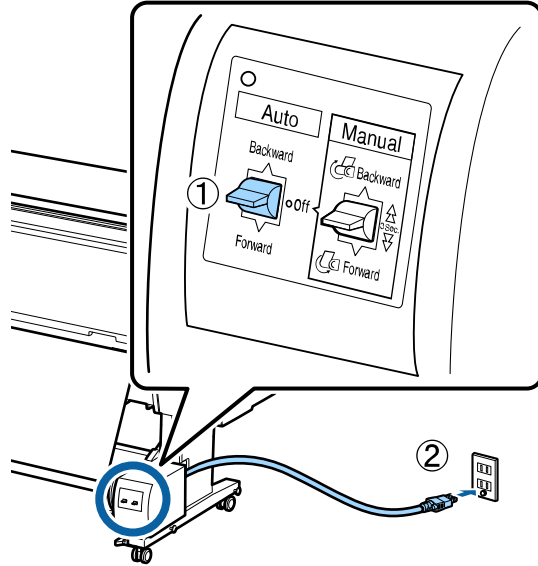
Parent topic: [Using the Auto Take-up Reel](#)

Take Up with the Printable Side Out

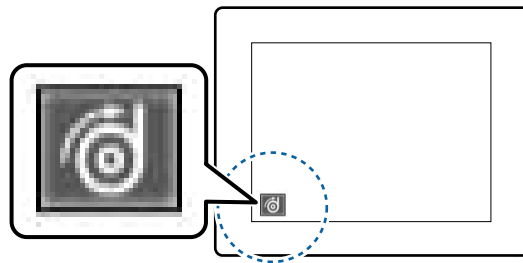
After you attach the roll core on the Auto Take-up Reel as described in the documentation that came with the Auto Take-up Reel, follow these steps to take up media with the printable side out.

Note: Make sure **Auto Cut** is set to **Off** when you use the Auto Take-up Reel.


1. Move the **Auto** switch on the take-up reel to the **Off** position and plug in the power cable.




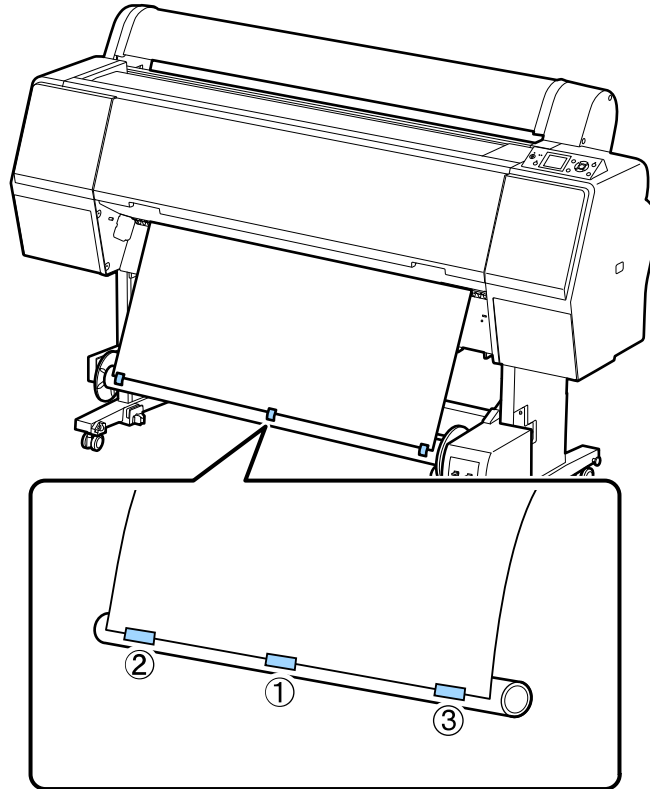
2. Turn on the printer.
3. Load roll media in the printer.
4. Check that the Auto Take-up Reel icon appears on the LCD screen.




Note: If you don't see the icon, make sure the take-up reel is turned on and connected correctly.

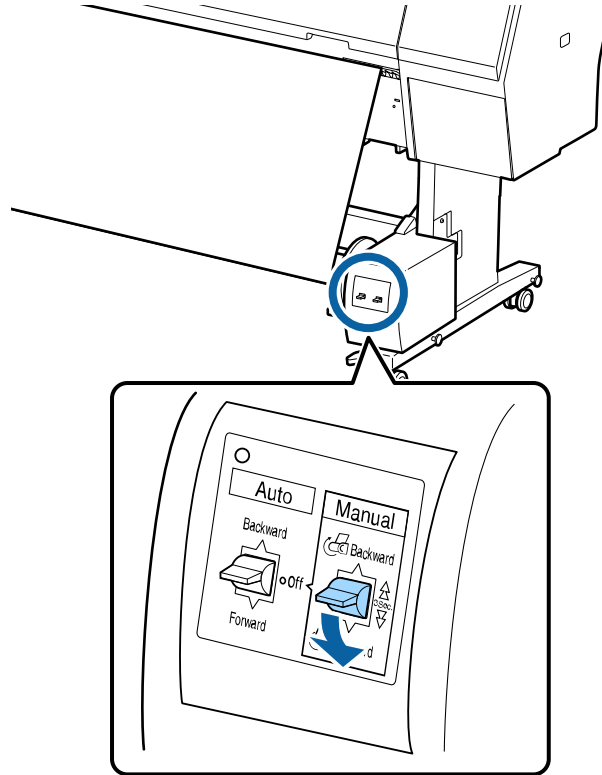
5. Press the  paper source button on the printer.

6. Select **Roll Paper / No Cut** and press the **OK** button.
7. Press and hold the  paper feed button until the edge of the roll media reaches the roll core.
8. Tape the edge of the media to the center of the core, then tape the edge to the left and right ends.



9. Press and hold the  paper feed button on the printer until it feeds enough media to wrap around the roll core three times.

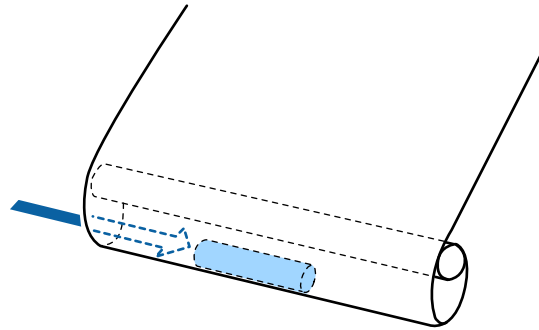
10. Move the **Manual** switch on the take-up reel to the **Forward** position and hold it until the media wraps around the core three times.



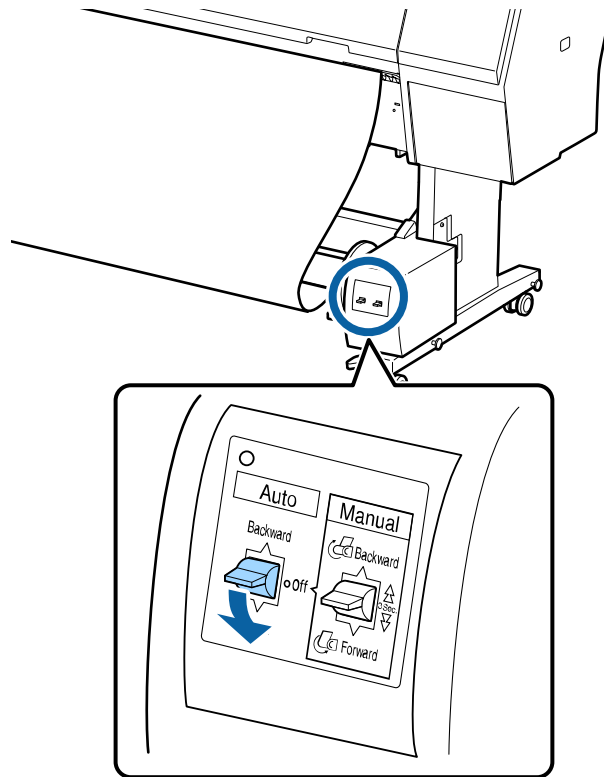
11. Make sure that there is some slack in the media and that it loads evenly on both sides.

Note: The media will not take up correctly if it is looser on one side than the other.

If you are printing on Epson Singleweight Matte Paper, place the tensioner in the slack of the roll.



12. Move the **Auto** switch on the take-up reel to the **Forward** position.



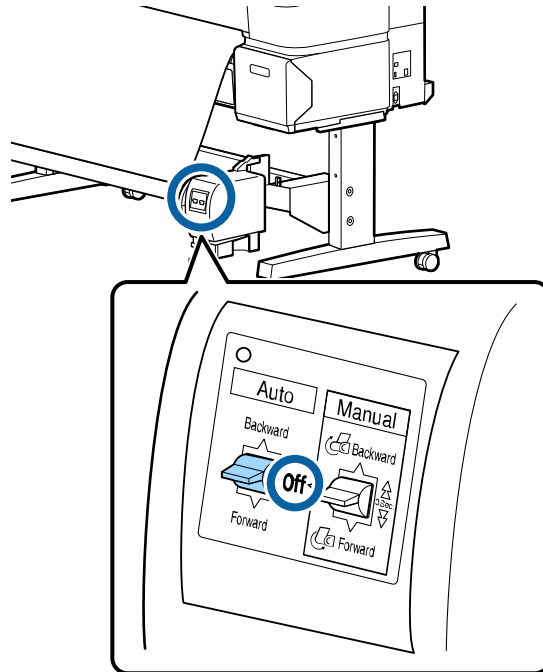
Parent topic: [Using the Auto Take-up Reel](#)

Removing Media from the Optional Auto Take-up Reel

After printing on media loaded on the Optional Auto Take-up Reel, follow these steps to remove it.

Note: Two people are required to remove media from the take-up reel.

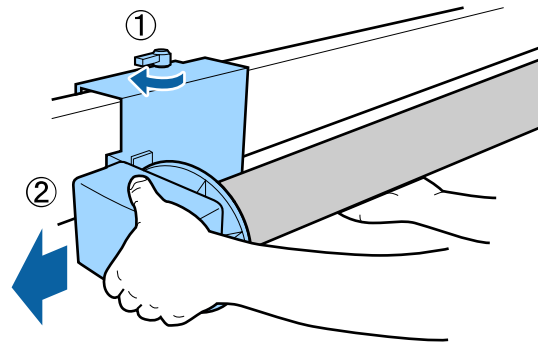
1. Move the **Auto** switch on the take-up reel to the **Off** position.



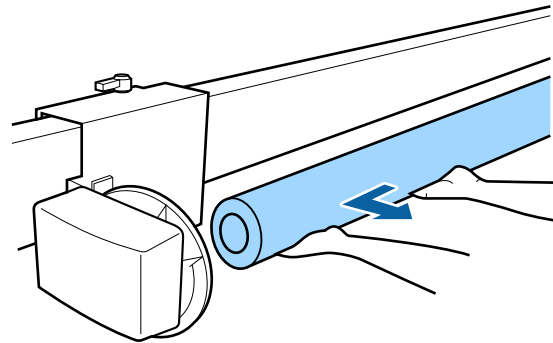
2. Cut the media and roll the cut end onto the take-up reel.

3. Turn the lever to unlock the reel, then slide the paper holder to the left.

Note: Support the reel with one hand to keep it from falling.



4. Remove the roll core from the take-up reel unit.



Parent topic: [Using the Auto Take-up Reel](#)

Available Epson Papers

For information on how to purchase genuine Epson ink, accessories and paper visit epson.com (U.S. sales) or epson.ca (Canadian sales). You can also purchase accessories from an Epson authorized reseller. To find the nearest one, call 800-GO-EPSON (800-463-7766).

Note: Paper/media availability varies by country.

Paper Type	Size	Part number	Sheet count
Epson Cold Press Bright	Letter (8.5 × 11 inches [216 × 279 mm])	S042307	25
	13 × 19 inches (330 × 483 mm)	S042310	25
	17 × 22 inches (432 × 559 mm)	S042311	25
Epson Cold Press Natural	Letter (8.5 × 11 inches [216 × 279 mm])	S042297	25
	13 × 19 inches (330 × 483 mm)	S042300	25
	17 × 22 inches (432 × 559 mm)	S042301	25
Epson Velvet Fine Art Paper	Letter (8.5 × 11 inches [216 × 279 mm])	S041636	20
	13 × 19 inches (330 × 483 mm)	S041637	20
	17 × 22 inches (432 × 559 mm)	S042097	25
Epson Exhibition Fiber Paper	Letter (8.5 × 11 inches [216 × 279 mm])	S045033	25
	13 × 19 inches (330 × 483 mm)	S045037	25
	17 × 22 inches (432 × 559 mm)	S045039	25
Epson Hot Press Bright	Letter (8.5 × 11 inches [216 × 279 mm])	S042327	25
	13 × 19 inches (330 × 483 mm)	S042330	25
	17 × 22 inches (432 × 559 mm)	S042331	25
Epson Hot Press Natural	Letter (8.5 × 11 inches [216 × 279 mm])	S042317	25
	13 × 19 inches (330 × 483 mm)	S042320	25
	17 × 22 inches (432 × 559 mm)	S042321	25
Epson Exhibition Watercolor Paper Textured	Letter (8.5 × 11 inches [216 × 279 mm])	S045486	25
	13 × 19 inches (330 × 483 mm)	S045487	20
	17 × 22 inches (432 × 559 mm)	S045488	25

Paper Type	Size	Part number	Sheet count
Epson Ultra Premium Photo Paper Glossy	Letter (8.5 × 11 inches [216 × 279 mm])	S042175	20
	8 × 10 inches (203 × 254 mm)	S041946	20
Epson Premium Luster Photo Paper (260)	8.3 inches (211 mm) × 32 feet (9.8 m)	S041408	1 roll
	13 inches (330 mm) × 32 feet (9.8 m)	S041409	1 roll
	10 inches (254 mm) × 100 feet (30.5 m)	S042077	1 roll
	16 inches (406 mm) × 100 feet (30.5 m)	S042079	1 roll
	24 inches (610 mm) × 100 feet (30.5 m)	S042081	1 roll
	36 inches (914 mm) × 100 feet (30.5 m)*	S042082	1 roll
	44 inches (1118 mm) × 100 feet (30.5 m)*	S042083	1 roll
Epson Metallic Photo Paper Glossy	Letter (8.5 × 11 inches [216 × 279 mm])	S045589	25
	13 × 19 inches (330 × 483 mm)	S045590	25
	17 × 22 inches (432 × 559 mm)	S045591	25
Epson Metallic Photo Paper Luster	Letter (8.5 × 11 inches [216 × 279 mm])	S045516	25
	13 × 19 inches (330 × 483 mm)	S045517	25
	17 × 22 inches (432 × 559 mm)	S045598	25

Paper Type	Size	Part number	Sheet count
Epson Photo Paper Glossy	Letter (8.5 × 11 inches [216 × 279 mm])	S041649	50
	11 × 17 inches (279 × 432 mm)	S041156	20
	13 × 19 inches (330 × 483 mm)	S041143	20
	Letter (8.5 × 11 inches [216 × 279 mm])	S041271	100
Epson Premium Photo Paper Glossy	Letter (8.5 × 11 inches [216 × 279 mm])	S041286	20
	A3 (11.7 × 16.5 inches [297 × 420 mm])	S041288	20
	13 × 19 inches (330 × 483 mm)	S041289	20
	Letter (8.5 × 11 inches [216 × 279 mm])	S041667	50
	11 × 17 inches (279 × 432 mm)	S041290	20
	4 × 6 inches (102 × 152 mm)	S041727	100
	5 × 7 inches (127 × 178 mm)	S041464	20
	8 × 10 inches (203 × 254 mm)	S041465	20
	11 × 14 inches (279 × 356 mm)	S041466	20
	17 × 22 inches (432 × 559 mm)	S042092	25

Paper Type	Size	Part number	Sheet count
Epson Premium Photo Paper Semi-gloss	Letter (8.5 × 11 inches [216 × 279 mm])	S041331	20
	13 × 19 inches (330 × 483 mm)	S041327	20
	8 × 10 inches (203 × 254 mm)	S041467	50
	Letter (8.5 × 11 inches [216 × 279 mm])	S041257	50
	11 × 14 inches (279 × 356 mm)	S041468	50
	A3 (11.7 × 16.5 inches [297 × 420 mm])	S041260	50
	13 × 19 inches (330 × 483 mm)	S041263	50
	17 × 22 inches (432 × 559 mm)	S042124	25
Epson Premium Presentation Paper Matte	Letter (8.5 × 11 inches [216 × 279 mm])	S041062	100
	Legal (8.5 × 14 inches [216 × 356 mm])	S041067	100
	11 × 17 inches (279 × 432 mm)	S041070	100
	13 × 19 inches (330 × 483 mm)	S041069	100
	16.5 × 23.4 inches (420 × 594 mm)	S041079	30
	17 × 22 inches (432 × 559 mm)	S041171	100

Paper Type	Size	Part number	Sheet count
Epson Proofing Paper White Semimatte	13 × 19 inches (330 × 483 mm)	S045115	100
	13 inches (300 mm) × 100 feet (30.5 m)	S042002	1 roll
	17 inches (432 mm) × 100 feet (30.5 m)	S042003	1 roll
	24 inches (610 mm) × 100 feet (30.5 m)	S042004	1 roll
	36 inches (914 mm) × 100 feet (30.5 m)*	S042005	1 roll
	44 inches (1118 mm) × 100 feet (30.5 m)*	S042006	1 roll
Epson Standard Proofing Paper Publication	13 inches (300 mm) × 100 feet (30.5 m)	S041996	1 roll
	17 inches (432 mm) × 100 feet (30.5 m)	S041997	1 roll
	24 inches (610 mm) × 100 feet (30.5 m)	S041998	1 roll
	36 inches (914 mm) × 100 feet (30.5 m)*	S041999	1 roll
	44 inches (1118 mm) × 100 feet (30.5 m)*	S042001	1 roll
Epson Standard Proofing Paper Commercial	13 inches (300 mm) × 100 feet (30.5 m)	S042144	1 roll
	17 inches (432 mm) × 100 feet (30.5 m)	S041997	1 roll
	24 inches (610 mm) × 100 feet (30.5 m)	S041998	1 roll
	36 inches (914 mm) × 100 feet (30.5 m)*	S041999	1 roll
	44 inches (1118 mm) × 100 feet (30.5 m)*	S042001	1 roll

Paper Type	Size	Part number	Sheet count
Epson Standard Proofing Paper (240)	13 × 19 inches (330 × 483 mm)	S045115	100
Epson Ultra Premium Photo Paper Luster	Letter (8.5 × 11 inches [216 × 279 mm])	S041405	50
	A3 (11.7 × 16.5 inches [297 × 420 mm])	S041406	50
	13 × 19 inches (330 × 483 mm)	S041407	50
	13 × 19 inches (330 × 483 mm)	S041604	100
	17 × 22 inches (432 × 559 mm)	S042084	25
	13 inches (330 mm) × 32.8 feet (10 m)	S041409	1 roll
Epson Ultra Premium Presentation Paper Matte	Letter (8.5 × 11 inches [216 × 279 mm])	S041341	50
	A3 (11.7 × 16.5 inches [297 × 420 mm])	S041343	50
	13 × 19 inches (330 × 483 mm)	S041339	50
	13 × 19 inches (330 × 483 mm)	S041605	100
	17 × 22 inches (432 × 559 mm)	S041908	100
Epson UltraSmooth Fine Art Paper	13 × 19 inches (330 × 483 mm)	S041896	25
	17 × 22 inches (432 × 559 mm)	S041897	25
Epson Watercolor Paper Radiant White	13 × 19 inches (330 × 483 mm)	S041351	20
Epson Exhibition Canvas Matte	13 inches (330 mm) × 20 feet (6.1 m)	S045255	1 roll
	17 × 22 inches (432 × 559 mm)	S045255	25
Epson Exhibition Canvas Satin	13 inches (330 mm) × 20 feet (6.1 m)	S045248	1 roll
Epson Exhibition Canvas Gloss	13 inches (330 mm) × 20 feet (6.1 m)	S045241	1 roll

Paper Type	Size	Part number	Sheet count
Epson Exhibition Canvas Natural Matte	13 inches (330 mm) × 20 feet (6.1 m)	S045241	1 roll
Epson Exhibition Canvas Natural Satin	13 inches (330 mm) × 20 feet (6.1 m)	S045396	1 roll
Epson Exhibition Canvas Natural Gloss	13 inches (330 mm) × 20 feet (6.1 m)	S045410	1 roll
Epson Premium Glossy Photo Paper (250)	16 inches (406 mm) × 100 feet (30.5 m)	S041742	1 roll
	24 inches (610 mm) × 100 feet (30.5 m)	S041638	1 roll
	36 inches (914 mm) × 100 feet (30.5 m)*	S041639	1 roll
	44 inches (1118 mm) × 100 feet (30.5 m)*	S041640	1 roll
Epson Premium Semigloss Photo Paper (170)	24 inches (610 mm) × 100 feet (30.5 m)	S041393	1 roll
	36 inches (914 mm) × 100 feet (30.5 m)*	S041394	1 roll
	44 inches (1118 mm) × 100 feet (30.5 m)*	S041395	1 roll
Epson Premium Semimatte Photo Paper (250)	16 inches (406 mm) × 100 feet (30.5 m)	S042149	1 roll
	24 inches (610 mm) × 100 feet (30.5 m)	S042150	1 roll
	36 inches (914 mm) × 100 feet (30.5 m)*	S042151	1 roll
	44 inches (1118 mm) × 100 feet (30.5 m)*	S042152	1 roll

Paper Type	Size	Part number	Sheet count
Epson Premium Glossy Photo Paper (170)	16.5 inches (419 mm) × 100 feet (30.5 m)	S042076	1 roll
	24 inches (610 mm) × 100 feet (30.5 m)	S041390	1 roll
	36 inches (914 mm) × 100 feet (30.5 m)*	S041391	1 roll
	44 inches (1118 mm) × 100 feet (30.5 m)*	S041392	1 roll
Epson Enhanced Matte Paper	16 inches (406 mm) × 100 feet (30.5 m)	S041725	1 roll
	24 inches (610 mm) × 100 feet (30.5 m)	S041595	1 roll
	36 inches (914 mm) × 100 feet (30.5 m)*	S041596	1 roll
	44 inches (1118 mm) × 100 feet (30.5 m)*	S041597	1 roll
Epson Singleweight Matte Paper	17 inches (432 mm) × 132 feet (40.2 m)	S041746	1 roll
	17 inches (432 mm) × 132 feet (40.2 m)	S041853	1 roll
	36 inches (914 mm) × 132 feet (40.2 m)*	S041854	1 roll
	44 inches (1118 mm) × 132 feet (40.2 m)	S041855	1 roll
Epson Doubleweight Matte Paper	24 inches (610 mm) × 82 feet (25 m)	S041385	1 roll
	36 inches (914 mm) × 82 feet (25 m)	S041386	1 roll
	44 inches (1118 mm) × 82 feet (25 m)	S041387	1 roll

* SC-P8000/SC-P9000 only

Parent topic: [Media Handling](#)

Borderless Paper Type Compatibility

You can print borderless photos on compatible paper types in compatible paper widths:

Examples of Borderless Paper Types

- Epson Singleweight Matte Paper
- Epson Doubleweight Matte Paper
- Epson Premium Glossy Photo Paper (250)
- Epson Premium Semigloss Photo Paper (170)
- Epson Premium Glossy Photo Paper (170)
- Epson Premium Semimatte Photo Paper (250)
- Epson Premium Luster Photo Paper (260)

Borderless Paper Widths

- 10 inches (254 mm)
- 11.8 inches (300 mm)
- 13 inches (330 mm)
- 16 inches (406 mm)
- 17 inches (432 mm)
- 20.3 inches (515 mm)
- 23 inches (594 mm)
- 24 inches (610 mm)
- 33 inches (841 mm)*
- 36 inches (914 mm)*
- 44 inches (1118 mm) *

* SC-P8000/SC-P9000 only

Parent topic: [Media Handling](#)

Related references

[Printable Area Specifications](#)

Printing from a Computer

Before printing from your computer, make sure you have set up your product and installed its software as described on the *Start Here* sheet.

Note: If you have an Internet connection, it is a good idea to check for updates to your product software on Epson's support website. If you see a Software Update screen, select **Enable automatic checking** and click **OK**. The update scans your system to see if you have the latest product software. Follow the on-screen instructions.

[Printing with Windows](#)

[Printing with OS X](#)

Printing with Windows

You can print with your product using any Windows application, as described in these sections.

[Selecting Basic Print Settings - Windows](#)

[Selecting Print Layout Options - Windows](#)

[Selecting Additional Settings - Windows](#)

[Printing Your Document or Photo - Windows](#)

[Saving, Sharing, and Customizing the Printer Settings](#)

[Selecting Default Print Settings - Windows](#)

[Changing the Language of the Printer Software Screens](#)

[Changing Automatic Update Options](#)

Parent topic: [Printing from a Computer](#)

Selecting Basic Print Settings - Windows

Select the basic settings for the photo or document you want to print.

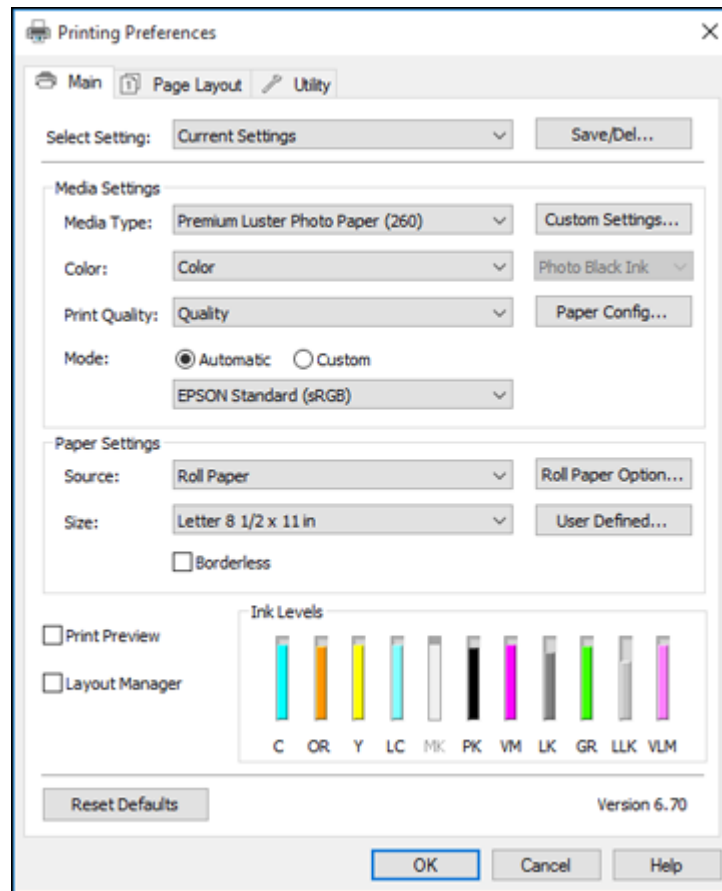
1. Open a photo or document for printing.
2. Select the print command in your application.

Note: You may need to select a print icon on your screen, the **Print** option in the File menu, or another command. See your application's help utility for details.

3. If necessary, select your product name as the printer you want to use.

Note: You may also need to select **Preferences**, **Properties**, **Print Settings**, or **Printer Properties** to view your print settings.

You see the Main tab of your printer settings window:



4. Select the **Media Type** setting that matches the paper you loaded.

Note: You can click **Custom Settings** to select a custom paper configuration.

5. If you are using non-Epson paper or media and you need to fine-tune its performance, select the **Media Type** setting that is closest to the paper you loaded, click the **Paper Config** button, and adjust the paper configuration options as necessary.
6. Select the **Photo Black Ink** or **Matte Black Ink** setting according to the media type you are using.

Note: If you set the **Auto Black Ink Change** option to **On** in the Printer Setup menu on the control panel, the black ink is automatically selected when you choose a media type.

7. Select a **Color** option:
 - To print a color document or photo, select the **Color** setting.
 - To print text and graphics in black or shades of gray, select the **Advanced B&W Photo** or **Black** setting.

Note: The **Black** setting is available only when plain paper is selected as the **Media Type**.

8. For the **Print Quality** setting, select **Speed**, **Quality**, or **Max Quality** (available with certain media types only), or select **Quality Options** and choose the quality option that matches the print quality you want to use.
9. Select the desired color management option as the **Mode** setting.
10. Select the **Source** setting that matches the paper feeding method you are using.
11. Select the size of the paper you loaded as the **Size** setting.

Note: You can also select the **User-Defined** setting to create a custom paper size.

12. If you are printing on roll paper, click the **Roll Paper Option** button and adjust the settings as necessary.
13. If you want to print a photo without borders, select **Borderless**.

Note: You must select a compatible borderless paper type and size to print without borders. Check the borderless paper compatibility list for details.

14. To see a preview of how your document or photo will print, select **Print Preview**. (The preview appears after you click **Print** but before printing starts.)
15. To layout multiple print jobs for printing all at once, select **Layout Manager**.

[Paper Configuration Options - Windows](#)

[Advanced B&W Photo Options - Windows](#)

[Print Quality Options - Windows](#)

[Color Management Options - Windows](#)

[Advanced Color Controls - Windows](#)

[Paper Source Options - Windows](#)

[Roll Paper Options - Windows](#)

[Using Layout Manager - Windows Only](#)

Parent topic: [Printing with Windows](#)

Related references

[Borderless Paper Type Compatibility](#)

Related tasks

[Printing Your Document or Photo - Windows](#)

Paper Configuration Options - Windows

Select any of the available Paper Configuration options to fine-tune the quality of your print.

Paper Configuration

Color Density: -50 50 + 0 (%)

Drying Time per Print Head Pass: 0 50 0 (0.1sec)

Paper Feed Adjustment: -70 70 + 0 (0.01%)

Paper Suction: Standard -1 -2 -3 -4

Paper Thickness: 2 (0.1mm)

Platen Gap: Auto

Roll Paper Back Tension: Auto

Default OK Cancel Help

Color Density

Adjusts the ink saturation level.

Drying Time per Print Head Pass

Pauses print head movement for up to 5 seconds after each pass to allow ink to dry. This lets you print with non-Epson media and avoid smearing the ink.

Paper Feed Adjustment

Modifies the speed of the paper feeding to compensate for banding in the direction of the print head.

Paper Suction

Lets you decrease the paper suction when printing on thin media, such as drafting paper or backlight film.

Paper Thickness

Lets you select the thickness of your paper or media.

Note: If you have high speed (bi-directional) printing enabled and small type or fine details appear too thick, you may need to adjust the paper thickness setting.

Platen Gap

Adjusts the distance from the paper to the print head. (Use a wider setting if you are seeing edge marks or scuffs on your prints.)

Roll Paper Back Tension

Lets you increase the tension for cloth or thin paper, or if the roll paper wrinkles during printing.

Parent topic: [Selecting Basic Print Settings - Windows](#)

Advanced B&W Photo Options - Windows

If you select **Advanced B&W Photo** as the Color option, you can easily produce neutral and toned black-and-white prints. Whether your photo is color or grayscale, you can use this screening and color management technology to create stunning black-and-white prints. Select **Custom** as the Mode setting, then click **Advanced** and select any of the available options.

Note: Advanced B&W mode is not available for the SureColor P7000 and P9000 Commercial Edition printers (configured with the Violet ink).

Color Toning

Adds tone (hue) to your black-and-white output. The default is **Neutral**, which provides a neutral tonal scale print. You can also choose other popular presets such as **Cool**, **Warm**, and **Sepia**. Note that the presets affect the target found in the tone color circle.

Tone

Changes the entire tonal scale of your black-and-white output. While **Darker** is the default setting, you may see better results if you choose **Dark**. The tone color circle adjusts the hue of your black-and-

white print. Click on any portion of the color wheel or enter corresponding values to customize the tone (hue) to add to your print. The closer you select to the edge of the wheel, the more color you add.

Brightness

Adjusts the overall lightness and darkness of your image.

Contrast

Adjusts the difference between the light and dark areas of your image.

Shadow Tonality

Controls tonality only in the shadow areas of your image.

Highlight Tonality

Controls tonality only in the highlight areas of your image.

Max Optical Density

Adjusts the overall density or focus of the print. Create a soft focus print by lowering the density setting.

Highlight Point Shift

Helps reduce gloss differential on glossy media by adding density to the highlights of your image.

Parent topic: [Selecting Basic Print Settings - Windows](#)

Print Quality Options - Windows

You can use the Speed/Quality slider to set the desired quality level and select any of the available Quality options to fine-tune the quality of your print. Some settings may be unavailable, depending on the paper type and border setting you have chosen.

High Speed

Speeds up printing but may reduce print quality.

Edge Smoothing

Smooths jagged edges in low-resolution images such as screen captures or images from the Web.

Finest Detail

Sharpens edges on vector-based data including text, graphics, and line art. (This setting does not affect photographs.)

Parent topic: [Selecting Basic Print Settings - Windows](#)

Color Management Options - Windows

You can adjust the **Mode** setting to fine-tune the colors in your printout or turn off color management in your printer software.

If you select **Automatic** as the **Mode** setting, you can choose from these options:

Charts and Graphs

Intensifies colors and lightens the midtones and highlights of an image.

EPSON Standard (sRGB)

Increases the contrast in images.

Adobe RGB

Matches image colors to the Adobe RGB color standard. Use this setting if your source file was captured in Adobe RGB.

If you select **Custom** as the **Mode** setting, you can choose from these options:

Color Controls

Lets you select a **Color Mode** setting, individual settings for **Brightness**, **Contrast**, **Saturation**, and **Density**, and individual color tones. Depending on the selected color mode, you can also adjust the midtone density using the **Gamma** setting.

PhotoEnhance

Lets you choose from various Scene Correction settings to automatically analyze your photos.

Note: PhotoEnhance uses a sophisticated face recognition technology to optimize photos that include faces. For this to work, both eyes and the nose must be visible in the subject's face. If your photo includes a face with an intentional color cast, such as a statue, you may want to turn off **PhotoEnhance** to retain the special color effects.

ICM

Automatically adjusts colors based on the printer's ICC profile and the selected **Media Type** setting, using the Image Color Matching system. Click the **Advanced** button to choose the input profile and other settings.

Note: In most cases, you get better results by applying color management in your application, rather than in the printer driver.

Off (No Color Adjustment)

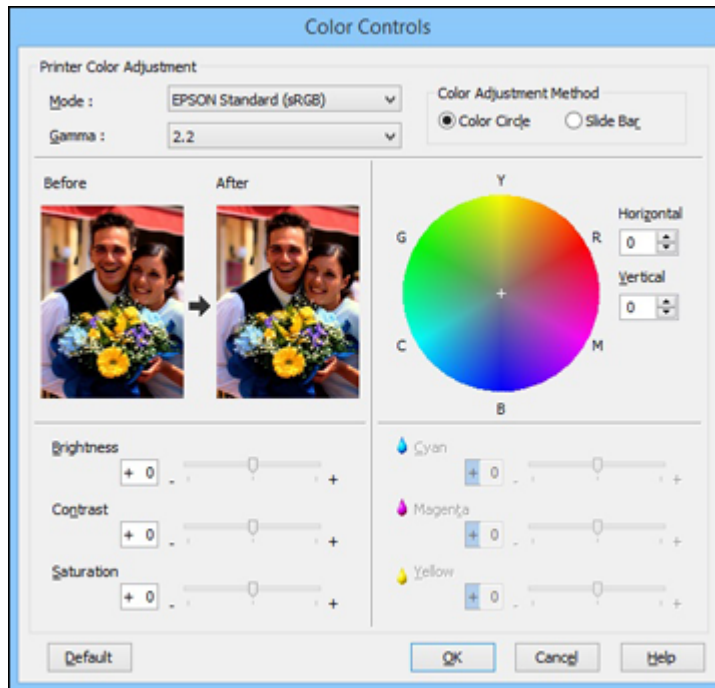
Turns off color management in your printer software so you can manage color using only your application software.

Note: An ICC profile is required if color management is turned off.

Parent topic: [Selecting Basic Print Settings - Windows](#)

Advanced Color Controls - Windows

If you selected **Custom** as the **Mode** setting and **Color Controls** from the dropdown menu, you can click the **Advanced** button to select detailed settings.



The Color Controls screen lets you specify values for adjusting brightness, contrast, saturation, and individual Cyan, Magenta, and Yellow color tones. You can choose from two Printer Color Adjustment modes and two Gamma settings, and use either a color circle or slide bar to adjust color.

Parent topic: [Selecting Basic Print Settings - Windows](#)

Paper Source Options - Windows

You can select any of the available options in the paper Source menu to print on the paper loaded in that source.

Roll Paper

Selects roll paper loaded in the roll paper holder.

Roll Paper (Banner)

Selects roll paper loaded in the roll paper holder for a series of continuous images without any margin space between them.

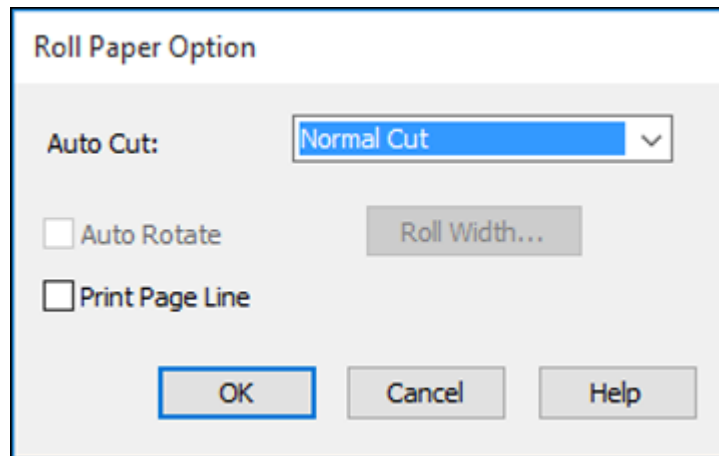
Sheet

Selects sheets of paper loaded in the sheet feeder.

Parent topic: [Selecting Basic Print Settings - Windows](#)

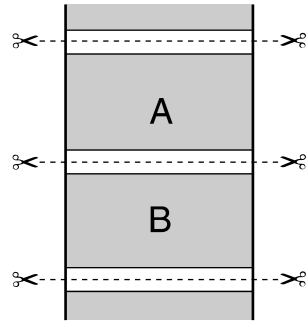
Roll Paper Options - Windows

Select any of the available Roll Paper options.

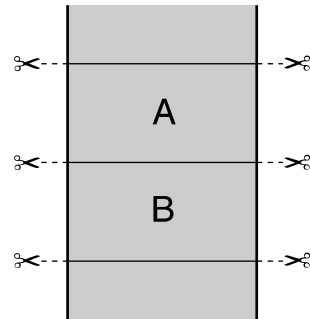
**Auto Cut options:**

- **Off:** Select this option to cut your prints manually.

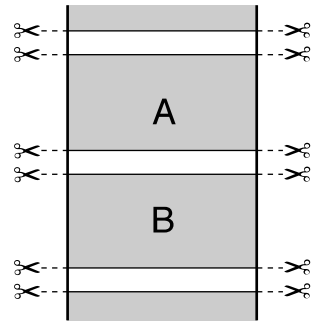
- **Normal Cut:** Creates a margin at the top and bottom of your image.



- **Single Cut:** Prints images end-to-end with no gap between them. Borderless images may overlap slightly.



- **Double Cut:** Increases the space between each image and trims each print individually, providing the cleanest edge for borderless printing.



Auto Rotate

Automatically positions the image or file to fit the roll paper. When Auto Rotate is selected, the **Roll Width** setting becomes active.

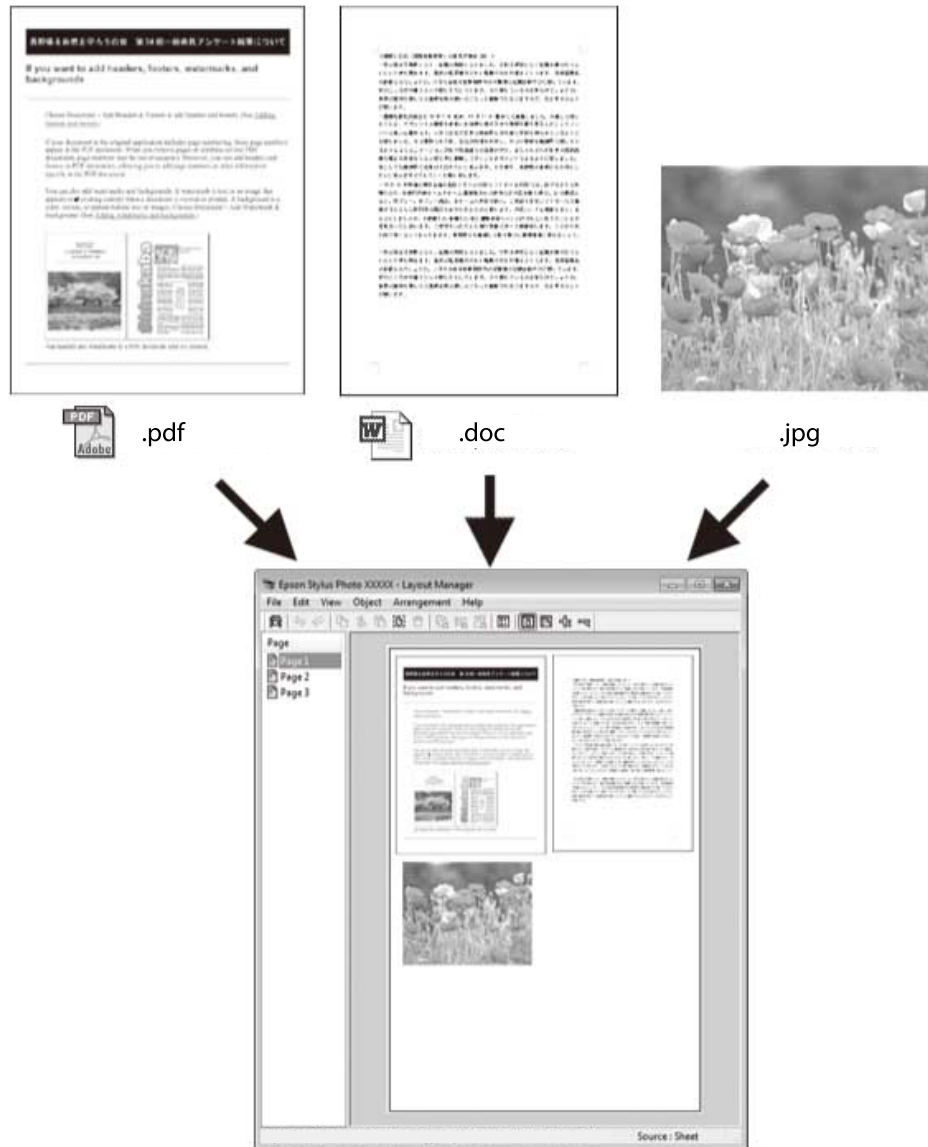
Print Page Line

Prints lines between pages as a guide for cutting.

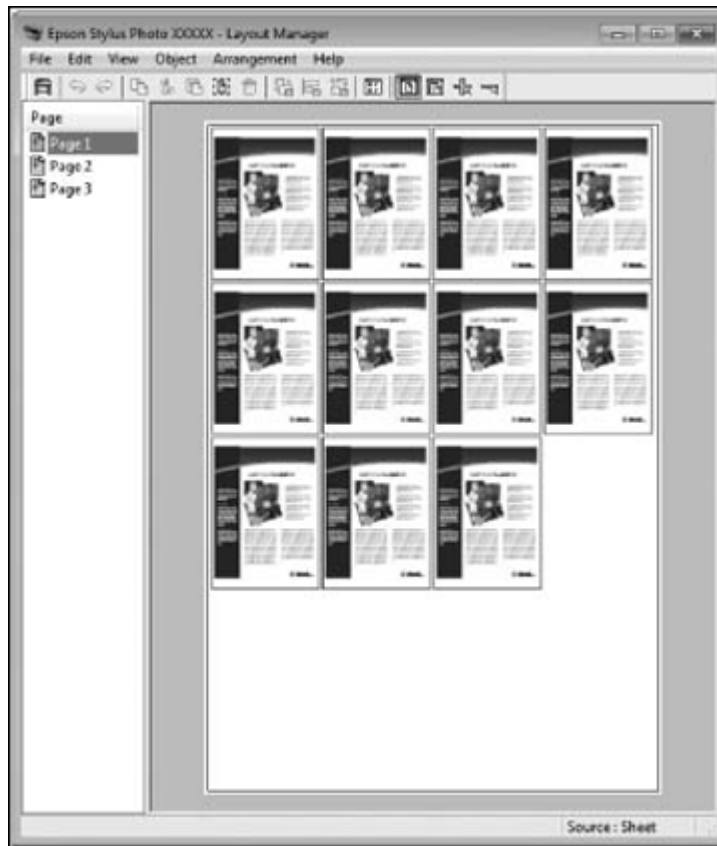
Parent topic: [Selecting Basic Print Settings - Windows](#)

Using Layout Manager - Windows Only

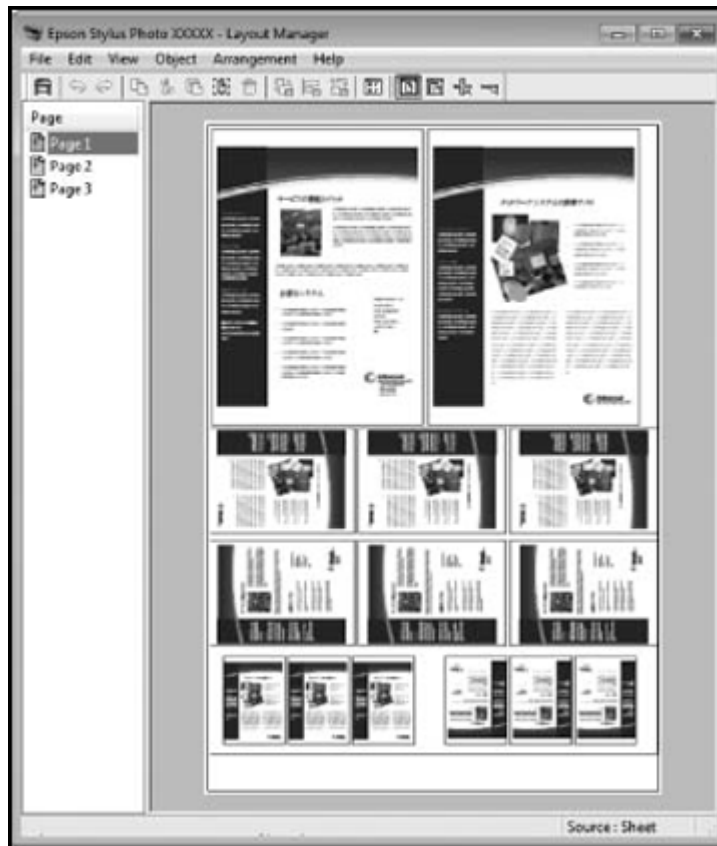
Layout Manager lets you create a poster or display by dragging multiple pieces of print data created in different applications onto one sheet of paper for printing.



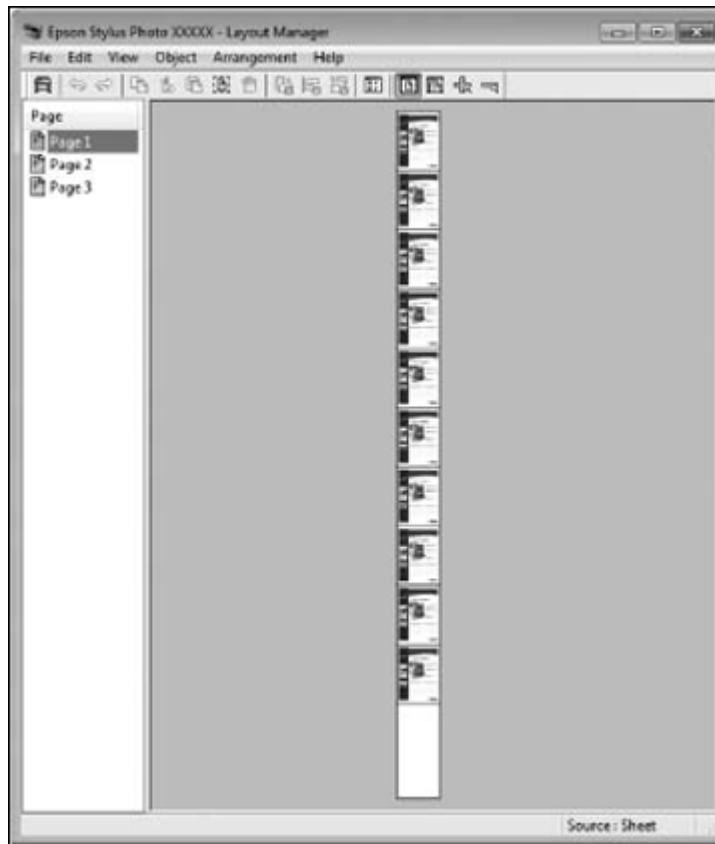
You can also place the same print data multiple times as shown here.



You can place print data in different sizes and orientations to maximize media usage, as shown here.



You can place print data on roll paper as shown here.



1. Open the file you want to print in your application.
2. Select the print command in your application.

3. Select **Layout Manager** on the Main tab and choose an option for the **Size** setting that matches the size of the document in the application.



Note: You select the size of the paper you are printing on in a later step.

4. Click **OK** and then click **Print**, if necessary.
The Layout Manager screen opens and displays one page in the layout.
5. Leave the Layout Manager screen open and repeat steps 1 to 4 to arrange additional print data. The pages are added to the Layout Manager screen.

6. Do the following to arrange objects on the Layout Manager screen:
 - Drag pages to move and resize them.
 - Use the tool buttons and the Object menu to align and rotate pages.
 - Resize and replace whole pages in the Preference or Arrangement Settings screens.

Note: See the Layout Manager screen help for more details.

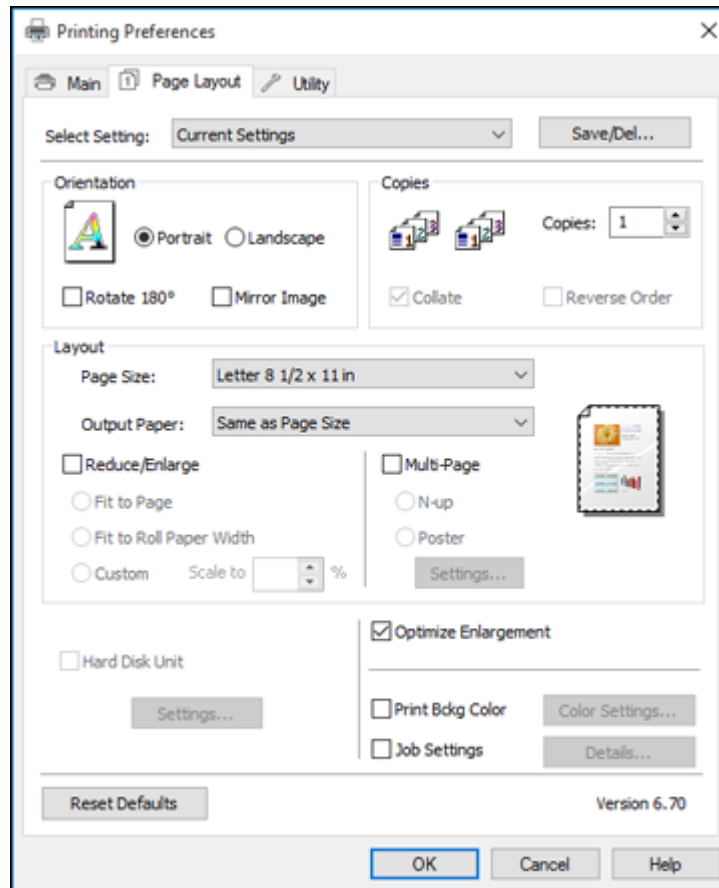
7. Click **File > Properties**, then select your print settings on the Main tab.
8. Click the **File** menu on the Layout Manager screen and click **Print**.

Note: To save the current job to a file, click the **File** menu on the Layout Manager screen, save the file, and close the Layout Manager screen. To open the saved file later for editing or reprinting, right-click the printer icon in the Windows taskbar, click **Layout Manager**, and open the file.

Parent topic: [Selecting Basic Print Settings - Windows](#)

Selecting Print Layout Options - Windows

You can select a variety of sizing and layout options for your document or photo on the Page Layout tab.



- To change the orientation of your printed document or photo, select the **Portrait** or **Landscape** checkbox.
- To rotate or flip the printed image, select the **Rotate 180°** or **Mirror Image** checkbox.
- To select multiple copies and their print order, select the **Copies**, **Collate**, and **Reverse Order** options.

- To change the size of your printed document or photo, select the **Reduce/Enlarge** checkbox and select sizing options.
- To print multiple pages on one sheet of paper, or print one image on multiple sheets of paper, select the **Multi-Page** checkbox and select the options you want.
- To manage print jobs with the optional internal print server (if applicable), select the **Hard Disk Unit** checkbox and select the options you want.
- To enlarge your image beyond the limits of your application program, select the **Optimize Enlargement** checkbox.

Note: The driver can increase the image size up to 650% and decrease the output resolution to stay within the pixel limitations. Depending on the resolution of the original image and the print size, you may see reduced print quality.

- To print a color background on the page, select the **Print Bckg Color** checkbox and click **Color Settings** to select the color you want to use.
- To print the time, date, and other information about your print job at the top or bottom of the page, select the **Job Settings** checkbox and click **Details** to select the settings you want to use.

[Reduce/Enlarge Options - Windows](#)

[Multi-Page Printing Options - Windows](#)

Parent topic: [Printing with Windows](#)

Reduce/Enlarge Options - Windows

You can select any of the Reduce/Enlarge options to size your printed image.

Fit to Page

Sizes your printed image to fit on the paper you loaded and selected as the Output Paper setting.

Fit to Roll Paper Width

Sizes your printed image to fit the width of the roll paper you loaded.

Custom

Sizes your printed image by the percentage you select as the **Scale to** setting.

Parent topic: [Selecting Print Layout Options - Windows](#)

Multi-Page Printing Options - Windows

You can select these Multi-Page options to set up your multi-page print job.

N-up

Prints 2 (**2-up**) or 4 (**4-up**) pages on one sheet of paper.

Poster

Prints one image on multiple sheets of paper to create a large poster with or without borders. Click the **Settings** button to select the layout and guideline options.

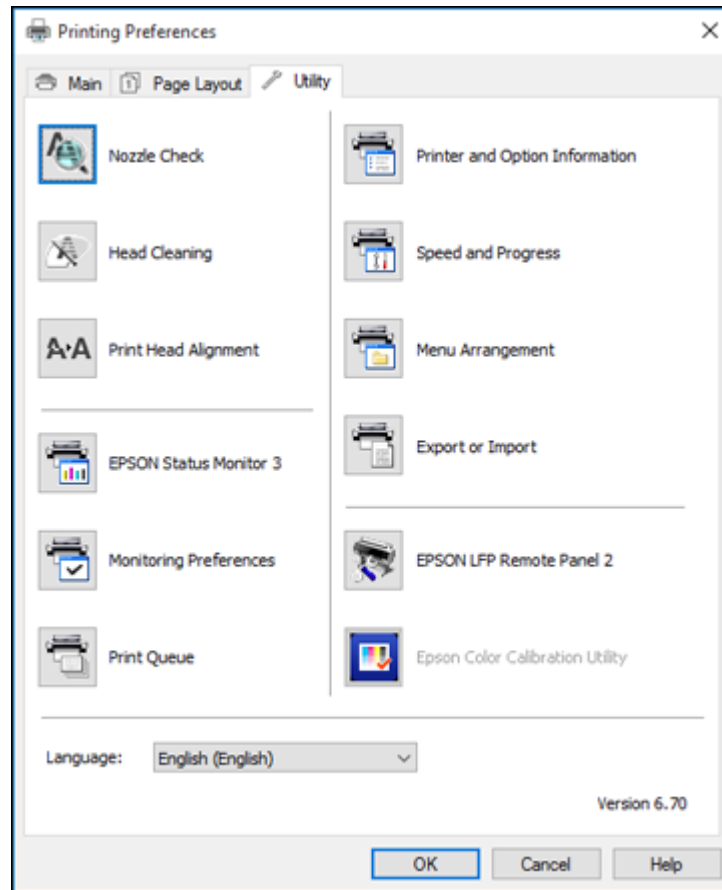
Parent topic: [Selecting Print Layout Options - Windows](#)

Selecting Additional Settings - Windows

You can run maintenance utilities and select additional settings that apply to all the print jobs you send to your product.

1. Access the Windows Desktop and right-click the product icon in the Windows taskbar.
2. Select **Printer Settings**.
3. Click the **Utility** tab.

You see a window like this:



4. Select any of the following options, as necessary:
 - **Nozzle Check** to print a nozzle check pattern to check whether the print head nozzles are clogged.
 - **Head Cleaning** to clean the print head if you notice banding or gaps in your printouts.
 - **Print Head Alignment** to align the print head if printouts appear grainy or out of focus.
 - **Epson Status Monitor 3** to check the printer's status.

- **Monitoring Preferences** to select the error notifications displayed on the Epson Status Monitor 3 screen, or add a shortcut to the utility in the Windows taskbar.
- **Print Queue** to display a list of all waiting print jobs, view information on the data waiting to be printed, and delete or reprint the jobs.
- **Language** to select the language you want to use for the printer software screens.
- **Printer and Option Information** to set the time to turn off the printer automatically.
- **Speed and Progress** to select various printing options.
- **Menu Arrangement** to arrange the **Setting**, **Media Type**, and **Paper Size** options by frequency of use.
- **Export or Import** to save the print settings to a file or import them from a file. This is useful when you want to select the same print settings on multiple computers.
- **Epson LFP Remote Panel 2** to optimize printer settings and create and manage custom paper configurations. This option is available only if Epson LFP Remote Panel 2 is installed.
- **Epson Color Calibration Utility** to perform printer calibration. This option is available only if the Epson Color Calibration Utility is installed.

5. Click **OK** to close the printer software window.

Parent topic: [Printing with Windows](#)

Related tasks

[Checking the Nozzles Using a Computer Utility](#)

[Cleaning the Print Head Using a Computer Utility](#)

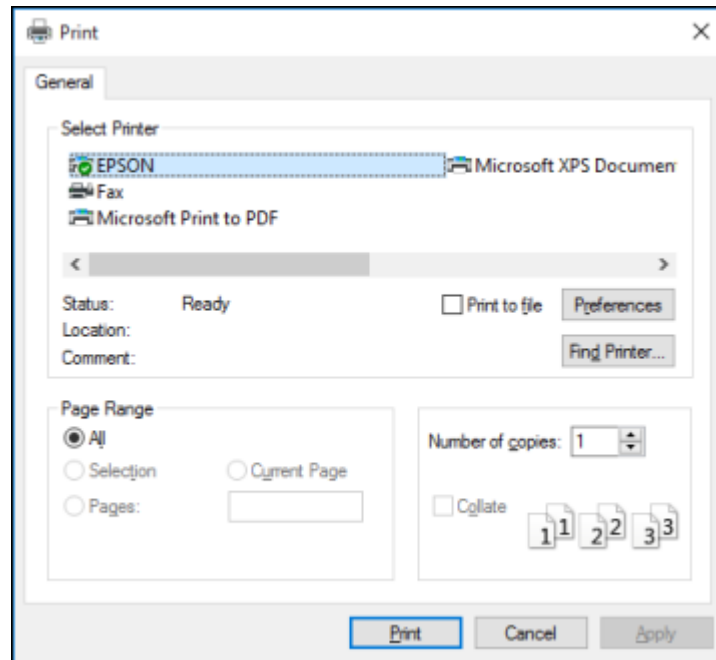
[Aligning the Print Head Automatically Using a Computer Utility](#)

Printing Your Document or Photo - Windows

Once you have selected your print settings, you are ready to save your settings and print.

1. Click **OK** to save your settings.

You see your application's Print window, such as this one:



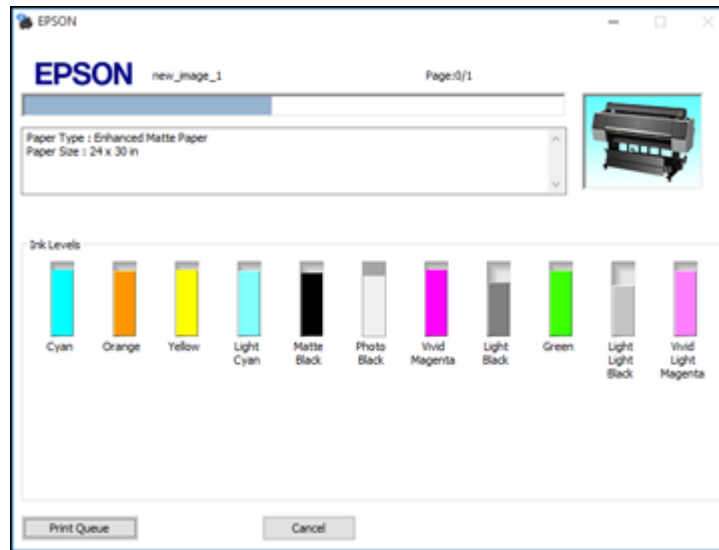
2. Click **OK** or **Print** to start printing.

[Checking Print Status - Windows](#)

Parent topic: [Printing with Windows](#)

Checking Print Status - Windows

During printing, you see this window showing the progress of your print job. It allows you to control printing and check ink cartridge status.



- To cancel printing, click **Cancel**.
- To see print jobs waiting to print, click **Print Queue**.

Parent topic: [Printing Your Document or Photo - Windows](#)

Saving, Sharing, and Customizing the Printer Settings

You can save groups of print settings or media settings so you can reuse them for future print jobs. You can export these settings as a file so you can share them with other users. You can also edit the settings displayed in the printer software screens.

[Saving and Sharing Print Settings - Windows](#)

[Saving and Sharing Media Settings - Windows](#)

[Editing Print Setting Displays - Windows](#)

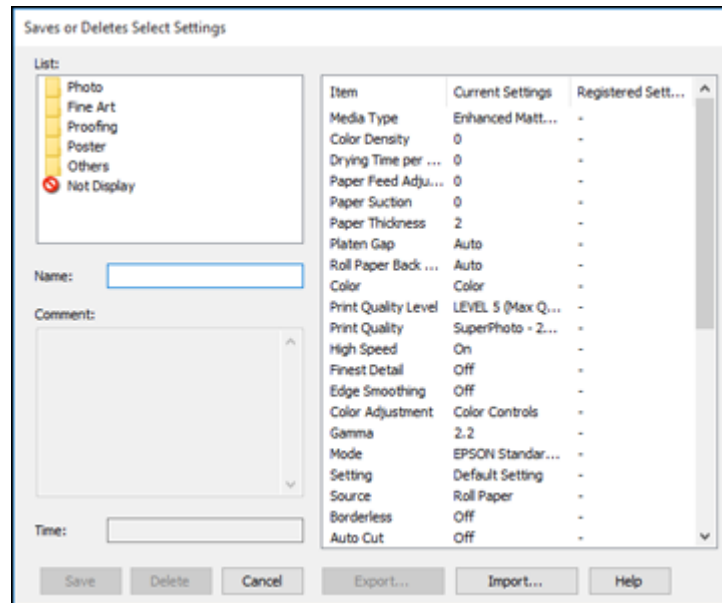
Parent topic: [Printing with Windows](#)

Saving and Sharing Print Settings - Windows

You can save your print settings so you can use them for future print jobs.

1. Select the print settings you want to save.
2. Click **Save/Del** at the top of the Main or Page Layout tab in your printer software.

You see a window like this:



3. Verify that your settings are correct, enter a name for the group of settings in the **Name** field, and click **Save**.

Note: If you need to delete a group of settings you have created, select the name of the group of settings from the list and click **Delete**.

4. Do the following as necessary:
 - Select the name of the group of settings from the Select Setting list and use them to print.
 - To export the settings, click **Save/Del**, select the name of the group of settings, click **Export**, select a location, and enter a file name.

- To import a group of settings, click **Save/Del**, click **Import**, select the file you want to use, and click **Open**. Then use the settings to print.

Parent topic: [Saving, Sharing, and Customizing the Printer Settings](#)

Related tasks

[Selecting Basic Print Settings - Windows](#)

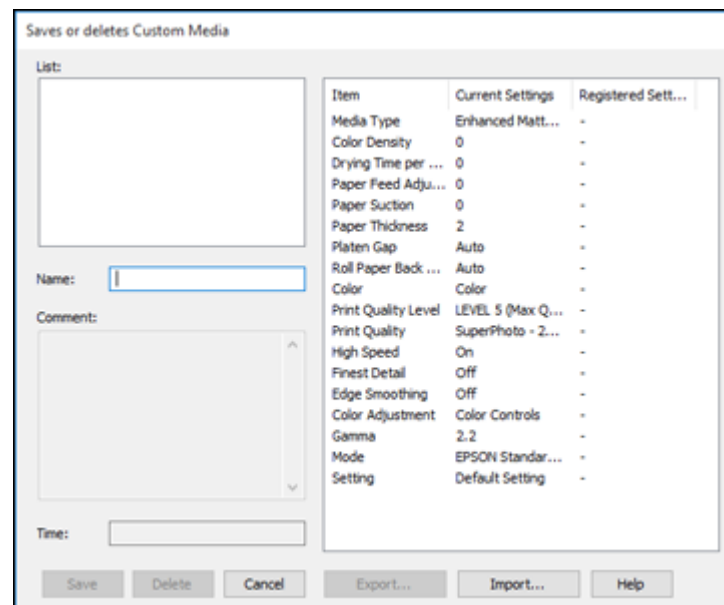
[Printing Your Document or Photo - Windows](#)

Saving and Sharing Media Settings - Windows

You can save and share settings you have selected for a particular media type so you can use them for future print jobs.

1. Select the Media Settings you want to save on the Main tab, as necessary.
2. Click **Custom Settings**.

You see a window like this:



3. Verify that your settings are correct, enter a name for the media settings in the **Name** field, and click **Save**.

Note: If you need to delete a group of settings you have created, select the name of the settings from the list and click **Delete**.

4. Do the following as necessary:
 - Select the name of a media setting as the **Media Type** setting and use it to print.
 - To export the settings, click **Custom Settings**, select the name of the media settings, click **Export**, select a location, and enter a file name.
 - To import settings, click **Custom Settings**, select the name of the media settings, click **Import**, select the file you want to use, and click **Open**. Then use these settings to print.

Parent topic: [Saving, Sharing, and Customizing the Printer Settings](#)

Related tasks

[Selecting Basic Print Settings - Windows](#)

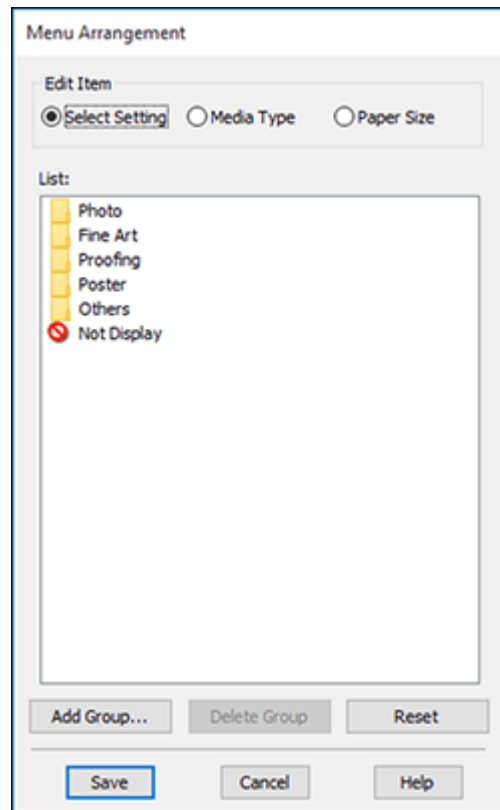
[Printing Your Document or Photo - Windows](#)

Editing Print Setting Displays - Windows

You can arrange the displayed print settings so you can easily select the settings you use most often.

1. Click the **Utility** tab in the printer software.
2. Select **Menu Arrangement**.

You see this window:



3. Select the item you want to edit.
4. Order or group items in the **List** box as follows:
 - To move and reorder items, drag and drop them in the list.
 - To add a new group (folder), click **Add Group**.
 - To delete a group (folder), select the group and click **Delete Group**.
 - To hide a group, drag and drop it to **Not Display**.

Note: If you delete a group, the group folder is deleted but the items within the folder remain.

5. Click **Save**.

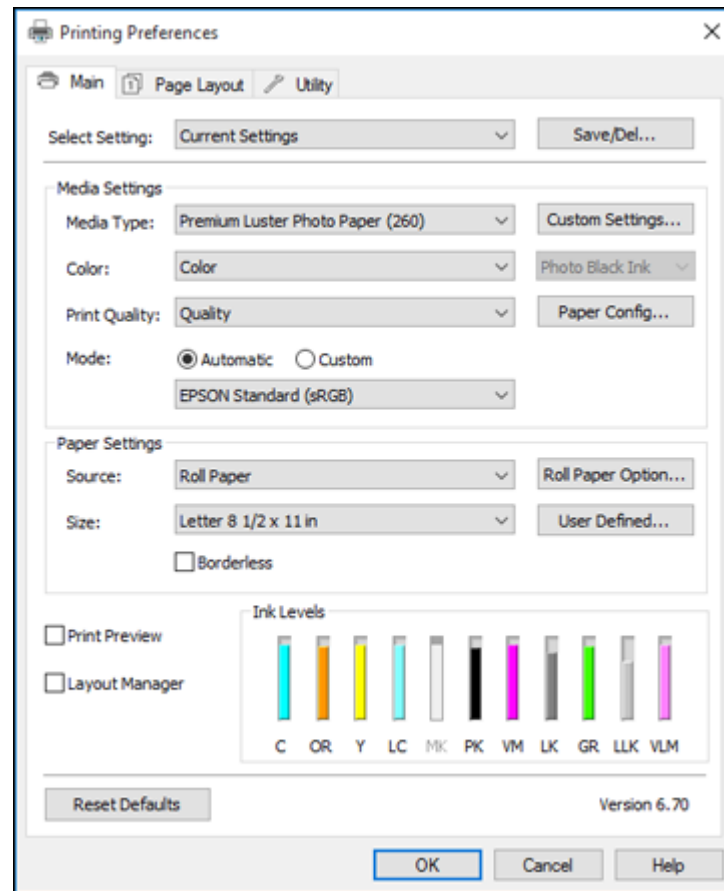
Parent topic: [Saving, Sharing, and Customizing the Printer Settings](#)

Selecting Default Print Settings - Windows

When you change your print settings in a program, the changes apply only while you are printing in that program session. If you want to change the print settings you use in all your Windows programs, you can select new default print settings.

1. Access the Windows Desktop and right-click the product icon in the Windows taskbar.
2. Select **Printer Settings**.

You see the printer settings window:



3. Select the print settings you want to use as defaults in all your Windows programs.
4. Click **OK**.

These settings are now the defaults selected for printing. You can still change them as needed for printing in any program session.

Parent topic: [Printing with Windows](#)

Related tasks

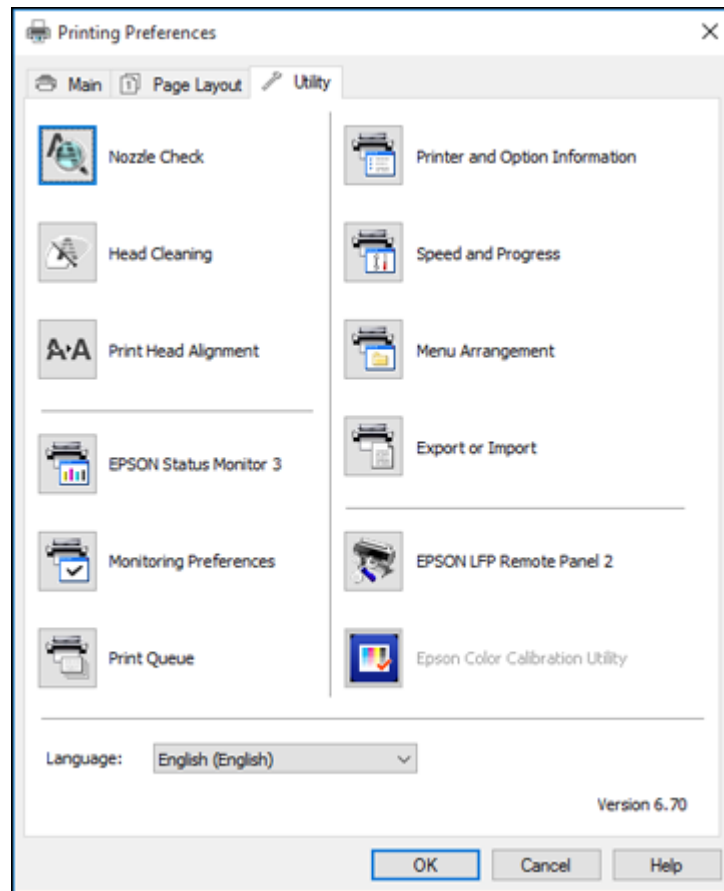
[Selecting Basic Print Settings - Windows](#)

Changing the Language of the Printer Software Screens

You can change the language used on the Windows printer software screens.

1. Access the Windows Desktop and right-click the product icon in the Windows taskbar.
2. Select **Printer Settings**.
You see the printer settings window.
3. Click the **Utility** tab.

You see these options:



4. Select the language you want to use as the **Language** setting.
5. Click **OK** to close the printer software window.

The printer software screens appear in the language you selected the next time you access them.

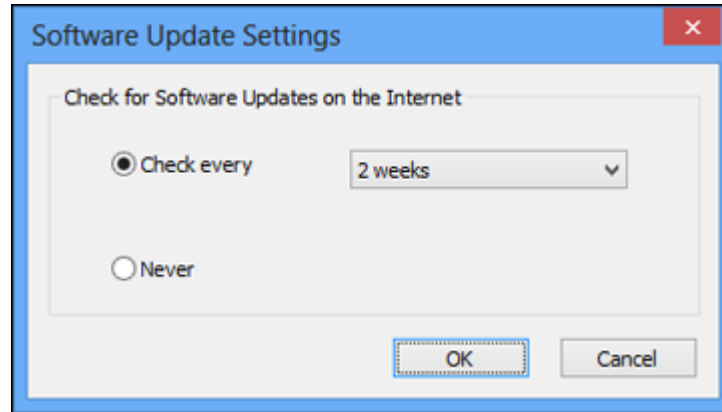
Parent topic: [Printing with Windows](#)

Changing Automatic Update Options

Your printer software for Windows automatically checks for updates to the product software. You can change how often the software checks for updates or disable this feature.

1. Access the Windows Desktop and right-click the product icon in the Windows taskbar.
2. Select **Software Update Settings**.

You see this window:



3. Do one of the following:
 - To change how often the software checks for updates, select a setting in the **Check every** menu.
 - To disable the automatic update feature, select the **Never** option.
4. Click **OK** to exit.

Note: If you choose to disable the automatic update feature, you can check for updates manually.

Parent topic: [Printing with Windows](#)

Printing with OS X

You can print with your product using any OS X printing program, as described in these sections.

Note: If you have an Internet connection, it is a good idea to check for updates to your product software on Epson's support website.

[Selecting Basic Print Settings - OS X](#)
[Selecting Roll Paper Settings - OS X](#)
[Selecting Paper Configuration Settings - OS X](#)
[Selecting Print Layout Options - OS X](#)
[Managing Color - OS X](#)
[Sizing Printed Images - OS X](#)
[Selecting Printing Preferences - OS X](#)
[Printing Your Document or Photo - OS X](#)

Parent topic: [Printing from a Computer](#)

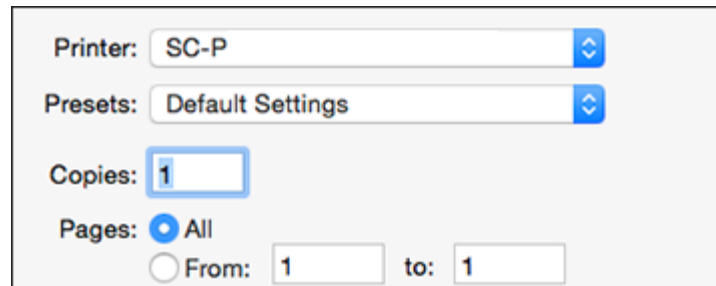
Selecting Basic Print Settings - OS X

Select the basic settings for the photo or document you want to print.

1. Open a photo or document for printing.
2. Select the print command in your application.

Note: You may need to select a print icon on your screen, the **Print** option in the File menu, or another command. See your application's help utility for details.

3. Select your product as the **Printer** setting.



Printer: SC-P

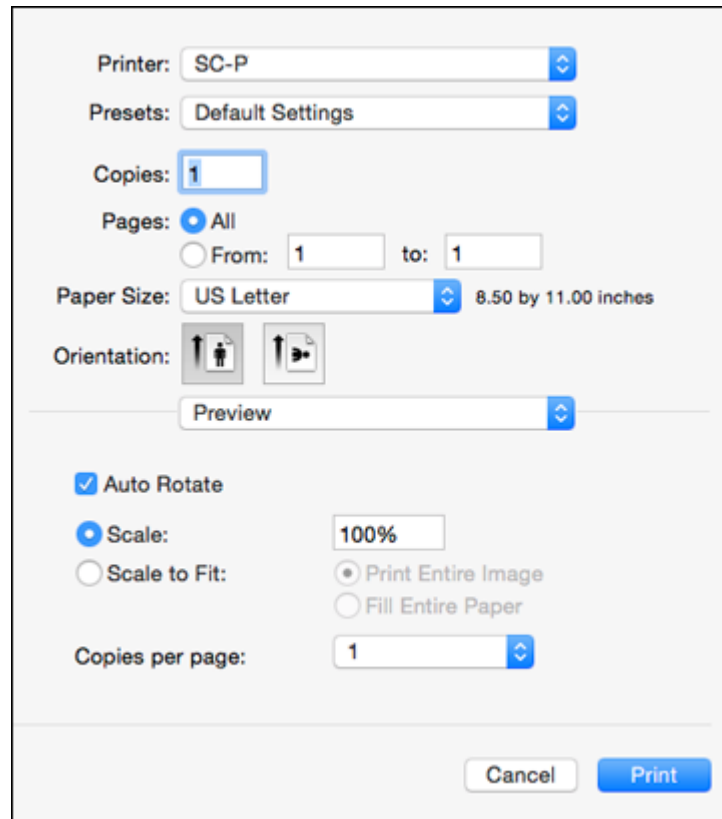
Presets: Default Settings

Copies: 1

Pages: All
 From: 1 to: 1

4. If necessary, click the arrow next to the Printer setting or the **Show Details** button to expand the print window.

You see the expanded printer settings window for your product:



Note: The print window may look different, depending on the version of OS X and the application you are using.

5. Select the **Copies** and **Pages** settings as necessary.

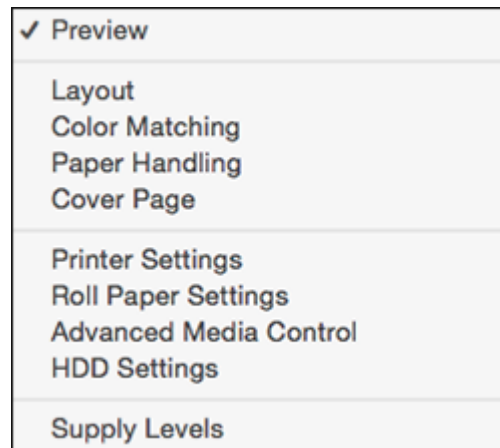
Note: If you do not see these settings in the print window, check for them in your application before printing. They may be accessible by selecting **Page Setup** from the File menu.

6. Select the size of the paper you loaded as the **Paper Size** setting.
 - To print a borderless photo, select the **Borderless** checkbox or a paper size with a **Borderless** option. You can also create a custom paper size, but the highest available **Output Resolution** setting is limited to **Fine - 360 dpi**.
 - To print on roll paper, select a roll paper size or one with a **Borderless** option.

Note: For roll paper, make sure the maximum width of your photo is set to 24 or 44 inches to fit in the width of your roll paper (set the margins to 0 in your application software).

Note: You can reduce or enlarge the size of the printed image by selecting **Paper Handling** from the pop-up menu and selecting a scaling option.

7. Choose portrait or landscape as the **Orientation** setting.
8. Select any application-specific settings that appear on the screen, such as those shown in the image above for the Preview application.
9. Select **Printer Settings** from the pop-up menu.



Note: In certain programs, you may need to select **Advanced** before you can select **Printer Settings**. For more information about printer settings, click the **?** button.

You see these settings:

Printer: SC-P
Presets: Default Settings
Copies: 1
Pages: All
From: 1 to: 1
Paper Size: US Letter 8.50 by 11.00 inches
Orientation: Portrait Scale: 100 %
Printer Settings
Basic Advanced Color Settings
Page Setup: Roll Paper
Media Type: Enhanced Matte Paper
Ink: Matte Black
Print Mode: EPSON PrecisionDot 16 Bit Output
Color Mode: EPSON Standard (sRGB)
Output Resolution: SuperPhoto - 1440 dpi
 Super MicroWeave
 High Speed
 Mirror Image
 Finest Detail
Cancel Print

10. Select the type of paper you loaded as the **Media Type** setting.

Note: The setting may not exactly match the name of your paper. Check the media type settings list for details.

Note: The **Ink** setting may change depending on the size and type of paper you select. To avoid changing black ink more often than necessary, set the printer to the type of black ink you usually use on the control panel.

11. Select one of the following as the **Print Mode** setting:

- Select **EPSON Precision Dot** for any type of photographic printing.
- Select **Advanced B&W Photo** to print black-and-white photos on certain types of photo paper. See the list of Advanced B&W Photo options for details. If your paper type does not support this option, print black-and-white photos using the **EPSON Precision Dot** setting.
- Select **Grayscale** when using plain paper.

Note: Advanced B&W mode is not available for the SureColor P7000 and P9000 Commercial Edition printers (configured with the Violet ink).

12. Select one of the following as the **Color Mode** setting:

- **Business Graphics:** Intensifies colors and lightens the midtones and highlights of an image. Click the **Advanced Color Settings** tab to use advanced color controls.
- **EPSON Standard (sRGB):** Increases the contrast in images. Click the **Advanced Color Settings** tab to use advanced color controls.
- **Adobe RGB:** Matches image colors to the Adobe RGB color standard. Use this setting if your source file was captured in Adobe RGB. Click the **Advanced Color Settings** tab to use advanced color controls.
- **Off (No Color Adjustment):** Turns off color management in your printer software so you can manage color using only your application software.

Note: If desired, you can instead use ColorSync to manage colors. In most cases, you get better results by applying color management in your application, rather than in the printer driver.

13. Select the **Output Resolution** setting you want to use.

14. Select any of the available print options.

[Advanced Color Settings - OS X](#)

[Output Resolution Settings - OS X](#)

[Print Options - OS X](#)

Parent topic: [Printing with OS X](#)

Related tasks

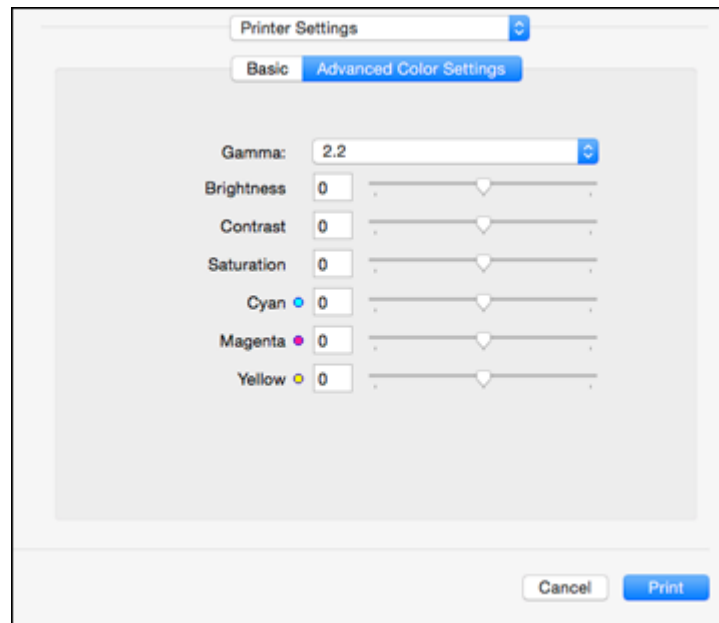
[Selecting Roll Paper Settings - OS X](#)

Advanced Color Settings - OS X

When you click the **Advanced Color Settings** tab, you see one of the screens below depending on the **Print Mode** you selected.

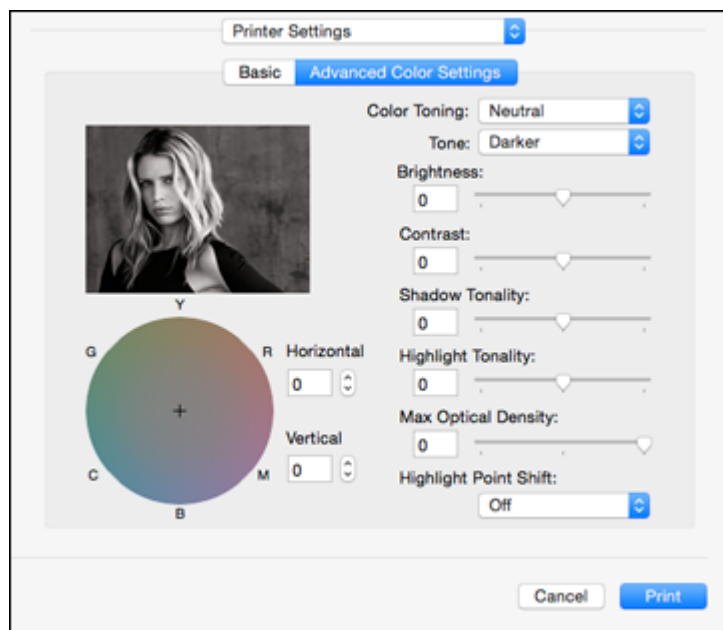
- **EPSON Precision Dot**

You can specify values for adjusting brightness, contrast, saturation, and individual Cyan, Magenta, and Yellow color tones.



- **Advanced B&W Photo**

You can select any of the available options.



Color Toning

Adds tone (hue) to your black-and-white output. The default is **Neutral**, which provides a neutral tonal scale print. You can also choose other popular presets such as **Cool**, **Warm**, and **Sepia**. Note that the presets affect the target found in the tone color circle.

Tone

Changes the entire tonal scale of your black-and-white output. While **Darker** is the default setting, you may see better results if you choose **Dark**. The tone color circle adjusts the hue of your black-and-white print. Click on any portion of the color wheel or enter corresponding values to customize the tone (hue) to add to your print. The closer you select to the edge of the wheel, the more color you add.

Brightness

Adjusts the overall lightness and darkness of your image.

Contrast

Adjusts the difference between the light and dark areas of the overall image.

Shadow Tonality

Controls tonality only in the shadow areas of your image.

Highlight Tonality

Controls tonality only in the highlight areas of your image.

Max Optical Density

Adjusts the overall density or focus of the print. Create a soft focus print by lowering the density setting.

Highlight Point Shift

Helps reduce gloss differential on glossy media by adding density to the highlights of your image.

Parent topic: [Selecting Basic Print Settings - OS X](#)

Output Resolution Settings - OS X

You can select any of the **Output Resolution** settings to fine-tune the quality of your print. Some settings may be unavailable, depending on the paper type and border setting you have chosen.

Draft - 180 dpi

For draft printing on plain paper.

Draft - 360 dpi

For draft printing on plain or matte paper.

Fine - 720 dpi

For everyday text and image printing.

Fine - 1440 dpi

For everyday text and image printing with higher print quality.

Super Photo - 1440 dpi

For photos and graphics with good print quality and speed.

SuperPhoto - 2880 dpi

For the best print quality but the slowest print speed.

Parent topic: [Selecting Basic Print Settings - OS X](#)

Print Options - OS X

You can select any of the print options to customize your print. Some options may be unavailable, depending on other settings you have chosen.

Super Microweave

Increases detail but may reduce print speed.

High Speed

Speeds up printing but may reduce print quality.

Mirror Image

Flips the printed image left to right.

Finest Detail

Sharpens edges on vector-based data including text, graphics, and line art. (This setting does not affect photographs.)

Parent topic: [Selecting Basic Print Settings - OS X](#)

Selecting Roll Paper Settings - OS X

To print on roll paper, you select the roll paper size and roll paper options from the Printer Settings menu.

1. Select **Manage Custom Sizes** as the **Paper Size** setting.
2. Click **+**, double-click **Untitled**, and enter a name for your roll paper size.
3. Enter the width of the roll paper image as the **Width** setting.

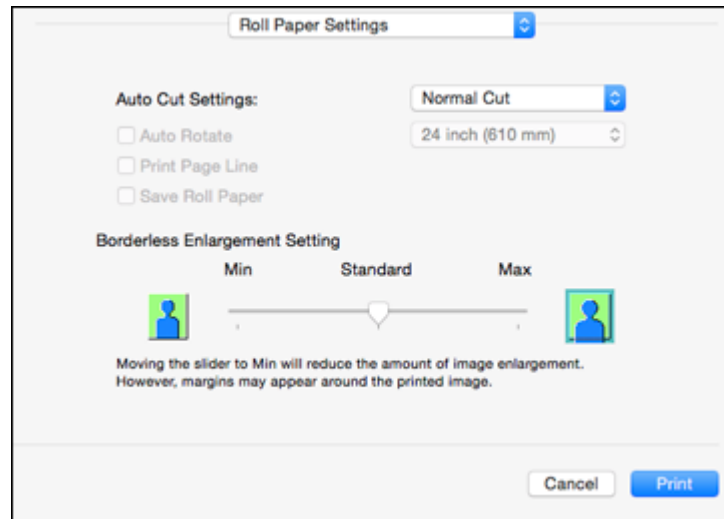
Note: Make sure your image fits within the width of your roll paper.

4. Enter the length of your roll paper image as the **Height** setting.

Note: Select your product from the Non-Printable Area menu to automatically select the largest paper size for your product.

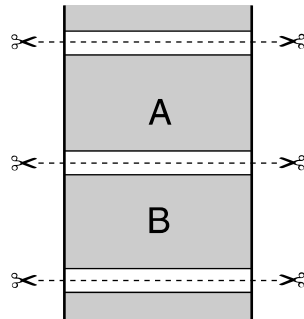
5. Set the margin setting to **0**.
6. Click **OK**.
7. Select your new custom roll paper size as the **Paper Size** setting.
8. Select **Roll Paper Settings**.

You see this window:

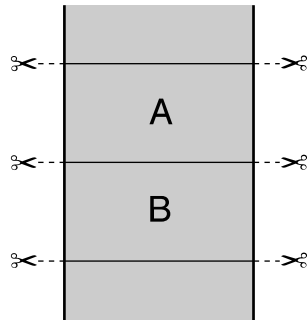


Note: Some settings may not be available, depending on the Roll Paper option you selected for your Paper Size.

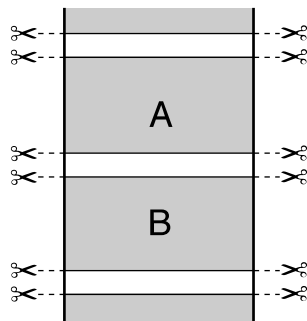
9. Select one of the following **Auto Cut Settings**:
 - **Off:** Select this option to cut your prints manually.
 - **Normal Cut:** Creates a margin and the top and bottom of your image.



- **Single Cut:** Prints images end-to-end with no gap between them. Borderless images may overlap slightly.



- **Double Cut:** Increases the space between each image and trims each print individually, providing the cleanest edge for borderless printing.



10. Select the following settings as necessary:

- Select the **Auto Rotate** checkbox and select the roll paper width to fit the images to the paper size.
- Select the **Print Page Line** checkbox to print trim lines around images when you select a banner paper size.
- Click **Save Roll Paper** to minimize the amount of blank paper wasted when you print on banner paper.
- Adjust the amount of image expansion when printing borderless images.

Note: This option is available only when you choose a Paper Size setting with a **Borderless** option.

11. Click **Print**.

Parent topic: [Printing with OS X](#)

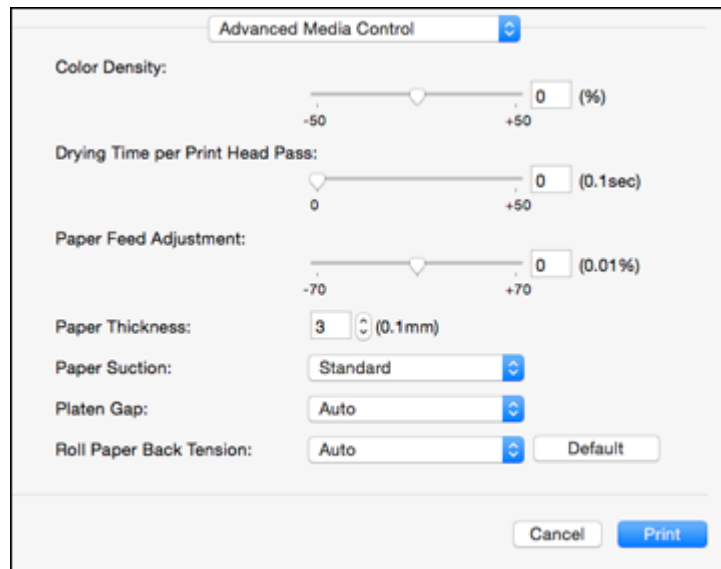
Related references

[Borderless Paper Type Compatibility](#)

Selecting Paper Configuration Settings - OS X

If you are using non-Epson media and need to fine-tune its print quality, select **Advanced Media Control** from the pop-up menu. Select the available options as necessary.

Note: Before adjusting the Advanced Media Control settings, select the Media Type setting that is closest to the paper you are using.



[Advanced Media Control Options - OS X](#)

Parent topic: [Printing with OS X](#)

Advanced Media Control Options - OS X

Select any of the available Advanced Media Control options to fine-tune the quality of your printouts.

Color Density

Adjusts the ink saturation level.

Drying Time per Print Head Pass

Pauses print head movement for up to 5 seconds after each pass to allow ink to dry. This lets you print with non-Epson media and avoid smearing the ink.

Paper Feed Adjustment

Modifies the speed of the paper feeding to compensate for banding in the direction of the print head.

Paper Thickness

Lets you select the thickness of your paper or media.

Note: If you have high speed (bi-directional) printing enabled and small type or fine details appear too thick, you may need to adjust the paper thickness setting.

Paper Suction

Lets you decrease the paper suction when printing on thin media, such as drafting paper or backlight film.

Platen Gap

Adjusts the distance from the paper to the print head. (Use a wider setting if you are seeing edge marks or scuffs on your prints.)

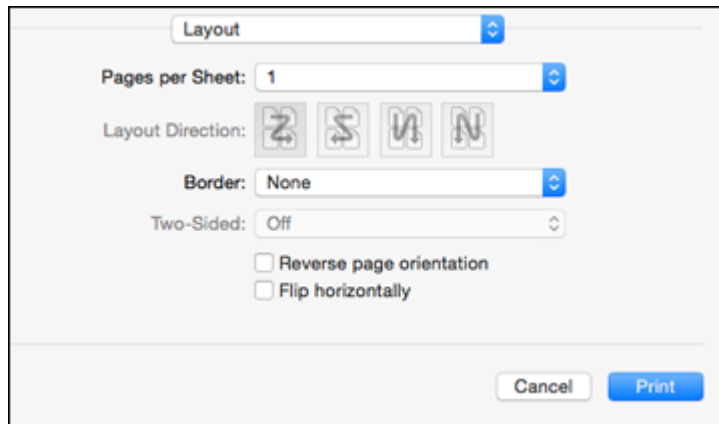
Roll Paper Back Tension

Lets you increase the tension for cloth or thin paper, or if the roll paper wrinkles during printing.

Parent topic: [Selecting Paper Configuration Settings - OS X](#)

Selecting Print Layout Options - OS X

You can select a variety of layout options by selecting **Layout** from the pop-up menu on the print window.



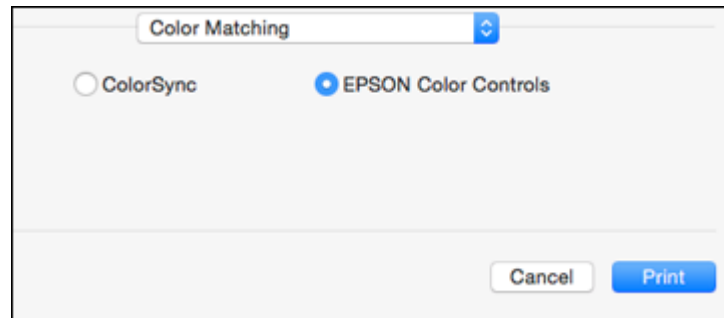
- To print multiple pages on one sheet of paper, select the number of pages in the **Pages per Sheet** pop-up menu. To arrange the print order of the pages, select a **Layout Direction** setting.
- To print borders around each page on the sheet, select a line setting from the **Border** pop-up menu.
- To invert or flip the printed image, select the **Reverse page orientation** or **Flip horizontally** settings.

Parent topic: [Printing with OS X](#)

Managing Color - OS X

You can adjust the Color Matching settings to fine-tune the colors in your printout, or turn off color management in your printer software.

1. Select **Color Matching** from the pop-up menu in the print window.



2. Select one of the available options.

[Color Matching Options - OS X](#)

Parent topic: [Printing with OS X](#)

Color Matching Options - OS X

You can select from these settings on the **Color Matching** menu.

ColorSync

Prints using standard color profiles for your product and paper to help match image colors. You can customize the conversion method and filter settings on the ColorSync pop-up menu in the print window.

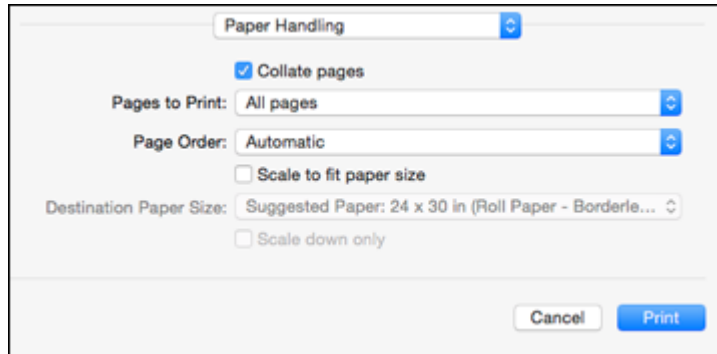
EPSON Color Controls

Lets you manage color using controls in your printer software or turn off color management.

Parent topic: [Managing Color - OS X](#)

Sizing Printed Images - OS X

You can adjust the size of the image as you print it by selecting **Paper Handling** from the pop-up menu on the Print window.



- To collate multiple copies into sets of documents, select the **Collate pages** checkbox.
- To print only selected pages in a multi-page document, select an option from the **Pages to Print** pop-up menu.
- To adjust the order in which pages are printed, select an option from the **Page Order** pop-up menu.
- To scale the image to fit on a specific paper size, select the **Scale to fit paper size** checkbox and select a paper size from the **Destination Paper Size** pop-up menu.
- To restrict scaling of the image to reduced sizing, select the **Scale down only** checkbox. (Deselect this checkbox when enlarging the image.)

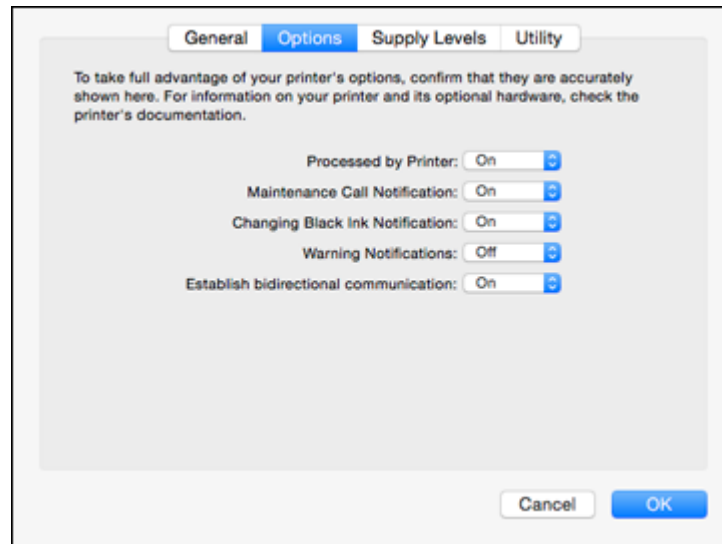
Parent topic: [Printing with OS X](#)

Selecting Printing Preferences - OS X

You can select printing preferences that apply to all the print jobs you send to your product.

1. In the Apple menu or the Dock, select **System Preferences**.
2. Select **Print & Fax**, **Print & Scan**, or **Printers & Scanners**, select your product, and select **Options & Supplies**.
3. Select **Options**.

You see a screen like this:



4. Select any of the available printing options.
5. Click **OK**.

[Printing Preferences - OS X](#)

Parent topic: [Printing with OS X](#)

Printing Preferences - OS X

You can select from these settings on the **Options** tab.

Warning Notifications

Lets you choose whether or not to receive warning notifications from the printer software for various operating conditions.

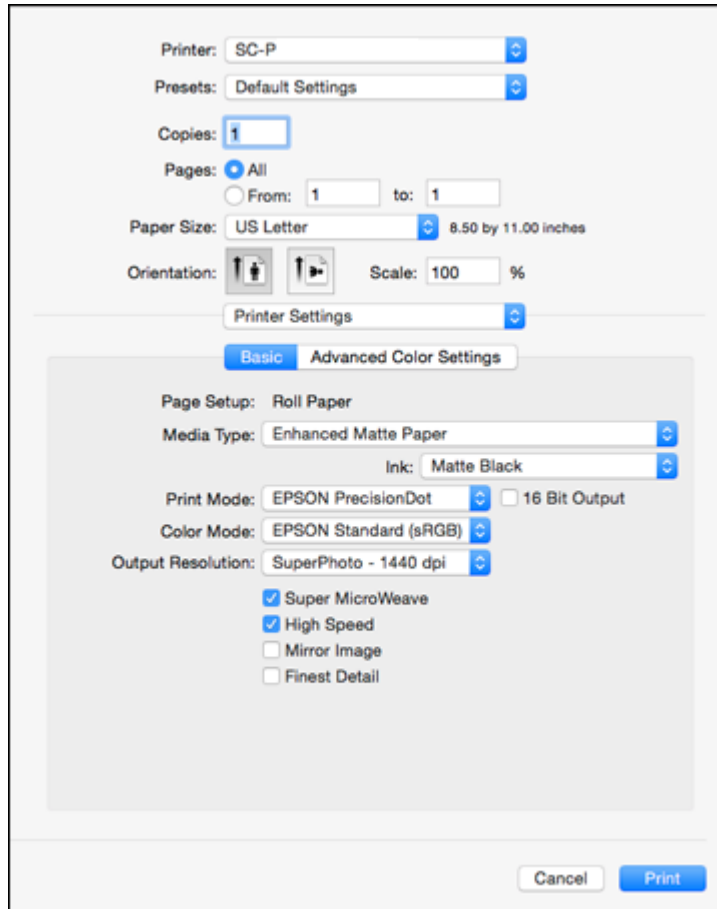
Establish bidirectional communication

Allows the product to communicate with the computer. Do not change the default setting unless you experience issues when using a shared printing pool.

Parent topic: [Selecting Printing Preferences - OS X](#)

Printing Your Document or Photo - OS X

Once you have selected your print settings, you are ready to print.
Click **Print** at the bottom of the print window.



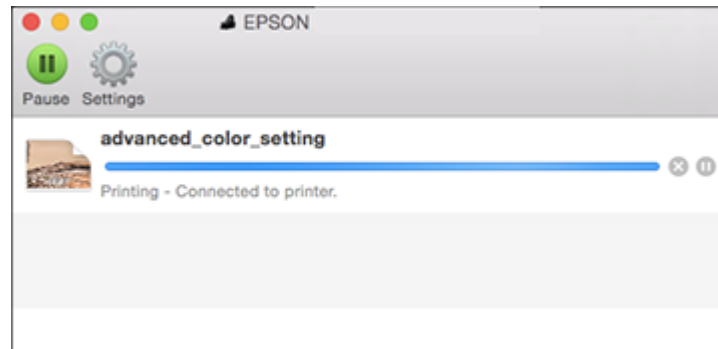
[Checking Print Status - OS X](#)




Parent topic: [Printing with OS X](#)

Checking Print Status - OS X

During printing, you can view the progress of your print job, control printing, and check ink status.

1. Click the printer icon when it appears in the Dock.
You see the print status window:



2. Select the following options as necessary for your version of OS X:
 - To cancel printing, click the print job and click  or **Delete**.
 - To pause a print job, click the print job and click  or **Hold**. To resume a print job, click the paused print job and click  or **Resume**.
 - To pause printing for all queued print jobs, click **Pause** or **Pause Printer**.
 - To display other printer information, click **Settings** or **Supply Levels**.

Parent topic: [Printing Your Document or Photo - OS X](#)

Using the Control Panel Menus

Follow the instructions in these sections to access the printer menu system and select settings.

[Accessing the Printer's Menus](#)

[Maintenance Menu Settings](#)

[Paper Menu Settings](#)

[Printer Setup Menu Settings](#)

[Printer Status Menu Settings](#)

[Network Setup Menu Settings](#)

[Preferences Menu Settings](#)


[Administrator Menu Settings](#)

Accessing the Printer's Menus

You can use the printer menus to adjust the settings that control how your printer works.

1. Press the right arrow button on the control panel.
You see the menu on the LCD screen.
2. Press the up or down arrow button to scroll through the menus.

Note: Press the left arrow button to go back.

3. To change settings in the highlighted menu, press the right arrow button.
4. Press the up or down arrow button to move through the settings. If there are additional settings, press the right or left arrow button as instructed on the screen.
5. To select a setting, press the **OK** button any time the **OK** button option is displayed.
6. When you finish changing settings on a menu, press the left arrow button to go back or press the **||**  pause/cancel button to completely exit the menu.

Parent topic: [Using the Control Panel Menus](#)

Maintenance Menu Settings

The Maintenance menu lets you run nozzle checks, cleaning cycles, and other maintenance operations.

Caution: Follow the instructions in the topic links below the table to use these menu settings correctly.

Setting	Options		Description
Nozzle Check	—		Prints a nozzle check pattern in the specified location on the media.
Head Cleaning	All Nozzles Various colors	Normal Power	Lets you clean all or selected colors (in pairs of two), based on the nozzle check pattern. Select the Normal cleaning first. If nozzles are still clogged, select the Power cleaning.
Head Alignment	Auto	Uni-D Bi-D 2-color Bi-D All Color Bi-D #1 to #4	Lets you align the print head when print results are grainy or out of focus: Uni-D: when printing in one direction.
	Manual	Uni-D Bi-D 2-color Bi-D All Color	Various Bi-D settings: when printing in both directions. If head alignment with this setting does not correct the problem, select Uni-D .
Cutter Maintenance	Adjust Cut Position Replace Cutter		Lets you adjust or replace the built-in cutter. Adjust Cut Position: adjusts the cutter position in increments of 0.039 inch (1 mm) from –0.12 to 0.12 inch (–3 to 3 mm). Replace Cutter: positions the cutter for replacement.

Parent topic: [Using the Control Panel Menus](#)

Related tasks

[Checking the Nozzles Using the Product Control Panel](#)

[Cleaning the Print Head Using the Product Control Panel](#)

[Aligning the Print Head Automatically Using the Product Control Panel](#)

[Aligning the Print Head Manually Using the Product Control Panel](#)

[Replacing the Cutter](#)

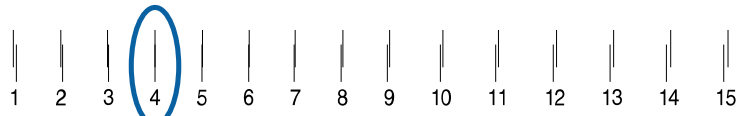
Paper Menu Settings

The Paper menu lets you modify settings for the current paper, or create and customize paper configurations for up to 10 different types of paper.

Setting	Options	Description
Select Paper Type	Photo Paper	Select the loaded Epson media.
	Proofing Paper	
	Fine Art Paper	
	Matte Paper	
	Plain Paper	
	Others	
	Custom Paper	Lists the custom paper configurations that you have created.
Custom Paper Setting	—	Lets you create a custom configuration for the loaded media. See the next table.
Print Paper List	—	Press the OK button to print a list of custom paper settings.
Roll Paper Remaining	Remaining Setup	Lets you track the length of roll paper remaining.
	Set Length	Sets the length of the loaded roll paper from 17 to 327 ft (5 to 99.5 m).
	Set Alert Length	Sets the length of roll paper remaining at which the printer will alert you, from 4 to 50 ft (1 to 15 m).

Setting	Options	Description
Roll Paper Setup	Auto Cut	Lets you automatically cut roll paper with the built-in cutter. Any auto cut options selected in the printer driver will override this setting.
	Page Line	If Auto Cut is set to Off , lets you print trim lines around images. Any trim line options selected in the printer driver will override this setting.
	Roll Paper Margin	Sets the top and bottom margins for printing.
	Roll End Option	Lets you select what the printer does if the roll paper runs out and is replaced during a print job. Stop Printing: automatically cancels printing after paper is replaced. Continue: resumes printing where the job left off. Reprint: restarts the job from the beginning (available only when you are using the optional internal print server).
	Roll Paper Tension	Adjusts the paper tension. Select High or Extra High if paper wrinkles during printing.
	Refresh Margin	Lets you automatically trim the leading edge and remove any ink stains left by the previous image during borderless printing.

Custom Paper Setting options

Options	Description
Select Reference Paper	<p>Lets you select the type of paper that is closest to the paper for which you are creating a custom paper configuration:</p> <p>Photo Paper</p> <p>Matte Paper</p> <p>Plain Paper</p> <p>Others</p> <p>No Paper Selected</p>
Platen Gap	<p>Adjusts the gap between the media and the print head.</p> <p>Standard: select for most media.</p> <p>Narrow: select if head alignment does not completely align the print head.</p> <p>Wide, Wider, or Widest: select if printouts are smeared.</p> <p>Caution: To avoid damaging the printer, do not select the Narrow setting when loading thick media.</p>
Detect Paper Thickness	<p>Lets you print patterns that you can use to determine the thickness of the current paper by selecting the pattern number with the least misalignment when you create a custom paper configuration:</p>  <p style="text-align: center;">1 2 3 4 5 6 7 8 9 10 11 12 13 14 15</p>

Options	Description
Paper Feed Adjust	<p>Lets you adjust the paper feed if you are unable to resolve banding issues even after head cleaning and alignment.</p> <p>Pattern: prints an adjustment pattern that you can use to adjust the paper feed by selecting the lightest-colored pattern in each row:</p> <div data-bbox="1041 391 1535 662" style="text-align: center;"> <p style="margin-left: 40px;">1 2 3 4 5</p> <p>A </p> <p style="margin-left: 40px;"> </p> </div> <p>Value: lets you choose an adjustment between -0.70 and +0.70%. Select a higher value to reduce dark bands or a lower value to reduce white bands.</p>
Paper Suction	<p>Lets you adjust the suction from -4 to 0 to increase the gap between the print head and thin or soft paper. If print quality is reduced or media does not feed correctly, you may need to lower the suction.</p>
Drying Time Per Pass	<p>Lets you adjust the amount of time the head pauses between each pass (from 0 seconds to 10 seconds). If the image is blurring on the paper, you may need to increase the drying time per pass.</p>
Roll Paper Tension	<p>Lets you adjust the paper tension. Select High or Extra High if paper wrinkles during printing.</p>
Remove Skew	<p>Lets you enable paper skew reduction.</p>
Setting Name	<p>Lets you enter a name up to 22 characters for the custom paper settings.</p>
Restore Settings	<p>Returns all settings for the selected custom paper to their default values.</p>

Parent topic: [Using the Control Panel Menus](#)

Related references

[Available Epson Papers](#)

Related tasks

[Loading Roll Paper](#)

[Creating Paper Configurations](#)

Related topics

[Cutting Roll Paper](#)

[Cut Sheet Handling](#)

Printer Setup Menu Settings

The Printer Setup menu lets you configure and monitor various aspects of your product.

Setting	Options	Description
Platen Gap	Narrow	Adjusts the gap between the media and the print head. Standard: select for most media. Narrow: select if head alignment does not completely align the print head. Wide, Wider, or Widest: select if printouts are smeared. Caution: To avoid damaging the printer, do not select the Narrow setting when loading thick media.
	Standard	
	Wide	
	Wider	
	Widest	

Setting	Options		Description
Paper Size Check	On		Automatically detects the width of the loaded media. Turn off this setting only if the printer displays a paper setting error when media is loaded correctly. Changed settings take effect when you reload paper. Caution: Disabling this setting may cause the printer to print outside the margins of the loaded media and may cause ink to build up inside the printer.
	Off		
Paper Skew Check	On		Stops printing when skewed paper is detected. Leave this setting turned on to avoid paper jams.
	Off		
Auto Nozzle Check	Auto Cleaning Setting	Periodically Every Job Off	Automatically runs a nozzle check and cleans the print head if necessary. Periodically: checks the nozzles occasionally. Every Job: checks the nozzles after every print job. Note: Even if you select Off as the Auto Cleaning Setting option, the printer runs an automatic nozzle check (and may clean the print head) when you switch between black inks and after initial ink charging.
		Auto Clean Max Repeat	1 to 3
Timer Cleaning	Various settings		Performs an automatic nozzle check and head cleaning if the printer is turned on or woken from sleep mode and the printer has not printed within the set length of time.
	Off		

Setting	Options	Description
Print Nozzle Pattern	Every 10 Pages Every Page Off	Selects how often to print an automatic nozzle check pattern.
Auto Black Ink Change	On Off	Allows you to change the black ink type from the printer driver. If set to Off , an error appears on the LCD screen when the black ink type selected in the driver and printer do not match.
BK Ink Change Setting	Normal Quick	Select Quick to reduce the time it takes to change the black ink type; however, print quality is reduced when you change the ink type.
Calibration Setting	On Off	Lets you use the Epson Color Calibration Utility.
Store Held Job	On Off	When the optional internal print server is installed, enables the printer to skip any job that will not print due to a paper size, paper source, or output paper size mismatch and save the job on the server.
Restore Settings	—	Returns all printer settings to their default values.

Parent topic: [Using the Control Panel Menus](#)

Related concepts

[Switch Black Ink Type](#)

Related tasks

[Adjusting the Platen Gap](#)

[Checking the Nozzles Using the Product Control Panel](#)

[Cleaning the Print Head Using the Product Control Panel](#)

Printer Status Menu Settings

The Printer Setup menu lets you display and print information about your printer.

Setting	Options	Description
Firmware Version	—	Displays the printer's firmware version.
Option Status	—	Displays the status of any installed optional accessories.
Print Status Sheet	—	Prints a sheet listing the current printer settings.
Calibration Date	—	Displays the date that the Epson Color Calibration Utility was last run, if applicable.

Parent topic: [Using the Control Panel Menus](#)

Network Setup Menu Settings

The Network Setup menu lets you configure your printer's network settings.

Setting	Options	Description
IP Address Setting	Auto	Determines whether IP addresses are obtained automatically through DHCP or manually. Select Panel to enter an IP address, subnet mask, and default gateway address.
	Panel	
IPv6 Setting	On	Enables IPv6 communication.
	Off	
IEEE802.1x Setting	On	Enables the IEEE802.1x network protocol.
	Off	
HTTPS Redirect Setting	On	Automatically redirects network traffic sent over HTTP to secure HTTPS.
	Off	
Print Status Sheet	—	Prints a sheet listing the current network status and settings.

Setting	Options	Description
Restore Settings	Yes	Returns all network settings to their default values.
	No	

Parent topic: [Using the Control Panel Menus](#)

Preferences Menu Settings

The Preferences menu lets you customize various display and power settings.

Setting	Options	Description
Language	Various languages	Selects the language used on the control panel display.
Unit: Length	m	Selects the unit of length used on the control panel display and when printing test patterns.
	ft/in	
Unit: Temperature	°C	Selects the unit of temperature used on the control panel display.
	°F	
Sleep Mode	5 to 210 minutes	Selects the interval before the printer enters sleep mode. The default is 15 minutes .
Power Off Timer	Off	Selects the interval before the printer turns off automatically when it is idle. The default is 8 hours .
	1 to 24 hours	

Parent topic: [Using the Control Panel Menus](#)

Administrator Menu Settings

The Administrator Menu lets you select administrative settings and control who can access the settings.


Setting	Options		Description
Change Password	—		Lets you enter an administrator password that is up to 20 characters long to access the Administrator Menu and the Network Setup menu (depending on the Operational Control setting).
Operational Control	Network Setup	Password Required No Password Required	Select whether an administrator password is required to access the Network Setup menu.
Powerful Cleaning	All Nozzles		Lets you clean all or selected colors (in pairs of two), based on the nozzle check pattern. Use this setting only if you still have clogged nozzles after running multiple head cleanings from the Maintenance menu.
	Various colors		
Date And Time	—		Sets the printer's built-in clock. The time and date are used in logs and status sheets.
Time Zone	—		Lets you enter the difference between your time zone and GMT (Greenwich Mean Time). The time zone is used in email notifications sent by the Remote Manager utility.

Setting	Options	Description
Format Hard Disk	Non-Secure (Quick)	<p>Formats the optional internal print server and deletes all stored print jobs. You must format an optional internal print server that has been used with another printer before using it with your product.</p> <p>Non-Secure (Quick): quickly deletes all data on the hard disk. The deleted data is recoverable with recovery tools. This option is the fastest, but should not be used for very sensitive data.</p> <p>Secure (Quick): quickly overwrites all data on the hard disk with random characters. This option is more secure than Non-Secure (Quick), but the deleted data may still be recoverable with recovery tools.</p> <p>Secure (Sanitizing): overwrites all data on the hard disk with 0xFF data, then checks the disk using an algorithm based on the U.S. Department of Defense standards for the removal of sensitive data (DoD5220-22m). This option is the slowest, but provides the most security against data recovery.</p>
	Secure (Quick)	
Reset All Settings	Secure (Sanitizing)	<p>Returns all menu settings to their default values (except Date and Time, Language, and Unit: Length in the Preferences menu).</p>
	Yes	
	No	

Parent topic: [Using the Control Panel Menus](#)

Replacing Ink Cartridges



If the **Check** ink light stays lit and the  icon appears above an ink cartridge on the LCD screen, the cartridge is expended. When an ink cartridge is expended, you need to replace it.

You may also need to replace a cartridge that is more than six months old, or if your printouts do not look their best, even after cleaning and aligning the print head.

Note: Please dispose of your used Epson branded ink cartridges responsibly and in accordance with local requirements. If you would like to return your used ink cartridges to Epson for proper disposal, please go to epson.com/recycle for more information.

[Checking Ink and Maintenance Box Status With Windows](#)

[Checking Cartridge Status with OS X](#)

[Purchase Epson Ink Cartridges](#)

[Removing and Installing Ink Cartridges](#)

[Replacing Maintenance Boxes](#)

[Switch Black Ink Type](#)

Checking Ink and Maintenance Box Status With Windows

You can check your ink or maintenance box status at any time using a utility on your Windows computer.

1. To check your status, access the Windows Desktop, double-click the product icon in the Windows taskbar, and click **Details**.

You see this window:



2. Replace or reinstall the maintenance box or ink cartridge as indicated on the screen.

Note: If any of the ink cartridges installed in the product is broken, incompatible with the product model, or improperly installed, Epson Status Monitor will not display an accurate ink status.

Parent topic: [Replacing Ink Cartridges](#)

Related tasks

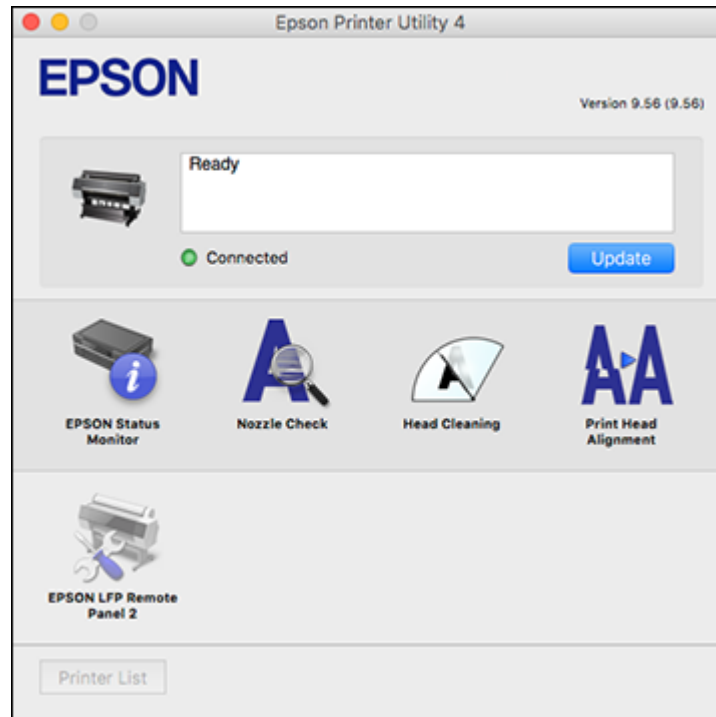
[Removing and Installing Ink Cartridges](#)

Checking Cartridge Status with OS X

You can check your cartridge status using a utility on your Mac.

1. In the Apple menu or the Dock, select **System Preferences**. Select **Print & Fax**, **Print & Scan**, or **Printers & Scanners**, select your product, and select **Options & Supplies**. Select **Utility** and select **Open Printer Utility**.
2. Select **EPSON Status Monitor**.

You see a window like this:



3. Do the following as necessary:
 - To update the ink cartridge status, click **Update**.

- Replace or reinstall any ink cartridge indicated on the screen.

Note: If any of the cartridges installed in the product is broken, incompatible with the product model, or improperly installed, Epson Status Monitor will not display an accurate cartridge status.

Parent topic: [Replacing Ink Cartridges](#)

Related tasks

[Removing and Installing Ink Cartridges](#)

Purchase Epson Ink Cartridges

You can purchase genuine Epson ink and accessories at epson.com (U.S. sales) or epson.ca (Canadian sales). You can also purchase accessories from an Epson authorized reseller. To find the nearest one, call 800-GO-EPSON (800-463-7766).

Note: This product uses only genuine Epson-brand cartridges. Other brands of ink cartridges and ink supplies are not compatible and, even if described as compatible, may not function properly.

The cartridges included with the printer are designed for printer setup and not for resale. After some ink is used for charging, the rest is available for printing. Yields vary considerably based on images printed, print settings, paper type, frequency of use, and temperature. For print quality, a variable amount of ink remains in the cartridge after the "replace cartridge" indicator comes on.

[Ink Cartridge and Maintenance Box Part Numbers](#)

Parent topic: [Replacing Ink Cartridges](#)

Ink Cartridge and Maintenance Box Part Numbers

Use these part numbers when you order or purchase a new maintenance box or ink cartridges.

Note: For best printing results, use up a cartridge within 6 months of opening the package.

Maintenance box part number: C13T699700

SureColor-P6000/SureColor-P8000

Ink bay	Slot	Ink color	150 ml part number	350 ml part number	700 ml part number
Left	1	Cyan (C)	T834200	T824200	T804200
	2	Yellow (Y)	T834400	T832400	T804400
	3	Light Cyan (LC)	T834500	T824500	T804500
	4	Matte Black (MK)	T834800	T824800	T804800
	5	Photo Black (PK)	T834100	T824100	T804100
Right	6	Vivid Magenta (VM)	T834300	T824300	T804300
	7	Light Black (LK)	T834700	T824700	T804700
	8	Light Light Black (LLK)	T834900	T824900	T804900
	9	Vivid Light Magenta (VLM)	T834600	T824600	T804600

SureColor-P7000/SureColor-P9000

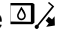
Ink bay	Slot	Ink color	150 ml part number	350 ml part number	700 ml part number
Left	1	Cyan (C)	T834200	T824200	T804200
	2	Orange (OR)	T834A00	T824A00	T804A00
	3	Yellow (Y)	T834400	T832400	T804400
	4	Light Cyan (LC)	T834500	T824500	T804500
	5	Matte Black (MK)	T834800	T824800	T804800
	6	Photo Black (PK)	T834100	T824100	T804100
Right	7	Vivid Magenta (VM)	T834300	T824300	T804300
	8	Light Black (LK)	T834700	T824700	T804700
	9	Green (GR)	T834B00	T824B00	T804B00
	10	Light Light Black (LLK)	T834900	T824900	T804900
		Violet (V)	T834D00	T824D00	T804D00
11	Vivid Light Magenta (VLM)	T834600	T824600	T804600	

Parent topic: [Purchase Epson Ink Cartridges](#)

Removing and Installing Ink Cartridges

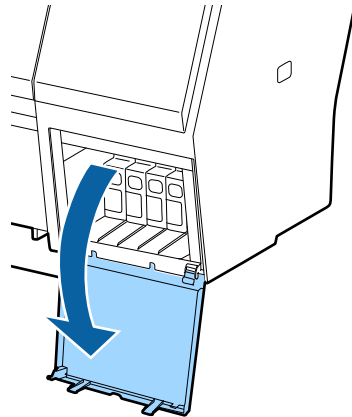
Make sure you have your replacement cartridges handy before you begin. You must install new cartridges immediately after removing the old ones.

Note: Replace all expended ink cartridges. You cannot print if any of the ink cartridges are expended or any ink slots are empty.

1. Turn on your product.
2. Press the  open ink cover button.
3. Do one of the following if necessary:
 - If any of the cartridges are completely expended, the corresponding ink cartridge cover unlocks.
 - If the cartridges are not completely expended, select the ink bay that you want to open, and press the **OK** button.

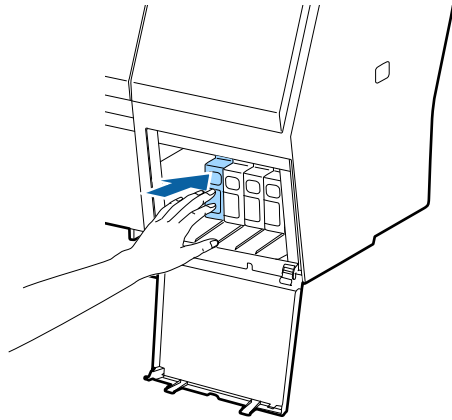
The ink cartridge cover unlocks.

4. Open the ink cartridge cover.

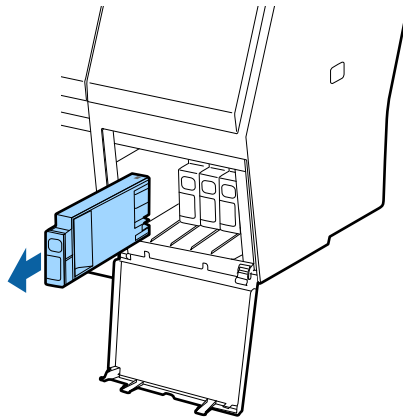


Note: Do not try to open the ink cartridge cover until it unlocks.

5. Press in on the ink cartridge you want to replace. The ink cartridge pops out slightly.



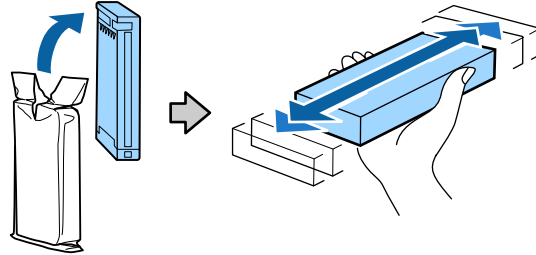
6. Pull out the ink cartridge.



Note: Dispose of used cartridges carefully. Do not take the used cartridge apart or try to refill it.

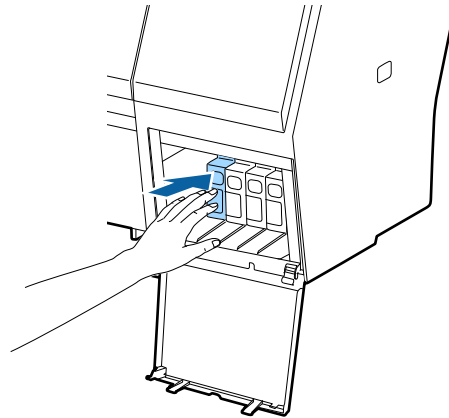
Warning: If ink gets on your skin, wash it thoroughly with soap and water. If ink gets into your eyes, flush them immediately with water. If ink gets into your mouth, spit it out and see a doctor right away. Keep ink cartridges out of the reach of children.

7. Remove the new cartridge from the package. Then gently shake the cartridge for about five seconds.



Caution: Do not touch the green chip on the cartridge.

8. Insert the new cartridge with the arrow facing up and push it in until it clicks into place.



Caution: Do not remove and re-insert cartridges more often than necessary. Doing so can break the needle valve seal and allow air to enter the ink tubes, damaging the nozzles.

9. Close the ink cartridge cover and push it in until it clicks into place.
Your product begins charging the ink delivery system.

Note: Do not turn off the product during ink charging.

Caution: If you remove an ink cartridge for later use, protect the ink supply area from dirt and dust and store it in the same environment as the printer. The valve in the ink supply port is designed to contain any excess ink, but do not touch the ink supply port or surrounding area. Always store ink cartridges with the label facing up; do not store cartridges upside-down.

Note: If a cleaning cycle is initiated during the "Ink Low" status and the level of ink remaining in the cartridge is estimated to be less than required for a cleaning, the printer will prompt that there is "not enough ink to complete the process." At this stage a fuller cartridge needs to be installed to complete the maintenance. At the end of the printer cleaning maintenance, the original cartridge can be re-inserted and used until its "Ink Cartridge Expended" status is reached. It does not have to be discarded.

Parent topic: [Replacing Ink Cartridges](#)

Related concepts

[Purchase Epson Ink Cartridges](#)

Replacing Maintenance Boxes

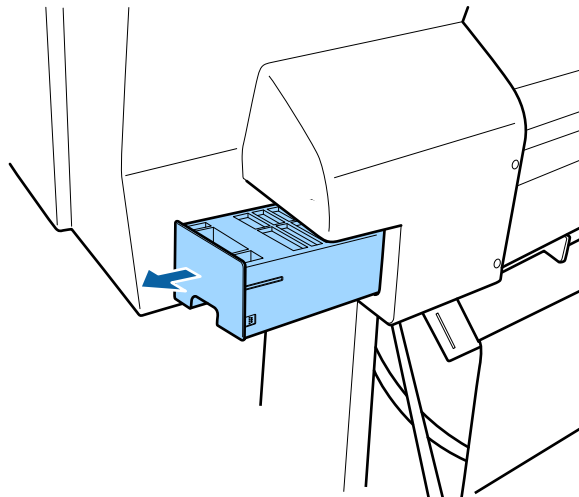
The maintenance box absorbs ink used in maintenance operations such as head cleaning and changing black ink. Replace the maintenance box when you see a message on the LCD screen. (The SC-P8000/SC-P9000 have two maintenance boxes.)

Note: Do not reuse maintenance boxes you have removed from the printer and exposed to air for a long period of time. The box will not absorb any more ink.

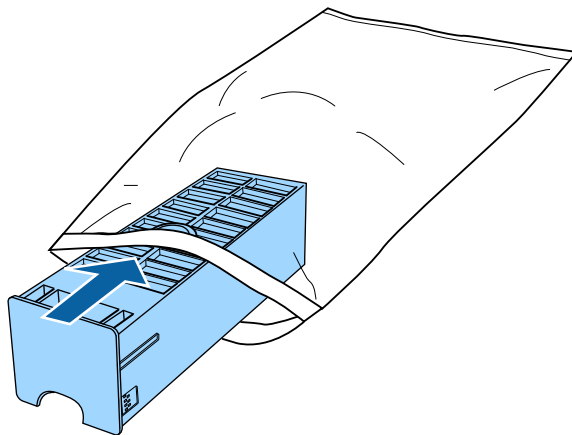
1. Check the LCD screen to determine which maintenance box needs to be replaced (SC-P8000/SC-P9000).
2. Turn off your product.
3. Remove the new maintenance box from the package.

Caution: Do not touch the chip on the side of the maintenance box or you may damage the product.

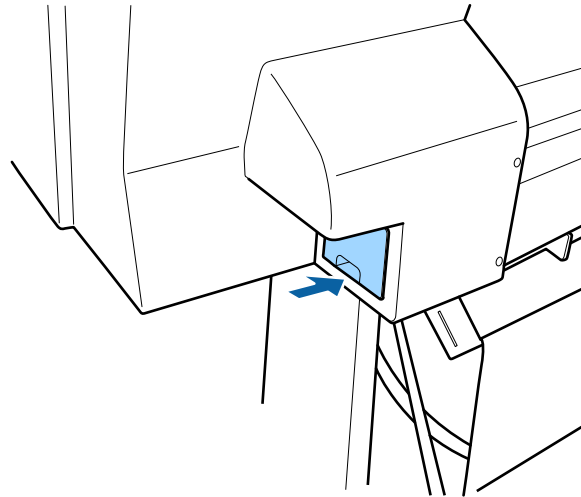
4. Use the handle on the bottom of the maintenance box to carefully pull it out of the product without tilting the box.



5. Place the used maintenance box in the bag supplied with the new box and seal the bag.



6. Insert the new maintenance box in the slot.



Parent topic: [Replacing Ink Cartridges](#)

Related concepts

[Purchase Epson Ink Cartridges](#)

Switch Black Ink Type

Your product comes with Matte Black and Photo Black ink cartridges. Although both cartridges must be installed for your product to work, it can print using only one type of black ink at a time.

Your product switches the black ink type automatically, depending on the type of media you load. Because this process consumes some ink, so you should avoid switching black ink more often than necessary and select a default black ink type for the type of media you print on most often.

Note: To disable automatic black ink switching, press the **Menu** button and select **Printer Setup > Auto Black Ink Change > Off**.

[Switching the Black Ink Type](#)

[Black Ink Type Media List](#)


Parent topic: [Replacing Ink Cartridges](#)

Related references

[Printer Setup Menu Settings](#)

Switching the Black Ink Type

Switching the black ink type takes several minutes and consumes some ink. Check the black ink type media list to select the correct ink type for the media you loaded.

1. Press the  **Black** ink button.
2. Press the **OK** button to switch black inks.

The printer charges the black ink for a few minutes:

- Photo Black to Matte Black: about 2 minutes.
- Matte Black to Photo Black: about 4 minutes.

Parent topic: [Switch Black Ink Type](#)

Related references

[Black Ink Type Media List](#)

Black Ink Type Media List

To conserve ink, select the default black ink type that matches the type of media you usually print on.

Matte Black Ink Media Types

- Epson Presentation Paper Matte
- Epson Premium Presentation Paper Matte
- Epson Premium Presentation Paper Matte Double-sided
- Epson Ultra Premium Presentation Paper Matte
- Epson Velvet Fine Art Paper
- Epson Exhibition Watercolor Paper Textured
- Epson Watercolor Paper Radiant White
- Epson UltraSmooth Fine Art Paper 325 gsm
- Epson Exhibition Canvas Matte
- Epson Exhibition Canvas Natural Matte
- Epson Photo Quality Self-adhesive Sheets

- Epson Hot Press Bright
- Epson Hot Press Natural
- Epson Cold Press Bright
- Epson Cold Press Natural

Photo Black Ink Media Types

- Epson Photo Paper Glossy
- Epson Premium Photo Paper Glossy
- Epson Ultra Premium Photo Paper Glossy
- Epson Premium Photo Paper Semi-gloss
- Epson Ultra Premium Photo Paper Luster
- Epson Exhibition Canvas Gloss
- Epson Exhibition Canvas Satin
- Epson Exhibition Canvas Natural Satin
- Epson Exhibition Canvas Natural Gloss
- Epson Exhibition Fiber Paper
- Epson Metallic Photo Paper Glossy
- Epson Metallic Photo Paper Luster

Parent topic: [Switch Black Ink Type](#)

Related references

[Available Epson Papers](#)

Adjusting Print Quality

If your print quality declines, you may need to run a utility to clean or align the print head.

[Print Head Maintenance](#)

[Print Head Alignment](#)

Print Head Maintenance

If your printouts become too light, or you see dark or light bands across them, you may need to clean the print head nozzles. Cleaning uses ink, so clean the nozzles only if print quality declines.

You can check for clogged nozzles before you clean them so you don't clean them unnecessarily.

Note: You cannot clean the print head if an ink cartridge is expended, and may not be able to clean it when a cartridge is low. You must replace the cartridge first.

[Print Head Nozzle Check](#)

[Print Head Cleaning](#)

Parent topic: [Adjusting Print Quality](#)

Related tasks

[Removing and Installing Ink Cartridges](#)

Print Head Nozzle Check

You can print a nozzle check pattern to check for clogged nozzles.

[Checking the Nozzles Using the Product Control Panel](#)

[Checking the Nozzles Using a Computer Utility](#)

Parent topic: [Print Head Maintenance](#)

Checking the Nozzles Using the Product Control Panel

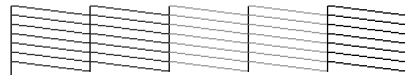
You can check the print head nozzles using the control panel on your product.

1. Make sure roll or cut sheet paper is loaded in the printer.
2. Make sure the correct paper type is selected.
3. Press the **Menu** button.
4. Press the up or down arrow button to select **Maintenance** and press the right arrow button.

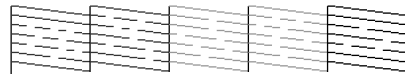
5. Select **Nozzle Check** and press the right arrow button.
6. Press the **OK** button.
The nozzle pattern prints.
7. Check the printed pattern to see if there are gaps in the lines.

Note: Use at least a 10× eye loupe to examine the pattern for any missing or deflected dots or segments.

Print head is clean



Print head needs cleaning



8. Do one of the following:
 - If there are no gaps, select **Exit** and press the **OK** button.
 - If there are gaps or the pattern is faint, select **Head Cleaning** and press the **OK** button.
9. Follow the instructions on the screen to clean the print head, check the nozzles, and repeat the process as necessary.

Parent topic: [Print Head Nozzle Check](#)

Related references

[Maintenance Menu Settings](#)

Related tasks

[Cleaning the Print Head Using the Product Control Panel](#)

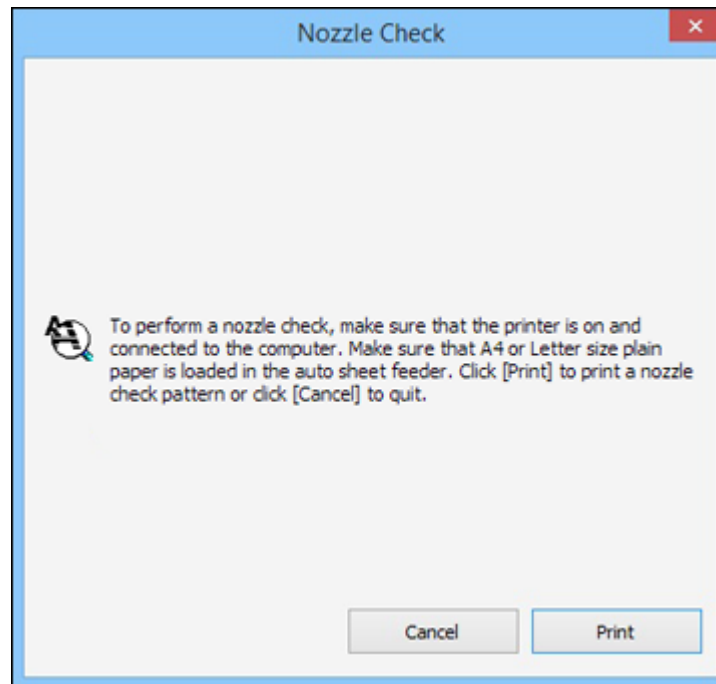
Checking the Nozzles Using a Computer Utility

You can check the print head nozzles using a utility on your Windows or Mac computer.

1. Load roll or cut sheet paper in the printer.

2. Make sure the correct paper type is selected.
3. Do one of the following:
 - **Windows:** Access the Windows Desktop and right-click the product icon in the Windows taskbar.
 - **OS X:** In the Apple menu or the Dock, select **System Preferences**. Select **Print & Fax**, **Print & Scan**, or **Printers & Scanners**, select your product, and select **Options & Supplies**. Select **Utility** and select **Open Printer Utility**.
4. Select **Nozzle Check**.

You see a window like this:



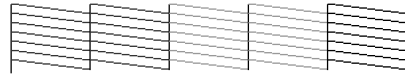
5. Click **Print**.

The nozzle pattern prints.

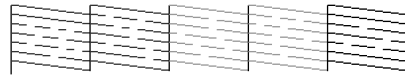
6. Check the printed pattern to see if there are gaps in the lines.

Note: Use at least a 10× eye loupe to examine the pattern for any missing or deflected dots or segments.

Print head is clean



Print head needs cleaning



7. If there are no gaps, click **Finish**.

If there are gaps or the pattern is faint, clean the print head.

Parent topic: [Print Head Nozzle Check](#)

Related tasks

[Cleaning the Print Head Using a Computer Utility](#)

Print Head Cleaning

If print quality has declined and the nozzle check pattern indicates clogged nozzles, you can clean the print head. Use the nozzle check pattern to determine which colors need cleaning. You can save ink by cleaning only selected colors (control panel only).

Note: You cannot clean the print head if an ink cartridge is expended, and may not be able to clean it when a cartridge is low. You must replace the cartridge first.

[Cleaning the Print Head Using the Product Control Panel](#)


[Cleaning the Print Head Using a Computer Utility](#)

Parent topic: [Print Head Maintenance](#)

Cleaning the Print Head Using the Product Control Panel

You can clean the print head using the control panel on your product.

1. Make sure roll or cut sheet paper is loaded in the printer.
2. Make sure the correct paper type is selected.
3. Press the **Menu** button.
4. Press the up or down arrow button to select **Maintenance** and press the right arrow button.
5. Select **Head Cleaning** and press the right arrow button.
6. Select one of the following:
 - To clean all nozzles, select **All Nozzles** and press the right arrow button.
 - To select the specific nozzles for cleaning, select them and press the right arrow button.
7. Press the **OK** button.
8. Select one of the following as the cleaning strength level:
 - For a first cleaning, select **Normal**.
 - If nozzles are still clogged after three normal level cleanings, select **Power Cleaning**.
9. Press the **OK** button to start the cleaning cycle.

When the cleaning cycle is finished, the  power light stops flashing and a confirmation screen appears.

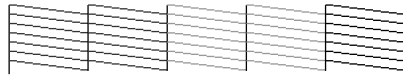
Caution: Never turn off the product during a cleaning cycle or you may damage it.

10. Select **Nozzle Check** and press the right arrow button.
11. Press the **OK** button.

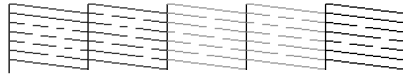
The nozzle pattern prints.
12. Check the printed pattern to see if there are gaps in the lines.

Note: Use at least a 10× eye loupe to examine the pattern for any missing or deflected dots or segments.

Print head is clean



Print head needs cleaning



13. Follow the instructions on the screen to clean the print head, check the nozzles, and repeat the process as necessary.

If you don't see any improvement after running three **Normal** level cleanings, select **Power Cleaning** as the power level of the cleaning.

Parent topic: [Print Head Cleaning](#)

Related references

[Maintenance Menu Settings](#)

Related tasks

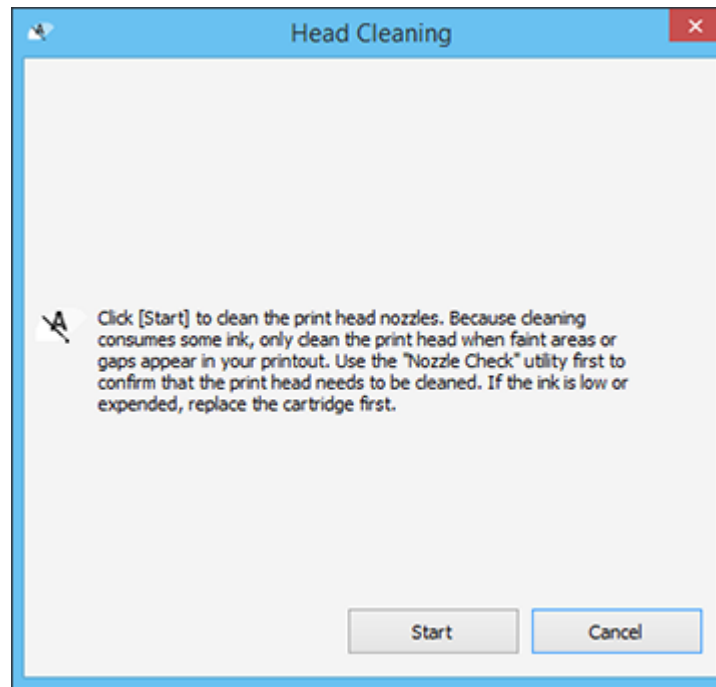
[Removing and Installing Ink Cartridges](#)

Cleaning the Print Head Using a Computer Utility


You can clean the print head using a utility on your Windows computer or Mac.

1. Make sure roll or cut sheet paper is loaded in the printer.
2. Make sure the correct paper type is selected.
3. Do one of the following:
 - **Windows:** Access the Windows Desktop and right-click the product icon in the Windows taskbar.
 - In the Apple menu or the Dock, select **System Preferences**. Select **Print & Fax**, **Print & Scan**, or **Printers & Scanners**, select your product, and select **Options & Supplies**. Select **Utility** and select **Open Printer Utility**.
4. Select **Head Cleaning**.

You see a window like this:



5. Click **Start** to begin the cleaning cycle.

When the cleaning cycle is finished, the  power light stops flashing and a confirmation screen appears.

Caution: Never turn off the product during a cleaning cycle or you may damage it.

6. Click **Nozzle Check**.

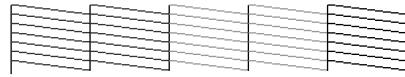
7. Click **OK**.

The nozzle pattern prints.

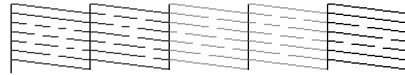
8. Check the printed pattern to see if there are gaps in the lines.

Note: Use at least a 10× eye loupe to examine the pattern for any missing or deflected dots or segments.

Print head is clean



Print head needs cleaning



Parent topic: [Print Head Cleaning](#)

Related tasks

[Removing and Installing Ink Cartridges](#)

Print Head Alignment

If your printouts become grainy or blurry, you notice misalignment of vertical lines, or you see dark or light horizontal bands, you may need to align the print head. You can align the print head automatically from the control panel or your computer, or align it manually from the control panel.

Before you align the print head, note the following:

- Alignment will vary based on the loaded media. Align the print head using the media on which you want to print and select the correct paper type as the **Select Paper Type** setting.
- Run a nozzle check before you align the print head. If there are any gaps in the nozzle check pattern, clean the print head.
- Automatic print head alignment cannot be performed on any transparent or colored paper or on these paper types: Plain paper, Epson Enhanced Matte Posterboard. Manually align from the printer control panel when using these media types.
- Make sure the printer is not exposed to direct, bright light (such as direct sunlight) while performing an automatic print head alignment.

[Aligning the Print Head Automatically Using the Product Control Panel](#)

[Aligning the Print Head Automatically Using a Computer Utility](#)

[Aligning the Print Head Manually Using the Product Control Panel](#)

Parent topic: [Adjusting Print Quality](#)

Related concepts

[Print Head Nozzle Check](#)

[Print Head Cleaning](#)

Aligning the Print Head Automatically Using the Product Control Panel

You can automatically align the print head using the control panel on your product.

1. Load roll paper or cut sheet paper in this size or larger: A4 (8.3 × 11.7 inches [210 × 297 mm]).
2. Make sure the correct paper type is selected.
3. Press the **Menu** button.
4. Press the up or down arrow button to select **Maintenance** and press the right arrow button.
5. Select **Head Alignment** and press the right arrow button.
6. Select **Auto** and press the right arrow button.
7. Press the up or down arrow button to select one of the following options:
 - **Uni-D** aligns each color for uni-directional printing based on Light Cyan.
 - **Bi-D 2-color** aligns each color for bi-directional printing based on Light Cyan and Vivid Light Magenta.
 - **Bi-D All Color** aligns each color for bi-directional printing based on all colors.
 - **Bi-D #1**, **Bi-D #2**, **Bi-D #3**, and **Bi-D #4** perform the most detailed adjustments based on the size of the ink dots. Run all four adjustments in order from **Bi-D #1** to **Bi-D #4** to ensure that the printer is aligned properly for all driver settings and ink dot sizes.
8. Press the **OK** button.

The alignment process starts.

Note: Do not open the front cover or turn off the printer during the alignment process.

When the automatic head alignment process is complete, your product should be properly aligned. If it is not, select a different alignment method and repeat the process. If your printer still is not properly aligned, perform a manual head alignment.

Parent topic: [Print Head Alignment](#)

Related references

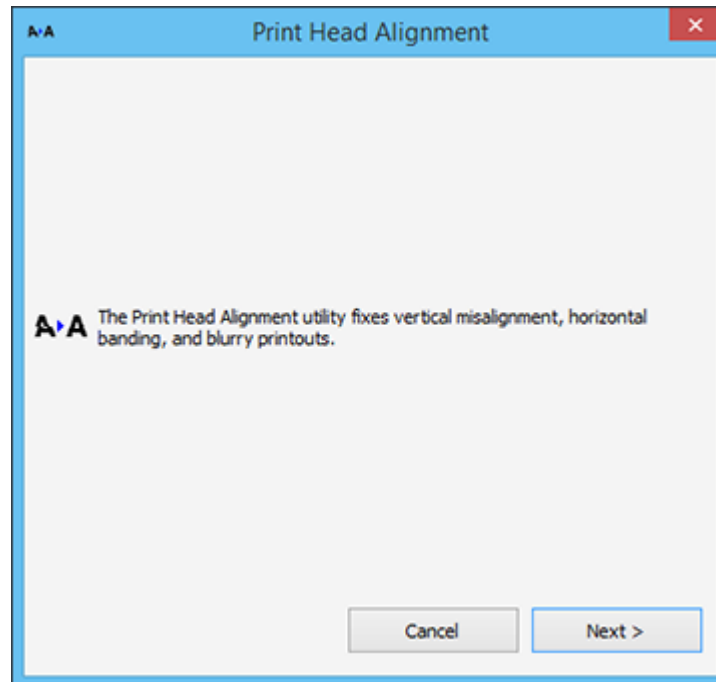
[Maintenance Menu Settings](#)

Aligning the Print Head Automatically Using a Computer Utility

You can automatically align the print head using a utility on your Windows computer or Mac.

1. Make sure roll or cut sheet paper is loaded in the printer.
2. Make sure the correct paper type is selected.
3. Do one of the following:
 - **Windows:** Access the Windows Desktop and right-click the product icon in the Windows taskbar.
 - In the Apple menu or the Dock, select **System Preferences**. Select **Print & Fax**, **Print & Scan**, or **Printers & Scanners**, select your product, and select **Options & Supplies**. Select **Utility** and select **Open Printer Utility**.
4. Select **Print Head Alignment**.

You see a window like this:



5. Click **Next**, then click **OK** to begin automatic print head alignment.

When the automatic head alignment process is complete, your product should be properly aligned. If it isn't, perform a manual head alignment on the printer's control panel.

Parent topic: [Print Head Alignment](#)

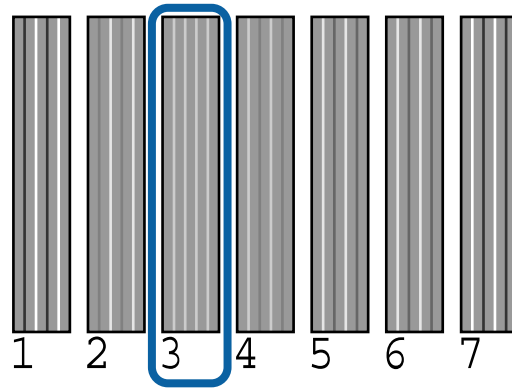
Aligning the Print Head Manually Using the Product Control Panel

You can manually align the print head using the control panel on your product.

1. Load roll paper or cut sheet paper that is in this size or larger: A4 (8.3 × 11.7 inches [210 × 297 mm]).
2. Make sure the correct paper type is selected.
3. Press the **Menu** button.
4. Press the up or down arrow button to select **Maintenance** and press the right arrow button.
5. Select **Head Alignment** and press the right arrow button.
6. Select **Manual** and press the right arrow button.
7. Press the up or down arrow button to select one of the following options:
 - **Uni-D** aligns each color for uni-directional printing based on Light Cyan.
 - **Bi-D 2-color** aligns each color for bi-directional printing based on Light Cyan and Vivid Light Magenta.
 - **Bi-D All Color** aligns each color for bi-directional printing based on all colors.
8. Press the **OK** button.

The alignment sheet prints.

LC



Note: When aligning on cut sheet paper, the alignment sheet is printed across multiple pages. Once the first sheet prints, load the next piece of paper.

9. After each alignment sheet is printed, view the LCD screen for instructions on selecting the best square in each pattern set.
10. Check the printed patterns and choose the number representing the pattern in which the white lines are the most evenly spaced, then press the **OK** button.

When the manual head alignment process is complete, your product should be properly aligned. If it is not, select a different alignment method and repeat the process.

Parent topic: [Print Head Alignment](#)

Related references

[Maintenance Menu Settings](#)

Maintenance

See the instructions in these sections to maintain your printer for optimum results.

[Cleaning Your Product](#)

[Replacing the Cutter](#)

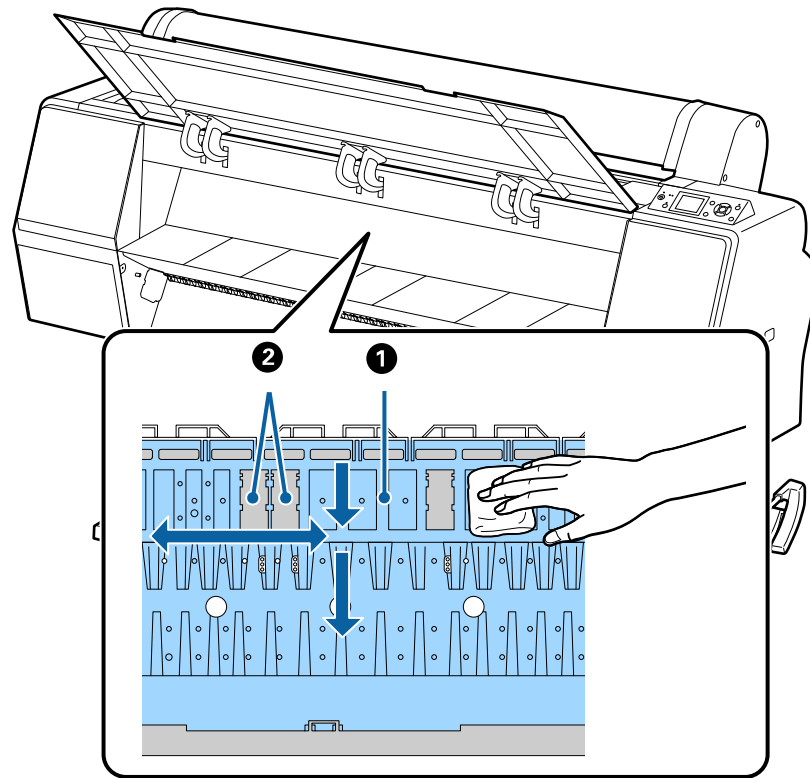
Cleaning Your Product

To keep your product working at its best, you should clean it regularly (about once a month).

Note: Do not use a hard brush, benzene, alcohol, or paint thinner to clean the product or you may damage it. Do not use oil or other lubricants inside the product or let water get inside.

1. Turn off the product.
2. Unplug the power cable.
3. Disconnect any connected cables.
4. Remove any paper from the product.
5. Open the front cover and carefully clean the inside of the product with a soft, clean cloth.

6. Gently wipe the light blue areas in the direction indicated by the arrows.

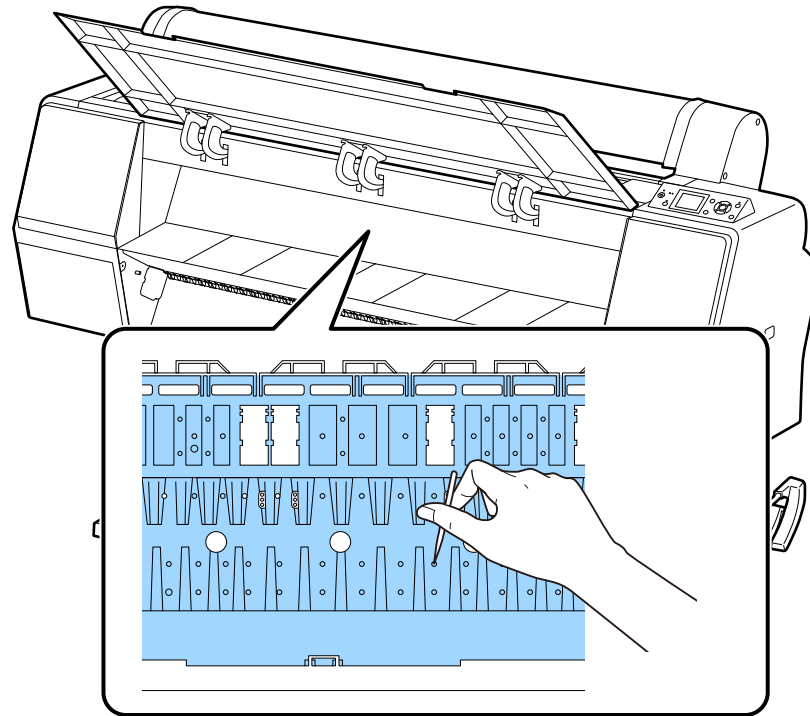


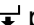

Note: Do not touch the gray areas (the rollers or the ink absorption pads) or your prints may be soiled.

Caution: Be careful not to touch the gears or ink tubes inside the product.

7. If your product is still dirty, dampen the cloth with a small amount of water and a mild detergent and repeat the previous step. Then, wipe the inside of the printer with a soft, dry cloth.

8. If paper particles have accumulated in the holes on the platen, use a toothpick or similar tool to push them through.



9. Close the front cover.
10. Use a soft, clean cloth to remove any dust or dirt from the outside of the product.
11. Plug the power and connection cables back in.
12. Turn on the product.
13. Load roll paper in the printer.
14. Press the  paper feed button several times to feed blank paper through the paper path and clean the rollers.
15. Press the  paper cut button.

Parent topic: [Maintenance](#)

Replacing the Cutter

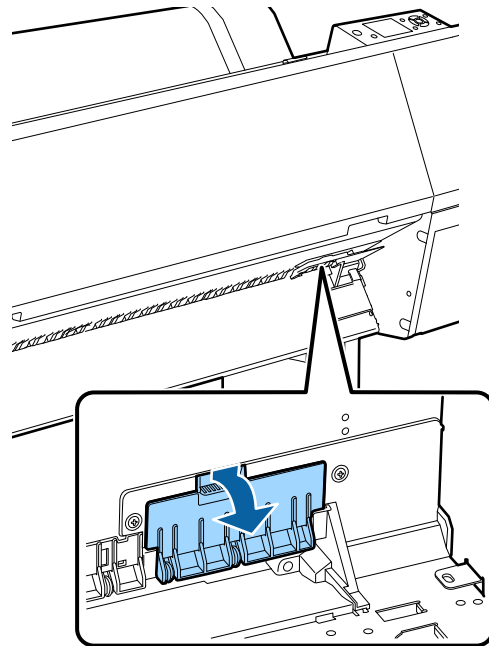
If you notice that your paper does not cut cleanly, you may need to replace the cutter.

Note: If the optional SpectroProofer is installed, remove it before replacing the cutter. See the instructions that came with the SpectroProofer for details on removing it from your printer.

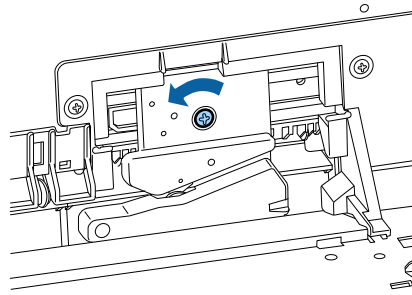
1. Remove any paper from the printer.
2. Press the **Menu** button.
3. Press the down arrow button to select **Maintenance** and press the right arrow button.
4. Select **Cutter Maintenance** and press the right arrow button.
5. Select **Replace Cutter** and press the right arrow button.
6. Press the **OK** button.

The cutter moves to the replacement position.

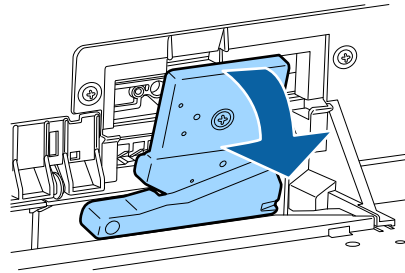
7. Press in on the tab on the cutter cover, release it, and pull down on the cutter cover to remove it.



- Using a Phillips head screwdriver, loosen the screw holding the cutter in place.

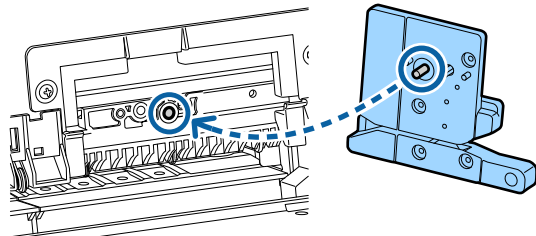


- Carefully remove the cutter from the product.

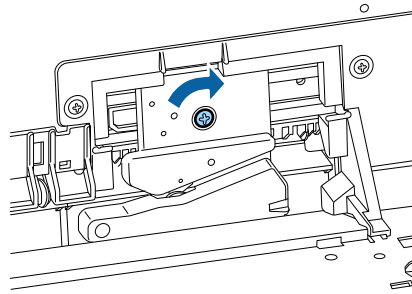


Warning: Keep the cutter out of the reach of children. The blade is sharp and can cause injury.

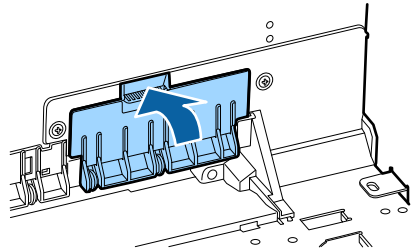
- Align the pin on the new cutter with the hole in the product and insert it into your product.



11. Tighten the cutter screw securely.



12. Align the cutter cover as shown and press the top corner until it clicks into place.



Note: If you removed the optional SpectroProofer, reinstall it. See the instructions that came with the SpectroProofer for details on installing it.

13. Press the **OK** button.

The cutter moves back to the home position.

Parent topic: [Maintenance](#)

Related references

[Maintenance Menu Settings](#)

Moving or Transporting the Product

Follow the instructions in these sections to prepare and move the printer, and set it back up after moving it.

[Moving the Product Short Distances](#)

[Moving the Product Long Distances](#)

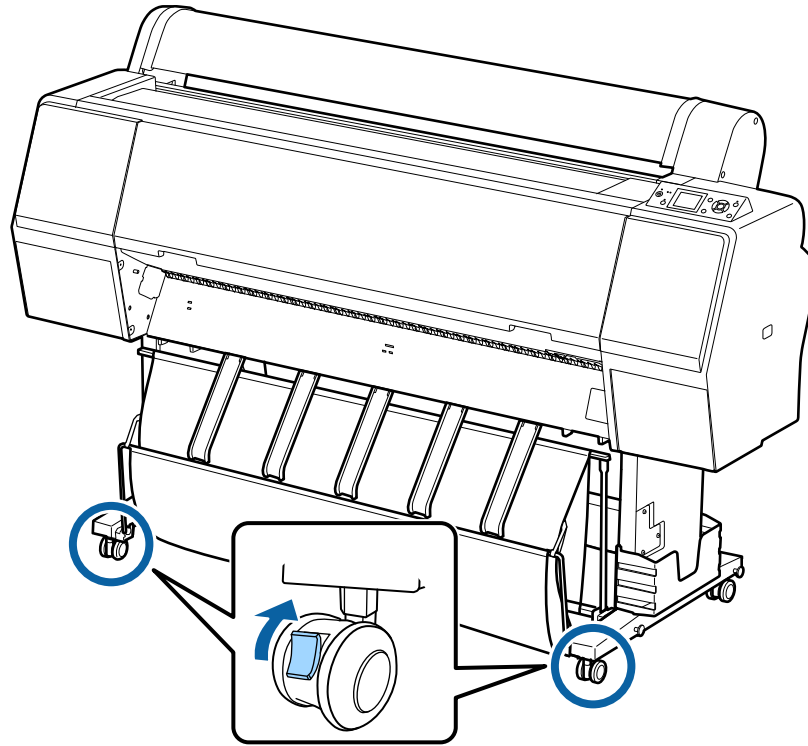
Moving the Product Short Distances

If you need to move the product a short distance, such as within the same building, you can roll the product on its casters.

Caution: During transportation and storage, follow these guidelines:

- Do not roll the product on angled or uneven surfaces.
 - Leave the ink cartridges installed to prevent drying out the print head.
1. Turn off the product.
 2. Unplug the power cable.
 3. Disconnect any connected cables.
 4. Remove any paper from the product.
 5. Close the roll paper cover.
 6. Store the paper basket.

7. Unlock the front casters.



8. Carefully roll the product to its new location.
9. Lock the front casters.

Parent topic: [Moving or Transporting the Product](#)

Related tasks

[Removing Roll Paper](#)

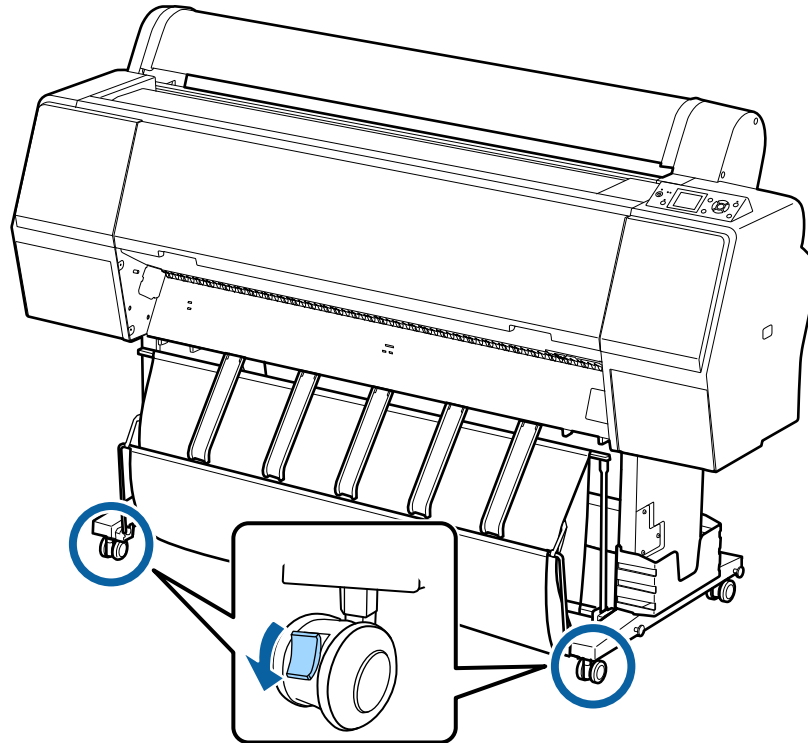
[Storing the Paper Basket](#)

Moving the Product Long Distances

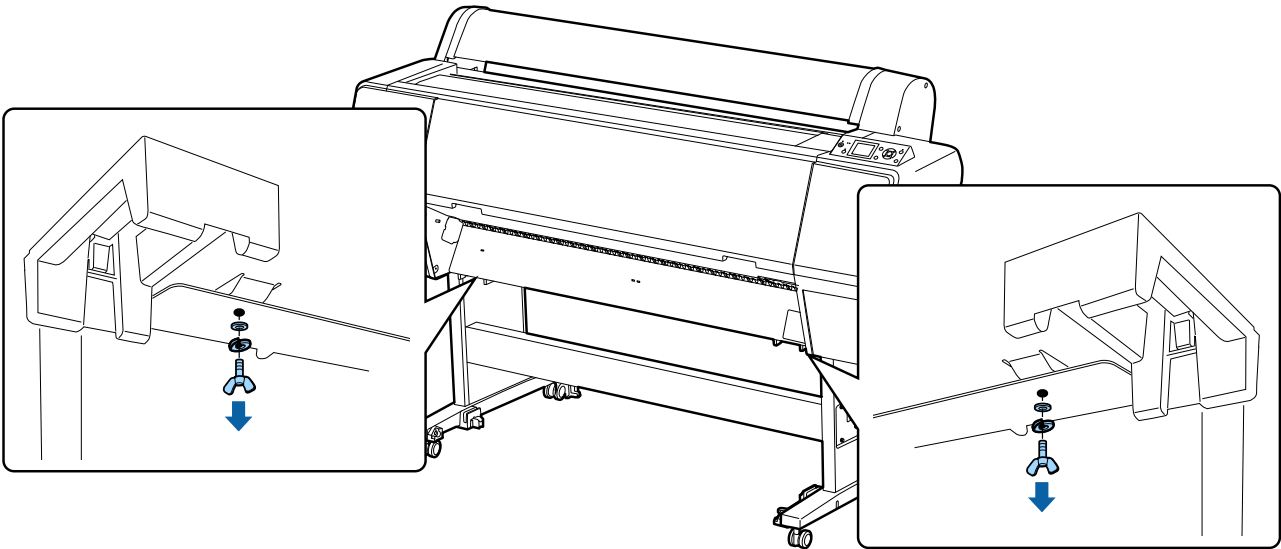
If you need to move the product a long distance or ship it, you should remove the product from its stand.

Caution: During transportation and storage, leave the ink cartridges installed to prevent drying out the print head.

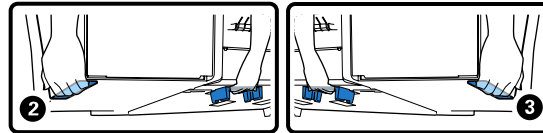
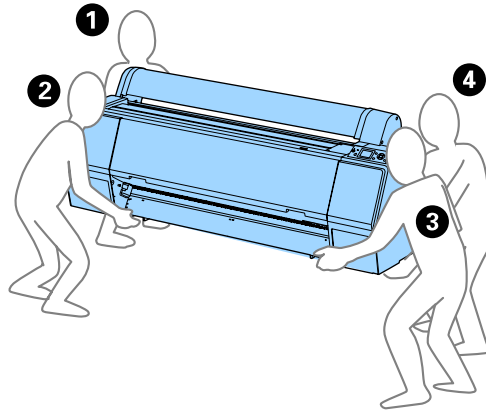
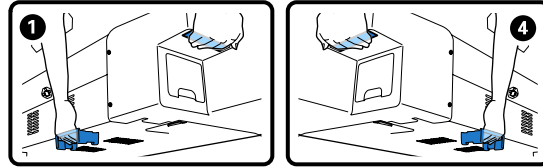
1. Turn off the product.
2. Unplug the power cable.
3. Disconnect any connected cables.
4. Remove any paper from the product.
5. Close the roll paper cover.
6. Remove the paper basket.
7. If applicable, remove the optional Auto Take-Up Reel and SpectroProofer.
8. Lock the front casters.



9. Remove the two wing nuts and washers securing the product to the stand and keep them in a safe place.



10. Lift the product using the hand grips as shown.



Warning: Four or more people are required to lift the product.

Caution: Keep the printer level while moving it.

11. If you are shipping the product, repack it in the original box using the packing materials that came with the product.

When the product reaches its new location, re-assemble it using the instructions in the *Setup* guide.

Parent topic: [Moving or Transporting the Product](#)

Related tasks

[Removing Roll Paper](#)

[Storing the Paper Basket](#)

Solving Problems

Check these sections for solutions to problems you may have using your product.

[Product Status Messages](#)

[Solving Printer Problems](#)

[Solving Printing Problems](#)

[Solving Paper Problems](#)


[Solving Print Quality Problems](#)

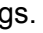
[Where to Get Help](#)


Product Status Messages

You can often diagnose problems with your product by checking the messages on the LCD screen.

LCD screen message	Condition/solution
Ink Cartridge Error Ink cartridge cannot be recognized. Insert again or replace ink cartridge.	The ink cartridges have a problem. <ul style="list-style-type: none">• Check that the cartridge is the same color as the color displayed on the control panel and ink door label, and reinstall the cartridge. If the message persists, insert a new ink cartridge.
Ink Cartridge Error Ink cartridge cannot be detected. Insert again or replace ink cartridge.	<ul style="list-style-type: none">• You cannot change the ink configuration (Standard or Commercial edition) after the ink cartridges have been installed. Make sure the correct cartridges are installed.• Condensation may have occurred in the ink cartridge. Remove the cartridge, leave it for four hours or more at room temperature, and reinstall it.
Ink Cartridge Error Please install the correct ink cartridge.	Insert a genuine Epson ink cartridge that is approved for use in the printer.
Ink Low	The ink is low. Make sure you have a replacement ink cartridge handy.
Cleaning Error Automatic head cleaning failed. Retry?	The printer nozzles are still clogged even after running the automatic head cleaning. Select Yes to run another automatic head cleaning.

LCD screen message	Condition/solution
Paper Load Error No paper detected.	The loaded paper is not detected by the printer. Check the following: <ul style="list-style-type: none"> • If you are using roll paper, remove and reload the roll paper. Cut the edge of the roll paper straight horizontally. Cut off any jagged or folded sections of paper. • If you are using poster board or a cut sheet, remove and reload the paper. Make sure the paper is loaded straight and is not skewed.
Paper Eject Error Could not eject paper.	Check the following: <ul style="list-style-type: none"> • Press the OK button. If paper is jammed inside the printer, remove it. • If you are using roll paper, make sure you selected Roll Paper as the Paper Source setting.
Paper Cut Error Remove uncut paper.	Press the OK button, pull down on the paper, and cut it using scissors or another manual cutter.
Paper Size Error Loaded paper size is not supported size.	The loaded paper is not a supported width. Remove the paper and press the OK button. If the message still appears when you have loaded paper in a supported width, set the Paper Size Check setting to Off .
Paper Sensor Error Loaded paper or print out has a problem.	The loaded paper is not detected correctly by the printer. Press the II  pause/cancel button. If this error appears while performing an automatic head alignment, check the following: <ul style="list-style-type: none"> • Make sure you that you have not loaded transparent or colored media, tracing paper, plain paper, Epson Enhanced Matte Posterboard, or paper that is more than 0.04 inches (1 mm) thick. • Make sure the printer is not exposed to direct, bright light (such as direct sunlight) while performing an automatic print head alignment. • Check that the Platen Gap setting is set to Standard. • Run a nozzle check and make sure the print head nozzles are not clogged. If this error appears at any other time, make sure that the printer supports the loaded media.

LCD screen message	Condition/solution
<p>F/W Install Error Firmware update failed. Restart the printer.</p>	<p>The firmware updated did not install. Turn off the printer, wait for awhile, and turn on the printer again. Then run the firmware update file again. If the message still appears, contact Epson for support.</p>
<p>Command Error Check driver settings.</p>	<p>The printer driver sent an invalid or incorrect command to the printer. Press the II  pause/cancel button and select Job Cancel. Make sure that the driver you are using supports your product.</p>
<p>Reel Unit Error Check Auto Take-up Reel Unit and restart printer.</p>	<p>Turn off the printer, wait for awhile, and turn on the printer again. If the message still appears, contact Epson for support.</p>
<p>Reel Unit Error Check Auto Take-up Reel Unit cable and restart printer.</p>	<p>Reconnect the cable that runs from the optional Auto Take-up Reel and the printer.</p>
<p>Reel Unit Disconnected Auto Take-up Reel Unit is disconnected. Do you continue?</p>	<p>The optional Auto Take-up Reel is not connected. Reconnect the unit and select No on the control panel to turn the printer off. Wait a moment, then turn the printer on again. To continue printing without the Auto Take-up Reel, select Yes on the control panel. See the Auto Take-up Reel documentation for more details.</p>
<p>Take-Up Error Is anything obstructing the take-up reel sensor system?</p>	<p>The optional Auto Take-up Reel cannot take up media. Check the optional Auto Take-up Reel sensor and clear any obstructions, then press the OK button. If there is any loose paper on the Auto Take-up Reel roll core, set the Auto switch to Off and hold the Manual switch in the take-up direction to remove slack in the roll paper. Confirm that the paper is attached to the roll core correctly, then return the Auto switch to the original position and press the OK button.</p>

LCD screen message	Condition/solution
<p>HDD Error</p> <p>HDD used for another printer needs to be formatted. Continue?</p>	<p>The inserted hard drive is not formatted or is formatted for another printer.</p> <p>You must format an optional internal print server that has been used with another printer before using it with your product. Select the Format Hard Disk setting in the Administrator Menu.</p>
<p>Storage Error</p> <p>Check if hard disk unit is correctly installed.</p>	<p>The optional internal print server cannot store the current print job.</p> <p>Press the II  pause/cancel button and select Job Cancel, then remove and reinstall the optional internal print server.</p> <p>If the message still appears, contact Epson for support.</p> <p>To continue printing regardless of the optional internal printer server's status, select Print only from the Hard Disk Unit menu in the printer driver.</p>
<p>Data Size Error</p> <p>Data size of print job is too large. Check on print job.</p>	<p>The optional internal print server can store individual print jobs that are 100GB in size. To print larger jobs, select Print Only from the Hard Disk Unit menu in the printer driver.</p>
<p>HDD Store Error</p> <p>Hard disk does not have enough space.</p> <p>See documentation for how to delete stored print jobs.</p>	<p>There is insufficient space on the optional internal print server.</p> <p>Delete some print jobs from the optional internal print server using the Remote Manager or LFP HDD Utility (Windows only).</p>
<p>HDD Boot Error</p> <p>Hard disk error. Hard disk cannot be used.</p>	<p>Press the OK button.</p> <p>If the message still appears, contact Epson for support.</p> <p>To continue printing regardless of the optional internal printer server's status, select Print only from the Hard Disk Unit menu in the printer driver.</p>
<p>Held Jobs Limit</p> <p>Held job queue full.</p>	<p>The optional internal print server has reached the limit of 200 held jobs.</p> <p>Press the OK button and select Resume All Jobs.</p>

LCD screen message	Condition/solution
Checking hard disk	<p>Data on the optional internal print server is currently being checked. If the results of the check show that data restoration is necessary, the optional internal print server will start the restoration process. This may take up to 20 minutes.</p> <p>If the optional internal print server cannot restore the data, the Format Hard Disk option appears on the LCD screen. Format the optional internal print server to continue using it. If you do not format the disk, you will not be able to print with the optional internal print server.</p>
SP Connection Error See manual and reconnect cables of SpectroProofer Mounter to printer.	<p>The optional SpectroProofer mounter is not connected correctly. Turn off the printer and make sure the SpectroProofer mounter is connected correctly. Wait a moment, then turn on the printer again.</p> <p>See the SpectroProofer mounter documentation for more details.</p>
SProofer Disconnected SpectroProofer Mounter is not recognized. Continue?	<p>The optional SpectroProofer mounter is not connected correctly. Reconnect the cables and select No to turn off the printer. Wait a moment, then turn on the printer again. If you do not want to use the optional SpectroProofer, select Yes.</p> <p>See the SpectroProofer mounter documentation for more details.</p>
ILS30EP Error See manual and reconnect ILS30EP to SpectroProofer Mounter. Turn printer off and on again.	<p>The optional SpectroProofer UVS is not installed correctly. Turn off the printer and make sure the SpectroProofer mounter is connected correctly. Wait a moment, then turn on the printer again.</p> <p>See the SpectroProofer UVS documentation for more details.</p>
ILS30EP Disconnected ILS30EP is not recognized. Continue?	<p>The optional SpectroProofer UVS is not connected correctly. Reconnect the cables and select No to turn off the printer. Wait a moment, then turn on the printer again. If you do not want to use the optional SpectroProofer UVS, select Yes.</p> <p>See the SpectroProofer UVS documentation for more details.</p>

LCD screen message	Condition/solution
SpectroProofer Error See documentation for how to solve the problem. (error code)	See the SpectroProofer documentation for details on the displayed error code.
Maintenance Request Replace Part Soon/Replace Part Now (maintenance request code)	A part used in the printer is nearing the end of its service life. Contact Epson for support and provide them with the displayed maintenance request code. The error persists until you replace the requested part.
Call For Service (service code) Power off and then on. If this doesn't work, note the code and call for service.	<p>A call for service occurs when:</p> <ul style="list-style-type: none"> • The power cable is not connected securely • An error occurs that cannot be cleared <p>When a call for service has occurred, the printer automatically stops printing. Turn off the printer, disconnect the power cable from both the outlet and the printer, and reconnect them. Turn the printer on and off several times. If the same call for service is displayed on the LCD screen, contact Epson for support and provide them with the displayed service code.</p>

Parent topic: [Solving Problems](#)

Related concepts

[Print Head Nozzle Check](#)

[Print Head Cleaning](#)

Related references

[Print Quality Options - Windows](#)

[Color Management Options - Windows](#)

[Output Resolution Settings - OS X](#)

[Advanced Color Settings - OS X](#)

[Paper Menu Settings](#)

[Printer Setup Menu Settings](#)

[Administrator Menu Settings](#)

[Where to Get Help](#)

Related tasks

[Removing and Installing Ink Cartridges](#)

[Selecting Print Layout Options - Windows](#)

Related topics

[Replacing Ink Cartridges](#)

[Media Handling](#)

[Using the Auto Take-up Reel](#)

Solving Printer Problems

Check these sections if you have problems operating your product.

[Printer Does Not Turn On](#)

[LCD Screen Shuts Off](#)

Parent topic: [Solving Problems](#)

Printer Does Not Turn On

If the printer does not turn on, try these solutions:

- Make sure the power cable is securely connected.
- Make sure the power outlet works by connecting the power cable for another electronic device.

Parent topic: [Solving Printer Problems](#)

LCD Screen Shuts Off

If the LCD screen shuts off intermittently, the printer may be in Sleep Mode. Try these solutions:

- Press any of the buttons on the control panel to exit sleep mode.
- You can adjust the delay time before the product enters sleep mode in the Power Settings menu.

Parent topic: [Solving Printer Problems](#)

Related references

[Preferences Menu Settings](#)

Solving Printing Problems

Check these sections if you have problems printing with your product.

[Nothing Prints](#)
[Cannot Print Over a Network](#)
[Print Head Moves But Nothing Prints](#)
[Red Light Shines Inside the Printer](#)

Parent topic: [Solving Problems](#)

Nothing Prints

If you have sent a print job and nothing prints, try these solutions:

- Make sure your printer is turned on.
- Make sure any interface cables are connected securely at both ends. If you have a spare cable, try connecting with the spare cable.
- Check the model and specifications of the interface cable to see if the cable is appropriate for your computer and printer.
- If you connected your printer to a USB hub, make sure it is a first-tier hub. If it still does not print, connect your printer directly to your computer instead of the hub.
- Make sure the USB hub is recognized correctly on the computer. Disconnect all USB hubs from the computer and connect the printer directly to the computer's USB port.
- Make sure the USB cable length does not exceed 10 feet (3 m).

Parent topic: [Solving Printing Problems](#)

Related references

[Interface Specifications](#)

Cannot Print Over a Network

If you cannot print over a network, try these solutions:

- Make sure that your printer is turned on.
- Make sure you installed your printer's network software as described in the *Network Guide*.
- If you are using TCP/IP, make sure the printer's IP address is set correctly for your network. If your network does not assign IP addresses using DHCP, set the IP address manually.
- Check your wired LAN router or access point to see if the LED for the port to which your printer is connected is on or flashing. If the link LED is off, try the following:
 - Make sure the Ethernet cable is securely connected to your printer and to your router, access point, switch, or hub.

- Try connecting your printer to a different port or a different router, access point, switch, or hub.
- Try connecting with a different Ethernet cable.
- Try printing to your printer from another computer on the network.

Parent topic: [Solving Printing Problems](#)

Related references

[Network Setup Menu Settings](#)

[Interface Specifications](#)

Print Head Moves But Nothing Prints

If the print head is moving and nothing prints, try these solutions:

- Print a nozzle check pattern. If the pattern does not print correctly, clean the print head again. (If the printer has not been used for a long time the nozzles may be clogged.)
- If you see the message **Motor Self Adjustment** on the product's LCD screen, the printer is adjusting its internal motor. Wait a few moments for the message to disappear and do not turn off the printer.

Parent topic: [Solving Printing Problems](#)

Related concepts

[Print Head Nozzle Check](#)

[Print Head Cleaning](#)

Red Light Shines Inside the Printer

The red light always shines inside the printer. This is normal.

Parent topic: [Solving Printing Problems](#)

Solving Paper Problems

Check these sections if you have problems using paper with your product.

[Paper Feeding Problems](#)

[Roll Paper Jam Problems](#)

[Cut Sheet Paper Jam Problems](#)

[Paper Does Not Collect in the Basket or is Creased](#)

Parent topic: [Solving Problems](#)

Paper Feeding Problems

If you have problems feeding paper, try these solutions:

- Make sure paper is loaded in the correct orientation. Load cut sheets vertically.
- For best results, follow these guidelines:
 - Use new, smooth, high-quality paper that is not damp, curled, creased, old, too thin, or too thick.
 - Follow any special loading instructions that came with the paper.
- If roll paper does not feed, cut the end straight across and uncurl it by rolling it backward, if necessary. Then reload the paper.
- If you cannot insert paper easily into the paper feed slot, make sure the paper is perfectly flat and not curled.
- Do not load more than one piece of cut sheet paper.
- Make sure your paper meets the specifications for your product.
- If thick media does not feed, make sure you are loading it straight into the product, not at an angle.
- If paper does not eject correctly, decrease the **Paper Suction** setting for the loaded paper type.
- Make sure that paper is not jammed inside the product.

Parent topic: [Solving Paper Problems](#)

Related references

[Paper Menu Settings](#)

[Paper Specifications](#)

Related topics

[Roll Paper Handling](#)

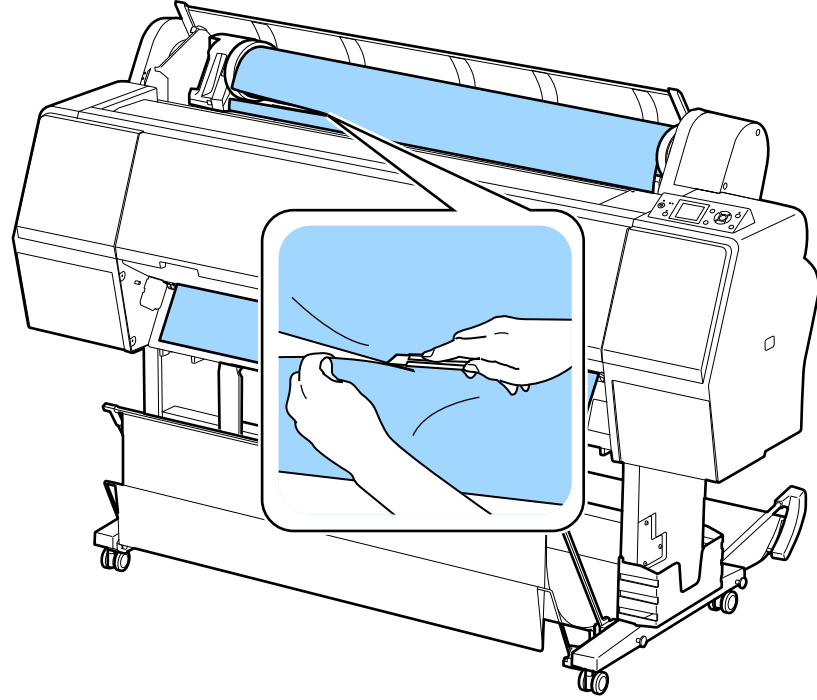
[Cut Sheet Handling](#)


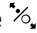
Roll Paper Jam Problems

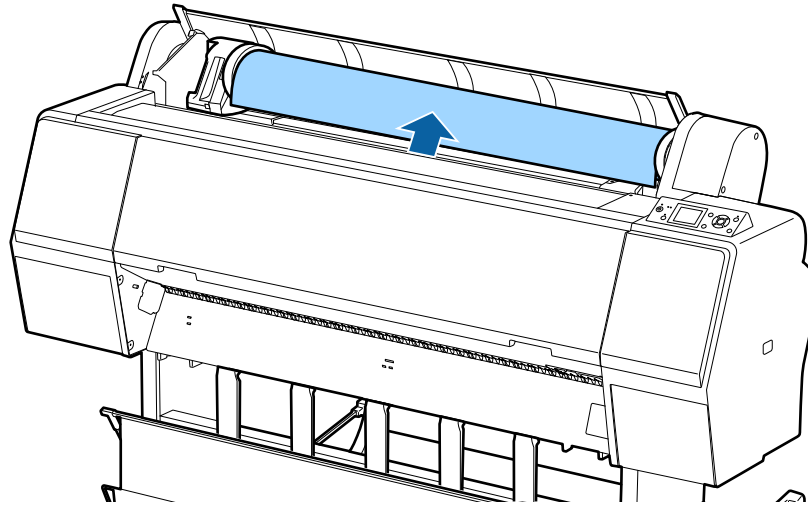
If roll paper has jammed in the printer, follow the steps here to clear the jam.

1. Open the roll paper cover.

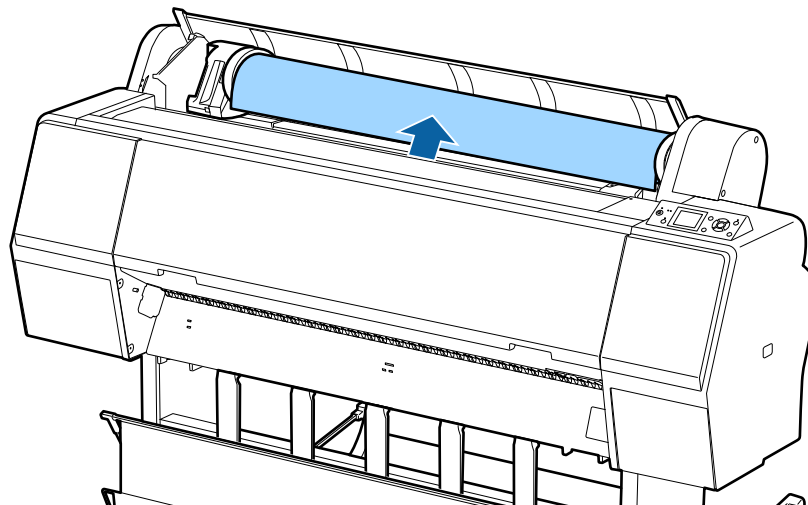
2. Cut the paper above the paper feed slot.



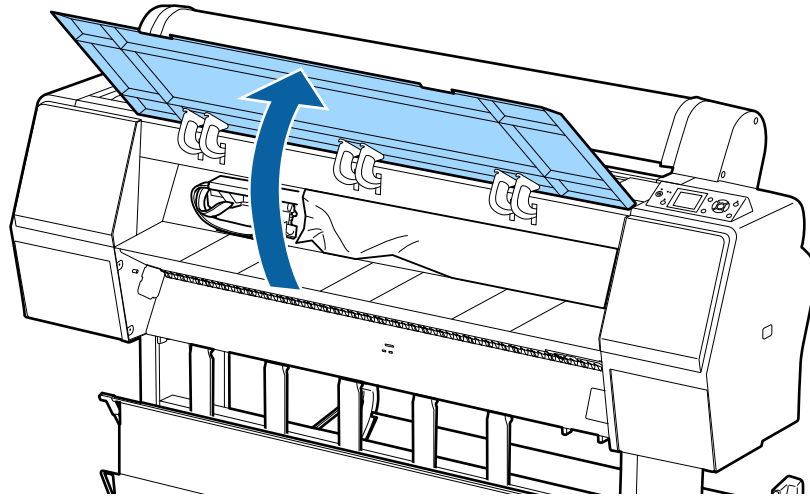
3. Check that the  pause/cancel light is not flashing and press the  load paper button.



4. Rewind the roll paper.

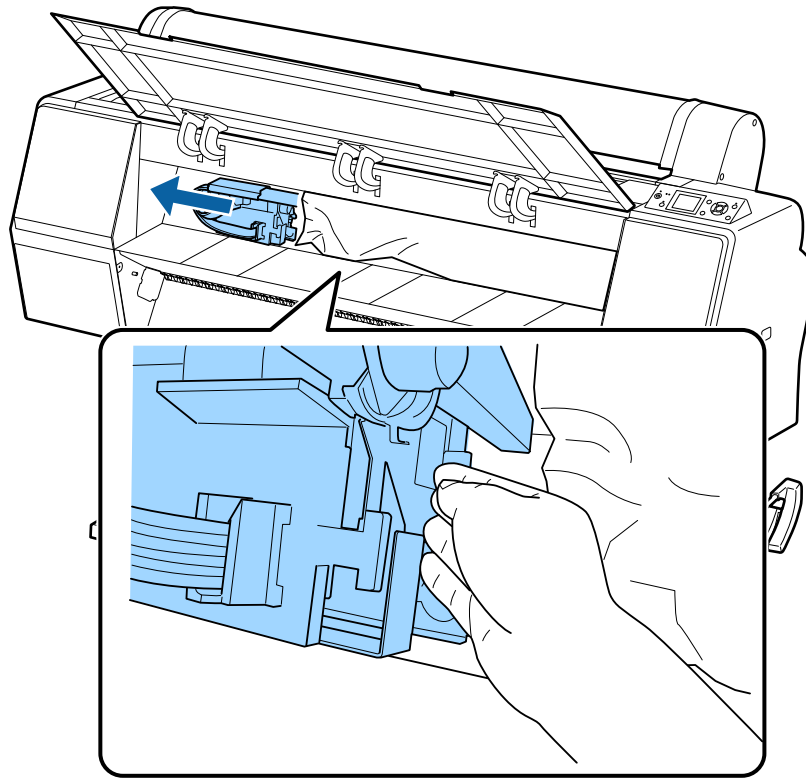


5. Open the front cover.



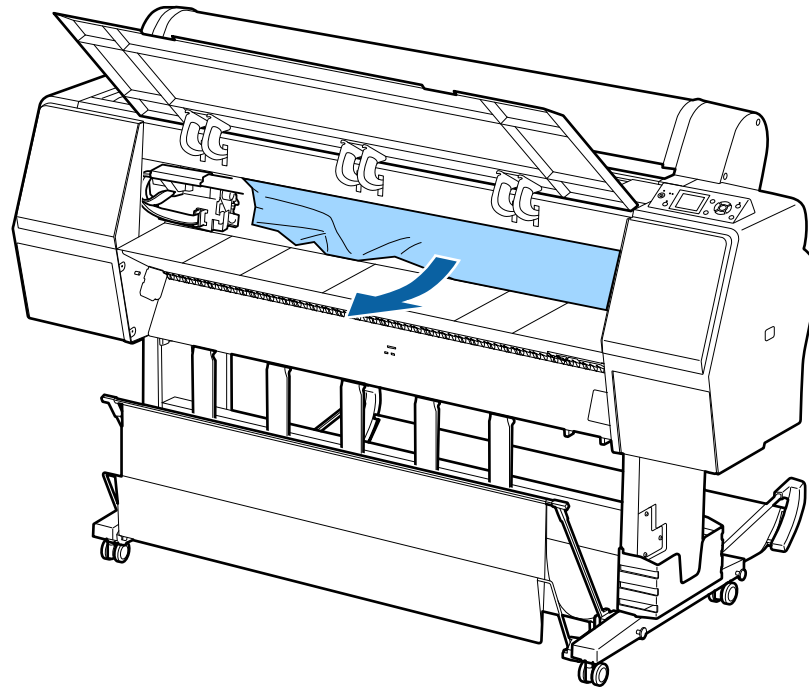
Caution: Do not touch the ribbon cable inside the printer.

6. Carefully move the print head away from the paper jam.



Caution: Do not touch the print head unless you are removing a paper jam. Touching the print head may cause a static shock that damages the printer.

7. Remove the jammed paper.



8. Close the front cover.

9. Turn the printer off and back on again.

10. Cut the edge of the roll paper straight horizontally, then reload the roll paper.

Note: Make sure to cut off any jagged or folded sections of paper.

Parent topic: [Solving Paper Problems](#)

Related tasks

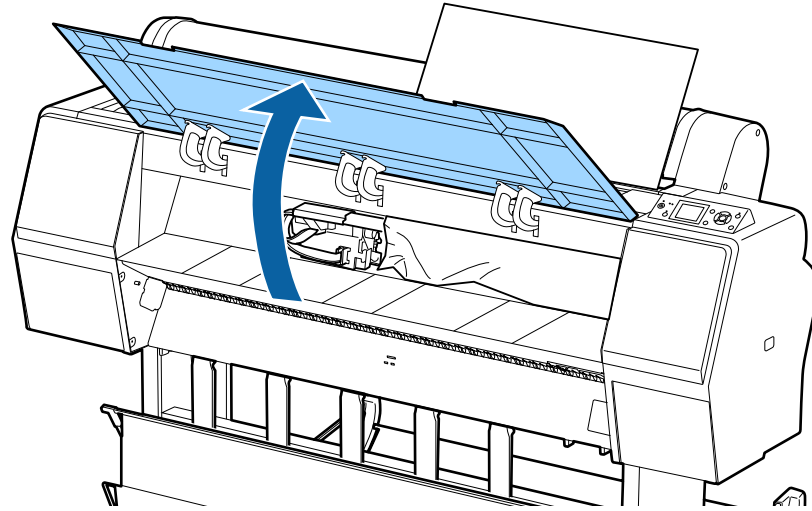
[Loading Roll Paper](#)

[Cutting Roll Paper Manually](#)

Cut Sheet Paper Jam Problems

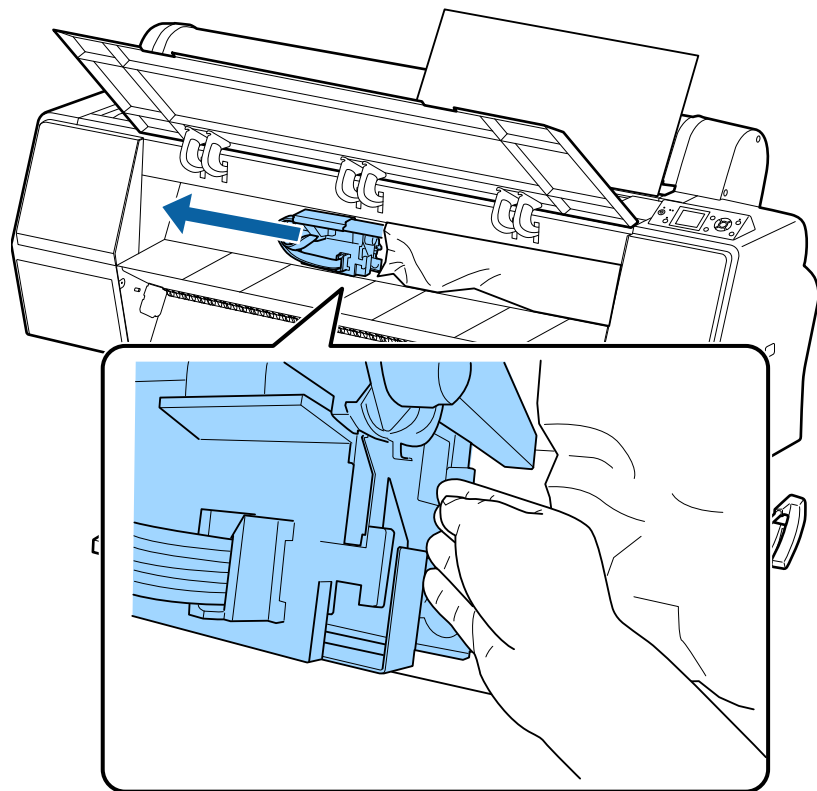
If cut sheet paper has jammed in the printer, follow the steps here to clear the jam.

1. Open the front cover.



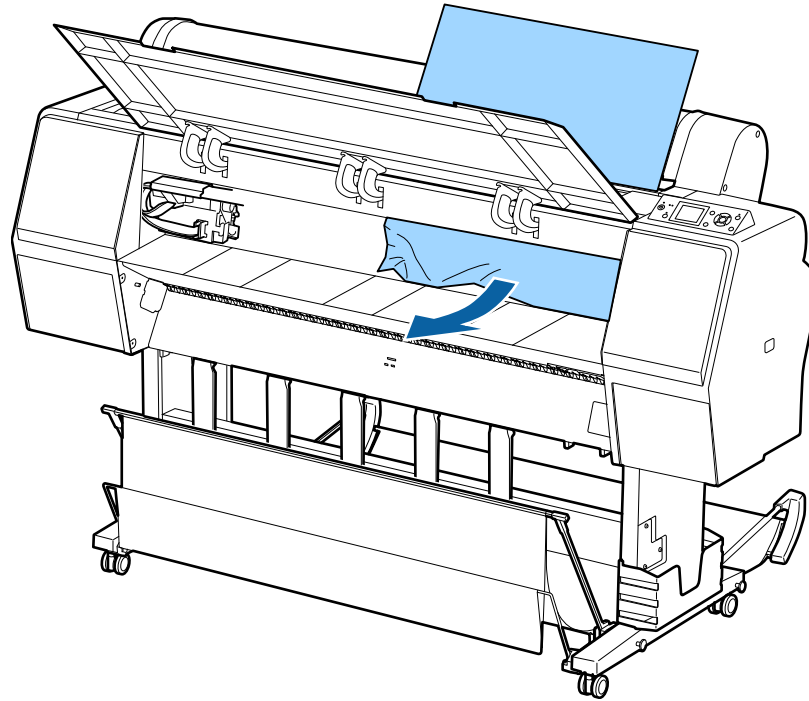
Caution: Do not touch the ribbon cable inside the printer.

2. Carefully move the print head to the opposite side of the printer from the paper jam.



Caution: Do not touch the print head unless you are removing a paper jam. Touching the print head may cause a static shock that damages the printer.

3. Remove the jammed paper.



4. Close the front cover.

5. Turn the printer off and back on again.

6. Reload the paper, making sure it is not skewed.

Parent topic: [Solving Paper Problems](#)

Related tasks

[Loading Cut Sheets](#)

[Loading Thick or Large Cut Sheets](#)

Paper Does Not Collect in the Basket or is Creased

If paper does not collect correctly in the paper basket, try these solutions:

- If paper does not collect in the basket, gently press on the paper basket as paper is ejected from the printer. This prevents the paper from catching on the basket.
- If the paper folds after cutting, set the **Auto Cut** setting to **Off**. Cut the paper manually while supporting the print.
- If the paper creases and does not collect in the basket, close the basket and resume printing. Before the paper reaches floor, hold the paper with both hands and continue to support it until printing is complete. Do not load more than one piece of cut sheet paper at a time.

Parent topic: [Solving Paper Problems](#)

Related references

[Paper Menu Settings](#)

Related topics

[Using the Paper Basket](#)

Solving Print Quality Problems

Check these sections if you have problems with print quality.

[Nozzle Check Pattern Prints Incorrectly](#)

[Overall Print Quality is Poor](#)

[Lines Are Misaligned](#)

[Prints are Scuffed or Smeared](#)

[Margins Appear in Borderless Prints](#)

[Too Much Ink is Consumed](#)

Parent topic: [Solving Problems](#)

Nozzle Check Pattern Prints Incorrectly

If the nozzle check pattern does not print correctly, try these solutions:

- Clean the print head and print the check pattern again. If cleaning the print head several times does not solve the problem, use a stronger print head cleaning level.
- If the printer has not been used for a long time, nozzles may be dried and clogged. Turn the printer on at least once every two weeks to prevent the nozzles from clogging.

Parent topic: [Solving Print Quality Problems](#)

Related concepts

[Print Head Nozzle Check](#)

[Print Head Cleaning](#)

Related references

[Administrator Menu Settings](#)

Overall Print Quality is Poor

If you notice that your print quality is uneven, too light, too dark, or there are lines in the print (banding), try these solutions:

- Run a nozzle check to see if any of the print head nozzles are clogged. Then clean the print head, if necessary.
- Align the print head.
- Make sure you are using genuine Epson ink cartridges. If you use non-Epson ink cartridges, the print result may be faint or the color of the printed image may be inaccurate because the remaining ink level is not correctly detected.
- Make sure your ink cartridges have not expired. For best results, use ink cartridges before the expiration date printed on the package (within six months of installation in the printer). Replace expired cartridges with new ones.
- Shake the cartridges before installing them in the printer. To maintain optimum print quality, remove and shake the installed cartridges if the printer has not been used in the last three months.
- Make sure you selected the correct **Media Type** setting in the printer driver that matches the paper loaded in the printer.
- Compare the print result with the image on your computer screen. Since monitors and printers produce colors differently, printed colors and screen colors do not always look the same.
- Make sure that the printer cover is closed during printing.
- Check the ink levels on the LCD screen. Replace any cartridges that are low on ink.
- Enable color management in the software application or in the printer driver.
- If you are using non-Epson media, make sure you create a custom paper configuration for the media.
- Check the quality setting that you selected in the printer driver. Using a faster printing method may decrease the overall print quality.

Parent topic: [Solving Print Quality Problems](#)

Related concepts

[Print Head Nozzle Check](#)

[Print Head Cleaning](#)

[Print Head Alignment](#)

[Purchase Epson Ink Cartridges](#)

Related references

[Print Quality Options - Windows](#)

[Color Management Options - Windows](#)

[Output Resolution Settings - OS X](#)

[Advanced Color Settings - OS X](#)

Related tasks

[Removing and Installing Ink Cartridges](#)

[Selecting Basic Print Settings - Windows](#)

[Selecting Basic Print Settings - OS X](#)

[Creating Paper Configurations](#)

Lines Are Misaligned

You may see vertical lines in the (bi-directional) print output. If this occurs, align the print head.


Parent topic: [Solving Print Quality Problems](#)

Related concepts

[Print Head Alignment](#)

Prints are Scuffed or Smearred

If your prints are scuffed or smearred, try these solutions:

- Make sure your paper meets the specifications for your product.
- Do not use paper with folds or creases and always use new media.
- If you are using cut sheet paper, check that changes in humidity and temperature have not made the paper wavy. Flatten the paper before loading it or use new paper.
- If the surface of the paper is scuffed, select a wider **Platen Gap** setting.
- If the bottom edge is scuffed, try widening the bottom margin.
- If ink is smearred on your prints, clean the rollers. Load blank paper and press the  paper feed button to feed it through the printer.

- If you are using non-Epson media, make sure you create a custom paper configuration for the media.
- Make sure the **Paper Size Check** setting is set to **On**, or the printer may print outside the edges of the loaded paper and smear ink on the back of the print.
- Depending on the print density and type of paper you are using, the ink may take a while to dry. Do not stack the prints until the ink is completely dry.

Parent topic: [Solving Print Quality Problems](#)

Related references

[Paper Menu Settings](#)

[Printer Setup Menu Settings](#)

Related tasks

[Creating Paper Configurations](#)

Margins Appear in Borderless Prints

If borderless prints still have margins, try these solutions:

- Check the print settings selected in your print application you are using, as well as the printer driver.
- Make sure that the paper settings on the LCD screen match the paper you loaded.
- Make sure borderless enlargement is not set to **Min** in the printer driver.
- Paper that is stored incorrectly may expand or contract. Make sure you have stored the paper according to the manufacturer's specifications.
- Check that the paper you are using supports borderless printing.
- If you are using roll paper, change the **Adjust Cut Position** setting. This may reduce the margins at the top and bottom of the print.

Parent topic: [Solving Print Quality Problems](#)

Related references

[Maintenance Menu Settings](#)

[Paper Menu Settings](#)

[Borderless Paper Type Compatibility](#)

Related tasks

[Selecting Roll Paper Settings - OS X](#)

Too Much Ink is Consumed

If your printer is consuming too much ink during printing, try these solutions:

- Make sure you selected the correct **Media Type** setting in the printer driver that matches the paper you loaded in the printer. The amount of ink used during printing is controlled by the **Media Type** setting.
- Lower the density of ink in the Paper Configuration menu in the printer driver.

Parent topic: [Solving Print Quality Problems](#)

Related references

[Paper Configuration Options - Windows](#)

Related tasks

[Selecting Basic Print Settings - Windows](#)

[Selecting Basic Print Settings - OS X](#)

[Selecting Paper Configuration Settings - OS X](#)

Where to Get Help

Epson provides technical support and information on the installation, configuration, and operation of professional printing products through the Epson Preferred Limited Warranty Plan. Dial (888) 377-6611, 6 AM to 6 PM, Pacific Time, Monday through Friday. Days and hours of support are subject to change without notice.

Note: If you experience difficulty with the toll-free number, call (562) 276-1305 (U.S.) or (905) 709-3481 (Canada).

Before you call, make sure you have your printer serial number and proof of purchase.

Visit Epson's [U.S. support website](#) or [Canadian website](#) and select your product for solutions to common problems. You can download drivers, firmware, and documentation, get FAQs and troubleshooting advice, or e-mail Epson with your questions.

Note: For help using any other software on your system, see the documentation for that software for technical support information.

Purchase Supplies and Accessories

You can purchase genuine Epson ink, paper, and accessories from an Epson authorized reseller. To find the nearest reseller, visit proimaging.epson.com (U.S.) or epson.ca (Canada), or call 800-GO-EPSON (800-463-7766).

Parent topic: [Solving Problems](#)

Technical Specifications

These sections list the technical specifications for your product.

Note: Epson offers a recycling program for end of life Epson products. Please go to [this site](#) for information on how to return your Epson products for proper disposal.

[Windows System Requirements](#)

[Mac System Requirements](#)

[Paper Specifications](#)

[Printable Area Specifications](#)

[Ink Cartridge Specifications](#)

[Dimension Specifications](#)

[Electrical Specifications](#)

[Environmental Specifications](#)

[Interface Specifications](#)

[Safety and Approvals Specifications](#)

Windows System Requirements

To use your product and its software, your computer should meet these requirements.

Microsoft Windows OS version (32- and 64-bit compatible)	Windows 10, Windows 8.x, Windows 7
CPU	Core 2 Duo 3.05 GHz or better
Memory	2GB or more; 4GB recommended
Hard disk space available	100GB or more
Interface	High-Speed USB port compatible with USB 2.0 Specification
	Ethernet 10BASE-T/100BASE-TX/1000BASE-T
Display resolution	XGA (1024 × 768) or higher

Note: Visit Epson's support website at epson.com/support (U.S.) or epson.ca/support (Canada) for the latest in compatibility and drivers for your product.

Parent topic: [Technical Specifications](#)

Mac System Requirements

To use your product and its software, your Mac should meet these requirements.

OS X version	OS X 10.11.x, 10.10.x, 10.9.x, 10.8.x, 10.7.x
CPU	Core 2 Duo 3.05 GHz or better
Memory	2GB or more; 4GB recommended
Hard disk space available	32GB or more
Interface	High-Speed USB port compatible with USB 2.0 Specification
	Ethernet 10BASE-T/100BASE-TX/1000BASE-T
Display resolution	WXGA (1280 × 800) or higher

Note: Visit Epson's support website at epson.com/support (U.S.) or epson.ca/support (Canada) for the latest in compatibility and drivers for your product.

Parent topic: [Technical Specifications](#)

Paper Specifications

Note: Since the quality of any particular brand or type of paper may be changed by the manufacturer at any time, Epson cannot guarantee the quality of any non-Epson brand or type of paper. Always test a sample of paper stock before purchasing large quantities or printing large jobs.

Cut sheet paper

Size

A4 (8.3 × 11.7 inches [210 × 297 mm])
A3 (11.7 × 16.5 inches [297 × 420 mm])
13 × 19 inches (330 × 483 mm)
A2 (16.5 × 23.4 inches [594 × 841 mm])
A1 (23.4 × 33.1 inches [594 × 841 mm])
A0 (33.1 × 44 inches [841 × 1189 mm])*
Super A0 (36 × 50.9 inches [914 × 1292 mm])*
Letter (8.5 × 11 inches [216 × 279 mm])
Legal (8.5 × 14 inches [216 × 356 mm])
8 × 10 inches (203 × 254 mm)
9 × 12 inches (229 × 305 mm)
10 × 12 inches (254 × 305 mm)
11 × 14 inches (279 × 356 mm)
11 × 17 inches (279 × 432 mm)
12 × 12 inches (305 × 305 mm)
12 × 18 inches (305 × 457 mm)
16 × 20 inches (279 × 432 mm)
17 × 22 inches (432 × 559 mm)
18 × 24 inches (457 × 610 mm)
22 × 34 inches (559 × 864 mm)
24 × 36 inches (610 × 910 mm)
34 × 44 inches (864 × 1120 mm)*
36 × 48 inches (910 × 1219 mm)*
*SC-P8000/SC-P9000 only

SC-P6000/SC-P7000:

Non-standard sizes between 7.2 inches (182 mm) and 24 inches (610 mm) wide, and between 11.7 inches (297 mm) and 36 inches

(914 mm) long

SC-P8000/SC-P9000:

Non-standard sizes between 7.2 inches (182 mm) and 44 inches (1118 mm) wide, and between 11.7 inches (297 mm) and 62.2 inches (1580 mm) long

Thickness

0.003 to 0.06 inches (0.08 to 1.5 mm)

Thick paper: 0.02 to 0.06 inches (0.5 to 1.5 mm)

Roll paper

Core size

2 inches (51 mm) and 3 inches (76 mm)

Outer diameter

2-inch core: up to 4.1 inches (103 mm)

3-inch core: up to 5.9 inches (150 mm)

Width

SC-P6000/SC-P7000:

10 inches (254 mm) to 24 inches (610 mm)

SC-P8000/SC-P9000:

10 inches (254 mm) to 44 inches (1118 mm)

Length

2-inch core: up to 147.6 feet (45 m)

3-inch core: up to 662.7 feet (202 m)

Thickness

0.003 to 0.02 inches (0.08 to 0.5 mm)

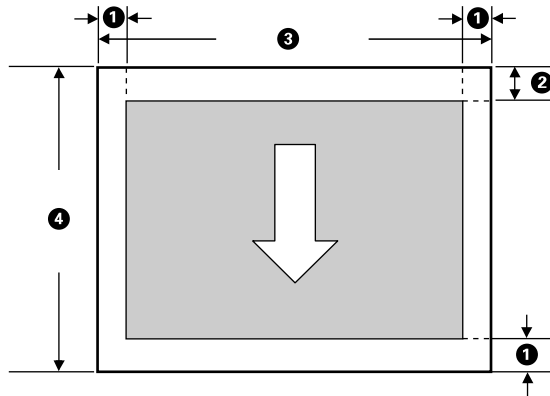
Note: Maximum thickness is reduced to 0.02 inches (0.45 mm) when using the optional SpectroProofer.

Parent topic: [Technical Specifications](#)

Printable Area Specifications

Note: When printing borderless, quality may decline in the expanded printable area.

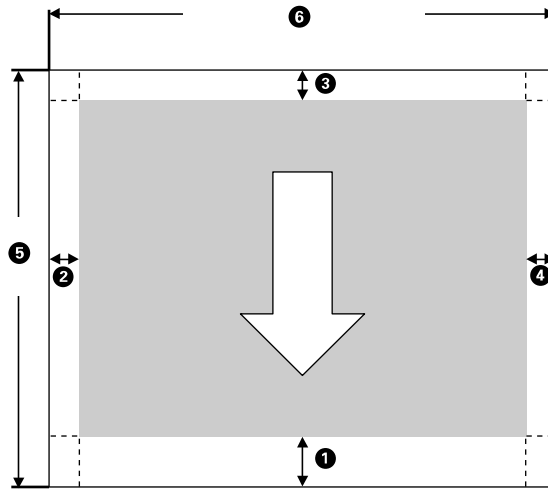
Cut sheet paper



Note: When printing borderless, the left and right margins are 0.

- 1 Left/right/bottom margin: 0.12 inch (3 mm) minimum
- 2 Top margin: 0.55 inch (14 mm) minimum
- 3 **SC-P6000/SC-P7000:**
Printable width: 10 inches (254 mm) to 24 inches (610 mm)
SC-P8000/SC-P9000:
Printable width: 10 inches (254 mm) to 44 inches (1118 mm)
- 4 Printable length: 11 inches (279 mm) to 62.2 inches (1580 mm)

Roll paper



Note: Margins may change depending on the Roll Paper Margin setting that you select. The numbers below are the default settings. When printing with the left and right borderless setting, the left and right margins are 0. When printing with the borderless on all sides setting, all margins are 0.

- 1 Bottom margin: 0.59 inch (15 mm) minimum*
- 2 Left margin: 0.12 inch (3 mm) minimum
- 3 Top margin: 0.59 inch (15 mm) minimum*
- 4 Right margin: 0.12 inch (3 mm) minimum
- 5 Printable length: 0.4 feet (0.13 m) to 662.7 feet (202 m)**
- 6 **SC-P6000/SC-P7000:**
Printable width: 10 inches (254 mm) to 24 inches (610 mm)
SC-P8000/SC-P9000:
Printable width: 10 inches (254 mm) to 44 inches (1118 mm)

* For these paper types the default top and bottom margins are 0.8 inch (20 mm): Epson Premium Glossy Photo Paper (250), Epson Premium Semigloss Photo Paper (250), Epson Premium Luster Photo Paper (260), and Epson Premium Semimatte Photo Paper (250).

** The maximum printable length using the Epson driver is 49.2 feet (15 m). To print longer images, you need to use third-party banner printing software.

Parent topic: [Technical Specifications](#)

Ink Cartridge Specifications

Note: This product uses only genuine Epson-brand cartridges. Other brands of ink cartridges and ink supplies are not compatible and, even if described as compatible, may not function properly.

The cartridges included with the printer are designed for printer setup and not for resale. After some ink is used for charging, the rest is available for printing. Yields vary considerably based on images printed, print settings, paper type, frequency of use, and temperature. For print quality, a variable amount of ink remains in the cartridge after the "replace cartridge" indicator comes on.

Pigment ink

SC-P7000/SC-P9000:

Standard Edition: Cyan, Light Cyan, Vivid Magenta, Vivid Light Magenta, Yellow, Orange, Green, Light Light Black, Light Black, Photo Black, Matte Black.

Commercial Edition: Cyan, Light Cyan, Vivid Magenta, Vivid Light Magenta, Yellow, Orange, Green, Violet, Light Black, Photo Black, Matte Black.

Note: The ink configuration is permanent (Light Light Black or Violet) once the printer completes its initial ink charge and can not be changed.

SC-P6000/SC-P8000:

Black: Light Light Black, Light Black, Photo Black, Matte Black

Color: Cyan, Light Cyan, Vivid Magenta, Vivid Light Magenta, Yellow

Cartridge life

Unopened package: do not use if the date on the package has expired

Print quality guarantee

After installation: 6 months

Temperature In transit (unopened): -4 to 140 °F (-20 to 60 °C)
Storage: -4 to 104 °F (-20 to 40 °C)
1 month at 104 °F (40 °C)
Ink freezes at 5 °F (-15 °C)
Ink thaws and is usable after 4 hours at 77 °F (25 °C)

Parent topic: [Technical Specifications](#)

Related references

[Ink Cartridge and Maintenance Box Part Numbers](#)

Dimension Specifications

Height	48 inches (1218 mm)
Width	SC-P8000/SC-P9000: 73.4 inches (1864 mm) SC-P6000/SC-P7000: 53.4 inches (1356 mm)
Depth	SC-P8000/SC-P9000: Paper basket closed: 26.3 inches (667 mm) Paper basket opened: 51.9 inches (1318 mm) SC-P6000/SC-P7000: Paper basket closed: 26.3 inches (667 mm) Paper basket opened: 35.6 inches (903 mm)
Weight (without ink cartridges or optional equipment)	SC-P8000/SC-P9000: 297.6 lb (135 kg) SC-P6000/SC-P7000: 222.7 lb (101 kg)

Parent topic: [Technical Specifications](#)

Electrical Specifications

Power supply rating	100 to 240 V
Input voltage range	90 to 264 V
Rated frequency range	50/60 Hz
Input frequency range	49.5/60.5 Hz
Rated current	2 A
Power consumption	SC-P8000/SC-P9000: Printing: 75 W (ISO/IEC24712) Ready mode: 19 W Sleep mode: 2.0 W Power off mode: 0.5 W or less SC-P6000/SC-P7000: Printing: 65 W (ISO/IEC24712) Ready mode: 19 W Sleep mode: 2.0 W Power off mode: 0.5 W or less

Parent topic: [Technical Specifications](#)

Environmental Specifications

Temperature	Operating: 50 to 95 °F (10 to 35 °C) Operating (recommended): 65 to 75 °F (18 to 24 °C) Storage (before unpacking): –4 to 140 °F (–20 to 60 °C) 1 month at 104 °F (40 °C) Storage (after unpacking): –4 to 104 °F (–20 to 40 °C) 1 month at 104 °F (40 °C)
--------------------	---

Humidity	Operating: 20 to 80% RH
(non-condensing)	Operating (recommended): 45 to 60% RH
	Storage: 5 to 85% RH

Parent topic: [Technical Specifications](#)

Interface Specifications

USB Interface	Hi-Speed USB-Compatible with the Universal Serial Bus Specifications Revision 2.0
Network Interface	10BASE-T/100BASE-TX /1000BASE-T

Parent topic: [Technical Specifications](#)

Safety and Approvals Specifications

United States	Safety: UL60950-1
	EMC: FCC part 15 Subpart B class B
Canada	Safety: CAN/CSA C22.2 No. 60950-1
	EMC: CAN/CSA-CEI/IEC CISPR 22 Class B

Parent topic: [Technical Specifications](#)

Notices

Check these sections for important notices about your product.

Note: Epson offers a recycling program for end of life Epson products. Please go to [this site](#) for information on how to return your Epson products for proper disposal.

[Important Safety Instructions](#)

[FCC Compliance Statement](#)

[Open Source Software License](#)

[Trademarks](#)

[Copyright Notice](#)

Important Safety Instructions

Before using your Epson product, read and follow these safety instructions.

[General Product Safety Instructions](#)

[Ink Cartridge Safety Instructions](#)

Parent topic: [Notices](#)

General Product Safety Instructions

- Be sure to follow all warnings and instructions marked on the product.
- Do not attempt to service this product yourself.
- Use only the type of power source indicated on the product's label.
- Use only the power cord that comes with the product. Use of another cord may cause fires or shock. Do not use the cord with any other equipment.
- Place the product near a wall outlet where the plug can be easily unplugged.
- Connect your product to a properly grounded power outlet. Avoid plugging the product into an outlet on the same circuit as a photo copier or air control system that regularly switches on and off, or on an outlet controlled by a wall switch or timer.
- Do not let the power cord become damaged or frayed. Place it to avoid abrasions, cuts, fraying, crimping, and kinking. Do not place objects on top of it and do not allow it to be stepped on or run over. Be careful to keep the cord straight at each end.

- If you use an extension cord with the product, make sure the total ampere rating of the devices plugged into the extension cord does not exceed the cord's ampere rating. Also, make sure the total ampere rating of all devices plugged into the wall outlet does not exceed the wall outlet's ampere rating.
- If damage occurs to the plug, replace the cord set or consult a qualified electrician. If there are fuses in the plug, make sure you replace them with fuses of the correct size and rating.
- Always turn off the product using the power button, and wait until the power light stops flashing before unplugging the product or cutting off power to the electrical outlet.
- If you will not be using the product for a long period, unplug the power cord from the electrical outlet.
- Place the product on a flat, stable surface that extends beyond its base in all directions. It will not operate properly if it is tilted or at an angle.
- Avoid locations that are subject to rapid changes in heat or humidity, shocks or vibrations, or dust.
- Do not place or store the product outdoors.
- Do not place the product near excessive heat sources or in direct sunlight.
- Leave enough room around the product for sufficient ventilation. Do not block or cover openings in the cabinet or insert objects through the slots.
- Keep the product away from potential sources of electromagnetic interference, such as loudspeakers or the base units of cordless telephones.
- When connecting the product to a computer or other device with a cable, ensure the correct orientation of the connectors. Each connector has only one correct orientation. Inserting a connector in the wrong orientation may damage both devices connected by the cable.
- Do not put your hands inside the product or touch the ink cartridges while printing.
- Do not move the print head by hand; this may damage the product.
- Do not spill liquid on the product or use the product with wet hands.
- Do not use aerosol products that contain flammable gases inside or around the product. Doing so may cause fire.
- Except as specifically explained in your documentation, do not attempt to service the product yourself.
- Unplug the product and refer servicing to qualified service personnel under the following conditions: if the power cord or plug is damaged; if liquid has entered the product; if the product has been dropped or the cabinet damaged; if the product does not operate normally or exhibits a distinct change in performance. Adjust only those controls that are covered by the operating instructions.
- When storing or transporting the product, do not tilt it, stand it on its side, or turn it upside down; otherwise ink may leak.

Note: The lithium batteries in this product contain Perchlorate Material - special handling may apply. [Click here](#) for details.

Parent topic: [Important Safety Instructions](#)

Ink Cartridge Safety Instructions

- Keep ink cartridges out of the reach of children and do not drink the ink.
- Be careful when you handle used ink cartridges; there may be ink remaining around the ink supply port. If ink gets on your skin, wash it off with soap and water. If it gets in your eyes, flush them immediately with water.
- Do not put your hand inside the product or touch any cartridges during printing.
- Install a new ink cartridge immediately after removing an expended one. Leaving cartridges uninstalled can dry out the print head and may prevent the product from printing.
- Install ink cartridges in all the ink cartridge slots. You cannot print if any of the slots are empty.
- Dried ink on the supply port may cause ink leaks when the cartridge is reinserted and used. Wipe off any excess ink before reinserting.
- Do not insert or remove replacement cartridges during printing.
- Do not remove the transparent seal from the ink supply port. This may cause the cartridge to become unusable.
- The green IC chip on this ink cartridge retains a variety of cartridge-related information, such as the ink cartridge status, so that the cartridge may be removed and reinserted freely. Do not touch the green IC chip on the side of the cartridge. This may prevent normal operation and printing.
- If you remove an ink cartridge for later use, protect the ink supply area from dirt and dust and store it in the same environment as the product. Note that there is a valve in the ink supply port, making covers or plugs unnecessary, but care is needed to prevent the ink from staining items that the cartridge touches. Do not touch the ink cartridge ink supply port or surrounding area.
- To insure print quality, use an ink cartridge before the date printed on its package.
- Do not dismantle or alter an ink cartridge. This could damage the print head and may prevent the product from printing.
- Do not drop cartridges or bump them against hard objects; otherwise, the ink may leak.
- Store ink cartridges at room temperature in a location that is not exposed to direct sunlight.
- After bringing an ink cartridge inside from a cold storage site, allow it to warm up at room temperature for at least four hours before using it.

Parent topic: [Important Safety Instructions](#)

FCC Compliance Statement

For United States Users

This equipment has been tested and found to comply with the limits for a Class B digital device, pursuant to Part 15 of the FCC Rules. These limits are designed to provide reasonable protection against harmful interference in a residential installation. This equipment generates, uses, and can radiate radio frequency energy and, if not installed and used in accordance with the instructions, may cause harmful interference to radio or television reception. However, there is no guarantee that interference will not occur in a particular installation. If this equipment does cause interference to radio and television reception, which can be determined by turning the equipment off and on, the user is encouraged to try to correct the interference by one or more of the following measures:

- Reorient or relocate the receiving antenna.
- Increase the separation between the equipment and receiver.
- Connect the equipment into an outlet on a circuit different from that to which the receiver is connected.
- Consult the dealer or an experienced radio/TV technician for help.

WARNING

The connection of a non-shielded equipment interface cable to this equipment will invalidate the FCC Certification or Declaration of this device and may cause interference levels which exceed the limits established by the FCC for this equipment. It is the responsibility of the user to obtain and use a shielded equipment interface cable with this device. If this equipment has more than one interface connector, do not leave cables connected to unused interfaces. Changes or modifications not expressly approved by the manufacturer could void the user's authority to operate the equipment.

For Canadian Users

CAN ICES-3(B)/NMB-3(B)

Parent topic: [Notices](#)

Open Source Software License

- 1) This printer product includes open source software programs listed in Section 5) according to the license terms of each open source software program.
- 2) We provide the source code of the GPL Programs, LGPL Programs, Apache License Program and ncftp license Program (each is defined in Section 5) until five (5) years after the discontinuation of same

model of this printer product. If you desire to receive the source code above, please contact Epson support. You shall comply with the license terms of each open source software program.

3) The open source software programs are WITHOUT ANY WARRANTY; without even the implied warranty of MERCHANTABILITY AND FITNESS FOR A PARTICULAR PURPOSE. See the license agreements of each open source software program here for more details.

4) The list of open source software programs which this printer product includes are as follows.

GNU GPL

This printer product includes the open source software programs which apply the GNU General Public License Version 2 or later version ("GPL Programs").

The list of GPL Programs:

linux-2.6.35-arm1-epson12

busybox-1.17.4

ethtool-2.6.35

e2fsprogs-1.41.14

scrub-2.4

smartmontools-5.40

WPA Supplicant 0.7.3

Shred(Coreutils v8.23)

GNU Lesser GPL

This printer product includes the open source software programs which apply the GNU Lesser General Public License Version 2 or later version ("Lesser GPL Programs").

The list of LGPL Programs:

uclibc-0.9.32

libusb-1.0.8

libiConv-1.14

Apache License

This printer product includes the open source software program "Bonjour" which apply the Apache License Version 2.0 ("Apache License Program").

Bonjour License

This printer product includes the open source software program "Bonjour" which applies the terms and conditions provided by owner of the copyright to the "Bonjour".

Net-SNMP license

This printer product includes the open source software program "Net-SNMP" which applies the terms and conditions provided by owner of the copyright to the "Net-SNMP".

BSD License (Berkeley Software Distribution License)

This printer product includes the open source software program which apply the Berkeley Software Distribution License ("BSD Program").

The list of BSD Licence Programs:

busybox-1.17.4

WPA Supplicant 0.7.3

Sun RPC License

This printer product includes the open source software program "busybox-1.17.4" which apply the Sun RPC License ("Sun RPC Program").

ncftp license

This printer product includes the open source software program "ncftp-3.2.4" which applies the terms and conditions provided by owner of the copyright to the "ncftp".

e2fsprogs license

This printer product includes the open source software program "e2fsprogs-1.41.14" which applies the terms and conditions provided by owner of the copyright to the "e2fsprogs".

MIT license

This printer product includes the open source software program "jQuery v1.8.2" which apply the MIT License.

Software License Terms

Bonjour

This printer product includes the open source software programs which apply the Apple Public Source License Version 1.2 or its latest version ("Bonjour Programs").

We provide the source code of the Bonjour Programs pursuant to the Apple Public Source License Version 1.2 or its latest version until five (5) years after the discontinuation of same model of this printer product. If you desire to receive the source code of the Bonjour Programs, contact Epson support.

You can redistribute Bonjour Programs and/or modify it under the terms of the Apple Public Source License Version 1.2 or its latest version.

These Bonjour Programs are WITHOUT ANY WARRANTY; without even the implied warranty of MERCHANTABILITY AND FITNESS FOR A PARTICULAR PURPOSE.

The Apple Public Source License Version 1.2 is as follows. You also can see the Apple Public Source License Version 1.2 at <http://www.opensource.apple.com/apsl/>.

APPLE PUBLIC SOURCE LICENSE

Version 2.0 - August 6, 2003

1. General; Definitions. This License applies to any program or other work which Apple Computer, Inc. ("Apple") makes publicly available and which contains a notice placed by Apple identifying such program or work as "Original Code" and stating that it is subject to the terms of this Apple Public Source License version 2.0 ("License"). As used in this License:

1.1 "Applicable Patent Rights" mean: (a) in the case where Apple is the grantor of rights, (i) claims of patents that are now or hereafter acquired, owned by or assigned to Apple and (ii) that cover subject matter contained in the Original Code, but only to the extent necessary to use, reproduce and/or distribute the Original Code without infringement; and (b) in the case where You are the grantor of rights, (i) claims of patents that are now or hereafter acquired, owned by or assigned to You and (ii) that cover subject matter in Your Modifications, taken alone or in combination with Original Code.

1.2 "Contributor" means any person or entity that creates or contributes to the creation of Modifications.

1.3 "Covered Code" means the Original Code, Modifications, the combination of Original Code and any Modifications, and/or any respective portions thereof.

1.4 "Externally Deploy" means: (a) to sublicense, distribute or otherwise make Covered Code available, directly or indirectly, to anyone other than You; and/or (b) to use Covered Code, alone or as part of a Larger Work, in any way to provide a service, including but not limited to delivery of content, through electronic communication with a client other than You.

1.5 "Larger Work" means a work which combines Covered Code or portions thereof with code not governed by the terms of this License.

1.6 "Modifications" mean any addition to, deletion from, and/or change to, the substance and/or structure of the Original Code, any previous Modifications, the combination of Original Code and any previous Modifications, and/or any respective portions thereof. When code is released as a series of files, a Modification is: (a) any addition to or deletion from the contents of a file containing Covered Code; and/or

(b) any new file or other representation of computer program statements that contains any part of Covered Code.

1.7 "Original Code" means (a) the Source Code of a program or other work as originally made available by Apple under this License, including the Source Code of any updates or upgrades to such programs or works made available by Apple under this License, and that has been expressly identified by Apple as such in the header file(s) of such work; and (b) the object code compiled from such Source Code and originally made available by Apple under this License.

1.8 "Source Code" means the human readable form of a program or other work that is suitable for making modifications to it, including all modules it contains, plus any associated interface definition files, scripts used to control compilation and installation of an executable (object code).

1.9 "You" or "Your" means an individual or a legal entity exercising rights under this License. For legal entities, "You" or "Your" includes any entity which controls, is controlled by, or is under common control with, You, where "control" means (a) the power, direct or indirect, to cause the direction or management of such entity, whether by contract or otherwise, or (b) ownership of fifty percent (50%) or more of the outstanding shares or beneficial ownership of such entity.

2. Permitted Uses; Conditions & Restrictions. Subject to the terms and conditions of this License, Apple hereby grants You, effective on the date You accept this License and download the Original Code, a world-wide, royalty-free, non-exclusive license, to the extent of Apple's Applicable Patent Rights and copyrights covering the Original Code, to do the following:

2.1 Unmodified Code. You may use, reproduce, display, perform, internally distribute within Your organization, and Externally Deploy verbatim, unmodified copies of the Original Code, for commercial or non-commercial purposes, provided that in each instance:

(a) You must retain and reproduce in all copies of Original Code the copyright and other proprietary notices and disclaimers of Apple as they appear in the Original Code, and keep intact all notices in the Original Code that refer to this License; and

(b) You must include a copy of this License with every copy of Source Code of Covered Code and documentation You distribute or Externally Deploy, and You may not offer or impose any terms on such Source Code that alter or restrict this License or the recipients' rights hereunder, except as permitted under Section 6.

2.2 Modified Code. You may modify Covered Code and use, reproduce, display, perform, internally distribute within Your organization, and Externally Deploy Your Modifications and Covered Code, for commercial or non-commercial purposes, provided that in each instance You also meet all of these conditions:

(a) You must satisfy all the conditions of Section 2.1 with respect to the Source Code of the Covered Code;

(b) You must duplicate, to the extent it does not already exist, the notice in Exhibit A in each file of the Source Code of all Your Modifications, and cause the modified files to carry prominent notices stating that You changed the files and the date of any change; and

(c) If You Externally Deploy Your Modifications, You must make Source Code of all Your Externally Deployed Modifications either available to those to whom You have Externally Deployed Your Modifications, or publicly available. Source Code of Your Externally Deployed Modifications must be released under the terms set forth in this License, including the license grants set forth in Section 3 below, for as long as you Externally Deploy the Covered Code or twelve (12) months from the date of initial External Deployment, whichever is longer. You should preferably distribute the Source Code of Your Externally Deployed Modifications electronically (e.g. download from a web site).

2.3 Distribution of Executable Versions. In addition, if You Externally Deploy Covered Code (Original Code and/or Modifications) in object code, executable form only, You must include a prominent notice, in the code itself as well as in related documentation, stating that Source Code of the Covered Code is available under the terms of this License with information on how and where to obtain such Source Code.

2.4 Third Party Rights. You expressly acknowledge and agree that although Apple and each Contributor grants the licenses to their respective portions of the Covered Code set forth herein, no assurances are provided by Apple or any Contributor that the Covered Code does not infringe the patent or other intellectual property rights of any other entity. Apple and each Contributor disclaim any liability to You for claims brought by any other entity based on infringement of intellectual property rights or otherwise. As a condition to exercising the rights and licenses granted hereunder, You hereby assume sole responsibility to secure any other intellectual property rights needed, if any. For example, if a third party patent license is required to allow You to distribute the Covered Code, it is Your responsibility to acquire that license before distributing the Covered Code.

3. Your Grants. In consideration of, and as a condition to, the licenses granted to You under this License, You hereby grant to any person or entity receiving or distributing Covered Code under this License a non-exclusive, royalty-free, perpetual, irrevocable license, under Your Applicable Patent Rights and other intellectual property rights (other than patent) owned or controlled by You, to use, reproduce, display, perform, modify, sublicense, distribute and Externally Deploy Your Modifications of the same scope and extent as Apple's licenses under Sections 2.1 and 2.2 above.

4. Larger Works. You may create a Larger Work by combining Covered Code with other code not governed by the terms of this License and distribute the Larger Work as a single product. In each such instance, You must make sure the requirements of this License are fulfilled for the Covered Code or any portion thereof.

5. Limitations on Patent License. Except as expressly stated in Section 2, no other patent rights, express or implied, are granted by Apple herein. Modifications and/or Larger Works may require additional patent licenses from Apple which Apple may grant in its sole discretion.

6. Additional Terms. You may choose to offer, and to charge a fee for, warranty, support, indemnity or liability obligations and/or other rights consistent with the scope of the license granted herein ("Additional Terms") to one or more recipients of Covered Code. However, You may do so only on Your own behalf and as Your sole responsibility, and not on behalf of Apple or any Contributor. You must obtain the recipient's agreement that any such Additional Terms are offered by You alone, and You hereby agree to indemnify, defend and hold Apple and every Contributor harmless for any liability incurred by or claims asserted against Apple or such Contributor by reason of any such Additional Terms.

7. Versions of the License. Apple may publish revised and/or new versions of this License from time to time. Each version will be given a distinguishing version number. Once Original Code has been published under a particular version of this License, You may continue to use it under the terms of that version. You may also choose to use such Original Code under the terms of any subsequent version of this License published by Apple. No one other than Apple has the right to modify the terms applicable to Covered Code created under this License.

8. NO WARRANTY OR SUPPORT. The Covered Code may contain in whole or in part pre-release, untested, or not fully tested works. The Covered Code may contain errors that could cause failures or loss of data, and may be incomplete or contain inaccuracies. You expressly acknowledge and agree that use of the Covered Code, or any portion thereof, is at Your sole and entire risk. THE COVERED CODE IS PROVIDED "AS IS" AND WITHOUT WARRANTY, UPGRADES OR SUPPORT OF ANY KIND AND APPLE AND APPLE'S LICENSOR(S) (COLLECTIVELY REFERRED TO AS "APPLE" FOR THE PURPOSES OF SECTIONS 8 AND 9) AND ALL CONTRIBUTORS EXPRESSLY DISCLAIM ALL WARRANTIES AND/OR CONDITIONS, EXPRESS OR IMPLIED, INCLUDING, BUT NOT LIMITED TO, THE IMPLIED WARRANTIES AND/OR CONDITIONS OF MERCHANTABILITY, OF SATISFACTORY QUALITY, OF FITNESS FOR A PARTICULAR PURPOSE, OF ACCURACY, OF QUIET ENJOYMENT, AND NONINFRINGEMENT OF THIRD PARTY RIGHTS. APPLE AND EACH CONTRIBUTOR DOES NOT WARRANT AGAINST INTERFERENCE WITH YOUR ENJOYMENT OF THE COVERED CODE, THAT THE FUNCTIONS CONTAINED IN THE COVERED CODE WILL MEET YOUR REQUIREMENTS, THAT THE OPERATION OF THE COVERED CODE WILL BE UNINTERRUPTED OR ERROR-FREE, OR THAT DEFECTS IN THE COVERED CODE WILL BE CORRECTED. NO ORAL OR WRITTEN INFORMATION OR ADVICE GIVEN BY APPLE, AN APPLE AUTHORIZED REPRESENTATIVE OR ANY CONTRIBUTOR SHALL CREATE A WARRANTY. You acknowledge that the Covered Code is not intended for use in the operation of nuclear facilities, aircraft navigation, communication systems, or air traffic control machines in which case the failure of the Covered Code could lead to death, personal injury, or severe physical or environmental damage.

9. LIMITATION OF LIABILITY. TO THE EXTENT NOT PROHIBITED BY LAW, IN NO EVENT SHALL APPLE OR ANY CONTRIBUTOR BE LIABLE FOR ANY INCIDENTAL, SPECIAL, INDIRECT OR CONSEQUENTIAL DAMAGES ARISING OUT OF OR RELATING TO THIS LICENSE OR YOUR USE OR INABILITY TO USE THE COVERED CODE, OR ANY PORTION THEREOF, WHETHER UNDER A THEORY OF CONTRACT, WARRANTY, TORT (INCLUDING NEGLIGENCE), PRODUCTS LIABILITY OR OTHERWISE, EVEN IF APPLE OR SUCH CONTRIBUTOR HAS BEEN ADVISED OF THE

POSSIBILITY OF SUCH DAMAGES AND NOTWITHSTANDING THE FAILURE OF ESSENTIAL PURPOSE OF ANY REMEDY. SOME JURISDICTIONS DO NOT ALLOW THE LIMITATION OF LIABILITY OF INCIDENTAL OR CONSEQUENTIAL DAMAGES, SO THIS LIMITATION MAY NOT APPLY TO YOU. In no event shall Apple's total liability to You for all damages (other than as may be required by applicable law) under this License exceed the amount of fifty dollars (\$50.00).

10. Trademarks. This License does not grant any rights to use the trademarks or trade names "Apple", "Apple Computer", "Mac", "Mac OS", "QuickTime", "QuickTime Streaming Server" or any other trademarks, service marks, logos or trade names belonging to Apple (collectively "Apple Marks") or to any trademark, service mark, logo or trade name belonging to any Contributor. You agree not to use any Apple Marks in or as part of the name of products derived from the Original Code or to endorse or promote products derived from the Original Code other than as expressly permitted by and in strict compliance at all times with Apple's third party trademark usage guidelines which are posted at <http://www.apple.com/legal/guidelinesfor3rdparties.html>.

11. Ownership. Subject to the licenses granted under this License, each Contributor retains all rights, title and interest in and to any Modifications made by such Contributor. Apple retains all rights, title and interest in and to the Original Code and any Modifications made by or on behalf of Apple ("Apple Modifications"), and such Apple Modifications will not be automatically subject to this License. Apple may, at its sole discretion, choose to license such Apple Modifications under this License, or on different terms from those contained in this License or may choose not to license them at all.

12. Termination.

12.1 Termination. This License and the rights granted hereunder will terminate:

- (a) automatically without notice from Apple if You fail to comply with any term(s) of this License and fail to cure such breach within 30 days of becoming aware of such breach;
- (b) immediately in the event of the circumstances described in Section 13.5(b); or
- (c) automatically without notice from Apple if You, at any time during the term of this License, commence an action for patent infringement against Apple; provided that Apple did not first commence an action for patent infringement against You in that instance.

12.2 Effect of Termination. Upon termination, You agree to immediately stop any further use, reproduction, modification, sublicensing and distribution of the Covered Code. All sublicenses to the Covered Code which have been properly granted prior to termination shall survive any termination of this License. Provisions which, by their nature, should remain in effect beyond the termination of this License shall survive, including but not limited to Sections 3, 5, 8, 9, 10, 11, 12.2 and 13. No party will be liable to any other for compensation, indemnity or damages of any sort solely as a result of terminating this License in accordance with its terms, and termination of this License will be without prejudice to any other right or remedy of any party.

13. Miscellaneous.

13.1 Government End Users. The Covered Code is a "commercial item" as defined in FAR 2.101. Government software and technical data rights in the Covered Code include only those rights customarily provided to the public as defined in this License. This customary commercial license in technical data and software is provided in accordance with FAR 12.211 (Technical Data) and 12.212 (Computer Software) and, for Department of Defense purchases, DFAR 252.227-7015 (Technical Data - Commercial Items) and 227.7202-3 (Rights in Commercial Computer Software or Computer Software Documentation). Accordingly, all U.S. Government End Users acquire Covered Code with only those rights set forth herein.

13.2 Relationship of Parties. This License will not be construed as creating an agency, partnership, joint venture or any other form of legal association between or among You, Apple or any Contributor, and You will not represent to the contrary, whether expressly, by implication, appearance or otherwise.

13.3 Independent Development. Nothing in this License will impair Apple's right to acquire, license, develop, have others develop for it, market and/or distribute technology or products that perform the same or similar functions as, or otherwise compete with, Modifications, Larger Works, technology or products that You may develop, produce, market or distribute.

13.4 Waiver; Construction. Failure by Apple or any Contributor to enforce any provision of this License will not be deemed a waiver of future enforcement of that or any other provision. Any law or regulation which provides that the language of a contract shall be construed against the drafter will not apply to this License.

13.5 Severability. (a) If for any reason a court of competent jurisdiction finds any provision of this License, or portion thereof, to be unenforceable, that provision of the License will be enforced to the maximum extent permissible so as to effect the economic benefits and intent of the parties, and the remainder of this License will continue in full force and effect. (b) Notwithstanding the foregoing, if applicable law prohibits or restricts You from fully and/or specifically complying with Sections 2 and/or 3 or prevents the enforceability of either of those Sections, this License will immediately terminate and You must immediately discontinue any use of the Covered Code and destroy all copies of it that are in your possession or control.

13.6 Dispute Resolution. Any litigation or other dispute resolution between You and Apple relating to this License shall take place in the Northern District of California, and You and Apple hereby consent to the personal jurisdiction of, and venue in, the state and federal courts within that District with respect to this License. The application of the United Nations Convention on Contracts for the International Sale of Goods is expressly excluded.

13.7 Entire Agreement; Governing Law. This License constitutes the entire agreement between the parties with respect to the subject matter hereof. This License shall be governed by the laws of the United States and the State of California, except that body of California law concerning conflicts of law.

Where You are located in the province of Quebec, Canada, the following clause applies: The parties hereby confirm that they have requested that this License and all related documents be drafted in English.

Les parties ont exigé que le présent contrat et tous les documents connexes soient rédigés en anglais.

EXHIBIT A.

"Portions Copyright © 1999-2003 Apple Computer, Inc. All Rights Reserved.

This file contains Original Code and/or Modifications of Original Code as defined in and that are subject to the Apple Public Source License Version 2.0 (the 'License'). You may not use this file except in compliance with the License. Please obtain a copy of the License at <http://www.opensource.apple.com/apsl/> and read it before using this file.

The Original Code and all software distributed under the License are distributed on an 'AS IS' basis, WITHOUT WARRANTY OF ANY KIND, EITHER EXPRESS OR IMPLIED, AND APPLE HEREBY DISCLAIMS ALL SUCH WARRANTIES, INCLUDING WITHOUT LIMITATION, ANY WARRANTIES OF MERCHANTABILITY, FITNESS FOR A PARTICULAR PURPOSE, QUIET ENJOYMENT OR NON-INFRINGEMENT. Please see the License for the specific language governing rights and limitations under the License."

Info-ZIP copyright and license

This is version 2007-Mar-4 of the Info-ZIP license. The definitive version of this document should be available at <ftp://ftp.info-zip.org/pub/infozip/license.html> indefinitely and a copy at <http://www.info-zip.org/pub/infozip/license.html>.

Copyright © 1990-2007 Info-ZIP. All rights reserved.

For the purposes of this copyright and license, "Info-ZIP" is defined as the following set of individuals:

Mark Adler, John Bush, Karl Davis, Harald Denker, Jean-Michel Dubois, Jean-loup Gailly, Hunter Goatley, Ed Gordon, Ian Gorman, Chris Herborth, Dirk Haase, Greg Hartwig, Robert Heath, Jonathan Hudson, Paul Kienitz, David Kirschbaum, Johnny Lee, Onno van der Linden, Igor Mandrichenko, Steve P. Miller, Sergio Monesi, Keith Owens, George Petrov, Greg Roelofs, Kai Uwe Rommel, Steve Salisbury, Dave Smith, Steven M. Schweda, Christian Spieler, Cosmin Truta, Antoine Verheijen, Paul von Behren, Rich Wales, Mike White.

Permission is granted to anyone to use this software for any purpose, including commercial applications, and to alter it and redistribute it freely, subject to the above disclaimer and the following restrictions:

1. Redistributions of source code (in whole or in part) must retain the above copyright notice, definition, disclaimer, and this list of conditions.
2. Redistributions in binary form (compiled executables and libraries) must reproduce the above copyright notice, definition, disclaimer, and this list of conditions in documentation and/or other materials provided with the distribution. The sole exception to this condition is redistribution of a standard UnZipSFX binary (including SFXWiz) as part of a self-extracting archive; that is permitted without inclusion of this license, as long as the normal SFX banner has not been removed from the binary or disabled.

3. Altered versions--including, but not limited to, ports to new operating systems, existing ports with new graphical interfaces, versions with modified or added functionality, and dynamic, shared, or static library versions not from Info-ZIP--must be plainly marked as such and must not be misrepresented as being the original source or, if binaries, compiled from the original source. Such altered versions also must not be misrepresented as being Info-ZIP releases--including, but not limited to, labeling of the altered versions with the names "Info-ZIP" (or any variation thereof, including, but not limited to, different capitalizations), "Pocket UnZip," "WiZ" or "MacZip" without the explicit permission of Info-ZIP. Such altered versions are further prohibited from misrepresentative use of the Zip-Bugs or Info-ZIP e-mail addresses or the Info-ZIP URL(s), such as to imply Info-ZIP will provide support for the altered versions.

4. Info-ZIP retains the right to use the names "Info-ZIP," "Zip," "UnZip," "UnZipSFX," "WiZ," "Pocket UnZip," "Pocket Zip," and "MacZip" for its own source and binary releases.

Parent topic: [Notices](#)

Trademarks

EPSON®, SureColor®, and SpectroProofer® are registered trademarks and EPSON Exceed Your Vision is a registered logomark of Seiko Epson Corporation.

Epson StoreSM is a service mark of Epson America, Inc.

Mac and OS X are trademarks of Apple Inc., registered in the U.S. and other countries.

General Notice: Other product names used herein are for identification purposes only and may be trademarks of their respective owners. Epson disclaims any and all rights in those marks.



Parent topic: [Notices](#)

Copyright Notice

All rights reserved. No part of this publication may be reproduced, stored in a retrieval system, or transmitted in any form or by any means, electronic, mechanical, photocopying, recording, or otherwise, without the prior written permission of Seiko Epson Corporation. The information contained herein is designed only for use with this Epson product. Epson is not responsible for any use of this information as applied to other products.

Neither Seiko Epson Corporation nor its affiliates shall be liable to the purchaser of this product or third parties for damages, losses, costs, or expenses incurred by purchaser or third parties as a result of:

accident, misuse, or abuse of this product or unauthorized modifications, repairs, or alterations to this product, or (excluding the U.S.) failure to strictly comply with Seiko Epson Corporation's operating and maintenance instructions.

Seiko Epson Corporation shall not be liable for any damages or problems arising from the use of any options or any consumable products other than those designated as Original Epson Products or Epson Approved Products by Seiko Epson Corporation.

Seiko Epson Corporation shall not be held liable for any damage resulting from electromagnetic interference that occurs from the use of any interface cables other than those designated as Epson approved Products by Seiko Epson Corporation.

This information is subject to change without notice.

[A Note Concerning Responsible Use of Copyrighted Materials](#)
[Copyright Attribution](#)

Parent topic: [Notices](#)

A Note Concerning Responsible Use of Copyrighted Materials

Epson encourages each user to be responsible and respectful of the copyright laws when using any Epson product. While some countries' laws permit limited copying or reuse of copyrighted material in certain circumstances, those circumstances may not be as broad as some people assume. Contact your legal advisor for any questions regarding copyright law.

Parent topic: [Copyright Notice](#)

Copyright Attribution

© 2016 Epson America, Inc.

2/16

CPD-50227R1

Parent topic: [Copyright Notice](#)