

TM-T88VI-DT2

Technical Reference Guide

Product Overview

Describes features of the product.

Setup

Describes setup for the product and peripheral devices necessary before using this product.

Printer Functions and Settings

Describes the printer functions and setting items.

Windows Settings

Describes the pre-installed Windows settings and specifications.

TM-DT Software System Development

Describes the requirements for system development using TM-DT software.

PC-POS System Development

Describes information necessary for developing a PC-POS system.

Handling

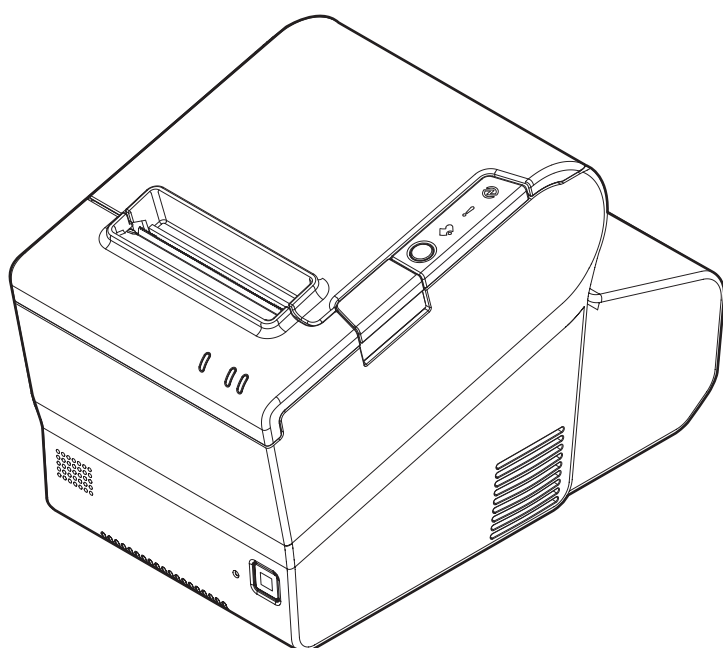
Describes how to handle the product.

Replacement of the TM-T88V-DT

Describes how to replace the TM-T88V-DT.

Product Specifications

Describes this product's specifications.



Cautions

- No part of this document may be reproduced, stored in a retrieval system, or transmitted in any form or by any means, electronic, mechanical, photocopying, recording, or otherwise, without the prior written permission of Seiko Epson Corporation.
- The contents of this document are subject to change without notice. Please contact us for the latest information.
- While every precaution has been taken in the preparation of this document, Seiko Epson Corporation assumes no responsibility for errors or omissions.
- Neither is any liability assumed for damages resulting from the use of the information contained herein.
- Neither Seiko Epson Corporation nor its affiliates shall be liable to the purchaser of this product or third parties for damages, losses, costs, or expenses incurred by the purchaser or third parties as a result of: accident, misuse, or abuse of this product or unauthorized modifications, repairs, or alterations to this product, or (excluding the U.S.) failure to strictly comply with Seiko Epson Corporation's operating and maintenance instructions.
- Seiko Epson Corporation shall not be liable against any damages or problems arising from the use of any options or any consumable products other than those designated as Original Epson Products or Epson Approved Products by Seiko Epson Corporation.

Trademarks

EPSON is a registered trademark of Seiko Epson Corporation.

Exceed Your Vision and ESC/POS are registered trademarks or trademarks of Seiko Epson Corporation.

Microsoft, and Windows are registered trademarks of Microsoft Corporation in the United States and/or other countries.

Celeron, Intel, and Intel Core are trademarks of Intel Corporation or its subsidiaries in the United States and/or other countries.

IOS is a trademark or registered trademark of Cisco in the U.S. and other countries and is used under license.

AndroidTM is a trademark of Google LLC.



All other trademarks are the property of their respective owners and used for identification purpose only.

©Seiko Epson Corporation 2019. All rights reserved.

For Safety

Key to Symbols

The symbols in this manual are identified by their level of importance, as defined below. Read the following carefully before handling the product.

| | |
|---|--|
|  WARNING | You must follow warnings carefully to avoid serious bodily injury. |
|  CAUTION | Provides information that must be observed to prevent damage to the equipment or loss of data. <ul style="list-style-type: none">• Possibility of sustaining physical injuries.• Possibility of causing physical damage.• Possibility of causing information loss. |
| CAUTION | Provides information that must be observed to avoid damage to your equipment or a malfunction. |
| NOTE | Provides important information and useful tips. |

Warnings



WARNING

- If this product produces smoke, a strange odor, or unusual noise, immediately unplug the AC cable, and contact qualified service personnel. Continued use may lead to fire or electric shock.
- Do not use this product with any voltage other than the specified one. Doing so may lead to fire or electric shock.
- Be sure to use the specified AC adapter. Connection to an improper power source may cause fire.
- Use only the power cable supplied with this product. In addition, use the supplied power cable only for this product. Other use may cause electric shock or fire.
- Do not connect the cables in ways other than those specified in the manuals. Different connections may cause equipment damage or fire.
- Do not block the openings of this product. This may cause overheating inside the product and lead to fire.
 - * Do not place the product in an unventilated narrow location, such as a bookshelf.
 - * Do not place the product on carpet.
 - * Do not cover the product with any fabric.
- Do not use this product where inflammable fumes of gasoline, benzine, thinner, or other inflammable liquids may be in the air. Doing so may cause an explosion or fire.
- Do not use aerosol sprayers containing flammable gas inside or around this product. Doing so may cause fire.
- If water or other liquid spills into this product, immediately unplug the AC cable, and contact qualified service personnel. Continued use may lead to fire or shock.
- Do not allow foreign objects to fall into this product. Penetration by foreign objects may lead to fire or electric shock.
- Never attempt to repair this product yourself. Improper repair work can be dangerous.
- Never disassemble or modify this product. Tampering with this product may result in injury, fire, or electric shock.
- Do not attempt to open or disassemble the internal lithium battery. This could result in burns or release of hazardous chemicals.
- Do not leave the internal lithium battery in a hot place such as near a fire or a heater because it could overheat and ignite.

Cautions



- Do not use this product in locations subject to high humidity or dust levels. Excessive humidity and dust may cause paper jams and other problems, such as fire, or electric shock.
- Be sure to set this product on a firm, stable, horizontal surface. The product may break or cause injury if it falls.
- Do not stand on or place heavy objects on top of this product. Equipment may fall or collapse, causing breakage and possible injury.
- Be sure to use this product with the connector cover attached. If it is not attached, foreign objects may enter this product, causing fire or equipment damage.
- When you move this product, be sure to hold the main body. If you hold only the connector cover, it may come off and the main body may break or cause injury if it falls.
- The print head can be very hot during and immediately after printing. If you need to touch it, such as for cleaning, wait until it cools down. Touching it before that may cause burns.
- Be careful of the cutter blades of the printer.
- Make sure that the total power requirements of all devices receiving power from this product do not exceed the power supplying capability of the product. Otherwise, the devices may be damaged.
- Connecting an outdoor overhead LAN cable directly to this product may lead to lightning damage. If you need to connect such a cable to the product, the cable must be protected against an electrical surge between the cable and the product. You should avoid connecting the product to a non-surge protected outdoor overhead LAN cable.
- Do not connect a telephone line to the drawer kick connector of this product. The telephone line or product may become damaged.
- To ensure safety, unplug this product before leaving it for an extended period.
- Confirm the rated current of the external devices by checking the descriptions on the devices or manuals. Do not use a device whose rated current is unclear.
- Connect the external devices only when those total rated current is less than 4.2 A.
- To power off the product, use the application or OS function. Do not use the operations shown below unless the product cannot be turned off due to an application or OS problem. Doing so may cause loss of unsaved data, require OS recovery, or damage the SSD or other hardware.
 - * Forced termination by holding down the power button for approx.4 sec.
 - * Power shutdown by turning off the circuit breaker on the distribution board or by disconnecting the AC cable/DC cable
 - * The same phenomenon may also occur due to power shutdown caused by power failure/temporary power failure.

Caution Labels

The caution labels on the product indicate the following precautions.



Do not touch the thermal head and the frame on its side because it can be very hot after printing.

Restriction of Use

When this product is used for applications requiring high reliability/safety, such as transportation devices related to aviation, rail, marine, automotive, etc.; disaster prevention devices; various safety devices, etc.; or functional/precision devices, etc., you should use this product only after giving consideration to including fail-safes and redundancies into your design to maintain safety and total system reliability. Because this product was not intended for use in applications requiring extremely high reliability/safety, such as aerospace equipment, main communication equipment, nuclear power control equipment, or medical equipment related to direct medical care, etc., please make your own judgment on this product's suitability after a full evaluation.

Open Source Software License

This product uses open source software in addition to Epson proprietary software.

For information of the open source software used in this product, see the following URL.

<http://xxx.xxx.xxx.xxx/licenses.html>

For "xxx.xxx.xxx.xxx" in the above URL, input your printer's IP address.

About this Manual

Aim of the Manual

This manual provides developers/engineers with all the necessary information for design, development and installation of a POS system, and also design and development of a printer application.

Manual Content

The manual is made up of the following sections:

| | |
|-----------|---|
| Chapter 1 | Product Overview |
| Chapter 2 | Setup |
| Chapter 3 | Printer Functions and Settings |
| Chapter 4 | Windows Settings |
| Chapter 5 | TM-DT Software System Development |
| Chapter 6 | PC-POS System Development |
| Chapter 7 | Handling |
| Chapter 8 | Replacement of the TM-T88V-DT |
| Appendix | Product Specifications |

Contents

- **For Safety** 3
 - Key to Symbols..... 3
 - Warnings 4
 - Cautions..... 5
- **Caution Labels** 5
- **Restriction of Use** 6
- **Open Source Software License**..... 6
- **About this Manual** 7
 - Aim of the Manual 7
 - Manual Content..... 7
- **Contents**..... 8

Product Overview 14

- **Features** 14
 - Features of the POS Terminal (Controller)..... 14
 - Printer Features..... 14
- **Product Configurations** 15
 - Models..... 15
 - Accessories 15
- **Part Names and Functions** 16
 - Interface..... 19

| | |
|--|-----------|
| Setup | 21 |
| ■ Flow of Setup | 21 |
| ■ Installing the Printer | 22 |
| ■ Connecting the AC Adapter | 23 |
| ■ Changing the Paper Width | 24 |
| ■ Adjusting the Paper Roll Near-End Sensor..... | 25 |
| ■ Connecting the LAN | 26 |
| ■ Attaching the Customer Display | 26 |
| ■ Connecting the Cash Drawer | 27 |
| ■ Connecting External Devices | 29 |
| ■ Key Input Device | 29 |
| ■ Serial Communication Device | 29 |
| ■ Attaching/Removing the Connector Cover..... | 30 |
| Attaching the connector cover | 30 |
| Removing the connector cover | 32 |
| ■ Attaching the Power Button Cover | 33 |
| ■ Securing the Product..... | 34 |
| ■ Operating Test | 35 |
| <hr/> | |
| Printer Functions and Settings | 36 |
| ■ Printer Online and Offline Statuses | 36 |
| Online | 36 |
| Offline..... | 36 |
| ■ Status and Errors | 37 |
| Automatically Recoverable Errors | 37 |
| Recoverable Errors | 37 |
| Unrecoverable Errors | 38 |
| Status Display | 39 |
| ■ NV Memory | 40 |
| NV Graphics Memory | 40 |
| Customized Values..... | 40 |
| R/E (Receipt Enhancement) | 40 |
| Maintenance Counter..... | 40 |
| ■ Software Settings..... | 41 |
| Functions..... | 42 |
| ■ Setting/Checking Modes | 45 |
| Self-test Mode | 47 |
| NV Graphics Information Print Mode..... | 48 |
| Receipt Enhancement Information Print Mode | 48 |

| | |
|-----------------------------------|----|
| Software Setting Mode | 49 |
| Restore Default Values Mode | 51 |
| Hexadecimal Dumping Mode | 52 |

Windows Settings53

| | |
|--|-----------|
| ■ Windows 10 IoT Enterprise..... | 53 |
| Windows Initial Settings | 53 |
| Starting Up and Shutting Down Windows..... | 53 |
| Enabling or Disabling ePOS-Device | 54 |
| Speaker Volume Setting | 54 |
| Windows Recovery | 55 |
| Specification | 56 |

TM-DT Software System Development.....57

| | |
|--|-----------|
| ■ Systems that Use TM-DT software | 57 |
| Software Configuration | 57 |
| Network Printer Control..... | 58 |
| Spooler and Forward Printing | 59 |
| Controlling for POS Peripherals | 65 |
| Communication Box | 67 |
| ■ System Configuration Using the TM-DT Software | 69 |
| System Configuration | 69 |
| Server Direct Print | 70 |
| Device Data Notification..... | 72 |
| Controlling POS Peripherals from Smart Devices..... | 74 |
| Controlling POS Peripherals from Web Applications | 75 |
| Controlling POS Peripherals from Socket Communication Compatible Applications..... | 76 |
| Web Server | 77 |
| ■ TM-DT Software Settings..... | 79 |
| Starting EPSON TMNet WebConfig..... | 79 |
| Help Screen Display..... | 79 |
| Version Screen Display | 79 |
| Updating TM-DT Software | 79 |
| Information - Current status..... | 80 |
| Information - System settings - Network..... | 81 |
| Information - System settings - Date and Time | 82 |
| Settings - Web service settings - Startup settings..... | 82 |
| Settings - Web service settings - Printer | 83 |
| Settings - Web service settings - Customer Display..... | 83 |
| Settings - Web service settings - Key input device..... | 84 |
| Settings - Web Service settings - Serial communication Device..... | 85 |
| Settings - Web Service settings - Other Device | 86 |
| Settings - Web service settings - Control script - Add/delete..... | 86 |
| Settings - Web service settings - Control program - Device registration | 87 |
| Settings - Web service settings - Control program - Add/delete | 87 |

| | |
|---|------------|
| Settings - Web service settings - Print Settings - Spooler..... | 88 |
| Settings - Web Service settings - Web Content - Update settings..... | 89 |
| Settings - Web service settings - Server access - Direct Print..... | 90 |
| Settings - Web Service settings - Server access - Status notification..... | 91 |
| Settings - Web Service settings - Server access - Device Data Notification..... | 92 |
| Settings - System settings - Network - TCP/IP..... | 93 |
| Settings - System settings - Network - SSL..... | 93 |
| Settings - System settings - Proxy settings..... | 94 |
| Settings - System settings - Server authentication..... | 94 |
| Settings - System settings - Date and time - Time settings..... | 95 |
| Settings - System settings - Power - Shutdown settings..... | 95 |
| Settings - Admin settings - Maintenance - Store restore settings..... | 96 |
| Settings - Admin settings - Maintenance - Initialization..... | 101 |
| Settings - Admin settings - Maintenance - Log..... | 101 |
| Settings - Admin settings - Maintenance - Update Web service function..... | 102 |
| Settings - Admin settings - Admin information - Admin information..... | 102 |
| Settings - Admin settings - Admin information - Password..... | 103 |
| ■ TM-DT Software Specification..... | 104 |
| Controllable printer..... | 104 |
| ■ Software and Manuals..... | 105 |
| Systems that Use TM-DT software..... | 105 |
| Utility..... | 106 |
| Related Manuals..... | 106 |

PC-POS System Development..... 107

| | |
|--|------------|
| ■ System Configuration..... | 107 |
| System Configuration Figure..... | 107 |
| Peripheral Devices..... | 108 |
| ■ How to Control Peripherals..... | 109 |
| Printer..... | 109 |
| Cash drawer..... | 109 |
| Customer display..... | 109 |
| Other devices..... | 109 |
| ■ Software and Manuals..... | 110 |
| Development kit..... | 110 |
| Driver..... | 111 |
| Utility..... | 111 |
| Related Manuals..... | 111 |

Handling 112

| | |
|--|-----|
| ■ Turning Power On/Off | 112 |
| Functions of the Power button | 113 |
| ■ Installing and Replacing Roll Paper | 114 |
| ■ Removing Jammed Paper | 117 |
| ■ If Roll Paper Cover does not Open | 118 |
| ■ Changing the orientation of the display | 119 |
| ■ Cleaning the Printer | 120 |
| Cleaning the Printer Case | 120 |
| Cleaning the Thermal Head/Platen Roller..... | 120 |
| ■ Preparing for Transport | 121 |

Replacement of the TM-T88V-DT 122

| | |
|---|-----|
| ■ Comparison of Product Specifications | 122 |
| ■ Compatibility | 124 |
| Printing | 124 |
| Print Density..... | 124 |
| Number of Head Energizing Parts..... | 124 |
| Printable Area (for 80 mm Width Paper) | 124 |
| Cutting Method | 124 |
| Manual Paper Feed | 124 |
| Memory Capacity | 125 |
| Printer Status | 125 |
| If Connecting as a Peripheral Device of the TM-i/DT Printer | 125 |
| Overall Dimensions | 126 |
| ■ Additional Functions and Functional Improvements | 127 |
| Print Speed | 127 |
| Top margin..... | 127 |

Product Specifications..... 128

| | |
|--|-----|
| ■ Controller Specifications | 128 |
| ■ Printer Specifications | 130 |
| Printing Specifications..... | 130 |
| Character Specifications | 131 |
| Printable Area | 132 |
| Printing and Cutting Positions | 134 |
| Paper Specifications | 135 |

| | |
|---|-----|
| ■ Power supply capacity for external devices..... | 136 |
| ■ Environmental Conditions | 137 |
| ■ Reliability | 138 |
| ■ External Dimensions | 139 |
| ■ AC Adapter Specifications | 142 |
| ■ Interface..... | 143 |
| USB 3.0 port..... | 143 |
| USB 2.0 port (Type A) | 144 |
| USB 2.0 port (Type-C) | 145 |
| Ethernet port | 145 |
| Line-out port..... | 146 |
| Serial port..... | 147 |
| VGA port..... | 148 |
| HDMI port | 149 |
| Drawer kick connector | 150 |
| DC-in connector | 150 |
| ■ BIOS | 151 |
| Starting and Ending BIOS Setup | 151 |
| Settings for the USB 2.0 Charging Port..... | 151 |
| Disabling the USB Port | 152 |
| BIOS setting | 153 |
| ■ Character Code Tables..... | 158 |
| ■ Open Source Software License..... | 159 |
| ■ MICROSOFT SOFTWARE LICENSE TERMS..... | 160 |

Product Overview

This chapter describes features of the product.

Features

This product is a compact POS terminal equipped with a printer.

Features of the POS Terminal (Controller)

This controller has the following features.

Hardware

- CPU: Uses an Intel® Core™ i5, Core™ i3, or Celeron® processor
- Can be installed on a narrow counter due to its small footprint
- Rich variety of interfaces: Ethernet x1, VGA x1, HDMI x1, USB3.0 x6, USB2.0 x2 (Type A, Type-C), Serial x1, Drawer kick x1
- Dedicated charging port for tablets, etc. (USB2.0 Type-C)

Software

- Windows 10 IoT Enterprise 2016 LTSB (A model without an OS is also available.)
- Can control POS peripheral devices using TM-DT software

Printer Features

The printer has the following features.

- Thermal receipt printer
- High speed printing: 350 mm/s maximum
- Print resolution: 180x180 dpi
- Roll paper width: 80 mm, 58 mm
- Paper can be easily set just by putting in roll paper
- Supports TM-Intelligent functions such as server direct printing and XML-base printing

Product Configurations

Models

- Intel® Celeron® model: CPU 2.20GHz, Memory 4 GB
- Intel® Core™ i3 model: CPU 2.40GHz, Memory 4 GB
- Intel® Core™ i5 model: CPU 2.60GHz, Memory 4 GB
- Model to which an OS (Operating system) has not been installed.

Accessories

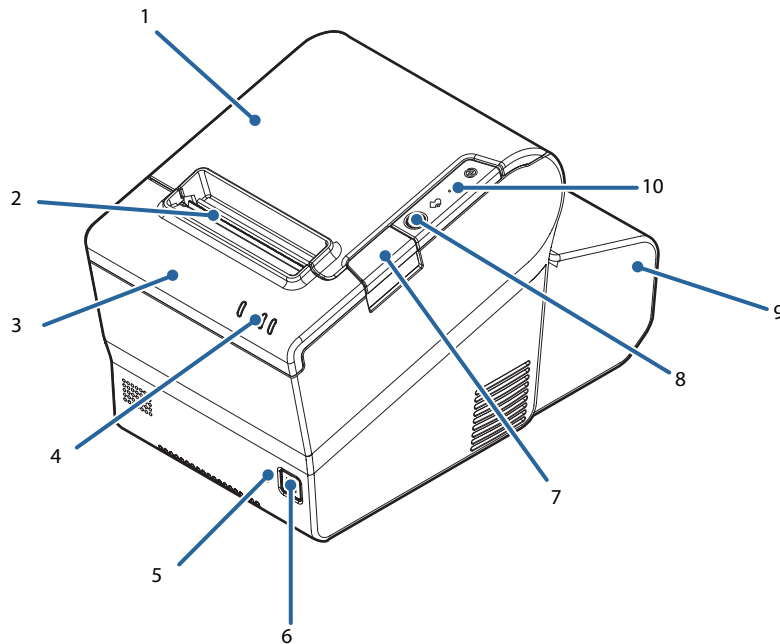
Included


- Start Here
- AC adapter “AC adapter, T1”
- AC power cable (differs depending on the destination)
- Connector cover
- Connector cover (Bottom)
- Power button cover
- Roll paper
- Roll paper guide
- Screws (Roll paper guide x1, Connector cover x2)
- Manual CD
- Product warranty (differs depending on the destination)

Options

- Windows10 Recovery DVD (OT-RD01): Windows model
- SSD module
(OT-SS032 (32 GB), OT-SS064 (64 GB), OT-SS128 (128 GB), OT-SS256 (256 GB))
- Dedicated customer display (DM-D110 for TM-T88V-DT/ TM-T88VI-DT2)
- Customer display (DM-D30)
- Affixing tape (DF-10)

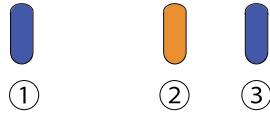
Part Names and Functions



| | | |
|----|----------------------|---|
| 1 | Roll paper cover | Open this cover to install/replace the roll paper. |
| 2 | Manual cutter | Use this cutter when you cut the roll paper manually. |
| 3 | Cutter cover | Open this cover to unlock the autocutter blade when the roll paper cover does not open due to a paper jam. |
| 4 | Controller LED | Displays the controller status. |
| 5 | Printer reset button | Pressing and holding this button with a paper-clip or other pointed object until the  (Power) LED turns off resets the printer. This does not turn off the power for this product, and it does not affect the controller functions. |
| 6 | Power button | Pressing this button turns the power on or off (shutdown). Pressing and holding (4 seconds or longer) forcibly turns the power off. (See "Functions of the Power button" on page 113) Note: If the power button is disabled by OS settings, pressing the power button will not perform a shutdown. |
| 7 | Cover open button | Pressing this button opens the roll paper cover. |
| 8 | Feed button | Pressing this button once feeds roll paper for one line. Hold down this button to continue feeding roll paper. |
| 9 | Connector cover | Open this cover to unlock the autocutter blade when the roll paper cover does not open due to a paper jam. |
| 10 | Printer LED | Displays the printer status. |

Controller LED

This displays the controller status.






| (1) Storage Access LED (Blue) | (2) Status LED (Orange) | (3) Status LED (Blue) | Product status |
|-------------------------------|---|--|---|
| -- | Flashing (Approx. 1 second intervals) | On | Starting up Updating software |
| -- | Off | On | Power on (Normal) |
| -- | Off | Flashing (Approx. 1 second intervals) | Sleep |
| -- | Off | Off | Power off |
| -- | Flashing (Approx. 600 millisecond intervals) | On | CPU at high temperature (95 °C or higher) USB overcurrent detected Back-up battery error |
| On | -- | -- | Accessing storage |

Printer LED

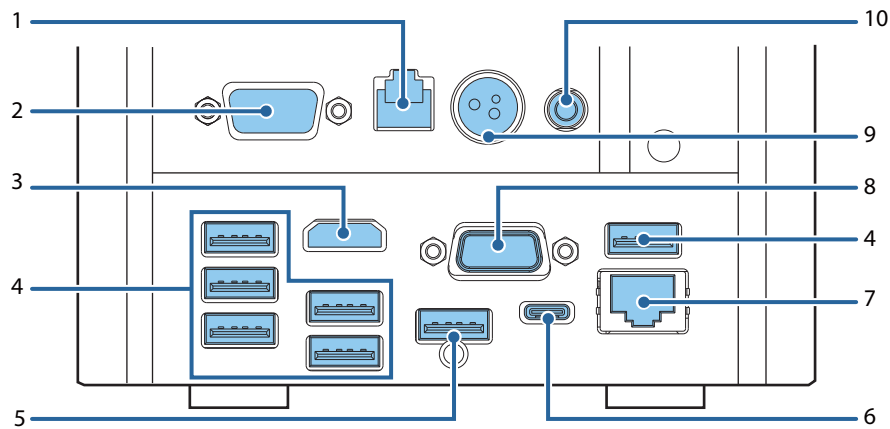
This displays the printer status. For details see ["Status and Errors"](#) on page 37.



| LED | LED status | Description |
|---|------------|--|
| (1)  (Power) LED (Blue) | On | Power on |
| | Off | Power off |
| (2)  (Error) LED (Orange) | On | Offline |
| | Flashing | Error has occurred |
| | Off | Normal |
| (3)  (Paper) LED (Orange) | On | Roll paper near-end |
| | Flashing | Waiting to continue self-test printing |
| | Off | There is a sufficient amount of roll paper remaining |

Interface

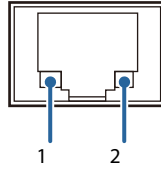
The ports and connectors on the product rear.



| | | |
|----|-----------------------|---|
| 1 | Drawer kick connector | Connect the cash drawer here. |
| 2 | Serial port (COM1) | Connect a serial communication device. |
| 3 | HDMI port | Connects an HDMI-supported device, such as a display. |
| 4 | USB3.0 ports (Type A) | Connect external devices with USB interface here. Supports USB 3.0 and can connect up to 6 devices. |
| 5 | USB2.0 port (Type A) | Connect external devices with USB interface here. Supports USB 2.0 |
| 6 | USB2.0 port (Type-C) | Dedicated for charging tablets, etc. If setting this port to perform communication, see the "Product Specifications" on page 128 . Supports USB 2.0 |
| 7 | Ethernet port | Connect the LAN. |
| 8 | VGA port | Connects an VGA-supported device, such as a display. |
| 9 | DC-In connector | Connect the AC adapter here. |
| 10 | Line-out port | Connect an external speaker here. |

LAN Status LED

The LAN status LEDs are the LEDs on the Ethernet port. They indicate the network communication status of this product.



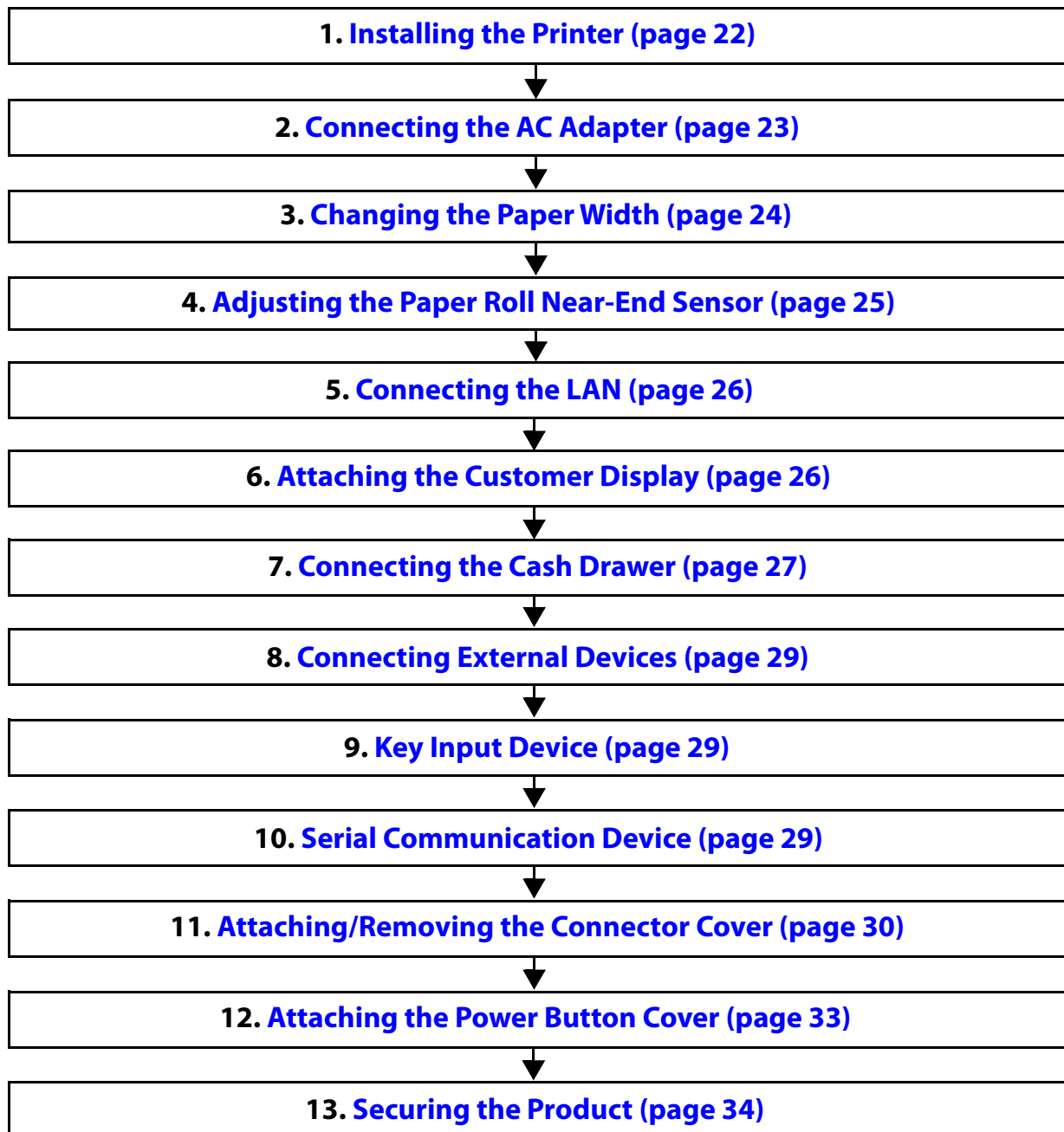
| | LED | Status of LED | Description |
|---|-------------|------------------|---------------------------------------|
| 1 | Active/Link | ON (Green) | Link is established correctly |
| | | Flashing (Green) | Data transmission / reception |
| 2 | Speed | ON (Green) | Link at 1000 Mbps communication speed |
| | | ON (Orange) | Link at 100 Mbps communication speed |
| | | OFF | Link at 10 Mbps communication speed |

Setup

This chapter explains how to install this product, connect peripheral devices, options, and accessories, and perform the test print. The settings and necessary software for this product and peripheral devices vary depending on the system in use. This information is explained in the "TM-DT Software System Development" and "PC-POS" chapters of this guide.

Flow of Setup

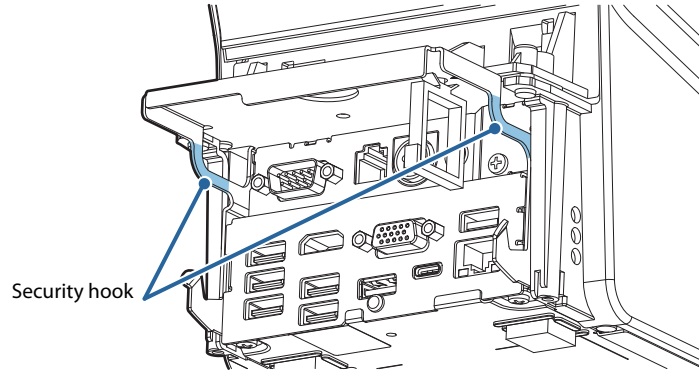
This chapter consists of the following sections along with the setup flow of the product and peripherals.



Installing the Printer

Install the product horizontally on a firm, stable surface.

The security hook on the back of the product allows you to attach a commercially available antitheft wire.



Important Notes on

- The printer must be installed horizontally on a flat surface (not tilted).
- Do not place the printer in dusty locations.
- Do not catch cables or place foreign matter under the printer.

NOTE

If you use the optional affixing tape (model: DF-10), you can affix this product to the installation surface. See "[Securing the Product](#)" on page 34.

Connecting the AC Adapter

Follow the steps below to connect the AC adapter.

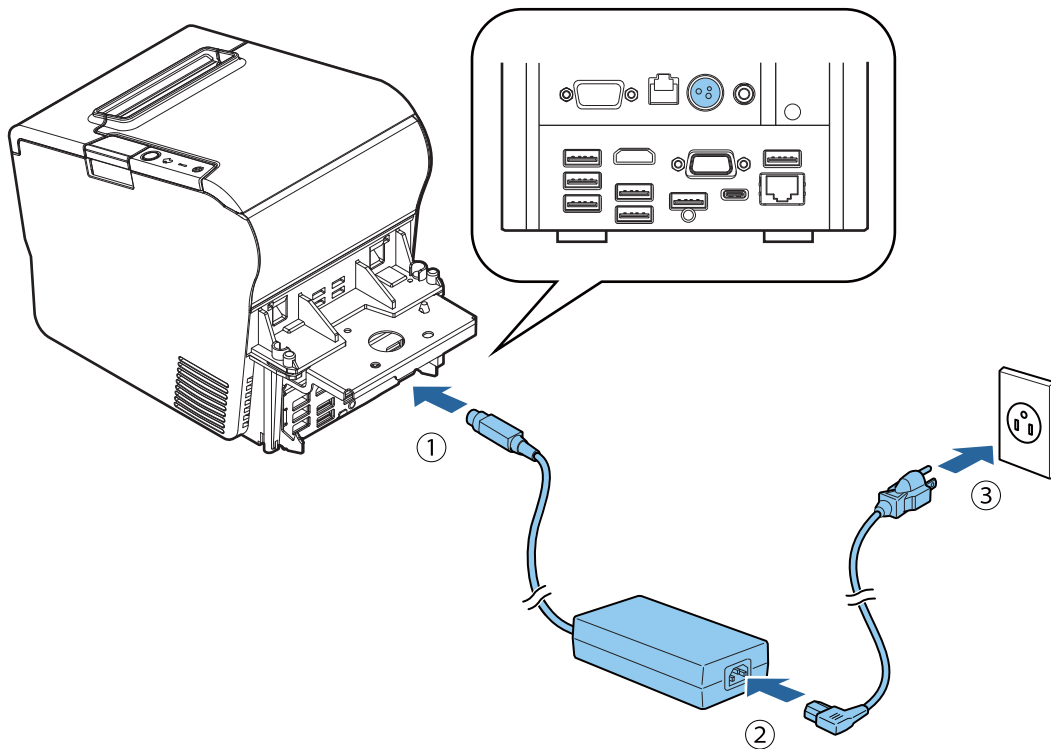


Be sure to use the specified AC adapter [AC Adapter, T1 (Model: M284B)] only.



Be sure to leave a space between the AC adapter and the main unit.

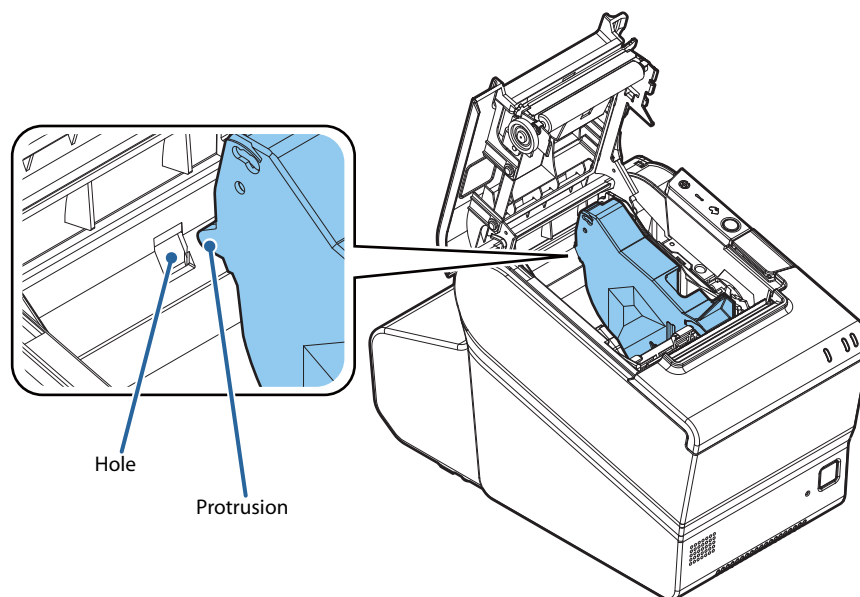
- 1** Firmly insert the DC connector of the AC adapter all the way into the DC-in connector on the product. (① in the illustration)
- 2** Firmly insert the connector of the AC cable all the way into the AC inlet on the AC adapter. (② in the illustration)
- 3** Firmly insert the plug all the way into the grounded wall outlet. (③ in the illustration)
- 4** Set the AC adapter so that its label side is facing down.



Changing the Paper Width

You can change the paper width from 80 mm to 58 mm by installing the roll paper guide. Follow the steps below to change the paper width.

- 1 Turn off the product.
- 2 Open the roll paper cover.
- 3 Install the roll paper guide so that the protrusion on the roll paper holder is aligned with the hole on the printer.

**NOTE**

You can use the enclosed screw to fix the roll paper guide.

- 4 Install the roll paper correctly.
- 5 Close the roll paper cover.

CAUTION

Do not return the product to 80 mm after using it at 58 mm. The section of the print head that did not touch paper may have rubbed against the platen roller and become damaged, or the autotooter blade may be worn down. You need to set with the memory switch (customized values) for the paper width in Software Setting mode. For details see "[Software Settings](#)" on page 41.

Adjusting the Paper Roll Near-End Sensor

Below are two situations where a roll paper NE sensor adjustment is required.

- To adjust the detection position to suit the diameter of the roll paper core used.
- To adjust the detection position of remaining amount of paper.

CAUTION

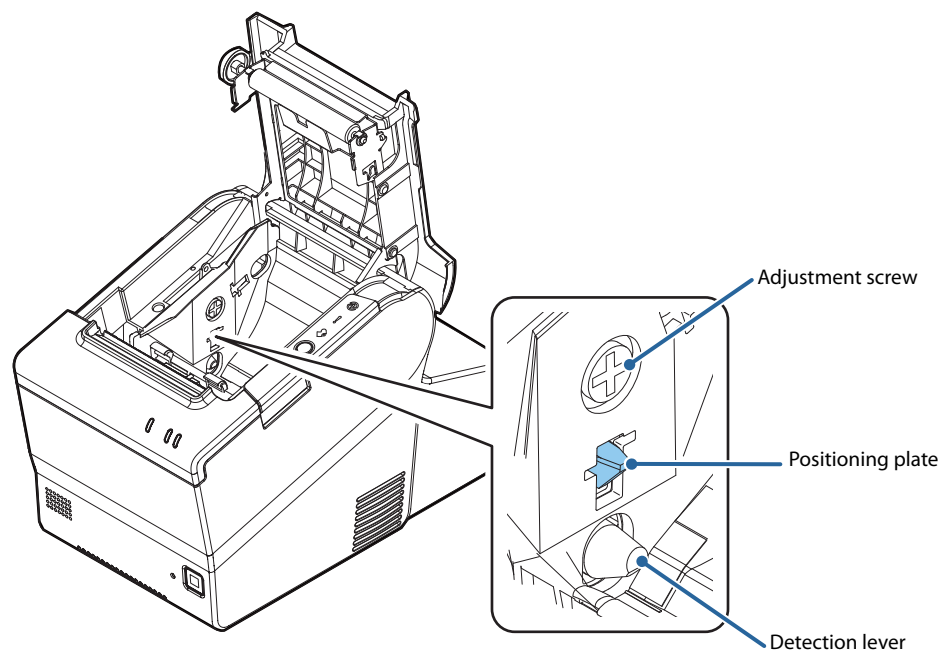
- Since roll paper cores vary slightly in shape, depending on paper roll design and manufacturing tolerances, it is impossible to detect the remaining paper exactly.
- Use roll paper with a core inner diameter of 12 mm {0.47"} and outer diameter of 18 mm {0.71"} so that the NE sensor can detect the remaining paper as accurately as possible.

Follow the steps below to adjust the roll paper near-end detector.

- 1 Open the roll paper cover, and remove the roll paper.
- 2 Loosen the adjustment screw fastening the sensor, and align the upper edge of the positioning plate with the adjustment position.

| Adjustment position | Remaining amount of paper (outer diameter: mm) |
|-------------------------|---|
| Upper | Approx. 27 {1.06"} |
| Lower (Default setting) | Approx. 23 {0.97"} |

- 3 Tighten the adjustment screw.
- 4 After adjustment, make sure that the detection lever operates smoothly.



Connecting the LAN

Connect the LAN cable to the Ethernet port. (See ["Interface" on page 19.](#))

Network settings such as the IP address are set using the TM-T88VI-DT2 Utility or TMNet WebConfig.

Attaching the Customer Display

For the method to use dedicated customer display (DM-D110 for TM-T88V-DT/ TM-T88VI-DT2), see the "DM-D110/ DM-D210 Technical Reference Guide".

For the method to attach a DM-D30, see the "DM-D30 Technical Reference Guide".

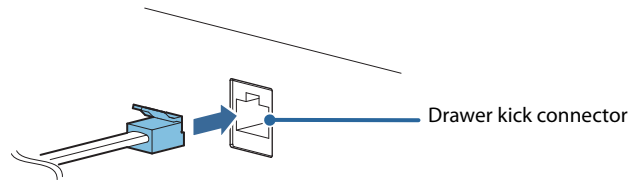
The USB port of the DM-D30 cannot be used.

- Systems that use TM-DT software
This is enabled using EPSON TMNet WebConfig.
- PC-POS System
The customer display is directly controlled from the application using Advanced Printer Driver for DM-D, OPOS APD, or the like.

Connecting the Cash Drawer

Connect the connector of the drawer kick cable to the printer.

Push the connector of the drawer kick cable into the product until you hear a click.



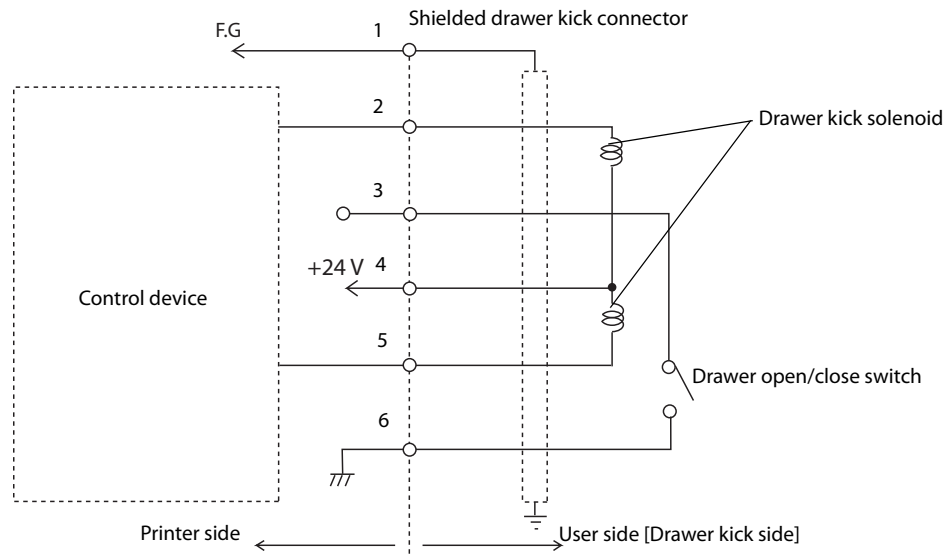
- Specifications of drawers differ a great deal, depending on makers or models. When you use a drawer other than the specified, make sure its specifications meet the following conditions. Otherwise, devices may be damaged.
 - * The load, such as a drawer kick solenoid, must be connected between pins 4 and 2 or pins 4 and 5 of the drawer kick connector.
 - * When the drawer open/close signal is used, a switch must be provided between drawer kick connector pins 3 and 6.
 - * The resistance of the load, such as a drawer solenoid, must be $24\ \Omega$ or more or the input current must be 1A or less.
 - * Be sure to use the 24V power output on drawer kick connector pin 4 for driving the equipment.
- Use a shield cable for the drawer kick cable.
- Two driver transistors cannot be energized simultaneously.
- Leave intervals longer than 4 times the drawer driving pulse when sending it continuously.
- Do not insert a telephone line into the drawer kick connector. Doing so may damage the telephone line or printer.



We recommend using an optional product for TM printers.

- Systems that use TM-DT software
The cash drawer is controlled from this product's printer. Configure the printer to use.
- PC-POS System
The cash drawer is controlled from this product's printer. There is no dedicated driver for the cash drawer you can use the printer driver.

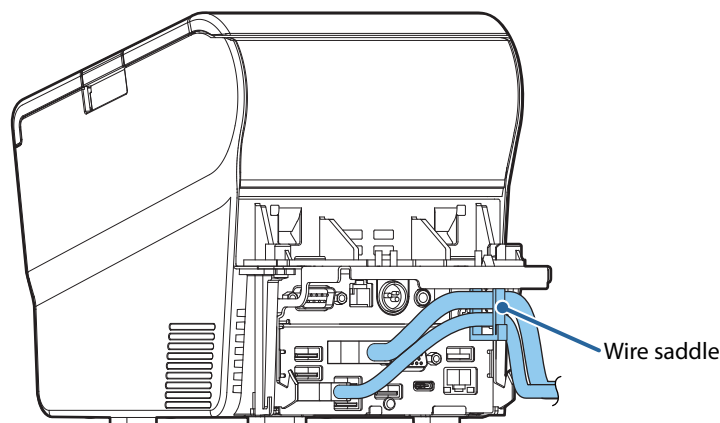
Drawer kick Connector Circuitry



Connecting External Devices

If you connect external devices, turn off the product and then connect each cable to the port/connector on the back of the product.

When connecting the cables whose connectors do not lock themselves (USB cables and line-out cable), pass the cables through the wire saddle to prevent them from coming off.



2

Key Input Device

Connect the key input device to a USB port. For how to set barcode scanners and so on, see the respective product manuals.

- Systems that use TM-DT software
Set the device ID, control script and so on with EPSON TMNet WebConfig. For details, see "[Settings - Web service settings - Key input device](#)" on page 84.
- PC-POS System
Since it is recognized as a HID device, setting is not required.

CAUTION

Fix the USB cables with wire saddles to prevent detachment.

Serial Communication Device

Connect the serial communication device to a serial port. For how to set the device, install the driver and so on, see the respective product manuals.

- Systems that use TM-DT software
Align communication conditions between EPSON TMNet WebConfig and the device.
Set the device ID, communication conditions, control script and so on with EPSON TMNet WebConfig. For details, see "[Settings - Web Service settings - Serial communication Device](#)" on page 85.
- PC-POS System
Align communication conditions between this product and the device.

Attaching/Removing the Connector Cover

Attaching the connector cover

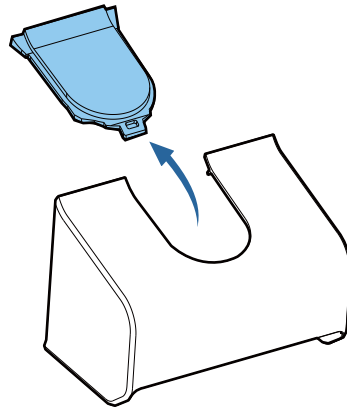
CAUTION

Be sure to hold both sides of the connector cover when attaching it, or it may become damaged.

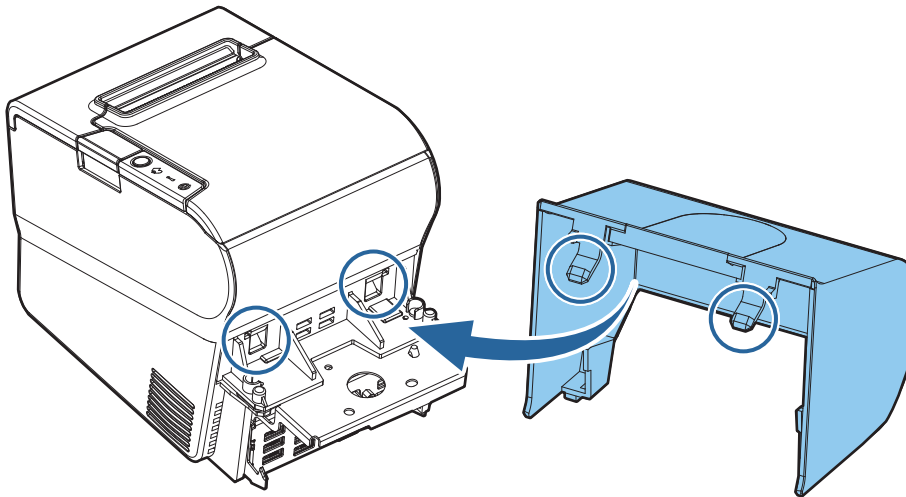
Follow the steps below to attach the connector cover to protect cables.

NOTE

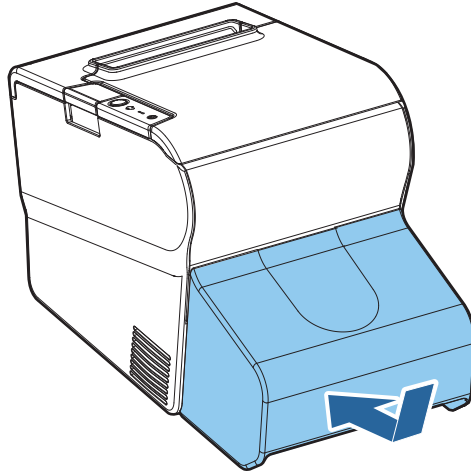
If you use the product with the dedicated customer display (Model: DM-D110 for TM-T88V-DT/ TM-T88VI-DT2), remove the U-shaped part from the connector cover.



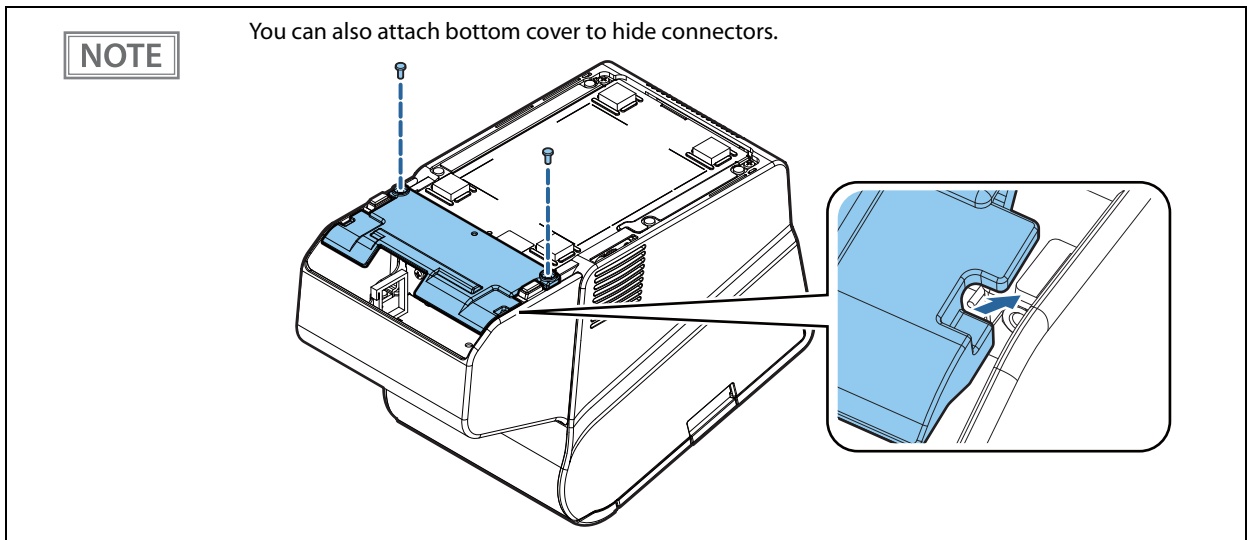
- 1 Align the hooks on the connector cover with the dents on the main body.



- 2 Push the connector cover to click onto the main body.

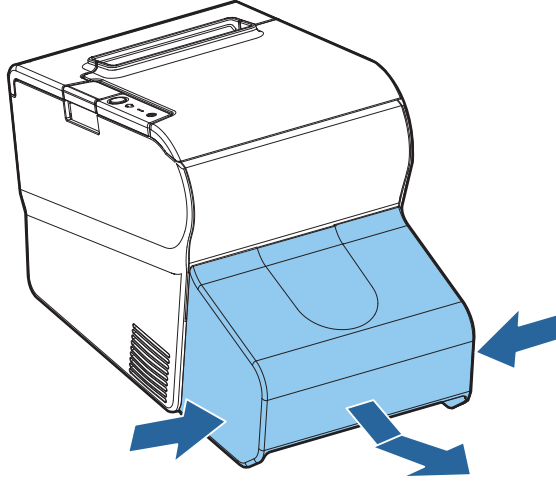


- 3 Make sure the cables are not pinched.



Removing the connector cover

Push the connector cover down while pushing the lower part of the both sides of it inward to detach the hooks from the main body.

**NOTE**

If the connector cover (bottom) is attached, first remove the connector cover (bottom).

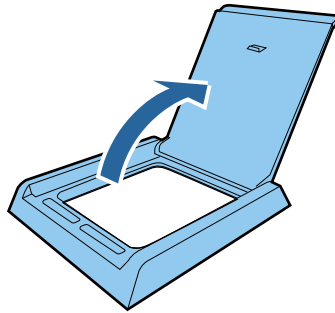
Attaching the Power Button Cover

Attaching the power button cover that comes with the product onto the power button prevents accidental operation of the power button. Follow the steps below to attach the power button cover.

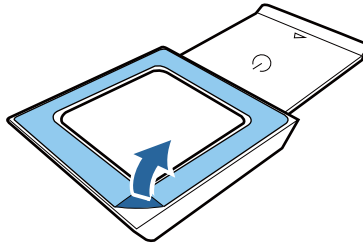
NOTE

- It is recommended to clean any dirt around the power button before you attach the cover.
- You can also disable the power button using OS settings.
(See "[Functions of the Power button](#)" on page 113.)

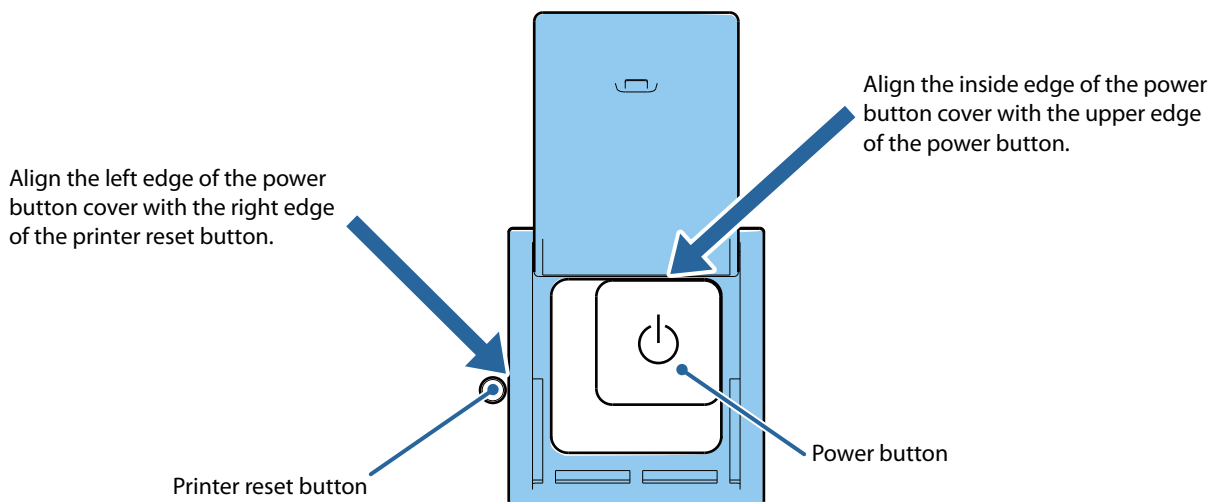
1 Open the power button cover.



2 Peel off the backing paper.



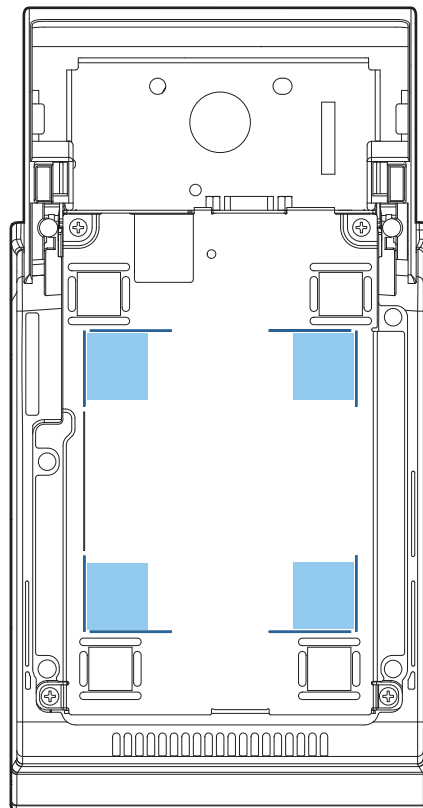
3 Attach the power button cover as shown in the illustration.



Securing the Product

Using the optional affixing tape (Model: DF-10) secures the product to the installation surface. Follow the steps below to use the affixing tape.

- 1** Turn over the product so that you can see its bottom.
- 2** With two pieces of the affixing tape combined, peel off the backing paper of a pair on one side, and paste it to one of the specified positions on the bottom of the product.
- 3** In the same way, paste other three pairs of tape in the specified positions.
- 4** Peel off the backing paper of each pair on the other side of the affixing tape, turn over the product back on its bottom, and place and secure it firmly to the installation surface.



— Positioning lines

Operating Test

You can confirm the connections and settings you made in the following ways.

| Item | Tool | Description |
|---------------------------------------|------------------------------|--|
| Printer | TM-T88VI-DT2 Utility | Use the [Operation Check] to perform printing. |
| | TMNetWebConfig | Use the test print to print the character string of "TEST_PRINT". |
| | AdvancedPrinterDriver | Use the test printing. |
| Cash drawer | TM-T88VI-DT2 Utility | Use the [Device Test] to open the cash drawer. |
| Customer display | TMNetWebConfig | Use the test display to perform display. |
| | AdvancedPrinterDriver | Use the test display. |
| Key input device | TMNetWebConfig | In the operation test, the "Operation Test" screen is displayed. Operate the key input device to display the input text. |
| | Windows text editor | Confirm the characters input from the device. |
| Serial communication device | TMNetWebConfig | In the operation test, the "Operation Test" screen is displayed. To confirm operation, input and transmit a device command to operate the device. |
| IP address and other network settings | TMNetWebConfig | Confirm this on the TCP/IP page. When Print IP Address is Enabled, the IP address is printed when this product is started and when the IP address is acquired or changed. |
| | Windows Network and Internet | You can confirm this on Windows network settings. |

Printer Functions and Settings

This chapter describes printer functions and settings.

Printer Online and Offline Statuses

Online

The printer is online and ready for normal printing unless there is a reason to go offline.

Offline

The printer automatically goes offline under the following conditions:

- While the printer power is turning on/off (Shut down)
- While a self-test is running
- While roll paper is fed using the Feed button
- When the printer stops printing due to a paper end (when the paper out detector detected the paper out)
- While waiting for printer operation
- When an error has occurred (See "[Status and Errors](#)" on page 37)
- While the roll paper cover is open

Status and Errors

The status of this product's printer is displayed by turning on or flashing the printer LED.

NOTE

Printing cannot be performed when an error occurs.

Automatically Recoverable Errors

Printing is no longer possible when automatically recoverable errors occur. They can be recovered easily, as described below.

| Error | Error description | Error LED flash code | Recovery measure |
|------------------------------|---|----------------------|---|
| Roll paper cover open error | The roll paper cover was opened during printing. | | Recovers automatically when the roll paper cover is closed. |
| Print head temperature error | A high temperature outside the head drive operating range was detected. | | Recovers automatically when the print head cools. |

3

Recoverable Errors

Printing is no longer possible when recoverable errors occur. After removing the cause of the error, use the methods below to restore the printer to its normal status.


| Error | Error description | Error LED flash code | Recovery measure |
|------------------|-------------------------------------|----------------------|--|
| Autocutter error | Autocutter does not work correctly. | | Remove the paper jam or the foreign material and then press the printer reset button, close the roll paper cover, or use the ePOSDevice XML error recovery command to recover. |




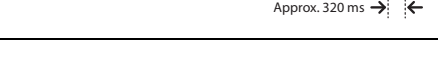

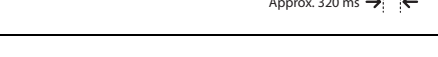

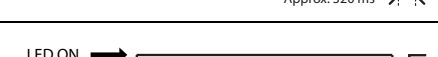

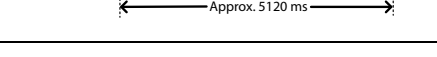
NOTE

The error recovery command is valid only if a recoverable error (excluding automatically recoverable errors) occurs.

Unrecoverable Errors

Printing cannot be performed if an unrecoverable error occurs. If the same error occurs even after turning the power off and then on again, the device may have a failure. Contact qualified service personnel.

| | |
|---|---|
|  CAUTION | Turn off the power immediately when unrecoverable errors occur. |
|---|---|

| Error | Error description | Error LED flash code |
|-----------------------------------|---|--|
| Memory R/W error | The product does not operate properly after performing a memory read/write check of the printer memory. | LED ON →  LED OFF →  Approx. 320 ms → ← |
| High voltage error | The power supply voltage is extremely high. | LED ON →  LED OFF →  Approx. 320 ms → ← |
| Low voltage error | The power supply voltage is extremely low. | LED ON →  LED OFF →  Approx. 320 ms → ← |
| CPU execution error | The printer CPU is executing an invalid address. | LED ON →  LED OFF →  Approx. 320 ms → ← |
| Internal circuit connection error | Internal circuits are not connected correctly. | LED ON →  LED OFF →  Approx. 320 ms → ← Approx. 5120 ms → ← |

Status Display

| | Power LED | Error LED | Paper LED |
|---|-----------|-----------|-----------|
| Online | ON | OFF | OFF |
| Running a self-test | ON | OFF | - |
| Waiting to continue self-test | ON | OFF | Flashing |
| Feeding using the Feed button | ON | OFF | - |
| Roll paper cover open during error printing | ON | ON | - |
| No paper | ON | ON | ON |
| Paper near end | ON | OFF | ON |
| While updating firmware | Flashing | OFF | OFF |
| Power off standing by | Flashing | OFF | OFF |

-: Changes depending on whether or not paper is detected.

NV Memory

The printer's NV memory (Non-Volatile Memory) stores data even after the printer power is turned off. NV memory contains the following memory areas for the user:

- NV graphics memory
- Customized value
- R/E (Receipt Enhancement)
- Maintenance counter



NV memory can be rewritten about 100,000 times. As a guide, NV memory rewriting should be 10 times or less a day when you program applications.

NV Graphics Memory

Graphics, such as shop logos to be printed on receipts, can be stored.

This allows you to print items such as logos even if you do not transmit data from the application each time. Use the TM-T88VI-DT2 Utility to register Logo.

You can confirm the registered graphics in the NV graphics information print mode.



For information about how to use the NV graphics information print mode, see "[NV Graphics Information Print Mode](#)" on page 48.

Customized Values

You can perform various settings for the printer.

For details about customized values, see "[Software Settings](#)" on page 41.

R/E (Receipt Enhancement)

Graphics, such as shop logos to be printed on top or bottom of receipts can be registered.

Use the TM-T88VI-DT2 Utility to register Logo.

Maintenance Counter

With this function, printer information, such as the number of lines printed, the number of autocuts, and printer operation time after the printer starts working, is automatically stored in NV memory.

Refer to the counter information and use it for periodic inspections and part replacement.



You can also check the head running length and number of times of autocutting with the self-test (see "[Self-test Mode](#)" on page 47).

Software Settings

This product has a software setting function that performs various settings for the printer. You can perform settings using the software setting mode by operating the printer panel, or by using the TM-T88VI-DT2 Utility or TMNet WebConfig.

| Item\Method | | Software Setting Mode | TM-T88VI-DT2 Utility | TMNet WebConfig * |
|-----------------------------------|--------------------------------------|-----------------------|----------------------|-------------------|
| Customized Values | Automatic paper reduction | ✓ | ✓ | - |
| | Amount of top margin by backfeed | ✓ | ✓ | - |
| | Auto paper feed & cut at cover close | ✓ | ✓ | - |
| | Character code table defaults | ✓ | ✓ | - |
| | International character defaults | ✓ | ✓ | - |
| | Font A auto replacement | ✓ | - | - |
| | Font B auto replacement | ✓ | - | - |
| | Print density | ✓ | ✓ | - |
| | Print speed | ✓ | ✓ | - |
| | Paper width | ✓ | ✓ | - |
| | Column Emulation mode | ✓ | ✓ | - |
| Cut Error Release Method | | ✓ | ✓ | - |
| Logo | | - | ✓ | - |
| IP address Other network settings | | - | - | ✓ |
| ePOS-Print | | - | - | ✓ |
| ProxyInfo | | - | - | ✓ |
| Server Direct Print | | - | - | ✓ |
| Status Notification | | - | - | ✓ |
| Print Forwarding | | - | - | ✓ |
| Web Contents Updater | | - | - | ✓ |
| Customer Display | | - | - | ✓ |
| Network Dev Info | | - | - | ✓ |
| SSL/TLS Config | | - | - | ✓ |
| Certificate Config | | - | - | ✓ |
| Time Config | | - | - | ✓ |

* TMNet WebConfig can be started from the Windows desktop shortcut or the TM-T88VI-DT2 Utility.

Functions

Automatic paper reduction

Extra upper space reduction

- Disabled (default setting)
- Enabled

Extra lower space reduction

- Disabled (default setting)
- Enabled

Line space reduction rate

- Not reduced (default setting)
- Reduce 25%
- Reduce 50%
- Reduce 75%

Line feed reduction rate

- Not reduced (default setting)
- Reduce 25%
- Reduce 50%
- Reduce 75%

Amount of reduction in character height

- Not reduced (default setting)
- Reduce 25%
- Reduce 50%
- Reduce 75%

Amount of reduction in barcode height

- Not reduced (default setting)
- Reduce 25%
- Reduce 50%
- Reduce 75%

Amount of top margin by backfeed

Selectable from levels 15 ~ 2 mm (0.5 mm interval)

Default setting: level 15 mm

CAUTION

- Remove all ejected paper before printing with backfeed.
- Disable the automatic top logo setting when enabling backfeed.
- You cannot use backfeed in the following cases even if you have enabled backfeed.
 - * Immediately after auto cutting while the cover is closed.
 - * While the self-test is in progress.
- If setting a top margin of 5 mm {0.2"} or less, confirm that no errors occur in your environment of usage. Usage in a hot and humid environment or usage of paper that curls easily may increase the risk of paper jams.
- When implementing a backfeed, rubbing smears may occur due to slack in the paper. We recommend using thermal paper with high rub resistance.

Auto paper feed&cut at cover close

- Cuts
- Does not cut (default setting)

Character code table defaults

Selectable from 43 pages including user defined page

Initial setting: PC437: USA, Standard Europe

International character defaults

Selectable from 18 sets

Initial setting: USA

Font A auto replacement

- Does not replace (default setting)
- Font B

Font B auto replacement

- Does not replace (default setting)
- Font A

Print density

Set monochrome and multi-tone, respectively.

Selectable from 70% to 130% (5% increment)

Default setting: 100%

Depending on the paper type, it is recommended to set the print density as shown in the table below for the best print quality.

| Original Paper type | Density | Print speed |
|--|---------|-----------------|
| AF50KS-E | 85% | 13 (300 mm/sec) |
| KT55FA | 100% | 14 (350 mm/sec) |
| KT48FA | 100% | 13 (300 mm/sec) |
| F5041(55), F5041(48), P30521, P30523, P31523, P35524 | 105% | 13 (300 mm/sec) |

NOTE

- When the print density level is increased, print speed may be reduced. When printing at a density of 115% or more and below a room temperature of 15°C, the speed drops to less than 200 mm/sec.
- When setting the print speed to level 14, use software settings to set the print density.

Print speed

Selectable from levels 1 to 14 (Slow ~ Fast)

Default setting: level 13

CAUTION

- Print speed is restricted by the settings for the number of head electrification divisions. The maximum printing speed of 350 mm/s is only possible when 1 electrification division is selected.
- The maximum printing speed when using 58 mm is 300 mm/s.

NOTE

Depending on print conditions, such as print duty, print head temperature, and data transmission speed, print speed is automatically adjusted, which may cause white lines due to intermittent print (the motor sometimes stops). To avoid this, keep the print speed constant by setting it lower.

Paper width

- 80mm (default setting)
- 58mm

NOTE

- It is not necessary to set the paper width because it is automatically detected when changing from 80 mm to 58 mm.
- Do not return the product to 80 mm after using it at 58 mm. The section of the print head that did not touch paper may have rubbed against the platen roller and become damaged, or the autocutter blade may be worn down. You need to set with the memory switch (customized values) for the paper width in Software Setting mode.

Column emulation mode

- 42/30 Column Mode (default setting)
- 48/36 Column Mode

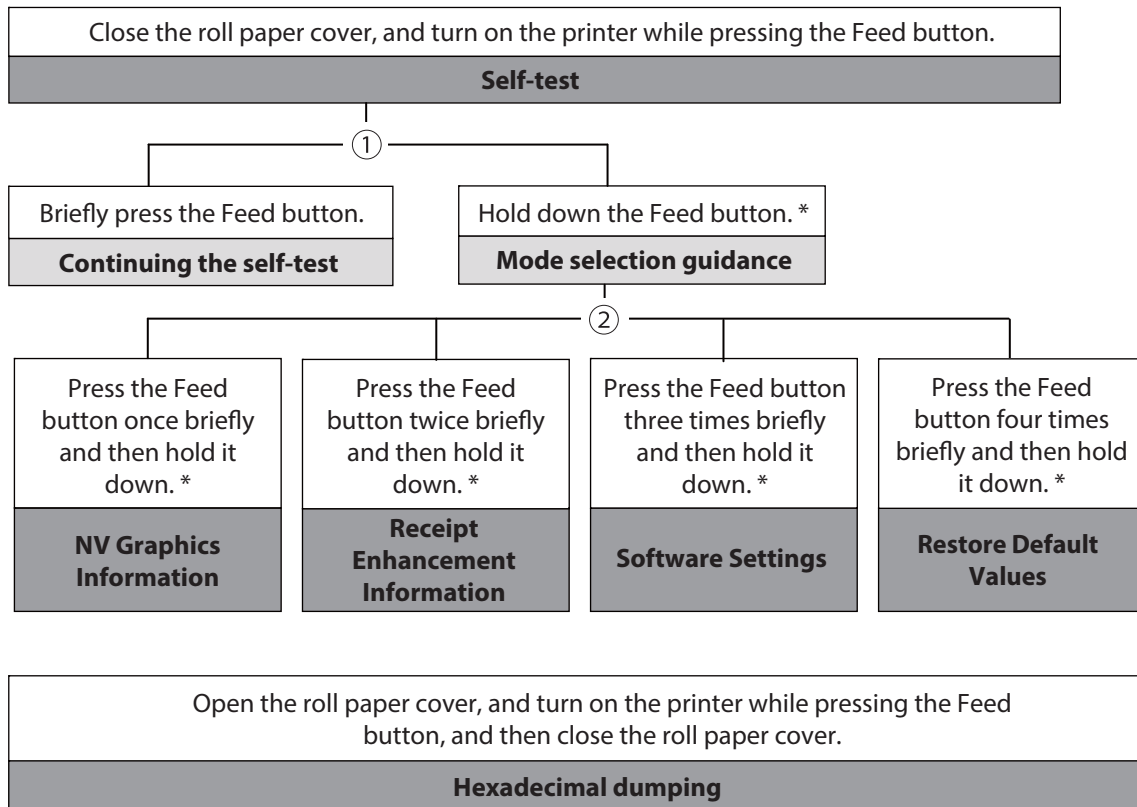
Setting/Checking Modes

As well as print mode, the following modes are also provided for making various printer settings and checking items.

- Self-test mode
- NV graphics information print mode
- Receipt Enhancement information print mode
- Software settings mode
- Restore default values mode
- Hexadecimal dumping mode

The self-test mode or hexadecimal dumping mode is selected depending on the operation performed when the power is turned on.

NV graphic information print mode, Receipt Enhancement information print mode, Software settings mode, and Restore default settings mode are selected depending on the Feed button operation performed during a self-test.



In 1 and 2, the following guidances are printed, the Paper LED flashes, and instructs the user's operations.

* Time for holding (1 second or longer)

1. Continuing self-test guidance

Select Modes by pressing Feed Button.
Continue SELF-TEST: Less than 1 second
Mode Selection : 1 second or more

2. Mode selection guidance

Mode Selection

Modes

- 0: Exit and Reboot Printer
- 1: NV Graphics Information
- 2: Receipt Enhancement Information
- 3: Customize Value Settings
- 4: Restore Default Values
- 5 or more: None

Select Modes by executing following procedure.

- step 1. Press the Feed button less than 1 second as many times as the selected mode number.
- step 2. Press Feed button for 1 second or more.

Self-test Mode

You can check the following items using the self-test.

- Product name
- Firmware version
- Product serial number
- Resident fonts
- Maintenance counter information (head running length, number of times of autocutting)

Follow the steps below.

- 1 Close the roll paper cover.**
- 2 While pressing the Feed button, turn on the printer. (Hold down the Feed button until printing starts.)**
After printing the current print status, a Continuing self-test guidance is printed, and the Power LED flashes.
- 3 Briefly press the Feed button (less than one second) to continue the self-test.**
The printer prints a rolling pattern on the roll paper, using the built-in character set.
After “*** completed ***” is printed, the printer initializes and switches to standard mode.

NV Graphics Information Print Mode

Prints the following NV graphic information registered to the printer.

- Capacity of the NV graphics
- Used capacity of the NV graphics
- Unused capacity of the NV graphics
- Number of NV graphics that are registered
- Key code, number of dots in X direction, number of dots in Y direction to be defined.
- NV graphics data

NOTE

For details on NV graphics, see "[NV Graphics Memory](#)" on page 40.

Follow the steps below.

- 1 After running a self-test, hold down the Feed button for at least one second, and then select the Mode selection.**
The Mode selection guidance is printed, and the Paper LED flashes.
- 2 After briefly (less than one second) pressing the Feed button once, hold it down for at least one second, to print the NV graphics information.**
After information printing, the Mode selection guidance is printed again.
- 3 To finish, turn off the power, or select "Exit and Reboot Printer".**

Receipt Enhancement Information Print Mode

You can check the following items using the R/E information mode:

- Automatic top logo setting
- Automatic bottom logo setting
- Extended settings for automatic top/bottom logo

Follow the steps below.

- 1 After running a self-test, hold down the Feed button for at least one second, and then select the Mode selection.**
The Mode selection guidance is printed, and the Power LED flashes.
- 2 After briefly (less than one second) pressing the Feed button twice, hold it down for at least one second, to print the R/E information.**
After information printing, the Mode selection guidance is printed again.
- 3 To finish, turn off the power, or select "Exit and Reboot Printer".**

Software Setting Mode

Set the printer's memory switches and customized values.

- Print density
- Auto reduction of amount of paper to use
- Enabling/disabling paper autocutting at cover close
- Paper width setting
- Auto replacement of font
- Print speed
- Specification for the top margin by backfeed

NOTE

For details on the memory switches and customized values, see ["Software Settings" on page 41](#).

Follow the steps below.

1 After running a self-test, hold down the Feed button for at least one second to enter the Mode selection.

The Mode selection guidance is printed, and the Paper LED flashes.

2 Briefly press the Feed button three times (less than one second), hold it down for at least one second to enter the Software settings mode (Customize Value Settings).

The Software setting mode guidance is printed, and the Paper LED flashes.

Customize Value Settings

Modes

- 0: Exit
- 1: Print Current Settings
- 2: Print Density
- 3: Print Speed
- 4: Automatic Paper Reduction
- 5: Auto Paper Feed&Cut at cover close
- 6: Paper Width
- 7: Top Margin
- 8: Character/Font Settings
- 10: Interface Settings
- 12: Command Execution (Offline)
- 14: Other Settings

Select Modes by executing following procedure.

- step 1. Press the Feed button less than 1 second as many times as the selected mode number.
- step 2. Press Feed button for 1 second or more.

3 After briefly pressing the Feed button (less than one second) for the number of times shown in the print result, hold down the button for more than one second to select the setting items.

The setting selected as the setting item, the current settings and default settings are printed.

Depending on the setting item, you may need to continue selecting the setting item before the settings are printed.

For details on setting items, see "[Software Settings](#)" on page 41.

CAUTION

When set to a value other than those in the software setting mode, the current settings are not printed.

4 Select a setting by briefly pressing the Feed button (less than one second) for the number of times applicable to the setting, and then hold down the button for more than one second to confirm your selection.

After saving the settings, the Software setting mode guidance is printed, and the Paper LED flashes.

5 To close Software setting mode, turn off the printer, or select "Exit" to return to Mode selection guidance, and then select "Exit and Reboot Printer".

NOTE

- To select 0 as the item number, hold down the Feed button until printing starts.
- If the button is pressed a number of times that is not displayed by the Setup guidance, the operation is invalid and the same guidance is printed.

Restore Default Values Mode

In Restore default values mode, following values saved on NV Memory will be set back to default settings. When any error occurs, you can use to specify the reason.

| Setting Contents | Setting Items | Restore Default Values and Delete Defined Data |
|--|---------------|--|
| Customized value | ✓ | ✓ |
| Memory switch | ✓ | ✓ |
| R/E (Receipt Enhancement) settings | ✓ | ✓ |
| Communication condition of USB interface | ✓ | ✓ |
| NV graphics | - | ✓ |
| NV bit image | - | ✓ |
| User-defined page | - | ✓ |

Follow the steps below.

- 1 After running a self-test, hold down the Feed button for at least one second to enter the Mode selection.**
The Mode selection guidance is printed, and the Paper LED flashes.
- 2 Briefly press the Feed button four times (less than one second), hold it down for at least one second to enter the Restore Default Values.**
The guidance is printed.
- 3 When only restoring the default settings:**
Briefly press the Feed button once (less than one second), hold it down for at least one second. (Hold down the Feed button until the message of restore completion is printed.)

When restoring default settings and deleting user defined data:
Briefly press the Feed button twice (less than one second), and then hold it down for at least one second. (Hold down the Feed button until the restoration complete message is printed.)
- 4 To finish, turn off the power.**

Hexadecimal Dumping Mode

In hexadecimal dumping mode, data from the host device is printed in hexadecimal numbers and characters. By comparing the print outs and the program, you can check whether or not data is being sent to the printer correctly.

NOTE

- When there are no characters that correspond to the print data, " ." is printed.
- If you press the Feed button when there is less than one line of print data, one line is printed.
- During hexadecimal dumping mode, applications that check the printer status may not operate correctly. The printer only returns the status for the "Real-time transmission status" command.

Follow the steps below.

- 1 Open the roll paper cover.**
- 2 While pressing the Feed button, turn on the printer. (Hold down the Feed button until the Error LED turns on.)**
- 3 Close the roll paper cover.**
From this point, all data received by the printer is printed in the corresponding hexadecimal numbers and ASCII characters.

Example of printing in hexadecimal dumping mode:

```
Hexadecimal Dump
To terminate hexadecimal dump,
press FEED button three times.

1B 21 00 1B 26 02 40 40 1B 69 . ! . . & . @ @ . i
1B 25 01 1B 63 34 00 1B 30 31 . % . . c 4 . . 0 1
41 42 43 44 45 46 47 48 49 4A A B C D E F G H I J

*** completed ***
```

- 4 To close hexadecimal dumping mode, turn off the printer after printing is complete, or press the Feed button for three times.**

Windows Settings

Windows 10 IoT Enterprise

Windows Initial Settings

The following explains the procedures for the Windows initial settings when you turn on the power for this product for the first time.

- 1 Making sure that this product power is off, connect the display, keyboard and mouse.**
- 2 Turn on the product.**
The Windows setup screen is displayed the first time you start the product after recovering the OS using the recovery DVD.
- 3 When the log-on screen appears, enter the password.**
For the initial settings, the user name is "EPSON-USER" and the password is "T88VI-DT2".
- 4 The Windows desktop is displayed. Select [Start], then [Control Panel], and [Date and Time]. The "Date and Time Properties" window is displayed. Set the date, time, and the time zone.**

NOTE

Date, time, and time zone can be set later.

Starting Up and Shutting Down Windows

Starting Up Windows

Windows starts up when power to this product is turned on.

Shutting Down Windows

Power to this product is turned off when Windows is shut down.

Enabling or Disabling ePOS-Device

On this product, TM-DT software operates on Windows. If using this product with the PC-POS system do not use this software.

If operation of this software is disabled, the useable memory can be increased by 100MB or more.

NOTE

ePOS-Device Service is set to [Enabled] in the default settings.

Enabling ePOS-Device Service

Run [ePOS-Device Enabled] from the shortcut on the desktop.



Disabling ePOS-Device Service

Run [ePOS-Device Disabled] from the shortcut on the desktop.



CAUTION

- Following functions will be stopped, when ePOS-Device Service is disabled.
 - * TM-DT software
 - * TMNet WebConfig
 - * Store/restore settings of this product
- You will no longer be able to call TMNet WebConfig from the TM-T88VI-DT2 Utility.

Speaker Volume Setting

Volume of the speakers equipped in this product can be adjusted using the speaker volume adjustment function in Windows.

Windows Recovery

Follow the steps below to perform the recovery and Windows initial setting.

CAUTION

When the recovery procedure is performed, all data will be deleted. Back up any necessary data before performing the procedure.

NOTE

- Recovery requires about 30 minutes.
- A DVD drive with USB interface is required in order to perform Windows recovery.

- 1 Making sure that this product power is off, connect the display, keyboard, mouse, and DVD drive.**

NOTE

For how to connect peripherals, see "[Connecting External Devices](#)" on page 29.

- 2 Insert the recovery disk into the DVD drive.**
- 3 Turn on the product, and "Press any key to boot from CD or DVD." is displayed. Press any key.**
- 4 The system starts using the recovery disk. When a message that says "Do you want to recover?" is displayed. Click [Yes].**
- 5 A confirmation message that says "All data on disc will be deleted. Do you really want to start recovery?" is displayed. Click [Yes].**
- 6 The "Select language" message is displayed. Select "English(United States)" from the pull-down menu.**
Recovery is performed.
- 7 After recovery is completed, this product automatically restarts and the Windows setup screen is displayed. Perform Windows setup.**

NOTE

Do not operate the keyboard or mouse while the Windows setup screen is displayed.

- 8 When the log-on screen is displayed, enter the password.**
The initial user name is "EPSON-USER", and the initial password is "T88VI-DT2".
- 9 Select [Start]-[Settings]-[Time & language], and the [Date and Time] is displayed. Set the Date and time, and Time zone.**
- 10 Turn off the product. Then remove the DVD drive.**

This brings the recovery and Windows initial settings to an end.

NOTE

The Windows setup screen is displayed the first time you start the product after recovering the OS using the recovery DVD.

Specification

Preinstallation information

| Item | Details | |
|---|----------------------------------|---|
| Storage format | | |
| | Partition format | GPT format |
| | File system | NTFS |
| | Volume label | Windows (C:) |
| Preinstalled software | | |
| | Startup method | UEFI |
| | OS | Windows 10 IoT Enterprise 2016 LTSB 64 bit |
| | Net Framework | .NET Framework 4.6.2 |
| | Visual C++ redistribution module | Visual C++ 2005 redistributable package (x86) Visual C++ 2008 redistributable package (x86) Visual C++ 2010 redistributable package (X86) |
| | Driver | Mobile Intel® Processor Family I/O PCI Express Intel® HD Graphics Intel® Management Engine Interface Intel® Serial IO Driver GPIO Driver Realtek PCIe GBE Family Controller Realtek High Definition Audio intel® rapid_storage_technology EPSON Advanced Printer Driver Ver.5.09 VCPdriver_Ver.2.01 Advanced Printer Driver for DM-D Ver.5.09 |
| | TM-DT Software | ePOS-Device Ver.5.XX |
| | Tool | EPSON TMNet WebConfig TM-T88VI-DT2 Utility |
| User information (Default) | | |
| | User Name | EPSON-USER |
| | User Password | T88VI-DT2 |
| EPSON TMNet WebConfig Information (Default) | | |
| | User Name | epson |
| | User Password | epson |

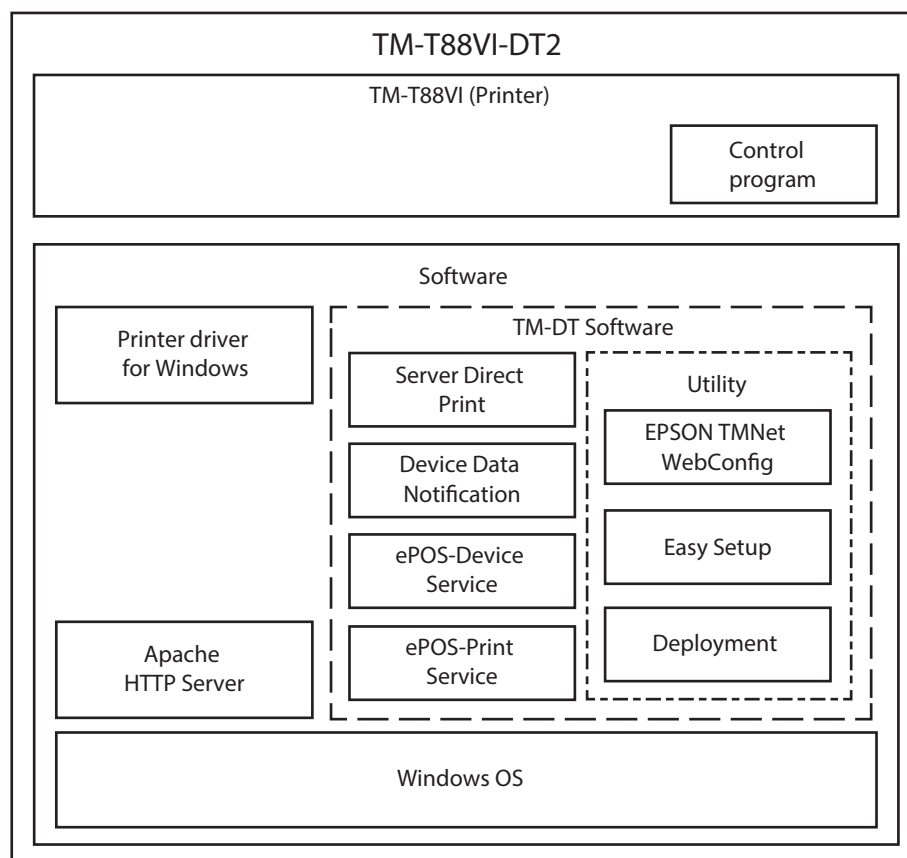
TM-DT Software System Development

This chapter describes the information needed to develop systems that use TM-DT software.

Systems that Use TM-DT software

This section describes the functions of TM-DT software.

Software Configuration



Network Printer Control

A function for printing on printers on the same network and acquiring printer status is implemented in the TM-DT software. You can configure a system for controlling printers via smart device or a Web application.

You can perform control from a wide range of terminals and applications compatible with SOAP/HTTP communications.

Since a network printer can be controlled simply by designating the device ID from the customer's application, application development becomes easy.

For controllable network printers, see "[TM-DT Software Specification](#)" on page 104.

Setting Items

| Setting | Items |
|--|--|
| Enabling / Disabling for ePOS-Device Service (page 54) | <ul style="list-style-type: none"> • Enabling ePOS-Device Service |
| Web service (page 82) | <ul style="list-style-type: none"> • Enabling the Device Control |
| Network printer (page 83) | <ul style="list-style-type: none"> • Printer model • Device ID • IP Address |

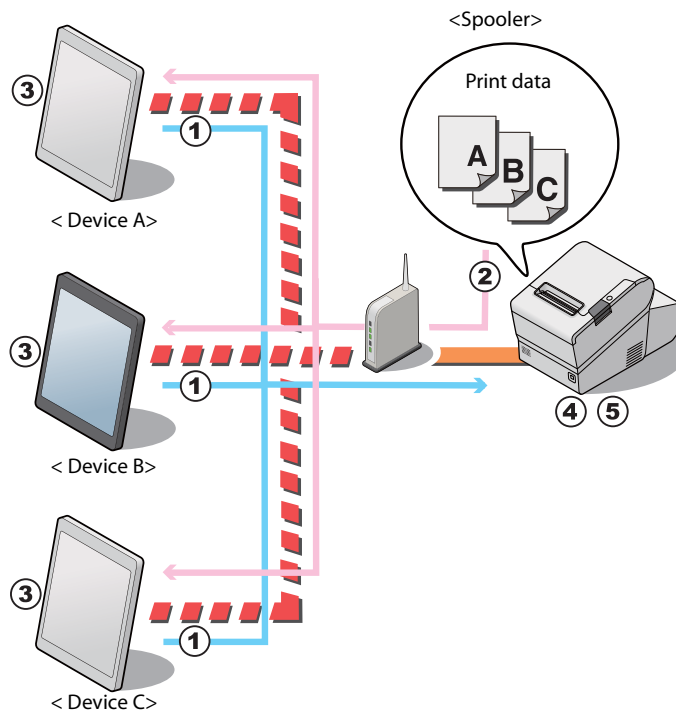
Spooler and Forward Printing

Spooler

A spooler for saving print data and conducting background printing is implemented in the TM-DT software. Even in systems where multiple print jobs are concentrated, an application system can be configured where response is not impeded.

General printing applications finish transactions upon confirming the printing. Due to such waiting, response times deteriorate in systems where multiple print jobs are concentrated. The spooler application stores print data and immediately returns the printing results to the application. This allows the application to proceed to the next operation without waiting for the current printing job to be completed.

Processing Flow using the Spooler Function



- 1 Devices A to C request printing of data A to C almost simultaneously.
- 2 The TM-DT software saves the print data in the spooler in the order it receives it, and returns the printing results (JobID, printing result = true) to each device.
- 3 Each device application completes the printing process and executes the next operation.
- 4 This product successively prints print data A to C.
- 5 The TM-DT software saves the printing results (JobID, printing result = true) in the log.

CAUTION

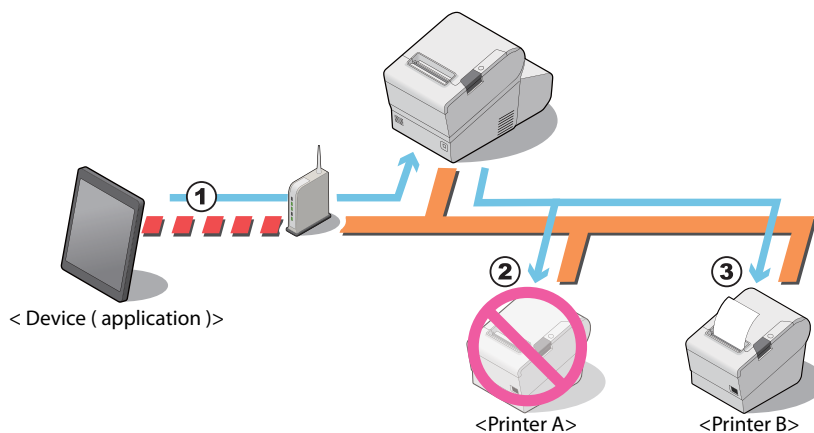
- If the printer cannot print because it is offline or there is an error, print data cannot be printed even if spooled. Since printing results are logged, they can be confirmed from the application. For the confirmation method, see "[Checking the print results](#)" on page 62.
- When power to this product is turned off, the spooler saved fields are erased.
- If the print data exceeds the remaining capacity of the spooler and cannot be spooled, the print data is erased. Concerning the spooler capacity, see "[TM-DT Software Specification](#)" on page 104.

Print Forwarding

Print forwarding, which enables printing to be performed from a different printer if it cannot be performed on another one is implemented in the TM-DT software. You can configure a secure system that enables printing to be performed on a separate printer even if one printer cannot be used. All you need to do is specify the forwarded printer in the case where printing cannot be performed to EPSON TMNet WebConfig. There is no need to resend print data.

Complicated processing is required in order to implement a function by a general application for printing from a separate printer when a printer cannot be printed. By using print forwarding, since the TM-DT software automatically conducts forward printing, the printing process on the customer's application can be simplified.

Processing Flow using the Spooler Function



- 1** The device application sends the print data to the TM-DT software.
- 2** The TM-DT software tries to conduct printing process on printer A but cannot because the printer is offline. The TM-DT software retries the number of times that is set in the spooler function.
- 3** If printing cannot be performed on Printer A even after the retry, the TM-DT software performs printing on Printer B.

CAUTION

- If a printer that is set as a forwarding source or forwarding destination cannot print because it is offline or because of an error, printing is not performed even if forward printing is set. The printing results are logged and can be confirmed from the application. For the confirmation method, see ["Checking the print results" on page 62](#).
- ” If the power for this product is turned off, the forwarding print data is erased.
- If the print data exceeds the remaining capacity of the spooler and cannot be spooled, the print data is erased. Concerning the spooler capacity, see ["TM-DT Software Specification" on page 104](#).

Checking the print results

When the spooler is disabled

After printing, the job ID and print results are returned to the application. Also, when printing cannot be performed, the job ID, print results, and error code are returned.

When the spooler is enabled

- When print data cannot be spooled:
[JobID, Print result = false, Error code = EX_SPOOLER (spooler stopped)] is returned to the application.
- When print data can be spooled:
After spooling the print data, [JobID, Print result = true] is returned to the application. Printing is not performed at this point. Make an inquiry from the application to this product to confirm if printing was performed.

Checking the print results from the application

If inquired of print result from the application, the product returns the following information.

- Printing succeeded: [JobID, Print results = true]
- Printing succeeded: [JobID, Print result = false, Error code = Printer status]
- Printing or print forwarding: [JobID, Print result = false, Error code = Printing]

NOTE

- When this product is turned off, data in the spooler and the log storage area is cleared. For detail, see "[TM-DT Software Specification](#)" on page 104.
- When printing cannot be performed with this products spooler or print forwarding, the print data is cleared. If printing has not been completed when checking in the application, we recommend reprinting.

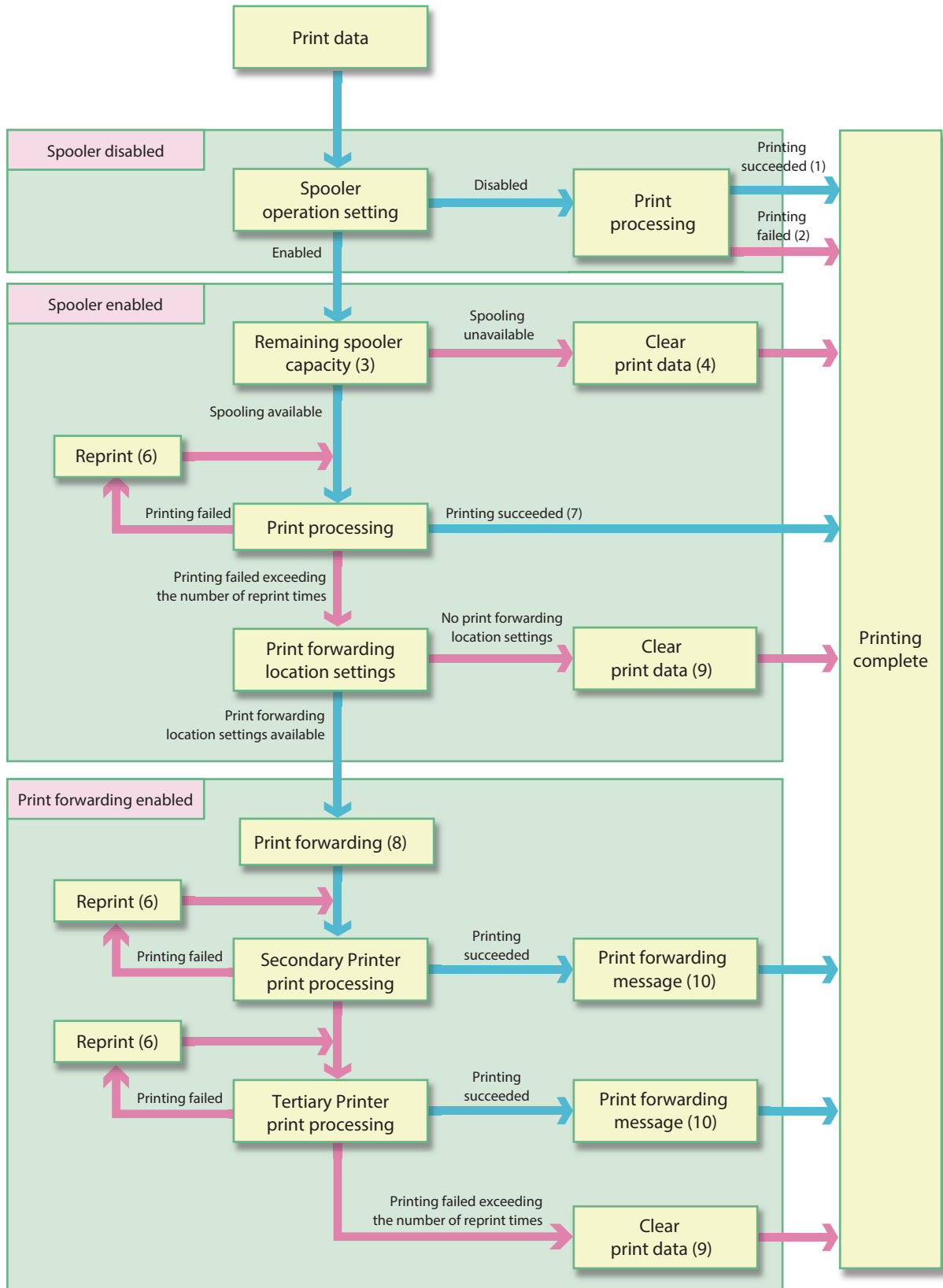
Setting Items

Spooler and forward printing are configured on the same page.

| Setting | Items |
|--|---|
| Enabling / Disabling ePOS-Device Service (page 54) | <ul style="list-style-type: none"> • Enabling ePOS-Device Service |
| Web service (page 82) | <ul style="list-style-type: none"> • Enabling spooler |
| Print forwarding (page 88) | <ul style="list-style-type: none"> • Retry count • Forwarding message • Print forwarding route |

Spooler and Print Forwarding

This section explains the print flow determined by whether or not the spooler or print forwarding is set for this product.



When spooler is disabled

- 1: If printing is successful, [JobID, Print result = true] is returned to the application.
- 2: If printing fails, [JobID, Print result = false, Error code = Printer status] is returned to the application.

When spooler is enabled

- 3: The remaining free space in the spooler and the size of the print data is checked, and the product determines whether or not the print data can be spooled.
- 4: If the print data cannot be spooled, the print data is cleared. [JobID, Print result = false, Error code = EX_SPOOLER (spooler stopped)] is returned to the application. This data is not stored in the product's spooler or the log storage area.
- 5: When print data can be spooled, [JobID, Print result = true] is stored in the spooler. [JobID, Print result = true] is also returned to the application.
- 6: Make the reprint settings (number of times and interval) in EPSON TMNet WebConfig. For detail, see "[Settings - Web service settings - Print Settings - Spooler](#)" on page 88.
- 7: When printing is successful, the spooler's print data and [JobID, Print result = true] are deleted. [JobID, Print result = true] are stored in the log storage area of this product.

When Print forwarding is enabled

- 8: Send print data to Secondary printer.
- 9: When printing fails, the spooler's print data and [JobID, Print result = true] are deleted. [JobID, Print result = false, Error code = Printer status] are stored in the log storage area of this product.
- 10: Print with secondary (tertiary) printer. For about settings for forwarding message, see "[Settings - Web service settings - Print Settings - Spooler](#)" on page 88.

Controlling for POS Peripherals

A function for controlling POS peripherals is implemented in the TM-DT software. Communication with peripherals is controlled by device control script files and device control program files.

Device control script files control specific peripherals.

Device control program files control OPOS-specification peripherals.

For controllable POS peripherals, device control script files, and device control program files, see the Epson ePOS SDK and ePOS-Device XML User's Manuals, and the TM-DT Series Peripheral Device Control Guide.

Device control script file

The following device control script files are registered to this product.

| Device | Device type |
|-----------------------------|-----------------------------|
| Keyboard | Key input device |
| Barcode scanner | |
| Serial communication device | Serial communication device |

Device control script files can be developed according to the devices that are used by the customer.

Device control program file

The following device control program files are registered to this product.

| Device | Device type |
|-----------------|----------------------------|
| POS keyboard | OposPOSKeyboardHandler.exe |
| Barcode scanner | OposScannerHandler.exe |
| MSR | OposMSRHandler.exe |

Device control program files can be developed according to the devices that are used by the customer.

Setting Items

| Setting | Items |
|--|---|
| Enabling / Disabling ePOS-Device Service (page 54) | <ul style="list-style-type: none"> • Enabling ePOS-Device Service |
| Web service (page 82) | <ul style="list-style-type: none"> • Enabling the Device Control |
| Customer display (page 83) | <ul style="list-style-type: none"> • Use / Do not use |
| Key input device (page 84) | <ul style="list-style-type: none"> • Device ID • Select the device control script |
| Serial communication device (page 85) | <ul style="list-style-type: none"> • Device ID • Select the device control script • Communication settings |
| Other device (page 86) | <ul style="list-style-type: none"> • Device ID • Select the device control script |
| Device control script - Add/delete (page 86) | <ul style="list-style-type: none"> • Registering the device control script |
| Device control program - Device registration (page 87) | <ul style="list-style-type: none"> • Device ID • Select the device control script |
| Device control program - Add/delete (page 87) | <ul style="list-style-type: none"> • Registering the device control program |

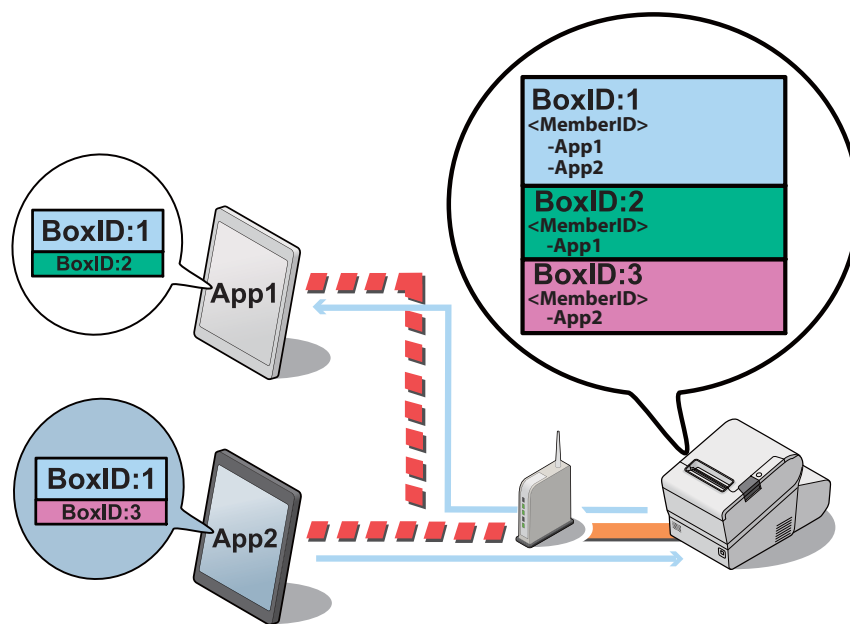
Communication Box

A communication box, which is a virtual space for exchanging data between applications, is implemented in the TM-DT software. The TM-DT software discloses the virtual data space, which is identified by box ID, to applications. The box ID can be used by multiple applications, making it possible to easily configure a system for exchanging data between applications.

The communication box can be set and used from applications compatible with Epson ePOS SDK and ePOS-Device XML.

This can be used in TM-DT software Ver.2.5 or later.

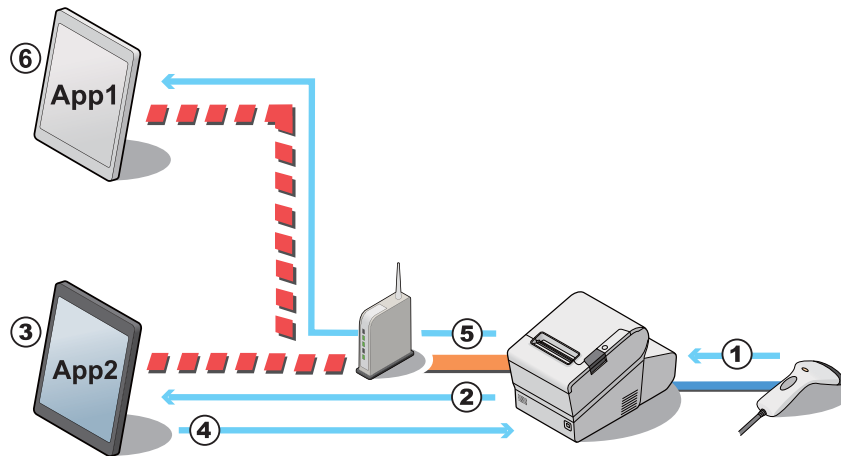
Communication Box Mechanism



The TM-DT software manages the communication box with a box ID (BoxID in the figure above). Data can be exchanged between applications that belong to the communication box.

In the figure, applications App1 and App2 exchange data using the communication box with BoxID:1.

An example for processing the data using communication box

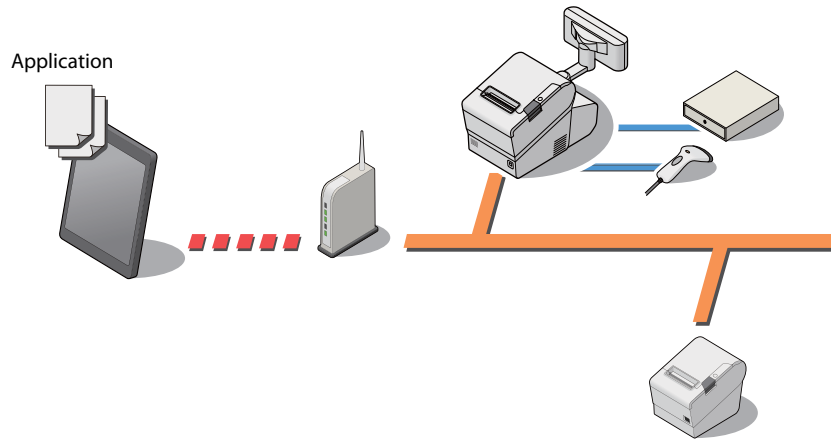


- 1** The product receive a barcode data scanned from scanner.
- 2** TM-DT Software notify the barcode data to App2.
- 3** App2 acquire the barcode data, then convert to POS data.
- 4** App2 sends display data to communication box of TM-DT Software.
- 5** TM-DT Software notify the data is stored into communication box to App1.
- 6** App1 acquire the stored display data from communication box.

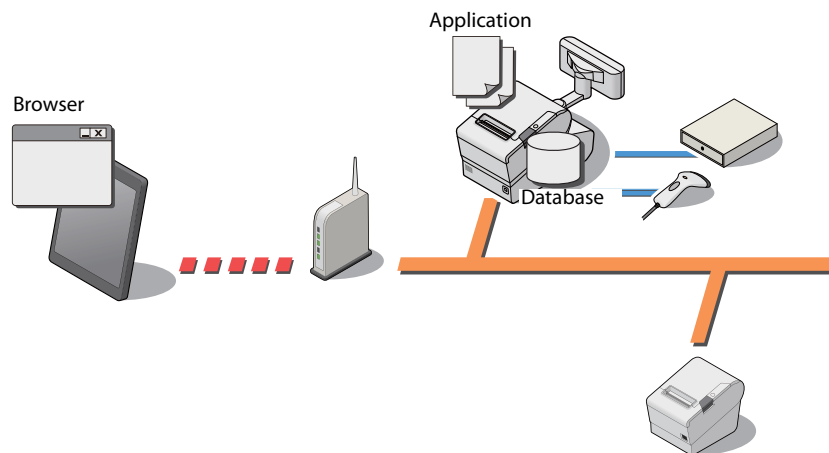
System Configuration Using the TM-DT Software

System Configuration

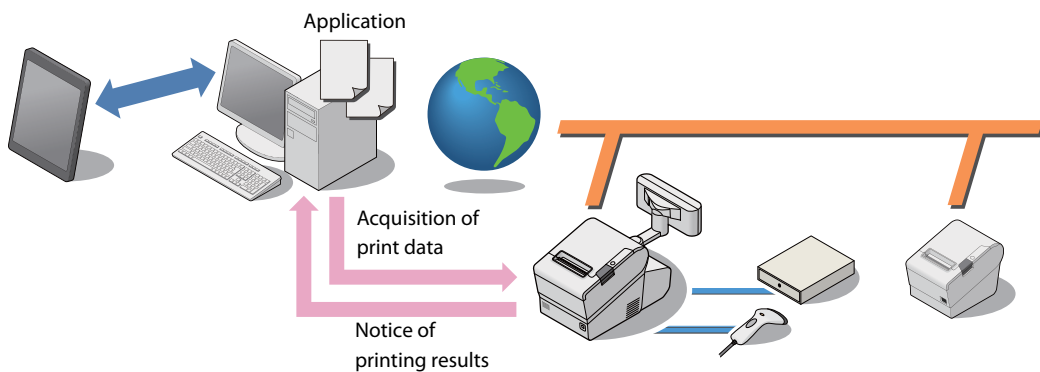
- Systems that implemented application in the smart device
Using Epson ePOS SDK



- Web application system
Using Epson ePOS SDK



- Server Direct Print system



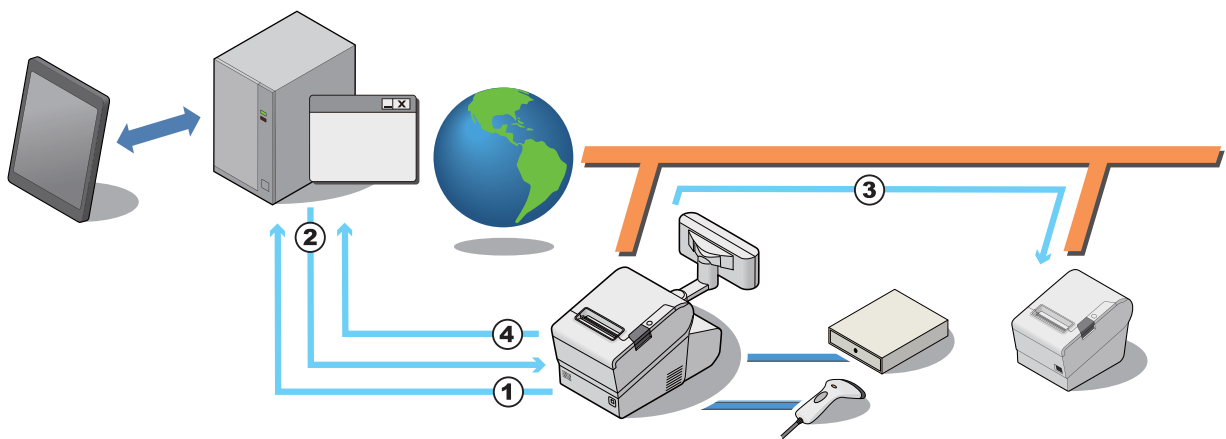
Server Direct Print

Server Direct Print is implemented in the TM-DT software. The function allows the TM-DT software to issue printing requests to Web server applications, conduct printing upon directly acquiring print data from the Web server, and notify the printing results to applications.

General printing system applications perform printing upon designating the printer. A function for including ePOS-Print XML print data in response to printing requests can be implemented in server direct print applications. Since the printer IP address is not specified from the application, printing can be performed via the Internet even in environments where printing is difficult because the IP address cannot be acquired on the Web server side or the device cannot be controlled via the Internet due to security policy settings.

Because the Web server application only includes print data in the response, printing can be performed without designating the printer.

Processing Flow Using the Server Direct Print Function



- 1 The TM-DT software issues a print request to the Web server application.
- 2 The Web server application sends a response that includes print data to the TM-DT software.
- 3 The TM-DT software sends print data to the printer and performs printing.
- 4 The software notifies the printing results to the application.

Items to be Prepared by the Customer

- Web server
- Application for including print data in the responses to requests from the TM-DT software

Setting Items

| Setting | Items |
|--|---|
| Enabling / Disabling ePOS-Device Service (page 54) | <ul style="list-style-type: none"> • Enabling ePOS-Device Service |
| Web service (page 82) | <ul style="list-style-type: none"> • Enabling device control • Enabling server direct print • Enabling status notification |
| Server direct print (page 90) | <ul style="list-style-type: none"> • Application server settings |
| Status notification (page 91) | <ul style="list-style-type: none"> • Application server settings |
| Network printer (page 83) | <ul style="list-style-type: none"> • Printer model • Device ID • IP address |
| Proxy settings (page 94) | <ul style="list-style-type: none"> • Proxy server settings |

Device Data Notification

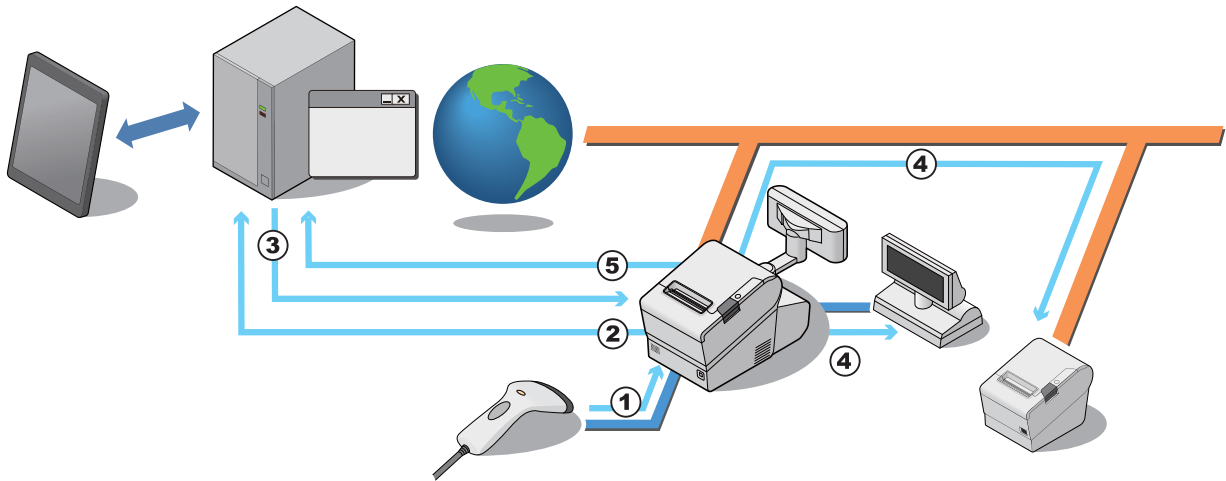
A device data notification function for using input data from a barcode scanner, etc. connected to this product as a trigger to receive print data or other data for controlling a device directly from the Web server and notifying the control results to the application is implemented in the TM-DT software.

The Web server application can control the printer and device designated simply by including print data or device control data in the response.

You can configure a system for performing printing and controlling peripherals based on data notices from the device.

General printing system applications commence printing from the application side. A function for including print data in responses to printing requests can be implemented in the applications mounted on Web servers through device data notification. This function can be used to perform printing by using an ID number scanned by a barcode scanner as a trigger.

Processing Flow Using the Device Data Notification Function



- 1** The operator scans the ID number, etc. with a barcode scanner.
- 2** Application for including device control data in response to requests from the TM-DT software
- 3** The Web server application sends a response that includes device control data to the TM-DT software.
- 4** The TM-DT software sends the control data to the target device, and processing is performed.
- 5** The TM-DT software notifies the device control results to the application.

Items to be Prepared by the Customer

- Web server
- Application for including device control data in response to requests from the TM-DT software

Setting Items

| Setting | Items |
|--|---|
| Enabling / Disabling ePOS-Device Service (page 54) | <ul style="list-style-type: none"> • Enabling ePOS-Device Service |
| Web service (page 82) | <ul style="list-style-type: none"> • Enabling device control • Enabling device data notification |
| Device data notification (page 92) | <ul style="list-style-type: none"> • Application server settings • Error settings |
| Network printer (page 83) | <ul style="list-style-type: none"> • Printer model • Device ID • IP address |
| Customer display (page 83) | <ul style="list-style-type: none"> • Use / Do not use |
| Key input device (page 84) | <ul style="list-style-type: none"> • Device ID • Select the device control script |
| Serial communication device (page 85) | <ul style="list-style-type: none"> • Device ID • Select the device control script • Communication settings |
| Other device (page 86) | <ul style="list-style-type: none"> • Device ID • Select the device control script |
| Device control script - Add/delete (page 86) | <ul style="list-style-type: none"> • Register the device control script file |
| Proxy settings (page 94) | <ul style="list-style-type: none"> • Proxy server settings |

Controlling POS Peripherals from Smart Devices

A function for controlling this product's POS peripherals and network printers from native applications of smart devices (iOS/Android™/Universal Windows Apps) is implemented in the TM-DT software.

Utilizing Epson ePOS SDK, you can easily configure an application system using API for controlling POS peripherals and printers.

Setting Items

| Setting | Items |
|--|---|
| Enabling / Disabling ePOS-Device Service (page 54) | <ul style="list-style-type: none"> • Enabling ePOS-Device Service |
| Web service (page 82) | <ul style="list-style-type: none"> • Enabling the device control |
| Printer (page 83) | <ul style="list-style-type: none"> • Printer model • Device ID • IP address |
| Customer display (page 83) | <ul style="list-style-type: none"> • Use / Do not use |
| Key input device (page 84) | <ul style="list-style-type: none"> • Device ID • Select the device control script |
| Serial communication device (page 85) | <ul style="list-style-type: none"> • Device ID • Select the device control script • Communication settings |
| Other device (page 86) | <ul style="list-style-type: none"> • Device ID • Select the device control script |
| Device control script - Add/delete (page 86) | <ul style="list-style-type: none"> • Register the device control script |

Controlling POS Peripherals from Web Applications

A function for controlling this product's POS peripherals and network printers from Web applications is implemented in the TM-DT software. You can also shut this product down from Web applications. Moreover, you can print images that are drawn on HTML5 Canvas from a HTML5-compatible Web browser.

Using the Epson ePOS SDK for JavaScript, you can easily construct an application system by utilizing APIs for controlling POS peripherals and printers.

You can implement Web applications in a Web server or this product and use them from HTML5-compatible browser-mounted terminals.

Setting Items

| Setting | Items |
|--|---|
| Enabling / Disabling ePOS-Device Service (page 54) | <ul style="list-style-type: none"> Enabling ePOS-Device Service |
| Web service (page 82) | <ul style="list-style-type: none"> Enabling the device control |
| Network printer (page 83) | <ul style="list-style-type: none"> Printer model Device ID IP address |
| Customer display (page 83) | <ul style="list-style-type: none"> Use / Do not use |
| Key input device (page 84) | <ul style="list-style-type: none"> Device ID Select the device control script |
| Serial communication device (page 85) | <ul style="list-style-type: none"> Device ID Select the device control script Communication settings |
| Other device (page 86) | <ul style="list-style-type: none"> Device ID Select the device control script |
| Device control script - Add/delete (page 86) | <ul style="list-style-type: none"> Registering the device control script |
| Device control program - Device registration (page 87) | <ul style="list-style-type: none"> Device ID Select the device control script |
| Device control program - Add/delete (page 87) | <ul style="list-style-type: none"> Registering the device control program |
| Product's shutdown (page 95) | <ul style="list-style-type: none"> Shutdown settings |

Controlling POS Peripherals from Socket Communication Compatible Applications

A function for controlling this product's POS peripherals and network printers from applications compatible with Web services is implemented in the TM-DT software.

There is no need to install drivers and plug-ins to terminals.

Through using the ePOS-Device XML system, you can perform printing from various device applications compatible with socket communications. You can configure a system for controlling printers without depending on the OS. Moreover, because there is no need to install drivers and plug-ins to terminals, you can perform control of POS peripherals from a wide range of devices and systems compatible with Web services.

Setting Items

| Setting | Items |
|--|---|
| Enabling / Disabling ePOS-Device Service (page 54) | <ul style="list-style-type: none"> Enabling ePOS-Device Service |
| Web service (page 82) | <ul style="list-style-type: none"> Enabling the device control |
| Network printer (page 83) | <ul style="list-style-type: none"> Printer model Device ID IP address |
| Customer display (page 83) | <ul style="list-style-type: none"> Use / Do not use |
| Key input device (page 84) | <ul style="list-style-type: none"> Device ID Select the device control script |
| Serial communication device (page 85) | <ul style="list-style-type: none"> Device ID Select the device control script Communication settings |
| Other device (page 86) | <ul style="list-style-type: none"> Device ID Select the device control script |
| Device control script - Add/delete (page 86) | <ul style="list-style-type: none"> Registering the device control script |
| Device control program - Device registration (page 87) | <ul style="list-style-type: none"> Device ID Select the device control script |
| Device control program - Add/delete (page 87) | <ul style="list-style-type: none"> Registering the device control program |
| Product's shutdown (page 95) | <ul style="list-style-type: none"> Shutdown settings |

Web Server

You can configure a Web server system which mounts the server-side scripting (Perl or php) Web contents on the Apache HTTP Server, which is the operating environment for the TM-DT software. You can also use the SQLite database. Moreover, you can configure an automatic update system of Web contents for automatically updating Web contents from a separate Web server at regular intervals.

For the PHP and Perl versions, see ["TM-DT Software Specification" on page 104](#).

Preparation of Web content

File format

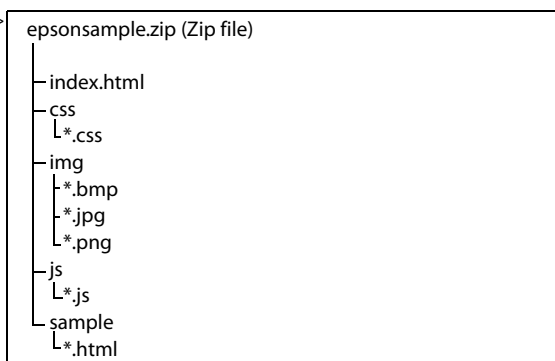
- HTML file
- CSS file
- JavaScript
- Image data
- Perl script (*.cgi)
- php script (*.php)

Package file (*.zip)

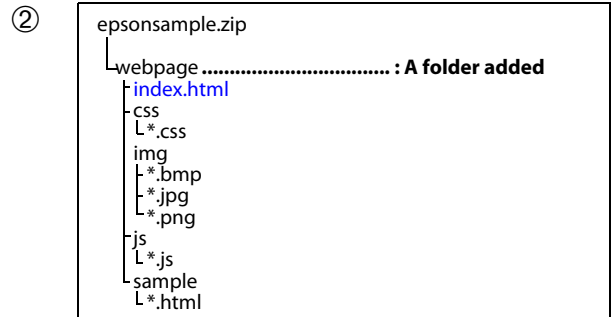
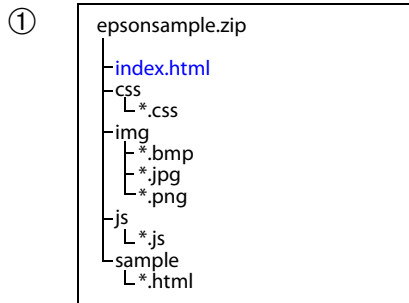
Zip the files to be registered all together. The zip file name is arbitrary.

- Use one-byte alphanumeric characters (ASCII characters) for a zip file name and sub-folder name.
- The maximum size of the files before zipping is 100 MB. Otherwise, registering fails.
- Web contents cannot be registered additionally. All files are overwritten and registered. Zip web contents before registering.

<Example for sample program>



- When you access to registered web contents from an input terminal and so on, the URL differs depending on the folder structure of the zip file.
 - ① [http://\[the product's IP address\]/index.html](http://[the product's IP address]/index.html)
 - ② [http://\[the product's IP address\]/webpage/index.html](http://[the product's IP address]/webpage/index.html)



Register the prepared Web content file to TM-DT Software.

Setting Items

| Setting | Items |
|--|--|
| Enabling / Disabling ePOS-Device Service (page 54) | <ul style="list-style-type: none"> • Enabling ePOS-Device Service |
| Web content update (page 89) | <ul style="list-style-type: none"> • Register the web content • Web server settings for automatically updating |
| Web service (page 82) | <ul style="list-style-type: none"> • Enabling automatic web content update |

TM-DT Software Settings

Use EPSON TMNet WebConfig to set the TM-DT software.

Each section describes the items that are displayed from [Information] and [Settings] of EPSON TMNet WebConfig.

Starting EPSON TMNet WebConfig

Start EPSON TMNet WebConfig by the following method.

If ePOS-Device Service is invalid, EPSON TMNet WebConfig will not start. For details, see "Enabling or Disabling ePOS-Device" on page 54.

- 1 Connect a display and keyboard to this product.**
Login with a user account that has administrator authority.
- 2 Start EPSON TMNet WebConfig from the desktop shortcut.**
- 3 "Windows Security" screen appears, input the user name and password, then click [OK].**
For details, see "[Settings - Admin settings - Admin information - Password](#)" on page 103.

EPSON TMNet WebConfig starts.

NOTE

When setting from a PC connected to the network, enter the following into the Web browser URL entry field.
`http://<product's IP address>/webconfig/`

Help Screen Display

Click [Help] to display the help screen for EPSON TMNet WebConfig.

Version Screen Display

Click [About] to display the version screen for EPSON TMNet WebConfig.

Updating TM-DT Software

When you update the TM-DT software, you can use its new functions. Download the following file from Epson's Web site to update.

File name: ePOS-Device System Update Package

For details on how to update, see the Readme file inside the ePOS-Device update package.

NOTE

You cannot downgrade the TM-DT software.

Information - Current status

You can check the basic settings for this product.

| Item | | Description | |
|------------------------------|--|---|---|
| Admin information | Administrator name | Displays the administrator name for this product. | |
| | Installation location | Displays the installation location for this product. | |
| Web service function | Web service function | Displays whether the Web service function is enabled or not. | |
| Status of Web content update | Automatic update for Web content | Displays the schedule for automatic updates for Web content. | |
| | Date and time of Web content installed | Displays the date and time that the Web contents were installed. | |
| | Date and time of last automatic update | Displays the date and time of the last automatic update performed. | |
| | Result of automatic update | Displays the result of the automatic update. | |
| Server direct print | Run state | Displays the run state of the server direct print. | |
| | ID | Displays the web server ID acquiring print data of the server direct print. | |
| | Server 1 Server 2 Server 3 | Interval (sec.) | Displays the interval for acquiring print data. |
| | | Date and time last run | Displays the date and time last run of the server direct print. |
| | | Final run results | Displays the final run results of the server direct print. |
| Status notification | Run state | Displays the run state of the status notification. | |
| | ID | Displays the web server ID sending status notification. | |
| | Interval (sec.) | Displays the interval for sending status notification. | |
| | Date and time last run | Displays the date and time last run of the status notification. | |
| | Final run results | Displays the final run results of the status notification. | |

Information - System settings - Network

You can check the network settings for this product.

| Item | | Description |
|--------------------|--|---|
| Wired LAN | | |
| TCP/IP Information | IP address | Displays this product's IP address for a wired LAN network. |
| | Subnet Mask | Displays the subnet mask. |
| | Default Gateway | Displays the default gateway. |
| | Acquire DNS Server Address Automatically | Displays whether the Acquire DNS Server Address Automatically function is enabled or not. |
| | DNS Server Address (in order of use) | Displays automatically acquired DNS server addresses in the order they are used. |
| Security | | |
| SSL settings | SSL | Displays whether the SSL is enable or disable. |
| | Domain of the certificate | Displays the domain of the certificate. |
| | Validity period of the certificate | Displays the validity period of the certificate. |
| Proxy settings | Web content update | Web contents automatic update, displaying whether or not proxy is used. |
| | Server Direct Print | Server direct print, displaying whether or not proxy is used. |
| | Status notification | Status notification, displaying whether or not proxy is used. |
| | Store/restore settings | Store / restore settings, displaying whether or not proxy is used. |
| | Update Web service functions | Update web service function, displaying whether or not proxy is used. |
| | Device Data Notification | Device data notification, displaying whether or not proxy is used. |
| Certificate List | | A list of the certificates issued in the SSL settings is displayed. |

Information - System settings - Date and Time

You can check this product's time settings.

| Item | Description |
|---|--|
| Date and Time | Displays the time and the time zone set for this product. |
| Automatically adjust clock for Daylight Saving Time | Displays whether the automatic daylight saving time adjustment function is enabled or not. |
| Use Time Server | Displays whether the function to use a time server is enabled or not. |
| Time Server | Displays the address set as a time server. |

Settings - Web service settings - Startup settings

Performs the settings for the Web services that are provided with the TM-DT software.

| | Item | Description |
|----------------------|---|---|
| Web service function | Device control | Enables or disables device control functions that use Web service. |
| | Network disconnection detection (sec.) | Set the time to detect network disconnection. You can set 5, 15, 30, or 45 seconds. The initial setting is 45 seconds. |
| | Executing device control program | Every time: The device control program starts up every time the device is opened from the application. First time: The device control program opened upon the first communication is used. Using this setting results in a faster response time when using the device from multiple tablets or the like. However, if the connection between this product and the device is broken, the device control program must be reconnected or the OS must be restarted. |
| | Automatic update of Web content | Enables or disables the automatic update function for Web content. |
| | Server direct print | Enables or disables the server direct print function. |
| | Status notification | Enables or disables the status notification function. |
| | Device Data Notification | Enables or disables the device data notification function. |
| | The automatic registration and deletion of the key input device | Enables or disables the automatic registration / deletion function of the key input device. |
| | Apply | Registers the settings to this product. |
| Print function | Spooler | Enables or disables the spooler function. |
| | Apply | Registers the settings to this product. |

Settings - Web service settings - Printer

Performs the settings for printers controlled by TM-DT Software.

You can set the printers when you have set [Enable] under [Device control] in the "[Settings - Web service settings - Startup settings](#)" on page 82.

| Item | | Description |
|---------------------|----------------|---|
| Register printers | Device ID | Set the ID for the controlled printer. (Any character string) The initial value for the device ID for the printer equipped in this product is "local_printer". |
| | Type | Select the type for the controlled printer. |
| | Model no. | Select the model number for the controlled printer. |
| | IP address | Set the printer IP address for each device ID. |
| | Retry interval | Set the timeout retry interval. |
| | Add | Adds the printer on this product. |
| Registered printers | | Displays a list of registered printers. |
| | Test printing | Performs a test printing. "TEST_PRINT" is printed. |
| | Delete | Deletes a registered printer. |

Settings - Web service settings - Customer Display

Performs the settings for the customer display controlled by TM-DT Software.

You can set the customer display when you have set [Enable] under [Device control] in the "[Settings - Web service settings - Startup settings](#)" on page 82.

| Item | | Description |
|------------------------|---------------------------|---|
| Do not use | | Do not use a customer display. |
| Use | | Use a customer display. |
| Communication settings | Communication speed (bps) | Set the communication speed. |
| | Data bit | Set the data bit. |
| | Parity | Set the parity. |
| Brightness setting | | Set the brightness of the customer display in percentages. You can set 20%, 40%, 60%, or 100%. The maximum brightness is 100%. |
| Display test | | Check if the customer display operates properly. When [Display test] is clicked, characters appear on the customer display. |
| Apply | | Registers the settings to this product. |

Settings - Web service settings - Key input device

Performs the settings for the key input device controlled by TM-DT Software.

You can set the key input devices when you have set [Enable] under [Device control] in the "[Settings - Web service settings - Startup settings](#)" on page 82.

| Item | | Description |
|------------------------------------|----------------|---|
| Key input devices to be registered | Device ID | Set the ID for the key input device. |
| | Device name | Set the device name for the key input device. |
| | Control script | Set the device control script to control the key input device. Register device control scripts as necessary. For details, refer to " Settings - Web service settings - Control script - Add/delete " on page 86. |
| | Add | Registers the key input device. |
| Registered key input devices | | Displays a list of registered key input devices. |
| | Operating test | Performs an operating test for a registered key input device. 1. Click to display the "Operating Test" window. 2. Operate the key input device. 3. Confirm that correct operation is performed. |
| | Delete | Deletes a registered key input device. |

Settings - Web Service settings - Serial communication Device

Performs the settings for serial communication devices controlled by TM-DT Software.

You can set the serial communication devices when you have set [Enable] under [Device control] in the "[Settings - Web service settings - Startup settings](#)" on page 82.

| Item | | Description |
|---|---------------------------|--|
| Serial communication devices to be registered | Device ID | Set the device ID. |
| | Port | Serial port on the rear of the product. Select COM1 or COM2. |
| | Control script | Set the device control script for controlling the serial communication device. Register device control scripts as necessary. For details, refer to " Settings - Web service settings - Control script - Add/delete " on page 86. |
| | Communication speed (bps) | Set the device communication speed. |
| | Data bit | Set the data bit. |
| | Parity | Set the parity. |
| | Stop bit | Set the stop bit. |
| | Flow control | Set the flow control. |
| | Add | Registers the serial communication device on this product. |
| Registered serial communication devices | | Displays a list of registered serial communication devices. |
| | Detailed display | Displays the device settings confirmation window. |
| | Operating test | Performs an operating test for a registered serial communication device. 1. Click to display the "Operating Test" window. 2. Enter a value and click [Send]. 3. Confirm that correct operation is performed. |
| | Delete | Deletes a registered serial communication device. |

Settings - Web Service settings - Other Device

Performs settings for other devices controlled by TM-DT Software.

You can set the Other devices when you have set [Enable] under [Device control] in the "[Settings - Web service settings - Startup settings](#)" on page 82.

| Item | | Description |
|--------------------------|----------------|---|
| Other register devices | Device ID | Set the ID for the controlled device. |
| | Control script | Set the control script for other devices. Register device control scripts as necessary. For details, refer to " Settings - Web service settings - Control script - Add/delete " on page 86. |
| | Add | Registers the device on this product. |
| Other registered devices | | Displays other devices registered on this product. |

Settings - Web service settings - Control script - Add/delete

Performs registration or deletion for device control scripts used by TM-DT Software.

| Item | | Description |
|---------------------------------|----------------|---|
| Control script to be registered | | Set the control script to be registered. |
| | Control script | Specifies the control script file of the device being registered. |
| | Add | Registers the device control script on this product. |
| Registered control scripts | | Displays a list of device control scripts registered on this product based on the device type. |
| | Delete | Deletes the corresponding device control script from this product. You cannot delete it if the control script is being used. |
| | in use | The corresponding device control script is in use. |

Settings - Web service settings - Control program - Device registration

Performs settings for devices controlled by TM-DT Software. You can set the devices when you have set [Enable] under [Device control] in the "Settings - Web service settings - Startup settings" on page 82.

| Item | | Description |
|--------------------|-----------------|--|
| Register devices | Device ID | Set the ID for the controlled device. |
| | Control program | Set the device control program to control the device. Register device control programs as necessary. For details, refer to "Settings - Web service settings - Control script - Add/delete" on page 86. |
| | Add | Registers the device control program on this product. |
| Registered devices | | Displays a list of device registered on this product based on the device type. |
| | Delete | Deletes the corresponding device control program from this product. |

Settings - Web service settings - Control program - Add/delete

Performs registration or deletion for device control program used by TM-DT Software.

| Item | | Description |
|----------------------------------|----------------------|---|
| Control program to be registered | | Set the control program to be registered. |
| | + | Adds a file selection box for control program files. |
| | Control program file | Specifies the control program file of the device being registered. |
| | Add | Registers the device control program on this product. |
| Registered control programs | | Displays a list of device control programs registered on this product based on the device type. |
| | Detailed display | Displays the details of the control program. |
| | Delete | Deletes the corresponding device control program from this product. You cannot delete it if the control program is being used. |

NOTE

For methods of developing device control programs, see the "TM-DT Series Peripheral Device Control Guide".

Settings - Web service settings - Print Settings - Spooler

Performs settings for spooler and print forwarding.

You can set the spooler and print forwarding when you have set [Enable] under [Spooler] in the "[Settings - Web service settings - Startup settings](#)" on page 82.

| Item | | Description | |
|---|-------------------|---|--|
| Spooler Settings | Retry | Count | Sets the number of retries for when printing error occurs. When printing fails for the set number of times, printing is performed from the forwarded printer if the forwarding path is set. |
| | | Interval (sec.) | Sets the interval between retries when printing error occurs. |
| Message Text | Message Text | | Sets the character string of the notice message that is printed when forward processing takes place. |
| | Text Attributes | | Sets the character decoration of the notice message. |
| | Position | | Sets the printing position of the notice message. |
| | Cut | | Sets whether or not to cut the paper after printing the notice message. |
| | Apply | | Saves the notice message settings to this product. |
| Print forwarding route to be registered | Primary Printer | | Sets the printer to be set for forwarding path. |
| | Secondary Printer | | Sets the forwarded printer for cases where the primary printer fails to print. |
| | Tertiary Printer | | Sets the forwarded printer for cases where the primary printer and the secondary printer fail to print. |
| | Register | | Saves the forwarding path settings to this product. |
| Registered Print forwarding routes | | A list of the registered forwarding paths is displayed. | |
| | Delete | | Deletes the settings of ticked forwarding paths. |

Settings - Web Service settings - Web Content - Update settings

Performs settings for the installation method and update settings for the Web content registered on this product.

You can set the automatic update when you have set [Enable] under [Automatic update of web content] in the ["Settings - Web service settings - Startup settings"](#) on page 82.

| Item | | Description |
|---------------------------|--|--|
| Automatic update settings | Update schedule | Set the schedule for automatic update of the Web content. |
| | ID | Sets ID for identifying this product at the Web server. This ID will be the user ID used for Digest authentication. This set value will also be passed as an ID parameter value for the form data posted to the server. |
| | Password | Sets password used for Digest authentication. |
| | File URL | Specify a URL for the file to automatically update. After designating it, click "Access test" and check if the URL is properly specified. |
| | Server Authentication | Sets whether or not to conduct server authentication based on the registered certificate when conducting access by https. |
| | Apply | Registers the automatic update settings on this product. |
| | After setting settings, update Web content immediately | After the automatic update settings are registered on this product, the Web content will be updated. |
| Manual update | Web content file (*.zip) | Specifies the registered Web content. |
| | Upload | Uploads the specified Web content. |

Settings - Web service settings - Server access - Direct Print

Performs settings for server direct print.

You can set the server direct print when you have set [Enable] under [Server Direct Print] in the ["Settings - Web service settings - Startup settings"](#) on page 82.

| Item | | Description |
|----------------------------------|-----------------|---|
| ID | | Sets the ID for identifying this product on the Web server side. This ID becomes the user ID used for Digest authentication. The set value is also passed as the ID parameter value of the form data to be posted to the server. |
| Password | | Specify the password to be used for Digest authentication for the server. |
| Server 1 Server 2 Server 3 | URL | Set the web server URL for acquiring print data. After designating it, click "Access test" and check if the URL is properly specified. |
| | Interval (sec.) | Set the request interval (printing request). |
| Server Authentication | | Sets whether or not to conduct server authentication based on the registered certificate when conducting access by https. |
| Apply | | Registers the settings to this product. |

Settings - Web Service settings - Server access - Status notification

Performs settings for status notification.

You can set the status notification when you have set [Enable] under [Status Notification] in the "[Settings - Web service settings - Startup settings](#)" on page 82.

| Item | Description |
|-----------------------|---|
| ID | Sets the ID for identifying this product on the Web server side. This ID becomes the user ID used for Digest authentication. The set value is also passed as the ID parameter value of the form data to be posted to the server. |
| Password | Specify the password to be used for Digest authentication for the server. |
| URL | Set the web server URL for sending status notifications. After designating it, click "Access test" and check if the URL is properly specified. |
| Interval (sec.) | Set the interval for sending status notifications. |
| Server Authentication | Sets whether or not to conduct server authentication based on the registered certificate when conducting access by https. |
| Apply | Registers the settings to this product. |

Settings - Web Service settings - Server access - Device Data Notification

Performs settings for device data notification.

You can set the device data notification when you have set [Enable] under [Device Data Notification] in the "Settings - Web service settings - Startup settings" on page 82.

| Item | | Description | |
|----------|-----------------|---|---|
| Settings | Server access | ID | Sets the ID for identifying this product on the Web server side. This ID becomes the user ID used for Digest authentication. The set value is also passed as the ID parameter value of the form data to be posted to the server. |
| | | Password | Specify the password to be used for Digest authentication for the server. |
| | | URL | Set the web server URL and path to applications. Ex: After specifying http://[Web server IP address]/Test_device.php, click [Access Test] and confirm whether or not access is possible. |
| | | Server Authentication | Sets whether or not to conduct server authentication based on the registered certificate when conducting access by https. |
| | | Box ID | Specifies the BoxID of the communication box. Sets whether or not to print an error message when Post fails. |
| | POST Error | Print Message | Sets whether or not to print an error message when Post error occurs. |
| | | Message Text | Sets the character string of the error message. |
| | | Text Attributes | Sets the text decoration of the error message. |
| | | Cut | Sets whether or not to cut the paper. |
| | Capture Devices | Devices | Selects the device for using device data notification. |
| Apply | | Registers the settings to this product. | |

Settings - System settings - Network - TCP/IP

Sets the IP address, etc. of this product.

| Item | Description |
|--|--|
| Get IP Address | Sets the method of getting the IP address. |
| IP Address | Sets the IP address when [Get IP Address] is set to [Manual]. |
| Subnet Mask | Sets the subnet mask when [Get IP Address] is set to [Manual]. |
| Default Gateway | Sets the default gateway when [Get IP Address] is set to [Manual]. |
| Acquire DNS Server Address Automatically | Sets the method of getting the address of the DNS server when [Get IP Address] is set to [Manual]. |
| DNS Server Address(in order of use) | Sets the addresses of the DNS server in order of usage when [Acquire DNS Server Address Automatically] is set to [Disable]. |
| Print IP Address | When Print IP Address is Enabled, the IP address is printed when this product is started and when the IP address is acquired or changed. |
| Apply | Registers the settings to this product. |

Settings - System settings - Network - SSL

Performs SSL settings for this product.

| Item | Description |
|------------------------------------|--|
| Disable | Disables SSL authentication. |
| Remove the certificate | Select this checkbox to delete the SSL certificate. It can only be selected when the SSL setting is [Disabled]. |
| Enable | Enables SSL authentication. |
| Create the self signed certificate | Create a self signed certificate to be registered to this product. It can only be selected when the SSL setting is [Enabled]. Specify the IP address settings before creating a self signed certificate. |
| Update the certificate | Renews certificates registered to this product. It can only be selected when the SSL setting is [Enabled]. |
| Private key file | Selects private key files registered to this product. It can only be selected when the SSL setting is [Enabled]. |
| Certificate file | Selects server certificate files registered to this product. It can only be selected when the SSL setting is [Enabled]. |
| Certificate chain file(Optional) | Selects certificate chain files registered to this product. It can only be selected when the SSL setting is [Enabled]. |
| Apply | Registers the settings to this product. |

Settings - System settings - Proxy settings

Performs settings for this product's proxy and the services that use the proxy.

| Item | | Description |
|----------------|-----------------------------|---|
| Proxy URL | | Input the URL for the proxy server in use. |
| Proxy port no. | | Input the port number for the proxy server in use. |
| ID | | Register the ID for proxy authentication. |
| Password | | Register the password for proxy authentication. |
| Proxy settings | Wen content update | Sets whether or not to use proxy for automatic update of Web content. |
| | Server direct print | Sets whether or not to use proxy for server direct print. |
| | Status notification | Sets whether or not to use proxy for status notification. |
| | Store/restore settings | Sets whether or not to use proxy for store/restore settings. |
| | Update Web service function | Sets whether or not to use proxy for the update Web service function. |
| | Deployment | Sets whether or not to use proxy for deployment. |
| | Device Data Notification | Sets whether or not to use proxy for device data notification. |
| Apply | | Registers the settings to this product. |

Settings - System settings - Server authentication

Registers certificates to this product and sets or deletes registered certificates.

| Item | | Description |
|---------------------|------------------|---|
| Import Certificates | Certificate file | Specifies the certificate file to be registered to this product. |
| | Update | Registers the specified certificate file to this product. |
| Certificate List | Issuer | The list of certificate files and detailed information registered to this product is displayed. By applying a tick to the listed certificates, it becomes possible to use [Delete]. |
| | Issuer to | Detailed information of certificates can be confirmed. |
| | Delete | Delete the ticked certificates. |

Settings - System settings - Date and time - Time settings

Performs time settings for this product.

| Item | Description |
|---|---|
| Date and time | Sets the time and date. |
| Time Zone | Sets the area. Sets the time difference from Coordinated Universal Time. |
| Automatically adjust clock for Daylight Saving Time | Selects whether to automatically adjust the clock for Daylight Saving Time. |
| Use Time Server | Selects whether to use a time server. |
| Time Server | Specifies the URL for the time server. |
| Apply | Registers the settings to this product. |

Settings - System settings - Power - Shutdown settings

Performs shutdown settings for this product.

| Item | Description |
|-------------------------------|--|
| Shutdown settings | When the power button is pressed Set the operation when you press the power button. Select from "Shutdown" and "Do nothing". |
| | ePOS-Device Shutdown permission Specify the permission settings for shutdown from Epson ePOS SDK for JavaScript or ePOS-Device XML. |
| | Password protection Specifies whether to perform password authentication for shutdown from an application compatible with ePOS-Device XML or Epson ePOS SDK for JavaScript. It can be selected when "Shutdown permission" is "Permit". |
| | Apply Registers the settings to this product. |
| Shutdown | Turn off the power Shuts down the product. When the shutdown confirmation screen is displayed, select "Yes" to shutdown this product. |
| Restart | Execute Restart Restarts this product. When the restart confirmation screen is displayed, select "Yes" to restart this product. |
| USB Type-C port charging mode | Standard mode: Mode that can perform charging and communication. Fast Charge mode: Mode dedicated for charging. |

Settings - Admin settings - Maintenance - Store restore settings

Stores and restores various settings for TM-DT Software.

The stored data is not only used for restoring the product, but is also used to create a TM-T88VI-DT2 with the same settings.

| Item | | Description |
|---------------------------------------|----------------------------------|---|
| Auto backup/ Auto restore settings | Auto store settings | When this setting is enabled, if a USB memory is connected while Windows is operating, the TM-DT software settings are automatically stored on the USB memory. |
| | Auto restore settings | When this setting is enabled, if a USB memory with TM-DT software settings stored on it is connected to the computer before Windows starts up, the TM-DT software settings are automatically restored when Windows starts up. |
| | Apply | Registers the settings to this product. |
| Storing settings | Acquire | Acquires this product's setting files. |
| Register user specified folder | Folder path | Specifies the folder path for automatically saving the TM-DT software settings. |
| | Add | Saves the folder path settings to this product. |
| | Registered user specified folder | A list of the folder paths registered to this product is displayed. When a listed folder path is ticked, it becomes possible to use [Delete]. |
| | Delete | Deletes the folder path that is ticked. |

| Item | | Description |
|------------------------|-----------------------|--|
| Restoring the settings | Specify a local file | Select this when recovering this product using locally saved setting files. |
| | Setting file | Specifies the setting files for restoring the TM-DT software settings. If you want to restore setting files on an optional file path, select [Input directly] and specify the optional file path. If you want to restore this product's settings using the setting files in the [User specified folder], select [Select from the list] and specify an optional setting file from the list. |
| | Specify a file URL | Select when restoring this product using a setting files stored on a Web server. |
| | ID | Sets the ID for identifying the setting file for restoring the TM-DT software settings on the Web server side. This ID becomes the user ID used for Digest authentication. The set value is also passed as the ID parameter value of the form data to be posted to the server. |
| | Password | Specify the password to be used for Digest authentication for the server. |
| | Setting file URL | Set the web server URL and path to applications. Ex: After specifying http://[Web server IP address]/Test_device.php, click [Access Test] and confirm whether or not access is possible. |
| | Server Authentication | Sets whether or not to conduct server authentication based on the registered certificate when conducting access by https. |
| | Restore | Restores the product from the specified setting file. |
| | Save URL settings | Saves the setting file URL settings. |

Restored items

Items to be restored in the [Restore the settings] are as follows.

| Item | | Availability | |
|-------------------|---|--|-----------|
| Startup settings | <ul style="list-style-type: none"> • Device control • Network disconnection detection • Device control program startup settings • Automatic update of Web content • Server direct print • Status notification • Device Data Notification • Automatic register / delete of key input device • Spooler | Available | |
| Registered device | Printer | <ul style="list-style-type: none"> • Device ID • Type • Model no. • IP address • Retry interval | Available |
| | Customer display | <ul style="list-style-type: none"> • Do not use/use • Communication settings <ul style="list-style-type: none"> * Communication speed * Data bit * Parity • Brightness setting | Available |
| | Kay input device | <ul style="list-style-type: none"> • Device ID • Device name • VID/PID • Control script | Available |
| | Serial communication device | <ul style="list-style-type: none"> • Device ID • Device name • VID/PID • Control script • Communication settings <ul style="list-style-type: none"> * Communication speed * Data bit * Parity * Stop bit * Flow control | Available |
| | Other device | <ul style="list-style-type: none"> • Device ID • Control script | Available |
| Control script | <ul style="list-style-type: none"> • Control scripts | Available | |
| Control program | <ul style="list-style-type: none"> • Control program device settings • Control programs | Available | |

| Item | | | Availability |
|----------------|---------------------------|--|--------------|
| Print settings | Spooler | <ul style="list-style-type: none"> • Spooler settings • Forwarding message • Print forwarding route | Available |
| Web content | Automatic update settings | <ul style="list-style-type: none"> • Update schedule • ID • Password • File URL • Server authentication | Available |
| Server access | Server direct print | <ul style="list-style-type: none"> • ID • Password • Server 1 ~ 3 <ul style="list-style-type: none"> * URL * Interval • Server authentication | Available |
| | Status notification | <ul style="list-style-type: none"> • ID • Password • URL • Interval • Server authentication | Available |
| | Device Data Notification | <ul style="list-style-type: none"> • Server access <ul style="list-style-type: none"> * ID * Password * URL * Server authentication * BoxID • POST Error <ul style="list-style-type: none"> * Message Enable/Disable * Message * Text attribute * Cut Enable/Disable • Captured device | Available |
| Wired LAN | TCP/IP settings | <ul style="list-style-type: none"> • Get IP address • IP address • Subnet Mask • Default gateway • Acquire DNS server address automatically • DNS server address (in order of use) | Available |
| Security | SSL settings | <ul style="list-style-type: none"> • Disable / Enable • Private key file • Certificate file • Certificate chain file (option) | Available |

| Item | | | Availability |
|-------------------|-------------------------------|--|---------------|
| Web access | Proxy settings | <ul style="list-style-type: none"> • Proxy URL • Proxy port no. • ID • Password • Proxy settings | Available |
| | Server authentication | <ul style="list-style-type: none"> • Certificate file | Available |
| Date and time | Time settings | <ul style="list-style-type: none"> • Date time | Not available |
| | | <ul style="list-style-type: none"> • Time zone • Automatically adjust clock for daylight saving time • Use time server • Time server | Available |
| Power | Shutdown settings | <ul style="list-style-type: none"> • When the power button is pressed • Shutdown permission • Password protection | Available |
| | USB Type-C port charging mode | <ul style="list-style-type: none"> • Charging mode | Available |
| Maintenance | Store/restore settings | <ul style="list-style-type: none"> • Store / restore settings with automatically • Specify the local file to use / Specify the file URL to use • Setting file / setting file URL • ID • Password • Server authentication | Available |
| | Update web service function | <ul style="list-style-type: none"> • Specify the local file to use / Specify the file URL to use • Update file / Update file URL • ID • Password • Server authentication | Available |
| Admin information | Administrator information | <ul style="list-style-type: none"> • Administrator name • Installation location | Available |
| | Password | <ul style="list-style-type: none"> • Password | Not available |
| Printer setting | | <ul style="list-style-type: none"> • Printer settings • Logo data registered in printer | Available |

Settings - Admin settings - Maintenance - Initialization

Initializes the Web service settings for TM-DT Software.

| Item | Description |
|------------|---------------------------------------|
| Initialize | Initializes the Web service settings. |

NOTE

If you initialize the Web service, the password for EPSON TMNet WebConfig will also be initialized. The initial values are below.

- User name: epson
- Password: epson

Settings - Admin settings - Maintenance - Log

Acquires TM-DT Software's log file.

| Item | Description |
|--------------------|-------------------------------------|
| Acquire a log file | Acquires TM-DT Software's log file. |

Settings - Admin settings - Maintenance - Update Web service function

Updates and sets the Web service function of TM-DT Software.

The latest version TM-DT software can be used through renewing the Web service functions.

| Item | Description |
|-----------------------|---|
| Specify a local file | Select when updating the Web service using a locally saved update file. |
| Update file | Specify the URL of the file for updating. |
| Specify a file URL | Select when updating the Web service using an update file saved on the Web server. |
| ID | Sets the ID for identifying the renewal file on the Web server side. This ID becomes the user ID used for Digest authentication. The set value is also passed as the ID parameter value of the form data to be posted to the server. |
| Password | Sets the password used in Digest authentication. |
| Update file URL | Specify the Web server URL and path to the application. Ex: Specify http://[Web server's IP address]/[For updating file name], then click [Access test] to confirm that access is possible. |
| Server authentication | Sets whether or not to conduct server authentication based on the registered certificate when conducting access by https. |
| Update | Updates the Web service functions using the specified update file. |
| Save URL settings | Saves the [Specify a file URL] setting to this product. |

Settings - Admin settings - Admin information - Admin information

Sets the administrator information for TM-DT Software.

| Item | Description |
|-----------------------|---|
| Administrator name | Set the administrator name. |
| Installation location | Set the installation location. |
| Apply | Registers the settings to this product. |

Settings - Admin settings - Admin information - Password

Sets the password for launch for EPSON TMNet Webconfig.

| Item | Description |
|-----------------------------------|---|
| Old password | Input the current password. |
| New password | Input the new password. |
| New password (Reenter to confirm) | For confirmation, input the new password again. |
| Apply | Registers the set password on this product. |

NOTE

- The initial setting of user name and password for EPSON TMNet Webconfig are following.
User name: Epson
Password: Epson
- Cannot change the user name

TM-DT Software Specification

TM-DT Software specification is following.

| Item | | Description |
|---------------------------------|---|---|
| Web server | | <ul style="list-style-type: none"> • Apache 2.2.34 • PHP Ver.5.4.5 • Perl Ver.5.26.1 |
| Communication box | Maximum number of communication boxes that can be created | 20 |
| | Maximum number of applications that can belong to one communication box | 20 |
| | Capacity for transmission histories that one communication box can hold | 10,240 Byte |
| | Size of data that can be transmitted at once | 1,024 Byte |
| Spooler capacity | | 8 MB |
| Maximum storage number of JobID | | 2,000 |

Controllable printer

| Item | Description |
|--------------------|---|
| Model | <ul style="list-style-type: none"> • Following TM printers connected to the network <ul style="list-style-type: none"> • TM-m10 • TM-m30 • TM-T20 • TM-T82II • TM-T88VI • TM-U220 • Following TM printers with the UB-E02, UB-E03, UB-E04, UB-R03, or UB-R04 <ul style="list-style-type: none"> • TM-L90 • TM-T20II • TM-T70 • TM-T70II • TM-T88V • TM-T90 • TM-T90II • TM-T90KP • Following TM printers (Wi-Fi model) <ul style="list-style-type: none"> • TM-P20 • TM-P60II • TM-P80 • Following TM-Intelligent Printers <ul style="list-style-type: none"> • TM-T70II-DT • TM-T70II-DT2 • TM-T88V-DT • TM-T88VI-DT2 |
| Number of printers | 20 at maximum |

Software and Manuals

The following software and manuals are prepared for developing applications.

Systems that Use TM-DT software

| Name | Descriptions | How to Obtain | |
|--|--|---------------|---------------|
| | | Web site | Other |
| Epson ePOS SDK for iOS for Android for Universal Windows apps for JavaScript | Software development kit for controlling the printer and peripherals from Web applications and smart device applications. | ✓ | Web Reference |
| TM-DT Series Peripheral Device Control Guide | Manual describing the method for controlling peripherals with TM-DT series printers. It explains device control programs and scripts. This manual is included in the Epson ePOS SDK package. | ✓ | - |
| ePOS-Device XML User's Manual | Manual describing the method for transmitting XML data from applications via socket communication to control printing and peripherals. | ✓ | - |
| ePOS-Print XML User's Manual | Manual describing the method for using Web services from applications to conduct printing. | ✓ | - |
| Server Direct Print User's Manual | Manual describing the method for developing systems using server direct print. | ✓ | - |
| Device Data Notification User's Manual | Manual describing the method for developing systems using device data notification. | ✓ | - |
| Deployment Guide | This guide includes the information needed to configure settings for multiple products efficiently. | ✓ | - |

Utility

| Software | Descriptions |
|----------------------|---|
| TM-T88VI-DT2 Utility | Windows-compatible application that performs printer settings, network settings, and TM-DT software settings for this product. It is already installed in this product. |

Related Manuals

| Manual | Descriptions |
|--|---|
| DM-D110/ DM-D210 Technical Reference Guide | Provides the information necessary to develop a system using the dedicated customer display (DM-D110 for TM-T88V-DT/ TM-T88VI-DT2). |
| DM-D30 Technical Reference Guide | Provides the information necessary to develop a system using the customer display (DM-D30). |

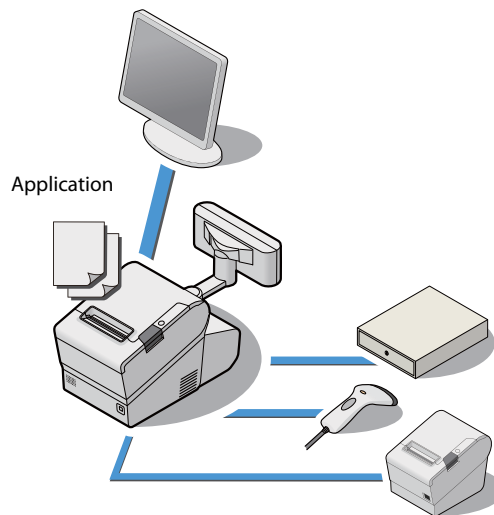
PC-POS System Development

This chapter describes the information necessary to develop a PC-POS system.

System Configuration

You can install a POS application and drivers on this product and connect peripheral devices to create a simple POS system. You can also construct a system using an existing Windows POS application.

System Configuration Figure



Peripheral Devices

This section describes the connection interfaces and Windows ports for this product's printer and peripheral devices.

| Device | Connection interface | Windows port | Description |
|---|------------------------|-------------------------------------|--|
| Product's printer | - | USB | TM printer (TM-T88VI) with a local connection. |
| TM printer (USB) | USB port | USB | TM printer with a local connection. |
| TM printer | Ethernet | Ethernet | Network printer. |
| Cash drawer | Drawer kick connector | USB (same as the product's printer) | Controlled via the product's printer. |
| Dedicated customer display (DM-D110 for TM-T88V-DT/ TM-T88VI-DT2) | USB port | COM3 * | Connects to a USB port but is recognized as a virtual COM port by the COM-USB conversion driver. |
| Customer display (DM-D30) | USB port | USB | USB device. |
| HID standard device (Barcode scanner, etc) | USB port | USB | Keyboard device. |
| Serial communication device | Serial port | COM1/COM2 | Device connected to a serial port (COM1 or COM2). |
| Display | HDMI port/ VGA port | HDMI/VGA | Display device. Touch panels are connected to USB, etc., while audio is connected to the Line-out port. |

* This setting is for cases when there is no connection by a USB-serial conversion device other than the customer display. If you connect a USB-serial conversion device, a COM port is assigned to that device for each connection. Refer to the Windows Device Manager for accurate information regarding ports.

How to Control Peripherals

Printer

Control can be performed using the following development kits or drivers.

- EPSON OPOS ADK
- EPSON OPOS ADK for .NET
- EPSON Advanced Printer Driver

Cash drawer

Printer development kits and drivers include the control function.

Customer display

Control can be performed using the following development kits or drivers.

- EPSON OPOS ADK
- EPSON OPOS ADK for .NET
- EPSON Advanced Printer Driver for DM-D

Other devices

HID Standard Device

This Windows standard driver is recognized as a keyboard device.

Serial Communication Device

This is recognized as a Windows serial communication device. When dedicated drivers are prepared for each device, they can be controlled by the drivers. For details, see each device manual.

Software and Manuals

The following software and manuals are prepared for developing applications.

Development kit

The following development kits are provided to support application development. As these are not included in the product, they must be downloaded before use.

| Software | Overview |
|-------------------------|---|
| EPSON OPOS ADK | This OCX driver can control POS peripherals using OLE technology *. Because controlling POS peripherals with original commands is not required on the application side, efficient system development is possible. |
| EPSON OPOS ADK for .NET | OPOS ADK for .NET allows you to develop applications that are compatible with Microsoft POS for .NET. When developing applications, use a separate development environment such as Microsoft Visual Studio .NET. |
| EPSON JavaPOS ADK | JavaPOS is the standard specification which defines an architecture and device interface (API) to access various POS devices from a Java based system. Using JavaPOS standard API allows control with Java based applications of functions inherent to each device. A flexible design with Java language and JavaPOS enables many different types of computer systems, such as stand alone or network configuration, to use a same application. You can use JavaPOS to build applications and drivers independently of platforms. This allows flexible configurations using thin clients to meet the system requirements. |

* OLE technology developed by Microsoft divides software into part blocks. The OPOS driver is presupposed to be used with a development environment such as Visual Basic, unlike ordinary Windows drivers. It is not a driver to be used for printing from commercial applications.

Driver

These are Windows printer drivers for printing on a TM printer, controlling a cash drawer, and displaying to a customer display.

| Software | Overview |
|--|---|
| EPSON Advanced Printer Driver | <p>This is a general Windows printer driver to which control of paper cutting and the cash drawer have been added, and it also has controls specific to POS.</p> <p>The Status API (Epson original DLL) that monitors printer status and sends ESC/POS commands is also attached to this driver.</p> <p>This is available for each printer model. The TM-T88VI driver is installed in this product. If using another printer, download the driver dedicated for that model.</p> |
| EPSON Advanced Printer Driver for DM-D | <p>This is the Windows printer driver for control and display of the customer display.</p> <p>An Epson customer display common driver is available. This driver is installed in this product.</p> |

Utility

| Software | Overview |
|----------------------|--|
| TM-T88VI-DT2 Utility | <p>This is a Windows-compatible application for performing printer settings for this product. It is already installed in this product.</p> |

Related Manuals

| Manual | Descriptions |
|--|--|
| DM-D110/ DM-D210 Technical Reference Guide | <p>Provides the information necessary to develop a system using the dedicated customer display (DM-D110 for TM-T88V-DT/ TM-T88VI-DT2).</p> |
| DM-D30 Technical Reference Guide | <p>Provides the information necessary to develop a system using the customer display (DM-D30).</p> |

Handling

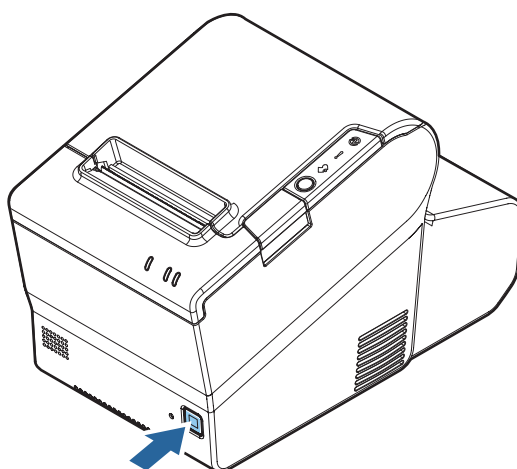
This chapter describes basic handling of the printer.

Turning Power On/Off



- If you turn the product off, wait more than 10 seconds before you turn it on again.
- When the product is turned off or when it is in the sleep mode, do not hold down the power button longer than 4 seconds.

Press the power button to turn on/off the product.



Functions of the Power button

The functions of the power button when this product is on or in sleep mode can be set on the OS.

| Power status of this product before the power button is pressed | Time the power button is pressed | Operation of this product after the power button is pressed |
|---|------------------------------------|--|
| On | Less than 4 seconds | If the power button is set to "Do nothing" in OS settings, the power remains on. |
| | | Power off* ¹ |
| | Moves to sleep mode * ² | |
| | 4 seconds or longer | Forced hardware shutdown * ³ |
| Sleep mode | Less than 4 seconds | Recovers from sleep mode and moves to powered on state |

*1 Set the power button function to shutdown using the OS functions.

*2 Set the power button function to sleep mode using the OS functions.

*3 Forcible hardware off function to be used if the shutdown cannot be performed via OS functions.



Do not use the forcible shutdown during normal usage.

When the product is shutdown using this function, the data in use by the OS and application cannot be saved. This could result in data being lost or files being destroyed.

The OS itself may require recovery due to file destruction.

Installing and Replacing Roll Paper

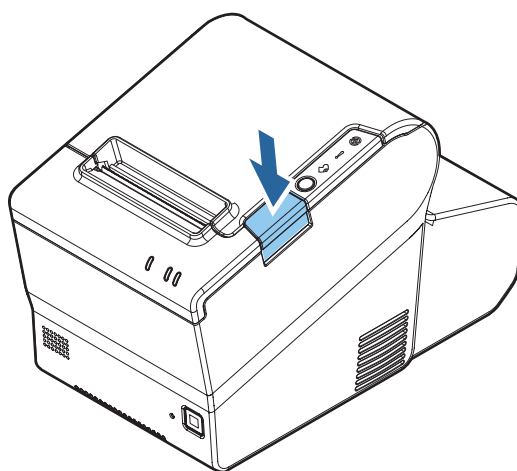


- **Do not open the roll paper cover during printing.**
The printer may be damaged.
- **Do not touch the manual cutter with your hands when installing or replacing the roll paper.**
Otherwise, you may be injured because the manual cutter blade is sharp.

CAUTION

- Use roll paper that meets the printer specification. For details about paper specification, see ["Paper Specifications" on page 135](#).
- Paper must not be pasted to the roll paper spool.

- 1** Press the cover open button to open the roll paper cover.

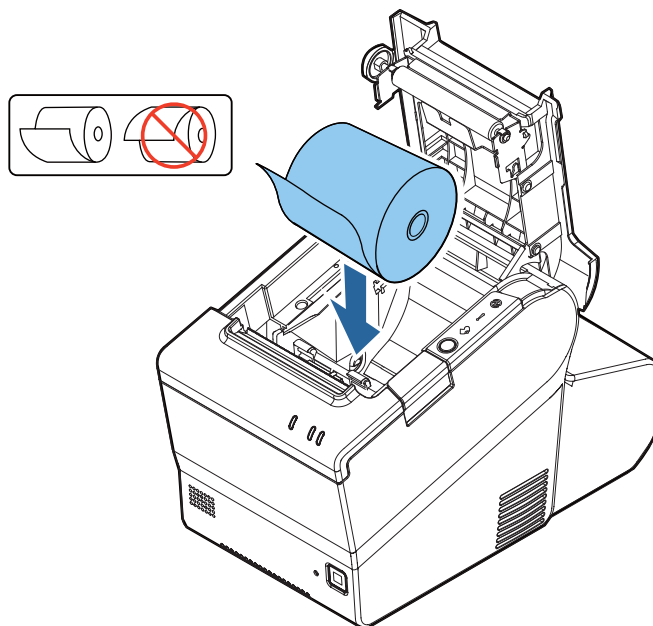


CAUTION

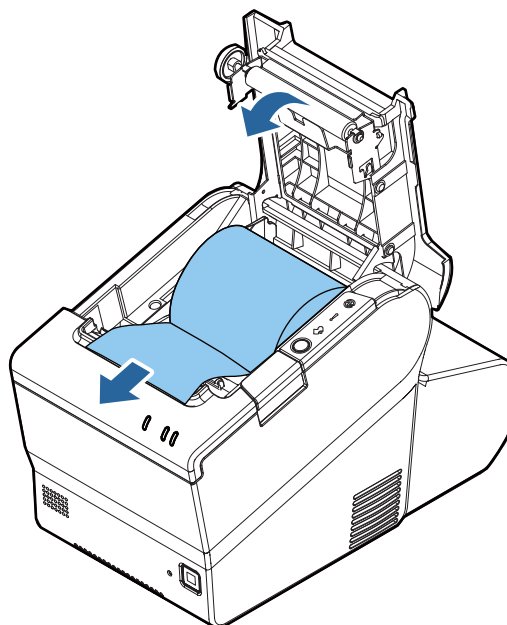
When the roll paper cover cannot be opened, see ["Removing Jammed Paper" on page 117](#).

- 2** Remove the used roll paper core if there is one.

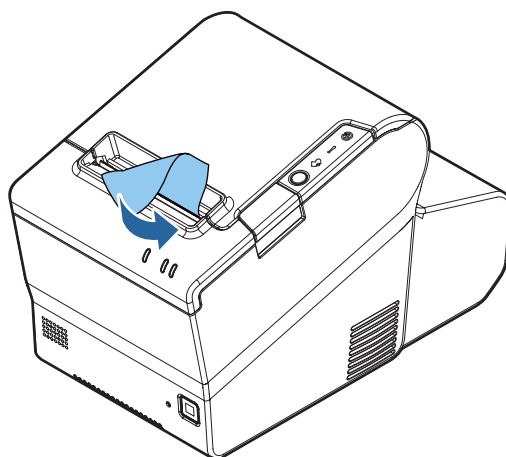
- 3** Insert the roll paper in the correct direction.



- 4** Pull out some paper, and close the roll paper cover.



5 Tear off the paper.



Removing Jammed Paper



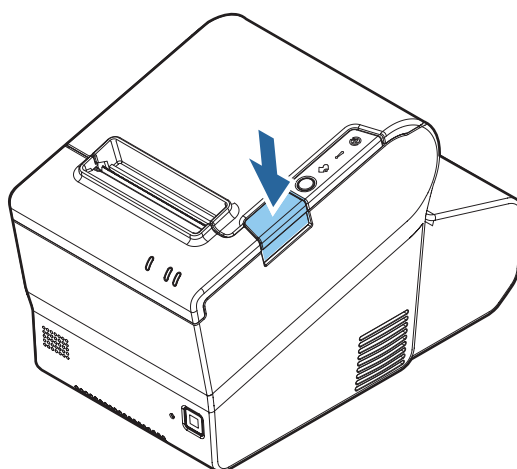
Do not touch the thermal head and its surroundings. After printing, the thermal head and its surroundings can be very hot.

CAUTION

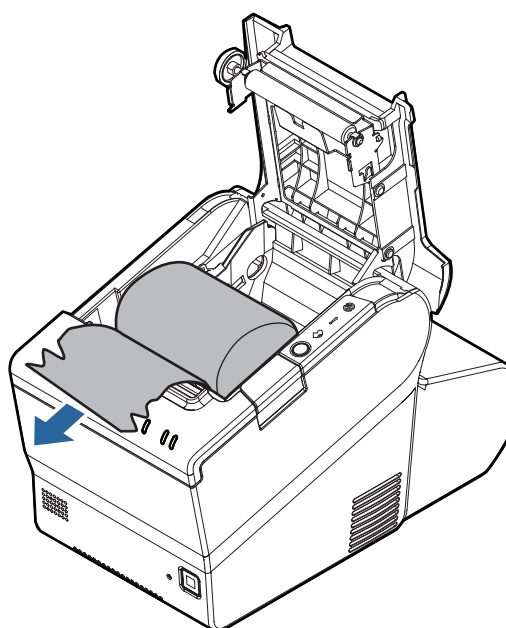
When a paper jam occurs, never pull out the paper forcibly.

Follow the steps below if the roll paper is jammed.

- 1** Press the cover open button to open the roll paper cover.



- 2** Remove the jammed paper.



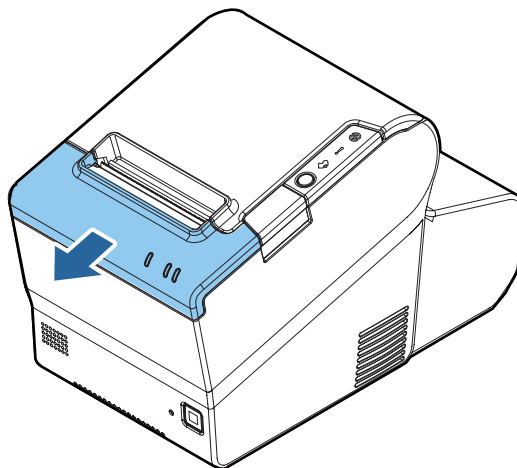
- 3** Close the roll paper cover.

If Roll Paper Cover does not Open

If a foreign substance has entered the autocutter or the roll paper jams, the autocutter blade cannot return to the correct position and it locks in place. In this situation, the roll paper cover does not open even if you pull the cover open lever.

Follow the steps below to return the autocutter blade to its normal position.

- 1 Slide the cutter cover toward the front to open it.**



- 2 Turn the knob until you see a triangle in the opening.**
This returns the cutter blade to the normal position. There is a label near the cutter to assist you.
- 3 Close the cutter cover.**
- 4 Open the roll paper cover and remove the jammed paper.**

Changing the orientation of the display

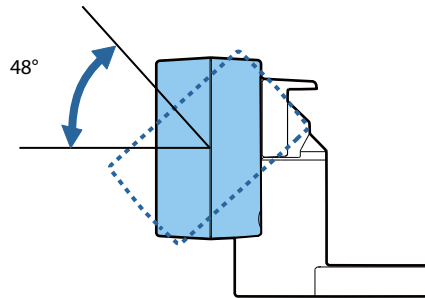
Hold the this product with your hand and move the display or arm to change the direction or angle.

CAUTION

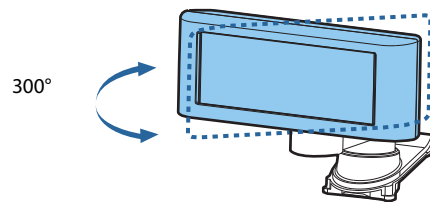
Do not rotate the display with excessive force. Doing so may break it.

The mobile range of the display is as follows.

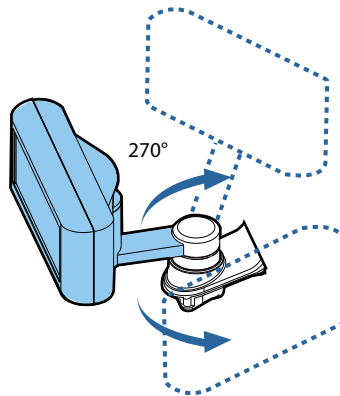
- Display tilt: Maximum angle of 48° (5 levels)



- Display rotation: Maximum angle of 300°



- Arm rotation: Maximum angle of 270°



Cleaning the Printer

Cleaning the Printer Case

Be sure to turn off the printer, and wipe the dirt off the printer case with a dry cloth or a damp cloth. Be sure to unplug the AC cable while cleaning.



Never clean the product with alcohol, benzene, thinner, or other such solvents.
Doing so may damage or break the parts made of plastic and rubber.

Cleaning the Thermal Head/Platen Roller

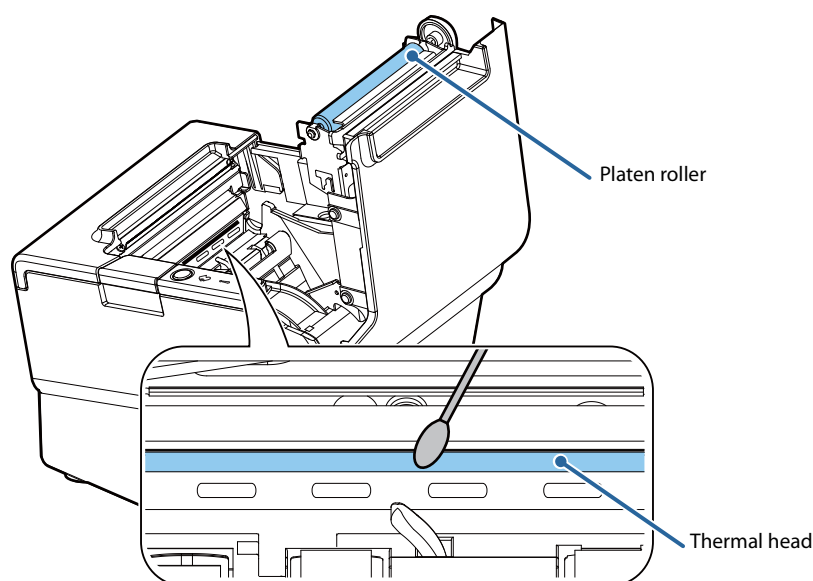
Epson recommends cleaning the thermal head periodically (generally every 3 months) to maintain receipt print quality.

Depending on the roll paper used, paper dust may stick to the platen roller and cause an irregular paper feed. To remove the paper dust, clean the platen roller with a cotton swab moistened with water. Turn on the printer power only after the water has completely dried.

Turn off the printer, open the roll paper cover, and clean the thermal elements of the thermal head with a cotton swab moistened with an alcohol solvent (ethanol or IPA).



- After printing, the thermal head can be very hot. Do not touch it and let it cool before you clean it.
- Do not damage the thermal head by touching it with your fingers or any hard object.



Preparing for Transport

Follow the steps below to transport the printer.

- 1** Operate the power button to turn the power off.
- 2** Remove the DC connector of the AC adapter, display, keyboard, mouse, and any peripheral devices.
- 3** Remove the roll paper.
- 4** Pack the printer upright.

Replacement of the TM-T88V-DT

The TM-T88VI-DT2 is designed so that it can smoothly replace the TM-T88V-DT.

This chapter describes precautions for the replacement.

Comparison of Product Specifications

| | TM-T88VI-DT2 | TM-T88V-DT |
|-----------------------|---|--|
| Base printer | TM-T88VI (Max.350mm/s) | TM-T88V (Max.300mm/s) |
| CPU | Intel® Celeron® 3965U 2.20GHz Intel® Core™ i3-7100U 2.40GHz Intel® Core™ i5-7300U 2.60GHz | Intel® Atom™ N2600 1.60GHz Intel® Atom™ N2800 1.86GHz Intel® Atom™ D2550 1.86GHz |
| Main memory | DDR4-2133 4 GB | 1.60GHz model: DDR3-800 2 GB 1.86GHz model: DDR3-1066 4 GB |
| USB Port | USB 3.0 Type A x 6 port USB 2.0 Type A x 1 USB 2.0 Type-C x 1 | USB 2.0 Type A x 6 port |
| Ethernet port | 10Base-T/ 100Base-TX /1000Base-T x1 | 10Base-T/ 100Base-TX /1000Base-T x1 |
| Display | VGA x 1 HDMI x 1 | VGA x 1 Display Port x 1 |
| Serial port | 1 Port | 1 Port |
| Drawer kick connector | RJ-12 6-pin x 1 | RJ-12 6-pin x 1 |
| Sound | Internal monaural speaker External x 1 (Line-out port) | Internal monaural speaker External x 1 (Line-out port) |
| Auxiliary storage | SATAIII SSD M.2 type 2242 (32 GB or more) | SATAII SSD Half slim (16GB~) or HDD 2.5'(500GB) |
| LED | Orange LED x1(Status) Blue LED x1(Status) Blue LED x1(Storage) | Orange LED x1(Status) Green LED x1(Status) Green LED x1(Storage) |
| AC adapter | AC Adapter,T1 | AC Adapter,T |

| | TM-T88VI-DT2 | TM-T88V-DT |
|---------------------------|--|---|
| Dedicated options | Dedicated customer display :DM-D110 for TM-T88V-DT/ TM-T88VI-DT2 Customer display :DM-D30 Wireless LAN dongle :Use a commercially available item. Powered USB Hub :- Affixing tape :DF-10 | Dedicated customer display :DM-D110 for TM-T88V-DT/TM-T88VI-DT2 Customer display :DM-D30 Wireless LAN cable set :OT-WL01 Powered USB Hub :OT-PH10 Affixing tape :DF-10 |
| Product power consumption | 8.9 W (when standby)/ 88.3 W (when printing) | N2600/N2800 12.2W (when standby)/ 54W (when printing) D2550 14.9W (when standby)/ 61.8W (when printing) |
| OS | Windows 10 IoT Enterprise 2016 LTSB 64bit | Windows Embedded POSReady 2009 Windows Embedded POSReady 7 TM-DT Linux based on openSUSE 12.2 (N2600/ N2800 only) |

Compatibility

Printing

The printing and character specifications are the same as those of the TM-T88V-DT. Without special configurations, the TM-T88VI-DT2 prints the same results as the TM-T88V-DT prints.

Print Density

The print density of the TM-T88VI-DT2 is set in the software setting mode, like the TM-T88V-DT. Set the density the same as for the TM-T88V-DT to print in the same print density.

Number of Head Energizing Parts

For the TM-T88VI-DT2, the default setting of the number of head energizing parts is “One-part energizing.” It does not usually need to be changed.

| | TM-T88VI-DT2 | TM-T88V-DT |
|---------------------------------------|--|--|
| Number of head energizing part | <ul style="list-style-type: none"> • One-part energizing • Two-part energizing • Four-part energizing | <ul style="list-style-type: none"> • One-part energizing • Two-part energizing • Four-part energizing |

Printable Area (for 80 mm Width Paper)

The printable area (left/right margins, print start position from the autcutting position, print start position from the manual cutting position) of the TM-T88VI-DT2 is the same as that of the TM-T88V-DT.

Cutting Method

The TM-T88VI-DT2 uses the partial cutting method (cutting with one point in left edge left uncut) as does the TM-T88V-DT.

Manual Paper Feed

As same with the TM-T88V-DT, manual paper feed is not possible with the TM-T88VI-DT2.

Memory Capacity

The sizes of the download buffer and NV graphics data of the TM-T88VI-DT2 are the same as those of the TM-T88V-DT.

Printer Status

The TM-T88VI-DT2 goes to the same status under the same conditions as the TM-T88V-DT. You can replace the TM-T88V-DT with the TM-T88VI-DT2 without modifying applications.

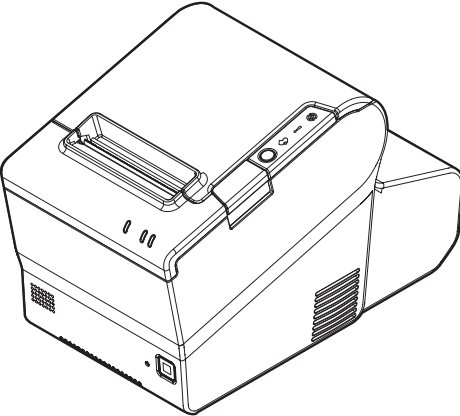
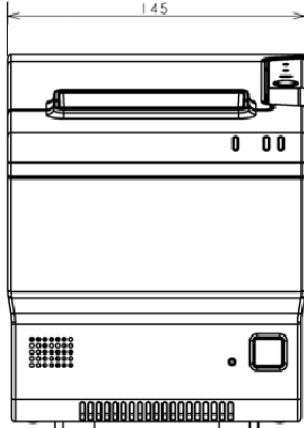
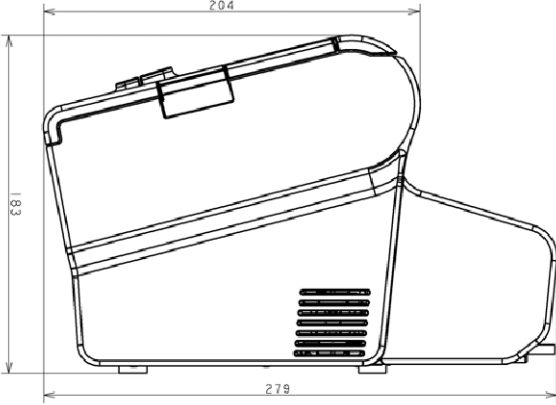
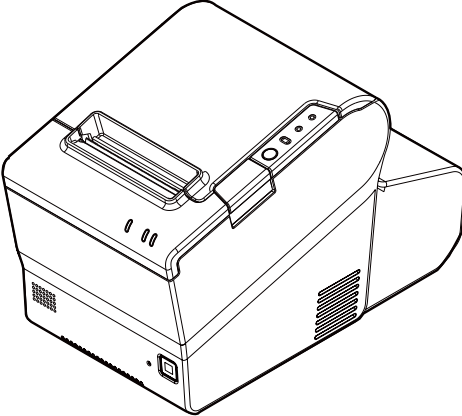
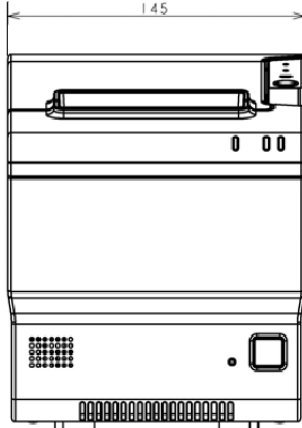
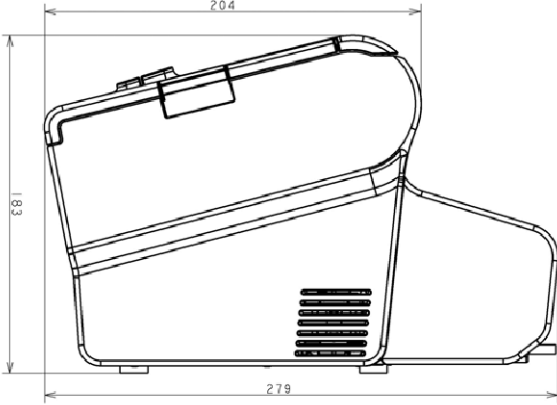
If Connecting as a Peripheral Device of the TM-i/DT Printer

If using this product as a network printer from a TM-i/DT printer, register it as TM-T88VI.

For the registration method, see the Technical Reference Guide of the TM-i/DT printer.

Overall Dimensions

You can place the TM-T88VI-DT2 in the same location as the TM-T88V-DT, since its overall dimensions and weight are the same as those of the TM-T88V-DT.

| TM-T88VI-DT2 (W:145 x D:279 x H:183 Approximately 2.8 kg) | TM-T88V-DT (W:145 x D:279 x H:183 Approximately 2.8 kg) |
|--|---|
|    |    |

Additional Functions and Functional Improvements

Print Speed

The default printing speed for the TM-T88VI-DT2 may vary depending on the specification.

| | TM-T88VI-DT2 | TM-T88V-DT |
|---|-----------------------|----------------|
| Default | Up to 300 or 350 mm/s | Up to 300 mm/s |
| Maximum print speed | 350 mm/s* | 300 mm/s |
| Print speed setting (Customized value) | Level 1 to 14 | Level 1 to 13 |

* The values are those when the paper width is set to 80 mm. When it is set to 58 mm, the maximum is 300 mm/s {11.8"/s}.

CAUTION

Depending on print conditions such as print duty, print head temperature, and data transmission speed, print speed is automatically adjusted.

Top margin

This function backfeeds the paper when starting printing to make the top margin smaller, thus saving paper. See "[Amount of top margin by backfeed](#)" on page 43.

Product Specifications

This chapter describes the TM-T88VI-DT2 product specifications.

Controller Specifications

| Item | | Intel® Core™ i5 model | Intel® Core™ i3 model | Intel® Celeron® model |
|-------------------|-----------------------|--|---|---|
| CPU | | Intel® Core™ i5-7300U 2.60GHz Max Turbo 3.50GHz (3 MB SmartCache) | Intel® Core™ i3-7100U 2.40GHz (3 MB SmartCache) | Intel® Celeron® 3965U 2.20GHz (2 MB SmartCache) |
| Main memory | | 4 GB,DDR4-2133, SO-DIMM | | |
| Video controller | | Intel® HD Graphics 620 (Built into CPU) | Intel® HD Graphics 620 (Built into CPU) | Intel® HD Graphics 610 (Built into CPU) |
| Auxiliary storage | | SATAIII SSD M.2 type 2242 (32 GB or more) | | |
| Interface | Ethernet port | 10Base-T/100Base-TX/1000Base-T 1port (RJ-45) Supports the Wake On LAN and network boot functions. | | |
| | USB port | USB 3.0 6 ports (Type A) USB 2.0 2 ports (Type A x1, Type-C x1) | | |
| | Serial port | D-sub 9 pin male 1 port | | |
| | VGA port | D-sub 15 pin female 1 port | | |
| | HDMI port | Standard HDMI connector Type A 19 pin female 1 port | | |
| | Drawer kick connector | RJ12 6 pin 1 port | | |
| | Line-out port | φ3.5 mm Mini-jack 1 port | | |
| Backup battery | | RTC is backed up by lithium battery | | |
| Sound capability | | Internal monaural speaker | | |

| Item | | Intel® Core™ i5 model | Intel® Core™ i3 model | Intel® Celeron® model |
|--|-------------------------|---|-----------------------|-----------------------|
| Printer unit | Base printer | TM-T88VI | | |
| | Printing method | Direct thermal line thermal printing | | |
| | Speed | 350 mm/s | | |
| | Dot density | 180 × 180 dpi | | |
| | Paper width | Paper width 80mm {3.15"} (The paper width can be changed to 58mm {2.28"}) | | |
| Software | BIOS | AMI Aptio V | | |
| | OS | Windows 10 IoT Enterprise 2016 LTSB 64bit (Windows model) | | |
| | Device control software | ePOS-Device | | |
| Roll paper | Paper width | 80 mm: 79.5 ± 0.5 mm {3.13 ± 0.02"} 58 mm: 57.5 ± 0.5 mm {2.26 ± 0.02"} | | |
| | Roll paper diameter | 83 mm {3.27"} maximum | | |
| | Roll paper core | Inside: 12 mm {0.47"} Outside: 18 mm {0.71"} | | |
| Power specifications (Dedicated AC adapter) | | AC 100 - AC 240 V / 50 - 60 Hz | | |
| Product power consumption | | 8.9 W (when not printing) / 88.3 W (when printing) | | |
| Overall dimensions (W × D × H) | | 145 mm {5.71"} × 279 mm {10.98"} × 183 mm {7.20"} (inclusive of connector cover) | | |
| Case color | | Black (EBCK) | | |
| Mass | | Approx. 2.8 kg {6.17 lb} | | |

Printer Specifications

Printing Specifications

| Items | | 58 mm width paper printing | 80 mm width paper printing | |
|------------------------|----------------------|---|----------------------------|----|
| Printing method | | Thermal line printing | | |
| Dot density | | 180 × 180 dpi | | |
| Printing direction | | Unidirectional with friction feed (Reverse feed is not supported.) | | |
| Printing width | Standard column mode | 50.8 mm (2.0"), 360 dots | 72.0 mm (2.83"), 512 dots | |
| | 48 column mode | 50.8 mm (2.0"), 360 dots | 67.7 mm (2.67"), 480 dots | |
| Characters per line | Standard column mode | ANK font A | 30 | 42 |
| | | ANK font B | 40 | 56 |
| | 48 column mode | ANK font A | 36 | 48 |
| | | ANK font B | 40 | 53 |
| Maximum print speed *1 | | 350 mm/s *2 | | |
| Line spacing | | 4.23 mm {1/6"} (Default value, programmable by command) | | |

dpi: dots per inch

*1: when the printer prints text (built-in fonts) with the default print density level at 25°C {77°F}.

*2: The values are those when the paper width is set to 80 mm. When it is set to 58 mm, 300 mm/s {11.8"/s} maximum.

NOTE

Print speed may be slower, depending on such items as the data transmission speed.

Character Specifications

| Items | | | 58 mm width paper printing | 80 mm width paper printing |
|--|----------------------|------------|---|----------------------------|
| Number of characters | | | Alphanumeric characters: 95 Extended graphics: 128 × 43 pages (including user-defined page) International characters: 18 sets | |
| Character structure (W × H dots) | Standard column mode | ANK font A | 12 × 24 dots (Right-side dot space: 2) | |
| | | ANK font B | 9 × 17 dots (Right-side dot space: 2) | |
| | 48 column mode | ANK font A | 10 × 24 dots (Right-side dot space: 1) | |
| | | ANK font B | 9 × 17 dots (Right-side dot space: 2) | |
| Character size (W × H) | Standard column mode | ANK font A | 1.41 × 3.39 mm {0.06 × 0.13"} | |
| | | ANK font B | 0.99 × 2.40 mm {0.04 × 0.09"} | |
| | 48 column mode | ANK font A | 1.27 × 3.39 mm {0.05 × 0.13"} | |
| | | ANK font B | 0.99 × 2.40 mm {0.04 × 0.09"} | |
| Barcode/ two-dimensional symbol/ composite symbol printing | | | UPC-A, UPC-E, JAN8, EAN 8, JAN13, EAN13, Code39, Code93, Code128, ITF, CODABAR(NW-7), GS1-128, GS1 DataBar, PDF417, QR Code, Maxi Code, Data Matrix, Aztec Code, Two-dimensional GS1 DataBar, Composite Symbology | |

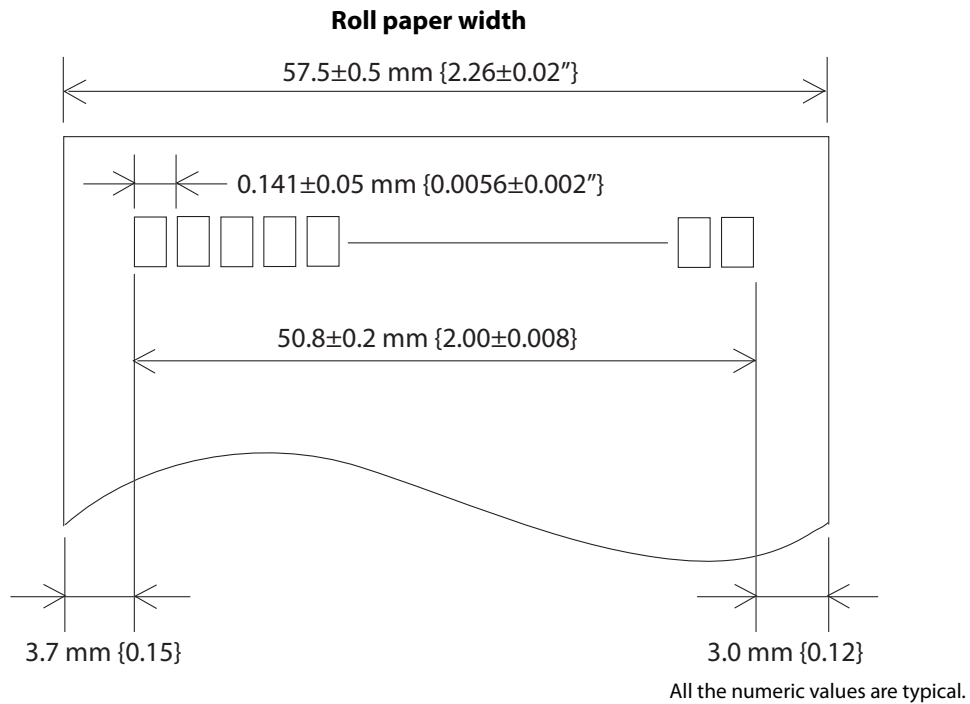
Note:

1. Space between characters is not included.
2. Characters can be scaled up to 64 times as large as the standard size.

Printable Area

58 mm paper width printing

The printable area of paper with a width of 57.5 ± 0.5 mm { 2.26 ± 0.02 " } is 50.8 ± 0.2 mm { 2.00 ± 0.008 " } (360 dots), and the space on the left side is approximately 3.7 mm {0.15"} and the space on the right side is approximately 3.0 mm {0.12"}.



CAUTION

- In 2-divided energizing, the print position within the printable area of the thermal elements for dots 1 to 256 and 257 to 360 is shifted approximately 0.07 mm {0.0028"} in the paper feed direction as shown in the figure below.



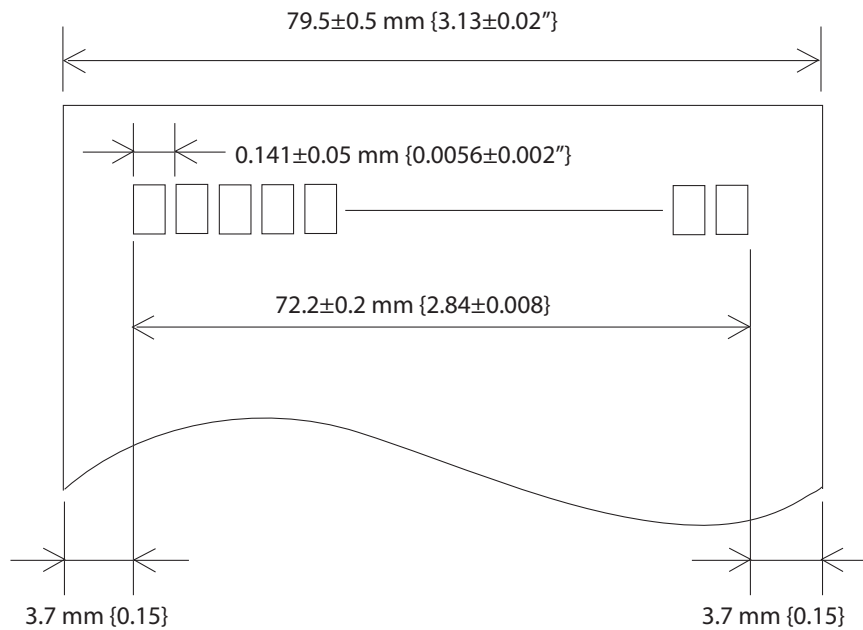
- In 4-divided energizing, the print position within the printable area of the thermal elements for dots 1 to 128, 129 to 256, and 257 to 360 is shifted approximately 0.04 mm {0.0016"} in the paper feed direction as shown in the figure below.



80 mm paper width printing

The printable area of paper with a width of 79.5 ± 0.5 mm { 3.13 ± 0.02 "} is 72.2 ± 0.2 mm { 2.84 ± 0.008 "} (512 dots), and the space on the right and left sides is approximately 3.7 mm {0.15"}.

Roll paper width



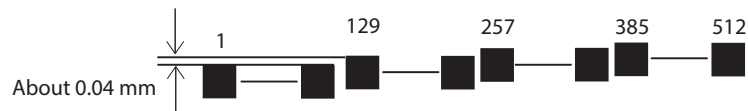
All the numeric values are typical.

CAUTION

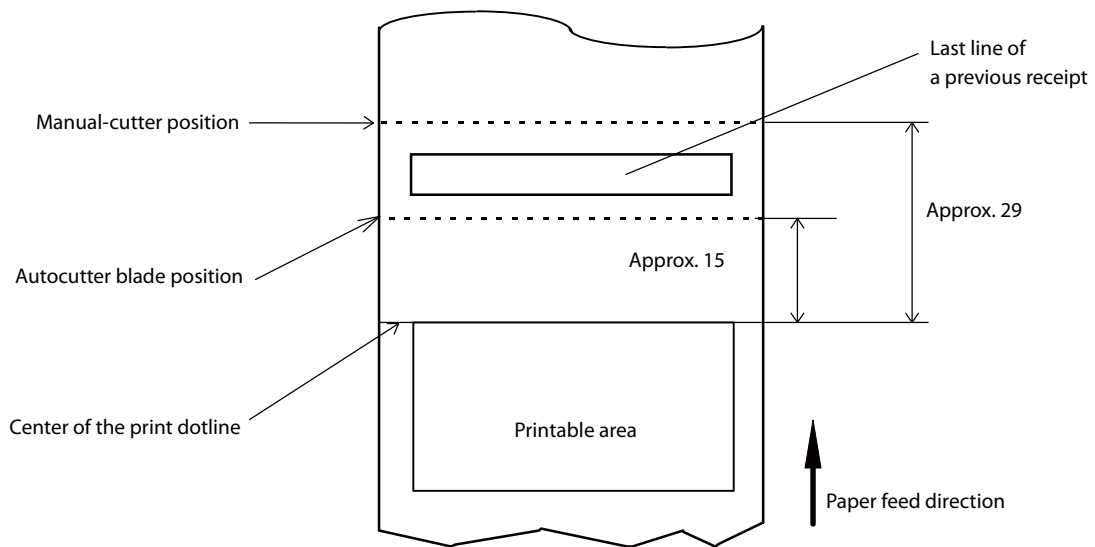
- In 2-divided energizing, the print position within the printable area of the thermal elements for dots 1 to 256 and 257 to 512 is shifted approximately 0.07 mm {0.0028"} in the paper feed direction as shown in the figure below.



- In 4-divided energizing, the print position within the printable area of the thermal elements for dots 1 to 128, 129 to 256, 257 to 384, and 385 to 512 is shifted approximately 0.04 mm {0.0016"} in the paper feed direction as shown in the figure below.



Printing and Cutting Positions



[units: mm (All the numeric values are typical.)]

CAUTION

- The values above may vary slightly as a result of paper slack or variations in the paper. Take this into account when setting the cutting position of the autocutter.
- When removing cut paper, the remaining roll paper is pulled at the uncut section and the pitch of the next print may be reduced. When printing after cutting paper for prints with no pitch reduction, feed the paper about 1 mm {16/406 inches} before printing.
- When leaving paper loaded for an extended period of time, make sure you feed about 30 mm of paper. This can prevent paper from wrinkling and causing prints to be too light.

Paper Specifications

| | | 58 mm width paper printing | 80 mm width paper printing |
|------------------------------------|--------------------------|--|----------------------------|
| Paper types | | Specified thermal paper | |
| Form | | Roll paper | |
| Size | Roll paper diameter | 83 mm {3.27"} maximum | |
| | Roll paper spool | Inside: 12 mm {0.47"}, Outside: 18 mm {0.71"} | |
| | Roll width when taken up | 58 + 0.5/-1.0 mm | 80 + 0.5/-1.0 mm |
| | Paper width | 57.5 ± 0.5 mm | 79.5 ± 0.5 mm |
| Specified original roll paper type | | Epson Certified Media List for Thermal Receipt Printers www.epson-biz.com/?content=sht_tm_media | |
| Specified original paper type | | P30521, P30523, P31523, P35524 (Kanzaki Specialty Papers) AF50KS-E (Jujo Thermal Oy) F5041 (Mitsubishi HiTec Paper Flensburg GmbH) KT55FA, KT48FA (Koehler Paper Group) | |

CAUTION

- Paper must not be pasted to the roll paper spool.
- The remaining amount of the roll paper when a roll paper near-end is detected differs depending on the spool type.

Power supply capacity for external devices

| Port | Power supply | Supply capacity |
|------------------|---------------------|------------------------|
| USB 3.0 Type A * | DC +5 V | 900 mA each |
| USB 2.0 Type A * | DC +5 V | 500 mA |
| USB 2.0 Type-C * | DC +5 V | 3 A |
| Drawer | DC +24 V | 1 A |
| HDMI | DC +5 V | 100 mA |

* The current capacity that can be supplied by USB port is a total of 4.2 A for all USB ports.

Environmental Conditions

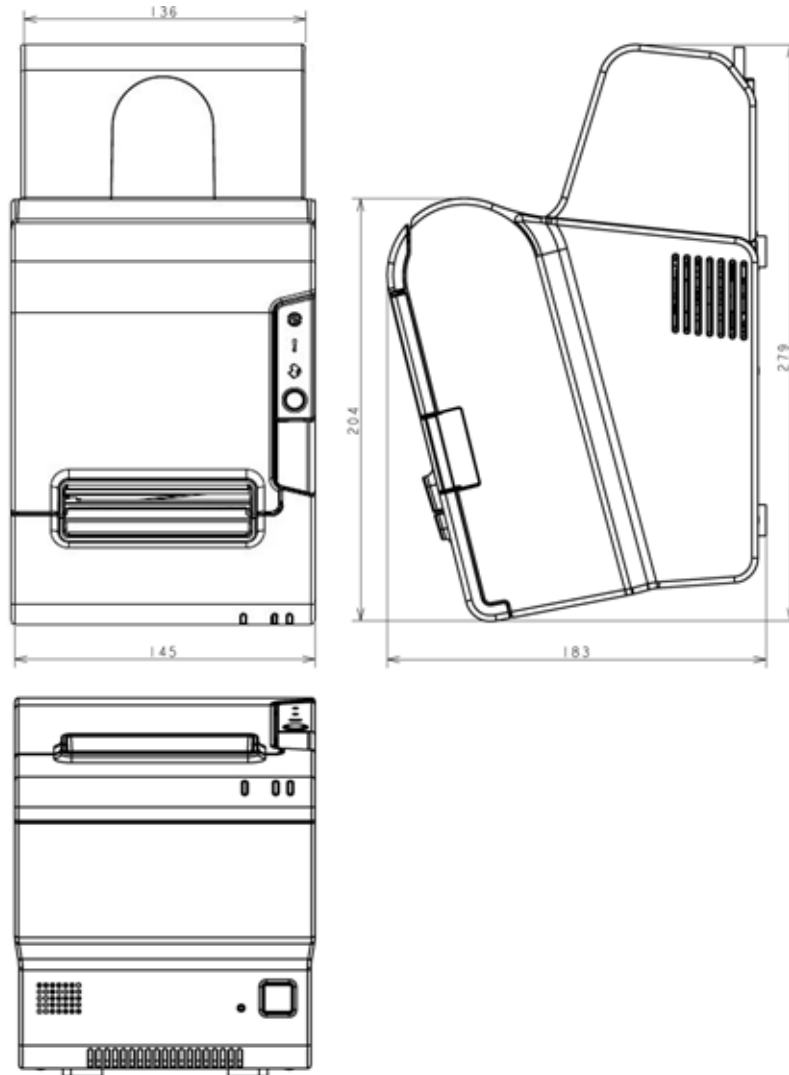
| Item | Specification | | | | |
|---|--|--|------------------------------|--|---|
| Temperature/ Humidity <table border="1" style="width: 100%; border-collapse: collapse;"> <tr> <td style="width: 50%; padding: 5px;">Operating</td> <td style="padding: 5px;">5 to 40°C {41 to 104°F}, 10 to 90 %RH (See the operating temperature and humidity range below.)</td> </tr> <tr> <td style="padding: 5px;">Storage (Factory packing)</td> <td style="padding: 5px;">-10 to 50°C {14 to 122°F}, 10 to 90 %RH (except for paper)</td> </tr> </table> | Operating | 5 to 40°C {41 to 104°F}, 10 to 90 %RH (See the operating temperature and humidity range below.) | Storage (Factory packing) | -10 to 50°C {14 to 122°F}, 10 to 90 %RH (except for paper) | <p>The graph plots Relative Humidity [%RH] on the y-axis (10 to 90) against Ambient temperature [°C] on the x-axis (5 to 40). A black box labeled 'Operating environment range' is defined by 5°C to 34°C and 10%RH to 90%RH. Two lines show the upper humidity limit for different paper types at 40°C: a blue line for 'Specified original paper other than below' and an orange line for 'Specified original paper: P30521, P30523, P31523, P35524'. Key points on these lines are: (31°C, 90%), (34°C, 90%) for blue; (34°C, 75%) for orange; and (40°C, 65%) and (40°C, 43%) for both.</p> |
| Operating | 5 to 40°C {41 to 104°F}, 10 to 90 %RH (See the operating temperature and humidity range below.) | | | | |
| Storage (Factory packing) | -10 to 50°C {14 to 122°F}, 10 to 90 %RH (except for paper) | | | | |
| Elevation | 3000 m or less | | | | |
| Acoustic noise | When printing: 55 dB When standby: 42 dB Note: The values above are measured in the Epson evaluation condition. Acoustic noise differs depending on the paper used, printing contents, and the setting values, such as print speed or print density. | | | | |

Reliability

| Item | | Specification |
|-----------------------------|------------|--|
| MTBF | Controller | 169,000 hours (excluding SSD, fan, and options) |
| | Printer | 360,000 hours |
| | AC adapter | 150,000 hours |
| MCBF | Printer | 70 million lines (This is an average failure interval based on failures related to wear out and random failures up to the life of 20 million lines.) |
| Parts with limited lifespan | Controller | CPU cooling fan (till the time when speed of rotation is reduced by 30%): Approximately 45,000 hours (ambient temperature of 40°C) Lithium primary battery (for RTC): Around 5 years |
| | Printer | Printer mechanism: 20 million lines (printing) Thermal head: 200 km (When recommended density and print speed are set) Autocutter: 3 million (Normal temperature normal humidity) |
| RTC | | Clock precision: Monthly error: ± 100 seconds |

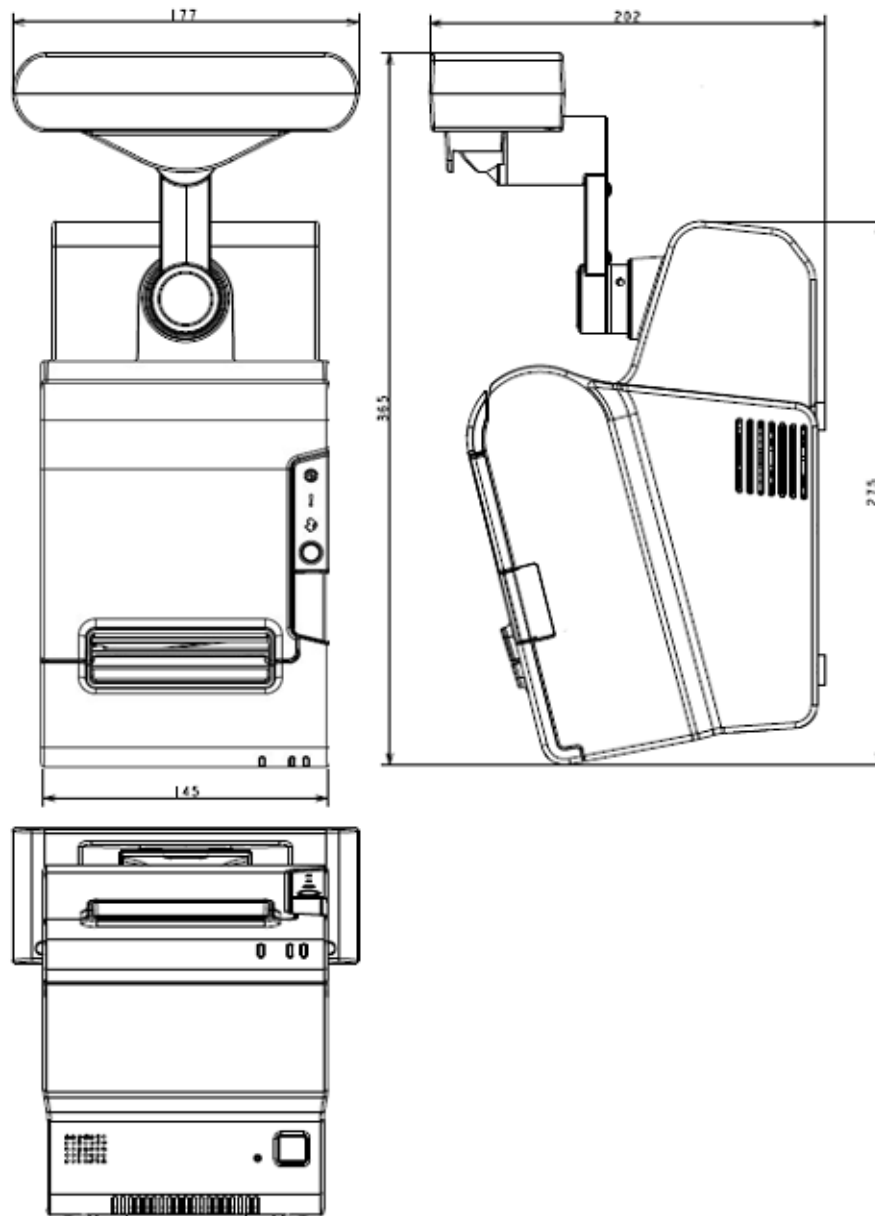
External Dimensions

- Width: 145 mm {5.71"}
- Depth: 279 mm {10.98"} (including connector cover)
- Height: 183 mm {7.20"}



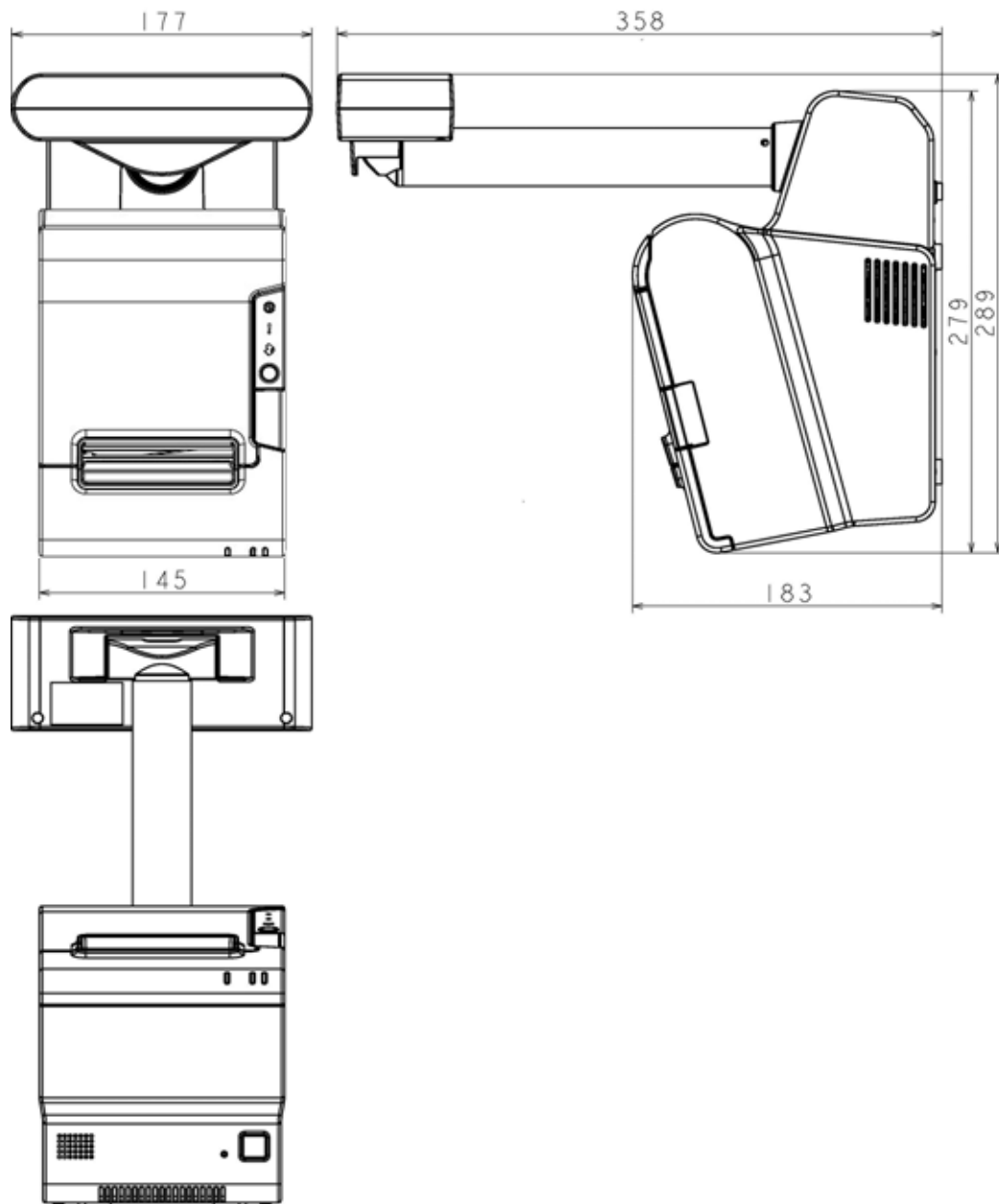
When the dedicated customer display (DM-D110 for TM-T88V-DT/TM-T88VI-DT2) with a crank pole is installed

- Width: 177 mm {6.97"}
- Depth: 365 mm {14.37"}
- Height: 202 mm {7.95"}
- Mass Approximately 3.2 kg {7.06 lb}

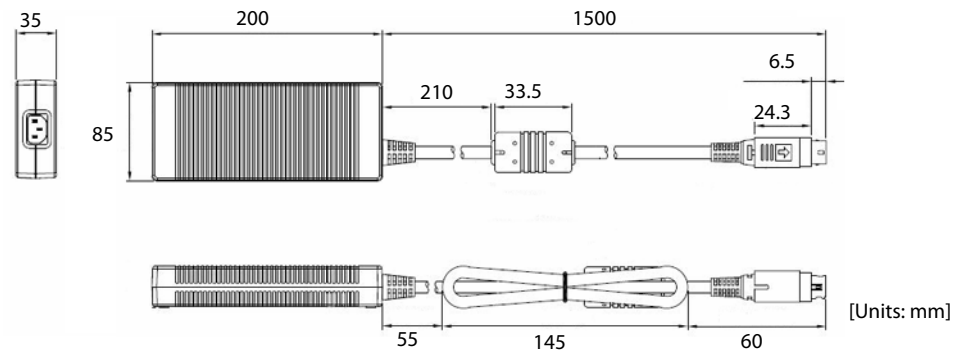


When the dedicated customer display (DM-D110 for TM-T88V-DT/TM-T88VI-DT2) with a straight pole is installed

- Width: 177 mm {6.97"}
- Depth: 289 mm {11.38"}
- Height: 358 mm {14.09"}
- Height: 202 mm {7.95"}
- Mass Approximately 3.2 kg {7.06 lb}



AC Adapter Specifications



| Item | | Specification |
|-------------------|-------------------------|-------------------|
| Input conditions | Input voltage | AC 100 V to 240 V |
| | Frequency | 50/60 Hz |
| | Input current (rating) | 2.4 A |
| Output conditions | Output voltage (rating) | DC 24 V \pm 5 % |
| | Output current (rating) | 4.2A |

Interface

USB 3.0 port

| Item | Specifications |
|--|-----------------------|
| Compliant standards | USB 3.0 Specification |
| Number of ports | 6 ports |
| Connector | Type A |
| Bus power (Bus power is output even at Sleep) | 5V, 900mA each |

Functions of each connector pin

| Pin No. | Signal | I/O | Description |
|---------|--------|-----|-----------------------------|
| 1 | VBUS | -- | Bus power output |
| 2 | D- | I/O | USB2.0 data - |
| 3 | D+ | I/O | USB2.0 data + |
| 4 | GND | -- | GND |
| 5 | SSRX- | I | USB 3.0 reception data - |
| 6 | SSRX+ | I | USB 3.0 reception data + |
| 7 | GND | -- | GND |
| 8 | SSTX- | O | USB 3.0 transmission data - |
| 9 | SSTX+ | O | USB 3.0 transmission data + |

USB 2.0 port (Type A)

| Item | Specifications |
|--|-----------------------|
| Compliant standards | USB 2.0 Specification |
| Number of ports | 1 ports |
| Connector | Type A |
| Bus power (Bus power is output even at Sleep) | 5V, 500mA |

Functions of each connector pin

| Pin No. | Signal | I/O | Description |
|---------|--------|-----|------------------|
| 1 | VBUS | -- | Bus power output |
| 2 | D- | I/O | USB2.0 data - |
| 3 | D+ | I/O | USB2.0 data + |
| 4 | GND | -- | GND |

USB 2.0 port (Type-C)

| Item | Specifications |
|--|-----------------------|
| Compliant standards | USB 2.0 Specification |
| Number of ports | 1 ports |
| Connector | Type-C |
| Bus power (Bus power is output even at Sleep) | 5V, 3A |

Functions of each connector pin

| Pin No. | Signal | I/O | Description | Pin No. | Signal | I/O | Description |
|---------|--------|-----|------------------------------|---------|--------|-----|------------------------------|
| A1 | GND | -- | GND | B12 | GND | -- | GND |
| A2 | SSTXp1 | -- | Not used (NC) | B11 | SSRXp1 | -- | Not used (NC) |
| A3 | SSTXn1 | -- | Not used (NC) | B10 | SSRXn1 | -- | Not used (NC) |
| A4 | VBUS | -- | Bus power | B9 | VBUS | -- | Bus power |
| A5 | CC1 | -- | For connection configuration | B8 | SBU2 | -- | Not used (NC) |
| A6 | Dp1 | I/O | USB2.0 D+ | B7 | Dn2 | I/O | USB2.0 D- |
| A7 | Dn1 | I/O | USB2.0 D- | B6 | Dp2 | I/O | USB2.0 D+ |
| A8 | SBU1 | -- | Not used (NC) | B5 | CC2 | -- | For connection configuration |
| A9 | VBUS | -- | Bus power | B4 | VBUS | -- | Bus power |
| A10 | SSRXn2 | O | Not used (NC) | B3 | SSTXn2 | O | Not used (NC) |
| A11 | SSRXp2 | -- | Not used (NC) | B2 | SSTXp2 | -- | Not used (NC) |
| A12 | GND | -- | GND | B1 | GND | -- | GND |

Ethernet port

| Item | Specifications |
|---------------------|---|
| Compliant standards | 10Base-T/ 100Base-TX/ 1000Base-T IEEE 802.3 |
| Number of ports | 1 ports |
| Connector | RJ-45 |

Supports the Wake On LAN and network boot functions.

Network parameters

| Item | Initial settings |
|--|-------------------------------|
| Get IP Address | Auto ^{*1} |
| IP Address | 192.168.192.168 ^{*2} |
| Subnet Mask | 255.255.255.0 ^{*2} |
| Default Gateway | Not set ^{*2} |
| Acquire DNS Server Address Automatically | Enable |
| DNS Server Address | Not set ^{*3} |
| Print IP Address | Enable |

*1 When shipped from the factory, the controller is set with the IP address assigned by the DHCP server.
If there is no DHCP server, an automatic private address (169.254.*.*) will be set by APIPA.

*2 Default value when [Get IP address] is set to [Manual].

*3 Default value when [Acquire DNS Server Address Automatically] is set to [Disable].

Line-out port

| Item | Specifications |
|-----------------|-------------------------|
| Connector | φ3.5mm stereo mini jack |
| Number of ports | 1 ports |

Functions of each connector pin

| Pin No. | Signal | I/O | Description |
|---------|---------|-----|-------------------------|
| 1 | GND | -- | GND |
| 2 | LINE_L | O | Line-out, left channel |
| 3 | GND | -- | GND |
| 4 | LINE_JS | I | Jack sense input |
| 5 | LINE_R | O | Line-out, right channel |

NOTE

When an external speaker is connected to this jack, output to the internal TM-T88VI-DT2 speaker is instead sent to the external speaker.

Serial port

| Item | Specifications |
|-----------------------------|----------------------------------|
| Number of ports | 1 port |
| Connector | DSUB 9-pin male |
| Female screw | Unified (inch) screw No.4-40 UNC |
| Maximum Communication speed | 115200 bps |

Functions of each connector pin

| Pin No. | Signal | I/O | Description |
|---------|--------|-----|---------------------|
| 1 | N.C. | -- | Not used |
| 2 | RXD | I | RXD (Receive data) |
| 3 | TXD | O | TXD (Transmit data) |
| 4 | DTR | O | DTR |
| 5 | GND | -- | GND |
| 6 | DSR | I | DSR |
| 7 | RTS | O | RTS |
| 8 | CTS | I | CTS |
| 9 | N.C. | -- | Not used |

VGA port

| Item | Specifications |
|---------------------|--|
| Compliant standards | VESA Video Signal Standard (VSI) Version 1, Rev.2 Compliant Support DDC communication (+5V level I2C interface) |
| Maximum resolution | 1920 x 1200 dots /60Hz |
| Number of ports | 1 port |
| Connector | DSUB 15-pin female |

Functions of each connector pin

| Pin No. | Signal | I/O | Description | Note |
|---------|---------|-----|-----------------|------------------------|
| 1 | RED | O | Red data | |
| 2 | GREEN | O | Green data | |
| 3 | BLUE | O | Blue data | |
| 4 | N.C. | -- | No connection | |
| 5 - 8 | GND | -- | Ground | |
| 9 | +5 V | -- | +5 V output | Output 5 V through PTC |
| 10 | GND | -- | Ground | |
| 11 | N.C. | -- | No connection | |
| 12 | DDCDATA | I/O | DDC data | 5 V-level signal |
| 13 | HSYNC | O | Horizontal Sync | 5 V-level signal |
| 14 | VSNC | O | Vertical Sync | 5 V-level signal |
| 15 | DDCCLK | I/O | DDC clock | 5 V-level signal |

HDMI port

| Item | Specifications |
|---------------------|--|
| Compliant standards | HDMI 1.4 Specification |
| Maximum resolution | 4096 x 2160 @ 24 Hz; 24 bpp |
| Number of ports | 1 port |
| Connector | Standard HDMI 19pin Type A Receptacle (female) |

Functions of each connector pin

| Pin No. | Signal | I/O | Description |
|---------|---------------|-----|--|
| 1 | TMDS Data2+ | O | TMDS data channel 2 (DDI0_TXP2) |
| 2 | GND | -- | GND (TMDS data 2 shield) |
| 3 | TMDS Data2- | O | TMDS data channel 2 (DDI0_TXN2) |
| 4 | TMDS Data1+ | O | TMDS data channel 1 (DDI0_TXP1) |
| 5 | GND | -- | GND (TMDS data 1 shield) |
| 6 | TMDS Data1- | O | TMDS data channel 1 (DDI0_TXN1) |
| 7 | TMDS Data0+ | O | TMDS data channel 0 (DDI0_TXP0) |
| 8 | GND | -- | GND (TMDS data 0 shield) |
| 9 | TMDS Data0- | O | TMDS data channel 0 (DDI0_TXN2) |
| 10 | TMDS Clock+ | O | TMDS clock (DDI0_AUXP) |
| 11 | GND | -- | GND (TMDS clock shield) |
| 12 | TMDS Clock- | O | TMDS clock (DDI0_AUXN) |
| 13 | CEC (NC) | -- | Not supported |
| 14 | Reserved (NC) | -- | Not supported HEC function |
| 15 | SCL | I/O | I ² C serial clock for DDC (DDI0_DDC_CLK) |
| 16 | SDA | I/O | I ² C serial data for DDC (DDI0_DDC_DATA) |
| 17 | GND | -- | GND |
| 18 | +5V_S | -- | +5 V, 100mA (disabled on S3 State) |
| 19 | HPD | I | Hot plug detect (DDI0_HDP) |

Drawer kick connector

| Item | Specifications |
|-----------------------|--|
| Compliant standards | RJ12 6pin |
| Number of ports | 1 port |
| Drawer side connector | RJ12 telephone jack (6-position 6-contact) |

Functions of each connector pin

| Pin No. | Signal | Direction |
|---------|----------------------------|-----------|
| 1 | Frame GND | -- |
| 2 | Drawer kick drive signal 1 | Output |
| 3 | Drawer open/close signal | Input |
| 4* | +24 V | -- |
| 5 | Drawer kick drive signal 2 | Output |
| 6 | Signal GND | -- |

* Pin number 4 outputs +24 V when the power is on. However, do not use this for purposes other than drawer drive.

DC-in connector

Connector for supplying power from the AC adapter

Functions of each connector pin

| Pin No. | Signal |
|---------|--------|
| 1 | +24 V |
| 2 | GND |
| 3 | N.C |
| SHELL | F.G |

BIOS

This section describes the controller BIOS.

Starting and Ending BIOS Setup

The following describes the methods for starting and ending BIOS Setup.

Starting

- 1 Confirm that the power of this product is off and then connect the display, keyboard, and mouse.
- 2 While pressing the [Delete] key on the keyboard, turn the power for this product on.
- 3 BIOS Setup will start up.

Ending

- 1 When the Save & Exit menu is displayed, select "Discard Changes and Reset" if you do not want to save settings, or select "Save Changes and Reset" if you do want to save the settings.
- 2 Follow the on-screen instructions and select [Yes].
- 3 BIOS Setup ends and this product starts up.

Settings for the USB 2.0 Charging Port

By default settings, the USB 2.0 port (Type-C) is a charging-dedicated port. If enabling communication, perform BIOS Setup settings.

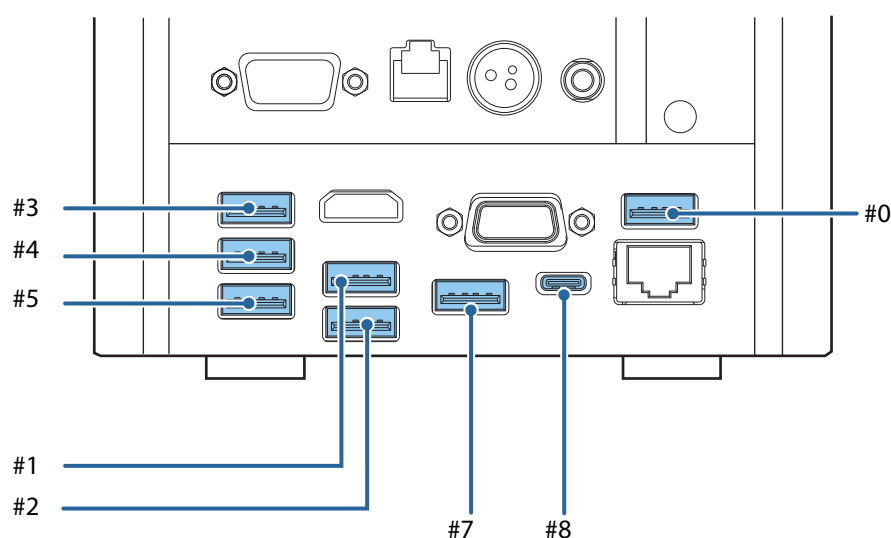
- 1 Once BIOS Setup starts up, select [Chipset] - [USB Configuration] - [Type-C Port Charge].
- 2 Press [Enter] to change the Mode.

| Item | Description |
|--------|--------------------------------------|
| Mode 1 | Charging, Communication |
| Mode 2 | Dedicated Charging (Factory default) |
- 3 Press [F4] to save the settings.

Disabling the USB Port

By disabling the USB port that is not in use, you can prevent the controller from detecting a USB memory or the like that is connected.

- 1 Once BIOS starts up, select [Security] - [USB Port Configuration].
- 2 Select [USB Port Disable Override].
- 3 Select [Select Per-Pin].
- 4 Select the number of the USB port and set it to [Disable].

**CAUTION**

As USB port #6 is the printer for this product, do not set that to [Disable].

- 5 Press [F4] to save the settings.

BIOS setting

| Menu | | Item |
|----------|-------------------|--|
| Main | - | Hardware Information CPU Total Memory SATA SSD1 SATA SSD2 NVME SSD1 NVME SSD1 Sub Board MAC BIOS Information BIOS Vendor Core Version Project Version Model Access Level System Date System Time |
| Advanced | CPU Configuration | Type ID Speed L1 Data Cache L1 Instruction Cache L2 Cache L3 Cache L4 Cache VMX SMT/TXT Microcode Revision |
| | Intel ICC | DMI/BCLK/PEG/SATA/USB3/PCIe Clock Settings Default Clock Settings Frequency Range Limits Maximum Spread % |

| Menu | | Item |
|----------|-----------------------|---|
| Advanced | Thermal Configuration | ACPI Shutdown Temperature CPU Temperature Fan Speed CPU Fan Mode CPUFAN Temperature 1 CPUFAN DC/PWM 1 CPUFAN Temperature 2 CPUFAN DC/PWM 2 CPUFAN Critical Temp Tolerance |
| | ACPI Configuration | Enable ACPI Auto Configuration Enable Hibernation ACPI Sleep State |
| | CSM Configuration | CSM Support CSM16 Module Version GateA20 Active Option ROM Messages INT19 Trap Response Boot option filter Option ROM execution Launch PXE OpROM Storage Video |
| | SMBIOS Configuration | SMBIOS Configuration Product Name Serial Number UUID SMBIOS Auto Fill > Auto Fill Now Auto Fill On Boot Target USB Port Product Suffix S/N Conversion |

| Menu | | Item |
|----------|------------------------|--|
| Advanced | Intel ME Configuration | ME Firmware Version ME Firmware Mode ME Firmware SKU ME State Manageability Features State ME Unconfig on RTC Clear |
| | | ME Firmware Update Configuration |
| Chipset | USB Configuration | USB Configuration USB Module Version USB Controllers: USB Devices: Type-C Port Charge Legacy USB Support XHCI Hand-off USB Mass Storage Driver Support USB hardware delays and time-outs: USB transfer time-out Device reset timu-out Device power-up delay |
| | Network Configuration | Ethernet Controller Wake On LAN Network Stack Ipv4 PXE Support Ipv4 HTTP Support Ipv6 PXE Support Ipv6 HTTP Support IP6 Configuration Policy PXE boot wait time Media detect count |

| Menu | | Item |
|----------|---------------------------|--|
| Chipset | SATA Configuration | SATA Controller(s) SATA Mode Selection SATA Controller Speed Serial ATA Port 1 Software Preserve Port 1 Serial ATA Port 2 Software Preserve Port 2 |
| | NVMe Configuration | NVMe Configuration |
| | Serial Port Configuration | Serial Port 1 Configuration |
| | GPIO Configuration | SIO GP20 GP20 Output setting SIO GP21 GP21 Output setting ISH GP2 GP2 Output setting |
| | - | HD Audio Controller |
| | - | Status LED |
| Security | - | Administrator Password |
| | - | Maintainer Password |
| | - | User Password |
| | - | P2:SM619GXE DES |
| | USB port Configuration | USB Port Disable Override USB Controller #0 /#1/ #2/ #3/ #4/ #5/ #6/ #7/ #8 |

| Menu | | Item |
|-------------|-------------------|---|
| Security | TPM Configuration | Security Device Support Active PCR banks Available PCR banks SHA-1 PCR Bank SHA256 PCR Bank Pending operation Platform Hierarchy Storage Hierarchy Endorsement Hierarchy TPM2.0 UEFI Spec Version Physical Presence Spec Version TPM 20 InterfaceType Device Select |
| Boot | - | Quiet Boot Hide Specified Log Fast Boot SATA Support VGA Support USB Support NetWork Stack Driver Support Setup Prompt Timeout Bootup NumLock State AC Power Recovery Notify Battery Error FIXED BOOT ORDER Priorities Boot Option #1 Boot Option #2 Boot Option #3 Boot Option #4 Boot Option #5 Boot Option #6 Boot Option #7 Boot Option #8 |
| Save & Exit | - | Save Options Save Changes and Reset Discard Changes and Reset Restore Defaults Boot Override |

Character Code Tables

Refer to the following URL regarding the character code table.

www.epson-biz.com/pos/reference/charcode/

Open Source Software License

- 1) This printer product includes open source software programs listed in Section 5) according to the license terms of each open source software program.
- 2) We provide the source code of the GPL Programs and LGPL Programs until five (5) years after the discontinuation of same model of this printer product. If you desire to receive the source code above, please contact the customer support for your region. You shall comply with the license terms of each open source software program.
- 3) The open source software programs are WITHOUT ANY WARRANTY; without even the implied warranty of MERCHANTABILITY AND FITNESS FOR A PARTICULAR PURPOSE. See the license agreements of each open source software program for more details.
- 4) OpenSSL toolkit
This printer product includes software developed by the OpenSSL project for use in the OpenSSL Toolkit (<http://www.openssl.org/>).
This product includes cryptographic software written by Eric Young (eay@cryptsoft.com).
- 5) The list of open source software programs included with this printer product and the whole license agreements of each license can be found in the following URL.
<http://xxx.xxx.xxx.xxx/licenses/>

* For the underlined part in the above URL, input each printer's IP address.

MICROSOFT SOFTWARE LICENSE TERMS

WINDOWS 10 IOT ENTERPRISE & MOBILE (ALL EDITIONS)

IF YOU LIVE IN (OR IF YOUR PRINCIPAL PLACE OF BUSINESS IS IN) THE UNITED STATES, PLEASE READ THE BINDING ARBITRATION CLAUSE AND CLASS ACTION WAIVER IN SECTION 9. IT AFFECTS HOW DISPUTES ARE RESOLVED.

Thank you for choosing Microsoft!

Depending on how you obtained the Windows software, this is a license agreement between (i) you and the device manufacturer or software installer that distributes the software with your device; or (ii) you and Microsoft Corporation (or, based on where you live or if a business where your principal place of business is located, one of its affiliates) if you acquired the software from a retailer. Microsoft is the device manufacturer for devices produced by Microsoft or one of its affiliates, and Microsoft is the retailer if you acquired the software directly from Microsoft.

This agreement describes your rights and the conditions upon which you may use the Windows software. You should review the entire agreement, including any supplemental license terms that accompany the software and any linked terms, because all of the terms are important and together create this agreement that applies to you. You can review linked terms by pasting the (aka.ms/) link into a browser window.

By accepting this agreement or using the software, you agree to all of these terms, and consent to the transmission of certain information during activation and during your use of the software as per the privacy statement described in Section 3. If you do not accept and comply with these terms, you may not use the software or its features. You may contact the device manufacturer or installer, or your retailer if you purchased the software directly, to determine its return policy and return the software or device for a refund or credit under that policy. You must comply with that policy, which might require you to return the software with the entire device on which the software is installed for a refund or credit, if any.

1. Overview.

- a. **Applicability.** This agreement applies to the Windows software that is preinstalled on your device, or acquired from a retailer and installed by you, the media on which you received the software (if any), any fonts, icons, images or sound files included with the software, and also any Microsoft updates, upgrades, supplements or services for the software, unless other terms come with them. It also applies to Windows apps developed by Microsoft that provide functionality such as mail, calendar, contacts, music and news that are included with and are a part of Windows. If this agreement contains terms regarding a feature or service not available on your device, then those terms do not apply.
- b. **Additional terms.** Depending on your device's capabilities, how it is configured, and how you use it, additional Microsoft and third party terms may apply to your use of certain features, services and apps.
 - (i) Some Windows apps provide an access point to, or rely on, online services, and the use of those services is sometimes governed by separate terms and privacy policies, such as the Microsoft Services Agreement at (aka.ms/msa). You can view these terms and policies by looking at the service terms of use or the app's settings, as applicable; please read them. The services may not be available in all regions.
 - (ii) The manufacturer or installer may also preinstall apps, which will be subject to separate license terms.
 - (iii) The software may include third party software such as Adobe Flash Player that is licensed under its own terms. You agree that your use of Adobe Flash Player is governed by the license terms for Adobe Systems Incorporated at (aka.ms/adobeflash). Adobe and Flash are either registered trademarks or trademarks of Adobe Systems Incorporated in the United States and/or other countries.
 - (iv) The software may include third party programs that are licensed to you under this agreement, or under their own terms. License terms, notices and acknowledgements, if any, for the third party program can be view at (aka.ms/thirdpartynotices).

2. Installation and Use Rights.

- a. **License.** The software license is permanently assigned to the device with which you acquired the software. You may only use the software on that device.
- b. **Device.** In this agreement, "device" means a physical hardware system) with an internal storage device capable of running the software. A hardware partition or blade is considered to be a device.
- c. **Restrictions.** The manufacturer or installer and Microsoft reserve all rights (such as rights under intellectual property laws) not expressly granted in this agreement. For example, this license does not give you any right to, and you may not:
 - (i) use or virtualize features of the software separately;
 - (ii) publish, copy (other than the permitted backup copy), rent, lease, or lend the software;
 - (iii) transfer the software (except as permitted by this agreement);
 - (iv) work around any technical restrictions or limitations in the software;
 - (v) use the software as server software, for commercial hosting, make the software available for simultaneous use by multiple users over a network, install the software on a server and allow users to access it remotely, or install the software on a device for use only by remote users;

- (vi) reverse engineer, decompile, or disassemble the software, or attempt to do so, except and only to the extent that the foregoing restriction is (a) permitted by applicable law; (b) permitted by licensing terms governing the use of open source components that may be included with the software; or (c) required to debug changes to any libraries licensed under the GNU Lesser General Public License which are included with and linked to by the software; and
- (vii) when using Internet-based features you may not use those features in any way that could interfere with anyone else's use of them, or to try to gain access to or use any service, data, account, or network, in an unauthorized manner.

d. Multi use scenarios.

- (i) **Multiple versions.** If when acquiring the software, you were provided with multiple versions (such as 32-bit and 64-bit versions), you may install and activate only one of those versions at a time.
- (ii) **Multiple or pooled connections.** Hardware or software you use to multiplex or pool connections, or reduce the number of devices or users that access or use the software, does not reduce the number of licenses you need. You may only use such hardware or software if you have a license for each instance of the software you are using.
- (iii) **Device connections.** You may allow up to 20 other devices to access the software installed on the licensed device for the purpose of using the following software features: file services, print services, Internet information services, and Internet connection sharing and telephony services on the licensed device. The 20 connection limit applies to devices that access the software indirectly through "multiplexing" or other software or hardware that pools connections. You may allow any number of devices to access the software on the licensed device to synchronize data between devices. This section does not mean, however, that you have the right to install the software, or use the primary function of the software (other than the features listed in this section), on any of these other devices.
- (iv) **Remote access.** Users may access the licensed device from another device using remote access technologies, but only on devices separately licensed to run the same or higher edition of this software.
- (v) **Remote assistance.** You may use remote assistance technologies to share an active session without obtaining any additional licenses for the software. Remote assistance allows one user to connect directly to another user's computer, usually to correct problems.
- (vi) **POS application.** If the software is installed on a retail point of service device, you may use the software with a point of service application ("POS Application"). A POS Application is a software application which provides only the following functions: (i) process sales and service transactions, scan and track inventory, record and/or transmit customer information, and perform related management functions, and/or (ii) provide information directly and indirectly to customers about available products and services. You may use other programs with the software as long as the other programs: (i) directly support the manufacturer's specific use for the device, or (ii) provide system utilities, resource management, or anti-virus or similar protection. For clarification purposes, an automated teller machine ("ATM") is not a retail point of service device.
- (vii) **Cloud Computing Devices.** If your device uses Internet browsing functionality to connect to and access cloud hosted applications: (i) no desktop functions may run locally on the device, and (ii) any files that result from the use of the desktop functions may not be permanently stored on the system. "Desktop functions," as used in this agreement, means a consumer or business task or process performed by a computer or computing device. This includes but is not limited to email, word processing, spreadsheets, database, scheduling, network or internet browsing and personal finance.
- (viii) **Desktop Functions.** If your system performs desktop functions, then you must ensure that they: (i) are only used to support the application, and (ii) operate only when used with the application.

e. Specific Use. The manufacturer designed the licensed device for a specific use. You may only use the software for that use.

f. Backup copy. You may make a single copy of the software for backup purposes, and may also use that backup copy to transfer the software if it was acquired as stand-alone software, as described below.

- 3. Privacy; Consent to Use of Data.** Your privacy is important to us. Some of the software features send or receive information when using those features. Many of these features can be switched off in the user interface, or you can choose not to use them. By accepting this agreement and using the software you agree that Microsoft may collect, use, and disclose the information as described in the Microsoft Privacy Statement available at (aka.ms/privacy), and as may be described in the user interface associated with the software features.

4. Transfer

- a. **Software preinstalled on device.** If you acquired the software preinstalled on a device, you may transfer the license to use the software directly to another user, only with the licensed device. The transfer must include the software and, if provided with the device, an authentic Windows label including the product key. Before any permitted transfer, the other party must agree that this agreement applies to the transfer and use of the software.
- b. **Stand-alone software.** If you acquired the software as stand-alone software, you may transfer the software to another device that belongs to you. You may also transfer the software to a device owned by someone else if (i) you are the first licensed user of the software and (ii) the new user agrees to the terms of this agreement. You may use the backup copy we allow you to make or the media that the software came on to transfer the software. Every time you transfer the software to a new device, you must remove the software from the prior device. You may not transfer the software to share licenses between devices.

5. **Authorized Software and Activation.** You are authorized to use this software only if you are properly licensed and the software has been properly activated with a genuine product key or by other authorized method. When you connect to the Internet while using the software, the software will automatically contact Microsoft or its affiliate to confirm the software is genuine and the license is associated with the licensed device. You can also activate the software manually by Internet or telephone. In either case, transmission of certain information will occur, and Internet, telephone and SMS service charges may apply. During activation (or reactivation that may be triggered by changes to your device's components), the software may determine that the installed instance of the software is counterfeit, improperly licensed or includes unauthorized changes. If activation fails the software will attempt to repair itself by replacing any tampered Microsoft software with genuine Microsoft software. You may also receive reminders to obtain a proper license for the software. Successful activation does not confirm that the software is genuine or properly licensed. You may not bypass or circumvent activation. To help determine if your software is genuine and whether you are properly licensed, see (aka.ms/genuine). Certain updates, support, and other services might only be offered to users of genuine Microsoft software.
6. **Updates.** You may obtain updates only from Microsoft or authorized sources, and Microsoft may need to update your system to provide you with those updates. The software periodically checks for system and app updates, and may download and install them for you. To the extent automatic updates are enabled on your device, by accepting this agreement, you agree to receive these types of automatic updates without any additional notice.
7. **Geographic and Export Restrictions.** If your software is restricted for use in a particular geographic region, then you may activate the software only in that region. You must also comply with all domestic and international export laws and regulations that apply to the software, which include restrictions on destinations, end users, and end use. For further information on geographic and export restrictions, visit (aka.ms/georestrict) and (aka.ms/exporting).
8. **Support and Refund Procedures.** For the software generally, contact the device manufacturer or installer for support options. Refer to the support number provided with the software. For updates and supplements obtained directly from Microsoft, Microsoft may provide limited support services for properly licensed software as described at (aka.ms/mssupport). If you are seeking a refund, contact the manufacturer or installer to determine its refund policies. You must comply with those policies, which might require you to return the software with the entire device on which the software is installed for a refund.
9. **Binding Arbitration and Class Action Waiver if You Live in (or if a Business Your Principal Place of Business is in) the United States.**
We hope we never have a dispute, but if we do, you and we agree to try for 60 days to resolve it informally. If we can't, you and we agree to **binding individual arbitration before the American Arbitration Association ("AAA") under the Federal Arbitration Act ("FAA"), and not to sue in court in front of a judge or jury.** Instead, a neutral arbitrator will decide and the arbitrator's decision will be final except for a limited right of appeal under the FAA. **Class action lawsuits, class-wide arbitrations, private attorney-general actions, and any other proceeding where someone acts in a representative capacity aren't allowed. Nor is combining individual proceedings without the consent of all parties.** "We," "our," and "us" includes Microsoft, the device manufacturer, and software installer.
 - a. **Disputes covered—everything except IP.** The term "dispute" is as broad as it can be. It includes any claim or controversy between you and the manufacturer or installer, or you and Microsoft, concerning the software, its price, or this agreement, under any legal theory including contract, warranty, tort, statute, or regulation, **except disputes relating to the enforcement or validity of your, your licensors', our, or our licensors' intellectual property rights.**
 - b. **Mail a Notice of Dispute first.** If you have a dispute and our customer service representatives can't resolve it, send a Notice of Dispute by U.S. Mail to the manufacturer or installer, ATTN: LEGAL DEPARTMENT. If your dispute is with Microsoft, mail it to Microsoft Corporation, ATTN: LCA ARBITRATION, One Microsoft Way, Redmond, WA 98052-6399. Tell us your name, address, how to contact you, what the problem is, and what you want. A form is available at (aka.ms/disputeform). We'll do the same if we have a dispute with you. After 60 days, you or we may start an arbitration if the dispute is unresolved.
 - c. **Small claims court option.** Instead of mailing a Notice of Dispute, and if you meet the court's requirements, you may sue us in small claims court in your county of residence (or if a business your principal place of business) or our principal place of business—King County, Washington USA if your dispute is with Microsoft. We hope you'll mail a Notice of Dispute and give us 60 days to try to work it out, but you don't have to before going to small claims court.

- d. Arbitration procedure.** The AAA will conduct any arbitration under its Commercial Arbitration Rules (or if you are an individual and use the software for personal or household use, or if the value of the dispute is \$75,000 USD or less whether or not you are an individual or how you use the software, its Consumer Arbitration Rules). For more information, see (aka.ms/adr) or call 1-800-778-7879. To start an arbitration, submit the form available at (aka.ms/arbitration) to the AAA; mail a copy to the manufacturer or installer (or to Microsoft if your dispute is with Microsoft). In a dispute involving \$25,000 USD or less, any hearing will be telephonic unless the arbitrator finds good cause to hold an in-person hearing instead. Any in-person hearing will take place in your county of residence (or if a business your principal place of business) or our principal place of business—King County, Washington if your dispute is with Microsoft. You choose. The arbitrator may award the same damages to you individually as a court could. The arbitrator may award declaratory or injunctive relief only to you individually to satisfy your individual claim.
- e. Arbitration fees and payments.**
- (i) **Disputes involving \$75,000 USD or less.** The manufacturer or installer (or Microsoft if your dispute is with Microsoft) will promptly reimburse your filing fees and pay the AAA's and arbitrator's fees and expenses. If you reject our last written settlement offer made before the arbitrator was appointed, your dispute goes all the way to an arbitrator's decision (called an "award"), and the arbitrator awards you more than this last written offer, the manufacturer or installer (or Microsoft if your dispute is with Microsoft) will: (1) pay the greater of the award or \$1,000 USD; (2) pay your reasonable attorney's fees, if any; and (3) reimburse any expenses (including expert witness fees and costs) that your attorney reasonably accrues for investigating, preparing, and pursuing your claim in arbitration. The arbitrator will determine the amounts unless you and we agree on them.
 - (ii) **Disputes involving more than \$75,000 USD.** The AAA rules will govern payment of filing fees and the AAA's and arbitrator's fees and expenses.
 - (iii) **Disputes involving any amount.** If you start an arbitration we won't seek our AAA or arbitrator's fees and expenses, or your filing fees we reimbursed, unless the arbitrator finds the arbitration frivolous or brought for an improper purpose. If we start an arbitration we will pay all filing, AAA, and arbitrator's fees and expenses. We won't seek our attorney's fees or expenses from you in any arbitration. Fees and expenses are not counted in determining how much a dispute involves.
- f. Must file within one year.** You and we must file in small claims court or arbitration any claim or dispute (except intellectual property disputes — see Section 9.a.) within one year from when it first could be filed. Otherwise, it's permanently barred.
- g. Severability.** If the class action waiver is found to be illegal or unenforceable as to all or some parts of a dispute, those parts won't be arbitrated but will proceed in court, with the rest proceeding in arbitration. If any other provision of Section 9 is found to be illegal or unenforceable, that provision will be severed but the rest of Section 9 still applies.
- h. Conflict with AAA rules.** This agreement governs if it conflicts with the AAA's Commercial Arbitration Rules or Consumer Arbitration Rules.
- i. Microsoft as party or third-party beneficiary.** If Microsoft is the device manufacturer or if you acquired the software from a retailer, Microsoft is a party to this agreement. Otherwise, Microsoft is not a party but is a third-party beneficiary of your agreement with the manufacturer or installer to resolve disputes through informal negotiation and arbitration.
- 10. Governing Law.** The laws of the state or country where you live (or if a business where your principal place of business is located) govern all claims and disputes concerning the software, its price, or this agreement, including breach of contract claims and claims under state consumer protection laws, unfair competition laws, implied warranty laws, for unjust enrichment, and in tort, regardless of conflict of law principles. In the United States, the FAA governs all provisions relating to arbitration.
- 11. Consumer Rights, Regional Variations.** This agreement describes certain legal rights. You may have other rights, including consumer rights, under the laws of your state or country. You may also have rights with respect to the party from which you acquired the software. This agreement does not change those other rights if the laws of your state or country do not permit it to do so. For example, if you acquired the software in one of the below regions, or mandatory country law applies, then the following provisions apply to you:
- a. Australia.** References to "Limited Warranty" are references to the express warranty provided by Microsoft or the manufacturer or installer. This warranty is given in addition to other rights and remedies you may have under law, including your rights and remedies in accordance with the statutory guarantees under the Australian Consumer Law.
In this section, "goods" refers to the software for which Microsoft or the manufacturer or installer provides the express warranty. Our goods come with guarantees that cannot be excluded under the Australian Consumer Law. You are entitled to a replacement or refund for a major failure and compensation for any other reasonably foreseeable loss or damage. You are also entitled to have the goods repaired or replaced if the goods fail to be of acceptable quality and the failure does not amount to a major failure.
 - b. Canada.** You may stop receiving updates on your device by turning off Internet access. If and when you re-connect to the Internet, the software will resume checking for and installing updates.
 - c. European Union.** The academic use restriction in Section 12.d(i) below does not apply in the jurisdictions listed on this site: (aka.ms/academicuse).

d. Germany and Austria.

- (i) **Warranty.** The properly licensed software will perform substantially as described in any Microsoft materials that accompany the software. However, the manufacturer or installer, and Microsoft, give no contractual guarantee in relation to the licensed software.
- (ii) **Limitation of Liability.** In case of intentional conduct, gross negligence, claims based on the Product Liability Act, as well as, in case of death or personal or physical injury, the manufacturer or installer, or Microsoft is liable according to the statutory law.

Subject to the preceding sentence, the manufacturer or installer, or Microsoft will only be liable for slight negligence if the manufacturer or installer or Microsoft is in breach of such material contractual obligations, the fulfillment of which facilitate the due performance of this agreement, the breach of which would endanger the purpose of this agreement and the compliance with which a party may constantly trust in (so-called "cardinal obligations"). In other cases of slight negligence, the manufacturer or installer or Microsoft will not be liable for slight negligence.

- e. Other regions.** See (aka.ms/variations) for a current list of regional variations

12. Additional Notices.

- a. Networks, data and Internet usage.** Some features of the software and services accessed through the software may require your device to access the Internet. Your access and usage (including charges) may be subject to the terms of your cellular or internet provider agreement. Certain features of the software may help you access the Internet more efficiently, but the software's usage calculations may be different from your service provider's measurements. You are always responsible for (i) understanding and complying with the terms of your own plans and agreements, and (ii) any issues arising from using or accessing networks, including public/open networks. You may use the software to connect to networks, and to share access information about those networks, only if you have permission to do so.
- b. H.264/AVC and MPEG-4 visual standards and VC-1 video standards.** The software may include H.264/ MPEG-4 AVC and/or VC-1 decoding technology. MPEG LA, L.L.C. requires this notice:
THIS PRODUCT IS LICENSED UNDER THE AVC, THE VC-1, AND THE MPEG-4 PART 2 VISUAL PATENT PORTFOLIO LICENSES FOR THE PERSONAL AND NON-COMMERCIAL USE OF A CONSUMER TO (i) ENCODE VIDEO IN COMPLIANCE WITH THE ABOVE STANDARDS ("VIDEO STANDARDS") AND/OR (ii) DECODE AVC, VC-1, AND MPEG-4 PART 2 VIDEO THAT WAS ENCODED BY A CONSUMER ENGAGED IN A PERSONAL AND NON-COMMERCIAL ACTIVITY AND/OR WAS OBTAINED FROM A VIDEO PROVIDER LICENSED TO PROVIDE SUCH VIDEO. NO LICENSE IS GRANTED OR SHALL BE IMPLIED FOR ANY OTHER USE. ADDITIONAL INFORMATION MAY BE OBTAINED FROM MPEG LA, L.L.C. SEE WWW.MPEGLA.COM
- c. Malware protection.** Microsoft cares about protecting your device from malware. The software will turn on malware protection if other protection is not installed or has expired. To do so, other antimalware software will be disabled or may have to be removed.
- d. Limited rights versions.** If the software version you acquired is marked or otherwise intended for a specific or limited use, then you may only use it as specified. You may use other programs with the software as long as the other programs directly support the manufacturer's specific use for the device, or provide system utilities, resource management, or anti-virus or similar protection.
 - (i) **Academic.** For academic use, you must be a student, faculty or staff of an educational institution at the time of purchase.
 - (ii) **Evaluation.** For evaluation (or test or demonstration) use, you may not sell the software, use it in a live operating environment, or use it after the evaluation period. Notwithstanding anything to the contrary in this Agreement, evaluation software is provided "AS IS".
 - (iii) **NFR.** You may not sell software marked as "NFR" or "Not for Resale".

- 13. Entire Agreement.** This agreement (together with the printed paper license terms or other terms accompanying any software supplements, updates, and services that are provided by the manufacturer or installer, or Microsoft, and that you use), and the terms contained in web links listed in this agreement, are the entire agreement for the software and any such supplements, updates, and services (unless the manufacturer or installer, or Microsoft, provides other terms with such supplements, updates, or services). You can review this agreement after your software is running by going to (aka.ms/useterms) or going to Settings - System - About within the software. You can also review the terms at any of the links in this agreement by typing the URLs into a browser address bar, and you agree to do so. You agree that you will read the terms before using the software or services, including any linked terms. You understand that by using the software and services, you ratify this agreement and the linked terms. There are also informational links in this agreement. The links containing notices and binding terms are:

- [Windows 10 Privacy Statement \(aka.ms/privacy\)](https://aka.ms/privacy)
- [Microsoft Services Agreement \(aka.ms/msa\)](https://aka.ms/msa)
- [Adobe Flash Player License Terms \(aka.ms/adobe-flash\)](https://aka.ms/adobe-flash)

NO WARRANTY

THE SOFTWARE ON YOUR DEVICE (INCLUDING THE APPS) IS LICENSED "AS IS." TO THE MAXIMUM EXTENT PERMITTED BY YOUR LOCAL LAWS, YOU BEAR THE ENTIRE RISK AS TO THE SOFTWARE'S QUALITY AND PERFORMANCE. SHOULD IT PROVE DEFECTIVE, YOU ASSUME THE ENTIRE COST OF ALL SERVICING OR REPAIR. NEITHER THE DEVICE MANUFACTURER NOR MICROSOFT GIVES ANY EXPRESS WARRANTIES, GUARANTEES, OR CONDITIONS FOR THE SOFTWARE. TO THE EXTENT PERMITTED UNDER YOUR LOCAL LAWS, THE MANUFACTURER AND MICROSOFT EXCLUDE ALL IMPLIED WARRANTIES AND CONDITIONS, INCLUDING THOSE OF MERCHANTABILITY, QUALITY, FITNESS FOR A PARTICULAR PURPOSE, AND NON-INFRINGEMENT. YOU MAY HAVE ADDITIONAL CONSUMER RIGHTS OR STATUTORY GUARANTEES UNDER LOCAL LAWS THAT THESE TERMS CANNOT CHANGE.

IF YOUR LOCAL LAWS IMPOSE A WARRANTY, GUARANTEE, OR CONDITION EVEN THOUGH THIS AGREEMENT DOES NOT, ITS TERM IS LIMITED TO 90 DAYS FROM WHEN THE FIRST USER ACQUIRES THE SOFTWARE. IF THE MANUFACTURER OR MICROSOFT BREACHES SUCH A WARRANTY, GUARANTEE, OR CONDITION, YOUR SOLE REMEDY, AT THE MANUFACTURER'S OR MICROSOFT'S ELECTION, IS (I) REPAIR OR REPLACEMENT OF THE SOFTWARE AT NO CHARGE, OR (II) RETURN OF THE SOFTWARE (OR AT ITS ELECTION THE DEVICE ON WHICH THE SOFTWARE WAS INSTALLED) FOR A REFUND OF THE AMOUNT PAID, IF ANY. THESE ARE YOUR ONLY REMEDIES FOR BREACH OF A WARRANTY, GUARANTEE, OR CONDITION YOUR LOCAL LAWS IMPOSE.

TO THE EXTENT NOT PROHIBITED BY YOUR LOCAL LAWS, IF YOU HAVE ANY BASIS FOR RECOVERING DAMAGES, YOU CAN RECOVER FROM THE MANUFACTURER OR MICROSOFT ONLY DIRECT DAMAGES UP TO THE AMOUNT YOU PAID FOR THE SOFTWARE (OR UP TO \$50 USD IF YOU ACQUIRED THE SOFTWARE FOR NO CHARGE). YOU WILL NOT, AND WAIVE ANY RIGHT TO, SEEK TO RECOVER ANY OTHER DAMAGES OR REMEDY, INCLUDING LOST PROFITS AND DIRECT, CONSEQUENTIAL, SPECIAL, INDIRECT, OR INCIDENTAL DAMAGES, UNDER ANY PART OF THIS AGREEMENT OR UNDER ANY THEORY. THIS LIMITATION APPLIES TO (I) ANYTHING RELATED TO THIS AGREEMENT, THE SOFTWARE (INCLUDING THE APPS), THE DEVICE, SERVICES, CORRUPTION OR LOSS OF DATA, FAILURE TO TRANSMIT OR RECEIVE DATA, CONTENT (INCLUDING CODE) ON THIRD PARTY INTERNET SITES OR THIRD PARTY PROGRAMS, AND (II) CLAIMS FOR BREACH OF CONTRACT, WARRANTY, GUARANTEE, OR CONDITION; STRICT LIABILITY, NEGLIGENCE, OR OTHER TORT; VIOLATION OF A STATUTE OR REGULATION; UNJUST ENRICHMENT; OR UNDER ANY OTHER THEORY.

THE DAMAGE EXCLUSIONS AND REMEDY LIMITATIONS IN THIS AGREEMENT APPLY EVEN IF YOU HAVE NO REMEDY (THE SOFTWARE IS LICENSED "AS IS"), IF REPAIR, REPLACEMENT, OR A REFUND (IF REQUIRED BY YOUR LOCAL LAW) DOES NOT FULLY COMPENSATE YOU FOR ANY LOSSES, IF THE MANUFACTURER OR MICROSOFT KNEW OR SHOULD HAVE KNOWN ABOUT THE POSSIBILITY OF THE DAMAGES, OR IF THE REMEDY FAILS OF ITS ESSENTIAL PURPOSE.

Check with your device manufacturer to determine if your device is covered by a warranty.