

Datacard®

11111 Bren Road West
Minnetonka, MN 55343-9015 USA
952.933.1223 (USA)
952.933.7971 FAX (USA)

A list of supported operating systems can be found at www.datacard.com/support-and-drivers, and in the driver release notes.

Legal Notices

Please note and heed the WARNING and CAUTION labels that have been placed on the equipment for your safety. Please do not attempt to operate or repair this equipment without adequate training.

Liability Statement

This product has been built to the high standards of Datacard Corporation. See InfoCentral for the statement of liability.

Regulatory Compliance

This product conforms to FCC and regulatory requirements as specified in North America, Europe, and additional countries. See InfoCentral for detailed regulatory compliance information.

WARNING: This product contains chemicals, including lead, known to the State of California to cause cancer, and birth defects or other reproductive harm. Wash hands after handling.

Contact Information:

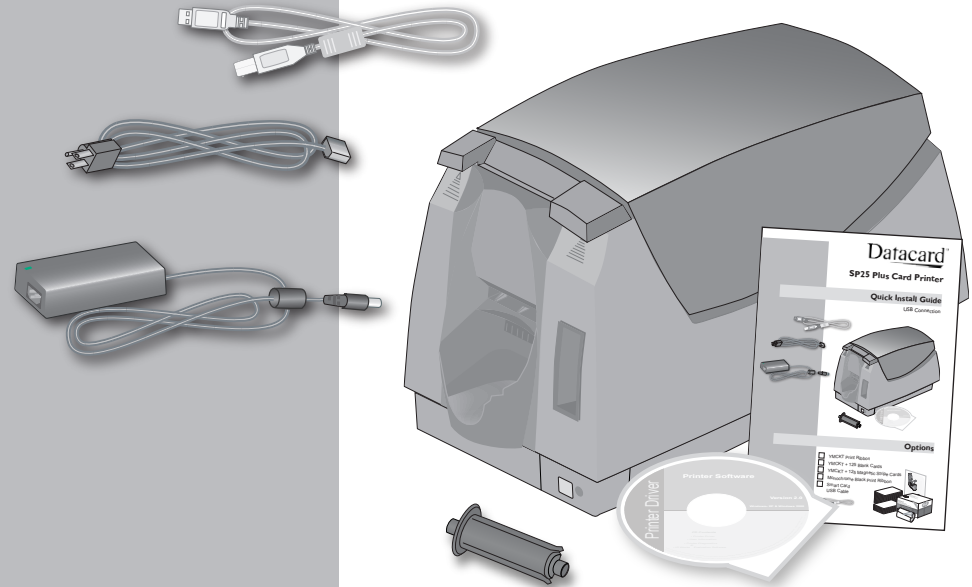
Datacard is a registered trademark of Datacard Corporation.
Windows is a registered trademark of Microsoft Corporation.

Datacard®

SP25 Plus Card Printer

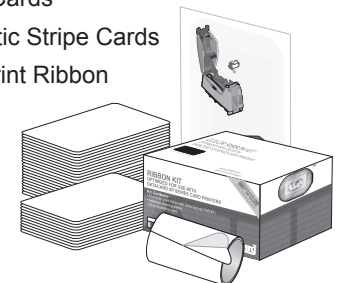
Quick Install Guide

USB Connection

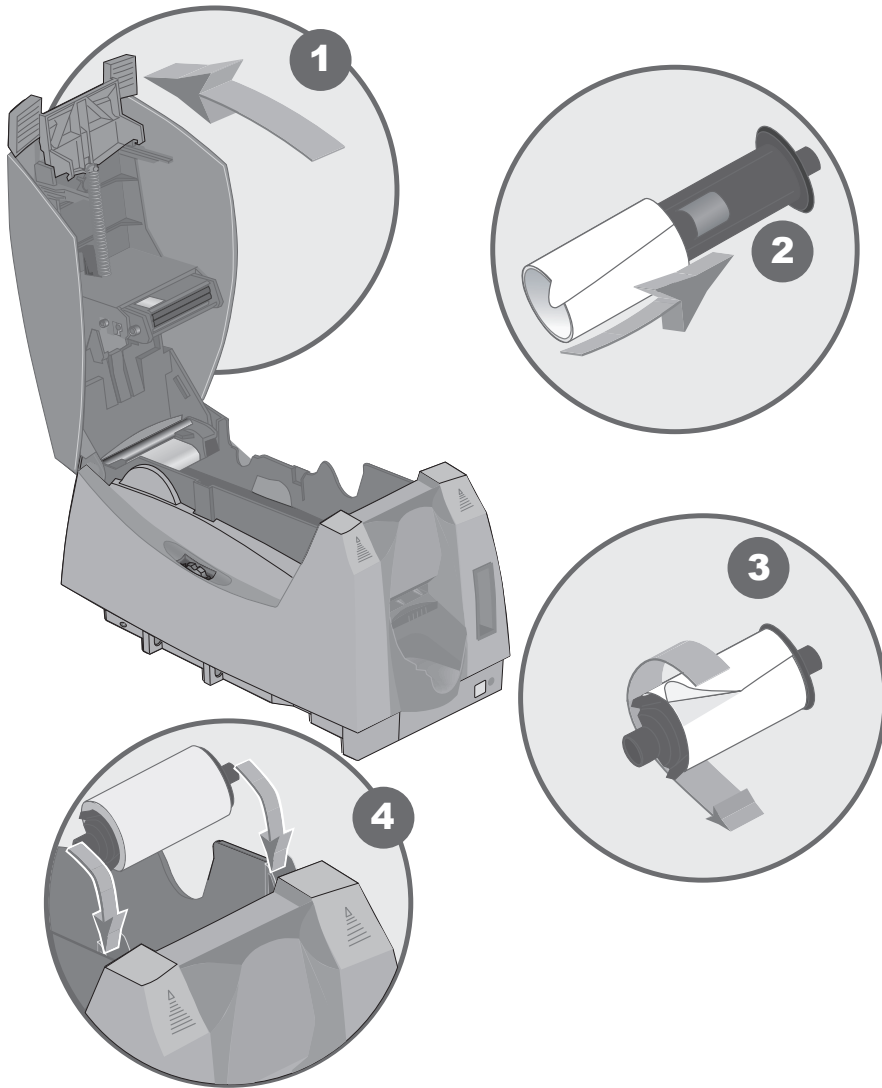


Options

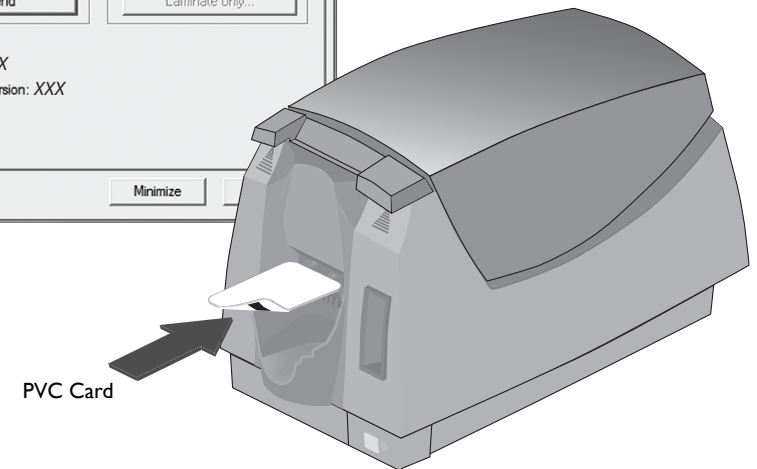
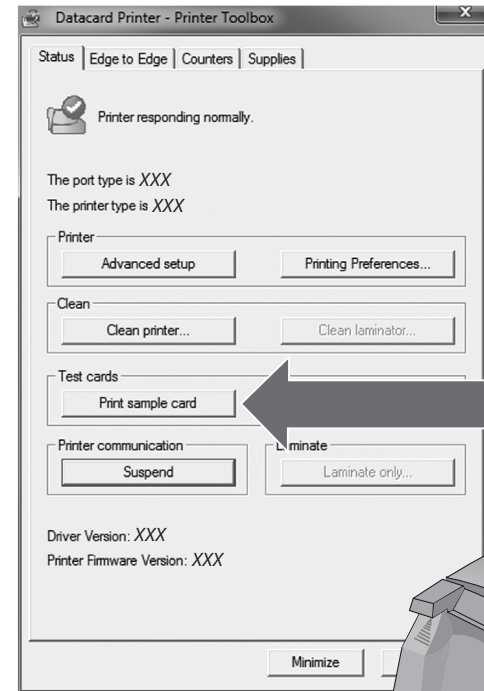
- YMCKT Print Ribbon
- YMCKT + 125 Blank Cards
- YMCKT + 125 Magnetic Stripe Cards
- Monochrome Black Print Ribbon
- Smart Card
- USB Cable



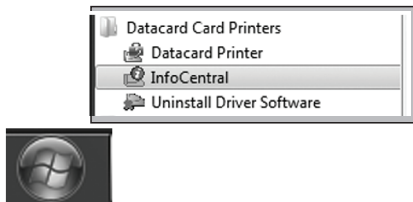
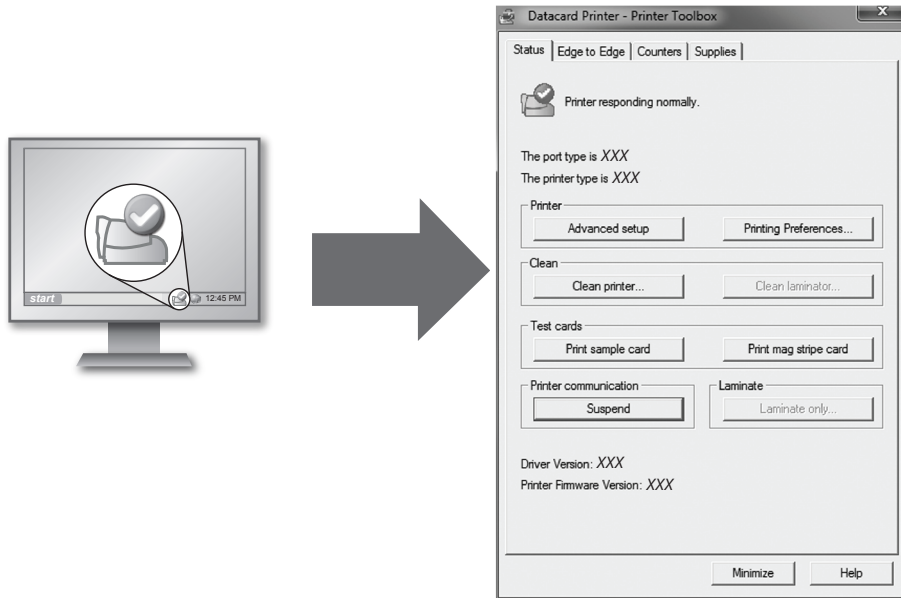
Step 1: Install the Cleaning Roller



Step 5: Print a Sample Card

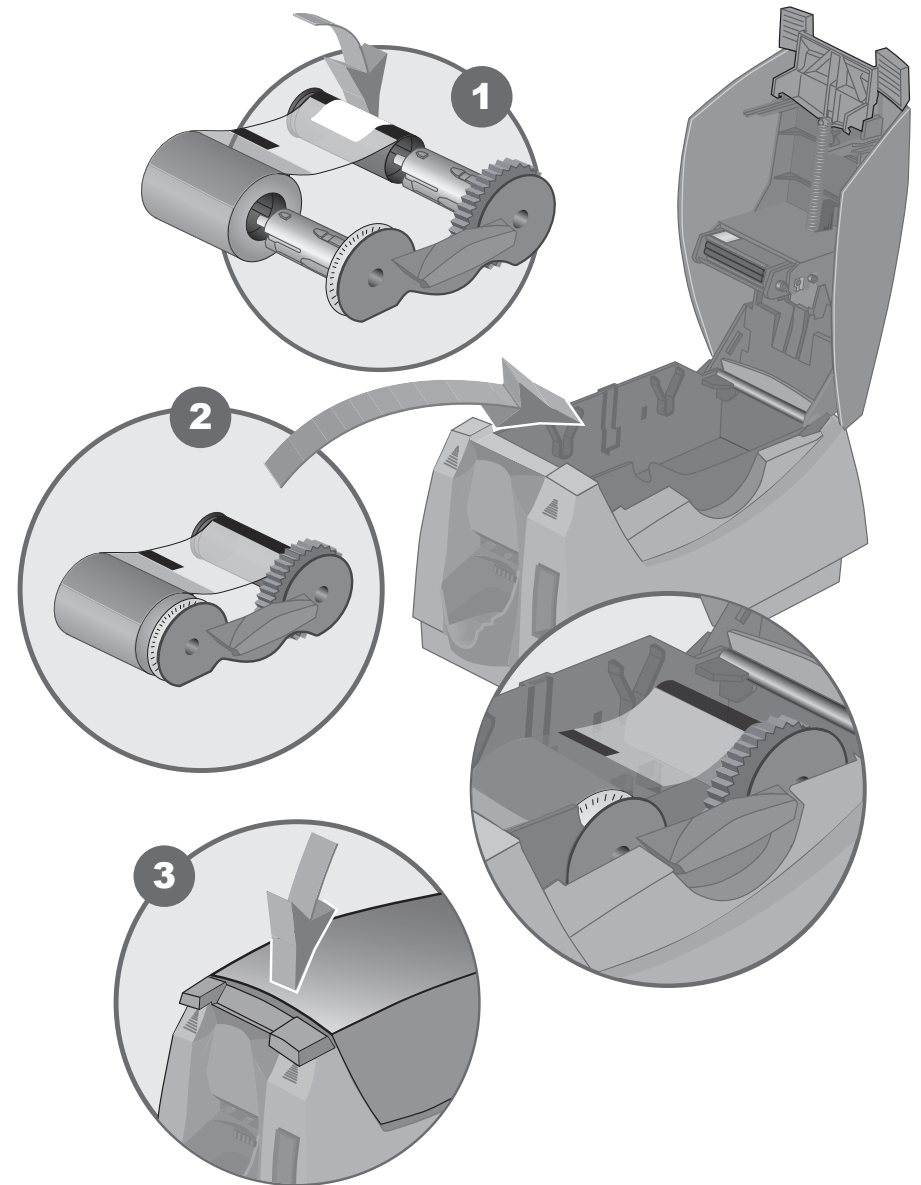


Step 4: Open the Printer Toolbox



See InfoCentral for detailed information about using the printer, including printing rewritable cards, printer maintenance, and printer supplies.

Step 2: Install the Print Ribbon



Step 3: Install the Driver

