

Rack Station RS409RP+

Scalable 1U SATA NAS Server for Corporate Users



Key Features

- High Speed
 - 39+ MB/Sec RAID 5 Write
 - 55+ MB/Sec RAID 5 Read
- Hot-swappable HDD Design
- 2 Gigabit LAN Ports
- Redundant Power Supply
- Windows + Mac + Linux
- Power Saving (29W~61W)

Shipped with Disk Station Manager 2.1 that provides:

- AJAX-Based Management Interface
- Windows ADS Support
- Business Mail Server
- Corporate Surveillance
- Schedule Power On/Off

And more...

Synology Rack Station RS409RP+ offers PC server equivalent performance for efficient data sharing and backup. Its high performance coupled with sophisticated Synology Disk Station Manager 2.1 provides an ideal solution for cross platform sharing, secure server backup, Windows ADS integration, business mail server, and corporate surveillance. The plug-n-use Synology RX4 easily expands the RS409RP+'s storage capacity up to 8 hard drives on the fly.

Corporate IT Management

Synology Rack Station RS409RP+ supports various volume types, like basic, RAID 0/1/5/6, and RAID 5+Spare to fit users' needs. Advanced operations allow RAID expansion and RAID type changing to provide flexible management experience.

S.M.A.R.T. is a monitoring system for hard drives used to detect and report various attributes of reliability, helping to anticipate malfunctions.

The Link Aggregation feature provides share-loading and failover support for Synology Rack Station RS409RP+.

Affordable Scalability

When running out of the hard drive capacity on Synology Rack Station RS409RP+, users can expand more storage with Synology RX4. By attaching it to Synology Rack Station RS409RP+, the plug-n-use connectivity and eSATA 3.0 Gb/sec definition allow users to expand volume from Synology Rack Station RS409RP+. No firmware installation is needed.

Perfect Backup Solution

Synology Network Backup allows users to back up files from one to another Synology Disk Station or any rsync-compatible server. The Local Backup allows backups to external hard drives via USB or eSATA, both providing flexible scheduling options.

The Local Backup provides Synology Rack Station RS409RP+ with the ability to back up data to a shared folder or, to external USB or SATA hard drives.

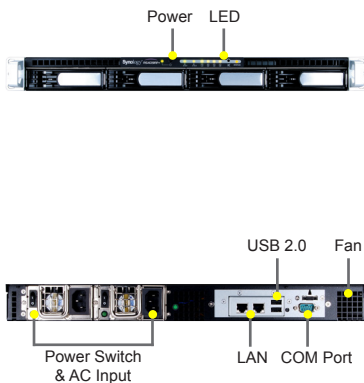
Synology RX4 delivers a perfect backup solution for Synology Rack Station RS409RP+, too. By attaching it to Synology Rack Station RS409RP+, the plug-n-use connectivity and eSATA 3.0 Gb/sec definition allows users to create an independent volume on the RX4 as a good backup target. No firmware installation is needed.

Eco Friendly

Synology Disk Station is designed and developed perpetually with the concept of energy saving. Compared with its average PC counterparts, Synology Rack Station RS409RP+ consumes a relatively low amount of power and hibernates when not in use. This not only helps to save energy but also extends the lifespan of the hard disk.

Additionally, all Synology products are produced with RoHS compliant parts and packed with recyclable packing materials. Synology recognizes its responsibility as a global citizen and is continually working to reduce the environmental impact of the products we create.

CONNECTIONS & BUTTONS



Technical Specifications

Hardware

- CPU: 1.06GHz, 64bit@DDR533, with floating point
- RAM Size: 1GB
- Internal HDD⁽¹⁾: 4X 3.5" SATA(II)
- External HDD Interface: 2X USB ports, 1X eSATA port
- Size: 44mm X 430.5mm X 570.5mm
- Weight: 9.68kg
- LAN: 2X Gigabit
- Fan: 4X (40mm X 40mm)
- Noise Level⁽²⁾: 42dB(A)
- Power Recovery
- AC Input Power Voltage: 100V to 240V
- Power Frequency: 50Hz to 60Hz, Single Phase
- Max HDD Support (Internal HDD): 2TB
- Max Supported IP Camera: 10⁽⁷⁾
- Operating Temperature: 5°C to 35°C (40°F to 95°F)
- Storage Temperature: -10°C to 70°C (15°F to 155°F)
- Relative Humidity: 5% to 95% RH
- Max Operating Altitude: 10,000 feet

Power Consumption⁽³⁾

- 61W (Access); 29W (Hibernation)

Certification

- FCC Class B, CE Class B, BSMI Class B

Networking Protocols

- CIFS
- AFP (3.1)
- FTP
- NFS
- Telnet/SSH

Windows ADS Integration

- Supports up to Windows Server 2008
- Domain users login via Samba/AFP/FTP
- Synology Data Replicator 3 for Domain Users

Security

- FTP over SSL/TLS (explicit)
- FTP Auto-Block
- Encrypted Network Backup
- Encrypted rsync
- HTTPS Connection

File System

- EXT3
- FAT (External Disk Only)
- NTFS (External Disk Read Only)

File Sharing

- Max User Account: 2,048
- Max Group: 256
- Max Shared Folder: 256
- Max Concurrent Connections (SAMB, FTP, AFP): 512

Utilities

- Synology Assistant
- Synology Data Replicator 3

- Synology Download Redirector
- Add Printer Wizard

Applications

- Surveillance Station 2
- Photo Station 3
- File Station 2
- Audio Station
- Web Station
- PHP/MySQL
- Download Station 2
- iTunes Server

Packages

- Mail Station
- SqueezeCenter
- Webalizer

UPnP Multimedia Service Support

- Sony PS3, Microsoft Xbox360
- Audio Format: AAC, FLAC, M4A, MP3, Ogg Vorbis, WAV, WMA, WMA VBR, WMA PRO, WMA Lossless
- Video Format: ASF, AVI, DAT, DivX, MP4, MPEG1, MPEG2, MPEG4, VOB, WMV, XviD
- Image Format: BMP, JPG (jpe, jpeg), GIF, ICO, PNG, PSD, TIF (tiff), UFO
- Playlist Format: WPL, M3U
- Subtitle: srt, psb, smi, ass, ssa, sub, idx, ifo

iTunes Server Support

- Audio Format: MP3, M4A, M4P, WAV⁽⁴⁾, AIF⁽⁴⁾
- Playlist Format: M3U, WPL

Audio Station Support

- USB Mode: (Audio) AAC, FLAC, M4A, MP3, Ogg Vorbis, WMA, WMA VBR (Playlist) M3U, WPL (Internet Radio) SHOUTcast, Radioio
- Streaming Mode: (Audio) MP3 (Playlist) M3U, WPL

Photo Station 3 Support

- Video Format: ASF, AVI, MPEG1, MPEG4, WMV, XviD, DivX, FLV, DAT⁽⁵⁾, MP4⁽⁵⁾, MPEG2⁽⁵⁾, RM⁽⁵⁾, RMVB⁽⁵⁾, VOB⁽⁵⁾
- Image Format: BMP, JPG (jpe, jpeg), GIF

Management

- AJAX-based Management UI
- BitTorrent Port Range Setup
- BitTorrent DHT Support
- CIFS Recycle Bin
- Download Station Bandwidth control
- Download Station Port Range Setup
- Editable HTTP Error Page
- Email Alert Message
- Email Notification for New User
- Package Management
- External HDD Hibernation
- Scheduled Power On/Off
- Firmware Upgrade
- FTP passive port range
- Hide-able Shared Folder
- Internal HDD Hibernation
- Removable Default Shared Folder
- Ez-Internet
- PPPoE

- UPS Management (Over USB 2.0)
- User Quota
- Web-based Download Station

RAID Management

- Volume Type: Basic, JBOD, RAID 0, RAID 1, RAID 5, RAID 5+ Spare, RAID 6
- RAID Change: Basic to RAID 1, RAID 1 to RAID 5, RAID 5 to RAID 5+ Spare
- Expand with Larger Hard Drive: RAID 1, RAID 5, RAID 5+ Spare, RAID 6
- Expand with More Hard Drive: RAID 5 from 3 to 4 HDDs

Backup Solutions

- Network Backup
- Local Backup
- Desktop Backup (using Synology Data Replicator 3)
- 3rd-Party Backup Support

Supported Clients

- Windows 2000 onward
- Mac OS X 10.3 onward
- Linux

Printer Support⁽⁶⁾

- Max Printer #: 2
- Supported Protocols: LPR, CIFS, AppleTalk

Languages

- English, Danish, Dutch, Norwegian, Swedish, German, French, Italian, Polish, Russian, Spanish, Korean, Traditional Chinese, Simplified Chinese, Hungarian, Turkish, Portuguese Brazil, Portuguese European

Environment

- RoHS Compliant

Package Content

- RS409RP+ Main Unit
- Installation CD
- Welcome Note
- Assembling Kit
- 2X AC Power Cords
- Rail Kit (Optional)
- L-type mounting brackets (Optional)

(1) Hard drive not included.

(2) Fully loaded with Seagate 1TB ST31000520AS hard drive(s) in operation; Two G.R.A.S. Type 40AE microphones, each set up at 1 meter away from the DiskStation front and rear; Background noise: 17.2 dB(A); Temperature: 23.6°C; Humidity: 58.2%; More details about dB(A) value, check: <http://www.quietnoise.com/facts.htm>

(3) Measured with 4 Seagate 750GB ST3750640NS hard drive. The figures could vary on different environments.

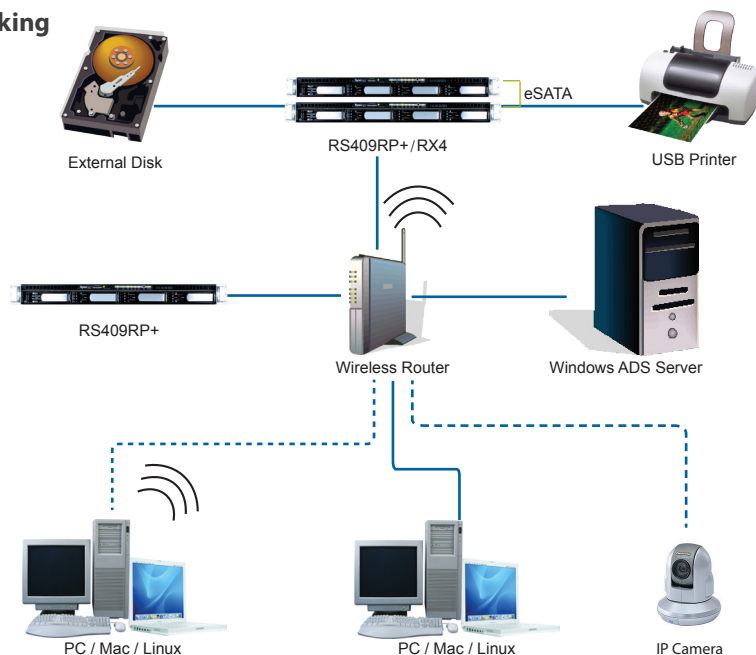
(4) The music can be streamed, but the metadata (ex: title, album) may not be indexed on the iTunes.

(5) User can click and download the file, but not play it in Photo Station 3 as compressed Flash video.

(6) For Mac users, RS409RP+ supports PostScript USB printers only.

(7) 1 free license to install 1 IP camera. Additional licenses can be purchased to expand the license quota.

Networking



SYNOLOGY INC.

Founded in 2000, Synology is a young and energetic company dedicated to developing high-performance, reliable, versatile, and environmentally-friendly Network Attached Storage (NAS) products. Our goal is to deliver user-friendly solutions and solid customer service to satisfy the needs of businesses, home offices, individual users and families.

Copyright © 2009, Synology Inc. All rights reserved. Synology, the Synology logo are trademarks or registered trademarks of Synology Inc. Other product and company names mentioned herein may be trademarks of their respective companies. Synology may make changes to specification and product descriptions at anytime, without notice. Printed in Taiwan, RS409RP+-2009-ENU-REV004

<http://www.synology.com>

3F-3, No. 106, Chang An W. Rd., Taipei, Taiwan
Tel: 886 2 2552 1814 Fax: 886 2 2552 1824