

Leading Media Products

Pick-up & Delivery Fleet Management



Transportation & Logistics

CONTENTS

SHIPPING / TRACK & TRACE

- Duratherm II Paper.....3
- Duratherm III Linerless.....4
- Duratherm II Receipt.....5
- Duratron II Paper.....6
- RFID Duratron II Paper.....7

CROSS-DOCKING / RECEIVING

- Duratherm II Paper.....8
- Duratherm III Linerless.....9
- Duratherm S Film Label.....9
- Duratron II Paper.....10

RACK, SHELF, AND BIN LABELING

- Duratron S Film Label.....11
- Duratron Pro Film Label.....11
- INdelible Film Label.....12

TOTE / RPC LABELS

- Duratherm S Film Label.....13
- Duratron Pro Film Label.....13
- INdelible Film Label.....14
- INtegrated RFID Polyester Film Label.....14

PICK TICKET / PACKING SLIP

- Duratherm II Paper Receipt.....15
- Duratherm II 7-mil Paper Tag.....16
- Duratherm II 5-mil Paper Tag.....16

THERMAL TRANSFER RIBBONS

- ThermaMAX 1000 Wax Ribbons.....17
- ThermaMAX 2000 Mid-Range Ribbons.....17
- ThermaMAX 3000 Resin Ribbons.....17

APPENDIX

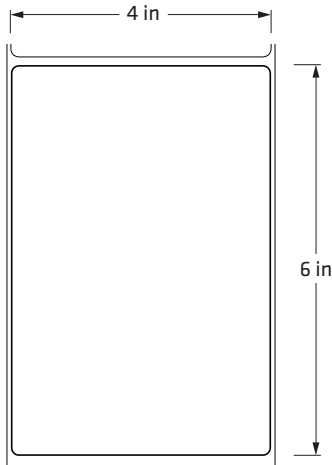
- Direct Thermal vs. Thermal Transfer.....18
- Free Printhead Replacement Program.....18
- Application Briefs.....19



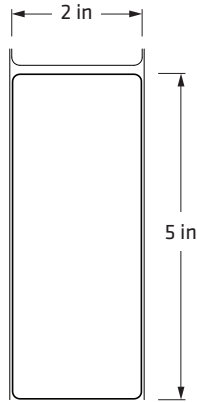
SHIPPING / TRACK & TRACE

Duratherm II Paper

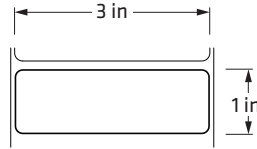
Duratherm II is a non top-coated direct thermal paper that offers high quality, cost-effective printing. This material is recommended for most general-use applications where exposure to chemicals and moisture is not anticipated.



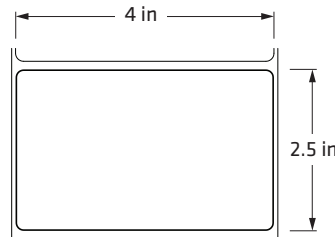
E25726



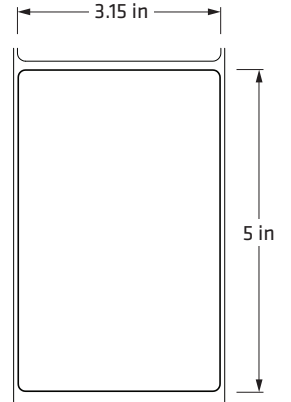
E23470



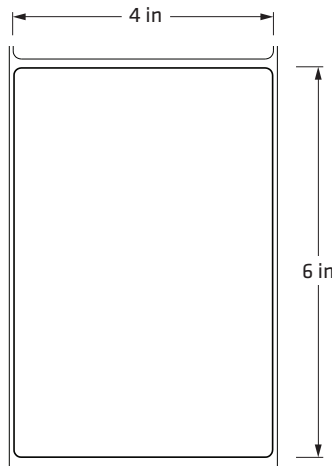
E01383



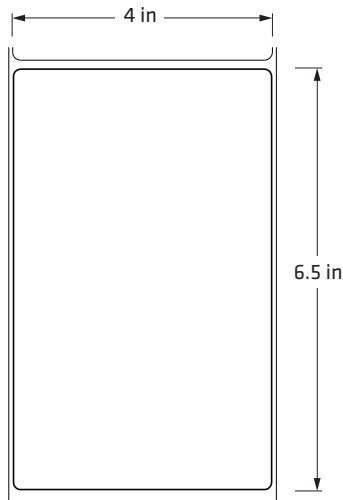
E25735



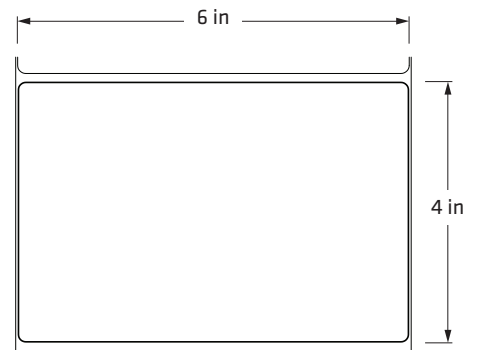
E01384



047164



047165



E12400

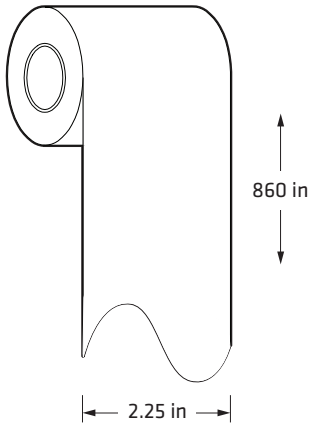
| Size | ID | OD | Part Number | Printer Configuration | Qty/Roll | Rolls/Ctn | Ctn Weight | Stock/MTO |
|----------|------|-------|-------------|-----------------------|----------|-----------|------------|-----------|
| 4"x6" | 1.5" | 5" | E25726 | Desktop | 439 | 8 | 17 lbs | Stock |
| 2"x5" | 3" | 8.38" | E23470 | Industrial | 1,170 | 8 | 25 lbs | Stock |
| 3"x1" | 3" | 8.38" | E01383 | Industrial | 5,333 | 4 | 18 lbs | Stock |
| 3.15"x5" | 3" | 8.38" | E01384 | Industrial | 1,170 | 4 | 19 lbs | Stock |
| 4"x2.5" | 3" | 8.38" | E25735 | Industrial | 2,285 | 4 | 25 lbs | Stock |
| 4"x6" | 3" | 8.38" | 047164 | Industrial | 979 | 4 | 24 lbs | Stock |
| 4"x6.5" | 3" | 8.38" | 047165 | Industrial | 905 | 4 | 24 lbs | Stock |
| 6"x4" | 3" | 8.38" | E12400 | Industrial | 1,454 | 4 | 36 lbs | Stock |



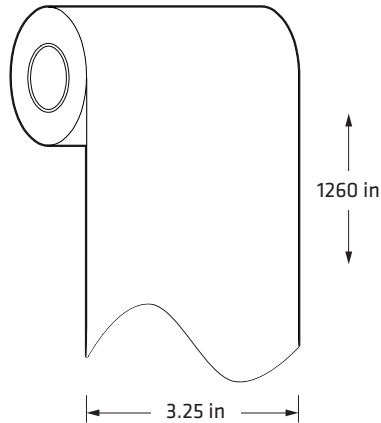
SHIPPING / TRACK & TRACE

Duratherm III Linerless

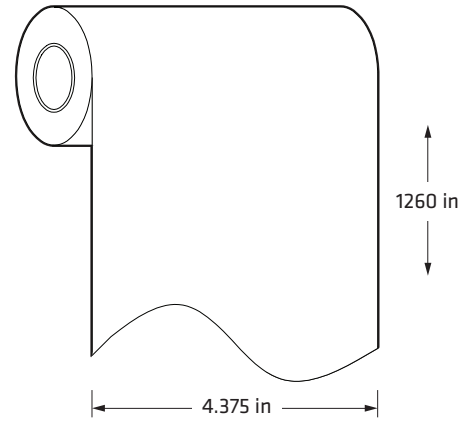
Duratherm III Linerless is a self-wound adhesive label that provides excellent print quality and durability without the need for a liner. By removing the liner, the roll capacity increases and there's no need to dispose of the liner.



E25760



E25761



E25759

| Size | ID | OD | Part Number | Printer Configuration | Rolls/Ctn | Ctn Weight | Stock/MTO |
|--------------|-------|-------|-------------|-----------------------|-----------|------------|-----------|
| 2.25"x860" | 0.75" | 2.25" | E25760 | Mobile | 50 | 20 lbs | MTO |
| 3.25"x1260" | 0.75" | 2.6" | E25761 | Mobile | 50 | 24 lbs | MTO |
| 4.375"x1260" | 0.75" | 2.6" | E25759 | Mobile | 50 | 30 lbs | MTO |

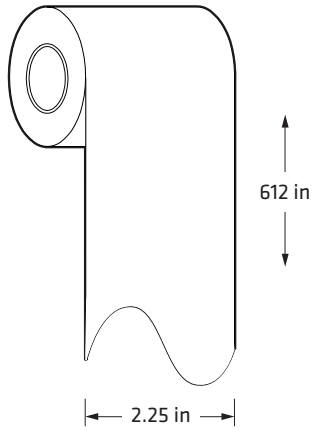
Note: Linerless media has a three carton minimum order requirement.



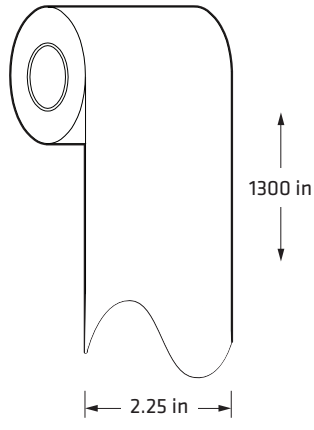
SHIPPING / TRACK & TRACE

Duratherm II Receipt

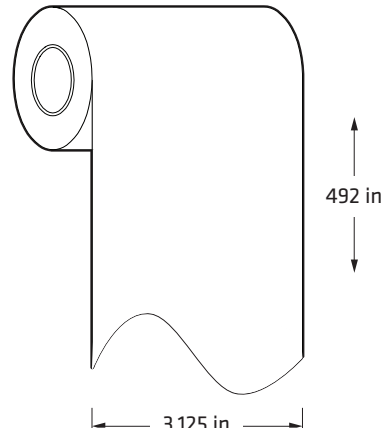
Duratherm II Receipt is an uncoated direct thermal paper that provides excellent print quality, well-suited for use in most general applications.



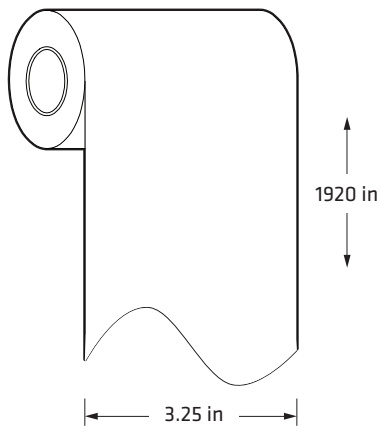
E24788



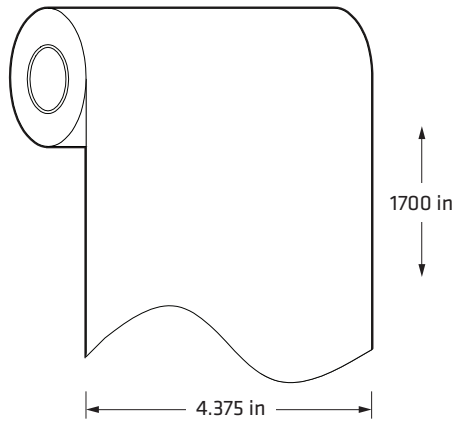
E24619



E24789



E24631



E22977-32

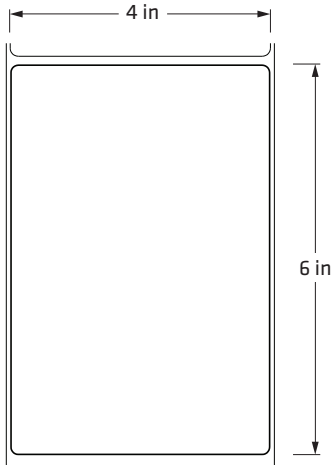
| Size | ID | OD | Part Number | Printer Configuration | Rolls/Ctn | Ctn Weight | Stock/MTO |
|--------------|-------|-------|-------------|-----------------------|-----------|------------|-----------|
| 2.25"x612" | 0.40" | 1.3" | E24788 | Mobile (PB2) | 50 | 8 | Stock |
| 2.25"x1300" | 0.75" | 2.25" | E24619 | Mobile (PB21) | 50 | 16 | Stock |
| 3.125"x492" | 0.40" | 1.6" | E24789 | Mobile (PB3) | 50 | 8 | Stock |
| 3.25"x1920" | 0.75" | 2.6" | E24631 | Mobile (PB31) | 50 | 16 | MTO |
| 4.375"x1700" | 0.75" | 2.6" | E22977-32 | Mobile (PB42/PB51) | 32 | 20 | Stock |



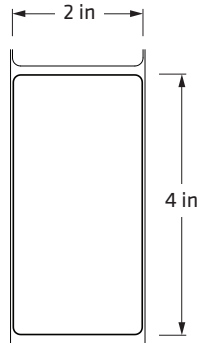
SHIPPING / TRACK & TRACE

Duratran II Paper

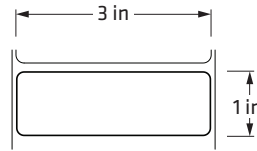
Duratran™ II is a top-coated thermal transfer paper that demonstrates excellent print quality with the TMX1407 ribbons. This product is recommended where moderate abrasion, heat or sunlight are present.



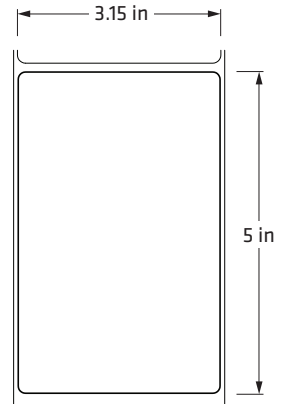
E15527



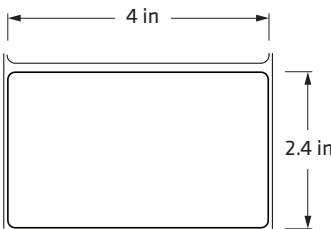
E25879



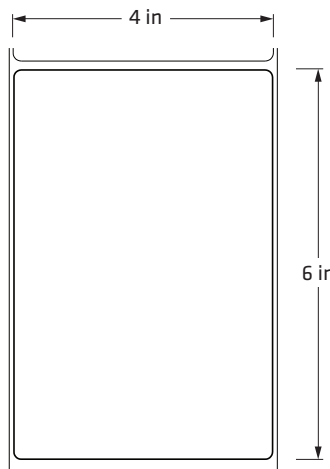
E06172



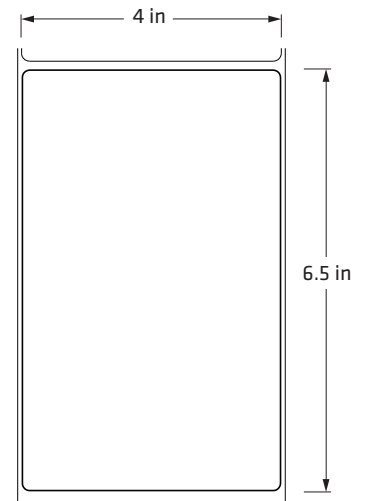
E06173



E06174



E06175



E06176

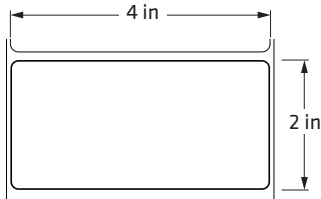
| Size | ID | OD | Part Number | Printer Configuration | Qty/ Roll | Rolls/ Ctn | Ctn Weight | Stock/ MTO | PC41/PF8 Ribbon (½" Core) | PC43t/PF8t Ribbon (1" Core) | PD/PM/PX Ribbon |
|----------|------|-------|-------------|-----------------------|-----------|------------|------------|------------|---------------------------|-----------------------------|-----------------|
| 4"x6" | 1.5" | 5" | E15527 | Desktop | 439 | 8 | 21 lbs | Stock | 11044304 | 11234012 | n/a |
| 2"x4" | 3" | 8.38" | E25879 | Industrial | 1,454 | 8 | 22 lbs | Stock | n/a | n/a | 11232018 |
| 3"x1" | 3" | 8.38" | E06172 | Industrial | 5,333 | 4 | 20 lbs | Stock | n/a | n/a | 11233018 |
| 3.15"x5" | 3" | 8.38" | E06173 | Industrial | 1,170 | 4 | 21 lbs | Stock | n/a | n/a | 11234118 |
| 4"x2.4" | 3" | 8.38" | E06174 | Industrial | 2,400 | 4 | 24 lbs | Stock | n/a | n/a | 11234118 |
| 4"x6" | 3" | 8.38" | E06175 | Industrial | 979 | 4 | 24 lbs | Stock | n/a | n/a | 11234118 |
| 4"x6.5" | 3" | 8.38" | E06176 | Industrial | 905 | 4 | 24 lbs | Stock | n/a | n/a | 11234118 |



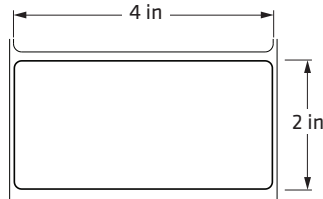
SHIPPING / TRACK & TRACE

INtegrated RFID Polyester Film Label

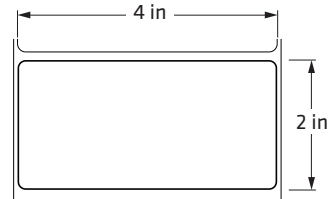
RFID Smart-label products meet the ISO 18000-6C/EPC Global Gen 2 specification with 96 bits of EPC memory allocation. Intermec's Smart Labels are optimized for use in the PM4i, PX4i, and PX6i printer/encoder. (Configurations compatible with other non-Intermec printers are available as custom items.)



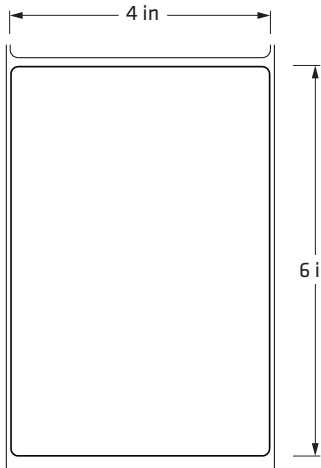
ILR00154



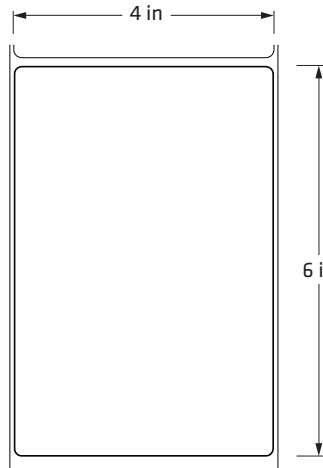
ILR00254



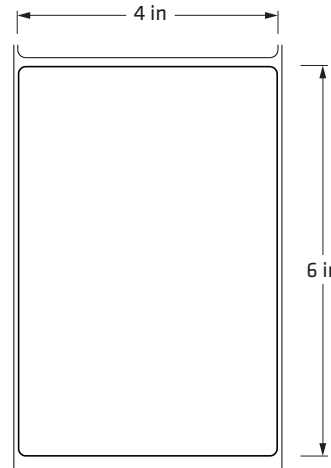
ILR00258



ILR00146



ILR00255



ILR00259

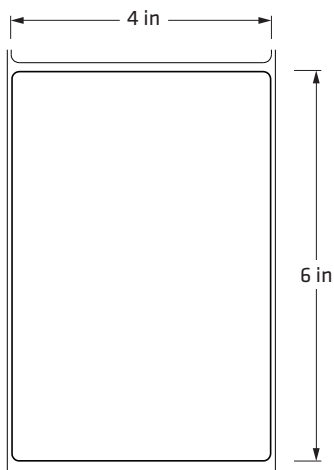
| Size | ID | OD | Part Number | Printer Configuration | Qty/Roll | Rolls/Ctn | Ctn Weight | Stock/MTO | PM/PX Ribbon |
|-------|------|-------|-------------|-----------------------|----------|-----------|------------|-----------|--------------|
| 4"x2" | 3" | 8.38" | ILR00154 | Industrial PM4i | 1,410 | 2 | 15 lbs | Stock | 11234118 |
| 4"x6" | 3" | 8.38" | ILR00146 | Industrial PM4i | 490 | 4 | 8 lbs | Stock | 11234118 |
| 4"x2" | 3" | 8.38" | ILR00254 | Industrial PM43 | 1,411 | 2 | 15 lbs | Stock | 11234118 |
| 4"x6" | 3" | 8.38" | ILR00255 | Industrial PM43 | 489 | 2 | 8 lbs | Stock | 11234118 |
| 4"x2" | 1.5" | 4.2" | ILR00258 | Desktop PC43 | 775 | 4 | 8 lbs | MTO | 11234012 |
| 4"x6" | 1.5" | 4.2" | ILR00259 | Desktop PC43 | 269 | 4 | 8 lbs | MTO | 11234012 |



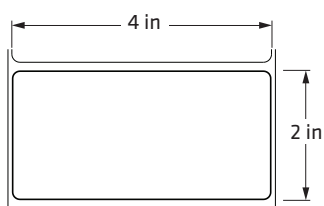
CROSS-DOCKING / RECEIVING

Duratherm II Paper

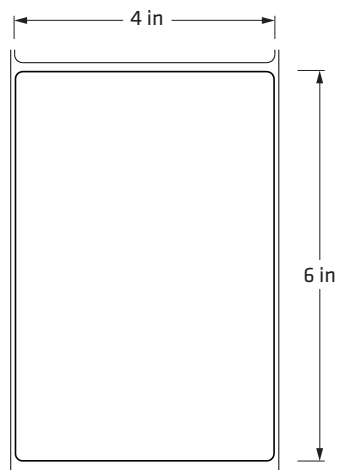
Duratherm II is a non top-coated direct thermal paper that offers high quality, cost-effective printing. This material is recommended for most general-use applications where exposure to chemicals and moisture is not anticipated.



E21016



E14225



047164

| Size | ID | OD | Part Number | Printer Configuration | Qty/Roll | Rolls/Ctn | Ctn Weight | Stock/MTO |
|-------|-------|-------|-------------|-----------------------|----------|-----------|------------|-----------|
| 4"x6" | 0.75" | 2.6" | E21016 | Mobile | 117 | 16 | 15 lbs | Stock |
| 4"x2" | 3" | 8.38" | E14225 | Industrial | 2,823 | 8 | 47 lbs | Stock |
| 4"x6" | 3" | 8.38" | 047164 | Industrial | 979 | 4 | 24 lbs | Stock |



Desktop



Industrial



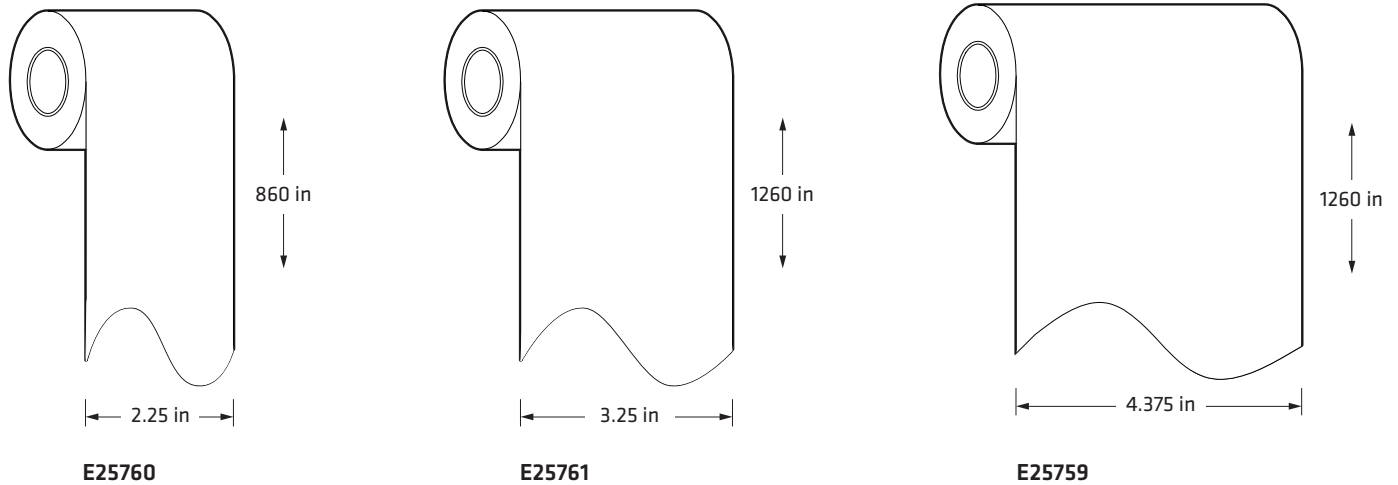
Mobile



CROSS-DOCKING / RECEIVING

Duratherm III Linerless

Duratherm III Linerless is a self-wound adhesive label that provides excellent print quality and durability without the need for a liner. By removing the liner, the roll capacity increases and there's no need to dispose of the liner.



E25760

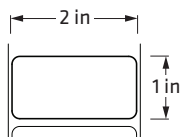
E25761

E25759

| Size | ID | OD | Part Number | Printer Configuration | Rolls/Ctn | Ctn Weight | Stock/MTO |
|--------------|-------|-------|-------------|-----------------------|-----------|------------|-----------|
| 2.25"x860" | 0.75" | 2.25" | E25760 | Mobile | 50 | 20 lbs | MTO |
| 3.25"x1260" | 0.75" | 2.6" | E25761 | Mobile | 50 | 24 lbs | MTO |
| 4.375"x1260" | 0.75" | 2.6" | E25759 | Mobile | 30 | 0 lbs | MTO |

Duratherm III Film Label

Duratherm III Film is a top-coated direct thermal film employing a all-temperature adhesive perfectly suited for ambient and refrigerated environments.



E25764

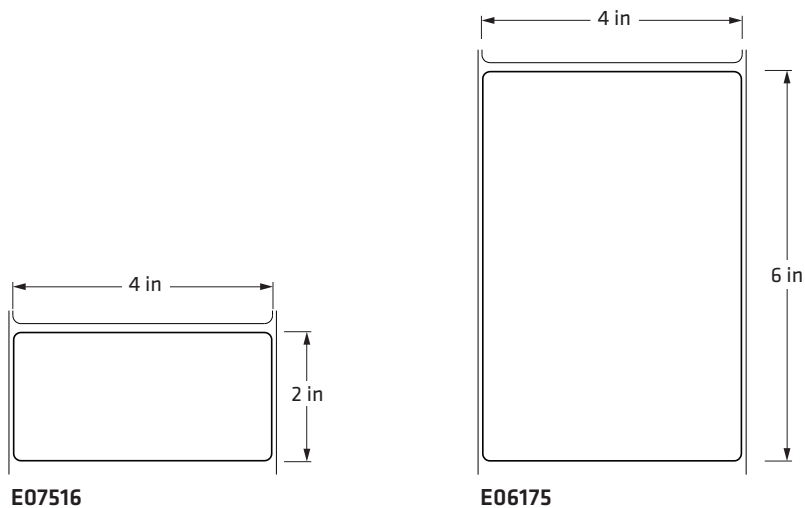
| Size | ID | OD | Part Number | Printer Configuration | Qty/Roll | Rolls/Ctn | Ctn Weight | Stock/MTO |
|-------|-------|------|-------------|-----------------------|----------|-----------|------------|-----------|
| 2"x1" | 0.75" | 2.6" | E25764 | Mobile | 506 | 32 | 17 lbs | Stock |



CROSS-DOCKING / RECEIVING

Duratran II Paper

Duratran™ II is a top-coated thermal transfer paper that demonstrates excellent print quality with the TMX1407 ribbons. This product is recommended where moderate abrasion, heat or sunlight are present.



| Size | ID | OD | Part Number | Printer Configuration | Qty/Roll | Rolls/Ctn | Ctn Weight | Stock/MTO | PD/PM/PX Ribbon |
|-------|----|-------|-------------|-----------------------|----------|-----------|------------|-----------|-----------------|
| 4"x2" | 3" | 8.38" | E07516 | Industrial | 2,823 | 4 | 24 lbs | Stock | 11234118 |
| 4"x6" | 3" | 8.38" | E06175 | Industrial | 979 | 4 | 24 lbs | Stock | 11234118 |



Desktop



Industrial



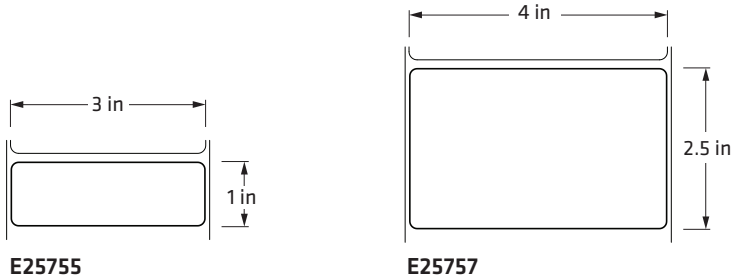
Mobile



RACK, SHELF, AND BIN LABELING

Duratran S Film Label

A 3 mil thick polypropylene thermal transfer label at an attractive price point. The matte face stock offers excellent print quality and moisture resistance.



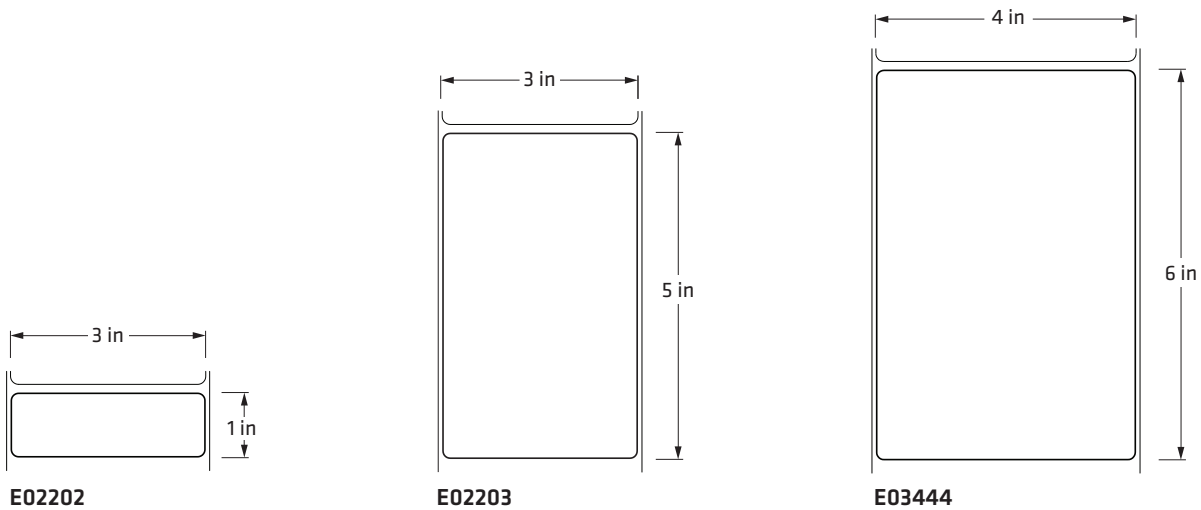
E25755

E25757

| Size | ID | OD | Part Number | Printer Configuration | Qty/Roll | Rolls/Ctn | Ctn Weight | Stock/MTO | PC41/PF8 Ribbon (1/2" Core) | PC43t/PF8t Ribbon (1" Core) |
|---------|------|----|-------------|-----------------------|----------|-----------|------------|-----------|-----------------------------|-----------------------------|
| 3"x1" | 1.5" | 5" | E25755 | Desktop | 1,911 | 8 | 17 lbs | Stock | 12043204 | 12233111 |
| 4"x2.5" | 1.5" | 5" | E25757 | Desktop | 819 | 8 | 24 lbs | Stock | 12044304 | 12234012 |

Duratran Pro Film Label

A durable, high-quality polyolefin thermal transfer label. Exhibits good tear resistance and moisture resistance, as well as moderate temperature and chemical resistance.



E02202

E02203

E03444

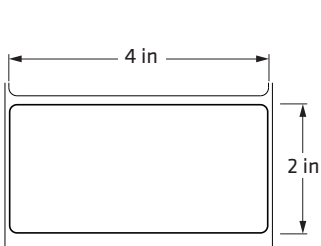
| Size | ID | OD | Part Number | Printer Configuration | Qty/Roll | Rolls/Ctn | Ctn Weight | Stock/MTO | PD/PM/PX Ribbon |
|-------|----|-------|-------------|-----------------------|----------|-----------|------------|-----------|-----------------|
| 3"x1" | 3" | 8.38" | E02202 | Industrial | 4,888 | 8 | 38 lbs | Stock | 12233018 |
| 3"x5" | 3" | 8.38" | E02203 | Industrial | 1,073 | 8 | 38 lbs | Stock | 12233018 |
| 4"x6" | 3" | 8.38" | E03444 | Industrial | 897 | 4 | 26 lbs | Stock | 12234118 |



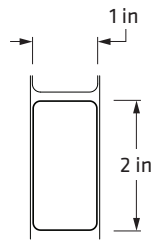
RACK, SHELF, AND BIN LABELING

Indelible Film Label

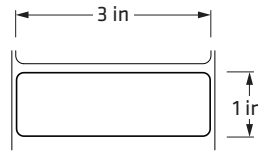
A high-gloss, top-coated polyester label with exceptional print quality. Excellent tear, smear and abrasion resistance; highly moisture and heat resistant. Product is UL recognized when printed with Intermec ThermaMAX 3201 and 3202 ribbons.



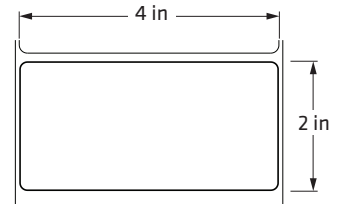
E25727



E23067



E23068



E23222

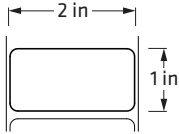
| Size | ID | OD | Part Number | Printer Configuration | Qty/Roll | Rolls/Ctn | Ctn Weight | Stock/MTO | PC43t/PF8t Ribbon (1" Core) | PD/PM/PX Ribbon |
|-------|------|-------|-------------|-----------------------|----------|-----------|------------|-----------|-----------------------------|-----------------|
| 4"x2" | 1.5" | 5" | E25727 | Desktop | 1,265 | 4 | 24 lbs | Stock | 13044304 | n/a |
| 1"x2" | 3" | 8.38" | E23067 | Industrial | 2,823 | 4 | 8 lbs | Stock | n/a | 13632018 |
| 3"x1" | 3" | 8.38" | E23068 | Industrial | 5,333 | 4 | 19 lbs | Stock | n/a | 13633018 |
| 4"x2" | 3" | 8.38" | E23222 | Industrial | 5,333 | 4 | 19 lbs | Stock | n/a | 13633018 |



TOTE / RPC LABELS

Duratherm S Film Label

Duratherm III Film is a top-coated direct thermal film employing a all-temperature adhesive perfectly suited for ambient and refrigerated environments.

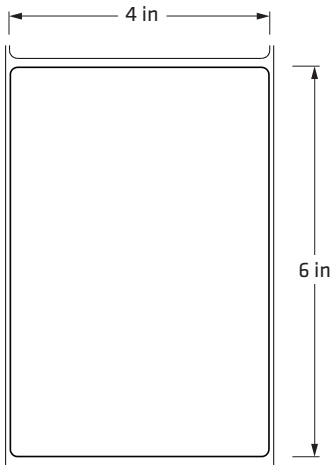


E25764

| Size | ID | OD | Part Number | Printer Configuration | Qty/Roll | Rolls/Ctn | Ctn Weight | Stock/MTO |
|-------|-------|------|-------------|-----------------------|----------|-----------|------------|-----------|
| 2"x1" | 0.75" | 2.6" | E25764 | Mobile | 506 | 32 | 17 lbs | Stock |

Duratran Pro Film Label

A durable, high-quality polyolefin thermal transfer label. Exhibits good tear resistance and moisture resistance, as well as moderate temperature and chemical resistance.



E09186

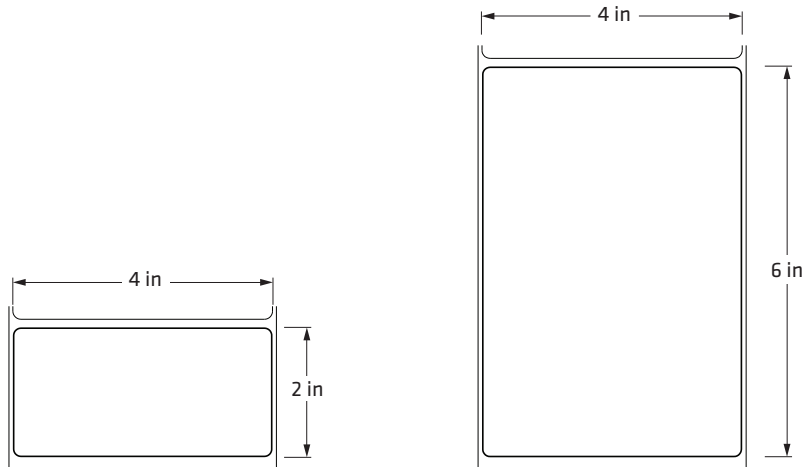
| Size | ID | OD | Part Number | Printer Configuration | Qty/Roll | Rolls/Ctn | Ctn Weight | Stock/MTO | PD/PM/PX Ribbon |
|-------|----|-------|-------------|-----------------------|----------|-----------|------------|-----------|-----------------|
| 4"x6" | 3" | 8.38" | E09186 | Industrial | 897 | 8 | 53 lbs | Stock | 12234118 |



TOTE / RPC LABELS

INdelible Film Label

A high-gloss, top-coated polyester label with exceptional print quality. Excellent tear, smear and abrasion resistance; highly moisture and heat resistant. Product is UL recognized when printed with Intermec ThermaMAX 3201 and 3202 ribbons.



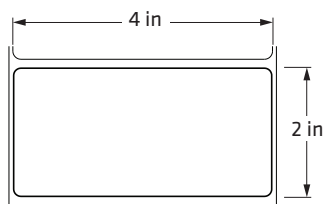
E23222

E25733

| Size | ID | OD | Part Number | Printer Configuration | Qty/Roll | Rolls/Ctn | Ctn Weight | Stock/MTO | PD/PM/PX Ribbon |
|-------|----|-------|-------------|-----------------------|----------|-----------|------------|-----------|-----------------|
| 4"x2" | 3" | 8.38" | E23222 | Industrial | 3,000 | 8 | 51 lbs | Stock | 13634118 |
| 4"x6" | 3" | 8.38" | E25733 | Industrial | 979 | 8 | 51 lbs | Stock | 13634118 |

INtegrated RFID Polyester Film Label

RFID Smart-label products meet the ISO 18000-6C/EPC Global Gen 2 specification with 96 bits of EPC memory allocation. Intermec's Smart Labels are optimized for use in the PM4i, PX4i, and PX6i printer/encoder. Configurations compatible with other non-Intermec printers are available as custom items.



ILR00245

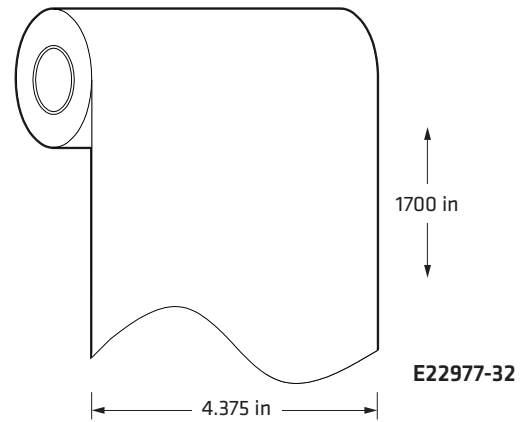
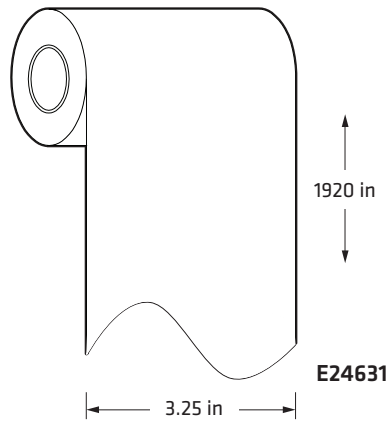
| Size | ID | OD | Part Number | Printer Configuration | Rolls/Ctn | Ctn Weight | Stock/MTO |
|-------|----|-------|-------------|-----------------------|-----------|------------|-----------|
| 4"x2" | 3" | 8.38" | ILR00245 | PM4i (RFID) | 2 | 12 | MTO |



PICK TICKET / PACKING SLIP

Duratherm II Paper Receipt

Duratherm II Receipt is an uncoated direct thermal paper that provides excellent print quality, well-suited for use in most general applications.



| Size | ID | OD | Part Number | Printer Configuration | Rolls/Ctn | Ctn Weight | Stock/MTO |
|--------------|-------|------|-------------|-----------------------|-----------|------------|-----------|
| 3.25"x1920" | 0.75" | 2.6" | E24631 | Mobile | 50 | 16 lbs | Stock |
| 4.375"x1700" | 0.75" | 2.6" | E22977-32 | Mobile | 32 | 20 lbs | Stock |



Desktop



Industrial



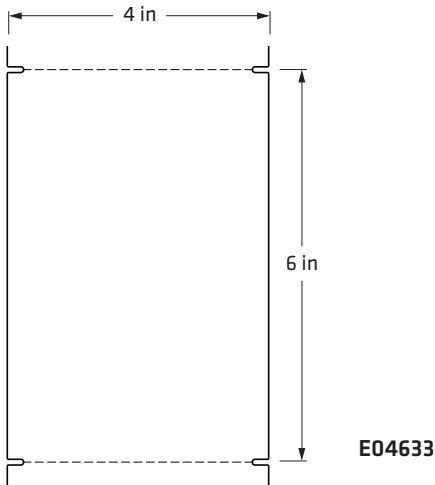
Mobile



PICK TICKET / PACKING SLIP

Duratherm II 7-mil Paper Tag

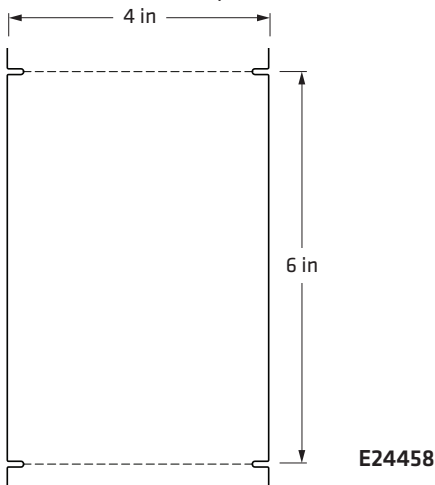
Duratherm II Tag is a 7-mil non top-coated direct thermal paper that offers high quality, cost-effective printing. This material is recommended for most general-use applications where exposure to chemicals and moisture is not anticipated.



| Size | ID | OD | Part Number | Printer Configuration | Qty/Roll | Rolls/Ctn | Ctn Weight | Stock/MTO |
|-------|----|-------|-------------|-----------------------|----------|-----------|------------|-----------|
| 4"x6" | 3" | 8.38" | E04633 | Industrial | 1,000 | 4 | 24 lbs | Stock |

Duratherm II 5-mil Paper Tag

Duratherm II 5-mil Tag is a non top-coated direct thermal paper that offers high quality, cost-effective printing for mobile printing applications. This material is recommended for most general-use applications where exposure to chemicals and moisture is not anticipated.



| Size | ID | OD | Part Number | Printer Configuration | Qty/Roll | Rolls/Ctn | Ctn Weight | Stock/MTO |
|-------|------|------|-------------|-----------------------|----------|-----------|------------|-----------|
| 4"x6" | .75" | 2.6" | E24458 | Mobile | 140 | 16 | 12 lbs | Stock |



THERMAL TRANSFER RIBBONS

ThermaMAX 1000 Wax Ribbons

A general-purpose, smear-resistant wax ribbon providing good durability when printing on Duratran™ II Papers and Tags.

| Size | Length | Part Number | Qty/Ctn | Printer Configuration | Ctn Weight | Stock/MTO | Printer |
|-------|--------|-------------|---------|-----------------------|------------|-----------|--------------|
| 2.35" | 10800" | 11232211 | 36 | Desktop | 17 lbs | Stock | PC43t, PD43t |
| 3.1" | 10800" | 11233011 | 24 | Desktop | 21 lbs | Stock | PC43t, PD43t |
| 3.27" | 3588" | 11043304 | 24 | Desktop | 11 lbs | Stock | PC43t, PD43t |
| 4.1" | 10800" | 11234012 | 24 | Desktop | 19 lbs | Stock | PC43t, PD43t |
| 4.33" | 3588" | 11044304 | 12 | Desktop | 7 lbs | Stock | PC43t, PD43t |
| 2.05" | 18024" | 11232018 | 36 | Industrial | 22 lbs | Stock | PD, PM, PX4i |
| 3" | 18024" | 11233018 | 24 | Industrial | 30 lbs | Stock | PD, PM, PX |
| 4.09" | 18024" | 11234118 | 24 | Industrial | 27 lbs | Stock | PD, PM, PX |

ThermaMAX 2000 Mid-Range Ribbons

A mid-range ribbon that provides enhanced abrasion/smear resistance and high image quality when used with Duratran II coated papers and across the Intermec Mid-Range Film product line.

| Size | Length | Part Number | Qty/Ctn | Printer Configuration | Ctn Weight | Stock/MTO | Printer |
|-------|--------|-------------|---------|-----------------------|------------|-----------|--------------------|
| 2.35" | 10800" | 12232311 | 24 | Desktop | 9 lbs | Stock | PC43t, PD43t |
| 2.5" | 3588" | 12042504 | 36 | Desktop | 9 lbs | Stock | PC43t, PD43t |
| 3.15" | 10800" | 12233111 | 24 | Desktop | 10 lbs | MTO | PC43t, PD43t |
| 3.27" | 3588" | 12043204 | 36 | Desktop | 11 lbs | Stock | PC43t, PD43t |
| 4.1" | 10800" | 12234012 | 24 | Desktop | 19 lbs | MTO | PC43t, PD43t |
| 4.33" | 3588" | 12044304 | 18 | Desktop | 7 lbs | Stock | PC41, PC43t, PD43t |
| 2.05" | 18024" | 12232018 | 24 | Industrial | 22 lbs | Stock | PD, PM, PX4i |
| 2.99" | 18024" | 12233018 | 24 | Industrial | 30 lbs | Stock | PD, PM, PX |
| 4.09" | 18024" | 12234118 | 12 | Industrial | 13 lbs | Stock | PD, PM, PX |

ThermaMAX 3000 Resin Ribbons

A high quality resin ribbon for applications that require the optimum level of smear and abrasion resistance. Excellent imaging and performance across the Intermec Ultra-Durable Film product line.

| Size | Length | Part Number | Qty/Ctn | Printer Configuration | Ctn Weight | Stock/MTO | Printer |
|-------|--------|-------------|---------|-----------------------|------------|-----------|--------------|
| 2.36" | 10800" | 13632111 | 24 | Desktop | 12 lbs | Stock | PC43t, PD43t |
| 2.5" | 3588" | 13042504 | 24 | Desktop | 7 lbs | Stock | PC43t, PD43t |
| 3.1" | 10800" | 13633111 | 24 | Desktop | 15 lbs | MTO | PC43t, PD43t |
| 3.1" | 3588" | 13633136 | 24 | Desktop | 7 lbs | MTO | PC43t, PD43t |
| 4.1" | 10800" | 13634012 | 24 | Desktop | 14 lbs | Stock | PC43t, PD43t |
| 4.33" | 3588" | 13044304 | 24 | Desktop | 7 lbs | Stock | PC43t, PD43t |
| 2.09" | 18036" | 13632018 | 24 | Industrial | 12 lbs | Stock | PD, PM, PX4i |
| 2.99" | 18036" | 13633018 | 24 | Industrial | 18 lbs | Stock | PD, PM, PX |
| 4.09" | 18036" | 13634118 | 24 | Industrial | 24 lbs | Stock | PD, PM, PX |

Desktop



Industrial

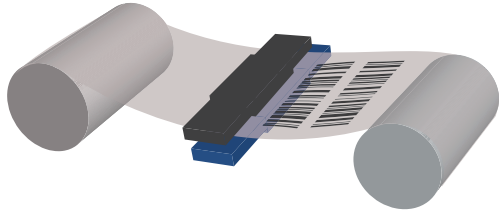


Mobile



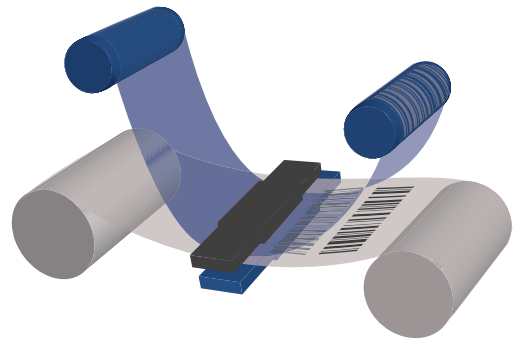
APPENDIX

Direct Thermal vs. Thermal Transfer



Direct Thermal Media Explained

Direct Thermal media uses a transparent heat-sensitive coating applied to its surface to image text and bar codes. When the heat from the print head contacts the coating, it initiates a chemical reaction that turns the coating black.



Thermal Transfer Media Explained

Thermal Transfer media uses a ribbon to image the text and bar codes on a variety of materials, both paper and film. When the ribbon is passed beneath the print head, the heat softens the ribbon ink while in contact with the label or tag, resulting in the transfer of the ink to the surface of the label or tag. There are three general classes of ribbons that are used in thermal printers: Wax, Mid-range, and Resin.

Wax ribbons are the most commonly used class and are mostly targeted to print paper labels and tags that will be exposed to relatively benign environments. Wax ribbons are also used to print on film labels and tags in some applications.

Mid-range ribbons are a hybrid design where resin is mixed with the wax to produce ribbons with durability properties that fall somewhere between the wax and resin ribbons. Mid-range ribbons are used to print on both paper and film labels and tags.

Resin ribbons are the most durable and are mostly targeted to printing on film labels and tags that will be exposed to extreme environments.

Ask about Intermec's

Free Printhead Replacement Program*

- Provides no-cost printhead replacement for all Intermec fixed printers
- Lowers total cost of ownership, speeds up return on investment
- Applies to all Intermec media supplies

*Conditions apply. See www.intermec.com



APPENDIX

Application Briefs

Intermec offers a mix of media products to address the requirements of many specific industry applications. Intermec has developed many Applications Brief documents that detail the media performance and regulatory requirements for specific applications for a variety of industries. Below you will find the seven Application Briefs targeted specifically at the Healthcare market.

Country of Origin Labeling

In 2008, the USDA Country of Origin requirements expanded in scope. By March 31, 2009, food manufacturers and distributors need to clearly identify national origin for many products and provide corresponding recordkeeping documents with each shipment. Mishaps in this process can cost time, money, and even valued customers. Users can now streamline, error-proof, and cost-reduce this process with Intermec's Country of Origin Labeling solution.

http://www.intermec.com/public-files/application-briefs/en/ab_media_COOL_web.pdf



Food Service Distribution

The food service distribution industry has grown over the years to a multi-billion dollar market. The large providers typically ship to grocery chains, hotels, contract food service operations, healthcare facilities, multi-unit restaurant operations, just to name a few. Both at the carton level and pallet level, items need to be identified and tracked through the distribution channel. Activities include order picking, batch picking, replenishment, and transportation.

http://www.intermec.com/public-files/application-briefs/en/ab_media_foodsrv_web.pdf



Integration of RFID Smart Labels for Third Party Logistics

Effective warehouse management involves the control and monitoring of movement of materials including receiving, storage, picking, staging, and shipping. The increased use of outsourcing these activities has given rise to the rapid growth of third party logistics or 3PL. 3PL providers typically specialize in integrating warehousing and operation services that can be scaled and customized to a customer's requirements. The use of 3PL has become a cost effective way for many businesses to reduce supply chain costs and increase customer satisfaction. With any logistics process, opportunities for human error exist resulting in misplaced or mis-directed inventory.

<http://www.intermec.com/public-files/application-briefs/en/ab-RFID-3PL.pdf>



Mobile Labeling for Warehouse and Manufacturing Facility

Bar coding is a critical component in maintaining accuracy and efficiency in a warehouse environment. Shipping, receiving, and cross docking, picking and packing, shelf labeling, and tote labeling applications are integral to successful operations. Increasingly, companies are leveraging mobile labeling solutions in these applications. By enabling workers to print labels at the point of activity, mobile solutions enable a more flexible workflow, increased productivity and fewer errors. Intermec's integrated mobile printer and Duratherm media products deliver a comprehensive array of choices to meet these needs.

http://www.intermec.com/public-files/application-briefs/en/ab_Mobile-Labeling-Whrs-or-Mfg-Facility.pdf



North America

6001 36th Avenue West
Everett, Washington 98203
Phone: (425) 348 2600
Fax: (425) 355 9551

North Latin America

Mexico
Phone: (+52) 55 52 41 48 00
Toll Free NOLA:
01800 490 4990

South Latin America

Brazil
Phone: (+55) 11 3711 6770
Fax: (+55) 11 5502 6780

Europe, Middle East & Africa

Reading, United Kingdom
Phone: (+44) 118 923 0800
Fax: (+44) 118 923 0801

Asia Pacific

Singapore
Phone: (+65) 6303 2100
Fax: (+65) 6303 2199

Media Sales

EMEA: (+31) 24 372 3167
USA: (513) 874 5882
<http://intermec.custhelp.com>

Sales

Toll Free NA: (800) 934 3163
Toll in NA: (425) 348 2726
Freephone ROW:
00800 4488 8844

OEM Sales

Phone: (425) 348 2762

Customer Service & Support

Toll Free NA: (800) 755 5505
Toll in NA: (425) 356 1799
EMEA: intermec.custhelp.com

Internet

www.intermec.com

Worldwide Locations

www.intermec.com/locations