

ROG-STRIX-RX5600XT-T6G-GAMING

Take Flight

ASUS innovations

- **Axial-tech fan design** features longer fan blades and a unique barrier ring to increase air pressure.
- **2.7-slot Design** expands cooling surface area to make the most of the three powerful Axial-tech fans.
- **MaxContact Technology** allows 2X more contact with the GPU chip for improved thermal transfer.
- **Aura Sync compatibility** lets you customize and sync lighting effects with other compatible hardware.
- **Dual BIOS switch** lets you toggle between Quiet and Performance BIOS profiles sans software.
- **GPU Tweak II** provides intuitive performance tweaking, thermal controls, and system monitoring.
- Free 1-year premium **XSplit Gamecaster** and Six-month **WTFast** premium license.

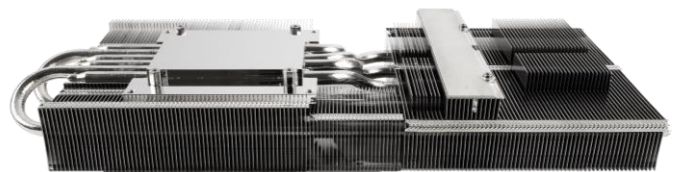
Axial-tech Fan Design

Longer fan blades and a unique barrier ring increase air pressure.



2.7-slot Design

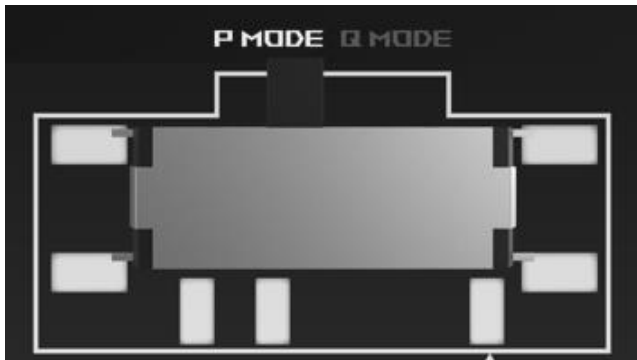
The ROG-STRIX-RX5600XT-T6G-GAMING leverages a 2.7-slot design to gain more heatsink surface area. The extra thermal headroom increases overclocking potential and allows fans to run at even lower speeds in light scenarios.



2.7-slot

Dual BIOS

Toggle between Quiet and Performance BIOS profiles with a hardware switch.



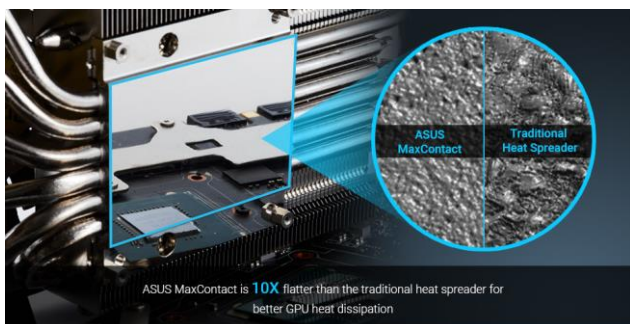
Reinforced Frame

A metal brace prevents excessive torsion and lateral bending of the PCB.



MaxContact Technology

The heat spreader makes up to 2x more contact with the GPU chip for improved thermal transfer.



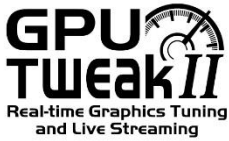
Aura Sync

Customize and sync lighting effects with other compatible hardware.



ASUS Features

- **TOP Edition**
Up to 1770 MHz GPU boost clock for outstanding gaming experience
- **GPU Tweak II**
Provides intuitive performance tweaking, thermal controls, and system monitoring.
- **6GB GDDR6**
Provides ample storage for the detailed textures, meshes, and effects of modern games.

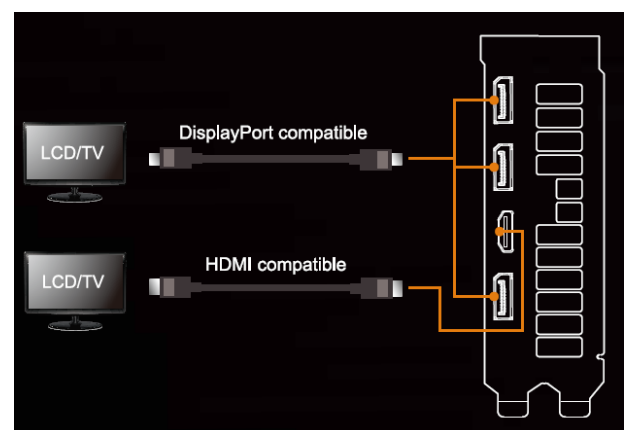


AMD Features

- **FreeSync**
Offers stutter-free and tear-free gaming.
- **FreeSync2 HDR**
Meticulous monitor certification process to ensure exceptional visual experiences.
- **PCI Express 4.0**
Enables two times the bandwidth compared to PCI Express 3.0. Get ready for the next generation of PC gaming.



I/O Specifications



Specifications

Model name	ROG-STRIX-RX5600XT-T6G-GAMING
Graphics Engine	AMD RADEON™ RX 5600 XT
Stream Processors	2304
OpenGL	OpenGL® 4.6
Engine Clock	OC mode: up to 1670 MHz(Game Clock)/ ~1770 MHz(Boost Clock) Gaming mode: up to 1670 MHz(Game Clock)/ ~1750 MHz(Boost Clock)
Memory Interface	192-bit
Video Memory	6GB GDDR6
Memory Speed	14Gbps
Power Connector	1x 8pin, 1x 6pin
I/O	1x Native HDMI 2.0b 3x Native DisplayPort 1.4
HDCP compliant	HDMI HDCP 1.4 or 2.3 DisplayPort HDCP 1.1 or 2.3
Digital Max Resolution	7680 x 4320
Maximum Display Support	4
Crossfire Support	Yes***
Recommended PSU	450 W
Bus Standard	PCIe 4.0
Package Contents	1 x Speedsetup Manual 1 x ROG Velcro Hook & Loop 1 x Thank You Card
Slot	2.7 slot
Dimension	

Card Size (cm/inch)	30.37 x 13 x 5.39 cm 11.96 x 5.12 x 2.13 inch
Color Box (mm)	405 x 233 x 88.5 mm
Weight	
Single Card (KG)	1.447
Product Weight (with packing) (KG)	2.147
Note	<p>*Game Frequency is the expected GPU clock when running typical gaming applications. Actual individual game clock results may vary.</p> <p>**Boost frequency is the maximum expected GPU clock when lighter workloads are run under ideal thermal and electrical condition, set to typical TGP(Total Graphics Power). Actual individual boost clock results may vary.</p> <p>***Crossfire support with DX12 and Vulkan only.</p> <p>All specifications are subject to change without notice. Please check with your supplier for exact offers. Products may not be available in all markets. If you do not use the latest and current specifications of ASUS products, you shall be liable for all loss and damage claimed by third party to ASUS based on false advertising or any other issues caused from using false specifications of ASUS products.</p>

