

## HEH153 - 154J Package Terminal Heat Pump

HEH153J35AXXXAA  
HEH153J50AXXXAA  
HEH154J50AXXXAA



Amana® is a registered trademark of Maytag Corporation or its related companies and is used under license. All rights reserved.

This manual is to be used by qualified technicians only.

© 2022 Goodman Company, L.P. ♦ 19001 Kermier Rd. ♦ Waller, TX 77484

# Important Information

---

## Index

Functional Parts List .....	3
Illustration and Parts .....	4 - 13

*Views shown are for parts illustrations only, not servicing procedures.*

### Text Codes:

AR - As Required

NA - Not Available

NS - Not Shown

00000000 - See Note

QTY - Quantity Example (QTY 3) (If Quantity not shown, Quantity = 1)

M - Model Example (M1) (If M Code not shown, then part is used on all Models)

### Expanded Model Nomenclature:

Example M1 - Model#1 M2 - Model#2 M3 - Model#3
---

Goodman Company, L.P. is not responsible for personal injury or property damage resulting from improper service. Review all service information before beginning repairs.

Warranty service must be performed by an authorized technician, using authorized factory parts. If service is required after the warranty expires, Goodman Company, L.P. also recommends contacting an authorized technician and using authorized factory parts.

Goodman Company, L.P. reserves the right to discontinue, or change at any time, specifications or designs without notice or without incurring obligations.

For assistance within the U.S.A. contact:

Homeowner Support  
Goodman Company, L.P.  
19001 Kermier Road  
Waller, Texas 77484  
877-254-4729-Telephone  
713-863-2382-Facsimile

For assistance outside the U.S.A. contact:

International Division  
Goodman Company, L.P.  
19001 Kermier Road  
Waller, Texas 77484  
713-861-2500-Telephone  
713-863-2382-Facsimile

# Functional Parts

## Part

## No: Description:

---

CAP020350450CS	2/35 MFD/450V/DUAL RD CAP (M3)
CAB050400440CT	CAP, 5/40 MFD/440V RD - BPRF (M1, M2)
50W3572M-9GLE	Compressor-R32 (M3)
50W3522M-9GLE	Compressor-R32 (M1, M2)
0130P00177	CORD, 250 VAC, 20A (LCDI) (M1)
0130P00186	CORD, 277V, 30A (M3)
0130P00185	CORD,250VAC,30A (LCDI) (M2)
0161P00140	COVER WIRE
0161P00055	FAN CONDENSER
3P263839-1	FERRITE CORE
A3410404	FUSE-25A - GREEN (M3)
0275P00087	Heater 230 v-3.5 KW (M1)
0275P00089	Heater 230 v-5 KW (M2)
0275P00090	Heater 265 v-5 KW (M3)
C6476003	HOLDER-BAYONET FUSE - GREEN (M3)
0131P00062	INDOOR MOTOR DC
PCBCP170	M90 Board Tier 2
0131P00085	OUTDOOR MOTOR, DC
0151P00023	PTAC REVERSING VLV ASSY (M1, M2)
0151P00024	PTAC REVERSING VLV ASSY (M3)
0130M00735	SWITCH HIGH PRESSURE
0130P00167	THERMISTOR INDOOR
0130P00167	THERMISTOR INDOOR
0130P00173	THERMISTOR OUTDOOR 7MM
0130M00726	Transformer 20VA 240/208V (M1, M2)
0130M00728	TRANSFORMER 20VA 277V (M3)
0151M00026	VALVE, CHECK
20406303	VALVE-BASEPAN

### Expanded Model Nomenclature

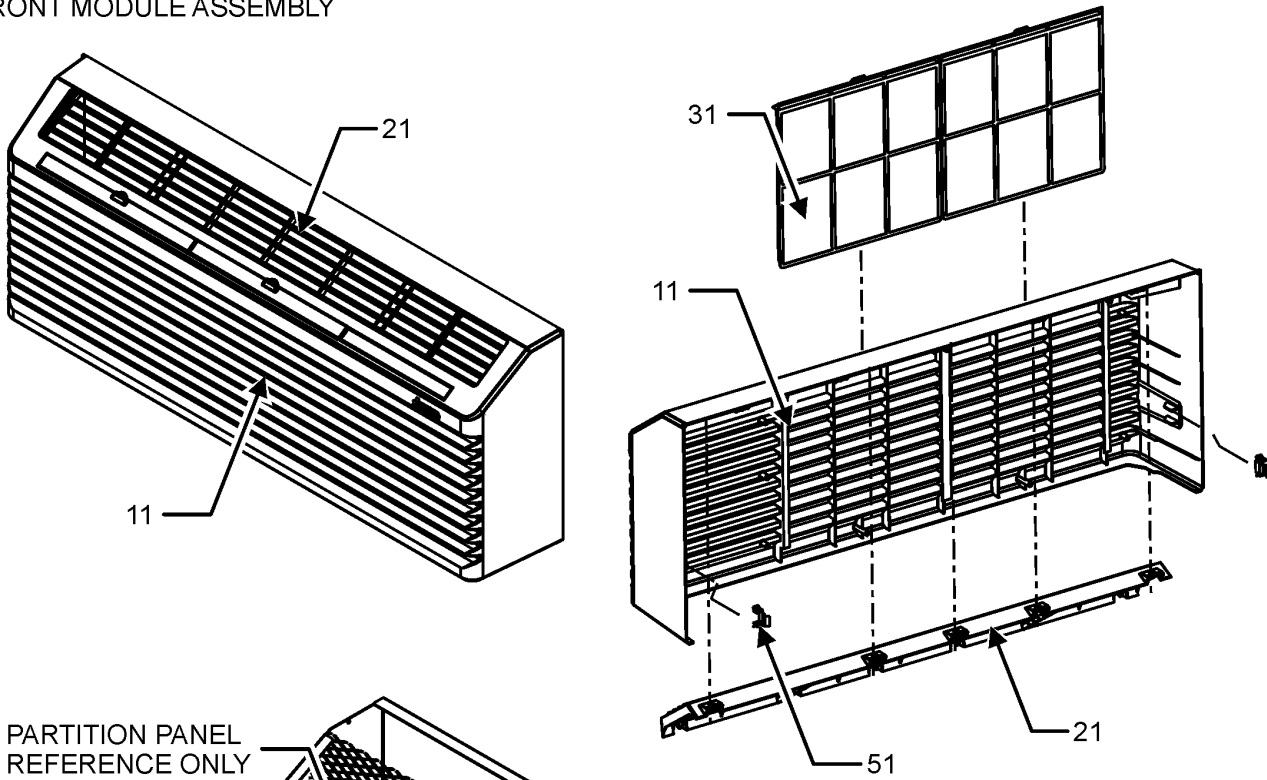
M1 - HEH153J35AXXXAA

M2 - HEH153J50AXXXAA

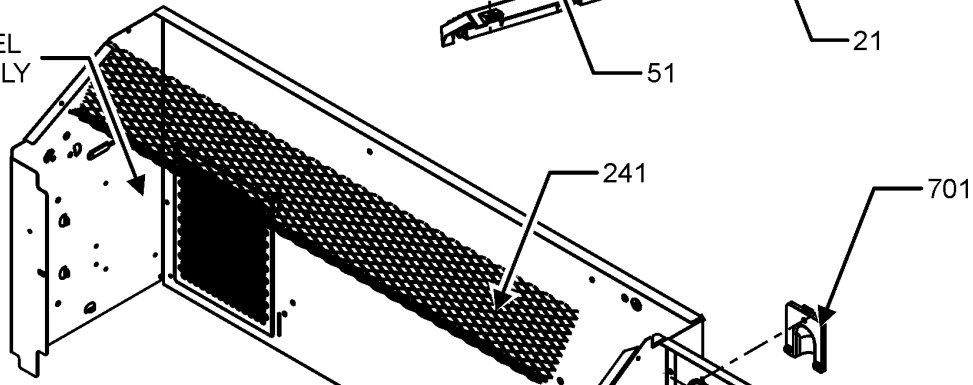
M3 - HEH154J50AXXXAA

# FRONT MODULE AND CONTROL PANEL ASSEMBLY

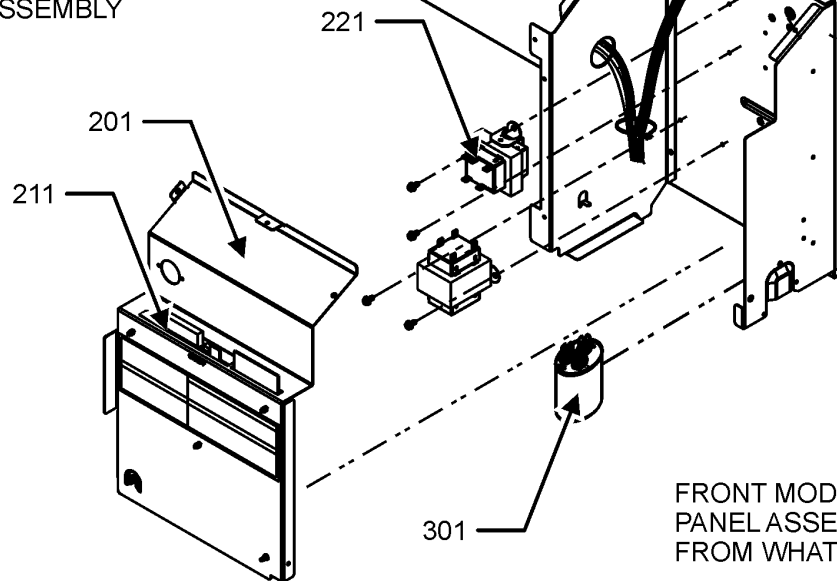
## FRONT MODULE ASSEMBLY



PARTITION PANEL  
REFERENCE ONLY



## CONTROL PANEL ASSEMBLY



FRONT MODULE AND CONTROL  
PANEL ASSEMBLY MAY DIFFER  
FROM WHAT IS SHOWN

# FRONT MODULE AND CONTROL PANEL ASSEMBLY

Ref. Part No: No:	Description:	Ref. Part No: No:	Description:
----------------------	--------------	----------------------	--------------

---

**Image 1:**

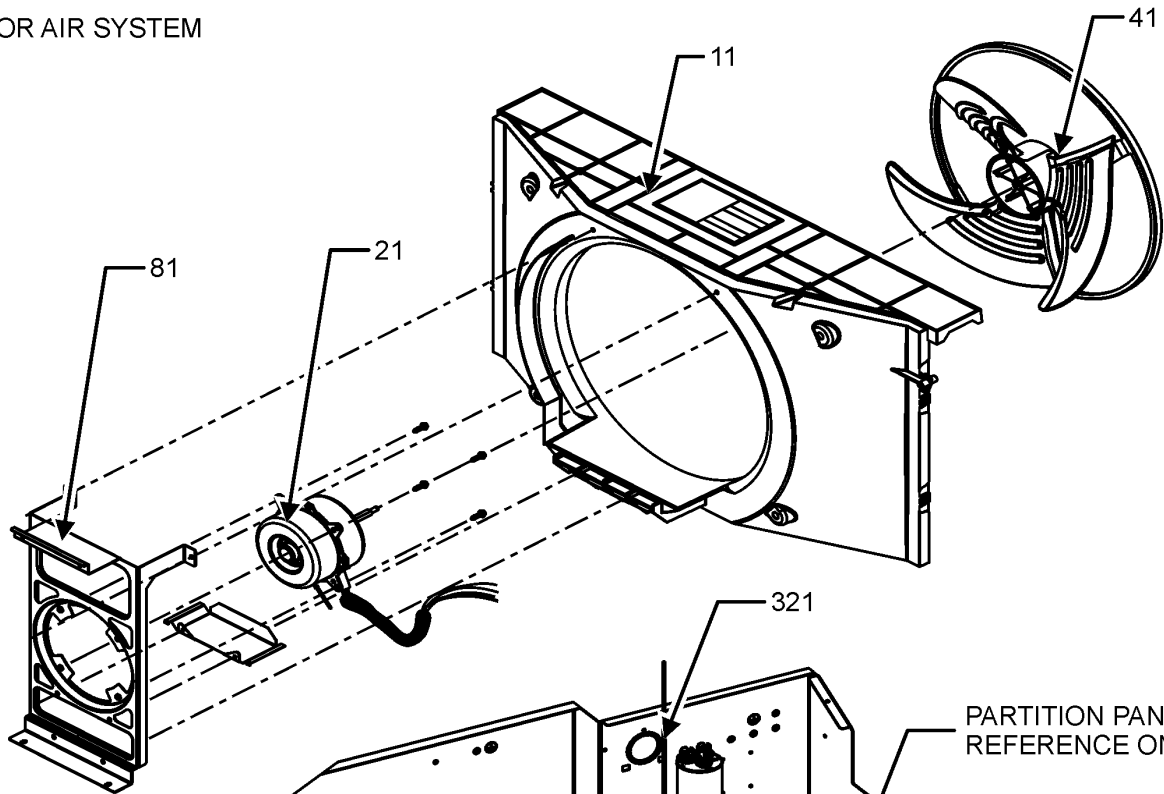
11	0261P00033	FRONT ASSY
21	0161P00132	LOUVERED FRONT DISCHARGE
31	0161P00148	FILTER RACK (QTY 2)
51	0163P00025	CLIP (QTY 2)
201	0121P00431	CONTROL BOX PANEL
211	PCBCP170	M90 Board Tier 2
221	0130M00726	Transformer 20VA 240/208V (M1, M2)
221	0130M00728	TRANSFORMER 20VA 277V (M3)
241	0121P00194BL	SCREEN DISCHARGE PAINTED
301	CAP020350450CS	2/35 MFD/450V/DUAL RD CAP (M3)
301	CAB050400440CT	CAP, 5/40 MFD/440V RD - BPRF (M1, M2)
701	0161P00140	COVER WIRE
721	3P263839-1	FERRITE CORE
NS	A3410404	FUSE-25A - GREEN (M3)
NS	C6476003	HOLDER-BAYONET FUSE - GREEN (M3)
NS	C6300502	STRAP-CAP CO PTC (M3)
NS	0121P00282	STRAP-CAPACITOR (M1, M2)
NS	0259P00043	WIRE HARNESS KIT

**Expanded Model Nomenclature**

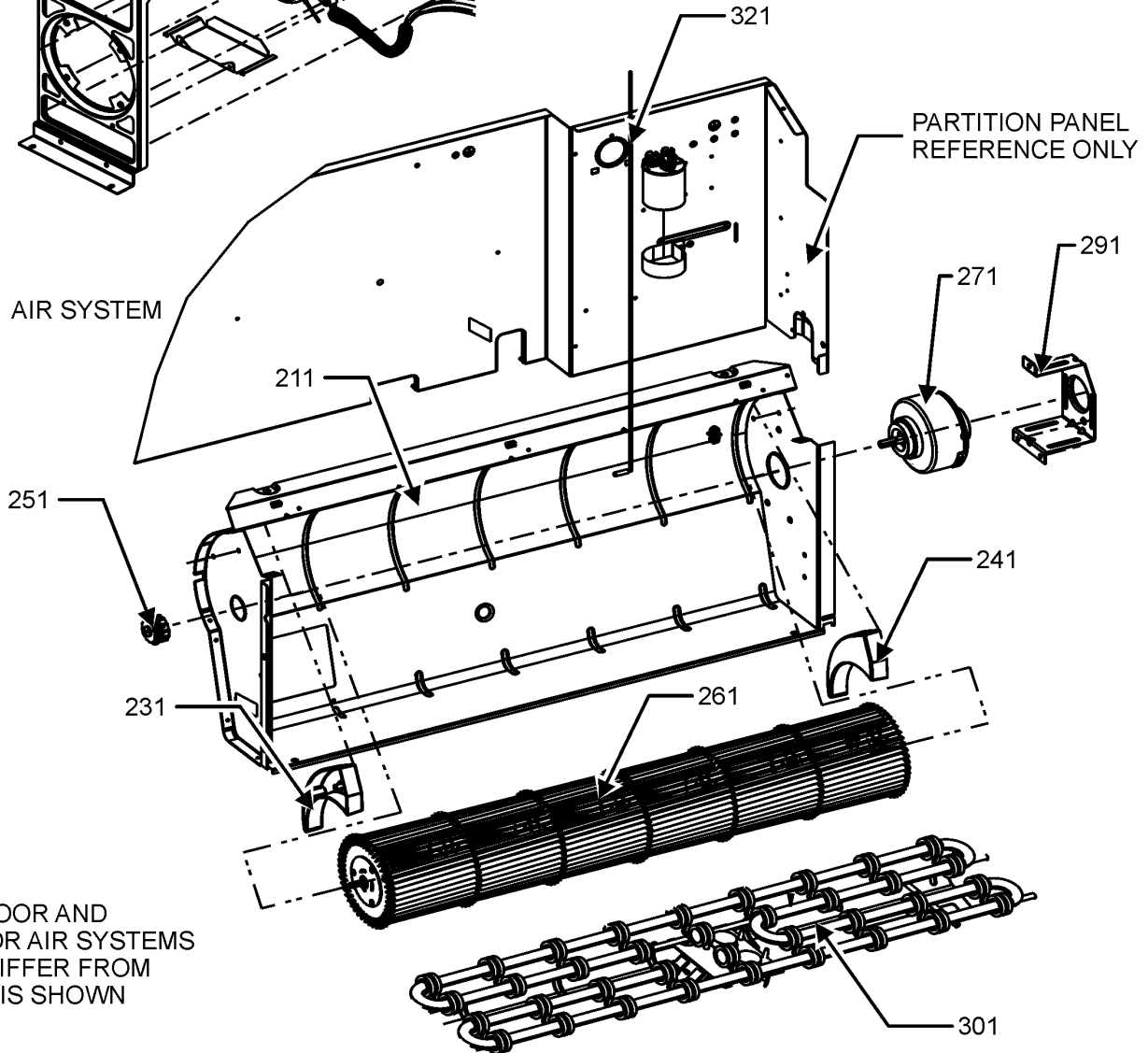
M1 - HEH153J35AXXXAA
M2 - HEH153J50AXXXAA
M3 - HEH154J50AXXXAA

# OUTDOOR AND INDOOR AIR SYSTEM

## OUTDOOR AIR SYSTEM



## INDOOR AIR SYSTEM



OUTDOOR AND  
INDOOR AIR SYSTEMS  
MAY DIFFER FROM  
WHAT IS SHOWN

# OUTDOOR AND INDOOR AIR SYSTEM

Ref. Part No:	Part No:	Description:	Ref. Part No:	Part No:	Description:
---------------	----------	--------------	---------------	----------	--------------

**Image 1:**

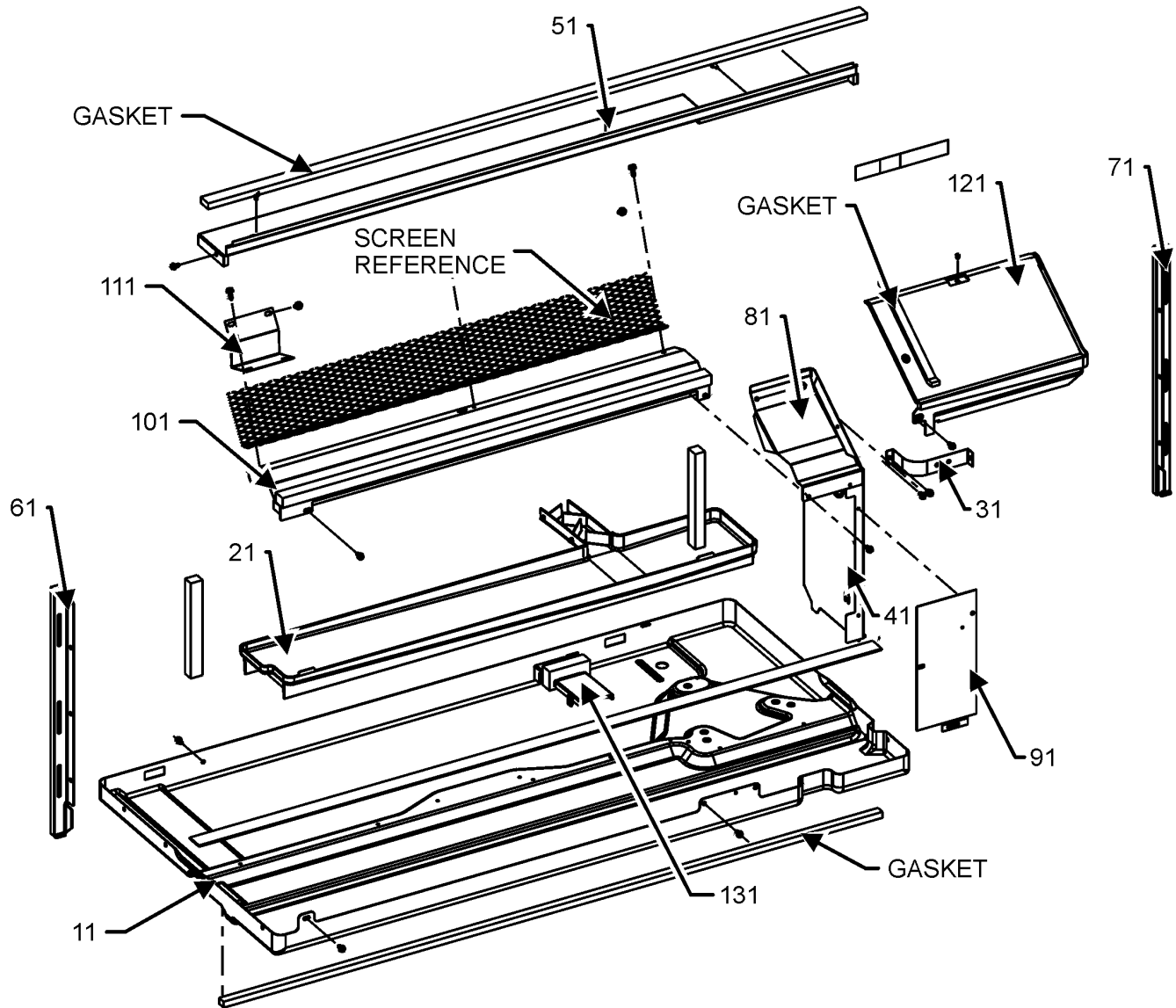
11	0261P00034	ASY CONDENSER SHROUD
21	0131P00085	OUTDOOR MOTOR, DC
41	0161P00055	FAN CONDENSER
81	0121P00350	MOTOR BRACKET, SHROUD
211	0270P01642	SCROLL ASSY
231	0161P00153	PTAC END CAP LEFT
241	0161P00152	END CAP RIGHT
251	0163P00027	BEARING
261	0150P00005	WHEEL BLOWER
271	0131P00062	INDOOR MOTOR DC
291	0121P00048	BRACKET MOTOR MOUNT
301	0275P00087	Heater 230 v -3.5 KW (M1)
301	0275P00089	Heater 230 v -5 KW (M2)
301	0275P00090	Heater 265 v -5 KW (M3)
321	0130P00167	THERMISTOR INDOOR
NS	0130P00177	CORD, 250 VAC, 20A (LCDI) (M1)
NS	0130P00186	CORD, 277V, 30A (M3)
NS	0130P00185	CORD,250VAC,30A (LCDI) (M2)
NS	0163P00052	THERMISTOR CLAMP

**Expanded Model Nomenclature**

M1 - HEH153J35AXXXAA
M2 - HEH153J50AXXXAA
M3 - HEH154J50AXXXAA

# BASE PAN ASSEMBLY

## BASE PAN ASSEMBLY



BASE PAN ASSEMBLY MAY DIFFER FROM WHAT IS SHOWN



# BASE PAN ASSEMBLY

Ref. Part No:	No:	Description:	Ref. Part No:	No:	Description:
---------------	-----	--------------	---------------	-----	--------------

---

**Image 1:**

11	0121P00284DG	BASE PAN PAINTED
21	0161P00154	PLASTIC- DRAIN PAN
31	C6300502	STRAP-CAP CO PTC (M3)
31	0121P00282	STRAP-CAPACITOR (M1, M2)
41	0121P00432	PANEL MID PRT
51	0121P00376	PANEL, TOP PARTITION, PAINTED
61	0121P00379	SEAL L SIDE PTC
71	0121P00380	SEAL R SIDE PTC
81	0121P00371DG	PAINTED COVER MOTOR
91	0121P00374	COVER ACCESS
101	0121P00377DG	CUTOFF SCROLL DG
111	0121P00233	LEFT SIDE SCRILL BLOCKOFF
121	0161P00142	SPLASH GUARD
131	0161P00147	COVER DRAIN PAN

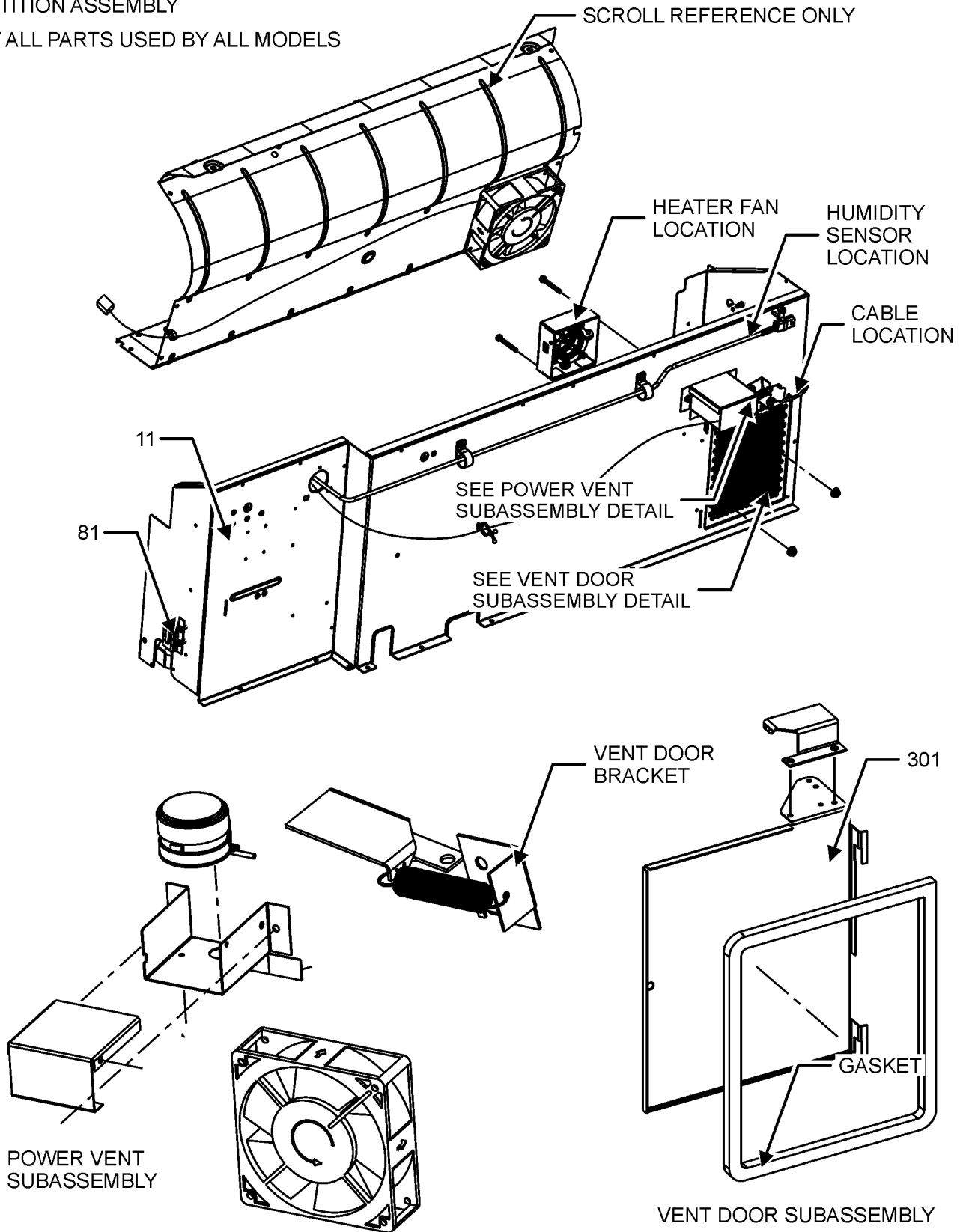
**Expanded Model Nomenclature**

M1 - HEH153J35AXXXAA
M2 - HEH153J50AXXXAA
M3 - HEH154J50AXXXAA

# PARTITION ASSEMBLY

PARTITION ASSEMBLY

NOT ALL PARTS USED BY ALL MODELS



PARTITION ASSEMBLY MAY DIFFER FROM WHAT IS SHOWN

# PARTITION ASSEMBLY

Ref. Part No:	No:	Description:	Ref. Part No:	No:	Description:
---------------	-----	--------------	---------------	-----	--------------

---

**Image 1:**

11	0121P00360	PANEL PARTITION
81	11191703	BRKT-PART PAN (QTY 2)
301	0121P00177	DOOR PNT VENT PTC
NS	0121P00072	BRACKET, VENT DOOR-C
NS	0163P00019	CABLE
NS	11046302	LEVER ARM PTC

**Expanded Model Nomenclature**

- |                      |
|----------------------|
| M1 - HEH153J35AXXXAA |
| M2 - HEH153J50AXXXAA |
| M3 - HEH154J50AXXXAA |



# REFRIGERATION ASSEMBLY

Ref. Part No:	No:	Description:	Ref. Part No:	No:	Description:
<b>Image 1:</b>					
31	0202P00113	7MM EVAP ASSY 3 ROW			
51	0201P00158	ASSY., 7MM CONDENSER COIL			
181	0151P00023	PTAC REVERSING VLV ASSY (M1, M2)			
181	0151P00024	PTAC REVERSING VLV ASSY (M3)			
191	0130M00735	SWITCH HIGH PRESSURE			
201	0210P00598	ASSY., CAPILLARY WELDMENT (M1, M2)			
201	0210P00624	ASSY., CAPILLARY WELDMENT (M3)			
231	20406303	VALVE-BASEPAN			
311	0130P00173	THERMISTOR OUTDOOR 7MM			
321	0130P00167	THERMISTOR INDOOR			
401	60100107	TERMINAL COVER GASKET			
431	60100317	TERMINAL COVER			
441	60100201	WASHER - RECHI COMPRESSOR			
451	60100401	TERMINAL NUT - RECHI COMP			
471	50W3522M-9GLE	Compressor-R32 (M1, M2)			
471	50W3572M-9GLE	Compressor-R32 (M3)			
481	60140209	GROMMET - RECHI COMPRESSOR (QTY 3)			
491	0163P00044	SCREW 1/4" - 20 UNC - 2A (QTY 3)			
NS	0130P00022	REVERSING VALVE COIL			
NS	0151M00026	VALVE, CHECK			
NS	0259P00036	WIRE HARNESS			

## Expanded Model Nomenclature

M1 - HEH153J35AXXXAA
M2 - HEH153J50AXXXAA
M3 - HEH154J50AXXXAA