



INTERNAL

# Documentation of Digital Data Interchange via ANSI X.12 Standard

## OW940 (4010)

Warehouse Shipping Order  
Outbound

Version: 1.10 Feb-19, 2024

## TABLE OF CONTENTS

|   |           |
|---|-----------|
| <b>DOCUMENT REVISION HISTORY .....</b>    | <b>3</b>  |
| <b>PREFACE.....</b>                       | <b>4</b>  |
| <b>INTRODUCTION .....</b>                 | <b>4</b>  |
| <b>NOTES .....</b>                        | <b>4</b>  |
| <b>USING THIS GUIDELINE .....</b>         | <b>4</b>  |
| <b>SEGMENT SUMMARY .....</b>              | <b>5</b>  |
| <b>DETAILED SEGMENT DESCRIPTION .....</b> | <b>8</b>  |
| <b>DOCUMENTED EXAMPLE .....</b>           | <b>55</b> |
| <b>APPENDIX – BRANCHING DIAGRAM.....</b>  | <b>58</b> |
| <b>APPENDIX – CODELISTS.....</b>          | <b>63</b> |

**DOCUMENT REVISION HISTORY**

| Version | Date          | Modification Details   |
|---------|---------------|--|
| 1.0     | Aug-10, 2021  | Initial Draft  |
| 1.1     | Nov-04, 2021  | Added Total Money and Unit Price References  |
| 1.2     | Nov-30, 2021  | Update of code list 355 Unit or Basis for Measurement Code (UOM)   |
| 1.3     | Jan-12, 2022  | Update of code list 26 Country Code  |
| 1.4     | May-24, 2022  | DETAILED SEGMENT DESCRIPTION – added How to Read Overview  |
| 1.5     | June-14, 2022 | N9*06 – added system identification number   |
| 1.6     | Sep-30, 2022  | Re-Branding  |
| 1.7     | Feb-20, 2023  | Re-Branding update   |
| 1.8     | July-25, 2023 | N9*ZZ/0310 N9*ZZ – added C040 for longer mutually defined content  |
| 1.9     | Jan-16, 2024  | 0200 – Header Comments Loop added<br>0200/LM – Header Comments added<br>0200/LQ – Header Comments Type & Text added<br>0320 – Item Comments Loop added<br>0320/LM – Item Comments added<br>0320/LQ – Item Comments Type & Text added |
| 1.10    | Feb-19, 2024  | N404 26 Country Code – Country name change from Turkey to Türkiye (Code TR)  |

## PREFACE

This document outlines the requirements for digital data interchange using the ANSI X.12 format.

Initially the used segments and their meaning within a message are described. The example files used in this guide are examples only. In the following chapter all segments are described in detail. Additionally, you will find a document example as well as a branching diagram.

This documentation focuses on an explicit version, i.e., the segments are documented as they would possibly occur in practice. Thus, the maximum number of repetitions of the individual segments is limited to the ones which are used. This does, however, not constitute a limitation, but rather a more detailed description of the example used.

## INTRODUCTION

This Draft Standard for Trial Use contains the format and establishes the data contents of the Warehouse Shipping Order Transaction Set (940) for use within the context of an Electronic Data Interchange (EDI) environment.

The transaction set can be used to provide for customary and established business and industry practice relative to the placement of purchase orders for goods and services.

## NOTES

SAP Business Network receives Purchase Orders from Buyer in the form of cXML OrderRequest documents. Suppliers are able to select their preferred method of receiving Purchase Orders.

As a service to Suppliers preferring to transact via EDI, SAP Business Network maps to the ANSI X12 004010 940 Warehouse Shipping Order document. Suppliers can select EDI as their preferred method for receiving Warehouse Shipping Orders.

SAP Business Network does not require or accept interchange acknowledgements (TA1), but does require a 997 to be returned for each functional group received (other than type FA).

## USING THIS GUIDELINE

The DETAILED SEGMENT DESCRIPTION shows the Standard ANSI X12 Rules, defined in 004010, and the User Rules, recommended by SAP Business Network.

Unused segments are not shown.

The codes defining in detail Segment and Element usages are:

| Status | Standard Usage | SAP Business Network Usage                  |
|--------|----------------|---|
| M      | Mandatory      | Must Use / Required by SAP Business Network |
| C      | Conditional    | Conditional                                 |
| O      | Optional       | Optional                                    |
| X      | Not Used       | Not Used                                    |

Descriptions for segments have been provided alongside and detailed explanation will follow in a future release.

## **SEGMENT SUMMARY**

Below you will find a description of the used segments within the application and their interdependence.

| SegID | SegNo | Name   |
|-------|-------|--|
| ISA   | 0     | Interchange Control Header                             |
| GS    | 0     | Functional Group Header                                |
| ST    | 10    | Transaction Set Header                                 |
| W05   | 20    | Shipping Order Identification                          |
| 0100  | LOOP  | 40 Party Identification Loop                           |
| N1    | 40    | Party Name   |
| N2    | 50    | Party Additional Name Information                      |
| N3    | 60    | Party Address Information                              |
| N4    | 70    | Party Geographic Location                              |
| PER   | 80    | Administrative Communications Contact                  |
| N9    | 90    | References - Credentials                               |
| N9    | 90    | References - External Document Information             |
| N9    | 90    | References - Total Monetary Amount and Currency        |
| N9    | 90    | References - Mutually Defined References               |
| G61   | 100   | Purchasing Legal Entity and Organizational Unit        |
| G62   | 110   | Date/Time  |
| NTE   | 120   | Reference Identification - Special Indicators          |
| W66   | 140   | Warehouse Carrier Information                          |
| 0200  | LOOP  | 160 Header Comments Loop                               |
| LM    | 160   | Code Source Information - Header Comments              |
| LQ    | 170   | Industry Code - Header Comments Type and Text          |
| 0300  | LOOP  | 5 Item Loop  |
| LX    | 5     | Assigned Number  |
| 0310  | LOOP  | 20 Item Detail   |
| W01   | 20    | Line Item Detail - Warehouse                           |
| G69   | 30    | Line Item Detail - Description                         |
| N9    | 40    | References - Batch requiry information                 |
| N9    | 40    | References - Product/Item Classification               |
| N9    | 40    | References - Control keys                              |
| N9    | 40    | References - Item Category                             |
| N9    | 40    | References - Stock Transfer Order special instructions |
| N9    | 40    | References - Unit Price and Currency                   |
| N9    | 40    | References - Mutually Defined References               |
| QTY   | 70    | Quantity of Planned Acceptance Days                    |
| G62   | 90    | Date/Time  |
| G66   | 100   | Transportation Instructions                            |
| N1    | 110   | Party Name   |
| PER   | 112   | Buyer Planner Code Identification                      |

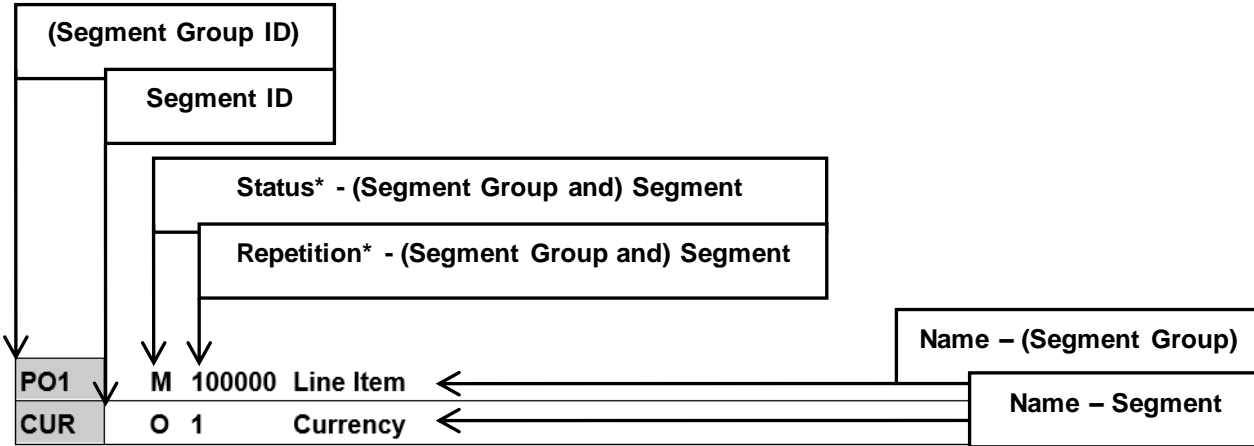
| SegID | SegNo | Name |
|-------|-------|------|
| 0320  | LOOP  | 120  |
| LM    |       | 120  |
| LQ    |       | 130  |
| LS    |       | 135  |
| 0330  | LOOP  | 140  |
| LX    |       | 140  |
| G62   |       | 160  |
| SDQ   |       | 175  |
| LE    |       | 285  |
| SE    |       | 20   |
| GE    |       | 0    |
| IEA   |       | 0    |

**DETAILED SEGMENT DESCRIPTION**

Below you will find an exact description of the used segment.  
The graphic describes the usage of the relevant information in this section.

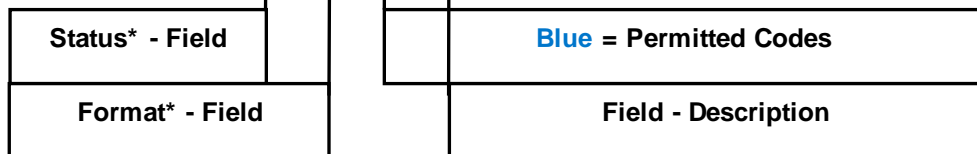
**Note:**

This example shows a CUR segment of the ANSI X12 850 4010 document, for illustrative purposes only.



| Standard Usage |     |                        |          | SAP Business Network Usage |    |  |  |
|----------------|-----|------------------------|----------|----------------------------|----|--|--|
| 01             | 98  | Entity Identifier Code | M ID 2/3 | M ID 2/3                   | BY | Buying Party (Purchaser)   |  |
| 02             | 100 | Currency Code          | M ID 3/3 | M ID 3/3                   |    | Code (Standard ISO) for country in whose currency the charges are specified<br>Currency coded, e.g.<br>USD US Dollar |  |
| 03             | 280 | Exchange Rate          | O R 4/10 | O R 4/10                   |    | Exchange rate  |  |
| 04             | 98  | Entity Identifier Code | O ID 2/3 | O ID 2/3                   | SE | Selling Party  |  |
| 05             | 100 | Currency Code          | O ID 3/3 | O ID 3/3                   |    | Code (Standard ISO) for country in whose currency the charges are specified<br>Currency coded, e.g.<br>EUR Euro      |  |

**Example:** CUR\*BY\*USD\*0.900\*SE\*EUR~  
To specify the currency used in a transaction.



**Status\* - Definition**

|   |             |
|---|-------------|
| M | Mandatory   |
| C | Conditional |
| O | Optional    |
| X | Not used    |

**Format\* - Definition**

|     |  |
|-----|--|
| AN  | String. Alphanumerical and/or numerical chars.<br>AN 1/30<br>1 to 30 chars. E.g., "Text 123".  |
| ID  | Code. Alphanumerical and/or numerical chars.<br>ID 2/3<br>2 to 3 chars. E.g., "BY".<br>ID 3/3<br>3 chars. E.g., "USD".   |
| R   | Decimal. Numerical chars, a decimal and a minus sign, if negative.<br>R 1/4<br>1 to 4 numerical chars. E.g., "1.00", "1.234", ".1234", "-1.234".   |
| Nn* | Numerical chars (and a minus sign). *n identifies the # of implied decimals.<br>N0 1/4<br>1 to 4 numerical chars. E.g., "1", "123", "1234", "-1234".<br>N2 1/4<br>1 to 4 numerical chars incl. 2 decimals. E.g., "1" = 0.01, "123" = 1.23, "1234" = 12.34, "-1234" = -12.34. |
| DT  | Date. Alphanumerical chars.<br>DT 6/8<br>Can be YYMMDD, or CCYYMMDD.   |
| TM  | Time. Alphanumerical chars.<br>TM 4/8<br>Can be HHMM, or HHMMSS, or HHMMSSD, or HHMMSSDD.  |



**ISA M 1 Interchange Control Header**

| Standard Usage  |     |  |            | SAP Business Network Usage |   |   |  |
|---|-----|--|------------|----------------------------|---|---|--|
| 01  | I01 | Authorization Information Qualifier      | M ID 2/2   | M ID 2/2                   | 00  | <i>No Authorization Information Present (No Meaningful Information in I02)</i>  |  |
| 02  | I02 | Authorization Information                | M AN 10/10 | M AN 10/10                 | 10 empty spaces must be entered here as the ISA segment is space sensitive.   |   |  |
| 03  | I03 | Security Information Qualifier           | M ID 2/2   | M ID 2/2                   | 00  | <i>No Security Information Present (No Meaningful Information in I04)</i>   |  |
| 04  | I04 | Security Information                     | M AN 10/10 | M AN 10/10                 | 10 empty spaces must be entered here as the ISA segment is space sensitive.   |   |  |
| 05  | I05 | Interchange ID Qualifier                 | M ID 2/2   | M ID 2/2                   | Qualifier to designate the system/method of code structure used to designate the sender ID element being qualified. E. g. <i>ZZ Mutually Defined</i>  |   |  |
| 06  | I06 | Interchange Sender ID                    | M AN 15/15 | M AN 15/15                 | Sender identification number  |   |  |
| 07  | I05 | Interchange ID Qualifier                 | M ID 2/2   | M ID 2/2                   | Qualifier to designate the system/method of code structure used to designate the receiver ID element being qualified. E.g. <i>ZZ Mutually Defined</i>   |   |  |
| 08  | I07 | Interchange Receiver ID                  | M AN 15/15 | M AN 15/15                 | Receiver identification number  |   |  |
| 09  | I08 | Interchange Date                         | M DT 6/6   | M DT 6/6                   | Date of Interchange, format YYMMDD  |   |  |
| 10  | I09 | Interchange Time                         | M TM 4/4   | M TM 4/4                   | Time of Interchange, format HHMM  |   |  |
| 11  | I10 | Interchange Control Standards Identifier | M ID 1/1   | M ID 1/1                   | U   | <i>U.S. EDI Community of ASC X12, TDCC, and UCS</i>   |  |
| 12  | I11 | Interchange Control Version Number       | M ID 5/5   | M ID 5/5                   | 00401   | <i>Draft Standards for Trial Use Approved for Publication by ASC X12 Procedures Review Board through October 1997</i> |  |
| 13  | I12 | Interchange Control Number               | M N0 9/9   | M N0 9/9                   | A control number assigned by the interchange sender.  |   |  |
| 14  | I13 | Acknowledgment Requested                 | M ID 1/1   | M ID 1/1                   | 0   | <i>No Acknowledgment Requested</i>  |  |
| 15  | I14 | Usage Indicator                          | M ID 1/1   | M ID 1/1                   | T<br>P  | <i>Test Data<br/>Production Data</i>  |  |
| 16  | I15 | Component Element Separator              | M AN 1/1   | M AN 1/1                   | Type is not applicable; the component element separator is a delimiter and not a data element; this field provides the delimiter used to separate component data elements within a composite data structure; this value must be different than the data separator and the segment terminator<br>> |   |  |
| <p><b>Example: ISA*00* *00* *ZZ*SenderID *ZZ*ReceiverID *210813*1557*U*00401*000000001*0*P*&gt;~</b></p> <p>To start and identify an interchange of one or more functional groups and interchange-related control segments.</p> |     |  |            |                            |   |   |  |

**GS**      **C 1**      **Functional Group Header**

| Standard Usage  |     |  |           | SAP Business Network Usage |           |  |
|---|-----|--|-----------|----------------------------|-----------|--|
| 01  | 479 | Functional Identifier Code                   | M ID 2/2  | M ID 2/2                   | <i>OW</i> | <i>Warehouse Shipping Order (940)</i>  |
| 02  | 142 | Application Sender's Code                    | M AN 2/15 | M AN 2/15                  |           | Sender identification number   |
| 03  | 124 | Application Receiver's Code                  | M AN 2/15 | M AN 2/15                  |           | Receiver identification number   |
| 04  | 373 | Date   | M DT 8/8  | M DT 8/8                   |           | Date expressed as format CCYYMMDD  |
| 05  | 337 | Time   | M TM 4/8  | M TM 4/8                   |           | Time expressed in 24-hour clock time as format HHMMSS  |
| 06  | 28  | Group Control Number                         | M N0 1/9  | M N0 1/9                   |           | Assigned number originated and maintained by the sender, start with 1 and increment by 1 for each subsequent GS segment. |
| 07  | 455 | Responsible Agency Code                      | M ID 1/2  | M ID 1/2                   | <i>X</i>  | <i>Accredited Standards Committee X12</i>  |
| 08  | 480 | Version / Release / Industry Identifier Code | M AN 1/12 | M AN 1/12                  |           | <i>004010 Draft Standards Approved for Publication by ASC X12 Procedures Review Board through October 1997</i>           |
| <p><b>Example: GS*OW*SenderID*ReceiverID*20210813*1557*1*X*004010~</b><br/>                     To indicate the beginning of a functional group and to provide control information.</p> |     |  |           |                            |           |  |

|           |            |                               |
|-----------|------------|-------------------------------|
| <b>ST</b> | <b>M 1</b> | <b>Transaction Set Header</b> |
|-----------|------------|-------------------------------|

| Standard Usage   |     |                                 |   | SAP Business Network Usage |   |        |  |
|--|-----|---------------------------------|---|----------------------------|---|--------|--|
| 01   | 143 | Transaction Set Identifier Code | M | ID 3/3                     | M | ID 3/3 | <i>940 Warehouse Shipping Order</i>  |
| 02   | 329 | Transaction Set Control Number  | M | AN 4/9                     | M | AN 4/9 | Identifying control number that must be unique within the transaction set. |
| <p><b>Example: ST*940*0001~</b><br/>To indicate the start of a transaction set and to assign a control number.</p> |     |                                 |   |                            |   |        |  |

**W05**      **M 1**      **Shipping Order Identification**

| Standard Usage  |     |                        |           | SAP Business Network Usage |         |                             |                 |
|---|-----|------------------------|-----------|----------------------------|---------|-----------------------------|-----------------|
| 01  | 473 | Order Status Code      | M ID 1/1  | M                          | ID 1/1  | <i>D</i>                    | <i>Delete</i>   |
|   |     |                        |           |                            |         | <i>N</i>                    | <i>Original</i> |
|   |     |                        |           |                            |         | <i>R</i>                    | <i>Change</i>   |
| 02  | 285 | Depositor Order Number | M AN 1/22 | M                          | AN 1/22 | Stock transfer order number |                 |
| <p><b>Example: W05*N*1234~</b><br/>To transmit identifying numbers and other basic data for this transaction set.</p> |     |                        |           |                            |         |                             |                 |

|             |             |                                  |
|-------------|-------------|----------------------------------|
| <b>0100</b> | <b>M 10</b> | <b>Party Identification Loop</b> |
| <b>N1</b>   | <b>M 1</b>  | <b>Party Name</b>                |

| Standard Usage  |    |                               | SAP Business Network Usage |         |           |  |
|---|----|-------------------------------|----------------------------|---------|-----------|--|
| 01  | 98 | Entity Identifier Code        | M                          | ID 2/3  | M ID 2/3  | 60 Salesperson<br>7X Tax Representative<br>A9 Sales Office<br>AP Buyer Master Account<br>B4 Buyer Corporate<br>BF Billed From<br>BT Bill-to-Party<br>BY Buying Party (Purchaser)<br>CA Carrier<br>DA Delivery Address<br>EN End User<br>FR Message From<br>KY Technical Support<br>MA Ultimate Customer<br>MJ Supplier Master Account<br>NG Administrator<br>OB Buyer Account<br>PD Purchasing Agent<br>RI Remit To<br>SE Supplier Account<br>SF Ship From<br>SO Sold To<br>ST Ship To<br>SU Supplier<br>ZZ Mutually Defined |
| 02  | 93 | Name                          | C                          | AN 1/60 | C AN 1/60 | Party name   |
| 03  | 66 | Identification Code Qualifier | C                          | ID 1/2  | C ID 1/2  | 1 D-U-N-S Number, Dun & Bradstreet<br>2 Standard Carrier Alpha Code (SCAC)<br>4 International Air Transport Association (IATA)<br>9 D-U-N-S+4, D-U-N-S Number with Four Character Suffix<br>92 Assigned by Buyer or Buyer's Agent  |
| 04  | 67 | Identification Code           | C                          | AN 2/80 | C AN 2/80 | Party identification number  |
| <p><b>Example: N1*BT*BillTo Name*92*BillTo ID~</b></p> <p>This segment is used to identify the trading partners involved in the message.</p> <p>N101 = BT: Bill to party is required.</p> |    |                               |                            |         |           |  |

|             |             |  |
|-------------|-------------|--|
| <b>0100</b> | <b>M 10</b> | <b>Party Identification Loop</b>         |
| <b>N2</b>   | <b>O 2</b>  | <b>Party Additional Name Information</b> |

| Standard Usage  |    |      | SAP Business Network Usage |         |           |                             |
|---|----|------|----------------------------|---------|-----------|-----------------------------|
| 01  | 93 | Name | M                          | AN 1/60 | M AN 1/60 | Party postal address name 1 |
| 02  | 93 | Name | O                          | AN 1/60 | O AN 1/60 | Party postal address name 2 |
| <p><b>Example: N2*BillTo Addr Name 1*BillTo Addr Name 2~</b></p> <p>If a Postal Address Name via N2 segment is used, then one Street (N301), the City (N401) and the two-char ISO-3166 Country Code (N404) are all required.<br/>Therefore, N3 and N4 become mandatory.</p> |    |      |                            |         |           |                             |

|             |             |                                  |
|-------------|-------------|----------------------------------|
| <b>0100</b> | <b>M 10</b> | <b>Party Identification Loop</b> |
| <b>N3</b>   | <b>O 2</b>  | <b>Party Address Information</b> |

| Standard Usage  |     |                     | SAP Business Network Usage |         |                |
|---|-----|---------------------|----------------------------|---------|----------------|
| 01  | 166 | Address Information | M                          | AN 1/55 | Party street 1 |
| 02  | 166 | Address Information | O                          | AN 1/55 | Party street 2 |
| <p><b>Example: N3*BillTo Street 1*BillTo Street 2~</b><br/>                     To specify the location of the named party.</p> <p>If a Postal Address Street via N3 segment is used, then the City (N401) and the two-char ISO-3166 Country Code (N404) are both required.<br/>                     Therefore, N4 becomes mandatory.</p> |     |                     |                            |         |                |

|             |             |                                  |
|-------------|-------------|----------------------------------|
| <b>0100</b> | <b>M 10</b> | <b>Party Identification Loop</b> |
| <b>N4</b>   | <b>O 1</b>  | <b>Party Geographic Location</b> |

| Standard Usage |     |                        | SAP Business Network Usage |           |  |
|----------------|-----|------------------------|----------------------------|-----------|--|
| 01             | 19  | City Name              | O AN 2/30                  | O AN 2/30 | Party city   |
| 02             | 156 | State or Province Code | O ID 2/2                   | O ID 2/2  | Party state or province code*<br>For addresses in the United States or Canada, use the two letter digraph recognized by the United States Postal Service or Canada Post.<br>Please refer to APPENDIX - CODELISTS 156 State or Province Code.<br><br>*UserNote (State or province code) |
| 03             | 116 | Postal Code            | O ID 3/15                  | O ID 3/15 | Party postal code<br>Zip codes will be either five or nine digits with no separator. Canadian postal codes must be formatted A9A9A9, with no separator   |
| 04             | 26  | Country Code           | O ID 2/3                   | O ID 2/3  | Party country code<br>Identification of the name of the country or other geographical entity, use ISO 3166 two alpha country code.<br>Please refer to APPENDIX - CODELISTS 26 Country Code.  |
| 05             | 309 | Location Qualifier     | C ID 1/2                   | C ID 1/2  | <i>SP State/Province*</i><br>*UserNote (State or province code)  |
| 06             | 310 | Location Identifier    | O AN 1/30                  | O AN 1/30 | Party state or province code*<br>For addresses except in the United States or Canada.<br>*UserNote (State or province code)  |

**Example: N4\*BillTo City\*TX\*ZIP\*US\*SP\*X~**  
To specify the geographic place of the named party.

If a Postal Address City or the two-char ISO-3166 Country Code via N4 segment is used, then one Street (N301) is required. Therefore, N3 becomes mandatory.

\*UserNote (State or Province Code)  
If the country code (N404) is US or CA, then the state or province code (N402) is also required and must be a valid state or province digraph.  
If the country code (N404) is not US or CA, then the state or province code must not be used on (N402). In that case the state or province code can optional be specified by using N406, always in combination with N405="SP".

Examples:  
N4\*City\*CA\*ZIP\*US~  
N4\*City\*\*ZIP\*AU\*SP\*NSW~



|             |             |  |
|-------------|-------------|--|
| <b>0100</b> | <b>M 10</b> | <b>Party Identification Loop</b>             |
| <b>PER</b>  | <b>O 5</b>  | <b>Administrative Communications Contact</b> |

| Standard Usage   |     |                                | SAP Business Network Usage |         |           |  |
|--|-----|--------------------------------|----------------------------|---------|-----------|--|
| 01   | 366 | Contact Function Code          | M                          | ID 2/2  | M ID 2/2  | <i>IC Information Contact</i>  |
| 02   | 93  | Name                           | O                          | AN 1/60 | O AN 1/60 | Party contact name<br>Note: The example here shows a person's name. It is perfectly acceptable to put a category in PER02, such as "work", "mobile", "home", etc..<br>A suggestion here is that if N102 identifies a person, then categories are appropriate here. |
| 03   | 365 | Communication Number Qualifier | C                          | ID 2/2  | C ID 2/2  | <i>EM Electronic Mail</i><br><i>FX Facsimile</i><br><i>TE Telephone</i><br><i>UR Uniform Resource Locator (URL)</i>  |
| 04   | 364 | Communication Number           | C                          | AN 1/80 | C AN 1/80 | Communication number   |
| 05   | 365 | Communication Number Qualifier | C                          | ID 2/2  | C ID 2/2  | <i>EM Electronic Mail</i><br><i>FX Facsimile</i><br><i>TE Telephone</i><br><i>UR Uniform Resource Locator (URL)</i>  |
| 06   | 364 | Communication Number           | C                          | AN 1/80 | C AN 1/80 | Communication number   |
| 07   | 365 | Communication Number Qualifier | C                          | ID 2/2  | C ID 2/2  | <i>EM Electronic Mail</i><br><i>FX Facsimile</i><br><i>TE Telephone</i><br><i>UR Uniform Resource Locator (URL)</i>  |
| 08   | 364 | Communication Number           | C                          | AN 1/80 | C AN 1/80 | Communication number   |
| <p><b>Example: PER*IC*BillTo Contact Name*EM*E-Mail*TE*Phone ID*UR*URL~</b><br/>To identify a person or office to whom administrative communications should be directed.</p> |     |                                |                            |         |           |  |

**N9**      **O 10**      **References - Credentials**

| Standard Usage  |     |                                    |           | SAP Business Network Usage |         |    |                                     |
|---|-----|------------------------------------|-----------|----------------------------|---------|----|-------------------------------------|
| 01  | 128 | Reference Identification Qualifier | M ID 2/3  | M                          | ID 2/3  | 06 | <i>System Identification Number</i> |
| 02  | 127 | Reference Identification           | C AN 1/30 | C                          | AN 1/30 |    | Identification number               |
| <p><b>Example: N9*06*System ID~</b><br/>                     To specify credential information.<br/>                     N9*06 is used to identify the Buyer system number.</p> |     |                                    |           |                            |         |    |                                     |

**N9**      **O 10**      **References - External Document Information**

| Standard Usage   |     |                                    |           | SAP Business Network Usage |         |                               |                          |
|--|-----|------------------------------------|-----------|----------------------------|---------|-------------------------------|--------------------------|
| 01   | 128 | Reference Identification Qualifier | M ID 2/3  | M                          | ID 2/3  | 43                            | <i>External Document</i> |
| 02   | 127 | Reference Identification           | C AN 1/30 | C                          | AN 1/30 | "External Document Reference" |                          |
| 03   | 369 | Free-form Description              | C AN 1/45 | C                          | AN 1/45 | External document type        |                          |
| <p><b>Example: N9*43*External Document Reference*ERP Doc Type~</b></p> <p>To transmit identifying information as specified by the Reference Identification Qualifier.</p> <p>This segment is used for the external document.<br/>It contains information about a document managed in an external system, such as an ERP.<br/>It can be sent with an order to distinguish different business transactions uniquely.</p> <p>N9*43 is used in conjunction with<br/>N902="External Document Reference" to specify the external document type in N903</p> |     |                                    |           |                            |         |                               |                          |

**N9**      **O 10**      **References - Total Monetary Amount and Currency**

| Standard Usage  |     |                                    |           | SAP Business Network Usage |         |                       |                              |
|---|-----|------------------------------------|-----------|----------------------------|---------|-----------------------|------------------------------|
| 01  | 128 | Reference Identification Qualifier | M ID 2/3  | M                          | ID 2/3  | 1Z                    | <i>Financial Detail Code</i> |
| 02  | 127 | Reference Identification           | C AN 1/30 | C                          | AN 1/30 | Total Monetary Amount |                              |
| 03  | 369 | Free-form Description              | C AN 1/45 | C                          | AN 1/45 | Currency              |                              |
| <p><b>Example: N9*1Z*20000*USD~</b><br/>                     To specify the total monetary amount and currency of the STO.</p> <p>In N902 is a monetary amount.<br/>                     N903 contains the currency.</p> <p>Examples:<br/>                     N9*1Z*20000*USD~</p> |     |                                    |           |                            |         |                       |                              |

**N9**      **O 10**      **References - Mutually Defined References**

| Standard Usage |     |                                    |           | SAP Business Network Usage |         |                        |   |
|----------------|-----|------------------------------------|-----------|----------------------------|---------|------------------------|---|
| 01             | 128 | Reference Identification Qualifier | M ID 2/3  | M                          | ID 2/3  | <i>ZZ</i>              | <i>Mutually Defined</i>                                 |
| 02             | 127 | Reference Identification           | C AN 1/30 | C                          | AN 1/30 |                        | Mutually defined identification name                    |
| 03             | 369 | Free-form Description              | C AN 1/45 | C                          | AN 1/45 |                        | Mutually defined identification                         |
| 04             | 373 | Date                               | O DT 8/8  | X                          |         |                        |   |
| 05             | 337 | Time                               | C TM 4/8  | X                          |         |                        |   |
| 06             | 623 | Time Code                          | O ID 2/2  | X                          |         |                        |   |
| C040           |     | Reference Identifier               | O         | O                          |         |                        | Ongoing content of N902 and/or N903<br>*UserNote (C040) |
|                | 128 | Reference Identification Qualifier | M ID 2/3  | M                          | ID 2/3  | <i>OL</i><br><i>ON</i> | <i>Ongoing N902</i><br><i>Ongoing N903</i>              |
|                | 127 | Reference Identification           | M AN 1/30 | M                          | AN 1/30 |                        | Ongoing content   |
|                | 128 | Reference Identification Qualifier | C ID 2/3  | C                          | ID 2/3  | <i>OL</i><br><i>ON</i> | <i>Ongoing N902</i><br><i>Ongoing N903</i>              |
|                | 127 | Reference Identification           | C AN 1/30 | C                          | AN 1/30 |                        | Ongoing content   |
|                | 128 | Reference Identification Qualifier | C ID 2/3  | C                          | ID 2/3  | <i>OL</i><br><i>ON</i> | <i>Ongoing N902</i><br><i>Ongoing N903</i>              |
|                | 127 | Reference Identification           | C AN 1/30 | C                          | AN 1/30 |                        | Ongoing content   |

**Example: N9\*ZZ\*MutuallyDefinedIDName\*Mutually Defined Identification\*\*\*\*OL>Ongoing N902>OL>Ongoing N902>ON>Ongoing N903~**

To specify mutually defined identifying information.

N9\*ZZ contains information mutually defined by the trading partners.  
In this case N902 is used as an identification to specify the mutually defined identification provided in N903.  
Please note N903 is not required.  
For various business cases it is sufficient to transmit only the mutually defined name identification by itself.

Examples:  
N9\*ZZ\*MutuallyDefinedIDName\*Mutually Defined Identification~  
N9\*ZZ\*MutuallyDefinedIDName~

---

\*UserNote (C040):  
This group is used for ongoing content of N902 and/or N903.

128 = "OL": Used with 127 when the mutually defined identification name in N902 exceeds 30 characters.  
128 = "ON": Used with 127 when the mutually defined identification in N903 exceeds 45 characters.

Examples:  
N9\*ZZ\*N902 first 30 chars\*N903\*\*\*\*OL>N902 next 30 chars>OL>N902 next 30 chars>OL>N902 next 30 chars~  
N9\*ZZ\*N902\*N903 first 45 chars\*\*\*\*ON>N903 next 45 chars>ON>N903 next 45 chars>ON>N903 next 45 chars~  
N9\*ZZ\*N902 first 30 chars\*N903 first 45 chars\*\*\*\*OL>N902 next 30 chars>ON>N903 next 45 chars~

**G61**    **O 3**    **Purchasing Legal Entity and Organizational Unit**

| Standard Usage |     |                                |           | SAP Business Network Usage |         |   |
|----------------|-----|--------------------------------|-----------|----------------------------|---------|---|
| 01             | 366 | Contact Function Code          | M ID 2/2  | M                          | ID 2/2  | <i>ZZ Mutually Defined</i>                |
| 02             | 93  | Name                           | M AN 1/60 | M                          | AN 1/60 | Identifying name or number                |
| 03             | 365 | Communication Number Qualifier | C ID 2/2  | X                          |         |   |
| 04             | 364 | Communication Number           | C AN 1/80 | X                          |         |   |
| 05             | 443 | Contact Inquiry Reference      | O AN 1/20 | O                          | AN 1/20 | Identification type<br>*UserNote (PER*ZZ) |

**Example: G61\*ZZ\*CompanyCodeID\*\*\*CompanyCode~**

To specify the purchasing company code, purchasing unit and purchasing group from the buyer system.

\*UserNote (G61\*ZZ)

G61\*ZZ is used in conjunction with  
G6105="CompanyCode" to specify the legal entity/company code in G6102.

Example:

G61\*ZZ\*CC123\*\*\*CompanyCode~

---

G61\*ZZ is used in conjunction with  
G6105="PurchasingOrg" to specify the purchasing organization/unit in G6102.

Example:

G61\*ZZ\*PURORG123\*\*\*PurchasingOrg~

---

G61\*ZZ is used in conjunction with  
G6105="PurchasingGroup" to specify the purchasing group in G6102.

Example:

G61\*ZZ\*PURGROUP123\*\*\*PurchasingGroup~

**G62**      **O 10**      **Date/Time**

| Standard Usage  |     |                |          | SAP Business Network Usage |   |  |  |
|---|-----|----------------|----------|----------------------------|---|--|--|
| 01  | 432 | Date Qualifier | C ID 2/2 | C ID 2/2                   | 02  | <i>Delivery Requested on This Date</i> |  |
|   |     |                |          |                            | 04  | <i>Purchase Order Date</i>             |  |
| 02  | 373 | Date           | C DT 8/8 | C DT 8/8                   | Date expressed as format CCYYMMDD   |  |  |
| 03  | 176 | Time Qualifier | C ID 1/2 | C ID 1/2                   | W   | <i>Effective Time</i>                  |  |
| 04  | 337 | Time           | C TM 4/8 | C TM 4/8                   | Time expressed in 24-hour clock time as follows: HHMMSS, where H = hours (00-23), M = minutes (00-59), S = integer seconds (00-59). |  |  |
| 05  | 623 | Time Code      | O ID 2/2 | O ID 2/2                   | Code identifying the time zone<br>Please refer to APPENDIX - CODELISTS<br>623 Time Code.  |  |  |
| <p><b>Example: G62*04*20210506*W*1234*01~</b><br/>To specify pertinent dates and times.</p> |     |                |          |                            |   |  |  |

**NTE**    **O >1**    **Reference Identification - Special Indicators**

| Standard Usage |     |                     |           | SAP Business Network Usage |                 |                  |
|----------------|-----|---------------------|-----------|----------------------------|-----------------|------------------|
| 01             | 363 | Note Reference Code | O ID 3/3  | O ID 3/3                   | CAJ             | Type of Business |
| 02             | 352 | Description         | M AN 1/80 | M AN 1/80                  | "isSTOOutbound" |                  |

**Example: NTE\*CAJ\*isSTOOutbound~**  
 To indicate that this Warehouse Shipping Order is used to send the stock to the supplier. The goods are sent from the buyer plant to the supplier plant.



**W66**    **O 1**    **Warehouse Carrier Information**

| Standard Usage   |     |                                    |          | SAP Business Network Usage |        |   |
|--|-----|------------------------------------|----------|----------------------------|--------|---|
| 01   | 146 | Shipment Method of Payment         | M ID 2/2 | M                          | ID 2/2 | Shipment method of payment<br>Please refer to APPENDIX - CODELISTS<br>146 Shipment Method of Payment. |
| 02   | 91  | Transportation Method/Type<br>Code | M ID 1/2 | M                          | ID 1/2 | <i>ZZ</i> <i>Mutually defined</i>   |
| <p><b>Example: W66*CC*ZZ~</b><br/>To specify transportation instructions relating to the shipment.</p> |     |                                    |          |                            |        |   |

|             |             |  |
|-------------|-------------|--|
| <b>0200</b> | <b>O 10</b> | <b>Header Comments Loop</b>                      |
| <b>LM</b>   | <b>M 1</b>  | <b>Code Source Information - Header Comments</b> |

| Standard Usage   |                       | SAP Business Network Usage |                                     |
|--|-----------------------|----------------------------|-------------------------------------|
| 01 559   | Agency Qualifier Code | M ID 2/2                   | M ID 2/2 <i>ZZ Mutually Defined</i> |
| <p><b>Example: LM*ZZ~</b><br/>To transmit header free-form message type and text information.</p> <p>Please note that the type of text as well as the free-form message text will be split if the character length exceeds the maximum allowed characters per data element and segment.</p> <p>Example 1: Short text without text type.<br/>LM*ZZ~<br/>LQ*ZZ*Text1~</p> <p>Example 2: Long text for two different text types.<br/>LM*ZZ~<br/>LQ*AB*type1~<br/>LQ*ZZ*Text1.....first 30 chars~<br/>LQ*ZZ*Text1.....next 30 chars~<br/>LM*ZZ~<br/>LQ*AB*type2.....first 30 chars~<br/>LQ*AB*type2.....next 30 chars~<br/>LQ*ZZ*Text2.....first 30 chars~<br/>LQ*ZZ*Text2.....next 30 chars~<br/>LQ*ZZ*Text2.....next 30 chars~</p> |                       |                            |                                     |

|             |              |  |
|-------------|--------------|--|
| <b>0200</b> | <b>O 10</b>  | <b>Header Comments Loop</b>                          |
| <b>LQ</b>   | <b>M 100</b> | <b>Industry Code - Header Comments Type and Text</b> |

| Standard Usage  |                          |           | SAP Business Network Usage |                                |      |
|---|--------------------------|-----------|----------------------------|--------------------------------|------|
| 01 1270   | Code List Qualifier Code | O ID 1/3  | O ID 1/3                   | AB                             | Type |
|   |                          |           |                            | ZZ                             | Text |
| 02 1271   | Industry Code            | C AN 1/30 | C AN 1/30                  | Free-form message type or text |      |
| <p><b>Example: LQ*ZZ*Free-form message text A~</b><br/>                     To transmit header free-form message type and text information.</p> <p>Example 1: Free-form type and text<br/>                     LM*ZZ~<br/>                     LQ*AB*type1~<br/>                     LQ*ZZ*Text1~</p> <p>Example 2: Free-form text only<br/>                     LM*ZZ~<br/>                     LQ*ZZ*Text1~</p> |                          |           |                            |                                |      |

|             |                |                        |
|-------------|----------------|------------------------|
| <b>0300</b> | <b>M &gt;1</b> | <b>Item Loop</b>       |
| <b>LX</b>   | <b>M 1</b>     | <b>Assigned Number</b> |

| Standard Usage   |     |                 | SAP Business Network Usage |        |   |        |   |
|--|-----|-----------------|----------------------------|--------|---|--------|---|
| 01   | 554 | Assigned Number | M                          | N0 1/6 | M | N0 1/6 | Line item number<br>Alphanumeric characters assigned for differentiation within a transaction set |
| <b>Example: LX*10~</b><br>Number assigned for differentiation within a transaction set |     |                 |                            |        |   |        |   |

|             |                |                                     |
|-------------|----------------|-------------------------------------|
| <b>0300</b> | <b>M &gt;1</b> | <b>Item Loop</b>                    |
| <b>0310</b> | <b>M &gt;1</b> | <b>Item Detail</b>                  |
| <b>W01</b>  | <b>M 1</b>     | <b>Line Item Detail - Warehouse</b> |

| Standard Usage |     |                                    |            | SAP Business Network Usage |   |  |
|----------------|-----|------------------------------------|------------|----------------------------|---|--|
| 01             | 330 | Quantity Ordered                   | M R 1/15   | M R 1/15                   |   | Ordered quantity   |
| 02             | 355 | Unit or Basis for Measurement Code | M ID 2/2   | M ID 2/2                   |   | Code specifying the units in which a value is being expressed, or manner in which a measurement has been taken.<br>Please refer to APPENDIX - CODELISTS<br>355 Unit or Basis for Measurement Code (UOM). |
| 03             | 438 | U.P.C. Case Code                   | C AN 12/12 | C AN 12/12                 |   | U.P.C. Consumer Package Code (1-5-5-1)   |
| 04             | 235 | Product/Service ID Qualifier       | C ID 2/2   | C ID 2/2                   | <i>BP</i> Buyer's Part Number<br><i>EN</i> European Article Number (EAN)<br><i>VP</i> Vendor's (Seller's) Part Number |  |
| 05             | 234 | Product/Service ID                 | C AN 1/48  | C AN 1/48                  |   | Item identification number   |
| 06             | 235 | Product/Service ID Qualifier       | C ID 2/2   | C ID 2/2                   | <i>BP</i> Buyer's Part Number<br><i>EN</i> European Article Number (EAN)<br><i>VP</i> Vendor's (Seller's) Part Number |  |
| 07             | 234 | Product/Service ID                 | C AN 1/48  | C AN 1/48                  |   | Item identification number   |
| 08             | 59  | Freight Class Code                 | O AN 2/5   | X                          |   |  |
| 09             | 121 | Rate Class Code                    | O ID 1/3   | X                          |   |  |
| 10             | 23  | Commodity Code Qualifier           | C ID 1/1   | X                          |   |  |
| 11             | 22  | Commodity Code                     | C AN 1/30  | X                          |   |  |
| 12             | 416 | Pallet Block and Tiers             | O N0 6/6   | X                          |   |  |
| 13             | 451 | Warehouse Lot Number               | O AN 1/12  | X                          |   |  |
| 14             | 286 | Product/Service Condition Code     | O ID 2/2   | X                          |   |  |
| 15             | 235 | Product/Service ID Qualifier       | C ID 2/2   | C ID 2/2                   | <i>BP</i> Buyer's Part Number<br><i>EN</i> European Article Number (EAN)<br><i>VP</i> Vendor's (Seller's) Part Number |  |
| 16             | 234 | Product/Service ID                 | C AN 1/48  | C AN 1/48                  |   | Item identification number   |

**Example: W01\*10\*EA\*UPCCaseCode1\*BP\*BuyerPartID1\*EN\*EAN-01\*\*\*\*\*VP\*SupplierPartID1~**  
To transmit basic and most frequent shipment-related line-item data elements

|             |                |                                       |
|-------------|----------------|---------------------------------------|
| <b>0300</b> | <b>M &gt;1</b> | <b>Item Loop</b>                      |
| <b>0310</b> | <b>M &gt;1</b> | <b>Item Detail</b>                    |
| <b>G69</b>  | <b>O 5</b>     | <b>Line Item Detail - Description</b> |

| Standard Usage   |     |                       | SAP Business Network Usage |         |                            |
|--|-----|-----------------------|----------------------------|---------|----------------------------|
| 01   | 369 | Free-form Description | M                          | AN 1/45 | M AN 1/45 Description Text |
| <p><b>Example: G69*Description1~</b><br/>To describe an item in free-form format</p> |     |                       |                            |         |                            |

|             |                |   |
|-------------|----------------|---|
| <b>0300</b> | <b>M &gt;1</b> | <b>Item Loop</b>                              |
| <b>0310</b> | <b>M &gt;1</b> | <b>Item Detail</b>                            |
| <b>N9</b>   | <b>O 200</b>   | <b>References - Batch requiry information</b> |

| Standard Usage  |     |                                    | SAP Business Network Usage |         |                                 |
|---|-----|------------------------------------|----------------------------|---------|---------------------------------|
| 01  | 128 | Reference Identification Qualifier | M                          | ID 2/3  | M ID 2/3 <i>BT Batch Number</i> |
| 02  | 127 | Reference Identification           | C                          | AN 1/30 | C AN 1/30 "requiresBatch"       |
| 03  | 369 | Free-form Description              | C                          | AN 1/45 | C AN 1/45 Can be "yes" or empty |
| <p><b>Example: N9*BT*requiresBatch*yes~</b><br/>                     To transmit identifying information as specified by the Reference Identification Qualifier<br/><br/>                     Set to yes to indicate that this item requires a batch number to be provided by the supplier in the Batch element in the corresponding 945 message.</p> |     |                                    |                            |         |                                 |

|             |                |   |
|-------------|----------------|---|
| <b>0300</b> | <b>M &gt;1</b> | <b>Item Loop</b>                                |
| <b>0310</b> | <b>M &gt;1</b> | <b>Item Detail</b>                              |
| <b>N9</b>   | <b>O 200</b>   | <b>References - Product/Item Classification</b> |

| Standard Usage  |     |                                    |           | SAP Business Network Usage |           |                                      |
|---|-----|------------------------------------|-----------|----------------------------|-----------|--------------------------------------|
| 01  | 128 | Reference Identification Qualifier | M ID 2/3  | M ID 2/3                   | <i>CX</i> | <i>Consignment Classification ID</i> |
| 02  | 127 | Reference Identification           | C AN 1/30 | C AN 1/30                  |           | Item classification domain           |
| 03  | 369 | Free-form Description              | C AN 1/45 | C AN 1/45                  |           | Item classification                  |
| <p><b>Example: N9*CX*domain*content~</b><br/>To describe a product or process in coded or free-form format.</p> |     |                                    |           |                            |           |                                      |



|             |                |                                  |
|-------------|----------------|----------------------------------|
| <b>0300</b> | <b>M &gt;1</b> | <b>Item Loop</b>                 |
| <b>0310</b> | <b>M &gt;1</b> | <b>Item Detail</b>               |
| <b>N9</b>   | <b>O 200</b>   | <b>References - Control keys</b> |

| Standard Usage |     |                                    | SAP Business Network Usage |         |   |
|----------------|-----|------------------------------------|----------------------------|---------|---|
| 01             | 128 | Reference Identification Qualifier | M                          | ID 2/3  | M ID 2/3 <i>KD Control Key/Special Instruction</i>    |
| 02             | 127 | Reference Identification           | C                          | AN 1/30 | C AN 1/30 Control key/Special instruction identifier* |
| 03             | 369 | Free-form Description              | C                          | AN 1/45 | C AN 1/45 Control key/Special instruction value*      |

**N9**      **O 200**      **References - Control keys**

**Example: N9\*KD\*OCLowerQtyTolerancePercent\*3~**

\*Note: This segmentgroup N9\*KD is used to inform Warehouse Shipping Order related control keys in form of special instructions for further steps in the process chain.

Order confirmation instructions:

Supported values in N903 in combination with N902="OCValue" are:

"allowed" - Order confirmation is allowed

"notAllowed" - Order confirmation is not allowed

"requiredBeforeASN" - Order confirmation is required before a ship notice

Example:

N9\*KD\*OCValue\*allowed~

---

Order confirmation quantity tolerances:

N903 specifies the quantity tolerance of an Order Confirmation in percent, where N902="OCLowerQtyTolerancePercent" is used to define a lower limit and N902="OCUpperQtyTolerancePercent" an upper limit.

Examples:

N9\*KD\*OCLowerQtyTolerancePercent\*5.0~

N9\*KD\*OCUpperQtyTolerancePercent\*5.0~

---

Order confirmation price tolerances:

N903 specifies the price tolerance of an Order Confirmation in percent, where N902="OCLowerPriceTolerancePercent" is used to define a lower limit and N902="OCUpperPriceTolerancePercent" an upper limit.

Examples:

N9\*KD\*OCLowerPriceTolerancePercent\*2.0~

N9\*KD\*OCUpperPriceTolerancePercent\*2.0~

---

Ship notice instructions:

Supported values in N903 in combination with N902="ASNValue" are:

"allowed" - Ship notice is allowed

"notAllowed" - Ship notice is not allowed

Example:

N9\*KD\*ASNValue\*allowed~

---

Ship notice quantity tolerances:

N903 specifies the quantity tolerance of a Ship notice in percent, where N902="ASNLowerQtyTolerancePercent" is used to define a lower limit and N902="ASNUpperQtyTolerancePercent" an upper limit.

Examples:

N9\*KD\*ASNLowerQtyTolerancePercent\*5.0~

N9\*KD\*ASNUpperQtyTolerancePercent\*5.0~

---

Invoice instructions:

Supported values in N903 in combination with N902="INVValue" are:

"isERS" - The order or line item is flagged for Evaluated Receipt Settlement, indicating that the system will post an invoice for it

**N9****O 200****References - Control keys**

automatically based on goods receipts.

"isNotERS" - The order or line item is not flagged for Evaluated Receipt Settlement.

"allowed" - Invoice is allowed

"notAllowed" - Invoice is not allowed

Example:

N9\*KD\*INVValue\*isERS~

|             |                |                                   |
|-------------|----------------|-----------------------------------|
| <b>0300</b> | <b>M &gt;1</b> | <b>Item Loop</b>                  |
| <b>0310</b> | <b>M &gt;1</b> | <b>Item Detail</b>                |
| <b>N9</b>   | <b>O 200</b>   | <b>References - Item Category</b> |

| Standard Usage  |     |                                    |           | SAP Business Network Usage |                |                      |
|---|-----|------------------------------------|-----------|----------------------------|----------------|----------------------|
| 01  | 128 | Reference Identification Qualifier | M ID 2/3  | M ID 2/3                   | <i>KQ</i>      | <i>Item Category</i> |
| 02  | 127 | Reference Identification           | C AN 1/30 | C AN 1/30                  | "itemCategory" |                      |
| 03  | 369 | Free-form Description              | C AN 1/45 | C AN 1/45                  | Item category  |                      |
| <p><b>Example: N9*KQ*itemCategory*stockTransfer~</b><br/>To specify identifying information.</p> <p>This segment is used to specify how a component or material is procured.</p> <p>Possible values are:</p> <p>"materialUnknown" - Refers to procuring a material without specifying the material number.</p> <p>"text" - Refers to procuring a free-form text item.</p> <p>"stockTransfer" - Refers to transfer of stock from one plant to another.</p> <p>"materialGroup" - Refers to procuring a material without specifying the value or quantity.</p> <p>"subcontract" - Procuring a material by providing component information to a contract manufacturer that makes the finished product.</p> <p>"consignment" - Managing a material through a special process where the payment to supplier is withheld until the material or service is consumed by the buyer.</p> <p>"thirdParty" - Procuring a material from a third-party vendor.</p> <p>Example:<br/>N9*KQ*thirdParty~</p> |     |                                    |           |                            |                |                      |

|             |                |   |
|-------------|----------------|---|
| <b>0300</b> | <b>M &gt;1</b> | <b>Item Loop</b>  |
| <b>0310</b> | <b>M &gt;1</b> | <b>Item Detail</b>  |
| <b>N9</b>   | <b>O 200</b>   | <b>References - Stock Transfer Order special instructions</b> |

| Standard Usage |     |                                    |           | SAP Business Network Usage |  |                                |  |
|----------------|-----|------------------------------------|-----------|----------------------------|--|--------------------------------|--|
| 01             | 128 | Reference Identification Qualifier | M ID 2/3  | M ID 2/3                   | <i>SU</i>  | <i>Special Processing Code</i> |  |
| 02             | 127 | Reference Identification           | C AN 1/30 | C AN 1/30                  | Can be:<br>"stoDelivery"<br>"stoOrderCombination"<br>"stockTransferType" |                                |  |
| 03             | 369 | Free-form Description              | C AN 1/45 | C AN 1/45                  | STO related value*   |                                |  |

**Example: N9\*SU\*itemCategory\*stockTransfer~**  
To transmit identifying information as specified by the Reference Identification Qualifier

\*Note: This segmentgroup N9\*SU is used to inform Stock Transfer Order special instructions for further steps in the process chain.

N902="stoDelivery":  
The delivery options possible for stock transport order item.  
N903="full" - Only full delivery allowed for the order.  
N903="partial" - Partial delivery allowed for the order.

Example:  
N9\*SU\*stoDelivery\*partial~  
\_\_\_\_\_

N902="stoOrderCombination":  
When there is the segment N9\*KQ\*itemCategory\*stockTransfer and N9\*SU\*stoOrderCombination is set to "yes", then it is possible to combine items from different stock transport orders with the flag set during ship notice creation. A corresponding flag for order combination is set in the buyer's ERP.

Examples:  
N9\*SU\*stoOrderCombination\*yes~  
\_\_\_\_\_

N902="stockTransferType":  
The buyer's ERP system sends the stock transfertype based on the stock transport order or stock transport release. N903="intra"  
- Refers to transfer of stock from one plant to another plant within the same company code.  
N903="inter" - Refers to transfer of stock from one plant to another plant in different company codes.

Examples:  
N9\*SU\*stockTransferType\*intra~

|             |                |   |
|-------------|----------------|---|
| <b>0300</b> | <b>M &gt;1</b> | <b>Item Loop</b>                            |
| <b>0310</b> | <b>M &gt;1</b> | <b>Item Detail</b>                          |
| <b>N9</b>   | <b>O 200</b>   | <b>References - Unit Price and Currency</b> |

| Standard Usage  |     |                                    |           | SAP Business Network Usage |    |                              |
|---|-----|------------------------------------|-----------|----------------------------|----|------------------------------|
| 01  | 128 | Reference Identification Qualifier | M ID 2/3  | M ID 2/3                   | 1Z | <i>Financial Detail Code</i> |
| 02  | 127 | Reference Identification           | C AN 1/30 | C AN 1/30                  |    | Unit Price                   |
| 03  | 369 | Free-form Description              | C AN 1/45 | C AN 1/45                  |    | Currency                     |
| <p><b>Example: N9*1Z*11.99*USD~</b><br/>                     To specify the unit price and currency of the item.</p> <p>In N902 is a monetary amount.<br/>                     N903 contains the currency.</p> <p>Examples:<br/>                     N9*1Z*11.99*USD~</p> |     |                                    |           |                            |    |                              |

|             |                |   |
|-------------|----------------|---|
| <b>0300</b> | <b>M &gt;1</b> | <b>Item Loop</b>                                |
| <b>0310</b> | <b>M &gt;1</b> | <b>Item Detail</b>                              |
| <b>N9</b>   | <b>O 200</b>   | <b>References - Mutually Defined References</b> |

| Standard Usage |                                    |           | SAP Business Network Usage |          |   |
|----------------|------------------------------------|-----------|----------------------------|----------|---|
| 01 128         | Reference Identification Qualifier | M ID 2/3  | M ID 2/3                   | ZZ       | Mutually Defined  |
| 02 127         | Reference Identification           | C AN 1/30 | C AN 1/30                  |          | Mutually defined identification name                    |
| 03 369         | Free-form Description              | C AN 1/45 | C AN 1/45                  |          | Mutually defined identification                         |
| 04 373         | Date                               | O DT 8/8  | X                          |          |   |
| 05 337         | Time                               | C TM 4/8  | X                          |          |   |
| 06 623         | Time Code                          | O ID 2/2  | X                          |          |   |
| C040           | Reference Identifier               | O         | O                          |          | Ongoing content of N902 and/or N903<br>*UserNote (C040) |
| 128            | Reference Identification Qualifier | M ID 2/3  | M ID 2/3                   | OL<br>ON | Ongoing N902<br>Ongoing N903                            |
| 127            | Reference Identification           | M AN 1/30 | M AN 1/30                  |          | Ongoing content   |
| 128            | Reference Identification Qualifier | C ID 2/3  | C ID 2/3                   | OL<br>ON | Ongoing N902<br>Ongoing N903                            |
| 127            | Reference Identification           | C AN 1/30 | C AN 1/30                  |          | Ongoing content   |
| 128            | Reference Identification Qualifier | C ID 2/3  | C ID 2/3                   | OL<br>ON | Ongoing N902<br>Ongoing N903                            |
| 127            | Reference Identification           | C AN 1/30 | C AN 1/30                  |          | Ongoing content   |

**Example: N9\*ZZ\*MutuallyDefinedIDName\*Mutually Defined Identification\*\*\*\*0L>Ongoing N902>0L>Ongoing N902>0N>Ongoing N903~**

To specify mutually defined identifying information.

N9\*ZZ contains information mutually defined by the trading partners.

In this case N902 is used as an identification to specify the mutually defined identification provided in N903.

Please note N903 is not required.

For various business cases it is sufficient to transmit only the mutually defined name identification by itself.

Examples:

N9\*ZZ\*MutuallyDefinedIDName\*Mutually Defined Identification~

N9\*ZZ\*MutuallyDefinedIDName~

\*UserNote (C040):

This group is used for ongoing content of N902 and/or N903.

128 = "0L": Used with 127 when the mutually defined identification name in N902 exceeds 30 characters.

128 = "0N": Used with 127 when the mutually defined identification in N903 exceeds 45 characters.

Examples:

N9\*ZZ\*N902 first 30 chars\*N903\*\*\*\*0L>N902 next 30 chars>0L>N902 next 30 chars>0L>N902 next 30 chars~

N9\*ZZ\*N902\*N903 first 45 chars\*\*\*\*0N>N903 next 45 chars>0N>N903 next 45 chars>0N>N903 next 45 chars~

N9\*ZZ\*N902 first 30 chars\*N903 first 45 chars\*\*\*\*0L>N902 next 30 chars>0N>N903 next 45 chars~

|             |                |  |
|-------------|----------------|--|
| <b>0300</b> | <b>M &gt;1</b> | <b>Item Loop</b>                           |
| <b>0310</b> | <b>M &gt;1</b> | <b>Item Detail</b>                         |
| <b>QTY</b>  | <b>O 10</b>    | <b>Quantity of Planned Acceptance Days</b> |

| Standard Usage   |     |                    |          | SAP Business Network Usage |                |             |
|--|-----|--------------------|----------|----------------------------|----------------|-------------|
| 01   | 673 | Quantity Qualifier | M ID 2/2 | M ID 2/2                   | <i>DY</i>      | <i>Days</i> |
| 02   | 380 | Quantity           | C R 1/15 | C R 1/15                   | Number of days |             |
| <p><b>Example: QTY*DY*10~</b><br/>Specifies the number of days the buyer schedules for the inspection of goods after receiving them.</p> |     |                    |          |                            |                |             |



|             |                |                    |
|-------------|----------------|--------------------|
| <b>0300</b> | <b>M &gt;1</b> | <b>Item Loop</b>   |
| <b>0310</b> | <b>M &gt;1</b> | <b>Item Detail</b> |
| <b>G62</b>  | <b>O 10</b>    | <b>Date/Time</b>   |

| Standard Usage  |     |                | SAP Business Network Usage |        |  |
|---|-----|----------------|----------------------------|--------|--|
| 01  | 432 | Date Qualifier | C                          | ID 2/2 | C ID 2/2 <i>02 Delivery Requested on This Date</i>   |
| 02  | 373 | Date           | C                          | DT 8/8 | C DT 8/8 Date expressed as format CCYYMMDD   |
| 03  | 176 | Time Qualifier | C                          | ID 1/2 | C ID 1/2 <i>W Effective Time</i>   |
| 04  | 337 | Time           | C                          | TM 4/8 | C TM 4/8 Time expressed in 24-hour clock time as follows: HHMMSS, where H = hours (00-23), M = minutes (00-59), S = integer seconds (00-59). |
| 05  | 623 | Time Code      | O                          | ID 2/2 | O ID 2/2 Code identifying the time zone<br>Please refer to APPENDIX - CODELISTS<br>623 Time Code.  |
| <p><b>Example: G62*02*20210601*W*1234*01~</b><br/>To specify pertinent dates and times.</p> |     |                |                            |        |  |

|             |                |                                    |
|-------------|----------------|------------------------------------|
| <b>0300</b> | <b>M &gt;1</b> | <b>Item Loop</b>                   |
| <b>0310</b> | <b>M &gt;1</b> | <b>Item Detail</b>                 |
| <b>G66</b>  | <b>O 1</b>     | <b>Transportation Instructions</b> |

| Standard Usage  |     |                            |          | SAP Business Network Usage |        |   |
|---|-----|----------------------------|----------|----------------------------|--------|---|
| 01  | 146 | Shipment Method of Payment | O ID 2/2 | O                          | ID 2/2 | Shipment method of payment<br>Please refer to APPENDIX - CODELISTS<br>146 Shipment Method of Payment. |
| <p><b>Example: G66*CC~</b><br/>To specify transportation instructions relating to the shipment.</p> |     |                            |          |                            |        |   |

|             |                |                    |
|-------------|----------------|--------------------|
| <b>0300</b> | <b>M &gt;1</b> | <b>Item Loop</b>   |
| <b>0310</b> | <b>M &gt;1</b> | <b>Item Detail</b> |
| <b>N1</b>   | <b>O 3</b>     | <b>Party Name</b>  |

| Standard Usage  |    |                               |           | SAP Business Network Usage |                             |  |  |
|---|----|-------------------------------|-----------|----------------------------|-----------------------------|--|--|
| 01  | 98 | Entity Identifier Code        | M ID 2/3  | M ID 2/3                   | DA                          | Delivery Address                                     |  |
|   |    |                               |           |                            | ST                          | Ship To  |  |
| 02  | 93 | Name                          | C AN 1/60 | C AN 1/60                  | Party name                  |  |  |
| 03  | 66 | Identification Code Qualifier | C ID 1/2  | C ID 1/2                   | 1                           | D-U-N-S Number, Dun & Bradstreet                     |  |
|   |    |                               |           |                            | 2                           | Standard Carrier Alpha Code (SCAC)                   |  |
|   |    |                               |           |                            | 4                           | International Air Transport Association (IATA)       |  |
|   |    |                               |           |                            | 9                           | D-U-N-S+4, D-U-N-S Number with Four Character Suffix |  |
|   |    |                               |           |                            | 92                          | Assigned by Buyer or Buyer's Agent                   |  |
| 04  | 67 | Identification Code           | C AN 2/80 | C AN 2/80                  | Party identification number |  |  |
| <p><b>Example: N1*ST*ShipTo Name*9*ShipTo ID~</b><br/>To identify Ship To and Transportation parties.</p> |    |                               |           |                            |                             |  |  |

|             |                |  |
|-------------|----------------|--|
| <b>0300</b> | <b>M &gt;1</b> | <b>Item Loop</b>                         |
| <b>0310</b> | <b>M &gt;1</b> | <b>Item Detail</b>                       |
| <b>PER</b>  | <b>O 5</b>     | <b>Buyer Planner Code Identification</b> |

| Standard Usage |     |                                |           | SAP Business Network Usage |    |                                   |
|----------------|-----|--------------------------------|-----------|----------------------------|----|-----------------------------------|
| 01             | 366 | Contact Function Code          | M ID 2/2  | M ID 2/2                   | SC | Schedule Contact                  |
| 02             | 93  | Name                           | O AN 1/60 | O AN 1/60                  |    | Buyer Planner Code Description    |
| 03             | 365 | Communication Number Qualifier | C ID 2/2  | X                          |    |                                   |
| 04             | 364 | Communication Number           | C AN 1/80 | X                          |    |                                   |
| 05             | 365 | Communication Number Qualifier | C ID 2/2  | X                          |    |                                   |
| 06             | 364 | Communication Number           | C AN 1/80 | X                          |    |                                   |
| 07             | 365 | Communication Number Qualifier | C ID 2/2  | X                          |    |                                   |
| 08             | 364 | Communication Number           | C AN 1/80 | X                          |    |                                   |
| 09             | 443 | Contact Inquiry Reference      | O AN 1/20 | O AN 1/20                  |    | Buyer Planner Code Identification |

**Example: PER\*SC\*BuyerPlannerCodeDescription\*\*\*\*\*Identifier-**  
To identify a person or office to whom administrative communications should be directed

|             |                |  |
|-------------|----------------|--|
| <b>0300</b> | <b>M &gt;1</b> | <b>Item Loop</b>                               |
| <b>0310</b> | <b>M &gt;1</b> | <b>Item Detail</b>                             |
| <b>0320</b> | <b>O 10</b>    | <b>Item Comments Loop</b>                      |
| <b>LM</b>   | <b>M 1</b>     | <b>Code Source Information - Item Comments</b> |

| Standard Usage  |     |                       | SAP Business Network Usage |        |  |
|---|-----|-----------------------|----------------------------|--------|--|
| 01  | 559 | Agency Qualifier Code | M                          | ID 2/2 | M   ID 2/2   <i>ZZ</i> <i>Mutually Defined</i> |
| <p><b>Example: LM*ZZ~</b></p> <p>To transmit item free-form message type and text information.</p> <p>Please note that the type of text as well as the free-form message text will be split if the character length exceeds the maximum allowed characters per data element and segment.</p> <p>Example 1: Short text without text type.<br/>LM*ZZ~<br/>LQ*ZZ*Text1~</p> <p>Example 2: Long text for two different text types.<br/>LM*ZZ~<br/>LQ*AB*type1~<br/>LQ*ZZ*Text1.....first 30 chars~<br/>LQ*ZZ*Text1.....next 30 chars~<br/>LM*ZZ~<br/>LQ*AB*type2.....first 30 chars~<br/>LQ*AB*type2.....next 30 chars~<br/>LQ*ZZ*Text2.....first 30 chars~<br/>LQ*ZZ*Text2.....next 30 chars~<br/>LQ*ZZ*Text2.....next 30 chars~</p> |     |                       |                            |        |  |

|             |                |  |
|-------------|----------------|--|
| <b>0300</b> | <b>M &gt;1</b> | <b>Item Loop</b>                                   |
| <b>0310</b> | <b>M &gt;1</b> | <b>Item Detail</b>                                 |
| <b>0320</b> | <b>O 10</b>    | <b>Item Comments Loop</b>                          |
| <b>LQ</b>   | <b>M 100</b>   | <b>Industry Code - Item Comments Type and Text</b> |

| Standard Usage  |                          |           | SAP Business Network Usage |                             |         |
|---|--------------------------|-----------|----------------------------|-----------------------------|---------|
| 01 1270   | Code List Qualifier Code | O ID 1/3  | O ID 1/3                   | AB Type                     | ZZ Text |
| 02 1271   | Industry Code            | C AN 1/30 | C AN 1/30                  | Free-form text type or text |         |
| <p><b>Example: LQ*ZZ*Free-form message text A~</b><br/>                     To transmit item free-form message type and text information.</p> <p>Example 1: Free-form type and text<br/>                     LM*ZZ~<br/>                     LQ*AB*type1~<br/>                     LQ*ZZ*Text1~</p> <p>Example 2: Free-form text only<br/>                     LM*ZZ~<br/>                     LQ*ZZ*Text1~</p> |                          |           |                            |                             |         |

|             |                |                          |
|-------------|----------------|--------------------------|
| <b>0300</b> | <b>M &gt;1</b> | <b>Item Loop</b>         |
| <b>0310</b> | <b>M &gt;1</b> | <b>Item Detail</b>       |
| <b>LS</b>   | <b>O 1</b>     | <b>Scheduling Header</b> |

| Standard Usage   |     |                      | SAP Business Network Usage |        |                        |
|--|-----|----------------------|----------------------------|--------|------------------------|
| 01   | 447 | Loop Identifier Code | M                          | AN 1/6 | M   AN 1/6   <i>LX</i> |
| <p><b>Example: LS*LX~</b><br/>To indicate that the next segment begins a loop.</p> |     |                      |                            |        |                        |

|             |                |                        |
|-------------|----------------|------------------------|
| <b>0300</b> | <b>M &gt;1</b> | <b>Item Loop</b>       |
| <b>0310</b> | <b>M &gt;1</b> | <b>Item Detail</b>     |
| <b>0330</b> | <b>O &gt;1</b> | <b>Scheduling Loop</b> |
| <b>LX</b>   | <b>M 1</b>     | <b>Assigned Number</b> |

| Standard Usage   |     |                 | SAP Business Network Usage |        |   |
|--|-----|-----------------|----------------------------|--------|---|
| 01   | 554 | Assigned Number | M                          | N0 1/6 | M   N0 1/6   Unique number per scheduling portion |
| <b>Example: LX*1~</b>  |     |                 |                            |        |   |
| Number assigned for differentiation within a transaction set |     |                 |                            |        |   |



|             |                |                        |
|-------------|----------------|------------------------|
| <b>0300</b> | <b>M &gt;1</b> | <b>Item Loop</b>       |
| <b>0310</b> | <b>M &gt;1</b> | <b>Item Detail</b>     |
| <b>0330</b> | <b>O &gt;1</b> | <b>Scheduling Loop</b> |
| <b>G62</b>  | <b>O 10</b>    | <b>Date/Time</b>       |

| Standard Usage  |                |          | SAP Business Network Usage |           |   |
|---|----------------|----------|----------------------------|-----------|---|
| 01 432  | Date Qualifier | C ID 2/2 | C ID 2/2                   | <i>02</i> | <i>Delivery Requested on This Date</i>  |
| 02 373  | Date           | C DT 8/8 | C DT 8/8                   |           | Date expressed as format CCYYMMDD   |
| 03 176  | Time Qualifier | C ID 1/2 | C ID 1/2                   | <i>W</i>  | <i>Effective Time</i>   |
| 04 337  | Time           | C TM 4/8 | C TM 4/8                   |           | Time expressed in 24-hour clock time as follows: HHMMSS, where H = hours (00-23), M = minutes (00-59), S = integer seconds (00-59). |
| 05 623  | Time Code      | O ID 2/2 | O ID 2/2                   |           | Code identifying the time zone<br>Please refer to APPENDIX - CODELISTS<br>623 Time Code.  |
| <p><b>Example: G62*02*20210601*W*1234*01~</b><br/>To specify pertinent dates and times.</p> |                |          |                            |           |   |

|             |                |  |
|-------------|----------------|--|
| <b>0300</b> | <b>M &gt;1</b> | <b>Item Loop</b>                                     |
| <b>0310</b> | <b>M &gt;1</b> | <b>Item Detail</b>                                   |
| <b>0330</b> | <b>O &gt;1</b> | <b>Scheduling Loop</b>                               |
| <b>SDQ</b>  | <b>O &gt;1</b> | <b>Destination Quantity - Packaging Distribution</b> |

| Standard Usage  |     |                                    |   | SAP Business Network Usage |   |         |   |
|---|-----|------------------------------------|---|----------------------------|---|---------|---|
| 01  | 355 | Unit or Basis for Measurement Code | M | ID 2/2                     | M | ID 2/2  | Code specifying the units in which a value is being expressed, or manner in which a measurement has been taken.<br>Please refer to APPENDIX - CODELISTS 355 Unit or Basis for Measurement Code (UOM). |
| 02  | 66  | Identification Code Qualifier      | O | ID 1/2                     | X |         |   |
| 03  | 67  | Identification Code                | M | AN 2/80                    | M | AN 2/80 | Store number  |
| 04  | 380 | Quantity                           | M | R 1/15                     | M | R 1/15  | Quantity to be delivered  |
| <p><b>Example: SDQ*EA**ZZ*23~</b><br/>To provide packaging distribution information between stores.</p> |     |                                    |   |                            |   |         |   |

|             |                |                           |
|-------------|----------------|---------------------------|
| <b>0300</b> | <b>M &gt;1</b> | <b>Item Loop</b>          |
| <b>0310</b> | <b>M &gt;1</b> | <b>Item Detail</b>        |
| <b>LE</b>   | <b>O 1</b>     | <b>Scheduling Trailer</b> |

| Standard Usage  |     |                      | SAP Business Network Usage |        |                        |
|---|-----|----------------------|----------------------------|--------|------------------------|
| 01  | 447 | Loop Identifier Code | M                          | AN 1/6 | M   AN 1/6   <i>LX</i> |
| <p><b>Example: LE*LX~</b><br/>To indicate that the loop immediately preceding this segment is complete.</p> |     |                      |                            |        |                        |

**SE**      **M 1**      **Transaction Set Trailer**

| Standard Usage  |     |                                |           | SAP Business Network Usage |         |  |
|---|-----|--------------------------------|-----------|----------------------------|---------|--|
| 01  | 96  | Number of Included Segments    | M NO 1/10 | M                          | NO 1/10 | Total number of segments included in a transaction set including ST and SE segments.   |
| 02  | 329 | Transaction Set Control Number | M AN 4/9  | M                          | AN 4/9  | Identifying control number that must be unique within the transaction set functional group assigned by the originator for a transaction set. |
| <p><b>Example: SE*47*0001~</b></p> <p>To indicate the end of the transaction set and provide the count of the transmitted segments (including the beginning (ST) and ending (SE) segments).</p> |     |                                |           |                            |         |  |

**GE**      **C 1**      **Functional Group Trailer**

| Standard Usage   |    |                                     |   | SAP Business Network Usage |   |        |   |
|--|----|-------------------------------------|---|----------------------------|---|--------|---|
| 01   | 97 | Number of Transaction Sets Included | M | N0 1/6                     | M | N0 1/6 | Total number of transaction sets included in the functional group or interchange (transmission) group terminated by the trailer containing this data element. |
| 02   | 28 | Group Control Number                | M | N0 1/9                     | M | N0 1/9 | Assigned number originated and maintained by the sender.  |
| <p><b>Example: GE*1*1~</b><br/>To indicate the end of a functional group and to provide control information.</p> |    |                                     |   |                            |   |        |   |

**IEA**      **M 1**      **Interchange Control Trailer**

| Standard Usage  |     |                                      |   | SAP Business Network Usage |   |        |  |
|---|-----|--------------------------------------|---|----------------------------|---|--------|--|
| 01  | I16 | Number of Included Functional Groups | M | N0 1/5                     | M | N0 1/5 | A count of the number of functional groups included in an interchange. |
| 02  | I12 | Interchange Control Number           | M | N0 9/9                     | M | N0 9/9 | A control number assigned by the interchange sender.                   |
| <p><b>Example: IEA*1*000000001~</b><br/>To define the end of an interchange of zero or more functional groups and interchange-related control segments.</p> |     |                                      |   |                            |   |        |  |

## DOCUMENTED EXAMPLE

Below you will find an example message.

**Note that the examples are for illustrative purposes only, filled with comprehensible dummy values and must not to be understood as real messages.**

**Example**

ISA\*00\* \*00\* \*ZZ\*SenderID \*ZZ\*ReceiverID \*210813\*1557\*U\*00401\*000000001\*0\*P\*>~  
GS\*OW\*SenderID\*ReceiverID\*20210813\*1557\*1\*X\*004010~  
ST\*940\*0001~  
W05\*N\*1234~  
N1\*BT\*BillTo Name\*92\*BillTo ID~  
N2\*BillTo Addr Name 1\*BillTo Addr Name 2~  
N3\*BillTo Street 1\*BillTo Street 2~  
N4\*BillTo City\*TX\*ZIP\*US\*SP\*X~  
PER\*IC\*BillTo Contact Name\*EM\*E-Mail\*TE\*Phone ID\*UR\*URL~  
N9\*06\*System ID~  
N9\*43\*External Document Reference\*ERP Doc Type~  
N9\*1Z\*20000\*USD~  
N9\*ZZ\*MutuallyDefinedIDName\*Mutually Defined Identification\*\*\*\*0L>Ongoing N902>0L>Ongoing N902>0N>Ongoing N903~  
G61\*ZZ\*CompanyCodeID\*\*\*CompanyCode~  
G62\*04\*20210506\*W\*1234\*01~  
NTE\*CAJ\*isSTOOutbound~  
W66\*CC\*ZZ~  
LM\*ZZ~  
LQ\*ZZ\*Free-form message text A~  
LX\*10~  
W01\*10\*EA\*UPCCaseCode1\*BP\*BuyerPartID1\*EN\*EAN-01\*\*\*\*\*VP\*SupplierPartID1~  
G69\*Description 1~  
N9\*BT\*requiresBatch\*yes~  
N9\*CX\*domain\*content~  
N9\*KD\*OCLowerQtyTolerancePercent\*3~  
N9\*KQ\*itemCategory\*stockTransfer~  
N9\*SU\*itemCategory\*stockTransfer~  
N9\*1Z\*11.99\*USD~  
N9\*ZZ\*MutuallyDefinedIDName\*Mutually Defined Identification\*\*\*\*0L>Ongoing N902>0L>Ongoing N902>0N>Ongoing N903~  
QTY\*DY\*10~  
G62\*02\*20210601\*W\*1234\*01~  
G66\*CC~



**Example**

N1\*ST\*ShipTo Name\*9\*ShipTo ID~

PER\*SC\*BuyerPlannerCodeDescription\*\*\*\*\*Identifier~

LM\*ZZ~

LQ\*ZZ\*Free-form message text A~

LS\*LX~

LX\*1~

G62\*02\*20210601\*W\*1234\*01~

SDQ\*EA\*\*ZZ\*23~

LE\*LX~

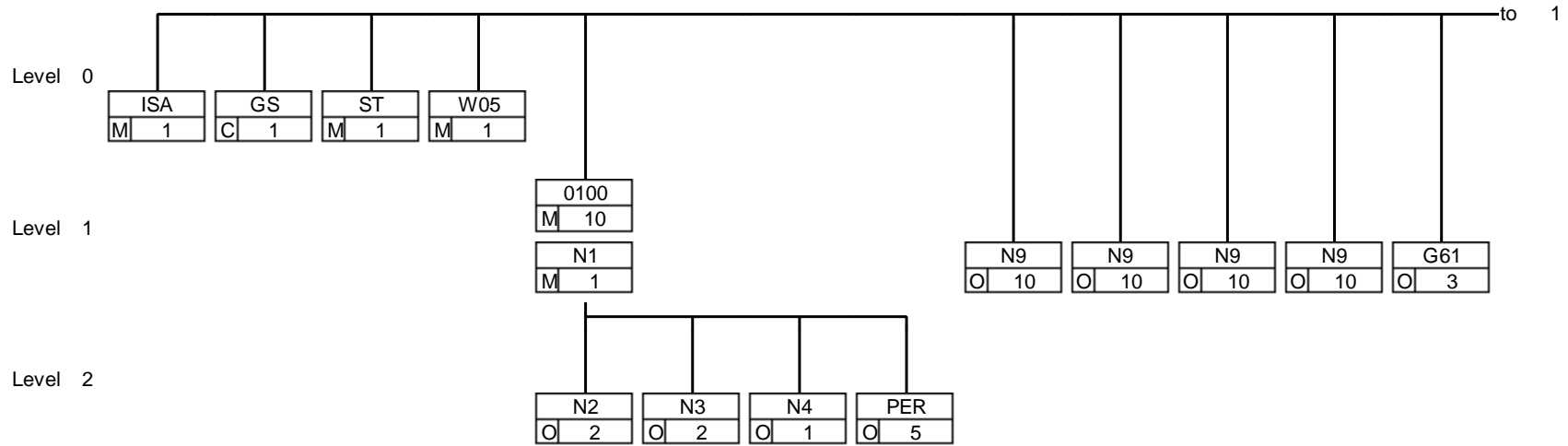
SE\*47\*0001~

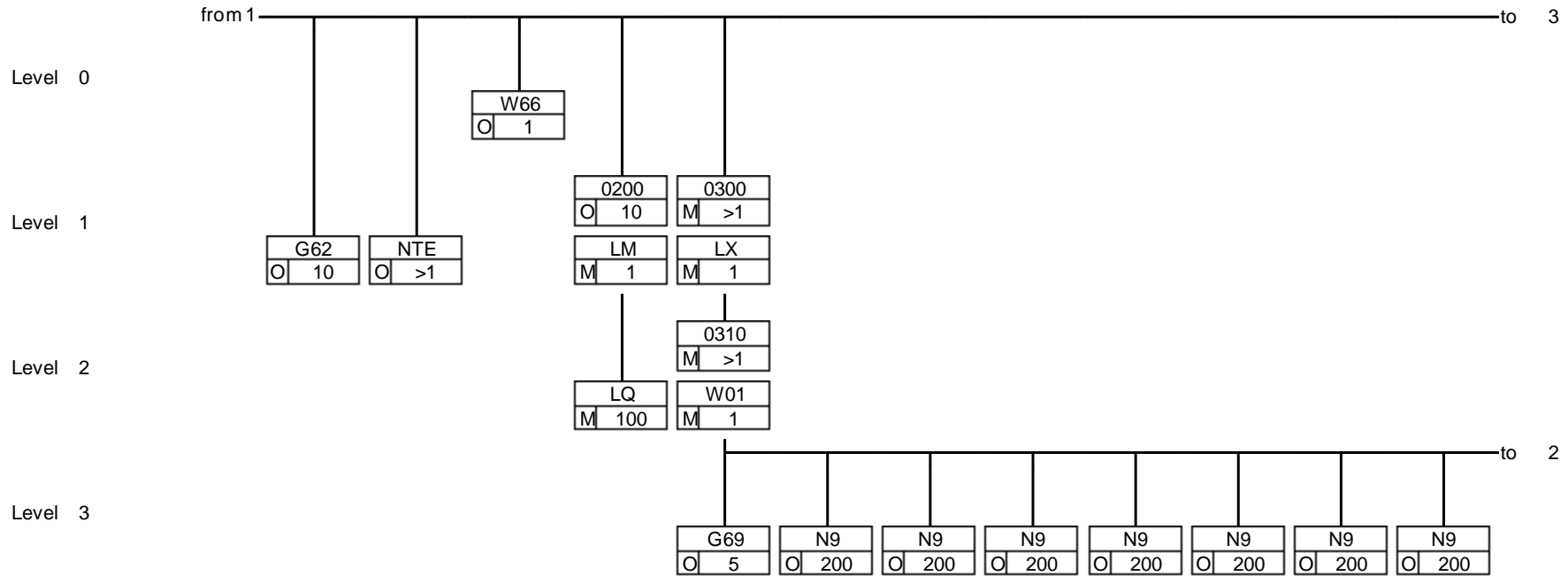
GE\*1\*1~

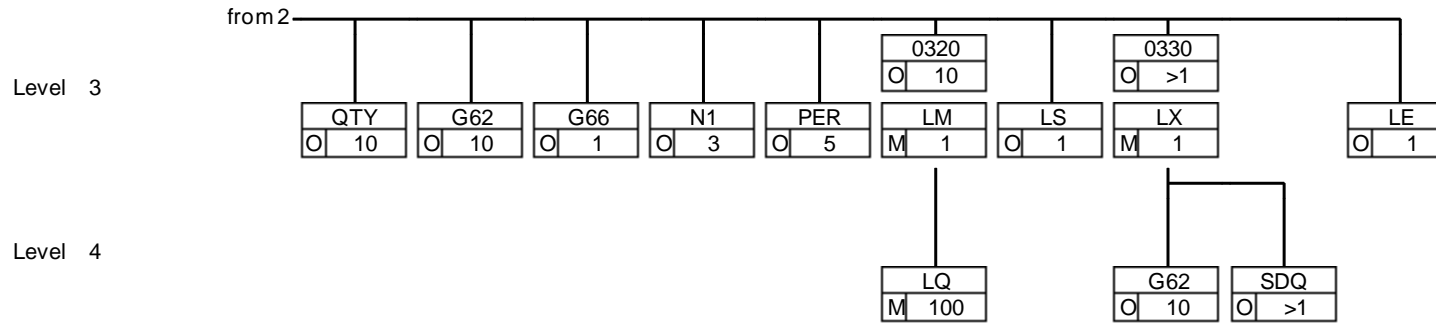
IEA\*1\*000000001~

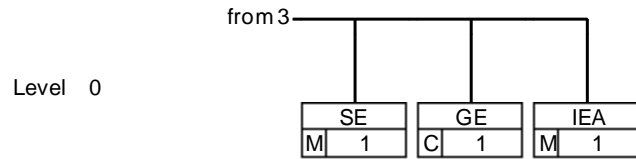
## **APPENDIX – BRANCHING DIAGRAM**

Below you will find a branching diagram for the message which graphically outlines the hierarchical structure and the interdependence between the different segments.









**APPENDIX – CODELISTS**

**26 Country Code**

\*Note that SAP Business Network supports codes from higher ANSI X12 versions.  
If one of these codes is used, please make sure that the system of your business partner can process it.

|     |                                  |
|-----|----------------------------------|
| AF  | Afghanistan                      |
| AD  | Andorra                          |
| AE  | United Arab Emirates             |
| AG  | Antigua and Barbuda              |
| AI  | Anguilla                         |
| AL  | Albania                          |
| AM  | Armenia                          |
| AN  | Netherlands Antiles              |
| AO  | Angola                           |
| AQ  | Antarctica                       |
| AR  | Argentina                        |
| AS  | American Samoa                   |
| AT  | Austria                          |
| AU  | Australia                        |
| AW  | Aruba                            |
| AX* | Åland Islands                    |
| AZ  | Azerbaijan                       |
| BA  | Bosnia and Herzegovina           |
| BB  | Barbados                         |
| BD  | Bangladesh                       |
| BE  | Belgium                          |
| BF  | Burkina Faso                     |
| BG  | Bulgaria                         |
| BH  | Bahrain                          |
| BI  | Burundi                          |
| BJ  | Benin                            |
| BL* | Saint Barthélemy                 |
| BM  | Bermuda                          |
| BN  | Brunei Darussalam                |
| BO  | Bolivia                          |
| BQ* | Bonaire, Sint Eustatius and Saba |
| BR  | Brazil                           |
| BS  | Bahamas                          |
| BT  | Bhutan                           |
| BV  | Bouvet Island                    |
| BW  | Botswana                         |
| BY  | Belarus                          |
| BZ  | Belize                           |

**26 Country Code**

\*Note that SAP Business Network supports codes from higher ANSI X12 versions.  
If one of these codes is used, please make sure that the system of your business partner can process it.

|     |                                       |
|-----|---------------------------------------|
| CA  | Canada                                |
| CC  | Cocos (Keeling) Islands               |
| CD* | Congo, The Democratic Republic of the |
| CF  | Central African Republic              |
| CG  | Congo                                 |
| CH  | Switzerland                           |
| CI  | Côte d'Ivoire                         |
| CK  | Cook Islands                          |
| CL  | Chile                                 |
| CM  | Cameroon                              |
| CN  | China                                 |
| CO  | Colombia                              |
| CR  | Costa Rica                            |
| CU  | Cuba                                  |
| CV  | Cape Verde                            |
| CW* | Curaçao                               |
| CX  | Christmas Island                      |
| CY  | Cyprus                                |
| CZ  | Czech Republic                        |
| DE  | Germany                               |
| DJ  | Djibouti                              |
| DK  | Denmark                               |
| DM  | Dominica                              |
| DO  | Dominican Republic                    |
| DZ  | Algeria                               |
| EC  | Ecuador                               |
| EE  | Estonia                               |
| EG  | Egypt                                 |
| EH  | Western Sahara                        |
| ER  | Eritrea                               |
| ES  | Spain                                 |
| ET  | Ethiopia                              |
| FI  | Finland                               |
| FJ  | Fiji                                  |
| FK  | Falkland Islands (Malvinas)           |
| FM  | Micronesia                            |
| FO  | Faroe Islands                         |
| FR  | France                                |
| FX  | France, Metropolitan                  |
| GA  | Gabon                                 |



**26 Country Code**

\*Note that SAP Business Network supports codes from higher ANSI X12 versions.  
If one of these codes is used, please make sure that the system of your business partner can process it.

|     |  |
|-----|--|
| GB  | United Kingdom                               |
| GD  | Grenada                                      |
| GE  | Georgia                                      |
| GF  | French Guiana                                |
| GG* | Guernsey                                     |
| GH  | Ghana  |
| GI  | Gibraltar                                    |
| GL  | Greenland                                    |
| GM  | Gambia                                       |
| GN  | Guinea                                       |
| GP  | Guadeloupe                                   |
| GQ  | Equatorial Guinea                            |
| GR  | Greece                                       |
| GS  | South Georgia and the South Sandwich Islands |
| GT  | Guatemala                                    |
| GU  | Guam   |
| GW  | Guinea-Bissau                                |
| GY  | Guyana                                       |
| HK  | Hong Kong                                    |
| HM  | Heard Island and McDonald Islands            |
| HN  | Honduras                                     |
| HR  | Croatia                                      |
| HT  | Haiti  |
| HU  | Hungary                                      |
| ID  | Indonesia                                    |
| IE  | Ireland                                      |
| IL  | Israel                                       |
| IM* | Isle of Man                                  |
| IN  | India  |
| IO  | British Indian Ocean Territory               |
| IQ  | Iraq   |
| IR  | Iran, Islamic Republic of                    |
| IS  | Iceland                                      |
| IT  | Italy  |
| JE* | Jersey                                       |
| JM  | Jamaica                                      |
| JO  | Jordan                                       |
| JP  | Japan  |
| KE  | Kenya  |
| KG  | Kyrgyzstan                                   |

**26 Country Code**

\*Note that SAP Business Network supports codes from higher ANSI X12 versions.  
If one of these codes is used, please make sure that the system of your business partner can process it.

|     |  |
|-----|--|
| KH  | Cambodia                               |
| KI  | Kiribati                               |
| KM  | Comoros                                |
| KN  | Saint Kitts and Nevis                  |
| KP  | Korea, Democratic People's Republic of |
| KR  | Korea, Republic of                     |
| KW  | Kuwait                                 |
| KY  | Cayman Islands                         |
| KZ  | Kazakhstan                             |
| LA  | Lao People's Democratic Republic       |
| LB  | Lebanon                                |
| LC  | Saint Lucia                            |
| LI  | Liechtenstein                          |
| LK  | Sri Lanka                              |
| LR  | Liberia                                |
| LS  | Lesotho                                |
| LT  | Lithuania                              |
| LU  | Luxembourg                             |
| LV  | Latvia                                 |
| LY  | Libya                                  |
| MA  | Morocco                                |
| MC  | Monaco                                 |
| MD  | Moldova                                |
| ME* | Montenegro                             |
| MF* | Saint Martin (French Part)             |
| MG  | Madagascar                             |
| MH  | Marshall Islands                       |
| MK  | Macedonia                              |
| ML  | Mali                                   |
| MM  | Myanmar                                |
| MN  | Mongolia                               |
| MO  | Macao                                  |
| MP  | Northern Mariana Islands               |
| MQ  | Martinique                             |
| MR  | Mauritania                             |
| MS  | Montserrat                             |
| MT  | Malta                                  |
| MU  | Mauritius                              |
| MV  | Maldives                               |
| MW  | Malawi                                 |

**26 Country Code**

\*Note that SAP Business Network supports codes from higher ANSI X12 versions.  
If one of these codes is used, please make sure that the system of your business partner can process it.

|     |                           |
|-----|---------------------------|
| MX  | Mexico                    |
| MY  | Malaysia                  |
| MZ  | Mozambique                |
| NA  | Namibia                   |
| NC  | New Caledonia             |
| NE  | Niger                     |
| NF  | Norfolk Island            |
| NG  | Nigeria                   |
| NI  | Nicaragua                 |
| NL  | Netherlands               |
| NO  | Norway                    |
| NP  | Nepal                     |
| NR  | Nauru                     |
| NU  | Niue                      |
| NZ  | New Zealand               |
| OM  | Oman                      |
| PA  | Panama                    |
| PE  | Peru                      |
| PF  | French Polynesia          |
| PG  | Papua New Guinea          |
| PH  | Philippines               |
| PK  | Pakistan                  |
| PL  | Poland                    |
| PM  | Saint Pierre and Miquelon |
| PN  | Pitcairn                  |
| PR  | Puerto Rico               |
| PS* | Palestine, State of       |
| PT  | Portugal                  |
| PW  | Palau                     |
| PY  | Paraguay                  |
| QA  | Qatar                     |
| RE  | Reunion                   |
| RO  | Romania                   |
| RS* | Serbia                    |
| RU  | Russian Federation        |
| RW  | Rwanda                    |
| SA  | Saudi Arabia              |
| SB  | Solomon Islands           |
| SC  | Seychelles                |
| SD  | Sudan                     |

**26 Country Code**

\*Note that SAP Business Network supports codes from higher ANSI X12 versions.  
If one of these codes is used, please make sure that the system of your business partner can process it.

|     |  |
|-----|--|
| SE  | Sweden                                       |
| SG  | Singapore                                    |
| SH  | Saint Helena, Ascension and Tristan Da Cunha |
| SI  | Slovenia                                     |
| SJ  | Svalbard and Jan Mayen                       |
| SK  | Slovakia                                     |
| SL  | Sierra Leone                                 |
| SM  | San Marino                                   |
| SN  | Senegal                                      |
| SO  | Somalia                                      |
| SR  | Suriname                                     |
| SS* | South Sudan                                  |
| ST  | Sao Tome and Principe                        |
| SV  | El Salvador                                  |
| SX* | Sint Maarten (Dutch Part)                    |
| SY  | Syrian Arab Republic                         |
| SZ  | Swaziland                                    |
| TC  | Turks and Caicos Islands                     |
| TD  | Chad   |
| TF  | French Southern Territories                  |
| TG  | Togo   |
| TH  | Thailand                                     |
| TJ  | Tajikistan                                   |
| TK  | Tokelau                                      |
| TL* | Timor-Leste                                  |
| TM  | Turkmenistan                                 |
| TN  | Tunisia                                      |
| TO  | Tonga  |
| TP  | East Timor                                   |
| TR  | Türkiye                                      |
| TT  | Trinidad and Tobago                          |
| TV  | Tuvalu                                       |
| TW  | Taiwan, Province of China                    |
| TZ  | Tanzania, United Republic of                 |
| UA  | Ukraine                                      |
| UG  | Uganda                                       |
| UM  | United States Minor Outlying Islands         |
| US  | United States                                |
| UY  | Uruguay                                      |
| UZ  | Uzbekistan                                   |

**26 Country Code**

\*Note that SAP Business Network supports codes from higher ANSI X12 versions.  
If one of these codes is used, please make sure that the system of your business partner can process it.

|      |   |
|------|---|
| VA   | Holy See (Vatican City State)   |
| VC   | Saint Vincent and the Grenadines  |
| VE   | Venezuela   |
| VG   | Virgin Islands, British   |
| VI   | Virgin Islands, U.S.  |
| VN   | Viet Nam  |
| VU   | Vanuatu   |
| WF   | Wallis and Futuna   |
| WS   | Samoa   |
| XK** | Kosovo **(Temporary country code for Kosovo till ISO officially assigns a code. If this code is to be used please make sure that the system of your business partner can also process it) |
| YE   | Yemen   |
| YT   | Mayotte   |
| YU   | Yugoslavia  |
| ZA   | South Africa  |
| ZM   | Zambia  |
| ZR   | Zaire   |
| ZW   | Zimbabwe  |

**146 Shipment Method of Payment**

\* Note that DF has different meanings and should be used only in conjunction with the description.

|    |  |
|----|--|
| 11 | Rule11Shipment                             |
| BP | PaidByBuyer                                |
| CA | AdvanceCollect                             |
| CC | Collect                                    |
| CD | CollectOnDelivery                          |
| CF | CollectFreightCreditedToPaymentCustomer    |
| DE | PerContract                                |
| DF | Account                                    |
| DF | CashOnDeliveryServiceChargePaidByConsignee |
| DF | CashOnDeliveryServiceChargePaidByConsignor |
| DF | DefinedByBuyerAndSeller                    |
| DF | InformationCopy-NoPaymentDue               |
| DF | InsuranceCostsPaidByConsignee              |
| DF | InsuranceCostsPaidByConsignor              |
| DF | NotSpecified                               |
| DF | PayableElsewhere                           |
| DF | Other                                      |
| FO | FobPortOfCall                              |
| HP | HalfPrepaid                                |
| MX | Mixed                                      |

| 146 Shipment Method of Payment |                                      |
|--------------------------------|--------------------------------------|
| NC                             | ServiceFreight-NoCharge              |
| NR                             | NonRevenue                           |
| PA                             | AdvancePrepaid                       |
| PB                             | CustomerPick-UpOrBackhaul            |
| PC                             | PrepaidButChargedToCustomer          |
| PD                             | PrepaidByProcessor                   |
| PE                             | PrepaidAndSummaryBill                |
| PL                             | PrepaidLocalCollectOutstate          |
| PO                             | PrepaidOnly                          |
| PP                             | Prepaid-BySeller                     |
| PS                             | PaidBySupplierOrSeller               |
| PU                             | Pickup                               |
| RC                             | ReturnContainerFreightPaidByCustomer |
| RF                             | ReturnContainerFreightFree           |
| RS                             | ReturnContainerFreightPaidBySupplier |
| TP                             | ThirdPartyPay                        |
| WC                             | WeightCondition                      |

| 156 State or Province Code |                                |
|----------------------------|--------------------------------|
| AB                         | Alberta                        |
| AK                         | Alaska                         |
| AL                         | Alabama                        |
| AR                         | Arkansas                       |
| AS                         | American Samoa                 |
| AZ                         | Arizona                        |
| BC                         | British Columbia               |
| CA                         | California                     |
| CO                         | Colorado                       |
| CT                         | Connecticut                    |
| DC                         | District of Columbia           |
| DE                         | Delaware                       |
| FL                         | Florida                        |
| FM                         | Federated States of Micronesia |
| GA                         | Georgia                        |
| GU                         | Guam                           |
| HI                         | Hawaii                         |
| IA                         | Iowa                           |
| ID                         | Idaho                          |
| IL                         | Illinois                       |
| IN                         | Indiana                        |
| KS                         | Kansas                         |
| KY                         | Kentucky                       |
| LA                         | Louisiana                      |

| 156 State or Province Code |                          |
|----------------------------|--------------------------|
| MA                         | Massachusetts            |
| MB                         | Manitoba                 |
| MD                         | Maryland                 |
| ME                         | Maine                    |
| MH                         | Marshall Islands         |
| MI                         | Michigan                 |
| MN                         | Minnesota                |
| MO                         | Missouri                 |
| MP                         | Northern Mariana Islands |
| MS                         | Mississippi              |
| MT                         | Montana                  |
| NB                         | New Brunswick            |
| NC                         | North Carolina           |
| ND                         | North Dakota             |
| NE                         | Nebraska                 |
| NF                         | Newfoundland             |
| NH                         | New Hampshire            |
| NJ                         | New Jersey               |
| NM                         | New Mexico               |
| NS                         | Nova Scotia              |
| NT                         | Northwest Territories    |
| NU                         | Nunavut                  |
| NV                         | Nevada                   |
| NY                         | New York                 |
| OH                         | Ohio                     |
| OK                         | Oklahoma                 |
| ON                         | Ontario                  |
| OR                         | Oregon                   |
| PA                         | Pennsylvania             |
| PE                         | Prince Edward Island     |
| PR                         | Puerto Rico              |
| PW                         | Palau                    |
| QC                         | Quebec                   |
| RI                         | Rhode Island             |
| SC                         | South Carolina           |
| SD                         | South Dakota             |
| SK                         | Saskatchewan             |
| TN                         | Tennessee                |
| TX                         | Texas                    |
| UT                         | Utah                     |
| VA                         | Virginia                 |
| VI                         | Virgin Islands           |
| VT                         | Vermont                  |

**156 State or Province Code**

|    |               |
|----|---------------|
| WA | Washington    |
| WI | Wisconsin     |
| WV | West Virginia |
| WY | Wyoming       |
| YT | Yukon         |

**355 Unit or Basis for Measurement Code (UOM)**

|    |  |
|----|--|
| 02 | Statute Mile                             |
| 03 | Seconds                                  |
| 04 | Small Spray                              |
| 05 | Lifts                                    |
| 08 | Heat Lots                                |
| 10 | Group                                    |
| 11 | Outfit                                   |
| 12 | Packet                                   |
| 13 | Ration                                   |
| 14 | Shot                                     |
| 15 | Stick                                    |
| 16 | 115 Kilogram Drum                        |
| 17 | 100 Pound Drum                           |
| 18 | 55 Gallon Drum                           |
| 19 | Tank Truck                               |
| 20 | 20 Foot Container                        |
| 21 | 40 Foot Container                        |
| 22 | Deciliter per Gram                       |
| 23 | Grams per Cubic Centimeter               |
| 24 | Theoretical Pounds                       |
| 25 | Grams per Square Centimeter              |
| 26 | Actual Tons                              |
| 27 | Theoretical Tons                         |
| 28 | Kilograms per Square Meter               |
| 29 | Pounds per 1000 Square Feet              |
| 30 | Horsepower Days per Air Dry Metric Tons  |
| 31 | Catchweight                              |
| 32 | Kilograms per Air Dry Metric Tons        |
| 33 | Kilopascal Square Meters per Gram        |
| 34 | Kilopascals per Millimeter               |
| 35 | Milliliters per Square Centimeter Second |
| 36 | Cubic Feet per Minute per Square Foot    |
| 37 | Ounces per Square Foot                   |
| 38 | Ounces per Square Foot per 0.01 Inch     |
| 40 | Milliliter per Second                    |



| <b>355 Unit or Basis for Measurement Code (UOM)</b> |                                   |
|---|-----------------------------------|
| 41  | Milliliter per Minute             |
| 43  | Super Bulk Bag                    |
| 44  | 500 Kilogram Bulk Bag             |
| 45  | 300 Kilogram Bulk Bag             |
| 46  | 25 Kilogram Bulk Bag              |
| 47  | 50 Pound Bag                      |
| 48  | Bulk Car Load                     |
| 53  | Theoretical Kilograms             |
| 54  | Theoretical Tonnes                |
| 56  | Sitas                             |
| 57  | Mesh                              |
| 58  | Net Kilograms                     |
| 59  | Parts Per Million                 |
| 60  | Percent Weight                    |
| 61  | Parts Per Billion                 |
| 62  | Percent Per 1000 Hours            |
| 63  | Failure Rate In Time              |
| 64  | Pounds Per Square Inch Gauge      |
| 65  | Coulomb                           |
| 66  | Oersteds                          |
| 67  | Siemens                           |
| 68  | Ampere                            |
| 69  | Test Specific Scale               |
| 70  | Volt                              |
| 71  | Volt-Ampere Per Pound             |
| 72  | Watts Per Pound                   |
| 73  | Ampere Turn Per Centimeter        |
| 74  | Milli Pascals                     |
| 76  | Gauss                             |
| 77  | Mil                               |
| 78  | Kilogauss                         |
| 79  | Electron Volt                     |
| 80  | Pounds Per Square Inch Absolute   |
| 81  | Henry                             |
| 82  | Ohm                               |
| 83  | Farad                             |
| 84  | Kilo Pounds Per Square Inch (KSI) |
| 85  | Foot Pounds                       |
| 86  | Joules                            |
| 87  | Pounds per Cubic Foot             |
| 89  | Poise                             |
| 90  | Saybold Universal Second          |
| 91  | Stokes                            |

| <b>355 Unit or Basis for Measurement Code (UOM)</b> |                                       |
|---|---------------------------------------|
| 92  | Calories per Cubic Centimeter         |
| 93  | Calories per Gram                     |
| 94  | Curl Units                            |
| 95  | 20,000 Gallon Tankcar                 |
| 96  | 10,000 Gallon Tankcar                 |
| 97  | 10 Kilogram Drum                      |
| 98  | 15 Kilogram Drum                      |
| 99  | Watt                                  |
| 1A  | Car Mile                              |
| 1B  | Car Count                             |
| 1C  | Locomotive Count                      |
| 1D  | Caboose Count                         |
| 1E  | Empty Car                             |
| 1F  | Train Mile                            |
| 1G  | Fuel Usage (Gallons)                  |
| 1H  | Caboose Mile                          |
| 1I  | Fixed Rate                            |
| 1J  | Ton Miles                             |
| 1K  | Locomotive Mile                       |
| 1L  | Total Car Count                       |
| 1M  | Total Car Mile                        |
| 1X  | Quarter Mile                          |
| 2A  | Radians Per Second                    |
| 2B  | Radians Per Second Squared            |
| 2C  | Roentgen                              |
| 2I  | British Thermal Units (BTUs) Per Hour |
| 2J  | Cubic Centimeters Per Second          |
| 2K  | Cubic Feet Per Hour                   |
| 2L  | Cubic Feet Per Minute                 |
| 2M  | Centimeters Per Second                |
| 2N  | Decibels                              |
| 2P  | Kilobyte                              |
| 2Q  | Kilobecquerel                         |
| 2R  | Kilocurie                             |
| 2U  | Megagram                              |
| 2V  | Megagrams Per Hour                    |
| 2W  | Bin                                   |
| 2X  | Meters Per Minute                     |
| 2Y  | Milliroentgen                         |
| 2Z  | Millivolts                            |
| 3B  | Megajoule                             |
| 3C  | Manmonth                              |
| 3E  | Pounds Per Pound of Product           |

| <b>355 Unit or Basis for Measurement Code (UOM)</b> |                                   |
|---|-----------------------------------|
| 3F  | Kilograms Per Liter of Product    |
| 3G  | Pounds Per Piece of Product       |
| 3H  | Kilograms Per Kilogram of Product |
| 3I  | Kilograms Per Piece of Product    |
| 4A  | Bobbin                            |
| 4B  | Cap                               |
| 4C  | Centistokes                       |
| 4D  | Curie                             |
| 4E  | 20-Pack                           |
| 4F  | 100-Pack                          |
| 4G  | Microliter                        |
| 4H  | Micrometer                        |
| 4I  | Meters Per Second                 |
| 4J  | Meters Per Second Per Second      |
| 4K  | Milliamperes                      |
| 4L  | Megabyte                          |
| 4M  | Milligrams Per Hour               |
| 4N  | Megabecquerel                     |
| 4O  | Microfarad                        |
| 4P  | Newtons Per Meter                 |
| 4Q  | Ounce Inch                        |
| 4R  | Ounce Foot                        |
| 4S  | Pascal                            |
| 4T  | Picofarad                         |
| 4U  | Pounds Per Hour                   |
| 4V  | Cubic Meter Per Hour              |
| 4W  | Ton Per Hour                      |
| 4X  | Kiloliter Per Hour                |
| 5A  | Barrels per Minute                |
| 5B  | Batch                             |
| 5C  | Gallons per Thousand              |
| 5E  | MMSCF/Day                         |
| 5F  | Pounds per Thousand               |
| 5G  | Pump                              |
| 5H  | Stage                             |
| 5I  | Standard Cubic Foot               |
| 5J  | Hydraulic Horse Power             |
| 5K  | Count per Minute                  |
| 5P  | Seismic Level                     |
| 5Q  | Seismic Line                      |
| 8C  | Cord                              |
| 8U  | Square Kilometer                  |
| A8  | Dollars per Hours                 |

| <b>355 Unit or Basis for Measurement Code (UOM)</b> |   |
|---|---|
| AA  | Ball  |
| AB  | Bulk Pack                                   |
| AC  | Acre  |
| AD  | Bytes                                       |
| AE  | Amperes per Meter                           |
| AF  | Centigram                                   |
| AG  | Angstrom                                    |
| AH  | Additional Minutes                          |
| AI  | Average Minutes Per Call                    |
| AJ  | Cop   |
| AK  | Fathom                                      |
| AL  | Access Lines                                |
| AM  | Ampoule                                     |
| AP  | Aluminum Pounds Only                        |
| AQ  | Anti-hemophilic Factor (AHF) Units          |
| AR  | Suppository                                 |
| AS  | Assortment                                  |
| AT  | Atmosphere                                  |
| AV  | Capsule                                     |
| AW  | Powder-Filled Vials                         |
| AY  | Assembly                                    |
| AZ  | British Thermal Units (BTUs) per Pound      |
| B0  | British Thermal Units (BTUs) per Cubic Foot |
| B1  | Barrels per Day                             |
| B2  | Bunks                                       |
| B3  | Batting Pound                               |
| B4  | Barrel, Imperial                            |
| B5  | Billet                                      |
| B6  | Bun   |
| B7  | Cycles                                      |
| B8  | Board                                       |
| B9  | Batt  |
| BA  | Bale  |
| BB  | Base Box                                    |
| BC  | Bucket                                      |
| BD  | Bundle                                      |
| BE  | Beam  |
| BF  | Board Feet                                  |
| BG  | Bag   |
| BH  | Brush                                       |
| BI  | Bar   |
| BJ  | Band  |
| BK  | Book  |

**355 Unit or Basis for Measurement Code (UOM)**

|    |   |
|----|---|
| BL | Block                                   |
| BM | Bolt                                    |
| BN | Bulk                                    |
| BO | Bottle                                  |
| BP | 100 Board Feet                          |
| BQ | Brake horse power                       |
| BR | Barrel                                  |
| BS | Basket                                  |
| BT | Belt                                    |
| BU | Bushel                                  |
| BV | Bushel, Dry Imperial                    |
| BW | Base Weight                             |
| BX | Box                                     |
| BY | British Thermal Unit (BTU)              |
| BZ | Million BTU&amp                         |
| C0 | Calls                                   |
| C1 | Composite Product Pounds (Total Weight) |
| C2 | Carset                                  |
| C3 | Centiliter                              |
| C4 | Carload                                 |
| C5 | Cost                                    |
| C6 | Cell                                    |
| C7 | Centipoise (CPS)                        |
| C8 | Cubic Decimeter                         |
| C9 | Coil Group                              |
| CA | Case                                    |
| CB | Carboy                                  |
| CC | Cubic Centimeter                        |
| CD | Carat                                   |
| CE | Centigrade, Celsius                     |
| CF | Cubic Feet                              |
| CG | Card                                    |
| CH | Container                               |
| CI | Cubic Inches                            |
| CJ | Cone                                    |
| CK | Connector                               |
| CL | Cylinder                                |
| CM | Centimeter                              |
| CN | Can                                     |
| CO | Cubic Meters (Net)                      |
| CP | Crate                                   |
| CQ | Cartridge                               |
| CR | Cubic Meter                             |

| <b>355 Unit or Basis for Measurement Code (UOM)</b> |                                |
|---|--------------------------------|
| CS  | Cassette                       |
| CT  | Carton                         |
| CU  | Cup                            |
| CV  | Cover                          |
| CW  | Hundred Pounds (CWT)           |
| CX  | Coil                           |
| CY  | Cubic Yard                     |
| CZ  | Combo                          |
| D3  | Square Decimeter               |
| D5  | Kilogram Per Square Centimeter |
| D8  | Draize Score                   |
| D9  | Dyne per Square Centimeter     |
| DA  | Days                           |
| DB  | Dry Pounds                     |
| DC  | Disk (Disc)                    |
| DD  | Degree                         |
| DE  | Deal                           |
| DF  | Dram                           |
| DG  | Decigram                       |
| DI  | Dispenser                      |
| DJ  | Decagram                       |
| DK  | Kilometers                     |
| DL  | Deciliter                      |
| DM  | Decimeter                      |
| DN  | Deci Newton-Meter              |
| DP  | Dozen Pair                     |
| DQ  | Data Records                   |
| DR  | Drum                           |
| DS  | Display                        |
| DT  | Dry Ton                        |
| DU  | Dyne                           |
| DX  | Dynes per Centimeter           |
| DY  | Directory Books                |
| DZ  | Dozen                          |
| E1  | Hectometer                     |
| EA  | Each                           |
| EB  | Electronic Mail Boxes          |
| EC  | Each per Month                 |
| EH  | Knots                          |
| EP  | Eleven pack                    |
| EQ  | Equivalent Gallons             |
| EV  | Envelope                       |
| F1  | Thousand Cubic Feet Per Day    |

| <b>355 Unit or Basis for Measurement Code (UOM)</b> |                                    |
|---|------------------------------------|
| F5  | MOL                                |
| F9  | Fibers per Cubic Centimeter of Air |
| FA  | Fahrenheit                         |
| FB  | Fields                             |
| FC  | 1000 Cubic Feet                    |
| FD  | Million Particles per Cubic Foot   |
| FE  | Track Foot                         |
| FF  | Hundred Cubic Meters               |
| FG  | Transdermal Patch                  |
| FH  | Micromolar                         |
| FL  | Flake Ton                          |
| FM  | Million Cubic Feet                 |
| FO  | Fluid Ounce                        |
| FP  | Pounds per Sq. Ft.                 |
| FR  | Feet Per Minute                    |
| FS  | Feet Per Second                    |
| FT  | Foot                               |
| FZ  | Fluid Ounce (Imperial)             |
| G2  | U.S. Gallons Per Minute            |
| G3  | Imperial Gallons Per Minute        |
| G4  | Gigabecquerel                      |
| G5  | Gill (Imperial)                    |
| G7  | Microfiche Sheet                   |
| GA  | Gallon                             |
| GB  | Gallons/Day                        |
| GC  | Grams per 100 Grams                |
| GD  | Gross Barrels                      |
| GE  | Pounds per Gallon                  |
| GG  | Great Gross (Dozen Gross)          |
| GH  | Half Gallon                        |
| GI  | Imperial Gallons                   |
| GJ  | Grams per Milliliter               |
| GK  | Grams per Kilogram                 |
| GL  | Grams per Liter                    |
| GM  | Grams per Sq. Meter                |
| GN  | Gross Gallons                      |
| GO  | Milligrams per Square Meter        |
| GP  | Milligrams per Cubic Meter         |
| GQ  | Micrograms per Cubic Meter         |
| GR  | Gram                               |
| GS  | Gross                              |
| GT  | Gross Kilogram                     |
| GV  | Gigajoules                         |

| <b>355 Unit or Basis for Measurement Code (UOM)</b> |   |
|---|---|
| GW  | Gallons Per Thousand Cubic Feet             |
| GX  | Grain                                       |
| GY  | Gross Yard                                  |
| GZ  | Gage Systems                                |
| H1  | Half Pages - Electronic                     |
| H2  | Half Liter                                  |
| H4  | Hectoliter                                  |
| HA  | Hank  |
| HB  | Hundred Boxes                               |
| HC  | Hundred Count                               |
| HD  | Half Dozen                                  |
| HE  | Hundredth of a Carat                        |
| HF  | Hundred Feet                                |
| HG  | Hectogram                                   |
| HH  | Hundred Cubic Feet                          |
| HI  | Hundred Sheets                              |
| HJ  | Horsepower                                  |
| HK  | Hundred Kilograms                           |
| HL  | Hundred Feet - Linear                       |
| HM  | Miles Per Hour                              |
| HN  | Millimeters of Mercury                      |
| HO  | Hundred Troy Ounces                         |
| HP  | Millimeter H2O                              |
| HQ  | Hectare                                     |
| HR  | Hours                                       |
| HS  | Hundred Square Feet                         |
| HT  | Half Hour                                   |
| HU  | Hundred                                     |
| HW  | Hundred Weight (Long)                       |
| HY  | Hundred Yards                               |
| HZ  | Hertz                                       |
| IA  | Inch Pound                                  |
| IC  | Counts per Inch                             |
| IE  | Person                                      |
| IF  | Inches of Water                             |
| II  | Column-Inches                               |
| IL  | Inches per Minute                           |
| IM  | Impressions                                 |
| IN  | Inch  |
| IP  | Insurance Policy                            |
| IT  | Counts per Centimeter                       |
| IU  | Inches Per Second (Linear Speed)            |
| IV  | Inches Per Second Per Second (Acceleration) |



| <b>355 Unit or Basis for Measurement Code (UOM)</b> |   |
|---|---|
| J2  | Joule Per Kilogram                                  |
| JA  | Job   |
| JB  | Jumbo   |
| JE  | Joule Per Kelvin                                    |
| JG  | Joule per Gram                                      |
| JK  | Mega Joule per Kilogram                             |
| JM  | Megajoule/Cubic Meter                               |
| JO  | Joint   |
| JR  | Jar   |
| JU  | Jug   |
| K1  | Kilowatt Demand                                     |
| K2  | Kilovolt Amperes Reactive Demand                    |
| K3  | Kilovolt Amperes Reactive Hour                      |
| K4  | Kilovolt Amperes                                    |
| K5  | Kilovolt Amperes Reactive                           |
| K6  | Kiloliter   |
| K7  | Kilowatt  |
| KA  | Cake  |
| KB  | Kilocharacters                                      |
| KC  | Kilograms per Cubic Meter                           |
| KD  | Kilograms Decimal                                   |
| KE  | Keg   |
| KF  | Kilopackets   |
| KG  | Kilogram  |
| KH  | Kilowatt Hour                                       |
| KI  | Kilograms/Millimeter Width                          |
| KJ  | Kilosegments  |
| KL  | Kilograms/Meter                                     |
| KO  | Milliequivalence Caustic Potash per Gram of Product |
| KP  | Kilometers Per Hour                                 |
| KQ  | Kilopascal  |
| KR  | Kiloroentgen  |
| KS  | 1000 Pounds per Square Inch                         |
| KT  | Kit   |
| KU  | Task  |
| KV  | Kelvin  |
| KW  | Kilograms per Millimeter                            |
| KX  | Milliliters per Kilogram                            |
| L2  | Liters Per Minute                                   |
| LA  | Pounds Per Cubic Inch                               |
| LB  | Pound   |
| LC  | Linear Centimeter                                   |
| LE  | Lite  |

| <b>355 Unit or Basis for Measurement Code (UOM)</b> |   |
|---|---|
| LF  | Linear Foot   |
| LG  | Long Ton  |
| LH  | Labor Hours   |
| LI  | Linear Inch   |
| LJ  | Large Spray   |
| LK  | Link  |
| LM  | Linear Meter  |
| LN  | Length  |
| LO  | Lot   |
| LP  | Liquid Pounds   |
| LQ  | Liters Per Day  |
| LR  | Layer(s)  |
| LS  | Lump Sum  |
| LT  | Liter   |
| LX  | Linear Yards Per Pound                                    |
| LY  | Linear Yard   |
| M0  | Magnetic Tapes  |
| M1  | Milligrams per Liter                                      |
| M3  | Mat   |
| M4  | Monetary Value  |
| M5  | Microcurie  |
| M6  | Millibar  |
| M7  | Micro Inch  |
| M8  | Mega Pascals  |
| M9  | Million British Thermal Units per One Thousand Cubic Feet |
| MA  | Machine/Unit  |
| MC  | Microgram   |
| MD  | Air Dry Metric Ton  |
| ME  | Milligram   |
| MF  | Milligram per Sq. Ft. per Side                            |
| MJ  | Minutes   |
| MK  | Milligrams Per Square Inch                                |
| ML  | Milliliter  |
| MM  | Millimeter  |
| MN  | Metric Net Ton  |
| MO  | Months  |
| MP  | Metric Ton  |
| MQ  | 1000 Meters   |
| MR  | Meter   |
| MS  | Square Millimeter   |
| MT  | Metric Long Ton   |
| MU  | Millicurie  |
| MV  | Number of Mults   |

| <b>355 Unit or Basis for Measurement Code (UOM)</b> |                               |
|---|-------------------------------|
| N1  | Pen Calories                  |
| N2  | Number of Lines               |
| N3  | Print Point                   |
| N4  | Pen Grams (Protein)           |
| N6  | Megahertz                     |
| NA  | Milligrams per Kilogram       |
| NB  | Barge                         |
| NC  | Car                           |
| ND  | Net Barrels                   |
| NE  | Net Liters                    |
| NF  | Messages                      |
| NG  | Net Gallons                   |
| NH  | Message Hours                 |
| NI  | Net Imperial Gallons          |
| NJ  | Number of Screens             |
| NL  | Load                          |
| NM  | Nautical Mile                 |
| NN  | Train                         |
| NQ  | Mho                           |
| NR  | Micro Mho                     |
| NT  | Trailer                       |
| NU  | Newton-Meter                  |
| NV  | Vehicle                       |
| NW  | Newton                        |
| NX  | Parts Per Thousand            |
| NY  | Pounds Per Air-Dry Metric Ton |
| OA  | Panel                         |
| ON  | Ounces per Square Yard        |
| OP  | Two pack                      |
| OT  | Overtime Hours                |
| OZ  | Ounce - Av                    |
| P0  | Pages - Electronic            |
| P1  | Percent                       |
| P2  | Pounds per Foot               |
| P3  | Three pack                    |
| P4  | Four-pack                     |
| P5  | Five-pack                     |
| P6  | Six pack                      |
| P7  | Seven pack                    |
| P8  | Eight-pack                    |
| P9  | Nine pack                     |
| PA  | Pail                          |
| PB  | Pair Inches                   |

**355 Unit or Basis for Measurement Code (UOM)**

|    |                                  |
|----|----------------------------------|
| PC | Piece                            |
| PD | Pad                              |
| PE | Pounds Equivalent                |
| PF | Pallet (Lift)                    |
| PG | Pounds Gross                     |
| PI | Pitch                            |
| PJ | Pound Gage                       |
| PK | Package                          |
| PL | Pallet/Unit Load                 |
| PM | Pounds-Percentage                |
| PN | Pounds Net                       |
| PO | Pounds per Inch of Length        |
| PP | Plate                            |
| PQ | Pages per Inch                   |
| PR | Pair                             |
| PS | Pounds per Sq. Inch              |
| PT | Pint                             |
| PU | Mass Pounds                      |
| PV | Half Pint                        |
| PW | Pounds per Inch of Width         |
| PX | Pint, Imperial                   |
| PY | Peck, Dry U.S.                   |
| PZ | Peck, Dry Imperial               |
| Q1 | Quarter (Time)                   |
| Q2 | Pint U.S. Dry                    |
| Q3 | Meal                             |
| QA | Pages - Facsimile                |
| QB | Pages - Hardcopy                 |
| QD | Quarter Dozen                    |
| QH | Quarter Hours                    |
| QK | Quarter Kilogram                 |
| QR | Quire                            |
| QS | Quart, Dry U.S.                  |
| QT | Quart                            |
| QU | Quart, Imperial                  |
| R1 | Pica                             |
| R2 | Becquerel                        |
| R3 | Revolutions Per Minute           |
| R4 | Calorie                          |
| R8 | Roentgen Equivalent in Man (REM) |
| R9 | Thousand Cubic Meters            |
| RA | Rack                             |
| RB | Radian                           |

| <b>355 Unit or Basis for Measurement Code (UOM)</b> |                                   |
|---|-----------------------------------|
| RD  | Rod (length) - 5.5 Yards          |
| RE  | Reel                              |
| RG  | Ring                              |
| RH  | Running or Operating Hours        |
| RK  | Roll-Metric Measure               |
| RL  | Roll                              |
| RM  | Ream                              |
| RN  | Ream-Metric Measure               |
| RO  | Round                             |
| RP  | Pounds per Ream                   |
| RS  | Resets                            |
| RT  | Revenue Ton Miles                 |
| RU  | Run                               |
| S3  | Square Feet per Second            |
| S4  | Square Meters per Second          |
| S5  | Sixty-fourths of an Inch          |
| S6  | Sessions                          |
| S7  | Storage Units                     |
| S8  | Standard Advertising Units (SAUs) |
| S9  | Slip Sheet                        |
| SA  | Sandwich                          |
| SB  | Square Mile                       |
| SC  | Square Centimeter                 |
| SD  | Solid Pounds                      |
| SE  | Section                           |
| SF  | Square Foot                       |
| SG  | Segment                           |
| SH  | Sheet                             |
| SI  | Square Inch                       |
| SJ  | Sack                              |
| SK  | Split Tanktruck                   |
| SL  | Sleeve                            |
| SM  | Square Meter                      |
| SN  | Square Rod                        |
| SO  | Spool                             |
| SP  | Shelf Package                     |
| SQ  | Square                            |
| SR  | Strip                             |
| SS  | Sheet-Metric Measure              |
| ST  | Set                               |
| SV  | Skid                              |
| SW  | Skein                             |
| SX  | Shipment                          |

| <b>355 Unit or Basis for Measurement Code (UOM)</b> |   |
|---|---|
| SY  | Square Yard                                   |
| T0  | Telecommunications Lines in Service           |
| T1  | Thousand pounds gross                         |
| T3  | Thousand Pieces                               |
| T4  | Thousand Bags                                 |
| T5  | Thousand Casings                              |
| T6  | Thousand Gallons                              |
| T7  | Thousand Impressions                          |
| T8  | Thousand Linear Inches                        |
| T9  | Thousand Kilowatt Hours                       |
| TA  | Tenth Cubic Foot                              |
| TB  | Tube  |
| TC  | Truckload                                     |
| TD  | Therms  |
| TE  | Tote  |
| TF  | Ten Square Yards                              |
| TG  | Gross Ton                                     |
| TH  | Thousand                                      |
| TI  | Thousand Square Inches                        |
| TJ  | Thousand Sq. Centimeters                      |
| TK  | Tank  |
| TL  | Thousand Feet (Linear)                        |
| TM  | Thousand Feet (Board)                         |
| TN  | Net Ton (2,000 LB).                           |
| TO  | Troy Ounce                                    |
| TP  | Ten-pack                                      |
| TQ  | Thousand Feet                                 |
| TR  | Ten Square Feet                               |
| TS  | Thousand Square Feet                          |
| TT  | Thousand Linear Meters                        |
| TU  | Thousand Linear Yards                         |
| TV  | Thousand Kilograms                            |
| TW  | Thousand Sheets                               |
| TX  | Troy Pound                                    |
| TY  | Tray  |
| U1  | Treatments                                    |
| U2  | Tablet  |
| UA  | Torr  |
| UB  | Telecommunications Lines in Service - Average |
| UC  | Telecommunications Ports                      |
| UD  | Tenth Minutes                                 |
| UE  | Tenth Hours                                   |
| UF  | Usage per Telecommunications Line - Average   |

| <b>355 Unit or Basis for Measurement Code (UOM)</b> |   |
|---|---|
| UH  | Ten Thousand Yards                              |
| UM  | Million Units                                   |
| UN  | Unit  |
| VA  | Volt-ampere per Kilogram                        |
| VI  | Vial  |
| VS  | Visit   |
| W2  | Wet Kilo  |
| WA  | Watts per Kilogram                              |
| WB  | Wet Pound                                       |
| WE  | Wet Ton   |
| WG  | Wine Gallon                                     |
| WH  | Wheel   |
| WI  | Weight per Square Inch                          |
| WK  | Week  |
| WM  | Working Months                                  |
| WP  | Pennyweight                                     |
| WR  | Wrap  |
| WW  | Milliliters of Water                            |
| X1  | Chains (Land Survey)                            |
| X7  | Leaf  |
| YD  | Yard  |
| YL  | 100 Lineal Yards                                |
| YR  | Years   |
| YT  | Ten Yards                                       |
| Z1  | Lift Van  |
| Z2  | Chest   |
| Z3  | Cask  |
| Z4  | Hogshead  |
| Z5  | Lug   |
| Z6  | Conference Points                               |
| Z8  | Newspaper Agate Line                            |
| ZP  | Page  |
| ZZ  | Used for any other code excluded from this list |

| <b>623 Time Code</b> |                       |
|----------------------|-----------------------|
| 01                   | Equivalent to ISO P01 |
| 02                   | Equivalent to ISO P02 |
| 03                   | Equivalent to ISO P03 |
| 04                   | Equivalent to ISO P04 |
| 05                   | Equivalent to ISO P05 |
| 06                   | Equivalent to ISO P06 |
| 07                   | Equivalent to ISO P07 |
| 08                   | Equivalent to ISO P08 |

| <b>623 Time Code</b> |                               |
|----------------------|-------------------------------|
| 09                   | Equivalent to ISO P09         |
| 10                   | Equivalent to ISO P10         |
| 11                   | Equivalent to ISO P11         |
| 12                   | Equivalent to ISO P12         |
| 13                   | Equivalent to ISO M12         |
| 14                   | Equivalent to ISO M11         |
| 15                   | Equivalent to ISO M10         |
| 16                   | Equivalent to ISO M09         |
| 17                   | Equivalent to ISO M08         |
| 18                   | Equivalent to ISO M07         |
| 19                   | Equivalent to ISO M06         |
| 20                   | Equivalent to ISO M05         |
| 21                   | Equivalent to ISO M04         |
| 22                   | Equivalent to ISO M03         |
| 23                   | Equivalent to ISO M02         |
| 24                   | Equivalent to ISO M01         |
| AD                   | Alaska Daylight Time          |
| AS                   | Alaska Standard Time          |
| AT                   | Alaska Time                   |
| CD                   | Central Daylight Time         |
| CS                   | Central Standard Time         |
| CT                   | Central Time                  |
| ED                   | Eastern Daylight Time         |
| ES                   | Eastern Standard Time         |
| ET                   | Eastern Time                  |
| GM                   | Greenwich Mean Time           |
| HD                   | Hawaii-Aleutian Daylight Time |
| HS                   | Hawaii-Aleutian Standard Time |
| MD                   | Mountain Daylight Time        |
| MS                   | Mountain Standard Time        |
| MT                   | Mountain Time                 |
| ND                   | Newfoundland Daylight Time    |
| NS                   | Newfoundland Standard Time    |
| NT                   | Newfoundland Time             |
| PD                   | Pacific Daylight Time         |
| PS                   | Pacific Standard Time         |
| PT                   | Pacific Time                  |
| TD                   | Atlantic Daylight Time        |
| TS                   | Atlantic Standard Time        |
| TT                   | Atlantic Time                 |
| UT                   | Universal Time Coordinate     |



© 2024 SAP SE or an SAP affiliate company. All rights reserved.

See Legal Notice on [www.sap.com/legal-notice](http://www.sap.com/legal-notice) for use terms, disclaimers, disclosures, or restrictions related to this material.

