



INTERNAL

Documentation of Digital Data Interchange via ANSI X.12 Standard

PC860 (4010)

Purchase Order Change

Outbound

Version: 2.16 Feb-08, 2024

TABLE OF CONTENTS

DOCUMENT REVISION HISTORY	3
PREFACE.....	5
INTRODUCTION	5
NOTES.....	5
SEGMENT SUMMARY	6
DETAILED SEGMENT DESCRIPTION	11
DOCUMENTED EXAMPLE.....	122
APPENDIX – BRANCHING DIAGRAM	126
APPENDIX – CODELISTS.....	135

DOCUMENT REVISION HISTORY

Version	Date	Modification Details
1.0	Nov-18, 2016	Initial Draft
1.1	Feb-14, 2017	POC/REF/LT – Buyer Batch Number added
1.2	May-05, 2017	Update of code list 355 Unit or Basis for Measurement Code (UOM)
1.3	May-29, 2017	Change item identification numbers into variable order (POC + SLN)
1.4	June-30, 2017	N9*KD – Control keys/Special Instructions added
1.5	July-26, 2017	REF*Q1 – Quote Number added Update of code list 355 Unit or Basis for Measurement Code (UOM)
1.6	Nov-20, 2017	N1/REF*ME - Additional Postal Address Information added Update of code list 355 Unit or Basis for Measurement Code (UOM)
1.7	Jan-17, 2018	N405 + N406 – addition of State Code for countries other than US or CA POC/N9*ACC – addition of delivery complete flag
1.8	Jan-22, 2018	N9*43 - External Document Reference added POC/REF*KQ - itemCategory values added POC/N9*ACC - return item added POC/N9*KD – Control keys/Special Instructions added
1.9	Apr-11, 2018	REF*ZZ – Mutually defined information added N9*ZZ – removed
1.10	May-11, 2018	N9*ZZ – Mutually defined information added
1.11	June-15, 2018	N9*URL – URL information added POC/PID – Configurable material information added POC/REF*18 – Planning type information added POC/REF*IP – Number of inspection days added POC/REF*SE – Serial Number added POC/N9*PRT – Detailed item characteristic information added
1.12	Sep-07, 2018	POC/N9*SE – Indicator whether serial numbers are required added
1.13	Oct-12, 2018	REF*PD – Promotion/Deal Number added FOB/309 – Destination and Origin added SAC/1300 – Mutually Defined code added ITD/352 – Payment Terms Description added POC 235/234 – U.P.C. Consumer Package Code added POC/SAC/1300 – Mutually Defined code added
1.14	Jan-11, 2019	TXI/325 – Custom Tax Category added
1.15	July-01, 2019	FOB/335 – Incoterms codes from higher ANSI X12 version added.
2.0	Feb-14, 2020	Format parity edits – Multiple enhancements: REF – Restructured on header due to new content REF*RPP – Priority sequence added REF*CT – Contract number added REF*Q1 – Quote number added REF*VN – Supplier order number added PER – Purchasing Legal Entity and Organizational Unit added DTM*171 – Revision date information added N9 – Restructured on header due to new content N9*U2 – Terms information added N9*KD – Further control key information added N1/TD5 – Segment corrections, shipping instructions added N1/TD4 – Carrier identification added, moved from TD5 POC/PID – restructured on line due to new content POC/PID*F*12 – Material or service classification added POC/REF – Restructured on line due to new content POC/REF*CO – Customer order number added POC/REF*CT – Agreement line number added POC/REF*FL – Item type “lean” added POC/REF*QJ – Return authorization number added POC/REF*S1 – Engineering specification number added POC/SCH – Segment corrections, ship-to name (SCH04) added POC/N9 – Restructured on line due to new content POC/N9*ACE – Indicator “requiresServiceEntry” added POC/N9*BT – Indicator “requiresBatch” added POC/N9*LS – Indicator “isHUMandatory” added POC/N9*SU – Indicator “requiresRealTimeConsumption” added

Version	Date	Modification Details
		POC/N9*KD – Further control key information added POC/N9*0L – Additional document references added POC/N9*H6 – Quality information added POC/N1/TD5 – Segment corrections, shipping instructions added POC/N1/TD4 – Carrier identification added, moved from TD5 POC/SLN02 – Link to schedule line number added POC/SLN/N9*BT – Component supplier batch number added POC/SLN/N9*LT – Component buyer batch number added POC/SLN/N9*SU – Indicator “materialProvisionIndicator” added
2.1	July-07, 2020	POC/SDQ – Packaging distribution added. POC/N9*KD – Control keys/OC quantity and price tolerances added POC/N9*KD – Control keys/ASN quantity and time tolerances added
2.2	Sep-02, 2020	POC/DTM*150 – Service period start date added. POC/DTM*151 – Service period end date added.
2.3	Jan-04, 2021	POC/SLN/N9*4C – Storage location number added
2.4	Jan-28, 2021	N9*L1 – comment type added POC/N9*L1 – comment type added
2.5	May-04, 2021	Country codes including X12 version 7040 added
2.6	July-19, 2021	SAC02 – Allowance or Charge Information segment: complete 1300 code list added (Attachment) POC/SAC02 – Allowance or Charge Information segment: complete 1300 code list added (Attachment)
2.7	Oct-27, 2021	N1/REF*ZZ - Mutually defined information added
2.8	Nov-24, 2021	Update of code list 355 Unit or Basis for Measurement Code (UOM)
2.9	Jan-19, 2022	Update of code list 26 Country Code Addition of code list 100 Currency Code
2.10	May-13, 2022	N101/98 – Party’s role codes added N1/REF 128 – correlation between Party’s roles and Party’s references added POC/N101/98 – Party’s role codes added POC/N1/REF 128 – correlation between Party’s roles and Party’s references added
2.11	May-24, 2022	DETAILED SEGMENT DESCRIPTION – added How to Read Overview
2.12	Sep-30, 2022	Re-Branding
2.13	Feb-20, 2023	Re-Branding update
2.14	Mar-03, 2023	N9/MSG – Improvement of usage description for MSG02 POC/N9/MSG – Improvement of usage description for MSG02 POC/SLN/DTM01 – Correction of subcon component requirement date qualifier
2.15	Jan-16, 2024	POC/LIN**KF – new segment for purchase order line purpose code “delete” added
2.16	Feb-08, 2024	N404 26 Country Code – Country name change from Turkey to Türkiye (Code TR) N1/REF – segment description updated (REF*YD / REF*ZA)

PREFACE

This document outlines the requirements for digital data interchange using the ANSI X.12 format.

Initially the used segments and their meaning within a message are described. The example files used in this guide are examples only. In the following chapter all segments are described in detail. Additionally, you will find a document example as well as a branching diagram.

This documentation focuses on an explicit version, i.e., the segments are documented as they would possibly occur in practice. Thus, the maximum number of repetitions of the individual segments is limited to the ones which are used. This does, however, not constitute a limitation, but rather a more detailed description of the example used.

INTRODUCTION

This Draft Standard for Trial Use contains the format and establishes the data contents of the Purchase Order Change Request Transaction Set (860) for use within the context of an Electronic Data Interchange (EDI) environment.

The transaction set can be used to provide the information required for customary and established business and industry practice relative to the placement of purchase order change.

NOTES

SAP Business Network receives Purchase Orders from Buyer in the form of cXML OrderRequest documents. Suppliers are able to select their preferred method of receiving Purchase Order Change Requests.

As a service to Suppliers preferring to transact via EDI, SAP Business Network maps to the ANSI X12 004010 860 Purchase Order Change Request document. Suppliers can select EDI as their preferred method for receiving Purchase Order Change Request.

SAP Business Network does not require or accept interchange acknowledgements (TA1), but does require a 997 to be returned for each functional group received (other than type FA).

USING THIS GUIDELINE

The DETAILED SEGMENT DESCRIPTION shows the Standard ANSI X12 Rules, defined in 004010, and the User Rules, recommended by SAP Business Network.

Unused segments are not shown.

The codes defining in detail Segment and Element usages are:

Status	Standard Usage	SAP Business Network Usage
M	Mandatory	Must Use / Required by SAP Business Network
C	Conditional	Conditional
O	Optional	Optional
X	Not Used	Not Used

Descriptions for segments have been provided alongside and detailed explanation will follow in a future release.

SEGMENT SUMMARY

Below you will find a description of the used segments within the application and their interdependence.

SegID	SegNo	Name
ISA	0	Interchange Control Header
GS	0	Functional Group Header
ST	10	Transaction Set Header
BCH	20	Beginning Segment for Purchase Order Change
CUR	40	Currency
REF	50	References
REF	50	References - Promotional Deal Number
REF	50	References - Priority
REF	50	References - Additional Information
REF	50	References - Mutually Defined References
PER	60	Purchasing Legal Entity and Organizational Unit
FOB	80	F.O.B. Related Instructions
CSH	110	Sales Requirements
SAC	LOOP	120 Shipping and Original Price
SAC		120 Shipping and Original Price
CUR		125 Currency
SAC	LOOP	120 Service, Promotion, Allowance or Charge information
SAC		120 Service, Promotion, Allowance or Charge information
CUR		125 Currency
ITD		130 Terms of Sale
DTM		150 Date/Time
PID		190 Shipping Instructions
TXI		275 Tax Information
N9	LOOP	285 Reference Identification - Purchasing Card Information
N9		285 Reference Identification - Purchasing Card Information
DTM		287 Date/Time
N9	LOOP	285 Reference Identification - Additional Information
N9		285 Reference Identification - Additional Information
MSG		290 Free-Form Message Text
N9	LOOP	285 Reference Identification - External Document Information
N9		285 Reference Identification - External Document Information
MSG		290 Free-Form Message Text
N9	LOOP	285 Reference Identification - Comments and Attachments
N9		285 Reference Identification - Comments and Attachments
MSG		290 Free-Form Message Text
N9	LOOP	285 Reference Identification - Control keys
N9		285 Reference Identification - Control keys
N9	LOOP	285 Reference Identification - Mutually Defined References
N9		285 Reference Identification - Mutually Defined References
MSG		290 Message Text
N1	LOOP	300 Party Identification
N1		300 Party Name
N2		310 Party Additional Name Information

SegID	SegNo	Name
N3	320	Party Address Information
N4	330	Party Geographic Location
REF	340	Party Reference
REF	340	References - Mutually Defined References
PER	350	Administrative Communications Contact
TD5	380	Carrier Details - Transport Information
TD4	400	Carrier Details - Carrier Identification
POC	LOOP 10	Line Item
POC	10	Line Item Change
LIN	15	Line Item Change
CUR	20	Currency
PO3	30	Additional Item Detail
CTP	40	Pricing Information
CTP	40	Line Item Amount/Unit Price
MEA	49	Measurements
PID	LOOP 50	Product/Item Description
PID	50	Product/Item Description
PID	LOOP 50	Product/Item Shipping Instructions
PID	50	Product/Item Shipping Instructions
PID	LOOP 50	Product/Item Configuration
PID	50	Product/Item Configuration
PID	LOOP 50	Product/Item Material or Service Classification
PID	50	Product/Item Material or Service Classification
PID	LOOP 50	Product/Item Classification
PID	50	Product/Item Classification
PKG	80	Marking, Packaging, Loading
REF	100	References
REF	100	References - Additional Information
REF	100	References - Fine Line Classification
REF	100	References - Item Category
REF	100	References - Mutually Defined References
SAC	LOOP 130	Shipping, Original Price and Distribution
SAC	130	Shipping, Original Price and Distribution
CUR	135	Currency
SAC	LOOP 130	Service, Promotion, Allowance or Charge Information
SAC	130	Service, Promotion, Allowance or Charge Information
CUR	135	Currency
FOB	180	F.O.B. Related Instructions
SDQ	190	Destination Quantity - Packaging Distribution
DTM	200	Date/Time
TXI	290	Tax Information
QTY	LOOP 293	Quantity
QTY	293	Range Maximum/Minimum

SegID	SegNo	Name
SCH	LOOP 295	Line Item Schedule
SCH	295	Line Item Schedule
N9	LOOP 320	Reference Identification - Characteristics
N9	320	Reference Identification - Characteristics
MSG	330	Free-Form Message Text
N9	LOOP 320	Reference Identification - Special Indicators
N9	320	Reference Identification - Special Indicators
N9	LOOP 320	Reference Identification - Quality Information
N9	320	Reference Identification - Quality Information
MSG	330	Message Text
N9	LOOP 320	Reference Identification - Additional Document References
N9	320	Reference Identification - Additional Document References
N9	LOOP 320	Reference Identification - Comments
N9	320	Reference Identification - Comments
MSG	330	Free-Form Message Text
N9	LOOP 320	Reference Identification - Item URL
N9	320	Reference Identification - Item URL
MSG	330	Free-Form Message Text
N9	LOOP 320	Reference Identification - Control keys
N9	320	Reference Identification - Control keys
N9	LOOP 320	Reference Identification - Mutually Defined References
N9	320	Reference Identification - Mutually Defined References
MSG	330	Message Text
N1	LOOP 340	Party Identification
N1	340	Party Name
N2	350	Party Additional Name Information
N3	360	Party Address Information
N4	370	Party Geographic Location
REF	380	Party Reference
PER	390	Administrative Communications Contact
TD5	420	Carrier Details - Transport Information
TD4	440	Carrier Details - Carrier Identification
SLN	LOOP 460	Subcontracting Components
SLN	460	Subcontracting Components
MSG	465	Message Text
DTM	510	Date/Time
N9	LOOP 523	Reference Identification
N9	523	Reference Identification
N9	LOOP 523	Material Provision Indicator - Subcontracting Type
N9	523	Material Provision Indicator - Subcontracting Type
CTT	LOOP 10	Transaction Totals
CTT	10	Transaction Totals
AMT	20	Monetary Amount

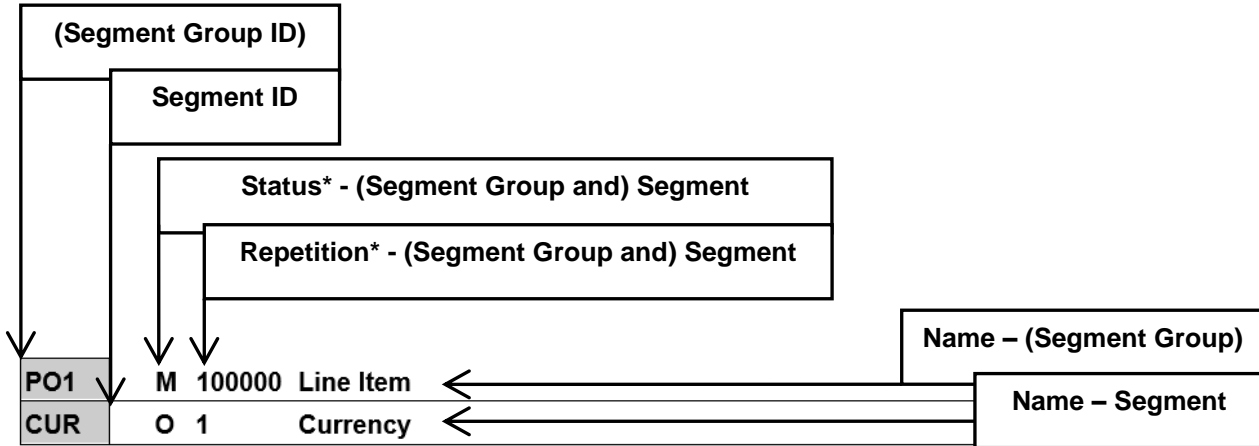
SegID	SegNo	Name
SE	30	Transaction Set Trailer
GE	0	Functional Group Trailer
IEA	0	Interchange Control Trailer

DETAILED SEGMENT DESCRIPTION

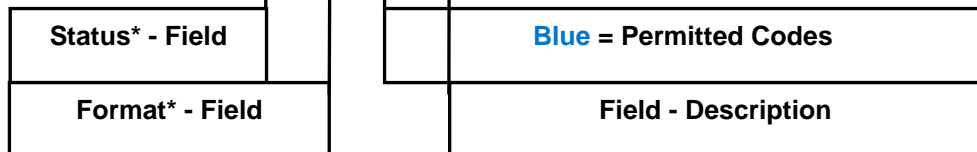
Below you will find an exact description of the used segment.
The graphic describes the usage of the relevant information in this section.

Note:

This example shows a CUR segment of the ANSI X12 850 4010 document, for illustrative purposes only.



Standard Usage			SAP Business Network Usage				
01	98	Entity Identifier Code	M	ID 2/3	M	ID 2/3	<i>BY</i> <i>Buying Party (Purchaser)</i>
02	100	Currency Code	M	ID 3/3	M	ID 3/3	Code (Standard ISO) for country in whose currency the charges are specified Currency coded, e.g. <i>USD</i> <i>US Dollar</i>
03	280	Exchange Rate	O	R 4/10	O	R 4/10	Exchange rate
04	98	Entity Identifier Code	O	ID 2/3	O	ID 2/3	<i>SE</i> <i>Selling Party</i>
05	100	Currency Code	O	ID 3/3	O	ID 3/3	Code (Standard ISO) for country in whose currency the charges are specified Currency coded, e.g. <i>EUR</i> <i>Euro</i>
Example: CUR*BY*USD*0.900*SE*EUR~ To specify the currency used in a transaction.							



Status* - Definition

M	Mandatory
C	Conditional
O	Optional
X	Not used

Format* - Definition

AN	String. Alphanumeric and/or numerical chars.
AN 1/30	1 to 30 chars. E.g., "Text 123".
ID	Code. Alphanumeric and/or numerical chars.
ID 2/3	2 to 3 chars. E.g., "BY".
ID 3/3	3 chars. E.g., "USD".
R	Decimal. Numerical chars, a decimal and a minus sign, if negative.
R 1/4	1 to 4 numerical chars. E.g., "1.00", "1.234", "1.234", "-1.234".
Nn*	Numerical chars (and a minus sign). *n identifies the # of implied decimals.
N0 1/4	1 to 4 numerical chars. E.g., "1", "123", "1234", "-1234".
N2 1/4	1 to 4 numerical chars incl. 2 decimals. E.g., "1" = 0.01, "123" = 1.23, "1234" = 12.34, "-1234" = -12.34.
DT	Date. Alphanumeric chars.
DT 6/8	Can be YYMMDD, or CCYYMMDD.
TM	Time. Alphanumeric chars.
TM 4/8	Can be HHMM, or HHMMSS, or HHMMSSD, or HHMMSSDD.

ISA **M 1** **Interchange Control Header**

Standard Usage				SAP Business Network Usage			
01	I01	Authorization Information Qualifier	M ID 2/2	M ID 2/2	00	<i>No Authorization Information Present (No Meaningful Information in I02)</i>	
02	I02	Authorization Information	M AN 10/10	M AN 10/10	10 empty spaces must be entered here as the ISA segment is space sensitive.		
03	I03	Security Information Qualifier	M ID 2/2	M ID 2/2	00	<i>No Security Information Present (No Meaningful Information in I04)</i>	
04	I04	Security Information	M AN 10/10	M AN 10/10	10 empty spaces must be entered here as the ISA segment is space sensitive.		
05	I05	Interchange ID Qualifier	M ID 2/2	M ID 2/2	Qualifier to designate the system/method of code structure used to designate the sender ID element being qualified. E. g. <i>ZZ Mutually Defined</i>		
06	I06	Interchange Sender ID	M AN 15/15	M AN 15/15	Sender identification number		
07	I05	Interchange ID Qualifier	M ID 2/2	M ID 2/2	Qualifier to designate the system/method of code structure used to designate the receiver ID element being qualified. E.g. <i>ZZ Mutually Defined</i>		
08	I07	Interchange Receiver ID	M AN 15/15	M AN 15/15	Receiver identification number		
09	I08	Interchange Date	M DT 6/6	M DT 6/6	Date of Interchange, format YYMMDD		
10	I09	Interchange Time	M TM 4/4	M TM 4/4	Time of Interchange, format HHMM		
11	I10	Interchange Control Standards Identifier	M ID 1/1	M ID 1/1	U	<i>U.S. EDI Community of ASC X12, TDCC, and UCS</i>	
12	I11	Interchange Control Version Number	M ID 5/5	M ID 5/5	00401	<i>Draft Standards for Trial Use Approved for Publication by ASC X12 Procedures Review Board through October 1997</i>	
13	I12	Interchange Control Number	M N0 9/9	M N0 9/9	A control number assigned by the interchange sender.		
14	I13	Acknowledgment Requested	M ID 1/1	M ID 1/1	0	<i>No Acknowledgment Requested</i>	
15	I14	Usage Indicator	M ID 1/1	M ID 1/1	T P	<i>Test Data Production Data</i>	
16	I15	Component Element Separator	M AN 1/1	M AN 1/1	Type is not applicable; the component element separator is a delimiter and not a data element; this field provides the delimiter used to separate component data elements within a composite data structure; this value must be different than the data separator and the segment terminator >		

Example: ISA*00* *00* *ZZ*SenderID *ZZ*ReceiverID *160104*0930*U*00401*000000001*0*T*>~

To start and identify an interchange of one or more functional groups and interchange-related control segments.

GS **C 1** **Functional Group Header**

Standard Usage				SAP Business Network Usage			
01	479	Functional Identifier Code	M ID 2/2	M ID 2/2	PC	<i>Purchase Order Change Request - Buyer Initiated (860)</i>	
02	142	Application Sender's Code	M AN 2/15	M AN 2/15		Sender identification number	
03	124	Application Receiver's Code	M AN 2/15	M AN 2/15		Receiver identification number	
04	373	Date	M DT 8/8	M DT 8/8		Date expressed as format CCYYMMDD	
05	337	Time	M TM 4/8	M TM 4/8		Time expressed in 24-hour clock time as format HHMMSS	
06	28	Group Control Number	M N0 1/9	M N0 1/9		Assigned number originated and maintained by the sender, start with 1 and increment by 1 for each subsequent GS segment.	
07	455	Responsible Agency Code	M ID 1/2	M ID 1/2	X	<i>Accredited Standards Committee X12</i>	
08	480	Version / Release / Industry Identifier Code	M AN 1/12	M AN 1/12	004010	<i>Draft Standards Approved for Publication by ASC X12 Procedures Review Board through October 1997</i>	
<p>Example: GS*PC*SenderID*ReceiverID*20160104*093059*1*X*004010~ To indicate the beginning of a functional group and to provide control information.</p>							

ST **M 1** **Transaction Set Header**

Standard Usage				SAP Business Network Usage		
01	143	Transaction Set Identifier Code	M ID 3/3	M	ID 3/3	860 <i>Purchase Order Change Request - Buyer Initiated</i>
02	329	Transaction Set Control Number	M AN 4/9	M	AN 4/9	Identifying control number that must be unique within the transaction set.
<p>Example: ST*860*0001~ To indicate the start of a transaction set and to assign a control number.</p>						

BCH **M 1** **Beginning Segment for Purchase Order Change**

Standard Usage				SAP Business Network Usage			
01	353	Transaction Set Purpose Code	M ID 2/2	M	ID 2/2	03 Delete 05 Replace	
02	92	Purchase Order Type Code	M ID 2/2	M	ID 2/2	KN Purchase Order IN Information Copy BK Blanket Order RL Release or Delivery Order DS Dropship RO Rush Order	
03	324	Purchase Order Number	M AN 1/22	M	AN 1/22	Purchase order number	
04	328	Release Number	O AN 1/30	O	AN 1/30	Release number	
05	327	Change Order Sequence Number	O AN 1/8	X			
06	373	Date	M DT 8/8	M	DT 8/8	Purchase order date Date expressed as format CCYYMMDD	
<p>Example: BCH*05*KN*PurchaseOrderID*ReleaseID**20160104~ This segment is used to identify and specify a message.</p>							

CUR **O 1** **Currency**

Standard Usage				SAP Business Network Usage			
01	98	Entity Identifier Code	M ID 2/3	M	ID 2/3	<i>BY</i>	<i>Buying Party (Purchaser)</i>
02	100	Currency Code	M ID 3/3	M	ID 3/3	Code (Standard ISO) for country in whose currency the charges are specified. SAP Business Network sends the default currency for the order. This currency specifically represents the total amount of the order found in AMT. Please refer to APPENDIX - CODELISTS 100 Currency Code.	
03	280	Exchange Rate	O R 4/10	O	R 4/10	Exchange Rate	
04	98	Entity Identifier Code	O ID 2/3	O	ID 2/3	<i>SE</i>	<i>Selling Party</i>
05	100	Currency Code	O ID 3/3	O	ID 3/3	Code (Standard ISO) for country in whose currency the charges are specified. Please refer to APPENDIX - CODELISTS 100 Currency Code.	
<p>Example: CUR*BY*USD*0.900*SE*EUR~ To specify the currency used in a transaction.</p>							

REF **O >1** **References**

Standard Usage				SAP Business Network Usage			
01	128	Reference Identification Qualifier	M ID 2/3	M	ID 2/3	06	System ID Number
						AEC	Government Registration Number
						CR	Customer Reference Number
						CT	Contract Number
						D2	Supplier Document Identification Number
						DD	Document Identification Code
						PO	Purchase Order Number
						PP	Purchase Order Revision Number
						Q1	Quote Number
						RQ	Purchase Requisition Number
						VN	Vendor Order Number
						ZB	Ultimate Consignee
02	127	Reference Identification	C AN 1/30	C	AN 1/30	Identification number	
<p>Example: REF*VN*Supplier Order ID~ To specify identifying information.</p> <p>Examples: REF*06*System ID~ REF*AEC*Government Reg ID~ REF*CR*Customer Reference ID~ REF*CT*Contract ID~ REF*D2*Supplier Document Ref ID~ REF*DD*DocumentName~ REF*PO*Purchase Order ID~ REF*PP*Order Version~ REF*Q1*Quote ID~ REF*RQ*Purchase Requisition ID~ REF*VN*Supplier Order ID~ REF*ZB*Ultimate Customer Reference ID~</p>							

REF **O 1** **References - Promotional Deal Number**

Standard Usage				SAP Business Network Usage		
01	128	Reference Identification Qualifier	M ID 2/3	M	ID 2/3	<i>PD</i> <i>Promotion/Deal Number</i>
02	127	Reference Identification	C AN 1/30	C	AN 1/30	Identification number
03	352	Description	C AN 1/80	C	AN 1/80	Description
<p>Example: REF*PD*Promotional Deal ID*Promotional Deal Description~ To specify the promotional deal number and/or description.</p>						

REF **O 1** **References - Priority**

Standard Usage				SAP Business Network Usage			
01	128	Reference Identification Qualifier	M ID 2/3	M	ID 2/3	<i>RPP</i>	<i>Relative Priority</i>
02	127	Reference Identification	C AN 1/30	C	AN 1/30	Priority level, an integer from 1 to 5	
03	352	Description	C AN 1/80	C	AN 1/80	Priority description	
C040		Reference Identifier	O	O			
	128	Reference Identification Qualifier	M ID 2/3	M	ID 2/3	<i>RPP</i>	<i>Relative Priority</i>
	127	Reference Identification	M AN 1/30	M	AN 1/30	Sequence identification number A unique secondary order number for prioritizing items with the same priority level. Two items with the same priority level are not allowed to have the same sequence number.	

Example: REF*RPP*1*High Priority*RPP>Sequence ID~
To specify the priority of orders for the suppliers.

REF **O >1** **References - Additional Information**

Standard Usage				SAP Business Network Usage			
01	128	Reference Identification Qualifier	M ID 2/3	M ID 2/3	0L	Referenced By (specific Usage)	
					2I	Tracking Number	
					8X	OrderType	
					AH	Agreement Number	
					BO	Parent Agreement Number	
					*UserNote (REF - Additional Information)		
02	127	Reference Identification	C AN 1/30	C AN 1/30	Identification type or specifying value		
					*UserNote (REF - Additional Information)		
03	352	Description	C AN 1/80	C AN 1/80	Identification number		

Example: REF*0L*FOB05*MyOwnTermsTransportTerms~

To specify additional information.

*UserNote (REF - Additional Information):

These segments are reserved for specific usage as described below:

REF*0L is used in conjunction with

REF02="FOB05" to specify the customer value for transport terms in REF03.

Example:

REF*0L*FOB05*MyOwnTransportTerms~

REF*2I is used in conjunction with

REF02 for the domain to specify the tracking identification number in REF03.

Example:

REF*2I*UPS*Tracking ID~

REF*8X is used in conjunction with

REF02="orderType" to specify the customer purchase order document type in REF03.

REF*AH is used to specify the agreement identification number in REF03 when the orderType (REF*8X) is "release", while REF*BO is used to specify the parent agreement identification number in REF03 when the orderType (REF*8X) is "blanket" to indicate the parent blanket order. REF02 is not used here.

Examples:

REF*8X*orderType*regular~

or

REF*8X*orderType*release~

REF*AH**Agreement ID~

or

REF*8X*orderType*blanket~

REF*BO**Parent Agreement ID~

REF **O >1** **References - Mutually Defined References**

Standard Usage				SAP Business Network Usage			
01	128	Reference Identification Qualifier	M ID 2/3	M	ID 2/3	<i>ZZ</i>	<i>Mutually Defined</i>
02	127	Reference Identification	C AN 1/30	C	AN 1/30		Mutually defined identification name
03	352	Description	C AN 1/80	C	AN 1/80		Mutually defined identification
<p>Example: REF*ZZ*MutuallyDefinedIDName*Mutually Defined Identification~ To specify mutually defined identifying information.</p> <p>REF*ZZ contains information mutually defined by the trading partners. In this case REF02 is used as an identification to specify the mutually defined identification provided in REF03. Please note REF03 is not required. For various business cases it is sufficient to transmit only the mutually defined name identification by itself.</p> <p>Examples: REF*ZZ*MutuallyDefinedIDName*Mutually Defined Identification~ REF*ZZ*MutuallyDefinedIDName~</p>							

PER **O 3** **Purchasing Legal Entity and Organizational Unit**

Standard Usage				SAP Business Network Usage			
01	366	Contact Function Code	M ID 2/2	M	ID 2/2	ZZ	<i>Mutually Defined</i>
02	93	Name	O AN 1/60	O	AN 1/60		Identification number
03	365	Communication Number Qualifier	C ID 2/2	X			
04	364	Communication Number	C AN 1/80	X			
05	365	Communication Number Qualifier	C ID 2/2	X			
06	364	Communication Number	C AN 1/80	X			
07	365	Communication Number Qualifier	C ID 2/2	X			
08	364	Communication Number	C AN 1/80	X			
09	443	Contact Inquiry Reference	O AN 1/20	O	AN 1/20		

Example: PER*ZZ*CompanyCode ID***CompanyCode~**

To specify the purchasing company code, purchasing unit and purchasing group from the buyer system.

*UserNote (PER*ZZ):

PER*ZZ is used in conjunction with
PER09="CompanyCode" to specify the legal entity/company code in PER02.

Example:

PER*ZZ*CC123*****CompanyCode~

PER*ZZ is used in conjunction with
PER09="PurchasingOrg" to specify the purchasing organization/unit in PER02.

Example:

PER*ZZ*PURORG123*****PurchasingOrg~

PER*ZZ is used in conjunction with
PER09="PurchasingGroup" to specify the purchasing group in PER02.

Example:

PER*ZZ*PURGROUP123*****PurchasingGroup~

FOB **O >1** **F.O.B. Related Instructions**

Standard Usage				SAP Business Network Usage			
01	146	Shipment Method of Payment	M ID 2/2	M	ID 2/2	Shipment method of payment Please refer to APPENDIX - CODELISTS 146 Shipment Method of Payment.	
02	309	Location Qualifier	C ID 1/2	C	ID 1/2	<i>DE Destination (Shipping)</i> <i>OF Other Unlisted Free On Board (FOB) Point</i> <i>OR Origin (Shipping Point)</i> <i>ZZ Mutually Defined</i>	
03	352	Description	O AN 1/80	O	AN 1/80	Description	
04	334	Transportation Terms Qualifier Code	O ID 2/2	O	ID 2/2	<i>ZZ Transport Terms</i>	
05	335	Transportation Terms Code	C ID 3/3	C	ID 3/3	Code identifying the trade terms which apply to the shipment transportation responsibility. E. g. <i>CAF Cost and Freight</i> <i>CIF Cost, Insurance, and Freight</i> <i>CIP Carriage and Insurance Paid To</i> <i>CPT Carriage Paid To</i> <i>DAF Delivered at Frontier</i> <i>DAP Delivered At Place*</i> <i>DAT Delivered At Terminal*</i> <i>DDP Delivered Duty Paid</i> <i>DDU Deliver Duty Unpaid</i> <i>DEQ Delivered Ex Quay</i> <i>DES Delivered Ex Ship</i> <i>EXW Ex Works</i> <i>FAS Free Alongside Ship</i> <i>FCA Free Carrier</i> <i>FOB Free on Board</i> <i>ZZZ Mutually Defined</i> *UserNote (Incoterms)	
06	309	Location Qualifier	C ID 1/2	C	ID 1/2	<i>ZZ Shipping payment method</i>	
07	352	Description	O AN 1/80	O	AN 1/80	A free-form description to specify the related data elements and their content. Transport description and terms of delivery description can be specified in this element. Both will be concatenated together. Transport description will be prefixed by @TP and terms of delivery description will be prefixed by @TOD. E.g.: @TPTransport description @TODDelivery at the doorstep.	
<p>Example: FOB*DF*ZZ*Description*ZZ*EXW*ZZ*@TPTransport description@TODDelivery at the doorstep~ To specify transportation instructions relating to shipment.</p> <p>*UserNote (Incoterms) SAP Business Network supports codes from higher ANSI X12 versions, e.g. 006040.</p>							

CSH **O 5** **Sales Requirements**

Standard Usage			SAP Business Network Usage		
01	563	Sales Requirement Code	O	ID 1/2	O ID 1/2 <i>SC Ship Complete</i>
Example: CSH*SC~ To specify general conditions or requirements of the sale.					

SAC	O 25	Shipping and Original Price
SAC	M 1	Shipping and Original Price

Standard Usage				SAP Business Network Usage			
01	248	Allowance or Charge Indicator	M ID 1/1	M	ID 1/1	C	Charge
						N	No Allowance or Charge
02	1300	Service, Promotion, Allowance, or Charge Code	C ID 4/4	C	ID 4/4	G830	Shipping and Handling
						F050	Other
03	559	Agency Qualifier Code	C ID 2/2	C	ID 2/2	ZZ	Mutually Defined
04	1301	Agency Service, Promotion, Allowance, or Charge Code	C AN 1/10	X			
05	610	Amount	O N2 1/15	O	N2 1/15		Monetary amount
06	378	Allowance/Charge Percent Qualifier	C ID 1/1	X			
07	332	Percent	C R 1/6	X			
08	118	Rate	O R 1/9	X			
09	355	Unit or Basis for Measurement Code	C ID 2/2	X			
10	380	Quantity	C R 1/15	X			
11	380	Quantity	O R 1/15	X			
12	331	Allowance or Charge Method of Handling Code	O ID 2/2	X			
13	127	Reference Identification	C AN 1/30	C	AN 1/30		Shipping cost: Tracking ID
							Price type: Example type values might be MSRP, ListPrice, Actual, AverageSellingPrice, CalculationGross, BaseCharge, AverageWholesalePrice, ExportPrice, AlternatePrice, ContractPrice, etc.
14	770	Option Number	O AN 1/20	X			
15	352	Description	C AN 1/80	C	AN 1/80		Free-form description
16	819	Language Code	O ID 2/3	O	ID 2/3		This is the language code attribute sent to describe the language used for the comment. The code is ISO 639 compliant. Note that this code is optional and can be supplied in lower case. E.g. EN English

Example: SAC*C*G830*4680*****SAC-Reference ID**SAC-Description*EN-**

Note: Special combination of elements shown here are examples.

Shipping Cost:

This represents a shipping cost in the order to the supplier. There can be one of these for the entire order, or one per line item.

Example :

SAC*C*G830***4680*****Tracking ID**SAC-Description*EN-
CUR*BY*USD*0.9*SE*EUR-

Original Price:

This represents an original price. There can be one of these for the entire order, or one per line item.

Example:

SAC*N*F050*ZZ**4680*****ListPrice**Original Price*EN-
CUR*BY*USD-

SAC	O 25	Shipping and Original Price
CUR	O 1	Currency

Standard Usage				SAP Business Network Usage		
01	98	Entity Identifier Code	M ID 2/3	M	ID 2/3	<i>BY</i> <i>Buying Party (Purchaser)</i>
02	100	Currency Code	M ID 3/3	M	ID 3/3	Code (Standard ISO) for country in whose currency the charges are specified. Please refer to APPENDIX - CODELISTS 100 Currency Code.
03	280	Exchange Rate	O R 4/10	O	R 4/10	Exchange rate
04	98	Entity Identifier Code	O ID 2/3	O	ID 2/3	<i>SE</i> <i>Selling Party</i>
05	100	Currency Code	O ID 3/3	O	ID 3/3	Code (Standard ISO) for country in whose currency the charges are specified. Please refer to APPENDIX - CODELISTS 100 Currency Code.
<p>Example: CUR*BY*USD*0.9*SE*EUR~ To specify the currency used in a transaction.</p>						

SAC	O 25	Service, Promotion, Allowance or Charge information
SAC	M 1	Service, Promotion, Allowance or Charge information

Standard Usage				SAP Business Network Usage			
01	248	Allowance or Charge Indicator	M ID 1/1	M	ID 1/1	C <i>Charge</i> A <i>Allowance</i>	
02	1300	Service, Promotion, Allowance, or Charge Code	C ID 4/4	C	ID 4/4	Service, Promotion, Allowance, or Charge Code Please refer to APPENDIX - CODELISTS 1300 Service, Promotion, Allowance, or Charge Code.	
03	559	Agency Qualifier Code	C ID 2/2	C	ID 2/2	<i>ZZ Mutually Defined</i>	
04	1301	Agency Service, Promotion, Allowance, or Charge Code	C AN 1/10	X			
05	610	Amount	O N2 1/15	O	N2 1/15	Monetary amount	
06	378	Allowance/Charge Percent Qualifier	C ID 1/1	C	ID 1/1	<i>6 Base Price Amount</i>	
07	332	Percent	C R 1/6	C	R 1/6	Percent	
08	118	Rate	O R 1/9	X			
09	355	Unit or Basis for Measurement Code	C ID 2/2	X			
10	380	Quantity	C R 1/15	X			
11	380	Quantity	O R 1/15	X			
12	331	Allowance or Charge Method of Handling Code	O ID 2/2	X			
13	127	Reference Identification	C AN 1/30	C	AN 1/30	Could be AMT_PRI	
14	770	Option Number	O AN 1/20	O	AN 1/20	<i>1 Used if SAC05 value is amount</i> <i>2 Used if SAC05 value is price</i>	
15	352	Description	C AN 1/80	C	AN 1/80	Free-form description	
16	819	Language Code	O ID 2/3	O	ID 2/3	This is the language code attribute sent to describe the language used for the comment. The code is ISO 639 compliant. Note that this code is optional and can be supplied in lower case. E.g. <i>EN English</i>	

Example: SAC*A*D500*ZZ4680*6*0.12*****AMT_PRI*1*SAC-Description*EN~**

To request or identify a service, promotion, allowance, or charge; to specify the amount or percentage for the service, promotion, allowance, or charge.

Example 1: Discount

In this example, a 5% discount representing 5.77 Dollars is being offered.

SAC*A*D310*ZZ**577*6*5~

Example 2: Special Handling Charge

In this example, a 20.00 Euro special handling fee is being charged.

SAC*C*D500*ZZ**2000*****Special Handling Description*EN~

SAC	O 25	Service, Promotion, Allowance or Charge information
CUR	O 1	Currency

Standard Usage				SAP Business Network Usage		
01	98	Entity Identifier Code	M ID 2/3	M	ID 2/3	<i>BY</i> <i>Buying Party (Purchaser)</i>
02	100	Currency Code	M ID 3/3	M	ID 3/3	Code (Standard ISO) for country in whose currency the charges are specified. Please refer to APPENDIX - CODELISTS 100 Currency Code.
03	280	Exchange Rate	O R 4/10	X		
04	98	Entity Identifier Code	O ID 2/3	X		
05	100	Currency Code	O ID 3/3	X		
06	669	Currency Market/Exchange Code	O ID 3/3	X		
07	374	Date/Time Qualifier	C ID 3/3	C	ID 3/3	<i>196</i> <i>Start</i>
08	373	Date	O DT 8/8	O	DT 8/8	Start date Date expressed as CCYYMMDD
09	337	Time	O TM 4/8	O	TM 4/8	Start time Time expressed in 24-hour clock time as follows: HHMM, HHMMSS, HHMMSSD, or HHMMSSDD, where H = hours (00-23), M = minutes (00-59), S = integer seconds (00-59) and DD = decimal seconds; decimal seconds are expressed as follows: D = tenths (0-9) and DD = hundredths (00-99)
10	374	Date/Time Qualifier	C ID 3/3	C	ID 3/3	<i>197</i> <i>End</i>
11	373	Date	C DT 8/8	C	DT 8/8	End date Date expressed as CCYYMMDD
12	337	Time	C TM 4/8	C	TM 4/8	End time Time expressed in 24-hour clock time as follows: HHMM, HHMMSS, HHMMSSD, or HHMMSSDD, where H = hours (00-23), M = minutes (00-59), S = integer seconds (00-59) and DD = decimal seconds; decimal seconds are expressed as follows: D = tenths (0-9) and DD = hundredths (00-99)

Example: CUR*BY*USD***196*20160104*1010*197*20160104*1011~**
To specify the currency used in a transaction.

ITD **O 5** **Terms of Sale**

Standard Usage				SAP Business Network Usage			
01	336	Terms Type Code	O ID 2/2	O ID 2/2	05	Discount Not Applicable	
					52	Discount with Prompt Pay	
02	333	Terms Basis Date Code	O ID 1/2	O ID 1/2	3	Invoice Date	
03	338	Terms Discount Percent	O R 1/6	O R 1/6		Discount percentage	
04	370	Terms Discount Due Date	C DT 8/8	X			
05	351	Terms Discount Days Due	C N0 1/3	C N0 1/3		Discount days due	
06	446	Terms Net Due Date	O DT 8/8	X			
07	386	Terms Net Days	O N0 1/3	O N0 1/3		Penalty terms days	
08	362	Terms Discount Amount	O N2 1/10	O N2 1/10		Total amount of terms discount	
09	388	Terms Deferred Due Date	O DT 8/8	X			
10	389	Deferred Amount Due	C N2 1/10	X			
11	342	Percent of Invoice Payable	C R 1/5	X			
12	352	Description	O AN 1/80	O AN 1/80		Payment terms description	
13	765	Day of Month	C N0 1/2	X			
14	107	Payment Method Code	O ID 1/2	X			
15	954	Percent	O R 1/10	O R 1/10		Penalty terms percentage	

Example: ITD*05*3***30*****PaymentTermsDescription***15~**

To specify terms of sale.

SAP Business Network Orders currently supports payment terms only by the number of days from the invoice date, and a discount and/or premium. You can put the discount and/or late penalty in the same ITD segment, or use multiple ITD segments.

A discount uses ITD03 and ITD05. A penalty uses ITD07 and ITD15. ITD12 is optional for both terms.

ITD01: Optional to identify the type of terms you are defining.

ITD02: All payment terms are based on the Invoice Date.

ITD03: Required for discount terms (ITD01=52). Must be used in combination with ITD05. This value is read as a percentage. If you mean 2.25% then ITD03=2.25, not 0.0225.

ITD05: Required for discount terms [ITD01=52]. Must be used in combination with ITD03. This is the number of days from the Invoice Date (ITD02=3, BIG01).

ITD07: Required for penalty terms (ITD01=05). Must be used in combination with ITD15. This is the number of days from the Invoice Date after which penalty terms apply.

ITD12: Optional for discount and penalty terms (ITD01=05 or 52). Used to provide payment terms description.

ITD15: Required for penalty terms (ITD01= 05). Must be used in combination with ITD07. This is the penalty terms percentage to be applied ITD07 days after the Invoice Date (ITD02=3).

Example 1: Penalty (ITD01=05)

No discount offered, but a 15% penalty if they're over 30 days.

ITD*05*3*****30*****15~

You should use this code if no discount is offered, but a late payment penalty exists. Note that ITD07 and ITD15 become mandatory.

Example 2: Discount (ITD01=52)

2% discount for prompt payment in < 10 days

ITD*52*3*2**10~

ITD03 and ITD05 are required.

DTM **O 10** **Date/Time**

Standard Usage				SAP Business Network Usage			
01	374	Date/Time Qualifier	M ID 3/3	M	ID 3/3	002	<i>Delivery Requested</i>
						004	<i>Purchase Order</i>
						007	<i>Effective</i>
						036	<i>Expiration</i>
						070	<i>Scheduled for Delivery (After and Including)</i>
						073	<i>Scheduled for Delivery (Prior to and Including)</i>
						118	<i>Requested Pick-up</i>
						171	<i>Revision</i>
02	373	Date	C DT 8/8	C	DT 8/8	Date expressed as format CCYYMMDD	
03	337	Time	C TM 4/8	C	TM 4/8	Time expressed in 24-hour clock time as follows: HHMMSS, where H = hours (00-23), M = minutes (00-59), S = integer seconds (00-59).	
04	623	Time Code	O ID 2/2	O	ID 2/2	Code identifying the time zone Please refer to APPENDIX - CODELISTS 623 Time Code.	
<p>Example: DTM*004*20160104*093059*CT~ To specify pertinent dates and times.</p>							

PID **O 200** **Shipping Instructions**

Standard Usage				SAP Business Network Usage			
01	349	Item Description Type	M ID 1/1	M	ID 1/1	<i>F</i>	<i>Free-form</i>
02	750	Product/Process Characteristic Code	O ID 2/3	O	ID 2/3	<i>93</i>	<i>Shipping Unit Component</i>
03	559	Agency Qualifier Code	C ID 2/2	X			
04	751	Product Description Code	C AN 1/12	X			
05	352	Description	C AN 1/80	C	AN 1/80		Shipping instructions
06	752	Surface/Layer/Position Code	O ID 2/2	X			
07	822	Source Subqualifier	O AN 1/15	X			
08	1073	Yes/No Condition or Response Code	O ID 1/1	X			
09	819	Language Code	O ID 2/3	O	ID 2/3		This is the language code attribute sent to describe the language used for the comment. The code is ISO 639 compliant. Note that this code is optional and can be supplied in lower case. <i>EN</i> <i>English</i>
<p>Example: PID*F*93***ShippingInstructions****EN~ To describe a product or process in coded or free-form format.</p>							

TXI **O >1** **Tax Information**

Standard Usage				SAP Business Network Usage			
01	963	Tax Type Code	M ID 2/2	M ID 2/2	GS	Goods and Services Tax	
					ST	State Sales Tax	
					TX	All Taxes	
					VA	Value Added Tax	
					ZZ	Mutually Defined	
02	782	Monetary Amount	C R 1/18	C R 1/18		Tax amount	
03	954	Percent	C R 1/10	C R 1/10		Tax percentage	
04	955	Tax Jurisdiction Code Qualifier	C ID 2/2	C ID 2/2	CD	Customer defined	
05	956	Tax Jurisdiction Code	C AN 1/10	C AN 1/10		Tax location	
06	441	Tax Exempt Code	C ID 1/1	C ID 1/1	0	Exempt (For Export)	
					2	No (Not Tax Exempt)	
07	662	Relationship Code	O ID 1/1	X			
08	828	Dollar Basis For Percent	O R 1/9	O R 1/9		Taxable amount	
09	325	Tax Identification Number	O AN 1/20	O AN 1/20		Custom tax category Used for providing custom tax categories to override the standard tax categories on TXI01.	
10	350	Assigned Identification	O AN 1/20	O AN 1/20		Tax description	

Example: TXI*ZZ*10.00*10.00*CD*TaxLoc*0100.00*CU*Description~**
To specify tax information.

Example:
TXI*TX*10.00~
TXI*ZZ*10.00*10.00*CD*TaxLoc*0**100.00*CU*Description~

N9	O 1	Reference Identification - Purchasing Card Information
N9	M 1	Reference Identification - Purchasing Card Information

Standard Usage				SAP Business Network Usage			
01	128	Reference Identification Qualifier	M ID 2/3	M	ID 2/3	<i>PSM</i>	<i>Credit Card</i>
02	127	Reference Identification	C AN 1/30	C	AN 1/30	Purchasing card identification number	
03	369	Free-form Description	C AN 1/45	C	AN 1/45	Purchasing card name	
<p>Example: N9*PSM*0000000000000000*VISA~ To transmit identifying information as specified by the Reference Identification Qualifier.</p> <p>This segment is used for purchasing card information, such as card number and expiration date. It allows buying organizations to charge PCards after they approve invoices.</p> <p>Example: N9*PSM*0000000000000000*VISA~ DTM*036****2021-03-12~</p>							

N9	O 1	Reference Identification - Purchasing Card Information
DTM	O 1	Date/Time

Standard Usage				SAP Business Network Usage			
01	374	Date/Time Qualifier	M	ID 3/3	M	ID 3/3	036 Expiration
02	373	Date	C	DT 8/8	X		
03	337	Time	C	TM 4/8	X		
04	623	Time Code	O	ID 2/2	X		
05	1250	Date Time Period Format Qualifier	C	ID 2/3	C	ID 2/3	UN Unstructured
06	1251	Date Time Period	C	AN 1/35	C	AN 1/35	Expiration date Date can be expressed as format CCYY-MM-DD.

Example: DTM*036**UN*2021-03-12~**
To specify pertinent dates and times.

N9	O 1000	Reference Identification - Additional Information
N9	M 1	Reference Identification - Additional Information

Standard Usage				SAP Business Network Usage			
01	128	Reference Identification Qualifier	M	ID 2/3	M	ID 2/3	<i>0L Referenced By</i> <i>U2 Terms and Condition</i> *UserNote (N9 - Additional Information)
02	127	Reference Identification	C	AN 1/30	X		
03	369	Free-form Description	C	AN 1/45	C	AN 1/45	Information type *UserNote (N9 - Additional Information)

Example: N9*U2Terms~**
To transmit identifying information as specified by the Reference Identification Qualifier.

*UserNote (N9 - Additional Information):
These segments are reserved for specific usage as described below:

N9*0L is used in conjunction with
N903="TransportComments" for transport comments or with
N903="TODComments" for terms of delivery comments in MSG.

Examples:
N9*0L**TransportComments~
MSG*Transport Text~
N9*0L**TODComments~
MSG*Terms Of Delivery Text~

N9*U2 is used in conjunction with
N903="Terms" for customer terms in MSG.

Multiline comments are also possible.
For intentional linefeeds, simply multiple MSG segments are present.
If a single comment line is longer than 264 chars, another MSG with MSG02=LC is used.

Examples:
N9*U2**Terms~
MSG*Terms Text~
or
N9*U2**Terms~
MSG*Terms Text1-264 chars~
MSG*Terms Text2*LC~

N9	O 1000	Reference Identification - Additional Information
MSG	O 1000	Free-Form Message Text

Standard Usage				SAP Business Network Usage			
01	933	Free-Form Message Text	M AN 1/264	M AN 1/264		Free-form message text	
02	934	Printer Carriage Control Code	C ID 2/2	C ID 2/2		A field to be used for the control of the line feed of the receiving printer. If a line was broken by the limitation of MSG01, and a new segment is created for continuation, then MSG02="LC", otherwise it is not used. <i>LC Line Continuation</i> *UserNote (MSG02)	
<p>Example: MSG*Text*LC~ To provide a free-form format that allows the transmission of text information.</p> <p>*UserNote (MSG02) - along with N9*U2: Multiline comments are also possible. For intentional linefeeds, simply multiple MSG segments are present. If a single comment line is longer than 264 chars, another MSG with MSG02=LC is used.</p> <p>Examples: N9*U2**Terms~ MSG*Terms Text~ or N9*U2**Terms~ MSG*Terms Text1-264 chars~ MSG*Terms Text2*LC~</p>							

N9	O 1	Reference Identification - External Document Information
N9	M 1	Reference Identification - External Document Information

Standard Usage				SAP Business Network Usage			
01	128	Reference Identification Qualifier	M ID 2/3	M ID 2/3	43	<i>External Document</i>	
02	127	Reference Identification	C AN 1/30	C AN 1/30	"External Document Reference"		
03	369	Free-form Description	C AN 1/45	C AN 1/45	External document type		
<p>Example: N9*43*External Document Reference*ERP Doc Type~ To transmit identifying information as specified by the Reference Identification Qualifier.</p> <p>This segment is used for the external document. It contains information about a document managed in an external system, such as an ERP. It can be sent with an order to distinguish different business transactions uniquely.</p> <p>N9*43 is used in conjunction with N902="External Document Reference" to specify the external document type in N903 and the description in MSG.</p> <p>Multiline comments are also possible. For intentional linefeeds, simply multiple MSG segments are present. If a single comment line is longer than 264 chars, another MSG with MSG02=LC is used.</p> <p>Examples: N9*43*External Document Reference*ERP Doc Type~ MSG*Text~ or N9*43*External Document Reference*ERP Doc Type~ MSG*Text1-264 chars~ MSG*Text2*LC~</p>							

N9	O 1	Reference Identification - External Document Information
MSG	O 1000	Free-Form Message Text

Standard Usage				SAP Business Network Usage			
01	933	Free-Form Message Text	M AN 1/264	M AN 1/264		Free-form message text	
02	934	Printer Carriage Control Code	C ID 2/2	C ID 2/2		A field to be used for the control of the line feed of the receiving printer. If a line was broken by the limitation of MSG01, and a new segment is created for continuation, then MSG02="LC", otherwise it is not used. <i>LC Line Continuation</i> *UserNote (MSG02)	
<p>Example: MSG*External Document Text*LC~ To provide a free-form format that allows the transmission of text information.</p> <p>*UserNote (MSG02) For intentional linefeeds, simply multiple MSG segments are present. If a single comment line is longer than 264 chars, another MSG with MSG02=LC is used.</p> <p>Examples: N9*43*External Document Reference*ERP Doc Type~ MSG*Text~ or N9*43*External Document Reference*ERP Doc Type~ MSG*Text1-264 chars~ MSG*Text2*LC~</p>							

N9	O 1000	Reference Identification - Comments and Attachments
N9	M 1	Reference Identification - Comments and Attachments

Standard Usage				SAP Business Network Usage			
01	128	Reference Identification Qualifier	M ID 2/3	M	ID 2/3	L1	Letters or Notes URL Uniform Resource Locator
02	127	Reference Identification	C AN 1/30	C	AN 1/30	N9*L1:	This is the language code attribute sent to describe the language used for the comment. The code is ISO 639 compliant. Note that this code is optional and can be supplied in lower case. E.g. EN English N9*URL: "URL"
03	369	Free-form Description	C AN 1/45	C	AN 1/45	N9*L1: "Comments"	N9*URL: URL reference
04	373	Date	O DT 8/8	X			
05	337	Time	C TM 4/8	X			
06	623	Time Code	O ID 2/2	X			
C040		Reference Identifier	O	O			
	128	Reference Identification Qualifier	M ID 2/3	M	ID 2/3	L1	Letters or Notes
	127	Reference Identification	M AN 1/30	M	AN 1/30		Type of comments (only used for N9*L1)

N9 **M 1** **Reference Identification - Comments and Attachments**

Example: N9*L1*EN*Comments**L1>Reason~**

To transmit identifying information as specified by the Reference Identification Qualifier.

N9*L1 is used for general comments in MSG where N902 represents the language code and N903 indicates it as "Comments".

Multiline comments are also possible.

For intentional linefeeds, simply multiple MSG segments are present.

If a single comment line is longer than 264 chars, another MSG with MSG02=LC is used.

Examples:

N9*L1*EN*Comments~

MSG*Text~

or

N9*L1*EN*Comments~

MSG*Text1-264 chars~

MSG*Text2*LC~

Type of comments can be provided also.

It can contain an additional information about the specification of comments.

Examples:

N9*L1*EN*Comments****L1>Reason~

MSG*Text~

or

N9*L1*EN*Comments****L1>Reason~

MSG*Text1-264 chars~

MSG*Text2*LC~

N9*URL is used for the attachment URL related to comments in MSG where N902 indicates it as "URL" and N903 represents the URL reference if available.

Comments can attach external files to augment purchase orders.

The segment contains only a reference to the external MIME part of the attachment.

All attachments should be sent in a single multipart transmission with the OrderRequest document.

Attachment contains a single URL with scheme "cid:".

Example:

N9*L1*EN*Comments~

MSG*Please see attached image for my idea of what this should look like~

N9*URL*URL~

MSG*cid: uniqueCID@cxml.org~

N9	O 1000	Reference Identification - Comments and Attachments
MSG	O 1000	Free-Form Message Text

Standard Usage				SAP Business Network Usage			
01	933	Free-Form Message Text	M AN 1/264	M AN 1/264		Free-form message text	
02	934	Printer Carriage Control Code	C ID 2/2	C ID 2/2		A field to be used for the control of the line feed of the receiving printer. If a line was broken by the limitation of MSG01, and a new segment is created for continuation, then MSG02="LC", otherwise it is not used. <i>LC Line Continuation</i> *UserNote (MSG02)	
<p>Example: MSG*Text*LC~ To provide a free-form format that allows the transmission of text information.</p> <p>*UserNote (MSG02) - along with N9*L1: For intentional linefeeds, simply multiple MSG segments are present. If a single comment line is longer than 264 chars, another MSG with MSG02=LC is used.</p> <p>Examples: N9*L1*EN*Comments~ MSG*Text~ or N9*L1*EN*Comments~ MSG*Text1-264 chars~ MSG*Text2*LC~</p> <p>and/or N9*L1*EN*Comments****L1>Reason~ MSG*Text~ or N9*L1*EN*Comments****L1>Reason~ MSG*Text1-264 chars~ MSG*Text2*LC~</p>							

N9	O 1000	Reference Identification - Control keys
N9	M 1	Reference Identification - Control keys

Standard Usage				SAP Business Network Usage			
01	128	Reference Identification Qualifier	M ID 2/3	M	ID 2/3	<i>KD</i>	<i>Control Key/Special Instruction</i>
02	127	Reference Identification	C AN 1/30	C	AN 1/30		Control key/Special instruction identifier*
03	369	Free-form Description	C AN 1/45	C	AN 1/45		Control key/Special instruction value*

N9 **M 1** **Reference Identification - Control keys**

Example: N9*KD*OCValue*allowed~

To transmit identifying information as specified by the Reference Identification Qualifier.

*Note: This segmentgroup N9*KD is used to inform Purchase Order related control keys in form of special instructions for further steps in the process chain.

Order confirmation instructions:

Supported values in N903 in combination with N902="OCValue" are:

"allowed" - Order confirmation is allowed

"notAllowed" - Order confirmation is not allowed

"requiredBeforeASN" - Order confirmation is required before a ship notice

Example:

N9*KD*OCValue*allowed~

Order confirmation time tolerances:

N903 specifies the time tolerance of an Order Confirmation in days, where N902="OCLowerTimeToleranceInDays" is used to define a lower limit and N902="OCUpperTimeToleranceInDays" an upper limit.

Examples:

N9*KD*OCLowerTimeToleranceInDays*1~

N9*KD*OCUpperTimeToleranceInDays*30~

Ship notice instructions:

Supported values in N903 in combination with N902="ASNValue" are:

"allowed" - Ship notice is allowed

"notAllowed" - Ship notice is not allowed

Example:

N9*KD*ASNValue*allowed~

Invoice instructions:

Supported values in N903 in combination with N902="INVValue" are:

"isERS" - The order or line item is flagged for Evaluated Receipt Settlement, indicating that the system will post an invoice for it automatically based on goods receipts.

"isNotERS" - The order or line item is not flagged for Evaluated Receipt Settlement.

"allowed" - Invoice is allowed

"notAllowed" - Invoice is not allowed

Example:

N9*KD*INVValue*isERS~

Invoice verification types:

The only supported value in N903 in combination with N902="INVVerification" is:

"goodsReceipt" - Indicates that invoice verification for this item is based on the goods receipt.

The invoice item can then be matched up uniquely with the goods receipt item.

Goods-receipt-based invoice verification makes sense when you expect a delivery to be made and posted in several parts.

Example:

N9*KD*INVVerification*goodsReceipt~

Invoice and/or Service sheet unit price update options:

Specifies whether a buyer or supplier is allowed to update the unit price while creating an invoice.

Supported values in N903 in combination with

N902="INV_unitPriceEditable" for the invoice or

N902="SES_UnitPriceEditable" for the service sheet are:

"yes" - The buyer or supplier is allowed to edit unit price. The new price must be within price tolerance.

"no" - The unit price is not editable regardless of transaction rules defined in the network hub.

Examples:

N9*KD*INV_unitPriceEditable*yes~

N9*KD*SES_UnitPriceEditable*no~

N9 **M 1** **Reference Identification - Control keys**

Service sheet instructions:
Supported values in N903 in combination with N902="SESValue" are:
"allowed" - Service sheet is allowed
"notAllowed" - Service sheet is not allowed

Example:
N9*KD*SESValue*allowed~

N9	O 1000	Reference Identification - Mutually Defined References
N9	M 1	Reference Identification - Mutually Defined References

Standard Usage			SAP Business Network Usage		
01	128	Reference Identification Qualifier	M	ID 2/3	M ID 2/3 ZZ .
02	127	Reference Identification	C	AN 1/30	X
03	369	Free-form Description	C	AN 1/45	C AN 1/45 Mutually defined identification name
<p>Example: N9*ZZ**MutuallyDefinedIDName~</p> <p>To transmit identifying information as specified by the Reference Identification Qualifier.</p> <p>This segment is used to specify mutually defined identifying information.</p> <p>N9*ZZ contains information mutually defined by the trading partners. In this case N903 is used as an identification to specify the mutually defined identification provided in MSG. If the content is longer than 264 chars, another MSG with MSG02=LC is used. Please note MSG is not required. For various business cases it is sufficient to transmit only the mutually defined name identification by itself.</p> <p>Examples: N9*ZZ**MutuallyDefinedIDName1~ MSG*Mutually Defined Identification1 Text~ or N9*ZZ**MutuallyDefinedIDName2~ MSG*Mutually Defined Identification2 Text1-264 chars~ MSG*Mutually Defined Identification2 Text2*LC~ or N9*ZZ**MutuallyDefinedIDName3~</p>					

N9	O 1000	Reference Identification - Mutually Defined References
MSG	O 1000	Message Text

Standard Usage				SAP Business Network Usage			
01	933	Free-Form Message Text	M AN 1/264	M	AN 1/264	Mutually defined identification	
02	934	Printer Carriage Control Code	C ID 2/2	C	ID 2/2	A field to be used for the control of the line feed of the receiving printer. If a line was broken by the limitation of MSG01, and a new segment is created for continuation, then MSG02="LC", otherwise it is not used <i>LC Line Continuation</i> *UserNote (MSG02)	
<p>Example: MSG*Mutually Defined Identification*LC~ To provide a free-form format that allows the transmission of text information.</p> <p>*UserNote (MSG02) For intentional linefeeds, simply multiple MSG segments are present. If a single comment line is longer than 264 chars, another MSG with MSG02=LC is used.</p> <p>Examples: N9*ZZ**MutuallyDefinedIDName1~ MSG*Mutually Defined Identification1 Text~ or N9*ZZ**MutuallyDefinedIDName2~ MSG*Mutually Defined Identification2 Text1-264 chars~ MSG*Mutually Defined Identification2 Text2*LC~</p>							

N1	M 200	Party Identification
N1	M 1	Party Name

Standard Usage				SAP Business Network Usage		
01	98	Entity Identifier Code	M ID 2/3	M ID 2/3	Please refer to APPENDIX - CODELISTS 98 Entity Identifier Code.	
02	93	Name	C AN 1/60	C AN 1/60	Party name	
03	66	Identification Code Qualifier	C ID 1/2	C ID 1/2	<i>1 D-U-N-S Number, Dun & Bradstreet</i> <i>2 Standard Carrier Alpha Code (SCAC)</i> <i>4 International Air Transport Association (IATA)</i> <i>9 D-U-N-S+4, D-U-N-S Number with Four Character Suffix</i> <i>92 Assigned by Buyer or Buyer's Agent</i>	
04	67	Identification Code	C AN 2/80	C AN 2/80	Party identification number	
<p>Example: N1*BT*Bill-To Name*92*Bill-To ID~</p> <p>This segment is used to identify the trading partners involved in the message.</p> <p>N101 = BT: Bill to party is required.</p>						

N1	M 200	Party Identification
N2	O 2	Party Additional Name Information

Standard Usage				SAP Business Network Usage		
01	93	Name	M AN 1/60	M AN 1/60	Party postal address name 1	
02	93	Name	O AN 1/60	O AN 1/60	Party postal address name 2	
<p>Example: N2*Bill-To Addr Name 1*Bill-To Addr Name 2-</p> <p>If a Postal Address Name via N2 segment is used, then one Street (N301), the City (N401) and the two-char ISO-3166 Country Code (N404) are all required. Therefore, N3 and N4 become mandatory.</p>						

N1	M 200	Party Identification
N3	O 2	Party Address Information

Standard Usage				SAP Business Network Usage		
01	166	Address Information	M AN 1/55	M AN 1/55	Party street 1	
02	166	Address Information	O AN 1/55	O AN 1/55	Party street 2	
<p>Example: N3*Bill-To Street 1*Bill-To Street 2~ To specify the location of the named party.</p> <p>If a Postal Address Street via N3 segment is used, then the City (N401) and the two-char ISO-3166 Country Code (N404) are both required. Therefore, N4 becomes mandatory.</p>						

N1	M 200	Party Identification
N4	O >1	Party Geographic Location

Standard Usage			SAP Business Network Usage		
01 19	City Name	O AN 2/30	O AN 2/30	Party city	
02 156	State or Province Code	O ID 2/2	O ID 2/2	Party state or province code*	
				For addresses in the United States or Canada, use the two letter digraph recognized by the United States Postal Service or Canada Post. Please refer to APPENDIX - CODELISTS 156 State or Province Code.	
				*UserNote (State or province code)	
03 116	Postal Code	O ID 3/15	O ID 3/15	Party postal code	
				Zip codes will be either five or nine digits with no separator. Canadian postal codes must be formatted A9A9A9, with no separator.	
04 26	Country Code	O ID 2/3	O ID 2/3	Party country code	
				Identification of the name of the country or other geographical entity, use ISO 3166 two alpha country code. Please refer to APPENDIX - CODELISTS 26 Country Code.	
05 309	Location Qualifier	C ID 1/2	C ID 1/2	<i>SP State/Province*</i>	
				*UserNote (State or province code)	
06 310	Location Identifier	O AN 1/30	O AN 1/30	Party state or province code*	
				For addresses except in the United States or Canada. *UserNote (State or province code)	

Example: N4*Bill-To CityZIP*AU*SP*NSW~**

To specify the geographic place of the named party.

If a Postal Address City or the two-char ISO-3166 Country Code via N4 segment is used, then one Street (N301) is required. Therefore, N3 becomes mandatory.

*UserNote (State or Province Code)

If the country code (N404) is US or CA, then the state or province code (N402) is also required and must be a valid state or province digraph.

If the country code (N404) is not US or CA, then the state or province code must not be used on (N402). In that case the state or province code can optional be specified by using N406, always in combination with N405="SP".

Examples:

N4*City*CA*ZIP*US~

N4*City**ZIP*AU*SP*NSW~

N1	M 200	Party Identification
REF	O 12	Party Reference

Standard Usage			SAP Business Network Usage		
01 128	Reference Identification Qualifier	M ID 2/3	M ID 2/3		Please refer to APPENDIX - CODELISTS 128 Reference Identification Qualifier.
02 127	Reference Identification	C AN 1/30	X		
03 352	Description	C AN 1/80	C AN 1/80		Identification number

Example: REF*APAccounts receivable ID~**
To specify identifying information.

All reference identifiers are optional, and most all can be used. Care should be taken to avoid ambiguity and duplication. Some of the special cases are shown below.
For further detailed correlation between party and its references please refer to APPENDIX - CODELISTS 128 Reference Identification Qualifier.

REF*AP: The Accounts Receivable Identification Number should only be used for the Buyer (N1*BY) / Bill To (N1*BT) / Sold To (N1*SO) and / or Ship To Party (N1*ST).

Example:
N1*BY*Buyer Name~
REF*AP*Buyer Accounts Receivable ID~

REF*PB: The Payer's Bank Account Identification Number should be used for the Buyer (N1*BY) / Bill To (N1*BT) and / or Sold To Party (N1*SO).

Example:
N1*SO*Sold To Name~
REF*AP*Sold To Bank Account ID~

REF*BAA: The Supplier Tax Identification Number should only be used for the Remit To Party (N1*RI).
REF*RT and REF*PY: Payee's Bank Routing Identification Number (financial institution) and Payee's Bank Account Identification Number should be paired and are recommended for the Remit To Party (N1*RI), but allowed at all parties.

Example:
N1*RI*Remit To Name~
REF*BAA*Supplier Tax ID~
REF*RT*Payees Bank Routing ID~
REF*PY*Payees Bank Account ID~

REF*4B, REF*4C, REF*9S and REF*KK: The Loading Point, Storage Location, Transportation Zone and cRADCRS Indicator should only be used for the Sold To (N1*SO) and / or Ship To Party (N1*ST).

Example:
N1*ST*Ship To Name~
REF*4B*1234~
REF*4C*5678~
REF*9S*ABCD~
REF*KK*RAD~

REF*YD: The Buyer Additional Identification Number should only be used for the Buyer (N1*BY) or Sold To (N1*SO) party.
REF*ZA: The Supplier Additional Identification Number should only be used for the Supplier Corporate (N1*SU) / Supplier Account (N1*SE) / Message From (N1*FR) / Bill From (N1*BF) or Ship From (N1*SF).

Example:
N1*BY*Buyer Name~
REF*YD*Buyer Additional ID~
N1*SU*Supplier Name~
REF*ZA*Supplier Additional ID~

N1	M 200	Party Identification
REF	O 12	References - Mutually Defined References

Standard Usage			SAP Business Network Usage		
01 128	Reference Identification Qualifier	M ID 2/3	M ID 2/3	<i>ZZ</i>	<i>Mutually Defined</i>
02 127	Reference Identification	C AN 1/30	C AN 1/30		Mutually defined identification name
03 352	Description	C AN 1/80	C AN 1/80		Mutually defined identification

Example: REF*ZZ*MutuallyDefinedIDName*Mutually Defined Identification~
To specify mutually defined identifying information.

REF*ZZ contains information mutually defined by the trading partners.
In this case REF02 is used as an identification to specify the mutually defined identification provided in REF03.

Examples:
REF*ZZ*MutuallyDefinedIDName*Mutually Defined Identification~

N1	M 200	Party Identification
PER	O >1	Administrative Communications Contact

Standard Usage			SAP Business Network Usage				
01	366	Contact Function Code	M	ID 2/2	M	ID 2/2	<i>AP</i> <i>Accounts Payable Department</i> <i>CN</i> <i>General Contact</i> <i>RE</i> <i>Receiving Contact</i>
02	93	Name	O	AN 1/60	O	AN 1/60	Party contact name Note: The example here shows a person's name. It is perfectly acceptable to put a category in PER02, such as "work", "mobile", "home", etc.. A suggestion here is that if N102 identifies a person, then categories are appropriate here.
03	365	Communication Number Qualifier	C	ID 2/2	C	ID 2/2	<i>EM</i> <i>Electronic Mail</i> <i>FX</i> <i>Facsimile</i> <i>TE</i> <i>Telephone</i> <i>UR</i> <i>Uniform Resource Locator (URL)</i>
04	364	Communication Number	C	AN 1/80	C	AN 1/80	Communication number
05	365	Communication Number Qualifier	C	ID 2/2	C	ID 2/2	<i>EM</i> <i>Electronic Mail</i> <i>FX</i> <i>Facsimile</i> <i>TE</i> <i>Telephone</i> <i>UR</i> <i>Uniform Resource Locator (URL)</i>
06	364	Communication Number	C	AN 1/80	C	AN 1/80	Communication number
07	365	Communication Number Qualifier	C	ID 2/2	C	ID 2/2	<i>EM</i> <i>Electronic Mail</i> <i>FX</i> <i>Facsimile</i> <i>TE</i> <i>Telephone</i> <i>UR</i> <i>Uniform Resource Locator (URL)</i>
08	364	Communication Number	C	AN 1/80	C	AN 1/80	Communication number
Example: PER*AP*Contact Name*EM*e-mail Address*TE*Phone ID*UR*URL~ To identify a person or office to whom administrative communications should be directed.							

N1	M 200	Party Identification
TD5	O 12	Carrier Details - Transport Information

Standard Usage			SAP Business Network Usage			
01	133	Routing Sequence Code	O	ID 1/2	O ID 1/2	Z <i>Mutually Defined</i>
02	66	Identification Code Qualifier	C	ID 1/2	C ID 1/2	ZZ <i>Shipping Contract Number</i>
03	67	Identification Code	C	AN 2/80	C AN 2/80	Shipping contract identification number
04	91	Transportation Method/Type Code	C	ID 1/2	C ID 1/2	Transport mode A <i>Air</i> J <i>Motor</i> R <i>Rail</i> S <i>Ocean</i>
05	387	Routing	C	AN 1/35	X	
06	368	Shipment/Order Status Code	C	ID 2/2	X	
07	309	Location Qualifier	O	ID 1/2	O ID 1/2	ZZ <i>Shipping Instructions</i>
08	310	Location Identifier	C	AN 1/30	C AN 1/30	Shipping instruction Text
<p>Example: TD5*Z*ZZ*Shipping Contract ID*A***ZZ*Shipping Instruction Text- To specify the mode, the contract identification number and further shipping instructions related to the transport.</p> <p>Note: Only used if N101="ST"</p>						

N1	M 200	Party Identification
TD4	O 5	Carrier Details - Carrier Identification

Standard Usage			SAP Business Network Usage			
01	152	Special Handling Code	C	ID 2/3	C ID 2/3	<i>ZZZ Mutually Defined</i>
02	208	Hazardous Material Code Qualifier	C	ID 1/1	X	
03	209	Hazardous Material Class Code	C	AN 1/4	X	
04	352	Description	C	AN 1/80	C AN 1/80	Carrier identification

Example: TD4*ZZZ*Carrier Company Name XYZ@companyName~**
To specify the carrier identification.

The carrier identification presented in this TD4*ZZZ segment includes the related domain after the identification, starting with "@": <ID@domain>

Examples:
TD4*ZZZ***1234@SCAC~
or
TD4*ZZZ***UPS@companyName~

Note: Only used if N101="ST"

POC	M >1	Line Item
POC	M 1	Line Item Change

Standard Usage				SAP Business Network Usage			
01	350	Assigned Identification	O AN 1/20	M AN 1/20			Line item number Alphanumeric characters assigned for differentiation within a transaction set and recommended in Order Change, Order Confirmation, Ship Notice and Invoice.
02	670	Change or Response Type Code	M ID 2/2	M ID 2/2			<i>CF</i> Cancel Previously Transmitted Purchase Order <i>RZ</i> Replace All Values
03	330	Quantity Ordered	O R 1/15	M R 1/15			Ordered quantity
04	671	Quantity Left to Receive	C R 1/9	C R 1/9			Quantity left to receive
C001		Composite Unit of Measure	C	C			
	355	Unit or Basis for Measurement Code	M ID 2/2	M ID 2/2			Code specifying the units in which a value is being expressed, or manner in which a measurement has been taken. Please refer to APPENDIX - CODELISTS 355 Unit or Basis for Measurement Code (UOM).
06	212	Unit Price	C R 1/17	C R 1/17			Price per unit of product, service, commodity, etc.
07	639	Basis of Unit Price Code	O ID 2/2	X			
08	235	Product/Service ID Qualifier	C ID 2/2	C ID 2/2			<i>BP</i> Buyer's Part Number <i>C3</i> Classification <i>EN</i> European Article Number (EAN) <i>MF</i> Manufacturer Name <i>MG</i> Manufacturer's Part Number <i>UP</i> U.P.C. Consumer Package Code (1-5-5-1) <i>VP</i> Vendor's (Seller's) Part Number <i>VS</i> Vendor's Supplemental Item Number
09	234	Product/Service ID	C AN 1/48	C AN 1/48			Item identification number
10	235	Product/Service ID Qualifier	C ID 2/2	C ID 2/2			<i>BP</i> Buyer's Part Number <i>C3</i> Classification <i>EN</i> European Article Number (EAN) <i>MF</i> Manufacturer Name <i>MG</i> Manufacturer's Part Number <i>UP</i> U.P.C. Consumer Package Code (1-5-5-1) <i>VP</i> Vendor's (Seller's) Part Number <i>VS</i> Vendor's Supplemental Item Number
11	234	Product/Service ID	C AN 1/48	C AN 1/48			Item identification number
12	235	Product/Service ID Qualifier	C ID 2/2	C ID 2/2			<i>BP</i> Buyer's Part Number <i>C3</i> Classification <i>EN</i> European Article Number (EAN) <i>MF</i> Manufacturer Name <i>MG</i> Manufacturer's Part Number <i>UP</i> U.P.C. Consumer Package Code (1-5-5-1) <i>VP</i> Vendor's (Seller's) Part Number <i>VS</i> Vendor's Supplemental Item Number
13	234	Product/Service ID	C AN 1/48	C AN 1/48			Item identification number
14	235	Product/Service ID Qualifier	C ID 2/2	C ID 2/2			<i>BP</i> Buyer's Part Number <i>C3</i> Classification <i>EN</i> European Article Number (EAN) <i>MF</i> Manufacturer Name <i>MG</i> Manufacturer's Part Number <i>UP</i> U.P.C. Consumer Package Code (1-5-5-1) <i>VP</i> Vendor's (Seller's) Part Number <i>VS</i> Vendor's Supplemental Item Number
15	234	Product/Service ID	C AN 1/48	C AN 1/48			Item identification number
16	235	Product/Service ID Qualifier	C ID 2/2	C ID 2/2			<i>BP</i> Buyer's Part Number

POC **M 1** **Line Item Change**

Standard Usage				SAP Business Network Usage			
						<i>C3</i> Classification <i>EN</i> European Article Number (EAN) <i>MF</i> Manufacturer Name <i>MG</i> Manufacturer's Part Number <i>UP</i> U.P.C. Consumer Package Code (1-5-5-1) <i>VP</i> Vendor's (Seller's) Part Number <i>VS</i> Vendor's Supplemental Item Number	
17	234	Product/Service ID	C AN 1/48	C AN 1/48		Item identification number	
18	235	Product/Service ID Qualifier	C ID 2/2	C ID 2/2	<i>BP</i> Buyer's Part Number <i>C3</i> Classification <i>EN</i> European Article Number (EAN) <i>MF</i> Manufacturer Name <i>MG</i> Manufacturer's Part Number <i>UP</i> U.P.C. Consumer Package Code (1-5-5-1) <i>VP</i> Vendor's (Seller's) Part Number <i>VS</i> Vendor's Supplemental Item Number		
19	234	Product/Service ID	C AN 1/48	C AN 1/48		Item identification number	
20	235	Product/Service ID Qualifier	C ID 2/2	C ID 2/2	<i>BP</i> Buyer's Part Number <i>C3</i> Classification <i>EN</i> European Article Number (EAN) <i>MF</i> Manufacturer Name <i>MG</i> Manufacturer's Part Number <i>UP</i> U.P.C. Consumer Package Code (1-5-5-1) <i>VP</i> Vendor's (Seller's) Part Number <i>VS</i> Vendor's Supplemental Item Number		
21	234	Product/Service ID	C AN 1/48	C AN 1/48		Item identification number	
22	235	Product/Service ID Qualifier	C ID 2/2	C ID 2/2	<i>BP</i> Buyer's Part Number <i>C3</i> Classification <i>EN</i> European Article Number (EAN) <i>MF</i> Manufacturer Name <i>MG</i> Manufacturer's Part Number <i>UP</i> U.P.C. Consumer Package Code (1-5-5-1) <i>VP</i> Vendor's (Seller's) Part Number <i>VS</i> Vendor's Supplemental Item Number		
23	234	Product/Service ID	C AN 1/48	C AN 1/48		Item identification number	
<p>Example: POC*10*RZ*100*10*EA*0.64**VP*Supplier Part ID*BP*Buyer Part ID*VS*Supplier Supplemental Part ID*MG*Manufacturer Part ID*MF*Manufacturer Name*C3*Classification*EN*EAN Part ID*UP*UPC Package ID~</p> <p>To specify changes to a line item.</p> <p>The minimum information is the Quantity Ordered. You can receive that in a single POC segment and nothing more. Additional details are optionally.</p>							

POC	M >1	Line Item
LIN	O >1	Line Item Change

Standard Usage			SAP Business Network Usage			
01	350	Assigned Identification	O	AN 1/20	X	
02	235	Product/Service ID Qualifier	M	ID 2/2	M	ID 2/2 <i>KF Item Purpose Code</i>
03	234	Product/Service ID	M	AN 1/48	M	AN 1/48 <i>delete</i>
<p>Example: LIN**KF*delete~ To specify the purchase order line purpose code.</p> <p>When the 860 is replaced/updated [BCH_353 = "05"], canceled purchase order lines can be identified by purpose code "delete" [LIN-234].</p> <p>The line item number remains constant for any item through updates to the order. Deletion of items from an order never changes the line item number of remaining items. New items have higher numbers than those previously included in the order. A change to an existing item (an increased quantity, for example) does not affect the line item number of that item.</p> <p>Example: BCH*05...~ POC*10...~ LIN**KF*delete~</p>						

POC	M	>1	Line Item
CUR	O	1	Currency

Standard Usage				SAP Business Network Usage			
01	98	Entity Identifier Code	M ID 2/3	M	ID 2/3	<i>BY</i>	<i>Buying Party (Purchaser)</i>
02	100	Currency Code	M ID 3/3	M	ID 3/3	Code (Standard ISO) for country in whose currency the charges are specified. Please refer to APPENDIX - CODELISTS 100 Currency Code.	
03	280	Exchange Rate	O R 4/10	O	R 4/10	Exchange rate	
04	98	Entity Identifier Code	O ID 2/3	O	ID 2/3	<i>SE</i>	<i>Selling Party</i>
05	100	Currency Code	O ID 3/3	O	ID 3/3	Code (Standard ISO) for country in whose currency the charges are specified. Please refer to APPENDIX - CODELISTS 100 Currency Code.	
<p>Example: CUR*BY*USD*0.900*SE*EUR~ To specify the currency used in a transaction.</p>							

POC	M >1	Line Item
PO3	O 25	Additional Item Detail

Standard Usage				SAP Business Network Usage			
01	371	Change Reason Code	M ID 2/2	M	ID 2/2	ZZ	<i>Mutually Defined</i>
02	373	Date	O DT 8/8	X			
03	236	Price Identifier Code	C ID 3/3	X			
04	212	Unit Price	O R 1/17	X			
05	639	Basis of Unit Price Code	C ID 2/2	C	ID 2/2	ST	<i>Standard</i>
06	380	Quantity	M R 1/15	M	R 1/15		Quantity
07	355	Unit or Basis for Measurement Code	M ID 2/2	M	ID 2/2		Code specifying the units in which a value is being expressed, or manner in which a measurement has been taken. Please refer to APPENDIX - CODELISTS 355 Unit or Basis for Measurement Code (UOM).

Example: PO3*ZZ**ST*100*EA~**
To specify additional item related data.

POC	M >1	Line Item
CTP	O >1	Pricing Information

Standard Usage				SAP Business Network Usage			
01	687	Class of Trade Code	O ID 2/2	O	ID 2/2	<i>PY</i>	<i>Private Label</i>
02	236	Price Identifier Code	C ID 3/3	X		<i>WS</i>	<i>User</i>
03	212	Unit Price	C R 1/17	X			
04	380	Quantity	C R 1/15	C	R 1/15		Quantity
C001		Composite Unit of Measure	C	C			
	355	Unit or Basis for Measurement Code	M ID 2/2	M	ID 2/2		Code specifying the units in which a value is being expressed, or manner in which a measurement has been taken. Please refer to APPENDIX - CODELISTS 355 Unit or Basis for Measurement Code (UOM).
06	648	Price Multiplier Qualifier	O ID 3/3	O	ID 3/3	<i>CSD</i>	<i>Cost Markup Multiplier - Original Cost</i>
07	649	Multiplier	C R 1/10	C	R 1/10		Conversion factor
Example: CTP*WS***100*EA*CSD*0.7~ To specify pricing information.							

POC	M >1	Line Item
CTP	O >1	Line Item Amount/Unit Price

Standard Usage				SAP Business Network Usage			
01	687	Class of Trade Code	O ID 2/2	O ID 2/2	TR	General Trade	
02	236	Price Identifier Code	C ID 3/3	C ID 3/3	MAX	Maximum Order Quantity Price	
					MIN	Minimum Order Quantity Price	
					UCP	Unit cost price	
03	212	Unit Price	C R 1/17	C R 1/17	Unit price or amount		
<p>Example: CTP*TR*MAX*1000.00~ To specify line item amount and unit price information.</p> <p>Example: Line item amount (maximum amount) CTP*TR*MAX*1000.00~</p> <p>Example: Line item amount (minimum amount) CTP*TR*MIN*881.00~</p> <p>Example: Unit price CTP*TR*UCP*10.00~</p>							

POC	M >1	Line Item
MEA	O 40	Measurements

Standard Usage				SAP Business Network Usage			
01	737	Measurement Reference ID Code	O ID 2/2	O	ID 2/2	PD PK	Physical Dimensions Package Dimensions
02	738	Measurement Qualifier	O ID 1/3	O	ID 1/3	G GW HT LN N S VOL VWT WD WT	Gross Weight Gross Weight, Maximum Height Length Actual Net Weight State Weight Volume Volume Weight Width Weight
03	739	Measurement Value	C R 1/20	C	R 1/20	Measurement value	
	C001	Composite Unit of Measure	C	C	C		
	355	Unit or Basis for Measurement Code	M ID 2/2	M	ID 2/2	Code specifying the units in which a value is being expressed, or manner in which a measurement has been taken. Please refer to APPENDIX - CODELISTS 355 Unit or Basis for Measurement Code (UOM).	
<p>Example: MEA*PD*G*100.00*KG~ To specify physical measurements.</p>							

POC	M >1	Line Item
PID	O 1000	Product/Item Description
PID	M 1	Product/Item Description

Standard Usage				SAP Business Network Usage			
01	349	Item Description Type	M ID 1/1	M	ID 1/1	<i>F</i>	<i>Free-form</i>
02	750	Product/Process Characteristic Code	O ID 2/3	O	ID 2/3	<i>GEN</i>	<i>General Description</i>
03	559	Agency Qualifier Code	C ID 2/2	X			
04	751	Product Description Code	C AN 1/12	X			
05	352	Description	C AN 1/80	C	AN 1/80		Description Text
06	752	Surface/Layer/Position Code	O ID 2/2	X			
07	822	Source Subqualifier	O AN 1/15	X			
08	1073	Yes/No Condition or Response Code	O ID 1/1	X			
09	819	Language Code	O ID 2/3	O	ID 2/3		This is the language code attribute sent to describe the language used for the comment. The code is ISO 639 compliant. Note that this code is optional and can be supplied in lower case. E.g. <i>EN</i> <i>English</i>
<p>Example: PID*F*GEN***Free-Form-Description-Text****EN~ To describe a product or process in coded or free-form format.</p> <p>This segment can be used for short and long free text descriptions. The short description is indicated via PID02=GEN.</p> <p>Examples: PID*F*GEN***Short Name Description****EN~ PID*F****Description****EN~</p>							

POC	M >1	Line Item
PID	O 1000	Product/Item Shipping Instructions
PID	M 1	Product/Item Shipping Instructions

Standard Usage				SAP Business Network Usage			
01	349	Item Description Type	M ID 1/1	M ID 1/1	F	Free-form	
02	750	Product/Process Characteristic Code	O ID 2/3	O ID 2/3	93	Shipping Instructions	
03	559	Agency Qualifier Code	C ID 2/2	X			
04	751	Product Description Code	C AN 1/12	X			
05	352	Description	C AN 1/80	C AN 1/80		Shipping instruction text	
06	752	Surface/Layer/Position Code	O ID 2/2	X			
07	822	Source Subqualifier	O AN 1/15	X			
08	1073	Yes/No Condition or Response Code	O ID 1/1	X			
09	819	Language Code	O ID 2/3	O ID 2/3		This is the language code attribute sent to describe the language used for the comment. The code is ISO 639 compliant. Note that this code is optional and can be supplied in lower case. E.g. EN English	
<p>Example: PID*F*93***Shipping Instruction Text****EN~ To describe a product or process in coded or free-form format.</p> <p>This segment is used for shipping instructions in addition to TD508 of the subsequent TD5 segment.</p> <p>Example: N1*ST*Ship-To Name~ TD5*Z*ZZ*Shipping Contract ID*J***ZZ*Shipping Instruction Text~</p>							

POC	M >1	Line Item
PID	O 1000	Product/Item Configuration
PID	M 1	Product/Item Configuration

Standard Usage				SAP Business Network Usage			
01	349	Item Description Type	M ID 1/1	M	ID 1/1	F	Free-form
02	750	Product/Process Characteristic Code	O ID 2/3	O	ID 2/3	21	Forming
03	559	Agency Qualifier Code	C ID 2/2	X			
04	751	Product Description Code	C AN 1/12	X			
05	352	Description	C AN 1/80	C	AN 1/80		"Configurable Material"

Example: PID*F*21*Configurable Material~**
To describe a product or process in coded or free-form format.
This segment is only used to indicate that the item is defined as a configurable material and therefore has product characteristics.

POC	M >1	Line Item
PID	O 1	Product/Item Material or Service Classification
PID	M 1	Product/Item Material or Service Classification

Standard Usage				SAP Business Network Usage			
01	349	Item Description Type	M ID 1/1	M ID 1/1	F	<i>Free-form</i>	
02	750	Product/Process Characteristic Code	O ID 2/3	O ID 2/3	12	<i>Type and/or Process</i>	
03	559	Agency Qualifier Code	C ID 2/2	X			
04	751	Product Description Code	C AN 1/12	X			
05	352	Description	C AN 1/80	C AN 1/80		Material or service classification type	

Example: PID*F*12*material~**
To describe a product or process in coded or free-form format.

This segment is only used to specify whether the current line item is material or service.

Possible values are:
"material"
"service"

Examples:
PID*F*12***material~
or
PID*F*12***service~

POC	M >1	Line Item
PID	O 1000	Product/Item Classification
PID	M 1	Product/Item Classification

Standard Usage				SAP Business Network Usage			
01	349	Item Description Type	M ID 1/1	M ID 1/1	S	Structured (From Industry Code List)	
02	750	Product/Process Characteristic Code	O ID 2/3	O ID 2/3	MAC	Material Classification	
03	559	Agency Qualifier Code	C ID 2/2	C ID 2/2	UN AS	United Nations (UN) Assigned by Seller	
04	751	Product Description Code	C AN 1/12	C AN 1/12	Item classification		
05	352	Description	C AN 1/80	X			
06	752	Surface/Layer/Position Code	O ID 2/2	X			
07	822	Source Subqualifier	O AN 1/15	O AN 1/15	Item classification domain		

Example: PID*S*MAC*UN*451215*SPSC~**

To describe a product or process in coded or free-form format.

This segment is typically used for the UNSPSC (United Nations Standard Products and Services Code) commodity code for each selected item.

These codes are used by backend systems within buyer and supplier organizations for accounting and report generation.

For the list of UNSPSC codes, see www.unspsc.org.

UNSPSC commodity codes are identified by PID03="UN" and PID09="SPSC".

Any other classification is identified by PID03="AS" and PID09 as the related domain.

Examples:

PID*S*MAC*UN*451215***SPSC~

PID*S*MAC*AS*123***LineOfBusiness~

PID*S*MAC*AS*ClassID***NotAvailable~

POC	M >1	Line Item
PKG	O 200	Marking, Packaging, Loading

Standard Usage				SAP Business Network Usage			
01	349	Item Description Type	C ID 1/1	C	ID 1/1	<i>F</i>	<i>Free-form</i>
02	753	Packaging Characteristic Code	O ID 1/5	O	ID 1/5	<i>01</i>	<i>Casing Type</i>
03	559	Agency Qualifier Code	C ID 2/2	C	ID 2/2	<i>ZZ</i>	<i>Mutually Defined</i>
04	754	Packaging Description Code	C AN 1/7	C	AN 1/7		Packaging description code
05	352	Description	C AN 1/80	C	AN 1/80		Free-form description
<p>Example: PKG*F*01*ZZ*Code*Packaging Description~ To describe marking, packaging, loading and unloading requirements.</p>							

POC	M >1	Line Item
REF	O >1	References

Standard Usage				SAP Business Network Usage			
01	128	Reference Identification Qualifier	M ID 2/3	M	ID 2/3	BT	Supplier Batch Number
						CO	Customer Order Number
						CT	Agreement Line Item Number
						LT	Buyer Batch Number
						S1	Engineering Specification Number
						SE	Serial Number
						QJ	Return Material Authorization Number
						RQ	Purchase Requisition Number
						ZA	Supplier Number
02	127	Reference Identification	C AN 1/30	C	AN 1/30		Identification number
03	352	Description	C AN 1/80	C	AN 1/80		Supplier Identification domain
<p>Example: REF*ZA*Supplier ID*DUNS~ To specify identifying information.</p> <p>Note that REF03 is only used with REF*ZA as the domain specifying the supplier identification number in REF02.</p> <p>Examples: REF*BT*Supplier Batch ID~ REF*CO*Customer Order ID~ REF*CT*Agreement Line Item ID~ REF*LT*Buyer Batch ID~ REF*QJ*Return authorizarion ID~ REF*RQ*Purchase Requisition ID~ REF*S1*Engineering Specification ID~ REF*SE*Serial ID~ REF*ZA*Supplier DUNS ID*DUNS~</p>							

POC	M >1	Line Item
REF	O >1	References - Additional Information

Standard Usage				SAP Business Network Usage			
01	128	Reference Identification Qualifier	M ID 2/3	M	ID 2/3	<i>0L Referenced By (specific Usage)</i> <i>18 Planning Type</i> <i>2I Tracking Number</i> <i>AH Agreement Number</i> <i>IP Inspection Days</i> <i>T8 Description of Change Code</i> *UserNote (REF - Additional Information)	
02	127	Reference Identification	C AN 1/30	C	AN 1/30	Identification type or specifying value *UserNote (REF - Additional Information)	
03	352	Description	C AN 1/80	C	AN 1/80	Identification number	

REF **O >1** **References - Additional Information**

Example: REF*0L*FOB05*MyOwnTermsTransportTerms~

To specify additional information.

*UserNote (REF - Additional Information):

These segments are reserved for specific usage as described below:

REF*0L is used in conjunction with
REF02="FOB05" to specify the customer value for transport terms in REF03.

Example:

REF*0L*FOB05*MyOwnTransportTerms~

REF*2I is used in conjunction with
REF02 for the domain to specify the tracking identification number in REF03.

Example:

REF*2I*UPS*Tracking ID~

REF*18 is used in conjunction with
REF02="Planning Type" to specify the planning strategy in REF03.

Possible values are:

- "MTO" - Make to Order
- "MTS" - Make to Stock
- "ATO" - Assemble to Order
- "CTO" - Configure to Order

Example:

REF*18*Planning Type*CTO~

REF*AH is used to specify the agreement identification number in REF03.
REF02 is not used in this case.

Example:

REF*AH**Agreement ID~

REF*IP is used in conjunction with
REF02="Inspection Days" to provide the number of days the buyer schedules for the inspection of goods after receiving them in
REF03.

Example:

REF*IP*Inspection Days*5~

REF*T8 is used in conjunction with
REF02="yes" to indicate that the item is changed for specifying the change reason in REF03.

Example:

REF*T8*yes*Quantity changed~

POC	M >1	Line Item
REF	O 1	References - Fine Line Classification

Standard Usage				SAP Business Network Usage			
01	128	Reference Identification Qualifier	M ID 2/3	M	ID 2/3	FL	<i>Fine Line Classification</i>
02	127	Reference Identification	C AN 1/30	C	AN 1/30		Parent line number *UserNote (Item type)
03	352	Description	C AN 1/80	C	AN 1/80		Item type *UserNote (Item type)
<p>Example: REF*FL**lean~ To specify the item type.</p> <p>*UserNote (Item type) The item type specifies whether the line item is a grouped item having child items or an independent line item.</p> <p>Possible values are:</p> <p>"composite": Identifies an item group.</p> <p>"item": Identifies an independent line item. REF02 indicates the line number of the corresponding parent line item. This is a mandatory field and applicable only for a line item with itemType="item".</p> <p>"lean": Indicates that no child item is expected for the line.</p> <p>Examples: LIN*10~ REF*FL**composite~ LIN*20~ REF*FL*10*item~ LIN*30~ REF*FL*10*item~ LIN*40~ REF*FL**lean~</p>							

POC	M >1	Line Item
REF	O >1	References - Item Category

Standard Usage				SAP Business Network Usage			
01	128	Reference Identification Qualifier	M	ID 2/3	M	ID 2/3	<i>KQ</i> <i>Item Category</i>
02	127	Reference Identification	C	AN 1/30	C	AN 1/30	Item category
<p>Example: REF*KQ*consignment~ To specify identifying information.</p> <p>This segment is used to specify how a component or material is procured.</p> <p>Possible values are:</p> <p>"materialUnknown" - Refers to procuring a material without specifying the material number.</p> <p>"text" - Refers to procuring a free-form text item.</p> <p>"stockTransfer" - Refers to transfer of stock from one plant to another.</p> <p>"materialGroup" - Refers to procuring a material without specifying the value or quantity.</p> <p>"subcontract" - Procuring a material by providing component information to a contract manufacturer that makes the finished product.</p> <p>"consignment" - Managing a material through a special process where the payment to supplier is withheld until the material or service is consumed by the buyer.</p> <p>"thirdParty" - Procuring a material from a third-party vendor.</p> <p>Example: REF*KQ*thirdParty~</p>							

POC	M >1	Line Item
REF	O >1	References - Mutually Defined References

Standard Usage			SAP Business Network Usage		
01 128	Reference Identification Qualifier	M ID 2/3	M ID 2/3	ZZ	<i>Mutually Defined</i>
02 127	Reference Identification	C AN 1/30	C AN 1/30		Mutually defined identification name
03 352	Description	C AN 1/80	C AN 1/80		Mutually defined identification

Example: REF*ZZ*MutuallyDefinedIDName*Mutually Defined Identification~

To specify mutually defined identifying information.

REF*ZZ contains information mutually defined by the trading partners.

In this case REF02 is used as an identification to specify the mutually defined identification provided in REF03.

Please note REF03 is not required.

For various business cases it is sufficient to transmit only the mutually defined name identification by itself.

Examples:

REF*ZZ*MutuallyDefinedIDName*Mutually Defined Identification~

REF*ZZ*MutuallyDefinedIDName~

POC	M >1	Line Item
SAC	O 25	Shipping, Original Price and Distribution
SAC	M 1	Shipping, Original Price and Distribution

Standard Usage				SAP Business Network Usage			
01	248	Allowance or Charge Indicator	M ID 1/1	M	ID 1/1	C N	Charge No Allowance or Charge
02	1300	Service, Promotion, Allowance, or Charge Code	C ID 4/4	C	ID 4/4	G830 B840 F050	Shipping and Handling Customer Account Identification Other
03	559	Agency Qualifier Code	C ID 2/2	C	ID 2/2	ZZ	Mutually Defined
04	1301	Agency Service, Promotion, Allowance, or Charge Code	C AN 1/10	X			
05	610	Amount	O N2 1/15	O	N2 1/15		Monetary amount
06	378	Allowance/Charge Percent Qualifier	C ID 1/1	X			
07	332	Percent	C R 1/6	X			
08	118	Rate	O R 1/9	X			
09	355	Unit or Basis for Measurement Code	C ID 2/2	X			
10	380	Quantity	C R 1/15	X			
11	380	Quantity	O R 1/15	X			
12	331	Allowance or Charge Method of Handling Code	O ID 2/2	X			
13	127	Reference Identification	C AN 1/30	C	AN 1/30		Shipping cost: Tracking ID Price type: Example type values might be MSRP, ListPrice, Actual, AverageSellingPrice, CalculationGross, BaseCharge, AverageWholesalePrice, ExportPrice, AlternatePrice, ContractPrice, etc.
14	770	Option Number	O AN 1/20	O	AN 1/20		Sequence for distribution (only used for Distribution accounting)
15	352	Description	C AN 1/80	C	AN 1/80		Free-form description
16	819	Language Code	O ID 2/3	O	ID 2/3		This is the language code attribute sent to describe the language used for the comment. The code is ISO 639 compliant. Note that this code is optional and can be supplied in lower case. E.g. EN English

SAC **M 1** **Shipping, Original Price and Distribution**

Example: SAC*C*G830*4680*****SAC-Reference ID**SAC-Description*EN~**

Note: Special combination of elements shown here are examples.

Shipping Cost:

This represents a shipping cost in the order to the supplier. There can be one of these for the entire order, or one per line item.

Example:

SAC*C*G830***4680*****Tracking ID**SAC-Description*EN~
CUR*BY*USD*0.9*SE*EUR~

Original Price:

This represents an original price. There can be one of these for the entire order, or one per line item.

Example:

SAC*N*F050*ZZ**4680*****Original PriceType*EN~
CUR*BY*USD~

Accounting distribution:

Here the buyer has requested a two way split on the charges. The buyer's account number is comprised of four segments. For reference purposes, SAP Business Network expands the account number with the account segment names in the description element, SAC15, as space allows. The Option Number element, SAC14, shows the sequential occurrence of Distributions. Out of the \$125 total, \$98 is to be charged to one account and \$27 to another. The account number segmentation is implied by the buyer's internal system.

Buyers can optionally specify a list of accounts showing how they want the charges for this line item distributed on their invoice. If present, suppliers are expected to invoice according to these accounting guidelines.

Example:

SAC*N*B840***9800*****07-D84-422-E11*1*Project: 07, Cost Center: D84, Department: 422, Account: E11*EN~
SAC*N*B840***2700*****07-G18-422-E11*2*Project: 07, Cost Center: G18, Department: 422, Account: E11*EN~

POC	M >1	Line Item
SAC	O 25	Shipping, Original Price and Distribution
CUR	O 1	Currency

Standard Usage				SAP Business Network Usage			
01	98	Entity Identifier Code	M ID 2/3	M	ID 2/3	<i>BY</i>	<i>Buying Party (Purchaser)</i>
02	100	Currency Code	M ID 3/3	M	ID 3/3	Code (Standard ISO) for country in whose currency the charges are specified. Please refer to APPENDIX - CODELISTS 100 Currency Code.	
03	280	Exchange Rate	O R 4/10	O	R 4/10	Exchange rate	
04	98	Entity Identifier Code	O ID 2/3	O	ID 2/3	<i>SE</i>	<i>Selling Party</i>
05	100	Currency Code	O ID 3/3	O	ID 3/3	Code (Standard ISO) for country in whose currency the charges are specified. Please refer to APPENDIX - CODELISTS 100 Currency Code.	
<p>Example: CUR*BY*USD*0.9*SE*EUR~ To specify the currency used in a transaction.</p>							

POC	M >1	Line Item
SAC	O 25	Service, Promotion, Allowance or Charge Information
SAC	M 1	Service, Promotion, Allowance or Charge Information

Standard Usage				SAP Business Network Usage			
01	248	Allowance or Charge Indicator	M ID 1/1	M	ID 1/1	C	Charge
02	1300	Service, Promotion, Allowance, or Charge Code	C ID 4/4	C	ID 4/4	A	Allowance
03	559	Agency Qualifier Code	C ID 2/2	C	ID 2/2	ZZ	Mutually Defined
04	1301	Agency Service, Promotion, Allowance, or Charge Code	C AN 1/10	X			
05	610	Amount	O N2 1/15	O	N2 1/15		Monetary amount
06	378	Allowance/Charge Percent Qualifier	C ID 1/1	C	ID 1/1	6	Base Price Amount
07	332	Percent	C R 1/6	C	R 1/6		Percent
08	118	Rate	O R 1/9	X			
09	355	Unit or Basis for Measurement Code	C ID 2/2	X			
10	380	Quantity	C R 1/15	X			
11	380	Quantity	O R 1/15	X			
12	331	Allowance or Charge Method of Handling Code	O ID 2/2	X			
13	127	Reference Identification	C AN 1/30	C	AN 1/30		Could be AMT_PRI
14	770	Option Number	O AN 1/20	O	AN 1/20	1	Used if SAC05 value is amount
						2	Used if SAC05 value is price
15	352	Description	C AN 1/80	C	AN 1/80		Free-form description
16	819	Language Code	O ID 2/3	O	ID 2/3		This is the language code attribute sent to describe the language used for the comment. The code is ISO 639 compliant. Note that this code is optional and can be supplied in lower case. E.g. EN English

Example: SAC*C*D240*ZZ4680*6*0.12*****AMT_PRI*1*SAC-Description*EN~**

To request or identify a service, promotion, allowance, or charge; to specify the amount or percentage for the service, promotion, allowance, or charge.

Example 1: Discount

In this example, a 5% discount representing 5.77 Dollars is being offered.

SAC*A*D310*ZZ**577*6*5~

Example 2: Special Handling Charge

In this example, a 20.00 Euro special handling fee is being charged.

SAC*C*D500*ZZ**2000*****Special Handling Description*EN~

POC	M >1	Line Item
SAC	O 25	Service, Promotion, Allowance or Charge Information
CUR	O 1	Currency

Standard Usage				SAP Business Network Usage			
01	98	Entity Identifier Code	M ID 2/3	M	ID 2/3	BY	Buying Party (Purchaser)
02	100	Currency Code	M ID 3/3	M	ID 3/3		Code (Standard ISO) for country in whose currency the charges are specified. Please refer to APPENDIX - CODELISTS 100 Currency Code.
03	280	Exchange Rate	O R 4/10		X		
04	98	Entity Identifier Code	O ID 2/3		X		
05	100	Currency Code	O ID 3/3		X		
06	669	Currency Market/Exchange Code	O ID 3/3		X		
07	374	Date/Time Qualifier	C ID 3/3	C	ID 3/3	196	Start
08	373	Date	O DT 8/8	O	DT 8/8		Start date Date expressed as CCYYMMDD
09	337	Time	O TM 4/8	O	TM 4/8		Start time Time expressed in 24-hour clock time as follows: HHMM, HHMMSS, HHMMSSD, or HHMMSSDD, where H = hours (00-23), M = minutes (00-59), S = integer seconds (00-59) and DD = decimal seconds; decimal seconds are expressed as follows: D = tenths (0-9) and DD = hundredths (00-99)
10	374	Date/Time Qualifier	C ID 3/3	C	ID 3/3	197	End
11	373	Date	C DT 8/8	C	DT 8/8		End date Date expressed as CCYYMMDD
12	337	Time	C TM 4/8	C	TM 4/8		End time Time expressed in 24-hour clock time as follows: HHMM, HHMMSS, HHMMSSD, or HHMMSSDD, where H = hours (00-23), M = minutes (00-59), S = integer seconds (00-59) and DD = decimal seconds; decimal seconds are expressed as follows: D = tenths (0-9) and DD = hundredths (00-99)

Example: CUR*BY*USD***196*20160104*1010*197*20160104*1011~**
To specify the currency used in a transaction.

POC	M >1	Line Item
FOB	O >1	F.O.B. Related Instructions

Standard Usage				SAP Business Network Usage			
01	146	Shipment Method of Payment	M ID 2/2	M	ID 2/2	Shipment method of payment Please refer to APPENDIX - CODELISTS 146 Shipment Method of Payment.	
02	309	Location Qualifier	C ID 1/2	C	ID 1/2	<i>OF Other Unlisted Free On Board (FOB) Point</i> <i>ZZ Mutually Defined</i>	
03	352	Description	O AN 1/80	O	AN 1/80	Description	
04	334	Transportation Terms Qualifier Code	O ID 2/2	O	ID 2/2	<i>01 Incoterms</i>	
05	335	Transportation Terms Code	C ID 3/3	C	ID 3/3	Code identifying the trade terms which apply to the shipment transportation responsibility. E. g. <i>CAF Cost and Freight</i> <i>CIF Cost, Insurance, and Freight</i> <i>CIP Carriage and Insurance Paid To</i> <i>CPT Carriage Paid To</i> <i>DAF Delivered at Frontier</i> <i>DAP Delivered At Place*</i> <i>DAT Delivered At Terminal*</i> <i>DDP Delivered Duty Paid</i> <i>DDU Deliver Duty Unpaid</i> <i>DEQ Delivered Ex Quay</i> <i>DES Delivered Ex Ship</i> <i>EXW Ex Works</i> <i>FAS Free Alongside Ship</i> <i>FCA Free Carrier</i> <i>FOB Free on Board</i> <i>ZZZ Mutually Defined</i> *UserNote (Incoterms)	
06	309	Location Qualifier	C ID 1/2	C	ID 1/2	<i>ZZ Shipping payment method</i>	
07	352	Description	O AN 1/80	O	AN 1/80	Description A free-form description to specify the related data elements and their content Transport description and terms of delivery description can be specified in this element. Both will be concatenated together. Transport description will be prefixed by @TP and terms of delivery description will be prefixed by @TOD. E.g.: @TPTransport description @TODDelivery at the doorstep.	
<p>Example: FOB*DF*OF*Description*01*EXW*ZZ*@TPTransport description@TODDelivery at the doorstep~ To specify transportation instructions relating to shipment.</p> <p>*UserNote (Incoterms) SAP Business Network supports codes from higher ANSI X12 versions, e.g. 006040.</p>							

POC	M >1	Line Item
SDQ	O 500	Destination Quantity - Packaging Distribution

Standard Usage				SAP Business Network Usage		
01	355	Unit or Basis for Measurement Code	M ID 2/2	M ID 2/2		Code specifying the units in which a value is being expressed, or manner in which a measurement has been taken. Please refer to APPENDIX - CODELISTS 355 Unit or Basis for Measurement Code (UOM).
02	66	Identification Code Qualifier	O ID 1/2	O ID 1/2		<i>54 Warehouse</i>
03	67	Identification Code	M AN 2/80	M AN 2/80		Store number
04	380	Quantity	M R 1/15	M R 1/15		Quantity to be delivered
<p>Example: SDQ*EA*54*Store ID*100~ To provide packaging distribution information between stores.</p>						

POC	M >1	Line Item
DTM	O 10	Date/Time

Standard Usage				SAP Business Network Usage			
01	374	Date/Time Qualifier	M ID 3/3	M	ID 3/3	002	<i>Delivery Requested</i>
						010	<i>Requested Ship</i>
						150	<i>Service Period Start</i>
						151	<i>Service Period End</i>
						LEA	<i>Master agreement date</i>
02	373	Date	C DT 8/8	C	DT 8/8	Date expressed as format CCYYMMDD	
03	337	Time	C TM 4/8	C	TM 4/8	Time expressed in 24-hour clock time as follows: HHMMSS, where H = hours (00-23), M = minutes (00-59), S = integer seconds (00-59).	
04	623	Time Code	O ID 2/2	O	ID 2/2	Code identifying the time zone Please refer to APPENDIX - CODELISTS 623 Time Code.	
<p>Example: DTM*002*20160111*101059*CT~ To specify pertinent dates and times.</p>							

POC	M >1	Line Item
TXI	O >1	Tax Information

Standard Usage				SAP Business Network Usage			
01	963	Tax Type Code	M ID 2/2	M ID 2/2	GS	Goods and Services Tax	
					ST	State Sales Tax	
					TX	All Taxes	
					VA	Value Added Tax	
					ZZ	Mutually Defined	
02	782	Monetary Amount	C R 1/18	C R 1/18		Tax amount	
03	954	Percent	C R 1/10	C R 1/10		Tax percentage	
04	955	Tax Jurisdiction Code Qualifier	C ID 2/2	C ID 2/2	CD	Customer defined	
05	956	Tax Jurisdiction Code	C AN 1/10	C AN 1/10		Tax location	
06	441	Tax Exempt Code	C ID 1/1	C ID 1/1	0	Exempt (For Export)	
					2	No (Not Tax Exempt)	
07	662	Relationship Code	O ID 1/1	X			
08	828	Dollar Basis For Percent	O R 1/9	O R 1/9		Taxable amount	
09	325	Tax Identification Number	O AN 1/20	O AN 1/20		Custom tax category Used for providing custom tax categories to override the standard tax categories on TXI01.	
10	350	Assigned Identification	O AN 1/20	O AN 1/20		Tax description	

Example: TXI*ZZ*10.00*10.00*CD*TaxLoc*0100.00*CU*Description~**
To specify tax information.

Example:
TXI*TX*10.00~
TXI*ZZ*10.00*10.00*CD*TaxLoc*0**100.00*CU*Description~

POC	M >1	Line Item
QTY	O >1	Quantity
QTY	M 1	Range Maximum/Minimum

Standard Usage				SAP Business Network Usage			
01	673	Quantity Qualifier	M ID 2/2	M ID 2/2	7D	Range Maximum	
					7E	Range Minimum	
02	380	Quantity	C R 1/15	C R 1/15	Range maximum / minimum		
Example: QTY*7D*100~ To specify quantity information.							

POC	M >1	Line Item
SCH	O 200	Line Item Schedule
SCH	M 1	Line Item Schedule

Standard Usage				SAP Business Network Usage			
01	380	Quantity	M R 1/15	M R 1/15	Quantity		
02	355	Unit or Basis for Measurement Code	M ID 2/2	M ID 2/2	Code specifying the units in which a value is being expressed, or manner in which a measurement has been taken. Please refer to APPENDIX - CODELISTS 355 Unit or Basis for Measurement Code (UOM).		
03	98	Entity Identifier Code	O ID 2/3	O ID 2/3	<i>ST Ship To</i>		
04	93	Name	C AN 1/60	C AN 1/60	Ship-to name		
05	374	Date/Time Qualifier	M ID 3/3	M ID 3/3	<i>002 Delivery Requested</i>		
06	373	Date	M DT 8/8	M DT 8/8	Date expressed as format CCYYMMDD		
07	337	Time	O TM 4/8	O TM 4/8	Time expressed in 24-hour clock time as follows: HHMMSS, where H = hours (00-23), M = minutes (00-59), S = integer seconds (00-59).		
08	374	Date/Time Qualifier	C ID 3/3	C ID 3/3	<i>010 Requested Ship</i>		
09	373	Date	C DT 8/8	C DT 8/8	Date expressed as format CCYYMMDD		
10	337	Time	C TM 4/8	C TM 4/8	Time expressed in 24-hour clock time as follows: HHMMSS, where H = hours (00-23), M = minutes (00-59), S = integer seconds (00-59).		
11	326	Request Reference Number	O AN 1/45	O AN 1/45	Schedule line number Refers to SLN02 of the subsequent SLN segment.		
12	350	Assigned Identification	O AN 1/20	O AN 1/20	Schedule delivery window This is the Delivery requested date, increased by the number of days of the delivery window. Date expressed as format CCYYMMDD		

Example: SCH*100*EA*ST*Ship-To Name*002*20160111*083059*073*20160113*183159*001*20160113~

To specify data for scheduling a specific line-item.

Example:

SCH*10*EA*ST*Ship-To Name*002*20160111*083059*010*20160114*083059*001*20160214~

SCH*90*EA*ST*Ship-To Name*002*20160211*083059*010*20160214*083059*002*20160214~

POC	M >1	Line Item
N9	O 1000	Reference Identification - Characteristics
N9	M 1	Reference Identification - Characteristics

Standard Usage				SAP Business Network Usage			
01	128	Reference Identification Qualifier	M ID 2/3	M ID 2/3	<i>PRT</i>	<i>Product Type</i>	
02	127	Reference Identification	C AN 1/30	C AN 1/30	Item characteristic domain		
<p>Example: N9*PRT*size~ To transmit identifying information as specified by the Reference Identification Qualifier.</p> <p>This segment is used to specify item characteristics. It can be used to send material characteristics to support the configurable material process.</p> <p>N9*PRT is used in conjunction with N902 as the domain to specify detailed information in MSG about an item that can be used across several different industries.</p> <p>Examples: N9*PRT*quality~ MSG*A~ N9*PRT*color~ MSG*Black~</p>							

POC	M >1	Line Item
N9	O 1000	Reference Identification - Characteristics
MSG	O 1000	Free-Form Message Text

Standard Usage				SAP Business Network Usage			
01	933	Free-Form Message Text	M	AN 1/264	M	AN 1/264	Item characteric value
Example: MSG*Large~ To provide a free-form format that allows the transmission of text information.							

POC	M >1	Line Item
N9	O 1000	Reference Identification - Special Indicators
N9	M 1	Reference Identification - Special Indicators

Standard Usage				SAP Business Network Usage			
01	128	Reference Identification Qualifier	M ID 2/3	M ID 2/3	ACC	Status	
					ACE	Service Request Number	
					BT	Batch Number	
					LS	Bar-Coded Serial Number	
					SE	Serial Number	
					SU	Special Processing Code	
					*UserNote (N9 - Special Indicators)		
02	127	Reference Identification	C AN 1/30	C AN 1/30	Identification type or specifying value		
					*UserNote (N9 - Special Indicators)		
03	369	Free-form Description	C AN 1/45	C AN 1/45	Indicator		
					"yes" or empty		
					*UserNote (N9 - Special Indicators)		

N9 **M 1** **Reference Identification - Special Indicators**

Example: N9*ACE*requiresServiceEntry*yes~

To transmit identifying information as specified by the Reference Identification Qualifier.

*UserNote (N9 - Special Indicators):

These segments are reserved for specific usage, indicated by a "yes" in N903, as described below:

N9*ACC is used in conjunction with
N902="return item" to indicate that the item is a return item.

Example:
N9*ACC*return item*yes~

N902="delivery complete" to indicate that this item is considered closed,
and no more deliveries are expected for it, set by the buyer for informative purposes.

Example:
N9*ACC*delivery complete*yes~

N9*ACE is used in conjunction with
N902="requiresServiceEntry" to indicate when the item requires a ServiceEntryRequest service sheet to describe how it was serviced.

Example:
N9*ACE*requiresServiceEntry*yes~

N9*BT is used in conjunction with
N902="requiresBatch" to indicate that this item requires a batch number to be provided by the supplier
in the corresponding ship notice (856) and order confirmation (855) documents.

Example:
N9*BT*requiresBatch*yes~

N9*LS is used in conjunction with
N902="isHUMandatory" to indicate that a handling unit is required for this item.
A handling unit is a physical unit consisting of packaging materials (load carriers/packing material)
and the goods contained on or in it.

Example:
N9*LS*isHUMandatory*yes~

N9*SE is used in conjunction with
N902 as the Serial Number Type* to indicate this item requires a serial number to be provided by the supplier in the corresponding
ship notice (856).

*UserNote (Serial Number Type):
Specifies the type of serial number number.

Possible values are:
"list" - A list of acceptable serial numbers.
"range" - A range of acceptable serial numbers, only valid for numeric ranges.
"profile" - A format of acceptable serial numbers.

Examples:
N9*SE*list*yes~
N9*SE*range*yes~

N9*SU is used in conjunction with
N902="requiresRealTimeConsumption" to indicate that real time consumption is required for this item.

Example:
N9*LS*requiresRealTimeConsumption*yes~

POC	M >1	Line Item
N9	O 1000	Reference Identification - Quality Information
N9	M 1	Reference Identification - Quality Information

Standard Usage				SAP Business Network Usage			
01	128	Reference Identification Qualifier	M ID 2/3	M	ID 2/3	H6	Quality Clause
02	127	Reference Identification	C AN 1/30	C	AN 1/30		Quality process requirement flag Set to "yes" to indicate that this item requires a quality process.
03	369	Free-form Description	C AN 1/45	C	AN 1/45		Identification number domain Possible values: "Control code" "CertificateType"
04	373	Date	O DT 8/8		X		
05	337	Time	C TM 4/8		X		
06	623	Time Code	O ID 2/2		X		
C040		Reference Identifier	O		O		
	128	Reference Identification Qualifier	M ID 2/3	M	ID 2/3	H6	Quality Clause
	127	Reference Identification	M AN 1/30	M	AN 1/30		Identification number

Example: N9^H6^yes^Control code^**H6^Control Code ID~**
To transmit identifying information as specified by the Reference Identification Qualifier.

This segment is used to specify quality information (e.g. control code and/or certificate) related to this item.

Examples:
N9^H6^yes^Control code^****H6^Control Code ID~
MSG^Control Code Text~
N9^H6^yes^Certificate type^****H6^Certificate ID~
MSG^Certificate Text~

POC	M >1	Line Item
N9	O 1000	Reference Identification - Quality Information
MSG	O 1000	Message Text

Standard Usage			SAP Business Network Usage		
01	933	Free-Form Message Text	M	AN 1/264	M AN 1/264 Free-form message text
Example: MSG*Control Code Text~ To provide a free-form format that allows the transmission of text information.					

POC	M >1	Line Item
N9	O 1000	Reference Identification - Additional Document References
N9	M 1	Reference Identification - Additional Document References

Standard Usage			SAP Business Network Usage		
01 128	Reference Identification Qualifier	M ID 2/3	M ID 2/3	<i>OL</i>	<i>Referenced By</i>
02 127	Reference Identification	C AN 1/30	C AN 1/30		Document number
03 369	Free-form Description	C AN 1/45	C AN 1/45		Document type
04 373	Date	O DT 8/8	O DT 8/8		Document date Date expressed as format CCYYMMDD
05 337	Time	C TM 4/8	C TM 4/8		Document time Time expressed in 24-hour clock time as follows: HHMMSS, where H = hours (00-23), M = minutes (00-59), S = integer seconds (00-59).
06 623	Time Code	O ID 2/2	O ID 2/2		Code identifying the time zone Please refer to APPENDIX - CODELISTS 623 Time Code.
C040	Reference Identifier	O	O		
128	Reference Identification Qualifier	M ID 2/3	M ID 2/3	<i>LI</i>	<i>Line Item Identifier (Seller's)</i>
127	Reference Identification	M AN 1/30	M AN 1/30		Line number
128	Reference Identification Qualifier	C ID 2/3	C ID 2/3	<i>72</i>	<i>Schedule Reference Number</i>
127	Reference Identification	C AN 1/30	C AN 1/30		Schedule line number

Example: N9*0L*PO ID*ProductionOrder*20160130*093059*CT*LI>01>72>001~
 To transmit identifying information as specified by the Reference Identification Qualifier.

This segment is used to refer to additional documents related to this Pruchase Order.

Examples:
 N9*0L*QN ID*QualityNotification*20160110*010000*CT*LI^1^72^11~
 N9*0L*SO ID*SalesOrder*20160120*020000*CT*LI^2^72^22~
 N9*0L*PO ID*ProductionOrder*20160130*030000*20*CT^3^72^33~

POC	M >1	Line Item
N9	O 1000	Reference Identification - Comments
N9	M 1	Reference Identification - Comments

Standard Usage			SAP Business Network Usage		
01 128	Reference Identification Qualifier	M ID 2/3	M ID 2/3	L1	Letters or Notes
02 127	Reference Identification	C AN 1/30	C AN 1/30		This is the language code attribute sent to describe the language used for the comment. The code is ISO 639 compliant. Note that this code is optional and can be supplied in lower case. E.g. <i>EN English</i>
03 369	Free-form Description	C AN 1/45	C AN 1/45		"Comments"
04 373	Date	O DT 8/8	X		
05 337	Time	C TM 4/8	X		
06 623	Time Code	O ID 2/2	X		
C040	Reference Identifier	O	O		
128	Reference Identification Qualifier	M ID 2/3	M ID 2/3	L1	Letters or Notes
127	Reference Identification	M AN 1/30	M AN 1/30		Type of comments

Example: N9*L1*EN*Comments**L1>Reason~**
To transmit identifying information as specified by the Reference Identification Qualifier.

N9*L1 is used for general comments in MSG where N902 represents the language code and N903 indicates it as "Comments".

Multiline comments are also possible.
For intentional linefeeds, simply multiple MSG segments are present.
If a single comment line is longer than 264 chars, another MSG with MSG02=LC is used.

Examples:
N9*L1*EN*Comments~
MSG*Text~
or
N9*L1*EN*Comments~
MSG*Text1-264 chars~
MSG*Text2*LC~

Type of comments can be provided also.
It can contain an additional information about the specification of comments.

Examples:
N9*L1*EN*Comments****L1>Reason~
MSG*Text~
or
N9*L1*EN*Comments****L1>Reason~
MSG*Text1-264 chars~
MSG*Text2*LC~

POC	M >1	Line Item
N9	O 1000	Reference Identification - Comments
MSG	O 1000	Free-Form Message Text

Standard Usage				SAP Business Network Usage		
01	933	Free-Form Message Text	M AN 1/264	M AN 1/264	Free-form message text	
02	934	Printer Carriage Control Code	C ID 2/2	C ID 2/2	A field to be used for the control of the line feed of the receiving printer. If a line was broken by the limitation of MSG01, and a new segment is created for continuation, then MSG02="LC", otherwise it is not used. <i>LC Line Continuation</i> *UserNote (MSG02)	
<p>Example: MSG*Text*LC~</p> <p>To provide a free-form format that allows the transmission of text information.</p> <p>*UserNote (MSG02)</p> <p>For intentional linefeeds, simply multiple MSG segments are present. If a single comment line is longer than 264 chars, another MSG with MSG02=LC is used.</p> <p>Examples:</p> <p>N9*L1*EN*Comments~ MSG*Text~ or N9*L1*EN*Comments~ MSG*Text1-264 chars~ MSG*Text2*LC~</p> <p>and/or</p> <p>N9*L1*EN*Comments****L1>Reason~ MSG*Text~ or N9*L1*EN*Comments****L1>Reason~ MSG*Text1-264 chars~ MSG*Text2*LC~</p>						

POC	M >1	Line Item
N9	O 1	Reference Identification - Item URL
N9	M 1	Reference Identification - Item URL

Standard Usage				SAP Business Network Usage			
01	128	Reference Identification Qualifier	M ID 2/3	M ID 2/3	URL	<i>Uniform Resource Locator</i>	
02	127	Reference Identification	C AN 1/30	C AN 1/30	"URL"		
03	369	Free-form Description	C AN 1/45	C AN 1/45	URL reference		
<p>Example: N9*URL*URL*URL Reference~ To transmit identifying information as specified by the Reference Identification Qualifier.</p> <p>This segment is used for the item URL in MSG where N902 indicates it as "URL" and N903 represents the URL reference. If ItemDetail is supplied, there is one optional URL the Buyer can send to reference the item. What the URL refers to, if specified, is mapped in N903. The URL itself is mapped to the MSG segment.</p> <p>Example: N9*URL*URL*Catalog Entry~ MSG*http://www.thesupplier.com/catalog?itemid=99999~</p>							

POC	M	>1	Line Item
N9	O	1	Reference Identification - Item URL
MSG	O	1000	Free-Form Message Text

Standard Usage				SAP Business Network Usage		
01	933	Free-Form Message Text	M	AN	1/264	Item URL A URL (Uniform Resource Locator) as defined by the HTTP/1.1 standard.
<p>Example: MSG*http://www.url/~</p> <p>To provide a free-form format that allows the transmission of text information.</p>						

POC	M >1	Line Item
N9	O 1000	Reference Identification - Control keys
N9	M 1	Reference Identification - Control keys

Standard Usage				SAP Business Network Usage			
01	128	Reference Identification Qualifier	M ID 2/3	M	ID 2/3	<i>KD</i>	<i>Control Key/Special Instruction</i>
02	127	Reference Identification	C AN 1/30	C	AN 1/30		Control key/Special instruction identifier*
03	369	Free-form Description	C AN 1/45	C	AN 1/45		Control key/Special instruction value*

N9 **M 1** **Reference Identification - Control keys**

Example: N9*KD*OCValue*allowed~

To transmit identifying information as specified by the Reference Identification Qualifier.

*Note: This segmentgroup N9*KD is used to inform Purchase Order related control keys in form of special instructions for further steps in the process chain.

Order confirmation instructions:

Supported values in N903 in combination with N902="OCValue" are:

"allowed" - Order confirmation is allowed

"notAllowed" - Order confirmation is not allowed

"requiredBeforeASN" - Order confirmation is required before a ship notice

Example:

N9*KD*OCValue*allowed~

Order confirmation time tolerances:

N903 specifies the time tolerance of an Order Confirmation in days, where N902="OCLowerTimeToleranceInDays" is used to define a lower limit and N902="OCUpperTimeToleranceInDays" an upper limit.

Examples:

N9*KD*OCLowerTimeToleranceInDays*1~

N9*KD*OCUpperTimeToleranceInDays*30~

Order confirmation quantity tolerances:

N903 specifies the quantity tolerance of an Order Confirmation in percent, where N902="OCLowerQtyTolerancePercent" is used to define a lower limit and N902="OCUpperQtyTolerancePercent" an upper limit.

Examples:

N9*KD*OCLowerQtyTolerancePercent*5.0~

N9*KD*OCUpperQtyTolerancePercent*5.0~

Order confirmation price tolerances:

N903 specifies the price tolerance of an Order Confirmation in percent, where N902="OCLowerPriceTolerancePercent" is used to define a lower limit and N902="OCUpperPriceTolerancePercent" an upper limit.

Examples:

N9*KD*OCLowerPriceTolerancePercent*2.0~

N9*KD*OCUpperPriceTolerancePercent*2.0~

Ship notice instructions:

Supported values in N903 in combination with N902="ASNValue" are:

"allowed" - Ship notice is allowed

"notAllowed" - Ship notice is not allowed

Example:

N9*KD*ASNValue*allowed~

Ship notice time tolerances:

N903 specifies the time tolerance of an Ship notice in days, where N902="ASNLowerTimeToleranceInDays" is used to define a lower limit and N902="ASNUpperTimeToleranceInDays" an upper limit.

Examples:

N9*KD*ASNLowerTimeToleranceInDays*1~

N9*KD*ASNUpperTimeToleranceInDays*30~

Ship notice quantity tolerances:

N903 specifies the quantity tolerance of an Ship notice in percent, where N902="ASNLowerQtyTolerancePercent" is used to define a lower limit and N902="ASNUpperQtyTolerancePercent" an upper limit.

Examples:

N9*KD*ASNLowerQtyTolerancePercent*5.0~

N9*KD*ASNUpperQtyTolerancePercent*5.0~

N9 **M 1** **Reference Identification - Control keys**

Invoice instructions:

Supported values in N903 in combination with N902="INVValue" are:

"isERS" - The order or line item is flagged for Evaluated Receipt Settlement, indicating that the system will post an invoice for it automatically based on goods receipts.

"isNotERS" - The order or line item is not flagged for Evaluated Receipt Settlement.

"allowed" - Invoice is allowed

"notAllowed" - Invoice is not allowed

Example:

N9*KD*INVValue*isERS~

Invoice verification types:

The only supported value in N903 in combination with N902="INVVerification" is:

"goodsReceipt" - Indicates that invoice verification for this item is based on the goods receipt.

The invoice item can then be matched up uniquely with the goods receipt item.

Goods-receipt-based invoice verification makes sense when you expect a delivery to be made and posted in several parts.

Example:

N9*KD*INVVerification*goodsReceipt~

Invoice and/or Service sheet unit price update options:

Specifies whether a buyer or supplier is allowed to update the unit price while creating an invoice.

Supported values in N903 in combination with

N902="INV_unitPriceEditable" for the invoice or

N902="SES_UnitPriceEditable" for the service sheet are:

"yes" - The buyer or supplier is allowed to edit unit price. The new price must be within price tolerance.

"no" - The unit price is not editable regardless of transaction rules defined in the network hub.

Examples:

N9*KD*INV_unitPriceEditable*yes~

N9*KD*SES_UnitPriceEditable*no~

Service sheet instructions:

Supported values in N903 in combination with N902="SESValue" are:

"allowed" - Service sheet is allowed

"notAllowed" - Service sheet is not allowed

Example:

N9*KD*SESValue*allowed~

POC	M >1	Line Item
N9	O 1000	Reference Identification - Mutually Defined References
N9	M 1	Reference Identification - Mutually Defined References

Standard Usage				SAP Business Network Usage		
01	128	Reference Identification Qualifier	M ID 2/3	M ID 2/3	ZZ	.
02	127	Reference Identification	C AN 1/30	X		
03	369	Free-form Description	C AN 1/45	C AN 1/45	Mutually defined identification name	
<p>Example: N9*ZZ**MutuallyDefinedIDName~</p> <p>To transmit identifying information as specified by the Reference Identification Qualifier.</p> <p>This segment is used to specify mutually defined identifying information.</p> <p>N9*ZZ contains information mutually defined by the trading partners. In this case N903 is used as an identification to specify the mutually defined identification provided in MSG. If the content is longer than 264 chars, another MSG with MSG02=LC is used. Please note MSG is not required. For various business cases it is sufficient to transmit only the mutually defined name identification by itself.</p> <p>Examples: N9*ZZ**MutuallyDefinedIDName1~ MSG*Mutually Defined Identification1 Text~ or N9*ZZ**MutuallyDefinedIDName2~ MSG*Mutually Defined Identification2 Text1-264 chars~ MSG*Mutually Defined Identification2 Text2*LC~ or N9*ZZ**MutuallyDefinedIDName3~</p>						

POC	M >1	Line Item
N9	O 1000	Reference Identification - Mutually Defined References
MSG	O 1000	Message Text

Standard Usage				SAP Business Network Usage		
01	933	Free-Form Message Text	M AN 1/264	M AN 1/264	Mutually defined identification	
02	934	Printer Carriage Control Code	C ID 2/2	C ID 2/2	A field to be used for the control of the line feed of the receiving printer. If a line was broken by the limitation of MSG01, and a new segment is created for continuation, then MSG02="LC", otherwise it is not used <i>LC Line Continuation</i> *UserNote (MSG02)	
<p>Example: MSG*Mutually Defined Identification*LC~ To provide a free-form format that allows the transmission of text information.</p> <p>*UserNote (MSG02) For intentional linefeeds, simply multiple MSG segments are present. If a single comment line is longer than 264 chars, another MSG with MSG02=LC is used.</p> <p>Examples: N9*ZZ**MutuallyDefinedIDName1~ MSG*Mutually Defined Identification1 Text~ or N9*ZZ**MutuallyDefinedIDName2~ MSG*Mutually Defined Identification2 Text1-264 chars~ MSG*Mutually Defined Identification2 Text2*LC~</p>						

POC	M >1	Line Item
N1	O 200	Party Identification
N1	M 1	Party Name

Standard Usage				SAP Business Network Usage			
01	98	Entity Identifier Code	M ID 2/3	M	ID 2/3	Please refer to APPENDIX - CODELISTS 98 Entity Identifier Code.	
02	93	Name	C AN 1/60	C	AN 1/60	Party name	
03	66	Identification Code Qualifier	C ID 1/2	C	ID 1/2	<i>1 D-U-N-S Number, Dun & Bradstreet</i> <i>2 Standard Carrier Alpha Code (SCAC)</i> <i>4 International Air Transport Association (IATA)</i> <i>9 D-U-N-S+4, D-U-N-S Number with Four Character Suffix</i> <i>92 Assigned by Buyer or Buyer's Agent</i>	
04	67	Identification Code	C AN 2/80	C	AN 2/80	Party identification number	
Example: N1*ST*Ship-To Name*92*Ship-To ID~ This segment is used to identify the trading partners involved in the message.							

POC	M >1	Line Item
N1	O 200	Party Identification
N2	O 2	Party Additional Name Information

Standard Usage		SAP Business Network Usage		
01	93 Name	M	AN 1/60	M AN 1/60 Party postal address name 1
02	93 Name	O	AN 1/60	O AN 1/60 Party postal address name 2
<p>Example: N2*Ship-To Addr Name 1*Ship-To Addr Name 2~</p> <p>If a Postal Address Name via N2 segment is used, then one Street (N301), the City (N401) and the two-char ISO-3166 Country Code (N404) are all required. Therefore, N3 and N4 become mandatory.</p>				

POC	M >1	Line Item
N1	O 200	Party Identification
N3	O 2	Party Address Information

Standard Usage			SAP Business Network Usage		
01	166	Address Information	M	AN 1/55	Party street 1
02	166	Address Information	O	AN 1/55	Party street 2
<p>Example: N3*Ship-To Street 1*Ship-To Street 2- To specify the location of the named party.</p> <p>If a Postal Address Street via N3 segment is used, then the City (N401) and the two-char ISO-3166 Country Code (N404) are both required. Therefore, N4 becomes mandatory.</p>					

POC	M >1	Line Item
N1	O 200	Party Identification
N4	O 1	Party Geographic Location

Standard Usage			SAP Business Network Usage		
01	19	City Name	O	AN 2/30	O AN 2/30 Party city
02	156	State or Province Code	O	ID 2/2	O ID 2/2 Party state or province code* For addresses in the United States or Canada, use the two letter digraph recognized by the United States Postal Service or Canada Post. Please refer to APPENDIX - CODELISTS 156 State or Province Code. *UserNote (State or province code)
03	116	Postal Code	O	ID 3/15	O ID 3/15 Party postal code Zip codes will be either five or nine digits with no separator. Canadian postal codes must be formatted A9A9A9, with no separator.
04	26	Country Code	O	ID 2/3	O ID 2/3 Party country code Identification of the name of the country or other geographical entity, use ISO 3166 two alpha country code Please refer to APPENDIX - CODELISTS 26 Country Code".
05	309	Location Qualifier	C	ID 1/2	C ID 1/2 <i>SP State/Province*</i> *UserNote (State or province code)
06	310	Location Identifier	O	AN 1/30	O AN 1/30 Party state or province code* For addresses except in the United States or Canada. *UserNote (State or province code)

Example: N4*Ship-To CityZIP*AU*SP*NSW~**
To specify the geographic place of the named party.

If a Postal Address City or the two-char ISO-3166 Country Code via N4 segment is used, then one Street (N301) is required. Therefore, N3 becomes mandatory.

*UserNote (State or Province Code)
If the country code (N404) is US or CA, then the state or province code (N402) is also required and must be a valid state or province digraph.
If the country code (N404) is not US or CA, then the state or province code must not be used on (N402). In that case the state or province code can optional be specified by using N406, always in combination with N405="SP".

Examples:
N4*City*CA*ZIP*US~
N4*City**ZIP*AU*SP*NSW~

POC	M >1	Line Item
N1	O 200	Party Identification
REF	O 12	Party Reference

Standard Usage				SAP Business Network Usage			
01	128	Reference Identification Qualifier	M	ID 2/3	M	ID 2/3	Please refer to APPENDIX - CODELISTS 128 Reference Identification Qualifier.
02	127	Reference Identification	C	AN 1/30	X		
03	352	Description	C	AN 1/80	C	AN 1/80	Identification number

REF **O 12** **Party Reference**

Example: REF*APAccounts receivable ID~**

To specify identifying information.

Not used if N1*DA.

All reference identifiers are optional, and most all can be used. Care should be taken to avoid ambiguity and duplication. Some of the special cases are shown below. For further detailed correlation between party and its references please refer to APPENDIX - CODELISTS 128 Reference Identification Qualifier.

REF*AP: The Accounts Receivable Identification Number should only be used for the Buyer (N1*BY) / Bill To (N1*BT) / Sold To (N1*SO) and / or Ship To Party (N1*ST).

Example:
N1*BY*Buyer Name~
REF*AP*Buyer Accounts Receivable ID~

REF*PB: The Payer's Bank Account Identification Number should be used for the Buyer (N1*BY) / Bill To (N1*BT) and / or Sold To Party (N1*SO).

Example:
N1*SO*Sold To Name~
REF*AP*Sold To Bank Account ID~

REF*BAA: The Supplier Tax Identification Number should only be used for the Remit To Party (N1*RI).
REF*RT and REF*PY: Payee's Bank Routing Identification Number (financial institution) and Payee's Bank Account Identification Number should be paired and are recommended for the Remit To Party (N1*RI), but allowed at all parties.

Example:
N1*RI*Remit To Name~
REF*BAA*Supplier Tax ID~
REF*RT*Payees Bank Routing ID~
REF*PY*Payees Bank Account ID~

REF*4B, REF*4C, REF*9S and REF*KK: The Loading Point, Storage Location, Transportation Zone and cRADCRS Indicator should only be used for the Sold To (N1*SO) and / or Ship To Party (N1*ST).

Example:
N1*ST*Ship To Name~
REF*4B*1234~
REF*4C*5678~
REF*9S*ABCD~
REF*KK*RAD~

REF*YD: The Buyer Additional Identification Number should only be used for the Buyer Party (N1*BY).
REF*ZA: The Supplier Additional Identification Number should only be used for the Supplier Corporate (N1*SU) / Supplier Account (N1*SE) / Message From (N1*FR) / Bill From (N1*BF).

Example:
N1*BY*Buyer Name~
REF*YD*Buyer Additional ID~
N1*SU*Supplier Name~
REF*ZA*Supplier Additional ID~

POC	M >1	Line Item
N1	O 200	Party Identification
PER	O 3	Administrative Communications Contact

Standard Usage				SAP Business Network Usage			
01	366	Contact Function Code	M ID 2/2	M ID 2/2	CN	General Contact	
					RE	Receiving Contact	
02	93	Name	O AN 1/60	O AN 1/60	Party contact name Note: The example here shows a person's name. It is perfectly acceptable to put a category in PER02, such as "work", "mobile", "home", etc.. A suggestion here is that if N102 identifies a person, then categories are appropriate here.		
03	365	Communication Number Qualifier	C ID 2/2	C ID 2/2	EM	Electronic Mail	
					FX	Facsimile	
					TE	Telephone	
					UR	Uniform Resource Locator (URL)	
04	364	Communication Number	C AN 1/80	C AN 1/80	Communication number		
05	365	Communication Number Qualifier	C ID 2/2	C ID 2/2	EM	Electronic Mail	
					FX	Facsimile	
					TE	Telephone	
					UR	Uniform Resource Locator (URL)	
06	364	Communication Number	C AN 1/80	C AN 1/80	Communication number		
07	365	Communication Number Qualifier	C ID 2/2	C ID 2/2	EM	Electronic Mail	
					FX	Facsimile	
					TE	Telephone	
					UR	Uniform Resource Locator (URL)	
08	364	Communication Number	C AN 1/80	C AN 1/80	Communication number		
Example: PER*CN*Contact Name*EM*e-mail Address*TE*Phone ID*UR*URL~							
To identify a person or office to whom administrative communications should be directed.							

POC	M >1	Line Item
N1	O 200	Party Identification
TD5	O 12	Carrier Details - Transport Information

Standard Usage			SAP Business Network Usage			
01	133	Routing Sequence Code	O	ID 1/2	O ID 1/2	Z <i>Mutually Defined</i>
02	66	Identification Code Qualifier	C	ID 1/2	C ID 1/2	ZZ <i>Shipping Contract Number</i>
03	67	Identification Code	C	AN 2/80	C AN 2/80	Shipping contract identification number
04	91	Transportation Method/Type Code	C	ID 1/2	C ID 1/2	Transport mode A <i>Air</i> J <i>Motor</i> R <i>Rail</i> S <i>Ocean</i>
05	387	Routing	C	AN 1/35	X	
06	368	Shipment/Order Status Code	C	ID 2/2	X	
07	309	Location Qualifier	O	ID 1/2	O ID 1/2	ZZ <i>Shipping Instructions</i>
08	310	Location Identifier	C	AN 1/30	C AN 1/30	Shipping instruction Text

Example: TD5*Z*ZZ*Shipping Contract ID*A*ZZ*Shipping Instruction Text-**
To specify the mode, the contract identification number and further shipping instructions related to the transport.

Note: Only used if N101="ST"

POC	M >1	Line Item
N1	O 200	Party Identification
TD4	O 5	Carrier Details - Carrier Identification

Standard Usage			SAP Business Network Usage		
01	152	Special Handling Code	C	ID 2/3	C ID 2/3 <i>ZZZ Mutually Defined</i>
02	208	Hazardous Material Code Qualifier	C	ID 1/1	X
03	209	Hazardous Material Class Code	C	AN 1/4	X
04	352	Description	C	AN 1/80	C AN 1/80 Carrier identification

Example: TD4*ZZZ*Carrier Company Name XYZ@companyName~**
To specify the carrier identification.

The carrier identification presented in this TD4*ZZZ segment includes the related domain after the identification, starting with "@": <ID@domain>

Examples:
TD4*ZZZ***1234@SCAC~
or
TD4*ZZZ***UPS@companyName~

Note: Only used if N101="ST"

POC	M >1	Line Item
SLN	O 1000	Subcontracting Components
SLN	M 1	Subcontracting Components

Standard Usage				SAP Business Network Usage			
01	350	Assigned Identification	M AN 1/20	M AN 1/20	Component identification number		
02	350	Assigned Identification	O AN 1/20	O AN 1/20	Schedule line number Refers to SCH11 of the preceding SCH segment.		
03	662	Relationship Code	M ID 1/1	M ID 1/1	<i>O Information Only</i>		
04	380	Quantity	C R 1/15	C R 1/15	Ordered quantity		
C001		Composite Unit of Measure	C	C			
	355	Unit or Basis for Measurement Code	M ID 2/2	M ID 2/2	Code specifying the units in which a value is being expressed, or manner in which a measurement has been taken. Please refer to APPENDIX - CODELISTS 355 Unit or Basis for Measurement Code (UOM).		
06	212	Unit Price	C R 1/17	X			
07	639	Basis of Unit Price Code	O ID 2/2	X			
08	662	Relationship Code	O ID 1/1	X			
09	235	Product/Service ID Qualifier	C ID 2/2	C ID 2/2	<i>BP Buyer's Part Number</i> <i>VP Vendor's (Seller's) Part Number</i> <i>VS Vendor's Supplemental Item Number</i>		
10	234	Product/Service ID	C AN 1/48	C AN 1/48	Item identification number		
11	235	Product/Service ID Qualifier	C ID 2/2	C ID 2/2	<i>BP Buyer's Part Number</i> <i>VP Vendor's (Seller's) Part Number</i> <i>VS Vendor's Supplemental Item Number</i>		
12	234	Product/Service ID	C AN 1/48	C AN 1/48	Item identification number		
13	235	Product/Service ID Qualifier	C ID 2/2	C ID 2/2	<i>BP Buyer's Part Number</i> <i>VP Vendor's (Seller's) Part Number</i> <i>VS Vendor's Supplemental Item Number</i>		
14	234	Product/Service ID	C AN 1/48	C AN 1/48	Item identification number		

Example: SLN*C10*001*O*10.00*EA**BP*Buyer Component Part ID*VP*Supplier Component Part ID*VS*Supplier Supplemental component Part ID~**
To specify the item subcontracting components related to the item schedule lines.

POC	M >1	Line Item
SLN	O 1000	Subcontracting Components
MSG	O >1	Message Text

Standard Usage			SAP Business Network Usage		
01	933	Free-Form Message Text	M	AN 1/264	M AN 1/264 Free-form message text
Example: MSG*Free-Form-Description~ To provide a free-form format that allows the transmission of text information.					

POC	M >1	Line Item
SLN	O 1000	Subcontracting Components
DTM	O 10	Date/Time

Standard Usage				SAP Business Network Usage			
01	374	Date/Time Qualifier	M ID 3/3	M ID 3/3	002	<i>Delivery Requested</i>	
02	373	Date	C DT 8/8	C DT 8/8	Date expressed as format CCYYMMDD		
03	337	Time	C TM 4/8	C TM 4/8	Time expressed in 24-hour clock time as follows: HHMM, HHMMSS, HHMMSSD, or HHMMSSDD, where H = hours (00-23), M = minutes (00-59), S = integer seconds (00-59) and DD = decimal seconds; decimal seconds are expressed as follows: D = tenths (0-9) and DD = hundredths (00-99).		
04	623	Time Code	O ID 2/2	O ID 2/2	Code identifying the time zone Please refer to APPENDIX - CODELISTS 623 Time Code.		
Example: DTM*002*20160111*1020*CT~ To specify pertinent dates and times.							

POC	M >1	Line Item
SLN	O 1000	Subcontracting Components
N9	O >1	Reference Identification
N9	M 1	Reference Identification

Standard Usage				SAP Business Network Usage			
01	128	Reference Identification Qualifier	M ID 2/3	M	ID 2/3	<i>BT</i>	<i>Supplier Batch Number</i>
						<i>LT</i>	<i>Buyer Batch Number</i>
						<i>4C</i>	<i>Storage Location</i>
02	127	Reference Identification	C AN 1/30	X			
03	369	Free-form Description	C AN 1/45	C	AN 1/45		Identification Number
<p>Example: N9*LT**Component Buyer Batch ID~ To transmit identifying information as specified by the Reference Identification Qualifier.</p> <p>Examples: N9*BT**Component Supplier Batch ID~ N9*LT**Component Buyer Batch ID~ N9*4C**Storage Location ID~</p>							

POC	M >1	Line Item
SLN	O 1000	Subcontracting Components
N9	O 1	Material Provision Indicator - Subcontracting Type
N9	M 1	Material Provision Indicator - Subcontracting Type

Standard Usage				SAP Business Network Usage			
01	128	Reference Identification Qualifier	M ID 2/3	M ID 2/3	SU	<i>Special Processing Code</i>	
02	127	Reference Identification	C AN 1/30	C AN 1/30	"materialProvisionIndicator"		
03	369	Free-form Description	C AN 1/45	C AN 1/45	Material provision indicator/Subcontracting type		
<p>Example: N9*SU*materialProvisionIndicator*reworkTo~ To transmit identifying information as specified by the Reference Identification Qualifier.</p> <p>This segment is used for the material provision indicator to identify the subcontracting type of a part for the components.</p> <p>Possible values are:</p> <p>"reworkTo" - Rework material to subcontractor. "reworkFrom" - Rework material from subcontractor. "regular" - Vendor provides stock.</p> <p>Example: N9*SU*materialProvisionIndicator*regular~</p>							

CTT	O 1	Transaction Totals
CTT	M 1	Transaction Totals

Standard Usage				SAP Business Network Usage		
01	354	Number of Line Items	M NO 1/6	M NO 1/6	Number of line items	
02	347	Hash Total	O R 1/10	O R 1/10	Hash total	
Example: CTT*1*100~ To transmit a hash total for a specific element in the transaction set.						

CTT	O 1	Transaction Totals
AMT	M 5	Monetary Amount

Standard Usage				SAP Business Network Usage			
01	522	Amount Qualifier Code	M	ID 1/3	M	ID 1/3	<i>TT</i> <i>Total Transaction Amount</i>
02	782	Monetary Amount	M	R 1/18	M	R 1/18	Total transaction amount
<p>Example: AMT*TT*640.00~ To indicate the total monetary amount. The total amount is a mandatory information.</p>							

SE **M 1** **Transaction Set Trailer**

Standard Usage				SAP Business Network Usage			
01	96	Number of Included Segments	M	N0 1/10	M	N0 1/10	Total number of segments included in a transaction set including ST and SE segments.
02	329	Transaction Set Control Number	M	AN 4/9	M	AN 4/9	
<p>Example: SE*96*0001~ To indicate the end of the transaction set and provide the count of the transmitted segments (including the beginning (ST) and ending (SE) segments).</p>							

GE **C 1** **Functional Group Trailer**

Standard Usage				SAP Business Network Usage			
01	97	Number of Transaction Sets Included	M	N0 1/6	M	N0 1/6	Total number of transaction sets included in the functional group or interchange (transmission) group terminated by the trailer containing this data element.
02	28	Group Control Number	M	N0 1/9	M	N0 1/9	Assigned number originated and maintained by the sender.
<p>Example: GE*1*1~ To indicate the end of a functional group and to provide control information.</p>							

IEA **M 1** **Interchange Control Trailer**

Standard Usage				SAP Business Network Usage			
01	I16	Number of Included Functional Groups	M N0 1/5	M	N0 1/5	A count of the number of functional groups included in an interchange.	
02	I12	Interchange Control Number	M N0 9/9	M	N0 9/9	A control number assigned by the interchange sender.	
<p>Example: IEA*1*00000001~ To define the end of an interchange of zero or more functional groups and interchange-related control segments.</p>							

DOCUMENTED EXAMPLE

Below you will find an example message.

Note that the examples are for illustrative purposes only, filled with comprehensible dummy values and must not to be understood as real messages.

Example

ISA*00* *00* *ZZ*SenderID *ZZ*ReceiverID *160104*0930*U*00401*000000001*0*T*>~
GS*PC*SenderID*ReceiverID*20160104*093059*1*X*004010~
ST*860*0001~
BCH*05*KN*PurchaseOrderID*ReleaseID**20160104~
CUR*BY*USD*0.900*SE*EUR~
REF*VN*Supplier Order ID~
REF*PD*Promotional Deal ID*Promotional Deal Description~
REF*RPP*1*High Priority*RPP>Sequence ID~
REF*0L*FOB05*MyOwnTermsTransportTerms~
REF*ZZ*MutuallyDefinedIDName*Mutually Defined Identification~
PER*ZZ*CompanyCode ID*****CompanyCode~
FOB*DF*ZZ*Description*ZZ*EXW*ZZ* @TPTransport description@TODDelivery at the doorstep~
CSH*SC~
SAC*C*G830***4680*****SAC-Reference ID**SAC-Description*EN~
CUR*BY*USD*0.9*SE*EUR~
SAC*A*D500*ZZ**4680*6*0.12*****AMT_PRI*1*SAC-Description*EN~
CUR*BY*USD*****196*20160104*1010*197*20160104*1011~
ITD*05*3*****30*****PaymentTermsDescription***15~
DTM*004*20160104*093059*CT~
PID*F*93***ShippingInstructions****EN~
TXI*ZZ*10.00*10.00*CD*TaxLoc*0**100.00*CU*Description~
N9*PSM*0000000000000000*VISA~
DTM*036****UN*2021-03-12~
N9*U2**Terms~
MSG*Text*LC~
N9*43*External Document Reference*ERP Doc Type~
MSG*External Document Text*LC~
N9*L1*EN*Comments****L1>Reason~
MSG*Text*LC~
N9*KD*OCValue*allowed~
N9*ZZ**MutuallyDefinedIDName~
MSG*Mutually Defined Identification*LC~
N1*BT*Bill-To Name*92*Bill-To ID~
N2*Bill-To Addr Name 1*Bill-To Addr Name 2~
N3*Bill-To Street 1*Bill-To Street 2~
N4*Bill-To City**ZIP*AU*SP*NSW~
REF*AP**Accounts receivable ID~

Example

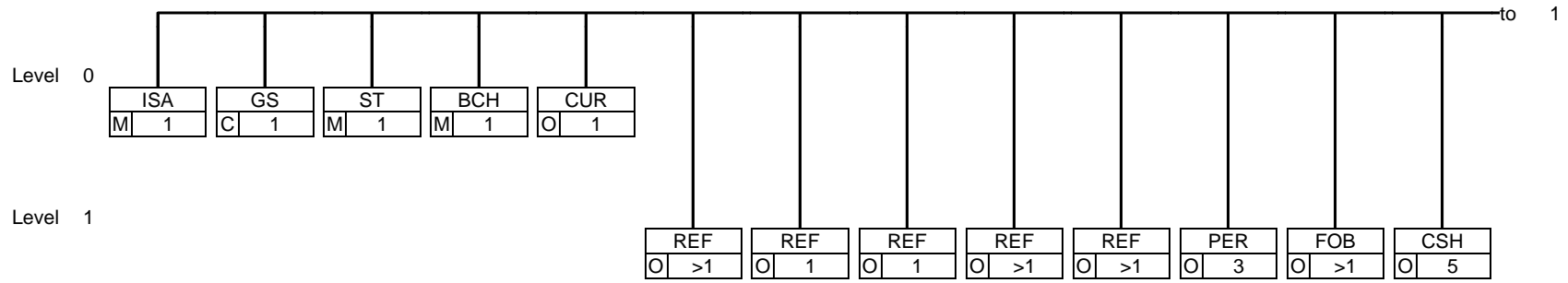
REF*ZZ*MutuallyDefinedIDName*Mutually Defined Identification~
PER*AP*Contact Name*EM*e-mail Address*TE*Phone ID*UR*URL~
TD5*Z*ZZ*Shipping Contract ID*A***ZZ*Shipping Instruction Text~
TD4*ZZ***Carrier Company Name XYZ@companyName~
POC*10*RZ*100*10*EA*0.64**VP*Supplier Part ID*BP*Buyer Part ID*VS*Supplier Supplemental Part ID*MG*Manufacturer Part ID*MF*Manufacturer Name*C3*Classification*EN*EAN Part ID*UP*UPC Package ID~
LIN**KF*delete~
CUR*BY*USD*0.900*SE*EUR~
PO3*ZZ****ST*100*EA~
CTP*WS***100*EA*CSD*0.7~
CTP*TR*MAX*1000.00~
MEA*PD*G*100.00*KG~
PID*F*GEN***Free-Form-Description-Text****EN~
PID*F*93***Shipping Instruction Text****EN~
PID*F*21***Configurable Material~
PID*F*12***material~
PID*S*MAC*UN*451215***SPSC~
PKG*F*01*ZZ*Code*Packaging Description~
REF*ZA*Supplier ID*DUNS~
REF*0L*FOB05*MyOwnTermsTransportTerms~
REF*FL**lean~
REF*KQ*consignment~
REF*ZZ*MutuallyDefinedIDName*Mutually Defined Identification~
SAC*C*G830***4680*****SAC-Reference ID**SAC-Description*EN~
CUR*BY*USD*0.9*SE*EUR~
SAC*C*D240*ZZ**4680*6*0.12*****AMT_PRI*1*SAC-Description*EN~
CUR*BY*USD*****196*20160104*1010*197*20160104*1011~
FOB*DF*OF*Description*01*EXW*ZZ*@TPTtransport description@TODDelivery at the doorstep~
SDQ*EA*54*Store ID*100~
DTM*002*20160111*101059*CT~
TXI*ZZ*10.00*10.00*CD*TaxLoc*0**100.00*CU*Description~
QTY*7D*100~
SCH*100*EA*ST*Ship-To Name*002*20160111*083059*073*20160113*183159*001*20160113~
N9*PRT*size~
MSG*Large~
N9*ACE*requiresServiceEntry*yes~
N9*H6*yes*Control code****H6>Control Code ID~

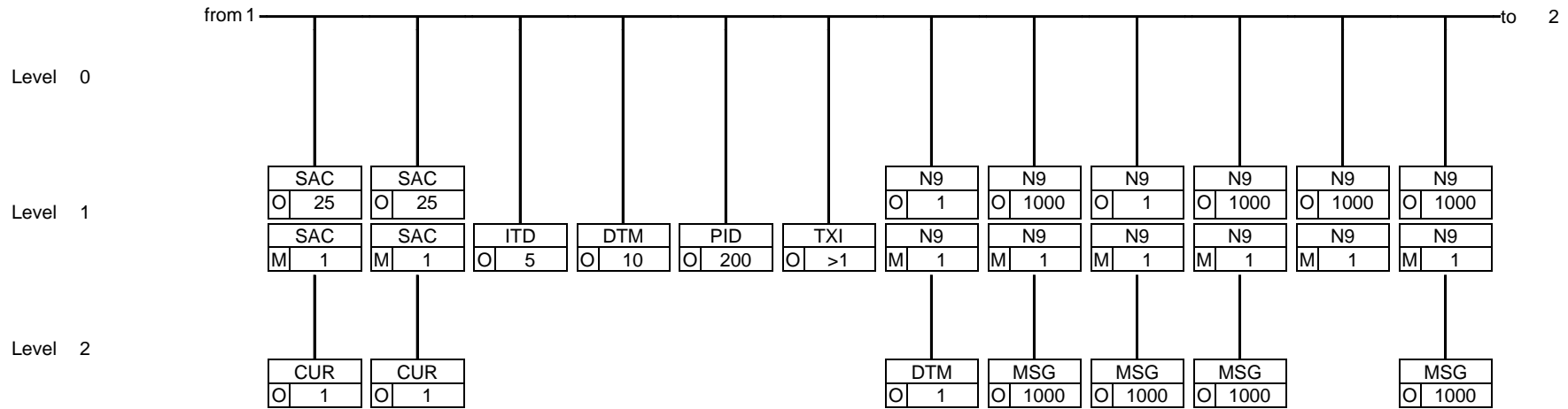
Example

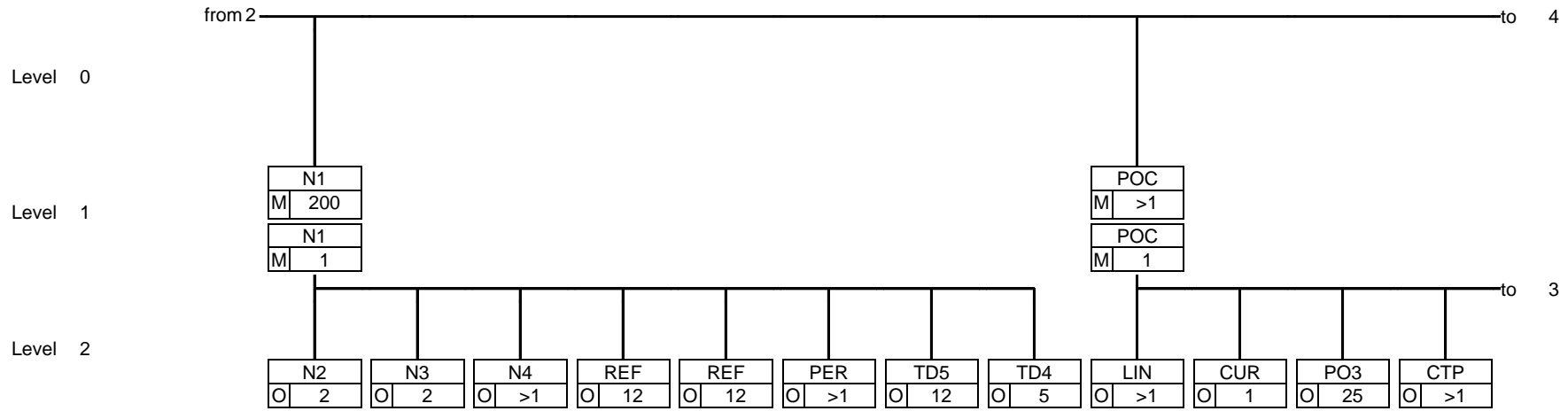
MSG*Control Code Text~
N9*0L*PO ID*ProductionOrder*20160130*093059*CT*LI>01>72>001~
N9*L1*EN*Comments****L1>Reason~
MSG*Text*LC~
N9*URL*URL*URL Reference~
MSG*http://www.url/~
N9*KD*OCValue*allowed~
N9*ZZ**MutuallyDefinedIDName~
MSG*Mutually Defined Identification*LC~
N1*ST*Ship-To Name*92*Ship-To ID~
N2*Ship-To Addr Name 1*Ship-To Addr Name 2~
N3*Ship-To Street 1*Ship-To Street 2~
N4*Ship-To City**ZIP*AU*SP*NSW~
REF*AP**Accounts receivable ID~
PER*CN*Contact Name*EM*e-mail Address*TE*Phone ID*UR*URL~
TD5*Z*ZZ*Shipping Contract ID*A***ZZ*Shipping Instruction Text~
TD4*ZZ***Carrier Company Name XYZ@companyName~
SLN*C10*001*O*10.00*EA****BP*Buyer Component Part ID*VP*Supplier Component Part ID*VS*Supplier Supplemental component Part ID~
MSG*Free-Form-Description~
DTM*002*20160111*1020*CT~
N9*LT**Component Buyer Batch ID~
N9*SU*materialProvisionIndicator*reworkTo~
CTT*1*100~
AMT*TT*640.00~
SE*96*0001~
GE*1*1~
IEA*1*000000001~

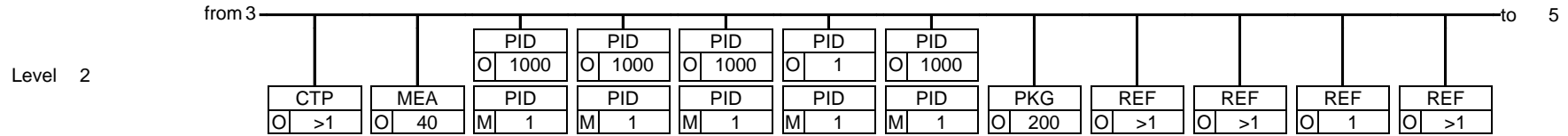
APPENDIX – BRANCHING DIAGRAM

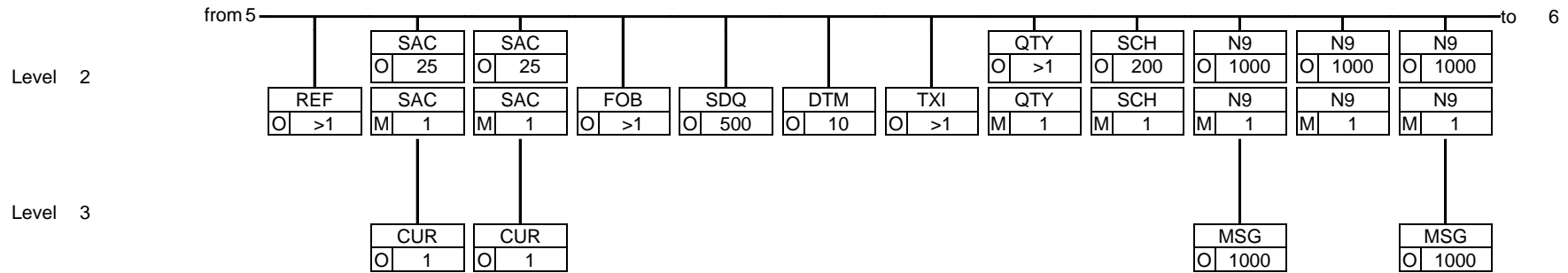
Below you will find a branching diagram for the message which graphically outlines the hierarchical structure and the interdependence between the different segments.

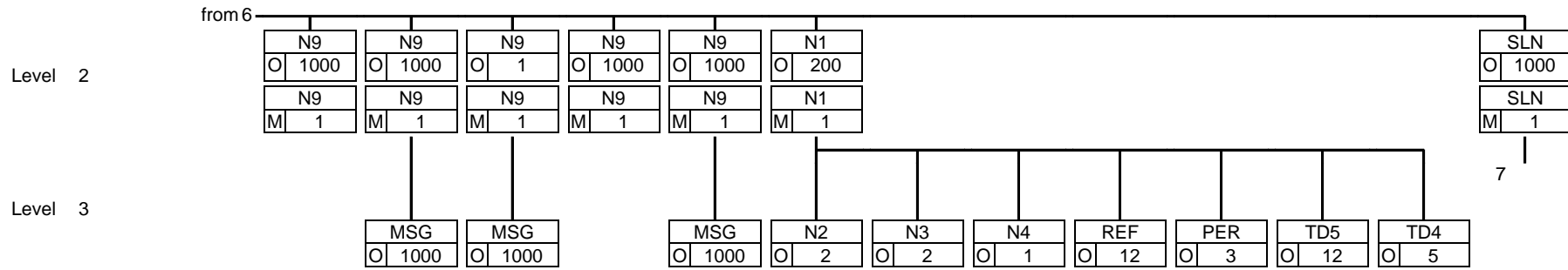


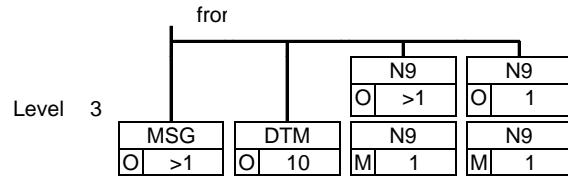


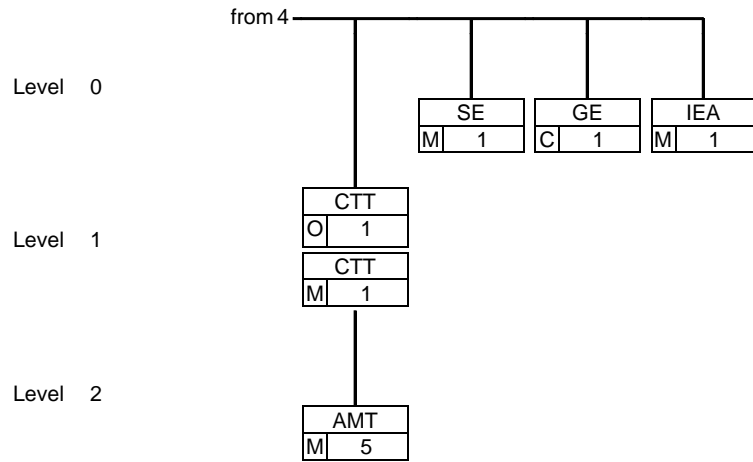












APPENDIX – CODELISTS**26 Country Code**

*Note that SAP Business Network supports codes from higher ANSI X12 versions.
If one of these codes is used, please make sure that the system of your business partner can process it.

AF	Afghanistan
AD	Andorra
AE	United Arab Emirates
AG	Antigua and Barbuda
AI	Anguilla
AL	Albania
AM	Armenia
AN	Netherlands Antiles
AO	Angola
AQ	Antarctica
AR	Argentina
AS	American Samoa
AT	Austria
AU	Australia
AW	Aruba
AX*	Åland Islands
AZ	Azerbaijan
BA	Bosnia and Herzegovina
BB	Barbados
BD	Bangladesh
BE	Belgium
BF	Burkina Faso
BG	Bulgaria
BH	Bahrain
BI	Burundi
BJ	Benin
BL*	Saint Barthélemy
BM	Bermuda
BN	Brunei Darussalam
BO	Bolivia
BQ*	Bonaire, Sint Eustatius and Saba
BR	Brazil
BS	Bahamas
BT	Bhutan
BV	Bouvet Island
BW	Botswana
BY	Belarus
BZ	Belize

26 Country Code

*Note that SAP Business Network supports codes from higher ANSI X12 versions.
If one of these codes is used, please make sure that the system of your business partner can process it.

CA	Canada
CC	Cocos (Keeling) Islands
CD*	Congo, The Democratic Republic of the
CF	Central African Republic
CG	Congo
CH	Switzerland
CI	Côte d'Ivoire
CK	Cook Islands
CL	Chile
CM	Cameroon
CN	China
CO	Colombia
CR	Costa Rica
CU	Cuba
CV	Cape Verde
CW*	Curaçao
CX	Christmas Island
CY	Cyprus
CZ	Czech Republic
DE	Germany
DJ	Djibouti
DK	Denmark
DM	Dominica
DO	Dominican Republic
DZ	Algeria
EC	Ecuador
EE	Estonia
EG	Egypt
EH	Western Sahara
ER	Eritrea
ES	Spain
ET	Ethiopia
FI	Finland
FJ	Fiji
FK	Falkland Islands (Malvinas)
FM	Micronesia
FO	Faroe Islands
FR	France
FX	France, Metropolitan
GA	Gabon

26 Country Code

*Note that SAP Business Network supports codes from higher ANSI X12 versions.
If one of these codes is used, please make sure that the system of your business partner can process it.

GB	United Kingdom
GD	Grenada
GE	Georgia
GF	French Guiana
GG*	Guernsey
GH	Ghana
GI	Gibraltar
GL	Greenland
GM	Gambia
GN	Guinea
GP	Guadeloupe
GQ	Equatorial Guinea
GR	Greece
GS	South Georgia and the South Sandwich Islands
GT	Guatemala
GU	Guam
GW	Guinea-Bissau
GY	Guyana
HK	Hong Kong
HM	Heard Island and McDonald Islands
HN	Honduras
HR	Croatia
HT	Haiti
HU	Hungary
ID	Indonesia
IE	Ireland
IL	Israel
IM*	Isle of Man
IN	India
IO	British Indian Ocean Territory
IQ	Iraq
IR	Iran, Islamic Republic of
IS	Iceland
IT	Italy
JE*	Jersey
JM	Jamaica
JO	Jordan
JP	Japan
KE	Kenya
KG	Kyrgyzstan

26 Country Code

*Note that SAP Business Network supports codes from higher ANSI X12 versions.
If one of these codes is used, please make sure that the system of your business partner can process it.

KH	Cambodia
KI	Kiribati
KM	Comoros
KN	Saint Kitts and Nevis
KP	Korea, Democratic People's Republic of
KR	Korea, Republic of
KW	Kuwait
KY	Cayman Islands
KZ	Kazakhstan
LA	Lao People's Democratic Republic
LB	Lebanon
LC	Saint Lucia
LI	Liechtenstein
LK	Sri Lanka
LR	Liberia
LS	Lesotho
LT	Lithuania
LU	Luxembourg
LV	Latvia
LY	Libya
MA	Morocco
MC	Monaco
MD	Moldova
ME*	Montenegro
MF*	Saint Martin (French Part)
MG	Madagascar
MH	Marshall Islands
MK	Macedonia
ML	Mali
MM	Myanmar
MN	Mongolia
MO	Macao
MP	Northern Mariana Islands
MQ	Martinique
MR	Mauritania
MS	Montserrat
MT	Malta
MU	Mauritius
MV	Maldives
MW	Malawi

26 Country Code

*Note that SAP Business Network supports codes from higher ANSI X12 versions.
If one of these codes is used, please make sure that the system of your business partner can process it.

MX	Mexico
MY	Malaysia
MZ	Mozambique
NA	Namibia
NC	New Caledonia
NE	Niger
NF	Norfolk Island
NG	Nigeria
NI	Nicaragua
NL	Netherlands
NO	Norway
NP	Nepal
NR	Nauru
NU	Niue
NZ	New Zealand
OM	Oman
PA	Panama
PE	Peru
PF	French Polynesia
PG	Papua New Guinea
PH	Philippines
PK	Pakistan
PL	Poland
PM	Saint Pierre and Miquelon
PN	Pitcairn
PR	Puerto Rico
PS*	Palestine, State of
PT	Portugal
PW	Palau
PY	Paraguay
QA	Qatar
RE	Reunion
RO	Romania
RS*	Serbia
RU	Russian Federation
RW	Rwanda
SA	Saudi Arabia
SB	Solomon Islands
SC	Seychelles
SD	Sudan

26 Country Code

*Note that SAP Business Network supports codes from higher ANSI X12 versions.
If one of these codes is used, please make sure that the system of your business partner can process it.

SE	Sweden
SG	Singapore
SH	Saint Helena, Ascension and Tristan Da Cunha
SI	Slovenia
SJ	Svalbard and Jan Mayen
SK	Slovakia
SL	Sierra Leone
SM	San Marino
SN	Senegal
SO	Somalia
SR	Suriname
SS*	South Sudan
ST	Sao Tome and Principe
SV	El Salvador
SX*	Sint Maarten (Dutch Part)
SY	Syrian Arab Republic
SZ	Swaziland
TC	Turks and Caicos Islands
TD	Chad
TF	French Southern Territories
TG	Togo
TH	Thailand
TJ	Tajikistan
TK	Tokelau
TL*	Timor-Leste
TM	Turkmenistan
TN	Tunisia
TO	Tonga
TP	East Timor
TR	Türkiye
TT	Trinidad and Tobago
TV	Tuvalu
TW	Taiwan, Province of China
TZ	Tanzania, United Republic of
UA	Ukraine
UG	Uganda
UM	United States Minor Outlying Islands
US	United States
UY	Uruguay
UZ	Uzbekistan

26 Country Code

*Note that SAP Business Network supports codes from higher ANSI X12 versions.
If one of these codes is used, please make sure that the system of your business partner can process it.

VA	Holy See (Vatican City State)
VC	Saint Vincent and the Grenadines
VE	Venezuela
VG	Virgin Islands, British
VI	Virgin Islands, U.S.
VN	Viet Nam
VU	Vanuatu
WF	Wallis and Futuna
WS	Samoa
XK**	Kosovo **(Temporary country code for Kosovo till ISO officially assigns a code. If this code is to be used please make sure that the system of your business partner can also process it)
YE	Yemen
YT	Mayotte
YU	Yugoslavia
ZA	South Africa
ZM	Zambia
ZR	Zaire
ZW	Zimbabwe

98 Entity Identifier Code

40	Correspondent
42	Component Supplier
60	Salesperson
7X	Tax Representative
A9	Customer Service
AP	Buyer Master Account
B4	Buyer Corporate
BF	Bill From
BK	Receiving Correspondent Bank
BT	Bill To
BY	Buyer
CA	Carrier Corporate
EN	End User
FR	Message From
II	Issuer of Invoice
KY	Technical Support
MA	Subsequent Buyer
MI	Buyer Planner Code
MJ	Supplier Master Account
NG	Administrator
O1	Originating Bank

98 Entity Identifier Code

OB	Buyer Account
PD	Purchasing Agent
PE	Payee
PR	Payer
R6	Requester
RB	Wire Receiving Bank
RI	Remit To
SE	Supplier Account
SF	Ship From
SO	Sold To
ST	Ship To
SU	Supplier Corporate
TO	Receipient Party
UK	Sender Business System ID
ZZ	Mutually Defined

100 Currency Code

*Note that SAP Business Network supports codes from higher ANSI X12 versions.
If one of these codes is used, please make sure that the system of your business partner can process it.

ADP	Andorran Peseta
AED	Dirham
AFA	Afghani
AFN*	Afghani
ALL	Lek
AMD	Dram
ANG	Netherlands Antillian Guilder
AOA*	Kwanza
AOK	Kwanza
AON	New Kwanza
AOR	Kwanza Reajustado
ARA	Austral
ARS	Argentine Peso
ATS	Schilling
AUD	Australian Dollar
AWG	Aruban Florin
AZM	Azerbaijani Manat
AZN*	Azerbaijan Manat
BAD	Dinar
BAM*	Convertible Mark
BBD	Barbados Dollar
BDT	Taka
BEC	Belgian Franc (covertible)
BEF	Belgian Franc
BEL	Belgian Franc (financial)

100 Currency Code

*Note that SAP Business Network supports codes from higher ANSI X12 versions.
If one of these codes is used, please make sure that the system of your business partner can process it.

BGL	Lev
BGN*	Bulgarian Lev
BHD	Bahraini Dinar
BIF	Burundi Franc
BMD	Bermudian Dollar (customarily: Bermuda Dollar)
BND	Brunei Dollar
BOB	Boliviano
BOV*	Mvdol
BRC	Cruzado
BRL	Brazilian Real
BSD	Bahamian Dollar
BTN	Ngultrum
BUK	Kyat
BWP	Pula
BYB	Belarussian Ruble
BYN*	Belarussian Ruble
BZD	Belize Dollar
CAD	Canadian Dollar
CDF*	Franc Congolais
CHE*	WIR Euro
CHF	Swiss Franc
CHW*	WIR Franc
CLF	Unidad de Fomento
CLP	Chilean Peso
CNY	Yuan Renminbi
COP	Colombian Peso
COU*	Unidad de Valor Real
CRC	Costa Rican Colon
CUC*	Peso Convertible
CUP	Cuban Peso
CVE	Cabo Verde Escudo
CYP	Cyprus Pound
CZK	Czech Koruna
DEM	Deutsche Mark
DJF	Djibouti Franc
DKK	Danish Krone
DOP	Dominican Peso
DZD	Algerian Dinar
ECS	Sucre
ECV	Unidad de valor constante (UVC)
EEK	Kroon

100 Currency Code

*Note that SAP Business Network supports codes from higher ANSI X12 versions.
If one of these codes is used, please make sure that the system of your business partner can process it.

EGP	Egyptian Pound
ERN	Nakfa
ESP	Spanish Peseta
ETB	Ethopian Birr
EUR	Euro
FIM	Markka
FJD	Fiji Dollar
FKP	Falkland Islands Pound
FRF	French Franc
GBP	Pound Sterling
GEL	Lari
GHC	Cedi
GHS*	Ghana Cedi
GIP	Gibraltar Pound
GMD	Dalasi
GNF	Guinean Franc
GRD	Drachma
GTQ	Quetzal
GWP	Guinea-Bissau Peso
GYD	Guyana Dollar
HKD	Hong Kong Dollar
HNL	Lempira
HRK	Kuna
HTG	Gourde
HUF	Forint
IDR	Rupiah
IEP	Irish Pound
ILS	New Israeli Sheqel
INR	Indian Rupee
IQD	Iraqi Dinar
IRR	Iranian Rial
ISK	Iceland Krona
ITL	Italian Lira
JMD	Jamaican Dollar
JOD	Jordanian Dinar
JPY	Yen
KES	Kenyan Shilling
KGS	Som
KHR	Riel
KMF	Comorian Franc
KPW	North Korean Won

100 Currency Code

*Note that SAP Business Network supports codes from higher ANSI X12 versions.
If one of these codes is used, please make sure that the system of your business partner can process it.

KRW	Won
KWD	Kuwaiti Dinar
KYD	Cayman Islands Dollar
KZT	Tenge
LAK	Lao Kip
LBP	Lebanese Pound
LKR	Sri Lanka Rupee
LRD	Liberian Dollar
LSL	Loti
LTL	Lithuanian Litas
LUC	Luxembourg Franc (convertible)
LUF	Luxembourg Franc
LUL	Luxembourg Franc (financial)
LVL	Latvian Lats
LYD	Libyan Dinar
MAD	Moroccan Dirham
MDL	Moldovan Leu
MGA*	Ariary
MGF	Malagasy Franc
MKD	Denar
MMK*	Kyat
MNT	Tugrik
MOP	Pataca
MRO	Ouguiya
MRU*	Ouguiya
MTL	Maltese Lira
MUR	Mauritius Rupee
MVR	Rufiyaa
MWK	Malawi Kwacha
MXN	Mexican Peso
MXV*	Mexican Unidad de Inversion (UDI)
MYR	Malaysian Ringgit
MZM	Metical
MZN*	Mozambique Metical
NAD	Namibia Dollar
NGN	Naira
NIC	Cordoba
NIO	Cordoba Oro
NLG	Netherlands Guilder
NOK	Norwegian Krone
NPR	Nepalese Rupee

100 Currency Code

*Note that SAP Business Network supports codes from higher ANSI X12 versions.
If one of these codes is used, please make sure that the system of your business partner can process it.

NZD	New Zealand Dollar
OMR	Rial Omani
PAB	Balboa
PEI	Inti
PEN	Sol
PGK	Kina
PHP	Philippine Piso
PKR	Pakistan Rupee
PLN	Zloty
PTE	Portuguese Escudo
PYG	Guarani
QAR	Qatari Rial
ROL	Leu
RON*	Romanian Leu
RSD*	Serbian Dinar
RUB*	Russian Ruble
RUR	Russian Ruble
RWF	Rwanda Franc
SAR	Saudi Riyal
SBD	Solomon Islands Dollar
SCR	Seychelles Rupee
SDD	Sudanese Dinar
SDG*	Sudanese Pound
SEK	Swedish Krona
SGD	Singapore Dollar
SHP	St. Helena Pound
SIT	Tolar
SKK	Slovak Koruna
SLL	Leone
SOS	Somali Shilling
SRD*	Suriname Dollar
SRG	Suriname Guilder
SSP*	South Sudanese Pound
STD	Dobra
STN*	Dobra
SVC	El Salvador Colon
SYP	Syrian Pound
SZL	Lilangeni
THB	Baht
TJS*	Somoni
TMM	Manat

100 Currency Code

*Note that SAP Business Network supports codes from higher ANSI X12 versions.
If one of these codes is used, please make sure that the system of your business partner can process it.

TMT*	Turkmenistan New Manat
TND	Tunisian Dinar
TOP	Pa'anga
TPE	Timor Escudo
TRL	Turkish Lira
TRY*	Turkish Lira
TTD	Trinidad and Tobago Dollar
TWD	New Taiwan Dollar
TZS	Tanzanian Shilling
UAH	Hryvnia
UGX	Uganda Shilling
USD	US Dollar
USN	US Dollar (Next day)
USS	US Dollar (same day)
UYI*	Uruguayo Peso en Unidades
UYU	Peso Uruguayo
UYW*	Unidad Previsional
UZS	Uzbekistan Sum
VEB	Bolivar
VES*	Bolívar Soberano
VND	Dong
VUV	Vatu
WST	Tala
XAF	CFA Franc
XAG	Silver
XAU	Gold
XBA	Bond Markets Units European Composite Unit (EURCO)
XBB	European Monetary Unit (E.M.U.-6)
XBC	European Unit of Account 9 (E.U.A.-9)
XBD	European Unit of Account 17 (E.U.A.-17)
XCD	East Carribean Dollar
XDR	SDR
XFO	Gold-Franc
XFU	UIC-Franc
XOF	CFA Franc
XPD	Palladium
XPF	CFP Franc
XPT*	Platinum
XRE	RINET Funds Code
XSU*	Sucre
XTS	Codes specifically reserved for testing purposes

100 Currency Code

*Note that SAP Business Network supports codes from higher ANSI X12 versions.
If one of these codes is used, please make sure that the system of your business partner can process it.

XUA*	ADB Unit of Account
XXX	The codes assigned for transactions where no currency is involved
YDD	Yemeni Dinar
YER	Yemeni Rial
YUM	New Dinar
ZAR	Rand
ZMK	Kwacha
ZMW*	Zambian Kwacha
ZRN	New Zaire
ZWD	Zimbabwe Dollar
ZWL*	Zimbabwe Dollar

128 Reference Identification Qualifier

X12 N1/REF 128 code	SAP Business Network definition	Applies to Party Identifier Code X12 N101/98
01	Aba Routing Number	all
02	SWIFT Identification Number	all
03	CHIPS Participant Identification Number	all
11	Account Identification Number	all
12	Account Payable Identification Number	BF; II; MJ; RI; SE; SF; SU
14	IBAN Identification Number	all
72	Buyer Planner Code	MI
3L	Bank Branch Identification Number	all
3S	PST number	all
4B	Loading Point	SO; ST
4C	Storage Location	SO; ST
4G	Provincial Tax Identification Number	all
4O	QST number	all
4L	Supplier Location Number	all
8W	Bank National Identification Number	all
9S	Transportation Zone	SO; ST
9X	Account Type	all
ACT	Account Name	all
AEC	Government Registration Number	all
AP	Accounts Receivable Identification Number	BT; BY; SO; ST
BAA	Supplier Tax Identification Number	RI
BAD	State Tax Identification Number	all
BR	Contact Department Identification Number	all
D2	Supplier Reference Number	all
DD	Document Name	all
DNS	D-U-N-S+4, D-U-N-S Number with Four Character Suffix	all
DP	Department Name	all

128 Reference Identification Qualifier		
DUN	D-U-N-S Number, Dun & Bradstreet	all
F8	Additional Reference Number	all
GT	GST Registration Identification Number	all
J1	Creditor Reference Number	all
KK	cRADCRS Indicator	SO; ST
LU	Buyer Location Identification Number	all
PB	Payer's Bank Account Identification Number	BT; BY; PR; SO; ST
PY	Payee's Bank Account Identification Number	FR; II; PE; RB; RI; SU
RT	Payee's Bank Routing Identification Number	all
SA	Contact Person	all
TJ	Federal Tax Identification Number	all
TX	Tax Exemption Identification Number	all
VX	VAT Identification Number	all
YD	Buyer Additional Identification Number	BY; SO
ZA	Supplier Additional Identification Number	BF; FR; SE; SU; SF

146 Shipment Method of Payment	
* Note that DF has different meanings and should be used only in conjunction with the description.	
11	Rule11Shipment
BP	PaidByBuyer
CA	AdvanceCollect
CC	Collect
CD	CollectOnDelivery
CF	CollectFreightCreditedToPaymentCustomer
DE	PerContract
DF	Account
DF	CashOnDeliveryServiceChargePaidByConsignee
DF	CashOnDeliveryServiceChargePaidByConsignor
DF	DefinedByBuyerAndSeller
DF	InformationCopy-NoPaymentDue
DF	InsuranceCostsPaidByConsignee
DF	InsuranceCostsPaidByConsignor
DF	NotSpecified
DF	PayableElsewhere
DF	Other
FO	FobPortOfCall
HP	HalfPrepaid
MX	Mixed
NC	ServiceFreight-NoCharge
NR	NonRevenue
PA	AdvancePrepaid
PB	CustomerPick-UpOrBackhaul
PC	PrepaidButChargedToCustomer

146 Shipment Method of Payment

PD	PrepaidByProcessor
PE	PrepaidAndSummaryBill
PL	PrepaidLocalCollectOutstate
PO	PrepaidOnly
PP	Prepaid-BySeller
PS	PaidBySupplierOrSeller
PU	Pickup
RC	ReturnContainerFreightPaidByCustomer
RF	ReturnContainerFreightFree
RS	ReturnContainerFreightPaidBySupplier
TP	ThirdPartyPay
WC	WeightCondition

156 State or Province Code

AB	Alberta
AK	Alaska
AL	Alabama
AR	Arkansas
AS	American Samoa
AZ	Arizona
BC	British Columbia
CA	California
CO	Colorado
CT	Connecticut
DC	District of Columbia
DE	Delaware
FL	Florida
FM	Federated States of Micronesia
GA	Georgia
GU	Guam
HI	Hawaii
IA	Iowa
ID	Idaho
IL	Illinois
IN	Indiana
KS	Kansas
KY	Kentucky
LA	Louisiana
MA	Massachusetts
MB	Manitoba
MD	Maryland
ME	Maine
MH	Marshall Islands

156 State or Province Code	
MI	Michigan
MN	Minnesota
MO	Missouri
MP	Northern Mariana Islands
MS	Mississippi
MT	Montana
NB	New Brunswick
NC	North Carolina
ND	North Dakota
NE	Nebraska
NF	Newfoundland
NH	New Hampshire
NJ	New Jersey
NM	New Mexico
NS	Nova Scotia
NT	Northwest Territories
NU	Nunavut
NV	Nevada
NY	New York
OH	Ohio
OK	Oklahoma
ON	Ontario
OR	Oregon
PA	Pennsylvania
PE	Prince Edward Island
PR	Puerto Rico
PW	Palau
QC	Quebec
RI	Rhode Island
SC	South Carolina
SD	South Dakota
SK	Saskatchewan
TN	Tennessee
TX	Texas
UT	Utah
VA	Virginia
VI	Virgin Islands
VT	Vermont
WA	Washington
WI	Wisconsin
WV	West Virginia
WY	Wyoming
YT	Yukon

355 Unit or Basis for Measurement Code (UOM)	
02	Statute Mile
03	Seconds
04	Small Spray
05	Lifts
08	Heat Lots
10	Group
11	Outfit
12	Packet
13	Ration
14	Shot
15	Stick
16	115 Kilogram Drum
17	100 Pound Drum
18	55 Gallon Drum
19	Tank Truck
20	20 Foot Container
21	40 Foot Container
22	Deciliter per Gram
23	Grams per Cubic Centimeter
24	Theoretical Pounds
25	Grams per Square Centimeter
26	Actual Tons
27	Theoretical Tons
28	Kilograms per Square Meter
29	Pounds per 1000 Square Feet
30	Horsepower Days per Air Dry Metric Tons
31	Catchweight
32	Kilograms per Air Dry Metric Tons
33	Kilopascal Square Meters per Gram
34	Kilopascals per Millimeter
35	Milliliters per Square Centimeter Second
36	Cubic Feet per Minute per Square Foot
37	Ounces per Square Foot
38	Ounces per Square Foot per 0.01 Inch
40	Milliliter per Second
41	Milliliter per Minute
43	Super Bulk Bag
44	500 Kilogram Bulk Bag
45	300 Kilogram Bulk Bag
46	25 Kilogram Bulk Bag
47	50 Pound Bag
48	Bulk Car Load

355 Unit or Basis for Measurement Code (UOM)	
53	Theoretical Kilograms
54	Theoretical Tonnes
56	Sitas
57	Mesh
58	Net Kilograms
59	Parts Per Million
60	Percent Weight
61	Parts Per Billion
62	Percent Per 1000 Hours
63	Failure Rate In Time
64	Pounds Per Square Inch Gauge
65	Coulomb
66	Oersteds
67	Siemens
68	Ampere
69	Test Specific Scale
70	Volt
71	Volt-Ampere Per Pound
72	Watts Per Pound
73	Ampere Turn Per Centimeter
74	Milli Pascals
76	Gauss
77	Mil
78	Kilogauss
79	Electron Volt
80	Pounds Per Square Inch Absolute
81	Henry
82	Ohm
83	Farad
84	Kilo Pounds Per Square Inch (KSI)
85	Foot Pounds
86	Joules
87	Pounds per Cubic Foot
89	Poise
90	Saybold Universal Second
91	Stokes
92	Calories per Cubic Centimeter
93	Calories per Gram
94	Curl Units
95	20,000 Gallon Tankcar
96	10,000 Gallon Tankcar
97	10 Kilogram Drum
98	15 Kilogram Drum

355 Unit or Basis for Measurement Code (UOM)

99	Watt
1A	Car Mile
1B	Car Count
1C	Locomotive Count
1D	Caboose Count
1E	Empty Car
1F	Train Mile
1G	Fuel Usage (Gallons)
1H	Caboose Mile
1I	Fixed Rate
1J	Ton Miles
1K	Locomotive Mile
1L	Total Car Count
1M	Total Car Mile
1X	Quarter Mile
2A	Radians Per Second
2B	Radians Per Second Squared
2C	Roentgen
2I	British Thermal Units (BTUs) Per Hour
2J	Cubic Centimeters Per Second
2K	Cubic Feet Per Hour
2L	Cubic Feet Per Minute
2M	Centimeters Per Second
2N	Decibels
2P	Kilobyte
2Q	Kilobecquerel
2R	Kilocurie
2U	Megagram
2V	Megagrams Per Hour
2W	Bin
2X	Meters Per Minute
2Y	Milliroentgen
2Z	Millivolts
3B	Megajoule
3C	Manmonth
3E	Pounds Per Pound of Product
3F	Kilograms Per Liter of Product
3G	Pounds Per Piece of Product
3H	Kilograms Per Kilogram of Product
3I	Kilograms Per Piece of Product
4A	Bobbin
4B	Cap
4C	Centistokes

355 Unit or Basis for Measurement Code (UOM)	
4D	Curie
4E	20-Pack
4F	100-Pack
4G	Microliter
4H	Micrometer
4I	Meters Per Second
4J	Meters Per Second Per Second
4K	Milliamperes
4L	Megabyte
4M	Milligrams Per Hour
4N	Megabecquerel
4O	Microfarad
4P	Newtons Per Meter
4Q	Ounce Inch
4R	Ounce Foot
4S	Pascal
4T	Picofarad
4U	Pounds Per Hour
4V	Cubic Meter Per Hour
4W	Ton Per Hour
4X	Kiloliter Per Hour
5A	Barrels per Minute
5B	Batch
5C	Gallons per Thousand
5E	MMSCF/Day
5F	Pounds per Thousand
5G	Pump
5H	Stage
5I	Standard Cubic Foot
5J	Hydraulic Horse Power
5K	Count per Minute
5P	Seismic Level
5Q	Seismic Line
8C	Cord
8U	Square Kilometer
A8	Dollars per Hours
AA	Ball
AB	Bulk Pack
AC	Acre
AD	Bytes
AE	Amperes per Meter
AF	Centigram
AG	Angstrom

355 Unit or Basis for Measurement Code (UOM)	
AH	Additional Minutes
AI	Average Minutes Per Call
AJ	Cop
AK	Fathom
AL	Access Lines
AM	Ampoule
AP	Aluminum Pounds Only
AQ	Anti-hemophilic Factor (AHF) Units
AR	Suppository
AS	Assortment
AT	Atmosphere
AV	Capsule
AW	Powder-Filled Vials
AY	Assembly
AZ	British Thermal Units (BTUs) per Pound
B0	British Thermal Units (BTUs) per Cubic Foot
B1	Barrels per Day
B2	Bunks
B3	Batting Pound
B4	Barrel, Imperial
B5	Billet
B6	Bun
B7	Cycles
B8	Board
B9	Batt
BA	Bale
BB	Base Box
BC	Bucket
BD	Bundle
BE	Beam
BF	Board Feet
BG	Bag
BH	Brush
BI	Bar
BJ	Band
BK	Book
BL	Block
BM	Bolt
BN	Bulk
BO	Bottle
BP	100 Board Feet
BQ	Brake horse power
BR	Barrel

355 Unit or Basis for Measurement Code (UOM)	
BS	Basket
BT	Belt
BU	Bushel
BV	Bushel, Dry Imperial
BW	Base Weight
BX	Box
BY	British Thermal Unit (BTU)
BZ	Million BTU&
C0	Calls
C1	Composite Product Pounds (Total Weight)
C2	Carset
C3	Centiliter
C4	Carload
C5	Cost
C6	Cell
C7	Centipoise (CPS)
C8	Cubic Decimeter
C9	Coil Group
CA	Case
CB	Carboy
CC	Cubic Centimeter
CD	Carat
CE	Centigrade, Celsius
CF	Cubic Feet
CG	Card
CH	Container
CI	Cubic Inches
CJ	Cone
CK	Connector
CL	Cylinder
CM	Centimeter
CN	Can
CO	Cubic Meters (Net)
CP	Crate
CQ	Cartridge
CR	Cubic Meter
CS	Cassette
CT	Carton
CU	Cup
CV	Cover
CW	Hundred Pounds (CWT)
CX	Coil
CY	Cubic Yard

355 Unit or Basis for Measurement Code (UOM)	
CZ	Combo
D3	Square Decimeter
D5	Kilogram Per Square Centimeter
D8	Draize Score
D9	Dyne per Square Centimeter
DA	Days
DB	Dry Pounds
DC	Disk (Disc)
DD	Degree
DE	Deal
DF	Dram
DG	Decigram
DI	Dispenser
DJ	Decagram
DK	Kilometers
DL	Deciliter
DM	Decimeter
DN	Deci Newton-Meter
DP	Dozen Pair
DQ	Data Records
DR	Drum
DS	Display
DT	Dry Ton
DU	Dyne
DX	Dynes per Centimeter
DY	Directory Books
DZ	Dozen
E1	Hectometer
EA	Each
EB	Electronic Mail Boxes
EC	Each per Month
EH	Knots
EP	Eleven pack
EQ	Equivalent Gallons
EV	Envelope
F1	Thousand Cubic Feet Per Day
F5	MOL
F9	Fibers per Cubic Centimeter of Air
FA	Fahrenheit
FB	Fields
FC	1000 Cubic Feet
FD	Million Particles per Cubic Foot
FE	Track Foot

355 Unit or Basis for Measurement Code (UOM)	
FF	Hundred Cubic Meters
FG	Transdermal Patch
FH	Micromolar
FL	Flake Ton
FM	Million Cubic Feet
FO	Fluid Ounce
FP	Pounds per Sq. Ft.
FR	Feet Per Minute
FS	Feet Per Second
FT	Foot
FZ	Fluid Ounce (Imperial)
G2	U.S. Gallons Per Minute
G3	Imperial Gallons Per Minute
G4	Gigabecquerel
G5	Gill (Imperial)
G7	Microfiche Sheet
GA	Gallon
GB	Gallons/Day
GC	Grams per 100 Grams
GD	Gross Barrels
GE	Pounds per Gallon
GG	Great Gross (Dozen Gross)
GH	Half Gallon
GI	Imperial Gallons
GJ	Grams per Milliliter
GK	Grams per Kilogram
GL	Grams per Liter
GM	Grams per Sq. Meter
GN	Gross Gallons
GO	Milligrams per Square Meter
GP	Milligrams per Cubic Meter
GQ	Micrograms per Cubic Meter
GR	Gram
GS	Gross
GT	Gross Kilogram
GV	Gigajoules
GW	Gallons Per Thousand Cubic Feet
GX	Grain
GY	Gross Yard
GZ	Gage Systems
H1	Half Pages – Electronic
H2	Half Liter
H4	Hectoliter

355 Unit or Basis for Measurement Code (UOM)	
HA	Hank
HB	Hundred Boxes
HC	Hundred Count
HD	Half Dozen
HE	Hundredth of a Carat
HF	Hundred Feet
HG	Hectogram
HH	Hundred Cubic Feet
HI	Hundred Sheets
HJ	Horsepower
HK	Hundred Kilograms
HL	Hundred Feet – Linear
HM	Miles Per Hour
HN	Millimeters of Mercury
HO	Hundred Troy Ounces
HP	Millimeter H2O
HQ	Hectare
HR	Hours
HS	Hundred Square Feet
HT	Half Hour
HU	Hundred
HW	Hundred Weight (Long)
HY	Hundred Yards
HZ	Hertz
IA	Inch Pound
IC	Counts per Inch
IE	Person
IF	Inches of Water
II	Column-Inches
IL	Inches per Minute
IM	Impressions
IN	Inch
IP	Insurance Policy
IT	Counts per Centimeter
IU	Inches Per Second (Linear Speed)
IV	Inches Per Second Per Second (Acceleration)
J2	Joule Per Kilogram
JA	Job
JB	Jumbo
JE	Joule Per Kelvin
JG	Joule per Gram
JK	Mega Joule per Kilogram
JM	Megajoule/Cubic Meter

355 Unit or Basis for Measurement Code (UOM)

JO	Joint
JR	Jar
JU	Jug
K1	Kilowatt Demand
K2	Kilovolt Amperes Reactive Demand
K3	Kilovolt Amperes Reactive Hour
K4	Kilovolt Amperes
K5	Kilovolt Amperes Reactive
K6	Kiloliter
K7	Kilowatt
KA	Cake
KB	Kilocharacters
KC	Kilograms per Cubic Meter
KD	Kilograms Decimal
KE	Keg
KF	Kilopackets
KG	Kilogram
KH	Kilowatt Hour
KI	Kilograms/Millimeter Width
KJ	Kilosegments
KL	Kilograms/Meter
KO	Milliequivalence Caustic Potash per Gram of Product
KP	Kilometers Per Hour
KQ	Kilopascal
KR	Kiloroentgen
KS	1000 Pounds per Square Inch
KT	Kit
KU	Task
KV	Kelvin
KW	Kilograms per Millimeter
KX	Milliliters per Kilogram
L2	Liters Per Minute
LA	Pounds Per Cubic Inch
LB	Pound
LC	Linear Centimeter
LE	Lite
LF	Linear Foot
LG	Long Ton
LH	Labor Hours
LI	Linear Inch
LJ	Large Spray
LK	Link
LM	Linear Meter

355 Unit or Basis for Measurement Code (UOM)	
LN	Length
LO	Lot
LP	Liquid Pounds
LQ	Liters Per Day
LR	Layer(s)
LS	Lump Sum
LT	Liter
LX	Linear Yards Per Pound
LY	Linear Yard
M0	Magnetic Tapes
M1	Milligrams per Liter
M3	Mat
M4	Monetary Value
M5	Microcurie
M6	Millibar
M7	Micro Inch
M8	Mega Pascals
M9	Million British Thermal Units per One Thousand Cubic Feet
MA	Machine/Unit
MC	Microgram
MD	Air Dry Metric Ton
ME	Milligram
MF	Milligram per Sq. Ft. per Side
MJ	Minutes
MK	Milligrams Per Square Inch
ML	Milliliter
MM	Millimeter
MN	Metric Net Ton
MO	Months
MP	Metric Ton
MQ	1000 Meters
MR	Meter
MS	Square Millimeter
MT	Metric Long Ton
MU	Millicurie
MV	Number of Mults
N1	Pen Calories
N2	Number of Lines
N3	Print Point
N4	Pen Grams (Protein)
N6	Megahertz
NA	Milligrams per Kilogram
NB	Barge

355 Unit or Basis for Measurement Code (UOM)	
NC	Car
ND	Net Barrels
NE	Net Liters
NF	Messages
NG	Net Gallons
NH	Message Hours
NI	Net Imperial Gallons
NJ	Number of Screens
NL	Load
NM	Nautical Mile
NN	Train
NQ	Mho
NR	Micro Mho
NT	Trailer
NU	Newton-Meter
NV	Vehicle
NW	Newton
NX	Parts Per Thousand
NY	Pounds Per Air-Dry Metric Ton
OA	Panel
ON	Ounces per Square Yard
OP	Two pack
OT	Overtime Hours
OZ	Ounce – Av
P0	Pages – Electronic
P1	Percent
P2	Pounds per Foot
P3	Three pack
P4	Four-pack
P5	Five-pack
P6	Six pack
P7	Seven pack
P8	Eight-pack
P9	Nine pack
PA	Pail
PB	Pair Inches
PC	Piece
PD	Pad
PE	Pounds Equivalent
PF	Pallet (Lift)
PG	Pounds Gross
PI	Pitch
PJ	Pound Gage

355 Unit or Basis for Measurement Code (UOM)	
PK	Package
PL	Pallet/Unit Load
PM	Pounds-Percentage
PN	Pounds Net
PO	Pounds per Inch of Length
PP	Plate
PQ	Pages per Inch
PR	Pair
PS	Pounds per Sq. Inch
PT	Pint
PU	Mass Pounds
PV	Half Pint
PW	Pounds per Inch of Width
PX	Pint, Imperial
PY	Peck, Dry U.S.
PZ	Peck, Dry Imperial
Q1	Quarter (Time)
Q2	Pint U.S. Dry
Q3	Meal
QA	Pages – Facsimile
QB	Pages – Hardcopy
QD	Quarter Dozen
QH	Quarter Hours
QK	Quarter Kilogram
QR	Quire
QS	Quart, Dry U.S.
QT	Quart
QU	Quart, Imperial
R1	Pica
R2	Becquerel
R3	Revolutions Per Minute
R4	Calorie
R8	Roentgen Equivalent in Man (REM)
R9	Thousand Cubic Meters
RA	Rack
RB	Radian
RD	Rod (length) - 5.5 Yards
RE	Reel
RG	Ring
RH	Running or Operating Hours
RK	Roll-Metric Measure
RL	Roll
RM	Ream

355 Unit or Basis for Measurement Code (UOM)	
RN	Ream-Metric Measure
RO	Round
RP	Pounds per Ream
RS	Resets
RT	Revenue Ton Miles
RU	Run
S3	Square Feet per Second
S4	Square Meters per Second
S5	Sixty-fourths of an Inch
S6	Sessions
S7	Storage Units
S8	Standard Advertising Units (SAUs)
S9	Slip Sheet
SA	Sandwich
SB	Square Mile
SC	Square Centimeter
SD	Solid Pounds
SE	Section
SF	Square Foot
SG	Segment
SH	Sheet
SI	Square Inch
SJ	Sack
SK	Split Tanktruck
SL	Sleeve
SM	Square Meter
SN	Square Rod
SO	Spool
SP	Shelf Package
SQ	Square
SR	Strip
SS	Sheet-Metric Measure
ST	Set
SV	Skid
SW	Skein
SX	Shipment
SY	Square Yard
T0	Telecommunications Lines in Service
T1	Thousand pounds gross
T3	Thousand Pieces
T4	Thousand Bags
T5	Thousand Casings
T6	Thousand Gallons

355 Unit or Basis for Measurement Code (UOM)	
T7	Thousand Impressions
T8	Thousand Linear Inches
T9	Thousand Kilowatt Hours
TA	Tenth Cubic Foot
TB	Tube
TC	Truckload
TD	Therms
TE	Tote
TF	Ten Square Yards
TG	Gross Ton
TH	Thousand
TI	Thousand Square Inches
TJ	Thousand Sq. Centimeters
TK	Tank
TL	Thousand Feet (Linear)
TM	Thousand Feet (Board)
TN	Net Ton (2,000 LB).
TO	Troy Ounce
TP	Ten-pack
TQ	Thousand Feet
TR	Ten Square Feet
TS	Thousand Square Feet
TT	Thousand Linear Meters
TU	Thousand Linear Yards
TV	Thousand Kilograms
TW	Thousand Sheets
TX	Troy Pound
TY	Tray
U1	Treatments
U2	Tablet
UA	Torr
UB	Telecommunications Lines in Service - Average
UC	Telecommunications Ports
UD	Tenth Minutes
UE	Tenth Hours
UF	Usage per Telecommunications Line - Average
UH	Ten Thousand Yards
UM	Million Units
UN	Unit
VA	Volt-ampere per Kilogram
VI	Vial
VS	Visit
W2	Wet Kilo

355 Unit or Basis for Measurement Code (UOM)

WA	Watts per Kilogram
WB	Wet Pound
WE	Wet Ton
WG	Wine Gallon
WH	Wheel
WI	Weight per Square Inch
WK	Week
WM	Working Months
WP	Pennyweight
WR	Wrap
WW	Milliliters of Water
X1	Chains (Land Survey)
X7	Leaf
YD	Yard
YL	100 Lineal Yards
YR	Years
YT	Ten Yards
Z1	Lift Van
Z2	Chest
Z3	Cask
Z4	Hogshead
Z5	Lug
Z6	Conference Points
Z8	Newspaper Agate Line
ZP	Page
ZZ	Used for any other code excluded from this list

623 Time Code

01	Equivalent to ISO P01
02	Equivalent to ISO P02
03	Equivalent to ISO P03
04	Equivalent to ISO P04
05	Equivalent to ISO P05
06	Equivalent to ISO P06
07	Equivalent to ISO P07
08	Equivalent to ISO P08
09	Equivalent to ISO P09
10	Equivalent to ISO P10
11	Equivalent to ISO P11
12	Equivalent to ISO P12
13	Equivalent to ISO M12
14	Equivalent to ISO M11
15	Equivalent to ISO M10

623 Time Code	
16	Equivalent to ISO M09
17	Equivalent to ISO M08
18	Equivalent to ISO M07
19	Equivalent to ISO M06
20	Equivalent to ISO M05
21	Equivalent to ISO M04
22	Equivalent to ISO M03
23	Equivalent to ISO M02
24	Equivalent to ISO M01
AD	Alaska Daylight Time
AS	Alaska Standard Time
AT	Alaska Time
CD	Central Daylight Time
CS	Central Standard Time
CT	Central Time
ED	Eastern Daylight Time
ES	Eastern Standard Time
ET	Eastern Time
GM	Greenwich Mean Time
HD	Hawaii-Aleutian Daylight Time
HS	Hawaii-Aleutian Standard Time
MD	Mountain Daylight Time
MS	Mountain Standard Time
MT	Mountain Time
ND	Newfoundland Daylight Time
NS	Newfoundland Standard Time
NT	Newfoundland Time
PD	Pacific Daylight Time
PS	Pacific Standard Time
PT	Pacific Time
TD	Atlantic Daylight Time
TS	Atlantic Standard Time
TT	Atlantic Time
UT	Universal Time Coordinate

1300 Service, Promotion, Allowance, or Charge Code	
A010	Absolute Minimum Charge
A020	Access Charge - Federal
A030	Access Charge - State
A040	Access Charges
A050	Account Number Correction Charge
A060	Acid (Battery)
A070	Acknowledgement of Delivery Fee (AOD)

1300 Service, Promotion, Allowance, or Charge Code	
A080	Activation of Carnet
A090	Ad Valorem
A100	Add on - Destination
A110	Add on - Origin
A112	Add to Make Market Value
A120	Additional Copies of Freight Bill
A121	Additional Commercial Invoices
A122	Additional Tariff Classifications
A130	Additional Material
A140	Address Correction
A150	Adjustment for Maximum Charges Billing
A160	Adjustment for Minimum Average Time Requirement Billing
A170	Adjustments
A172	Administrative
A180	Advance Charges Handling
A190	Advance Destination Amount
A200	Advance Destination Fee
A210	Advance Fee
A220	Advance Lading Charge
A230	Advance Origin Amount
A240	Advance Origin Fee
A250	Advances
A260	Advertising Allowance
A270	Affidavit
A280	Agent Disbursement - Destination
A290	Agent Disbursement - Origin
A300	Air Export Certificate
A310	Air Express Charge
A320	Air Transportation Charge
A330	Aircraft On Ground (AOG)
A340	Airline Opening Fee
A350	Airport Terminal Handling Charge
A360	Alcoholic Beverage Report Charge
A370	Allegheny County, PA Delivery Charge
A380	Allowance Advance
A390	Allowance for Consignment Merchandise
A400	Allowance Non-performance
A410	Alterations
A420	Amending Export Documentation
A430	Anneal/Heat (Steel or Glass Treatment)
A440	Anodizing Charge
A445	Anti-dumping Duty
A450	Appointment (Notification)

1300 Service, Promotion, Allowance, or Charge Code	
A460	Arbitrary (In Addition to Through Rates and Charges)
A470	Art Work
A480	Assembly
A485	Assist Amount
A490	Attachments to Bill of Lading Charge
A500	Bad Debt
A510	Banking Drafts
A520	Base Charge
A530	Basic Reorder Allowance
A540	Beaming Charge
A550	Bedding/Feeding/Disinfecting
A555	Beef Fee
A560	Beyond Charge
A570	Beyond Freight Charges
A580	Bill and Hold
A590	Bill of Lading Attendancy
A600	Bill of Lading Charge
A610	Billed Demand
A620	Black Lung Tax
A630	Blocking and Bracing Charge
A640	Blower Charge
A650	Bobtail Charges
A658	Bond Amount
A660	Bond Charge
A670	Bordeaux Arbitraries
A680	Both-Flat
A690	Break Bulk Surface Charge
A691	Breakbulk Services
A700	Bridge Toll
A710	Broken Lot
A720	Broken Package Charge
A721	Brokerage
A730	Brokerage or Duty
A740	Bunker Surcharge
A750	Burning
A760	Buyer Hand Carry
A770	Buyers Car Allowance
A780	Cable Pressurization
A790	Cables (sending of)
A800	Call Tag
A810	Camp Arbitrary
A820	Canada Great Lakes Additional
A830	Canadian C.Q.Customs Clearance

1300 Service, Promotion, Allowance, or Charge Code	
A840	Canadian Currency Exchange
A850	Canadian Import Termination Fee
A860	Canadian Reconsignment Fee
A870	Canadian Remanifest Fee
A880	Cancellation Charge
A890	Cancelled Order, Heavy Duty Flatcar
A900	Capping
A910	Car Loading
A920	Car Rental
A930	Carrier Credit Allowance
A940	Carrier Debit Allowance
A950	Carrier Notification Charge
A960	Carrier
A970	Cartage Charge
A980	Cartage
A990	Cataloging Services
ADOW	Payroll Additives, Overtime Labor
ADRW	Payroll Additives, Straight Time Labor
AFEE	Fee
ALPT	Port Changes
B000	Central Buy
B010	Cents Off
B015	Bop Sheet
B020	Certificate of Conformance
B030	Certificate of Origin
B040	Certificate of Registration
B050	Certification
B060	Chain and Binders
B070	Chamber of Commerce Service Charge
B080	Change of Airbill - Service Fee
B090	Charges Forward/Advance Charge
B091	Charter Services
B100	Chassis Transfer
B110	Chemical Milling Charge
B120	Chicago Loop Charge
B130	Cigarette Stamping
B140	City Delivery
B150	City maintenance fee
B160	City Pick-up
B170	City Terminal Charge
B180	Cleaning Charge
B190	Closing & Sealing
B200	Co-manufacturing Discount

1300 Service, Promotion, Allowance, or Charge Code	
B210	Co-op Credit
B220	Coating (Dip, Rustproof, EDP)
B230	COD Amount
B240	COD Charges
B250	Collect on Delivery Alteration Charge
B260	Collect on Delivery Deletion Charge
B270	Collect Surcharge
B280	Combination Performance and Non-performance
B290	Combination
B300	Combine All Same Day Shipment
B310	Commission Amount
B320	Competitive Allowance
B330	Competitive Car Allowance
B340	Competitive Price
B350	Compressor Charge
B360	Concession Credit
B370	Concession Money
B380	Congestion Surcharge
B390	Connect Charge
B400	Conservation research fee
B500	Consignee Unload
B510	Consolidation
B520	Constant Surveillance Service - Armed
B530	Constant Surveillance Service
B540	Consular Legalization Service
B550	Consularization Fee
B551	Consulting Service
B560	Container Allowance
B570	Container Deposits
B580	Container Destuffing
B581	Container Discount
B590	Container Leasing
B600	Container Service Charge UK/EUR
B610	Container Service Charge USA/Canada
B620	Container Stuffing
B630	Container/Trailer Allowance
B650	Continuous Mileage
B660	Contract Allowance
B670	Contract Escalation
B680	Contract Service Charge
B690	Controlled Atmosphere
B700	Converting
B720	Cooperative Advertising/Merchandising Allowance (Performance)

1300 Service, Promotion, Allowance, or Charge Code	
B730	Copy of Bill of Lading Charge
B740	Copy of Delivery Receipt Charge
B742	Copying
B750	Core Charge
B760	Cost Recovery Factor
B770	Cost recovery/adjustment
B775	Cotton Fee
B780	Count and Recount
B785	Coupon Reimbursement
B787	Countervailing Duty
B790	Crafting
B791	Crating
B800	Credit
B810	Currency Adjustment Factor
B820	Currency Adjustment
B830	Currency Discount
B840	Customer Account Identification
B850	Customer Equipment Allowance
B860	Customs Broker Fee
B870	Customs Charge
B872	Customs Duty
B880	Customs Entry
B881	Customs Exam
B890	Customs Formalities
B900	Customs Invoice - Additional Page
B910	Customs Invoice
B911	Customs Penalty
B920	Cut and Parallel
B930	Cut
B940	Cutting Charge
B950	Damaged Merchandise
B960	Data/Drawing Charge
B970	De-Installation
B980	Deadhead Mileage Charge
B990	Deaf and Disabled Surcharge
B992	Declared Value for Carriage
B994	Declared Value for Customs
B996	Declared Value for Insurance
B998	Deduct to Make Market Value
BU2T	Bunker Adjustment - 20 Foot Container
BU4T	Bunker Adjustment - 40 Foot Container
BUAT	Bunker Adjustment
BURD	Burden, Overhead, or Allowance for Indirect Costs

1300 Service, Promotion, Allowance, or Charge Code	
C000	Defective Allowance
C010	Deficit Freight
C020	Delay Furnishing Destination Weights
C030	Delivery Surcharge
C040	Delivery
C050	Demand charge
C060	Demurrage - Average Agreement
C070	Demurrage - Special
C080	Demurrage
C090	Deposit Charges
C100	Deposit In Lieu of Order
C110	Deposit
C120	Deramping
C130	Derrick Charge
C140	Designated Supplier Inspection
C150	Destination Charge
C160	Detention - Special Type Flat Car
C170	Detention Loading
C180	Detention of Power Units
C190	Detention of Trailers
C200	Detention Unloading
C210	Determined Freight
C220	Development Charge
C230	Die Service Charge
C231	Disbursement
C240	Disconnect Charge
C250	Discount - Drop Box/Convenience Ctr.
C260	Discount - Incentive
C270	Discount - Multiple Shipment
C280	Discount - Service Option (Delivery)
C290	Discount - Service Option (Pickup)
C300	Discount - Special
C310	Discount
C320	Display Allowance
C330	Distribution Fee
C340	Distribution Service
C350	Distributor Discount/Allowance
C360	Diversion and Reconsignment
C370	Diversion Charge
C380	Diversion to Air Charge
C390	Dockage - Boat Detention
C400	Documentation Charge
C401	Document Handling

1300 Service, Promotion, Allowance, or Charge Code	
C402	Door-to-Door
C410	Dowel Pin Charge
C420	Drayage
C430	Drayage/Line Haul
C440	Driver Assisted Unloading
C450	Driver's Wages
C460	Drop Dock
C470	Drop Yard
C480	Drum Cost
C490	Drum Deposit
C500	Drum Up Charge
C510	Dry Ice
C520	Dryer Charge
C530	Duty Charge
C531	Duty Drawback
C540	Early Buy Allowance
C550	Early Payment Allowance
C560	Early Ship Allowance
C570	Emergency Port Charge
C580	Emergency Service
C590	Emergency Surcharge
C600	Empty Weighing Charge
C610	Enclosure
C630	Endorsement Fee
C640	Energy charge
C650	Energy Surcharge (Fuel Adjustment Factor)
C660	Engineering Charge
C670	Engraving
C675	Entered Value
C680	Environmental Protection Service
C690	Escalation
C700	Escort Service
C710	Eur1 Presentation Fee
C720	European Port Charges
C730	Excess Mileage Charge
C740	Excess Periods
C750	Excess Value Fee
C760	Excess Weight
C770	Excessive Value Charge
C780	Exchange Access Credit
C790	Exclusive Use Of Equipment
C800	Exclusive Use
C810	Exhibition Delivery Charge

1300 Service, Promotion, Allowance, or Charge Code	
C820	Exhibition Pickup Charge
C830	Expanded Service
C840	Expedited One Day Consular Service
C850	Expedited Service Charge
C860	Expedited Shipments
C870	Expediting Fee
C880	Expediting Premium
C890	Export Customs Clearance
C900	Export Declarations - Automated
C910	Export Declarations - U.S. Shippers
C920	Export License Application
C930	Export Shipping Charge
C940	Export/Import Charge
C950	Extra Copies and Mailings
C960	Extra Labor (Helper Service)
C970	Extra Length
C980	Extra Service - Counter-to-Counter
C990	Fabrication Charge
CA2T	Currency Adjustment - 20 Foot Container
CA4T	Currency Adjustment - 40 Foot Container
CFCT	Customs Fees - Container Level
CFLT	Customs Fees - Lift Level
CGTT	Cargo Taxes
CLDT	Container Loss/Damage
COMM	Communications Charges
CRLT	Container Lease
CTLT	Controlled Atmosphere
CUFT	Currency Adjustment - Break Bulk
D000	Facsimile Charges - Additional Pages
D010	Facsimile Charges
D015	Dunnage
D020	Failed Lamp Panel Charge
D025	Fax Pre-alert
D030	Federal Transfer Surcharge
D040	Finance Charge
D050	First Article Charge
D060	First Flight Out
D070	Flat Rate
D080	Floor Stock Protection
D100	Food and Lodging
D101	Foreign Office Advance
D103	Foreign Customs Duty
D110	Foreign Military Sales (FMS) Rental

1300 Service, Promotion, Allowance, or Charge Code	
D120	Foreign Military Sales (FMS) Special Charge
D130	Forwarding Agent Commission
D140	Forwarding Charge
D141	Forward Coupons
D142	Capture Additional Data
D143	Provide Name and Address
D144	Provide Household Identifier
D150	Franchise fee
D160	Free Domicile Shipment Processing
D170	Free Goods
D180	Freight Based on Dollar Minimum
D190	Freight Charges to Border
D200	Freight Charges to Destination
D210	Freight Equalization
D220	Freight Passthrough
D230	Freight Surcharge
D240	Freight
D242	Freight, International
D244	Freight, International, U.S. Dollars
D246	Freight, International, Non-U.S. Dollars
D250	Freshness/Leaker Allowance
D260	Fuel Charge
D270	Fuel Surcharge
D280	Full Service
D290	Full Truckload Allowance
D292	Fumigation
D300	Garment District
D301	Gateway Fee
D310	Gas Pressure
D320	Glaze
D330	Gold Factor
D340	Goods and Services Charge
D350	Goods and Services Credit Allowance
D360	Goods and Services Tax Charge
D370	Government Inspection
D380	Government Warehouse Fee - Destination
D390	Government Warehouse Fee - Origin
D400	Grain Doors
D410	Grain Flow Charge
D420	Grinding
D430	Gross Receipts Surcharge
D440	Groupage Discount
D450	Grouped Items

1300 Service, Promotion, Allowance, or Charge Code	
D460	Guaranteed Inspection Technical Service
D470	Gulf Port Delivery Charge
D480	Handling Charges on Distribution Freight Forwarded Beyond
D490	Handling Freight At Positions Not Immediately Adjacent To Vehicle Charge
D500	Handling
D501	Harbor Maintenance Report
D502	Harbor Maintenance Fee
D510	Hauling and Hoisting to be Direct Billed
D520	Hauling and Hoisting
D530	Hazardous Cargo Charge
D540	Hazardous Materials Handling Fee - Domestic
D550	Hazardous Materials Handling Fee - International
D560	Hazardous Storage
D570	Heat In Transit Charges
D580	Heat Treat Charge
D590	Heavy Duty Flat Car Charge
D600	Heavy Lift
D610	High Security Red In-bond Seal Charge
D620	Highway Interchange
D630	Hointins and Hauling
D640	Holding Charge
D650	Home Line Freight Charge
D655	Honey Fee
D660	Hook-up charge
D670	Hose Charge Special
D680	Hose Charge
D690	Household Goods Pick-up or Delivery
D700	IATA Airbill Preparation
D701	International Air Transport Association (IATA) Commission
D710	IATA Fee
D711	International Air Transport Association (IATA) Markup
D720	Identification
D730	Import Service Fee
D740	In Transit Price Protection
D750	Inbound Freight Charges
D760	Income Freight (Manufacturing to Shipping Point)
D770	Incorrect Billing Account Charge
D780	Industry Price Allowance
D790	Initial License Fee
D800	Inland Transportation
D810	Inside Cable Connectors
D820	Inside Delivery
D830	Inside Pick-up

1300 Service, Promotion, Allowance, or Charge Code	
D840	Inspect at Destination
D850	Inspect at Origin
D860	Inspection Fee
D870	Inspection
D880	Installation & Warranty
D890	Installation and Training
D900	Installation
D910	Insulated Tank Charge
D920	Insurance Fee
D930	Insurance Placement Cost Charge
D940	Insurance Premium
D950	Insurance Provided by Lessee
D960	Insurance Provided by Lessor
D970	Insurance Surcharge
D980	Insurance
D990	Interdivision Profit
D995	Interest Amount
DCET	Damage to Carrier Equipment
DCVT	Damage to Carrier Vessel
DDZT	Drayage at Port of Debarkation (Rate Zone)
DEZT	Drayage at Port of Embarkation (Rate Zone)
DFDT	Keep From Freezing Percent Differential
DGET	Damage to Government Equipment
DOVT	Container Diversion
DPDT	Drayage at Port of Debarkation
DPET	Drayage at Port of Embarkation
E000	Interest on refund
E010	Interest on Security Deposit
E020	Interim Use Permitted at Special Rate
E022	International Courier
E030	International Door-to-Door Handling Fee
E040	Interplant Charge
E050	Interstate/Highway Toll
E060	Intra-plant Charge
E063	Invoice Additional Amount
E065	Invoice Adjustment
E067	Invoice At-Cost Amount
E068	Invoice Delivery Terms Amount
E069	Invoice No-Charge Amount
E070	Invoice Services
E080	Invoice with Goods
E090	Irish Arbitraries
E100	Island Delivery Charge

1300 Service, Promotion, Allowance, or Charge Code	
E110	Island Pick-Up Charge
E120	Italian Release Charge
E130	Item Percentage
E140	Item-Unit
E150	Koshering
E160	Label Allowance
E170	Labeling
E180	Labor (Repair and Return Orders)
E190	Labor Charges
E191	Labor, Straight-time
E192	Labor, Overtime
E193	Labor, Premium Overtime
E200	Labor Cost of Removal
E210	Labor Service
E220	Labor, Modify
E230	Labor, No Trouble Found
E240	Labor, Test and Calibrate
E250	Lading Adjustment Charge
E260	Lashing
E270	Late Order Charge
E280	Late Payment Charge
E290	Layout/Design
E300	Layover Charges
E310	Lead Factor
E320	Leaking Underground Storage Tax (LUST)
E330	Lease Shortfall Consideration
E340	Less Than Truckload (LTL) Charge
E350	Letter of Credit Processing
E360	License and Title
E370	Lifeline Surcharge
E380	Lift Gate (Truck) or Forklift Service at Pick-up/Delivery
E381	Lime Fee
E382	Liquidation Anti-Dumping Duty
E384	Liquidation Countervailing Duty
E386	Liquidation Tax Amount
E388	Liquidation Total Due U.S. Customs Service (USCS)
E389	Liquidation Total Fees
E390	Load Weighing Charge
E400	Loading (Labor Charges)
E410	Loading
E420	Loan Fee
E430	Local Delivery/Drayage
E440	Locomotive Delayed In Switching Service

1300 Service, Promotion, Allowance, or Charge Code	
E450	Locomotive Under Own Power
E460	Lot Charge
E470	Lump Sum
E480	Machining Charge
E485	Mail Fee
E490	Mail Invoice to Each Location
E500	Mail Invoice
E510	Mailing - Postage Cost
E520	Mailing - Service Fee
E530	Manifest Charge
E540	Manufacturing
E550	Market Development Funds
E560	Marking or Tagging Charge
E570	Marriage Rule
E580	Memo Returnable Container
E585	Merchandise Processing Fee
E590	Message Charge
E600	Message Rate Adjustment
E610	Messenger Service
E620	Metals Surcharge
E630	Meter Charge
E640	Mileage Fee (For Repair and Return)
E650	Mileage or Travel
E660	Monthly Rental
E670	Mount/Demount
E680	Mounting
E690	Municipal Surcharge
E695	Mushroom Fee
E700	N.H.D. Wharfage
E710	New Discount
E720	New Distribution Allowance
E730	New Item Allowance
E740	New Store Allowance
E750	New Store Discount
E760	New Warehouse Discount
E770	New Warehouse
E780	New York Delivery Charge
E790	New York Pick-up Charge
E800	No Return Credit Allowance
E805	Non-Dutiable Charges
E810	Non Generated Freight
E820	Non-returnable Containers
E830	Normal Pump Charge

1300 Service, Promotion, Allowance, or Charge Code	
E840	Notarized Affidavit
E850	Notify Consignee Before Delivery
E860	Notify Consignee
E870	Nozzle Charge
E880	Ocean Charges - Hazardous
E890	Ocean Freight
E900	Offshore - Alaska/Hawaii
E910	On Carriage
E920	On Hand Service
E930	One - Day Service
E940	One Time Engineering Charge
E950	One-Time License Fee
E960	One-Time-Only Charge
E970	Onetime Tooling
E980	Operator Credit
E990	Option Charge (Color Fabric Office Furniture)
ENGA	Engineering Supplies
EXLT	Extra Length Surcharge
F000	Optional Charge
F010	Optional Software Support for Operational Support Systems
F020	Optional Software Support for Switching Systems
F030	Order Notify Charge
F040	Order-Flat
F050	Other (See related description)
F060	Other Accessorial Service Charge
F061	Other Advances
F062	Other Export Charges
F063	Other Government Agency Declaration
F065	Other Government Agency Exam
F067	Other Import Charge
F070	Out of Route Miles
F080	Out of Zone Pick-up or Delivery
F090	Outside Cable Connectors
F100	Over Dimension
F110	Overrun Charge
F120	Oversized Premium
F130	Overtime Loading
F140	Pack Invoice with Shipment
F150	Packaging Service
F155	Packaging
F160	Painting (Primer or Finish)
F170	Pallet Exchange Charge
F180	Pallet

1300 Service, Promotion, Allowance, or Charge Code	
F190	Palletizing
F200	Paralleling
F210	Parish/County Sales Tax (only)
F220	Passing Shippers Export Entry
F225	Pecan Fee
F230	Penalty Charge
F240	Per Item Charge
F250	Per Order Charge
F260	Per Pound Charge
F270	Percent of Product
F271	Percent of Shipped Quantity That Is Returnable
F272	Percent of Shipment Value That Is Returnable
F280	Performance Allowance
F290	Performance Award
F300	Permit Charge
F310	Permits Bonds Escort Attendant
F320	Phosphatizing (Steel Treatment)
F330	Pick-up and Delivery
F340	Pick/Up
F350	Pickle and Oil
F360	Pickup - Out of Area
F370	Pickup Surcharge
F380	Pier Charges - Wharfage
F390	Pier Charges Other Than Wharfage
F400	Pier Pick-up and/or Delivery
F401	Pier Unloading
F410	Pilot Inspection
F420	Placement and/or Removal Charge
F430	Plating
F440	Pole, Wood-service Charge
F445	Pork Fee
F450	Positioning at Origin
F460	Postage
F465	Potato Fee
F470	Power Factor Adjustment
F480	Pre-carriage Excess
F490	Pre-carriage
F500	Pre-Positioned Inventory Service
F510	Precious Metal Content
F520	Preloading Charge
F530	Preload Charge
F540	Premise Use
F550	Premium Charge

1300 Service, Promotion, Allowance, or Charge Code	
F560	Premium Transportation
F570	Prepaid Usage Allowance
F580	Preparation and Delivery
F590	Preparation of Air Waybill - Origin
F600	Preparation of Canadian Customs Invoice
F610	Preparation of Commercial Invoice
F620	Preparation of Export Entry
F630	Preparation of Insurance Certificate
F640	Preparation of U.S. Export Documentation
F650	Preparation
F660	Previous Billing
F670	Price and Marketing Allowance
F680	Price Deviation
F690	Prior Balance
F700	Prior Billing Amount
F710	Prior Delivery Of Bill Charge
F720	Prior Month Credit
F730	Priority Service
F740	Process In Transit Privilege
F750	Processing Charge
F760	Processing
F770	Professional Fees
F780	Proforma Invoice
F790	Progress Payment Requirement
F800	Promotional Allowance
F810	Promotional Discount
F820	Proof & Composition
F830	Proof of Delivery
F840	Protective Service - Cold
F850	Protective Service - Heat
F860	Protective Service Charge
F870	Pulling Eyes
F880	Pump Air Charge
F890	Pump Charge
F900	Purchase Option
F910	Quantity Discount
F920	Quantity Surcharge
F930	Equipment Manufacturer Restoration Audit
F940	Ramping
F950	Rate Code
F960	Re-Bill Charge
F970	Rebate
F980	Rebilled Drayage - Destination

1300 Service, Promotion, Allowance, or Charge Code	
F990	Rebilled Drayage - Origin
F991	Receiving
FAKT	Barge Freight All Kinds Service
FLST	Flatrack Surcharge
G000	Recipient Address Correction
G010	Reclamation, Federal
G020	Reclamation, State
G025	Reconciliation
G030	Reconnect charge
G040	Reconsign Consignee Charge
G050	Reconsign Delivery Charge
G060	Reconsignment Charge
G070	Recoopering (at Owner's or Shipper's Expense)
G080	Record/Filing
G090	Recovery Fee
G100	Recovery
G110	Recrating/Recoopering - Destination
G120	Recrating/Recoopering - Origin
G130	Recurring Hardware Maintenance Charge
G140	Recurring License Fee
G150	Recurring Software Maintenance Charge
G160	Redelivery
G170	Redistribution Allowance
G180	Reduction Prepalletized Cargo
G190	Reel Cable
G200	Reel Deposit
G210	Reel
G220	Refrigeration
G230	Refrigeration/Mechanical Detention
G240	Refund
G250	Refurbishing Charge
G260	Regain
G270	Registration of Export for Reentry
G280	Registration of Export Shipments
G290	Regulatory Fee
G300	Regulatory required refund
G310	Reliability Charge
G320	Relinquishment Charge
G322	Reliquidation Anti-Dumping Duty
G324	Reliquidation Countervailing Duty
G326	Reliquidation Tax Amount
G328	Reliquidation Total Due U.S. Customs Service (USCS)
G329	Reliquidation Total Fees

1300 Service, Promotion, Allowance, or Charge Code	
G330	Rental Charge
G340	Rental Deduction
G350	Rents and Leases
G360	Repack Charge
G370	Repair at Buyers Expense Charge
G380	Repair at Customer Expense Charge
G390	Repair at Government Expense Charge
G400	Repair
G410	Repickup
G420	Request Via Canada
G430	Research & Development Fee
G440	Resellers Discount
G450	Residential Delivery
G460	Residential Pick-up
G470	Restocking Charge
G480	Restricted Article Fee
G490	Retainer
G500	Return Cargo Charge
G510	Returnable Container
G520	Returned Load
G530	Rework
G540	Riding Attendant Charge
G550	Rocky Mountain Bureau 583 Item 1100 Arbitrary Charge
G560	Roll Out Adjustment
G570	Roll Rebate
G580	Royalties
G590	Salvage
G600	Same - Day Service
G610	Saturday Delivery
G620	Saturday Pick-up or Delivery Charge
G630	Saturday Pick-Up
G640	Scale Charge Unloading
G650	Scale Charge
G660	Scrap Allowance
G670	Security Signature Service
G680	Segregating (Sorting)
G690	Select Charge
G700	Self Unloader
G710	Seller Hand Carry
G720	Service Assistance Program Surcharge
G730	Service Charge (with Cash Discount)
G740	Service Charge
G750	Service Upgrade

1300 Service, Promotion, Allowance, or Charge Code	
G760	Set-up
G770	Shearing
G775	Sheep Fee
G780	Ship to Stock Quality Audit
G790	Shipper Load and Count
G800	Shipper Load Carrier Count
G810	Shipper Load Consignee Unload
G820	Shipper Load
G821	Shipping
G830	Shipping and Handling
G840	Shipside Pickup
G850	Shotblasting
G860	Shrink Allowance
G870	Shrink-Wrap Charge
G880	Shrinkage Allowance
G890	Single Invoice Allowance
G900	Single Pick-up
G910	Single Shipment Fee
G920	Sleeving
G930	Slip Sheet Unloading Allowance
G940	Slip Sheet, Rail
G950	Slip Sheet, Truck
G960	Slotting Allowance
G970	Small Order Charge
G980	Software Support Service
G990	Source Inspection
GMST	Garment Surcharge
H000	Special Allowance
H010	Special Buy
H020	Special Circus Trains
H030	Special Credit
H040	Special Delivery
H050	Special Detention Charge
H060	Special Equipment Charge
H070	Special Finish Charge
H080	Special Freight Supplements
H090	Special Handling
H100	Special Mileage Movements
H110	Special Packaging
H120	Special Permits
H130	Special Pickup
H140	Special Pump Charge
H150	Special Seal Charge

1300 Service, Promotion, Allowance, or Charge Code	
H151	Special Services
H160	Special Test Equipment Charge
H170	Special Tooling Charge
H180	Special Tooling rework charge
H190	Special Train Movement
H200	Special Use
H210	Special Vehicle Rent
H215	Specific Duty
H220	Specification Review
H230	Split Delivery
H240	Split Pick-Up at Pier Charge
H250	Split Pick-up
H260	Spool Charge
H270	Spotting of Trailer
H280	Spreader Charge
H290	Stamp Fee
H300	Stamping
H310	Standby Charge
H320	State Motor Fuel
H330	State Sales Charge
H340	State Surcharge
H350	State/Metropolitan Transit Authority Surcharge
H360	Steaming Charge
H370	Stenciling Charge
H380	Stop-off at Pier Charge
H390	Stop-off Charge
H400	Stopcharge
H410	Stopping In Transit
H420	Storage In Transit
H430	Storage
H440	Straightening Charge
H450	Strapping
H460	Street lamps charge
H470	Stripping, Sorting, and Consolidation
H480	Subject to Cooperative Advertising Allowance
H490	Subject To Tax On Resale
H500	Sufferance Warehouse Charge (Export or Import)
H505	Sugar Fee
H507	Sum of Adds and Deducts to Make Market Value
H510	Sunday or Holiday Pick-up or Delivery
H520	Super Bag Charge
H530	Supervisor Charge
H535	Supplemental Duty

1300 Service, Promotion, Allowance, or Charge Code	
H540	Supplemental Items
H550	Surcharge
H551	Surety Bond
H560	Swell
H570	Switch Charge
H580	Switching Charge
H590	Tank Car Allowance
H600	Tank Rental
H605	Tarpping
H610	Tax - Airport Tax, Destination
H620	Tax - Airport Tax, Origin
H625	Tax - Beverage Tax
H630	Tax - City Sales Tax (Only)
H640	Tax - Excise Tax - Destination
H650	Tax - Excise Tax - Origin
H660	Tax - Federal Excise Tax, FET
H670	Tax - Federal Excise Tax, FET, on Tires
H680	Tax - Governmental
H690	Tax - Handling Charge Tax
H700	Tax - Local Tax
H710	Tax - Metropolitan Transit Tax
H720	Tax - Regulatory Tax
H730	Tax - Local Sales Tax
H740	Tax - Sales and Use
H750	Tax - Sales Tax (State and Local)
H760	Tax - State Hazardous Substance
H770	Tax - State Tax
H780	Tax - Super Fund Excise Tax
H790	Tax - Use Tax
H800	Tax - Value Added Tax (VAT)
H806	Tax Credit
H810	Tax Liability - Amortized
H820	Tax Liability - One Time
H830	Tax on Miscellaneous Charges
H840	Tax on Transportation
H850	Tax
H855	Tea Fee
H860	Technology Exchange
H870	Telegram Chargeback
H880	Telephone - Destination
H890	Telephone - Origin
H900	Telephone Charge
H910	Temperature Protection

1300 Service, Promotion, Allowance, or Charge Code	
H920	Temporary Allowance
H930	Temporary Voluntary Allowance
H935	Tendered as Truckload
H940	Terminal Charge
H950	Terminal Differential
H960	Terminal Service Fee
H970	Terms Allowance
H980	Test/Qualification Charge
H990	Testing Services Charge
HZDT	Hazardous Cargo on Deck
I000	Testing
I010	Third Party Allowance
I020	Third Party Pallets
I030	Throughput Allowance
I040	Throughput Container Charge
I050	Thruway Charge
I060	Ticketing Service
I070	Tobacco Products Report Charge
I080	TOFC Service Charge
I090	Tool Charge
I100	Tooling Rework Charge
I110	Tooling
I120	Tools for Printing
I130	Total Assessorial Charges
I131	Total Fees
I132	Total Invoice Amount
I133	Total Due U.S. Customs Service (USCS)
I134	Total Invoice Amount, U.S. Dollars
I136	Total Invoice Amount, Non-U.S. Dollars
I138	Total Material Invoice Amount
I140	Tracing Inbound Via Other Carriers
I150	Tracing Service Fee
I160	Track Storage
I170	Trade Discount
I180	Trade In
I190	Trailer Rental Charge
I200	Transfer Charge
I210	Transfer of Lading Charge
I220	Transferred Charges
I230	Transit
I240	Transportation And Setup
I250	Transportation Charge (Minimum Rate)
I260	Transportation Direct Billing

1300 Service, Promotion, Allowance, or Charge Code	
I270	Transportation Third Party Billing
I280	Transportation Vendor Provided
I290	Trimming Charge
I300	Truck Detention
I310	Truckload Discount
I320	Turning Charge
I330	Two - Day Service
I340	Two Door Pick Up
I350	U.S. Vehicles
I360	Unabsorbed Switching
I370	Unitized
I380	Unloading (Labor Charges)
I390	Unloading
I400	Unloading/Reloading Charge
I410	Unsaleable Merchandise Allowance
I411	Unscheduled Fee
I420	Up Charge
I430	Usage Plan Detail Charge
I431	U.S. Customs Service (USCS) Flat Assist Amount
I432	U.S. Customs Service (USCS) Maximum Assist Amount
I440	USDA Inspected, Stamping Certification
I450	Use - Special Type Flat Car
I460	Use Charge Tooling/Personnel
I470	Valuation Fee
I480	Vehicle Ordered but Not Used
I490	Vehicle Prep Charge (Courtesy Delivery)
I495	Vehicle Road Charge
I500	Vendor Freight
I510	Venting Instructions
I520	Virgin Island Transfer Charge
I530	Volume Discount
I540	Voluntary Contribution Charge
I550	Waiting Time
I560	War Risk Surcharge
I570	Warehouse
I580	Warehousing
I590	Warranties
I595	Watermelon Fee
I600	Waybill and Invoice Distribution
I610	Weather Protection
I620	Weight Verification Charge
I630	Wharfage & Handling
I640	Wharfage Charge

1300 Service, Promotion, Allowance, or Charge Code	
I650	Wide Area Telephone Service (WATS) Usage Credit
I660	Will Call Charge
I670	Written Proof of Delivery
I680	X-ray Charge
I690	Gratuity
I700	Escrow
I710	Payment
I720	Direct Product Handling (DPC)
I730	Price Adjustment Percent (PCT)
I740	Post Damaged Handling (PDC)
I750	Reclamation Center Handling (Chute)
I760	Reclamation Shared Responsibility (SRS)
IDCT	Improper Documentation
LC2T	Land Currency Adjustment Factor - 20 Foot Container
LC4T	Land Currency Adjustment Factor - 40 Foot Container
LCLT	Percent Differential - Less Than Container
LECT	Less Than Container
LFDT	Linehaul from Port of Debarkation
LMDT	Liner Terms at Port of Embarkation
LNDT	Liner Terms at Port of Debarkation
LPDT	Linehaul Percent Differential
LQDT	Liquidated Damages
LTET	Linehaul to Port of Embarkation
MATT	Modified Atmosphere
OCNT	Over Height Container
OFFA	Office Supplies
ODDT	On Deck Break Bulk Differential
OTHR	Other Miscellaneous Earning or Additive
OWCT	Over Width Container
PRST	Stuffing Charge
PTAX	Payroll Taxes
PVPT	Private Owned Vehicle Processing
R020	Personal Property, Member
R030	Personal Property, Spouse
R040	Port Handling and Unloading
R060	Packing, Crating, and Handling Charge
R080	Packing, Crating, Handling, and Transportation Charge
RDHT	Railhead Handling
RFMT	Reefer Maintenance
RPDT	Reefer Cargo Percent Differential
RSTT	Respotting
SFBT	Single Factor Origination/Destination
SFDT	Single Factor Origination/Port of Debarkation

1300 Service, Promotion, Allowance, or Charge Code	
SFET	Single Factor Port of Embarkation/Destination
SSCT	Stripping, Sorting and Consolidation
SSUT	Pole Lashing Equipment (PLE) Surcharge
STDT	Stopoff at Destination
STFT	Stuffing
STOT	Stopoff at Origination
TERT	Terminal Handling Charges
VCLT	Van Cleaning
WBBT	Wharfage - Breakbulk
WCFT	Wharfage - Container
WFTT	Wasted/Futile Trip
WRBT	War Risk Crew Insurance
WRIT	War Risk Insurance
ZZZZ	Mutually Defined

