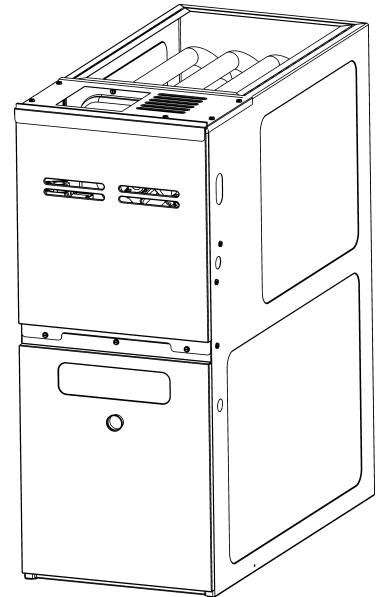


GC9S 80% FER Counter/Up Flow Furnace

GC9S800403ANAA
GC9S800403AXAA
GC9S800603ANAA
GC9S800603AXAA
GC9S800804BNAA
GC9S800804BXAA
GC9S800805CXAA
GC9S801005CNAA
GC9S801005CXAA



This manual is to be used by qualified technicians only.

© 2021 Goodman Manufacturing Company, L.P. ♦ 5151 San Felipe St, Suite 500 ♦ Houston, TX 77056

Important Information

Index

Functional Parts List	3
Illustration and Parts	4 - 9

Views shown are for parts illustrations only, not servicing procedures.

Text Codes:

AR - As Required

NA - Not Available

NS - Not Shown

00000000 - See Note

QTY - Quantity Example (QTY 3) (If Quantity not shown, Quantity = 1)

M - Model Example (M1) (If M Code not shown, then part is used on all Models)

Expanded Model Nomenclature:

Example M1 - Model#1 M2 - Model#2 M3 - Model#3

Goodman Manufacturing Company, L.P. is not responsible for personal injury or property damage resulting from improper service. Review all service information before beginning repairs.

Warranty service must be performed by an authorized technician, using authorized factory parts. If service is required after the warranty expires, Goodman Manufacturing Company, L.P. also recommends contacting an authorized technician and using authorized factory parts.

Goodman Manufacturing Company, L.P. reserves the right to discontinue, or change at any time, specifications or designs without notice or without incurring obligations.

For assistance within the U.S.A. contact:
Homeowner Support
Goodman Manufacturing Company, L.P.
19001 Kermier Road
Waller, Texas 77484
877-254-4729-Telephone
713-863-2382-Facsimile

For assistance outside the U.S.A. contact:
International Division
Goodman Manufacturing Company, L.P.
19001 Kermier Road
Waller, Texas 77484
713-861-2500-Telephone
713-863-2382-Facsimile

Functional Parts

Part

No: Description:

PCBBF163	CIRCUIT BOARD FURNACE
0130F00010	FLAME SENSOR
0151M00037	GAS VALVE
10690402	INTERLOCK SWITCH
20162903	LIMIT, PRIMARY (M7)
20162901	LIMIT, PRIMARY (M8, M9)
0130F00038	LIMIT, PRIMARY 120 LT BLUE
10123529	MANUAL RESET R.O.S. LIMIT
0131F00244	MOTOR PROGRAMMED (M7)
0131F00241	MOTOR PROGRAMMED (M1, M2)
0131F00243	MOTOR PROGRAMMED (M5, M6)
0131F00245	MOTOR PROGRAMMED (M8, M9)
0131F00242	MOTOR PROGRAMMED (M3, M4)
0131M00002P	MOTOR, VENT 80+
0130F00036	PRIMARY LIMIT - PINK 180° (M1, M2, M3, M4, M5, M6)
0130F00008	SINI IGNITOR
0130F00507	SWITCH, PRESSURE (M8, M9)
0130F00504	SWITCH, PRESSURE (M1, M2, M3, M4, M5, M6, M7)
0130M00139	TRANSFORMER, 40VA,120VTO24V

SPECIAL PARTS

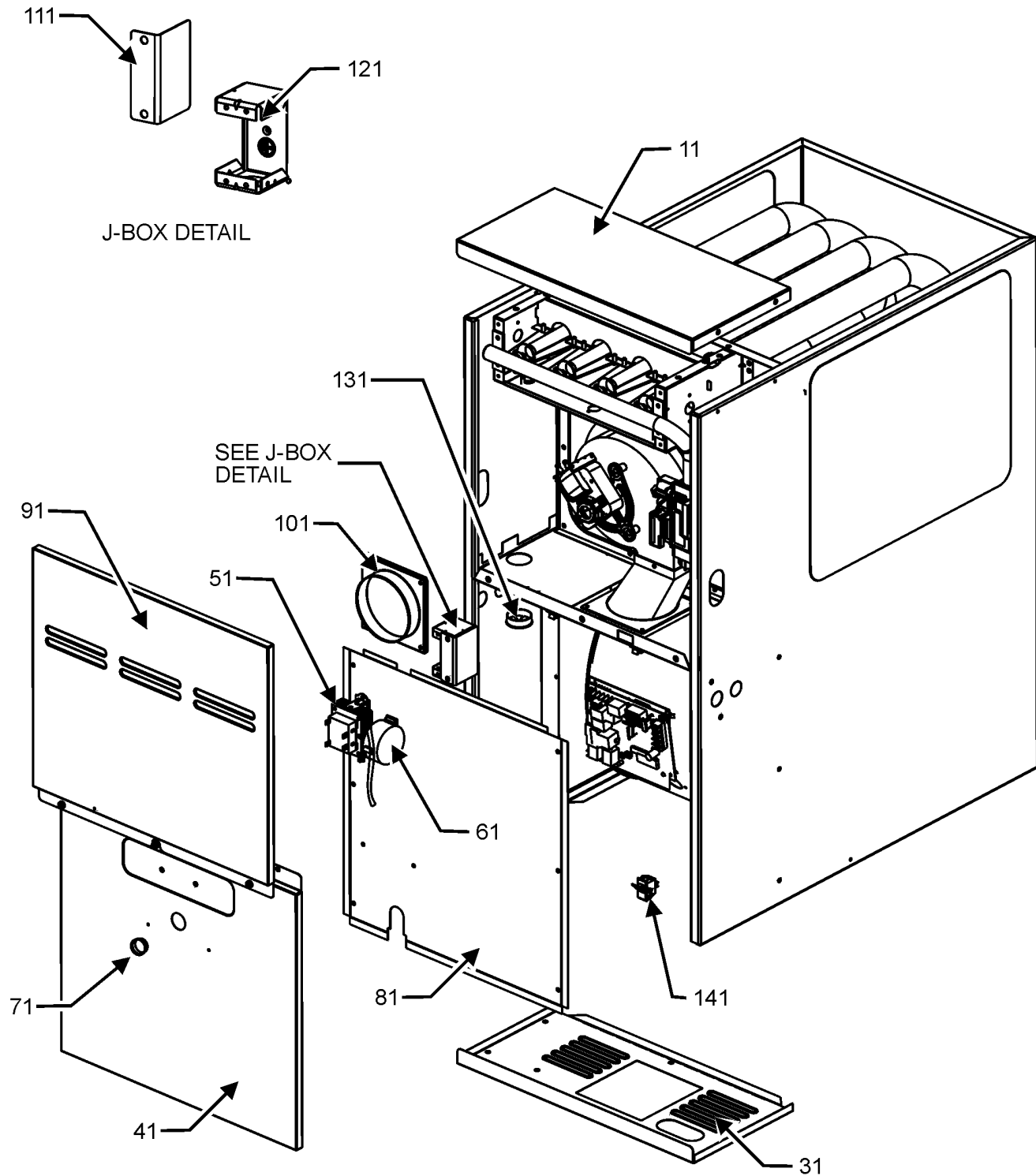
HI-130	HOMEOWNERS INSTRUCTIONS
IOG-2030	INSTALLATION INSTRUCTIONS
0161F00007	NAMEPLATE, GOODMAN
PWGFURNSUNT	PRODUCT WARRANTY

Expanded Model Nomenclature

M1 - GC9S800403ANAA
M2 - GC9S800403AXAA
M3 - GC9S800603ANAA
M4 - GC9S800603AXAA
M5 - GC9S800804BNAA
M6 - GC9S800804BXAA
M7 - GC9S800805CXAA
M8 - GC9S801005CNAA
M9 - GC9S801005CXAA

Cabinet Assembly

CABINET ASSEMBLY



NOTE: CABINET ASSEMBLY MAY DIFFER FROM WHAT IS SHOWN

Cabinet Assembly

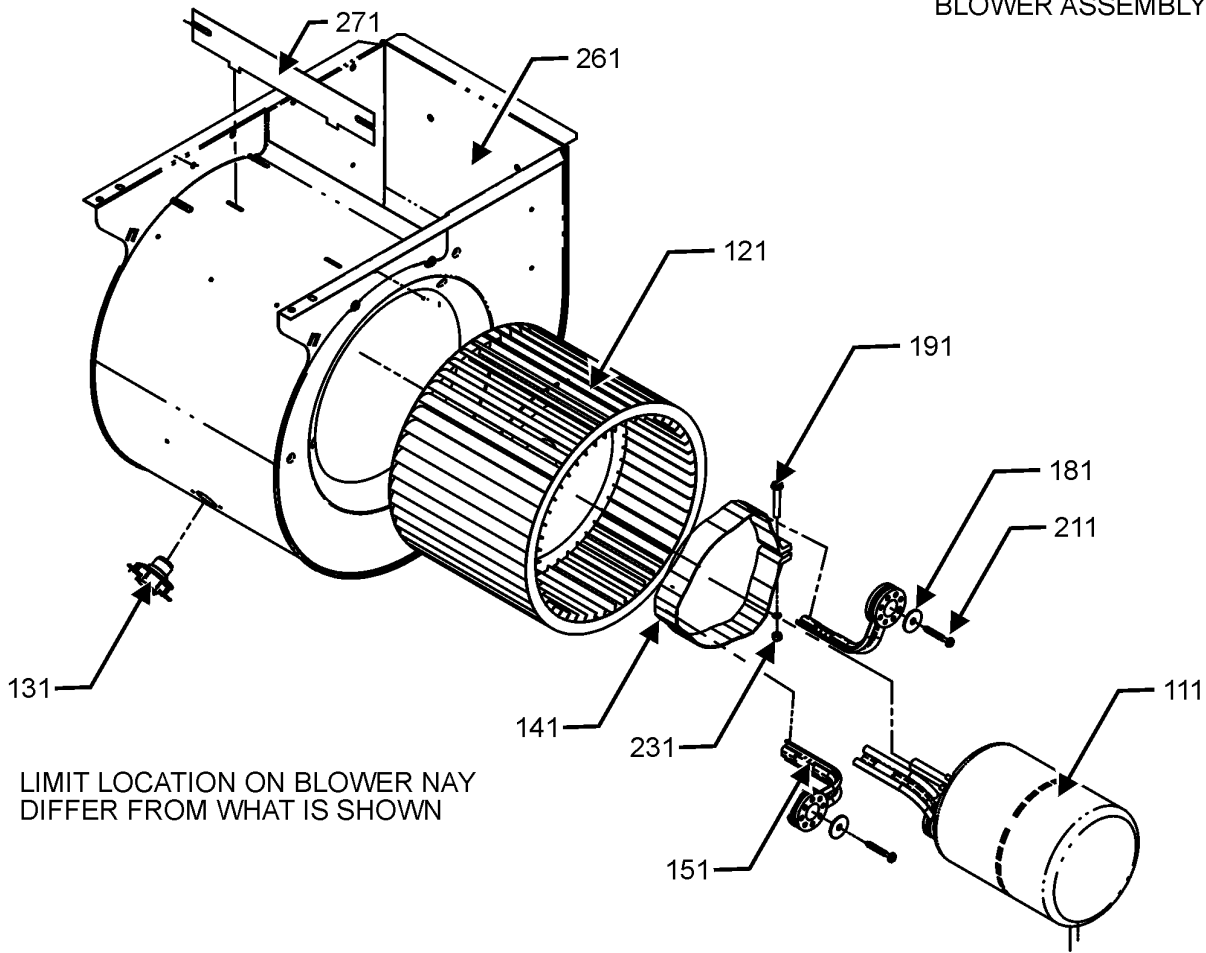
Ref. Part No:	Part No:	Description:	Ref. Part No:	Part No:	Description:
Image 1:					
11	0121F00183DG	PAINTED 14" FURNACE BOTTOM (M1, M2, M3, M4)			
11	0121F00190DG	PAINTED 17.5" FURNACE BOTTOM (M5, M6)			
11	0121F00191DG	PAINTED 21" FURNACE BOTTOM (M7, M8, M9)			
21	20477501	GROMMET-HORSESHOE			
31	0121F00141DG	TOP, FURNACE 14"-PAINTED (M1, M2, M3, M4)			
31	0121F00142DG	TOP, FURNACE 17.5"-PAINTED (M5, M6)			
31	0121F00143DG	TOP, FURNACE 21"-PAINTED (M7, M8, M9)			
41	0121F00122DG	DOOR, BLOWER, 14"-PAINTED (M1, M2, M3, M4)			
41	0121F00123DG	DOOR, BLOWER, 17.5"-PAINTED (M5, M6)			
41	0121F00124DG	DOOR, BLOWER, 21"-PAINTED (M7, M8, M9)			
51	0130M00139	TRANSFORMER, 40VA,120VTO24V			
61	0130F00504	SWITCH, PRESSURE (M1, M2, M3, M4, M5, M6,			
61	0130F00507	SWITCH, PRESSURE (M8, M9)			
71	B1392139	VIEW PORT BUSHING CLEAR			
81	0121F00185	DOOR, INNER 14" (M1, M2, M3, M4)			
81	0121F00192	DOOR, INNER 17.5" (M5, M6)			
81	0121F00193	DOOR, INNER 21" (M7, M8, M9)			
91	0121F00118DG	DOOR CTRL ACCESS, 14"-PAINTED (M1, M2, M3, M4)			
91	0121F00120DG	DOOR CTRL ACCESS, 21"-PAINTED (M7, M8, M9)			
91	0121F00119DG	DOOR CTRL ACCESS,17.5"-PAINTED (M5, M6)			
101	4023500	CHIMNEY TRANSITION TOP			
111	4015502	J-BOX COVER			
121	4014502	J-BOX			
131	0163F00001	UNIVERSAL BUSHING WITH SLICE			
141	10690402	INTERLOCK SWITCH			
NS	HI-130	HOMEOWNERS INSTRUCTIONS			
NS	IOG-2030	INSTALLATION INSTRUCTIONS			
NS	0161F00007	NAMEPLATE, GOODMAN			
NS	PWGFURNSUNT	PRODUCT WARRANTY			

Expanded Model Nomenclature

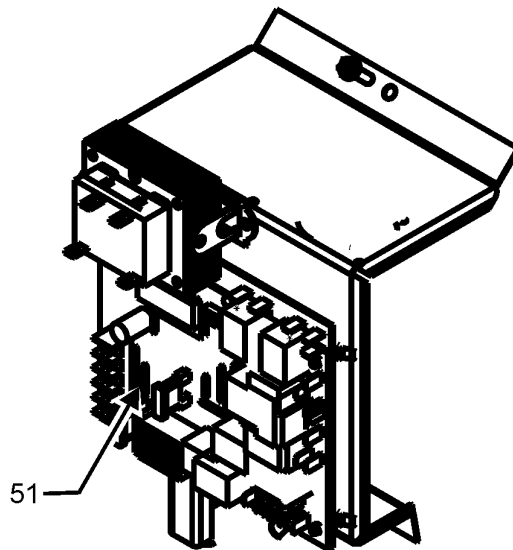
M1 - GC9S800403ANAA
M2 - GC9S800403AXAA
M3 - GC9S800603ANAA
M4 - GC9S800603AXAA
M5 - GC9S800804BNAA
M6 - GC9S800804BXAA
M7 - GC9S800805CXAA
M8 - GC9S801005CNAA
M9 - GC9S801005CXAA

Blower and Circuit Board Assembly

BLOWER ASSEMBLY



BOARD ASSEMBLY ON BLOWER



NOTE: BLOWER AND BOARD ASSEMBLY MAY DIFFER FROM WHAT IS SHOWN

Blower and Circuit Board Assembly

Ref. Part No:	Part No:	Description:	Ref. Part No:	Part No:	Description:
---------------	----------	--------------	---------------	----------	--------------

Image 1:

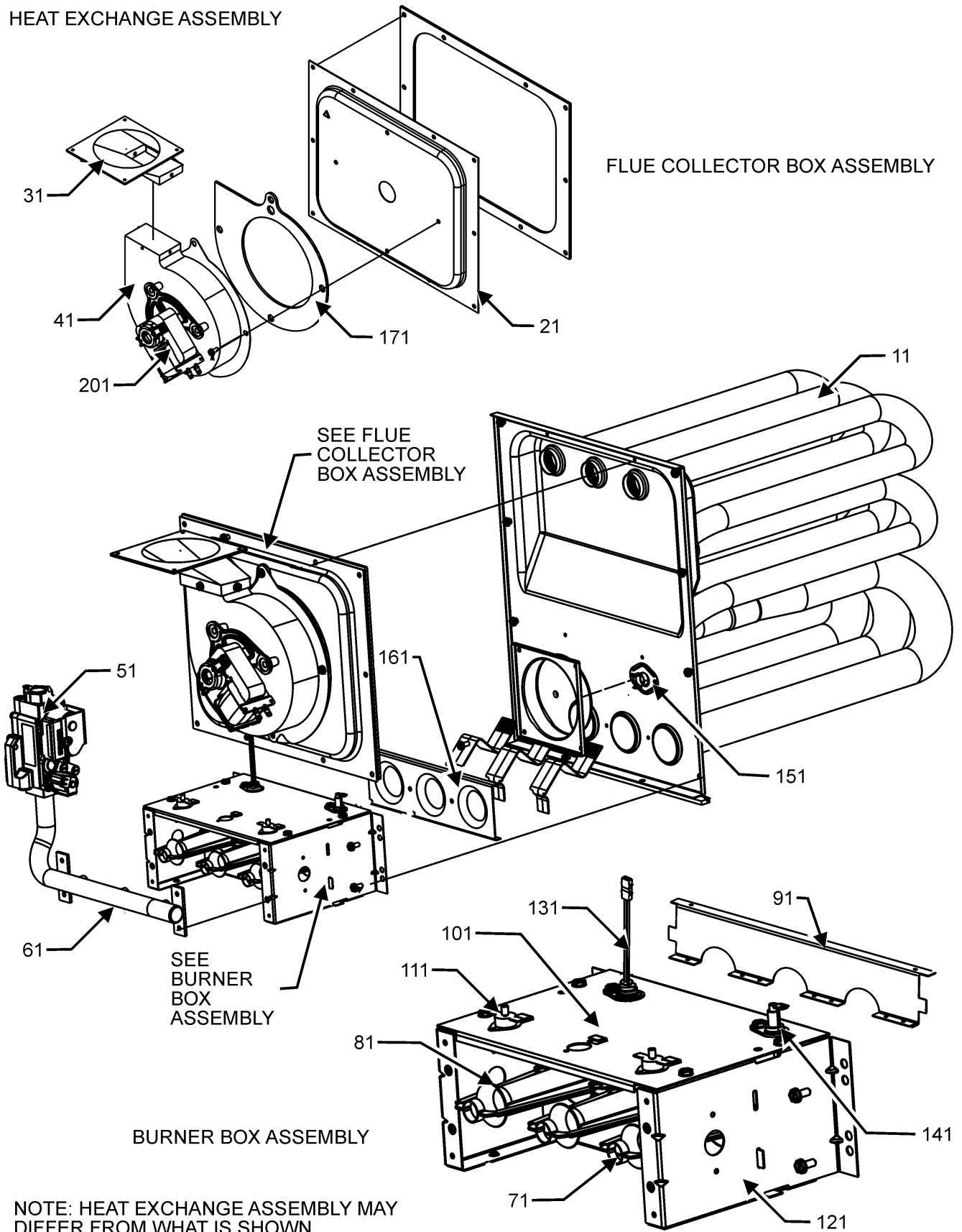
51	PCBBF163	CIRCUIT BOARD FURNACE
111	0131F00241	MOTOR PROGRAMMED (M1, M2)
111	0131F00242	MOTOR PROGRAMMED (M3, M4)
111	0131F00243	MOTOR PROGRAMMED (M5, M6)
111	0131F00244	MOTOR PROGRAMMED (M7)
111	0131F00245	MOTOR PROGRAMMED (M8, M9)
121	B1368047	BLOWER WHEEL (10 X 10) (M7, M8, M9)
121	B1368034	BLOWER WHEEL (10 X 6) (M1, M2, M3, M4)
121	0150M00043	WHEEL, BLOWER (10 X 8) (M5, M6)
131	0130F00038	LIMIT, PRIMARY 120 LT BLUE
141	0121M00039	MOUNT BAND, MOTOR (HEAVY DUTY)
141	0121M00039	MOUNT BAND, MOTOR (HEAVY DUTY)
151	0163M00538	MOUNT ARM, MOTOR (QTY 3)
181	B1392918	WASHER, FLAT 1/4 ID X 1 OD (QTY 3)
191	0163M00320	HEX HEAD ALL THREAD TAP BOLT
211	M0250565	SCREW-TC 1.25" (QTY 3)
211	M0250565	SCREW-TC 1.25" (QTY 3)
231	B1393800	LOCKNUT, NYLON INSERT 1/4 20
261	2539307	BLWR SHL ASM 10X10 10X10 (M7, M8, M9)
261	2539305	BLWR SHL ASM 10X6 10X6 (M1, M2, M3, M4)
261	2539306	BLWR SHL ASM 10X8 10X8 (M5, M6)
271	764741	BLWR BLK-OFF, 10X10 (M7, M8, M9)
271	764739	BLWR BLK-OFF, 10X6 (M1, M2, M3, M4)
271	764740	BLWR BLK-OFF, 10X8 (M5, M6)
NS	0159F00119	CTM, MOTOR HARNESS

Expanded Model Nomenclature

M1 - GC9S800403ANAA
M2 - GC9S800403AXAA
M3 - GC9S800603ANAA
M4 - GC9S800603AXAA
M5 - GC9S800804BNAA
M6 - GC9S800804BXAA
M7 - GC9S800805CXAA
M8 - GC9S801005CNAA
M9 - GC9S801005CXAA

Heat Exchange Assembly

HEAT EXCHANGE ASSEMBLY



Heat Exchange Assembly

Ref. Part No: No:	Description:	Ref. Part No: No:	Description:
Image 1:		Expanded Model Nomenclature	
11	0270F03525	M1	GC9S800403ANAA
11	0270F03526	M2	GC9S800403AXAA
11	0270F03527	M3	GC9S800603ANAA
11	0270F03528	M4	GC9S800603AXAA
11	0270F03900	M5	GC9S800804BNAA
21	0121F00327	M6	GC9S800804BXAA
21	0121F00364	M7	GC9S800805CXAA
21	0121F00365	M8	GC9S801005CNAA
21	0121F00334	M9	GC9S801005CXAA
21	0121F00128		
31	0128F00006		
41	0131M00002P		
51	0151M00037		
61	0120F00006		
61	0120F00007		
61	0120F00008		
61	0120F00009		
71	10716005		
81	B4022700		
91	0121F00167		
91	0121F00168		
91	0121F00169		
91	0121F00170		
101	0121F00162		
101	0121F00759		
101	0121F00760		
101	0121F00761		
111	10123529		
121	0121F00146		
131	0130F00008		
141	0130F00010		
151	20162901		
151	20162903		
151	0130F00036		
161	4028000		
161	4028001		
161	4028002		
161	4028003		
171	0154F00003		
171	0154F00004		
171	0154F00005		
201	DY6.186.070		
NS	0159F00136		
NS	0159F00137		
NS	0259F00302		
NS	0259F00307		