



**i-LUMINOSITY**

LED LIGHTING FIXTURES

Division of Solarelectricway



# CATALOG

(888)-998-LEDS (5337)

**Over the past 10 years i-Luminosity has been an industry leader in LED lighting fixtures across the United States. Our superior engineering capabilities ensure the highest quality fixtures in product design. Our dedication has led to fantastic customer service, affordable lighting solutions & controls for Fortune 500 companies to small businesses of any size.**

**i-Luminosity is committed to creating unique, affordable and energy-efficient LED lighting. Our creative designs are easier for electricians to install and use, resulting in significant energy savings for our customers.**

**i-Luminosity has lighting to complement any design aesthetic. We are a one stop shop for your lighting needs.**

**Our friendly staff are always available to answer questions.**

# PRODUCT SELECTION

---

02  
Linear Fixtures

08  
Decorative Fixtures

14  
Vapor Tight Fixtures

18  
Traditional Fixtures

22  
Track Light Fixtures

26  
Downlight

32  
Panels

36  
High Bays

40  
Wallpacks

44  
Canopy & Shoebox  
Fixtures

48  
Pendants

52  
Sconces

54  
Tubes

56  
Emergency

60  
Cove Lighting

At i-Luminosity we have the ability to get you any fixture you need.  
We work for you! Don't see something you need, please call!



254 36th St., Suite C453  
Brooklyn, NY 11232

---

**i-luminosity.com**


Division of Solarelectricway

info@i-luminosity.com  
(888)-998-LEDS (5337)



# LINEAR FIXTURES

---

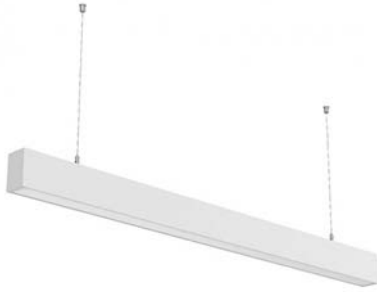


**i-Luminosity's Linear Fixtures have high performance LED's that allow you to add significant light output to any space. Our linear fixtures are commonly used in offices, retail, or commercial locations. You will find a wide range of linear fixtures from indirect/ direct lighting to various customizable options.**

---



# SL LED LINEAR



## Features

- Housing Color Options: White, Grey, or Black.
- Mounting Options: Ceiling Mounted, Suspended, & Wall Mounted.
- Additional Options: 0-10V dimming, Motion Sensor.
- Connection Options "X" or "L".
- Available sizes: 4FT, or 8FT.
- CCT: 3000K, 4000K, or 5000K.
- 7 Year Warranty.

Series Number	Size/ Watts/ Lumens	CCT	Finish	Additional Options
ILLLSLSC	4FT - 40W / 4,320	3K - 3000K	B - BLACK	DM - 0-10V DIMMING
	8FT - 70W / 7,875	4K - 4000K	W - WHITE	MS - MOTION SENSOR
		5K - 5000K	G - GREY	



# LED INDIRECT/DIRECT LINEAR FIXTURE

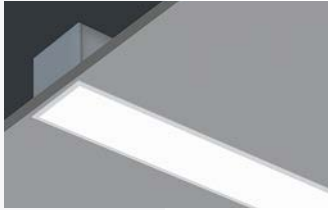
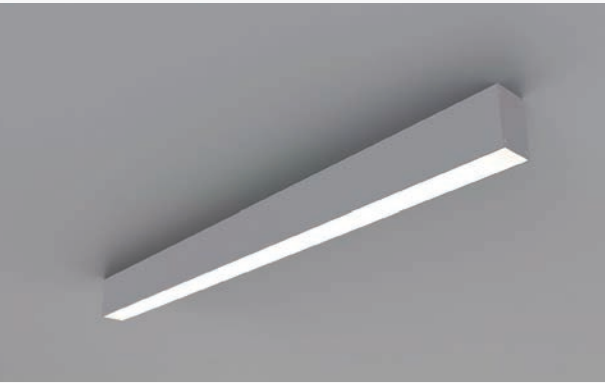


## Features

- Direct 70% / Indirect 30%.
- Screwless end cap.
- Provides high lumen output up and down, 0-10V dimming.
- Available in white, black, or grey.
- Beam Angle: 110
- Available sizes: 4FT or 8FT.
- CCT: 2800K, 3000K, 3500K, 4000K, 5000K.
- 7 Year Warranty.

Series Number	Watts/ Size/ Lumens	CCT	Finish	Additional Options
ILLLIDSC	4 FT - 56W / 4,400	28K - 2800K	B - BLACK	DIM - 1-10V DIMMING
	8 FT - 75W / 6,594	3K - 3000K	WH - WHITE	
		35K - 3500K	G - GREY	
		4K - 4000K		
		5K - 5000K		

# CHELSEA LINEAR FIXTURE



## Features

- Easily LINKABLE to create any length.
- Available Mounting Options: Surface, Wall, Recessed, or Suspended.
- Available in white, black, or silver.
- Additional Options: 0-10V dimming.
- Available sizes: 4FT or 8FT.
- CCT: 2700K, 3000K, 4000K, 6000K.
- 7 Year Warranty.

Series Number	Watts/ Size/ Lumens	CCT	Finish	Additional Options
ILLLCLBV	<b>21W</b> - 4FT/ 2,100	<b>27</b> - 2700K	<b>S</b> - SILVER	<b>DM</b> - 0-10V DIMMING
	<b>43W</b> - 8FT/ 4,300	<b>3</b> - 3000K	<b>WH</b> - WHITE	<b>MS</b> - MOTION SENSOR
	<b>31W</b> - 4FT/ 3,100	<b>35</b> - 3500K	<b>BL</b> - BLACK	
	<b>61W</b> - 8FT/ 6,100	<b>4</b> - 4000K		
		<b>6</b> - 6000K		

## Features

- Housing Color: Silver, White, Black.
- Mounting Options: Suspended or wall mounted.
- Additional Options: 0-10V dimming.
- Input: 44W: 18W up/ 27W down  
89W: 36W up/ 53W down
- Available sizes: 4FT or 8FT
- CCT: 3000K, 3500K, 4000K, 5000K or 6000K
- 7 Year Warranty.

# BEDFORD UP & DOWN LINEAR



Series Number	Watts/ Size/ Lumens	CCT	Finish	Additional Options
ILLLBLBV	<b>44W</b> - 4FT/ 4,455	<b>3</b> - 3000K	<b>S</b> - SILVER	<b>DM</b> - 0-10V DIMMING
	<b>89W</b> - 8FT/ 8,910	<b>35</b> - 3500K	<b>WH</b> - WHITE	<b>MS</b> - MOTION SENSOR
		<b>4</b> - 4000K	<b>BL</b> - BLACK	<b>EM</b> - EMERGENCY BACKUP
		<b>5</b> - 5000K		
		<b>6</b> - 6000K		



# HIGH LINE LINEAR

## Features

- Housing Color: White aluminum.
- Mounting Options: Surface or suspended.
- Additional Options: 0-10V dimming, Motion Sensor, & Emergency backup.
- Continuous run, linkable.
- Available sizes: 4FT or 8FT.
- CCT: 3000K, 3500K, 4000K, 5000K, or 6000K
- 7 Year Warranty.

Series Number	Watts/ Size/ Lumens	CCT	Finish	Additional Options
ILLLHEGL	22W - 4 FT / 3,000	3 - 3000K	B - BLACK	DM - 0-10V DIMMING
	29W - 4 FT / 4,000	35 - 3500K	W - WHITE	D/ID - DIRECT/ INDIRECT
	43W - 8 FT / 6,000	4 - 4000K	S - SILVER	
	57W - 8 FT / 8,000			

# SLEEK LINEAR



## Features

- Housing Color: Gold aluminum.
- Mounting Options: Suspended, surface mounted or wall mounted.
- Additional Options: 0-10V dimming.
- Connectable to create a variety of shapes and lengths.
- Available sizes: 1 FT, 2FT, 3FT, 4FT, or 5FT
- CCT: 2700K, 3000K, 4000K, 5000K, 5500K
- 7 Year Warranty.

Series Number	Watts/ Size/ Lumens	CCT	Finish	Additional Options
ILLLSLKWK	10W - 1 FT / 1,000	27K - 2700K	C - COPPER	DM - 0-10V DIMMING
	20W - 2 FT / 2,000	3K - 3000K		
	30W - 3 FT / 3,000	4K - 4000K		
	35W - 4 FT / 3,800	5K - 4000K		
	45W4FT - 4,500	55K - 5500K		
	45W - 5 FT / 4,500			

## LED THIN LINEAR FIXTURE



### Features

- Housing Color: Silver aluminum.
- Mounting Options: Suspended or surface mounted.
- Additional Options: 0-10V dimming.
- Available Connection Options: I, L, T or X
- Stand alone or linkable fixture.
- CCT: 3000K, 4000K, 5000K or 6500K.
- 7 Year Warranty.

Series Number	Watts/ Size/ Lumens	CCT	Additional Options
ILYLLL	10W - 850	3 - 3000K	DM - 1-10V DIMMING
	15W - 1,270	4 - 4000K	
	20W - 1,700	5 - 5000K	
	30W - 2,550	65 - 6500K	
	40W - 3,400		

### Features

- Housing Color: White aluminum.
- Mounting Options: Surface or suspended.
- Additional Options: 0-10V dimming, Motion Sensor, & Emergency backup.
- Continuous run, linkable.
- Available sizes: 2FT, 4FT, or 8FT.
- CCT: 3000K, 3500K, 4000K, 5000K, or 6000K
- 7 Year Warranty.

## LED LINEAR LIGHT WITH COVER



Series Number	Watts/ Size/ Lumens	CCT	Additional Options
ILHL05	18W - 2 FT / 2,520	3 - 3000K	DM - 1-10V DIMMING
	24W - 4 FT / 3,360	35 - 3500K	EM - EMERGENCY BACKUP
	36W - 4 FT / 5,040	4 - 4000K	MS - MOTION SENSOR
	42W - 8 FT / 5,880	5 - 5000K	CH- CONNECTION & HANGING*
	68W - 8 FT / 9,520	6 - 6000K	

FOR ANY ADDITIONAL LINEAR NEEDS PLEASE CALL (888)-998-LEDS (5337).



“

**Murray has been great to work with,  
and getting all lighting from one source  
ensures ease of maintenance in the future  
for Grocery Outlet.**

”

**DAN DOVER**

*Co-CEO*

Main & Main Capital Group, LLC

# DECORATIVE FIXTURES

---



i-Luminosity's Decorative Fixtures have a customizable option to fit practically any space. You will find a wide range of linear fixtures and panels to take your space from bland to unique.

---





# CUSTOMIZABLE LINEAR LIGHT



## Step 1

Choose your casing.

## Step 2

Color Temperature.

## Step 3

Fixture Length.

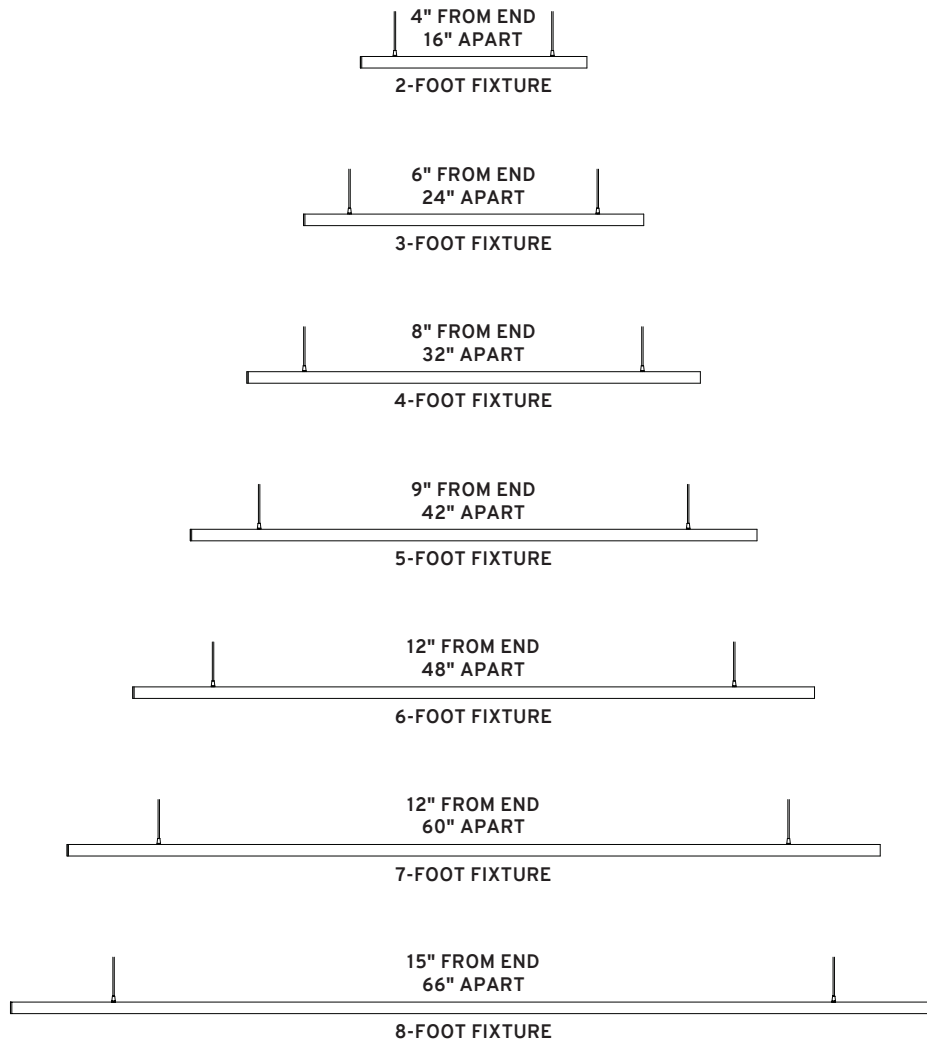
## Step 4

Wattage output up or down.




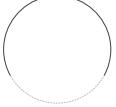
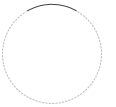
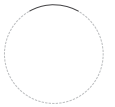
## Step 5







Mounting type.





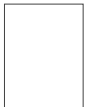

### Suggested Suspension Wire Separated Distances



Step 1: Choose your casing

DIMENSIONS	PC1	PC2	PC3
			
WEIGHTS	0.40 lbs/ft (0.59 kg/m)	0.48 lbs/ft (0.72 kg/m)	1.30 lbs/ft (1.94 kg/m)
DIAMETER	1.57 in (39.8 mm)	2.40 in (61.0 mm)	4.76 in (120.9 mm)
	 BEAM ANGLE: 136° Lens presented as dotted line.	 BEAM ANGLE: 120° Lens presented as dotted line.	 BEAM ANGLE: 160° Lens presented as dotted line.

DIMENSIONS	PS1	PS2	PS3
			
WEIGHTS		0.96 lbs/ft (1.43 kg/m) without integral driver	1.75 lbs/ft (2.60 kg/m) without integral driver
WIDTH	1.38 in (35.1 mm)	2.36 in (60 mm)	2.95 in (75 mm)
HEIGHT	1.38 in (35.1 mm)	2.36 in (60 mm)	3.85 in (98 mm)
MAX LENGTH		7'6.5" (2.3 m) plus end cap thickness	
	 BEAM ANGLE: 136° Lens presented as dotted line.	 BEAM ANGLE: 106° Lens presented as dotted line.	 BEAM ANGLE: 110° Lens presented as dotted line.

DIMENSIONS	PR1	PR2	PR3
			
WEIGHTS	0.15 lbs/ft (0.23 kg/m)	0.875 lbs/ft (1.38 kg/m)	1.28 lbs/ft (1.91 kg/m) *Scaled down
WIDTH	0.77 in (19.6 mm)	1.65 in (42 mm)	1.65 in (42 mm)
HEIGHT	1.59 in (40.4 mm)	2.55 in (65 mm)	4.72 in (120 mm)
	 BEAM ANGLE: 140° Lens presented as dotted line.	 BEAM ANGLE: 68° Lens presented as dotted line.	 BEAM ANGLE: 56° Lens presented as dotted line.

## BACKLIGHT PANEL



### Features

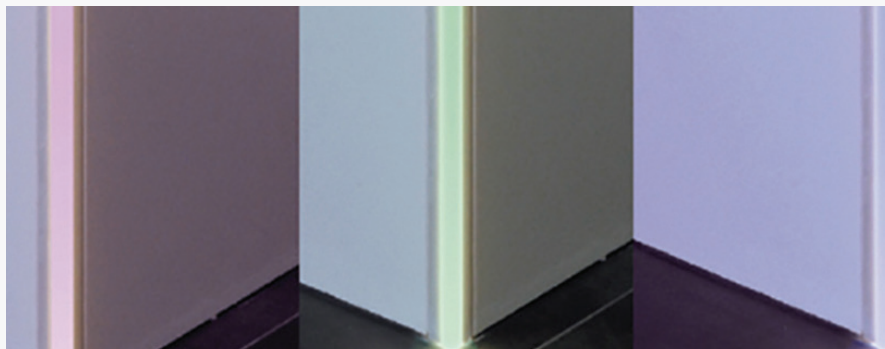
- Manufactured to custom geometric shapes and sizes.
- Available sizes:
- Thickness: 0.42 in.
  - Length: Minimum: 3.0 in, Maximum: 48 in
  - Width: Minimum: 12 in, Maximum: 96 in
- CCT: 2400K, 2700K, 3000K, 3500K, 4100K, 6000K or RGB.
- Additional Options: 0-10V dimming.
- 7 Year Warranty.

Series Number	Watts/ Size/ Lumens	CCT	Additional Options
ILACCB	1FT - 8W / 520	27 - 2700K 3 - 3000K 35 - 3500K 41 - 4100K 6 - 6000K RGB	DM - 0-10V DIMMING

### Features

- These extrusions can be installed into new or existing 3/8" drywall/gypsum walls and ceilings.
- Available sizes: Manufactured to custom sizes and wattage options.
- CCT: 2400K, 2700K, 3000K, 3500K, 4000K, 6000K or RGB
- Additional Options: 0-10V dimming.
- 7 Year Warranty.

## CORNER LIGHT



Series Number	Watts/ Size/ Lumens	CCT	Additional Options
ILACCR	1.5W - 1 FT / 95 2W - 1 FT / 120 3W - 1 FT / 190 4W - 1 FT / 254 5W - 1 FT / 462 6W - 1 FT / 484	24 - 2400K 27 - 2700K 3 - 3000K 35 - 3500K 4 - 4000K 6 - 6000K	DM - 0-10V DIMMING





**FOR ANY ADDITIONAL DECORATIVE NEEDS PLEASE CALL (888)-998-LEDS (5337).**

“

**Our new build outs are like a night and day comparison. The store is so much brighter and softer on the eyes. People like what they're seeing, and that has translated to merchandise selling better. The retrofits went in very fast. We value i-Luminosity's advice on lighting solutions. It has been a dependable partnership to us for years. Saving money on KWH while improving sales is a win-win.**

”

**MORTY SLOAN & AVI KANER**

*CEO*

Morton Williams



# VAPOR TIGHT

---

A clean, industrial kitchen or food processing area. The room features several stainless steel tables with metal grates underneath, arranged in rows. The ceiling is white with recessed fluorescent lighting and two large fans. A blue door is visible in the background, and a sink is mounted on the wall. The floor is made of light-colored tiles with a square drain in the center.

i-Luminosity's Vapor Tight Fixtures are an ideal choice for wet locations where moisture can be an issue. Whether you are looking for an outdoor or indoor fixture, cold or hot, these vapor tight fixtures can handle all weather challenges.

---



# VAPOR TIGHT FIXTURE



## Features

- Mounting Options: Suspended or Surface Mounted.
- Additional Options: 0-10V dimming, Emergency Backup, Motion Sensors.
- Available size: 4FT or 8FT
- CCT: 3000K, 4000K, 5000K
- 7 Year Warranty.

Series Number	Watts/ Size/ Lumens	CCT	Driver	Additional Options
ILSLVTVT	<b>30W</b> - 4 FT / 4,200	<b>3</b> - 3000K	<b>I</b> - INTERNAL	<b>EM</b> - EMERGENCY BACKUP
	<b>32W</b> - 4 FT / 4,480	<b>4</b> - 4000K	<b>E</b> - EXTERNAL	<b>MS</b> - MOTION SENSOR
	<b>45W</b> - 4FT/ 6,075	<b>5</b> - 5000K		<b>DM</b> - 0-10V DIMMING
	<b>60W</b> - 8 FT / 8,400			
	<b>64W</b> - 8 FT / 8,960			

## Features

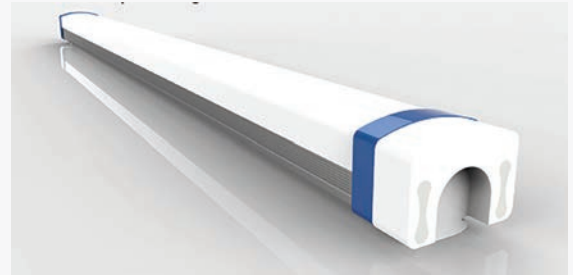
- Mounting Options: Ceiling, Wall Mounted, & Suspended.
- Additional Options: 0-10V dimming..
- Available size: 8.4IN
- CCT: 3000K, 4000K, 5000K
- 7 Year Warranty.

# VAPOR TIGHT JELLY JARS



Series Number	Watts/ Size/ Lumens	CCT	Additional Options
ILDCVJJ	<b>10W</b> - 8.4IN/ 900	<b>3</b> - 3000K	<b>DM</b> - 0-10V DIMMING
	<b>20W</b> - 8.4IN/ 1800	<b>4</b> - 4000K	
	<b>30W</b> - 8.4IN/ 2700	<b>5</b> - 5000K	

# BARCLAY VAPOR TIGHT FIXTURE

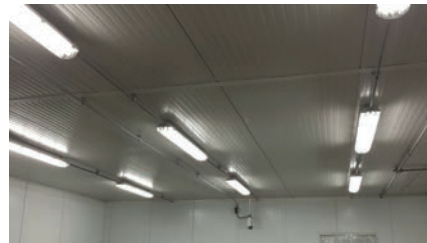


## Features

- Mounting Options: Suspended or surface mounted
- Additional Options: 0-10V dimming, Emergency Backup, Motion Sensors.
- Available size: 2FT, 3FT, 4FT, 5FT
- CCT: 3000K, 4000K, 5000K or 6500K.
- 7 Year Warranty.

Series Number	Watts/ Size/ Lumens	CCT	Lens	Additional Options
ILVTMPFL	20W - 2FT/ 2,100	3 - 3000K	F - FROSTED	DM - 0-10V DIMMING
	30W - 3FT/ 3,150	4 - 4000K	C - CLEAR	EM - EMERGENCY BACKUP
	40W - 4FT / 4,200	5 - 5000K		MS - MOTION SENSOR
	65W - 5FT/ 6,825	65 - 6500K		
	80W - 5FT / 8,400			

# BROOKLYN VAPOR TIGHT



## Features

- Mounting Options: Suspended or Surface mounted.
- Additional Options: 0-10V dimming, Emergency Backup.
- Available sizes: 4FT
- CCT: 3500K, 4000K, 5000K
- 7 Year Warranty.

Series Number	Watts/ Size/ Lumens	CCT	Additional Options
ILCLVTVT	35W - 4 FT / 4,550	35 - 3500K	EM - EMERGENCY BACKUP
	40W - 4 FT / 5,200	4 - 4000K	MS - MOTION SENSOR
	52W - 4FT/ 6,760	5 - 5000K	DM - 0-10V DIMMING

FOR ANY ADDITIONAL VAPOR TIGHT NEEDS PLEASE CALL (888)-998-LEDS (5337).

“

**After using the i-Luminosity lights for just half the month, we used 8000 KW/H less this month than the same month last year. That works out to be a savings of \$1,440 just this month. I can't wait to see what happens after a full month of LED use.**

”

**PETER A MAROTTA**

*Vice President of Sustainability and Store Planning*  
Grocery Outlet Inc



# TRADITIONAL FIXTURES



i-Luminosity's Traditional Fixtures are perfect for any application where high-quality LED lighting is required in your workspace. You will find all of your basic favorites from Box to Wrap fixtures.



# LED BOX FIXTURE



## Features

- Housing Color: White Steel.
- Mounting Options: Surface mounted.
- Additional Options: Emergency backup, 0-10V dimming, Motion Sensor.
- Available sizes: 2FT or 4FT
- CCT: 3000K, 4000K, 5000K
- 7 Year Warranty.

Series Number	Watts/ Size/ Lumens	CCT	Additional Options
ILBXSBL	18W - 2 FT / 2,340	3 - 3000K	<b>DIM</b> - 1-10V DIMMING
	25W - 4 FT / 3,250	4 - 4000K	<b>EM</b> - EMERGENCY BACKUP
	36W - 4 FT / 4,680	5 - 5000K	<b>MS</b> - MOTION SENSOR
	45W - 4 FT / 5,850		

## Features

- Housing Color: White Steel.
- Mounting Options: Surface mounted.
- Additional Options: Emergency backup, 0-10V dimming, Motion Sensor.
- Available sizes: 4FT or 8FT
- CCT: 3000K, 4000K, 5000K
- 7 Year Warranty.

# LED WRAP FIXTURE



Series Number	Watts/ Size/ Lumens	CCT	Driver	Additional Options
ILWRWRL	30W - 4 FT / 4,200	3 - 3000K	<b>I</b> - INTERNAL	<b>DIM</b> - 1-10V DIMMING
	32W - 4 FT / 4,480	4 - 4000K	<b>E*</b> - EXTERNAL	<b>EM</b> - EMERGENCY BACKUP
	60W - 8 FT / 8,400	5 - 5000K		
	64W - 8 FT / 8,960			

E\* - T24 compliant available for 32W or 64W

## LED 1 LAMP STRIP FIXTURE



### Features

- Mounting Options: Suspended, or Surface Mounted.
- Additional Options: Emergency backup, Motion Sensors, & 0-10V dimming.
- Available sizes: 2FT, 4FT or 8FT
- CCT: 3000K, 4000K, or 5000K.
- 7 Year Warranty.

Series Number	Watts/ Size/ Lumens	CCT	Driver	Additional Options
ILTFTSSL	<b>8W</b> - 2 FT / 1,150	<b>3K</b> - 3000K	<b>I</b> - INTERNAL	<b>DIM</b> - 1-10V DIMMING
	<b>15W</b> - 4 FT / 2,100	<b>4K</b> - 4000K	<b>E*</b> - EXTERNAL	<b>EM</b> - EMERGENCY BACKUP
	<b>30W</b> - 8 FT / 4,200	<b>5K</b> - 5000K		

E\* - T24 compliant available for 32W

SAMPLE ITEM NUMBER: ILTFTSSL 16W 4K E EM

## LED 2 LAMP STRIP FIXTURE



### Features

- Mounting Options: Suspended, Stem, or Surface mounted.
- Additional Options: Emergency backup, Motion Sensors, & 0-10V dimming.
- Available sizes: 2FT, 4FT or 8FT
- CCT: 3000K, 4000K, or 5000K.
- 7 Year Warranty.

Series Number	Watts/ Size/ Lumens	CCT	Driver	Additional Options
ILTF2LSL	<b>16W</b> - 2FT / 2,400	<b>3K</b> - 3000K	<b>I</b> - INTERNAL	<b>DIM</b> - 1-10V DIMMING
	<b>30W</b> - 4 FT / 4,200	<b>4K</b> - 4000K	<b>E*</b> - EXTERNAL	<b>EM</b> - EMERGENCY BACKUP
	<b>60W</b> - 8 FT / 8,400	<b>5K</b> - 5000K		

E\* - T24 compliant available for 32W or 64W

**FOR ANY ADDITIONAL TRADITIONAL NEEDS PLEASE CALL (888)-998-LEDS (5337).**



“

**The i-Luminosity lights are so bright, I only need bulbs in 50% of the fixtures. The operating cost savings are significant too. In each building I've had the i-Luminosity lights installed, overall electric savings have exceeded 20%. Some months it's as high as 30%.**

”

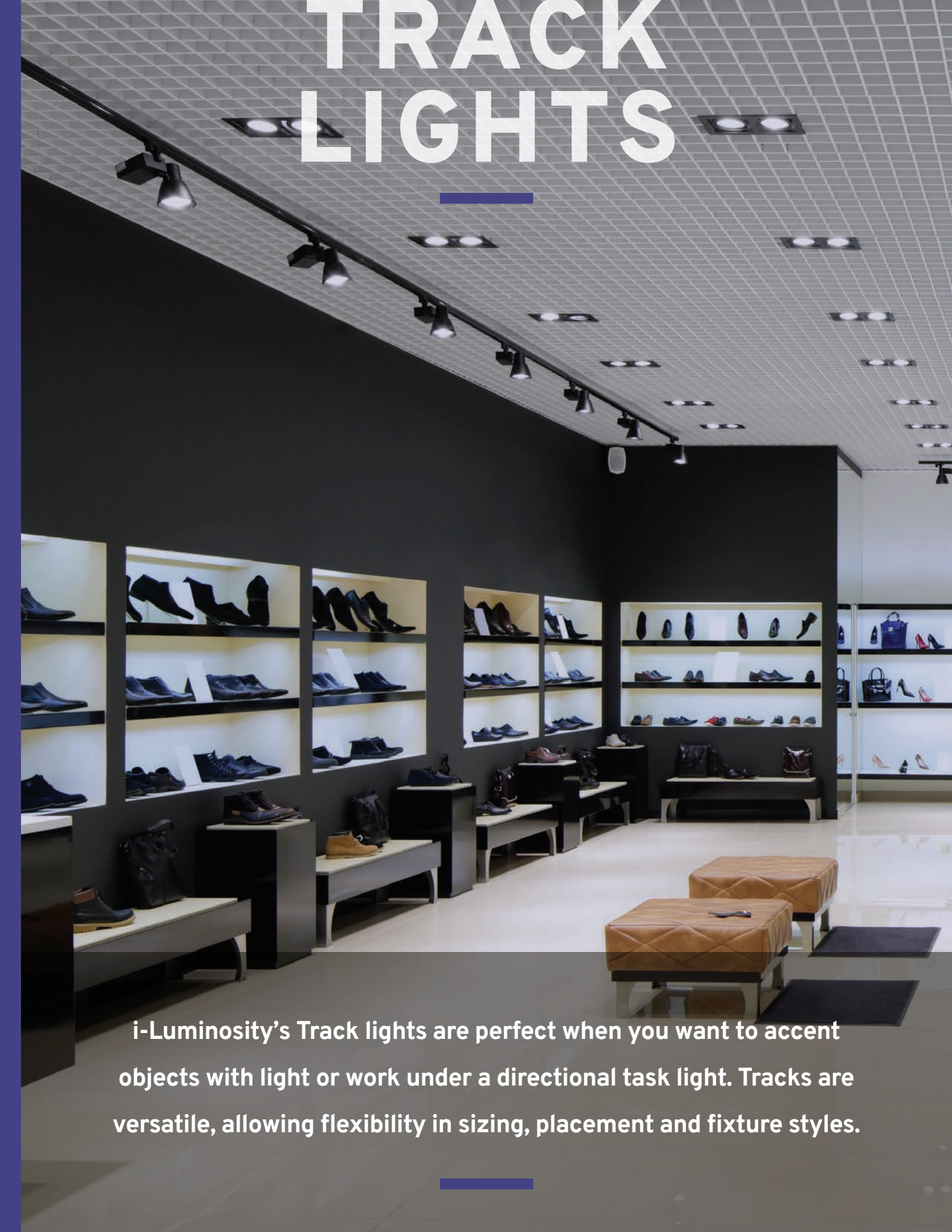
**GEORGE MCLOOF, JR.**

*President*

Long Street Development

# TRACK LIGHTS

---

A photograph of a modern shoe store interior. The ceiling is white with a grid pattern and features a track lighting system with several adjustable spotlights. Recessed lighting is also visible in the ceiling. The walls are dark, and the display cases are illuminated from within, showcasing various styles of shoes. The floor is light-colored and reflective. In the foreground, there are two orange tufted ottomans.

**i-Luminosity's Track lights are perfect when you want to accent objects with light or work under a directional task light. Tracks are versatile, allowing flexibility in sizing, placement and fixture styles.**

---

# NOT YOUR EVERYDAY TRACK LIGHT



Style 1



Style 2



## Features

- Housing Color: White, Black, or Silver.
- Wattage: 8W, 10W, 15W, 22W, 38W, 42W
- Mounting Options: Multiple track options available.
- Additional Options: Triac dimming, compatible with both ELV and MLV dimmer.
- Beam angle: 15°/24°/38°/60°.
- Available in 4 styles please view our website for various options.
- 7 Year Warranty.



Style 3



Style 4

Series Number	Style	Watts/ Size/ Lumens	CCT	Finish	Beam Angle	Additional Options
ILTLMBKL	S1 - STYLE 1	8W - 4 IN / 615	27K - 2700K	B - BLACK	15 - 15°	DIM - Triac and ELV dimming
	S2 - STYLE 2	10W - 4 IN / 860	3K - 3000K	W - WHITE	24 - 24°	
	S3 - STYLE 3	15W - 4 IN / 1,460	35K - 3500K	S - SILVER	38 - 38°	
	S4 - STYLE 4	22W - 6 IN / 2,600	4K - 4000K		60 - 60°	
		38W - 4IN / 4,800	5K - 5000K			
		42W* - 6 IN / 4,800				

\*Only the track has a 42W option.

## Wattage Options

Style 1 - 8W, 10W, 22W, 42W

Style 2 - 8W, 10W, 15W, 22W

Style 3 - 8W, 10W, 15W, 22W

Style 4 - 8W, 15W, 22W

# LED ABRASION RESISTANT TRACK LIGHT



## Features

- Housing Color: White or Black.
- Mounting Options: Yoke mounted gimbal ring track head.
- Additional Options: 0-10V dimming.
- Beam angle: 350° horizontal rotation and 90° vertical aiming.
- 7 Year Warranty.

Series Number	Bulb Option	CCT	Finish	Additional Options
ILWL763	<b>BR20</b>	<b>3 - 3000K</b>	<b>B - BLACK</b>	<b>DIM - 0-10V DIMMING</b>
	<b>BR30</b>	<b>4 - 4000K</b>	<b>W - WHITE</b>	
	<b>BR40</b>	<b>5 - 5000K</b>	<b>BN - BRUSHED NICKEL</b>	
	<b>PAR20</b>			
	<b>PAR30</b>			

## Features

- Housing Color: White, Black, Brushed Nickel.
- Mounting Options: Multiple track options available.
- Use Par for direct light and use BR for ambient light
- Available Track Options: H, L or J/J2
- Beam angle: 350° horizontal rotation and 90° vertical aiming.
- 7 Year Warranty.

# FLATBACK TRACK LIGHT



Series Number	Bulb Option	CCT	Finish	Additional Options
ILWL178	<b>BR20</b>	<b>3 - 3000K</b>	<b>B - BLACK</b>	<b>DIM - 0-10V DIMMING</b>
	<b>BR30</b>	<b>4 - 4000K</b>	<b>W - WHITE</b>	
	<b>BR40</b>	<b>5 - 5000K</b>	<b>BN - BRUSHED NICKEL</b>	
	<b>PAR20</b>			
	<b>PAR30</b>			

FOR ANY ADDITIONAL TRACK LIGHT NEEDS PLEASE CALL (888)-998-LEDS (5337).



“


**The team at i-Luminosity has been a great asset for Zar Property NY. They help us design and customize lighting for tenant pre built. We have also used them to replace all building core lighting which reduced our energy costs by over 50%. We would highly recommend them for all commercial & residential projects!!!**

”

**SIMON ZAR**  
*CEO*  
Zar Property NY

# DOWNLIGHT FIXTURES

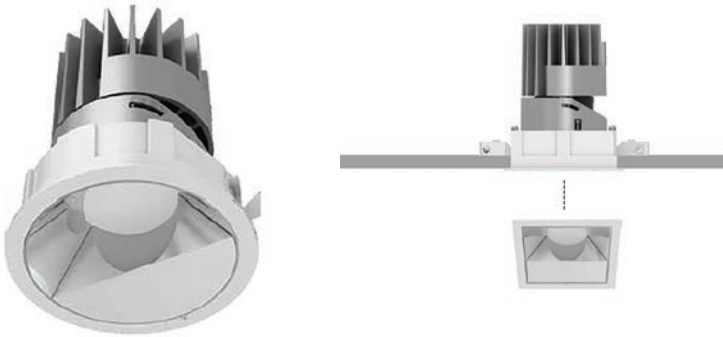
---



**i-Luminosity's Downlight Fixtures provide both ambient and task lighting to just about any area in your space. You can find recessed lights with various trim options such as different colors or metallic finishes. You can even get square lights, if the round-style is too plain or conventional for you.**

---

# VANDERBILT WALL WASHER DOWNLIGHT



## Features

- Housing Color: Silver, Black, or White Trim.
- Secondary Reflectors: Matte.
- Mounting Options: Recessed.
- Additional Options: Emergency Backup & 0-10V dimming.
- Available sizes: 4IN, 5IN, or 6IN.
- CCT: 2700K, 3000K, 4000K, 5000K.
- 7 Year Warranty.

Series Number	Watts/ Size/ Shape/ Lumens	CCT	Finish	S. Reflect	Additional Options
ILDRLVDGF	<b>13W</b> - 4INRD / 480	<b>27K</b> - 2700K	<b>S</b> - SILVER	<b>M</b> - MATTE	<b>DM</b> - 0-10V DIMMING
	<b>18W</b> - 4INRD / 650	<b>3K</b> - 3000K	<b>B</b> - BLACK		<b>AG</b> - ANTI GLARE ACCESSORY
	<b>18W</b> - 5INRD / 750	<b>4K</b> - 4000K	<b>W</b> - WHITE		<b>EM</b> - EMERGENCY BACKUP
	<b>25W</b> - 5INRD / 1,000	<b>5K</b> - 5000K			
	<b>25W</b> - 6INRD / 1,000				
	<b>38W</b> - 6INRD / 1,400				
	<b>13W</b> - 4INSQ / 480				
	<b>18W</b> - 4INSQ / 650				
	<b>18W</b> - 5INSQ / 680				
	<b>25W</b> - 5INSQ / 880				
	<b>25W</b> - 6INSQ / 900				
	<b>25W</b> - 6INSQ / 1,300				

# SLIM MINI PANEL WITH EMERGENCY BACKUP



## Features

- Housing Color Options: Black, Chrome, Satin Nickel.
- Mounting Options: Surface Mounted or Recessed.
- CCT: 3000K, 4000K, or 5000K.
- 7 Year Warranty.

Series Number	Watts/ Size/ Lumens	CCT	Finish
ILPLSSHO	18W - 9 IN / 1,440	3K - 3000K	B - BLACK
		4K - 4000K	C - CHROME
		5K - 5000K	S - SATIN NICKEL

# WALL STREET DOWNLIGHTS



## Features

- Housing Color Options: White or Black.
- Mounting Options: Recessed.
- Additional Options: 0-10V dimming.
- Available shapes: Round or Square.
- CCT: 3000K, 3500K, 4000K, or 5000K.
- 7 Year Warranty.

Series Number	Watts/ Shape / Lumens	CCT	Finish	Additional Options
ILDRLBTSC	6WRD - 4IN/ 360	3 - 3000K	W - WHITE	DIM - 0-10V DIMMING
	9WRD - 4IN/580	35 - 3500K	B - BLACK	
	12WRD - 6IN/900	4 - 4000K		
	9WSQ - 4IN/580	5 - 5000K		
	12WSQ - 6IN/900			



# MINI PANEL

## Features

- Trims are magnetic making them easily interchangeable with a wide array of colors.
- Housing Color: Black, White, Rose Gold, Silver, or Bronze.
- Mounting Options: Surface mounted.
- Additional Options: 0-10V dimming, PIR Option.
- Optional: Equipped with a built in switch you can manually change the CCT of each panel.
- CCT: 3000K, 4000K, & 5000K.
- 7 Year Warranty.



Series Number	Lumens/ Watts/ Size	CCT*	Finish	Additional Options
ILMPLHO	<b>360</b> - 6w / 5.3 IN	<b>3</b> - 3000K	<b>RG</b> - RED GOLDEN	<b>DM</b> - 0-10V DIMMING
	<b>840</b> - 12w / 7.1 IN	<b>4</b> - 4000K	<b>BB</b> - BRUSHED BRONZE	<b>CCT</b> - MANUAL CCT SWITCH
	<b>1260</b> - 18w / 8.9 IN	<b>5</b> - 5000K	<b>BN</b> - BRUSHED NICKEL	<b>PIR</b> - PIR SENSOR
	<b>1920</b> - 24w / 11.8 IN	<b>M</b> - MULTI	<b>PB</b> - POLISHED BLACK	
	<b>400</b> - 6w / 5.3 IN		<b>PC</b> - POLISHED CHROME	
	<b>1000</b> - 12w / 7.1 IN			
	<b>1530</b> - 18w / 8.9 IN			
	<b>1920</b> - 24w / 11.8 IN			

CCT\*: 3000K, 4000K & 5000K options are built in to each fixture allowing you to change the CCT from 3000K to 5000K with the switch of a button.

\*Integrated PIR sensor 18W 9" only

# HOUSTON FIXED DOWNLIGHT

## Features

- Housing Color: Silver, Black, or White Trim.
- Secondary Reflectors: Silver, Chrome Black, Matte, White, Black, or Gold.
- Mounting Options: Recessed.
- Additional Options: Emergency Backup & 0-10V dimming.
- Available sizes: 2IN, 3IN, 4IN, 5IN, or 6IN.
- CCT: 2700K, 3000K, 4000K, 5000K.
- 7 Year Warranty.



Series Number	Watts/ Size/ Shape/ Lumens	CCT	Finish	S. Reflect	Additional Options
ILDRLVDGF	13W - 4INRD / 900	27K - 2700K	S - SILVER	S - SILVER	DM - 0-10V DIMMING
	18W - 4INRD / 1,200	3K - 3000K	B - BLACK	CB- CHROME BLACK	AG - ANTI GLARE ACCESSORY
	18W - 5INRD / 1,400	4K - 4000K	W - WHITE	M - MATTE	EM - EMERGENCY BACKUP
	25W - 5INRD / 1,800	5K - 5000K		W - WHITE	
	25W - 6INRD / 1,900			B - BLACK	
	36W - 6INRD / 2,700			G - GOLD	
	13W - 4INSQ / 900				
	18W - 4INSQ / 1,200				
	18W - 5INSQ / 1,400				
	25W - 5INSQ / 1,800				
	25W - 6INSQ / 1,900				
	38W - 6INSQ / 2,700				

# ELLIS ADJUSTABLE DOWNLIGHT



## Features

- Housing Color: Silver, Black,, or White Trim.
- Secondary Reflectors: Silver, Chrome Black, Matte, White, Black, or Gold.
- Mounting Options: Recessed.
- Additional Options: Emergency Backup & 0-10V dimming.
- Available sizes: 2IN, 3IN, 4IN, 5IN, or 6IN.
- CCT: 2700K, 3000K, 4000K, 5000K.
- 7 Year Warranty.

Series Number	Watts/ Size/ Shape/ Lumens	CCT	Finish	S. Reflect	Additional Options
ILDRLEDGF	<b>4W</b> - 2INRD / 350	<b>27K</b> - 2700K	<b>S</b> - SILVER	<b>S</b> - SILVER	<b>DM</b> - 0-10V DIMMING
	<b>7.5W</b> - 3INRD / 600	<b>3K</b> - 3000K	<b>B</b> - BLACK	<b>CB</b> - CHROME BLACK	<b>AG</b> - ANTI GLARE ACCESSORY
	<b>11W</b> - 3INRD / 800	<b>4K</b> - 4000K	<b>W</b> - WHITE	<b>M</b> - MATTE	<b>EM</b> - EMERGENCY BACKUP
	<b>13W</b> - 4INRD / 850	<b>5K</b> - 5000K		<b>W</b> - WHITE	
	<b>18W</b> - 4INRD / 1,100			<b>B</b> - BLACK	
	<b>18W</b> - 5INRD / 1,300			<b>G</b> - GOLD	
	<b>25W</b> - 5INRD / 1,700				
	<b>25W</b> - 6INRD / 1,800				
	<b>38W</b> - 6INRD / 2,500				
	<b>4W</b> - 2INSQ / 350				
	<b>7.5W</b> - 3INSQ / 600				
	<b>11W</b> - 3INSQ / 800				
	<b>13W</b> - 4INSQ / 850				
	<b>18W</b> - 4INSQ / 1,100				
	<b>18W</b> - 5INSQ / 1,300				
	<b>25W</b> - 5INSQ / 1,700				
	<b>25W</b> - 6INSQ / 1,800				
	<b>38W</b> - 6INSQ / 2,500				



# GRAMERCY INFINITE TRIM

## Step 1

Choose your module.



Option 1



Option 2



Option 3

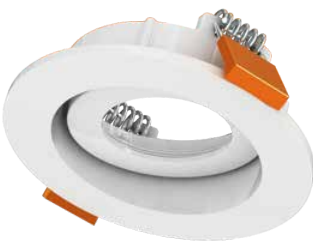
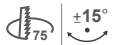


Option 4

## Step 2

Choose your trim.

### ILA1W

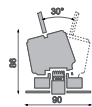


Optional:

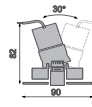
- A1B Black
- A1G Gray



IL1A1W



IL2A1W



IL3A1W



### ILR1W

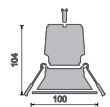


Optional:

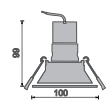
- R1B Black
- R1G Gray



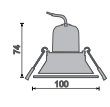
IL1R1W



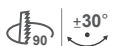
IL2R1W



IL3R1W



### ILA5W

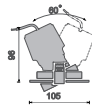


Optional:

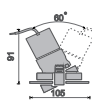
- A5B Black
- A5G Gray



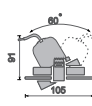
IL1A5W



IL2A5W



IL3A5W



### ILF4W

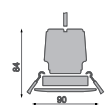


Optional:

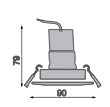
- F4B Black
- F4G Gray



IL1F4W



IL2F4W



IL3F4W



**ILA6W**

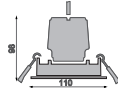


Optional:

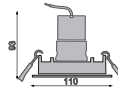
- A6B Black
- A6G Gray



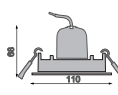
IL1A6W



IL2A6W



IL3A6W



**ILF6W**

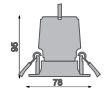


Optional:

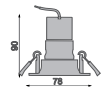
- F6B Black
- F6G Gray



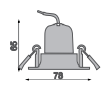
IL1F6W



IL2F6W



IL3F6W



Series Number	Module	CCT	Finish	Trim	Additional Options
ILDRDDDKL	19 - OPTION 1 9W	27K - 2700K	S - SILVER	A1W - ILA1W	DM - 0-10V DIMMING
	13 - OPTION 1 13W	3K - 3000K	B - BLACK	R1W - ILR1W	AG - ANTI GLARE ACCESSORY
	2 - OPTION 2	4K - 4000K	W - WHITE	A5W - ILA5W	EM - EMERGENCY BACKUP
	3 - OPTION 3			F4W - ILF4W	
	4 - OPTION 4			A6W - ILA6W	
				F6W - ILF6W	
				S6W - ILS6W	
				D1W - ILD1W	
				S5W - ILS5W	
				D2W - ILD2W	
				C135 - ILC135	
				D3W - ILD3W	
				D4W - ILD4W	
				D5W - ILD5W	

# 4" & 6" LED IC RATED DOWNLIGHTS



## Features

- Housing Color: White Trim.
- Mounting Options: Recessed.
- Additional Options: Emergency backup, Motion Sensor, & 0-10V dimming.
- Available sizes: 4IN & 6IN.
- CCT: 3000K, 4000K, 5000K.
- 7 Year Warranty.

Series Number	Watts/ Size/ Lumens	CCT	Finish	Additional Options
ILDRFRCL	4 IN - 10W / 500	3K - 3000K	RD - ROUND TRIM	DIM - 0-10V DIMMING EM - EMERGENCY BACKUP MS - MOTION SENSOR
	6 IN - 15W / 800	4K - 4000K		
		5K - 5000K		

# LED DIMMABLE RECESSED LIGHTS



## Features

- Housing Color: White Trim.
- Mounting Options: Recessed.
- Additional Options: Emergency backup, Motion Sensor, & 0-10V dimming.
- Available sizes: 4IN, 5IN, & 6IN.
- CCT: 3000K, 4000K, 5000K.
- 7 Year Warranty.

Series Number	Watts/ Size/ Lumens	CCT	Finish	Additional Options
ILDRDRCL	700 - 4 IN / 9W	3K - 3000K	RD - ROUND TRIM	DIM - 0-10V DIMMING EM - EMERGENCY BACKUP MS - MOTION SENSOR
	775 - 4 IN. / 9W	4K - 4000K	SQ - SQUARE	
	900 - 5 IN / 9W	5K - 5000K	RDG - ROUND W/ GIMBLE	
	1150 - 6 IN. / 15W			
	1450 - 6 IN. / 16W			

FOR ANY ADDITIONAL DOWNLIGHT NEEDS PLEASE CALL (888)-998-LEDS (5337).



“

**Our new build outs are like a night and day comparison. The store is so much brighter and softer on the eyes. People like what they're seeing, and that has translated to merchandise selling better. The retrofits went in very fast.**

**We value i-Luminosity's advice on lighting solutions. It has been a dependable partner to us for years. Saving money on KWH while improving sales is a win-win.**

”


**MORTY SLOAN & AVI KANER**

*CEO*

Morton Williams

# PANELS

---



**i-Luminosity's Panel Fixtures generate an evenly distributed light with a sleek slim profile. With various sizes and mounting options, panels are great for offices, retail locations and schools.**

---

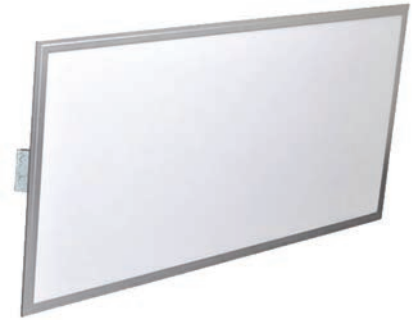
# 1X4 PANEL



# 2X2 PANEL



# 2X4 PANEL



## Features

- Housing Color: White or Silver Trim.
- Mounting Options: Suspended, Recessed, Surface mounted.
- Additional Options: Emergency backup & 0-10V dimming.
- Available sizes: 1x4
- CCT: 2700K, 3000K, 3500K, 4000K, 5000K, 6500K
- 7 Year Warranty.

## Features

- Housing Color: White or Silver Trim.
- Mounting Options: Suspended, Recessed, Surface mounted.
- Additional Options: Emergency backup & 0-10V dimming.
- Available sizes: 2x2
- CCT: 2700K, 3000K, 3500K, 4000K, 5000K, 6500K
- 7 Year Warranty.

## Features

- Housing Color: White or Silver Trim.
- Mounting Options: Suspended, Recessed, Surface mounted.
- Additional Options: Emergency backup & 0-10V dimming.
- Available sizes: 2x4
- CCT: 2700K, 3000K, 3500K, 4000K, 5000K, 6500K
- 7 Year Warranty.

Series Number	Watts/ Size/ Lumens	CCT	Finish	Additional Options
ILPLPLCL	30W2x2 - 3,900	27K - 2700K	WH - WHITE TRIM	DIM - 0-10V DIMMING
	36W2x2 - 3,960	3K - 3000K	S - SILVER TRIM	EM - EMERGENCY BACKUP
	30W1x4 - 3,900	35K - 3500K		**F - SURFACE MOUNT FRAME
	36W1x4 - 3,960	4K - 4000K		
	40W2x4 - 5,200	5K - 5000K		
	50W2x4 - 5,500	65K - 6500K		



# CENTER BASKET



## Features

- Compatible with standard and narrow T-grids.
- Additional Options: 0-10V dimming.
- Available sizes: 2' x 2' or 2' x 4'.
- CCT:3000K, 3500K, 4000K, 4500K or 5000K.
- 7 Year Warranty.
- Emergency Backup.

Series Number	Watts/ Shape / Size	CCT	Additional Options
ILTBLT	30w22 - 2x2 / 3,900	3 - 3000K	DM - 0-10V DIMMING
	40w22 - 2x2 / 5,200	35 - 3500K	EM - EMERGENCY BACKUP
	30w24 - 2x4 / 3,900	4 - 4000K	
	40w24 - 2x4 / 5,200	45 - 4500K	
	50w24 - 2x4 / 6,300	5 - 5000K	



# SERIES X PANEL



## Features

- Housing Color: Silver Trim.
- Mounting Options: Suspended, Recessed, Surface mounted.
- Additional Options: 0-10V dimming.
- Available sizes: 1'x4', 2'x2', 2'x4'
- Equipped with a built in switch you can manually change the CCT of each panel.
- CCT: 3000K, 4000K or 5000K
- 7 Year Warranty.

Series Number	Watts/ Size/ Lumens	CCT	Mounting Finish	Additional Options
ILSCXS	20W2x2 - 2,500	27 - 2700K	SSD - SUSPENDED	DM - 0-10V DIMMING
	25W2x2 - 3,125	3 - 3000K	RCD - RECESSED	
	30W2x2 - 3,750	35 - 3500K	SM - SURFACE MOUNT	
	40W2x2 - 5,000	4 - 4000K		
	20W1x4 - 2,500	45 - 4500K		
	30W1x4 - 3,750	5 - 5000K		
	40W1x4 - 5,000			
	30W2x4 - 3,750			
	35W2x4 - 4,375			
	40W2x4 - 5,000			
	50W2x4 - 6,250			
	60W2x4 - 7,500			

**FOR ANY ADDITIONAL PANEL NEEDS PLEASE CALL (888)-998-LEDS (5337).**



# HIGH BAYS



i-Luminosity's LED High Bay fixtures are ideal for lighting large areas like warehouses, high ceiling retail spaces, garages, gyms, and maintenance facilities.



# LED 2X2 2X4 HIGH BAY



## Features

- Housing Color: White Trim.
- Mounting Options: Suspended or surface mounted.
- Additional Options: Emergency backup, Motion sensor, 0-10V dimming.
- Available sizes: 2'x2' or 2'x4'
- CCT: 3000K, 3500K, 4000K, or 5000K.
- 7 Year Warranty.

Series Number	Watts/ Size/ Lumens	CCT	Finish	Additional Options
ILJM24HB	<b>80W 2FT</b> - 11,121	<b>3</b> - 3000K	<b>W</b> - WHITE	<b>DM</b> - 0-10V DIMMING
	<b>110W 2FT</b> - 16,406	<b>35</b> - 3500K		<b>MS</b> - MOTION SENSOR
	<b>165W 2FT</b> - 24,563	<b>4</b> - 4000K		<b>EM</b> - EMERGENCY BACKUP
	<b>165W 4FT</b> - 24,563	<b>5</b> - 5000K		<b>WG</b> - WIRE GUARD
	<b>225W 4FT</b> - 32,000			<b>FL</b> - FROSTED LENS
	<b>325W 4FT</b> - 46,361			<b>PH</b> - PENDANT HANGER
			<b>SH</b> - SUSPENSION HANGING KIT	



# LED LINEAR HIGH BAY

## Features

- Housing Color: White Trim.
- Mounting Options: Suspended.
- Additional Options: Emergency backup & 0-10V dimming.
- Available size: 4FT
- CCT: 3000K, 4000K, 4500K, 5000K, 5700K or 6500K.
- 7 Year Warranty.



Series Number	Watts/ Size/ Lumens	CCT	Finish	Additional Options
ILHBLLLS	<b>100W</b> - 4 FT / 14,000	<b>3K</b> - 3000K	<b>WH</b> - WHITE	<b>DM</b> - 1-10V DIMMING
	<b>150W</b> - 4 FT / 21,000	<b>4K</b> - 4000K		<b>EM</b> - EMERGENCY BACKUP
	<b>200W</b> - 4 FT / 28,000	<b>45K</b> - 4500K		
	<b>240W</b> - 4 FT / 33,600	<b>5K</b> - 5000K		
		<b>57K</b> - 5700K		
		<b>65K</b> - 6500K		

# LED FLEXIBLE HIGH BAY

## Features

- Housing Color: White Trim.
- Mounting Options: Suspended.
- Available size: 2FT or 4FT
- CCT: 3000K, 4000K, or 5000K.
- 7 Year Warranty.



Series Number	Watts/ Size/ Lumens	CCT	Finish
ILHBDHLY	<b>45W</b> - 2FT / 5,400	<b>3</b> - 3000K	<b>W</b> - WHITE
	<b>75W</b> - 2FT/ 9,000	<b>4</b> - 4000K	
	<b>90W</b> - 4FT / 10,800	<b>5</b> - 5000K	
	<b>105W</b> - 2FT/ 12,600		
	<b>150W</b> - 4FT / 18,000		
	<b>210W</b> - 4FT/ 25,200		

# INDUSTRY HIGH BAY



## Features

- Housing Color: Silver.
- Mounting: Suspended.
- Additional Options: 0-10V dimming, Motion Sensor, & PIR Sensor.
- Sizes: 2FT.
- CCT: 3000K, 4000K, or 5000K.
- 7 Year Warranty.

Series Number	Watts/ Size/ Lumens	CCT	Finish	Additional Options
ILHBIHHF	<b>80W</b> - 2FT / 11,600	<b>3K</b> - 3000K	<b>S</b> - SILVER	<b>DIM</b> - 0-10V DIMMING
	<b>120W</b> - 2FT / 17,400	<b>4K</b> - 4000K		<b>PIR</b> - PIR SENSOR
	<b>180W</b> - 2FT/ 26,100	<b>5K</b> - 5000K		<b>MS</b> - MOTION SENSOR

**FOR ANY ADDITIONAL HIGH BAY NEEDS PLEASE CALL (888)-998-LEDS (5337).**



“

**I was quoted a lighting plan for over \$500,000 from my normal lighting distributor. I heard of i-Luminosity from a colleague of mine who told me they could cut my lighting plan costs in half. The results have been phenomenal. I now call Murray for all of my lighting solutions, even the most generic of questions.**

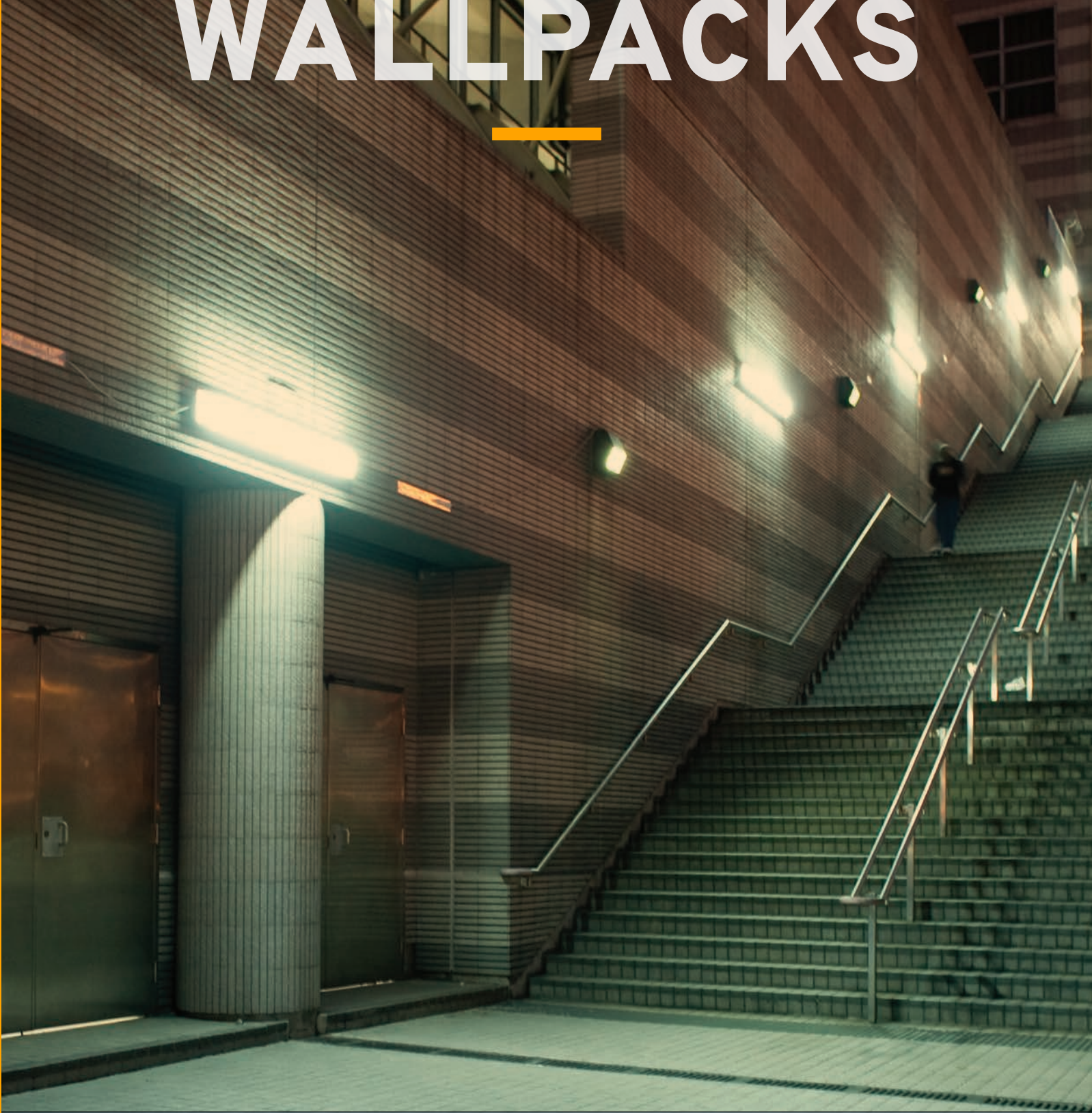
”

**JOE ZEKARIA**

*Vice President of Construction*  
Arcis

# WALLPACKS

---



**i-Luminosity's wallpacks are the perfect solution for exterior lighting applications. Whether you are looking for direct or indirect lighting, we have them all. These powerful fixtures can handle everything weather throws at them.**

---



## UP AND DOWN WALLPACK



### Features

- Housing Color: Black.
- Mounting Options: Wall Mounted.
- Additional Options: Motion Sensor.
- Point one up, point one down for Indirect or Direct Lighting options.
- CCT: 4000K or 5000K.
- 7 Year Warranty.

Series Number	Watts/ Size/ Lumens	CCT	Finish	Additional Options
ILSNCUDWP	25W - 5.4IN / 3,375	4 - 4000K	B - BLACK	MS - MOTION SENSOR
	40W - 5.4IN / 5,400	5 - 5000K		
	60W - 5.4IN / 7,200			
	80W - 8.9IN / 10,800			
	120W - 8.9IN / 13,800			

### Features

- Housing Color: Black or Dark Bronze.
- Mounting Options: Wall Mounted.
- Additional Options: Motion Sensor & Emergency Backup.
- CCT: 4000K or 5000K.
- 7 Year Warranty.
- Title 24 Compliant.

## SLIM CUTOFF WALLPACK



Series Number	Watts/ Size/ Lumens	CCT	Finish	Additional Options
ILMSFCWP	27W - 7.3IN / 3,500	4 - 4000K	B - BLACK	MS - MOTION SENSOR
	40W - 7.3IN / 5,100	5 - 5000K	D - DARK BRONZE	EM - EMERGENCY BACKUP
	67W - 10.06IN / 8,800		W - WHITE	
	80W - 10.06IN / 10,500			

## FULL CUTOFF WALLPACK



### Features

- Housing Color: Black.
- Mounting Options: Wall Mounted.
- Additional Options: Motion Sensor, 0-10V Dimming & Emergency Backup.
- CCT: 4000K or 5000K.
- 7 Year Warranty.
- Title 24 Compliant.

Series Number	Watts/ Size/ Lumens	CCT	Finish	Additional Options
ILMSFCWP	<b>30W</b> - 14.2IN / 3,300	<b>4</b> - 4000K	<b>B</b> - BLACK	<b>EM</b> - EMERGENCY BACKUP
	<b>45W</b> - 14.2IN / 4,900	<b>5</b> - 5000K		<b>MS</b> - MOTION SENSOR
	<b>70W</b> - 14.2IN / 7,400			<b>DM</b> - 0-10V DIMMING
	<b>90W</b> - 18.1IN / 9,900			
	<b>135W</b> - 18.1IN / 14,500			

## LED TRADITIONAL WALLPACK



### Features

- Housing Color: Black.
- Mounting Options: Wall Mounted.
- Additional Options: Motion Sensor, Emergency Backup.
- CCT: 3000K, 4000K or 5000K.
- 7 Year Warranty.

Series Number	Watts/ Size/ Lumens	CCT	Additional Options
ILMSTL	<b>45W</b> - 3,300	<b>3</b> - 3000K	<b>MS</b> - MOTION SENSOR
	<b>70W</b> - 8,400	<b>4</b> - 4000K	<b>EM</b> - EMERGENCY BACKUP
	<b>90W</b> - 10,800	<b>5</b> - 5000K	
	<b>135W</b> - 16,400		



# LED WALLPACK WITH INTEGRATED SENSOR



## Features

- Housing Color: Black or White.
- Mounting Options: Wall Mounted.
- Integrated Sensor.
- CCT: 3000K, 4000K or 5000K.
- 7 Year Warranty.
- Title 24 Compliant.

Series Number	Watts/ Size/ Lumens	CCT	Finish	Additional Options
ILMSWMP	15W - 5.4IN / 1,500	3 - 3000K	B - BLACK	MS - MOTION SENSOR
	17W - 5.4IN / 2,100	4 - 4000K	W - WHITE	PH - PHOTOCELL
	25W - 8.8IN / 2,700	5 - 5000K		EM - EMERGENCY BACKUP

**FOR ANY ADDITIONAL DECORATIVE WALLPACK PLEASE CALL (888)-998-LEDS (5337).**

# CANOPY & SHOEBOX

---



**i-Luminosity's Canopy & Shoebox fixtures are ideal for area and site lighting or parking lots and loading docks.**

---

# SQUARE CANOPY



## Features

- Housing Color: Black, White, Dark Bronze.
- Mounting Options: Surface Mounted.
- Additional Options: 0-10V Dimming, Emergency Backup, Motion Sensor.
- CCT: 4000K or 5000K.
- 7 Year Warranty.

Series Number	Watts/ Size/ Lumens	CCT	Finish	Additional Options
ILCPYSQMS	30W - 9 IN / 3,000	4 - 4000K	W - WHITE	DM - 0-10V DIMMING
	45W - 9 IN / 4,200	5 - 5000K	B - BLACK	MS - MOTION SENSOR
	50W - 9 IN / 4,300		DB - DARK BRONZE	EM - EMERGENCY BACKUP
	60W - 9 IN / 6,600			
	65W - 9 IN / 6,700			

## Features

- Housing Color: White.
- Round or Square.
- Mounting Options: Pendant, Cable, Surface, Junction Box Plate, or Trunnion Mounted.
- Additional Options: Motion Sensor, Emergency Backup.
- CCT: 4000K or 5000K.
- 7 Year Warranty.

# 5 BOROUGH CANOPY



Series Number	Watts/ Size/ Lumens	CCT	Finish	Additional Options
ILCPY5BLT	40W - SQ / 5,798	3 - 3000K	W - WHITE	SM - SURFACE MOUNT
	60W - SQ / 8,389	4 - 4000K		SMJ - SURFACE MOUNT WITH J BOX
	40W - CR / 5,798	5 - 5000K		PM - PENDANT MOUNT
	60W - CR / 8,389	57 - 5700K		C - CABLE MOUNT
	75W - CR / 10,573			TM - TRUNNION MOUNT
				EM - EMERGENCY BACKUP

# ROUND CANOPY



## Features

- Housing Color: Black or White.
- Mounting Options: Surface Mounted.
- Additional Options: 0-10V Dimming, Emergency Backup, Motion Sensor.
- CCT: 4000K or 5000K.
- 7 Year Warranty.

Series Number	Watts/ Size/ Lumens	CCT	Finish	Additional Options
ILCPYRDMS	30W - 10 IN / 3,500	4K - 4000K	W - WHITE	DIM - 0-10V DIMMING
	45W - 10 IN / 4,800	5K - 5000K	B - BLACK	MS - MOTION SENSOR
	50W - 10 IN / 4,800		DB - DARK BRONZE	EM - EMERGENCY BACKUP
	60W - 10 IN / 6,100			

# ADJUSTABLE SHOEBOX FIXTURE



## Features

- Housing Color: Black.
- Mounting Options: Adjustable, Yoke, Direct, Flood Mounted.
- Optical System: Type II, III, IV, V
- Additional Options: Poles & Motion Sensor.
- CCT: 3000K, 3500K, 4000K 5000K, or 5700K.
- 7 Year Warranty.

Series Number	Watts/ Size/ Lumens	CCT	Finish	Optical System	Additional Options
ILSBADJSNC	185W - 30 IN / 26,825	3 - 3000K	B - BLACK	II - TYPE II	MS - MOTION SENSOR
	240W - 30 IN / 33,600	35 - 3500K		III - TYPE III	
	300W - 30 IN / 41,000	4 - 4000K		IV - TYPE IV	
		5 - 5000K		V - TYPE V	
		57 - 5700K			

# FLEXIBLE LED SHOEBOX



## Features

- Housing Color: Black or Brown.
- Mounting Options: Adjustable, Yoke, Direct, Flood Mounted.
- Additional Options: Poles, Motion Sensor, 0-10V Dimming.
- CCT: 4000K, 5000K, or 5700K.
- 7 Year Warranty.

Series Number	Watts/ Size/ Lumens	CCT	Finish	Optical System	Additional Options
ILSNCFLEX	60W - 20 IN / 8,700	4 - 4000K	B - BLACK	II - TYPE II	DM -0-10V DIMMING
	90W - 20 IN / 33,600	5 - 5000K	BN - BROWN	III - TYPE III	DMS -DAYLIGHT MOTION SENSOR
	120W - 20 IN / 41,000	57 - 5700K		IV - TYPE IV	
	150W - 20 IN / 41,000			V - TYPE V	

FOR ANY ADDITIONAL CANOPY & SHOEBOX NEEDS PLEASE CALL (888)-998-LEDS (5337).



“

**The team at i-Luminosity has been a tremendous help in moving our project along. Through all of our questions and time crunch they helped ensure we received our shipments on time.**

”

**JOSHUA NAPOLETANO**

*Project Manager*

# PENDANTS



**i-Luminosity pendants are great for an entryway where one source of lighting is often enough. It can also serve as a focal point in the space with their unique designs.**

# GEOLIGHT



## Features

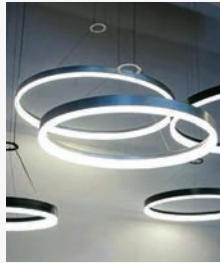
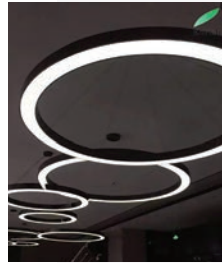
- Housing Color: Black, silver, white, or bronze
- Available in single, double and triple square fixtures.
- Options include direct or indirect fixture.
- Mounting Options: Suspended.
- Additional Options: 0-10V dimming.
- CCT: 3000K, 4000K or 5000K
- 7 Year Warranty.

Series Number	Watts/ Size/ Lumens	CCT	Finish	Additional Options
ILACGL	10W - 12 IN / 950	3 - 3000K	W - WHITE	DM - 1-10V DIMMING
	20W - 18 IN / 1,800	4 - 4000K	B - BLACK	
	30W - 24 IN / 2850	5 - 5000K	BR - BRONZE	
	40W - 32 IN / 3,600		S - SILVER	
	50W - 40 IN / 4,650			
	60W - 48 IN / 5,400			

## Features

- Housing Color: Black or White.
- Available as single rings, double tiered, or 3 tiered pendant
- Mounting Options: Suspended.
- Additional Options: 0-10V dimming.
- CCT: 3000K, 4000K, 5000K, 6000K, or 6500K.
- 7 Year Warranty.

# SINGLE, DOUBLE, OR 3 TIER PENDANT LIGHT



Series Number	Watts/ Size/ Lumens	CCT	Finish	Additional Options
ILPT3TDL	115W - 3-TIERED/ 5,750	3K - 3000K	B - BLACK	DM - 0-10V DIMMING
	28W - SMALL TIER/ 1,400	4K - 4000K	W - WHITE	
	40W - MEDIUM TIER/ 2,000	5K - 5000K		
	48W - LARGE TIER/ 2,400	6K - 6000K		
		65K - 6500K		



# NOT YOUR EVERYDAY TRACK LIGHT



## Features

- Housing Color: White, Black, or Silver.
- Wattage: 8W, 15W, 22W.
- Mounting Options: Multiple track options available.
- Additional Options: Triac dimming, compatible with both ELV and MLV dimmer.
- Beam angle: 15°/24°/38°/60°.
- 7 Year Warranty.

Series Number	Watts/ Size/ Lumens	CCT	Finish	Beam Angle	Additional Options
ILTLMBKL	8W - 4 IN / 615	27K - 2700K	B - BLACK	15 - 15°	DIM - Triac and ELV dimming
	15W - 4 IN / 1,460	3K - 3000K	W - WHITE	24 - 24°	
	22W - 6 IN / 2,600	35K - 3500K	S - SILVER	38 - 38°	
		4K - 4000K		60 - 60°	
		5K - 5000K			

\*Only the track has a 42W option.

## Features

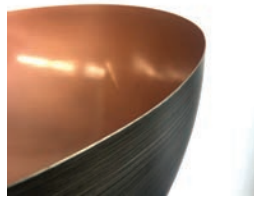
- Housing Color: Black or White.
- Length: 11 In
- Power Consumption: 60W Max.
- Mounting Options: Suspended.
- Additional Options: 0-10V dimming.
- CCT: 2700K, 3000K, 3500K, 4000K or 5000K
- 7 Year Warranty.

# BOSTON IRON PENDANT



Series Number	Size	CCT	Finish
ILPFBPWL	P20 - PAR 20	27 - 2700K	B - BLACK
	P30 - PAR 30	3 - 3000K	W - WHITE
	B20 - BR20	35 - 3500K	
	B30 - BR30	4 - 4000K	
	B40 - BR40	5 - 5000K	

# LED PEWTER OUTSIDE PENDANT



## Features

- Housing Color: Pewter outside, copper inside.
- Length: 24IN
- Power Consumption: Varies.
- Mounting Options: Suspended; chain or cord.
- Additional Options: 0-10V dimming.
- CCT: 2700K, 3000K, 3500K, 4000K or 5000K
- 7 Year Warranty.

Series Number	Size	CCT	Finish	Additional Options
ILPFPCAT	<b>P20</b> - PAR 20	<b>27</b> - 2700K	<b>PW</b> - PEWTER	<b>DM</b> - 0-10V DIMMING
	<b>P30</b> - PAR 30	<b>3</b> - 3000K		
	<b>B20</b> - BR20	<b>35</b> - 3500K		
	<b>B30</b> - BR30	<b>4</b> - 4000K		
	<b>B40</b> - BR40	<b>5</b> - 5000K		



**FOR ANY ADDITIONAL PENDANT NEEDS PLEASE CALL (888)-998-LEDS (5337).**

“

**I was referred to i-Luminosity from a client of mine. I gave them a chance 3 years ago on a retail location I was building and have used them ever since.**

”

**MICHAEL COVINGTON**

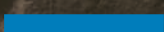
*Chief Operating Officer*



# SCONCES



**i-Luminosity's sconces come in a variety of shapes. View our top 3 products in our catalog with a variety of options available on our website. Whether indoors or outdoors, sconces provide beautiful ambient and accent light.**



## LED UPTOWN SCONCE



### Features

- Housing Color: Grey or Black Finish.
- Mounting Options: Wall mounted.
- Additional Options: 0-10V dimming.
- Perfect for outdoors.
- CCT: 3000K, 4000K, 6000K or RGB
- 7 Year Warranty.

Series Number	Watts/ Size/ Lumens	CCT	Finish	Additional Options
ILPRGSSC	12W - 4IN / 1200	3 - 3000K 4 - 4000K 6 - 6000K RGB - RGB	BL - BLACK G - GREY	DM - 0-10V DIMMING

### Features

- Input Power: 110/277V
- Wattage: 26W
- IP65
- CRI >90
- CCT: 5000K.
- Mounting: Wall mount
- L70 Lifetime: >50,000 hours.
- Finish: Bronze
- Lighting controls option available.
- 7 Year Warranty.
- Dimensions: (W) 5.00 (H) 7.00 (D) 7.00

## BRONZE WALL MOUNTED SCONCE



Series Number	Watts/ Size/ Lumens	CCT	Finish
ILSCBWSL	26W - 7IN / 1,750	5K - 5000K	BR - BRONZE

## LED GLASS OUTDOOR WALL SCONCE



### Features

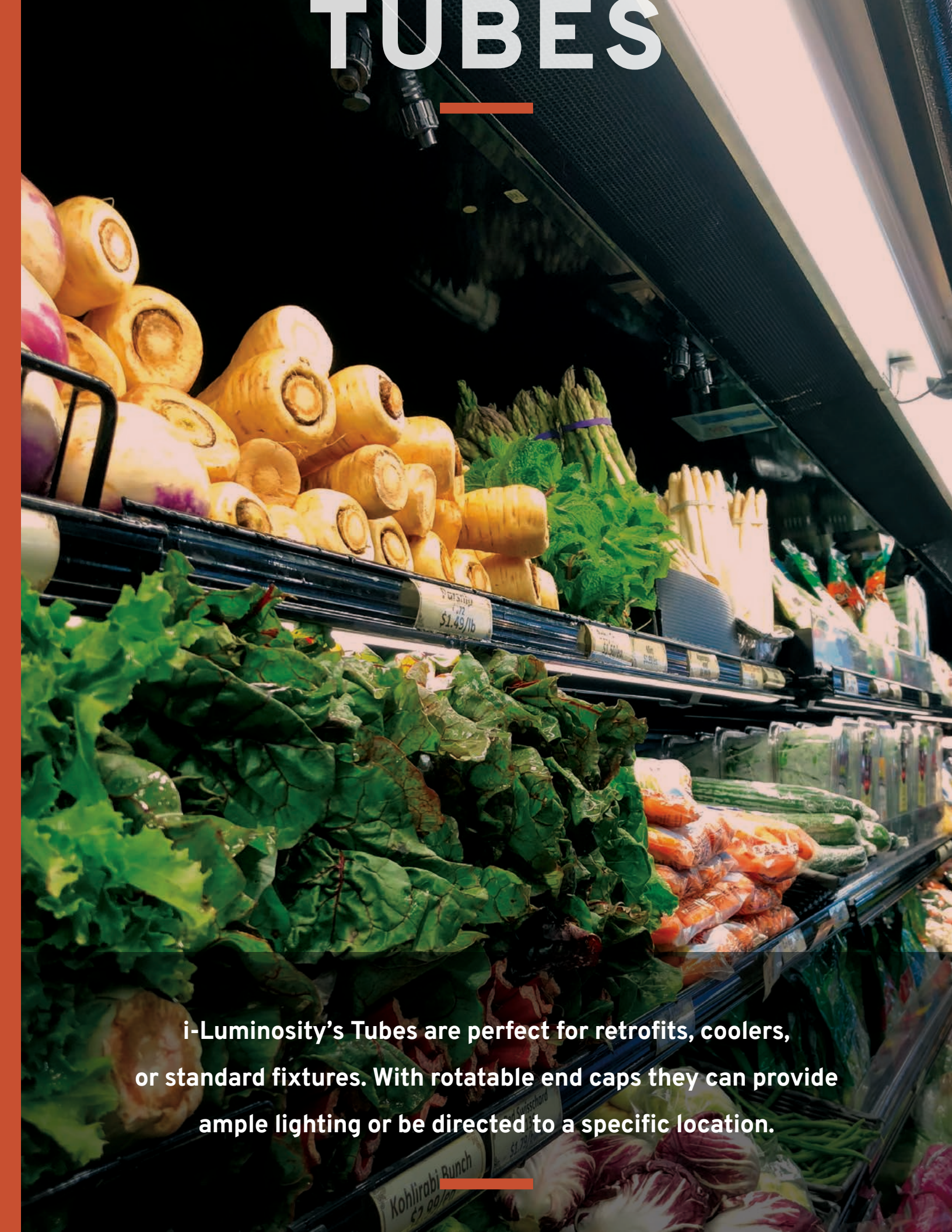
- Housing Color: Black Finish.
- Mounting Options: Wall mounted.
- Perfect for outdoors.
- CCT: 3000K.
- 7 Year Warranty.

Series Number	Watts/ Size/ Lumens	CCT	Finish
ILSLGOSC	9W - 9IN / 450 12W - 14IN / 600	3 - 3000K	BL - BLACK

FOR ANY ADDITIONAL SCONCE NEEDS PLEASE CALL (888)-998-LEDS (5337).



# TUBES



**i-Luminosity's Tubes are perfect for retrofits, coolers, or standard fixtures. With rotatable end caps they can provide ample lighting or be directed to a specific location.**



## COOLER TUBE



### Features

- IP54 Rated
- V shape design enlarges beam angle to be 240°
- Additional Options: 0-10V Dimming & Emergency Backup
- CCT: 3000K, 4000K, 5000K
- 7 Year Warranty.

Series Number	Watts/ Size/ Lumens	CCT	Finish
ILTBCTZN	18W - 4FT / 2,160	3K - 3000K	S - SILVER
	32W - 5FT / 3,840	4K - 4000K	
	36W - 6FT / 4,320	5K - 5000K	

### Features

- 2 16W tubes for one driver.
- Rotatable end cap.
- Additional Options: 0-10V Dimming.
- CCT: 4000K.
- 7 Year Warranty.

## T8 LED TUBE & DRIVER COMBO



Series Number	Watts/ Size/ Lumens	CCT	Finish	Additional Options
SWWTB2LOD40-16W	16W - 4FT / 2,080	4K - 4000K	S - SILVER	DM - 0-10V DIMMING
SWWTB2LOD41DR-35W	*35W ONE DRIVER POWERING 2 16W TUBES*			

## T5



### Features

- Cover: Clear, Frosted, Anti-Glare Striped diffuser.
- 2 pin, HO and single pin available.
- Rotatable end-cap and standard end cap available.
- Optional: Dimming, Emergency backup
- Available in 4,000 or 5,000K
- 5 Year warranty

Series Number	Watts/ Size/ Lumens	CCT	Lens	Additional Options
ILTBT5TB	4 FT - 27W / 3,200	4K - 4000K	C - CLEAR	DIM - 0-10V DIMMING
		5K - 5000K	F - FROSTED	



# INSTAFIT TUBES



## Features

- Lighting control options available.
- AC 85-265V
- Rated life: 50,000 hours
- CRI>90
- Available in 3000K, 4000K, 6000K
- Beam Angle: 120
- Operating temperature: -5F - 104F
- Finish: Silver
- 7 Year Warranty.
- Dimensions: 4FT

Series Number	Watts/ Size/ Lumens	CCT	Finish
ILTBCTZN	18W - 4FT / 2,160	3K - 3000K	S - SILVER
	32W - 5FT / 3,840	4K - 4000K	
	36W - 6FT / 4,320	5K - 5000K	



**FOR ANY ADDITIONAL TUBE NEEDS PLEASE CALL (888)-998-LEDS (5337).**



# EMERGENCY



**i-Luminosity's Emergency Fixtures are all NYC approved equipped with emergency backup. We offer an array of styles from single & double faced signs to green or red lettering.**



## SINGLE/ DOUBLE SIDED EXIT SIGN



### Features

- Single or Double Faced.
- Red or Green CCT.
- Additional Options: Emergency Backup.
- Universal Surface Mount: Suspended, recessed, surface or wall mounted.
- 7 Year Warranty.
- NYC Approved.

Series Number	Watts/ Size/ Lumens	CCT	Finish	Additional Options
ILEMELS	16IN	R - RED G - GREEN	1 - SINGLE FACE 2 - DOUBLE FACED	EM - EMERGENCY

### Features

- Single or Double Faced.
- Red CCT.
- Additional Options: Emergency Backup.
- Mounting Options: Drywall or drop ceiling mount.
- 7 Year Warranty.
- Directional arrows included.
- NYC Approved.

## EDGE LIT RECESSED EXIT SIGN



Series Number	Watts/ Size/ Lumens	CCT	Finish	Additional Options
ILEMRESL	16IN	R - RED	1 - SINGLE FACE 2 - DOUBLE FACED	EM - EMERGENCY

## EXIT SIGN WITH BUG EYES



### Features

- Single Faced.
- 2 or 3 Head Combo.
- Additional Options: Emergency Backup.
- Mounting Options: Surface mounted.
- 7 Year Warranty.
- NYC Approved.

Series Number	Watts/ Size/ Lumens	Finish	Additional Options
ILEMHCSL	15IN - 5W	2 - 2HEAD 3 - 3HEAD	EM - EMERGENCY

## EDGE LIT UNIVERSAL MOUNT EXIT SIGN



### Features

- Single or double faced options.
- Housing: aluminum.
- Emergency backup option available.
- Universal Surface Mount: Suspended, recessed, surface or wall mounted.
- NYC Approved.
- 100-277 VAC.
- L70 Lifetime: >50,000 hours.
- Low Voltage Disconnect prevents battery from deep discharge.
- 7 Year Warranty.
- NYC Approved.

Series Number	Size	CCT	Finish	Additional Options
ILEMELS	16IN	R - RED	1 - Single Face	EM - EMERGENCY
		G - GREEN	2 - Double Faced	

## LED EMERGENCY LIGHTING UNIT



### Features

- 2 Remote Lamp Heads.
- Minimum of 90-minute emergency illumination.
- Mounting Options: Wall mounted.
- 7 Year Warranty.
- NYC Approved.

Series Number	Size
ILSLBE	16IN

**FOR ANY ADDITIONAL EMERGENCY LIGHTING NEEDS PLEASE CALL (888)-998-LEDS (5337).**

“

**We have been working with i-Luminosity now for 2 years and it's been a pleasure. Their staff is always available to answer questions, from small product details to big picture inventory management. Looking forward to continued success working together!**

”

**AIMEE MOSSERI SWED**

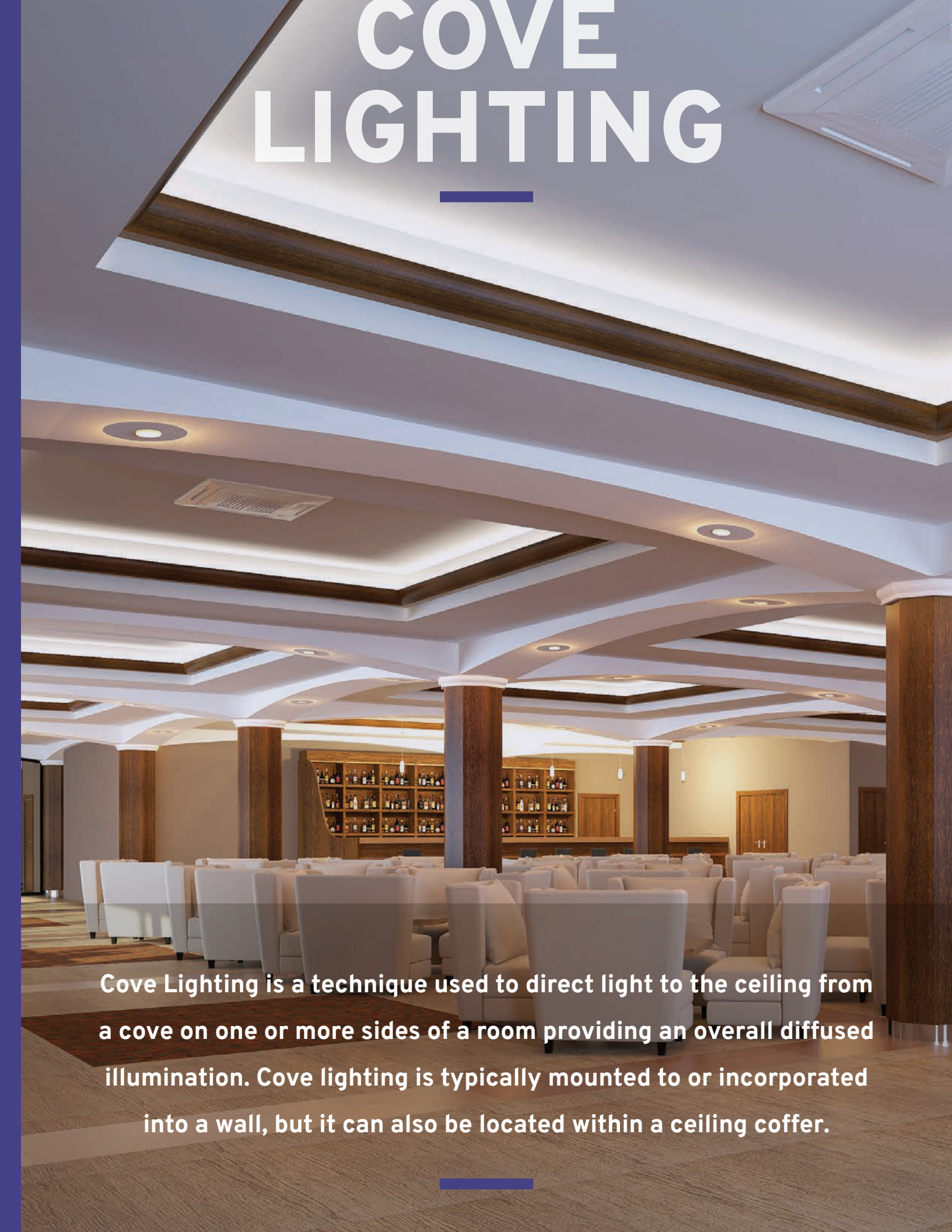
*Executive*

Tech & Bowery



# COVE LIGHTING

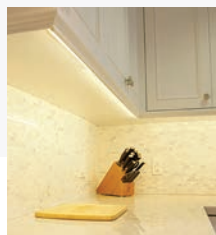
---



Cove Lighting is a technique used to direct light to the ceiling from a cove on one or more sides of a room providing an overall diffused illumination. Cove lighting is typically mounted to or incorporated into a wall, but it can also be located within a ceiling coffer.

---

# PRAGUE LINKABLE UNDERCABINET LIGHT



## Features

- Available lengths: 12", 24", 36", 48"
- Finish: White.
- CCT: 3000K or 4000K.
- 7 Year Warranty.

Series Number	Watts/ Lumens	CCT	Finish	Dimensions
ILUCPLSL	4W - 300	3 - 3000K	W - WHITE	12 - 12 INCHES
	8W - 600	4 - 4000K		24 - 24 INCHES
	10W - 750			36 - 36 INCHES
	14W - 1050			48 - 48 INCHES

## Features

- Available lengths: 6", 8", 12", 16", 22", 24", 32", 40"
- Finish: White.
- CCT: 2700K, 3000K, 4000K, 5000K or 6500K.
- 7 Year Warranty.

# LED LINKABLE LIGHT BAR



Series Number	Size/ Watts/ Lumens	CCT	Finish	Additional Options
ILCDC10	6" - 1.5W / 210	27 - 2700K	W - WHITE	DM - 0-10V DIMMABLE
	8" - 2W / 250	3 - 3000K	S - SILVER	MS - MOTION SENSOR
	12" - 4W / 420	4 - 4000K		CL - CLEAR LENS
	16" - 5.5W / 550	5 - 5000K		FL - FROSTED LENS
	20" - 7W / 680	6 - 6000K		
	22" - 8W / 760			
	24" - 9W / 850			
	32" - 12W / 1100			
	40" - 14W / 1200			

# LED GRAMERCY LIGHT BAR



## Features

- Available lengths: 10",16",21",26",28",33",39",45", 56.5",68.5".
- Finish: White.
- CCT: 3000K, 4000K, 5000K or 6000K.
- 7 Year Warranty.

Series Number	Size/ Watts/ Lumens	CCT	Finish	Additional Options
ILUCGUYA	10" - 4W / 500	3 - 3000K	W - WHITE	DM - 0-10V DIMMABLE
	16" - 5W / 600	4 - 4000K		IC - INTERLINK CABLE
	21" - 8W / 950	5 - 5000K		HW - HARDWIRE CONNECTOR
	26" - 9W / 1,100	6 - 6000K		PF - POWER FEED CABLE
	28" - 10W / 1,200			
	33" - 12W / 1,350			
	39" - 14W / 1,600			
	45" - 16W / 1,800			
	56.5" - 20W / 2,400			
68.5" - 24W / 2,900				

FOR ANY ADDITIONAL COVE LIGHTING NEEDS PLEASE CALL (888)-998-LEDS (5337).

“

**We're astounded by the savings we've seen since installing the i-Luminosity lighting. In just the first full month we've saved over \$700. Thank you!**

”

**TAREK & SHAWNDRA**

*Store Planner*

Grocery Retailer



“

**i-Luminosity did a large LED retrofit project for me that included new LED fixtures as well. Their response time was impeccable. Their team helped me every step of the way offering excellent pricing, and getting us a rebate higher than I ever expected, not to mention the large KWH savings! We are really happy with the outcome of our 17 floor office building.**

”

**SEAN**

*Property Manager*  
Gatsby Real Estate







**i-LUMINOSITY**

254 36th St., Suite C453  
Brooklyn, NY 11232

---

**[i-luminosity.com](http://i-luminosity.com)**

Division of Solarelectricway

[info@i-luminosity.com](mailto:info@i-luminosity.com)  
(888)-998-LEDS (5337)