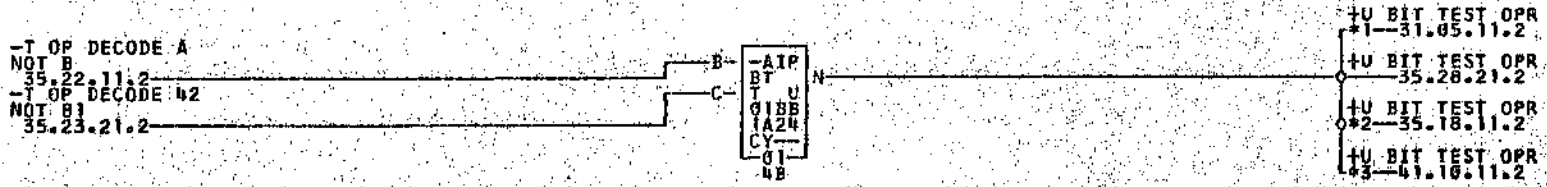


*1-01B6001J

COMMENTS

TA6	DATE	E.C.NO.	TA6	DATE	E.C.NO.	TA6	DATE	E.C.NO.	TA6	DATE	E.C.NO.
A	05-25-61	110320B	B	12-26-62	114053						



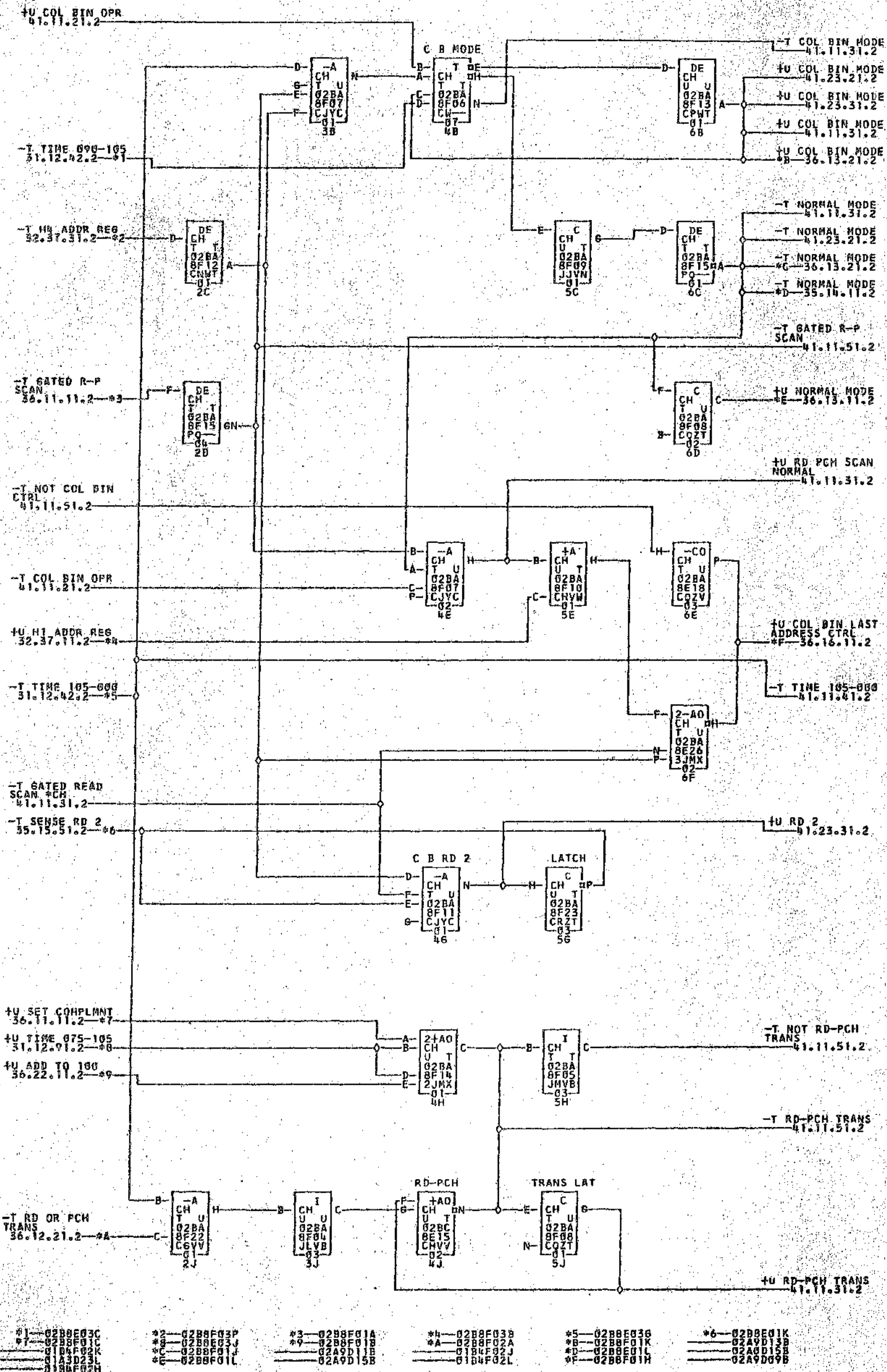
*1-01B1D01D

*2-01B1B02P

*3-01B1A02J

COMMENTS

TAG	DATE	E.C.NO.	TAG	DATE	E.C.NO.	TAG	DATE	E.C.NO.	TAG	DATE	E.C.NO.
A	06-05-61	110320P	B	12-04-61	113422	C	12-21-62	114052			



- *1- 0288F03C *2- 0288F03P *3- 0288F01A *4- 0288F03B *5- 0288E036 *6- 0288E01K
- *7- 0288F01C *8- 0288F03J *9- 0288F01B *A- 0288F02A *B- 0288F01K *C- 0288E01L
- *D- 0288F01J *E- 0288F01L *F- 02A9D11B *G- 01B4F02J *H- 0288E01M *I- 02A9D15B
- *J- 01A3D23L *K- 01B4F02H *L- 02A9D15B *M- 01B4F02L *N- 0288F01H *O- 02A9D09B

COMMENTS

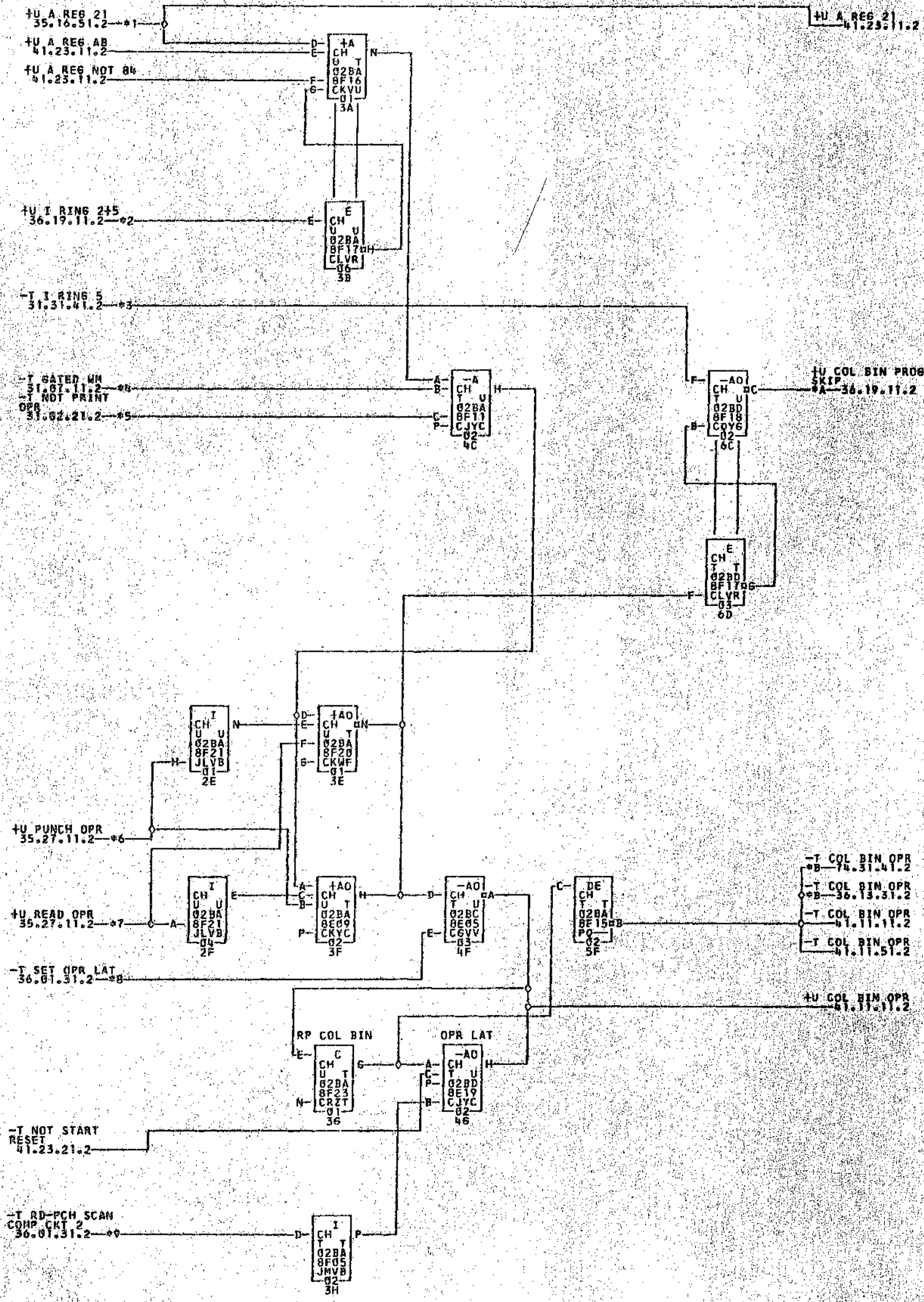
TAG DATE	E.C.NO.	TAG DATE	E.C.NO.	TAG DATE	E.C.NO.	TAG DATE	E.C.NO.
A 05-27-61	110320E	B 09-11-61	110324U	C 02-18-63	110749L		

0723637

RD PCH COL BIN LATCH

1401 CH

41.11.21.2



- *1-0288E02C
- *2-0288F02D
- *3-0288F02L
- *4-0288E01P
- *5-0288F01R
- *6-0288F02F
- *7-0288F02R
- *8-0288F01S
- *9-0288F02E
- *A-0288F01F
- *B-02A9D05B
- *C-0288F02B
- *D-02A9C17C
- *E-01B4F05B
- *F-02B1E02L

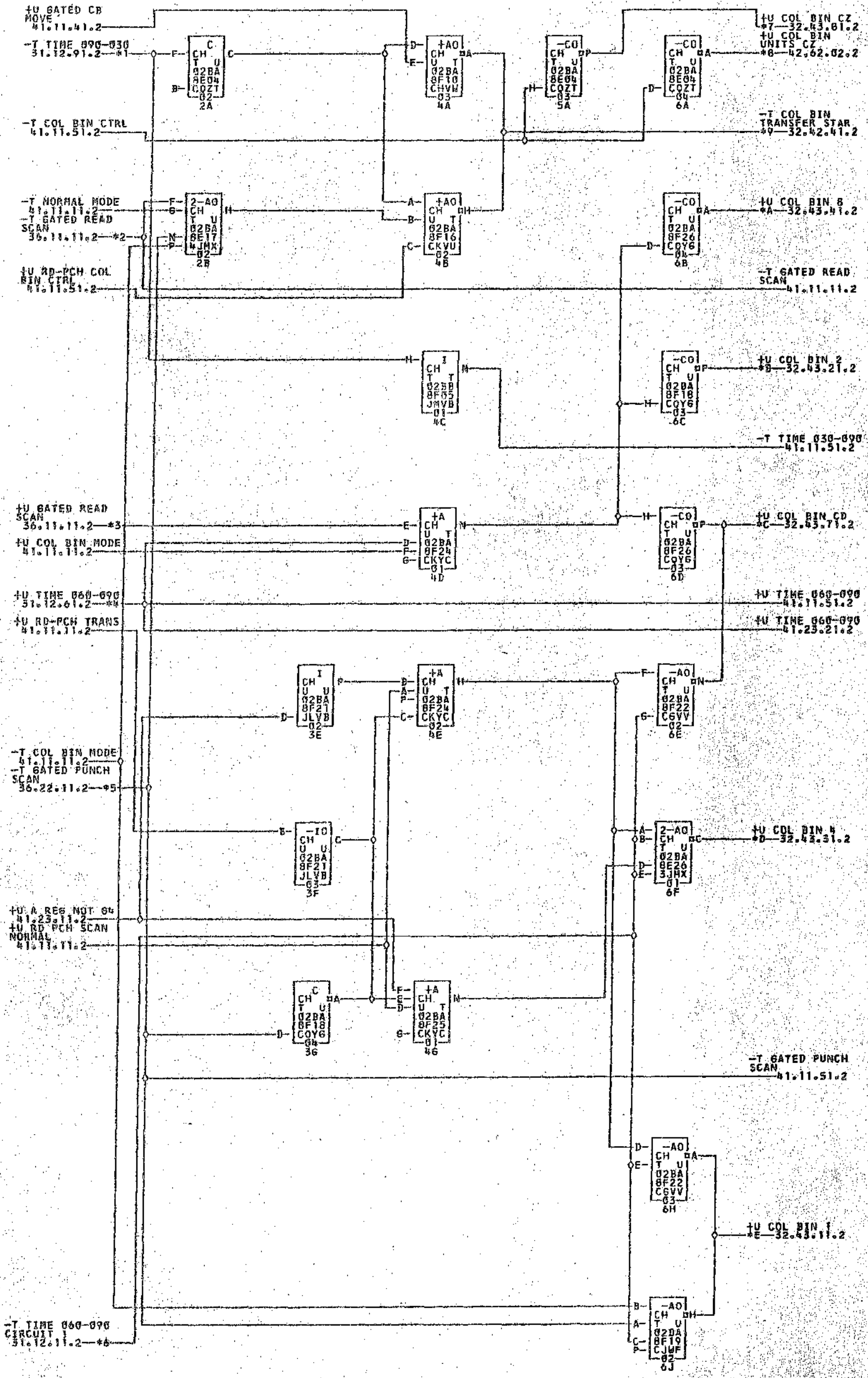
COMMENTS TAG DATE E.C.NO TAG DATE E.C.NO TAG DATE E.C.NO TAG DATE E.C.NO
 A 05-27-61 110320E B 11-10-61 112913 C 12-06-61 113422 D 02-18-63 116799L

6723638

RD-PCH COL BIN MAR CONTROL

1401 CH

41.11.31.2



- *1---0288E03E
- *2---0288F02K
- *3---0288F02G
- *4---0288E033
- *5---0288F02J
- *6---0288E03H
- *7---0288F03A
- *8---02A9B016
- *9---01A8D24A
- *A---0288F03R
- *B---02A9C116
- *C---01A8D24R
- *D---0288F03E
- *E---02A9B017
- *F---01A8D24J
- *G---0288F03K
- *H---02A9B176
- *I---01A8D24H
- *J---0288F03L
- *K---02A9B156
- *L---01A8D24M
- *M---0288F03F
- *N---02A9D016
- *O---01A8D24N
- *P---01A8D246
- *Q---02A9B136

COMMENTS TAG DATE E.C.NO. TAG DATE E.C.NO. TAG DATE E.C.NO. TAG DATE E.C.NO.

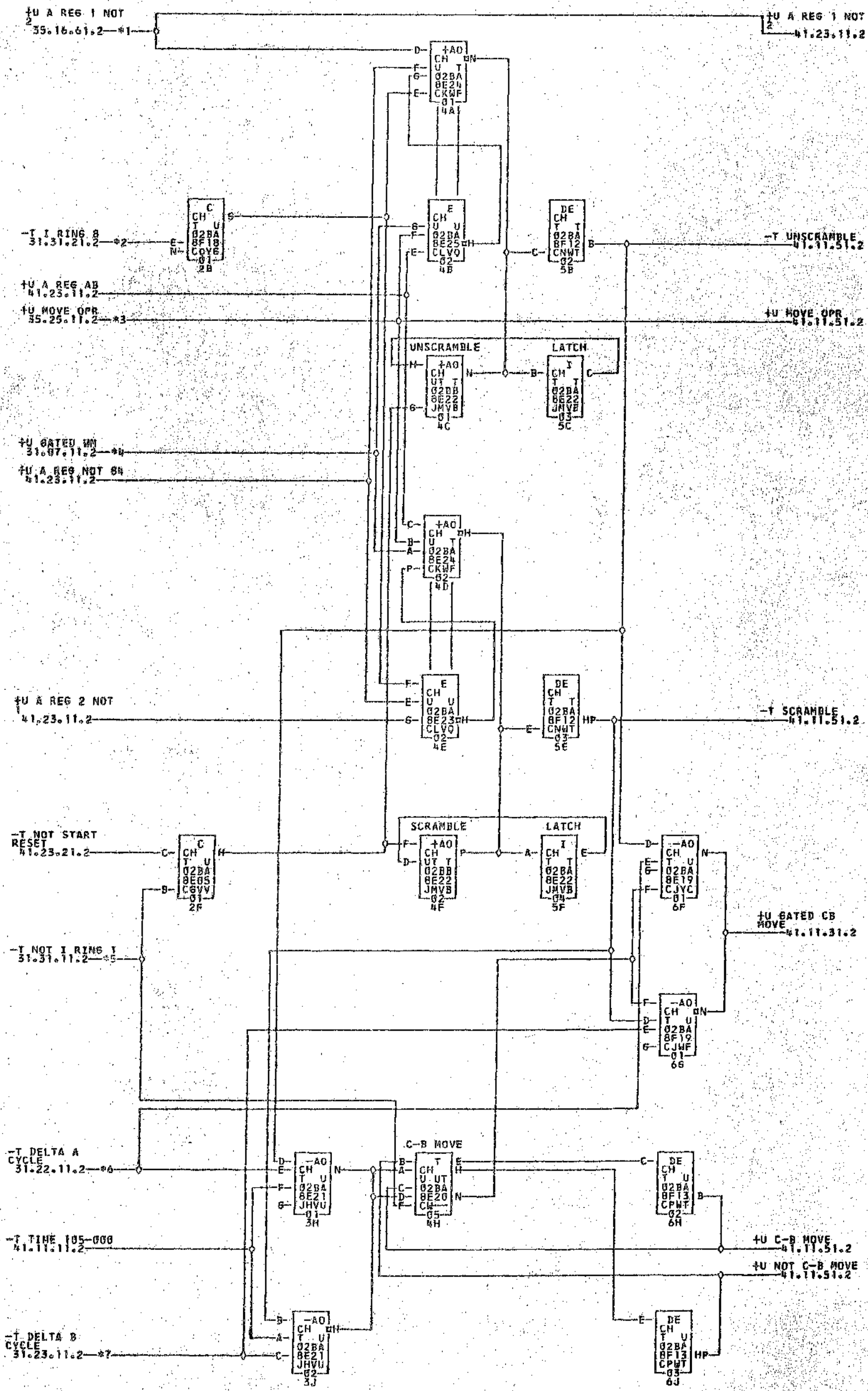
A 05-27-61 110320E B 10-21-61 112246 C 12-19-61 113535 D 02-18-63 110749E

0723637

MOVE COLUMN BINARY

1401 CH

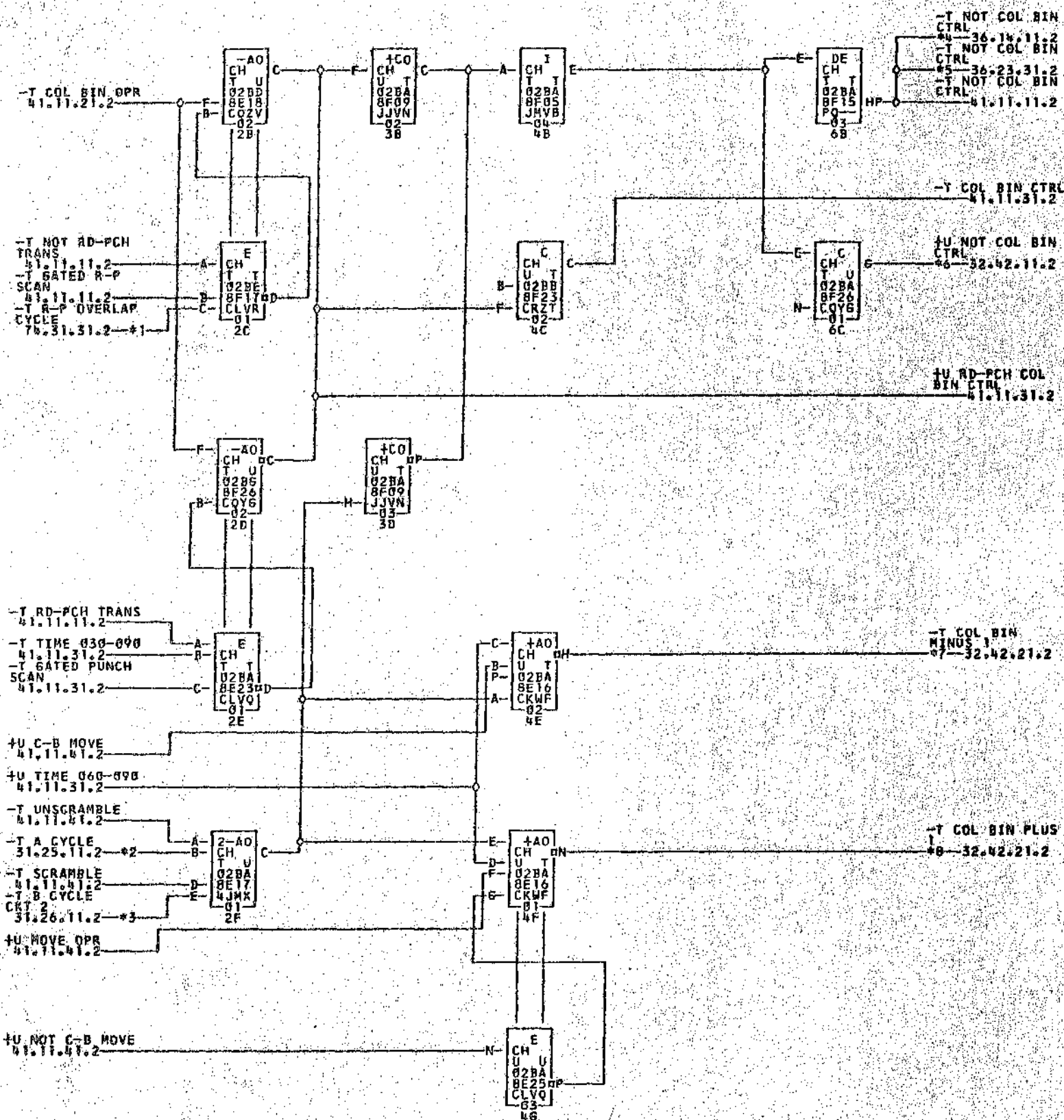
41.11.41.2



- #1--02B8E02F
- #2--02B8E03P
- #3--02B8E03R
- #4--02B8E02N
- #5--02B8F01D
- #6--02B8F01Q

COMMENTS

TAG	DATE	E.C.NO.	TAG	DATE	E.C.NO.	TAG	DATE	E.C.NO.	TAG	DATE	E.C.NO.
A	05-27-61	110320E	B	12-06-61	113422	C	02-18-63	116749L			



*1--0288E03N
 *5--0288E01J
 *7--0288F030

*2--0288E03N
 *4--02A9D17E
 *6--02A9C098

*3--0288E01M
 *8--01B7D01M
 *9--01ABD24Q

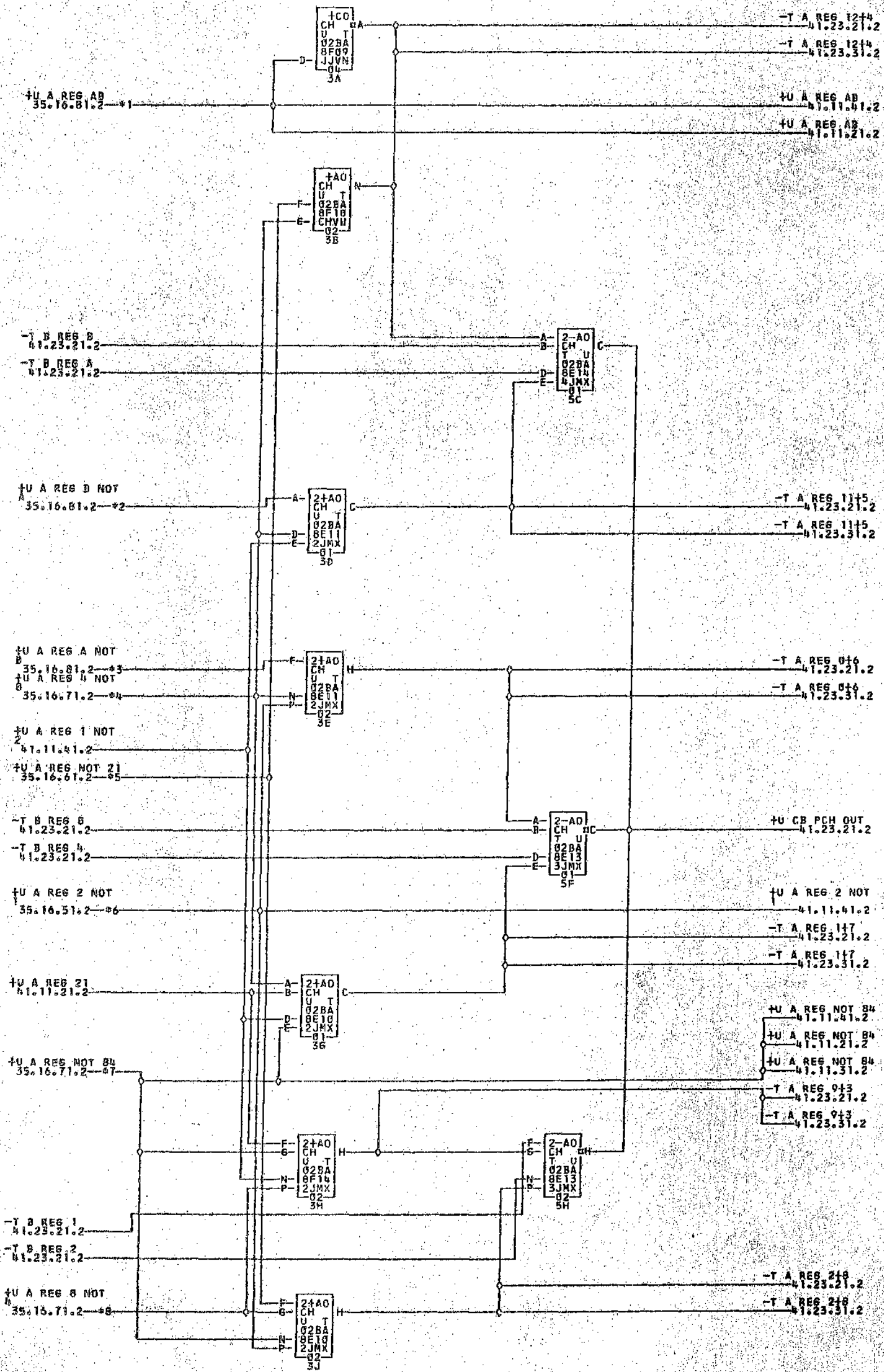
*4--0288F01M
 *6--0288F03N
 *8--0288F03M

02A9D17B
 02A9C056
 02A9C036

01B4F02H
 01ABD24N
 01ABD24M

COMMENTS

TAG	DATE	E.C.NO.	TAG	DATE	E.C.NO.	TAG	DATE	E.C.NO.	TAG	DATE	E.C.NO.
A	05-27-61	110320E	B	07-11-61	110324U	C	10-21-61	112246	D	12-06-61	113422
E	12-19-61	113535	F	01-23-62	113835	G	02-18-63	116749L			



*1-0288E020

*2-0288E02R

*3-0288E02E

*4-0288E02N

*5-0288E02B

*6-0288E02H

*7-0288E02A

*8-0288E02D

COMMENTS

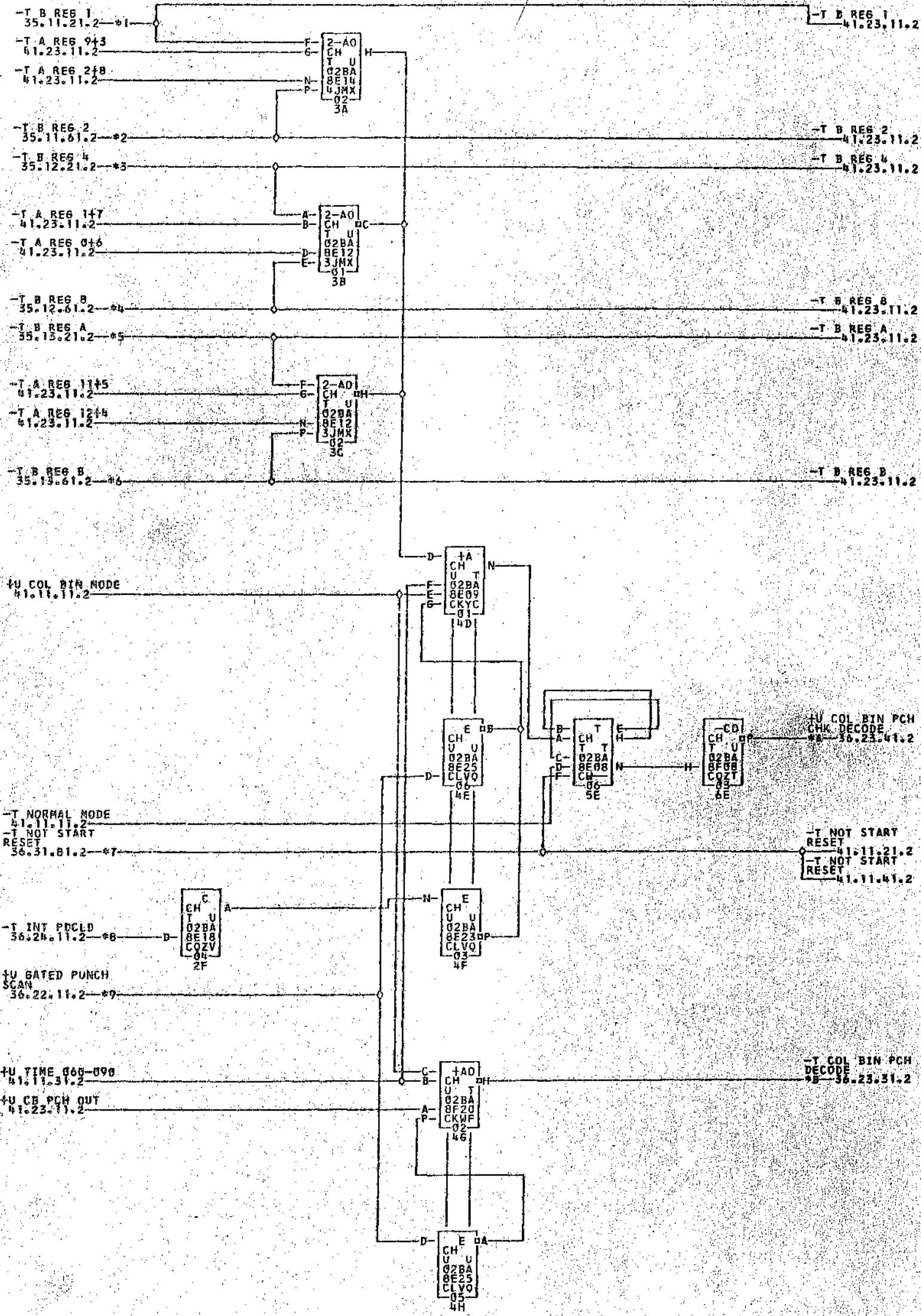
TAG	DATE	E.C.NO.	TAG	DATE	E.C.NO.	TAG	DATE	E.C.NO.	TAG	DATE	E.C.NO.
A	05-27-61	110320E	B	02-18-63	118749L						

0723642

COL BIN PCH DECODE+ HOLE COUNT

1401 CH

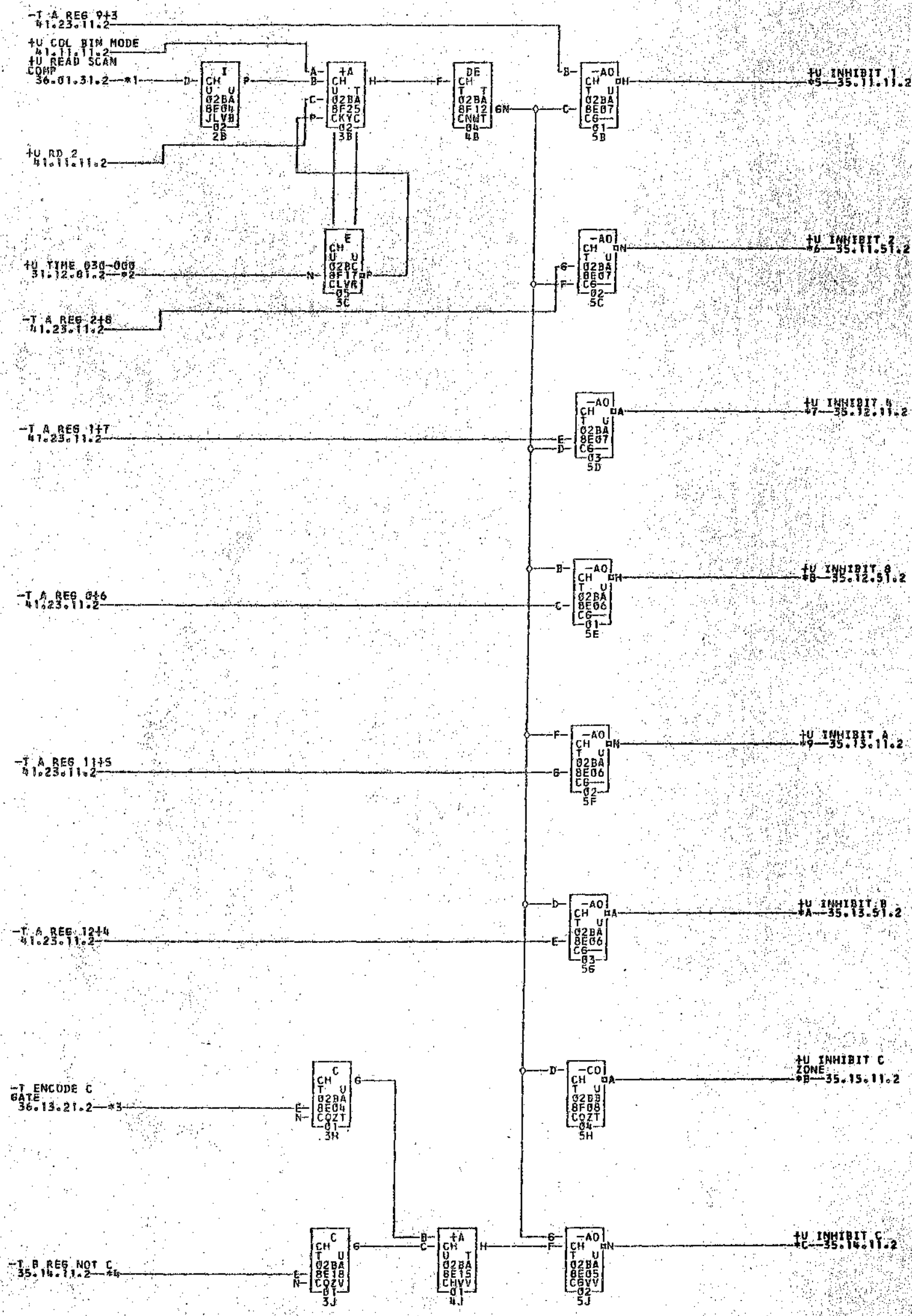
41.23.21.2



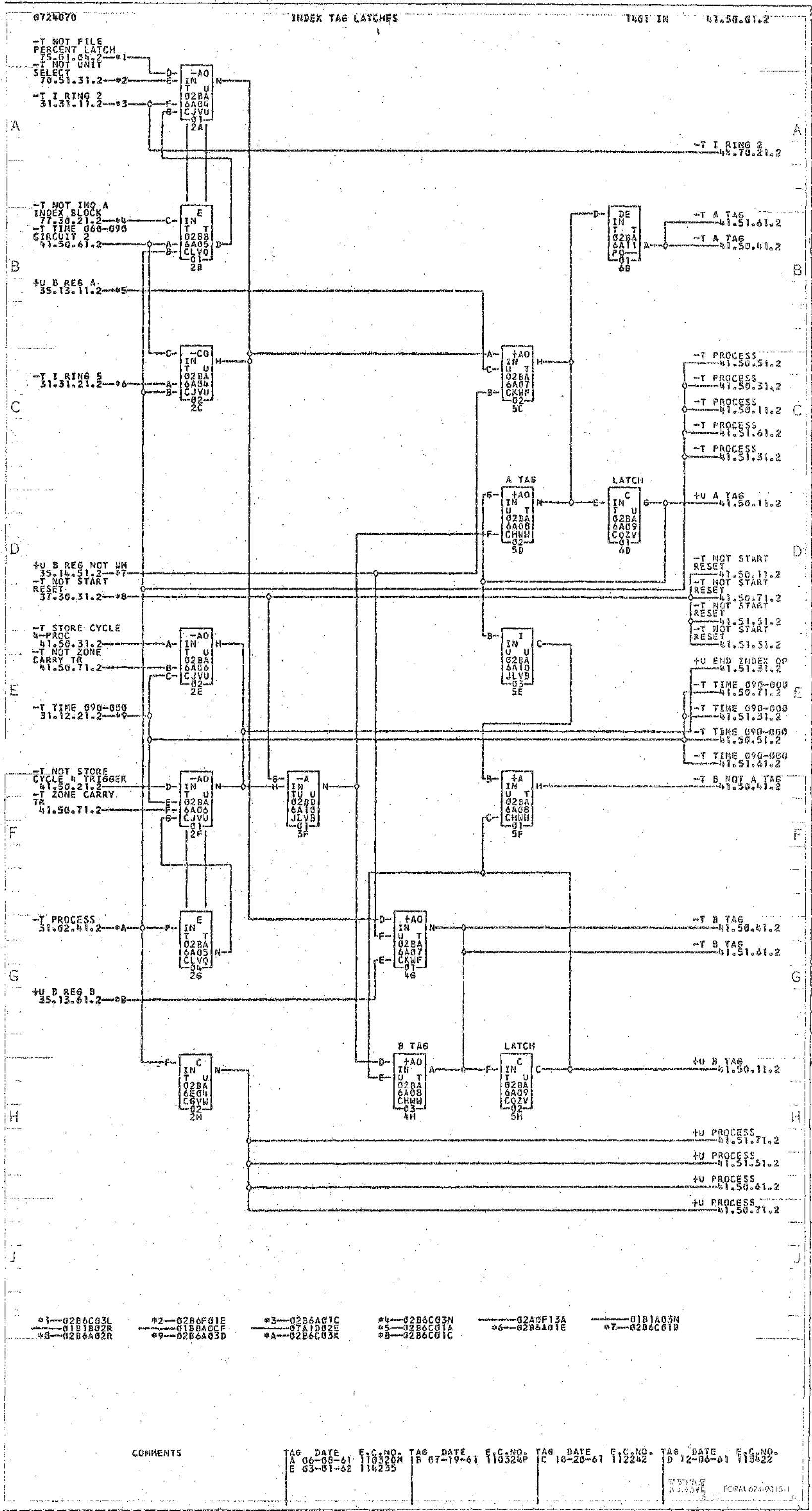
- *1--02B8E02K
- *2--02B8E02L
- *3--02B8E02J
- *4--02B8E02P
- *5--02B8E02H
- *6--02B8E02S
- *7--02B8E01N
- *8--02B8F01N
- *9--02B8F02P
- *A--02B8E03D
- *B--02B8E01R
- 02A9D19E
- 01B7D01N
- 02A9E01E
- 01B7D01P

COMMENTS

TAG	DATE	E.C.NO.	TAG	DATE	E.C.NO.	TAG	DATE	E.C.NO.	TAG	DATE	E.C.NO.
A	05-27-61	110320E	B	09-11-61	110324U	C	02-10-63	116749L			



- *1-0288F01E
- *2-0288E03F
- *3-0288F01P
- *4-0288E010
- *5-0288E01F
- 02A0D05B
- 01A3D23E
- *6-0288E017
- 02A0D03B
- 01A3D23C
- *7-0288E01D
- 02A0D01B
- 01A3D23D
- *8-0288E01A
- 02A0C17B
- 01A3D23A
- *9-0288E01B
- 02A0D09B
- 01A3D23B
- *A-0288E016
- 02A0D07B
- 01A3D23G
- *B-0288E01H

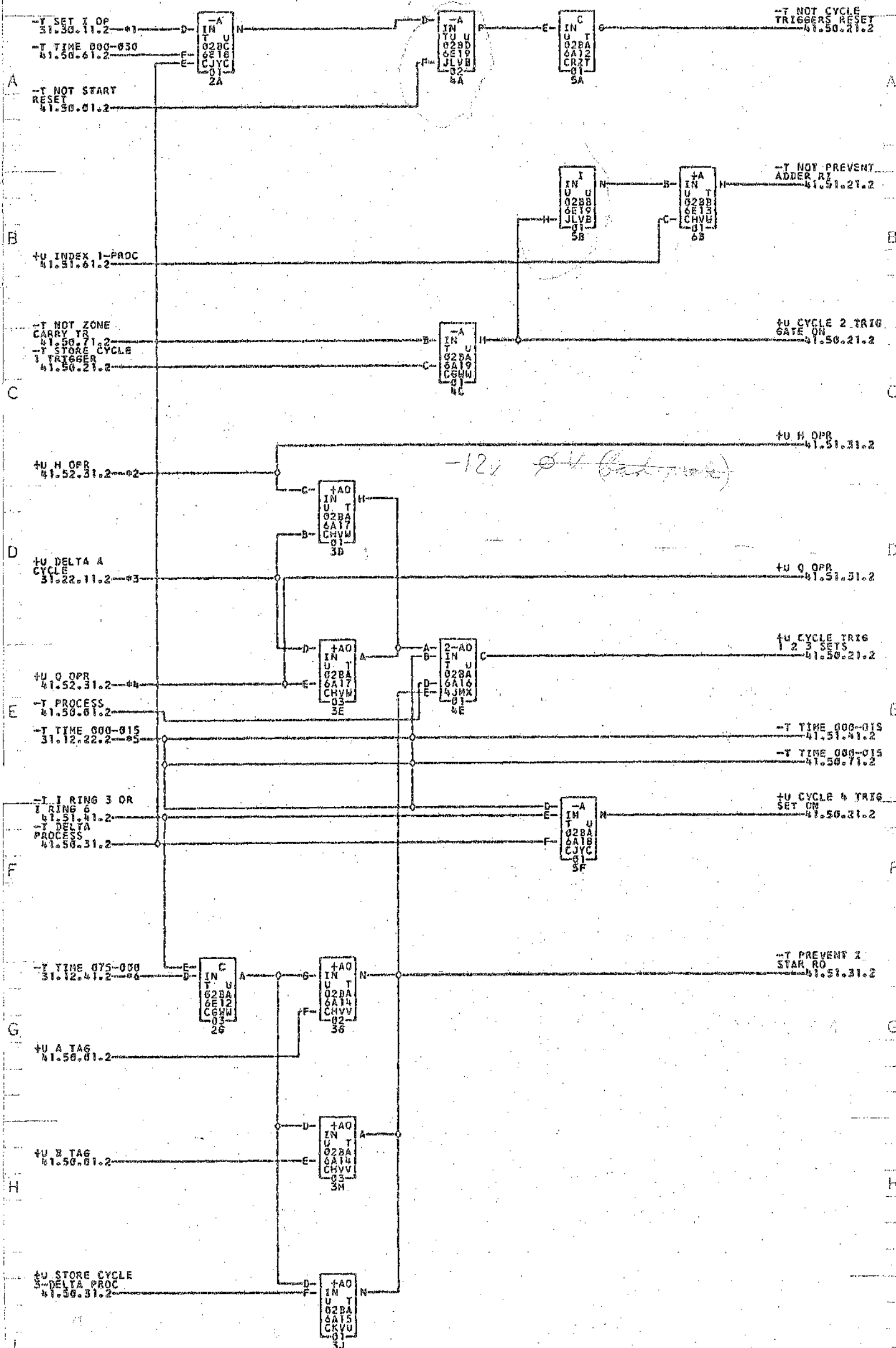


0724071

STORE INDEX CYCLE TRIG GATES

1401 IN

41.50.11.2



- #1--02B6A01B
- #2--02B6C03B
- #3--02B6A01J
- #4--02B6C03C
- #5--02B6A03E
- #6--02B6A03F

COMMENTS

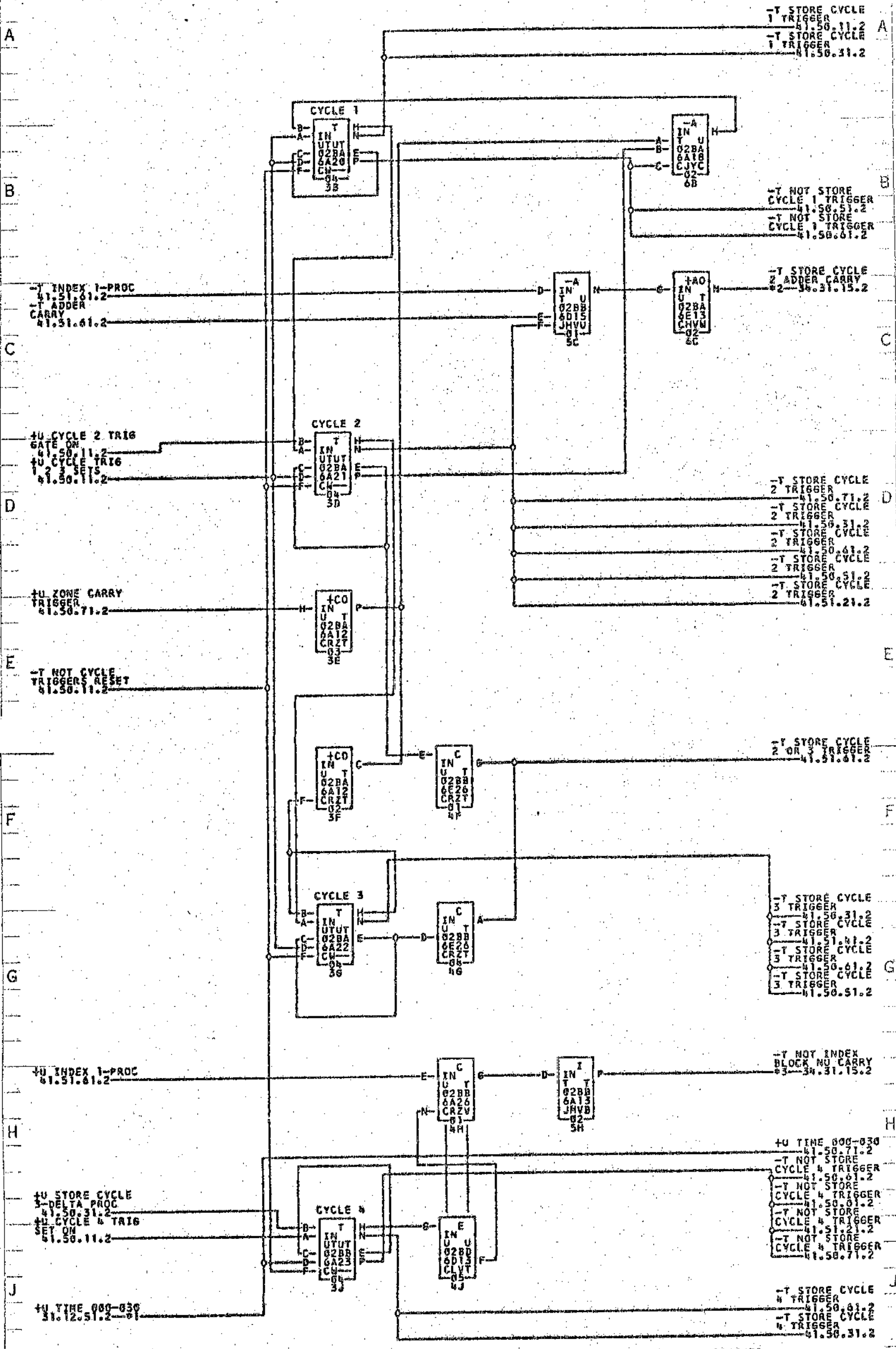
TAG	DATE	E.C.NO.	TAG	DATE	E.C.NO.	TAG	DATE	E.C.NO.	TAG	DATE	E.C.NO.
A	06-08-61	110320M	B	08-16-61	110320R	C	10-26-61	112282	D	12-08-61	113622
E	03-01-62	116235									

0726072

STORE INDEX CYCLE TRIGGERS

1401 IN

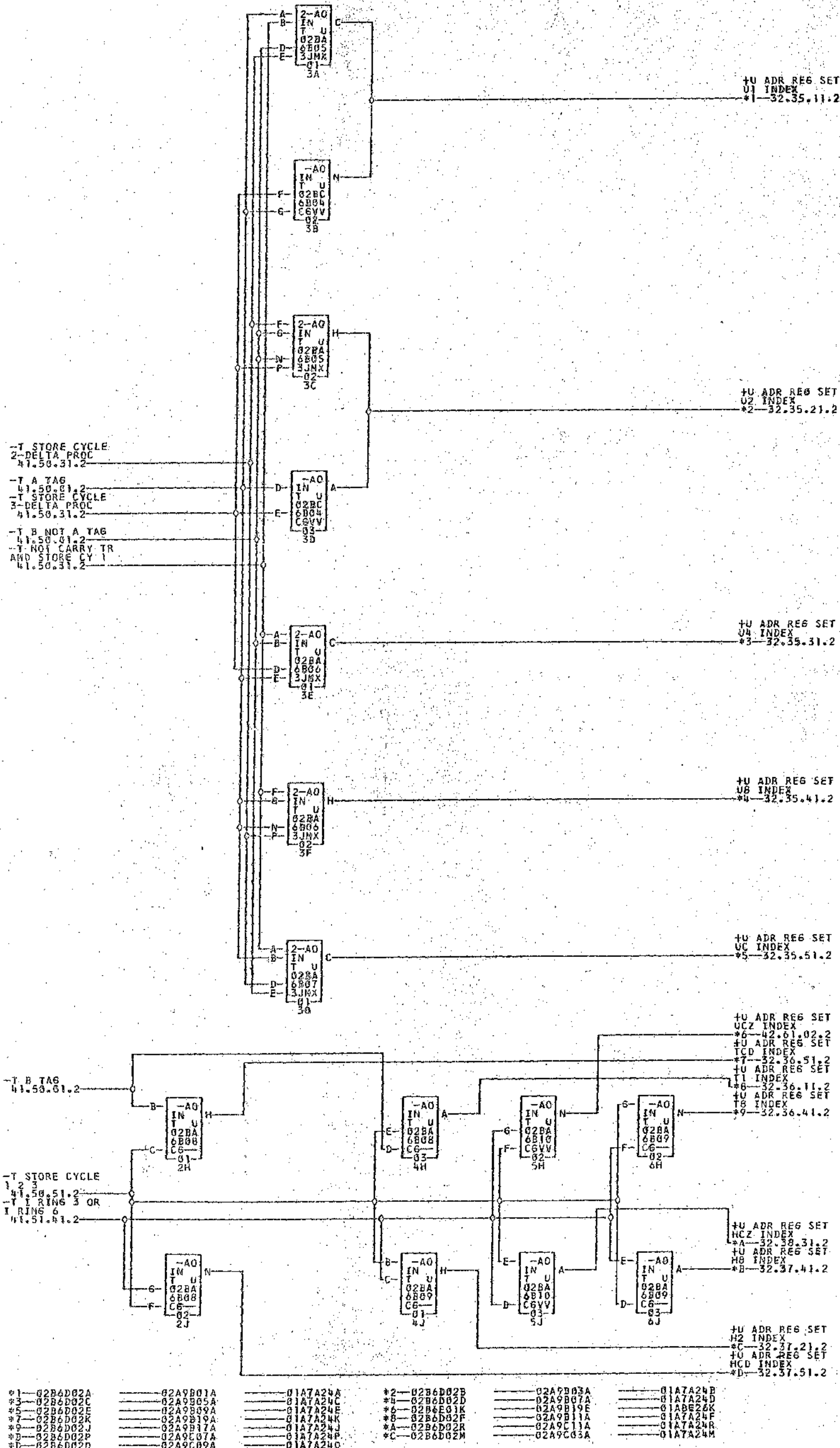
01.50.21.2

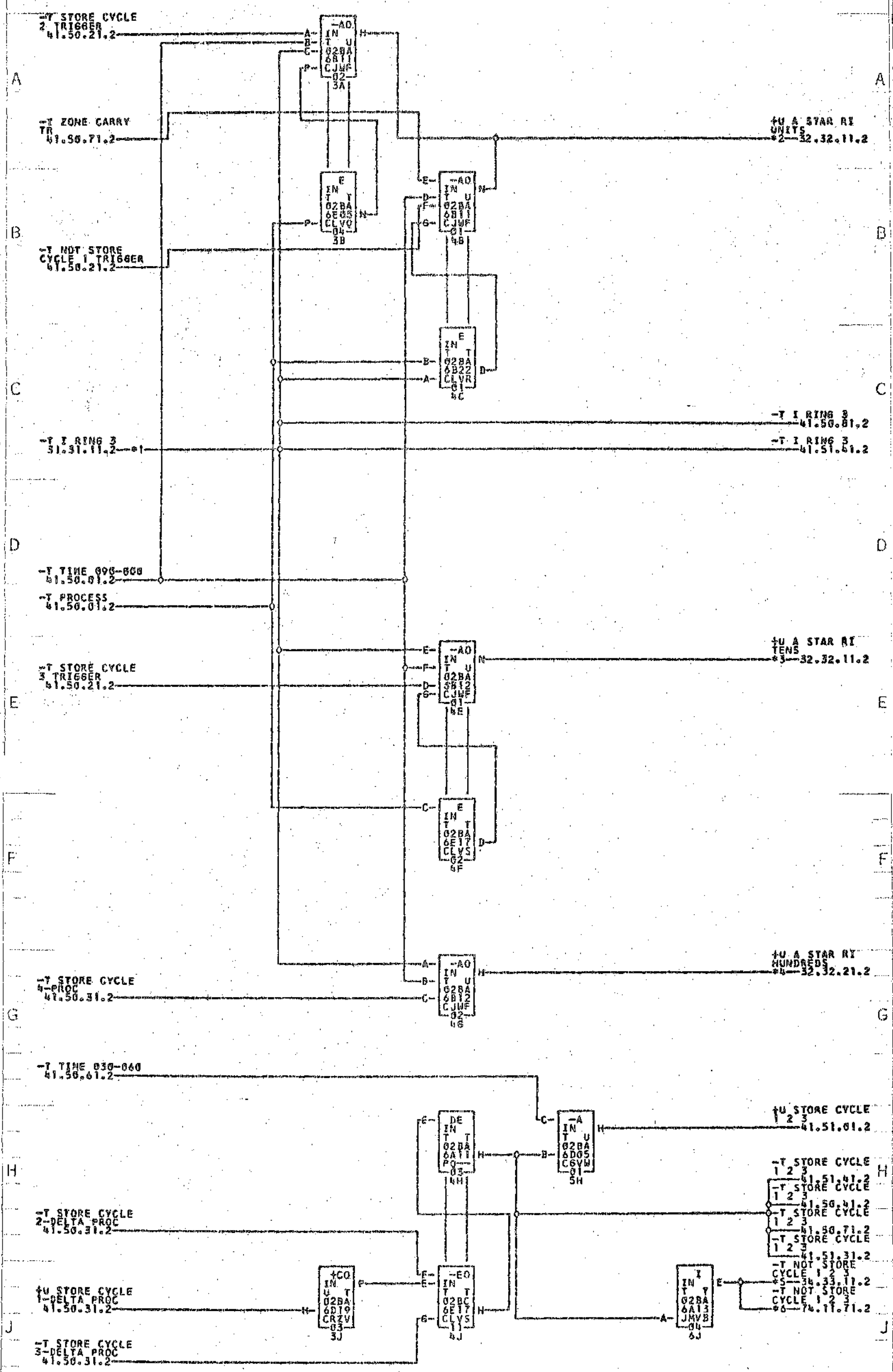


*1--02B6A03B
 01B3B03K
 *2--02B6C03G
 *3--02B6C02K
 02A0F07C
 01B1A036
 02A0F07A

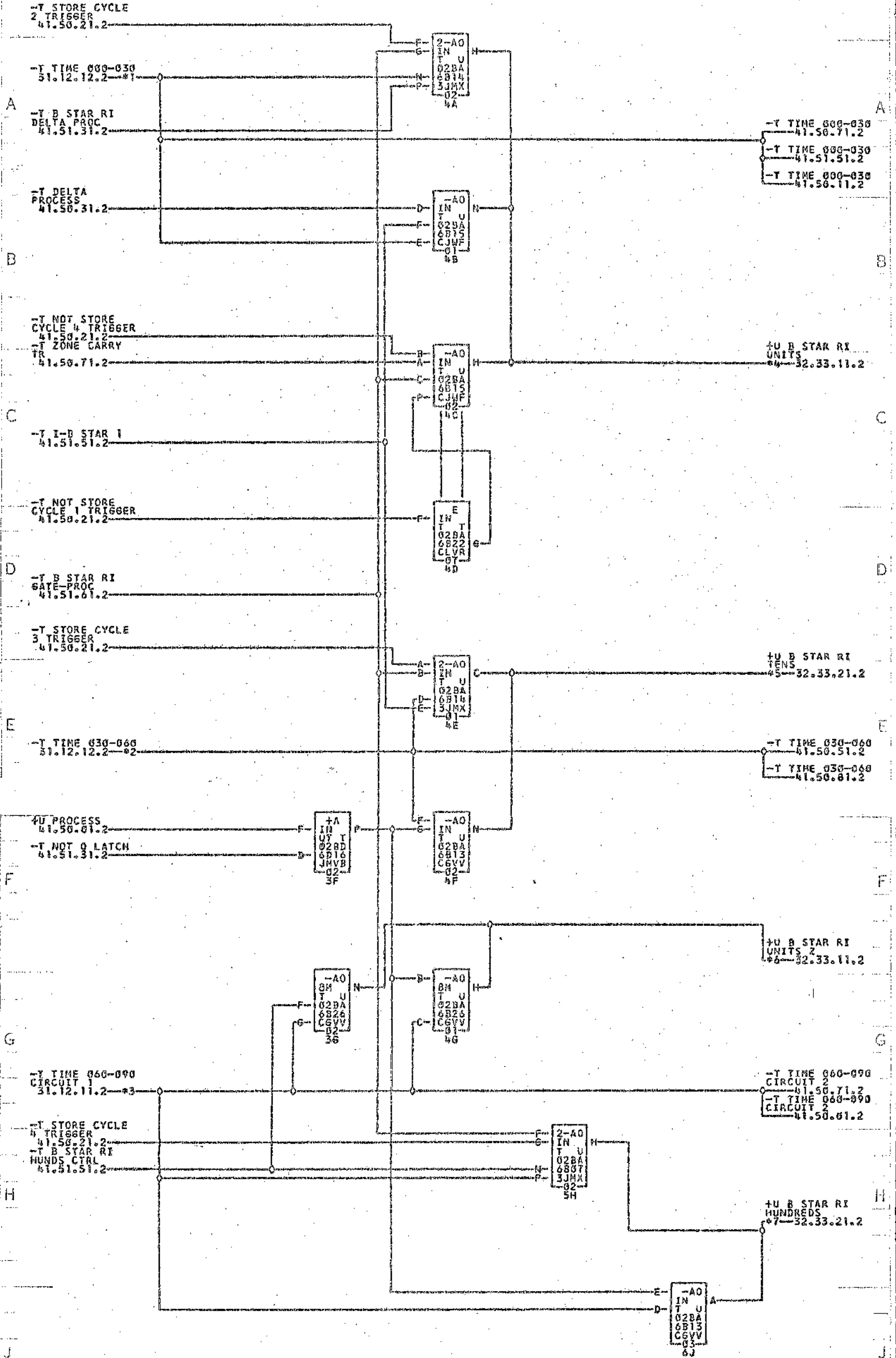
COMMENTS

TAG DATE E.C.NO. TAG DATE E.C.NO. TAG DATE E.C.NO. TAG DATE E.C.NO.
 06-08-61 110320M 07-19-61 110324P 08-16-61 110324R 09-01-61 110326S
 03-01-62 114235





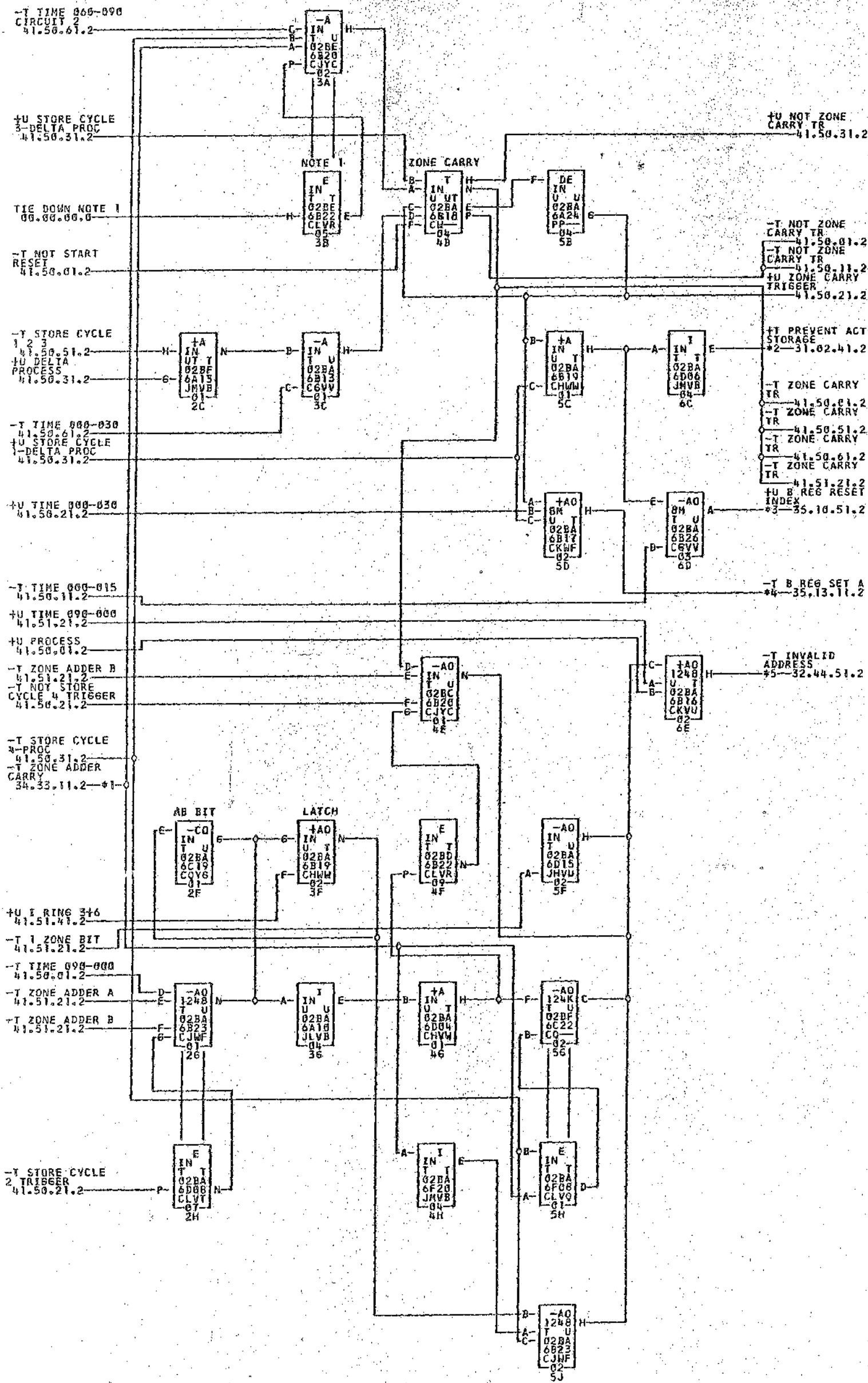
- *1--02B6A01D *2--02B6B02K *3--02B6C02L *4--02A9C01B
- *5--01A7B24L *6--02B6B02H *7--02A9C03B *8--01A7B24M
- *9--01B3B03J *10--02B6C02J *11--02A9F05C *12--02B1B03J



- *1--02B6A03G
- *2--02B6A03H
- *3--02B6A03J
- *4--02B6B02C
- 02A9B05B
- 01A7B2NC
- *5--02B6B02D
- 02A9B07S
- 01A7B2ND
- *6--02B6B02K
- 02A9B19P
- 01A8C2NK
- 01A8B26P
- 01A7E23P
- *7--02B6B02E
- 02A9B09B
- 01A7B24E

COMMENTS

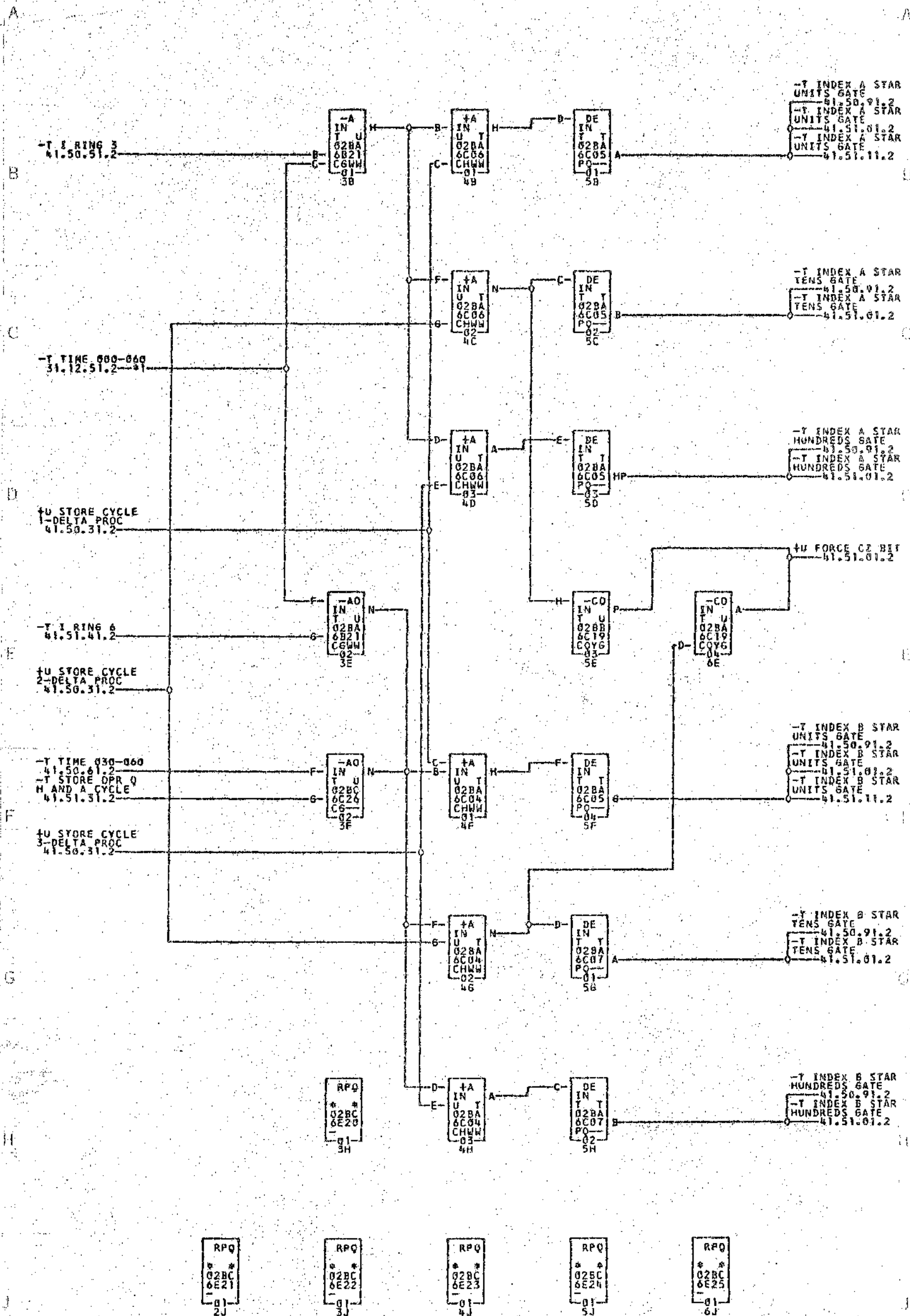
TAG	DATE	F.C.NO.	TAG	DATE	F.C.NO.	TAG	DATE	F.C.NO.	TAG	DATE	F.C.NO.
A	06-08-61	110320M	B	07-19-61	110324P	C	10-20-61	112242	D	12-06-61	113622
E	03-01-62	114235									



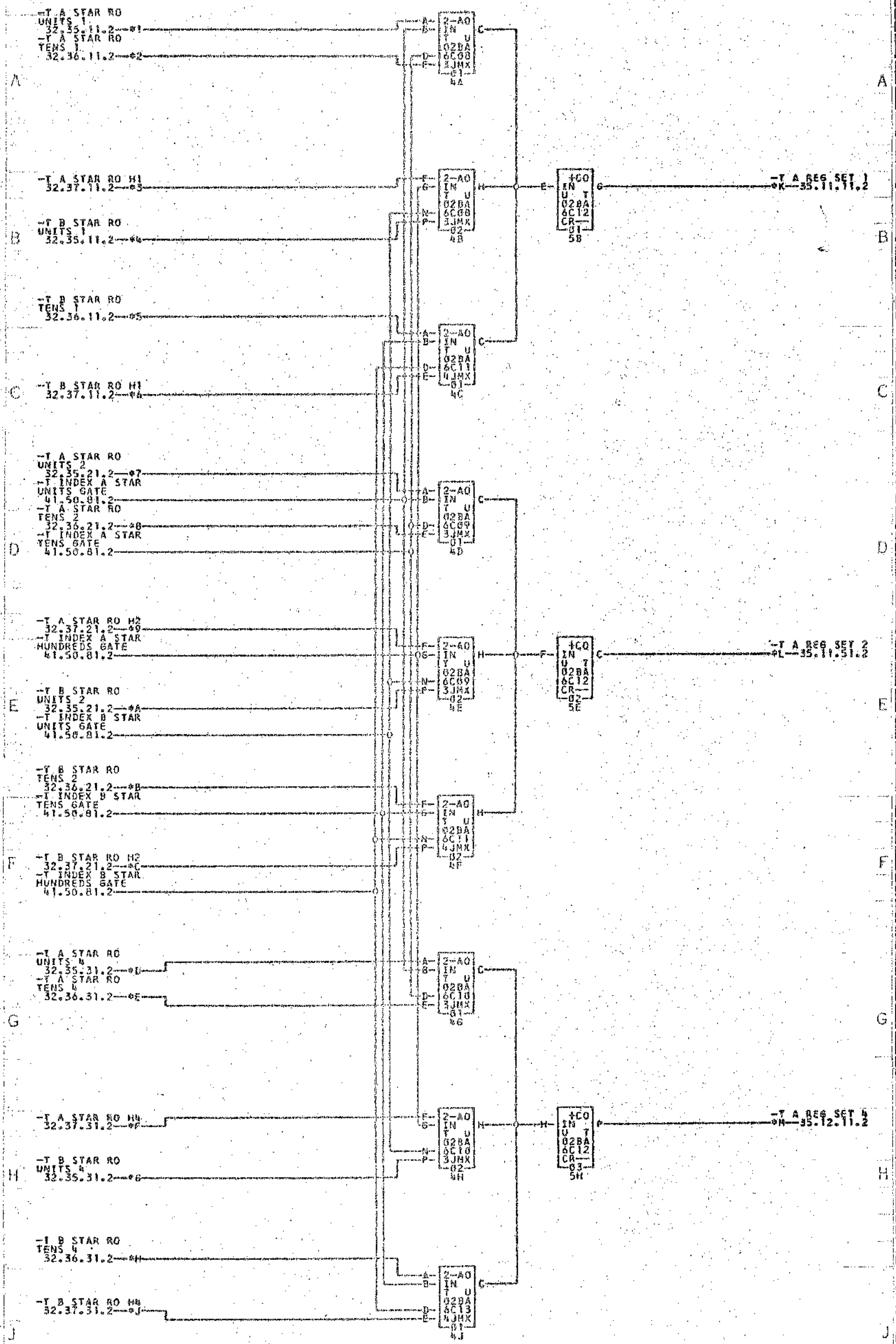
- #1—02B4C02R #2—02B6A02N #3—02B6B03L #4—02B6B03M #5—02B6E02L
- 01A3F23L 02A9D17E 02A0D17C 01B2A02N 02A0D15C
- 01A8C24L 02A0D17C 01A3F23M 02A9C01F

NOTE 1 ADD JUMPER FROM PIN L TO PIN H FOR 4K AND BELOW

TAG	DATE	F.C.NO.	TAG	DATE	F.C.NO.	TAG	DATE	F.C.NO.	TAG	DATE	F.C.NO.
A	06-08-61	110320M	B	07-19-61	110324P	C	09-01-61	110324S	D	09-21-61	110324Y
E	10-20-61	112242	F	12-06-61	113422	G	06-14-62	114037			



*1-02B6C03Q



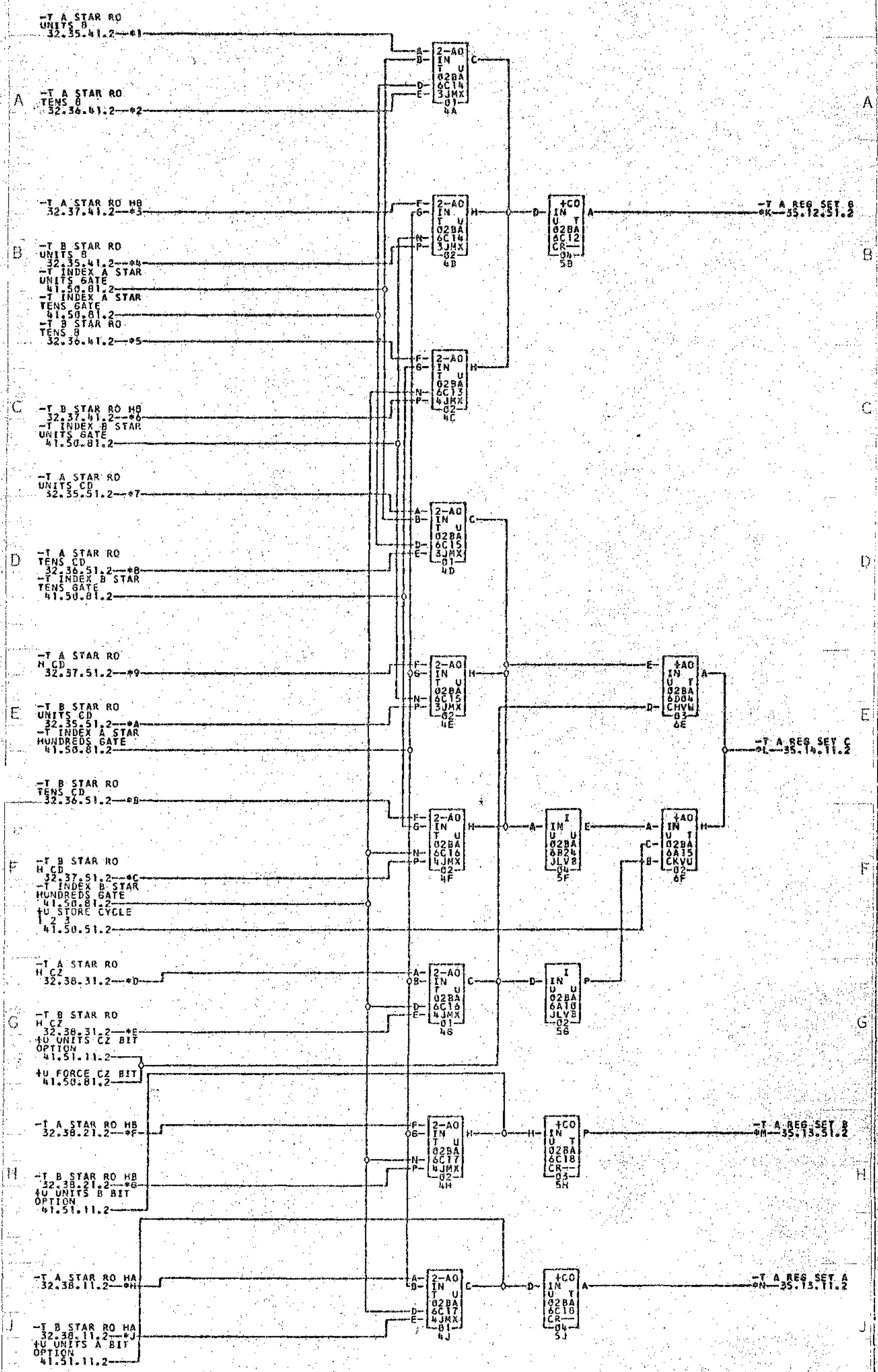
- *1--02B6D01C
- *2--02B4D01B
- *3--02B4D01A
- *4--02B6R01D
- *5--02B6B01C
- *6--02B6B01B
- *7--02B4D01F
- *8--02B4D01E
- *9--02B4D01D
- *A--02B6B01G
- *B--02B6B01F
- *C--02B6B01E
- *D--02B4D01J
- *E--02B6D01H
- *F--02B6D01G
- *G--02B6B01K
- *H--02B6B01J
- *I--02B6B01H
- *J--02B6B01G
- *K--02B6R03A
- *L--02B6B03B
- *M--02B6B03C
- *N--02A0C19C
- *O--01A3F23A
- *P--01A3F23C
- *Q--02A0C17C
- *R--01A3P25B

0724080

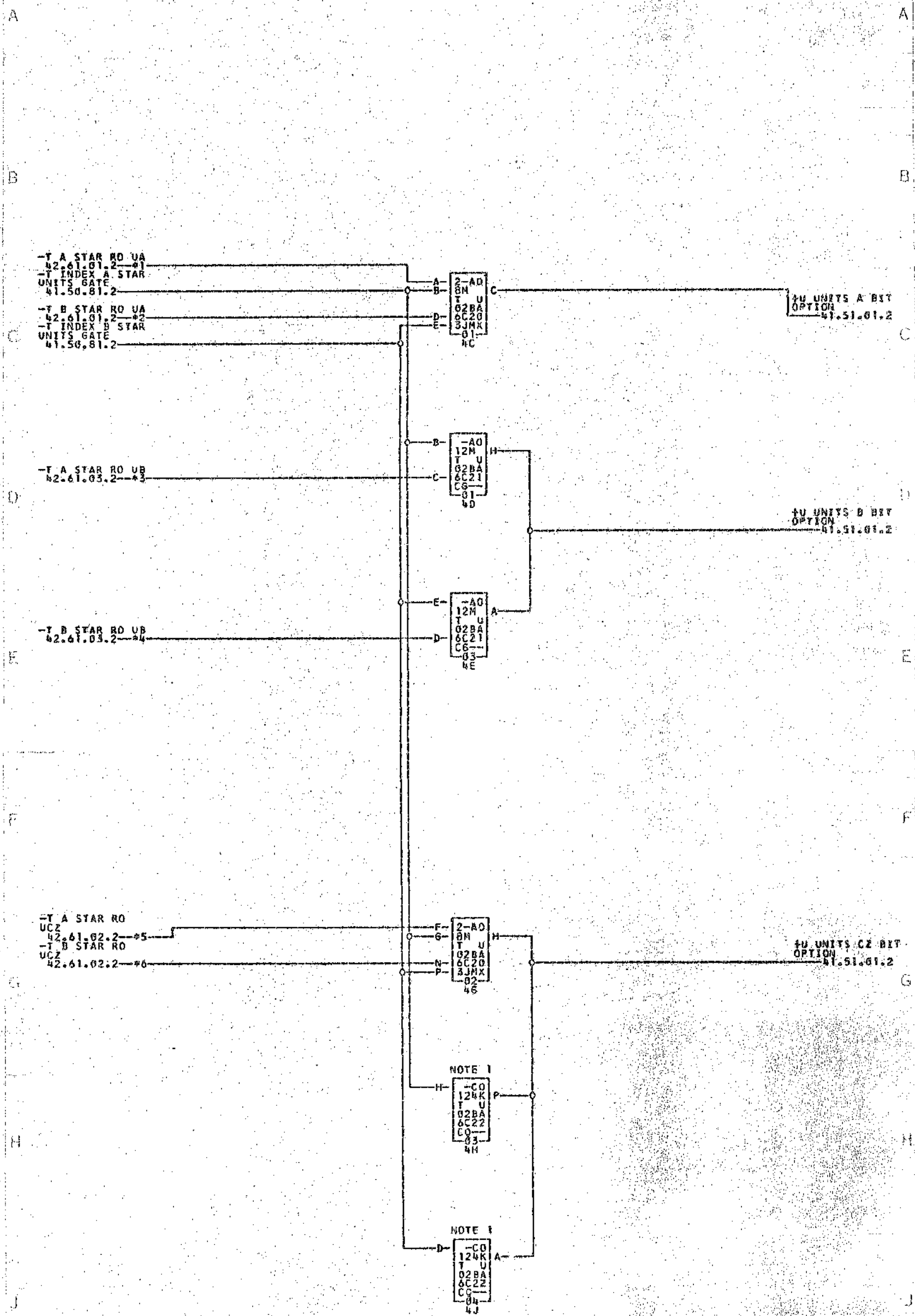
A REG SET B CD A B C2

1401 IN

41.51.01.2



- *1-02B6D01H
- *2-02B6D01L
- *3-02B6D01K
- *4-02B6D01M
- *5-02B6D01N
- *6-02B6D01P
- *7-02B6D01Q
- *8-02B6D01R
- *9-02B6D01S
- *A-02B6D01T
- *B-02B6D01U
- *C-02B6D01V
- *D-02B6D01W
- *E-02B6D01X
- *F-02B6D01Y
- *G-02B6D01Z
- *H-02B6D02A
- *I-02B6D02B
- *J-02B6D02C
- *K-02B6D02D
- *L-02B6D02E
- *M-02B6D02F
- *N-02B6D02G
- *O-02B6D02H
- *P-02B6D02I
- *Q-02B6D02J
- *R-02B6D02K
- *S-02B6D02L
- *T-02B6D02M
- *U-02B6D02N
- *V-02B6D02O
- *W-02B6D02P
- *X-02B6D02Q
- *Y-02B6D02R
- *Z-02B6D02S

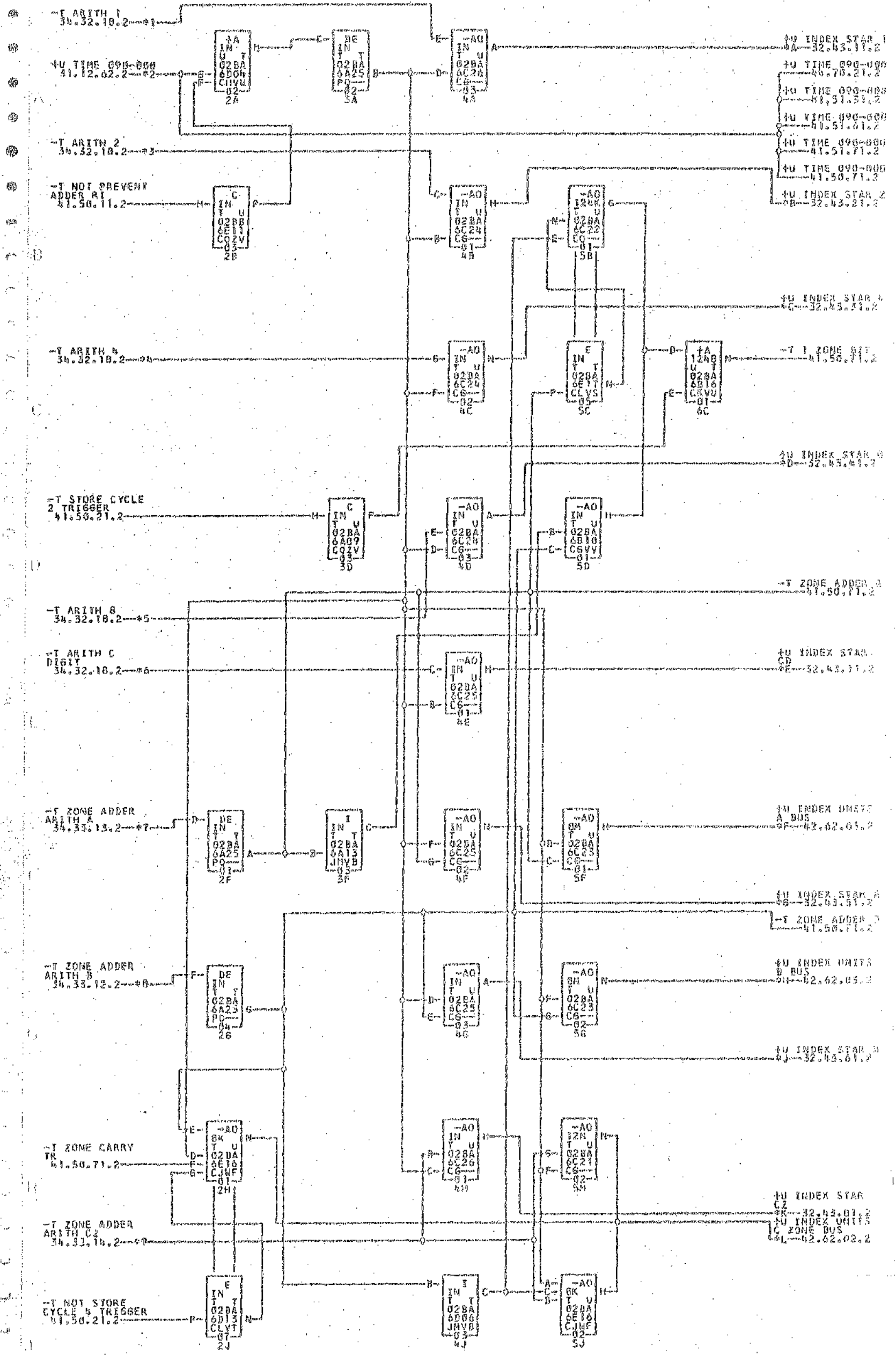


*1--0286E02A *2--0286E02B *3--0286E02E *4--0286E02F *5--0286E02C *6--0286E02D

NOTE 1 THIS CARD ADDED FOR 1.4K, 2K, 4K ONLY

COMMENTS TAG DATE E.C.NO. TAG DATE E.C.NO. TAG DATE E.C.NO. TAG DATE E.C.NO.

A 06-08-61 110320H B 12-08-61 115422



*1--02B6C02A	*8--02B6A03C	*15--02B6C02D	*22--02B6C02C	*29--02B6C02E	*36--02B6C02F
*2--02B6C02B	*9--02B6C029	*16--02B6C02E	*23--02A9B01E	*30--02A9B01F	*37--02A9B01G
*3--02B6C02B	*10--02A9B03E	*17--01A8E26D	*24--02B6E01C	*31--02A9B01E	*38--01A8E26E
*4--02B6C02C	*11--02A9B07E	*18--01A8E26D	*25--02B6E01E	*32--02A9B01E	*39--01A8E26F
*5--02B6C02D	*12--02A9B13F	*19--01A8C24G	*26--02B6E01F	*33--02A9B13E	*40--01A8E26G
*6--02B6C02E	*13--02A9B15F	*20--01A8C24H	*27--02B6E01G	*34--02A9B13E	*41--01A8E26H
*7--02B6C02F	*14--02A9B15F	*21--01A8C24H	*28--02B6E01H	*35--02A9B13E	*42--01A8E26I
*K--02B6C01M	*1--02A9C03E	*12--01A8E26M	*L--02B6E02J		

COMMENTS

TAG DATE E.C.NO. TAG DATE E.C.NO. TAG DATE E.C.NO. TAG DATE E.C.NO.

A 06-06-61 110320R B 08-14-61 110320R

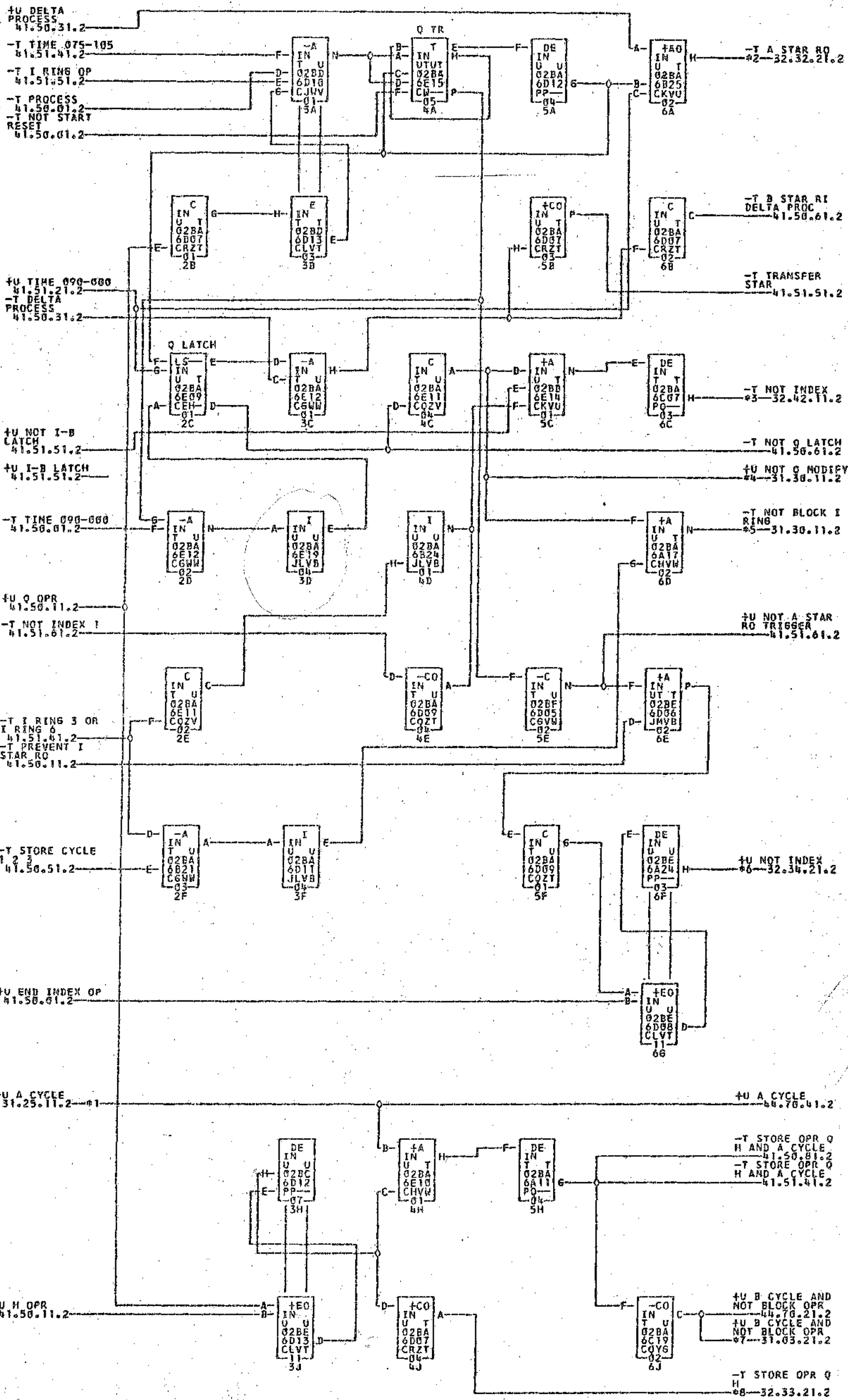
320000

0724083

STORE INDEX CONTROL

1401 IN

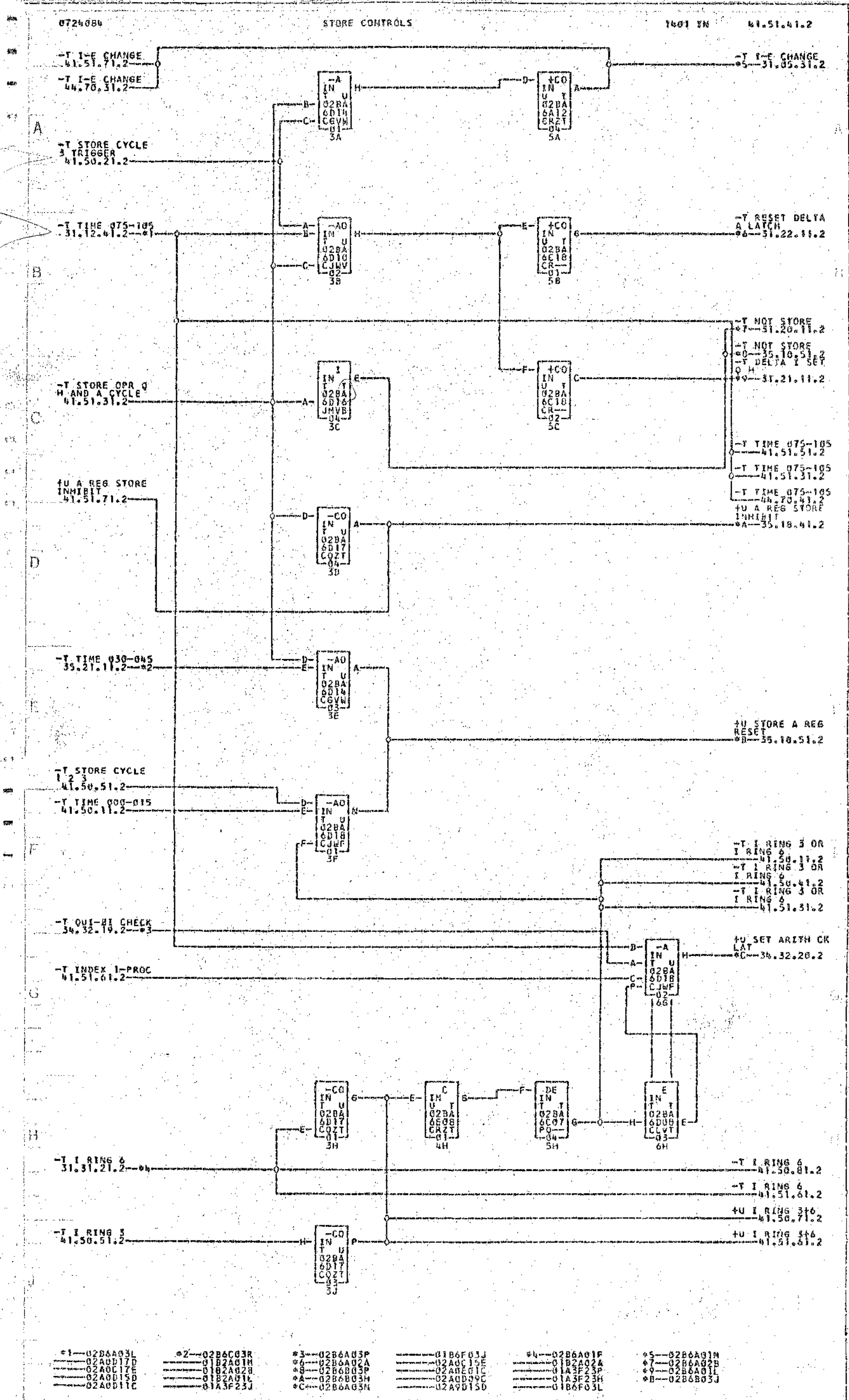
41.51.31.2



- *1—02B6A01K *2—02B6B02N *3—02B6E01Q *4—02A9C05B *5—01A7B24N *6—02A9C09E
- 01A8E26Q *4—02B6A01R *5—02B6A01O *6—02A8E03D *7—01B2A01R *8—02A8E03D
- 01B2A01Q *6—02B6B02H *7—02B6A01P *8—02A9B15B *9—01B2A01Q *9—02A8E01D
- 01B2A01P *8—02B6B02Q *9—02A9C09B *10—01A7B24Q

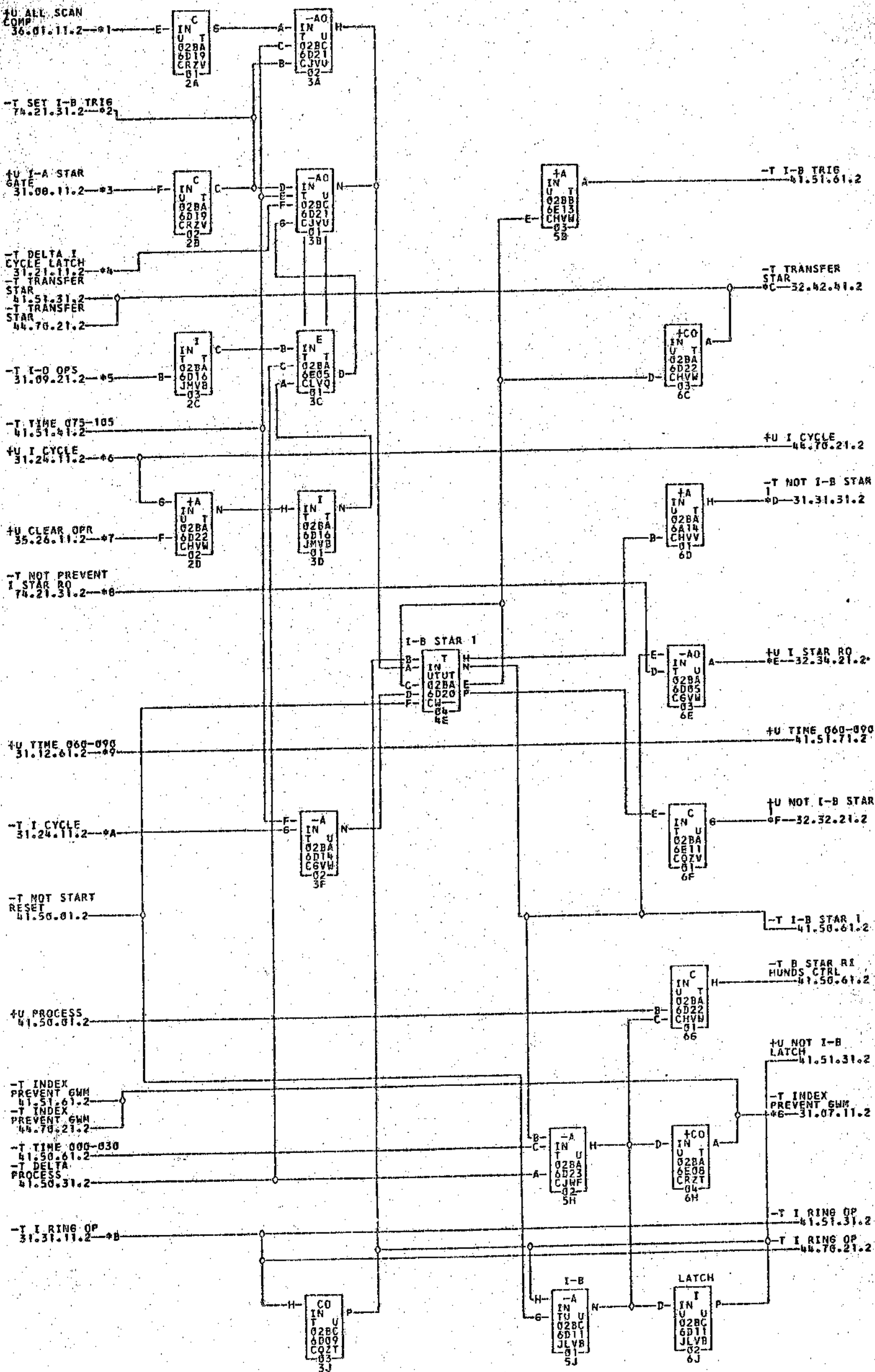
COMMENTS

TAG	DATE	E.C.NO.	TAG	DATE	E.C.NO.	TAG	DATE	E.C.NO.	TAG	DATE	E.C.NO.
A	06-06-61	110320M	B	07-19-61	110324P	C	08-16-61	110324R	D	10-26-61	112242
E	12-06-61	113422	F	05-10-62	114032						



COMMENTS

TAG	DATE	E.C.NO.	TAG	DATE	E.C.NO.	TAG	DATE	E.C.NO.
A	06-08-61	110320M	H	12-06-61	113422			

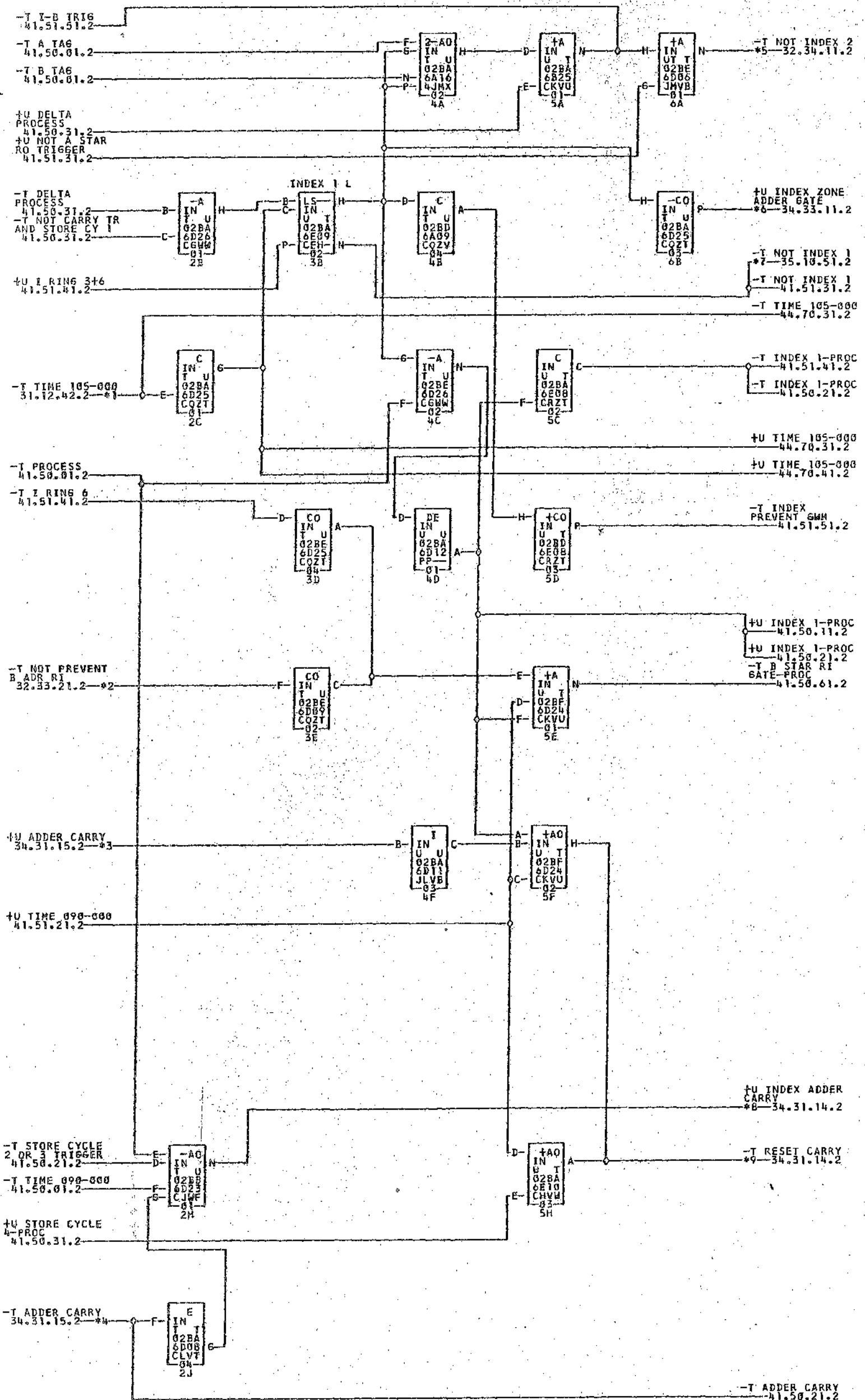


- *1-02B6A02C *2-02B6C03J *3-02B1D01E *4-02B6A02D *5-02B6A01N *6-02B6A02F
- *7-02B6A02E *8-02B6C03F *9-02B6C03H *A-02B6A02B *B-02B6A01A
- *C-02B6E01P *D-02A9C07E *E-02B6A02H *F-02A0D09E *G-01B2A02H
- *H-01B2E03P *I-01B6E01P *J-02B6B02P *K-02A9C07R *L-01A7B24P
- *M-02A9B11B *N-01A7B24F

COMMENTS

TAG DATE E.C.NO. TAG DATE E.C.NO. TAG DATE E.C.NO. TAG DATE E.C.NO.

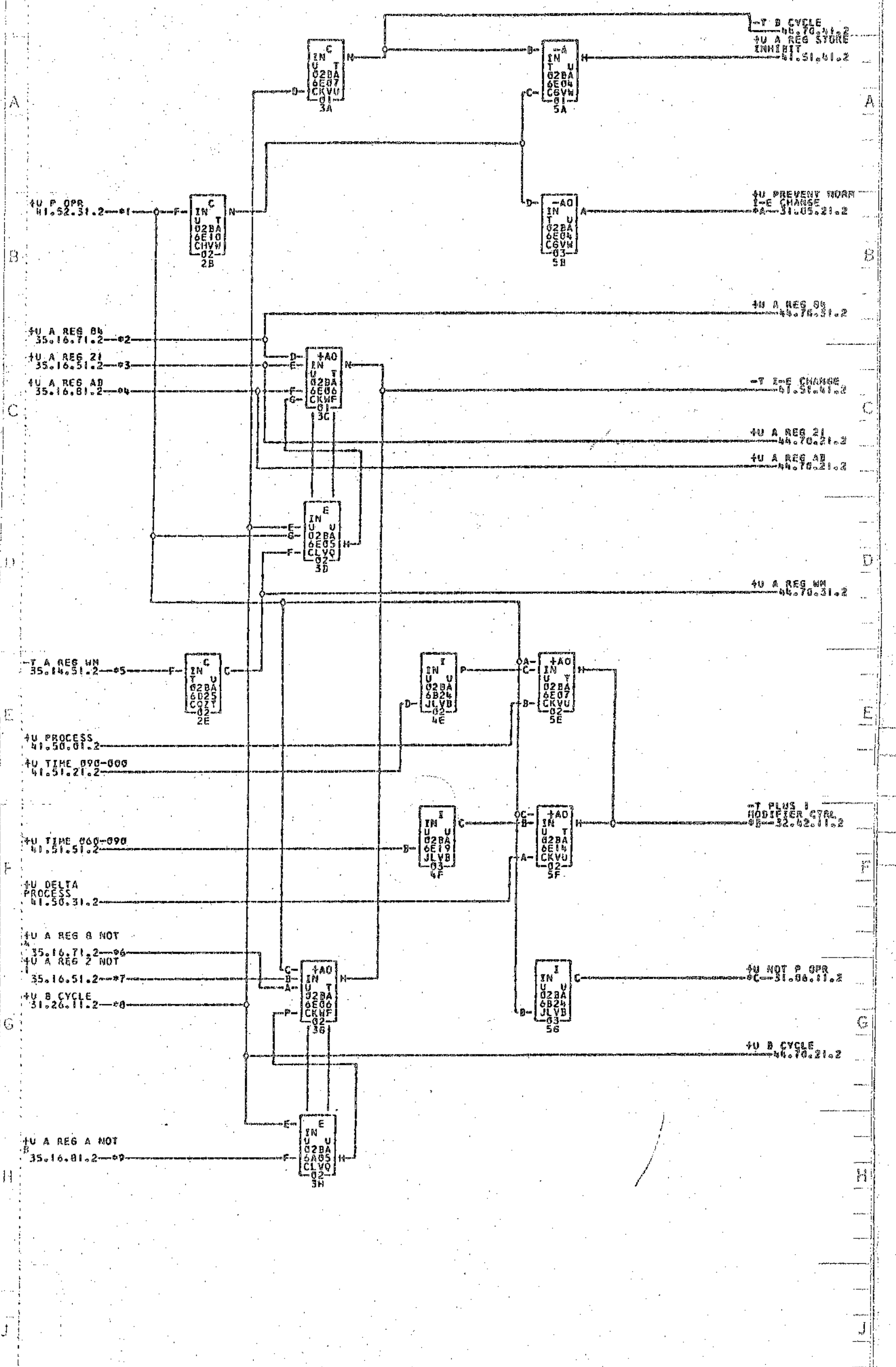
A 06-08-61 110320M B 07-19-61 110324P C 12-06-61 113422 D 05-10-62 114032



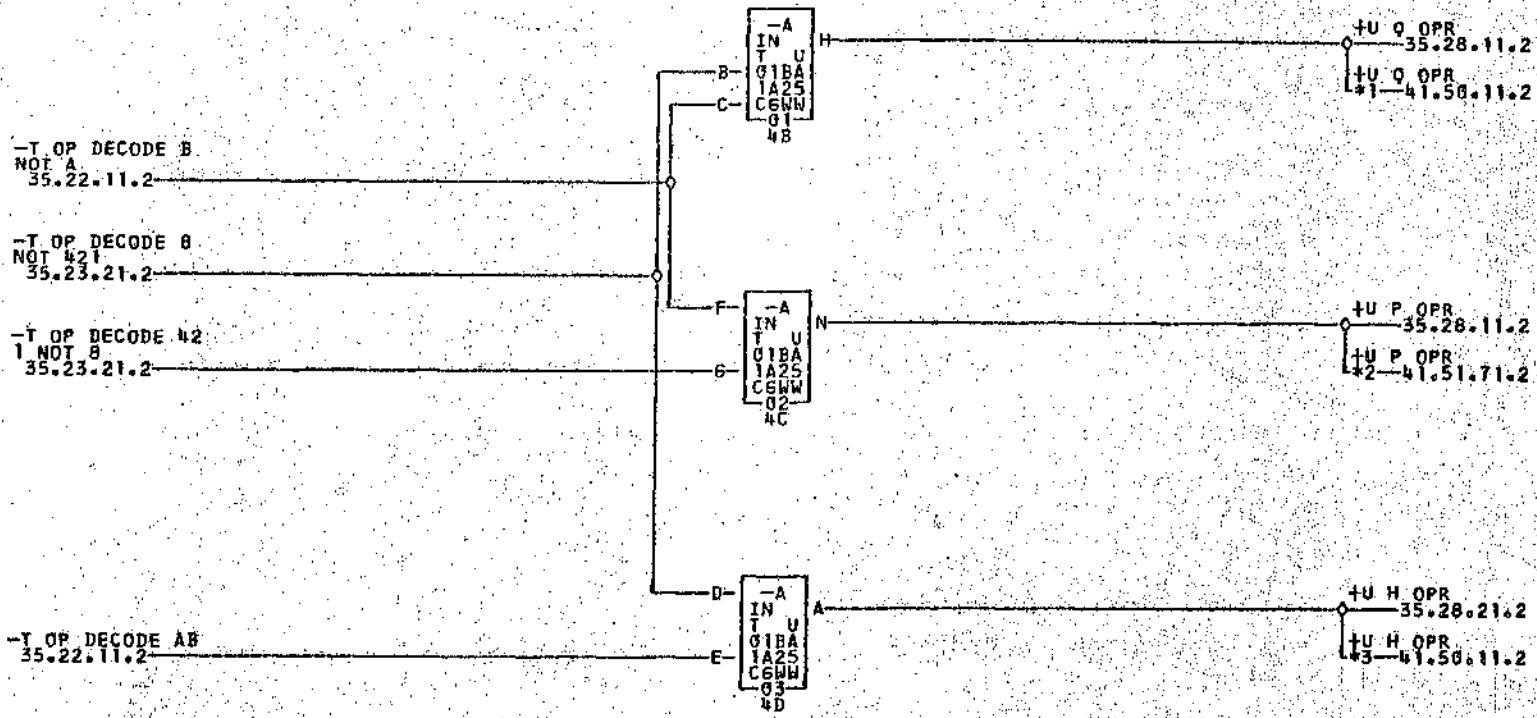
- *1—02B6A03H *2—02B6B026 *3—02B6C02M *4—02B6C02N *5—02B6B02J ————02A9B17B
- 01A7B24J *6—02B6C02L ————02A0F09C ————01B3B03L *7—02B6B03K ————02A0D13C
- 01A3F23K *8—02B6C02Q ————02A0F17C ————01B3B03Q *9—02B6C02P ————02A0F15C
- 01B3B03P

COMMENTS

TAG	DATE	E.C.NO.	TAG	DATE	E.C.NO.	TAG	DATE	E.C.NO.	TAG	DATE	E.C.NO.
A	06-08-61	110320M	B	07-10-61	110320P	C	08-14-61	110320R	D	09-18-61	110320V
E	12-06-61	113422	F	03-01-62	114255	G	06-14-62	114057			



- *1--02B6C03D
- *2--02B6C01E
- *3--02B6C01D
- *4--02B6C01F
- *5--02B6C016
- *6--02B6C01J
- *7--02B6C01H
- *8--02B6A02K
- *9--02B6C01K
- *A--02B6A02L
- *B--02B6E01R
- *C--02B6A02M
- *D--02A0D15E
- *E--01B2A02L
- *F--01B2A02M



*1-01B1A03C
*3-01B1A03B

02A0E13A
02A0E11A

02B6C03C
02B6C03B

*2-01B1A03D

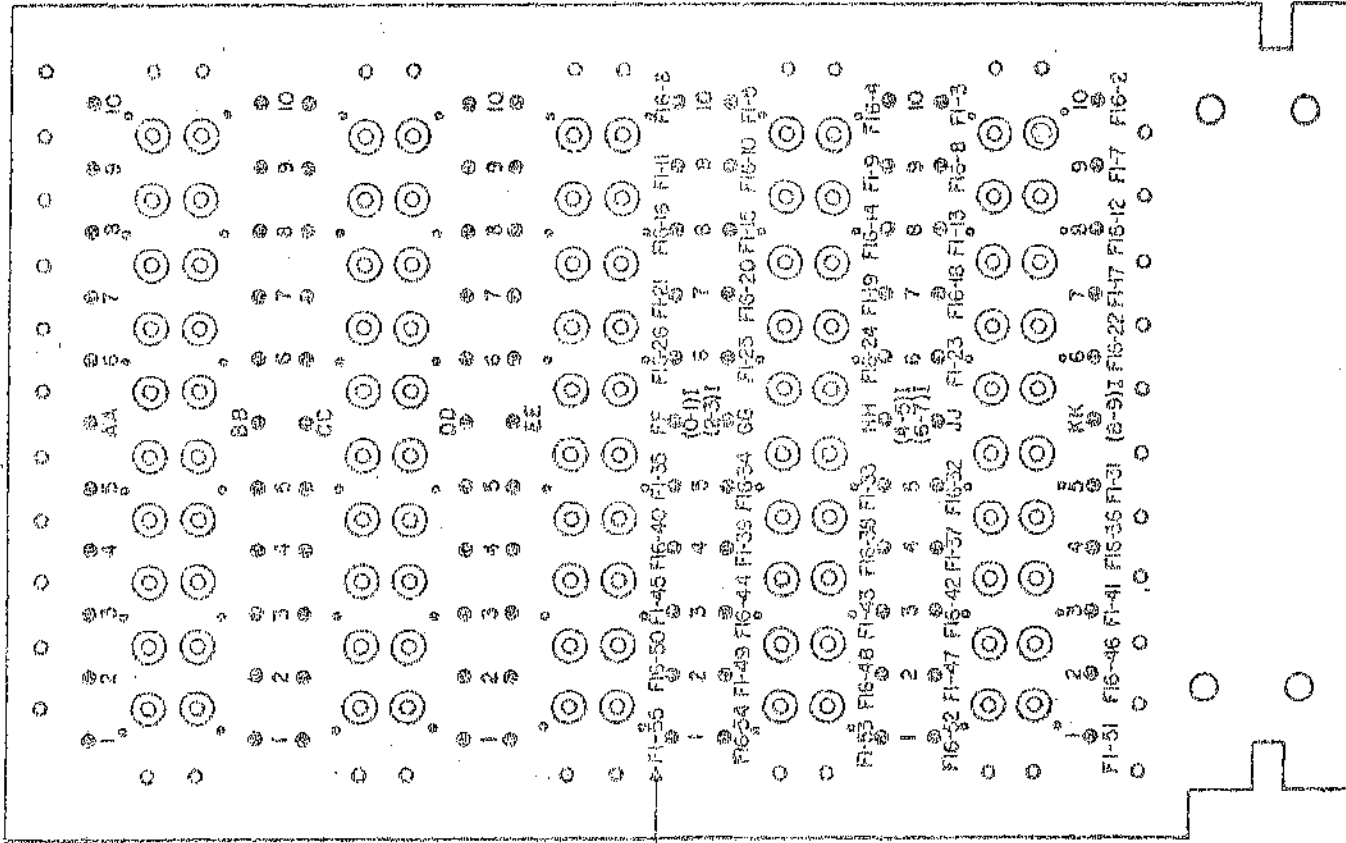
02A0E15A

02B6C03D

COMMENTS

TAG	DATE	E.C.NO.	TAG	DATE	E.C.NO.	TAG	DATE	E.C.NO.	TAG	DATE	E.C.NO.
A	06-05-61	110320P	B	12-21-62	114052						

ALL WIRES GO TO SIDE C OF FRAME I AND I6
(0-1) = ZERO AND ONE HUNDREDS TERMINAL ON RESISTOR BOARD



BACK

FRAME I PIN 55

HUNDREDS DECODES
42.55.11.2

E18E (P)

E19E

E19P

E20E

E20P

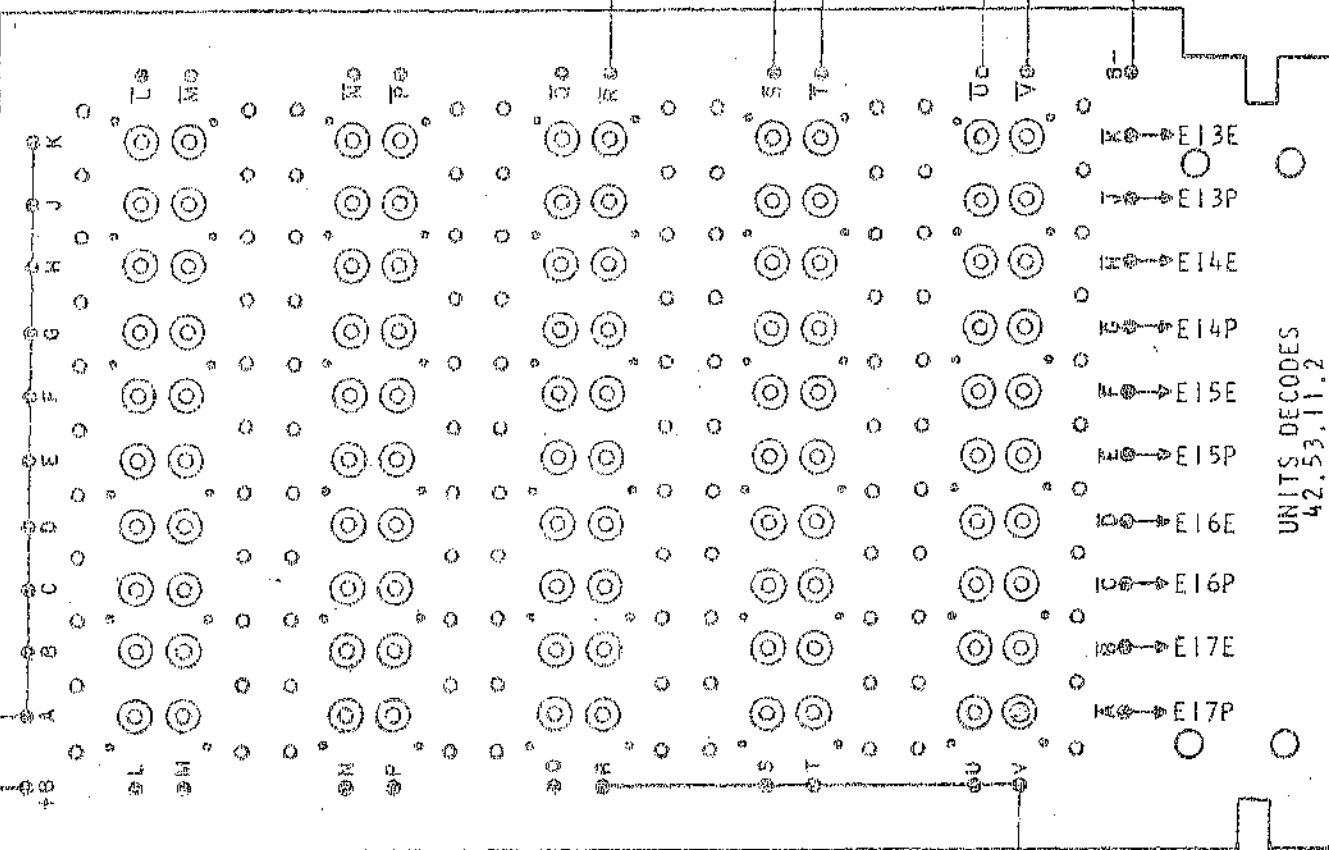
TO +B OR 8 X 10
MATRIX SWITCH
+30 BIAS

UNITS DRIVE
42.57.11.2

FBC

E4N

+30 BIAS



FRONT

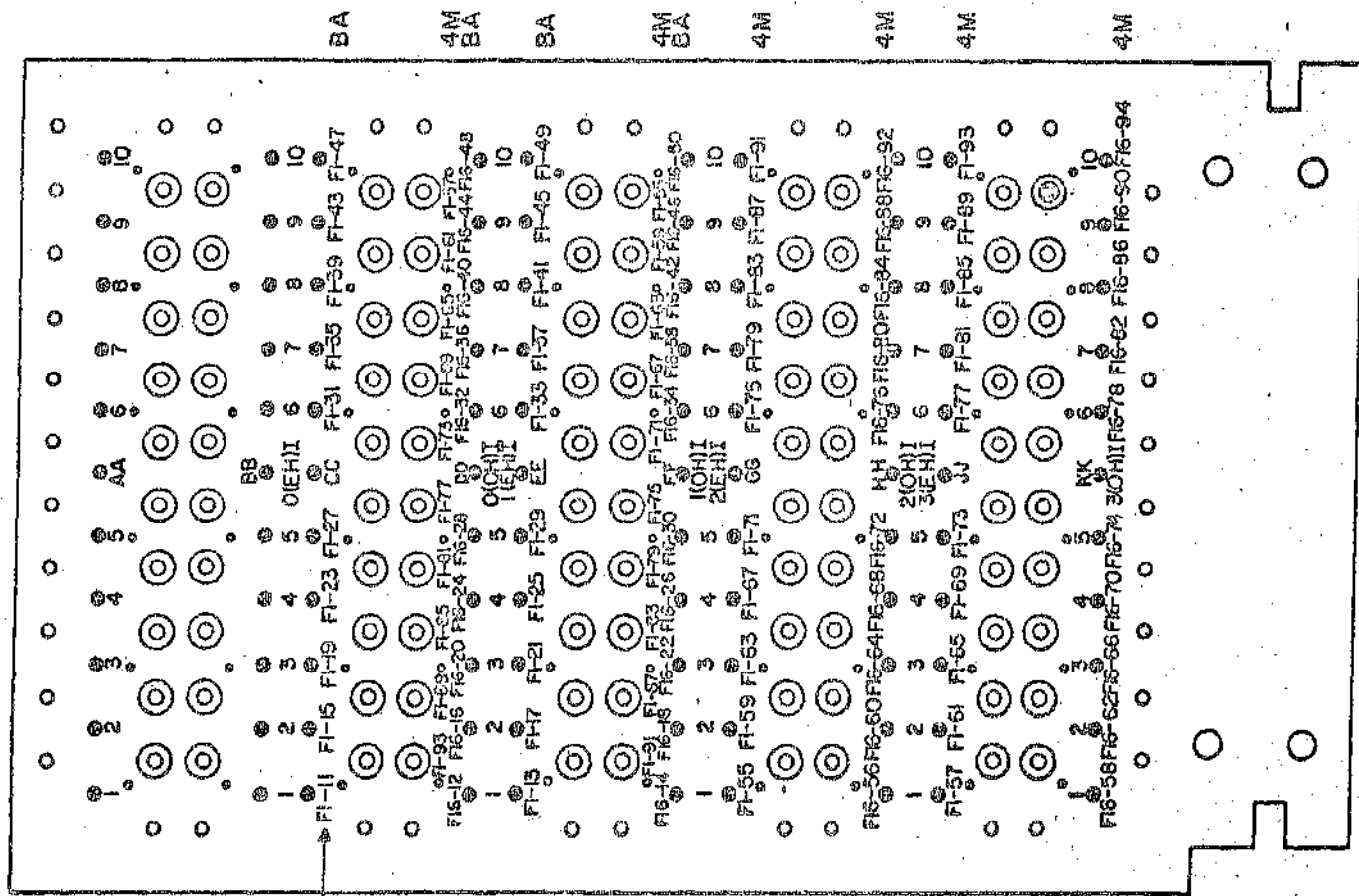
HUNDREDS DRIVE
42.57.11.2

F7C

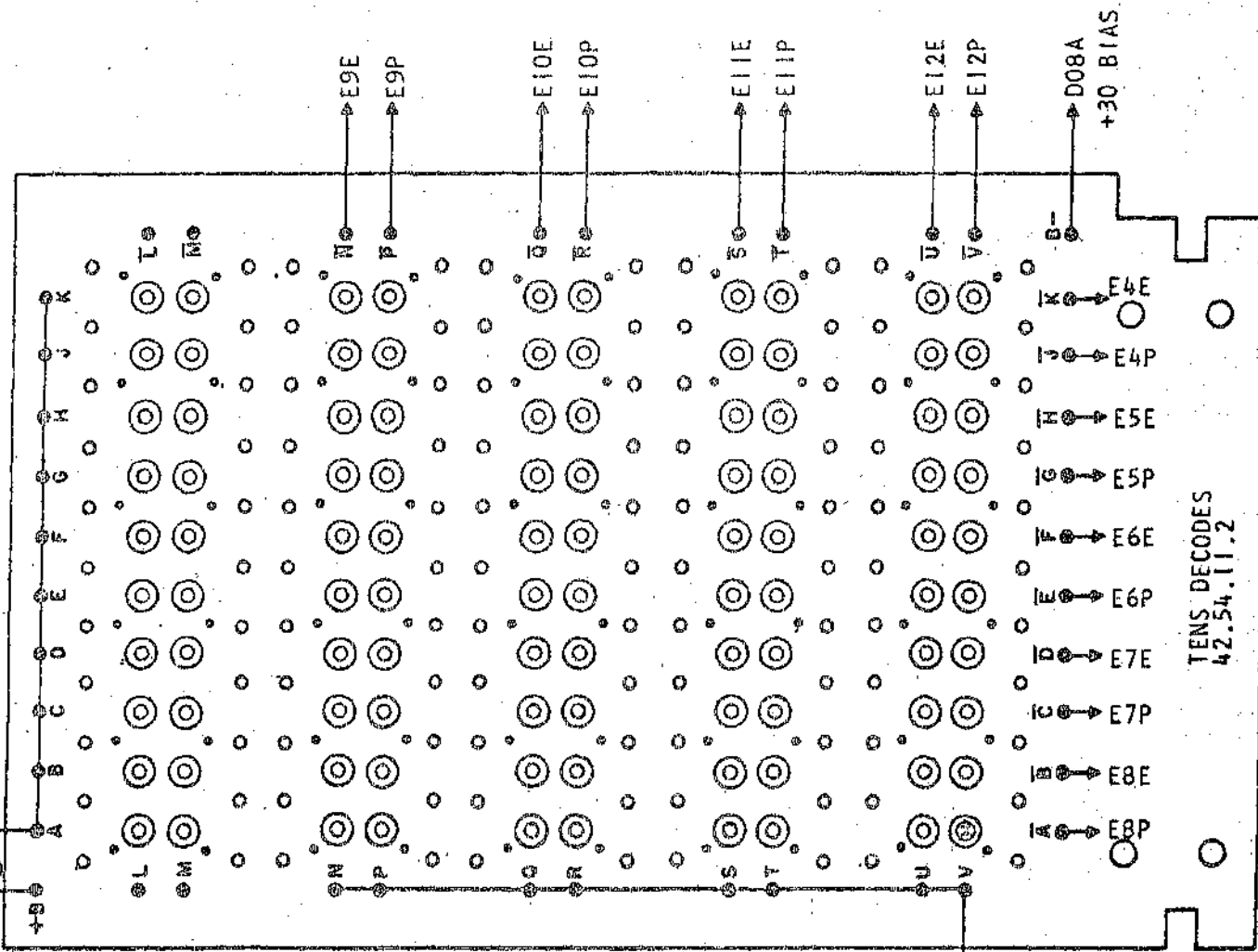
UNITS DECODES
42.53.11.2

DATE	EC NO	DATE	EC NO	DATE	EC NO
11-23-60	110404				
3-30-61	110432F				

ALL WIRES GO TO SIDE D OF FRAMES I AND 16
O (EH) I = ZERO THOUSAND - EVEN HUNDREDS - I TERMINAL
I (OH) I = ONE THOUSAND - ODD HUNDREDS - I TERMINAL



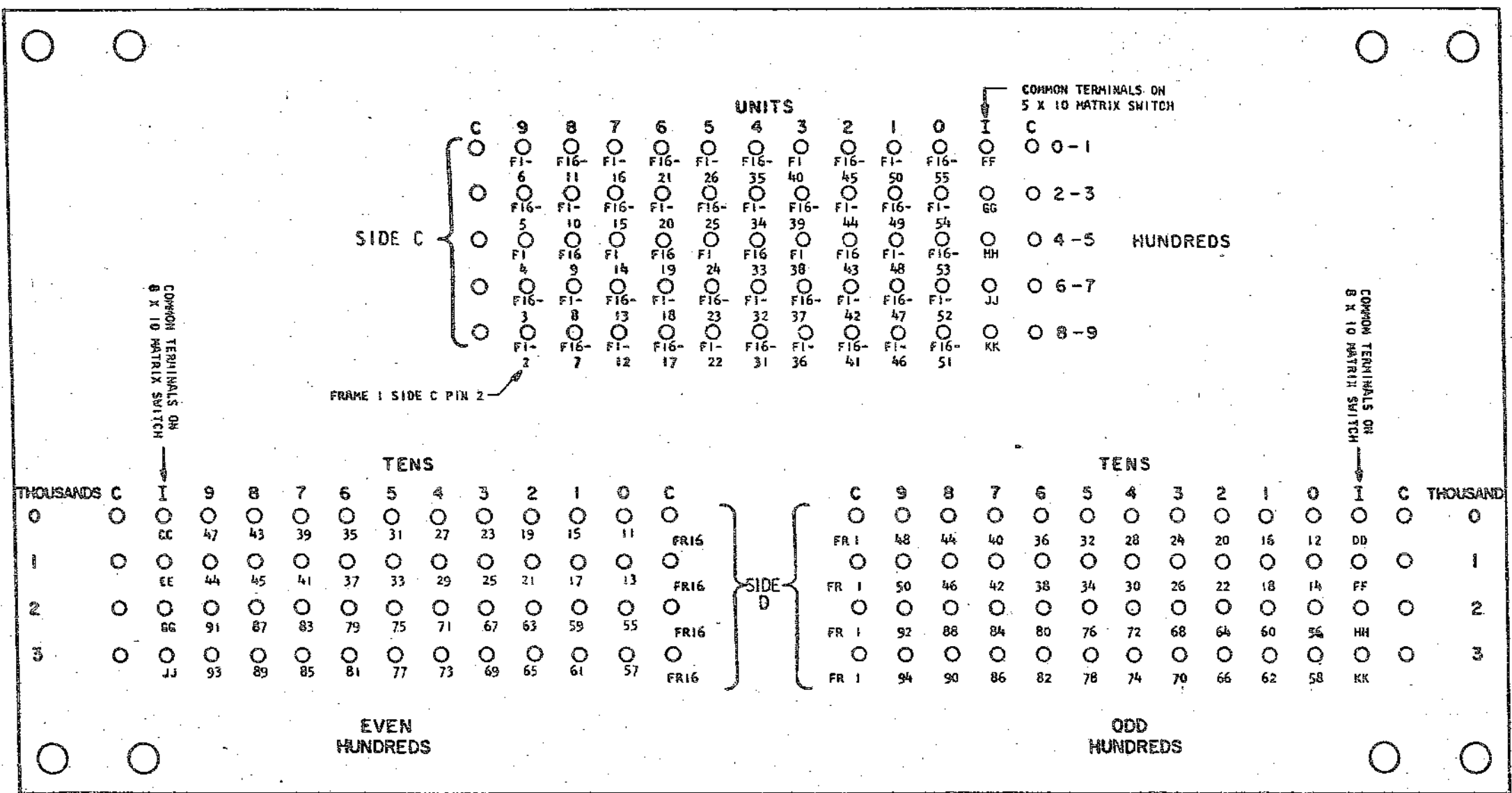
THOUSANDS AND HUNDREDS I
DECODES 42.56.11.2



TENS DECODES
42.54.11.2

THOU-HI DRIVE
42.57.11.2

DATE	EC NO	DATE	EC NO	DATE	EC NO
11-23-60	110404				
3-30-61	110432F				



DATE 11-22-60
EC NO 110279

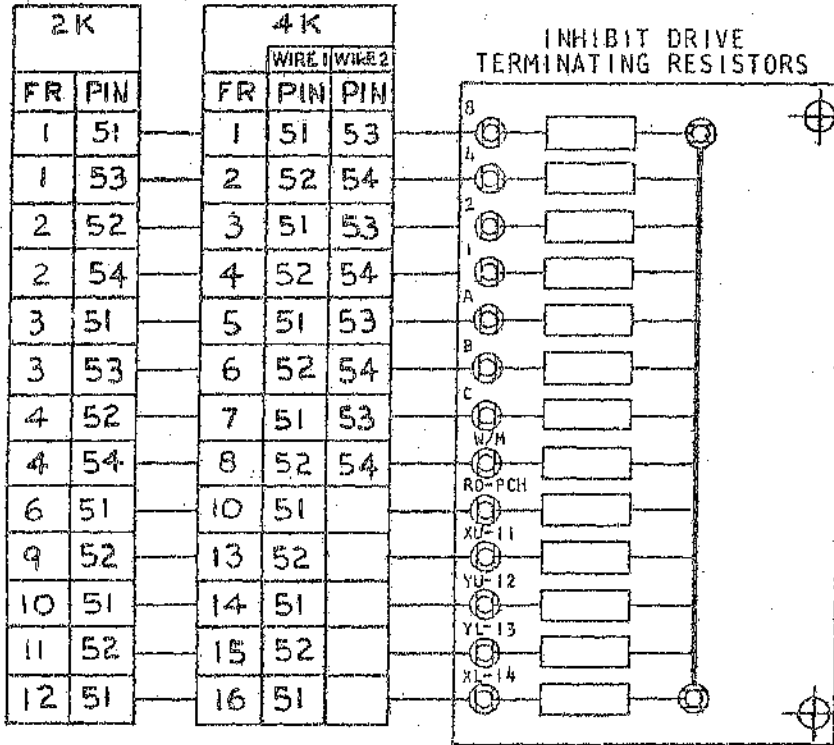
DATE

EC NO

DATE

EC NO

SIDE D



FILTER CAPACITOR CHART

FROM PIN	POLARITY	PART NUMBER	TO PIN
D06D	+	124588	D06K
D07Q	+	124588	D07J
D09G	+	124588	D09M
D12D	+	124588	D12K
D13Q	+	124588	D13J
D15G	+	124588	D15M
D18D	+	124588	D18K
D19Q	+	124588	D19J
D21G	+	124588	D21M
D24D	+	124588	D24M
E06N	+	803005	E05M
E11N	+	803005	E10M
E16N	+	803005	E15M
E24N	+	803005	E23M
E08J	+	124588	E08K
E12J	+	124588	E12K
E16J	+	124588	E16K
E20J	+	124588	E20K
F04F	+	124588	F04M
F07F	+	124588	F07M
F10N	+	803005	F09P
F14Q	+	124588	F14J
F17D	+	124588	F17K
F18Q	+	124588	F18J
F19Q	+	124588	F19J
F20Q	+	124588	F20J
F21Q	+	124588	F21J
F22F	+	124588	F22M
F23D	+	124588	F23K
F23N	+	124588	F22P

NOTE 1 THE INHIBIT WINDINGS THROUGH THE ROW-BIT CORES ARE CONNECTED BY A JUMPER ON THE ARRAY.

	FROM	TO
4K	SIDE D FR 12 PIN 54	SIDE D FR 10 PIN 52
2K	SIDE D FR 8 PIN 54	SIDE D FR 6 PIN 52

DATE	EC NO	DATE	EC NO	DATE	EC NO
6-19-62	1135358				

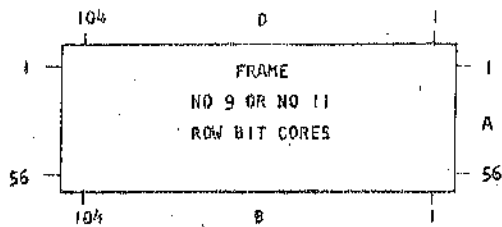
481376
REFERENCE DRAWING

CONNECTIONS BETWEEN ROW BIT CORES AND READ BRUSHES 01A1 42.40.51.1

NO 1 BRUSH	RC CONN	EDGE CONN 01A1	CORE FRAME NO 11	NO 2 BRUSH	RC CONN	EDGE CONN 01A1	CORE FRAME NO 9	PCH CHK BRUSH	PC CONN	EDGE CONN 01A1	CORE FRAME NO 9
1	1	G01-A	A52	1	81	G06-A	A49	1	81	G11-A	A51
2	2	G01-B	A46	2	82	G06-B	A44	2	82	G11-B	A46
3	3	G01-C	A40	3	83	G06-C	A39	3	83	G11-C	A41
4	4	G01-D	A34	4	84	G06-D	A34	4	84	G11-D	A36
5	5	G01-E	A28	5	85	G06-E	A27	5	85	G11-E	A29
6	6	G01-F	A22	6	86	G06-F	A22	6	86	G11-F	A24
7	7	G01-G	A16	7	87	G06-G	A17	7	87	G11-G	A19
8	8	G01-H	A10	8	88	G06-H	A12	8	88	G11-H	A14
9	9	G01-J	A4	9	89	G06-J	A7	9	89	G11-J	A9
10	10	G01-K	B1	10	90	G06-K	A54	10	90	G11-K	A52
11	11	G01-L	A55	11	91	G06-L	A48	11	91	G11-L	A47
12	12	G01-M	A49	12	92	G06-M	A43	12	92	G11-M	A42
13	13	G01-N	A43	13	93	G06-N	A38	13	93	G11-N	A37
14	14	G01-P	A37	14	94	G06-P	A33	14	94	G11-P	A32
15	15	G01-Q	A31	15	95	G06-Q	A26	15	95	G11-Q	A25
16	16	G01-R	A25	16	96	G06-R	A21	16	96	G11-R	A20
17	17	G02-A	A19	17	97	G07-A	A16	17	97	G12-A	A15
18	18	G02-B	A13	18	98	G07-B	A11	18	98	G12-B	A10
19	19	G02-C	A7	19	99	G07-C	A6	19	99	G12-C	A5
20	20	G02-D	B5	20	100	G07-D	A53	20	100	G12-D	B39
21	21	G02-E	B8	21	101	G07-E	A50	21	101	G12-E	B40
22	22	G02-F	B11	22	102	G07-F	A45	22	102	G12-F	B41
23	23	G02-G	B14	23	103	G07-G	A40	23	103	G12-G	B42
24	24	G02-H	B17	24	104	G07-H	A35	24	104	G12-H	B43
25	25	G02-J	D15	25	105	G07-J	A28	25	105	G12-J	D39
26	26	G02-K	D12	26	106	G07-K	A23	26	106	G12-K	D40
27	27	G02-L	D9	27	107	G07-L	A18	27	107	G12-L	D41
28	28	G02-M	D6	28	108	G07-M	A13	28	108	G12-M	D42
29	29	G02-N	D3	29	109	G07-N	A8	29	109	G12-N	D43
30	30	G02-P	B20	30	110	G07-P	B11	30	110	G12-P	B44
31	31	G02-Q	B23	31	111	G07-Q	B12	31	111	G12-Q	B45
32	32	G02-R	B26	32	112	G07-R	B13	32	112	G12-R	B46
33	33	G03-A	B29	33	113	G08-A	B14	33	113	G13-A	B47
34	34	G03-B	B31	34	114	G08-B	B15	34	114	G13-B	B48
35	35	G03-C	D25	35	115	G08-C	D11	35	115	G13-C	D44
36	36	G03-D	D23	36	116	G08-D	D12	36	116	G13-D	D45
37	37	G03-E	D21	37	117	G08-E	D13	37	117	G13-E	D46
38	38	G03-F	D19	38	118	G08-F	D14	38	118	G13-F	D47
39	39	G03-G	D17	39	119	G08-G	D15	39	119	G13-G	D48
40	40	G03-H	B33	40	120	G08-H	B16	40	120	G13-H	B49
41	41	G03-J	B35	41	121	G08-J	B17	41	121	G13-J	B50
42	42	G03-K	B37	42	122	G08-K	B18	42	122	G13-K	B51
43	43	G03-L	B39	43	123	G08-L	B19	43	123	G13-L	B52
44	44	G03-N	B41	44	124	G08-M	B20	44	124	G13-M	B53
45	45	G03-N	D35	45	125	G08-N	D16	45	125	G13-N	D49
46	46	G03-P	D33	46	126	G08-P	D17	46	126	G13-P	D50
47	47	G03-Q	D31	47	127	G08-Q	D18	47	127	G13-Q	D51
48	48	G03-R	D29	48	128	G08-R	D19	48	128	G13-R	D52
49	49	G04-A	D27	49	129	G09-A	D20	49	129	G14-A	D53
50	50	G04-B	B43	50	130	G09-B	B21	50	130	G14-B	B54
51	51	G04-C	B45	51	131	G09-C	B22	51	131	G14-C	B55
52	52	G04-D	B47	52	132	G09-D	B23	52	132	G14-D	B56
53	53	G04-E	B49	53	133	G09-E	B24	53	133	G14-E	B57
54	54	G04-F	B51	54	134	G09-F	B25	54	134	G14-F	B58
55	55	G04-G	B45	55	135	G09-G	D21	55	135	G14-G	D54
56	56	G04-H	D43	56	136	G09-H	D22	56	136	G14-H	D55
57	57	G04-J	D41	57	137	G09-J	D23	57	137	G14-J	D56
58	58	G04-K	D39	58	138	G09-K	D24	58	138	G14-K	D57
59	59	G04-L	D37	59	139	G09-L	D25	59	139	G14-L	D58
60	60	G04-M	B54	60	140	G09-M	B26	60	140	G14-M	D59
61	61	G04-N	B56	61	141	G09-N	B27	61	141	G14-N	D60
62	62	G04-P	B58	62	142	G09-P	B28	62	142	G14-P	B61
63	63	G04-Q	B60	63	143	G09-Q	B29	63	143	G14-Q	B62
64	64	G04-R	B62	64	144	G09-R	B30	64	144	G14-R	B63
65	65	G05-A	D56	65	145	G10-A	D26	65	145	G15-A	D59
66	66	G05-B	D54	66	146	G10-B	D27	66	146	G15-B	D60
67	67	G05-C	D51	67	147	G10-C	D28	67	147	G15-C	D61
68	68	G05-D	D49	68	148	G10-D	D29	68	148	G15-D	D62
69	69	G05-E	D47	69	149	G10-E	D30	69	149	G15-E	D63
70	70	G05-F	B64	70	150	G10-F	B31	70	150	G15-F	B64
71	71	G05-G	B66	71	151	G10-G	B32	71	151	G15-G	B65
72	72	G05-H	B68	72	152	G10-H	B33	72	152	G15-H	B66
73	73	G05-J	B70	73	153	G10-J	B34	73	153	G15-J	B67
74	74	G05-K	B72	74	154	G10-K	B35	74	154	G15-K	B68
75	75	G05-L	D66	75	155	G10-L	D31	75	155	G15-L	D64
76	76	G05-M	D64	76	156	G10-M	D32	76	156	G15-M	D65
77	77	G05-N	D62	77	157	G10-N	D33	77	157	G15-N	D66
78	78	G05-P	D60	78	158	G10-P	D34	78	158	G15-P	D67
79	79	G05-Q	D58	79	159	G10-Q	D35	79	159	G15-Q	D68
80	80	G05-R	B74	80	160	G10-R	B36	80	160	G15-R	B69

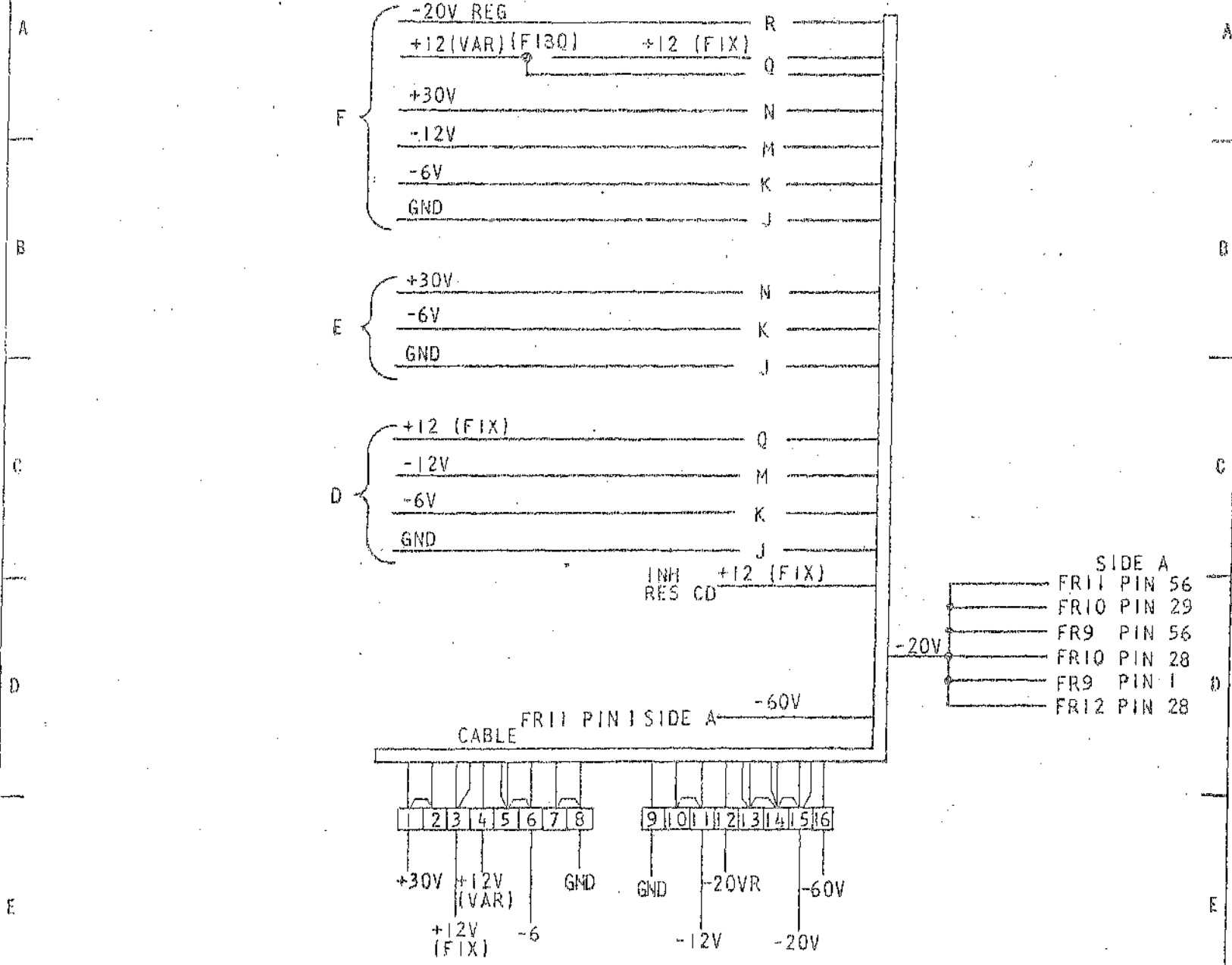
1/2 WRITE BIAS CONNECTIONS

BRUSH	RC-PC CONN	EDGE CONN 01A1	STORAGE ARRAY SIDE	FRAME	PIN
RD 1	189	G16-A	A	12	29
RD 2	190	G16-B	A	10	27
PCH CHK	187	G26-A	A	10	30

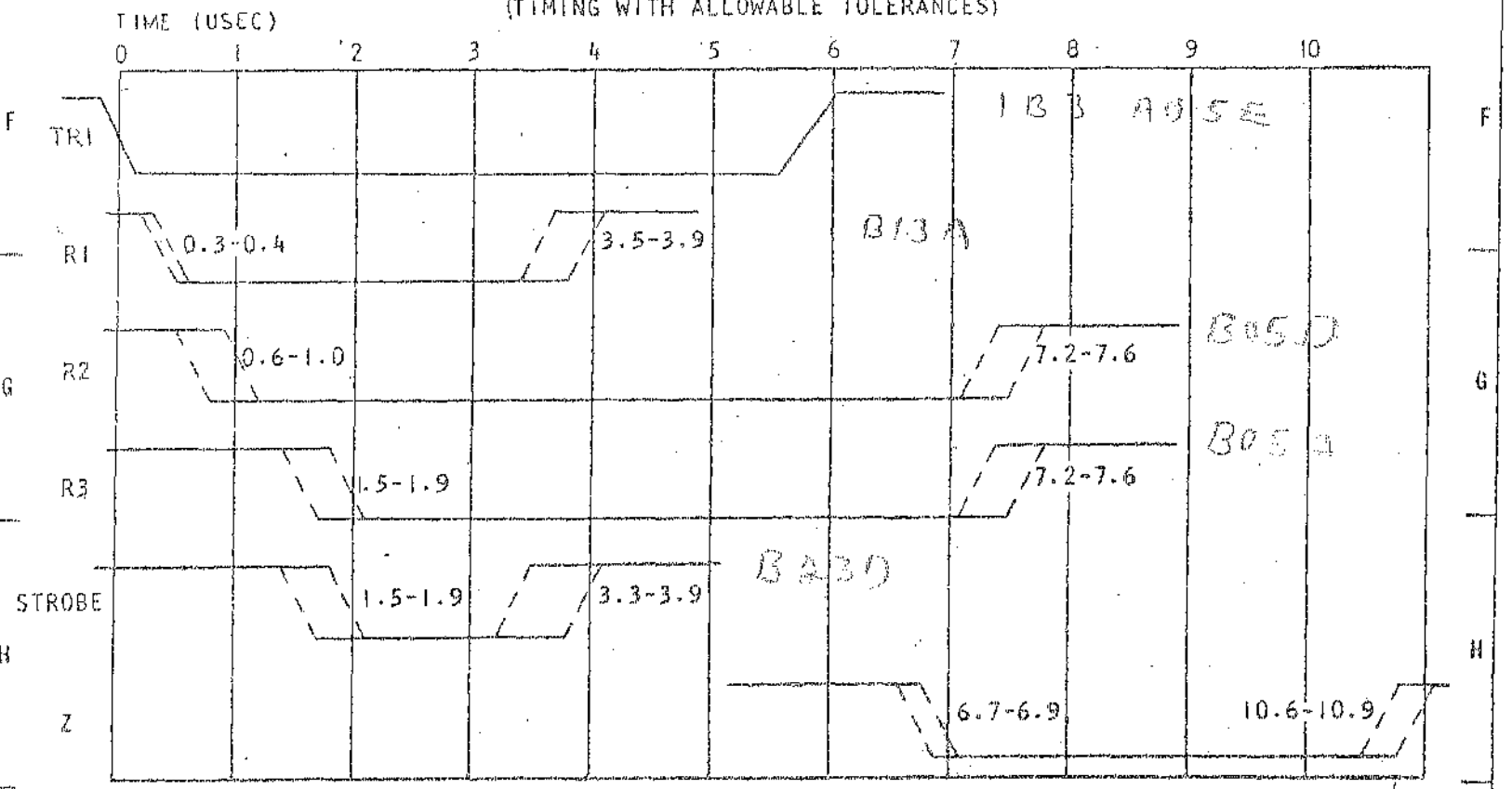


DATE	EC NO	DATE	EC NO	DATE	EC NO
5-4-60	108950				
1-26-61	110423				
3-30-61	110432F				

VOLTAGE DISTRIBUTION-BASIC MEMORY



1401 CORE STORAGE CLOCK PULSES
(TIMING WITH ALLOWABLE TOLERANCES)



NOTE 1 DELAYS ARE MEASURED AT THE 50% LEVELS

DATE	EC NO	DATE	EC NO	DATE	EC NO
11-23-60	110404				
1-26-61	110423				
3-30-61	110432F				

724526
REFERENCE DRAWING

CONNECTIONS BETWEEN ROW BIT CORES
AND 1404 READ BRUSHES

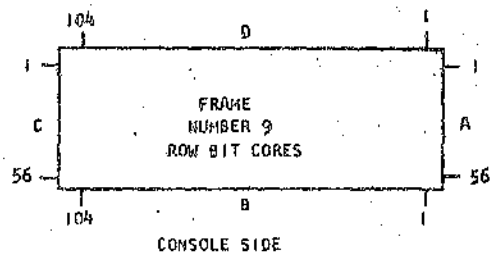
01A1

42.40.54.1

STORAGE LOCATION	COMPARE CONNECTOR	EDGE CONNECTOR DIA1	CORE FRAME PLANE NUMBER 9
0334	01	G26-A	B70
0335	02	G26-B	D69
0336	03	G26-C	D70
0337	04	G26-D	D71
0338	05	G26-E	D72
0339	07	G26-F	D73
0340	08	G26-G	B71
0341	10	G26-H	B72
0342	11	G26-J	B73
0343	12	G26-K	B74
0344	13	G26-L	B75
0345	14	G26-M	B74
0346	15	G26-N	D75
0347	16	G26-P	D76
0348	17	G26-Q	D77
0349	18	G26-R	D78
0350	20	G16-A	B76
0351	21	G16-B	B77
0352	22	G16-C	B78
0353	23	G16-D	B79
0354	24	G16-E	B80
0355	25	G16-F	D79
0356	26	G16-G	D80
0357	27	G16-H	D81
0358	28	G16-J	D82
0359	29	G16-K	D83
0360	30	G16-L	B81
0361	31	G16-M	B82
0362	32	G16-N	B83
0363	33	G16-P	B84
*	NOTE 1	G16-Q	C01
*	NOTE 1	G16-R	C30

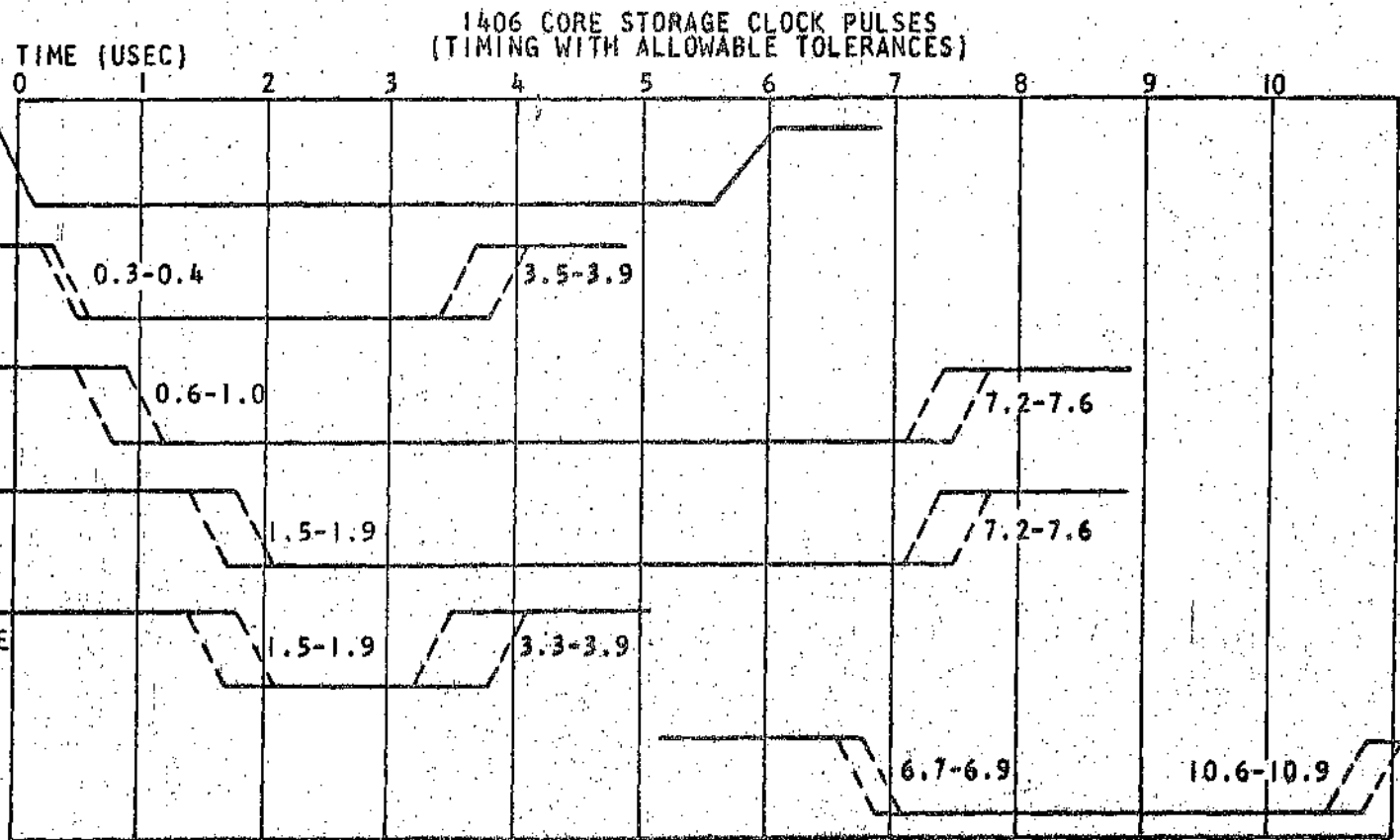
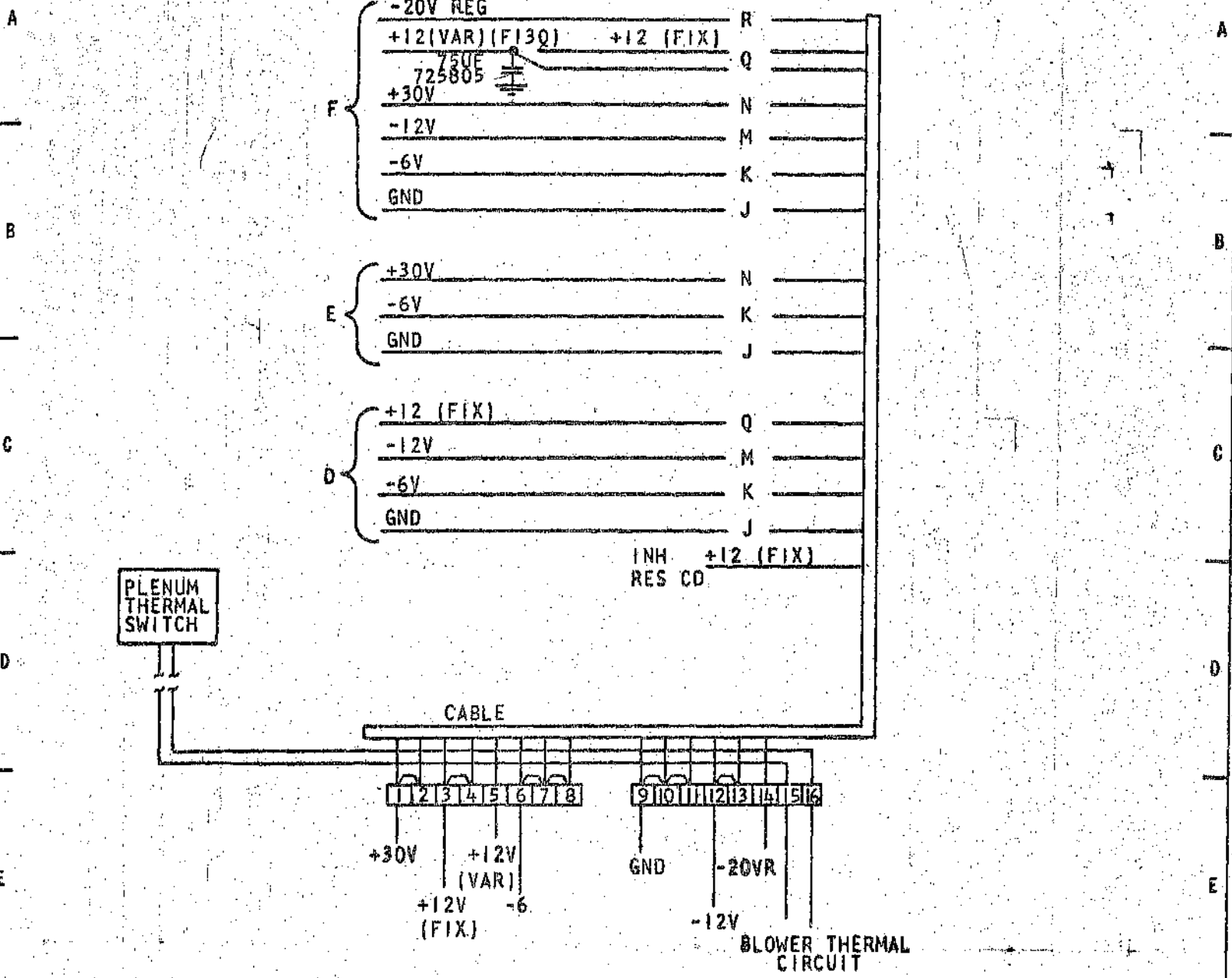
NOTES

- 1 A 1.5 AMP FUSE IS MOUNTED ON THE PADDLE CARD TO FUSE THE 20 VOLTS SUPPLIED TO THE ROW BITS FOR THE 1404 COMPARE FEATURE.
- 2 ALL BRUSH SIGNAL LINES HAVE A 220 OHM SERIES RESISTOR BEFORE DIA1 EDGE CONNECTOR TERMINATION ON THE PADDLE CARD CONNECTOR.



DATE	EC NO	DATE	EC NO	DATE	EC NO
10-8-62	116360				

VOLTAGE DISTRIBUTION-1406 MEMORY

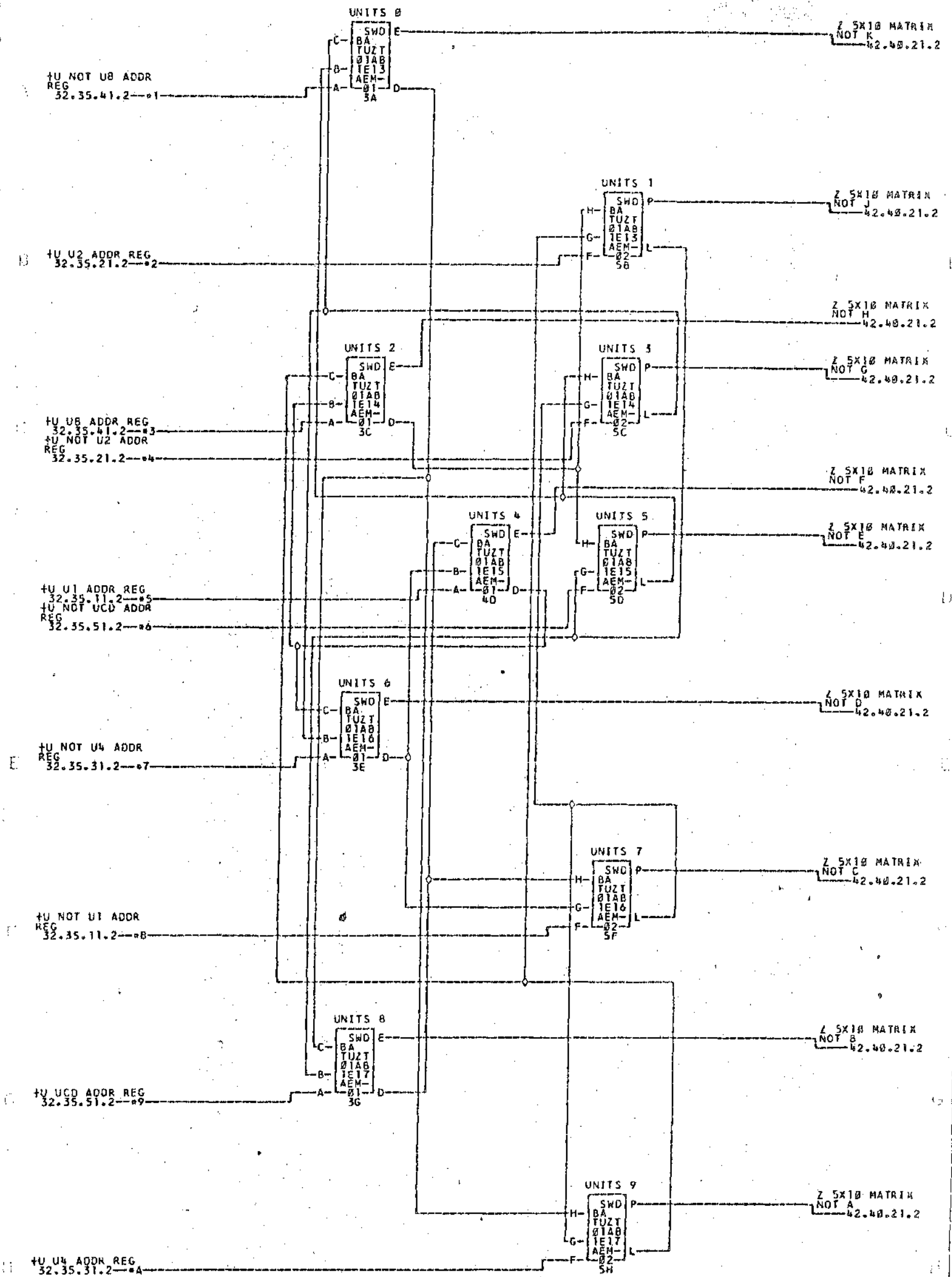


NOTE 1 DELAYS ARE MEASURED AT THE 50% LEVELS

COMMENTS
THIS INFORMATION APPLIES TO EITHER
THE 4K OR 8K STORAGE CHASSIS IN THE 1406

DATE	EC NO	DATE	EC NO	DATE	EC NO
10-27-60	109541				
1-26-61	109556				
7-20-64	120059				

PROJECT NO.	NAME	MACH	PART NO.	E C NO.	LOGIC NO.
1401	LOGIC INDEX	1401 BA	724689	116360	42.53.10.2
PR CH	LOGIC NO.	LOGIC	NAME	PART NO.	E C NO.
01 A1	42.40.11.2	STORAGE CORE	FRAMES REF DWG	722594	110432F
01 A1	42.40.21.2	5X10 MATRIX SWITCH	REF DWG	722655	112912
01 A1	42.40.31.2	8X10 MATRIX SWITCH	REF DWG	722656	112912
01 A1	42.40.41.1	SW CORE DRIVE TERM RES	4K REF DWG	481375	112912
01 A1	42.40.42.2	SW CORE DRIVE TERM RES	2K REF DWG	722657	112912
01 A1	42.40.43.2	INH DR TERM RESISTOR	REF DWG	722596	112912
01 A1	42.40.51.1	ROW BIT CORE + RD BRSH	CONN REF DWG	481376	112912
01 A1	42.40.52.1	ROW BIT CORES + PR MAG	CONN REF DWG	481377	112912
01 A1	42.40.53.2	1401 TIMING + VOLTAGE	DIST REF DWG	722595	112912
01 A1	42.40.54.1	ROW BIT CORES +1404	RD BRSH CONN	724526	116360
01 A1	42.41.11.2	4K STORAGE BLOCK	DIAGRAM REF DWG	722805	110432F
01 A1	42.41.12.2	2K STORAGE BLOCK	DIAGRAM REF DWG	722659	110432F
01 A1	42.53.11.2	UNITS DECODE SWITCH		723780	112912
01 A1	42.53.20.2	UNIT PLUGGING CHART		724692	112912
01 A1	42.54.11.2	TENS DECODE SWITCH		723781	112912
01 A1	42.55.11.2	HUNDREDS DECODE SWITCHES		723782	114241
01 A1	42.56.11.2	HUNDREDS + THOUSANDS	DECODE SWITCHES	723783	112912
01 A1	42.57.11.2	CURRENT DRIVERS AND	CURRENT SOURCES	723794	112912
01 A1	42.58.11.2	INHIBIT DRIVERS		723785	113535
01 A1	42.59.11.2	PRE-SENSE AND SENSE	AMPLIFIERS -4K-	723786	112912
01 A1	42.59.11.2	PRE-SENSE AND SENSE	AMPLIFIERS-2K-	723778	113535



- *1--01A1E02D *2--01A1E01B *3--01A1E01D *4--01A1E02B *5--01A1E01A *6--01A1E02E
- *7--01A1E02C *8--01A1E02A *9--01A1E01E *A--01A1E01C

COMMENTS

TAG DATE	E.C.NO.	TAG DATE	E.C.NO.	TAG DATE	E.C.NO.	TAG DATE	E.C.NO.
A 00-12-60	109500E	B 11-07-60	110400E	C 03-08-61	110431B		

0724692

UNIT PLUMBING CHART

DI A

1401

42.57.11.2

DATE NOV 16, 1961

A

B

D

E

G

H

J

	A	B	C	D	E	F
1						
2						
3						
4				WX- 0371899*01 42.59.11.2	AQU- 0370833*02 42.54.11.2	DKA- 0370443*01 42.57.11.2
5				AQU- 0370833*01 42.59.11.2 42.59.11.2 42.59.11.2 42.59.11.2	AQU- 0370833*02 42.54.11.2 42.54.11.2	DKA- 0370443*01 42.57.11.2
6				WX- 0371899*01 42.59.11.2	AQU- 0370833*02 42.54.11.2	AKC- 0370426*01 42.57.11.2
7				WX- 0371899*01 42.59.11.2	AQU- 0370833*02 42.54.11.2	DKA- 0370443*01 42.57.11.2
8				AKC- 0370426*01 42.57.11.2	AQU- 0370833*02 42.54.11.2	DKA- 0370443*01 42.57.11.2
9				WX- 0371899*01 42.59.11.2	AQU- 0370833*02 42.59.11.2	
10				WX- 0371899*01 42.59.11.2	AQU- 0370833*02 42.59.11.2	AQU- 0370833*01 42.57.11.2
11				AQU- 0370833*04 42.59.11.2 42.59.11.2 42.59.11.2 42.59.11.2	AQU- 0370833*01 42.59.11.2	
12				WX- 0371899*01 42.59.11.2	AQU- 0370833*02 42.54.11.2	AQU- 0370833*01 42.57.11.2
13				WX- 0371899*01 42.59.11.2	AQU- 0370833*02 42.53.11.2	

0724692

UNIT PLUMBING CHART

01 A 1

1401

42-53-27.2

SHEET 2 OF 2
DATE NOV 16, 1951

REMARKS

112912

	A	B	C	D	E	F
14					AOV- 0370833*02 42-53-11.2 42-53-11.2	AOV- 0370835*01 42-57-11.2
15				WX- 0371899*01 42-59-11.2	AOV- 0370833*02 42-53-11.2 42-53-11.2	
16				WX- 0371899*01 42-59-11.2	AOV- 0370833*02 42-53-11.2 42-53-11.2	AOV- 0370835*01 42-57-11.2
17				AOV- 0370837*04 42-59-11.2 42-59-11.2 42-59-11.2 42-59-11.2	AOV- 0370833*02 42-53-11.2 42-53-11.2	
18				WX- 0371899*01 42-59-11.2	AOV- 0370833*02 42-53-11.2 42-53-11.2	AOV- 0370834*01 42-58-11.2
19				WX- 0371899*01 42-59-11.2	AOV- 0370833*02 42-53-11.2 42-53-11.2	AOV- 0370834*01 42-58-11.2
20					AOV- 0370833*02 42-53-11.2 42-53-11.2	AOV- 0370834*01 42-58-11.2
21				WX- 0371899*01 42-59-11.2		AOV- 0370834*01 42-58-11.2
22				WX- 0371899*01 42-59-11.2		
23				AOV- 0370833*04 42-59-11.2 42-59-11.2 42-59-11.2		AOV- 0370834*01 42-58-11.2
24				04 WX- 0371899*01 42-59-11.2		AOV- 0370834*01 42-58-11.2
25				WX- 0371899*01 42-59-11.2		AOV- 0370834*01 42-58-11.2
26						

A

B

C

D

E

F

G

H

J

A

B

C

D

E

F

G

H

J

0724692

UNIT PLOTTING CHART

01 A

1491

42.53.11.2

SHEET 1 OF 2
DATE NOV 18, 1961

A
B
C
D
E
F
G
H
J

1
2
3
4
5
6
7
8
9
10
11
12
13

A	B	C	D	E	F
			MX- 0371899 01 42.59.11.2	AQU- 0370833 02 42.56.11.2	DKA- 0370443 01 42.57.11.2
			AQX- 0370836 03 42.59.11.2 42.59.11.2 42.59.11.2	AQU- 0370833 02 42.56.11.2	DKA- 0370443 01 42.57.11.2
			MX- 0371899 01 42.59.11.2	AQU- 0370833 02 42.56.11.2	AKC- 0370829 01 42.57.11.2
			MX- 0371899 01 42.59.11.2	AQU- 0370833 02 42.56.11.2	DKA- 0370443 01 42.57.11.2
			AKB- 0370825 01 42.57.11.2	AQU- 0370833 02 42.56.11.2	DKA- 0370443 01 42.57.11.2
			MX- 0371899 01 42.59.11.2	AQU- 0370833 02 42.56.11.2	
			MX- 0371899 01 42.59.11.2	AQU- 0370833 02 42.56.11.2	AQW- 0370935 01 42.57.11.2
			AQX- 0370836 03 42.59.11.2 42.59.11.2 42.59.11.2	AQU- 0370833 02 42.56.11.2	
			MX- 0371899 01 42.59.11.2	AQU- 0370833 02 42.56.11.2	AQW- 0370935 01 42.57.11.2
			MX- 0371899 01 42.59.11.2	AQU- 0370833 02 42.56.11.2	

Handwritten notes and scribbles on the right side of the chart.

0724692

UNIT PLUGGING CHART

01 A 1

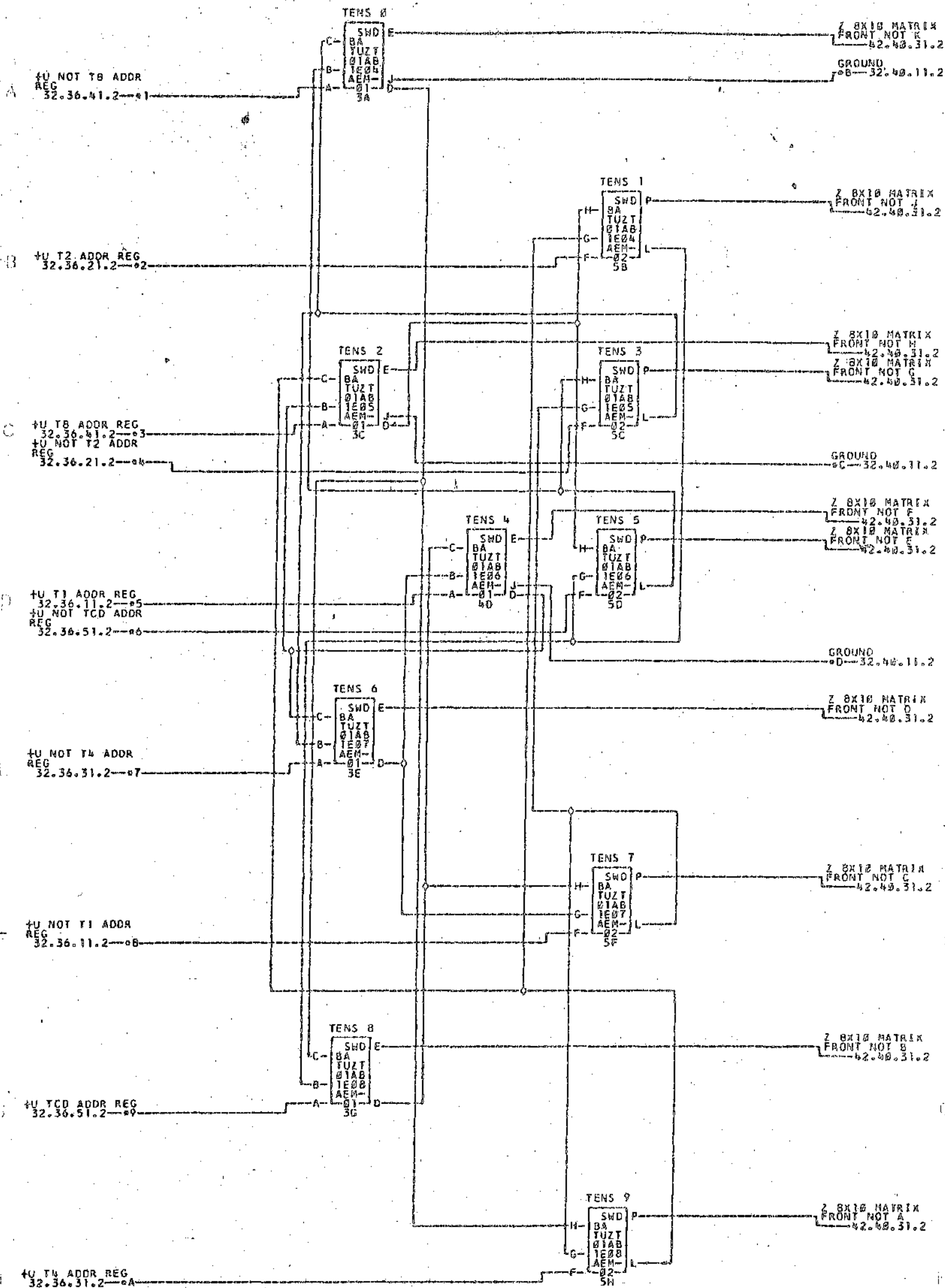
1401
112912

42.53.22.2
SHEET 2 OF 2
DATE NOV 16, 1961

	A	B	C	D	E	F
14					AOV- 0370833*02 42.53.11.2	AOV- 0370835*01 42.57.11.2
15				WX- 0371895*01 42.59.11.2	AOV- 0370833*02 42.53.11.2	
16				WX- 0371895*01 42.59.11.2	AOV- 0370833*02 42.53.11.2	AOV- 0370835*01 42.57.11.2
17				AOV- 0370833*02 42.53.11.2	AOV- 0370835*01 42.57.11.2	
18				WX- 0371895*01 42.59.11.2	AOV- 0370833*02 42.53.11.2	AOV- 0370834*01 42.58.11.2
19				WX- 0371895*01 42.59.11.2	AOV- 0370833*02 42.53.11.2	AOV- 0370834*01 42.58.11.2
20					AOV- 0370833*02 42.53.11.2	AOV- 0370834*01 42.58.11.2
21				WX- 0371895*01 42.59.11.2		AOV- 0370834*01 42.58.11.2
22				WX- 0371895*01 42.59.11.2		
23				AOV- 0370833*02 42.53.11.2		AOV- 0370834*01 42.58.11.2
24				WX- 0371895*01 42.59.11.2		AOV- 0370834*01 42.58.11.2
25				WX- 0371895*01 42.59.11.2		AOV- 0370834*01 42.58.11.2
26						

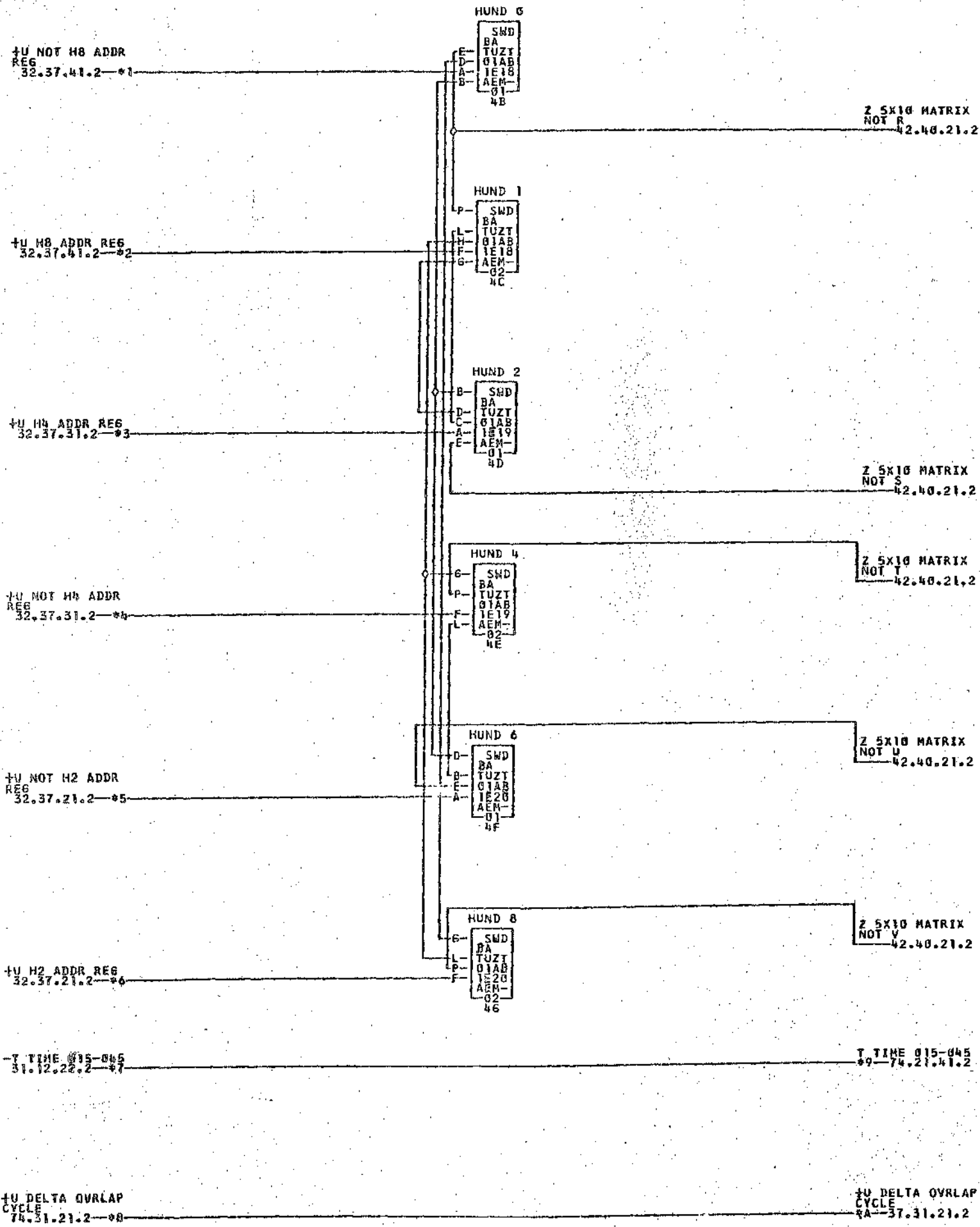
A
B
C
D
E
F
G
H
J

A
B
C
D
E
F
G
H
J



- 01--01A1E02K 02--01A1E01G 03--01A1E01K 04--01A1E02G 05--01A1E01F 06--01A1E02L
- 07--01A1E02N 08--01A1E02P 09--01A1E01L 0A--01A1E01H 0B--01A1E01J 0C--01A1E02J
- 0C--01A1E03J 0D--01A1E02J 0E--01A1E02J 0F--01A1E02J

COMMENTS	TAG DATE	E.C.NO.	TAG DATE	E.C.NO.	TAG DATE	E.C.NO.	TAG DATE	E.C.NO.
	A 08-12-60	189500E	B 11-07-60	110480	C 01-24-61	110423	D 03-08-61	1104318



- *1-01A1E020 *2-01A1E010 *3-01A1E01P *4-01A1E02P *5-01A1E02N *6-01A1E01N
- *7-01A1F020 *8-01A1E03L *9-01A1E03Q *A-01A1D02Q -----01A2A07R

COMMENTS

TAG	DATE	E.C.NO.	TAG	DATE	E.C.NO.	TAG	DATE	E.C.NO.	TAG	DATE	E.C.NO.
A	68-12-60	109560E	B	11-07-60	110404	C	06-14-62	113535B	D	06-25-62	114241A

A

A

B

B

C

C

D

D

E

E

F

F

G

G

H

H

J

J

SIGNAL GROUND
31.12.94.2-01

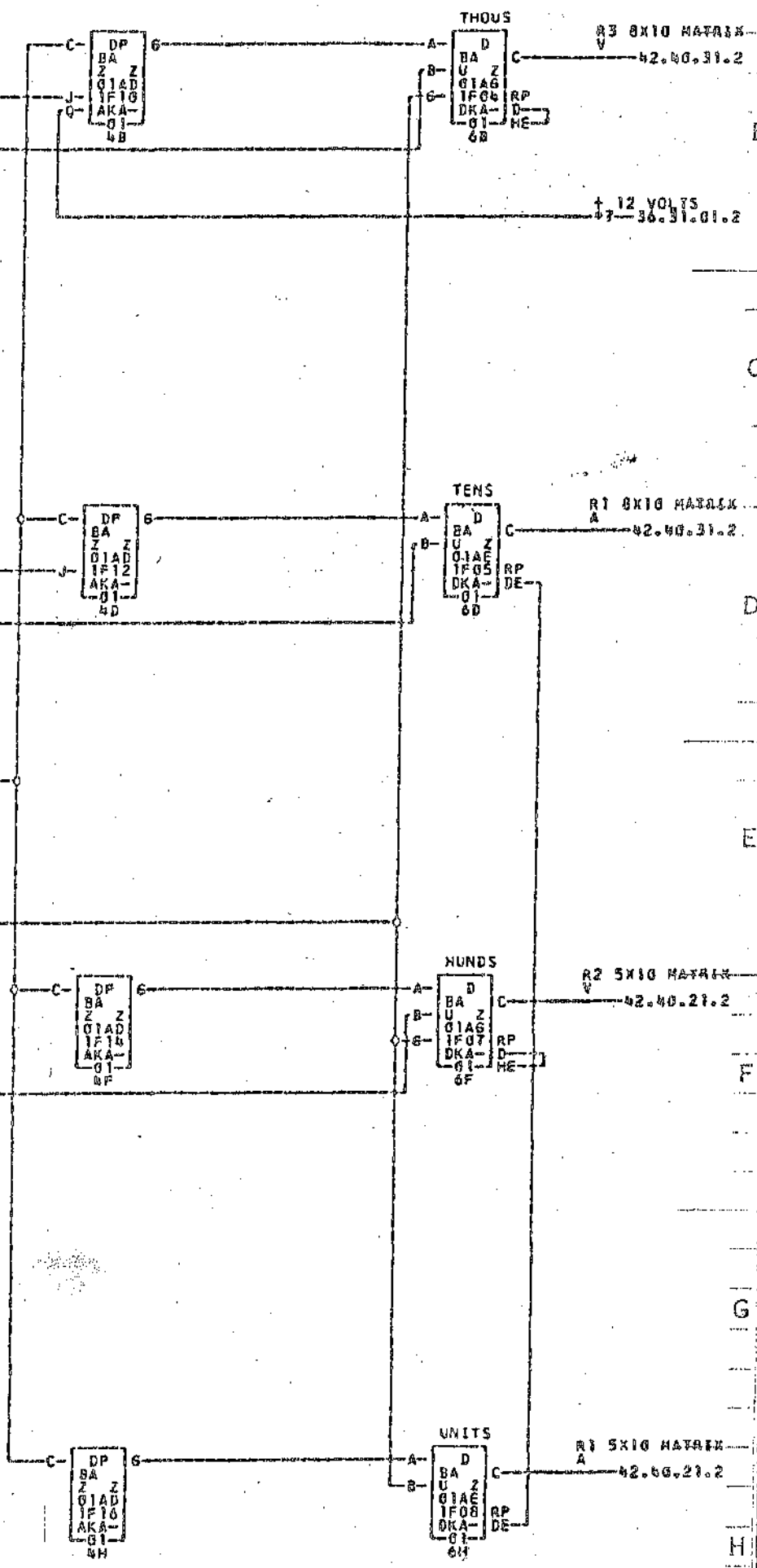
-U TIME 015-075
R1 NOTE 1
31.12.93.2-02

SIGNAL GROUND
00.00.00.0-03

-U TIME 000-036
R1 NOTE 1
31.12.93.2-04

-U ACTIVATE
STORAGE
31.02.41.2-05

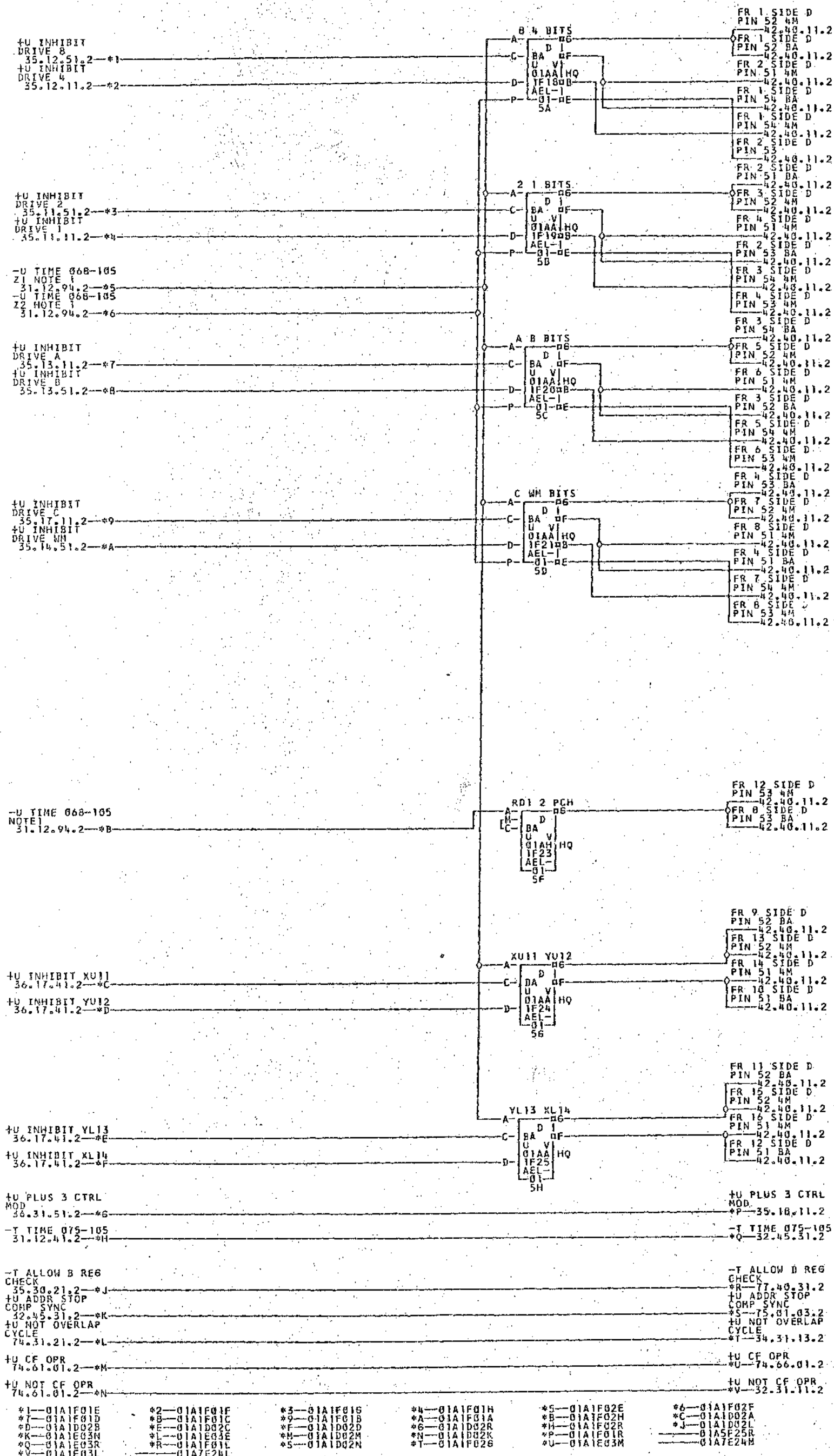
-U TIME 008-075
R2 NOTE 1
31.12.93.2-06



- *1--01A1F02J
- *2--01A1F02C
- *3--01A1F01J
- *4--01A1F02A
- *5--01A1F01K
- *6--01A1F02B

NOTE 1 TIMING AND ALLOWABLE TOLERANCES OF STORAGE PULSES ARE FOUND ON REFERENCE LOGIC 42.40.53.2

TAG	DATE	F.C.NO.	TAG	DATE	F.C.NO.	TAG	DATE	F.C.NO.	TAG	DATE	F.C.NO.
A	08-12-60	109508E	B	11-07-60	110404	C	11-30-60	110413A	D	01-18-61	110422
E	02-22-61	110430	F	03-08-61	110431B	G	07-17-61	110449			



- *1--01A1F01E
- *2--01A1F01F
- *3--01A1F01G
- *4--01A1F01H
- *5--01A1F02E
- *6--01A1F02F
- *7--01A1F01D
- *8--01A1F01C
- *9--01A1F01B
- *A--01A1F01A
- *B--01A1F02H
- *C--01A1D02A
- *D--01A1D02B
- *E--01A1D02C
- *F--01A1D02D
- *6--01A1D02R
- *H--01A1F02R
- *J--01A1D02L
- *K--01A1E03N
- *L--01A1E03E
- *M--01A1D02M
- *N--01A1D02K
- *P--01A1F01R
- *S--01A1F01R
- *Q--01A1E03R
- *R--01A1F01L
- *S--01A1D02N
- *T--01A1F02G
- *U--01A1E03M
- *V--01A1E03L
- *W--01A7E24L

TAG	DATE	E.C.NO.	TAG	DATE	E.C.NO.	TAG	DATE	E.C.NO.	TAG	DATE	E.C.NO.
A	08-12-60	109500E	B	11-07-60	110404	C	01-24-61	110423	D	02-22-61	110430
E	03-08-61	110431B	F	07-17-61	110449	G	08-15-61	110324N	H	09-01-61	110324S
J	06-14-62	113535B									

NOTE 1 TIMING AND ALLOWABLE TOLERANCES OF STORAGE PULSES ARE FOUND ON REFERENCE LOGIC 42.40.53.2

STORAGE CORE FRAME
BK

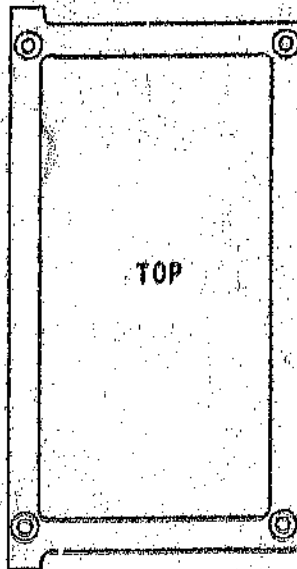
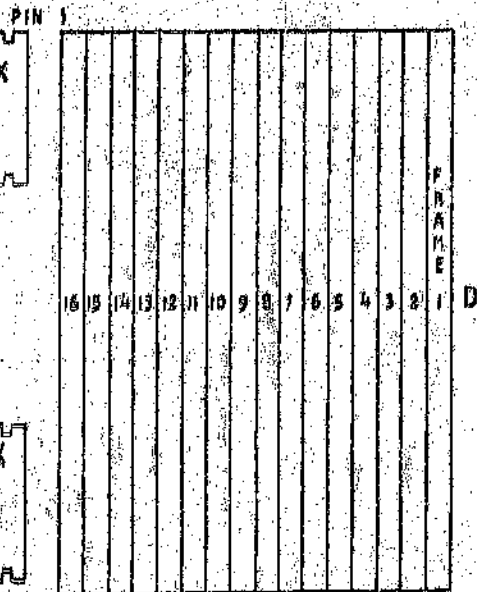
A
B
C
D
E
F
G
H

A
B
C
D
E
F
G
H

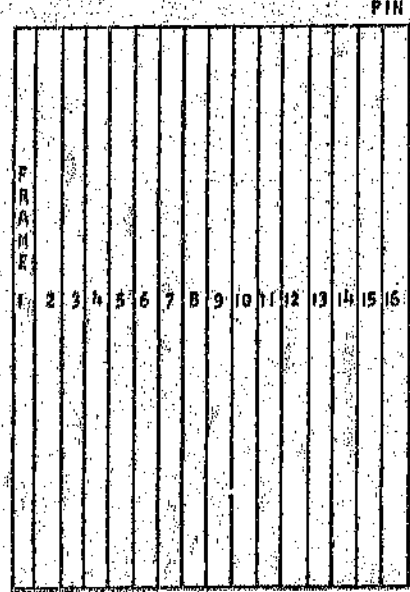
PIN 1	16
	15
	14
	13
	12
	11
	10
	9
	8
	7
	6
	5
	4
	3
	2
FRAME	1

A

8 X 10 MATRIX SWITCH
(BACK SIDE)



C



10 X 10 MATRIX SWITCH
(BACK SIDE)

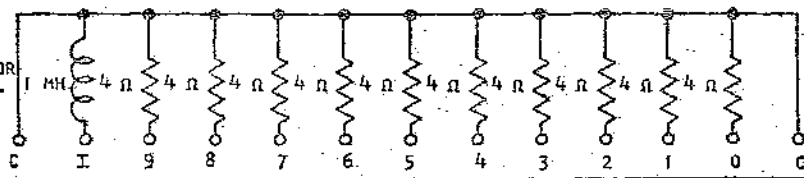
FRAME	1
	2
	3
	4
	5
	6
	7
	8
	9
	10
	11
	12
	13
	14
	15
	16

PIN 1

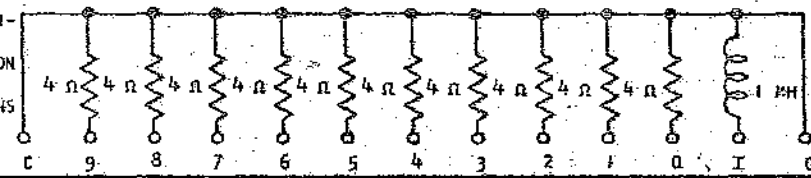
PIN 56

DATE	EC NO	DATE	EC NO	DATE	EC NO
08-05-60	109525B				
11-22-61	112911				

NOTE: ALL THE BELOW TERMINALS IN THE UNITS AND HUNDREDS SECTION HAVE RESISTOR AND INDUCTOR CONNECTIONS AS SHOWN.
(5) 1 MH INDUCTORS
(50) 4 Ω RESISTORS

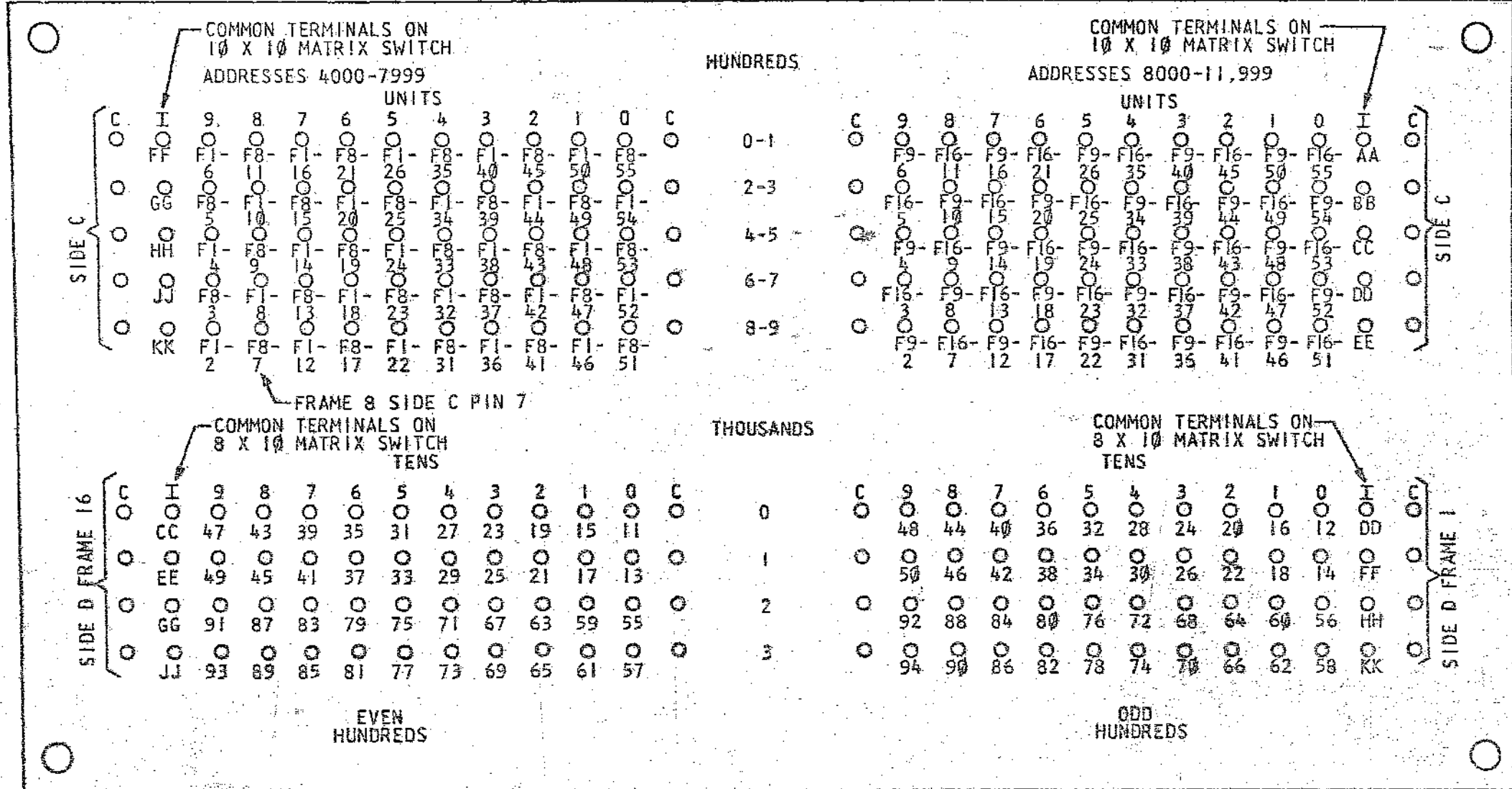


NOTE: ALL THE BELOW TERMINALS IN THE UNITS AND HUNDREDS SECTION HAVE RESISTOR AND INDUCTOR CONNECTIONS AS SHOWN.
(5) 1 MH INDUCTORS
(50) 4 Ω RESISTORS

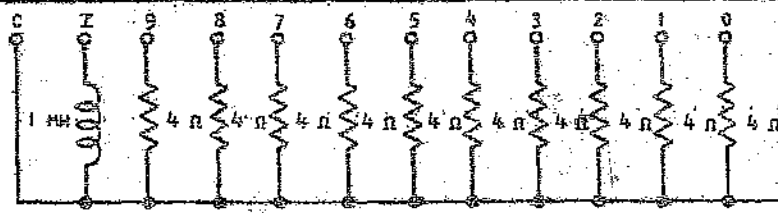


ALL RESISTORS ARE RATED AT 1W, ±1%

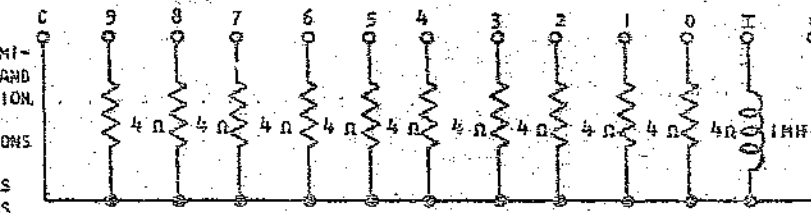
1406 BK DRIVER
TERMINATING RESISTORS



NOTE: ALL THE ABOVE TERMINALS IN THE TENS AND EVEN HUNDREDS SECTION HAVE RESISTOR AND INDUCTOR CONNECTIONS AS SHOWN.
(4) 1 MH INDUCTORS
(40) 4 Ω RESISTORS



NOTE: ALL THE ABOVE TERMINALS IN THE TENS AND ODD HUNDREDS SECTION HAVE RESISTOR AND INDUCTOR CONNECTIONS AS SHOWN.
(4) 1 MH INDUCTORS
(40) 4 Ω RESISTORS



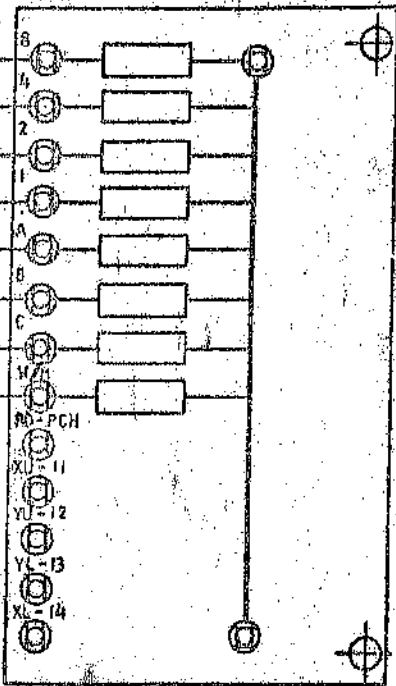
ALL RESISTORS ARE RATED AT 1W, ±1%

DATE 10-12-60 EG NO 109540 DATE 10-27-60 EG NO 109541
DATE 11-22-61 EG NO 112911

CORE ARRAY
TERMINATIONS
SIDE D

4K			8K		
FR	PIN	PIN	FR	PIN	PIN
1	51	53	9	51	53
2	52	54	10	52	54
3	51	53	11	51	53
4	52	54	12	52	54
5	51	53	13	51	53
6	52	54	14	52	54
7	51	53	15	51	53
8	52	54	16	52	54

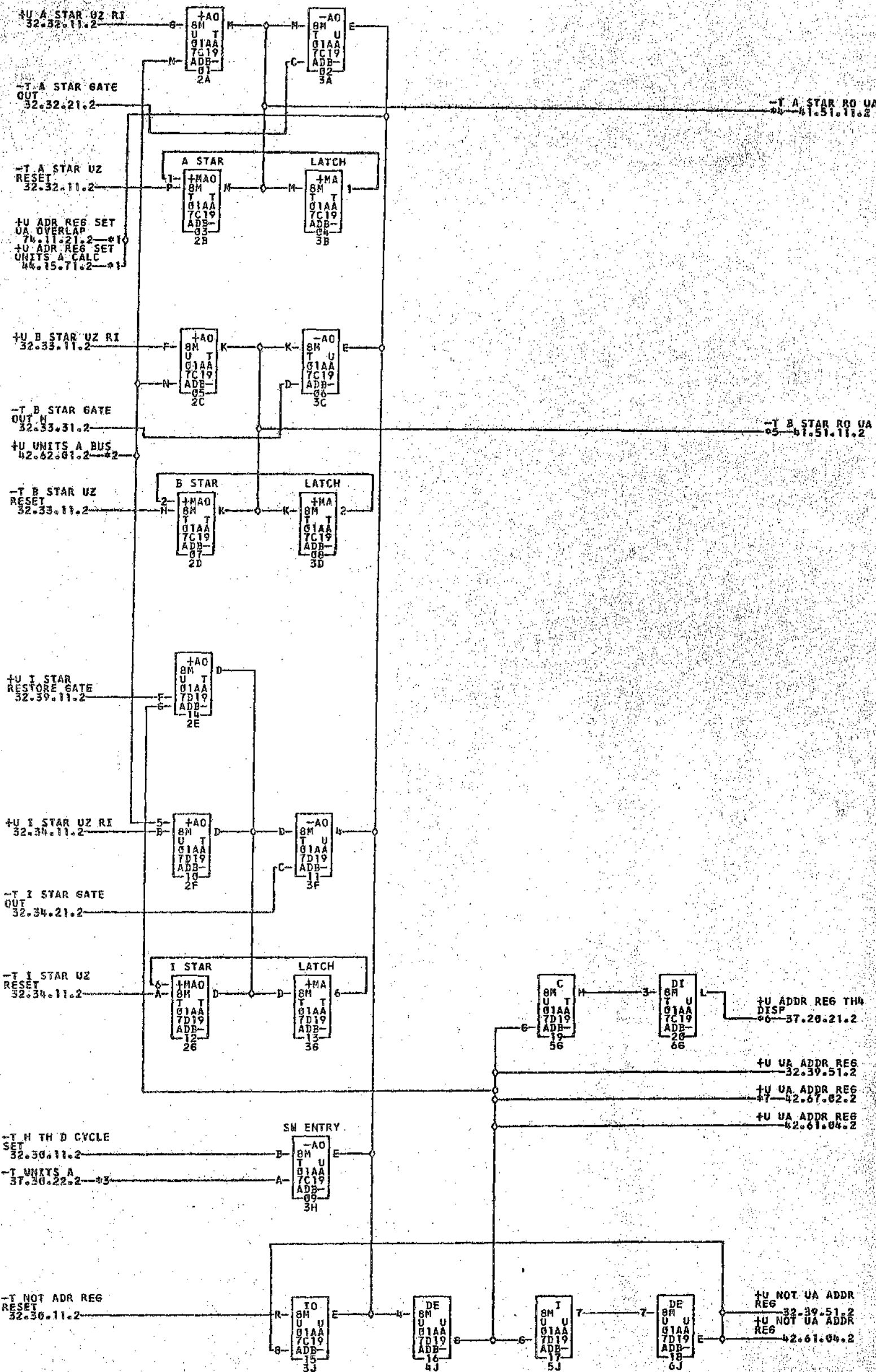
INHIBIT DRIVE
TERMINATING RESISTORS



COMMENTS

THIS INFORMATION APPLIES TO EITHER
THE 4K OR 8K STORAGE CHASSIS IN THE 1406

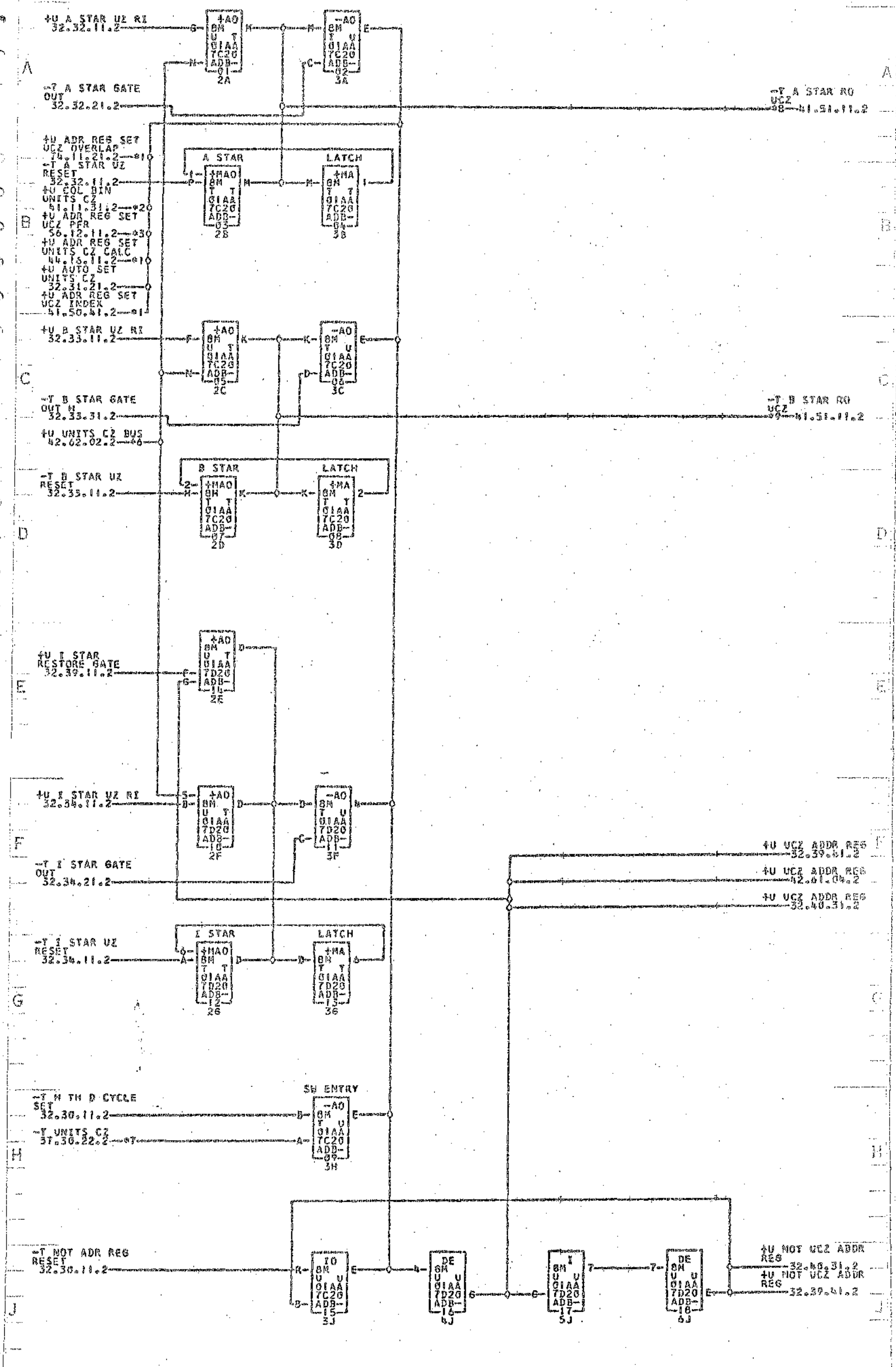
DATE	EC NO	DATE	EC NO	DATE	EC NO
10-27-60	109541				
1-26-61	109556				
11-22-61	112911				



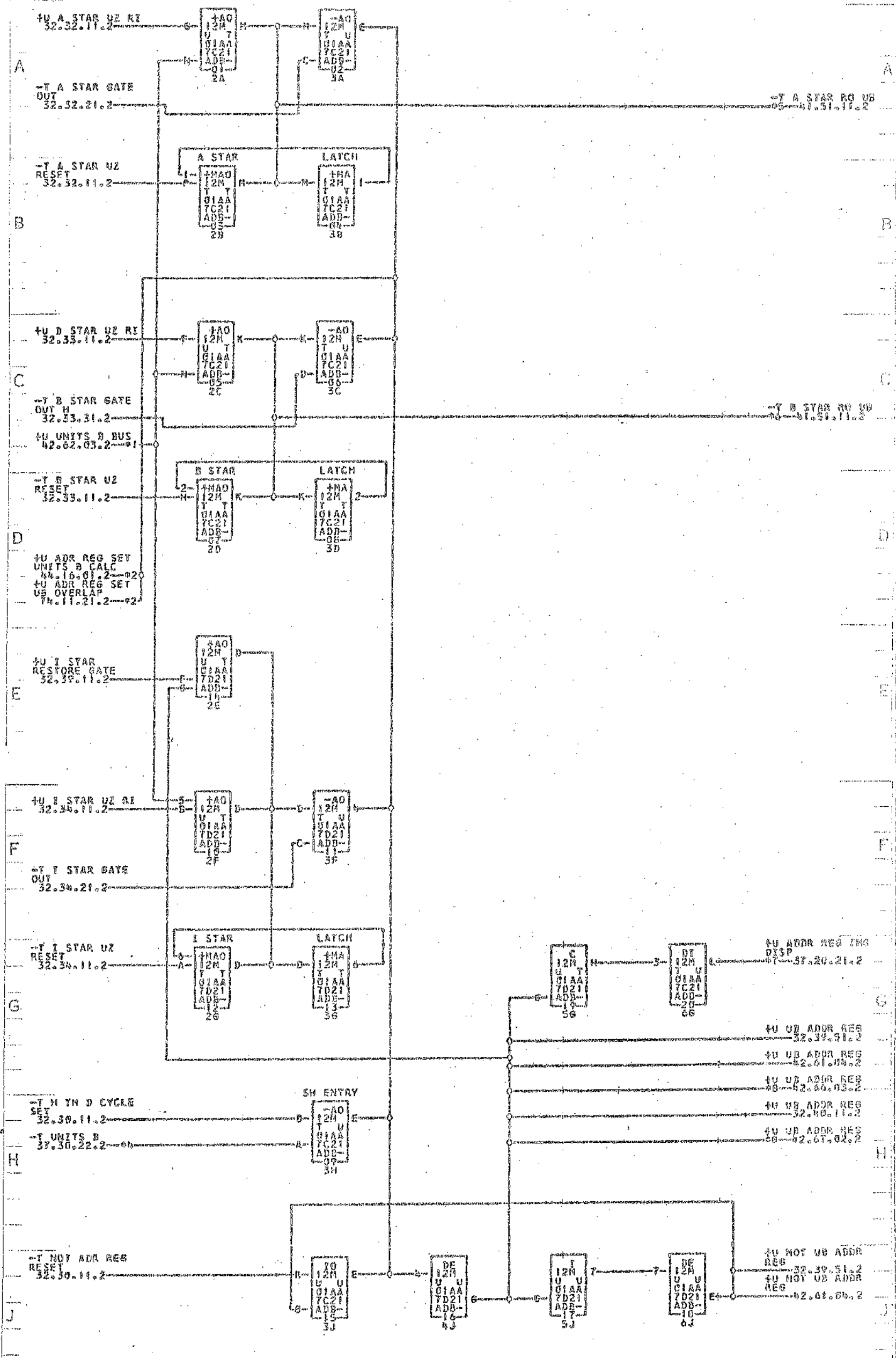
- *1-01A7E23A *2-01A7F26P *3-01A7E23D *4-01A7E236 01A8B26B 01A8C21A
- 02A9B01F 02B6E02A *5-01A7E23K *6-01A7A25R 01A8C24D 02A8C21A
- 02B6E02B 06B7A06L 01A8C25R 01A8C26L 01A2A02L *7-01A7F23L

COMMENTS

TAG	DATE	E.C.NO.	TAG	DATE	E.C.NO.	TAG	DATE	E.C.NO.	TAG	DATE	E.C.NO.
A	65-31-61	118329H	B	66-29-62	114843						



- *1-01A7E23B *2-01A7A23B *3-01A7A23A *4-01A7F26R *7-01A7E23E *8-01A7E23M
- 01A8B26H 01A8C24C 02A9885F 02B6E02C 01A7E23L 01A8B26L
- 01ABC24D 02A9887F 02B6E02D

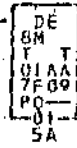


- *1---01A7P260 *2---01A7E23C *3---01A7E23F *4---01A7E23H *5---01A7E23J *6---01A8B26J *7---01A8C24E
- 02A7B09F *8---02A8E02E *9---01A7E23M *10---01A8C240 *11---01A8C24F *12---02A7B11P
- 02B6E02F *13---01A7B26K *14---01A8D25R *15---01A8C240 *16---01A2A020 *17---01A7F23K
- 06B7A06K

COMMENTS

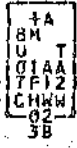
TAS	DATE	E.C.NO.	TAS	DATE	E.C.NO.	TAS	DATE	E.C.NO.	TAS	DATE	E.C.NO.
A	05-31-61	110320H									

+U UA ADDR REG
42.61.01.2



-T SERIAL UA
42.62.04.2

+U NOT UA ADDR
REG
42.61.01.2



-T SERIAL NOT
UA
42.62.04.2

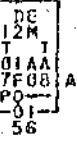
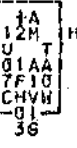
+U UCZ ADDR REG
42.61.02.2



-T SERIAL UCZ
42.62.02.2

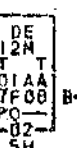
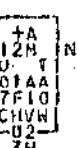
+U TIME 060-090
32.39.21.2

+U UB ADDR REG
42.61.03.2



-T SERIAL UB
42.62.04.2

+U NOT UB ADDR
REG
42.61.03.2



-T SERIAL NOT
UB
42.62.04.2

*1-01A7F26J
*4-01A7F26L

01A8B24J
01A8B24L

*2-01A7F26K
*5-01A7F26M

01A8B24K
01A8B24M

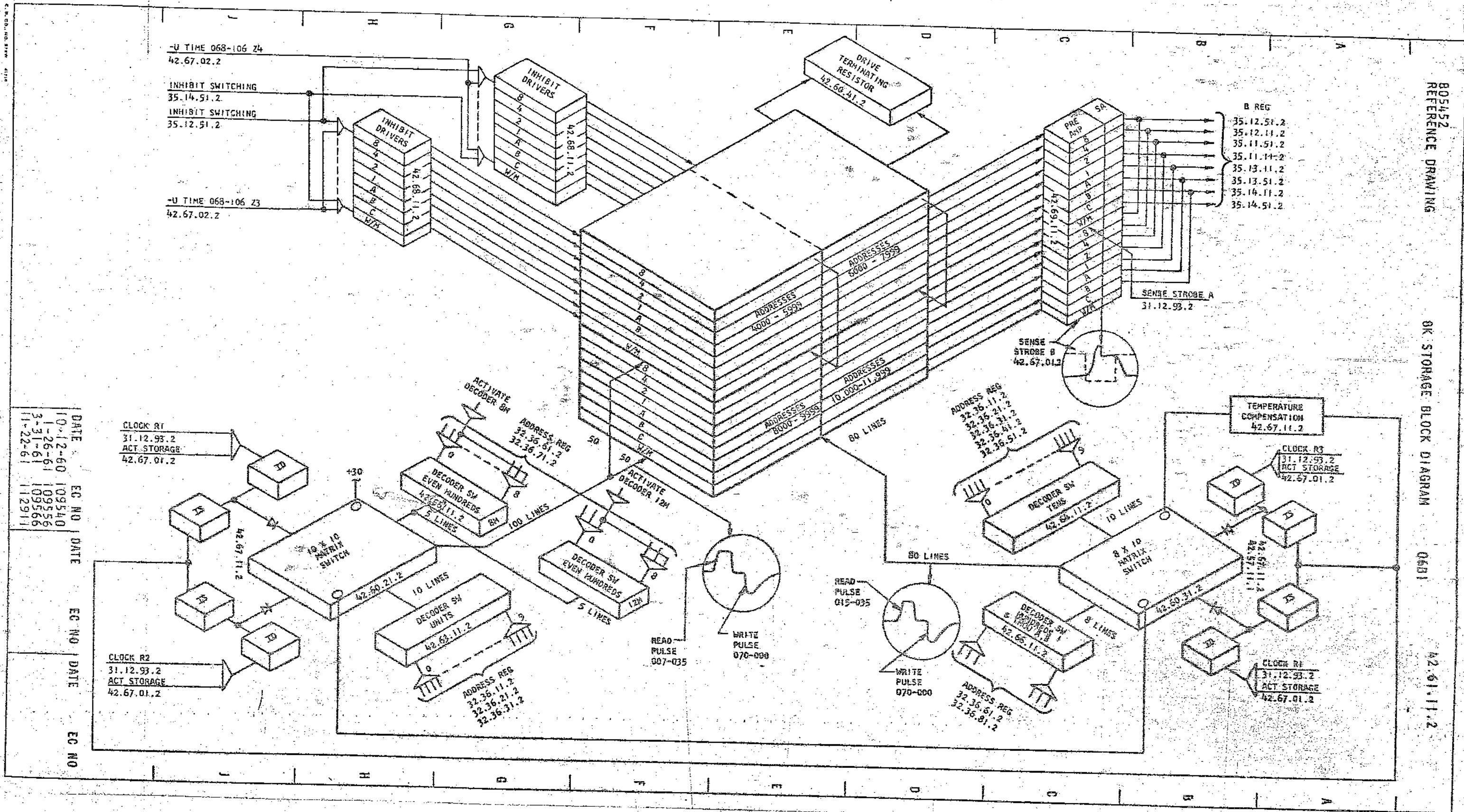
*3-01A7F26N

01A8B24N

COMMENTS

TAG DATE E.C.NO. TAG DATE E.C.NO. TAG DATE E.C.NO. TAG DATE E.C.NO.

A 05-31-61 1103204



DATE	EC NO	DATE	EC NO
10-12-60	109540		
1-26-61	109556		
3-31-61	109566		
11-22-61	112911		

CLOCK R1
31.12.93.2
ACT STORAGE
42.67.01.2

CLOCK R2
31.12.93.2
ACT STORAGE
42.67.01.2

TEMPERATURE
COMPENSATION
42.67.11.2

CLOCK R3
31.12.93.2
ACT STORAGE
42.67.01.2

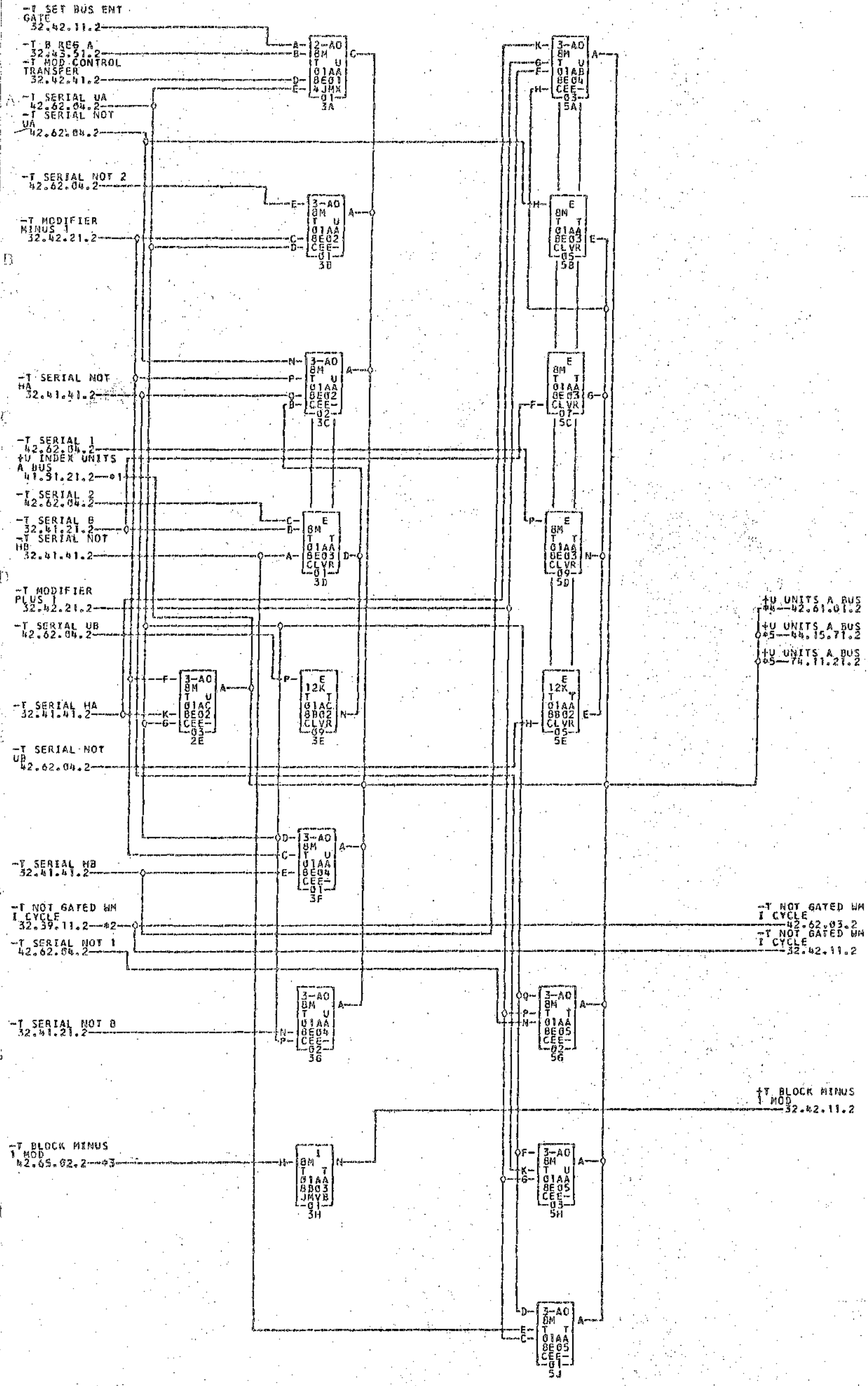
CLOCK R1
31.12.93.2
ACT STORAGE
42.67.01.2

ADDRESS REG
32.36.11.2
32.36.21.2
32.36.31.2
32.36.41.2
32.36.51.2

ADDRESS REG
32.36.81.2
32.36.91.2

ADDRESS REG
32.35.51.2
32.36.71.2

ADDRESS REG
32.36.11.2
32.36.21.2
32.36.31.2



#1--01ABC24G #2--01ABA26E #3--01ABB25B #4--01A8B24P #5--01A8B26N

#6--01ABF26N #7--02A9D19A #8--02A7B26N #9--06B7A15B #10--02B1A02N

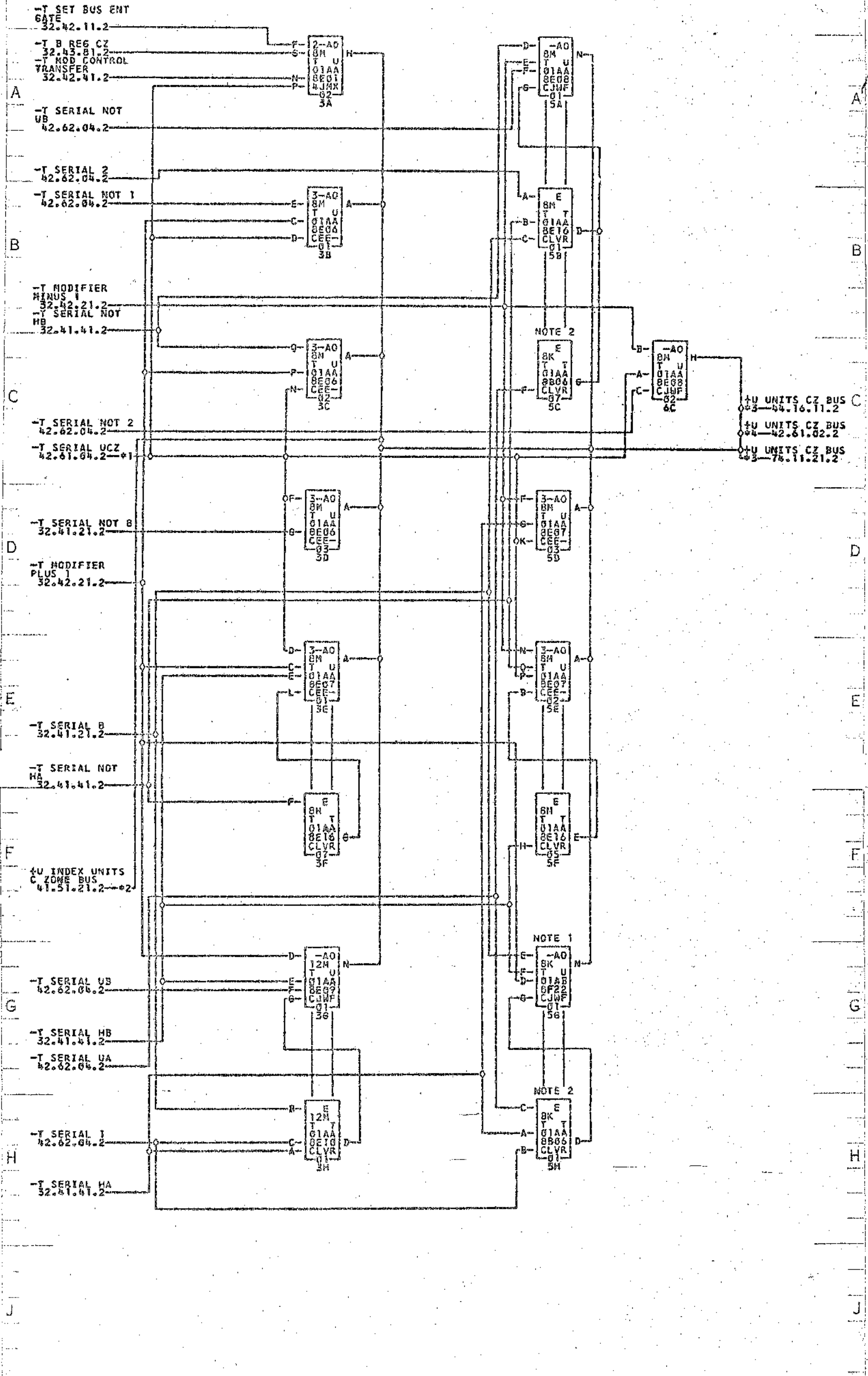
#11--01A7F26P

0723734

ADDRESS MODIFY UNITS C ZONE BIT

1401 EX

42.62.02.2



- *1-01A9B24N
02B7C61R
- *2-01A8C24J
02A7C26R
- *3-01A8A25A
01A8B24R
- 02A9D81F
01A7F24R
- 02B1A02L
- 02B7D02M

COMMENTS
 NOTE 1 P22 IS ADDED FOR 8K STORAGE ONLY
 NOTE 2 B06 IS ADDED FOR 8K AND 12K ONLY.

TAG DATE	E.C.NO.	TAG DATE	E.C.NO.	TAG DATE	E.C.NO.	TAG DATE	E.C.NO.
A 05-27-61	1103286	B 08-16-61	1103248	C 03-01-62	114263		

-T SERIAL 1
32.41.11.2

-T SERIAL 1
42.62.01.2
-T SERIAL 1
42.62.02.2
-T SERIAL 1
42.62.03.2

-T SERIAL NOT 1
32.41.11.2

-T SERIAL NOT 1
42.62.01.2
-T SERIAL NOT 1
42.62.02.2
-T SERIAL NOT 1
42.62.03.2

-T SERIAL 2
32.41.11.2

-T SERIAL 2
42.62.01.2
-T SERIAL 2
42.62.03.2
-T SERIAL 2
42.62.02.2

-T SERIAL NOT 2
32.41.11.2

-T SERIAL NOT 2
42.62.01.2
-T SERIAL NOT 2
42.62.02.2
-T SERIAL NOT 2
42.62.03.2

-T SERIAL UA
42.61.04.2 *1

-T SERIAL UA
42.62.01.2
-T SERIAL UA
42.62.03.2
-T SERIAL UA
32.44.41.2
-T SERIAL UA
42.62.02.2

-T SERIAL NOT
UA
42.61.04.2 *2

-T SERIAL NOT
UA
42.62.01.2
-T SERIAL NOT
UA
42.62.03.2
-T SERIAL NOT
UA
32.44.41.2
-T SERIAL NOT
UA
42.62.02.2

-T SERIAL UB
42.61.04.2 *3

-T SERIAL UB
42.62.02.2
-T SERIAL UB
42.62.03.2
-T SERIAL UB
32.44.41.2
-T SERIAL UB
42.62.01.2

-T SERIAL NOT
UB
42.61.04.2 *4

-T SERIAL NOT
UB
42.62.02.2
-T SERIAL NOT
UB
42.62.03.2
-T SERIAL NOT
UB
32.44.41.2
-T SERIAL NOT
UB
42.62.01.2

*1--01A8B24J

*2--01A8B24K

*3--01A8B24L

*4--01A8B24M

COMMENTS

TAG DATE	E.C.NO.	TAG DATE	E.C.NO.	TAG DATE	E.C.NO.	TAG DATE	E.C.NO.
A 05-27-61	1103206	B 03-12-61	1103208				

IBM

FORM 600-10-1

REMARKS

A
B
C
D
E
F
G
H
J

1
2
3
4
5
6
7
8
9
10
11
12
13

A	B	C	D	E	F
			WX-- BM 0371899 01 42.69.11.2		
			WX-- BM 0371899 01 42.69.11.2	AOU-- BM 0370833 02 42.66.11.2	DKA-- BM 0370443 01 42.67.11.2
			AOX-- BM 0370836 00 42.69.11.2 42.69.11.2 42.69.11.2 42.69.11.2	AOV-- BM 0370833 02 42.66.11.2	DKA-- BM 0370443 01 42.67.11.2
			WX-- BM 0371899 01 42.69.11.2	AOU-- BM 0370833 02 42.66.11.2	DKA-- BM 0370443 01 42.67.11.2
			WX-- BM 0371899 01 42.69.11.2	AOU-- BM 0370833 02 42.66.11.2	DKA-- BM 0370443 01 42.67.11.2
			AKD-- BM 0370423 01 42.67.11.2	AOV-- BM 0370833 02 42.66.11.2	DKA-- BM 0370443 01 42.67.11.2
			WX-- BM 0371899 01 42.69.11.2	AOU-- BM 0370833 02 42.66.11.2	
			WX-- BM 0371899 01 42.69.11.2	AOU-- BM 0370833 02 42.66.11.2	AGW-- BM 0370835 01 42.67.11.2
			AOX-- BM 0370836 00 42.69.11.2 42.69.11.2 42.69.11.2	AOU-- BM 0370833 02 42.66.11.2	
			WX-- BM 0371899 01 42.69.11.2	AOU-- BM 0370833 02 42.66.11.2	AGW-- BM 0370835 01 42.67.11.2
			WX-- BM 0371899 01 42.69.11.2	AOU-- BM 0370833 02 42.66.11.2	

A
B
C
D
E
F
G
H
J

0723799

UNIT PLUGGING CHART

CA. B. 1

1406

42-65-80-2

SHEET 2 OF 2
DATE NOV 15, 1961

REMARKS

A	B	C	D	E	F
				AQU- BM 0370833 01 42.63.11.2	AQU- BM 0370835 01 42.67.11.2
			AQU- 12M 0371899 01 42.64.11.2	AQU- BM 0370833 02 42.63.11.2	
			AQU- 12M 0371899 01 42.64.11.2	AQU- BM 0370833 02 42.63.11.2	AQU- BM 0370835 01 42.67.11.2
			AQU- 12M 0370836 04 42.60.11.2	AQU- BM 0370833 02 42.63.11.2	
			AQU- 12M 0371899 01 42.64.11.2	AQU- BM 0370833 02 42.63.11.2	AQU- BM 0370835 01 42.67.11.2
			AQU- 12M 0371899 01 42.64.11.2	AQU- BM 0370833 02 42.63.11.2	AQU- BM 0370835 01 42.67.11.2
				AQU- BM 0370833 02 42.63.11.2	AQU- BM 0370835 01 42.67.11.2
			AQU- 12M 0371899 01 42.64.11.2		AQU- BM 0370835 01 42.67.11.2
				AQU- 12M 0371899 01 42.64.11.2	
			AQU- 12M 0371899 01 42.64.11.2	AQU- 12M 0370833 02 42.63.11.2	
			AQU- 12M 0371899 01 42.64.11.2	AQU- 12M 0370833 02 42.63.11.2	
			AQU- 12M 0371899 01 42.64.11.2	AQU- 12M 0370833 02 42.63.11.2	
				AQU- 12M 0370833 02 42.63.11.2	

A

B

C

D

E

F

G

H

A

B

C

D

E

F

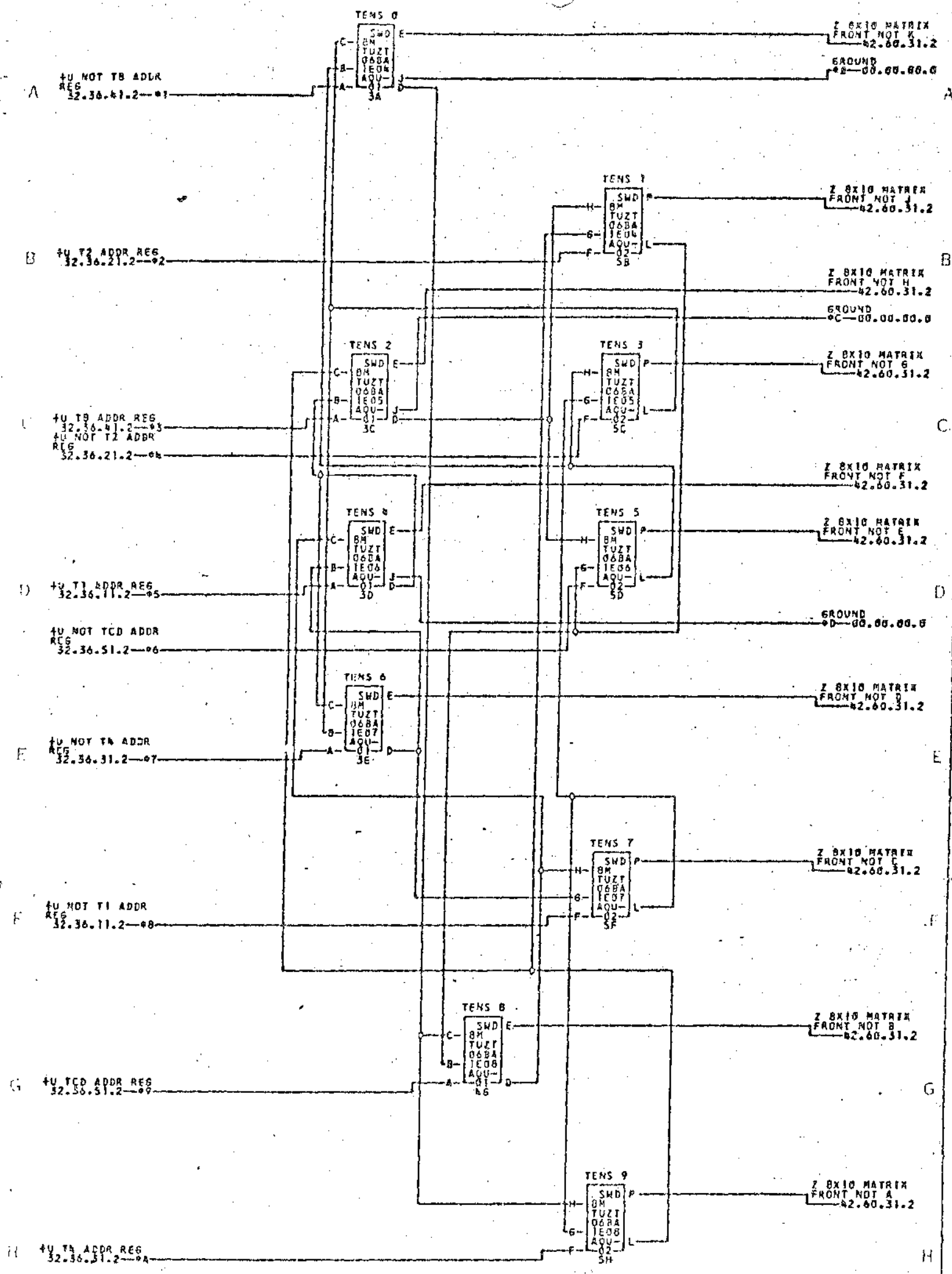
G

H

J

PROJECT NO.	NAME	MACH	PART NO.	E C NO.	LOGIC NO.
	LOGIC INDEX	1406	0724698	120059	42.63-10.2

FR CH	LOGIC NO.	LOGIC NAME	PART NO.	E C NO.
06 B1	42.40.03.2	1406 TIMING + VOLTAGE DIST REF. DWG.	805455	120059
01 B1	42.60.11.2	50TRAGE CORE FRAME REF DWG	805436	112911
06 B1	42.60.21.2	10X10 MATRIX SWITCH-BK REF DWG	805437	112911
06 B1	42.60.31.2	8X10 MATRIX SWITCH-BK REF DWG	805438	112911
06 B1	42.60.41.2	1406 BK DRIVER TERM RES REF DWG	805453	112911
06 B1	42.60.42.2	INHIBIT DRIVE RES REF. DWG	805454	112911
06 B1	42.61.11.2	BK STORAGE BLOCK DIAGRAM REF DWG	805452	112911
06 B1	42.63.00.2	UNIT PLUGGING CHART	723799	112911
06 B1	42.63.11.2	UNITS DECODE SWITCH	723800	112911
06 B1	42.64.11.2	TENS DECODE SWITCH	723801	112911
06 B1	42.65.11.2	HUNDREDS DECODE SWITCHES	723802	112911
06 B1	42.66.11.2	HUNDREDS AND THOUSANDS DECODE SWIT.	723803	112911
06 B1	42.67.11.2	CURRENT DRIVERS AND CURRENT SOURCES	723804	112911
06 B1	42.68.11.2	INHIBIT DRIVERS	723805	112911
06 B1	42.69.11.2	PRE-SENSE AND SENSE AMPLIFIERS	723807	112911



- *1-06B7A04K 06B1E02K *2-06B7A01G 06B1E01S *3-06B7A01K 06B1E01K
- *4-06B7A046 06B1E026 *5-06B7A01A 06B1E01F *6-06B7A04L 06B1E02L
- *7-06B7A06H 06B1E02H *8-06B7A06F 06B1E02F *9-06B7A01L 06B1E01L
- *A-06B7A01H 06B1E01H *B-06B1E01J *C-06B1E02J *D-06B1E03J

PROJECT NO.	NAME	FR CH	PART NO.	E C NO.	LOGIC NO.
1406	LOGIC INDEX		805487	118322	42.65.00.2

FR CH	LOGIC NO.	LOGIC NAME	PART NO.	E C NO.
06 84	42.64.00.2	UNIT PLUGGING CHART	805486	117242
06 84	42.65.01.2	ARITHMETIC MODIFY CONTROLS GEN	805469	117460
06 84	42.65.02.2	MODIFY OPERATION CONTROLS	805470	117242
06 84	42.66.03.2	FULL STORAGE PRINT	805489	118322
06 84	42.67.01.2	ACTIVATE STORAGE DECODE	805490	118322
06 84	42.67.02.2	STORAGE CONTROL PULSE GENERATION	805491	118322

PROJECT NO.	NAME	MACH	PART NO.	E C NO.	LOGIC NO.
1406	LOGIC INDEX	1406	805487	113839	42.65.00.2
FR CH	LOGIC NO.	LOGIC NAME	PART NO.	E C NO.	
06 84	42.64.00.2	UNIT PLUGGING CHART	805486	113839	
06 84	42.65.01.2	ARITHMETIC MODIFY CONTROLS GEN	805469	113423	
06 84	42.65.02.2	MODIFY OPERATION CONTROLS	805470	113839	
06 84	42.66.03.2	FULL STORAGE PRINT	805489	113423	
06 84	42.67.01.2	ACTIVATE STORAGE DECODE	805490	113423	
06 84	42.67.02.2	STORAGE CONTROL PULSE GENERATION	805491	113423	

	A	B	C	D	E	F
1						
2						
3						
4				CW-- 8H 0371436 01 42.67.02.2	CW-- 8H 0371534 01 42.66.03.2	CJVV 8H 0371267 02 42.65.01.2
5				CHVV 8H 0371264 03 42.65.02.2	CW-- 8H 0371534 01 42.66.03.2	CW-- 8H 0371534 01 42.65.01.2
6				01,03 CLVT 8H 0371073 * 42.66.03.2 42.66.03.2 42.66.03.2 42.67.01.2	COAT 8H 0371272 04 42.66.03.2 42.66.03.2 42.66.03.2	CW-- 8H 0371534 01 42.65.01.2
7				CLVT 8H 0371073 * 42.66.03.2 42.66.03.2 42.67.01.2	CRZT 8H 0371275 04 42.66.03.2 42.66.03.2 42.66.03.2	CW-- 8H 0371534 01 42.65.01.2
8				CLVT 16H 0371073 * 42.67.01.2	CGWV 8H 0371251 03 42.66.03.2 42.66.03.2 42.65.01.2	CPWT 8H 0371259 04 42.65.01.2 42.65.01.2 42.65.01.2
9				JFVN 16H 0371577 04 42.67.02.2 42.67.02.2 42.67.02.2	CLVO 8H 0371255 * 42.65.01.2 42.66.03.2 42.65.02.2	CRVU 8H 0371269 02 42.65.02.2 42.65.02.2
10				JFVN 8H 0371577 04 42.67.02.2 42.67.02.2 42.67.02.2	CLVO 8H 0371255 * 42.66.03.2 42.66.03.2 42.65.02.2	CRVU 8H 0371269 02 42.65.02.2 42.65.02.2
11				PP-- 8H 0371365 04 42.67.01.2 42.67.01.2 42.67.02.2	CKYC 8H 0371072 02 42.66.03.2 42.67.01.2	CLVF 8H 0371268 02 42.65.01.2 42.65.01.2
12				PP-- 16H 0371365 04 42.67.01.2 42.67.02.2 42.67.02.2	JLVR 8H 0371077 04 42.66.03.2 42.67.02.2 42.66.03.2	JHVB 8H 0371079 04 42.65.02.2 42.65.02.2 42.67.01.2
13				04	CRZV 8H 0371274 04 42.66.03.2 42.66.03.2	CHVV 8H 0371265 03 42.65.02.2 42.65.02.2
14					01,04	03

0805486

UNIT PLUGGING CHART

06 B-R

1800

42.44.00.2

SHEET 2 OF 3

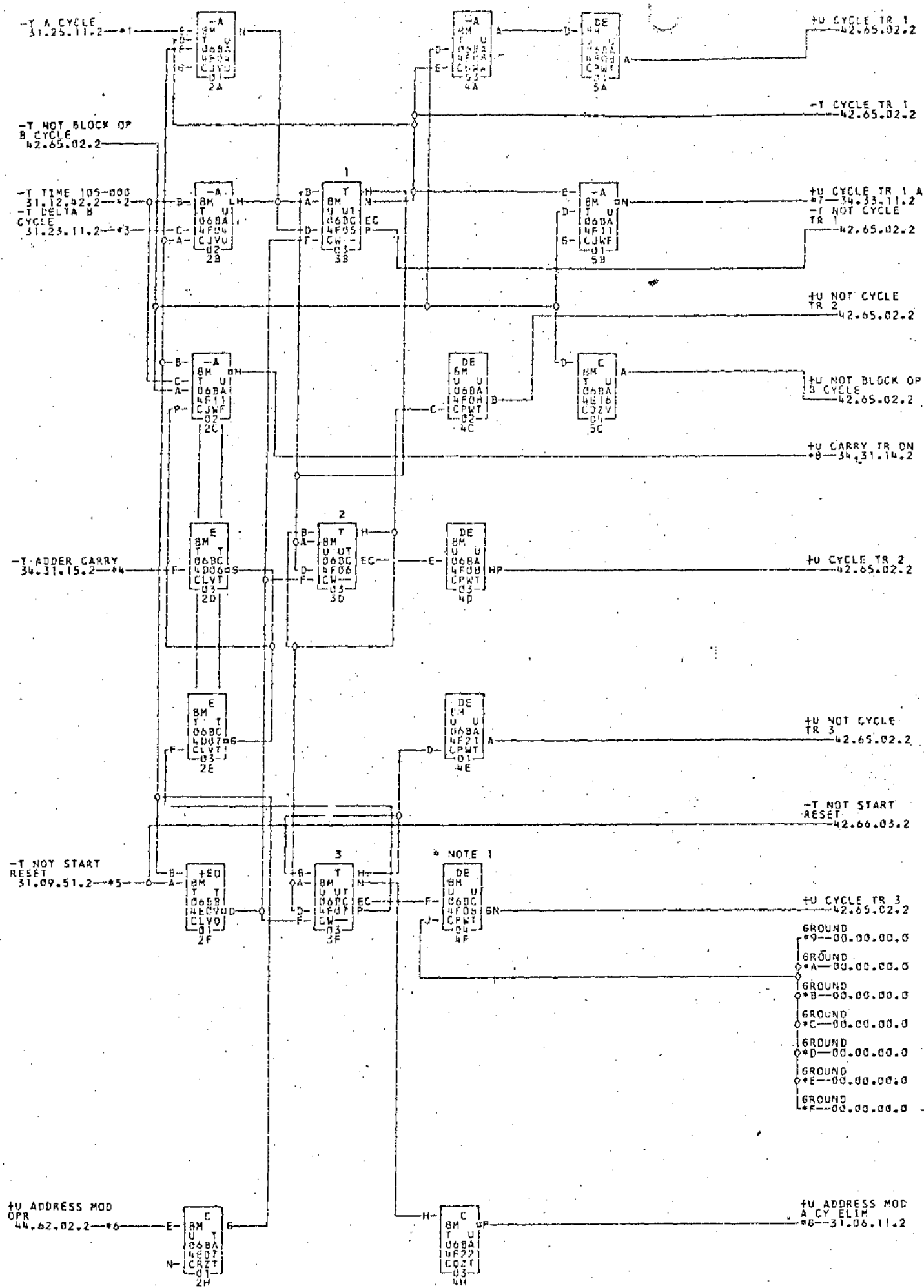
DATE JAN 25, 1962

113859

A	B	C	D	E	F
			CKMF 12H 0371270 02 42.67.02.2 42.67.02.2	JLVB 8H 0371077 06 42.66.03.2 42.67.01.2 42.67.01.2	CHVV 8H 0371265 03 42.65.02.2 42.65.02.2
14				04	02.03
			JFVN 8H 0371577 04 42.67.02.2 42.67.01.2 42.67.02.2		CHVV 8H 0371267 02 42.65.02.2 42.65.02.2
15					
				COZY 8H 0371271 04 42.66.01.2 42.65.01.2 42.65.01.2	CKMF 8H 0371270 02 42.65.02.2 42.65.02.2
16					
			PC 8H 0371379 05 42.67.02.2 42.67.01.2 42.67.01.2	CHVV 8H 0371252 03 42.66.03.2 42.67.01.2 42.66.03.2	CRZY 8H 0371275 04 42.65.02.2 42.65.02.2
17					
			01		01.04
			JHVB 8H 0371079 04 42.67.02.2 42.67.02.2 42.67.02.2		CHVV 8H 0371251 03 42.65.02.2 42.65.02.2
18					03
			JHVB 8H 0371079 04 42.67.02.2 42.67.02.2 42.67.02.2		CKVC 8H 0371072 02 42.66.02.2 42.67.01.2
19					
			02		
			JF 16H 0371579 04 42.67.02.2 42.67.02.2		CHVV 8H 0371267 02 42.65.02.2 42.65.02.2
20					
			03.04		
			CEA 12H 0371948 01 42.67.01.2		CPWT 8H 0371259 04 42.65.01.2 42.67.02.2 42.67.01.2
21					
			CAC 12H 0371222 03 42.67.01.2		COZY 8H 037127 03 42.66.03.2 42.65.01.2 42.65.01.2
22					
			02.03		
23					
24					
25					
26					

A
B
C
D
E
F
G
H
J

A
B
C
D
E
F
G
H
J



- *1-06B7A12E ---06B4F02P *2-06B7A13A ---06B4E01A *3-06B7A125 ---06B4F02N
- *4-06B7A13E ---06B4E01E *5-06B7A12C ---06B4F02M *6-06B7A13N ---06B4E01N
- *7-06B4E02H ---06B7A16M *8-06B4D01M ---06B7A16R *9-06B4F01J *A-06B4F02J
- *3-06B4E01J *C-06B4E02J *L-06B4D01J *E-06B4D02J *F-06B4D03J *6-06B4F02H
- 06B7A12H

* NOTE 1 LOCATION 4F PIN 1 LIES ALL TWISTED PAIR REFERENCE LINES TO GROUND

TAG	DATE	E.C.NO.	TAG	DATE	E.C.NO.	TAG	DATE	E.C.NO.	TAG	DATE	E.C.NO.
A	06-15-61	109572	B	12-06-61	113423	C	03-18-63	117234	D	04-11-63	117480

A

B

C

D

E

F

G

H

J

Z 10X10 MATRIX NOT R 42.60.21.2

Z 10X10 MATRIX NOT L 42.60.21.2

Z 10X10 MATRIX NOT S 42.60.21.2

Z 10X10 MATRIX NOT M 42.60.21.2

Z 10X10 MATRIX NOT 42.60.21.2

Z 10X10 MATRIX NOT N 42.60.21.2

Z 10X10 MATRIX NOT U 42.60.21.2

Z 10X10 MATRIX NOT P 42.60.21.2

Z 10X10 MATRIX NOT V 42.60.21.2

Z 10X10 MATRIX NOT Q 42.60.21.2

+U NOT H8 ADDR REG 32.37.41.2-41

+U H8 ADDR REG 32.37.41.2-42

+U H8 ADDR REG 32.37.31.2-43

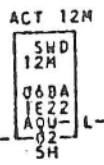
+U NOT H4 ADDR REG 32.37.31.2-44

+U NOT H2 ADDR REG 32.37.21.2-45

+U H2 ADDR REG 32.37.21.2-46

-U ACTIVATE DECODE 8K 42.67.01.2-47

-U ACTIVATE DECODE 12K 42.67.01.2-48



41-06B7A040
44-06B7A044
47-06B7F07K

06B7F020
06B7F024
06B7F02L

42-06B7A010
45-06B7A04N

06B7E010
06B7E02N

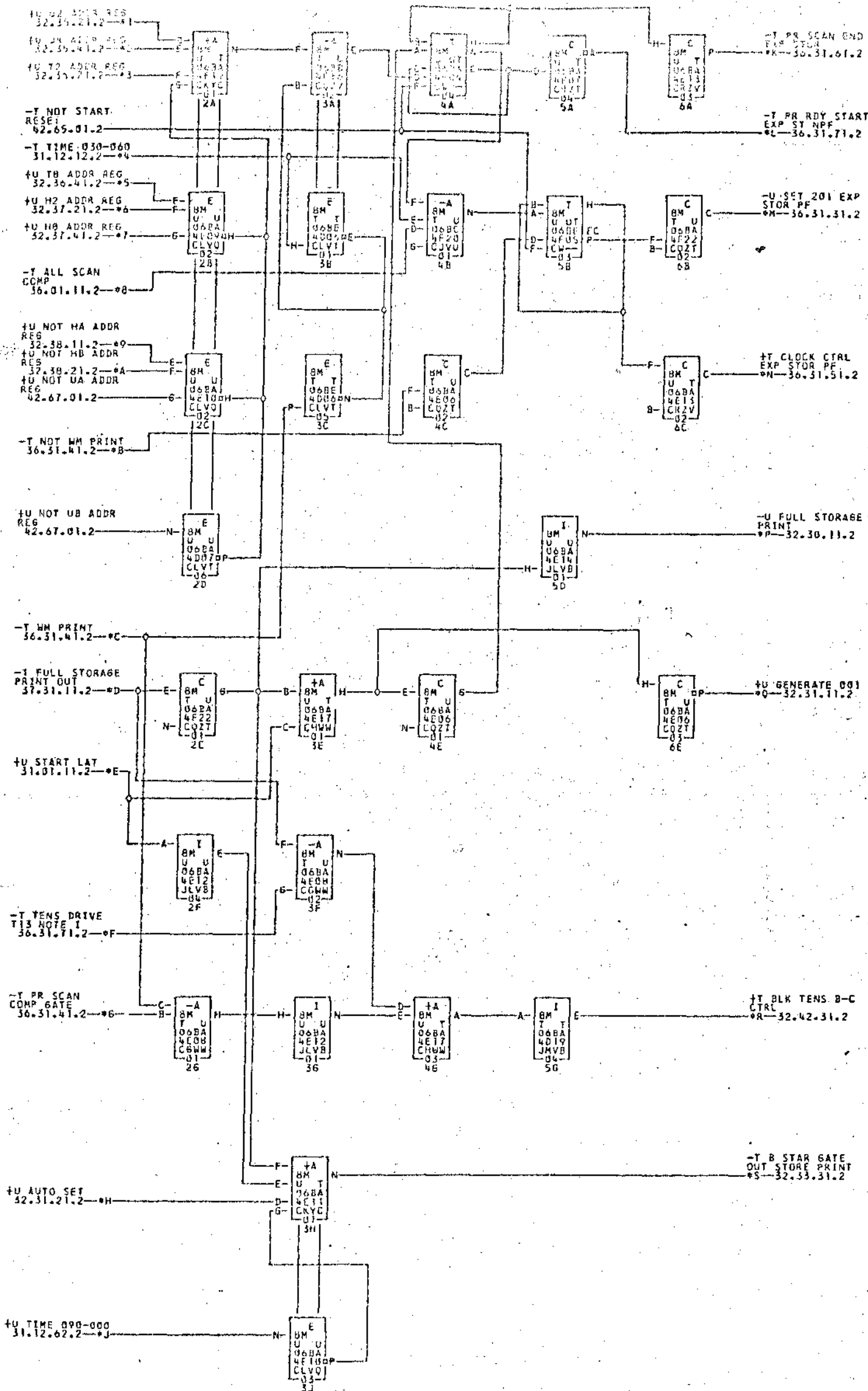
43-06B7A01P
46-06B7A01N

06B7E01P
06B7E01N

NOTE 1 IF 8K GATE IS USED IN 06B1 THERE WILL BE NO WIRING GOING TO TERMINALS NOT L, NOT M, NOT N, AND NOT O OF THE 10X10 MATRIX.

COMMENTS TAG DATE E.C.NO. TAG DATE E.C.NO. TAG DATE E.C.NO. TAG DATE E.C.NO.

14-11-73-61 112911

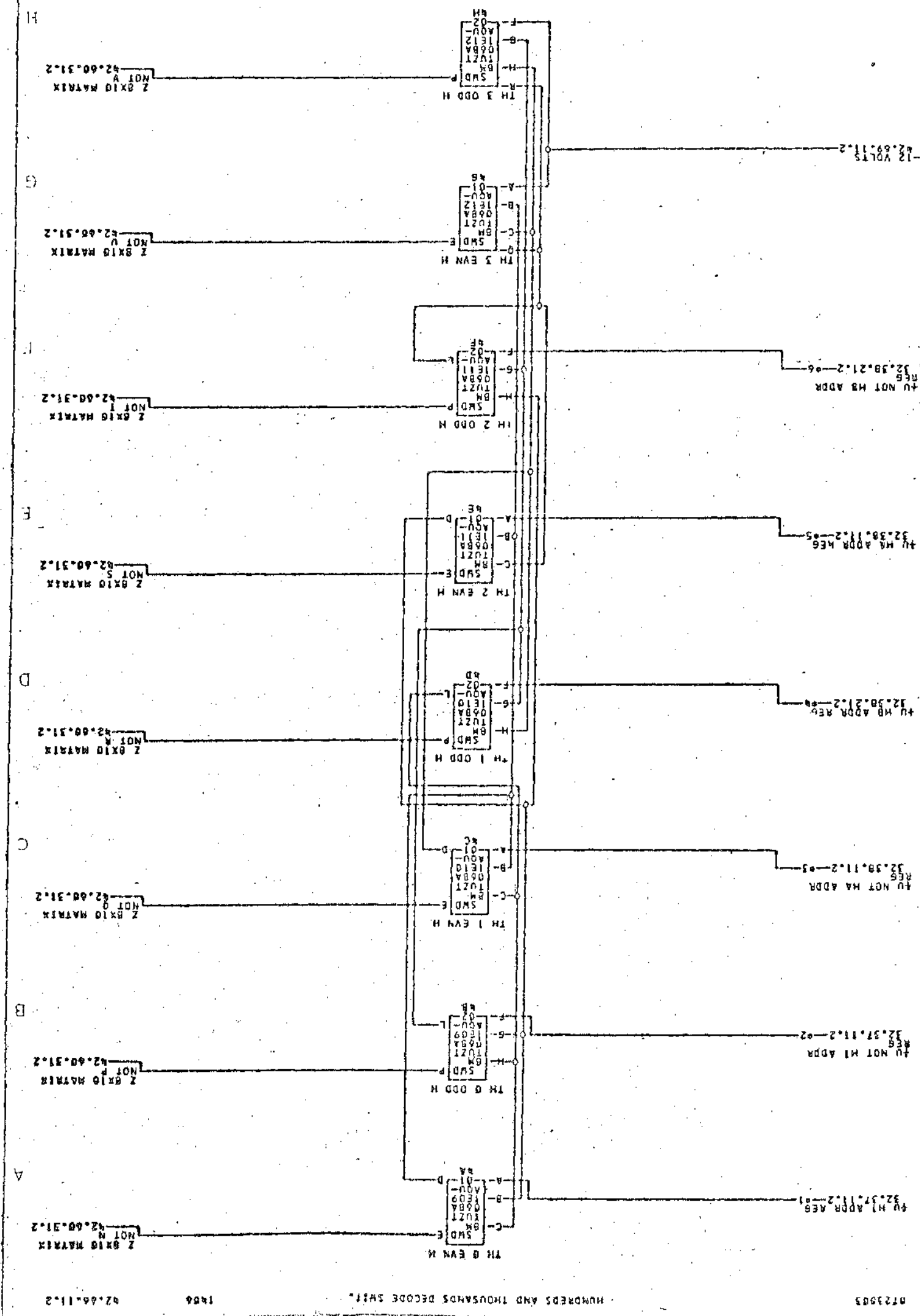
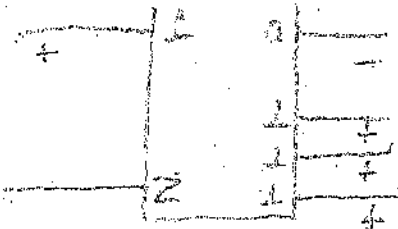


*1-06B7A01B	06B7A02B	06B7A03B	06B7A04B	*2-06B7A01D	06B7A02D
06B7A03D	06B7A04D	*3-06B7A01E	06B7A02E	06B7A03E	06B7A04E
*4-06B7A01F	06B7A02F	*5-06B7A01G	06B7A02G	06B7A03G	06B7A04G
*6-06B7A01H	06B7A02H	*7-06B7A01I	06B7A02I	06B7A03I	06B7A04I
06B7A03H	06B7A04H	*8-06B7A01J	06B7A02J	06B7A03J	06B7A04J
06B7A04H	*A-06B7A05F	*9-06B7A01K	06B7A02K	*10-06B7A01L	06B7A02L
*C-06B7A14C	06B7A05G	*11-06B7A01M	06B7A02M	*12-06B7A01N	06B7A02N
*F-06B7A14A	06B7A05H	*13-06B7A01O	06B7A02O	*14-06B7A01P	06B7A02P
*J-06B7A16L	06B7A05I	*15-06B7A01Q	06B7A02Q	*16-06B7A01R	06B7A02R
*M-06B7A16K	06B7A05J	*17-06B7A01S	06B7A02S	*18-06B7A01T	06B7A02T
*0-06B7A02N	06B7A05K	*19-06B7A01U	06B7A02U	*20-06B7A01V	06B7A02V
	06B7A05L	*21-06B7A01W	06B7A02W	*22-06B7A01X	06B7A02X
	06B7A05M	*23-06B7A01Y	06B7A02Y	*24-06B7A01Z	06B7A02Z
	06B7A05N	*25-06B7A01A	06B7A02A		

NOTE 1 TYPED TO +0V ON PF MACH
NOTE 2 MINUS 12V MARGINAL NOT
CONNECTED TO CARDS IN ROW D

TAG DATE	E.C.NO.	TAG DATE	E.C.NO.	TAG DATE	E.C.NO.	TAG DATE	E.C.NO.
A 06-15-61 109572		D 11-04-61 110243		C 11-10-61 112909		D 12-06-61 113423	
E 03-18-63 112754		F 08-30-63 110322					

1-0881A01M 0881E01H 0881A06A 0881E02M 0881A06F 0881E03D
 2-0881A06A 0881E03M 0881A06F 0881E03D

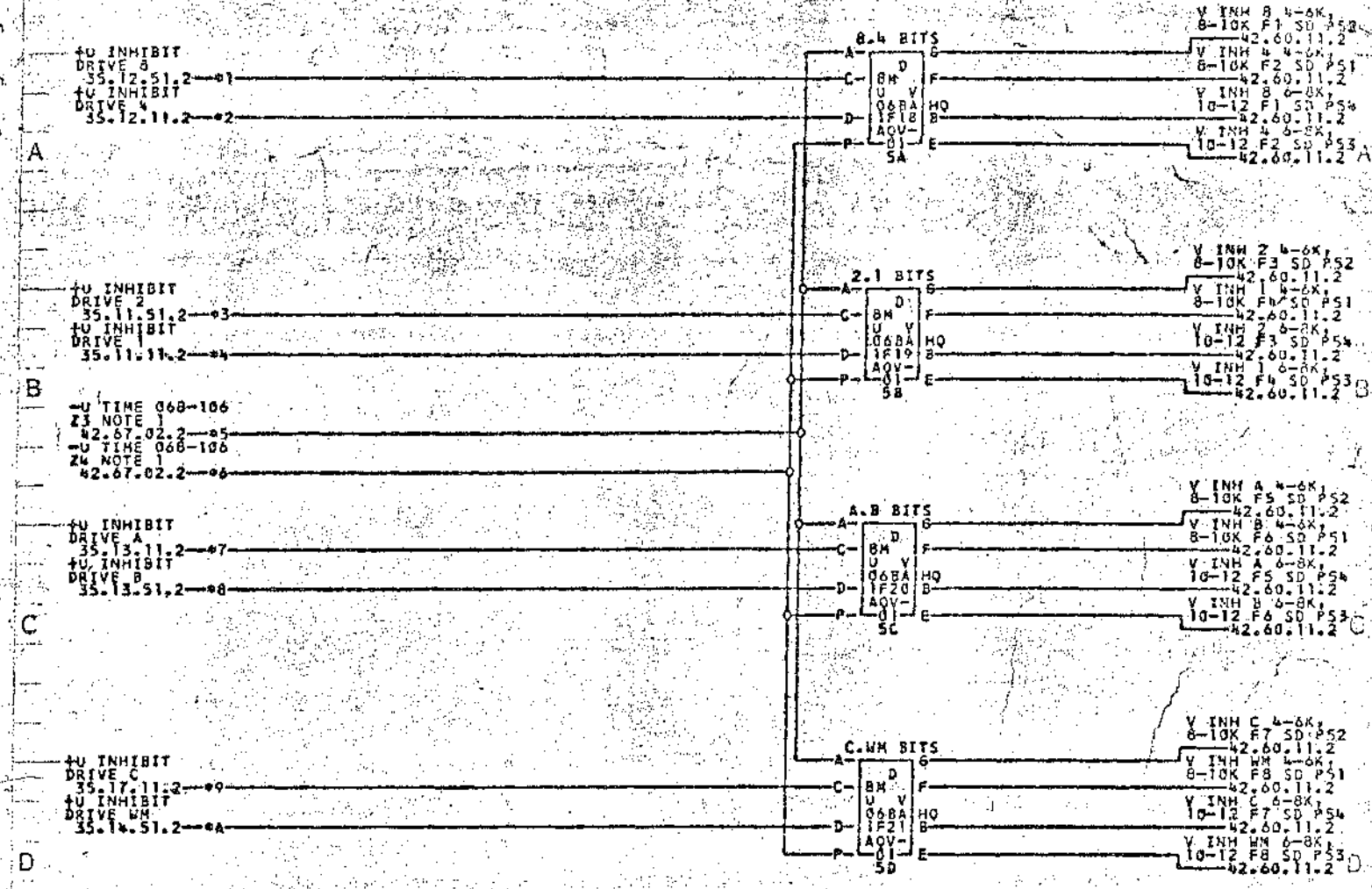


4F23805

INHIBIT DRIVERS

1406

42.60.11.2



4U INHIBIT DRIVE 1
35.12.51.2-01
4U INHIBIT DRIVE 4
35.12.11.2-02

4U INHIBIT DRIVE 2
35.11.51.2-03
4U INHIBIT DRIVE 3
35.11.11.2-04

4U TIME 068-106
Z3 NOTE 1
42.67.02.2-05
4U TIME 068-106
Z4 NOTE 1
42.67.02.2-06

4U INHIBIT DRIVE A
35.13.11.2-07
4U INHIBIT DRIVE B
35.13.51.2-08

4U INHIBIT DRIVE C
35.17.11.2-09
4U INHIBIT DRIVE WM
35.14.51.2-0A

- *1-068TA08E
- *2-068TA08F
- *3-068TA08G
- *4-068TA08H
- *5-068TA08I
- *6-068TA08J
- *7-068TA08K
- *8-068TA08L
- *9-068TA08M
- *A-068TA08N
- *B-068TA08O
- *C-068TA08P
- *D-068TA08Q
- *E-068TA08R
- *F-068TA08S
- *G-068TA08T
- *H-068TA08U
- *I-068TA08V
- *J-068TA08W
- *K-068TA08X
- *L-068TA08Y
- *M-068TA08Z
- *N-068TA08A
- *O-068TA08B
- *P-068TA08C
- *Q-068TA08D
- *R-068TA08E
- *S-068TA08F
- *T-068TA08G
- *U-068TA08H
- *V-068TA08I
- *W-068TA08J
- *X-068TA08K
- *Y-068TA08L
- *Z-068TA08M

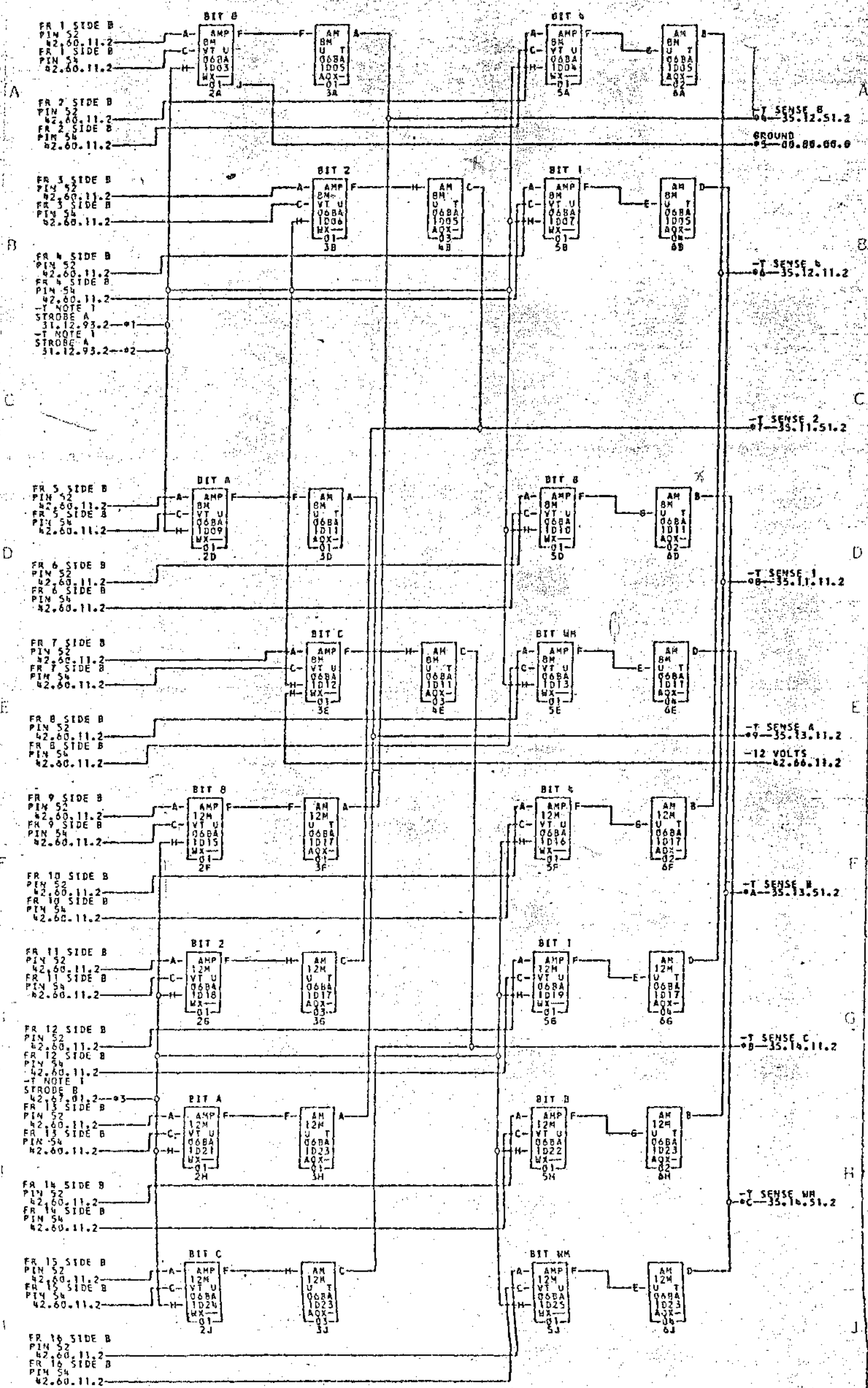
NOTE 1: TIMING ALLOWABLE TOLERANCES OF STORAGE PULSES ARE FOUND ON REFERENCE LOGIC 42.60.11.2
 NOTE 2: MEANS FRAME 5 MEANS SIDE P MEANS PIN OR TERMINAL
 TAG DATE E.C.NO. TAG DATE E.C.NO. TAG DATE E.C.NO. TAG DATE E.C.NO.
 A 11-13-61 112911

0723807

PRE-SENSE AND SENSE AMPLIFIERS

PROB

42.69.11.2



- *1--06B7A166 *5--06B1D01J *9--06B1D01E *C--06B1D01H
- *2--06B1F02D *3--06B1F02H *4--06B1D01A *8--06B1D01G
- *6--06B1D01B *7--06B1D01C *A--06B1D01F *B--06B1D016
- *0--06B7A106 *1--06B1D01K *2--06B7A10E *3--06B7A10H

NOTE 1 TIMING AND ALLOWABLE TOLERANCES OF STORAGE PULSES ARE FOUND ON REFERENCE LOGIC 42.69.5.2

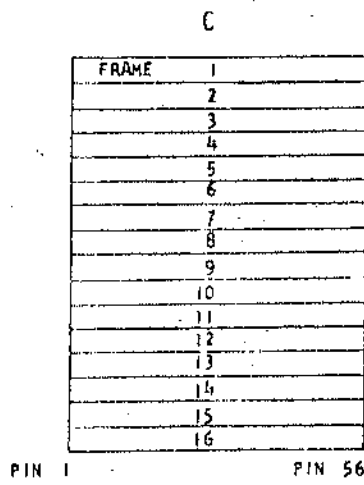
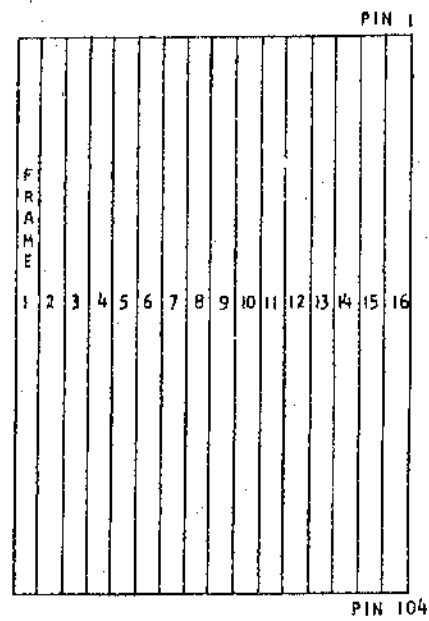
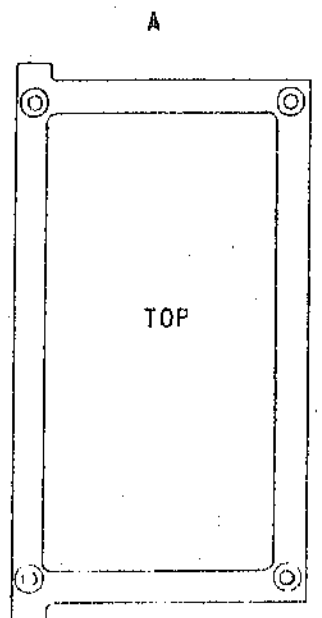
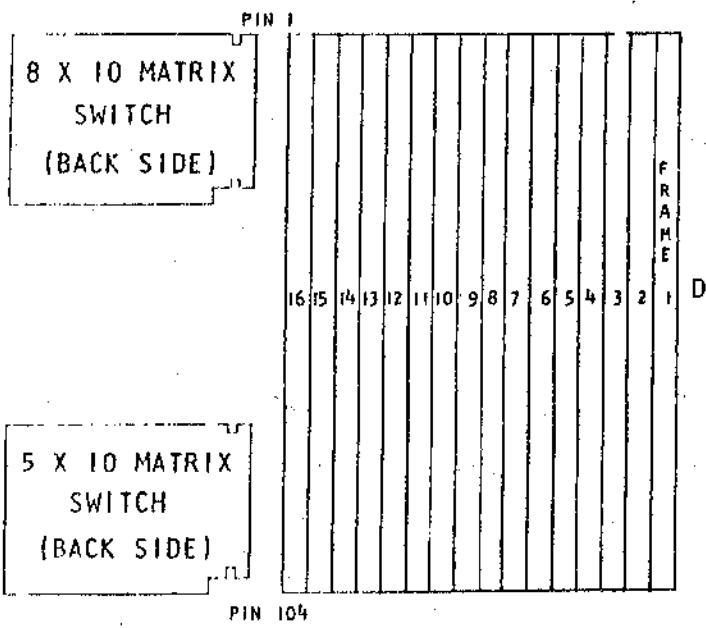
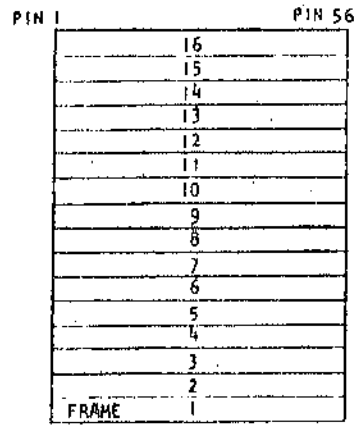
COMMENTS TAG DATE E.C.NO. TAG DATE E.C.NO. TAG DATE E.C.NO.

A 11-13-61 112911

STORAGE CORE FRAME
4K

A
B
C
D
E
F
G
H
J

A
B
C
D
E
F
G
H
J



DATE	EC NO	DATE	EC NO	DATE	EC NO
08-05-60	109525B				
11-22-61	112911				

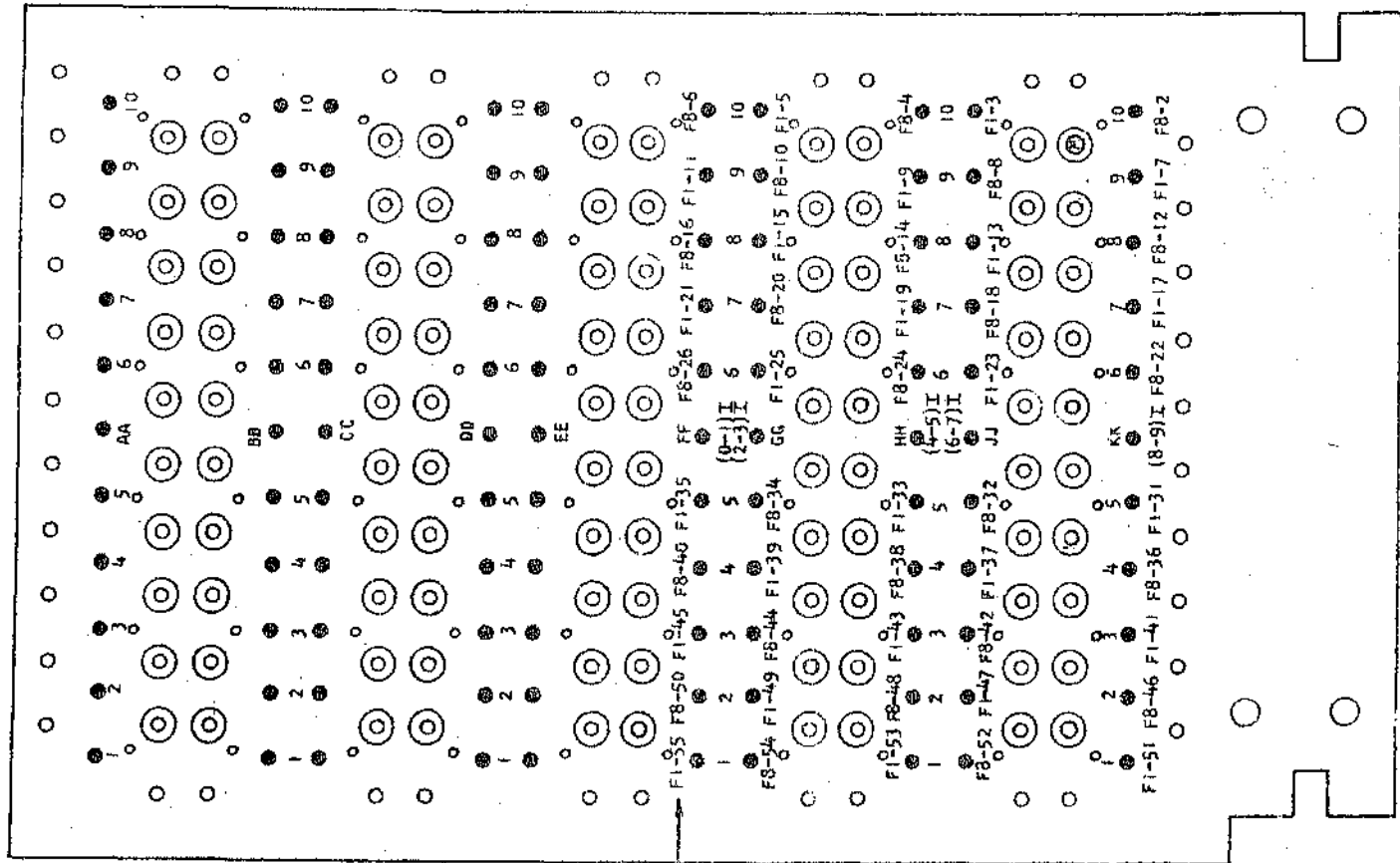
REFERENCE DRAWING
805440

5 X 10 MATRIX SWITCH
FOR 1406 4K ARRAY

06R5

42.70.21.2

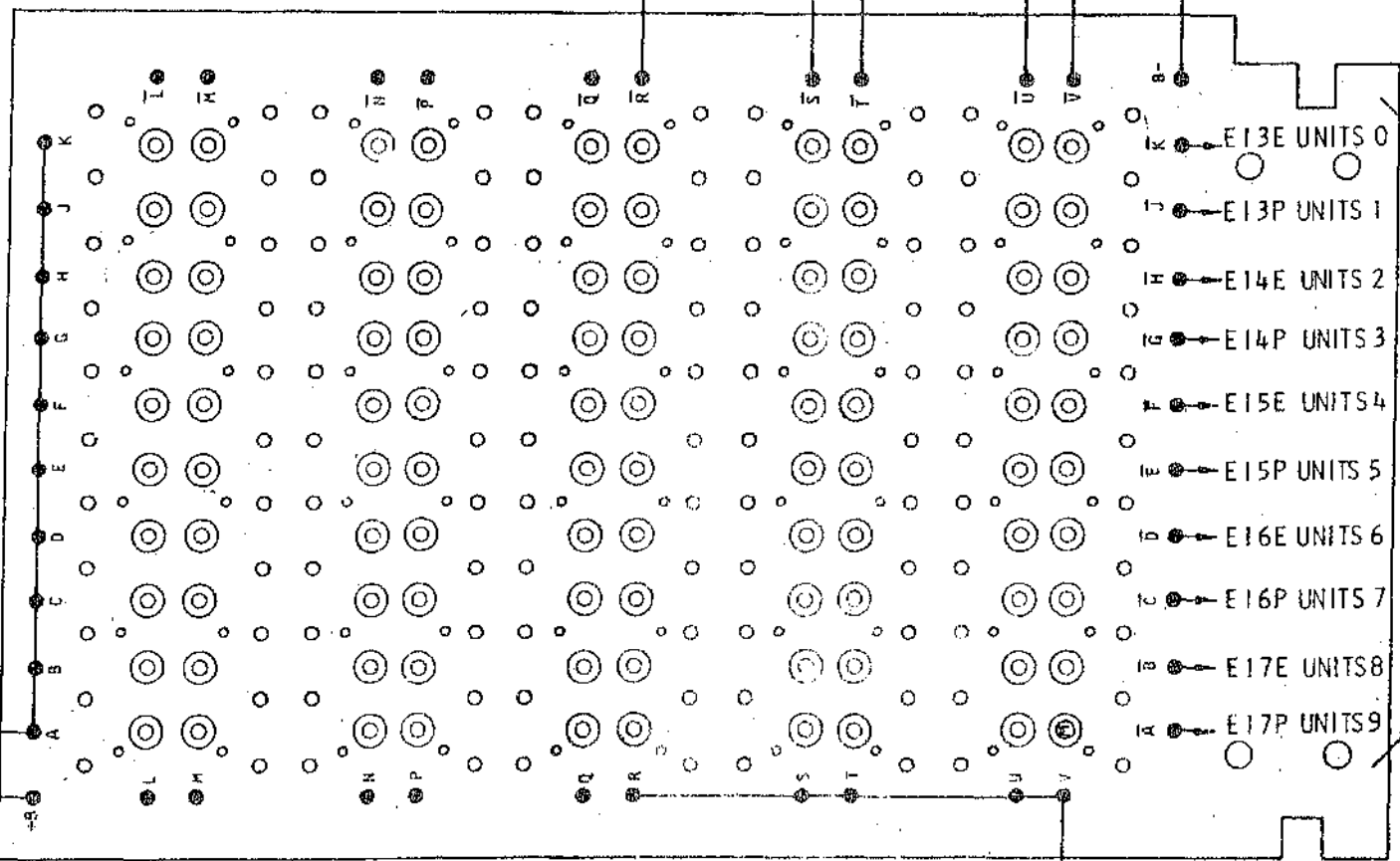
ALL WIRES GO TO SIDE C OF FRAMES 1 AND 8
(0-1) = ZERO AND ONE HUNDREDS TERMINAL ON RESISTOR BOARD



BACK

HUNDREDS DECODES

FRAME 1 PIN 55 42.75.11.2



FRONT

HUNDREDS DRIVE
42.72.11.2

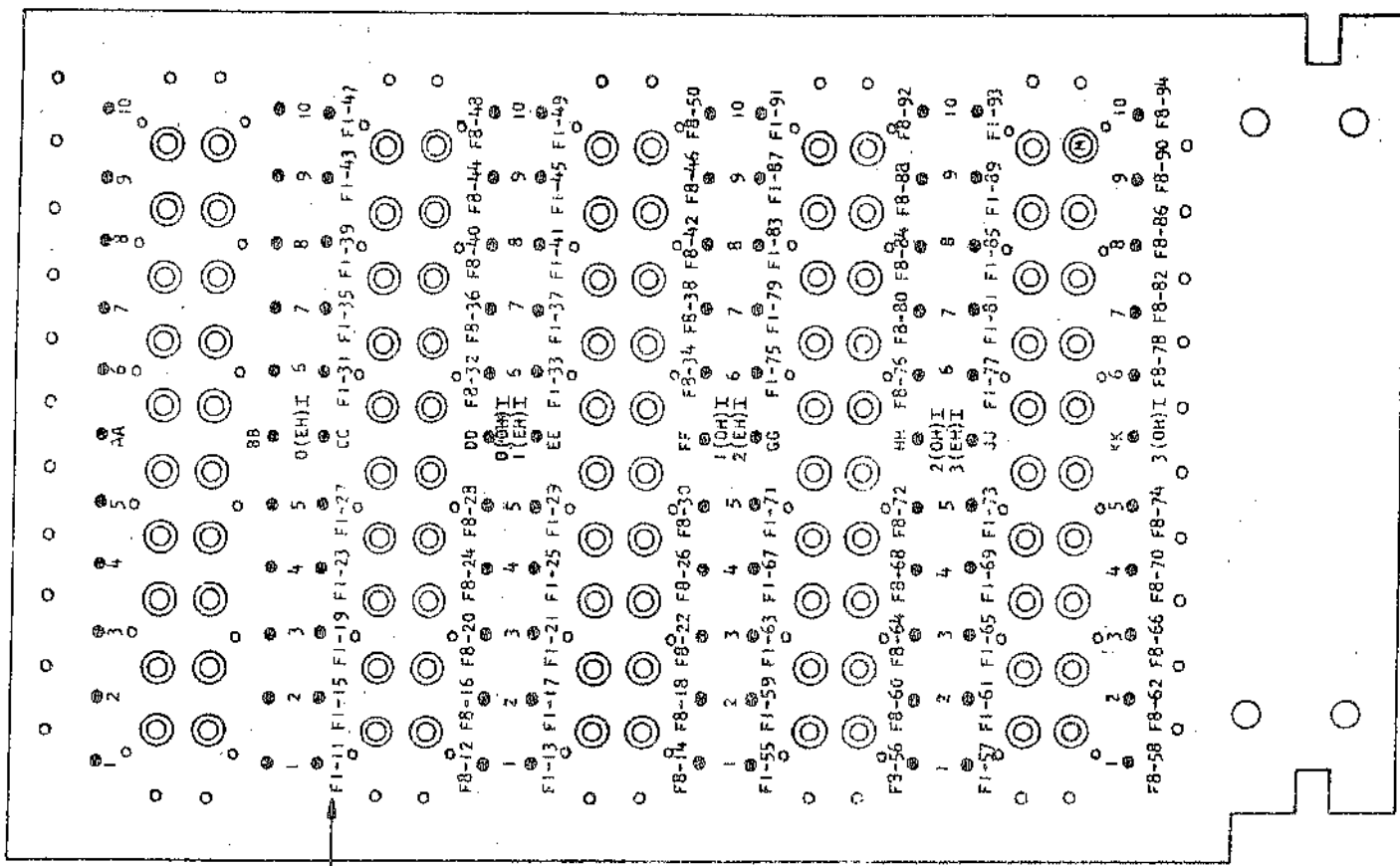
UNITS DECODES
42.73.11.2

DATE	EC NO	DATE	EC NO	DATE	EC NO
8-23-60	109525B				
3-31-61	109566				
11-22-61	112911				

REFERENCE DRAWING

FOR 1406

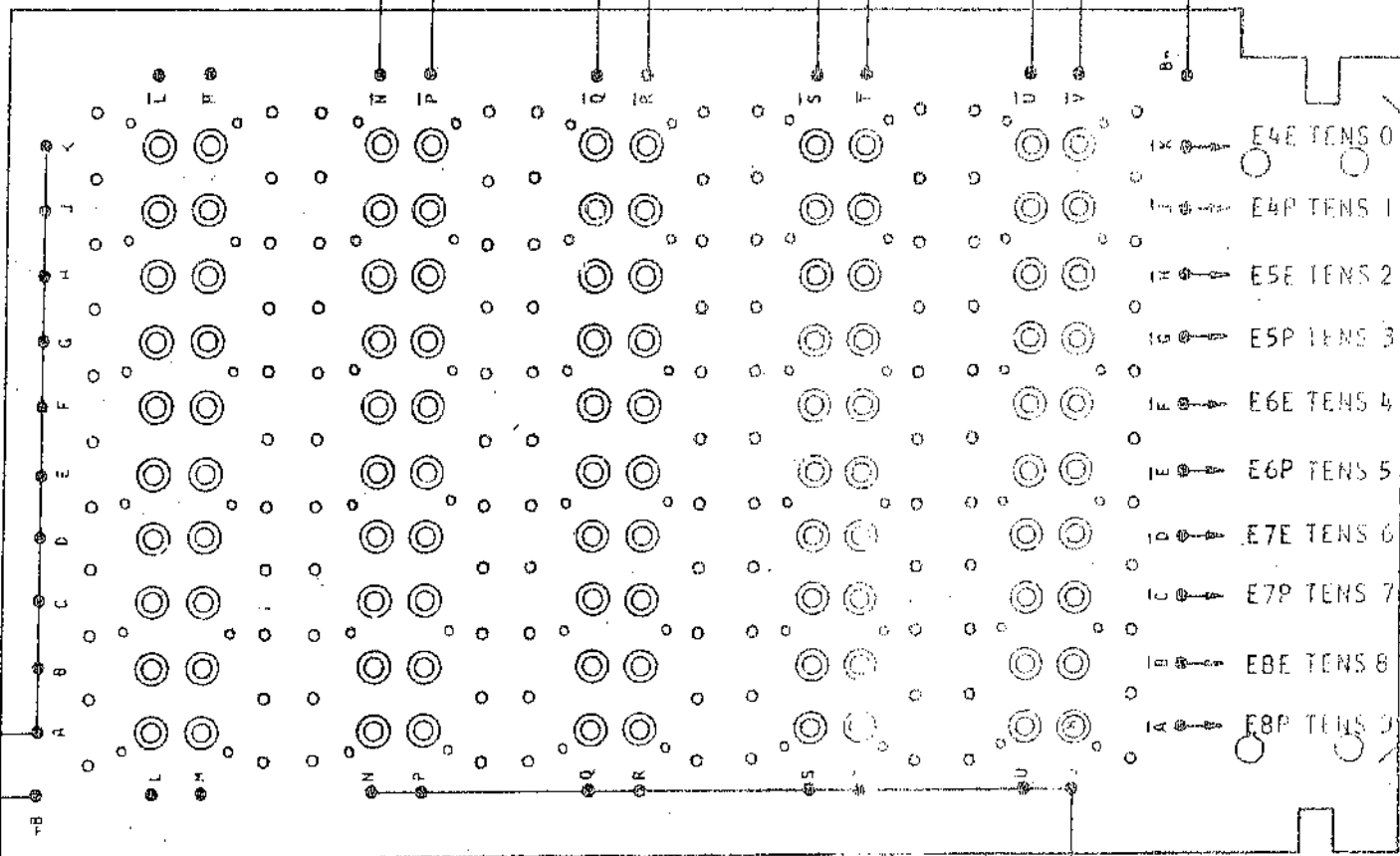
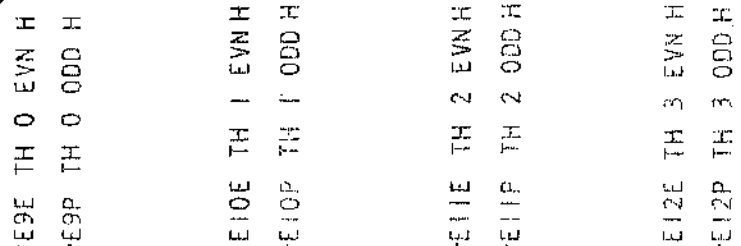
ALL WIRES GO TO SIDE D OF FRAMES 1 AND 16
0 (EH) I-ZERO THOUSAND-EVEN HUNDREDS-I TERMINAL
1 (OH) I-ONE THOUSAND-ODD HUNDREDS-I TERMINAL



BACK

FRAME 1 PIN 11

THOUSANDS
DECODES 42.76.11.2

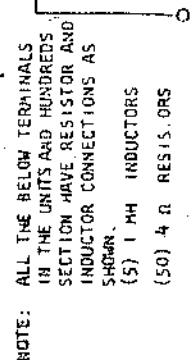


FRONT

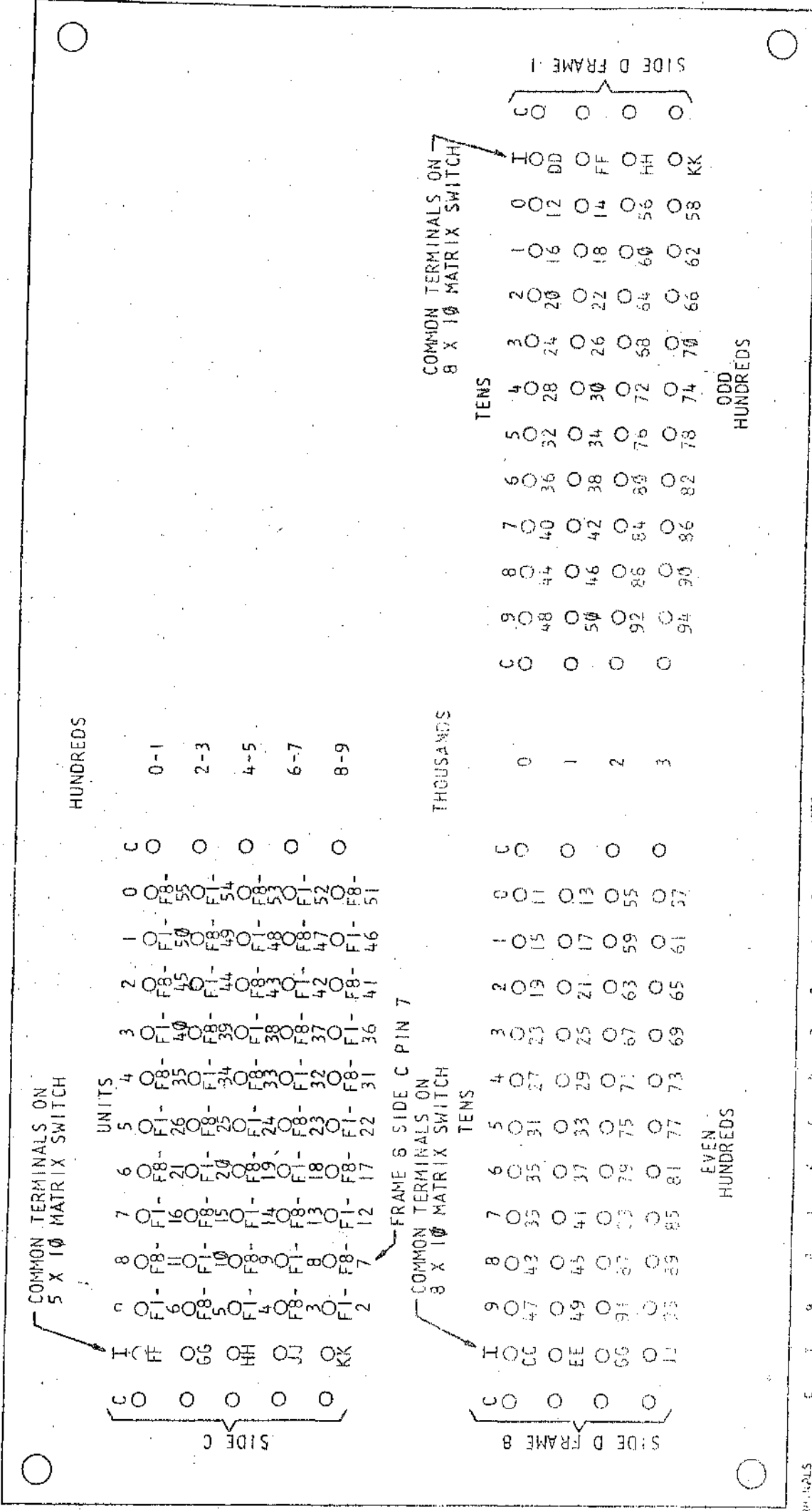
THOUSANDS=DRIVE
42.77.11.2

DATE	EC NO	DATE	EC NO	DATE	EC NO
8-23-60	109525B				
1-26-61	109556				
3-31-61	109566				
1-22-61	11297				

A
B
C
D
E
F
G
H
I

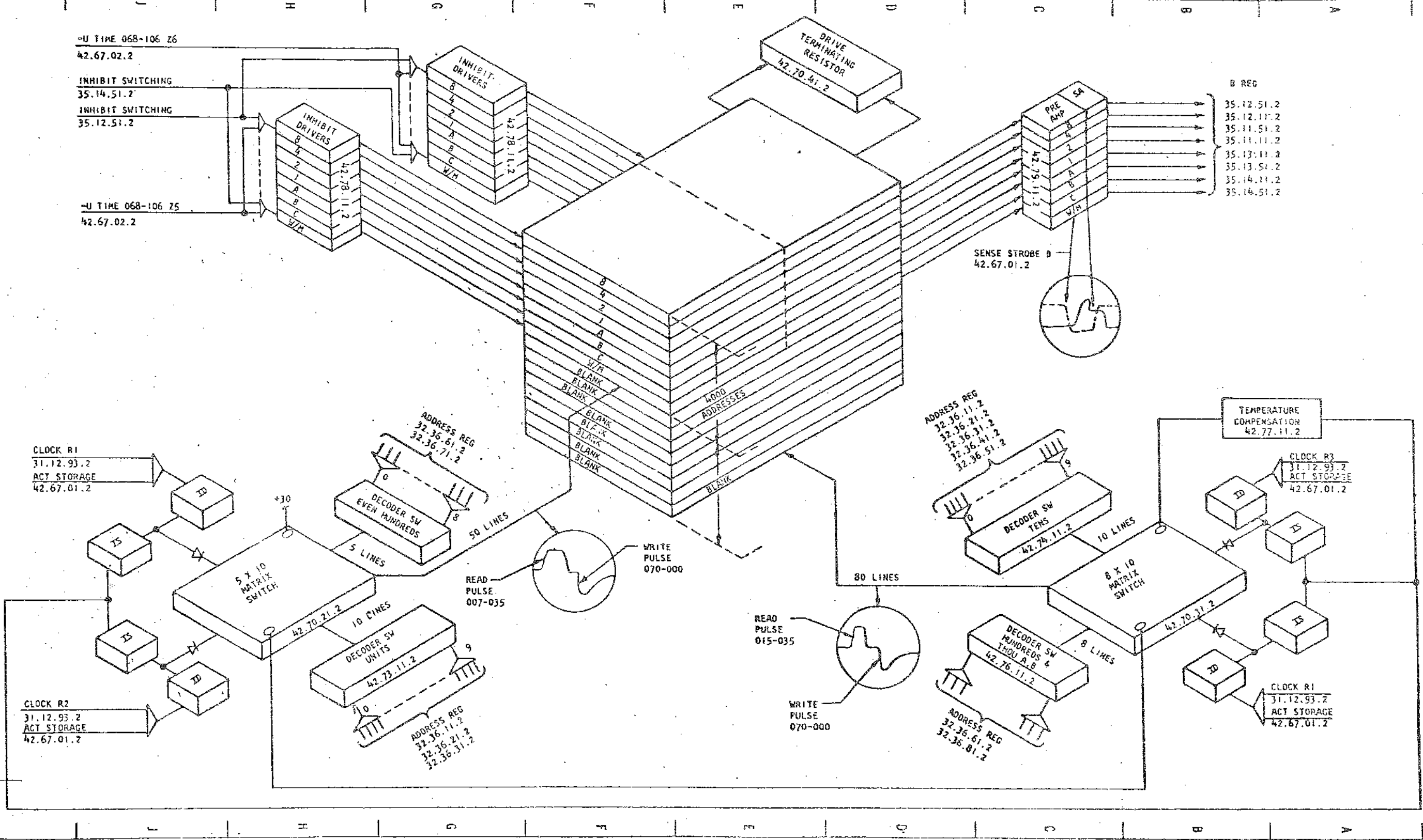


ALL RESISTORS ARE RATED 1/4 W. 21°C



1406 4K DRIVER
 TERMINATING RESISTORS

HUNDREDS		THOUSANDS		TENS		EVEN HUNDREDS	
0-1	0	0	0	0	0	0	0
2-3	0	0	0	1	11	1	11
4-5	0	0	0	2	15	2	19
6-7	0	0	0	3	19	3	23
8-9	0	0	0	4	23	4	27
				5	27	5	31
				6	31	6	35
				7	35	7	39
				8	39	8	43
				9	43	9	47
				0	47	0	51
				1	51	1	55
				2	55	2	59
				3	59	3	63
				4	63	4	67
				5	67	5	71
				6	71	6	75
				7	75	7	79
				8	79	8	83
				9	83	9	87
				0	87	0	91
				1	91	1	95
				2	95	2	99
				3	99	3	03
				4	03	4	07
				5	07	5	11
				6	11	6	15
				7	15	7	19
				8	19	8	23
				9	23	9	27
				0	27	0	31
				1	31	1	35
				2	35	2	39
				3	39	3	43
				4	43	4	47
				5	47	5	51
				6	51	6	55
				7	55	7	59
				8	59	8	63
				9	63	9	67
				0	67	0	71
				1	71	1	75
				2	75	2	79
				3	79	3	83
				4	83	4	87
				5	87	5	91
				6	91	6	95
				7	95	7	99
				8	99	8	03
				9	03	9	07
				0	07	0	11
				1	11	1	15
				2	15	2	19
				3	19	3	23
				4	23	4	27
				5	27	5	31
				6	31	6	35
				7	35	7	39
				8	39	8	43
				9	43	9	47
				0	47	0	51
				1	51	1	55
				2	55	2	59
				3	59	3	63
				4	63	4	67
				5	67	5	71
				6	71	6	75
				7	75	7	79
				8	79	8	83
				9	83	9	87
				0	87	0	91
				1	91	1	95
				2	95	2	99
				3	99	3	03
				4	03	4	07
				5	07	5	11
				6	11	6	15
				7	15	7	19
				8	19	8	23
				9	23	9	27
				0	27	0	31
				1	31	1	35
				2	35	2	39
				3	39	3	43
				4	43	4	47
				5	47	5	51
				6	51	6	55
				7	55	7	59
				8	59	8	63
				9	63	9	67
				0	67	0	71
				1	71	1	75
				2	75	2	79
				3	79	3	83
				4	83	4	87
				5	87	5	91
				6	91	6	95
				7	95	7	99
				8	99	8	03
				9	03	9	07
				0	07	0	11
				1	11	1	15
				2	15	2	19
				3	19	3	23
				4	23	4	27
				5	27	5	31
				6	31	6	35
				7	35	7	39
				8	39	8	43
				9	43	9	47
				0	47	0	51
				1	51	1	55
				2	55	2	59
				3	59	3	63
				4	63	4	67
				5	67	5	71
				6	71	6	75
				7	75	7	79
				8	79	8	83
				9	83	9	87
				0	87	0	91
				1	91	1	95
				2	95	2	99
				3	99	3	03
				4	03	4	07
				5	07	5	11
				6	11	6	15
				7	15	7	19
				8	19	8	23
				9	23	9	27
				0	27	0	31
				1	31	1	35
				2	35	2	39
				3	39	3	43
				4	43	4	47
				5	47	5	51
				6	51	6	55
				7	55	7	59
				8	59	8	63
				9	63	9	67
				0	67	0	71
				1	71	1	75
				2	75	2	79
				3	79	3	83
				4	83	4	87
				5	87	5	91
				6	91	6	95
				7	95	7	99
				8	99	8	03
				9	03	9	07
				0	07	0	11
				1	11	1	15
				2	15	2	19
				3	19	3	23
				4	23	4	27
				5	27	5	31
				6	31	6	35
				7	35	7	39
				8	39	8	43
				9	43	9	47
				0	47	0	51
				1	51	1	55
				2	55	2	59
				3	59	3	63
				4	63	4	67
				5	67	5	71
				6	71	6	75
				7	75	7	79
				8	79	8	83
				9	83	9	87
				0	87	0	91
				1	91	1	95
				2	95	2	99
				3	99	3	03
				4	03	4	07
				5	07	5	11
				6	11	6	15
				7	15	7	19
				8	19	8	23
				9	23	9	27
				0	27	0	31
				1	31	1	35
				2	35	2	39
				3	39	3	43
				4	43	4	47
				5	47	5	51
				6	51	6	55
				7	55	7	59
				8	59	8	63
				9	63	9	67
				0	67	0	71
				1	71	1	75
				2	75	2	79
				3	79	3	83
				4	83	4	87
				5	87	5	91
				6	91	6	95
				7	95	7	99
				8	99	8	03
				9	03	9	07
				0	07	0	11
				1	11	1	15
				2	15	2	19
				3	19	3	23



DATE	10-12-60	EC NO	109540
DATE	1-26-61	EC NO	109556
DATE	3-31-61	EC NO	109566

PROJECT #	NAME	MACH	PART #	E C #	LOGIC #
1406	LOGIC INDEX	1406	724691	112911	42.73.10.2

FR CH	LOGIC #	LOGIC NAME	PART #	E C #
06 B5	42.70.11.2	STORAGE CORE FRAME REF DWG	805439	112911
06 B5	42.70.21.2	5X10 MATRIX SWITCH-4K REF DWG	805440	112911
06 B5	42.70.31.2	8X10 MATRIX SWITCH-4K REF DWG	805441	112911
06 B5	42.70.41.2	1406 AKDRIVER TERM RES REG DWG	805458	112911
06 B5	42.71.11.2	4K STORAGE BLOCK DIAGRAM REF. DWG	805457	109566
06 B5	42.73.10.2	UNIT PLUGGING CHART	723795	112911
06 B5	42.73.11.2	UNITS DECODE SWITCH	723787	112911
06 B5	42.74.11.2	TENS DECODE SWITCH	723788	112911
06 B5	42.75.11.2	HUNDREDS DECODE SWITCHES	723789	112911
06 B5	42.76.11.2	HUNDREDS & THOUSANDS DECODE SWITCHES	723790	112911
06 B5	42.77.11.2	CURRENT DRIVERS AND CURRENT SOURCES	723791	112911
06 B5	42.78.11.2	INHIBIT DRIVERS	723792	112911
06 B5	42.79.11.2	PRE-SENSE AND SENSE AMPLIFIERS	723793	112911

	A	B	REMARKS C	D	E	F
1						
2						
3				WX- 16M 0371899 01 42.79.11.2		
4				WX- 16M 0371899 01 42.79.11.2	AQU- 16M 0370833 02 42.74.11.2	DKA- 16M 0370443 01 42.77.11.2
5				AQX- 16M 0370836 04 42.79.11.2 42.79.11.2 42.79.11.2 42.79.11.2	AQU- 16M 0370833 02 42.74.11.2	DKA- 16M 0370443 01 42.77.11.2
6				WX- 16M 0371899 01 42.79.11.2	AQU- 16M 0370833 02 42.74.11.2	AKC- 16M 0370426 01 42.77.11.2
7				WX- 16M 0371899 01 42.79.11.2	AQU- 16M 0370833 02 42.74.11.2	DKA- 16M 0370443 01 42.77.11.2
8				AKB- 16M 0370425 01 42.77.11.2	AQU- 16M 0370833 02 42.74.11.2	DKA- 16M 0370443 01 42.77.11.2
9				WX- 16M 0371899 01 42.79.11.2	AQU- 16M 0370833 02 42.76.11.2	
10				WX- 16M 0371899 01 42.79.11.2	AQU- 16M 0370833 02 42.76.11.2	AQU- 16M 0370835 01 42.77.11.2
11				AQX- 16M 0370836 04 42.79.11.2 42.79.11.2 42.79.11.2 42.79.11.2	AQU- 16M 0370833 02 42.76.11.2	
12				WX- 16M 0371899 01 42.79.11.2	AQU- 16M 0370833 02 42.76.11.2	AQU- 16M 0370835 01 42.77.11.2
13				WX- 16M 0371899 01 42.79.11.2	AQU- 16M 0370833 02 42.73.11.2	

0723795

UNIT PLUSSING CHART

06 B 5

1460

42.73.10.2

SHEET 2 OF 2

DATE NOV 15, 1961

REMARKS

112911

	A	B	C	D	E	F
14					AQU- 16M 0370833 02 42.73.11.2 42.73.11.2	AQU- 16M 0370835 01 42.77.11.2
15					AQU- 16M 0370833 02 42.73.11.2 42.73.11.2	
16					AQU- 16M 0370833 02 42.73.11.2 42.73.11.2	AQU- 16M 0370835 01 42.77.11.2
17					AQU- 16M 0370833 02 42.73.11.2 42.75.11.2	
18					AQU- 16M 0370833 02 42.75.11.2 42.75.11.2	AQU- 16M 0370834 01 42.78.11.2
19					AQU- 16M 0370833 02 42.75.11.2 42.75.11.2	AQU- 16M 0370834 01 42.78.11.2
20					AQU- 16M 0370833 02 42.75.11.2 42.75.11.2	AQU- 16M 0370834 01 42.78.11.2
21						AQU- 16M 0370834 01 42.78.11.2
22						
23						
24						
25						
26						

A

B

D

H

A

B

C

D

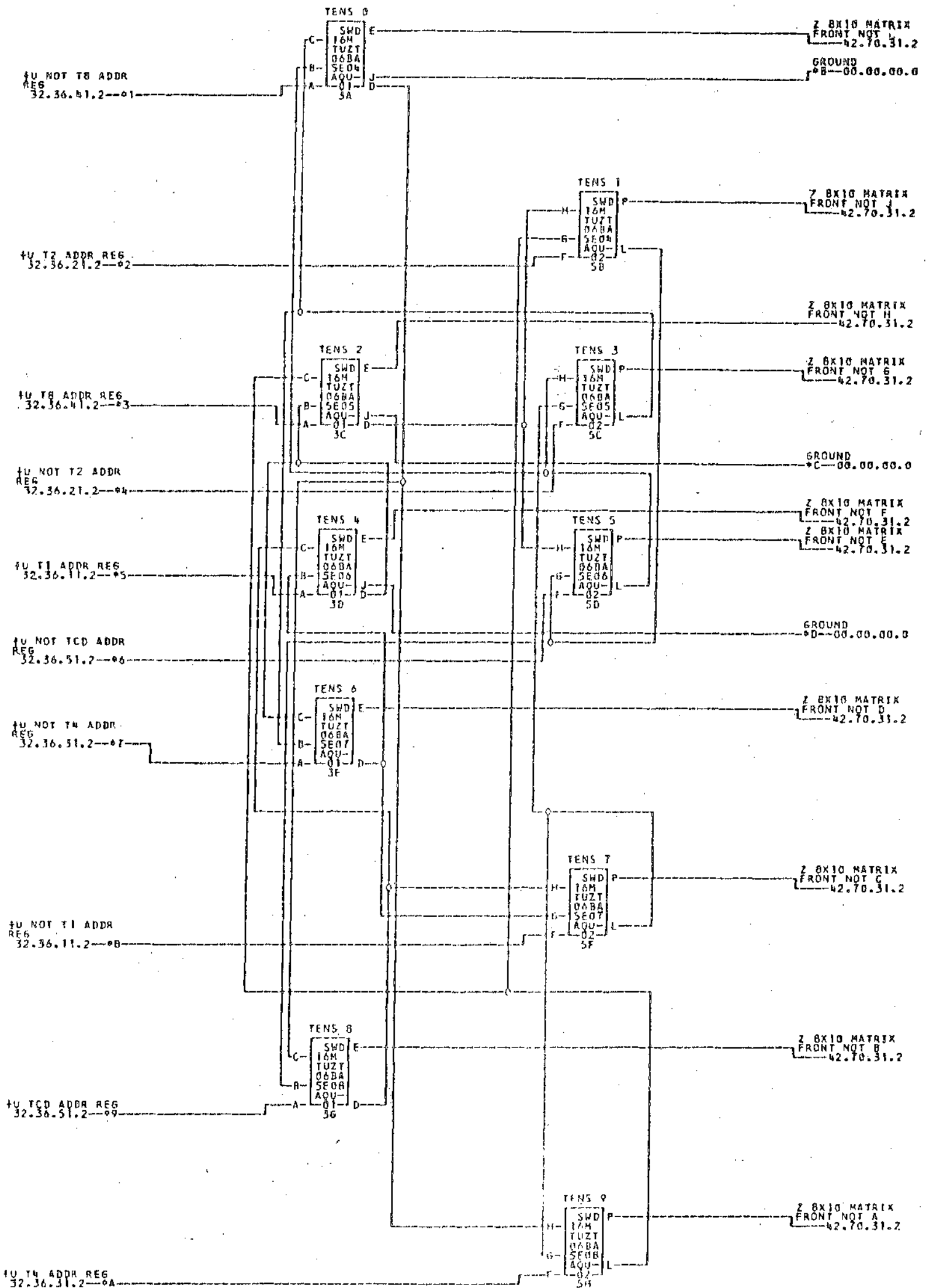
L

F

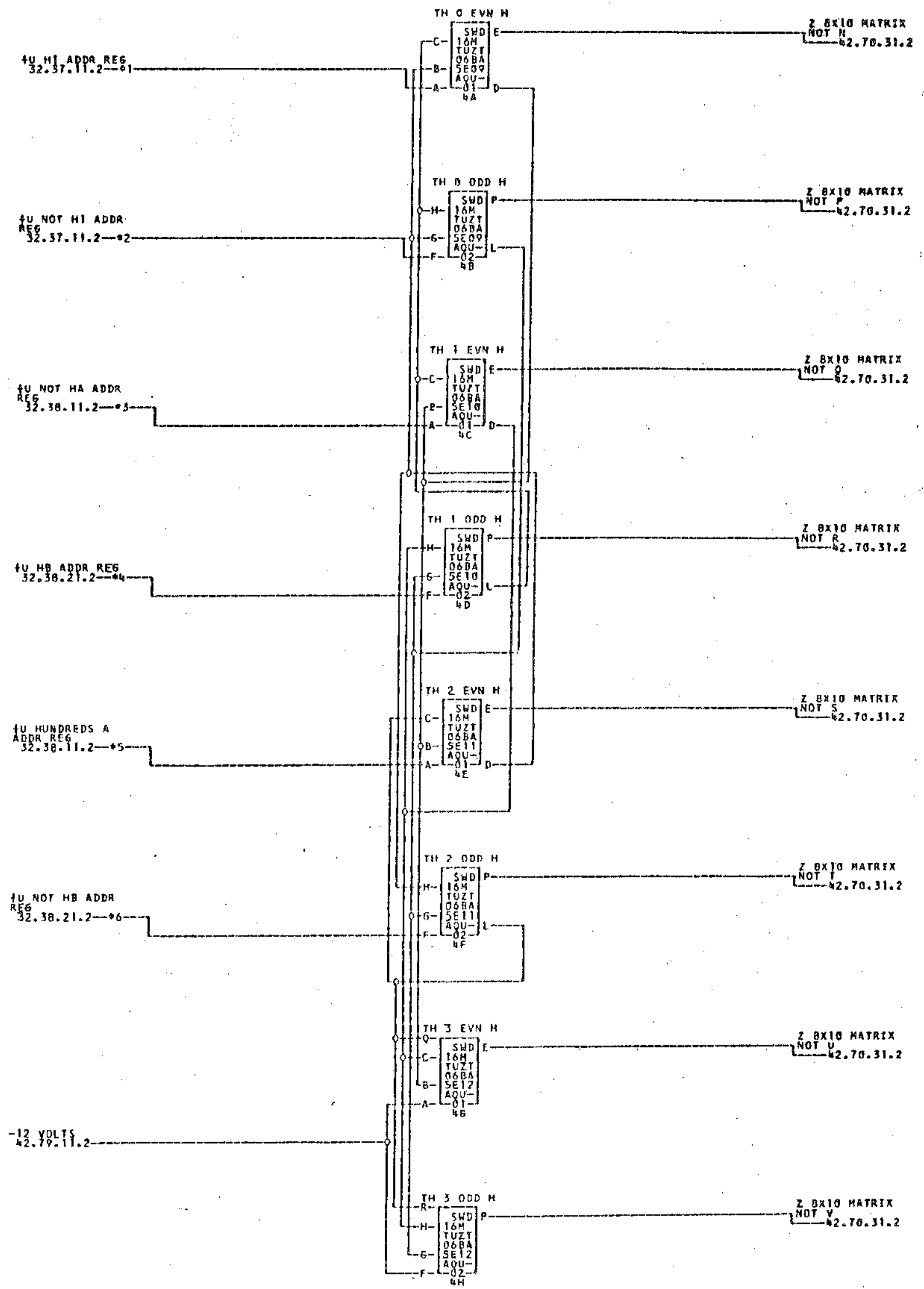
B

H

I



- *1--06B7A01K -----06B7A05K -----06B5E02K *2--06B7A01G -----06B7A02G -----06B5E01G
- *3--06B7A01K -----06B7A02K -----06B5E01K *4--06B7A01G -----06B7A05G -----06B5E02G
- *5--06B7A01F -----06B7A02F -----06B5E02F *6--06B7A01L -----06B7A05L -----06B5E02L
- *7--06B7A04H -----06B7A05H -----06B5E02H *8--06B7A04F -----06B7A05F -----06B5E02F
- *9--06B7A01L -----06B7A02L -----06B5E01L *A--06B7A01H -----06B7A02H -----06B5E01H
- *B--06B5E01J *C--06B5F02J *D--06B5E03J

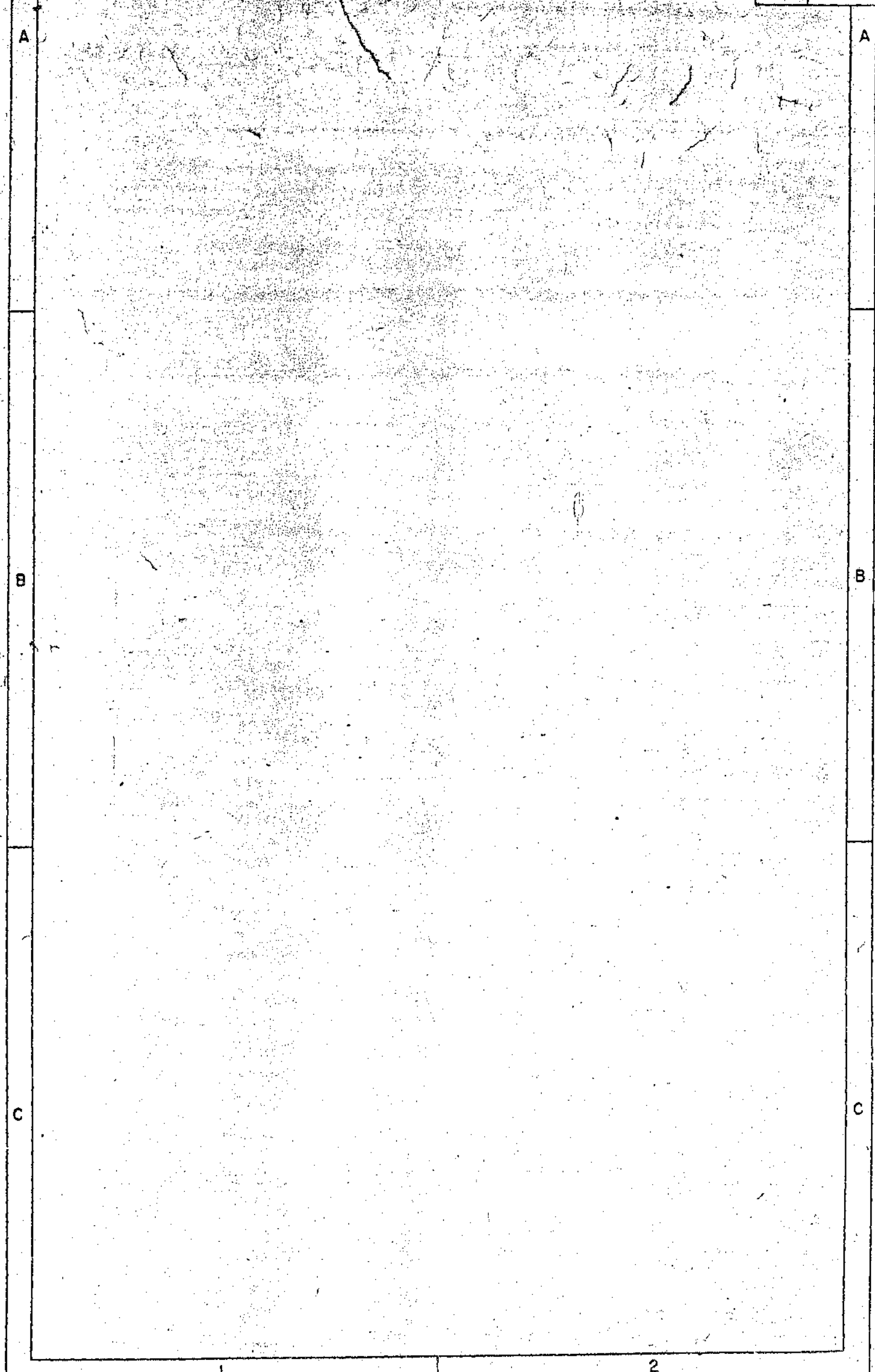


- *1--06B7A01H ---06B7A02H ---06B5E01H *2--06B7A04M ---06B7A05M ---06B5E02M
- *3--06B7A06E ---06B7A07E ---06B5E03B *4--06B7A08C ---06B7A09C ---06B5E03C
- *5--06B7A06A ---06B7A07A ---06B5E03A *6--06B7A06F ---06B7A07F ---06B5E03D

WIRING DIAGRAM (POWER SUPPLY INDEX)

FR CH	LOGIC #	LOGIC	NAME	PART #	E C #
06 BB	42.81.11.2	1406	POWER DISTRIBUTION	805387E	117133
06 BB	42.82.11.2	1406	POWER SUPPLY GATE LAYOUT	805388A	109581C
06 BB	42.83.11.2	1406	WIRING DIAGRAMS-1406-12 VLT PWR SUPP	805372B	117133

DATE	CHANGES
11-17-60	109547
2-14-61	109555A
3-17-61	109564A
5-28-61	109574
10-18-61	109531C
3-7-62	114227B
1-22-63	116793
2-8-63	117133



A

A

B

B

C

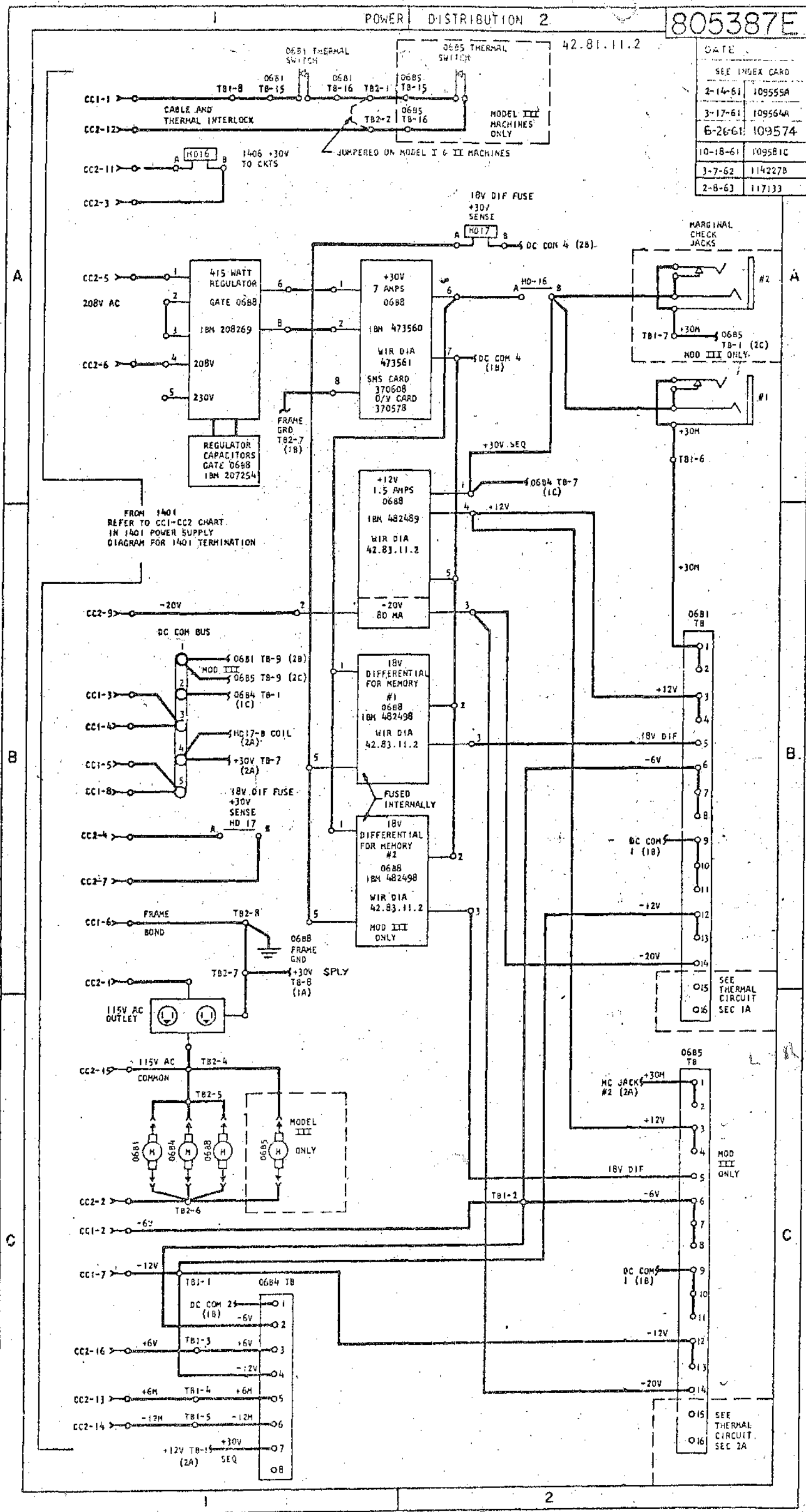
C

POWER DISTRIBUTION 2

805387E

42.83.11.2

DATE	
2-14-61	109555A
3-17-61	109554A
6-26-61	109574
10-18-61	109581C
3-7-62	114227B
2-8-63	117133



A

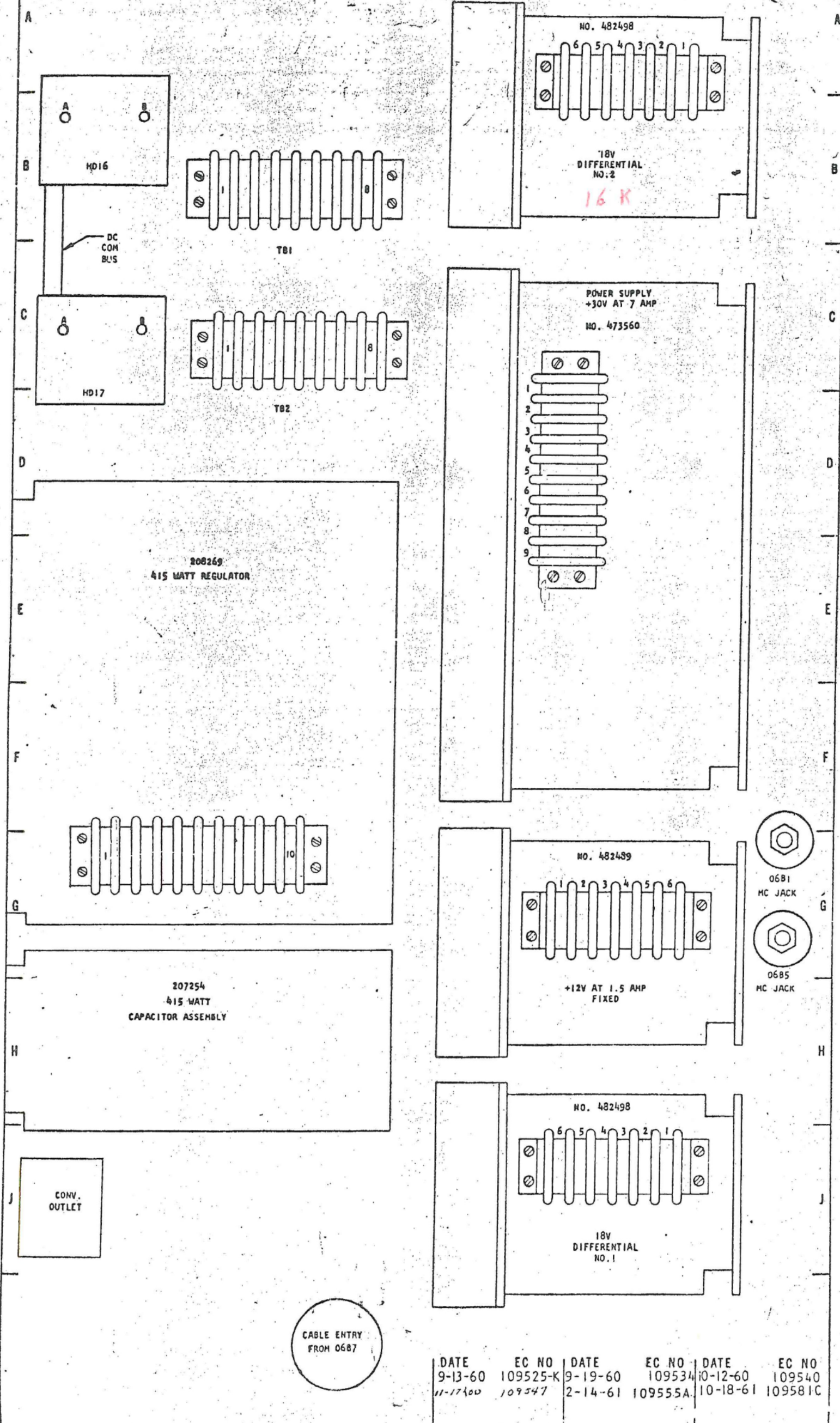
A

B

B

C

C



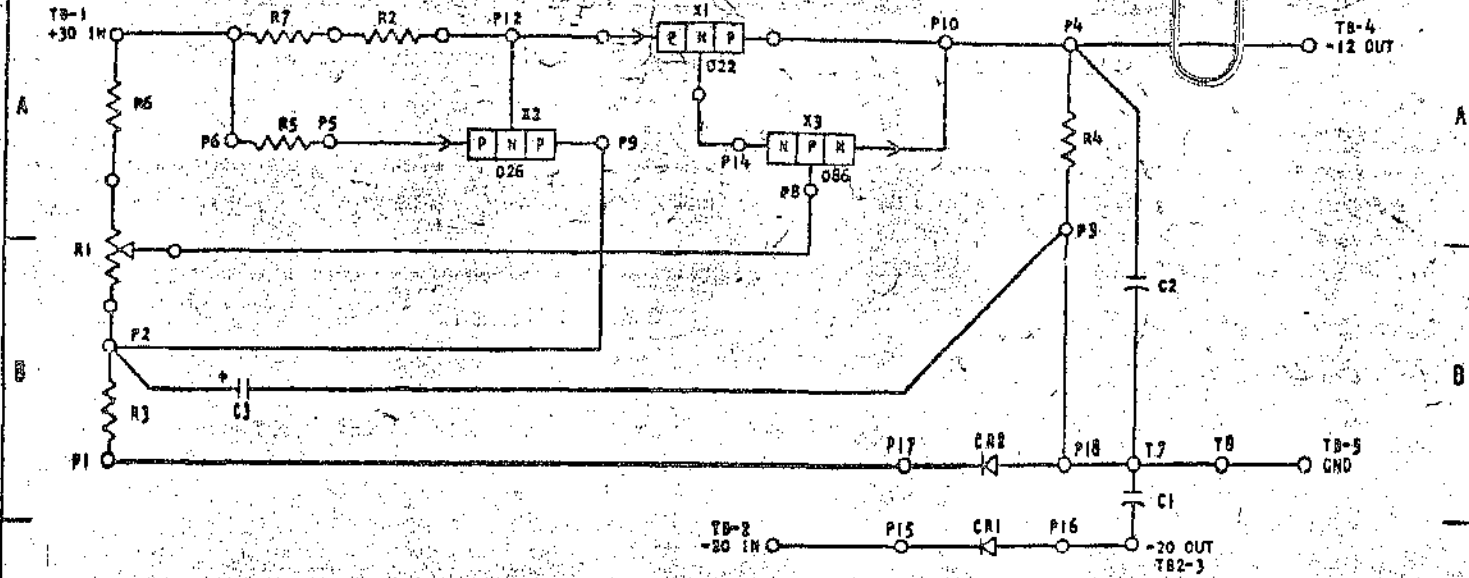
DATE	EC NO	DATE	EC NO	DATE	EC NO
9-13-60	109525-K	9-19-60	109534	10-12-60	109540
11-17-60	109547	2-14-61	109555A	10-18-61	109581C

805372B

WIRING DIAGRAMS-1406-12 VOLT POWER SUPPLIES

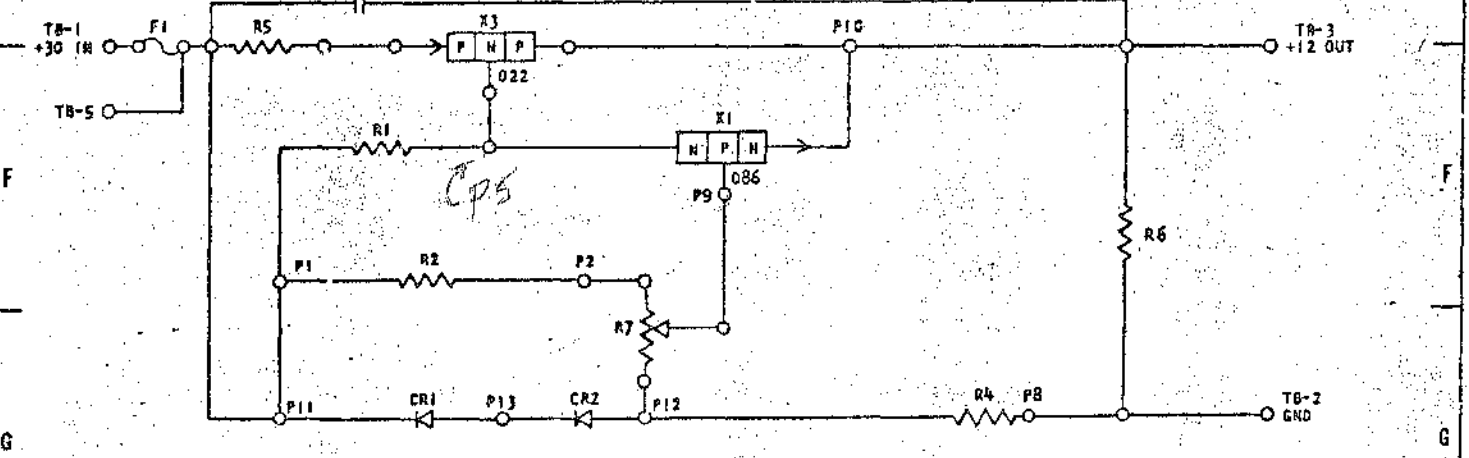
42.83.11.2

POWER SUPPLY NO 482489
 +12V AT 1.5 AMP
 -20V AT 80 MILS FILTERED



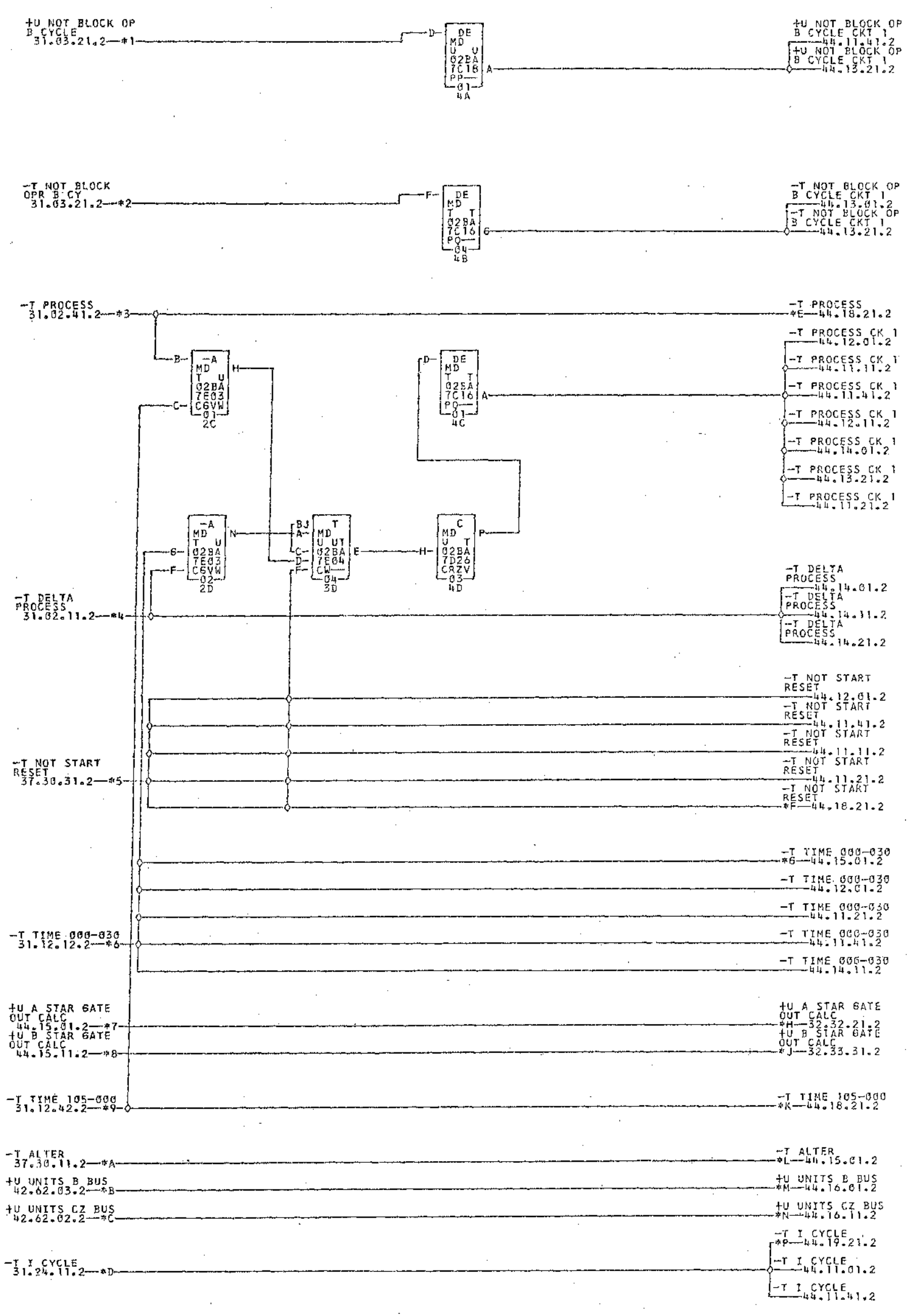
COMPONENT CHART		
CODE	DESCRIPTION	PART NO
C1	CAP 1000MF 25VDC	482490
C2	CAP 600MF 25VDC	207362
CR1	DIODE	257800
CR2	DIODE	209002
R1	POT .25K .5W	207340
R2	RESISTOR .005K 25W	501550
R3	RESISTOR .1K .5W	213536
R4	RESISTOR .12K 2W	317078
R5	RESISTOR 5.6K .5W	317430
R6	RESISTOR 1.6K .5W	317018
R7	RESISTOR .005K 25W	501550
X1	TRANSISTOR 022	526998
X2	TRANSISTOR 026	369652
X3	TRANSISTOR 086	369654
C3	CAP 1 MF 15V DC	492618

POWER SUPPLY
 18V DIFFERENTIAL VOLTAGE
 FOR MEMORY

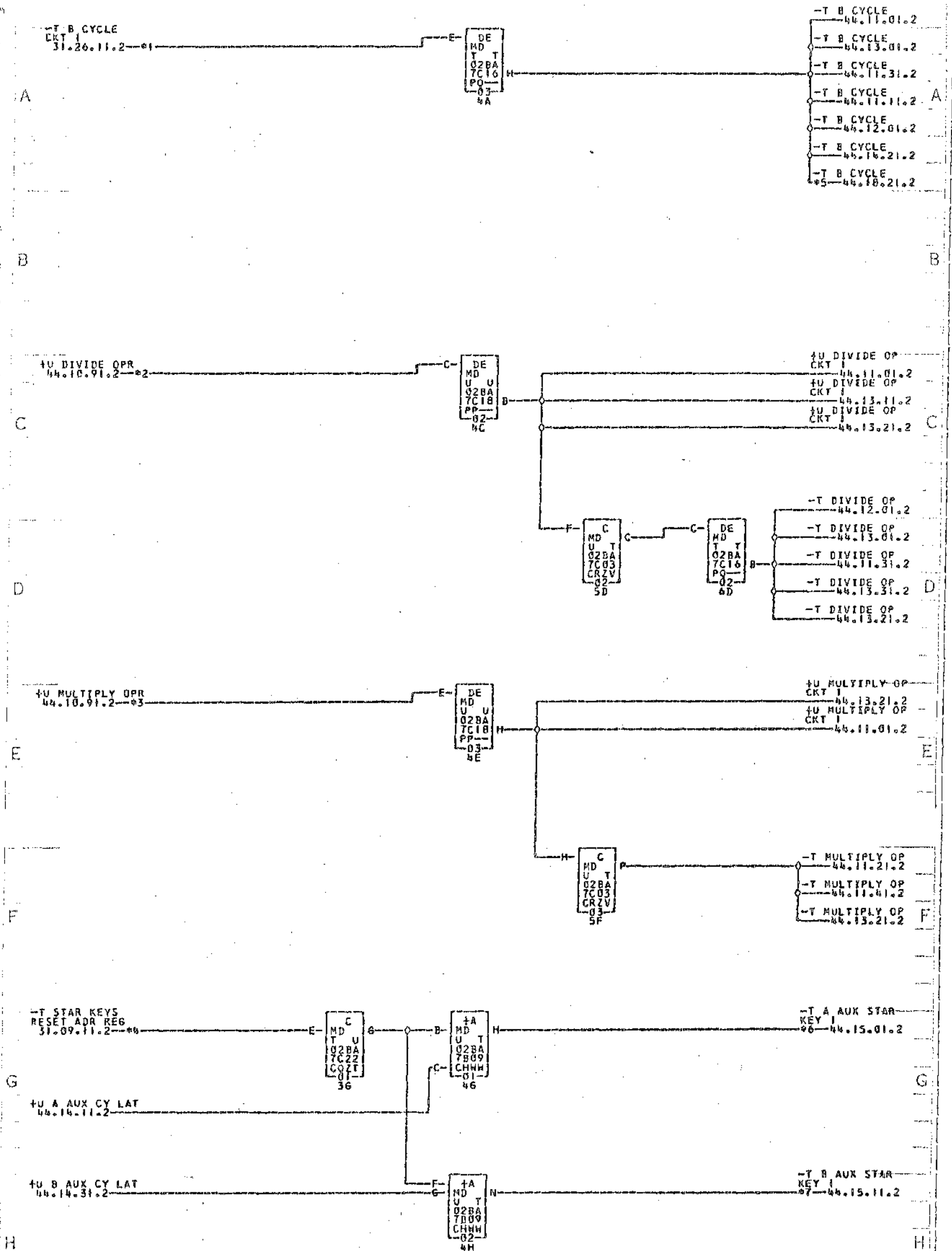


COMPONENT CHART		
CODE	DESCRIPTION	PART NO
C1	CAP 0.01 MF	357993
CR1	DIODE	209002
CR2	DIODE	209002
F1	FUSE .75A	111255
R1	RESISTOR 1K .5W	213693
R2	RESISTOR 1.5K .5W	317017
R4	RESISTOR .51K .5W	317012
R5	RESISTOR .015K 10W	482499
R6	RESISTOR .030K 10W	482383
R7	POT .5K .5W	207393
X1	TRANSISTOR 086	369654
X3	TRANSISTOR 022	526998

DATE	EC NO	DATE	EC NO	DATE	EC NO
9-13-60	109525-K	2-8-63	117133		
11-11-60	109546				
1-22-63	116793				

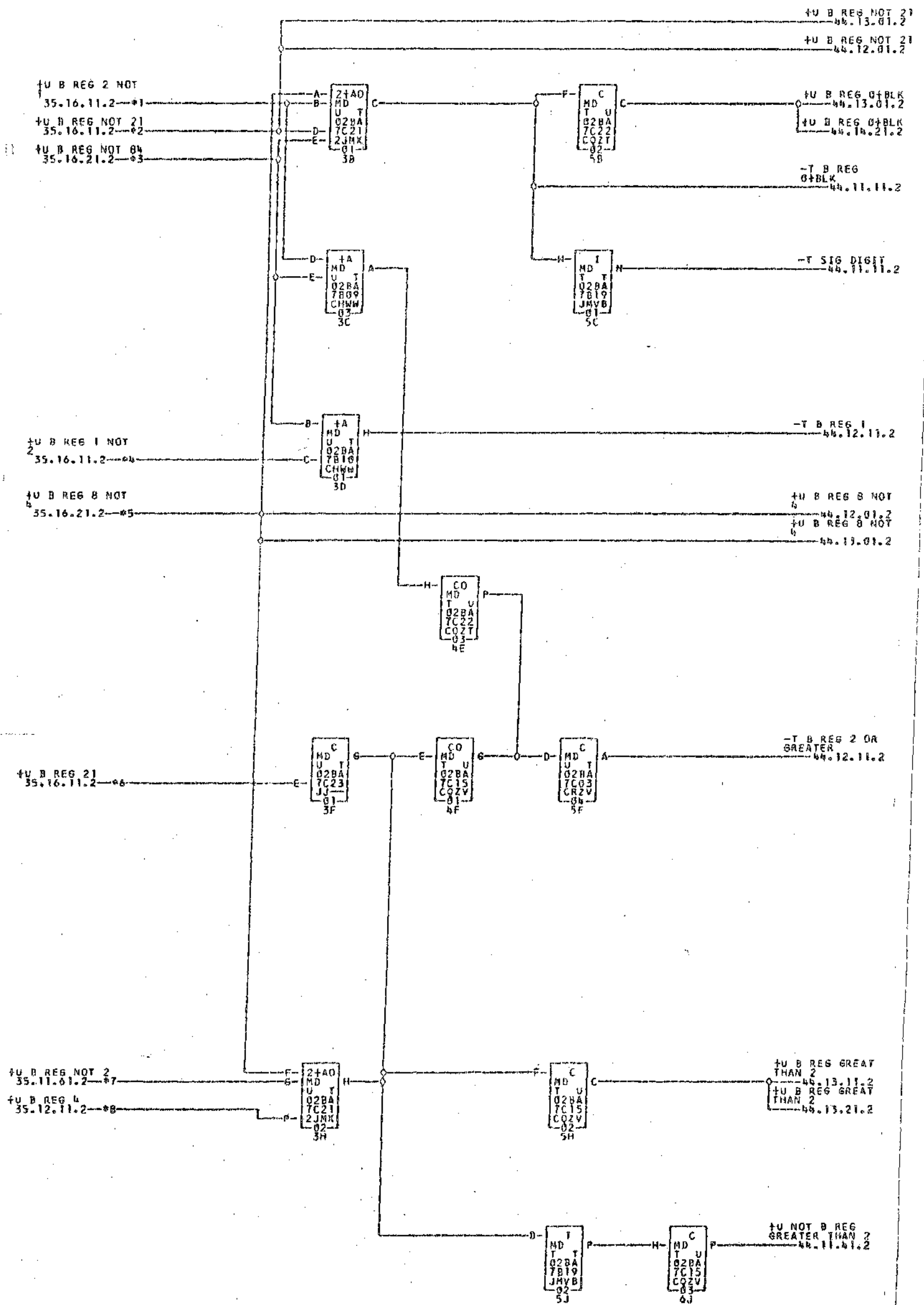


- *1-02B7B01B *2-02B7B01D *3-02B7E01D *4-02B7E01M *5-02B7D026 *6-02B7A02L
- *7-02B7C016 *8-02B7C01H *9-02B7E02C *A-02B7D02L *B-02B7A01L *C-02B7D02M
- *D-02B7B01J *E-02B7C02L *F-02B7D01B *G-02A7A26L *H-02B7C02R *I-02B7C02K
- *J-02B7D02N *K-02B7C02M *L-02A7A26M *M-02B7D01A *N-02B7C01R *O-02A7C26R
- *P-02B7D01H



- *1--02B7B01P
- *2--02B7B02J
- *3--02B7B02H
- *4--02B7B01E
- *5--02B7D016
- 02A7D266
- *6--02B7D01C
- 02A7D26C
- *7--02B7D01D
- 02A7D26D

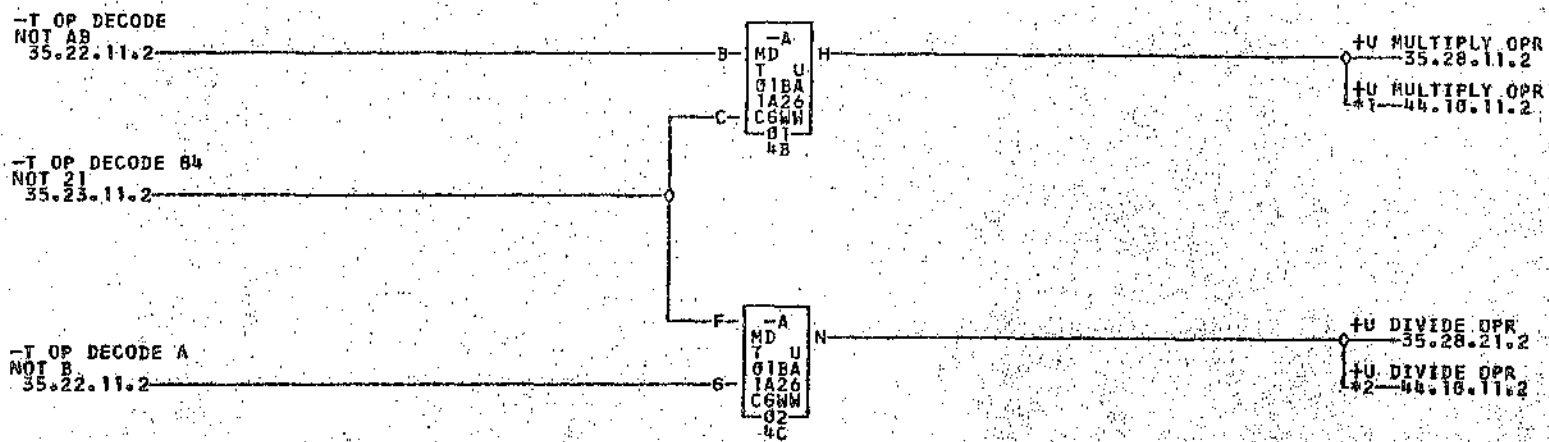
COMMENTS	TAG	DATE	E.C.NO.	TAG	DATE	E.C.NO.	TAG	DATE	E.C.NO.	TAG	DATE	E.C.NO.
	A	06-02-61	11032GR									



- *1--02B7A02B
- *2--02B7A02C
- *3--02B7A02D
- *4--02B7A02E
- *5--02B7A02A
- *6--02B7A02F
- *7--02B7A02G
- *8--02B7A02H

COMMENTS

TAG	DATE	E.C.NO.	TAG	DATE	E.C.NO.	TAG	DATE	E.C.NO.
A	44-02-61	110320K	B	12-06-61	113422			



*1-01B1E02H
01B3D02J

01B3D02H
01B3B04J

01B3B04H
02A9F03E

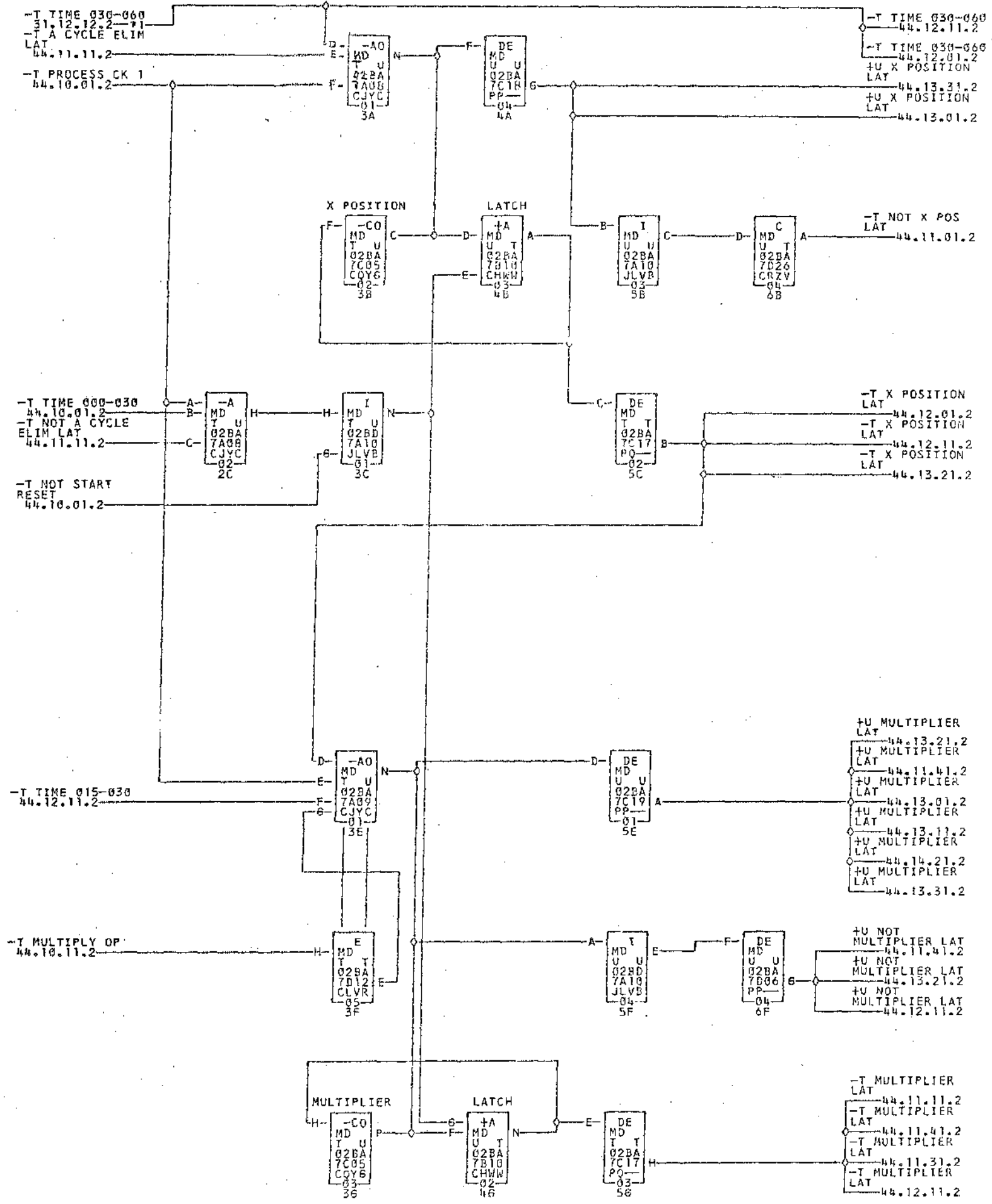
02A9F03E
02B7B02J

02B7B02H

*2-01B1E02J

COMMENTS

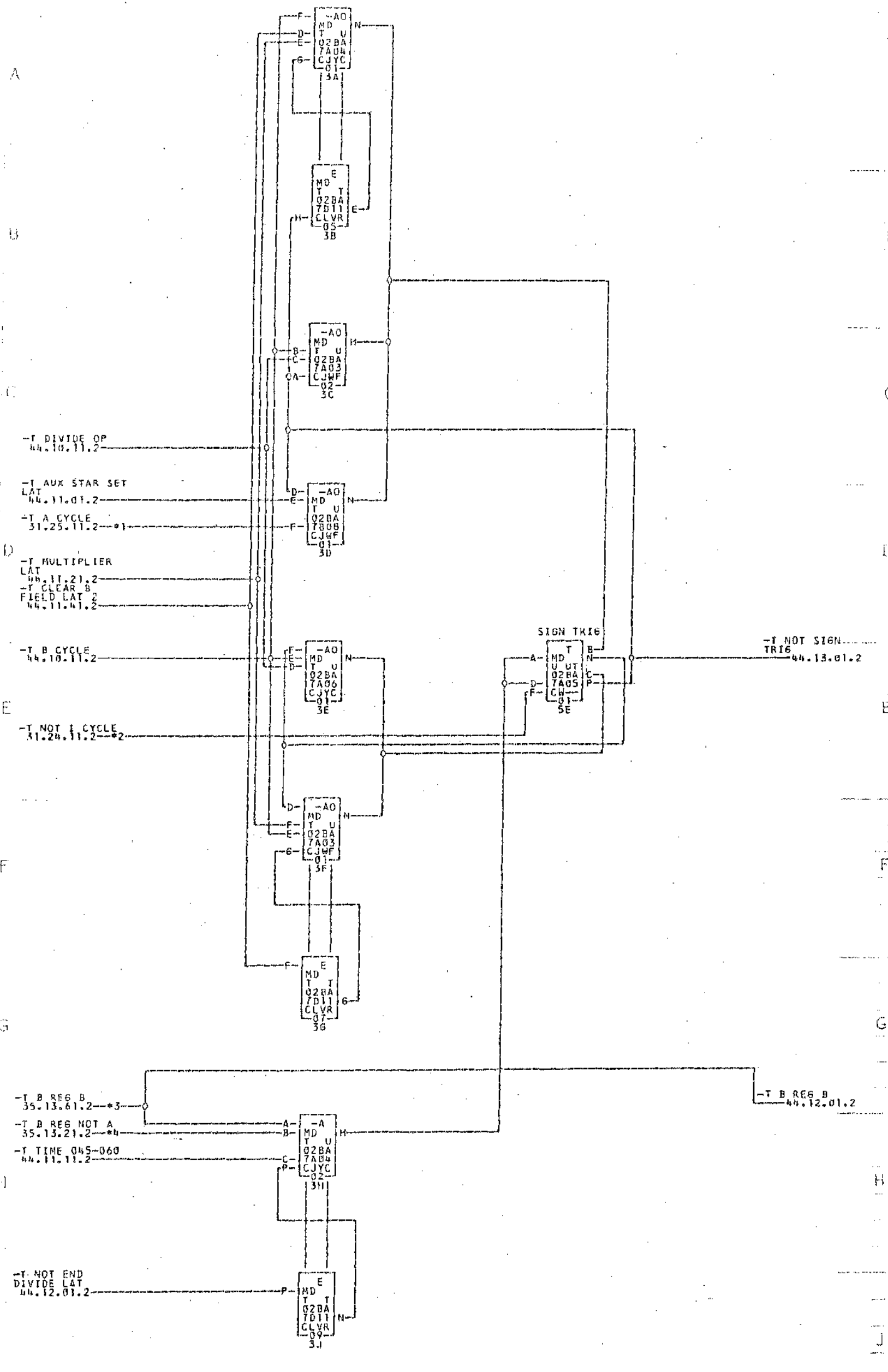
TAG	DATE	E.C.NO.	TAG	DATE	E.C.NO.	TAG	DATE	E.C.NO.	TAG	DATE	E.C.NO.
A	66-05-61	110320P	B	12-21-62	114052						



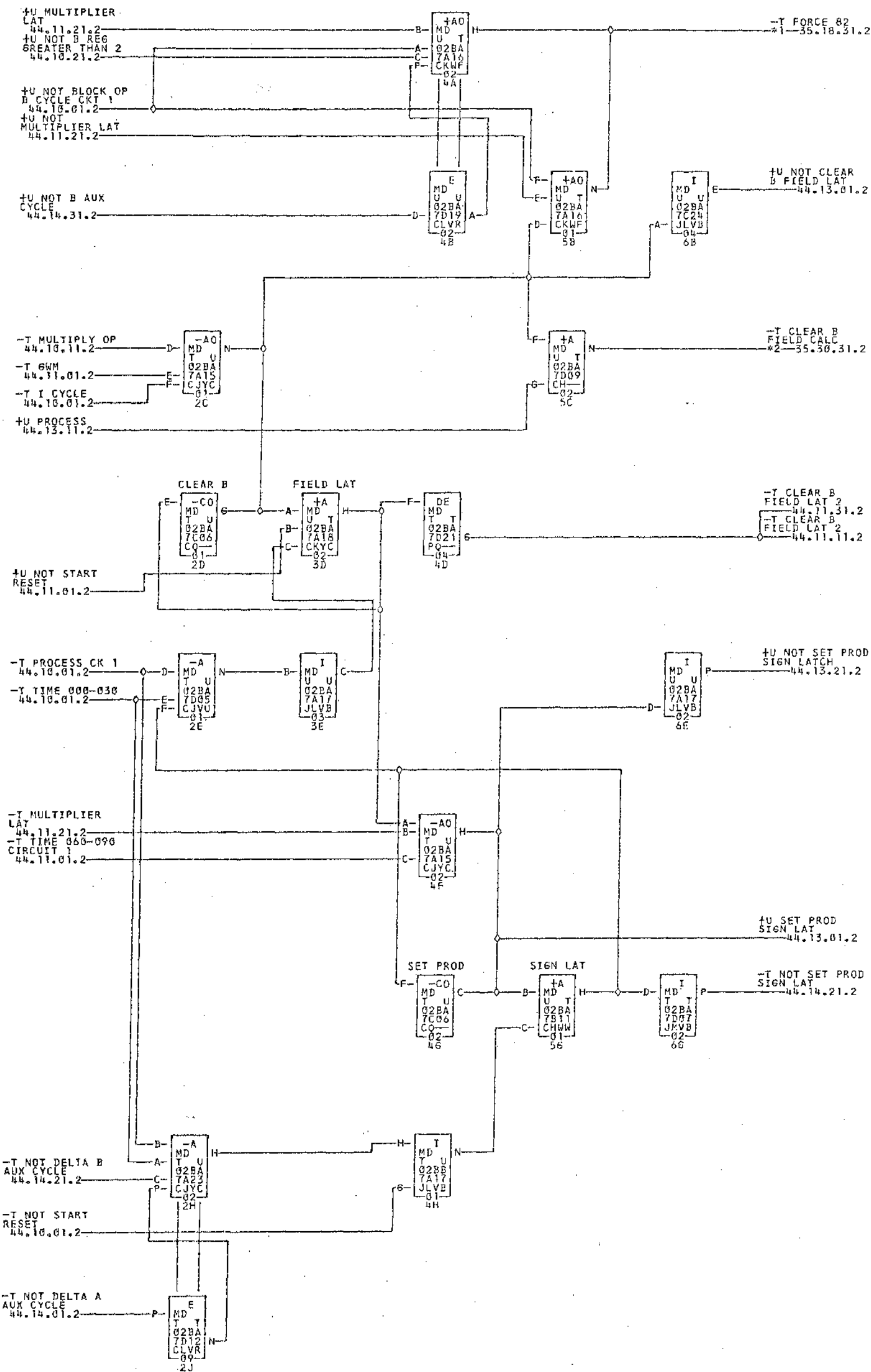
*1-02B7C020

COMMENTS

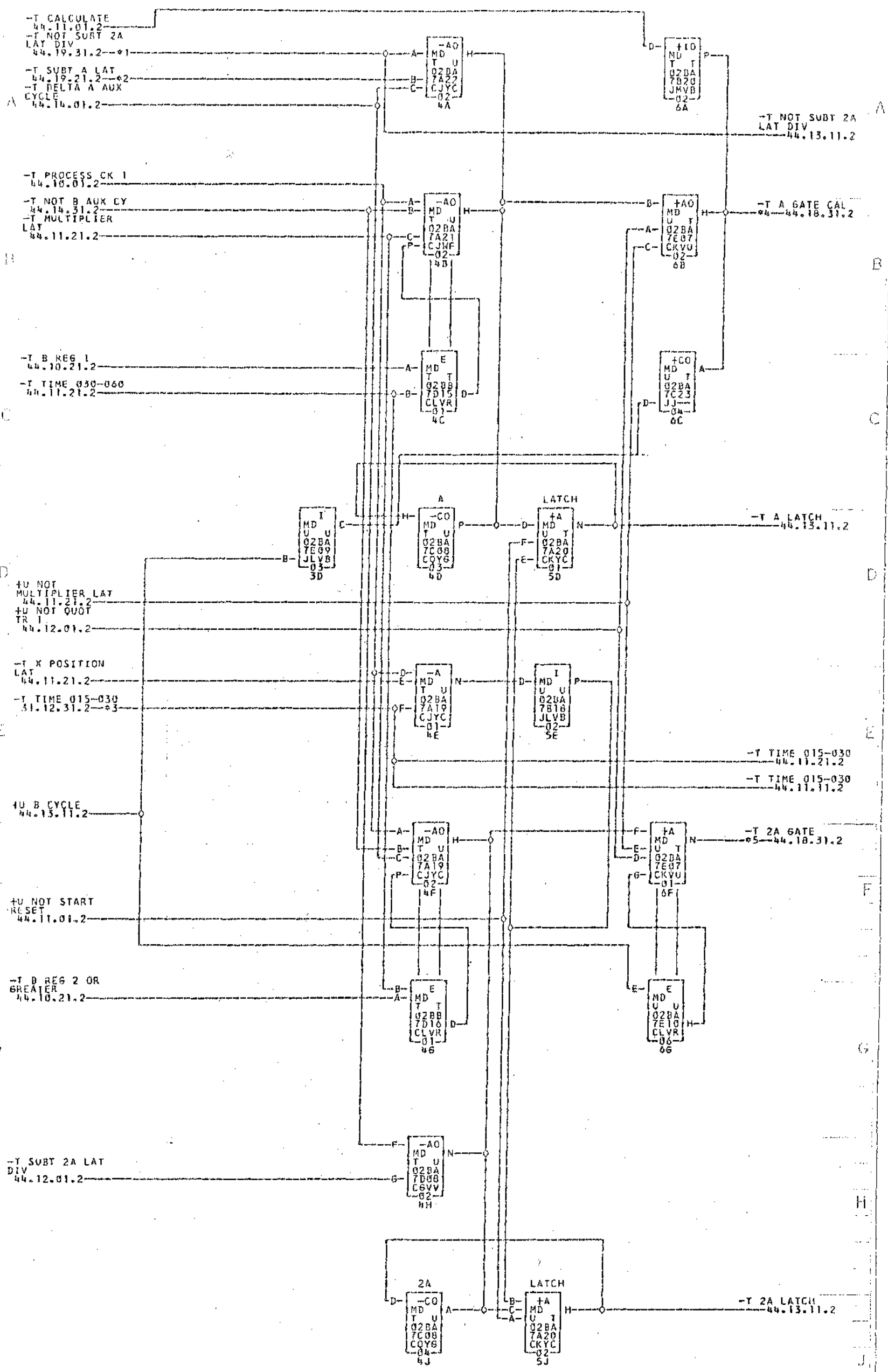
TAG	DATE	E.C.NO.	TAG	DATE	E.C.NO.	TAG	DATE	E.C.NO.	TAG	DATE	E.C.NO.
A	06-02-61	110320R	B	06-23-61	110320B	C	07-27-61	110320C	D	06-12-62	114030



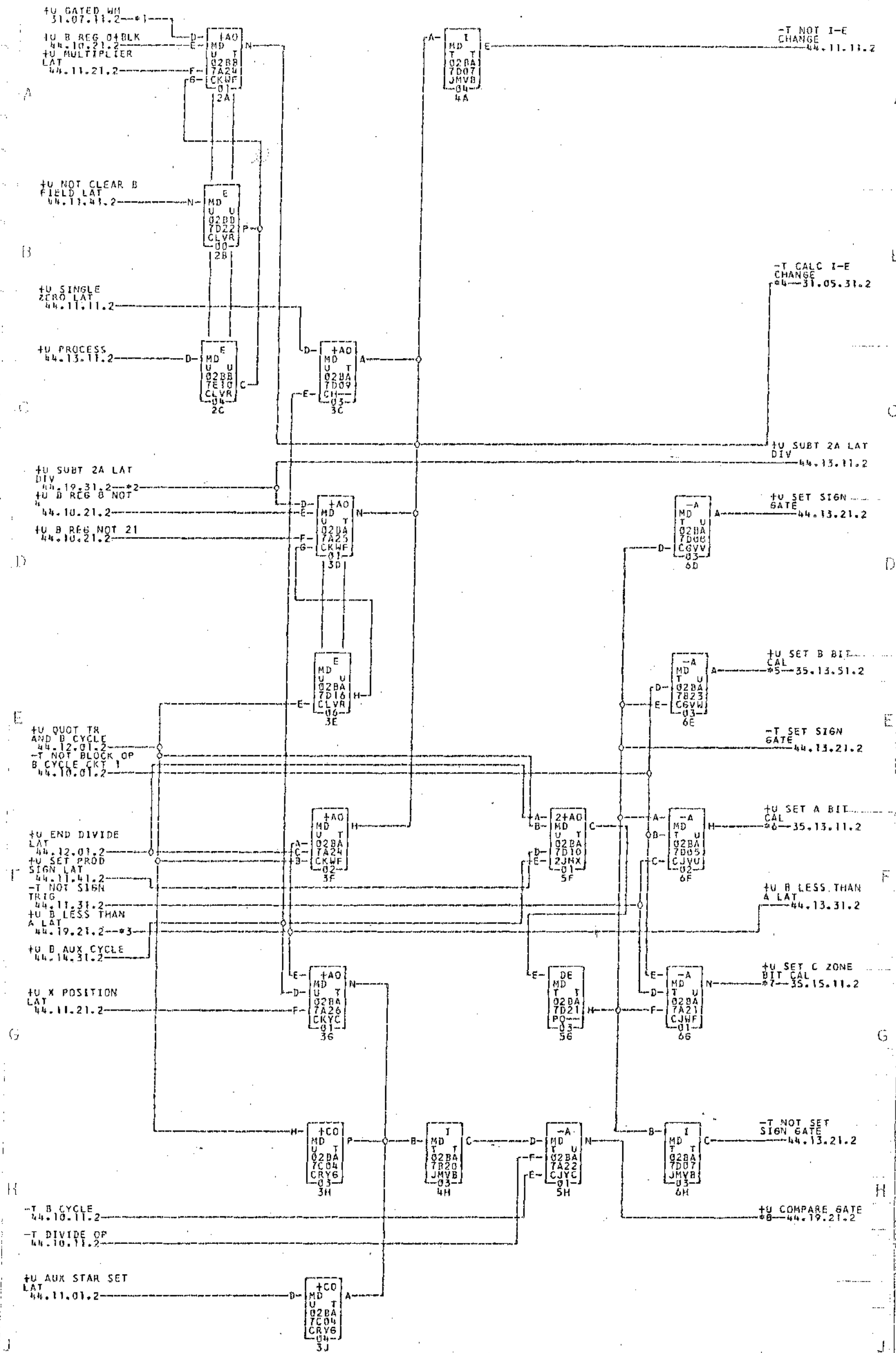
- *1--02B7B01N
- *2--02B7E01F
- *3--02B7A02P
- *4--02B7A02Q



*1—02B7A01D 02A9E15B 01A3E23D *2—02B7B62F 02A9E19E 01B3B04F
 —01B3E04Q 01E6F01Q



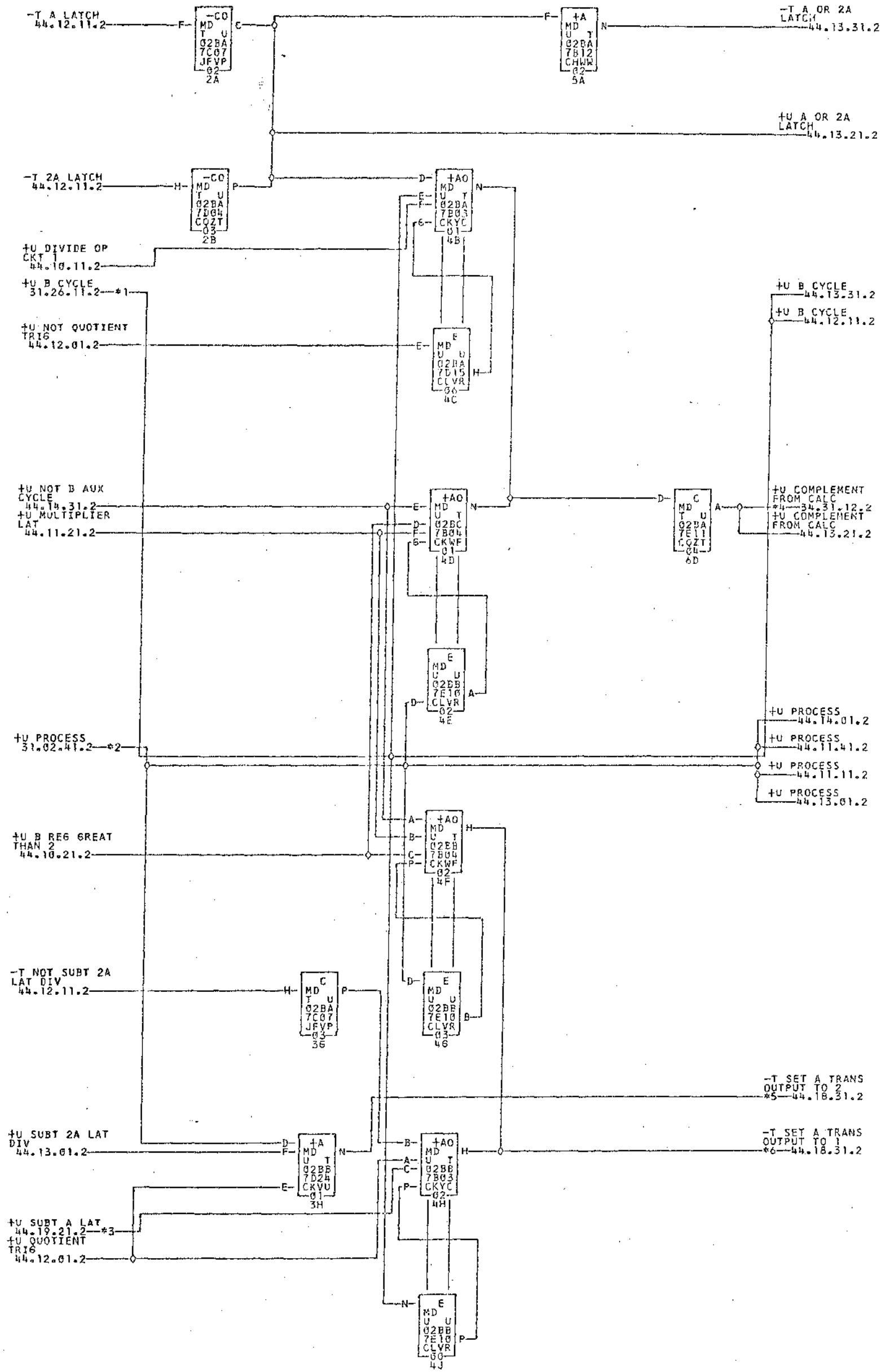
*1--02B7D01Q 02A7D26F *2--02B7C02E *3--02B7C02E *4--02B7D01E 02A7D26E *5--02B7D01F



- *1--02B7B01A *2--02B7C02C *3--02B7C02A *4--02B7E01C ---02A9C13C ---01B2A03C
- *5--02B7A01F ---02A9E19B ---01A3F23F *6--02B7A01E ---02A9E17B ---01A3E23E
- *7--02B7A01G ---02A9F01B ---01A3E236 *8--02B7C01E ---02A7C26E

COMMENTS TAG DATE E.C.NO. TAG DATE E.C.NO. TAG DATE E.C.NO. TAG DATE E.C.NO.

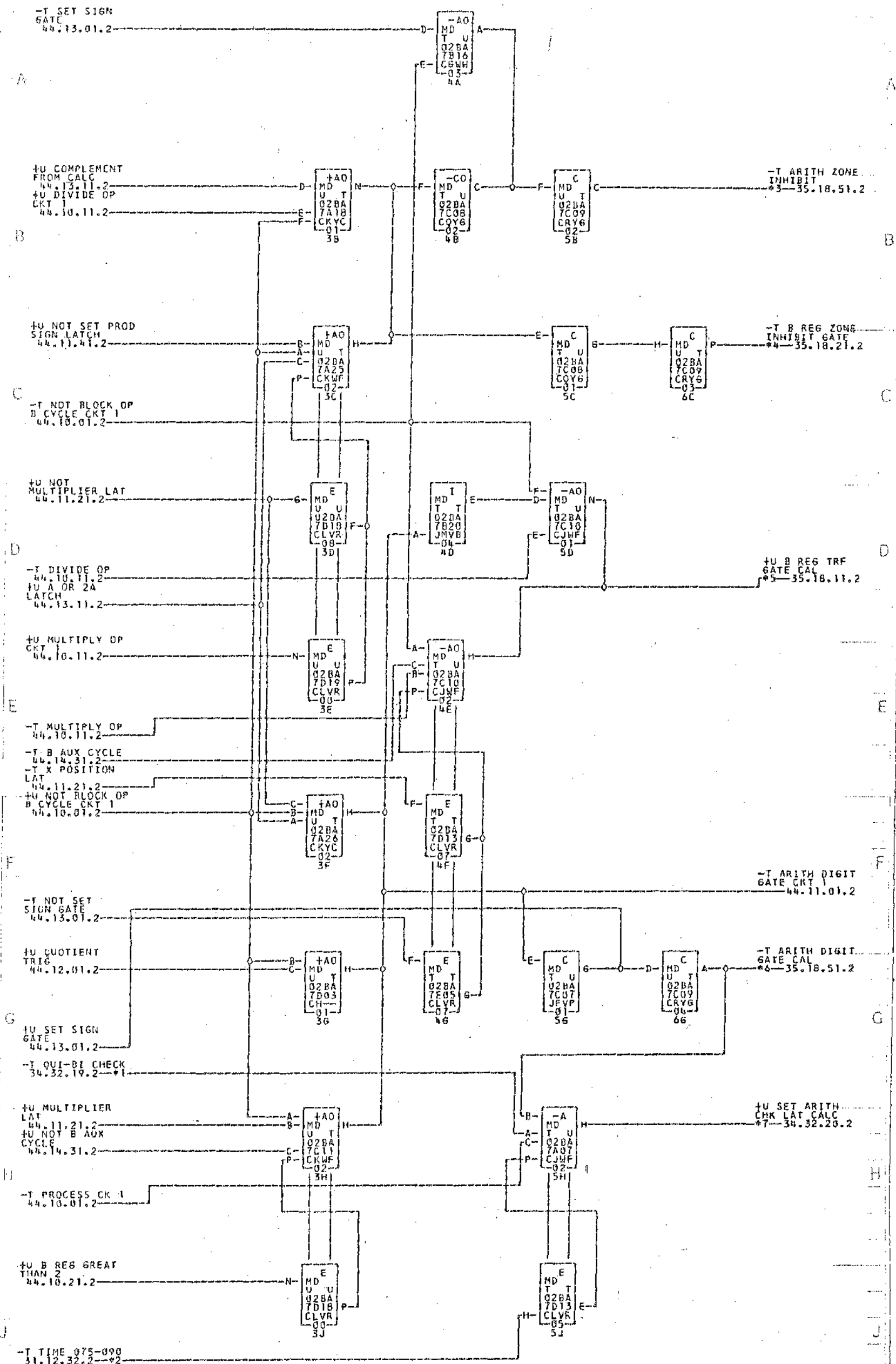
A 06-02-61 110320K B 06-23-61 110324B



- *1—02B7B01K *2—02B7B01C *3—02B7C02B *4—02B7D01M —02A7D26M —02A7E25N
- 02A9F13G —01B3C02N *5—02B7C010 —02A7C260 *6—02B7C01P —02A7C26P

COMMENTS

TAG	DATE	E.C.NO.	TAG	DATE	E.C.NO.	TAG	DATE	E.C.NO.	TAG	DATE	E.C.NO.
A	06-02-61	110320K	B	06-23-61	110324B	C	07-27-61	1103240	D	06-12-62	114036



- *1--02B7E02A
- *2--02B7E02D
- *3--02B7A01K
- *4--02A9F07D
- *5--01A3E23K
- *6--02B7A01H
- *7--02A9F03B
- *8--01A3E23H
- *9--02B7A01J
- *10--02A9F05B
- *11--01A3E23J
- *12--02B7A01C
- *13--02A9E13B
- *14--01A3E23C
- *15--02B7E02B
- *16--02A9D15D

+U X POSITION
LAT
44.11.21.2
+U B LESS THAN
A LAT
44.13.01.2
+U B AUX CYCLE
44.14.31.2

-T B AUX STAR
SET TENS HUND
44-44.15.11.2

+U B LESS THAN
A LAT
44.14.21.2

+U MULTIPLIER
LAT
44.11.21.2
+U B CYCLE
44.13.11.2
+U AUX STAR SET
LAT
44.11.01.2

-T B AUX STAR
SET UNITS
45-44.15.11.2

+U DELTA B AUX
CYCLE
44.14.21.2

+U DELTA B
CYCLE
31.23.11.2

-T A AUX STAR
SET TENS HUND
46-44.15.01.2

+U A CYCLE
31.25.11.2

+U DELTA A
CYCLE
31.22.11.2

-T A AUX STAR
SET UNITS
47-44.15.01.2

-T B STAR GATE
IN T-H CALC
48-32.33.21.2

-T B STAR GATE
IN UNITS CALC
49-32.33.11.2

+U FORCE ADDER
CARRY DIV
4A-34.31.14.2

-T A AUX CYCLE
44.14.14.2
-T DIVIDE OP
48.10.11.2
-T TIME 090-000
44.11.01.2

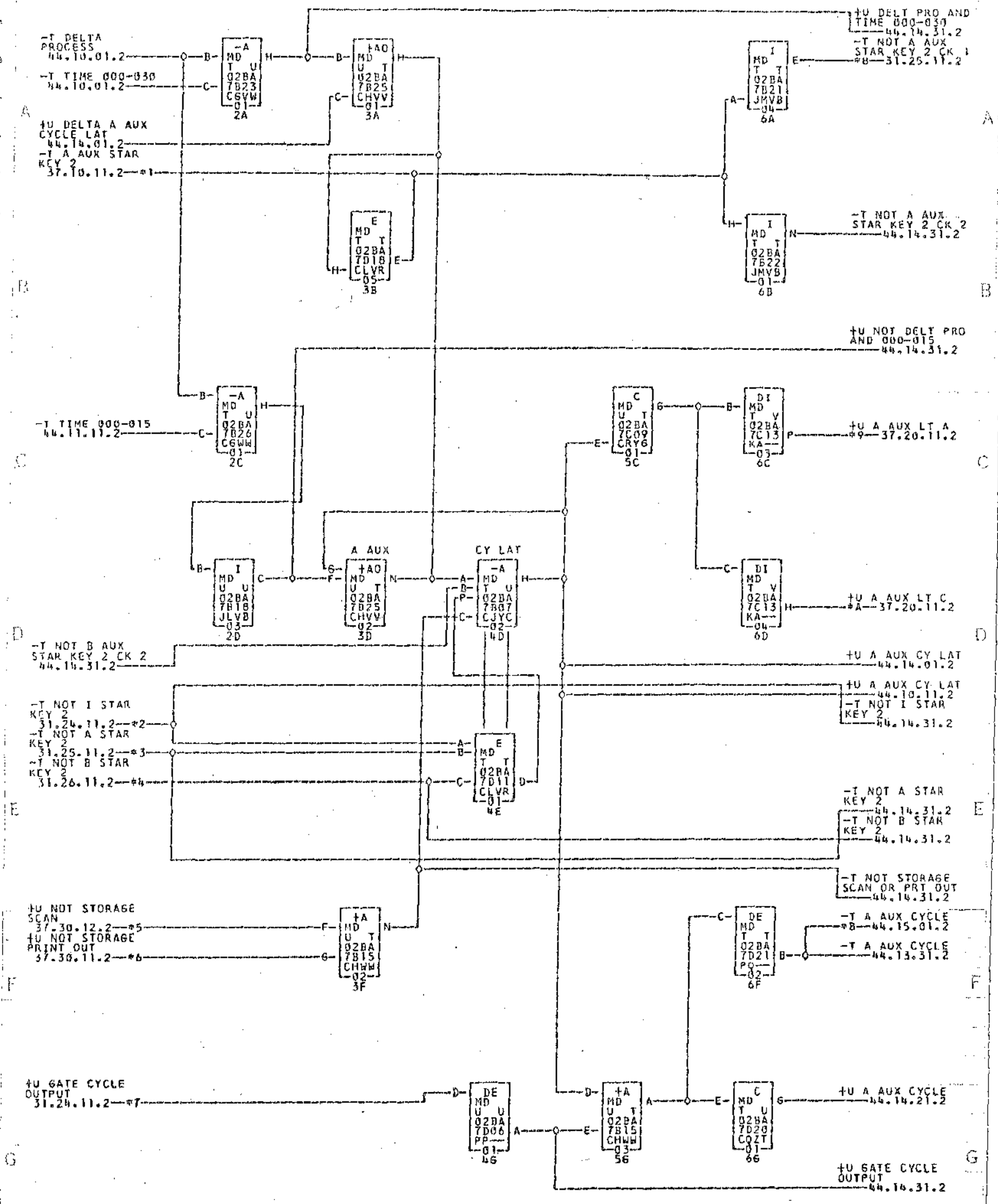
-T A OR 2A
LATCH
44.13.11.2

- *1--02B7B016
- *2--02B7E016
- *3--02B7E01N
- *4--02B7C01M
- *5--02B7C01N
- *6--02B7C01F
- *7--02B7C01K
- *8--02B7D02R
- *9--02B7D02Q
- *A--02B7B02P
- *10--02A7C26M
- *11--02A7C26K
- *12--02A9F15E
- *13--02A0D09F
- *14--01A0A25E
- *15--01A7A23L
- *16--02A0D07F
- *17--01A8A25D
- *18--01A8A26K
- *19--01A7A23K
- *20--01B3B04P

COMMENTS

TAG DATE E.C.NO. TAG DATE E.C.NO. TAG DATE E.C.NO. TAG DATE E.C.NO.

A 06-02-61 110320K

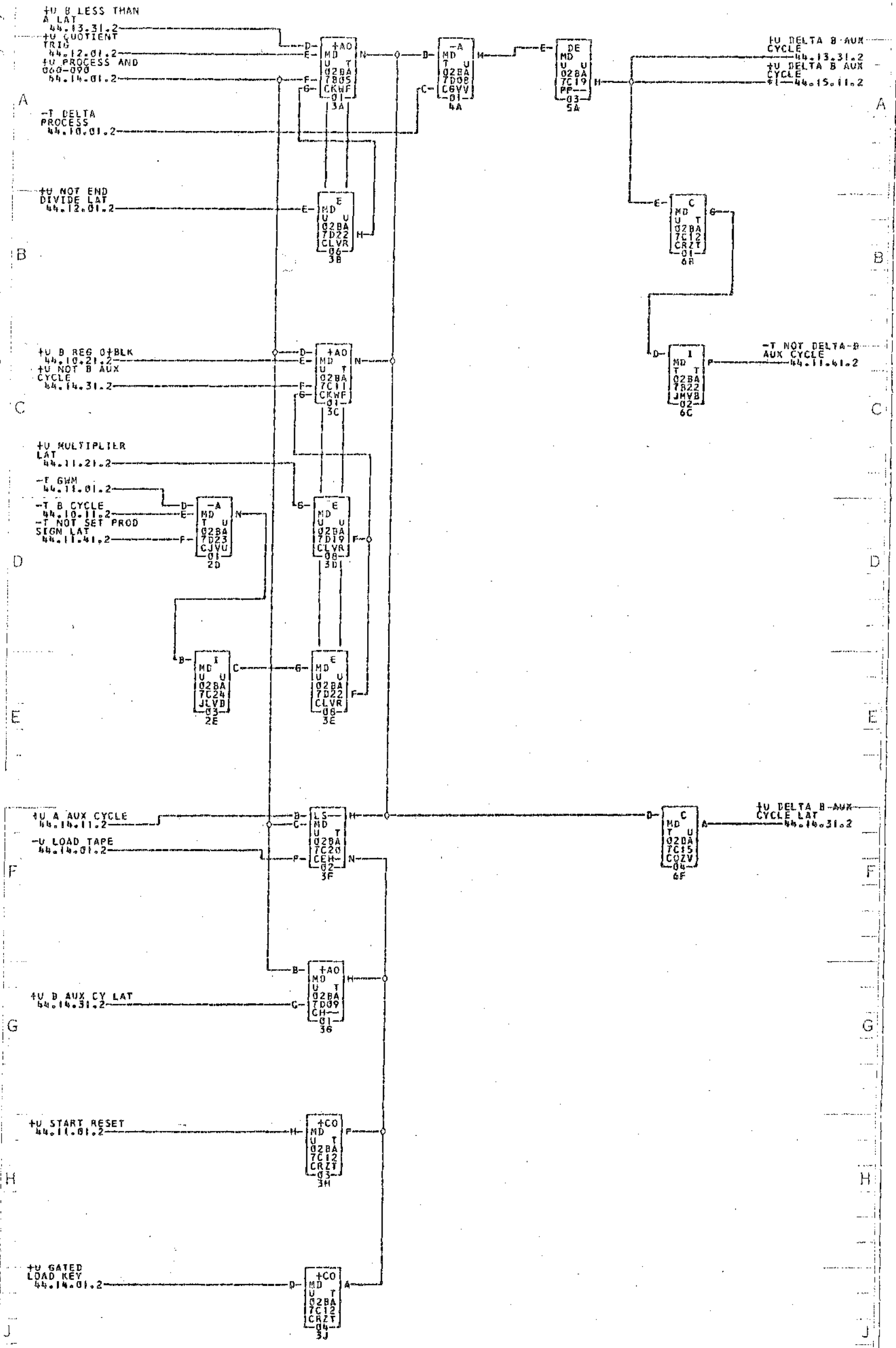


- *1--02B7D02A *2--02B7E01L *3--02B7E01J *4--02B7E01K *5--02B7D02J *6--02B7D02H
- *7--02B7E01H *8--02B7D010 *9--02A9F17D *10--01B2B03Q *11--02B7D02C *12--02A9E13A
- *13--01A2A14C *14--02B7D02D *15--02A9E15A *16--01A2A14D *17--02B7C01B *18--02A7C26B

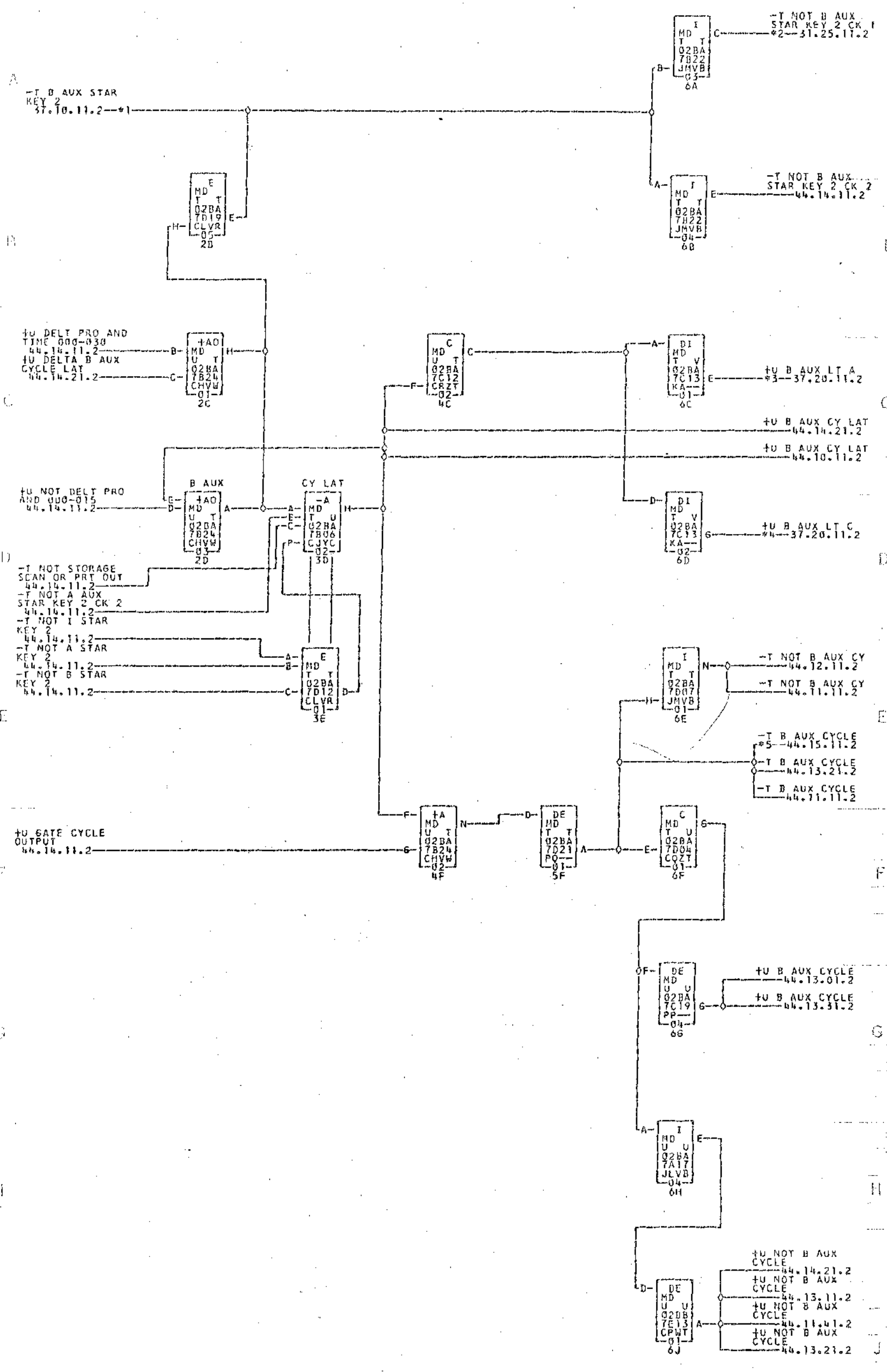
COMMENTS

TAG DATE E.C.NO. TAG DATE E.C.NO. TAG DATE E.C.NO. TAG DATE E.C.NO.

A 06-02-61 110320K B 06-23-61 110324B



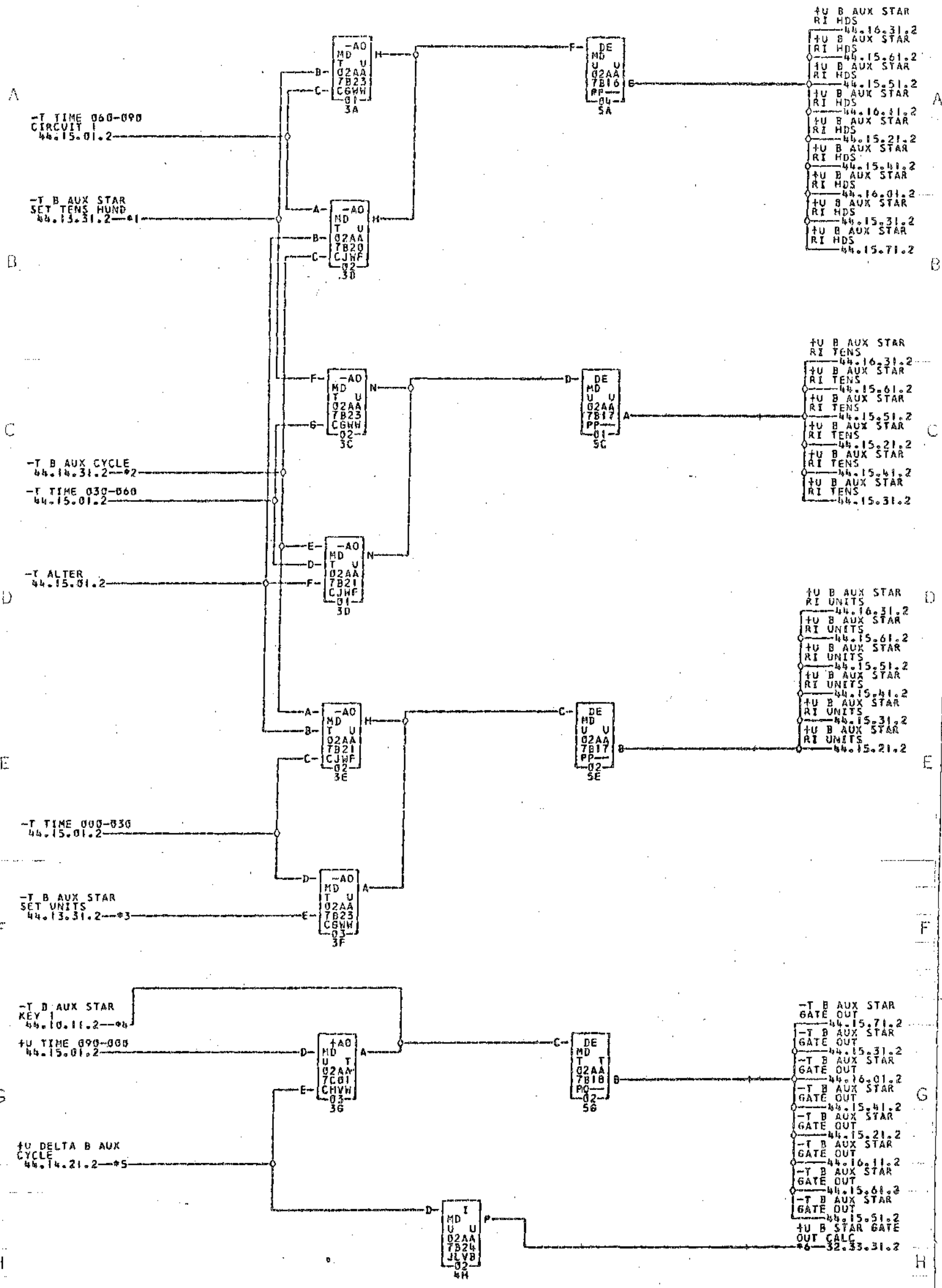
*I--02B7C01C ---02A7C26C



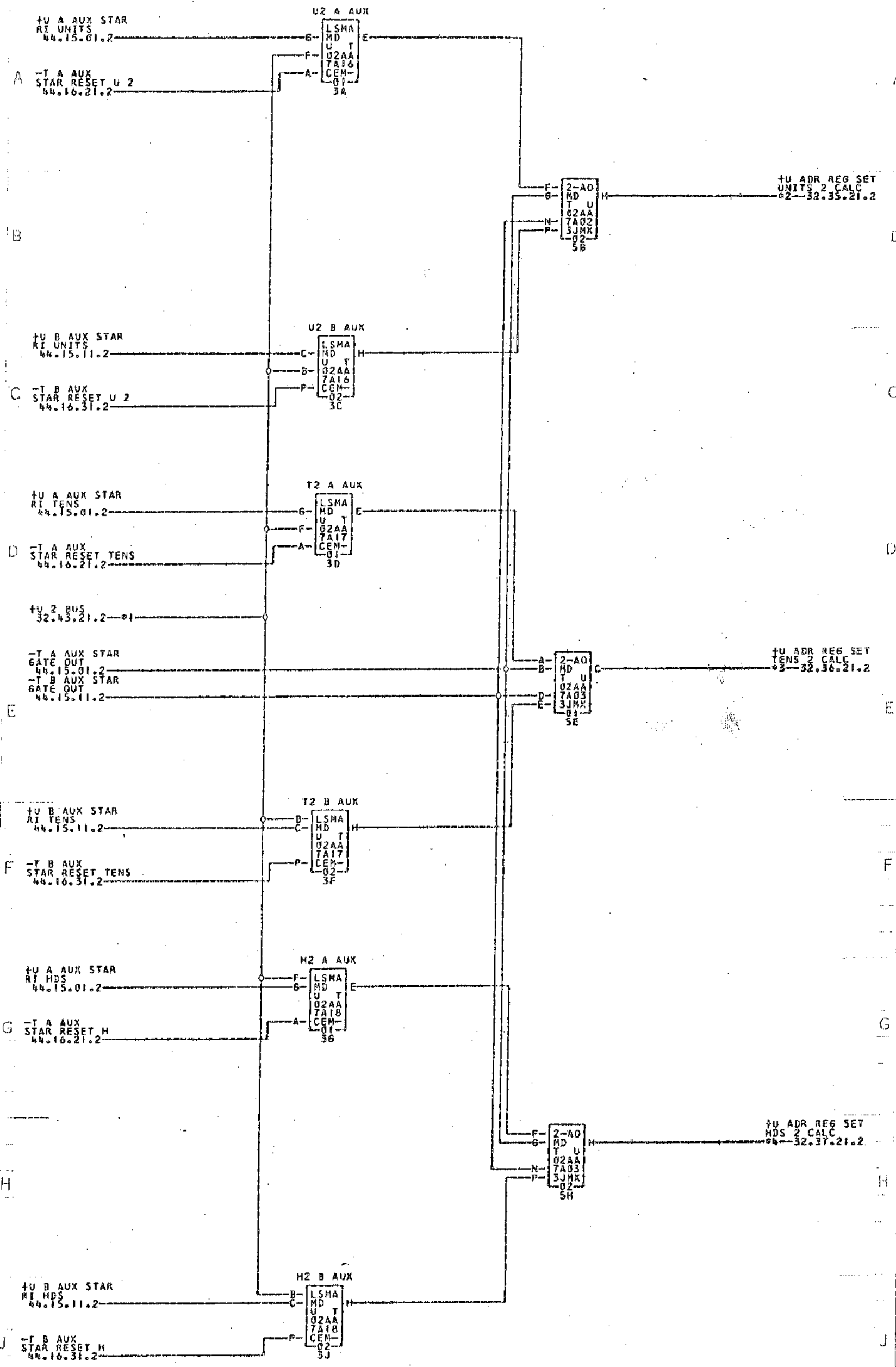
- *1--02B7D02B *2--02B7D01R ---02A9F19D ---01B2B03R *3--02B7D02E ---02A9E17A
- 01A2A14E *4--02B7D02F ---02A9E19A ---01A2A14F *5--02B7C01D ---02A7C26D

COMMENTS	TAG DATE	E.C.NO.	TAG DATE	E.C.NO.	TAG DATE	E.C.NO.	TAG DATE	E.C.NO.
	A 06-02-61	110320K	B 06-23-61	110324E				

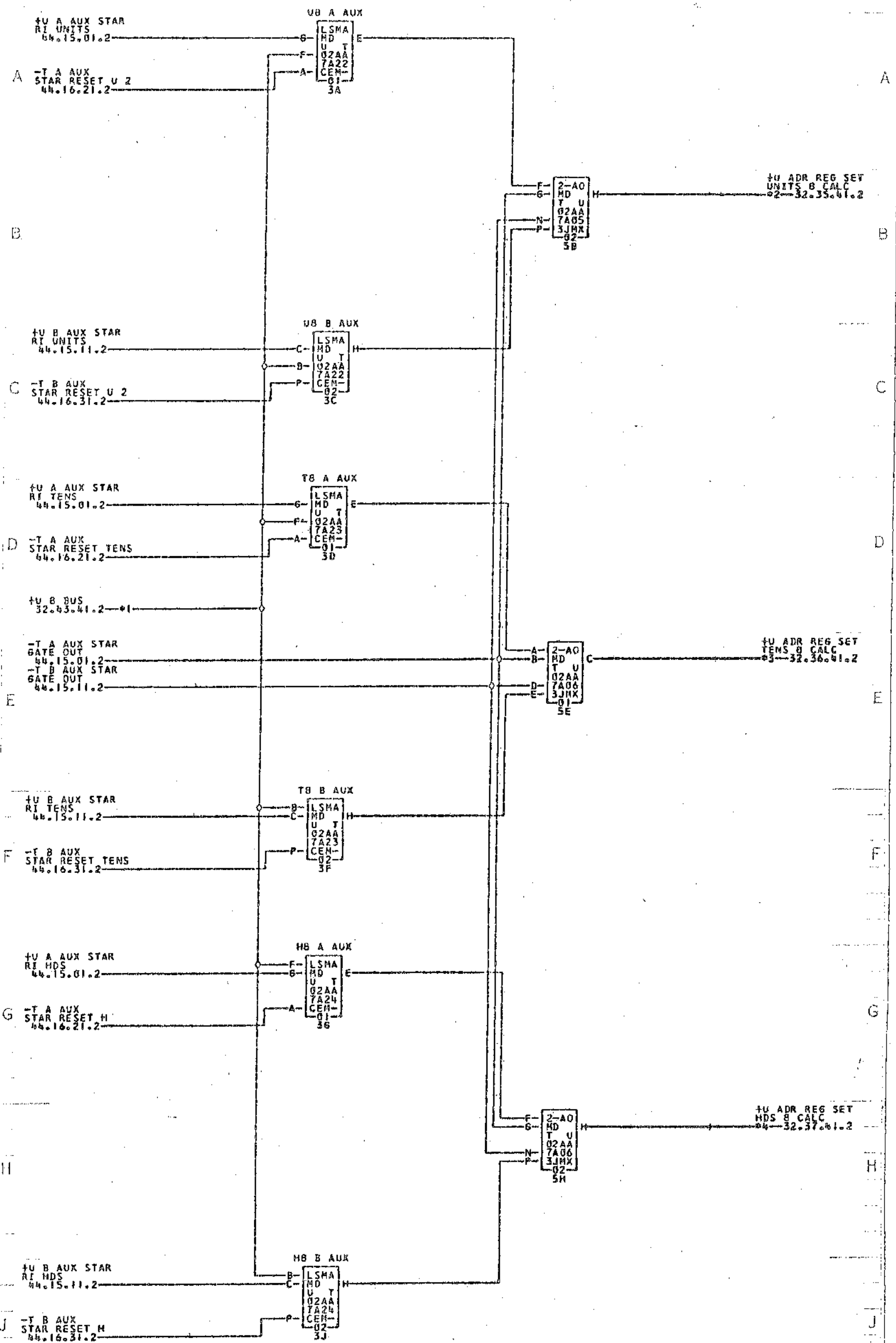
110324E



- *1--02A7C26M
02B7C01H
- *2--02A7C26D
02B7D02P
- *3--02A7C26N
02A9D05F
- *4--02A7D26D
01A8A25C
- *5--02A7C26C
01A8A26J
- *6--02A7C26H
01A7A23J



- *1-02A7B26E
- *2-02A7A25B
- 02A9B03A
- 01A7A24B
- *3-02A7A256
- 02A9B13A
- 01A7A246
- *4-02A7A25H
- 02A9C03A
- 01A7A24H

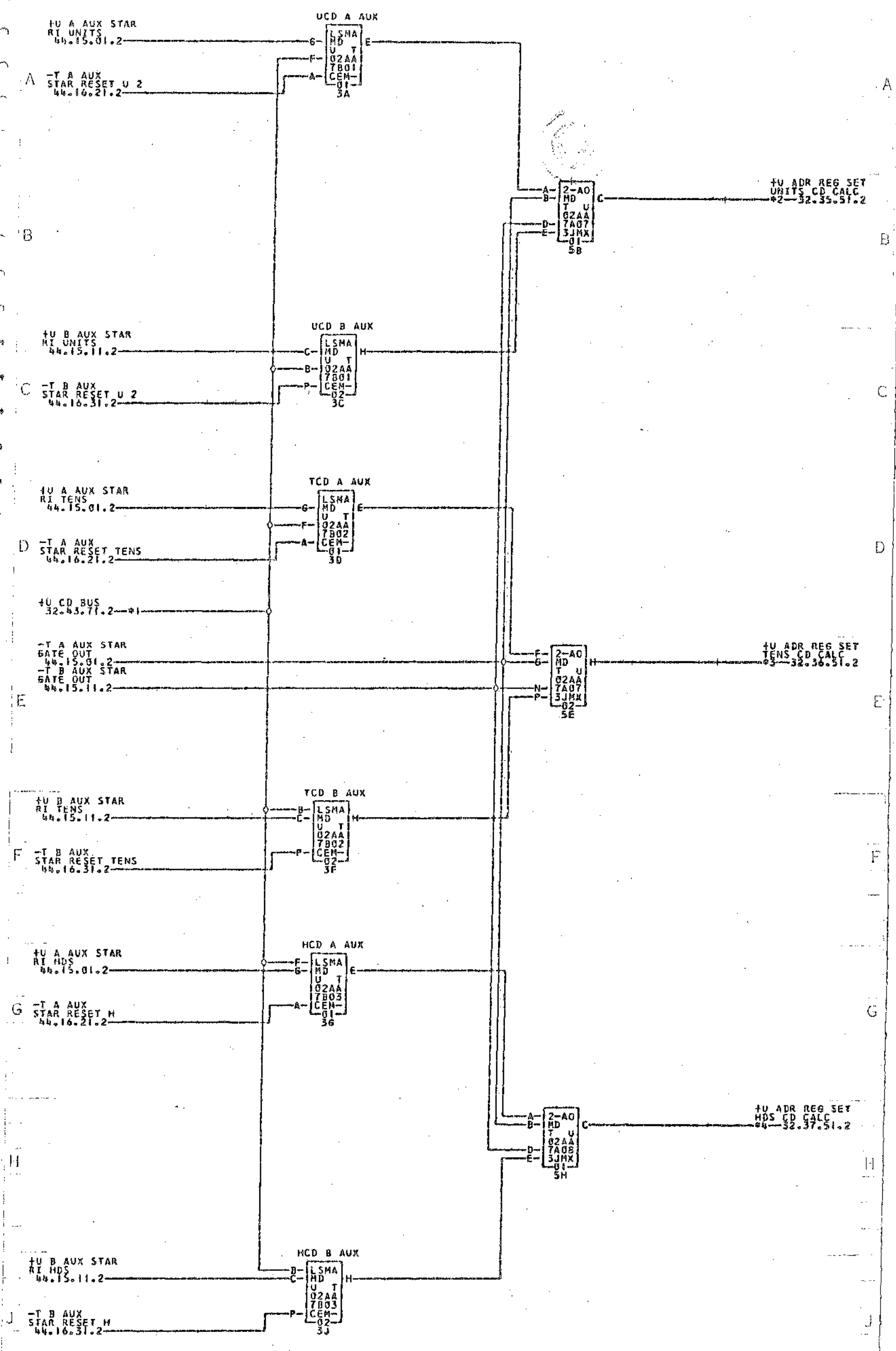


- *1--02A7B26C
01A7A24J
- *2--02A7A25D
44--02A7A25P
- 02A9B07A
---02A9C07A
- 01A7A24D
---01A7A24P
- *3--02A7A25J
- 02A9B17A

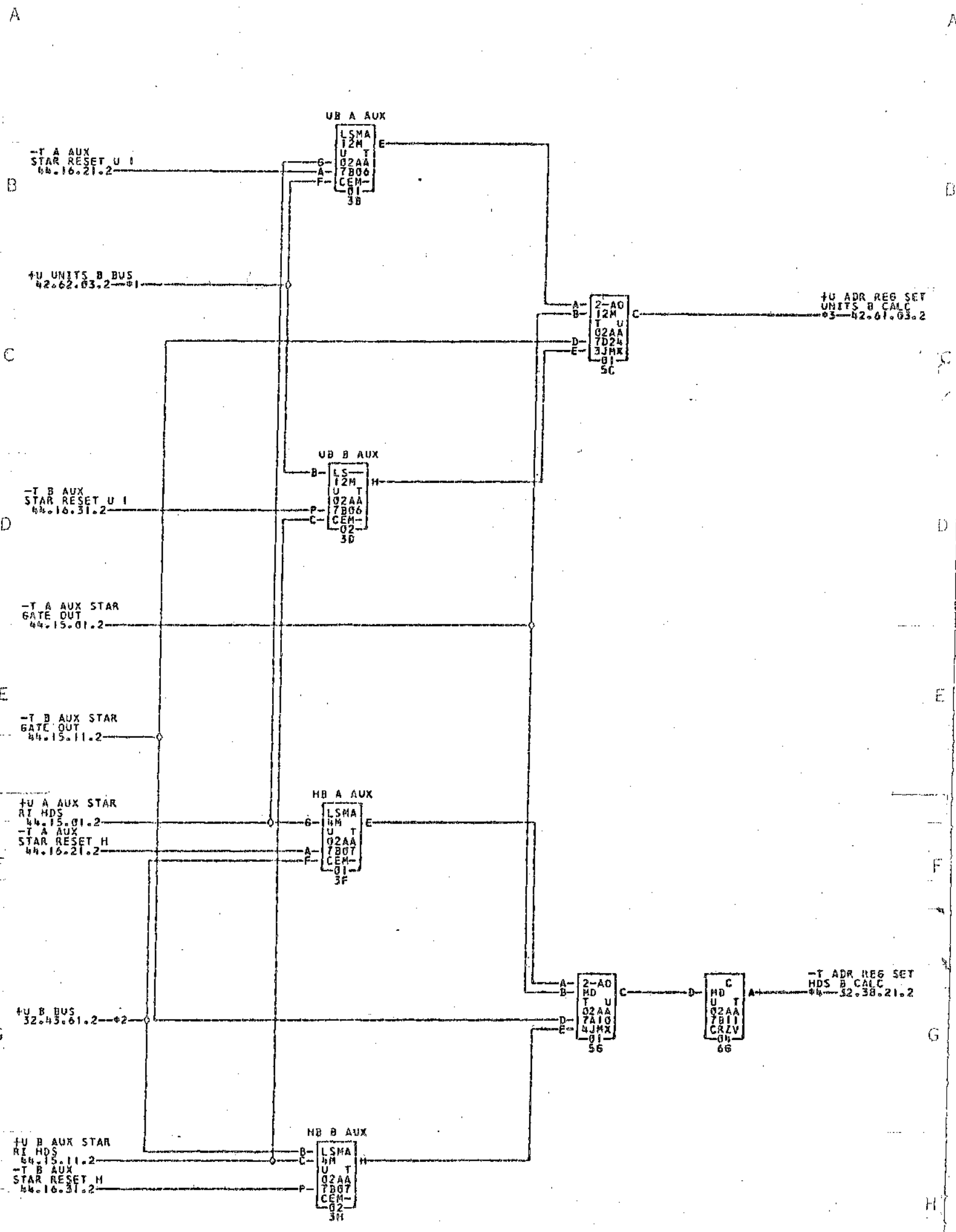
COMMENTS

TAG	DATE	E.C.NO.	TAG	DATE	E.C.NO.	TAG	DATE	E.C.NO.	TAG	DATE	E.C.NO.
A	05-31-61	116320J									

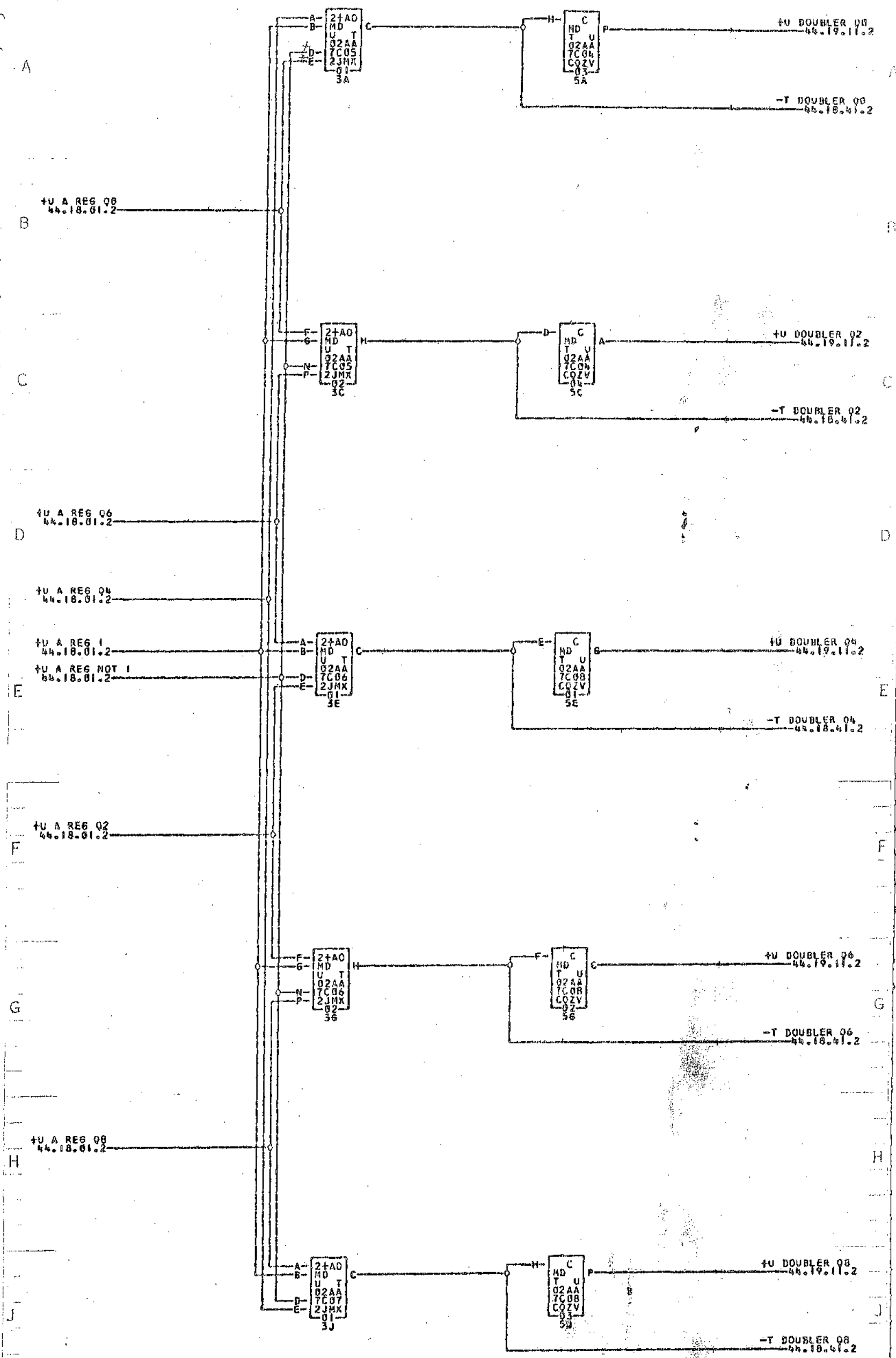
DRIVE 1001-24-0211



- *1—02A7B26B
01A7A24K
- *2—02A7A25E
*4—02A7A25Q
- 02A7B09A
02A9C09A
- 01A7A24E
01A7A24Q
- *3—02A7A25K
- 02A7B19A



- *1--02A7D26A
02A9D17A
- *2--02A7B26H
01A8F26H
- *3--02A7B26Q
01A8D25H
- 02A9E03A
01A7B26H
- 01A8F26Q
- *4--02A7B26H



+U A REG 00
44.18.01.2

+U A REG 06
44.18.01.2

+U A REG 04
44.18.01.2

+U A REG 1
44.18.01.2

+U A REG NOT 1
44.18.01.2

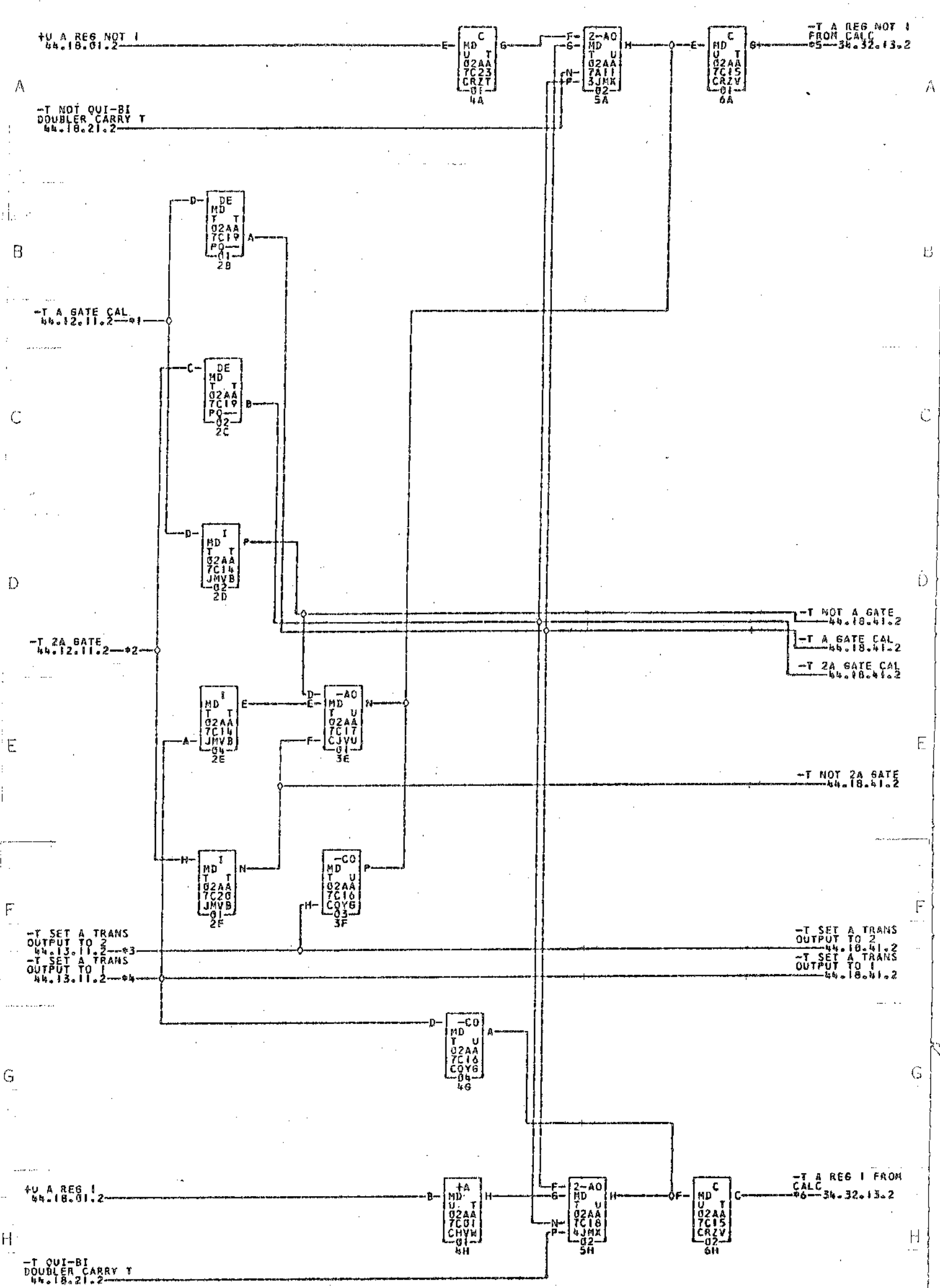
+U A REG 02
44.18.01.2

+U A REG 08
44.18.01.2

COMMENTS

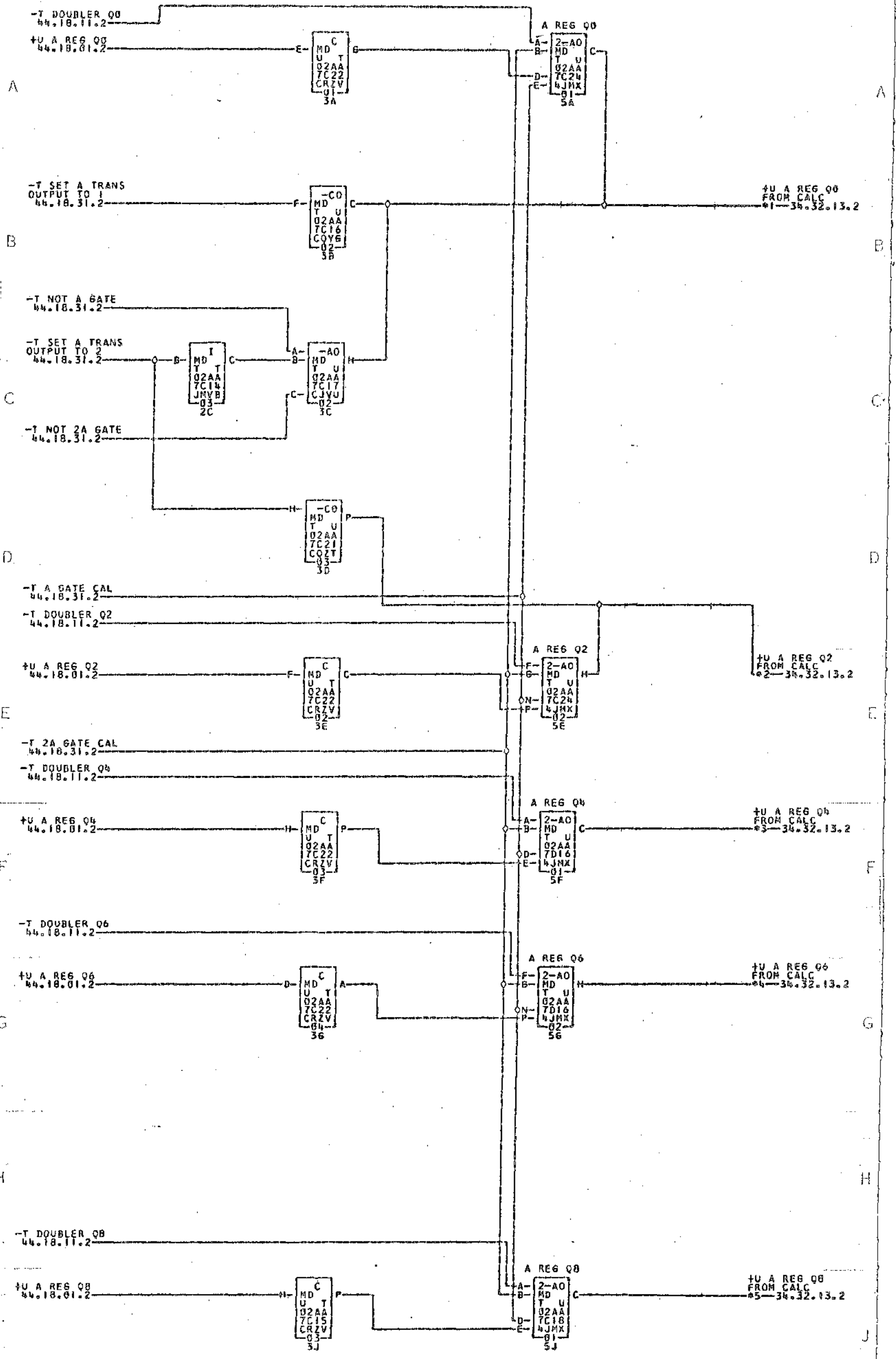
TAG DATE E.C.NO. TAG DATE E.C.NO. TAG DATE E.C.NO.
A 05-31-61 1103203

TAG DATE E.C.NO. TAG DATE E.C.NO. TAG DATE E.C.NO.



- *1--02A7D26E
01B3C026
- *2--02A7D26F
02A7E25F
- *3--02A7C26Q
02A9E196
- *4--02A7C26P
01B3C02F
- *5--02A7E256
- 02A9F016

COMMENTS	TAG DATE	E.C.NO.	TAG DATE	E.C.NO.	TAG DATE	E.C.NO.	TAG DATE	E.C.NO.
	A 05-31-61	110320J						

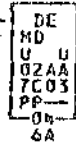
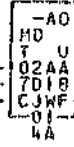


- *1--02A7E25A ---02A9E096 ---01B3C02A *2--02A7E25B ---02A9E116 ---01B3C02B
- *3--02A7E25C ---02A9E136 ---01B3C02C *4--02A7E25D ---02A9E156 ---01B3C02D
- *5--02A7E25E

COMMENTS

TAG	DATE	E.C.NO.	TAG	DATE	E.C.NO.	TAG	DATE	E.C.NO.	TAG	DATE	E.C.NO.
A	05-31-61	110320J									

+U COMPARE GATE
44.13.01.2--*1
+U TIME 075-090
31.12.81.2--*2



+U B LESS THAN
A LAT
44.13.01.2

-T B LESS THAN
A LAT
44.11.11.2

-T B GREATER
THAN A
44.19.01.2

-T B EQUALS A
44.19.01.2

-T NOT B EQUALS
A
44.19.01.2
-T NOT B
GREATER THAN A
44.19.01.2

-T NOT B LESS
THAN A LAT
44.11.11.2
-T SET DELTA
LATCHES
44.19.31.2

+U SUBT A LAT
47-44.13.11.2

+U RESET DELTA
LATCHES
44.19.31.2

-T SUBT A LAT
48-44.12.11.2

-T A AUX CYCLE
44.15.01.2

-T I CYCLE
44.10.01.2--*3

*1--02A7C26E
02B7C02F
02B7C02E

*2--02A7E250
*6--02A7A268

*3--02A7D26H
02B7C026

*4--02A7A26A
*7--02A7A26B

02B7C02A
02B7C02B

*5--02A7A26F
*8--02A7A26E

30

PROJECT NO.	NAME	MACH	PART NO.	E C NO.	LOGIC NO.
	LOGIC INDEX	1401	0731930	114202	44.30.10.2

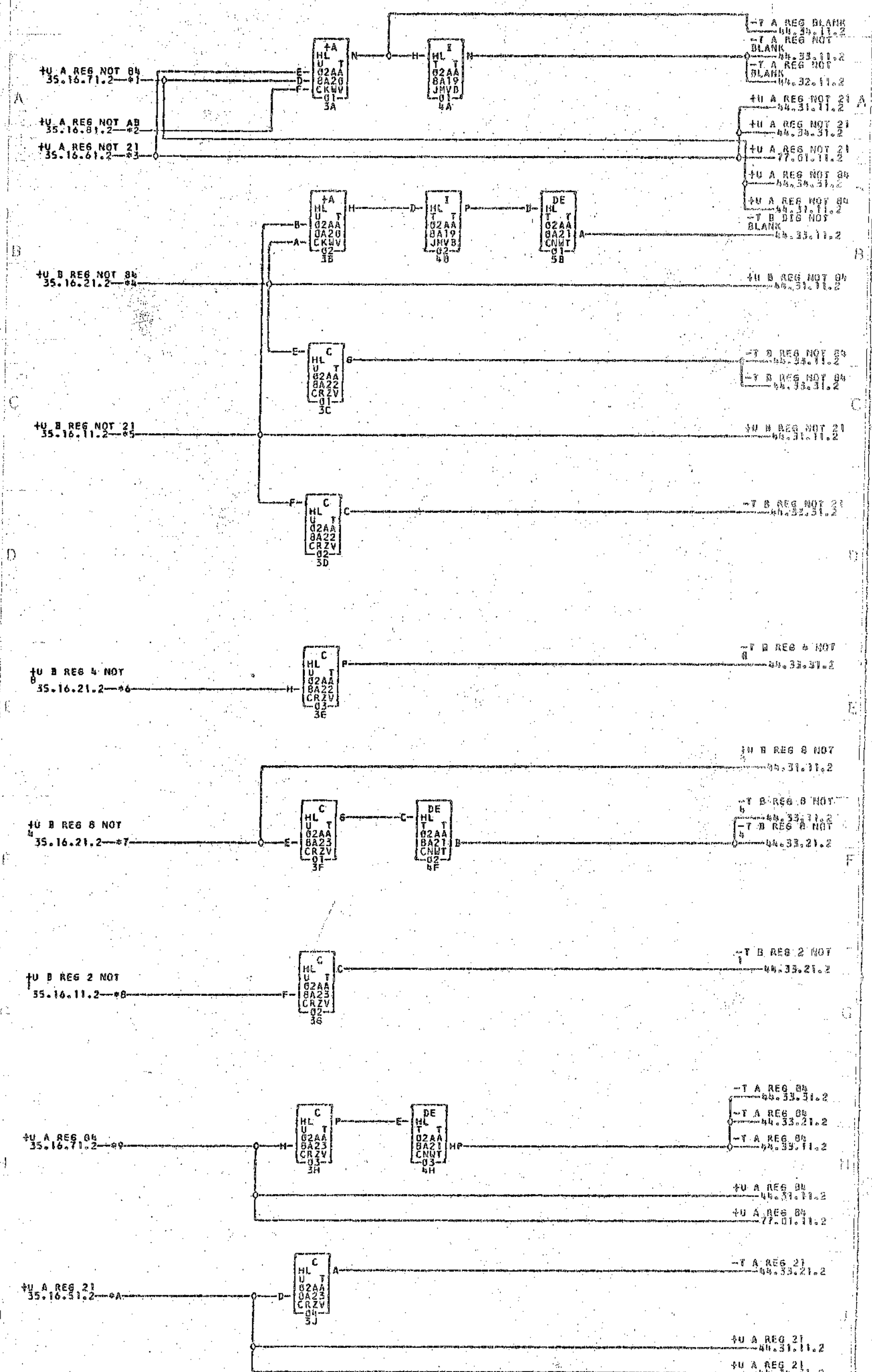
FR CH	LOGIC NO.	LOGIC NAME	PART NO.	E C NO.
02 AB	44.00.01.2	UNIT PLUG CHART	731901	118575S
02 AB	44.30.11.2	HI-LO-EQ INPUT DIST	731904	117141
02 AB	44.31.11.2	SPECIAL CHARACTER COMPARE	731905	117141
02 AB	44.32.11.2	HI-LO ZONE COMPARE	731906	117141
02 AB	44.33.11.2	HI-LO DIGIT COMPARE SECT 1	731907	117141
02 AB	44.33.21.2	HI-LO DIGIT COMPARE SECT 2	731908	117141
02 AB	44.33.31.2	HI-LO DIGIT COMPARE SECT 3	731909	117141
02 AB	44.34.11.2	B GREATER OR LESS THAN A CONTROL	731910	117141
02 AB	44.34.21.2	HI-LO LATCH	731911	117141
02 AB	44.34.31.2	HIGH-LOW -EQUAL TEST	731912	117141
02 AB	75.01.00.1	FEEDTHRU CPU TO 1311-4	731926	118575A
02 AB	75.01.00.2	FEEDTHRU CPU FROM 1311-4	731927	116245A
02 AB	75.01.00.8	FEEDTHRU SPECIAL NO.1	731928	114069
02 AB	75.01.00.9	FEEDTHRU SPECIAL NO.2	731929	114069
02 AB	75.01.01.2	CPU DATA CABLE DRIVE	731913	117141
02 AB	75.01.02.2	CONTROL SIGNALS CABLE DRIVE	731914	118575A
02 AB	75.01.03.2	CONTROL SIGNALS CABLE DRIVE	731915	114202
02 AB	75.01.04.2	FILE CP AND PERCENT LATCH	731916	114069
02 AB	75.01.05.2	CTRL SIGNAL TERMINATION + DIST.	731917	114069
02 AB	75.01.06.2	CTRL SIGNAL TERMINATION + DIST.	731918	114069
02 AB	75.01.07.2	WRITE DECODE AND LATCH	731919	117141
02 AB	75.01.08.2	A REGISTER SET	731920	117245
02 AB	75.01.09.2	TRANSFER PROGRAM	731921	117141
02 AB	75.01.10.2	A STAR RI CONTROLS	731922	114069
02 AB	75.01.11.2	CTRL SIGNAL TERMINATION + DIST.	731923	117141
02 AB	77.01.11.2	INQUIRY ATTACHMENT-CONTROL CKTS	731924	117141
02 AB	77.01.21.2	INQUIRY ATTACHMENT-DATA CKTS	731925	118575S

0724312

HI-LO-EQ INPUT DIST

1407 HL

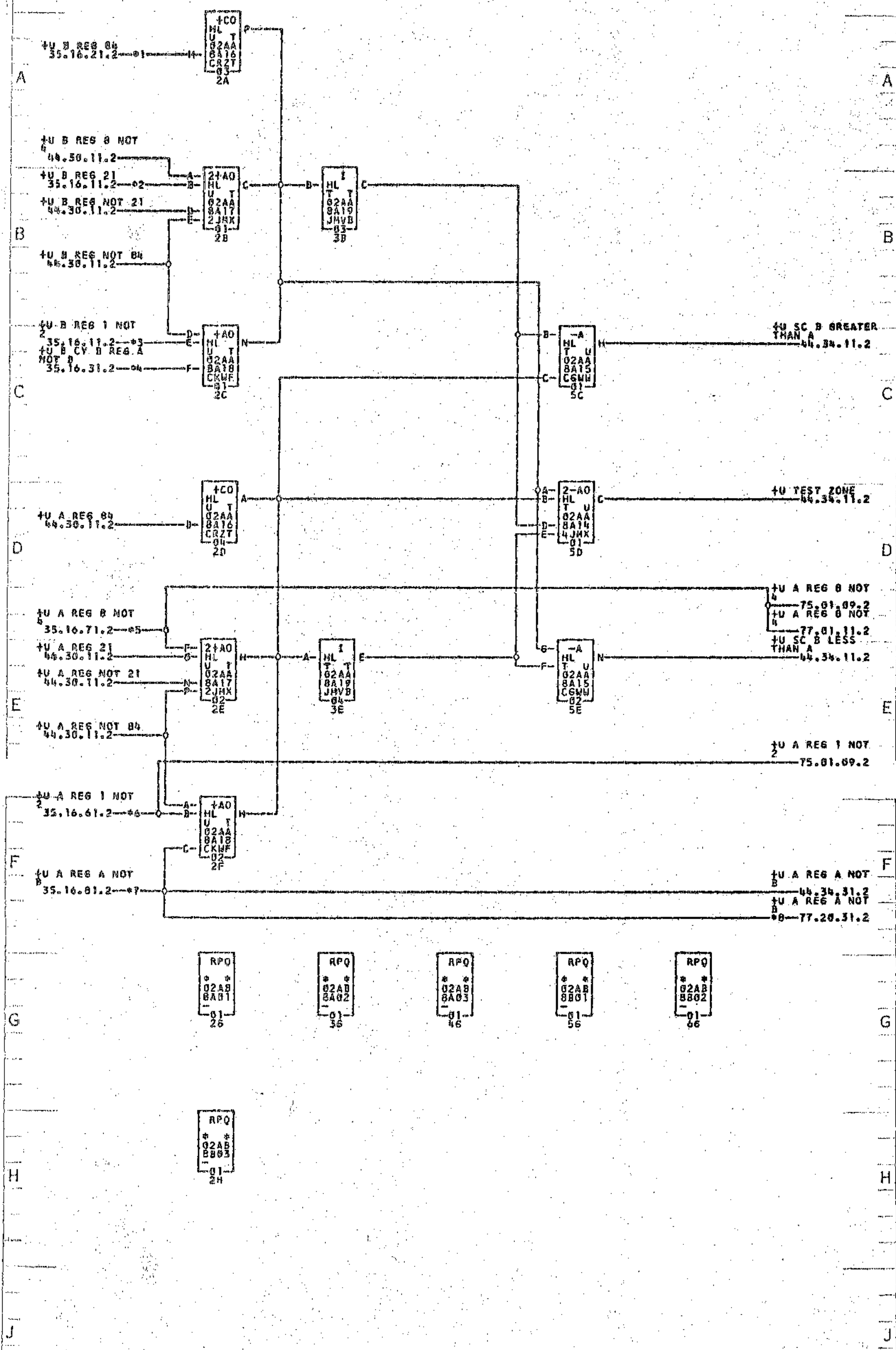
44.30.11.2



- *1--02ABA25A *2--02ABA25C *3--02ABA25B *4--02ABA25D *5--02ABA25E *6--02ABA25H
- *7--02ABA25J *8--02ABA25K *9--02ABA25F *A--02ABA25G

COMMENTS

TAG	DATE	E.C.NO.	TAG	DATE	E.C.NO.	TAG	DATE	E.C.NO.	TAG	DATE	E.C.NO.
A	06-09-61	110324	B	09-11-61	110324						



- *1--02A8A25L
- *2--02A8A25H
- *3--02A8A25P
- *4--02A8A25N
- *5--02A8A25Q
- *6--02A8A26A
- *7--02A8A25R
- *8--02A8A24D

4U ZONE B
GREATER THAN A
44.34.11.2

-T B REG NOT B
35.13.01.2 #1
-T B REG NOT
BLANK
35.10.21.2 #2

-T A REG A
35.13.21.2 #3

-T B REG B
35.13.01.2 #4
-T B REG NOT A
35.13.21.2 #5

-T A REG B
35.13.01.2 #6

-T A REG NOT B
35.13.01.2 #7
-T A REG NOT
BLANK
44.30.11.2

-T B REG A
35.13.21.2 #8

-T A REG NOT A
35.13.21.2 #9

-T A REG B
75.01.00.2

4U ZONE B LESS
THAN A
44.34.11.2

-T A REG NOT B
75.01.00.2

*1--02ABA26B
*7--02ABA26G

*2--02AB25H
*8--02ABA26H

*3--02ABA26D
*9--02ABA26J

*4--02ABA26E

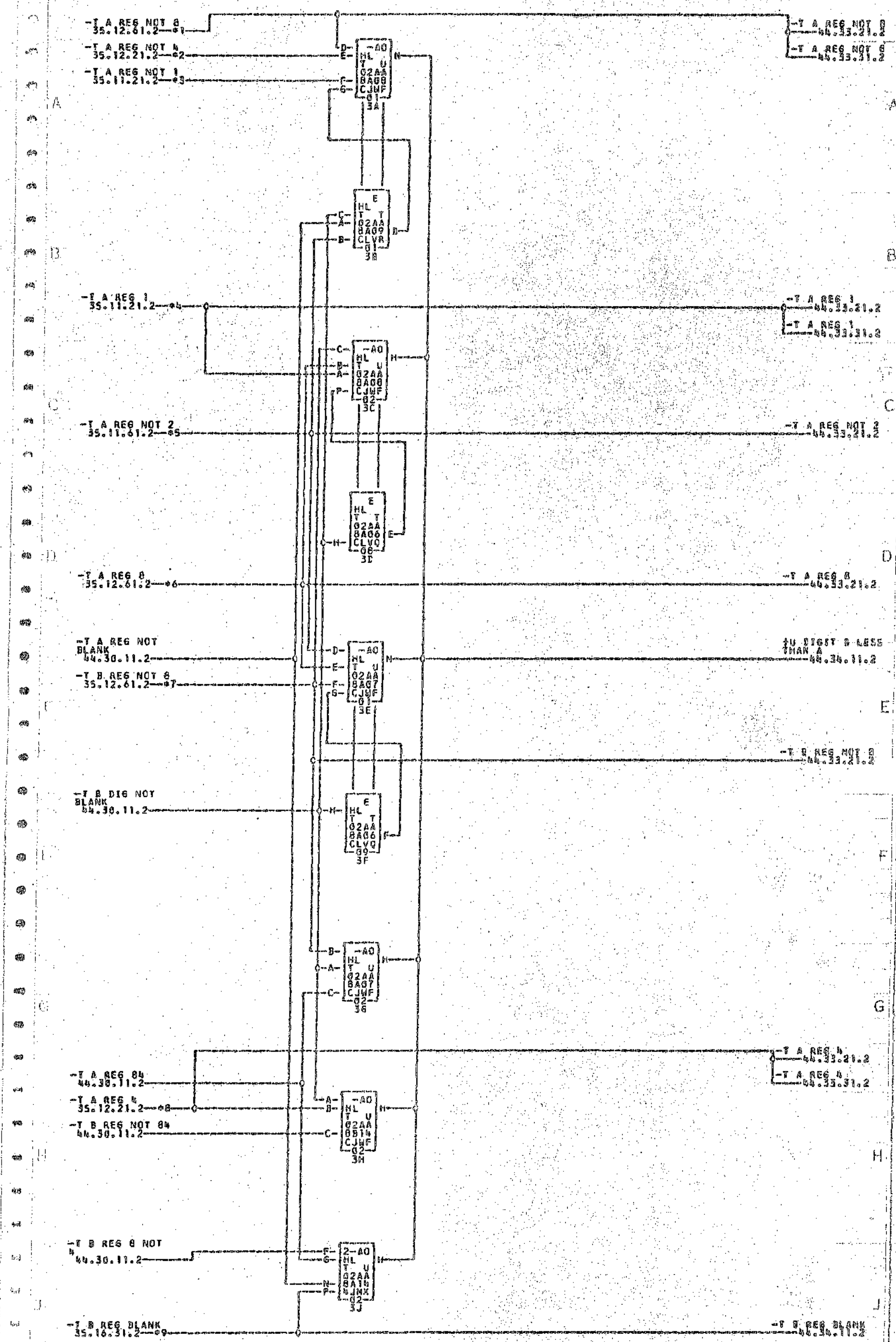
*5--02ABA26F

*6--02ABA26C

COMMENTS

YAG DATE E.C.NO. YAG DATE E.C.NO. YAG DATE E.C.NO. YAG DATE E.C.NO.

A 66-09-41 110324

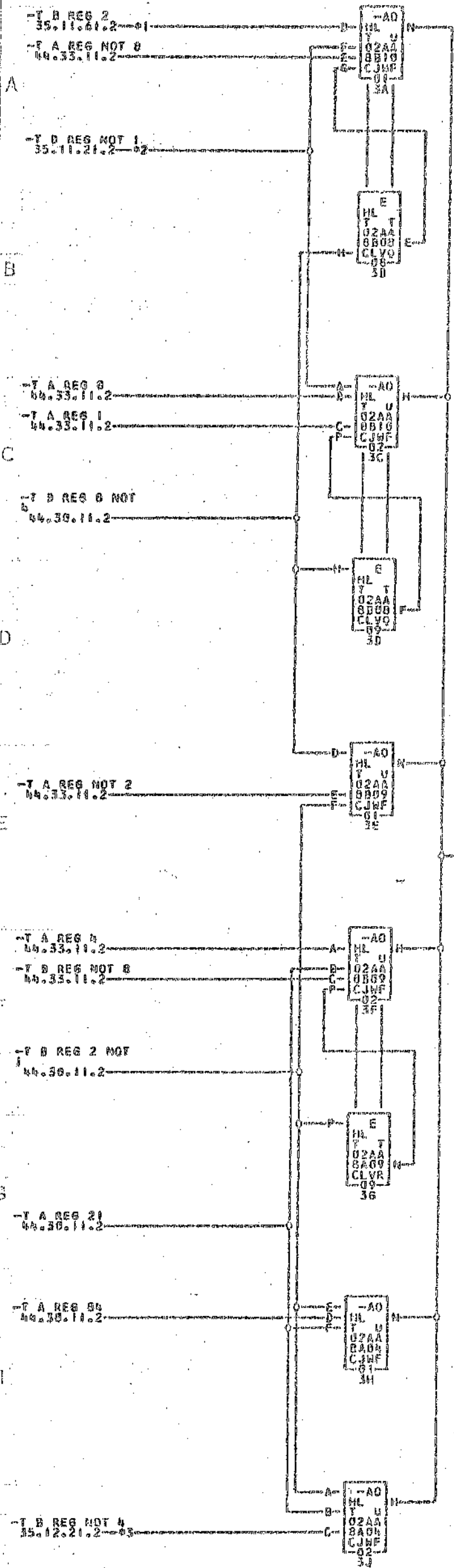


- *1--02A8A26Q
- *2--02A8B26E
- *3--02A8B26G
- *4--02A8B26C
- *5--02A8B26F
- *6--02A8B26B
- *7--02A8B26J
- *8--02A8A26P
- *9--02A8A26K

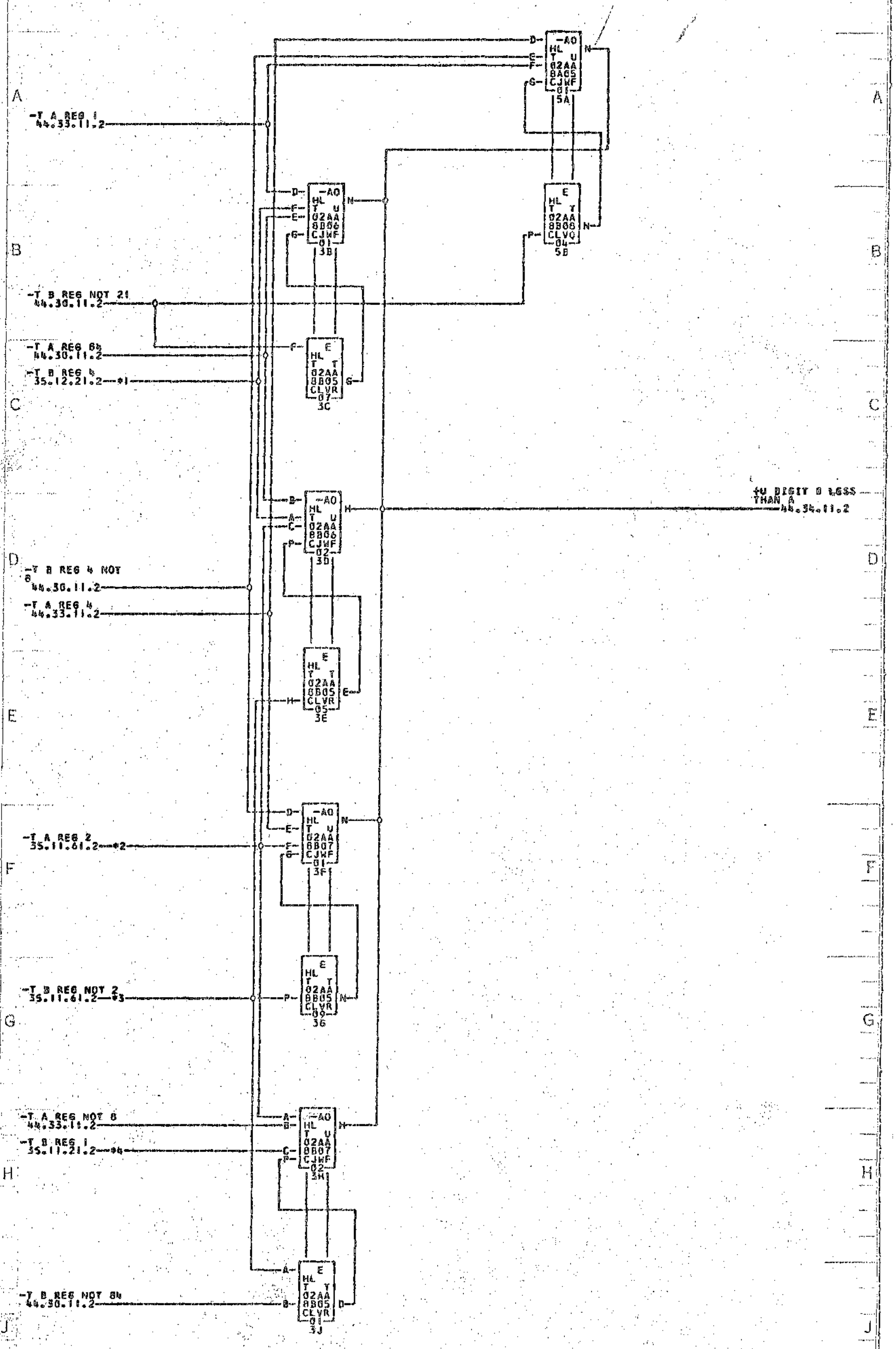
COMMENTS

TAG DATE E.C.NO. TAG DATE E.C.NO. TAG DATE E.C.NO. TAG DATE E.C.NO.

A 06-09-61 118324 B 09-01-61 118324



*1--02A8B26H *2--02A8B24D *3--02A8B26A

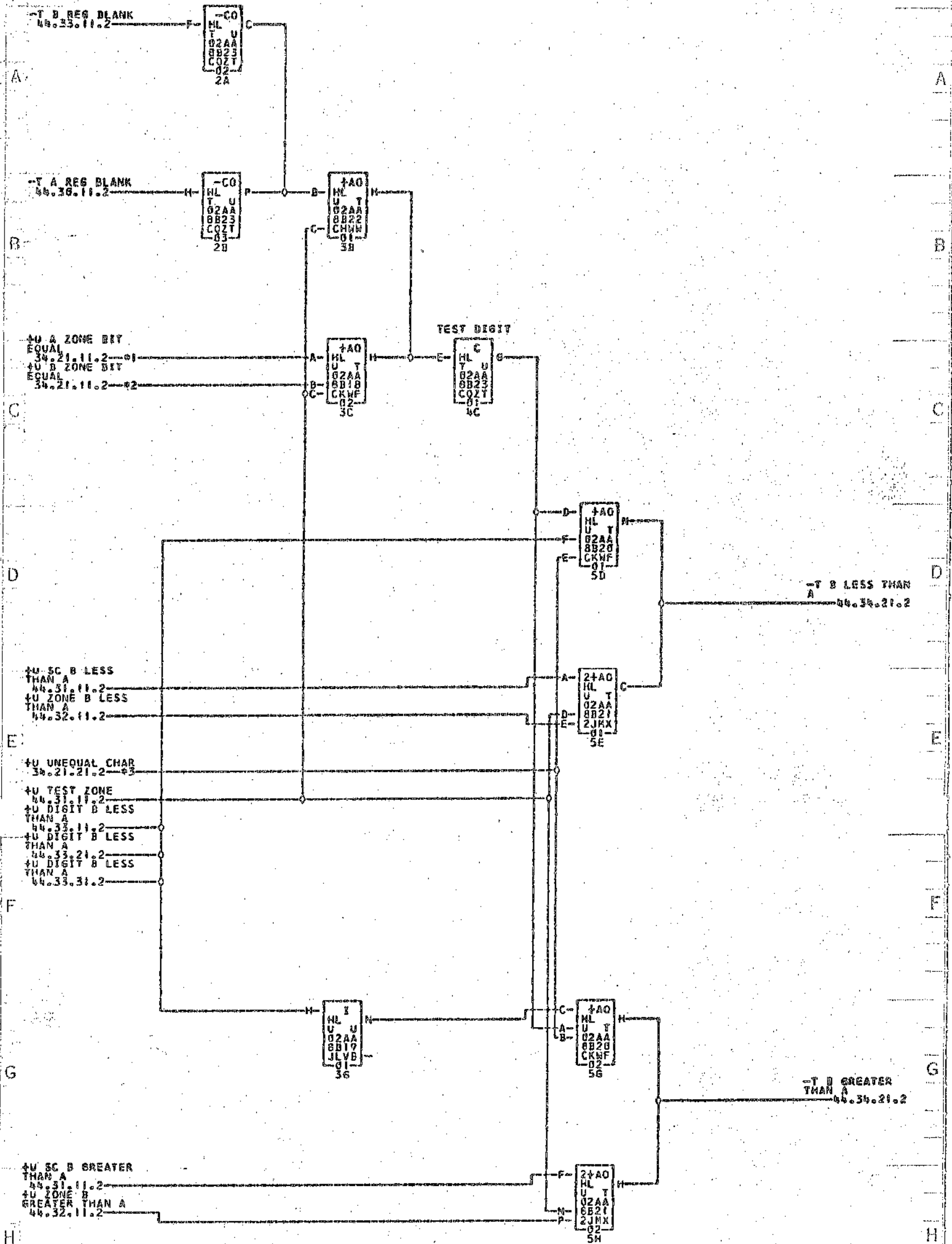


*1--02A8A26H *2--02A8A26L *3--02A8A26N *4--02A8A26R

COMMENTS

TAG DATE E.C.NO. TAG DATE E.C.NO. TAG DATE E.C.NO. TAG DATE E.C.NO.

1A 06-09-61 110324



*1--02AB25F *2--02AB25E *3--02AB25G

COMMENTS

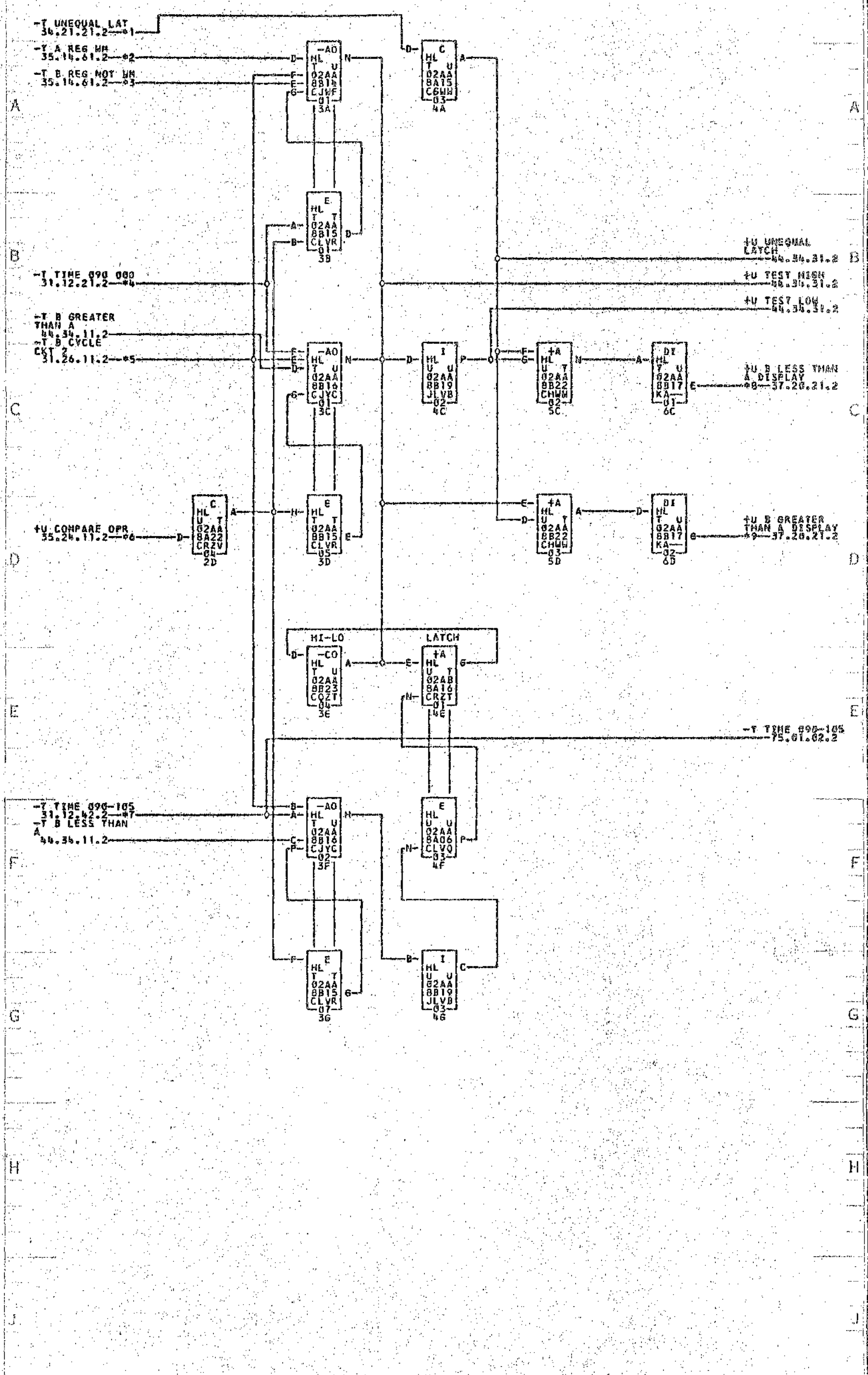
TAG	DATE	E.C.NO.	TAG	DATE	E.C.NO.	TAG	DATE	E.C.NO.	TAG	DATE	E.C.NO.
A	06-09-61	118320									

0724310

HI-LO LATCH

1401 HL

46.55.21.2

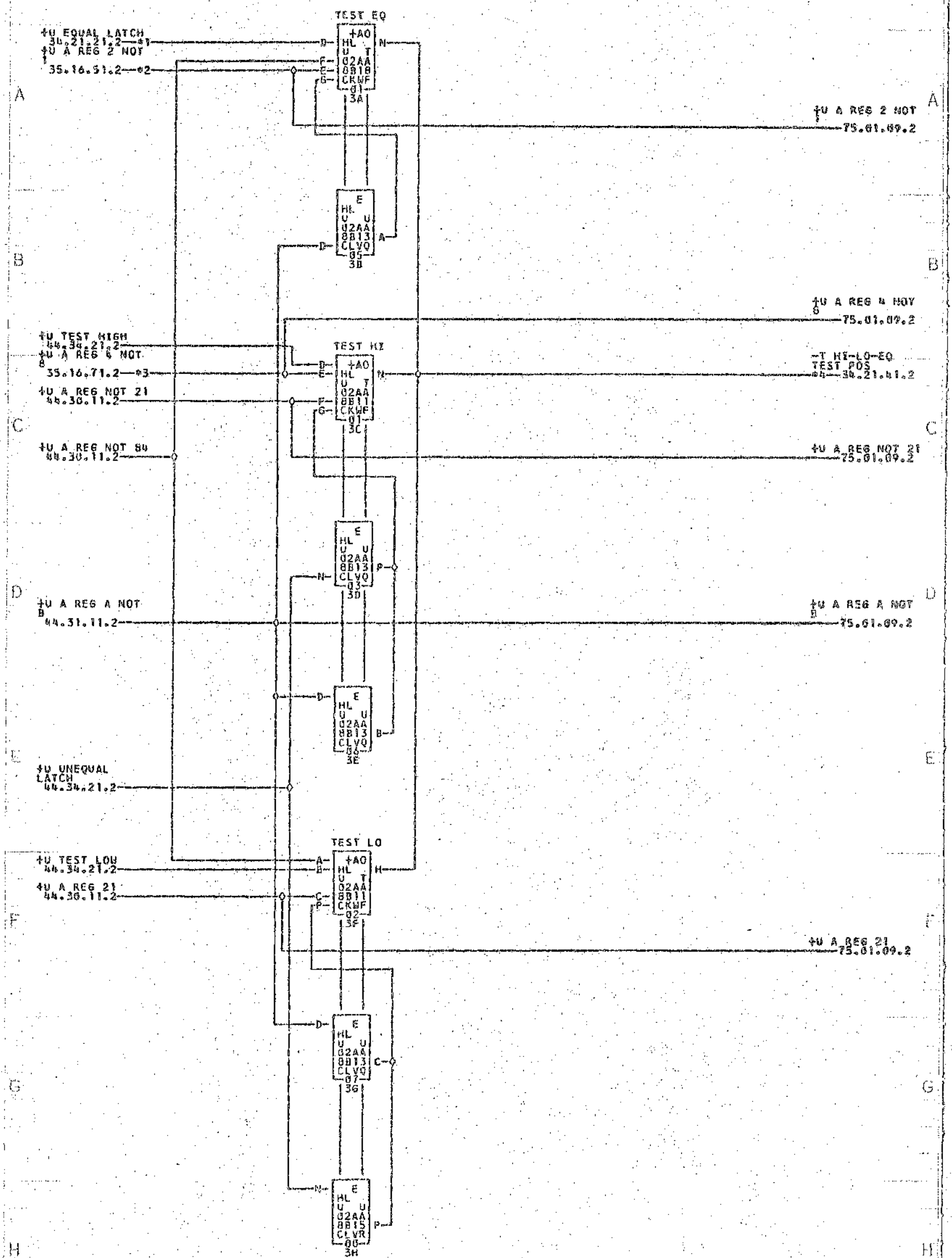


- *1--02A8B25A
- *2--02A8B26L
- *3--02A8B25K
- *4--02A8B26K
- *5--02A8B25C
- *6--02A8B25D
- *7--02A8B26P
- *8--02A8B25O
- *9--02A8B25R
- 02A9E03D
- 01B6F030
- 01B6A02R
- 01B6A02Q
- 01A2A04R
- 02A9E05D
- 01B6F03R
- 01A2A04R

COMMENTS

TAG	DATE	E.C.NO.	TAG	DATE	E.C.NO.	TAG	DATE	E.C.NO.	TAG	DATE	E.C.NO.
A	06-09-61	110324	B	12-06-61	113422						

110324



*1--02ABB25H

*2--02ABB26H

*3--02ABB26H

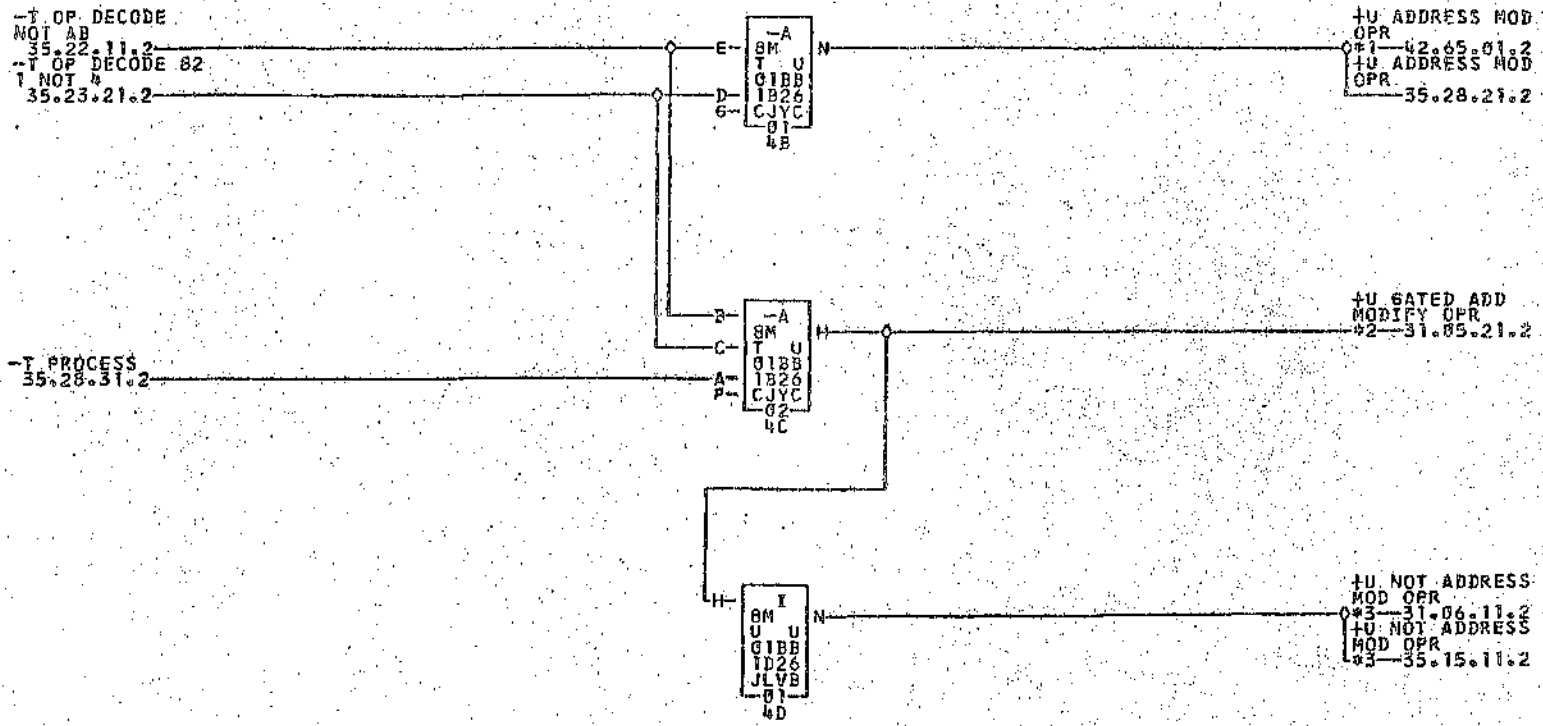
*4--02ABB25H

-----02A9C17D

-----01B6F03B

COMMENTS

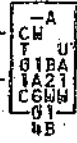
TAG	DATE	E.C.NO.	TAG	DATE	E.C.NO.	TAG	DATE	E.C.NO.	TAG	DATE	E.C.NO.
A	06-15-61	110324	B	12-06-61	113822						



*1-01B1E02R 01B3D02R 01B3F03N 06B7A13N 06B4E01N *2-01B1C01K
 01B2B02K *3-01B1C01J 01B2B02J 01B2D04J 01A3D25J

COMMENTS	TAG	DATE	E.C.NO.	TAG	DATE	E.C.NO.	TAG	DATE	E.C.NO.	TAG	DATE	E.C.NO.
	A	06-05-61	110320P	B	06-26-61	110324C	C	02-27-62	114026	D	12-21-62	114052

-T OF DECODE A
 NOT B
 35.22.11.2
 -T OF DECODE #2
 NOT B
 35.23.21.2

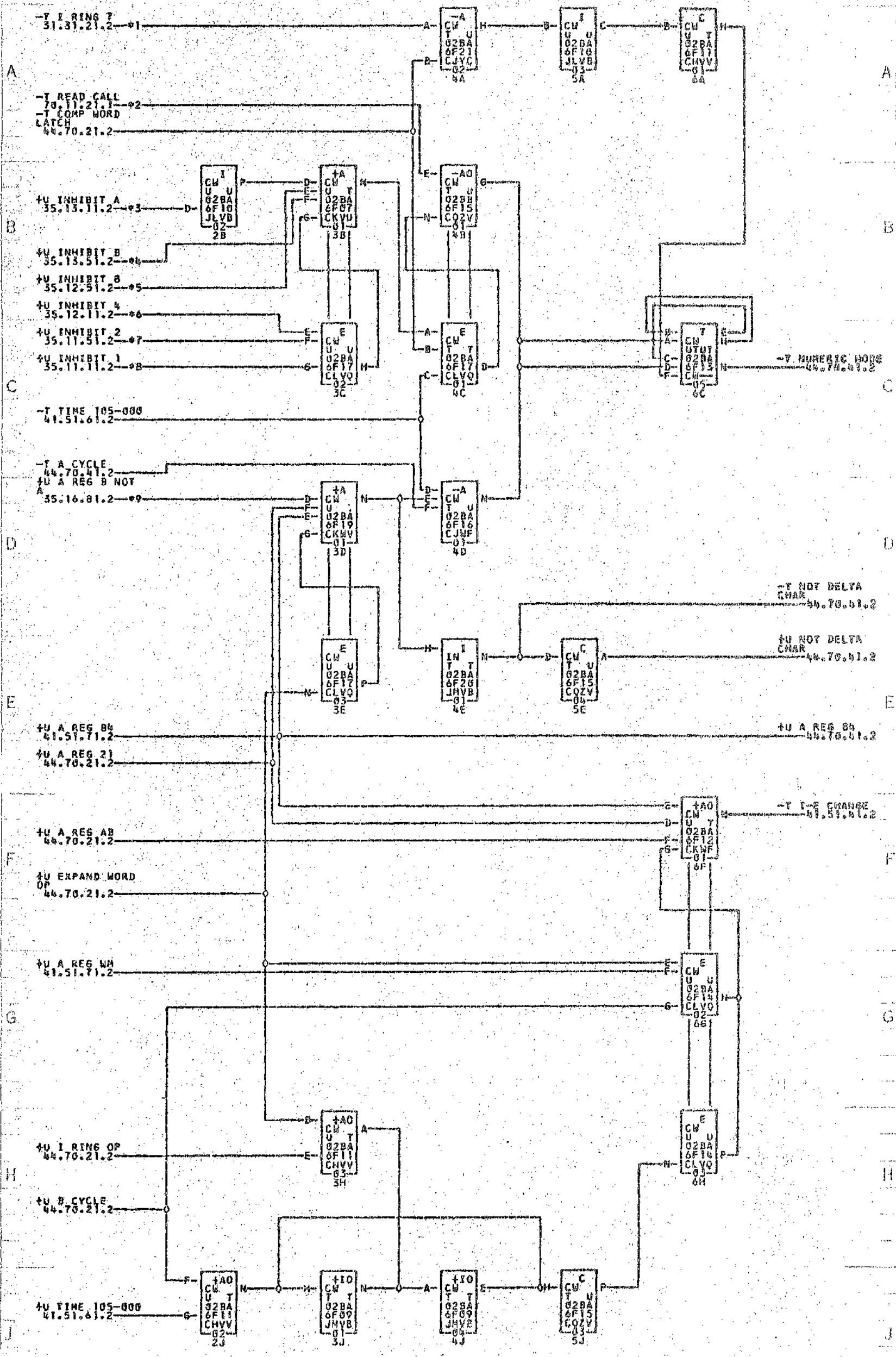


+U X OPR
 35.28.11.2
 +U X OPR
 *1-44.70.21.2

*1-01B1A03E 02A6E17A 02B6C63E

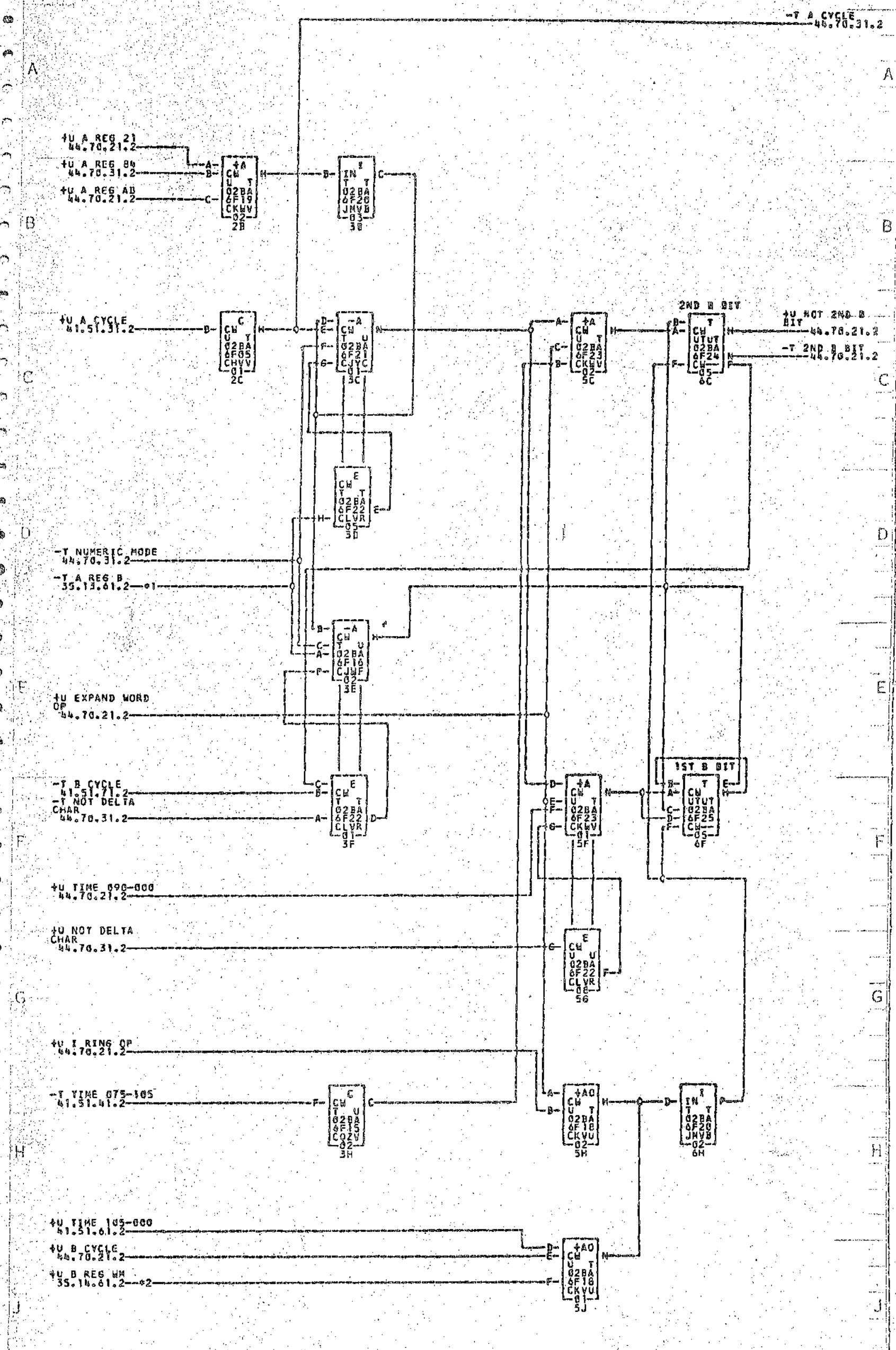
COMMENTS

TAG	DATE	E.C.NO.	TAG	DATE	E.C.NO.	TAG	DATE	E.C.NO.	TAG	DATE	E.C.NO.
A	06-05-61	110320P	B	08-09-62	114640						



- *1--02B6A02F
- *2--02B6F01C
- *3--02B6F02E
- *4--02B6F02A
- *5--02B6F02C
- *6--02B6F02D
- *7--02B6F02E
- *8--02B6F02F
- *9--02B6C01M

-T A CYCLE 44.70.31.2



*1--02B6C01P *2--02B6C01Q

COMMENTS

TAG	DATE	E.C.NO.	TAG	DATE	E.C.NO.	TAG	DATE	E.C.NO.	TAG	DATE	E.C.NO.
A	04-08-61	110320M	B	07-19-61	110324P						

0482875

DISTRIBUTION SHEET

1461 PF

#6.10.01.2

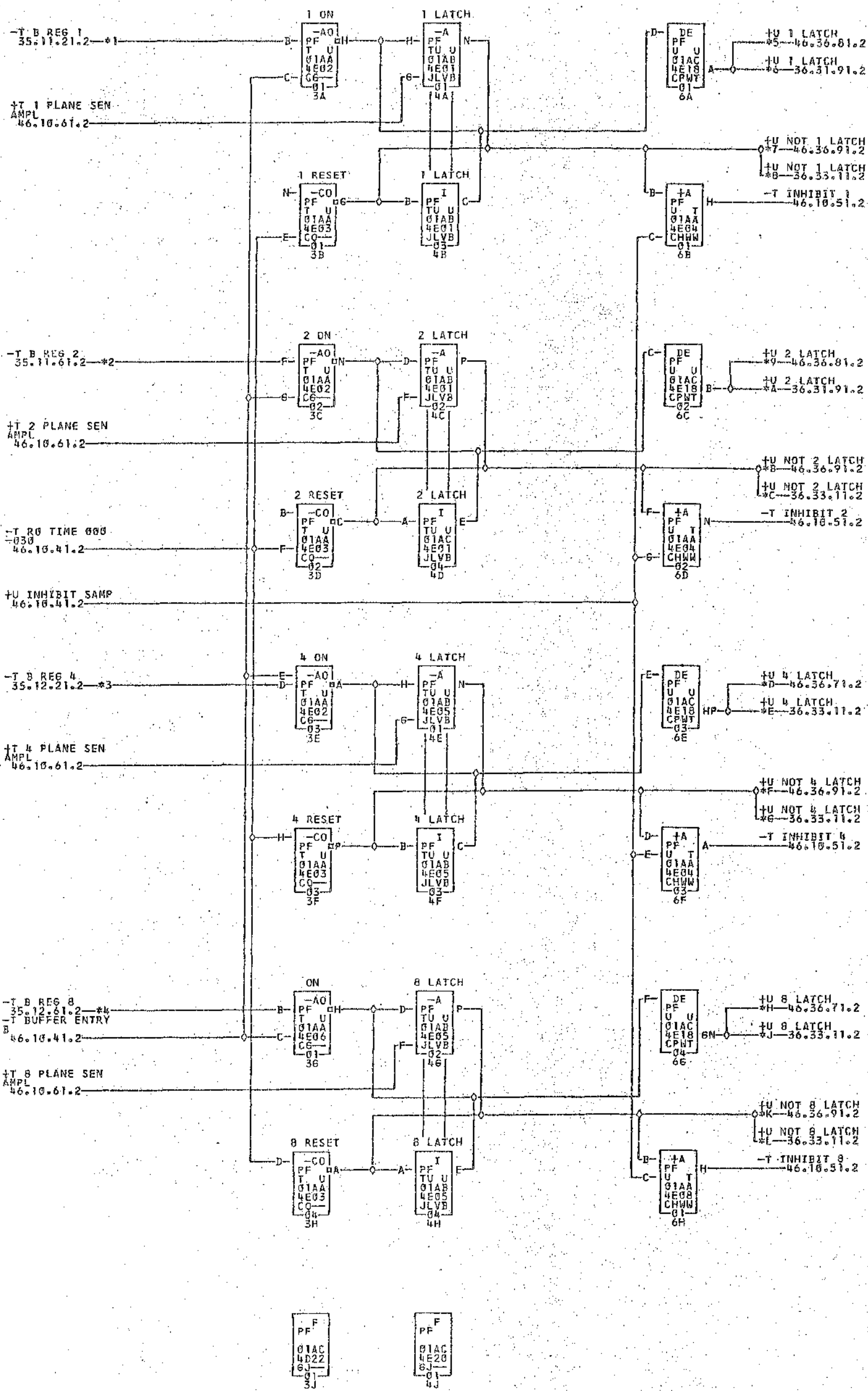
-T BUFFER ENTRY
46.37.31.2

-T BUFFER ENTRY
46.10.41.2
-T BUFFER ENTRY
46.10.61.2

*1-01A4F25K

COMMENTS

TAG	DATE	E.C.NO.	TAG	DATE	E.C.NO.	TAG	DATE	E.C.NO.	TAG	DATE	E.C.NO.
A	09-06-60	109501	B	12-07-62	116739						



*1-01A4E26B
 *7-01A4F26A
 *D-01A4F26L
 *K-01A4F26D

*2-01A4E26C
 *8-01A4D25H
 *E-01A4D25C
 *L-01A4D25L

*3-01A4E26D
 *9-01A4F26K
 *F-01A4F26C

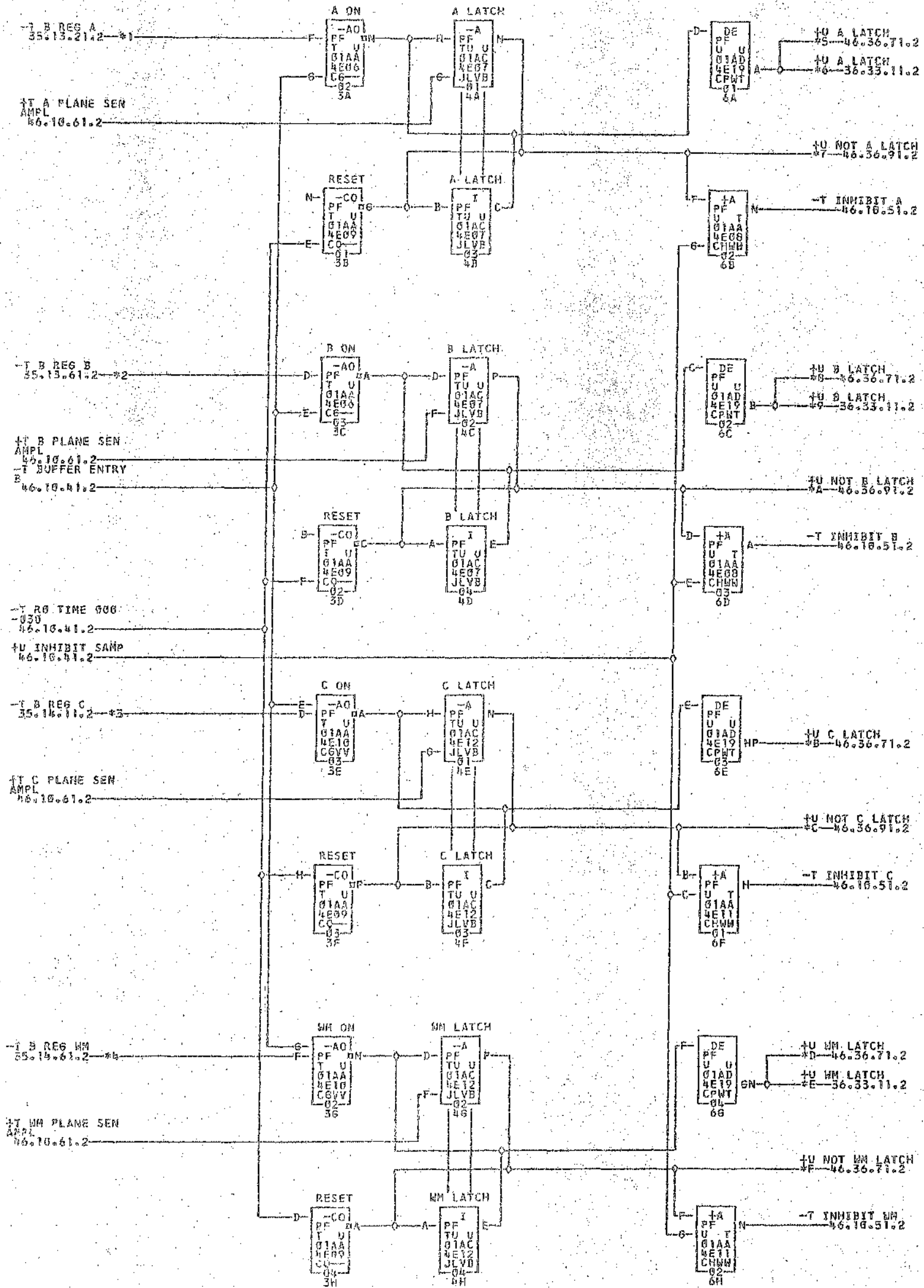
*4-01A4E26E
 *A-01A4D25B
 *8-01A4D25K

*5-01A4F26J
 *B-01A4F26B
 *H-01A4F26M

*6-01A4D25A
 *C-01A4D25J
 *J-01A4D25D

COMMENTS

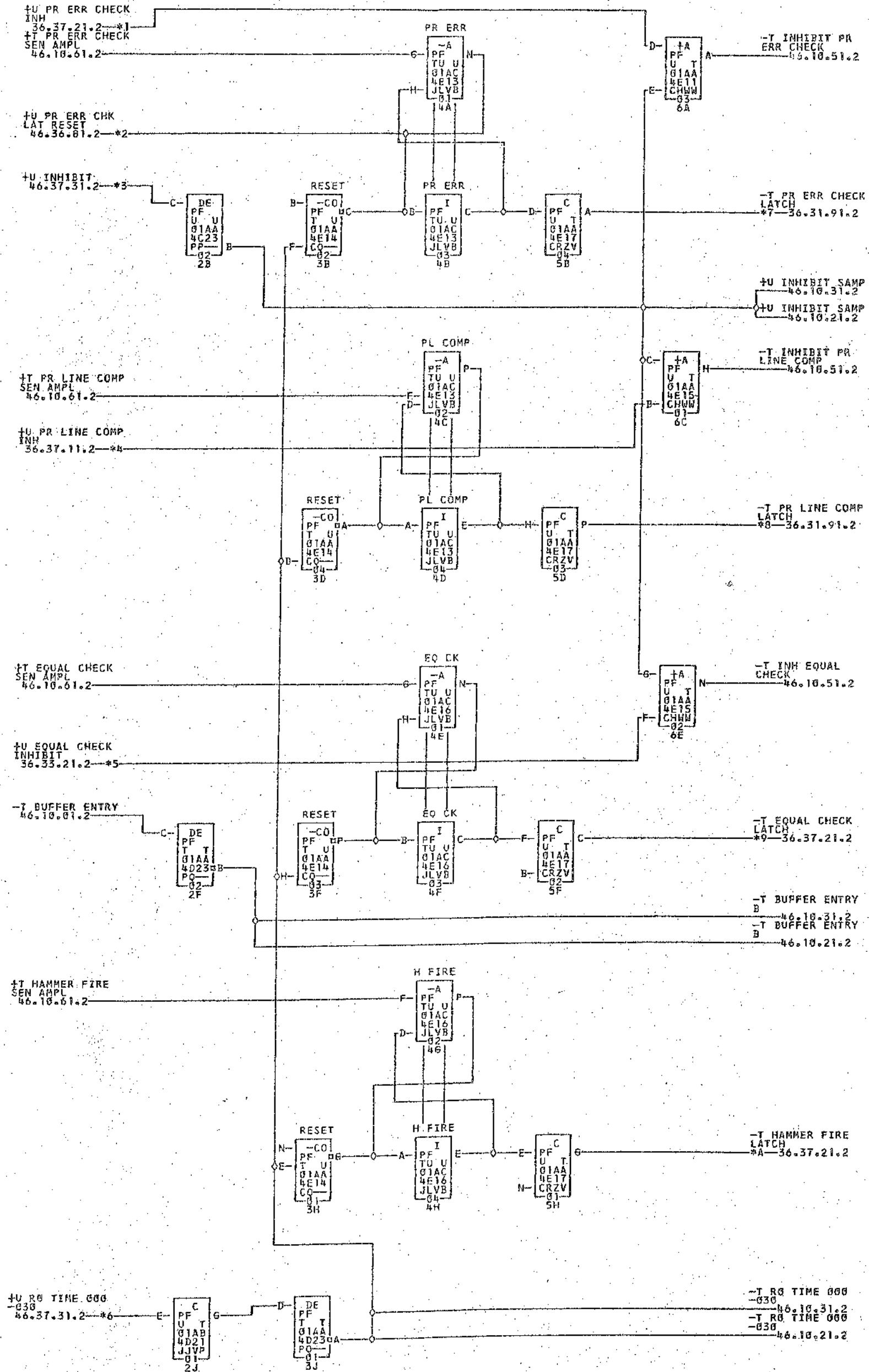
TAG DATE E.C.NO. TAG DATE E.C.NO. TAG DATE E.C.NO. TAG DATE E.C.NO.
 A 09-06-60 109501 B 12-01-61 113422 C 12-07-62 116739



- *1--01A4E26F *2--01A4E26G *3--01A4E26H *4--01A4E26J *5--01A4F26N *6--01A4D25E
- *7--01A4F26E *8--01A4F26P *9--01A4D25F *A--01A4F26F *B--01A4F26Q *C--01A4F26G
- *D--01A4F26R *E--01A4D25G *F--01A4F26H

COMMENTS

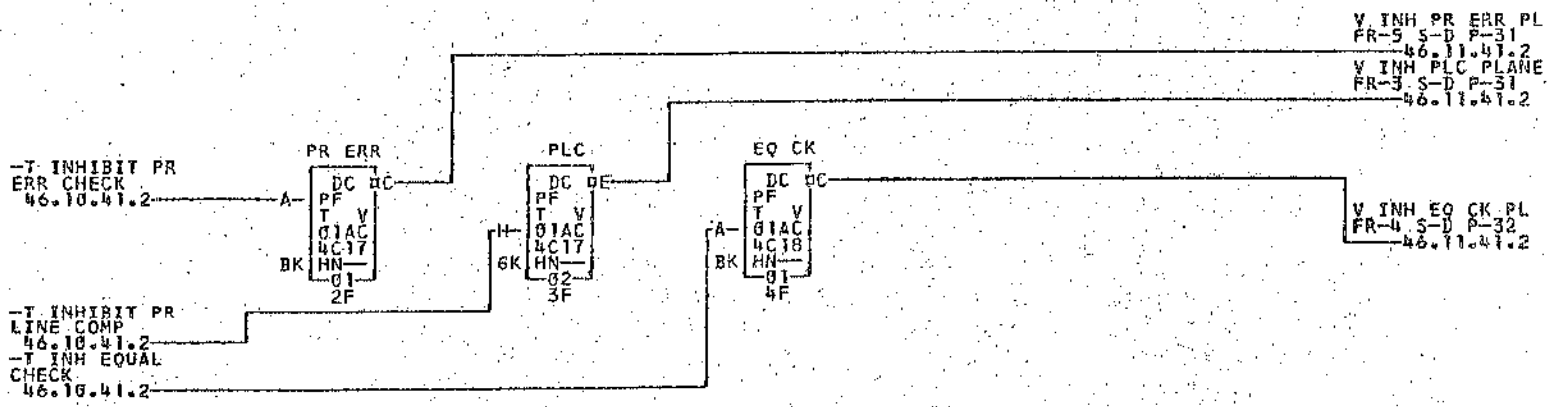
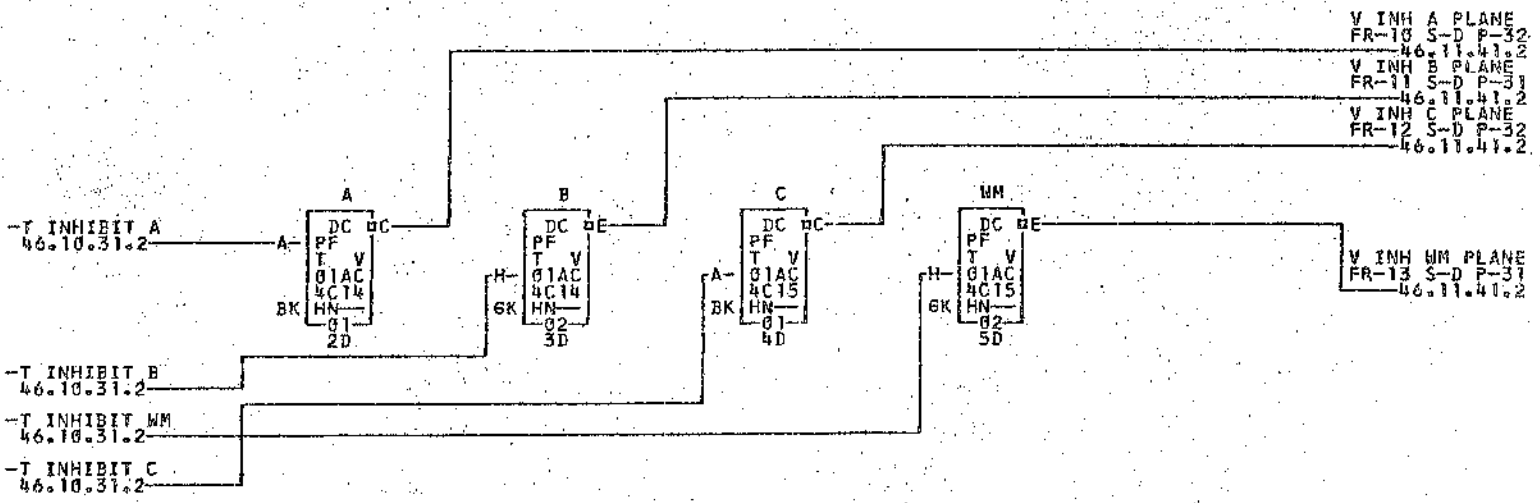
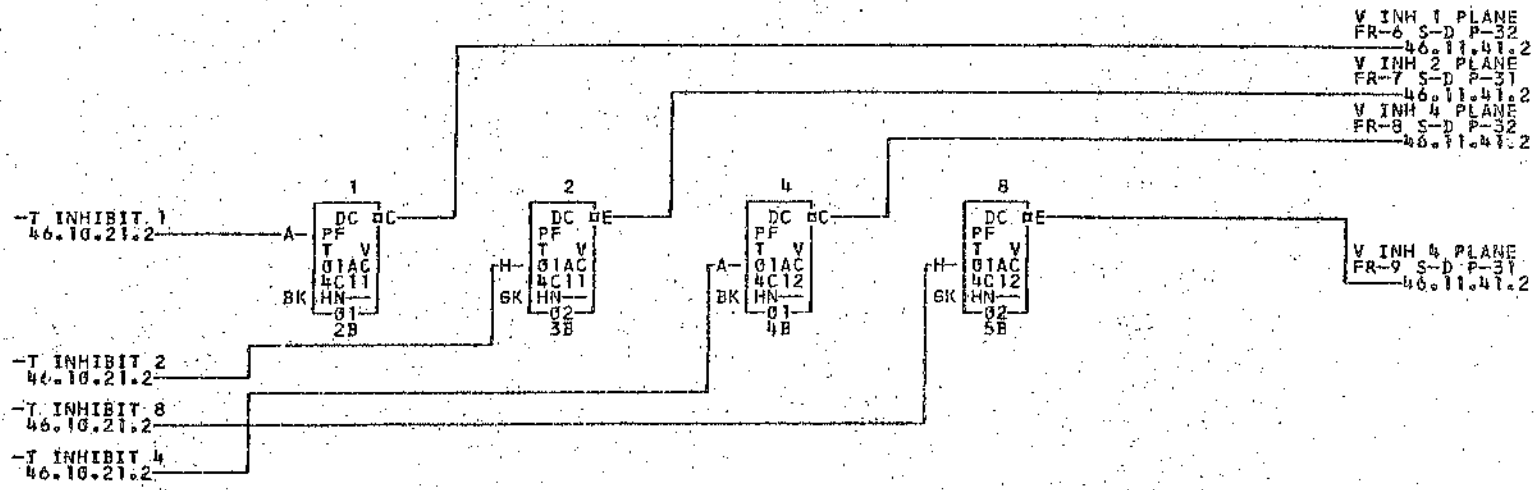
TAG	DATE	E.C.NO.	TAG	DATE	E.C.NO.	TAG	DATE	E.C.NO.	TAG	DATE	E.C.NO.
A	09-06-60	109501	B	03-08-61	110431B	C	12-01-61	113422	D	12-07-62	110739

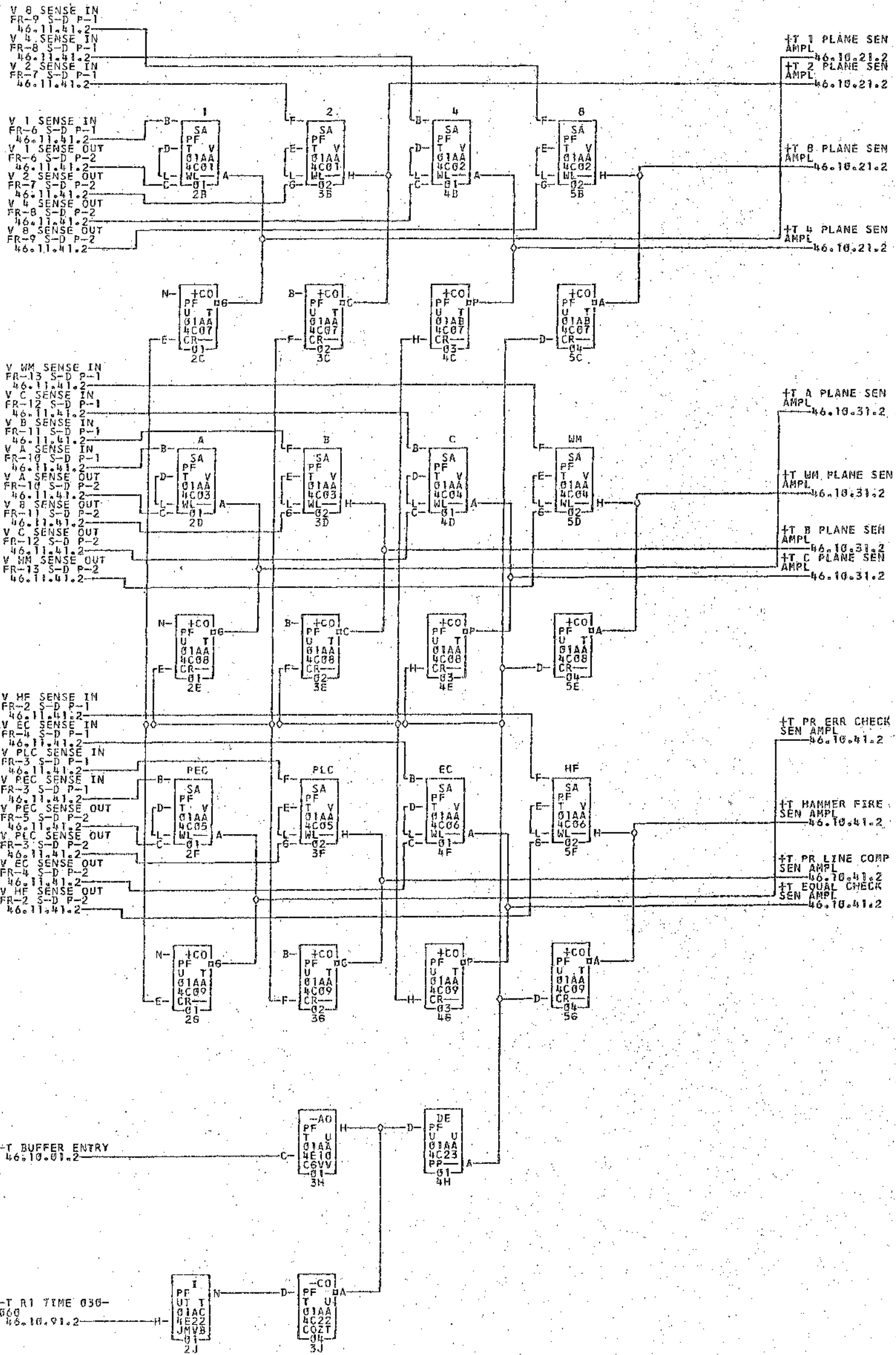


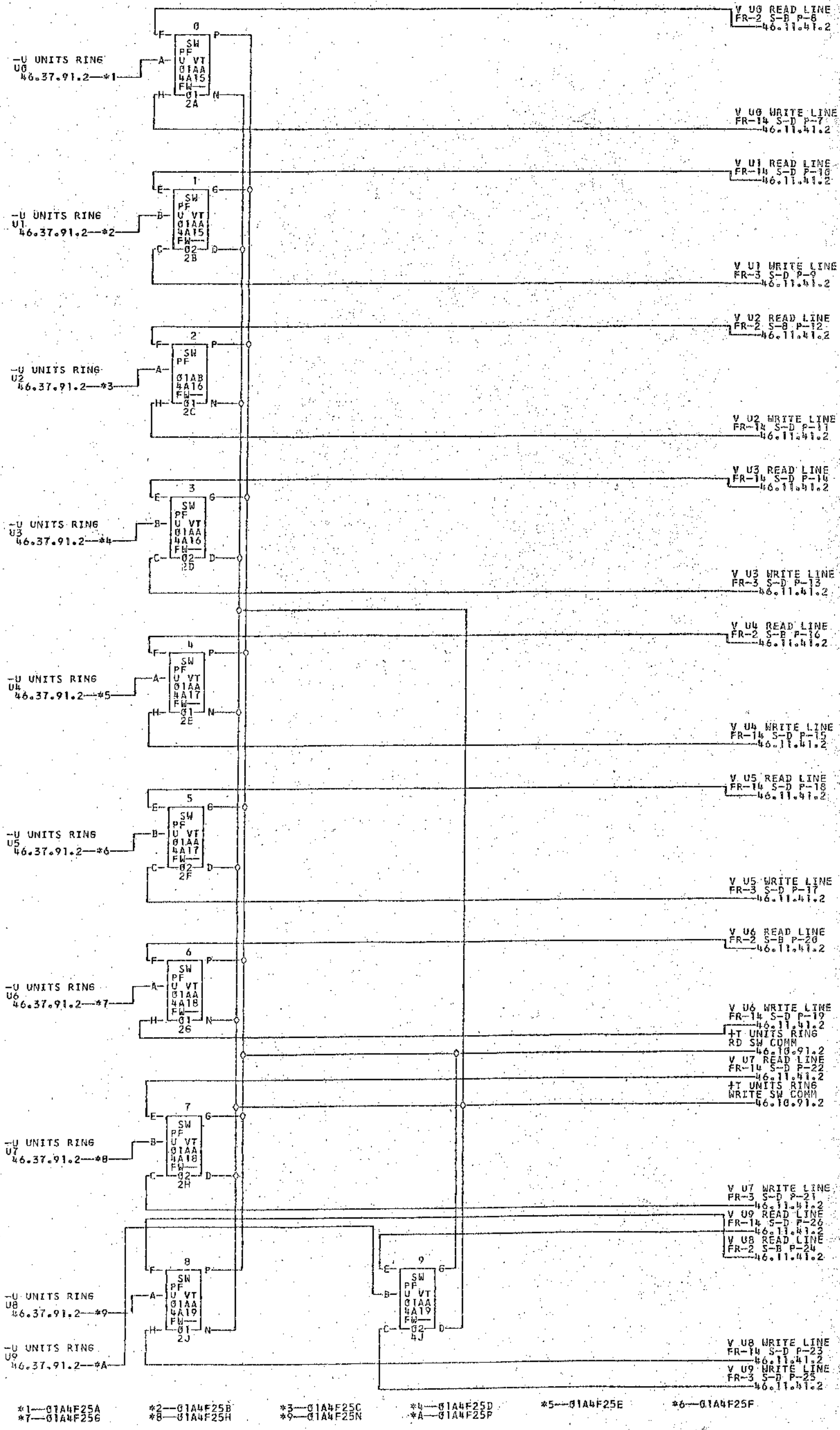
- *1—01A4F250 *2—01A4E25R *3—01A4F25L *4—01A4E25J *5—01A4D25R *6—01A4F25J
- *7—01A4D25H *8—01A4D25N *9—01A4D25P *A—01A4D25Q

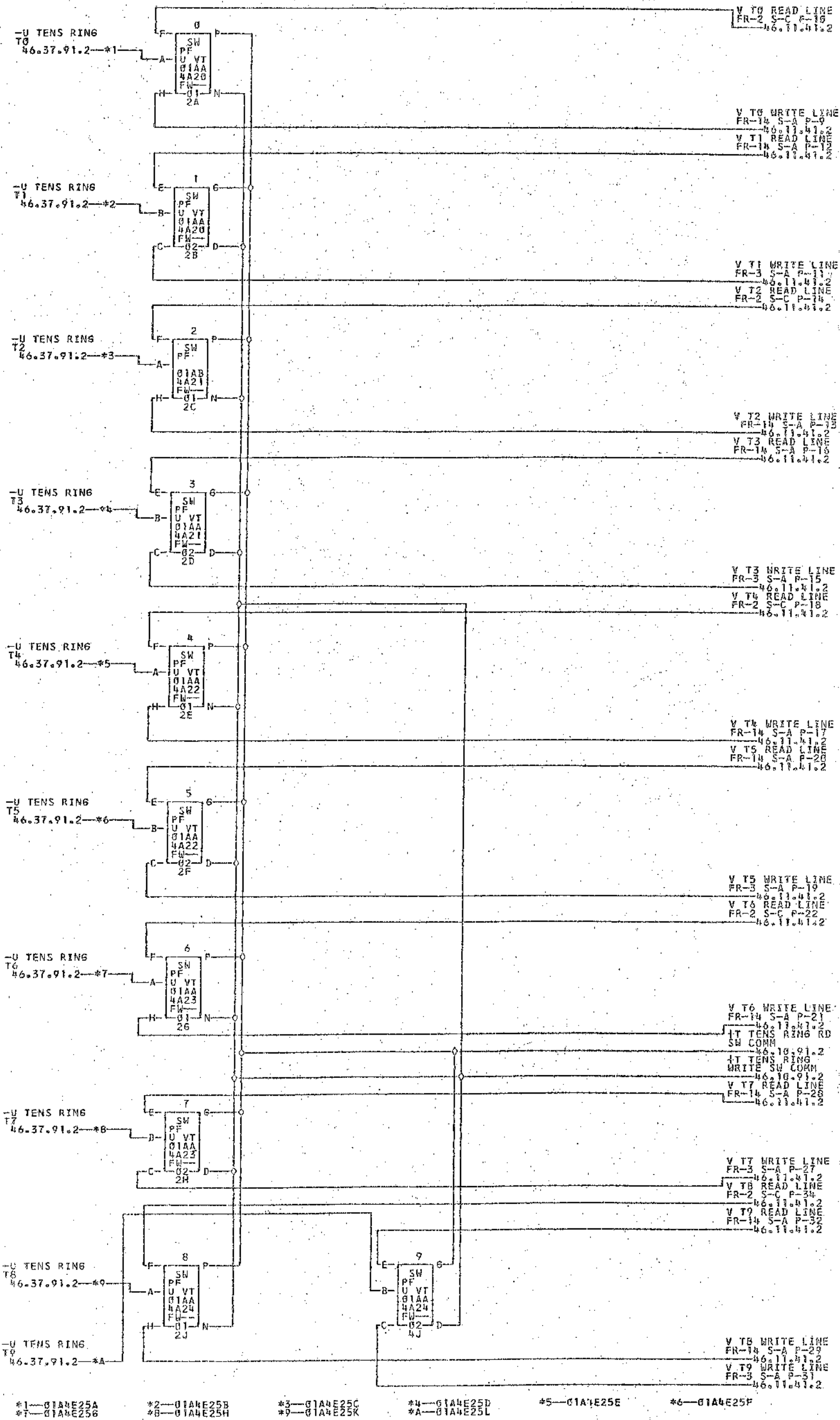
COMMENTS

TAG DATE E.C.NO. TAG DATE E.C.NO. TAG DATE E.C.NO. TAG DATE E.C.NO.
 A 09-06-60 109501 B 11-30-60 1104139 C 12-01-61 113422 D 12-07-62 116739

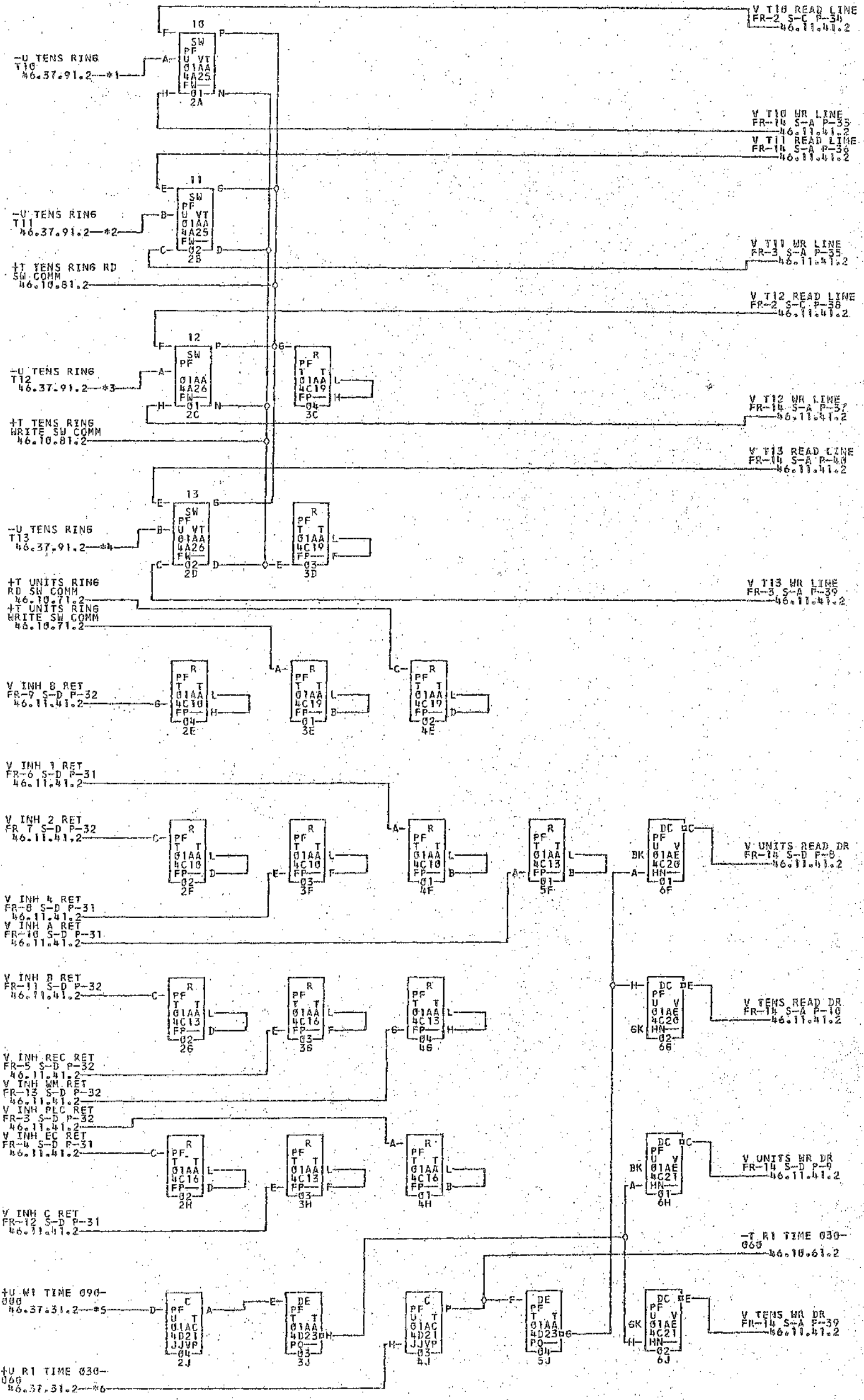








- *1—01A4E25A
- *2—01A4E25B
- *3—01A4E25C
- *4—01A4E25D
- *5—01A4E25E
- *6—01A4E25F
- *7—01A4E25G
- *8—01A4E25H
- *9—01A4E25K
- *A—01A4E25L



*1-01A4E25H *2-01A4E25N *3-01A4E25P *4-01A4E25Q *5-01A4E25R *6-01A4E25M

FR MEANS FRAME	S MEANS SIDE	P MEANS PIN OR TERMINAL	COMMENTS	TAG DATE	E.C.NO.	TAG DATE	E.C.NO.	TAG DATE	E.C.NO.	TAG DATE	E.C.NO.
				A 09-06-60	109501	B 10-21-60	109520	C 11-30-60	110415B	D 12-01-61	113422
				E 12-07-62	116739						

V HAMMER 1 RESPONSE 36.38.61.2-#1	V FR 1 SIDE D PIN 5 46.11.01.2
V HAMMER 2 RESPONSE 36.38.61.2-#2	V FR 1 SIDE D PIN 8 46.11.01.2
V HAMMER 3 RESPONSE 36.38.61.2-#3	V FR 1 SIDE D PIN 11 46.11.01.2
V HAMMER 4 RESPONSE 36.38.61.2-#4	V FR 1 SIDE D PIN 14 46.11.01.2
V HAMMER 5 RESPONSE 36.38.61.2-#5	V FR 1 SIDE D PIN 17 46.11.01.2
V HAMMER 6 RESPONSE 36.38.61.2-#6	V FR 1 SIDE D PIN 20 46.11.01.2
V HAMMER 7 RESPONSE 36.38.61.2-#7	V FR 1 SIDE D PIN 23 46.11.01.2
V HAMMER 8 RESPONSE 36.38.61.2-#8	V FR 1 SIDE D PIN 26 46.11.01.2
V HAMMER 9 RESPONSE 36.38.61.2-#9	V FR 1 SIDE D PIN 29 46.11.01.2
V HAMMER 10 RESPONSE 36.38.71.2-#A	V FR 1 SIDE D PIN 2 46.11.01.2
V HAMMER 11 RESPONSE 36.38.71.2-#B	V FR 1 SIDE D PIN 6 46.11.01.2
V HAMMER 12 RESPONSE 36.38.71.2-#C	V FR 1 SIDE D PIN 9 46.11.01.2
V HAMMER 13 RESPONSE 36.38.71.2-#D	V FR 1 SIDE D PIN 12 46.11.01.2
V HAMMER 14 RESPONSE 36.38.71.2-#E	V FR 1 SIDE D PIN 15 46.11.01.2
V HAMMER 15 RESPONSE 36.38.71.2-#F	V FR 1 SIDE D PIN 18 46.11.01.2
V HAMMER 16 RESPONSE 36.38.71.2-#G	V FR 1 SIDE D PIN 21 46.11.01.2
V HAMMER 17 RESPONSE 36.38.71.2-#H	V FR 1 SIDE D PIN 24 46.11.01.2
V HAMMER 18 RESPONSE 36.38.71.2-#I	V FR 1 SIDE D PIN 27 46.11.01.2
V HAMMER 19 RESPONSE 36.38.71.2-#J	V FR 1 SIDE D PIN 30 46.11.01.2
V HAMMER 20 RESPONSE 36.38.81.2-#K	V FR 1 SIDE D PIN 3 46.11.01.2
V HAMMER 21 RESPONSE 36.38.81.2-#L	V FR 1 SIDE D PIN 6 46.11.01.2
V HAMMER 22 RESPONSE 36.38.81.2-#M	V FR 1 SIDE D PIN 9 46.11.01.2
V HAMMER 23 RESPONSE 36.38.81.2-#N	V FR 1 SIDE D PIN 12 46.11.01.2
V HAMMER 24 RESPONSE 36.38.81.2-#O	V FR 1 SIDE D PIN 15 46.11.01.2
V HAMMER 25 RESPONSE 36.38.81.2-#P	V FR 1 SIDE D PIN 18 46.11.01.2
V HAMMER 26 RESPONSE 36.38.81.2-#Q	V FR 1 SIDE D PIN 21 46.11.01.2
V HAMMER 27 RESPONSE 36.38.81.2-#R	V FR 1 SIDE D PIN 24 46.11.01.2
V HAMMER 28 RESPONSE 36.38.81.2-#S	V FR 1 SIDE D PIN 27 46.11.01.2
V HAMMER 29 RESPONSE 36.38.81.2-#T	V FR 1 SIDE D PIN 30 46.11.01.2
V HAMMER 30 RESPONSE 36.38.91.2-#U	V FR 1 SIDE D PIN 3 46.11.01.2
V HAMMER 31 RESPONSE 36.38.91.2-#V	V FR 1 SIDE D PIN 6 46.11.01.2
V HAMMER 32 RESPONSE 36.38.91.2-#W	V FR 1 SIDE D PIN 9 46.11.01.2
V HAMMER 33 RESPONSE 36.38.91.2-#X	V FR 1 SIDE D PIN 12 46.11.01.2
V HAMMER 34 RESPONSE 36.38.91.2-#Y	V FR 1 SIDE D PIN 15 46.11.01.2
V HAMMER 35 RESPONSE 36.38.91.2-#Z	V FR 1 SIDE D PIN 18 46.11.01.2

*1-01A4A01A	*2-01A4A02A	*3-01A4A03A	*4-01A4A04A	*5-01A4A05A	*6-01A4A06A
*7-01A4A07A	*8-01A4A08A	*9-01A4A09A	*A-01A4A01R	*B-01A4A01B	*C-01A4A02B
*D-01A4A03B	*E-01A4A05B	*F-01A4A05B	*G-01A4A06B	*H-01A4A07B	*J-01A4A08B
*K-01A4A09B	*L-01A4A02R	*M-01A4A01C	*N-01A4A02C	*P-01A4A03C	*O-01A4A04C
*R-01A4A05C	*S-01A4A06C	*T-01A4A07C	*U-01A4A08C	*V-01A4A09C	*W-01A4A03Q
*X-01A4A01D	*Y-01A4A02D	*Z-01A4A03D			

COMMENTS

TAG DATE E.C.NO.	TAG D. E. E.C.NO.	TAG DATE E.C.NO.	TAG DATE E.C.NO.
A 89-06-60 109501	B 12-62 116739		

V HAMMER 34	V FR 1 SIDE A
RESPONSE	PIN 9
36.38.91.2 *1	46.11.41.2
V HAMMER 35	V FR 1 SIDE C
RESPONSE	PIN 9
36.38.91.2 *2	46.11.41.2
V HAMMER 36	V FR 1 SIDE C
RESPONSE	PIN 8
36.38.91.2 *3	46.11.41.2
V HAMMER 37	V FR 1 SIDE C
RESPONSE	PIN 7
36.38.91.2 *4	46.11.41.2
V HAMMER 38	V FR 1 SIDE C
RESPONSE	PIN 6
36.38.91.2 *5	46.11.41.2
V HAMMER 39	V FR 1 SIDE C
RESPONSE	PIN 5
36.38.91.2 *6	46.11.41.2
V HAMMER 40	V FR 1 SIDE A
RESPONSE	PIN 10
36.39.01.2 *7	46.11.41.2
V HAMMER 41	V FR 1 SIDE A
RESPONSE	PIN 11
36.39.01.2 *8	46.11.41.2
V HAMMER 42	V FR 1 SIDE A
RESPONSE	PIN 12
36.39.01.2 *9	46.11.41.2
V HAMMER 43	V FR 1 SIDE A
RESPONSE	PIN 13
36.39.01.2 *A	46.11.41.2
V HAMMER 44	V FR 1 SIDE A
RESPONSE	PIN 14
36.39.01.2 *B	46.11.41.2
V HAMMER 45	V FR 1 SIDE C
RESPONSE	PIN 14
36.39.01.2 *C	46.11.41.2
V HAMMER 46	V FR 1 SIDE C
RESPONSE	PIN 13
36.39.01.2 *D	46.11.41.2
V HAMMER 47	V FR 1 SIDE C
RESPONSE	PIN 12
36.39.01.2 *E	46.11.41.2
V HAMMER 48	V FR 1 SIDE C
RESPONSE	PIN 11
36.39.01.2 *F	46.11.41.2
V HAMMER 49	V FR 1 SIDE C
RESPONSE	PIN 10
36.39.01.2 *G	46.11.41.2
V HAMMER 50	V FR 1 SIDE A
RESPONSE	PIN 15
36.39.11.2 *H	46.11.41.2
V HAMMER 51	V FR 1 SIDE A
RESPONSE	PIN 16
36.39.11.2 *I	46.11.41.2
V HAMMER 52	V FR 1 SIDE A
RESPONSE	PIN 17
36.39.11.2 *J	46.11.41.2
V HAMMER 53	V FR 1 SIDE A
RESPONSE	PIN 18
36.39.11.2 *K	46.11.41.2
V HAMMER 54	V FR 1 SIDE A
RESPONSE	PIN 19
36.39.11.2 *L	46.11.41.2
V HAMMER 55	V FR 1 SIDE C
RESPONSE	PIN 19
36.39.11.2 *M	46.11.41.2
V HAMMER 56	V FR 1 SIDE C
RESPONSE	PIN 18
36.39.11.2 *N	46.11.41.2
V HAMMER 57	V FR 1 SIDE C
RESPONSE	PIN 17
36.39.11.2 *O	46.11.41.2
V HAMMER 58	V FR 1 SIDE C
RESPONSE	PIN 16
36.39.11.2 *P	46.11.41.2
V HAMMER 59	V FR 1 SIDE C
RESPONSE	PIN 15
36.39.21.2 *Q	46.11.41.2
V HAMMER 60	V FR 1 SIDE A
RESPONSE	PIN 20
36.39.21.2 *R	46.11.41.2
V HAMMER 61	V FR 1 SIDE A
RESPONSE	PIN 21
36.39.21.2 *S	46.11.41.2
V HAMMER 62	V FR 1 SIDE A
RESPONSE	PIN 22
36.39.21.2 *T	46.11.41.2
V HAMMER 63	V FR 1 SIDE A
RESPONSE	PIN 23
36.39.21.2 *U	46.11.41.2
V HAMMER 64	V FR 1 SIDE A
RESPONSE	PIN 24
36.39.21.2 *V	46.11.41.2
V HAMMER 65	V FR 1 SIDE C
RESPONSE	PIN 24
36.39.21.2 *W	46.11.41.2
V HAMMER 66	V FR 1 SIDE C
RESPONSE	PIN 23
36.39.21.2 *X	46.11.41.2
V HAMMER 67	V FR 1 SIDE A
RESPONSE	PIN 24
36.39.21.2 *Y	46.11.41.2
V HAMMER 68	V FR 1 SIDE A
RESPONSE	PIN 23
36.39.21.2 *Z	46.11.41.2

- | | | | | | |
|-------------|-------------|-------------|-------------|-------------|-------------|
| *1-01A4A04D | *2-01A4A05D | *3-01A4A06D | *4-01A4A07D | *5-01A4A08D | *6-01A4A09D |
| *7-01A4A03R | *8-01A4A01E | *9-01A4A02E | *A-01A4A03E | *B-01A4A04E | *C-01A4A05E |
| *D-01A4A06E | *E-01A4A07E | *F-01A4A08E | *G-01A4A09E | *H-01A4A01E | *I-01A4A02E |
| *J-01A4A02F | *K-01A4A03F | *L-01A4A04F | *M-01A4A05F | *N-01A4A06F | *O-01A4A07F |
| *P-01A4A08F | *Q-01A4A09F | *R-01A4A04R | *S-01A4A05R | *T-01A4A06R | *U-01A4A07R |
| *V-01A4A04G | *W-01A4A05G | *X-01A4A06G | | | |

COMMENTS

TAG	DATE	E.C.NO.	TAG	DATE	E.C.NO.	TAG	DATE	E.C.NO.	TAG	DATE	E.C.NO.
A	07-06-60	109501	B	12-07-62	116739						

V HAMMER 67 RESPONSE 36.39.21.2-#1	V FR 1 SIDE C PIN 22
V HAMMER 68 RESPONSE 36.39.21.2-#2	V FR 1 SIDE C PIN 21
V HAMMER 69 RESPONSE 36.39.21.2-#3	V FR 1 SIDE C PIN 20
V HAMMER 70 RESPONSE 36.39.21.2-#4	V FR 1 SIDE A PIN 25
V HAMMER 71 RESPONSE 36.39.31.2-#5	V FR 1 SIDE A PIN 20
V HAMMER 72 RESPONSE 36.39.31.2-#6	V FR 1 SIDE A PIN 27
V HAMMER 73 RESPONSE 36.39.31.2-#7	V FR 1 SIDE A PIN 28
V HAMMER 74 RESPONSE 36.39.31.2-#8	V FR 1 SIDE A PIN 29
V HAMMER 75 RESPONSE 36.39.31.2-#9	V FR 1 SIDE C PIN 29
V HAMMER 76 RESPONSE 36.39.31.2-#A	V FR 1 SIDE C PIN 28
V HAMMER 77 RESPONSE 36.39.31.2-#B	V FR 1 SIDE C PIN 27
V HAMMER 78 RESPONSE 36.39.31.2-#C	V FR 1 SIDE C PIN 26
V HAMMER 79 RESPONSE 36.39.31.2-#D	V FR 1 SIDE C PIN 25
V HAMMER 80 RESPONSE 36.39.41.2-#E	V FR 1 SIDE A PIN 30
V HAMMER 81 RESPONSE 36.39.41.2-#F	V FR 1 SIDE A PIN 31
V HAMMER 82 RESPONSE 36.39.41.2-#G	V FR 1 SIDE A PIN 32
V HAMMER 83 RESPONSE 36.39.41.2-#H	V FR 1 SIDE A PIN 33
V HAMMER 84 RESPONSE 36.39.41.2-#I	V FR 1 SIDE A PIN 34
V HAMMER 85 RESPONSE 36.39.41.2-#J	V FR 1 SIDE C PIN 35
V HAMMER 86 RESPONSE 36.39.41.2-#K	V FR 1 SIDE C PIN 36
V HAMMER 87 RESPONSE 36.39.41.2-#L	V FR 1 SIDE C PIN 37
V HAMMER 88 RESPONSE 36.39.41.2-#M	V FR 1 SIDE C PIN 38
V HAMMER 89 RESPONSE 36.39.41.2-#N	V FR 1 SIDE C PIN 39
V HAMMER 90 RESPONSE 36.39.41.2-#O	V FR 1 SIDE A PIN 35
V HAMMER 91 RESPONSE 36.39.51.2-#P	V FR 1 SIDE A PIN 36
V HAMMER 92 RESPONSE 36.39.51.2-#Q	V FR 1 SIDE A PIN 37
V HAMMER 93 RESPONSE 36.39.51.2-#R	V FR 1 SIDE A PIN 38
V HAMMER 94 RESPONSE 36.39.51.2-#S	V FR 1 SIDE A PIN 39
V HAMMER 95 RESPONSE 36.39.51.2-#T	V FR 1 SIDE C PIN 39
V HAMMER 96 RESPONSE 36.39.51.2-#U	V FR 1 SIDE C PIN 38
V HAMMER 97 RESPONSE 36.39.51.2-#V	V FR 1 SIDE C PIN 37
V HAMMER 98 RESPONSE 36.39.51.2-#W	V FR 1 SIDE C PIN 36
V HAMMER 99 RESPONSE 36.39.51.2-#X	V FR 1 SIDE C PIN 35
V HAMMER 99 RESPONSE 36.39.51.2-#Y	V FR 1 SIDE C PIN 34
V HAMMER 99 RESPONSE 36.39.51.2-#Z	V FR 1 SIDE C PIN 33

- | | | | | | |
|--------------|--------------|--------------|--------------|--------------|--------------|
| *1--01A4A076 | *2--01A4A086 | *3--01A4A096 | *4--01A4A050 | *5--01A4A01H | *6--01A4A02H |
| *7--01A4A03H | *8--01A4A04H | *9--01A4A05H | *A--01A4A06H | *B--01A4A07H | *C--01A4A08H |
| *D--01A4A09H | *E--01A4A05R | *F--01A4A01K | *G--01A4A02K | *H--01A4A03K | *J--01A4A06K |
| *K--01A4A05K | *L--01A4A06K | *M--01A4A07K | *N--01A4A08K | *P--01A4A09K | *Q--01A4A06Q |
| *R--01A4A01L | *S--01A4A02L | *T--01A4A03L | *U--01A4A04L | *V--01A4A05L | *D--01A4A08L |
| *X--01A4A07L | *Y--01A4A08L | *Z--01A4A09L | | | |

V HAMMER 100		V FR 1 SIDE A
RESPONSE		PIN 40
36.39.61.2-#1		46.11.41.2
V HAMMER 101		V FR 1 SIDE A
RESPONSE		PIN 41
36.39.61.2-#2		46.11.41.2
V HAMMER 102		V FR 1 SIDE A
RESPONSE		PIN 42
36.39.61.2-#3		46.11.41.2
V HAMMER 103		V FR 1 SIDE A
RESPONSE		PIN 43
36.39.61.2-#4		46.11.41.2
V HAMMER 104		V FR 1 SIDE A
RESPONSE		PIN 44
36.39.61.2-#5		46.11.41.2
V HAMMER 105		V FR 1 SIDE C
RESPONSE		PIN 44
36.39.61.2-#6		46.11.41.2
V HAMMER 106		V FR 1 SIDE C
RESPONSE		PIN 43
36.39.61.2-#7		46.11.41.2
V HAMMER 107		V FR 1 SIDE C
RESPONSE		PIN 42
36.39.61.2-#8		46.11.41.2
V HAMMER 108		V FR 1 SIDE C
RESPONSE		PIN 41
36.39.61.2-#9		46.11.41.2
V HAMMER 109		V FR 1 SIDE C
RESPONSE		PIN 40
36.39.61.2-#A		46.11.41.2
V HAMMER 110		V FR 1 SIDE B
RESPONSE		PIN 1
36.39.71.2-#B		46.11.41.2
V HAMMER 111		V FR 1 SIDE B
RESPONSE		PIN 5
36.39.71.2-#C		46.11.41.2
V HAMMER 112		V FR 1 SIDE B
RESPONSE		PIN 8
36.39.71.2-#D		46.11.41.2
V HAMMER 113		V FR 1 SIDE B
RESPONSE		PIN 11
36.39.71.2-#E		46.11.41.2
V HAMMER 114		V FR 1 SIDE B
RESPONSE		PIN 14
36.39.71.2-#F		46.11.41.2
V HAMMER 115		V FR 1 SIDE B
RESPONSE		PIN 17
36.39.71.2-#G		46.11.41.2
V HAMMER 116		V FR 1 SIDE B
RESPONSE		PIN 20
36.39.71.2-#H		46.11.41.2
V HAMMER 117		V FR 1 SIDE B
RESPONSE		PIN 23
36.39.71.2-#J		46.11.41.2
V HAMMER 118		V FR 1 SIDE B
RESPONSE		PIN 26
36.39.71.2-#K		46.11.41.2
V HAMMER 119		V FR 1 SIDE B
RESPONSE		PIN 29
36.39.71.2-#L		46.11.41.2
V HAMMER 120		V FR 1 SIDE B
RESPONSE		PIN 2
36.39.81.2-#M		46.11.41.2
V HAMMER 121		V FR 1 SIDE B
RESPONSE		PIN 6
36.39.81.2-#N		46.11.41.2
V HAMMER 122		V FR 1 SIDE B
RESPONSE		PIN 9
36.39.81.2-#P		46.11.41.2
V HAMMER 123		V FR 1 SIDE B
RESPONSE		PIN 12
36.39.81.2-#Q		46.11.41.2
V HAMMER 124		V FR 1 SIDE B
RESPONSE		PIN 15
36.39.81.2-#R		46.11.41.2
V HAMMER 125		V FR 1 SIDE B
RESPONSE		PIN 18
36.39.81.2-#S		46.11.41.2
V HAMMER 126		V FR 1 SIDE B
RESPONSE		PIN 21
36.39.81.2-#T		46.11.41.2
V HAMMER 127		V FR 1 SIDE B
RESPONSE		PIN 24
36.39.81.2-#U		46.11.41.2
V HAMMER 128		V FR 1 SIDE B
RESPONSE		PIN 27
36.39.81.2-#V		46.11.41.2
V HAMMER 129		V FR 1 SIDE B
RESPONSE		PIN 31
36.39.81.2-#W		46.11.41.2
V HAMMER 130		V FR 1 SIDE B
RESPONSE		PIN 3
36.39.91.2-#X		46.11.41.2
V HAMMER 131		V FR 1 SIDE B
RESPONSE		PIN 7
36.39.91.2-#Y		46.11.41.2
V HAMMER 132		V FR 1 SIDE B
RESPONSE		PIN 10
36.39.91.2-#Z		46.11.41.2

*1-01A4A06R	*2-01A4A01M	*3-01A4A02M	*4-01A4A03M	*5-01A4A04M	*6-01A4A05M
*7-01A4A06N	*8-01A4A07M	*9-01A4A08M	*A-01A4A09M	*B-01A4A07Q	*C-01A4A01N
*D-01A4A02N	*E-01A4A03N	*F-01A4A04N	*G-01A4A05N	*H-01A4A06N	*I-01A4A07N
*K-01A4A08N	*L-01A4A09N	*M-01A4A07R	*N-01A4A01P	*P-01A4A02P	*Q-01A4A03P
*R-01A4A04P	*S-01A4A05P	*T-01A4A06P	*U-01A4A07P	*V-01A4A08P	*W-01A4A09P
*X-01A4A08Q	*Y-01A4A01Q	*Z-01A4A02Q			

482000

PRINT STORAGE ARRAY

46.11.41.2

A

B

C

D

E

F

G

H

J

A

B

C

D

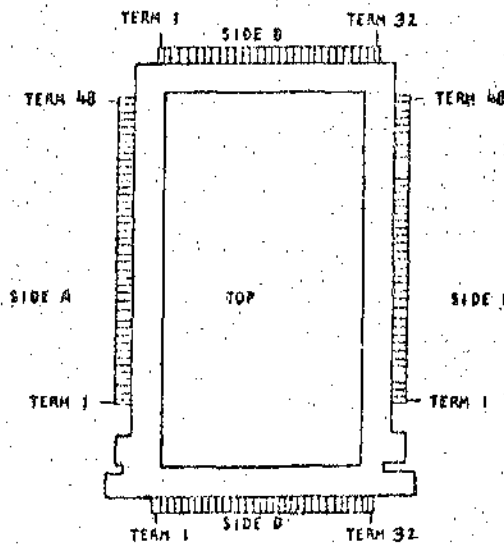
E

F

G

H

J



1	HAMMER FIRE CONNECTIONS
2	HAMMER FIRE CORES
3	PRINT LINE COMPLETE
4	EQUAL CHECK
5	PRINT ERROR CHECK
6	1 BIT
7	2 BIT
8	4 BIT
9	8 BIT
10	A BIT
11	B BIT
12	C BIT
13	WORD MARK
14	DUMMY

DATE	EC NO	DATE	EC NO	DATE	EC NO
9-6-60	109501				

8982982

FEED THROUGH SHEET

1401 PF

46.36.31.2

10 PR LINE COMP
10
36.37.11.2-41

10 PR LINE COMP
10
46.10.41.2

10 PR ERR CHECK
10
36.37.21.2-42

10 PR ERR CHECK
10
46.10.41.2

7 NOT PRINT
READY
36.31.51.2-43

7 NOT PRINT
READY
46.31.10.11.2

10 TIME 105-000
31.12.62.2-44

10 TIME 105-000
46.36.01.11.2

7 TIME 045-060
31.12.31.2-45

7 TIME 045-060
46.36.31.61.2

*1-01A5D26K
*7-01A5F25Q

*2-01A5D266
*8-01A5D25N

*3-01A5D26N
*9-01A5D26P

*4-01A5D25P
*A-01A5D26Q

*5-01A5D250

*6-01A5E25J

COMMENTS

TAG	DATE	E.C.NO.	TAG	DATE	E.C.NO.	TAG	DATE	E.C.NO.	TAG	DATE	E.C.NO.
A	09-07-60	189500X	B	12-15-60	110416	C	01-04-63	110741			

+U 4 LATCH
46.10.21.2--*1

+U 4 LATCH
46.36.81.2
+U 4 LATCH
46.36.91.2

+U 8 LATCH
46.10.21.2--*2

+U 8 LATCH
46.36.81.2
+U 8 LATCH
46.36.91.2

+U A LATCH
46.10.31.2--*3

+U A LATCH
46.36.81.2
+U A LATCH
46.36.91.2

+U B LATCH
46.10.31.2--*4

+U B LATCH
46.36.81.2
+U B LATCH
46.36.91.2

+U C LATCH
46.10.31.2--*5

+U C LATCH
46.36.81.2
+U C LATCH
46.36.91.2

+U WM LATCH
46.10.31.2--*6

+U WM LATCH
46.36.81.2
+U WM LATCH
46.36.91.2

+U NOT WM LATCH
46.10.31.2--*7

+U NOT WM LATCH
46.36.91.2
+U NOT WM LATCH
46.37.11.2

-T NOT PR SCAN
COMP
36.31.41.2--*8

-T NOT PR SCAN
COMP
46.37.41.2
-T NOT PR SCAN
COMP
46.37.51.2
-T NOT PR SCAN
COMP
46.37.71.2
-T NOT PR SCAN
COMP
46.37.91.2

-T TIME 000-030
31.12.12.2--*9

-T TIME 000-030
46.37.31.2
-T TIME 000-030
46.37.81.2
-T TIME 000-030
46.31.51.2

*1--01A5F26L
*7--01A5F26H

*2--01A5F26M
*8--01A5D24A

*3--01A5F26N
*9--01A5D25R

*4--01A5F26P
*A--01A5D24P

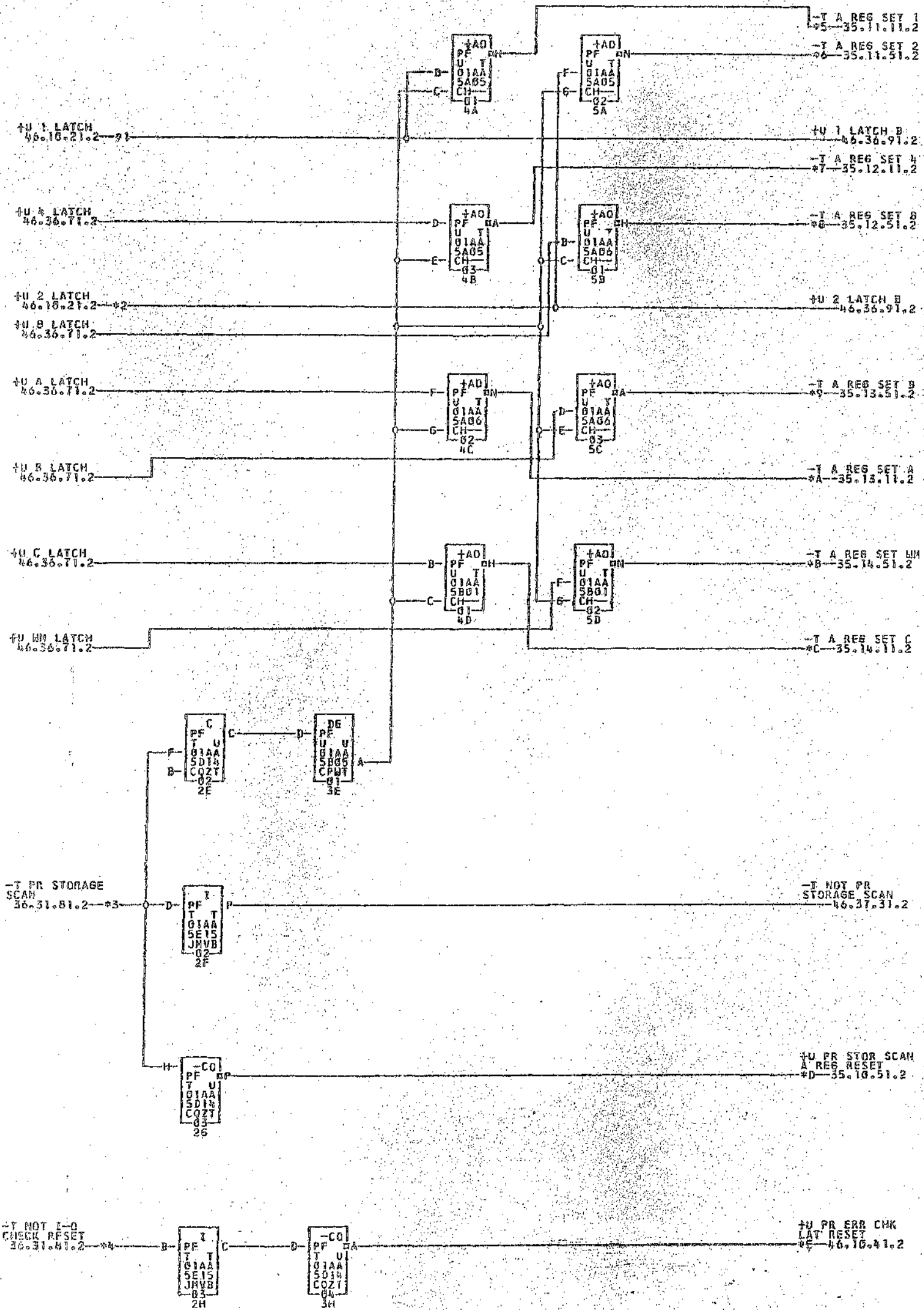
*5--01A5F26Q
*B--01A5D26F

*6--01A5F26R

COMMENTS

TAG DATE E.C.NO. TAG DATE E.C.NO. TAG DATE E.C.NO. TAG DATE E.C.NO.

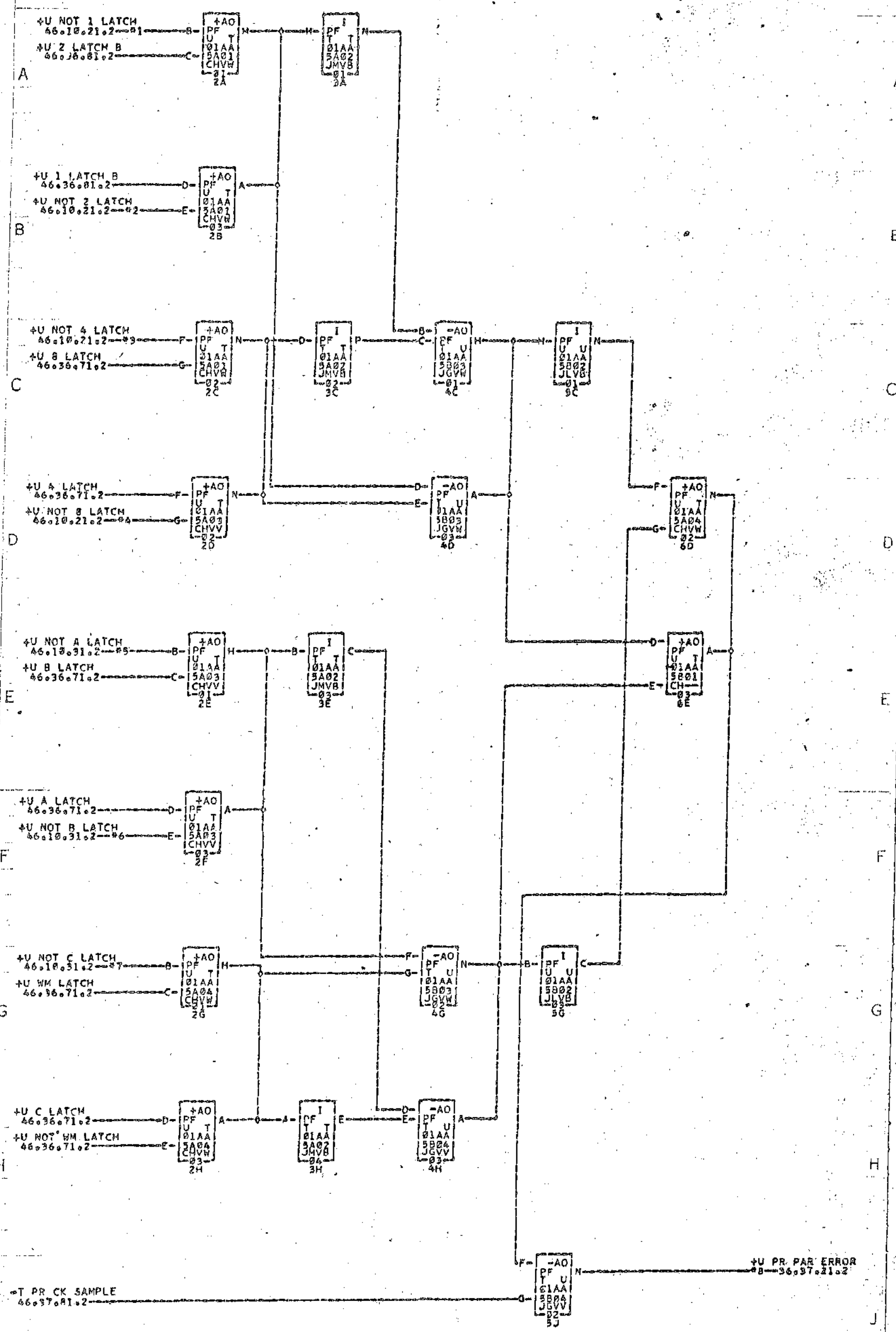
A 09-07-60 109900X



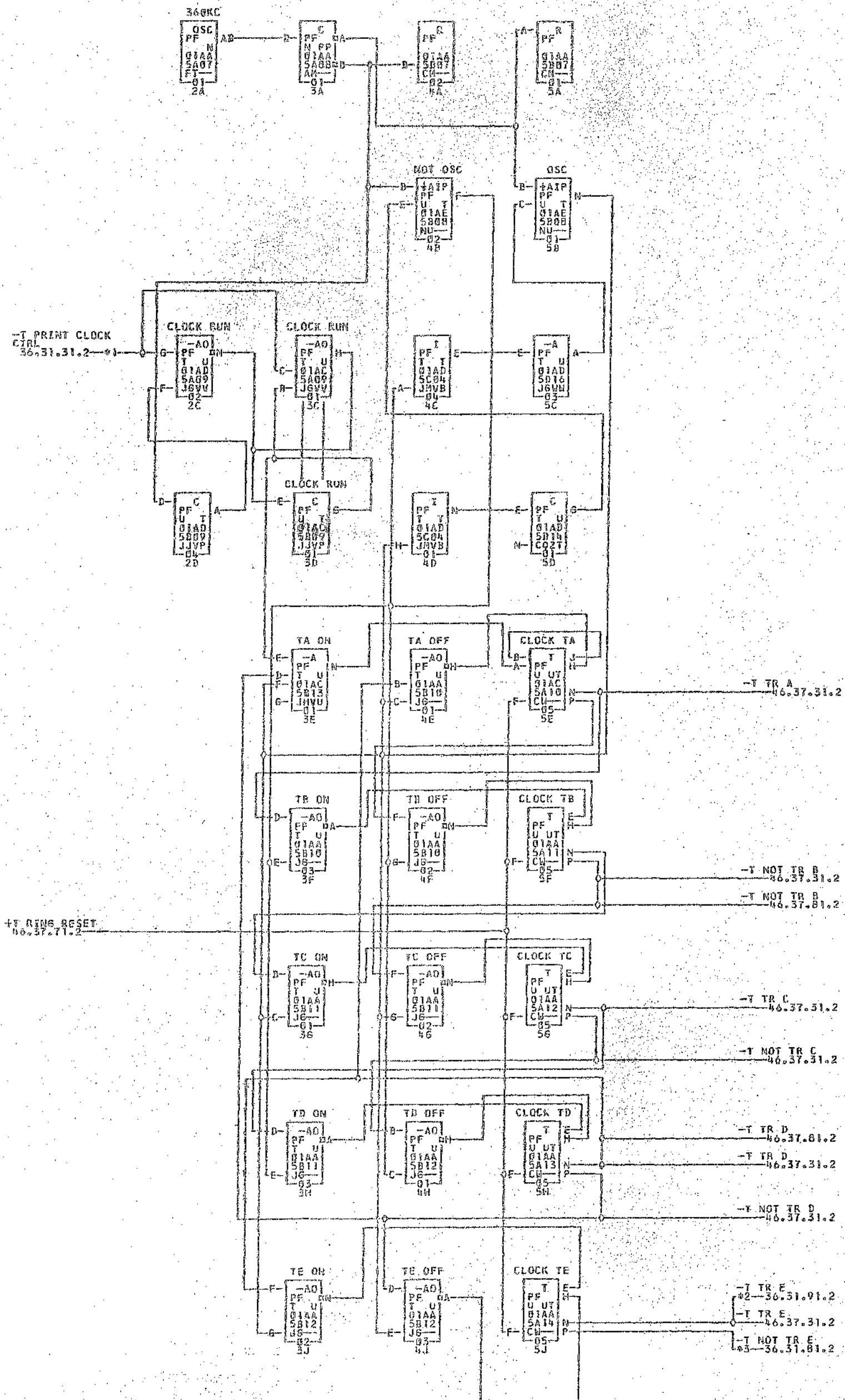
- *1--01A5F26J *2--01A5F26K *3--01A5D24G *4--01A5D24E *5--01A5C26A *6--01A5C26B
- *7--01A5C26C *8--01A5E24C *9--01A5C26F *A--01A5C24E *B--01A5C26P
- *C--01A5C26E *D--01A5C26N

COMMENTS

TAG	DATE	E.C.NO.	TAG	DATE	E.C.NO.	TAG	DATE	E.C.NO.	TAG	DATE	E.C.NO.
A	09-07-60	109500X	B	10-24-60	109522	C	03-09-61	110531B	D	01-04-63	116741



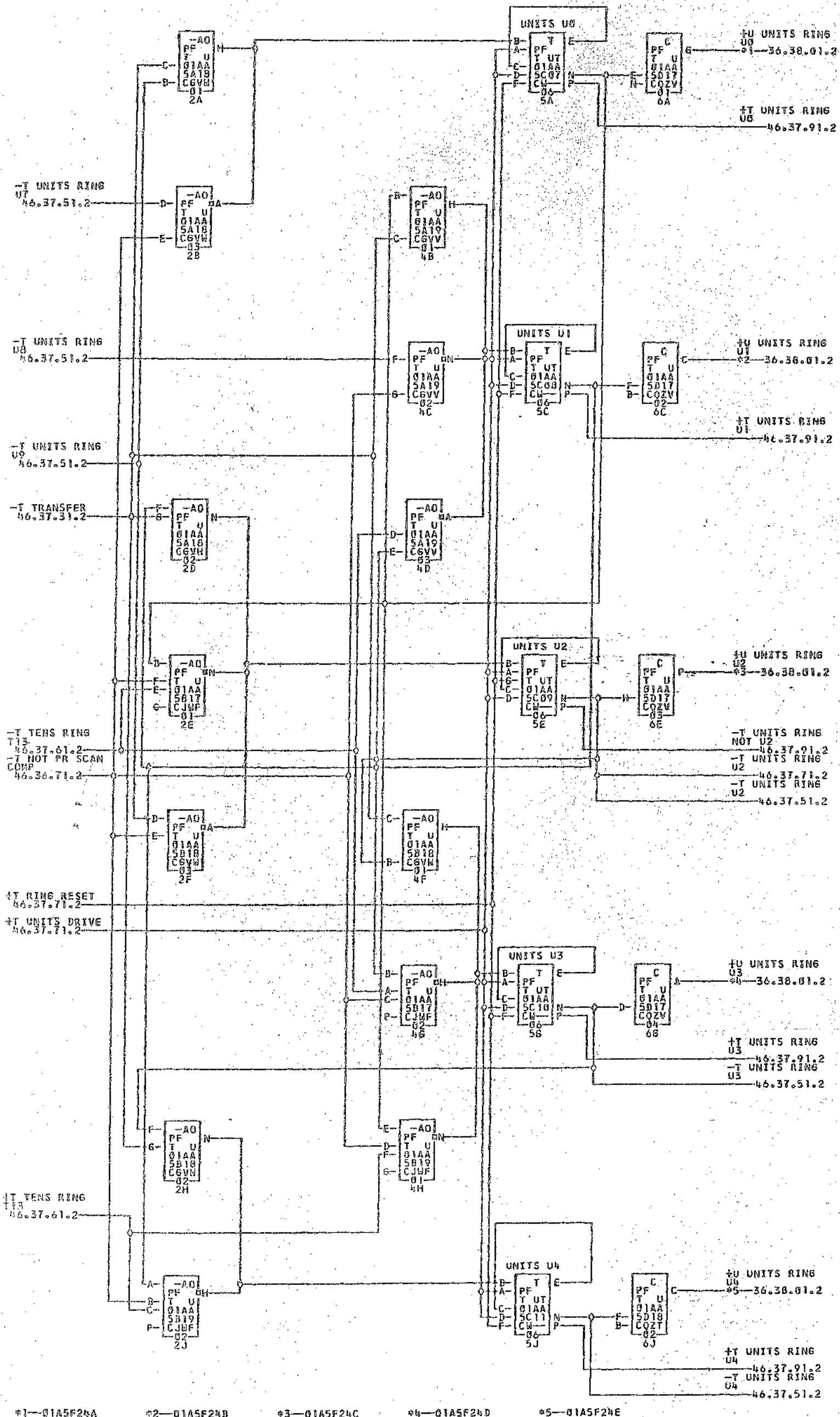
- *1--01A5F26A *2--01A5F26B *3--01A5F26C *4--01A5F26D *5--01A5F26E *6--01A5F26F
- *7--01A5F26G *8--01A5F26H



*1--01A5D24C *2--01A5D26E *3--01A5D26D

COMMENTS

TAG DATE	E.C.NO.	TAG DATE	E.C.NO.	TAG DATE	E.C.NO.	TAG DATE	E.C.NO.
A 07-07-60	109500X	B 10-24-60	109522	C 02-22-61	110430	D 04-05-61	110434
E 01-04-63	116741						



#1-01A5F2A

#2-01A5F2B

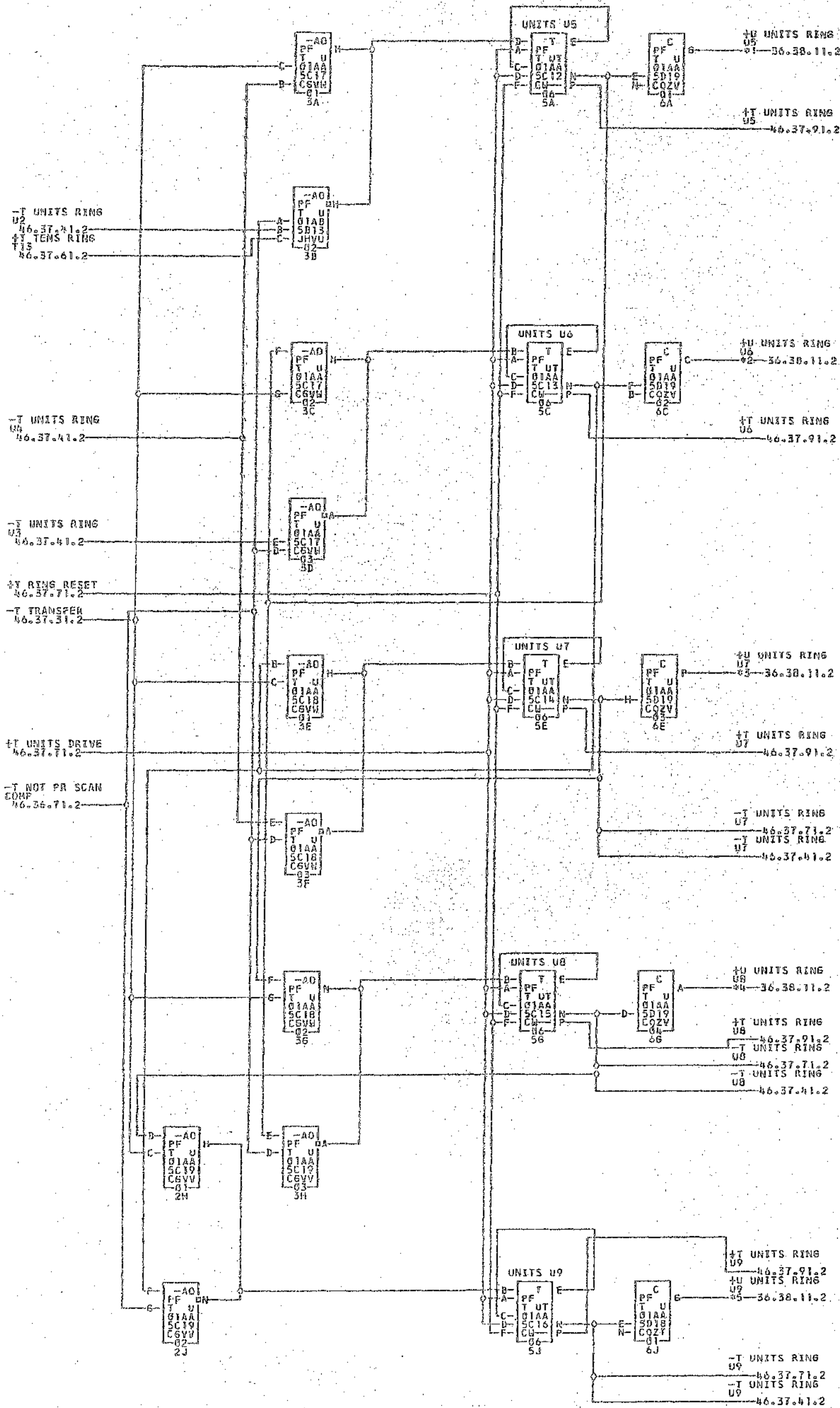
#3-01A5F2C

#4-01A5F2D

#5-01A5F2E

COMMENTS

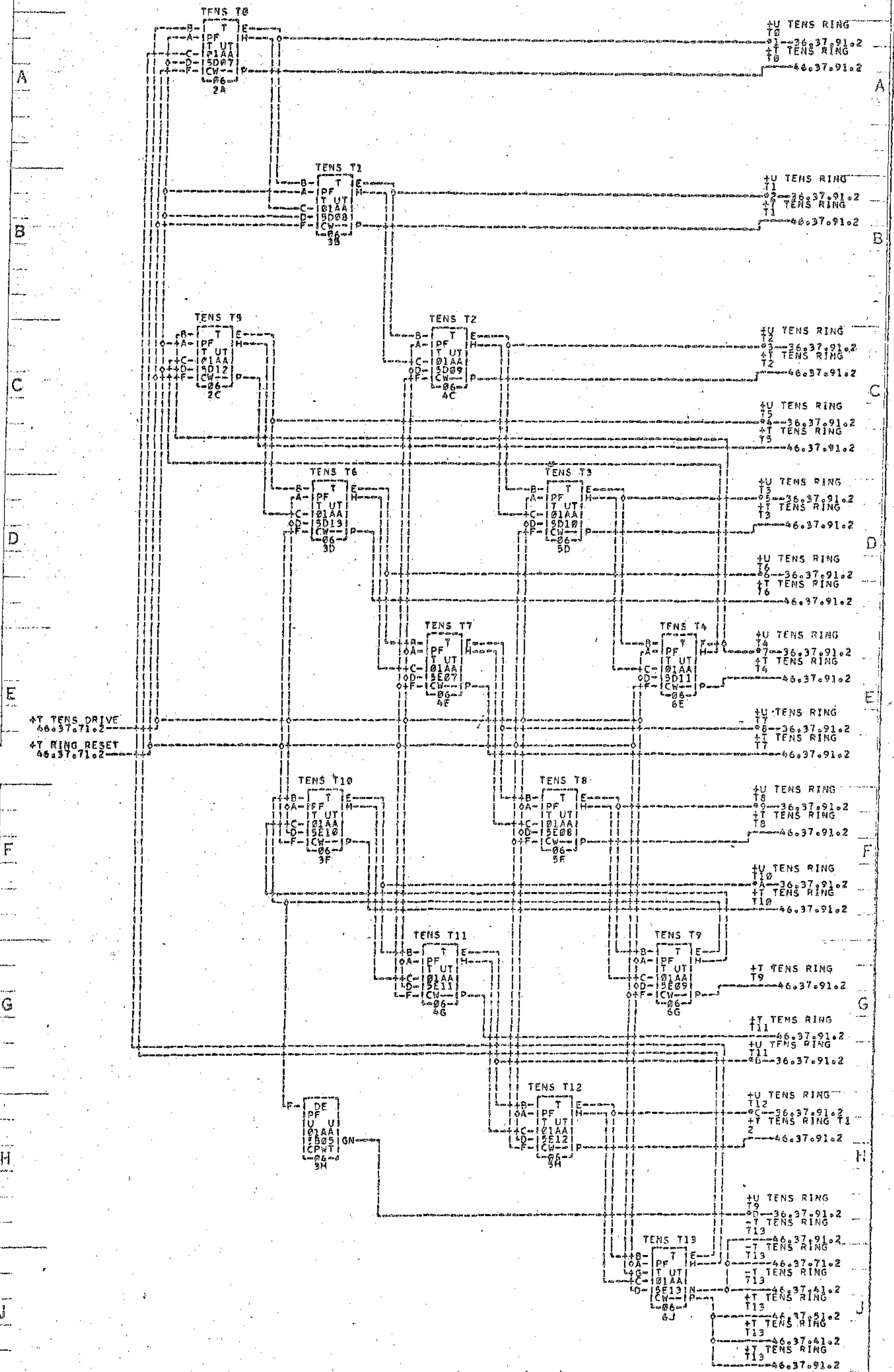
TAG	DATE	E.C.NO.	TAG	DATE	E.C.NO.	TAG	DATE	E.C.NO.
A	09-07-60	109505X	B	01-04-63	116741			



*1-01A5F24F *2-01A5F246 *3-01A5F24H *4-01A5F24H *5-01A5F24P

COMMENTS

TAG	DATE	E.C.NO.	TAG	DATE	E.C.NO.	TAG	DATE	E.C.NO.	TAG	DATE	E.C.NO.
A	09-07-60	109500X	B	02-22-61	110630	C	04-04-63	116741			



4T TENS DRIVE
46.37.71.2
4T RING RESET
46.37.71.2

01--01A5E24A
02--01A5E24B
00--01A5E24L

*2--01A5E24B
*8--01A5E24H

*3--01A5E24C
*9--01A5E24K

*4--01A5E24F
*A--01A5E24M

*5--01A5E24D
*B--01A5E24N

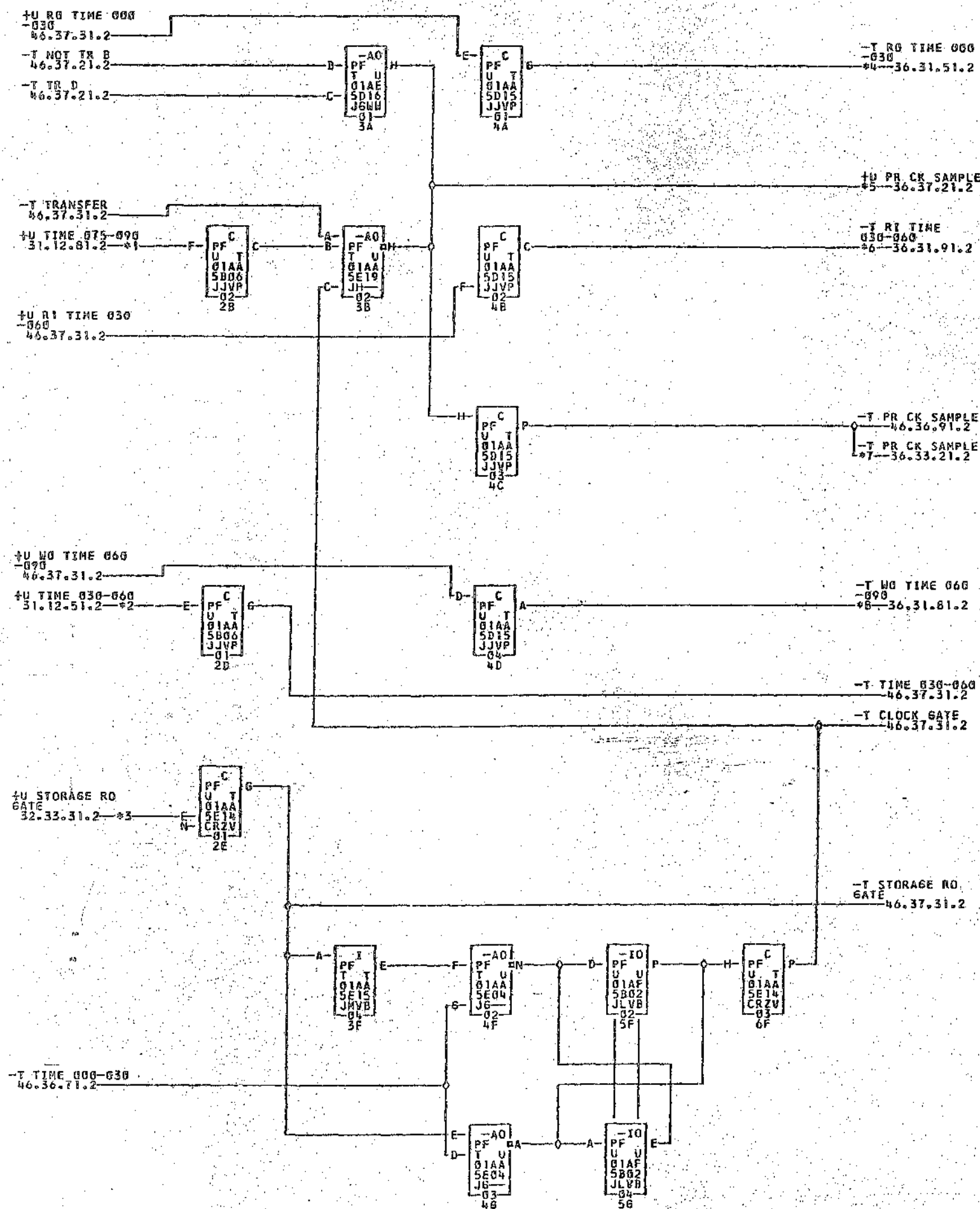
*6--01A5E24G
*C--01A5E24P

6482992

PRINT CONTROL CLOCK PULSES

1461 PF

46.37.81.2



*1-01A5D25J
*7-01A5D26C

*2-01A5D25H
*8-01A5D26B

*3-01A5D24L

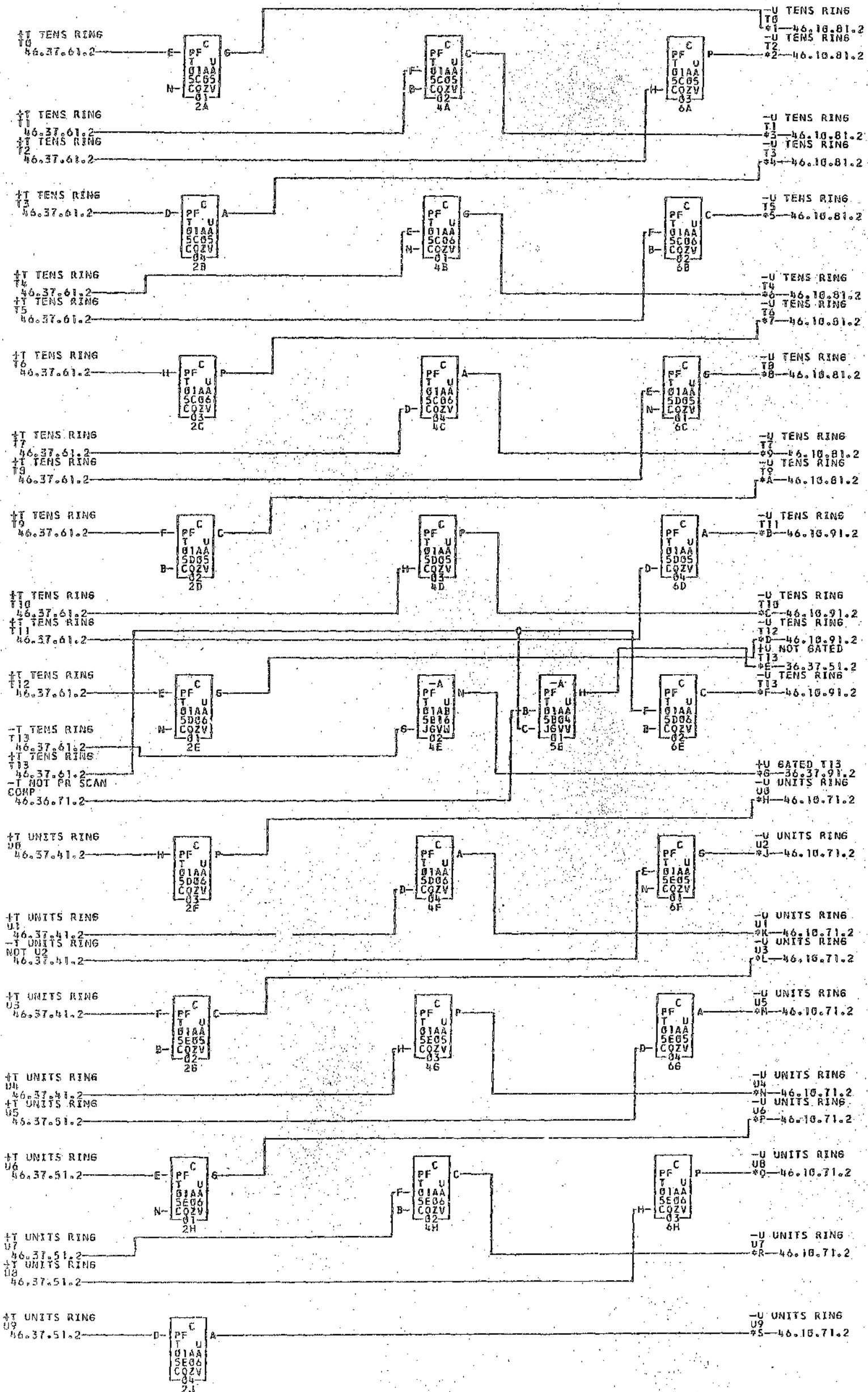
*4-01A5D26A

*5-01A5D26J

*6-01A5D26H

COMMENTS

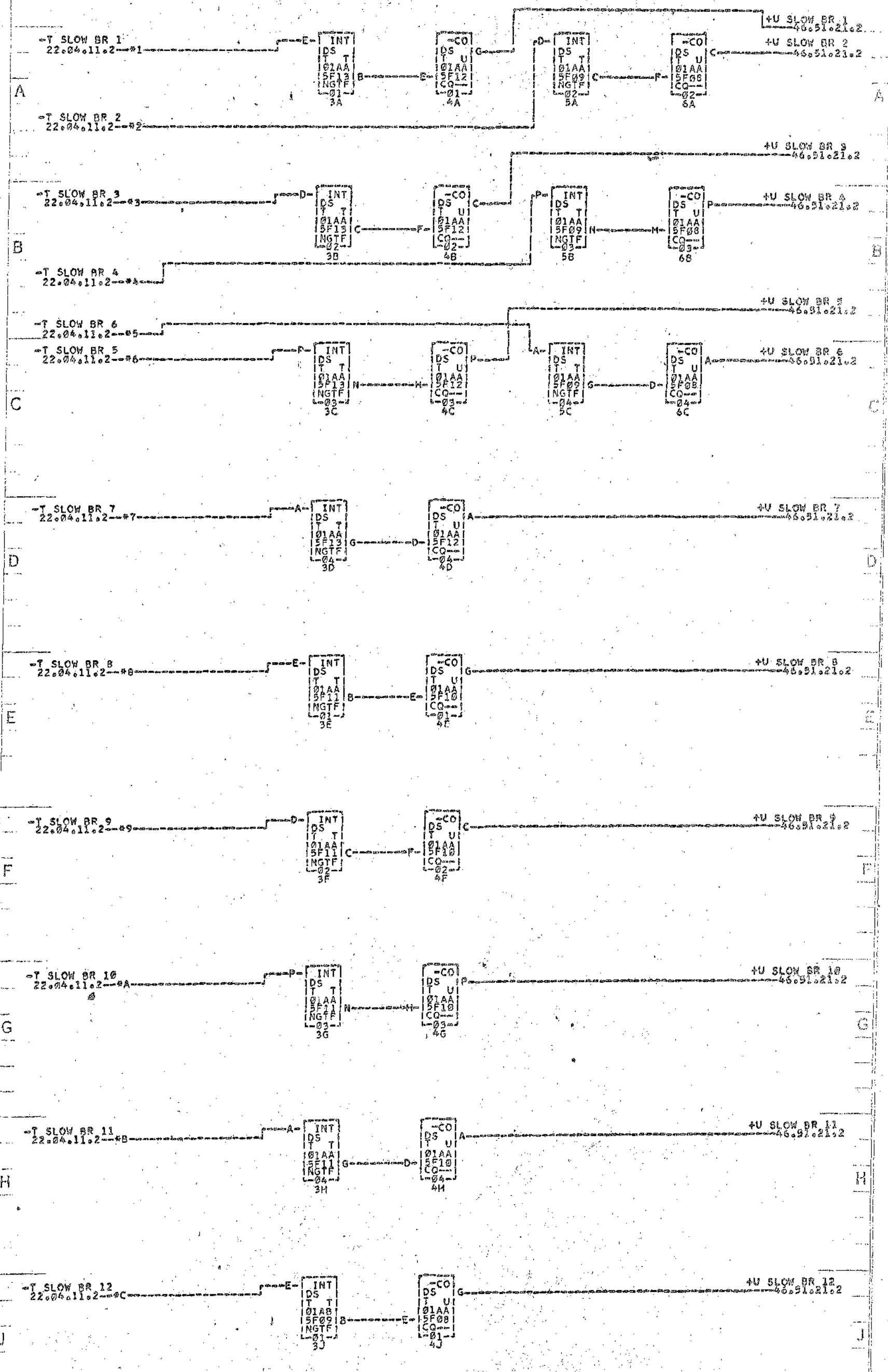
TAG	DATE	E.C.NO.	TAG	DATE	E.C.NO.	TAG	DATE	E.C.NO.	TAG	DATE	E.C.NO.
A	09-07-60	109580X	B	10-24-60	109522	C	01-18-61	110422	D	03-08-61	110431B
E	04-03-61	110434	F	01-04-63	110741						



- *1-01A5E25A *2-01A5E25C *3-01A5E25B *4-01A5E25D *5-01A5E25F *6-01A5E25E
- *7-01A5E25G *8-01A5E25K *9-01A5E25H *A-01A5E25L *B-01A5E25N *C-01A5E25M
- *D-01A5E25P *E-01A5E24R *F-01A5E25Q *G-01A5E24Q *H-01A5F25A *J-01A5E25C
- *K-01A5F25B *L-01A5F25D *M-01A5F25F *N-01A5F25E *P-01A5F25G *Q-01A5F25N
- *R-01A5F25H

COMMENTS

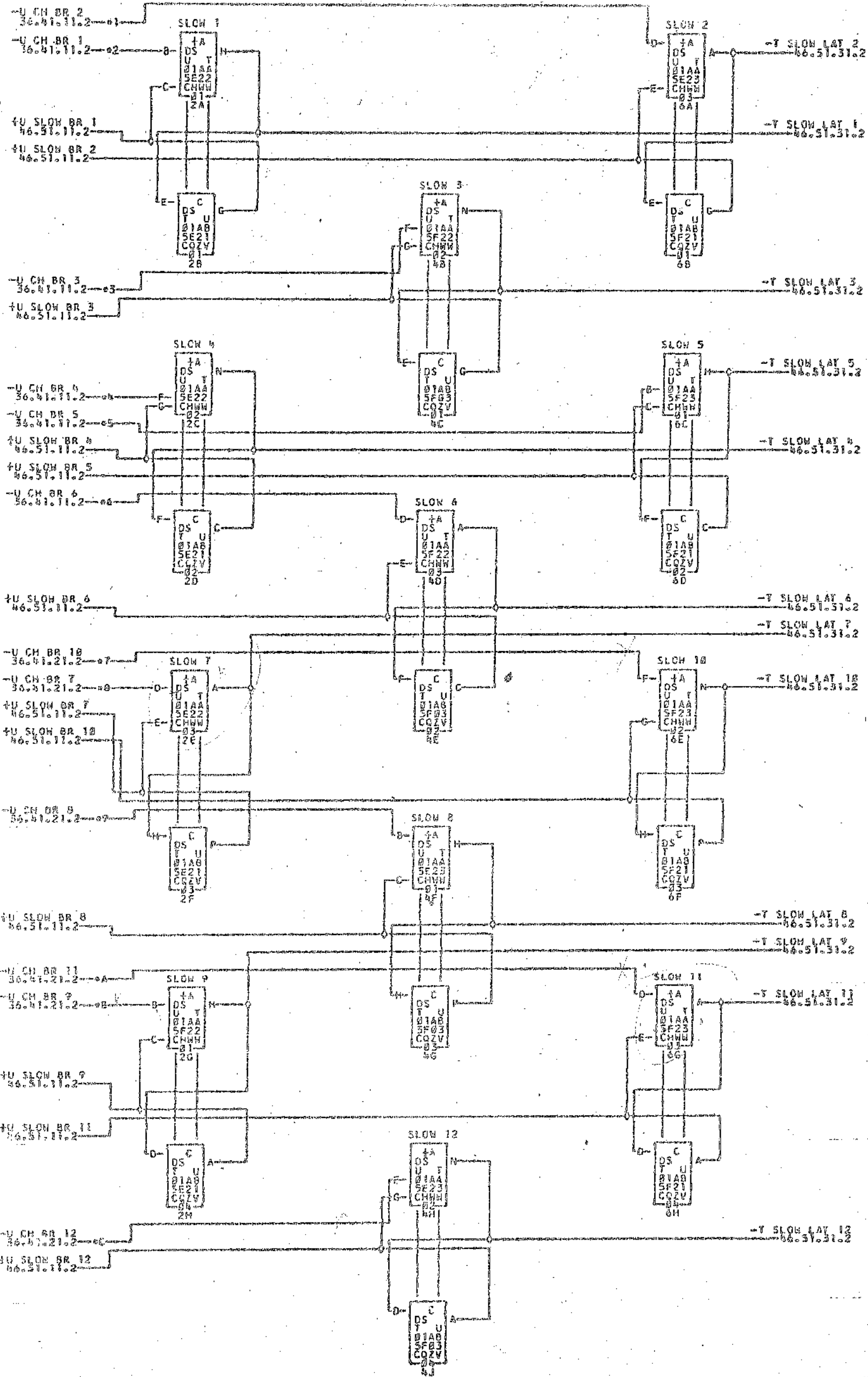
TAB	DATE	E.C.NO.	TAB	DATE	E.C.NO.	TAB	DATE	E.C.NO.	TAB	DATE	E.C.NO.
A	09-07-61	109500X	B	05-02-61	110442	C	01-04-63	116741			



- *1--01A5A25A
- *2--01A5A25B
- *3--01A5A25C
- *4--01A5A25D
- *5--01A5A25F
- *6--01A5A25E
- *7--01A5A25G
- *8--01A5A25H
- *9--01A5A25J
- *A--01A5A25K
- *B--01A5A25L
- *C--01A5A25M

COMMENTS

TAG DATE	E.C.NO.	TAG DATE	E.C.NO.	TAG DATE	E.C.NO.	TAG DATE	E.C.NO.
09-27-60	109501P	10-24-60	109521				

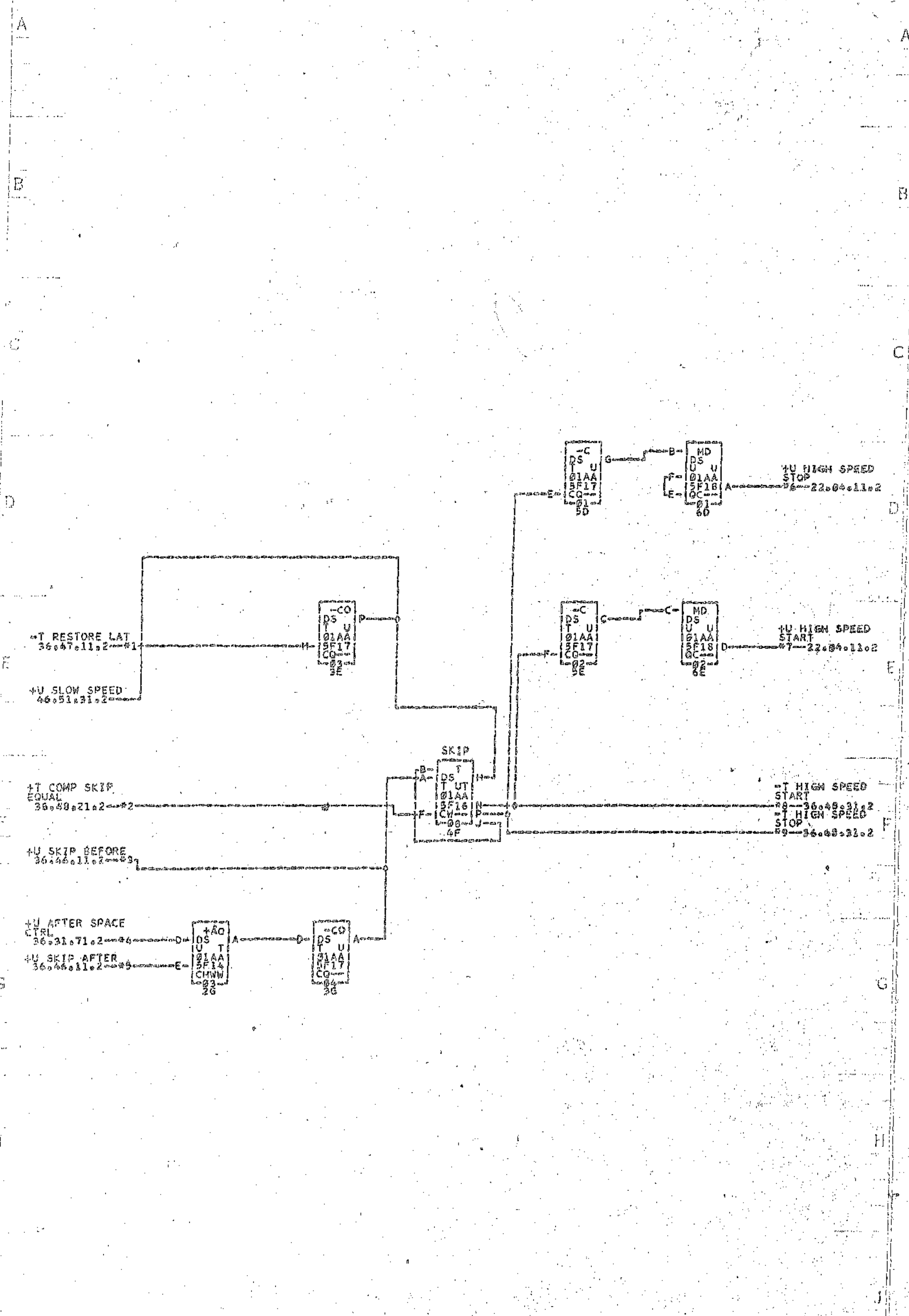


- *1--01A5C25B
- *2--01A5C25A
- *3--01A5C25C
- *4--01A5C25D
- *5--01A5C25E
- *6--01A5C25F
- *7--01A5C25K
- *8--01A5C25G
- *9--01A5C25H
- *A--01A5C25L
- *B--01A5C25J
- *C--01A5C25M

COMMENTS

TAG	DATE	E.C. NO.	TAG	DATE	E.C. NO.	TAG	DATE	E.C. NO.	TAG	DATE	E.C. NO.
A	09-07-60	18951P	B	10-24-60	189521	C	09-04-61	18951B			

46.51.41.2



- #1--01A5029J
- #2--01A5029K
- #3--01A5029L
- #4--01A5029M
- #5--01A5029N
- #6--01A5029P

COMMENTS

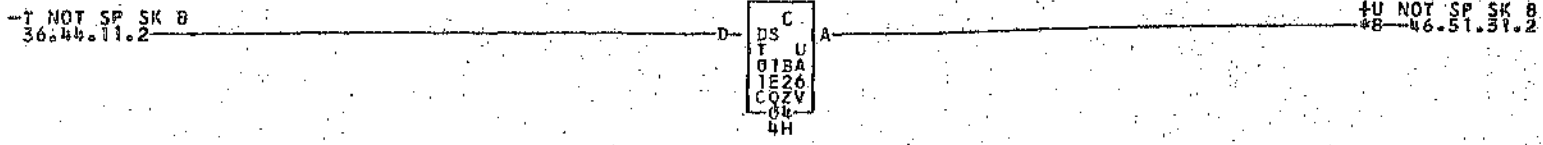
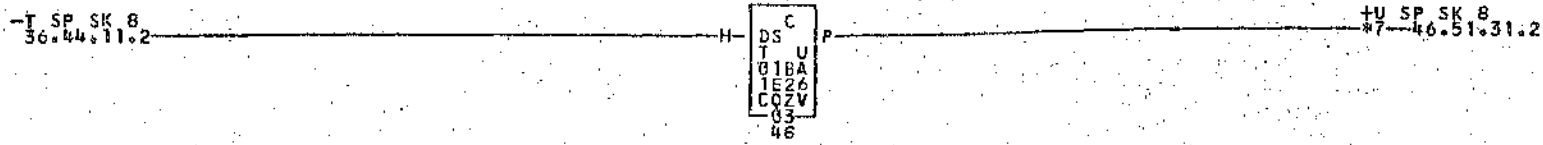
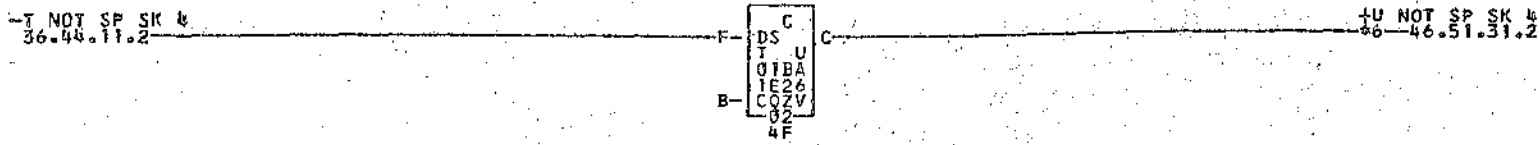
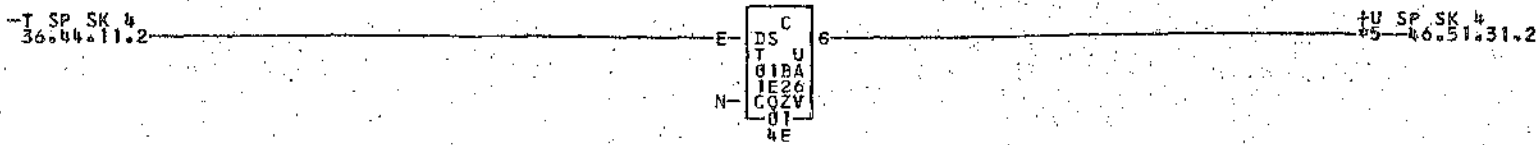
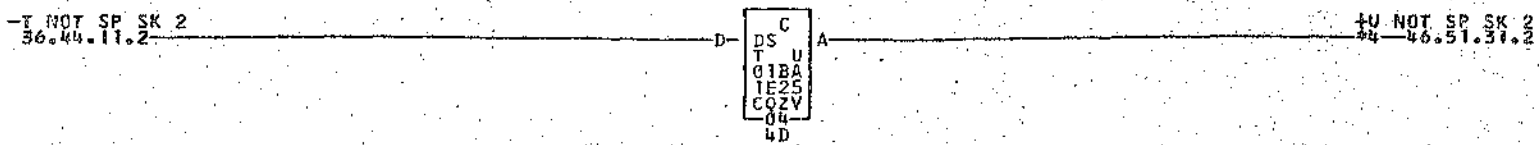
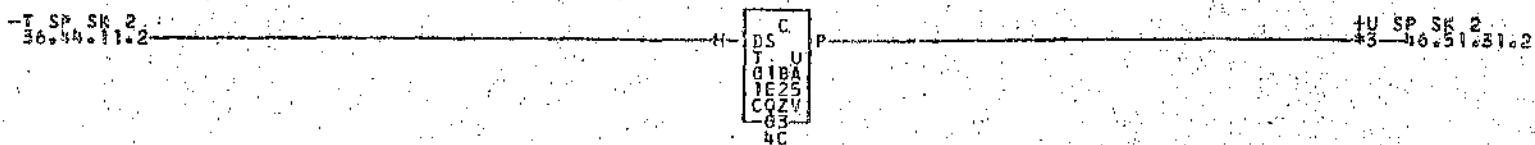
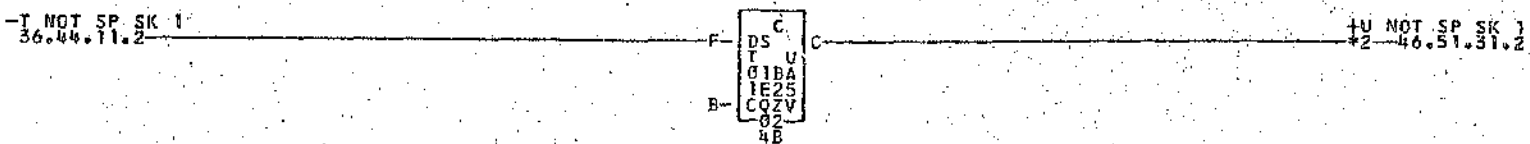
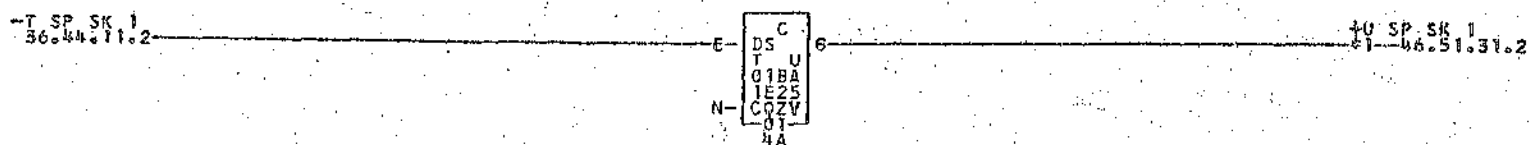
TAG DATE	E.C.NO.	TAG DATE	E.C.NO.	TAG DATE	E.C.NO.	TAG DATE	E.C.NO.
A 09-07-66	109201P						

0724161

DUAL SPEED CAR SP SK

1401 DS

46.51.71.2



*1-01B1D03D
*7-01B1D03A

*2-01B1D03H
*8-01B1D03E

*3-01B1D03C
01A5B25E

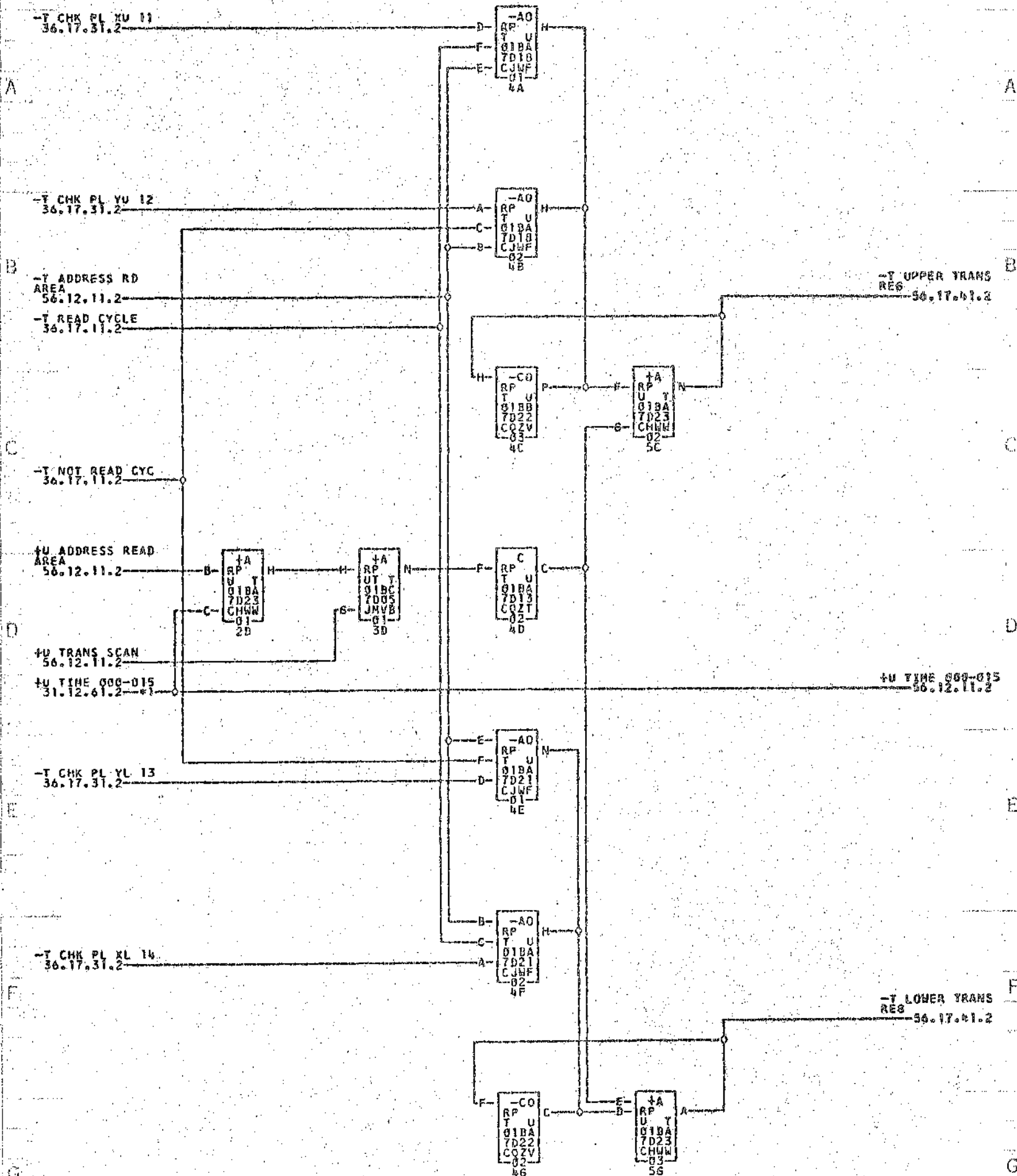
*4-01B1D036

*5-01B1D03B

*6-01B1D03F

COMMENTS

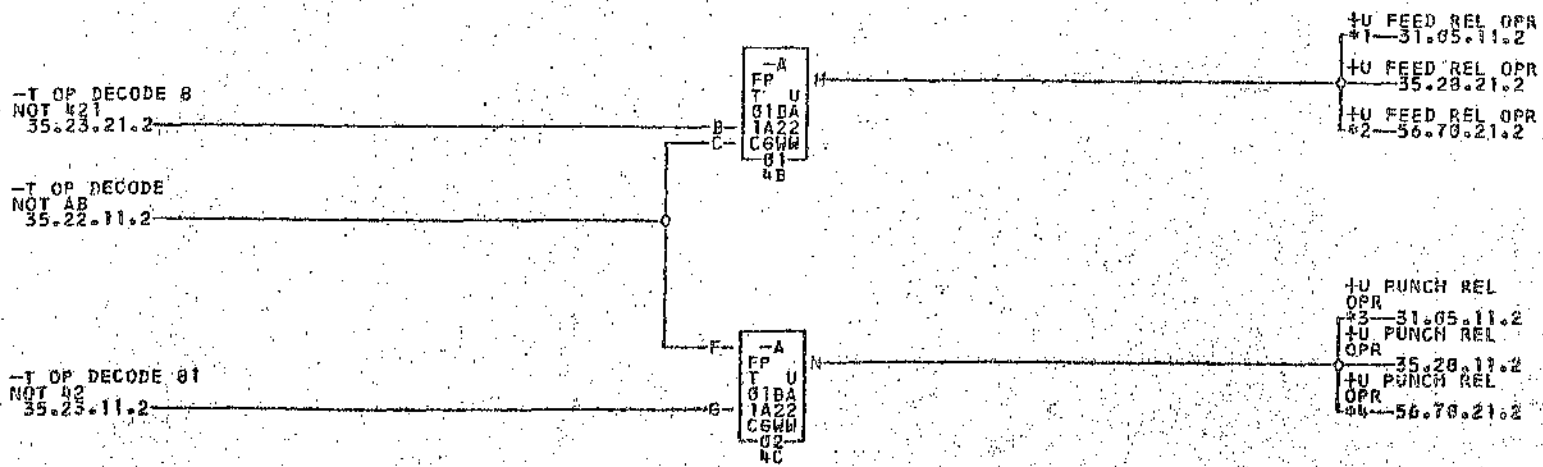
TAG	DATE	E.C.NO.	TAG	DATE	E.C.NO.	TAG	DATE	E.C.NO.	TAG	DATE	E.C.NO.
A	06-05-61	110320P	B	12-21-62	114052						



*1-0197036

COMMENTS

TAG	DATE	F.C.NO.	TAG	DATE	F.C.NO.	TAG	DATE	F.C.NO.	TAG	DATE	F.C.NO.	
A	08-12-61	1103201	B	11-10-61	112913	C	12-06-61	113422				



#1—01B1D01J

#2—01B1D02D

#3—01B1D01R

#4—01B1D02E

COMMENTS

TAG	DATE	E.C.NO.	TAG	DATE	E.C.NO.	TAG	DATE	E.C.NO.	TAG	DATE	E.C.NO.
A	66-05-61	110320P	B	12-21-62	114052						

