

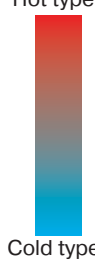


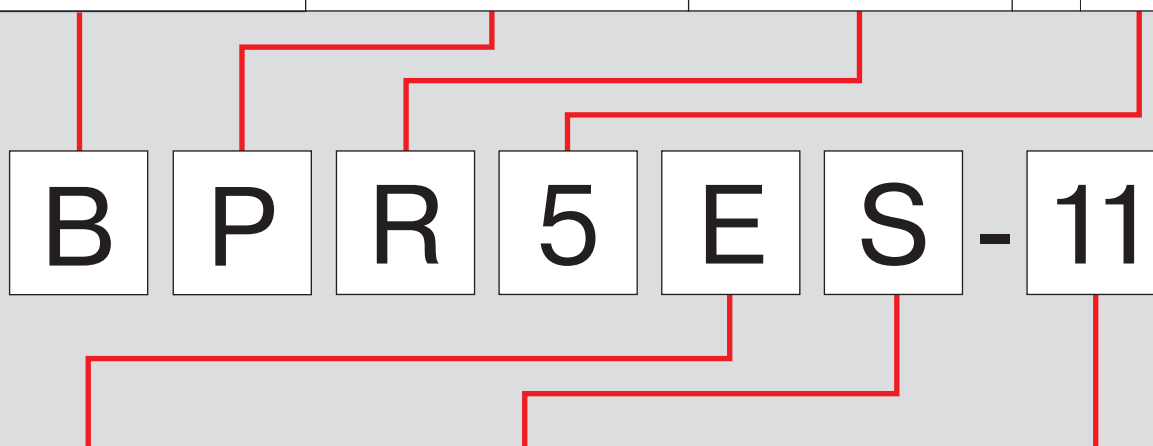
2013 – 2014





Symbols used on spark plugs

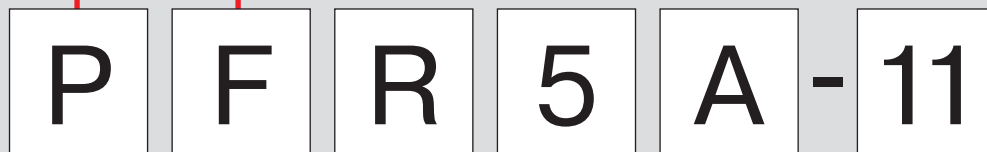
Thread dimensions / Hex. size		Structur		Resistor		Heat Rating	
A	18mm / 25.4	P	Projecting insulator type	R	Resistor	2	 <p>Hot type</p> <p>Cold type</p>
B	14mm / 20.8	M	Small spark plug	Z	Inductive resistor type	4	
C	10mm / 16.0	U	Surface gap, Semi-surface discharge gap or Supplementary gap			5	
D	12mm / 18.0					6	
E	8mm / 13.0	7					
AB	18mm / 20.8	8					
BC	14mm / 16.0	9					
BK	14mm / 16.0	10					
DC	12mm / 16.0						



Thread length		Design features		Spark gap	
E	19.0 mm	B	Integral terminal CR8EB	None	motorcycle:0.7-0.8 mm car:0.8-0.9 mm
EH	19.0 mm, half-thread	CM	Oblique ground electrode Compact type (insulator length:18.5 mm)	-8	0.8 mm
H	12.7 mm	CS	Oblique ground electrode Compact type (insulator length:18.5 mm)	-9	0.9mm
L	11.2 mm	G, GV	Racing spark plug	-10	1.0mm
F	Tapered-seat type A-F---10.9 mm B-F---11.2 mm B-EF--17.5 mm BM-F --7.8 mm	I	Iridium spark plug	-11	1.1mm
		IX	Iridium IX spark plug	-13	1.3mm
		J	2-projecting-electrode	-14	1.4mm
		K	2-ground-electrode	-15	1.5mm
		-L	Medium heat rating		
None	Bantam type BM---9.5 mm BPM--9.5 mm CM---9.5 mm	-LM	Compact type (insulator length:14.5mm)		
		N	Special ground electrode	-S	Special gasket
		P	Platinum spark plug	-E	Special resistance
		Q	4-ground-electrode		
		S	Standard type		
		T	3-ground-electrode		
		U	Semi-surface discharge gap		
		VX	VX spark plug		
		Y	V-grooved center electrode		
		Z	Special design		

Symbols used on spark plugs

Plug Type		Thread dimensions / Hex. size				
D	High ignitability plug : Double fine electrodes	KA	Ø12.0	19.0mm	Dichtring	14,0
I	Iridium spark plug	KB	Ø12.0	19.0 mm	Gasket	Bi-Hex 14.0
L	Long thread reach plug	MA	Ø10.0	19.0 mm	Gasket	14,0
P	Platinum spark plug	NA	Ø12.0	17.5 mm	Tapered-seat	14,0
S	High ignitability plug : Square tip type	F	Ø14.0	19.0 mm	Gasket	16,0
Z	Extended Gap	G	Ø14.0	19.0 mm	Gasket	20,8
Above alphabets are occasionally used in combination. Ex. ILFR..., PLZFR... "L", long thread reach, is prior to other letters which stand for thread reach. Ex. • Gasket type FR5AP-11;reach 19.0mm LFR5AP-11;reach 26.5mm • Tapered-seat type PTR5C-13;reach 17.5mm PLTR6A-10G;reach 25.0mm		J	Ø12.0	19.0 mm	Gasket	18,0
		K	Ø12.0	19.0 mm	Gasket	16,0
		L	Ø10.0	12.7 mm	Gasket	16,0
		M	Ø10.0	19.0 mm	Gasket	16,0
		T	Ø14.0	17.5 mm	Tapered-seat	16,0
		U	Ø14.0	11.2 mm	Tapered-seat	16,0
		W	Ø18.0	10.9 mm	Tapered-seat	20,8
		X	Ø14.0	9.5 mm	Gasket	20,8
		Y	Ø14.0	11.2 mm	Tapered-seat	16,0



Resistor		Heat Rating		Design		Spark gap		
R	Resistor	2		A,B,C... Suffix code		None	motorcycle:0.7-0.8mm car:0.8-0.9mm	
		4				- 7	0.7mm	
		5				- 9	0.9mm	
		6			I	One-side Iridium spark plug	-10	1.0mm
		7			P	One-side Platinum spark plug	-11	1.1mm
		8					-13	1.3mm
		9					-14	1.4mm
		10					-15	1.5mm
							-A	Non gasket
							-D	Metal shell plating spec change
						-E	Special resistance	
						-G	Copper core ground electrode	
						-H	Special thread type	
						-J	2-ground-electrode	
						-K	Vibration-resistant ground electrode	
						-N	Special ground electrode	
						-Q	4-ground-electrode	
						-S	Special gasket	
						-T	3-ground-electrode	



Tightening torques for spark plugs

Torques

A torque wrench is required for the professional installation of a spark plug. Even for professionals the estimation of the tightening torque is nearly impossible.

That is because a torque can be calculated from two sizes which are multiplied by one another: the force which is applied to the respective centre of rotation and the length of the handle.

Most spark plug failures can be traced back to an incorrect tightening torque. If it is set too low, there is a risk of compression losses and overheating. A break of the insulator or middle electrode as a result of vibrations is also feasible.

If the tightening torque is set too high, the spark plug can snap off. The casing can also expand or warp. Heat dissipation zones are disrupted, overheating and melting of the electrodes or even engine damage can occur.

Cylinder head material	Spark plug with flat seat (with gasket)				Spark plug with conical seat	
	Thread diameter				Thread diameter	
	18 mm	14 mm	12 mm	10 mm	18 mm	14 mm
Cast iron head	35-45 Nm	25-35 Nm	15-25 Nm	10-15 Nm	20-30 Nm	15-25 Nm
Aluminium head	35-40 Nm	25-30 Nm	15-20 Nm	10-12 Nm	20-30 Nm	10-20 Nm

The torques depend on the cylinder head material and the thread diameter.

Tightening torques for glow plugs

The correct torque

For the professional installation of a glow plug, the use of a torque wrench is recommended. Even for professionals the estimation of the tightening torque is nearly impossible.

That is because a torque can be calculated from two sizes which are multiplied by one another: the force which is applied to the respective centre of rotation and the length of the handle. If the incorrect torque is applied to

a glow plug, a compression loss can result. Based on the vibrations, it is also possible in the case of ceramic glow plugs that the ceramic will break.

The application of a tightening torque which is too great, in particular, can lead to the contraction of the annular gap between the metal case and glow tube. In this case the glow plug overheats and fails.


Tightening torque for glow plugs	
Thread diameter	Tightening torque
8 mm	8-15 Nm
10 mm	15-20 Nm
12 mm	20-25 Nm
14 mm	20-25 Nm
18 mm	20-30 Nm

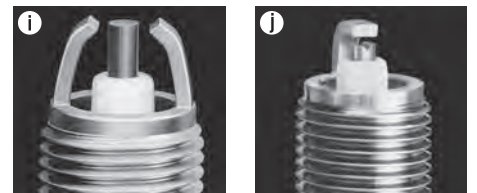
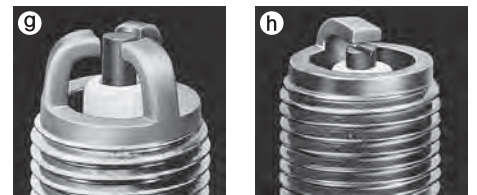
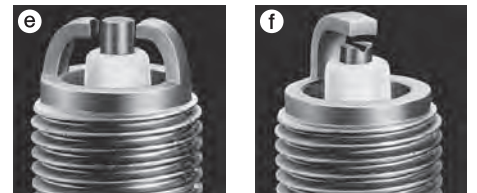
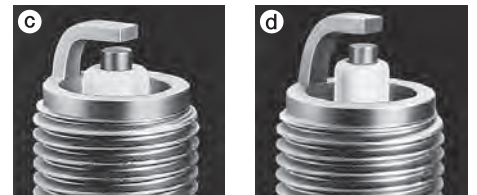
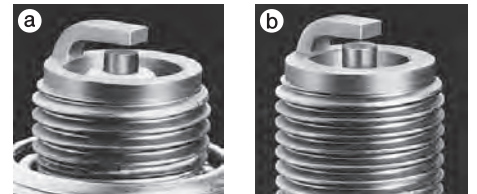
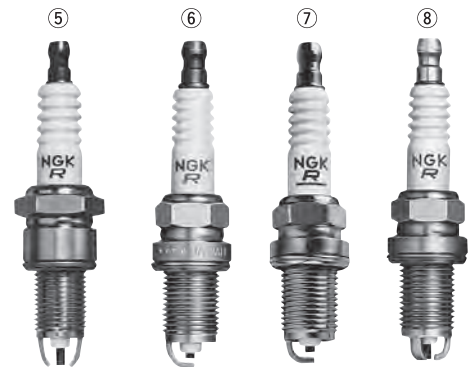
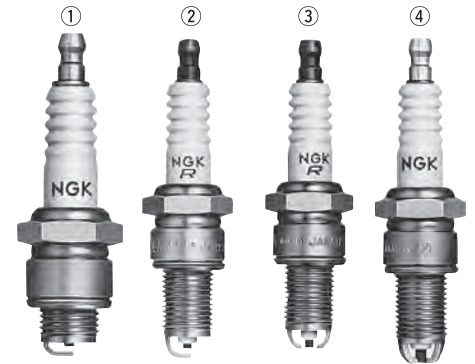
Tightening torque for the connecting nuts	
Thread diameter	Tightening torque
4 mm (M4)	0,8-1,5 Nm
5 mm (M5)	3,0-4,0 Nm


Glow plugs will only function faultlessly when they are screwed in with the correct torques.

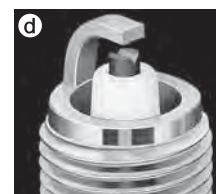
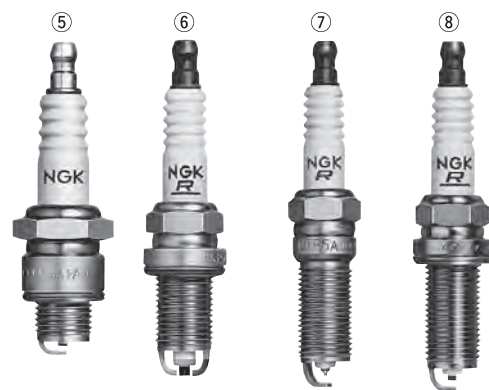
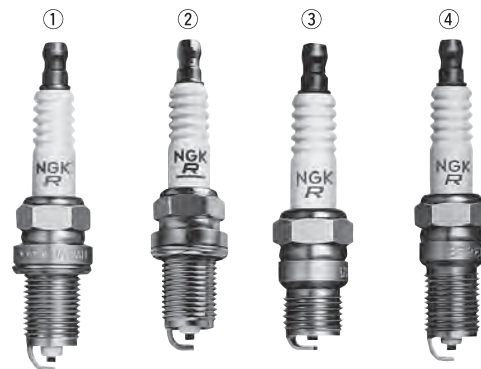
SERIES OF NGK SPARK PLUGS


STANDARD TYPES

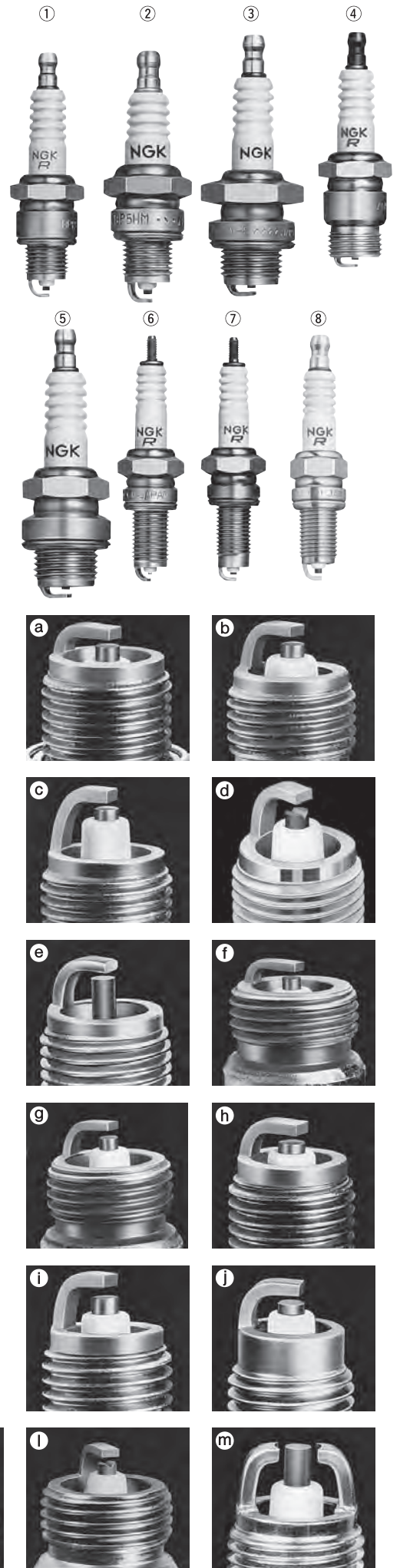
	NO-RESISTOR	RESISTOR
14mm ϕ \times 9.5mm 20.8 Hex Fig.①①	B-2 B-4 B6S B7S B8S	BR6S
	Fig.①③ BP-4 BP5S BP6S	
14mm ϕ \times 19.0mm 20.8 Hex Fig.②①	B4ES B5ES B6ES,-11 B7ES,-11 B8ES B9ES B10ES	BR4ES BR5ES BR6ES,-11 BR7ES BR8ES,-11 BR9ES BR10ES
	Fig.②②	BR6EB-L-11
	Fig.②④	BR8EYA BR9EYA BR10EYA
	Fig.②⑤ BP2ES, BP-2E BP4ES,-11 BP4ES-L-11 BP5ES,-11,-13 BP6ES,-11 BP7ES,-11 BP8ES BP9ES	BP5ESZ BP6ESZ BPR2ES, BPR-2E BPR4ES,-11,-13 BPR5ES,-11,-13 BPR6ES,-11,-13 BPR7ES,-11 BPR8ES BPR9ES
	Fig.②⑥	BPR5EA BPR5EA-L,-11
	Fig.③⑦	BPR6EKN BPR7EKN
	Fig.②⑧ BP4EY,-11 BP5EY,-11 BP6EY,-11 BP7EY	BPR4EY,-11 BPR5EY,-11 BPR6EY,-11 BPR7EY,-11
	Fig.②⑨ BP5E BP6E	BPR4E,-11 BPR5E,-11 BPR6E,-11 BPR7E
	Fig.④⑩ BP5ET,-10 BP6ET BP7ET	
	Fig.⑤⑪	BPR5EJ
14mm ϕ \times 19.0mm 16.0 Hex Fig.⑥①	BCP4ES,-11 BCP5ES,-11 BCP6ES,-11 BCP7ES,-11	BCPR4ES-11 BCPR5ES,-11 BCPR6ES,-11 BCPR7ES,-11 BCPR9ES-11
	Fig.⑧② ISO BCP5ET BCP6ET BCP7ET	BCPR5ET BCPR6ET BCPR7ET
	Fig.⑥③ BC6ES	BCR8ES
	Fig.⑦④ ISO BK5ES	BK5ESZ BKR4ES-11 BKR5ES,-11 BKR6ES,-11 BKR7ES-11




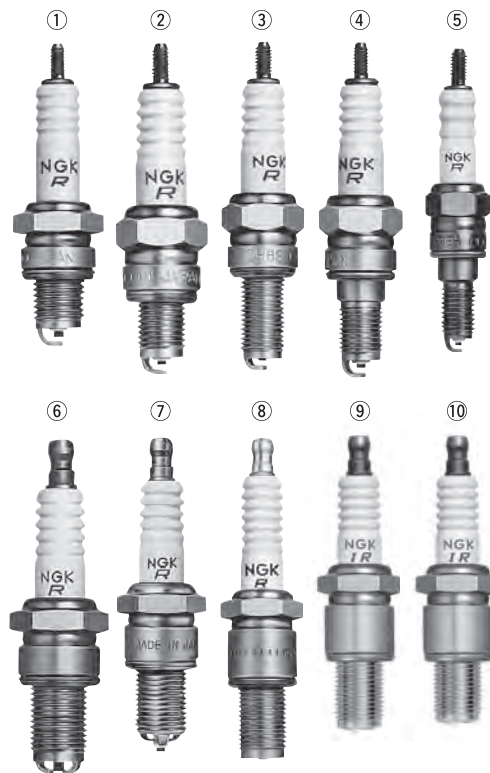
	NO-RESISTOR	RESISTOR
14mm ϕ \times 19.0mm 16.0 Hex Fig. ①③	BCP5EY-11	BCPR4EY-11 BCPR5EY-11,-N-11 BCPR6EY-11,-N-11 BCPR7EY-11,-N-11
	Fig. ②③ ISO	BKR4EY-11 BKR5EY-11 BKR5EYA,-11 BKR6EY-11 BKR6EYA,-11 BKR7EY
	Fig. ①④	BCP5E,-11 BCP6E,-11 BCP7E,-11
	Fig. ②④ ISO	BKR4E,-11 BKR5E,-11,-N,-N-11 BKR5EZ BKR6E,-11,-N,-N-11 BKR6EZ BKR7E,-11,-N-11 BKR8E-11
	Fig. ⑥⑦ ISO	BKR5EK BKR6EK
Fig. ⑥⑨ ISO		BKR5EKB-11 BKR6EKB-11
		BKR5EKC BKR6EKC,-N-11 BKR6EKE BKR7EKC,-N,-N-11
14mm ϕ \times 26.5mm 16.0 Hex Fig. ⑧④		LFR4A,-11 LFR5A,-11 LFR6A,-11
14mm ϕ \times 11.2mm Conical seat 16.0 Hex Fig. ③①	B7FS	BR5FS BR6FS,-15
	Fig. ③② BP4FS BP5FS BP6FS BP7FS	BPR4FS,-11,-15 BPR5FS,-11,-15 BPR6FS
	Fig. ③④ BP5F BP6F	
14mm ϕ \times 17.5mm Conical seat 16.0 Hex Fig. ④①	B6EFS B8EFS B9EFS	BR7EFS
	Fig. ④⑤	BR6EF BR7EF
	Fig. ④② BP4EFS BP5EFS,-13 BP6EFS,-13 BP7EFS	BPR5EFS,-13 BPR6EFS,-13,-15 BPR7EFS-15
	Fig. ④④ BP6EF	BPR6EF,-11,-13
14mm ϕ \times 25.0mm Conical seat 16.0 Hex Fig. ⑦②		TR5A-13 TR5B-13 TR6B-10,-13
14mm ϕ \times 11.2mm 20.8 Hex Fig. ⑤①	B-4L B-6L B6LY(Fig. ⑤⑤)	




	NO-RESISTOR	RESISTOR
14mm ϕ \times 12.7mm 20.8 Hex Fig. ①⑧	B-2H B-4H,-10 B5HS B6HS,-10 B7HS,-10 B8HS,-10 B9HS,-10 B10HS	BR4HS BR5HS BR6HS,-10 BR7HS,-10 BZ7HS-10 BR8HS,-10 BR9HS,-10
	Fig. ①⑨ BP2HS,-10 BP-2H BP4HS,-10 BP4HSA BP-4H BP5HS,-10 BP6HS,-10 BP6HSA BP6H BP7HS,-10 BP7H BP8HS,-10,-15 BP8HSA	BPR2HS BPR4HS,-10 BPR4HSA BPR-4H BPR5HS BPR6HS,-10 BPR6HSA BPR7HS,-10 BPR8HS,-10 BPR8HSA BPZ3HS-10,-15
	Fig. ①⑩ BP4HA BP5HA	
	Fig. ①⑪ B6HSA B8HSA	BR4HSA,-9 BR6HSA,-9 BR8HSA,-9
18mm ϕ \times 10.9mm Conical seat 20.8 Hex Fig. ④⑫	A6FS A7FS A8FS A9FS	AR6FS
	Fig. ④⑬ AP4FS AP5FS AP6FS AP7FS AP8FS AP9FS	APR5FS APR6FS
	Fig. ④⑭ AP6F	APR6F
18mm ϕ \times 12.0mm 20.8 Hex Fig. ⑤⑮	AB-2 AB-6 AB-7 AB-8	
12mm ϕ \times 19.0mm 18.0 Hex Fig. ⑥⑯	D6EA D7EA D8EA D9EA D10EA	DR7EA DR7EB DR8EA DR8EB DR9EA
	Fig. ⑥⑰ DP6EA-9 DP7EA-9 DP8EA-9 DP9EA-9	DPR5EA-9 DPR6EA-9 DPR6EB-9 DPR7EA-9 DPR8EA-9 DPR9EA-9
	Fig. ⑥⑱ J9A	JR8B JR9B JR10B
	Fig. ⑥⑲ 	JR8C JR9C
12mm ϕ \times 21.0mm 18.0 Hex Fig. ⑦⑳	DP8Z	DPR7Z DPR8Z DPR9Z
12mm ϕ \times 19.0mm 16.0 Hex Fig. ⑧㉑	DCP6E DCP7E	DCPR6E DCPR7E DCPR7E-N DCPR8E DCPR8E-N DCPR9E
	Fig. ⑧㉒	DCPR8EKC
12mm ϕ \times 26.5mm 14.0 Hex		LKAR8A-9,9S

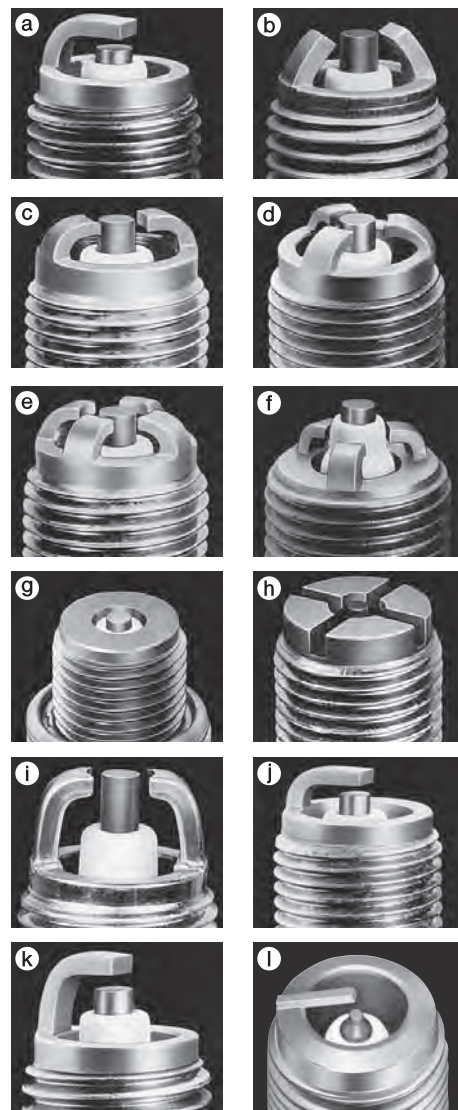


	NO-RESISTOR	RESISTOR	
12mm ϕ \times 12.7mm 18.0 Hex Fig. ①①	D6HA D8HA	DR4HS DR5HS DR6HS DR8HS	
10mm ϕ \times 12.7mm 16.0 Hex Fig. ②①	C2H C5HSA C6HSA C7HSA C8HSA	C4HSB C5HSB CR4HSA CR5HSA CR6HSA CR7HSA CR8HSA	CR4HSB CR5HSB LR8A
10mm ϕ \times 19.0mm 16.0 Hex Fig. ③①	C7E C8E C9E	CR6E CR7E CR8E CR9E CR10E	CR7EB CR8EB CR9EB
Fig. ③③		CPR8E	CPR7EA-9
10mm ϕ \times 19.0mm 16.0 Hex Fig. ④①	C7EH-9 C8EH-9 C9EH-9	CR7EH-9 CR8EH-9 CR9EH-9 CR10EH-9	
10mm ϕ \times 19.0mm 16.0 Hex Fig. ③②		CR7EK CR8EK CR9EK CR10EK	CR7EKB CR8EKB CR9EKB
Fig. ③③		CR7EKC	
10mm ϕ \times 19.0mm 14.0 Hex		MAR10A-J	
10mm ϕ \times 26.5mm 14.0 Hex		LMAR6A-9 LMAR6C-9 LMAR7A-9 LMAR8A-9,9S	
8mm ϕ \times 19.0mm 13.0 Hex Fig. ⑤①		ER8EH ER9EH ER10EH	




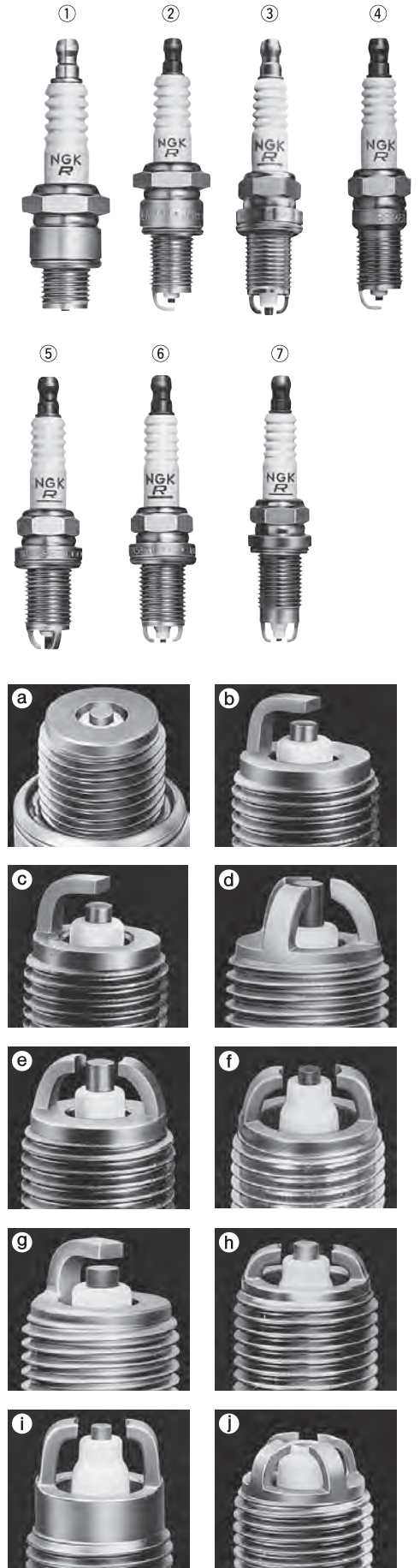
FOR ROTARY ENGINE

	NO-RESISTOR	RESISTOR	
14mm ϕ \times 19.5mm 20.8 Hex Fig. ⑥③	B7EM	BR8EM	
Fig. ⑥④		BR7ET BR8ET BR9ET BR10ET	
Fig. ⑥⑤		BR7EQ-14 BR8EQ,-14 BR9EQ-14	
14mm ϕ \times 21.5mm 20.8 Hex Fig. ⑧⑨		SD10A SD11A	
Fig. ⑧⑧		BUR6EQ BUR7EQ BUR8EQ BUR9EQ	BUR7EQP BUR9EQP
14mm ϕ \times 21.0mm 20.8 Hex Fig. ⑨		RE6C-L RE7C-L RE8C-L	
14mm ϕ \times 19.0mm 20.8 Hex Fig. ⑩①		RE9B-T	




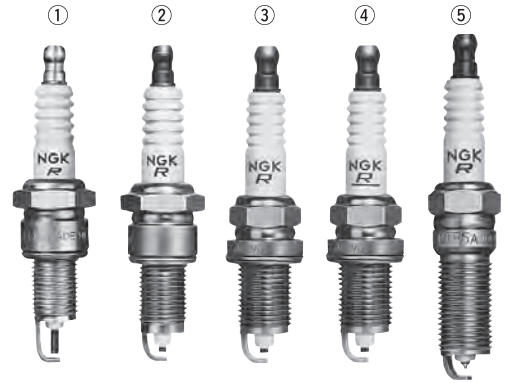
SEMI SURFACE DISCHARGE TYPES

	NO-RESISTOR	RESISTOR
14mm ϕ \times 12.7mm 20.8 Hex Fig. ①a	BU8H	BUZ8H
14mm ϕ \times 19.0mm 20.8 Hex Fig. ②b	BU6EA-11	BUR5EA-11 BUR6EA-11 BUR7EA-11
14mm ϕ \times 19.0mm 20.8 Hex Fig. ②c		BUR4EB-11 BUR5EB-11 BUR6EB-11 BUR7EB-11
	Fig. ②d	BUR5ET,-10 BUR6ET
14mm ϕ \times 19.0mm 20.8 Hex Fig. ③e	BP5EK-A BP6EK-A	BPR5EK-A BPR6EK-A
	Fig. ③f	BPR5EKU
14mm ϕ \times 17.5mm Conical seat 16.0 Hex Fig. ④g	BU6EFSZ	BUR6EFSZ
14mm ϕ \times 19.0mm 16.0 Hex Fig. ⑥e ISO		BKUR6EK,-9 BKUR7EK
	Fig. ⑤d ISO	BKUR5ET,-10 BKUR5ETZ-10 BKUR6ET,-10 BKUR6ETB BKUR7ET
	Fig. ⑥f ISO	BKR5EKU BKR6EKU BKR7EKU
		BKR6EKUE
Fig. ⑥h ISO	BKR6EKUB	
14mm ϕ \times 22.0mm 16.0 Hex Fig. ⑦i		BKR5EKUC BKR6EKUC
14mm ϕ \times 19.0mm 16.0 Hex Fig. ⑥j		BKR6EQUA



PROJECTED GAP TYPES


	NO-RESISTOR	RESISTOR
14mm ϕ \times 19.0mm 20.8 Hex Fig.①(a) Fig.②(b)	BE527Y-11 BE529Y-11	BRE527Y-11 BRE529Y-11 ZGR4A ZGR5A
14mm ϕ \times 26.0mm 20.8 Hex Fig.②(d)	ZG5D-11	
14mm ϕ \times 20.5mm 20.8 Hex Fig.②(b)		ZGR5B,-11 ZGR6B-11
14mm ϕ \times 22.0mm 20.8 Hex Fig.②(c)		ZGR5C
14mm ϕ \times 19.0mm 16.0 Hex Fig.③(b)	ZF6A-11	ZFR5A-11 ZFR6A-11
	Fig.④(b) ISO	ZFR4F-11 ZFR5F,-11 ZFR6F-11,G ZFR7F,-11
	Fig.④(b) ISO	ZFR5J-11 ZFR6J-11 ZFR7J-11
Fig.③(a)		BCRE527Y
14mm ϕ \times 20.5mm 16.0 Hex Fig.③(e)		ZFR6K-11S ZFR5G ZFR6G
	Fig.③(d)	ZFR4E-11 ZFR5E-11 ZFR6E-11 ZFR5D-11 ZFR6D-11
14mm ϕ \times 22.5mm 16.0 Hex Fig.③(c)		ZFR4E-11 ZFR5E-11 ZFR6E-11
14mm ϕ \times 25.0mm Conical seat 16.0 Hex Fig.⑤(b)		LZTR4A-11 LZTR5A-13

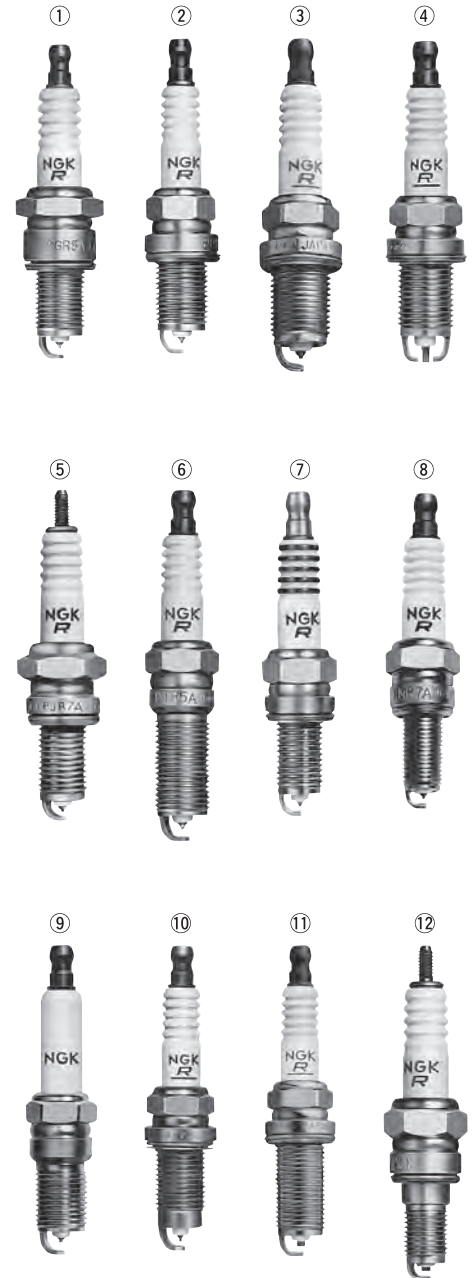



COMPETITION TYPES

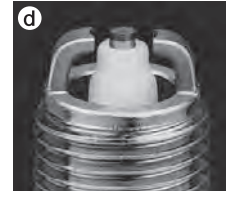
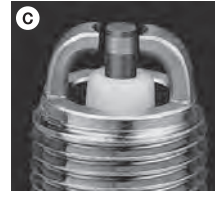
14mm ϕ \times 12.7mm 20.8 Hex Fig.⑥(f)	B7HCS B8HCS B9HCS	BR8HCS-10
14mm ϕ \times 19.0mm 20.8 Hex Fig.⑦(f)	B7ECS B8ECS B9ECS	BR8ECS BR9ECS BR10ECS
	Fig.⑧(f)	BR8ECM BR9ECM BR10ECM

PLATINUM, IRIIDIUM TIPPED TYPES


	RESISTOR
14mm ϕ \times 19.0mm 20.8 Hex Fig.①①	PGR5A,-11 PGR5C-11 BPR5EP-11,-13 PGR6A,-11 PGR6C-11 BPR6EP-8 PGR7A,-11 IGR7A
14mm ϕ \times 19.0mm 20.8 Hex Fig.①②	IGR5C13
14mm ϕ \times 19.0mm 16.0 Hex Fig.②③	PFR5A-11 PFR5K-11 BCPR5EP-8,-11,-13 PFR6A-11 PFR6H-10 PFR6K-11 BCPR6EP-8,N-8,-11,-N-11,-13 PFR7A-11 PFR7H-10
Fig.③③ ISO	FR4AP-10,-11 FR4BP-11 FR5AP-10,-11 FR5BP-11 FR5AP-11E FR6AP-10,-11 FR6BP-11 FR7AP-11 FR5EI-13 PFR4B-11 PFR4C-11 PFR5B,-9,-11,-11B PFR5C-11 PFR6B,-9,-11,-11B,-11C PFR6C-11 PFR6E-10 PFR7B,-9,-11,-11C PFR8B,-9 PFR4G-11 PFR5G-11,-13E PFR5J-11 PFR6G,-9,-11,-13,-13E PFR6H-10 PFR6J,-11 PFR7G,-9,-11 PFR5L-11 PFR5N-11 PFR4P PFR6L-11,-13 PFR6N-11 PFR5P,-11 PFR7N-D PFR6P,-11 PFR6Q PFR7Q PFR5R-11 BKR5EP-8,-11 BKR6EP-8,-11,-13,-N-8
Fig.④④ ISO	BKR6EKPA
Fig.④⑤ ISO	BKR5EKUP
Fig.④⑥ ISO	BKR5EKPB-11,-13 BKR6EKPB-11
Fig.④⑦ ISO	BKR5EQUPA BKR6EQUP BKR6EQUPA
Fig.③⑧ ISO	PFR6M PFR7M
Fig.③⑨ ISO	PZFR5B PZFR5F,-11,-13 PZFR6B PZFR6F,-11 PZFR7F
Fig.③⑩ ISO	IFR5A11,-8N IFR5D10 IFR5E11 IFR6A11 IFR6C IFR6D10 IFR6E11 IFR5G11 IFR5J11 IFR5N10 IFR6S IFR5T-8N,11 IFR6J11 IFR6T11 IFR7F-D
Fig.②⑩	IZFR5B IZFR5F11 IZFR6B IZFR6F11 ZFR5LP-13G
14mm ϕ \times 22.0mm 16.0 Hex Fig.⑩⑩	PZFR5C PZFR5D-11
Fig.⑩⑩ ISO	IZFR5C IZFR7E-D
14mm ϕ \times 25.0mm conical seat 16.0 Hex Fig.⑥②	PTR5A-13

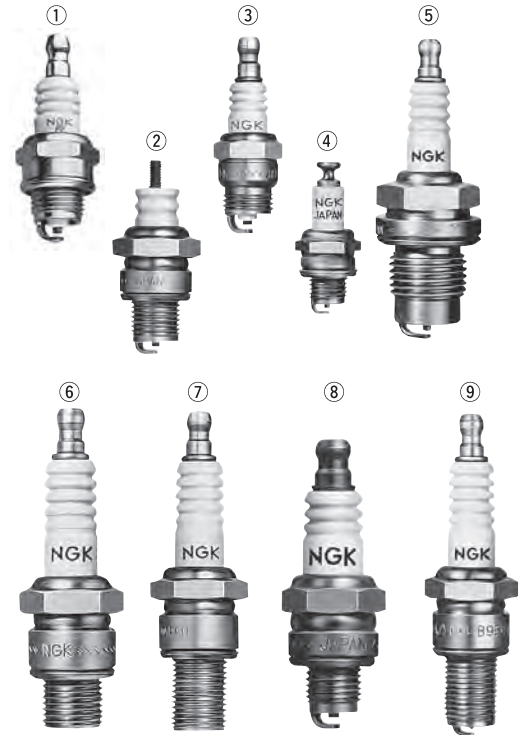


	RESISTOR
14mm ϕ \times 17.5mm conical seat 16.0 Hex Fig. ⑨①	PTR4B-15 PTR5C-13,-15
	ITR4A15 ITR5F13 ITR6F13
14mm ϕ \times 17.5mm conical seat 16.0 Hex Fig. ③⑧	PTR5D-10,-13 PTR6D-13,-13G
	Fig. ⑨⑨ PZTR5A-15
14mm ϕ \times 20.5mm 16.0 Hex Fig. ③②	IZFR6K11,11E,13 IZFR6K-11S,IZFR6K11NS
14mm ϕ \times 21.5mm 16.0 Hex Fig. ①③	PZFR5N-11T
14mm ϕ \times 22.0mm 16.0 Hex Fig.	PZFR6J-11
14mm ϕ \times 26.5mm 16.0 Hex Fig. ①①②	PLFR4A-11 PLFR5A-9,-11 PLFR6A-9,-11 PLFR7A-9
	Fig. ①①③ ILZFR6A11
14mm ϕ \times 29.5mm 16.0 Hex Fig. ①①④	LZFR5AQP
14mm ϕ \times 25.0mm conical seat 16.0 Hex	PLZTR4A-13,PLZTR5A-13
12mm ϕ \times 19.0mm 18.0 Hex Fig. ⑤⑧	PJR6A PJR7A PJR8A
	IJR7A9
12mm ϕ \times 19.0mm 16.0 Hex Fig. ⑦①	PKR7A
	PKR9B
12mm ϕ \times 19.0mm 16.0 Hex Fig. ⑦③	DCPR8EKP
12mm ϕ \times 22.0mm 16.0 Hex Fig.	IZKR7A
12mm ϕ \times 28.0mm 16.0 Hex	ILZKR7B11 ILZKR7B-11S ILZKR7B11GS
10mm ϕ \times 19.0mm 16.0 Hex Fig. ⑧①	PMR7A
	PMR8A PMR8B
10mm ϕ \times 19.0mm 16.0 Hex Fig. ①②	IMR9C-9H IMR9C-9HE,IMR9C-9HES
12mm ϕ \times 26.5mm Bi-Hex 14.0mm	ILZKBR7A-8G PLZKBR7A-G



COMPACT TYPES

	NO-RESISTOR	RESISTOR ^S
14mm ϕ \times 9.5mm 19.0 Hex Fig. ①(a)	BM4A BM6A BM6* BM7A BM7* *Hex.20.8mm	B2-LM* B4-LM* BMR2A,-10 BR2-LM* BMR4A BR4-LM* BMR6A BMR7A *Hex.20.8mm
Fig. ①(b)	BPM4A,-10 BPM6A,-10 BPM7A	BPMR4A,-10 BPMR6A,-10 BPMR7A,-9
14mm ϕ \times 12.7mm 20.8 Hex Fig. ②(a)	BL-6H	
14mm ϕ \times 7.8mm Conical seat 16.0 Hex Fig. ③(a)	BM6F BM6FY BM7F	BMR6F
Fig. ③(b)	BPM6F BPM7F	BPMR6F
10mm ϕ \times 8.6mm 14.0 Hex Fig. ④(a)	CM-6	
10mm ϕ \times 9.5mm 16.0 Hex Fig. ⑧(a)		CMR6A CMR7A
10mm ϕ \times 12.7mm 16.0 Hex Fig. ⑧(e)		CMR5H CMR6H CMR7H
14mm ϕ \times 9.5mm 19.0 Hex Fig. ①(c)	BPM6Y BPM7Y BPM8Y	BPMR6Y BPMR8Y

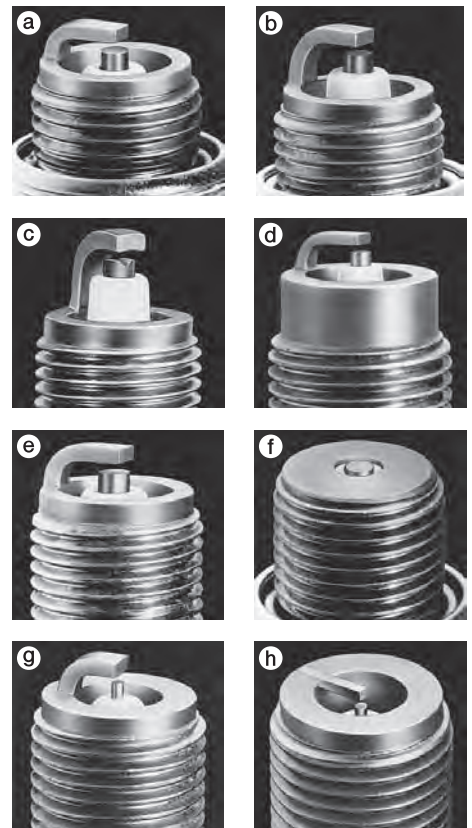


FARM EQUIPMENT TYPES


PF1/2" \times 22.5mm 23.8 Hex Fig. ⑤(d)	G-27 G-2Z
---	----------------------------

SURFACE DISCHARGE TYPES


14mm ϕ \times 12.7mm 20.8 Hex Fig. ⑥(f)	BUHX(Series gap) BUHXW-1(Series gap)	
	BUH	
	BUHW BUHW-2	BUZHW BUZHW-2
14mm ϕ \times 19.0mm 20.8 Hex Fig. ⑦(f)	BUE	

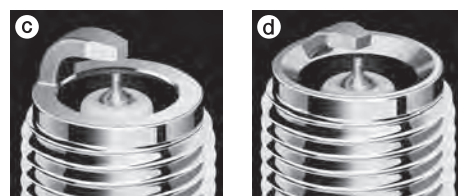


RACING TYPES


	Nickel electrode	Precious metal electrode	Platinum electrode
14mm ϕ \times 19.0mm 20.8 Hex	B8EG Fig. ⑨(g) BR8EG* B9EG BR9EG* B10EG BR10EG* B11EG	B8EGV Fig. ⑨(g) B85EGV B9EGV B95EGV B10EGV B105EGV B11EGV	B8EGP Fig. ⑨(h) B85EGP B9EGP B95EGP B10EGP
*Resistor Type			

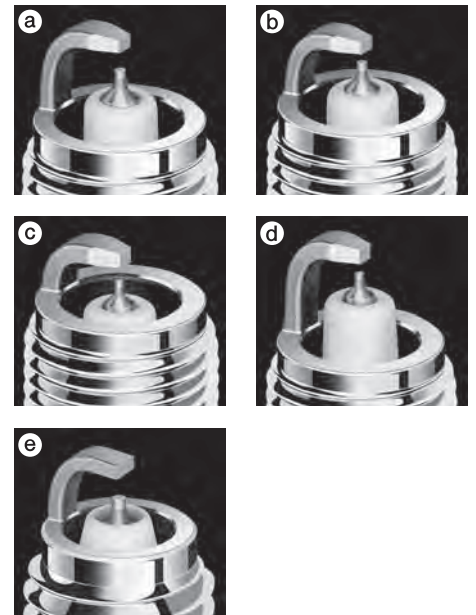
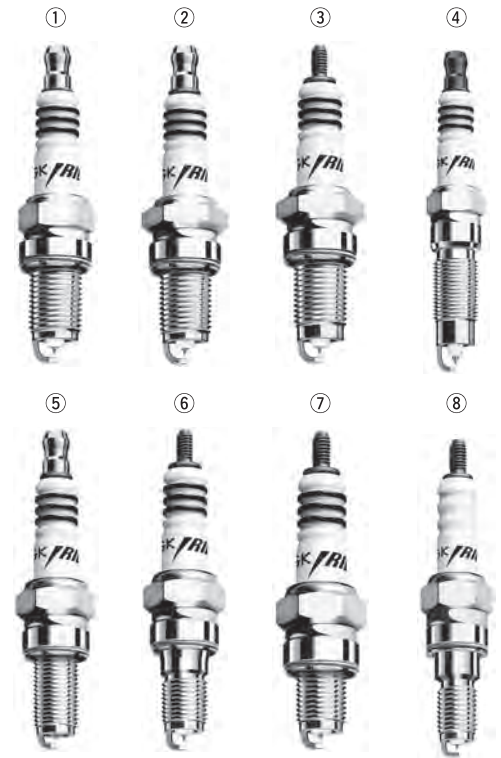
IX TYPES

	RESISTOR	
18mm ϕ \times 10.9mm 20.8 Hex Fig.①(a)	WR5IX	
14mm ϕ \times 19.0mm 20.8 Hex Fig.②(b)		GR4IX GR5IX
	Fig.②(c)	BPR5EIX ,-11 BPR6EIX ,-11 BPR7EIX BPR8EIX BPR9EIX
	Fig.②(d)	BR7EIX BR8EIX BR9EIX BR10EIX
	Fig.③(d)	BR8ECSIX BR9ECSIX ,-5 BR8ECMIX BR9ECMIX BR10ECMIX
14mm ϕ \times 12.7mm 20.8 Hex Fig.④(b)		BPR6HIX BPR7HIX BPR8HIX
	Fig.④(c)	BR6HIX BR7HIX BR8HIX BR9HIX BR10HIX
14mm ϕ \times 9.5mm 20.8 Hex Fig.⑤(a)	XR4IX XR5IX XR45IX	
14mm ϕ \times 19.0mm 16.0 Hex Fig.⑥(b)		BCPR7EDIX
	Fig.⑦(b)	BCPR5EIX ,-11 BCPR6EIX ,-11 BCPR7EIX ,-11
	Fig.⑧(b)	BKR4EIX BKR5EIX ,-11 BKR6EIX ,-11 BKR7EIX ,-11 BKR8EIX BKR9EIX
	Fig.⑧(e)	ZFR5FIX -11 ZFR6FIX -11
14mm ϕ \times 26.5mm 16.0 Hex Fig.⑨(b)	LFR5AIX -11 LFR6AIX -11 LFR7AIX	
14mm ϕ \times 17.5mm Conical seat 16.0 Hex Fig.⑩(b)		BPR6EFIX -10,-15
	Fig.⑩(a)	TR4IX TR5IX TR6IX TR7IX TR8IX
	TR55IX TR65IX TR75IX TR85IX	
14mm ϕ \times 20.5mm Conical seat 16.0 Hex Fig.⑪(e)	TR5-1IX	TR45-1IX TR55-1IX
14mm ϕ \times 11.2mm Conical seat 16.0 Hex Fig.⑫(c)		YR5IX YR55IX
	Fig.⑫(c)	BR6FIX
	Fig.⑫(a)	UR4IX UR45IX UR5IX UR55IX UR6IX
14mm ϕ \times 25.0mm Conical seat 16.0Hex Fig.⑬(b)		LTR5IX -11 LTR6IX -11 LTR7IX -11
	Fig.⑬(e)	LZTR4AIX -11 LZTR5AIX -13 LZTR6AIX -13 LZTR7AIX -13



IX TYPES

	RESISTOR
12mm ϕ \times 19.0mm 16.0 Hex Fig.①(a)	DCPR6EIX DCPR7EIX DCPR8EIX DCPR9EIX
Fig.①(b)	DCR7EIX DCR8EIX DCR9EIX
12mm ϕ \times 19.0mm 18.0 Hex Fig.②(a)	DPR7EIX-9 DPR8EIX-9 DPR9EIX-9
Fig.②(b)	DR7EIX DR8EIX DR9EIX
12mm ϕ \times 21.0mm 18.0 Hex Fig.③(a)	DPR8ZIX
12mm ϕ \times 26.5mm Conical seat 14.0 Hex Fig.④(d)	ZNAR7AIX ZNAR6AIX-11
10mm ϕ \times 19.0mm 16.0 Hex Fig.⑤(a)	CPR7EAIX-9
Fig.⑤(c)	CR7EIX CR8EIX CR9EIX CR10EIX
Fig.⑥(b)	CR8EHIX-9 CR9EHIX-9
10mm ϕ \times 12.7mm 16.0 Hex Fig.⑦(b)	CR5HIX CR6HIX CR7HIX CR8HIX CR9HIX
8mm ϕ \times 19.0mm 13.0 Hex Fig.⑧(e)	ER8EHIX ER9EHIX



Comments:

This application list is only valid for type identification.

This catalogue supersedes all previous catalogues.

We do not accept any responsibility in respect of legal claims arising out of the contents of this list.

Spark Plug recommendations regarding FAA guidelines for aeroplane power units are not included in this edition.

The spark plugs, glow plugs, and caps listed in our Catalogue can be used in the engines which we recommend in our catalogue. Recognizable mistakes, such as printing errors are subject to careful scrutiny by the user. NGK safeguards for accuracy and the mentioned characteristics in accordance with the current state of the art technology. Basic condition for this is the proper use of the NGK product. The seller's warranty period for faults in material or unsatisfactory performance is 24 months from the date of purchase, provided the prescribed interval changes from the vehicle manufacturer are adhered to. Excluded from this is normal wear and tear and any form of racing activities.



Stock-No.



Stock-No.

AERO MARINE

Jet Pak	1971-1973	0,9	BP5S	3011	---	---
AM 4000 - 4 hp	1970-1973	0,9	BP5S	3011	---	---

5.0 HP

AM 5000 M, AM 5000 E - 5 hp	1970-1972	0,9	B-6L	3212	---	---
-----------------------------	-----------	-----	------	------	-----	-----

7.5 HP

AM 7500M, AM 7500E - 7,5 hp	1970-1973	0,9	BM6A	5921	---	---
-----------------------------	-----------	-----	------	------	-----	-----

9.0 HP

AM 9000 - 9 hp	1971-1973	0,6	BM6A	5921	---	---
----------------	-----------	-----	------	------	-----	-----

AILSA CRAIG

AL-23	-	0,6	AB-6	2910	---	---
0-11, 0-21, 0-22, 0-41, 0-411	-	0,6	AB-6	2910	---	---

AIRBOY

120	-	0,8	B-6L	3212	---	---
20, 40, 90 (B S)	-	0,8	B6S	3510	---	---
50	-	0,8	B6S	3510	---	---
90 (OMC)	-	0,8	AP5FS	2610	---	---

ALSPORT

Ø14mm	-	0,8	BR6HS	3922	BR6HIX	3419
Ø18mm	-	0,8	AB-7	3010	---	---

APACHE

J 5	-	0,8	BR6S	3522	---	---
J 9	-	0,8	BR6S	3522	---	---

ARKOS

Aquascooter	-	0,5	B6HS	4510	BR6HIX	3419
-------------	---	-----	------	------	--------	------

ARROW

4 / 5.5 / 7.5 PS	-	0,5	BP5S	3011	---	---
------------------	---	-----	------	------	-----	-----

BEAVER**5.5 HP**

5.5 hp	-	0,7	XR4	5858	XR4IX	7189
--------	---	-----	-----	------	-------	------

7.5 HP

7.5 hp	-	0,7	XR4	5858	XR4IX	7189
--------	---	-----	-----	------	-------	------

9.0 HP

9.0 hp	-	0,7	XR4	5858	XR4IX	7189
--------	---	-----	-----	------	-------	------

BIANCHI

125 CC	-	0,5	B6S	3510	---	---
--------	---	-----	-----	------	-----	-----

BLUEJET**3.5 HP**

3.5 hp	1961-	0,8	BR6S	3522	---	---
--------	-------	-----	------	------	-----	-----

5.0 HP

5.0 hp	1963-	0,7	BM4A	5628	---	---
--------	-------	-----	------	------	-----	-----



Stock-No.



Stock-No.

BOATIMPELLER

all models	-	0,5	AB-6	2910	---	---
------------	---	-----	------	------	-----	-----

BOMBARDIER

Speedster 20 Mot. 1503	-	0,7	DCPR8E	4339	DCPR8EIX	6546
Sportster 4-TEC Mot. 1503	-	0,7	DCPR8E	4339	DCPR8EIX	6546
Sportster LE-Di Mot. 947Di	-	1,1	ZFR4F-11	4043	---	---

BRIGGS & STRATTON**5.0 HP**

5.0 hp 4-cycle, OHV, Air Cooled	-	0,8	BKR5ES	2460	BKR5EIX	6341
---------------------------------	---	-----	--------	------	---------	------

BRIT. SEAGULL

45, 55, 60, 75, 80, 90	-	0,5	AB-6	2910	---	---
125, 160, 170	-	0,8	B7ES	1111	BR7EIX	6664
Century, /Plus, Featherweight	-	0,5	AB-6	2910	---	---
Forty Plus (CD ign. -'80)	-	0,5	AB-6	2910	---	---
Forty Plus (Magneto ign. -'80)	-	0,5	AB-6	2910	---	---
Minor BM	-	0,5	B6HS	4510	BR6HIX	3419
QB series: Curlew, Osprey	-	0,8	B7ES	1111	BR7EIX	6664
QB series: Kingfisher	-	0,8	B7ES	1111	BR7EIX	6664

BRITISH ANZANI

180 18 PS	-	0,7	B-6L	3212	---	---
65	-	0,7	B6S	3510	---	---
Fleetwin, Unitwin, 400	-	0,6	B6HS	4510	BR6HIX	3419
Pilot 1, 2, 3, 4	-	0,6	B6HS	4510	BR6HIX	3419
Pilot 30 Minor Seamaid, Jet 3	-	0,6	B6HS	4510	BR6HIX	3419
Seasprite, Supertwin, Magnitwin	-	0,6	B6HS	4510	BR6HIX	3419
Super Single, Super Snipe	-	0,6	AB-6	2910	---	---
Triton	-	0,6	B6ES	7310	---	---

CAL-JET

Econojet, Ramjet	-	0,8	B6S	3510	---	---
------------------	---	-----	-----	------	-----	-----

CARNITI

18/ 280CN/ 45/ 55/ 65/ 80	-	0,5	B8HS	5510	BR8HIX	7001
25/ 40/ 50/ 70/ 85/ 100 PS	-	0,5	B6HS	4510	BR6HIX	3419
3/ 3.5/ 5/ 8/ 9.5/ 15/ 20 PS	-	0,5	B6HS	4510	BR6HIX	3419
45S, 65S, 80S	-	0,8	B9HS	5810	---	---
700 Sport, 850 Sport, 1000 Sport	-	0,5	B8HS	5510	BR8HIX	7001

CARNITS

90.0 hp	-	0,8	BR6HS	3922	BR6HIX	3419
---------	---	-----	-------	------	--------	------

CHIEF

J-200/300/350/400/500/700	-	0,8	BM6A	5921	---	---
J-5	-	0,8	BM6A	5921	---	---



Stock-No.



Stock-No.

CHIEF

J-9	-	0,8	BP5S	3011	---	---
K-150/200/300/400/990	-	0,8	BM6A	5921	---	---
K-201	1976-1978	0,6	BP5S	3011	---	---
K-350	1976-1978	0,6	BM6A	5921	---	---
K-500, K-700, K-750	1973-	0,8	BM6A	5921	---	---
K-500, K-700, K-750	1974-1975	0,8	BP5S	3011	---	---
K-505, K-550, K-751	1976-1978	0,6	BP5S	3011	---	---
K-753, K-900	1976-1978	0,6	BP5S	3011	---	---

CHRIS-CRAFT

Challenger, Commander	-	0,7	B6S	3510	---	---
-----------------------	---	-----	-----	------	-----	-----

CHRYSLER

3.5 HP						
3.5 hp	1980-1984	0,8	BR6HS	3922	BR6HIX	3419
4.0 HP						
4.0 hp	1976-1984	0,8	BR6HS	3922	BR6HIX	3419
4.4 HP						
4.4 hp	1968-	0,8	BR6HS	3922	BR6HIX	3419
4.5 HP						
4.5 hp	1974-	0,8	BR6HS	3922	BR6HIX	3419
4.9 HP						
4.9 hp	1973-1975	0,8	BR5HS	3722	---	---
5.0 HP						
5.0 hp	1974-1976	0,8	BR5HS	3722	---	---
5.0 hp	1969-1970	0,8	BR6HS	3922	BR6HIX	3419
6.0 HP						
6.0 hp	1978-1982	0,8	BR6HS	3922	BR6HIX	3419
6.0 hp	1971-1977	0,8	BR6HS	3922	BR6HIX	3419
6.0 hp	1965-1967	0,8	BR5HS	3722	---	---
6.6 HP						
6.6 hp	1968-	0,8	BR6HS	3922	BR6HIX	3419
7.0 HP						
7.0 hp	1969-1970	0,8	BR6HS	3922	BR6HIX	3419
7.5 HP						
7.5 hp	1979-1984	0,8	BR6HS	3922	BR6HIX	3419
8.0 HP						
8.0 hp	1979-1981	0,8	BR6HS	3922	BR6HIX	3419
9.0 HP						
9.0 hp	1965-	0,8	BR6S	3522	---	---
9.2 HP						
9.2 hp	1966-1967	0,8	BR6S	3522	---	---
9.9 HP						
9.9 hp	1968-1986	0,8	BR6HS	3922	BR6HIX	3419
10 HP						
10 hp	1974-1978	0,8	BR6HS	3922	BR6HIX	3419
12 HP						
12 hp	1979-	0,8	BR6HS	3922	BR6HIX	3419
12.9 HP						
12.9 hp	1971-1973	0,8	BR6HS	3922	BR6HIX	3419



Stock-No.



Stock-No.

CHRYSLER**15 HP**

15 hp	1974-1984	0,8	BR6HS	3922	BR6HIX	3419
-------	-----------	-----	-------	------	--------	------

20 HP

20 hp	1968-1982	0,8	BR6HS	3922	BR6HIX	3419
20 hp	1965-1967	0,8	BR6S	3522	---	---

25 HP

25 hp	1973-1984	0,8	BR6HS	3922	BR6HIX	3419
-------	-----------	-----	-------	------	--------	------

30 HP

30 hp	1973-1982	0,8	BR6HS	3922	BR6HIX	3419
-------	-----------	-----	-------	------	--------	------

35 HP

35 hp	1965-1967	0,8	BR6S	3522	---	---
35 hp	1968-1984	0,8	BR6HS	3922	BR6HIX	3419

45 HP

45 hp	1965-1967	0,8	BR6S	3522	---	---
45 hp-Magneto	1971-1978	0,8	BR6HS	3922	BR6HIX	3419
45 hp	1968-1984	0,8	BR6HS	3922	BR6HIX	3419

50 HP

50 hp	1965-1966	0,8	BR6S	3522	---	---
50 hp	1981-1984	0,8	BR6HS	3922	BR6HIX	3419

55 HP

55 hp	1980-1983	-	BUHW	2622	---	---
55 hp-Magneto	1969-1980	-	BUHX	2522	---	---
55 hp	1967-1976	0,8	B6HS	4510	BR6HIX	3419

60 HP

60 hp	1974-1976	-	BUHX	2522	---	---
60 hp	1984-	-	BUHW	2622	---	---

65 HP

65 hp	1977-1978	-	BUHX	2522	---	---
-------	-----------	---	------	------	-----	-----

70 HP

70 hp	1979-1980	-	BUHW	2622	---	---
70 hp	1969-1973	-	BUHW	2622	---	---

75 HP

75 hp	1974-1984	-	BUHW	2622	---	---
75 hp	1966-1967	0,8	BR6S	3522	---	---
75 hp	1968-	-	BUHX	2522	---	---

80 HP

80 hp	1965-	0,8	BR6S	3522	---	---
-------	-------	-----	------	------	-----	-----

85 HP

85 hp	1977-1984	-	BUHW	2622	---	---
85 hp	1969-1973	-	BUHW	2622	---	---

90 HP

90 hp	1983-1984	-	BUHW	2622	---	---
90 hp	1974-1977	-	BUHW	2622	---	---

100 HP

100 hp	1979-1984	-	BUHW	2622	---	---
--------	-----------	---	------	------	-----	-----



Stock-No.



Stock-No.

CHRYSLER**105 HP**

105 hp	1968-1974	-	BUHW	2622	---	---
105 hp	1966-1967	0,8	BR6S	3522	---	---
105 hp	1975-1976	-	BUHX	2522	---	---
105 hp	1976-1983	-	BUHW	2622	---	---

115 HP

115 hp	1977-1982	-	BUHW	2622	---	---
115 hp	1983-1984	-	BUHX	2522	---	---

120 HP

120 hp	1970-1977	-	BUHW	2622	---	---
--------	-----------	---	------	------	-----	-----

125 HP

125 hp	1981-	-	BUHX	2522	---	---
--------	-------	---	------	------	-----	-----

130 HP

130 hp	1972-1973	-	BUHW	2622	---	---
--------	-----------	---	------	------	-----	-----

135 HP

135 hp	1974-1977	-	BUHW	2622	---	---
135 hp	1969-1971	-	BUHW	2622	---	---

140 HP

140 hp	1978-1984	-	BUHW	2622	---	---
--------	-----------	---	------	------	-----	-----

150 HP

150 hp	1972-1976	-	BUHW	2622	---	---
--------	-----------	---	------	------	-----	-----

CLINTON**1.5 HP**

1.5 hp - K-150	-	0,8	BM4A	5628	---	---
1.5 hp - K-150	1976-1979	0,6	BR6S	3522	---	---

2.0 HP

2.0 hp - K-200	-	0,8	BM4A	5628	---	---
2.0 hp - J-200	-	0,8	BM4A	5628	---	---
2.0 hp - K-201	1976-1991	0,6	BR6S	3522	---	---

3.0 HP

3.0 hp - K-300	-	0,8	BM4A	5628	---	---
3.0 hp - J-300	-	0,8	BM4A	5628	---	---

3.5 HP

3.5 hp - J-350	-	0,8	BM4A	5628	---	---
3.5 hp - K-350	1976-1987	0,6	BM4A	5628	---	---

4.0 HP

4.0 hp - K-400	-	0,8	BM4A	5628	---	---
4.0 hp - J-400	-	0,8	BM4A	5628	---	---

5.0 HP

5.0 hp - J-9	-	0,8	BR6S	3522	---	---
5.0 hp - K-505	1976-1991	0,6	XR5	3332	XR5IX	7355
5.0 hp - K-500	1974-1975	0,8	XR5	3332	XR5IX	7355
5.0 hp - AJ-9	-	0,8	BM4A	5628	---	---
5.0 hp - BJ-9	-	0,8	BM4A	5628	---	---



Stock-No.



Stock-No.

CLINTON**5.0 HP**

5.0 hp - J-5	-	0,8	BM4A	5628	---	---
5.0 hp - J-500	-	0,8	BM4A	5628	---	---
5.0 hp - K-500	1973-1973	0,8	BM4A	5628	---	---

5.5 HP

5.5 hp - K-550	1976-1991	0,6	XR5	3332	XR5IX	7355
----------------	-----------	-----	-----	------	-------	------

7.0 HP

7.0 hp - K-700	1974-1975	0,8	XR5	3332	XR5IX	7355
7.0 hp - J-700	-	0,8	BM4A	5628	---	---
7.0 hp - K-700	1973-	0,8	BM4A	5628	---	---

7.5 HP

7.5 hp - K-751	1976-1991	0,6	XR5	3332	XR5IX	7355
7.5 hp - K-753	1976-1991	0,6	XR5	3332	XR5IX	7355
7.5 hp - K-750	1976-1984	0,6	XR5	3332	XR5IX	7355
7.5 hp - K-750	1974-1975	0,8	XR5	3332	XR5IX	7355
7.5 hp - K-750	1973-	0,8	BM4A	5628	---	---

9.0 HP

9.0 hp - K-900	1976-1991	0,6	XR5	3332	XR5IX	7355
----------------	-----------	-----	-----	------	-------	------

9.9 HP

9.9 hp - K-990	-	0,8	BM4A	5628	---	---
----------------	---	-----	------	------	-----	-----

10 HP

10 hp - W-100	-	0,6	BR6HS	3922	BR6HIX	3419
---------------	---	-----	-------	------	--------	------

14 HP

14 hp - W-140	-	0,6	BR6HS	3922	BR6HIX	3419
---------------	---	-----	-------	------	--------	------

25 HP

25 hp - W-250	-	0,6	BR6HS	3922	BR6HIX	3419
---------------	---	-----	-------	------	--------	------

COAST TO COAST**4.6 HP**

4.6 hp	1965-	0,8	BR6S	3522	---	---
--------	-------	-----	------	------	-----	-----

COLT**3.0 HP**

3.0 hp	1963-	0,8	BR6S	3522	---	---
--------	-------	-----	------	------	-----	-----

5.0 HP

5.0 hp	1963-	0,9	BM4A	5628	---	---
--------	-------	-----	------	------	-----	-----

COMMODORE**18.0 HP**

18.0 hp	-	0,8	BR6S	3522	---	---
---------	---	-----	------	------	-----	-----

40.0 HP

40.0 hp	-	0,8	BR6S	3522	---	---
---------	---	-----	------	------	-----	-----

COV. CLIMAX

FWA Mk.III, PPF	-	0,6	B8ES	2411	BR8EIX	5044
-----------------	---	-----	------	------	--------	------

FWM 750 cc	-	0,6	B6ES	7310	---	---
------------	---	-----	------	------	-----	-----

COV. VICTOR

M14 x 12,7mm	-	0,6	B6HS	4510	BR6HIX	3419
--------------	---	-----	------	------	--------	------

M14 x 19mm	-	0,6	B6ES	7310	---	---
------------	---	-----	------	------	-----	-----

M18 X 12mm	-	0,5	AB-6	2910	---	---
------------	---	-----	------	------	-----	-----



Stock-No.



Stock-No.

CRUISE N`CARRY

1.5 hp	1981-1988	0,7	BM4A	5628	---	---
1.75 hp Xenoah engine	-	0,8	BR6S	3522	---	---
2.5 hp Xenoah engine	1984-1988	0,8	BR6S	3522	---	---
6.0 hp Xenoah engine	-	0,7	BPR5HS	6222	---	---

CUYUNA

40 hp	-	0,8	BR8ES	5422	BR8EIX	5044
-------	---	-----	-------	------	--------	------

DELFINO

2.5, 3 PS	-	0,5	B6S	3510	---	---
-----------	---	-----	-----	------	-----	-----

DM

DM 5 219cid	-	0,8	B5HS	4210	---	---
-------------	---	-----	------	------	-----	-----

DUCATI

100, 150, 200	-	0,5	B6HS	4510	BR6HIX	3419
Bambi 30	-	0,6	B6HS	4510	BR6HIX	3419
Cucciolo 5, 10, 15, 20 PS	-	0,5	B6HS	4510	BR6HIX	3419

DYNAFOIL

340 cc - Xenoah engine	-	0,8	BR6ES	4922	---	---
440 cc - Xenoah engine	-	0,8	BR6ES	4922	---	---

ELGIN

3.5 HP						
3.5 hp - 60900	-	0,8	BM4A	5628	---	---
3.5 hp - 6091	-	0,8	BM4A	5628	---	---
3.5 hp - 6092	-	0,8	BM4A	5628	---	---
9.0 HP						
9.0 hp - 6067	-	0,8	BM4A	5628	---	---
9.0 hp - 6066	-	0,8	BM4A	5628	---	---
12 HP						
12 hp - 6012	-	1,0	BR6S	3522	---	---
14 HP						
14 hp - 6069	-	1,0	BR6S	3522	---	---
14 hp - 6015	-	1,0	BR6S	3522	---	---
14 hp - 6013	-	1,0	BR6S	3522	---	---
14 hp - 6014	-	1,0	BR6S	3522	---	---
18 HP						
18 hp - 59661	-	1,0	BR6S	3522	---	---
18 hp - 59671	-	1,0	BR6S	3522	---	---
25 HP						
25 hp - 6028	-	1,0	BR6S	3522	---	---
25 hp - 6032	-	1,0	BR6S	3522	---	---
25 hp - 6025	-	1,0	BR6S	3522	---	---



Stock-No.



Stock-No.

**ELGIN
27.7 HP**

27.7 hp - 6035	-	1,0	BR6S	3522	---	---
27.7 hp - 6033	-	1,0	BR6S	3522	---	---

28 HP

28 hp - 6038	-	1,0	BR6S	3522	---	---
28 hp - 6070	-	1,0	BR6S	3522	---	---
28 hp - 6034	-	1,0	BR6S	3522	---	---
28 hp - 6036	-	1,0	BR6S	3522	---	---
28 hp - 6037	-	1,0	BR6S	3522	---	---

40 HP

40 hp - 594011	-	1,0	BR6S	3522	---	---
40 hp - 59421	-	1,0	BR6S	3522	---	---
40 hp - 59461	-	1,0	BR6S	3522	---	---
40 hp - 59471	-	1,0	BR6S	3522	---	---
40 hp - 594001	-	1,0	BR6S	3522	---	---
40 hp - 6043	-	1,0	BR6S	3522	---	---
40 hp - 594031	-	1,0	BR6S	3522	---	---
40 hp - 6040	-	1,0	BR6S	3522	---	---
40 hp - 6047	-	1,0	BR6S	3522	---	---

43.7 HP

43.7 hp - 6053	-	1,0	BR6S	3522	---	---
43.7 hp - 6052	-	1,0	BR6S	3522	---	---

45 HP

45 hp - 6063	-	1,0	BR6S	3522	---	---
45 hp - 6055	-	1,0	BR6S	3522	---	---
45 hp - 6056	-	1,0	BR6S	3522	---	---
45 hp - 6054	-	1,0	BR6S	3522	---	---
45 hp - 6062	-	1,0	BR6S	3522	---	---
45 hp - 6057	-	1,0	BR6S	3522	---	---

60 HP

60 hp - 6063	-	1,0	BR6S	3522	---	---
60 hp - 6062	-	1,0	BR6S	3522	---	---
60 hp - 6061	-	1,0	BR6S	3522	---	---
60 hp - 6060	-	1,0	BR6S	3522	---	---

75 HP

75 hp - 6065	-	1,0	BR6S	3522	---	---
75 hp - 6076	-	1,0	BR6S	3522	---	---
75 hp - 6075	-	1,0	BR6S	3522	---	---
75 hp - 6074	-	1,0	BR6S	3522	---	---
75 hp - 6064	-	1,0	BR6S	3522	---	---
75 hp - 6077	-	1,0	BR6S	3522	---	---

75.2 HP

75.2 hp - 6072	-	1,0	BR6S	3522	---	---
75.2 hp - 6073	-	1,0	BR6S	3522	---	---



Stock-No.



Stock-No.

EMERALD BAY**50 HP**

50 hp - Banshee XS	1996-	0,9	B8ES	2411	BR8EIX	5044
--------------------	-------	-----	-------------	-------------	---------------	-------------

80 HP

80 hp - Banshee XS	1996-	0,9	B8ES	2411	BR8EIX	5044
--------------------	-------	-----	-------------	-------------	---------------	-------------

ESKA

1707	1970-1974	0,8	XR5	3332	XR5IX	7355
------	-----------	-----	------------	-------------	--------------	-------------

1747	1970-1974	0,8	XR5	3332	XR5IX	7355
------	-----------	-----	------------	-------------	--------------	-------------

1777	1970-1974	0,8	XR5	3332	XR5IX	7355
------	-----------	-----	------------	-------------	--------------	-------------

1790	1970-1974	0,8	XR5	3332	XR5IX	7355
------	-----------	-----	------------	-------------	--------------	-------------

1.2 HP

1.2 hp	1977-1978	0,6	BR6S	3522	---	---
--------	-----------	-----	-------------	-------------	-----	-----

1.6 HP

1.6 hp	1987-	0,6	BM4A	5628	---	---
--------	-------	-----	-------------	-------------	-----	-----

2.5 HP

2.5 hp	1977-1987	0,6	BM4A	5628	---	---
--------	-----------	-----	-------------	-------------	-----	-----

3.0 HP

3.0 hp	1961-	0,8	BR6S	3522	---	---
--------	-------	-----	-------------	-------------	-----	-----

3.0 hp	1980-	0,8	XR5	3332	XR5IX	7355
--------	-------	-----	------------	-------------	--------------	-------------

3.0 hp	1967-1969	0,8	BR6S	3522	---	---
--------	-----------	-----	-------------	-------------	-----	-----

3.0 hp	1975-1976	0,8	XR5	3332	XR5IX	7355
--------	-----------	-----	------------	-------------	--------------	-------------

4.0 HP

4.0 hp	1963-	0,8	BR6S	3522	---	---
--------	-------	-----	-------------	-------------	-----	-----

4.0 hp	1977-1978	0,8	XR5	3332	XR5IX	7355
--------	-----------	-----	------------	-------------	--------------	-------------

4.5 HP

4.5 hp	1975-1976	0,8	XR5	3332	XR5IX	7355
--------	-----------	-----	------------	-------------	--------------	-------------

5.0 HP

5.0 hp	1961-1969	0,8	BR6S	3522	---	---
--------	-----------	-----	-------------	-------------	-----	-----

5.0 hp	1970-1987	0,8	XR5	3332	XR5IX	7355
--------	-----------	-----	------------	-------------	--------------	-------------

5.5 HP

5.5 hp	1975-1976	0,8	XR5	3332	XR5IX	7355
--------	-----------	-----	------------	-------------	--------------	-------------

6.0 HP

6.0 hp	1963-	0,8	BR6S	3522	---	---
--------	-------	-----	-------------	-------------	-----	-----

7.0 HP

7.0 hp	1969-	0,8	XR5	3332	XR5IX	7355
--------	-------	-----	------------	-------------	--------------	-------------

7.0 hp	1968-	0,8	BR6S	3522	---	---
--------	-------	-----	-------------	-------------	-----	-----

7.0 hp	1967-	0,8	BR6S	3522	---	---
--------	-------	-----	-------------	-------------	-----	-----

7.5 HP

7.5 hp	1970-1987	0,8	XR5	3332	XR5IX	7355
--------	-----------	-----	------------	-------------	--------------	-------------

9.5 HP

9.5 hp	1970-1974	0,8	XR5	3332	XR5IX	7355
--------	-----------	-----	------------	-------------	--------------	-------------

9.9 HP

9.9 hp	1976-1987	0,8	XR5	3332	XR5IX	7355
--------	-----------	-----	------------	-------------	--------------	-------------

14.0 HP

14.0 hp	1970-1974	0,8	XR5	3332	XR5IX	7355
---------	-----------	-----	------------	-------------	--------------	-------------

15.0 HP

15.0 hp	1976-1987	0,8	XR5	3332	XR5IX	7355
---------	-----------	-----	------------	-------------	--------------	-------------



Stock-No.



Stock-No.

EVINRUDE

Ø18mm	1939-1950	0,8	AB-6	2910	---	---
3.6L	1985-1986	0,8	BZ7HS-10	3579	---	---
Air Bouy Diving Unit	-	0,6	BM4A	5628	---	---
CD, JH	1954-1968	0,8	B6S	3510	---	---
FD, FDE	1956-1968	0,8	B6S	3510	---	---
JHF, JWF	1967-1968	0,8	B6S	3510	---	---
JW	1952-1968	0,8	B6S	3510	---	---
LD	1965-1968	0,8	B6S	3510	---	---
MQ	1964-1968	0,8	B6S	3510	---	---
RD, RDE, RDDS, RJE, RK	1951-1968	0,8	B6S	3510	---	---
RX	1962-1968	0,8	B6S	3510	---	---
RXE	1965-1968	0,8	B6S	3510	---	---
SC	1968-	0,8	B6S	3510	---	---
TN, AD, QD, V4H, V4ML	1952-1966	0,8	B6S	3510	---	---
1.0 HP						
1.0 hp - 1R	1968-1970	0,8	B6S	3510	---	---
1.1 HP						
1.1 hp	1946-1947	0,8	B-4L	3112	---	---
1.2 HP						
1.2 hp - Magneto	1986-1990	0,8	B6S	3510	---	---
1.5 HP						
1.5 hp	1968-1970	0,8	B6S	3510	---	---
2.0 HP						
2.0 hp	1968-1970	0,8	B6S	3510	---	---
2.0 hp - 2R	1971-1984	0,8	B6S	3510	---	---
2.0 hp - Jr., Colt	1971-1990	0,8	B6S	3510	---	---
2.0 hp - 1-cyl.	1991-1998	0,8	BPR6HS	7022	BPR6HIX	4085
2.0 hp - Commercial	2000-2001	0,8	BZ7HS-10	3579	---	---
2.0 hp - Aquanaut Diving Unit	1966-1970	0,8	BM4A	5628	---	---
2.3 HP						
2.3 hp	1998-1999	0,8	BZ7HS-10	3579	---	---
2.3 hp	1991-1997	0,8	BPR6HS	7022	BPR6HIX	4085
2.5 HP						
2.5 hp	1987-1988	0,8	BZ7HS-10	3579	---	---
3.0 HP						
3.0 hp	1999-	0,8	BZ7HS-10	3579	---	---
3.0 hp - 2-cyl.	1989-1997	0,8	BR6HS	3922	BR6HIX	3419
3.0 hp	1952-1968	0,8	B6S	3510	---	---
3.0 hp - Lightwin	1952-1974	0,8	B6S	3510	---	---
3.3 HP						
3.3 hp	1948-1951	0,8	B6S	3510	---	---
3.3 hp - 1-cyl.	1991-2003	0,8	BPR6HS	7022	BPR6HIX	4085
3.4 HP						
3.4 hp - Yachtwin	1964-1974	0,8	B6S	3510	---	---
4.0 HP						
4.0 hp - V4S, VX, VXH	1958-1967	0,8	B6S	3510	---	---
4.0 hp - 2-cyl.	1989-1998	0,8	BR6HS	3922	BR6HIX	3419
4.0 hp - Ultra, Excel	1987-1988	0,8	BZ7HS-10	3579	---	---



Stock-No.



Stock-No.

EVINRUDE**4.0 HP**

4.0 hp	1977-1987	0,8	BR6HS	3922	BR6HIX	3419
4.0 hp	1981-1984	0,8	BZ7HS-10	3579	---	---
4.0 hp - 4R, 4W	1969-1976	0,8	B6S	3510	---	---
4.0 hp - Yachtwin	1964-1974	0,8	B6S	3510	---	---
4.0 hp - V4, V4A, V4M	1958-1967	0,8	B6S	3510	---	---

4.5 HP

4.5 hp	1980-1985	0,8	BR6HS	3922	BR6HIX	3419
--------	-----------	-----	-------	------	--------	------

5.0 HP

5.0 hp - 4 stroke OHC 128cc	1997-2003	0,7	D6HA	6512	---	---
5.0 hp - Angler	1965-1968	0,8	B6S	3510	---	---
5.0 hp	1998-	0,8	BZ7HS-10	3579	---	---
5.0 hp	1990-1997	0,8	BR6HS	3922	BR6HIX	3419

5.2 HP

5.2 hp - Lightwin	1952-1974	0,8	B6S	3510	---	---
-------------------	-----------	-----	-----	------	-----	-----

5.5 HP

5.5 hp - Fisherman	1956-1974	0,8	B6S	3510	---	---
5.5 hp	1956-1964	0,8	B6S	3510	---	---

6.0 HP

6.0 hp - 2 stroke	1977-1998	0,8	BR6HS	3922	BR6HIX	3419
6.0 hp - Fisherman	1956-1974	0,8	B6S	3510	---	---
6.0 hp	1965-1976	0,8	B6S	3510	---	---
6.0 hp	1975-1976	0,8	B6S	3510	---	---
6.0 hp - 4 stroke OHC 128cc	1997-2003	0,7	D6HA	6512	---	---
6.0 hp - 6R, 6RL	1971-1976	0,8	B6S	3510	---	---

6.5 HP

6.5 hp - COM	1981-1993	0,8	BR6HS	3922	BR6HIX	3419
--------------	-----------	-----	-------	------	--------	------

7.5 HP

7.5 hp	1977-1997	0,8	BR6HS	3922	BR6HIX	3419
7.5 hp	1952-1958	0,8	B6S	3510	---	---

8.0 HP

8.0 hp - COM	1977-1998	0,8	BR6HS	3922	BR6HIX	3419
8.0 hp - 2 stroke	1977-1998	0,8	BR6HS	3922	BR6HIX	3419
8.0 hp - 4 stroke OHC 211cc	1996-2003	0,8	D6HA	6512	---	---

9.0 HP

9.0 hp - 9R, 9RL, 9EL	1974-	0,8	BZ7HS-10	3579	---	---
-----------------------	-------	-----	----------	------	-----	-----

9.5 HP

9.5 hp	1952-1973	0,8	B6S	3510	---	---
9.5 hp - Sportwin	1956-1973	0,8	B6S	3510	---	---

9.7 HP

9.7 hp	1942-1949	0,8	AB-6	2910	---	---
--------	-----------	-----	------	------	-----	-----

9.9 HP

9.9 hp	1974-1976	0,8	B7HS	5110	---	---
9.9 hp - 4 stroke OHC 302cc	2002-2003	0,8	DCPR7E	3932	DCPR7EIX	6046
9.9 hp - 4 stroke OHC 305cc	1995-2003	0,8	DCPR7E	3932	DCPR7EIX	6046
9.9 hp - 2 stroke	1977-2001	0,8	BR7HS	4122	BR7HIX	7067
9.9 hp - 4 stroke 211cc	1996-1998	0,7	D6HA	6512	---	---



Stock-No.



Stock-No.

EVINRUDE**10 HP**

10 hp - Sportwin	1956-1973	0,8	B6S	3510	---	---
10 hp	1952-1963	0,8	B6S	3510	---	---
10 hp - 10R, 10RL	1975-1976	0,8	BZ7HS-10	3579	---	---
10 hp - 10E, 10EL	1975-1976	0,8	BZ7HS-10	3579	---	---
10 hp - COM	1994-2003	0,8	BR7HS	4122	BR7HIX	7067
10 hp - COM	1992-1993	0,8	BZ7HS-10	3579	---	---

14 HP

14 hp	1950-1972	0,8	B6S	3510	---	---
14 hp - COM	1981-1991	0,8	BZ7HS-10	3579	---	---
14 hp	1988-1989	0,8	BZ7HS-10	3579	---	---

15 HP

15 hp - 15E, 15EL, 15R, 15RL	1974-1976	0,8	BZ7HS-10	3579	---	---
15 hp - 4 stroke OHC 305cc	1995-2003	0,8	DCPR7E	3932	DCPR7EIX	6046
15 hp - COM	1994-2001	0,8	BR7HS	4122	BR7HIX	7067
15 hp - Kero	1995-1998	0,8	BUHXW-1	5526	---	---
15 hp - 2 stroke	1994-1998	0,8	BR7HS	4122	BR7HIX	7067
15 hp - COM	1992-1993	0,8	BZ7HS-10	3579	---	---
15 hp	1977-1992	0,8	BZ7HS-10	3579	---	---
15 hp	1974-1976	0,8	B7HS	5110	---	---
15 hp	1956-1958	0,8	B6S	3510	---	---

18 HP

18 hp	1950-1972	0,8	B6S	3510	---	---
18 hp - Fastwin	1957-1973	0,8	B8S	3810	---	---
18 hp	1957-1973	0,8	B6S	3510	---	---
18 hp - Jet 2-cyl.	1995-1998	0,8	BR7HS	4122	BR7HIX	7067

20 HP

20 hp - 20R, 25R	1969-1972	0,8	B6S	3510	---	---
20 hp - 20RL, 25RL	1971-1972	0,8	B6S	3510	---	---
20 hp - 20R, 20RL	1973-	0,8	B6S	3510	---	---
20 hp	1966-1973	0,8	B6S	3510	---	---
20 hp - 2-cyl.	1978-1998	0,8	BR7HS	4122	BR7HIX	7067
20 hp	1978-1993	0,8	BR7HS	4122	BR7HIX	7067

25 HP

25 hp	1969-1976	0,8	B6S	3510	---	---
25 hp - 3-cyl.	1995-1998	0,8	BR6HS	3922	BR6HIX	3419
25 hp - Bigwin	1951-1970	0,8	B8S	3810	---	---
25 hp - 20R, 25R	1969-1972	0,8	B6S	3510	---	---
25 hp - 20RL, 25RL	1971-1972	0,8	B6S	3510	---	---
25 hp	1977-	0,8	BR7HS	4122	BR7HIX	7067
25 hp	1952-1955	0,8	B6S	3510	---	---
25 hp - 25R, 25RL	1973-1976	0,8	B6S	3510	---	---
25 hp - Evinrude 25	1978-1993	0,8	BZ7HS-10	3579	---	---
25 hp - 4 stroke	2000-2001	0,8	DCPR7E	3932	DCPR7EIX	6046
25 hp - COM	1981-1998	-	BUHXW-1	5526	---	---
25 hp - 2 cyl.	1977-1998	0,8	BR7HS	4122	BR7HIX	7067
25 hp - Commercial	1999-2001	-	BUHXW-1	5526	---	---
25 hp - 25E, 25EL	1972-1976	0,8	B6S	3510	---	---
25 hp - E25DELSES	2009-	1,1	IZFR6F11	4095	---	---



Stock-No.



Stock-No.

EVINRUDE**25 HP**

25 hp - E25DPLSES	2009-	1,1	IZFR6F11	4095	---	---
25 hp - E25DRLSES	2009-	1,1	IZFR6F11	4095	---	---
25 hp - E25DRSES	2009-	1,1	IZFR6F11	4095	---	---
25 hp - E25DTLSES	2009-	1,1	IZFR6F11	4095	---	---
25 hp - E25DTESES	2009-	1,1	IZFR6F11	4095	---	---
25 hp - E25DTLSES	2009-	1,1	IZFR6F11	4095	---	---

28 HP

28 hp	1978-1997	0,8	BR7HS	4122	BR7HIX	7067
28 hp	1962-1964	0,8	B6S	3510	---	---
28 hp - 28 Jet	1992-2003	0,8	BPZ8HS-10	3133	---	---

30 HP

30 hp	1978-1998	0,8	BR7HS	4122	BR7HIX	7067
30 hp	1956-1971	0,8	B6S	3510	---	---
30 hp - Bigwin	1951-1970	0,8	B8S	3810	---	---
30 hp	2000-2003	0,8	DCPR7E	3932	DCPR7EIX	6046
30 hp - E30DELSES	2009-	1,1	IZFR6F11	4095	---	---
30 hp - E30DPLSES	2009-	1,1	IZFR6F11	4095	---	---
30 hp - E30DRLSES	2009-	1,1	IZFR6F11	4095	---	---
30 hp - E30DRSES	2009-	1,1	IZFR6F11	4095	---	---
30 hp - E30DTLSES	2009-	1,1	IZFR6F11	4095	---	---
30 hp - E30DTLSES	2009-	1,1	IZFR6F11	4095	---	---

33 HP

33 hp	1965-1971	0,8	B6S	3510	---	---
-------	-----------	-----	-----	------	-----	-----

35 HP

35 hp - 4 stroke	1977-1997	0,8	BZ7HS-10	3579	---	---
35 hp - 2 cyl.	1957-1959	0,8	B6S	3510	---	---
35 hp	1993-2001	0,8	BPZ8HS-10	3133	---	---
35 hp - 2 cyl.	1995-2001	0,8	BR6HS	3922	BR6HIX	3419
35 hp	1976-	0,8	BZ7HS-10	3579	---	---
35 hp - Bigwin	1951-1970	0,8	B8S	3810	---	---

40 HP

40 hp - 40E, 40EL, 40R, 40RL	1975-1976	0,8	BZ7HS-10	3579	---	---
40 hp	1965-1971	0,8	B6S	3510	---	---
40 hp	1956-1971	0,8	B6S	3510	---	---
40 hp - Bigwin	1951-1970	0,8	B8S	3810	---	---
40 hp - 40E, 40EL, 40R, 40RL	1974-	0,8	BZ7HS-10	3579	---	---
40 hp	1960-1973	0,8	B6S	3510	---	---
40 hp	1974-1976	0,8	B7HS	5110	---	---
40 hp - 2 cyl.	1980-1988	0,8	BZ7HS-10	3579	---	---
40 hp - COM 43 cid	1981-1990	0,8	B7HS	5110	---	---
40 hp - 2 cyl.	1989-1998	0,8	BPZ8HS-10	3133	---	---
40 hp - 3 cyl.	1984-2003	-	BUHXW-1	5526	---	---
40 hp	1999-2003	0,8	DCPR7E	3932	DCPR7EIX	6046
40 hp - E-Tec	2004-2005	0,8	PZFR6H	7696	---	---
40 hp - E-Tec 40 Inline 2	2006-2008	0,8	IZFR6N-E	4757	---	---
40 hp - 40E, 40EL, 40R, 40RL	1969-1973	0,8	B6S	3510	---	---
40 hp - E40DPLSEE	2009-	1,1	IZFR6F11	4095	---	---
40 hp - E40DRLSEE	2009-	1,1	IZFR6F11	4095	---	---



Stock-No.



Stock-No.

EVINRUDE**40 HP**

40 hp - E40DSLSEC	2009-	1,1	IZFR6F11	4095	---	---
40 hp - E40DP	2008-	1,1	IZFR6F11	4095	---	---
40 hp - E40DRLSCB	2008-	1,1	IZFR6F11	4095	---	---
40 hp - E40DSLSCS	2008-	1,1	IZFR6F11	4095	---	---
40 hp - E40DTLSCS	2008-	1,1	IZFR6F11	4095	---	---
40 hp - E40DPLSUM	2007-	0,8	IZFR6N-E	4757	---	---
40 hp - E40DRLSUM	2007-	0,8	IZFR6N-E	4757	---	---
40 hp - E40DELSDA	2006-	0,8	IZFR6N-E	4757	---	---
40 hp - E40DPLSDA	2006-	0,8	IZFR6N-E	4757	---	---
40 hp - E40DRLSDA	2006-	0,8	IZFR6N-E	4757	---	---

45 HP

45 hp - COM	1986-1990	-	BUZHW-2	2173	---	---
45 hp - COM	1991-2003	-	BUHXW-1	5526	---	---

48 HP

48 hp - 2 cyl.	1980-1988	0,8	BZ7HS-10	3579	---	---
48 hp - 2 cyl.	1989-1997	0,8	BPZ8HS-10	3133	---	---
48 hp - 2 cyl.	1994-1997	0,8	BPZ8HS-10	3133	---	---

50 HP

50 hp - E-Tec 50 Inline 2	2006-2008	0,8	IZFR6N-E	4757	---	---
50 hp - 4 stroke DOHC 815cc	1999-2003	0,8	DCPR7E	3932	DCPR7EIX	6046
50 hp - 3 cyl.	1995-1998	0,8	BPZ8HS-10	3133	---	---
50 hp - 2 cyl.	1989-1998	0,8	BPZ8HS-10	3133	---	---
50 hp - 2 cyl.	1980-1988	0,8	BZ7HS-10	3579	---	---
50 hp	1978-1979	0,8	B7HS	5110	---	---
50 hp	1971-1975	0,8	BZ7HS-10	3579	---	---
50 hp	1958-1959	0,8	B6S	3510	---	---
50 hp - E-Tec	2004-2005	0,8	PZFR6H	7696	---	---
50 hp - E50DPLSEE	2009-	1,1	IZFR6F11	4095	---	---
50 hp - E50DSLSEC	2009-	1,1	IZFR6F11	4095	---	---
50 hp - E50DTLSEC	2009-	1,1	IZFR6F11	4095	---	---
50 hp - E50DPLSCB	2008-	1,1	IZFR6F11	4095	---	---
50 hp - E50DSLSCS	2008-	1,1	IZFR6F11	4095	---	---
50 hp - E50DTLSCS	2008-	1,1	IZFR6F11	4095	---	---
50 hp - E50DPLSUM	2007-	0,8	IZFR6N-E	4757	---	---
50 hp - E50DPLSDA	2006-	0,8	IZFR6N-E	4757	---	---

55 HP

55 hp - 3 cyl.	1968-1969	0,8	BZ7HS-10	3579	---	---
55 hp - Surper Six-0	1971-	-	BUHW	2622	---	---
55 hp - 2 cyl.	1976-1989	0,8	B7HS	5110	---	---
55 hp - COM 2 cyl.	1994-1995	0,8	BPZ8HS-10	3133	---	---
55 hp - COM	1986-2003	-	BUHXW-1	5526	---	---
55 hp - E55MJRLSER	2009-	1,1	IZFR6F11	4095	---	---
55 hp - E55MRLSER	2009-	1,1	IZFR6F11	4095	---	---
55 hp - E55MJRLSCC	2008-	1,1	IZFR6F11	4095	---	---
55 hp - E55MRLSCC	2008-	1,1	IZFR6F11	4095	---	---

60 HP

60 hp - 4 stroke OHC	2002-2003	0,9	BPR6ES	7822	BPR6EIX	6637
60 hp - 3 cyl. 56 cid	1994-1998	0,8	BPZ8HS-10	3133	---	---
60 hp - 3 cyl. 56 cid	1989-1993	0,8	BZ7HS-10	3579	---	---



Stock-No.



Stock-No.

EVINRUDE**60 HP**

60 hp - 3 cyl. 49 cid	1975-1989	0,8	BZ7HS-10	3579	---	---
60 hp - 2 cyl.	1980-1985	0,8	BZ7HS-10	3579	---	---
60 hp - Triumph 3 cyl.	1970-1971	-	BUHW	2622	---	---
60 hp - V4	1964-1967	0,8	B6S	3510	---	---
60 hp - Surper Six-0	1971-	-	BUHW	2622	---	---
60 hp - E-Tec 60 Inline 2	2006-2008	0,8	IZFR6N-E	4757	---	---
60 hp - E-Tec	2005-	0,8	PZFR6H	7696	---	---
60 hp - E60DPLSEE	2009-	1,1	IZFR6F11	4095	---	---
60 hp - E60DSLSEC	2009-	1,1	IZFR6F11	4095	---	---
60 hp - E60DTLSEC	2009-	1,1	IZFR6F11	4095	---	---
60 hp - E60DPLSCB	2008-	1,1	IZFR6F11	4095	---	---
60 hp - E60DSLSCS	2008-	1,1	IZFR6F11	4095	---	---
60 hp - E60DTLSCS	2008-	1,1	IZFR6F11	4095	---	---
60 hp - E60DPLSUM	2007-	0,8	IZFR6N-E	4757	---	---
60 hp - E60DPLSDA	2006-	0,8	IZFR6N-E	4757	---	---

65 HP

65 hp	1998-2001	-	BUHXW-1	5526	---	---
65 hp - V4 Sportfour	1968-	0,8	BZ7HS-10	3579	---	---
65 hp - CV4 65 Jet	1992-1997	0,8	BR7HS	4122	BR7HIX	7067
65 hp - COM 3 cyl.	1994-1995	0,8	BPZ8HS-10	3133	---	---
65 hp - COM HC LC	1984-1987	0,8	BZ7HS-10	3579	---	---
65 hp - Triumph 3 cyl.	1972-1973	0,8	B7HS	5110	---	---
65 hp - COM HC LC	1988-1997	-	BUHXW-1	5526	---	---
65 hp - E65WDRLSEC	2009-	1,1	IZFR6F11	4095	---	---
65 hp - E65WDRYSEC	2009-	1,1	IZFR6F11	4095	---	---
65 hp - E65WDRLSCS	2008-	1,1	IZFR6F11	4095	---	---
65 hp - E65WDRYSYS	2008-	1,1	IZFR6F11	4095	---	---

70 HP

70 hp - 4 stroke OHC 1298cc	1998-2003	0,9	BPR6ES	7822	BPR6EIX	6637
70 hp - 3 cyl. 56 cid	1994-1998	0,8	BPZ8HS-10	3133	---	---
70 hp - 3 cyl. 56 cid	1989-1993	0,8	BZ7HS-10	3579	---	---
70 hp - 3 cyl. 49 cid	1975-1989	0,8	BZ7HS-10	3579	---	---

75 HP

75 hp - V4	1960-1965	0,8	B6S	3510	---	---
75 hp - E-TEC	2006-	0,8	IZFR6N-E	4757	---	---
75 hp	1975-1988	0,8	B7HS-10	2129	---	---
75 hp - E-TEC	2004-2005	0,8	PZFR6H	7696	---	---
75 hp	2001-2005	0,8	BKR5EK	7956	BKR5EIX	6341
75 hp	1975-1988	0,8	B7HS-10	2129	---	---
75 hp - E75DPLSEE	2009-	1,1	IZFR6F11	4095	---	---
75 hp - E75DSLSEC	2009-	1,1	IZFR6F11	4095	---	---
75 hp - E75DPLSCB	2008-	1,1	IZFR6F11	4095	---	---
75 hp - E75DSLSCS	2008-	1,1	IZFR6F11	4095	---	---
75 hp - E75DPLSUM	2007-	0,8	IZFR6N-E	4757	---	---
75 hp - E75DPLSDA	2006-	0,8	IZFR6N-E	4757	---	---

80 HP

80 hp - Starfire	1966-1967	0,8	B8S	3810	---	---
80 hp	1966-1967	0,8	B6S	3510	---	---
80 hp - Jet CV4	1979-1998	0,8	BR7HS	4122	BR7HIX	7067



Stock-No.



Stock-No.

EVINRUDE**85 HP**

85 hp	1968-1980	0,8	B7HS	5110	---	---
85 hp	1986-1993	0,8	BZ7HS-10	3579	---	---
85 hp - V4 Backtroller	1994-1995	0,8	BR7HS	4122	BR7HIX	7067

88 HP

88 hp - SPL CV4	1979-1997	0,8	BR7HS	4122	BR7HIX	7067
-----------------	-----------	-----	--------------	-------------	---------------	-------------

90 HP

90 hp - LV4	1995-1998	0,8	BPZ8HS-10	3133	---	---
90 hp	1964-1965	0,8	B6S	3510	---	---
90 hp - CV4	1979-1998	0,8	BR7HS	4122	BR7HIX	7067
90 hp - LV4 F.F.I.	1998-2000	0,8	PZFR6H	7696	---	---
90 hp - E-Tec	2004-2005	0,8	PZFR6H	7696	---	---
90 hp	2001-2005	0,8	BKR5EK	7956	BKR5EIX	6341
90 hp - E-Tec 1.3L I3	2006-2008	0,8	IZFR6N-E	4757	---	---
90 hp - Turbojet CV4	1994-1997	0,8	BR7HS	4122	BR7HIX	7067
90 hp - E90DPLSEE	2009-	1,1	IZFR6F11	4095	---	---
90 hp - E90DPXSEE	2009-	1,1	IZFR6F11	4095	---	---
90 hp - E90DSLSEB	2009-	1,1	IZFR6F11	4095	---	---
90 hp - E90WDELSEC	2009-	1,1	IZFR6F11	4095	---	---
90 hp - E90WDEXSEC	2009-	1,1	IZFR6F11	4095	---	---
90 hp - E90DPLSCB	2008-	1,1	IZFR6F11	4095	---	---
90 hp - E90DPXSCB	2008-	1,1	IZFR6F11	4095	---	---
90 hp - E90DSLSCM	2008-	1,1	IZFR6F11	4095	---	---
90 hp - E90WDELSCS	2008-	1,1	IZFR6F11	4095	---	---
90 hp - E90WDEXSCS	2008-	1,1	IZFR6F11	4095	---	---
90 hp - E90DPLSUM	2007-	0,8	IZFR6N-E	4757	---	---
90 hp - E90DPXSUM	2007-	0,8	IZFR6N-E	4757	---	---
90 hp - E90DSLSUM	2007-	0,8	IZFR6N-E	4757	---	---
90 hp - E90DPLSDA	2006-	0,8	IZFR6N-E	4757	---	---
90 hp - E90DPXSDA	2006-	0,8	IZFR6N-E	4757	---	---
90 hp - E90DSLSDR	2006-	0,8	IZFR6N-E	4757	---	---

100 HP

100 hp	1999-2001	0,8	BZ7HS-10	3579	---	---
100 hp - V4	1979-1980	0,8	B7HS	5110	---	---
100 hp - Starfire	1967-1972	0,8	B7HS	5110	---	---
100 hp	1966-	0,8	B6S	3510	---	---
100 hp - 4 cyl DI	2004-2005	0,8	PZFR6H	7696	---	---
100 hp	2004-2005	0,8	BKR5EK	7956	BKR5EIX	6341
100 hp - COM	1984-1998	-	BUHXW-1	5526	---	---

105 HP

105 hp - COM LV4	1997-2003	0,8	BPZ8HS-10	3133	---	---
105 hp - 105 Jet LV6	1993-2003	0,8	BPZ8HS-10	3133	---	---

110 HP

110 hp - CV4	1979-1997	0,8	BR7HS	4122	BR7HIX	7067
--------------	-----------	-----	--------------	-------------	---------------	-------------

112 HP

112 hp - CV4	1979-1997	0,8	BR7HS	4122	BR7HIX	7067
--------------	-----------	-----	--------------	-------------	---------------	-------------

115 HP

115 hp	2004-2005	0,8	BKR5EK	7956	BKR5EIX	6341
115 hp - LV4 F.F.I.	1998-2003	0,8	PZFR6H	7696	---	---
115 hp - Intruder LV4	1995-1998	0,8	BPZ8HS-10	3133	---	---



Stock-No.



Stock-No.

EVINRUDE**115 HP**

115 hp - E-Tec 1.7L V4	2007-2008	0,8	IZFR6N-E	4757	---	---
115 hp - CV4	1979-1998	0,8	BR7HS	4122	BR7HIX	7067
115 hp	1986-1993	0,8	BZ7HS-10	3579	---	---
115 hp - COM	1975-1984	0,8	BZ7HS-10	3579	---	---
115 hp	1985-	-	BUHXW-1	5526	---	---
115 hp - X-115	1967-1968	-	BUHW	2622	---	---
115 hp	1969-1970	0,8	B7HS	5110	---	---
115 hp	1973-1979	0,8	BZ7HS-10	3579	---	---
115 hp - Turbojet CV4	1994-1998	0,8	BR7HS	4122	BR7HIX	7067
115 hp - E115DBXSCR	2008-	1,1	IZFR6F11	4095	---	---
115 hp - E115DBXSEF	2008-	1,1	IZFR6F11	4095	---	---
115 hp - E115DCXSCS	2008-	1,1	IZFR6F11	4095	---	---
115 hp - E115DCXSEF	2009-	1,1	IZFR6F11	4095	---	---
115 hp - E115DHLSSES	2009-	1,1	IZFR6F11	4095	---	---
115 hp - E115DHXSES	2009-	1,1	IZFR6F11	4095	---	---
115 hp - E115DPLSCR	2008-	1,1	IZFR6F11	4095	---	---
115 hp - E115DPLSEF	2009-	1,1	IZFR6F11	4095	---	---
115 hp - E115DPXSCR	2008-	1,1	IZFR6F11	4095	---	---
115 hp - E115DPXSEF	2009-	1,1	IZFR6F11	4095	---	---
115 hp - E115DSLSCR	2008-	1,1	IZFR6F11	4095	---	---
115 hp - E115DSLSEF	2009-	1,1	IZFR6F11	4095	---	---
115 hp - E115HLSSES	2009-	1,1	IZFR6F11	4095	---	---
115 hp - E115DBXSUC	2007-	0,8	IZFR6N-E	4757	---	---
115 hp - E115DPLSUC	2007-	0,8	IZFR6N-E	4757	---	---
115 hp - E115DPXSUC	2007-	0,8	IZFR6N-E	4757	---	---
115 hp - E115DLSUC	2007-	0,8	IZFR6N-E	4757	---	---

120 HP

120 hp - LV 4	1985-2003	0,8	BPZ8HS-10	3133	---	---
---------------	-----------	-----	-----------	------	-----	-----

125 HP

125 hp	1971-1972	0,8	B7HS	5110	---	---
--------	-----------	-----	------	------	-----	-----

130 HP

130 hp - LV4	1985-2003	0,8	BPZ8HS-10	3133	---	---
130 hp - E130DCXSES	2009-	1,1	IZFR6F11	4095	---	---
130 hp - E130DPLSES	2009-	1,1	IZFR6F11	4095	---	---
130 hp - E130DPXSES	2009-	1,1	IZFR6F11	4095	---	---
130 hp - E130DLSSES	2009-	1,1	IZFR6F11	4095	---	---

135 HP

135 hp	1973-1984	-	BUHXW-1	5526	---	---
--------	-----------	---	---------	------	-----	-----

140 HP

140 hp - LV4	1985-2003	0,8	BPZ8HS-10	3133	---	---
140 hp - 140	1973-1984	-	BUHXW-1	5526	---	---

150 HP

150 hp - Intruder L	1991-1998	0,8	BPZ8HS-10	3133	---	---
150 hp - E-Tec 150 I V6	2007-2008	0,8	IZFR6N-E	4757	---	---
150 hp - LV6 F.F.I.	1997-2003	0,8	PZFR6H	7696	---	---
150 hp - E-Tec 150 HO V6	2007-2008	0,8	IZFR6N-E	4757	---	---
150 hp - COM L	1993-1998	0,8	BPZ8HS-10	3133	---	---
150 hp - CV6	1988-1991	0,8	BZ7HS-10	3579	---	---
150 hp - CV6	1978-1987	-	BUHXW-1	5526	---	---



Stock-No.



Stock-No.

EVINRUDE**150 HP**

150 hp - E150DBXSCF	2008-	1,1	IZFR6F11	4095	---	---
150 hp - E150DBXSCR	2008-	1,1	IZFR6F11	4095	---	---
150 hp - E150DBXSEA	2009-	1,1	IZFR6F11	4095	---	---
150 hp - E150DCXSCF	2008-	1,1	IZFR6F11	4095	---	---
150 hp - E150DCXSCR	2008-	1,1	IZFR6F11	4095	---	---
150 hp - E150DCXSEA	2009-	1,1	IZFR6F11	4095	---	---
150 hp - E150DHLSCF	2008-	1,1	IZFR6F11	4095	---	---
150 hp - E150DHLSCR	2008-	1,1	IZFR6F11	4095	---	---
150 hp - E150DHLSEA	2009-	1,1	IZFR6F11	4095	---	---
150 hp - E150DPLSCR	2008-	1,1	IZFR6F11	4095	---	---
150 hp - E150DPLSEA	2009-	1,1	IZFR6F11	4095	---	---
150 hp - E150DPXSCF	2008-	1,1	IZFR6F11	4095	---	---
150 hp - E150DPXSCR	2008-	1,1	IZFR6F11	4095	---	---
150 hp - E150DPXSEA	2009-	1,1	IZFR6F11	4095	---	---
150 hp - E150DSLSCR	2008-	1,1	IZFR6F11	4095	---	---
150 hp - E150DSLSEA	2009-	1,1	IZFR6F11	4095	---	---
150 hp - E150HGLSES	2009-	1,1	IZFR6F11	4095	---	---
150 hp - E150HGXSES	2009-	1,1	IZFR6F11	4095	---	---
150 hp - E150HSLSCF	2008-	1,1	IZFR6F11	4095	---	---
150 hp - E150HSLSCS	2008-	1,1	IZFR6F11	4095	---	---
150 hp - E150HSLSEC	2009-	1,1	IZFR6F11	4095	---	---
150 hp - E150DBXSUF	2007-	0,8	IZFR6N-E	4757	---	---
150 hp - E150DCXSUC	2007-	0,8	IZFR6N-E	4757	---	---
150 hp - E150DCXSUF	2007-	0,8	IZFR6N-E	4757	---	---
150 hp - E150DHL SUC	2007-	0,8	IZFR6N-E	4757	---	---
150 hp - E150DHL SUF	2007-	0,8	IZFR6N-E	4757	---	---
150 hp - E150DPL SUC	2007-	0,8	IZFR6N-E	4757	---	---
150 hp - E150DPL SUF	2007-	0,8	IZFR6N-E	4757	---	---
150 hp - E150DPX SUC	2007-	0,8	IZFR6N-E	4757	---	---
150 hp - E150DPX SUF	2007-	0,8	IZFR6N-E	4757	---	---
150 hp - E150DSL SUC	2007-	0,8	IZFR6N-E	4757	---	---

155 HP

155 hp - COM CV6	1989-1992	-	BUHXW-1	5526	---	---
155 hp - CV6	1978-1987	-	BUHXW-1	5526	---	---

175 HP

175 hp - Intruder LV6	1991-1998	0,8	BPZ8HS-10	3133	---	---
175 hp - E-Tec 175 I V6	2007-2008	0,8	IZFR6N-E	4757	---	---
175 hp - CV6	1988-1991	0,8	BZ7HS-10	3579	---	---
175 hp	1977-1987	-	BUHXW-1	5526	---	---
175 hp - LV6 F.F.I.	1998-2003	0,8	PZFR6H	7696	---	---
175 hp - E175DCXSCF	2008-	1,1	IZFR6F11	4095	---	---
175 hp - E175DCXSCR	2008-	1,1	IZFR6F11	4095	---	---
175 hp - E175DCXSEA	2009-	1,1	IZFR6F11	4095	---	---
175 hp - E175DMXSCF	2008-	1,1	IZFR6F11	4095	---	---
175 hp - E175DPLSCR	2008-	1,1	IZFR6F11	4095	---	---
175 hp - E175DPLSEA	2009-	1,1	IZFR6F11	4095	---	---
175 hp - E175DPXSCF	2008-	1,1	IZFR6F11	4095	---	---
175 hp - E175DPXSCR	2008-	1,1	IZFR6F11	4095	---	---
175 hp - E175DPXSEA	2009-	1,1	IZFR6F11	4095	---	---
175 hp - E175DSLSCR	2008-	1,1	IZFR6F11	4095	---	---



Stock-No.



Stock-No.

EVINRUDE**175 HP**

175 hp - E175DSLSEA	2009-	1,1	IZFR6F11	4095	---	---
175 hp - E175DCXSUF	2007-	0,8	IZFR6N-E	4757	---	---
175 hp - E175DPLSUF	2007-	0,8	IZFR6N-E	4757	---	---

185 HP

185 hp - COM.	1990-1994	0,8	BZ7HS-10	3579	---	---
185 hp	1977-1987	-	BUZ8H	7447	---	---

200 HP

200 hp - E-Tec 200 HO V6	2007-2008	0,8	IZFR6N-E	4757	---	---
200 hp	1976-1983	-	BUHXW-1	5526	---	---
200 hp - V6	1986-1993	0,8	BZ7HS-10	3579	---	---
200 hp - COM	1993-1998	0,8	BPZ8HS-10	3133	---	---
200 hp - Vindicator L	1994-1998	0,8	BPZ8HS-10	3133	---	---
200 hp - LV6 F.F.I.	1999-2004	0,8	PZFR6H	7696	---	---
200 hp	2004-	0,8	PZFR6H	7696	---	---
200 hp - F Models	2005-	0,8	PZFR6H	7696	---	---
200 hp - COM	1992-	-	BUHXW-1	5526	---	---
200 hp - DCXSOC	2005-	0,8	IZFR6N-E	4757	---	---
200 hp - DHLSDF	2006-	0,8	IZFR6N-E	4757	---	---
200 hp - DHSOC	2005-	0,8	IZFR6N-E	4757	---	---
200 hp - DHSOG	2005-	0,8	IZFR6N-E	4757	---	---
200 hp - DHXSDS	2006-	0,8	IZFR6N-E	4757	---	---
200 hp - DPLSOC	2005-	0,8	IZFR6N-E	4757	---	---
200 hp - DPXSOC	2005-	0,8	IZFR6N-E	4757	---	---
200 hp - DSLSOC	2005-	0,8	IZFR6N-E	4757	---	---
200 hp - E-Tec 200 I V6	2007-2008	0,8	IZFR6N-E	4757	---	---
200 hp - HCXSDS	2006-	0,8	IZFR6N-E	4757	---	---
200 hp - HSLSDS	2006-	0,8	IZFR6N-E	4757	---	---
200 hp - E200DCXSCA	2008-	1,1	IZFR6F11	4095	---	---
200 hp - E200DCXSUF	2008-	1,1	IZFR6F11	4095	---	---
200 hp - E200DCXSEM	2009-	1,1	IZFR6F11	4095	---	---
200 hp - E200DCXSOC	2005-	0,8	IZFR6N-E	4757	---	---
200 hp - E200DCXSUR	2007-	0,8	IZFR6N-E	4757	---	---
200 hp - E200DHLSCF	2008-	1,1	IZFR6F11	4095	---	---
200 hp - E200DHLSCG	2008-	1,1	IZFR6F11	4095	---	---
200 hp - E200DHLSCM	2008-	1,1	IZFR6F11	4095	---	---
200 hp - E200DHLSDF	2006-	0,8	IZFR6N-E	4757	---	---
200 hp - E200DHLSOC	2005-	0,8	IZFR6N-E	4757	---	---
200 hp - E200DHL SUA	2007-	0,8	IZFR6N-E	4757	---	---
200 hp - E200DHL SUG	2007-	0,8	IZFR6N-E	4757	---	---
200 hp - E200DHXSCF	2008-	1,1	IZFR6F11	4095	---	---
200 hp - E200DHXSCG	2008-	1,1	IZFR6F11	4095	---	---
200 hp - E200DHXSCR	2008-	1,1	IZFR6F11	4095	---	---
200 hp - E200DHXSDS	2006-	0,8	IZFR6N-E	4757	---	---
200 hp - E200DHXSUC	2007-	0,8	IZFR6N-E	4757	---	---
200 hp - E200DPLSCA	2008-	1,1	IZFR6F11	4095	---	---
200 hp - E200DPLSEM	2009-	1,1	IZFR6F11	4095	---	---
200 hp - E200DPLSUF	2007-	0,8	IZFR6N-E	4757	---	---
200 hp - E200DPLSUR	2007-	0,8	IZFR6N-E	4757	---	---
200 hp - E200DPXSCA	2008-	1,1	IZFR6F11	4095	---	---



Stock-No.



Stock-No.

EVINRUDE**200 HP**

200 hp - E200DPXSEM	2009-	1,1	IZFR6F11	4095	---	---
200 hp - E200DPXSOC	2005-	0,8	IZFR6N-E	4757	---	---
200 hp - E200DPXSUF	2007-	0,8	IZFR6N-E	4757	---	---
200 hp - E200DPXSUR	2007-	0,8	IZFR6N-E	4757	---	---
200 hp - E200DSLSCA	2008-	1,1	IZFR6F11	4095	---	---
200 hp - E200DSLSEM	2009-	1,1	IZFR6F11	4095	---	---
200 hp - E200DLSLOC	2005-	0,8	IZFR6N-E	4757	---	---
200 hp - E200DLSUF	2007-	0,8	IZFR6N-E	4757	---	---
200 hp - E200DLSUR	2007-	0,8	IZFR6N-E	4757	---	---
200 hp - E200HCXSCF	2008-	1,1	IZFR6F11	4095	---	---
200 hp - E200HCXSCG	2008-	1,1	IZFR6F11	4095	---	---
200 hp - E200HCXSCR	2008-	1,1	IZFR6F11	4095	---	---
200 hp - E200HCXSDS	2006-	0,8	IZFR6N-E	4757	---	---
200 hp - E200HCXSUC	2007-	0,8	IZFR6N-E	4757	---	---
200 hp - E200HSLSCF	2008-	1,1	IZFR6F11	4095	---	---
200 hp - E200HSLSCG	2008-	1,1	IZFR6F11	4095	---	---
200 hp - E200HSLSCR	2008-	1,1	IZFR6F11	4095	---	---
200 hp - E200HSLSDS	2006-	0,8	IZFR6N-E	4757	---	---
200 hp - E200HSLSUC	2007-	0,8	IZFR6N-E	4757	---	---
200 hp - E200HVLSCF	2008-	1,1	IZFR6F11	4095	---	---
200 hp - E200HVLSCG	2008-	1,1	IZFR6F11	4095	---	---
200 hp - E200HVLSCS	2008-	1,1	IZFR6F11	4095	---	---

225 HP

225 hp	1986-1993	0,8	BZ7HS-10	3579	---	---
225 hp	2004-	0,8	PZFR6H	7696	---	---
225 hp - DCXSDR	2006-	0,8	IZFR6N-E	4757	---	---
225 hp - DCXSOC	2005-	0,8	IZFR6N-E	4757	---	---
225 hp - DCZSDR	2006-	0,8	IZFR6N-E	4757	---	---
225 hp - DCZSOC	2005-	0,8	IZFR6N-E	4757	---	---
225 hp - DHLSDF	2006-	0,8	IZFR6N-E	4757	---	---
225 hp - DHLSOC	2005-	0,8	IZFR6N-E	4757	---	---
225 hp - DHLSOF	2005-	0,8	IZFR6N-E	4757	---	---
225 hp - DHL SOG	2005-	0,8	IZFR6N-E	4757	---	---
225 hp - DHXSOC	2005-	0,8	IZFR6N-E	4757	---	---
225 hp - DHXSOG	2005-	0,8	IZFR6N-E	4757	---	---
225 hp - DPLSDR	2006-	0,8	IZFR6N-E	4757	---	---
225 hp - DPLSOC	2005-	0,8	IZFR6N-E	4757	---	---
225 hp - DPXSDR	2006-	0,8	IZFR6N-E	4757	---	---
225 hp - DPXSOC	2005-	0,8	IZFR6N-E	4757	---	---
225 hp - DPZSDR	2005-	0,8	IZFR6N-E	4757	---	---
225 hp - DPZSOC	2005-	0,8	IZFR6N-E	4757	---	---
225 hp - E-Tec 225 H0 V6	2007-2008	0,8	IZFR6N-E	4757	---	---
225 hp - E-Tec 225 I V6	2007-2008	0,8	IZFR6N-E	4757	---	---
225 hp - F models	2005-	0,8	PZFR6H	7696	---	---
225 hp - E225DCXSCF	2008-	1,1	IZFR6F11	4095	---	---
225 hp - E225DCXSCG	2008-	1,1	IZFR6F11	4095	---	---
225 hp - E225DCXSCM	2008-	1,1	IZFR6F11	4095	---	---
225 hp - E225DCZSCF	2008-	1,1	IZFR6F11	4095	---	---
225 hp - E225DCZSCG	2008-	1,1	IZFR6F11	4095	---	---
225 hp - E225DCZSCM	2008-	1,1	IZFR6F11	4095	---	---



Stock-No.



Stock-No.

EVINRUDE**250 HP**

250 hp - E250DPLSCF	2008-	1,1	IZFR6F11	4095	---	---
250 hp - E250DPLSCG	2008-	1,1	IZFR6F11	4095	---	---
250 hp - E250DPLSCM	2008-	1,1	IZFR6F11	4095	---	---
250 hp - E250DPXSCF	2008-	1,1	IZFR6F11	4095	---	---
250 hp - E250DPXSCG	2008-	1,1	IZFR6F11	4095	---	---
250 hp - E250DPXSCM	2008-	1,1	IZFR6F11	4095	---	---
250 hp - E250DPZSCF	2008-	1,1	IZFR6F11	4095	---	---
250 hp - E250DPZSCG	2008-	1,1	IZFR6F11	4095	---	---
250 hp - E250DPZSCM	2008-	1,1	IZFR6F11	4095	---	---
250 hp - E250DCXSUA	2007-	1,1	IZFR6F11	4095	---	---
250 hp - E250DCXSUG	2007-	1,1	IZFR6F11	4095	---	---
250 hp - E250DCZSUA	2007-	1,1	IZFR6F11	4095	---	---
250 hp - E250DPLSUA	2007-	1,1	IZFR6F11	4095	---	---
250 hp - E250DPXSUA	2007-	1,1	IZFR6F11	4095	---	---
250 hp - E250DPXSUG	2007-	1,1	IZFR6F11	4095	---	---
250 hp - E250DPZSUA	2007-	1,1	IZFR6F11	4095	---	---
250 hp - E250DPZSUG	2007-	1,1	IZFR6F11	4095	---	---
250 hp - F models V8	2005-	0,8	PZFR6H	7696	---	---
250 hp - V8	1985-1998	0,8	BPZ8HS-10	3133	---	---
250 hp - V8	2003-2004	0,8	PZFR6H	7696	---	---

275 HP

275 hp	1985-1988	0,8	BPZ8HS-10	3133	---	---
--------	-----------	-----	-----------	------	-----	-----

300 HP

300 hp - V8	1985-1997	0,8	BPZ8HS-10	3133	---	---
-------------	-----------	-----	-----------	------	-----	-----

EXPLORER**3.5 HP**

3.5 hp	1981-1984	0,8	XR5	3332	XR5IX	7355
--------	-----------	-----	-----	------	-------	------

5.0 HP

5.0 hp	1981-1984	0,8	XR5	3332	XR5IX	7355
--------	-----------	-----	-----	------	-------	------

7.5 HP

7.5 hp	1981-1984	0,8	XR5	3332	XR5IX	7355
--------	-----------	-----	-----	------	-------	------

9.9 HP

9.9 hp	1981-1984	0,8	XR5	3332	XR5IX	7355
--------	-----------	-----	-----	------	-------	------

15 HP

15 hp	1981-1984	0,8	XR5	3332	XR5IX	7355
-------	-----------	-----	-----	------	-------	------

FEDERAL**3.5 HP**

3.5 hp	1971-1974	0,7	XR4	5858	XR4IX	7189
--------	-----------	-----	-----	------	-------	------

5.0 HP

5.0 hp	1971-1974	0,7	XR4	5858	XR4IX	7189
--------	-----------	-----	-----	------	-------	------

7.0 HP

7.0 hp	1971-1974	0,7	XR4	5858	XR4IX	7189
--------	-----------	-----	-----	------	-------	------

FIAT NAUTICA**3.5 HP**

3.5 hp	-	0,9	BR6HS	3922	BR6HIX	3419
--------	---	-----	-------	------	--------	------

6.0 HP

6.0 hp	-	0,9	BR6HS	3922	BR6HIX	3419
--------	---	-----	-------	------	--------	------



Stock-No.



Stock-No.

FIAT NAUTICA**8.0 HP**

8.0 hp	-	0,9	BR6HS	3922	BR6HIX	3419
--------	---	-----	-------	------	--------	------

12.0 HP

12.0 hp	-	0,9	BR6HS	3922	BR6HIX	3419
---------	---	-----	-------	------	--------	------

14.0 HP

14.0 hp	-	0,9	BR6HS	3922	BR6HIX	3419
---------	---	-----	-------	------	--------	------

24.0 HP

24.0 hp	-	0,9	BR6HS	3922	BR6HIX	3419
---------	---	-----	-------	------	--------	------

FIRESTONE

Featherweight 5	1966-	0,8	BR6S	3522	---	---
-----------------	-------	-----	------	------	-----	-----

FISHER PIERCE

Bearcat 55	-	0,8	BR6S	3522	---	---
------------	---	-----	------	------	-----	-----

Bearcat 85	-	0,8	BR8ES	5422	BR8EIX	5044
------------	---	-----	-------	------	--------	------

FLAMBEAU

Single (2.5PS), Double (5 PS)	-	0,6	B6S	3510	---	---
-------------------------------	---	-----	-----	------	-----	-----

FLYING-O**3.5 HP**

3.5 hp	1968-1969	0,8	BR6S	3522	---	---
--------	-----------	-----	------	------	-----	-----

5.0 HP

5.0 hp	1968-1969	0,8	BR6S	3522	---	---
--------	-----------	-----	------	------	-----	-----

5.0 hp	1970-1974	0,7	XR4	5858	XR4IX	7189
--------	-----------	-----	-----	------	-------	------

5.5 HP

5.5 hp	1975-	0,7	XR4	5858	XR4IX	7189
--------	-------	-----	-----	------	-------	------

7.0 HP

7.0 hp	1970-1972	0,7	XR4	5858	XR4IX	7189
--------	-----------	-----	-----	------	-------	------

7.0 hp	1968-1969	0,8	BR6S	3522	---	---
--------	-----------	-----	------	------	-----	-----

7.5 HP

7.5 hp	1973-	0,7	XR4	5858	XR4IX	7189
--------	-------	-----	-----	------	-------	------

9.9 HP

9.9 hp	1973-1974	0,7	XR4	5858	XR4IX	7189
--------	-----------	-----	-----	------	-------	------

15.0 HP

15.0 hp	1973-1974	0,7	XR4	5858	XR4IX	7189
---------	-----------	-----	-----	------	-------	------

FORCE (U.S. MARINE)**3.0 HP**

3.0 hp	1990-1994	1,0	BP6HS-10	6326	---	---
--------	-----------	-----	----------	------	-----	-----

4.0 HP

4.0 hp	1984-1987	0,8	B6HS	4510	BR6HIX	3419
--------	-----------	-----	------	------	--------	------

5.0 HP

5.0 hp	1988-1993	0,8	BP6HS	4511	BR6HIX	3419
--------	-----------	-----	-------	------	--------	------

5.0 hp	1994-1999	0,9	BP6HS	4511	BR6HIX	3419
--------	-----------	-----	-------	------	--------	------

7.5 HP

7.5 hp	1985-	0,8	B6HS	4510	BR6HIX	3419
--------	-------	-----	------	------	--------	------



Stock-No.



Stock-No.

FORCE (U.S. MARINE)**9.9 HP**

9.9 hp	1984-1993	0,8	BP6HS	4511	BR6HIX	3419
9.9 hp	1994-1999	0,9	BP6HS	4511	BR6HIX	3419

15 HP

15 hp	1984-1993	0,8	BP7HS	5111	BR7HIX	7067
15 hp	1994-1999	0,9	BP7HS	5111	BR7HIX	7067

25 HP

25 hp	1996-1999	0,9	BP7HS	5111	BR7HIX	7067
-------	-----------	-----	-------	------	--------	------

35 HP

35 hp	1986-1991	1,0	B6HS-10	1052	---	---
-------	-----------	-----	---------	------	-----	-----

40 HP

40 hp	1994-1999	-	BUZHW	2147	---	---
40 hp	1992-1993	-	BUHW	2622	---	---

50 HP

50 hp - w/Thunderbolt Ign.	1994-1999	-	BUZHW	2147	---	---
50 hp - w/Thunderbolt Ign.	1991-1993	-	BUHW	2622	---	---
50 hp	1988-1991	-	BUHX	2522	---	---
50 hp	1984-1987	0,8	B7HS	5110	---	---

60 HP

60 hp	1985-	-	BUHW	2622	---	---
-------	-------	---	------	------	-----	-----

70 HP

70 hp - w/Thunderbolt Ign.	1991-1995	-	BUHW	2622	---	---
----------------------------	-----------	---	------	------	-----	-----

75 HP

75 hp	1996-1999	-	BUZHW	2147	---	---
-------	-----------	---	-------	------	-----	-----

85 HP

85 hp	1983-1989	-	BUHX	2522	---	---
-------	-----------	---	------	------	-----	-----

90 HP

90 hp - w/Presolite Ign.	1990-1991	-	BUHX	2522	---	---
90 hp - w/Thunderbolt Ign.	1994-1999	-	BUZHW	2147	---	---
90 hp - w/Thunderbolt Ign.	1991-1993	-	BUHW	2622	---	---

120 HP

120 hp - w/Thunderbolt Ign.	1994-1999	-	BUZHW	2147	---	---
120 hp - w/Thunderbolt Ign.	1991-1993	-	BUHW	2622	---	---
120 hp - w/Presolite Ign.	1990-1991	-	BUHX	2522	---	---

125 HP

125 hp	1983-1989	-	BUHX	2522	---	---
--------	-----------	---	------	------	-----	-----

150 HP

150 hp - w/Presolite Ign.	1989-1991	-	BUHX	2522	---	---
150 hp - w/Thunderbolt Ign.	1991-1994	-	BUHW	2622	---	---

FOREMOST

9.2 hp	-	0,8	BR6S	3522	---	---
--------	---	-----	------	------	-----	-----

FRANCHI

18 hp, 40 hp	-	0,7	B-6L	3212	---	---
6 hp	-	0,7	B6S	3510	---	---



Stock-No.



Stock-No.

FURY

3,5 hp	1961-	0,8	BR6S	3522	---	---
--------	-------	-----	------	------	-----	-----

GALE

Buccaneer 3, 5, 5.5, 12, 15 PS	-	0,8	B6S	3510	---	---
Buccaneer 25, 35, 40, 60 PS	-	0,8	B6S	3510	---	---
Sovereign 35, 40, 60 PS	-	0,8	B6S	3510	---	---

GAMBLES

3.5 HP						
3.5 hp	1970-	0,7	XR4	5858	XR4IX	7189
3.5 hp	-1969	0,8	BR6S	3522	---	---

5.0 HP						
5.0 hp	1970-	0,7	XR4	5858	XR4IX	7189
5.0 hp	-1969	0,8	BR6S	3522	---	---

7.0 HP						
7.0 hp	1969-	0,7	XR4	5858	XR4IX	7189

GARELLI

Gari Jet	-	0,5	B6HS	4510	BR6HIX	3419
----------	---	-----	------	------	--------	------

QUAZZONI

Gamberino 4.5 PS	-	0,5	B6S	3510	---	---
------------------	---	-----	-----	------	-----	-----

HONDA

2.0 HP						
2.0 hp - BF2A - 1cyl. 4 stroke SOHV	-2000	0,6	BMR4A	5728	---	---
2.0 hp - BF20 - 1cyl. 4 stroke Side Valve	1984-1998	0,6	BMR4A	5728	---	---
2.0 hp - BF2D (1026044—>) 1cyl. 4 stroke Side Valve	1999-	0,6	CR4HSB	4695	---	---
2.0 hp - BF2D (—>1026043) 1cyl. 4 stroke Side Valve	2001-	0,6	CR5HSB	6535	---	---

2.3 HP						
2.3 hp - BF2.3	-	0,6	CR5HSB	6535	CR5HIX	7120

5.0 HP						
5.0 hp - BF50 - 1cyl. 4 stroke SOHV	-	0,7	BPR5ES	7422	BPR5EIX	6597
5.0 hp - BF5A - 1cyl. 4 stroke SOHV	-	0,7	BPR5ES	7422	BPR5EIX	6597

6.0 HP						
6.0 hp - BF6CH	2004-	0,9	CR5EH-9	6689	---	---

7.5 HP						
7.5 hp - B75 - 2cyl. 4 stroke SOHC	1977-	0,6	DR5HS	4623	---	---
7.5 hp - BF75 - 2cyl. 4 stroke SOHC	1977-	0,6	DR5HS	4623	---	---

8.0 HP						
8.0 hp - BFP8D1 - 2cyl. 4 stroke SOHC	2001-	0,9	CR5EH-9	6689	---	---
8.0 hp - BF8 - 2cyl. 4 stroke SOHC	-2000	0,6	DR5HS	4623	---	---
8.0 hp - BF8A - 2cyl. 4 stroke SOHC	-2000	0,6	DR5HS	4623	---	---



Stock-No.



Stock-No.

HONDA**8.0 HP**

8.0 hp - BF8D - 2cyl. 4 stroke SOHC	2001-	0,9	CR5EH-9	6689	---	---
8.0 hp - BFP8D - 2cyl. 4 stroke SOHC	2001-	0,9	CR5EH-9	6689	---	---

9.8 HP

9.8 hp - BF100 - 2cyl. 4 stroke SOHC	-	0,6	DR5HS	4623	---	---
--------------------------------------	---	-----	-------	------	-----	-----

9.9 HP

9.9 hp - BF9.9D - 2cyl. 4 stroke SOHC	2001-	0,9	CR5EH-9	6689	---	---
9.9 hp - BFP9.9D - 2cyl. 4 stroke SOHC	2001-	0,9	CR5EH-9	6689	---	---
9.9 hp - BF9.9A - 2cyl. 4 stroke SOHC	-2000	0,6	DR5HS	4623	---	---

15 HP

15 hp - BF15A - 2cyl. 4 stroke SOHC	-2000	0,6	DR6HS	4823	---	---
15 hp - BF15D - 2cyl. 4 stroke SOHC	2001-	0,9	CR5EH-9	6689	---	---
15 hp - BFP15D - 2cyl. 4 stroke SOHC	2001-	0,9	CR5EH-9	6689	---	---

20 HP

20 hp - BF20D - 2cyl. 4 stroke SOHC	2001-	0,9	CR5EH-9	6689	---	---
20 hp - BFP20D - 2cyl. 4 stroke SOHC	2001-	0,9	CR5EH-9	6689	---	---

25 HP

25 hp - BF25A - 3cyl. 4 stroke SOHC	-	0,7	DR7EA	7839	---	---
25 hp - BF25D - 3cyl. 4 stroke SOHC	2004-	0,7	DR7EA	7839	---	---

30 HP

30 hp - BF30A - 3cyl. 4 stroke SOHC	-	0,7	DR7EA	7839	---	---
30 hp - BF30D - 3cyl. 4 stroke SOHC	2004-	0,7	DR7EA	7839	---	---

35 HP

35 hp - BF35A - 3cyl. 4 stroke SOHC	1990-	0,7	DR7EA	7839	---	---
-------------------------------------	-------	-----	-------	------	-----	-----

40 HP

40 hp - BF40A - 3cyl. 4 stroke SOHC	1994-	0,7	DR7EA	7839	---	---
40 hp - BF40D - 3cyl. 4 stroke OHC	2008-	0,7	DR7EB	5469	---	---

45 HP

45 hp - B45 - 3cyl. 4 strokes SOHC	1990-	0,6	DR5HS	4623	---	---
45 hp - BF45A - 3cyl. 4 stroke SOHC	-	0,7	DR7EA	7839	---	---

50 HP

50 hp - BF50F - 3cyl. 4 stroke SOHC	-	0,7	BPR5ES	7422	BPR5EIX	6597
50 hp - BF50A - 3cyl. 4 stroke SOHC	-	0,7	DR7EA	7839	---	---
50 hp - BF50D - 3cyl. 4 stroke OHC	2008-	0,7	DR7EB	5469	---	---

60 HP

60 hp - BF60A - 3cyl. 4 stroke SOHC	2009-	0,9	LMAR6C-9	1679	---	---
60 hp - BFP60A - 3cyl. 4 stroke SOHC	2009-	0,9	LMAR6C-9	1679	---	---

75 HP

75 hp - BF75A - 4cyl. 4 stroke SOHC	2003-	0,7	DR7EA	7839	---	---
75 hp - BF75D V-TEC 4 cyl. 4 stroke	2006-	1,1	IZFR6K-11E	6748	---	---

90 HP

90 hp - BF90A - 4cyl. 4 stroke SOHC	1995-	0,7	DR7EA	7839	---	---
90 hp - BF90D V-TEC 4 cyl. 4 stroke	2006-	1,1	IZFR6K-11E	6748	---	---



Stock-No.



Stock-No.

HONDA**115 HP**

115 hp - BF115A - 4cyl. 4 stroke SOHC	-	0,8	ZFR7F	5913	---	---
---------------------------------------	---	-----	-------	------	-----	-----

130 HP

130 hp - BF130A - 4cyl. 4 stroke SOHC	-	0,8	ZFR7F	5913	---	---
---------------------------------------	---	-----	-------	------	-----	-----

135 HP

135 hp - BF135A - 4cyl. 4 stroke DOHC	-	1,1	IZFR6K11	6994	---	---
---------------------------------------	---	-----	----------	------	-----	-----

150 HP

150 hp - BF150A - 4cyl. 4 stroke DOHC	-	1,1	IZFR6K11	6994	---	---
---------------------------------------	---	-----	----------	------	-----	-----

175 HP

175 hp - BF175A - 6cyl. 4 stroke SOHC	-	1,1	IZFR6F11	4095	---	---
---------------------------------------	---	-----	----------	------	-----	-----

200 HP

200 hp - BF200A - 6cyl. 4 stroke SOHC	-	1,1	IZFR6F11	4095	---	---
---------------------------------------	---	-----	----------	------	-----	-----

220 HP

220 hp - BF220A - 6cyl. 4 stroke SOHC	-	1,1	IZFR6F11	4095	---	---
---------------------------------------	---	-----	----------	------	-----	-----

225 HP

225 hp - BF225A - 6cyl. 4 stroke SOHC	-	1,1	IZFR6F11	4095	---	---
---------------------------------------	---	-----	----------	------	-----	-----

250 HP

250 hp - BF250A - 6cyl. 4 stroke SOHC	09.2011-	1,1	ZFR6K-11E	94001	IZFR6K-11E	6748
---------------------------------------	----------	-----	-----------	-------	------------	------

HUSQVARNA

all models	-	0,5	B6HS	4510	BR6HIX	3419
------------	---	-----	------	------	--------	------

ITALMARINE**70 HP**

70 hp 920 25 SIL / SITL	-	1,0	BZ7HS-10	3579	---	---
-------------------------	---	-----	----------	------	-----	-----

150 HP

150 hp Ocean Runner V6	-	-	BUZHW	2147	---	---
------------------------	---	---	-------	------	-----	-----

175 HP

175 hp Ocean Runner V6	-	-	BUZHW	2147	---	---
------------------------	---	---	-------	------	-----	-----

200 HP

200 hp Ocean Runner V6	-	1,0	BZ7HS-10	3579	---	---
------------------------	---	-----	----------	------	-----	-----

225 HP

225 hp Ocean Runner V6	-	1,0	BZ7HS-10	3579	---	---
------------------------	---	-----	----------	------	-----	-----

250 HP

250 hp Ocean Runner V6	-	1,0	BZ7HS-10	3579	---	---
------------------------	---	-----	----------	------	-----	-----

J.C.PENNY**3.0 HP**

3.0 hp	1974-1980	0,7	XR4	5858	XR4IX	7189
--------	-----------	-----	-----	------	-------	------

3.5 HP

3.5 hp	1978-1980	0,7	XR4	5858	XR4IX	7189
--------	-----------	-----	-----	------	-------	------

5.0 HP

5.0 hp	1979-	0,7	XR4	5858	XR4IX	7189
--------	-------	-----	-----	------	-------	------

5.5 HP

5.5 hp	1974-1978	0,7	XR4	5858	XR4IX	7189
--------	-----------	-----	-----	------	-------	------

7.5 HP

7.5 hp	1974-1979	0,7	XR4	5858	XR4IX	7189
--------	-----------	-----	-----	------	-------	------

9.9 HP

9.9 hp	1975-1979	0,7	XR4	5858	XR4IX	7189
--------	-----------	-----	-----	------	-------	------

15.0 HP

15.0 hp	1975-1978	0,7	XR4	5858	XR4IX	7189
---------	-----------	-----	-----	------	-------	------



Stock-No.



Stock-No.

J.L.O.

Aquascooter	-	0,5	B6HS	4510	BR6HIX	3419
L-35	-	0,5	B6HS	4510	BR6HIX	3419

JOHNSON

Ø 18mm	1939-1950	0,8	AB-6	2910	---	---
3.6 L	1985-1986	0,8	BZ7HS-10	3579	---	---
Air Bouy Diving Unit	-	0,6	BM4A	5628	---	---
CD, JH	1954-1968	0,8	B6S	3510	---	---
FD, FDE	1956-1968	0,8	B6S	3510	---	---
JHF, JWF	1967-1968	0,8	B6S	3510	---	---
JW	1952-1968	0,8	B6S	3510	---	---
LD	1965-1968	0,8	B6S	3510	---	---
MQ	1964-1968	0,8	B6S	3510	---	---
RD, RDE, RDDS, RJE, RK	1951-1968	0,8	B6S	3510	---	---
RX	1962-1968	0,8	B6S	3510	---	---
RXE	1965-1968	0,8	B6S	3510	---	---
SC	1968-	0,8	B6S	3510	---	---
TN, AD, QD, V4H, V4ML	1952-1966	0,8	B6S	3510	---	---

1.0 HP

1.0 hp - 1R	1968-1970	0,8	B6S	3510	---	---
-------------	-----------	-----	-----	------	-----	-----

1.1 HP

1.1 hp	1946-1947	0,8	B-4L	3112	---	---
--------	-----------	-----	------	------	-----	-----

1.2 HP

1.2 hp - Magneto	1986-1990	0,8	B6S	3510	---	---
------------------	-----------	-----	-----	------	-----	-----

1.5 HP

1.5 hp	1968-1970	0,8	B6S	3510	---	---
--------	-----------	-----	-----	------	-----	-----

2.0 HP

2.0 hp - Aquanaut Diving Unit	1966-1970	0,8	BM4A	5628	---	---
2.0 hp - 2R	1971-1984	0,8	B6S	3510	---	---
2.0 hp - Excel 4, Ultra	1987-1988	0,8	B7HS	5110	---	---
2.0 hp - Colt, Jr	1971-1990	0,8	B6S	3510	---	---
2.0 hp - 1-cyl.	1991-2001	0,8	BPR6HS	7022	BPR6HIX	4085
2.0 hp	1968-1970	0,8	B6S	3510	---	---

2.3 HP

2.3 hp - 1-cyl.	1991-1998	0,8	BPR6HS	7022	BPR6HIX	4085
-----------------	-----------	-----	--------	------	---------	------

2.5 HP

2.5 hp	1987-1988	0,8	BR6HS	3922	BR6HIX	3419
--------	-----------	-----	-------	------	--------	------

3.0 HP

3.0 hp - 2-cyl.	1989-1997	0,8	BR6HS	3922	BR6HIX	3419
3.0 hp - Lightwin	1952-1974	0,8	B6S	3510	---	---
3.0 hp	1952-1968	0,8	B6S	3510	---	---

3.3 HP

3.3 hp - 1-cyl.	1991-2003	0,8	BPR6HS	7022	BPR6HIX	4085
3.3 hp	1948-1951	0,8	B6S	3510	---	---

3.5 HP

3.5 hp	2004-2005	0,5	BP7HS	5111	BR7HIX	7067
--------	-----------	-----	-------	------	--------	------

4.0 HP

4.0 hp	1977-1987	0,8	BR6HS	3922	BR6HIX	3419
4.0 hp	1988-	0,8	BZ7HS-10	3579	---	---
4.0 hp - V4S, VX, VXH	1958-1967	0,8	B6S	3510	---	---



Stock-No.



Stock-No.

JOHNSON**4.0 HP**

4.0 hp - V4, V4A, V4M	1958-1967	0,8	B6S	3510	---	---
4.0 hp - 4R, 4W	1969-1976	0,8	B6S	3510	---	---
4.0 hp	1981-1984	0,8	BZ7HS-10	3579	---	---
4.0 hp - Excel, Ultra	1987-1988	0,8	BZ7HS-10	3579	---	---
4.0 hp - 2-cyl.	1989-2003	0,8	BR6HS	3922	BR6HIX	3419
4.0 hp	2004-2005	0,9	BPR6ES	7822	BPR6EIX	6637
4.0 hp	1969-1976	0,8	B6S	3510	---	---

4.5 HP

4.5 hp	1980-1985	0,8	BR6HS	3922	BR6HIX	3419
--------	-----------	-----	-------	------	--------	------

5.0 HP

5.0 hp - Angler	1965-1968	0,8	B6S	3510	---	---
5.0 hp	2004-2005	0,9	BPR6ES	7822	BPR6EIX	6637
5.0 hp - 4 stroke	1997-2003	0,7	D6HA	6512	---	---
5.0 hp - 1-cyl.	1998-2001	0,8	BZ7HS-10	3579	---	---
5.0 hp	1990-1997	0,8	BR6HS	3922	BR6HIX	3419

5.2 HP

5.2 hp - Lightwin	1952-1974	0,8	B6S	3510	---	---
-------------------	-----------	-----	-----	------	-----	-----

5.5 HP

5.5 hp	1956-1964	0,8	B6S	3510	---	---
--------	-----------	-----	-----	------	-----	-----

6.0 HP

6.0 hp	2005-	0,9	BPR6ES	7822	BPR6EIX	6637
6.0 hp - RLSRS, RSRS	2004-	0,8	BR6HS	3922	BR6HIX	3419
6.0 hp - 4 stroke	1997-2003	0,7	D6HA	6512	---	---
6.0 hp - 2 stroke	1977-2001	0,8	BR6HS	3922	BR6HIX	3419
6.0 hp - 6R, 6RL	1971-1976	0,8	B6S	3510	---	---
6.0 hp	1965-1976	0,8	B6S	3510	---	---

6.5 HP

6.5 hp - COM	1981-1993	0,8	BR6HS	3922	BR6HIX	3419
--------------	-----------	-----	-------	------	--------	------

7.5 HP

7.5 hp	1977-1997	0,8	BR6HS	3922	BR6HIX	3419
7.5 hp	1952-1958	0,8	B6S	3510	---	---

8.0 HP

8.0 hp - RLSRC, RSRC	2004-	0,8	BR6HS	3922	BR6HIX	3419
8.0 hp - 4 stroke	1996-1998	0,7	D6HA	6512	---	---
8.0 hp - 2 stroke	1977-2001	0,8	BR6HS	3922	BR6HIX	3419
8.0 hp - 4 stroke 211cc	1996-2003	0,7	D6HA	6512	---	---
8.0 hp	2005-	0,8	BR6HS	3922	BR6HIX	3419
8.0 hp - COM	1977-2001	0,8	BR6HS	3922	BR6HIX	3419

9.0 HP

9.0 hp - 9R, 9RL, 9EL	1974-	0,8	BZ7HS-10	3579	---	---
-----------------------	-------	-----	----------	------	-----	-----

9.5 HP

9.5 hp	1952-1973	0,8	B6S	3510	---	---
--------	-----------	-----	-----	------	-----	-----

9.7 HP

9.7 hp	1942-1949	0,8	AB-6	2910	---	---
--------	-----------	-----	------	------	-----	-----

9.9 HP

9.9 hp - 4 stroke OHC 302cc	2002-2004	0,8	DCPR7E	3932	DCPR7EIX	6046
9.9 hp - 2 stroke SOHC	2002-2004	0,8	DCPR7E	3932	DCPR7EIX	6046
9.9 hp - 4 stroke OHC 305cc	1995-2004	0,8	DCPR7E	3932	DCPR7EIX	6046



Stock-No.



Stock-No.

JOHNSON**9.9 HP**

9.9 hp - 2 stroke OHC	1977-2001	0,8	BR7HS	4122	BR7HIX	7067
9.9 hp	1974-1976	0,8	B7HS	5110	---	---

10 HP

10 hp	1952-1963	0,8	B6S	3510	---	---
10 hp	2006-	0,8	BR7HS	4122	BR7HIX	7067
10 hp - 10E, 10EL	1975-1976	0,8	BZ7HS-10	3579	---	---
10 hp - 10R, 10RL	1975-1976	0,8	BZ7HS-10	3579	---	---
10 hp - COM	1994-2002	0,8	BR7HS	4122	BR7HIX	7067
10 hp - COM	1992-1993	0,8	BZ7HS-10	3579	---	---
10 hp - COM	1981-1982	-	BUHW-2	5626	---	---
10 hp - EL4SOR, R4SOA, L4SOA, TBL4SOB, TE4SOA, TEL4SOA	2005-	0,8	BKR6ES	3783	BKR6EIX	6418
10 hp - EL4SRC, R4SR, RL4SR, RBL4SR, RE4SR, TEL4SR	2004-	0,9	DCPR6E	3481	DCPR6EIX	8196
10 hp - RHLSOR, RHSOR, RLSOS, RSOS	2005-	0,8	BR7HS	4122	BR7HIX	7067
10 hp - RHLSRC, RHSRC, RLSRD, RSRD	2004-	0,8	BR7HS	4122	BR7HIX	7067
10 hp - R4STC, BL4STS, LE4STS, L4STC, BL4STC, RE4STC, TEL4STC	2003-	0,9	DCPR6E	3481	DCPR6EIX	8196
10 hp - RHLSTS, RHSTS, RLSTE, RSTE	2003-	0,8	BR7HS	4122	BR7HIX	7067

14 HP

14 hp	1988-1989	0,8	BZ7HS-10	3579	---	---
14 hp - COM	1981-1991	0,8	BZ7HS-10	3579	---	---
14 hp - Fastwin	1950-1972	0,8	B6S	3510	---	---

15 HP

15 hp - Kero	1995-1998	-	BUHXW-1	5526	---	---
15 hp	1956-1971	0,8	B6S	3510	---	---
15 hp	1956-1958	0,8	B6S	3510	---	---
15 hp	1974-1976	0,8	B7HS	5110	---	---
15 hp	1978-1980	-	BUHW-2	5626	---	---
15 hp	1977-1992	0,8	BZ7HS-10	3579	---	---
15 hp	2005-	0,8	BKR6ES	3783	BKR6EIX	6418
15 hp	2006-	0,8	BR7HS	4122	BR7HIX	7067
15 hp - 15E, 15EL, 15R, 15RL	1974-1976	0,8	BZ7HS-10	3579	---	---
15 hp - COM	1992-1993	0,8	BZ7HS-10	3579	---	---
15 hp - COM	1994-2001	0,8	BR7HS	4122	BR7HIX	7067
15 hp - 2 stroke	1994-2001	0,8	BR7HS	4122	BR7HIX	7067
15 hp - 4 stroke OHC	1995-2003	0,8	DCPR7E	3932	DCPR7EIX	6046
15 hp - LSRS, RSRS, WRLSRM, WRSRM	2004-	0,8	BR7HS	4122	BR7HIX	7067
15 hp - L4SR, R4SR, TE4SR, TEL4SR	2004-	0,9	DCPR6E	3481	DCPR6EIX	8196

18 HP

18 hp	1957-1973	0,8	B6S	3510	---	---
18 hp - Jet 2 cyl.	1995-1998	0,8	BR7HS	4122	BR7HIX	7067
18 hp - Fastwin	1950-1972	0,8	B6S	3510	---	---
18 hp - Fastwin	1957-1973	0,8	B8S	3810	---	---

20 HP

20 hp	1966-1973	0,8	B6S	3510	---	---
20 hp	1978-1993	0,8	BR7HS	4122	BR7HIX	7067
20 hp - 20R, 20RL	1973-	0,8	B6S	3510	---	---
20 hp - 2 cyl.	1978-1998	0,8	BR7HS	4122	BR7HIX	7067
20 hp - Jet - 2 cyl.	1999-2001	0,8	BR7HS	4122	BR7HIX	7067
20 hp - 20R, 25R	1969-1972	0,8	B6S	3510	---	---
20 hp - 20RL, 25RL	1971-1972	0,8	B6S	3510	---	---



Stock-No.



Stock-No.

JOHNSON**25 HP**

25 hp - 20R, 25R	1969-1972	0,8	B6S	3510	---	---
25 hp	1952-1955	0,8	B6S	3510	---	---
25 hp	1969-1976	0,8	B6S	3510	---	---
25 hp	2003-2005	0,8	BZ7HS-10	3579	---	---
25 hp - 25E, 25EL, 25R, 25RL	1973-1976	0,8	B6S	3510	---	---
25 hp - 3 cyl.	1995-2001	0,8	BR6HS	3922	BR6HIX	3419
25 hp - 2 cyl.	1977-2002	0,8	BR7HS	4122	BR7HIX	7067
25 hp - COM	1981-2002	-	BUHXW-1	5526	---	---
25 hp - 20R, 25R	1969-1972	0,8	B6S	3510	---	---

28 HP

28 hp	1962-1964	0,8	B6S	3510	---	---
28 hp - 28 Jet	1992-2003	0,8	BPZ8HS-10	3133	---	---
28 hp - SPL 2 cyl.	1978-1997	0,8	BR7HS	4122	BR7HIX	7067

30 HP

30 hp	2004-2005	0,8	BZ7HS-10	3579	---	---
30 hp - Jet 2 cyl.	1999-2001	0,8	BPR7HS	6422	---	---
30 hp - 2 cyl.	1978-2002	0,8	BR7HS	4122	BR7HIX	7067
30 hp - 4 stroke OHC	1995-2003	0,8	DCPR7E	3932	DCPR7EIX	6046

33 HP

33 hp	1969-1970	0,8	B6S	3510	---	---
-------	-----------	-----	------------	-------------	-----	-----

35 HP

35 hp	1969-1970	0,8	B6S	3510	---	---
35 hp	1976-	0,8	B7HS	5110	---	---
35 hp	1957-1959	0,8	B6S	3510	---	---
35 hp - 2 cyl.	1977-1997	0,8	BZ7HS-10	3579	---	---
35 hp - 3 cyl.	1995-2001	0,8	BR7HS	4122	BR7HIX	7067
35 hp - Jet 2 cyl.	1993-2003	0,8	BPZ8HS-10	3133	---	---

40 HP

40 hp	1960-1973	0,8	B6S	3510	---	---
40 hp	1974-1976	0,8	B7HS	5110	---	---
40 hp	2005-	0,9	DCPR6E	3481	DCPR6EIX	8196
40 hp - COM 43cid	1981-1990	0,8	B7HS	5110	---	---
40 hp - 2 cyl.	1980-1988	0,8	BZ7HS-10	3579	---	---
40 hp - 40E, 40EL, 40R, 40RL	1975-1976	0,8	BZ7HS-10	3579	---	---
40 hp - 40E, 40EL, 40R, 40RL	1969-1973	0,8	B6S	3510	---	---
40 hp - 40E, 40EL, 40R, 40RL	1974-	0,8	BZ7HS-10	3579	---	---
40 hp - Jet 3 cyl.	1999-2001	0,8	BPR7HS	6422	---	---
40 hp - COM 45 cid	1984-2003	-	BUHXW-1	5526	---	---
40 hp - 4 stroke DOHC	2002-2004	0,8	DCPR7E	3932	DCPR7EIX	6046
40 hp - PLSRS, RLSRS, RSRS	2004-	0,8	BZ7HS-10	3579	---	---
40 hp - PL4SRM, PL4SRS	2004-	0,9	DCPR6E	3481	DCPR6EIX	8196
40 hp - 2 cyl.	1989-2002	0,8	BPZ8HS-10	3133	---	---

45 HP

45 hp - COM	1984-2002	-	BUHXW-1	5526	---	---
-------------	-----------	---	----------------	-------------	-----	-----

48 HP

48 hp - SPL 2 cyl.	1994-1997	0,8	BPZ8HS-10	3133	---	---
48 hp - 2 cyl.	1980-1988	0,8	BZ7HS-10	3579	---	---
48 hp - 2cyl.	1989-1997	0,8	BPZ8HS-10	3133	---	---



Stock-No.



Stock-No.

JOHNSON**50 HP**

50 hp	1958-1959	0,8	B6S	3510	---	---
50 hp - PLSTD	2003-	0,8	BZ7HS-10	3579	---	---
50 hp - Sizzler	1971-1975	0,8	B7HS	5110	---	---
50 hp - 2 cyl.	1980-1988	0,8	BZ7HS-10	3579	---	---
50 hp - 3 cyl.	1995-1998	0,8	BPZ8HS-10	3133	---	---
50 hp - 2 cyl.	1989-2002	0,8	BPZ8HS-10	3133	---	---
50 hp - PL4STC	2003-	0,9	DCPR6E	3481	DCPR6EIX	8196
50 hp - PL4SRS, PL4SRM	2004-	0,9	DCPR6E	3481	DCPR6EIX	8196
50 hp - PLSRS	2004-	0,8	BZ7HS-10	3579	---	---
50 hp	2005-	0,9	DCPR6E	3481	DCPR6EIX	8196

55 HP

55 hp - 3 cyl.	1968-1969	0,8	BZ7HS-10	3579	---	---
55 hp - 2 cyl.	1976-1989	0,8	B7HS	5110	---	---
55 hp - COM 2 cyl.	1994-1995	0,8	BPZ8HS-10	3133	---	---
55 hp - COM	1986-2005	-	BUHXW-1	5526	---	---

60 HP

60 hp - Triumph	1970-1971	-	BUHW	2622	---	---
60 hp - V4	1964-1967	0,8	B6S	3510	---	---
60 hp - 3 cyl. 49 cid	1975-1989	0,8	BZ7HS-10	3579	---	---
60 hp - 3 cyl. 56 cid	1989-1993	0,8	BZ7HS-10	3579	---	---
60 hp - 2 cyl.	1980-1985	0,8	BZ7HS-10	3579	---	---
60 hp	1999-2001	0,8	BZ7HS-10	3579	---	---
60 hp - 3 cyl. 56 cid	1994-1998	0,8	BPZ8HS-10	3133	---	---
60 hp - 4 stroke OHC	2002-2005	0,9	BPR6ES	7822	BPR6EIX	6637

65 HP

65 hp - V4 Sportfour	1968-	0,8	BZ7HS-10	3579	---	---
65 hp - 3 cyl.	1972-1973	0,8	BZ7HS-10	3579	---	---
65 hp - COM HC LC	1984-1987	0,8	BZ7HS-10	3579	---	---
65 hp - COM 3cyl.	1994-1995	0,8	BPZ8HS-10	3133	---	---
65 hp - 65 Jet CV4	1992-1997	0,8	BR7HS	4122	BR7HIX	7067
65 hp - COM HC LC	1988-2003	-	BUHXW-1	5526	---	---

70 HP

70 hp - 3 cyl. 49 cid	1975-1989	0,8	BZ7HS-10	3579	---	---
70 hp - 3 cyl. 56 cid	1989-1993	0,8	BZ7HS-10	3579	---	---
70 hp - 3 cyl. 56 cid	1994-2001	0,8	BPZ8HS-10	3133	---	---
70 hp	2002-2005	0,9	BPR6ES	7822	BPR6EIX	6637

75 HP

75 hp - V4	1960-1965	0,8	B6S	3510	---	---
------------	-----------	-----	------------	-------------	-----	-----

80 HP

80 hp	1966-1967	0,8	B6S	3510	---	---
80 hp - Starfire	1966-1967	0,8	B8S	3810	---	---
80 hp - 80 Jet CV4	1979-2001	0,8	BR7HS	4122	BR7HIX	7067

85 HP

85 hp	1968-1980	0,8	B7HS	5110	---	---
85 hp	1986-1993	0,8	BZ7HS-10	3579	---	---
85 hp - V4 Backtroller	1994-1995	0,8	BR7HS	4122	BR7HIX	7067



Stock-No.



Stock-No.

JOHNSON**88 HP**

88 hp - CV4 SPL	1979-1997	0,8	BR7HS	4122	BR7HIX	7067
-----------------	-----------	-----	-------	------	--------	------

90 HP

90 hp	1964-1965	0,8	B6S	3510	---	---
90 hp - LV4 F.F.I.	1998-	0,8	PZFR6H	7696	---	---
90 hp - CV4	1979-1998	0,8	BR7HS	4122	BR7HIX	7067
90 hp - Turbojet CV4	1994-1998	0,8	BR7HS	4122	BR7HIX	7067
90 hp - LV4	1995-2000	0,8	BPZ8HS-10	3133	---	---
90 hp - Carburator	2001-2002	0,8	BZ7HS-10	3579	---	---
90 hp - PL4STC, PX4STC, PL4STC, PX4STC	2003-	0,8	BKR6ES	3783	BKR6EIX	6418
90 hp - GLSTA, PLSTC	2003-	0,8	BZ7HS-10	3579	---	---
90 hp - GLSRM, PLSRR, PXSRS	2004-	0,8	BZ7HS-10	3579	---	---
90 hp - PL4SRC, PX4SRC, PL4SRC, PX4SRC	2004-	0,8	BKR6ES	3783	BKR6EIX	6418
90 hp - GLSOB, PX4SOR	2005-	0,8	BKR6ES	3783	BKR6EIX	6418
90 hp - PL4SOR, PLSOA, PXSOC	2005-	0,8	BZ7HS-10	3579	---	---
90 hp	2006-	0,8	BZ7HS-10	3579	---	---

100 HP

100 hp - Starfire	1967-1972	0,8	B7HS	5110	---	---
100 hp	1966-	0,8	B6S	3510	---	---
100 hp - V4	1979-1980	0,8	B7HS	5110	---	---
100 hp - COM	1984-2001	-	BUHXW-1	5526	---	---

105 HP

105 hp - COM LV4	1997-2003	0,8	BPZ8HS-10	3133	---	---
105 hp - LV6 105 Jet	1993-2003	0,8	BPZ8HS-10	3133	---	---

110 HP

110 hp - CV4	1979-1997	0,8	BR7HS	4122	BR7HIX	7067
--------------	-----------	-----	-------	------	--------	------

112 HP

112 hp - CV4	1979-1997	0,8	BR7HS	4122	BR7HIX	7067
--------------	-----------	-----	-------	------	--------	------

115 HP

115 hp - L4SRC, 5X4SRC, PL4SRC, PX4SRC	2004-	0,8	BKR6ES	3783	BKR6EIX	6418
115 hp - Turbojet CV4	1994-1998	0,8	BR7HS	4122	BR7HIX	7067
115 hp	1969-1970	0,8	B7HS	5110	---	---
115 hp	1973-1979	0,8	BZ7HS-10	3579	---	---
115 hp - COM	1975-1984	0,8	B7HS	5110	---	---
115 hp	1985-	-	BUHXW-1	5526	---	---
115 hp	1986-1993	0,8	BZ7HS-10	3579	---	---
115 hp - CV4	1979-1998	0,8	BR7HS	4122	BR7HIX	7067
115 hp - X-115	1967-1968	-	BUHW	2622	---	---
115 hp - LV4 F.F.I.	1998-	0,8	PZFR6H	7696	---	---
115 hp - Fast Strike LV4	1995-2002	0,8	BPZ8HS-10	3133	---	---
115 hp - GLSTA, PLSTS, PXSTS	2003-	0,8	BPZ8HS-10	3133	---	---
115 hp - GLSRC, PLSRC, PXSRC, WPLSRS	2004-	0,8	BPZ8HS-10	3133	---	---
115 hp - PL450R, PX450R	2005-	0,8	BKR6ES	3783	BKR6EIX	6418
115 hp - GLSOB, PLSOR, PXSOR, WPLSOC	2005-	0,8	BPZ8HS-10	3133	---	---
115 hp	2006-	0,8	BPZ8HS-10	3133	---	---
115 hp - L4STS, X4STS, PL4STS, PX4STS	2003-	0,8	BKR6ES	3783	BKR6EIX	6418

120 HP

120 hp - LV4	1985-2003	0,8	BPZ8HS-10	3133	---	---
--------------	-----------	-----	-----------	------	-----	-----

125 HP

125 hp - 125 Com	1971-1972	0,8	B7HS	5110	---	---
------------------	-----------	-----	------	------	-----	-----



Stock-No.



Stock-No.

JOHNSON**130 HP**

130 hp - LV4	1985-2003	0,8	BPZ8HS-10	3133	---	---
--------------	-----------	-----	-----------	------	-----	-----

135 HP

135 hp - Starflite	1973-1984	-	BUHXW-1	5526	---	---
--------------------	-----------	---	---------	------	-----	-----

140 HP

140 hp	1973-1984	-	BUHXW-1	5526	---	---
--------	-----------	---	---------	------	-----	-----

140 hp	2003-2005	0,8	BKR6ES	3783	BKR6EIX	6418
--------	-----------	-----	--------	------	---------	------

140 hp - LV4	1985-2002	0,8	BPZ8HS-10	3133	---	---
--------------	-----------	-----	-----------	------	-----	-----

150 HP

150 hp - CV6	1978-1987	-	BUHXW-1	5526	---	---
--------------	-----------	---	---------	------	-----	-----

150 hp - CV6	1988-1991	0,8	BZ7HS-10	3579	---	---
--------------	-----------	-----	----------	------	-----	-----

150 hp - COM LV6	1993-1998	0,8	BPZ8HS-10	3133	---	---
------------------	-----------	-----	-----------	------	-----	-----

150 hp - LV6 F.F.I.	1997-1998	0,8	PZFR6H	7696	---	---
---------------------	-----------	-----	--------	------	-----	-----

150 hp - Fast Strike LV6	1991-2001	0,8	BPZ8HS-10	3133	---	---
--------------------------	-----------	-----	-----------	------	-----	-----

150 hp - Carbureted	2002-	0,8	BPZ8HS-10	3133	---	---
---------------------	-------	-----	-----------	------	-----	-----

150 hp	2003-2006	0,8	BPZ8HS-10	3133	---	---
--------	-----------	-----	-----------	------	-----	-----

155 HP

155 hp - CV6	1978-1987	-	BUZ8H	7447	---	---
--------------	-----------	---	-------	------	-----	-----

155 hp - COM CV6	1989-1992	-	BUZ8H	7447	---	---
------------------	-----------	---	-------	------	-----	-----

--	--	--	--	--	--	--

175 HP

175 hp	1999-2006	0,8	BPZ8HS-10	3133	---	---
--------	-----------	-----	-----------	------	-----	-----

175 hp - Fast Strike LV6	1991-2002	0,8	BPZ8HS-10	3133	---	---
--------------------------	-----------	-----	-----------	------	-----	-----

175 hp - CV6	1988-1991	0,8	BZ7HS-10	3579	---	---
--------------	-----------	-----	----------	------	-----	-----

175 hp	1977-1987	-	BUHXW-1	5526	---	---
--------	-----------	---	---------	------	-----	-----

175 hp - LV6 F.F.I.	1998-	0,8	PZFR6H	7696	---	---
---------------------	-------	-----	--------	------	-----	-----

185 HP

185 hp	1977-1987	-	BUZ8H	7447	---	---
--------	-----------	---	-------	------	-----	-----

185 hp	1990-1993	0,8	BZ7HS-10	3579	---	---
--------	-----------	-----	----------	------	-----	-----

--	--	--	--	--	--	--

200 HP

200 hp	1976-1983	-	BUZ8H	7447	---	---
--------	-----------	---	-------	------	-----	-----

200 hp - V6	1986-1993	0,8	BZ7HS-10	3579	---	---
-------------	-----------	-----	----------	------	-----	-----

200 hp - COM	1992-	-	BUZ8H	7447	---	---
--------------	-------	---	-------	------	-----	-----

200 hp	2004-2005	0,8	BKR6ES	3783	BKR6EIX	6418
--------	-----------	-----	--------	------	---------	------

200 hp - LV6 DI	2004-	0,8	PZFR6H	7696	---	---
-----------------	-------	-----	--------	------	-----	-----

200 hp - Venom LV6	1994-2003	0,8	BPZ8HS-10	3133	---	---
--------------------	-----------	-----	-----------	------	-----	-----

200 hp - COM	1993-1998	0,8	BPZ8HS-10	3133	---	---
--------------	-----------	-----	-----------	------	-----	-----

--	--	--	--	--	--	--

225 HP

225 hp	2004-2005	0,8	BKR6ES	3783	BKR6EIX	6418
--------	-----------	-----	--------	------	---------	------

225 hp - Venom LV6	1994-2001	0,8	BPZ8HS-10	3133	---	---
--------------------	-----------	-----	-----------	------	-----	-----

225 hp - V6	1986-1993	0,8	BZ7HS-10	3579	---	---
-------------	-----------	-----	----------	------	-----	-----

225 hp - LV6 DI	2004-	0,8	PZFR6H	7696	---	---
-----------------	-------	-----	--------	------	-----	-----

--	--	--	--	--	--	--

235 HP

235 hp	1978-1985	-	BUHXW-1	5526	---	---
--------	-----------	---	---------	------	-----	-----

250 HP

250 hp - LV6	1999-2001	-	BUHXW-1	5526	---	---
--------------	-----------	---	---------	------	-----	-----

250 hp - V8	1985-1997	0,8	BPZ8HS-10	3133	---	---
-------------	-----------	-----	-----------	------	-----	-----

--	--	--	--	--	--	--

275 HP

275 hp	1985-1988	0,8	BPR7HS	6422	---	---
--------	-----------	-----	--------	------	-----	-----



Stock-No.



Stock-No.

JOHNSON**300 HP**

300 hp - V8	1985-1997	0,8	BPZ8HS-10	3133	---	---
-------------	-----------	-----	-----------	------	-----	-----

LAURA

Boatmaster	-	0,5	B6HS	4510	BR6HIX	3419
Boatmaster Sustained full throttle	-	0,8	BR6HS	3922	BR6HIX	3419

MARINEPOWER**2.5 HP**

2.5 hp - 2 stroke	-	1,0	BPR6HS-10	2633	---	---
-------------------	---	-----	-----------	------	-----	-----

3.3 HP

3.3 hp - 2 stroke	-	1,0	BPR6HS-10	2633	---	---
-------------------	---	-----	-----------	------	-----	-----

4 HP

4 hp - 2 stroke	-	1,0	BPR7HS-10	1092	---	---
4 hp - 4 stroke	-	0,6	DCPR6E	3481	DCPR6EIX	8196

5 HP

5 hp - 4 stroke	-	0,8	DCPR6E	3481	DCPR6EIX	8196
5 hp - 2 stroke	-	1,0	BPR7HS-10	1092	---	---

6 HP

6 hp - 2 stroke	-	1,0	BP8H-N-10	4838	---	---
6 hp - 4 stroke	-	0,8	DCPR6E	3481	DCPR6EIX	8196

8 HP

8 hp - 2 stroke	-	1,0	BP8H-N-10	4838	---	---
8 hp - 4 stroke	-	0,9	DPR6EA-9	5531	---	---

9.9 HP

9.9 hp - 2 stroke	-	1,5	BP8HS-15	6729	---	---
9.9 hp - 4 stroke	-	0,9	DPR6EA-9	5531	---	---

10 HP

10 hp - Seapro Marathon	-	1,5	BP8HS-15	6729	---	---
10 hp - 2 stroke	-	1,5	BP8HS-15	6729	---	---

15 HP

15 hp - 4 stroke	-	0,9	DPR6EA-9	5531	---	---
15 hp - 2 stroke	-	1,5	BP8HS-15	6729	---	---
15 hp - Seapro Marathon	-	1,5	BP8HS-15	6729	---	---

20 HP

20 hp - 2 stroke	-	1,0	BP8H-N-10	4838	---	---
------------------	---	-----	-----------	------	-----	-----

25 HP

25 hp - 4 stroke	-	0,9	DPR6EA-9	5531	---	---
25 hp - 2 stroke	-	1,0	BP8H-N-10	4838	---	---

30 HP

30 hp - 4 stroke	-	0,9	DCPR7E	3932	DCPR7EIX	6046
30 hp - Carburator 4 stroke	-	0,9	DPR6EA-9	5531	---	---
30 hp - 4 stroke	-	1,0	BPZ8H-N-10	4495	---	---



Stock-No.



Stock-No.

MARINEPOWER**40 HP**

40 hp - EFI 4 stroke	-	0,9	DCPR7E	3932	DCPR7EIX	6046
40 hp - Carburator 4 stroke	-	0,9	DPR6EA-9	5531	---	---
40 hp - 2 stroke	-	1,0	BPZ8H-N-10	4495	---	---

45 HP

45 hp - 4 stroke	-2001	0,9	DPR6EA-9	5531	---	---
------------------	-------	-----	----------	------	-----	-----

50 HP

50 hp - 4 stroke	-	0,9	DPR6EA-9	5531	---	---
50 hp - 4 stroke	-	0,9	DPR6EA-9	5531	---	---
50 hp - 2 stroke	-	1,0	BPZ8H-N-10	4495	---	---

60 HP

60 hp - 2 stroke	-	1,0	BPZ8H-N-10	4495	---	---
60 hp - 4 stroke	-2001	1,0	BPZ8H-N-10	4495	---	---

75 HP

75 hp - 4 stroke	-	1,1	LFR5A-11	6376	LFR5AIX---11	4469
75 hp - 2 stroke	-	-	BUZHW-2	2173	---	---
75 hp - Seapro Marathon 2 stroke	-	-	BUZHW-2	2173	---	---
75 hp - Optimax	2004-	0,8	PZFR6H	7696	---	---

90 HP

90 hp - 4 stroke	-	1,1	LFR5A-11	6376	LFR5AIX---11	4469
90 hp - 2 stroke	-	-	BUZHW-2	2173	---	---
90 hp - Optimax	2004-	0,8	PZFR6H	7696	---	---

100 HP

100 hp - 2 stroke	-	1,0	BPZ8H-N-10	4495	---	---
-------------------	---	-----	------------	------	-----	-----

115 HP

115 hp - Optimax	-2000	1,1	PZFR5F-11	4363	---	---
115 hp - 2 stroke	-	1,0	BPZ8H-N-10	4495	---	---
115 hp - Optimax	2004-	0,8	PZFR6H	7696	---	---
115 hp - 4 stroke	-	1,1	LFR6A-11	3672	LFR6AIX---11	6619

125 HP

125 hp - 2 stroke	-	1,0	BPZ8H-N-10	4495	---	---
-------------------	---	-----	------------	------	-----	-----

135 HP

135 hp - Optimax	-	1,1	PZFR5F-11	4363	---	---
135 hp - 2 stroke	-1999	0,7	BU8H	6431	---	---

140 HP

140 hp - 2 stroke	-2003	1,0	BPZ8HS-10	3133	---	---
140 hp - 2 stroke	2004-	1,0	BPZ8H-N-10	4495	---	---

150 HP

150 hp - Optimax	-	1,1	PZFR5F-11	4363	---	---
150 hp - 2 stroke	-2003	1,0	BPZ8HS-10	3133	---	---
150 hp - 2 stroke	2004-	1,0	BPZ8H-N-10	4495	---	---
150 hp - 2 stroke	-1999	0,7	BU8H	6431	---	---

175 HP

175 hp - 2 stroke	-1999	0,7	BU8H	6431	---	---
175 hp - 2 stroke	-2003	1,0	BPZ8HS-10	3133	---	---
175 hp - Optimax	-	1,1	PZFR5F-11	4363	---	---



Stock-No.



Stock-No.

MARINEPOWER**200 HP**

200 hp - 2 stroke	-2003	1,0	BPZ8HS-10	3133	---	---
200 hp - 2 stroke	2004-	1,0	BPZ8H-N-10	4495	---	---
200 hp - 2 stroke	-1999	0,7	BU8H	6431	---	---
200 hp - Optimax	-	1,1	PZFR5F-11	4363	---	---

210 HP

210 hp - Sport Jet 175XR_	-	0,8	BUZ8H	7447	---	---
210 hp - 210 Jetdrive	-	0,8	BUZ8H	7447	---	---

225 HP

225 hp - 4 stroke	2004-	1,1	LFR5A-11	6376	LFR5AIX---11	4469
225 hp - 2 stroke	-	0,7	BR8HS	4322	BR8HIX	7001
225 hp - Optimax	-	1,1	PZFR5F-11	4363	---	---
225 hp - 2 stroke	-	0,7	BR8HS	4322	BR8HIX	7001

240 HP

240 hp - Jetdrive	-	1,0	BPZ8HS-10	3133	---	---
-------------------	---	-----	------------------	-------------	-----	-----

250 HP

250 hp - 2 stroke	-	0,7	BR8HS	4322	BR8HIX	7001
-------------------	---	-----	--------------	-------------	---------------	-------------

MARINER**2.0 HP**

2.0 hp - 2B 6A1 (M-011601—>)	-	0,6	B5HS	4210	---	---
2.0 hp - 2B 6A1 (—>M-011600)	-	0,6	B6HS	4510	BR6HIX	3419
2.0 hp - 2A 646	-	0,6	B6HS	4510	BR6HIX	3419

2.5 HP

2.5 hp	1990-2002	1,0	BPR6HS-10	2633	---	---
--------	-----------	-----	------------------	-------------	-----	-----

3.3 HP

3.3 hp	1993-2002	1,0	BPR6HS-10	2633	---	---
--------	-----------	-----	------------------	-------------	-----	-----

3.5 HP

3.5 hp - 642 (—>ML-41690)	-	0,6	B7HS	5110	---	---
3.5 hp - 642 (ML-41691—>)	-	0,6	B6HS	4510	BR6HIX	3419
3.5 hp - 642 (M-23741—>)	-	0,6	B6HS	4510	BR6HIX	3419
3.5 hp - 642 (—>M-23740)	-	0,6	B7HS	5110	---	---

4.0 HP

4.0 hp - 2 stroke	1990-2002	1,0	BPR7HS-10	1092	---	---
4.0 hp - 4 stroke	1999-2002	0,9	DCPR6E	3481	DCPR6EIX	8196
4.0 hp - 4A 6E0	-	0,6	B7HS	5110	---	---

5.0 HP

5.0 hp - 4 stroke	1999-2002	0,9	DCPR6E	3481	DCPR6EIX	8196
5.0 hp - 5A 661	-	0,6	B7HS	5110	---	---
5.0 hp - 5C 6E3	-	0,6	B7HS	5110	---	---
5.0 hp - 2 stroke	1990-2002	1,0	BPR7HS-10	1092	---	---

6.0 HP

6.0 hp - 6D 6H6	-	0,8	B7HS-10	2129	---	---
6.0 hp - 4 stroke	2000-2002	0,9	DCPR6E	3481	DCPR6EIX	8196
6.0 hp - 2 stroke	1992-2002	1,0	BP8H-N-10	4838	---	---
6.0 hp	1987-1992	1,0	BP8HS-10	3823	---	---
6.0 hp - 6B 678	-	0,6	B5HS	4210	---	---



Stock-No.



Stock-No.

MARINER**6.0 HP**

6.0 hp - 6C 6H8	-	0,8	B7HS-10	2129	---	---
-----------------	---	-----	----------------	-------------	-----	-----

8.0 HP

8.0 hp - K8 680	1991-2000	0,6	B6HS	4510	BR6HIX	3419
8.0 hp - 8.0 Bodensee	1995-1999	0,7	CR6HS	7023	CR6HIX	7274
8.0 hp	1987-1992	1,0	BP8HS-10	3823	---	---
8.0 hp	1993-2002	1,0	BP8H-N-10	4838	---	---
8.0 hp - 8A 647	-	0,6	B6HS	4510	BR6HIX	3419
8.0 hp - 8A 655	-	0,6	B6HS	4510	BR6HIX	3419
8.0 hp - 8B 677	-	0,6	B7HS	5110	---	---
8.0 hp - 8C 6G1	-	0,8	B7HS-10	2129	---	---
8.0 hp - Marathon 8 677	-	0,6	B7HS	5110	---	---
8.0 hp - W8 677	-	0,6	B7HS	5110	---	---

9.9 HP

9.9 hp	1987-1994	1,0	BP8HS-10	3823	---	---
9.9 hp	1995-2000	1,5	BP8HS-15	6729	---	---
9.9 hp - 9,9 4 stroke	1999-2002	0,9	DPR6EA-9	5531	---	---
9.9 hp - 9.9C 682 w/CDI	-	0,8	B7HS-10	2129	---	---
9.9 hp - 4 stroke Big Foot, Sail Power	1995-2002	0,7	CR6HS	7023	CR6HIX	7274
9.9 hp - C 682	-	0,6	B7HS	5110	---	---

10 HP

10 hp - Marathon	1991-2002	1,5	BP8HS-15	6729	---	---
10 hp - Magnum	1991-1998	1,5	BP8HS-15	6729	---	---

15 HP

15 hp - 2-Cyl	1989-2002	1,5	BP8HS-15	6729	---	---
15 hp - W15 662	-	0,6	B7HS	5110	---	---
15 hp - K15 6M7	-	0,8	B7HS-10	2129	---	---
15 hp - K15 669	-	0,6	B6HS	4510	BR6HIX	3419
15 hp - 15C 684	-	0,6	B7HS	5110	---	---
15 hp - 15C 684 w/CDI	-	0,8	B7HS-10	2129	---	---
15 hp - 15A 651	-	0,6	B7HS	5110	---	---
15 hp - Marathon 684	-	0,6	B7HS	5110	---	---
15 hp - W15 684	-	0,9	B7HS-10	2129	---	---
15 hp - 15 Marathon	1992-1996	1,0	BP8H-N-10	4838	---	---
15 hp - K15 6K4	1984-2000	0,8	B7HS-10	2129	---	---
15 hp - 4 stroke	1998-2002	0,9	DPR6EA-9	5531	---	---
15 hp - Marathon 684 w/CDI	-	0,9	B7HS-10	2129	---	---
15 hp - Marathon	1997-2002	1,5	BP8HS-15	6729	---	---

20 HP

20 hp - 20C 6A9	-	0,6	B7HS	5110	---	---
20 hp - 20A 653	-	0,6	B6HS	4510	BR6HIX	3419
20 hp - Jet	1995-2001	1,0	BP8H-N-10	4838	---	---
20 hp	1985-2002	1,0	BP8H-N-10	4838	---	---

25 HP

25 hp - 25A 648	-	0,6	B7HS	5110	---	---
25 hp - W25 695	-	0,6	B7HS	5110	---	---
25 hp - W25 694	-	0,6	B7HS	5110	---	---



Stock-No.



Stock-No.

MARINER**25 HP**

25 hp	1985-2001	1,0	BP8H-N-10	4838	---	---
25 hp	1992-	-	BU8H	6431	---	---
25 hp - Marathon 648	-	0,6	B7HS	5110	---	---
25 hp - Marathon 694	-	0,6	B7HS	5110	---	---
25 hp - Marathon 695	-	0,6	B7HS	5110	---	---
25 hp - Marathon	1993-2002	1,0	BP8H-N-10	4838	---	---
25 hp - W25 648	-	0,6	B7HS	5110	---	---
25 hp - 25B 690	-	0,6	B7HS	5110	---	---
25 hp - 25C 695	-	0,6	B7HS	5110	---	---
25 hp - 4 stroke - Ø12mm	1998-2002	0,9	DPR6EA-9	5531	---	---
25 hp - K25 6A4	1997-2000	0,6	B7HS	5110	---	---

28 HP

28 hp - 664	-	0,6	B7HS	5110	---	---
-------------	---	-----	-------------	-------------	-----	-----

30 HP

30 hp	1995-2000	1,0	BP8H-N-10	4838	---	---
30 hp - Marathon	1995-2002	1,0	BP8H-N-10	4838	---	---
30 hp - Marathon 698B	-	0,6	B7HS	5110	---	---
30 hp - 2cyl. 4 stroke	1999-2002	0,9	DPR6EA-9	5531	---	---
30 hp - Jet 3 cyl.	1998-2001	1,0	BP8H-N-10	4838	---	---
30 hp - Jet 3 Cyl.	1995-1997	-	BUHW-2	5626	---	---
30 hp - 30A 689	1992-1994	0,6	B7HS	5110	---	---
30 hp - W30 689B	1992-1993	0,6	B7HS	5110	---	---
30 hp - W30 689A	1992-1993	0,6	B7HS	5110	---	---

40 HP

40 hp - 40B 675B	-	0,6	B8HS	5510	BR8HIX	7001
40 hp - W40 6F6	-	0,6	B7HS	5110	---	---
40 hp - W40 676A	-	0,6	B8HS	5510	BR8HIX	7001
40 hp - K40 6F5 2 cyl.	1984-2000	0,6	B7HS	5110	---	---
40 hp - 40C 6E9	1981-1994	0,6	B8HS	5510	BR8HIX	7001
40 hp - 2 cyl.	1989-1997	-	BUHW-2	5626	---	---
40 hp - 3cyl. 4 stroke	1998-2001	0,9	DPR6EA-9	5531	---	---
40 hp - 3 cyl.	1998-2001	1,0	BP8H-N-10	4838	---	---
40 hp - 2 cyl.	1998-2001	1,0	BP8H-N-10	4838	---	---
40 hp - Marathon 6F6	1985-1994	0,6	B7HS	5110	---	---
40 hp - Marathon 2cyl.	1995-2002	1,0	BP8H-N-10	4838	---	---
40 hp - A 676A	-	0,6	B8HS	5510	BR8HIX	7001

45 HP

45 hp - Jet 3 cyl.	1995-2001	1,0	BP8H-N-10	4838	---	---
45 hp - Bodensee 4 cyl.	1995-1998	0,9	DPR6EA-9	5531	---	---
45 hp - 4 cyl.	1986-1989	-	BUHW-2	5626	---	---

48 HP

48 hp - W48 670	-	0,6	B7HS	5110	---	---
48 hp - 670	-	0,6	B7HS	5110	---	---

50 HP

50 hp - 3 cyl.	1986-1990	-	BUHW	2622	---	---
50 hp - 4 cyl. 4 stroke	1995-2001	0,9	DPR6EA-9	5531	---	---
50 hp - 4 cyl.	1980-1985	-	BUHW-2	5626	---	---
50 hp	1991-2001	1,0	BP8H-N-10	4838	---	---



Stock-No.



Stock-No.

MARINER**55 HP**

55 hp - W55 663	-	0,6	B8HS	5510	BR8HIX	7001
55 hp - Marathon 55 663	-	0,6	B8HS	5510	BR8HIX	7001
55 hp - Marathon	1991-2002	1,0	BP8H-N-10	4838	---	---
55 hp - M55 663 (—> EL-315378)	-	0,6	B8HS	5510	BR8HIX	7001
55 hp - M55 663 (—> E-004040)	-	0,6	B8HS	5510	BR8HIX	7001
55 hp - M55 663 (EL-315379—>)	-	0,9	B8HS-10	5126	---	---
55 hp - M55 663 (E-004041—>)	-	0,9	B8HS-10	5126	---	---

60 HP

60 hp - 675 (—>L-302050)	-	0,6	B8HS	5510	BR8HIX	7001
60 hp - Marathon	1995-2002	1,0	BP8H-N-10	4838	---	---
60 hp - 675 (—>S-000780)	-	0,6	B8HS	5510	BR8HIX	7001
60 hp - 6F0	-	0,9	B8HS-10	5126	---	---
60 hp - 3 cyl. 849 cc	1984-1990	-	BUHW	2622	---	---
60 hp - 675 (L-302051—>)	-	0,9	B8HS-10	5126	---	---
60 hp - 675 (S-000781—>)	-	0,9	B8HS-10	5126	---	---
60 hp	1991-2001	1,0	BP8H-N-10	4838	---	---
60 hp - Big Foot	1995-1999	1,0	BP8H-N-10	4838	---	---

65 HP

65 hp - Jet	1995-2001	-	BUHW-2	5626	---	---
-------------	-----------	---	--------	------	-----	-----

70 HP

70 hp - 3 cyl.	-	-	BUHW	2622	---	---
----------------	---	---	------	------	-----	-----

75 HP

75 hp	1987-2001	-	BUHW-2	5626	---	---
75 hp - Marathon	1991-2002	-	BUHW-2	5626	---	---
75 hp - 4 cyl.	-	-	BUHW-2	5626	---	---
75 hp - 4 stroke	2000-	1,1	LFR5A-11	6376	LFR5AIX---11	4469

80 HP

80 hp - 4 cyl.	-	-	BUHW-2	5626	---	---
80 hp - 80 Jet	1995-2001	1,0	BP8H-N-10	4838	---	---

85 HP

85 hp	-	-	BUHW-2	5626	---	---
-------	---	---	--------	------	-----	-----

90 HP

90 hp	-	-	BUHW	2622	---	---
90 hp	1987-2001	-	BUHW-2	5626	---	---
90 hp - 4 stroke	2000-	1,1	LFR5A-11	6376	LFR5AIX---11	4469

100 HP

100 hp	1988-1999	1,0	BP8H-N-10	4838	---	---
--------	-----------	-----	-----------	------	-----	-----

105 HP

105 hp - Jet 6cyl.	1995-1999	-	BU8H	6431	---	---
--------------------	-----------	---	------	------	-----	-----

115 HP

115 hp	1977-1988	-	BUHW	2622	---	---
115 hp - 4 cyl. 2 stroke	1989-2002	1,0	BP8H-N-10	4838	---	---
115 hp - 115 OptiMax	2000-2004	1,0	PZFR5F-11	4363	---	---

125 HP

125 hp	1994-2002	1,0	BP8H-N-10	4838	---	---
--------	-----------	-----	-----------	------	-----	-----

135 HP

135 hp	2000-2001	1,0	BPZ8HS-10	3133	---	---
135 hp	1986-1999	-	BU8H	6431	---	---
135 hp - Marathon	1986-1999	-	BU8H	6431	---	---



Stock-No.



Stock-No.

MARINER**135 HP**

135 hp - Work	1986-1993	-	BU8H	6431	---	---
135 hp - Opti Max	1998-2002	1,0	PZFR5F-11	4363	---	---

140 HP

140 hp - 6 cyl.	-	-	BUHW	2622	---	---
140 hp - Jet	1995-1999	-	BU8H	6431	---	---

150 HP

150 hp	1979-1999	-	BU8H	6431	---	---
150 hp - Magnum	-	-	BU8H	6431	---	---
150 hp - Opti Max	1997-2002	1,0	PZFR5F-11	4363	---	---
150 hp - EFI	2000-2001	1,0	BPZ8HS-10	3133	---	---
150 hp - Magnum II	1988-1991	-	BU8H	6431	---	---
150 hp - Work	-	-	BU8H	6431	---	---
150 hp - 150 Magnum III	1992-1997	-	BU8H	6431	---	---
150 hp - EFI	1997-1999	-	BU8H	6431	---	---
150 hp - Magnum EFI	1993-1997	-	BU8H	6431	---	---

175 HP

175 hp	1978-1998	-	BU8H	6431	---	---
175 hp - EFI	1998-1999	-	BU8H	6431	---	---
175 hp - Magnum EFI	1991-1997	-	BU8H	6431	---	---
175 hp - SKI	1989-1994	-	BU8H	6431	---	---
175 hp - EFI	2000-	1,0	BPZ8HS-10	3133	---	---

200 HP

200 hp	1979-1999	-	BU8H	6431	---	---
200 hp	2000-	1,0	BPZ8HS-10	3133	---	---
200 hp - Magnum EFI	1989-1997	-	BU8H	6431	---	---
200 hp - Opti Max	1997-2004	1,0	PZFR5F-11	4363	---	---
200 hp - DFI 3.0L	1997-	1,0	PZFR6H	7696	---	---
200 hp - EFI	1998-1999	-	BU8H	6431	---	---
200 hp - EFI	2000-	1,0	BPZ8HS-10	3133	---	---
200 hp - Super Magnum EFI	1997-	-	BU8H	6431	---	---

220 HP

220 hp - Magnum EFI	1987-1988	-	BU8H	6431	---	---
---------------------	-----------	---	------	------	-----	-----

225 HP

225 hp	1994-2000	1,0	BR8HS	4322	BR8HIX	7001
225 hp - Opti Max	1998-2004	1,0	PZFR5F-11	4363	---	---
225 hp - 3.0L Marathon	1997-2001	0,9	BR8HS	4322	BR8HIX	7001
225 hp - EFI	1995-2000	0,9	BR8HS	4322	BR8HIX	7001
225 hp - Super Magnum EFI	1997-	-	BU8H	6431	---	---

250 HP

250 hp - 3.4L	1989-1990	-	BU8H	6431	---	---
250 hp - Magnum EFI	1996-2001	0,9	BR8HS	4322	BR8HIX	7001

260 HP

260 hp - 2.5L EFI	1995-1998	-	BU8H	6431	---	---
-------------------	-----------	---	------	------	-----	-----

265 HP

265 hp - 2.5L EFI	1997-	-	BU8H	6431	---	---
-------------------	-------	---	------	------	-----	-----



Stock-No.



Stock-No.

MARINER**275 HP**

275 hp - 275 3.4L	1991-1994	-	BU8H	6431	---	---
-------------------	-----------	---	------	------	-----	-----

300 HP

300 hp - 2.5L Drag EFI V6	1997-1998	-	BUZHW	2147	---	---
---------------------------	-----------	---	-------	------	-----	-----

300 hp - 3.0L Super Magnum EFI	1997-1998	0,8	BZ7HS-10	3579	---	---
--------------------------------	-----------	-----	----------	------	-----	-----

MARTIN

20 (2 PS), 100 (10PS)	-	0,9	B6S	3510	---	---
-----------------------	---	-----	-----	------	-----	-----

40, 45 (4.5PS), 75 (7.5PS)	-	0,9	B6S	3510	---	---
----------------------------	---	-----	-----	------	-----	-----

60, 66 (7.2PS)	-	0,9	B6S	3510	---	---
----------------	---	-----	-----	------	-----	-----

MCCULLOCH

4 PS	-	0,9	BP5S	3011	---	---
------	---	-----	------	------	-----	-----

9 PS	-	0,9	BM6A	5921	---	---
------	---	-----	------	------	-----	-----

9.5 PS	-	0,9	B6S	3510	---	---
--------	---	-----	-----	------	-----	-----

14 PS	-	0,9	B6S	3510	---	---
-------	---	-----	-----	------	-----	-----

28, 45 PS	-	0,9	B6S	3510	---	---
-----------	---	-----	-----	------	-----	-----

590630	-	0,9	B6S	3510	---	---
--------	---	-----	-----	------	-----	-----

MEDINA

all models	-	0,8	B6HS	4510	BR6HIX	3419
------------	---	-----	------	------	--------	------

MERCURY

10X High Performance Engine	-	1,0	BP8HS-10	3823	---	---
-----------------------------	---	-----	----------	------	-----	-----

2.0L F1 Carb/EFI High Performance Engine	-	-	BUHW	2622	---	---
--	---	---	------	------	-----	-----

2.4L Bass High Performance Engine	-	-	BUHW	2622	---	---
-----------------------------------	---	---	------	------	-----	-----

2.4L EFI High Performance Engine	-	-	BUHW	2622	---	---
----------------------------------	---	---	------	------	-----	-----

2.4L Mod VP High Performance Engine	-	-	BUHW	2622	---	---
-------------------------------------	---	---	------	------	-----	-----

2.5L Carb High Performance Engine	1991-1993	-	BUHW	2622	---	---
-----------------------------------	-----------	---	------	------	-----	-----

2.5L EFI High Performance Engine	1994-1997	-	BUZHW	2147	---	---
----------------------------------	-----------	---	-------	------	-----	-----

25SS High Performance Engine	-	-	BUHW-2	5626	---	---
------------------------------	---	---	--------	------	-----	-----

25XS High Performance Engine	-	-	BUHW	2622	---	---
------------------------------	---	---	------	------	-----	-----

44XS High Performance Engine	-	-	BUHW-2	5626	---	---
------------------------------	---	---	--------	------	-----	-----

SST 140 High Performance Engine	-	-	BUHW	2622	---	---
---------------------------------	---	---	------	------	-----	-----

XR-2 Magnum High Performance Engine	-	-	BUHW	2622	---	---
-------------------------------------	---	---	------	------	-----	-----

150 Magnum Pro Max Super	-	-	BUHW	2622	---	---
--------------------------	---	---	------	------	-----	-----

200 Magnum EFI Pro Max Super	-	-	BUHW	2622	---	---
------------------------------	---	---	------	------	-----	-----

225 Magnum EFI Pro Max Super	-	-	BUHW	2622	---	---
------------------------------	---	---	------	------	-----	-----

21.9 cu in 25SS Racing	-	-	BUHW	2622	---	---
------------------------	---	---	------	------	-----	-----

49.9 cu in 650X Racing	-	-	BUHW	2622	---	---
------------------------	---	---	------	------	-----	-----

99.9 cu in Twister 11-X Racing	-	-	BUHW	2622	---	---
--------------------------------	---	---	------	------	-----	-----

2.5 HP

2.5 hp	2006-	1,0	BPR6HS-10	2633	---	---
--------	-------	-----	-----------	------	-----	-----

3.0 HP

3.0 hp	1990-1992	1,0	BPR6HS-10	2633	---	---
--------	-----------	-----	-----------	------	-----	-----

3.3 HP

3.3 hp	1993-2006	1,0	BPR6HS-10	2633	---	---
--------	-----------	-----	-----------	------	-----	-----

3.5 HP

3.5 hp	1983-1985	1,0	BP6HS-10	6326	---	---
--------	-----------	-----	----------	------	-----	-----



Stock-No.



Stock-No.

MERCURY**3.6 HP**

3.6 hp	1980-1982	1,0	BP7HS-10	7829	---	---
--------	-----------	-----	-----------------	-------------	-----	-----

3.9 HP

3.9 hp	1967-1968	0,8	B5HS	4210	---	---
3.9 hp	1964-1966	0,6	B6S	3510	---	---

4.0 HP

4.0 hp	1970-1974	-	BUHW-2	5626	---	---
4.0 hp - 40 Gnat - 2 cylinder	1976-1979	0,8	BR6HS	3922	BR6HIX	3419
4.0 hp - 4 stroke	2000-2006	0,9	DCPR6E	3481	DCPR6EIX	8196
4.0 hp	1986-1987	-	BUHW-2	5626	---	---
4.0 hp - 2 stroke	1988-2006	1,0	BPR7HS-10	1092	---	---
4.0 hp	1969-1969	0,8	B5HS	4210	---	---
4.0 hp	1980-1982	0,9	BP7HS	5111	BR7HIX	7067

4.5 HP

4.5 hp	1975-1985	-	BUHW-2	5626	---	---
--------	-----------	---	---------------	-------------	-----	-----

5.0 HP

5.0 hp - 4 stroke	2000-2006	0,9	DCPR6E	3481	DCPR6EIX	8196
5.0 hp - 2 stroke	1988-2006	1,0	BPR7HS-10	1092	---	---

6.0 HP

6.0 hp	1963-1966	0,6	B6S	3510	---	---
6.0 hp - 4 stroke	2000-2006	0,9	DCPR6E	3481	DCPR6EIX	8196
6.0 hp - 2 stroke	2001-2006	1,0	BPZ8H-N-10	4495	---	---
6.0 hp - 2 stroke	1986-2000	1,0	BP8H-N-10	4838	---	---
6.0 hp	1967-1968	0,8	B6HS	4510	BR6HIX	3419

7.5 HP

7.5 hp	1969-	0,8	B6HS	4510	BR6HIX	3419
7.5 hp	1974-	-	BUHW	2622	---	---
7.5 hp	1970-1973	-	BUHW-2	5626	---	---
7.5 hp	1979-1985	1,0	B9HS-10	3626	---	---
7.5 hp	1975-1978	-	BUHW-2	5626	---	---

8.0 HP

8.0 hp - 2 stroke	1986-2000	1,0	BP8H-N-10	4838	---	---
8.0 hp - 2 stroke	2001-2006	1,0	BPZ8H-N-10	4495	---	---
8.0 hp - Bodensee	1995-2002	0,7	CR6HS	7023	CR6HIX	7274
8.0 hp - 4 stroke	2006-	0,9	DCPR6E	3481	DCPR6EIX	8196

9.8 HP

9.8 hp	1979-1985	1,0	B9HS-10	3626	---	---
9.8 hp - 100	1960-1961	0,6	B6S	3510	---	---
9.8 hp - 110	1962-1966	0,6	B6S	3510	---	---
9.8 hp - 110	1967-1969	0,8	B7HS	5110	---	---
9.8 hp - 110	1970-1973	-	BUHW-2	5626	---	---
9.8 hp - 110	1974-	-	BUHW	2622	---	---
9.8 hp - 110	1975-1978	-	BUHW-2	5626	---	---

9.9 HP

9.9 hp - 2 stroke	1986-1994	1,0	BP8H-N-10	4838	---	---
9.9 hp - 4 stroke	1995-1998	0,7	CR6HS	7023	CR6HIX	7274
9.9 hp - 2 stroke	1995-2000	1,5	BP8HS-15	6729	---	---
9.9 hp - 4 stroke	1999-2002	0,9	DPR6EA-9	5531	---	---
9.9 hp - 2 stroke	2001-2006	1,5	BPZ8HS-15	3180	---	---



Stock-No.



Stock-No.

MERCURY**9.9 HP**

9.9 hp - 4 stroke	2006-	0,9	DCPR6E	3481	DCPR6EIX	8196
-------------------	-------	-----	--------	------	----------	------

10 HP

10 hp	1991-	1,5	BP8HS-15	6729	---	---
10 hp - 10 Sea Pro	1991-2000	1,5	BP8HS-15	6729	---	---
10 hp - 10 Sea Pro	2001-2002	1,5	BPZ8HS-15	3180	---	---
10 hp - XR10	1992-1998	1,5	BP8HS-15	6729	---	---

15 HP

15 hp - 150	1960-1961	0,6	B6S	3510	---	---
15 hp - 2 stroke	1989-1990	1,5	BP8HS-15	6729	---	---
15 hp - Sea Pro	1995-1996	1,0	BP8HS-10	3823	---	---
15 hp - Sea Pro 2 stroke	1997-2000	1,5	BP8HS-15	6729	---	---
15 hp - 2 stroke	2001-2006	1,5	BPZ8HS-15	3180	---	---
15 hp - Sea Pro 2 stroke	2001-2002	1,5	BPZ8HS-15	3180	---	---
15 hp - 4 stroke	1998-2006	0,9	DPR6EA-9	5531	---	---

18 HP

18 hp	1981-1983	1,0	BP8H-N-10	4838	---	---
18 hp - 18 XD	1984-1985	1,0	BP8H-N-10	4838	---	---

20 HP

20 hp - 200	1963-1966	0,6	B6S	3510	---	---
20 hp - 200	1960-1961	0,6	B6S	3510	---	---
20 hp - 200	1967-1969	0,8	B7HS	5110	---	---
20 hp - 200	1970-1978	-	BUHW-2	5626	---	---
20 hp	1979-1980	-	BUHW-2	5626	---	---
20 hp - 2 stroke	1986-2000	1,0	BP8H-N-10	4838	---	---
20 hp - Jet 2 stroke	1995-2000	1,0	BP8H-N-10	4838	---	---
20 hp - Jet 2 stroke	2001-2002	1,0	BPZ8H-N-10	4495	---	---
20 hp - Sea Pro 2 stroke	2001-	1,0	BPZ8H-N-10	4495	---	---
20 hp - 2 stroke	2001-2006	1,0	BPZ8H-N-10	4495	---	---

25 HP

25 hp - 2 stroke	2001-2006	1,0	BPZ8H-N-10	4495	---	---
25 hp - 250	1962-	0,6	B6S	3510	---	---
25 hp	1980-1983	1,0	BP8H-N-10	4838	---	---
25 hp	1986-1992	1,0	BP8H-N-10	4838	---	---
25 hp - 25 XD	1984-1985	1,0	BP8H-N-10	4838	---	---
25 hp - 2 stroke	1993-2000	1,0	BP8H-N-10	4838	---	---
25 hp - Sea Pro 2 stroke	1993-2002	1,0	BP8H-N-10	4838	---	---
25 hp - 4 stroke	1998-2001	0,9	DPR6EA-9	5531	---	---
25 hp - 4 stroke EFI	2006-	0,9	DCPR6E	3481	DCPR6EIX	8196

30 HP

30 hp - 3cyl.	1995-1997	-	BUHW-2	5626	---	---
30 hp - Sea Pro 2 cyl. 2 stroke	2001-2002	1,0	BPZ8H-N-10	4495	---	---
30 hp - 300 4 cyl.	1960-	0,6	B6S	3510	---	---
30 hp - 30 Jet 2 cyl. 2 stroke	2001-2002	1,0	BPZ8H-N-10	4495	---	---
30 hp - 3 cyl. 2 stroke	2001-2002	1,0	BPZ8H-N-10	4495	---	---
30 hp - 2 cyl. 2 stroke	2001-2002	1,0	BPZ8H-N-10	4495	---	---
30 hp - 3 cyl. 4 stroke EFI	2006-	0,9	DCPR7E	3932	DCPR7EIX	6046
30 hp - Jet 3 cyl. 2 stroke	1998-2001	1,0	BP8H-N-10	4838	---	---
30 hp - 3 cyl. 4 stroke carburetor	1999-2002	0,9	DPR6EA-9	5531	---	---



Stock-No.



Stock-No.

MERCURY**30 HP**

30 hp - 2 cyl. 2 stroke	1995-2002	1,0	BP8H-N-10	4838	---	---
30 hp - Sea Pro 2 cyl. 2 stroke	1995-2000	1,0	BP8H-N-10	4838	---	---

35 HP

35 hp - 350	1966-	0,6	B7S	3710	---	---
35 hp - 350	1967-1969	0,8	B7HS	5110	---	---
35 hp - 350 4 cyl.	1961-	0,6	B6S	3510	---	---
35 hp - 350	1963-1965	0,6	B6S	3510	---	---
35 hp	1984-1991	-	BUHW	2622	---	---

40 HP

40 hp - 2 cyl. 2 stroke	1995-2002	1,0	BP8H-N-10	4838	---	---
40 hp - 2 cyl. 2 stroke	2001-2002	1,0	BPZ8H-N-10	4495	---	---
40 hp - 402	1972-1978	-	BUHW	2622	---	---
40 hp - Sea Pro 2 cyl. 2 stroke	1995-2000	1,0	BP8H-N-10	4838	---	---
40 hp - 4 cyl. 4 stroke EFI	2006-	0,9	DCPR7E	3932	DCPR7EIX	6046
40 hp - 3 cyl. 4 stroke EFI	2006-	0,9	DCPR7E	3932	DCPR7EIX	6046
40 hp - 400	1970-1971	-	BUHW	2622	---	---
40 hp - 2 cyl.	1979-1983	-	BUHW	2622	---	---
40 hp - 4 cyl.	1988-1997	-	BUHW-2	5626	---	---
40 hp - 3 cyl. 2 stroke	1998-2002	1,0	BP8H-N-10	4838	---	---
40 hp - 3 cyl. 4 stroke carburetor	1998-2002	0,9	DPR6EA-9	5531	---	---
40 hp - 400	1960-1961	0,6	B6S	3510	---	---
40 hp - 3 cyl. 2 stroke	2001-2002	1,0	BPZ8H-N-10	4495	---	---
40 hp - Sea Pro 2 cyl. 2 stroke	2001-2006	1,0	BPZ8H-N-10	4495	---	---
40 hp - Big Foot 4 cyl. 4 stroke	2001-2006	0,9	DPR6EA-9	5531	---	---

45 HP

45 hp - 450	1962-	0,6	B6S	3510	---	---
45 hp 4 cyl. 2 stroke	1986-1989	-	BUHW-2	5626	---	---
45 hp - Bodensee 4 cyl. 4 stroke	1995-2002	0,9	DPR6EA-9	5531	---	---
45 hp - Jet 3 cyl. 2 stroke	1995-2000	1,0	BP8H-N-10	4838	---	---
45 hp - Jet 3 cyl. 2 stroke	2001-2002	1,0	BPZ8H-N-10	4495	---	---

50 HP

50 hp - 500	1968-1977	-	BUHW	2622	---	---
50 hp - 500M	1967-	0,8	B7HS	5110	---	---
50 hp - 500S	1967-	0,8	B7HS	5110	---	---
50 hp - 500 4 cyl. 2 stroke	1978-	-	BUHW-2	5626	---	---
50 hp - 4 cyl. 4 stroke EFI	2006-	0,9	DCPR7E	3932	DCPR7EIX	6046
50 hp - 500	1961-1964	0,6	B6S	3510	---	---
50 hp - 500	1965-1966	0,6	B7S	3710	---	---
50 hp - 3 cyl.	1986-1990	-	BUHW	2622	---	---
50 hp - 3 cyl. 2 stroke	1991-2000	1,0	BP8H-N-10	4838	---	---
50 hp - 3 cyl. 2 stroke	2001-2006	1,0	BPZ8H-N-10	4495	---	---
50 hp - 4 cyl. 4 stroke	1995-2001	0,9	DPR6EA-9	5531	---	---
50 hp - 500SS	1967-	-	BUHW	2622	---	---
50 hp - 4 cyl.	1979-1985	-	BUHW-2	5626	---	---

55 HP

55 hp - Sea Pro 3 cyl. 2 stroke	1992-2000	1,0	BP8H-N-10	4838	---	---
55 hp - Sea Pro 3 cyl. 2 stroke	2001-2006	1,0	BPZ8H-N-10	4495	---	---



Stock-No.



Stock-No.

MERCURY**60 HP**

60 hp - 60	1984-1990	-	BUHW	2622	---	---
60 hp	1960-	0,6	B6S	3510	---	---
60 hp - 4 cyl. 4 stroke EFI	2006-	0,9	DCPR7E	3932	DCPR7EIX	6046
60 hp - Sea Pro 3 cyl. 2 stroke	1995-2000	1,0	BP8H-N-10	4838	---	---
60 hp - 3 cyl. 2 stroke	1991-2002	1,0	BP8H-N-10	4838	---	---
60 hp - Sea Pro 3 cyl. 2 stroke	2001-2002	1,0	BPZ8H-N-10	4495	---	---
60 hp - 3 cyl. 2 stroke	2001-2006	1,0	BPZ8H-N-10	4495	---	---
60 hp - 4 cyl. 4 stroke carburetor	2001-	0,9	DPR6EA-9	5531	---	---
60 hp - Big Foot	1995-2002	1,0	BP8H-N-10	4838	---	---

65 HP

65 hp - 650SS 4 cyl. 2 stroke	1967-1971	-	BUH	2422	---	---
65 hp - 650S 4 cyl. 2 stroke	1967-	0,8	B7HS	5110	---	---
65 hp - 650S	1968-1971	-	BUHW	2622	---	---
65 hp - 650 4 cyl. 2 stroke	1963-1966	0,6	B7S	3710	---	---
65 hp - 650	1972-1976	-	BUHW	2622	---	---
65 hp - Jet 3 cyl. 2 stroke	1995-2000	-	BUHW-2	5626	---	---
65 hp - Jet 3 cyl. 2 stroke	2001-2002	-	BUZHW-2	2173	---	---

70 HP

70 hp 3 cyl. 2 stroke	1979-1983	-	BUHW	2622	---	---
70 hp 3 cyl. 2 stroke	1987-1989	-	BUHW-2	5626	---	---
70 hp - 700	1960-1961	0,6	B6S	3510	---	---
70 hp - 700	1977-1978	-	BUHW	2622	---	---

75 HP

75 hp - 3 cyl. 2 stroke	1987-2000	-	BUHW-2	5626	---	---
75 hp - Sea Pro 3 cyl. 2 stroke	1991-2001	-	BUHW-2	5626	---	---
75 hp - Jet 3 cyl. 2 stroke	2001-	-	BUZHW-2	2173	---	---
75 hp - 3 cyl. Optimax 2 stroke	2006-	0,8	IZFR5J	5899	---	---
75 hp - 4 cyl. 4 stroke DOHC	2000-2006	1,1	LFR5A-11	6376	LFR5AIX---11	4469
75 hp - 75XD 4 cyl.	1984-1986	-	BUHW-2	5626	---	---
75 hp - 3 cyl. 2 stroke	2001-2006	-	BUZHW-2	2173	---	---
75 hp - Walleye 4 stroke	2007-	0,8	LFR4A-E	6499	---	---

80 HP

80 hp - 800	1969-	-	BUHW	2622	---	---
80 hp - 800	1970-1972	-	BUHW	2622	---	---
80 hp - 800	1978-	-	BUHW-2	5626	---	---
80 hp - 800 6 cyl.	1960-1961	0,6	B7S	3710	---	---
80 hp - Jet 4 cyl. 2 stroke	2001-	1,0	BPZ8H-N-10	4495	---	---
80 hp - 4 cyl.	1979-1983	-	BUHW-2	5626	---	---
80 hp - 3 cyl.	1987-1989	-	BUHW-2	5626	---	---
80 hp - Jet 4 cyl. 2 stroke	1995-2000	1,0	BP8H-N-10	4838	---	---
80 hp 4 stroke		0,8	LFR4A-E	6499	---	---

85 HP

85 hp - 850 6 cyl. 2 stroke	1962-1964	0,6	B7S	3710	---	---
85 hp - 850 4 cyl. 2 stroke	1973-1977	-	BUHW	2622	---	---

90 HP

90 hp - 3 cyl. 2 stroke	2001-2006	-	BUZHW-2	2173	---	---
90 hp - Optimax 2 stroke	2006-	0,8	IZFR5J	5899	---	---
90 hp - 900 2 stroke	1965-	0,6	B7S	3710	---	---



Stock-No.



Stock-No.

MERCURY**90 HP**

90 hp - 900 2 stroke	1978-	-	BUHW	2622	---	---
90 hp - 6 cyl. 2 stroke	1979-1986	-	BUHW	2622	---	---
90 hp	1987-1998	-	BUHW-2	5626	---	---
90 hp - 4 cyl. 4 stroke DOHC	2000-2006	1,1	LFR5A-11	6376	LFR5AIX---11	4469
90 hp - Walleye L4NA engine	2007-	0,8	LFR4A-E	6499	---	---
90 hp - 3 cyl.	1999-2000	-	BUZHW-2	2173	---	---

95 HP

95 hp - 950SS 2 stroke	1966-1967	-	BUHW	2622	---	---
95 hp - 950 2 stroke	1966-	0,8	B7HS	5110	---	---

100 HP

100 hp - 1000 2 stroke	1962-1964	0,6	B7S	3710	---	---
100 hp - 1000BP 2 stroke	1968-1969	-	BUHW	2622	---	---
100 hp - 1000SS 2 stroke	1968-1969	-	BUHW	2622	---	---
100 hp - 100 4 cyl. 2 stroke	1988-1999	1,0	BP8H-N-10	4838	---	---
100 hp 4 stroke		0,8	LFR4A-E	6499	---	---

105 HP

105 hp - 105 Jet	1995-1998	-	BU8H	6431	---	---
------------------	-----------	---	------	------	-----	-----

110 HP

110 hp - 1100SS 2 stroke	1966-1967	-	BUHW	2622	---	---
110 hp - 1100 2 stroke	1966-	0,8	B7HS	5110	---	---

115 HP

115 hp - OptiMax 6 cyl. 2 stroke	2000-2002	1,0	PZFR5F-11	4363	---	---
115 hp - Walleye EFI 4 stroke	2007-	0,8	LFR4A-E	6499	---	---
115 hp - Optimax 3 cyl. 2 stroke	2006-	0,8	IZFR5J	5899	---	---
115 hp - 1150 6 cyl. 2 stroke	1970-1978	-	BUHW	2622	---	---
115 hp - 4 cyl. 2 stroke	1989-1990	1,0	BP8H-N-10	4838	---	---
115 hp - OptiMax 6 cyl. 2 stroke	2003-2004	0,8	IZFR5G	5887	---	---
115 hp - EFI MFI - 4 cyl. 4 stroke	2001-2006	1,1	LFR6A-11	3672	LFR6AIX---11	6619
115 hp - 4 cyl. 2 stroke	2001-2006	1,0	BPZ8H-N-10	4495	---	---
115 hp - 6 cyl. 2 stroke	1979-1988	-	BUHW	2622	---	---

125 HP

125 hp - 1250 BP	1968-1969	-	BUHW	2622	---	---
125 hp - 1250 SS	1968-1969	-	BUHW	2622	---	---
125 hp - 4 cyl. 2 stroke	1994-2000	1,0	BP8H-N-10	4838	---	---
125 hp - 4 cyl. 2 stroke	2001-2006	1,0	BPZ8H-N-10	4495	---	---

135 HP

135 hp	1986-1999	-	BU8H	6431	---	---
135 hp - 1350 6 cyl. 2 stroke	1970-1971	-	BUHW	2622	---	---
135 hp - EFI 6 cyl. 4 stroke Supercharged Verado	2006-	0,8	ILFR6G	5588	---	---
135 hp - 6 cyl. 2 stroke	2000-2002	1,0	BPZ8HS-10	3133	---	---
135 hp - OptiMax DFI 6 cyl. 2 stroke	1996-2001	1,0	PZFR5F-11	4363	---	---
135 hp - OptiMax DFI 6 cyl. 2 stroke	2003-2006	0,8	IZFR5G	5887	---	---
135 hp - 135 EFI - 6-cyl. 4 stroke Supercharged	2006-	0,8	ILFR6G-E	4212	---	---

140 HP

140 hp - 140 2 stroke	1979-1980	-	BUHW	2622	---	---
140 hp - 1400 2 stroke	1972-1978	-	BUHW	2622	---	---
140 hp - 1400 2 stroke	1970-1973	-	BUHW	2622	---	---



Stock-No.



Stock-No.

MERCURY**140 HP**

140 hp - 140 Jet	1995-1999	-	BU8H	6431	---	---
------------------	-----------	---	------	------	-----	-----

150 HP

150 hp - 150 XR-4	1985-2002	-	BU8H	6431	---	---
150 hp - 1500	1978-	-	BU8H	6431	---	---
150 hp - 150 EFI - 6 cyl. 4 stroke Supercharged Verado	2006-	0,8	ILFR6G	5588	---	---
150 hp - 1500	1973-1977	-	BUHW	2622	---	---
150 hp - 150	1979-1984	-	BU8H	6431	---	---

150 HP

150 hp - 150 Marathon	1985-1988	-	BU8H	6431	---	---
150 hp - 150 XR-6	1992-1997	-	BU8H	6431	---	---
150 hp - 150 EFI	1998-1999	-	BU8H	6431	---	---
150 hp - 150 XR-2	1985-2002	-	BU8H	6431	---	---
150 hp - 150 XRi	1993-2002	-	BU8H	6431	---	---
150 hp - 150 EFI - 6 cyl. 2 stroke	2000-2006	1,0	BPZ8HS-10	3133	---	---
150 hp - 150	2000-2006	1,0	BPZ8HS-10	3133	---	---
150 hp - 150 OptiMax DFI 6 cyl. 2 stroke	1996-2002	1,0	PZFR5F-11	4363	---	---
150 hp - 150 OptiMax DFI 6 cyl. 2 stroke	2003-2006	0,8	IZFR5G	5887	---	---
150 hp	1991-1999	-	BU8H	6431	---	---

175 HP

175 hp	1976-1978	-	BUHW	2622	---	---
175 hp	1979-1998	-	BU8H	6431	---	---
175 hp - 175 EFI 6 cyl. 4 stroke Supercharged Verado	2006-	0,8	ILFR6G	5588	---	---
175 hp - 175 EFI	1998-1999	-	BU8H	6431	---	---
175 hp - 175 OptiMax DFI 6 cyl. 2 stroke	2003-2006	0,8	IZFR5G	5887	---	---
175 hp - 175 OptiMax DFI 6 cyl. 2 stroke	2001-2002	1,0	PZFR5F-11	4363	---	---
175 hp - 175 EFI MFI 6 cyl. 2 stroke	2000-2001	1,0	BPZ8HS-10	3133	---	---
175 hp - 175 XRi	1991-2002	-	BU8H	6431	---	---
175 hp - 175 EFI - 6-cyl. 4 stroke, Supercharged	2006-	0,8	ILFR6G-E	4212	---	---

200 HP

200 hp - 200	1979-1999	-	BU8H	6431	---	---
200 hp - Opti Max 200XS 3.0L	2000-2004	1,0	PZFR5F-11	4363	---	---
200 hp - 200 Opti Max 6 cyl. 2 stroke	2003-2006	0,8	IZFR5G	5887	---	---
200 hp - 200 Opti Max 6 cyl. 2 stroke	1996-2002	1,0	PZFR5F-11	4363	---	---
200 hp - 6 cyl. 2 stroke	2000-2006	1,0	BPZ8HS-10	3133	---	---
200 hp - 200 EFI MFI 6 cyl. 2 stroke	2000-2006	1,0	BPZ8HS-10	3133	---	---
200 hp - Opti Max 200XS 2.5L	2000-2004	1,0	PZFR5F-11	4363	---	---
200 hp - 200 EFI	1998-1999	-	BU8H	6431	---	---
200 hp - 200 EFI 6 cyl. 2 stroke	2006-	1,0	BR8HS	4322	BR8HIX	7001
200 hp - 200 EFI	2006-	0,8	ILFR6G	5588	---	---
200 hp - 200 Verado 6 cyl. 4 stroke	2004-	0,8	ILFR6G	5588	---	---
200 hp - 2.0L Duece High EFI	1997-	-	BUZ8H	7447	---	---
200 hp - 2.0L F1 EFI	1997-	-	BUZHW	2147	---	---
200 hp - 2.0L SST 120 EFI	1997-	-	BUHW	2622	---	---
200 hp - 2.0L XR2 SS EFI	1997-	-	BUHW	2622	---	---
200 hp - 200 DFI	1997-	1,0	PZFR6H	7696	---	---
200 hp - 2000	1978-	-	BUHW	2622	---	---
200 hp - Opti Max 200XS 6cyl.	2002-2004	1,0	PZFR5F-11	4363	---	---
200 hp - 200 XRi	1989-2002	-	BUZ8H	7447	---	---



Stock-No.



Stock-No.

MERCURY**220 HP**

220 hp - V-220 Laser	1987-1988	-	BUZ8H	7447	---	---
----------------------	-----------	---	-------	------	-----	-----

225 HP

225 hp - 225 XRi EFI	1995-2002	0,9	BR8HS	4322	BR8HIX	7001
225 hp - 225 EFI DFI 6 cyl. 2 stroke	1995-2006	0,9	BR8HS	4322	BR8HIX	7001
225 hp - 225XS Opti Max 6 cyl. 2 stroke	2003-2004	0,8	IZFR6J	4462	---	---
225 hp - 225 Opti Max 6 cyl. 2 stroke	2006-	0,8	IZFR5G	5887	---	---
225 hp - 3.0L Sea Pro 6 cyl. 2 stroke	1997-2002	0,9	BR8HS	4322	BR8HIX	7001
225 hp - 6 cyl. 2 stroke	1998-2001	0,9	BR8HS	4322	BR8HIX	7001
225 hp	1994-1997	1,0	BPZ8H-N-10	4495	---	---
225 hp - 3.0L Work	1994-1997	1,0	BPZ8H-N-10	4495	---	---
225 hp - 225	1980-1981	-	BU8H	6431	---	---
225 hp - 225 EFI 6 cyl. 4 stroke Supercharged	2006-	0,8	ILFR6G	5588	---	---
225 hp - 225 EFI DFI 6 cyl. 4 stroke	2006-	1,1	LFR5A-11	6376	LFR5AIX---11	4469
225 hp - 225 Verado - 6 cyl. 4 stroke	2004-	0,8	ILFR6G	5588	---	---
225 hp - 225 Opti Max 6 cyl. 2 stroke	1996-2004	1,0	PZFR5F-11	4363	---	---
225 hp - 225 3.0L DFI	1997-	1,0	PZFR5F-11	4363	---	---
225 hp - 3.0L Work	1998-	0,9	BR8HS	4322	BR8HIX	7001

245 HP

245 hp - 2.5L	1995-1996	-	BU8H	6431	---	---
---------------	-----------	---	------	------	-----	-----

250 HP

250 hp - 250XS Opti Max 6 cyl. 2 stroke	2003-2006	0,8	IZFR6J	4462	---	---
250 hp - 250 XRi EFI 6 cyl. 2 stroke	1995-2006	0,9	BR8HS	4322	BR8HIX	7001
250 hp - 250 Verado 6 cyl. 4 stroke	2004-	0,8	ILFR6G	5588	---	---
250 hp - 250 EFI 6 cyl. 4 stroke Supercharged	2006-	0,8	ILFR6G	5588	---	---
250 hp - 250 3.4L	1989-1990	-	BU8H	6431	---	---

260 HP

260 hp - 2.5L Offshore	1995-1997	-	BU8H	6431	---	---
------------------------	-----------	---	------	------	-----	-----

265 HP

265 hp - 2.5L SS Drag EFI	1997-	-	BU8H	6431	---	---
---------------------------	-------	---	------	------	-----	-----

275 HP

275 hp - 275	1989-1994	-	BU8H	6431	---	---
275 hp - 275 EFI 6 cyl. 4 stroke Supercharged	2006-	0,8	ILFR6G	5588	---	---
275 hp - 275 Verado 6 cyl. 4 stroke	2004-	0,8	ILFR6G	5588	---	---

280 HP

280 hp - 2.5L EFI Sport, EFI SS	2002-	0,8	BZ7HS-10	3579	---	---
280 hp - 2.5L Offshore	2002-	0,8	BZ7HS-10	3579	---	---

300 HP

300 hp - 3.4L	1984-1988	-	BU8H	6431	---	---
300 hp - 300	1981-1983	-	BU8H	6431	---	---
300 hp - 2.5L S3000 EFI	1997-	-	BU8H	6431	---	---

MIGHTY MITE**1.7 HP**

1.7 hp	-	0,6	B-2	3110	---	---
--------	---	-----	-----	------	-----	-----

2.0 HP

2.0 hp	-	0,6	B-2	3110	---	---
--------	---	-----	-----	------	-----	-----



Stock-No.



Stock-No.

MONO

M-50	-	0,8	B6S	3510	---	---
M-5A, M-6A	-	0,8	B6S	3510	---	---
M-75	-	0,8	BP5S	3011	---	---

MOSKVA

Moskva-25	-	0,8	BP6HS	4511	BPR6HIX	4085
Moskva-30D	-	0,8	BP6ES	7811	---	---

NAUTILO**3 HP**

3 hp 75	-	0,5	B6HS	4510	BR6HIX	3419
---------	---	-----	------	------	--------	------

5 HP

5 hp 100	-	0,5	B6HS	4510	BR6HIX	3419
----------	---	-----	------	------	--------	------

NEPTUNE

1A39	-	0,6	B6S	3510	---	---
4A39	-	0,6	B6S	3510	---	---
5A39	-	0,6	B6S	3510	---	---
9A39	-	0,6	B6S	3510	---	---
10A1	-	0,6	B6S	3510	---	---
10A16	-	0,6	AB-6	2910	---	---
10A4/A6/A10	-	0,6	B6S	3510	---	---
11A1	-	0,6	B-4	3210	---	---
11A10	-	0,6	B6S	3510	---	---
11A12	-	0,6	AB-6	2910	---	---
11A16	-	0,6	AB-6	2910	---	---
11A3/AA3	-	0,6	B6S	3510	---	---
11A6/AA6	-	0,6	B6S	3510	---	---
15A1	-	0,6	B-4	3210	---	---
15A3/AA3	-	0,6	B6S	3510	---	---
15A6 / AA6	-	0,6	B6S	3510	---	---
15A9/AA9	-	0,6	B6S	3510	---	---
16A39	-	0,6	AB-6	2910	---	---
17A1, 17A2, 17A3, A1,AA1, AA1A	-	0,6	B6S	3510	---	---
101	-	0,6	B6S	3510	---	---
104	-	0,6	B6S	3510	---	---
106	-	0,6	B6S	3510	---	---
111	-	0,6	B-4	3210	---	---
113	-	0,6	B6S	3510	---	---
114	-	0,6	B6S	3510	---	---
116	-	0,6	B6S	3510	---	---
139	-	0,6	B6S	3510	---	---
189	-	0,6	B6S	3510	---	---
238	-	0,6	AB-6	2910	---	---
239	-	0,6	AB-6	2910	---	---
438	-	0,6	AB-6	2910	---	---
439	-	0,6	AB-6	2910	---	---
539	-	0,6	B6S	3510	---	---
639	-	0,6	AB-6	2910	---	---
938	-	0,6	B6S	3510	---	---
939	-	0,6	B6S	3510	---	---



Stock-No.



Stock-No.

NEPTUNE

1010	-	0,6	B6S	3510	---	---
1016	-	0,6	AB-6	2910	---	---
1110	-	0,6	B6S	3510	---	---
1638	-	0,6	AB-6	2910	---	---
1639	-	0,6	AB-6	2910	---	---
A2	-	0,6	B6S	3510	---	---
AA10	-	0,6	B6S	3510	---	---
AA2	-	0,6	B6S	3510	---	---
AA4	-	0,6	B6S	3510	---	---
AA6	-	0,6	B6S	3510	---	---
OB1	-	0,6	AB-6	2910	---	---
OB2	-	0,6	AB-6	2910	---	---
OB2C	-	0,6	AB-6	2910	---	---
OB3	-	0,6	AB-6	2910	---	---
OB4	-	0,6	AB-6	2910	---	---
OB11	-	0,6	AB-6	2910	---	---
OB12	-	0,6	AB-6	2910	---	---
OB31	-	0,6	AB-6	2910	---	---
OB32	-	0,6	AB-6	2910	---	---
OB34	-	0,6	AB-6	2910	---	---
OB51	-	0,6	AB-6	2910	---	---
OB63	-	0,6	AB-6	2910	---	---
OB64	-	0,6	AB-6	2910	---	---
OB65	-	0,6	AB-6	2910	---	---
OB102	-	0,6	AB-6	2910	---	---
OB112	-	0,6	AB-6	2910	---	---

NISSAN**2.0 HP**

2.0 hp - NSF 2.0A 4 stroke	2007-	0,6	DCPR6E	3481	DCPR6EIX	8196
----------------------------	-------	-----	--------	------	----------	------

2.5 HP

2.5 hp - NS 2.5A	1985-1996	1,0	BP6HS-10	6326	---	---
2.5 hp - NS 2.5A	1997-2007	1,0	BPR6HS-10	2633	---	---

3.5 HP

3.5 hp - NS 3.5B	1993-1996	1,0	BP6HS-10	6326	---	---
3.5 hp - NS 3.5B	1997-2007	1,0	BPR6HS-10	2633	---	---
3.5 hp - NS 3.5A	1997-2006	1,0	BPR6HS-10	2633	---	---
3.5 hp - NS 3.5A2	2007-	1,0	BPR6HS-10	2633	---	---
3.5 hp - NSF 3.5A / 4 stroke	2007-	0,6	DCPR6E	3481	DCPR6EIX	8196
3.5 hp - NS 3.5A	1985-1992	1,0	BP6HS-10	6326	---	---

4.0 HP

4.0 hp - NSF 4 / 4 stroke	2007-	0,6	DCPR6E	3481	DCPR6EIX	8196
4.0 hp - NSF 4A / 4 stroke	2000-2007	0,6	DCPR6E	3481	DCPR6EIX	8196

5.0 HP

5.0 hp - NS 5	1985-1996	1,0	BP7HS-10	7829	---	---
5.0 hp - NSF 5A / 4 stroke	1999-2007	0,6	DCPR6E	3481	DCPR6EIX	8196
5.0 hp - NS 5B / 2 stroke	1997-2007	1,0	BPR7HS-10	1092	---	---
5.0 hp - NSF 5 / 4 stroke	2007-	0,6	DCPR6E	3481	DCPR6EIX	8196



Stock-No.



Stock-No.

NISSAN**6.0 HP**

6.0 hp - NSF 6A / 4 stroke	2004-2007	0,6	DCPR6E	3481	DCPR6EIX	8196
6.0 hp - NSF 6 / 4 stroke	2007-	0,6	DCPR6E	3481	DCPR6EIX	8196

8.0 HP

8.0 hp - NS 8A	1985-1986	1,0	BP7HS-10	7829	---	---
8.0 hp - NSF 8A / 4 stroke	2004-2007	1,0	DCPR6E	3481	DCPR6EIX	8196
8.0 hp - NS 8B	1987-1996	1,0	BP7HS-10	7829	---	---
8.0 hp - NS 8B / 2 stroke	1997-2007	1,0	BPR7HS-10	1092	---	---

9.8 HP

9.8 hp - NS 9.8B / 2 stroke	1998-2007	1,0	BPR7HS-10	1092	---	---
9.8 hp - NSF 9.8A / 4 stroke	2007-	0,6	DCPR6E	3481	DCPR6EIX	8196

9.9 HP

9.9 hp - NS 9.9B	1985-1996	1,0	B7HS-10	2129	---	---
9.9 hp - NS 9.9B	1997-2007	1,0	BR7HS-10	1098	---	---
9.9 hp - NS 9.9C / 2 stroke	2004-2007	1,0	B7HS-10	2129	---	---
9.9 hp - NS 9.9D	2004-2007	1,0	B7HS-10	2129	---	---
9.9 hp - NSF 9.9A / 4 stroke	2000-2007	0,6	DCPR6E	3481	DCPR6EIX	8196
9.9 hp - NSF 9.9B / 4 stroke	2004-2007	0,6	DCPR6E	3481	DCPR6EIX	8196

12 HP

12 hp - NS 12	1985-1987	1,0	B7HS-10	2129	---	---
12 hp - NS 12	1994-	1,0	B7HS-10	2129	---	---
12 hp - NS 12C	2004-2007	1,0	BR7HS-10	1098	---	---

15 HP

15 hp - NS 15B	2004-2007	1,0	BR7HS-10	1098	---	---
15 hp - NS 15B	1985-1992	1,0	B7HS-10	2129	---	---
15 hp - NS 15C	1997-1999	1,0	BPR7HS-10	1092	---	---
15 hp - NS 15C	1993-1996	1,0	BP7HS-10	7829	---	---
15 hp - NS 15D	2000-2001	0,8	BPR7HS-10	1092	---	---
15 hp - NS 15D	2004-2007	1,0	BR7HS-10	1098	---	---
15 hp - NS 15C / 2 stroke	2004-2007	1,0	B7HS-10	2129	---	---
15 hp - NSF 15A / 4 stroke	2004-2007	0,6	DCPR6E	3481	DCPR6EIX	8196
15 hp - NSF 15B / 4 stroke	2004-2007	0,6	DCPR6E	3481	DCPR6EIX	8196

18 HP

18 hp - NS 18	1997-1999	1,0	BR7HS-10	1098	---	---
18 hp - NS 18	1993-1996	1,0	B7HS-10	2129	---	---
18 hp - NSF 18B / 4 stroke	2004-2007	0,6	DCPR6E	3481	DCPR6EIX	8196
18 hp - NS 18C	1985-1992	1,0	B7HS-10	2129	---	---
18 hp - NS 18C	2004-2007	1,0	B7HS-10	2129	---	---
18 hp - NS 18D / 2 stroke	2004-2007	1,0	B7HS-10	2129	---	---
18 hp - NS 18E	2000-2001	0,8	BPR7HS-10	1092	---	---
18 hp - NS 18E	2004-2007	1,0	BR7HS-10	1098	---	---

25 HP

25 hp - NS 25	1986-1996	1,0	B7HS-10	2129	---	---
25 hp - NSF 25A / 4 stroke	2004-2007	0,6	DCPR6E	3481	DCPR6EIX	8196
25 hp - NSF 25B / 4 stroke	2007-	0,6	DCPR6E	3481	DCPR6EIX	8196
25 hp - NS 25C	1997-2007	0,8	BR7HS-10	1098	---	---



Stock-No.



Stock-No.

NISSAN**30 HP**

30 hp - NS 30A	1997-2007	1,0	BR7HS-10	1098	---	---
30 hp - NS 30A	1986-1996	1,0	B7HS-10	2129	---	---
30 hp - NSF 30A / 4 stroke	2004-2007	0,6	DCPR6E	3481	DCPR6EIX	8196
30 hp - NSF 30B / 4 stroke	2007-	0,6	DCPR6E	3481	DCPR6EIX	8196
30 hp - NSD 30B2	2010-		IZFR6Q	91234	---	---

35 HP

35 hp - NS 35C	1994-1995	1,0	B7HS-10	2129	---	---
----------------	-----------	-----	----------------	-------------	-----	-----

40 HP

40 hp - NS 40C	1985-1992	1,0	B7HS-10	2129	---	---
40 hp - NS 40C	2004-2007	1,0	BR7HS-10	1098	---	---
40 hp - NS 40D	1997-2006	0,8	BR7HS-10	1098	---	---
40 hp - NS 40D	1991-1996	1,0	B7HS-10	2129	---	---
40 hp - NS 40D2	2007-	0,8	BR7HS-10	1098	---	---
40 hp - NS 40D / 2 stroke	2007-	1,0	B7HS-10	2129	---	---
40 hp - NSD 40A TLDI	2004-2007	1,1	ZFR6F-11	4291	---	---
40 hp - NSD 40B TLDI	2004-2007	0,8	PZFR6H	7696	---	---
40 hp - NSD 40B2	2010-		IZFR6Q	91234	---	---

45 HP

45 hp - NS 45A	1994-1995	1,0	B8HS-10	5126	---	---
----------------	-----------	-----	----------------	-------------	-----	-----

50 HP

50 hp - NS 50D	1991-1996	1,0	B8HS-10	5126	---	---
50 hp - NS 50C	1985-1992	1,0	B8HS-10	5126	---	---
50 hp - NS 50D	1997-2006	1,0	BR8HS-10	1134	---	---
50 hp - NS 50D2	2007-	1,0	BR8HS-10	1134	---	---
50 hp - NS 50D / 2 stroke	2007-	1,0	B8HS-10	5126	---	---
50 hp - NSD 50A TLDI	2004-2007	1,1	ZFR6F-11	4291	---	---
50 hp - NSD 50B TLDI	2004-2007	0,8	PZFR6H	7696	---	---
50 hp - NSD 50B2	2010-		IZFR6Q	91234	---	---
50 hp - W50B TLDI	2004-2007	0,8	PZFR6H	7696	---	---

60 HP

60 hp - NS 55	1985-1986	1,0	B8HS-10	5126	---	---
60 hp - NS 60A	1987-1992	1,0	B8HS-10	5126	---	---
60 hp - NS 60B	1993-1995	1,0	B8HS-10	5126	---	---
60 hp - NS 60B	2004-2007	1,0	B8HS-10	5126	---	---
60 hp - NS 60C	2004-2007	1,0	BR8HS-10	1134	---	---

70 HP

70 hp - NS 70B	1986-1996	1,0	B8HS-10	5126	---	---
70 hp - NS 70B	1997-1999	1,0	BR8HS-10	1134	---	---
70 hp - NS 70B	2004-2007	1,0	B8HS-10	5126	---	---
70 hp - NSD 70A TLDI	2004-2007	1,1	ZFR6F-11	4291	---	---
70 hp - NSD 70B TLDI	2007-	1,1	PZFR6R-11	3271	---	---
70 hp - NSD 70B TLDI	2004-2006	0,8	PZFR6H	7696	---	---
70 hp - NS 70C	2000-2007	1,0	BR8HS-10	1134	---	---

75 HP

75 hp - NSD 75C2	2010-		IZFR6Q	91234	---	---
------------------	-------	--	---------------	--------------	-----	-----

90 HP

90 hp - NSD 90A TLDI	2004-2007	1,1	ZFR6F-11	4291	---	---
90 hp - NSD 90B TLDI	2007-	1,1	PZFR6R-11	3271	---	---
90 hp - NS 90A	1987-1996	1,0	B8HS-10	5126	---	---
90 hp - NS 90A	1997-2007	1,0	BR8HS-10	1134	---	---
90 hp - NSD 90B TLDI	2004-2006	0,8	PZFR6H	7696	---	---



Stock-No.



Stock-No.

NISSAN**90 HP**

90 hp - NSD 90C2	2010-		IZFR6Q	91234	---	---
------------------	-------	--	--------	-------	-----	-----

115 HP

115 hp - NSD 115A TLDI	2007-	0,8	IZFR5J	5899	---	---
------------------------	-------	-----	--------	------	-----	-----

115 hp - NSD 115A2	2010-	0,8	IZFR5J	5899	---	---
--------------------	-------	-----	--------	------	-----	-----

120 HP

120 hp - NS 120A	1997-2007	1,0	BR8HS-10	1134	---	---
------------------	-----------	-----	----------	------	-----	-----

120 hp - NS 120A	1990-1996	1,0	B8HS-10	5126	---	---
------------------	-----------	-----	---------	------	-----	-----

140 HP

140 hp - NS 140A	1990-1996	1,0	B8HS-10	5126	---	---
------------------	-----------	-----	---------	------	-----	-----

140 hp - NS 140A2	1997-2006	1,0	BR8HS-10	1134	---	---
-------------------	-----------	-----	----------	------	-----	-----

SEA KING (WARDS)

9.2 cu in.	1976-	0,8	B8HS	5510	BR8HIX	7001
------------	-------	-----	------	------	--------	------

9.2 cu in.	1979-1980	0,6	XR5	3332	XR5IX	7355
------------	-----------	-----	-----	------	-------	------

2.0 HP

2.0 hp	1979-1980	0,6	B-2	3110	---	---
--------	-----------	-----	-----	------	-----	-----

3.5 HP

3.5 hp	1964-1970	0,8	B-6L	3212	---	---
--------	-----------	-----	------	------	-----	-----

3.5 hp	1979-1980	0,6	BM6A	5921	---	---
--------	-----------	-----	------	------	-----	-----

4.0 HP

4.0 hp	1979-1986	0,8	B6HS	4510	BR6HIX	3419
--------	-----------	-----	------	------	--------	------

5.0 HP

5.0 hp	1969-	0,9	B6S	3510	---	---
--------	-------	-----	-----	------	-----	-----

5.8 HP

5.8 hp	1964-1970	0,8	B-6L	3212	---	---
--------	-----------	-----	------	------	-----	-----

5.9 HP

5.9 hp	1979-1980	0,6	XR5	3332	XR5IX	7355
--------	-----------	-----	-----	------	-------	------

6.0 HP

6.0 hp	1972-1976	0,8	B8HS	5510	BR8HIX	7001
--------	-----------	-----	------	------	--------	------

6.0 hp	1967-1971	0,8	B-6L	3212	---	---
--------	-----------	-----	------	------	-----	-----

7.0 HP

7.0 hp	1969-	0,9	XR5	3332	XR5IX	7355
--------	-------	-----	-----	------	-------	------

7.5 HP

7.5 hp	1979-1986	0,8	B6HS	4510	BR6HIX	3419
--------	-----------	-----	------	------	--------	------

9.6 HP

9.6 hp	1968-1974	0,8	B8HS	5510	BR8HIX	7001
--------	-----------	-----	------	------	--------	------

9.9 HP

9.9 hp	1980-1986	0,8	B7HS	5110	---	---
--------	-----------	-----	------	------	-----	-----

10 HP

10 hp	1974-1976	0,8	B8HS	5510	BR8HIX	7001
-------	-----------	-----	------	------	--------	------

15 HP

15 hp	1978-1986	0,8	B7HS	5110	---	---
-------	-----------	-----	------	------	-----	-----

15 hp	1974-1976	0,8	B8HS	5510	BR8HIX	7001
-------	-----------	-----	------	------	--------	------

20 HP

20 hp	1968-1974	0,8	B8HS	5510	BR8HIX	7001
-------	-----------	-----	------	------	--------	------



Stock-No.



Stock-No.

SEA KING (WARDS)**25 HP**

25 hp	1974-1976	0,8	B8HS	5510	BR8HIX	7001
-------	-----------	-----	------	------	--------	------

35 HP

35 hp	1978-1979	0,8	B8HS	5510	BR8HIX	7001
35 hp	1968-1975	0,8	B8HS	5510	BR8HIX	7001

55 HP

55 hp	1968-1975	0,8	B8HS	5510	BR8HIX	7001
-------	-----------	-----	------	------	--------	------

SEARS**1.2 HP**

1.2 hp - 585120	-	0,6	BR6S	3522	---	---
1.2 hp - 585121	-	0,6	BR6S	3522	---	---
1.2 hp - 585122	-	0,6	BMR6A	7421	---	---

2.0 HP

2.0 hp - 58241	-	0,8	B-4	3210	---	---
2.0 hp - 58250	-	0,8	B-4	3210	---	---

3.0 HP

3.0 hp - 585220	-	0,8	XR5	3332	XR5IX	7355
3.0 hp - 58540	-	0,8	XR5	3332	XR5IX	7355
3.0 hp - 58541	-	0,8	XR5	3332	XR5IX	7355
3.0 hp - 58543	-	0,8	XR5	3332	XR5IX	7355
3.0 hp - 58544	-	0,8	XR5	3332	XR5IX	7355
3.0 hp - 585210	-	0,8	XR5	3332	XR5IX	7355
3.0 hp - 585211	-	0,8	XR5	3332	XR5IX	7355

3.5 HP

3.5 hp - 6003	-	0,8	B-6L	3212	---	---
3.5 hp - 6091	-	0,8	BM6A	5921	---	---
3.5 hp - 6094	-	0,8	BM6A	5921	---	---
3.5 hp - 58542	-	0,9	XR5	3332	XR5IX	7355
3.5 hp - 58550	-	0,9	XR5	3332	XR5IX	7355
3.5 hp - 58560	-	0,9	XR5	3332	XR5IX	7355
3.5 hp - 59501	-	0,8	BM6A	5921	---	---
3.5 hp - 59860	-	0,9	B6S	3510	---	---
3.5 hp - 59861	-	0,9	B6S	3510	---	---
3.5 hp - 59862	-	0,9	XR5	3332	XR5IX	7355
3.5 hp - 59900	-	0,8	BM6A	5921	---	---
3.5 hp - 60020	-	0,8	B-6L	3212	---	---
3.5 hp - 60030	-	0,8	B-6L	3212	---	---
3.5 hp - 58510	-	0,9	B6S	3510	---	---
3.5 hp - 585230	-	0,8	XR5	3332	XR5IX	7355
3.5 hp - 585240	-	0,8	XR5	3332	XR5IX	7355
3.5 hp - 585241	-	0,8	XR5	3332	XR5IX	7355
3.5 hp - 585280	-	0,8	XR5	3332	XR5IX	7355

3.6 HP

3.6 hp - 6001	-	0,8	B-6L	3212	---	---
3.6 hp - 58514	-	0,9	XR5	3332	XR5IX	7355
3.6 hp - 58513	-	0,9	XR5	3332	XR5IX	7355
3.6 hp - 58511	-	0,9	B6S	3510	---	---
3.6 hp - 58512	-	0,9	B6S	3510	---	---



Stock-No.



Stock-No.

SEARS**3.6 HP**

3.6 hp - 60000	-	0,8	B-6L	3212	---	---
----------------	---	-----	------	------	-----	-----

4.0 HP

4.0 hp - 58580	-	0,8	XR5	3332	XR5IX	7355
----------------	---	-----	-----	------	-------	------

4.0 hp - 585270	-	0,8	XR5	3332	XR5IX	7355
-----------------	---	-----	-----	------	-------	------

4.5 HP

4.5 hp - 59460	-	0,9	XR5	3332	XR5IX	7355
----------------	---	-----	-----	------	-------	------

4.5 hp - 59461	-	0,9	XR5	3332	XR5IX	7355
----------------	---	-----	-----	------	-------	------

4.5 hp - 59462	-	0,9	XR5	3332	XR5IX	7355
----------------	---	-----	-----	------	-------	------

4.5 hp - 59463	-	0,9	XR5	3332	XR5IX	7355
----------------	---	-----	-----	------	-------	------

4.5 hp - 59464	-	0,9	XR5	3332	XR5IX	7355
----------------	---	-----	-----	------	-------	------

4.8 HP

4.8 hp - 58970	-	0,9	XR5	3332	XR5IX	7355
----------------	---	-----	-----	------	-------	------

4.8 hp - 58971	-	0,9	XR5	3332	XR5IX	7355
----------------	---	-----	-----	------	-------	------

5.0 HP

5.0 hp - 58520	-	0,9	B6S	3510	---	---
----------------	---	-----	-----	------	-----	-----

5.0 hp - 58521	-	0,9	XR5	3332	XR5IX	7355
----------------	---	-----	-----	------	-------	------

5.0 hp - 58610	-	0,9	XR5	3332	XR5IX	7355
----------------	---	-----	-----	------	-------	------

5.0 hp - 58620	-	0,9	XR5	3332	XR5IX	7355
----------------	---	-----	-----	------	-------	------

5.0 hp - 58960	-	0,9	B6S	3510	---	---
----------------	---	-----	-----	------	-----	-----

5.0 hp - 58961	-	0,9	B6S	3510	---	---
----------------	---	-----	-----	------	-----	-----

5.0 hp - 58962	-	0,9	XR5	3332	XR5IX	7355
----------------	---	-----	-----	------	-------	------

5.0 hp - 58990	-	0,9	XR5	3332	XR5IX	7355
----------------	---	-----	-----	------	-------	------

5.0 hp - 58991	-	0,9	XR5	3332	XR5IX	7355
----------------	---	-----	-----	------	-------	------

5.0 hp - 58992	-	0,9	XR5	3332	XR5IX	7355
----------------	---	-----	-----	------	-------	------

5.0 hp - 59310	-	0,9	XR5	3332	XR5IX	7355
----------------	---	-----	-----	------	-------	------

5.0 hp - 59311	-	0,9	XR5	3332	XR5IX	7355
----------------	---	-----	-----	------	-------	------

5.0 hp - 59520	-	0,9	B6S	3510	---	---
----------------	---	-----	-----	------	-----	-----

5.0 hp - 59670	-	0,9	B6S	3510	---	---
----------------	---	-----	-----	------	-----	-----

5.0 hp - 59671	-	0,9	B6S	3510	---	---
----------------	---	-----	-----	------	-----	-----

5.0 hp - 59672	-	0,9	B6S	3510	---	---
----------------	---	-----	-----	------	-----	-----

5.0 hp - 59673	-	0,9	XR5	3332	XR5IX	7355
----------------	---	-----	-----	------	-------	------

5.0 hp - 59680	-	0,9	XR5	3332	XR5IX	7355
----------------	---	-----	-----	------	-------	------

5.0 hp - 585411	-	0,9	XR5	3332	XR5IX	7355
-----------------	---	-----	-----	------	-------	------

5.0 hp - 585420	-	0,8	XR5	3332	XR5IX	7355
-----------------	---	-----	-----	------	-------	------

5.0 hp - 585430	-	0,8	XR5	3332	XR5IX	7355
-----------------	---	-----	-----	------	-------	------

5.0 hp - 585441	-	0,8	XR5	3332	XR5IX	7355
-----------------	---	-----	-----	------	-------	------

5.0 hp - 585460	-	0,8	XR5	3332	XR5IX	7355
-----------------	---	-----	-----	------	-------	------

5.0 hp - 585470	-	0,8	XR5	3332	XR5IX	7355
-----------------	---	-----	-----	------	-------	------

5.0 hp - 595410	-	0,9	XR5	3332	XR5IX	7355
-----------------	---	-----	-----	------	-------	------

5.0 hp - 595431	-	0,8	XR5	3332	XR5IX	7355
-----------------	---	-----	-----	------	-------	------

5.0 hp - 595440	-	0,8	XR5	3332	XR5IX	7355
-----------------	---	-----	-----	------	-------	------

5.5 HP

5.5 hp - 59430	-	0,9	XR5	3332	XR5IX	7355
----------------	---	-----	-----	------	-------	------

5.5 hp - 59431	-	0,9	XR5	3332	XR5IX	7355
----------------	---	-----	-----	------	-------	------

5.5 hp - 59432	-	0,9	XR5	3332	XR5IX	7355
----------------	---	-----	-----	------	-------	------

5.5 hp - 59433	-	0,9	XR5	3332	XR5IX	7355
----------------	---	-----	-----	------	-------	------

5.5 hp - 59980	-	0,9	XR5	3332	XR5IX	7355
----------------	---	-----	-----	------	-------	------

5.5 hp - 585710	-	0,9	XR5	3332	XR5IX	7355
-----------------	---	-----	-----	------	-------	------



Stock-No.



Stock-No.

SEARS**6.0 HP**

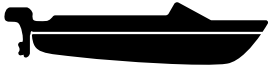
6.0 hp - 6004	-	0,8	B-6L	3212	---	---
6.0 hp - 6005	-	0,8	B-6L	3212	---	---
6.0 hp - 60060	-	0,8	B-6L	3212	---	---

7.0 HP

7.0 hp - 58530	-	0,9	XR5	3332	XR5IX	7355
7.0 hp - 58531	-	0,9	XR5	3332	XR5IX	7355
7.0 hp - 58532	-	0,9	XR5	3332	XR5IX	7355
7.0 hp - 58830	-	0,9	XR5	3332	XR5IX	7355
7.0 hp - 59440	-	0,9	XR5	3332	XR5IX	7355
7.0 hp - 59840	-	0,9	XR5	3332	XR5IX	7355
7.0 hp - 59970	-	0,9	XR5	3332	XR5IX	7355
7.0 hp - 585861	-	0,8	XR5	3332	XR5IX	7355
7.0 hp - 585860	-	0,8	XR5	3332	XR5IX	7355

7.5 HP

7.5 hp - 6008	-	0,8	B-6L	3212	---	---
7.5 hp - 6010	-	0,8	B-6L	3212	---	---
7.5 hp - 6012	-	0,8	B-6L	3212	---	---
7.5 hp - 58809	-	0,9	XR5	3332	XR5IX	7355
7.5 hp - 58820	-	0,9	XR5	3332	XR5IX	7355
7.5 hp - 58821	-	0,9	XR5	3332	XR5IX	7355
7.5 hp - 58850	-	0,9	XR5	3332	XR5IX	7355
7.5 hp - 58880	-	0,9	XR5	3332	XR5IX	7355
7.5 hp - 58881	-	0,9	XR5	3332	XR5IX	7355
7.5 hp - 58882	-	0,9	XR5	3332	XR5IX	7355
7.5 hp - 58891	-	0,9	XR5	3332	XR5IX	7355
7.5 hp - 59450	-	0,9	XR5	3332	XR5IX	7355
7.5 hp - 59490	-	0,9	XR5	3332	XR5IX	7355
7.5 hp - 59491	-	0,9	XR5	3332	XR5IX	7355
7.5 hp - 60070	-	0,8	B-6L	3212	---	---
7.5 hp - 60090	-	0,8	B-6L	3212	---	---
7.5 hp - 60100	-	0,8	B-6L	3212	---	---
7.5 hp - 585780	-	0,9	XR5	3332	XR5IX	7355
7.5 hp - 585810	-	0,8	XR5	3332	XR5IX	7355
7.5 hp - 585811	-	0,8	XR5	3332	XR5IX	7355
7.5 hp - 585821	-	0,9	XR5	3332	XR5IX	7355
7.5 hp - 585830	-	0,9	XR5	3332	XR5IX	7355
7.5 hp - 585840	-	0,8	XR5	3332	XR5IX	7355
7.5 hp - 585850	-	0,8	XR5	3332	XR5IX	7355
7.5 hp - 585880	-	0,9	XR5	3332	XR5IX	7355
7.5 hp - 585890	-	0,8	XR5	3332	XR5IX	7355
7.5 hp - 585910	-	0,9	XR5	3332	XR5IX	7355
7.5 hp - 585911	-	0,9	XR5	3332	XR5IX	7355
7.5 hp - 585920	-	0,8	XR5	3332	XR5IX	7355
7.5 hp - 585930	-	0,8	XR5	3332	XR5IX	7355
7.5 hp - 585931	-	0,9	XR5	3332	XR5IX	7355
7.5 hp - 586110	-	0,9	XR5	3332	XR5IX	7355
7.5 hp - 586111	-	0,9	XR5	3332	XR5IX	7355
7.5 hp - 586120	-	0,9	XR5	3332	XR5IX	7355



Stock-No.



Stock-No.

**SEARS
9.9 HP**

9.9 hp - 58710	-	0,8	XR5	3332	XR5IX	7355
9.9 hp - 58711	-	0,8	XR5	3332	XR5IX	7355
9.9 hp - 586240	-	0,8	XR5	3332	XR5IX	7355
9.9 hp - 586220	-	0,8	XR5	3332	XR5IX	7355
9.9 hp - 586211	-	0,8	XR5	3332	XR5IX	7355
9.9 hp - 586210	-	0,8	XR5	3332	XR5IX	7355
9.9 hp - 586230	-	0,8	XR5	3332	XR5IX	7355
9.9 hp - 586231	-	0,8	XR5	3332	XR5IX	7355

10.5 HP

10.5 hp - 58720	-	0,8	XR5	3332	XR5IX	7355
10.5 hp - 58721	-	0,8	XR5	3332	XR5IX	7355

12 HP

12 hp - 5927	-	0,8	B-6L	3212	---	---
--------------	---	-----	------	------	-----	-----

14 HP

14 hp - 6013	-	0,8	B6S	3510	---	---
14 hp - 6014	-	0,8	B6S	3510	---	---
14 hp - 6015	-	0,8	B6S	3510	---	---

15 HP

15 hp - 58105	-	0,8	B7HS	5110	---	---
15 hp - 58760	-	0,8	XR5	3332	XR5IX	7355
15 hp - 58761	-	0,8	XR5	3332	XR5IX	7355
15 hp - 586310	-	0,8	XR5	3332	XR5IX	7355
15 hp - 586311	-	0,8	XR5	3332	XR5IX	7355
15 hp - 586320	-	0,8	XR5	3332	XR5IX	7355
15 hp - 586330	-	0,8	XR5	3332	XR5IX	7355
15 hp - 586331	-	0,8	XR5	3332	XR5IX	7355
15 hp - 586340	-	0,8	XR5	3332	XR5IX	7355

25 HP

25 hp	-	0,8	B8HS	5510	BR8HIX	7001
-------	---	-----	------	------	--------	------

27.7 HP

27.7 hp - 6033	-	0,8	B6S	3510	---	---
27.7 hp - 6035	-	0,8	B6S	3510	---	---

28 HP

28 hp - 6037	-	0,8	B6S	3510	---	---
28 hp - 6038	-	0,8	B6S	3510	---	---
28 hp - 60340	-	0,8	B8S	3810	---	---
28 hp - 60360	-	0,8	B8S	3810	---	---
28 hp - 60370	-	0,8	B8S	3810	---	---
28 hp - 60380	-	0,8	B8S	3810	---	---

35 HP

35 hp - 5941	-	0,8	B8S	3810	---	---
--------------	---	-----	-----	------	-----	-----

43.7 HP

43.7 hp - 6045	-	0,8	B6S	3510	---	---
43.7 hp - 6050	-	0,8	B6S	3510	---	---
43.7 hp - 60541	-	0,8	B6S	3510	---	---
43.7 hp - 60644	-	0,8	B6S	3510	---	---



Stock-No.



Stock-No.

SEARS**45 HP**

45 hp - 5056	-	0,8	B8S	3810	---	---
45 hp - 5057	-	0,8	B8S	3810	---	---
45 hp - 5058	-	0,8	B8S	3810	---	---
45 hp - 60540	-	0,8	B8S	3810	---	---
45 hp - 60550	-	0,8	B8S	3810	---	---

75 HP

75 hp - 6078	-	0,8	B8S	3810	---	---
75 hp - 60740	-	0,8	B8S	3810	---	---
75 hp - 60750	-	0,8	B8S	3810	---	---

75.2 HP

75.2 hp - 6070	-	0,8	B6S	3510	---	---
75.2 hp - 6071	-	0,8	B6S	3510	---	---
75.2 hp - 6076	-	0,8	B8S	3810	---	---
75.2 hp - 6077	-	0,8	B8S	3810	---	---

SELVA

S85,S95,S110,S120,S125	-	0,5	BP6HS	4511	BPR6HIX	4085
S95 SC,S115 SC,S115,S135 SC	-	0,5	BP6HS	4511	BPR6HIX	4085
S130, S135, S165, S170	-	0,5	BP6HS	4511	BPR6HIX	4085
S1350, S1400	-	0,5	B8HS	5510	BR8HIX	7001
S155, S175, S495 XS, S525	-	0,5	BP6HS	4511	BPR6HIX	4085
S250, S260, S350	-	0,5	BP6HS	4511	BPR6HIX	4085
S400,S405,S490,S495,S505	-	0,5	BP7HS	5111	BR7HIX	7067
S500	-	0,5	B6HS	4510	BR6HIX	3419
S600 Master, S650 (40HP)	-	0,5	B8HS	5510	BR8HIX	7001
S650	1989-	0,5	B8HS	5510	BR8HIX	7001
S650 (50HP), S850	-	0,5	B8HS	5510	BR8HIX	7001
S650, S700, S750, S800	-	0,5	B8HS	5510	BR8HIX	7001
S800 Best, S1000	-	0,5	B8HS	5510	BR8HIX	7001

2.4 HP

2.4 hp - Elba 56cc	-	0,5	BPMR6A	6726	---	---
--------------------	---	-----	--------	------	-----	-----

2.5 HP

2.5 hp - S60 SI	-	0,5	BPM6A	7021	---	---
-----------------	---	-----	-------	------	-----	-----

4 HP

4 hp	-	0,5	BP6HS	4511	BPR6HIX	4085
------	---	-----	-------	------	---------	------

5 HP

5 hp - Capri 125cc	-	0,8	BPR6HS	7022	BPR6HIX	4085
5 hp - S115 / S115 SI	-	0,5	BPR6HS	7022	BPR6HIX	4085

6 HP

6 hp	-	0,5	BP6HS	4511	BPR6HIX	4085
------	---	-----	-------	------	---------	------

8 HP

8 hp - Izmir 170cc	-	0,8	BPR6HS	7022	BPR6HIX	4085
8 hp - S165	-	0,5	BPR6HS	7022	BPR6HIX	4085

9.9 HP

9.9 hp - models	-	0,5	BP6HS	4511	BPR6HIX	4085
-----------------	---	-----	-------	------	---------	------

15 HP

15 hp	-	0,5	BP6HS	4511	BPR6HIX	4085
-------	---	-----	-------	------	---------	------



Stock-No.



Stock-No.

SELVA**20 HP**

20 hp	-	0,5	BP7HS	5111	BR7HIX	7067
20 hp - Rhodes 398cc	-	0,8	BPR6HS	7022	BPR6HIX	4085
20 hp - S405	-	0,5	BPR6HS	7022	BPR6HIX	4085

25 HP

25 hp - Antibes 489cc	-	0,8	BPR6HS	7022	BPR6HIX	4085
25 hp - Majorca 489cc	-	0,8	BPR6HS	7022	BPR6HIX	4085
25 hp - Master	1989-	0,5	B8HS	5510	BR8HIX	7001
25 hp - S1050 Super Best	-	1,0	B7HS-10	2129	---	---
25 hp - S495	-	0,5	BPR6HS	7022	BPR6HIX	4085
25 hp - S500 Grand Prix	-	1,0	B7HS-10	2129	---	---
25 hp - S600 Master	-	1,0	B7HS-10	2129	---	---
25 hp - S800 Best	-	1,0	B7HS-10	2129	---	---
25 hp - XS (495CC, 2carb.)	1988-	0,5	BP6HS	4511	BPR6HIX	4085

30 HP

30 hp - S505 Antibes 489cc	-	1,0	B7HS-10	2129	---	---
----------------------------	---	-----	----------------	-------------	-----	-----

35 HP

35 hp - other models	-	0,5	B8HS	5510	BR8HIX	7001
35 hp - S525 Majorca 489cc	-	1,0	B7HS-10	2129	---	---

40 HP

40 hp - S625 Madeira 684cc	-	1,0	B7HS-10	2129	---	---
40 hp - Saint Tropez 741cc	-	1,0	B7HS-10	2129	---	---

50 HP

50 hp - other models	-	0,5	B8HS	5510	BR8HIX	7001
50 hp - S700 Madeira 684cc	-	1,0	B7HS-10	2129	---	---

55 HP

55 hp - S750	-	1,0	B7HS-10	2129	---	---
--------------	---	-----	----------------	-------------	-----	-----

60 HP

60 hp - Saint Tropez 831cc	-	1,0	B7HS-10	2129	---	---
----------------------------	---	-----	----------------	-------------	-----	-----

65 HP

65 hp - other models	-	0,5	B8HS	5510	BR8HIX	7001
65 hp - S850	-	1,0	B7HS-10	2129	---	---

70 HP

70 hp - Tenerife 831cc	-	1,0	B7HS-10	2129	---	---
------------------------	---	-----	----------------	-------------	-----	-----

74.5 HP

74.5 hp - S1300 Endurance	-	1,0	B7HS-10	2129	---	---
---------------------------	---	-----	----------------	-------------	-----	-----

75 HP

75 hp - Montecarlo 1298cc	-	1,0	B7HS-10	2129	---	---
---------------------------	---	-----	----------------	-------------	-----	-----

80 HP

80 hp - other models	-	0,5	B8HS	5510	BR8HIX	7001
80 hp - S1000 Potofino 1026cc	-	1,0	B7HS-10	2129	---	---

90 HP

90 hp - S1350 Montecarlo 1298cc	-	1,0	B7HS-10	2129	---	---
---------------------------------	---	-----	----------------	-------------	-----	-----

100 HP

100 hp - S1400 Montecarlo 1368cc	-	1,0	B7HS-10	2129	---	---
----------------------------------	---	-----	----------------	-------------	-----	-----



Stock-No.



Stock-No.

SELVA GEMINI

3, 4,5 PS	-	0,5	B6S	3510	---	---
6 PS	-	0,5	B6S	3510	---	---

SOLO

2.5, 4 PS	-	0,5	B6HS	4510	BR6HIX	3419
55, 70 PS	-	0,9	B9HS	5810	---	---

SPIRIT (SUZUKI)

2.0 HP						
2.0 hp	1977-1981	0,6	BR5HS	3722	---	---
3.5 HP						
3.5 hp	1979-1981	0,8	BPR6HS	7022	BPR6HIX	4085
4.5 HP						
4.5 hp	1976-1977	0,7	BR6HS	3922	BR6HIX	3419
5.0 HP						
5.0 hp	1978-1981	0,8	BPR6HS	7022	BPR6HIX	4085
7.5 HP						
7.5 hp	-	0,7	BR6HS	3922	BR6HIX	3419
8.0 HP						
8.0 hp	1980-1981	0,7	BPR6HS	7022	BPR6HIX	4085
9.0 HP						
9.0 hp	1976-1981	0,7	BR6HS	3922	BR6HIX	3419
16 HP						
16 hp	1976-1981	0,7	BR7HS	4122	BR7HIX	7067
20 HP						
20 hp	1976-1981	0,7	BR7HS	4122	BR7HIX	7067
25 HP						
25 hp	1976-1981	0,7	BR7HS	4122	BR7HIX	7067
40 HP						
40 hp	1980-1981	0,9	BR8HS	4322	BR8HIX	7001
50 HP						
50 hp	1977-1981	0,9	BR8HS	4322	BR8HIX	7001
65 HP						
65 hp	1977-1981	0,9	BR8HS	4322	BR8HIX	7001
85 HP						
85 hp	1979-1981	0,9	BR8HS	4322	BR8HIX	7001

SUZUKI

2.0 HP						
2.0 hp - DT2	1977-1997	0,7	B-4H	4110	---	---
2.2 HP						
2.2 hp - DT2.2	1986-1997	0,7	B-4H	4110	---	---
2.5 HP						
2.5 hp - DF2.5	2006-2009	-	CR6HSA	2983	---	---
3.5 HP						
3.5 hp - DT3.5	1977-1984	0,7	BP6HS	4511	BR6HIX	3419
4.0 HP						
4.0 hp - DT4D	1977-1979	0,7	B6HS	4510	BR6HIX	3419
4.0 hp - DF4	2003-2004	0,8	BPR6ES	7822	BPR6EIX	6637
4.0 hp - DT4	1988-1998	0,7	BPR5HS	6222	---	---
4.0 hp - DT4	1985-1987	0,7	BP6HS	4511	BR6HIX	3419



Stock-No.



Stock-No.

SUZUKI**4.5 HP**

4.5 hp - DT4.5	1977-1979	0,7	B6HS	4510	BR6HIX	3419
----------------	-----------	-----	-------------	-------------	---------------	-------------

5.0 HP

5.0 hp - DT5 - 2 cyl.	1977-1983	0,6	BP6HS	4511	BR6HIX	3419
-----------------------	-----------	-----	--------------	-------------	---------------	-------------

5.0 hp - DT5Y - 1 cyl.	1999-2002	1,0	BPR7HS-10	1092	---	---
------------------------	-----------	-----	------------------	-------------	-----	-----

5.0 hp - DT5	1999-2000	0,7	BPR5HS	6222	---	---
--------------	-----------	-----	---------------	-------------	-----	-----

6.0 HP

6.0 hp - DF6	2003-2004	0,8	BPR6ES	7822	BPR6EIX	6637
--------------	-----------	-----	---------------	-------------	----------------	-------------

6.0 hp - DT6 - 2 cyl.	1986-1992	1,0	B6HS-10	1052	---	---
-----------------------	-----------	-----	----------------	-------------	-----	-----

6.0 hp - DT6 - 2 cyl.	1984-1985	0,9	BP6HS	4511	BR6HIX	3419
-----------------------	-----------	-----	--------------	-------------	---------------	-------------

6.0 hp - DT6 - 2 cyl.	1993-2002	1,0	BR6HS-10	1090	---	---
-----------------------	-----------	-----	-----------------	-------------	-----	-----

7.5 HP

7.5 hp - DT7.5 - 2 cyl.	1977-1979	0,7	B6HS	4510	BR6HIX	3419
-------------------------	-----------	-----	-------------	-------------	---------------	-------------

8.0 HP

8.0 hp - DT8 - 2 cyl.	1977-1987	0,9	BP6HS	4511	BR6HIX	3419
-----------------------	-----------	-----	--------------	-------------	---------------	-------------

8.0 hp - DT8c - 2 cyl.	1988-1992	1,0	B6HS-10	1052	---	---
------------------------	-----------	-----	----------------	-------------	-----	-----

8.0 hp - DT8c - 2 cyl.	1993-1997	1,0	BR6HS-10	1090	---	---
------------------------	-----------	-----	-----------------	-------------	-----	-----

8.0 hp - DF8AR	2010-	0,8	CR6E	6965	---	---
----------------	-------	-----	-------------	-------------	-----	-----

9.0 HP

9.0 hp - DT9 - 2 cyl.	1977-1979	0,7	B6HS	4510	BR6HIX	3419
-----------------------	-----------	-----	-------------	-------------	---------------	-------------

9.9 HP

9.9 hp - DT9.9c - 2 cyl.	1993-1997	1,0	BR6HS-10	1090	---	---
--------------------------	-----------	-----	-----------------	-------------	-----	-----

9.9 hp - DT9.9c - 2 cyl.	1992-	1,0	B6HS-10	1052	---	---
--------------------------	-------	-----	----------------	-------------	-----	-----

9.9 hp - DT9.9 - 2 cyl.	1977-1982	1,0	BR7HS-10	1098	---	---
-------------------------	-----------	-----	-----------------	-------------	-----	-----

9.9 hp - DT9.9 - 2 cyl.	1983-1985	1,0	B7HS-10	2129	---	---
-------------------------	-----------	-----	----------------	-------------	-----	-----

9.9 hp - DF9.9 - 2 cyl. 4 stroke	1996-2004	0,9	DCPR6E	3481	DCPR6EIX	8196
----------------------------------	-----------	-----	---------------	-------------	-----------------	-------------

9.9 hp - DT9.9c - 2 cyl.	1988-1991	0,7	B6HS	4510	BR6HIX	3419
--------------------------	-----------	-----	-------------	-------------	---------------	-------------

9.9 hp - DT9.9 - 2 cyl.	1986-1988	1,0	B6HS-10	1052	---	---
-------------------------	-----------	-----	----------------	-------------	-----	-----

15 HP

15 hp - DT15 - 2 cyl.	1983-1988	0,7	B7HS	5110	---	---
-----------------------	-----------	-----	-------------	-------------	-----	-----

15 hp - DF15 - 2 cyl. 4 stroke	1996-2004	0,9	DCPR6E	3481	DCPR6EIX	8196
--------------------------------	-----------	-----	---------------	-------------	-----------------	-------------

15 hp - DT15c - 2 cyl.	1992-1997	1,0	BR7HS-10	1098	---	---
------------------------	-----------	-----	-----------------	-------------	-----	-----

15 hp - DT15c - 2 cyl.	1989-1991	1,0	B7HS-10	2129	---	---
------------------------	-----------	-----	----------------	-------------	-----	-----

16 HP

16 hp - DT16 - 2 cyl.	1977-1982	0,7	B7HS	5110	---	---
-----------------------	-----------	-----	-------------	-------------	-----	-----

20 HP

20 hp - DT20 - 2 cyl.	1977-1988	0,7	B7HS	5110	---	---
-----------------------	-----------	-----	-------------	-------------	-----	-----

25 HP

25 hp - DF25 - 3 cyl. 4 stroke	2000-2004	0,9	DCPR6E	3481	DCPR6EIX	8196
--------------------------------	-----------	-----	---------------	-------------	-----------------	-------------

25 hp - DF25	2010-	-	CR6HSA	2983	---	---
--------------	-------	---	---------------	-------------	-----	-----

25 hp - DT25c - 3 cyl.	1996-2000	1,0	BR7HS-10	1098	---	---
------------------------	-----------	-----	-----------------	-------------	-----	-----

25 hp - DT25c - 3 cyl.	1993-1995	1,0	BR7HS-10	1098	---	---
------------------------	-----------	-----	-----------------	-------------	-----	-----

25 hp - DT25c - 3 cyl.	1989-1992	1,0	B7HS-10	2129	---	---
------------------------	-----------	-----	----------------	-------------	-----	-----

25 hp - DT25 - 3 cyl.	1985-1988	1,0	B7HS-10	2129	---	---
-----------------------	-----------	-----	----------------	-------------	-----	-----

25 hp - DT25 - 3 cyl.	1977-1984	1,0	B7HS-10	2129	---	---
-----------------------	-----------	-----	----------------	-------------	-----	-----

30 HP

30 hp - DT30 - 2 cyl.	1986-1987	1,0	B7HS-10	2129	---	---
-----------------------	-----------	-----	----------------	-------------	-----	-----

30 hp - DT30c - 3 cyl.	1988-1992	1,0	B7HS-10	2129	---	---
------------------------	-----------	-----	----------------	-------------	-----	-----

30 hp - DF30 - 3 cyl. 4 stroke	2000-2004	0,9	DCPR6E	3481	DCPR6EIX	8196
--------------------------------	-----------	-----	---------------	-------------	-----------------	-------------



Stock-No.



Stock-No.

SUZUKI**30 HP**

30 hp - DT30c - 3 cyl.	1996-1998	1,0	BR7HS-10	1098	---	---
30 hp - DT30c - 3 cyl.	1993-1995	1,0	BR7HS-10	1098	---	---
30 hp - DT30 - 1 cyl.	1983-1985	1,0	B7HS-10	2129	---	---

35 HP

35 hp - DT35 - 2 cyl.	1987-1989	1,0	B8HS-10	5126	---	---
35 hp - DT35	1980-1982	0,9	BR8HS	4322	BR8HIX	7001

40 HP

40 hp - DF40 - 3 cyl. 4 stroke	1999-2010	0,9	DCPR6E	3481	DCPR6EIX	8196
40 hp - DT40 - 2 cyl.	1983-1985	0,9	B8HS	5510	BR8HIX	7001
40 hp - DT40 - 2 cyl.	1980-1982	0,9	BR8HS	4322	BR8HIX	7001
40 hp - DT40c - 2 cyl.	1984-1992	0,9	B8HS	5510	BR8HIX	7001
40 hp - DT40c - 2 cyl.	1993-	0,9	BR8HS	4322	BR8HIX	7001
40 hp - DT40c - 2 cyl.	1994-1998	1,0	BR8HS-10	1134	---	---
40 hp - PU40 - 2 cyl.	1993-	0,9	BR8HS	4322	BR8HIX	7001
40 hp - PU40 - 2 cyl.	1994-1995	1,0	BR8HS-10	1134	---	---
40 hp - PU40 - 2 cyl.	1989-1992	0,9	B8HS	5510	BR8HIX	7001

46 HP

46 hp - DF46	2005-2008	0,8	BPR6ES	7822	BPR6EIX	6637
--------------	-----------	-----	--------	------	---------	------

50 HP

50 hp - DT50 - 2 cyl.	1977-1984	1,0	B8HS-10	5126	---	---
50 hp - DF50 - 3 cyl. 4 stroke	1999-2010	0,9	DCPR6E	3481	DCPR6EIX	8196

55 HP

55 hp - DT55 - 3 cyl.	1996-1997	1,0	BR8HS-10	1134	---	---
55 hp - DT55 - 3 cyl.	1993-1995	0,8	BR8HS	4322	BR8HIX	7001
55 hp - DT55 - 3 cyl.	1985-1992	0,9	B8HS	5510	BR8HIX	7001
55 hp - PU55 - 3 cyl.	1994-1995	1,0	BR8HS-10	1134	---	---
55 hp - PU55 - 3 cyl.	1989-1993	0,9	B8HS	5510	BR8HIX	7001

60 HP

60 hp - DF60 - 4 cyl. 4 stroke	1998-2004	0,8	BPR6ES	7822	BPR6EIX	6637
60 hp - DT60 - 3 cyl.	1983-1984	0,9	B8HS	5510	BR8HIX	7001

65 HP

65 hp - DT65 - 3 cyl.	1993-1995	0,8	BR8HS	4322	BR8HIX	7001
65 hp - DT65 - 3 cyl.	1978-1982	0,9	B8HS	5510	BR8HIX	7001
65 hp - DT65 - 3 cyl.	1985-1992	0,9	B8HS	5510	BR8HIX	7001
65 hp - DT65 - 3 cyl.	1996-1997	1,0	BR8HS-10	1134	---	---

70 HP

70 hp - DF70 - 4 cyl. 4 stroke	1998-2009	0,8	BPR6ES	7822	BPR6EIX	6637
70 hp - DF70A	2009-2010	0,9	DCPR6E	3481	DCPR6EIX	8196
70 hp - DF70THL, TL	2005-2007	0,8	BPR6ES	7822	BPR6EIX	6637

75 HP

75 hp - DT75 - 3 cyl.	1983-1992	0,8	B8HS	5510	BR8HIX	7001
75 hp - DT75 - 3 cyl.	1996-1997	1,0	BR8HS-10	1134	---	---
75 hp - DT75 - 3 cyl.	1993-1996	0,8	BR8HS	4322	BR8HIX	7001

80 HP

80 hp - DF80A	2009-2010	0,9	DCPR6E	3481	DCPR6EIX	8196
---------------	-----------	-----	--------	------	----------	------



Stock-No.



Stock-No.

SUZUKI**85 HP**

85 hp - DT85 - 3 cyl.	1993-	0,9	BR8HS	4322	BR8HIX	7001
85 hp - DT85 - 3 cyl.	1994-2000	1,0	BR8HS-10	1134	---	---
85 hp - DT85 - 3 cyl.	1979-1992	0,9	B8HS	5510	BR8HIX	7001
85 hp - PU85 - 3 cyl.	1989-1993	0,9	B8HS	5510	BR8HIX	7001
85 hp - PU85 - 3 cyl.	1994-1997	1,0	BR8HS-10	1134	---	---

90 HP

90 hp - DF90 - 4 cyl. 4 stroke	2001-2004	0,8	-	-	BKR6EIX	6418
90 hp - DF90A	2009-2010	0,9	DCPR6E	3481	DCPR6EIX	8196
90 hp - DF90A	2009-2010	0,9	DCPR6E	3481	DCPR6EIX	8196
90 hp - DT90 - V4	1996-1997	1,0	BR8HS-10	1134	---	---
90 hp - DT90 - V4	1991-1995	1,0	BR8HCS-10	1157	---	---
90 hp - DT90 - V4	1989-1990	1,0	BR8HS-10	1134	---	---

99 HP

99 hp - DF99AR	2010-	0,8	CR6E	6965	---	---
----------------	-------	-----	-------------	-------------	-----	-----

100 HP

100 hp - DT100 - V4	1989-1990	1,0	BR8HS-10	1134	---	---
100 hp - DT100 - V4	1991-1995	1,0	BR8HCS-10	1157	---	---
100 hp - DT100 - V4	1996-2000	1,0	BR8HS-10	1134	---	---

115 HP

115 hp - DF115 - 4 cyl. 4 stroke	2001-2004	0,8	-	-	BKR6EIX	6418
115 hp - DT115S EFI - 4 cyl.	1996-2001	1,0	BR8HS-10	1134	---	---
115 hp - DT115 - 4 cyl.	1998-2000	0,9	BR8HS	4322	BR8HIX	7001
115 hp - DT115 - 4 cyl.	1991-1997	1,0	BR8HCS-10	1157	---	---
115 hp - DT115 - 4 cyl. 4 stroke	1981-1990	0,9	B8HS	5510	BR8HIX	7001

140 HP

140 hp - DF140 - 4 cyl. 4 stroke	2002-2004	0,8	-	-	BKR6EIX	6418
140 hp - DT140 - 4 cyl.	1981-1985	1,0	B8HS-10	5126	---	---
140 hp - DT140 - 4 cyl.	1997-2000	0,9	BR8HS	4322	BR8HIX	7001
140 hp - DT140 - 4 cyl.	1986-1995	1,0	B8HS-10	5126	---	---
140 hp - DT140 - 4 cyl.	1996-	1,0	BR8HCS-10	1157	---	---
140 hp - DT140 EFI - 4 cyl.	1997-2001	1,0	BR8HS-10	1134	---	---
140 hp - PU140 - 4 cyl.	1996-1997	1,0	BR8HS-10	1134	---	---
140 hp - PU140 - 4 cyl.	1989-1995	1,0	BR8HCS-10	1157	---	---

150 HP

150 hp - DT150 EFI - V6	1987-2003	1,0	BR8HS-10	1134	---	---
150 hp - DT150S EFI - V6	1987-2003	1,0	BR8HS-10	1134	---	---
150 hp - DT150 - V6	1986-1997	1,0	BR8HS-10	1134	---	---
150 hp - DT150SS - V6	1989-1992	1,0	BR8HS-10	1134	---	---
150 hp - DT150SS - V6	1986-1988	1,0	B8HS-10	5126	---	---

175 HP

175 hp - DT175 - V6	1987-1992	1,0	BR8HS-10	1134	---	---
---------------------	-----------	-----	-----------------	-------------	-----	-----

200 HP

200 hp - DF200 - V6	2004-	1,0	-	-	BKR6EIX	6418
200 hp - DT200 Carb. - V6	1986-	1,0	B8HS-10	5126	---	---
200 hp - DT200 Carb. - V6	1987-1997	1,0	BR8HS-10	1134	---	---
200 hp - DT200 EFI - V6	1987-2000	1,0	BR8HS-10	1134	---	---
200 hp - DT200V Carb. - V6	1989-1991	1,0	BR8HS-10	1134	---	---
200 hp - DT200V Carb. - V6	1987-1988	1,0	B8HS-10	5126	---	---



Stock-No.



Stock-No.

SUZUKI**225 HP**

225 hp - DT225 - V6	1987-2003	1,0	BR8HS-10	1134	---	---
225 hp - DF225 - V6	2004-	0,9	-	-	BKR6EIX	6418

250 HP

250 hp - DF250 - V6	2004-	1,0	-	-	BKR6EIX	6418
---------------------	-------	-----	---	---	---------	------

TANAKA

Bumble Bee	1992-	0,6	BM6F	6221	---	---
------------	-------	-----	------	------	-----	-----

1.2 HP

1.2 hp - TOB 12	1972-1989	0,6	BMR6A	7421	---	---
1.2 hp - TOB 120	1981-1992	0,6	BMR6A	7421	---	---
1.2 hp - TOB 120	1993-1998	0,6	BMR6A	7421	---	---

1.75 HP

1.75 hp - TOB 175	1981-1990	0,6	BMR6A	7421	---	---
-------------------	-----------	-----	-------	------	-----	-----

2.5 HP

2.5 hp - TOB 25	1973-1979	0,6	BMR6A	7421	---	---
-----------------	-----------	-----	-------	------	-----	-----

3.0 HP

3.0 hp - TOB 300	1993-1999	0,6	BMR6A	7421	---	---
3.0 hp - TOB 300	1981-1992	0,6	BMR6A	7421	---	---

5.5 HP

5.5 hp - TOB 550	1984-1988	0,6	BPR7HS	6422	---	---
5.5 hp - TOB 550L	1984-1988	0,6	BPR7HS	6422	---	---

TOHATSU**2.0 HP**

2.0 hp - MFS2.0A - 4 stroke	2007-	0,6	DCPR6E	3481	DCPR6EIX	8196
-----------------------------	-------	-----	--------	------	----------	------

2.5 HP

2.5 hp - M2.5A	1997-2007	1,0	BPR6HS-10	2633	---	---
2.5 hp - M2.5A	1980-1988	1,0	BP6HS-10	6326	---	---
2.5 hp - M2.5B - 4 stroke	-	0,6	DCPR6E	3481	DCPR6EIX	8196

3.5 HP

3.5 hp - MFS3.5A - 4 stroke	2007-	0,6	DCPR6E	3481	DCPR6EIX	8196
3.5 hp - M3.5A - 4 stroke	1997-2007	1,0	BPR6HS-10	2633	---	---
3.5 hp - M3.5A	1986-1990	1,0	BP6HS-10	6326	---	---
3.5 hp - M3.5B	1991-1996	1,0	BP6HS-10	6326	---	---
3.5 hp - M3.5B	1997-2007	1,0	BPR6HS-10	2633	---	---

4.0 HP

4.0 hp - MFS4A2 - 4 stroke	2004-2008	0,6	DCPR6E	3481	DCPR6EIX	8196
4.0 hp - MFS4A - 4 stroke	2000-2008	0,6	DCPR6E	3481	DCPR6EIX	8196

5.0 HP

5.0 hp - M5BS - 2 stroke	2007-	1,0	BPR7HS-10	1092	---	---
5.0 hp - M5B - 2 stroke	1997-2007	1,0	BPR7HS-10	1092	---	---
5.0 hp - M5B	1983-1996	1,0	BP7HS-10	7829	---	---
5.0 hp - M5A2	1978-1983	0,6	B7HS	5110	---	---
5.0 hp - MFS5A - 4 stroke	1999-2007	0,6	DCPR6E	3481	DCPR6EIX	8196
5.0 hp - MFS5 - 4 stroke	-	0,6	DCPR6E	3481	DCPR6EIX	8196
5.0 hp - MFS5A2 - 4 stroke	2004-2007	0,6	DCPR6E	3481	DCPR6EIX	8196



Stock-No.



Stock-No.

TOHATSU**6.0 HP**

6.0 hp - MFS6A - 4 stroke	2004-2008	0,6	DCPR6E	3481	DCPR6EIX	8196
6.0 hp - MFS6A2 - 4 stroke	2004-2008	0,6	DCPR6E	3481	DCPR6EIX	8196

8.0 HP

8.0 hp - B13B	1974-1976	0,6	B7HS	5110	---	---
8.0 hp - M8A	1976-1986	0,6	B7HS	5110	---	---
8.0 hp - M8B	1986-1996	1,0	BP7HS-10	7829	---	---
8.0 hp - M8B	1997-2007	1,0	BPR7HS-10	1092	---	---
8.0 hp - MSF8A - 4 stroke	2004-2008	0,6	DCPR6E	3481	DCPR6EIX	8196

9.8 HP

9.8 hp - M9.8B	2000-2007	1,0	BPR7HS-10	1092	---	---
9.8 hp - M9.8A	1976-1985	0,6	B7HS	5110	---	---
9.8 hp - MSF9.8A - 4 stroke	2004-2008	0,6	DCPR6E	3481	DCPR6EIX	8196
9.8 hp - B18D	1974-1976	0,6	B7HS	5110	---	---

9.9 HP

9.9 hp - MFS9.9A - 4 stroke	2000-2008	0,6	DCPR6E	3481	DCPR6EIX	8196
9.9 hp - M9.9B	1982-1986	0,8	B7HS-10	2129	---	---
9.9 hp - M9.9B2	1986-1994	0,8	B7HS-10	2129	---	---
9.9 hp - M9.9C	1994-2007	0,8	B7HS-10	2129	---	---
9.9 hp - M9.9D	1996-2007	0,8	B7HS-10	2129	---	---
9.9 hp - M9.9D2 - 2 stroke	-	0,8	BR7HS-10	1098	---	---
9.9 hp - MFS9.9B2 - 4 stroke	2004-2008	0,6	DCPR6E	3481	DCPR6EIX	8196
9.9 hp - MFS9.9B - 4 stroke	2004-2008	0,6	DCPR6E	3481	DCPR6EIX	8196

12 HP

12 hp - M12A	1976-1980	0,6	B7HS	5110	---	---
12 hp - M12B	1980-1982	0,6	B7HS	5110	---	---
12 hp - M12C	1982-1986	0,8	B7HS-10	2129	---	---
12 hp - M12C	2007-	0,8	B7HS-10	2129	---	---
12 hp - B18C	1974-1976	0,6	B7HS	5110	---	---

15 HP

15 hp - M15A	1980-1982	0,6	B7HS	5110	---	---
15 hp - M15B	1982-1986	0,8	B7HS-10	2129	---	---
15 hp - M15B	2007-	0,8	BR7HS-10	1098	---	---
15 hp - M15B2	1986-1994	0,8	B7HS-10	2129	---	---
15 hp - M15C	1994-1996	0,8	BP7HS-10	7829	---	---
15 hp - M15C	2004-2007	0,8	B7HS-10	2129	---	---
15 hp - M15D	1997-1999	0,8	BPR7HS-10	1092	---	---
15 hp - M15D	2004-2007	0,8	B7HS-10	2129	---	---
15 hp - M15D	2000-2001	0,8	BPR7HS-10	1092	---	---
15 hp - MFS15A - 4 stroke	2000-2007	0,6	DCPR6E	3481	DCPR6EIX	8196
15 hp - MFS15B - 4 stroke	2004-2007	0,6	DCPR6E	3481	DCPR6EIX	8196
15 hp - MFS15B2 - 4 stroke	2004-2007	0,6	DCPR6E	3481	DCPR6EIX	8196
15 hp - MFS15C - 4 stroke	-	0,6	DCPR6E	3481	DCPR6EIX	8196
15 hp - MFS15C - 2 stroke	-	0,8	B7HS-10	2129	---	---
15 hp - MFS15D - 2 stroke	-	0,8	B7HS-10	2129	---	---
15 hp - MFS15D2 - 2 stroke	-	0,8	BR7HS-10	1098	---	---



Stock-No.



Stock-No.

TOHATSU**18 HP**

18 hp - MFS18B2 - 4 stroke	2004-2008	0,6	DCPR6E	3481	DCPR6EIX	8196
18 hp - MFS18B - 4 stroke	2004-2008	0,6	DCPR6E	3481	DCPR6EIX	8196
18 hp - M18A	1980-1983	0,6	B7HS	5110	---	---
18 hp - M18C	1982-1986	0,8	B7HS-10	2129	---	---
18 hp - M18C2	1986-1994	0,8	B7HS-10	2129	---	---
18 hp - M18C	2007-	0,8	BR7HS-10	1098	---	---
18 hp - M18D	1994-2007	0,8	B7HS-10	2129	---	---
18 hp - M18E	1996-	0,8	B7HS-10	2129	---	---
18 hp - M18E	1996-1999	0,8	BR7HS-10	1098	---	---
18 hp - M18E	2000-2001	0,8	BPR7HS-10	1092	---	---
18 hp - M18E	2004-2007	0,8	B7HS-10	2129	---	---

20 HP

20 hp - B30C	1974-1976	0,6	B7HS	5110	---	---
20 hp - M20A2	1976-1980	0,6	B7HS	5110	---	---
20 hp - MFS20C - 4 stroke	-	0,6	DCPR6E	3481	DCPR6EIX	8196

25 HP

25 hp - M25A2	1976-1983	0,6	B7HS	5110	---	---
25 hp - M25B	1979-1985	0,6	B7HS	5110	---	---
25 hp - M25C	1984-1986	0,6	B7HS	5110	---	---
25 hp - M25C2	1986-2007	0,8	B7HS-10	2129	---	---
25 hp - M25C2 - 2 stroke	-	1,0	BPR7HS-10	1092	---	---
25 hp - M25C3	1997-2007	0,8	BR7HS-10	1098	---	---
25 hp - M25C4	2000-2001	0,8	BR7HS-10	1098	---	---
25 hp - M25D - 2 stroke	-	0,8	B7HS-10	2129	---	---
25 hp - B40A	1973-1976	0,6	B7HS	5110	---	---
25 hp - MFS25A & MFS25B - 4 stroke	2004-2008	0,6	DCPR6E	3481	DCPR6EIX	8196

30 HP

30 hp - MFS30A & MFS30B - 4 stroke	2004-2007	0,6	DCPR6E	3481	DCPR6EIX	8196
30 hp - M30A	1979-1981	0,8	B7HS-10	2129	---	---
30 hp - M30A2	1981-1986	0,8	B7HS-10	2129	---	---
30 hp - M30A3	1986-1996	0,8	B7HS-10	2129	---	---
30 hp - M30A3	1997-1999	0,8	BR7HS-10	1098	---	---
30 hp - M30A3	2004-2007	0,8	B7HS-10	2129	---	---
30 hp - M30A4	2000-2007	0,8	BR7HS-10	1098	---	---

35 HP

35 hp - M35A	1976-1980	0,6	B7HS	5110	---	---
35 hp - M35B	1979-1982	0,6	B7HS	5110	---	---
35 hp - M35C	1984-1990	0,6	B7HS	5110	---	---

40 HP

40 hp - MD40B TLDI	2004-2008	0,8	PZFR6H	7696	---	---
40 hp - MD40A TLDI	2004-2007	1,1	ZFR6F-11	4291	---	---
40 hp - M40A	1973-1976	0,6	B7HS	5110	---	---
40 hp - M40C	1983-2006	0,8	B7HS-10	2129	---	---
40 hp - M40C	2007-	0,8	BR7HS-10	1098	---	---
40 hp - M40D	1989-1996	0,8	B7HS-10	2129	---	---
40 hp - M40D	1997-2006	0,8	BR7HS-10	1098	---	---
40 hp - M40D	2007-	0,8	B7HS-10	2129	---	---
40 hp - M40D2	2004-2007	0,8	BR7HS-10	1098	---	---

42 HP

42 hp - MFS4A2 - 4 stroke	-	0,6	DCPR6E	3481	DCPR6EIX	8196
---------------------------	---	-----	--------	------	----------	------



Stock-No.



Stock-No.

TOHATSU**50 HP**

50 hp - MD50A TLDI	2004-2007	1,1	ZFR6F-11	4291	---	---
50 hp - MD50B TLDI	2004-2008	0,8	PZFR6H	7696	---	---
50 hp - M50C	1986-1991	1,0	B8HS-10	5126	---	---
50 hp - M50C	2004-2006	1,0	B8HS-10	5126	---	---
50 hp - M50D	2007-	1,0	B8HS-10	5126	---	---
50 hp - M50D	1997-2006	1,0	BR8HS-10	1134	---	---
50 hp - M50D	1990-1996	1,0	B8HS-10	5126	---	---
50 hp - M50D2	2004-2007	1,0	BR8HS-10	1134	---	---
50 hp - W50 TLDI	2004-2008	0,8	PZFR6H	7696	---	---

52 HP

52 hp - MFS5A2S - 4 stroke	-	0,6	DCPR6E	3481	DCPR6EIX	8196
----------------------------	---	-----	--------	------	----------	------

55 HP

55 hp - M55A	1980-1983	1,0	B8HS-10	5126	---	---
55 hp - M55B	2004-2006	1,0	B8HS-10	5126	---	---
55 hp - M55B	1980-1986	1,0	B8HS-10	5126	---	---

60 HP

60 hp - M60A	1986-1991	1,0	B8HS-10	5126	---	---
60 hp - M60A - 2 stroke	-	1,0	BR8HS-10	1134	---	---
60 hp - M60A	2004-2006	1,0	B8HS-10	5126	---	---
60 hp - M60B	1992-2007	1,0	B8HS-10	5126	---	---
60 hp - M60C	2004-2006	1,0	B8HS-10	5126	---	---
60 hp - M60C	2007-	1,0	BR8HS-10	1134	---	---

62 HP

62 hp - MFS6A2S - 4 stroke	-	0,6	DCPR6E	3481	DCPR6EIX	8196
----------------------------	---	-----	--------	------	----------	------

70 HP

70 hp - M70B	1992-1996	1,0	B8HS-10	5126	---	---
70 hp - MD70B TLDI	2004-2008	0,8	PZFR6H	7696	---	---
70 hp - MD70A2 TLDI	2004-2008	1,1	PZFR6H	7696	---	---
70 hp - M70A	1982-1986	1,0	B8HS-10	5126	---	---
70 hp - M70A	2004-2006	1,0	B8HS-10	5126	---	---
70 hp - M70A2	1986-1992	1,0	B8HS-10	5126	---	---
70 hp - M70A2	2004-2006	1,0	B8HS-10	5126	---	---
70 hp - M70B	1997-2006	1,0	BR8HS-10	1134	---	---
70 hp - M70B	2007-	1,0	B8HS-10	5126	---	---
70 hp - M70C	2000-2007	1,0	BR8HS-10	1134	---	---

75 HP

75 hp - MD75C2 TLDI	2010-	0,8	IZFR6Q	91234	---	---
---------------------	-------	-----	--------	-------	-----	-----

83 HP

83 hp - MFS8A3 - 4 stroke	-	0,6	DCPR6E	3481	DCPR6EIX	8196
---------------------------	---	-----	--------	------	----------	------

90 HP

90 hp - M90A	1987-1996	1,0	B8HS-10	5126	---	---
90 hp - M90A	1997-2007	1,0	BR8HS-10	1134	---	---
90 hp - MD90A TLDI	2004-2008	1,1	PZFR6H	7696	---	---
90 hp - MD90A2 TLDI	2004-2008	1,1	PZFR6H	7696	---	---
90 hp - MD90B TLDI	2004-2008	0,8	PZFR6H	7696	---	---
90 hp - MD90C2 TLDI	2010-	0,8	IZFR6Q	91234	---	---



Stock-No.



Stock-No.

TOHATSU**115 HP**

115 hp - MD115A - TLDI	-	0,8	IZFR5J	5899	---	---
115 hp - M115A	2004-2006	1,0	B8HS-10	5126	---	---
115 hp - M115A	1993-1995	1,0	B8HS-10	5126	---	---
115 hp - M115A2	2004-2006	1,0	BR8HS-10	1134	---	---
115 hp - M115A2	1997-2001	1,0	BR8HS-10	1134	---	---
115 hp - M115A2	1995-1996	1,0	B8HS-10	5126	---	---

120 HP

120 hp - M120A	1990-1995	1,0	B8HS-10	5126	---	---
120 hp - M120A	2004-2006	1,0	B8HS-10	5126	---	---
120 hp - M120A2	1995-1996	1,0	B8HS-10	5126	---	---
120 hp - M120A2	1997-1999	1,0	BR8HS-10	1134	---	---
120 hp - M120A2	2007-	1,0	BR8HS-10	1134	---	---

140 HP

140 hp - M140A2	1997-2006	1,0	BR8HS-10	1134	---	---
140 hp - M140A2	1995-1996	1,0	B8HS-10	5126	---	---
140 hp - M140A	1989-1995	1,0	B8HS-10	5126	---	---

TOMOS

18	-	1,0	BPR7HS-10	1092	---	---
18E	-	1,0	BPR7HS-10	1092	---	---
3.0 h.p.	-	0,6	B6HS	4510	BR6HIX	3419
3.5 h.p.	-	0,6	B6HS	4510	BR6HIX	3419
4.4 h.p. Electronic / 10 / 10E	-	0,6	B6HS	4510	BR6HIX	3419
4.5 h.p.	-	0,6	B6HS	4510	BR6HIX	3419
5.0 h.p.5 / TS4 / Lamo 06N	-	0,6	BR7HS	4122	BR7HIX	7067
T10	-	0,6	BR7HS	4122	BR7HIX	7067
T18	-	0,6	BR7HS	4122	BR7HIX	7067
T4RN	-	0,6	B6HS	4510	BR6HIX	3419

TRITON**4.0 H.P.**

4.0 h.p.	-	0,8	XR5	3332	XR5IX	7355
----------	---	-----	-----	------	-------	------

5.5 H.P.

5.5 h.p.	-	0,8	XR5	3332	XR5IX	7355
----------	---	-----	-----	------	-------	------

7.5 H.P.

7.5 h.p.	-	0,8	XR5	3332	XR5IX	7355
----------	---	-----	-----	------	-------	------

VALMET

Terhi 3	-	0,7	BP5S	3011	---	---
Terhi 3.5 PS	-	0,5	B6S	3510	---	---
Terhi 4.5PS, 9.9PS, 23PS	-	0,5	B6HS	4510	BR6HIX	3419
Terhi 5, 15, 20, 40	-	0,5	B6HS	4510	BR6HIX	3419
Tern 6, 17, 25	-	0,5	B6HS	4510	BR6HIX	3419
Terhi 50 PS	-	0,5	BP5HS	4111	---	---

VIKING

3.5, 15 PS	1965-1971	0,8	B-6L	3212	---	---
6 PS	1965-1971	0,8	B-6L	3212	---	---
9.2 PS	1960-1970	0,8	B6S	3510	---	---
9.6, 20, 35, 55 PS	1968-1971	0,8	B6HS	4510	BR6HIX	3419



Stock-No.



Stock-No.

VOLVO PENTA

35	-1974	0,5	B6HS	4510	BR6HIX	3419
39	1973-1979	0,5	B6HS	4510	BR6HIX	3419
40	-1974	0,5	B6HS	4510	BR6HIX	3419
50	-1974	0,5	B6HS	4510	BR6HIX	3419
50A	-1974	0,5	B6HS	4510	---	---
51	1975-1978	0,5	B6HS	4510	BR6HIX	3419
60	1978-1979	0,5	B6HS	4510	BR6HIX	3419
80	1971-1974	0,5	B5HS	4210	---	---
80	1978-1979	0,5	B5HS	4210	---	---
90	1971-1974	0,5	B5HS	4210	---	---
90	1975-1979	0,5	B6HS	4510	BR6HIX	3419
120	1974-	0,5	B5HS	4210	---	---
140	1972-1974	0,5	B5HS	4210	---	---
140	1975-1979	0,5	B6HS	4510	BR6HIX	3419
200	1975-1979	-	BUHX	2522	---	---
250	-1975	-	BUHX	2522	---	---
252	1973-1974	0,5	BP7HS	5111	BR7HIX	7067
350	1975-1976	0,5	B8HS	5510	BR8HIX	7001
360	1971-1974	0,5	B6HS	4510	BR6HIX	3419
450	1971-1974	0,5	B8HS	5510	BR8HIX	7001
450	1975-1976	-	BUHX	2522	---	---
550X	-1974	0,5	B8HS	5510	BR8HIX	7001
600	1973-1976	-	BUHX	2522	---	---
700	1973-1977	-	BUHX	2522	---	---
U22	-1974	0,5	B5HS	4210	---	---

WIZARD**3.0 HP**

3.0 hp	1970-1974	0,8	XR5	3332	XR5IX	7355
3.0 hp	1976-	0,8	XR5	3332	XR5IX	7355

3.2 HP

3.2 hp - WD3S	-	0,6	B6S	3510	---	---
3.2 hp - WD3	-	0,6	B6S	3510	---	---

3.5 HP

3.5 hp	1970-1974	0,8	XR5	3332	XR5IX	7355
--------	-----------	-----	-----	------	-------	------

4.5 HP

4.5 hp	1975-1976	0,8	XR5	3332	XR5IX	7355
--------	-----------	-----	-----	------	-------	------

5.0 HP

5.0 hp - WH6A	-	0,6	B6S	3510	---	---
5.0 hp - WH6-1	-	0,6	B6S	3510	---	---
5.0 hp - WH6	-	0,6	B6S	3510	---	---
5.0 hp	1970-1974	0,9	XR5	3332	XR5IX	7355
5.0 hp	1977-1981	0,8	XR5	3332	XR5IX	7355

5.5 HP

5.5 hp	1975-1976	0,8	XR5	3332	XR5IX	7355
5.5 hp - OC575	-	0,8	B6S	3510	---	---
5.5 hp - OC585	-	0,8	B6S	3510	---	---



Stock-No.



Stock-No.

WIZARD**6.0 HP**

6.0 hp	1959-1971	0,8	B-6L	3212	---	---
6.0 hp - WD4S	-	0,6	B6S	3510	---	---
6.0 hp - WD4	-	0,6	B6S	3510	---	---
6.0 hp - WF4	-	0,6	B6S	3510	---	---
6.0 hp - WG4	-	0,6	B6S	3510	---	---

7.0 HP

7.0 hp	1970-1974	0,9	XR5	3332	XR5IX	7355
--------	-----------	-----	-----	------	-------	------

7.5 HP

7.5 hp	1970-1976	0,8	XR5	3332	XR5IX	7355
7.5 hp	1977-1981	0,8	XR5	3332	XR5IX	7355

9.2 HP

9.2 hp	1966-1971	0,8	B8S	3810	---	---
--------	-----------	-----	-----	------	-----	-----

9.9 HP

9.9 hp	1970-1976	0,8	XR5	3332	XR5IX	7355
9.9 hp	1977-1978	0,8	XR5	3332	XR5IX	7355

10 HP

10 hp - WF7	-	0,6	B6S	3510	---	---
10 hp - WG7	-	0,6	B6S	3510	---	---
10 hp - WG7A	-	0,6	B6S	3510	---	---
10 hp - WH7	-	0,6	B6S	3510	---	---
10 hp - WJ7	-	0,6	B6S	3510	---	---
10 hp - WK7	-	0,6	B6S	3510	---	---
10 hp - WM7	-	0,6	B6S	3510	---	---
10 hp - WM7A	-	0,6	B6S	3510	---	---
10 hp - WN7	-	0,6	B6S	3510	---	---
10 hp - WN7A	-	0,6	B6S	3510	---	---

12 HP

12 hp	-	0,6	B6S	3510	---	---
-------	---	-----	-----	------	-----	-----

14 HP

14 hp	1959-1964	0,6	B6S	3510	---	---
-------	-----------	-----	-----	------	-----	-----

15 HP

15 hp - OC1585	-	0,8	B-6L	3212	---	---
15 hp - OC1575	-	0,8	B-6L	3212	---	---

20 HP

20 hp	1968-1971	0,8	B8HS	5510	BR8HIX	7001
-------	-----------	-----	------	------	--------	------

25 HP

25 hp - WA25E	-	0,6	B6S	3510	---	---
25 hp - WA25	-	0,6	B6S	3510	---	---

35 HP

35 hp - OC3585	-	0,8	AB-7	3010	---	---
----------------	---	-----	------	------	-----	-----

YAMAHA

V6 Excel	1987-1989	1,0	BR9HS-10	4551	---	---
----------	-----------	-----	----------	------	-----	-----

2.0 HP

2.0 hp - 1 cyl.	1984-2002	0,6	B5HS	4210	---	---
-----------------	-----------	-----	------	------	-----	-----



Stock-No.



Stock-No.

YAMAHA**2.5 HP**

2.5 hp - F2.5 4 stroke	2003-2005	0,6	BR6HS	3922	BR6HIX	3419
2.5 hp - F2.5 MSH	2006-2010	0,6	BR6HS	3922	BR6HIX	3419

3.0 HP

3.0 hp - 1 cyl.	1988-2002	1,0	B6HS-10	1052	---	---
-----------------	-----------	-----	---------	------	-----	-----

4.0 HP

4.0 hp - F4 1 cyl. 4 stroke	1999-2005	0,6	BR6HS	3922	BR6HIX	3419
4.0 hp - 1 cyl.	1984-1999	0,6	B7HS	5110	---	---

5.0 HP

5.0 hp - 1 cyl.	1984-2002	0,6	B7HS	5110	---	---
-----------------	-----------	-----	------	------	-----	-----

6.0 HP

6.0 hp - 2 cyl.	1986-2000	1,0	B7HS-10	2129	---	---
6.0 hp - F6 OHV 4 stroke	2001-2005	1,0	BR6HS-10	1090	---	---
6.0 hp - F6M, F6A	2006-2010	1,0	BR6HS-10	1090	---	---

8.0 HP

8.0 hp - T8 OHV 4 stroke High Thrust	2001-2005	1,0	BR6HS-10	1090	---	---
8.0 hp - 2 cyl. 2 stroke	1986-2005	1,0	B7HS-10	2129	---	---
8.0 hp - F8 OHV 4 stroke	2001-2005	1,0	BR6HS-10	1090	---	---
8.0 hp - 8MSH	2006-2010	1,0	B7HS-10	2129	---	---
8.0 hp - F8C, M	2006-2010	1,0	BR6HS-10	1090	---	---
8.0 hp - T8	2006-2010	1,0	BR6HS-10	1090	---	---

9.0 HP

9.0 hp - 9,9 2 cyl. 2 stroke	1984-2005	1,0	B7HS-10	2129	---	---
9.0 hp - FT9.9 2 cyl. OHC 4 stroke Standard	2005-	0,9	DPR6EA-9	5531	---	---
9.0 hp - FT9.9 Cold Climates 2 cyl. OHC 4 stroke Standard	1985-2004	0,6	-	-	CR6HIX	7274
9.0 hp - FT9.9 2 cyl. OHC 4 stroke Standard	1985-2004	0,6	CR6HS	7023	CR6HIX	7274
9.0 hp - F9.9 Cold Climates 2 cyl. OHC 4 stroke Standard	1985-2004	0,6	-	-	CR6HIX	7274
9.0 hp - F9.9 2 cyl. OHC 4 stroke Standard	1985-2004	0,6	CR6HS	7023	CR6HIX	7274
9.0 hp - F9.9 2 cyl. OHC 4 stroke Standard	2005-	0,9	DPR6EA-9	5531	---	---
9.0 hp - T9.9 Cold Climates 2 cyl. OHC 4 stroke High Thrust	1985-2004	0,6	-	-	CR6HIX	7274
9.0 hp - T9.9 2 cyl. OHC 4 stroke High Thrust	1985-2004	0,6	CR6HS	7023	CR6HIX	7274
9.0 hp - T9.9 2 cyl. OHC 4 stroke High Thrust	2005-	0,9	DPR6EA-9	5531	---	---

9.9 HP

9.9 hp - 9.9D 2 cyl. 4 stroke	2005-	1,0	B7HS-10	2129	---	---
9.9 hp - F9.9D 2 cyl. 4 stroke	2005-	0,9	CR6HSA	2983	---	---
9.9 hp - 9.9MSH	2006-2010	1,0	B7HS-10	2129	---	---
9.9 hp - F9.9F	2006-2010	1,0	BR6HS-10	1090	---	---
9.9 hp - F9.9ELR, MLH, MSH	2006-2010	0,9	CR6HSA	2983	---	---
9.9 hp - F9.9ELR2, ELR2K	2006-2010	0,9	DPR6EA-9	5531	---	---
9.9 hp - F9.9MLH2, MLH2K	2006-2010	0,9	DPR6EA-9	5531	---	---
9.9 hp - F9.9MSH2, MSH2K	2006-2010	0,9	DPR6EA-9	5531	---	---
9.9 hp - T9.9D 2 cyl. 4 stroke	2005-	0,9	CR6HSA	2983	---	---
9.9 hp - T9.9ELH, ELR, EXH	2006-2010	0,9	CR6HSA	2983	---	---
9.9 hp - T9.9ELH2, ELH2K	2006-2010	0,9	DPR6EA-9	5531	---	---
9.9 hp - T9.9ELR2, ELR2K	2006-2010	0,9	DPR6EA-9	5531	---	---
9.9 hp - T9.9EXH2, EXH2K	2006-2010	0,9	DPR6EA-9	5531	---	---



Stock-No.



Stock-No.

YAMAHA**15 HP**

15 hp - 2 cyl.	1984-2005	1,0	B7HS-10	2129	---	---
15 hp - F15 2 cyl. 4 stroke	1998-2004	0,9	DPR6EA-9	5531	---	---
15 hp - 15MSH	2006-2010	1,0	B7HS-10	2129	---	---
15 hp - F15C	2006-2010	0,9	DPR6EB-9	3108	---	---
15 hp - F15E, M, P	2006-2010	0,9	DPR6EA-9	5531	---	---

20 HP

20 hp - 2 cyl.	1996-1997	1,0	B7HS-10	2129	---	---
20 hp - C20 - 2 cyl.	1996-	0,6	BR7HS	4122	BR7HIX	7067
20 hp - F20	2006-2010	0,9	DPR6EB-9	3108	---	---

25 HP

25 hp - 3 cyl. 2 stroke	1996-2002	1,0	B7HS-10	2129	---	---
25 hp - C25 2 cyl.	1990-1997	0,6	B7HS	5110	---	---
25 hp - F25 2 cyl. OHC 4 stroke	1998-2005	0,9	DPR6EA-9	5531	---	---
25 hp - F25L, S	2006-2010	0,9	DPR6EB-9	3108	---	---
25 hp - F25E, M, T	2006-2010	0,9	DPR6EA-9	5531	---	---
25 hp - 2 cyl. 2 stroke	1984-2005	1,0	B7HS-10	2129	---	---
25 hp - T25 2 cyl. OHC 4 stroke High Thrust	2001-2005	0,9	DPR6EA-9	5531	---	---
25 hp - T25LA	2006-2010	0,9	DPR6EB-9	3108	---	---
25 hp - T25TLR	2006-2010	0,9	DPR6EA-9	5531	---	---
25 hp - 25	2006-2010	1,0	B7HS-10	2129	---	---

28 HP

28 hp - 3 cyl.	1987-1997	1,0	B7HS-10	2129	---	---
----------------	-----------	-----	----------------	-------------	-----	-----

30 HP

30 hp - 3 cyl.	1984-1986	0,6	B7HS	5110	---	---
30 hp - 3 cyl.	1987-2002	1,0	B7HS-10	2129	---	---
30 hp - C30 2 cyl.	1993-1997	1,0	B8HS-10	5126	---	---
30 hp - C30 2 cyl.	1989-1992	0,6	B7HS	5110	---	---
30 hp - F30 OHC 4 stroke	2001-2005	0,9	DPR6EA-9	5531	---	---
30 hp - F30TLR	2006-2010	0,9	DPR6EA-9	5531	---	---

35 HP

35 hp - 3 cyl.	1987-1997	1,0	B8HS-10	5126	---	---
----------------	-----------	-----	----------------	-------------	-----	-----

40 HP

40 hp - 3 cyl. 2 stroke	1984-2005	1,0	B7HS-10	2129	---	---
40 hp - C40 3 cyl.	1997-2002	1,0	B7HS-10	2129	---	---
40 hp - C40 2 cyl.	1989-1997	0,6	B8HS	5510	BR8HIX	7001
40 hp - F40 4 cyl. 4 stroke	1999-	0,9	DPR6EA-9	5531	---	---
40 hp - F40 3 cyl. 4 stroke	2000-2005	0,9	DPR6EA-9	5531	---	---
40 hp - F40J, L	2006-2010	0,9	DPR6EB-9	3108	---	---
40 hp - 40TLR	2006-2010	1,0	B7HS-10	2129	---	---

48 HP

48 hp - E48 2 cyl.	1995-2000	0,6	B7HS	5110	---	---
--------------------	-----------	-----	-------------	-------------	-----	-----

50 HP

50 hp - C50 3 cyl.	1998-	1,0	BR8HS-10	1134	---	---
50 hp - C50 3 cyl.	1999-2001	0,6	B8HS	5510	BR8HIX	7001
50 hp - F50 4 cyl. 4 stroke OHC Standard	1995-2004	0,9	DPR6EA-9	5531	---	---
50 hp - F50 (EFI) 4 cyl. 4 stroke OHC Standard	2005-	0,9	DPR6EB-9	3108	---	---
50 hp - F50TLR	2006-2010	0,9	DPR6EB-9	3108	---	---
50 hp - T50LRD 4 cyl. 4 stroke OHC High Thrust	1996-2004	0,9	DPR6EB-9	3108	---	---
50 hp - T50 (EFI) 4 cyl. 4 stroke OHC High Thrust	2005-	0,9	DPR6EB-9	3108	---	---



Stock-No.



Stock-No.

YAMAHA**50 HP**

50 hp - T50 4 cyl. 4 stroke OHC High Thrust	1995-2004	0,9	DPR6EA-9	5531	---	---
50 hp - 50TLR	2006-2010	1,0	B8HS-10	5126	---	---
50 hp - T50TLR	2006-2010	0,9	DPR6EB-9	3108	---	---
50 hp - P50 3 cyl.	1987-1996	1,0	BR8HS-10	1134	---	---
50 hp - 3 cyl 2 stroke	1984-2005	1,0	BR8HS-10	1134	---	---

55 HP

55 hp - C55 2 cyl.	1989-1995	1,0	B8HS-10	5126	---	---
--------------------	-----------	-----	---------	------	-----	-----

60 HP

60 hp - 2 stroke	2001-2005	1,0	B8HS-10	5126	---	---
60 hp - 60TLR	2006-2010	1,0	B8HS-10	5126	---	---
60 hp - C60 3 cyl.	1996-2002	1,0	B8HS-10	5126	---	---
60 hp - E60 3 cyl.	1995-2000	1,0	B8HS-10	5126	---	---
60 hp - F60 4 stroke	2002-2004	0,9	DPR5EA-9	2887	---	---
60 hp - F60 (EFI) 4 stroke	2005-	0,9	DPR6EB-9	3108	---	---
60 hp - F60TJR, TLR	2006-2010	0,9	DPR6EB-9	3108	---	---
60 hp - P60 3 cyl.	1991-1999	1,0	B8HS-10	5126	---	---
60 hp - T60 4 stroke	2003-2004	0,9	DPR5EA-9	2887	---	---
60 hp - T60 (EFI) 4 stroke	2005-	0,9	DPR6EB-9	3108	---	---
60 hp - T60TLR	2006-2010	0,9	DPR6EB-9	3108	---	---

65 HP

65 hp - 3 cyl.	1987-1997	1,0	B8HS-10	5126	---	---
----------------	-----------	-----	---------	------	-----	-----

70 HP

70 hp - C70 3 cyl.	2000-2001	1,0	B8HS-10	5126	---	---
70 hp - 3 cyl. 2 stroke	1984-2005	1,0	B8HS-10	5126	---	---
70 hp - 70LTR	2006-2010	1,0	B8HS-10	5126	---	---
70 hp - F70AE TL EFI 4 stroke	2010-	0,9	LKR7E	1643	---	---

75 HP

75 hp - P75 3 cyl.	1996-1999	1,0	B8HS-10	5126	---	---
75 hp - C75 3 cyl.	1994-1999	1,0	B8HS-10	5126	---	---
75 hp - E75 3 cyl.	1995-2000	1,0	B8HS-10	5126	---	---
75 hp - F75 4 stroke	2003-2005	1,1	LFR5A-11	6376	LFR5AIX---11	4469
75 hp - F75TLR	2006-2010	1,1	LFR5A-11	6376	LFR5AIX---11	4469

80 HP

80 hp - C80 3 cyl.	1997-	1,0	B8HS-10	5126	---	---
80 hp - F80 3 cyl.	1999-2002	1,1	LFR5A-11	6376	LFR5AIX---11	4469

85 HP

85 hp - C85 3 cyl.	1989-1996	1,0	B8HS-10	5126	---	---
--------------------	-----------	-----	---------	------	-----	-----

90 HP

90 hp - 3 cyl. 2 stroke	1984-2005	1,0	B8HS-10	5126	---	---
90 hp - 90TLR	2006-2010	1,0	B8HS-10	5126	---	---
90 hp - C90 3 cyl.	1997-2001	1,0	B8HS-10	5126	---	---
90 hp - B90 3 cyl.	1998-1999	1,0	B8HS-10	5126	---	---
90 hp - F90TJR, TLR, TXR	2006-2010	1,1	LFR5A-11	6376	LFR5AIX---11	4469
90 hp - F90 4 stroke	2003-2005	1,1	LFR5A-11	6376	LFR5AIX---11	4469

100 HP

100 hp - F100	1999-2002	1,1	LFR5A-11	6376	LFR5AIX---11	4469
---------------	-----------	-----	----------	------	--------------	------



Stock-No.



Stock-No.

YAMAHA**115 HP**

115 hp - 115 / P115 V4 - 1.7L	1984-2005	1,0	BR8HS-10	1134	---	---
115 hp - 115TJR V4 - 1.7L	1987-1997	1,0	BR8HS-10	1134	---	---
115 hp - B115 V4 - 1.7L	1998-1999	1,0	BR8HS-10	1134	---	---
115 hp - C115 V4 - 1.7L	1991-2000	1,0	BR8HS-10	1134	---	---
115 hp - F115 V4 - 1.7L	2000-2005	1,1	LFR6A-11	3672	LFR6AIX---11	6619
115 hp - LF115 V4 - 1.7L	2000-2005	1,1	LFR6A-11	3672	LFR6AIX---11	6619
115 hp - P115 V4 - 1.7L	1993-1996	1,0	BR8HS-10	1134	---	---
115 hp - S115 V4 - 1.7L	1984-1999	1,0	BR8HS-10	1134	---	---
115 hp - 115TLR, TXR	2006-2010	1,0	BR8HS-10	1134	---	---
115 hp - F115TJR, TLR, TXR	2006-2010	1,1	LFR6A-11	3672	LFR6AIX---11	6619
115 hp - LF115TXR	2006-2010	1,1	LFR6A-11	3672	LFR6AIX---11	6619
115 hp - F115 - V4 - 1.7L	2000-2005	1,1	LFR6A-11	3672	LFR6AIX---11	6619
115 hp - LF115 - V4 - 1.7L	2000-2005	1,1	LFR6A-11	3672	LFR6AIX---11	6619

130 HP

130 hp - 130 V4 - 1.7L	1988-2004	1,0	BR9HS-10	4551	---	---
130 hp - L130 V4 - 1.7L	1989-2001	1,0	BR9HS-10	4551	---	---
130 hp - S130 V4 - 1.7L	1988-1999	1,0	BR9HS-10	4551	---	---

150 HP

150 hp - 150 V6 - 2.6L	1988-1995	1,0	BR8HS-10	1134	---	---
150 hp - 150 V6 - 2.6L	1984-1987	1,0	BR7HS-10	1098	---	---
150 hp - 150 V6 - 2.6L	1996-2004	1,0	BR7HS-10	1098	---	---
150 hp - 150TJR V6 - 2.6L	1996-1997	1,0	BR7HS-10	1098	---	---
150 hp - C150 V6 - 2.6L	1996-	1,0	BR7HS-10	1098	---	---
150 hp - C150 V6 - 2.6L	1997-1999	1,0	BR8HS-10	1134	---	---
150 hp - D150 V6 - 2.6L	1997-1999	1,0	BR8HS-10	1134	---	---
150 hp - D150 Twin Prop V6 - 2.6L	1986-1993	1,0	B8HS-10	5126	---	---
150 hp - DX150 V6 - 2.6L	1999-2005	1,0	BR7HS-10	1098	---	---
150 hp - F150 - 4 stroke	2004-2005	1,1	LFR5A-11	6376	LFR5AIX---11	4469
150 hp - F150TJR, TLR, TXR	2006-2010	1,1	LFR5A-11	6376	LFR5AIX---11	4469
150 hp - F150 - 4 stroke	2004-2005	1,1	LFR5A-11	6376	LFR5AIX---11	4469
150 hp - L150 V6 - 2.6L	1996-1999	1,0	BR7HS-10	1098	---	---
150 hp - L150 V6 - 2.6L	1988-1995	1,0	BR8HS-10	1134	---	---
150 hp - L150 V6 - 2.6L	1986-1987	1,0	BR7HS-10	1098	---	---
150 hp - LF150 V6 - 2.6L	2004-2005	1,1	LFR5A-11	6376	LFR5AIX---11	4469
150 hp - LF150TXR	2006-2010	1,1	LFR5A-11	6376	LFR5AIX---11	4469
150 hp - LX150 V6 - 2.6L	1999-2004	0,6	BR7HS	4122	BR7HIX	7067
150 hp - LZ150 V6 - 2.6L	2002-2005	-	BKR6EKU	6993	---	---
150 hp - LZ150TX HPDI (—>800554) HPDI	2000-2001	1,1	BKR6ES-11	5553	BKR6EIX---11	3764
150 hp - LZ150TX HPDI (800555—>) HPDI	2001-	-	BKR6EKU	6993	---	---
150 hp - LZ150TXR	2006-2010	-	BKR6EKU	6993	---	---
150 hp - P150 V6 - 2.6L	1986-1995	1,0	BR8HS-10	1134	---	---
150 hp - P150 V6 - 2.6L	1996-1999	1,0	BR7HS-10	1098	---	---
150 hp - PX150 V6 - 2.6L	1999-	0,6	BR7HS	4122	BR7HIX	7067
150 hp - S150 V6 - 2.6L	1994-1999	1,0	BR7HS-10	1098	---	---
150 hp - SX150 V6 - 2.6L	1999-2004	1,0	BR7HS-10	1098	---	---
150 hp - V150 V6 - 2.6L	1999-2005	1,0	BR7HS-10	1098	---	---
150 hp - V150TLR	2006-2010	1,0	BR7HS-10	1098	---	---
150 hp - VX150 V6 - 2.6L	2000-2005	1,0	BR7HS-10	1098	---	---
150 hp - VZ150 HPDI	2002-2005	-	BKR6EKU	6993	---	---
150 hp - VZ150T HPDI (—> 800711) HPDI	2000-2001	1,1	BKR6ES-11	5553	BKR6EIX---11	3764
150 hp - VZ150T HPDI (800712—>) HPDI	2001-	-	BKR6EKU	6993	---	---



Stock-No.



Stock-No.

YAMAHA**150 HP**

150 hp - VZ150TLR	2006-2010	-	BKR6EKU	6993	---	---
150 hp - Z150TL HPDI	2002-2005	-	BKR6EKU	6993	---	---
150 hp - Z150TL HPDI (—>800452) HPDI	2000-2001	1,1	BKR6ES-11	5553	BKR6EIX---11	3764
150 hp - Z150TL HPDI (800453—>) HPDI	2001-	-	BKR6EKU	6993	---	---
150 hp - Z150TX HPDI (—>851535) HPDI	2000-2001	1,1	BKR6ES-11	5553	BKR6EIX---11	3764
150 hp - Z150TX HPDI (851536—>) HPDI	2001-	-	BKR6EKU	6993	---	---
150 hp - 150TXR	2006-2010	1,0	BR7HS-10	1098	---	---
150 hp - Z150TXR	2006-2010	-	BKR6EKU	6993	---	---

175 HP

175 hp - P175 V6 - 2.6L	1994-1999	1,0	BR8HS-10	1134	---	---
175 hp - S175 V6 - 2.6L	1999-	1,0	BR8HS-10	1134	---	---
175 hp - S175 / T175 / P175 V6 - 2.6L	1994-1999	1,0	BR8HS-10	1134	---	---
175 hp - V175 V6 - 2.6L	2000-	1,0	BR8HS-10	1134	---	---
175 hp - V6 - 2.6L	1984-2000	1,0	BR8HS-10	1134	---	---
175 hp - VZ175 HPDI	2002-2005	-	BKR7EKU	5881	---	---
175 hp - VZ175TL HPDI (800105—>to 800201) HPDI	2001-	1,1	BKR7ES-11	2387	BKR7EIX---11	6988
175 hp - VZ175TL HPDI (800202—>) HPDI	2001-	-	BKR7EKU	5881	---	---
175 hp - VZ175TLR	2006-2010	-	BKR7EKU	5881	---	---
175 hp - Z175 HPDI	2002-2005	-	BKR7EKU	5881	---	---
175 hp - Z175TX HPDI (800101—>800231) HPDI	2001-	1,1	BKR7ES-11	2387	BKR7EIX---11	6988
175 hp - Z175TX HPDI (800232—>) HPDI	2001-	-	BKR7EKU	5881	---	---
175 hp - Z175TXR	2006-2010	-	BKR7EKU	5881	---	---

200 HP

200 hp - 200 / L200 / S200 V6 - 2.6L	1984-1999	1,0	BR8HS-10	1134	---	---
200 hp - 200TJR V6 - 2.6L	1987-1995	1,0	BR8HS-10	1134	---	---
200 hp - F200 4 stroke	2002-2005	1,1	LFR5A-11	6376	LFR5AIX---11	4469
200 hp - F200TXR	2006-2010	1,1	LFR5A-11	6376	LFR5AIX---11	4469
200 hp - LF200	2002-2005	1,1	LFR5A-11	6376	LFR5AIX---11	4469
200 hp - LF200TXR	2006-2010	1,1	LFR5A-11	6376	LFR5AIX---11	4469
200 hp - LX200 V6 - 2.6L	1999-2001	1,0	BR8HS-10	1134	---	---
200 hp - LZ200	2002-2005	-	BKR7EKU	5881	---	---
200 hp - LZ200TX HPDI (100875—>) HPDI	2001-	-	BKR7EKU	5881	---	---
200 hp - LZ200TXR	2006-2010	-	BKR7EKU	5881	---	---
200 hp - LZ200TX HPDI (2000—>100874) HPDI	2000-2001	1,1	BKR7ES-11	2387	BKR7EIX---11	6988
200 hp - P200 V6 - 2.6L	1991-1995	1,0	BR9HS-10	4551	---	---
200 hp - P200 V6 - 2.6L	1996-1999	1,0	BR8HS-10	1134	---	---
200 hp - SX200 V6 - 2.6L	1999-2005	1,0	BR8HS-10	1134	---	---
200 hp - V200 V760 EFI V6 - 2.6L	1998-1999	1,0	BR8HS-10	1134	---	---
200 hp - VX200 V6 - 3.1L	2000-2005	1,0	BR8HS-10	1134	---	---
200 hp - VX200D V6 - 3.3L	2005-	1,0	BR8HS-10	1134	---	---
200 hp - VZ200 V6 - 3.3L	2005-	-	BKR6EKU	6993	---	---
200 hp - VZ200 V6 - 2.6L	2000-2004	-	BKR7EKU	5881	---	---
200 hp - VZ200RTL, TLR	2006-2010	-	BKR6EKU	6993	---	---
200 hp - Z200	2002-2005	1,0	BKR7EKU	5881	---	---
200 hp - Z200TL HPDI (2000—>150689) HPDI	2000-2001	1,1	BKR7ES-11	2387	BKR7EIX---11	6988
200 hp - Z200TL HPDI (150690—>) HPDI	2001-	-	BKR7EKU	5881	---	---
200 hp - Z200TX HPDI (102421—>) HPDI	2001-	-	BKR7EKU	5881	---	---
200 hp - Z200TX HPDI (102421—>) HPDI	2001-	-	BKR7EKU	5881	---	---
200 hp - Z200TX HPDI (2000—>102420) HPDI	2000-2001	1,1	BKR7ES-11	2387	BKR7EIX---11	6988
200 hp - Z200TL, TXR	2006-2010	-	BKR7EKU	5881	---	---



Stock-No.



Stock-No.

YAMAHA**220 HP**

220 hp - 220 V6 Special	1984-1986	1,0	BR8HS-10	1134	---	---
-------------------------	-----------	-----	----------	------	-----	-----

225 HP

225 hp - 225X V6 - 3.1L	1994-1999	1,0	BR9HS-10	4551	---	---
225 hp - 225 / Excel Resistor Required V6 - 2.6L	1987-1995	1,0	BR9HS-10	4551	---	---
"@DAT:225 hp - 225L 20" Shaft Only V6 - 2.6L"	1994-1998	1,0	BR8HS-10	1134	---	---
225 hp - F225TLR	2006-2010	1,1	LFR6A-11	3672	LFR6AIX---11	6619
225 hp - F225TUR, TXR	2006-2010	1,1	LFR5A-11	6376	LFR5AIX---11	4469
225 hp - F225	2002-2005	1,1	LFR5A-11	6376	LFR5AIX---11	4469
225 hp - I225	1994-1995	1,0	BR8HS-10	1134	---	---
225 hp - L225 V6 - 3.1L	1994-1999	1,0	BR9HS-10	4551	---	---
225 hp - LF225	2002-2005	1,1	LFR5A-11	6376	LFR5AIX---11	4469
225 hp - LF225TUR, TXR	2006-2010	1,1	LFR5A-11	6376	LFR5AIX---11	4469
225 hp - LX225	2002-2003	1,1	LFR5A-11	6376	LFR5AIX---11	4469
225 hp - LX225 V6 - 3.1L	1997-2002	1,0	BR9HS-10	4551	---	---
225 hp - S225 V6 - 3.1L	1994-1999	1,0	BR9HS-10	4551	---	---
225 hp - SX225 V6 - 3.1L	1997-2002	1,0	BR9HS-10	4551	---	---
225 hp - V225 V760 EFI V6 - 3.1L	1997-2001	1,0	BR9HS-10	4551	---	---
225 hp - VX225 V760 EFI V6 - 3.1L	1997-2004	1,0	BR9HS-10	4551	---	---
225 hp - VZ225	2003-2004	-	BKR6EKU	6993	---	---
225 hp - VZ225HTLR, TLR	2006-2010	-	BKR6EKU	6993	---	---

250 HP

250 hp - 250 / L250 V6 - 3.1L	1990-1995	1,0	BR8HS-10	1134	---	---
250 hp - F250	2005-	1,1	LFR5A-11	6376	LFR5AIX---11	4469
250 hp - F250TUR, TXR	2006-2010	1,1	LFR6A-11	3672	LFR6AIX---11	6619
250 hp - F250BTUR, BTXR	2006-2010	1,1	LFR6A-11	3672	LFR6AIX---11	6619
250 hp - L250 / S250 V6 - 3.1L	1997-1999	1,0	BR9HS-10	4551	---	---
250 hp - LF250BTUR, BTXR	2006-2010	1,1	LFR6A-11	3672	LFR6AIX---11	6619
250 hp - LF250TUR, TXR	2006-2010	1,1	LFR6A-11	3672	LFR6AIX---11	6619
250 hp - LF250	2005-	1,1	LFR5A-11	6376	LFR5AIX---11	4469
250 hp - LX250 V6 - 3.1L	1997-2003	1,0	BR9HS-10	4551	---	---
250 hp - LZ250 / Z250 3.3L	2003-2005	-	BKR6EKU	6993	---	---
250 hp - LZ250TUR, TXR	2006-2010	-	BKR6EKU	6993	---	---
250 hp - S250 V6 - 3.1L	1990-1996	1,0	BR8HS-10	1134	---	---
250 hp - SX250 V6 - 3.1L	1997-2003	1,0	BR9HS-10	4551	---	---
250 hp - VX250 V6 - 3.1L	2002-2004	1,0	BR9HS-10	4551	---	---
250 hp - VZ250	2003-2005	-	BKR6EKU	6993	---	---
250 hp - VZ250FTLR, TLR	2006-2010	-	BKR6EKU	6993	---	---
250 hp - Z250TUR, Z250TXR	2006-2010	-	BKR6EKU	6993	---	---

300 HP

300 hp - F300TUR, TXR	2006-2010	1,1	LFR6A-11	3672	LFR6AIX---11	6619
300 hp - LF300TUR, TXR	2006-2010	1,1	LFR6A-11	3672	LFR6AIX---11	6619
300 hp - LX300 / Z300 3.3L	2004-2005	-	BKR6EKU	6993	---	---
300 hp - LZ300TUR, TXR	2006-2010	-	BKR6EKU	6993	---	---
300 hp - VZ300	2004-2005	-	BKR6EKU	6993	---	---
300 hp - VZ300BTLR, LTR	2006-2010	-	BKR6EKU	6993	---	---
300 hp - Z300TUR, Z300TXR	2006-2010	-	BKR6EKU	6993	---	---

350 HP

350 hp - F350TUR, TXR	2006-2010	1,1	LFR6A-11	3672	LFR6AIX---11	6619
350 hp - LF350TUR, TXR	2006-2010	1,1	LFR6A-11	3672	LFR6AIX---11	6619



Stock-No.



Stock-No.

YAMATO

350, 35	-	0,5	B6HS	4510	BR6HIX	3419
---------	---	-----	------	------	--------	------

ZÜNDAPP

5 CV	-	0,5	B6HS	4510	BR6HIX	3419
------	---	-----	------	------	--------	------

5 PS, 6 PS, type 304	-	0,5	B6HS	4510	BR6HIX	3419
----------------------	---	-----	------	------	--------	------

Delphin	-	0,5	B6HS	4510	BR6HIX	3419
---------	---	-----	------	------	--------	------



Stock-No.



Stock-No.

AERO MARINE

165 CR series	1966-1970	0,8	BR6ES	4922	---	---
240 series	-	0,6	XR5	3332	XR5IX	7355
265 series	1969-1970	0,9	XR5	3332	XR5IX	7355
265 series	1971-	1,1	UR4	6630	UR4IX	7401
304	-	0,8	BPR6ES	7822	BPR6EIX	6637
320 series	1971-	1,1	UR4	6630	UR4IX	7401
320 series	1966-1970	0,8	BR6ES	4922	---	---
350 series	1966-1970	0,8	BR6ES	4922	---	---
360 Jet	-	0,8	BPR6ES	7822	BPR6EIX	6637
375 series	1966-1970	0,8	BR6ES	4922	---	---
375 series	1970-1971	1,1	UR4	6630	UR4IX	7401
427 Jet series	1971-	1,1	UR4	6630	UR4IX	7401
454 series	-	1,1	UR4	6630	UR4IX	7401
455 series	-	0,9	XR5	3332	XR5IX	7355
482 series	-	0,8	BPR6ES	7822	BPR6EIX	6637

ALBIN

0-1 No.18965>	-	0,8	AB-6	2910	---	---
0-11	-	0,8	AB-6	2910	---	---
0-1L No.1948>	-	0,6	B6HS	4510	BR6HIX	3419
0-2 No.15826>	-	0,8	AB-6	2910	---	---
0-21	-	0,6	B6HS	4510	BR6HIX	3419
0-21	-	0,8	AB-6	2910	---	---
0-41	-	0,8	AB-6	2910	---	---
0-411	-	0,8	AB-6	2910	---	---
0-4SP No. 19325>	-	0,8	AB-6	2910	---	---
2000 V-1	-	0,6	B6HS	4510	BR6HIX	3419
2000 SP	-	0,7	BR7HS	4122	BR7HIX	7067
A4	-	0,6	B6HS	4510	BR6HIX	3419
A-6SP	-	0,7	BR7HS	4122	BR7HIX	7067
AL22	-	0,8	AB-6	2910	---	---
AL23	-	0,8	AB-6	2910	---	---
E4	-	0,8	AB-6	2910	---	---
E5	-	0,8	AB-6	2910	---	---
E6	-	0,8	AB-6	2910	---	---
G-6	-	0,8	AB-6	2910	---	---
G-6B	-	0,8	AB-6	2910	---	---
S-4	-	0,6	B6HS	4510	BR6HIX	3419
T1500 Spezial	-	0,6	B6HS	4510	BR6HIX	3419
T-4	-	0,8	AB-6	2910	---	---

AMECO

302 Ford engine	-	0,8	WR5	2438	WR5IX	7510
351 W cid Ford engine	-	0,8	WR5	2438	WR5IX	7510

AMERICAN CHALLENGER

Eagle 400	-	0,5	UR5	2771	UR5IX	7177
Eagle 600	-	0,5	UR5	2771	UR5IX	7177
Eagle 800	-	0,5	UR5	2771	UR5IX	7177



Stock-No.



Stock-No.

AUSTIN

Ø 18 mm	-	0,6	AB-6	2910	---	---
Chief - Ø 14mm	-	0,6	BR6ES	4922	---	---
Healey 3300	-	0,6	BR6ES	4922	---	---
Healey 35	-	0,6	BR6ES	4922	---	---
Healey 55	-	0,6	BR6ES	4922	---	---
Healey 75	-	0,6	BR6ES	4922	---	---
Skipper	-	0,6	BR6ES	4922	---	---

B & W

BW30 / 35	-	0,6	B6ES	7310	---	---
BW60 / 105 / 155 / 165	-	0,6	B6S	3510	---	---
LH Master / LH (dual ign.)	-	0,6	B6S	3510	---	---
LH Super / LH Super Special	-	0,6	B6S	3510	---	---

B.L.M.C.

850 Sea Prince 2912 cc	-	0,6	BP5ES	6511	BPR5EIX	6597
950 , 1678 , 3000 CC	-	0,6	B6ES	7310	---	---
1100 Vedette	-	0,6	B6ES	7310	---	---
1622 Navigator 1959	-	0,6	B6ES	7310	---	---

BARR (CONVERSIONS)**BUICK**

Buick 400cid	1967-1969	1,1	UR4	6630	UR4IX	7401
Buick 430cid	1967-1969	1,1	UR4	6630	UR4IX	7401
Buick 455cid	1971-1974	0,7	BPR5FS	2423	---	---
Buick 455cid	1970-1970	1,1	UR4	6630	UR4IX	7401

CHEVROLET

Chevrolet 194 cid	1962-1969	0,9	BPR5ES	7422	BPR5EIX	6597
Chevrolet 230 cid	1962-1969	0,9	BPR5ES	7422	BPR5EIX	6597
Chevrolet 230 cid	1970-	1,1	UR4	6630	UR4IX	7401
Chevrolet 250 cid	1962-1969	0,9	BPR5ES	7422	BPR5EIX	6597
Chevrolet 250 cid	1970-1978	0,7	BPR5FS	2423	---	---
Chevrolet 250 cid	1979-1984	1,1	UR4	6630	UR4IX	7401
Chevrolet 283 cid	1955-1967	1,0	XR4	5858	XR4IX	7189
Chevrolet 292 cid	1963-1969	0,9	BR6ES	4922	---	---
Chevrolet 292 cid	1970-1992	1,1	UR4	6630	UR4IX	7401
Chevrolet 302 cid	1967-1969	0,9	XR4	5858	XR4IX	7189
Chevrolet 307 cid	1971-1973	0,7	BPR5FS	2423	---	---
Chevrolet 307 cid	1968-1970	1,0	XR4	5858	XR4IX	7189
Chevrolet 327 cid	1961-1969	0,9	XR5	3332	XR5IX	7355
Chevrolet 350 cid	1971-1990	1,1	UR4	6630	UR4IX	7401
Chevrolet 350 cid 2-bbl	1967-1970	1,0	XR4	5858	XR4IX	7189
Chevrolet 350 cid 4-bbl	1970-	1,0	XR4	5858	XR4IX	7189
Chevrolet 400 cid	1971-1990	1,1	UR4	6630	UR4IX	7401
Chevrolet 400 cid	1970-	1,0	XR4	5858	XR4IX	7189
Chevrolet 427 cid	1971-1972	0,9	UR5	2771	UR5IX	7177
Chevrolet 427 cid	1973-1990	1,1	UR4	6630	UR4IX	7401
Chevrolet 454 cid	1979-1989	1,1	UR4	6630	UR4IX	7401



Stock-No.



Stock-No.

BARR (CONVERSIONS)**CHRYSLER**

Chrysler 383 cid 2-bbl	1960-1971	0,9	BP-4	2911	---	---
Chrysler 383 cid 4-bbl	1968-1971	1,0	XR4	5858	XR4IX	7189
Chrysler 383 cid Hi-Perf.	1966-1967	1,0	XR4	5858	XR4IX	7189
Chrysler 413 cid	1963-1965	0,9	BP-4	2911	---	---
Chrysler 413 cid Hi-Perf.	1963-1965	1,0	XR4	5858	XR4IX	7189
Chrysler 413 cid two 4-bbl	1963-1964	1,0	XR4	5858	XR4IX	7189
Chrysler 440 cid 350hp.	1966-1971	1,0	XR4	5858	XR4IX	7189
Chrysler 440 cid 375hp.	1966-1971	0,9	XR4	5858	XR4IX	7189
Chrysler 440 cid.	1972-1979	1,0	XR4	5858	XR4IX	7189

OLDSMOBILE

Oldsmobile 350 cid	1971-1974	1,0	XR4	5858	XR4IX	7189
Oldsmobile 350 cid 2-bbl	1968-1970	1,0	XR4	5858	XR4IX	7189
Oldsmobile 350 cid 4-bbl	1968-1970	1,0	XR4	5858	XR4IX	7189
Oldsmobile 455 cid	1976-1978	0,9	BP-4	2911	---	---
Oldsmobile 455 cid 2-bbl	1971-	0,9	BP-4	2911	---	---
Oldsmobile 455 cid 4-bbl	1970-1971	1,0	XR4	5858	XR4IX	7189
Oldsmobile 455 cid 4-bbl	1972-1974	0,9	BP-4	2911	---	---
Oldsmobile 455 cid Hi-Perf.	1972-1974	1,0	XR4	5858	XR4IX	7189

PONTIAC

Pontiac 389 cid	1960-1967	1,0	XR4	5858	XR4IX	7189
Pontiac 400 cid	1967-1971	1,0	XR4	5858	XR4IX	7189
Pontiac 400 cid	1972-1974	0,7	BPR5FS	2423	---	---
Pontiac 421 cid	1963-1966	1,0	XR4	5858	XR4IX	7189
Pontiac 428 cid	1967-1969	1,0	XR4	5858	XR4IX	7189
Pontiac 455 cid	1972-1974	0,7	BPR5FS	2423	---	---
Pontiac 455 cid 2-bbl	1971-	0,9	BP-4	2911	---	---
Pontiac 455 cid 4-bbl	1970-1971	0,9	BP-4	2911	---	---

BAUDOIN

CR , H4 , LH , LK , LKL	-	0,6	B-6L	3212	---	---
LA , L03 , L03H , LOL	-	0,5	B-4	3210	---	---
VL3 , VL3F , VL3FT	-	0,5	B6S	3510	---	---

BERKELEY**CHEVROLET**

350 cid Chevrolet	1976-1990	0,9	YR5	7052	YR5IX	7516
-------------------	-----------	-----	------------	-------------	--------------	-------------

FORD

302 cid Ford - Ø14mm	1974-1990	0,9	UR5	2771	UR5IX	7177
302 cid Ford - Ø18mm	1974-1977	0,9	AR6FS	3323	---	---
351 cid Ford - Ø14mm	1974-1990	0,9	UR5	2771	UR5IX	7177
351 cid Ford - Ø18mm	1974-1977	0,9	AR6FS	3323	---	---
460 cid Ford Big Block	1976-1990	0,9	UR5	2771	UR5IX	7177

GM

454 cid GM Big Block	1976-1990	0,9	YR5	7052	YR5IX	7516
----------------------	-----------	-----	------------	-------------	--------------	-------------

OLDSMOBILE

455 cid Oldsmobile	1968-1976	1,0	XR4	5858	XR4IX	7189
--------------------	-----------	-----	------------	-------------	--------------	-------------



Stock-No.



Stock-No.

BMW

B130	-	0,6	BP5ES	6511	BPR5EIX	6597
B130S	-	0,6	BP5ES	6511	BPR5EIX	6597
B190	-	0,6	BP5ES	6511	BPR5EIX	6597
B1901	-	0,6	BP5ES	6511	BPR5EIX	6597
B190S	-	0,6	BP5ES	6511	BPR5EIX	6597
B220	-	0,6	BP5ES	6511	BPR5EIX	6597
B2201	-	0,6	BP5ES	6511	BPR5EIX	6597
B220S	-	0,6	BP5ES	6511	BPR5EIX	6597
G1301	-	0,6	BP5ES	6511	BPR5EIX	6597
G130S	-	0,6	BP5ES	6511	BPR5EIX	6597
G1901	-	0,6	BP5ES	6511	BPR5EIX	6597
G190S	-	0,6	BP5ES	6511	BPR5EIX	6597
G2201	-	0,6	BP5ES	6511	BPR5EIX	6597
G220S	-	0,6	BP5ES	6511	BPR5EIX	6597

BOMBARDIER (SEA-DOO)**ROTAX**

Explorer Rotax 717cc	-	0,6	BR8ES	5422	BR8EIX	5044
Speedster Rotax 717cc	-	0,5	BR8ES	5422	BR8EIX	5044
Sportser Rotax 717cc	-	0,6	BR8ES	5422	BR8EIX	5044
Challenger Rotax 787 cc	-	0,6	BR8ES	5422	BR8EIX	5044

947 CC

Sportster LE DI 947cc	-	0,9	ZFR4F-11	4043	---	---
-----------------------	---	-----	----------	------	-----	-----

1494 CC

150 Speedster 1494cc	2007-2009	0,7	DCPR8E	4339	---	---
180 Challenger CS 1494cc	2005-2009	0,7	DCPR8E	4339	---	---
200 Speedster / Twin 4-Tec 1494cc	2006-2009	0,7	DCPR8E	4339	---	---
205 Utopia 1494cc	2008-2009	0,7	DCPR8E	4339	---	---
230 Challenger 1494cc	2007-2009	0,7	DCPR8E	4339	---	---
230 Wake 1494cc	2008-2009	0,7	DCPR8E	4339	---	---
Challenger CS 1494cc	2006-2006	0,7	DCPR8E	4339	---	---
Islandia 220 1494cc	2006-2007	0,7	DCPR8E	4339	---	---
Islandia SE 1494cc	2008-2009	0,7	DCPR8E	4339	---	---
Speedster Wake 1494cc	2007-2009	0,7	DCPR8E	4339	---	---
Sportster 4-Tec 1494cc	2006-	0,7	DCPR8E	4339	---	---
Sportster LE DI 1494cc	2006-	0,9	ZFR4F-11	4043	---	---
Utopia 205 1494cc	2006-2007	0,7	DCPR8E	4339	---	---

CHEVROLET (MARINE CONVERSIONS)

194 cid	1962-1969	0,9	BPR5ES	7422	BPR5EIX	6597
230 cid	1970-	1,1	UR4	6630	UR4IX	7401
230 cid	1962-1969	0,9	BPR5ES	7422	BPR5EIX	6597
250 cid	1979-1984	1,1	UR4	6630	UR4IX	7401
250 cid	1962-1969	0,9	BPR5ES	7422	BPR5EIX	6597
292 cid	1963-1969	1,1	UR4	6630	UR4IX	7401
292 cid	1970-1978	0,7	BPR5FS	2423	---	---
283 cid	1955-1967	1,0	XR4	5858	XR4IX	7189
302 cid	1967-1969	0,9	XR4	5858	XR4IX	7189
307 cid	1968-1970	0,9	XR4	5858	XR4IX	7189
307 cid	1971-1973	0,7	BPR5FS	2423	---	---
327 cid	1961-1969	0,9	XR5	3332	XR5IX	7355



Stock-No.



Stock-No.

CHEVROLET (MARINE CONVERSIONS)

350 cid	1971-1990	1,1	UR4	6630	UR4IX	7401
350 cid 2-bbl	1967-1970	1,0	XR4	5858	XR4IX	7189
350 cid 4-bbl	1970-	1,0	XR4	5858	XR4IX	7189
400 cid	1970-	1,0	XR4	5858	XR4IX	7189
400 cid	1971-1990	1,1	UR4	6630	UR4IX	7401
427 cid	1971-1972	0,7	UR6	4079	UR6IX	7348
427 cid	1973-1990	1,1	UR4	6630	UR4IX	7401
454 cid	1979-1990	0,8	UR5	2771	UR5IX	7177

CHRIS-CRAFT

see VOLVO PENTA						
-----------------	--	--	--	--	--	--

CHRYSLER**4 CYLINDER**

M122A	-	0,9	B7HS	5110	BR7HIX	7067
M122B	-	0,9	B7HS	5110	BR7HIX	7067
M91D	-	0,9	BP6ES	7811	BPR6EIX	6637
M91F	-	0,9	BP6ES	7811	BPR6EIX	6637

6 CYLINDER

B46-4	-	0,9	BR6S	3522	---	---
B46S-3	-	0,9	BR6S	3522	---	---
M46-3	-	0,9	BR6S	3522	---	---
M47-3	-	0,9	BR6S	3522	---	---
M47-4	-	0,9	BR6S	3522	---	---
M47S-3	-	0,9	BR6S	3522	---	---
M170	-	0,9	BR6ES	4922	---	---
M183B	-	0,9	B7HS	5110	BR7HIX	7067
M225A	-	0,9	BR6ES	4922	---	---
M225D	-	0,9	BR6ES	4922	---	---
M225D	1975-1979	0,9	BPR6FS	2623	UR6IX	7348
M225D	-1974	0,9	BR6ES	4922	---	---
M225GD	-	0,9	BR6ES	4922	---	---
M265	-	0,9	BR6S	3522	---	---
M265A	-	0,9	BR6S	3522	---	---

8 CYLINDER

LM318A	-	0,9	BPR6ES	7822	BPR6EIX	6637
LM318AC	-	0,9	BPR6ES	7822	BPR6EIX	6637
LM318B	-	0,9	BPR6ES	7822	BPR6EIX	6637
LM318BC	-	0,9	BPR6ES	7822	BPR6EIX	6637
LM318BJ	-	0,9	BPR6ES	7822	BPR6EIX	6637
LM318BT	-	0,9	BPR6ES	7822	BPR6EIX	6637
LM318BV	-	0,9	BPR6ES	7822	BPR6EIX	6637
LM318D	-	0,9	BPR6ES	7822	BPR6EIX	6637
LM340B	-	0,9	BPR6ES	7822	BPR6EIX	6637
LM340BJ	-	0,9	BPR6ES	7822	BPR6EIX	6637
LM340BT	-	0,9	BPR6ES	7822	BPR6EIX	6637
LM340BV	-	0,9	BPR6ES	7822	BPR6EIX	6637
M44	-	0,9	BR6S	3522	---	---
M44-3	-	0,9	BR6S	3522	---	---
M45	-	0,9	BR6ES	4922	---	---



Stock-No.



Stock-No.

**CHRYSLER
8 CYLINDER**

M45-3	-	0,9	BR6ES	4922	---	---
M45S	-	0,9	BR6ES	4922	---	---
M45-S3	-	0,9	BR6ES	4922	---	---
M45-SP3	-	0,9	BR6ES	4922	---	---
M80	-	0,9	XR5	3332	XR5IX	7355
M81	-	0,9	BR6ES	4922	---	---
M273A	-	0,9	BPR6ES	7822	BPR6EIX	6637
M273B	-	0,9	BPR6ES	7822	BPR6EIX	6637
M273BT	-	0,9	BPR6ES	7822	BPR6EIX	6637
M318A	-	0,9	XR5	3332	XR5IX	7355
M318B	-	0,9	XR5	3332	XR5IX	7355
M318C	-	0,9	XR5	3332	XR5IX	7355
M318GD	-	0,9	XR5	3332	XR5IX	7355
M360A	-	0,9	BPR6ES	7822	BPR6EIX	6637
M360B	-	0,9	BPR6ES	7822	BPR6EIX	6637
M360BC	-	0,9	BPR6ES	7822	BPR6EIX	6637
M360BJ	-	0,9	BPR6ES	7822	BPR6EIX	6637
M360BT	-	0,9	BPR6ES	7822	BPR6EIX	6637
M360BV	-	0,9	BPR6ES	7822	BPR6EIX	6637
M383B	-	0,9	XR5	3332	XR5IX	7355
M383BV	-	0,9	XR5	3332	XR5IX	7355
M400B	-	0,9	XR5	3332	XR5IX	7355
M400BV	-	0,9	XR5	3332	XR5IX	7355
M400S	-	0,9	XR5	3332	XR5IX	7355
M413B	-	0,9	XR5	3332	XR5IX	7355
M413D	-	0,9	XR5	3332	XR5IX	7355
M413E	-	0,9	BR6ES	4922	---	---
M426B	-	0,9	XR5	3332	XR5IX	7355
M426D	-	0,9	XR5	3332	XR5IX	7355
M426-Ski	-	0,9	XR5	3332	XR5IX	7355
M440B	-	0,9	XR5	3332	XR5IX	7355
M440BJ	-	0,9	XR5	3332	XR5IX	7355
M440BV	-	0,9	XR5	3332	XR5IX	7355
M440D	-	0,9	XR5	3332	XR5IX	7355
M440S	-	0,9	XR5	3332	XR5IX	7355
M440SV	-	0,9	XR5	3332	XR5IX	7355
M460B	-	0,9	UR5	2771	UR5IX	7177

CHRYSLER-VOLVO

110	-	0,7	BR7HS	4122	BR7HIX	7067
115	-	0,7	BR7HS	4122	BR7HIX	7067
120	-	0,7	BR7HS	4122	BR7HIX	7067
130	-	0,7	BR7HS	4122	BR7HIX	7067
165	-	0,7	BR7HS	4122	BR7HIX	7067
170	-	0,7	BR7HS	4122	BR7HIX	7067

CRUSADER

200 CID	1979-1979	0,9	BPR6FS	2623	UR6IX	7348
229 CID-165	1979-1980	0,9	BPR6FS	2623	UR6IX	7348
229 CID-CH185	1981-1984	0,9	BPR6FS	2623	UR6IX	7348
262 CID	1985-1998	0,9	BPR6FS	2623	UR6IX	7348



Stock-No.



Stock-No.

CRUSADER

292 CID-185	1971-1980	0,9	R5674-7	3535	---	---
302 CID	1974-1975	0,8	AR6FS	3323	---	---
305 CID-190	1976-1996	0,9	BPR6FS	2623	UR6IX	7348
305 CID-220	1976-1996	0,9	BPR6FS	2623	UR6IX	7348
307 CID-210	1971-1980	0,9	R5674-7	3535	---	---
350 CID-270	1971-1998	0,9	BPR6FS	2623	UR6IX	7348
351 CID-255	1974-1975	0,8	AR6FS	3323	---	---
427 CID	1968-1980	0,9	R5674-7	3535	---	---
454 CID-350	1972-1980	0,9	BPR6FS	2623	UR6IX	7348
454 CID	1981-1998	0,9	BPR6FS	2623	UR6IX	7348
460 CID-350	1974-1975	0,9	BPR6FS	2623	UR6IX	7348
502 CID	1989-1998	0,9	BPR6FS	2623	UR6IX	7348

BOAT BUILDER

170J	-	0,6	B6S	3510	---	---
185	-	0,6	B6S	3510	---	---
200J	-	0,6	B6S	3510	---	---
210	-	0,6	B6S	3510	---	---
230	-	0,6	B6S	3510	---	---
230J	-	0,6	B6S	3510	---	---
CS100	-	0,8	B6ES	7310	---	---
CS150	-	0,8	B6ES	7310	---	---
CS165	-	0,8	B6ES	7310	---	---
CS180	-	0,8	B6S	3510	---	---
CS220	-	0,8	B6S	3510	---	---
CS250	-	0,8	B6S	3510	---	---
CS280	-	0,8	B6ES	7310	---	---
CS320	-	0,8	B6ES	7310	---	---

CHAMPION

305 cid	-	0,9	BPR6FS	2623	UR6IX	7348
350 cid	-	0,9	BPR6FS	2623	UR6IX	7348
350 cid HT	-	0,9	BPR6FS	2623	UR6IX	7348
454 cid	-	0,9	BPR6FS	2623	UR6IX	7348

CHARGER

CS185	-	0,6	B6S	3510	---	---
CS220	-	0,6	B6S	3510	---	---
CS250	-	0,6	B6S	3510	---	---
CS280	-	0,9	B6ES	7310	---	---
CS320	-	0,8	B6ES	7310	---	---

CLASSIC

5.7L Plus EFI	-	1,1	TR5	2238	TR5IX	7397
5.7L Plus MPI	-	1,1	TR5	2238	TR5IX	7397
7.4L HO MPI	-	1,1	BR6FS	4323	BR6FIX	2318
7.4L MPI	-	1,1	TR5	2238	TR5IX	7397
8.2L MPI	-	1,1	BR6FS	4323	BR6FIX	2318

GM

220 hp GM V8 5.7L MP	2005-	1,5	TR55	3951	TR55IX	7164
275 hp GM V8 5.0L MP	2005-	1,5	TR55	3951	TR55IX	7164
300 hp GM V8 5.7L CARB	-	1,5	TR55	3951	TR55IX	7164
375 hp GM V8 6.0L MP	-	1,5	TR55	3951	TR55IX	7164
385 hp GM V8 8.1L MP	-	1,5	TR55	3951	TR55IX	7164



Stock-No.



Stock-No.

CRUSADER GM

425 hp GM V8 8.1L MP (HO)	-	1,5	TR55	3951	TR55IX	7164
---------------------------	---	-----	------	------	--------	------

MARK

Mark 140	-	0,6	B6S	3510	---	---
Mark 170	-	0,6	B6S	3510	---	---
Mark 200	-	0,6	B6S	3510	---	---
Mark 225	-	0,6	B6S	3510	---	---
Mark 240	-	0,8	B6ES	7310	---	---
Mark 275	-	0,8	B8S	3810	---	---
Mark 280	-	0,8	B6ES	7310	---	---
Mark 300	-	0,8	B8S	3810	---	---
Mark 325	-	0,8	B8S	3810	---	---

PLATINUM

5.7L Plus MPI	-	1,1	TR5	2238	TR5IX	7397
7.4L HO MPI	-	1,1	BR6FS	4323	BR6FIX	2318
7.4L MPI	-	1,1	TR5	2238	TR5IX	7397
8.2L MPI	-	1,1	BR6FS	4323	BR6FIX	2318

XL/XLI

262 cid	-	0,9	BPR6FS	2623	UR6IX	7348
305 cid	-	0,9	BPR6FS	2623	UR6IX	7348
350 cid	-	0,9	BPR6FS	2623	UR6IX	7348
454 cid	-	0,9	BPR6FS	2623	UR6IX	7348
454 cid HO	-	0,9	BPR6FS	2623	UR6IX	7348
502 cid	-	0,9	BPR6FS	2623	UR6IX	7348

CUYUNA

430LC 40 hp Jet Drive	-	0,8	BR8ES	5422	BR8EIX	5044
-----------------------	---	-----	-------	------	--------	------

DAIMLER

SP 250	-	0,7	BR6ES	4922	---	---
--------	---	-----	-------	------	-----	-----

DAYTONA

100 / 150	-	0,9	B6ES	7310	---	---
200 / 300	-	0,9	B6S	3510	---	---
400 / 400 Turbo	-	0,9	B7ES	1111	BR7EIX	6664
427 / 427 Turbo heavy Service	-	0,9	B8ES	2411	BR8EIX	5044
427 / 427 Turbo light Service	-	0,9	B7ES	1111	BR7EIX	6664

DIESEL-TECHNIEK

DTR 40	-	0,6	BP6HS	4511	BPR6HIX	4085
DTR 50	-	0,6	BP6HS	4511	BPR6HIX	4085

DYNAFOIL

G440-BW (432cc) Xenoah engine	-	0,9	BR6ES	4922	---	---
-------------------------------	---	-----	-------	------	-----	-----



Stock-No.



Stock-No.

EVINRUDE

CU / SU 153cid 110 / 120 hp	-	0,9	BR6ES	4922	---	---
DU 89 cid 88 / 90 hp	-	0,8	B6S	3510	---	---
HU 225 cid 150 /155 hp	-	0,9	BP5S	3011	---	---
KU 283 cid 185 hp	-	0,9	B6S	3510	---	---
NU 1600cc 89 /90 hp	-	0,6	BP6ES	7811	BPR6EIX	6637
TU 14/15/16 300 cid 200 hp	-	0,9	XR4	5858	XR4IX	7189
TU 17 ->283, 307 cid 210 hp	-	0,9	XR4	5858	XR4IX	7189

FAGEOL

44 / 53	-	0,6	B6S	3510	---	---
FM 200 / FM 225	-	0,5	B6S	3510	---	---

FLAGSHIP

181 CID - 181FL	1975-1977	0,9	YR5	7052	YR5IX	7516
280 CID - 280E	1975-1977	0,9	R5674-7	3535	---	---
292 CID	1971-1974	0,9	UR5	2771	UR5IX	7177
292 CID - 155	-	0,9	B6ES	7310	---	---
300 CID - Heavy Service	1977-	1,1	R5674-7	3535	---	---
300 CID - Light Service	1977-	1,1	UR5	2771	UR5IX	7177
305 CID	1971-1974	0,9	UR5	2771	UR5IX	7177
305 CID - Heavy Service	1975-1993	1,1	R5674-7	3535	---	---
305 CID - Light Service	1975-1977	1,1	UR5	2771	UR5IX	7177
307 CID	1971-1974	0,9	UR5	2771	UR5IX	7177
350 CID	1971-1974	0,9	UR5	2771	UR5IX	7177

350 CID HI PERFORMANCE

350 CID - Heavy Service	1975-1993	1,1	R5674-7	3535	---	---
295FAS	1975-1993	0,9	R5674-7	3535	---	---
335	1975-1993	0,9	R5674-7	3535	---	---
380FAS	1975-1993	0,9	R5674-7	3535	---	---
TC400	1975-1993	0,9	R5674-7	3535	---	---
TC500	1975-1993	0,9	R5673-8	4140	---	---

427 CID

300	1971-1974	0,9	B7ES	1111	BR7EIX	6664
-----	-----------	-----	------	------	--------	------

454 CID

Heavy Service	1975-1993	1,1	R5674-7	3535	---	---
Light Service	1975-1977	1,1	UR5	2771	UR5IX	7177

454 CID HI PERFORMANCE

400FAJ	1975-1977	0,9	R5674-7	3535	---	---
400FAS	1975-1977	0,9	R5674-7	3535	---	---
450FAJ	1975-1993	0,9	R5674-7	3535	---	---
450FAS	1975-1993	0,9	R5674-7	3535	---	---
460FAJ	1975-1977	0,9	R5674-7	3535	---	---
460FAS	1975-1977	0,9	R5674-7	3535	---	---
500FAJ	1975-1977	0,9	R5674-7	3535	---	---
500FAS	1975-1977	0,9	R5674-7	3535	---	---
TC500	1975-1993	0,9	R5673-8	4140	---	---
TC550	1975-1993	0,9	R5674-7	3535	---	---
TC650	1975-1977	0,9	R5673-8	4140	---	---



Stock-No.



Stock-No.

FLAGSHIP 466 CID HI PERFORMANCE

675FAJ (normal use)	1975-1981	0,9	R5674-7	3535	---	---
675FAS (normal use)	1975-1981	0,9	R5674-7	3535	---	---

490 CID HI PERFORMANCE

500FAJ	1975-1981	0,9	R5674-7	3535	---	---
500FAS	1975-1981	0,9	R5674-7	3535	---	---

FORD

67 cu in.	-	0,9	GR5	7537	GR5IX	7214
98 cu in.	-	0,9	GR5	7537	GR5IX	7214
104 cu in.	-	0,7	GR4	2635	GR4IX	7149
158 cu in.	-	0,9	BR6ES	4922	---	---
172 cu in.	-	0,7	B-6L	3212	---	---
201 cu in.	-	0,9	BR6ES	4922	---	---
250 cu in.	-	0,8	AR6FS	3323	---	---
427 cu in.	1975-1989	0,7	UR5	2771	UR5IX	7177
427 cu in. 302,351W	-1974	0,9	WR5	2438	WR5IX	7510
429 cu in.	1975-1989	0,7	UR5	2771	UR5IX	7177
460 cu in. 302,351W	1975-1989	0,8	UR5	2771	UR5IX	7177
477 cu in.	1976-	0,8	AR6FS	3323	---	---
534 cu in.	1976-	0,8	AR6FS	3323	---	---

GOFF

GMP 225	1969-1973	0,9	XR4	5858	XR4IX	7189
GMP 455	1961-1970	0,8	XR4	5858	XR4IX	7189
GMP 455	1971-1972	1,0	XR4	5858	XR4IX	7189
GMP 455	1973-	1,0	XR4	5858	XR4IX	7189

GOTA

5-6 , 10-12 , 15-18	-	0,5	AB-6	2910	---	---
SLF10 , SL3 , SL6 , SL12	-	0,5	AB-6	2910	---	---

GRAYMARINE EXPRESS

Four 52	-	0,7	AB-6	2910	---	---
Four 112	-	0,7	AB-6	2910	---	---
Four 140	-	0,7	AB-6	2910	---	---
Four 162	-	0,7	AB-6	2910	---	---
Seascout 91	-	0,9	BR6S	3522	---	---
Six 71	-	0,7	AB-6	2910	---	---
Six 77	-	0,7	AB-6	2910	---	---
Six 80	-	0,7	AB-6	2910	---	---
Six 91	-	0,7	AB-8	7909	---	---
Six 111	-	0,7	AB-6	2910	---	---
Six 121	-	0,7	AB-6	2910	---	---
Six 186	-	0,7	AB-6	2910	---	---
Six 224	-	0,7	AB-8	7909	---	---
Six 427	-	0,7	AB-6	2910	---	---
Super 117	-	0,7	AB-6	2910	---	---



Stock-No.



Stock-No.

GRAYMARINE**EXPRESS**

Super 427	-	0,7	AB-6	2910	---	---
-----------	---	-----	------	------	-----	-----

FIREBALL

135	-	0,7	XR5	3332	XR5IX	7355
138	-	0,7	XR5	3332	XR5IX	7355
138A	-	0,7	XR5	3332	XR5IX	7355
170	-	0,7	XR5	3332	XR5IX	7355
175	-	0,7	XR5	3332	XR5IX	7355
178	-	0,7	XR5	3332	XR5IX	7355
178B	-	0,7	XR5	3332	XR5IX	7355
188	-	0,7	XR5	3332	XR5IX	7355
195	-	0,7	XR5	3332	XR5IX	7355
215	-	0,7	XR5	3332	XR5IX	7355
220	-	0,7	XR5	3332	XR5IX	7355
225	-	0,7	XR5	3332	XR5IX	7355
238	-	0,7	XR5	3332	XR5IX	7355
260	-	0,7	XR5	3332	XR5IX	7355
280	-	0,7	XR5	3332	XR5IX	7355
304	-	0,7	GR4	2635	GR4IX	7149
310	-	0,7	XR5	3332	XR5IX	7355
360	-	0,7	GR4	2635	GR4IX	7149
427	-	0,7	XR5	3332	XR5IX	7355
C, CF, CH	-	0,7	XR5	3332	XR5IX	7355
Four 50	-	0,9	BR6S	3522	---	---
Four 90	-	0,7	AB-6	2910	---	---
Six 116	-	0,7	AB-6	2910	---	---
Six 140	-	0,7	AB-6	2910	---	---
Six 150	-	0,7	AB-6	2910	---	---
Six 160	-	0,7	AB-6	2910	---	---
Six 232 Stern Drive	-	0,9	GR5	7537	GR5IX	7214
Super 330	-	0,7	AB-6	2910	---	---

LUGGER

Four 22	-	0,7	AB-7	3010	---	---
Four 40	-	0,7	AB-6	2910	---	---
Four 52	-	0,7	AB-7	3010	---	---
Four 69	-	0,9	BR6S	3522	---	---
Four 75	-	0,7	AB-6	2910	---	---
Four 80	-	0,7	AB-6	2910	---	---
Four 85TD	-	0,7	AB-6	2910	---	---
Four 112	-	0,7	AB-7	3010	---	---
Four 140	-	0,7	AB-6	2910	---	---
Four 162	-	0,7	AB-6	2910	---	---
Seascout 45	-	0,9	BR6S	3522	---	---
Seascout 91	-	0,9	BR6S	3522	---	---
Six 51	-	0,7	AB-7	3010	---	---
Six 71	-	0,7	AB-6	2910	---	---
Six 77	-	0,7	AB-6	2910	---	---
Six 91	-	0,7	AB-6	2910	---	---
Six 121	-	0,7	AB-7	3010	---	---
Six 186	-	0,7	AB-7	3010	---	---
Six 226	-	0,7	AB-7	3010	---	---



Stock-No.



Stock-No.

**GRAYMARINE
LUGGER**

Six 244	-	0,7	AB-6	2910	---	---
Six 330	-	0,7	AB-7	3010	---	---

PHANTOM

Four 45	-	0,9	BR6S	3522	---	---
Four 62	-	0,7	AB-6	2910	---	---
Four 75	-	0,7	AB-6	2910	---	---
Four 85	-	0,7	AB-6	2910	---	---
Four 86	-	0,7	AB-6	2910	---	---
Four 162	-	0,7	AB-6	2910	---	---
Four 620	-	0,7	AB-6	2910	---	---
Four 750	-	0,7	AB-6	2910	---	---
Six 70	-	0,7	AB-6	2910	---	---
Six 80	-	0,7	AB-6	2910	---	---
Six 88	-	0,7	AB-6	2910	---	---
Six 90	-	0,7	AB-6	2910	---	---
Six 100	-	0,7	AB-6	2910	---	---
Six 103	-	0,7	AB-6	2910	---	---
Six 104	-	0,7	AB-6	2910	---	---
Six 109	-	0,7	AB-6	2910	---	---
Six 109TD	-	0,7	AB-6	2910	---	---
Six 110	-	0,7	AB-6	2910	---	---
Six 112	-	0,7	AB-6	2910	---	---
Six 115	-	0,7	AB-8	7909	---	---
Six 116	-	0,7	AB-6	2910	---	---
Six 118	-	0,7	AB-6	2910	---	---
Six 120	-	0,7	AB-6	2910	---	---
Six 122	-	0,7	AB-6	2910	---	---
Six 125	-	0,7	AB-6	2910	---	---
Six 135	-	0,7	AB-8	7909	---	---
Six 135	-	0,7	AB-6	2910	---	---
Six 136	-	0,7	AB-6	2910	---	---
Six 150	-	0,7	AB-6	2910	---	---
Six 165	-	0,7	AB-6	2910	---	---
Six 175	-	0,7	AB-6	2910	---	---
Six 185	-	0,7	AB-6	2910	---	---
Six 200	-	0,7	AB-8	7909	---	---

**GUARDIAN MARINE
CHEVROLET**

454 cid	-	1,1	UR4	6630	UR4IX	7401
---------	---	-----	-----	------	-------	------

FORD

302 cid	-	0,9	UR5	2771	UR5IX	7177
351W cid	-	0,9	UR5	2771	UR5IX	7177
460 cid	-	0,9	UR5	2771	UR5IX	7177

OLDSMOBILE

455 cid	-	0,9	XR4	5858	XR4IX	7189
---------	---	-----	-----	------	-------	------

HARDIN

H225IO	1980-1986	0,9	YR5	7052	YR5IX	7516
H225J	1980-1986	0,9	YR5	7052	YR5IX	7516



Stock-No.



Stock-No.

HARDIN

H225V	1980-1986	0,9	YR5	7052	YR5IX	7516
H240J	1969-1990	0,9	XR5	3332	XR5IX	7355
H240J (conical seat)	1969-1990	0,9	UR5	2771	UR5IX	7177
H240V	1969-1990	0,9	XR5	3332	XR5IX	7355
H240V (conical seat)	1969-1990	0,9	UR5	2771	UR5IX	7177
H260I0	1980-1986	0,9	YR5	7052	YR5IX	7516
H260J	1980-1986	0,9	YR5	7052	YR5IX	7516
H260V	1980-1986	0,9	YR5	7052	YR5IX	7516
H280	1980-1986	0,9	YR5	7052	YR5IX	7516
H280J	1980-1986	0,9	YR5	7052	YR5IX	7516
H280V	1980-1986	0,9	YR5	7052	YR5IX	7516
H295J	1960-1976	0,9	XR5	3332	XR5IX	7355
H295V	1960-1976	0,9	XR5	3332	XR5IX	7355
H300J	1977-1990	0,9	XR5	3332	XR5IX	7355
H300V	1977-1990	0,9	XR5	3332	XR5IX	7355
H305I	1979-1990	0,9	YR5	7052	YR5IX	7516
H320J	1979-1990	0,9	YR5	7052	YR5IX	7516
H320V	1979-1990	0,9	YR5	7052	YR5IX	7516
H324J	1975-1976	0,9	XR5	3332	XR5IX	7355
H324V	1975-1976	0,9	XR5	3332	XR5IX	7355
H325J	1969-1976	0,8	XR5	3332	XR5IX	7355
H325V	1969-1976	0,8	XR5	3332	XR5IX	7355
H333J	1976-1990	0,9	YR5	7052	YR5IX	7516
H333V	1976-1990	0,9	YR5	7052	YR5IX	7516
H345J	1969-1976	0,8	XR5	3332	XR5IX	7355
H345V	1969-1976	0,8	XR5	3332	XR5IX	7355
H350I	1979-1990	0,9	YR5	7052	YR5IX	7516
H405J	1974-1990	0,9	YR5	7052	YR5IX	7516
H405TC	1978-1990	0,7	B7HS	5110	BR7HIX	7067
H405V	1974-1990	0,9	YR5	7052	YR5IX	7516
H454I	1979-1990	0,9	YR5	7052	YR5IX	7516
H455J (ET)	1976-	0,9	XR5	3332	XR5IX	7355
H455V (ET)	1976-	0,9	XR5	3332	XR5IX	7355
HM225	1983-1990	0,9	UR5	2771	UR5IX	7177
HM260	1983-1990	0,9	UR5	2771	UR5IX	7177
HM280	1983-1990	0,9	UR5	2771	UR5IX	7177
HM333	1983-1990	0,9	UR5	2771	UR5IX	7177
HM400	1983-1990	0,9	UR5	2771	UR5IX	7177
HM405	1983-1990	0,9	UR5	2771	UR5IX	7177
HM430	1983-1990	0,9	UR5	2771	UR5IX	7177

INDMAR**CADILLAC**

4.6L MPI Northstar - 279 cid	-	1,5	TR55	3951	TR55IX	7164
------------------------------	---	-----	------	------	--------	------

FORD

5.0L V8 200 - 302 cid	1991-1995	1,1	UR5	2771	UR5IX	7177
5.0L V8 225 - 302 cid	1991-1997	0,9	UR5	2771	UR5IX	7177
5.8L V8 - 351 cid	1983-1987	0,9	AR6FS	3323	---	---
5.8L V8 250 - 351 cid	1991-1997	0,9	UR5	2771	UR5IX	7177
5.8L V8 285 H.O.- 351 cid	1991-1997	1,1	BPR6EFS	3623	TR6IX	3689
7.5L V8 - 460 cid	1976-1984	0,9	UR5	2771	UR5IX	7177



Stock-No.



Stock-No.

**INDMAR
GM**

3.0L	-	0,9	BR6FS	4323	BR6FIX	2318
4.3L V6 EFI	-	1,1	BR6FS	4323	BR6FIX	2318
6.0L V8 - GM Big Block	2003-2005	1,5	TR55	3951	TR55IX	7164
5.0L V8 230 - Small Block	-	1,1	BR6FS	4323	BR6FIX	2318
5.0L V8 230SP - Small Block	-	1,1	BR6FS	4323	BR6FIX	2318
5.7L LS1 Corvette - Small Block	-	0,9	TR4	3754	TR4IX	7300
5.7L V8 - Small Block	1976-1987	1,0	UR5	2771	UR5IX	7177
5.7L V8 LS1 - Small Block	1994-2002	1,2	TR55	3951	TR55IX	7164
5.7L V8 LS1 - Small Block	2003-2005	1,5	TR55	3951	TR55IX	7164
5.7L V8 Carb - Small Block	-	1,1	BR6FS	4323	BR6FIX	2318
5.7L V8 Carb H.O. - Small Block	-	1,1	BPR6EFS	3623	TR6IX	3689
5.7L V8 EFI - Small Block	-	1,1	BR6FS	4323	BR6FIX	2318
5.7L V8 EFI H.O. - Small Block	-	1,1	BPR6EFS	3623	TR6IX	3689
5.7L V8 Except LS1 - Small Block	1994-2005	1,0	TR5	2238	TR5IX	7397
5.7L V8 Gen 1+ Carb - Small Block	-	1,1	BPR6EFS	3623	TR6IX	3689
5.7L V8 Gen 1+ H.O. Carb - Small Block	-	1,1	BPR6EFS	3623	TR6IX	3689
5.7L V8 Gen 1+ H.O. PFI - Small Block	-	1,1	BPR6EFS	3623	TR6IX	3689
5.7L V8 Indmar TBI - Small Block	-	1,1	BR6FS	4323	BR6FIX	2318
5.7L V8 LT-1 - Small Block	-	1,1	BPR6EFS	3623	TR6IX	3689
6.6L V8 - Small Block	-	1,1	BR6FS	4323	BR6FIX	2318
7.4L V8 - GM Big Block	2003-2005	1,1	TR5	2238	TR5IX	7397
7.4L V8 - GM Big Block	1998-1999	1,1	BPR6EFS	3623	TR6IX	3689
7.4L V8 Carb - GM Big Block	1997	1,1	BR6FS	4323	BR6FIX	2318
7.4L V8 Carb H.O. - GM Big Block	1997	1,1	BR6FS	4323	BR6FIX	2318
7.4L V8 EFI - GM Big Block	1997	1,1	BR6FS	4323	BR6FIX	2318
7.4L V8 EFI H.O. - GM Big Block	1997	1,1	BR6FS	4323	BR6FIX	2318
7.4L V8 H.O. - GM Big Block	1997	1,1	BPR6EFS	3623	TR6IX	3689
8.1L MPI Vortec - GM Big Block	2003-2005	1,5	TR55	3951	TR55IX	7164
8.2L V8 - GM Big Block	1997	1,1	BR6FS	4323	BR6FIX	2318
8.2L V8 - GM Big Block	1998-1999	1,1	BPR6EFS	3623	TR6IX	3689
8.2L V8 - GM Big Block	2003-2005	1,1	TR5	2238	TR5IX	7397
8.2L V8 H.O. - GM Big Block	1997	1,1	BR6FS	4323	BR6FIX	2318

OLDSMOBILE

35 cid 5.7L V8	1976-1982	1,0	XR4	5858	XR4IX	7189
403 cid 6.6L V8	1976-1982	1,0	XR4	5858	XR4IX	7189
455 cid 7.5L V8	1975-1976	1,0	XR4	5858	XR4IX	7189

KODIAK

3.0L L4 140 hp - 181 cid	1999-2000	1,1	UR4	6630	UR4IX	7401
4.3L V6 220 hp - 262 cid	1999-2000	1,1	BR6FS	4323	BR6FIX	2318
5.7L V8 310 hp - 350 cid	1999-2000	1,1	TR5	2238	TR5IX	7397
7.4L V8 350 hp - 454 cid	1999-2000	1,1	BR6FS	4323	BR6FIX	2318

MARINE DRIVE SYSTEMS

85 Stern Drive	-	0,6	BP7HS	5111	BPR7HIX	5944
110 Stern Drive	-	0,6	BP7HS	5111	BPR7HIX	5944

MARINE POWER

L4						
181 cid 3.0L	1975-1978	0,9	BR6ES	4922	---	---



Stock-No.



Stock-No.

MARINE POWER**L4**

181 cid 3.0L conical seat	1975-1991	0,9	BR6FS	4323	BR6FIX	2318
181 cid 3.0L conical seat	1992-2000	0,9	BPR6EFS	3623	TR6IX	3689

GM ENGINE

V6 262 cid 4.3L	1995-1997	0,9	BR6FS	4323	BR6FIX	2318
V6 262 cid 4.3L	1998-2000	0,9	TR5	2238	TR5IX	7397
V8 305 cid 5.0L - GM Small Block	2000-	0,9	TR5	2238	TR5IX	7397
V8 305 cid 5.0L G, K, LV - GM Small Block	1977-1986	0,9	BR6FS	4323	BR6FIX	2318
V8 307 cid 5.0L G, K, LV 215 hp - GM Small Block	1975-1976	0,9	BR6FS	4323	BR6FIX	2318
V8 350 cid 5.7L - GM Small Block	1992-1997	0,9	BR6FS	4323	BR6FIX	2318
V8 350 cid 5.7L - GM Small Block	1998-2000	0,9	TR5	2238	TR5IX	7397
V8 350 cid 5.7L FLV 300 hp - GM Small Block	1975-1986	0,9	BR6FS	4323	BR6FIX	2318
V8 350 cid 5.7L FLV, GLV, K 250 hp - GM Small Block	1975-1986	0,9	BR6FS	4323	BR6FIX	2318
V8 350 cid 5.7L Premium - GM Small Block	1992-1997	0,9	BPR6EFS	3623	TR6IX	3689
V8 350 cid 5.7L Q Series - GM Small Block	1979-1991	0,9	BR6FS	4323	BR6FIX	2318
V8 454 cid 7.4L - GM Big Block	1992-1997	0,9	BR6FS	4323	BR6FIX	2318
V8 454 cid 7.4L - GM Big Block	1998-2000	0,9	BR6FS	4323	BR6FIX	2318
V8 454 cid 7.4L (L29) - GM Big Block	2000-	0,9	BPR6EFS	3623	TR6IX	3689
V8 454 cid 7.4L B, BM 330 hp - GM Big Block	1975-1991	0,9	BR6FS	4323	BR6FIX	2318
V8 454 cid 7.4L Premium - GM Big Block	1992-1997	0,9	BR6FS	4323	BR6FIX	2318
V8 502 cid 8.2L - GM Big Block	1995-1997	0,9	BR6FS	4323	BR6FIX	2318
V8 502 cid 8.2L Premium - GM Big Block	1995-1997	0,9	BR6FS	4323	BR6FIX	2318
V8 540 cid 8.9L 550 hp - GM Big Block	1995-1997	0,9	BR6FS	4323	BR6FIX	2318

MARINETEK**CHRYSLER**

318 cid	1975-1988	0,9	BPR5ES	7422	BPR5EIX	6597
318 cid	1966-1974	1,0	XR4	5858	XR4IX	7189
360 cid	1975-1988	0,9	BPR5ES	7422	BPR5EIX	6597

FORD

302 cid	1981-1995	1,1	UR4	6630	UR4IX	7401
302 cid	1975-1980	0,9	UR5	2771	UR5IX	7177
302 cid	1968-1974	0,9	WR5	2438	WR5IX	7510
351 cid	1975-1987	0,9	UR5	2771	UR5IX	7177
351 cid	1969-1974	0,9	WR5	2438	WR5IX	7510
460 cid	1973-1974	0,9	WR5	2438	WR5IX	7510
460 cid	1975-1987	0,9	UR5	2771	UR5IX	7177

GM

181 cid 3.0I HO	1990-1997	1,1	TR4	3754	TR4IX	7300
229 cid	1980-1984	1,1	UR4	6630	UR4IX	7401
250 cid	1970-1980	1,1	UR4	6630	UR4IX	7401
262 cid	1985-1992	1,1	UR4	6630	UR4IX	7401
305 cid	1976-1995	1,1	UR4	6630	UR4IX	7401
350 cid	1967-1970	1,0	XR4	5858	XR4IX	7189
350 cid	1971-1995	1,1	UR4	6630	UR4IX	7401
350 cid HO	1987-1995	0,9	UR5	2771	UR5IX	7177
454 cid	1973-1987	1,1	UR4	6630	UR4IX	7401
454 cid Gen V	1992-1993	0,9	UR5	2771	UR5IX	7177
454 cid HO	1984-1991	0,9	UR5	2771	UR5IX	7177



Stock-No.



Stock-No.

MERCUISER

470	-	0,9	BPR6FS	2623	UR6IX	7348
-----	---	-----	--------	------	-------	------

FORD

215	-	0,8	AR6FS	3323	---	---
225	-	0,8	AR6FS	3323	---	---
233 - Ø14mm	-	0,8	BPR6FS	2623	UR6IX	7348
233 - Ø18mm	-	0,8	AR6FS	3323	---	---
255	-	0,9	BR6FS	4323	BR6FIX	2318

GM - BIG BLOCK

325 (N°2762442—>)	-	0,9	R5673-8	4140	---	---
325 (—> N° 2762441)	-	-	BUE	2322	---	---
330	-	0,9	BR6FS	4323	BR6FIX	2318
340	-	0,9	BR6FS	4323	BR6FIX	2318
350	-	0,9	R5673-8	4140	---	---
390	-	0,9	BPR8ES	3923	---	---
400 Jet	-	0,9	BR6FS	4323	BR6FIX	2318
454 EFI MP	-	1,0	BR6FS	4323	BR6FIX	2318
454 Mag MPI (N° 0L002200—>)	-	0,9	BR6FS	4323	BR6FIX	2318
454 MPI	-	1,0	BR6FS	4323	BR6FIX	2318
7.4L	-	1,0	BR6FS	4323	BR6FIX	2318
7.4L EFI	-	1,0	BR6FS	4323	BR6FIX	2318
7.4L EFI/MPI	-	1,0	BR6FS	4323	BR6FIX	2318
7.4L MPI (N°0L002006—>)	-	1,1	BPR6EFS	3623	TR6IX	3689
7.4L MPI (—>N°0L000000)	-	1,0	BR6FS	4323	BR6FIX	2318
8.1S HO	2007-	0,8	IZFR7M	4214		
8.1S HO	2000-2006	1,5	IZFR7M	4214	TR55IX	7164
8.1S Horizon	2007-	0,8	IZFR7M	4214		
8.1S Horizon	2000-2006	1,5	IZFR7M	4214	TR55IX	7164
8.2L	-	1,0	IZFR7M	4214	BR6FIX	2318
8.2L MPI	-	1,0	IZFR7M	4214	BR6FIX	2318

GM - SMALL BLOCK

198	-	0,9	IZFR7M	4214	YR5IX	7516
225	-	0,8	IZFR7M	4214	---	---
228	-	0,9	IZFR7M	4214	YR5IX	7516
230	-	0,9	IZFR5G	5887	YR5IX	7516
250 (N°2317201 —>N° 2797056)	-	1,0	IZFR5G	5887	---	---
255	-	0,9	IFR6T-11	4589	BR6FIX	2318
260	-	0,9	IFR6T-11	4589	BR6FIX	2318
270	-	0,9	IFR6T-11	4589	---	---
270 - conical seat	-	0,9	IFR6T-11	4589	---	---
350 Mag	-	1,0	BR6FS	4323	BR6FIX	2318
350 Mag EFI (—>N° 0F799999)	-	1,0	BR6FS	4323	BR6FIX	2318
350 Mag EFI Gen+ (N°0F800000—>)	-	1,1	BPR6EFS	3623	TR6IX	3689
350 Mag EFI/MP (—>N° 0F799999)	-	1,0	BR6FS	4323	BR6FIX	2318
350 MAG MPI	2007-	0,8	IZFR7M	4214		
350 Mag MPI (N°0L304700—>)	2000-2006	0,9	IZFR7M	4214	TR5IX	7397
350 Mag MPI (—>N° 0F799999)	2000-2006	1,0	IZFR7M	4214	BR6FIX	2318
350 Mag MPI Gen+ (0L002600-0L309999)	-	1,1	IZFR7M	4214	TR6IX	3689
350 Mag MPI Gen+ (N° 0M310000—>)	-	1,5	IZFR7M	4214	TR55IX	7164
350 MAG MPI Horizon	2007-	0,8	IZFR7M	4214		
454 EFI/MP	-	1,0	IZFR7M	4214	BR6FIX	2318
454 MPI	-	1,0	BR6FS	4323	BR6FIX	2318



Stock-No.



Stock-No.

MERCURISER**GM - SMALL BLOCK**

5.0L	-	0,9	YR5	7052	YR5IX	7516
5.0L MPI	-	1,0	BR6FS	4323	BR6FIX	2318
5.7L	2007-	0,8	IZFR7M	4214		
5.7L (—>N°0L000000)	-	1,0	BR6FS	4323	BR6FIX	2318
5.7L Comp (—>N°0L000000)	-	1,0	BR6FS	4323	BR6FIX	2318
5.7L Comp Gen+ (N° 0L002005—>)	-	1,1	BPR6EFS	3623	TR6IX	3689
5.7L EFI Gen+ (N°0L010035—>)	-	1,1	BPR6EFS	3623	TR6IX	3689
5.7L Gen+ (N° 0L010037—>)	-	1,1	BPR6EFS	3623	TR6IX	3689
Black Scorpion 5.7L	2007-	0,8	IZFR7M	4214		
Black Scorpion 5.7L (N° 0F80000—>)	2000-2006	1,1	BPR6EFS	3623	TR6IX	3689
Black Scorpion 5.7L (N° 0M391852—>)	2000-2006	1,5	TR55	3951	TR55IX	7164
Black Scorpion MX 6.2	2000-2006	0,9	TR5	2238	TR5IX	7397
Black Scorpion MX 6.2	2007-	0,8	IZFR7M	4214		
Black Scorpion MX 6.2 (N° 0M391778—>)	2000-2006	1,5	TR55	3951	TR55IX	7164
MX 6.2 MPI	2007-	0,8	IZFR7M	4214		
MX 6.2 MPI (—>N° 0M320614)	2000-2006	1,5	TR55	3951	TR55IX	7164
MX 6.2 MPI (N°M320613—>)	2000-2006	1,1	BPR6EFS	3623	TR6IX	3689
MX 6.2 MPI Horizon (N°0M320614—>)	2007-	0,8	IZFR7M	4214		
MX 6.2 MPI Horizon (N°0M320614—>)	2000-2006	1,5	TR55	3951	TR55IX	7164
Scorpion 377	-	1,1	BPR6EFS	3623	TR6IX	3689

STERN DRIVE - CHEVROLET L-6

140	-	0,9	BR6ES	4922	---	---
GK	-	0,9	BR6ES	4922	---	---
160	-	0,9	BR6ES	4922	---	---
165 (N°2771484—>)	-	0,9	YR5	7052	YR5IX	7516
165 (—>N°2771483)	-	0,9	BR6ES	4922	---	---
200	-	0,9	BR6ES	4922	---	---

STERN DRIVE - CHEVROLET V-6

175	-	0,9	BR6FS	4323	BR6FIX	2318
185	-	0,9	BR6FS	4323	BR6FIX	2318
185 (229 cid)	-	0,9	BR6FS	4323	BR6FIX	2318
205	-	0,9	BR6FS	4323	BR6FIX	2318
262 Mag EFI Gen+ (N°0F803800—>N°0L000000)	-	1,1	BPR6EFS	3623	TR6IX	3689
4.3L (—>N°0F802999)	-	1,0	BR6FS	4323	BR6FIX	2318
4.3L EFI Gen+ (N°0L012009—>)	-	1,1	BPR6EFS	3623	TR6IX	3689
4.3L Gen+ (N°0L010065—>)	-	1,1	BPR6EFS	3623	TR6IX	3689
4.3L MPI Gen+ (N°0M322781—>)	-	1,5	-	-	TR55IX	7164
4.3LH EFI Gen+ (N°0L010044—>)	-	1,1	BPR6EFS	3623	TR6IX	3689
4.3LX (—>N°0F802999)	-	1,0	BR6FS	4323	BR6FIX	2318
4.3LX Gen+ (N°0F803000 —>N°0L000000)	-	1,1	BPR6EFS	3623	TR6IX	3689
4.3LXH Gen+ (N°0F803000 —> N°0L000000)	-	1,1	BPR6EFS	3623	TR6IX	3689

STERN DRIVE - CHEVROLET BIG BLOCK

325 (N°3043030—>)	-	0,9	R5673-8	4140	---	---
325 (—>N°2761141)	-	-	BUE	2322	---	---
330	-	0,9	BR6FS	4323	BR6FIX	2318
330 (B-W)	-	0,9	BR6FS	4323	BR6FIX	2318
370	-	0,9	BR6FS	4323	BR6FIX	2318
390	-	0,9	BPR8ES	3923	---	---
400	-	0,9	BR6FS	4323	BR6FIX	2318



Stock-No.



Stock-No.

**MERCUISER
STERN DRIVE - CHEVROLET BIG BLOCK**

400 Cyclone	-	0,9	BR6FS	4323	BR6FIX	2318
420	-	0,9	BR6FS	4323	BR6FIX	2318
440 Cyclone	-	0,9	BR6FS	4323	BR6FIX	2318
454 Mag Alpha	-	0,9	BR6FS	4323	BR6FIX	2318
454 Mag Bravo	-	1,0	BR6FS	4323	BR6FIX	2318
454 Mag EFI/MP	-	1,0	BR6FS	4323	BR6FIX	2318
454 Mag MPI	-	1,0	BR6FS	4323	BR6FIX	2318
454 Mag MPI Horizon (N°0L604250—>)	-	1,0	BR6FS	4323	BR6FIX	2318
460 Cyclone	-	0,9	R5673-8	4140	---	---
475 Turbo	-	0,9	R5673-8	4140	---	---
496 Mag	-	1,5	TR55	3951	TR55IX	7164
496 Mag HO	-	1,5	TR55	3951	TR55IX	7164
502 Mag	-	1,0	BR6FS	4323	BR6FIX	2318
502 Mag EFI/MP	-	1,0	BR6FS	4323	BR6FIX	2318
502 Mag MPI	-	1,0	BR6FS	4323	BR6FIX	2318
7.4L Alpha	-	0,9	BR6FS	4323	BR6FIX	2318
7.4L Bravo	-	1,0	BR6FS	4323	BR6FIX	2318
7.4L L MPI (L29) (N°0L010003—>)	-	1,1	BPR6EFS	3623	TR6IX	3689
7.4L LX EFI	-	1,0	BR6FS	4323	BR6FIX	2318
7.4L LX MPI	-	1,0	BR6FS	4323	BR6FIX	2318
7.4L TR (N°0B771113 —>N°0C407646)	-	0,9	BR6FS	4323	BR6FIX	2318
"@DAT:HP1075 Sci (Dry Sump;N°0M905359—>)"	-	0,8	BR9ECS	3570	---	---
HP425	-	0,9	BR6FS	4323	BR6FIX	2318
HP450	-	1,0	BR6FS	4323	BR6FIX	2318
HP465	-	0,9	BR6FS	4323	BR6FIX	2318
HP500 (502 cid)	-	1,0	BR6FS	4323	BR6FIX	2318
HP500 (540 cid)	-	0,9	R5673-8	4140	---	---
HP500 EFI (502 cid)	-	1,0	BR6FS	4323	BR6FIX	2318
HP525 EFI (502 cid)	-	0,9	BR6ES	4922	---	---
HP525SC	-	0,9	R5673-8	4140	---	---
HP575	-	0,9	R5673-8	4140	---	---
HP575 SCi	-	0,9	R5673-8	4140	---	---
HP600 SCi	-	0,9	BR6ES	4922	---	---
HP600SC	-	0,9	R5673-8	4140	---	---
HP700 SCi	-	0,9	BR6ES	4922	---	---
HP800SC	-	0,9	R5673-8	4140	---	---
HP850 SCi	-	0,8	BR9ECS	3570	---	---
HP900SC	-	0,6	R5671A-9	7382	---	---
HP900SC (Dry Sump)	-	0,6	R5671A-9	7382	---	---

STERN DRIVE - CHEVROLET SMALL BLOCK

190	-	0,9	XR5	3332	XR5IX	7355
225 (N°2278647—>)	-	0,9	XR5	3332	XR5IX	7355
225 (—>N°2278646)	-	0,9	B7S	3710	---	---
228	-	0,9	YR5	7052	YR5IX	7516
230	-	0,9	YR5	7052	YR5IX	7516
250 (N°4768000—>)	-	0,9	BR6FS	4323	BR6FIX	2318
250 (—>N°2639854)	-	0,8	B7S	3710	---	---
255	-	0,9	BR6FS	4323	BR6FIX	2318
260	-	0,9	BR6FS	4323	BR6FIX	2318
270	-	0,8	B7S	3710	---	---
270 - conical seat	-	0,9	R5673-8	4140	---	---



Stock-No.



Stock-No.

MERCURISER**STERN DRIVE - CHEVROLET SMALL BLOCK**

280	-	0,9	BR6FS	4323	BR6FIX	2318
300 Tempest	-	0,9	BR6FS	4323	BR6FIX	2318
320 EFI	-	0,9	BR6FS	4323	BR6FIX	2318
350 Mag	-	1,0	BR6FS	4323	BR6FIX	2318
350 Mag EFI Gen+ (N°0F800500—>)	-	1,1	BPR6EFS	3623	TR6IX	3689
350 Mag EFI/MP (—>N°0F602199)	-	1,0	BR6FS	4323	BR6FIX	2318
350 Mag MPI Gen+ (N°0F602000—>N°0M320489)	-	1,1	BPR6EFS	3623	TR6IX	3689
350 Mag MPI Gen+ (N°0M320590—>)	-	1,5	TR55	3951	TR55IX	7164
350 Mag MPI Gen+ Horizon (N°0L304700—>N°0M309999)	-	0,9	TR5	2238	TR5IX	7397
350 Mag MPI Gen+ Horizon (N°0M310000—>)	-	1,5	TR55	3951	TR55IX	7164
898, 200	-	0,9	YR5	7052	YR5IX	7516
5.0L (—>N°0L000000)	-	0,9	YR5	7052	YR5IX	7516
5.0L EFI Gen+ (N°0L015751—>)	-	1,1	BPR6EFS	3623	TR6IX	3689
5.0L Gen+ (N°L015751—>)	-	1,1	BPR6EFS	3623	TR6IX	3689
5.0L MPI Gen+ (N°0M320415—>)	-	1,5	-	-	TR55IX	7164
5.0LX	-	0,9	YR5	7052	YR5IX	7516
5.7L (—>N° 0L000000)	-	1,0	BR6FS	4323	BR6FIX	2318
5.7L EFI (—>N° 0L000000)	-	1,0	BR6FS	4323	BR6FIX	2318
5.7L EFI Gen+ (N°0L010035—>)	-	1,1	BPR6EFS	3623	TR6IX	3689
5.7L Gen+ (N°0L010037—>)	-	1,1	BPR6EFS	3623	TR6IX	3689
5.7LX	-	1,0	BR6FS	4323	BR6FIX	2318
5.7LX EFI	-	1,0	BR6FS	4323	BR6FIX	2318
5.7LX EFI Gen+	-	1,1	BPR6EFS	3623	TR6IX	3689
MX 6.2 MPI (N°0M320614—>)	-	1,5	TR55	3951	TR55IX	7164
MX 6.2 MPI (—>N° 0M320613)	-	1,1	BPR6EFS	3623	TR6IX	3689
MX 6.2 MPI Horizon (N°0M320614—>)	-	1,5	TR55	3951	TR55IX	7164
Scorpion 377 (N°0L416146—>)	-	1,1	BPR6EFS	3623	TR6IX	3689

STERN DRIVE - FORD SMALL BLOCK

215	-	0,8	AR6FS	3323	---	---
225	2006-	0,8	BPR6FS	2623	UR6IX	7348
225	-	0,8	AR6FS	3323	---	---
233 - Ø14mm	-	0,8	BPR6FS	2623	UR6IX	7348
233 - Ø18mm	-	0,8	AR6FS	3323	---	---
255 (N°4175499—>) - Ø14mm	-	0,8	BPR6FS	2623	UR6IX	7348
255 (N°4175499—>) - Ø18mm	-	0,8	AR6FS	3323	---	---
255 (—>N°4175498)	-	0,8	BR6FS	4323	BR6FIX	2318
888 (N°4169597—>) - Ø14mm	-	0,8	BPR6FS	2623	UR6IX	7348
888 (N°4169597—>) - Ø18mm	-	0,8	AR6FS	3323	---	---
888 (—>N°4169596)	-	0,8	AR6FS	3323	---	---

STERN DRIVE - GM

110	-	0,9	BR6ES	4922	---	---
120 (N°3825579—>)	-	0,9	YR5	7052	YR5IX	7516
120 (—>N°3825578)	-	0,9	BR6ES	4922	---	---
140 (N°3826283—>)	-	0,9	YR5	7052	YR5IX	7516
140 (—>N°3826282)	-	0,9	BR6ES	4922	---	---
2.5L (153 cid)	-	0,9	BR6FS	4323	BR6FIX	2318
3.0L (181 cid) (N° 0L010042—>)	-	0,9	BPR6EFS	3623	TR6IX	3689
3.0L (181 cid) (—>N°0F353100—>)	-	0,9	BR6FS	4323	BR6FIX	2318
3.0LX	-	0,9	BPR6EFS	3623	TR6IX	3689



Stock-No.



Stock-No.

MERCUISER STERN DRIVE - MERCURY MARINE

165 - 224 cid	-	0,9	BPR6FS	2623	UR6IX	7348
170 - 224 cid	-	0,9	BPR6FS	2623	UR6IX	7348
180 - 224 cid	-	0,9	BPR6FS	2623	UR6IX	7348
190 - 224 cid	-	0,9	BPR6FS	2623	UR6IX	7348
3.7L - 224 cid	-	0,9	BPR6FS	2623	UR6IX	7348
3.7LX- 224 cid	-	0,9	BPR6FS	2623	UR6IX	7348
470 - 224 cid	-	0,9	BPR6FS	2623	UR6IX	7348
485 - 224 cid	-	0,9	BPR6FS	2623	UR6IX	7348
488 - 224 cid	-	0,9	BPR6FS	2623	UR6IX	7348

STERN DRIVE - RENAULT

60	-	0,6	BR6HS	3922	BR6HIX	3419
80	-	0,6	BPR6ES	7822	BPR6EIX	6637
90	-	0,8	BPR6ES	7822	BPR6EIX	6637

MERCURY 90 HP

Sport Jet	1995-	1,0	BZ7HS-10	3579	---	---
Sport Jet	1994-	0,9	BZ7HS-10	3579	---	---

95 HP

Sportjet 95XR	1996-1997	1,0	BZ7HS-10	3579	---	---
---------------	-----------	-----	----------	------	-----	-----

120 HP

Sportjet 120	1995-	1,0	BZ7HS-10	3579	---	---
Sportjet 120XR	1996-1999	0,8	BZ7HS-10	3579	---	---

175 HP

Sportjet 175XR	1997-2006	-	BUZ8H	7447	---	---
----------------	-----------	---	-------	------	-----	-----

200 HP

Sport Jet	2006-	0,8	IZFR5G	5887		
-----------	-------	-----	--------	------	--	--

210 HP

M2 Sport Jet	2000-2006	-	BUZ8H	7447	---	---
--------------	-----------	---	-------	------	-----	-----

240 HP

M2 Sport Jet	2000-2006	1,0	BPZ8HS-10	3133	---	---
--------------	-----------	-----	-----------	------	-----	-----

250 HP

M2 Sport Jet	2006-	0,8	IZFR5G	5887		
--------------	-------	-----	--------	------	--	--

OMC

AJ - Ø14mm	-	0,9	XR5	3332	XR5IX	7355
AJ - Ø14mm, conical seat	-	0,9	UR5	2771	UR5IX	7177
AT - Ø14mm	-	0,9	XR5	3332	XR5IX	7355
AT - Ø14mm, conical seat	-	0,9	UR5	2771	UR5IX	7177
TJ - Ø14mm	-	0,9	XR5	3332	XR5IX	7355
TJ - Ø14mm, conical seat	-	0,9	UR5	2771	UR5IX	7177
TT - Ø14mm	-	0,9	XR5	3332	XR5IX	7355
TT - Ø14mm, conical seat	-	0,9	UR5	2771	UR5IX	7177

JET DRIVE

Turbojet 90	-	0,8	BZ7HS-10	3579	---	---
Turbojet 115	-	0,8	BZ7HS-10	3579	---	---

SAIL DRIVE

15S10G	1977-1984	1,1	BPR6HS	7022	BPR6HIX	4085
--------	-----------	-----	--------	------	---------	------



Stock-No.



Stock-No.

OMC**SAIL DRIVE**

15S10S	1977-1984	1,1	BPR6HS	7022	BPR6HIX	4085
15S11C	1977-1984	1,1	BPR6HS	7022	BPR6HIX	4085
15S13A	1977-1984	1,1	BPR6HS	7022	BPR6HIX	4085
15S14M	1977-1984	1,1	BPR6HS	7022	BPR6HIX	4085

SEA DRIVE

1.6L 115-SD	1985-1991	0,8	BZ7HS-10	3579	---	---
1.8L 140-SD	1985-1991	0,8	BZ7HS-10	3579	---	---
2.0L 140-SD	1985-1991	0,8	BZ7HS-10	3579	---	---
2.5L	1981-1984	-	BUHXW-1	5526	---	---
2.6L 190-SD	1985-1988	-	BUHXW-1	5526	---	---
2.7L 225-SD	1987-	0,8	BZ7HS-10	3579	---	---
3.0L 225-SD	1985-1991	0,8	BZ7HS-10	3579	---	---
3.6L 275-SD	1987-1981	0,8	BZ7HS-10	3579	---	---
4.0L 300-SD	1985-1991	0,8	BZ7HS-10	3579	---	---

STERN DRIVE

Ø14mm	1973-1974	0,9	B6ES	7310	---	---
Ø14 mm - conical seat	1973-1985	0,9	UR5	2771	UR5IX	7177
Ø18 mm - conical seat	1974-	0,8	AR6FS	3323	---	---
2.3L Cobra	1987-1990	0,9	TR5	2238	TR5IX	7397
2.5L	1982-1986	0,9	BR6FS	4323	BR6FIX	2318
3.0L	1982-1989	0,9	BR6FS	4323	BR6FIX	2318
3.0L Cobra	1993-1998	1,1	TR5	2238	TR5IX	7397
3.0L Cobra	1987-1992	1,1	UR4	6630	UR4IX	7401
3.0L Cobra HO	1990-1998	1,1	TR5	2238	TR5IX	7397
3.8L	1982-1985	0,9	YR5	7052	YR5IX	7516
4.3L	1997-1998	0,9	TR4	3754	TR4IX	7300
4.3L	1991-1993	0,9	BR6FS	4323	BR6FIX	2318
4.3L - Models 'A'	1996-	0,9	UR4	6630	UR4IX	7401
4.3L - Models 'S'	1996-	0,9	TR4	3754	TR4IX	7300
4.3L Cobra	1986-1995	0,9	UR4	6630	UR4IX	7401
4.3L Cobra HO	1990-1991	0,9	UR4	6630	UR4IX	7401
4.3L Cobra HO	1993-1995	1,1	UR4	6630	UR4IX	7401
4.3L Stinger	1978-1986	0,8	UR4	6630	UR4IX	7401
480	-	0,8	B8S	3810	---	---
5.0L	1998-	0,9	TR4	3754	TR4IX	7300
5.0L	1982-1985	0,9	YR5	7052	YR5IX	7516
5.0L Cobra (Carb)	1986-1996	0,9	UR4	6630	UR4IX	7401
5.0L Cobra (EFI)	1996-	0,9	TR4	3754	TR4IX	7300
5.0L Cobra EFI	1993-1995	1,1	TR5	2238	TR5IX	7397
5.0L Cobra HO	1989-1995	0,9	UR4	6630	UR4IX	7401
5.7L	1984-1985	0,9	BR6FS	4323	BR6FIX	2318
5.7L	1983-	0,9	YR5	7052	YR5IX	7516
5.7L	1982-	0,9	BR6FS	4323	BR6FIX	2318
5.7L	1998-	0,9	TR4	3754	TR4IX	7300
5.7L - Model 57FC	1997-	0,9	TR4	3754	TR4IX	7300
5.7L - not for model 57FC	1997-	0,9	UR4	6630	UR4IX	7401
5.7L Cobra	1996-	0,9	UR4	6630	UR4IX	7401
5.7L Cobra	1986-1992	0,9	UR4	6630	UR4IX	7401
5.7L K	1993-1995	1,1	UR4	6630	UR4IX	7401
5.7L King Cobra	1986-1992	0,9	UR4	6630	UR4IX	7401



Stock-No.



Stock-No.

OMC STERN DRIVE

5.8L Cobra (Carb)	1989-1996	0,9	UR4	6630	UR4IX	7401
5.8L Cobra EFI	1992-1996	1,1	TR5	2238	TR5IX	7397
5.8L King Cobra EFI HO	1993-1995	1,1	TR5	2238	TR5IX	7397
7.4L	1998-	0,9	UR4	6630	UR4IX	7401
7.4L	1997-	1,1	BPR6EFS	3623	TR6IX	3689
7.4L - 744 EP & FP modes	1996-	0,9	UR4	6630	UR4IX	7401
7.4L - 744 FF & FG modes	1996-	1,1	BPR6EFS	3623	TR6IX	3689
7.4L Cobra (Carb)	1990-1995	1,1	UR4	6630	UR4IX	7401
7.4L Cobra HO	1991-1993	1,1	UR4	6630	UR4IX	7401
7.4L King Cobra	1995-	1,1	UR4	6630	UR4IX	7401
7.4L King Cobra EFI	1995-	1,1	UR4	6630	UR4IX	7401
7.5L Cobra	1986-1990	0,9	UR4	6630	UR4IX	7401
8.2L King Cobra	1992-1998	1,1	UR4	6630	UR4IX	7401
CU	-	0,9	B6ES	7310	---	---
DU	-	0,8	B8S	3810	---	---
GU	-	0,9	B6ES	7310	---	---
HU	-	0,9	XR5	3332	XR5IX	7355
JU	-	0,9	BR6FS	4323	BR6FIX	2318
KU	-	0,9	B6S	3510	---	---
LU	-	0,9	B6ES	7310	---	---
NU	-	0,6	BP6ES	7811	BPR6EIX	6637
STINGER	1978-1986	0,9	UR4	6630	UR4IX	7401
SU	-	0,9	B6ES	7310	---	---
TU-14	-	0,9	XR5	3332	XR5IX	7355
TU-15	-	0,9	XR5	3332	XR5IX	7355
TU-16	-	0,9	XR5	3332	XR5IX	7355
TU-17	-	0,9	B6S	3510	---	---
TU-20	-	0,9	BR6FS	4323	BR6FIX	2318
TU-21	-	0,9	BR6FS	4323	BR6FIX	2318
VU	-	0,9	B6ES	7310	---	---
WU	-	0,9	BR6FS	4323	BR6FIX	2318
XU-20C	-	0,9	BR6FS	4323	BR6FIX	2318
XU20S	-	0,9	B6S	3510	---	---

PALMER-GREENW.

M196 , M265 , M392	-	0,8	B6S	3510	---	---
M304, M345, MKIV-115, MKVI-150	-	0,8	B6S	3510	---	---
M549 , M345B , M392B	-	0,8	B6S	3510	---	---
MKVIII: 200 , 225 , 275 , 300	-	0,8	B6S	3510	---	---
P302 , P351	-	0,8	AP6FS	2710	---	---
PA190 , PA220 , PA255	-	0,8	AR6FS	3323	---	---
PA350	-	0,8	BPR5FS	2423	---	---
PB-V-215 (V-8)	-	0,9	B6HS	4510	BR6HIX	3419
PW27 - Ø14mm	-	0,8	BP5S	3011	---	---
PW27 - Ø18mm	-	0,8	AB-6	2910	---	---
Y304 , Y345 , Y392	-	0,8	B6S	3510	---	---

PANTER

400 Plus C	1976-1980	1,1	UR4	6630	UR4IX	7401
400 Plus-F	1976-1980	0,8	UR5	2771	UR5IX	7177



Stock-No.



Stock-No.

PANTER

500 Plus	1976-1980	1,1	UR4	6630	UR4IX	7401
F 110	1978-1980	1,1	UR4	6630	UR4IX	7401
F 140	1978-1980	1,1	UR4	6630	UR4IX	7401
F 185	1976-1980	0,9	BPR5ES	7422	BPR5EIX	6597
F 235	1976-1980	0,9	BPR5ES	7422	BPR5EIX	6597
M 360	1976-1980	0,9	BPR5ES	7422	BPR5EIX	6597
M 405	1976-1980	1,1	UR4	6630	UR4IX	7401
M 454	1976-1980	1,1	UR4	6630	UR4IX	7401
M 460	1976-1980	0,8	UR5	2771	UR5IX	7177

PCM

150 cid	-	1,1	UR4	6630	UR4IX	7401
200 cid	-	1,1	UR4	6630	UR4IX	7401
220 cid	-	1,1	UR4	6630	UR4IX	7401
229 cid	-	1,1	UR4	6630	UR4IX	7401
230 cid	-	1,1	UR4	6630	UR4IX	7401
250 cid	-	1,1	UR4	6630	UR4IX	7401
280 cid	-	1,1	UR4	6630	UR4IX	7401
302 cid - Ø14mm	-	1,1	UR4	6630	UR4IX	7401
302 cid - Ø18mm	-	0,8	AR6FS	3323	---	---
305 cid	-	1,1	UR4	6630	UR4IX	7401
350 cid	-	1,1	UR4	6630	UR4IX	7401
350 cid	-	1,1	UR4	6630	UR4IX	7401
351 cid - Ø14mm	-	1,1	UR4	6630	UR4IX	7401
351 cid - Ø18mm	-	0,8	AR6FS	3323	---	---
454 cid	-	1,1	UR4	6630	UR4IX	7401
460 cid - Ø14mm	-	1,1	UR4	6630	UR4IX	7401
460 cid - Ø18mm	-	0,8	AR6FS	3323	---	---
5.7L HO MPI	-	1,1	TR4	3754	TR4IX	7300
5.7L HO Ski TBI - 275hp	-	1,1	UR4	6630	UR4IX	7401
5.8L Carburator - 260hp	-	0,7	UR6	4079	UR6IX	7348
5.8L HO MPI - 310hp	-	1,1	TR4	3754	TR4IX	7300
7.4L MPI	-	1,1	TR4	3754	TR4IX	7300
7.4L Carburator	-	1,1	UR4	6630	UR4IX	7401
7.4L HO TBI - 350hp	-	1,1	UR4	6630	UR4IX	7401

POLARIS

OPTIMAX 3.0L 250 HP-EX 2100/LE2100 - Jet Drive	2004-	1,1	PZFR5F-11	4363	---	---
--	-------	-----	-----------	------	-----	-----

REDLINE

5.0L 302 cid	-	0,9	BPR6FS	2623	UR6IX	7348
5.8L 351 cid	-	0,9	BPR6FS	2623	UR6IX	7348
5.8L 351 cid HO	-	1,0	BPR6EFS	3623	TR6IX	3689
7.5L 460 cid	-	0,9	BPR6FS	2623	UR6IX	7348

TOYOTA

Epic 21	-	1,1	IFR6T-11	4589		
Epic 22	-	1,1	IFR6T-11	4589		
S22	-	1,1	IFR6T-11	4589		
X22	-	1,1	IFR6T-11	4589		



Stock-No.



Stock-No.

TOYOTA

Epic VT 300i 4,0ltr. 8Zyl.	-	1,1	PFR5G-11	2647	---	---
----------------------------	---	-----	----------	------	-----	-----

U. S. MARINE

5.0L 305 cid	-	0,9	BR6FS	4323	BR6FIX	2318
5.8L 351 cid	-	1,0	UR5	2771	UR5IX	7177
5.7L 350 cid	-	0,9	BR6FS	4323	BR6FIX	2318
7.4L 454 cid	-	0,9	BR6FS	4323	BR6FIX	2318
7.5L 460 cid	-	1,0	UR5	2771	UR5IX	7177

UNIVERSAL

Arrow	-	0,9	B6S	3510	---	---
Atomic 1	-	0,9	B6S	3510	---	---
Atomic 2	-	0,9	B6S	3510	---	---
Atomic 3	-	0,9	B6S	3510	---	---
Atomic 4	-	0,9	B6S	3510	---	---
Atomic Stevedore	-	0,9	B6S	3510	---	---
Big King	-	0,9	-	-	WR5IX	7510
Bluefin	-	0,9	B6S	3510	---	---
Bullit	-	0,9	B6S	3510	---	---
Colt	-	0,9	B6S	3510	---	---
DX Super Sabre	-	0,9	XR5	3332	XR5IX	7355
Elf	-	0,8	B6S	3510	---	---
Knight	-	0,8	B6S	3510	---	---
LEV	-	0,7	B6S	3510	---	---
LEVH	-	0,7	B6S	3510	---	---
Little King	-	0,7	B6S	3510	---	---
Marlin	-	0,8	B6S	3510	---	---
NKEV	-	0,9	-	-	WR5IX	7510
Sabre 198 cid	-	0,9	XR5	3332	XR5IX	7355
Strato King	-	0,8	B6S	3510	---	---
Super Sabre 225 cid	-	0,9	XR5	3332	XR5IX	7355
Tarpon	-	0,8	B6S	3510	---	---
Z-Drive	-	0,9	B6S	3510	---	---

VOLVO-PENTA

5.7L GXi	-	1,5	TR55	3951	TR55IX	7164
5.8L FL 4 bbl	-	0,9	UR4	6630	UR4IX	7401
5.8L FSi EFI HO	-	0,9	BPR6EFS	3623	TR6IX	3689
7.4L Gi EFI	-	1,1	BPR6FS	2623	UR6IX	7348
7.4L GL 4 bbl	-	1,1	BR6FS	4323	BR6FIX	2318
7.4L GSi EFI	-	1,1	BR6FS	4323	BR6FIX	2318
8.1L Gi/Gsi	-	1,5	TR4	3754	TR4IX	7300
8.1L GXi	-	1,5	TR55	3951	TR55IX	7164
8.2L GSi EFI	-	1,1	BR6FS	4323	BR6FIX	2318
AQ60F	-	0,9	B5HS	4210	---	---
BB30F	-	0,9	B5HS	4210	---	---
Chevrolet 305 cid PZ-200 I/O	-	0,9	BR6FS	4323	BR6FIX	2318
MB18F	-	0,9	B5HS	4210	---	---
Sail Drive MB10A/100S	-	0,6	BP5HS	4111	---	---



Stock-No.



Stock-No.

VOLVO-PENTA

Sail Drive MB2/50S	-	0,6	D6HA	6512	---	---
--------------------	---	-----	------	------	-----	-----

SERIES B

B16A	-	0,6	XR5	3332	XR5IX	7355
B16C	-	0,6	XR5	3332	XR5IX	7355
B18A	-	0,6	B6HS	4510	BR6HIX	3419

SERIES BB

BB25	-	0,6	B6S	3510	---	---
BB260	-	0,9	BR6FS	4323	BR6FIX	2318
BB30B	-	0,6	B6HS	4510	BR6HIX	3419
BB70	-	0,6	B6S	3510	---	---
BB70 (Sustained High Speed Use)	-	0,6	B8S	3810	---	---
BB100	-	0,6	B6HS	4510	BR6HIX	3419
BB100A	-	0,6	B6HS	4510	BR6HIX	3419
BB115A	-	0,6	BP7HS	5111	BPR7HIX	5944
BB115B	-	0,6	BP7HS	5111	BPR7HIX	5944
BB115C	-	0,6	BP7HS	5111	BPR7HIX	5944
BB140	-	0,9	BP6ES	7811	BPR6EIX	6637
BB140A	-	0,6	BP8ES	2912	BPR8EIX	6684
BB145	-	0,9	BP6ES	7811	BPR6EIX	6637
BB145C	-	0,6	BP8ES	2912	BPR8EIX	6684
BB165A	-	0,6	BP7HS	5111	BPR7HIX	5944
BB170A	-	0,6	BP7HS	5111	BPR7HIX	5944
BB170B	-	0,6	BP7HS	5111	BPR7HIX	5944
BB225	-	0,9	BR6FS	4323	BR6FIX	2318

SERIES C

C10	-	0,6	AB-6	2910	---	---
C23	-	0,6	AB-6	2910	---	---
C5	-	0,6	AB-6	2910	---	---

SERIES M

MB10	-	0,6	BP5HS	4111	---	---
MB10A	-	0,6	BP5HS	4111	---	---
MB20A	-	0,6	BP6HS	4511	BPR6EIX	6637
MB20B	-	0,6	BP6HS	4511	BPR6HIX	4085
MB36A	-	0,6	B6S	3510	---	---
MB36B	-	0,6	B6S	3510	---	---

SERIES OCEAN

4.3L OSi-XPD	-	0,9	TR5	2238	TR5IX	7397
5.0L OSi-XPD	-	0,9	TR5	2238	TR5IX	7397
5.7L OSi-XPD	-	0,9	TR5	2238	TR5IX	7397
5.7L OSXi-XPD	-	0,9	TR5	2238	TR5IX	7397

STERN DRIVE - AQ

145A, B	-	0,9	BP7ES	2412	BPR7EIX	4055
AQ80	-	0,6	B6S	3510	---	---
AQ90	-	0,6	B6HS	4510	BR6HIX	3419
AQ95, 95A, 100	-	0,6	BP6HS	4511	BPR6HIX	4085
AQ105A, 110, 115A, 120	-	0,6	BP7HS	5111	BPR7HIX	5944
AQ120 (B21)	-	0,9	BP6ES	7811	BPR6EIX	6637
AQ125 A,B, 145	-	0,9	BP6ES	7811	BPR6EIX	6637



Stock-No.



Stock-No.

**VOLVO-PENTA
STERN DRIVE - AQ**

AQ130, A, B, C, D	-	0,6	BP7HS	5111	BPR7HIX	5944
AQ131, A, B, C, D	-	0,9	BP7ES	2412	BPR7EIX	4055
AQ140A	-	0,9	BP7ES	2412	BPR7EIX	4055
AQ150, A, B	-	0,9	XR5	3332	XR5IX	7355
AQ151A, B, C	-	0,6	BP7ES	2412	BPR7EIX	4055
AQ165A	-	0,6	BP7HS	5111	BPR7HIX	5944
AQ170, A, B, C	-	0,6	BP7HS	5111	BPR7HIX	5944
AQ171A, C	-	0,9	BP6ES	7811	BPR6EIX	6637
AQ175, 175A	-	0,9	YR5	7052	YR5IX	7516
AQ180	-	0,6	XR5	3332	XR5IX	7355
AQ190	-	0,9	YR5	7052	YR5IX	7516
AQ190A	-	0,6	AR6FS	3323	---	---
AQ200, A, B, C, D, F	-	0,6	UR5	2771	UR5IX	7177
AQ205A	-	0,9	YR5	7052	YR5IX	7516
AQ210A (N°177315—>)	-	0,6	UR6	4079	UR6IX	7348
AQ210A (—>N°177314)	-	0,6	B6S	3510	---	---
AQ211/DP	-	0,9	YR5	7052	YR5IX	7516
AQ211A	-	0,9	YR5	7052	YR5IX	7516
AQ225, A, B, C, D	-	0,6	UR6	4079	UR6IX	7348
AQ225E, F	-	0,9	YR5	7052	YR5IX	7516
AQ230A	-	0,9	BPR6ES	7822	BPR6EIX	6637
AQ231/DP	-	0,9	YR5	7052	YR5IX	7516
AQ231A, B	-	0,9	YR5	7052	YR5IX	7516
AQ240A	-	0,6	UR6	4079	UR6IX	7348
AQ255B	-	0,6	UR6	4079	UR6IX	7348
AQ260, A, B	-	0,6	BR6FS	4323	BR6FIX	2318
AQ271/DP	-	0,9	YR5	7052	YR5IX	7516
AQ271A, B, C, D	-	0,6	BR6FS	4323	BR6FIX	2318
AQ280A	-	0,6	UR6	4079	UR6IX	7348
AQ290A	-	0,6	BR6FS	4323	BR6FIX	2318
AQ290B	-	0,6	BR6FS	4323	BR6FIX	2318
AQ311A	-	0,6	BR6FS	4323	BR6FIX	2318
AQ311B	-	0,6	BR6FS	4323	BR6FIX	2318
AQ430	-	0,6	BR6FS	4323	BR6FIX	2318
AQ500A	-	0,9	BR6FS	4323	BR6FIX	2318
AQ501A	-	0,9	BR6FS	4323	BR6FIX	2318
AQ531	-	0,6	BR6FS	4323	BR6FIX	2318
AQ570A	-	0,9	BR6FS	4323	BR6FIX	2318
AQ571A	-	0,9	BR6FS	4323	BR6FIX	2318
AQ572	-	0,9	BR6FS	4323	BR6FIX	2318
AQ740A	-	0,9	BR6FS	4323	BR6FIX	2318

STERN DRIVE - DPX

5.7L DPX 375	-	1,5	TR55	3951	TR55IX	7164
7.4L DPX 385 GSi EFI	-	1,1	BR6FS	4323	BR6FIX	2318
8.1L DPX 420	-	1,5	TR55	3951	TR55IX	7164
8.2L DPX 415 GSi EFI	-	1,1	BR6FS	4323	BR6FIX	2318

STERN DRIVE - DUOPROP

4.3L Gi EFI	-	1,1	BPR6FS	2623	UR6IX	7348
-------------	---	-----	--------	------	-------	------



Stock-No.



Stock-No.

VOLVO-PENTA**STERN DRIVE - DUOPROP**

4.3L Gi EFI	-	1,1	BPR6EFS	3623	TR6IX	3689
4.3L GL 2 bbl	-	1,1	BPR6FS	2623	UR6IX	7348
4.3L GL 2 bbl	-	1,1	BPR6EFS	3623	TR6IX	3689
4.3L GS 4 bbl	-	1,1	BPR6FS	2623	UR6IX	7348
4.3L GS 4 bbl	-	1,1	BPR6EFS	3623	TR6IX	3689
5.0L Fi EFI	-	0,9	TR5	2238	TR5IX	7397
5.0L FL 2 bbl	-	0,9	UR4	6630	UR4IX	7401
5.0L Gi Gen 1+	-	1,1	BPR6EFS	3623	TR6IX	3689
5.0L GL Gen 1+	-	1,1	BPR6EFS	3623	TR6IX	3689
5.7L Gi EFI	-	1,1	BPR6FS	2623	UR6IX	7348
5.7L GL 2 bbl	-	1,1	BR6FS	4323	BR6FIX	2318
5.7L GLi EFI	-	1,1	BPR6FS	2623	UR6IX	7348
5.7L GS 4 bbl	-	1,1	BR6FS	4323	BR6FIX	2318
5.7L GS Gen 1+	-	1,1	BPR6EFS	3623	TR6IX	3689
5.7L GSi Gen 1+	-	1,1	BPR6EFS	3623	TR6IX	3689
5.7L GXi	-	1,5	TR55	3951	TR55IX	7164
5.8L FL 4 bbl	-	0,9	UR4	6630	UR4IX	7401
5.8L FSi EFI HO	-	0,9	BPR6EFS	3623	TR6IX	3689
7.4L Gi EFI	-	1,1	BPR6FS	2623	UR6IX	7348
7.4L Gi L29	-	0,9	BPR6EFS	3623	TR6IX	3689
7.4L GL 4 bbl	-	1,1	BR6FS	4323	BR6FIX	2318
7.4L GSi EFI	-	1,1	BR6FS	4323	BR6FIX	2318
8.2L GSi EFI	-	1,1	BR6FS	4323	BR6FIX	2318

STERN DRIVE - PJX WATER JET

4.3L Gi EFI	-	1,1	BPR6EFS	3623	TR6IX	3689
4.3L GS 4 bbl	-	1,1	BPR6EFS	3623	TR6IX	3689

STERN DRIVE - SX COBRA

3.0L GS 2 bbl	-	1,1	BPR6EFS	3623	TR6IX	3689
4.3L Gi EFI	-	1,1	BPR6FS	2623	UR6IX	7348
4.3L Gi EFI	-	1,1	BPR6EFS	3623	TR6IX	3689
4.3L GL 2 bbl	-	1,1	BPR6EFS	3623	TR6IX	3689
4.3L GS 4 bbl	-	1,1	BPR6EFS	3623	TR6IX	3689
5.0L Fi EFI	-	0,9	TR5	2238	TR5IX	7397
5.0L FL 2 bbl	-	0,9	UR4	6630	UR4IX	7401
5.0L Gi Gen 1+	-	1,1	BPR6EFS	3623	TR6IX	3689
5.0L GL Gen 1+	-	1,1	BPR6EFS	3623	TR6IX	3689
5.7L Gi EFI	-	1,1	BPR6FS	2623	UR6IX	7348
5.7L GL 2 bbl	-	1,1	BR6FS	4323	BR6FIX	2318
5.7L GLi EFI	-	1,1	BPR6FS	2623	UR6IX	7348
5.7L GS 4 bbl	-	1,1	BR6FS	4323	BR6FIX	2318
5.7L GS Gen 1+	-	1,1	BPR6EFS	3623	TR6IX	3689
5.7L GSi Gen 1+	-	1,1	BPR6EFS	3623	TR6IX	3689
5.7L GXi	-	1,5	TR55	3951	TR55IX	7164
5.8L FL 4 bbl	-	0,9	UR4	6630	UR4IX	7401
5.8L FSi EFI HO	-	0,9	BPR6EFS	3623	TR6IX	3689
7.4L Gi EFI	-	1,1	BPR6FS	2623	UR6IX	7348
7.4L Gi L29	-	0,9	BPR6EFS	3623	TR6IX	3689
7.4L GL 4 bbl	-	1,1	BR6FS	4323	BR6FIX	2318



Stock-No.



Stock-No.

VOLKSWAGEN

SDI 45-4	2001-	12V	Y-732J	5605	---	---
SDI 50-4	-	12V	Y-732J	5605	---	---
SDI 60-4	2001-	12V	Y-732J	5605	---	---
SDI 55-5	2001-	12V	Y-732J	5605	---	---
SDI 75-5	2001-	12V	Y-732J	5605	---	---
TDI 100-5	2001-	12V	Y-732J	5605	---	---
TDI 115-4	2001-	12V	Y-732J	5605	---	---
TDI 120-5	-	12V	Y-732J	5605	---	---
TDI 150-5	2001-	12V	Y-732J	5605	---	---
TDI 165-5	-	12V	Y-732J	5605	---	---
TDI 225-6	-	12V	Y-732J	5605	---	---

YAMAHA**110**

110	1963-1966	0,8	B6ES	7310	---	---
-----	-----------	-----	------	------	-----	-----

1100 CC

212S	2008-2010	0,8	CR9EB	6955	---	---
212X	2008-2010	0,8	CR9EB	6955	---	---
232 Limited	2008-2009	0,8	CR9EB	6955	---	---
AR210	2003-2010	0,8	CR9EB	6955	---	---
AR230	2003-2005	0,8	CR9EB	6955	---	---
AR230 High Output	2005-2009	0,8	CR9EB	6955	---	---
Exciter 220	1996-1998	0,6	BR8HS	4322	BR8HIX	7001
SR210	2007-	0,8	CR9EB	6955	---	---
SR230	2003-2005	0,8	CR9EB	6955	---	---
SR230 High Output	2007-	0,8	CR9EB	6955	---	---
SX210	2007-	0,8	CR9EB	6955	---	---
SX230	2003-2005	0,8	CR9EB	6955	---	---
SX230 High Output	2005-2007	0,8	CR9EB	6955	---	---

1200 CC

AR210	2003-2005	0,6	BR8HS	4322	BR8HIX	7001
Exciter 135	1998-1999	0,6	BR8HS	4322	BR8HIX	7001
Exciter 227	1998-1999	0,6	BR8HS	4322	BR8HIX	7001
Exciter 270	1998-1999	0,6	BR8HS	4322	BR8HIX	7001
LS2000	1999-2003	0,6	BR8HS	4322	BR8HIX	7001
LX2000	2002-	0,6	BR8HS	4322	BR8HIX	7001
LX210	2003-2005	0,6	BR8HS	4322	BR8HIX	7001
XR1800	2000-2001	1,1	BR8ES-11	7986	---	---

STERN DRIVE

L4 3.0l	-	0,9	BR6FS	4323	BR6FIX	2318
V6	-	0,9	BR6FS	4323	BR6FIX	2318
V8	-	0,9	BR6FS	4323	BR6FIX	2318



ccm



Stock-No.



Stock-No.

AQUABUG

Aquabug 120 1.2HP		120	-	0,8	BP5S	3011	-	-
Superbug 175 1.75HP		175	-	0,8	BP5S	3011	-	-
Superbug 300 3.0HP		300	-	0,8	BP5S	3011	-	-

AQUA-JET (JET BIKE)

Solution SX1	432	-	0,8	B7ES	1111	BR7EIX	6664
WX-1 1250 R	1250	2001-2003	0,6	BR8ES	3961	BR8EIX	5044

AQUASCOOTER

ILO engine	48	-	0,8	B5HS	4210	-	-
------------	----	---	-----	------	------	---	---

ARCTO / TIGERSHARK

Barracuda	640	1994-	0,7	BR9EVX	1265	BR9EIX	3981
Daytona	640	1994-	0,7	BR9EVX	1265	BR9EIX	3981
Daytona	640	1995-	0,7	BR9EVX	1265	BR9EIX	3981
Monte Carlo	640	1994-1996	0,7	BR9EVX	1265	BR9EIX	3981
Monte Carlo	640	1997-	0,7	BR9EYA	7548	BR9EIX	3981
Montego, Montego Deluxe	640	1994-1996	0,7	BR9EVX	1265	BR9EIX	3981
Montego	640	1997-	0,7	BR9EYA	7548	BR9EIX	3981
Montego Deluxe	640	1997-	0,7	BR9EYA	7548	BR9EIX	3981
Tigershark / Daytona	640	1993-	0,7	BR9EVX	1265	BR9EIX	3981
TS L / R	640	1998-	0,7	BR9EYA	7548	BR9EIX	3981
Daytona	770	1996-	0,7	BR9EVX	1265	BR9EIX	3981
Daytona	770	1997-	0,7	BR9EYA	7548	BR9EIX	3981
Monte Carlo	770	1996-	0,7	BR9EVX	1265	BR9EIX	3981
Monte Carlo	770	1997-	0,7	BR9EYA	7548	BR9EIX	3981
Tigershark	770	1998-1999	0,8	BR9EYA	7548	BR9EIX	3981
TS L / R	770	1998-	0,7	BR9EYA	7548	BR9EIX	3981
Tigershark	900	1995-	0,7	BR9EVX	1265	BR9EIX	3981
Tigershark	900	1999-	0,8	BR9EYA	7548	BR9EIX	3981
Monte Carlo	900	1996-	0,7	BR9EVX	1265	BR9EIX	3981
TS L	900	1999-	0,7	BR9EYA	7548	BR9EIX	3981
Monte Carlo	1000	1997-	0,7	BR9EYA	7548	BR9EIX	3981
TS L / R	1000	1998-	0,7	BR9EYA	7548	BR9EIX	3981
Daytona 1000	1000	1997-	0,8	BR9EVX	1265	BR9EIX	3981
Tigershark	1000	1998-	0,8	BR9EYA	7548	BR9EIX	3981
Tigershark	1100	1999-	0,7	BR9EYA	7548	BR9EIX	3981
Tigershark 1100 Li	1100	1999-	0,7	PZFR6H	7696	-	-

BOMBARDIER SEE SEA-DOO**DOLPHIN**

Mark 7 Auxiliary 12HP		-	0,6	B6ES	7310	-	-
-----------------------	--	---	-----	------	------	---	---

FUN BOATS

Pump'r 60HP		-	1	B7HS	5110	BR7HIX	7067
-------------	--	---	---	------	------	--------	------



ccm



Stock-No.



Stock-No.

HONDA

Aqua Trax F-12 125 hp	1200	2002-2007	0,9	IMR9D-9H	6544	-	-
Aqua Trax F-12X 165 hp	1200	2002-2007	0,9	IMR9D-9H	6544	-	-
ARX Aqua Trax R-12X ARX1200T 165 hp	1200	2002-2007	0,9	IMR9D-9H	6544	-	-
ARX Aqua Trax R-12 ARX1200N 125 hp	1200	2002-2007	0,9	IMR9D-9H	6544	-	-
ARX N2/T2 - N3/T3	1200	2002-2004	0,9	IMR9D-9H	6544	-	-

HOVERCRAFT

EC25PS	250	-	0,7	BR9ES	3194	BR9EIX	3981
EC25-PS	440	-	0,8	BR9ES	3194	BR9EIX	3981
EC44-2PM	440	-	0,8	BR9ES	3194	BR9EIX	3981
EC44-PM	440	-	0,8	BR9ES	3194	BR9EIX	3981
EC50-2PM	440	-	0,8	BR9ES	3194	BR9EIX	3981
EC50PM	500	-	0,7	BR9ES	3194	BR9EIX	3981

HYDRO-DISC

50 HP		-	0,8	B9ES	2611	BR9EIX	3981
-------	--	---	-----	------	------	--------	------

JET BREEZE

Hurricane 50 HP		-	0,8	B9ES	2611	BR9EIX	3981
-----------------	--	---	-----	------	------	--------	------

JET STAR 1250

Suzuki engine		-	0,8	B6HS	4510	BR6HIX	3419
---------------	--	---	-----	------	------	--------	------

KAWASAKI

Ultra	150	2004-	0,7	BR9ES	5722	BR9EIX	3981
JS	300	1986-1991	0,8	BR7ES	5122	BR7EIX	6664
SX	300	1986-1991	0,8	BR7ES	5122	BR7EIX	6664
JS A	400	1974-1975	0,6	B7ES	1111	BR7EIX	6664
JS	440	1976-1992	0,8	BR7ES	5122	BR7EIX	6664
SX	440	1976-1992	0,8	BR7ES	5122	BR7EIX	6664
JS	550	1982-1995	0,8	BR8ES	5422	BR8EIX	5044
SX	550	1982-1995	0,8	BR8ES	5422	BR8EIX	5044
JB Jet Mate	650	1989-1992	0,8	BR7ES	5122	BR7EIX	6664
JF A X-2	650	1986-1995	0,8	BR7ES	5122	BR7EIX	6664
JF JF650B TS 1989-96	650	1989-1996	0,8	BR7ES	5122	BR7EIX	6664
JL SC	650	1991-1995	0,8	BR7ES	5122	BR7EIX	6664
JS	650	1991-1995	0,8	BR7ES	5122	BR7EIX	6664
SX	650	1987-1990	0,8	B7ES	1111	BR7EIX	6664
SX	650	1991-1995	0,8	BR7ES	5122	BR7EIX	6664
TS	650	-	0,8	BR7ES	5122	BR7EIX	6664
X-2	650	-	0,8	BR7ES	5122	BR7EIX	6664
Mate	650	-	0,8	BR7ES	5122	BR7EIX	6664
JH A Super Sport	750	1992-1994	0,8	BR8ES	5422	BR8EIX	5044
JH B Super Sport Xi	750	1993-1995	0,8	BR8ES	5422	BR8EIX	5044
JH C ZXi	750	1995-1997	0,8	BR8ES	5422	BR8EIX	5044
JH D XiR	750	1994-	0,8	BR8ES	5422	BR8EIX	5044
JH E / F Super Sport	750	1996-1997	0,8	BR8ES	5422	BR8EIX	5044
JH G Super Sport Xi	750	1998-	0,8	BR8ES	5422	BR8EIX	5044



ccm



Stock-No.



Stock-No.

KAWASAKI

JS	A	750	1992-1994	0,8	BR8ES	5422	BR8EIX	5044
JS	SX	750	1992-1994	0,8	BR8ES	5422	BR8EIX	5044
JS	B SXi	750	1995-1997	0,8	BR8ES	5422	BR8EIX	5044
JS	C SXi	750	1998-	0,8	BR8ES	5422	BR8EIX	5044
JS	SXi Pro	750	2003-	0,8	BR8ES	5422	BR8EIX	5044
JT	A ST	750	1994-	0,8	BR8ES	5422	BR8EIX	5044
JT	B STS	750	1995-1997	0,8	BR8ES	5422	BR8EIX	5044
JT	C STS	750	1998-	0,8	BR8ES	5422	BR8EIX	5044
SX	800 R 2T	781	2009-	0,8	BR8ES	5422	BR8EIX	5044
SX-R	800 2 stroke	781	2010-	0,5	BR8ES	5422	BR8EIX	5044
JS	SX-R	800	2003-	0,8	BR9ES	5722	BR9EIX	3981
SX-R		800	2005-	0,8	BR8ES	5422	BR8EIX	5044
JH	SXi (A)	900	1995-1997	0,8	BR9ES	5722	BR9EIX	3981
STX	(A)	900	1997-2000	0,8	BR9ES	5722	BR9EIX	3981
STX		900	2001-2006	0,8	BR9ES	5722	BR9EIX	3981
ZXi	JH900-A	900	1995-1997	0,8	BR9ES	5722	BR9EIX	3981
JH	1100-A	1071	1998-	0,8	BR9ES	5722	BR9EIX	3981
JT	1100-B	1071	1998-	0,8	BR9ES	5722	BR9EIX	3981
STX	1100	1071	1998-	0,8	BR9ES	5722	BR9EIX	3981
SXI	1100	1071	1998-	0,8	BR9ES	5722	BR9EIX	3981
JH	Ultra 130 DI JH1100-B	1100	2001-2004	0,8	PZFR7G-G	4253	-	-
JH	ZXi (A)	1100	1996-	0,8	BR9ES	5722	BR9EIX	3981
STX	A / B	1100	1997-1999	0,8	BR9ES	5722	BR9EIX	3981
STX	Di (C1/F1/G)	1100	2000-2004	0,8	PZFR7G-G	4253	-	-
STX	Di	1100	2002-	0,8	BR9ES	5722	BR9EIX	3981
	Ultra 2places	1176	2005-	0,8	BR9ES	5722	BR9EIX	3981
JH	Ultra 150	1200	1999-2000	0,6	R6918C-9	5196	-	-
JH	Ultra 150	1200	2000-2005	0,8	BR9ES	5722	BR9EIX	3981
STX		1200	2000-	0,7	BR9ES	5722	BR9EIX	3981
STX	F	1200	2003-2007	0,6	CR9EK	4548	-	-
STX	R	1200	2002-2006	0,8	BR9ES	5722	BR9EIX	3981
	Ultra 260X	1498	2009-	0,7	PMR9B	4717	-	-
JT	Ultra LX 4 cyl 4T	1498	2009-	0,8	CR9EK	4548	-	-
JT	STX-15F 4 cyl 4T	1498	2009-	0,8	CR9EK	4548	-	-
JT	Ultra 250X	1500	2007-	0,7	PMR9B	4717	-	-
JT	Ultra LX	1500	2008-2010	0,8	CR9EK	4548	-	-
STX	F	1500	2004-	0,8	CR9EK	4548	-	-

MASTERCRAFT (WET-JET)

428		428	1985-1988	0,8	BR8ES	3961	BR8EIX	5044
432 Brut		432	1988-1992	0,7	BR8ES	3961	BR8EIX	5044
Duo 200		432	1994-	0,8	BR8ES	3961	BR8EIX	5044
Special Edition		432	1991-1992	0,7	BR8ES	3961	BR8EIX	5044
Sport		432	1990-1993	0,7	BR8ES	3961	BR8EIX	5044
Duo		701	1996-	0,6	BR8HS	4322	BR8HIX	7001
Duo 300		701	1995-	0,6	BR8HS	4322	BR8HIX	7001
Kraze		701	1997-	0,6	BR8HS	4322	BR8HIX	7001
ZX		701	1997-	0,6	BR8HS	4322	BR8HIX	7001



ccm



Stock-No.



Stock-No.

NAUTICA

Mercury 90 ch		-	1	BZ7HS-10	3579	-	-
Mercury 120 ch		-	1	BZ7HS-10	3579	-	-

POLARIS

SL EC65PW-02	650	1994-1995	0,7	BPR8ES	3923	BPR8EIX	6684
SL	650	1994-1995	0,7	BPR7ES	2023	BPR7EIX	4055
Freedom	700	2002-2004	0,7	BPR8ES	3923	BPR8EIX	6684
Hurricane WC70DCSP-03 / 04	700	1996-1997	0,7	BPR8ES	3923	BPR8EIX	6684
SL Deluxe	700	1996-1998	0,7	BPR7ES	2023	BPR7EIX	4055
SL WC70DCSP-01	700	1997-1998	0,7	BPR8ES	3923	BPR8EIX	6684
SLT	700	1996-1999	0,7	BPR7ES	2023	BPR7EIX	4055
SLH W70-99 DCSP-01A2	701	1998-	0,7	BPR8ES	3923	BPR8EIX	6684
SLTH W70-99 DCSP-01A1	701	1999-	0,7	BPR8ES	3923	BPR8EIX	6684
Virage	701	2000-2004	0,7	BPR8ES	3923	BPR8EIX	6684
MSX MSX 150	750	2004-	0,7	BKR7E	6097	BKR7EIX	2667
SL	750	1993-1995	0,7	BPR7ES	2023	BPR7EIX	4055
SLT	750	1995-	0,7	BPR7ES	2023	BPR7EIX	4055
Octane	777	2002-2004	0,7	BR9ES	5722	BR9EIX	3981
Virage i	777	2002-2004	0,7	PZFR6H	7696	-	-
SLX Pro EC782PWE01	779	1998-2000	0,7	BR9ES	5722	BR9EIX	3981
SL EC78PWE-03	780	1996-1997	0,7	BPR8ES	3923	BPR8EIX	6684
SLT EC78PWE-03	780	1996-1997	0,7	BPR8ES	3923	BPR8EIX	6684
SLX EC78PWR-01	780	1996-1997	0,7	BPR8ES	3923	BPR8EIX	6684
SLX Pro	785	1997-2000	0,7	BR9ES	5722	BR9EIX	3981
SL WC90TCSP-01	890	1996-1997	0,7	BPR8ES	3923	BPR8EIX	6684
SL WC105TCSP-02	1050	1997-1998	0,7	BPR8ES	3923	BPR8EIX	6684
SLTX WC105TCSP-03	1050	1996-1998	0,7	BPR8ES	3923	BPR8EIX	6684
SLTX W105-99 TCSP-05	1051	1999-	0,7	BPR8ES	3923	BPR8EIX	6684
SLX W105-99 TCSP-05	1051	1999-	0,7	BPR8ES	3923	BPR8EIX	6684
Genesis W120-99TCSP-01A3/A4	1165	1999-2001	0,7	BR9ES	5722	BR9EIX	3981
Genesis Inj. W120-99 DF1-01	1165	1999-2004	0,8	PZFR6H	7696	-	-
Pro	1165	2000-2001	0,7	BR9ES	5722	BR9EIX	3981
SLX	1165	2000-2001	0,7	BR9ES	5722	BR9EIX	3981
Virage	1165	2000-	0,7	BR9ES	5722	BR9EIX	3981
Virage Inj. W120-99 DF1-01	1165	2001-2004	0,8	PZFR6H	7696	-	-
X45	1165	1999-	0,7	BR9ES	5722	BR9EIX	3981
MSX 140	1192	2003-2004	0,8	PZFR6H	7696	-	-
Genesis Injection	1200	2000-	0,8	PZFR6H	7696	-	-

POWER BOARD

Power Board		1989-1990	1	BPR7HS-10	1092	BPR7HIX	5944
-------------	--	-----------	---	-----------	------	---------	------

PROGRESSIVE POWER

Formula Micro		1987-1990	0,6	BPM6A	7021	-	-
---------------	--	-----------	-----	-------	------	---	---

SEA-DOO (BOMBARDIER)

Bullet 5599/6115/6162/6163	550	2004-	0,8	DCPR8E	4339	DCPR8EIX	6546
5801	580	1988-	0,7	BR7ES	5122	BR7EIX	6664
5802	580	1989-	0,7	BR7ES	5122	BR7EIX	6664
5803	580	1990-	0,7	BR7ES	5122	BR7EIX	6664



ccm



Stock-No.



Stock-No.

SEA-DOO (BOMBARDIER)

5810		580	1990-	0,7	BR7ES	5122	BR7EIX	6664
EXP		580	1993-	0,6	BR7ES	5122	BR7EIX	6664
GT		580	1991-	0,6	BR7ES	5122	BR7EIX	6664
GTS		580	1992-1997	0,6	BR7ES	5122	BR7EIX	6664
GTX		580	1992-1993	0,6	BR7ES	5122	BR7EIX	6664
SP		580	1991-1997	0,6	BR7ES	5122	BR7EIX	6664
SPi		580	1993-1997	0,6	BR7ES	5122	BR7EIX	6664
SPX		580	1993-	0,6	BR7ES	5122	BR7EIX	6664
XP		580	1991-1992	0,6	BR7ES	5122	BR7EIX	6664
SP	Barracuda Premium 6157/6158	610	2004-	0,6	BR8ES	5422	BR8EIX	5044
GTX		650	1994-1995	0,6	BR8ES	5422	BR8EIX	5044
SPX		650	1994-1995	0,6	BR8ES	5422	BR8EIX	5044
XP		650	1993-1994	0,6	BR8ES	5422	BR8EIX	5044
GS		718	1997-2001	0,6	BR8ES	5422	BR8EIX	5044
GSi		718	1997-1998	0,6	BR8ES	5422	BR8EIX	5044
GTi		718	1996-2003	0,6	BR8ES	5422	BR8EIX	5044
GTi	LE, LE Rfi	718	2003-	0,5	BR8ES	5422	BR8EIX	5044
GTS		718	1997-2001	0,6	BR8ES	5422	BR8EIX	5044
HX		718	1995-1997	0,6	BR8ES	5422	BR8EIX	5044
SP		718	1997-1998	0,6	BR8ES	5422	BR8EIX	5044
SPX		718	1996-1997	0,6	BR8ES	5422	BR8EIX	5044
XP		718	1995-	0,6	BR8ES	5422	BR8EIX	5044
GTi	STD, LE, RFI STD, RFI LE	720	2004-	0,6	BR8ES	5422	BR8EIX	5044
GSX		782	1996-1998	0,6	BR8ES	5422	BR8EIX	5044
GTX		782	1996-2002	0,6	BR8ES	5422	BR8EIX	5044
GTi Series		782	2004-	0,6	BR8ES	5422	BR8EIX	5044
SP		782	1997-	0,6	BR8ES	5422	BR8EIX	5044
SPX		782	1997-1998	0,6	BR8ES	5422	BR8EIX	5044
RFI	3D	782	2005-	0,6	BR8ES	5422	BR8EIX	5044
XP		782	1995-1997	0,6	BR8ES	5422	BR8EIX	5044
GTX	Di	947	2000-	0,8	ZFR5F	5165	-	-
GTX	Di	947	2007-	1,1	ZFR4F-11	4043	-	-
RX		947	2000-	0,8	ZFR5F	5165	-	-
XP	DI-STD	950	2004-	1,1	ZFR4F-11	4043	-	-
GSX	Limited	951	1997-1999	0,6	BR8ES	5422	BR8EIX	5044
GTX	Di	951	2001-	0,8	ZFR5F	5165	-	-
GTX	Limited	951	1999-2002	0,6	BR8ES	5422	BR8EIX	5044
GTX	Di	951	2000-2003	1,1	ZFR4F-11	4043	-	-
LRV	Di	951	2002-2003	1,1	ZFR4F-11	4043	-	-
LRV		951	-	0,6	BR8ES	5422	BR8EIX	5044
RX	Di	951	2000-	1,1	ZFR4F-11	4043	-	-
RX		951	2000-2002	0,6	BR8ES	5422	BR8EIX	5044
RX	Di	951	2000-	0,8	ZFR5F	5165	-	-
RXX		951	2001-2002	0,6	BR8ES	5422	BR8EIX	5044
XP	Limited	951	1996-	0,6	BR8ES	5422	BR8EIX	5044
XP	LTD Di	951	2003-	1,1	ZFR4F-11	4043	-	-
GTi	STD,LE,RFI	1494	2004-	0,6	BR8ES	5422	BR8EIX	5044
GTi	4-Tec	1503	2007-2008	0,7	DCPR8E	4339	DCPR8EIX	6546
GTX	4 Tec, Supercharged	1494	2003-	0,7	DCPR8E	4339	DCPR8EIX	6546
GTX	4-Tec SC 4 stroke LE 215cv	1500	2005-	0,8	DCPR8E	4339	DCPR8EIX	6546
GTX	4-Tec LTD, Supercharged, STD, Wake	1500	2004-	0,8	DCPR8E	4339	DCPR8EIX	6546
GTX	4-Tec Wakeboard 4 stroke 155cv	1500	2005-	0,8	DCPR8E	4339	DCPR8EIX	6546



ccm



Stock-No.



Stock-No.

SEAFLASH

Suzuki engine		-	0,8	B6HS	4510	BR6HIX	3419
---------------	--	---	-----	------	------	--------	------

SKIDADDLE

Aquajet		-	0,8	BR7ES	5122	BR7EIX	6664
---------	--	---	-----	-------	------	--------	------

SKI-FREE

2 Cyl. 40HP		-	0,6	BR8ES	5422	BR8EIX	5044
-------------	--	---	-----	-------	------	--------	------

SKI-WHEE

Ski Tow Kohler 440-2LC	440	-	0,6	B9ES	2611	BR9EIX	3981
------------------------	-----	---	-----	------	------	--------	------

SOS EXPRESS

Tide Rider Cuyuna 45HP		-	0,6	BR8ES	5422	BR8EIX	5044
------------------------	--	---	-----	-------	------	--------	------

SURF JET - MOTOMARINE

Fuji LC 26 engine	255	1980-1997	0,6	B6HS	4510	BR6HIX	3419
Fuji LC 26 engine	260	1980-1997	0,6	B6HS	4510	BR6HIX	3419
Fuji LC 26 engine	260	1998-	0,6	B7HS	5110	BR7HIX	7067

SUZUKI

Nomad 292	292	-	0,7	B7HS	5110	BR7HIX	7067
C340	340	-	0,8	BR9EYA	7548	BR9EIX	3981
F340	340	-	0,8	BR9EYA	7548	BR9EIX	3981
Nomad 336	340	-	0,7	B7HS	5110	BR7HIX	7067
SM10	360	-	0,7	B7HS	5110	BR7HIX	7067
SM10D	360	-	0,7	B7HS	5110	BR7HIX	7067
C370	370	-	0,8	BR9EYA	7548	BR9EIX	3981
F370	370	-	0,8	BR9EYA	7548	BR9EIX	3981
SM20	395	-	0,7	B7HS	5110	BR7HIX	7067
SM20 Hop Up Kit	395	-	0,7	B8ES	2411	BR8EIX	5044
Wide Track 400	395	-	0,7	B7HS	5110	BR7HIX	7067
XR400	395	-	0,7	B7HS	5110	BR7HIX	7067
C-ZRV 440	400	2000-	0,8	BR9EYA	7548	BR9EIX	3981
L / C-ZRV 440	400	1998-	0,7	BR10ES	4832	BR10EIX	6801
L / C-ZRV 440	400	1999-	0,8	BR10EYA	7613	BR10EIX	6801
L440	400	2000-	0,8	BR9EYA	7548	BR9EIX	3981
XR440	432	-	0,7	B7HS	5110	BR7HIX	7067
C440	433	-	0,8	BR9EYA	7548	BR9EIX	3981
C-LWS 440	433	-	0,8	BR9EYA	7548	BR9EIX	3981
F / C-C 440	433	-	0,8	BR9ES	5722	BR9EIX	3981
F440	433	-	0,8	BR9EYA	7548	BR9EIX	3981
L440	433	-	0,8	BR9EYA	7548	BR9EIX	3981
SM 440M	433	-	0,8	BR9EIX	3981	BR9EIX	3981
F / C 500	500	-	0,8	BR9ES	5722	BR9EIX	3981
L / C 500	500	-	0,8	BR9EYA	7548	BR9EIX	3981
L / C 500	500	2000-	0,8	BR10EYA	7613	BR10EIX	6801



ccm



Stock-No.



Stock-No.

SUZUKI

L / C-EID 500	500	-	0,8	BR9EYA	7548	BR9EIX	3981
L / C 530	530	-	0,7	BR10ES	4832	BR10EIX	6801
L / C 550	530	-	0,8	BR9EYA	7548	BR9EIX	3981
L / C-EID 580	580	-	0,8	BR9EYA	7548	BR9EIX	3981
L / C 600	600	-	0,8	BR9EYA	7548	BR9EIX	3981
L / C-EID 600	600	-	0,8	BR9EYA	7548	BR9EIX	3981
L / C 650	650	-	0,7	BR10ES	4832	BR10EIX	6801
L / C 700	650	-	0,7	BR10ES	4832	BR10EIX	6801
F / C 700	700	-1995	0,8	BR9ES	5722	BR9EIX	3981
L / C 785	785	-	0,8	BR9EYA	7548	BR9EIX	3981
L / C 800	800	-	0,8	BR9EYA	7548	BR9EIX	3981
L / C 900	900	-	0,8	BR9EYA	7548	BR9EIX	3981
L / C 1000	1000	-	0,8	BR9EYA	7548	BR9EIX	3981

THUNDER JET

F14		-	0,6	BR8ES	5422	BR8EIX	5044
F15		-	0,6	BR8ES	5422	BR8EIX	5044
F - II 700	700	-	0,6	BR8ES	5422	BR8EIX	5044
F - II 800	800	-	0,6	BR8ES	5422	BR8EIX	5044

TIDE RIDER

Cuyuna 45HP		-	0,6	BR8ES	5422	BR8EIX	5044
-------------	--	---	-----	-------	------	--------	------

ULTRANAUTICS

Wetbike Suzuki engine		-	1	B7HS	5110	BR7HIX	7067
Seaflash ST Suzuki engine	789	-	1	B7HS	5110	BR7HIX	7067
Seaflash XL Suzuki engine	789	-	1	B7HS	5110	BR7HIX	7067
Seaflash XP Suzuki engine	789	-	1	B7HS	5110	BR7HIX	7067
Suzuki engine	798	1992-	1	BR8HS-10	1134	BR8HIX	7001
Jetfisher 1660L	798	1991-	1	B8HS-10	5126	BR8HIX	7001
Jetstar 1250	798	1988-1990	1	B8HS-10	5126	BR8HIX	7001
Jetstar 1260	798	1991-	1	B8HS-10	5126	BR8HIX	7001
Seaflash	798	1988-1990	1	B8HS-10	5126	BR8HIX	7001
Seaflash ST	798	1991-	1	B8HS-10	5126	BR8HIX	7001
Seaflash XL	798	1991-	1	B8HS-10	5126	BR8HIX	7001
Seaflash XP	798	1991-	1	B8HS-10	5126	BR8HIX	7001
Wetbike 798		1986-1991	1	B8HS-10	5126	BR8HIX	7001
Jetfisher 1670B	845	1990-	1	B8HS-10	5126	BR8HIX	7001
Riverjet 1670B	845	1990-	1	B8HS-10	5126	BR8HIX	7001
Mercury engine	1231	1992-		BUHW	2622	-	-

WET JET

428	428	1985-	0,7	BR8ES	5422	BR8EIX	5044
428 LC	428	1986-1988	0,7	BR8ES	5422	BR8EIX	5044
200 Duo	432	1994-	0,7	BR8ES	5422	BR8EIX	5044
432	432	1988-	0,7	BR8ES	5422	BR8EIX	5044
432 Brut	432	1988-1992	0,7	BR8ES	5422	BR8EIX	5044
Special Edition Brut	432	1991-1992	0,7	BR8ES	5422	BR8EIX	5044
Sport Brut	432	1992-	0,7	BR8ES	5422	BR8EIX	5044
Sport II Brut	432	1990-1992	0,7	BR8ES	5422	BR8EIX	5044



ccm



Stock-No.



Stock-No.

WET JET

Duo	701	1996-	0,6	BR8HS	4322	BR8HIX	7001
Duo 300	701	1995-	0,6	BR8HS	4322	BR8HIX	7001
Duo 300ZX	701	1995-	0,6	BR8HS	4322	BR8HIX	7001
Duo 300ZX Kraze	701	1995-	0,6	BR8HS	4322	BR8HIX	7001
Kraze	701	1996-1997	0,6	BR8HS	4322	BR8HIX	7001
ZX	701	1996-	0,6	BR8HS	4322	BR8HIX	7001

WETBIKE

Spirit engine		-	1	B7HS	5110	BR7HIX	7067
Suzuki engine		-	0,8	B6HS	4510	BR6HIX	3419

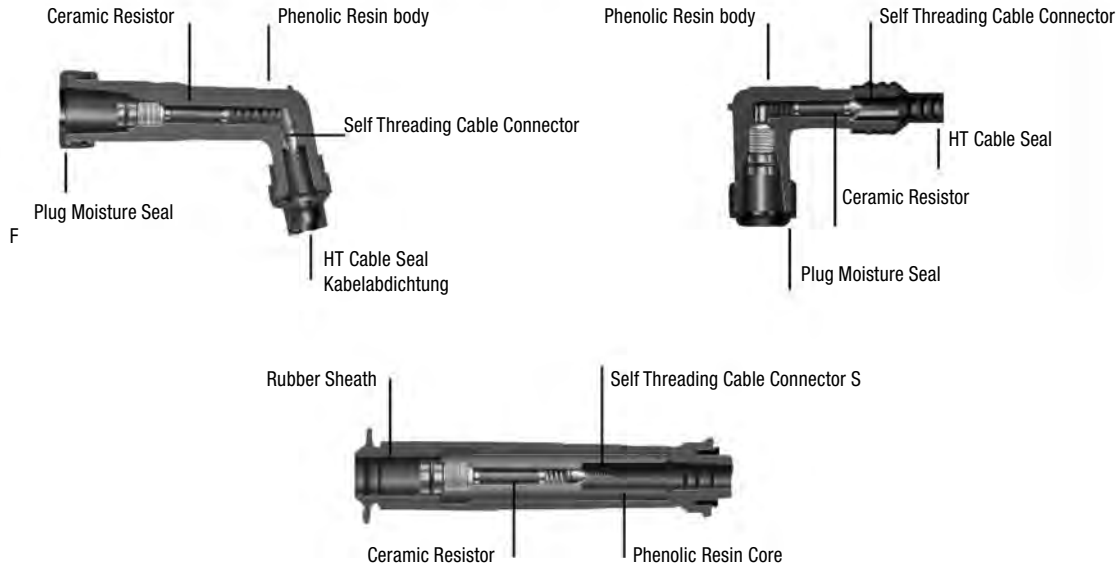
WILD CAT

Brute 50HP		-	0,6	B9ES	2611	BR9EIX	3981
Brute 75HP		-	0,6	B9ES	2611	BR9EIX	3981

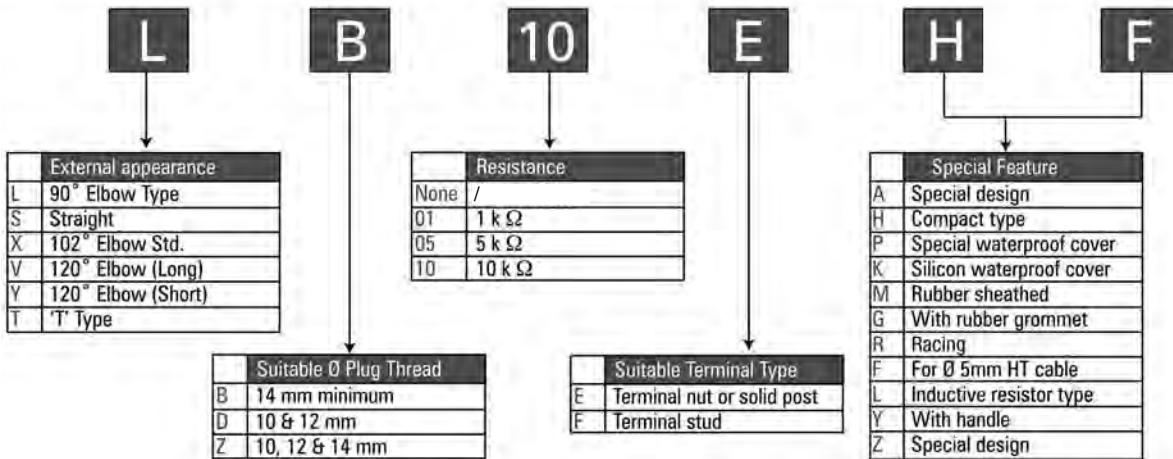
YAMAHA

FX F1B (60E)	140	2002-	0,7	CR9EB	6955	CR9EIX	3521
WJ Wavejammer	500	1997-1990	0,6	B7HS	5110	BR7HIX	7067
WR Waverunner	500	1987-1994	0,6	B7HS	5110	BR7HIX	7067
MJ T (6M6)	650	1989-1994	0,6	BR8HS	4322	BR8HIX	7001
MJ TL (6R8)	650	1990-1995	0,6	BR8HS	4322	BR8HIX	7001
MJ TX (61L)	650	1992-1996	0,6	BR8HS	4322	BR8HIX	7001
SJ Super Jet (6R7)	650	1990-1994	0,6	BR8HS	4322	BR8HIX	7001
WR Waverunner	650	1990-1992	0,6	B8HS	5510	BR8HIX	7001
WRA Waverunner III	650	1990-1996	0,6	BR8HS	4322	BR8HIX	7001
WRB Waverunner VXR	650	1991-1996	0,6	B8HS	5510	BR8HIX	7001
FX FX1,FX 700	700	1995-1997	0,6	B8HS	5510	BR8HIX	7001
FX FX1 (62L)	700	1994-1996	0,6	BR8HS	4322	BR8HIX	7001
MJ TL (62G)	700	1993-1996	0,6	BR8HS	4322	BR8HIX	7001
MJ TX (61X)	700	1993-1995	0,6	BR8HS	4322	BR8HIX	7001
RA Wave Raider (62T)	700	1994-1996	0,6	BR8HS	4322	BR8HIX	7001
RA Wave Raider (64R)	700	1996-	0,6	BR8HS	4322	BR8HIX	7001
RA Wave Raider Deluxe	700	1995-1996	0,6	BR8HS	4322	BR8HIX	7001
SJ Super Jet (62N)	700	1994-1995	0,6	BR8HS	4322	BR8HIX	7001
SJ Super Jet 2T	700	2006-2010	0,7	B7HS	5110	BR7HIX	7067
SJ A (64V)	700	1996-	0,6	BR8HS	4322	BR8HIX	7001
SJ SuperJet SJ700	700	1994-1995	0,6	B8HS	5510	BR8HIX	7001
SJ SuperJet SJ700	700	1997-2001	0,6	BR7HS	4122	BR7HIX	7067
SJ SuperJet SJ700	700	2002-2005	0,6	BR8HS	4322	BR8HIX	7001
VN Wave Venture	700	1995-1996	0,6	BR8HS	4322	BR8HIX	7001
WB	700	1993-1996	0,6	B8HS	5510	BR8HIX	7001
WB GA7 (62E)	700	1994-1996	0,6	BR8HS	4322	BR8HIX	7001
WB A (64U)	700	1996-1999	0,6	BR8HS	4322	BR8HIX	7001
WRA Waverunner III GP /Pro VXR	700	1995-1997	0,6	BR8HS	4322	BR8HIX	7001
WRA Waverunner III	700	1997-	0,6	BR8HS	4322	BR8HIX	7001
WRB Waverunner Pro VXR	700	1993-1997	0,6	BR8HS	4322	BR8HIX	7001
WVT Wave Venture (63N)	700	1995-1996	0,6	BR8HS	4322	BR8HIX	7001
WVT Wave Venture	700	1998-	0,6	BR8HS	4322	BR8HIX	7001
WVT B Wave Venture (65T)	700	1995-1998	0,6	BR8HS	4322	BR8HIX	7001
XL Waverunner (63N)	700	1999-2004	0,6	BR8HS	4322	BR8HIX	7001
RA WaveRaider RA700B	701	1997-	0,6	B7HS	5110	BR7HIX	7067
GP Waverunner III GP (65V)	760	1997-1999	0,6	BR8HS	4322	BR8HIX	7001

NGK RESISTOR PLUG COVERS

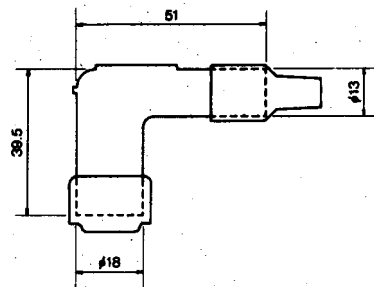


COVER SYMBOLS EXPLANATION CHART



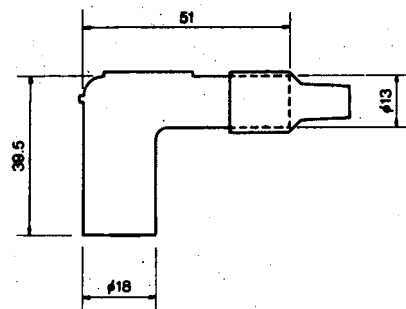
Basic	Type	Stock-No.	Colour	R [kΩ]	Ø [mm]	Terminal
LB	LB - E	8302	black	/	14	
	LB01E	8011	black	1		
	LB05E - R	8898	red	5		
	LB05E	8031	black	5		
	LB10E	8349	black	10		
	LB - F	8309	black	/		
	LB01F	8330	black	1		
	LB01FF	8331	black	1		
	LB05F	8051	black	5		
	LB05F - R	8854	red	5		
	LB05FF	30326	black	5		
	LB10F	8358	black	10		
	LB10FF	8359	black	10		
LD	LD05E	6902	black	5	10-12	
	LD - F	8311	black	/		
	LD01F	8362	black	1		
	LD05F - R	8231	red	5		
	LD05F	8060	black	5		
	LD10F	8997	black	10		


Phenolic Resin



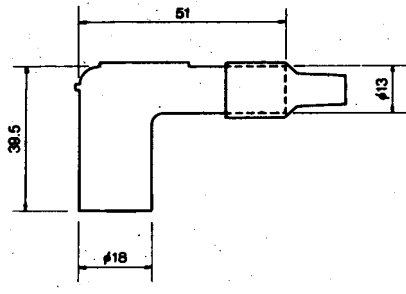




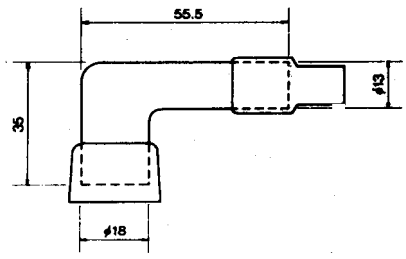
Basic	Type	Stock-No.	Colour	R [kΩ]	Ø [mm]	Terminal
LB	LB01EP	8328	black	1	14	
	LB05EP	8020	black	5		
	LB - EPK	8304	black	/		
	LB05EPK	8342	black	5		
	LB01FP	8088	black	1		
	LB05FP	8030	black	5		
LD	LD05FP	8070	black	5	10 - 12	



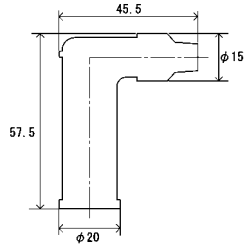
Phenolic Resin





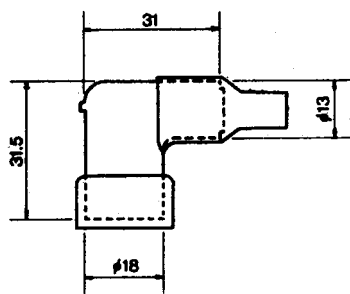
Basic	Type	Stock-No.	Colour	R [kΩ]	Ø [mm]	Terminal
LZ	LZ05F	8368	black	5	10-12-14	
Phenolic Resin						
						



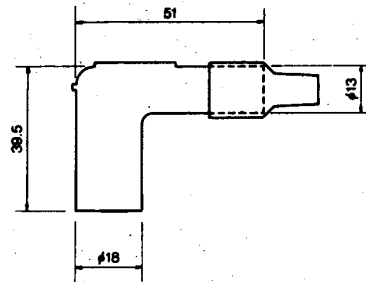
Basic	Type	Stock-No.	Colour	R [kΩ]	Ø [mm]	Terminal
LB	LB05FG	8346	black	5	14	
Phenolic Resin						
						
						





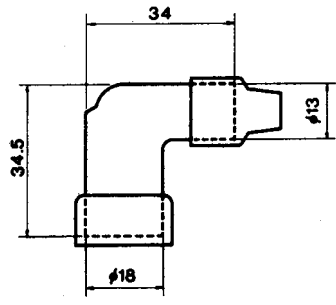
Basic	Type	Stock-No.	Colour	R [kΩ]	Ø [mm]	Terminal
LB	LB05EZ	8744	black	5	14	
Phenolic Resin						
						
						



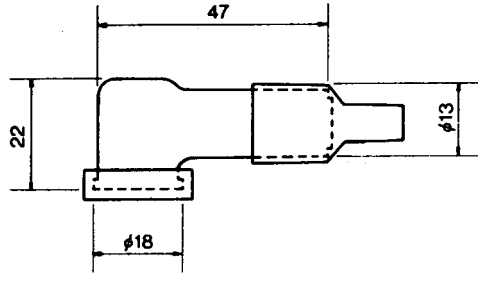
Basic	Type	Stock-No.	Colour	R [kΩ]	Ø [mm]	Terminal
L	L05EA	6667	black	5		
Phenolic Resin						
						
						




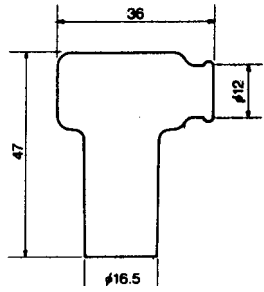
Basic	Type	Stock-No.	Colour	R [kΩ]	Ø [mm]	Terminal
L	L - EH	8301	black	/		
Phenolic Resin						
						



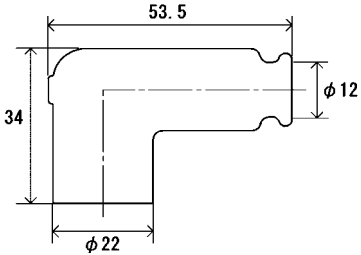
Basic	Type	Stock-No.	Colour	R [kΩ]	Ø [mm]	Terminal
LB	LB01EH	8326	black	1	14	
	LB01EHF	8327	black	1		
	LB05EH	8334	black	5		
	LB05EHF	8336	black	5		
	LB10EH	8351	black	10		
	LB10EHF	8055	black	10		
	LB - FH	8310	black	/		
LD	LD - FH	8313	black	/	10-12	
Phenolic Resin						
 						



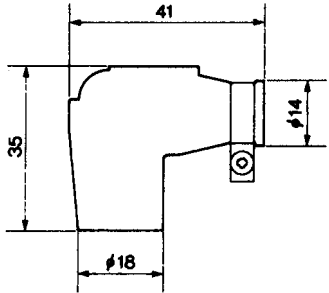
Basic	Type	Stock-No.	Colour	R [kΩ]	Ø [mm]	Terminal
LB	LB10EHAk	8719	black	10	14	
Phenolic Resin						
 						






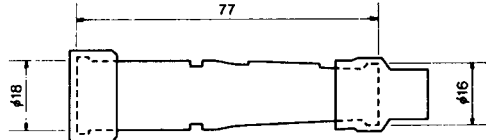
Basic	Type	Stock-No.	Colour	R [kΩ]	 Ø [mm]	Terminal
LZ	LZEH	8760	black	/	10-12-14	
	LZFH	8710	black	/		
Phenolic Resin						
						

Basic	Type	Stock-No.	Colour	R [kΩ]	 CM6	Terminal
LC	LC05EFK	8050	black	5		
Phenolic Resin						
						

Basic	Type	Stock-No.	Colour	R [kΩ]	 Ø [mm]	Terminal
LB	LB05EMH	8338	black	5	14	
	LB05EMH - R	8160	red	5		
Rubber sheathed						
						



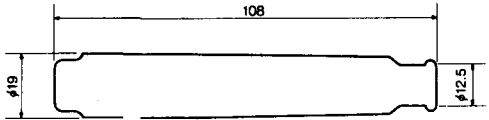
Basic	Type	Stock-No.	Colour	R [kΩ]	Ø [mm]	Terminal
LB	LB05EMHA	8549	red	5	14	
Rubber sheathed						
						

Basic	Type	Stock-No.	Colour	R [kΩ]	Ø [mm]	Terminal
LB	LBER - B	8308	blue	/	14	
Silikon Rubber						
						




Basic	Type	Stock-No.	Colour	R [kΩ]	Ø [mm]	Terminal
SB	SB01E	8370	black	1	14	
	SB05E	8374	black	5		
	SB10E	8803	black	10		
	SB01F	8372	black	1		
	SB05F	8080	black	5		
	SB05F - R	8567	red	5		
	SB10F	8387	black	10		
SD	SD05E	6894	black	5	10-12	
	SD01F	8388	black	1		
	SD05F	8022	black	5		
	SD05F - R	8238	red	5		
	SD10F	8394	black	10		
SZ	SZ05F	8396	black	5	10-12-14	
Phenolic Resin						
						

Basic	Type	Stock-No.	Colour	R [kΩ]	Ø [mm]	Terminal
SB	SB05FP	8386	black	5	14	
SD	SD05FP	8325	black	5	10 - 12	
Phenolic Resin						
						

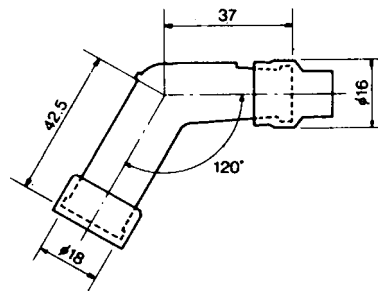
Basic	Type	Stock-No.	Colour	R [kΩ]	Ø [mm]	Terminal
SD	SD05EG	5818	black	5	10-12	
Phenolic Resin						
						



Basic	Type	Stock-No.	Colour	R [kΩ]	Ø [mm]	Terminal
SD	SD05FM	8392	black	5	10-12	
	SD05FM - R	8673	red	5		
Rubber sheathed						
 						

Basic	Type	Stock-No.	Colour	R [kΩ]	Ø [mm]	Terminal
SD	SD05FGA	8683	black	5	10-12	
Phenolic Resin						
						
Application: Honda VT 600, XL 600						

Basic	Type	Stock-No.	Colour	R [kΩ]	 Ø [mm]	Terminal
VB	VB01E	8405	black	1	14	
	VB05E	8408	black	5		
	VB - F	8913	black	/		
	VB01F	8406	black	1		
	VB05F	8032	black	5		
	VB05F - R	8759	red	5		
	VB10F	8414	black	10		
VD	VD01F	8415	black	1	10-12	
	VD05F	8052	black	5		
	VD05F - R	8376	red	5		
	VD10F	8430	black	10		



Phenolic Resin



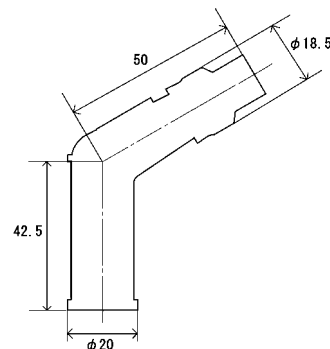
Basic	Type	Stock-No.	Colour	R [kΩ]	 Ø [mm]	Terminal
VB	VB05FP	8413	black	5	14	



Phenolic Resin



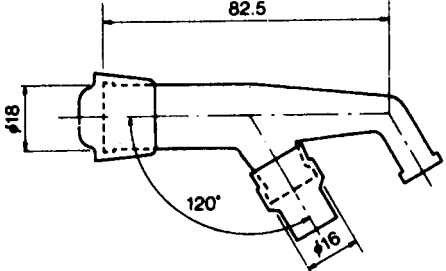




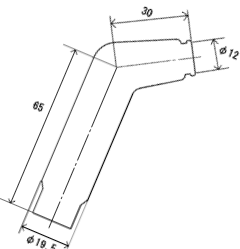
Basic	Type	Stock-No.	Colour	R [kΩ]	 Ø [mm]	Terminal
V	V05E	6665	black	5		




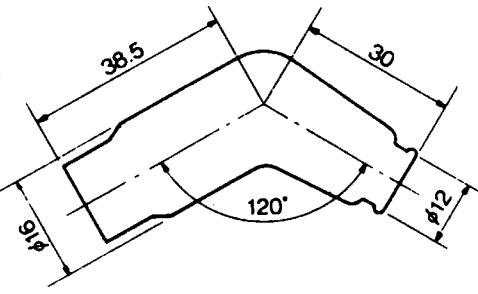
Phenolic Resin



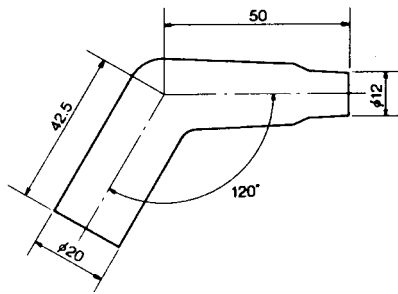




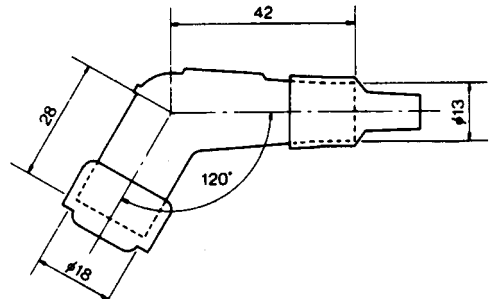
Basic	Type	Stock-No.	Colour	R [kΩ]	Ø [mm]	Terminal
VD	VD05EG	5817	black	5	10-12	
Phenolic Resin						
						



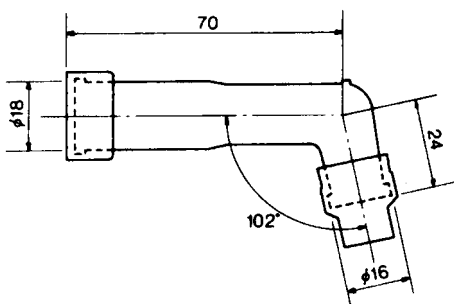
Basic	Type	Stock-No.	Colour	R [kΩ]	Ø [mm]	Terminal
VB	VB05EYK	8411	black	5	14	
Phenolic Resin						
 						

Basic	Type	Stock-No.	Colour	R [kΩ]	Ø [mm]	Terminal
VD	VD05EM	8422	black	5	10-12	
Rubber sheathed						
 						




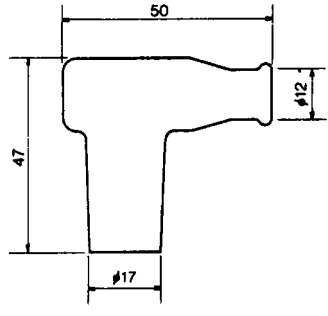
Basic	Type	Stock-No.	Colour	R [kΩ]	Ø [mm]	Terminal
VD	VD05EMH	7744	black	5	10-12	
	VD05FMH	8425	black	5		
Rubber sheathed						
 						




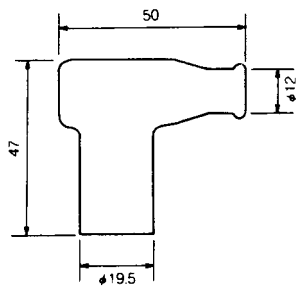
Basic	Type	Stock-No.	Colour	R [kΩ]	Ø [mm]	Terminal
VD	VD05FML	8427	black	5	10-12	
Rubber sheathed						
						



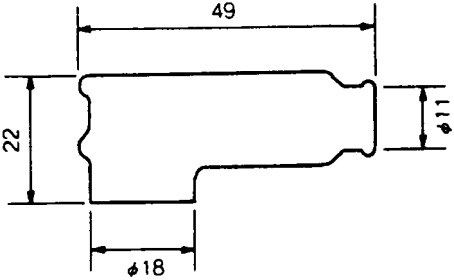
Basic	Type	Stock-No.	Colour	R [kΩ]	Ø [mm]	Terminal
YB	YB01F	8446	black	1	14	
	YB05F	8082	black	5		
	YB05F	8162	red	5		
	YB10F	8449	black	10		
YD	YD01F	8450	black	1	10-12	
	YD05F	8454	black	5		
	YD05F	8453	red	5		
Phenolic Resin						
						



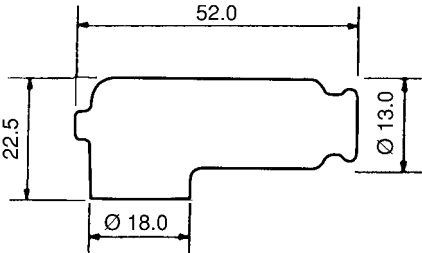
Basic	Type	Stock-No.	Colour	R [kΩ]	Ø [mm]	Terminal
XB	XB01F	8431	black	1	14	
	XB05F	8062	black	5		
	XB05F - R	8592	red	5		
	XB10F	8436	black	10		
XD	XD01F	8439	black	1	10-12	
	XD05F	8072	black	5		
	XD05F - R	8768	red	5		
	XD10F	8442	black	10		
XZ	XZ01F	8443	black	1	10-12-14	
	XZ05F	8444	black	5		
Phenolic Resin						
						



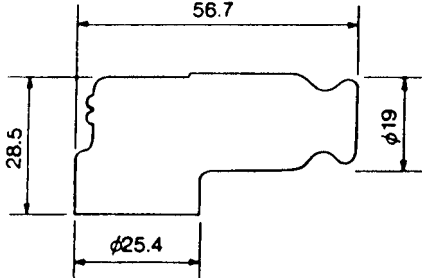
Basic	Type	Stock-No.	Colour	R [kΩ]	 Ø [mm]	Terminal
XB	XB05FP	8435	black	5	14	
XD	XD05FP	8641	black	5	10 - 12	
Phenolic Resin						
						



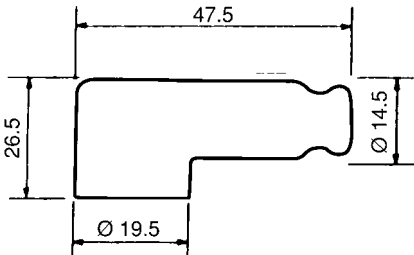
Basic	Type	Stock-No.	Colour	R [kΩ]	 Ø [mm]	Terminal
TB	TB05EM - R	8955	red	5	14	
	TB10EM - Y	8404	yellow	10		
Rubber sheated						
 						



Basic	Type	Stock-No.	Colour	R [kΩ]	 Ø [mm]	Terminal
TB	TB05EMA	8636	black	5	14	
Rubber sheated						
 						

Basic	Type	Stock-No.	Colour	R [kΩ]		Terminal
TB	TRS1225 - B	8787	blue	5	R6120 A/C/M R7282 A/C/M	
<p>Rubber sheathed</p>  						


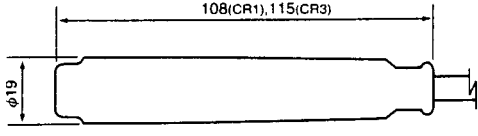
Basic	Type	Stock-No.	Colour	R [kΩ]		Terminal
TB	TRS1233A - R	8929	red	5	R6120 A/C/M R7282 A/C/M	
	TRS1233B - Y	8897	yellow	5		
	TRS1233C - G	8546	green	5		
<p>Rubber sheathed</p>  						

Basic	Type	Stock-No.	Colour	R [kΩ]		Terminal
TB	TRS1408F - B	8871	blue	5	R5300A R5300N	
<p>Rubber sheathed</p>  						

Basic	Type	Stock-No.	Colour	R [kΩ]		Terminal
TB	TRS1409 - R	8733	red	5	R5540F	
<p>Rubber sheathed</p>  						





Basic	Type	Stock-No.	Colour	R [kΩ]	Ø [mm]	Terminal
CR	CR1	8035	red	5	10-12-14	
	CR3	8089	red	5		

Rubber sheathed

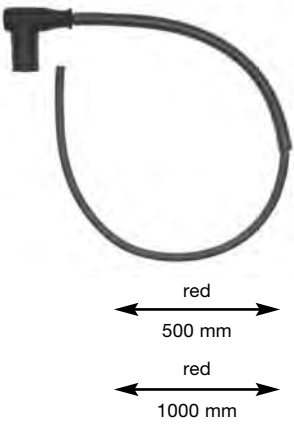
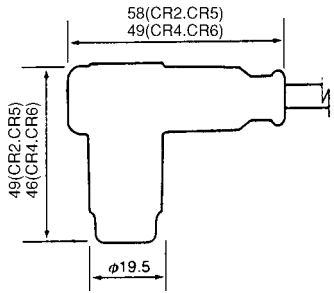



red
500 mm

CR1: SD05FM CR3: SD05EMK


Basic	Type	Stock-No.	Colour	R [kΩ]	Ø [mm]	Terminal
CR	CR2	8048	red	5	10-12-14	
	CR4	8054	red	5		
	CR5	8515	red	5		
	CR6	8736	red	5		

Rubber sheathed


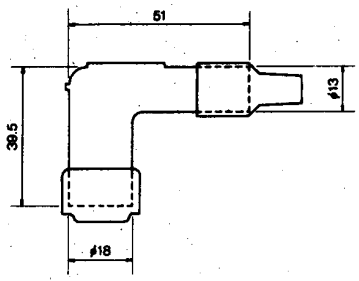



red
500 mm
red
1000 mm

CR2: LZ05FM CR4: TB05EMA
CR5: LZ05FM CR6: TB05EMA



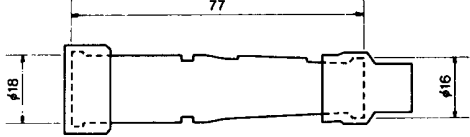
Basic	Type	Stock-No.	Colour	R [kΩ]	Ø [mm]	Terminal
	LY11	8718	red	5	10-12-14	



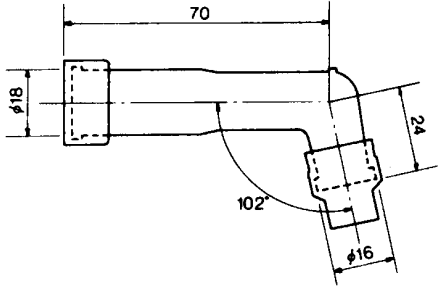
Phenolic Resin



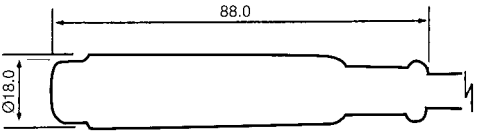





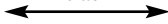
yellow
500 mm


LZ05F

Basic	Type	Stock-No.	Colour	R [kΩ]	Ø [mm]	Terminal
	SY11	8539	red	5	10-12-14	
Phenolic Resin						
					SZ05F	
<p style="text-align: center;">yellow ↔ 500 mm</p>						

Basic	Type	Stock-No.	Colour	R [kΩ]	Ø [mm]	Terminal
	XY11	8584	red	5	10-12-14	
Phenolic Resin						
					XZ05F	
<p style="text-align: center;">yellow ↔ 500 mm</p>						

Basic	Type	Stock-No.	Colour	R [kΩ]	Ø [mm]	Terminal
	SD05FMC	8393	black	5	10-12	
Rubber sheathed						
					SD05FMC	
<p style="text-align: center;">red ↔ 500 mm</p>						

Basic	Type	Stock-No.	Colour	R [kΩ]	Ø [mm]	Terminal
	RC-X140	5937	black	5	10-12	
<p>Phenolic Resin</p>  <p style="text-align: center;">  black 350 mm </p> <p style="text-align: right;">LD05EAK</p>						

Basic	Type	Stock-No.	Colour	R [kΩ]	Ø [mm]	Terminal
	J-1	8739	black	/		
						

Conversion Chart

Note: This chart is furnished as a guide. Due to differences in design, materials, etc., plugs produced by various manufacturers do not have exactly the same heat range. See recommendations sections for specific engine application.



AC	→ NGK
44	B6S
45	B-4
46	B-4
48	B-4
40TS	BP7FS
41-100	IZTR4A11
41-101	ITR4A15
41-103	ILTR5B11
41-105	ILTR5C11
41-107	ILTR6B11
41-109	ILTR6E11
412XLS	BP7ES
414XLS	BP6ES
41-600	TR55IX
41-601	BPR6ES
41-602	FR5
41-603	FR4
41-606	TR55
41-608	FR45
41-610	FR4
41-611	FR45
41-627	BKR4E-11
41-628	FR4
41-812	TR6IX
41-900	TR5
41-902	TR55
41-904	TR5
41-905	UR4
41-906	TR5
41-907	TR5
41-910	TR5
41-913	TR55
41-919	TR55
41-921	TR55
41-928	TR55-1
41-929	TR55
41-932	TR55
41-933	PTR4B-15
41-936	TR55
41-940	TR55
41-942	TR55
41-943	TR55
41-947	TR55
41-948	TR4IX
41-950	PTR5C-13
41-963	PTR5C-13
41-974	PZTR5A-15
41-983	PZTR5A-15
41-985	IZTR5B11
41-987	PTR5C-13
41-988	LTR6AP-11
41-993	PTR4G-15

AC	→ NGK
41F	B6HS-10
41TS	BP6FS
41XL	B9ES
41XLS	BP7ES
420Z	B-4H
422Z	B5HS
425F	B6HS
425Z	B6HS
426FS	BP6HS
42F	B6HS
42FF	B6HS
42FS	BP6HS
42S	BP6S
42TS	BP6FS
42XL	B8ES
42XLS	BP6ES
430Z	B7HS
436XLS	BP9ES
438XLS	BP8ES
43F	B6HS
43FFS	BP6HS
43FS	BP6HS
43N	B7ES
43S	BP6S
43TS	BP6FS
43XL	B7ES
43XLS	BP6ES
440T	B7FS
440XLS	BP8ES
445Z	B8HS
44F	B5HS
44FF	B5HS
44FFS	BP5HS
44N	B6ES
44NS	BP5ES
44S	BP5S
44TS	BP5FS
44XL	B6ES
44XLO	BP5ES
44XLS	BP5ES
45F	B5HS
45FF	B5HS
45FFS	BP5HS
45L	B-4L
45NS	BP5ES
45S	BP5S
45TS	BP4FS
45XL	B6ES
45XLS	BP5ES
46F	B5HS
46FF	B5HS
46FFS	BP5HS



AC	→ NGK
46N	B5ES
46S	BP5S
46TS	BP4FS
46XL	B5ES
46XLS	BP4ES
47FF	B-4H
47S	BP-4
47XL	B4ES
83CTS	AP6FS
83TS	AP6FS
84T	A6FS
84TS	AP5FS
85T	A5FS
85TS	AP5FS
86TS	AP5FS
B4021	B6S
B4031	B-4
B43	B6S
B44FS	BP5HS
B44S	BP5S
B45	B-4
C41	B7S
C421	B6S
C42CFS	BP6HS
C42CLTS	BP6EFS
C42CXLS	BP6ES
C42LTS	BP6EFS
C42N	B7ES
C42XLS	BP5ES
C43	B6S
C43CXLS	BP6ES
C43L	B-6L
C43N	B6ES
C44	B6S
C44N	B6ES
C44NS	BP5ES
C44S	BP5S
C44XL	B6ES
C45	B-4
C45L	B-4L
C46	B-4
C47	B-4
C47W	B-4
C49	B-2
C73	G-2Z
C75	G-2Z
C81	AB-8
C82	AB-7
C82T	A7FS
C83	AB-7
C83T	A6FS
C84T	A6FS

AC	→ NGK
C85	AB-6
C85TS	AP5FS
C86	AB-6
C87	AB-6
C88	AB-2
C88L	AB-2
CFR1CLS	BCPR7ES
CFR2CLS	BKR6ES
CR42CFS	BPR6FS
CR42CXLS	BPR6ES
CR42N	BR7ES
CR43	BR6S
CR43CXLS	BPR6ES
CR43K	BR6S
CR43N	BR6ES
CR43S	BP6S
CR43TS	BPR5FS-11
CR43TSM	BPR5FS-11
CR44N	BR6ES
CR44NS	BPR5ES
CR44TS	BPR5FS-11
CR45TS	UR4
CR83T	AR6FS
CS40	BM7A
CS41	BM7A
CS41T	BM7F
CS42	BM7A
CS42S	BM7A
CS42T	BM6F
CS45	BM6A
CS45T	BM6F
CS49	BM4A
CSR45	BMR6A
FR2LS	BKR6ES
FR2LSK	BKR6ES
FR3CLS	BKR5ES
FR3CLS6	BKR5ES-11
FR3LM	ZFR5A-11
FR3LS	BKR5ES
FR3LS6	BKR5ES-11
FR3LSJ	BKR4E-11
FR3LSK	BKR5ES
FR4LE	ZFR4F-11
FR4LSJ	BKR4E-11
FR5LS	BKR5ES
LM46	B4-LM
LM49	B4-LM
M40FF	B9HS
M40FFX	B9HS-10
M41FF	B8HS
M41K	B8S
M42FF	B7HS



AC	→ NGK
M42K	B7S
M43FF	B6HS
M43S	BP6S
M44B	B6S
M44C	B6S
M44L	B-6L
M45	B-4
M45FF	B5HS
M47	B-4
M86	AB-6
M90	B9S
MB42K	B6S
MC104F	C6HSA
MC121F	D10HS
MC122F	D8HA
MC124FS	D6HA
MC41	B8S
MC41F	B8HS
MC42	B8S
MC42F	B7HS
MC44	B7S
MR42K	BR6S
MR42LTS	BPR6EFS
MR43LTS	BPR6EFS
MR43T	BR6FS
MR44C	BR6S
MR44T	BR5FS
MR45	B-4
R415TS	BPR6FS
R41CF	BR7HS
R41CXL	BR9ES
R41CXLS	BPR7ES
R41TS	BPR6FS
R425LTS	BPR6EFS
R425TS	BPR6FS
R426FS	BPR6HS
R42CF	BR6HS
R42CFS	BPR6HS
R42CLTS	BPR6EFS
R42CT	BR6FS
R42CTS	BPR6FS
R42CXL	BR8ES
R42CXLS	BPR6ES
R42FS	BPR6HS
R42LTS	BPR6EFS
R42LTSM	BPR5EFS-13
R42S	BP6S
R42T	BR6FS
R42TS	BPR6FS
R42TSM	BPR6FS
R42TX	BR6FS
R42XL	BR8ES

AC	→ NGK
R42XLS	BPR6ES
R42XLSM	ZGR5C
R43	BR6S
R43C	BR6S
R43CFS	BPR6HS
R43CNTSE	TR5-1
R43CS	BP6S
R43CT	BR6FS
R43CTS	BPR6FS
R43CTS6	BPR6FS
R43CXL	BR7ES
R43CXLS	BPR6ES
R43FS	BPR6HS
R43LTS	BPR6EFS
R43LTSE	TR4
R43LTSX	BPR6EFS-13
R43N	BR7ES
R43NTSE	TR5-1
R43S	BP6S
R43T	BR6FS
R43TS	BPR6FS
R43TSK	BPR6FS
R43TSX	BPR6FS
R43TX	BR6FS
R43XL	BR7ES
R43XLS	BPR6ES
R44	BR6S
R44CF	BR5HS
R44CNTSE	TR5-1
R44CXL	BR6ES
R44CXLS	BPR5ES
R44F	BR5HS
R44LTS	BPR5EFS
R44LTS6	BPR5EFS-13
R44LTS6K	BPR5EFS-13
R44LTSM	TR4
R44LTSM6	TR4
R44N	BR6ES
R44NS	BPR5ES
R44NTSE	TR5-1
R44S	BP5S
R44T	BR5FS
R44TS	BPR5FS
R44TSX	BPR5FS-15
R44TX	BR5FS
R44XL	BR6ES
R44XLS	BPR5ES
R44XLS6	BPR4ES-13
R44XLSE	ZGR5C
R44XLSM	ZGR5C
R45	BR6S
R45LTS6	BPR5EFS-13



AC	→ NGK
R45LTS6K	BPR5EFS-13
R45NS	BPR5ES
R45NSX	BPR5ES-13
R45NTSE	TR5-1
R45S	BP5S
R45T	BR5FS
R45TS	BPR4FS
R45TSX	BPR4FS-15
R45XL	BR6ES
R45XLS	BPR5ES
R46	BR6S
R46LTS	BPR5EFS
R46N	BR5ES
R46S	BP-4
R46SZ	XR45IX
R46T	BR5FS
R46TS	BPR4FS
R46TSX	BPR4FS-15
R46TX	BR5FS
R46XL	BR5ES
R46XLS	BPR4ES
R47S	BP-4
R83CT	AR6FS
R83CTS	APR6FS
R83TS	APR6FS
R84TS	APR5FS
R85TS	APR5FS
S102F	C7HSA
S104F	C6HSA
S121F	D8HA
S121XL	D8EA
S122F	D8HA
S123XL	D7EA
S124FS	D6HA
S404XLG	B10EG
S408XLG	B9EG
S40F	B9HS
S40FR	BR9HS
S40XL	B10ES
S40XLG	B9ECS
S40XLR	BR8ES
S41F	B8HS
S41FG	B7HCS
S41FR	BR8HS
S41XL	B9ES
S41XLG	B8ECS
S41XLR	BR9ES
S42	B7S
S42F	B7HS
S42FR	BR7HS
S42XL	B8ES
S42XLR	BR8ES

AC	→ NGK
S43XL	B7ES
S43XLR	BR7ES
S44	B6S
S44F	B5HS
S44XL	B6ES
S45F	B5HS
S46	B-4
S81F	AB-8
S82F	AB-8
S83F	AB-7
S85F	AB-6
SB41	B7S
SN46	B-4
SV41XL	BUE
SV4XL	BUE
TC42	B8S
TC45	B6S
TC49	B-2
TC81	AB-8
TC82	AB-8
TC83	AB-7
TC85	AB-6
TC86	AB-6
V40	B9S
V40FFK	BUHW-2
V40FFM	BUHW
V40FFS	BUH
VB40FFM	BUHXW-1
VR40FFK	BUZHW-2
VR40FFM	BUZHW
AUTOLITE / TUNER → NGK	
12	BP7FS
13	BP6FS
14	BP6FS
15	BP5FS
16	BP4FS
23	BPR6FS
24	BPR6FS
25	BPR5FS
26	BPR4FS-15
27	BPR4FS-15
32	AP7FS
33	AP6FS
34	AP6FS
35	AP5FS
36	AP5FS
37	AP5FS
43	APR6FS
44	APR6FS
45	APR5FS
46	APR5FS



AUTOLITE / TUNER	→ NGK
52	BP7ES
53	BP6ES
54	BP6ES
55	BP5ES
56	BP5ES
57	BP4ES
62	BP7ES
63	BPR6ES
64	BPR6ES
65	BPR5ES
66	BPR5ES
67	BPR4ES
73	BP6S
74	BP6S
75	BP5S
76	BP5S
77	BP-4
84	BP6S
85	BP5S
86	BP-4
87	BP-4
94	BP7EFS
102	BP7EFS
103	BPR6EFS
104	BPR6EFS
105	BPR5EFS
106	BPR5EFS
112	A9FS
113	A7FS
115	A6FS
117	A6FS
124	AR6FS
135	B7FS
136	BR6FS
143	BR6FS
144	BR6FS
145	BR6FS
146	BR5FS
147	BR5FS
156	AP5FS
166	APR5FS
175	BP5S
203	BPR6FS
215	B-6L
216	B-6L
217	B-4L
218	B-4L
235	BM6A
245	BMR6A
253	BM7A
254	BM6A
255	BM6A

AUTOLITE / TUNER	→ NGK
258	BM4A
273	BP6HS
274	BP6HS
275	BP5HS
276	BP5HS
283	BPR7HS
284	BPR6HS
292	B8S
294	B6S
295	B-4
297	B-4
298	B-2
302	BR6S
303	BR6S
304	BR6S
306	B-4
308	B-2
312	B8S
313	B7S
314	B6S
315	B6S
316	B6S
317	B-4
318	B-2
344	AR6FS
353	B8S
354	B6S
355	B6S
356	B-4
357	B-4
358	B-2
363	BR6S
372	AB-8
373	AB-7
374	AB-7
375	AB-6
376	AB-6
377	AB-6
378	AB-6
379	AB-2
386	AB-6
393	B7ES
394	B6ES
395	B5ES
396	B5ES
397	B5ES
398	B4ES
402	BR8ES
403	BR6ES
404	BR6ES
405	BR5ES
406	BR5ES



AUTOLITE / TUNER	→ NGK
411	B9HS
413	B7HS
414	B6HS
415	B5HS
416	B5HS
417	B-4H
424	B6HS
425	BR5HS
426	BR5HS
436	B-6L
437	B-4L
456	B4-LM
458	B2-LM
472	B9EFS
483	BR7EFS
494	B-6L
495	B-6L
497	B-4L
515	BP5HS
516	BP5HS
517	BP-4H
535	B5HS
536	B-4H
584	AR6FS
603	BPR6EFS-13
604	BPR6EFS-13
605	BPR6EFS-13
646	BPR5ES-13
664	BPR6FS
665	BPR5FS-15
666	BPR4FS-15
667	BPR4FS-15
683	BR6FS
684	BR6FS
685	BR6FS
687	BR5FS
723	BPR6FS
724	BPR6FS
725	BPR5FS-11
726	BPR4FS
727	BPR4FS-11
744	APR5FS
746	APR5FS
747	APR5FS
763	TR5-1
764	BPR6EFS
765	BPR5EFS
766	BPR5EFS
784	AR6FS
804	AR6FS
865	BPR5EFS
884	BPR6EFS-13

AUTOLITE / TUNER	→ NGK
915	ZGR5C
925	ZGR5C
935	BPR5ES
945	BPR5ES
985	ZFR4F-11
996	B-6L
2272	AB-7
2413	B10EGP
2414	B10EG
2415	B9EG
2416	B8EG
2417	B7ECS
2543	TR5-1
2544	TR5-1
2545	TR5-1
2546	TR5-1
2585	BPR5ES
2592	B10ES
2593	B9ES
2594	B9ES
2611	B10ES
2612	B9ES
2613	B9ES
2614	B8ES
2615	B7ES
2616	B6ES
2634	B9HS-10
2635	B8HS
2636	B7HS
2652	B9HS-10
2653	B7HS
2654	B7HS
2655	B6HS
2656	B5HS
2675	B-6L
2676	B-6L
2695	AB-8
2696	AB-7
2697	AB-6
2715	D8HA
2716	D6HA
2735	D6HA
2755	D8EA
2772	AB-8
2775	AB-6
2794	C8HSA
2795	C7HSA
2796	C6HSA
2852	BUH
2872	BUHW
2892	BUHX
2932	BUE



AUTOLITE / TUNER	→ NGK
2954	BM7F
2956	BM6F
2974	BPM7A
2976	BPMR7A
3012	B8S
3013	B7S
3014	B6S
3017	B-4
3035	AB-6
3036	BPR4FS-15
3055	A6FS
3074	G-2Z
3075	G-2Z
3116	AB-6
3203	BPR6ES
3204	BPR6ES
3205	BPR5ES
3206	BPR5ES
3207	BPR5ES
3224	BP6S
3225	BP5S
3226	BP5S
3227	BP5S
3243	BPR6EFS
3244	BPR6EFS
3245	BPR5EFS
3246	BPR5EFS
3264	B7FS
3265	BR6FS
3266	BR5FS
3267	BR5FS
3286	APR6FS
3303	BPR6FS
3325	B-6L
3327	B-4L
3345	BMR7A
3364	BPR6HS
3382	BR6S
3383	BR6S
3384	BR6S
3386	BR6S
3388	BR6S
3404	AR6FS
3423	B8S
3426	BR6S
3462	BR7ES
3463	BR6ES
3464	BR6ES
3465	BR5ES
3466	BR5ES
3485	BR5HS
3486	BR5HS

AUTOLITE / TUNER	→ NGK
3507	B-6L
3565	BPR5EFS
3586	BPR5ES-13
3604	BPR5FS-15
3605	BPR4FS-15
3606	BPR4FS-15
3607	BPR4FS-15
3624	BR6FS
3625	BR6FS
3627	BR5FS
3666	B4-LM
3684	BR7HS
3686	BR6HS
3702	BR9ES
3703	BR9ES
3704	BR8ES
3705	BR6ES
3706	BR6ES
3724	BPR5EFS
3885	ZGR5C
3896	ZGR5C
3922	BCPR7ES
3924	BKR6ES
3926	BKR5ES
3954	D8EA
3964	DR8ES-L
3985	BPR5FS-15
4043	BPR6ES-11
4052	B9ES
4053	B9ES
4054	B8ES
4055	B7ES
4056	B6ES
4062	BR9ES
4063	BR9ES
4092	B7HS
4093	B7HS
4113	BP6HS
4114	BP6HS
4123	BPR6HS
4132	D8EA
4143	DR8ES-L
4152	DP9EA-9
4153	DP8EA-9
4162	DPR7EA-9
4163	DR8ES-L
4164	D7EA
4173	D8HA
4193	C7HSA
4203	CR7HS
4251	BP8ES
4252	BP7ES



AUTOLITE / TUNER	→ NGK
4253	BP6ES
4263	BPR6ES
4265	BPR5ES
4275	BP5S
5143	TR5-1
5224	BKR5ES
9062	BUR6ET
9063	BUR6ET
9064	BP5ET
9921	BCPR6ET
AP63	PFR6B
APP392411	BKR5EP-11
BERU	→ NGK
0001245700	D7EA
0001325701	BP5ES
0001325704	BP5ESZ
0001325705	BCP5ES
0001325710	BP5ET
0001330104	BUR5ET
0001330112	BUR5ET-10
0001330113	BUR5ET
0001330116	BKUR5ET-10
0001330119	BKUR5ET
0001330501	BKR6EK
0001330702	BP5ES
0001330707	BCP5ES
0001330709	BP5ET-10
0001330713	BP5ESZ
0001330717	ZFR5F
0001330718	ZGR5A
0001330725	BCP5ES
0001330726	BP5ESZ
0001330731	BCP5ES
0001330780	BKR6EZB
0001330904	IFR5D10
0001335107	BKUR6ET-10
0001335108	BUR6ET
0001335702	BP6ES
0001335707	B6ES
0001335709	BUR6ET
0001335714	BP6ESZ
0001335721	BCP6ES
0001335725	BCP6ES
0001335729	BKR6ES
0001335732	BKR6EK
0001335737	BP6ESZ
0001335742	ZFR5P-G
0001335905	IFR6D10
0001335910	IFR6D10
0001335911	PZFR5D-11
0001335914	PFR6Q

BERU	→ NGK
0001340103	BKUR6ET
0001340702	BP6ES
0001340704	BUR6ET
0001340706	BCP6ET
0001340707	BP6ESZ
0001340716	BCP6ES
0001340717	BCP6ET
0001340723	BKR6ES
0001340806	BKR6ES
0001340903	BP6ES
0001340908	PFR7Q
0001345702	BP7ES
0001345704	BUR6ET
0001345711	BP7ES
0001345720	BCP7ES
0001350903	BP7ES
0001355700	B9ES
0001400701	B6HS
0001430700	BP5HS
0001430701	B5HS
0001435700	BP6HS
0001435705	B6HS
0001440700	BP6HS
0001445700	BP7HS
0001445702	B7HS
0001450702	B8HS
0001455702	B9HS
0001529302	B-4
0001625700	BP5EFS
0001625702	BP5EFS
0001630700	BP5EFS
0001630704	BP5EFS
0001635700	BP6EFS
0001635709	BP6EFS
0001640700	BP6EFS
0001640704	BP6EFS
0001640705	BP6EFS
0001645700	BP7EFS
0001645703	BP7EFS
0001735700	AP6FS
0001740700	AP6FS
0001820700	AB-6
0001835700	AB-7
0001845700	AB-7
0002235901	PLZKBR7A-G
0002325700	BPR5ES
0002330204	BKR5EYA-11
0002330701	BPR5ES
0002330702	BPR5ES-11
0002330703	BKR5ES
0002330704	BKR5ES-11
0002330706	BPR5EKU



BERU	→ NGK
0002330710	BKR5EK
0002330712	BCRE527Y
0002330713	BKR5EY
0002330714	BKR5EYA
0002335100	BCPR7ET
0002335500	BKR6EK
0002335701	BPR6ES
0002335704	BR6ES
0002335706	BPR6ES-11
0002335707	BKR6ES
0002335708	BKR6ES-11
0002335712	BKR6EY
0002335713	BKR6EYA
0002335714	BKR6EYA-11
0002335715	ZFR6F-11
0002335719	LFR6B
0002335902	BCPR6EP-11
0002335903	BCPR6EP-11
0002335904	BKR6EP-8
0002335911	BKR6EQUP
0002340102	BKR6EKUB
0002340500	BKR6EK
0002340501	BKR6EKE
0002340504	BKR6EKC
0002340701	BPR6ES
0002340702	BKR6ES
0002340703	BPR6ES-11
0002340704	BKR6ES-11
0002345701	BPR7ES
0002345702	BCPR7ES
0002345704	BCPR7ET
0002435701	BPR6HS
0002515400	BP-4
0002630701	PTR5A-13
0002630715	LTR6B-10T
0002630900	TR55
0002635700	BPR6EFS
0002635701	BPR6EFS-13
0002640100	BUR6EFSZ
0002640700	BPR6EFS
0002640701	BPR6FS
0002640900	PTR5A-13
0004525700	B4-LM
0004525701	BR4-LM
0004535402	BPM6A
0004540401	BPMR6A
0004545401	BPM7A
12-5 DU	D7EA
125/14/3	B5ES
125/14/3A	BP5ES
12ZR7SP03	PLZKBR7A-G
14 F-6 DU0	BCP6ES

BERU	→ NGK
14 F-7 DPUR02	PFR6Q
14 F-7 DU	BCP6ES
14 F-7 DU0	BCP6ES
14 F-7 HPURX2	PZFR5D-11
14 F-8 DU	BCP5ES
14 F-8 DU0	BCP5ES
14 F-8 DU4	BCP5ES
14 F-9 DU0	BCP5ES
14 FGH-6 DTUR	BKUR6ET
14 FGH-7 DTURX	BKUR6ET-10
14 FGH-8 DTURW	BKUR5ET
14 FR-6 DU	BKR6ES
14 FR-6 DUX	BKR6ES-11
14 FR-6 LDU	BKR6EK
14 FR-6 LDUW	BKR6EKC
14 FR-7 DQUP7	BKR6EQUP
14 FR-7 DU	BKR6ES
14 FR-7 DUX	BKR6ES-11
14 FR-7 LDU	BKR6EK
14 FR-8 DU	BKR5ES
14 FR-8 DUX	BKR5ES-11
14 FR-8 KUOU	BKR5EYA-11
14 FR-8 LDUOX4	BKR5EK
14 GH-7 DTUR	BUR6ET
14 GH-8 DTUR	BUR5ET
14 GH-8 DTURX	BUR5ET-10
14 K-6 DU	BP6EFS
14 K-7 DU	BP6EFS
14 KR-6 DU	BPR6EFS
14 KR-7 DU	BPR6EFS
14 KR-8 MPX	PTR5A-13
14 KR-8 MUV	PTR5A-13
14 R-5 DU	BPR7ES
14 R-6 BU	BPR6HS
14 R-6 DU	BPR6ES
14 R-6 DUX	BPR6ES-11
14 R-7 BU	BPR6HS
14 R-7 DU	BPR6ES
14 R-7 DUX	BPR6ES-11
14 R-8 DU	BPR5ES
14 R-9 DU	BPR5ES
1410A	B-4H
1410B	BP4HS
1410C	B4ES
1410D	BP4ES
1410E	B-4
1410F	BP-4
142AS1	B9HCS
143A1	B8HS
143AS1	B8HVX
143AU	B8HS
143CS1	B8EVX



BERU	→ NGK
143DP2	B8EVX
144A1	B8HS
144A2	B7HS
144AS1	B8HVX
144AU	B7HS
144B2	BP7HS
144C1	B8ES
144C2	B7ES
144CS1	B8EVX
144DP0	BP7ES
145/14	B5HS
145/14/3	B5ES
145/14/3A	BP5ES
145/14/5	B-4
145/14/5A	BP5S
145/14/5AMX	BPM6A
145/18	AB-6
145/18K	AP5FS
145/1A	BP5HS
145A	B7HS
145AU	B7HS
145B	BP7HS
145BU	BP7HS
145C	B7ES
145CS	B7ECS
145D	BP7ES
145D1	BP7ES
145DP1	BP7ES
145DTU	BUR6ET
145DU	BP7ES
145DU0	BP7ES
145E	B7S
145F	BP6S
14-6 BU	BP6HS
14-6 DU	BP6ES
146B	BP6HS
146C	B6ES
146D	BP6ES
146D1	BP6ES
146DP0	BP6ES
146DTU	BUR6ET
146DU0	BP6ESZ
14-7 BU	BP6HS
14-7 DU	BP6ES
147A	B6HS
147AU	B6HS
147B	BP6HS
147C	B6ES
147CU	B6ES
147D	BP6ES
147DTU	BUR6ET
147DU0	BP6ESZ

BERU	→ NGK
147E	B6S
147F	BP6S
14-8 DU	BP5ES
14-8 LUR	ZGR5A
148A	B5HS
148AU	B5HS
148B	BP5HS
148BU	BP5HS
148C	B5ES
148C1	B6ES
148D	BP5ES
148DTU	BP5ET-10
148DU0	BP5ESZ
148E	B-4
148F	BP5S
14-9 DU	BP5ES
149C	B5ES
149D	BP5ES
149DTU	BP5ET
149DU0	BP5ESZ
149EU0	B4-LM
14F5DU	BCP7ES
14F6DPUR021	PFR7Q
14F6DSR	BKR6ES
14F6DTU	BCP6ET
14F6DUOR	BKR6ES
14F7DPURX2	IFR6D10
14F7DUOR	BKR6ES
14F7HUR2	ZFR5P-G
14F7LDUR	BKR6EK
14F7LDUR4	BKR6EK
14F8DUR	BKR6EZB
14F8LDUSR	BKR6EK
14F8LUR	ZFR5F
14FGH7DPURX2	IFR6D10
14FGH8DPURX2	IFR5D10
14FGH8DTURX0	BKUR5ET-10
14FGR6DDU	BKR6EKUB
14FGR7CTU	BCPR7ET
14FR5DTU	BCPR7ET
14FR5DU	BCPR7ES
14FR6LDU3	BKR6EKE
14FR7KPU	BKR6EP-8
14FR7KPUV	BCPR6EP-11
14FR7KPUX	BCPR6EP-11
14FR7KU	BKR6EY
14FR7KU0	BKR6EYA
14FR7KUOX	BKR6EYA-11
14FR7LUX	ZFR6F-11
14FR7MU2	LF6B
14FR8HU	BCRE527Y
14FR8KU	BKR5EY



BERU	→ NGK
14FR8KU0	BKR5EYA
14G8DTU	BUR5ET
14GR8DTU	BPR5EKU
14K5DU	BP7EFS
14K5DU0	BP7EFS
14K6D	BP6EFS
14K6DU0	BP6EFS
14K7D	BP6EFS
14K7DU0	BP6EFS
14K8DU	BP5EFS
14K8DU0	BP5EFS
14K9DU	BP5EFS
14K9DU0	BP5EFS
14KGR6KQU	BUR6EFSZ
14KR6BU	BPR6FS
14KR7DUX	BPR6EFS-13
14KR8DPU0V	TR55
14KR8STUX	LTR6B-10T
14R11F	BP-4
14R6B	BPR6HS
14R6D	BPR6ES
14R7B	BPR6HS
14R7CU	BR6ES
14R7D	BPR6ES
14R8DUX	BPR5ES-11
14R9EU0	BR4-LM
14S5A	BL-6H
14S5F	BPM7A
14S7A	BL-6H
14S7F	BPM6A
14S8F	BPM6A
14SR6F	BPMR6A
14XAU	B6HS
14Z2C1	B9EVX
14Z3A1	B9HS
14Z3AU	B9HS
14Z3C1	B9ES
14Z3CU	B9ES
14Z4AU	B8HS
14Z6A2	B6HS
14Z7AU	B7HS
160/14/3	B6ES
175/14	B6HS
175/14/3	B6ES
175/14/3A	BP6ES
175/14/5	B6S
175/14/5A	BP6S
175/14/5AMX	BPM6A
175/14/UK4	BL-6H
175/14A	BP6HS
175/18	AB-6
175/18K	AP6FS

BERU	→ NGK
1810A	AB-6
1810AU	AB-6
1812B	AB-2
184A1	AB-7
184A2	AB-7
185A	AB-7
185AS	AB-7
185AU	AB-7
187A	AB-6
187AU	AB-7
188A	AB-6
18K12B	AP5FS
18K6BU	AP6FS
18K7B	AP6FS
18K7BU	AP6FS
18K8B	AP5FS
18K8BU	AP5FS
190/14Z	B6HS
200/14/3	B6ES
200/14/3A	BP6ES
200/14/3K	BP6EFS
200/14A	BP6HS
215/14/3A	BP6ES
225/14	B7HS
225/14/3	B7ES
225/14/3A	BP7ES
225/14/3S	B7ECS
225/14/5	B7S
225/14/5A	BP6S
225/14/5AMX	BPM7A
225/14/UK4	BL-6H
225/14A	BP7HS
225/18	AB-7
225/18S	AB-7
230/14/3A	BP7ES
235/14/3P	BP7ES
240/14	B7HS
240/14/3	B7ES
240/14A	BP7HS
240/14S	B8HVX
240/18	AB-7
260/14	B8HS
260/14/3	B8ES
260/14S	B8HVX
260/18	AB-8
265/14/3P	B8EVX
280/14	B8HS
280/14/3S	B8EVX
280/14/3Z	B9ES
280/14Z	B9HS
310/14/3Z	B9EVX
310/14S	B9HCS



BERU	→ NGK
45/18	AP5FS
95/14	B-4H
95/14/3	B4ES
95/14/3A	BP4ES
95/14/5	B-4
95/14/5A	BP-4
95/14A	BP4HS
95/18	AB-6
D175/14	B6HS
D175/14/3	B6ES
D200/14/3A	BP6ES
D215/14/3	B7ES
D230/14/3A	BP7ES
RS16	BPR6HIX
RS18	BPR7HIX
RS33	BPR5EIX
RS35	BPR6EIX
RS37	BPR7EIX
RS39	BPR7EIX
Z1	BP5ES
Z10	BP6HS
Z100	BCP5ES
Z101	BKR6EK
Z103	BP7ES
Z104	BP6ES
Z105	BKR6ES
Z106	BPMR6A
Z107	BP-4
Z11	BP6ES
Z112	B-4
Z116	BKR6EK
Z118	BP5HS
Z12	BUR6ET
Z121	BKUR5ET-10
Z122	IFR5D10
Z13	BKR6ES
Z132	BPM6A
Z14	BKR6EK
Z144	BUR6EFSZ
Z145	BKR6EKUB
Z148	TR55
Z149	BCPR6EP-11
Z15	BKR6ES
Z150	BCPR6EP-11
Z151	BKR6EP-8
Z152	BCRE527Y
Z153	BKR5EY
Z154	BKR5EYA
Z155	BKR6EY
Z156	BKR6EYA
Z157	BKR6EYA-11
Z158	ZFR6F-11

BERU	→ NGK
Z16	BKR6ES-11
Z17	BP6EFS
Z171	IFR6D10
Z176	PZFR5D-11
Z177	PTR5A-13
Z18	BP6EFS
Z184	LFR6B
Z185	PFR7Q
Z188	PFR6Q
Z19	BPR6HS
Z194	BKR6EKE
Z2	BP5ET-10
Z20	BPR6ES
Z200	ZFR5P-G
Z21	BPR6ES-11
Z22	BP6ES
Z222	LTR6B-10T
Z227	BKR6EZB
Z23	BKR6ES
Z237	BKR6EQUP
Z24	BKR6ES
Z245	BKR6EKC
Z246	BKUR5ET
Z248	BKR5EYA-11
Z25	BP6EFS
Z26	BPR6EFS
Z265	BPM7A
Z27	BPR6ES
Z28	BPR6ES-11
Z282	IFR6D10
Z288	PLZKBR7A-G
Z29	BCP7ES
Z3	ZGR5A
Z30	BCPR7ES
Z31	BP7EFS
Z32	AP6FS
Z33	AP6FS
Z35	D7EA
Z37	B9HS
Z38	B9ES
Z39	B8HS
Z4	ZFR5F
Z40	B7HS
Z41	BP7HS
Z42	BP7ES
Z43	BP7ES
Z44	BUR6ET
Z45	BCPR7ET
Z46	BP7EFS
Z47	BPR7ES
Z48	BP6HS
Z49	BPR6FS



BERU	→ NGK
Z5	BCP5ES
Z50	BP6ESZ
Z51	BUR6ET
Z52	BCP6ET
Z53	BCP6ET
Z54	BCP6ES
Z55	BP6EFS
Z56	BP6EFS
Z57	B6HS
Z58	B6ES
Z59	BR6ES
Z6	BP5EFS
Z60	BCPR7ET
Z61	BP6ESZ
Z62	BP6ESZ
Z63	BCP6ES
Z64	BCP6ES
Z67	BPR6EFS-13
Z68	B5HS
Z69	BP5ESZ
Z7	BP5EFS
Z70	BP5ESZ
Z71	BCP5ES
Z72	BKR5ES
Z73	BKR5ES-11
Z74	BKR5EK
Z75	BUR5ET
Z76	BP5ES
Z77	BP5ESZ
Z78	BP5ET
Z79	BCP5ES
Z8	BPR5ES
Z80	BP5EFS
Z81	BP5EFS
Z82	BPR5ES
Z83	B4-LM
Z84	BR4-LM
Z85	B6HS
Z86	AB-7
Z87	AB-7
Z88	AB-6
Z89	BKUR6ET
Z9	BPR5ES-11
Z90	BKUR6ET-10
Z91	BUR6ET
Z92	BUR5ET
Z93	BUR5ET-10
Z94	BPR5EKU
Z95	BPR6EFS
Z97	PTR5A-13
Z98	BKR6EK
Z99	BKR6ES-11

BM3 (BULGARIA+VMZ) → see BRISK	
BOSCH	→ NGK
+1	BPR6ES
+2	BUR6ET
+3	BPR5ES
+4	BUR5ET-10
+5	BPR6EFS
+6	BKR5ES
+7	BKR6EK
+8	BKR6ES
+9	BKR5EK
+10	BPR6HS
+11	BKR6ES-11
+12	BPR6ES
+13	BKR6ES
+14	BPR5EFS
+15	BPR7ES
+16	BPR5ES
+17	PTR5A-13
+18	BPR6EFS
+19	BKR5ES-11
+20	BPR5HS
+21	BPR6ES-11
+22	BPR5ES-11
+23	BKR6EKUB
+24	PFR6B
+25	BPR4FS
+27	BPR5ES-11
+31	BKR6EY-11
+32	ZFR6F-11
+33	BPR4FS-15
+34	ZGR5A
+36	BKR5EKB-11
+37	BPR6EFS-15
+39	PTR5A-13
+45	IFR5D10
+46	BPR6EFS
+47	BKR6EY
+48	BKR6EQU
+50	PFR6Q
+52	PZFR5D-11
+53	BKR6EZ
8771207	R2349-10
8881101	R2349-11
0 241 040 501	CR4HSA
0 241 045 001	C5HSA
0 241 050 002	C6HSA
0 241 056 501	C7E
0 241 140 500	DCP6E
0 241 145 003	DP7EA-9
0 241 145 504	DP7EA-9
0 241 145 507	D8EA



BOSCH	→ NGK
0 241 150 502	D8EA
0 241 200 500	BUH
0 241 209 003	B-4H
0 241 219 536	BP-4
0 241 219 537	BP4FS
0 241 219 540	B-4H
0 241 219 541	B4ES
0 241 219 542	BP4ES
0 241 219 543	B-4H
0 241 219 554	B-4
0 241 225 013	BP5ES
0 241 225 543	BP4FS
0 241 225 545	BP5ES
0 241 225 547	B4ES
0 241 225 548	B-4
0 241 225 549	B5HS
0 241 225 550	BP5ES
0 241 225 555	BPR4FS-15
0 241 225 556	BP5ES
0 241 225 558	BP5EFS
0 241 225 573	BP5EFS
0 241 225 574	BCPR4ES-11
0 241 225 576	BP5ET
0 241 225 582	BP5ES-11
0 241 225 585	ZGR5A
0 241 225 589	BM4A
0 241 225 590	B4-LM
0 241 229 059	ZGR5A
0 241 229 060	BP5ET-10
0 241 229 061	BP5ES
0 241 229 062	BP5ES
0 241 229 541	BM6F
0 241 229 560	BM6A
0 241 229 561	BPM6A
0 241 229 574	BP5ES
0 241 229 578	BP5HS
0 241 229 579	B5ES
0 241 229 580	B6S
0 241 229 588	BP5ES
0 241 229 593	BP5S
0 241 229 594	BP5FS
0 241 229 596	BP5ES-11
0 241 229 604	B5HS
0 241 229 612	B5HS
0 241 229 617	BP5EFS
0 241 229 619	BP5ET
0 241 229 634	BCP5ES
0 241 229 639	ZFR5F
0 241 229 641	BP5HS
0 241 229 649	BP5EFS
0 241 229 657	ZFR5F
0 241 229 661	BUR6ET

BOSCH	→ NGK
0 241 229 663	BUR5ET-10
0 241 229 665	BUR5ET
0 241 229 666	BKR6EK
0 241 229 676	BKUR5ET
0 241 229 682	BCP5ES-11
0 241 229 684	BKR5ES
0 241 229 704	IFR5D10
0 241 229 713	BCP5ES
0 241 229 926	BP5ES
0 241 235 089	B6ES
0 241 235 098	B6ES
0 241 235 099	BPR6ES
0 241 235 103	BP6ESZ
0 241 235 108	BCP6ET
0 241 235 563	BP6ES
0 241 235 564	BP6HS
0 241 235 566	BM6A
0 241 235 567	BPM6A
0 241 235 574	B6ES
0 241 235 585	BP6HS-10
0 241 235 594	B6S
0 241 235 602	BP6ES
0 241 235 607	B6HS
0 241 235 610	BP6ES-11
0 241 235 619	B6HS-5
0 241 235 623	BP6S
0 241 235 633	BUR6ET
0 241 235 635	BP6EFS
0 241 235 636	BP6EFS
0 241 235 638	BR6EF
0 241 235 643	BUR6ET
0 241 235 646	BP6EFS-13
0 241 235 668	BP6EFS
0 241 235 673	BCP6ES
0 241 235 674	ZFR6A-11
0 241 235 676	BCP6ES
0 241 235 681	BP6EFS
0 241 235 685	BCP6ES-11
0 241 235 690	BKR6EK
0 241 235 692	ZFR6F-11
0 241 235 693	BP6ESZ
0 241 235 698	BUR6ET
0 241 235 705	BP6ESZ
0 241 235 706	BKUR6ET-10
0 241 235 715	PZFR5D-11
0 241 235 735	ZFR5P-G
0 241 235 736	BKR6ES
0 241 235 739	IFR6D10
0 241 240 057	BP6ESZ
0 241 240 058	BP6ESZ
0 241 240 524	BP6EFS
0 241 240 530	BP6ES



BOSCH	→ NGK
0 241 240 532	BP6HS
0 241 240 539	BP6ES
0 241 240 542	BCP6ES
0 241 240 543	BP6FS
0 241 240 558	BUR6ET
0 241 240 563	BP6EFS
0 241 240 564	BCP6ET
0 241 240 569	BCP6ES-11
0 241 240 574	BP6ES-11
0 241 240 578	BP6EFS
0 241 240 585	BKR6EVX
0 241 240 587	BKR6ES
0 241 240 592	BKUR7ET
0 241 240 600	BM6A
0 241 240 601	BPM6A
0 241 240 603	B6HS
0 241 240 631	ILFR6A
0 241 243 501	BP6EVX
0 241 245 070	BUR6ET
0 241 245 539	BM7F
0 241 245 552	BP7ES
0 241 245 553	BP7HS
0 241 245 554	BM7A
0 241 245 555	BPM7A
0 241 245 570	BP7EFS
0 241 245 574	BR7HIX
0 241 245 575	BR7EIX
0 241 245 580	B7HS
0 241 245 581	B7ES
0 241 245 581	B8ES
0 241 245 592	B7S
0 241 245 599	BP7ES
0 241 245 602	B7HS
0 241 245 603	B7ES
0 241 245 619	BP7HS
0 241 245 636	BP7EFS
0 241 245 641	PFR7B
0 241 245 642	BCP7ES
0 241 245 646	BP7HS-10
0 241 247 500	BP7EVX
0 241 248 531	B8HS
0 241 248 538	B8ES
0 241 248 540	B8HS
0 241 250 502	BP8EVX
0 241 250 512	BP8EVX
0 241 252 521	B8HVX
0 241 255 505	B8EFS
0 241 255 507	R7433-9
0 241 256 512	B8HS
0 241 256 513	B9ES
0 241 256 514	B8HVX
0 241 256 515	B9EVX

BOSCH	→ NGK
0 241 256 517	BP8EVX
0 241 256 519	B8HS
0 241 256 522	B9ES
0 241 260 507	B9HS
0 241 260 508	B10ES
0 241 260 510	B9EFS
0 241 260 512	R7433-9
0 241 262 505	B9HVX
0 241 262 506	B10EVX
0 241 268 505	B9HVX
0 241 268 506	B10EGV
0 241 274 504	B10HVX
0 241 274 505	B10EGV
0 241 280 502	B10HVX
0 241 280 503	B11EGV
0 241 309 501	AP5FS
0 241 319 510	AP5FS
0 241 319 512	AB-6
0 241 319 513	AB-6
0 241 325 509	AP5FS
0 241 329 520	AP5FS
0 241 329 522	A5FS
0 241 329 525	AB-6
0 241 329 526	AB-6
0 241 335 516	AP6FS
0 241 335 520	A6FS
0 241 335 524	AB-7
0 241 335 526	AB-7
0 241 340 501	AP6FS
0 241 345 512	AB-7
0 241 350 505	AB-7
0 242 035 500	CMR6H
0 242 040 500	CR6HS
0 242 050 500	CR6HS
0 242 055 500	CR7HS
0 242 055 501	CR7HSA
0 242 055 502	CR7E
0 242 060 500	CR8HS
0 242 060 501	CR8E
0 242 129 503	LZKAR7A
0 242 129 508	LZKAR7A
0 242 135 500	DPR7EA-9
0 242 135 501	DCPR8E-N
0 242 135 509	PLKR7A
0 242 140 500	DR7EA
0 242 140 504	DCPR8EKC
0 242 145 500	DPR7EA-9
0 242 145 501	DPR7EA-9
0 242 145 503	DCPR8EKC
0 242 145 504	KR9CI
0 242 150 500	DR8HS
0 242 150 501	DR8ES



BOSCH	→ NGK
0 242 150 505	DPR8EA-9
0 242 160 501	DR8ES
0 242 215 502	BR4-LM
0 242 219 004	BR4HS
0 242 219 511	BPR4FS-15
0 242 219 512	BP-4
0 242 219 513	BP-4
0 242 219 514	BR5FS
0 242 219 515	BR5FS
0 242 219 516	BPR4FS
0 242 219 517	BPR4FS-11
0 242 219 519	BCPR4ES-11
0 242 219 520	BP-4
0 242 219 529	ZGR5B
0 242 219 530	BPR4ES-13
0 242 225 522	BR6S
0 242 225 523	BR5ES
0 242 225 524	BPR5ES
0 242 225 525	BPR5ES-13
0 242 225 526	BP5S
0 242 225 527	BP5S
0 242 225 528	ZGR5C
0 242 225 529	BR5FS
0 242 225 530	BR5FS
0 242 225 531	BPR4FS
0 242 225 532	BPR4FS-15
0 242 225 533	BPR5EFS
0 242 225 534	BPR5EFS-13
0 242 225 536	BR6S
0 242 225 537	ZFR4F-11
0 242 225 538	BPR5EIX
0 242 225 539	ZGR5A
0 242 225 548	BPR5ES-11
0 242 225 549	BCPR4ES-11
0 242 225 550	BPR5ES
0 242 225 553	BPR5ES
0 242 225 554	BPR5ES-11
0 242 225 560	BPR4FS-11
0 242 225 563	BP5S
0 242 225 564	BP5S
0 242 225 566	BPR4FS-15
0 242 225 571	TR5IX
0 242 225 573	BPR4FS
0 242 225 578	TR55IX
0 242 225 582	BKR5ES
0 242 225 599	BPR5ES
0 242 225 612	BMR4A
0 242 225 622	BPR4FS
0 242 225 624	BPR5ES-11
0 242 225 641	BPR4FS-15
0 242 225 859	BPR5ES
0 242 225 861	BPR5ES

BOSCH	→ NGK
0 242 229 524	BR6S
0 242 229 525	BP5S
0 242 229 526	BR5FS
0 242 229 528	BPR5FS
0 242 229 529	BPR5FS-15
0 242 229 530	BKR5ES-11
0 242 229 531	BPR5ES
0 242 229 533	BR5ES
0 242 229 534	BR5HS
0 242 229 537	BPR5EIX
0 242 229 538	BPR5ES
0 242 229 543	BKR5ES-11
0 242 229 544	ZFR5F-11
0 242 229 548	BPR5FS
0 242 229 549	BPR5FS-11
0 242 229 555	BPR5ES
0 242 229 556	BR5ES
0 242 229 557	BPR5ES-11
0 242 229 566	BPR5ES-11
0 242 229 568	BKR5ES
0 242 229 570	BPR5ES
0 242 229 576	ZFR6F-11
0 242 229 587	BKR5ES
0 242 229 589	BPR5HS
0 242 229 591	BKR5EK
0 242 229 594	BKR5ES
0 242 229 598	BKR5EVX
0 242 229 605	BKR5EK
0 242 229 607	BPR5ES
0 242 229 610	BPR5HS
0 242 229 613	BKR5EKUP
0 242 229 625	BKUR5ET-10
0 242 229 626	BKR5EK
0 242 229 628	BKR5EK
0 242 229 630	LFR5B
0 242 229 634	PLFR5A-11
0 242 229 635	BKR5EYA-11
0 242 229 641	PTR5D-10
0 242 229 643	BMR6A
0 242 229 643	BPMR6A
0 242 229 648	BKR5EQUPA
0 242 229 650	TR5B-13
0 242 229 654	BKR5EK
0 242 229 655	BPR5EFS
0 242 229 656	BPR5ES
0 242 229 657	BPR5HS
0 242 229 658	BUR5ET-10
0 242 229 659	BKR5ES
0 242 229 660	BKR5ES-11
0 242 229 661	LTR6B-10T
0 242 229 671	BKR5EKB-11
0 242 229 673	BKR5ES



BOSCH	→ NGK
0 242 229 687	BPR5ES-11
0 242 229 699	ZFR5F-11
0 242 229 708	ILFR5B11
0 242 229 713	IFR5D10
0 242 229 724	BKR6EZB
0 242 229 779	ZGR5A
0 242 229 781	BKR5EKB-11
0 242 229 785	PTR5A-13
0 242 229 878	BKR5EK
0 242 229 879	BPR5EFS
0 242 229 880	BPR5ES
0 242 229 881	BPR5HS
0 242 229 882	BUR5ET-10
0 242 229 883	BKR5ES
0 242 229 884	BKR5ES-11
0 242 229 885	BPR5ES-11
0 242 229 887	BKR5EK
0 242 229 888	BKR5ES
0 242 229 925	IFR5D10
0 242 229 982	BPR5ES
0 242 230 500	IFR5D10
0 242 235 511	BPR6ES
0 242 235 522	BPR6HS
0 242 235 525	BPR6EVX
0 242 235 529	BPR6ES
0 242 235 530	BPR6ES-11
0 242 235 532	BR6ES
0 242 235 533	BR6HS
0 242 235 535	BPR6HS
0 242 235 537	BPR6ES
0 242 235 538	BPR6EFS
0 242 235 541	BPR6EVX
0 242 235 542	BPR6EFS
0 242 235 543	BR6ES-11
0 242 235 544	BKR6ES-11
0 242 235 545	BR6ES-11
0 242 235 546	BR6ES
0 242 235 547	BKR6ES-11
0 242 235 551	BKR6ES
0 242 235 554	BR6S
0 242 235 556	BKR6ES
0 242 235 564	BCPR6ET
0 242 235 567	ZFR6F-11
0 242 235 571	BUR6ET
0 242 235 577	BPR6EFS-15
0 242 235 579	BKR6ES
0 242 235 587	BKR6ES
0 242 235 588	BKR6ES
0 242 235 589	BKR6EK
0 242 235 590	BUR6ET
0 242 235 592	BPR6EFS
0 242 235 597	BKR6ES

BOSCH	→ NGK
0 242 235 599	BKR6EY
0 242 235 602	BKR6EY-11
0 242 235 605	BKR6EK
0 242 235 607	BUR6EFSZ
0 242 235 609	BKR6EZ
0 242 235 610	BKR6EP-13
0 242 235 616	BKR6ES
0 242 235 617	BKR6EQUP
0 242 235 624	BKR6ES
0 242 235 630	BPR6ES
0 242 235 636	LF6A
0 242 235 640	BKR6EZ
0 242 235 642	BKR6EKUB
0 242 235 651	BPMR6A
0 242 235 656	BKR6EQUP
0 242 235 659	BKR6EYA-11
0 242 235 661	BPR6EFS
0 242 235 662	PTR5A-13
0 242 235 663	BPR6ES
0 242 235 664	BUR6ET
0 242 235 665	BPR6HS
0 242 235 666	BKR6ES
0 242 235 667	BKR6ES-11
0 242 235 668	BKR6EK
0 242 235 690	PFR6N-11
0 242 235 692	ZFR5E-11
0 242 235 699	BKR6EVX
0 242 235 707	BPR6ES-11
0 242 235 715	BKR6EQUP
0 242 235 740	PFR6Q
0 242 235 743	PLFR6A
0 242 235 748	BKR6EKUB
0 242 235 749	PFR6B
0 242 235 761	ZFR5P-G
0 242 235 767	PTR5A-13
0 242 235 769	ILZFR6C-11K
0 242 235 776	IZFR6H11
0 242 235 908	BPR6EFS
0 242 235 909	BPR6ES
0 242 235 910	BUR6ET
0 242 235 911	BPR6HS
0 242 235 912	BKR6ES
0 242 235 913	BKR6ES-11
0 242 235 914	BKR6EK
0 242 235 915	BPR6ES-11
0 242 235 916	PTR5A-13
0 242 235 917	BKR6EKUB
0 242 235 918	PFR6B
0 242 235 925	BKR6ES
0 242 235 930	BPR6ES
0 242 235 931	BUR6ET
0 242 235 979	BPR6EFS



BOSCH	→ NGK
0 242 235 980	BKR6EY
0 242 235 981	BKR6EQUP
0 242 235 982	PFR6Q
0 242 235 984	PZFR5D-11
0 242 235 985	BKR6EY-11
0 242 235 986	ZFR6F-11
0 242 236 510	ILZFR6D11
0 242 236 528	ILFR6B
0 242 236 541	BKR6EY-11
0 242 236 542	ZFR6F-11
0 242 236 543	BPR6EFS-15
0 242 236 560	BPR6EFS
0 242 236 561	BKR6EY
0 242 236 562	BKR6EQUP
0 242 236 564	PFR6Q
0 242 236 566	PZFR5D-11
0 242 236 577	ILFR6K8
0 242 240 511	BPR6ES
0 242 240 514	BPR6EFS
0 242 240 516	BPR6EVX
0 242 240 519	BPR6EFS
0 242 240 520	BPR6FS
0 242 240 521	BPR6ES
0 242 240 522	BPR6EFS
0 242 240 526	BKR6ES
0 242 240 528	BCPR6ET
0 242 240 530	BKR6ES
0 242 240 531	BPR6ES-11
0 242 240 532	BPR6ES-11
0 242 240 533	BKR6ES-11
0 242 240 539	BKR6ES-11
0 242 240 546	BUR6ET
0 242 240 547	BKR5EKC
0 242 240 557	BKR6EK
0 242 240 561	BPR6HS
0 242 240 562	BKR6EZ
0 242 240 565	BKR7EKC
0 242 240 566	BKR6EK
0 242 240 569	BUR6EFSZ
0 242 240 572	BKUR6ET
0 242 240 576	BPMR7A
0 242 240 579	BPR6ES
0 242 240 582	BMR6A
0 242 240 584	BKR6EKE
0 242 240 587	BKR6EQUP
0 242 240 590	ZFR6S-Q
0 242 240 591	BPR6EFS
0 242 240 592	BPR6ES
0 242 240 593	BKR6ES
0 242 240 605	BKR6ES
0 242 240 648	BKR6EZ
0 242 240 665	PZFR6R

BOSCH	→ NGK
0 242 240 848	BPR6EFS
0 242 240 849	BPR6ES
0 242 240 850	BKR6ES
0 242 240 851	BKR6ES
0 242 245 018	BKR7EKC
0 242 245 514	BPR7EIX
0 242 245 515	BCPR7ES
0 242 245 517	BR7HS
0 242 245 519	BPR7ES
0 242 245 520	BCPR7ES
0 242 245 521	BR7ES
0 242 245 533	BPMR7A
0 242 245 536	BCPR7ES
0 242 245 537	BPR7ES
0 242 245 539	BCPR7ET
0 242 245 550	BCPR7ES-11
0 242 245 552	BPR7ES
0 242 245 557	BR7ES
0 242 245 559	BKR7EQUP
0 242 245 812	BPR7ES
0 242 250 503	BR8ES
0 242 250 506	BR8HS
0 242 250 517	BR8EVX
0 242 255 501	BR9ET
0 242 255 502	BR9ES
0 242 255 504	BR9EVX
0 242 260 001	BR10ES
0 242 319 501	APR5FS
0 242 325 501	APR5FS
0 242 329 503	APR5FS
0 242 335 504	APR6FS
0 242 340 501	APR6FS
D10B	AP5FS
D10BC	AP5FS
D6B	AP6FS
D6BC	AP6FS
D6BP	AP6FS
D7A	A6FS
D7AC	A6FS
D7B	AP6FS
D7BC	AP6FS
D7BP	AP6FS
D8A	A5FS
D8AC	A5FS
D8B	AP5FS
D8BC	AP5FS
D8BP	AP5FS
D9B	AP5FS
D9BC	AP5FS
DR10B	APR5FS
DR10BC	APR5FS
DR6B	APR6FS



BOSCH	→ NGK
DR6BC	APR6FS
DR6BP	APR6FS
DR7B	APR6FS
DR7BC	APR6FS
DR7BP	APR6FS
DR8B	APR5FS
DR8BC	APR5FS
DR8BP	APR5FS
DR9B	APR5FS
DR9BC	APR5FS
F 000 KE0 017	BKUR6ET-10
F 000 KE0 P34	BPR6ES
F 000 KE0 P40	BKR6ES-11
F 000 KE0 P41	BKR5ES-11
F 6 DC	BCP6ES
F 7 DC	BCP6ES
F 7 LTRC	BKUR6ET-10
F 8 DC	BCP5ES
F 8 DC 4	BCP5ES
F03DAR	BKR6EK
F04DAR	BKR6EK
F2CS	R7433-9
F2DTC	R6888A-9
F3CS	R7433-9
F5DC	BCP7ES
F5DP	BCP7ES
F5DPOR	PFR7B
F5DTC	BCP7ET
F5KPP332SB	PFR7S8EG
F6DC0	BCP6ES
F6DCOR	BKR6ES
F6DCX	BCP6ES-11
F6DP	BCP6ES
F6DPOR	PFR6Q
F6DPX	BCP6ES-11
F6DSR	BKR6EVX
F6DTC	BCP6ET
F6KPP332S	PFR6Q
F6LTRC	BKUR7ET
F6MPP332	ILFR6A
F7DC0	BCP6ES
F7DCOR	BKR6ES
F7DCX	BCP6ES-11
F7DER	BKR6ES
F7DP	BCP6ES
F7DPER	PFR6G-11
F7DPP332	IFR6D10
F7DTC	BCP6ET
F7HER2	ZFR5P-G
F7HPP22	PFR6Q
F7HPP222	PZFR5D-11
F7HPP222U	PZFR6J-11

BOSCH	→ NGK
F7HPPRX	PZFR5D-11
F7KPP332U	PFR6X-11
F7KTCR	BKUR6ET-10
F7LC0R2	ZFR6F-11
F7LCR	ZFR6A-11
F7LDCR	BKR6EK
F8DC0	BCP5ES
F8DC0R	BKR5ES
F8DCX	BCP5ES-11
F8DPER	IFR5D10
F8DPP332	IFR5D10
F8KTCR	BKUR5ET
F8LCR	ZFR5F
F8LCR2	ZFR5F
F8LDCR	BKR6EK
F9DC0	BCPR4ES-11
F9LCR	ZFR4F-11
FGR 7 DQP+	BKR6EQUP
FGR5KQE0	BKR7EQUP
FGR6HQE0	ZFR6S-Q
FGR6KQC	BKR6EQUP
FGR6KQE	BKR6EQUP
FGR7DQE+	BKR6EKUB
FGR7DQE0	BKR6EKUB
FGR7DQP	BKR6EQUP
FGR7KQC	BKR6EQUP
FGR7KQE	BKR6EQUP
FGR7KQE0	BKR6EQUP
FGR8KQE	BKR5EKUP
FGR8KQE0	BKR5EQUPA
FGR8MQPE	PLFR5A-11
FLR 8 LDCU+	BKR5EK
FLR8LDCU	BKR5EK
FQR8DE	BKR6EZB
FQR8LEU2	ZFR5F-11
FR 6 D+	BKR6ES
FR 6 DC+	BKR6ES
FR 6 DCX	BKR6ES-11
FR 6 KDC+	BKR6EZ
FR 6 LDC	BKR6EK
FR 7 DC+	BKR6ES
FR 7 DCX+	BKR6ES-11
FR 7 HPP 33+	PZFR5D-11
FR 7 KPP 33+	PFR6Q
FR 7 LD+	BKR6EK
FR 7 LDC+	BKR6EK
FR 8 DC+	BKR5ES
FR 8 DCX+	BKR5ES-11
FR 9 DC	BKR5ES
FR10DCX	BCPR4ES-11
FR10DX	BCPR4ES-11
FR5DC	BCPR7ES



BOSCH	→ NGK
FR5DCX	BCPR7ES-11
FR5DP	BCPR7ES
FR5DTC	BCPR7ET
FR5LDC	BKR7EKC
FR6D133	IFR6J11
FR6DC	BKR6ES
FR6DC0	BKR6EK
FR6DC2	BKR6ES
FR6DDC	BKR7EKC
FR6DP	BKR6ES
FR6DP1X	PFR6J-11
FR6DPX	BKR6ES-11
FR6DTC	BCPR6ET
FR6DTCW	BKR5EKC
FR6HI332	PZFR6R
FR6KDC	BKR6EZ
FR6KDE0	BKR6EKE
FR6KTC	BKUR6ET
FR6MPP10	PLFR6A-11
FR7DC	BKR6ES
FR7DC0	BKR6ES
FR7DC2	BKR6ES
FR7DC4	BKR6ES
FR7DCX	BKR6ES-11
FR7DE	BKR6EZ
FR7DP	BKR6ES
FR7DP1X	PFR6B-11
FR7DPP+	PFR6B
FR7DPP10	BKR6EVX
FR7DPP22U	PFR6N-11
FR7DPP33	PFR6Q
FR7DPX	BKR6ES-11
FR7DQP	BKR6EQUP
FR7DTC	BCPR6ET
FR7HC0X	ZFR5E-11
FR7HE2	ZFR5P-G
FR7KC	BKR6EY
FR7KC+	BKR6EY
FR7KCU	BKR6EYA-11
FR7KCW	BKR6EP-13
FR7KCX	BKR6EY-11
FR7KCX+	BKR6EY-11
FR7KDC	BKR6EZ
FR7KI30	FR6EI
FR7KPP332	IZFR6H11
FR7LC2	BKR6ES
FR7LCX	ZFR6F-11
FR7LCX+	ZFR6F-11
FR7LDC	BKR6EK
FR7LDU	BKR6EK
FR7ME	LFR6A
FR7MPP10	PLFR6A

BOSCH	→ NGK
FR7NI33	ILFR6B
FR7NI332S	ILFR6K8
FR7NPP332	ILZFR6D11
FR7SI30	ILZFR6C-11K
FR8DC	BKR5ES
FR8DC0	BKR5ES
FR8DCX	BKR5ES-11
FR8DE	BKR5ES
FR8DPP33	IFR5D10
FR8DPP33+	IFR5D10
FR8DPX	BKR5ES-11
FR8DS	BKR5EVX
FR8DX	BKR5ES-11
FR8HDC	BKR5EKB-11
FR8HDC+	BKR5EKB-11
FR8HP	ZFR5F-11
FR8KCU	BKR5EYA-11
FR8KDC	BKR5EK
FR8LCX	ZFR6F-11
FR8LD+U	BKR5EK
FR8LDC	BKR5EK
FR8LDC4	BKR5EK
FR8LTC	BKUR5ET-10
FR8ME	LFR5B
FR8SPP332	ILFR5B11
FR9DCX	BCPR4ES-11
FR9HC	ZFR4F-11
H 6 DC	BP6EFS
H 7 DC	BP6EFS
H10B	BP4FS
H10BC	BP4FS
H10C	BP4FS
H2CS	B9EFS
H3CS	B8EFS
H5D	BP7EFS
H5DC	BP7EFS
H5DC0	BP7EFS
H5DP	BP7EFS
H6B	BP6FS
H6BC	BP6FS
H6D	BP6EFS
H6DC0	BP6EFS
H6DP	BP6EFS
H7CC	BR6EF
H7CP	BR6EF
H7D	BP6EFS
H7DC0	BP6EFS
H7DCY	BP6EFS-13
H7DP	BP6EFS
H7DPY	BP6EFS-13
H8B	BP5FS
H8BC	BP5FS



BOSCH	→ NGK
H8BP	BP5FS
H8DC	BP5EFS
H8DC0	BP5EFS
H8DCX	BP5EFS-13
H8DP	BP5EFS
H9B	BP4FS
H9BC	BP4FS
H9BCY	BPR4FS-15
H9D	BP5EFS
H9DC	BP5EFS
H9DC0	BP5EFS
H9HP	BP5EFS
HGR6KQC	BUR6EFSZ
HGR7KQC	BUR6EFSZ
HLR8STEX	LTR6B-10T
HR 6 D+	BPR6EFS
HR 6 DC+	BPR6EFS
HR 7 D+	BPR6EFS
HR 7 DC+	BPR6EFS
HR 7 MPP 302	PTR5A-13
HR 8 D+	BPR5EFS
HR 8 DC+	BPR5EFS
HR 8 DPP 22 U	PTR5D-10
HR 8 MCV+	PTR5A-13
HR10A	BR5FS
HR10AC	BR5FS
HR10ACY	BR5FS
HR10AY	BR5FS
HR10B	BPR4FS
HR10BC	BPR4FS
HR10BCX	BPR4FS-11
HR10BCY	BPR4FS-15
HR10BX	BPR4FS-11
HR10BY	BPR4FS-15
HR6B	BPR6FS
HR6BC	BPR6FS
HR6BP	BPR6FS
HR6DC	BPR6EFS
HR6DP	BPR6EFS
HR6DS	BPR6EFS
HR7DC	BPR6EFS
HR7DCX	BPR6EFS
HR7DCX+	BPR6EFS
HR7DCY	BPR6EFS-15
HR7DCY+	BPR6EFS-15
HR7MPP+	PTR5A-13
HR7MPP+V	PTR5A-13
HR8A	BR5FS
HR8AC	BR5FS
HR8ACY	BR5FS
HR8AP	BR5FS
HR8APY	BR5FS

BOSCH	→ NGK
HR8AY	BR5FS
HR8B	BPR5FS
HR8BC	BPR5FS
HR8BCY	BPR5FS-15
HR8BP	BPR5FS
HR8BPX	BPR5FS-11
HR8BPY	BPR5FS-15
HR8BY	BPR5FS-15
HR8DC+	BPR5EFS
HR8LC0	TR5-1
HR8LP0	TR5-1
HR8MEV	TR5B-13
HR9A	BR5FS
HR9AC	BR5FS
HR9ACY	BR5FS
HR9AP	BR5FS
HR9APY	BR5FS
HR9AY	BR5FS
HR9B	BPR4FS
HR9BC	BPR4FS
HR9BC+	BPR4FS
HR9BCY	BPR4FS-15
HR9BCY+	BPR4FS-15
HR9BP	BPR4FS
HR9BPX	BPR4FS-11
HR9BPY	BPR4FS-15
HR9BY	BPR4FS-15
HR9D	BPR5EFS
HR9DC	BPR5EFS
HR9DCX	BPR5EFS-13
HR9DPX	TR5IX
HR9DPY	TR55IX
HS5E	BM7F
HS8E	BM6F
M10A	AB-6
M10A0	AB-6
M10AC	AB-6
M10AC0	AB-6
M12B	AP5FS
M145T1	AB-6
M145T5	AB-6
M175T1	AB-6
M175T5	AB-6
M225P11S	AB-7
M225T1	AB-7
M240T1	AB-7
M260T1	AB-8
M280T1	AB-8
M35T1	AB-2
M45T1	AB-6
M4A	AB-7
M4A1	AB-8



BOSCH	→ NGK
M4A2	AB-7
M4AC	AB-7
M5A	AB-7
M5AC	AB-7
M7A	AB-6
M7AC	AB-7
M8A	AB-6
M8A0	AB-6
M8AC	AB-6
M8AC0	AB-6
M95T1	AB-6
M95T5	AB-6
MA125T7	AP5FS
MA125TR7	APR5FS
MA145T1	A5FS
MA145T7	AP5FS
MA145TR7	APR5FS
MA175T1	A6FS
MA175T7	AP6FS
MA200T7	AP6FS
MA225T1	A7FS
MA95T7	AP5FS
MA95TR7	APR5FS
U175T1	C6HSA
U260T1	CR6HS
U3CC	C7E
U4AC	C6HSA
U5AC	C5HSA
U6AC	CR4HSA
UR2AS	CR8HS
UR2CC	CR8E
UR3AC	CR7HSA
UR3AS	CR7HS
UR3CC	CR7E
UR4AS	CR6HS
UR6AC	CR6HS
USR7AC	CMR6H
VR8SE	LZKAR7A
VR8SEW	LZKAR7A
W 6 BC	BP6HS
W 7 BC	BP6HS
W 8 DC	BP5ES
W 8 LTRC	BUR5ET
W 9 DC	BP5ES
W06AS	B10HVX
W06CS	B11EGV
W07AS	B10HVX
W07CS	B10EGV
W08AS	B9HVX
W08CS	B10EGV
W10A	B-4H
W10AC	B-4H

BOSCH	→ NGK
W10C	B4ES
W10CC	B4ES
W10D	BP4ES
W10DC	BP4ES
W10E	B-4
W10EC	B-4
W10F	BP-4
W10FC	BP-4
W125T1	B-4H
W125T2	B4ES
W125T3	B-4
W125T30	BP5ES
W125T4	B-4H
W125T6	BP5S
W125TR2	BR5ES
W125TR3	BR6S
W125TR30	BPR5ES
W125TR6	BP5S
W12A	B-4H
W12E	B-2
W145M1	B5HS
W145M2	B5ES
W145T1	B5HS
W145T11	B5HS
W145T2	B5ES
W145T3	B6S
W145T30	BP5ES
W145T35	BP5HS
W145T6	BP5S
W145TR2	BR5ES
W145TR3	BR6S
W145TR30	BPR5ES
W145TR6	BP5S
W160T2	B6ES
W160T30	BP5ES
W175T1	B6HS
W175T2	B6ES
W175T3	B6S
W175T30	BP6ES
W175T35	BP6HS
W175T6	BP6S
W175T7	BP6HS
W175TR1	BR6HS
W175TR2	BR6ES
W175TR30	BPR6ES
W175TR35	BPR6HS
W175Z1	B6HS
W190M11S	BR6HIX
W200T27	BP6ES
W200T30	BP6ES
W200T35	BP6HS
W200TR30	BPR6ES



BOSCH	→ NGK
W215P21	BPR7EIX
W215T30	BP6ES
W220T30	BP6ES
W225S1S	BR7HIX
W225S2S	BR7EIX
W225T1	B7HS
W225T2	B7ES
W225T3	B7S
W225T30	BP8ES
W225T35	BP7HS
W225T7	BPR7HS
W225TR1	BR7HS
W225TR2	BR7ES
W225TR30	BPR7ES
W230T30	BP7ES
W235P21	BP7ES
W235T28	BP8ES
W240M1	B8HS
W240MZ1	B8HS
W240T1	B8HS
W240T2	B8ES
W240T28	B8ES
W240T3	B7S
W250P21	BP7ES
W250T1	B8HS
W250T2	B8ES
W250TR2	BR8ES
W255T30	BP7ES
W260M1	B8HS
W260MZ1	B8HS
W260MZ2	B9ES
W260S1S	B8HVX
W260S2S	B8EVX
W260T1	B8HS
W260T2	B8ES
W260T20	B8ES
W260T30	BP8ES
W265P21	BPR9EIX
W275T1	B8HS
W275T2	B9ES
W280MZ1	B8HS
W280MZ2	B9ES
W280P21	BP8ES
W280S1S	B9HVX
W280S2S	B9EVX
W280T30	BP8ES
W2A	B9HS
W2AC	B9HS
W2AS	B9HVX
W2C	B10ES
W2C0	B10ES
W2CC	B10ES

BOSCH	→ NGK
W2CS	B10EVX
W2D	BP9ES
W300MZ2	B10ES
W300T1	B9HS
W300T2	B10ES
W300T30	BP9ES
W310S1S	B9HVX
W310S2S	B10EVX
W330T1	B9HS
W340S1S	B9HVX
W340S2S	B10EGV
W370S1S	B10HVX
W370S2S	B10EGV
W3A	B8HS
W3A0	B8HS
W3AC	B8HS
W3AP	B8HS
W3AS	B8HVX
W3C	B9ES
W3C0	B9ES
W3CC	B9ES
W3CP	B9ES
W3CS	B9EVX
W3D	BP8ES
W3DP	BP8EVX
W3DP0	BP8EVX
W3DP2	BP8ES
W400S1S	B10HVX
W400S2S	B11EGV
W45T1	B-4H
W45T3	B-4
W4A	B8HS
W4A1	B8HS
W4A2	B8HS
W4A5	B8HS
W4AC	B8HS
W4AP	B8HS
W4AS	B8HVX
W4C	B8ES
W4C1	B8ES
W4C2	B7ES
W4C3	B7HS
W4CC	B8ES
W4CP	B8EVX
W4CPX	B8ES
W4CS	B8EVX
W4DP	BP7EVX
W4DP0	BP8EVX
W4E2	B7S
W5A	B7HS
W5AC	B7HS
W5AP	B7HS



BOSCH	→ NGK
W5AS	BR7HIX
W5B	BP7HS
W5BC	BP7HS
W5BC	BP7HS-10
W5BP	BP7HS
W5C	B7ES
W5CC	B7ES
W5CCX	B7ES-11
W5CP	B7ES
W5CPX	B7ES-11
W5CS	BR7EIX
W5D	BP7ES
W5D1	BP7ES
W5DC	BP7ES
W5DC0	BP7ES
W5DCX	BP7ES-11
W5DP	BP7ES
W5DP0	BP7EVX
W5DPX	BP7ES-11
W5DTC	BUR6ET
W5E	B7S
W5EC	B7S
W5EP	B7S
W6AC	B6HS
W6AS	BR6HIX
W6B	BP6HS
W6BP	BP6HS
W6D	BP6ES
W6D1	BP6ES
W6DC	BP6ES
W6DC0	BP6ESZ
W6DCX	BP6ES-11
W6DP	BP6EVX
W6DP0	BP6EVX
W6DPX	BPR6EVX-11
W6DTC	BUR6ET
W6LTCR	BUR6ET
W7A	B6HS
W7A0	B6HS
W7AC	B6HS
W7AC	B6HS-5
W7A00	B6HS
W7AP	B6HS
W7B	BP6HS
W7BC	BP6HS-10
W7BP	BP6HS
W7C	B6ES
W7CC	B6ES
W7CC0	B6ES
W7CCX	B6ES-11
W7CP	B6ES
W7CPX	B6ES-11

BOSCH	→ NGK
W7CX	B6ES-11
W7D	BP6ESZ
W7D0	BP6ES
W7DC	BP6ES
W7DC0	BP6ESZ
W7DCR	BPR6ES
W7DCX	BP6ES-11
W7DP	BP6ES
W7DPX	BP6ES-11
W7DTC	BUR6ET
W7DX	BP6ES-11
W7E	B6S
W7EC	B6S
W7EP	B6S
W7F	BP6S
W7FC	BP6S
W7LTCR	BUR6ET
W8A	B5HS
W8A0	B5HS
W8AC	B5HS
W8AP	B5HS
W8B	BP5HS
W8BC	BP5HS
W8BP	BP5HS
W8C	B5ES
W8C0	B5ES
W8CC	B5ES
W8CCX	B5ES
W8CP	B5ES
W8D	BP5ES
W8DC0	BP5ES
W8DCX	BP5ES-11
W8DCY	BP5ES-13
W8DP	BP5ES
W8DPX	BP5ES-11
W8DTC	BP5ET
W8DTC	BP5ET-10
W8DX	BP5ES-11
W8E	B6S
W8EC	B6S
W8F	BP5S
W8FC	BP5S
W8LCR	ZGR5A
W8LDCR	BUR6ET
W8LPR	ZGR5A
W8LTCR	BUR5ET-10
W95T1	B-4H
W95T2	B4ES
W95T3	B-4
W95T30	BP4ES
W95T6	BP-4
W95TR6	BP-4



BOSCH	→ NGK
W9A	B-4H
W9A0	B-4H
W9AC	B5HS
W9AC0	B5HS
W9C	B4ES
W9CC	B4ES
W9D	BP5ES
W9DC0	BP5ES
W9DCX	BP5ES-11
W9DP	BP5ES
W9DPX	BP5ES-11
W9DTC	BP5ET
W9E	B-4
W9E0	B4-LM
W9EC	B-4
W9EC0	B4-LM
W9F	BP5S
W9FC	BP5S
W9LC	ZGR5A
WA125T30	BP5EFS
WA125T40	BP4FS
WA125TR30	BPR5EFS
WA125TR4	BR5FS
WA125TR40	BPR4FS
WA145T40	BP5FS
WA145TR4	BR5FS
WA145TR40	BPR5FS
WA175T30	BP6EFS
WA200T30	BP6EFS
WA200T40	BP6FS
WA200TR30	BPR6EFS
WA200TR40	BPR6FS
WA225T30	BP7EFS
WA95T40	BP4FS
WA95TR4	BR5FS
WA95TR40	BPR4FS
WAK145T3	BM6F
WAK225T3	BM7F
WEA	BUH
WEC	BUE
WET1	BUH
WET2	BUE
WG235T28	BP7ES
WG250P21	BPR9EIX
WG250T28	BP8EVX
WG250T30	BP8ES
WG265T2SP	BPR9EIX
WKA145T3	BM6A
WKA145T6	BPM6A
WKA145TR6	BPMR6A
WKA175T3	BM6A
WKA175T6	BPM6A

BOSCH	→ NGK
WKA200TR6	BPMR6A
WKA225T3	BM7A
WKA225T6	BPM7A
WR 5 D+	BPR7ES
WR 5 DC+	BPR7ES
WR 6 BC	BPR6HS
WR 6 D+	BPR6ES
WR 6 DC+	BPR6ES
WR 6 DCX	BPR6ES-11
WR 7 B+	BPR6HS
WR 7 BC+	BPR6HS
WR 7 D+	BPR6ES
WR 7 DC+	BPR6ES
WR 7 DCX+	BPR6ES-11
WR 7 LTC+	BUR6ET
WR 8 B+	BPR5HS
WR 8 BC+	BPR5HS
WR 8 D+	BPR5ES
WR 8 DC+	BPR5ES
WR 8 LC+	ZGR5A
WR 8 LTC+	BUR5ET-10
WR 9 D+	BPR5ES
WR 9 DC+	BPR5ES
WR 9 LC	ZGR5A
WR10A	BR4HS
WR10AC	BR4HS
WR10E	BR6S
WR10F	BP-4
WR10FC	BP-4
WR10FCY	BP-4
WR10FY	BP-4
WR10LC	ZGR5B
WR10LCV	BPR4ES-13
WR11E0	BR4-LM
WR2CC	BR10ES
WR3CC	BR9ES
WR3CS	BR9EVX
WR3CTC	BR9ET
WR4AC	BR8HS
WR4CC	BR8ES
WR4CP	BR8EVX
WR5A	BR7HS
WR5AC	BR7HS
WR5C	BR7ES
WR5CC	BR7ES
WR5CP	BR7ES
WR5DC	BPR7ES
WR5DP	BPR7ES
WR5DS	BPR7EIX
WR6DC	BPR6ES
WR6DP	BPR6ES
WR6DPX	BPR6ES-11



BOSCH	→ NGK
WR6DS	BPR6EVX
WR6DTC	BUR6ET
WR7A	BR6HS
WR7AC	BR6HS
WR7BC	BPR6HS
WR7BP	BPR6HS
WR7C	BR6ES
WR7CC	BR6ES
WR7CCX	BR6ES-11
WR7CP	BR6ES
WR7CPX	BR6ES-11
WR7DC	BPR6ES
WR7DC2	BPR6ES
WR7DCX	BPR6ES-11
WR7DP	BPR6EVX
WR7DS	BPR6EVX
WR7DTC	BUR6ET
WR7EC	BR6S
WR7F	BP6S
WR8AC	BR5HS
WR8BC	BPR5HS
WR8BC+	BPR5HS
WR8C	BR5ES
WR8CC	BR5ES
WR8CP	BR5ES
WR8DC	BPR5ES
WR8DC0	BPR5ES
WR8DC4	BPR5ES
WR8DCX	BPR5ES-11
WR8DCX+	BPR5ES-11
WR8DP	BPR5ES
WR8DPX	BPR5ES-11
WR8DPY	BPR5ES-13
WR8DS	BPR5EIX
WR8E	BR6S
WR8EC	BR6S
WR8EP	BR6S
WR8F	BP5S
WR8FC	BP5S
WR8FP	BP5S
WR8FPY	BP5S
WR8HP	ZGR5C
WR9A0	BR5HS
WR9C	BR5ES
WR9CC	BR5ES
WR9DC	BPR5ES
WR9DCX	BPR5ES-11
WR9DCX+	BPR5ES-11
WR9DCY	BPR5ES-13
WR9DP	BPR5ES
WR9DPX	BPR5ES-11
WR9DS	BPR5EIX

BOSCH	→ NGK
WR9DY	BPR5ES-13
WR9E	BR6S
WR9E0	BR6S
WR9EC	BR6S
WR9EC0	BR6S
WR9F	BP5S
WR9FC	BP5S
WR9FCY	BP5S
WR9FP	BP5S
WR9FPY	BP5S
WR9FY	BP5S
WR9H	ZGR5C
WR9HC	ZGR5C
WR9HP	ZGR5C
WR9LS	ZGR5A
WS5E	BM7A
WS5F	BPM7A
WS6E	BM6A
WS6F	BPM6A
WS7E	BM6A
WS7F	BPM6A
WS8E	BM6A
WS8F	BPM6A
WS9EC	BM4A
WSR5F	BPMR7A
WSR6E	BMR6A
WSR6F	BPMR7A
WSR7F	BPMR6A
WSR8E	BMR6A
WSR8F	BPMR6A
WSR9E	BMR4A
WSR9EC	BMR4A
X175T1	D5HS
X260T1	D6HA
X260T2	D6EA
X300T1	D8HA
X300T2	D9EA
X320T1	D10HS
X3CP0	D9EA
X4CS	D8EA
X5CC	D8EA
X5DC	DP7EA-9
XR2AS	DR8HS
XR2CS	DR8ES
XR4AS	DR8HS
XR4CS	DR8ES
XR4DC	DPR8EA-9
XR5DC	DPR7EA-9
XR6CC	DR7EA
XR7LDC	DPR7EA-9
Y6DC	DCP6E
YR5DDE	KR9CI



BOSCH	→ NGK
YR5LDE	DCPR8EKC
YR6LDE	DCPR8EKC
YR7DE	DCPR8E-N
YR7MPP33	PLKR7A

BRISK	→ NGK
B12YC	DP9EA-9
B14YC	DP8EA-9
B15YC	DP7EA-9
D12YC	BCP7ES
D14Y	BCP7ES
D14YC	BCP7ES
D15Y	BCP6ES
D15YC	BCP6ES
D17Y	BCP5ES
D17YC	BCP5ES
DR12YC	BKR7E
DR14YC	BKR7E
DR14ZC	ZFR7F-11
DR14ZC1	BCPR7ES-11
DR15TC	BKUR5ET-10
DR15YC	BKR6ES
DR15Z	BKR6ES
DR15Z1	BKR6ES-11
DR17YC	BKR5ES
F14YC	AP7FS
F15YC	AP6FS
FR14YC	APR6FS
FR15YC	APR6FS
G12YC	BP7EFS
G14Y	BP7EFS
G14YC	BP7EFS
G15Y	BP6EFS
G15YC	BP6EFS
G17Y	BP5EFS
G17YC	BP5EFS
GR15YC	BPR6EFS
GR17YC	BPR5EFS
J17	B4-LM
J19	B2-LM
JR17	BR4-LM
JR19	BR2-LM
K15YC	BP6S
K17C	B6S
K17Y	BP5S
K19	B-4
L08JW	B10EGV
L08W	B11EGV
L10JW	B8EGV
L12W	B9EVX
L12Y	BP8ES
L12YC	BP8ES

BRISK	→ NGK
L14	B8ES
L14C	B8ES
L14Y	BP7ES
L14YC	BP7ES
L15	B7ES
L15C	B7ES
L15W	B7EVX
L15Y	BP6ES
L15YC	BP6ES
L17	B6ES
L17C	B6ES
L17W	BR7EIX
L17Y	BP5ES
L17YC	BP5ES
L19	B4E
L19C	B5ES
LR12YC	BPR8ES
LR12ZC	BPR8ES
LR14TXS	BUR6ET
LR14YC	BPR7ES
LR14ZC	BPR7ES
LR14ZC1	BPR7ES-11
LR15TXS	BUR6ET
LR15YC	BPR6ES
LR15Z	BPR6ES
LR15Z1	BPR6ES-11
LR17YC	BPR5ES
N08W	B10HVX
N12W	B9HVX
N12Y	BP8HS
N12YC	BP8HS
N14	B8HS
N14C	B8HS
N14Y	BP7HS
N14YC	BP7HS
N15	B7HS
N15C	B7HS
N15W	B8HVX
N15Y	BP6HS
N15YC	BP6HS
N17	B6HS
N17C	B6HS
N17W	BR7HIX
N17Y	BP5HS
N17YC	BP5HS
N19	B5HS
N19C	B5HS
NR12YC	BPR8HS
NR15YC	BPR6HS
P15	BM7A
P15Y	BPM7A
P17	BM6A



BRISK	→ NGK
P17Y	BPM6A
PR15Y	BPMR7A
PR17Y	BPMR6A
U15	BM7F
U17	BM6F
UR17	BMR6F
CARLTON	→ NGK
71010	BM7F
71015	BM6F
71020	BM7A
71025	BPM7A
71030	BM7A
71035	BPM7A
71040	BM6A
71045	BPM6A
71050	B6HS
71055	B5HS
71060	B-4
71065	B-4H
71070	BPMR6A
C10S	B-4H
C7S	B6HS
C8S	B5HS
C9	B-4
CA5E	BM7A
CA5Y	BPM7A
CA6	BPMR6A
CA7E	BM7A
CA7Y	BPM7A
CA8E	BM6A
CA8Y	BPM6A
CN6E	BM7F
CN8E	BM6F
CHAMPION	→ NGK
860	A6FS
870	A5FS
2301	BPR5ES-11
2322	BPR4ES-11
2332	BPR6ES
2338	BKR6ES
2415	BPR5ES
2430	BKR5ES-11
3071	BKR5EVX-11
3322	BPR5EIX-11
3344	BKR6EVX-11
3407	TR5-1IX
5828	BZ7HS-10
5843	BM7A
5846	BM6A
5847	BM6F

CHAMPION	→ NGK
5861	B2-LM
5883	BZ7HS-10
88091	DPR7EA-9
9179100	PFR6G
9202064	BKR6EKUB
A10	D7EA
A4HC	DP9EA-9
A50R	R2525-11
A51R	R2525-10
A53C	R2525-11
A53R	R2525-11
A55C	R2525-10
A55R	R2525-10
A55V	R2349-11
A57CST	R2525-10
A57G	R2525-10
A59C	D9EA
A59G	D9EVX
A59GC	DCPR9EVX
A5YC	DP9EA-9
A6	D8EA
A61	D9EA
A61G	D9EVX
A6G	D8EVX
A6GC	D8EVX
A6HC	DP8EA-9
A6Y	DP8EA-9
A6YC	DP8EA-9
A8	D7EA
A8Y	DP7EA-9
A8YC	DP7EA-9
BL11Y	BP5FS
BL13Y	BP5FS
BL4	B7FS
BL5	B7FS
BL6	BR6FS
BL7Y	BP7FS
BL8	BR6FS
BL9Y	BP6FS
BN12Y	BP5EFS
BN2	B9EFS
BN6Y	BP7EFS
BN7Y	BP6EFS
BN89Y	BP6EFS
BN9Y	BP6EFS
C10YCC	BCP6ES
C11YCC	BCP5ES
C12YCC	BK5E
C281YC	BCP6ES
C55	R7436-10
C55R	R7436-10
C57	R7436-9



CHAMPION	→ NGK
C57A	R7436-10
C57C	R7436-9
C57CX	R7434-10
C57JC4	R7436-10
C57YCST	R7436-9
C59	R7436-9
C59C	R7436-9
C61	R7436-8
C6BYC	BCP7ET
C6VPYC	BKR7EVX-11
C6YCC	BCP7ES
C7Y	BCP7ES
C7YC	BCP7ES
C7YCC	BCP7ES
C7YCX	BCP7ES
C9MCC	ZFR5F
C9Y	BCP6ES
C9YC	BCP6ES
C9YCC	BCP6ES
C9YCX	BCP6ES
CJ11	BM6A
CJ14	BM4A
CJ17LM	B4-LM
CJ3	BM7A
CJ4	BM7A
CJ6	BM7A
CJ6Y	BPM7A
CJ7Y	BPM7A
CJ8	BM6A
CJ86	BM6A
CJ8Y	BPM6A
D10	AB-6
D14	AB-6
D16	AB-6
D16J	AB-6
D21	AB-6
D23	AB-6
D6	AB-8
D9	AB-6
D9J	AB-6
DJ6J	BM7F
DJ6Y	BPM7F
DJ7J	BM6F
DJ7Y	BPM6F
DJ8J	BM6F
EON1	BKR6ES
EON2	BKR5ES
EON3	BPR5EFS
EON4	TR5A-10
EON5	BPR6ES
EON6	BPR5ES
F10	A6FS

CHAMPION	→ NGK
F10C	A6FS
F11Y	AP5FS
F11YC	AP5FS
F14Y	AP5FS
F62Y	AP8FS
F7Y	AP7FS
F7YC	AP7FS
F7YCC	AP7FS
F81Y	AP8FS
F82	A8FS
F83Y	AP8FS
F9Y	AP6FS
F9YC	AP6FS
FN507Y	BCP7ES
G1	C9E
G2	C8E
G54V	R0045J-10
G55	C9E
G56R	R0373A-10
G58	C9E
G59C	C7E
G61	C8E
G63	C8E
G63R	CR8EIX
H03	B6S
H10	B-6L
H10C	B-6L
H10J	B-6L
H11	B-4L
H12	B-4L
H8	B-6L
H8C	B-6L
H8J	B-6L
J10Y	BP6S
J11	B-4
J11C	B-4
J11J	B-4
J11Y	BP5S
J12J	B-2
J12Y	BP5S
J12YC	BP5S
J13Y	BP5S
J14	B-2
J14J	B-2
J14Y	BP5S
J14YC	BP5S
J17LM	B4-LM
J18Y	BP-4
J18YC	BP-4
J19LM	B2-LM
J2J	B9S
J4	B7S



CHAMPION	→ NGK
J4C	B7S
J4J	B7S
J5	B7S
J6	B6S
J6C	B6S
J6J	B6S
J7	B6S
J7J	B6S
J8	B6S
J8C	B6S
J8J	B6S
K13	AB-6
K15J	AB-6
K3G	AB-8
K5G	AB-8
K7	AB-8
K8	AB-8
K8G	AB-8
K9	AB-7
L10	B6HS
L12Y	BP5HS
L14	B-4H
L15Y	BP4HS
L19V	BUH
L20V	BUH
L288	B5HS
L2G	B9HVX
L3G	B8HVX
L4G	BR7HIX
L4J	B7HS
L5	B7HS
L55G	B10HVX
L61Y	BP8HS
L64Y	BP7HS
L66Y	BP6HS
L6G	BR7HIX
L6VC	BU8H
L76V	BUHW
L77J	B7HS
L77J4	B7HS-10
L77JC	B7HS
L77JC4	B7HS-10
L77V	BUHW
L78	B7HS
L78C	B7HS
L78V	BUHW-2
L78YC	BP7HS-10
L78YC6	BP8HS-15
L7J	B6HS
L81	B7HS
L81Y	BP7HS
L82	B6HS

CHAMPION	→ NGK
L82C	B6HS
L82Y	BP6HS
L82YC	BP6HS
L82YCC	BP6HS
L85	B6HS
L85Y	BP6HS
L86	B6HS
L86C	B6HS
L86CC	B6HS
L87Y	BP6HS
L87YC	BP6HS
L87YCC	BP6HS
L89CM	BP5HS
L90	B5HS
L90C	B5HS
L92LCC	BP5HA
L92Y	BP5HS
L92YC	BP5HS
L92YC4	BP5HS-10
L95Y	BP4HS
L9G	BR6HIX
L9J	B6HS
N1	B10ES
N10PY	BP6EVX
N10Y	BP6ES
N10Y4	BP6ES-11
N10YC	BP5ES
N11Y	BP5ES
N11YC	BP5ES
N11YC4	BP5ES-11
N11YCC	BP5ES
N12Y	BP5ES
N12YC	BP5ES
N12YCC	BP5ES
N13L	ZGR5C
N13Y	BP5ES
N14LY	ZGR5C
N14Y	BP5ES
N16Y	BP4ES
N16YC	BP4ES
N178B	BR8EM
N180B	B7EM
N19V	BUE
N1C	B10ES
N2	B9ES
N21	B4ES
N279YC	BP7ES
N281YC	BP6ES
N288	B5ES
N2C	B9ES
N2G	B9EVX
N3	B8ES



CHAMPION	→ NGK
N3C	B8ES
N3G	B8EVX
N4	B7ES
N4C	B7ES
N4G	BR7EIX
N4YC	BP9ES
N5	B6ES
N54R	B10EG
N55G	B105EGV
N56R	B105EGP
N57	B10ES
N57G	B105EGV
N57R	B10EG
N59G	B95EGV
N5C	B6ES
N5G	B6EVX
N6	B6ES
N60	B9ES
N60R	B8EG
N60Y	BPR10EVX
N62R	B8EG
N63Y	BP9ES
N64Y	BP8ES
N65Y	BP7ES
N66Y	BP6ES
N6BYC	BUR6ET
N6GY	BP8EVX
N6Y	BP8ES
N6YC	BP8ES
N6YCC	BP8ES
N7	B7ES
N74C	BUR6EB-11
N79Y	BP6ES
N7BMC	BUR6ET
N7BYC	BUR6ET
N7GY	BP7EVX
N7Y	BP7ES
N7YC	BP7ES
N7YCC	BP7ES
N7YCX	BP7ES
N8	B6ES
N80	B10EG
N80G	B11EGV
N82	B10EG
N82G	B105EGV
N84	B9EG
N84G	B95EGV
N86	B9EG
N86G	B9EGV
N87	B8EG
N87G	B8EGV
N89GY	BP6ES

CHAMPION	→ NGK
N89Y	BP5ES
N8GY	BP6EVX
N8L	ZGR5C
N8Y	BP6ES
N92Y	BP4ES
N9BMC	BPR5EKU
N9BYC	BUR6ET
N9BYC4	BP5ET-10
N9Y	BP6ES
N9YC	BP6ES
N9YC4	BP6ES-11
N9YCC	BP6ES
N9YCE	BP5ES
N9YCX	BP6ES
OBL9Y	BPR6FS
OE001/R04	BP6ES
OE001/T10	BP6ES
OE002/R04	BKR6ES
OE002/T10	BKR6ES
OE003/T10	BCP6ES
OE004/R04	BPR6ES
OE004/T10	BPR6ES
OE005/R04	BKR6ES
OE005/T10	BKR6ES
OE006/R04	BPR6ES
OE006/T10	BPR6ES
OE007/T10	BP6HS
OE008/R04	BPR7ES
OE008/T10	BPR7ES
OE009/R04	BP7EFS
OE009/T10	BP7EFS
OE010/R04	BP7ES
OE010/T10	BP7ES
OE011/R04	BPR6EFS
OE011/T10	BPR6EFS
OE012/R04	BUR6ET
OE012/T10	BUR6ET
OE013/T10	BKR5ES
OE014/R04	BCPR7ES
OE014/T10	BCPR7ES
OE015/T10	BP5ES
OE016/R04	BKR6ES
OE016/T10	BKR6ES
OE017/T10	BCP7ES
OE018/R04	BPR7ES
OE018/T10	BPR7ES
OE019/R04	BKR5EK
OE019/T10	BKR5EK
OE020/R04	BPR6EFS
OE020/T10	BPR6EFS
OE021/R04	BCPR6ET
OE021/T10	BCPR6ET



CHAMPION	→ NGK
OE022/T10	BP6ES
OE023/R04	BCP6ES
OE023/T10	BCP6ES
OE025/R04	BUR6ET
OE025/T10	BUR6ET
OE026/R04	BKR6EK
OE026/T10	BKR6EK
OE027/R04	BUR5ET-10
OE027/T10	BUR5ET-10
OE028/R04	BP5ET-10
OE028/T10	BP5ET-10
OE030/T10	BKR6EKC
OE031/R04	PTR5A-13
OE031/T10	PTR5A-13
OE032/R04	BKUR6ET-10
OE032/T10	BKUR6ET-10
OE033/T10	BKR6EZ
OE034/T10	BKR6ES
OE035/T10	LFR5B
OE036/R04	BP7EFS
OE036/T110	BP7EFS
OE037/T10	B6HS
OE038/T10	BP6HS
OE039/T10	BKR6ES-11
OE040/T10	B9ES
OE041/T10	ZFR5F
OE042/T10	BPR5ES
OE043/R04	BCPR7ES
OE043/T10	BCPR7ES
OE044/T10	BUR6ET
OE045/T10	BPR5ES
OE046/T10	BP7ES
OE048/R04	BPR6ES-11
OE048/T10	BPR6ES-11
OE049/T10	BPR5ES-11
OE050/R04	BP7EFS
OE050/T10	BP7EFS
OE051/T10	BPR5ES
OE054/T10	APR6FS
OE055/T10	BP5ES
OE056/R04	BKR7ES-11
OE056/T10	BKR7ES-11
OE057/T10	BCP5ES
OE058/T10	BCP7ES
OE059/T10	BP5HS
OE060/T10	ZGR5B
OE061/T10	AP7FS
OE063/T10	BKR6ES-11
OE064/R04	BPR6HS
OE064/T10	BPR6HS
OE065/T10	BP5ES
OE067/T10	BP7EFS

CHAMPION	→ NGK
OE068/T10	B8ES
OE070/T10	BP6HS
OE072/T10	BPR5EFS
OE073/T10	DCPR9E
OE074/T10	B6ES
OE075/T10	BCP7ES
OE076/T10	BCP7ET
OE077/T10	BCPR6ET
OE078/T10	B8EVX
OE079/T10	B7ES
OE080/T10	BKR7ES-11
OE083/T10	DCPR8E
OE084/R04	BP8ES
OE084/T10	BP8ES
OE085/T10	BKR5EKU
OE086/T10	BR6HS
OE087/R04	BP8ES
OE087/T10	BP8ES
OE090/T10	BP7EFS
OE091/T10	BR9ES
OE092/T10	CR9E
OE093/T10	BKR5EZ
OE095/R04	BUR6ET
OE095/T10	BUR6ET
OE096/T10	B6HS
OE098/T10	BR7ES
OE099/T10	BPR5EFS
OE100/T10	BPR5EKU
OE103/T10	DCPR9EVX
OE104/T10	BP6HS
OE105/T10	GR4
OE106/T10	BP5ES
OE108/T10	BR8ES
OE109/T10	BUR6ET
OE110/T10	BCPR7ES
OE112/T10	D8EVX
OE116/T10	BPR8ES
OE122/T10	PMR7A
OE124/T10	PFR5J-11
OE125/T10	B9EVX
OE129/T10	BKR7EVX-11
OE130/T10	LZKAR7A
OE132/T10	DP8EA-9
OE134/T10	PFR5J-11
OE136/T10	PFR6J-11
OE141/T10	BKR6EVX
OE143/T10	PFR6G-9
OE144/T10	BKUR6ET-10
OE145/T10	BKUR6ET-10
OE146/T10	PFR5G-13E
OE151/T06	BPR5EFS
OE152/T10	BKR5ES-11



CHAMPION	→ NGK
OE155/T10	APR6FS
OE156/T10	ZGR5C
OE160/T06	ZFR4F-11
OE161/T10	GR4
OE162/T06	BR6ES
OE163/T04	LZTR4A-11
OE165/T04	R7436-9
OE166/T04	C7E
OE169/T04	R5724-9
OE171/T04	BPR6FS
OE172/T04	B9EG
OE173/T04	R2525-10
OE175/T10	LFR5AP-11
OE190/R04	IFR5G11
OE190/T10	IFR5G11
OE197/T10	PLKR7A
OJ11Y	BP6S
OJ12Y	BP5S
OJ13Y	BP5S
ON11Y	BP5ES
ON12Y	BP5ES
ON3	BR8ES
P10Y	D6HA
P6	D10HS
P7	D8HA
P7G	DR8HS
P7Y	D8HA
P8Y	D6HA
PA5HC	D7EA
PA7HC	D7EA
PG2PHP	PMR8A
PG4PHP	PMR7A
PG7C	C7E
PL7YC4	BP6HS-10
PL9YC	BP6HS
PN5C	B8ES
PRL5SC	BR6HSA
PRL9SC	BR4HSA
PRZ9HC	CR7HSA
PZ7HC	C7HSA
PZ9HC	C6HSA
Q504V	R2349-10
QC10PEPB	IZFR6N-E
QC12PEP	PZFR6H
QC12PEPB	IZFR6N-E
QC12YC	BKR5ES
QC501V	R7434-10
QC9MC4	ZFR6F-11
QJ17LM	BR4-LM
QJ19LM	BR2-LM
QL16V	BUZ8H
QL6VC	BU8H

CHAMPION	→ NGK
QL76V	BUZHW
QL77CC	BR8HS
QL77J4	BZ7HS-10
QL77JC4	BZ7HS-10
QL78C	BR7HS
QL78V	BUZHW-2
QL78YC	BPR7HS
QL7J5	BR6HS
QL81Y	BPZ7HS10
QL82C	BR6HS
QL82YC	BPR6HS
QL86	BR6HS
QL86C	BR6HS
QL87YC	BPR6HS
QL92LCC	BP8HS-10
QN2	BR9ES
QN2C	BR9ES
QN2G	BR9EVX
QN3	BR8ES
QN3C	BR8ES
QN84	BR9EG
QN86	BR8EG
R10	D6EA
R54G	R2525-10
R6	D8EA
R6G	D8EVX
R6J	D8EA
R8	D7EA
RA2HC	DPR7EA-9
RA4HC	DCR8EIX
RA4HCC	DCPR8E
RA4HCX	DCPR9EVX
RA59GC	DCPR9EVX
RA59PP	DCPR9EIX
RA6	DR8ES-L
RA6HC	DCR8EIX
RA6Y	DPR7EA-9
RA6YC	DPR7EA-9
RA8GHC	DCPR6E
RA8HC	DCPR7E
RA8Y	DPR7EA-9
RA8YC	DPR7EA-9
RAX92C	DR9EA
RAX92DC	JR9C
RAX92YC	DPR7EA-9
RAX94C	DR8EA
RAX94YC	DPR7EA-9
RAX96C	DR7EA
RAX96YC	DPR7EA-9
RBL11Y	BPR5FS
RBL11Y6	BPR5FS-15
RBL12	BR5FS



CHAMPION	→ NGK
RBL126	BR5FS
RBL13Y	BPR5FS
RBL13Y6	BPR5FS-15
RBL15Y	BPR4FS
RBL15Y4	BPR4FS-11
RBL15Y6	BPR4FS-15
RBL16Y	BPR4FS
RBL17Y	BPR4FS
RBL17Y6	BPR4FS-15
RBL8	BR6FS
RBL86	BR6FS
RBL9Y	BPR6FS
RBN12Y	BPR5EFS
RBN13Y	BPR5EFS
RBN14Y	BPR5EFS
RBN9Y	BPR6EFS
RC10DMC	BKR5EK
RC10ECC	ZFR6F-11
RC10PYP4	PFR5J-11
RC10PYPB4	PFR5G-11
RC10YC	BKR5ES
RC10YC4	BKR6ES-11
RC10YCC	BKR6ES
RC10YCL	BKR5EZ
RC11LCC4	BRE527Y-11
RC11PYPB4	PFR5G-11
RC12ECC	ZFR5N
RC12LYC	ZFR5F
RC12MC4	PZFR5F-11
RC12MC5	ZFR5F-11
RC12MCC4	ZFR5F-11
RC12PEC5	ZFR5LP-13G
RC12PYP	PFR5J-11
RC12YC	BKR5ES
RC12YC5	FR45
RC14ES	ZFR5LP-13G
RC14YC	BKR5ES
RC14YC4	BKR5ES-11
RC503C	R7433-8
RC6VPYC	BKR7EVX-11
RC6YC	BCPR7ES
RC6YCC	BCPR7ES
RC7BMC	BCPR6ET
RC7BYC4	BCPR6ET
RC7GYC	BKR7EVX-11
RC7GYG	BKR6EVX
RC7PYCB4	FR6AP10
RC7Y	BCPR7ES
RC7YC	BCPR7ES
RC7YC4	BKR7ES-11
RC7YCC	BCPR7ES
RC7YCC4	BKR7ES-11

CHAMPION	→ NGK
RC87PYC	BKUR6ET-10
RC87YC	BKR6ES
RC87YCC	BKR6EZ
RC87YCL	BKR6EZ
RC89PYC	BKUR5ET-10
RC89TMC	BKUR5ET-10
RC89YCC	BKR5EZ
RC8BYC	BKR6EKC
RC8DMC	BKR6EK
RC8PYCB	PFR6G-9
RC8PYP	PFR6J-11
RC8PYP4	PFR6G-11
RC8PYPB4	PFR5G-13E
RC8VTYC4	BKUR5ET
RC8YC	BKR5ES
RC8YC4	BKR5ES-11
RC8YCC	BKR6ES
RC8YCL	BKR6ES
RC9BMC	BKR5EKU
RC9MC4	ZFR5F-11
RC9MCC4	ZFR6F-11
RC9TMC	BKR6EKUB
RC9YC	BKR6ES
RC9YC4	BKR6ES-11
RC9YC5	BKR6ES-11
RC9YCC	BKR6ES
RC9YCC4	BKR6ES-11
RC9YCN4	BKR6ES-11
RCJ4	BMR7A
RCJ501H	BPMR4A
RCJ6	BMR7A
RCJ6Y	BPMR7A
RCJ7Y	BPMR7A
RCJ8	BMR6A
RCJ8Y	BPMR6A
RD14	AB-6
RD16	AB-6
RD16J	AB-6
RD9	AB-6
RDJ6J	BM7F
RDJ7J	BMR6F
RDJ7Y	BPMR6F
RDJ8J	BMR6F
RE10LC	TR5-11X
RE10PMC5	PTR5A-13
RE14MCC5	LZTR4A-11
RE14PLP5	PLZTR5A-13
RE7PYC5	PTR5A-13
RE7YCC	PTR5A-13
REA8MCL	LZKAR7A
REC10PYC4	LFR5AP-11
REC10WYPB4	IFR5G11



CHAMPION	→ NGK
REC9MCLX	LFR5B
REC9YCL	LFR5B
RER8YC	PLKR7A
RES9YCC4	PTR5A-13
RF10	AR6FS
RF10C	AR6FS
RF11Y	APR6FS
RF11YC	APR6FS
RF14Y	APR5FS
RF7YC	APR6FS
RF7YCC	APR6FS
RF9Y	APR6FS
RF9Y5	APR6FS
RF9YC	APR6FS
RFN14LY	ZFR4F-11
RG2PHP	CR8EVX
RG4HC	CR9E
RG4PHP	PMR7A
RG6YC	CR8EB
RG6YCA	CPR8E
RG6YCH	CPR8E
RG92C	CR9E
RG92DC	CR9EK
RG94C	CR8E
RGU92C	CR9EH-9
RGU94C	CR8EH-9
RH10C	B-6L
RH18Y	B-4L
RJ10Y	BP6S
RJ11	BR6S
RJ11Y	BP5S
RJ12	BR6S
RJ12Y	BP5S
RJ12YC	BP5S
RJ14CC	XR4
RJ14Y	BP5S
RJ14YC	BP5S
RJ17LM	BR4-LM
RJ18Y	BP-4
RJ18YC	BP-4
RJ18YC6	XR45IX
RJ19LM	BR2-LM
RJ20Y	BP-4
RJ6	BR6S
RJ6C	BR6S
RJ6J	BR6S
RJ7	BR6S
RJ8	BR6S
RJ8C	BR6S
RJ8J	BR6S
RL12Y	BPR6HS
RL19	BR5HS

CHAMPION	→ NGK
RL4J	BR7HS
RL77J	BR7HS
RL78	BR7HS
RL78C	BR7HS
RL7J	BR6HS
RL82	BR6HS
RL82C	BR6HS
RL82Y	BPR6HS
RL82YC	BPR6HS
RL82YCC	BPR6HS
RL85	BR6HS
RL86	BR6HS
RL86C	BR6HS
RL87Y	BPR6HS
RL87YC	BPR6HS
RL90	BR5HS
RL95YC	BPR5HS
RN10GY	BPR6EVX
RN10PYP4	PGR5A-11
RN10VTYC	BUR5ET
RN10VTYC4	BUR5ET-10
RN10Y	BPR6ES
RN10Y4	BPR6ES-11
RN10YC	BPR6ES
RN11Y	BPR5ES
RN11YC	BPR5ES
RN11YC4	BPR5ES-11
RN11YCC	BPR5ES
RN12GY	BPR5EIX
RN12MC4	BPR4EY-11
RN12Y	BPR5ES
RN12YC	BPR5ES
RN12YC4	BPR5ES-11
RN12YC6	BPR5ES-13
RN12YCC	BPR5ES
RN13L	ZGR5C
RN13LYC	ZGR5C
RN14LY	ZGR5C
RN14MC5	BPR4EY-11
RN14PMP5	GR4
RN14Y	BPR5ES
RN14Y6	BPR5ES-13
RN14YC	GR4
RN16Y	BPR4ES
RN16YC5	BPR4ES-13
RN16YC6	BPR4EY-11
RN180B	BR7EM
RN1C	BR10ES
RN2	BR9ES
RN2C	BR9ES
RN2G	BR9EVX
RN3	BR8ES



CHAMPION	→ NGK
RN3C	BR8ES
RN3G	BR8EVX
RN4	BR7ES
RN4C	BR7ES
RN5	BR6ES
RN57YC	BR10EG
RN5C	BR6ES
RN6	BR6ES
RN6Y	BPR8ES
RN6YC	BPR8ES
RN74C	BUR6EB-11
RN7GY	BPR7EIX
RN7Y	BPR7ES
RN7YC	BPR7ES
RN7YCC	BPR7ES
RN7YCC4	BPR7ES-11
RN8	BR5ES
RN8L	ZGR5C
RN8VTYC4	BUR6ET
RN9BMC	BPR5EKU
RN9GY	BPR6EVX
RN9LCC	ZGR5B
RN9Y	BPR6ES
RN9YC	BPR6ES
RN9YC4	BPR6ES-11
RN9YCC	BPR6ES
RP10HC	DR5HS
RP7	DR8HS
RS10LC	TR5-1
RS12PYP	TR5IX
RS12YC	TR4
RS12YC6	BPR5EFS-13
RS13LYC	TR4
RS14LC	TR5-1
RS14LYC	TR4
RS14PYP	TR4IX
RS14YC	BPR5EFS
RS14YC6	TR55IX
RS15LYC	TR4
RS16YC	TR4
RS5C	BR7EFS
RS9YC	BPR6EFS
RS9YCC	BPR6EFS
RV12C	BR5FS
RV12C6	BR5FS
RV12YC	BPR5FS
RV12YC6	BPR5FS-15
RV15YC	BPR4FS
RV15YC4	BPR4FS-11
RV15YC6	BPR4FS-15
RV17YC	BPR4FS
RV17YC6	BPR4FS-15

CHAMPION	→ NGK
RV8C	BR6FS
RV8C6	BR6FS
RV91MC	BR6FS
RV92YC	BPR5FS
RV9YC	BPR6FS
RZ7C	CMR7H
RZ94C	CR8HSA
RZ96C	CR7HSA
RZN12Y	BPR5EFS
RZN12Y5	BPR5EFS
S10YCC	BP5EFS
S12YC	BP5EFS
S279YC	BP6EFS
S281YC	BP6EFS
S379YC	BP7EFS
S59C	R5724-9
S6YC	BP7EFS
S7YC	BP7EFS
S7YCC	BP7EFS
S9YC	BP6EFS
S9YCC	BP6EFS
UD16	AB-6
UF11Y	AP6FS
UF14Y	AP4FS
UF9Y	AP6FS
UJ12	B-2
UJ2J	B8S
UJ4J	B7S
UJ6	B6S
UJ8	B6S
UJ81C	B7S
UJ81J	B7S
UK10	AB-6
UL17V	BUHXW-1
UL18V	BUHX
UL4J	B7HS
UL77V	BUHXW-1
UL81C	B7HS
UL81J	B7HS
UL82Y	BP7HS
UN19V	BUE
UN79Y	BP6ES
V12YC	BP5FS
V4C	B7FS
V61	R5673-8
V63C	R5673-7
V9YC	BP6FS
XC12PEPB	PZFR6H
XC92YC	BKR5ES
XJ10Y	BP6S
Y82	CM-6
Z10	C6HSA



CHAMPION	→ NGK
Z10G	C7HVX
Z12	C6HSA
Z6	C8HSA
Z7G	C7HVX
Z8	C7HSA
Z9Y	C7HSA

DENSO	→ NGK
3004	BPR5EP-11
3005	BCPR5EIX-11
3006	BCPR5EY-11
3009	BCPR6EY-11
3011	BP4EY
3013	BPR4EY
3018	BP5ES
3025	B5ES
3027	BP5EY
3032	BPR5EY-11
3034	B5HS
3036	BP5S
3043	BP6ES
3046	BUR6EA-11
3049	BPR6ES-11
3051	B6ES
3057	BR6ES
3062	BP6EY
3066	BPR6EY
3067	BPR6EY-11
3068	BP6HS
3070	BPR6HS
3073	B6HS
3074	BR6HIX
3075	B6S
3085	BP7ES
3088	BPR7ES
3089	BPR7ES-11
3093	B7ES
3095	BR7EIX
3098	BR7ES
3103	BR8ET
3107	BR9ET
3110	BR5ES
3111	SD11A
3112	ZFR6A-11
3113	BCPR6EP-N-8
3114	PGR5A-11
3115	PGR6A-11
3117	BCPR6EP-11
3119	BKR5EYA
3120	BKR5EYA-11
3121	BKR6ES-11
3122	BKR6EYA

DENSO	→ NGK
3123	BCPR5EP-8
3125	BCP6ES
3127	BKR6EP-8
3128	BKR6EP-11
3129	BCPR5EY
3130	BKR5ES-11
3131	ZFR5J-11
3132	ZFR5F-11
3133	ZFR6J-11
3134	BKR5EP-11
3135	ZFR5E-11
3139	BKR6EY-11
3140	BCPR6EY
3141	PFR6J-11
3142	PFR6G-11
3144	BKR6E-N-11
3156	BCPR5EIX-11
3157	BCPR6EVX-11
3158	BCP7EVX
3161	BKR5EVX-11
3163	BKR6EVX-11
3165	BKR7E
3167	ZFR4F-11
3168	PFR6B-11
3169	ZFR6F-11
3172	PFR6G-13
3174	PFR5J-11
3175	PZFR5F
3179	DCPR7E
3184	BCPR5EY-11
3186	BCPR5EY-11
3187	BCPR6EY-11
3192	BKR7E-11
3194	BKR5EKB-11
3195	BKR6EKB-11
3196	BKUR6EK
3197	BKUR7EK
3199	BP5EY-11
3201	BPR5ES-11
3210	BPR5EY
3213	BPR5ES-13
3226	BKR6EP-13
3231	BPR5EIX
3235	BCRE527Y
3239	BPR5EP-13
3242	DCPR7EVX
3244	BCPR6EIX-11
3245	PFR6J
3246	PZFR5F-11
3247	PZFR6F-11
3253	BKR6EKP-11
3255	BCP7ES



DENSO	→ NGK
3256	ZGR5A
3262	BKR6EVX-11
3264	PFR5B-11
3273	PFR7B
3275	PFR5G-11
3277	BPR6EKN
3281	BPR7EIX
3285	BPR5EIX-11
3289	BKR5EKPB-11
3290	BKR7EVX
3291	BPR6EVX
3293	BKR5EVX
3297	IFR6T11
3299	BKR7E-N-11
3302	PGR7A
3303	IFR5T-8N
3304	BKR6EKC
3305	BKUR6EK-9
3306	PGR6A
3307	IFR6C
3310	BR10ET
3312	DCPR8E
3313	DCPR9E
3314	DCPR9EVX
3323	BPR6EVX-11
3333	BKR6ES
3344	BPR6ES
3345	BPR5ES
3346	BCPR5E
3347	BCPR7ES
3348	ZFR7F-11
3349	BKR5ES
3354	IGR7A
3372	IFR7G-11KS
3373	BKR6EP-8
3374	ZFR6K-11
3377	IZFR6K11
3378	ZFR6FIX-11
3379	BCPR7ES-11
3380	BKR6EKPA
3381	LFR6C-11
3396	IZFR5F11
3400	IFR5E11
3403	IFR6B-K
3412	IFR5E11
3413	ZFR5F
3418	IFR6E11
3424	BKR6ES
3427	LZKAR7A
3432	IZFR6K-11S
3434	IKR7C
3437	FR5EI

DENSO	→ NGK
3439	DILKAR6A11
3441	ILKR7B8
3444	ILKAR7B11
3449	IFR6J11
4019	BP5HS
4021	BP7HS
4025	B7HS
4026	BR7HIX
4027	B7S
4028	BP8ES
4030	B8ES
4032	B8EGV
4048	B9EGV
4057	B95EGV
4093	DP8EA-9
4097	DPR8EVX-9
4136	BPR8ES
4167	DR8EIX
4172	DR9EIX
4189	CR8EVX
4201	CR7EK
5008	APR5FS
5012	AP6FS
5013	APR6FS
5022	BPR5EFS
5027	BPR5FS-15
5031	BP6EFS
5032	BPR6EFS
5035	BPR6FS
5040	BP7EFS
5060	BKUR6ET
5061	BKUR6ET-10
5062	BKUR7ET
5063	BKR6EKUB
5064	BP5ET-10
5065	BUR6ET
5066	BP7ET
5067	BUR6ET
5068	PTR5A-13
5069	BCP7ET
5070	PTR5D-10
5077	PZTR5A-15
5301	BCPR5EIX-11
5302	BCPR6EIX-11
5303	BKR5EIX-11
5304	BKR6EIX-11
5305	BPR5EIX-11
5306	BPR6EIX-11
5307	BPR7EIX
5308	DCPR7EIX
5316	BR8EIX
5317	BR9EIX



DENSO	→ NGK
5325	TR5IX
5326	TR6IX
5327	TR7IX
5328	TR8IX
5330	UR5IX
5331	UR6IX
5343	LFR5AIX-11
5344	LFR6AIX-11
5361	CR7EIX
5362	CR8EIX
5372	DR8EIX
5376	DPR8EIX-9
5378	BPR6HIX
5379	BR7HIX
5604	IZFR6H11
5615	IFR6L11
5616	IFR8H11
5617	ILZFR5B
5618	ILZFR6D11
5623	HB6AIX-11P
5625	HB6BIX-11P
5630	IFR9H11
6054	B6HS
6076	LFR5A-11
FXE20HR11	DILKAR6A11
IA0132	R7282A-105
IA0134	R7282A-11
IAE0132	R7282-105
IAE0134	R7282-11
IK0124	R7434-8
IK0127	R7434-9
IK0131	R7434-10
IK0224	R7434-8
IK0227	R7434-9
IK0231	R7434-10
IK16	BKR5EIX-11
IK20	BKR6EIX-11
IK24C11	FR8BI-11
IK27C11	FR9BI-11
IKH0124	R7438-8
IKH0127	R7438-9
IKH0131	R7438-10
IKH16	LFR5AIX-11
IKH20	LFR6AIX-11
IQ0124	R7436-8
IQ0127	R7436-9
IQ0131	R7436-10
IQ0224	R7436-8
IQ0227	R7436-9
IQ0231	R7436-10
IQ16	BCPR5EIX-11
IQ20	BCPR6EIX-11

DENSO	→ NGK
IRE0134	R7420-11
IT16	TR5IX
IT20	TR6IX
IT22	TR7IX
IT24	TR8IX
ITF16	UR5IX
ITF20	UR6IX
IU0127	R0373A-9
IU0131	R0373A-10
IU0134	R0373A-11
IU22	CR7EIX
IU24	CR8EIX
IU27	B8HCS
IU27D	CR9EIA-9
IUF22	CR7HIX
IUF24	CR8HIX
IUF27A	CR9HIX
IUH24	CR8EHIX-9
IUH27	CR9EHIX-9
IUH27D	IMR9A-9H
IW0124	R7376-8
IW0127	R7376-9
IW0131	R7376-10
IW0627	R7376-9
IW0631	R7376-10
IW16	BPR5EIX-11
IW20	BPR6EIX-11
IW22	BPR7EIX
IW24	BR8EIX
IW27	BR9EIX
IW31	BR10EIX
IWF20	BPR6HIX
IWF22	BR7HIX
IWF24	BR8HIX
IWF27	BR9HIX
IWM0132	R6179A-105P
IWM24	BR8ECMIX
IWM27	BR9ECMIX
IWM31	BR10ECMIX
IX22	DR7EIX
IX22B	DPR7EIX-9
IX24	DR8EIX
IX24B	DPR8EIX-9
IX27	DR9EIX
IX27B	DPR9EIX-9
IXG24	DPR8ZIX
IXU0127	R2525-9
IXU0131	R2525-10
IXU0134	R2349-11
IXU22	DCPR7EIX
IXU22C	KR7AI
IY24	ER8EHIX



DENSO	→ NGK
IY27	ER9EHIX
J16ARU11	BRE527Y-11
J16AU11	BE527Y-11
J16AY	BPR5EY-11
J16AYR	BPR5EJ
J16BRU	BRE529Y
J16BRU11	BRE529Y-11
J16BU11	BE529Y-11
J16CRU	ZGR5A
J16CU	BPR5EY
J20AY	BPR6EY-11
K14PRU11	BKR4E-11
K14PU11	BKR5ES-11
K16DTRS11	ZFR5G
K16GPRU11	ZFR5E-11
K16HPRU11	LFR5A-11
K16PRL11	BKR5E-N-11
K16PRP11	BKR5EVX
K16PRTP11	BKR5EVX-11
K16PRU	BKR5ES
K16PRU11	BKR5ES-11
K16PRUR	BKR5ES
K16PRZU11	BKR5EVX-11
K16PSRB8	FR5EI
K16PU	BK5E
K16PU11	BK5E-11
K16RU	BKR5EYA
K16RU11	BKR5EYA-11
K16RZU11	BKR5EVX-11
K16TNRS9	BKR5EKC
K16TR11	BKR5EKB-11
K16U	BKR5EYA
K16U11	BKR5EYA-11
K20DTRS11	ZFR6G
K20HRU	LFR6B
K20HRU11	LFR6C-11
K20PBR	BKUR6ET
K20PBR10	BKUR6ET-10
K20PRL11	BKR6E-N-11
K20PRSU9	BKUR6E
K20PRTP11	BKR6EVX-11
K20PRU	BKR6ES
K20PRU11	BKR6ES-11
K20PRU9S	BKR6E-9S
K20PRUR	BKR6ES
K20PRZU11	BKR6EVX-11
K20PSR-B8	FR6EI
K20PU	BK6E
K20PU11	BK6E-11
K20RU	BKR6EYA
K20RU11	BKR6EY-11
K20RZ	BKR6EVX

DENSO	→ NGK
K20RZU11	BKR6EVX-11
K20TMR11	BKR6EKC-N-11
K20TNR	BKR6EKC
K20TNRS	BKUR6EK
K20TNRS9	BKUR6EK-9
K20TR11	BKR6EKB-11
K20TRX	BKR6EKU
K20TXR	BKR6EKUB
K20U	BKR6EYA
K20U11	BKR6EYA-11
K22P11	BK7EK-N-11
K22PB	BCP7ET
K22PBR11	BKUR7ET
K22PRL11	BKR7E-N-11
K22PRTP11	BKR7EVX-11
K22PRU	BKR7E
K22PRU11	BKR7E-11
K22PRUR	BKR7E
K22PRZU	BKR7EVX
K22PRZU11	BKR7EVX-11
K22PU11	BK7E-11
K22TM11	BK7EK-N-11
K22TMR	BKR7EKC-N
K22TMR11	BKR7EKC-N-11
K22TNR	BKR7EKC
K22TNRS	BKUR7EK
K24PRU11	BKR8E-11
K29AZ	R7434-10
KJ14CR11	ZFR4F-11
KJ14CRL11	ZFR4F-11
KJ16CR	ZFR5F
KJ16CR11	ZFR5J-11
KJ16CRL11	ZFR5F-11
KJ16CRU11	ZFR5F-11
KJ206CRL11	ZFR6F-11
KJ20CR11	ZFR6J-11
KJ20CRL11	ZFR6F-11
KJ20CRU11	ZFR6F-11
KJ20DRM11	ZFR6K-11
KJ20DRM11S	ZFR6K11S
KJ20SR11	ZFR6FIX-11
KJ22CR11	ZFR7F-11
KJ22CRL11	ZFR7F-11
KJ22CRL8	ZFR7F
L14U	AB-6
M17	AB-6
M22	AB-7
M24S	AB-8
MA14PU	AP5FS
MA16PRU	APR5FS
MA16PRU11	APR5FS
MA16PRU15	APR5FS



DENSO	→ NGK
MA16PU	AP5FS
MA17PU	AP6FS
MA20PRU	APR6FS
MA20PU	AP6FS
MA20RU	AR6FS
MA20RU11	AR6FS
MA9PU	AP4FS
MW17	AB-6
MW22	AB-7
MW9	AB-2
—nichteintragen	BKR5EKC
—nichteintragen	DCPR8EVX
—nichteintragen	IFR7F-6D
—nichteintragen	PFR7G-11S
P16PR11	PGR5A-11
P16PR8	PGR5A
P16R	BPR5EP-11
P16R13	BPR5EP-13
P20PR11	PGR6A-11
P20PR8	PGR6A
P20R8	BPR6EP-8
P22PR8	PGR7A
PK16PR11	PFR5B-11
PK16PRL11	PFR5G-11
PK16PRP11	PFR5J-11
PK16R11	BKR5EP-11
PK16TR11	BKR5EKPB-11
PK16TR13	BKR5EKPB-13
PK20GR8	BKR6EPA-8
PK20PR11	PFR6B-11
PK20PRL11	PFR6G-11
PK20PRL13	PFR6G-13
PK20PRP	PFR6J
PK20PRP11	PFR6J-11
PK20PRP8	PFR6J
PK20PRTP	PFR6M
PK20PTRS9	BKR6EKPA
PK20R11	BKR6EP-11
PK20R13	BKR6EP-13
PK20R8	BKR6EP-8
PK20RP8	BKR6EP-N-8
PK20TR11	BKR6EKPB-11
PK22PR11	PFR7B-11
PK22PR8	PFR7B
PK22PRL11	PFR7G-11
PK22PRL11S	PFR7G-11S
PK22PRTP	PFR7M
PKJ16CR8	PZFR5F
PKJ16CRL11	PZFR5F-11
PKJ16CRL13	PZFR5F-13
PKJ20CR8	PZFR6F
PKJ20CRL11	PZFR6F-11

DENSO	→ NGK
PKJ20CRM11	PZFR6F-11
PQ16R	BCPR5EIX-11
PQ16R13	BCPR5EIX-11
PQ16R8	BCPR5EP-8
PQ20R	BCPR6EP-11
PQ20R13	BCPR6EIX-11
PQ20R8	BCPR6EP-8
PQ20RP11	BCPR6EIX-11
PQ20RP8	BCPR6EP-N-8
PT16EPRC13	PTR5C-13
PT16EPRL13	PTR5D-10
PT16VR13	PTR5A-13
PTJ16R15	PZTR5A-15
Q14RU11	BCPR4EY-11
Q16PRTP11	BCPR5EIX-11
Q16PRU	BCPR5E
Q16PRU11	BCPR5EY-11
Q16PRUL11	BCPR5EY-N-11
Q16PRZU11	BCPR5EIX-11
Q16PU11	BCPR5EY-11
Q16RU	BCPR5EY
Q16RU11	BCPR5EY-11
Q16RZU11	BCPR5EIX-11
Q16U11	BCPR5EY-11
Q16ZU11	BCPR5EIX-11
Q20PRP11	BCPR6EVX-11
Q20PRU	BKR6ES
Q20PRU11	BCPR6EY-11
Q20PRUL11	BCPR6EY-N-11
Q20PRZU11	BCPR6EVX-11
Q20PU	BCP6ES
Q20PU11	BKR6ES-11
Q20RU	BCPR6EY
Q20RU11	BCPR6EY-11
Q20RZU11	BCPR6EVX-11
Q20U	BCP6ES
Q20U11	BKR6ES-11
Q20ZU11	BCPR6EVX-11
Q22PRP11	BKR7EIX-11
Q22PRU	BCPR7ES
Q22PRU11	BCPR7ES-11
Q22PRUL11	BCPR7EY-N-11
Q22PRZU	BCP7EVX
Q22PRZU11	BKR7EIX-11
Q22PU	BCP7ES
Q22PU11	BKR7E-11
Q27AZ	R7435-9
QJ16ARU	BCRE527Y
QJ16C11	ZFR5A-11
QJ16CR11	ZFR5A-11
QJ20C11	ZF6A-11
QJ20CR11	ZFR6A-11



DENSO	→ NGK
QJ22CR11	ZFR7F-11
QL20PRU	BCPR6ED
QL20TRS	BCPR6EKD
QL22TRS	BCPR7EKD
RU0131	R0045Q-10
RU0134	R0045Q-11
S22PRA7	IGR7A
S27	SD9A
S29	SD10A
S29A	SD10A
S31A	SD11A
SC20HR11	ILKAR7B11
SD29A	SD10A
SF10	BUHX
SF24	BU8H
SF50	BUHW
SF51	BUHW-2
SK16PRA11	IFR5E11
SK16PRE11	IFR5E11
SK16PRL11	IFR5G-11K
SK16RP8	IFR5T-8N
SK20BGR11	HB6AIX-11P
SK20BR11	HB6BIX-11P
SK20HPRL11	ILFR6J-11K
SK20PRA11	IFR6E11
SK20PRA8	IFR6B-K
SK20PRL9	IFR6C
SK20PRL9S	IFR6C-S
SK20R11	IFR6T11
SK20R8G	LPG1
SK22PRM11	IFR7G-11KS
SK22PRM11S	IFR7G-11KS
SKJ16CRL11	IZFR5F11
SKJ16DRM11	IZFR5K11
SKJ20DRM11	IZFR6K11
SKJ20DRM11S	IZFR6K-11S
SKJ20DRM13	IZFR6K13
SVK20RZ11	IFR6J11
SVK20RZ8	BKR6EP-8
SXU22HCR11S	ILZKR7B11GS
SXU22HDR8	ILKR7B8
SXU22PR9	IKR7C
T14PRU	BPR4FS
T14PRU15	BPR4FS-15
T16EPRU	BPR5EFS
T16EXU	BP5EFS
T16PRU	BPR5FS
T16PRU11	BPR5FS-11
T16PRU15	BPR5FS-15
T16PU	BP5FS
T16RU	BR5FS
T16RU15	BR5FS

DENSO	→ NGK
T16U15	YR55IX
T20EPRU	BPR6EFS
T20EPRU15	BPR6EFS-15
T20EPU	BP6EFS
T20EPU15	BPR6EFS-15
T20EXU	BP6EFS
T20MPU	BPM6F
T20MU	BM6F
T20PRU	BPR6FS
T20PRU15	BPR6FS
T20PU	BP6FS
T20RU	BR6FS
T20RU15	BR6FS
T22EPU	BP7EFS
T22MPU	BPM7F
T22MU	BM7F
TR20	B6HS
TR22	B7HS
TR2210	B7HS-10
TR24	B8HS
TR2410	B8HS-10
U14FSRUB	CR4HSB
U14FSUB	C4HSB
U16FER9	CR5EH-9
U16FSL	C5HSA
U16FSRL	CR5HSA
U16FSRU	CR5HSA
U16FSRUB	CR5HSB
U16FSU	C5HSA
U16FSUB	C5HSB
U17F	C5HSA
U20EPR9	CPR6EA-9
U20ESR-N	CR6E
U20FS	C6HSA
U20FSL	C6HSA
U20FSRL	CR6HS
U20FSRU	CR6HSA
U20FSU	C6HSA
U20MU	CM-6
U21FB	C6HSA
U22EPRU	CPR7EA-9
U22ESN	C7E
U22ESRN	CR7E
U22ETR	CR7EK
U22FER9	CR7EH-9
U22FS	C7HSA
U22FSGU	C7HVX
U22FSL	C7HSA
U22FSRL	CR7HS
U22FSRU	CR7HSA
U22FSU	C7HSA
U22FSZU	C7HVX



DENSO	→ NGK
U24ESN	C8E
U24ESRN	CR8E
U24ESRNB	CR8EB
U24ESRNZU	CR8EVX
U24ETR	CR8EK
U24FB	C8HSA
U24FE9	C8EH-9
U24FER9	CR8EH-9
U24FER9S	CR8EH-9S
U24FERZU9	CR8EHVX-9
U24FS	C8HSA
U24FSL	C8HSA
U24FSRC	LR8A
U24FSRU	CR8HS
U24FSRZU	CR8HVX
U24FSU	C8HSA
U24FSZU	CR8HVX
U27ESN	C9E
U27ESNZU	CR9EVX
U27ESRN	CR9E
U27ESRNB	CR9EB
U27ESRNZU	CR9EVX
U27ETR	CR9EK
U27FE9	C9EH-9
U27FER9	CR9EH-9
U27FERZU9	CR9EHVX-9
U27FEZU9	CR9EHVX-9
U31ESRN	CR10E
U31ETR	CR10EK
VK16PRZ11	IFR5L11
VK20	IZFR6H11
VK20PRZ11	IFR6L11
VK20T	LPG1
VK22	IFR7F-6D
VK22PRZ11	IFR7L11
VK24PRZ11	IFR8H11
VK27PRZ11	IFR9H11
VKA20	HB6AIX-11P
VKB20	HB6BIX-11P
VKH16	ILZFR5B
VKH20	ILZFR6D11
VKJ20RZM11	IZFR6F11
VNH24Z	IMR8B9H
VNH27Z	IMR9B-9H
VUH24D	IMR8C-9H
VUH27D	IMR9C-9H
VUH27ES	IMR9C-9HES
VUH27Z	IMR9A-9H
VW20T	LPG2
VX22BC	IJR7A9
VX22BZ	IJR7A9
W14	B-4

DENSO	→ NGK
W14E	B4ES
W14EKRS11	BUR4EB-11
W14EP	BP4ES
W14EPR	BPR4ES
W14EPR11	BPR4ES-11
W14EPR-U	BPR4ES
W14EP-U	BP4ES
W14EXR-U	BPR4EY
W14EXR-U11	BPR4EY-11
W14EXR-U13	BPR4ES-13
W14EXRZU	BPR4EVX
W14EX-U	BP4EY
W14EX-U11	BP4EY-11
W14EX-U13	BPR4ES-13
W14EXZU	BPR4EVX
W14F	B-4H
W14FP	BP-4H
W14FPL	BP4HS
W14FPLUL	BP4HA
W14FPR	BPR-4H
W14FPRL	BPR4HS
W14FPR-U	BPR-4H
W14FPR-UL	BPR4HS
W14FPR-UL10	BPR4HS-10
W14FP-U	BP-4H
W14FP-UL	BP4HS
W14FP-UL10	BP4HS-10
W14FRL	BR4HSA
W14FR-U	BR4HS
W14F-U	B-4H
W14F-U10	B-4H-10
W14L	B-4L
W14LMR-US	BR4-LM
W14LM-U	B4-LM
W14LM-US	B4-LM
W14MPR-U10	BPMR4A
W14MP-U10	BPM4A-10
W14MR-U	BMR4A
W14M-U	BM4A
W14M-US	BM4A
W14P	BP5S
W14PR-U	BP-4
W14P-U	BP-4
W14U	B-4
W14U10	B-4
W14US	B-4
W16DTRS	BPR5EKB
W16EKRS11	BUR5EB-11
W16EKS11	BUR5EB-11
W16EP	BP5ES
W16EP11	BP5ES-11
W16EPB	BP5EY



DENSO	→ NGK
W16EPB10	BP5ET-10
W16EPGU	BPR5EIX
W16EPR	BPR5ES
W16EPR11	BPR5ES-11
W16EPRS11	BUR5EA-11
W16EPRU	BPR5ES
W16EPRU10	BPR5E-11
W16EPRU11	BPR5ES-11
W16EPU	BP5ES
W16EPU10	BP5ES-11
W16EPU11	BP5EY-11
W16EPZU	BPR5EIX
W16ES	B5ES
W16ESL11	BR5ES
W16ESRL	BR5ES
W16ESRL11	BUR5EB-11
W16ESRU	BR5ES
W16ESU	B5ES
W16ETL	BPR5EY
W16ETRS	BPR5EIX-11
W16ETS	BP5EK-A
W16EX	BP5EY
W16EXRU	BPR5EY
W16EXRU11	BPR5EY-11
W16EXRU13	BPR5ES-13
W16EXRZU	BPR5EIX
W16EXU	BP5EY
W16EXU11	BP5EY-11
W16EXU13	BP5ES-13
W16EXZU	BPR5EIX
W16FP	BP5HS
W16FPL	BP5HA
W16FPR	BPR5HS
W16FPRU	BPR5HS
W16FPU	BP5HS
W16FPU10	BP5HS-10
W16FPUL	BP5HA
W16FS	B5HS
W16FSR	BR5HS
W16FSU	B5HS
W16LS	B-6L
W16PRU	BP5S
W16PU	BP5S
W17	B6S
W17ES	BR6ES
W17FP	BP6HS
W17P	BP6S
W17PRU	BP6S
W17PU	BP6S
W20DTRSA	BPR6EKB-L
W20EA	B6EM
W20EAR	BR6EM

DENSO	→ NGK
W20EKRS11	BUR6EB-11
W20EKS11	BUR6EB-11
W20EP	B6ES
W20EP11	BP6ES-11
W20EPB	BUR6ET
W20EPBRS	BUR6ET
W20EPGU	BP6EVX
W20EPR	BPR6ES
W20EPR11	BPR6ES-11
W20EPRS11	BUR6EA-11
W20EPR-U	BPR6ES
W20EPRU10	BPR6ES-11
W20EPRU11	BPR6ES-11
W20EPRZU	BPR6EVX
W20EPRZU11	BPR6EVX-11
W20EPS11	BUR6EA-11
W20EPU	BP6ES
W20EPU10	BP6ES-11
W20EPU11	BP6ES-11
W20EPZU	BP6EVX
W20ES	B6ES
W20ESGU	B6EVX
W20ESL	BR6ES
W20ESL11	BUR6EB-11
W20ESR	BR6ES
W20ESRL	BR6ES
W20ESRL11	BUR6EB-11
W20ESRU	BR6ES
W20ESU	B6ES
W20ESU11	B6ES-11
W20ESZU	B6EVX
W20ET	BP6EK
W20ETL	BPR6EKN
W20ETR	BPR6EK-A
W20ETRL	BPR6EKN
W20ETRL8	BPR6EKN
W20ETRS	BPR6EK-A
W20ETS	BPR6EK-A
W20EXRU	BPR6EY
W20EXRU11	BPR6EY-11
W20EXRU13	BPR6EVX-11
W20EXRZU	BPR6EVX
W20EXU	BP6EY
W20EXU11	BP6EY-11
W20EXU13	BP6ES-13
W20EXZU	BP6EVX
W20FP	BP6HS
W20FPL	BP6HSA
W20FPR	BPR6HS
W20FPRL	BPR6HSA
W20FPRU	BPR6HS
W20FPRU10	BPR6HS-10



DENSO	→ NGK
W20FPRUL10	BPR6HS-10
W20FPU	BP6HS
W20FPU10	BP6HS-10
W20FRL	BR6HSA
W20FS	B6HS
W20FSGU	BR6HIX
W20FSR	BR6HS
W20FSRU	BR6HS
W20FS-U	B6HS
W20FSU10	B6HS-10
W20FSZU	BR6HIX
W20M	BM6A
W20MPRU10	BPMR6A-10
W20MPU	BPM6A
W20MPU10	BPM6A-10
W20MRU	BMR6A
W20MU	BM6A
W20MUS	BM6A
W20PRU	BP6S
W20PU	BP6S
W20S	B6S
W20SRU	BR6S
W20SU	B6S
W21ESL11	BR6EB-L-11
W21ESRL11	BR6EB-L-11
W22	B7S
W22EA	B7EM
W22EAR	BR7EM
W22EB	BR7ET
W22EBR	BR7ET
W22EDR	BR7EQ
W22EDR14	BR7EQ-14
W22EKRS11	BUR7EB-11
W22EKS11	BUR7EB-11
W22EP	BP7ES
W22EP11	BP7ES-11
W22EPB	BP7ET
W22EPGU	BP7EVX
W22EPR	BPR7ES
W22EPR11	BPR7ES-11
W22EPRS11	BUR7EA-11
W22EPRU	BPR7ES
W22EPRU11	BPR7ES-11
W22EPRZU	BPR7EIX
W22EPS11	BUR7EA-11
W22EPU	BP7ES
W22EPU11	BP7ES-11
W22EPZU	BP7EVX
W22ES	B7ES
W22ESGU	BR7EIX
W22ESL	BR7ES
W22ESL11	BUR7EB-11

DENSO	→ NGK
W22ESR	BR7ES
W22ESRL	BR7ES
W22ESRL11	BUR7EB-11
W22ESRU	BR7ES
W22ESU	B7ES
W22ESU11	B7ES-11
W22ESZU	BR7EIX
W22ETL	BPR7EKN
W22ETRL	BPR7EKN
W22ETRL8	BPR7EKN
W22EXRU	BPR7EIX
W22EXRU11	BPR7EY-11
W22EXU	BP7EY
W22FP	BP7HS
W22FPR	BPR7HS
W22FPRU	BPR7HS
W22FPRZU	BPR7HIX
W22FPU	BP7HS
W22FPU10	BP7HS-10
W22FPUS	BP7HS
W22FS	B7HS
W22FSGU	BR7HIX
W22FSR	BR7HS
W22FSRU	BR7HS
W22FSU	B7HS
W22FSZU	BR7HIX
W22M	BM7A
W22MPRU	BPMR7A
W22MPU	BPM7A
W22MPUS	BPM7A
W22MU	BM7A
W22MUS	BM7A
W22S	B7S
W22SU	B7S
W24	B8S
W24EMRC	BR8ECM
W24EP	BP8ES
W24EP11	BP8ES
W24EPR	BPR8ES
W24EPRU	BPR8ES
W24EPRZU	BPR8EIX
W24EPU	BP8ES
W24ES	B8ES
W24ESGU	B8EVX
W24ESR	BR8ES
W24ESRU	BR8ES
W24ESRV	BR8EG
W24ESRZU	BR8EVX
W24ESU	B8ES
W24ESU11	B8ES
W24ESV	B8EG
W24ESZU	B8EGV



DENSO	→ NGK
W24FP	BP8HS
W24FPL	BPR8HSA
W24FPR	BPR8HS
W24FPRL	BPR8HSA
W24FPRU10	BPR8HS-10
W24FPU	BP8HS
W24FRL	BR8HSA
W24FS	B8HS
W24FSGU	B8HVX
W24FSR	BR8HS
W24FSRU10	BR8HS-10
W24FSU	B8HS
W24FSU10	B8HS-10
W24FSZU	B8HVX
W24S	B8S
W24SU	B8S
W25EA	BR8EM
W25EAR	BR8EM
W25EB	BR8ET
W25EBR	BR8ET
W25EDR	BR8EQ
W25EDR14	BR8EQ-14
W25EN	B8EG
W25EPT	B8EGP
W25FC	B8HCS
W25FN	B8HVX
W27EBR	BR9ET
W27EDR	BR9EQ-14
W27EDR14	BR9EQ-14
W27EMRC	BR9ECM
W27EMRZU	BR9ECMVX
W27EN	B9EG
W27EPT	BR9EIX
W27ES	B9ES
W27ESC	B9ECS
W27ESGU	B9EVX
W27ESR	BR9ES
W27ESRU	BR9ES
W27ESRV	BR9EG
W27ESRZU	BR9EVX
W27ESU	B9ES
W27ESV	B9EG
W27ESZU	B9EGV
W27FC	B9HCS
W27FN	B9HVX
W27FS	B9HS
W27FSGU	B9HVX
W27FSR	BR9HS
W27FSRU10	BR9HS-10
W27FSU	B9HS
W27FSU10	B9HS-10
W27FSZU	B9HVX

DENSO	→ NGK
W27S	B9S
W27SU	B9S
W29EBR	BR10ET
W29EPT	B95EGP
W29ESGU	B95EGV
W29ESRV	BR10EG
W29ESV	B10EG
W29ESZU	B95EGV
W31EMRC	BR10ECM
W31EMRZU	BR10ECMVX
W31EN	B10EG
W31EPT	B10EGP
W31ES	B10ES
W31ESGU	B10EVX
W31ESRU	BR10ES
W31ESRZU	BR10EVX
W31ESU	B10ES
W31ESZU	B10EGV
W31FS	B10HS
W31FSGU	B10HVX
W31FSZU	B10HVX
W32EPT	B105EGP
W34EN	B11EG
W34ESZU	B11EGV
W9	B-2
W9EP	BP-2E
W9EPR	BPR2ES
W9EXRU	BPR2ES
W9EXU	BP-2E
W9FP	BP-2H
W9FPL	BP2HS
W9FPLUL	BP2HS
W9FPUL	BP2HS
W9LMRUS	BR2-LM
W9LMUS	B2-LM
W9P	BP-4
W9PRU	BP-4
W9PU	BP-4
W9U	B-2
WA20M	BM6F
WA20MU	BM6F
WA22M	BM7F
WA22MU	BM7F
X16EPRU9	DPR5EA-9
X16EPU9	DPR5EA-9
X16FSRU	DR5HS
X16FSU	D5HS
X20EPRU9	DPR6EA-9
X20EPU9	DP6EA-9
X20ESU	D6EA
X20FSRU	DR6HS
X20FSU	D6HA



DENSO	→ NGK
X22EPRGL	PJR7A
X22EPRU9	DPR7EA-9
X22EPRZU9	DPR7EIX-9
X22EPU	DP7EA-9
X22EPU9	DP7EA-9
X22EPZU9	DPR7EIX-9
X22ESGU	D7EVX
X22ESRU	DR7ES
X22ESU	D7EA
X22ESZU	D7EVX
X22GPRU	DPR7Z
X22GPU	DPR7Z
X24EPRU9	DPR7EA-9
X24EPRZU9	DPR8EVX-9
X24EPU	DP8EA-9
X24EPU9	DP8EA-9
X24EPZU9	DPR8EVX-9
X24ESGU	D8EVX
X24ESRU	DR8ES-L
X24ESRZU	DR8EIX
X24ESRZU9	DR8EIX
X24ESU	D8EA
X24ESZU	D8EVX
X24ESZU9	D8EVX
X24FSRU	DR8HS
X24FSU	D8HA
X24GPRU	DPR8Z
X24GPU	DP8Z
X27EPRU9	DPR7EA-9
X27EPRZU9	DPR9EVX-9
X27EPU9	DP9EA-9
X27EPZU9	DPR9EVX-9
X27ESRU	DR8ES
X27ESRZU	DR9EIX
X27ESRZU9	DR9EIX
X27ESU	D9EA
X27ESZU	D9EVX
X27ESZU9	D9EVX
X27ET	J9A
X27ETR	JR9B
X27GPRU	DPR9Z
X27GPU	DP9Z
X29ESZU	D9EVX
X31ESU	D10EA
X31ETR	JR10B
XE20HRU9	LZKAR7A
XU20EPRU	DCPR6E
XU20EPU	DCP6E
XU22EPP	DCP7EVX
XU22EPR	DCPR7E
XU22EPRP	DCPR7EVX
XU22EPRU	DCPR7E

DENSO	→ NGK
XU22EPRZU	DCPR7EVX
XU22EPU	DCP7E
XU22EPZU	DCP7EVX
XU22HDR9	LKR7B-9
XU22HR9	LKR7C
XU24EPRP	DCPR8EVX
XU24EPRU	DCPR8E
XU24EPRZU	DCPR8EVX
XU24EPU	DCP8E
XU24EPZU	DCPR8EVX
XU27EPRU	DCPR9E
XU27EPRZU	DCPR9EVX
Y24FERC	ER8EH
Y27FER	ER9EH
Y27FERC	ER9EH
Y31FERC	ER10EH
Z20ESU	D6EA
ZXU20PR11	IKR6G11
EVINRUDE	→ NGK
204470091	BR7ES
278000237	TB05EMA
278000608	BR7ES
278000609	BR8ES
MCBR10EG	BR10EG
MCBR8EG	BR8EG
MCBR8HS	BR8HS
MCBR9EG	BR9EG
MCBR9ES	BR9ES
EYQUEM	→ NGK
200	B-4H
406	BP6HS
700	B6HS
750	BP6HS
755	B6HS
850	B7HS
1000	B8HS
1100	B9HS
1000CM	B7S
1000L	B8ES
1000M	B8HS
100M	B8HS
1100L	B8ES
1150L	B9ES
202CT	B2-LM
300AM	B-4L
30AM	B-4L
400J	BR5FS
450JS	BPR4FS-15
450L	B5ES



EYQUEM	→ NGK
480CS	BP5S
500AM	B-6L
500C	B6S
500CJT	BM6F
500CM	B6S
500CS	BP5S
500CT	BM6A
500J	BR6FS
500JS	BPR4FS
500M	B5HS
502CT	B4-LM
505JS	BP5FS
50AM	B-6L
50M	B5HS
520CS	BP5S
550CS	BP5S
550JS	BPR5FS
550LS	BP5ES
550S	BP4HS
580LS	BP5ES
580S	BP4HS
600CS	BP5S
600JS	BPR6FS
600L	B6ES
600LS	BP6ES
600S	BP5HS
700CM	B6S
700CTS	BPM6A
705JS	BP7FS
705L	B6ES
705S	BP6HS
707LS	BP6ES
70M	B6HS
750L	B6ES
750LJS	BP6EFS
750LS	BP6ES
753LJS	BP6EFS
755CJT	BM7F
755CM	B6S
755CT	BM7A
755L	B6ES
755LJS	BP6EFS
755LS	BP6ES
755M	B6HS
755S	BP6HS
75LM	B6ES
75M	B6HS
775SX	BP6HS
775X	B6HS
800L	B6ES
800LJS	BP6EFS
800LS	BP6ES

EYQUEM	→ NGK
802L	B6ES
803LJS	BP6EFS
805L	B6ES
805LJS	BP7EFS
805LJSP	BP7EFVX
805LP	B8EVX
850LS	BP7ES
883LJP	B8EFS
C32	B5HS
C32LS	BP5ES
C32S	BP5HS
C42LJS3	BP6EFS
C42S	BP6HS
C52LS	BP5ES
C62	B7HS
C62LJS	BP6EFS
C62LS	BP6ES
C62LS3X	BP5ET
C62S	BP7HS
C72LJS	BP7EFS
C72LS	BP7ES
C72LS3X	BUR6ET
C82LJS	BP7EFS
C82LS	BP7ES
C82LS3X	BP7ET
C92LS	BP8ES
D1000	D8HA
D1000L	D9EA
D1050L	D9EA
D775	D6HA
D800L	D7EA
D900L	D8EA
FC42LS	BCP5ES
FC52LS	BCP5ES
FC58LS	BCP6ES
FC62LS	BCP6ES
FC62LS2	BCP6ES
FC62LS3	BCP6ET
FC62LS3X	BCP6ET
FC72LS	BCP7ES
FC82LS	BCPR7E
FC82LS1	BCP7ES
FC82LS2	BCP7ES
FN52LS	BK5ESZ
K200M	AB-6
K300J	A5FS
K300JS	AP5FS
K300M	AB-6
K350JS	AP5FS
K450JS	AP5FS
K500M	AB-6
K550JS	AP6FS



EYQUEM	→ NGK
K600M	AB-6
K750M	AB-7
KC62JS	AP6FS
R1000	BR8HS
R1000L	BR8ES
R850	BR7HS
RC32LS5	BPR4ES-11
RC42S	BPR6HS
RC52LS	BPR5EY
RC52LS5	BPR5EY-11
RC52LZ3EX	BUR5ET
RC52LZE	ZGR5A
RC58LZ3EX	BUR6ET
RC62HJSDP	PTR5A-13
RC62LJS	BPR6EFS
RC62LS	BPR6ES
RC62LS5	BPR6ES-11
RC62S	BPR7HS
RC82LS	BPR7ES
RC82LS5	BPR7EY-11
RFC42LS	BKR5ES
RFC42LS2E	BKR5EK
RFC42LZ2E	BKR6EK
RFC50LZ2E	BKR5EK
RFC52LS	BKR5ES
RFC52LS3	BCPR5ET
RFC52LS5	BKR5ES-11
RFC52LSP	BKR6EK
RFC52LZ3EX	BKUR5ET
RFC52LZE	ZFR5F
RFC52LZK	BKR5EZ
RFC57LS3	BCPR6ET
RFC58LS	BKR6ES
RFC58LS2E	BKR6EK
RFC58LS3	BCPR6ET
RFC58LS5	BKR6ES-11
RFC58LSP	BKR6EZ
RFC58LZ	BKR6EY
RFC58LZ2	BKR6EKC
RFC58LZ2E	BKR5EZ
RFC58LZ3EX	BKUR6ET
RFC58LZ5	BKR6EY-11
RFC58LZDP	PFR6G-9
RFC58LZE5	ZFR6F-11
RFC62LS3	BKR6ES-11
RFC62LS3X	BCPR6ET
RFC62LS5	BKR6ES-11
RFC62LZ3X	BKUR7ET
RFC82LS	BCPR7ES
RFC82LS5	BCPR7ES-11
RFCLZ3X	BKUR7ET
RFN52HZ	LF5B

EYQUEM	→ NGK
RFN58HZ	LF6B
RFN58LZ	BKR6EK
T850	C7HSA
XKC62JS	APR6FS
HONDA	→ NGK
1633098	R0409B-10
12260-RL6-G010	ILZKR7B11GS
12290-P5M-A000	PZFR6F-11
12290-P73-J001	PFR7G-11
12290-PCX-0000	PFR7G-11S
12290-PCX-9999-TA	PFR7G-11S
12290-PCX-J000	PFR7G-11S
12290-PFD-J000	IFR6C
12290-PGE-A01	PZFR6F-11
12290-PGE-A02	PZFR6E11
12290-PLE-0030	IZFR5F11
12290-PNA-0030	IZFR6K13
12290-PND-A010-M1	IZFR6K11
12290-PNE-0030	ZFR6K-11
12290-PRB-A01	IFR7G-11KS
12290-PRB-A010-M1	IFR7G-11KS
12290-R40-A01	ILZKR7B-11S
12290-R40-A010-M1	ILZKR7B-11S
12290-R40-AA012-M1	ILZKR7B-11S
12290-R60-U01	IZFR6K11NS
12290-R60-U010-M1	IZFR6K11NS
12290-R70-A01	ILZKR7B11
12290-R70-A010-M1	ILZKR7B11
12290-R70-AA010-M1	ILZKR7B11
12290-R71-L01	DILZKR7A11G
12290-R71-L010-M1	DILZKR7A11G
12290-RB1-003	IZFR6K13
12290-RB1-0030	IZFR6K13
12290-RB1-0031	IZFR6K13
12290-RGB-0130	IFR6C-S
12290-RGB-A0040	IFR6C-S
12290-RL6-G01	ILZKR7B11GS
12290-RL6-G010-M1	ILZKR7B11GS
12290-RMX-003	ILFR6J-11K
12290-RMX-0030	ILFR6J-11K
12290-RMX-013	ILFR6J-11K
12290-RMX-0130	ILFR6J-11K
12290-RSH-003	IFR6G-11K
12290-RSH-0030	IFR6G-11K
12290-RWC-A01	SILKR8A-S
12290-RWC-A011-M1	SILKR8A-S
30717002 / 0	DR9EA
31901-NN2-0030	BR6ES
31901-NX4-7020-M1	R7376-10
31901-NX4-9010	R7376-10
31908-KRN-A41	R0451B-8



HONDA	→ NGK
31908-KRN-A410-M1	R0451B-8
31908-KTW-901	LMAR8A-9
31908-KTW-9010-M1	LMAR8A-9
31908-KTW-9011-M1	LMAR8A-9
31908-MGC-003	LMAR8A-9S
31908-MGC-0031	LMAR8A-9S
31908-MGC-A0000	LMAR8A-9S
31908-ZZ3-003	LMAR6C-9
31908-ZZ3-0030	LMAR6C-9
31908-ZZ3-A0031	LMAR6C-9
31909-MEN-A31	SILMAR9A9S
31909-MEN-A310-M1	SILMAR9A9S
31910-MEE-R110-M1	R0409B-10
31910-MEN-A31	SILMAR10A9S
31911-HW1-671	IMR9D-9H
31911-HW1-6710-M1	IMR9D-9H
31911-KRN-731	R0409B-8
31911-KRN-7310-M1	R0409B-8
31911-KSK-731	BR9EG-N-8
31911-KSK-7310-M1	BR9EG-N-8
31911-MBT-F21	IJR8B9
31911-MBT-F210-M1	IJR8B9
31911-MBW-E11	IMR8C-9H
31911-MBW-E111-M1	IMR8C-9H
31911-MBW-E112-M1	IMR8C-9H
31911-MCW-003	IMR8B9H
31911-MCW-0030	IMR8B9H
31912-KRN-731	R0409B-9
31912-MBW-E11	IMR9C-9H
31912-MBW-E111-M1	IMR9C-9H
31912-MBW-E112-M1	IMR9C-9H
31912-MCW-003	IMR9B-9H
31912-MCW-0030	IMR9B-9H
31912-MEE-0000	IMR9C-9H
31912-MEE-671	IMR9C9HE
31912-MEE-6710-M1	IMR9C9HE
31912-MEL-003	IMR9C-9HES
31912-MEL-0030	IMR9C-9HES
31912-MEL-A	IMR9C-9HES
31912-MFL-003	IMR9E-9HES
31912-MFL-0030	IMR9E-9HES
31914-ZOH-003	CMR4H
31914-ZOH-0030	CMR4H
31914-ZOH-0031	CMR4H
31914-Z8Y-003	LR4C-E
31914-Z8Y-0030	LR4C-E
31914-Z8Y-A0030	LR4C-E
31914-ZOH-003	CMR4H
31915-ZOH-003	CMR5H
31915-ZOH-0030	CMR5H
31915-ZOH-0031	CMR5H
31915-ZOH-003	CMR5H

HONDA	→ NGK
31916-KPH-901	CPR6EA-9
31916-KPH-9010-M1	CPR6EA-9
31916-KRM-841	CPR8EA-9
31916-KRM-8410-M1	CPR8EA-9
31916-KRM-8413-M1	CPR8EA-9
31916-KWB-601	CPR6EA9S
31916-MEH-003	SIMR8A9
31916-MEH-0030	SIMR8A9
31916-ZOH-003	CMR6H
31916-ZOH-003	CMR6H
31916-ZY3-003	IZFR6F11
31916-ZY3-0030	IZFR6F11
31916-ZY3-0032	IZFR6F11
31916-ZY3-004	IZFR6F11
31917-KPH-901	CPR7EA-9
31918-MEB-671	IFR8H11
31918-MEB-6710-M1	IFR8H11
31918-MEB-672	IFR9H11
31919-MEB-671	IFR9H11
31919-MEB-6710-M1	IFR9H11
31919-MEB-672	IFR8H11
3191W-ZOM-5400	BPR4ES
3191W-ZOM-5500	BPR5ES
3191W-ZOM-5600	BPR6ES
31921-MBW-E12	IMR8C-9H
31921-MOW-004	IMR8B9H
31922-MBW-E12	IMR9C-9H
31922-MEL-003	IMR9C-9HES
31922-MFL-003	IMR9E-9HES
31922-MOW-004	IMR9B-9H
31926-KRM-841	CPR9EA-9
31940-NX5-7520-M1	R7282-105
31940-NX5-9410	R7282-105
31988-GEV-761	ER8EH-N
31988-GEV-7611-M1	ER8EH-N
31999-KW6-6500	B9ECS
89819-99010	BPR5ES
89839-99010	BPR6ES
94701-00408	CR9EIA-9
98049-58716	ER8EH
98049-59716	ER9EH
98049-59726	ER9EH
98049-60716	ER10EH
98052-56471	CM-6
98056-54717	C4HA
98056-54718	CR4HSA
98056-54750	C4HSB
98056-54757	CR4HSB
98056-54770	C4HSB
98056-54777	CR4HSB
98056-55713	C5HSA
98056-55717	C5HA



HONDA	→ NGK
98056-55718	CR5HSA
98056-55726	CR5HSA
98056-55750	C5HSB
98056-55757	CR5HSB
98056-55770	C5HSB
98056-55777	CR5HSB
98056-56713	C6HSA
98056-56713-00	C6HSA
98056-56713-01	C6HSA
98056-56716	CR6HS
98056-56717	C6HA
98056-56717-00	CR6HSA
98056-56718	CR6HSA
98056-5671R-00	CR6HSA
98056-56723	C6HSA
98056-56726	CR6HSA
98056-57713	C7HSA
98056-57713-00	C7HSA
98056-57713-0A	C7HSA
98056-57716	CR7HS
98056-57717	C7HA
98056-57718	CR7HSA
98056-5771R-00	CR7HSA
98056-57726	CR7HSA
98056-57918	CR7HSA9
98056-58713	C8HSA
98056-58716	CR8HS
98056-58717	C8HA
98056-58718	CR8HSA
98059-55916	CR5EH-9
98059-56916	CR6EH-9
98059-57817-00	CR7E
98059-57910	CR7EH-9
98059-57916	CR7EH-9
98059-57916-00	CR7E
98059-57926	CR7EH-9
98059-58816	CR8E
98059-58816-H0	CR8E
98059-58817-00	CR8E
98059-58910	C8EH-9
98059-58916	CR8EH-9
98059-58916-00	CR8E
98059-5891F	CR8EHVX-9
98059-58920	C8EH-9
98059-58926	CR8EH-9
98059-5892D	IMR8C-9H
98059-589J6	CR8EH-9S
98059-589K6	CR8EH-9S
98059-59816	CR9E
98059-59816-H0	CR9E
98059-59910	C9EH-9
98059-59916	CR9EH-9

HONDA	→ NGK
98059-5991F	CR9EHVX-9
98059-5991U	IMR9A-9H
98059-5992U	IMR9C-9H
98059-599U	CR9EHI-9
98059-60916	CR10EH-9
98061-57611	DP7Z
98061-57616	DPR7Z
98061-58611	DP8Z
98061-58616	DPR8Z
98061-59611	DP9Z
98061-59616	DPR9Z
98066-54710	DR4HS
98066-54716	DR4HS
98066-55710	D5HS
98066-55716	DR5HS
98066-55740	D5HS
98066-56710	D6HA
98066-56716	DR6HS
98066-56717	D6HA
98066-56726	DR6HS
98066-58710	D8HA
98066-58714	D8HA
98066-58716	DR8HS
98066-58717	D8HA
98066-60710	D10HS
98069-38716	DR8ES-L
98069-38719	DR8ES-L
98069-55911	DPR5EA-9
98069-55916	DPR5EA-9
98069-56717	D6EA
98069-56718	DR6EA
98069-56911	DP6EA-9
98069-56916	DPR6EA-9
98069-5691U	IJR6A9
98069-5697Q	DCPR6E
98069-57716	DR7ES
98069-57717	D7EA
98069-57717-00	D7EA
98069-57717-02	D7EA
98069-57719	DR7ES
98069-5771P	DR7EA
98069-5771P-00	DR7EA
98069-5771R	DR8EA
98069-57726	DR7EA
98069-5777P	DR7EB
98069-57911	DP7EA-9
98069-57912	DPR7EIX-9
98069-57916	DPR7EA-9
98069-57916-00	DPR7EA-9
98069-5791U	IJR7A9
98069-57922	DPR7EIX-9
98069-5792U	IJR7A9



HONDA	→ NGK
98069-5797Q	DCPR7E
98069-58716	DR8ES
98069-58717	D8EA
98069-58717-01	D8EA
98069-58719	DR8ES
98069-5871P	DR8EA
98069-5871P-00	DR8EA
98069-58726	DR8EA
98069-58911	DP8EA-9
98069-58912	DPR8EVX-9
98069-58916-03	DPR8EA-9
98069-5891F	DPR8EVX-9
98069-58922	DPR8EVX-9
98069-58926	DPR7EA-9
98069-59717	D9EA
98069-59911	DP9EA-9
98069-59912	DPR9EVX-9
98069-59916	DPR9EA-9
98069-5991F	DPR9EVX-9
98069-59926	DPR7EA-9
98069-60711	D10ES
98069-60717	D10EA
98069-63410	D13E
98073-52710	B-2
98073-54710	B-4
98073-54740	BM4A
98073-54744	BMR4A
98073-54750	BM4A
98073-54754	BMR4A
98073-54771	BPM4A
98073-54776	BPMR4A
98073-54941	BPM4A-10
98073-54944	BPMR4A-10
98073-54951	BPM4A-10
98073-56740	BM6A
98073-56741	BPM6A
98073-56744	BMR6A
98073-56750	BM6A
98073-56941	BPM6A-10
98073-56944	BPMR6A-10
98076-52711	BP2HS
98076-52716	BPR2HS
98076-52717	BPR2HS
98076-52719	BP2HS
98076-54710	B-4H
98076-54711	BP4HS
98076-54713	BP4HSA
98076-54715	BPR4HSA
98076-54716	BR4HS
98076-54716-00	BR4HS
98076-54717	BPR4HS
98076-54719	BP4HS

HONDA	→ NGK
98076-5471G	BR4HSA
98076-54746	BR4HS
98076-54747	BPR4HS
98076-54770	B-4H
98076-54911	BP4HS-10
98076-54914	BPR4HS-10
98076-54917	BPR4HS-10
98076-54919	BP4HS-10
98076-54921	BP4HS-10
98076-54944	BPR4HS-10
98076-54947	BPR4HS-10
98076-55711	BP5HS
98076-55716	BR5HS
98076-55717	BPR5HS
98076-55719	BP5HS
98076-55747	BPR5HS
98076-56710	B6HS
98076-56711	B6HS
98076-56711-00	BP6HSA
98076-56713	BP6HSA
98076-56715	BPR6HSA
98076-56716	BR6HS
98076-56717	BPR6HS
98076-56719	BP6HS
98076-56719-02	BP6HS
98076-5671G	BR6HSA
98076-5671G-00	BR6HSA
98076-5671M	B6HSA
98076-56721	BP6HS
98076-56725	BPR6HSA
98076-56729	BPR6HS
98076-5672G	BR6HSA
98076-56740	B6HS
98076-56741	B6HS
98076-56747	BPR6HS
98076-56756	BPR6HS
98076-56917	BPR6HS-10
98076-56927	BPR6HS-10
98076-57710	B7HS
98076-57711	BP7HS
98076-57716	BR7HS
98076-57717	BPR7HS
98076-57719	BP7HS
98076-57719-01	BP7HS
98076-57740	B7HS
98076-58710	B8HS
98076-58711	BP8HS
98076-58713	BPR8HSA
98076-58715	BPR8HSA
98076-58716	BR8HS
98076-58717	BPR8HS
98076-58719	BP8HS



HONDA	→ NGK
98076-5871G	BR8HSA
98076-5871G-00	BR8HSA
98076-5871G-01	BR8HSA
98076-5872G	BR8HSA
98076-58740	B8HS
98076-58747	BPR8HS
98076-59710	B9HS
98076-59716	BR9HS
98076-59740	B9HS
98079-52876	BPR2ES
98079-54148	BCPR4ES-11
98079-5414G	ZFR4F-11
98079-54173	BUR4EB-11
98079-54817	BPR4ES
98079-54841	BP4ES
98079-54846	BPR4ES
98079-55132	BPR5EY-11
98079-55140	BCPR5EY-11
98079-55141	BP5EY-11
98079-55144	BP5ES-11
98079-55145	BPR5ES-11
98079-55146	BPR5EY-11
98079-55147	BCPR5ES-11
98079-55148	BCPR5E-11
98079-55149	BCPR5EY-11
98079-5514A	BCPR5EY-N-11
98079-5514B	BCPR5E-11
98079-5514E	BKR5ES-11
98079-5514E-H0	BKR5ES-11
98079-5514F	BCPR5EIX-11
98079-5514G	ZFR5F-11
98079-5514G-01	ZFR5F-11
98079-5514H	PFR5G-11
98079-5514J	BKR5E-N-11
98079-5514N	PZFR5F-11
98079-5514N-01	PZFR5F-11
98079-5514P	ZFR5J-11
98079-5514P-H0	ZFR5J-11
98079-55155	BPR5E-11
98079-55158	BCPR5E-11
98079-5515E	BKR5ES-11
98079-5515G	ZFR6F-11
98079-5515H	PFR5G-11
98079-5515J	BKR5E-N-11
98079-5515N	PZFR5F-11
98079-5515U	IFR5L11
98079-5515W	IZFR5F11
98079-55173	BUR5EB-11
98079-55174	BUR5EB-11
98079-55176	BUR5EB-11
98079-55178	BUR5EB-11
98079-5517S	PFR5L-11

HONDA	→ NGK
98079-5517U	IFR5L11
98079-5517V	IFR5G-11K
98079-5517W	IZFR5F11
98079-55183	BUR5EB-11
98079-55810	B5ES
98079-55811	BP5ES
98079-55816	BR5ES
98079-55817	BPR5ES
98079-55840	B5ES
98079-55841	BP5ES
98079-55841-03	BP5ES
98079-55844	BPR5EIX
98079-55846	BPR5ES
98079-55847	BR5ES
98079-55848	BR5ES
98079-55849	BR5ES
98079-55855	BPR5ES
98079-5585C	BKR5ES
98079-5585V	ZGR5A
98079-55876	BPR5ES
98079-55876-H0	BPR5ES
98079-5587G	ZFR5F
98079-5587V	ZGR5A
98079-55941	BP5EY
98079-55946	BPR5EY
98079-55A4N	PZFR5F-13
98079-55A5N	PZFR5F-13
98079-56115	BPR6ES-11
98079-5611R-00	ZFR6F-11
98079-56132	BPR6EY-11
98079-56144	BP6ES-11
98079-56145	BPR6ES-11
98079-56146	BPR6EY-11
98079-56147	BCPR6ES-11
98079-56148	BCPR6ES-11
98079-56149	BCPR6EY-11
98079-5614A	BCPR6EY-N-11
98079-5614B	BKR6ES-11
98079-5614E	BKR6ES-11
98079-5614F	BCPR6EVX-11
98079-5614G	ZFR6F-11
98079-5614G-01	ZFR6F-11
98079-5614H	PFR6G-11
98079-5614J	BKR6E-N-11
98079-5614J-01	BKR6E-N-11
98079-5614N	PZFR6F-11
98079-5614P	ZFR6J-11
98079-5614P-00	ZFR6J-11
98079-56155	BPR6ES-11
98079-56158	BCPR6EY-11
98079-5615E	BKR6ES-11
98079-5615F	BCPR6EVX-11



HONDA	→ NGK
98079-5615G	ZFR6F-11
98079-5615H	PFR6G-11
98079-5615J	BKR6E-N-11
98079-5615N	PZFR6F-11
98079-5615U	IFR6L11
98079-56173	BUR6EB-11
98079-56174	BUR6EB-11
98079-56175	BP6EY-11
98079-56179	BUR6EB-11
98079-5617S	PFR6L-11
98079-5617T	PFR6N-11
98079-5617U	IFR6L11
98079-5617V	IFR6G-11K
98079-56183	BUR6EB-11
98079-56614	B6EVX
98079-56810	B6ES
98079-56811	BP6ES
98079-56817	BR6ES
98079-56832	BPR6EY
98079-56840	B6ES
98079-56841	BP6ES
98079-56844	BP6EVX
98079-56846	BPR6ES
98079-56847	BR6ES
98079-56849	BR6ES
98079-56854	BP6ES
98079-56855	BPR6ES
98079-5685C	BKR6ES
98079-56871-H0	BP6ES
98079-56874	B6EVX
98079-56876-H0	BPR6ES
98079-56941	BP6EY
98079-56946	BPR6EY
98079-5695U	IFR6C
98079-5697U	IFR6C
98079-569BE	BKR6E-9S
98079-569BU	IFR6C-S
98079-569CE	BKR6E-9S
98079-569CU	IFR6C-S
98079-56A7H	PFR6G-13
98079-56A7S	PFR6L-13
98079-57144	BP7ES-11
98079-57145	BPR7ES-11
98079-57146	BPR7EY-11
98079-57147	BCPR7ES-11
98079-57148	BCPR7E-11
98079-57149	BCPR7EY-11
98079-5714A	BCPR7EY-N-11
98079-5714B	BCPR7E-11
98079-5714E	BKR7E-11
98079-5714F	BKR7EIX-11
98079-5714G	ZFR7F-11

HONDA	→ NGK
98079-5714H	PFR7G-11
98079-5714J	BKR7E-N-11
98079-5714P	ZFR7J-11
98079-57155-01	BPR7ES-11
98079-57158	BCPR7E-11
98079-5715E	BKR7E-11
98079-5715F	BKR7EIX-11
98079-5715G	ZFR7F-11
98079-5715H	PFR7G-11
98079-5715J	BKR7E-N-11
98079-5715U	IFR7L11
98079-5715V	IFR7G-11KS
98079-57171	BPR7EY-11
98079-57173	BUR7EB-11
98079-57174	BUR7EB-11
98079-57175	BR6EB-L-11
98079-57176	BR6ES
98079-57177	BUR7EB-11
98079-57178	BUR7EB-11
98079-57179	BPR7EY-11
98079-5717U	IFR7L11
98079-5717V	IFR7G-11KS
98079-57183	BUR7EB-11
98079-571BH	PFR7G-11S
98079-571BV	IFR7G-11KS
98079-571CH	PFR7G-11S
98079-571CV	IFR7G-11KS
98079-57614	BR7EIX
98079-57810	B7ES
98079-57811	BP7ES
98079-57811-01	BP7ES
98079-57816	BR7ES
98079-57840	B7ES
98079-57841	BP7ES
98079-57846	BPR7ES
98079-57847	BR7ES
98079-57848	BR7ES
98079-57849	BR7ES
98079-57855	BPR7ES
98079-5785C	BKR7E
98079-5785G	ZFR7F
98079-57874	BR7EIX
98079-57876	BR7ES
98079-57877	BR7ES
98079-5787C	BKR7EE
98079-5787G	ZFR7F
98079-5787T	PFR7N-D
98079-578BU	IFR7F-8DS
98079-57941	BP7EY
98079-57946	BPR7EIX
98079-5814E	BKR8E-11
98079-5815E	BKR8E-11



HONDA	→ NGK
98079-5815U	FR8BI-11
98079-5817U	FR8BI-11
98079-58644	B8EVX
98079-58646	BR8EVX
98079-58648	B8EG
98079-58649	BR8EG
98079-58678	B8EG
98079-58679	BR8EG
98079-58810	B8ES
98079-58810-01	B8ES
98079-58812	B9ECS
98079-58816	BR8ES
98079-58819	BR8ECS
98079-58840	B8ES
98079-58841	BP8ES
98079-58842	B8ECS
98079-58845	BR8ECM
98079-58846	BR8ES
98079-58847	BPR8ES
98079-58857	BR8ES
98079-58870	B8ES
98079-58872	B8ECS
98079-58875	BR8ECM
98079-58876	BR8ES
98079-5915U	FR9BI-11
98079-5917U	FR9BI-11
98079-59644	B9EVX
98079-59646	BR9EVX
98079-59648	B9EG
98079-59649	BR9EG
98079-59659	BR9EG
98079-59678	B9EG
98079-59679	BR9EG
98079-59810	B9ES
98079-59811	B9ES
98079-59812	B9ECS
98079-59816	BR9ES
98079-59819	BR9ECS
98079-59840	B9ES
98079-59842	B9ECS
98079-59845	BR9ECM
98079-59847	BR9ES
98079-59855	BR9ECM
98079-59870	B9ES
98079-59872	B9ECS
98079-59875	BR9ECM
98079-59876	BR9ES
98079-60616	BR10EVX
98079-60646	BR10EVX
98079-60648	B10EG
98079-60649	BR10EG
98079-60676	BR10EVX

HONDA	→ NGK
98079-60678	B10EG
98079-60679	BR10EG
98079-60817	BR10ES
98079-60819	BR10ECS
98079-60842	B10ECS
98079-60845	BR10ECM
98079-60872	B10ECS
98079-60875	BR10ECM
9807B-5515W	IZFR5K11
9807B-5517W	IZFR5K11
9807B-5615P	ZFR6K-11
9807B-5615W	IZFR6K11
9807B-5617C	IZFR6K-11E
9807B-5617C-00	IZFR6K-11E
9807B-5617P	ZFR6K-11
9807B-5617P-00	ZFR6K-11
9807B-5617W	IZFR6K11
9807B-561BP	ZFR6K11S
9807B-561BP-H0	ZFR6K11S
9807B-561BW	IZFR6K-11S
9807B-561CP	ZFR6K11S
9807B-56A5W	IZFR6K13
9807B-56A7W	IZFR6K13
98179-56841	BP6ES
JOHNSON	→ see EVINRUDE
KAWASAKI	→ NGK
92070001	B7HS
92070007	B6HS
92070014	B6ES
92070015	B7ES
92070019	B6ES
92070036	B9HS
92070037	B8ES
92070053	B8ES
92070054	B9ES
920700001	CR8EB
920700007	IZFR6F11
920700010	R6918B-9
920700014	CR9EIA-9
920700015	BR8ECMVX
920700016	BR9ECMVX
920700019	CR8E
920700020	CPR8EB-9
920700022	CPR7EA-9
920700029	CPR8EA-9
920700036	ILZKAR7B11
920700534	B8ES
920701002	B7ES
920701011	D8EA
920701014	BP8ES



KAWASAKI	→ NGK
920701019	DR8ES
920701021	BR8ES
920701024	BP6ES
920701025	BPR6ES
920701026	BP7ES
920701027	BPR7ES
920701034	D9EA
920701044	BPR8ES
920701063	BR9EG
920701064	BR8EG
920701066	DP8EA-9
920701067	DP9EA-9
920701107	C7HSA
920701109	BR9ES
920701113	DR7ES
920701114	C6HSA
920701116	DR8ES-L
920701124	DP7EA-9
920701125	DPR7EA-9
920701131	C8HA
920701133	BR10EG
920701138	DPR6EA-9
920701142	C9E
920701143	CR9E
920701145	CR9EK
920701152	BP7ES
920701153	CR6HSA
920701154	CR7HSA
920701155	CR8HSA
920701157	BR9ES
920701158	CR8EK
920701165	DR7EA
920701167	BP5ES
920701168	C8E
920701169	CR8E
920701173	BR10ES
920701189	DR9EA
920701199	DR8EA
920701209	CR7E
920701210	B9ES
920701218	C8HSA
920701221	B10EG
920701222	B8EG
920701223	B9EG
920701224	B9EG
920701227	B9EVX
920701228	BR9EVX
920701230	B8EVX
920701231	BR8EVX
920701241	R6252K-105
920701250	DPR5EA-9
920701254	CR9EKPA

KAWASAKI	→ NGK
920701255	CR8EKPA
920701263	BP8HS
920701264	CR9EK
920701266	CR9E
920701270	BR8EIX
920701271	BR9EIX
920702051	BM6A
920702052	BP4HS
920702055	B2-LM
920702056	BM4A
920702059	BM6
920702060	BMR6A
920702061	BPR4HS
920702062	BR6S
920702064	BM7
920702066	BM7A
920702070	BR4HS
920702072	BMR4A
920702074	BMR7A
920702078	BR8ES
920702086	B-2H
920702090	B-4H
920702097	BPR2HS
920702098	BR4-LM
920702100	BMR2A
920702102	BPM7A
920702103	BMR2A-10
920702106	BPMR4A
920702107	BPMR7A
920702108	BPMR6A
920702109	BPM6A
920702110	BPR2ES
920702112	BPR4ES
920702113	BPMR7A9
920702115	BPMR8Y
920702116	B6HS
920702117	BR6HS
920702118	PGR5A
920703701	BR7ES
920703702	BR8ES
920703707	PMR9B
920701014B	BP8ES
920701114C	C6HSA
920701140C	BP8ES
920701141C	BP7HS
920701152C	BP7ES
920701168B	C8E
920701169B	CR8E
920701202B	BP7HS
920701253C	B9ECS
920707004D	BPR4ES
92702077C	BPR5ES



KAWASAKI	→ NGK
E920700001	CR8EB
E920700007	IZFR6F11
E92070001	B7HS
E920700010	R6918B-9
E920700014	CR9EIA-9
E920700015	BR8ECMVX
E920700016	BR9ECMVX
E920700019	CR8E
E920700020	CPR8EB-9
E920700022	CPR7EA-9
E920700029	CPR8EA-9
E920700036	ILZKAR7B11
E92070007	B6HS
E92070014	B6ES
E92070015	B7ES
E92070019	B6ES
E92070036	B9HS
E92070037	B8ES
E92070053	B8ES
E920700534	B8ES
E92070054	B9ES
E920701002	B7ES
E920701011	D8EA
E920701014	BP8ES
E920701014B	BP8ES
E920701019	DR8ES
E920701021	BR8ES
E920701024	BP6ES
E920701025	BPR6ES
E920701026	BP7ES
E920701027	BPR7ES
E920701034	D9EA
E920701044	BPR8ES
E920701063	BR9EG
E920701064	BR8EG
E920701066	DP8EA-9
E920701067	DP9EA-9
E920701107	C7HSA
E920701109	BR9ES
E920701113	DR7ES
E920701114	C6HSA
E920701114C	C6HSA
E920701116	DR8ES-L
E920701124	DP7EA-9
E920701125	DPR7EA-9
E920701131	C8HA
E920701133	BR10EG
E920701138	DPR6EA-9
E920701140C	BP8ES
E920701141C	BP7HS
E920701142	C9E
E920701143	CR9E

KAWASAKI	→ NGK
E920701145	CR9EK
E920701152	BP7ES
E920701152C	BP7ES
E920701153	CR6HSA
E920701154	CR7HSA
E920701155	CR8HSA
E920701157	BR9ES
E920701158	CR8EK
E920701165	DR7EA
E920701167	BP5ES
E920701168	C8E
E920701168B	C8E
E920701169	CR8E
E920701169B	CR8E
E920701173	BR10ES
E920701189	DR9EA
E920701199	DR8EA
E920701202B	BP7HS
E920701209	CR7E
E920701210	B9ES
E920701218	C8HSA
E920701221	B10EG
E920701222	B8EG
E920701223	B9EG
E920701224	B9EG
E920701227	B9EVX
E920701228	BR9EVX
E920701230	B8EVX
E920701231	BR8EVX
E920701241	R6252K-105
E920701250	DPR5EA-9
E920701253C	B9ECS
E920701254	CR9EKPA
E920701255	CR8EKPA
E920701263	BP8HS
E920701264	CR9EK
E920701266	CR9E
E920701270	BR8EIX
E920701271	BR9EIX
E920702051	BM6A
E920702052	BP4HS
E920702055	B2-LM
E920702056	BM4A
E920702059	BM6
E920702060	BMR6A
E920702061	BPR4HS
E920702062	BR6S
E920702064	BM7
E920702066	BM7A
E920702070	BR4HS
E920702072	BMR4A
E920702074	BMR7A



MARELLI	→ NGK
8LCR	BCPR7ES
8LDCR	PTR5A-13
8LPR	BCPR7ES
AW56C	BM7A
AW5C	BM6A
CM1N	AB-2
CM2N	AB-2
CM3N	AB-6
CM4N	AB-6
CM5N	AB-6
CM6N	AB-7
CU7N	C7HSA
CW101L	B85EGV
CW10L	B8EG
CW112L	B9EG
CW11L	B9EG
CW12L	B9EG
CW12NV	BUH
CW13L	B10EG
CW14L	B10EG
CW225A	B6HS
CW250A	B7HS
CW25N	B-4H
CW260N	B7HS
CW2C	B-2
CW2CJ	B-2
CW2L	B4ES
CW2N	B-4H
CW3C	B-4
CW3CJ	B-4
CW3CP	BP-4
CW3L	B4ES
CW3N	B-4H
CW4A	B5ES
CW4C	B-4
CW4CJ	B-4
CW4CP	BP-4
CW4L	B4ES
CW4LP	BP4ES
CW4N	B-4H
CW4NJ	B-4H
CW55N	B5HS
CW5C	B-4
CW5CP	BP5S
CW5L	B5ES
CW5LJ	B5ES
CW5LP	BP5ES
CW5LS	B5ES
CW5LSZ	B5ES
CW5N	B5HS
CW5NJ	B5HS
CW5NP	BP5HS

MARELLI	→ NGK
CW5NR	BR5HS
CW5NS	B5HS
CW5NSZ	B5HS
CW67L	B6ES
CW67LP	BP6ES
CW67N	BP6HS
CW67NJ	B6HS
CW67NR	BR6HS
CW67P	BP5ES
CW6C	B6S
CW6CE	BM6A
CW6CJ	B6S
CW6L	B5ES
CW6LJ	B5ES
CW6LP	BP5ES
CW6LR	BR5ES
CW6LS	B5ES
CW6LSZ	B5ES
CW6N	B6HS
CW6NE	BM6A
CW6NJ	B6HS
CW6NP	BP6HS
CW6NPR	BPR6HS
CW6NR	BR6HS
CW75LP	BP6ES
CW78L	B6ES
CW78LP	BP6ES
CW78LPR	BPR6ES
CW78LPS	BP6ES
CW7C	B6S
CW7L	B6ES
CW7LCR	BKR6ES
CW7LJ	B6ES
CW7LP	BP6ES
CW7LPH	BP6ES
CW7LPR	BPR6ES
CW7LR	BR6ES
CW7N	B6HS
CW7NJ	B6HS
CW7NP	BP6HS
CW7NPR	BPR6HS
CW7NR	BR6HS
CW89LP	BP7ES
CW8CJ	B7S
CW8L	B7ES
CW8LCR	BCPR7ES
CW8LJ	B7ES
CW8LP	BP7ES
CW8LPR	BPR7ES
CW8LPS	BP7ES
CW8N	B7HS
CW8NP	BP7HS



MARELLI	→ NGK
CW8NR	BR7HS
CW9L	B8ES
CW9LJ	B8ES
CW9LP	BP8ES
CW9N	B8HS
CWC12NJ	B8HS
CWC67NJ	B6HS
CWC6NJ	B6HS
CWC7NJ	B6HS
CWC9NJ	B7HS
CWF11L	B8EVX
CWP10L	B9EVX
CWP10N	B9HVX
CWP11L	B10EGV
CWP5N	BR6HIX
CWP6N	BR6HIX
CWP7L	B6EVX
CWP7N	BR6HIX
CWP8L	BR7EIX
CWP8N	BR7HIX
CWP9L	B8EVX
CWP9N	B8HVX
CX6N	D6HA
CX8L	D8EA
CX8N	D8HA
DW4CJR	BR6S
F6NC	BP5HS
F6NCR	BPR5HS
F7LC	BP6ES
F7LCR	BPR6ES
F7NC	BP6HS
F7NCR	BPR6HS
F8LC	BP7ES
F8LCR	BPR7ES
FC6N	B5HS
FC7N	B6HS
FC9L	BP8ES
SW5C	BM6F
T7LC	BP6EFS
T7LCR	BPR6EFS
T8LC	BP7EFS
TM2NP	AP5FS
TM3N	A5FS
TM3NP	A5FS
TM4N	A5FS
TM4NP	AP6FS
TW4LP	BP5EFS
TW5NP	BP5FS
TW6NP	BP6FS
TW78LP	BP6EFS
TW78LPR	BPR6EFS
TW78NPR	BPR6FS

MARELLI	→ NGK
TW7LP	BP6EFS
TW7LPR	BPR6EFS
TW7NP	BP6FS
MERCUISER	→ NGK
33-104	BR7ES
33-11458M	B6HS-10
33-12127	BP6HS-10
33-123	BR6ES
33-12343	BP8HS-10
33-12343B	BP8HS-10
33-129	AR6FS
33-136862	BU8H
33-136862B	BU8H
33-14	BP5S
33-14103550	BUZHW
33-14103568	BUZ8H
33-14103570	BUZHW-2
33-14814548	BPZ8HS-10
33-14814568	BPZ8HS-15
33-17719547	BPR7HS-10
33-18	BPR4FS-11
33-18S	BPR4FS-11
33-19424	BP8HS-15
33-19796	BPR6HS-10
33-306	B6HS
33-312	BP6HS-10
33-327	BPR6HS
33-328	BP7HS
33-400	BR6FS
33-400S	BR6FS
33-401	BP6EFS
33-406	BPR6FS
33-41263B	B7HS-10
33-41263M	B7HS-10
33-592	BR6S
33-59571	BR6FS
33-59571B	BR6FS
33-63	BP5S
33-670	R5673-8
33-802	R5673-7
33-803507	DCPR6E
33-807C	B8HS
33-807S	B8HS
33-809679	BR9ES
33-809679B	BR9ES
33-809680	BR8ES
33-809680B	BR8ES
33-811	B7HS
33-811S	B7HS
33-8134101	UR5



NISSAN	→ NGK
22401-1N506	BKR6E-N
22401-1N515	BKR5EN
22401-1N516	BKR6E-N
22401-1N567	PFR7G-11
22401-1P114	PFR4G-11
22401-1P115	PFR5G-11
22401-1P116	PFR6G-11
22401-1P117	PFR7G-11
22401-1P175	PFR5G-11
22401-1P175-Q0	PFR5G-11
22401-1P175-VA	PFR5G-11
22401-1P176	PFR6G-11
22401-1P176-VA	PFR6G-11
22401-1P176-WS	PFR6G-11
22401-1W615	FR5AP-10
22401-1W616	FR6AP10
22401-1W675	FR5AP-10
22401-20J04	BKR4E
22401-20J05	BKR5ES
22401-20J05-Q0	BKR5ES
22401-20J05-SN	BKR5ES
22401-20J05-VA	BKR5ES
22401-20J05-W0	BKR5ES
22401-20J06	BKR6ES
22401-20J07	BKR7E
22401-20J16	BKR6ES
22401-21B15	BPR5ES
22401-21B16	BPR6ES
22401-21B17	BPR7ES
22401-27N15	PFR5B-11
22401-27N15-VA	PFR5B-11
22401-27N15-VB	PFR5B-11
22401-27N16	PFR6B-11
22401-27N64	PFR4B-11
22401-27N65	PFR5B-11
22401-27N66	PFR6B-11
22401-27N67	PFR7B-11
22401-27T15	PGR5A-11
22401-27T65	PGR5A-11
22401-27T66	PGR6A-11
22401-2H015	PLFR5A-11D
22401-2J200	BKR5EY-11
22401-2J200-Q0	BKR5EY-11
22401-2J200-VA	BKR5EY-11
22401-2J206	BKR6EY-11
22401-2J206-VA	BKR6EY-11
22401-30R14	ZFR4E-11
22401-30R15	ZFR5E-11
22401-30R16	ZFR6E-11
22401-30R75	ZFR5E-11
22401-30R75-W1	ZFR5E-11
22401-37P15	PFR5B-11C

NISSAN	→ NGK
22401-37P16	PFR6B-11C
22401-37P76	PFR6B-11C
22401-40F15	ZFR5D-11
22401-40P15	PFR5B-11B
22401-40P65	PFR5B-11B
22401-40P66	PFR6B-11B
22401-40V05	BCP5ES
22401-40V06	BCP6E
22401-40V07	BCPR7E
22401-43900	BS4E
22401-44200	BPS6E
22401-50V15	PGR5AD
22401-50V16	PGR6AD
22401-50V17	PGR7A-D
22401-50Y04	BKR4E-11
22401-50Y05	BKR5ES-11
22401-50Y05-Q0	BKR5ES-11
22401-50Y05-VA	BKR5ES-11
22401-50Y05-W0	BKR5ES-11
22401-50Y06	BKR6ES-11
22401-50Y07	BKR7E-11
22401-50Y75	BKR5ES-11
22401-50Y75-W0	BKR5ES-11
22401-53J04	BKR4EY
22401-53J05	BKR5EY
22401-53J05-VA	BKR5EY
22401-53J06	BKR6EY
22401-53J06-RB	BKR6EY
22401-53J06-VA	BKR6EY
22401-53J07	BKR7EY
22401-53J15	PFR5B
22401-53J65	PFR5B-9
22401-53J66	PFR6B-9
22401-53J67	PFR7B-9
22401-53V15	PFR5B
22401-53V16	PFR6B
22401-53V17	PFR7B
22401-54C68	PFR8B-9
22401-55V15	PFR5BD
22401-55V16	PFR6BD
22401-55V17	PFR7B-D
22401-58S15	PFR5A-11
22401-58S16	PFR6A-11
22401-58S17	PFR7A-11
22401-59S16	PFR6A-11
22401-5M015	PLFR5A-11
22401-5M016	PLFR6A-11
22401-5M075	PLFR5A-11
22401-5M075-Q0	PLFR5A-11
22401-5M075-SN	PLFR5A-11
22401-5M075-VA	PLFR5A-11
22401-5M075-W0	PLFR5A-11



NISSAN	→ NGK
22401-60V06	BCPR6ES-11
22401-6N215	LZFR5AQP
22401-85E15	BKR5ES-11
22401-85E16	BKR6ES-11
22401-85E17	BKR7ES-11
22401-85E75	BKR5ES-11
22401-85E76	BKR6ES-11
22401-88G75	BKR5EY
22401-88G75-WS	BKR5EY
22401-88G76	BKR6EY
22401-88G76-WS	BKR6EY
22401-8H314	LFR4AP-11
22401-8H315	LFR5AP-11
22401-8H375	LFR5AP-11
22401-8H375-VA	LFR5AP-11
22401-8H515	LFR5A-11
22401-8H516	LFR6A-11
22401-8H575	LFR5A-11
22401-8H575-Q0	LFR5A-11
22401-8H616	PLFR6A-9
22401-8H676	PLFR6A-9
22401-97E15	PFR5C-11
22401-97E16	PFR6C-11
22401-97E64	PFR4C-11
22401-97E65	PFR5C-11
22401-97E66	PFR6C-11
22401-98E06	BKR6ES-11
22401-9E075	FR5AP-10
22401-AG215	PFR5P-11
22401-AG275	PFR5P-11
22401-AG315	BKR5EQUPA
22401-AH415	FR5BP11
22401-AH475	FR5BP11
22401-AJ415	FR5AP-11
22401-AL615	LFR5AQP
22401-AL875	LFR5BP-11
22401-AR015	LFR5AQP
22401-AR715	LFR5A
22401-AR716	LFR6A
22401-AR775	LFR5A
22401-BC01B	LFR5E-11
22401-CK81B	PLZKAR6A-11
22401-CK87B	PLZKAR6A-11
22401-CK87B-VA	PLZKAR6A-11
22401-EA015	PLZKAR6A-11
22401-ED51A	LZKAR5AP11
22401-ED51C	LZKAR7AP11
22401-ED814	LZKAR5AP11
22401-ED815	LZKAR6AP-11
22401-ED816	LZKAR7AP11
22401-ED875	LZKAR6AP-11
22401-ED875-Q0	LZKAR6AP-11

NISSAN	→ NGK
22401-ED875-SN	LZKAR6AP-11
22401-ED875-VA	LZKAR6AP-11
22401-EW61B	DILKAR6A11
22401-EW67B	DILKAR6A11
22401-F6515	PFR5A11A
22401-F6516	PFR6A-11A
22401-F6517	PFR7A-11A
22401-FU412	FR2A-D
22401-FU42A	FR2B-D
22401-GU62C	BPR4ESH
22401-H7287	BP6EQ-13
22401-HC000	BPR5ES-13
22401-HC001	BPR6ES-13
22401-JA01B	DILKAR6A11
22401-JF01D	DILKAR8A8
22401-K8900	2G-7
22401-KA460	BKR6ETP
22401-L1600	BP-2E
22401-M7714	B4ES
22401-M7715	B5ES
22401-M7716	B6ES
22401-M7717	B7ES
22401-M7915	BR5ES
22401-M7916	BR6ES
22401-M7917	BR7ES
22401-N8714	BP4ES-11
22401-N8715	BP5ES-11
22401-N8716	BP6ES-11
22401-N8717	BP7ES-11
22401-N8785	BP5ES-11
22401-N8786	BP6ES-11
22401-N8789	BP6ES-11
22401-N8790	BP5ES-11
22401-N8791	BP6ES-11
22401-P8314	BPR4ES-11
22401-P8315	BPR5ES-11
22401-P8316	BPR6ES-11
22401-P8317	BPR7ES-11
22401-P8385-PC	BPR5ES-11
22401-P8386-PC	BPR6ES-11
22401-P8389	BPR4ES-11
22401-P8390	BPR5ES-11
22401-P8391	BPR6ES-11
22401-P8614	BR4ES
22401-P8616	BR6ES-11
22401-P8617	BR7ES
22401-P8816	B6ES-11
22401-P8817	B7ES-11
22401-S6015	BP5ES-13
22401-S6016	BP6ES-13
22401-V0515	BP5ES
22401-V0516	BP6ES



SUZUKI	→ NGK
09482-00065	BR7HIX
09482-00066	B9ES
09482-00074	BP6HS
09482-00079	BR6ES
09482-00082	B7HS
09482-00083	B7HS
09482-00084	BP6HS
09482-00088	BR6HS
09482-00089	B7ES
09482-00091	B8ES
09482-00095	B6HS
09482-00096	B8EVX
09482-00097	B9EVX
09482-00098	BR9ES
09482-00102	BR8HS
09482-00105	BP7HS
09482-00111	AU10EFP
09482-00114	BR8EVX
09482-00115	BR9EVX
09482-00116	BR7HS
09482-00117	BR7ES
09482-00118	BP6ES
09482-00120	BP5HS
09482-00121	BR8ES
09482-00123	BP5EY
09482-00124	BP5HS
09482-00125	BPR-4H
09482-00127	BR9ES
09482-00128	B6ES
09482-00129	BP4EY
09482-00130	BP4EY
09482-00131	BP5ES
09482-00136	BPR-4H
09482-00139	BP7ES
09482-00141	BPR6HS
09482-00142	B-4H
09482-00143	BR5HS
09482-00144	D8EA
09482-00145	D8EA
09482-00147	BPR5HS
09482-00149	DR8ES-L
09482-00151	B8HS
09482-00153	B7HS
09482-00155	BPR5ES
09482-00157	BR8HS
09482-00159	BPR4EY
09482-00161	BP4HS
09482-00163	BP5HA
09482-00167	BPR5EY
09482-00167-000	BPR5EY
09482-00167-001	BPR5ES
09482-00170	BP4HA

SUZUKI	→ NGK
09482-00171	BP4HS
09482-00172	BP2HS
09482-00175	BP8ES
09482-00177	BP6ES
09482-00181	BR10EVX
09482-00182	D7EA
09482-00183	D7EA
09482-00184	D9EA
09482-00185	D9EA
09482-00186	BP-4H
09482-00188	BP6HS
09482-00189	BP7HS
09482-00190	B6HS
09482-00191	B7HS
09482-00192	B8HS
09482-00195	B7ES
09482-00196	B8ES
09482-00198	B8HS
09482-00205	BPR4HS
09482-00206	BPR4HS
09482-00208	B8EGV
09482-00209	B9EGV
09482-00210	B10EGV
09482-00216	BP4EY-11
09482-00217	BP5EY-11
09482-00218	BP4EY-11
09482-00219	BP5EY-11
09482-00220	DR7ES
09482-00221	DR8ES
09482-00222	DR7EA
09482-00223	DR8EA
09482-00225	B8ES
09482-00226	BP7ES
09482-00227	CM-6
09482-00228	BP5HS
09482-00229	BPR6HS
09482-00230	BR8HS
09482-00233-111	BR9ES
09482-00234	DR9EA
09482-00237	B8HS
09482-00239	BPR8ES
09482-00240-111	BPR8ES
09482-00244-111	BPR7HS
09482-00247-111	BR8ES
09482-00255	BPR7HS
09482-00258	BPMR6A
09482-00259	BP6HS
09482-00260	BPM4A
09482-00261	BPMR4A
09482-00262	BP5HS-10
09482-00263	BP5HS-10
09482-00264	BP6HS-10



SUZUKI	→ NGK
09482-00265	BP6HS-10
09482-00268	BP8HS
09482-00269	B7HS-10
09482-00277	BR7HS-10
09482-00278	B8HS-10
09482-00279	B8HS-10
09482-00280	BR8HS-10
09482-00281	BPR6HS
09482-00282	B5HS
09482-00284	BP6EY-11
09482-00285	BPR6ES-11
09482-00286	BPR6EY-11
09482-00287	BP5ES-11
09482-00288	BP4ES
09482-00289	B-4H
09482-00290	BP-4H
09482-00291	BP4HS
09482-00294	C6HA
09482-00295	C6HSA
09482-00299	BPR6ES
09482-00302-111	BPR6HS
09482-00303	BP6EY-11
09482-00305	BP5HS
09482-00306	BPR6HS
09482-00308	BR5HS
09482-00309	B5HS
09482-00310	C7HA
09482-00312	BPR5EY-11
09482-00314	CR7HSA
09482-00316	BPR5HS
09482-00317	C8HA
09482-00320-111	CR8HSA
09482-00321	C8HSA
09482-00322	BPR5EIX
09482-00325	BR8EVX
09482-00327	BR6HS-10
09482-00328	DP9EA-9
09482-00331-111	DPR7EA-9
09482-00332	DP8EA-9
09482-00333-111	DP8EA-9
09482-00335-111	DPR7EA-9
09482-00338	B6HS-10
09482-00339	B6HS-10
09482-00340	CR6HS
09482-00341	BR6HS-10
09482-00348	BR8ES
09482-00349	BR9ES
09482-00351	B9ES
09482-00352	DP7EA-9
09482-00354	DPR7EA-9
09482-00355-111	DPR7EA-9
09482-00358	BR4HS

SUZUKI	→ NGK
09482-00359	BPR5HS
09482-00360	BR10ES
09482-00362	ZGR5A
09482-00363	BPR5EY
09482-00365	J9A
09482-00366	JR9B
09482-00367	BPR4HS
09482-00368	DCP7E
09482-00369	DCP7E
09482-00370	BR8HS-10
09482-00371	J10A
09482-00372	JR10B
09482-00375	B8HS-10
09482-00376	B8HS
09482-00378	DCPR8E
09482-00379	DCP8E
09482-00381	PJR7A
09482-00383	DCPR8EVX
09482-00384	DCPR8EVX
09482-00385	BP7ES
09482-00386	DCP7EVX
09482-00387	DCP7EVX
09482-00388	JR9B
09482-00389	JR9B
09482-00390	JR10B
09482-00391	JR10B
09482-00392	BP6ES
09482-00393	DCP6E
09482-00394	DCP6E
09482-00395	ZG5E
09482-00397	JR9C
09482-00398	DR7EA
09482-00399	DR8EA
09482-00400	DR9EA
09482-00401	JR8C
09482-00404	LR8A
09482-00407	CR6HSA
09482-00408	CR7HSA
09482-00409	BPR6ES
09482-00410	CR9EK
09482-00411	CR9EK
09482-00412	CR8EK
09482-00413	CR8EK
09482-00414	CR7EK
09482-00416-111	BPR5HS
09482-00419	R2525-11
09482-00420-111	BPR-4H
09482-00421	BPR6ES-11
09482-00422	R5184-95
09482-00423	R5184-10
09482-00424	R5184-105
09482-00426	BK6E



SUZUKI	→ NGK
09482-00427	BKR6ES
09482-00429	BKR6ES
09482-00430	R0373A-10
09482-00431	R0373A-11
09482-00432	BPR5ES
09482-00433	BPR5EY-11
09482-00434	BP7ES
09482-00446	DCPR6E
09482-00447	DCPR6E
09482-00448	DCPR7E
09482-00449	DCPR7E
09482-00450	DCPR8E
09482-00452	ZGR5A
09482-00456	CR8E
09482-00457	CR8E
09482-00458	CR9E
09482-00459	CR9E
09482-00460	CR10E
09482-00461	CR10E
09482-00462	CR10EK
09482-00463	CR10EK
09482-00464	BR8HCS-10
09482-00467	BR9HS-10
09482-00468	BPR5ES
09482-00470	BR8ECM
09482-00472	BR9ECM
09482-00473	BR9ECM
09482-00474	BR10ECM
09482-00476	BKR5ES
09482-00477	BKR5ES
09482-00478	B10ES
09482-00479	DCPR7EVX
09482-00481	DCPR8EVX
09482-00482	DCPR7EVX
09482-00484	DCPR8EVX
09482-00485	CR8HSA
09482-00486	BR8HCS-10
09482-00487	BPR6ES
09482-00488	DCPR7E
09482-00491	JR8B
09482-00493	BPR5E-11
09482-00494	BKR6ES-11
09482-00495	BPR7ES
09482-00496	BPR5E-11
09482-00497	BKR5ES-11
09482-00498	BPR7ES
09482-00499	R4118S-8
09482-00500	R4118S-9
09482-00501	BPR6EY
09482-00502	BP5EY
09482-00504	BPR5EY
09482-00508	BKR6ES-11

SUZUKI	→ NGK
09482-00509	R6918B-8
09482-00511	R6918B-7
09482-00513	R0045J-10
09482-00514	R0045J-11
09482-00515	CR7E
09482-00516	CR7E
09482-00519	BR9EYA
09482-00521	PGR5A
09482-00522	BPR7HS-10
09482-00523	BPR8HS
09482-00525	IKR7A
09482-00526	BR10EYA
09482-00527	KR7AI
09482-00528	CR6E
09482-00530	BPR6HS
09482-00531	BP6HS
09482-00532	B7HS-10
09482-00533	BR7HS-10
09482-00534	B6HS-10
09482-00535	BR6HS-10
09482-00537	DCPR9EVX
09482-00540	PFR5G-11
09482-00546	GR5AI-10
09482-00547	IFR5E11
09482-00548	IFR6E11
09482-00549	IFR5J11
09482-00550	IFR6J11
09482-00556	CR8EIA9
09482-00557	CR9EIA-9
09482-00558	CR9EIA-9
09482-00561	BR8EG
09482-00562	IFR5E11
09482-00564	BR9EYA
09482-00565	KR8AI
09482-00566	BKR5ES-11
09482-00570	CR8EB
09482-00581	CR8EKB
09482-00582	CR9EKB
09482-00584	CR8EIB-10
09482-00590	CR6EIA9
09482-00594	CR8EIB9
09482-00597	CR8EIA-10
09482-00600	DIMR8A10
09482-00600-000	DIMR8B10
09482-00602	IKR6G11
09482-00603	IKR6G11
09482-00606	SILFR6A11
09482-00612	MR8AI9
09482-00618	KR6A-10
09482-69001	BPR6HS
27118-50000	R7433-8
94820-01197	B9ES



SUZUKI	→ NGK
99000-69257-000	R0161-10
99000-69257-001	R2525-10
99000-69571	C7HSA
99000-69835-B6R	BR6HIX
99000-69835-B7R	BR7HIX
99000-69835-B8R	BR8HIX
99000-69835-BP6	BPR6HIX
99000-69835-BP7	BPR7HIX
99000-69835-BR1	BR10EIX
99000-69835-BR8	BR8EIX
99000-69835-BR9	BR9EIX
99000-69835-C6R	CR6HIX
99000-69835-C7R	CR7HIX
99000-69835-C8R	CR8HIX
99000-69835-CR7	CR7EIX
99000-69835-CR8	CR8EIX
99000-69835-CR9	B8HCS
99000-69835-DC7	DPR7EIX-9
99000-69835-DC8	DCR8EIX
99000-69835-DR8	DR8EIX
99000-69835-DR9	DR9EIX
99000-69835-PR8	DPR8EIX-9
99000-69835-PR9	DPR9EIX-9
99000-79A37-16E	BPR5EIX
99000-79A37-20F	BR6HIX
99000-79A37-22E	BR7EIX
99000-79A37-24E	B8EVX
99000-79A37-24R	BR8EVX
99000-79A37-27R	BR9EVX
99000-79A37-29E	B10EVX
99000-79A37-31E	B10EVX
99000-79A37-K0P	BKR6EVX-11
99000-79A37-U2F	C7HVX
99000-79A37-U4R	CR8HVX
99000-79A37-U7E	CR9EVX
99000-79A37-W6X	BPR5EIX
99000-79A45-B0E	B10EVX
99000-79A45-B6H	BR6HIX
99000-79A45-B7E	BR7EIX
99000-79A45-B7H	BR7HIX
99000-79A45-B8E	B8EVX
99000-79A45-B8H	B8HVX
99000-79A45-B9E	B9EVX
99000-79A45-P8E	BP8EVX
99000-79B56	BPR4EY-11
99000-79J80-K16	BKR5EIX-11
99000-79J80-K20	BKR6EIX-11
99000-79J80-U22	DCPR7EIX
99000-79J80-W16	BPR5EIX-11
99000-79J80-W20	BPR6EIX-11
99000-79J80-W22	BPR7EIX
99000-79K24-22B	DPR7EIX-9

SUZUKI	→ NGK
99000-79K24-24B	DPR8EIX-9
99000-79K24-27B	DPR9EIX-9
99000-79K24-F22	CR7HIX
99000-79K24-F24	CR8HIX
99000-79K24-H24	CR8EHIX-9
99000-79K24-H27	CR9EHIX-9
99000-79K24-IW4	BR8EIX
99000-79K24-IW7	BR9EIX
99000-79K24-U22	CR7EIX
99000-79K24-U24	CR8EIX
99000-79K24-U27	B8HCS
99000-79K24-W22	BR7HIX
99000-79K24-W24	BR8HIX
99000-79K24-W27	BR9HIX
99000-79K24-W31	BR10EIX
99000-79K24-X24	DR8EIX
99000-79K24-X27	DR9EIX
99000-79K60-BP6	BPR6EIX-11
99000-79K60-DC7	DCPR7EIX
99000-79K60-K5R	BKR5EIX
99000-79K60-K6R	BKR6EIX
99000-79K60-KR6	BKR6EIX-11
99000-79K60-P5R	BPR5EIX
99000-79K60-P6R	BPR6EIX
99000-79K60-P7R	BPR7EIX
99000-79K60-PR5	BPR5EIX-11

TORCH	→ NGK
5580	BUR6ET
8012	BP6EVX
A6RTC	CR6HSA
A6TC	C6HSA
A7RTC	CR7HSA
A7T	C7HSA
A7TC	C7HSA
A8RTC	CR8HSA
A8TC	C8HSA
B8RC	CR8E
C6RTC	D6HA
CMR7H	CMR7H
D6RTC9	DPR6EA-9
D7	D7EA
D7CA	D7EA
D7RC	D7EA
D7RTC	DPR7EA-9
D7RTC9	DPR7EA-9
D7TC	DP7EA-9
D8C	D8EA
D8RC	DR8EA
D8T	D8EA
DK7RTC	DCPR7E
E4RTC	BPR4HS



TORCH	→ NGK
E4TC	BP4HS
E5RTC	BPR5HS
E5T	BP-4H
E5TC	BP5HS
E6RC	BR6HS
E6RTC	BPR6HS
E6T	BP4HS
E7C	B6HS
E7TJC	BUR6ET
E8RC	BR8HS
E8RTC	BPR8HS
F5C	B4ES
F5RF	BPR5EY
F5RTC	BPR5ES
F5T	BP4ES
F6RF	BPR6EY
F6RTC	BPR6ES
F6T	BP6ES
F7C	B7ES
F7RC	BR7ES
F7RTC	BPR7ES
F7RTJC	BUR6ET
F8RC	BR8ES
F8RTC	BP8ES
G3F	B-4
G3TC	BP-4
G4C	B-4
G4RC	B-4
G5RC	BR6S
G6	B6S
G6C	B6S
G6RC	BR6S
GL4	B4-LM
H5	B6S
K4RTC3	ZFR5F
K5RF11	BKR5ES-11
K5RTC11	BKR5ES-11
K5RTS	ZFR5P-G
K5TC	BKR5ES-11
K6RF	BKR6ES
K6RF11	BKR6ES-11
K6RTC	BKR5ES-11
K6RTC11	BKR6ES-11
K7RTC	BKR6ES
K7TC	BCP6ES
K7TJC	BCP6ET
L5C	BM4A
L5T	BPM4A
L6	BM6A
L6C	BM6A
L6RC	BMR6A
L6RTC	BPMR6A

TORCH	→ NGK
L6T	BPM6A
L6TC	BPM6A
L7	BM7A
L7RTC	BPMR7A
L7T	BPM7A
L7TC	BPM7A
L7Y	BM7A
L8RT	BPMR7A
L9	BM7A
L9T	BPM7A
N6	BM6F
N6C	BM6F
N6RC	BMR6F
N6RTC	BPMR6F
N6TC	BPM6F
N7C	BM7F
N7RC	BM7F
N9	BM7F
P5RTC	BPR5FS
P5TC	BP5FS
P6RTC	BPR6FS
P6TC	BP6FS
P7RTC	BP7FS
P7TC	BP7FS
Q5RTC	BPR5EFS
Q5TC	BP5EFS
Q6RTC	BPR6EFS
Q6TC	BP6EFS
Q7TC	BP5EFS
R4C	AB-6
T1137C	C7HSA
T5TC	AP5FS
T6RTC	APR6FS
T6TC	AP6FS
YAMAHA	→ NGK
94702003910	B6HS
22401AA670	IFR6B11
90793-20001	BR7EIX
90793-20002	B8EVX
90793-20003	B9EVX
90793-20004	B10EVX
90793-20005	BR6HIX
90793-20006	BR7HIX
90793-20007	B8HVX
90793-20008	BP8EVX
90793-20010	D7EVX
90793-20011	D8EVX
90793-20012	D9EVX
90793-20013	DPR8EVX-9
90793-20014	DPR9EVX-9
90793-20015	C7HVX



YAMAHA	→ NGK
90793-20016	C8HVX
90793-20017	B10HVX
90793-20018	B10EVX
90793-20021	D7EVX
90793-20022	D8EVX
90793-20023	D9EVX
90793-20024	BPR5EIX
90793-20025	BP8EVX
90793-20026	BPR9EIX
90793-20027	BPR10EVX
90793-20028	B85EGV
90793-20029	B95EGV
90793-20030	B105EGV
90793-20031	B11EGV
90793-20032	B10EG
90793-20035	BP-4H
90793-20036	BP4HSA
90793-20037	BP4HS-10
90793-20038	BP5HS-10
90793-20039	BP6HSA
90793-20040	BP5ES-11
90793-20045	BP6ES-11
90793-20051	D8HA
90793-20053	D10EA
90793-20054	DP6EA-9
90793-20055	C4HA
90793-20057	BR6HS
90793-20058	BR7HS-10
90793-20060	BR6ES
90793-20062	BPR8ES
90793-20065	BPR5EY
90793-20066	BPR5EY-11
90793-20067	BPR6EY
90793-20068	BPR6EY-11
90793-20069	BPR7EY-11
90793-20071	CR7HS
90793-20072	CR8HS
90793-20075	DR8HS
90793-20076	DR7ES
90793-20077	DR8ES
90793-20080	DPR7EA-9
90793-20081	C7HVX
90793-20082	C8HVX
90793-20083	DPR8EVX-9
90793-20084	DPR9EVX-9
90793-20085	BPR6HIX
90793-20086	BPR7HIX
90793-20090	BPM7A
90793-20091	BPM4A
90793-20092	BPM4A-10
90793-20093	BPM6A-10
90793-20094	BPMR4A

YAMAHA	→ NGK
90793-20095	BPMR4A-10
90793-20096	BPMR6A-10
90793-20098	BPMR7A
90793-20099	B9HVX
90793-20100	B10HVX
90793-20101	BPR6HIX
90793-20102	BPR7HIX
90793-20103	BPR8HIX
90793-20104	BP9HVX
90793-20105	B6EVX
90793-20106	BPR5EIX
90793-20107	BP6EVX
90793-20108	BPR5EIX-11
90793-20109	BPR6EVX-11
90793-20110	BP7EVX
90793-20111	BP7EVX-11
90793-20112	BR8EVX
90793-20113	BP8HS-10
90793-20115	BR10EVX
90793-20116	BPR5EIX
90793-20117	BPR6EVX
90793-20118	BR9EVX
90793-20119	DPR8EVX-9
90793-20120	DPR9EVX-9
90793-20121	BR6FS
90793-20122	CR8EVX
90793-20123	CR9EVX
90793-20124	CR8EVX
90793-20125	CR9EVX
90793-20127	BPR7ES-11
90793-20128	BR4ES
90793-20129	BPR7HS-10
90793-20130	BR4HS
90793-20131	BR5HS
90793-20132	CR6HSA
90793-20133	CR7HSA
90793-20134	BR8EG
90793-20135	BR9EG
90793-20136	BR10EG
90793-20138	BPR6EVX
90793-20139	BR8ECM
90793-20140	BR10ECM
90793-20149	R0256R-10
90793-20150	CR8EIX
90793-20151	B8HCS
90793-20152	DR8EIX
90793-20153	DR9EIX
90793-20154	DPR8EIX-9
90793-20155	DPR9EIX-9
90793-20156	BPR6HIX
90793-20157	BPR7HIX
90793-20158	BR6HIX



YAMAHA	→ NGK
90793-20159	BR7HIX
90793-20160	BR8EIX
90793-20161	BR9EIX
90793-20162	CR8EHIX-9
90793-20163	CR9EHIX-9
90793-20164	BR8HIX
90793-20165	BR10EIX
90793-20166	BPR8HIX
90793-20167	BPR5EIX
90793-20168	BPR6EIX
90793-20169	CR5HIX
90793-20170	CR6HIX
90793-20171	CR7HIX
90793-20172	CR7EIX
90793-20173	DPR7EIX-9
90793-20174	CR8HIX
90793-20175	BPR7EIX
90793-22001	B8HVX
90793-22003	DPR7EIX-9
90793-22008	B5ES
90793-22010	B9ES
90793-22031	BR7HS
90793-22032	BR8HS
90793-22033	BR7HS-10
90793-22034	BR8HS-10
90793-22035	BR6ES
90793-22036	BR7ES
90793-22037	BR9ES
90793-22039	BR8HS
90793-22045	BPR6EY-11
90793-22047	DPR7EA-9
90793-22059	C7HVX
90793-22064	BR9EVX
90793-22065	BR9EVX
90793-22086	CR9EVX
90793-22088	BR8EIX
90793-22089	BR9EIX
90793-22091	BR10EIX
90793-22093	CR7EIX
90793-22094	CR8EIX
90793-22095	B8HCS
90793-22096	CR8EHIX-9
90793-22097	CR9EHIX-9
90793-22098	DPR7EIX-9
90793-22099	DPR8EIX-9
90793-22100	DPR9EIX-9
90793-22101	BPR7EIX
90793-22107	DR8EIX
90793-22108	DR9EIX
90793-22109	BR7HIX
90793-22110	BR8HIX
90793-22111	BR9HIX

YAMAHA	→ NGK
90793-22112	BPR5EIX-11
90793-22114	CR7HIX
90793-22115	CR8HIX
9079E-NG001	B8EVX
9079E-NG002	B9EVX
9079E-NG003	B10EVX
9079E-NG004	BR8EVX
9079E-NG005	BR9EVX
90890-78063	C5HA
90890-78064	C8HA
90890-78065	D6HA
90890-78066	D6EA
90890-78068	DP9EA-9
90890-78070	B9HS-10
90890-78071	BP8HS
90890-78072	BP9ES
90890-78073	BP4HA
90890-78074	BM6A
90890-78075	BM7A
90890-78076	BPM6A
90890-78077	BR9HS
90890-78078	BP7EVX
90890-78079	BP6EVX
90890-78081	B5EV
90890-78082	B10EGV
90890-78086	BR8ES
90890-78094	B6HS
90890-78097	BP4HS
90890-78102	BM6A
90890-78106	BP7EVX
90890-78108	BR7EIX
90890-78110	B9EVX
90890-78111	B10EVX
90890-78112	B10EVX
90890-78115	B9HVX
90890-78116	B10HVX
90890-78118	D8EVX
90893-22113	BPR6EIX-11
94700-00039	B6HS
94700-00040	B7HS
94700-00041	B8HS
94700-00043	B6ES
94700-00044	B7ES
94700-00045	B8ES
94700-00050	BP7HS
94700-00108	BP6HS
94700-00110	BR7HS
94700-00111	BR6ES
94700-00117	BP7ES
94700-00118	BP8ES
94700-00157	D8EA
94700-00159	BP4HS



YAMAHA	→ NGK
94700-00168	BP5HS
94700-00189	D7EA
94700-00195	BR8HS
94700-00198	BPR6HS
94700-00203	DR8ES-L
94700-00204	BR8ES
94700-00208	DR7ES
94700-00213	C6HA
94700-00215	C7HA
94700-00218	BPR7ES
94700-00219	BPR8ES
94700-00227	BPR7HS
94700-00232	BP6HS-10
94700-00234	BPR6ES
94700-00241	DPR8EA-9
94700-00248	BR6HS
94700-00250	CR7HS
94700-00254	C7HSA
94700-00256	C6HSA
94700-00258	BPR4HS
94700-00261	BR9ES
94700-00262	DPR7EA-9
94700-00263	DP7EA-9
94700-00268	BP8HS
94700-00275	DP8EA-9
94700-00280	BPR8HS
94700-00282	CR6HS
94700-00292	BPR6HS-10
94700-00301	B6EVX
94700-00318	CR9E
94700-00330	CR8E
94700-00333	DR8EA
94700-00336	BPR5HS
94700-00340	DR9EA
94700-00345	DR7EA
94700-00353	CR7E
94700-00361	DPR9EA-9
94700-00366	CR7HSA
94700-00372	CR6HSA
94700-00375	DPR6EA-9
94700-00381	CR6E
94700-00394	R0256R-10
94700-00397	B9HS
94700-00402	CR10EK
94700-00403	CR9EK
94700-00406	DPR5EA-9
94700-00408	CR9EIA-9
94700-00410	CR9E
94700-00411	CR8E
94700-00420	CPR7EA-9
94700-00424	LMAR9E-J
94700-00825	BP7HS-10

YAMAHA	→ NGK
94700-00835	C7HSA
94700-00835-00IV	C7HSA
94700-00840	CR7E
94700-00841	C6HSA
94700-00850	C6HSA
94700-00850-00IV	C6HSA
94700-00856	CR7HSA
94700-00866	CPR8EA-9
94700-00871	CPR9EA-9
94700-00879	CR6HSA
94701-00039	B6HS
94701-00040	B7HS
94701-00041	B8HS
94701-00042	B9HS
94701-00043	B6ES
94701-00044	B7ES
94701-00045	B8ES
94701-00046	B9ES
94701-00048	B8HCS
94701-00050	BP7HS
94701-00061	B8EVX
94701-00063	B9EVX
94701-00069	B5HS
94701-00078	B5ES
94701-00108	BP6HS
94701-00110	BR7HS
94701-00111	BR6ES
94701-00112	BR7ES
94701-00113	BR8EVX
94701-00116	BP6ES
94701-00117	BP7ES
94701-00118	BP8ES
94701-00148	B8HVX
94701-00157	D8EA
94701-00159	BP4HS
94701-00160	B8HS-10
94701-00168	BP5HS
94701-00188	BR9ES
94701-00189	D7EA
94701-00190	BP5HA
94701-00193	BR9EVX
94701-00194	BPR5HS
94701-00195	BR8HS
94701-00198	BPR6HS
94701-00203	DR8ES-L
94701-00208	DR7ES
94701-00211	BP6MR6A
94701-00215	C7HA
94701-00217	B7HS-10
94701-00218	BPR7ES
94701-00219	BPR8ES
94701-00227	BPR7HS



YAMAHA	→ NGK
94701-00232	BP6HS-10
94701-00234	BPR6ES
94701-00237	BP8HS-10
94701-00247	BR8HS-10
94701-00248	BR6HS
94701-00250	CR7HS
94701-00251	BR9HS
94701-00254	C7HSA
94701-00256	C6HSA
94701-00258	BPR4HS
94701-00262	DPR7EA-9
94701-00263	DP7EA-9
94701-00264	BP7HS-10
94701-00266	D9EA
94701-00267	BP8ES
94701-00268	BP8HS
94701-00273	B6HS-10
94701-00274	BR6HS-10
94701-00275	DP8EA-9
94701-00280	BPR8HS
94701-00282	CR6HS
94701-00284	BP6EVX
94701-00285	BPR6EVX
94701-00287	DR8ES
94701-00292	BPR6HS-10
94701-00300	CR5HS
94701-00301	B6EVX
94701-00309	BR9HS-10
94701-00310	C2H
94701-00311	BR5ES
94701-00315	C9E
94701-00318	CR9E
94701-00324	BR9EG
94701-00325	B9EG
94701-00328	BPR5ES
94701-00330	CR8E
94701-00332	R5184-105
94701-00333	DR8EA
94701-00340	DR9EA
94701-00345	DR7EA
94701-00349	BR7ES
94701-00353	CR7E
94701-00354	CR4HSA
94701-00356	BR10ES
94701-00358	C7E
94701-00365	BR6FS
94701-00366	CR7HSA
94701-00371	BR7HS-10
94701-00372	CR6HSA
94701-00375	DPR6EA-9
94701-00381	CR6E
94701-00386	CR10EK

YAMAHA	→ NGK
94701-00395	CR9EK
94701-00402	CR10EK
94701-00403	CR9EK
94701-00406	DPR5EA-9
94701-00407	CR9EIA-9
94701-00408	CR9EIA-9
94701-00410	CR9E
94701-00411	CR8E
94701-00415	CPR8EA-9
94701-00420	CPR7EA-9
94701-00422	LMAR7A-9
94701-00423	LMAR6A-9
94701-00424	LMAR9E-J
94701-00N02	B9EGV
94702-00039	B6HS
94702-00040	B7HS
94702-00041	B8HS
94702-00044	B7ES
94702-00045	B8ES
94702-00046	B9ES
94702-00069	B5HS
94702-00111	BR6ES
94702-00149	B7HS
94702-00160	B8HS-10
94702-00188	BR9ES
94702-00193	BR9EVX
94702-00195	BR8HS
94702-00204	BR8ES
94702-00211	BPMR6A
94702-00217	B7HS-10
94702-00217-1	B7HS-10
94702-00227	BPR7HS
94702-00234	BPR6ES
94702-00247	BR8HS-10
94702-00248	BR6HS
94702-00249	BR5HS
94702-00251	BR9HS
94702-00271	BR7HS-10
94702-00272	BR7HS
94702-00273	B6HS-10
94702-00274	BR6HS-10
94702-00309	BR9HS-10
94702-00317	B9HS-10
94702-00323	B8EG
94702-00324	BR9EG
94702-00325	B9EG
94702-00326	BR8EG
94702-00331	BPR4ES
94702-00343	BR4ES
94702-00348	BPR2ES
94702-00349	BR7ES
94702-00351	BP8ES



YAMAHA	→ NGK
94702-00356	BR10ES
94702-00357	BR9ECM
94702-00367	B10EG
94702-00368	BR10EG
94702-00372	CR6HSB
94702-00373	R7376-10
94702-00374	R6179A-105P
94702-00383	BR9ECS
94702-00384	BR10ECS
94702-00391	LFR5A-11
94702-00396	BR8ES-11
94702-00399	BKR7ES-11
94702-00400	LFR6A-11
94702-00401	BKR6ES-11
94702-00403	CR9EKB
94702-00404	BKR7EKU
94702-00405	BKR6EKU
94702-00409	CR9EB
94702-00412	BKR6ES
94702-00418	DPR6EB-9
94702-00419	CR4HSB
94702-00427	LFR6A
94702-00428	CPR8EB-9
94702-00429	LKR7E
94702-00803	BP7HS-10
94702-00808	BR8ES
94702-00N01	BP5HM
94703-00001	B-4H
94703-00039	B6HS
94703-00040	B7HS
94703-00041	B8HS
94703-00042	B9HS
94703-00043	B6ES
94703-00044	B7ES
94703-00045	B8ES
94703-00046	B9ES
94703-00050	BP7HS
94703-00059	BR7HIX
94703-00060	B9HVX
94703-00062	BR6HIX
94703-00065	BR7EIX
94703-00069	B5HS
94703-00074	B8EVX
94703-00075	B9EVX
94703-00078	B5ES
94703-00108	BP6HS
94703-00109	BP-2E
94703-00110	BR7HS
94703-00112	BR7ES
94703-00113	BR8EVX
94703-00114	BR9EVX
94703-00116	BP6ES

YAMAHA	→ NGK
94703-00117	BP7ES
94703-00118	BP8ES
94703-00133	BP5ES
94703-00143	BR8HIX
94703-00148	B8HVX
94703-00157	D8EA
94703-00159	BP4HS
94703-00160	B8HS-10
94703-00168	BP5HS
94703-00181	D8EA
94703-00188	BR9ES
94703-00189	D7EA
94703-00190	BP5HA
94703-00191	BP4ES
94703-00194	BPR5HS
94703-00198	BPR6HS
94703-00203	DR8ES-L
94703-00204	BR8ES
94703-00207	B4ES
94703-00213	C6HA
94703-00214	C6HSA
94703-00215	C7HA
94703-00216	C7HSA
94703-00217	B7HS-10
94703-00218	BPR7ES
94703-00220	BPR7ES
94703-00221	BP2HS
94703-00222	DR8EA
94703-00223	BP6HS
94703-00227	BPR7HS
94703-00232	BP6HS-10
94703-00234	BPR6ES
94703-00235	BPR6HS-10
94703-00241	DPR7EA-9
94703-00254	C7HSA
94703-00256	C6HSA
94703-00258	BPR4HS
94703-00262	DPR7EA-9
94703-00263	DP7EA-9
94703-00264	BP7HS-10
94703-00265	CR7HSA
94703-00266	D9EA
94703-00267	BP8ES
94703-00273	B6HS-10
94703-00275	DP8EA-9
94703-00277	B9EGV
94703-00279	B8EGV
94703-00282	CR6HS
94703-00301	B6EVX
94703-00307	C9E
94703-00310	C2H
94703-00311	BR5ES

