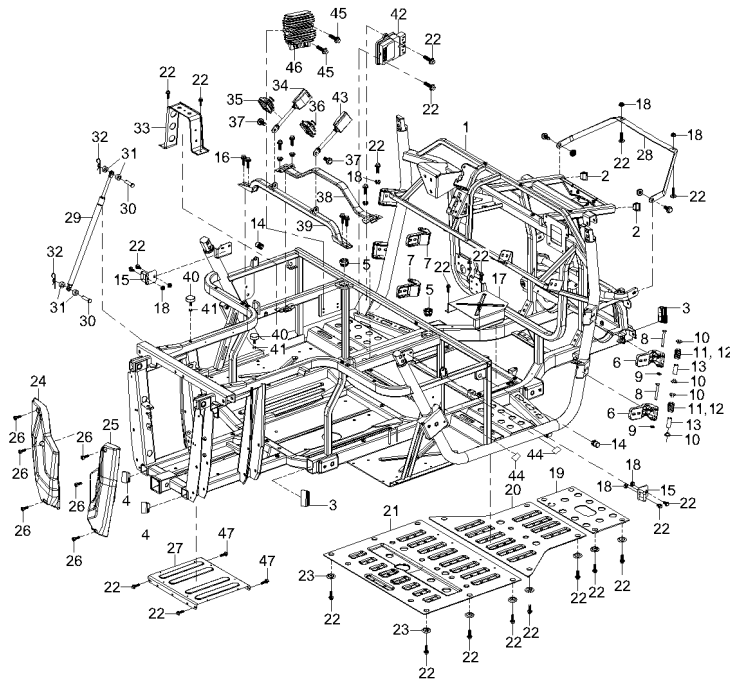


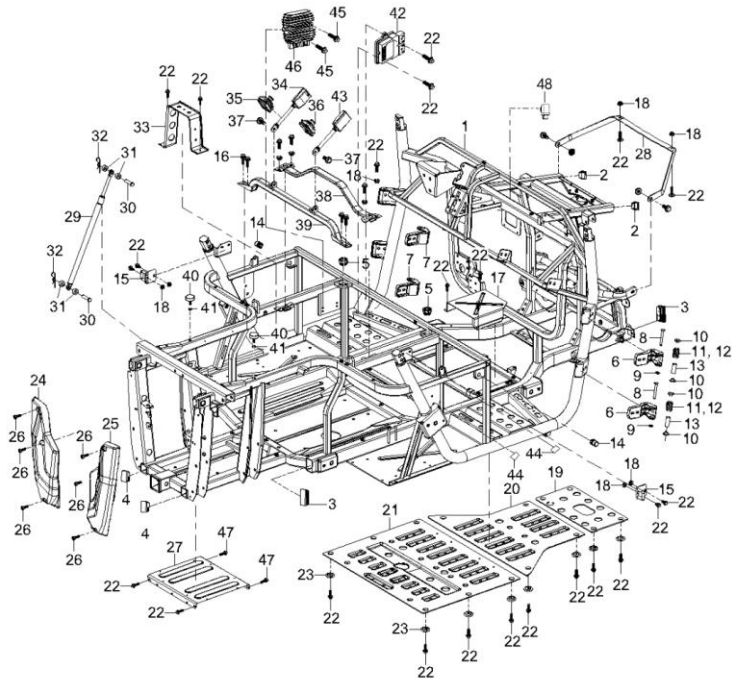
CUB CADET MX Series Frame & Body Parts

Frame



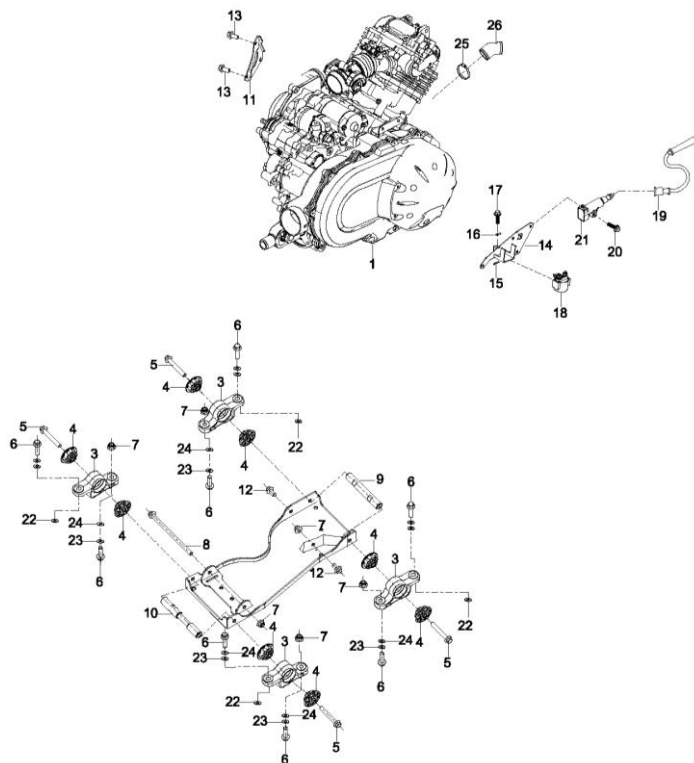
#	Old Part No.	MTD Part No	New Part No	Description	Q'TY
1	51100-315001-0002	#N/A	P315001511000003	Frame Assembly	1
2	92402-300000-0100	503-01336	PJ00000924020100	Plastic Cap 30×30	2
3	92420-300000-0100	503-00025	PJ00000924200100	Rubber Block 40×60	4
4	92402-300000-0200	503-01337	PJ00000924020200	Plastic Cap 40×40	2
5	93340-300000-0000	503-01338	PJ00000933400000	Rubber Grommet	2
6	84586-315001-0000	503-01339	P315001845860000	Door Hinge VI	2
7	84585-315001-0000	503-01340	P315001845850000	Door Hinge V	2
8	92971-300000-0701	503-01341	PJ00000929710701	Shoulder Pin φ8×75	4
9	GB/T896-5-B	503-01342A	BGB896-5-B	Clip 5	4
10	92450-300000-1000	503-01343	PJ00000924501000	Plastic Bushing φ8×φ11-φ24	8
11	96300-300000-3200	503-01344	PJ00000963003200	Torsion Spring	2
12	96300-300000-3300	503-01345	PJ00000963003300	Torsion Spring	2
13	92900-300000-9800	503-01346	PJ00000929009800	Spacer	4
14	93358-300000-0000	503-02824	PJ00000933580000	Door Spacer	2
15	51585-315001-0000	503-01348	P315001515850000	Door Hook Kit	2
16	GB/T16674-M8×20	503-00042	BGB16674-M8×20	Bolt Hexagon Flange Head M8×20	4
17	51555-315001-0000	503-01370	P315001515550000	Pedal Plate Plated	1
18	GB/T6177.1-M6	503-01979	BGB6177.1-M6	Hexagon Flange Head Nut M6	10
19	82505-315001-0000	503-01351	P315001825050000	Front Skid Plate	1
20	82505-112000-0000	503-01352	P112000825050000	Middle Skid Plate	1
21	82506-116000-0000	503-01353	P116000825060000	Rear Skid Plate	1
22	GB/T16674-M6×16	503-00011	BGB16674-M6×16	Bolt Hexagon Flange Head M6×16	27
23	51524-115000-0000	503-00593	P115000515240000	Cap-Shaped Cushion	14
24	82803-315001-0000	503-01354	P315001828030000	Rear Bumper I	1
25	82804-315001-0000	503-01355	P315001828040000	Rear Bumper II	1
26	90225-300000-0100	503-00129	PJ00000902250100	Socket Hex Flat Head Bolt M6×16	6
27	51920-315001-0001	503-02736	P315001519200001	Rear Differential Heat Protector Assembly	1
28	51573-315001-0000	503-01359	P315001515730000	Hood Strap Plated I	1
29	72700-315001-0002	503-01360A	P315001727000002	Gas Spring Assembly Cargo Bed	1
30	92970-300000-0500	503-01361	PJ00000929700500	Shoulder Pin 12×47	2
31	93110-300000-0300	503-01362	PJ00000931100300	Rubber Washer 13×10	4
32	90805-300000-0100	503-01363	PJ00000908050100	Spring Pin	2
33	51556-315001-0001	503-02891	P315001515560001	Battery Box Strap Plated	1

Frame Continued



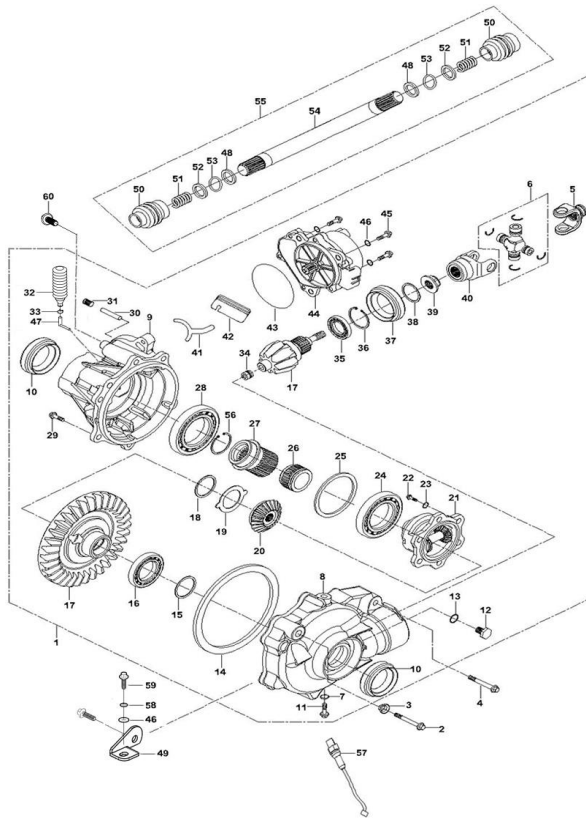
#	Old Part No.	MTD Part No	New Part No	Description	Q'TY
34	75120-315001-0000	503-01365	P315001751200000	Buckle I	1
35	93260-J00000-0000	503-01366	PJ000009326000000	Seat Belt Buckle Cap Lh	1
36	93260-J00000-0100	503-01367	PJ000009326001000	Seat Belt Buckle Cap Rh	1
37	GB/T16674-M10×1.25×25	503-00409	BGB16674-M10×1.25×25	Bolt Hexagon Flange Head M10×1.25×25	2
38	51554-315001-0000	503-01368	P3150015155400000	Seat Stiffener Shelf Kit	1
39	51559-315001-0001	503-01369A	P315001515590001	Seat Belt Mounting Bracket	1
40	93155-J00000-0200	503-01967	PJ000009315502000	Washer Adjust Rubber	2
41	GB/T6177.1-M8	503-01371	BGB6177.1-M8	Nut Hexagon Flange Head M8	2
42	39200-J00000-5573	503-03874	PJ00000392005573	ECU 550	1
	39200-J00000-7572	503-03124	PJ00000392007572	ECU 750	1
43	75130-315001-0000	503-02465	P315001751300000	Seat Belt Buckle II	1
44	94010-J00000-0100	503-00527	PJ000009401001000	Foam Cushion	4
45	GB/T16674-M6×35	503-00089	BGB16674-M6×35	Bolt hexagon flange head M6×35	2
46	32100-311001-0000	503-01857	P311001321000000	Rectifier	1
47	GB/T16674-M6×25	503-00081	BGB16674-M6×25	Bolt Hexagon Flange Head M6×16	2
48	36570-315001-0000	503-03936	P315001365700000	Oil Pressure Signal Controller	1

Engine



#	Old Part No.	MTD Part No	New Part No	Description	Q'TY
1	10000-016000-1403	503-03774	E016000100001403	Engine Assembly - 750	1
	10000-015000-1403	503-03775	E015000100001403	Engine Assembly - 550	1
2	00210-318001-0002	603-06579	P318001002100002	Engine Cradle I	1
3	0090A-318001-0000	619-05730	P3180010090A0000	Engine Mount	4
4	0040A-J00000-0400	735-05919	PJ000000040A0400	Rubber Mount	8
5	GB/T16674-M10×1.25×70	503-00282	BGB16674-M10×1.25×70	Bolt hexagon flange head M10×1.25×70	4
6	GB/T16674-M10×1.25×35	503-02913	BGB16674-M10×1.25×35	Bolt hexagon flange head M10×1.25×35	8
7	GB/T6183.2-M10×1.25	503-01375	BGB6183.2-M10×1.25	Nut Lock M10×1.25	6
8	GB/T16674-M10×1.25×175	503-01377	BGB16674-M10×1.25×175	Bolt hexagon flange head M10×1.25×175	1
9	00140-318001-0000	750-08711	P318001001400000	Rear Spacer Rod II	1
10	00130-318001-0000	750-08710	P318001001300000	Front Spacer Rod I	1
11	00220-318001-0001	703-18469	P318001002200001	Engine Cradle II	1
12	GB/T16674-M10×20	503-00409	BGB16674-M10×20	Bolt Hexagon Flange Head M10×1.25-20	2
13	GB/T16674-M8×16	503-00027	BGB16674-M8×16	Bolt Hexagon Flange Head M8×16	2
14	51628-318001-0000	503-02761	P318001516280000	Ignition coil mounting plate	1
15	94010-J00000-0500	503-02826	PJ00000940100500	Foam Cushion	1
16	51983-318001-0000	503-02770	P318001519830000	Starter relay pressing plate	1
17	GB/T16674-M6×12	503-00021	BGB16674-M6×12	Bolt hexagon flange head M6×12	1
18	37705-315001-0000	503-02735	P315001377050000	Starter relay	1
19	33101-115H00-0000	503-00545	P115H00331010000	Connector Wire For Ignition Coil	1
	33101-113E00-0000	503-01855	P113E00331010000	Ignition Cable	1
20	GB/T16674-M6×40	503-00398	BGB16674-M6×40	Bolt hexagon flange head M6×40	1
21	33100-116000-0000	503-00543	P116000331000000	Ignition coil	1
22	90605-J00000-0100	503-01539	PJ00000906050100	Plain Washer Φ10×Φ28×2	4
23	GB/T93-10	503-00064	BGB93-10	Spring Washer 10	8
24	GB/T 97.1-10	503-01395	BGB97.1-10	Plain Washer 10	8
25	90730-J00000-0800	503-00950	PJ00000907300800	Lock Clamp I	1
26	00610-115000-0001	503-00820A	P115000006100001	Fan Outlet Pipe Joint	1

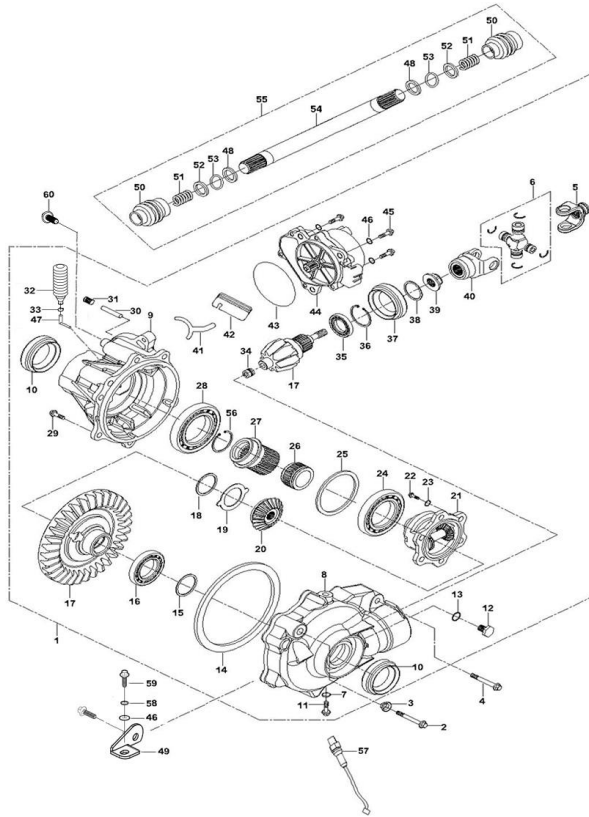
Front Differential



#	Old Part No.	MTD Part No	New Part No	Description	Q'TY
1	27100-318001-0001	503-01382B	P318001271000001	Front Differential Assembly	1
2	GB/T16674-M10×1.25×145	503-01383	BGB16674-M10×1.25×145	Bolt Hexagon Flange Head M10×1.25×145	1
3	GB/T6183.2-M10×1.25	503-01375	BGB6183.2-M10×1.25	Nut Lock M10×1.25	1
4	GB/T16674-M10×1.25×30	503-00230	BGB16674-M10×1.25×30	Bolt Hexagon Flange Head M10×1.25×30	2
5	25400-J00000-2401	503-03606	PJ00000254002401	Yoke Z	1
6	25500-J00000-0400	503-03604	PJ00000255000400	U-Joint	1
7	27263-115000-0000	503-01385	P115000272630000	O-Ring 1.5×9	1
8	27104-315001-0000	503-01386	P315001271040000	Gearcase Left	1
9	27103-315001-0000	503-01968	P315001271030000	Cover Gearcase	1
10	91122-115000-0000	503-01387	P115000911220000	Seal φ24×φ38×8	2
11	GB/T 16674-M10×1.25×16	503-00175	BGB16674-M10×1.25×16	Bolt Hexagon Flange Head M10×1.25×16	1
12	27152-115000-0000	503-01388	P115000271520000	Drain Plug M14×1.5-10	1
13	JB/T6659-φ12.5×φ1.5	503-01389	BJB6659-φ12.5×φ1.5	O-Ring φ12.5×φ1.5	1
14	GB/T3452.1-φ140×φ2.65	503-01390	BGB3452.1-φ140×φ2.65	O-Ring φ140×φ2.65	1
15	27300-J00000-0000	503-00241	PJ00000273000000	Adjusting Washer φ50×φ61.5×0.1	1
16	GB/T276-6007	503-02040	BGB276-6007	Bearing 6007	1
17	27151-115000-0000	503-01391	P115000271510000	Ring Gear	1
18	27300-J00000-0600	503-00244	PJ00000273000600	Adjusting Washer φ40×φ57×0.1	1
19	27108-115000-0000	503-01392	P115000271080000	Lock Washer	1
20	27111-115000-0000	503-01393	P115000271110000	Side Gear	1
21	27112-115000-0000	503-01394	P115000271120000	Differential Case	1
22	GB/T5783-M10×1.25×16	503-00248	BGB5783-M10×1.25×16	Bolt Hexagon Flange Head M10×1.25×16	6
23	GB/T97.1-10	503-01395	BGB97.1-10	Plain Washer 10	6
24	GB/T276-1994-61912	503-01396	BGB276-61912	Bearing 61912	1
25	27300-J00000-0300	503-00251	PJ00000273000300	Adjusting Washer φ71×φ83×0.1	1
26	27114-107000-0000	503-00252	P107000271140000	Shaft Sleeve	1
27	27115-115000-0000	503-01397	P115000271150000	Adapter	1
28	GB/T276-16007	503-01398	BGB276-16007	Bearing φ35×φ62×9	1
29	GB/T16674-M8×25	503-00194	BGB16674-M8×25	Bolt Hexagon Flange Head M8×25	6
30	27116-115000-0000	503-01399	P115000271160000	Pin - Roller φ5×75	1
31	27117-103000-0000	503-01400	P103000271170000	Bolt Stopper M8×10	1
32	27118-116000-0000	503-01401	P116000271180000	Airbag	1
33	90710-J00000-0400	503-00344	PJ00000907100400	Spring Clamp E	1

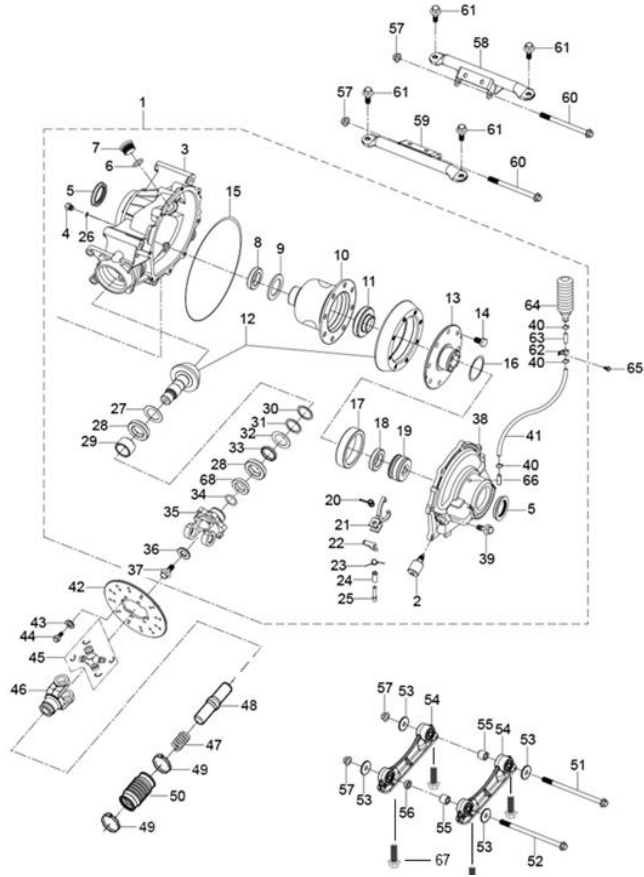
34	92901-115000-0000	503-01402	P115000929010000	Needle Bearing $\phi 15 \times \phi 21 \times 12$	1
35	GB/T276-6007	503-02040	BGB276-6007	Bearing 6007	1

Front Differential Continued



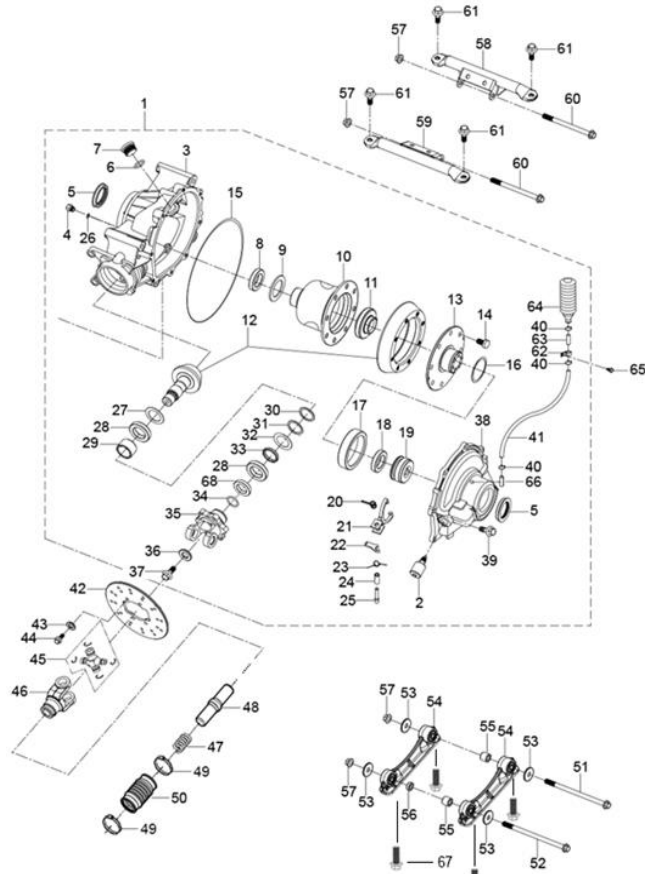
#	Old Part No.	MTD Part No	New Part No	Description	Q'TY
36	GB/T893.1-d0=62	503-00262	BGB893.1-d0=62	Clip d0=62	1
37	91115-115000-0000	503-01403	P115000911150000	Seal $\phi 48 \times \phi 65 \times 9$	1
38	27139-115000-0000	503-01404	P115000271390000	O-Ring $\phi 14 \times \phi 7$	1
39	GB/T6187-M14x1.5-C	503-01405	BGB6187-M14x1.5-C	Nut Lock M14x1.5	1
40	25400-J00000-2301	503-03624	PJ00000254002301	Yoke Y	1
41	27119-115000-0000	503-01407	P115000271190000	Fork Shaft	1
42	27120-115000-0000	503-01408	P115000271200000	Gear Rack	1
43	27141-115000-0000	503-01409	P115000271410000	O-Ring $\phi 81 \times \phi 2$	1
44	27121-115000-0000	503-01410	P115000271210000	Gear Motor	1
45	GB/T70.1-M8x20	503-00271	BGB70.1-M8x20	Screw Hexagon Socket Head M8x20	3
46	GB/T97.1-8	503-01411	BGB97.1-8	Plain Washer 8	5
47	27122-107000-0000	503-00273	P107000271220000	Front Diff Air Fitting	1
48	25105-J00000-0100	503-01412	PJ00000251050100	Clamp B	2
49	51955-315001-0000	503-01413	P315001519550000	Front Axle Mounting Plate	1
50	25102-J00000-0200	503-00200	PJ00000251020200	Rear Axle Rubber Boot C	2
51	25103-J00000-0100	503-00199	PJ00000251030100	Rear Axle Spring B	2
52	25101-J00000-0000	503-00202	PJ00000251010000	Bushing A	2
53	GB/T895.2-d0=25	503-01414	BGB895.2-d0=25	Clip d0=25	2
54	25100-J00000-0300	503-01415	PJ00000251000300	Front Drive Shaft D	1
55	25150-309001-0000	503-01416	P309001251500000	Front Drive Shaft Assembly	1
56	GB/T893.1-d0=62	503-00262	BGB893.1-d0=62	Clip d0=62	1
57	36300-107000-0010	503-01417A	P107000363000010	Speed Sensor	1
58	GB/T93-8	503-00005	BGB93-8	Spring Washer 8	1
59	GB/T16674-M8x20	503-00042	BGB16674-M8x20	Bolt Hexagon Flange Head M8x20	1
60	GB/T16674-M10x1.25x25	503-00409	BGB16674-M10x1.25x25	Bolt Hexagon Flange Head M10x1.25x25	1

Rear Differential



#	Old Part No.	MTD Part No	New Part No	Description	Q'TY
1	27200-318001-0001	503-01418B	P318001272000001	Differential-Rear assembly	1
2	37935-311001-0001	503-01419A	P311001379350001	Gear motor	1
3	27202-316001-0000	503-01420	P316001272020000	Gearcase(Right)	1
4	27254-116000-0000	503-01421	P116000272540000	Drain plug	1
5	91129-116000-0000	503-01422	P116000911290000	Seal φ35×φ52×7	2
6	27217-116000-0000	503-01423	P116000272170000	O-ring φ23×φ3	1
7	27229-116000-0000	503-01424	P116000272290000	Plug oil fill	1
8	GB/T297-32008	503-01425	BGB297-32008	Bearing roller ball 32008	1
9	27300-300000-1900	503-01426	PJ00000273001900	Spacer φ40.5×φ57×0.1	5
10	27243-116000-0000	503-01428	P116000272430000	Case differential	1
11	27220-116000-0000	503-01429	P116000272200000	Side gear	1
12	27231-318001-0000	503-02747	P318001272310000	Ring gear	1
13	27242-116000-0000	503-01431	P116000272420000	Seat side gear	1
14	27224-116000-0000	503-01432	P311001272240000	Bolt hexagon flange head M10×1.25×20	8
15	27256-116000-0000	503-01433	P116000272560000	O-ring φ2.5×φ192	1
16	27300-300000-1600	503-01434	PJ00000273001600	Spacer φ50.5×φ60×0.1	2
17	27239-116000-0000	503-01435	P116000272390000	Bearing Cone I	1
18	GB/T297-32010	503-01436	BGB297-32010	Bearing roller ball 32010	1
19	27238-116000-0000	503-01437	P116000272380000	Drive clutch	1
20	27234-116000-0000	503-01438	P116000272340000	spring torsion II	1
21	27237-116000-0000	503-01439	P116000272370000	Shaft fork	1
22	27236-116000-0000	503-01440	P116000272360000	Limit stop fork	1
23	27233-116000-0000	503-01441	P116000272330000	spring torsion I	2
24		503-01442	P116000272350000	tube	1
25	27232-116000-0000	503-01443	P116000272320000	Bolt stopper	1
26	JB/T6659-φ8×φ1	503-01444	BJB6659-φ8×φ1	O-ring φ8×φ1	1
27	27300-300000-2200	503-01445	PJ00000273002200	Spacer φ30.6×φ46×0.1	3
28	GB/T297-32206	503-01446	BGB297-32206	Bearing roller ball 32206	2
29	27247-318001-0000	503-02748	P318001272470000	tube I φ30.5×φ38×8.3	1
30	91130-116000-0000	503-01448	P116000911300000	Seal φ40×φ72×7	1
31	27246-116000-0000	503-01449	P116000272460000	Washer plat φ30.5×φ38×2	1
32	27300-300000-2200	503-01445	PJ00000273002200	Spacer φ30.6×φ46×0.1	1
33	27244-116000-0000	503-01450	P116000272440000	tube II φ30.5×φ38×6.4	1

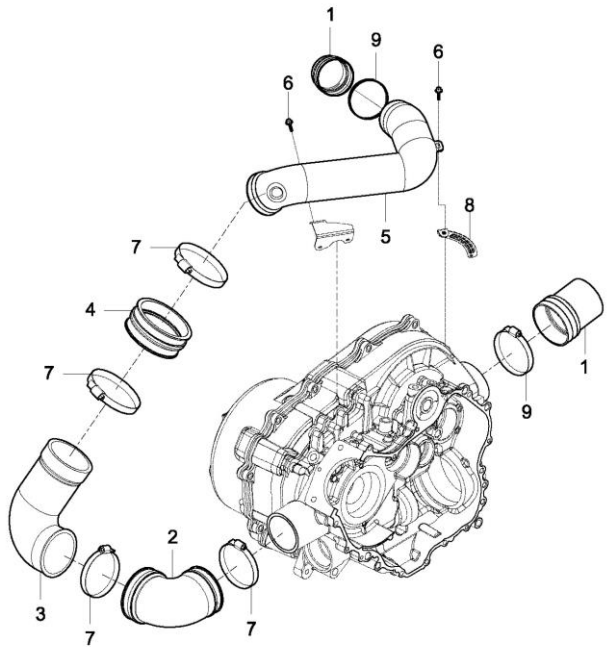
Rear Differential Continued



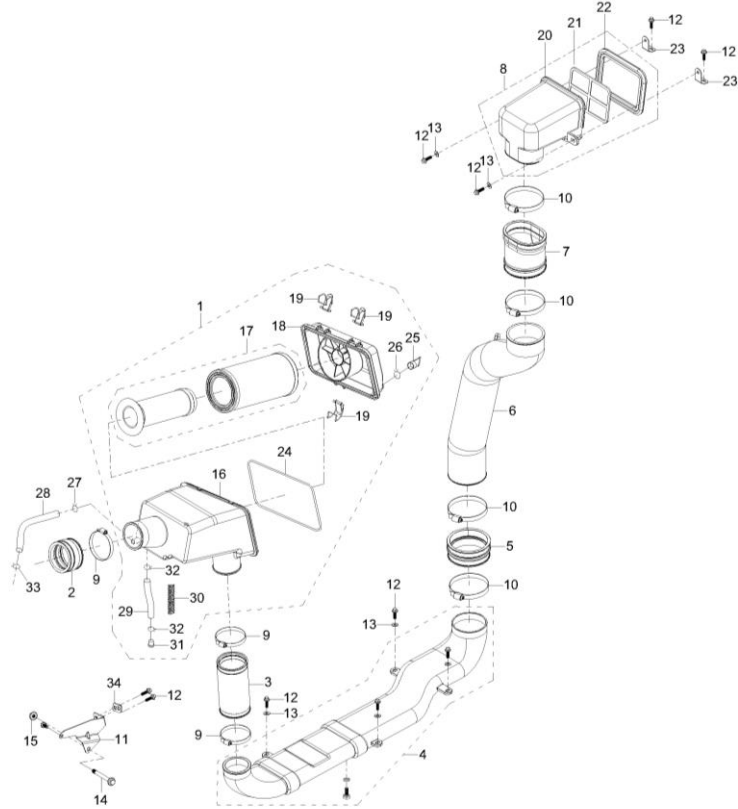
34	27267-116000-0000	503-01451	P116000272670000	O-ring $\phi 3 \times \phi 24$	1
35	25400-300000-1900	503-03609	PJ00000254001900	Yoke U	1
#	Old Part No.	MTD Part No	New Part No	Description	Q'TY
36	27214-318001-0000	503-02746	P318001272140000	Gasket	1
37	27251-318001-0000	503-02749	P318001272510000	Bolt hexagon flange head M14×30×1.5	1
38	27201-116000-0000	503-01455	P116000272010000	Cover gearcase	1
39	GB/T16674-M8×25-C	503-02354	BGB16674-M8×25-C	Bolt hexagon flange head M8×25	8
40	90710-300000-0400	503-00344	PJ00000907100400	Clip E	3
41	27400-300000-0300	503-01456A	PJ00000274000300	Line fuel	1
42	44457-315001-0000	503-01457	P315001444570000	Brake disc	1
43	GB/T93-8	503-00005	BGB93-8	Spring Washer 8	4
44	GB/T16674-M8×20	503-00042	BGB16674-M8×20	Bolt hexagon flange head M8×20	4
45	25500-300000-0400	503-03604	PJ00000255000400	U-Joint	1
46	25400-300000-2401	503-03606	PJ00000254002401	Yoke Z	1
47	25103-300000-0400	503-02814	PJ00000251030400	Pressure Spring E,Drive Shaft	1
48	25200-300000-1900	503-02815	PJ00000252001900	Shaft R	1
49	25105-300000-0000	503-01459	PJ00000251050000	Clamp band narrow A	2
50	25102-300000-0800	503-02848	PJ00000251020800	Clamp band narrow I	1
51	GB/T16674-M10×1.25×200	503-01461	BGB16674-M10×1.25×200	Bolt hexagon flange head M10×1.25×200	1
52	GB/T16674-M10×1.25×195	503-01462	BGB16674-M10×1.25×195	Bolt hexagon flange head M10×1.25×195	1
53	90605-300000-0500	503-01463	PJ00000906050500	Washer $\phi 10 \times \phi 35 \times 3$	4
54	27210-311001-0000	503-01464	P311001272100000	Strap differential-rear seat	2
55	92900-300000-9500	503-01465	PJ00000929009500	tube $\phi 10.5 \times \phi 20 \times 18$	2
56	92900-300000-9600	503-01466	PJ00000929009600	tube $\phi 10.5 \times \phi 20 \times 7.5$	1
57	GB/T6183.2-M10×1.25	503-01375	BGB6183.2-M10×1.25	Nut lock M10×1.25	4
58	51922-315001-0001	503-02849	P315001519220001	Rear differential shelf kit(rear)	1
59	51921-315001-0000	503-01468	P315001519210000	Rear differential shelf kit(front)	1
60	GB/T16674-M10×1.25×115	503-01469	BGB16674-M10×1.25×115	Bolt hexagon flange head M10×1.25×115	2
61	90348-300000-0100	503-02222	PJ00000903480100	Hexagon Bolt, Spring Washer & Plain Washer	4
62	11006-004000-0000	503-01210	P004000110060000	Pipe Clamp I	1
63	27166-116000-0000	503-01470	P116000271660000	Connector	1
64	27118-116000-0000	503-01401	P116000271180000	Airbag	1
65	GB/T16674-M6×16	503-00011	BGB16674-M6×16	Bolt Hexagon Flange Head M6×16	1
66	107000-27223-0000	503-00182	P107000272230000	Rear Diff Air Fitting	1
67	90348-300000-0400	503-02223	PJ00000903480400	Hexagon Bolt, Spring Washer & Plain Washer	4
68	27512-318001-0000	503-02750	P318001275120000	Lock Thread Sleeve	1

Clutch Intake & Outtake Duct

#	Old Part No.	MTD Part No	New Part No	Description	Q'TY
1	17216-316001-0000	503-01472	P316001172160000	Clutch Air Outlet Duct	2
2	17221-318001-0002	503-01473B	P318001172210002	Clutch Air Inlet Sleeve I	1
3	17220-309001-0000	503-01474	P309001172200000	Clutch Air Inlet Duct II	1
4	17221-312001-0000	503-01475	P312001172210000	Clutch Air Inlet Sleeve I	1
5	17219-318001-0000	503-02918	P318001172190000	Clutch Air Inlet Duct I	1
6	GB/T16674-M6×16	503-00011	BGB16674-M6×16	Bolt Hexagon Flange Head M6×16	2
7	90730-J00000-1300	503-01482	PJ00000907301300	Narrow Band Clamp	6
8	51539-318001-0000	503-02916	P318001515390000	Clutch Air Inlet Mounting Plate	1
9	90730-J00000-0900	503-00704	PJ00000907300900	Narrow Band Clamp	2

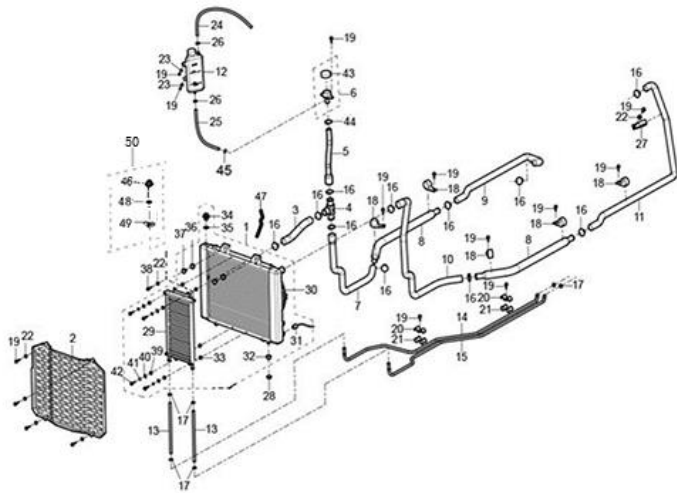


Air Intake



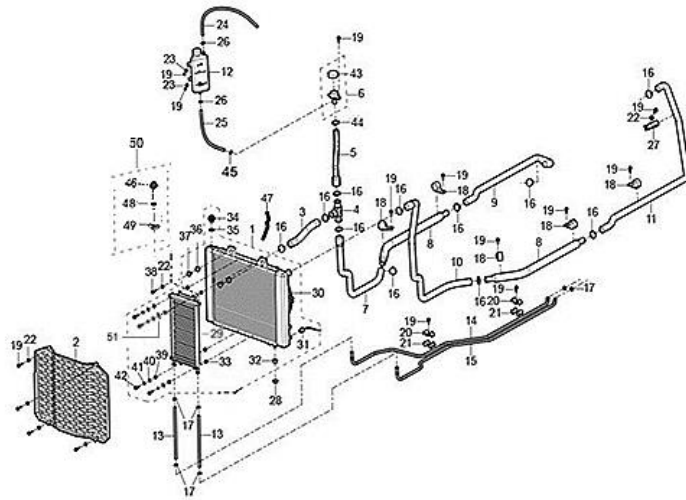
#	Old Part No.	MTD Part No	New Part No	Description	Q'TY
1	17200-315001-0000	Not Serviced Individ	P315001172000000	Air Cleaner Second Assembly	1
2	17228-312001-0000	503-01483	P312001172280000	Inner Throttle Sleeve	1
3	17213-315001-0001	503-01484A	P315001172130001	Air Cleaner Sleeve - Inner	1
4	17212-315001-0000	503-01485A	P315001172120000	Secondary Air Inlet Duct	1
5	17221-312001-0000	503-01475	P312001172210000	Clutch Air Inlet Sleeve	1
6	17109-315001-0000	503-01487	P315001171090000	Air Cleaner Duct - Inner	1
7	17108-315001-0000	503-01488	P315001171080000	Air Cleaner Sleeve - Inner	1
8	17100-315001-0000	Not Serviced Individ	P315001171000000	Air Cleaner First Assembly	1
9	90730-J00000-0900	503-00704	PJ00000907300900	Screw Hoop J	3
10	90730-J00000-1300	503-01482	PJ00000907301300	Narrow Band Clamp	4
11	51535-309101-0000	503-01312	P309101515350000	Air Cleaner Strap - Plated	1
12	GB/T16674-M6×16	503-00011	BGB16674-M6×16	Bolt Hexagon Flange Head M6×16	10
13	GB/T96.1-6	503-01489	BGB96.1-6	Washer Plat 6	6
14	GB/T16674-M10×1.25×55	503-00682	BGB16674-M10×1.25×55	Bolt Hexagon Flange Head M10×1.25×55	1
15	GB/T6183.2-M10×1.25	503-01375	BGB6183.2-M10×1.25	Nut Lock M10×1.25	1
16	17201-315001-0000	503-01490	P315001172010000	Secondary Air Box	1
17	1722A-315001-0000	503-01491	P3150011722A0000	Secondary Air Filter	1
18	17204-315001-0000	503-01492	P315001172040000	Airbox Cover	1
19	17205-315001-0000	503-01493	P315001172050000	Clamp	3
20	17101-315001-0000	503-01494	P315001171010000	Primary Filter Body	1
21	17112-315001-0000	503-01495	P315001171120000	Primary Air Filter	1
22	17107-315001-0000	503-01496	P315001171070000	Primary Air Filter Cover	1
23	51694-315001-0000	503-01497	P315001516940000	Bracket	2
24	17202-315001-0000	503-01498	P315001172020000	Secondary Filter Seal	1
25	17238-115000-0000	503-01499	P115000172380000	Fitting	1
26	96400-J00000-1400	503-01500	PJ00000964001400	Clamp	1
27	90710-J00000-0600	503-01309	PJ00000907100600	Spring Clamp	1
28	18801-309101-0000	503-01501	P309101188010000	Wastergas Recycle Tube I	1
29	23418-315001-0000	503-02022	P315001234180000	Overflow Tube	1
30	96400-J00000-2200	503-02241	PJ00000964002200	Fix Spring On Overflow Tube	1
31	23421-315001-0000	503-02067	P315001234210000	Stud On Overflow Tube	1
32	96400-J00000-1000	503-00240	PJ00000964001000	Clamp	2
33	90710-J00000-0700	503-00386	PJ00000907100700	Spring Clamp	1
34	17241-318001-0000	503-02349	P318001172410000	Airfilter mounting washer	1

Water Cooler & Oil Cooler System



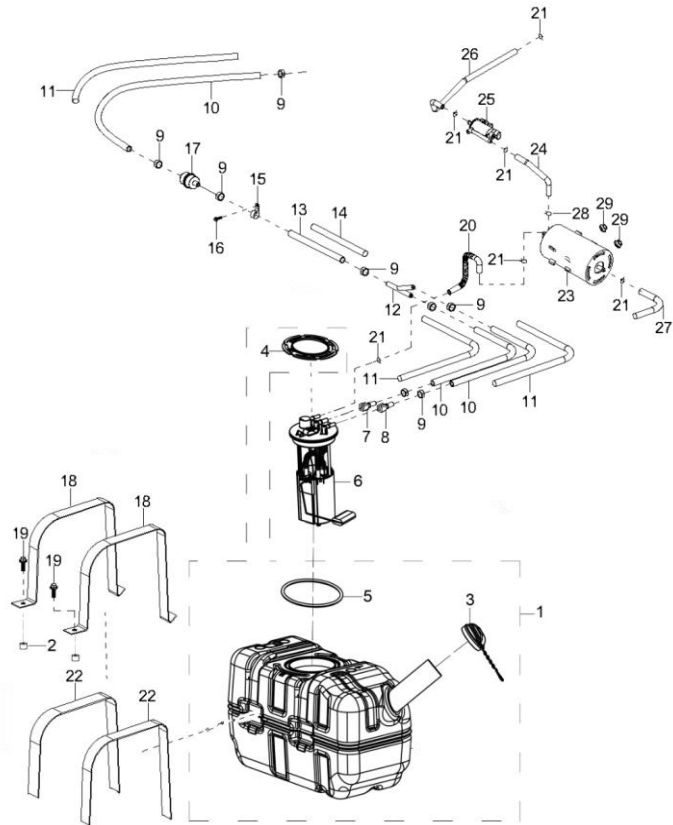
#	Old Part No.	MTD Part No	New Part No	Description	Q'TY
1	19200-315002-0000	503-03753	P315002192000000	Radiator	1
2	82527-309001-000023	503-01503	P30900182527000023	Radiator Cover	1
3	19018-309001-0000	503-01504	P309001190180000	Hose - Water Inlet - Radiator	1
4	19002-311001-0000	503-01505	P311001190020000	Tee Pipe Coupling	1
5	19019-309001-0000	503-01506	P309001190190000	Radiator Water Inlet Hose IV	1
6	19270-301001-0000	503-01507	P301001192700000	Filter Neck	1
7	19003-315001-0001	503-01508A	P315001190030001	Radiator Hose Water Inlet II	1
8	19012-309001-0000	503-01509	P309001190120000	Hose - Aluminium I	2
9	19001-309001-0000	503-01510	P309001190010000	Radiator Hose Water Inlet I	1
10	19005-315001-0001	503-01511A	P315001190050001	Radiator Hose Water Outlet II	1
11	19004-309001-0100	503-01512	P309001190040100	Radiator Hose Water Outlet I	1
12	19300-117000-0000	503-01513	P117000193000000	Tank Surge Assembly	1
13	15504-309001-0000	503-01514	P309001155040000	Hose - Rubber I	2
14	15515-315001-0001	503-01516A	P315001155150001	Hose Metal II	1
15	15513-309001-0001	503-01515A	P309001155130001	Hose - Metal I	1
16	90730-300000-0300	503-00749	P300000907300300	Screw Clip D	11
17	90730-300000-0000	503-00703	P300000907300000	Lock Clamp A	6
18	19015-116000-0000	503-00548	P116000190150000	Water Pipe Attach Clamp III	5
19	GB/T16674-M6×16	503-00011	BGB16674-M6×16	Bolt Hexagon Flange Head M6×16	14
20	19017-115000-0000	503-00792	P115000190170000	Fixing Pipe Clamp(M Type)	2
21	15514-115000-0000	503-00798	P115000155140000	Fuel Line Rubber	4
22	GB/T6177.1-M6	503-01979	BGB6177.1-M6	Hexagon Flange Head Nut M6	7
23	92930-300000-1500	503-00508	P300000929301500	Flanger Bushφ6.5×φ9×6.5	2
24	19313-313001-0000	503-02065	P313001193130000	Hose Tank Surge Outlet	1
25	16577-116000-0000	503-02056	P116000165770000	Rubber Hose(With Spring)φ5×φ9×540-30	1
26	90710-300000-0300	503-01327	P300000907100300	Spring Clamp D	2
27	19014-112000-0000	503-01517	P112000190140000	Clip - Water Hose II	1
28	19212-309101-0000	503-01518	P309101192120000	Bushing	2
29	1552A-315002-0000	503-03754	P3150021552A0000	Oil Cooler Welding Assy	1
30	1926A-309001-0000	503-02484	P3090011926A0000	Water Tank Welding Assy	1
31	39130-115000-0000	503-00760	P115000391300000	Water Temp Sensor	1
32	19203-115000-0000	503-01972	P115000192030000	Shock Pad	2
33	19211-309001-0000	503-01973	P309001192110000	Radiator Damping Pad	4
34	19204-115000-0000	503-01974	P115000192040000	Bolt	1

Water Cooler & Oil Cooler System Continued



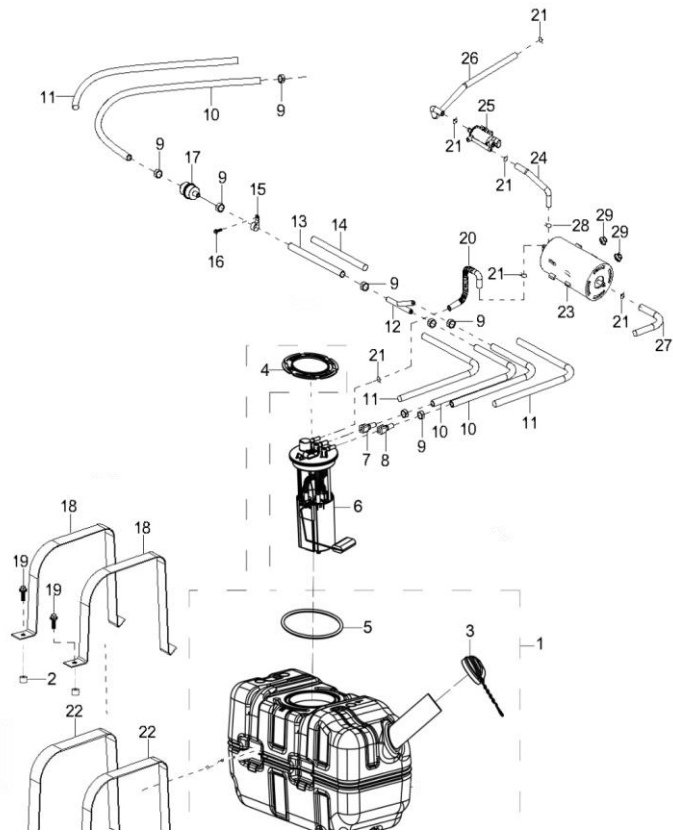
#	Old Part No.	MTD Part No	New Part No	Description	Q'TY
35	GB/T3452.1-9×1.8	503-01975	BGB3452.1-9×1.8	O-Ring 9×1.8	1
36	19208-115000-0000	503-00780	P115000192080000	Water Tank Bracket Ring	2
37	19209-115000-0000	503-00781	P115000192090000	Water Tank Bracket Bushing	2
38	GB/T16674-M6×25	503-00081	BGB16674-M6×25	Hexagon Flange Bolt M6×25	2
39	GB/T6177.1-M6-BA	503-01350	BGB6177.1-M6-BA	Nut Hexagon Flange Head M6	4
40	GB/T97.1-6-BA	503-01980	BGB97.1-6-BA	Plain Washer 6	4
41	GB/T93-6-BA	503-00774	BGB93-6-BA	Spring Wahser 6	4
42	GB/T5783-M6×25-BA	503-01982	BGB5783-M6×25-BA	Hexagon Bolt M6×25	4
43	1927A-301001-0000	503-01983	P3010011927A0000	Radiator Cap Assy.	1
44	90730-300000-0200	503-02353	PJ00000907300200	Lock Clamp C	1
45	90710-300000-0200	503-00183	PJ00000907100200	Spring Clamp C	1
46	36560-315001-0001	503-03755A	P315001365600001	Pressure Sensor	1
47	34450-318001-0000	503-03756	P318001344500000	Ground Line	1
48	91201-300000-0700	503-03911	PJ00000912010700	O Ring 9×2	1
49	90602-300000-0700	503-03930	PJ00000906020700	Copper Washer 14×21×1	1
50	36580-315001-0000	503-03931	P315001365800000	Pressure Sensor Kit	1
51	GB/T 861.2-M6×22-0.7	503-03937	BGB861.2-M6×22-0.7	Locking Gasket M6×22-0.7	1

Fuel Tank



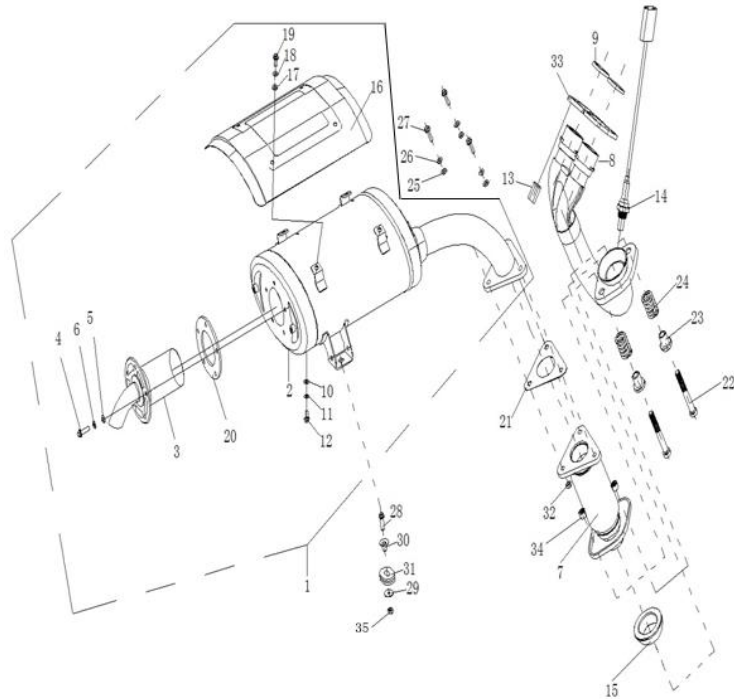
#	Old Part No.	MTD Part No	New Part No	Description	Q'TY
1	81100-115H00-2000	503-03813	P115H00811002000	Fuel tank assembly	1
2	92900-300000-6700	503-03877	P300000929006700	Bushing φ8.5×φ20×14	2
3	81140-315001-0000	503-03814	P315001811400000	Fuel Tank Cover	1
4	81152-301001-0000	503-03815	P301001811520000	Fuel Pump Retaining Cap	1
5	93380-300000-0400	503-03816	P300000933800400	Seal Gasket B For Fuel Pump	1
6	39500-309001-0000	503-02939	P309001395000000	Fuel pump	1
7	16521-116000-0000	503-00343	P116000165210000	Connector outlet fuel	1
8	16522-116000-0000	503-01522	P116000165220000	Fuel Inlet Connector	1
9	90720-300000-0000	503-00345	P300000907200000	Pressure Clamp A	8
10	16511-110000-0000	503-01523	P110000165110000	Fuel line(0.05MPa)I	3
11	16525-115H00-0000	503-00355	P115H00165250000	Thermal Insulation Bellows I,Aluminum Foil	1
12	16523-116000-0000	503-00346	P116000165230000	Triplet Joint Fuel Pipe	1
13	16513-315001-0000	503-01524	P315001165130000	Fuel line III	1
14	16526-315001-0000	503-01525	P315001165260000	Heat Insulation Hose III	1
15	44459-315001-0000	503-01526	P315001444590000	Brake Line ClipI	1
16	GB/T16674-M6×16	503-00011	BGB16674-M6×16	Bolt hexagon flange head M6×16	1
17	16535-116000-0000	503-01527	P116000165350000	Fuel Filter	1
18	51582-115000-0000	503-00354	P115000515820000	Fuel Tank Holddown	2
19	GB/T16674-M8×35	503-00166	BGB16674-M8×35	Bolt hexagon flange head M8×35	2
20	16607-315001-0000	503-03817	P315001166070000	Carbon Canister Inlet Pipe	1
21	90710-300000-0500	503-02820	P300000907100500	Spring Clamp F	6
22	81154-115000-0000	503-01531	P115000811540000	Foam tank	2
23	81130-318001-0001	503-03818	P318001811300001	Carbon Canister	1
24	16608-323001-0000	503-03819	P323001166080000	Carbon Canister Outlet Tube	1
25	37935-318001-0000	503-02755	P318001379350000	Carbon Canister Solenoid Valve	1
26	16611-311001-0000	503-03820	P311001166110000	Solenoid Valve Outlet Tube	1
27	19313-301001-0000	503-03821	P301001193130000	Carbon Canister Inlet Tube	1
28	90710-300000-0300	503-01327	P300000907100300	Spring Clamp D	1
29	GB/T6177.1-M8	503-01371	BGB6177.1-M8	Hex Flange Nut M8	2

Fuel Tank Continued



#	Old Part No.	MTD Part No	New Part No	Description	Q'TY
1	81100-115H00-0000	503-01519	P115H00811000000	Fuel Tank Assembly	1
2	81110-115H00-0000	503-00339	P115H00811100000	Fuel Tank Body	1
3	81140-311001-0000	503-01520	P311001811400000	Gas Cap	1
4	81153-115H00-0000	503-01521	P115H00811530000	Fuel Pump Retaining Cap	1
5	93380-300000-0100	503-00352	P300000933800100	Seal Gasket B For Fuel Pump	1
6	39500-115H00-0001	503-00349A	P115H00395000001	Fuel Pump	1
7	16521-116000-0000	503-00343	P116000165210000	Fuel Outlet Plug	1
8	16522-116000-0000	503-01522	P116000165220000	Fuel Inlet Connector	1
9	90720-300000-0000	503-00345	P300000907200000	Pressure Clamp A	8
10	16511-110000-0000	503-01523	P110000165110000	Fuel Line I	3
11	16525-115H00-0000	503-00355	P115H00165250000	Thermal Insulation Bellows II, Aluminum Foi	3
12	16523-116000-0000	503-00346	P116000165230000	Triplet Joint Fuel Pipe	1
13	16513-315001-0000	503-01524	P315001165130000	Fuel Line III	1
14	16526-315001-0000	503-01525	P315001165260000	Heat Insulation Hose III	1
15	44459-315001-0000	503-01526	P315001444590000	Brake Line Clip I	1
16	GB/T16674-M6×16	503-00011	BGB16674-M6×16	Bolt Hexagon Flange Head M6×16	1
17	16535-116000-0000	503-01527	P116000165350000	Fuel Filter	1
18	51582-115000-0000	503-00354	P115000515820000	Fuel Tank Holddown	2
19	GB/T16674-M8×25	503-00194	BGB16674-M8×25	Bolt Hexagon Flange Head M8×25	2
20	16601-115K00-0000	503-01530	P115K00166010000	Fuel Line - EPA 7×11×700	1
21	90710-300000-0300	503-01327	P300000907100300	Clamp D	1
22	81154-115000-0000	503-01531	P115000811540000	Tank Foam	2

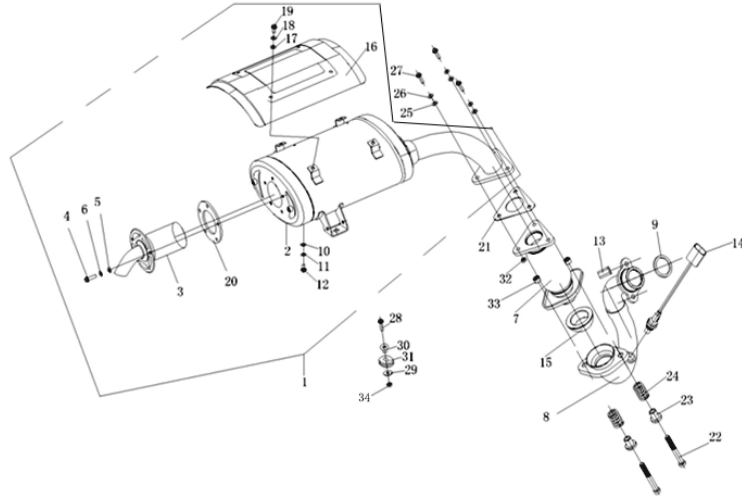
750 Muffler



#	Old Part No.	MTD Part No	New Part No	Description	Q'TY
1	18100-318001-0000	503-02087	P318001181000000	Muffler assembly	1
2	1810A-318001-0000	503-02066	P3180011810A0000	Muffler welding kit	1
3	1830A-318001-0000	503-02242	P3180011830A0000	Tailpipe welding kit	1
4	GB/T16674-M6×16-B	503-02919	BGB16674-M6×16-B	Bolt hexagon flange head M6×16(Stainless steel)	5
5	GB/T97.1-6-B	503-02920	BGB97.1-6-B	Plain Washer 6(Stainless steel)	5
6	GB/T93-6-B	503-02921	BGB93-6-B	Spring Washer 6(Stainless steel)	5
7	1825A-318001-0000	503-02745	P3180011825A0000	Exhaust Pipe Welding Kit II	1
8	1821A-318001-0000	503-02744	P3180011821A0000	Exhaust Pipe Welding Kit I	1
9	18020-J00000-0400	503-01550	PJ00000180200400	Exhaust Pipe Gasket φ33×φ42×6	2
10	GB/T 97.1-10	503-01395	BGB97.1-10	Plain Washer 10	1
11	GB/T93-10	503-00064	BGB93-10	Spring Washer 10	1
12	GB/T5783-M10×1.25×16	503-00248	BGB5783-M10×1.25×16	Bolt Hexagon Flange Head M10×1.25×16	1
13	90346-J00000-0300	503-02221	PJ00000903460300	Nut cap M8×22	4
14	39160-116000-0000	503-00747	P116000391600000	O ₂ sensor	1
15	18050-J00000-0300	503-02812	PJ00000180500300	Domed Washer	1
16	18011-318001-0000	503-02864	P318001180110000	Muffler Cover	1
17	GB/T93-6-B	503-01536	BGB93-6-B	Plain Washer 6	4
18	GB/T97.1-6-B	503-02787	BGB97.1-6-B	Spring Washer 6	4
19	GB/T70.2-M6×16-B	503-01542	BGB70.2-M6×16-B	Bolt Hex Socket M6×16	4
20	18025-318001-0000	503-02741	P318001180250000	Gasket	1
21	18024-P318001-0000	503-02743	P318001180240000	Exhaust Pipe Gasket	1
22	18019-318001-0000	503-02739	P318001180190000	Exhaust Pipe Connecting Bolt	2
23	18023-318001-0000	503-02742	P318001180230000	Exhaust Pipe Mounting Bushing	2
24	14704-007000-0000	503-00959	P007000147040000	Exhaust Valve Spring	2
25	GB/T97.1-8	503-01411	BGB97.1-8	Plain Washer 8	3
26	GB/T93-8	503-00005	BGB93-8	Spring Washer8	3
27	GB/T16674-M8×30	503-00299	BGB16674-M8×30	Bolt hexagon flange head M8×30	3
28	GB/T16674-M6×30	503-01978	BGB16674-M6×30	Bolt hexagon flange head M6×30	3
29	90605-J00000-0200	503-02023	PJ00000906050200	Washer plat φ6×φ25×2	6
30	92930-J00000-2000	503-00082	PJ00000929302000	Tube φ6.3×φ9×12	3
31	93130-J00000-0400	503-02844	PJ00000931300400	Rubber Washer φ8×17	3
32	GB/T6187-M8	503-00002	BGB6187-M8	Nut lock M8	3

33	18017-318001-0001	503-02886A	P318001180170001	Exhaust Flange	2
34	GB/T6187-M10×1.25	503-00895	BGB6187-M10×1.25	Nut lock M10×1.25	2
35	GB/T6187-M6	503-00007	BGB6187-M6	Nut lock M6	3

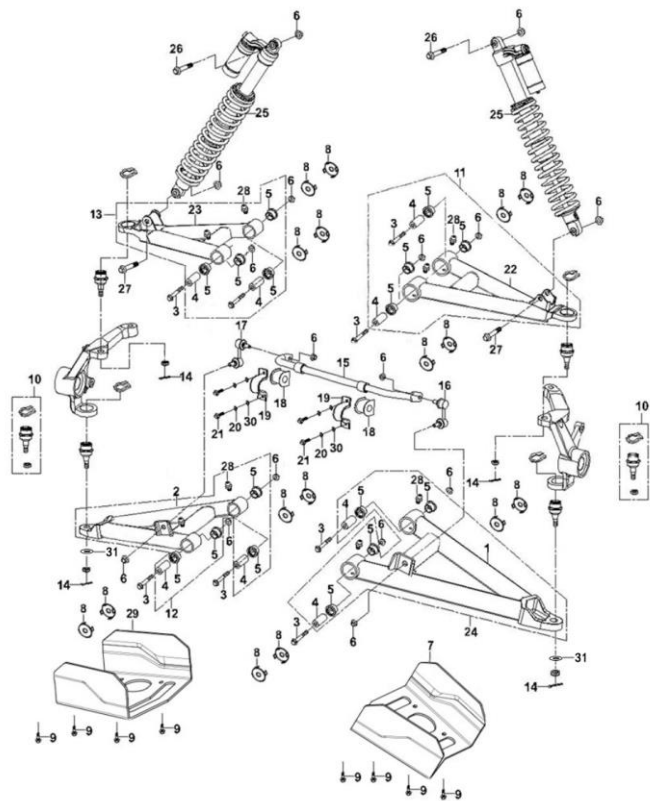
550 Muffler



#	Old Part No.	MTD Part No	New Part No	Description	Q'TY
1	18100-318001-0000	503-02087	P318001181000000	Muffler assembly	1
2	1810A-318001-0000	503-02066	P3180011810A0000	Muffler welding kit	1
3	1830A-318001-0000	503-02242	P3180011830A0000	Tailpipe welding kit	1
4	GB/T16674-M6×16-B	503-02919	BGB16674-M6×16-B	Bolt hexagon flange head M6×16(Stainless Steel)	5
5	GB/T97.1-6-B	503-02787	BGB97.1-6-B	Plain Washer 6(Stainless Steel)	5
6	GB/T93-6-B	503-01536	BGB93-6-B	Spring Washer 6(Stainless Steel)	5
7	1825A-318001-0000	503-02745	P3180011825A0000	Exhaust Pipe Welding Kit II	1
8	1821A-315101-0000	503-02850	P3151011821A0000	Exhaust Pipe Welding Kit I	1
9	18020-J00000-0600	503-02889	PJ00000180200600	Exhaust Pipe Gasket φ38×φ48×5	1
10	GB/T 97.1-10	503-01395	BGB97.1-10	Plain Washer 10	1
11	GB/T93-10	503-00064	BGB93-10	Spring Washer 10	1
12	GB/T5783-M10×1.25×16	503-00248	BGB5783-M10×1.25×16	Bolt Hexagon Flange Head M10×1.25×16	1
13	90346-J00000-0300	503-02221	PJ00000903460300	Nut cap M8×22	2
14	39160-116000-0000	503-00747	P116000391600000	Oxygen Sensor	1
15	18050-J00000-0300	503-02812	PJ00000180500300	Domed Washer	1
16	18011-318001-0000	503-02864	P318001180110000	Muffler Cover	1
17	GB/T93-6-B	503-01536	BGB93-6-B	Plain Washer 6	4
18	GB/T97.1-6-B	503-02787	BGB97.1-6-B	Spring Washer 6	4
19	GB/T70.2-M6×16-B	503-01542	BGB70.2-M6×16-B	Bolt Hex Socket M6×16	4
20	18025-318001-0000	503-02741	P318001180250000	Gasket	1
21	18024-318001-0000	503-02743	P318001180240000	Exhaust Pipe Gasket	1
22	18019-318001-0000	503-02739	P318001180190000	Exhaust Pipe Connecting Bolt	2
23	18023-318001-0000	503-02742	P318001180230000	Exhaust Pipe Mounting Bushing	2
24	14704-007000-0000	503-00959	P007000147040000	Exhaust Valve Spring	2
25	GB/T97.1-8	503-01411	BGB97.1-8	Spring Washer 8	3
26	GB/T93-8	503-00005	BGB93-8	Plain Washer 8	3
27	GB/T16674-M8×30	503-00299	BGB16674-M8×30	Bolt hexagon flange head M8×30	3
28	GB/T16674-M6×30	503-01978	BGB16674-M6×30	Bolt hexagon flange head M6×30	3
29	90605-J00000-0200	503-02023	PJ00000906050200	Washer plat φ6×φ25×2	6
30	92930-J00000-2000	503-00082	PJ00000929302000	Flange Bushing φ6.3×φ9×12	3
31	93130-J00000-0400	503-02844	PJ00000931300400	Rubber Washer φ8×17	3
32	GB/T6187-M8	503-00002	BGB6187-M8	Nut lock M8	3

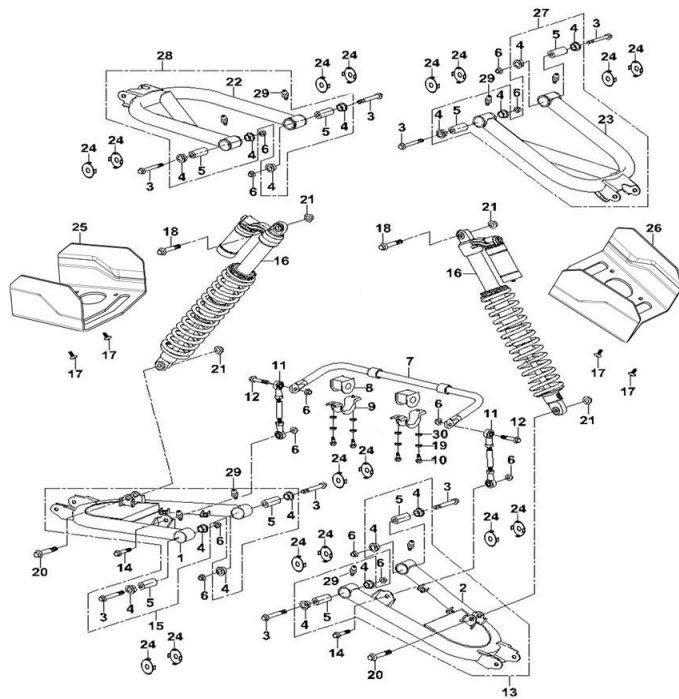
33	GB/T6187-M10×1.25	503-00895	BGB6187-M10×1.25	Nut lock M10×1.25	2
34	GB/T6187-M6	503-00007	BGB6187-M6	Nut lock M6	3

Front Suspension



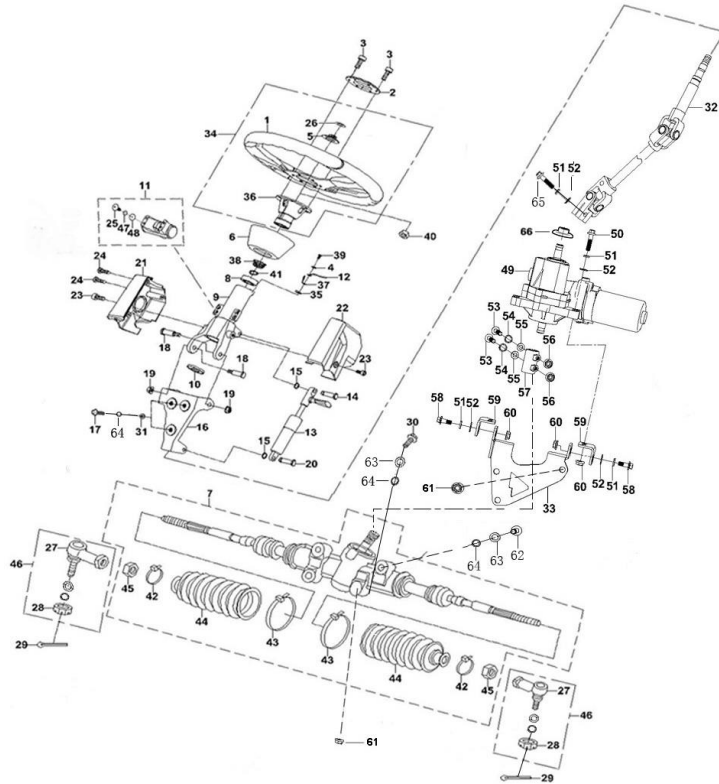
#	Old Part No.	MTD Part No	New Part No	Description	Q'TY
1	5235A-309101-0001	Not Serviced Individ	P3091015235A0001	Arm Welding Kit(Front Left Lower)	1
2	5245A-309101-0001	Not Serviced Individ	P3091015245A0001	Arm Welding Kit(Front Right Lower)	1
3	GB/T16674-M10×1.25×80	503-01554	BGB16674-M10×1.25×80	Bolt Hexagon Flange Head M10×1.25-80	8
4	92900-J00000-9400	503-02006	PJ00000929009400	Bush 10.3×23×49.4	8
5	92500-J00000-0201	503-02821	PJ00000925000201	Bush φ22×φ28	16
6	GB/T6183.2-M10×1.25	503-01375	BGB6183.2-M10×1.25	Nut Lock M10×1.25	16
7	51564-315001-0100	503-02285	P315001515640100	Shield Cv Basic I (Black)	1
8	52117-115000-0000	503-01556	P115000521170000	Bushing Cap I	16
9	GB/T16674-M6×16	503-00011	BGB16674-M6×16	Cross Large Plate Head Screw M6×16	8
10	5250A-J00000-0402	503-0307B	PJ000005250A0402	Universal Joint I	4
11	52300-318001-0000	503-02774	P318001523000000	Arm Assembly(Front Left Upper)	1
12	52450-309101-0001	503-02851	P309101524500001	Arm Assembly(Front Right Lower)	1
13	52400-318001-0000	503-02775	P318001524000000	Arm Assembly(Front Right Upper)	1
14	GB/T91-2.5×30	503-00096	BGB91-2.5×30	Pin Cotter 2.5×30	4
15	5274A-318001-0001	503-01560A	P3180015274A0001	Front Sway Bar Welding Assy	1
16	55745-315001-0000	503-01561	P315001557450000	Rod Ball Kit - Right	1
17	55744-315001-0000	503-01562	P315001557440000	Rod Ball Kit - Left	1
18	93140-J00000-0100	503-00297	PJ00000931400100	Cushion Bush φ20×45,Balancing Lever	2
19	51590-115000-0001	503-00298A	P115000515900001	Strap Buffer Plated	2
20	GB/T93-10	503-00064	BGB93-10	Spring Washer10	4
21	GB/T16674-M10×1.25×25	503-00409	BGB16674-M10×1.25×25	Bolt Hexagon Flange Head M10×1.25×25	4
22	5230A-318001-0000	Not Serviced Individ	P3180015230A0000	Arm Welding Kit(Front Left Upper)	1
23	5240A-318001-0000	Not Serviced Individ	P3180015240A0000	Arm Welding Kit(Front Right Upper)	1
24	52350-309101-0001	503-02852	P309101523500001	Arm Assembly(Front Left Lower)	1
25	52100-J00000-4700	503-01564	PJ00000521004700	Front Shock Absorber Q	2
26	GB/T16674-M10×1.25×55	503-00682	BGB16674-M10×1.25×55	Bolt Hexagon Flange Head M10×1.25-55	2
27	GB/T16674-M10×1.25×60	503-00056	BGB16674-M10×1.25×60	Bolt Hexagon Flange Head M10×1.25-60	2
28	52108-115000-0000	503-00305	P115000521080000	Swing Arm Nozzle	8
29	51946-315001-0100	503-02287	P315001519460100	Shield Cv III (Black)	1
30	GB/T97.1-10	503-01395	BGB97.1-10	Washer 10	4
31	90605-J00000-0800		PJ00000906050800	Plain Washer φ12.5×24×2	2

Rear Suspension



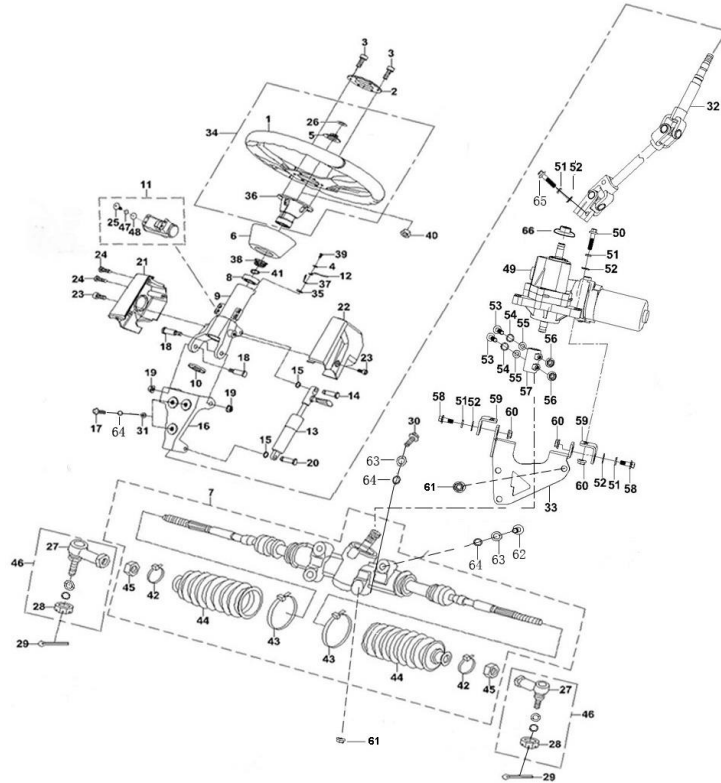
#	Old Part No.	MTD Part No	New Part No	Description	Q'TY
1	5545A-315001-0002	Not Serviced Individ	P3150015545A0002	Arm Welding Kit(Rear Right Lower)	1
2	5535A-315001-0002	Not Serviced Individ	P3150015535A0002	Arm Welding Kit(Rear Left Lower)	1
3	GB/T16674-M10×1.25×80	503-01554	BGB16674-M10×1.25×80	Bolt Hexagon Flange Head M10×1.25-80	8
4	92500-J00000-0201	503-02821	PJ00000925000201	Bushingφ23×φ28	8
5	92900-J00000-9400	503-02006	PJ00000929009400	Bush φ10.3×φ23×49.4	8
6	GB/T6183.2-M10×1.25	503-01375	BGB6183.2-M10×1.25	Nut Lock M10×1.25	12
7	5574A-318001-0001	503-01565A	P3180015574A0001	Rear Sway Bar Welding Assy	1
8	93140-J00000-0100	503-00297	PJ00000931400100	Cushion Bush φ20×45,Balancing Lever	2
9	51590-115000-0001	503-00298A	P115000515900001	Strap Buffer Plate	2
10	GB/T16674-M10×1.25×25	503-00409	BGB16674-M10×1.25×25	Bolt Hexagon Flange Head M10×1.25×25	4
11	55750-309001-0001	503-01566A	P309001557500001	Rod Ball Kit - Rear	2
12	GB/T16674-M10×1.25×50	503-00319	BGB16674-M10×1.25×50	Bolt Hexagon Flange Head M10×1.25-50	2
13	55350-315001-0002	503-02737A	P315001553500002	Arm Assembly(Rear Left Lower)	1
14	GB/T16674-M10×1.25×45	503-00044	BGB16674-M10×1.25×45	Bolt Hexagon Flange Head M10×1.25-45	2
15	55450-315001-0002	503-02738A	P315001554500002	Arm Assembly(Rear Right Lower)	1
16	55100-J00000-4700	503-01569	PJ00000551004700	Rear Shock Absorber Q	2
17	GB/T16674-M6×16	503-00011	BGB16674-M6×16	Cross Large Plate Head Screw M6×16	8
18	GB/T16674-M12×1.25×70	503-01570	BGB16674-M12×1.25×70	Bolt Hexagon Flange Head M10×1.25-70	2
19	GB/T93-10	503-00064	BGB93-10	Spring Washer10	4
20	GB/T16674-M12×1.25×65	503-01571	BGB16674-M12×1.25×65	Bolt Hexagon Flange Head M10×1.25-65	2
21	GB/T6183.2-M12×1.25	503-01572	BGB6183.2-M12×1.25	Nut Lock M12×1.25	4
22	5540A-309101-0001	Not Serviced Individ	P3091015540A0001	Arm Welding Kit(Rear Right Upper)	1
23	5530A-309101-0001	Not Serviced Individ	P3091015530A0001	Arm Welding Kit(Rear Left Upper)	1
24	52117-115000-0000	503-01556	P115000521170000	Bushing Cap I	16
25	51951-315001-0100	503-02071	P315001519510100	Shield Cv IV (Black)	1
26	51565-315001-0100	503-02288	P315001515650100	Shield Cv II (Black)	1
27	55300-309101-0001	503-02729	P309101553000001	Arm Assembly(Rear Left Upper)	1
28	55400-309101-0001	503-02730	P309101554000001	Arm Assembly(Rear Right Upper)	1
29	52108-115000-0000	503-00305	P115000521080000	Swing Arm Nozzle	8
30	GB/T97.1-10	503-01395	BGB97.1-10	Washer 10	4

Steering Mechanism



#	Old Part No.	MTD Part No	New Part No	Description	Q'TY
1	61110-315001-0000	503-02077	P315001611100000	Steering Wheel Assembly	1
2	61120-315001-0000	503-01576	P315001611200000	Cap Steering Wheel	1
3	GB/T70.1-M5×20-B	503-00376	BGB70.1-M5×20-B	Screw Hexagon Socket Head M5×20	6
4	34611-311001-0000	503-01577	P311001346110000	Washer Trumpet 1	1
5	61140-315001-0001	503-01578A	P315001611400001	Horn Switch	1
6	82305-311001-0000	503-01579	P311001823050000	Cover Steering Post Kit	1
7	64100-315001-0000	503-01580A	P315001641000000	Steering Assembly	1
8	GB/T276-6003-2RS	503-01581	BGB276-6003-2RS	Bearing 6003-2Rs	1
9	61220-311001-0000	503-01582	P311001612200000	Strap Wheel Seat	1
10	GB/T276-6805	503-01583	BGB276-6805	Bearing 6805	1
11	37200-315001-0000	503-03184	P315001372000000	Main Switch	1
12	34613-311001-0000	503-01585	P311001346130000	Wire Ground Trumpet	1
13	61230-309001-0102	503-01586B	P309001612300102	Gas Spring Wheel Assembly	1
14	92971-J00000-0100	503-01587	PJ00000929710100	Pin Shoulder Cotter φ8×34	1
15	GB/T896-5-B	503-01342A	BGB896-5-B	Clip 5	2
16	61210-311001-0000	503-01588	P311001612100000	Strap Wheel Plated	1
17	GB/T16674-M10×1.25×25	503-00409	BGB16674-M10×1.25×25	Bolt Hexagon Flange Head M10×1.25-25	3
18	90216-J00000-0000	503-01589	PJ00000902160000	Bolt Shoulder M6×φ10×2.5×30.5	2
19	GB/T6183.2-M6	503-01590	BGB6183.2-M6	Nut Lock M6	2
20	92971-J00000-0200	503-01591	PJ00000929710200	Pin Shoulder Cotter φ8×45	1
21	82307-315001-0000	503-01592A	P315001823070000	Cover Steering Colum III	1
22	82306-315001-0000	503-01593A	P315001823060000	Cover Steering Colum II	1
23	90225-J00000-0000	503-01594	PJ00000902250000	Bolt Hexagon Socket Fangle M6×12	2
24	GB/T845-ST3.9×13	503-01595	BGB845-ST3.9×13	Screw Cross Head Self Drilling ST3.9×13	3
25	GB/T818-M5×16	503-01985	BGB818-M5×16	Cross Recessed Screw M5×16	4
26	03048-000000-0000	503-01988	P000000030480000	Steering Wheel Logo	1
27	64210-311001-0000	Not Serviced Individ	P311001642100000	Ball joint assembly	2
28	GB/T9459-M14×1.5	503-00381	BGB9459-M14×1.5	Nut castle M14×1.5	2
29	GB/T91-2×30	503-01597	BGB91-2×30	Pin cotter 2×30	2
30	GB/T16674-M10×1.25×40	503-01598	BGB16674-M10×1.25×40	Bolt hexagon flange head M10×1.25×40	1
31	90600-J00000-0700	503-00999	PJ00000906000700	Washer 10×32×5	3
32	62130-309001-0000	503-01596	P309001621300000	Shaft Wheel Assembly	1
	62130-309001-2000	503-01875	P309001621302000	Steering shaft assy	1

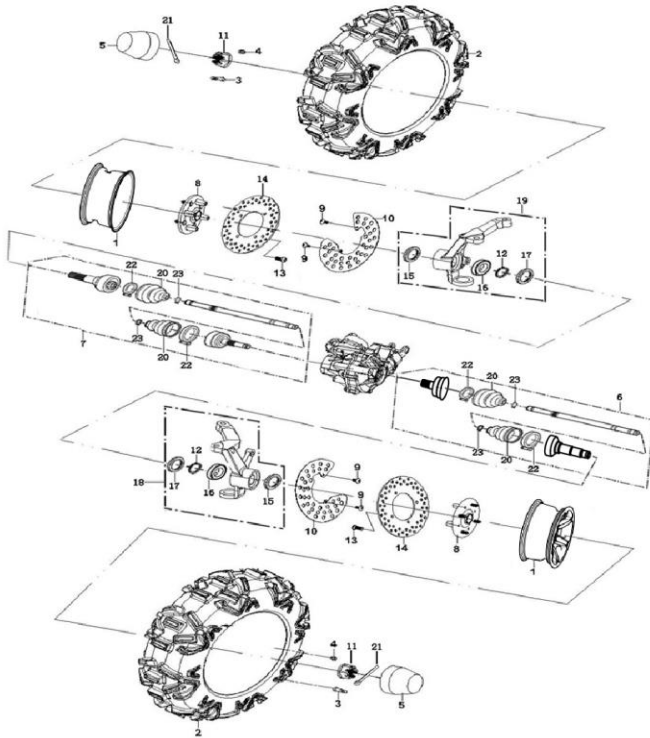
Steering Mechanism Continued



33	51769-309001-0001	503-01880A	P309001517690001	EPS mounting plate II	1
34	61100-315001-0000	503-01599	P315001611000000	Wheel assembly	1

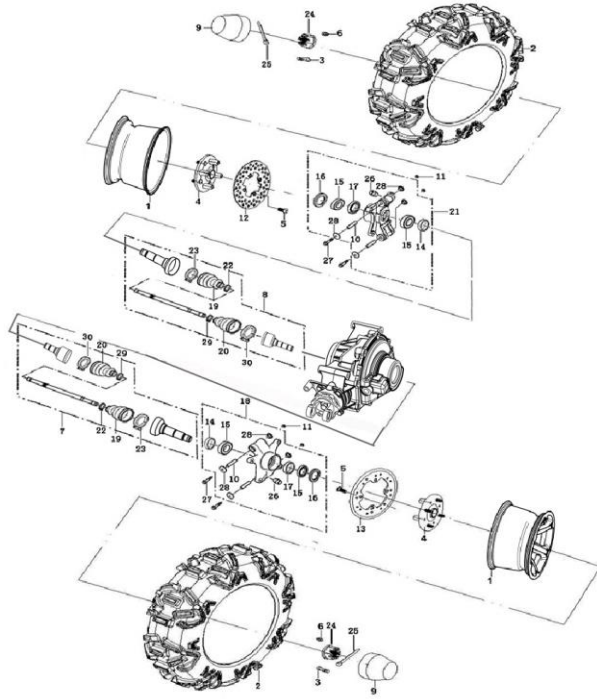
#	Old Part No.	MTD Part No	New Part No	Description	Q'TY
35	34612-311001-0000	503-01600	P311001346120000	Washer insulation trumpet	1
36	61130-311001-0000	503-01601	P311001611300000	Flange connecting wheel	1
37	34615-311001-0000	503-01602	P311001346150000	Reed switch trumpet	1
38	34617-311001-0000	503-01603	P311001346170000	Spring trumpet switch	1
39	GB/T818-M4×10	503-02724	BGB818-M4×10	Screw cross head M4×10	1
40	GB/T6183.2-M12×1.25	503-01572	BGB6183.2-M12×1.25	Nut lock M12×1.25	1
41	GB/T894.1-d0=17	503-01605	BGB894.1-d0=17	Clip d0=17	1
42	90710-J0000-0700	503-00386	PJ00000907100700	Clamp spring H	2
43	64106-115000-0000	503-00387	P115000641060000	Clamp boot	2
44	64103-115000-0000	503-00388	P115000641030000	Boot I	2
45	GB/T6170-M14×1.5	503-01606	BGB6170-M14×1.5	Hexagon Nut M14×1.5	2
46	64200-311001-0000	503-01607	P311001642000000	Ball joint assembly	2
47	GB/T93-5	503-01326	BGB93-5	Spring Wahser 5	4
48	GB/T848-5	503-01987	BGB/T848-5	Plain Washer 5	4
49	62200-115H00-0000	503-00902	P115H00622000000	EPS	1
50	GB/T16674-M8×35	503-00166	BGB16674-M8×35	Hexagon Flange Bolt M8×35	4
51	GB/T97.1-8	503-01411	BGB97.1-8	Plain Washer 8	9
52	GB/T93-8	503-00005 / -0119	BGB93-8	Spring Washer 8	9
53	GB/T16674-M8×40	503-02039	BGB16674-M8×40	Hexagon Flange Bolt M8×40	2
54	GB/T97.1-8	503-01411	BGB97.1-8	Plain Washer 8	1
55	GB/T93-8	503-00005 / -0119	BGB93-8	Spring Washer Φ8	2
56	GB/T6177.1-M8	503-01371	BGB6177.1-M8	Nut M8	2
57	62140-311001-0000	503-02061	P311001621400000	Adapter Sleeve, EPS	1
58	GB/T16674-M8×20	503-00042	BGB16674-M8×20	Hexagon Flange Bolt M8×20	4
59	51768-311001-0000	503-01878	P311001517680000	Mounting Plate I, EPS	2
60	GB/T6177.1-M8	503-01371	BGB6177.1-M8	Hexagon Nut M8	8
61	GB/T6183.2-M10×1.25	503-01375	BGB6183.2-M10×1.25	Nut lock M10×1.25	4
62	GB/T16674-M10×1.25×45	503-00044	BGB16674-M10×1.25×45	Bolt hexagon flange head M10×1.25×45	3
63	GB/T97.1-10	503-01395	BGB97.1-10	Plain Washer 10	4
64	GB/T93-10	503-00064	BGB93-10	Spring Washer 10	7
65	GB/T16674-M8×30	503-00299	BGB16674-M8×30	Hexagon Flange Bolt M8×30	1
66	62225-311001-0000	503-03917	P311001622250000	Rubber Boot	1

Front Half Shaft



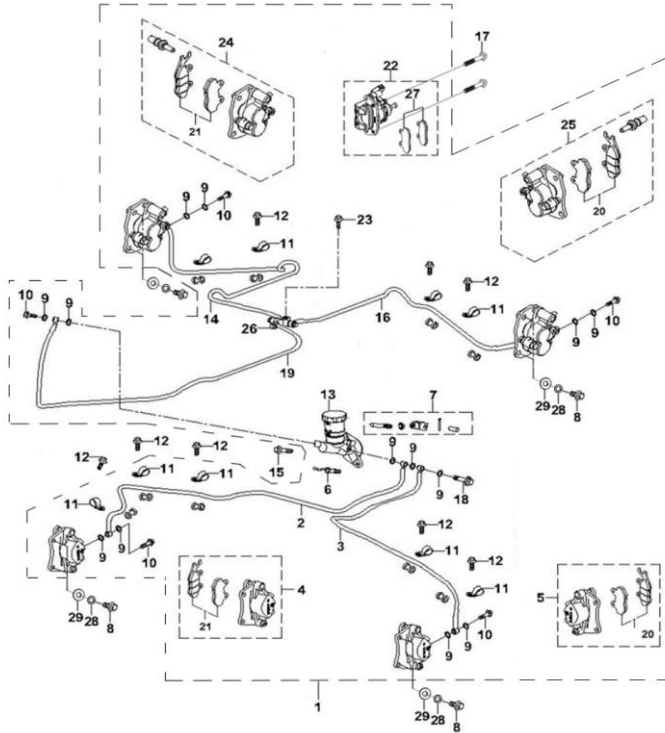
#	Old Part No.	MTD Part No	New Part No	Description	Q'TY
1	41122-J00000-230120	503-02020	PJ0000041122230120	Rim - Front(Black)	2
2	41121-J00000-1200	503-01610	PJ00000411211200	Tire Radial - Front	2
3	4113A-115000-0000	503-00417	P1150004113A0000	Valve Core	2
4	90345-J00000-0000	503-00418	PJ00000903450000	Taper Nut M10x1.25	8
5	41005-J00000-0600	503-01611	PJ00000410050600	Dust Cover Hub G	2
6	26100-J00000-2400	503-01612	PJ00000261002400	Front Left Constant Velocity Joint AA	1
7	26200-J00000-2100	503-01613	PJ00000262002100	Front Right Constant Velocity Joint X	1
8	46110-315001-0000	503-02069	P315001461100000	Front Wheel Mounting Seat Assy.	2
9	90520-J00000-0400	503-00140	PJ00000905200400	Cross Recessed Plate Head Screw M6x12	6
10	51561-318001-0000	503-01614	P318001515610000	Front Disc Brake Shield	2
11	GB/T9459-M24x1.5-C	503-01615	BGB9459-M24x1.5-C	Nut Slotted M24x1.5	2
12	GB/T893.1-d0=60	503-00431	BGB893.1-d0=60	Clip D0=60	2
13	90220-J00000-0000	503-00438	PJ00000902200000	Shoulder Bolt Cone Inside Hexagonal M8	8
14	44453-315001-0000	503-01617	P315001444530000	Disc Brake(Front)	2
15	91119-115000-0000	503-00434	P115000911190000	Front Knuckle Oil Seal Outward φ38xφ55x	2
16	52106-315001-0000	503-01618	P315001521060000	Bearing DU3006037	2
17	91123-311001-0000	503-00432	P311001911230000	Front Knuckle Oil Seal Inside φ38xφ60x7	2
18	52710-315001-0000	503-01619	P315001527100000	Steering Knuckle Front Left Assembly	1
19	52720-315001-0000	503-01620	P315001527200000	Steering Knuckle Front Right Assembly	1
20	26002-00000-0500	503-00435	PJ00000260020500	Axle Rubber Boot F	4
21	GB/T91-3.2x50	503-01621	BGB91-3.2x50	Pin Cotter 3.2x50	2
22	26500-J00000-1700	503-01622	PJ00000265001700	Clamp - Large BTB T	4
23	26500-J00000-1800	503-01623	PJ00000265001800	Clamp - Large BTB U	4

Rear Half Shaft



#	Old Part No.	MTD Part No	New Part No	Description	Q'TY
1	41162-J00000-230120	503-02021	PJ0000041162230120	Rim-Rear (Black)	2
2	41161-J00000-1200	503-01625	PJ00000411611200	Tire Radial-Rear	2
3	4113A-115000-0000	503-00417	P1150004113A0000	Valve Core	2
4	46210-115000-0000	503-00442	P115000462100000	Connecting Base Assy,Rear Hub	2
5	90220-J00000-0000	503-00438	PJ00000902200000	Inner Hexagon Cone Bolt With Pan M8	8
6	90345-J00000-0000	503-00418	PJ00000903450000	Taper Nut M10x1.25	8
7	26300-J00000-2300	503-01626	PJ00000263002300	Rear Left Constant Velocity Joint Z	1
8	26400-J00000-2300	503-01627	PJ00000264002300	Rear Right Constant Velocity Joint Z	1
9	41005-J00000-0600	503-01611	PJ00000410050600	Dust Cover Hub G	2
10	55702-318001-0000	503-02777	P318001557020000	Knuckle Bearing Sleeve Line	4
11	GB/T6183.2-M10x1.25	503-01375	BGB6183.2-M10x1.25	Nut Lock M10x1.25	4
12	44455-117000-0000	503-01628	P117000444550000	Disc Brake - Rear Right	1
13	44454-117000-0000	503-01629	P117000444540000	Disc Brake - Rear Left	1
14	91120-115000-0000	503-00456	P115000911200000	Rear Knuckle Inside Oil Seal 38x62x8	2
15	GB/T276-6206RS	503-01630	BGB276-6206RS	Bearing 6206RS	4
16	91121-115000-0000	503-00459	P115000911210000	Rear Knuckle Outside Oil Seal φ42xφ62x7	2
17	55704-115000-0000	503-01631	P115000557040000	Rear Steering Knuckle Tube	2
18	55710-318001-0001	503-02778A	P318001557100001	Rear Left Knuckle	1
19	26002-J00000-0600	503-00462	PJ00000260020600	Axle Rubber Boot G	2
20	26002-J00000-0500	503-00435	PJ00000260020500	Axle Rubber Boot F	2
21	55720-318001-0001	503-02779A	P318001557200001	Rear Right Knuckle	1
22	26500-J00000-0500	503-01632	PJ00000265000500	Clamp - Large Btb F	2
23	26500-J00000-0400	503-01633	PJ00000265000400	Clamp - Large Btb E	2
24	GB/T9459-M24x1.5-C	503-01615	BGB9459-M24x1.5-C	Nut Slotted M24x1.5	2
25	GB/T91-3.2x50	503-01621	BGB91-3.2x50	Pin Cotter 3.2x50	2
26	52107-115000-0000	503-00460	P115000521070000	Knuckle Oil Fitting	4
27	GB/T16674-M12x1.25x110	503-01634	BGB16674-M12x1.25x110	Bolt Hexagon Flange Head M10x1.25-110	4
28	55701-115000-0001	503-00452A	P115000557010001	Dust Cap	8
29	26500-J00000-1800	503-01623	PJ00000265001800	Clamp - Large BTB U	2
30	26500-J00000-1700	503-01622	PJ00000265001700	Clamp - Large BTB T	2

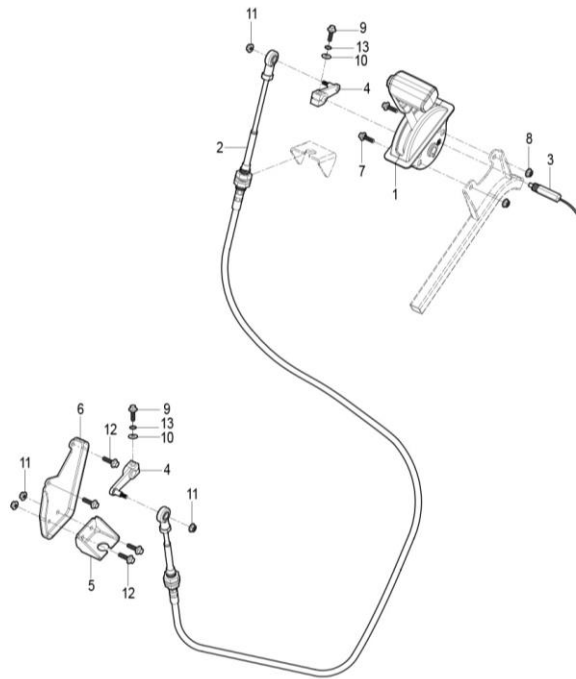
Brake System



#	Old Part No.	MTD Part No	New Part No	Description	Q'TY
1	44100-315001-0002	503-02853	P315001441000002	Brake System Assembly	1
2	44140-315001-0000	503-01636	P315001441400000	Brake Line-Front Right	1
3	44130-315001-0000	503-01637	P315001441300000	Brake Line-Front Left	1
4	44120-315001-0000	503-01638	P315001441200000	Disc Brake Caliper Assembly - Front Right	1
5	44110-315001-0000	503-01639	P315001441100000	Disc Brake Caliper Assembly - Front Left	1
6	37620-312001-0000	503-01653	P312001376200000	Tail Light Brake Switch	1
7	44104-315001-0001	503-01641	P315001441040001	Brake Rod Assembly	1
8	GB/T16674-M10×1.25×28	503-02037	BGB16674-M10×1.25×28	Bolt Hexagon Flange Head M10×1.25×28	8
9	44002-115000-0000	503-00695	P115000440020000	Hydraulic Oil Pipe Washer	13
10	44001-115000-0001	503-00694	P115000440010001	Hydraulic Oil Pipe Bolt I	5
11	44459-115000-0000	503-00552	P115000444590000	Oil Pipe Attach Clamp I	12
12	GB/T16674-M6×16	503-00011	BGB16674-M6×16	Bolt Hexagon Flange Head M6×16	12
13	44180-315001-0000	503-01642	P315001441800000	Main Brake Pump Assembly	1
14	44250-318001-0000	503-02756	P318001442500000	Brake Line- Rear Right	1
15	GB/T16674-M8×25	503-00194	BGB16674-M8×25	Bolt Hexagon Flange Head M8×25	2
16	44240-315001-0000	503-01644	P315001442400000	Brake Line-Rear Left	1
17	GB/T16674-M10×1.25×40	503-01598	BGB16674-M10×1.25×40	Bolt Hexagon Flange Head M10×1.25×40	2
18	44013-115000-0000	503-01645	P115000440130000	Banjo Bolt II	1
19	44230-309001-0000	503-01646	P309001442300000	Brake Line-Middle	1
20	44111-115000-0000	503-00675	P115000441110000	Front Left/Rear Left Brake Pad Assy	2
21	44121-115000-0000	503-00686	P115000441210000	Front Right/Rear Right Brake Pad Assy	2
22	44320-315001-0000	503-01649	P315001443200000	Parking Brake Assembly	1
23	GB/T16674-M6×35	503-00089	BGB16674-M6×35	Bolt Hexagon Flange Head M6×35	1
24	44220-315001-0000	503-01650	P315001442200000	Disc Brake Caliper Assembly-Rear Right	1
25	44210-315001-0000	503-01651	P315001442100000	Disc Brake Caliper Assembly-Rear Left	1
26	44008-115000-0000	503-00673	P115000440080000	T-Junction	2
27	44321-315001-0000	503-01652	P315001443210000	Brake Pads-Parking	1
28	GB/T93-10	503-00064	BGB93-10	Spring Washer10	8
29	GB/T97.1-10	503-01395	BGB97.1-10	Plain Washer 10	8

Shift Mechanism

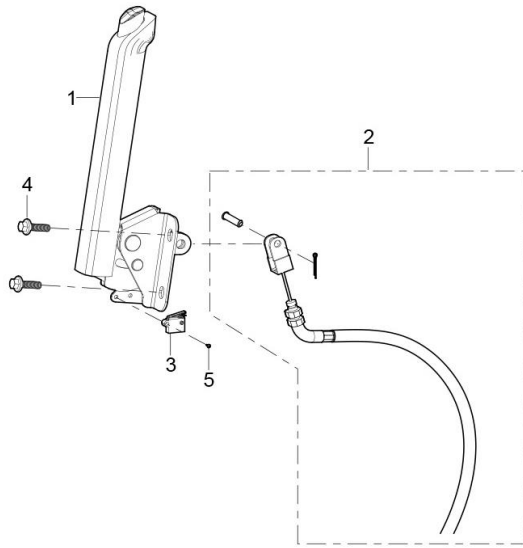
#	Old Part No.	MTD Part No	New Part No	Description	Q'TY
---	--------------	-------------	-------------	-------------	------



1	23410-315001-0004	503-03908	P315001234100004	Gear Selector Assembly	1
2	2341A-J00000-1102	503-01655B	PJ000002341A1102	Gear Selector Cable M	1
3	6105A-J00000-1501	503-01656A	PJ000006105A1501	Reverse Cable Control R	1
4	2332A-313001-0000	503-01657	P3130012332A0000	Gear Selector Arm	2
5	51773-312001-0000	503-01658	P312001517730000	Gear Selector Cable Bracket Plated	1
6	51551-315001-0000	503-01659	P315001515510000	Gear Selector Bracket Plated	1
7	GB/T16674-M8×50	503-01660	BGB16674-M8×50	Bolt Hexagon Flange Head M8×50	2
8	GB/T6183.2-M8	503-01661	BGB6183.2-M8	Lock Nut M8	2
9	GB/T16674-M6×25	503-00081	BGB16674-M6×25	Bolt Hexagon Flange Head M6×25	2
10	GB/T96.1-6	503-01489	BGB96.1-6	Plain Washer 6	2
11	GB/T6177.1-M6	503-01979	BGB6177.1-M6	Hexagon Flange Head Nut M6	4
12	GB/T16674-M6×16	503-00011	BGB16674-M6×16	Bolt Hexagon Flange Head M6×16	4
13	GB/T93-6	503-00879	BGB93-6	Spring Washer 6	2

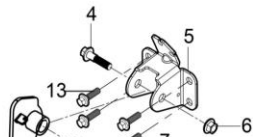
Parking Brake System

#	Old Part No.	MTD Part No	New Part No	Description	Q'TY
---	--------------	-------------	-------------	-------------	------

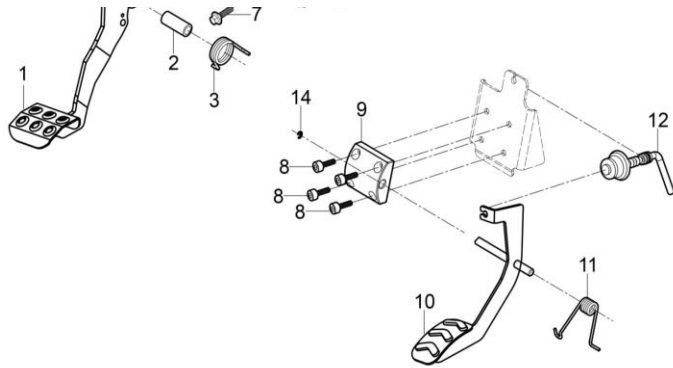


1	43330-315001-0000	503-01662	P315001433300000	Parking Brake Assembly	1
2	4323A-J00000-2200	503-01663	PJ000004323A2200	Parking Brake Cable X	1
3	37310-315001-0002	503-01664A	P315001373100002	Parking Brake Switch	1
4	GB/T16674-M8×16	503-00027	BGB16674-M8×16	Bolt Hexagon Flange Head M8×16	4
5	GB/T818-M3×12	503-01665	BGB818-M3×12-C	Screw Cross Head M3×12	1

Throttle Pedal & Brake Pedal

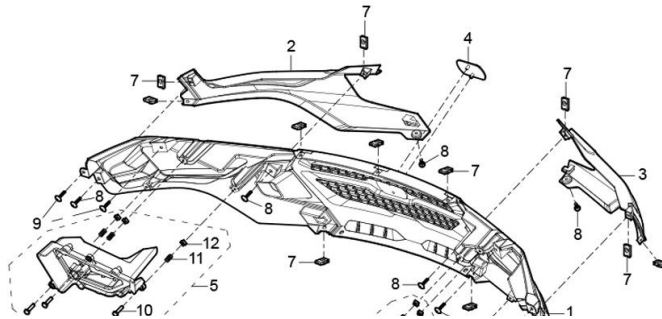


#	Old Part No.	MTD Part No	New Part No	Description	Q'TY
1	4311A-318001-0000	503-02105	P3180014311A0000	Brake Pedal Welding Kit	1
2	92900-J00000-2700	503-01667	PJ00000929002700	Spacer φ10.2×φ15×35.5	1
3	96300-J00000-3900	503-02008	PJ00000963003900	Torsion Spring AP	1
4	GB/T16674-M10×1.25×60	503-00056	BGB16674-M10×1.25×60	Bolt Hexagon Flange Head M10×1.25-60	1
5	51508-315001-0000	503-02070	P315001515080000	Strap Brake Pedal Plated	1
6	GB/T6183.2-M10×1.25	503-01375	BGB6183.2-M10×1.25	Nut Lock M10×1.25	1
7	GB/T16674-M8×20	503-00042	BGB16674-M8×20	Bolt Hexagon Flange Head M8×20	2
8	GB/T70.1-M6×20	503-00739	BGB70.1-M6×20	Screw Hexagon Socket Head M6×20	4
9	61070-112000-0000	503-01670	P112000610700000	Throttle Pedal Bracket Plated	1
10	61060-318001-0000	503-02143	P318001610600000	Accelerator Pedal Welding Kit	1

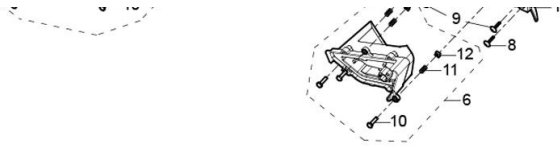


11	96300-J00000-0201	503-01672A	PJ00000963000201	Torsion Spring φ2.5×φ15.5×66	1
12	6103A-J00000-3202	503-01673A	PJ000006103A3202	Throttle Cable AH	1
13	GB/T16674-M8×25	503-00194	BGB16674-M8×25	Bolt Hexagon Flange Head M8×25	2
14	GB/T896-5	503-01342	BGB896-5	Circlip5	1

Front Headlight Dash

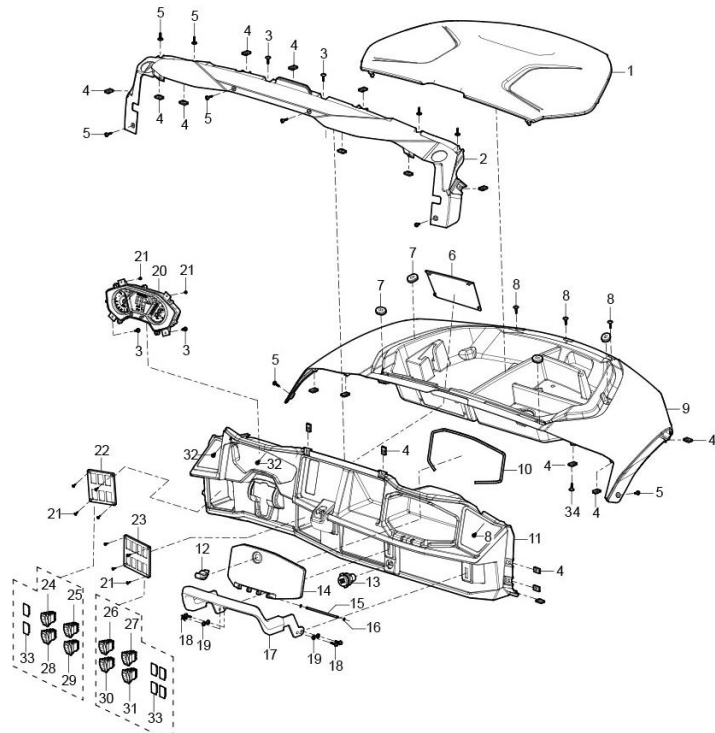


#	Old Part No.	MTD Part No	New Part No	Description	Q'TY
1	82201-315001-0000	503-01676	P315001822010000	Head Light Dash	1
2	82233-315001-000033	503-01681	P31500182233000033	Cover Head Lamp-Left(Red)	1
	82233-315001-000055	503-01931A	P31500182233000055	Cover Head Lamp-Left(Yellow)	
	82233-315001-000070	503-01932	P31500182233000070	Cover Head Lamp-Left(Blue)	
	82233-315001-000022	503-01933	P31500182233000022	Cover Head Lamp-Left(Black)	
	82233-315001-000094	503-01934	P31500182233000094	Cover Head Lamp-Left(Camo)	
3	82234-315001-000033	503-01682	P31500182234000033	Cover Head Lamp-Right(Red)	1
	82234-315001-000055	503-01935A	P31500182234000055	Cover Head Lamp-Right(Yellow)	
	82234-315001-000070	503-01936	P31500182234000070	Cover Head Lamp-Right(Blue)	
	82234-315001-000022	503-01937	P31500182234000022	Cover Head Lamp-Right(Black)	
82234-315001-000094	503-01938	P31500182234000094	Cover Head Lamp-Right(Camo)		
4	03046-000000-0000	503-02727	P000000030460001	Logo	1
5	35110-315001-0000	503-01677	P315001351100000	Head Light Assembly - Left	1
6	35130-315001-0000	503-01678	P315001351300000	Head Light Assembly - Right	1
7	90350-J00000-0200	503-01702	PJ00000903500200	Clamp Nut M6×6	11
8	90225-J00000-0100	503-00129	PJ00000902250100	Bolt Hexagon Socket Fangle M6×16	6
9	90225-J00000-0000	503-01594	PJ00000902250000	Bolt Hexagon Socket Fangle M6×12	4
10	GB/T5785-M6-30-B	503-02043	BGB5785-M6×30-B	Hexagon Head Bolt M6×30	6
11	96200-J00000-1500	503-01990	PJ00000962001500	Pressure Spring Q	6



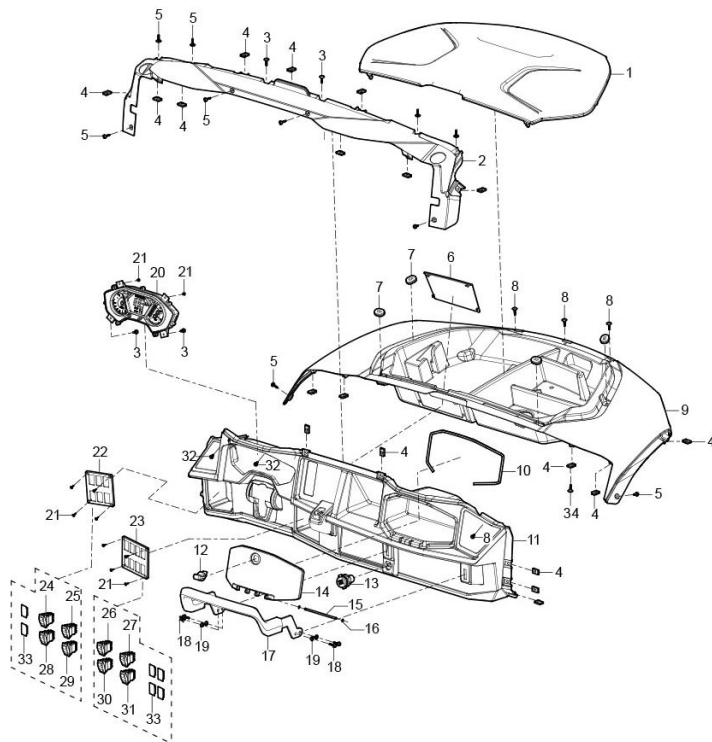
12	GB/T39-M6-B	503-01991	BGB39-M6-B	Square Nut (Grade C)	6
----	-------------	-----------	------------	----------------------	---

Hood					
#	Old Part No.	MTD Part No	New Part No	Description	Q'TY
1	82209-315001-0003	503-01683B	P315001822090003	Cover Hood	1
2	82308-315001-0002	503-01684A	P315001823080002	Cover Meter Unit support	1
3	90520-J00000-0500	503-00091	PJ00000905200500	Screw Cross Large Head M6×16	4
4	90350-J00000-0200	503-01702	PJ00000903500200	Nut Clamp M6×6	33
5	90225-J00000-0100	503-00129	PJ00000902250100	Bolt Hexagon Socket Fangle M6×16	22
6	82918-315001-000033	503-01675	P31500182918000033	Door Adjusting Gear Selector Cable(Red)	1
	82918-315001-000055	503-01927A	P31500182918000055	Door Adjusting Gear Selector Cable(Yellow)	
	82918-315001-000070	503-01928	P31500182918000070	Door Adjusting Gear Selector Cable(Blue)	
	82918-315001-000022	503-01929	P31500182918000022	Door Adjusting Gear Selector Cable(Black)	
7	82918-315001-000094	503-01930	P31500182918000094	Door Adjusting Gear Selector Cable(Camo)	1
	93130-J00000-0400	503-02844	PJ00000931300400	Rubber Washer φ8×17	
8	90288-J00000-0000	503-01703	PJ00000902880000	Hexagon Recessed Screw M6×16	4
9	82208-315001-000133	503-01922A	P31500182208000133	Hood (Red)	1
	82208-315001-000155	503-01923B	P31500182208000155	Hood (Dark Yellow)	
	82208-315001-000170	503-01924A	P31500182208000170	Hood (Blue)	
	82208-315001-000122	503-01925A	P31500182208000122	Hood (Black)	
10	82208-315001-000194	503-01926A	P31500182208000194	Hood (G2 Camo)	1
	93420-J00000-0100	503-01704	PJ00000934200100	Storage Box Sealing Strip	
11	82301-315001-0000	503-01685	P315001823010000	Dash Assembly	1
12	89510-315001-0001	503-01689A	P315001895100001	Lock Storage Box Cover Assembly	1
13	37175-115000-0000	503-00539	P115000371750000	DC Socket	1
14	82303-315001-0000	503-01690	P315001823030000	Storage Box Cover	1
15	92973-J00000-0400	503-01691	PJ00000929730400	Storage Box Cover Rod φ5.5×137	1
16	GB/T896-4-B	503-01692	BGB896-4-B	Clip 4	2
17	72201-315001-0000	503-01693	P315001722010000	Handhold	1
18	GB/T16674-M8×25	503-00194	BGB16674-M8×25	Bolt Hexagon Flange Head M8×25	4
19	GB/T6183.2-M8	503-01661	BGB6183.2-M8	Nut Lock M8	4
20	36100-318001-0000	503-02102	P318001361000000	Meter Unit	1



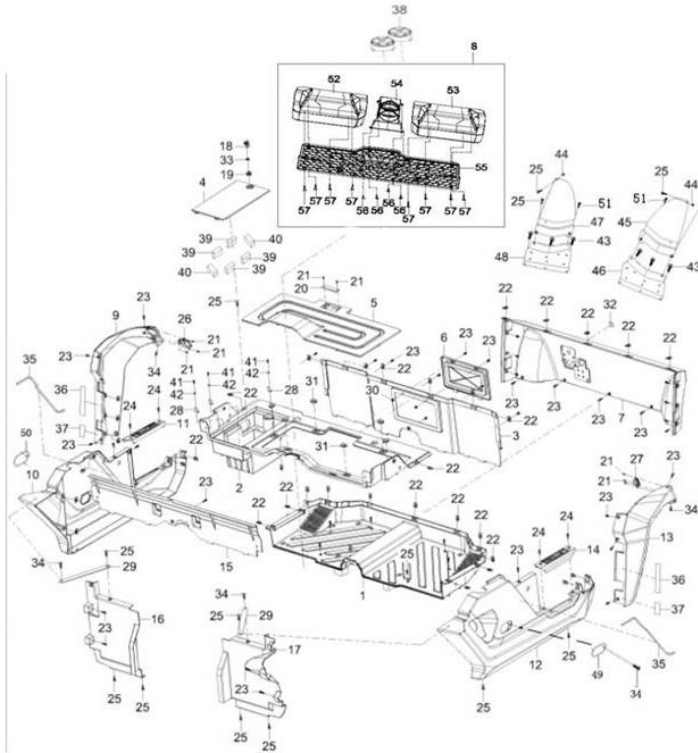
21	GB/T845-ST3.9×10	503-01680	BGB845-ST3.9×10	Screw Cross Head Self Drilling ST3.9×10	10
22	82304-315001-0000	503-01687	P315001823040000	Switch Support	1
23	82324-315001-0000	503-01688	P315001823240000	Switch Support I	1
24	37120-315001-0000	503-01694	P315001371200000	Head Light Switch	1
25	37125-315001-0000	503-01695	P315001371250000	Switch Override	1
26	37140-315001-0000	503-01696	P315001371400000	Switch - 2W/4W	1

Hood Continued



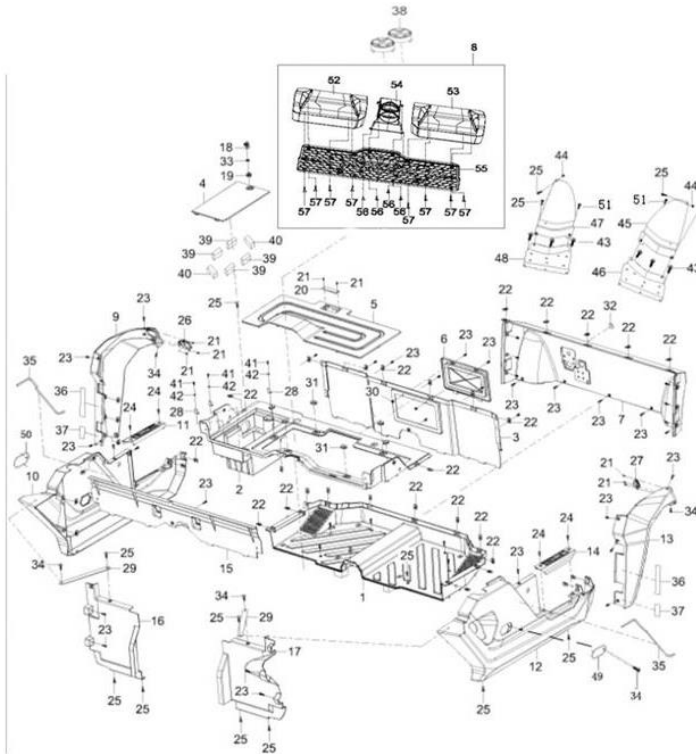
#	Old Part No.	MTD Part No	New Part No	Description	Q'TY
27	37145-315001-0000	503-01697	P315001371450000	Switch - Front Differential	1
28	37130-315001-0000	503-01698	P315001371300000	Switch - Hazard Light	1
29	37135-315001-0000	503-01699	P315001371350000	Switch - Turn	1
30	37155-315001-0000	503-01700	P315001371550000	Switch - Winch	1
31	37150-315001-0000	503-01701	P315001371500000	Switch - Rear Differential	1
32	90288-J00000-0100	503-02220	PJ00000902880100	Hexgon Recessed Screw M6×17.5	2
33	82311-311001-0000	503-02062	P311001823110000	Decoreation Cover	6
34	90225-J00000-0000	503-01594	PJ00000902250000	Bolt Hexagon Socket Fangle M6×12	4

Body Plastic Parts



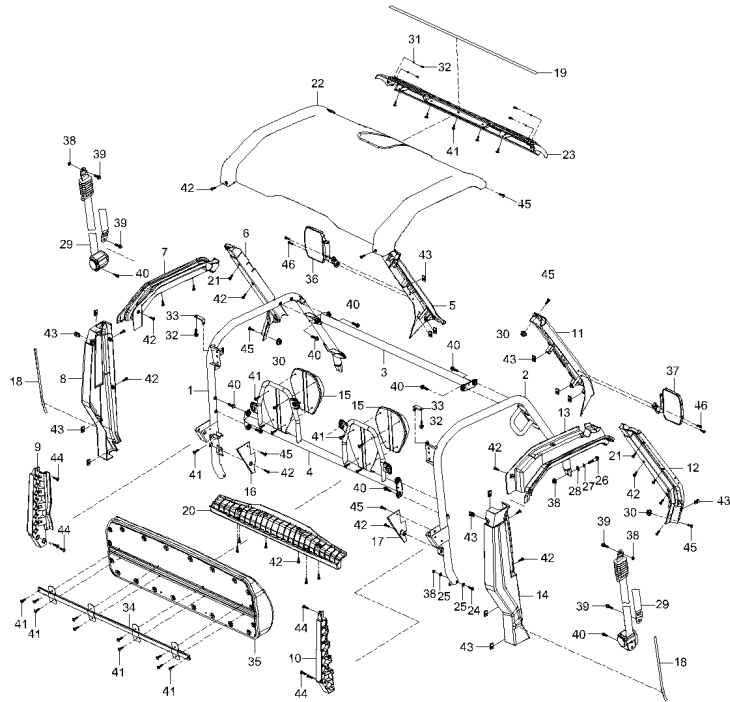
#	Old Part No.	MTD Part No	New Part No	Description	Q'TY
1	82421-309001-0000	503-01705	P309001824210000	Footrest	1
2	82405-315001-0000	503-01706	P315001824050000	Seating support I	1
3	82423-315001-000123	503-02922	P31500182423000123	Seating support II	1
4	82906-315001-0000	503-01708	P315001829060000	Cover Battery	1
5	82910-315001-0000	503-01709	P315001829100000	Cover Engine	1
6	82917-315001-0000	503-01710	P315001829170000	Cover Battery Box	1
7	82401-315001-0001	503-01711A	P315001824010001	Front Panel Foot Rest	1
8	71110-315001-0003	503-03584A	P315001711100003	Bottom Seat Kit	1
9	82207-315001-0000	503-01713	P315001822070000	Side Panel - Front Left	1
10	51519-315001-0000	503-01714	P315001515190000	Side Panel - Middle Left	1
11	51517-315001-0100	503-01939	P315001515170100	Side Protector - Left (Black Coating)	1
12	82412-315001-0001	503-03776	P315001824120001	Side Panel - Middle Right	1
13	82210-315001-0000	503-01717	P315001822100000	Side Panel - Front Right	1
14	51518-315001-0100	503-01940	P315001515180100	Side Protector(Right)	1
15	82603-309001-0000	503-01719	P309001826030000	Seating Protector	1
16	82503-309001-0000	503-01720	P309001825030000	Rear Mudguard II	1
17	82504-315001-0000	503-01721	P315001825040000	Rear Fender	1
18	82211-311001-0000	503-01722	P311001822110000	Lock - Battery Box Cover	1
19	93350-300000-0000	503-02793	P300000933500000	Rubber Washer	1
20	51562-312001-0000	503-01723	P312001515620000	Lock - Engine Cover	1
21	GB/T845-ST3.9×10	503-01680	BGB845-ST3.9×10	Screw Cross Head Self Drilling ST3.9×10	7
22	90350-300000-0200	503-01702	P300000903500200	Clamp Nut M6×6	43
23	90225-300000-0100	503-00129	P300000902250100	Bolt Hexagon Socket Fangle M6×16	38
24	90225-300000-0400	503-01724	P300000902250400	Bolt Hexagon Socket Fangle M6×20	4
25	90520-300000-0500	503-00091	P300000905200500	Cross Large Plate Head Screw M6×16	36
26	35400-315001-0000	503-01725	P315001354000000	Turn Light - Front Left	1
27	35425-315001-0000	503-01726	P315001354250000	Turn Light - Front Right	1
28	51525-303001-0000	503-01727A	P303001515250000	Strap Starter Relay Plated	1
29	51633-315001-0000	503-01728	P315001516330000	Side Plate Support I	2
30	GB/T6177.1-M6	503-01979	BGB6177.1-M6	Nut Flange Head M6	2
31	93130-300000-0400	503-02844	P300000931300400	Washer Rubber Ø8×17	6
32	93215-300000-0500	503-01729	P300000932150500	Brake Pedal Dust Pad F	1
33	90605-300000-0700	503-00478	P300000906050700	Washer Plat Ø15×Φ22×1	1

Body Plastic Parts Continued



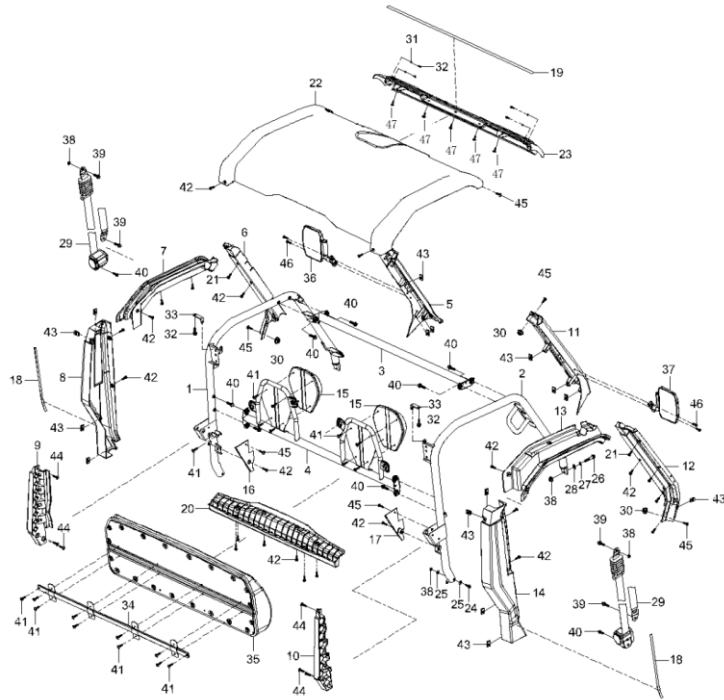
#	Old Part No.	MTD Part No	New Part No	Description	Q'TY
34	90288-30000-0000	503-01703	PJ00000902880000	Hexagon Recessed Screw M6×16(Glue)	4
35	84515-315001-0000	503-01730	P315001845150000	Door Seal I	2
36	84516-315001-0000	503-01731	P315001845160000	Door Seal II	2
37	84517-315001-0000	503-01732	P315001845170000	Door Seal III	2
38	93121-300000-0000	503-01733	PJ00000931210000	Cup Holder	2
39	94010-300000-0800	503-03025	PJ00000940100800	Foam Pad 90×50×15	4
40	94010-300000-0900	503-03026	PJ00000940100900	Foam Pad 90×50×25	2
41	GB/T9074.3-M4×16	503-02290	BGB9074.3-M4×16	Cross Recessed Head And Spring Washer As	1
42	GB/T97.1-4	503-03044	BGB97.1-4	Plain Washer φ4×9×1	1
43	GB/T16674-M6×16	503-00011	BGB16674-M6×16	Bolt hexagon flange head M6×16	6
44	GB/T6183.2-M6	503-01590	BGB6183.2-M6	Nut lock M6	2
45	51978-318001-0000	503-02768	P318001519780000	Front Right Fender II	1
46	51977-318001-0000	503-02767	P318001519770000	Front Right Fender I	1
47	51976-318001-0000	503-02766	P318001519760000	Front Left Fender II	1
48	51975-318001-0000	503-02765	P318001519750000	Front Left Fender I	1
49	82477-315001-0000	503-02306	P315001824770000	Decoration cover-Side panel-left	1
50	82476-315001-0000	503-02305	P315001824760000	Decoration cover-Side panel-right	1
51	90520-300000-0400	503-00140	PJ00000905200400	Screw cross large head M6×12	2
52	71225-315001-0001	503-03705A	P315001712250001	Seat Foam II (Right)	1
53	71224-315001-0001	503-03704A	P315001712240001	Seat Foam I (Left)	1
54	82413-315001-0001	503-02929	P315001824130001	Center Plate	1
55	71111-315001-0002	503-02930A	P315001711110002	Seat Bottom Plate I	1
56	90520-300000-0400	503-00140	PJ00000905200400	Screw Cross Large Head M6×12	4
57	90520-300000-0600	503-00108	PJ00000905200600	Screw Cross Large Head M6×20	8

Roof, Roof Parts & Seat Back



#	Old Part No.	MTD Part No	New Part No	Description	Q'TY
1	51710-315001-0000	503-01734	P315001517100000	Left Support Frame Kit	1
2	51720-315001-0000	503-01735	P315001517200000	Right Support Frame Kit	1
3	51740-315001-0000	503-01736	P315001517400000	Front Top Frame Kit	1
4	51730-315001-0000	503-01737	P315001517300000	Rear Top Frame Kit	1
5	82554-315001-0000	503-01738	P315001825540000	A Post Top Cover - Left	1
6	82555-315001-0001	503-01739A	P315001825550001	A Post Low Cover - Left	1
7	82558-315001-0000	503-01740	P315001825580000	Top - Left Protector Cover	1
8	82552-315001-0000	503-01741	P315001825520000	B Post Left Cover	1
9	82561-315001-0000	503-01742	P315001825610000	B Post-Left	1
10	82562-315001-0000	503-01743	P315001825620000	B Post -Right	1
11	82556-315001-0000	503-01744	P315001825560000	A Post Top Cover - Right	1
12	82557-315001-0001	503-01745A	P315001825570001	A Post Low Cover - Right	1
13	82559-315001-0000	503-01746	P315001825590000	Top - Right Protector Cover	1
14	82553-315001-0000	503-01747	P315001825530000	B Post Right Cover	1
15	71310-315001-0002	503-03586	P315001713100002	Headrest Kit	2
16	82537-315001-0000	503-01749	P315001825370000	B Post Protector I	1
17	82538-315001-0000	503-01750	P315001825380000	B Post Protector II	1
18	84525-315001-0000	503-01778	P315001845250000	Door Seal 4 IV	2
19	94021-315001-0000	503-01780	P315001940210000	Roof Damping Bar I	1
20	82560-315001-0000	503-01775	P315001825600000	Roof Guard	1
21	90347-300000-0100	503-02906	PJ00000903470100	Screw Cross Small Head Self Drilling ST4.2x	3
22	82518-315001-0000	503-01755A	P315001825180001	Roof	1
23	51919-315001-0001	503-01756A	P315001519190001	Header Panel Assy	1
24	GB/T16674-M10x1.25x65	503-00292	BGB16674-M10x1.25x65	Bolt Hexagon Flange Head M10x1.25-65	2
25	51586-115000-0000	503-00566	P115000515860000	Curved Washer	4
26	GB/T16674-M10x1.25x50	503-00319	BGB16674-M10x1.25x50	Bolt Hexagon Flange Head M10x1.25-50	4
27	GB/T93-10	503-00064	BGB93-10	Spring Washer10	4
28	GB/T97.1-10	503-01395	BGB97.1-10	Plain Washer 10	4
29	75110-315001-0001	503-01762A	P315001751100001	Seat Belt/Buckle Assembly	2
30	GB/T6177.1-M6	503-01979	BGB6177.1-M6	Hexagon Flange Head Nut M6	4
31	GB/T96.1-6	503-01489	BGB96.1-6	Plain Washer 6	4
32	GB/T16674-M6x12	503-00021	BGB16674-M6x12	Hexagon Bolt M6x12	4
33	51570-315001-0000	503-01766	P315001515700000	Bracket Plated IV	2
34	51750-315001-0000	503-01767	P315001517500000	Bracket - Backrest Plated Kit	1
35	71210-315001-0002	503-03585	P315001712100002	Backrest Kit	1

Roof, Roof Parts & Seat Back Continued

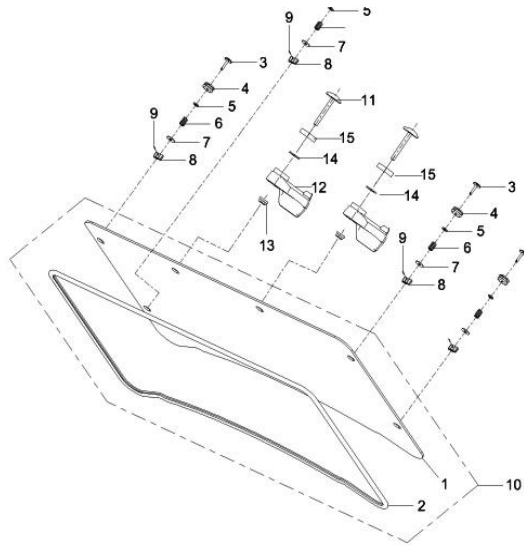


#	Old Part No.	MTD Part No	New Part No	Description	Q'TY
36	89210-315001-0000	503-01770	P315001892100000	Rearview Mirror Kit - Left	1
37	89220-315001-0000	503-01771	P315001892200000	Rearview Mirror Kit - Right	1
38	GB/T6183.2-M10×1.25	503-01375	BGB6183.2-M10×1.25	Nut Lock M10×1.25	10
39	90210-J00000-0600	503-01772	PJ00000902100600	Bolt Shoulder Flange M10×1.25×25-φ14×9	4
40	GB/T16674-M10×1.25×20	503-02038	BGB16674-M10×1.25×20	Bolt Hexagon Flange Head M10×1.25-20	8
41	90520-J00000-0500	503-00091	PJ00000905200500	Screw Cross Large Head M6×16	20
42	90225-J00000-0100	503-00129	PJ00000902250100	Cross Large Plate Head Screw M6X16	30
43	90350-J00000-0200	503-01702	PJ00000903500200	Clamp Nut M6×6	18
44	GB/T16674-M8×20	503-00042	BGB16674-M8×20	Bolt Hexagon Flange Head M8×20	6
45	90288-J00000-0000	503-01703	PJ00000902880000	Hexagon Recessed Screw M6×16	8
46	GB/T70.1-M8×25	503-01774	BGB70.1-M8×25	Hexagon Round Head Screw M8×25	4
47	GB/T16674-M6×16	503-00011	BGB16674-M6×16	Bolt Hexagon Flange Head M6×16	5

Front Windshield

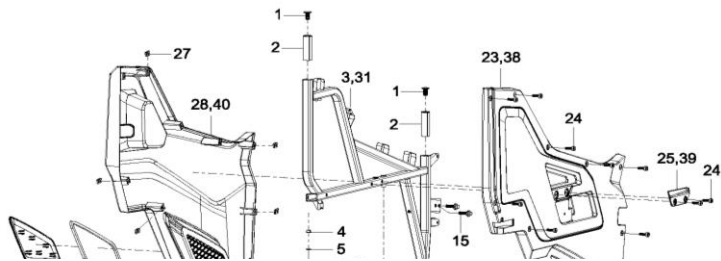


#	Old Part No.	MTD Part No	New Part No	Description	Q'TY
1	86114-318001-0000	503-02810	P318001861140000	Front Windshield	1
2	86133-315001-0000	503-01781	P315001861330000	Front Water Rubber Seal	1
3	86134-315001-0000	503-01758	P315001861340000	Pin lock windshield	4
4	93125-J00000-1100	503-01994	PJ00000931251100	Washer rubber φ6×6.4	4

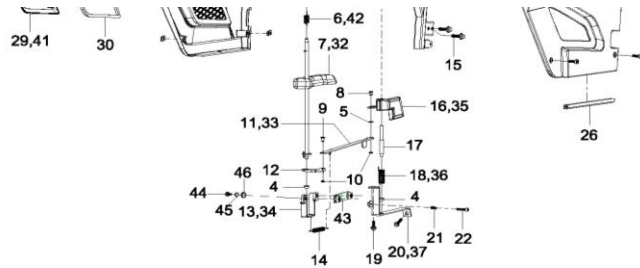


5	GB/T96.1-6	503-01489	BGB96.1-6	Plain Washer 6	4
6	96200-J00000-1300	503-01776	PJ00000962001300	Pressure spring N	4
7	90605-J00000-0200	503-02023	PJ00000906050200	Washer plat φ6×φ25×2	4
8	82211-315001-0000	503-01760	P315001822110000	Hand shank lock	4
9	GB/T879.2-φ3.4×10	503-01761	BGB879.2-φ3.4×10	Pin spring φ3.4×10	4
10	86110-318001-0000	503-02809	P318001861100000	Front Windshield Assy	1
11	86139-315001-0000	503-02545	P315001861390000	Pin lock windshield II	2
12	86161-315001-0000	503-02544	P315001861610000	Mounting Handle	2
13	GB/T6183.2-M6	503-01590	BGB6183.2-M6	Nut lock M6	2
14	GB/T5287-8	503-00211	BGB5287-8	Plain Washerφ8×28×2	2
15	93110-J00000-0900	503-02546	PJ00000931100900	Washer rubber φ5.7×2.5	2

Door

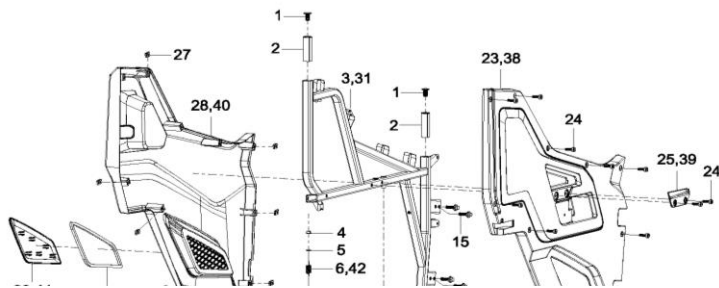


#	Old Part No.	MTD Part No	New Part No	Description	Q'TY
1	84514-315001-0000	503-01782	P315001845140000	Plug - Door	4
2	51956-315001-0000	503-01783B	P315001519560000	Upper Door Seat	4
3	51925-315001-0000	503-01784	P315001519250000	Door Frame - Left Lower	1
4	92450-J00000-0900	503-01785	PJ00000924500900	Bushing Plastic 8×11	6
5	GB/T97.1-8	503-01411	BGB97.1-8	Plain Washer 8	4
6	96300-J00000-3600	503-01786	PJ00000963003600	Spring Return AL	1
7	84511-315001-0000	503-01787	P315001845110000	Outside Door Handle Kit - Left	1
8	92971-J00000-0800	503-01788	PJ00000929710800	Pin - Shoulder φ8×11	2
9	92971-J00000-0900	503-01789	PJ00000929710900	Pin - Shoulder φ8×14	2
10	GB/T896-5-B	503-01342A	BGB896-5-B	Clip 5	4
11	51928-315001-0000	503-01790	P315001519280000	Door Lock Rod - Left	1
12	51927-315001-0000	503-01791	P315001519270000	Door Lock Kit	2
13	51930-315001-0000	503-01792	P315001519300000	Inside Door Lock Lever Seat - Left	1



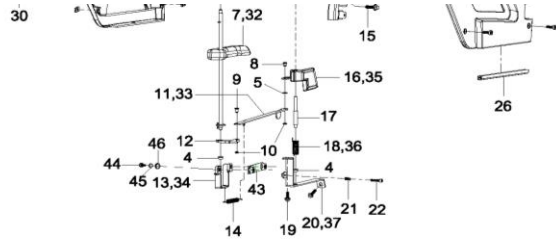
14	96100-J00000-1800	503-02234	PJ00000961001800	Spring Pull S	2
15	GB/T16674-M8x20	503-00042	BGB16674-M8x20	Bolt hexagon flange head M8x20	8
16	84512-315001-000023	503-01794A	P31500184512000033	Inside Door Handle Kit - Left	1
17	92962-J00000-0000	503-01795	PJ00000929620000	Pin - Shoulder 8x104-12x47	2
18	96300-J00000-3400	503-01796	PJ00000963003400	Spring - Torsion Aj	1
19	GB/T16674-M6x16	503-00011	BGB16674-M6x16	Bolt Hexagon Flange Head M6x16	4
20	51931-315001-0000	503-01797	P315001519310000	Inside Door Lock Lever Seat - Left	1
21	96200-J00000-1200	503-01793	PJ00000962001200	Spring Pull M	2
22	GB/T 70.1-M6x40	503-01799	BGB70.1-M6x40	Hexagon Bolt M6x40	2
23	82451-315001-0001	503-01800A	P315001824510001	Door Protector(Left Inside) I	1
24	90225-J00000-0100	503-00129	PJ00000902250100	Bolt Hexagon Socket Fangle M6x16 (Glue)	24
25	82460-315001-0000	503-01801	P315001824600000	Door Pull - Left	1
26	84524-315001-0001	503-02292	P315001845240001	Door Seal	2
27	90350-J00000-0200	503-01702	PJ00000903500200	Clamp Nut M6x6	20
28	82450-315001-0001	503-01803A	P315001824500001	Door Protector(Left Outside) I	1
29	82454-315001-000033	503-01804	P31500182454000033	Cover Door Breather Windows-Left(Red)	1
	82454-315001-000055	503-01941A	P31500182454000055	Cover Door Breather Windows-Left(Yellow)	
	82454-315001-000070	503-01942	P31500182454000070	Cover Door Breather Windows-Left(Blue)	
	82454-315001-000022	503-01943	P31500182454000022	Cover Door Breather Windows-Left(Black)	
	82454-315001-000094	503-01944	P31500182454000094	Cover Door Breather Windows-Left(G2 Camc	
30	84526-315001-0000	503-01805	P315001845260000	Door Seal V	2
31	51926-315001-0000	503-01806	P315001519260000	Door Frame- Right Kit	1

Door Continued



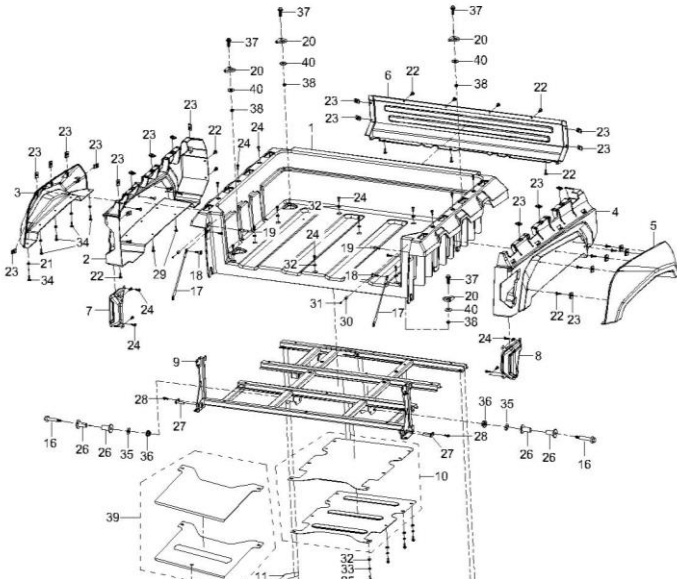
#	Old Part No.	MTD Part No	New Part No	Description	Q'TY
32	84521-315001-0000	503-01807	P315001845210000	Outside Door Handle Kit - Right	1
33	51929-315001-0000	503-01808	P315001519290000	Door Lock Rod - Right	1
34	51934-315001-0000	503-01809	P315001519340000	Inside Door Lock Lever Seat - Right	1
35	84522-315001-000023	503-01810A	P31500184522000033	Inside Door Handle Kit - Right	1
36	96300-J00000-3500	503-01811	PJ00000963003500	Spring - Torsion Ak	1
37	51948-315001-0000	503-01812	P315001519480000	Inside Door Lock Seat - Right	1
38	82456-315001-0001	503-01813A	P315001824560001	Door Protector(Right Inside) I	1
39	82461-315001-0000	503-01814	P315001824610000	Door Pull - Right	1
40	82455-315001-0001	503-01815A	P315001824550001	Door Protector(Right Outside) I	1
41	82459-315001-000033	503-01816	P31500182459000033	Cover Door Breather Windows-Right(Red)	1
	82459-315001-000055	503-01945A	P31500182459000055	Cover Door Breather Windows-Right(Yellow)	
	82459-315001-000070	503-01946	P31500182459000070	Cover Door Breather Windows-Right(Blue)	
	82459-315001-000022	503-01947	P31500182459000022	Cover Door Breather Windows-Right(Black)	

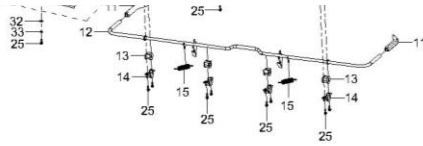
29,41



	82459-315001-000094	503-01948	P31500182459000094	Cover Door Breather Windows-Right(G2 Cam)	
42	96300-300000-3700	503-01817	PJ00000963003700	Spring Return AM	1
43	51959-315001-0000	503-02010	P315001519590000	Seat Mounting Plate Lock	2
44	GB/T16674-M8x20	503-00042	BGB16674-M8x20	Bolt Hexagon Flange Head M8x20	4
45	GB/T93-8	503-00005	BGB93-8	Spring Washer-8	4
46	GB/T97.1-8	503-01411	BGB97.1-8	Plain Washer 8	4

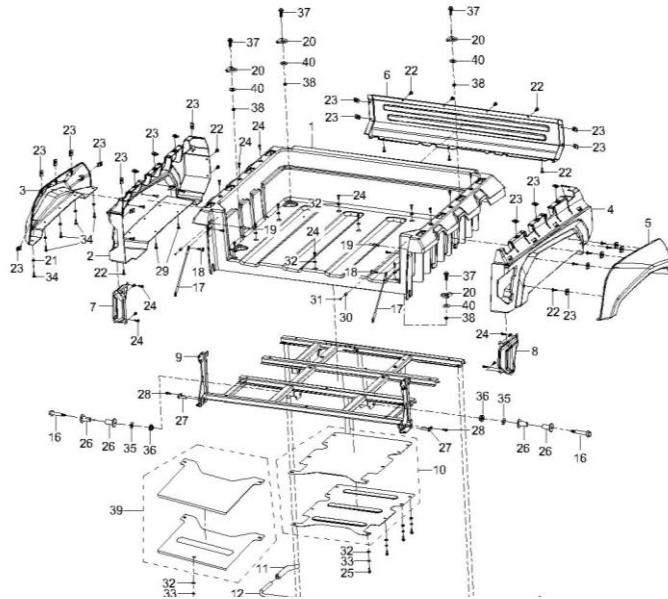
Cargo Bed					
#	Old Part No.	MTD Part No	New Part No	Description	Q'TY
1	82705-315001-000002	503-01818B	P315001827050002	Cargo Bed	1
2	82701-315001-000033	503-01949	P31500182701000033	Cargo Bed Side Panel Left (Red)	1
	82701-315001-000055	503-01950A	P31500182701000055	Cargo Bed Side Panel Left (Yellow)	
	82701-315001-000070	503-01951	P31500182701000070	Cargo Bed Side Panel Left (Blue)	
	82701-315001-000022	503-01952	P31500182701000022	Cargo Bed Side Panel Left (Black)	
	82701-315001-000094	503-01953	P31500182701000094	Cargo Bed Side Panel Left (Camo)	
3	82805-315001-0000	503-01819	P315001828050000	Fender - Rear Left Top	1
4	82702-315001-000033	503-01954	P31500182702000033	Cargo Bed Side Panel Right (Red)	1
	82702-315001-000055	503-01955A	P31500182702000055	Cargo Bed Side Panel Right (Yellow)	
	82702-315001-000070	503-01956	P31500182702000070	Cargo Bed Side Panel Right (Blue)	
	82702-315001-000022	503-01957	P31500182702000022	Cargo Bed Side Panel Right (Black)	
5	82806-315001-0000	503-01820	P315001828060000	Fender - Rear Right Top	1
6	82703-315001-000023	503-01821a	P31500182703000023	Cargo Bed Front Panel	1
7	35350-315001-0002	503-01822A	P315001353500002	Tail Brake Light Assembly - Rear Left	1
8	35375-315001-0002	503-01823A	P315001353750002	Tail Brake Light Assembly - Rear Right	1
9	51810-315001-0003	503-01824B	P315001518100003	Cargo Bed Frame	1
10	51516-315001-0000	503-01825	P315001515160000	Heat Protector(Cargo Bed)	1
11	93401-300000-0000	503-01826	PJ00000934010000	Release Lever Grip	2
12	51589-315001-0000	503-01827	P315001515890000	Cargo Bed Release Lever Kit	1
13	93140-300000-0000	503-01828	PJ00000931400000	Release Lever Cushion φ14x29	4
14	51590-112000-0000	503-01829	P112000515900000	Bracket	4
15	96100-300000-0700	503-00633	PJ00000961000700	Tension Spring H	2





16	90215-J00000-0100	503-02219	PJ00000902150100	Step Bolt M8×φ12×58×75	2
17	7292A-J00000-0800	503-01831	PJ000007292A0800	Cable - Cargo Bed Door J	2
18	90227-J00000-0100	503-01832	PJ00000902270100	Blot Hexagon Socket Shoulder M8×15-φ10×	2
19	90216-J00000-0100	503-01833	PJ00000902160100	Blot Hexagon Socket Shoulder M8×15-φ10×	2
20	51530-315001-0001	503-01834A	P315001515300001	Hook Cargo Bed	4
21	GB/T6177.1-M6	503-01979	BGB6177.1-M6	Hexagon Flange Head Nut M6	10
22	90520-J00000-0500	503-00091	PJ00000905200500	Screw Cross Large Head M6×16	11
23	90350-J00000-0200	503-01702	PJ00000903500200	Clamp Nut M6×6	36
24	90225-J00000-0100	503-00129	PJ00000902250100	Bolt Hexagon Socket Fangle M6×16	24
25	GB/T16674-M6×16	503-00011	BGB16674-M6×16	Bolt Hexagon Flange Head M6×16	17
26	92450-J00000-0700	503-01835	PJ00000924500700	Bushing - Plastic 12×18	4

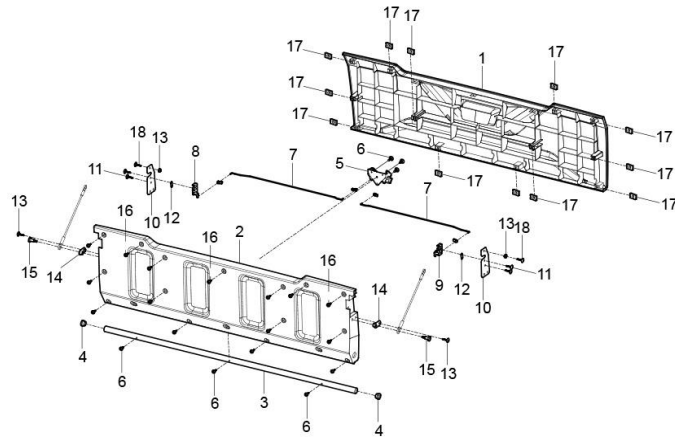
Cargo Bed Continued



#	Old Part No.	MTD Part No	New Part No	Description	Q'TY
27	51592-117000-0000	503-01836	P117000515920000	Hinge Strap Plated	2
28	GB/T16674-M8×12	503-01837	BGB16674-M8×12	Bolt Hexagon Flange Head M8×12	2
29	GB/T845-ST4.8×16	503-01838	BGB845-ST4.8×16	Screw Cross Head Self Drilling ST4.8×16	4
30	93357-J00000-0000	503-01839	PJ00000933570000	Cargo Door Shock Absorber	2
31	GB/T845-ST4.2×13	503-01840	BGB845-ST4.2×13	Screw Cross Head Self Drilling ST4.2×13	2
32	GB/T96.1-6	503-01489	BGB96.1-6	Plain Washer 6	19
33	GB/T93-6	503-00879	BGB93-6	Spring Washer 6	9
34	90288-J00000-0000	503-01703	PJ00000902880000	Hexagon Recessed Screw M6×16	10
35	90605-J00000-0600	503-00211	PJ00000906050600	Plain Washerφ8×28×1.5	2
36	GB/T6183.2-M8	503-01661	BGB6183.2-M8	Nut Lock M8	2
37	GB/T16674-M10×30	503-02794	BGB16674-M10×30	Hexagon Flange Bolt M10×30	4
38	GB/T6183.2-M10×1.25	503-01375	BGB6183.2-M10×1.25	Nut Lock M10	4
39	51972-315001-0000	503-02072	P315001519720000	Insulation Plate II	1
40	90605-J00000-0100	503-01539	PJ00000906050100	Plain Washer φ10×φ28×2	4



Tailgate

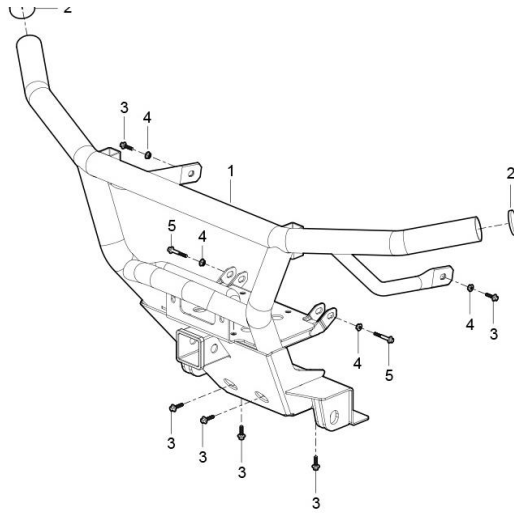


#	Old Part No.	MTD Part No	New Part No	Description	Q'TY
1	82704-315001-000133	503-01841	P31500182704000133	Cargo Bed Door(Red)	1
	82704-315001-000155	503-01959A	P31500182704000155	Cargo Bed Door (Yellow)	
	82704-315001-000170	503-01960	P31500182704000170	Cargo Bed Door (Blue)	
	82704-315001-000122	503-01961	P31500182704000122	Cargo Bed Door (Black)	
	82704-315001-000194	503-01962	P31500182704000194	Cargo Bed Door (G2 Camo)	
2	82709-315001-000023	503-01842A	P31500182709000023	Cargo Bed Door Inside Panel	1
3	51588-315001-0000	503-01843	P315001515880000	Cargo Bed Door Hinge Tube	1
4	92450-J00000-0200	503-01844	PJ00000924500200	Bushing Plastic φ10.5×φ18	2
5	89550-315001-0000	503-01845	P315001895500000	Cargo Bed Lock Assembly	1
6	90520-J00000-0400	503-00140	PJ00000905200400	Screw Cross Large Head M6×12	6
7	89531-315001-0000	503-01846	P315001895310000	Rod - Cargo Bed Door Lock	2
8	89535-315001-0000	503-01847	P315001895350000	Cargo Bed Door Lock Kit Rh	1
9	89530-315001-0000	503-01848	P315001895300000	Cargo Bed Door Lock Kit Lh	1
10	51923-315001-0000	503-01849	P315001519230000	Door Locking Plate	2
11	90520-J00000-0500	503-00091	PJ00000905200500	Cross Large Plate Head Screw M6×16	6
12	89532-315001-0000	503-01852	P315001895320000	Door Lock Adjustment Gasket	2
13	GB/T6177.1-M6	503-01979	BGB6177.1-M6	Hexagon Flange Head Nut M6	2
14	51924-315001-0000	503-01850	P315001519240000	Door Lock Strap Plated II	2
15	90227-J00000-0000	503-01851	PJ00000902270000	Bolt Hexagon Socket Shoulder M8×18-φ10×	2
16	90225-J00000-0100	503-00129	PJ00000902250100	Bolt Hexagon Socket Fangle M6×16	15
17	90350-J00000-0200	503-01702	PJ00000903500200	Clamp Nut M6×6	15
18	90520-J00000-0600	503-00108	PJ00000905200600	Screw Cross Large Head M6×20	2

Front Bumper

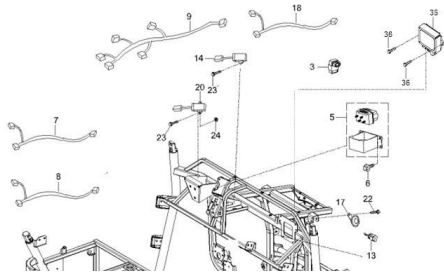


#	Old Part No.	MTD Part No	New Part No	Description	Q'TY
1	51304-315001-0000	503-01853	P315001513040000	Front Bumper	1

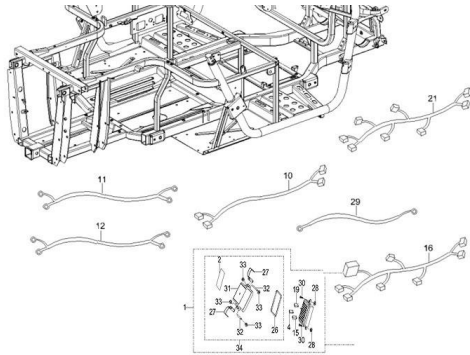


2	92440-J00000-0600	503-00588	PJ00000924400600	Round Plastic Plug φ44	2
3	GB/T16674-M10×1.25×30	503-00230	BGB16674-M10×1.25×30	Bolt Hexagon Flange Head M10×1.25×30	6
4	GB/T6183.2-M10×1.25	503-01375	BGB6183.2-M10×1.25	Nut Lock M10×1.25	2
5	GB/T16674-M10×1.25×50	503-00319	BGB16674-M10×1.25×50	Bolt Hexagon Flange Head M10×1.25×50	2

Electrical Parts

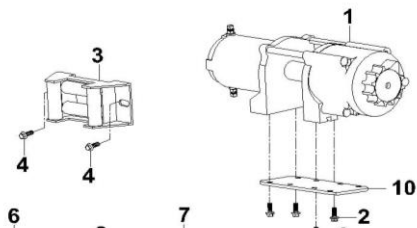


#	Old Part No.	MTD Part No	New Part No	Description	Q'TY
1	38320-J00000-0010	Not Serviced indivi	PJ00000383200010	Fuse Box	1
2	38321-J00000-0010	503-02818	PJ00000383210010	Fuse Box Lable	1
3	37930-116000-0000	503-02035	P116000379300000	Solenoid Valve Controller	1
4	37725-318001-0000	503-02754	P318001377250000	Supplementary Relay	2
5	37740-115000-0001	503-00890A	P115000377400001	Jenny relay	1
6	GB/T16674-M6×16	503-00011	BGB16674-M6×16	Bolt hexagon flange head M6×16	4
7	34360-318001-0000	503-02100	P318001343600000	Cable - Switch Kit 1	1
8	34370-315001-0000	503-01871	P315001343700000	Cable - Switch Kit 2	1
9	34320-318001-0000	503-02097	P318001343200000	Cable ground	1
10	34340-318001-0000	503-02099	P318001343400000	Cable rectifier outlet	1
11	34380-313001-0000	503-01858	P313001343800000	Cable - Winch Relay Outlet	1
12	34400-312001-0001	503-01859A	P312001344000001	Winch Cable	1

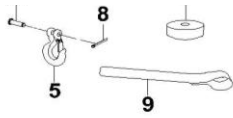


13	37920-318001-0001	503-02103A	P318001379200001	Relay radiator fan	1
14	37735-311001-0001	503-00547A	P311001377350001	Main relay	1
15	37720-318001-0000	503-02753	P318001377200000	Cutout Relay	3
16	34100-315001-0008	503-03777	P315001341000008	Main Cable	1
17	3461A-115000-0000	503-00876	P1150003461A0000	Horn Assy	2
18	34310-318001-0000	503-02096	P318001343100000	Positive Battery wire	1
19	34620-318001-0000	503-02752	P318001346200000	Flash apparatus	1
20	37945-315001-0010	503-02268	P315001379450010	Speed Limiter	1
	37945-501010-0010	503-02269	P501010379450010	Speed Limiter (550UTV-2)	1
21	34200-315001-0001	503-03778	P315001342000001	Cable - EFI Kit 750	1
22	GB/T16674-M6×12	503-00021	BGB16674-M6×12	Bolt hexagon flange head M6×12	2
23	GB/T16674-M6×20	503-00004	BGB16674-M6×20	Bolt hexagon flange head M6×20	3
24	GB/T6183.2-M6	503-01590	BGB6183.2-M6	Nut lock M6	2
25	GB/T16674-M6×20	503-00004	BGB16674-M6×20	Bolt hexagon flange head M6×20	3
26	17313-318001-0000	503-02740	P318001173130000	Sealing Ring	1
27	17205-318001-0001	503-03464A	P318001172050001	Climp assembly	2
28	GB/T6177.1-M6	503-01979	BGB6177.1-M6	Hexagon Flange Head Nut M6	2
29	34450-318001-0000	503-02751	P318001344500000	Ground lead	1
30	GB/T70.1-M6×20	503-00739	BGB70.1-M6×20	Screw Hexagon Socket Head M6×20	4
31	38322-300000-0001	503-03467	PJ00000383220001	Fuse Box Cover	1
32	17106-318001-0000	503-03466	P318001171060000	Clamp Pin	2
33	90606-300000-0200	503-03465	PJ00000906060200	Stop Collar φ 2.5	4
34	38330-300000-0001	503-03468	PJ00000383300001	Fuse Box Cover Assembly	1
35	62350-309001-0000	503-03939	P309001623500000	EPS controller	1
36	GB/T16674-M6×20	503-00004	BGB16674-M6×20	Bolt hexagon flange head M6×20	2

Winch Assy.



#	Old Part No.	MTD Part No	New Part No	Description	Q'TY
1	89911-115000-0000	#N/A	P115000899110000	Winch Body (2500 lbs)	1
	89911-115000-0100	503-00881	P115000899110100	Winch Body (3500 lbs)	1
2	GB/T16674-M8×20	503-00042	BGB16674-M8×20	Bolt Hexagon Flange Head M8×20	4
3	89902-115000-0000	503-00893	P115000899020000	Winch Guide Pulley	1
4	GB/T16674-M10×1.25×25	503-00409	BGB16674-M10×1.25×25	Bolt Hexagon Flange Head M10×1.25×25	2
5	89901-115000-0001	503-00889A	P115000899010001	Load Hook	1
6	89909-115000-0000	503-00901	P115000899090000	Pin φ9.5×40	1
7	89904-115000-0001	503-00900	P115000899040001	Plastic Clasp	1
8	GB/T91-2×30-BA	503-01882	BGB91-2×30-BA	Pin Cotter 2×30	1



2

9	89905-115000-0001	503-00888	P115000899050001	Belt Pull	1
10	51509-315001-0000	503-01883	P315001515090000	Winch Bracket Plated	1