

Product Highlights

High Definition

720P high resolution images ensure that you capture all the details you need

Remote Monitoring

Monitor your business over the Internet, or through the included D-ViewCam™ software

High-Quality Video Feeds

Real-time video compression with H.264, MPEG-4, and MJPEG codecs for distribution and recording of high definition video



DCS-3010

HD PoE Fixed Network Camera

Features

High Definition Video

- 1/4" megapixel CMOS sensor
- Built-in 4.0 mm, F1.5 fixed lens
- HD resolution (1280 x 720), up to 1M (1280 x 800)
- H.264, MPEG-4 and Motion JPEG compression
- ePTZ for virtual PTZ operation
- Multi-stream support
- Privacy mask
- Motion detection
- Built-in Samba client for saving to NAS

Security and Flexibility

- Motion and tamper detection
- Two-way audio support (half-duplex)
- Built-in microphone
- Advanced event management
- Support 802.1x, QoS, CoS, and SNMPv1/v2/v3
- HTTPS secured streaming
- 3GPP mobile surveillance

Connectivity

- 10/100 Fast Ethernet port with PoE
- MicroSD/SDHC card slot for onboard storage
- Auto iris connector for DC iris lens
- Audio input/output for two way audio

The D-Link DCS-3010 is a full-featured, high-definition, PoE-enabled fixed network camera, equipped with 1/4" megapixel progressive scan CMOS sensor and 4mm fixed iris lens. The camera can capture high resolution videos at resolutions of up to 1280 x 800 with frame rates of up to 30 fps. Snapshots and video can be saved to a network drive, or to onboard storage with the built-in SD card slot.

Multiple Video Streams

The DCS-3010 supports simultaneous streaming of H.264, MPEG-4, and MJPEG video to provide both high-quality and bandwidth-efficient compression formats. MJPEG delivers excellent file integrity, ideal for situations which require high image detail. H.264 and MPEG-4 produce a small file size, useful for extended recording or for use in low-bandwidth networks. Additionally, the DCS-3010 supports multicast H.264 and MPEG-4 streaming, allowing users to view the camera feed by subscribing to a multicast IP address on the network.

Flexible Connectivity

The DCS-3010 incorporates Power over Ethernet (PoE), which allows it to be easily installed in a variety of locations, even when no power outlet is nearby. The DCS-3010 has a built-in microphone as well as external audio input and output, making it useful for remote two-way communication.

A Complete, Expandable Surveillance Solution

The DCS-3010 is a self-sufficient surveillance solution, capable of recording snapshots and videos to a microSD card without requiring a PC or network storage device. If you want to expand your surveillance options, D-ViewCam™ management software is also included, giving you the ability to manage up to 32 cameras with a robust set of features, including multi-camera views and automated e-mail alerts to keep you informed of suspicious or unusual activities.

D-ViewCam™ for Management

The included D-Link D-ViewCam™ is sophisticated software which allows users to manage up to 32 network cameras, set e-mail alert notifications, create recording schedules, and use motion detection to directly record important events to a hard drive. D-ViewCam™ also allows users to upload a floor plan to create a realistic layout of the premises where cameras are located, further simplifying the management process.

Open Network Video Interface Forum (ONVIF) Compliant

ONVIF is an open industry forum for the development of a global standard for the interface of IP based physical security products. ONVIF identifies a standard for how IP products within video surveillance and other physical security areas can communicate with each other ensuring interoperability between products regardless of brand. The DCS-3010 is ONVIF compliant and therefore interoperable with other manufacturer's products on the same network such as cameras, storage systems, video analytics products and Video Management Systems.



If the worst should happen to your network you need the very best support and fast. Downtime costs your business money. D-Link Assist maximises your uptime by solving technical problems quickly and effectively. Our highly trained technicians are on standby around the clock, ensuring that award-winning support is only a phone call away.

With a choice of three affordable service offerings covering all D-Link business products, you can select the package that suits you best:

D-Link Assist Gold - for comprehensive 24-hour support

D-Link Assist Gold is perfect for mission-critical environments where maximum uptime is a high priority. It guarantees four hour around-the-clock response. Cover applies 24/7 for every day of the year including holidays.

D-Link Assist Silver - for prompt same-day assistance

D-Link Assist Silver is designed for 'high availability' businesses that require rapid response within regular working hours. It provides a four hour response service Monday to Friday from 8am to 5pm, excluding holidays.

D-Link Assist Bronze - for guaranteed response on the next business day

D-Link Assist Bronze is a highly cost-effective support solution for less critical environments. Response is guaranteed within eight business hours Monday to Friday from 8am to 5pm, excluding holidays.

D-Link Assist can be purchased together with any D-Link business product. So whether you're buying switching, wireless, storage, security or IP Surveillance equipment from D-Link, your peace of mind is guaranteed. D-Link Assist also offers installation and configuration services to get your new hardware working quickly and correctly.

Technical Specifications

Camera

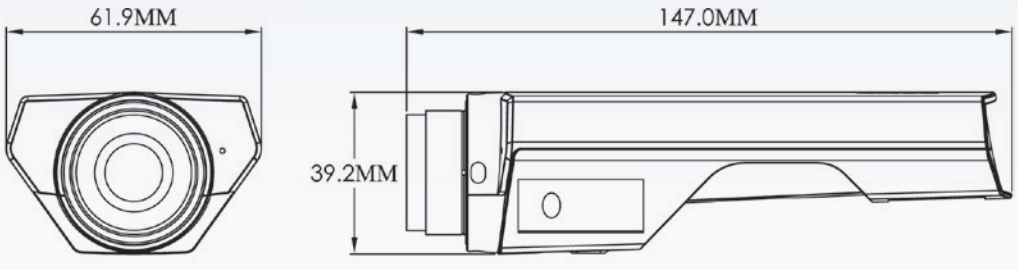
Camera Hardware Profile	<ul style="list-style-type: none"> • 1/4" 1 megapixel CMOS sensor • 256 Mbytes SDRAM • 32 Mbytes of flash memory • 4mm fixed lens 	<ul style="list-style-type: none"> • Aperture F1.5 • Angle of view <ul style="list-style-type: none"> • 56.9° (H) • 35.9° (V)
Image Features	<ul style="list-style-type: none"> • Configurable image size, quality, frame rate, and bit rate • Time stamp and text overlays • 3 configurable motion detection windows 	<ul style="list-style-type: none"> • 5 configurable privacy mask zones • Configurable brightness, saturation, contrast, and sharpness
Video Compression	<ul style="list-style-type: none"> • Simultaneous H.264/MPEG-4/MJPEG format compression • H.264/MPEG-4 multicast streaming 	<ul style="list-style-type: none"> • JPEG for still images
Video Resolution	<ul style="list-style-type: none"> • 16:9 - 1280 x 800, 1280 x 720, 800 x 450, 640 x 360, 480 x 270, 320 x 176, 176 x 144 up to 30 fps recording¹ 	<ul style="list-style-type: none"> • 4:3 - 1024 x 768, 800 x 600, 640 x 480, 480 x 360, 320 x 240, 176 x 144 up to 30 fps recording¹
Audio Support	<ul style="list-style-type: none"> • GSM-AMR speech encoding, bit rate: 4.75 kbps to 12.2 kbps • G.711 audio encoding, bit rate: 8 kbps to 64 kbps 	<ul style="list-style-type: none"> • MPEG-4 AAC audio encoding, bit rate: 16 kbps to 128 kbps
External Device Interfaces	<ul style="list-style-type: none"> • 10/100 BASE-TX Fast Ethernet port • Supports 802.3af PoE 	<ul style="list-style-type: none"> • MicroSD/SDHC card slot • External audio input/output

Network

Network Protocols	<ul style="list-style-type: none"> • IPv4 • TCP/IP • UDP • ICMP • DHCP client • NTP client (D-Link) • DNS client • DDNS client (D-Link) • SMTP client • FTP client • HTTP / HTTPS 	<ul style="list-style-type: none"> • Samba client • PPPoE • UPnP port forwarding • RTP / RTSP / RTCP • IP filtering • QoS • CoS • Multicast • IGMP • ONVIF compliant
Security	<ul style="list-style-type: none"> • Administrator and user group protection • Password authentication • HTTPS streaming 	<ul style="list-style-type: none"> • HTTP and RTSP digest encryption • Remote client access control

System Management

System Requirements for Web Interface	<ul style="list-style-type: none"> • Browser: Internet Explorer, Firefox, Chrome 	
Event Management	<ul style="list-style-type: none"> • Motion detection • Event notification and uploading of snapshots/video clips via e-mail or FTP 	<ul style="list-style-type: none"> • Supports multiple SMTP and FTP servers • Multiple event notifications • Multiple recording methods for easy backup
Remote Management	<ul style="list-style-type: none"> • Take snapshots/video clips and save to local hard drive or NAS via web browser 	<ul style="list-style-type: none"> • Configuration interface accessible via web browser
Mobile Support	<ul style="list-style-type: none"> • Windows 7/Vista/XP system, tablet PC, or mobile phone 	<ul style="list-style-type: none"> • mydlink™ mobile app for iOS and Android mobile devices
D-ViewCam™ System Requirements	<ul style="list-style-type: none"> • Operating system: Microsoft Windows 7/Vista/XP • Web browser: Internet Explorer 7 or higher 	<ul style="list-style-type: none"> • Protocol: standard TCP/IP
D-ViewCam™ Software Functions	<ul style="list-style-type: none"> • Remote management/control of up to 32 cameras • Viewing of up to 32 cameras on one screen • Scheduled motion triggered, or manual recording options 	<ul style="list-style-type: none"> • Supports all management functions in web interface

Physical	
Weight	• 165 g (0.34 lb)
Power	• 12 VDC/0.5 A, • 802.3af PoE
Power Consumption	• 4.6 W (12VDC) • 6.6 W (PoE).
Temperature	• Operating: 0 to 40 °C (32 to 104 °F) • Storage: -20 to 70 °C (-4 to 158 °F)
Humidity	• Operating: 20% to 80% non-condensing • Storage: 5% to 95% non-condensing
Certifications	• CE • FCC • CE LVD • C-Tick
Dimensions	 <p>61.9MM</p> <p>147.0MM</p> <p>39.2MM</p>

¹ Frame rates when streaming video may vary depending on network conditions and method used.



For more information: www.dlink.com