

# HP ProLiant ML330 G6 Server User Guide



Part Number 534305-002  
March 2010 (Second Edition)

© Copyright 2009, 2010 Hewlett-Packard Development Company, L.P.

The information contained herein is subject to change without notice. The only warranties for HP products and services are set forth in the express warranty statements accompanying such products and services. Nothing herein should be construed as constituting an additional warranty. HP shall not be liable for technical or editorial errors or omissions contained herein.

Microsoft, Windows, and Windows Server are U.S. registered trademarks of Microsoft Corporation.

### **Intended audience**

This document is for the person who installs, administers, and troubleshoots servers and storage systems. HP assumes you are qualified in the servicing of computer equipment and trained in recognizing hazards in products with hazardous energy levels.

---

# Contents

Component identification .....	7
Front panel components .....	7
Front panel LEDs and buttons .....	8
Rear panel components .....	9
Rear panel LEDs and buttons .....	10
System board components .....	11
System maintenance switch .....	12
NMI functionality .....	13
System board LEDs .....	13
System LEDs and internal health LED combinations .....	14
DIMM slots .....	15
DIMM identification .....	15
SAS and SATA device numbers .....	17
Hot-plug SATA or SAS hard drive LEDs .....	18
Fan locations .....	19
Operations .....	20
Power up the server .....	20
Power down the server .....	20
Open or remove the tower bezel .....	20
Extend the server from the rack .....	21
Remove the access panel .....	21
Install the access panel .....	22
Remove the air baffle .....	22
Configure the air baffle .....	22
Remove the media bay blank .....	23
Remove a bezel blank .....	24
Remove the processor board .....	24
Install the processor board .....	25
Setup .....	28
Optional installation services .....	28
Rack planning resources .....	28
Optimum environment .....	28
Space and airflow requirements .....	28
Temperature requirements .....	29
Power requirements .....	30
Electrical grounding requirements .....	30
Rack warnings .....	30
Identifying the server shipping carton contents .....	31
Installing hardware options .....	31
Setting up a tower server .....	31
Installing a server in a rack .....	32
Installing the operating system .....	34
Registering the server .....	34
Hardware options installation .....	35

Introduction .....	35
Processor option.....	35
Memory options.....	40
Memory subsystem architecture .....	41
Single, dual-, and quad-rank DIMMs .....	41
Memory configurations .....	41
General DIMM slot population guidelines.....	43
Installing DIMMs .....	47
Redundant hot-plug power supply option .....	48
Power supply configuration .....	49
Installing the redundant hot-plug power supply option .....	49
Redundant fan assembly option .....	50
SAS or SATA hard drive option .....	52
Expansion hard drive cage option (hot-plug) .....	53
Expansion hard drive cage option (non-hot-plug) .....	55
Removable media devices.....	57
Identifying guide screws.....	58
SATA optical drive option .....	58
USB tape drive option.....	60
Full-height tape drive option .....	61
Expansion board options .....	63
Removing the expansion slot cover.....	63
Installing expansion boards.....	64
PCI-X extender board option.....	65
Storage controller option.....	68
Battery-backed write cache battery pack option.....	68
FBWC module and capacitor pack option .....	70
SAS controller option.....	72
Dedicated iLO 2 port module option .....	73
HP Trusted Platform Module option .....	74
Installing the Trusted Platform Module board .....	75
Retaining the recovery key/password.....	76
Enabling the Trusted Platform Module.....	77

## Cabling ..... 78

Non-hot-plug SATA hard drive cabling .....	78
Non-hot-plug SATA/SAS hard drive cabling .....	79
Hot-plug SATA/SAS hard drive cabling.....	79
Non-hot-plug hard drive single power cabling.....	80
Hot-plug hard drive single power cabling .....	81
Non-hot-plug hard drive redundant power cabling.....	82
Hot-plug hard drive redundant power cabling.....	83

## Configuration and utilities ..... 84

Configuration tools.....	84
SmartStart software .....	84
HP ROM-Based Setup Utility .....	85
Option ROM Configuration for Arrays.....	87
HP ProLiant Essentials Rapid Deployment Pack .....	88
Re-entering the server serial number and product ID.....	88
Management tools.....	88
Automatic Server Recovery.....	88
ROMPaq utility.....	89
iLO 2 technology .....	89

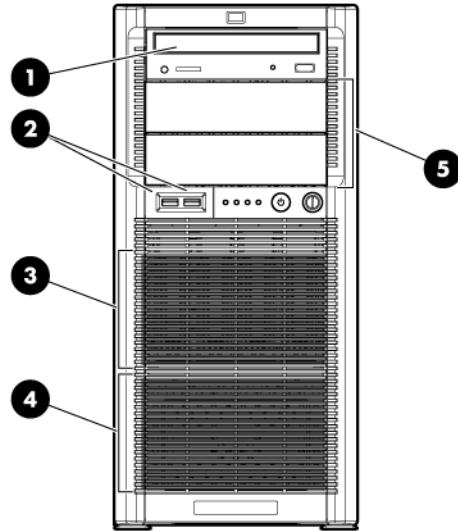
Erase Utility .....	89
StorageWorks library and tape tools .....	90
HP Systems Insight Manager .....	90
Management Agents .....	90
Redundant ROM support.....	90
USB support .....	91
Internal USB functionality .....	91
Diagnostic tools .....	91
HP Insight Diagnostics .....	91
HP Insight Diagnostics survey functionality .....	92
Integrated Management Log.....	92
Array Diagnostic Utility .....	92
HP Insight Server Migration software for ProLiant.....	92
Remote support and analysis tools .....	93
HP Insight Remote Support software .....	93
Keeping the system current.....	93
Drivers .....	93
ProLiant Support Packs.....	94
Operating system version support .....	94
System Online ROM flash component utility .....	94
Change control and proactive notification .....	94
Care Pack .....	95
<b>Troubleshooting .....</b>	<b>96</b>
Troubleshooting resources .....	96
Pre-diagnostic steps .....	96
Important safety information .....	96
Symptom information.....	98
Prepare the server for diagnosis.....	99
Loose connections .....	99
Service notifications.....	100
Troubleshooting flowcharts .....	100
Start diagnosis flowchart.....	100
General diagnosis flowchart.....	101
Server power-on problems flowchart .....	103
POST problems flowchart .....	106
OS boot problems flowchart.....	107
Server fault indications flowchart .....	109
POST error messages and beep codes .....	111
<b>Battery replacement .....</b>	<b>112</b>
<b>Regulatory compliance notices .....</b>	<b>113</b>
Regulatory compliance identification numbers .....	113
Federal Communications Commission notice .....	113
FCC rating label .....	113
Class A equipment .....	113
Class B equipment.....	113
Declaration of conformity for products marked with the FCC logo, United States only.....	114
Modifications.....	114
Cables .....	114
Canadian notice (Avis Canadien) .....	115
European Union regulatory notice.....	115
Disposal of waste equipment by users in private households in the European Union .....	115

Japanese notice .....	116
BSMI notice .....	116
Korean notice .....	117
Chinese notice .....	117
Laser compliance .....	117
Battery replacement notice .....	117
Taiwan battery recycling notice .....	118
Power cord statement for Japan .....	118
<b>Electrostatic discharge .....</b>	<b>119</b>
Preventing electrostatic discharge .....	119
Grounding methods to prevent electrostatic discharge.....	119
<b>Specifications .....</b>	<b>120</b>
Environmental specifications.....	120
Mechanical specifications .....	120
Power supply specifications.....	121
<b>Technical support.....</b>	<b>123</b>
Before you contact HP .....	123
HP contact information.....	123
Customer Self Repair .....	123
<b>Acronyms and abbreviations.....</b>	<b>131</b>
<b>Index.....</b>	<b>134</b>

---

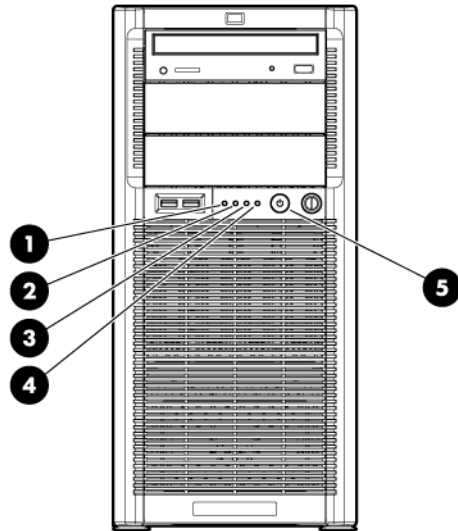
# Component identification

## Front panel components



Item	Description
1	Optical drive
2	USB connectors (2)
3	Standard hard drive bays (4)
4	Expansion hard drive bays (4)
5	Media bays (2)

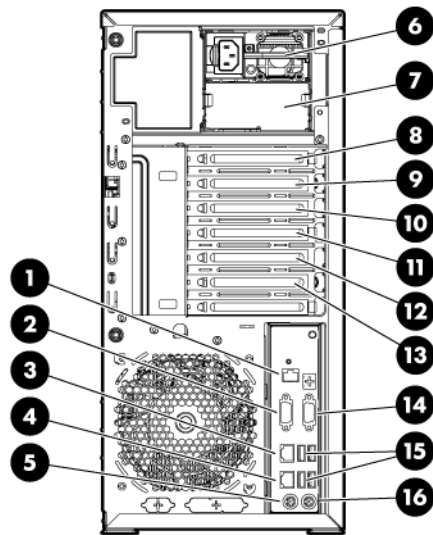
# Front panel LEDs and buttons



Item	Description	Status
1	System health LED	Green = System health is normal. Amber = System health is degraded. To identify the component in a degraded state, see "System board LEDs (on page 13)." Red = System health is critical. To identify the component in a critical state, see "System board LEDs (on page 13)." Off = System health is normal (when in standby mode).
2	NIC 1 link/activity LED	Green or flashing green = Activity exists. Off = No activity exists. If power is off, view the LEDs on the RJ-45 connector. See "Rear panel LEDs and buttons (on page 10)."
3	NIC 2 link/activity LED	Green = Link exists. Off = No link exists. If power is off, view the LEDs on the RJ-45 connector. See "Rear panel LEDs and buttons (on page 10)."
4	Drive activity LED	Green = Drive activity is normal. Off = No drive activity exists.
5	Power On/Stand by button and system power LED	Green = Power is on. Amber = System is in standby mode.

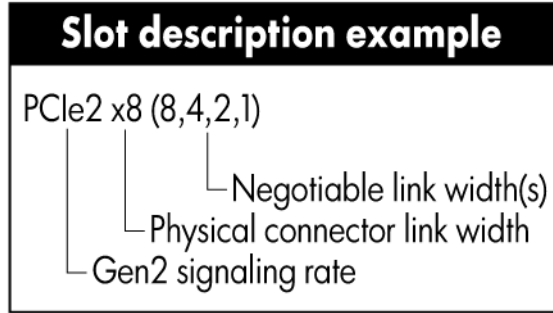


# Rear panel components

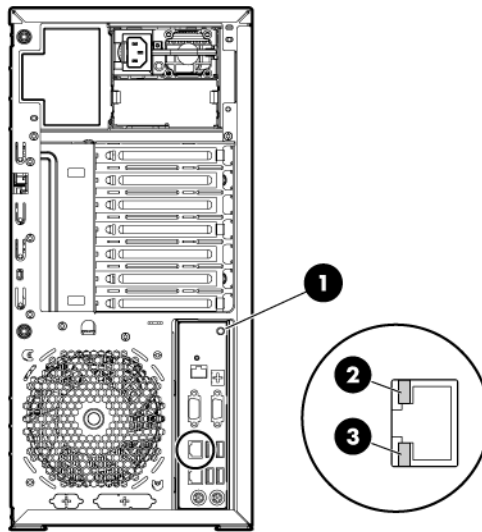


Item	Description
1	Dedicated iLO 2 management port (optional)
2	Serial connector
3	10/100/1000 NIC 2 connector
4	10/100/1000 NIC 1 connector/shared iLO 2 management port
5	Mouse connector
6	Power supply 1
7	Power supply blank
8	Slot 1 PCI-X*
9	Slot 2 PCI-X*
10	Slot 3 PCIe1 x8 (1)
11	Slot 4 PCIe2 x16 (16, 8, 4, 2, 1)
12	Slot 5 PCIe2 x8 (4, 2, 1)
13	Slot 6 PCIe2 x8 (4, 2, 1)
14	Video connector
15	USB connectors (2)
16	Keyboard connector

\*Slots 1 and 2 are available only when an optional PCI-X extender board is installed.



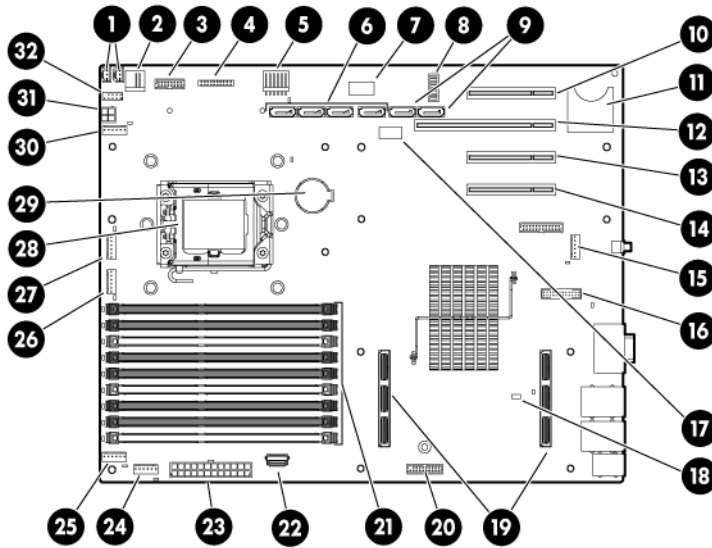
## Rear panel LEDs and buttons



Item	Description	Status
1	UID button/LED	Blue = Activated Flashing = System is being managed remotely. Off = Deactivated
2	NIC/iLO 2 activity	Green or flashing green = Activity exists. Off = No activity exists.
3	NIC/iLO 2 link	Green = Link exists. Off = No link exists.

# System board components

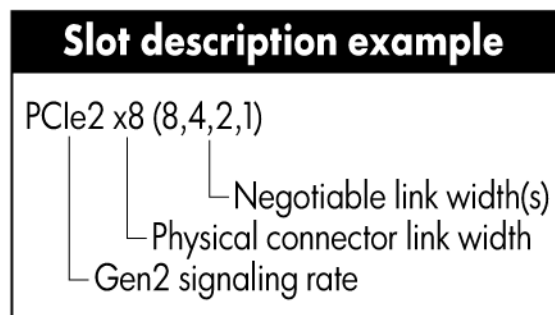
For this server, some system board slots and connectors are reserved.



Item	Description
1	Hard drive backplane connectors (2)
2	Internal USB connector
3	Redundant power supply connector
4	Front panel connector
5	Reserved
6	SATA connectors 1-4 (hard drive)
7	Hard drive LED connector
8	System maintenance switch
9	SATA connectors 5-6 (optical drive)
10	Slot 3 PCIe1 x8 (1)
11	SD card slot
12	Slot 4 PCIe2 x16 (16, 8, 4, 2, 1)
13	Slot 5 PCIe2 x8 (4, 2, 1)
14	Slot 6 PCIe2 x8 (4, 2, 1)
15	Fan 6 connector
16	Dedicated iLO 2 module connector (optional)
17	Hard drive backplane connector
18	NMI jumper
19	Processor board connectors
20	TPM connector
21	Processor 1 DIMMs (1-9)
22	USB connector

Item	Description
23	System power connector
24	Fan 1 connector
25	Fan 1.5 or 2 connector
26	Fan 3 connector
27	Reserved
28	Processor socket 1 (populated)
29	Battery
30	Reserved
31	Power connector
32	Front USB connector

\* The server supports one optical drive that can be connected to either SATA connector 5 or SATA connector 6.



## System maintenance switch

Position	Default	Function
S1	Off	Off = iLO 2 security is enabled. On = iLO 2 security is disabled.
S2	Off	Off = Normal operation On = RBSU will not commit any configuration changes.*
S3	Off	Reserved
S4	Off	Reserved
S5	Off	Off = Power-on password enabled On = Power-on password disabled*
S6	Off	Off = Normal operation On = BIOS will clear CMOS and NVRAM.*
S7	Off	Reserved
S8	Off	Reserved

\* "On" activates the function.

# NMI functionality

An NMI crash dump enables administrators to create crash dump files when a system is hung and not responding to traditional debug mechanisms.

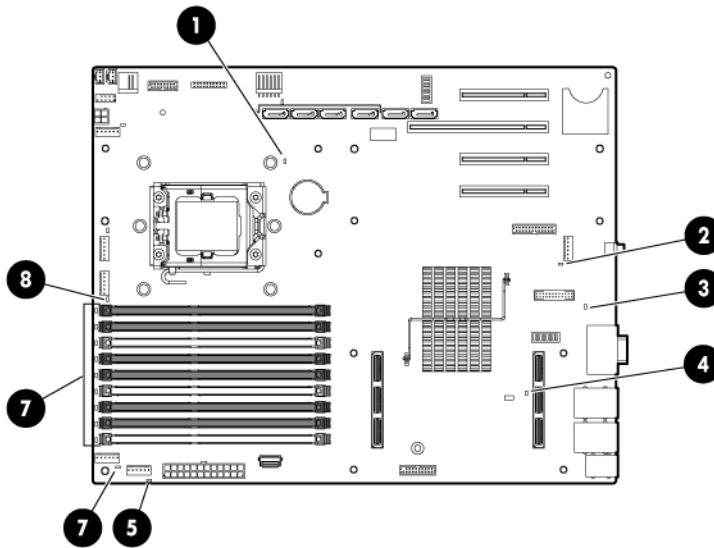
Crash dump log analysis is an essential part of diagnosing reliability problems, such as hangs in operating systems, device drivers, and applications. Many crashes freeze a system, and the only available action for administrators is to cycle the system power. Resetting the system erases any information that could support problem analysis, but the NMI feature preserves that information by performing a memory dump before a hard reset.

To force the OS to invoke the NMI handler and generate a crash dump log, the administrator can do any of the following:

- Short the NMI jumper pins
- Press the NMI switch
- Use the iLO Virtual NMI feature

For additional information, see the whitepaper on the HP website (<http://h20000.www2.hp.com/bc/docs/support/SupportManual/c00797875/c00797875.pdf>).

# System board LEDs



Item	LED description	Status
1	Processor failure	Amber = Processor has failed. Off = Normal
2	Fan 6 failure	Amber = Fan has failed or is missing. Off = Normal
3	Power supply	Off = No AC power or failed power supply Green = Power supply is on and is functioning.

Item	LED description	Status
4	Overtemperature	Amber = System has reached a cautionary or critical temperature level. Off = Normal
5	Fan 1 failure	Amber = Fan has failed or is missing. Off = Normal
6	Fan 1.5 or 2 failure	Amber = Fan has failed or is missing. Off = Normal
7	DIMM failure (1-9)	Amber = DIMM has failed or is missing. Off = Normal
8	Fan 3 failure	Amber = Fan has failed or is missing. Off = Normal

## System LEDs and internal health LED combinations

When the internal health LED on the front panel illuminates either amber or red, the server is experiencing a health event. Combinations of illuminated system LEDs and the internal health LED indicate system status.

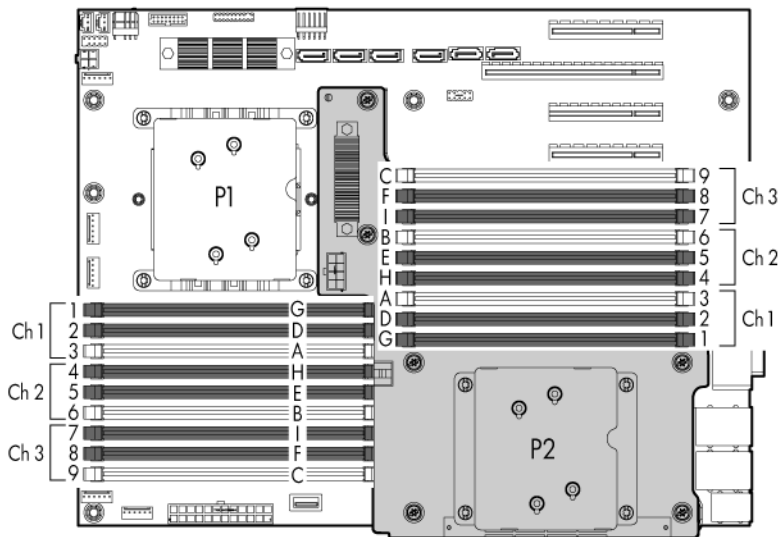
The front panel health LEDs indicate only the current hardware status. In some situations, HP SIM may report server status differently than the health LEDs because the software tracks more system attributes.

System LED and Color	Internal Health LED Color	Status
Processor failure (amber)	Red	One or more of the following conditions may exist: <ul style="list-style-type: none"> <li>• Processor has failed.</li> <li>• Processor is not installed in the socket.</li> <li>• Processor is unsupported.</li> <li>• ROM detects a failed processor during POST.</li> </ul>
	Amber	Processor is in a pre-failure condition.
DIMM failure, slot X (amber)	Red	<ul style="list-style-type: none"> <li>• DIMM in slot X has failed.</li> <li>• DIMM in slot X is an unsupported type, and no valid memory exists in another channel.</li> </ul>
	Amber	<ul style="list-style-type: none"> <li>• DIMM in slot X has reached the single-bit correctable error threshold.</li> <li>• DIMM in slot X is in a pre-failure condition.</li> <li>• DIMM in slot X is an unsupported type, but valid memory exists in another channel.</li> </ul>
DIMM failure, all slots in one channel (amber)	Red	No valid or usable memory is installed in the system.
	Amber	<ul style="list-style-type: none"> <li>• The entire channel is not populated.</li> <li>• DIMMs do not match within the channel, but other valid memory is available.</li> </ul>
Overtemperature (amber)	Amber	The Health Driver has detected a cautionary temperature level.

System LED and Color	Internal Health LED Color	Status
	Red	The server has detected a hardware critical temperature level.
Fan module (amber)	Red	The minimum fan requirements are not being met in one or more of the fan modules. One or more fans have failed or are missing.
Power supply (amber)	Red	One or more of the following conditions may exist: <ul style="list-style-type: none"> <li>• There is no AC power.</li> <li>• The power supply has failed.</li> </ul>
	Amber	There is a power supply mismatch at POST.

## DIMM slots

DIMM slots are numbered sequentially (1 through 9) for each processor. The supported AMP modes use the letter assignments for population guidelines.

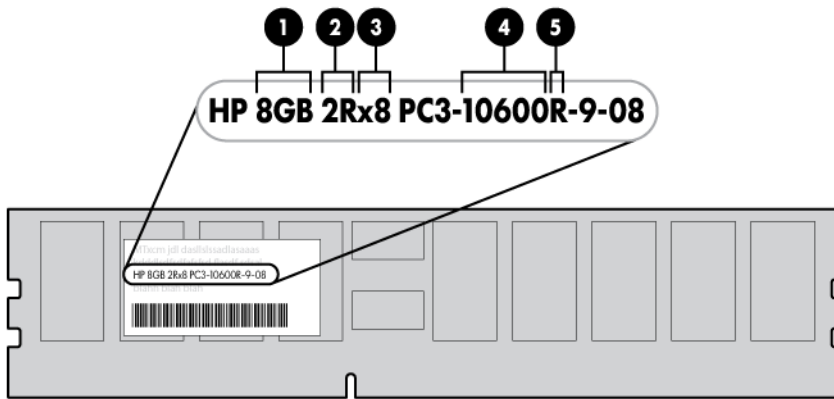


## DIMM identification



**IMPORTANT:** This server does not support mixing RDIMMs and UDIMMs. Attempting to mix these two types causes the server to halt during BIOS initialization.

The memory subsystem may be populated with either RDIMMs or UDIMMs, but mixing the two types is not supported. To determine DIMM characteristics, use the label attached to the DIMM and the following illustration and table.



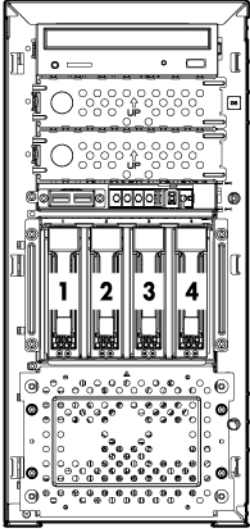
Item	Description	Definition
1	Size	—
2	Rank	1R = Single-rank 2R = Dual-rank 4R = Quad-rank
3	Data width	x4 = 4-bit x8 = 8-bit
4	Memory speed	10600 = 1333-MHz 8500 = 1066-MHz
5	DIMM type	R = RDIMM (registered) E = UDIMM (unbuffered with ECC)

For the latest supported memory information, see the QuickSpecs on the HP website (<http://www.hp.com>).

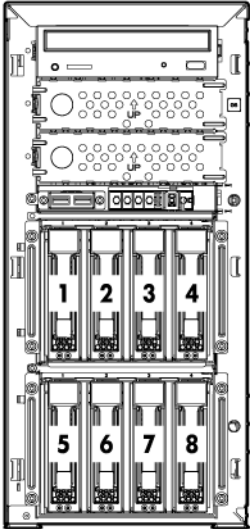


# SAS and SATA device numbers

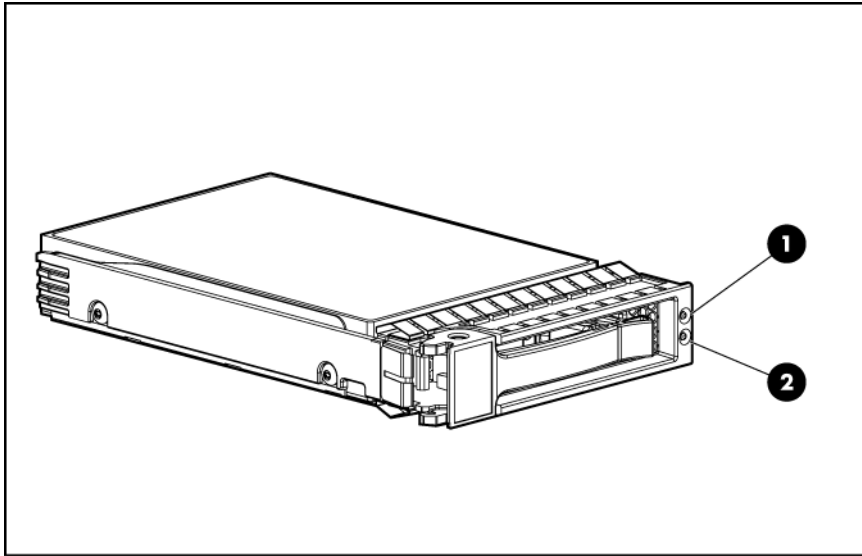
- Standard configuration



- Optional configuration with hard drive expansion cage



# Hot-plug SATA or SAS hard drive LEDs

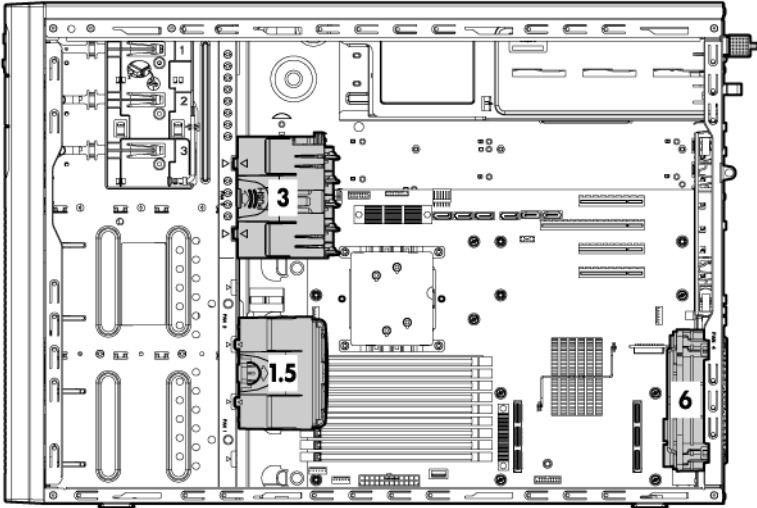


Item	LED description	Status
1	Fault/UID status	Amber = Drive failure Flashing amber = Fault-process activity Blue = Unit identification is active Off = No fault-process activity
2	Online/Activity status	Green = Drive activity Flashing green = High activity on the drive or drive is being configured as part of an array Off = No drive activity

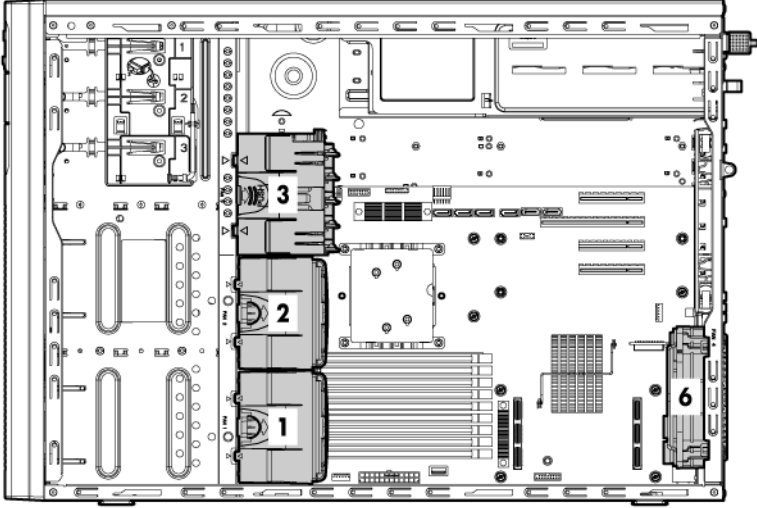
The online/activity status LED will not illuminate if using SATA drives connected to the embedded storage device. In this configuration, SATA hard drive activity can be identified using the hard drive activity LED on the system front panel.

# Fan locations

- Standard fan configuration



- Redundant fan configuration



---


# Operations

## Power up the server

To power up the server, press the Power On/Standby button.

## Power down the server

---

 **WARNING:** To reduce the risk of personal injury, electric shock, or damage to the equipment, remove the power cord to remove power from the server. The front panel Power On/Standby button does not completely shut off system power. Portions of the power supply and some internal circuitry remain active until AC power is removed.

---

 **IMPORTANT:** If installing a hot-plug device, it is not necessary to power down the server.

---


1. Back up the server data.
2. Shut down the operating system as directed by the operating system documentation.

---

**NOTE:** If the operating system automatically places the server in Standby mode, omit the next step.

---

3. Press the Power On/Standby button to place the server in Standby mode. When the server activates Standby power mode, the system power LED changes to amber.

 **IMPORTANT:** Pressing the UID button illuminates the blue UID LEDs on the front and rear panels. In a rack environment, this feature facilitates locating a server when moving between the front and rear of the rack.

---


4. Disconnect the power cords.

The system is now without power.


## Open or remove the tower bezel

This server has a removable bezel that must be unlocked and opened before accessing the front panel components. The bezel should remain closed during normal server operations.

---

 **CAUTION:** To avoid injury, HP recommends that only authorized technicians keep the bezel key.

---

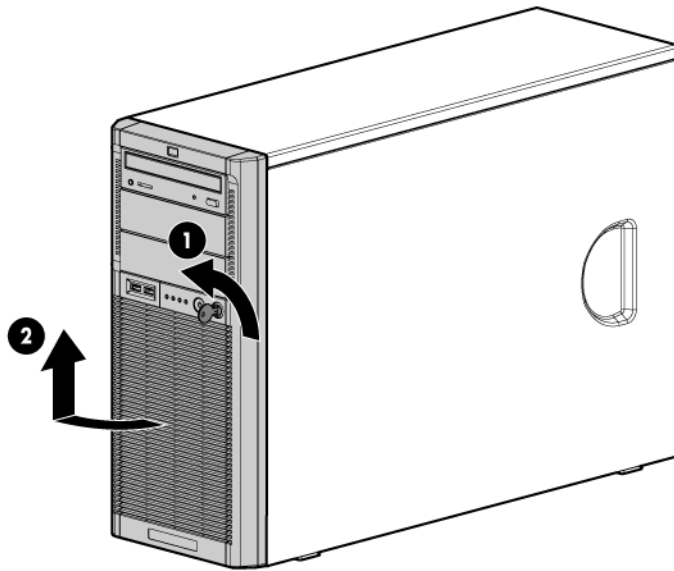
 **CAUTION:** To avoid breaking the bezel, remove the bezel before placing the server on its side.

---

To remove the component:

1. Power down the server (on page 20).

2. Using the key provided with the server, unlock the bezel.
3. Remove the bezel, as needed.



## Extend the server from the rack

---

**NOTE:** If the optional cable management arm option is installed, you can extend the server without powering down the server or disconnecting peripheral cables and power cords. These steps are only necessary with the standard cable management solution.

---

1. Power down the server (on page 20).
2. Disconnect all peripheral cables and power cords from the server rear panel.
3. Extend the tray.

---

**⚠ WARNING:** To reduce the risk of personal injury or equipment damage, be sure that the rack is adequately stabilized before extending a component from the rack.

---

**⚠ WARNING:** To reduce the risk of personal injury, be careful when pressing the server rail-release latches and sliding the server into the rack. The sliding rails could pinch your fingers.

---

4. After performing the installation or maintenance procedure, slide the server back into the rack:
  - a. Press the server rail-release latches and slide the server fully into rack.
  - b. Secure the server by tightening the thumbscrews.
5. Reconnect the peripheral cables and power cords.

## Remove the access panel

1. Power down the server (on page 20).
2. Do one of the following:
  - o Open or remove the tower bezel, as needed ("[Open or remove the tower bezel](#)" on page 20).
  - o Extend the server from the rack (on page 21).

3. Loosen the access panel screws.
4. Slide the access panel back about 1.5 cm (0.5 in).
5. Lift and remove the access panel.

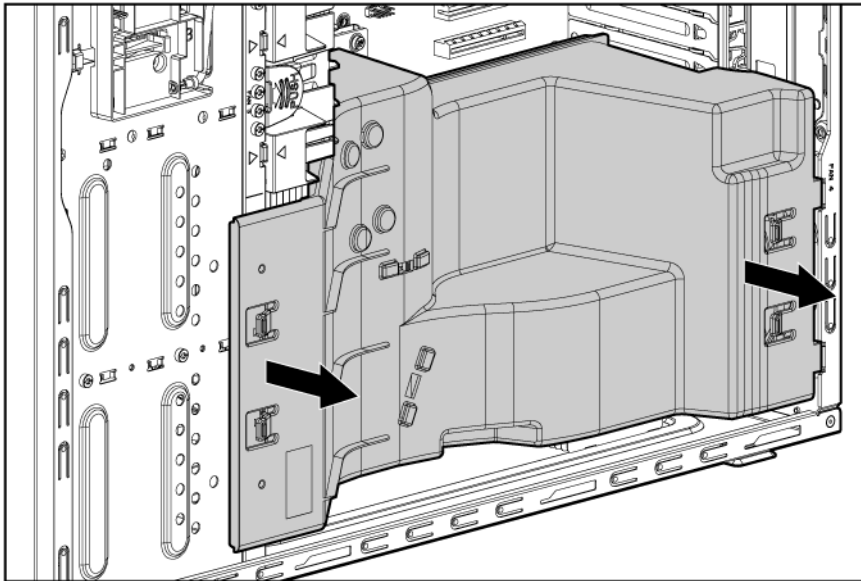
**CAUTION:** For proper cooling, do not operate the server without the access panel, baffles, expansion slot covers, hard drives, or blanks installed.

## Install the access panel

1. Place the access panel on top of the server, allowing it to extend past the rear of the server approximately 1.5 cm (0.5 in).
2. Slide the access panel forward until it clicks into place, and close the access panel latch.

## Remove the air baffle

1. Power down the server (on page 20).
2. Do one of the following:
  - o Open or remove the tower bezel, as needed ("[Open or remove the tower bezel](#)" on page 20).
  - o Extend the server from the rack (on page 21).
3. Remove the access panel (on page 21).
4. Remove the air baffle.



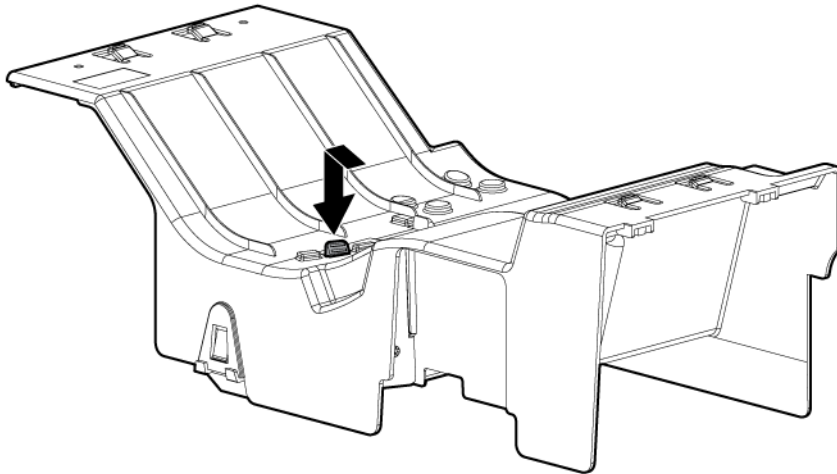
If necessary, configure the air baffle (on page 22).

## Configure the air baffle

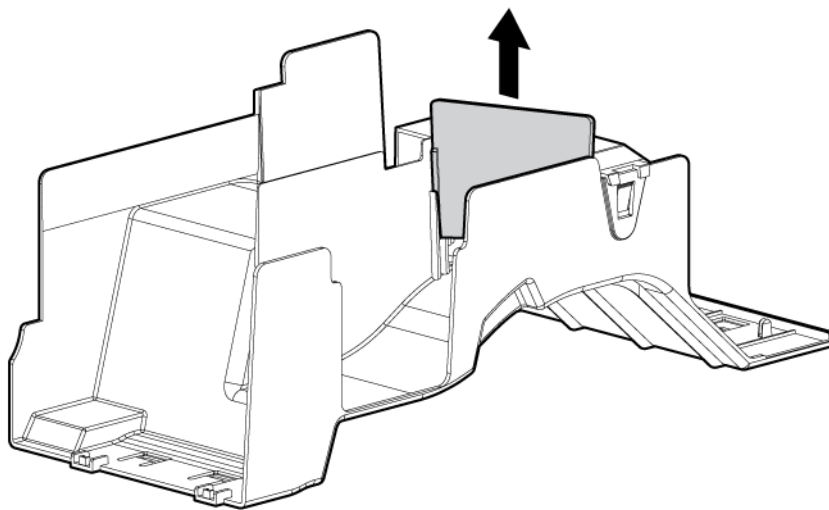
This procedure is necessary for 2P models only.

1. Power down the server (on page 20).
2. Do one of the following:

- Open or remove the tower bezel, as needed ("[Open or remove the tower bezel](#)" on page 20).
- Extend the server from the rack (on page 21).
- 3. Remove the access panel (on page 21).
- 4. Remove the air baffle (on page 22).
- 5. Press and hold the release button.



- 6. Remove the partition.

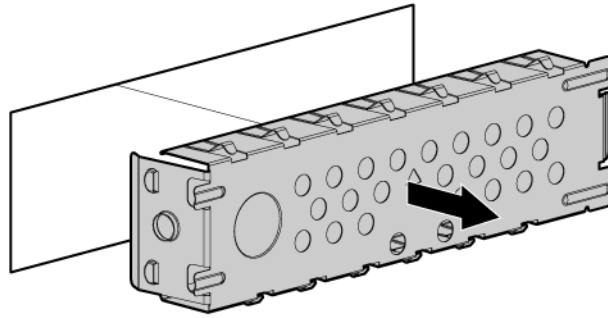


## Remove the media bay blank

1. Power down the server (on page 20).
2. Open or remove the tower bezel, as needed ("[Open or remove the tower bezel](#)" on page 20).

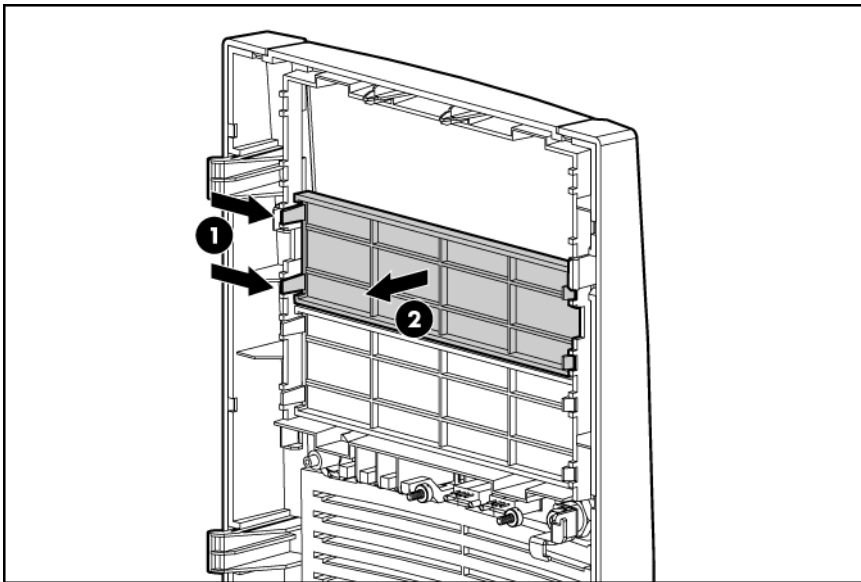
△ **CAUTION:** Always populate each media bay with either a device or a blank. Proper airflow can only be maintained when the bays are populated. Unpopulated drive bays can lead to improper cooling and thermal damage.

3. Remove the media bay blank.



## Remove a bezel blank

1. Power down the server (on page 20).
2. Remove the front bezel ("[Open or remove the tower bezel](#)" on page 20).
3. Remove a bezel blank.

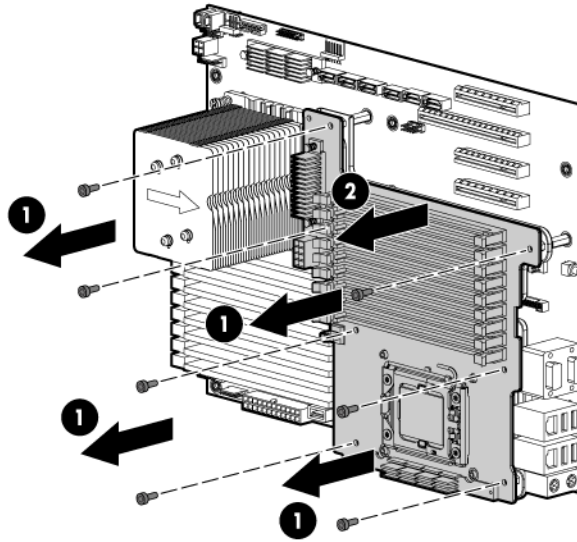


## Remove the processor board

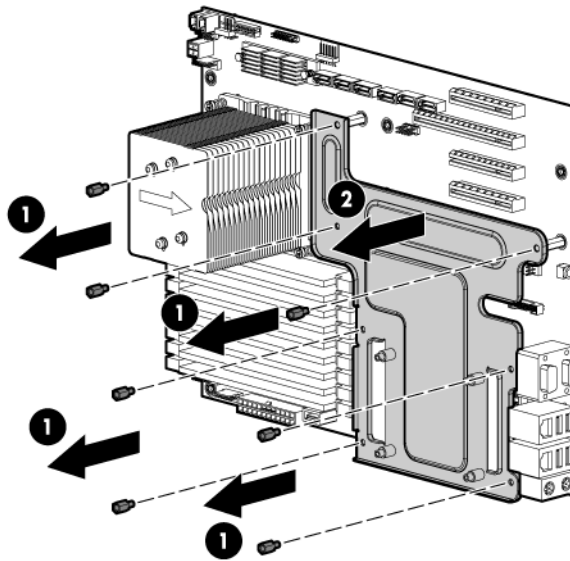
1. Power down the server (on page 20).
2. Do one of the following:
  - o Open or remove the tower bezel, as needed ("[Open or remove the tower bezel](#)" on page 20).
  - o Extend the server from the rack (on page 21).
3. Remove the access panel (on page 21).
4. Place the tower server on its side.
5. Remove the air baffle (on page 22).
6. Disconnect the power cable from the processor board.



7. Using a T-15 Torx screwdriver, remove the screws securing the processor board.
8. Remove the processor board.



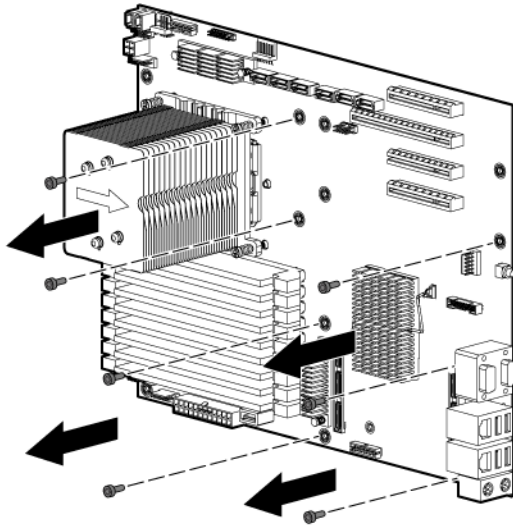
9. Using the wrench provided in the kit, remove the mezzanine support stand-offs.
10. Remove the metal plate.



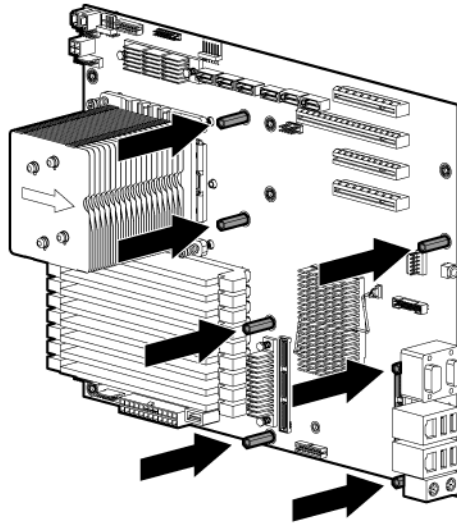
## Install the processor board

1. Power down the server (on page 20).
2. Do one of the following:
  - o Open or remove the tower bezel, as needed ("[Open or remove the tower bezel](#)" on page 20).
  - o Extend the server from the rack (on page 21).
3. Remove the access panel (on page 21).
4. Place the tower server on its side.
5. Remove the air baffle (on page 22).

- Using a T-15 Torx screwdriver, remove the seven screws on the system board. Save the screws.

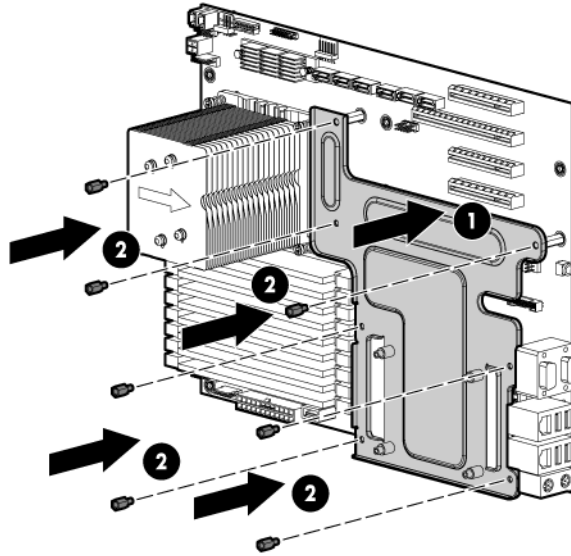


- Using the wrench provided in the kit, install the seven mezzanine base stand-offs.

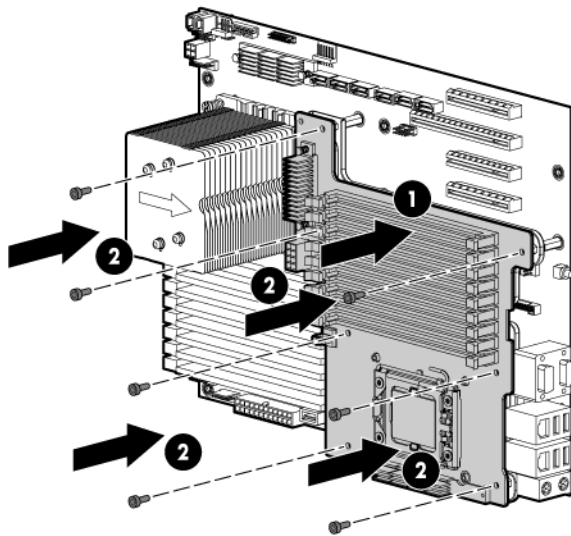


- Install the metal plate on the mezzanine base stand-offs.

9. Using the wrench from the kit, install the mezzanine support stand-offs.



10. Install the processor board.
11. Using the screws removed from the system board, secure the processor board.



---

# Setup

## Optional installation services

Delivered by experienced, certified engineers, HP Care Pack services help you keep your servers up and running with support packages tailored specifically for HP ProLiant systems. HP Care Packs let you integrate both hardware and software support into a single package. A number of service level options are available to meet your needs.

HP Care Pack Services offer upgraded service levels to expand your standard product warranty with easy-to-buy, easy-to-use support packages that help you make the most of your server investments. Some of the Care Pack services are:

- Hardware support
  - 6-Hour Call-to-Repair
  - 4-Hour 24x7 Same Day
  - 4-Hour Same Business Day
- Software support
  - Microsoft®
  - Linux
  - HP ProLiant Essentials (HP SIM and RDP)
- Startup and implementation services for both hardware and software

For more information on Care Packs, refer to the HP website ([http://www.hp.com/hps/carepack/servers/cp\\_proliant.html](http://www.hp.com/hps/carepack/servers/cp_proliant.html)).

## Rack planning resources

The rack resource kit ships with all HP branded or Compaq branded 9000, 10000, and H9 series racks. For more information on the content of each resource, refer to the rack resource kit documentation.

If you intend to deploy and configure multiple servers in a single rack, refer to the white paper on high-density deployment at the HP website (<http://www.hp.com/products/servers/platforms>).

## Optimum environment

When installing the server in a rack, select a location that meets the environmental standards described in this section.


## Space and airflow requirements

To allow for servicing and adequate airflow, observe the following space and airflow requirements when deciding where to install a rack:

- Leave a minimum clearance of 63.5 cm (25 in) in front of the rack.
- Leave a minimum clearance of 76.2 cm (30 in) behind the rack.
- Leave a minimum clearance of 121.9 cm (48 in) from the back of the rack to the back of another rack or row of racks.

HP servers draw in cool air through the front door and expel warm air through the rear door. Therefore, the front and rear rack doors must be adequately ventilated to allow ambient room air to enter the cabinet, and the rear door must be adequately ventilated to allow the warm air to escape from the cabinet.


---

 **CAUTION:** To prevent improper cooling and damage to the equipment, do not block the ventilation openings.

---

When vertical space in the rack is not filled by a server or rack component, the gaps between the components cause changes in airflow through the rack and across the servers. Cover all gaps with blanking panels to maintain proper airflow.


---

 **CAUTION:** Always use blanking panels to fill empty vertical spaces in the rack. This arrangement ensures proper airflow. Using a rack without blanking panels results in improper cooling that can lead to thermal damage.


---

The 9000 and 10000 Series Racks provide proper server cooling from flow-through perforations in the front and rear doors that provide 64 percent open area for ventilation.

---

 **CAUTION:** When using a Compaq branded 7000 Series rack, you must install the high airflow rack door insert [P/N 327281-B21 (42U) or P/N 157847-B21 (22U)] to provide proper front-to-back airflow and cooling.

---

 **CAUTION:** If a third-party rack is used, observe the following additional requirements to ensure adequate airflow and to prevent damage to the equipment:

- Front and rear doors—If the 42U rack includes closing front and rear doors, you must allow 5,350 sq cm (830 sq in) of holes evenly distributed from top to bottom to permit adequate airflow (equivalent to the required 64 percent open area for ventilation).
- Side—The clearance between the installed rack component and the side panels of the rack must be a minimum of 7 cm (2.75 in).


---

## Temperature requirements

To ensure continued safe and reliable equipment operation, install or position the system in a well-ventilated, climate-controlled environment.

The maximum recommended ambient operating temperature (TMRA) for most server products is 35°C (95°F). The temperature in the room where the rack is located must not exceed 35°C (95°F).

---



 **CAUTION:** To reduce the risk of damage to the equipment when installing third-party options:

- Do not permit optional equipment to impede airflow around the server or to increase the internal rack temperature beyond the maximum allowable limits.
- Do not exceed the manufacturer's TMRA.

---

## Power requirements

Installation of this equipment must comply with local and regional electrical regulations governing the installation of information technology equipment by licensed electricians. This equipment is designed to operate in installations covered by NFPA 70, 1999 Edition (National Electric Code) and NFPA-75, 1992 (code for Protection of Electronic Computer/Data Processing Equipment). For electrical power ratings on options, refer to the product rating label or the user documentation supplied with that option.

- 
-  **WARNING:** To reduce the risk of personal injury, fire, or damage to the equipment, do not overload the AC supply branch circuit that provides power to the rack. Consult the electrical authority having jurisdiction over wiring and installation requirements of your facility.
- 
-  **CAUTION:** Protect the server from power fluctuations and temporary interruptions with a regulating uninterruptible power supply (UPS). This device protects the hardware from damage caused by power surges and voltage spikes and keeps the system in operation during a power failure.
- 

When installing more than one server, you may need to use additional power distribution devices to safely provide power to all devices. Observe the following guidelines:

- Balance the server power load between available AC supply branch circuits.
- Do not allow the overall system AC current load to exceed 80 percent of the branch circuit AC current rating.
- Do not use common power outlet strips for this equipment.
- Provide a separate electrical circuit for the server.

## Electrical grounding requirements

The server must be grounded properly for proper operation and safety. In the United States, you must install the equipment in accordance with NFPA 70, 1999 Edition (National Electric Code), Article 250, as well as any local and regional building codes. In Canada, you must install the equipment in accordance with Canadian Standards Association, CSA C22.1, Canadian Electrical Code. In all other countries, you must install the equipment in accordance with any regional or national electrical wiring codes, such as the International Electrotechnical Commission (IEC) Code 364, parts 1 through 7. Furthermore, you must be sure that all power distribution devices used in the installation, such as branch wiring and receptacles, are listed or certified grounding-type devices.

Because of the high ground-leakage currents associated with multiple servers connected to the same power source, HP recommends the use of a PDU that is either permanently wired to the building's branch circuit or includes a nondetachable cord that is wired to an industrial-style plug. NEMA locking-style plugs or those complying with IEC 60309 are considered suitable for this purpose. Using common power outlet strips for the server is not recommended.

## Rack warnings

- 
- ⚠ WARNING:** To reduce the risk of personal injury or damage to the equipment, be sure that:
- The leveling jacks are extended to the floor.
  - The full weight of the rack rests on the leveling jacks.
  - The stabilizing feet are attached to the rack if it is a single-rack installation.
  - The racks are coupled together in multiple-rack installations.
  - Only one component is extended at a time. A rack may become unstable if more than one component is extended for any reason.
- 

- ⚠ WARNING:** To reduce the risk of personal injury or equipment damage when unloading a rack:
- At least two people are needed to safely unload the rack from the pallet. An empty 42U rack can weigh as much as 115 kg (253 lb), can stand more than 2.1 m (7 ft) tall, and may become unstable when being moved on its casters.
  - Never stand in front of the rack when it is rolling down the ramp from the pallet. Always handle the rack from both sides.
- 

## Identifying the server shipping carton contents

Unpack the server shipping carton and locate the materials and documentation necessary for installing the server. All the rack mounting hardware necessary for installing the server into the rack is included with the rack or the server.

The contents of the server shipping carton include:

- Server
- Printed setup documentation, Documentation CD, and software products
- Power cord
- Rack mounting hardware kit and documentation

In addition to these supplied items, you may need:

- Application software CDs or diskettes
- Options to be installed
- T-10/T-15 Torx screwdriver

## Installing hardware options

Install any hardware options before initializing the server. For options installation information, refer to the option documentation. For server-specific information, refer to "Hardware options installation (on page 35)."

## Setting up a tower server

Follow the steps in this section to set up a tower model server. If you are going to install the server into a rack, refer to the rack installation ("[Installing a server in a rack](#)" on page 32) section.

1. Connect peripheral devices to the server.

---

**⚠ WARNING:** To reduce the risk of electric shock, fire, or damage to the equipment, do not plug telephone or telecommunications connectors into RJ-45 connectors.

---

2. Connect the power cord to the rear of the server.
3. Connect the power cord to the AC power source.

**⚠ WARNING:** To reduce the risk of electric shock or damage to the equipment:

- Do not disable the power cord grounding plug. The grounding plug is an important safety feature.
- Plug the power cord into a grounded (earthed) electrical outlet that is easily accessible at all times.
- Unplug the power cord from the power supply to disconnect power to the equipment.
- Do not route the power cord where it can be walked on or pinched by items placed against it. Pay particular attention to the plug, electrical outlet, and the point where the cord extends from the server.

---

## Installing a server in a rack

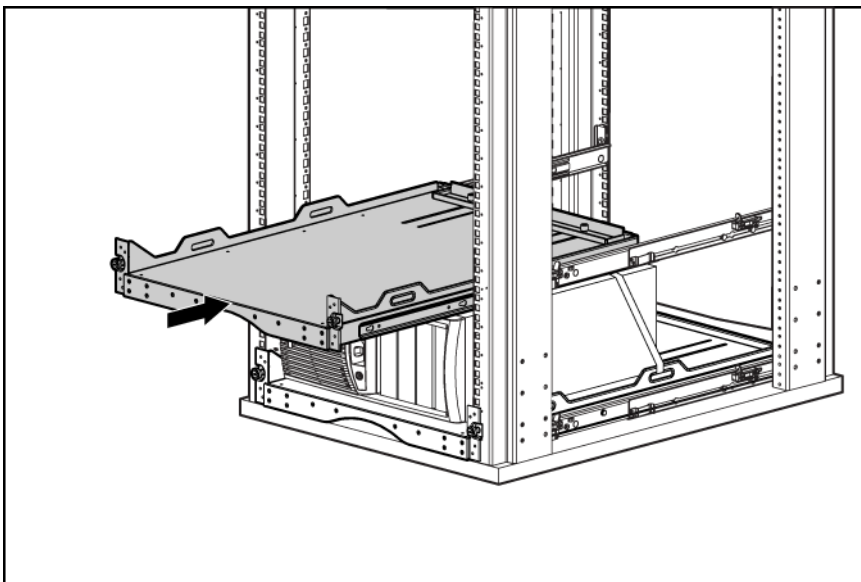
The procedure to install the tray in the rack is similar to the procedures to install a server in a rack. For more information, see the *2U Quick Deploy Rail System Installation Instructions* that shipped in the rail kit.

**⚠ CAUTION:** To avoid damage to the equipment, be sure that the rack rails are installed in a predetermined location on the rack so that airflow clearance issues are resolved. For airflow clearance information, refer to the documentation that ships with the server.

---

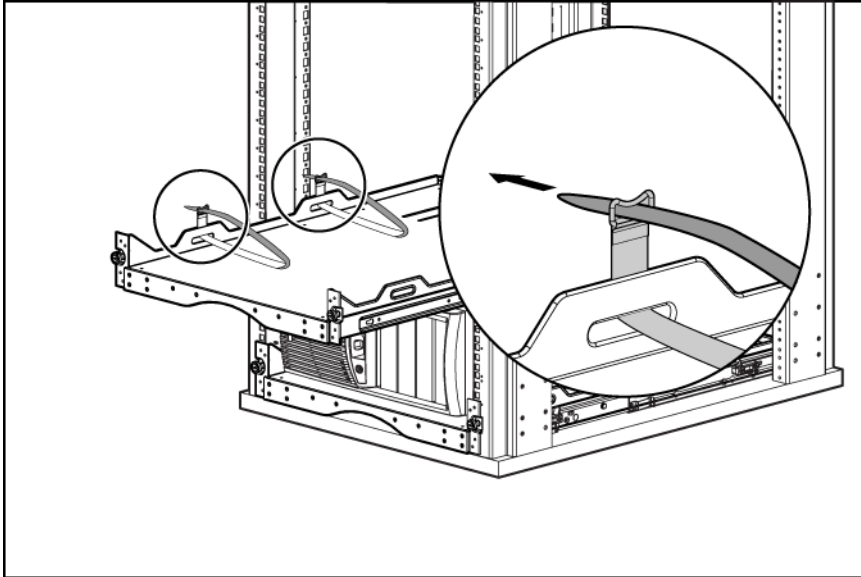
To install the component:

1. See the "Installing the Product into a Rack" section of the *2U Quick Deploy Rack Rail System Installation Instructions* to do the following:
  - a. Install the component rails on the tray.
  - b. Install the rack rails in the rack.
2. Install the tray onto the rack rails, and then partially slide the assembly into the rack.



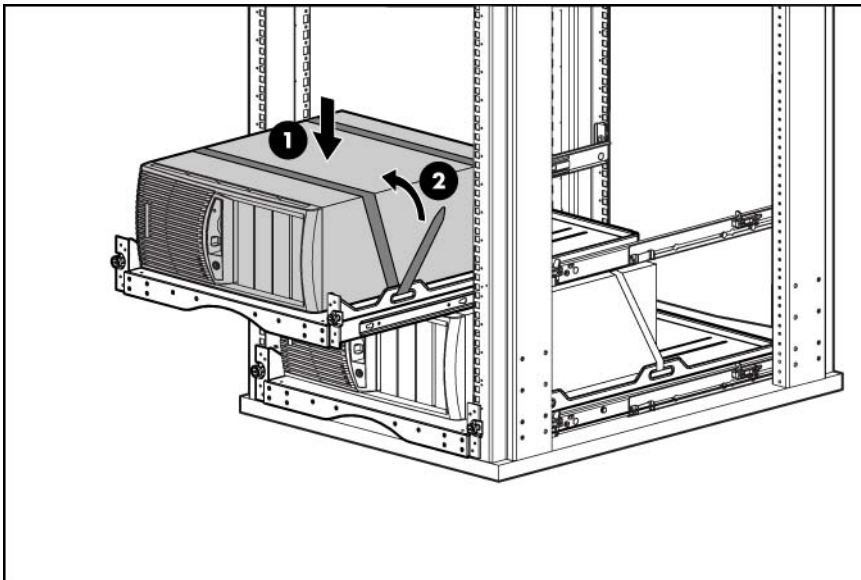


3. Attach the straps to the tray.



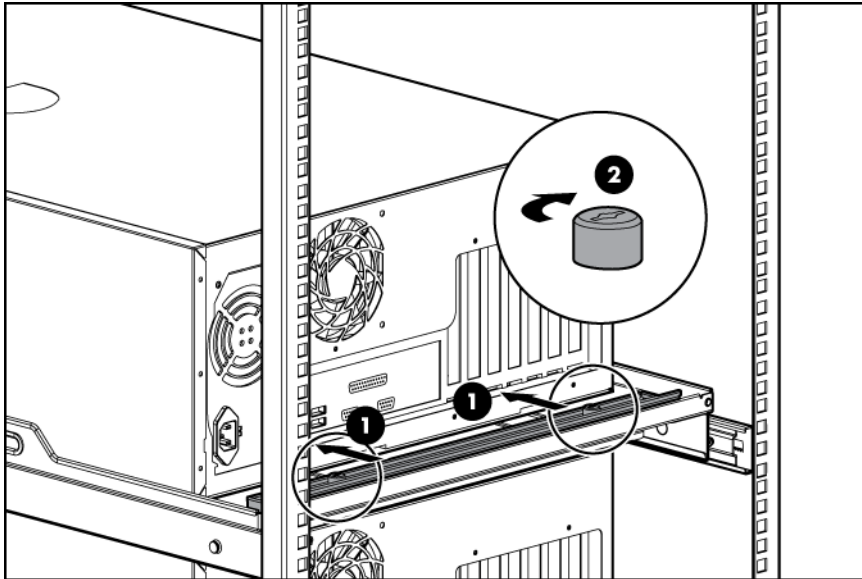
4. Place the server on the tray, and then secure the server to the tray.

⚠ **CAUTION:** To prevent damage to equipment, do not place the monitor on a rack-mounted server. The rack enabling kit supports only the server.



5. Slide the tray fully into the rack, and then tighten the thumbscrews.

6. Slide the locking bracket forward, and then tighten the thumbscrews.



## Installing the operating system

To operate properly, the server must have a supported operating system. For the latest information on supported operating systems, refer to the HP website (<http://www.hp.com/go/supportos>).

Two methods are available to install an operating system on the server:

- SmartStart assisted installation—Insert the SmartStart CD into the CD-ROM drive and reboot the server.
- Manual installation—Insert the operating system CD into the CD-ROM drive and reboot the server. This process may require you to obtain additional drivers from the HP website (<http://www.hp.com/support>).

Follow the on-screen instructions to begin the installation process.

For information on using these installation paths, refer to the SmartStart installation poster in the HP ProLiant Essentials Foundation Pack, included with the server.

## Registering the server

To register the server, refer to the HP Registration website (<http://register.hp.com>).


---

# Hardware options installation


## Introduction

If more than one option is being installed, read the installation instructions for all the hardware options and identify similar steps to streamline the installation process.

---

 **WARNING:** To reduce the risk of personal injury from hot surfaces, allow the drives and the internal system components to cool before touching them.

---


 **CAUTION:** To prevent damage to electrical components, properly ground the server before beginning any installation procedure. Improper grounding can cause electrostatic discharge.

---


## Processor option

The server supports single- and dual-processor operation. With two processors installed, the server supports boot functions through the processor installed in processor socket 1. However, if processor 1 fails, the system automatically boots from processor 2 and provides a processor failure message.

---


 **WARNING:** To reduce the risk of personal injury from hot surfaces, allow the drives and the internal system components to cool before touching them.

---

 **CAUTION:** To avoid damage to the system board:


- Do not touch the processor socket contacts.
- Always install the processor socket cover after removing the processor from the socket.
- Do not tilt or slide the processor when lowering the processor into the socket.

---


 **CAUTION:** To avoid damage to the processor:

- Handle the processor only by the edges.
- Do not touch the bottom of the processor, especially the contact area.


---

 **CAUTION:** To prevent possible server malfunction and damage to the equipment, multiprocessor configurations must contain processors with the same part number.


---

 **CAUTION:** To prevent possible server overheating, always populate processor socket 2 with a processor and a heatsink or a processor socket cover and a heatsink blank.

---

 **CAUTION:** The heatsink thermal interface media is not reusable and must be replaced if the heatsink is removed from the processor after it has been installed.

---

 **CAUTION:** To prevent possible server malfunction and damage to the equipment, multiprocessor configurations must contain the same type of processors.

---



---

**IMPORTANT:** When installing the heatsink, align the guide pins on the processor retention bracket with the alignment holes in the heatsink.

---



**IMPORTANT:** Processor socket 1 must always be populated. If processor socket 1 is empty, the server does not power up.

---

**NOTE:** Do not discard the processor protective cover. Always install the processor protective cover if the processor is removed from the socket.

---

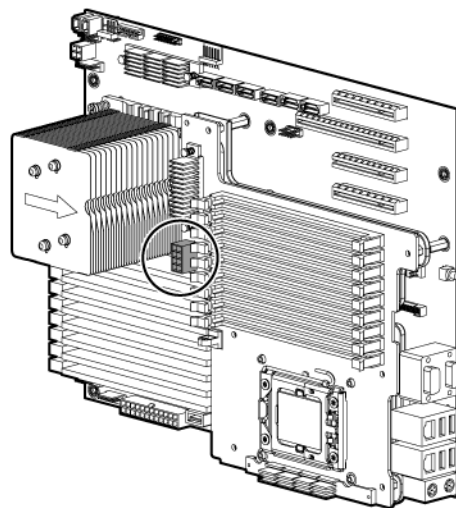


**CAUTION:** To help avoid damage to the processor and system board, do not install the processor without using the processor installation tool.

---

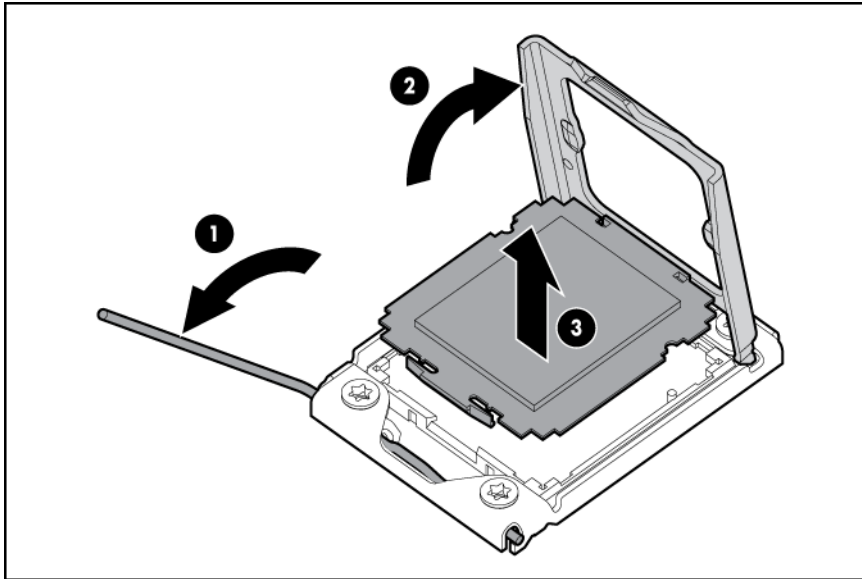
To install the component:

1. Update the system ROM.  
Locate and download the latest ROM version from the HP website (<http://www.hp.com/support>). Follow the instructions on the website to update the system ROM.
2. Power down the server (on page 20).
3. Disconnect all power cords from the power source.
4. Disconnect power cords from the server.
5. Do one of the following:
  - o Open or remove the tower bezel, as needed ("Open or remove the tower bezel" on page 20).
  - o Extend the server from the rack (on page 21).
6. Remove the access panel (on page 21).
7. Place the tower server on its side.
8. Remove the air baffle (on page 22).
9. Configure the air baffle (on page 22).
10. Install the processor board (on page 25).
11. Connect an available system power cable to the processor board.



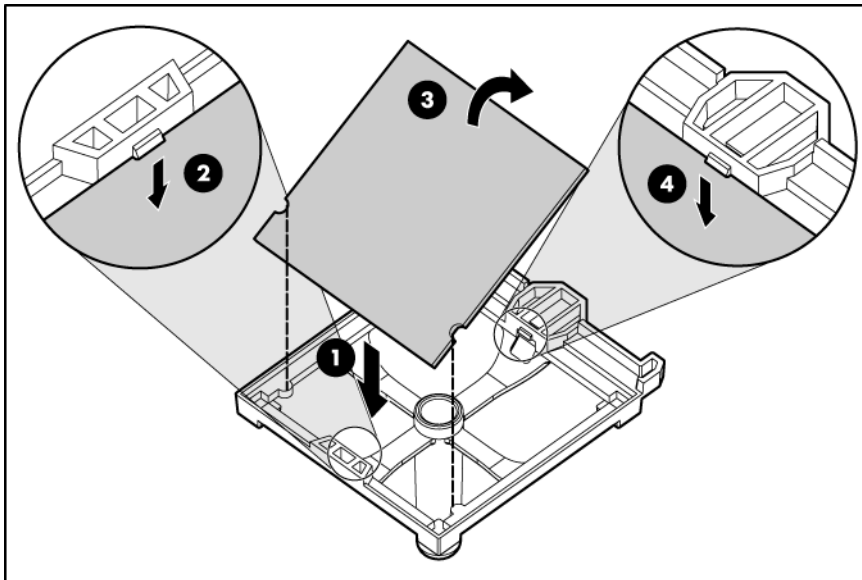
12. Open the processor retaining latch and the processor socket retaining bracket.

13. Remove the processor socket protective cover.

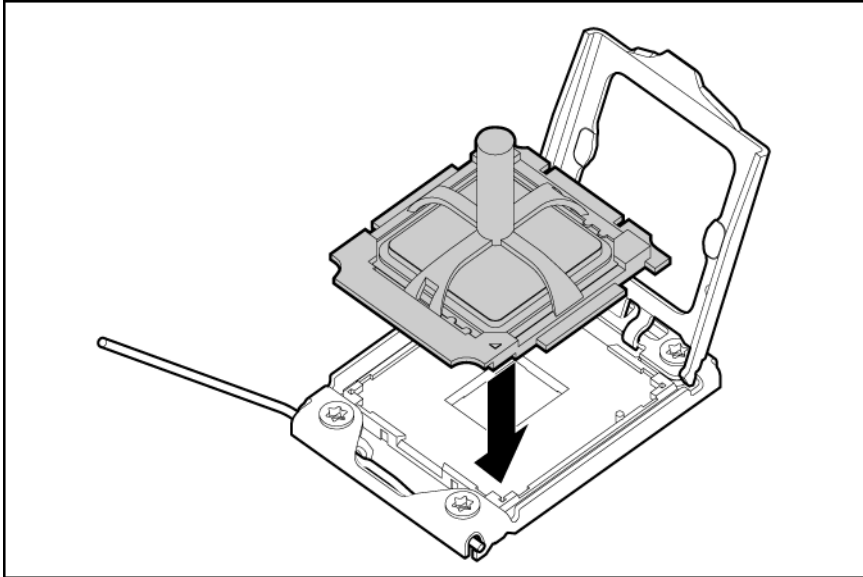


**IMPORTANT:** Be sure the processor remains inside the processor installation tool.

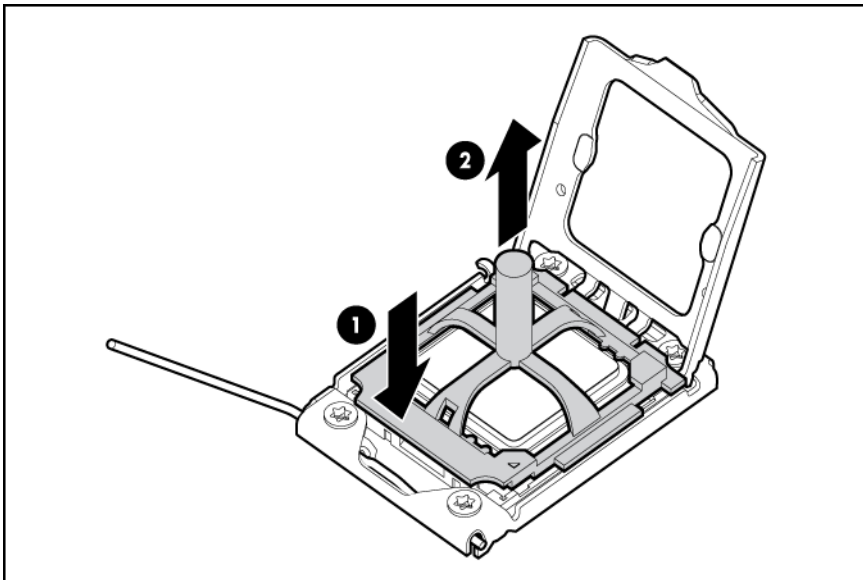
14. If the processor has separated from the installation tool, carefully re-insert the processor in the tool.



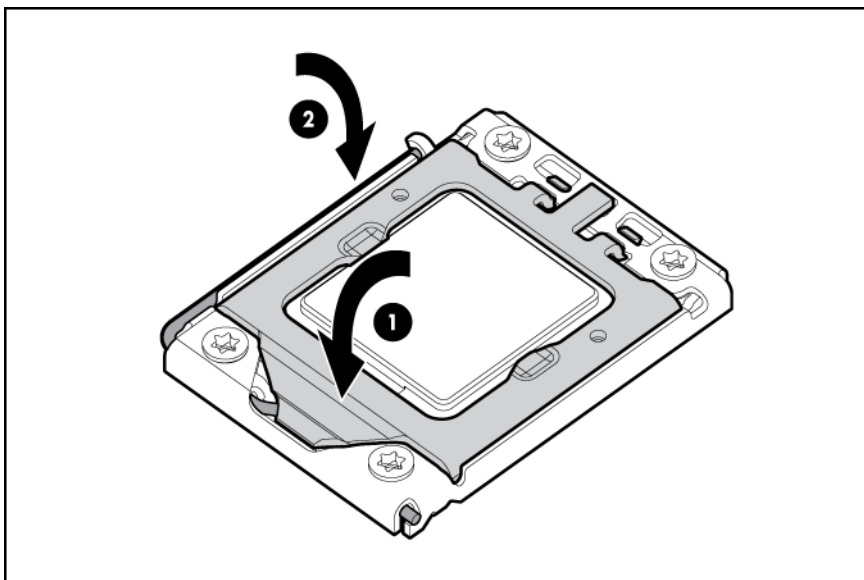
15. Align the processor installation tool with the socket and install the processor.



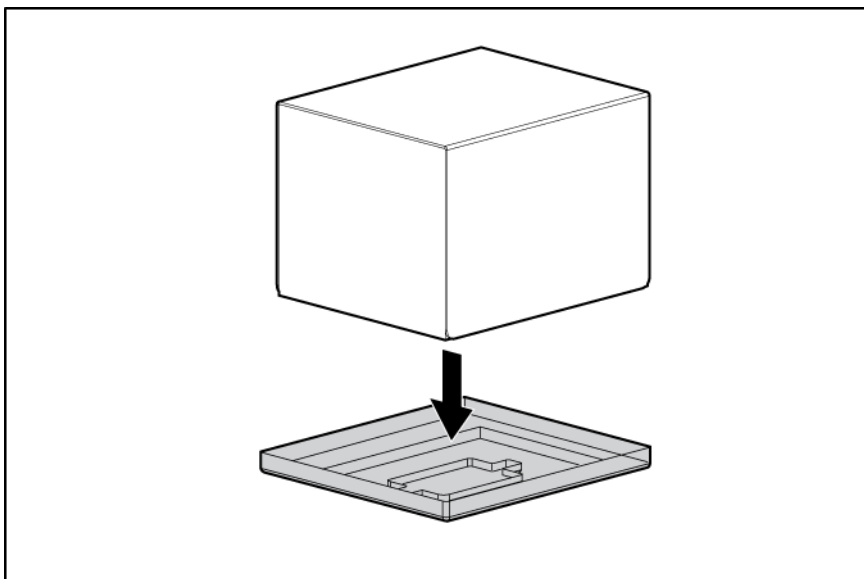
16. Press down firmly until the processor installation tool clicks and separates from the processor, and then remove the processor installation tool.



17. Close the processor socket retaining bracket and the processor retaining latch.

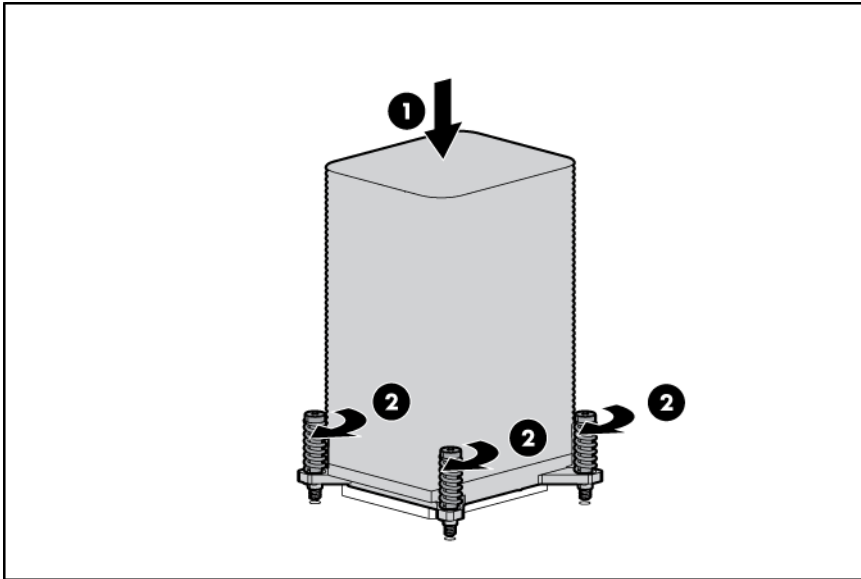


18. Remove the heatsink protective cover.



19. Install the heatsink.

Be sure the airflow arrow on the heatsink points toward the rear of the server.



20. (Optional) To optimize performance, install DIMMs into the processor 2 DIMM slots ("[Installing DIMMs](#)" on page 47).  
For the location of the processor 2 DIMM slots, see "[System board components](#) (on page 11)."
21. Install the air baffle.
22. Install the access panel (on page 22).
23. Do one of the following:
  - o Close or install the tower bezel, as needed.
  - o Slide the server back into the rack.
24. Connect all power cords to the server.
25. Connect power cords to the power source.
26. Power up the server (on page 20).

## Memory options



**IMPORTANT:** This server does not support mixing RDIMMs and UDIMMs. Attempting to mix these two types causes the server to halt during BIOS initialization.

The memory subsystem in this server can support RDIMMs or UDIMMs. Both types are referred to as DIMMs when the information applies to both types. When specified as RDIMM or UDIMM, the information applies to that type only. All memory installed in the server must be the same type.

The server supports the following DIMM speeds:

- Single- and dual-rank PC3-10600 (DDR-1333) DIMMs operating at 1333 and 1066 MHz
- Quad-rank PC3-8500 (DDR-1067) DIMMs operating at 1066 MHz

Depending on the processor model, the number of DIMMs installed, and whether UDIMMs or RDIMMs are installed, the memory clock speed may be reduced to 1066 or 800 MHz. For more information on the effect of DIMM slot population, see "[General DIMM slot population guidelines](#) (on page 43)."



## Memory subsystem architecture

The memory subsystem in this server is divided into channels. Each processor supports three channels, and each channel supports three DIMM slots, as shown in the following table.

Channel	Slot	Slot number
1	G	1
	D	2
	A	3
2	H	4
	E	5
	B	6
3	I	7
	F	8
	C	9

This multi-channel architecture provides enhanced performance in Advanced ECC mode. This architecture also enables the Mirrored Memory and Lockstep memory modes. This server supports both Registered PC3 DIMMs (RDIMMs) and Unbuffered DIMMs (UDIMMs).

DIMM slots in this server are identified by number and by letter. Letters identify the slots to populate for specific AMP modes. Slot numbers are reported by ROM messages during boot and for error reporting.

## Single-, dual-, and quad-rank DIMMs

To understand and configure memory protection modes properly, an understanding of single-, dual-, and quad-rank DIMMs is helpful. Some DIMM configuration requirements are based on these classifications.

A single-rank DIMM has one set of memory chips that is accessed while writing to or reading from the memory. A dual-rank DIMM is similar to having two single-rank DIMMs on the same module, with only one rank accessible at a time. A quad-rank DIMM is, effectively, two dual-rank DIMMs on the same module. Only one rank is accessible at a time. The server memory control subsystem selects the proper rank within the DIMM when writing to or reading from the DIMM.

Dual- and quad-rank DIMMs provide the greatest capacity with the existing memory technology. For example, if current DRAM technology supports 2-GB single-rank DIMMs, a dual-rank DIMM would be 4-GB, and a quad-rank DIMM would be 8-GB.

## Memory configurations

To optimize server availability, the server supports the following AMP modes:

- Advanced ECC—provides the greatest memory capacity for a given DIMM size, while providing up to 4-bit error correction. This mode is the default option for this server.
- Mirrored Memory—provides maximum protection against failed DIMMs. Uncorrectable errors in one channel are corrected by the mirror channel.
- Lockstep—provides enhanced protection while making all installed memory available to the operating system. The server can continue to function if a single- or multi-bit memory failure within a single DRAM device occurs.

Advanced Memory Protection options are configured in RBSU. If the requested AMP mode is not supported by the installed DIMM configuration, the server boots in Advanced ECC mode. For more information, see "HP ROM-Based Setup Utility (on page 85)."

For the latest memory configuration information, see the QuickSpecs on the HP website (<http://www.hp.com>).

## RDIMM maximum memory configurations

The following table lists the maximum memory configuration possible with 8-GB RDIMMs.

Rank	Processor
Single-rank	72 GB
Dual-rank	72 GB
Quad-rank	48 GB

## UDIMM maximum memory configurations

The server supports a maximum of 24 GB using 4-GB dual-rank UDIMMs.

## Low voltage DIMMs

Low Voltage DDR3 DIMMs operate at a lower voltage (1.35V) than standard voltage DDR3 DIMMs (1.5V), and therefore consume less power. However, LVDIMMs are configured to operate at standard voltage levels (1.5V) under the following conditions:

- If LVDIMMs are mixed with standard DDR3 DIMMs on the same server, the LVDIMMs operate at 1.5V.
- If there are two dual-rank LVDIMMs per channel on any populated memory channel in the system running at 1333 MHz, the LVDIMMs operate at 1.5V.

This setting preserves maximum memory subsystem performance. To have DIMMs operate at 1.35V, configure the Maximum Memory Bus Frequency option in the ROM-Based Setup Utility to 1066 MHz.

- If there is one quad-rank LVDIMM per channel on any populated memory channel in the system running at 1066 MHz, the LVDIMMs operate at 1.5V.

This setting preserves maximum memory subsystem performance. To have DIMMs operate at 1.35V, configure the Maximum Memory Bus Frequency option in the ROM-Based Setup Utility to 800 MHz.

LVDIMMs are only supported for use with the Intel® Xeon® 5600 series of processors.

## Advanced ECC memory configuration

Advanced ECC memory is the default memory protection mode for this server. Standard ECC can correct single-bit memory errors and detect multi-bit memory errors. When multi-bit errors are detected using Standard ECC, the error is signaled to the server and causes the server to halt.

Advanced ECC protects the server against some multi-bit memory errors. Advanced ECC can correct both single-bit memory errors and 4-bit memory errors if all failed bits are on the same DRAM device on the DIMM.

Advanced ECC provides additional protection over Standard ECC because it is possible to correct certain memory errors that would otherwise be uncorrected and result in a server failure. The server provides notification that correctable error events have exceeded a pre-defined threshold rate.

## Mirrored memory configuration

Mirroring provides protection against uncorrected memory errors that would otherwise result in server downtime. Mirroring is performed at the channel level. Channels 1 and 2 are used; channel 3 is not populated.

Data is written to both memory channels. Data is read from one of the two memory channels. If an uncorrectable error is detected in the active memory channel, data is retrieved from the mirror channel. This channel becomes the new active channel, and the system disables the channel with the failed DIMM.

## Online Spare memory configuration

Online spare memory provides protection against degraded DIMMs by reducing the likelihood of uncorrected memory errors. This protection is available without any operating system support.

Online spare memory protection dedicates one rank of each memory channel for use as spare memory. The remaining ranks are available for OS and application use. If correctable memory errors occur at a rate higher than a specific threshold on any of the non-spare ranks, the server automatically copies the memory contents of the degraded rank to the online spare rank. The server then deactivates the failing rank and automatically switches over to the online spare rank.

## Lockstep memory configuration

Lockstep mode provides protection against multi-bit memory errors that occur on the same DRAM device. Lockstep mode can correct any single DRAM device failure on x4 and x8 DIMM types. The DIMMs in each channel must have identical HP part numbers.

Lockstep mode uses channel 1 and channel 2. Channel 3 is not populated. Because channel 3 cannot be populated when using Lockstep mode, the maximum memory capacity is lower than Advanced ECC mode. Memory performance with Advanced ECC is also slightly higher.

## General DIMM slot population guidelines

Observe the following guidelines for all AMP modes:

- Populate DIMM slots for a processor only if the processor is installed.
- To maximize performance in multi-processor configurations, distribute the total memory capacity between all processors as evenly as possible.
- Do not mix Unbuffered and Registered PC3 DIMMs.
- Each channel supports up to two Unbuffered DIMMs.
- If quad-rank DIMMs are installed for a processor, a maximum of two DIMMs can be installed on each channel for that processor.
- If a channel contains quad-rank DIMMs, the quad-rank DIMM must be installed first on that channel.

DIMM speeds are supported as indicated in the following table.

Populated slots (per channel)	Rank	Speeds supported (MHz)
1	Single- or dual-rank	1333, 1066
1	Quad-rank	1066
2	Single- or dual-rank	1066
3	Single- or dual-rank	800

## Advanced ECC population guidelines

For Advanced ECC mode configurations, observe the following guidelines:

- Observe the general DIMM slot population guidelines (on page 43).
- DIMMs may be installed individually.

### Single-processor Advanced ECC population order

For Advanced ECC mode configurations with a single processor, populate the DIMM slots in the following order:

- RDIMM: Sequentially in alphabetical order (A through I)
- UDIMM: A through F, sequentially in alphabetical order. Do not populate DIMM slots G through I.

### Multi-processor Advanced ECC population order

For Advanced ECC mode configurations with multiple processors, populate the DIMM slots for each processor in the following order:

- RDIMM: Sequentially in alphabetical order (A through I)
- UDIMM: A through F, sequentially in alphabetical order. Do not populate DIMM slots G through I.

## Lockstep Memory population guidelines

For Lockstep memory mode configurations, observe the following guidelines:

- Observe the general DIMM slot population guidelines (on page 43).
- Always install DIMMs in channels 1 and 2 for each installed processor.
- Do not install DIMMs in channel 3 for any processor.
- DIMM configuration on channel 1 and channel 2 of a processor must be identical.
- In multi-processor configurations, each processor must have a valid Lockstep Memory configuration.
- In multi-processor configurations, each processor may have a different valid Lockstep Memory configuration.

### Single-processor Lockstep population order

For Lockstep memory mode configurations with a single processor, populate the DIMM slots in the following order:

- RDIMM
  - First: A and B

- Next: D and E
- Last: G and H
- Do not populate slots C, F, or I.
- UDIMM
  - First: A and B
  - Last: D and E
  - Do not populate slots C, F, G, H, or I.

After installing the DIMMs, use RBSU to configure the system for Lockstep memory support ("[Configuring lockstep memory](#)" on page 87).

### Multi-processor Lockstep population order

For Lockstep memory mode configurations with multiple processors, populate the DIMM slots for each processor in the following order:

- RDIMM
  - First: A and B
  - Next: D and E
  - Last: G and H
  - Do not populate slots C, F, or I.
- UDIMM
  - First: A and B
  - Last: D and E
  - Do not populate slots C, F, G, H, or I.

After installing the DIMMs, use RBSU to configure the system for Lockstep memory support ("[Configuring lockstep memory](#)" on page 87).

### Mirrored Memory population guidelines

For Mirrored Memory mode configurations, observe the following guidelines:

- Observe the general DIMM slot population guidelines (on page 43).
- Always install DIMMs in channels 1 and 2 for each installed processor.
- Do not install DIMMs in channel 3 for any processor.
- DIMMs installed on channel 1 and channel 2 of an installed processor must be identical.
- In multi-processor configurations, each processor must have a valid Mirrored Memory configuration.
- In multi-processor configurations, each processor may have a different valid Mirrored Memory configuration.

### Single-processor Mirrored Memory population order

For Mirrored Memory mode configurations with a single processor, populate the DIMM slots in the following order:

- RDIMM

- First: A and B
- Next: D and E
- Last: G and H
- Do not populate slots C, F, or I.
- UDIMM
  - First: A and B
  - Last: D and E
  - Do not populate slots C, F, G, H, or I.

After installing the DIMMs, use RBSU to configure the system for Mirrored Memory support ("[Configuring mirrored memory](#)" on page 86).

### Multi-processor Mirrored Memory population order

For Mirrored Memory mode configurations with multiple processors, populate the DIMM slots for each processor in the following order:

- RDIMM
  - First: A and B
  - Next: D and E
  - Last: G and H
  - Do not populate slots C, F, or I.
- UDIMM
  - First: A and B
  - Last: D and E
  - Do not populate slots C, F, G, H, or I.

After installing the DIMMs, use RBSU to configure the system for mirrored memory support ("[Configuring mirrored memory](#)" on page 86).

## Online Spare population guidelines

For Online Spare mode configurations, observe the following guidelines:

- Observe the general DIMM slot population guidelines (on page 43).
- DIMM configuration on each channel of a processor must be identical.
- Each processor must have a valid Online Spare configuration.
- In multi-processor configurations, each processor can have a different valid Online Spare configuration.

### Single-processor Online Spare population order

For Online Spare mode configurations with a single processor, populate the DIMM slots in the following order:

- RDIMM
  - First: A, B, and C

- Next: D, E, and F
- Last: G, H, and I
- UDIMM
  - First: A, B, and C
  - Last: D, E, and F
  - Do not populate slots G, H, and I.

After installing the DIMMs, use RBSU to configure the system for online spare memory support ("[Configuring online spare memory](#)" on page 87).

### Multi-processor Online Spare population order

For Online Spare mode configurations with a multiple processors, populate the DIMM slots for each processor in the following order:

- RDIMM
  - First: A, B, and C
  - Next: D, E, and F
  - Last: G, H, and I
- UDIMM
  - First: A, B, and C
  - Last: D, E, and F
  - Do not populate slots G, H, and I.

After installing the DIMMs, use RBSU to configure the system for online spare memory support ("[Configuring online spare memory](#)" on page 87).

## Installing DIMMs



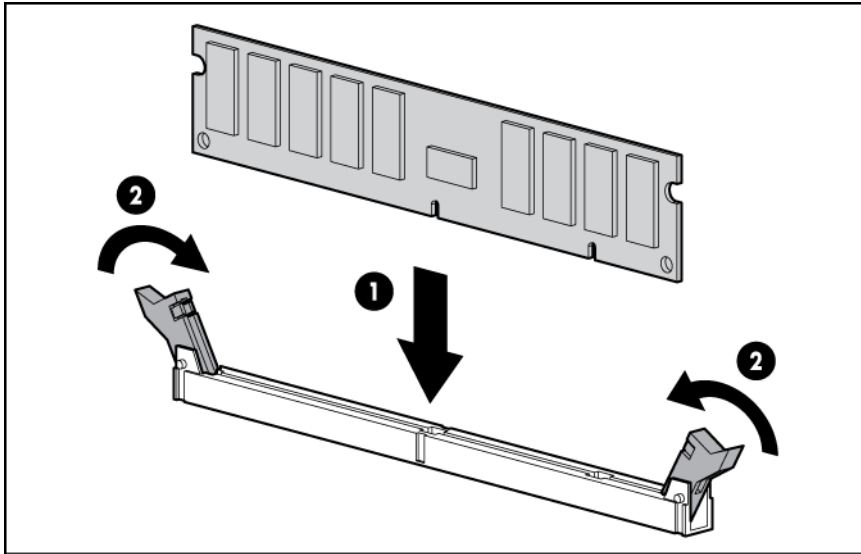

---

**CAUTION:** To avoid damage to the hard drives, memory, and other system components, the air baffle, drive blanks, and access panel must be installed when the server is powered up.

---

1. Power down the server (on page 20).
2. Do one of the following:
  - Open or remove the tower bezel, as needed ("[Open or remove the tower bezel](#)" on page 20).
  - Extend the server from the rack (on page 21).
3. Remove the access panel (on page 21).
4. Remove the air baffle (on page 22).
5. Open the DIMM slot latches.

6. Install the DIMM.



7. Install the air baffle.

8. Install the access panel (on page 22).

9. Do one of the following:

- Close or install the tower bezel, as needed.
- Slide the server back into the rack.

10. Power up the server (on page 20).

After installing DIMMs, configure the AMP mode in RBSU ("[HP ROM-Based Setup Utility](#)" on page 85).

## Redundant hot-plug power supply option

The server supports a second hot-plug power supply to provide redundant power to the system if the primary power supply fails.



**WARNING:** To reduce the risk of electric shock or damage to the equipment:

- Do not disable the power cord grounding plug. The grounding plug is an important safety feature.
- Plug the power cord into a grounded (earthed) electrical outlet that is easily accessible at all times.
- Unplug the power cord from the power supply to disconnect power to the equipment.
- Do not route the power cord where it can be walked on or pinched by items placed against it. Pay particular attention to the plug, electrical outlet, and the point where the cord extends from the equipment.




**WARNING:** To reduce the risk of personal injury from hot surfaces, allow the power supply or power supply blank to cool before touching it.




**WARNING:** To reduce the risk of electric shock or damage to the equipment, do not connect the power cord to the power supply until the power supply is installed.



- 
-  **CAUTION:** Always install either a hot-plug power supply or a power supply blank into each bay to maintain proper airflow and cooling in the server. Improper airflow can lead to thermal damage.
- 

## Power supply configuration





---

-  **CAUTION:** All power supplies installed in the server must have the same output power capacity to operate in redundant mode. Verify that all power supplies have the same part number and label color. When the system detects mismatched power supplies, the system displays POST messages, does not power on the new power supply, and remains in non-redundant mode.
- 

Label color	Output
Orange	750 W


## Installing the redundant hot-plug power supply option

---

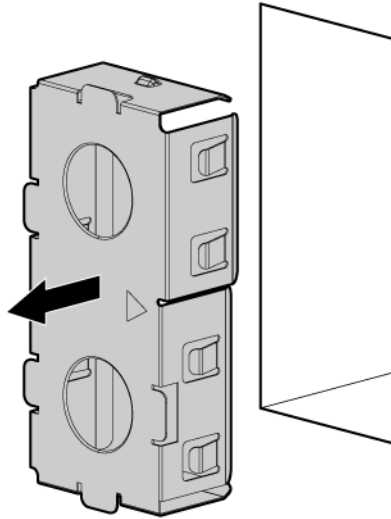
-  **WARNING:** To reduce the risk of personal injury or damage to the equipment, the installation of power supplies should be performed only by individuals who are qualified in servicing server equipment and trained to deal with products capable of producing hazardous energy levels.
- 
-  **WARNING:** To reduce the risk of personal injury from hot surfaces, observe the thermal labels on each power supply or module.
- 
-  **WARNING:** To reduce the risk of injury from electric shock hazards, do not open power supplies. Refer all maintenance, upgrades, and servicing to qualified personnel.
- 
-  **CAUTION:** Electrostatic discharge (ESD) can damage electronic components. Be sure that you are properly grounded (earthed) before beginning any installation procedure.
- 

To install the component:

1. Identify the redundant power supply bay.

-  **IMPORTANT:** Power supplies for the model shown are hot-pluggable. When using the redundant power supply option, it is not necessary to power down the server before removing or installing a power supply.
-

2. Remove the power supply blank.

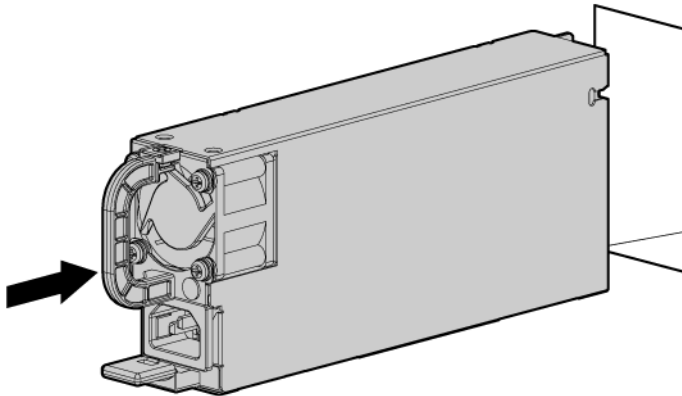


---

**⚠ WARNING:** To reduce the risk of electric shock or damage to the equipment, do not connect AC power cords to uninstalled power supplies.

---

3. Slide the power supply into the power supply bay until the release/lock lever clicks, securing the power supply.



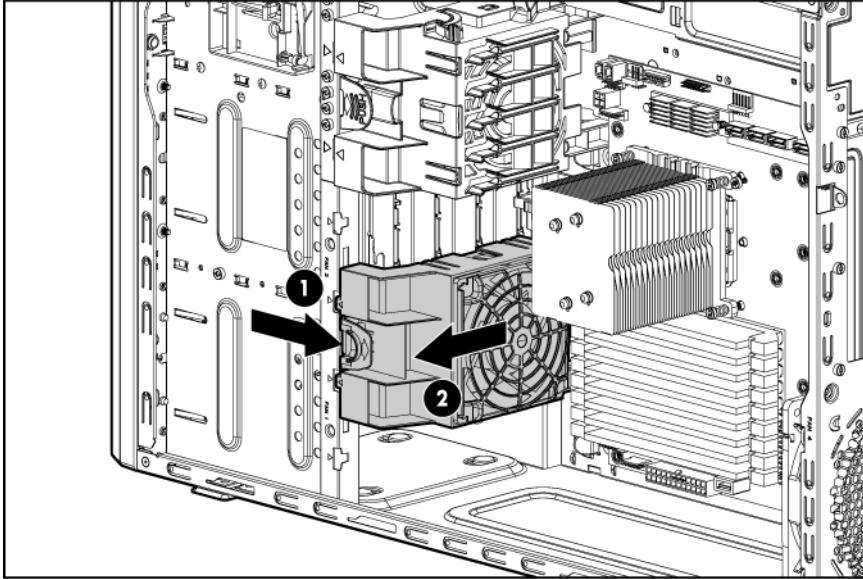
4. Connect the power cord to the power supply.
5. Using the retaining clip shipped with the server, secure the power cord to the power supply handle. Securing the cord will ensure enough slack.
6. Connect the power cord to the AC power source.
7. Be sure that the power supply LED is illuminated green ("[Rear panel LEDs and buttons](#)" on page 10).

## Redundant fan assembly option

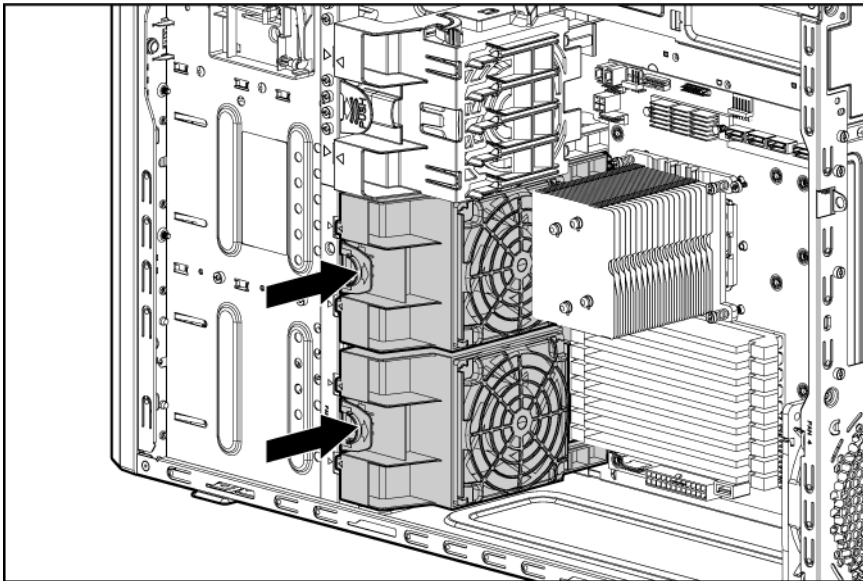
To install the component:

1. Power down the server (on page 20).
2. Do one of the following:

- Open or remove the tower bezel, as needed ("[Open or remove the tower bezel](#)" on page 20).
- Extend the server from the rack (on page 21).
- 3. Remove the access panel (on page 21).
- 4. Remove the air baffle (on page 22).
- 5. Remove the fan from fan bay 1.5.



- 6. Install the removed fan in fan bay 2.
- 7. Install a fan from the option kit in fan bay 1.



- 8. Locate the fan 1 connector ("[System board components](#)" on page 11).
- 9. Remove the jumper from the fan 1 connector.
- 10. Connect the fan cables to the system board ("[System board components](#)" on page 11):
  - a. Fan 1 cable to fan 1 connector
  - b. Fan 2 cable to fan 2 connector
- 11. Install the air baffle.

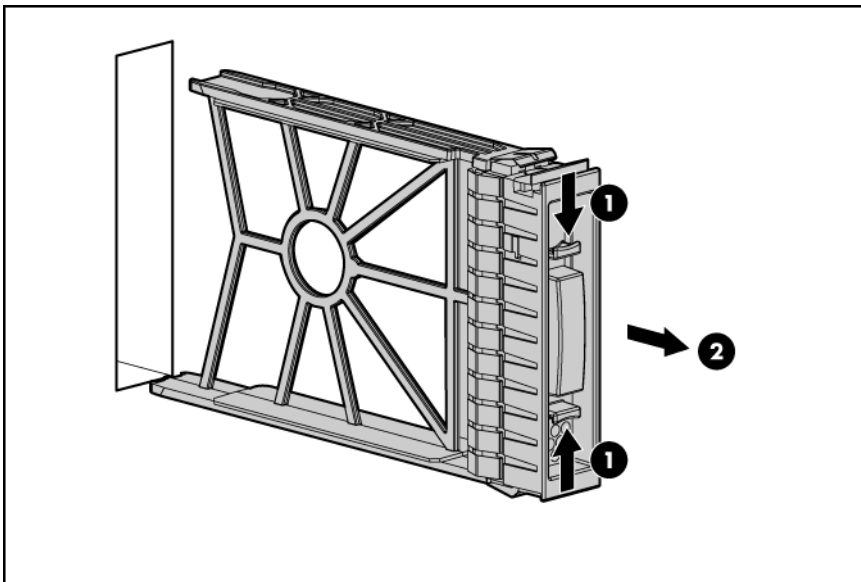
12. Install the access panel (on page 22).
13. Do one of the following:
  - o Close or install the tower bezel, as needed.
  - o Slide the server back into the rack.
14. Power up the server (on page 20).

## SAS or SATA hard drive option

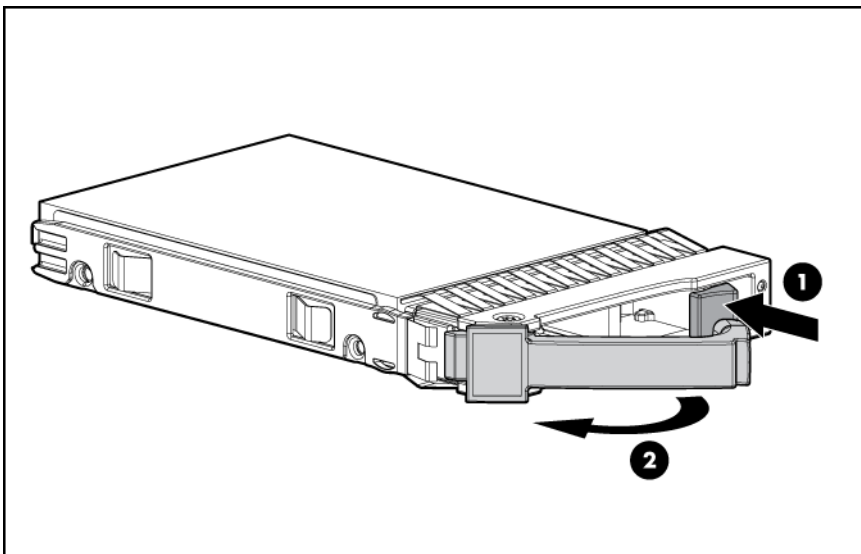
**CAUTION:** For proper cooling, do not operate the server without the access panel, baffles, expansion slot covers, hard drives, or blanks installed.

To install the component:

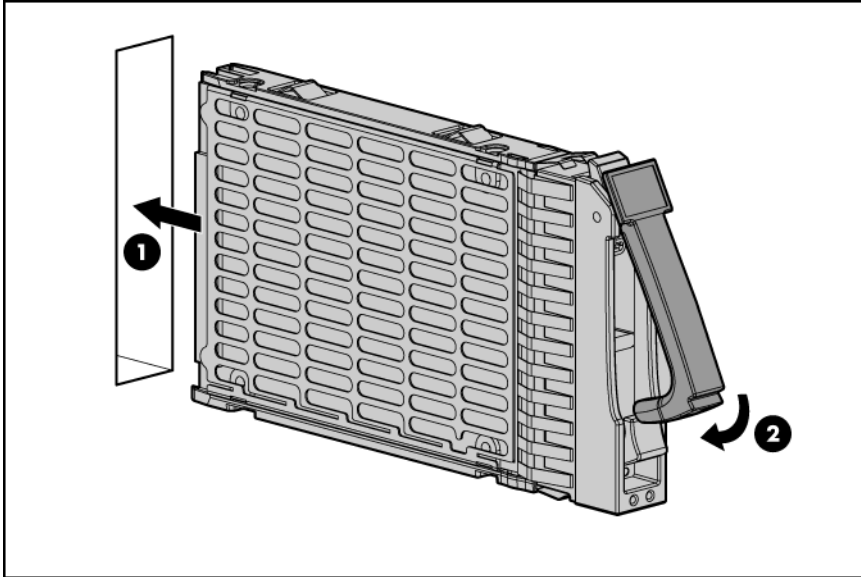
1. Remove the hard drive blank.



2. Prepare the drive for installation.



3. Install the hard drive.



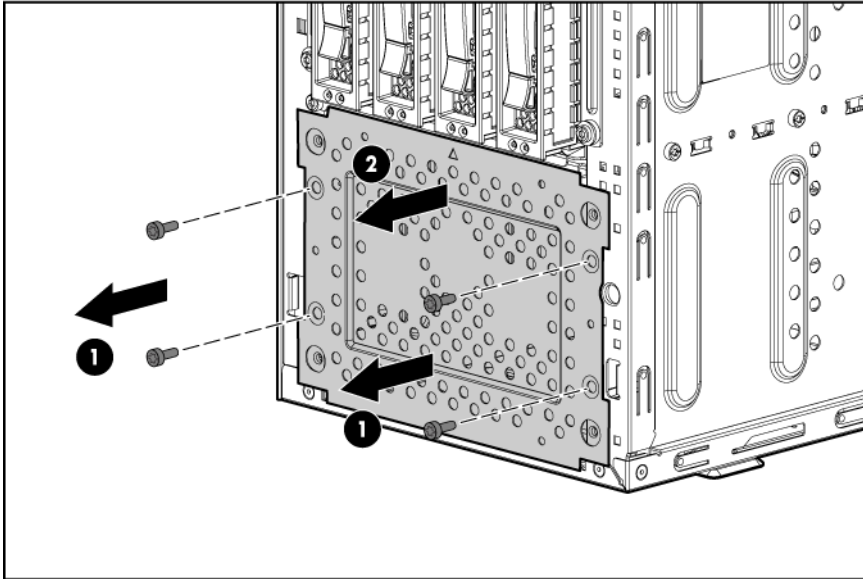
4. Determine the status of the drive by observing the drive LEDs ("Hot-plug SATA or SAS hard drive LEDs" on page 18).
5. Resume normal server operations.

## Expansion hard drive cage option (hot-plug)

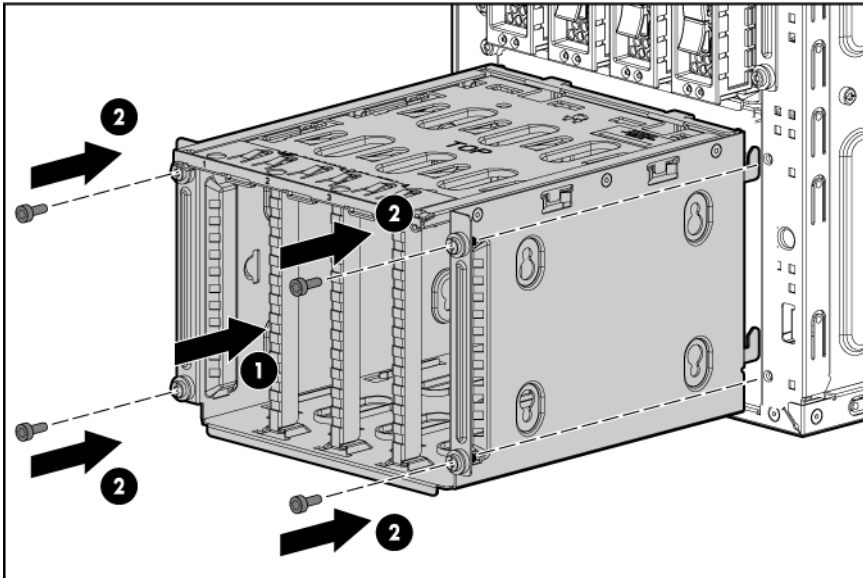
To install the component:

1. Power down the server (on page 20).
2. Do one of the following:
  - o Open or remove the tower bezel, as needed ("Open or remove the tower bezel" on page 20).
  - o Extend the server from the rack (on page 21).
3. Remove the access panel (on page 21).
4. Remove the air baffle (on page 22).

5. Using a T-15 Torx screwdriver, remove the hard drive cage blank.

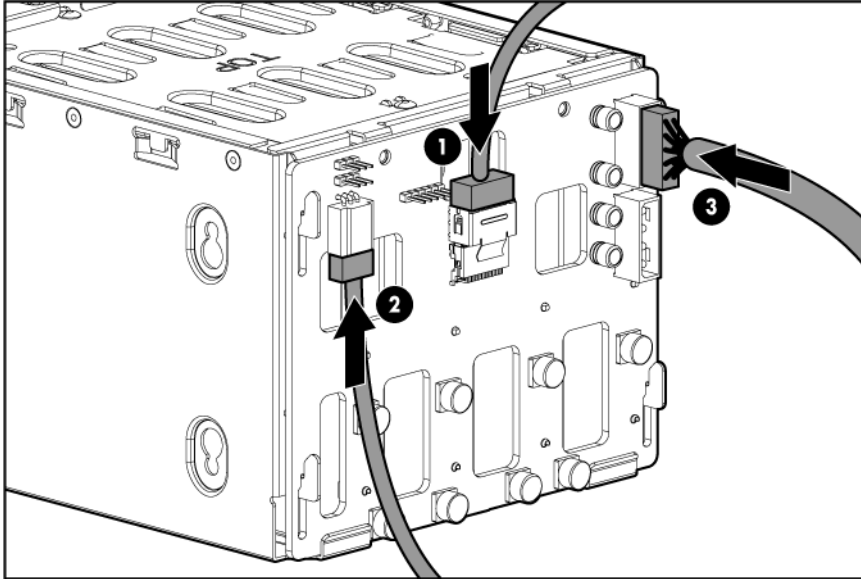


6. Install the expansion hard drive cage.



7. Connect the following cables to the expansion hard drive cage.
- a. SATA controller cable
  - b. Hard drive data cable
  - c. An available power cable

The server is not shown for clarity.



8. Do one of the following:
  - If using a SATA/SAS RAID controller, install the controller ("[Installing expansion boards](#)" on page 64).
  - If using SATA cables, connect the cables to the system board, and then proceed to step 10.
9. Connect the SATA controller cable to the RAID controller.
10. Connect the hard drive data cable to a hard drive backplane connector on the system board ("[System board components](#)" on page 11).

---

**CAUTION:** To prevent improper cooling and thermal damage, do not operate the server unless all bays are populated with either a component or a blank.

---

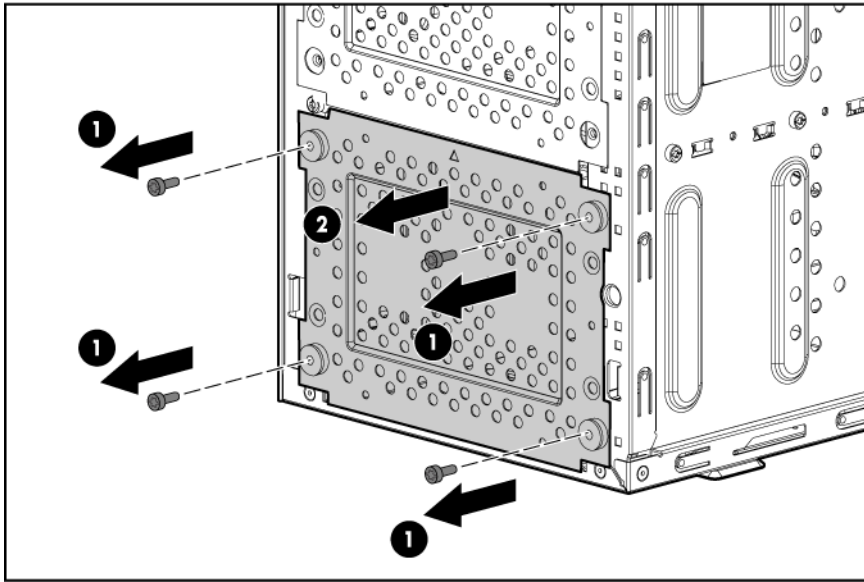
11. Install any hard drives or blanks ("[SAS or SATA hard drive option](#)" on page 52).
12. Install the air baffle.
13. Install the access panel (on page 22).
14. Do one of the following:
  - Close or install the tower bezel, as needed.
  - Slide the server back into the rack.
15. Power up the server (on page 20).

## Expansion hard drive cage option (non-hot-plug)

To install the component:

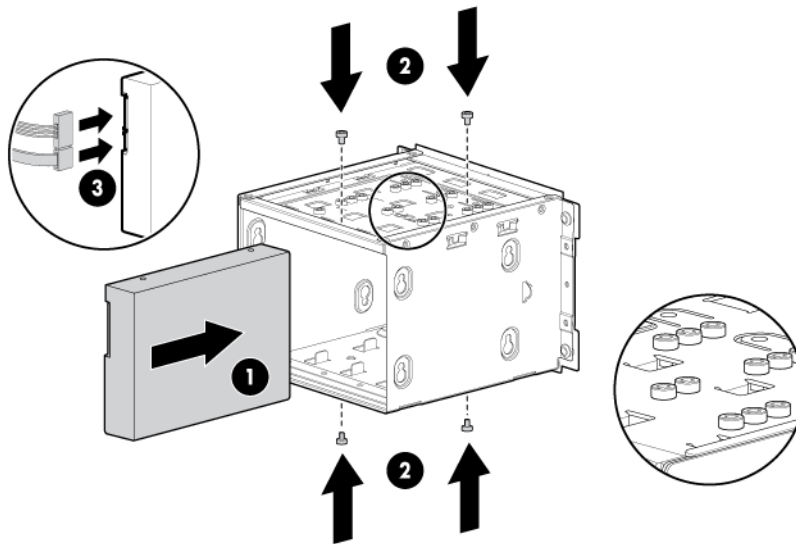
1. Power down the server (on page 20).
2. Do one of the following:
  - Open or remove the tower bezel, as needed ("[Open or remove the tower bezel](#)" on page 20).
  - Extend the server from the rack (on page 21).
3. Remove the access panel (on page 21).

4. Remove the air baffle (on page 22).
5. Using a T-15 Torx screwdriver, remove the hard drive cage blank.



△ **CAUTION:** To prevent improper cooling and thermal damage, do not operate the server unless all bays are populated with either a component or a blank.

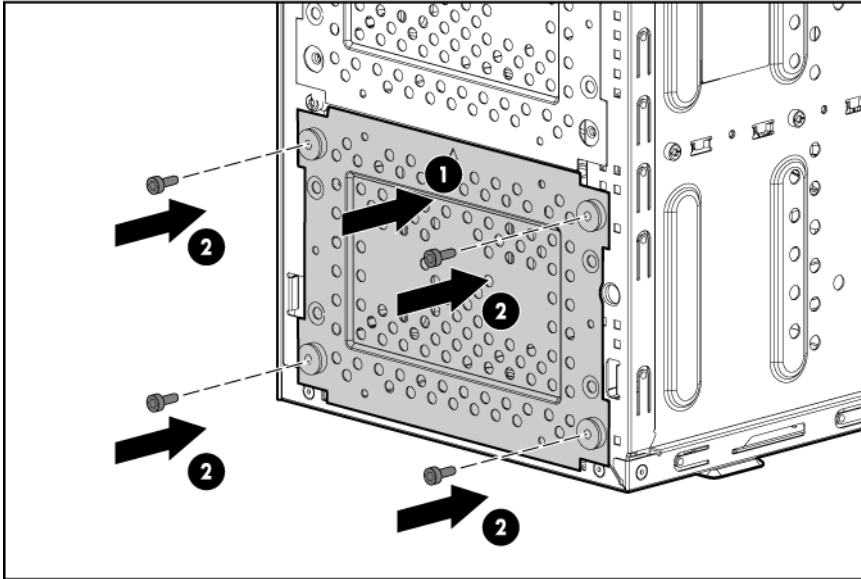
6. Using four of the surplus T-15 screws located on the non-hot-plug hard drive expansion cage, install the non-hot-plug hard drives.
7. Connect the power and data cables to the non-hot-plug hard drive.



8. Install the non-hot-plug hard drive expansion cage.



Be sure to thread the cables through the rear of the non-hot-plug expansion cage into the server.



9. Connect the cables to the SATA connectors 1-4 on the system board ("[System board components](#)" on page 11).
10. Install the air baffle.
11. Install the access panel (on page 22).
12. Do one of the following:
  - o Close or install the tower bezel, as needed.
  - o Slide the server back into the rack.
13. Power up the server (on page 20).

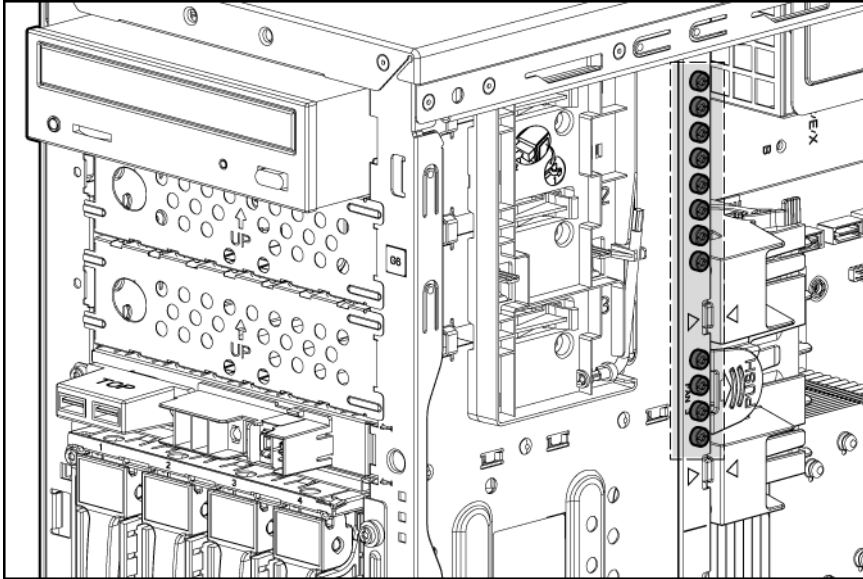
## Removable media devices

This section provides the following information and procedures:

- Identifying guide screws (on page 58)
- SATA optical drive option (on page 58)
- USB tape drive option (on page 60)
- Full-height tape drive option (on page 61)

## Identifying guide screws

When installing drives in the removable media bay, guide screws must be installed so that the drives align correctly in the drive cage. HP has provided extra guide screws, located behind the side access panel. Depending on the option, use 5.25 M3 metric screws or HD 6-32 shipping screws. The metric screws supplied by HP are black.



## SATA optical drive option

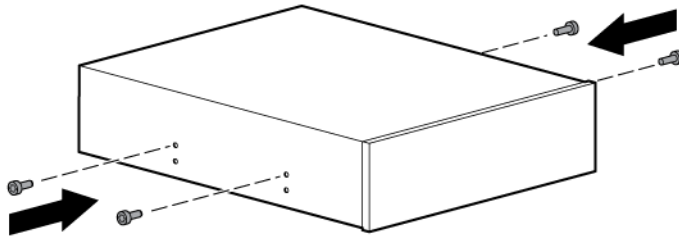
For clarity, the following illustrations include option cabling only.

**⚠ CAUTION:** To prevent improper cooling and thermal damage, do not operate the server unless all bays are populated with either a component or a blank.

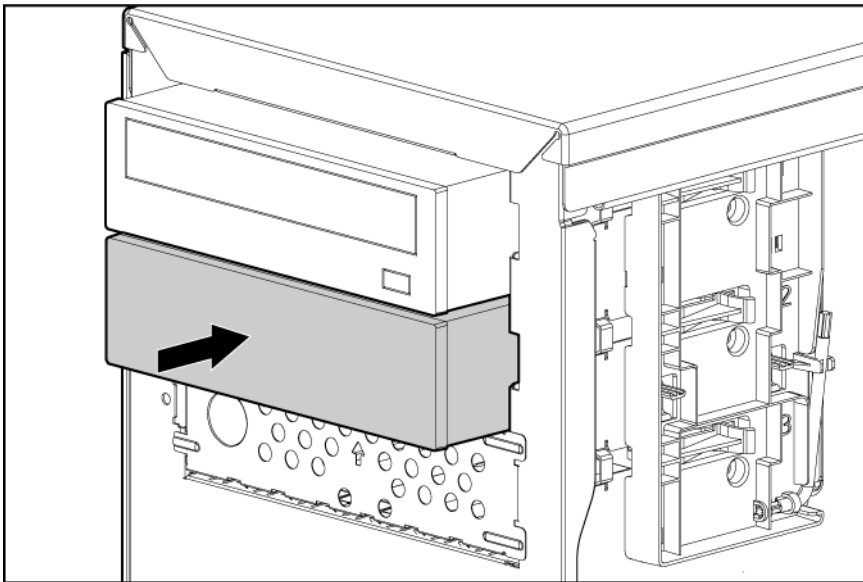
To install the component:

1. Power down the server (on page 20).
2. Do one of the following:
  - Open or remove the tower bezel, as needed ("[Open or remove the tower bezel](#)" on page 20).
  - Extend the server from the rack (on page 21).
3. Remove the access panel (on page 21).
4. Remove the applicable media bay blank ("[Remove the media bay blank](#)" on page 23).
5. Identify the guide screws ("[Identifying guide screws](#)" on page 58).

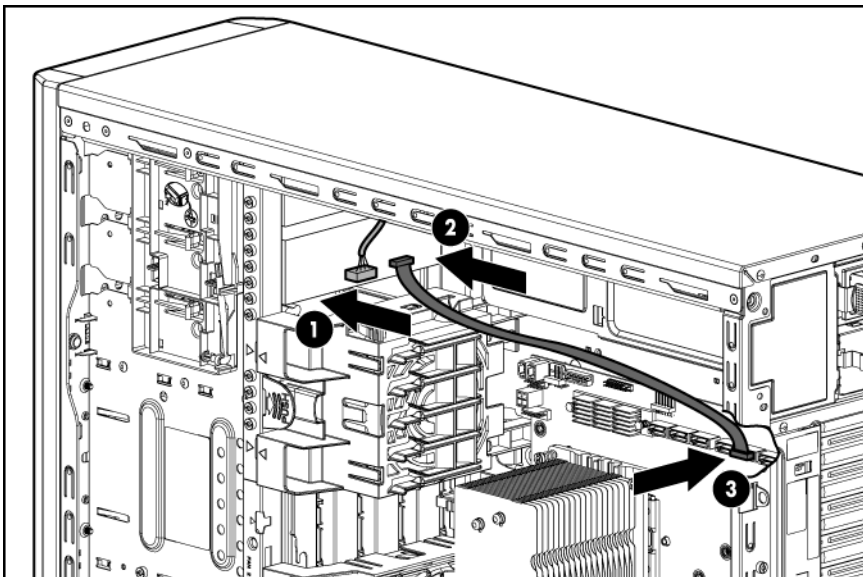
6. Install the guide screws on the optical drive.



7. Install the optical drive.



8. Connect the power cable to the rear of the drive.
9. Connect the optical drive cable to the rear of the optical drive and to the SATA connector on the system board.



10. Remove the applicable bezel blank from the bezel ("[Remove a bezel blank](#)" on page 24).
11. Install the access panel (on page 22).
12. Do one of the following:
  - o Close or install the tower bezel, as needed.
  - o Slide the server back into the rack.
13. Power up the server (on page 20).

## USB tape drive option

For clarity, the following illustrations include option cabling only.

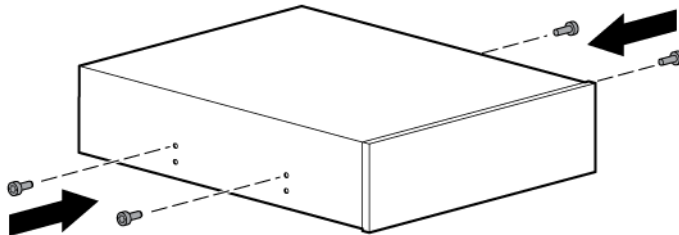
---

**CAUTION:** To prevent improper cooling and thermal damage, do not operate the server unless all bays are populated with either a component or a blank.

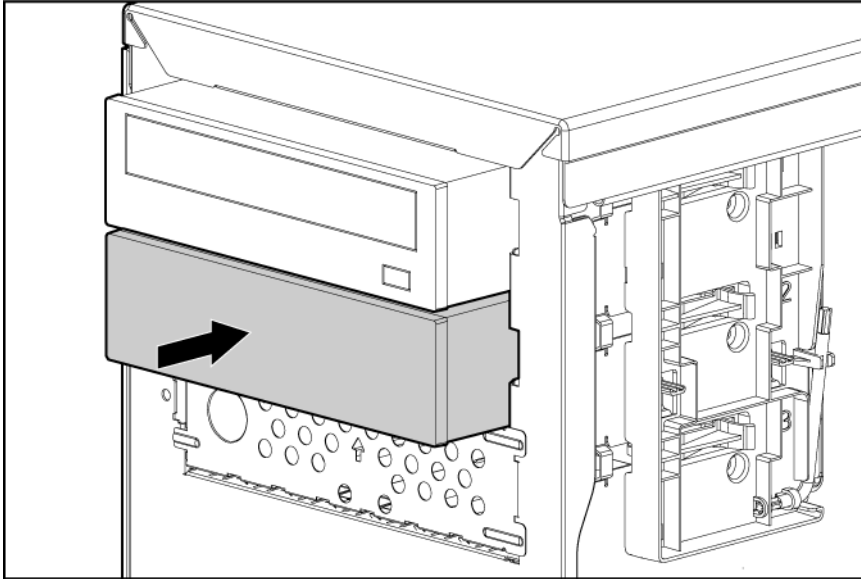
---

To install the component:

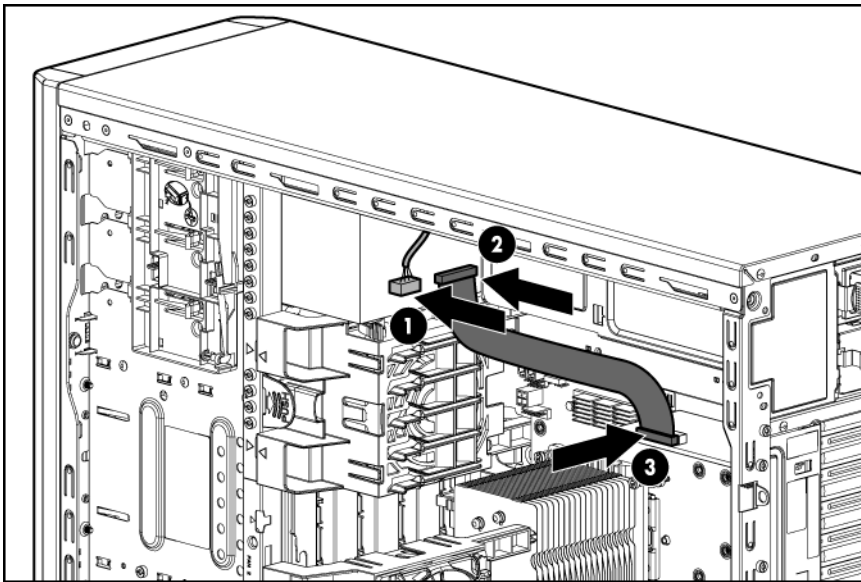
1. Power down the server (on page 20).
2. Do one of the following:
  - o Open or remove the tower bezel, as needed ("[Open or remove the tower bezel](#)" on page 20).
  - o Extend the server from the rack (on page 21).
3. Remove the access panel (on page 21).
4. Remove the applicable media bay blank ("[Remove the media bay blank](#)" on page 23).
5. Identify the guide screws ("[Identifying guide screws](#)" on page 58).
6. Install the guide screws.



7. Install the tape drive.



8. Connect the power cable to the rear of the drive.
9. Connect the USB tape drive cable to the rear of the drive and to the USB tape drive connector on the system board.



10. Remove the applicable bezel blank from the bezel ("[Remove a bezel blank](#)" on page 24).
11. Install the access panel (on page 22).
12. Do one of the following:
  - o Close or install the tower bezel, as needed.
  - o Slide the server back into the rack.
13. Power up the server (on page 20).

## Full-height tape drive option

For clarity, the following illustrations include option cabling only.

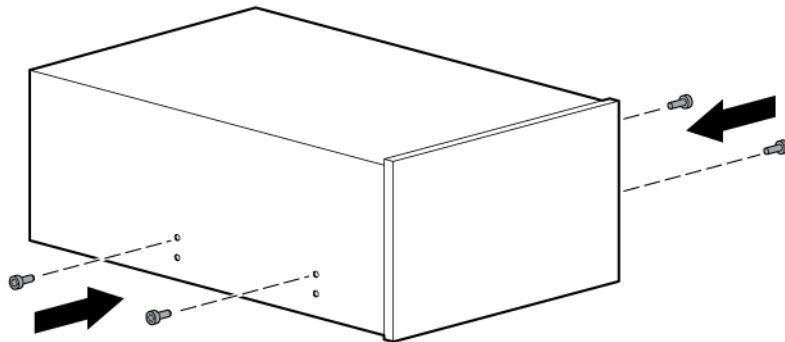
To install the component:

1. Power down the server (on page 20).
2. Do one of the following:
  - o Unlock and remove the bezel ("[Open or remove the tower bezel](#)" on page 20).
  - o Extend the server from the rack (on page 21).
3. Remove the access panel (on page 21).
4. Remove the applicable media bay blanks ("[Remove the media bay blank](#)" on page 23).

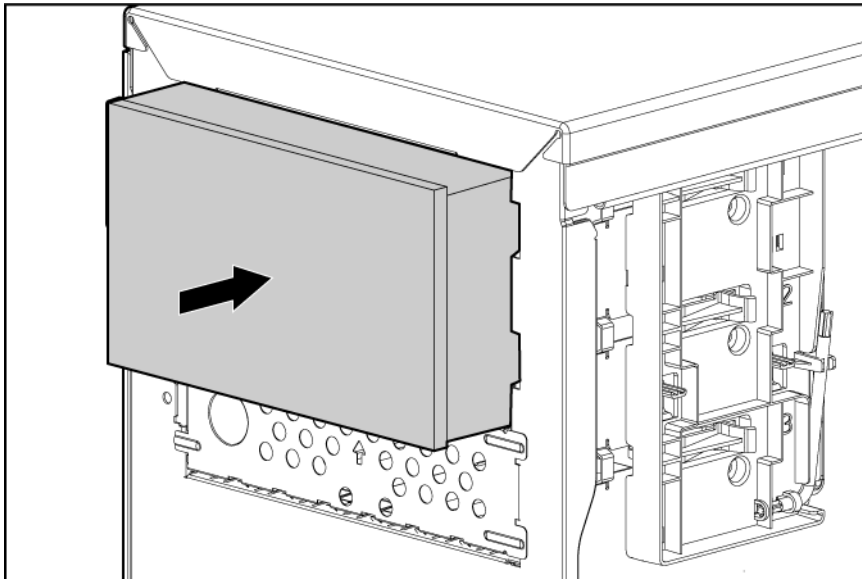


**IMPORTANT:** For correct cabling, install the full-height tape drive in the top two slots.

5. Identify the guide screws ("[Identifying guide screws](#)" on page 58).
6. Install the guide screws.

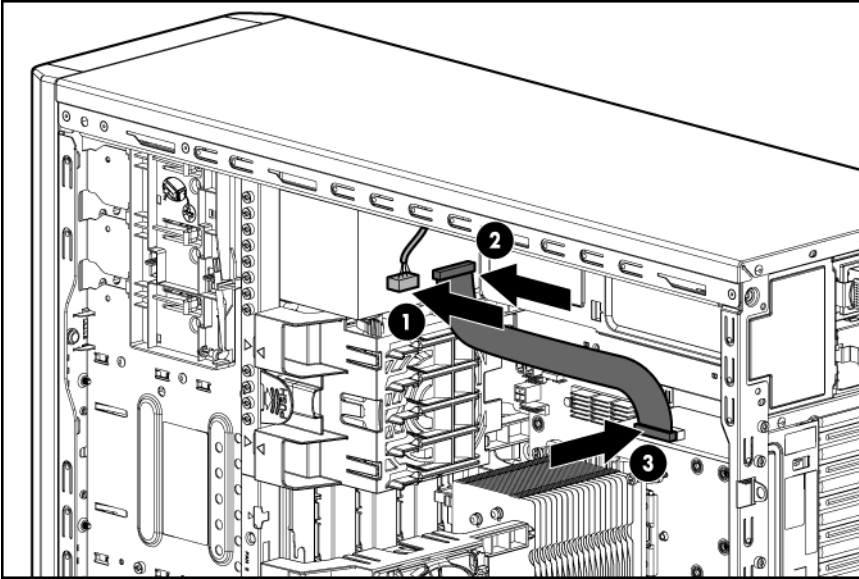


7. Install the tape drive.



8. Install a SAS controller ("[Installing expansion boards](#)" on page 64).
9. Connect the power cable to the rear of the drive.

10. Connect the tape drive cable to the rear of the drive and to the SAS controller.



11. Remove the applicable bezel blanks from the bezel ("[Remove a bezel blank](#)" on page 24).
12. Install the access panel (on page 22).
13. Do one of the following:
  - o Close or install the tower bezel, as needed.
  - o Slide the server back into the rack.
14. Power up the server (on page 20).

## Expansion board options

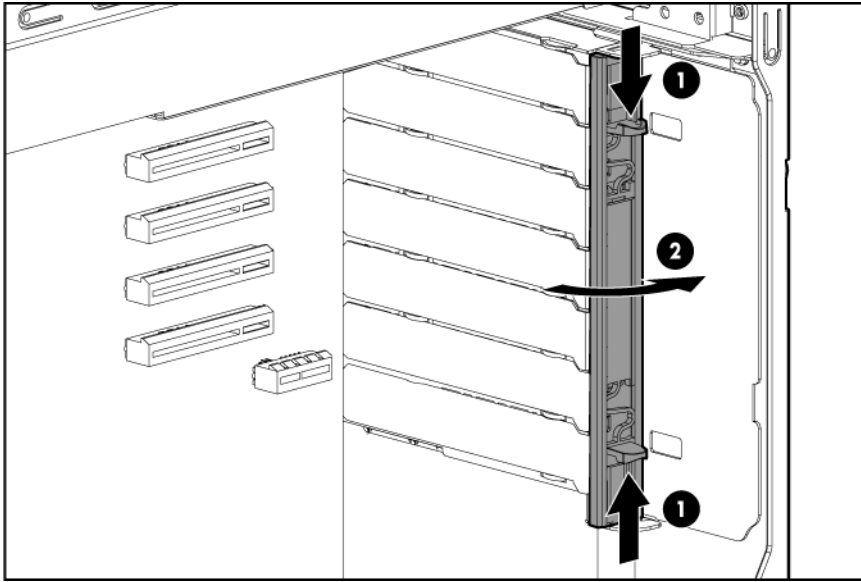
The server supports PCI Express and PCI-X expansion boards. Slot 1 is located on the optional PCI-X extender board ("[PCI-X extender board option](#)" on page 65).

Slot	Expansion board type	Connector	Maximum speed
1	PCI-X (optional)	64 bit, 3.3 V	100 MHz
2	PCI-X (optional)	64 bit, 3.3 V	100 MHz
3	PCIe1	x8	x1
4	PCIe2	x16	x16
5	PCIe2	x8	x4
6	PCIe2	x8	x4

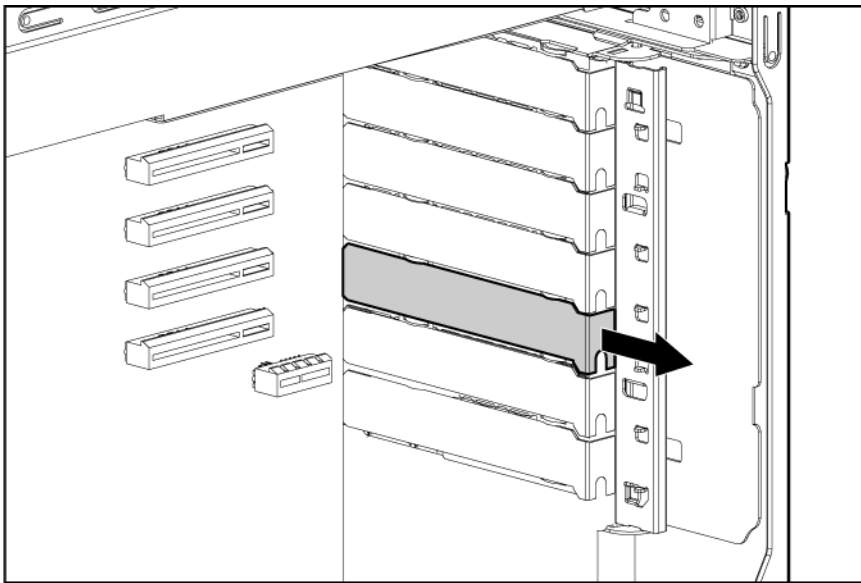
## Removing the expansion slot cover

1. Power down the server (on page 20).
2. Do one of the following:
  - o Open or remove the tower bezel, as needed ("[Open or remove the tower bezel](#)" on page 20).
  - o Extend the server from the rack (on page 21).

3. Remove the access panel (on page 21).
4. Open the slot cover retainer.



5. Remove the slot cover.



**CAUTION:** To prevent improper cooling and thermal damage, do not operate the server unless all PCI slots have either an expansion slot cover or an expansion board installed.

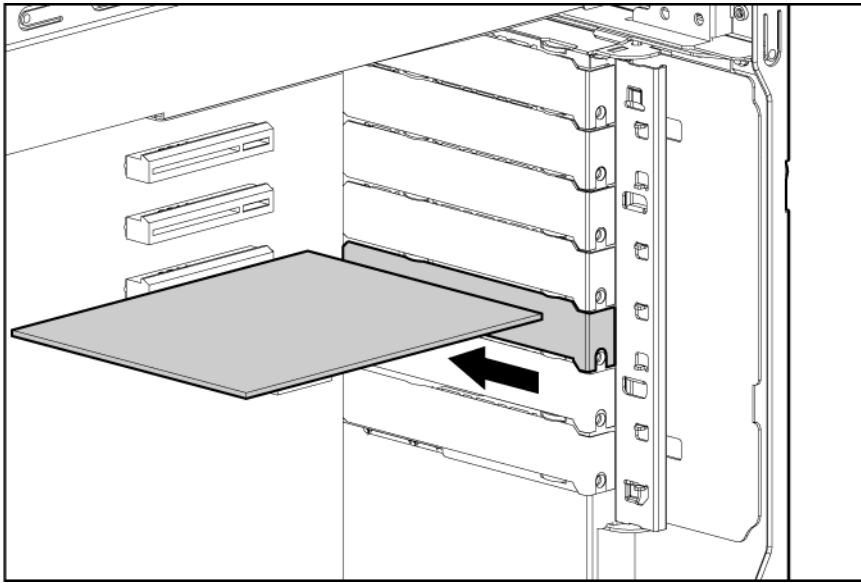
## Installing expansion boards

**CAUTION:** To prevent damage to the server or expansion boards, power down the server and remove all AC power cords before removing or installing the expansion boards.

1. Power down the server (on page 20).
2. Do one of the following:
  - o Open or remove the tower bezel, as needed ("[Open or remove the tower bezel](#)" on page 20).



- Extend the server from the rack (on page 21).
- 3. Remove the access panel (on page 21).
- 4. Remove the expansion slot cover ("[Removing the expansion slot cover](#)" on page 63).
- 5. Install the expansion board, and then press firmly to seat the board in the connector.

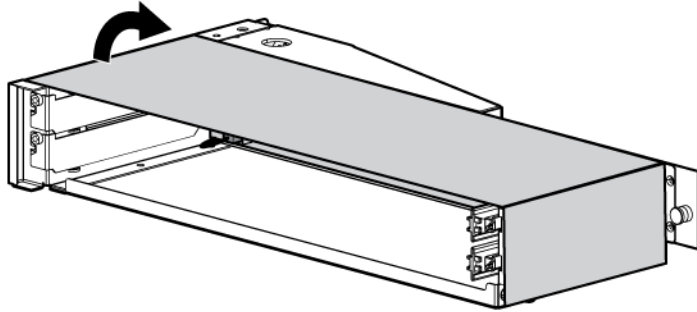


- 6. Close the slot cover retainer.
- 7. Connect any required internal cables to the expansion board. See the documentation that ships with the expansion board.
- 8. Install the access panel (on page 22).
- 9. Do one of the following:
  - Close or install the tower bezel, as needed.
  - Slide the server back into the rack.
- 10. Connect any required external cables.
- 11. Power up the server (on page 20).

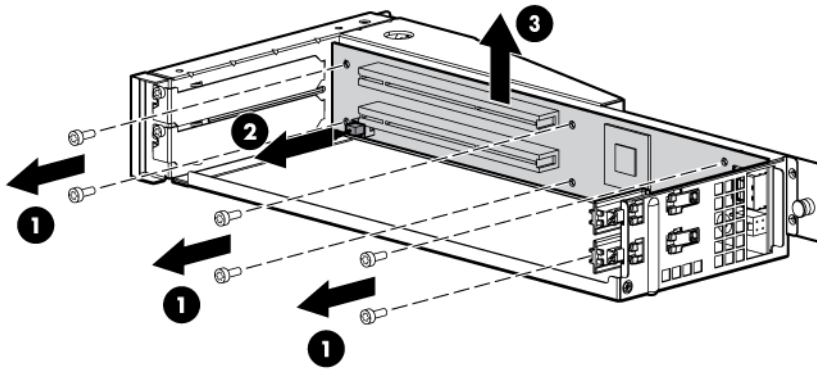
## PCI-X extender board option

- 1. Power down the server (on page 20).
- 2. Disconnect power cords from the power source.
- 3. Disconnect all power cords from the server.
- 4. Do one of the following:
  - Open or remove the tower bezel, as needed ("[Open or remove the tower bezel](#)" on page 20).
  - Extend the server from the rack (on page 21).
- 5. Remove the access panel (on page 21).
- 6. Remove the air baffle (on page 22).

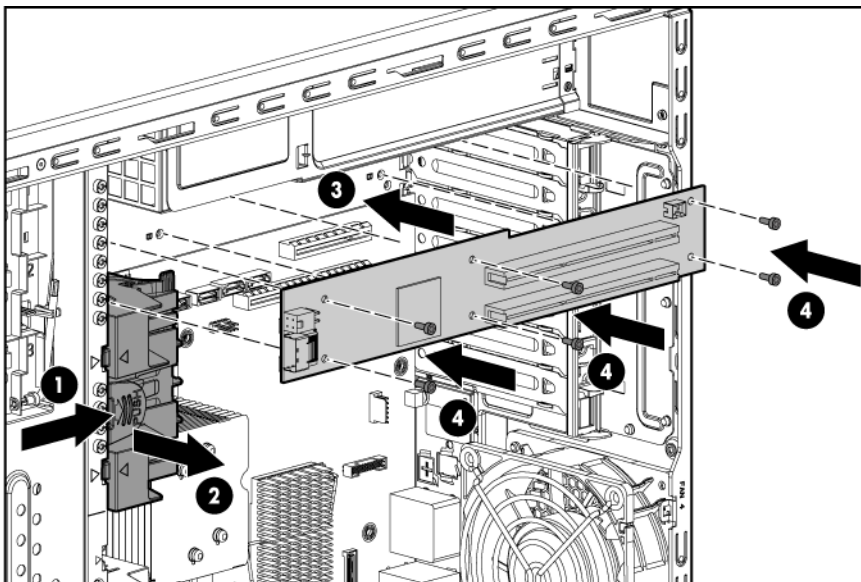
7. Remove the protective film from the PCI-X expansion cage bracket.



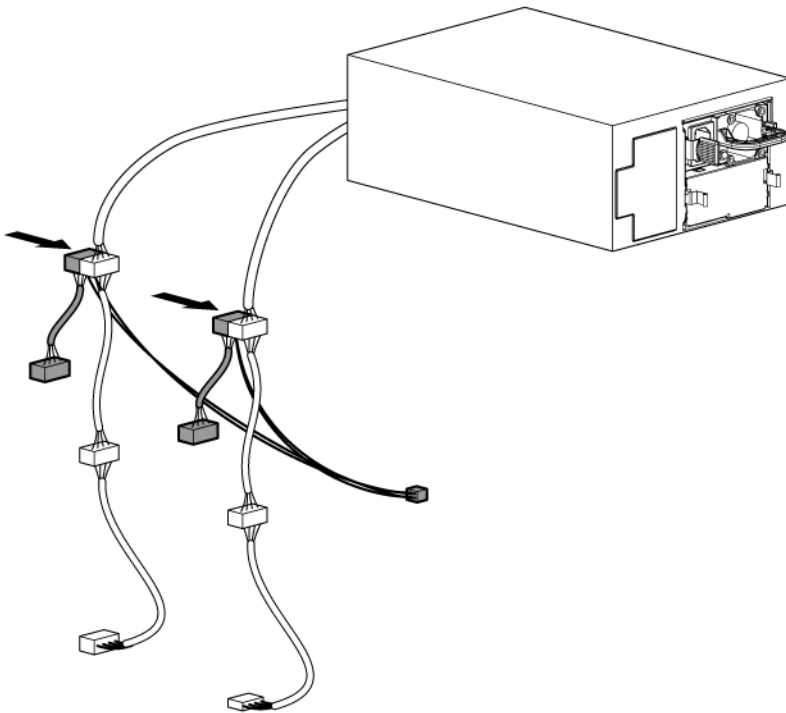
8. Disconnect the power cable from the extender board.
9. Using a T-10 Torx screwdriver, remove the six screws securing the extender board, and then remove the extender board from the PCI-X expansion cage bracket.



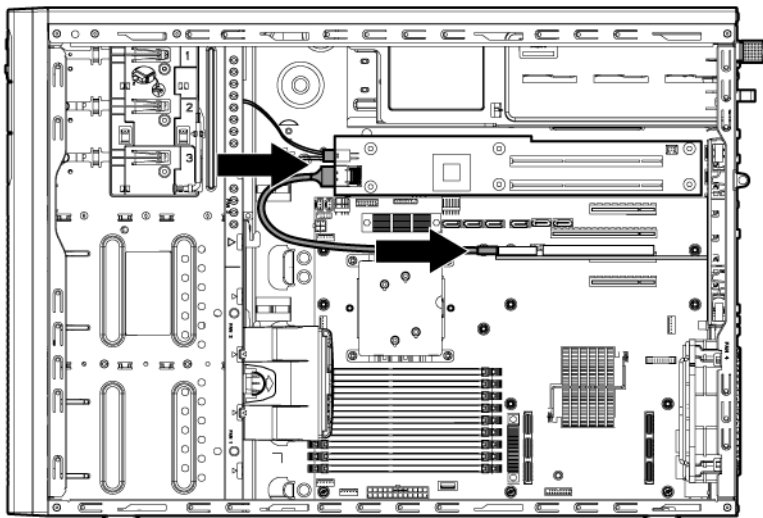
10. Remove fan 3.
11. Install the extender board.



12. Connect the power extender cables, provided in the option kit, to the power cables in the server. For clarity, the following illustration includes cabling only.



13. Install the riser board in expansion slot 5.
14. Connect the mini-SAS data cable to the extender board and to the riser board.



15. (Optional) Install expansion boards in the extender board ("[Installing expansion boards](#)" on page [64](#)).
16. Install fan 3.
17. Install the air baffle.
18. Install the access panel (on page [22](#)).

19. Do one of the following:
  - Close or install the tower bezel, as needed.
  - Slide the server back into the rack.
20. Connect all power cords to the server.
21. Connect power cords to the power source.
22. Power up the server (on page 20).

## Storage controller option



---

**IMPORTANT:** For additional installation and configuration information, refer to the documentation that ships with the option.

---

To install the component:

1. Power down the server (on page 20).
2. Do one of the following:
  - Open or remove the tower bezel, as needed ("[Open or remove the tower bezel](#)" on page 20).
  - Extend the server from the rack (on page 21).
3. Remove the access panel (on page 21).
4. Remove the air baffle (on page 22).
5. Install the storage controller ("[Installing expansion boards](#)" on page 64).
6. Connect the mini-SAS to mini-SAS cable, provided in the mini-SAS to mini-SAS cable option kit, to the hard drive backplane and to the storage controller.
7. Install the air baffle.
8. Install the access panel (on page 22).
9. Do one of the following:
  - Close or install the tower bezel, as needed.
  - Slide the server back into the rack.
10. Power up the server (on page 20).

## Battery-backed write cache battery pack option



---

**CAUTION:** To prevent a server malfunction or damage to the equipment, do not add or remove the battery pack while an array capacity expansion, RAID level migration, or stripe size migration is in progress.

---



---

**CAUTION:** After the server is powered down, wait 15 seconds and then check the amber LED before unplugging the cable from the cache module. If the amber LED blinks after 15 seconds, do not remove the cable from the cache module. The cache module is backing up data, and data is lost if the cable is detached.

---



---

**IMPORTANT:** The battery pack might have a low charge when installed. In this case, a POST error message is displayed when the server is powered up, indicating that the battery pack is temporarily disabled. No action is necessary on your part. The internal circuitry automatically recharges the batteries and enables the battery pack. This process might take up to four hours. During this time, the cache module functions properly, but without the performance advantage of the battery pack.

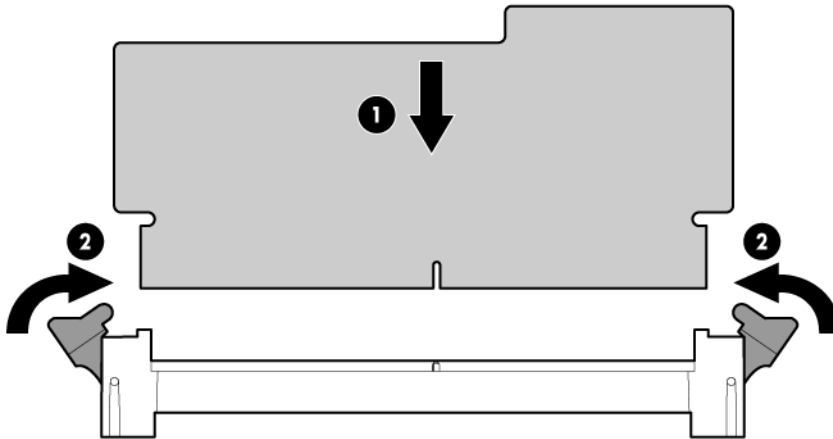
---

**NOTE:** The data protection and the time limit also apply if a power outage occurs. When power is restored to the system, an initialization process writes the preserved data to the hard drives.

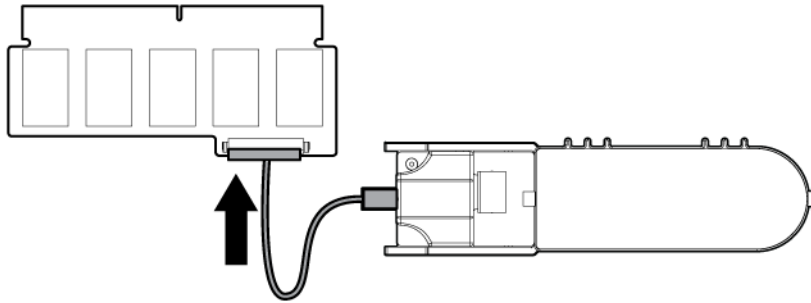
---

To install the component:

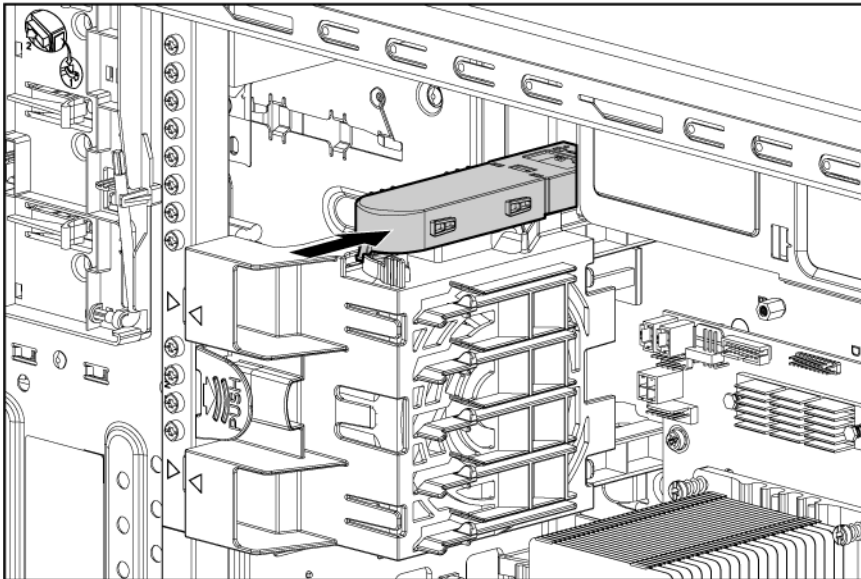
1. Power down the server (on page 20).
2. Do one of the following:
  - o Open or remove the tower bezel, as needed ("[Open or remove the tower bezel](#)" on page 20).
  - o Extend the server from the rack (on page 21).
3. Remove the access panel (on page 21).
4. Install the storage controller, if not installed ("[Installing expansion boards](#)" on page 64).
5. Open the cache module latches.
6. Install the cache module on the controller.



7. Connect the cable to the cache module.



8. Install the battery pack.



9. Route the cable.
10. Install the access panel (on page 22).
11. Do one of the following:
  - o Close or install the tower bezel, as needed.
  - o Slide the server back into the rack.
12. Power up the server (on page 20).

## FBWC module and capacitor pack option

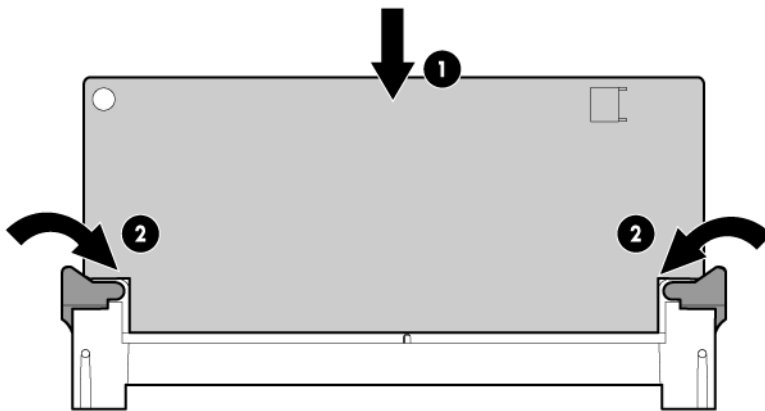
- △ **CAUTION:** Do not use this controller with cache modules designed for other controller models, because the controller can malfunction and you can lose data. Also, do not transfer this cache module to a different controller module, because you can lose data.

To install the component:

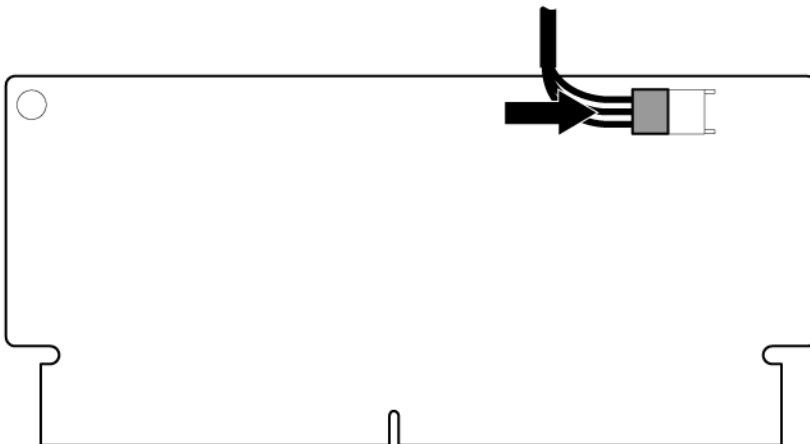
1. Back up all data.
2. Close all applications.
3. Power down the server (on page 20).

**△ CAUTION:** In systems that use external data storage, be sure that the server is the first unit to be powered down and the last to be powered back up. Taking this precaution ensures that the system does not erroneously mark the drives as failed when the server is powered up.

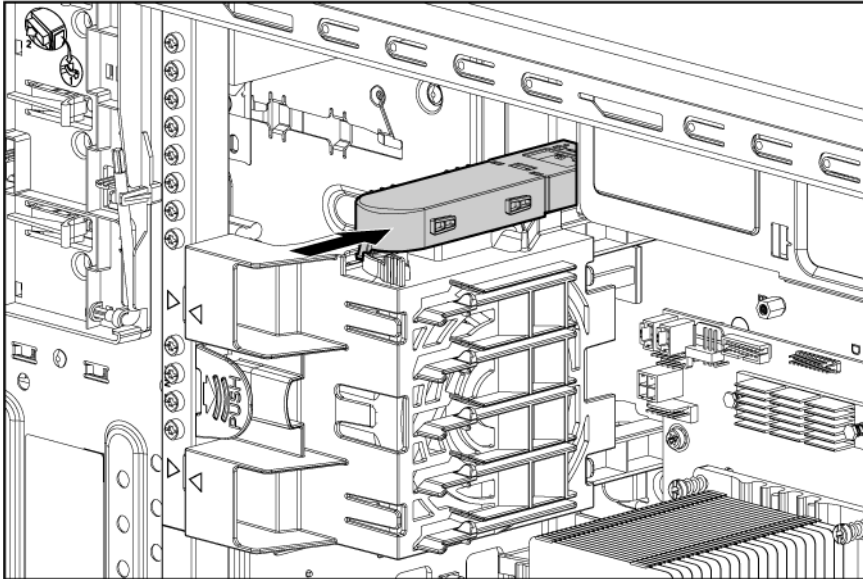
4. Do one of the following:
  - Open or remove the tower bezel, as needed ("[Open or remove the tower bezel](#)" on page 20).
  - Extend the server from the rack (on page 21).
5. Remove the access panel (on page 21).
6. Install the FBWC module.



7. Connect the cable.



8. Install the capacitor pack.



9. Route the cable.
10. Install the access panel (on page 22).
11. Do one of the following:
  - o Close or install the tower bezel, as needed.
  - o Slide the server back into the rack.
12. Power up the server (on page 20).

## SAS controller option

To install the component:

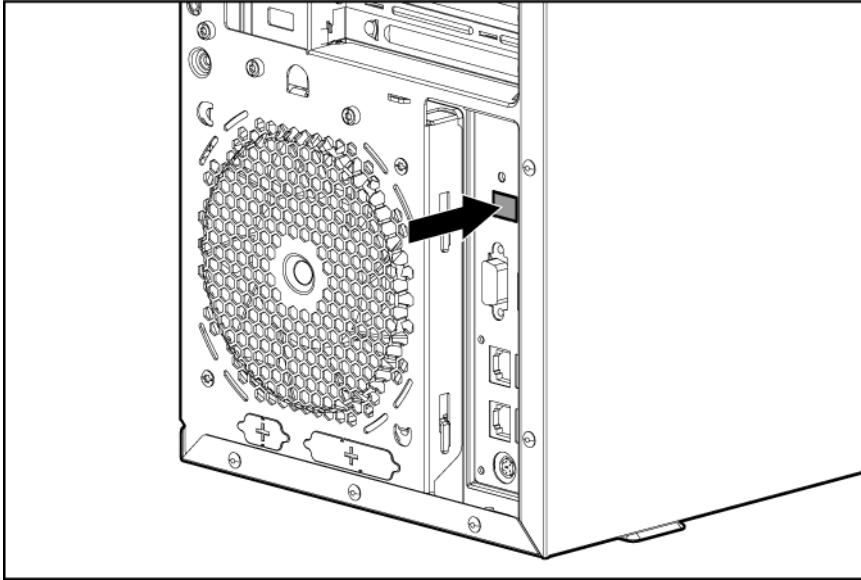
1. Power down the server (on page 20).
2. Do one of the following:
  - o Open or remove the tower bezel, as needed ("[Open or remove the tower bezel](#)" on page 20).
  - o Extend the server from the rack (on page 21).
3. Remove the access panel (on page 21).
4. Remove the expansion slot cover ("[Removing the expansion slot cover](#)" on page 63).
5. Install the SAS controller ("[Installing expansion boards](#)" on page 64).
6. Disconnect the SATA cable from the hard drive backplane and from the system board.
7. Connect the SAS cable to the hard drive backplane and to the SAS controller.
8. Install the access panel (on page 22).
9. Do one of the following:
  - o Close or install the tower bezel, as needed.
  - o Slide the server back into the rack.
10. Power up the server (on page 20).



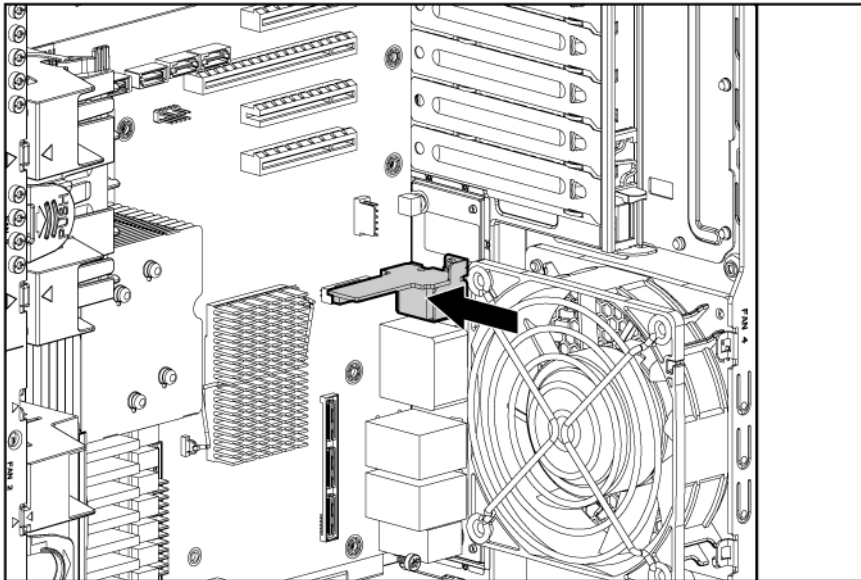
# Dedicated iLO 2 port module option

To install the component:

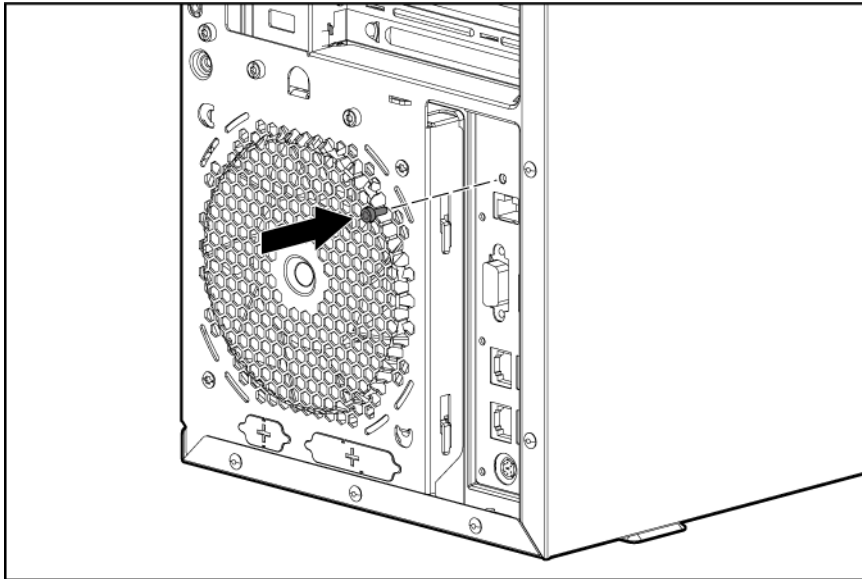
1. Power down the server (on page 20).
2. Do one of the following:
  - o Open or remove the tower bezel, as needed ("[Open or remove the tower bezel](#)" on page 20).
  - o Extend the server from the rack (on page 21).
3. Remove the access panel (on page 21).
4. Using a Phillips screwdriver, remove the dedicated iLO 2 connector module blank.



5. Install the dedicated iLO 2 management port module.



- Using a T-15 Torx screwdriver, secure the dedicated iLO 2 management port module.



- Install the access panel.
- Do one of the following:
  - Close or install the tower bezel, as needed.
  - Slide the server back into the rack.
- Connect a network cable to the module, as needed.
- Power up the server (on page 20).

## HP Trusted Platform Module option

Use these instructions to install and enable a TPM on a supported server. This procedure includes three sections:

- Installing the Trusted Platform Module board (on page 75).
- Retaining the recovery key/password (on page 76).
- Enabling the Trusted Platform Module (on page 77).

Enabling the TPM requires accessing the ROM-Based Setup Utility (RBSU) ("HP ROM-Based Setup Utility" on page 85). For more information about RBSU, see the HP website (<http://www.hp.com/support/smartstart/documentation>).

TPM installation requires the use of drive encryption technology, such as the Microsoft® Windows® BitLocker™ Drive Encryption feature. For more information on BitLocker™, see the Microsoft website (<http://www.microsoft.com>).

---

**CAUTION:** Always observe the guidelines in this document. Failure to follow these guidelines can cause hardware damage or halt data access.

---


When installing or replacing a TPM, observe the following guidelines:

- Do not remove an installed TPM. Once installed, the TPM becomes a permanent part of the system board.


- When installing or replacing hardware, HP service providers cannot enable the TPM or the encryption technology. For security reasons, only the customer can enable these features.
- When returning a system board for service replacement, do not remove the TPM from the system board. When requested, HP Service provides a TPM with the spare system board.
- Any attempt to remove an installed TPM from the system board breaks or disfigures the TPM security rivet. Upon locating a broken or disfigured rivet on an installed TPM, administrators should consider the system compromised and take appropriate measures to ensure the integrity of the system data.
- When using BitLocker™, always retain the recovery key/password. The recovery key/password is required to enter Recovery Mode after BitLocker™ detects a possible compromise of system integrity.
- HP is not liable for blocked data access caused by improper TPM use. For operating instructions, see the encryption technology feature documentation provided by the operating system.

## Installing the Trusted Platform Module board

---

 **WARNING:** To reduce the risk of personal injury, electric shock, or damage to the equipment, remove the power cord to remove power from the server. The front panel Power On/Standby button does not completely shut off system power. Portions of the power supply and some internal circuitry remain active until AC power is removed.


---

 **WARNING:** To reduce the risk of personal injury from hot surfaces, allow the drives and the internal system components to cool before touching them.

---

1. Power down the server (on page 20).
2. Do one of the following:
  - Open or remove the tower bezel, as needed ("[Open or remove the tower bezel](#)" on page 20).
  - Extend the server from the rack (on page 21).
3. Remove the access panel (on page 21).
4. Remove the air baffle (on page 22).


---

 **IMPORTANT:** When removing a processor board to install a TPM, the processor, heatsink, and DIMMs can remain installed on the processor board.

---

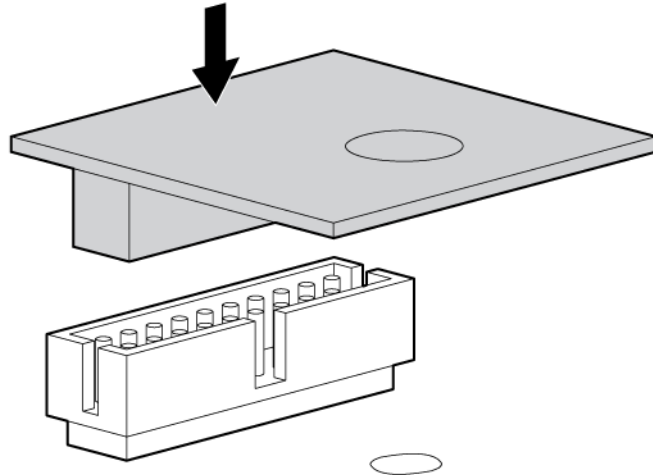
5. Remove the processor board, if necessary ("[Remove the processor board](#)" on page 24).
6. Locate the TPM connector ("[System board components](#)" on page 11).

---

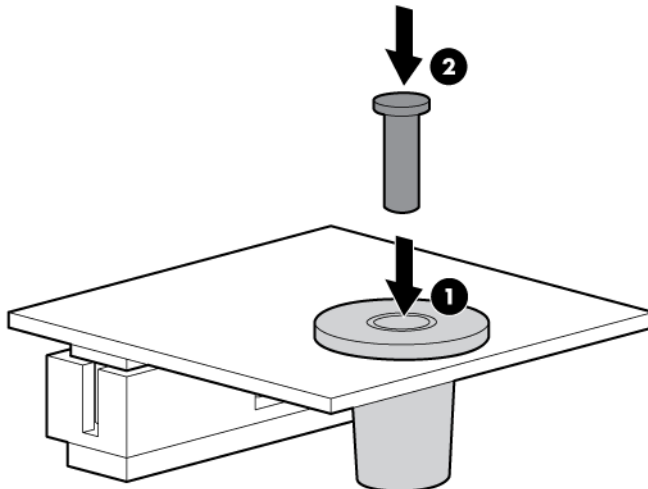
 **CAUTION:** Any attempt to remove an installed TPM from the system board breaks or disfigures the TPM security rivet. Upon locating a broken or disfigured rivet on an installed TPM, administrators should consider the system compromised and take appropriate measures to ensure the integrity of the system data.

---

7. Install the TPM board. Press down on the connector to seat the board ("[System board components](#)" on page 11).



8. Install the TPM security rivet by pressing the rivet firmly into the system board.



9. Install the processor board, if removed ("[Install the processor board](#)" on page 25).
10. Install the air baffle.
11. Install the access panel (on page 22).
12. Do one of the following:
  - o Close or install the tower bezel, as needed.
  - o Slide the server back into the rack.
13. Power up the server (on page 20).

## Retaining the recovery key/password

The recovery key/password is generated during BitLocker™ setup, and can be saved and printed after BitLocker™ is enabled. When using BitLocker™, always retain the recovery key/password. The recovery

key/password is required to enter Recovery Mode after BitLocker™ detects a possible compromise of system integrity.

To help ensure maximum security, observe the following guidelines when retaining the recovery key/password:

- Always store the recovery key/password in multiple locations.
- Always store copies of the recovery key/password away from the server.
- Do not save the recovery key/password on the encrypted hard drive.

## Enabling the Trusted Platform Module

1. When prompted during the start-up sequence, access RBSU by pressing the **F9** key.
2. From the Main Menu, select **Server Security**.
3. From the Server Security Menu, select **Trusted Platform Module**.
4. From the Trusted Platform Module Menu, select **TPM Functionality**.
5. Select **Enable**, and then press the **Enter** key to modify the TPM Functionality setting.
6. Press the **Esc** key to exit the current menu, or press the **F10** key to exit RBSU.
7. Reboot the server.
8. Enable the TPM in the OS. For OS-specific instructions, see the OS documentation.



**CAUTION:** When a TPM is installed and enabled on the server, data access is locked if you fail to follow the proper procedures for updating the system or option firmware, replacing the system board, replacing a hard drive, or modifying OS application TPM settings.

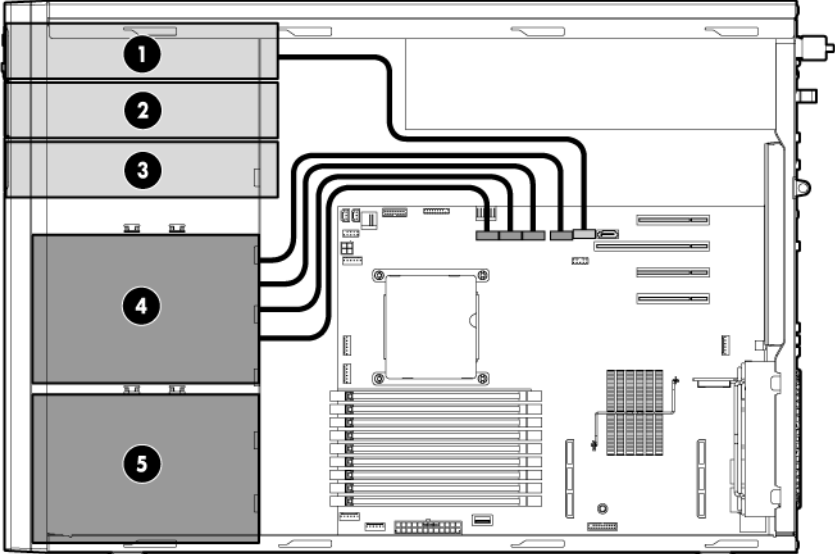
---

For more information on firmware updates and hardware procedures, see the *HP Trusted Platform Module Best Practices White Paper* on the HP website (<http://www.hp.com/support>).

For more information on adjusting TPM usage in BitLocker™, see the Microsoft website (<http://technet.microsoft.com/en-us/windowsvista/aa905065.aspx>).

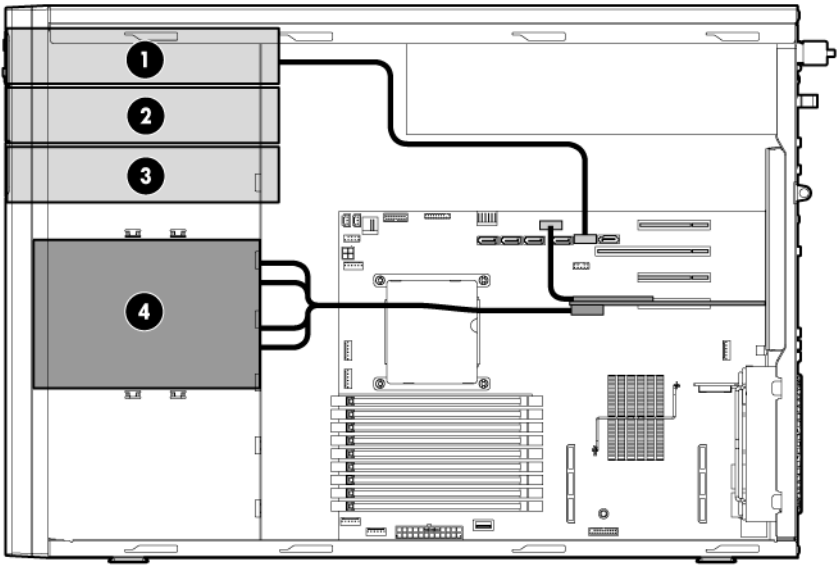
# Cabling

## Non-hot-plug SATA hard drive cabling



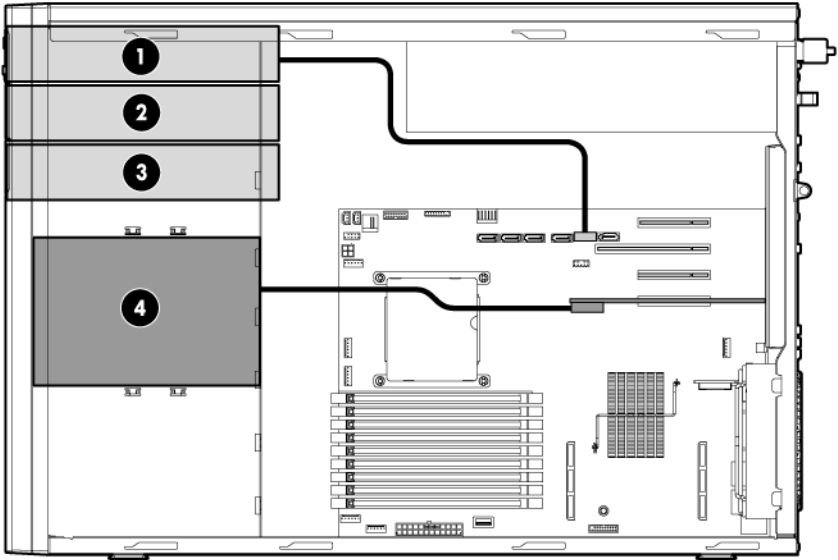
Item	Description
1	Media bay 11
2	Media bay 10
3	Media bay 9
4	Hard drive bay (hard drives 1-4)
5	Hard drive bay (hard drives 5-8)

# Non-hot-plug SATA/SAS hard drive cabling



Item	Description
1	Media bay 11
2	Media bay 10
3	Media bay 9
4	Hard drive bay (hard drives 1-4)

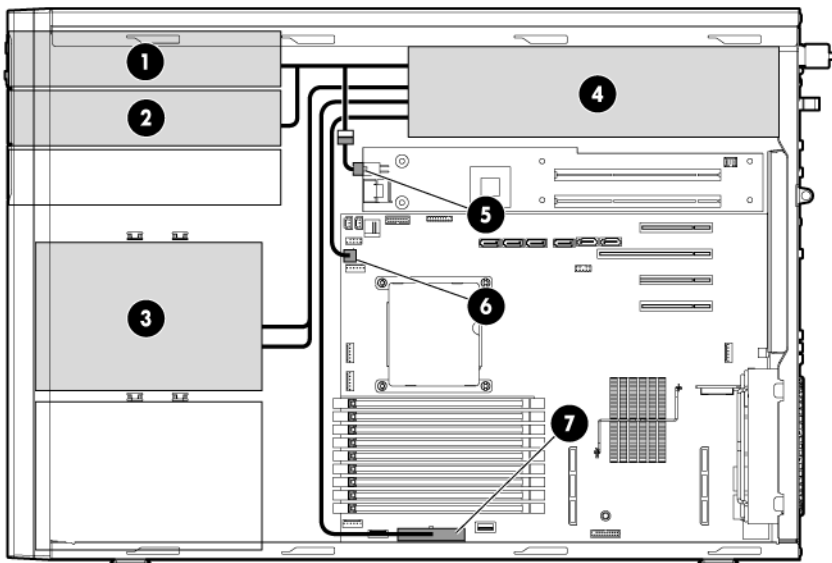
# Hot-plug SATA/SAS hard drive cabling



Item	Description
1	Media bay 11
2	Media bay 10

Item	Description
3	Media bay 9
4	Hard drive bay (hard drives 1-4)

## Non-hot-plug hard drive single power cabling



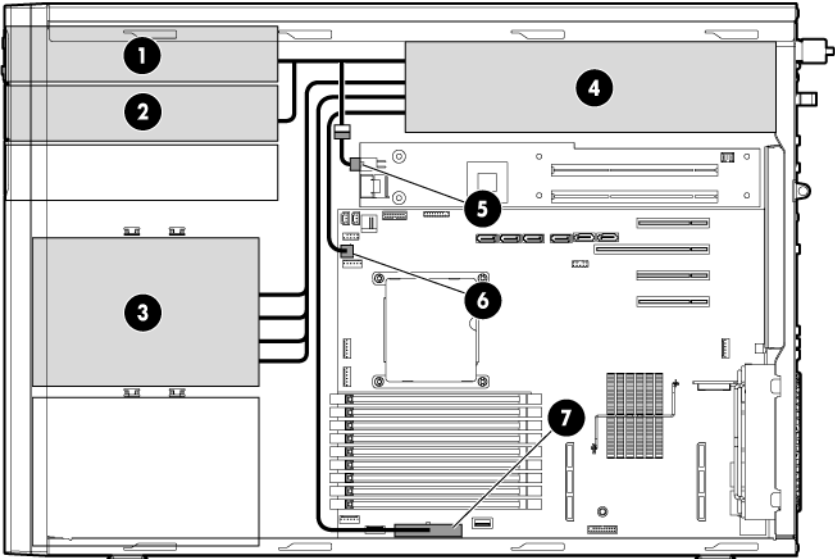
The hard drive backplane uses the 4-pin power connectors.

When connecting SATA hard drives, be sure to use the black SATA power connectors.

Item	Description
1	Media bay 11
2	Media bay 10
3	Hard drive bay (hard drives 1-4)
4	Power supply
5	4-pin power connector (P14)
6	4-pin power connector (P2)
7	24-pin power connector



# Hot-plug hard drive single power cabling

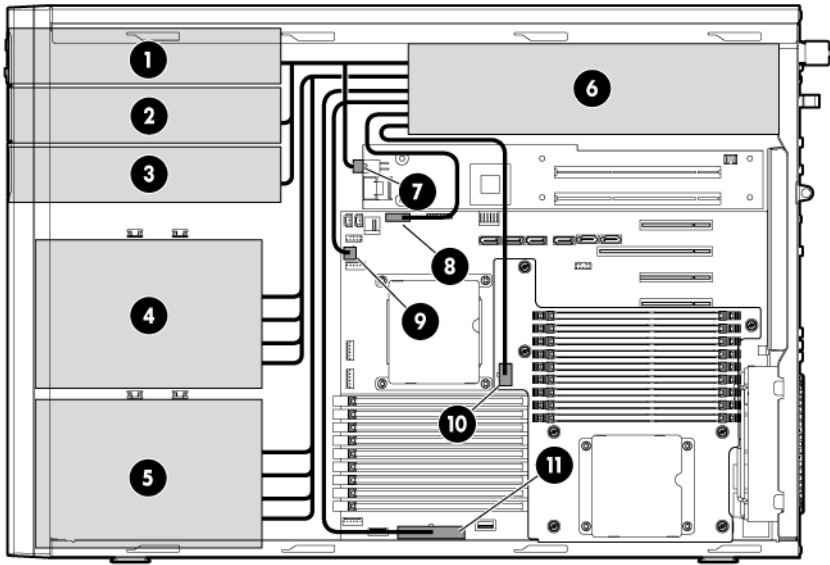


The hard drive backplane uses the 4-pin power connectors.

When connecting SATA hard drives, be sure to use the black SATA power connectors.

Item	Description
1	Media bay 11
2	Media bay 10
3	Hard drive bay (hard drives 1-4)
4	Power supply
5	4-pin power connector (P14)
6	4-pin power connector (P2)
7	24-pin power connector

# Non-hot-plug hard drive redundant power cabling

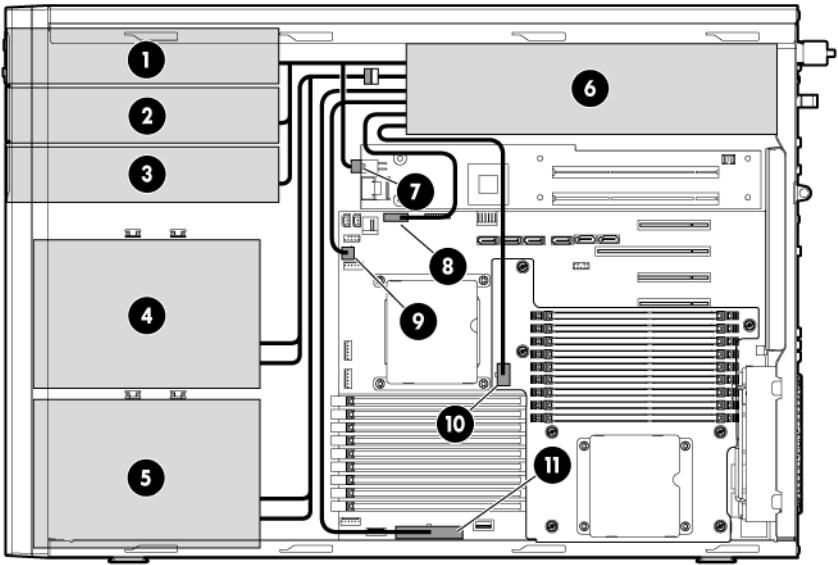


The hard drive backplane uses the 4-pin power connectors.

When connecting SATA hard drives, be sure to use the black SATA power connectors.

Item	Description
1	Media bay 11
2	Media bay 10
3	Media bay 9
4	Hard drive bay (hard drives 1-4)
5	Hard drive bay (hard drives 5-8)
6	Power supply
7	4-pin power connector (P19)
8	16-pin power connector
9	4-pin power connector (P3)
10	8-pin power connector
11	24-pin power connector

# Hot-plug hard drive redundant power cabling



The hard drive backplane uses the 4-pin power connectors.

When connecting SATA hard drives, be sure to use the black SATA power connectors.

Item	Description
1	Media bay 11
2	Media bay 10
3	Media bay 9
4	Hard drive bay (hard drives 1-4)
5	Hard drive bay (hard drives 5-8)
6	Power supply
7	4-pin power connector (P19)
8	16-pin power connector
9	4-pin power connector (P3)
10	8-pin power connector
11	24-pin power connector

---

# Configuration and utilities

## Configuration tools

### SmartStart software

SmartStart is a collection of software that optimizes single-server setup, providing a simple and consistent way to deploy server configuration. SmartStart has been tested on many ProLiant server products, resulting in proven, reliable configurations.

SmartStart assists the deployment process by performing a wide range of configuration activities, including:

- Preparing the system for installing "off-the-shelf" versions of leading operating system software
- Installing optimized server drivers, management agents, and utilities automatically with every assisted installation
- Testing server hardware using the Insight Diagnostics Utility ("[HP Insight Diagnostics](#)" on page 91)
- Installing software drivers directly from the CD. With systems that have Internet connection, the SmartStart Autorun Menu provides access to a complete list of ProLiant system software.
- Enabling access to the Array Configuration Utility and Erase Utility (on page 89)

SmartStart is included in the HP Insight Foundation suite for ProLiant. For more information about SmartStart software, see the HP Insight Foundation suite for ProLiant or the HP website (<http://www.hp.com/go/foundation>).

### SmartStart Scripting Toolkit

The SmartStart Scripting Toolkit is a server deployment product that delivers an unattended automated installation for high-volume server deployments. The SmartStart Scripting Toolkit is designed to support ProLiant BL, ML, DL, and 100 series servers. The toolkit includes a modular set of utilities and important documentation that describes how to apply these new tools to build an automated server deployment process.

Using SmartStart technology, the Scripting Toolkit provides a flexible way to create standard server configuration scripts. These scripts are used to automate many of the manual steps in the server configuration process. This automated server configuration process cuts time from each deployment, making it possible to scale server deployments to high volumes in a rapid manner.

For more information, and to download the SmartStart Scripting Toolkit, see the HP website (<http://www.hp.com/servers/sstoolkit>).

### Configuration Replication Utility

CONREP is shipped in the SmartStart Scripting Toolkit and is a program that works with RBSU to replicate hardware configuration on ProLiant servers. This utility is run during State 0, Run Hardware Configuration Utility, when doing a scripted server deployment. CONREP reads the state of the system environment

variables to determine the configuration and then writes the results to an editable script file. This file can then be deployed across multiple servers with similar hardware and software components. For more information, refer to the *SmartStart Scripting Toolkit User Guide* on the HP website (<http://h18004.www1.hp.com/products/servers/management/toolkit/documentation.html>).

## HP ROM-Based Setup Utility

RBSU is a configuration utility embedded in ProLiant servers that performs a wide range of configuration activities that can include the following:

- Configuring system devices and installed options
- Enabling and disabling system features
- Displaying system information
- Selecting the primary boot controller
- Configuring memory options
- Language selection

For more information on RBSU, see the *HP ROM-Based Setup Utility User Guide* on the Documentation CD or the HP website (<http://www.hp.com/support/smartstart/documentation>).

### Using RBSU

To use RBSU, use the following keys:

- To access RBSU, press the **F9** key during power-up when prompted.
- To navigate the menu system, use the arrow keys.
- To make selections, press the **Enter** key.
- To access Help for a highlighted configuration option, press the **F1** key.



---

**IMPORTANT:** RBSU automatically saves settings when you press the **Enter** key. The utility does not prompt you for confirmation of settings before you exit the utility. To change a selected setting, you must select a different setting and press the **Enter** key.

---

Default configuration settings are applied to the server at one of the following times:

- Upon the first system power-up
- After defaults have been restored

Default configuration settings are sufficient for proper typical server operation, but configuration settings can be modified using RBSU. The system will prompt you for access to RBSU with each power-up.

### Auto-configuration process

The auto-configuration process automatically runs when you boot the server for the first time. During the power-up sequence, the system ROM automatically configures the entire system without needing any intervention. During this process, the ORCA utility, in most cases, automatically configures the array to a default setting based on the number of drives connected to the server.

---

**NOTE:** The server may not support all the following examples.

---

---

**NOTE:** If the boot drive is not empty or has been written to in the past, ORCA does not automatically configure the array. You must run ORCA to configure the array settings.

---

Drives installed	Drives used	RAID level
1	1	RAID 0
2	2	RAID 1
3, 4, 5, or 6	3, 4, 5, or 6	RAID 5
More than 6	0	None

To change any ORCA default settings and override the auto-configuration process, press the **F8** key when prompted.

By default, the auto-configuration process configures the system for the English language. To change any default settings in the auto-configuration process (such as the settings for language, operating system, and primary boot controller), execute RBSU by pressing the **F9** key when prompted. After the settings are selected, exit RBSU and allow the server to reboot automatically.

For more information on RBSU, see the *HP ROM-Based Setup Utility User Guide* on the Documentation CD or the HP website (<http://www.hp.com/support/smartstart/documentation>).

## Boot options

Near the end of the boot process, the boot options screen is displayed. This screen is visible for several seconds before the system attempts to boot from a supported boot device. During this time, you can do the following:

- Access RBSU by pressing the **F9** key.
- Access the System Maintenance Menu (which enables you to launch ROM-based Diagnostics or Inspect) by pressing the **F10** key.
- Force a PXE Network boot by pressing the **F12** key.

## BIOS Serial Console

BIOS Serial Console allows you to configure the serial port to view POST error messages and run RBSU remotely through a serial connection to the server COM port. The server that you are remotely configuring does not require a keyboard and mouse.

For more information about BIOS Serial Console, see the *BIOS Serial Console User Guide* on the Documentation CD or the HP website (<http://www.hp.com/support/smartstart/documentation>).

## Configuring mirrored memory

To configure mirrored memory:

1. Install the required DIMMs ("Installing DIMMs" on page 47).
2. Access RBSU by pressing the **F9** key during power-up when the prompt is displayed.
3. Select **System Options**.
4. Select **Advanced Memory Protection**.
5. Select **Mirrored Memory with Advanced ECC Support**.
6. Press the **Enter** key.

7. Press the **Esc** key to exit the current menu or press the **F10** key to exit RBSU.

For more information on mirrored memory, see the white paper on the HP website (<http://h18000.www1.hp.com/products/servers/technology/memoryprotection.html>).

## Configuring lockstep memory

To configure Lockstep memory:

1. Install the required DIMMs ("Installing DIMMs" on page 47).
2. Access RBSU by pressing the **F9** key during power-up when the prompt is displayed.
3. Select **System Options**.
4. Select **Advanced Memory Protection**.
5. Select **Lockstep with Advanced ECC Support**.
6. Press the **Enter** key.
7. Press the **Esc** key to exit the current menu, or press the **F10** key to exit RBSU.

For more information on Lockstep memory, see the white paper on the HP website (<http://h18000.www1.hp.com/products/servers/technology/memoryprotection.html>).

## Configuring online spare memory

To configure online spare memory:

1. Install the required DIMMs ("Installing DIMMs" on page 47).
2. When the prompt appears, access RBSU by pressing the **F9** key during power-up.
3. Select **System Options**.
4. Select **Advanced Memory Protection**.
5. Select **Online Spare with Advanced ECC Support**.
6. Press the **Enter** key.
7. Press the **Esc** key to exit the current menu, or press the **F10** key to exit RBSU.

For more information on online spare memory, see the HP website (<http://h18000.www1.hp.com/products/servers/technology/memoryprotection.html>).

## Option ROM Configuration for Arrays

Before installing an operating system, you can use the ORCA utility to create the first logical drive, assign RAID levels, and establish online spare configurations.

The utility also provides support for the following functions:

- Reconfiguring one or more logical drives
- Viewing the current logical drive configuration
- Deleting a logical drive configuration
- Setting the controller to be the boot controller

If you do not use the utility, ORCA will default to the standard configuration.

For more information regarding array controller configuration, refer to the controller user guide.

For more information regarding the default configurations that ORCA uses, refer to the *HP ROM-Based Setup Utility User Guide* on the Documentation CD.

## HP ProLiant Essentials Rapid Deployment Pack

The RDP software is the preferred method for rapid, high-volume server deployments. The RDP software integrates two powerful products: Altiris Deployment Solution and the HP ProLiant Integration Module.

The intuitive graphical user interface of the Altiris Deployment Solution console provides simplified point-and-click and drag-and-drop operations that enable you to deploy target servers, including server blades, remotely. It enables you to perform imaging or scripting functions and maintain software images.

For more information about the RDP, refer to the HP ProLiant Essentials Rapid Deployment Pack CD or refer to the HP website (<http://www.hp.com/servers/rdp>).

## Re-entering the server serial number and product ID

After you replace the system board, you must re-enter the server serial number and the product ID.

1. During the server startup sequence, press the **F9** key to access RBSU.
2. Select the **Advanced Options** menu.
3. Select **Service Options**.
4. Select **Serial Number**. The following warnings appear:  

```
WARNING! WARNING! WARNING! The serial number is loaded into the system
during the manufacturing process and should NOT be modified. This option
should only be used by qualified service personnel. This value should
always match the serial number sticker located on the chassis.

Warning: The serial number should ONLY be modified by qualified
personnel. This value should always match the serial number located on
the chassis.
```
5. Press the **Enter** key to clear the warning.
6. Enter the serial number and press the **Enter** key.
7. Select **Product ID**. The following warning appears:  

```
Warning: The Product ID should ONLY be modified by qualified personnel.
This value should always match the Product ID on the chassis.
```
8. Enter the product ID and press the **Enter** key.
9. Press the **Esc** key to close the menu.
10. Press the **Esc** key to exit RBSU.
11. Press the **F10** key to confirm exiting RBSU. The server automatically reboots.

## Management tools

### Automatic Server Recovery

ASR is a feature that causes the system to restart when a catastrophic operating system error occurs, such as a blue screen, ABEND, or panic. A system fail-safe timer, the ASR timer, starts when the System Management driver, also known as the Health Driver, is loaded. When the operating system is



functioning properly, the system periodically resets the timer. However, when the operating system fails, the timer expires and restarts the server.

ASR increases server availability by restarting the server within a specified time after a system hang or shutdown. At the same time, the HP SIM console notifies you by sending a message to a designated pager number that ASR has restarted the system. You can disable ASR from the HP SIM console or through RBSU.

## ROMPaaS utility

The ROMPaaS utility enables you to upgrade the system firmware (BIOS). To upgrade the firmware, insert a ROMPaaS USB Key into an available USB port and boot the system. In addition to ROMPaaS, Online Flash Components for Windows and Linux operating systems are available for updating the system firmware.

The ROMPaaS utility checks the system and provides a choice (if more than one exists) of available firmware revisions.

For more information, see the Download drivers and software page for the server. To access the server-specific page, enter the following web address into the browser:

<http://www.hp.com/support/<servername>>

For example:

<http://www.hp.com/support/dl360g6>

## iLO 2 technology

The iLO 2 subsystem is a standard component of selected ProLiant servers that provides server health and remote server manageability. The iLO 2 subsystem includes an intelligent microprocessor, secure memory, and a dedicated network interface. This design makes iLO 2 independent of the host server and its operating system. The iLO 2 subsystem provides remote access to any authorized network client, sends alerts, and provides other server management functions.

Using iLO 2, you can:

- Remotely power up, power down, or reboot the host server.
- Send alerts from iLO 2 regardless of the state of the host server.
- Access advanced troubleshooting features through the iLO 2 interface.
- Diagnose iLO 2 using HP SIM through a web browser and SNMP alerting.

For more information about iLO 2 features (which may require an iLO Advanced Pack or iLO Advanced for BladeSystem license), see the iLO 2 documentation on the Documentation CD or on the HP website (<http://www.hp.com/servers/lights-out>).

## Erase Utility



---

**CAUTION:** Perform a backup before running the System Erase Utility. The utility sets the system to its original factory state, deletes the current hardware configuration information, including array setup and disk partitioning, and erases all connected hard drives completely. Refer to the instructions for using this utility.

---

Run the Erase Utility if you must erase the system for the following reasons:

- You want to install a new operating system on a server with an existing operating system.
- You encounter an error when completing the steps of a factory-installed operating system installation.

To access the Erase Utility, use the System Erase button on the home screen of the SmartStart CD ("SmartStart software" on page 84).

## StorageWorks library and tape tools

HP StorageWorks L&TT provides functionality for firmware downloads, verification of device operation, maintenance procedures, failure analysis, corrective service actions, and some utility functions. It also provides seamless integration with HP hardware support by generating and emailing support tickets that deliver a snapshot of the storage system.

For more information, and to download the utility, refer to the StorageWorks L&TT website (<http://h18006.www1.hp.com/products/storageworks/ltt>).

## HP Systems Insight Manager

HP SIM is a web-based application that allows system administrators to accomplish normal administrative tasks from any remote location, using a web browser. HP SIM provides device management capabilities that consolidate and integrate management data from HP and third-party devices.



---

**IMPORTANT:** You must install and use HP SIM to benefit from the Pre-Failure Warranty for processors, SAS and SATA hard drives, and memory modules.

---

For additional information, refer to the Management CD in the HP ProLiant Essentials Foundation Pack or the HP SIM website (<http://www.hp.com/go/hpsim>).

## Management Agents

Management Agents provide the information to enable fault, performance, and configuration management. The agents allow easy manageability of the server through HP SIM software, and third-party SNMP management platforms. Management Agents are installed with every SmartStart assisted installation or can be installed through the HP PSP. The Systems Management homepage provides status and direct access to in-depth subsystem information by accessing data reported through the Management Agents. For additional information, refer to the Management CD in the HP ProLiant Essentials Foundation Pack or the HP website (<http://www.hp.com/servers/manage>).

## Redundant ROM support

The server enables you to upgrade or configure the ROM safely with redundant ROM support. The server has a 8-MB ROM that acts as two, separate 4-MB ROMs. In the standard implementation, one side of the ROM contains the current ROM program version, while the other side of the ROM contains a backup version.

---

**NOTE:** The server ships with the same version programmed on each side of the ROM.

---

## Safety and security benefits

When you flash the system ROM, ROMPaq writes over the backup ROM and saves the current ROM as a backup, enabling you to switch easily to the alternate ROM version if the new ROM becomes corrupted for any reason. This feature protects the existing ROM version, even if you experience a power failure while flashing the ROM.

## USB support

HP provides both standard USB 2.0 support and legacy USB 2.0 support. Standard support is provided by the OS through the appropriate USB device drivers. Before the OS loads, HP provides support for USB devices through legacy USB support, which is enabled by default in the system ROM.

Legacy USB support provides USB functionality in environments where USB support is not available normally. Specifically, HP provides legacy USB functionality for the following:

- POST
- RBSU
- Diagnostics
- DOS
- Operating environments which do not provide native USB support

## Internal USB functionality

An internal USB connector is available for use with USB drive keys only. This solution provides for use of a permanent boot drive from a USB drive key installed in the internal connector, avoiding issues of clearance on the front of the rack and physical access to secure data.

For additional security, you can disable the external USB connectors through RBSU. Disabling the rear USB connectors in RBSU disables both rear USB ports.

## Diagnostic tools

### HP Insight Diagnostics

HP Insight Diagnostics is a proactive server management tool, available in both offline and online versions, that provides diagnostics and troubleshooting capabilities to assist IT administrators who verify server installations, troubleshoot problems, and perform repair validation.

HP Insight Diagnostics Offline Edition performs various in-depth system and component testing while the OS is not running. To run this utility, launch the SmartStart CD.

HP Insight Diagnostics Online Edition is a web-based application that captures system configuration and other related data needed for effective server management. Available in Microsoft® Windows® and Linux versions, the utility helps to ensure proper system operation.

For more information or to download the utility, refer to the HP website (<http://www.hp.com/servers/diags>).

## HP Insight Diagnostics survey functionality

HP Insight Diagnostics (on page 91) provides survey functionality that gathers critical hardware and software information on ProLiant servers.

This functionality supports operating systems that may not be supported by the server. For operating systems supported by the server, see the HP website (<http://www.hp.com/go/supportos>).

If a significant change occurs between data-gathering intervals, the survey function marks the previous information and overwrites the survey data files to reflect the latest changes in the configuration.

Survey functionality is installed with every SmartStart-assisted HP Insight Diagnostics installation, or it can be installed through the HP PSP ("ProLiant Support Packs" on page 94).

---

**NOTE:** The current version of SmartStart provides the memory spare part numbers for the server. To download the latest version, see the HP website (<http://www.hp.com/support>).

---

## Integrated Management Log

The IML records hundreds of events and stores them in an easy-to-view form. The IML timestamps each event with 1-minute granularity.

You can view recorded events in the IML in several ways, including the following:

- From within HP SIM ("HP Systems Insight Manager" on page 90)
- From within Survey Utility
- From within operating system-specific IML viewers
  - For NetWare: IML Viewer
  - For Windows®: IML Viewer
  - For Linux: IML Viewer Application
- From within the iLO 2 user interface
- From within HP Insight Diagnostics (on page 91)

For more information, see the Management CD in the HP Insight Foundation suite for ProLiant.

## Array Diagnostic Utility

The HP Array Diagnostics Utility is a web-based application that creates a report of all HP storage controllers and disk drives. This report provides vital information to assist in identifying faults or conditions that may require attention. ADU can be accessed from the SmartStart CD ("SmartStart software" on page 84) or downloaded from the HP website (<http://www.hp.com>).

## HP Insight Server Migration software for ProLiant

The HP Insight Server Migration software for ProLiant (SMP) enables administrators to upgrade or replace an existing server through server migration. SMP provides an automated, accurate, and affordable method of migrating existing servers and their content to the latest server technologies.

SMP automates the migration of the operating system, applications, and data from one server to another without errors, eliminating the need for manual redeployment of these elements on the new server. During

the migration process, the software automatically loads new drivers, required for boot, on the destination server. The wizard-based user interface simplifies the migration process and requires little experience or training.

For more information about the SMP, see the HP website (<http://www.hp.com/go/migrate>).

## Remote support and analysis tools

### HP Insight Remote Support software

HP Insight Remote Support software delivers secure remote support for your HP Servers and Storage, 24 X 7, so you can spend less time solving problems and more time focused on your business. You can have your systems remotely monitored for hardware failure using secure technology that has been proven at thousands of companies around the world. In many cases, you can avoid problems before they occur. There are two HP Insight Remote Support solutions:

- For small and midsize environments: HP Insight Remote Support Standard provides basic remote monitoring, notification/advisories and service dispatch. It is optimized for environments with 1 to 50 servers and can be installed on a shared HP ProLiant Windows application server. The software supports HP EVA storage devices, HP ProLiant, BladeSystems, HP Integrity and HP 9000 servers running Microsoft Windows, Red Hat Enterprise Linux, Novell SUSE and Novell Netware. Download from the HP website (<http://h20392.www2.hp.com/portal/swdepot/displayProductInfo.do?productNumber=RSSWMBA SE>).
- For midsize and large environments: HP Insight Remote Support Pack (formerly Service Essentials Remote Support Pack) is targeted for larger environments and is integrated with HP Systems Insight Manager (SIM). It provides comprehensive remote monitoring, notification/advisories, dispatch and proactive service support for nearly all HP servers, storage, network and SAN environments, plus selected Dell and IBM Windows servers that have a support obligation with HP. It also enables HP to deliver higher levels of proactive support in line with HP Mission Critical Services support agreements. Download from the HP website (<http://h20392.www2.hp.com/portal/swdepot/displayProductInfo.do?productNumber=ISDVD>).

Both HP Insight Remote Support solutions are available at no additional cost to customers with a valid warranty on HP technology, an HP Care Pack Service or HP contractual support agreement.

For more information, see the HP website (<http://www.hp.com/go/insightremotesupport>).

## Keeping the system current

### Drivers

The server includes new hardware that may not have driver support on all operating system installation media.

If you are installing a SmartStart-supported operating system, use the SmartStart software (on page 84) and its Assisted Path feature to install the operating system and latest driver support.

---

**NOTE:** If you are installing drivers from the SmartStart CD or the Software Maintenance CD, refer to the SmartStart website (<http://www.hp.com/servers/smartstart>) to be sure that you are using the latest version of SmartStart. For more information, refer to the documentation provided with the SmartStart CD.

---

If you do not use the SmartStart CD to install an operating system, drivers for some of the new hardware are required. These drivers, as well as other option drivers, ROM images, and value-add software can be downloaded from the HP website (<http://www.hp.com/support>).

---



**IMPORTANT:** Always perform a backup before installing or updating device drivers.

---

## ProLiant Support Packs

PSPs represent operating system-specific bundles of ProLiant optimized drivers, utilities, and management agents. Refer to the PSP website (<http://h18000.www1.hp.com/products/servers/management/psp.html>).

## Operating system version support

Refer to the operating system support matrix (<http://www.hp.com/go/supportos>).

## System Online ROM flash component utility

The Online ROM Flash Component Utility enables system administrators to efficiently upgrade system or controller ROM images across a wide range of servers and array controllers. This tool has the following features:

- Works offline and online
- Supports Windows Server® 2003, Windows Server® 2008, Novell Netware, and Linux operating systems



**IMPORTANT:** This utility supports operating systems that may not be supported by the server. For operating systems supported by the server, see the HP website (<http://www.hp.com/support>).

---

- Integrates with other software maintenance, deployment, and operating system tools
- Automatically checks for hardware, firmware, and operating system dependencies, and installs only the correct ROM upgrades required by each target server

To download the tool and for more information, see the HP website (<http://www.hp.com/support>).

## Change control and proactive notification

HP offers Change Control and Proactive Notification to notify customers 30 to 60 days in advance of upcoming hardware and software changes on HP commercial products.

For more information, refer to the HP website (<http://www.hp.com/go/pcn>).

## Care Pack

HP Care Pack Services offer upgraded service levels to extend and expand standard product warranty with easy-to-buy, easy-to-use support packages that help you make the most of your server investments. Refer to the Care Pack website ([http://www.hp.com/hps/carepack/servers/cp\\_proliant.html](http://www.hp.com/hps/carepack/servers/cp_proliant.html)).

---

# Troubleshooting

## Troubleshooting resources

The *HP ProLiant Servers Troubleshooting Guide* provides procedures for resolving common problems and comprehensive courses of action for fault isolation and identification, error message interpretation, issue resolution, and software maintenance on ProLiant servers and server blades. This guide includes problem-specific flowcharts to help you navigate complex troubleshooting processes. To view the guide, select a language:

- English ([http://www.hp.com/support/ProLiant\\_TSG\\_en](http://www.hp.com/support/ProLiant_TSG_en))
- French ([http://www.hp.com/support/ProLiant\\_TSG\\_fr](http://www.hp.com/support/ProLiant_TSG_fr))
- Italian ([http://www.hp.com/support/ProLiant\\_TSG\\_it](http://www.hp.com/support/ProLiant_TSG_it))
- Spanish ([http://www.hp.com/support/ProLiant\\_TSG\\_sp](http://www.hp.com/support/ProLiant_TSG_sp))
- German ([http://www.hp.com/support/ProLiant\\_TSG\\_gr](http://www.hp.com/support/ProLiant_TSG_gr))
- Dutch ([http://www.hp.com/support/ProLiant\\_TSG\\_nl](http://www.hp.com/support/ProLiant_TSG_nl))
- Japanese ([http://www.hp.com/support/ProLiant\\_TSG\\_jp](http://www.hp.com/support/ProLiant_TSG_jp))

## Pre-diagnostic steps



**WARNING:** To avoid potential problems, ALWAYS read the warnings and cautionary information in the server documentation before removing, replacing, reseating, or modifying system components.

---



**IMPORTANT:** This guide provides information for multiple servers. Some information may not apply to the server you are troubleshooting. Refer to the server documentation for information on procedures, hardware options, software tools, and operating systems supported by the server.

---

1. Review the important safety information (on page 96).
2. Gather symptom information (on page 98).
3. Prepare the server for diagnosis (on page 99).
4. Use the Start diagnosis flowchart (on page 100) to begin the diagnostic process.

## Important safety information

Familiarize yourself with the safety information in the following sections before troubleshooting the server.



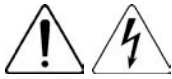
### Important safety information

Before servicing this product, read the *Important Safety Information* document provided with the server.



## Symbols on equipment

The following symbols may be placed on equipment to indicate the presence of potentially hazardous conditions.



This symbol indicates the presence of hazardous energy circuits or electric shock hazards. Refer all servicing to qualified personnel.

**WARNING:** To reduce the risk of injury from electric shock hazards, do not open this enclosure. Refer all maintenance, upgrades, and servicing to qualified personnel.



This symbol indicates the presence of electric shock hazards. The area contains no user or field serviceable parts. Do not open for any reason.

**WARNING:** To reduce the risk of injury from electric shock hazards, do not open this enclosure.



This symbol on an RJ-45 receptacle indicates a network interface connection.

**WARNING:** To reduce the risk of electric shock, fire, or damage to the equipment, do not plug telephone or telecommunications connectors into this receptacle.



This symbol indicates the presence of a hot surface or hot component. If this surface is contacted, the potential for injury exists.

**WARNING:** To reduce the risk of injury from a hot component, allow the surface to cool before touching.



15.0 kg  
33.0 lb

This symbol indicates that the component exceeds the recommended weight for one individual to handle safely.

**WARNING:** To reduce the risk of personal injury or damage to the equipment, observe local occupational health and safety requirements and guidelines for manual material handling.



These symbols, on power supplies or systems, indicate that the equipment is supplied by multiple sources of power.

**WARNING:** To reduce the risk of injury from electric shock, remove all power cords to completely disconnect power from the system.

## Warnings and cautions



**WARNING:** Only authorized technicians trained by HP should attempt to repair this equipment. All troubleshooting and repair procedures are detailed to allow only subassembly/module-level repair. Because of the complexity of the individual boards and subassemblies, no one should attempt to make repairs at the component level or to make modifications to any printed wiring board. Improper repairs can create a safety hazard.



**WARNING:** To reduce the risk of personal injury or damage to the equipment, be sure that:

- The leveling feet are extended to the floor.
- The full weight of the rack rests on the leveling feet.
- The stabilizing feet are attached to the rack if it is a single-rack installation.
- The racks are coupled together in multiple-rack installations.
- Only one component is extended at a time. A rack may become unstable if more than one component is extended for any reason.



---

**WARNING:** To reduce the risk of electric shock or damage to the equipment:

- Do not disable the power cord grounding plug. The grounding plug is an important safety feature.
  - Plug the power cord into a grounded (earthed) electrical outlet that is easily accessible at all times.
  - Unplug the power cord from the power supply to disconnect power to the equipment.
  - Do not route the power cord where it can be walked on or pinched by items placed against it. Pay particular attention to the plug, electrical outlet, and the point where the cord extends from the server.
- 



15.0 kg  
33.0 lb

---

**WARNING:** To reduce the risk of personal injury or damage to the equipment:

- Observe local occupation health and safety requirements and guidelines for manual handling.
  - Obtain adequate assistance to lift and stabilize the chassis during installation or removal.
  - The server is unstable when not fastened to the rails.
  - When mounting the server in a rack, remove the power supplies and any other removable module to reduce the overall weight of the product.
- 



**CAUTION:** To properly ventilate the system, you must provide at least 7.6 cm (3.0 in) of clearance at the front and back of the server.

---



**CAUTION:** The server is designed to be electrically grounded (earthed). To ensure proper operation, plug the AC power cord into a properly grounded AC outlet only.

---

## Symptom information

Before troubleshooting a server problem, collect the following information:

- What events preceded the failure? After which steps does the problem occur?
- What has been changed since the time the server was working?
- Did you recently add or remove hardware or software? If so, did you remember to change the appropriate settings in the server setup utility, if necessary?
- How long has the server exhibited problem symptoms?
- If the problem occurs randomly, what is the duration or frequency?

To answer these questions, the following information may be useful:

- Run HP Insight Diagnostics (on page 91) and use the survey page to view the current configuration or to compare it to previous configurations.
- Refer to your hardware and software records for information.
- Refer to server LEDs and their statuses.

## Prepare the server for diagnosis

1. Be sure the server is in the proper operating environment with adequate power, air conditioning, and humidity control. For required environmental conditions, see the server documentation.
2. Record any error messages displayed by the system.
3. Remove all diskettes, CD-ROMs, DVD-ROMs, and USB drive keys.
4. Power down the server and peripheral devices if you will be diagnosing the server offline. If possible, always perform an orderly shutdown:
  - a. Exit any applications.
  - b. Exit the operating system.
  - c. Power down the server (on page 20).
5. Disconnect any peripheral devices not required for testing (any devices not necessary to power up the server). Do not disconnect the printer if you want to use it to print error messages.
6. Collect all tools and utilities, such as a Torx screwdriver, loopback adapters, ESD wrist strap, and software utilities, necessary to troubleshoot the problem.
  - o You must have the appropriate Health Drivers and Management Agents installed on the server. To verify the server configuration, connect to the System Management homepage and select **Version Control Agent**. The VCA gives you a list of names and versions of all installed HP drivers, Management Agents, and utilities, and whether they are up-to-date.
  - o HP recommends you have access to the server documentation for server-specific information.
  - o HP recommends you have access to the SmartStart CD for value-added software and drivers required during the troubleshooting process. Download the current version of SmartStart from the HP website (<http://www.hp.com/servers/smartstart>).

## Loose connections

### Action:

- Be sure all power cords are securely connected.
- Be sure all cables are properly aligned and securely connected for all external and internal components.
- Remove and check all data and power cables for damage. Be sure no cables have bent pins or damaged connectors.
- If a fixed cable tray is available for the server, be sure the cords and cables connected to the server are routed correctly through the tray.
- Be sure each device is properly seated. Avoid bending or flexing circuit boards when reseating components.
- If a device has latches, be sure they are completely closed and locked.
- Check any interlock or interconnect LEDs that may indicate a component is not connected properly.
- If problems continue to occur, remove and reinstall each device, checking the connectors and sockets for bent pins or other damage.

# Service notifications

To view the latest service notifications, refer to the HP website (<http://www.hp.com/go/bizsupport>). Select the appropriate server model, and then click the **Troubleshoot a Problem** link on the product page.

## Troubleshooting flowcharts

To effectively troubleshoot a problem, HP recommends that you start with the first flowchart in this section, "Start diagnosis flowchart (on page 100)," and follow the appropriate diagnostic path. If the other flowcharts do not provide a troubleshooting solution, follow the diagnostic steps in "General diagnosis flowchart (on page 101)." The General diagnosis flowchart is a generic troubleshooting process to be used when the problem is not server-specific or is not easily categorized into the other flowcharts.

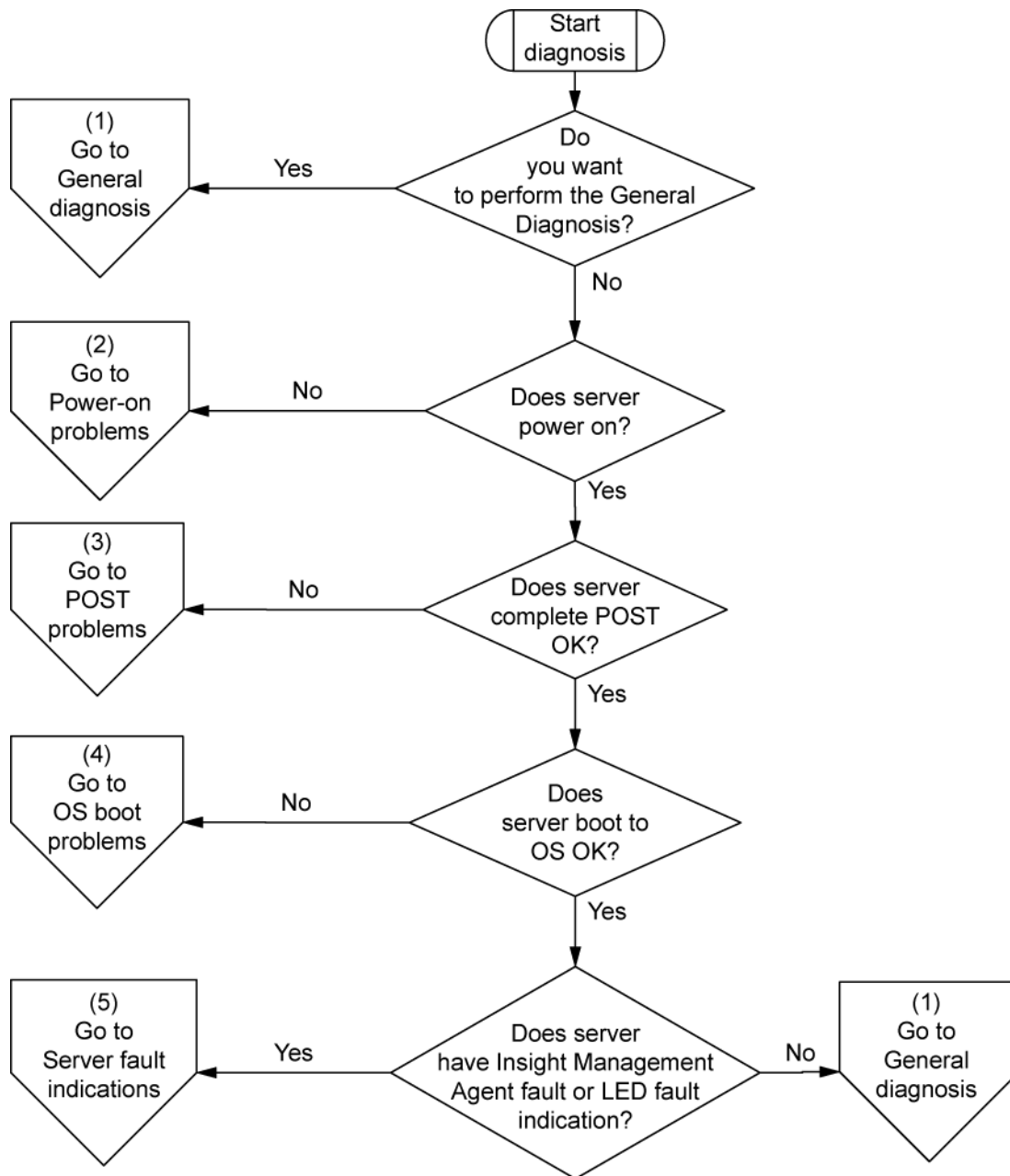
The available flowcharts include:

- Start diagnosis flowchart (on page 100)
- General diagnosis flowchart (on page 101)
- Server power-on problems flowchart (on page 103)
- POST problems flowchart (on page 106)
- OS boot problems flowchart (on page 107)
- Server fault indications flowchart (on page 109)

## Start diagnosis flowchart

Use the following flowchart to start the diagnostic process.

Item	Refer to
1	"General diagnosis flowchart (on page 101)"
2	"Power-on problems flowchart ("Server power-on problems flowchart" on page 103)"
3	"POST problems flowchart (on page 106)"
4	"OS boot problems flowchart (on page 107)"
5	"Server fault indications flowchart (on page 109)"

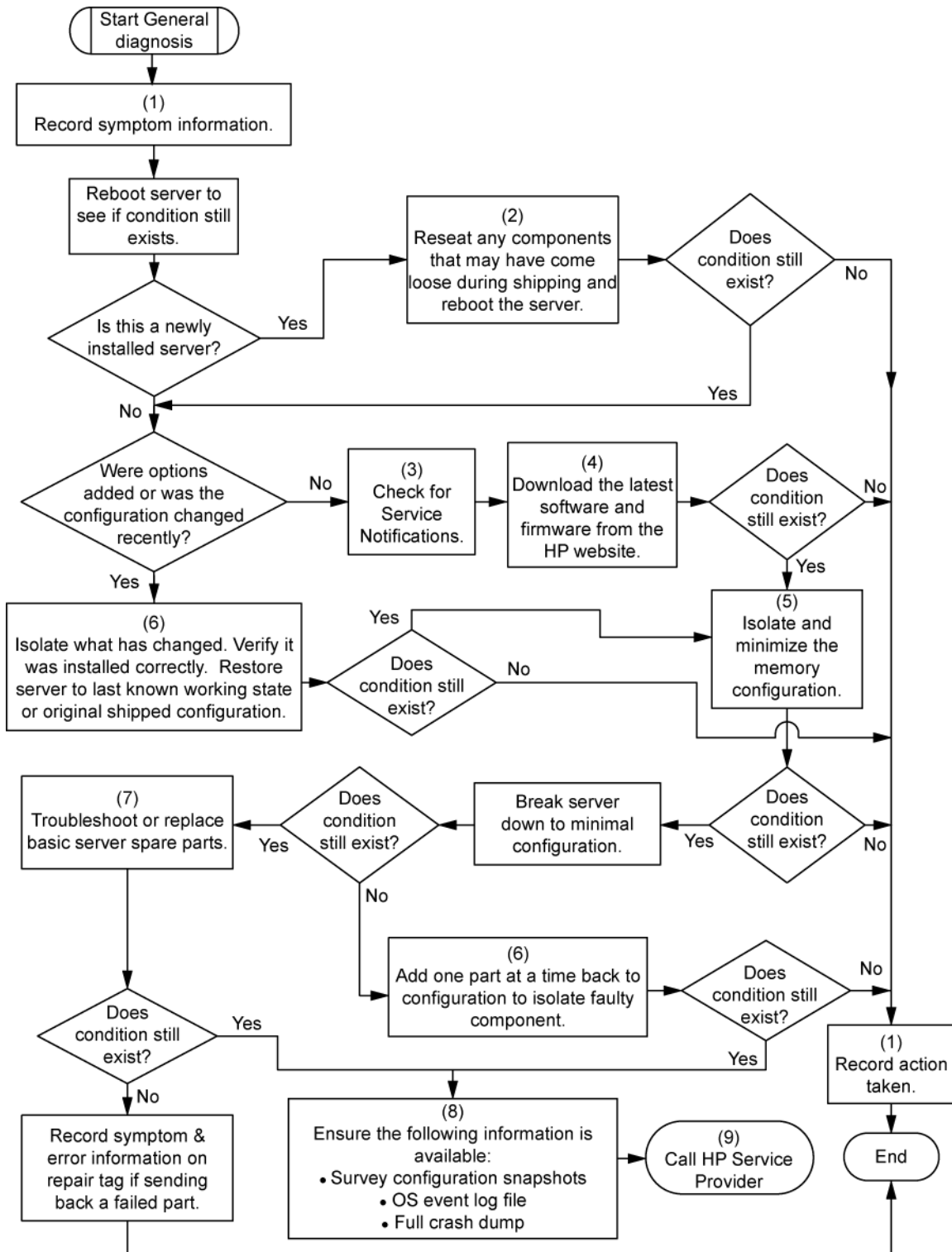


## General diagnosis flowchart

The General diagnosis flowchart provides a generic approach to troubleshooting. If you are unsure of the problem, or if the other flowcharts do not fix the problem, use the following flowchart.

Item	Refer to
1	"Symptom information (on page 98)"
2	"Loose connections (on page 99)"
3	"Service notifications (on page 100)"
4	The most recent version of a particular server or option firmware is available on the HP Support website ( <a href="http://www.hp.com/support">http://www.hp.com/support</a> ).

Item	Refer to
5	"General memory problems are occurring" in the <i>HP ProLiant Servers Troubleshooting Guide</i> located on the Documentation CD or on the HP website ( <a href="http://www.hp.com/support">http://www.hp.com/support</a> )
6	Server maintenance and service guide, located on the Documentation CD or the HP website ( <a href="http://www.hp.com/products/servers/platforms">http://www.hp.com/products/servers/platforms</a> )
7	<ul style="list-style-type: none"> <li>• Server maintenance and service guide, located on the Documentation CD or the HP website (<a href="http://www.hp.com/products/servers/platforms">http://www.hp.com/products/servers/platforms</a>)</li> <li>• "Hardware problems" in the <i>HP ProLiant Servers Troubleshooting Guide</i> located on the Documentation CD or on the HP website (<a href="http://www.hp.com/support">http://www.hp.com/support</a>)</li> </ul>
8	<ul style="list-style-type: none"> <li>• "Server information you need" in the <i>HP ProLiant Servers Troubleshooting Guide</i> located on the Documentation CD or on the HP website (<a href="http://www.hp.com/support">http://www.hp.com/support</a>)</li> <li>• "Operating system information you need" in the <i>HP ProLiant Servers Troubleshooting Guide</i> located on the Documentation CD or on the HP website (<a href="http://www.hp.com/support">http://www.hp.com/support</a>)</li> </ul>
9	"HP contact information (on page 123)"



## Server power-on problems flowchart

Symptoms:

- The server does not power on.
- The system power LED is off or amber.

- The external health LED is red or amber.
- The internal health LED is red or amber.

---

**NOTE:** For the location of server LEDs and information on their statuses, refer to the server documentation.

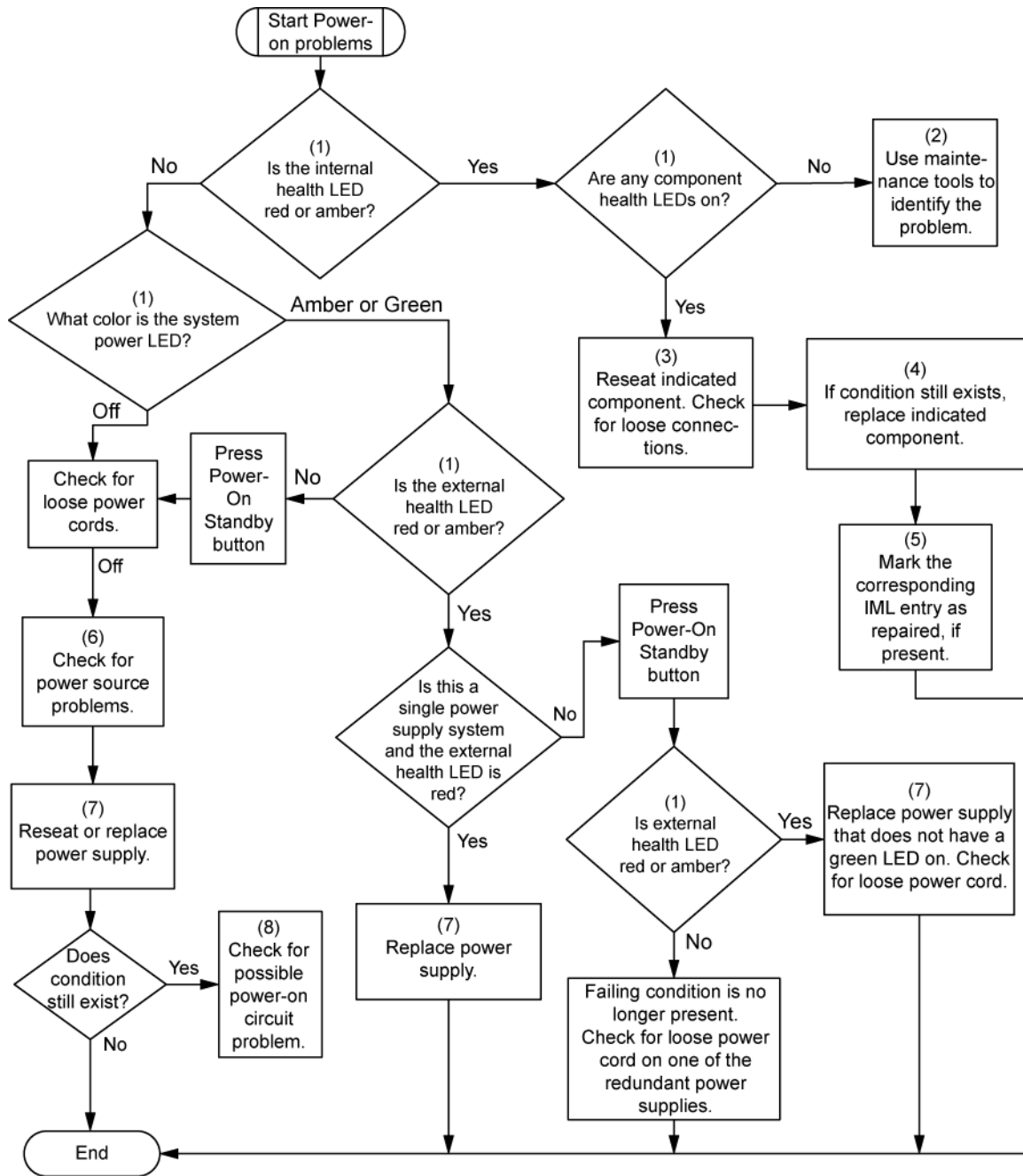
---

Possible causes:

- Improperly seated or faulty power supply
- Loose or faulty power cord
- Power source problem
- Power on circuit problem
- Improperly seated component or interlock problem
- Faulty internal component

Item	Refer to
1	"Component identification (on page 7)"
2	"HP Insight Diagnostics (on page 91)" or in the <i>HP ProLiant Servers Troubleshooting Guide</i> located on the Documentation CD or on the HP website ( <a href="http://www.hp.com/support">http://www.hp.com/support</a> )
3	"Loose connections (on page 99)"
4	Server maintenance and service guide, located on the Documentation CD, or the HP website ( <a href="http://www.hp.com/products/servers/platforms">http://www.hp.com/products/servers/platforms</a> )
5	"Integrated Management Log (on page 92)" or in the <i>HP ProLiant Servers Troubleshooting Guide</i> located on the Documentation CD or on the HP website ( <a href="http://www.hp.com/support">http://www.hp.com/support</a> )
6	"Power source problems" in the <i>HP ProLiant Servers Troubleshooting Guide</i> located on the Documentation CD or on the HP website ( <a href="http://www.hp.com/support">http://www.hp.com/support</a> )
7	<ul style="list-style-type: none"> <li>• "Power supply problems" in the <i>HP ProLiant Servers Troubleshooting Guide</i> located on the Documentation CD or on the HP website (<a href="http://www.hp.com/support">http://www.hp.com/support</a>)</li> <li>• Server maintenance and service guide, located on the Documentation CD, or the HP website (<a href="http://www.hp.com/products/servers/platforms">http://www.hp.com/products/servers/platforms</a>)</li> </ul>
8	"System open circuits and short circuits" in the <i>HP ProLiant Servers Troubleshooting Guide</i> located on the Documentation CD or on the HP website ( <a href="http://www.hp.com/support">http://www.hp.com/support</a> )





# POST problems flowchart

Symptoms:

- Server does not complete POST

---

**NOTE:** The server has completed POST when the system attempts to access the boot device.

---

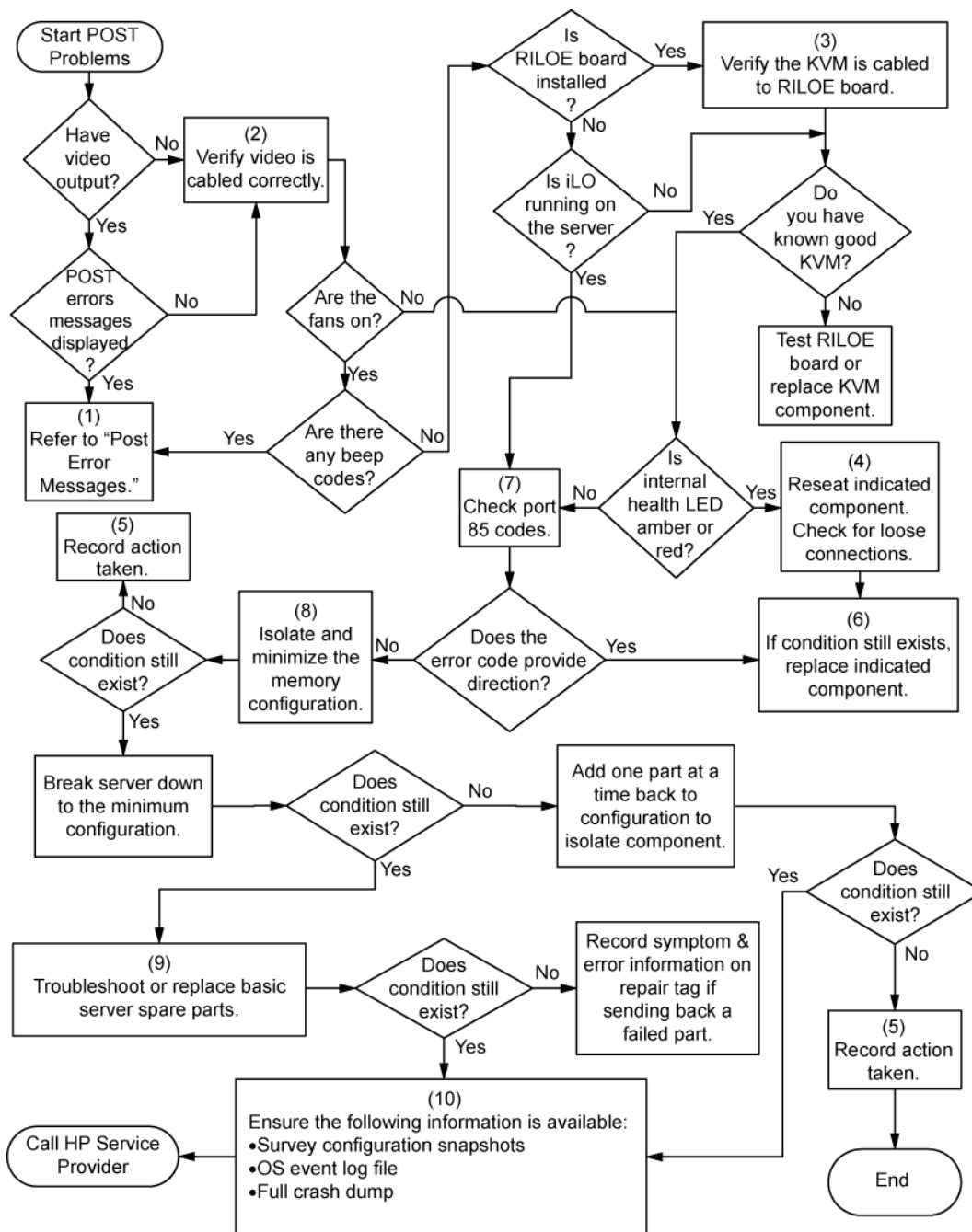
- Server completes POST with errors

Possible problems:

- Improperly seated or faulty internal component
- Faulty KVM device
- Faulty video device

Item	Refer to
1	"POST error messages and beep codes (on page 111)"
2	"Video problems" in the <i>HP ProLiant Servers Troubleshooting Guide</i> located on the Documentation CD or on the HP website ( <a href="http://www.hp.com/support">http://www.hp.com/support</a> )
3	KVM or iLO 2 documentation
4	"Loose connections (on page 99)"
5	"Symptom information (on page 98)"
6	Server maintenance and service guide, located on the Documentation CD or the HP website ( <a href="http://www.hp.com/products/servers/platforms">http://www.hp.com/products/servers/platforms</a> )
7	"Port 85 and iLO messages" in the <i>HP ProLiant Servers Troubleshooting Guide</i> located on the Documentation CD or on the HP website ( <a href="http://www.hp.com/support">http://www.hp.com/support</a> )
8	"General memory problems are occurring" in the <i>HP ProLiant Servers Troubleshooting Guide</i> located on the Documentation CD or on the HP website ( <a href="http://www.hp.com/support">http://www.hp.com/support</a> )
9	<ul style="list-style-type: none"> <li>• "Hardware problems" in the <i>HP ProLiant Servers Troubleshooting Guide</i> located on the Documentation CD or on the HP website (<a href="http://www.hp.com/support">http://www.hp.com/support</a>)</li> <li>• Server maintenance and service guide, located on the Documentation CD or the HP website (<a href="http://www.hp.com/products/servers/platforms">http://www.hp.com/products/servers/platforms</a>)</li> </ul>
10	<ul style="list-style-type: none"> <li>• "Server information you need" in the <i>HP ProLiant Servers Troubleshooting Guide</i> located on the Documentation CD or on the HP website (<a href="http://www.hp.com/support">http://www.hp.com/support</a>)</li> <li>• "Operating system information you need" in the <i>HP ProLiant Servers Troubleshooting Guide</i> located on the Documentation CD or on the HP website (<a href="http://www.hp.com/support">http://www.hp.com/support</a>)</li> </ul>

Item	Refer to
------	----------



## OS boot problems flowchart

Symptoms:

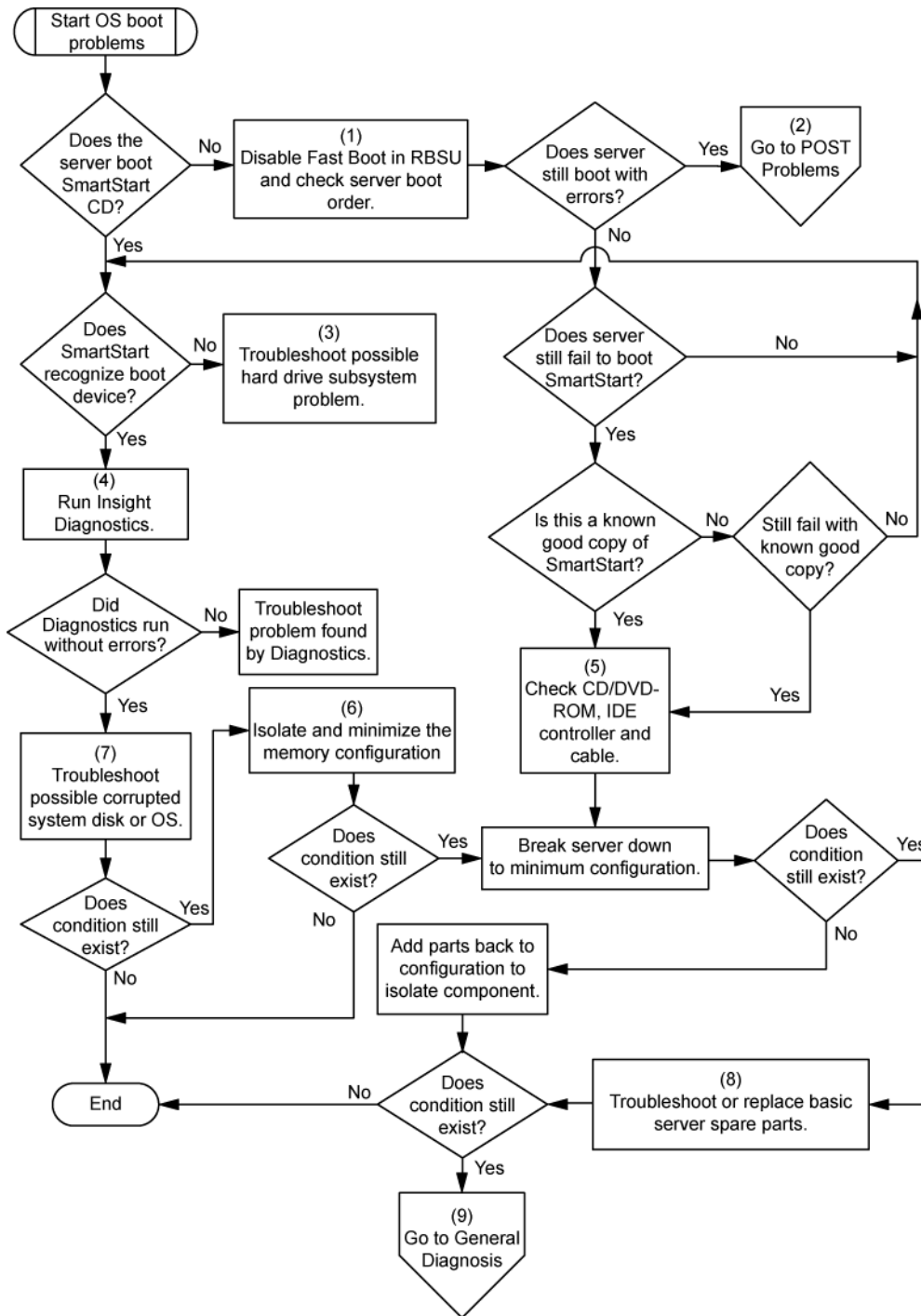
- Server does not boot a previously installed operating system

- Server does not boot SmartStart

Possible causes:

- Corrupted operating system
- Hard drive subsystem problem
- Incorrect boot order setting in RBSU

Item	Refer to
1	<i>HP ROM-Based Setup Utility User Guide</i> ( <a href="http://www.hp.com/servers/smartstart">http://www.hp.com/servers/smartstart</a> )
2	"POST problems flowchart (on page 106)"
3	<ul style="list-style-type: none"> <li>• "Hard drive problems" in the <i>HP ProLiant Servers Troubleshooting Guide</i> located on the Documentation CD or on the HP website (<a href="http://www.hp.com/support">http://www.hp.com/support</a>)</li> <li>• Controller documentation</li> </ul>
4	"HP Insight Diagnostics (on page 91)" or in the <i>HP ProLiant Servers Troubleshooting Guide</i> located on the Documentation CD or on the HP website ( <a href="http://www.hp.com/support">http://www.hp.com/support</a> )
5	<ul style="list-style-type: none"> <li>• "CD-ROM and DVD drive problems" in the <i>HP ProLiant Servers Troubleshooting Guide</i> located on the Documentation CD or on the HP website (<a href="http://www.hp.com/support">http://www.hp.com/support</a>)</li> <li>• Controller documentation</li> <li>• "Loose connections (on page 99)"</li> </ul>
6	"General memory problems are occurring" in the <i>HP ProLiant Servers Troubleshooting Guide</i> located on the Documentation CD or on the HP website ( <a href="http://www.hp.com/support">http://www.hp.com/support</a> )
7	<ul style="list-style-type: none"> <li>• "Operating system problems" in the <i>HP ProLiant Servers Troubleshooting Guide</i> located on the Documentation CD or on the HP website (<a href="http://www.hp.com/support">http://www.hp.com/support</a>)</li> <li>• "HP contact information (on page 123)"</li> </ul>
8	<ul style="list-style-type: none"> <li>• "Hardware problems" in the <i>HP ProLiant Servers Troubleshooting Guide</i> located on the Documentation CD or on the HP website (<a href="http://www.hp.com/support">http://www.hp.com/support</a>)</li> <li>• Server maintenance and service guide, located on the Documentation CD or the HP website (<a href="http://www.hp.com/products/servers/platforms">http://www.hp.com/products/servers/platforms</a>)</li> </ul>
9	"General diagnosis flowchart (on page 101)"



## Server fault indications flowchart

Symptoms:

- Server boots, but a fault event is reported by Insight Management Agents (on page 90)
- Server boots, but the internal health LED, external health LED, or component health LED is red or amber

---

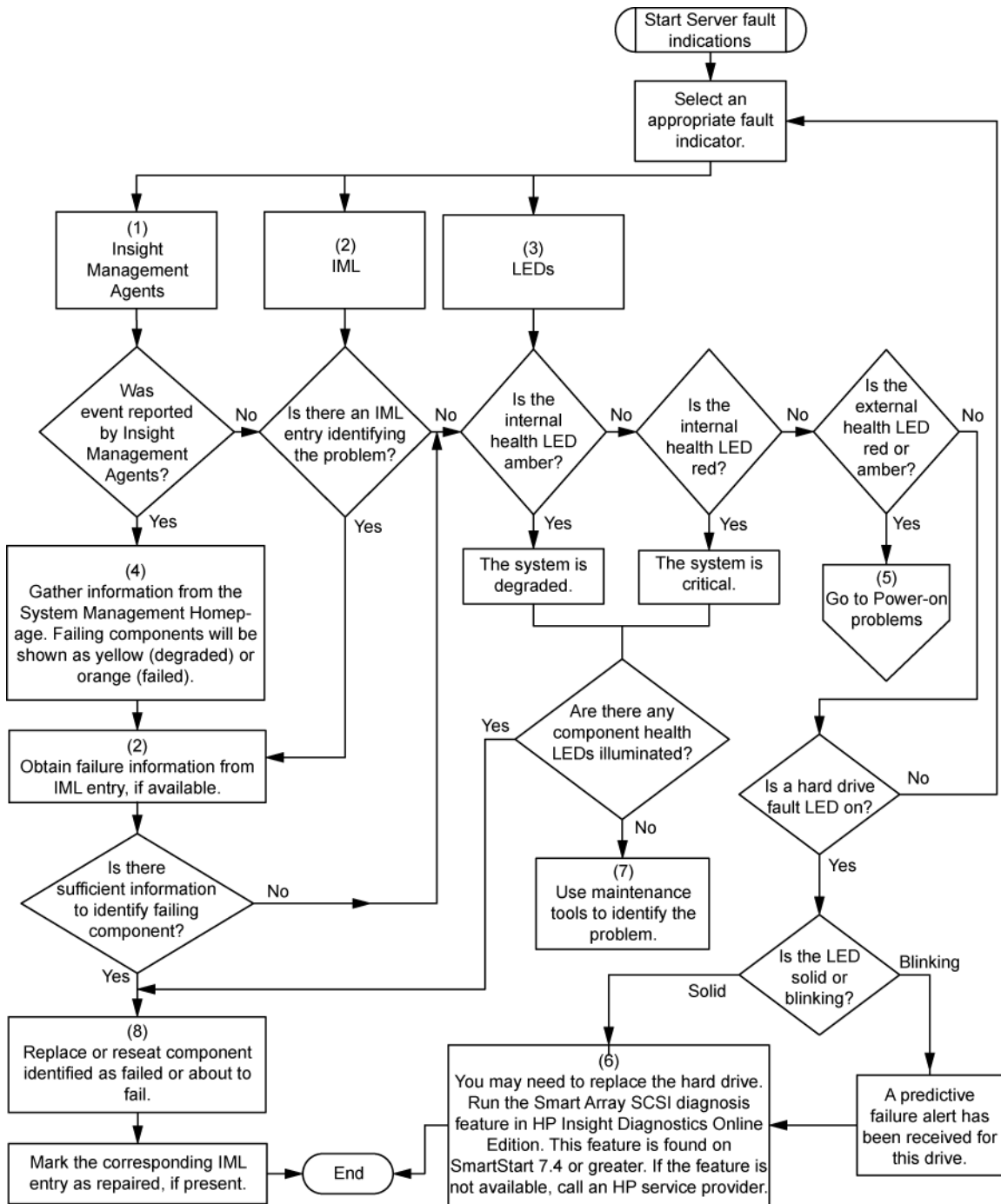
**NOTE:** For the location of server LEDs and information on their statuses, refer to the server documentation.

---

Possible causes:

- Improperly seated or faulty internal or external component
- Unsupported component installed
- Redundancy failure
- System overtemperature condition

Item	Refer to
1	"Management agents (on page 90)" or in the <i>HP ProLiant Servers Troubleshooting Guide</i> located on the Documentation CD or on the HP website ( <a href="http://www.hp.com/support">http://www.hp.com/support</a> )
2	<ul style="list-style-type: none"><li>• "Integrated Management Log (on page 92)" or in the <i>HP ProLiant Servers Troubleshooting Guide</i> located on the Documentation CD or on the HP website (<a href="http://www.hp.com/support">http://www.hp.com/support</a>)</li><li>• "Event list error messages" in the <i>HP ProLiant Servers Troubleshooting Guide</i> located on the Documentation CD or on the HP website (<a href="http://www.hp.com/support">http://www.hp.com/support</a>)</li></ul>
3	"Component identification (on page 7)"
4	System Management Homepage ( <a href="https://localhost:2381">https://localhost:2381</a> )
5	"Power-on problems flowchart ("Server power-on problems flowchart" on page 103)"
6	<ul style="list-style-type: none"><li>• "Smart Array SCSI Diagnosis feature" in the <i>HP ProLiant Servers Troubleshooting Guide</i> located on the Documentation CD or on the HP website (<a href="http://www.hp.com/support">http://www.hp.com/support</a>)</li><li>• Server maintenance and service guide, located on the Documentation CD or the HP website (<a href="http://www.hp.com/products/servers/platforms">http://www.hp.com/products/servers/platforms</a>)</li><li>• "HP contact information (on page 123)"</li></ul>
7	"HP Insight Diagnostics (on page 91)" or in the <i>HP ProLiant Servers Troubleshooting Guide</i> located on the Documentation CD or on the HP website ( <a href="http://www.hp.com/support">http://www.hp.com/support</a> )
8	<ul style="list-style-type: none"><li>• "Hardware problems" in the <i>HP ProLiant Servers Troubleshooting Guide</i> located on the Documentation CD or on the HP website (<a href="http://www.hp.com/support">http://www.hp.com/support</a>)</li><li>• Server maintenance and service guide, located on the Documentation CD or the HP website (<a href="http://www.hp.com/products/servers/platforms">http://www.hp.com/products/servers/platforms</a>)</li></ul>



## POST error messages and beep codes

For a complete listing of error messages, refer to the "POST error messages" in the *HP ProLiant Servers Troubleshooting Guide* located on the Documentation CD or on the HP website (<http://www.hp.com/support>).



**WARNING:** To avoid potential problems, ALWAYS read the warnings and cautionary information in the server documentation before removing, replacing, reseating, or modifying system components.

---

# Battery replacement

If the server no longer automatically displays the correct date and time, you may need to replace the battery that provides power to the real-time clock. Under normal use, battery life is 5 to 10 years.

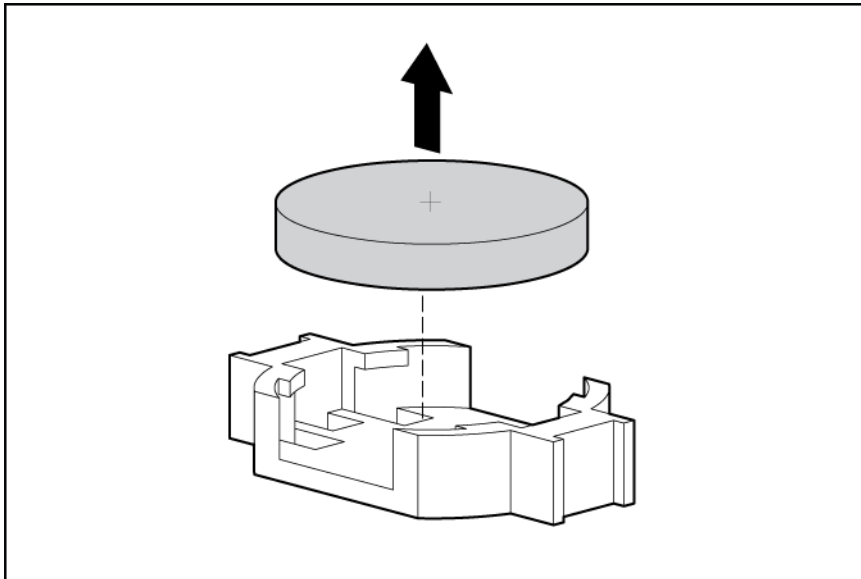


**WARNING:** The computer contains an internal lithium manganese dioxide, a vanadium pentoxide, or an alkaline battery pack. A risk of fire and burns exists if the battery pack is not properly handled. To reduce the risk of personal injury:

- Do not attempt to recharge the battery.
  - Do not expose the battery to temperatures higher than 60°C (140°F).
  - Do not disassemble, crush, puncture, short external contacts, or dispose of in fire or water.
  - Replace only with the spare designated for this product.
- 

To remove the component:

1. Power down the server (on page 20).
2. Do one of the following:
  - Open or remove the tower bezel, as needed ("[Open or remove the tower bezel](#)" on page 20).
  - Extend the server from the rack (on page 21).
3. Remove the access panel (on page 21).
4. Remove the battery.



**IMPORTANT:** Replacing the system board battery resets the system ROM to its default configuration. After replacing the battery, reconfigure the system through RBSU.

---

To replace the component, reverse the removal procedure.

For more information about battery replacement or proper disposal, contact an authorized reseller or an authorized service provider.



---

# Regulatory compliance notices

## Regulatory compliance identification numbers

For the purpose of regulatory compliance certifications and identification, this product has been assigned a unique regulatory model number. The regulatory model number can be found on the product nameplate label, along with all required approval markings and information. When requesting compliance information for this product, always refer to this regulatory model number. The regulatory model number is not the marketing name or model number of the product.

## Federal Communications Commission notice

Part 15 of the Federal Communications Commission (FCC) Rules and Regulations has established Radio Frequency (RF) emission limits to provide an interference-free radio frequency spectrum. Many electronic devices, including computers, generate RF energy incidental to their intended function and are, therefore, covered by these rules. These rules place computers and related peripheral devices into two classes, A and B, depending upon their intended installation. Class A devices are those that may reasonably be expected to be installed in a business or commercial environment. Class B devices are those that may reasonably be expected to be installed in a residential environment (for example, personal computers). The FCC requires devices in both classes to bear a label indicating the interference potential of the device as well as additional operating instructions for the user.

## FCC rating label

The FCC rating label on the device shows the classification (A or B) of the equipment. Class B devices have an FCC logo or ID on the label. Class A devices do not have an FCC logo or ID on the label. After you determine the class of the device, refer to the corresponding statement.

## Class A equipment

This equipment has been tested and found to comply with the limits for a Class A digital device, pursuant to Part 15 of the FCC Rules. These limits are designed to provide reasonable protection against harmful interference when the equipment is operated in a commercial environment. This equipment generates, uses, and can radiate radio frequency energy and, if not installed and used in accordance with the instructions, may cause harmful interference to radio communications. Operation of this equipment in a residential area is likely to cause harmful interference, in which case the user will be required to correct the interference at personal expense.

## Class B equipment

This equipment has been tested and found to comply with the limits for a Class B digital device, pursuant to Part 15 of the FCC Rules. These limits are designed to provide reasonable protection against harmful interference in a residential installation. This equipment generates, uses, and can radiate radio frequency energy and, if not installed and used in accordance with the instructions, may cause harmful interference

to radio communications. However, there is no guarantee that interference will not occur in a particular installation. If this equipment does cause harmful interference to radio or television reception, which can be determined by turning the equipment off and on, the user is encouraged to try to correct the interference by one or more of the following measures:

- Reorient or relocate the receiving antenna.
- Increase the separation between the equipment and receiver.
- Connect the equipment into an outlet on a circuit that is different from that to which the receiver is connected.
- Consult the dealer or an experienced radio or television technician for help.

## Declaration of conformity for products marked with the FCC logo, United States only

This device complies with Part 15 of the FCC Rules. Operation is subject to the following two conditions: (1) this device may not cause harmful interference, and (2) this device must accept any interference received, including interference that may cause undesired operation.

For questions regarding this product, contact us by mail or telephone:

- Hewlett-Packard Company  
P. O. Box 692000, Mail Stop 530113  
Houston, Texas 77269-2000
- 1-800-HP-INVENT (1-800-474-6836). (For continuous quality improvement, calls may be recorded or monitored.)

For questions regarding this FCC declaration, contact us by mail or telephone:

- Hewlett-Packard Company  
P. O. Box 692000, Mail Stop 510101  
Houston, Texas 77269-2000
- 1-281-514-3333

To identify this product, refer to the part, series, or model number found on the product.

## Modifications

The FCC requires the user to be notified that any changes or modifications made to this device that are not expressly approved by Hewlett-Packard Company may void the user's authority to operate the equipment.

## Cables

Connections to this device must be made with shielded cables with metallic RFI/EMI connector hoods in order to maintain compliance with FCC Rules and Regulations.

# Canadian notice (Avis Canadien)

## **Class A equipment**

This Class A digital apparatus meets all requirements of the Canadian Interference-Causing Equipment Regulations.

Cet appareil numérique de la classe A respecte toutes les exigences du Règlement sur le matériel brouilleur du Canada.

## **Class B equipment**

This Class B digital apparatus meets all requirements of the Canadian Interference-Causing Equipment Regulations.

Cet appareil numérique de la classe B respecte toutes les exigences du Règlement sur le matériel brouilleur du Canada.

# European Union regulatory notice

This product complies with the following EU Directives:

- Low Voltage Directive 2006/95/EC
- EMC Directive 2004/108/EC

Compliance with these directives implies conformity to applicable harmonized European standards (European Norms) which are listed on the EU Declaration of Conformity issued by Hewlett-Packard for this product or product family.

This compliance is indicated by the following conformity marking placed on the product:



This marking is valid for non-Telecom products and EU harmonized Telecom products (e.g. Bluetooth).



This marking is valid for EU non-harmonized Telecom products.

\*Notified body number (used only if applicable—refer to the product label)

Hewlett-Packard GmbH, HQ-TRE, Herrenberger Strasse 140, 71034 Boeblingen, Germany

The official EU CE declaration of conformity for this device can be found on the HP website (<http://www.hp.com/go/certificates>).

# Disposal of waste equipment by users in private households in the European Union



This symbol on the product or on its packaging indicates that this product must not be disposed of with your other household waste. Instead, it is your responsibility to dispose of your waste equipment by handing it over to a designated collection point for the recycling of waste electrical and electronic equipment. The separate collection and recycling of your waste equipment at the time of disposal will help to conserve natural resources and ensure that it is recycled in a manner that protects human health and the environment. For more information about where you can drop off your waste equipment for recycling, please contact your local city office, your household waste disposal service or the shop where you purchased the product.

## Japanese notice

ご使用になっている装置に VCCI マークが付いていましたら、次の説明文をお読み下さい。

この装置は、クラス B 情報技術装置です。この装置は、家庭環境で使用することを目的としていますが、この装置がラジオやテレビジョン受信機に近接して使用されると、受信障害を引き起こすことがあります。取扱説明書に従って正しい取り扱いをして下さい。

VCCI-B

VCCI マークが付いていない場合には、次の点にご注意下さい。

この装置は、クラス A 情報技術装置です。この装置を家庭環境で使用すると電波妨害を引き起こすことがあります。この場合には使用者は適切な対策を講ずるよう要求されることがあります。

VCCI-A

## BSMI notice

### 警告使用者:

這是甲類的資訊產品，在居住的環境中使用時，可能會造成射頻干擾，在這種情況下，使用者會被要求採取某些適當的對策。

## Korean notice

### Class A equipment

A급 기기 (업무용 방송통신기기)	이 기기는 업무용(A급)으로 전자파적합등록을 한 기기이오니 판매자 또는 사용자는 이 점을 주의하시기 바라며, 가정 외의 지역에서 사용하는 것을 목적으로 합니다.
-----------------------	---

### Class B equipment

B급 기기 (가정용 방송통신기기)	이 기기는 가정용(B급)으로 전자파적합등록을 한 기기로서 주로 가정에서 사용하는 것을 목적으로 하며, 모든 지역에서 사용할 수 있습니다.
-----------------------	--

## Chinese notice

### Class A equipment

#### 声明

此为 A 级产品，在生活环境中，该产品可能会造成无线电干扰。在这种情况下，可能需要用户对其干扰采取可行的措施。

## Laser compliance

This product may be provided with an optical storage device (that is, CD or DVD drive) and/or fiber optic transceiver. Each of these devices contains a laser that is classified as a Class 1 Laser Product in accordance with US FDA regulations and the IEC 60825-1. The product does not emit hazardous laser radiation.

Each laser product complies with 21 CFR 1040.10 and 1040.11 except for deviations pursuant to Laser Notice No. 50, dated May 27, 2001; and with IEC 60825-1:1993/A2:2001.



**WARNING:** Use of controls or adjustments or performance of procedures other than those specified herein or in the laser product's installation guide may result in hazardous radiation exposure. To reduce the risk of exposure to hazardous radiation:

- Do not try to open the module enclosure. There are no user-serviceable components inside.
- Do not operate controls, make adjustments, or perform procedures to the laser device other than those specified herein.
- Allow only HP Authorized Service technicians to repair the unit.

The Center for Devices and Radiological Health (CDRH) of the U.S. Food and Drug Administration implemented regulations for laser products on August 2, 1976. These regulations apply to laser products manufactured from August 1, 1976. Compliance is mandatory for products marketed in the United States.

## Battery replacement notice



**WARNING:** The computer contains an internal lithium manganese dioxide, a vanadium pentoxide, or an alkaline battery pack. A risk of fire and burns exists if the battery pack is not properly handled. To reduce the risk of personal injury:

- Do not attempt to recharge the battery.
- Do not expose the battery to temperatures higher than 60°C (140°F).
- Do not disassemble, crush, puncture, short external contacts, or dispose of in fire or water.



Batteries, battery packs, and accumulators should not be disposed of together with the general household waste. To forward them to recycling or proper disposal, use the public collection system or return them to HP, an authorized HP Partner, or their agents.

For more information about battery replacement or proper disposal, contact an authorized reseller or an authorized service provider.

## Taiwan battery recycling notice

The Taiwan EPA requires dry battery manufacturing or importing firms in accordance with Article 15 of the Waste Disposal Act to indicate the recovery marks on the batteries used in sales, giveaway or promotion. Contact a qualified Taiwanese recycler for proper battery disposal.



## Power cord statement for Japan

製品には、同梱された電源コードをお使い下さい。  
同梱された電源コードは、他の製品では使用出来ません。

---

# Electrostatic discharge

## Preventing electrostatic discharge

To prevent damaging the system, be aware of the precautions you need to follow when setting up the system or handling parts. A discharge of static electricity from a finger or other conductor may damage system boards or other static-sensitive devices. This type of damage may reduce the life expectancy of the device.

To prevent electrostatic damage:

- Avoid hand contact by transporting and storing products in static-safe containers.
- Keep electrostatic-sensitive parts in their containers until they arrive at static-free workstations.
- Place parts on a grounded surface before removing them from their containers.
- Avoid touching pins, leads, or circuitry.
- Always be properly grounded when touching a static-sensitive component or assembly.

## Grounding methods to prevent electrostatic discharge

Several methods are used for grounding. Use one or more of the following methods when handling or installing electrostatic-sensitive parts:

- Use a wrist strap connected by a ground cord to a grounded workstation or computer chassis. Wrist straps are flexible straps with a minimum of 1 megohm  $\pm 10$  percent resistance in the ground cords. To provide proper ground, wear the strap snug against the skin.
- Use heel straps, toe straps, or boot straps at standing workstations. Wear the straps on both feet when standing on conductive floors or dissipating floor mats.
- Use conductive field service tools.
- Use a portable field service kit with a folding static-dissipating work mat.

If you do not have any of the suggested equipment for proper grounding, have an authorized reseller install the part.

For more information on static electricity or assistance with product installation, contact an authorized reseller.

# Specifications

## Environmental specifications

Specification	Value
<b>Temperature</b>	
Operating <sup>1</sup>	10°C to 35°C (50°F to 90°F)
Non-operating	30°C to 60°C (-22°F to 140°F)
<b>Maximum rate of temperature change</b>	
Operating <sup>2,3</sup>	10°C/hr (18°F/hr)
Non-operating	20°C/hr (36°F/hr)
<b>Relative humidity (noncondensing)**</b>	
Operating	10% to 90%
Non-operating	5% to 95%
<b>Maximum wet bulb temperature (non-condensing)</b>	
Operating	28°C (82.4°F)
Non-operating	38.7°C (101.7°F)
<b>Altitude</b>	
Operating <sup>2</sup>	3,050 m (10,000 ft)
Non-operating	9144 m (30,000 ft)
<b>Maximum rate of altitude change</b>	
Operating	3,000 m (10,000 ft)
Non-operating	9,144 m (30,000 ft)

<sup>1</sup> All temperature ratings shown are for sea level. An altitude derating of 1°C per 300 m (1.8°F per 1,000 ft) to 3048 m (10,000 ft) is applicable. No direct sunlight is allowed.

<sup>2</sup> The type and number of options installed can limit the upper limit.

<sup>3</sup> System performance may be reduced if operating with a fan fault above 30°C (86°F).

## Mechanical specifications

Specification	Value
Height	20.0 cm (7.87 in)
Depth (without bezel)	42.70 cm (16.81 in)
Width	61.30 cm (24.13 in)
Weight (no drives installed)	16.04 kg (35.37 lb)



# Power supply specifications

Depending on installed options, the server is configured with one of the following power supplies:

- HP ProLiant 750 W Power Supply

Specification	Value
<b>Input requirements</b>	
Rated input voltage	100 to 120 VAC, 200 to 240 VAC
Rated input frequency	50 Hz to 60 Hz
Rated input current	9.4 A at 100 VAC 4.7 A at 200 VAC
Rated input power	857 W at 100V AC input 852 W at 200V AC input
BTUs per hour	2924 at 100V AC input 2907 at 200V AC input
<b>Power supply output</b>	
Rated steady-state power	750 W at 100V to 120V AC input 750 W at 200V to 240V AC input
Maximum peak power	750 W at 100V to 120V AC input 750 W at 200V to 240V AC input

- HP ProLiant 460 W Power Supply

Specification	Value
<b>Input requirements</b>	
Rated input voltage	100 to 120 VAC, 200 to 240 VAC
Rated input frequency	50 Hz to 60 Hz
Rated input current	10.0 A at 100 VAC 5.0 A at 200 VAC
Rated input power	626 W at 100V AC input 676 W at 200V AC input
BTUs per hour	2306 at 100V AC input 2306 at 200V AC input
<b>Power supply output</b>	
Rated steady-state power	460 W at 100V to 120V AC input 460 W at 200V to 240V AC input

Maximum peak power	460 W at 100V to 120V AC input 460 W at 200V to 240V AC input
--------------------	--

---

# Technical support

## Before you contact HP

Be sure to have the following information available before you call HP:

- Technical support registration number (if applicable)
- Product serial number
- Product model name and number
- Product identification number
- Applicable error messages
- Add-on boards or hardware
- Third-party hardware or software
- Operating system type and revision level

## HP contact information

For the name of the nearest HP authorized reseller:

- See the Contact HP worldwide (in English) webpage (<http://welcome.hp.com/country/us/en/wwcontact.html>).

For HP technical support:

- In the United States, for contact options see the Contact HP United States webpage ([http://welcome.hp.com/country/us/en/contact\\_us.html](http://welcome.hp.com/country/us/en/contact_us.html)). To contact HP by phone:
  - Call 1-800-HP-INVENT (1-800-474-6836). This service is available 24 hours a day, 7 days a week. For continuous quality improvement, calls may be recorded or monitored.
  - If you have purchased a Care Pack (service upgrade), call 1-800-633-3600. For more information about Care Packs, refer to the HP website (<http://www.hp.com/hps>).
- In other locations, see the Contact HP worldwide (in English) webpage (<http://welcome.hp.com/country/us/en/wwcontact.html>).

## Customer Self Repair

HP products are designed with many Customer Self Repair (CSR) parts to minimize repair time and allow for greater flexibility in performing defective parts replacement. If during the diagnosis period HP (or HP service providers or service partners) identifies that the repair can be accomplished by the use of a CSR part, HP will ship that part directly to you for replacement. There are two categories of CSR parts:

- **Mandatory**—Parts for which customer self repair is mandatory. If you request HP to replace these parts, you will be charged for the travel and labor costs of this service.

- **Optional**—Parts for which customer self repair is optional. These parts are also designed for customer self repair. If, however, you require that HP replace them for you, there may or may not be additional charges, depending on the type of warranty service designated for your product.

**NOTE:** Some HP parts are not designed for customer self repair. In order to satisfy the customer warranty, HP requires that an authorized service provider replace the part. These parts are identified as "No" in the Illustrated Parts Catalog.

Based on availability and where geography permits, CSR parts will be shipped for next business day delivery. Same day or four-hour delivery may be offered at an additional charge where geography permits. If assistance is required, you can call the HP Technical Support Center and a technician will help you over the telephone. HP specifies in the materials shipped with a replacement CSR part whether a defective part must be returned to HP. In cases where it is required to return the defective part to HP, you must ship the defective part back to HP within a defined period of time, normally five (5) business days. The defective part must be returned with the associated documentation in the provided shipping material. Failure to return the defective part may result in HP billing you for the replacement. With a customer self repair, HP will pay all shipping and part return costs and determine the courier/carrier to be used.

For more information about HP's Customer Self Repair program, contact your local service provider. For the North American program, refer to the HP website (<http://www.hp.com/go/selfrepair>).

## Réparation par le client (CSR)

Les produits HP comportent de nombreuses pièces CSR (Customer Self Repair = réparation par le client) afin de minimiser les délais de réparation et faciliter le remplacement des pièces défectueuses. Si pendant la période de diagnostic, HP (ou ses partenaires ou mainteneurs agréés) détermine que la réparation peut être effectuée à l'aide d'une pièce CSR, HP vous l'envoie directement. Il existe deux catégories de pièces CSR:

**Obligatoire** - Pièces pour lesquelles la réparation par le client est obligatoire. Si vous demandez à HP de remplacer ces pièces, les coûts de déplacement et main d'œuvre du service vous seront facturés.

**Facultatif** - Pièces pour lesquelles la réparation par le client est facultative. Ces pièces sont également conçues pour permettre au client d'effectuer lui-même la réparation. Toutefois, si vous demandez à HP de remplacer ces pièces, l'intervention peut ou non vous être facturée, selon le type de garantie applicable à votre produit.

**REMARQUE:** Certaines pièces HP ne sont pas conçues pour permettre au client d'effectuer lui-même la réparation. Pour que la garantie puisse s'appliquer, HP exige que le remplacement de la pièce soit effectué par un Mainteneur Agréé. Ces pièces sont identifiées par la mention "Non" dans le Catalogue illustré.

Les pièces CSR sont livrées le jour ouvré suivant, dans la limite des stocks disponibles et selon votre situation géographique. Si votre situation géographique le permet et que vous demandez une livraison le jour même ou dans les 4 heures, celle-ci vous sera facturée. Pour bénéficier d'une assistance téléphonique, appelez le Centre d'assistance technique HP. Dans les documents envoyés avec la pièce de rechange CSR, HP précise s'il est nécessaire de lui retourner la pièce défectueuse. Si c'est le cas, vous devez le faire dans le délai indiqué, généralement cinq (5) jours ouvrés. La pièce et sa documentation doivent être retournées dans l'emballage fourni. Si vous ne retournez pas la pièce défectueuse, HP se réserve le droit de vous facturer les coûts de remplacement. Dans le cas d'une pièce CSR, HP supporte l'ensemble des frais d'expédition et de retour, et détermine la société de courses ou le transporteur à utiliser.

Pour plus d'informations sur le programme CSR de HP, contactez votre Mainteneur Agrée local. Pour plus d'informations sur ce programme en Amérique du Nord, consultez le site Web HP (<http://www.hp.com/go/selfrepair>).

## Riparazione da parte del cliente

Per abbreviare i tempi di riparazione e garantire una maggiore flessibilità nella sostituzione di parti difettose, i prodotti HP sono realizzati con numerosi componenti che possono essere riparati direttamente dal cliente (CSR, Customer Self Repair). Se in fase di diagnostica HP (o un centro di servizi o di assistenza HP) identifica il guasto come riparabile mediante un ricambio CSR, HP lo spedisce direttamente al cliente per la sostituzione. Vi sono due categorie di parti CSR:

**Obbligatorie** – Parti che devono essere necessariamente riparate dal cliente. Se il cliente ne affida la riparazione ad HP, deve sostenere le spese di spedizione e di manodopera per il servizio.

**Opzionali** – Parti la cui riparazione da parte del cliente è facoltativa. Si tratta comunque di componenti progettati per questo scopo. Se tuttavia il cliente ne richiede la sostituzione ad HP, potrebbe dover sostenere spese aggiuntive a seconda del tipo di garanzia previsto per il prodotto.

**NOTA:** alcuni componenti HP non sono progettati per la riparazione da parte del cliente. Per rispettare la garanzia, HP richiede che queste parti siano sostituite da un centro di assistenza autorizzato. Tali parti sono identificate da un "No" nel Catalogo illustrato dei componenti.

In base alla disponibilità e alla località geografica, le parti CSR vengono spedite con consegna entro il giorno lavorativo seguente. La consegna nel giorno stesso o entro quattro ore è offerta con un supplemento di costo solo in alcune zone. In caso di necessità si può richiedere l'assistenza telefonica di un addetto del centro di supporto tecnico HP. Nel materiale fornito con una parte di ricambio CSR, HP specifica se il cliente deve restituire dei componenti. Qualora sia richiesta la resa ad HP del componente difettoso, lo si deve spedire ad HP entro un determinato periodo di tempo, generalmente cinque (5) giorni lavorativi. Il componente difettoso deve essere restituito con la documentazione associata nell'imballo di spedizione fornito. La mancata restituzione del componente può comportare la fatturazione del ricambio da parte di HP. Nel caso di riparazione da parte del cliente, HP sostiene tutte le spese di spedizione e resa e sceglie il corriere/vettore da utilizzare.

Per ulteriori informazioni sul programma CSR di HP contattare il centro di assistenza di zona. Per il programma in Nord America fare riferimento al sito Web HP (<http://www.hp.com/go/selfrepair>).

## Customer Self Repair

HP Produkte enthalten viele CSR-Teile (Customer Self Repair), um Reparaturzeiten zu minimieren und höhere Flexibilität beim Austausch defekter Bauteile zu ermöglichen. Wenn HP (oder ein HP Servicepartner) bei der Diagnose feststellt, dass das Produkt mithilfe eines CSR-Teils repariert werden kann, sendet Ihnen HP dieses Bauteil zum Austausch direkt zu. CSR-Teile werden in zwei Kategorien unterteilt:

**Zwingend** – Teile, für die das Customer Self Repair-Verfahren zwingend vorgegeben ist. Wenn Sie den Austausch dieser Teile von HP vornehmen lassen, werden Ihnen die Anfahrt- und Arbeitskosten für diesen Service berechnet.

**Optional** – Teile, für die das Customer Self Repair-Verfahren optional ist. Diese Teile sind auch für Customer Self Repair ausgelegt. Wenn Sie jedoch den Austausch dieser Teile von HP vornehmen lassen möchten, können bei diesem Service je nach den für Ihr Produkt vorgesehenen Garantiebedingungen zusätzliche Kosten anfallen.

**HINWEIS:** Einige Teile sind nicht für Customer Self Repair ausgelegt. Um den Garantieanspruch des Kunden zu erfüllen, muss das Teil von einem HP Servicepartner ersetzt werden. Im illustrierten Teilekatalog sind diese Teile mit „No“ bzw. „Nein“ gekennzeichnet.

CSR-Teile werden abhängig von der Verfügbarkeit und vom Lieferziel am folgenden Geschäftstag geliefert. Für bestimmte Standorte ist eine Lieferung am selben Tag oder innerhalb von vier Stunden gegen einen Aufpreis verfügbar. Wenn Sie Hilfe benötigen, können Sie das HP technische Support Center anrufen und sich von einem Mitarbeiter per Telefon helfen lassen. Den Materialien, die mit einem CSR-Ersatzteil geliefert werden, können Sie entnehmen, ob das defekte Teil an HP zurückgeschickt werden muss. Wenn es erforderlich ist, das defekte Teil an HP zurückzuschicken, müssen Sie dies innerhalb eines vorgegebenen Zeitraums tun, in der Regel innerhalb von fünf (5) Geschäftstagen. Das defekte Teil muss mit der zugehörigen Dokumentation in der Verpackung zurückgeschickt werden, die im Lieferumfang enthalten ist. Wenn Sie das defekte Teil nicht zurückschicken, kann HP Ihnen das Ersatzteil in Rechnung stellen. Im Falle von Customer Self Repair kommt HP für alle Kosten für die Lieferung und Rücksendung auf und bestimmt den Kurier-/Frachtdienst.

Weitere Informationen über das HP Customer Self Repair Programm erhalten Sie von Ihrem Servicepartner vor Ort. Informationen über das CSR-Programm in Nordamerika finden Sie auf der HP Website unter (<http://www.hp.com/go/selfrepair>).

## Reparaciones del propio cliente

Los productos de HP incluyen muchos componentes que el propio usuario puede reemplazar (*Customer Self Repair*, CSR) para minimizar el tiempo de reparación y ofrecer una mayor flexibilidad a la hora de realizar sustituciones de componentes defectuosos. Si, durante la fase de diagnóstico, HP (o los proveedores o socios de servicio de HP) identifica que una reparación puede llevarse a cabo mediante el uso de un componente CSR, HP le enviará dicho componente directamente para que realice su sustitución. Los componentes CSR se clasifican en dos categorías:

- **Obligatorio:** componentes para los que la reparación por parte del usuario es obligatoria. Si solicita a HP que realice la sustitución de estos componentes, tendrá que hacerse cargo de los gastos de desplazamiento y de mano de obra de dicho servicio.
- **Opcional:** componentes para los que la reparación por parte del usuario es opcional. Estos componentes también están diseñados para que puedan ser reparados por el usuario. Sin embargo, si precisa que HP realice su sustitución, puede o no conllevar costes adicionales, dependiendo del tipo de servicio de garantía correspondiente al producto.

**NOTA:** Algunos componentes no están diseñados para que puedan ser reparados por el usuario. Para que el usuario haga valer su garantía, HP pone como condición que un proveedor de servicios autorizado realice la sustitución de estos componentes. Dichos componentes se identifican con la palabra "No" en el catálogo ilustrado de componentes.

Según la disponibilidad y la situación geográfica, los componentes CSR se enviarán para que lleguen a su destino al siguiente día laborable. Si la situación geográfica lo permite, se puede solicitar la entrega en el mismo día o en cuatro horas con un coste adicional. Si precisa asistencia técnica, puede llamar al Centro de asistencia técnica de HP y recibirá ayuda telefónica por parte de un técnico. Con el envío de materiales para la sustitución de componentes CSR, HP especificará si los componentes defectuosos deberán devolverse a HP. En aquellos casos en los que sea necesario devolver algún componente a HP, deberá hacerlo en el periodo de tiempo especificado, normalmente cinco días laborables. Los componentes defectuosos deberán devolverse con toda la documentación relacionada y con el embalaje de envío. Si no enviara el componente defectuoso requerido, HP podrá cobrarle por el de sustitución. En

el caso de todas sustituciones que lleve a cabo el cliente, HP se hará cargo de todos los gastos de envío y devolución de componentes y escogerá la empresa de transporte que se utilice para dicho servicio.

Para obtener más información acerca del programa de Reparaciones del propio cliente de HP, póngase en contacto con su proveedor de servicios local. Si está interesado en el programa para Norteamérica, visite la página web de HP siguiente (<http://www.hp.com/go/selfrepair>).

## Customer Self Repair

Veel onderdelen in HP producten zijn door de klant zelf te repareren, waardoor de reparatieduur tot een minimum beperkt kan blijven en de flexibiliteit in het vervangen van defecte onderdelen groter is. Deze onderdelen worden CSR-onderdelen (Customer Self Repair) genoemd. Als HP (of een HP Service Partner) bij de diagnose vaststelt dat de reparatie kan worden uitgevoerd met een CSR-onderdeel, verzendt HP dat onderdeel rechtstreeks naar u, zodat u het defecte onderdeel daarmee kunt vervangen. Er zijn twee categorieën CSR-onderdelen:

**Verplicht:** Onderdelen waarvoor reparatie door de klant verplicht is. Als u HP verzoekt deze onderdelen voor u te vervangen, worden u voor deze service reiskosten en arbeidsloon in rekening gebracht.

**Optioneel:** Onderdelen waarvoor reparatie door de klant optioneel is. Ook deze onderdelen zijn ontworpen voor reparatie door de klant. Als u echter HP verzoekt deze onderdelen voor u te vervangen, kunnen daarvoor extra kosten in rekening worden gebracht, afhankelijk van het type garantieservice voor het product.

**OPMERKING:** Sommige HP onderdelen zijn niet ontwikkeld voor reparatie door de klant. In verband met de garantievoorwaarden moet het onderdeel door een geautoriseerde Service Partner worden vervangen. Deze onderdelen worden in de geïllustreerde onderdelencatalogus aangemerkt met "Nee".

Afhankelijk van de leverbaarheid en de locatie worden CSR-onderdelen verzonden voor levering op de eerstvolgende werkdag. Levering op dezelfde dag of binnen vier uur kan tegen meerkosten worden aangeboden, indien dit mogelijk is gezien de locatie. Indien assistentie gewenst is, belt u een HP Service Partner om via de telefoon technische ondersteuning te ontvangen. HP vermeldt in de documentatie bij het vervangende CSR-onderdeel of het defecte onderdeel aan HP moet worden geretourneerd. Als het defecte onderdeel aan HP moet worden teruggezonden, moet u het defecte onderdeel binnen een bepaalde periode, gewoonlijk vijf (5) werkdagen, retourneren aan HP. Het defecte onderdeel moet met de bijbehorende documentatie worden geretourneerd in het meegeleverde verpakkingsmateriaal. Als u het defecte onderdeel niet terugzendt, kan HP u voor het vervangende onderdeel kosten in rekening brengen. Bij reparatie door de klant betaalt HP alle verzendkosten voor het vervangende en geretourneerde onderdeel en kiest HP zelf welke koerier/transportonderneming hiervoor wordt gebruikt.

Neem contact op met een Service Partner voor meer informatie over het Customer Self Repair programma van HP. Informatie over Service Partners vindt u op de HP website (<http://www.hp.com/go/selfrepair>).

## Reparo feito pelo cliente

Os produtos da HP são projetados com muitas peças para reparo feito pelo cliente (CSR) de modo a minimizar o tempo de reparo e permitir maior flexibilidade na substituição de peças com defeito. Se, durante o período de diagnóstico, a HP (ou fornecedores/parceiros de serviço da HP) concluir que o reparo pode ser efetuado pelo uso de uma peça CSR, a peça de reposição será enviada diretamente ao cliente. Existem duas categorias de peças CSR:

**Obrigatória** – Peças cujo reparo feito pelo cliente é obrigatório. Se desejar que a HP substitua essas peças, serão cobradas as despesas de transporte e mão-de-obra do serviço.

Opcional – Peças cujo reparo feito pelo cliente é opcional. Essas peças também são projetadas para o reparo feito pelo cliente. No entanto, se desejar que a HP as substitua, pode haver ou não a cobrança de taxa adicional, dependendo do tipo de serviço de garantia destinado ao produto.

**OBSERVAÇÃO:** Algumas peças da HP não são projetadas para o reparo feito pelo cliente. A fim de cumprir a garantia do cliente, a HP exige que um técnico autorizado substitua a peça. Essas peças estão identificadas com a marca "No" (Não), no catálogo de peças ilustrado.

Conforme a disponibilidade e o local geográfico, as peças CSR serão enviadas no primeiro dia útil após o pedido. Onde as condições geográficas permitirem, a entrega no mesmo dia ou em quatro horas pode ser feita mediante uma taxa adicional. Se precisar de auxílio, entre em contato com o Centro de suporte técnico da HP para que um técnico o ajude por telefone. A HP especifica nos materiais fornecidos com a peça CSR de reposição se a peça com defeito deve ser devolvida à HP. Nos casos em que isso for necessário, é preciso enviar a peça com defeito à HP dentro do período determinado, normalmente cinco (5) dias úteis. A peça com defeito deve ser enviada com a documentação correspondente no material de transporte fornecido. Caso não o faça, a HP poderá cobrar a reposição. Para as peças de reparo feito pelo cliente, a HP paga todas as despesas de transporte e de devolução da peça e determina a transportadora/serviço postal a ser utilizado.

Para obter mais informações sobre o programa de reparo feito pelo cliente da HP, entre em contato com o fornecedor de serviços local. Para o programa norte-americano, visite o site da HP (<http://www.hp.com/go/selfrepair>).



## 顧客自己修理保証サービス

修理時間を短縮し、故障部品の交換における高い柔軟性を確保するために、HP製品には多数の顧客自己修理（CSR）部品があります。診断の際に、CSR部品を使用すれば修理ができるとHP（HPまたはHP正規保守代理店）が判断した場合、HPはその部品を直接、お客様に発送し、お客様に交換していただきます。CSR部品には以下の2通りがあります。

- **必須** - 顧客自己修理が必須の部品。当該部品について、もしもお客様がHPに交換作業を依頼される場合には、その修理サービスに関する交通費および人件費がお客様に請求されます。
- **任意** - 顧客自己修理が任意である部品。この部品も顧客自己修理用です。当該部品について、もしもお客様がHPに交換作業を依頼される場合には、お買い上げの製品に適用される保証サービス内容の範囲内においては、別途費用を負担していただくことなく保証サービスを受けることができます。

注：HP製品の一部の部品は、顧客自己修理用ではありません。製品の保証を継続するためには、HPまたはHP正規保守代理店による交換作業が必須となります。部品カタログには、当該部品が顧客自己修理除外品である旨が記載されています。

部品供給が可能な場合、地域によっては、CSR部品を翌営業日に届くように発送します。また、地域によっては、追加費用を負担いただくことにより同日または4時間以内に届くように発送することも可能な場合があります。サポートが必要なときは、HPの修理受付窓口へ電話していただければ、技術者が電話でアドバイスします。交換用のCSR部品または同梱物には、故障部品をHPに返送する必要があるかどうかが表示されています。故障部品をHPに返送する必要がある場合は、指定期限内（通常は5営業日以内）に故障部品をHPに返送してください。故障部品を返送する場合は、届いた時の梱包箱に関連書類とともに入れてください。故障部品を返送しない場合、HPから部品費用が請求されます。顧客自己修理の際には、HPは送料および部品返送費を全額負担し、使用する宅配便会社や運送会社を指定します。

## 客户自行维修

HP 产品提供许多客户自行维修 (CSR) 部件，以尽可能缩短维修时间和在更换缺陷部件方面提供更大的灵活性。如果在诊断期间 HP（或 HP 服务提供商或服务合作伙伴）确定可以通过使用 CSR 部件完成维修，HP 将直接把该部件发送给您进行更换。有两类 CSR 部件：

- **强制性的** — 要求客户必须自行维修的部件。如果您请求 HP 更换这些部件，则必须为该服务支付差旅费和人工费用。
- **可选的** — 客户可以选择是否自行维修的部件。这些部件也是为客户自行维修设计的。不过，如果您要求 HP 为您更换这些部件，则根据为您的产品指定的保修服务类型，HP 可能收取或不再收取任何附加费用。

注：某些 HP 部件的设计并未考虑客户自行维修。为了满足客户保修的需要，HP 要求授权服务提供商更换相关部件。这些部件在部件图解目录中标记为“否”。

CSR 部件将在下一个工作日发运（取决于备货情况和允许的地理范围）。在允许的地理范围内，可在当天或四小时内发运，但要收取额外费用。如果需要帮助，您可以致电 HP 技术支持中心，将会有技术人员通过电话为您提供帮助。HP 会在随更换的 CSR 部件发运的材料中指明是否必须将有缺陷的部件返还给 HP。如果要求您将有缺陷的部件返还给 HP，那么您必须在指定期限内（通常是五 (5) 个工作日）将缺陷部件发给 HP。有缺陷的部件必须随所提供的发运材料中的相关文件一起返还。如果未能送还有缺陷的部件，HP 可能会要求您支付更换费用。客户自行维修时，HP 将承担所有相关运输和部件返回费用，并指定快递商/承运商。

有关 HP 客户自行维修计划的详细信息，请与您当地的服务提供商联系。有关北美地区的计划，请访问 HP 网站 (<http://www.hp.com/go/selfrepair>)。

# 客戶自行維修

HP 產品設計了許多「客戶自行維修」(CSR) 的零件以減少維修時間，並且使得更換瑕疵零件時能有更大的彈性。如果在診斷期間 HP (或 HP 服務供應商或維修夥伴) 辨認出此項維修工作可以藉由使用 CSR 零件來完成，則 HP 將直接寄送該零件給您作更換。CSR 零件分為兩種類別：

- **強制的** — 客戶自行維修所使用的零件是強制性的。如果您要求 HP 更換這些零件，HP 將會向您收取此服務所需的外出費用與勞動成本。
- **選購的** — 客戶自行維修所使用的零件是選購的。這些零件也設計用於客戶自行維修之用。不過，如果您要求 HP 為您更換，則可能需要也可能不需要負擔額外的費用，端視針對此產品指定的保固服務類型而定。

**備註：**某些 HP 零件沒有消費者可自行維修的設計。為符合客戶保固，HP 需要授權的服務供應商更換零件。這些零件在圖示的零件目錄中，被標示為「否」。

基於材料取得及環境允許的情況下，CSR 零件將於下一個工作日以快遞寄送。在環境的允許下當天或四小時內送達，則可能需要額外的費用。若您需要協助，可致電「HP 技術支援中心」，會有一位技術人員透過電話來協助您。不論損壞的零件是否必須退回，HP 皆會在與 CSR 替換零件一起運送的材料中註明。若要將損壞的零件退回 HP，您必須在指定的一段時間內（通常為五 (5) 個工作天），將損壞的零件寄回 HP。損壞的零件必須與寄送資料中隨附的相關技術文件一併退還。如果無法退還損壞的零件，HP 可能向您收取替換費用。針對客戶自行維修情形，HP 將負責所有運費及零件退還費用並指定使用何家快遞/貨運公司。

如需 HP 的「客戶自行維修」方案詳細資訊，請連絡您當地的服務供應商。至於北美方案，請參閱 HP 網站 (<http://www.hp.com/go/selfrepair>)。

## 고객 셀프 수리

HP 제품은 수리 시간을 최소화하고 결함이 있는 부품 교체 시 더욱 융통성을 발휘할 수 있도록 하기 위해 고객 셀프 수리(CSR) 부품을 다량 사용하여 설계되었습니다. 진단 기간 동안 HP(또는 HP 서비스 공급업체 또는 서비스 협력업체)에서 CSR 부품을 사용하여 수리가 가능하다고 판단되면 HP는 해당 부품을 바로 사용자에게 보내어 사용자가 교체할 수 있도록 합니다. CSR 부품에는 두 가지 종류가 있습니다.

- **고객 셀프 수리가 의무 사항인 필수 부품.** 사용자가 HP에 이 부품의 교체를 요청할 경우 이 서비스에 대한 출장비 및 작업비가 청구됩니다.
- **고객 셀프 수리가 선택 사항인 부품.** 이 부품들도 고객 셀프 수리가 가능하도록 설계되었습니다. 하지만 사용자가 HP에 이 부품의 교체를 요청할 경우 사용자가 구입한 제품에 해당하는 보증 서비스 유형에 따라 추가 비용 없이 교체가 가능할 수 있습니다.

**참고:** 일부 HP 부품은 고객 셀프 수리가 불가능하도록 설계되었습니다. HP는 만족스러운 고객 보증을 위해 공인 서비스 제공업체를 통해 부품을 교체하도록 하고 있습니다. 이러한 부품들은 Illustrated Parts Catalog에 "No"라고 표시되어 있습니다.

CSR 부품은 재고 상태와 지리적 조건이 허용하는 경우 다음 영업일 납품이 가능하도록 배송이 이루어집니다. 지리적 조건이 허용하는 경우 추가 비용이 청구되는 조건으로 당일 또는 4시간 배송이 가능할 수도 있습니다. 도움이 필요하시면 HP 기술 지원 센터로 전화하십시오. 전문 기술자가 전화로 도움을 줄 것입니다. HP는 결함이 발생한 부품을 HP로 반환해야 하는지 여부를 CSR 교체 부품과 함께 배송된 자료에 지정합니다. 결함이 발생한 부품을 HP로 반환해야 하는 경우에는 지정된 기간 내(통상 영업일 기준 5일)에 HP로 반환해야 합니다. 이 때 결함이 발생한 부품은 제공된 포장 재료에 넣어 관련 설명서와 함께 반환해야 합니다. 결함이 발생한 부품을 반환하지 않는 경우 HP가 교체 부품에 대해 비용을 청구할 수 있습니다. 고객 셀프 수리의 경우, HP는 모든 운송 및 부품 반환 비용을 부담하며 이용할 운송업체 및 택배 서비스를 결정합니다.

HP 고객 셀프 수리 프로그램에 대한 자세한 내용은 가까운 서비스 제공업체에 문의하십시오. 북미 지역의 프로그램에 대해서는 HP 웹 사이트(<http://www.hp.com/go/selfrepair>)를 참조하십시오.

---

# Acronyms and abbreviations

## ABEND

abnormal end

## ACU

Array Configuration Utility

## ADU

Array Diagnostics Utility

## AMP

Advanced Memory Protection

## ASR

Automatic Server Recovery

## DDR

double data rate

## FBWC

flash-backed write cache

## IEC

International Electrotechnical Commission

## iLO

Integrated Lights-Out

## IML

Integrated Management Log

## KVM

keyboard, video, and mouse

## LV DIMM

Low voltage DIMM

## NMI

non-maskable interrupt

## NVRAM

non-volatile memory

## ORCA

Option ROM Configuration for Arrays

## PCIe

peripheral component interconnect express

## PCI-X

peripheral component interconnect extended

## PDU

power distribution unit

## POST

Power-On Self Test

## PSP

ProLiant Support Pack

## RBSU

ROM-Based Setup Utility

## RDIMM

Registered Dual In-line Memory Module

## RDP

Rapid Deployment Pack

## SAS

serial attached SCSI

## SATA

serial ATA

## SIM

Systems Insight Manager

## SMP

Server Migration Pack

## TPM

trusted platform module

## UDIMM

Unregistered Dual In-Line Memory Module

## UID

unit identification

## USB

universal serial bus

## VCA

Version Control Agent

---

# Index

## A

access panel 21, 22  
additional information 96  
ADU (Array Diagnostic Utility) 92  
air baffle 22  
air baffle, configuring 22  
airflow requirements 28, 29  
Altiris Deployment Solution 88  
Altiris eXpress Deployment Server 88  
Array Diagnostic Utility (ADU) 92  
ASR (Automatic Server Recovery) 88  
authorized reseller 123  
auto-configuration process 85  
Automatic Server Recovery (ASR) 88

## B

Basic Input/Output System (BIOS) 86, 89, 101  
batteries, replacing 117  
battery 13, 112, 117  
battery replacement notice 117  
BBWC (battery-backed write cache) 68  
BBWC battery pack 68  
beep codes 111  
bezel blank 24  
BIOS (Basic Input/Output System) 86, 89, 101  
BIOS Serial Console 86  
BIOS upgrade 89  
blue screen event 13  
boot options 86  
BSMI notice 116  
buttons 7

## C

cables 78, 99, 114  
cabling 78, 79, 80, 81, 82, 83  
Canadian notice 115  
capacitor pack 70  
Care Pack 28, 95  
cautions 97  
Change Control 94  
Chinese notice 117  
class A equipment 113

class B equipment 113  
components 7  
components, identification 7, 13  
configuration of system 84  
configuration tools 84  
connection problems 99  
connectors 7  
contact information 123  
contacting HP 123  
crash dump analysis 13  
creating a disk image 88  
CSR (customer self repair) 123  
customer self repair (CSR) 123

## D

Declaration of Conformity 114  
dedicated iLO 2 connector module 73  
dedicated iLO 2 module connector 73  
deployment software 88  
device numbers 17  
diagnosing problems 96  
diagnostic tools 88, 89, 91  
diagnostics utility 91  
DIMM installation guidelines 43  
DIMM slot locations 15  
DIMMs 15, 40, 41, 86  
diskette image creation 88  
disposal, battery 115, 117  
drive LEDs 18  
drivers 93

## E

electrical grounding requirements 30  
electrostatic discharge 119  
environmental requirements 28  
environmental specifications 120  
Erase Utility 89  
error messages 111  
European Union notice 115  
expansion boards 63, 64  
expansion slot covers, removing 63, 64  
extending server from rack 21

## F

- fan module locations 19
- fans 19, 50
- FBWC module 70
- FCC rating label 113
- features 7
- Federal Communications Commission (FCC)
  - notice 113, 114
- flowcharts 100, 101, 103, 106, 107, 109
- front bezel 20
- front panel buttons 8
- front panel components 7
- front panel LEDs 8, 14
- full-height media device 61
- full-height tape drive 61

## G

- general diagnosis flowchart 101
- grounding methods 119
- grounding requirements 30
- guide screws 58

## H

- half-height media device 58, 60
- hard drive cage 53, 55
- hard drive LEDs 18
- hardware options 35
- hardware options installation 31, 35
- health driver 88
- health LEDs 13, 14
- heatsink 35
- help resources 123
- hot-plug hard drive cage 53
- HP Insight Diagnostics 91, 92
- HP Insight Remote Support software 93
- HP Insight Server Migration Pack software for ProLiant 92
- HP Management Packs 1.1 for MOM 2005, troubleshooting 96
- HP ProLiant Essentials Foundation Pack 90
- HP ProLiant Essentials Rapid Deployment Pack 88
- HP Systems Insight Manager overview 90
- HP technical support 123

## I

- identification number 113
- iLO (Integrated Lights-Out) 89
- iLO 2 (Integrated Lights-Out 2) 89

- IML (Integrated Management Log) 92
- Important Safety Information document 96
- Insight Diagnostics 91, 92, 93
- installation services 28
- installation, server options 31, 35
- installing hardware 35
- installing operating system 34
- Integrated Lights-Out (iLO) 89
- Integrated Lights-Out 2 (iLO 2) 89
- Integrated Management Log (IML) 92
- internal health LED 14
- internal USB functionality 91

## J

- Japanese notice 116

## K

- Korean notices 117

## L

- laser compliance 117
- laser devices 117
- LEDs 7, 14
- LEDs, hard drive 18
- LEDs, SAS hard drive 18
- LEDs, troubleshooting 14, 18, 96
- loose connections 99

## M

- Management Agents 90
- management tools 88
- mechanical specifications 120
- media bay blank 23
- media devices 57
- memory 40, 41, 43, 86, 87
- memory configurations 41, 42, 43
- memory subsystem architecture 41
- memory, installing 47
- memory, mirrored 43, 45, 46
- modifications, FCC notice 114

## N

- NMI switch 13
- non-hot-plug hard drive cage 55

## O

- operating systems 94

- operations 20
- optimum environment 28
- Option ROM Configuration for Arrays (ORCA) 87
- options installation 31, 35
- ORCA (Option ROM Configuration for Arrays) 87
- OS boot problems flowchart 107

## P

- PCI slots 20
- PCI-X extender board 65
- PCI-X extender board connector 11
- phone numbers 123
- POST error messages 111
- POST problems flowchart 106
- power cord 97, 118
- power distribution unit (PDU) 30
- Power On/Standby button 20
- power requirements 30
- power supplies 48, 49
- power supply configuration 49
- power supply specifications 121
- powering down 20
- powering up 20, 85
- power-on problems flowchart 103
- pre-diagnostic steps 96
- preparation procedures 20, 99
- problem diagnosis 96
- processor board, installing 25
- processor board, removing 24
- processors 35
- ProLiant Support Pack (PSP) 94
- PSPs, overview 94

## R

- rack installation 28, 30, 32
- rack resources 28
- rack stability 97
- rack warnings 30, 97
- RBSU (ROM-Based Setup Utility) 85
- RBSU configuration 85
- rear panel buttons 10
- rear panel components 9
- rear panel LEDs 10
- redundant ROM 90
- registering the server 34
- regulatory compliance identification numbers 113
- regulatory compliance notices 113, 115, 118
- remote support and analysis tools 93
- removable media devices 58, 60, 61

- required information 123
- requirements, airflow 28
- requirements, environmental 28
- requirements, power 30
- requirements, space 28
- requirements, temperature 29
- ROM redundancy 90
- ROM-Based Setup Utility (RBSU) 77, 85
- ROMPaq utility 89, 90

## S

- safety considerations 30, 96
- safety information 91
- SAS controller 72
- SAS device numbers 17
- SAS hard drive 52
- SAS hard drive LEDs 18
- SATA drives 17
- SATA hard drive 52
- SATA hard drive LEDs 18
- SATA optical drive 58
- scripted installation 84
- serial number 88
- series number 113
- server fault indications flowchart 109
- server features and options 35
- server options, installing 31, 35
- service notifications 100
- shipping carton contents 31
- site requirements 29
- SmartStart autorun menu 84
- SmartStart Scripting Toolkit 84
- SmartStart, overview 84
- software 84
- space requirements 28
- specifications 120, 121
- specifications, environmental 120
- specifications, mechanical 120
- specifications, power supply 121
- specifications, server 120
- start diagnosis flowchart 100
- static electricity 119
- storage controller 68
- StorageWorks Library and Tape Tools (L&TT) 90
- support 93, 123
- support packs 84
- supported operating systems 94
- switches 13
- symbols on equipment 97
- symptom information 98



- system battery 112
- system board components 11
- system board LEDs 13
- system configuration settings 84
- System Erase Utility 89
- system maintenance switch 12, 13
- System Online ROM flash component utility 94
- system, keeping current 93
- Systems Insight Manager 90

## **T**

- Taiwan battery recycling notice 118
- tape drives 60, 61
- technical support 123
- telephone numbers 123
- temperature requirements 29
- tower bezel, removing 20
- tower server, setting up 31
- TPM (Trusted Platform Module) 11, 74, 75
- troubleshooting 96
- troubleshooting flowcharts 100
- troubleshooting resources 96
- Trusted Platform Module (TPM) 74, 76

## **U**

- updating the system ROM 90
- UPS (uninterruptible power supply) 30
- USB support 91
- utilities 84
- utilities, deployment 84, 85, 88

## **V**

- ventilation 28

## **W**

- warnings 30, 97
- website, HP 123