

# HP ProLiant DL580 G7 Server User Guide



Part Number 595656-002  
September 2010 (Second Edition)

© Copyright 2010 Hewlett-Packard Development Company, L.P.

The information contained herein is subject to change without notice. The only warranties for HP products and services are set forth in the express warranty statements accompanying such products and services. Nothing herein should be construed as constituting an additional warranty. HP shall not be liable for technical or editorial errors or omissions contained herein.

Microsoft, Windows, and Windows Server are U.S. registered trademarks of Microsoft Corporation.

Intel and Xeon are trademarks or registered trademarks of Intel Corporation or its subsidiaries in the United States and other countries.

### **Intended audience**

This document is for the person who installs, administers, and troubleshoots servers and storage systems. HP assumes you are qualified in the servicing of computer equipment and trained in recognizing hazards in products with hazardous energy levels.

---

# Contents

Component identification.....	7
Front panel components.....	7
Front panel LEDs and buttons.....	8
Systems Insight Display.....	9
Rear panel components.....	10
Rear panel LEDs and buttons.....	11
Power supply LED.....	12
System board components.....	13
System maintenance switch.....	14
SPI board components.....	15
I/O expansion board components.....	16
Processors and memory cartridges.....	17
DIMM slot locations.....	18
Device numbers.....	18
Hard drive LEDs.....	19
Hard drive LED combinations.....	19
Battery pack LEDs.....	20
FBWC module LEDs.....	22
Fan locations.....	23
Power supply backplane components.....	23
Operations.....	25
Power up the server.....	25
Power down the server.....	25
Extend the server from the rack.....	25
Remove the access panel.....	26
Remove the processor memory drawer.....	27
Access the Systems Insight Display.....	28
Remove the SPI board.....	28
Setup.....	30
Optional installation services.....	30
Rack planning resources.....	30
Optimum environment.....	31
Space and airflow requirements.....	31
Temperature requirements.....	31
Power requirements.....	32
Electrical grounding requirements.....	32
Rack warnings.....	33
Identifying the contents of the server shipping carton.....	33
Installing hardware options.....	33
Installing the server into the rack.....	33
Powering up and configuring the server.....	34
Installing the operating system.....	34
Registering the server.....	34
Hardware options installation.....	35

Introduction .....	35
Processor options .....	35
Installing a processor .....	35
Memory options .....	41
Memory overview .....	41
DIMM support.....	41
Single-, dual-, and quad-rank DIMMs .....	41
DIMM identification.....	42
DIMM installation guidelines .....	42
Memory cartridge population guidelines.....	44
Memory subsystem architecture .....	45
Hemisphere mode .....	45
Memory performance optimization .....	46
Memory RAS .....	47
Advanced ECC memory population guidelines.....	48
Online Spare memory population guidelines.....	48
Mirrored Memory population guidelines.....	49
Installing memory .....	49
Hot-plug hard drive option .....	51
Redundant hot-plug power supply option .....	53
Internal solid state drive expansion bay option .....	54
Expansion board options .....	55
Installing a non-hot-plug expansion board.....	55
Securing an expansion board for shipping .....	56
Installing the PCI Express I/O expansion board.....	58
Installing the PCI-X/PCI Express I/O expansion board .....	60
HP NC524SFP Dual Port 10GbE Module option .....	62
Battery-backed write cache module .....	64
FBWC module and capacitor pack option .....	66
HP Trusted Platform Module option .....	68
Retaining the recovery key/password.....	69
Installing the Trusted Platform Module board.....	69
Enabling the Trusted Platform Module.....	70
<b>Cabling .....</b>	<b>72</b>
DVD-ROM drive cabling .....	72
<b>Server software and configuration utilities.....</b>	<b>73</b>
Configuration tools .....	73
SmartStart software .....	73
HP ROM-Based Setup Utility .....	73
Array Configuration Utility .....	76
Option ROM Configuration for Arrays.....	77
Re-entering the server serial number and product ID.....	77
Management tools.....	78
Automatic Server Recovery .....	78
ROMPaq utility.....	78
Integrated Lights-Out 3 technology .....	78
Erase Utility .....	79
Redundant ROM support.....	79
USB support .....	79
Diagnostic tools .....	80
HP Insight Diagnostics .....	80
HP Insight Diagnostics survey functionality .....	80

Integrated Management Log.....	80
Remote support and analysis tools .....	81
HP Insight Remote Support software .....	81
Keeping the system current.....	81
Drivers .....	81
Version control.....	82
ProLiant Support Packs.....	82
Operating System Version Support.....	82
Firmware.....	82
HP Smart Update Manager .....	83
Change control and proactive notification .....	83
Care Pack .....	83

## Troubleshooting ..... 84

Troubleshooting resources .....	84
Pre-diagnostic steps .....	84
Important safety information .....	84
Symptom information.....	86
Prepare the server for diagnosis.....	87
Loose connections .....	87
Service notifications.....	88
Troubleshooting flowcharts.....	88
Start diagnosis flowchart.....	88
General diagnosis flowchart.....	89
Server power-on problems flowchart .....	91
POST problems flowchart.....	94
OS boot problems flowchart.....	95
Server fault indications flowchart .....	97
POST error messages and beep codes .....	99

## Battery replacement ..... 100

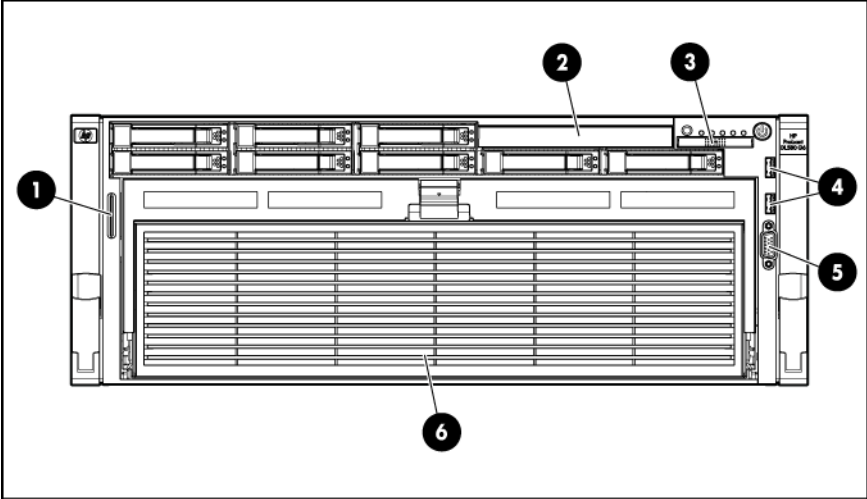
## Regulatory compliance notices ..... 101

Regulatory compliance identification numbers .....	101
Federal Communications Commission notice.....	101
FCC rating label .....	101
Class A equipment .....	101
Class B equipment.....	101
Declaration of conformity for products marked with the FCC logo, United States only.....	102
Modifications.....	102
Cables .....	102
Canadian notice (Avis Canadien).....	103
European Union regulatory notice.....	103
Disposal of waste equipment by users in private households in the European Union .....	104
Japanese notice .....	104
BSMI notice .....	104
Korean notice .....	105
Chinese notice .....	105
Laser compliance .....	105
Battery replacement notice .....	105
Taiwan battery recycling notice .....	106
Power cord statement for Japan .....	106
Acoustics statement for Germany (Geräuschemission) .....	106
Wireless devices .....	107

Brazilian notices .....	107
Canadian notices.....	107
Japanese notices.....	107
Taiwan notices.....	108
<b>Electrostatic discharge.....</b>	<b>109</b>
Preventing electrostatic discharge .....	109
Grounding methods to prevent electrostatic discharge.....	109
<b>Specifications.....</b>	<b>110</b>
Environmental specifications.....	110
Server specifications.....	110
HP ProLiant 1200 W power supply specifications.....	111
<b>Technical support.....</b>	<b>112</b>
Before you contact HP .....	112
HP contact information.....	112
Customer Self Repair .....	112
<b>Acronyms and abbreviations.....</b>	<b>120</b>
<b>Index.....</b>	<b>123</b>

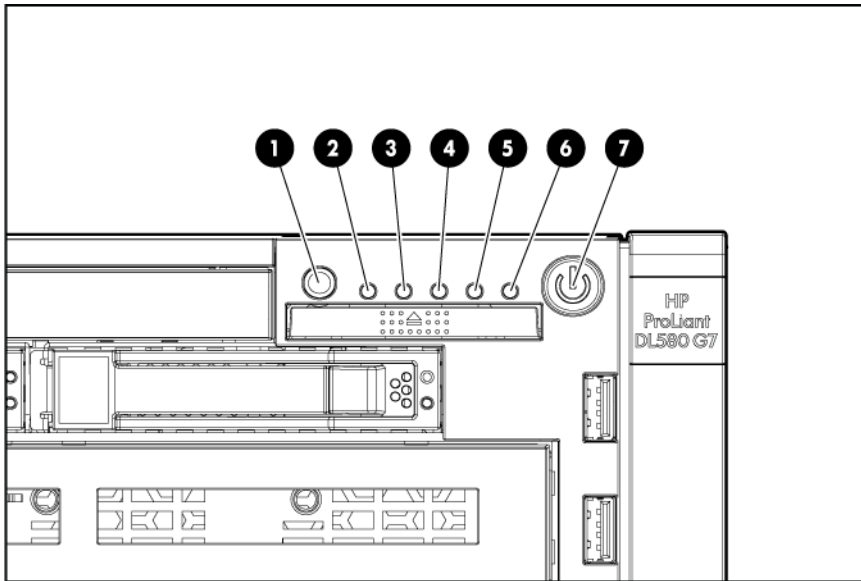
# Component identification

## Front panel components



Item	Description
1	Serial and PID tag
2	Optical drive
3	Systems Insight Display
4	USB connectors (2)
5	Video connector
6	Processor memory drawer

# Front panel LEDs and buttons

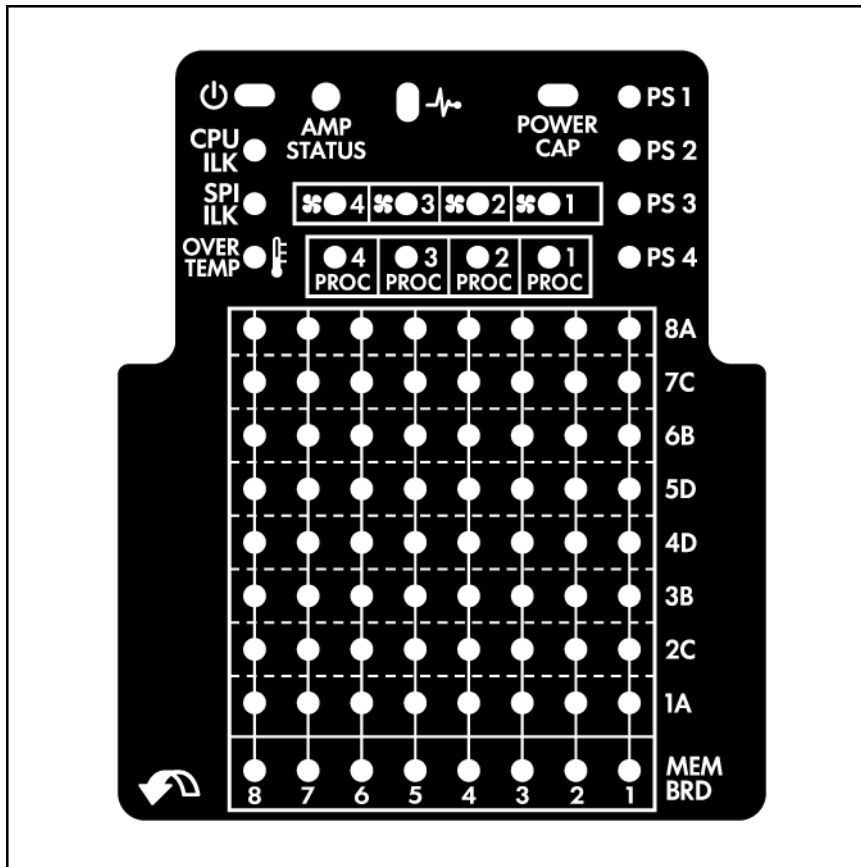


Item	Description	Status
1	UID button and LED	Blue—Activated Blue (flashing)—Server being managed remotely Off—Deactivated
2	Health LED	Green—Normal (system on) Amber (flashing)—Internal system health degraded Red (flashing)—Internal system health critical Off—Normal (system off)
3	NIC 1 LED	Green—Linked to network Green (flashing)—Linked with activity on the network Off—No network connection
4	NIC 2 LED	Green—Linked to network Green (flashing)—Linked with activity on the network Off—No network connection
5	NIC 3 LED	Green—Linked to network Green (flashing)—Linked with activity on the network Off—No network connection
6	NIC 4 LED	Green—Linked to network Green (flashing)—Linked with activity on the network Off—No network connection
7	Power on/Standby button and LED	Amber—System has AC power and is in standby mode. Green—System has AC power and is powered on. Off—System has no AC power.



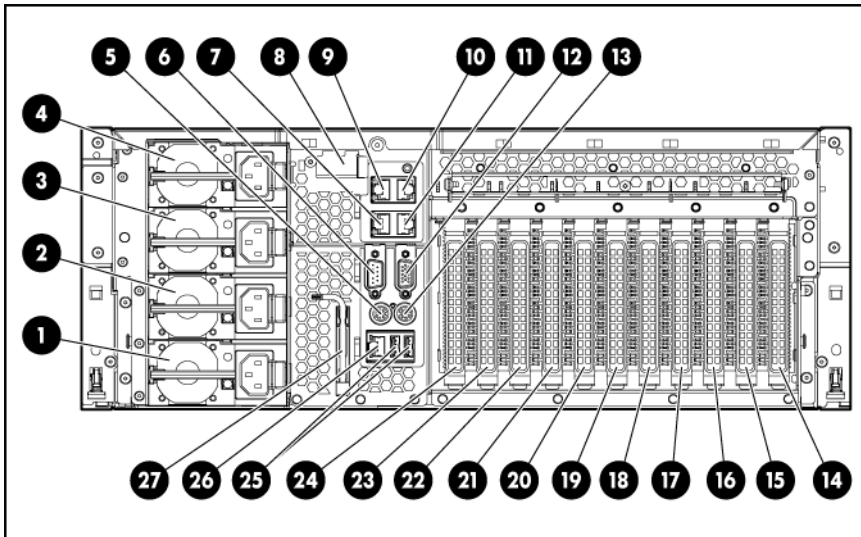
# Systems Insight Display

The Systems Insight Display LEDs represent the server and component layout.



LED	Description
AMP status	Off—No protection Green—Protection enabled Amber—Memory failure occurred Amber (flashing)—Memory configuration error
Health	Green—Normal (system on) Amber (flashing)—Internal system health degraded Red (flashing)—Internal system health critical Off—Normal (system off)
Power cap	Green—System on or requesting power on Flashing amber—Power on denied Off—Standby
All other LEDs	Off—Normal Amber—Failed or missing component

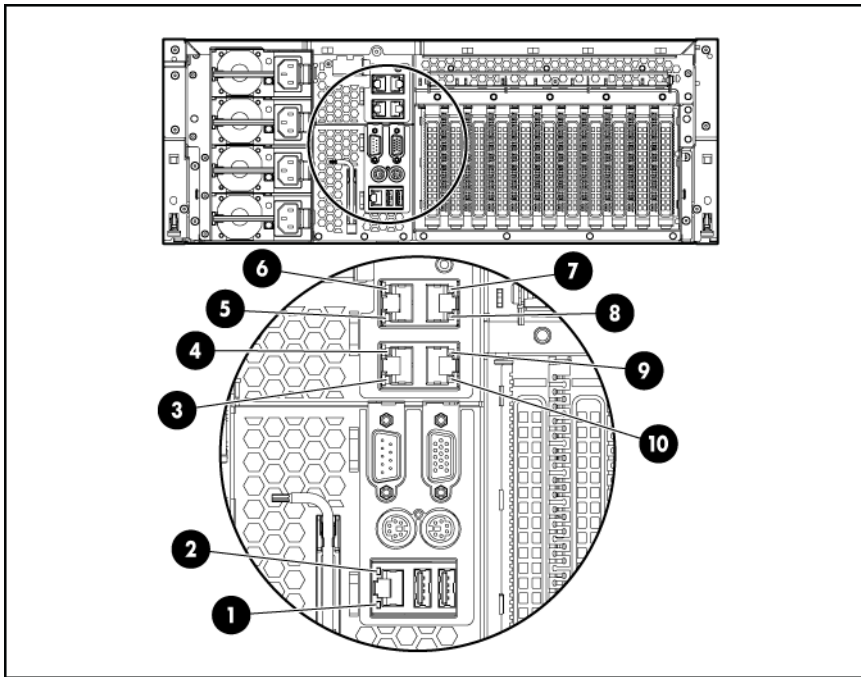
# Rear panel components



Item	Description	Item	Description
1	Power supply bay 4 (optional)	15	Expansion slot 2 (optional)
2	Power supply bay 3 (optional)	16	Expansion slot 3 (optional)
3	Power supply bay 2	17	Expansion slot 4 (optional)
4	Power supply bay 1	18	Expansion slot 5 (optional)
5	Mouse connector	19	Expansion slot 6 (optional)
6	Serial connector	20	PCIe2 x8 expansion slot 7
7	NIC 2 connector	21	PCIe2 x8 expansion slot 8
8	10Gb NIC adapter blank	22	PCIe2 x16 expansion slot 9
9	NIC 4 connector	23	PCIe2 x8 expansion slot 10
10	NIC 3 connector	24	PCIe2 x16 expansion slot 11
11	NIC 1 connector	25	USB connectors (2)
12	Video connector	26	iLO 3 connector
13	Keyboard connector	27	T-10/T-15 Torx screwdriver
14	Expansion slot 1 (optional)	—	—

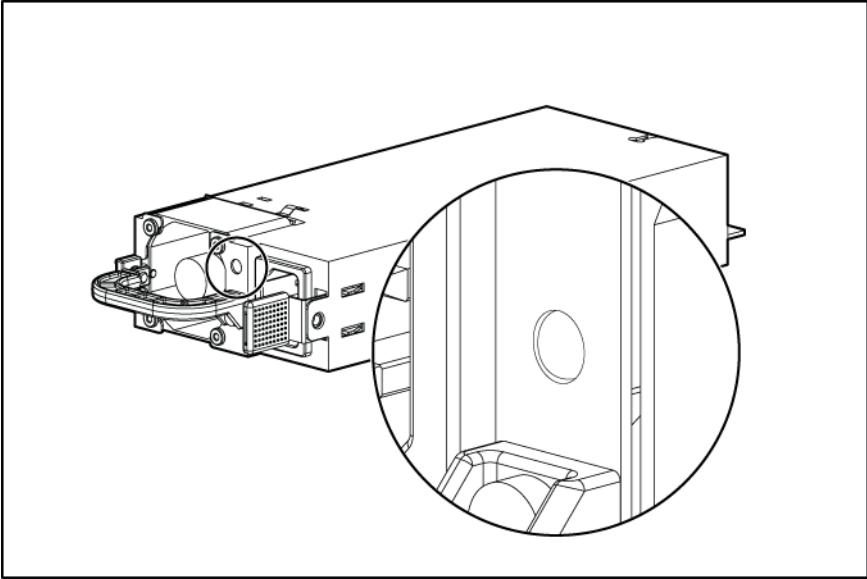
For optional configuration of slots 1–6, see "I/O expansion board components (on page 16)."

# Rear panel LEDs and buttons



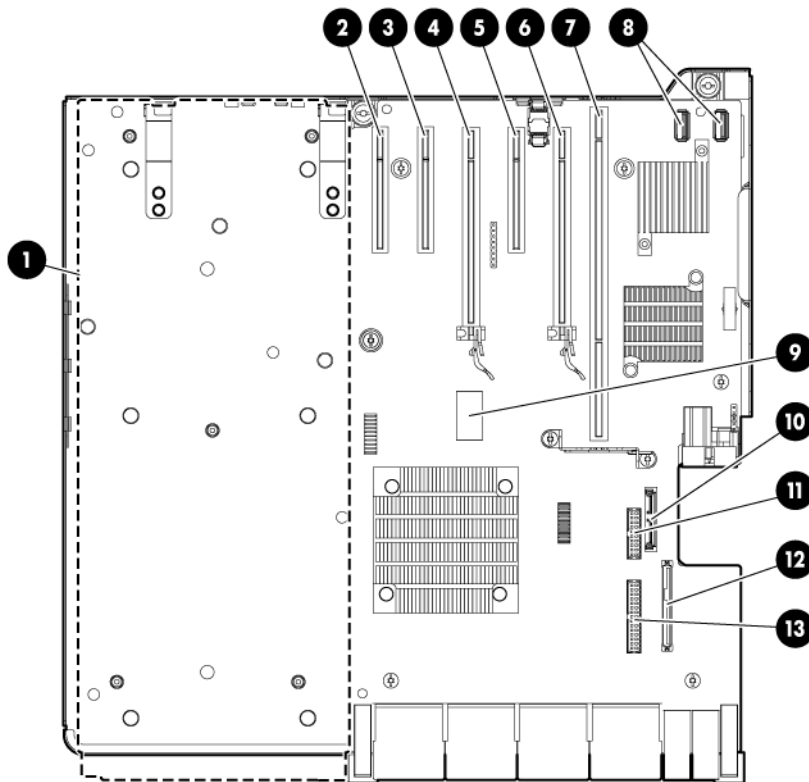
Item	Description	LED color	Status
1	iLO 3 NIC Activity LED	Green	On or flashing—Network activity Off—No network activity
2	iLO 3 NIC Link LED	Green	On—Linked to network Off—Not linked to network
3	NIC 2 Activity LED	Green	On or flashing—Network activity Off—No network activity
4	NIC 2 Link LED	Green	On—Linked to network Off—Not linked to network
5	NIC 4 Activity LED	Green	On or flashing—Network activity Off—No network activity
6	NIC 4 Link LED	Green	On—Linked to network Off—Not linked to network
7	NIC 3 Link LED	Green	On—Linked to network Off—Not linked to network
8	NIC 3 Activity LED	Green	On or flashing—Network activity Off—No network activity
9	NIC 1 Link LED	Green	On—Linked to network Off—Not linked to network
10	NIC 1 Activity LED	Green	On or flashing—Network activity Off—No network activity

# Power supply LED



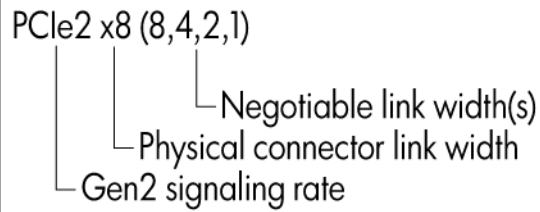
Power LED	Status
Off	No AC power to power supply units. Check the AC power cord.
Off	AC is present. Standby output is on, output is disabled. Further indicated by the front panel LED.
Off	Power supply failure (includes overvoltage and overtemperature) further indicated by the Systems Insight Display LEDs.
Green	AC is present. Standby output is on, power supply DC output is on and OK.

# System board components



Item	Description
1	Optional I/O expansion board connectors: <ul style="list-style-type: none"> <li>• PCI-X/PCI Express I/O expansion board</li> <li>• PCI Express I/O expansion board</li> </ul>
2	Slot 7 PCIe2 x8 (4, 2, 1)
3	Slot 8 PCIe2 x8 (4, 2, 1)
4	Slot 9 PCIe2 x16 (8, 4, 2, 1)
5	Slot 10 PCIe2 x8 (4, 2, 1)
6	Slot 11 PCIe2 x8 (8, 4, 2, 1)
7	SPI board connector
8	Internal USB connectors (2)
9	System maintenance switch
10	Optical drive connector
11	Video/USB connector
12	Solid state drive connector
13	Power button/UID connector

## Slot description example

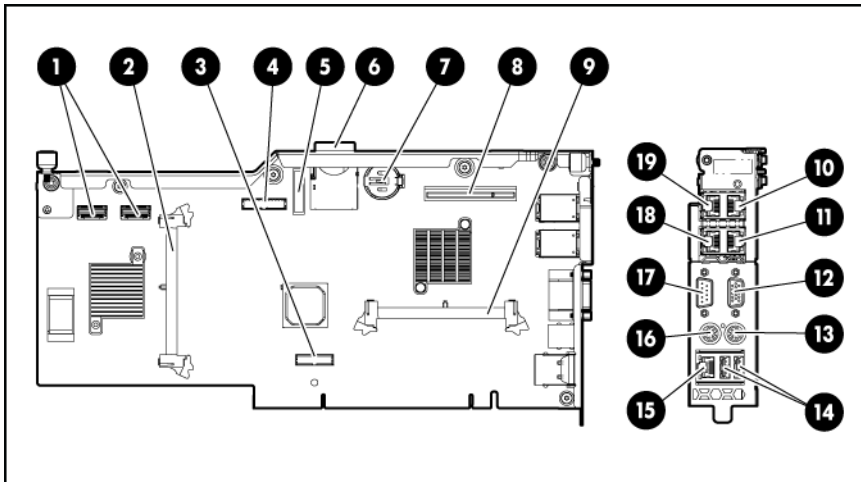


## System maintenance switch

The system maintenance switch (SW1) is an eight-position switch that is used for system configuration. The default position for all eight positions is Off.

Position	Description	Function
S1	iLO 3 Security	Off = iLO 3 security is enabled. On = iLO 3 security is disabled.
S2	Configuration lock	Off = System configuration can be changed. On = System configuration is locked.
S3	Reserved	Reserved
S4	Reserved	Reserved
S5	Password protection override	Off = No function On = Clears power-on password and administrator password
S6	Invalidate configuration	Off = Normal On = Clears NVRAM
S7	Reserved	Reserved
S8	Reserved	Reserved

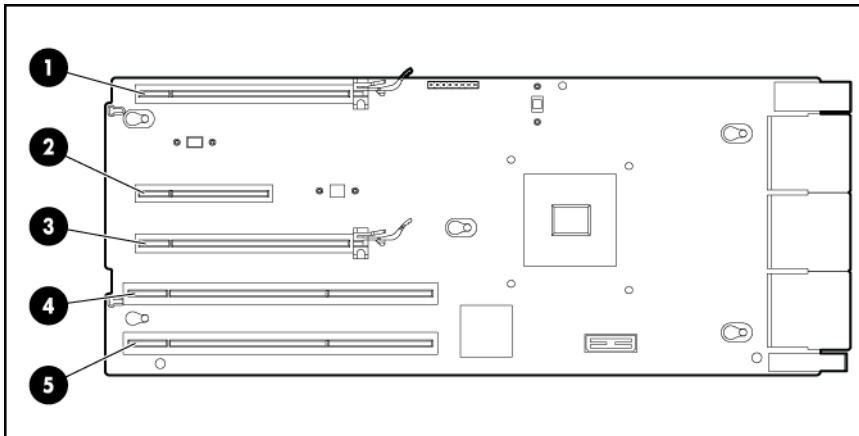
# SPI board components



Item	Description
1	Mini SAS connectors (2)
2	SAS cache connector
3	TPM connector
4	Fan data connector
5	RMI connector
6	SD card slot
7	Battery
8	10Gb NIC connector
9	NIC cache connector
10	NIC 3 connector
11	NIC 1 connector
12	Video connector
13	Keyboard connector
14	USB connectors (2)
15	iLO 3 connector
16	Mouse connector
17	Serial connector
18	NIC 2 connector
19	NIC 4 connector

# I/O expansion board components

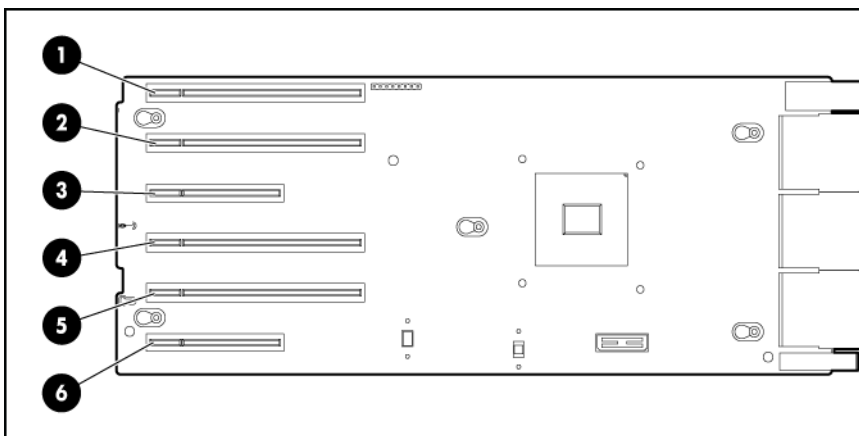
- PCI-X/PCI Express I/O expansion board



Item	Description
1	Slot 6 PCIe2 x16 (16, 8, 4, 2, 1)
2	Slot 4 PCIe2 x8 (4, 2, 1)*
3	Slot 3 PCIe2 x16 (16, 8, 4, 2, 1)
4	Slot 2 PCI-X
5	Slot 1 PCI-X

\*Slot 4 is physically a x8 slot but operates electrically as a x4 slot.

- PCI Express I/O expansion board

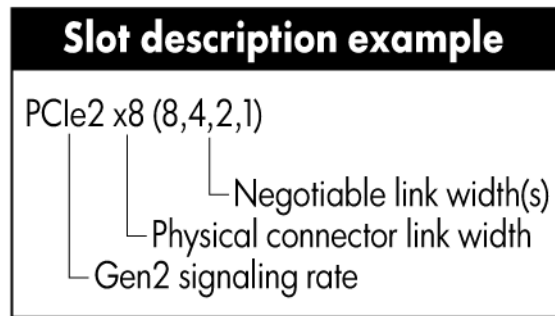


Item	Description
1	Slot 6 PCIe2 x16 (8, 4, 2, 1)**
2	Slot 5 PCIe2 x16 (8, 4, 2, 1)**
3	Slot 4 PCIe2 x8 (4, 2, 1)*
4	Slot 3 PCIe2 x16 (8, 4, 2, 1)**
5	Slot 2 PCIe2 x16 (8, 4, 2, 1)**
6	Slot 1 PCIe1 x8 (4, 2, 1)*



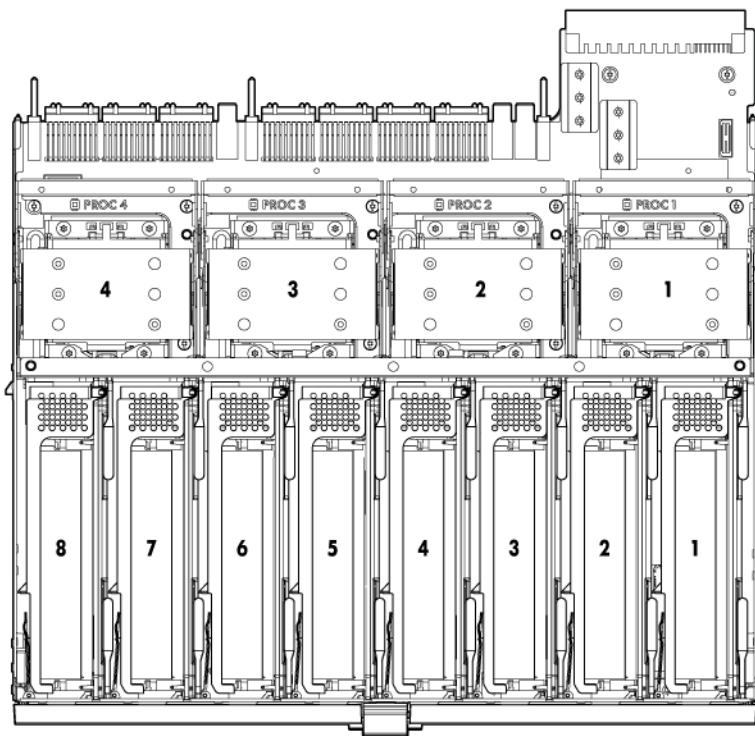
\*Slots 1 and 4 are physically x8 slots but operate electrically as x4 slots.

\*\*Slots 2, 3, 5 and 6 are physically x16 slots but operate electrically as x8 slots.



## Processors and memory cartridges

The processor memory drawer contains 4 processor sockets and 8 memory cartridges.

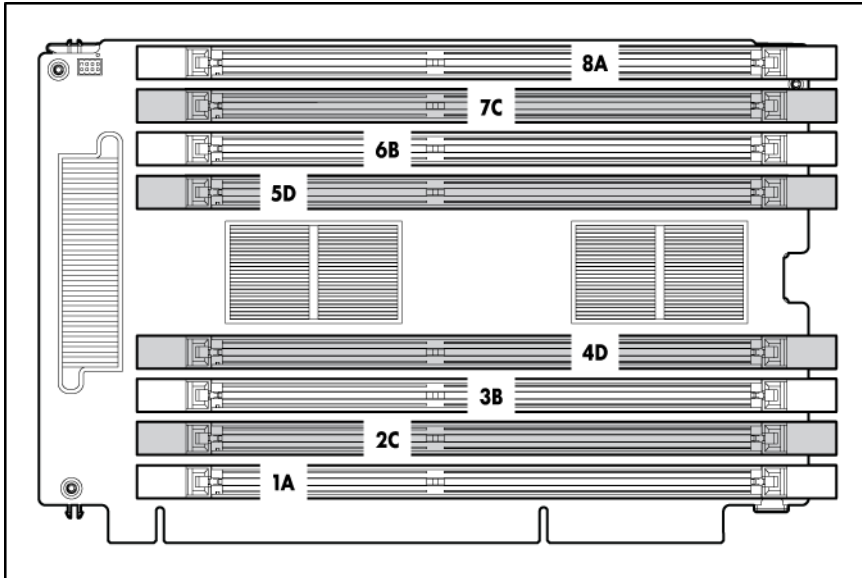


For DIMM numbering, see "DIMM slot locations (on page 18)."

For installation guidelines, see "Memory options (on page 41)."

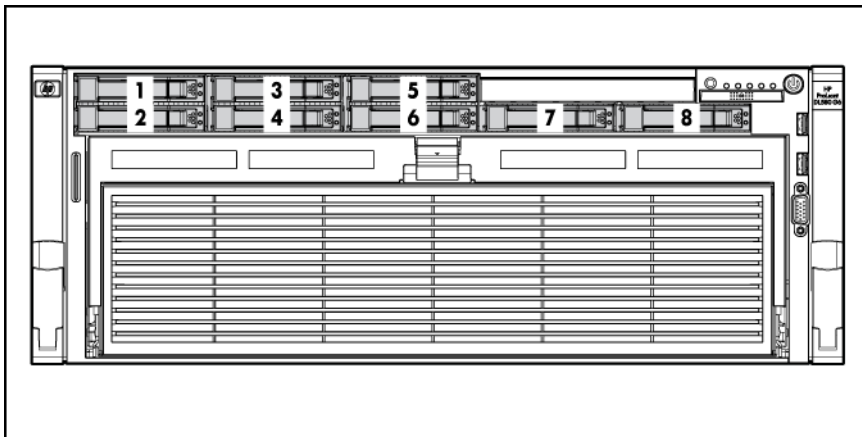
# DIMM slot locations

Each memory cartridge contains 8 DIMM slots. The lockstep banks are identified by the letters A through D.

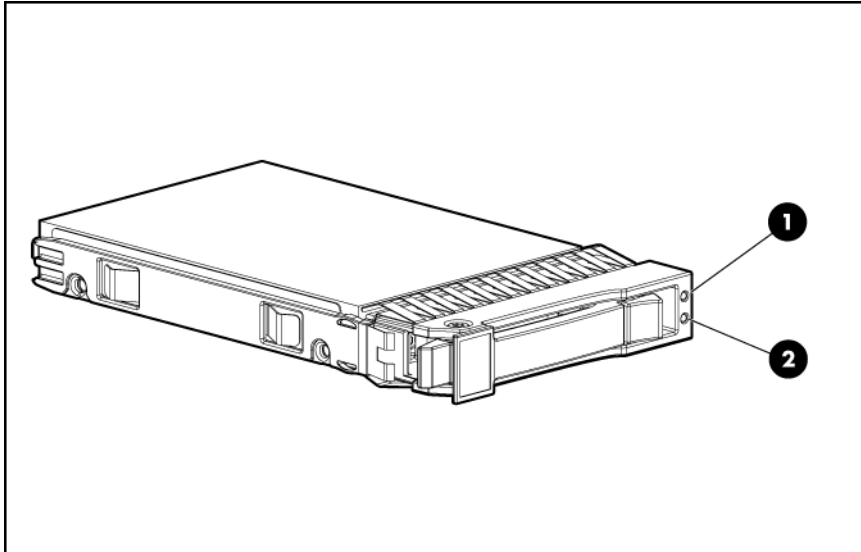


For installation guidelines, see "Memory options (on page 41)."

# Device numbers



## Hard drive LEDs



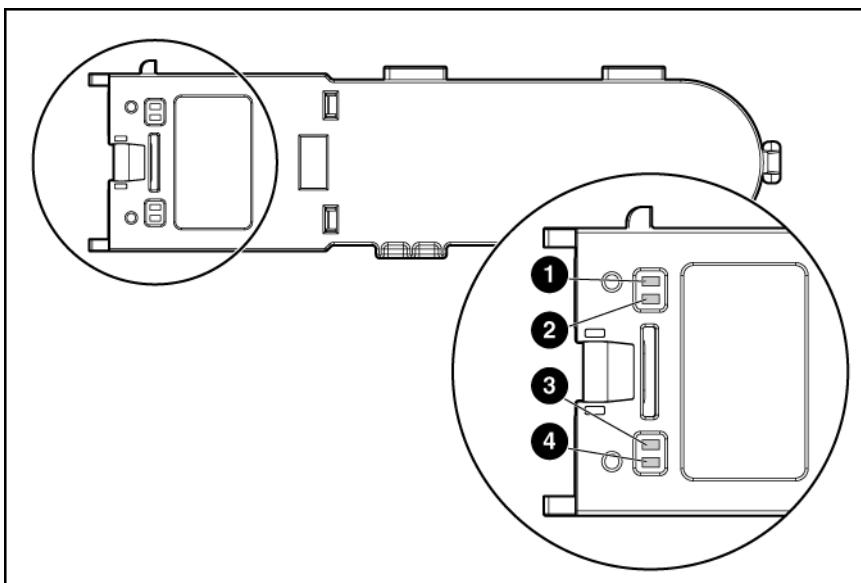
Item	Description
1	Fault/UID LED (amber/blue)
2	Online LED (green)

## Hard drive LED combinations

Online/activity LED (green)	Fault/UID LED (amber/blue)	Interpretation
On, off, or flashing	Alternating amber and blue	The drive has failed, or a predictive failure alert has been received for this drive; it also has been selected by a management application.
On, off, or flashing	Steadily blue	The drive is operating normally, and it has been selected by a management application.
On	Amber, flashing regularly (1 Hz)	A predictive failure alert has been received for this drive. Replace the drive as soon as possible.
On	Off	The drive is online, but it is not active currently.
Flashing regularly (1 Hz)	Amber, flashing regularly (1 Hz)	<b>Do not remove the drive. Removing a drive may terminate the current operation and cause data loss.</b> The drive is part of an array that is undergoing capacity expansion or stripe migration, but a predictive failure alert has been received for this drive. To minimize the risk of data loss, do not replace the drive until the expansion or migration is complete.
Flashing regularly (1 Hz)	Off	<b>Do not remove the drive. Removing a drive may terminate the current operation and cause data loss.</b> The drive is rebuilding, or it is part of an array that is undergoing capacity expansion or stripe migration.
Flashing irregularly	Amber, flashing regularly (1 Hz)	The drive is active, but a predictive failure alert has been received for this drive. Replace the drive as soon as possible.

Online/activity LED (green)	Fault/UID LED (amber/blue)	Interpretation
Flashing irregularly	Off	The drive is active, and it is operating normally.
Off	Steadily amber	A critical fault condition has been identified for this drive, and the controller has placed it offline. Replace the drive as soon as possible.
Off	Amber, flashing regularly (1 Hz)	A predictive failure alert has been received for this drive. Replace the drive as soon as possible.
Off	Off	The drive is offline, a spare, or not configured as part of an array.

## Battery pack LEDs

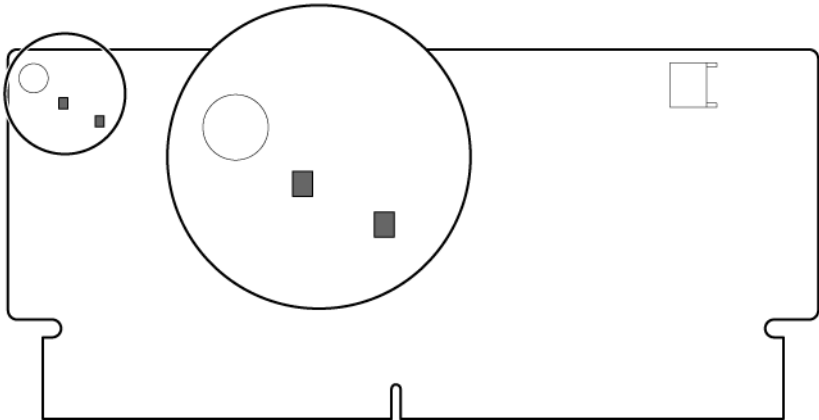


Item ID	Color	Description
1	Green	System Power LED. This LED glows steadily when the system is powered up and 12 V system power is available. This power supply is used to maintain the battery charge and provide supplementary power to the cache microcontroller.
2	Green	Auxiliary Power LED. This LED glows steadily when 3.3V auxiliary voltage is detected. The auxiliary voltage is used to preserve BBWC data and is available any time that the system power cords are connected to a power supply.
3	Amber	Battery Health LED. To interpret the illumination patterns of this LED, see the following table.
4	Green	BBWC Status LED. To interpret the illumination patterns of this LED, see the following table.

LED3 pattern	LED4 pattern	Interpretation
—	One blink every two seconds	The system is powered down, and the cache contains data that has not yet been written to the drives. Restore system power as soon as possible to prevent data loss. Data preservation time is extended any time that 3.3 V auxiliary power is available, as indicated by LED 2. In the absence of auxiliary power, battery power alone preserves the data. A fully-charged battery can normally preserve data for at least two days. The battery lifetime also depends on the cache module size. For further information, refer to the controller QuickSpecs on the HP website ( <a href="http://www.hp.com">http://www.hp.com</a> ).
—	Double blink, then pause	The cache microcontroller is waiting for the host controller to communicate.
—	One blink per second	The battery pack is below the minimum charge level and is being charged. Features that require a battery (such as write cache, capacity expansion, stripe size migration, and RAID migration) are temporarily unavailable until charging is complete. The recharge process takes between 15 minutes and two hours, depending on the initial capacity of the battery.
—	Steady glow	The battery pack is fully charged, and posted write data is stored in the cache.
—	Off	The battery pack is fully charged, and there is no posted write data in the cache.
One blink per second	One blink per second	An alternating green and amber blink pattern indicates that the cache microcontroller is executing from within its boot loader and receiving new flash code from the host controller.
Steady glow	—	There is a short circuit across the battery terminals or within the battery pack. BBWC features are disabled until the battery pack is replaced. The life expectancy of a battery pack is typically more than three years.
One blink per second	—	There is an open circuit across the battery terminals or within the battery pack. BBWC features are disabled until the battery pack is replaced. The life expectancy of a battery pack is typically more than three years.

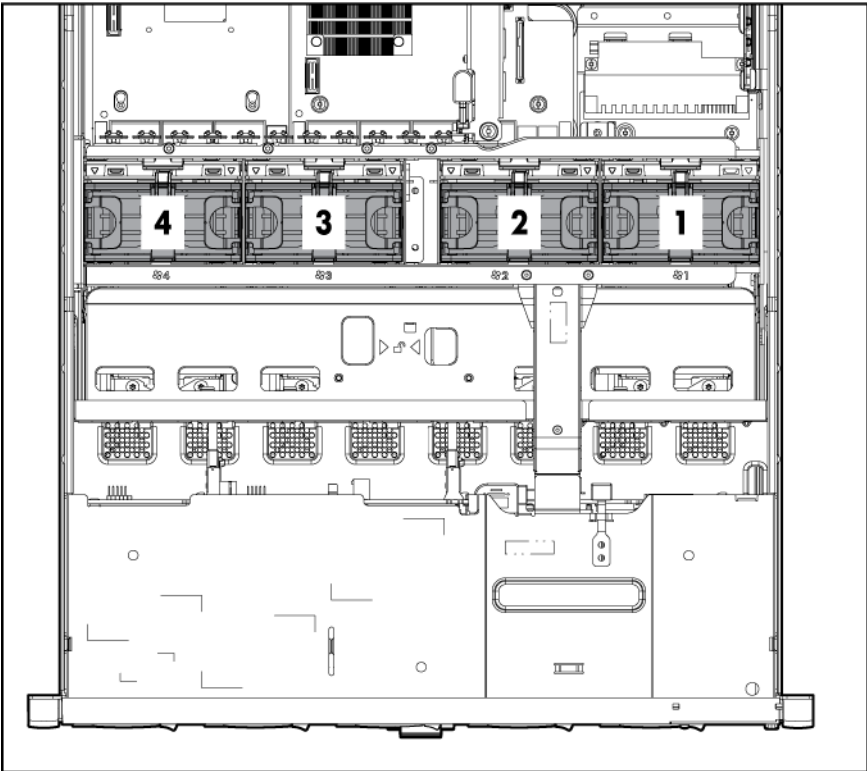
# FBWC module LEDs

The FBWC module has two single-color LEDs (green and amber). The LEDs are duplicated on the reverse side of the cache module to facilitate status viewing.

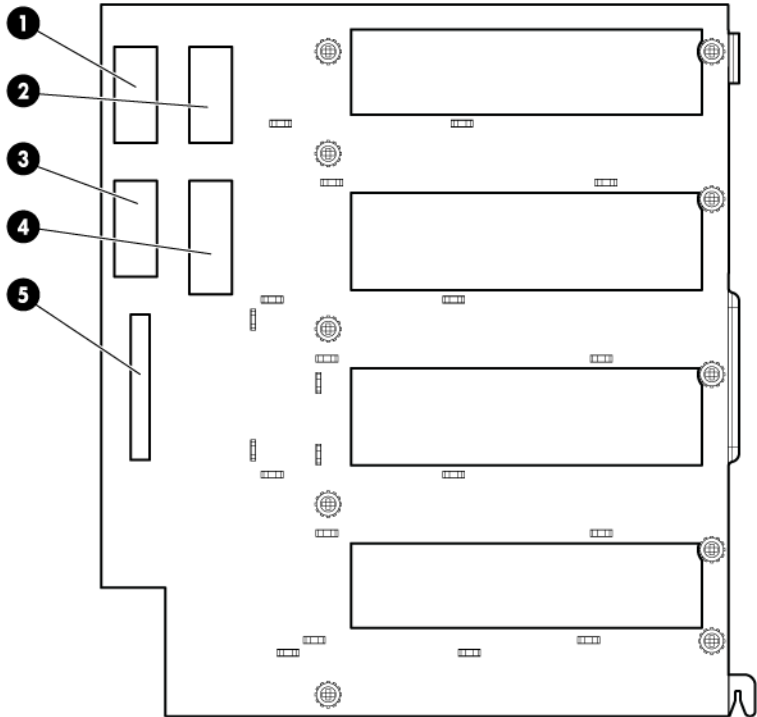


Green LED	Amber LED	Interpretation
Off	On	A backup is in progress.
Flashing (1 Hz)	On	A restore is in progress.
Flashing (1 Hz)	Off	The capacitor pack is charging.
On	Off	The capacitor pack has completed charging.
Flashing (2 Hz) Alternating with amber LED	Flashing (2 Hz) Alternating with green LED	One of the following conditions exists: <ul style="list-style-type: none"> <li>The charging process has timed out.</li> <li>The capacitor pack is not connected.</li> </ul>
On	On	The flash code image failed to load.
Off	Off	The flash code is corrupt.

# Fan locations



# Power supply backplane components



<b>Item</b>	<b>Description</b>
1	Graphics card power connector
2	Graphics card power connector
3	Graphics card power connector
4	SAS backplane power connector
5	Fan power connector



---


# Operations

## Power up the server

To power up the server, press the Power On/Standby button.

## Power down the server

---

 **WARNING:** To reduce the risk of personal injury, electric shock, or damage to the equipment, remove the power cord to remove power from the server. The front panel Power On/Standby button does not completely shut off system power. Portions of the power supply and some internal circuitry remain active until AC power is removed.

---

 **IMPORTANT:** If installing a hot-plug device, it is not necessary to power down the server.

---


1. Back up the server data.
2. Shut down the operating system as directed by the operating system documentation.

---

**NOTE:** If the operating system automatically places the server in Standby mode, omit the next step.

---

3. Press the Power On/Standby button to place the server in Standby mode. When the server activates Standby power mode, the system power LED changes to amber.

 **IMPORTANT:** Pressing the UID button illuminates the blue UID LEDs on the front and rear panels. In a rack environment, this feature facilitates locating a server when moving between the front and rear of the rack.


---

4. Disconnect the power cords.


The system is now without power.

## Extend the server from the rack

---

 **WARNING:** To reduce the risk of personal injury or equipment damage, be sure that the rack is adequately stabilized before extending a component from the rack.

---

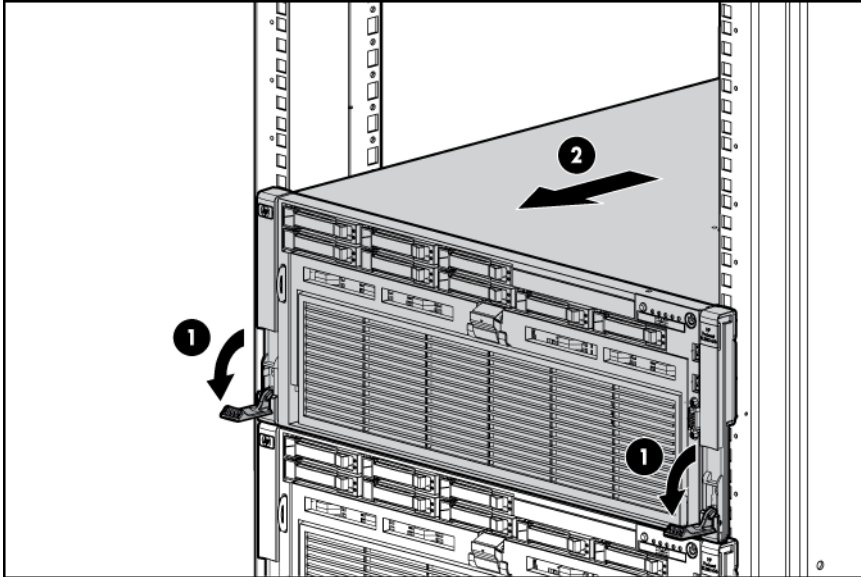
 **WARNING:** To reduce the risk of personal injury, be careful when pressing the server rail-release latches and sliding the server into the rack. The sliding rails could pinch your fingers.

---

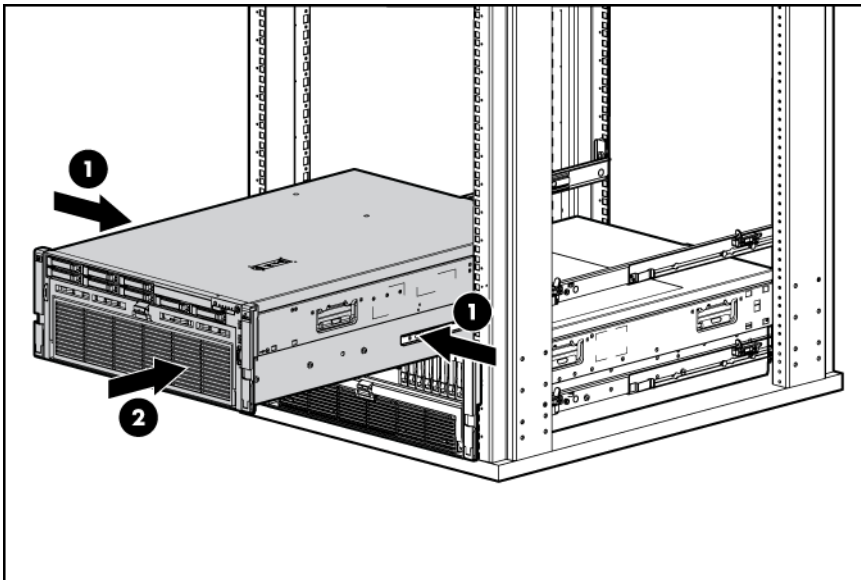
To extend the server from the rack:

1. Pull down the quick-release levers on each side of the server to release the server from the rack.

2. Extend the server on the rack rails until the server rail-release latches engage.



3. After performing the installation or maintenance procedure, slide the server into the rack by pressing the server rail-release latches.



## Remove the access panel

- WARNING:** To reduce the risk of personal injury from hot surfaces, allow the drives and the internal system components to cool before touching them.
- CAUTION:** Do not operate the server for long periods with the access panel open or removed. Operating the server in this manner results in improper airflow and improper cooling that can lead to thermal damage.

To remove the component:

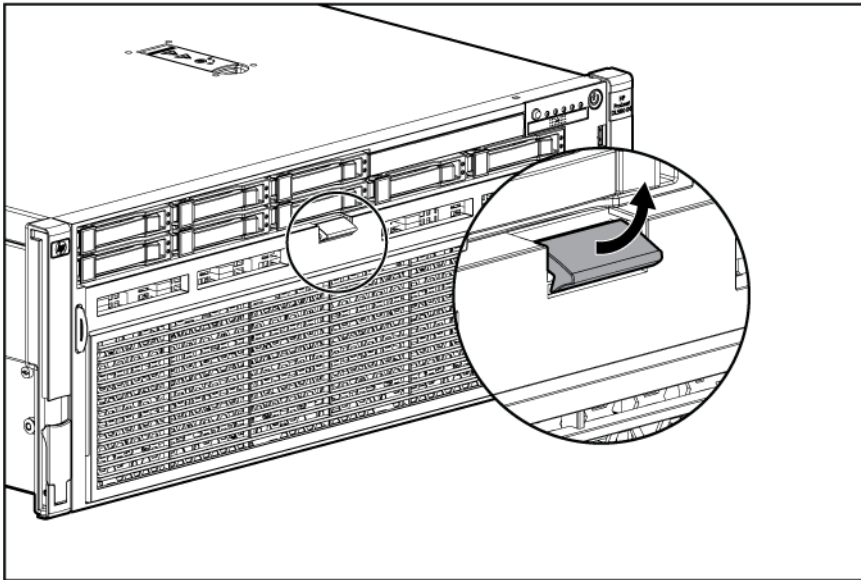
1. Power down the server (on page 25).

2. Extend the server from the rack (on page 25).
3. Open the locking latch, slide the access panel to the rear of the chassis, and remove the access panel.

If the locking latch is locked, use a T-15 Torx screwdriver to unlock the latch.

## Remove the processor memory drawer

1. Power down the server (on page 25).
2. Release the latches on the release lever.

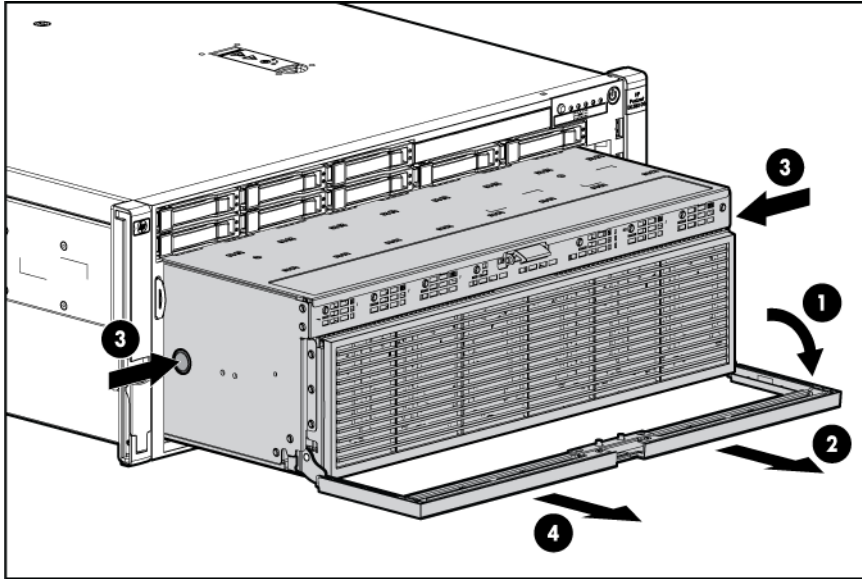


3. Lower the handle, and then extend the processor memory drawer from the server until the release latches catch.



**WARNING:** The processor memory drawer weighs more than 11.3 kg (25.0 lb). Use extra caution when removing and replacing the processor memory drawer.

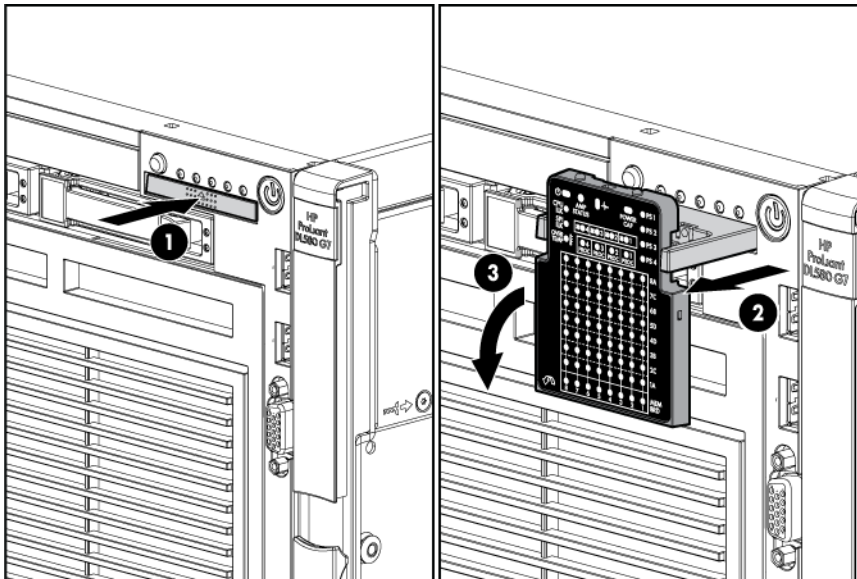
4. Firmly holding the processor memory drawer, press the release buttons and then remove the drawer from the server.



## Access the Systems Insight Display

To access the Systems Insight Display:

1. Press and release the panel.
2. After the display fully ejects, rotate the display downward to view the LEDs.



## Remove the SPI board

To remove the component:

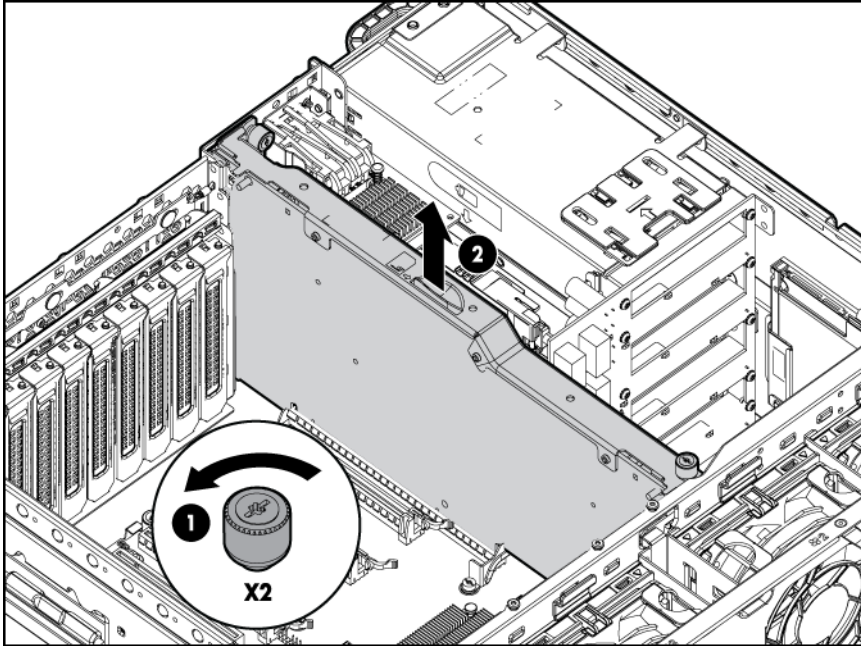
1. Power down the server (on page 25).
2. Extend the server from the rack (on page 25).

3. Remove the access panel (on page 26).
4. Disconnect all cables from the SPI board.



**IMPORTANT:** If replacing the SPI board or clearing NVRAM, you must re-enter the server serial number through RBSU ("Re-entering the server serial number and product ID" on page 77).

5. Raise the levers, and lift the SPI board from the server.



6. Remove all components from the failed SPI board.

To replace the component, reverse the removal procedure.

---

# Setup

## Optional installation services

Delivered by experienced, certified engineers, HP Care Pack services help you keep your servers up and running with support packages tailored specifically for HP ProLiant systems. HP Care Packs let you integrate both hardware and software support into a single package. A number of service level options are available to meet your needs.

HP Care Pack Services offer upgraded service levels to expand your standard product warranty with easy-to-buy, easy-to-use support packages that help you make the most of your server investments. Some of the Care Pack services are:

- Hardware support
  - 6-Hour Call-to-Repair
  - 4-Hour 24x7 Same Day
  - 4-Hour Same Business Day
- Software support
  - Microsoft®
  - Linux
  - HP ProLiant Essentials (HP SIM and RDP)
  - VMWare
- Integrated hardware and software support
  - Critical Service
  - Proactive 24
  - Support Plus
  - Support Plus 24
- Startup and implementation services for both hardware and software

For more information on HP Care Pack Services, see the HP website (<http://www.hp.com/services/carepack>).

## Rack planning resources

The rack resource kit ships with all HP branded or Compaq branded 9000, 10000, and H9 series racks. For more information on the content of each resource, refer to the rack resource kit documentation.

If you intend to deploy and configure multiple servers in a single rack, refer to the white paper on high-density deployment at the HP website (<http://www.hp.com/products/servers/platforms>).

# Optimum environment

When installing the server, select a location that meets the environmental standards described in this section.


## Space and airflow requirements

To allow for servicing and adequate airflow, observe the following space and airflow requirements when deciding where to install a rack:

- Leave a minimum clearance of 63.5 cm (25 in) in front of the rack.
- Leave a minimum clearance of 76.2 cm (30 in) behind the rack.
- Leave a minimum clearance of 121.9 cm (48 in) from the back of the rack to the back of another rack or row of racks.

HP servers draw in cool air through the front door and expel warm air through the rear door. Therefore, the front and rear rack doors must be adequately ventilated to allow ambient room air to enter the cabinet, and the rear door must be adequately ventilated to allow the warm air to escape from the cabinet.


---

 **CAUTION:** To prevent improper cooling and damage to the equipment, do not block the ventilation openings.

---

When vertical space in the rack is not filled by a server or rack component, the gaps between the components cause changes in airflow through the rack and across the servers. Cover all gaps with blanking panels to maintain proper airflow.


---

 **CAUTION:** Always use blanking panels to fill empty vertical spaces in the rack. This arrangement ensures proper airflow. Using a rack without blanking panels results in improper cooling that can lead to thermal damage.


---

The 9000 and 10000 Series Racks provide proper server cooling from flow-through perforations in the front and rear doors that provide 64 percent open area for ventilation.

---

 **CAUTION:** When using a Compaq branded 7000 Series rack, you must install the high airflow rack door insert [P/N 327281-B21 (42U) or P/N 157847-B21 (22U)] to provide proper front-to-back airflow and cooling.

---

 **CAUTION:** If a third-party rack is used, observe the following additional requirements to ensure adequate airflow and to prevent damage to the equipment:


- Front and rear doors—If the 42U rack includes closing front and rear doors, you must allow 5,350 sq cm (830 sq in) of holes evenly distributed from top to bottom to permit adequate airflow (equivalent to the required 64 percent open area for ventilation).
- Side—The clearance between the installed rack component and the side panels of the rack must be a minimum of 7 cm (2.75 in).

---

## Temperature requirements


To ensure continued safe and reliable equipment operation, install or position the system in a well-ventilated, climate-controlled environment.


The maximum recommended ambient operating temperature (TMRA) for most server products is 35°C (95°F). The temperature in the room where the rack is located must not exceed 35°C (95°F).

- 
-  **CAUTION:** To reduce the risk of damage to the equipment when installing third-party options:
- Do not permit optional equipment to impede airflow around the server or to increase the internal rack temperature beyond the maximum allowable limits.
  - Do not exceed the manufacturer's TMRA.
- 

## Power requirements

Installation of this equipment must comply with local and regional electrical regulations governing the installation of information technology equipment by licensed electricians. This equipment is designed to operate in installations covered by NFPA 70, 1999 Edition (National Electric Code) and NFPA-75, 1992 (code for Protection of Electronic Computer/Data Processing Equipment). For electrical power ratings on options, refer to the product rating label or the user documentation supplied with that option.

- 
-  **WARNING:** To reduce the risk of personal injury, fire, or damage to the equipment, do not overload the AC supply branch circuit that provides power to the rack. Consult the electrical authority having jurisdiction over wiring and installation requirements of your facility.
- 

-  **CAUTION:** Protect the server from power fluctuations and temporary interruptions with a regulating uninterruptible power supply (UPS). This device protects the hardware from damage caused by power surges and voltage spikes and keeps the system in operation during a power failure.
- 

When installing more than one server, you may need to use additional power distribution devices to safely provide power to all devices. Observe the following guidelines:

- Balance the server power load between available AC supply branch circuits.
- Do not allow the overall system AC current load to exceed 80 percent of the branch circuit AC current rating.
- Do not use common power outlet strips for this equipment.
- Provide a separate electrical circuit for the server.

## Electrical grounding requirements

The server must be grounded properly for proper operation and safety. In the United States, you must install the equipment in accordance with NFPA 70, 1999 Edition (National Electric Code), Article 250, as well as any local and regional building codes. In Canada, you must install the equipment in accordance with Canadian Standards Association, CSA C22.1, Canadian Electrical Code. In all other countries, you must install the equipment in accordance with any regional or national electrical wiring codes, such as the International Electrotechnical Commission (IEC) Code 364, parts 1 through 7. Furthermore, you must be sure that all power distribution devices used in the installation, such as branch wiring and receptacles, are listed or certified grounding-type devices.

Because of the high ground-leakage currents associated with multiple servers connected to the same power source, HP recommends the use of a PDU that is either permanently wired to the building's branch circuit or includes a nondetachable cord that is wired to an industrial-style plug. NEMA locking-style plugs or those complying with IEC 60309 are considered suitable for this purpose. Using common power outlet strips for the server is not recommended.



# Rack warnings



**WARNING:** To reduce the risk of personal injury or damage to the equipment, be sure that:

- The leveling jacks are extended to the floor.
- The full weight of the rack rests on the leveling jacks.
- The stabilizing feet are attached to the rack if it is a single-rack installation.
- The racks are coupled together in multiple-rack installations.
- Only one component is extended at a time. A rack may become unstable if more than one component is extended for any reason.



**WARNING:** To reduce the risk of personal injury or equipment damage when unloading a rack:

- At least two people are needed to safely unload the rack from the pallet. An empty 42U rack can weigh as much as 115 kg (253 lb), can stand more than 2.1 m (7 ft) tall, and may become unstable when being moved on its casters.
- Never stand in front of the rack when it is rolling down the ramp from the pallet. Always handle the rack from both sides.

## Identifying the contents of the server shipping carton

Unpack the server shipping carton and locate the materials and documentation necessary for installing the server. All the rack mounting hardware necessary for installing the server into the rack is included with the rack or the server.

The contents of the server shipping carton include:

- Server
- Power cord
- Hardware documentation, Documentation CD, and software products
- Rack-mounting hardware

In addition to the supplied items, you may need:

- Operating system or application software
- Hardware options

## Installing hardware options

Install any hardware options before initializing the server. For options installation information, refer to the option documentation. For server-specific information, refer to "Hardware options installation (on page 35)."

## Installing the server into the rack

Refer to the installation instructions that ship with the rack kit to install the server into the rack.

# Powering up and configuring the server

To power up the server, press the Power On/Standby button.

While the server boots, RBSU and the ORCA utility are automatically configured to prepare the server for operating system installation.

To configure these utilities manually:

- Press the **F8** key when prompted during the array controller initialization to configure the array controller using ORCA.
- Press the **F9** key when prompted during the boot process to change the server settings using RBSU. The system is set up by default for the English language.

For more information on the automatic configuration, refer to the *HP ROM-Based Setup Utility User Guide* located on the Documentation CD.

## Installing the operating system

To operate properly, the server must have a supported operating system. For the latest information on supported operating systems, refer to the HP website (<http://www.hp.com/go/supportos>).

Two methods are available to install an operating system on the server:

- SmartStart assisted installation—Insert the SmartStart CD into the CD-ROM drive and reboot the server.
- Manual installation—Insert the operating system CD into the CD-ROM drive and reboot the server. This process may require you to obtain additional drivers from the HP website (<http://www.hp.com/support>).

Follow the on-screen instructions to begin the installation process.

For information on using these installation paths, refer to the SmartStart installation poster in the HP ProLiant Essentials Foundation Pack, included with the server.

## Registering the server

To register the server, refer to the HP Registration website (<http://register.hp.com>).


---

# Hardware options installation


## Introduction

If more than one option is being installed, read the installation instructions for all the hardware options and identify similar steps to streamline the installation process.

---

 **WARNING:** To reduce the risk of personal injury from hot surfaces, allow the drives and the internal system components to cool before touching them.

---

 **CAUTION:** To prevent damage to electrical components, properly ground the server before beginning any installation procedure. Improper grounding can cause electrostatic discharge.

---

Review "Electrostatic Discharge (on page 109)" before installing hardware options into the server.

## Processor options


The server supports up to four processors. Observe the following processor installation guidelines:

- Processor socket 1 must be populated at all times so that the server functions properly.
- Processors must be installed in the following order: processor 1, processor 2, processor 3, and processor 4.
- When either optional I/O expansion board is installed in a two-processor configuration, the second processor must be installed in socket 3.


## Installing a processor

The processors and memory are stored in a module at the front of the server. Access to the processor memory module is provided through the front panel, eliminating the need to extend the server from the rack to install new or replace existing processors or upgrade the memory.


---

 **WARNING:** Use caution when installing the processor memory module or removing the processor memory module. The processor memory module is very heavy when fully populated.


---

 **CAUTION:** To help avoid damage to the processor and system board, do not install the processor without using the processor installation tool.

---

 **CAUTION:** To prevent possible server malfunction and damage to the equipment, multiprocessor configurations must contain processors with the same part number.

---

 **IMPORTANT:** If installing a processor with a faster speed, update the system ROM before installing the processor.

---



---

**IMPORTANT:** When either optional I/O expansion board is installed in a two-processor configuration, the second processor must be installed in socket 3 or 4. To install a processor, see the server user guide.

---

To install the component:

1. Update the system ROM.

Locate and download the latest ROM version from the HP website (<http://www.hp.com/support>). Follow the instructions on the website to update the system ROM.

2. Power down the server (on page 25).
3. Remove the processor memory drawer (on page 27).

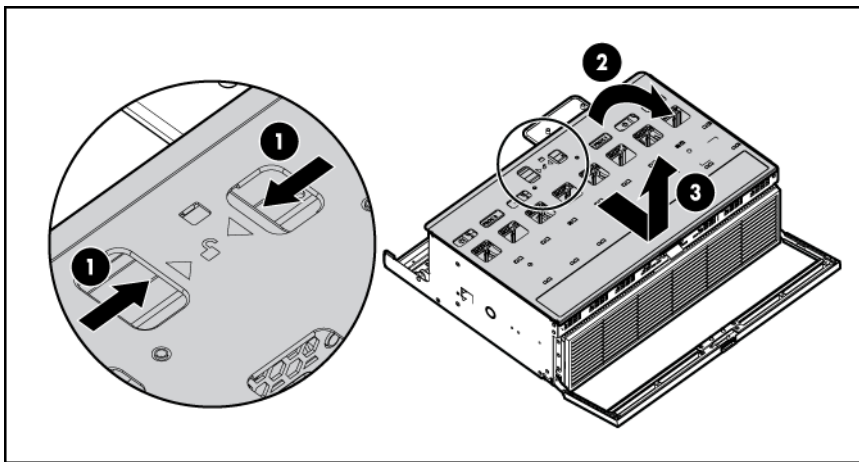


---

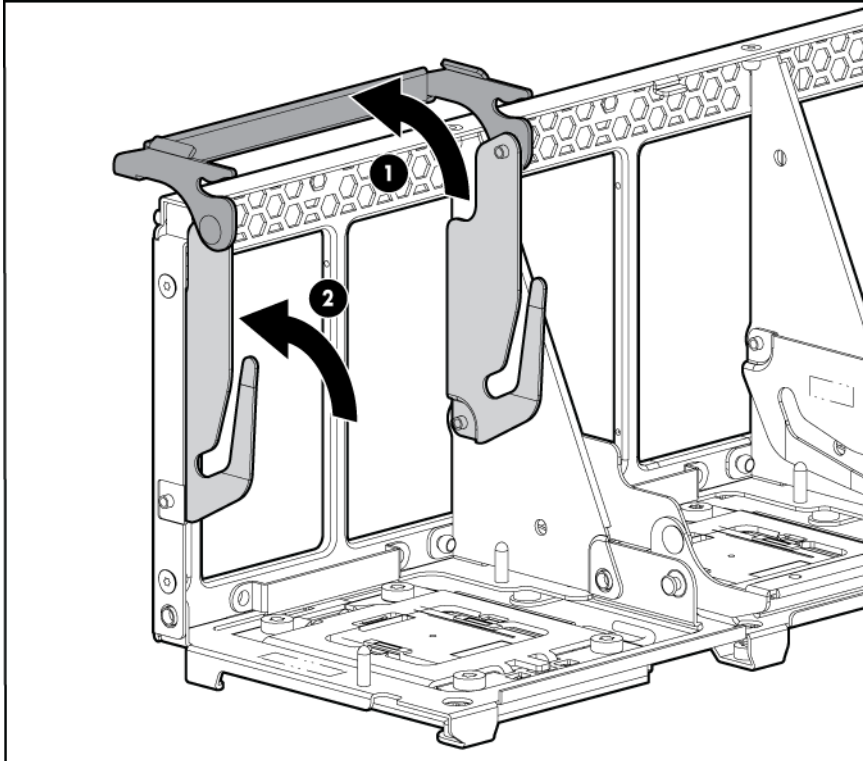
**CAUTION:** To prevent damage to the processor memory drawer cover, be sure the handle of the processor memory drawer is fully open before removing the cover.

---

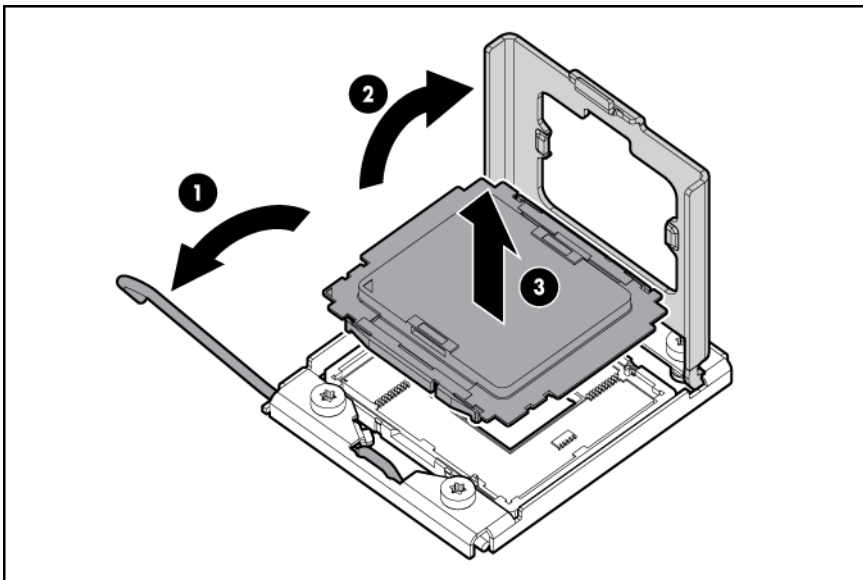
4. Remove the processor memory drawer cover.



5. Open the heatsink retaining bracket.

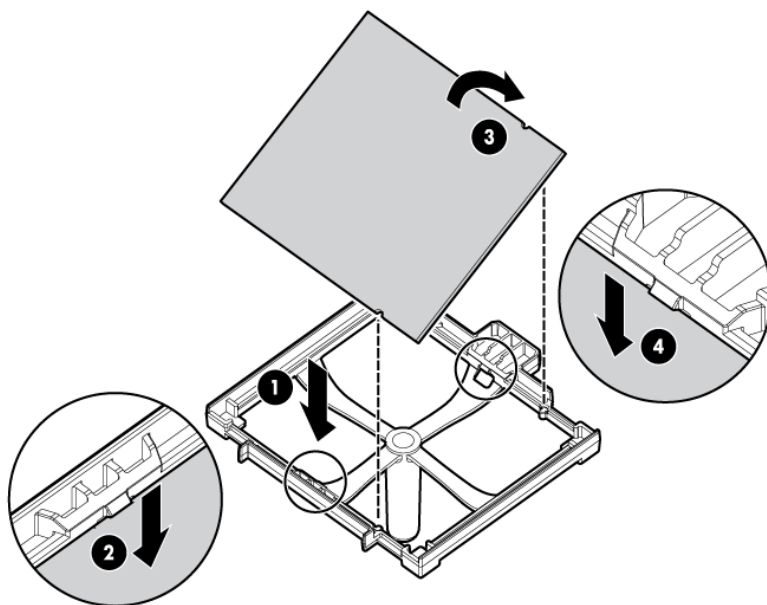


6. Open the processor retaining latch and the processor socket retaining bracket.
7. Remove the processor socket protective cover.

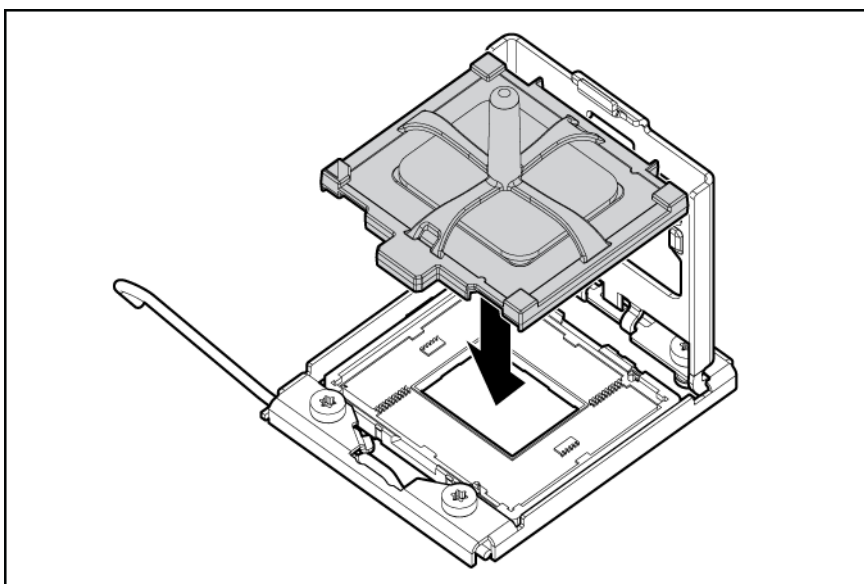


**IMPORTANT:** Be sure the processor remains inside the processor installation tool.

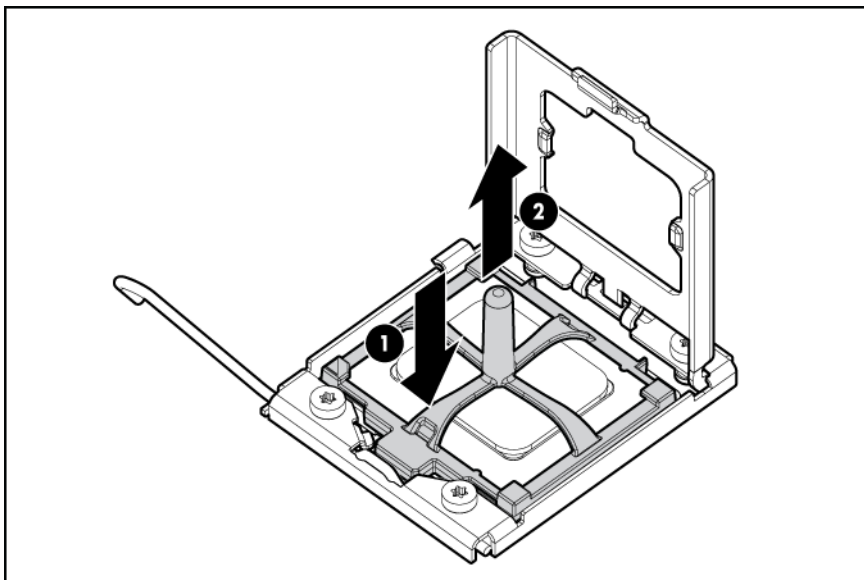
8. If the processor has separated from the installation tool, carefully re-insert the processor in the tool.



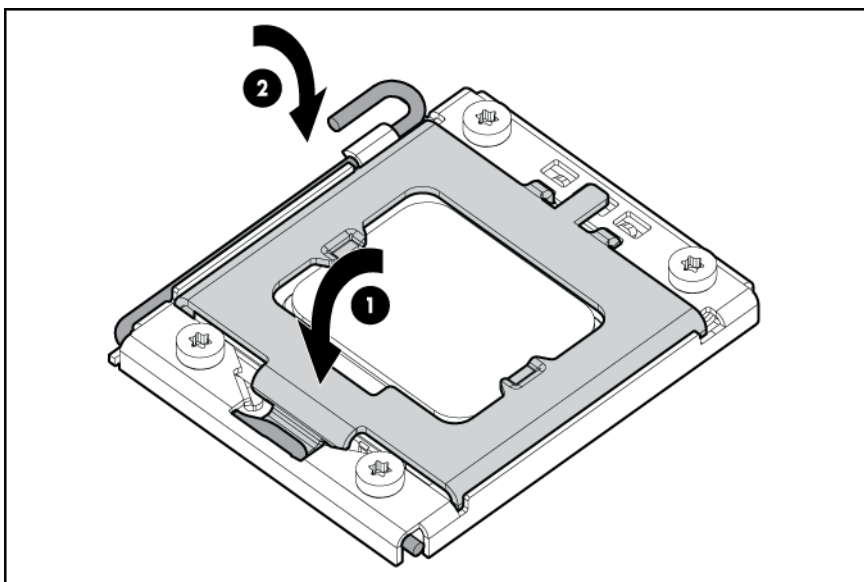
9. Align the processor installation tool with the socket and install the processor.



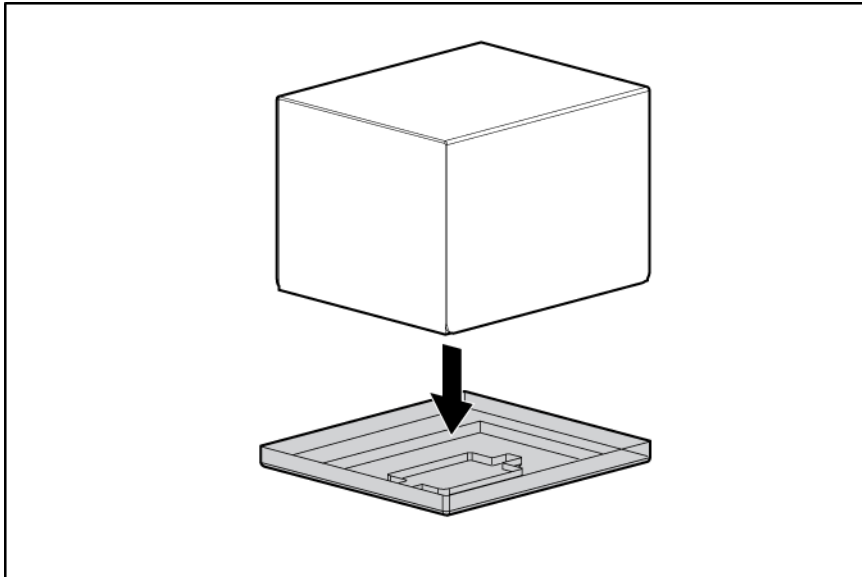
10. Press down firmly until the processor installation tool clicks and separates from the processor, and then remove the processor installation tool.



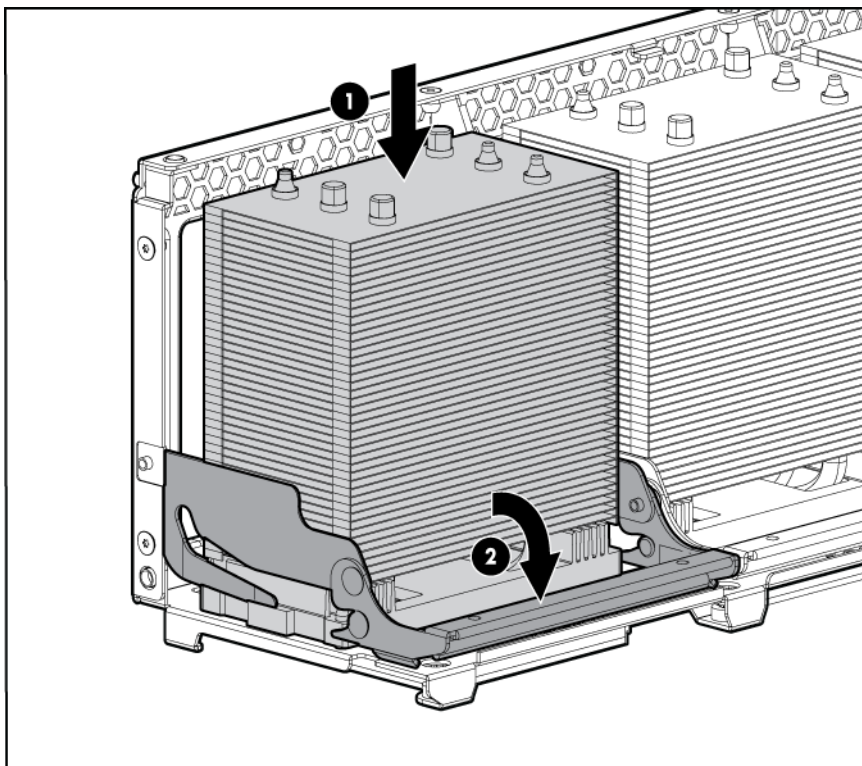
11. Close the processor socket retaining bracket and the processor retaining latch.



12. Remove the heatsink protective cover.



13. Install the heatsink.
14. Close and lock the heatsink retaining bracket.



15. Install the processor memory drawer cover.
16. Install the processor memory drawer.
17. Power up the server (on page 25).



# Memory options

This server contains eight memory cartridge connectors in the processor memory drawer. Each memory cartridge can contain eight DIMMs, for a total of 64 DIMMs.

The server supports the following DIMM speeds:

- Single- and dual-rank PC3-10600 (DDR-1333) DIMMs operating at 1066 MHz
- Quad-rank PC3-8500 (DDR-1066) DIMMs operating at 1066 MHz

Depending on the processor model, the memory clock speed may be reduced to 1066 or 800 MHz.

## Memory overview

The HP ProLiant DL580 G7 Server uses the next generation Intel® Xeon™ 7500-series processor. This processor's architecture departs radically from previous Intel Xeon front-side-bus-based architectures. In front-side bus architectures, the memory controller was incorporated in the north bridge, which produced a common sharepoint for memory accesses for all processors. Similar to the dual-socket Intel Xeon 5500 processor, the Intel Xeon 7500 processor employs a NUMA architecture incorporating QPI links for point-to-point connectivity between processors and provides dedicated local memory for each processor. However, instead of directly connecting DIMMs to the processor, for the sake of higher memory expansion, the Intel Xeon 7500 processor includes a memory buffer for each SMI in its memory subsystem. With this Intel Xeon 7500 architecture, two memory controllers and four scalable memory interfaces are embedded in each processor. SMI links run at a higher bit rate. There are four SMIs per processor, and each SMI link supports two DDR buses through a memory buffer. A four-socket system provides 6.4 times the memory bandwidth as compared to the previous generation 4S Xeon processors.

## DIMM support

The server supports the following DIMMs:

- Single- and dual-rank PC3-10600 (DDR3-1333) DIMMs operating at 1066 MT/s  
While single-rank DIMMs are supported, HP recommends dual-rank and quad-rank DIMMs since they provide significant memory throughput and better memory protection (Online Spare memory mode) over single-rank DIMMs.
- Quad-rank PC3-8500 (DDR3-1066) DIMMs operating at 1066 MT/s

## Single-, dual-, and quad-rank DIMMs

To understand and configure memory protection modes properly, an understanding of single-, dual-, and quad-rank DIMMs is helpful. Some DIMM configuration requirements are based on these classifications.

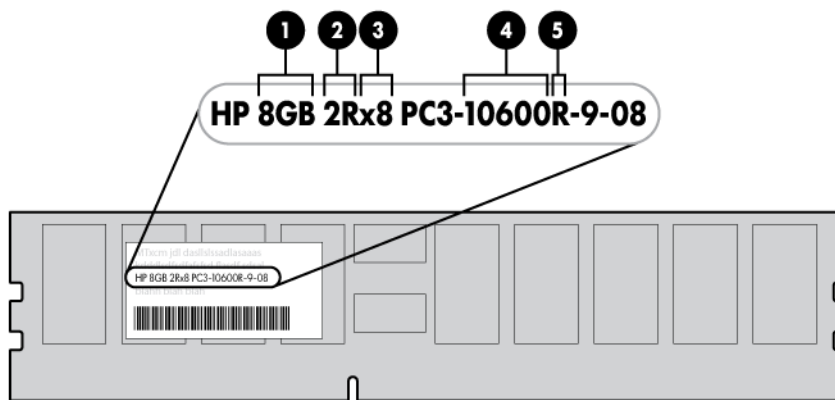
A single-rank DIMM has one set of memory chips that is accessed while writing to or reading from the memory. A dual-rank DIMM is similar to having two single-rank DIMMs on the same module, with only one rank accessible at a time. A quad-rank DIMM is effectively two dual-rank DIMMs on the same module. Only one rank is accessible at a time. The server memory control subsystem selects the proper rank within the DIMM when writing to or reading from the DIMM.

Dual- and quad-rank DIMMs provide the greatest capacity with the existing memory technology. For example, if current DRAM technology supports 2-GB single-rank DIMMs, a dual-rank DIMM would be 4-GB and a quad-rank DIMM would be 8-GB.

Although only one data rank is accessed at any given time for each DIMM, optimized command and address pipelining via various interleaving schemes enables the Intel® Xeon™ 7500-series processor architecture to benefit from dual-rank and quad-rank DIMMs. A dual-rank DIMM performs significantly better than its single-rank counterpart. A quad-rank DIMM provides further performance improvement even at the same DIMM capacity.

## DIMM identification

To determine DIMM characteristics, use the label attached to the DIMM and the following illustration and table.



Item	Description	Definition
1	Size	—
2	Rank	1R = Single-rank 2R = Dual-rank 4R = Quad-rank
3	Data width	x4 = 4-bit x8 = 8-bit
4	Memory speed	10600 = 1333-MHz 8500 = 1066-MHz
5	DIMM type	R = RDIMM (registered)

For the latest supported memory information, see the QuickSpecs on the HP website (<http://www.hp.com>).

## DIMM installation guidelines

This server supports two memory cartridges per processor. Each memory cartridge can support up to eight DIMMs. Eight memory cartridges provide a total of 64 DIMMs per system. When installing DIMMs in the memory cartridge ("Installing memory" on page 49), observe the following minimum guidelines:

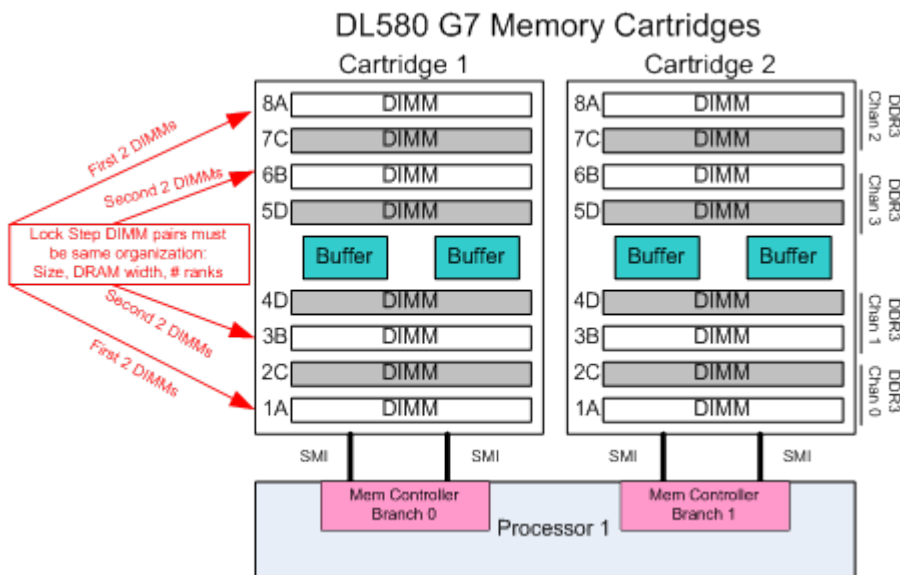
- The minimum configuration is two DIMMs per cartridge. Running in Lockstep mode, such DIMM pairs offer larger memory protection to provide increased memory fault resiliency.

- DIMMs must be installed in pairs with identical characteristics. When possible, for configuration simplicity, HP recommends using DIMMs with identical part numbers throughout the system.
- DIMM pairs must be populated in sequence by letter designation. Install DIMM pair (1A, 8A) first, followed by DIMM pair (3B, 6B), DIMM pair (2C, 7C) and DIMM pair (4D, 5D).

The illustration below represents each processor/cartridge population. This example shows two cartridges installed behind processor 1 with the associated bus connections and DIMM locations.

- To achieve maximum performance, balance DIMM pairs by letter groupings across all memory cartridges so that the (1A, 8A) pair is installed in all memory cartridges first, followed by the B-pair, C-pair, and D-pair.
- When installing mixed rank DIMMs in any cartridge, DIMMs with the highest number of ranks must be installed in the white DIMM connector locations. This guarantees proper electrical signaling on the DDR3 channel since DIMMs with higher rank counts present larger electrical loading on the DDR3 channel and must be populated at the end point of the channel. For more information, see the illustration below.

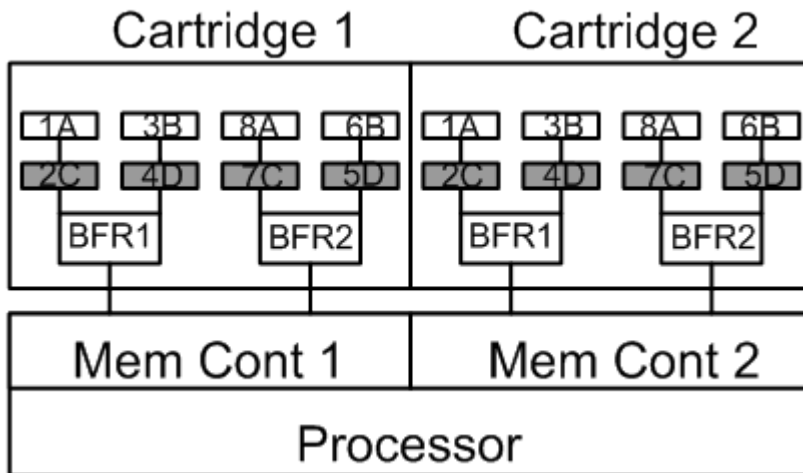
**CAUTION:** Failure to follow these guidelines may result in the inability to recognize memory, memory errors, or reduced memory performance.



Examples:

- If the configuration is four quad-rank 8-GB DIMMs and four dual-rank 8-GB DIMMs, the quad-rank DIMMs must be installed in the white DIMM connectors 1A/8A and 3B/6B. The dual-rank DIMMs must be installed in the black DIMM connectors 2C/7C and 4D/5D. See the figure below, which illustrates how the processor, memory cartridge, and DIMMs are connected electronically.

- If the configuration is two quad-rank 8-GB DIMMs and six dual-rank 8-GB DIMMs in a single cartridge configuration, the quad-rank DIMMs can be located in either of the corresponding white DIMM pairs (1A/8A or 3B/6B) as long as they are installed at the end point of the DDR3 channel.



- AMP modes Advanced ECC, Online Spare, and Mirrored Memory have further requirements beyond the ones listed here. For additional memory configuration requirements, see the corresponding AMP sections:
  - Advanced ECC memory population guidelines (on page 48)
  - Online Spare memory population guidelines (on page 48)
  - Mirrored Memory population guidelines (on page 49)

## Memory cartridge population guidelines

This server contains eight memory cartridge slots in the processor memory drawer.

Observe the following guidelines:

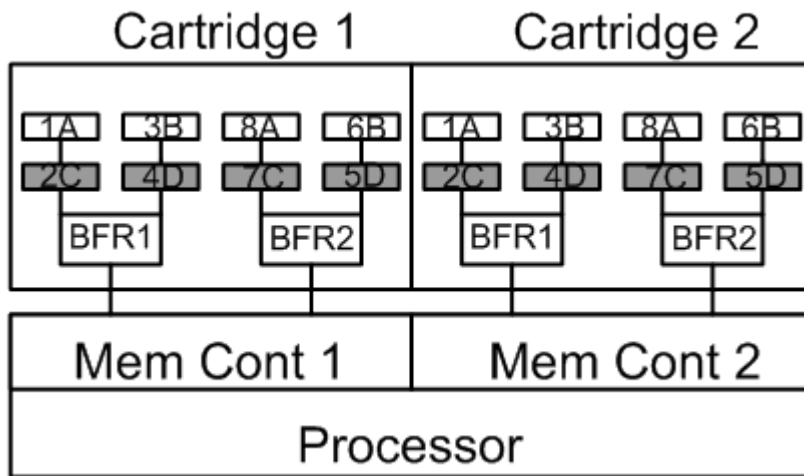
- Populate memory cartridge slots for a processor only if the corresponding processor is installed:
  - Processor 1 connects to the memory cartridge in slots 1 and 2.
  - Processor 2 connects to the memory cartridge in slots 3 and 4.
  - Processor 3 connects to the memory cartridge in slots 5 and 6.
  - Processor 4 connects to the memory cartridge in slots 7 and 8.
- Memory is only accessible to the system if the associated processor is installed. Do not install memory cartridges in cartridge slots without the corresponding processor installed.
- The minimum memory cartridge population is one per processor. For best performance, two memory cartridges per processor are recommended.
- Due to higher memory access latencies, HP does not recommend installing a processor without its corresponding memory cartridges.
- To maximize performance in multi-processor configurations, distribute the total memory capacity evenly across all processors.

## Memory subsystem architecture

The Intel® Xeon™ 7500 processor memory architecture is designed to take advantage of multiple stages of memory interleaving to reduce latency and increase bandwidth.

Each Intel Xeon 7500 processor contains two memory controllers as shown in the illustration below. Each memory controller has two SMI buses operating in Lockstep mode. Each SMI bus connects to a memory buffer. The buffer converts SMI to DDR3 and expands the memory capacity of the system. Each buffer has two DDR3 channels and can support up to four DIMMs for a total of eight DIMMs per cartridge.

- Memory speed is not affected by number of DIMMs or ranks. All DIMMs run at the highest possible speed for a given processor.
- DDR3 memory speed is a function of the QPI bus speed supported by the processor:
  - Processors with a QPI speed of 6.4 GT/s run memory at 1066 MT/s.
  - Processors with a QPI speed of 5.6 GT/s run memory at 978 MT/s.
  - Processors with a QPI speed of 4.8 GT/s run memory at 800 MT/s.
- Successive cache lines are interleaved between the DIMMs and the Lockstep SMI channels of the two memory controllers in the processor such that adjacent cache lines reside on different memory controllers, SMIs, DIMMs, and DIMM ranks for better performance. To take advantage of this feature, DIMMs should be populated evenly between all SMI channels. If an SMI channel pair has more DIMMs than others, the extra memory on that SMI channel pair does not benefit from the interleaving mechanism across memory controllers.



## Hemisphere mode

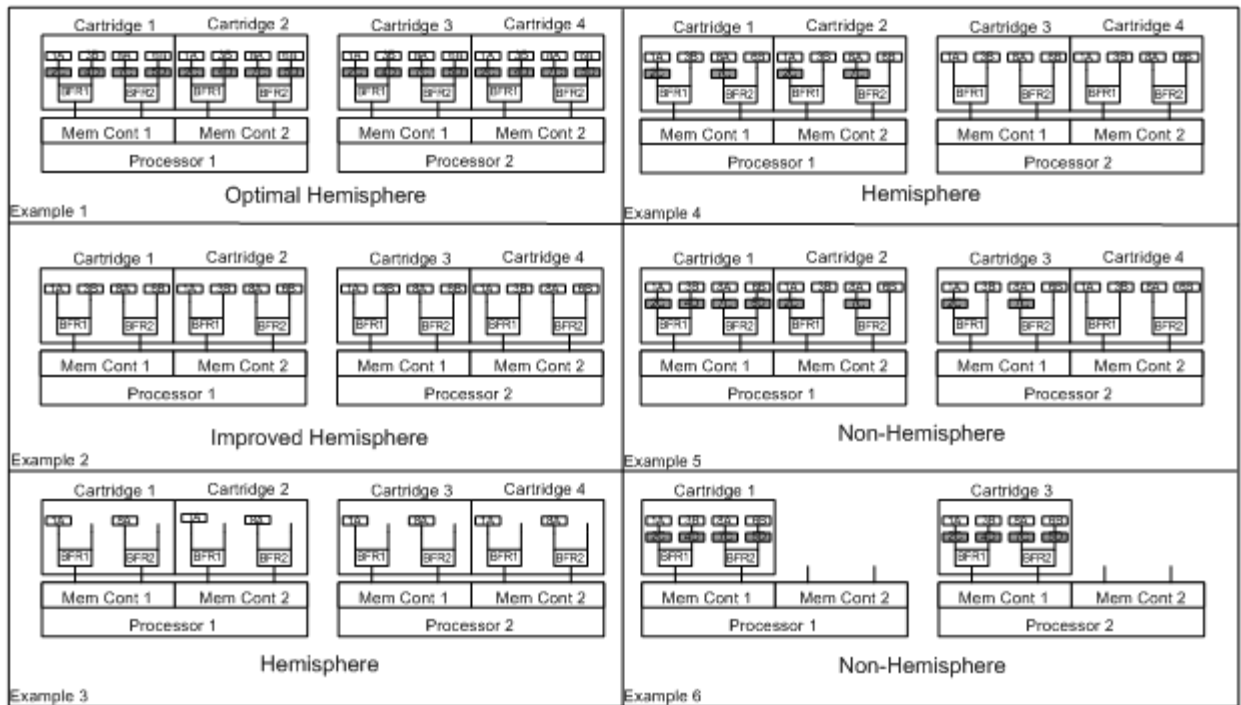
The Intel® Xeon™ 7500-series processor architecture incorporates Hemisphere mode, a high-performance interleaving technology. Hemisphere mode combines the tracking resources of both memory controllers within each processor for a more aggressive cache line pipelining.

Hemisphere mode is enabled when processors in the system have identical DIMM population behind both of their memory controllers. That is to say, all populated memory cartridges are populated the same way. However, there may be different DIMM pairs within each memory cartridge.

- Hemisphere mode is controlled via an RBSU option, enabling the user to select either automatic (default) or disable.

- In automatic mode, the BIOS enables Hemisphere mode if the system memory configuration is compatible with Hemisphere mode.
- Hemisphere mode should produce the best overall performance for a variety of applications. However, Hemisphere mode can be disabled if it produces lower performance for a particular application.
- To enable each processor to enter Hemisphere mode, both memory cartridges must be installed and populated with equal memory capacities based on the DIMM installation guidelines (on page 42).
- Greater performance is obtained when all cartridges are populated with either four or eight dual- or quad-rank DIMMs.
- Mirrored Memory mode is not supported when Hemisphere mode is enabled.

The following illustration shows examples of Hemisphere mode and non-Hemisphere mode populations.



The two non-Hemisphere examples show the following:

- Each memory controller must have a cartridge installed.
- The DIMM configurations of each cartridge connected to controller 1 and 2 of a processor must be identical.

Example 4 is a Hemisphere mode configuration as the two cartridges connected to each processor are configured identically, even though cartridges 1 and 2 are not identical to cartridges 3 and 4.

## Memory performance optimization

The HP ProLiant DL580 G7 Server supports 64 DIMMs across four multi-core processors. While there are many DIMM population configurations that can support any total memory size, optimal performance is achieved when populated DIMMs can take advantage of the Intel® Xeon™ 7500-series processor architecture.

To achieve the best performance for a given memory processor configuration, observe the following guidelines:

- The largest contributor to maximum memory bandwidth performance is to use both memory controllers inside the processor. To achieve maximum memory bandwidth performance, populate both memory cartridges for each installed processor.
- The second largest contributor to performance is to populate each DDR3 channel in each memory cartridge. To achieve this, the minimum DIMM count per cartridge is four DIMMs installed in DIMM pair locations A and B.
- The next largest contributor to performance is the number of ranks per DIMM. Dual-rank DIMMs perform significantly better than single-rank DIMMs. Quad-rank DIMMs offer a further performance boost.
- The best performance is obtained when all installed processors are enabled for Hemisphere mode. Hemisphere mode is optimum when four or eight DIMMs are installed per cartridge. Hemisphere mode can be achieved with two or six DIMMs per cartridge (2 cartridges per processor), but this configuration is not optimal for Hemisphere mode.
- Maximum throughput is achieved when all memory cartridges are fully populated with the maximum number of eight quad-rank DIMMs per cartridge.

Plan the memory configurations using identical DIMMs to achieve the memory size target, taking into account that 32- and 64-DIMM count configurations result in the highest performance. Using a four-processor configuration as an example, do the following:

- If the initial memory target is 64 GB, populate a four-processor system with eight cartridges of four 2-GB DIMMs each for a total of 32 DIMMs. The maximum expansion target is 128 GB with 64 x 2-GB DIMMs.
- For 4-GB DIMMs, the initial memory target is 128-GB using 32 DIMMs. The maximum expansion target is 256 GB with 64 DIMMs.
- For 8-GB DIMMs, the initial memory target is 256-GB using 32 DIMMs. The maximum expansion target is 512 GB with 64 DIMMs.
- The maximum system memory capability is achieved with an initial memory target of 512 GB with 32 x 16-GB DIMMs and 1 TB with 64 x 16-GB DIMMs.

## Memory RAS

The server supports the following AMP modes:

- Advanced ECC memory mode provides the greatest memory capacity for a given DIMM size and provides x4 and x8 SDDC. This mode is the default option for this server. For more information, see "Advanced ECC memory population guidelines (on page 48)."
- Online Spare memory mode provides protection against persistent DRAM failure. Rank-sparing is more efficient than DIMM-sparing since only a portion of a DIMM is set aside for memory protection. For more information, see "Online Spare memory population guidelines (on page 48)."
- Mirrored Memory mode provides the maximum protection against failed DIMMs. Uncorrectable errors in the DIMMs of one memory cartridge are corrected by the DIMMs in the mirrored cartridge. The two memory controllers of each processor form a mirrored pair using two memory cartridges. For more information, see "Mirrored Memory population guidelines (on page 49)."

AMP modes are configured in RBSU. If the requested AMP mode is not supported by the installed DIMM configuration, the server boots in Advanced ECC mode. For more information, see "HP ROM-Based Setup Utility (on page 73)."

For the latest memory configuration information, see the QuickSpecs on the HP website (<http://www.hp.com/go/ProLiant>).

## Advanced ECC memory population guidelines

Advanced ECC memory is the default memory protection mode for the server. Up to 1-TB of active memory using 16-GB DIMMs is supported in this AMP mode.

Advanced ECC can correct single-bit and multi-bit memory errors on a single x8 or two adjacent x4 DRAM devices.

The server provides notification when correctable error events have exceeded a pre-defined threshold rate. When uncorrectable errors are detected using Advanced ECC, the server notifies the user and shuts down the operating system.

## Online Spare memory population guidelines

Online spare memory provides protection against persistent DRAM failure. It monitors DIMMs for excessive correctable errors and copies the content of an unhealthy rank to an available spare rank in advance of multi-bit or persistent single-bit failures that may result in uncorrectable faults. Rank-sparing is more efficient than DIMM-sparing since only a portion of a DIMM is set aside for memory protection.

When Online Spare memory is enabled, the first ranks of DIMM pair, 1A/8A, are set aside as the sparing ranks. Therefore, the available memory is reduced by the size of the first ranks of DIMM pair 1A/8A.

If a DIMM rank on either of the SMI buses exceeds its correctable ECC threshold, then the contents of the failing DIMM ranks are copied to the spare DIMM ranks. Once the copy is complete, all memory accesses to the previous failing DIMM ranks go to the spare DIMM ranks.

No performance penalty occurs for rank-sparing, other than the time it takes to copy the data from the failing rank to the spare rank upon an error condition.

The following population rules apply to each memory cartridge. Begin with the DIMM installation guidelines (on page 42) with these additional constraints:

- All installed processors must contain a valid sparing configuration.
- If installing mixed rank DIMMs in a cartridge, follow the mixed rank installation rules of the DIMM installation guidelines (on page 42).
- Rank sparing requires that the spare ranks of the DIMM pair 1A/8A be at least as large as any other DIMM rank on the DDR3 channels of the cartridge. To determine the size of a single rank in a DIMM, divide the total DIMM size by the number of ranks.

For example, the rank size of a dual-rank 2-GB DIMM is 1 GB and the rank size of a dual-rank 4-GB DIMM is 2 GB. Therefore, it is possible to support rank sparing with mixed DIMM pair sizes in the cartridge if the 1A/8A pair is populated with the 4-GB DIMMs and the other pairs are populated with either the identical 4-GB or 2-GB DIMMs (pairs C and D are not required to be populated). In this case, the 2-GB rank size of the 4-GB DIMMs in the 1A/8A pair is equal to or greater than the rank size of the other installed DIMMs.



However, the server cannot support DIMM sparing in this example if the 2-GB DIMMs are populated in the 1A/8A pair locations and the 4-GB DIMMs are populated in any of the remaining DIMM pair locations. This is because it violates the rule requiring that the spare rank size of DIMM pair 1A/8A (1 GB) be equal to or larger than the single rank size of the other DIMM pair locations, since the rank size of a 4-GB DIMM in pairs B, C, or D would be larger (2 GB) than the spare rank size of the 2-GB DIMM pair in 1A/8A (1 GB).

## Mirrored Memory population guidelines

Errors that are not corrected by ECC or SDDC cannot be corrected by Online Spare memory. By providing added redundancy in the memory sub-system, Mirrored Memory provides the greatest protection against memory failure beyond ECC, SDDC, and Online Spare memory.

In Mirrored Memory mode, each Lockstep DIMM pair of a memory controller (of a memory cartridge connected to a processor) has a mirrored DIMM pair on the other memory cartridge of the same processor.

Upon detecting an uncorrectable memory error from a DIMM pair of a memory cartridge, the processor avoids a system crash by reading the mirrored DIMM pairs from the other memory cartridge. In this case, the system management routine disables the failed DIMM. Further memory reads and writes will only occur on the mirrored DIMM pairs.

The exceptions to Mirrored Memory mode are the following:

- In Mirrored Memory mode, half of the memory is allocated to memory protection.
- The available memory bandwidth is reduced by up to 50% in this mode.
- Mirrored Memory mode, Online Spare mode, Hemisphere mode, and interleaving cannot be enabled simultaneously.

To configure memory for Mirrored Memory mode, observe these additional constraints:

- For the server to support Mirrored Memory, all processors must have a valid mirroring configuration.
- The minimum allowable configuration is two memory cartridges per processor.
- Both memory cartridges for each processor must be populated with the same DIMM configurations.
- Although this configuration requirement is the same for Hemisphere mode and Mirrored Memory mode, only one of the two modes can be enabled at a given time.

## Installing memory

1. Power down the server (on page 25).
2. Remove the processor memory drawer (on page 27).

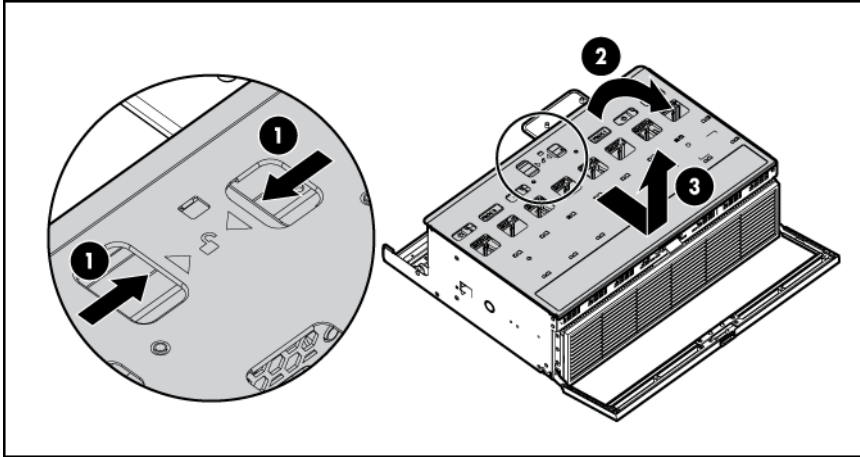


---

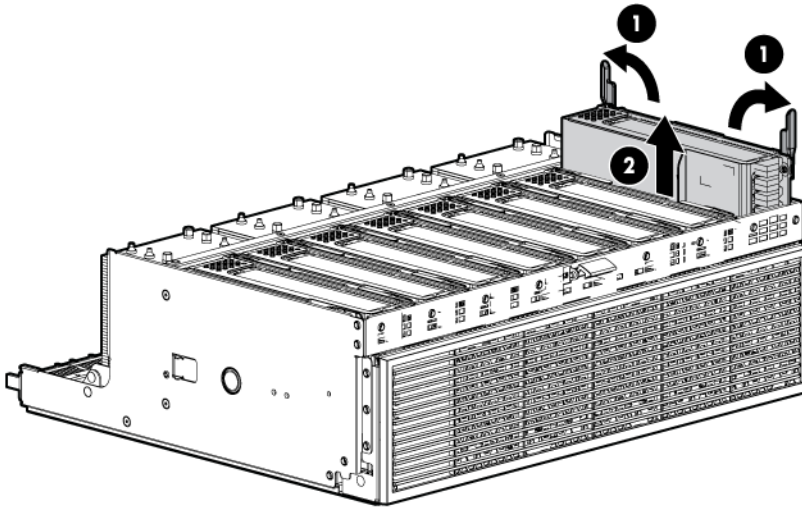
**CAUTION:** To prevent damage to the processor memory drawer cover, be sure the handle of the processor memory drawer is fully open before removing the cover.

---

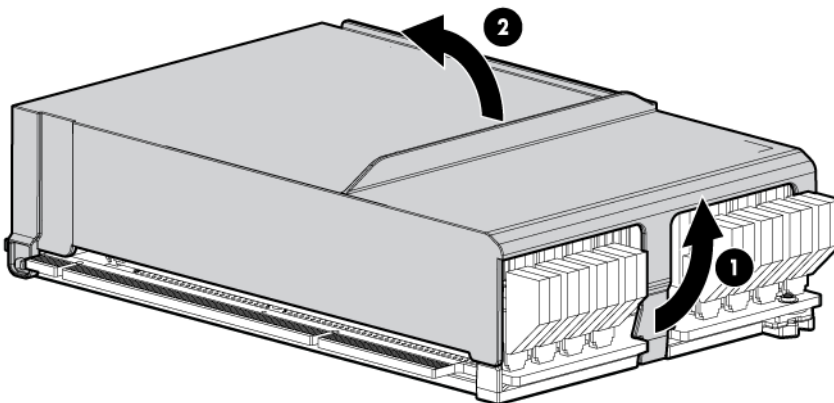
3. Remove the processor memory drawer cover.



4. Remove the memory cartridge.

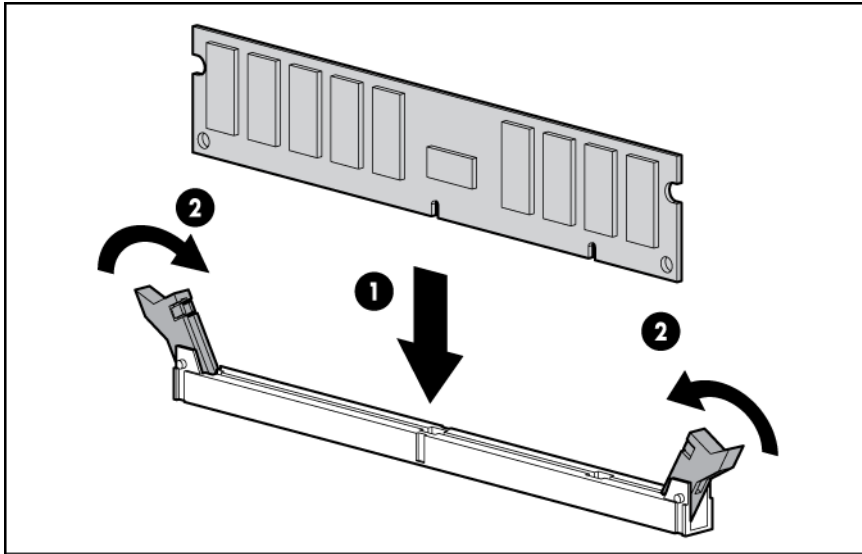


5. Open the memory cartridge cover.

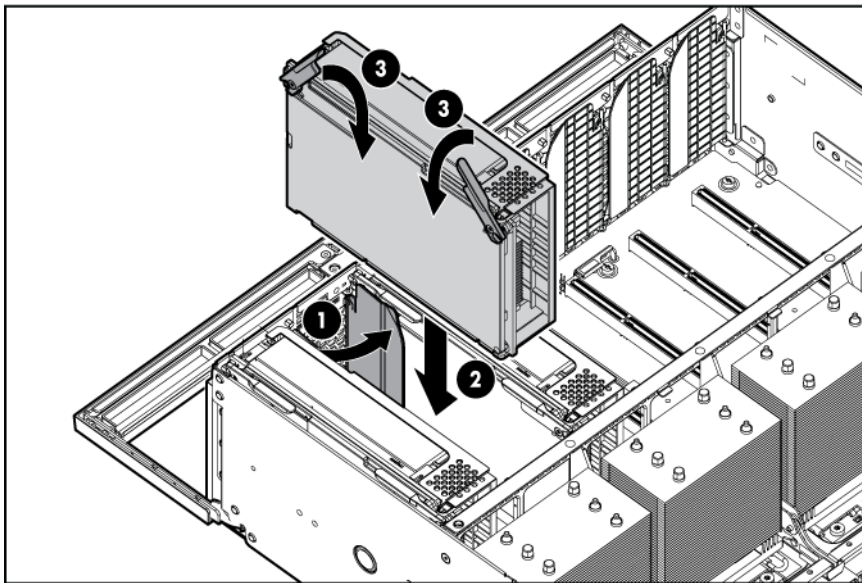


6. Open the DIMM slot latches.

7. Install the DIMM. See "Memory options (on page 41)."



8. Close the memory cartridge cover.
9. Install the memory cartridge.



10. Install the processor memory drawer cover.
11. Install the processor memory drawer.
12. Power up the server.

## Hot-plug hard drive option

When adding hard drives to the server, observe the following general guidelines:

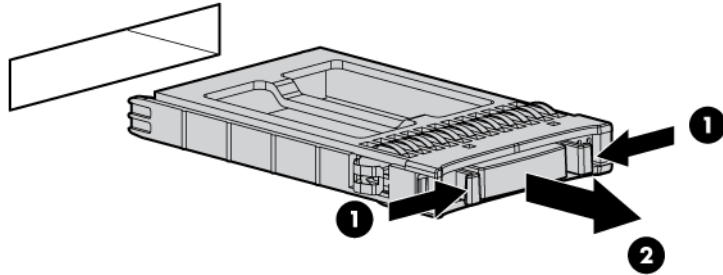
- The system automatically sets all device numbers.
- If only one hard drive is used, install it in the bay with the lowest device number.
- Hard drives must be SFF types.

Drives should be the same capacity to provide the greatest storage space efficiency when drives are grouped together into the same drive array.

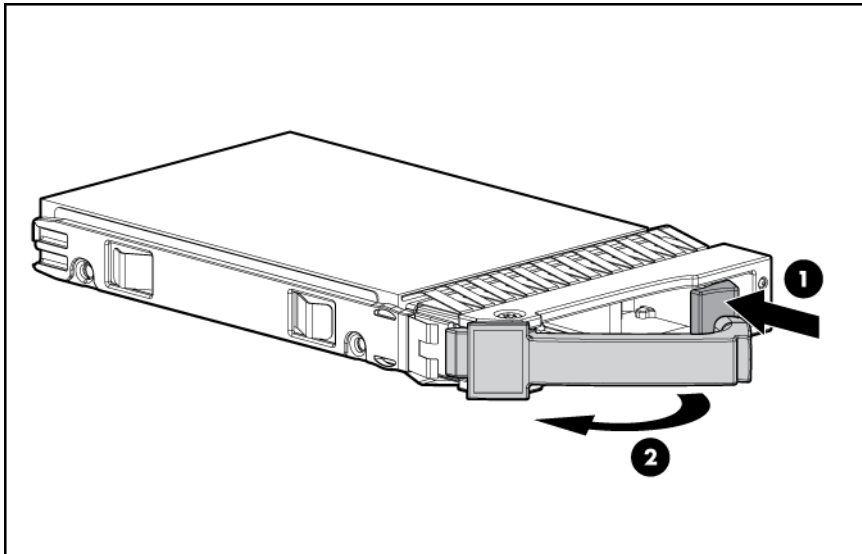
For hard drive numbers, see "Device numbers (on page 18)."

To install the component:

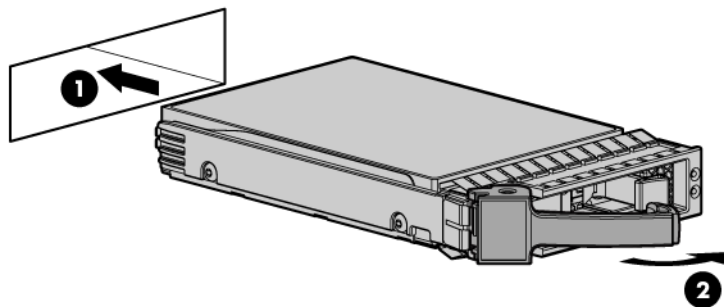
1. Remove the hard drive blank.



2. Prepare the SAS hard drive.



3. Install the hard drive.



4. Determine the status of the hard drive from the hot-plug SAS hard drive LED combinations.

# Redundant hot-plug power supply option

The server supports up to four hot-plug power supplies. Install all power supplies to provide full redundancy.

HP recommends installing redundant hot-plug power supplies in pairs.

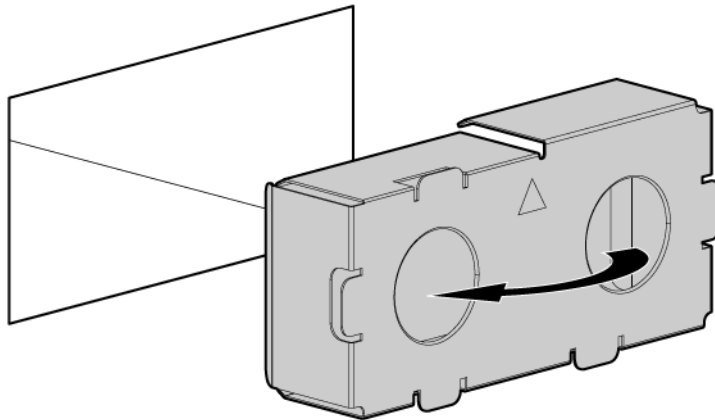
To confirm the redundancy of your configuration, see the HP power advisor at the HP website (<http://www.hp.com/go/hppoweradvisor>).



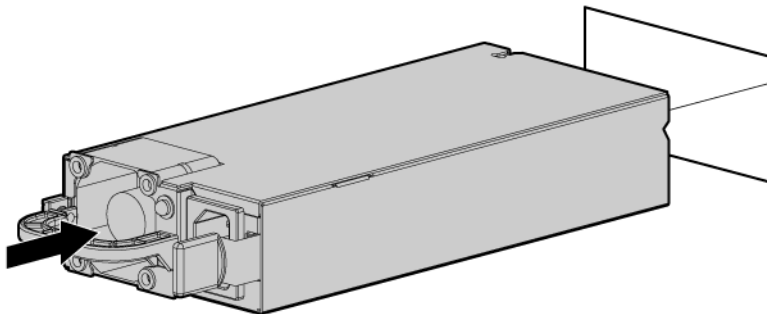
**WARNING:** To reduce the risk of electric shock or damage to the equipment:

- Do not disable the power cord grounding plug. The grounding plug is an important safety feature.
- Plug the power cord into a grounded (earthed) electrical outlet that is easily accessible at all times.
- Unplug the power cord from the power supply to disconnect power to the equipment.
- Do not route the power cord where it can be walked on or pinched by items placed against it. Pay particular attention to the plug, electrical outlet, and the point where the cord extends from the server.

1. Remove the power supply blank.



2. Slide the power supply into the power supply bay until the device locks into place.

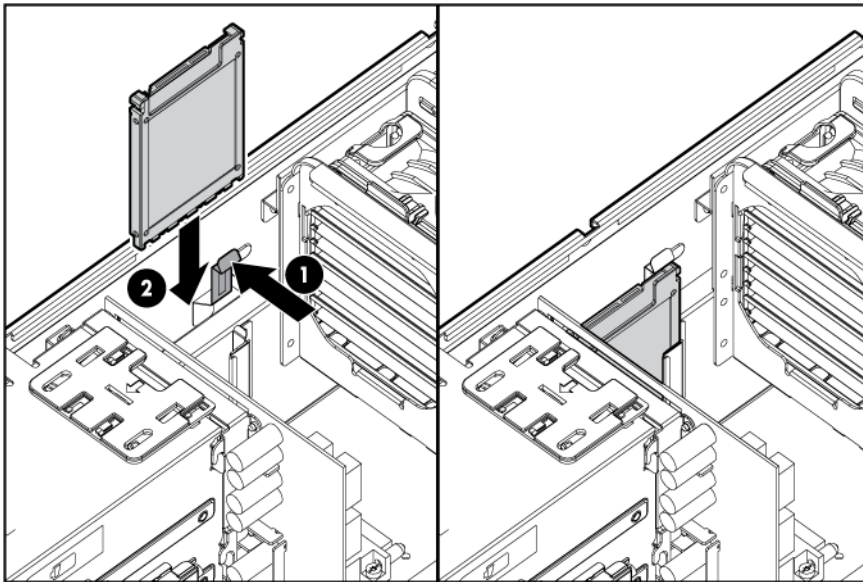


3. Connect the power cord to the power supply.
4. Connect the power cord to the power source.
5. Be sure that the power supply LED is green ("[Power supply LED](#)" on page 12).
6. Be sure that the front panel external health LED is green ("[Front panel LEDs and buttons](#)" on page 8).

## Internal solid state drive expansion bay option

1. Power down the server (on page 25).
2. Extend the server from the rack (on page 25).
3. Remove the access panel (on page 26).
4. Install the solid state drive.

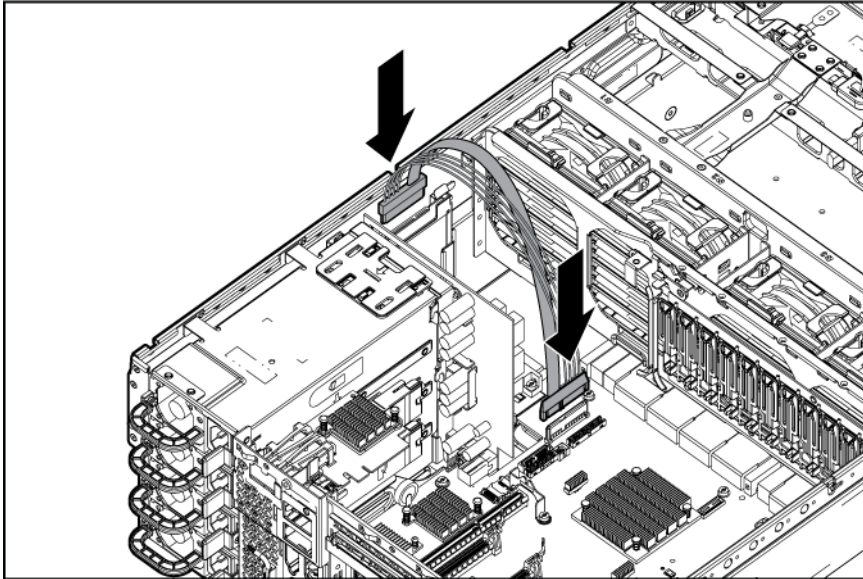
The SPI board is not shown for clarity.



5. Connect the cable.

The SPI board is not shown for clarity.

The cable and the cable arrangement may appear differently from shown.



6. Install the access panel.
7. Slide the server back into the rack.
8. Power up the server (on page 25).

## Expansion board options

The server supports up to 11 expansion slots. The server ships with 5 PCI Express expansion slots.

To support the optional expansion slots, install one of the following options into the server:

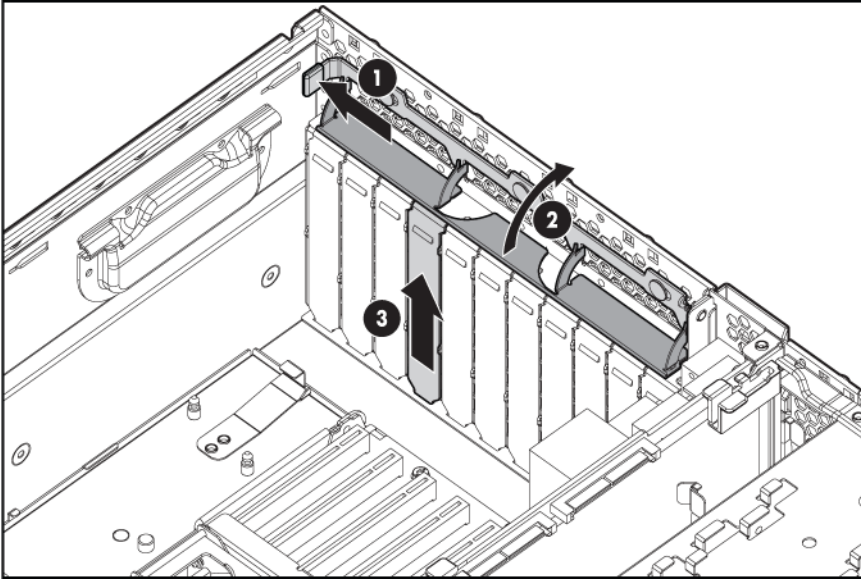
- PCI Express I/O Expansion Board—Adds six optional slots
- PCI-X/PCI Express I/O Expansion Board—Adds five optional slots

## Installing a non-hot-plug expansion board

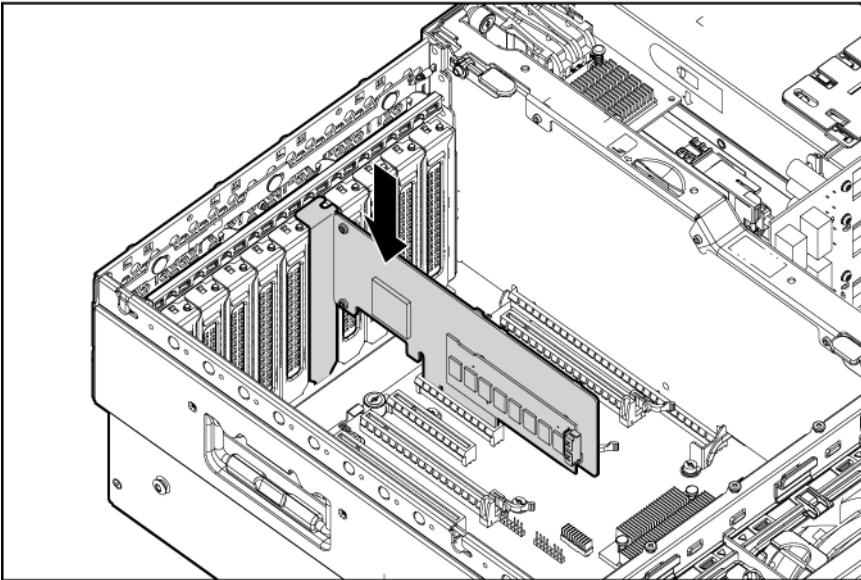
**CAUTION:** To prevent improper cooling and thermal damage, do not operate the server unless all expansion slots have either an expansion slot cover or an expansion board installed.

1. Power down the server (on page 25).
2. Extend or remove the server from the rack ("Extend the server from the rack" on page 25).
3. Remove the access panel (on page 26).

4. Open the expansion board retainer, and then remove the expansion slot cover.



5. Install the expansion board.



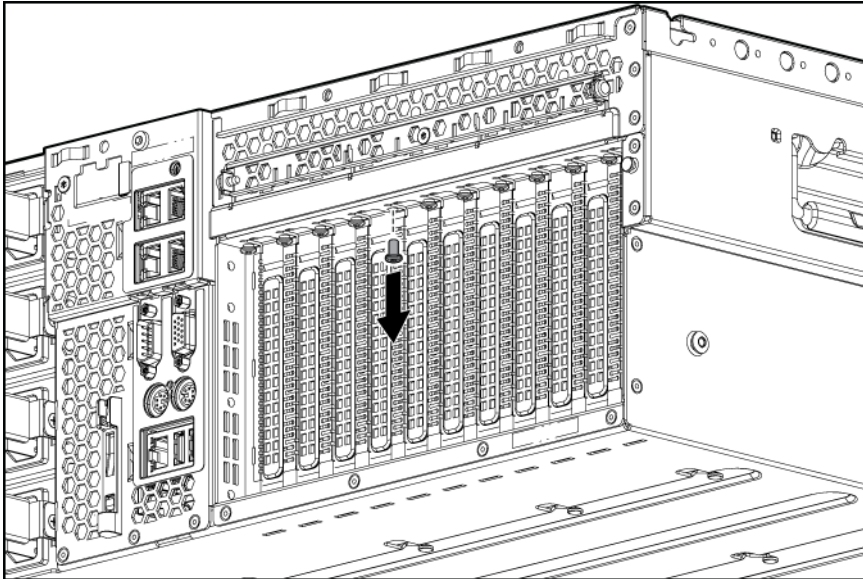
6. Install the shipping screw, if necessary. For more information, see "Securing an expansion board for shipping (on page 56)."
7. Close the expansion slot retainer.
8. Connect any required internal or external cables to the expansion board.
9. Install the access panel.
10. Power up the server (on page 25).
11. Resume normal server operations.

## Securing an expansion board for shipping

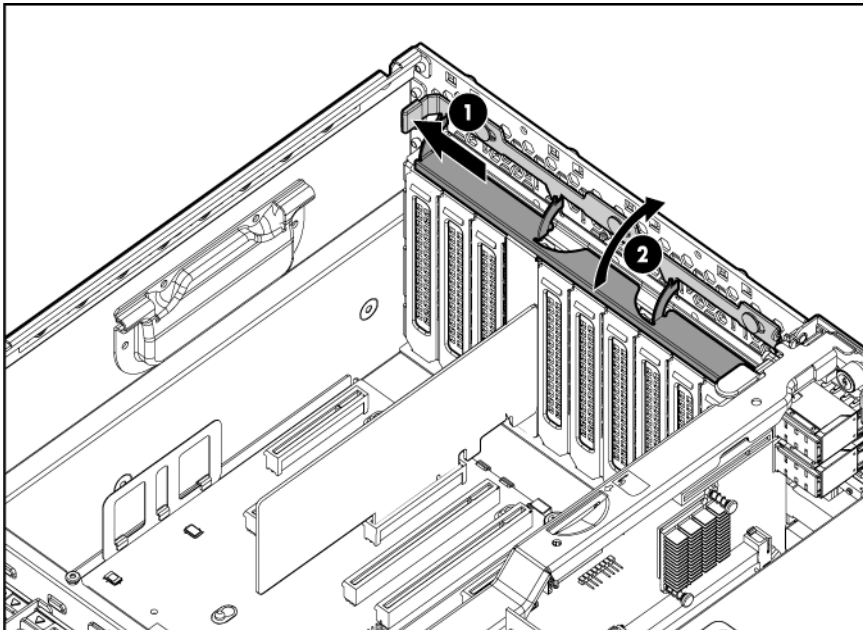


**CAUTION:** To prevent improper cooling and thermal damage, do not operate the server unless all expansion slots have either an expansion slot cover or an expansion board installed.

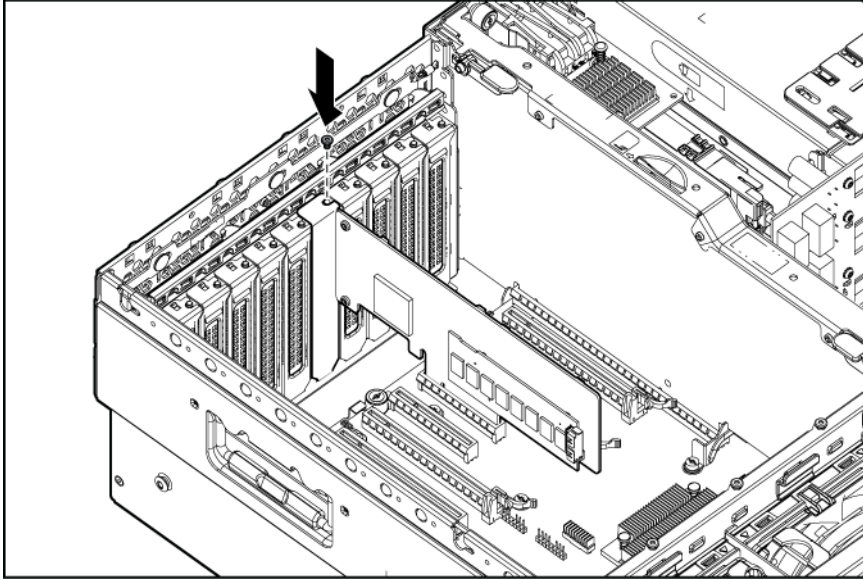
1. Power down the server (on page 25).
2. Extend the server from the rack (on page 25).
3. Remove the access panel (on page 26).
4. Remove the shipping screw.



5. Open the expansion board retainer.



6. Install the shipping screw.



7. Close the expansion slot retainer.
8. Install the access panel.
9. Slide the server back into the rack.
10. Power up the server (on page 25).
11. Resume normal server operations.

## Installing the PCI Express I/O expansion board



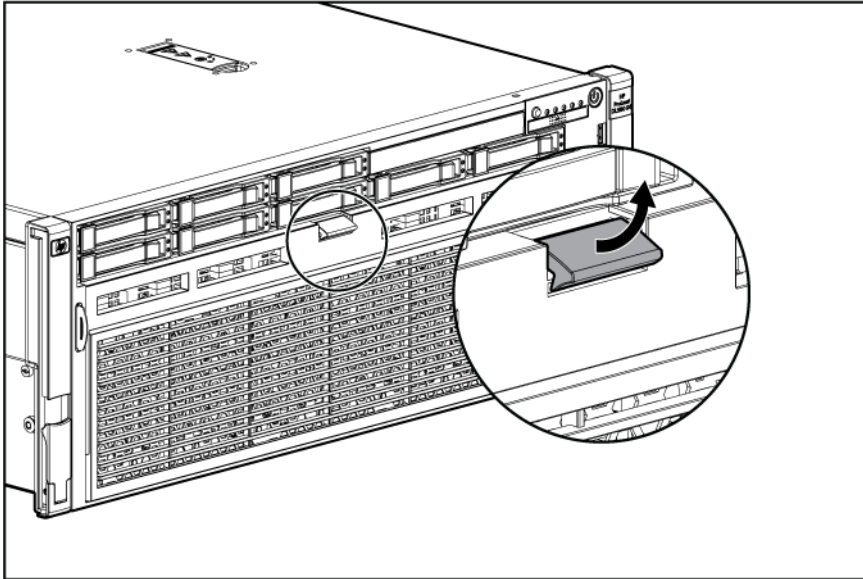
**CAUTION:** To prevent improper cooling and thermal damage, do not operate the server unless all expansion slots have either an expansion slot cover or an expansion board installed.



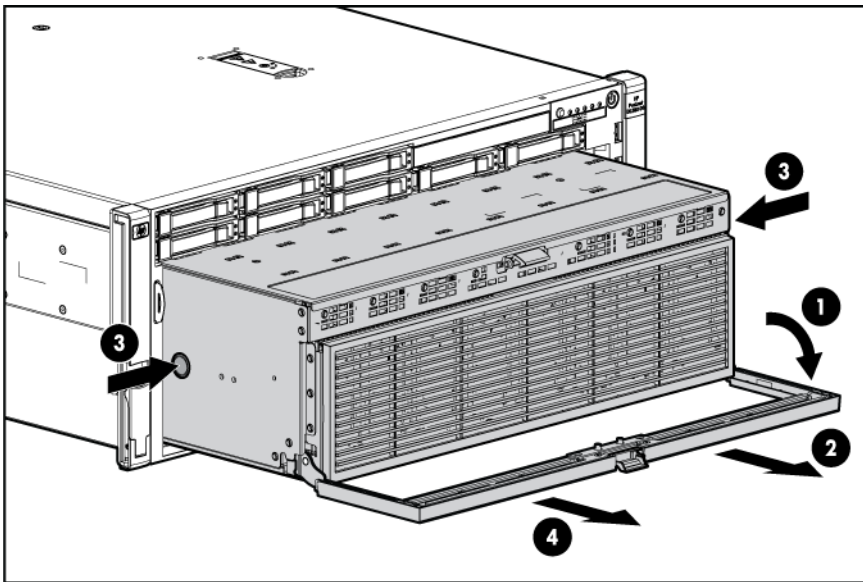
**IMPORTANT:** When either optional I/O expansion board is installed in a two-processor configuration, the second processor must be installed in socket 3.

1. Power down the server (on page 25).
2. Extend the server from the rack (on page 25).
3. Remove the access panel (on page 26).

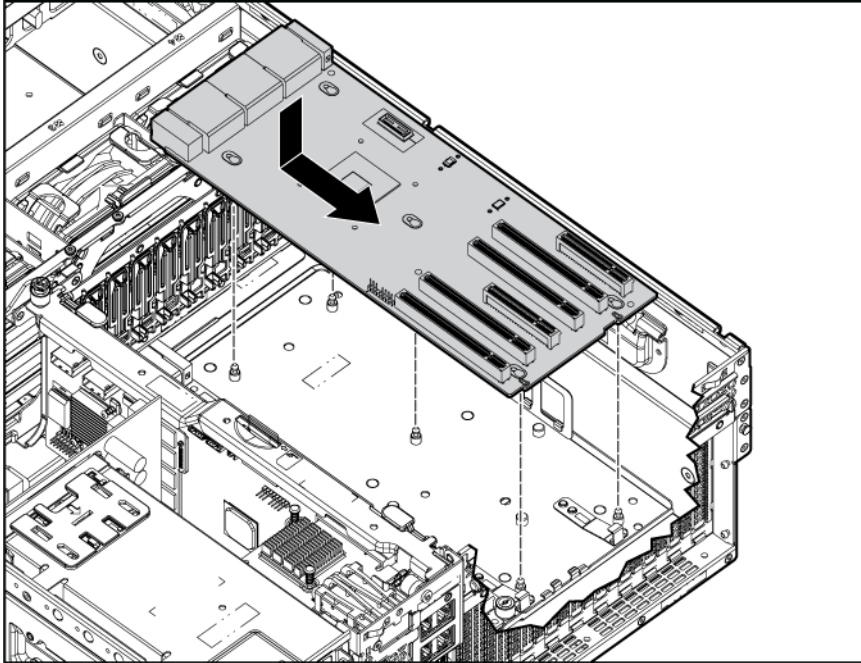
4. Release the latches on the release lever.



5. Lower the handle, and then extend the processor memory drawer from the server until the release latches catch.





6. Install the PCI Express I/O expansion board.



7. Install any expansion boards ("[Installing a non-hot-plug expansion board](#)" on page 55).
8. Slide the processor memory drawer back into the server.
9. Install the access panel.
10. Slide the server back into the rack.
11. Power up the server (on page 25).

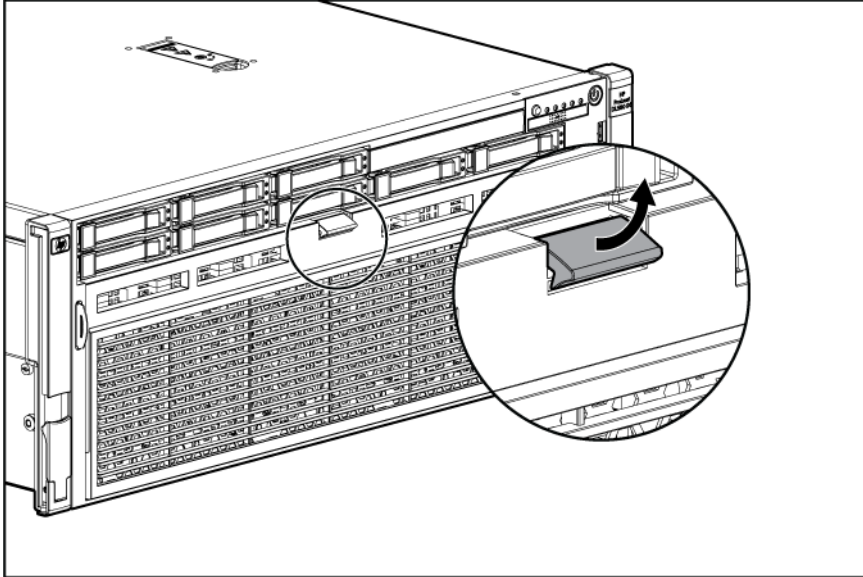
## Installing the PCI-X/PCI Express I/O expansion board

 **CAUTION:** To prevent improper cooling and thermal damage, do not operate the server unless all expansion slots have either an expansion slot cover or an expansion board installed.

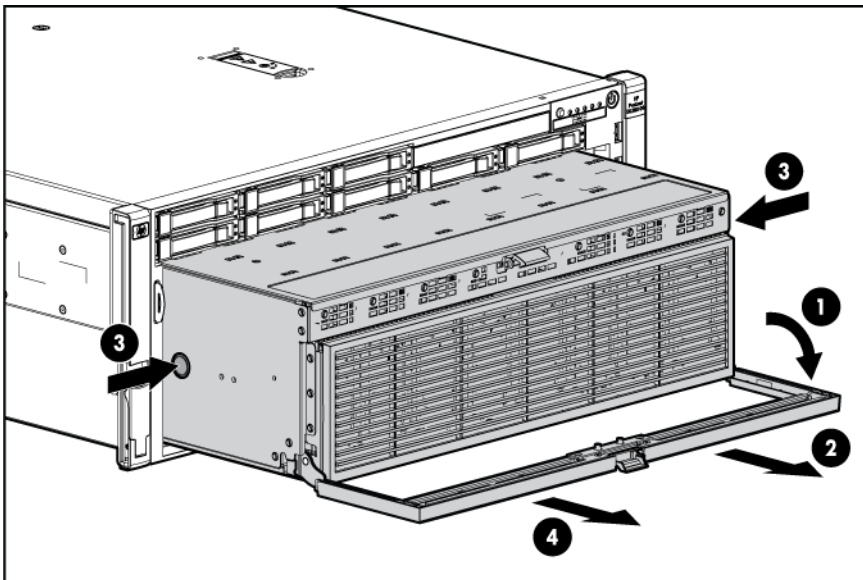
 **IMPORTANT:** When either optional I/O expansion board is installed in a two-processor configuration, the second processor must be installed in socket 3.

1. Power down the server (on page 25).
2. Extend the server from the rack (on page 25).
3. Remove the access panel (on page 26).

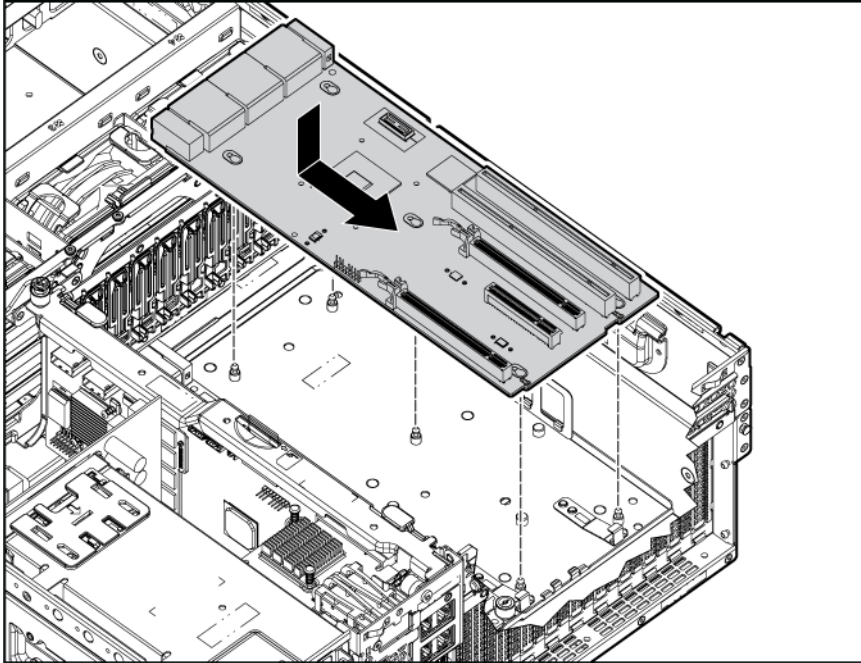
4. Release the latches on the release lever.



5. Lower the handle, and then extend the processor memory drawer from the server until the release latches catch.



6. Install the PCI-X/PCI Express I/O expansion board.



7. Install any expansion boards ("[Installing a non-hot-plug expansion board](#)" on page 55).
8. Slide the processor memory drawer back into the server.
9. Install the access panel.
10. Slide the server back into the rack.
11. Power up the server (on page 25).

## HP NC524SFP Dual Port 10GbE Module option

When installed on the SPI board, the HP NC524SFP Dual Port 10GbE Module provides two 10G NIC connectors for server I/O. When the HP NC524SFP module is installed, 1G NIC connectors 1 and 2 on the rear panel are unavailable.

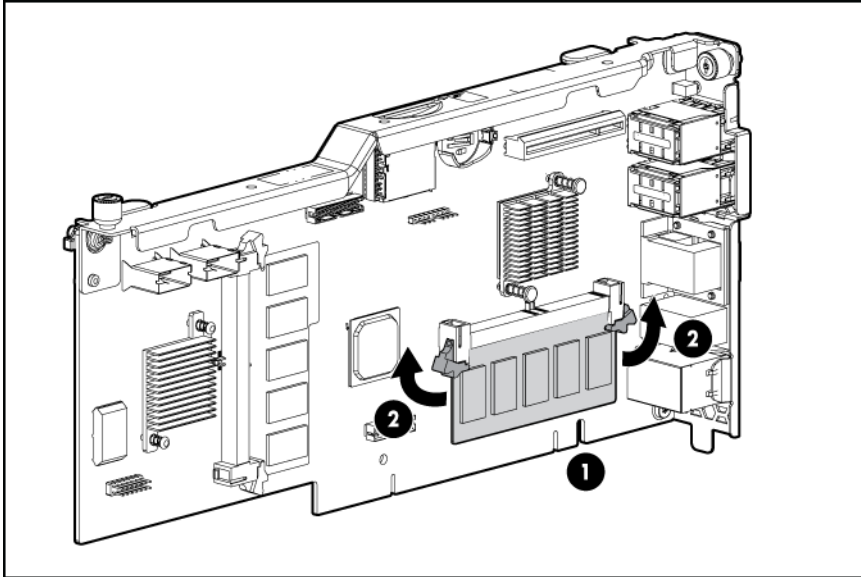


**IMPORTANT:** When both an HP NC524SFP module and an optional HP NC522SFP Dual Port 10GbE Server Adapter are installed in the server, only two expansion slots have Wake On LAN capability.

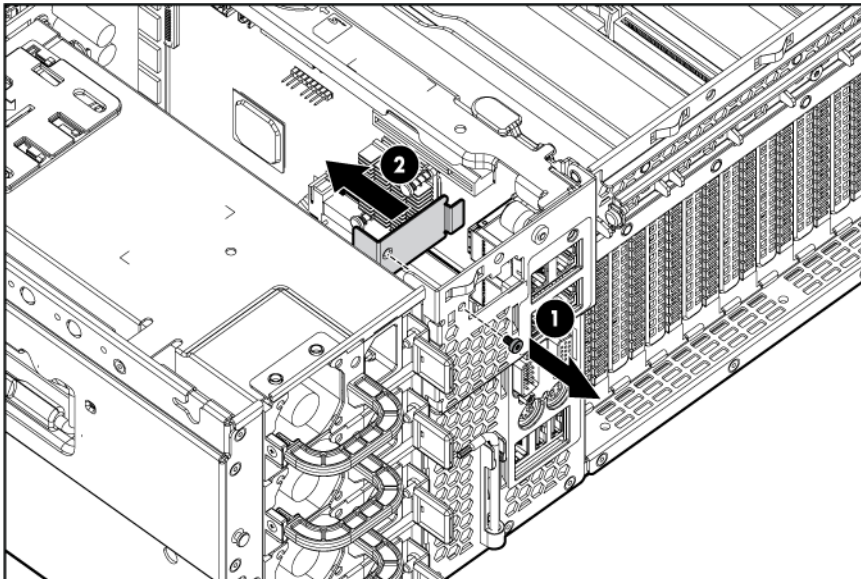
To install the component:

1. Power down the server (on page 25).
2. Disconnect the network cables.
3. Extend the server from the rack (on page 25).
4. Remove the access panel (on page 26).
5. Remove the SPI board (on page 28).

6. Install the mini-DIMM on the SPI board.

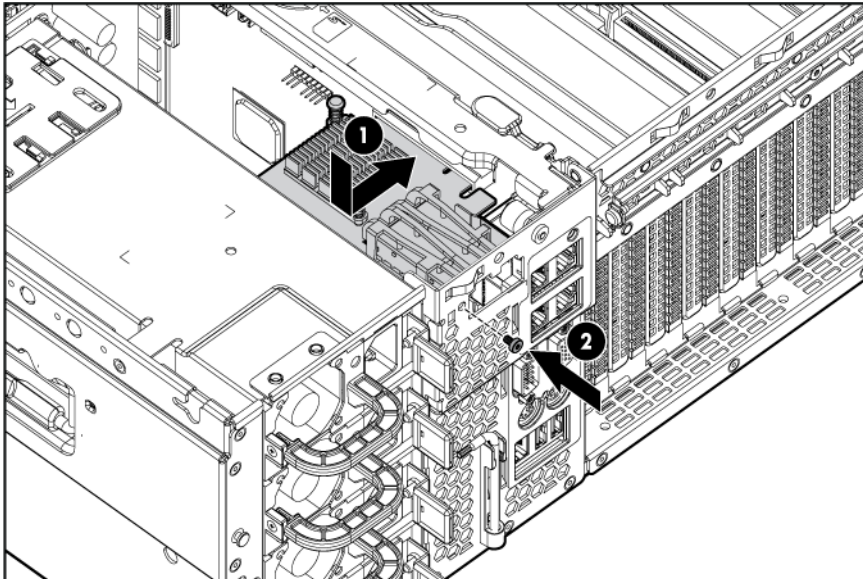


7. Install the SPI board.
8. Using a T-15 Torx screwdriver, remove the 10G NIC adapter blank. Save the retaining screw.

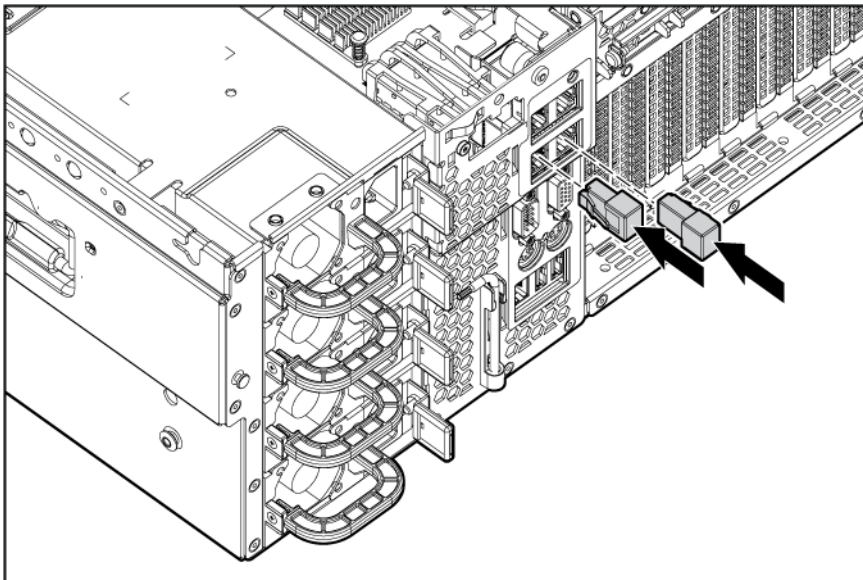


9. Install the HP NC524SFP module on the SPI board.

10. Secure the 10G NIC connectors to the chassis with the retaining screw.



11. Install the RJ-45 plugs on the bottom two RJ-45 connectors on the rear panel.



12. Install the access panel.
13. Slide the server back into the rack.
14. Connect the network cables.
15. Power up the server (on page 25).

## Battery-backed write cache module

The HP BBWC protects against hard boot, power, controller, and system board failures. The server supports the following battery-backed options:

- 256-MB cache module (standard)
- 512-MB cache module (optional)



The BBWC consists of two parts: a battery pack and a storage cache module.

Along with the cache module, the battery pack provides transportable data protection, increases overall controller performance, and maintains any cached data for up to 72 hours after the server loses power. The NiMH batteries in the battery pack are continuously recharged through a trickle-charging process whenever the system power is on.



**CAUTION:** To prevent a server malfunction or damage to the equipment, do not add or remove the battery pack while an array capacity expansion, RAID level migration, or stripe size migration is in progress.

---



**CAUTION:** After the server is powered down, wait 15 seconds and then check the amber LED before unplugging the cable from the cache module. If the amber LED blinks after 15 seconds, do not remove the cable from the cache module. The cache module is backing up data, and data is lost if the cable is detached.

---



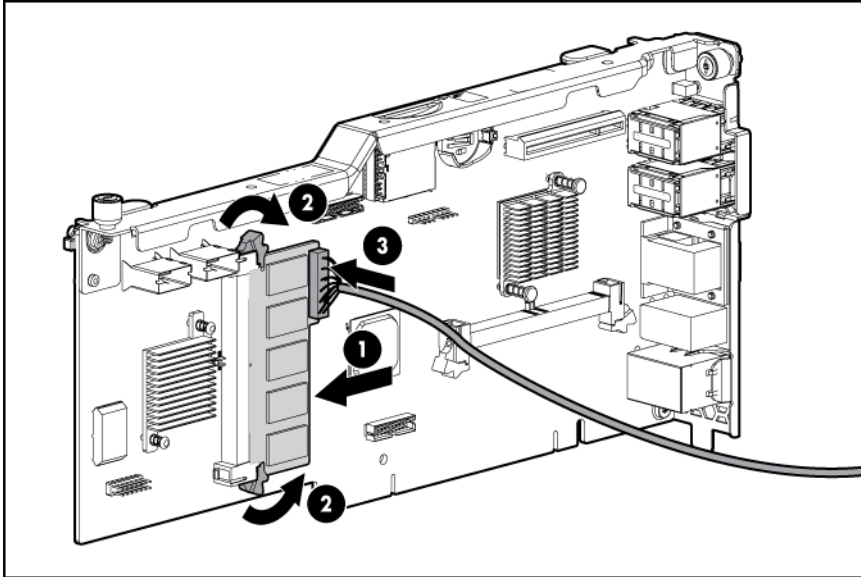
**IMPORTANT:** The battery pack might have a low charge when installed. In this case, a POST error message is displayed when the server is powered up, indicating that the battery pack is temporarily disabled. No action is necessary on your part. The internal circuitry automatically recharges the batteries and enables the battery pack. This process might take up to four hours. During this time, the cache module functions properly, but without the performance advantage of the battery pack.

---

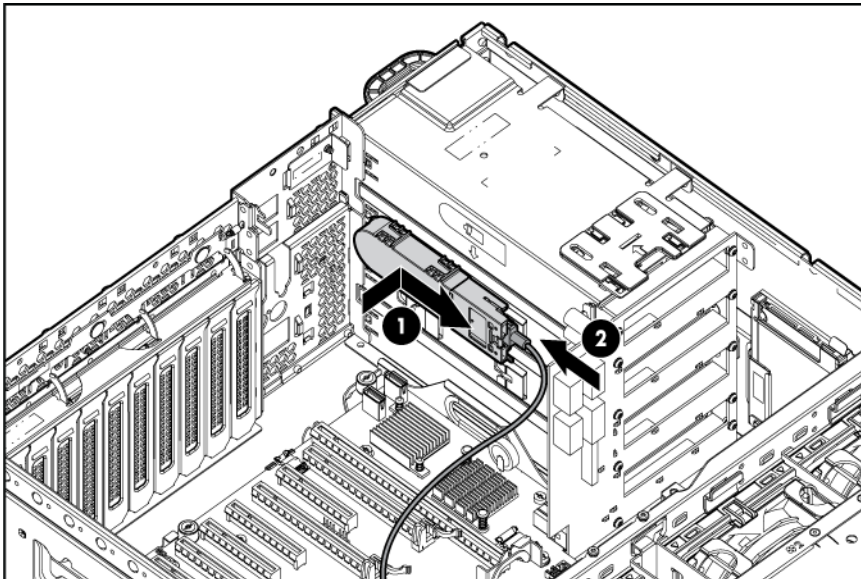
To install the component:

1. Close all applications, and power down the server (on page [25](#)). This procedure flushes all data from the cache.
2. Extend the server from the rack (on page [25](#)).
3. Remove the access panel (on page [26](#)).
4. Remove the SPI board (on page [28](#)).
5. Install the cache module.

6. Attach the cable to the cache module.



7. Install the battery.
8. Connect the cable to the battery.  
The SPI board is not shown for clarity.



9. Install the access panel.
10. Slide the server back into the rack.
11. Power up the server (on page 25).

## FBWC module and capacitor pack option



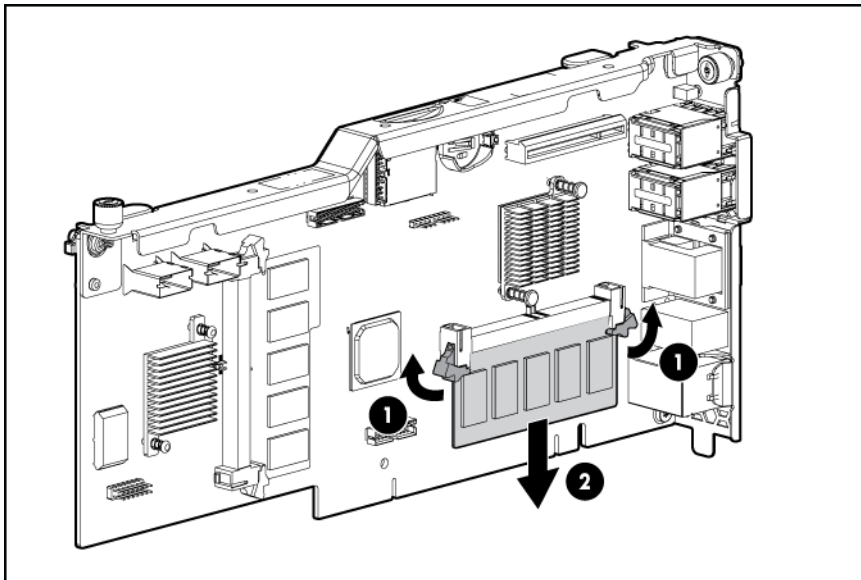
**CAUTION:** Do not use this controller with cache modules designed for other controller models, because the controller can malfunction and you can lose data. Also, do not transfer this cache module to a different controller module, because you can lose data.

To install the component:

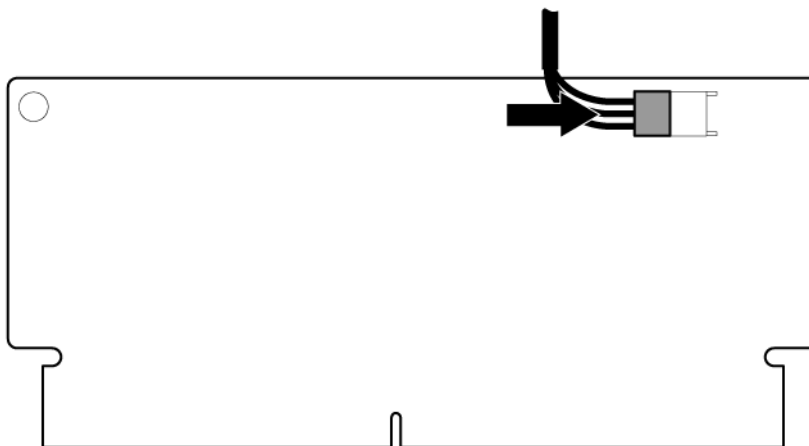
1. Back up all data.
2. Close all applications.
3. Power down the server (on page 25).

**△ CAUTION:** In systems that use external data storage, be sure that the server is the first unit to be powered down and the last to be powered back up. Taking this precaution ensures that the system does not erroneously mark the drives as failed when the server is powered up.

4. Extend the server from the rack (on page 25).
5. Remove the access panel (on page 26).
6. Remove the SPI board (on page 28).
7. Install the FBWC module.

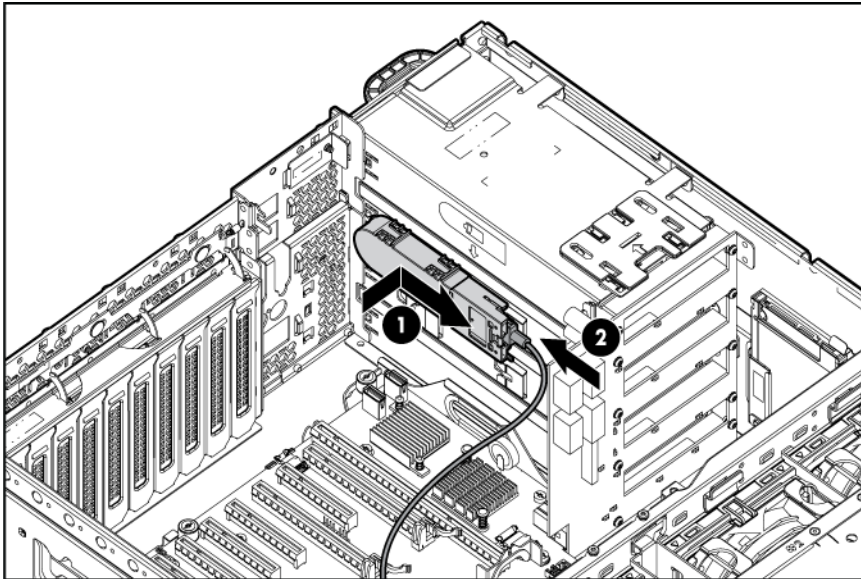


8. Connect the cable.



9. Install the capacitor pack.

The SPI board is not shown for clarity.



10. Install the SPI board.
11. Install the access panel.
12. Slide the server back into the rack.
13. Power up the server (on page 25).

## HP Trusted Platform Module option

Use these instructions to install and enable a TPM on a supported server. This procedure includes three sections:

1. Installing the Trusted Platform Module board (on page 69).
2. Retaining the recovery key/password (on page 69).
3. Enabling the Trusted Platform Module (on page 70).

Enabling the TPM requires accessing the ROM-Based Setup Utility (RBSU) ("HP ROM-Based Setup Utility" on page 73). For more information about RBSU, see the HP website (<http://www.hp.com/support/smartstart/documentation>).

TPM installation requires the use of drive encryption technology, such as the Microsoft® Windows® BitLocker™ Drive Encryption feature. For more information on BitLocker™, see the Microsoft website (<http://www.microsoft.com>).



**CAUTION:** Always observe the guidelines in this document. Failure to follow these guidelines can cause hardware damage or halt data access.

---

When installing or replacing a TPM, observe the following guidelines:

- Do not remove an installed TPM. Once installed, the TPM becomes a permanent part of the system board.
- When installing or replacing hardware, HP service providers cannot enable the TPM or the encryption technology. For security reasons, only the customer can enable these features.

- When returning a system board for service replacement, do not remove the TPM from the system board. When requested, HP Service provides a TPM with the spare system board.
- Any attempt to remove an installed TPM from the system board breaks or disfigures the TPM security rivet. Upon locating a broken or disfigured rivet on an installed TPM, administrators should consider the system compromised and take appropriate measures to ensure the integrity of the system data.
- When using BitLocker™, always retain the recovery key/password. The recovery key/password is required to enter Recovery Mode after BitLocker™ detects a possible compromise of system integrity.
- HP is not liable for blocked data access caused by improper TPM use. For operating instructions, see the encryption technology feature documentation provided by the operating system.

## Retaining the recovery key/password

The recovery key/password is generated during BitLocker™ setup, and can be saved and printed after BitLocker™ is enabled. When using BitLocker™, always retain the recovery key/password. The recovery key/password is required to enter Recovery Mode after BitLocker™ detects a possible compromise of system integrity.

To help ensure maximum security, observe the following guidelines when retaining the recovery key/password:

- Always store the recovery key/password in multiple locations.
- Always store copies of the recovery key/password away from the server.
- Do not save the recovery key/password on the encrypted hard drive.

## Installing the Trusted Platform Module board



**WARNING:** To reduce the risk of personal injury, electric shock, or damage to the equipment, remove the power cord to remove power from the server. The front panel Power On/Standby button does not completely shut off system power. Portions of the power supply and some internal circuitry remain active until AC power is removed.

---



**WARNING:** To reduce the risk of personal injury from hot surfaces, allow the drives and the internal system components to cool before touching them.

---

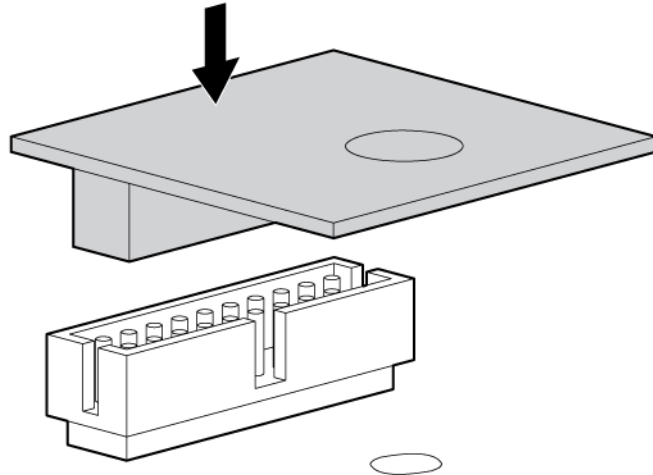
1. Power down the server (on page 25).
2. Remove the access panel (on page 26).
3. Extend the server from the rack (on page 25).
4. Remove the SPI board (on page 28).
5. Locate the TPM connector ("SPI board components" on page 15).



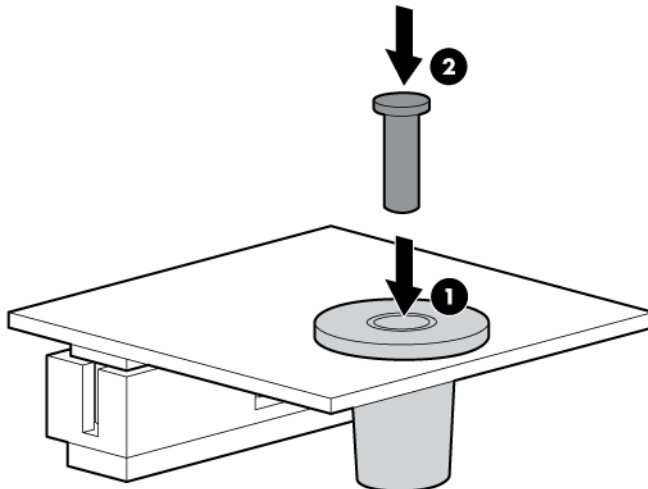
**CAUTION:** Any attempt to remove an installed TPM from the system board breaks or disfigures the TPM security rivet. Upon locating a broken or disfigured rivet on an installed TPM, administrators should consider the system compromised and take appropriate measures to ensure the integrity of the system data.

---

6. Install the TPM board. Press down on the connector to seat the board ("System board components" on page 13).



7. Install the TPM security rivet by pressing the rivet firmly into the system board.




8. Install the SPI board.
9. Install the access panel.
10. Slide the server back into the rack.
11. Power up the server (on page 25).

## Enabling the Trusted Platform Module

1. When prompted during the start-up sequence, access RBSU by pressing the **F9** key.
2. From the Main Menu, select **Server Security**.
3. From the Server Security Menu, select **Trusted Platform Module**.
4. From the Trusted Platform Module Menu, select **TPM Functionality**.
5. Select **Enable**, and then press the **Enter** key to modify the TPM Functionality setting.
6. Press the **Esc** key to exit the current menu, or press the **F10** key to exit RBSU.

7. Reboot the server.
8. Enable the TPM in the OS. For OS-specific instructions, see the OS documentation.

---

 **CAUTION:** When a TPM is installed and enabled on the server, data access is locked if you fail to follow the proper procedures for updating the system or option firmware, replacing the system board, replacing a hard drive, or modifying OS application TPM settings.

---

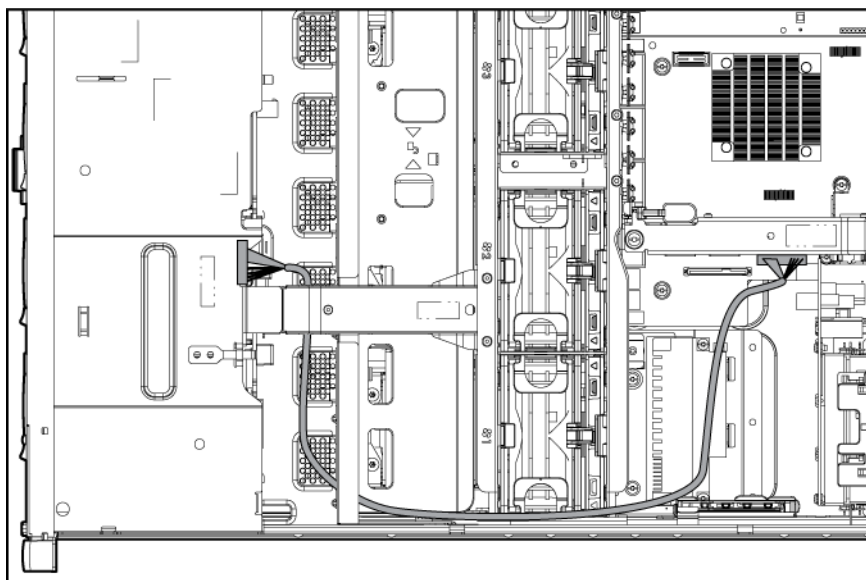
For more information on firmware updates and hardware procedures, see the *HP Trusted Platform Module Best Practices White Paper* on the HP website (<http://www.hp.com/support>).

For more information on adjusting TPM usage in BitLocker™, see the Microsoft website (<http://technet.microsoft.com/en-us/library/cc732774.aspx>).

---

# Cabling

## DVD-ROM drive cabling





---

# Server software and configuration utilities

## Configuration tools

### SmartStart software

SmartStart is a collection of software that optimizes single-server setup, providing a simple and consistent way to deploy server configuration. SmartStart has been tested on many ProLiant server products, resulting in proven, reliable configurations.

SmartStart assists the deployment process by performing a wide range of configuration activities, including:

- Preparing the system for installing "off-the-shelf" versions of leading operating system software
- Installing optimized server drivers, management agents, and utilities automatically with every assisted installation
- Testing server hardware using the Insight Diagnostics Utility ("[HP Insight Diagnostics](#)" on page 80)
- Installing software drivers directly from the CD. With systems that have Internet connection, the SmartStart Autorun Menu provides access to a complete list of ProLiant system software.
- Enabling access to the Array Configuration Utility (on page 76) and Erase Utility (on page 79)

SmartStart is included in the HP Insight Foundation suite for ProLiant. For more information about SmartStart software, see the HP Insight Foundation suite for ProLiant or the HP website (<http://www.hp.com/go/foundation>).

### SmartStart Scripting Toolkit

The SmartStart Scripting Toolkit is a server deployment product that allows you to build an unattended automated installation for high-volume server deployments. The SmartStart Scripting Toolkit is designed to support ProLiant BL, ML, DL, and SL servers. The toolkit includes a modular set of utilities and important documentation that describes how to apply these tools to build an automated server deployment process.

The Scripting Toolkit provides a flexible way to create standard server configuration scripts. These scripts are used to automate many of the manual steps in the server configuration process. This automated server configuration process cuts time from each deployment, making it possible to scale rapid, high-volume server deployments.

For more information, and to download the SmartStart Scripting Toolkit, see the HP website (<http://www.hp.com/servers/sstoolkit>).

### HP ROM-Based Setup Utility

RBSU is a configuration utility embedded in ProLiant servers that performs a wide range of configuration activities that can include the following:

- Configuring system devices and installed options

- Enabling and disabling system features
- Displaying system information
- Selecting the primary boot controller
- Configuring memory options
- Language selection

For more information on RBSU, see the *HP ROM-Based Setup Utility User Guide* on the Documentation CD or the HP website (<http://www.hp.com/support/smartstart/documentation>).

## Using RBSU

To use RBSU, use the following keys:

- To access RBSU, press the **F9** key during power-up when prompted.
- To navigate the menu system, use the arrow keys.
- To make selections, press the **Enter** key.
- To access Help for a highlighted configuration option, press the **F1** key.



**IMPORTANT:** RBSU automatically saves settings when you press the **Enter** key. The utility does not prompt you for confirmation of settings before you exit the utility. To change a selected setting, you must select a different setting and press the **Enter** key.

Default configuration settings are applied to the server at one of the following times:

- Upon the first system power-up
- After defaults have been restored

Default configuration settings are sufficient for proper typical server operation, but configuration settings can be modified using RBSU. The system will prompt you for access to RBSU with each power-up.

## Auto-configuration process

The auto-configuration process automatically runs when you boot the server for the first time. During the power-up sequence, the system ROM automatically configures the entire system without needing any intervention. During this process, the ORCA utility, in most cases, automatically configures the array to a default setting based on the number of drives connected to the server.

**NOTE:** The server may not support all the following examples.

**NOTE:** If the boot drive is not empty or has been written to in the past, ORCA does not automatically configure the array. You must run ORCA to configure the array settings.

Drives installed	Drives used	RAID level
1	1	RAID 0
2	2	RAID 1
3, 4, 5, or 6	3, 4, 5, or 6	RAID 5
More than 6	0	None

To change any ORCA default settings and override the auto-configuration process, press the **F8** key when prompted.

For more information on RBSU, see the *HP ROM-Based Setup Utility User Guide* on the Documentation CD or the HP website (<http://www.hp.com/support/smartstart/documentation>).

## Boot options

Near the end of the boot process, the boot options screen is displayed. This screen is visible for several seconds before the system attempts to boot from a supported boot device. During this time, you can do the following:

- Access RBSU by pressing the **F9** key.
- Access the System Maintenance Menu (which enables you to launch ROM-based Diagnostics or Inspect) by pressing the **F10** key.
- Access the boot menu by pressing the **F11** key.
- Force a PXE Network boot by pressing the **F12** key.

## BIOS Serial Console

BIOS Serial Console allows you to configure the serial port to view POST error messages and run RBSU remotely through a serial connection to the server COM port. The server that you are remotely configuring does not require a keyboard and mouse.

For more information about BIOS Serial Console, see the *BIOS Serial Console User Guide* on the Documentation CD or the HP website (<http://www.hp.com/support/smartstart/documentation>).

## Configuring AMP modes

Not all ProLiant servers support all AMP modes. RBSU provides menu options only for the modes supported by the server. Advanced memory protection within RBSU enables the following advanced memory.

- **Advanced ECC Mode**—Provides memory protection beyond Standard ECC. All single-bit failures and some multi-bit failures can be corrected without resulting in system downtime.
- **Online Spare Mode**—Provides protection against failing or degraded DIMMs. Certain memory is set aside as spare, and automatic failover to spare memory occurs when the system detects a degraded DIMM. DIMMs that are likely to receive a fatal/uncorrectable memory error are removed from operation automatically, resulting in less system downtime.

See the server-specific user guide for DIMM population requirements.

- **Mirrored Memory Mode**—Provides protection against uncorrectable memory errors that would otherwise result in system failure. In this mode, the system maintains two copies of all data. If an uncorrectable memory error occurs, the system automatically retrieves the good data from the mirrored copy. The system continues to operate normally without any user intervention. If the system supports hot-plug memory, the failed memory can be replaced while the system continues to operate.
- **RAID Memory Mode**—Provides protection levels similar to Mirrored Memory Mode, and it requires less memory allocation than full redundancy.

## Configuring online spare memory

To configure online spare memory:

1. Install the required DIMMs.
2. When the prompt appears, access RBSU by pressing the **F9** key during power-up.
3. Select **System Options**.
4. Select **Advanced Memory Protection**.
5. Select **Online Spare with Advanced ECC Support**.
6. Press the **Enter** key.
7. Press the **Esc** key to exit the current menu, or press the **F10** key to exit RBSU.

For more information on online spare memory, see the HP website

(<http://h18000.www1.hp.com/products/servers/technology/memoryprotection.html>).

## Configuring mirrored memory

To configure mirrored memory:

1. Install the required DIMMs.
2. Access RBSU by pressing the **F9** key during power-up when the prompt is displayed.
3. Select **System Options**.
4. Select **Advanced Memory Protection**.
5. Select **Mirrored Memory with Advanced ECC Support**.
6. Press the **Enter** key.
7. Press the **Esc** key to exit the current menu or press the **F10** key to exit RBSU.

For more information on mirrored memory, see the white paper on the HP website

(<http://h18000.www1.hp.com/products/servers/technology/memoryprotection.html>).

## Array Configuration Utility

ACU is a browser-based utility with the following features:

- Runs as a local application or remote service
- Supports online array capacity expansion, logical drive extension, assignment of online spares, and RAID or stripe size migration
- Suggests the optimum configuration for an unconfigured system
- Provides different operating modes, enabling faster configuration or greater control over the configuration options
- Remains available any time that the server is on
- Displays on-screen tips for individual steps of a configuration procedure
- Beginning with ACU version 8.28.13.0, provides diagnostic functionality on the Diagnostics tab (formerly known as Array Diagnostics Utility).

For optimum performance, the minimum display settings are 1024 × 768 resolution and 16-bit color.

Servers running Microsoft® operating systems require one of the following supported browsers:

- Internet Explorer 6.0 or later

- Mozilla Firefox 2.0 or later

For Linux servers, see the README.TXT file for additional browser and support information.

For more information, see the *Configuring Arrays on HP Smart Array Controllers Reference Guide* on the Documentation CD or the HP website (<http://www.hp.com>).

## Option ROM Configuration for Arrays

Before installing an operating system, you can use the ORCA utility to create the first logical drive, assign RAID levels, and establish online spare configurations.

The utility also provides support for the following functions:

- Reconfiguring one or more logical drives
- Viewing the current logical drive configuration
- Deleting a logical drive configuration
- Setting the controller to be the boot controller

If you do not use the utility, ORCA will default to the standard configuration.

For more information regarding array controller configuration, refer to the controller user guide.

For more information regarding the default configurations that ORCA uses, refer to the *HP ROM-Based Setup Utility User Guide* on the Documentation CD.

## Re-entering the server serial number and product ID

After you replace the system board, you must re-enter the server serial number and the product ID.

1. During the server startup sequence, press the **F9** key to access RBSU.
2. Select the **Advanced Options** menu.
3. Select **Service Options**.
4. Select **Serial Number**. The following warnings appear:  
WARNING! WARNING! WARNING! The serial number is loaded into the system during the manufacturing process and should NOT be modified. This option should only be used by qualified service personnel. This value should always match the serial number sticker located on the chassis.  
Warning: The serial number should ONLY be modified by qualified personnel. This value should always match the serial number located on the chassis.
5. Press the **Enter** key to clear the warning.
6. Enter the serial number and press the **Enter** key.
7. Select **Product ID**. The following warning appears:  
Warning: The Product ID should ONLY be modified by qualified personnel. This value should always match the Product ID on the chassis.
8. Enter the product ID and press the **Enter** key.
9. Press the **Esc** key to close the menu.
10. Press the **Esc** key to exit RBSU.
11. Press the **F10** key to confirm exiting RBSU. The server automatically reboots.

# Management tools

## Automatic Server Recovery

ASR is a feature that causes the system to restart when a catastrophic operating system error occurs, such as a blue screen, ABEND, or panic. A system fail-safe timer, the ASR timer, starts when the System Management driver, also known as the Health Driver, is loaded. When the operating system is functioning properly, the system periodically resets the timer. However, when the operating system fails, the timer expires and restarts the server.

ASR increases server availability by restarting the server within a specified time after a system hang or shutdown. At the same time, the HP SIM console notifies you by sending a message to a designated pager number that ASR has restarted the system. You can disable ASR from the HP SIM console or through RBSU.

## ROMPaq utility

The ROMPaq utility enables you to upgrade the system firmware (BIOS). To upgrade the firmware, insert a ROMPaq USB Key into an available USB port and boot the system. In addition to ROMPaq, Online Flash Components for Windows and Linux operating systems are available for updating the system firmware.

The ROMPaq utility checks the system and provides a choice (if more than one exists) of available firmware revisions.

For more information, see the Download drivers and software page for the server. To access the server-specific page, enter the following web address into the browser:

<http://www.hp.com/support/<servername>>

For example:

<http://www.hp.com/support/dl360g6>

## Integrated Lights-Out 3 technology

The iLO 3 subsystem is a standard component of selected ProLiant servers that provides server health and remote server manageability. The iLO 3 subsystem includes an intelligent microprocessor, secure memory, and a dedicated network interface. This design makes iLO 3 independent of the host server and its operating system.

In addition to remote management features, iLO 3 is also responsible for managing the health of the ProLiant server. The intelligence of iLO 3 manages the Sea of Sensors thermal control, directs the Dynamic Power Capping technology, and monitors the health of server components.

The iLO 3 subsystem provides secure remote access from any authorized network client. The enhancements to iLO 3 enable customers to get work done faster by providing turbo-charged remote access performance, a streamlined user experience, and enhanced standards support.

Using iLO 3, you can do the following:


- Access a high-performance and secure Remote Console to the server from anywhere in the world.
- Use the shared iLO 3 Remote Console to collaborate with up to six server administrators.

- Remotely mount high-performance Virtual Media devices to the server.
- Securely and remotely control the power state of the managed server.
- Send alerts from iLO 3 regardless of the state of the host server.
- Access advanced troubleshooting features through the iLO 3 interface.

For more information about iLO 3 features (which may require an iLO Advanced Pack or iLO Advanced for BladeSystem license), see the iLO 3 documentation on the Documentation CD or on the HP website (<http://www.hp.com/go/ilo>).

## Erase Utility

---

 **CAUTION:** Perform a backup before running the System Erase Utility. The utility sets the system to its original factory state, deletes the current hardware configuration information, including array setup and disk partitioning, and erases all connected hard drives completely. Refer to the instructions for using this utility.

---

Run the Erase Utility if you must erase the system for the following reasons:

- You want to install a new operating system on a server with an existing operating system.
- You encounter an error when completing the steps of a factory-installed operating system installation.

To access the Erase Utility, use the System Erase button on the home screen of the SmartStart CD ("SmartStart software" on page 73).

## Redundant ROM support

The server enables you to upgrade or configure the ROM safely with redundant ROM support. The server has a single ROM that acts as two separate ROM images. In the standard implementation, one side of the ROM contains the current ROM program version, while the other side of the ROM contains a backup version.

---

**NOTE:** The server ships with the same version programmed on each side of the ROM.

---

## Safety and security benefits

When you flash the system ROM, ROMPaq writes over the backup ROM and saves the current ROM as a backup, enabling you to switch easily to the alternate ROM version if the new ROM becomes corrupted for any reason. This feature protects the existing ROM version, even if you experience a power failure while flashing the ROM.

## USB support

HP provides both standard USB 2.0 support and legacy USB 2.0 support. Standard support is provided by the OS through the appropriate USB device drivers. Before the OS loads, HP provides support for USB devices through legacy USB support, which is enabled by default in the system ROM.

Legacy USB support provides USB functionality in environments where USB support is not available normally. Specifically, HP provides legacy USB functionality for the following:

- POST

- RBSU
- Diagnostics
- DOS
- Operating environments which do not provide native USB support

## Diagnostic tools

### HP Insight Diagnostics

HP Insight Diagnostics is a proactive server management tool, available in both offline and online versions, that provides diagnostics and troubleshooting capabilities to assist IT administrators who verify server installations, troubleshoot problems, and perform repair validation.

HP Insight Diagnostics Offline Edition performs various in-depth system and component testing while the OS is not running. To run this utility, launch the SmartStart CD.

HP Insight Diagnostics Online Edition is a web-based application that captures system configuration and other related data needed for effective server management. Available in Microsoft® Windows® and Linux versions, the utility helps to ensure proper system operation.

For more information or to download the utility, refer to the HP website (<http://www.hp.com/servers/diags>).

### HP Insight Diagnostics survey functionality

HP Insight Diagnostics (on page 80) provides survey functionality that gathers critical hardware and software information on ProLiant servers.

This functionality supports operating systems that may not be supported by the server. For operating systems supported by the server, see the HP website (<http://www.hp.com/go/supportos>).

If a significant change occurs between data-gathering intervals, the survey function marks the previous information and overwrites the survey data files to reflect the latest changes in the configuration.

Survey functionality is installed with every SmartStart-assisted HP Insight Diagnostics installation, or it can be installed through the HP PSP ("ProLiant Support Packs" on page 82).

---

**NOTE:** The current version of SmartStart provides the memory spare part numbers for the server. To download the latest version, see the HP website (<http://www.hp.com/support>).

---

### Integrated Management Log

The IML records hundreds of events and stores them in an easy-to-view form. The IML timestamps each event with 1-minute granularity.

You can view recorded events in the IML in several ways, including the following:

- From within HP SIM
- From within Survey Utility
- From within operating system-specific IML viewers



- For NetWare: IML Viewer
- For Windows®: IML Viewer
- For Linux: IML Viewer Application
- From within the iLO 3 user interface
- From within HP Insight Diagnostics (on page 80)

For more information, see the Management CD in the HP Insight Foundation suite for ProLiant.

## Remote support and analysis tools

### HP Insight Remote Support software

HP strongly recommends that you install HP Insight Remote Support software to complete the installation or upgrade of your product and to enable enhanced delivery of your HP Warranty, HP Care Pack Service, or HP contractual support agreement. HP Insight Remote Support supplements your monitoring, 24 x 7 to ensure maximum system availability by providing intelligent event diagnosis, and automatic, secure submission of hardware event notifications to HP, which will initiate a fast and accurate resolution, based on your product's service level. Notifications may be sent to your authorized HP Channel Partner for on-site service, if configured and available in your country. The software is available in two variants:

- **HP Insight Remote Support Standard:** This software supports server and storage devices and is optimized for environments with 1–50 servers. Ideal for customers who can benefit from proactive notification, but do not need proactive service delivery and integration with a management platform.
- **HP Insight Remote Support Advanced:** This software provides comprehensive remote monitoring and proactive service support for nearly all HP servers, storage, network, and SAN environments, plus selected non-HP servers that have a support obligation with HP. It is integrated with HP Systems Insight Manager. A dedicated server is recommended to host both HP Systems Insight Manager and HP Insight Remote Support Advanced.

Details for both versions are available on the HP website (<http://www.hp.com/go/insightremotesupport>).

To download the software, go to Software Depot (<http://www.software.hp.com>).

Select **Insight Remote Support** from the menu on the right.

## Keeping the system current

### Drivers




---

**IMPORTANT:** Always perform a backup before installing or updating device drivers.

---

The server includes new hardware that may not have driver support on all OS installation media.

If you are installing a SmartStart-supported OS, use the SmartStart software (on page 73) and its Assisted Path feature to install the OS and latest driver support.

If you are installing drivers from the SmartStart CD, be sure that you are using the latest SmartStart version that your server supports. To verify that your server is using the latest supported version, see the HP

website (<http://www.hp.com/support>). For more information, see the documentation provided with the SmartStart CD.

If you do not use the SmartStart CD to install an OS, drivers for some of the new hardware are required. These drivers, as well as other option drivers, ROM images, and value-add software can be downloaded from the HP website (<http://www.hp.com/support>).

To directly locate the OS drivers for a particular server, enter the following web address into the browser:

<http://www.hp.com/support/<servername>>

In place of <servername>, enter the server name.

For example:

<http://www.hp.com/support/dl360g6> (<http://www.hp.com/support/dl360g6>)

## Version control

The VCRM and VCA are Web-enabled Insight Management Agents tools that HP SIM uses to facilitate and schedule software update tasks to the entire enterprise.

- VCRM manages the repository for Windows and Linux PSPs as well as online firmware. Administrators can browse a graphical view of the PSPs or configure VCRM to automatically update the repository with Internet downloads of the latest software from HP.
- VCA compares installed software versions and available updates. Administrators can configure VCA to point to a repository managed by VCRM.

For more information about version control tools, see the *HP Systems Insight Manager Help Guide* and the *Version Control User Guide* on the HP Systems Insight Manager website (<http://www.hp.com/go/hpsim>).

## ProLiant Support Packs

PSPs represent operating system-specific bundles of ProLiant optimized drivers, utilities, and management agents. Refer to the PSP website (<http://h18000.www1.hp.com/products/servers/management/psp.html>).

## Operating System Version Support

For information about specific versions of a supported operating system, refer to the operating system support matrix (<http://www.hp.com/go/supportos>).

## Firmware

The Smart Update Firmware DVD is an organized firmware collection for ProLiant servers and options powered by HP Smart Update Manager (on page 83). The Smart Update Firmware DVD combines the following resources on a single DVD:

- Firmware Maintenance CD
- HP BladeSystem Firmware Deployment Tool (FDT)
- The HP BladeSystem online firmware bundles
- The ProLiant BladeSystem Release Sets

- Offline, automatic mode for HP ProLiant BL, DL, ML, and 100 Series servers
- Firmware deployment support for HP ProLiant 100 Series servers

## HP Smart Update Manager

The HP Smart Update Manager provides intelligent and flexible firmware and software deployment. This technology assists in reducing the complexity of provisioning and updating HP ProLiant Servers, options, and Blades within the datacenter. HP SUM is delivered on The Smart Update Firmware DVD, ProLiant Support Packs, and Easy Set-up CDs.

HP SUM enables system administrators to upgrade ROM images efficiently across a wide range of servers and options. This tool has the following features:

- Enables GUI and a command-line, scriptable interface
- Enables scriptable, command-line deployment
- Requires no agent for remote installations
- Enables dependency checking, which ensures appropriate install order and dependency checking between components
- Deploys software and firmware on Windows and Linux operating systems
- Performs local or remote (one-to-many) online deployment
- Deploys firmware and software together
- Supports offline and online deployment
- Deploys necessary component updates only (except Linux RPMs)
- Downloads the latest components from Web (except Linux RPMs)
- Enables direct update of BMC firmware (iLO and LO100i)

For more information about HP Smart Update Manager and to access the *HP Smart Update Manager User Guide*, see the HP website (<http://www.hp.com/go/foundation>).

## Change control and proactive notification

HP offers Change Control and Proactive Notification to notify customers 30 to 60 days in advance of upcoming hardware and software changes on HP commercial products.

For more information, refer to the HP website (<http://www.hp.com/go/pcn>).

## Care Pack

HP Care Pack Services offer upgraded service levels to extend and expand bundled services with easy-to-buy, easy-to-use support packages that help you make the most of your server investments. For more information, see the HP website (<http://www.hp.com/services/carepack>).

---

# Troubleshooting

## Troubleshooting resources

The *HP ProLiant Servers Troubleshooting Guide* provides procedures for resolving common problems and comprehensive courses of action for fault isolation and identification, error message interpretation, issue resolution, and software maintenance on ProLiant servers and server blades. This guide includes problem-specific flowcharts to help you navigate complex troubleshooting processes. To view the guide, select a language:

- English ([http://www.hp.com/support/ProLiant\\_TSG\\_en](http://www.hp.com/support/ProLiant_TSG_en))
- French ([http://www.hp.com/support/ProLiant\\_TSG\\_fr](http://www.hp.com/support/ProLiant_TSG_fr))
- Italian ([http://www.hp.com/support/ProLiant\\_TSG\\_it](http://www.hp.com/support/ProLiant_TSG_it))
- Spanish ([http://www.hp.com/support/ProLiant\\_TSG\\_sp](http://www.hp.com/support/ProLiant_TSG_sp))
- German ([http://www.hp.com/support/ProLiant\\_TSG\\_gr](http://www.hp.com/support/ProLiant_TSG_gr))
- Dutch ([http://www.hp.com/support/ProLiant\\_TSG\\_nl](http://www.hp.com/support/ProLiant_TSG_nl))
- Japanese ([http://www.hp.com/support/ProLiant\\_TSG\\_jp](http://www.hp.com/support/ProLiant_TSG_jp))

## Pre-diagnostic steps



---

**WARNING:** To avoid potential problems, ALWAYS read the warnings and cautionary information in the server documentation before removing, replacing, reseating, or modifying system components.

---



---

**IMPORTANT:** This guide provides information for multiple servers. Some information may not apply to the server you are troubleshooting. Refer to the server documentation for information on procedures, hardware options, software tools, and operating systems supported by the server.

---

1. Review the important safety information (on page 84).
2. Gather symptom information (on page 86).
3. Prepare the server for diagnosis (on page 87).
4. Use the Start diagnosis flowchart (on page 88) to begin the diagnostic process.

## Important safety information

Familiarize yourself with the safety information in the following sections before troubleshooting the server.



### Important safety information

Before servicing this product, read the *Important Safety Information* document provided with the server.

## Symbols on equipment

The following symbols may be placed on equipment to indicate the presence of potentially hazardous conditions.



This symbol indicates the presence of hazardous energy circuits or electric shock hazards. Refer all servicing to qualified personnel.

**WARNING:** To reduce the risk of injury from electric shock hazards, do not open this enclosure. Refer all maintenance, upgrades, and servicing to qualified personnel.



This symbol indicates the presence of electric shock hazards. The area contains no user or field serviceable parts. Do not open for any reason.

**WARNING:** To reduce the risk of injury from electric shock hazards, do not open this enclosure.



This symbol on an RJ-45 receptacle indicates a network interface connection.

**WARNING:** To reduce the risk of electric shock, fire, or damage to the equipment, do not plug telephone or telecommunications connectors into this receptacle.



This symbol indicates the presence of a hot surface or hot component. If this surface is contacted, the potential for injury exists.

**WARNING:** To reduce the risk of injury from a hot component, allow the surface to cool before touching.



47.6 kg  
105.0 lb

This symbol indicates that the component exceeds the recommended weight for one individual to handle safely.

**WARNING:** To reduce the risk of personal injury or damage to the equipment, observe local occupational health and safety requirements and guidelines for manual material handling.



These symbols, on power supplies or systems, indicate that the equipment is supplied by multiple sources of power.

**WARNING:** To reduce the risk of injury from electric shock, remove all power cords to completely disconnect power from the system.

## Warnings and cautions



**WARNING:** Only authorized technicians trained by HP should attempt to repair this equipment. All troubleshooting and repair procedures are detailed to allow only subassembly/module-level repair. Because of the complexity of the individual boards and subassemblies, no one should attempt to make repairs at the component level or to make modifications to any printed wiring board. Improper repairs can create a safety hazard.



**WARNING:** To reduce the risk of personal injury or damage to the equipment, be sure that:

- The leveling feet are extended to the floor.
- The full weight of the rack rests on the leveling feet.
- The stabilizing feet are attached to the rack if it is a single-rack installation.
- The racks are coupled together in multiple-rack installations.
- Only one component is extended at a time. A rack may become unstable if more than one component is extended for any reason.



---

**WARNING:** To reduce the risk of electric shock or damage to the equipment:

- Do not disable the power cord grounding plug. The grounding plug is an important safety feature.
  - Plug the power cord into a grounded (earthed) electrical outlet that is easily accessible at all times.
  - Unplug the power cord from the power supply to disconnect power to the equipment.
  - Do not route the power cord where it can be walked on or pinched by items placed against it. Pay particular attention to the plug, electrical outlet, and the point where the cord extends from the server.
- 



47.6 kg  
105.0 lb

---

**WARNING:** To reduce the risk of personal injury or damage to the equipment:

- Observe local occupation health and safety requirements and guidelines for manual handling.
  - Obtain adequate assistance to lift and stabilize the chassis during installation or removal.
  - The server is unstable when not fastened to the rails.
  - When mounting the server in a rack, remove the power supplies and any other removable module to reduce the overall weight of the product.
- 



**CAUTION:** To properly ventilate the system, you must provide at least 7.6 cm (3.0 in) of clearance at the front and back of the server.

---



**CAUTION:** The server is designed to be electrically grounded (earthed). To ensure proper operation, plug the AC power cord into a properly grounded AC outlet only.

---

## Symptom information

Before troubleshooting a server problem, collect the following information:

- What events preceded the failure? After which steps does the problem occur?
- What has been changed since the time the server was working?
- Did you recently add or remove hardware or software? If so, did you remember to change the appropriate settings in the server setup utility, if necessary?
- How long has the server exhibited problem symptoms?
- If the problem occurs randomly, what is the duration or frequency?

To answer these questions, the following information may be useful:

- Run HP Insight Diagnostics (on page 80) and use the survey page to view the current configuration or to compare it to previous configurations.
- Refer to your hardware and software records for information.
- Refer to server LEDs and their statuses.

## Prepare the server for diagnosis

1. Be sure the server is in the proper operating environment with adequate power, air conditioning, and humidity control. For required environmental conditions, see the server documentation.
2. Record any error messages displayed by the system.
3. Remove all diskettes, CD-ROMs, DVD-ROMs, and USB drive keys.
4. Power down the server and peripheral devices if you will be diagnosing the server offline. If possible, always perform an orderly shutdown:
  - a. Exit any applications.
  - b. Exit the operating system.
  - c. Power down the server (on page 25).
5. Disconnect any peripheral devices not required for testing (any devices not necessary to power up the server). Do not disconnect the printer if you want to use it to print error messages.
6. Collect all tools and utilities, such as a Torx screwdriver, loopback adapters, ESD wrist strap, and software utilities, necessary to troubleshoot the problem.
  - o You must have the appropriate Health Drivers and Management Agents installed on the server. To verify the server configuration, connect to the System Management homepage and select **Version Control Agent**. The VCA gives you a list of names and versions of all installed HP drivers, Management Agents, and utilities, and whether they are up-to-date.
  - o HP recommends you have access to the server documentation for server-specific information.
  - o HP recommends you have access to the SmartStart CD for value-added software and drivers required during the troubleshooting process. Download the current version of SmartStart from the HP website (<http://www.hp.com/servers/smartstart>).

## Loose connections

### Action:

- Be sure all power cords are securely connected.
- Be sure all cables are properly aligned and securely connected for all external and internal components.
- Remove and check all data and power cables for damage. Be sure no cables have bent pins or damaged connectors.
- If a fixed cable tray is available for the server, be sure the cords and cables connected to the server are routed correctly through the tray.
- Be sure each device is properly seated. Avoid bending or flexing circuit boards when reseating components.
- If a device has latches, be sure they are completely closed and locked.
- Check any interlock or interconnect LEDs that may indicate a component is not connected properly.
- If problems continue to occur, remove and reinstall each device, checking the connectors and sockets for bent pins or other damage.

# Service notifications

To view the latest service notifications, refer to the HP website (<http://www.hp.com/go/bizsupport>). Select the appropriate server model, and then click the **Troubleshoot a Problem** link on the product page.

## Troubleshooting flowcharts

To effectively troubleshoot a problem, HP recommends that you start with the first flowchart in this section, "Start diagnosis flowchart (on page 88)," and follow the appropriate diagnostic path. If the other flowcharts do not provide a troubleshooting solution, follow the diagnostic steps in "General diagnosis flowchart (on page 89)." The General diagnosis flowchart is a generic troubleshooting process to be used when the problem is not server-specific or is not easily categorized into the other flowcharts.

The available flowcharts include:

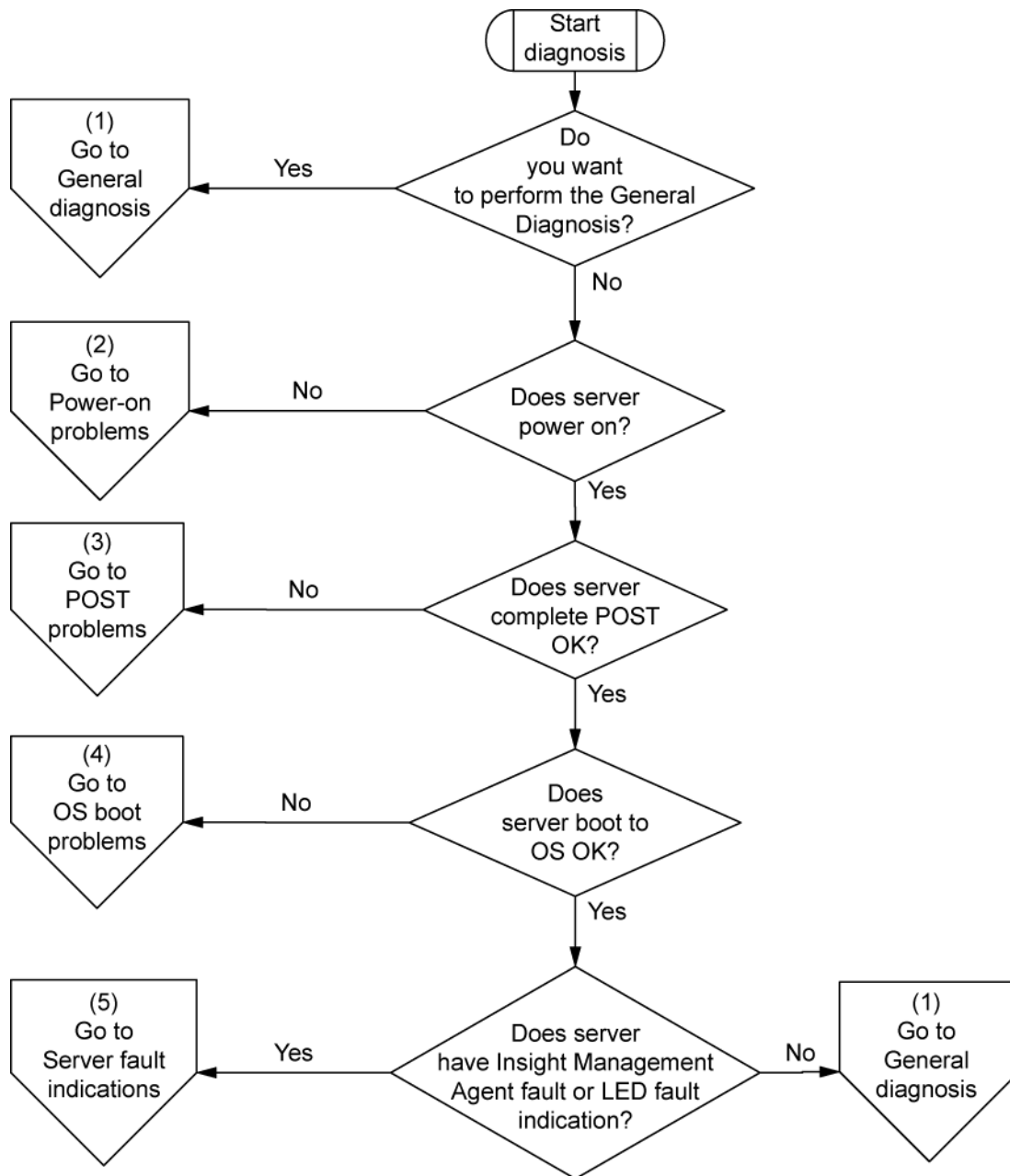
- Start diagnosis flowchart (on page 88)
- General diagnosis flowchart (on page 89)
- Server power-on problems flowchart (on page 91)
- POST problems flowchart (on page 94)
- OS boot problems flowchart (on page 95)
- Server fault indications flowchart (on page 97)

## Start diagnosis flowchart

Use the following flowchart to start the diagnostic process.

Item	Refer to
1	"General diagnosis flowchart (on page 89)"
2	"Power-on problems flowchart ("Server power-on problems flowchart" on page 91)"
3	"POST problems flowchart (on page 94)"
4	"OS boot problems flowchart (on page 95)"
5	"Server fault indications flowchart (on page 97)"



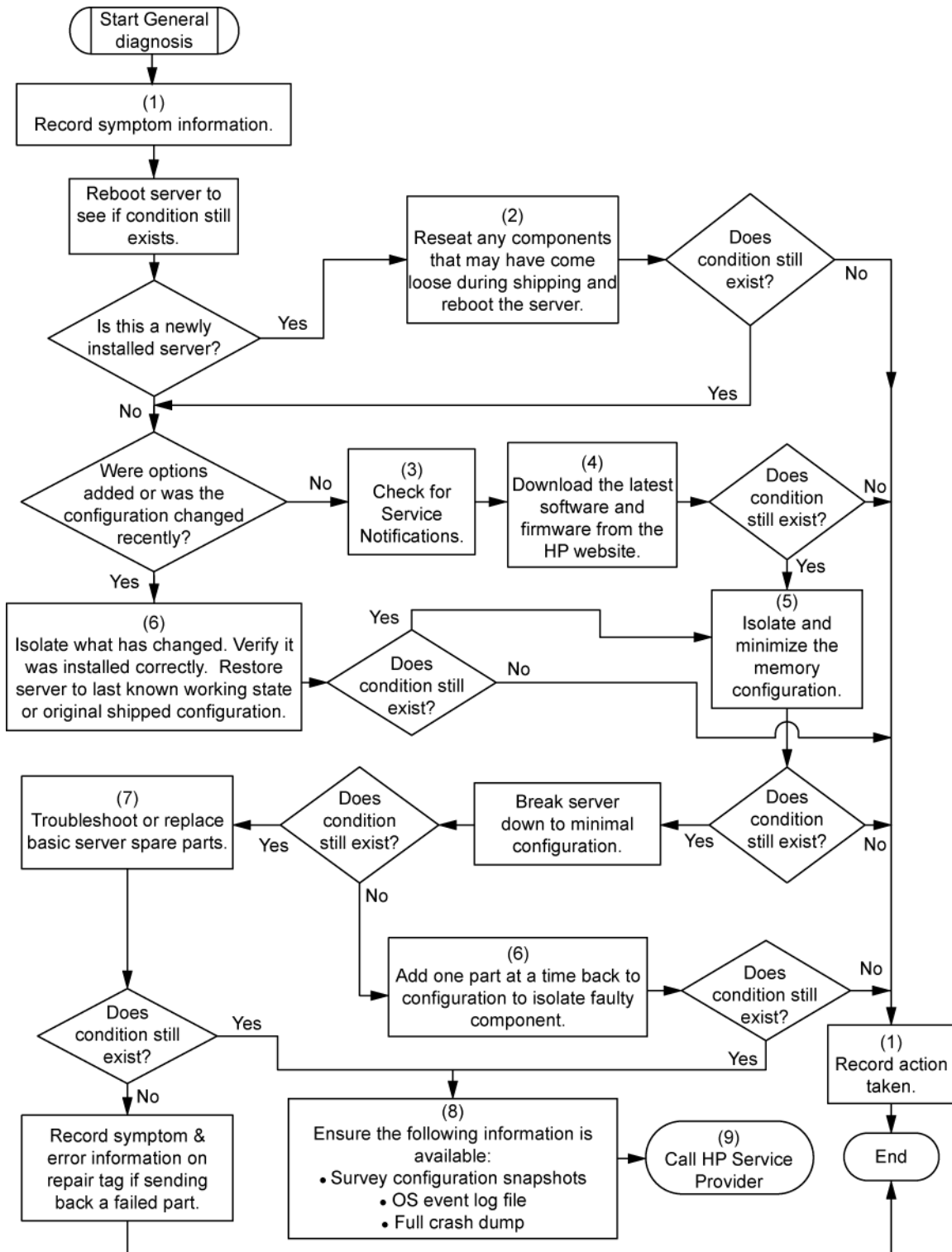


## General diagnosis flowchart

The General diagnosis flowchart provides a generic approach to troubleshooting. If you are unsure of the problem, or if the other flowcharts do not fix the problem, use the following flowchart.

Item	Refer to
1	"Symptom information (on page 86)"
2	"Loose connections (on page 87)"
3	"Service notifications (on page 88)"
4	The most recent version of a particular server or option firmware is available on the HP Support website ( <a href="http://www.hp.com/support">http://www.hp.com/support</a> ).

Item	Refer to
5	"General memory problems are occurring" in the <i>HP ProLiant Servers Troubleshooting Guide</i> located on the Documentation CD or on the HP website ( <a href="http://www.hp.com/support">http://www.hp.com/support</a> )
6	Server maintenance and service guide, located on the Documentation CD or the HP website ( <a href="http://www.hp.com/products/servers/platforms">http://www.hp.com/products/servers/platforms</a> )
7	<ul style="list-style-type: none"> <li>• Server maintenance and service guide, located on the Documentation CD or the HP website (<a href="http://www.hp.com/products/servers/platforms">http://www.hp.com/products/servers/platforms</a>)</li> <li>• "Hardware problems" in the <i>HP ProLiant Servers Troubleshooting Guide</i> located on the Documentation CD or on the HP website (<a href="http://www.hp.com/support">http://www.hp.com/support</a>)</li> </ul>
8	<ul style="list-style-type: none"> <li>• "Server information you need" in the <i>HP ProLiant Servers Troubleshooting Guide</i> located on the Documentation CD or on the HP website (<a href="http://www.hp.com/support">http://www.hp.com/support</a>)</li> <li>• "Operating system information you need" in the <i>HP ProLiant Servers Troubleshooting Guide</i> located on the Documentation CD or on the HP website (<a href="http://www.hp.com/support">http://www.hp.com/support</a>)</li> </ul>
9	"HP contact information (on page 112)"



## Server power-on problems flowchart

Symptoms:

- The server does not power on.
- The system power LED is off or amber.

- The external health LED is red or amber.
- The internal health LED is red or amber.

---

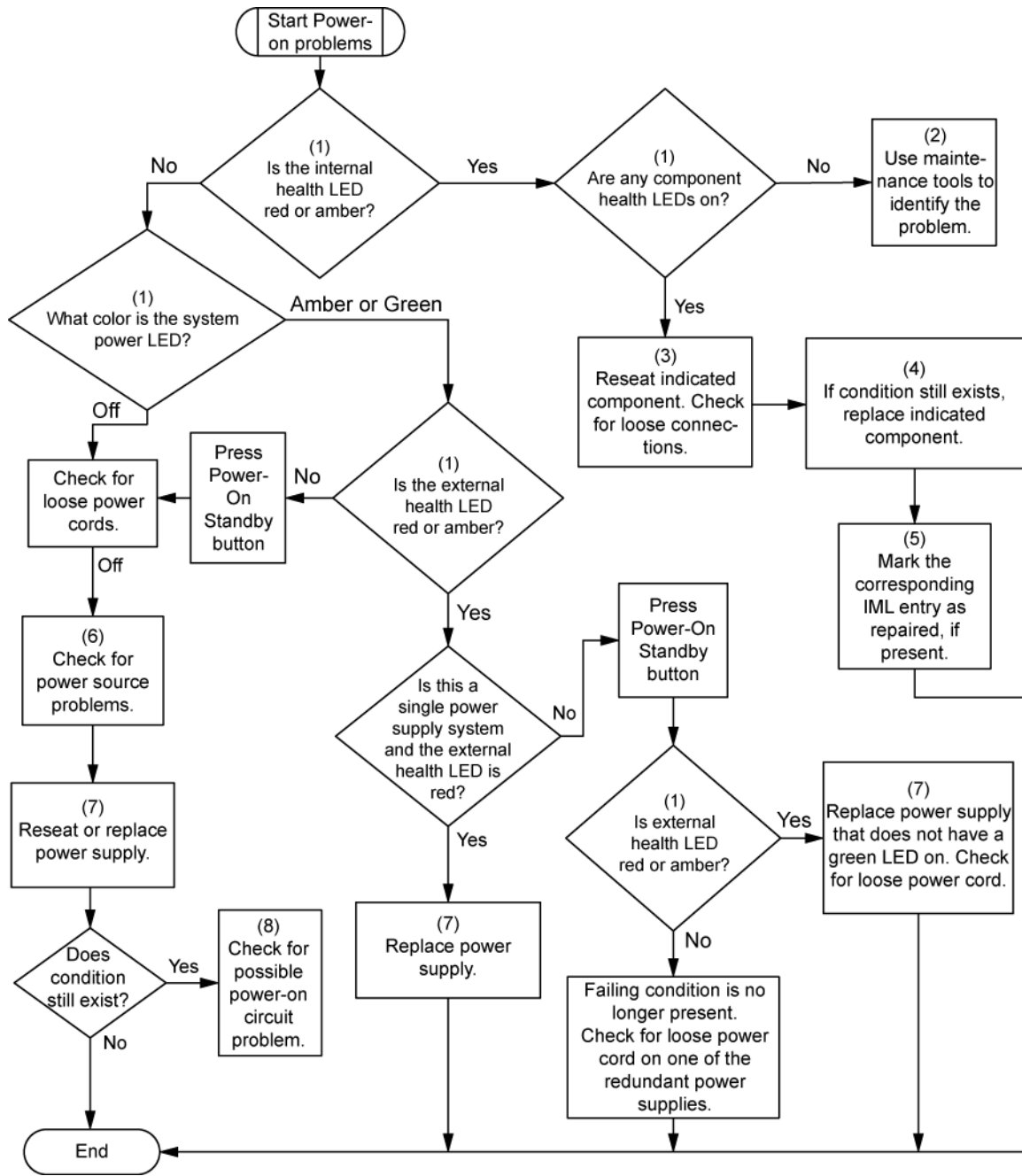
**NOTE:** For the location of server LEDs and information on their statuses, refer to the server documentation.

---

Possible causes:

- Improperly seated or faulty power supply
- Loose or faulty power cord
- Power source problem
- Power on circuit problem
- Improperly seated component or interlock problem
- Faulty internal component

Item	Refer to
1	"Component identification (on page 7)"
2	"HP Insight Diagnostics (on page 80)" or in the <i>HP ProLiant Servers Troubleshooting Guide</i> located on the Documentation CD or on the HP website ( <a href="http://www.hp.com/support">http://www.hp.com/support</a> )
3	"Loose connections (on page 87)"
4	Server maintenance and service guide, located on the Documentation CD, or the HP website ( <a href="http://www.hp.com/products/servers/platforms">http://www.hp.com/products/servers/platforms</a> )
5	"Integrated Management Log (on page 80)" or in the <i>HP ProLiant Servers Troubleshooting Guide</i> located on the Documentation CD or on the HP website ( <a href="http://www.hp.com/support">http://www.hp.com/support</a> )
6	"Power source problems" in the <i>HP ProLiant Servers Troubleshooting Guide</i> located on the Documentation CD or on the HP website ( <a href="http://www.hp.com/support">http://www.hp.com/support</a> )
7	<ul style="list-style-type: none"> <li>• "Power supply problems" in the <i>HP ProLiant Servers Troubleshooting Guide</i> located on the Documentation CD or on the HP website (<a href="http://www.hp.com/support">http://www.hp.com/support</a>)</li> <li>• Server maintenance and service guide, located on the Documentation CD, or the HP website (<a href="http://www.hp.com/products/servers/platforms">http://www.hp.com/products/servers/platforms</a>)</li> </ul>
8	"System open circuits and short circuits" in the <i>HP ProLiant Servers Troubleshooting Guide</i> located on the Documentation CD or on the HP website ( <a href="http://www.hp.com/support">http://www.hp.com/support</a> )



# POST problems flowchart

Symptoms:

- Server does not complete POST

---

**NOTE:** The server has completed POST when the system attempts to access the boot device.

---

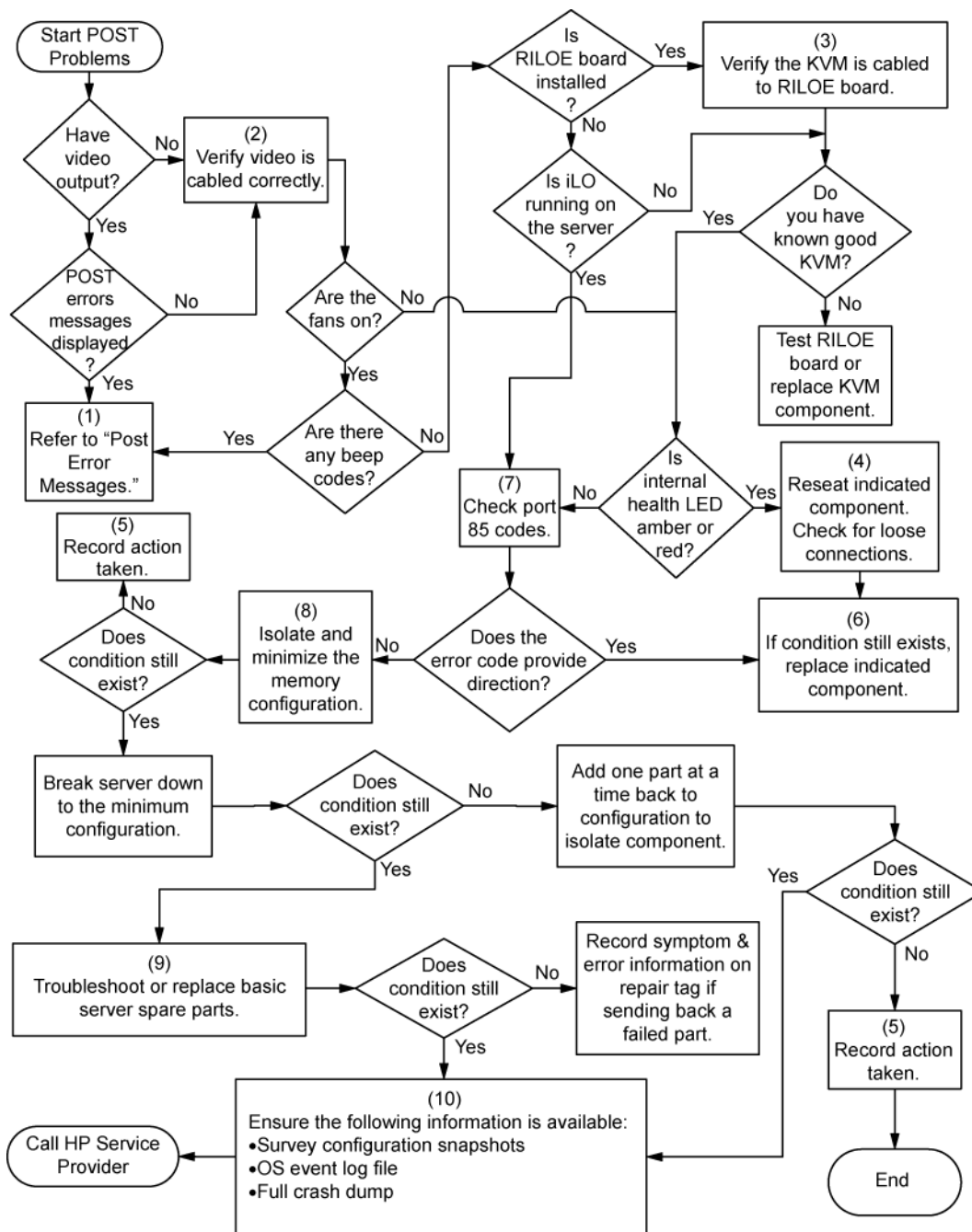
- Server completes POST with errors

Possible problems:

- Improperly seated or faulty internal component
- Faulty KVM device
- Faulty video device

Item	Refer to
1	"POST error messages and beep codes (on page 99)"
2	"Video problems" in the <i>HP ProLiant Servers Troubleshooting Guide</i> located on the Documentation CD or on the HP website ( <a href="http://www.hp.com/support">http://www.hp.com/support</a> )
3	KVM or iLO 3 documentation
4	"Loose connections (on page 87)"
5	"Symptom information (on page 86)"
6	Server maintenance and service guide, located on the Documentation CD or the HP website ( <a href="http://www.hp.com/products/servers/platforms">http://www.hp.com/products/servers/platforms</a> )
7	"Port 85 and iLO messages" in the <i>HP ProLiant Servers Troubleshooting Guide</i> located on the Documentation CD or on the HP website ( <a href="http://www.hp.com/support">http://www.hp.com/support</a> )
8	"General memory problems are occurring" in the <i>HP ProLiant Servers Troubleshooting Guide</i> located on the Documentation CD or on the HP website ( <a href="http://www.hp.com/support">http://www.hp.com/support</a> )
9	<ul style="list-style-type: none"> <li>• "Hardware problems" in the <i>HP ProLiant Servers Troubleshooting Guide</i> located on the Documentation CD or on the HP website (<a href="http://www.hp.com/support">http://www.hp.com/support</a>)</li> <li>• Server maintenance and service guide, located on the Documentation CD or the HP website (<a href="http://www.hp.com/products/servers/platforms">http://www.hp.com/products/servers/platforms</a>)</li> </ul>
10	<ul style="list-style-type: none"> <li>• "Server information you need" in the <i>HP ProLiant Servers Troubleshooting Guide</i> located on the Documentation CD or on the HP website (<a href="http://www.hp.com/support">http://www.hp.com/support</a>)</li> <li>• "Operating system information you need" in the <i>HP ProLiant Servers Troubleshooting Guide</i> located on the Documentation CD or on the HP website (<a href="http://www.hp.com/support">http://www.hp.com/support</a>)</li> </ul>

Item	Refer to
------	----------



## OS boot problems flowchart

Symptoms:

- Server does not boot a previously installed operating system

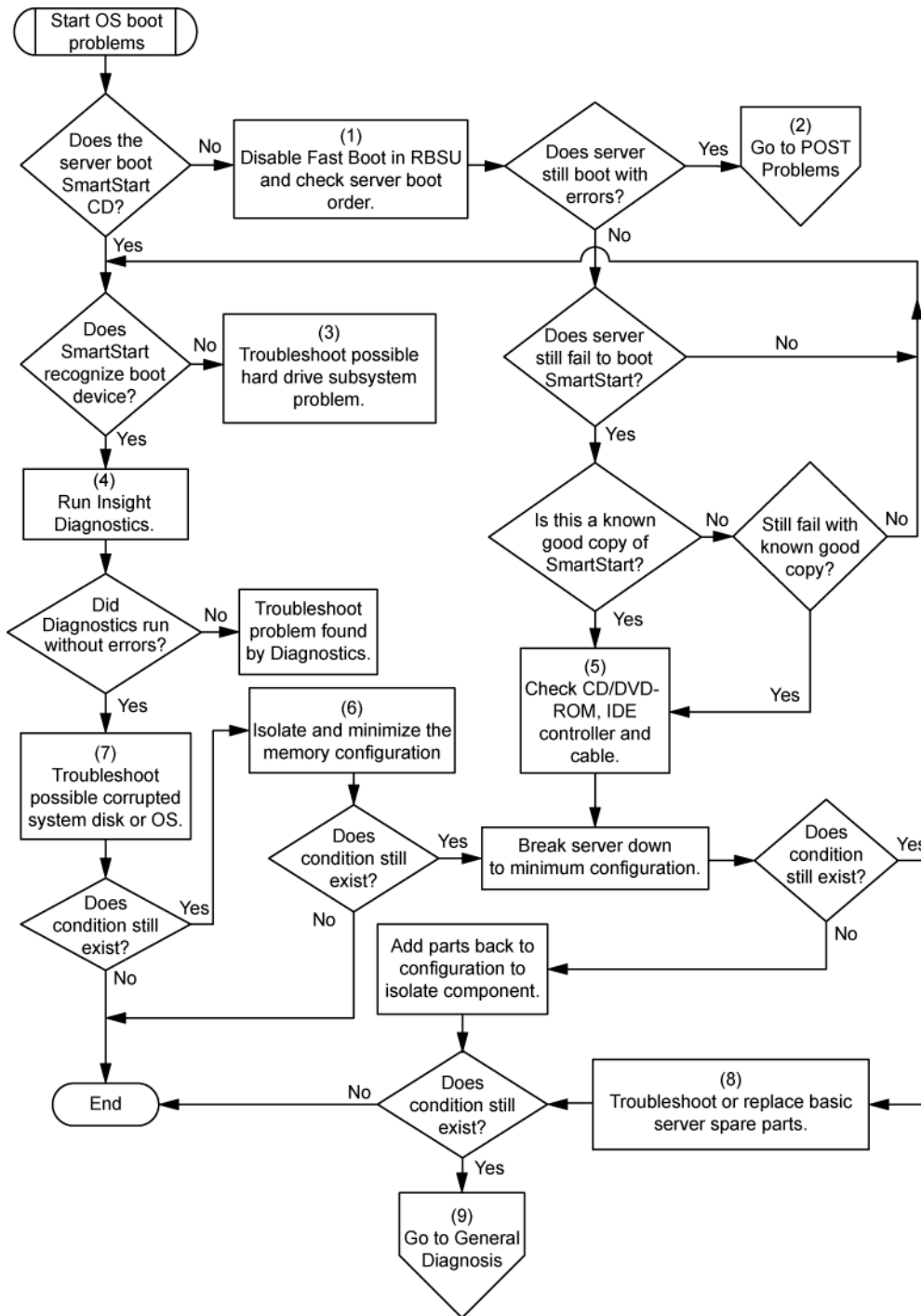
- Server does not boot SmartStart

Possible causes:

- Corrupted operating system
- Hard drive subsystem problem
- Incorrect boot order setting in RBSU

Item	Refer to
1	<i>HP ROM-Based Setup Utility User Guide</i> ( <a href="http://www.hp.com/servers/smartstart">http://www.hp.com/servers/smartstart</a> )
2	"POST problems flowchart (on page 94)"
3	<ul style="list-style-type: none"> <li>• "Hard drive problems" in the <i>HP ProLiant Servers Troubleshooting Guide</i> located on the Documentation CD or on the HP website (<a href="http://www.hp.com/support">http://www.hp.com/support</a>)</li> <li>• Controller documentation</li> </ul>
4	"HP Insight Diagnostics (on page 80)" or in the <i>HP ProLiant Servers Troubleshooting Guide</i> located on the Documentation CD or on the HP website ( <a href="http://www.hp.com/support">http://www.hp.com/support</a> )
5	<ul style="list-style-type: none"> <li>• "CD-ROM and DVD drive problems" in the <i>HP ProLiant Servers Troubleshooting Guide</i> located on the Documentation CD or on the HP website (<a href="http://www.hp.com/support">http://www.hp.com/support</a>)</li> <li>• Controller documentation</li> <li>• "Loose connections (on page 87)"</li> </ul>
6	"General memory problems are occurring" in the <i>HP ProLiant Servers Troubleshooting Guide</i> located on the Documentation CD or on the HP website ( <a href="http://www.hp.com/support">http://www.hp.com/support</a> )
7	<ul style="list-style-type: none"> <li>• "Operating system problems" in the <i>HP ProLiant Servers Troubleshooting Guide</i> located on the Documentation CD or on the HP website (<a href="http://www.hp.com/support">http://www.hp.com/support</a>)</li> <li>• "HP contact information (on page 112)"</li> </ul>
8	<ul style="list-style-type: none"> <li>• "Hardware problems" in the <i>HP ProLiant Servers Troubleshooting Guide</i> located on the Documentation CD or on the HP website (<a href="http://www.hp.com/support">http://www.hp.com/support</a>)</li> <li>• Server maintenance and service guide, located on the Documentation CD or the HP website (<a href="http://www.hp.com/products/servers/platforms">http://www.hp.com/products/servers/platforms</a>)</li> </ul>
9	"General diagnosis flowchart (on page 89)"





## Server fault indications flowchart

Symptoms:

- Server boots, but a fault event is reported by Insight Management Agents
- Server boots, but the internal health LED, external health LED, or component health LED is red or amber

---

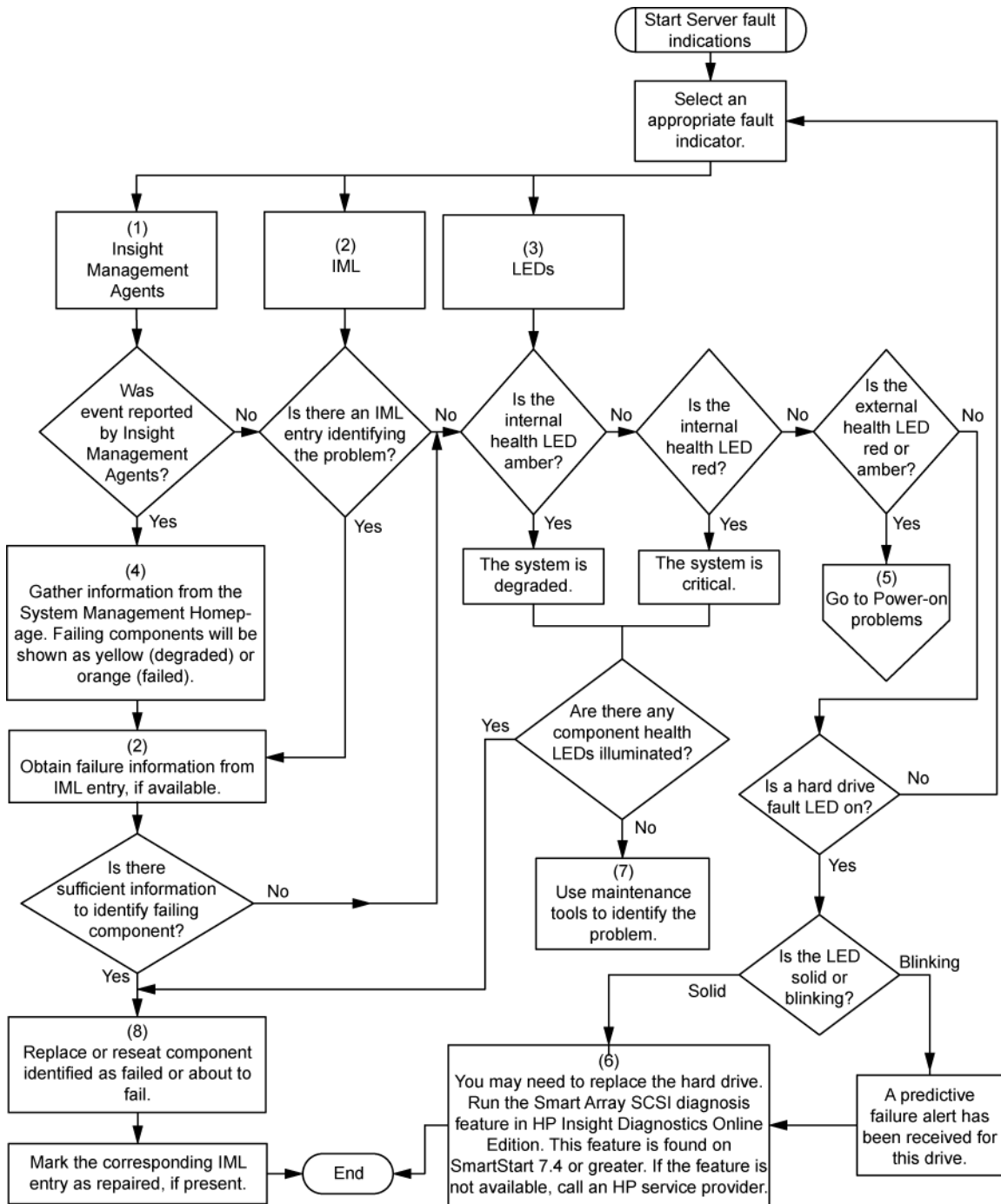
**NOTE:** For the location of server LEDs and information on their statuses, refer to the server documentation.

---

Possible causes:

- Improperly seated or faulty internal or external component
- Unsupported component installed
- Redundancy failure
- System overtemperature condition

Item	Refer to
1	"Management agents" or in the <i>HP ProLiant Servers Troubleshooting Guide</i> located on the Documentation CD or on the HP website ( <a href="http://www.hp.com/support">http://www.hp.com/support</a> )
2	<ul style="list-style-type: none"> <li>• "Integrated Management Log (on page 80)" or in the <i>HP ProLiant Servers Troubleshooting Guide</i> located on the Documentation CD or on the HP website (<a href="http://www.hp.com/support">http://www.hp.com/support</a>)</li> <li>• "Event list error messages" in the <i>HP ProLiant Servers Troubleshooting Guide</i> located on the Documentation CD or on the HP website (<a href="http://www.hp.com/support">http://www.hp.com/support</a>)</li> </ul>
3	"Component identification (on page 7)"
4	System Management Homepage ( <a href="https://localhost:2381">https://localhost:2381</a> )
5	"Power-on problems flowchart ("Server power-on problems flowchart" on page 91)"
6	<ul style="list-style-type: none"> <li>• "Smart Array SCSI Diagnosis feature" in the <i>HP ProLiant Servers Troubleshooting Guide</i> located on the Documentation CD or on the HP website (<a href="http://www.hp.com/support">http://www.hp.com/support</a>)</li> <li>• Server maintenance and service guide, located on the Documentation CD or the HP website (<a href="http://www.hp.com/products/servers/platforms">http://www.hp.com/products/servers/platforms</a>)</li> <li>• "HP contact information (on page 112)"</li> </ul>
7	"HP Insight Diagnostics (on page 80)" or in the <i>HP ProLiant Servers Troubleshooting Guide</i> located on the Documentation CD or on the HP website ( <a href="http://www.hp.com/support">http://www.hp.com/support</a> )
8	<ul style="list-style-type: none"> <li>• "Hardware problems" in the <i>HP ProLiant Servers Troubleshooting Guide</i> located on the Documentation CD or on the HP website (<a href="http://www.hp.com/support">http://www.hp.com/support</a>)</li> <li>• Server maintenance and service guide, located on the Documentation CD or the HP website (<a href="http://www.hp.com/products/servers/platforms">http://www.hp.com/products/servers/platforms</a>)</li> </ul>



## POST error messages and beep codes

For a complete listing of error messages, refer to the "POST error messages" in the *HP ProLiant Servers Troubleshooting Guide* located on the Documentation CD or on the HP website (<http://www.hp.com/support>).



**WARNING:** To avoid potential problems, ALWAYS read the warnings and cautionary information in the server documentation before removing, replacing, reseating, or modifying system components.

# Battery replacement

If the server no longer automatically displays the correct date and time, you may need to replace the battery that provides power to the real-time clock.

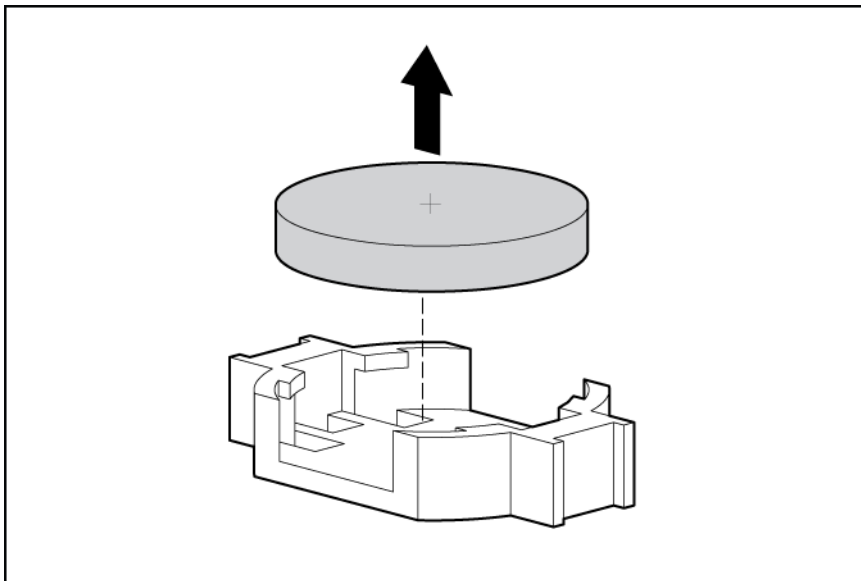


**WARNING:** The computer contains an internal lithium manganese dioxide, a vanadium pentoxide, or an alkaline battery pack. A risk of fire and burns exists if the battery pack is not properly handled. To reduce the risk of personal injury:

- Do not attempt to recharge the battery.
- Do not expose the battery to temperatures higher than 60°C (140°F).
- Do not disassemble, crush, puncture, short external contacts, or dispose of in fire or water.
- Replace only with the spare designated for this product.

To remove the component:

1. Power down the server (on page 25).
2. Extend the server from the rack (on page 25).
3. Remove the access panel (on page 26).
4. Locate the battery ("[SPI board components](#)" on page 15).
5. Remove the battery.



To replace the component, reverse the removal procedure.

For more information about battery replacement or proper disposal, contact an authorized reseller or an authorized service provider.

---

# Regulatory compliance notices

## Regulatory compliance identification numbers

For the purpose of regulatory compliance certifications and identification, this product has been assigned a unique regulatory model number. The regulatory model number can be found on the product nameplate label, along with all required approval markings and information. When requesting compliance information for this product, always refer to this regulatory model number. The regulatory model number is not the marketing name or model number of the product.

## Federal Communications Commission notice

Part 15 of the Federal Communications Commission (FCC) Rules and Regulations has established Radio Frequency (RF) emission limits to provide an interference-free radio frequency spectrum. Many electronic devices, including computers, generate RF energy incidental to their intended function and are, therefore, covered by these rules. These rules place computers and related peripheral devices into two classes, A and B, depending upon their intended installation. Class A devices are those that may reasonably be expected to be installed in a business or commercial environment. Class B devices are those that may reasonably be expected to be installed in a residential environment (for example, personal computers). The FCC requires devices in both classes to bear a label indicating the interference potential of the device as well as additional operating instructions for the user.

## FCC rating label

The FCC rating label on the device shows the classification (A or B) of the equipment. Class B devices have an FCC logo or ID on the label. Class A devices do not have an FCC logo or ID on the label. After you determine the class of the device, refer to the corresponding statement.

## Class A equipment

This equipment has been tested and found to comply with the limits for a Class A digital device, pursuant to Part 15 of the FCC Rules. These limits are designed to provide reasonable protection against harmful interference when the equipment is operated in a commercial environment. This equipment generates, uses, and can radiate radio frequency energy and, if not installed and used in accordance with the instructions, may cause harmful interference to radio communications. Operation of this equipment in a residential area is likely to cause harmful interference, in which case the user will be required to correct the interference at personal expense.

## Class B equipment

This equipment has been tested and found to comply with the limits for a Class B digital device, pursuant to Part 15 of the FCC Rules. These limits are designed to provide reasonable protection against harmful interference in a residential installation. This equipment generates, uses, and can radiate radio frequency energy and, if not installed and used in accordance with the instructions, may cause harmful interference

to radio communications. However, there is no guarantee that interference will not occur in a particular installation. If this equipment does cause harmful interference to radio or television reception, which can be determined by turning the equipment off and on, the user is encouraged to try to correct the interference by one or more of the following measures:

- Reorient or relocate the receiving antenna.
- Increase the separation between the equipment and receiver.
- Connect the equipment into an outlet on a circuit that is different from that to which the receiver is connected.
- Consult the dealer or an experienced radio or television technician for help.

## Declaration of conformity for products marked with the FCC logo, United States only

This device complies with Part 15 of the FCC Rules. Operation is subject to the following two conditions: (1) this device may not cause harmful interference, and (2) this device must accept any interference received, including interference that may cause undesired operation.

For questions regarding this product, contact us by mail or telephone:

- Hewlett-Packard Company  
P. O. Box 692000, Mail Stop 530113  
Houston, Texas 77269-2000
- 1-800-HP-INVENT (1-800-474-6836). (For continuous quality improvement, calls may be recorded or monitored.)

For questions regarding this FCC declaration, contact us by mail or telephone:

- Hewlett-Packard Company  
P. O. Box 692000, Mail Stop 510101  
Houston, Texas 77269-2000
- 1-281-514-3333

To identify this product, refer to the part, series, or model number found on the product.

## Modifications

The FCC requires the user to be notified that any changes or modifications made to this device that are not expressly approved by Hewlett-Packard Company may void the user's authority to operate the equipment.

## Cables

Connections to this device must be made with shielded cables with metallic RFI/EMI connector hoods in order to maintain compliance with FCC Rules and Regulations.

# Canadian notice (Avis Canadien)

## **Class A equipment**

This Class A digital apparatus meets all requirements of the Canadian Interference-Causing Equipment Regulations.

Cet appareil numérique de la classe A respecte toutes les exigences du Règlement sur le matériel brouilleur du Canada.

## **Class B equipment**

This Class B digital apparatus meets all requirements of the Canadian Interference-Causing Equipment Regulations.

Cet appareil numérique de la classe B respecte toutes les exigences du Règlement sur le matériel brouilleur du Canada.

# European Union regulatory notice

Products bearing the CE marking comply with the following EU Directives:

- Low Voltage Directive 2006/95/EC
- EMC Directive 2004/108/EC
- Ecodesign Directive 2009/125/EC, where applicable

CE compliance of this product is valid if powered with the correct CE-marked AC adapter provided by HP.

Compliance with these directives implies conformity to applicable harmonized European standards (European Norms) that are listed in the EU Declaration of Conformity issued by HP for this product or product family and available (in English only) either within the product documentation or at the following HP website (<http://www.hp.eu/certificates>) (type the product number in the search field).

The compliance is indicated by one of the following conformity markings placed on the product:

For non-telecommunications products and for EU harmonized telecommunications products, such as Bluetooth® within power class below 10mW.



For EU non-harmonized telecommunications products (If applicable, a 4-digit notified body number is inserted between CE and !).



Please refer to the regulatory label provided on the product.

The point of contact for regulatory matters is Hewlett-Packard GmbH, Dept./MS: HQ-TRE, Herrenberger Strasse 140, 71034 Boeblingen, GERMANY.

# Disposal of waste equipment by users in private households in the European Union



This symbol on the product or on its packaging indicates that this product must not be disposed of with your other household waste. Instead, it is your responsibility to dispose of your waste equipment by handing it over to a designated collection point for the recycling of waste electrical and electronic equipment. The separate collection and recycling of your waste equipment at the time of disposal will help to conserve natural resources and ensure that it is recycled in a manner that protects human health and the environment. For more information about where you can drop off your waste equipment for recycling, please contact your local city office, your household waste disposal service or the shop where you purchased the product.

## Japanese notice

ご使用になっている装置に VCCI マークが付いていましたら、次の説明文をお読み下さい。

この装置は、クラス B 情報技術装置です。この装置は、家庭環境で使用することを目的としていますが、この装置がラジオやテレビジョン受信機に近接して使用されると、受信障害を引き起こすことがあります。取扱説明書に従って正しい取り扱いをして下さい。

VCCI-B

VCCI マークが付いていない場合には、次の点にご注意下さい。

この装置は、クラス A 情報技術装置です。この装置を家庭環境で使用すると電波妨害を引き起こすことがあります。この場合には使用者は適切な対策を講ずるよう要求されることがあります。

VCCI-A

## BSMI notice

警告使用者:

這是甲類的資訊產品，在居住的環境中使用時，可能會造成射頻干擾，在這種情況下，使用者會被要求採取某些適當的對策。



## Korean notice

### Class A equipment

A급 기기 (업무용 방송통신기기)	이 기기는 업무용(A급)으로 전자파적합등록을 한 기기이오니 판매자 또는 사용자는 이 점을 주의하시기 바라며, 가정 외의 지역에서 사용하는 것을 목적으로 합니다.
-----------------------	---

### Class B equipment

B급 기기 (가정용 방송통신기기)	이 기기는 가정용(B급)으로 전자파적합등록을 한 기기로서 주로 가정에서 사용하는 것을 목적으로 하며, 모든 지역에서 사용할 수 있습니다.
-----------------------	--

## Chinese notice

### Class A equipment

#### 声明

此为 A 级产品，在生活环境中，该产品可能会造成无线电干扰。在这种情况下，可能需要用户对其干扰采取可行的措施。

## Laser compliance

This product may be provided with an optical storage device (that is, CD or DVD drive) and/or fiber optic transceiver. Each of these devices contains a laser that is classified as a Class 1 Laser Product in accordance with US FDA regulations and the IEC 60825-1. The product does not emit hazardous laser radiation.

Each laser product complies with 21 CFR 1040.10 and 1040.11 except for deviations pursuant to Laser Notice No. 50, dated May 27, 2001; and with IEC 60825-1:1993/A2:2001.



**WARNING:** Use of controls or adjustments or performance of procedures other than those specified herein or in the laser product's installation guide may result in hazardous radiation exposure. To reduce the risk of exposure to hazardous radiation:

- Do not try to open the module enclosure. There are no user-serviceable components inside.
- Do not operate controls, make adjustments, or perform procedures to the laser device other than those specified herein.
- Allow only HP Authorized Service technicians to repair the unit.

The Center for Devices and Radiological Health (CDRH) of the U.S. Food and Drug Administration implemented regulations for laser products on August 2, 1976. These regulations apply to laser products manufactured from August 1, 1976. Compliance is mandatory for products marketed in the United States.

## Battery replacement notice



**WARNING:** Power products contain sealed lead-acid battery modules. A risk of fire and burns exists if the battery is not properly handled. To reduce the risk of personal injury:

- Do not attempt to recharge the battery.
- Do not expose the battery to temperatures higher than 60°C (140°F).
- Do not disassemble, crush, puncture, short external contacts, or dispose of in fire or water. The battery might explode.

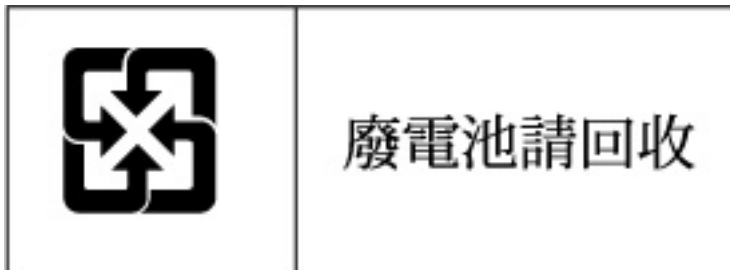


Batteries, battery packs, and accumulators should not be disposed of together with the general household waste. To forward them to recycling or proper disposal, use the public collection system or return them to HP, an authorized HP Partner, or their agents.

For more information about battery replacement or proper disposal, contact an authorized reseller or an authorized service provider.

## Taiwan battery recycling notice

The Taiwan EPA requires dry battery manufacturing or importing firms in accordance with Article 15 of the Waste Disposal Act to indicate the recovery marks on the batteries used in sales, giveaway or promotion. Contact a qualified Taiwanese recycler for proper battery disposal.



## Power cord statement for Japan

製品には、同梱された電源コードをお使い下さい。  
同梱された電源コードは、他の製品では使用出来ません。

## Acoustics statement for Germany (Geräuschemission)

Schalldruckpegel  $L_{pA} < 70$  dB(A)

Zuschauerpositionen (bystander positions), Normaler Betrieb (normal operation)

Nach ISO 7779:1999 (Typprüfung)


# Wireless devices

You can install one or more integrated wireless devices. In some environments, the use of wireless devices might be restricted. Such restrictions might apply on airplanes, in hospitals, near explosives, or in other hazardous locations. Before you turn on this product, be sure that you understand local policies and have proper authorization.

Do not co-locate or operate this device in conjunction with any other antenna or transmitter.

To avoid the possibility of exceeding the FCC radio frequency exposure limits, human proximity to the antennae should be greater than 20 cm (8 in).

---

 **WARNING: Exposure to Radio Frequency Radiation**—The radiated output power of this device is below the FCC radio frequency exposure limits. Nevertheless, human contact during normal operation should be minimized.

---

## Brazilian notices

Este equipamento opera em caráter secundário, isto é, não tem direito a proteção contra interferência prejudicial, mesmo de estações do mesmo tipo, e não pode causar interferência a sistemas operando em caráter primário.

## Canadian notices

Wireless operation is subject to two conditions. The first is that the wireless device may not cause interference. The second is that the wireless device must accept any interference, including interference that may cause undesired operation of the device.

## Japanese notices

この機器の使用周波数帯では、電子レンジ等の産業・科学・医療用機器のほか工場の製造ライン等で使用されている移動体識別用の構内無線局（免許を要する無線局）及び特定小電力無線局（免許を要しない無線局）が運用されています。

- 1 この機器を使用する前に、近くで移動体識別用の構内無線局及び特定小電力無線局が運用されていないことを確認して下さい。
- 2 万一、この機器から移動体識別用の構内無線局に対して電波干渉の事例が発生した場合には、速やかに使用周波数を変更するか又は電波の発射を停止した上、下記連絡先にご連絡頂き、混信回避のための処置等（例えば、パーティションの設置など）についてご相談して下さい。
- 3 その他、この機器から移動体識別用の特定小電力無線局に対して電波干渉の事例が発生した場合など何かお困りのことが起きたときは、次の連絡先へお問い合わせ下さい。

連絡先：日本ヒューレット・パッカード株式会社 TEL：0120-014121

### 低功率電波輻射性電機管理辦法

第十二條 經型式認證合格之低功率射頻電機，非經許可，公司、商號或使用者均不得擅自變更頻率、加大功率或變更原設計之特性及功能。

第十四條 低功率射頻電機之使用不得影響飛航安全及干擾合法通信；經發現有干擾現象時，應立即停用，並改善至無干擾時方得繼續使用。

前項合法通信，指依電信規定作業之無線電信。低功率射頻電機須忍受合法通信或工業、科學及醫療用電波輻射性電機設備之干擾。

---

# Electrostatic discharge

## Preventing electrostatic discharge

To prevent damaging the system, be aware of the precautions you need to follow when setting up the system or handling parts. A discharge of static electricity from a finger or other conductor may damage system boards or other static-sensitive devices. This type of damage may reduce the life expectancy of the device.

To prevent electrostatic damage:

- Avoid hand contact by transporting and storing products in static-safe containers.
- Keep electrostatic-sensitive parts in their containers until they arrive at static-free workstations.
- Place parts on a grounded surface before removing them from their containers.
- Avoid touching pins, leads, or circuitry.
- Always be properly grounded when touching a static-sensitive component or assembly.

## Grounding methods to prevent electrostatic discharge

Several methods are used for grounding. Use one or more of the following methods when handling or installing electrostatic-sensitive parts:

- Use a wrist strap connected by a ground cord to a grounded workstation or computer chassis. Wrist straps are flexible straps with a minimum of 1 megohm  $\pm 10$  percent resistance in the ground cords. To provide proper ground, wear the strap snug against the skin.
- Use heel straps, toe straps, or boot straps at standing workstations. Wear the straps on both feet when standing on conductive floors or dissipating floor mats.
- Use conductive field service tools.
- Use a portable field service kit with a folding static-dissipating work mat.

If you do not have any of the suggested equipment for proper grounding, have an authorized reseller install the part.

For more information on static electricity or assistance with product installation, contact an authorized reseller.

# Specifications

## Environmental specifications

Specification	Value
<b>Temperature range*</b>	
Operating	10°C to 35°C (50°F to 95°F)
Shipping	-40°C to 70°C (-40°F to 158°F)
Maximum wet bulb temperature	28°C (82.4°F)
<b>Relative humidity (noncondensing)**</b>	
Operating	10% to 90%
Non-operating	5% to 95%

\* All temperature ratings shown are for sea level. An altitude derating of 1°C per 300 m (1.8°F per 1,000 ft) to 3048 m (10,000 ft) is applicable. No direct sunlight allowed.

\*\* Storage maximum humidity of 95% is based on a maximum temperature of 45°C (113°F). Altitude maximum for storage corresponds to a pressure minimum of 70 kPa.

## Server specifications

Specification	Value
<b>Dimension</b>	—
Height	17.6 cm (6.94 in)
Depth	67.3 cm (26.5 in)
Width	46.3 cm (19.0 in)
Weight (maximum)	47.6 kg (105 lb)
Weight (no drives installed)	36.3 kg (80 lb)
<b>Input requirement</b>	—
Rated input voltage	100–127 VAC 200–240 VAC
Rated input frequency	50–60 Hz
Rated input current	@ 100 VAC–12A @ 200 VAC–8A
Rated input power	@100 VAC–1161 W @200 VAC–1598 W
BTUs per hour	@100 VAC–3960 BTU @200 VAC–5450 BTU
<b>Power supply output</b>	—

Specification	Value
Power supply output	910 W (low line) 1300 W (high line)

## HP ProLiant 1200 W power supply specifications

Specification	Value
<b>Input requirements</b>	
Rated input voltage	100 to 120 VAC, 200 to 240 VAC
Rated input frequency	50 Hz to 60 Hz
Rated input current	10 A at 100 VAC 4.9 A at 200 VAC
Rated input power	930 W at 100V AC input 1348 W at 200V AC input
BTUs per hour	3530 at 120V AC input 4600 at 200V to 240V AC input
<b>Power supply output</b>	
Rated steady-state power	800 W at 100V AC input 900 W at 120V AC input 1200 W at 200V to 240V AC input
Maximum peak power	800 W at 100V AC input 900 W at 120V AC input 1200 W at 200V to 240V AC input

---

# Technical support

## Before you contact HP

Be sure to have the following information available before you call HP:

- Technical support registration number (if applicable)
- Product serial number
- Product model name and number
- Product identification number
- Applicable error messages
- Add-on boards or hardware
- Third-party hardware or software
- Operating system type and revision level

## HP contact information

For the name of the nearest HP authorized reseller:

- See the Contact HP worldwide (in English) webpage (<http://welcome.hp.com/country/us/en/wwcontact.html>).

For HP technical support:

- In the United States, for contact options see the Contact HP United States webpage ([http://welcome.hp.com/country/us/en/contact\\_us.html](http://welcome.hp.com/country/us/en/contact_us.html)). To contact HP by phone:
  - Call 1-800-HP-INVENT (1-800-474-6836). This service is available 24 hours a day, 7 days a week. For continuous quality improvement, calls may be recorded or monitored.
  - If you have purchased a Care Pack (service upgrade), call 1-800-633-3600. For more information about Care Packs, refer to the HP website (<http://www.hp.com/hps>).
- In other locations, see the Contact HP worldwide (in English) webpage (<http://welcome.hp.com/country/us/en/wwcontact.html>).

## Customer Self Repair

HP products are designed with many Customer Self Repair (CSR) parts to minimize repair time and allow for greater flexibility in performing defective parts replacement. If during the diagnosis period HP (or HP service providers or service partners) identifies that the repair can be accomplished by the use of a CSR part, HP will ship that part directly to you for replacement. There are two categories of CSR parts:

- **Mandatory**—Parts for which customer self repair is mandatory. If you request HP to replace these parts, you will be charged for the travel and labor costs of this service.



- **Optional**—Parts for which customer self repair is optional. These parts are also designed for customer self repair. If, however, you require that HP replace them for you, there may or may not be additional charges, depending on the type of warranty service designated for your product.

**NOTE:** Some HP parts are not designed for customer self repair. In order to satisfy the customer warranty, HP requires that an authorized service provider replace the part. These parts are identified as "No" in the Illustrated Parts Catalog.

Based on availability and where geography permits, CSR parts will be shipped for next business day delivery. Same day or four-hour delivery may be offered at an additional charge where geography permits. If assistance is required, you can call the HP Technical Support Center and a technician will help you over the telephone. HP specifies in the materials shipped with a replacement CSR part whether a defective part must be returned to HP. In cases where it is required to return the defective part to HP, you must ship the defective part back to HP within a defined period of time, normally five (5) business days. The defective part must be returned with the associated documentation in the provided shipping material. Failure to return the defective part may result in HP billing you for the replacement. With a customer self repair, HP will pay all shipping and part return costs and determine the courier/carrier to be used.

For more information about HP's Customer Self Repair program, contact your local service provider. For the North American program, refer to the HP website (<http://www.hp.com/go/selfrepair>).

## Réparation par le client (CSR)

Les produits HP comportent de nombreuses pièces CSR (Customer Self Repair = réparation par le client) afin de minimiser les délais de réparation et faciliter le remplacement des pièces défectueuses. Si pendant la période de diagnostic, HP (ou ses partenaires ou mainteneurs agréés) détermine que la réparation peut être effectuée à l'aide d'une pièce CSR, HP vous l'envoie directement. Il existe deux catégories de pièces CSR:

**Obligatoire** - Pièces pour lesquelles la réparation par le client est obligatoire. Si vous demandez à HP de remplacer ces pièces, les coûts de déplacement et main d'œuvre du service vous seront facturés.

**Facultatif** - Pièces pour lesquelles la réparation par le client est facultative. Ces pièces sont également conçues pour permettre au client d'effectuer lui-même la réparation. Toutefois, si vous demandez à HP de remplacer ces pièces, l'intervention peut ou non vous être facturée, selon le type de garantie applicable à votre produit.

**REMARQUE:** Certaines pièces HP ne sont pas conçues pour permettre au client d'effectuer lui-même la réparation. Pour que la garantie puisse s'appliquer, HP exige que le remplacement de la pièce soit effectué par un Mainteneur Agréé. Ces pièces sont identifiées par la mention "Non" dans le Catalogue illustré.

Les pièces CSR sont livrées le jour ouvré suivant, dans la limite des stocks disponibles et selon votre situation géographique. Si votre situation géographique le permet et que vous demandez une livraison le jour même ou dans les 4 heures, celle-ci vous sera facturée. Pour bénéficier d'une assistance téléphonique, appelez le Centre d'assistance technique HP. Dans les documents envoyés avec la pièce de rechange CSR, HP précise s'il est nécessaire de lui retourner la pièce défectueuse. Si c'est le cas, vous devez le faire dans le délai indiqué, généralement cinq (5) jours ouvrés. La pièce et sa documentation doivent être retournées dans l'emballage fourni. Si vous ne retournez pas la pièce défectueuse, HP se réserve le droit de vous facturer les coûts de remplacement. Dans le cas d'une pièce CSR, HP supporte l'ensemble des frais d'expédition et de retour, et détermine la société de courses ou le transporteur à utiliser.

Pour plus d'informations sur le programme CSR de HP, contactez votre Mainteneur Agrée local. Pour plus d'informations sur ce programme en Amérique du Nord, consultez le site Web HP (<http://www.hp.com/go/selfrepair>).

## Riparazione da parte del cliente

Per abbreviare i tempi di riparazione e garantire una maggiore flessibilità nella sostituzione di parti difettose, i prodotti HP sono realizzati con numerosi componenti che possono essere riparati direttamente dal cliente (CSR, Customer Self Repair). Se in fase di diagnostica HP (o un centro di servizi o di assistenza HP) identifica il guasto come riparabile mediante un ricambio CSR, HP lo spedisce direttamente al cliente per la sostituzione. Vi sono due categorie di parti CSR:

**Obbligatorie** – Parti che devono essere necessariamente riparate dal cliente. Se il cliente ne affida la riparazione ad HP, deve sostenere le spese di spedizione e di manodopera per il servizio.

**Opzionali** – Parti la cui riparazione da parte del cliente è facoltativa. Si tratta comunque di componenti progettati per questo scopo. Se tuttavia il cliente ne richiede la sostituzione ad HP, potrebbe dover sostenere spese aggiuntive a seconda del tipo di garanzia previsto per il prodotto.

**NOTA:** alcuni componenti HP non sono progettati per la riparazione da parte del cliente. Per rispettare la garanzia, HP richiede che queste parti siano sostituite da un centro di assistenza autorizzato. Tali parti sono identificate da un "No" nel Catalogo illustrato dei componenti.

In base alla disponibilità e alla località geografica, le parti CSR vengono spedite con consegna entro il giorno lavorativo seguente. La consegna nel giorno stesso o entro quattro ore è offerta con un supplemento di costo solo in alcune zone. In caso di necessità si può richiedere l'assistenza telefonica di un addetto del centro di supporto tecnico HP. Nel materiale fornito con una parte di ricambio CSR, HP specifica se il cliente deve restituire dei componenti. Qualora sia richiesta la resa ad HP del componente difettoso, lo si deve spedire ad HP entro un determinato periodo di tempo, generalmente cinque (5) giorni lavorativi. Il componente difettoso deve essere restituito con la documentazione associata nell'imballo di spedizione fornito. La mancata restituzione del componente può comportare la fatturazione del ricambio da parte di HP. Nel caso di riparazione da parte del cliente, HP sostiene tutte le spese di spedizione e resa e sceglie il corriere/vettore da utilizzare.

Per ulteriori informazioni sul programma CSR di HP contattare il centro di assistenza di zona. Per il programma in Nord America fare riferimento al sito Web HP (<http://www.hp.com/go/selfrepair>).

## Customer Self Repair

HP Produkte enthalten viele CSR-Teile (Customer Self Repair), um Reparaturzeiten zu minimieren und höhere Flexibilität beim Austausch defekter Bauteile zu ermöglichen. Wenn HP (oder ein HP Servicepartner) bei der Diagnose feststellt, dass das Produkt mithilfe eines CSR-Teils repariert werden kann, sendet Ihnen HP dieses Bauteil zum Austausch direkt zu. CSR-Teile werden in zwei Kategorien unterteilt:

**Zwingend** – Teile, für die das Customer Self Repair-Verfahren zwingend vorgegeben ist. Wenn Sie den Austausch dieser Teile von HP vornehmen lassen, werden Ihnen die Anfahrt- und Arbeitskosten für diesen Service berechnet.

**Optional** – Teile, für die das Customer Self Repair-Verfahren optional ist. Diese Teile sind auch für Customer Self Repair ausgelegt. Wenn Sie jedoch den Austausch dieser Teile von HP vornehmen lassen möchten, können bei diesem Service je nach den für Ihr Produkt vorgesehenen Garantiebedingungen zusätzliche Kosten anfallen.

**HINWEIS:** Einige Teile sind nicht für Customer Self Repair ausgelegt. Um den Garantieanspruch des Kunden zu erfüllen, muss das Teil von einem HP Servicepartner ersetzt werden. Im illustrierten Teilekatalog sind diese Teile mit „No“ bzw. „Nein“ gekennzeichnet.

CSR-Teile werden abhängig von der Verfügbarkeit und vom Lieferziel am folgenden Geschäftstag geliefert. Für bestimmte Standorte ist eine Lieferung am selben Tag oder innerhalb von vier Stunden gegen einen Aufpreis verfügbar. Wenn Sie Hilfe benötigen, können Sie das HP technische Support Center anrufen und sich von einem Mitarbeiter per Telefon helfen lassen. Den Materialien, die mit einem CSR-Ersatzteil geliefert werden, können Sie entnehmen, ob das defekte Teil an HP zurückgeschickt werden muss. Wenn es erforderlich ist, das defekte Teil an HP zurückzuschicken, müssen Sie dies innerhalb eines vorgegebenen Zeitraums tun, in der Regel innerhalb von fünf (5) Geschäftstagen. Das defekte Teil muss mit der zugehörigen Dokumentation in der Verpackung zurückgeschickt werden, die im Lieferumfang enthalten ist. Wenn Sie das defekte Teil nicht zurückschicken, kann HP Ihnen das Ersatzteil in Rechnung stellen. Im Falle von Customer Self Repair kommt HP für alle Kosten für die Lieferung und Rücksendung auf und bestimmt den Kurier-/Frachtdienst.

Weitere Informationen über das HP Customer Self Repair Programm erhalten Sie von Ihrem Servicepartner vor Ort. Informationen über das CSR-Programm in Nordamerika finden Sie auf der HP Website unter (<http://www.hp.com/go/selfrepair>).

## Reparaciones del propio cliente

Los productos de HP incluyen muchos componentes que el propio usuario puede reemplazar (*Customer Self Repair*, CSR) para minimizar el tiempo de reparación y ofrecer una mayor flexibilidad a la hora de realizar sustituciones de componentes defectuosos. Si, durante la fase de diagnóstico, HP (o los proveedores o socios de servicio de HP) identifica que una reparación puede llevarse a cabo mediante el uso de un componente CSR, HP le enviará dicho componente directamente para que realice su sustitución. Los componentes CSR se clasifican en dos categorías:

- **Obligatorio:** componentes para los que la reparación por parte del usuario es obligatoria. Si solicita a HP que realice la sustitución de estos componentes, tendrá que hacerse cargo de los gastos de desplazamiento y de mano de obra de dicho servicio.
- **Opcional:** componentes para los que la reparación por parte del usuario es opcional. Estos componentes también están diseñados para que puedan ser reparados por el usuario. Sin embargo, si precisa que HP realice su sustitución, puede o no conllevar costes adicionales, dependiendo del tipo de servicio de garantía correspondiente al producto.

**NOTA:** Algunos componentes no están diseñados para que puedan ser reparados por el usuario. Para que el usuario haga valer su garantía, HP pone como condición que un proveedor de servicios autorizado realice la sustitución de estos componentes. Dichos componentes se identifican con la palabra "No" en el catálogo ilustrado de componentes.

Según la disponibilidad y la situación geográfica, los componentes CSR se enviarán para que lleguen a su destino al siguiente día laborable. Si la situación geográfica lo permite, se puede solicitar la entrega en el mismo día o en cuatro horas con un coste adicional. Si precisa asistencia técnica, puede llamar al Centro de asistencia técnica de HP y recibirá ayuda telefónica por parte de un técnico. Con el envío de materiales para la sustitución de componentes CSR, HP especificará si los componentes defectuosos deberán devolverse a HP. En aquellos casos en los que sea necesario devolver algún componente a HP, deberá hacerlo en el periodo de tiempo especificado, normalmente cinco días laborables. Los componentes defectuosos deberán devolverse con toda la documentación relacionada y con el embalaje de envío. Si no enviara el componente defectuoso requerido, HP podrá cobrarle por el de sustitución. En

el caso de todas sustituciones que lleve a cabo el cliente, HP se hará cargo de todos los gastos de envío y devolución de componentes y escogerá la empresa de transporte que se utilice para dicho servicio.

Para obtener más información acerca del programa de Reparaciones del propio cliente de HP, póngase en contacto con su proveedor de servicios local. Si está interesado en el programa para Norteamérica, visite la página web de HP siguiente (<http://www.hp.com/go/selfrepair>).

## Customer Self Repair

Veel onderdelen in HP producten zijn door de klant zelf te repareren, waardoor de reparatieduur tot een minimum beperkt kan blijven en de flexibiliteit in het vervangen van defecte onderdelen groter is. Deze onderdelen worden CSR-onderdelen (Customer Self Repair) genoemd. Als HP (of een HP Service Partner) bij de diagnose vaststelt dat de reparatie kan worden uitgevoerd met een CSR-onderdeel, verzendt HP dat onderdeel rechtstreeks naar u, zodat u het defecte onderdeel daarmee kunt vervangen. Er zijn twee categorieën CSR-onderdelen:

**Verplicht:** Onderdelen waarvoor reparatie door de klant verplicht is. Als u HP verzoekt deze onderdelen voor u te vervangen, worden u voor deze service reiskosten en arbeidsloon in rekening gebracht.

**Optioneel:** Onderdelen waarvoor reparatie door de klant optioneel is. Ook deze onderdelen zijn ontworpen voor reparatie door de klant. Als u echter HP verzoekt deze onderdelen voor u te vervangen, kunnen daarvoor extra kosten in rekening worden gebracht, afhankelijk van het type garanteservice voor het product.

**OPMERKING:** Sommige HP onderdelen zijn niet ontwikkeld voor reparatie door de klant. In verband met de garantievoorwaarden moet het onderdeel door een geautoriseerde Service Partner worden vervangen. Deze onderdelen worden in de geïllustreerde onderdelencatalogus aangemerkt met "Nee".

Afhankelijk van de leverbaarheid en de locatie worden CSR-onderdelen verzonden voor levering op de eerstvolgende werkdag. Levering op dezelfde dag of binnen vier uur kan tegen meerkosten worden aangeboden, indien dit mogelijk is gezien de locatie. Indien assistentie gewenst is, belt u een HP Service Partner om via de telefoon technische ondersteuning te ontvangen. HP vermeldt in de documentatie bij het vervangende CSR-onderdeel of het defecte onderdeel aan HP moet worden geretourneerd. Als het defecte onderdeel aan HP moet worden teruggezonden, moet u het defecte onderdeel binnen een bepaalde periode, gewoonlijk vijf (5) werkdagen, retourneren aan HP. Het defecte onderdeel moet met de bijbehorende documentatie worden geretourneerd in het meegeleverde verpakkingsmateriaal. Als u het defecte onderdeel niet terugzendt, kan HP u voor het vervangende onderdeel kosten in rekening brengen. Bij reparatie door de klant betaalt HP alle verzendkosten voor het vervangende en geretourneerde onderdeel en kiest HP zelf welke koerier/transportonderneming hiervoor wordt gebruikt.

Neem contact op met een Service Partner voor meer informatie over het Customer Self Repair programma van HP. Informatie over Service Partners vindt u op de HP website (<http://www.hp.com/go/selfrepair>).

## Reparo feito pelo cliente

Os produtos da HP são projetados com muitas peças para reparo feito pelo cliente (CSR) de modo a minimizar o tempo de reparo e permitir maior flexibilidade na substituição de peças com defeito. Se, durante o período de diagnóstico, a HP (ou fornecedores/parceiros de serviço da HP) concluir que o reparo pode ser efetuado pelo uso de uma peça CSR, a peça de reposição será enviada diretamente ao cliente. Existem duas categorias de peças CSR:

**Obrigatória** – Peças cujo reparo feito pelo cliente é obrigatório. Se desejar que a HP substitua essas peças, serão cobradas as despesas de transporte e mão-de-obra do serviço.

Opcional – Peças cujo reparo feito pelo cliente é opcional. Essas peças também são projetadas para o reparo feito pelo cliente. No entanto, se desejar que a HP as substitua, pode haver ou não a cobrança de taxa adicional, dependendo do tipo de serviço de garantia destinado ao produto.

**OBSERVAÇÃO:** Algumas peças da HP não são projetadas para o reparo feito pelo cliente. A fim de cumprir a garantia do cliente, a HP exige que um técnico autorizado substitua a peça. Essas peças estão identificadas com a marca "No" (Não), no catálogo de peças ilustrado.

Conforme a disponibilidade e o local geográfico, as peças CSR serão enviadas no primeiro dia útil após o pedido. Onde as condições geográficas permitirem, a entrega no mesmo dia ou em quatro horas pode ser feita mediante uma taxa adicional. Se precisar de auxílio, entre em contato com o Centro de suporte técnico da HP para que um técnico o ajude por telefone. A HP especifica nos materiais fornecidos com a peça CSR de reposição se a peça com defeito deve ser devolvida à HP. Nos casos em que isso for necessário, é preciso enviar a peça com defeito à HP dentro do período determinado, normalmente cinco (5) dias úteis. A peça com defeito deve ser enviada com a documentação correspondente no material de transporte fornecido. Caso não o faça, a HP poderá cobrar a reposição. Para as peças de reparo feito pelo cliente, a HP paga todas as despesas de transporte e de devolução da peça e determina a transportadora/serviço postal a ser utilizado.

Para obter mais informações sobre o programa de reparo feito pelo cliente da HP, entre em contato com o fornecedor de serviços local. Para o programa norte-americano, visite o site da HP (<http://www.hp.com/go/selfrepair>).

## 顧客自己修理保証サービス

修理時間を短縮し、故障部品の交換における高い柔軟性を確保するために、HP製品には多数の顧客自己修理（CSR）部品があります。診断の際に、CSR部品を使用すれば修理ができるとHP（HPまたはHP正規保守代理店）が判断した場合、HPはその部品を直接、お客様に発送し、お客様に交換していただきます。CSR部品には以下の2通りがあります。

- **必須** - 顧客自己修理が必須の部品。当該部品について、もしもお客様がHPに交換作業を依頼される場合には、その修理サービスに関する交通費および人件費がお客様に請求されます。
- **任意** - 顧客自己修理が任意である部品。この部品も顧客自己修理用です。当該部品について、もしもお客様がHPに交換作業を依頼される場合には、お買い上げの製品に適用される保証サービス内容の範囲内においては、別途費用を負担していただくことなく保証サービスを受けることができます。

注：HP製品の一部の部品は、顧客自己修理用ではありません。製品の保証を継続するためには、HPまたはHP正規保守代理店による交換作業が必須となります。部品カタログには、当該部品が顧客自己修理除外品である旨が記載されています。

部品供給が可能な場合、地域によっては、CSR部品を翌営業日に届くように発送します。また、地域によっては、追加費用を負担いただくことにより同日または4時間以内に届くように発送することも可能な場合があります。サポートが必要なときは、HPの修理受付窓口へ電話していただければ、技術者が電話でアドバイスします。交換用のCSR部品または同梱物には、故障部品をHPに返送する必要があるかどうかが表示されています。故障部品をHPに返送する必要がある場合は、指定期限内（通常は5営業日以内）に故障部品をHPに返送してください。故障部品を返送する場合は、届いた時の梱包箱に関連書類とともに入れてください。故障部品を返送しない場合、HPから部品費用が請求されます。顧客自己修理の際には、HPは送料および部品返送費を全額負担し、使用する宅配便会社や運送会社を指定します。

## 客户自行维修

HP 产品提供许多客户自行维修 (CSR) 部件，以尽可能缩短维修时间和在更换缺陷部件方面提供更大的灵活性。如果在诊断期间 HP（或 HP 服务提供商或服务合作伙伴）确定可以通过使用 CSR 部件完成维修，HP 将直接把该部件发送给您进行更换。有两类 CSR 部件：

- **强制性的** — 要求客户必须自行维修的部件。如果您请求 HP 更换这些部件，则必须为该服务支付差旅费和人工费用。
- **可选的** — 客户可以选择是否自行维修的部件。这些部件也是为客户自行维修设计的。不过，如果您要求 HP 为您更换这些部件，则根据为您的产品指定的保修服务类型，HP 可能收取或不再收取任何附加费用。

注：某些 HP 部件的设计并未考虑客户自行维修。为了满足客户保修的需要，HP 要求授权服务提供商更换相关部件。这些部件在部件图解目录中标记为“否”。

CSR 部件将在下一个工作日发运（取决于备货情况和允许的地理范围）。在允许的地理范围内，可在当天或四小时内发运，但要收取额外费用。如果需要帮助，您可以致电 HP 技术支持中心，将会有技术人员通过电话为您提供帮助。HP 会在随更换的 CSR 部件发运的材料中指明是否必须将有缺陷的部件返还给 HP。如果要求您将缺陷的部件返还给 HP，那么您必须在指定期限内（通常是五 (5) 个工作日）将缺陷部件发给 HP。有缺陷的部件必须随所提供的发运材料中的相关文件一起返还。如果未能送还缺陷的部件，HP 可能会要求您支付更换费用。客户自行维修时，HP 将承担所有相关运输和部件返回费用，并指定快递商/承运商。

有关 HP 客户自行维修计划的详细信息，请与您当地的服务提供商联系。有关北美地区的计划，请访问 HP 网站 (<http://www.hp.com/go/selfrepair>)。

# 客戶自行維修

HP 產品設計了許多「客戶自行維修」(CSR) 的零件以減少維修時間，並且使得更換瑕疵零件時能有更大的彈性。如果在診斷期間 HP (或 HP 服務供應商或維修夥伴) 辨認出此項維修工作可以藉由使用 CSR 零件來完成，則 HP 將直接寄送該零件給您作更換。CSR 零件分為兩種類別：

- **強制的** — 客戶自行維修所使用的零件是強制性的。如果您要求 HP 更換這些零件，HP 將會向您收取此服務所需的外出費用與勞動成本。
- **選購的** — 客戶自行維修所使用的零件是選購的。這些零件也設計用於客戶自行維修之用。不過，如果您要求 HP 為您更換，則可能需要也可能不需要負擔額外的費用，端視針對此產品指定的保固服務類型而定。

**備註：**某些 HP 零件沒有消費者可自行維修的設計。為符合客戶保固，HP 需要授權的服務供應商更換零件。這些零件在圖示的零件目錄中，被標示為「否」。

基於材料取得及環境允許的情況下，CSR 零件將於下一個工作日以快遞寄送。在環境的允許下當天或四小時內送達，則可能需要額外的費用。若您需要協助，可致電「HP 技術支援中心」，會有一位技術人員透過電話來協助您。不論損壞的零件是否必須退回，HP 皆會在與 CSR 替換零件一起運送的材料中註明。若要將損壞的零件退回 HP，您必須在指定的一段時間內（通常為五 (5) 個工作天），將損壞的零件寄回 HP。損壞的零件必須與寄送資料中隨附的相關技術文件一併退還。如果無法退還損壞的零件，HP 可能向您收取替換費用。針對客戶自行維修情形，HP 將負責所有運費及零件退還費用並指定使用何家快遞/貨運公司。

如需 HP 的「客戶自行維修」方案詳細資訊，請連絡您當地的服務供應商。至於北美方案，請參閱 HP 網站 (<http://www.hp.com/go/selfrepair>)。

## 고객 셀프 수리

HP 제품은 수리 시간을 최소화하고 결함이 있는 부품 교체 시 더욱 융통성을 발휘할 수 있도록 하기 위해 고객 셀프 수리(CSR) 부품을 다량 사용하여 설계되었습니다. 진단 기간 동안 HP(또는 HP 서비스 공급업체 또는 서비스 협력업체)에서 CSR 부품을 사용하여 수리가 가능하다고 판단되면 HP는 해당 부품을 바로 사용자에게 보내어 사용자가 교체할 수 있도록 합니다. CSR 부품에는 두 가지 종류가 있습니다.

- **고객 셀프 수리가 의무 사항인 필수 부품.** 사용자가 HP에 이 부품의 교체를 요청할 경우 이 서비스에 대한 출장비 및 작업비가 청구됩니다.
- **고객 셀프 수리가 선택 사항인 부품.** 이 부품들도 고객 셀프 수리가 가능하도록 설계되었습니다. 하지만 사용자가 HP에 이 부품의 교체를 요청할 경우 사용자가 구입한 제품에 해당하는 보증 서비스 유형에 따라 추가 비용 없이 교체가 가능할 수 있습니다.

**참고:** 일부 HP 부품은 고객 셀프 수리가 불가능하도록 설계되었습니다. HP는 만족스러운 고객 보증을 위해 공인 서비스 제공업체를 통해 부품을 교체하도록 하고 있습니다. 이러한 부품들은 Illustrated Parts Catalog에 "No"라고 표시되어 있습니다.

CSR 부품은 재고 상태와 지리적 조건이 허용하는 경우 다음 영업일 납품이 가능하도록 배송이 이루어집니다. 지리적 조건이 허용하는 경우 추가 비용이 청구되는 조건으로 당일 또는 4시간 배송이 가능할 수도 있습니다. 도움이 필요하시면 HP 기술 지원 센터로 전화하십시오. 전문 기술자가 전화로 도움을 줄 것입니다. HP는 결함이 발생한 부품을 HP로 반환해야 하는지 여부를 CSR 교체 부품과 함께 배송된 자료에 지정합니다. 결함이 발생한 부품을 HP로 반환해야 하는 경우에는 지정된 기간 내(통상 영업일 기준 5일)에 HP로 반환해야 합니다. 이 때 결함이 발생한 부품은 제공된 포장 재료에 넣어 관련 설명서와 함께 반환해야 합니다. 결함이 발생한 부품을 반환하지 않는 경우 HP가 교체 부품에 대해 비용을 청구할 수 있습니다. 고객 셀프 수리의 경우, HP는 모든 운송 및 부품 반환 비용을 부담하며 이용할 운송업체 및 택배 서비스를 결정합니다.

HP 고객 셀프 수리 프로그램에 대한 자세한 내용은 가까운 서비스 제공업체에 문의하십시오. 북미 지역의 프로그램에 대해서는 HP 웹 사이트(<http://www.hp.com/go/selfrepair>)를 참조하십시오.

---

# Acronyms and abbreviations

## ABEND

abnormal end

## ACU

Array Configuration Utility

## AMP

Advanced Memory Protection

## ASR

Automatic Server Recovery

## BBWC

battery-backed write cache

## CSA

Canadian Standards Association

## ESD

electrostatic discharge

## FBWC

flash-backed write cache

## IEC

International Electrotechnical Commission

## iLO 3

Integrated Lights-Out 3

## IML

Integrated Management Log

## KVM

keyboard, video, and mouse



## NIC

network interface controller

## NVRAM

non-volatile memory

## ORCA

Option ROM Configuration for Arrays

## PCIe

peripheral component interconnect express

## PCI-X

peripheral component interconnect extended

## PDU

power distribution unit

## PID

port ID

## POST

Power-On Self Test

## PSP

ProLiant Support Pack

## QPI

QuickPath Interconnect

## RAS

Reliability, Availability, Serviceability

## RBSU

ROM-Based Setup Utility

## SAS

serial attached SCSI

## SD

Secure Digital

## SDDC

Single Device Data Correction

## SFF

small form-factor

## SIM

Systems Insight Manager

## SMI

Scalable memory interfaces

## SPI

system peripheral interface

## TMRA

recommended ambient operating temperature

## TPM

trusted platform module

## UID

unit identification

## UPS

uninterruptible power system

## USB

universal serial bus

## VCA

Version Control Agent

---

# Index

## A

- AC power supply 111
- access panel 26
- ACU (Array Configuration Utility) 76
- additional information 84
- airflow requirements 31
- Array Configuration Utility (ACU) 76
- ASR (Automatic Server Recovery) 78
- authorized reseller 112
- auto-configuration process 74
- Automatic Server Recovery (ASR) 78

## B

- Basic Input/Output System (BIOS) 75, 78, 89
- battery 15, 100
- battery pack LEDs 20
- battery replacement notice 105
- battery-backed write cache (BBWC) 15, 20, 64
- battery-backed write cache battery pack 64
- BBWC (battery-backed write cache) 20, 64
- beep codes 99
- BIOS (Basic Input/Output System) 75, 78, 89
- BIOS Serial Console 75
- BIOS upgrade 78
- board, SPI (System Peripheral Interface) 13, 15, 28
- boot options 75
- BSMI notice 104
- buttons, front panel 7

## C

- cables 72, 87, 102
- cabling, DVD-ROM drive 72
- Canadian notice 103, 107
- capacitor pack 22, 66
- Care Pack 30, 83
- Change Control 83
- Chinese notice 105
- class A equipment 101
- class B equipment 101
- components, front panel 7, 9
- components, identification 7
- components, rear 10

- components, SPI board 15
- components, system board 13, 14
- configuration of system 34, 73
- configuration tools 73
- configuration utilities 73
- connection problems 87
- connector, iLO 3 15
- connector, keyboard 10, 15
- connector, mouse 10, 15
- connector, NIC 10, 15
- connector, serial 10
- connector, USB 7, 10, 15
- connector, video 7, 10, 15
- contacting HP 112
- CSR (customer self repair) 112
- customer self repair (CSR) 112

## D

- Declaration of Conformity 102
- diagnosing problems 84
- diagnostic tools 78, 80
- diagnostics utility 80
- DIMM installation guidelines 42
- DIMM support 41
- DIMMs 41, 42, 76
- DIMMs, quad-rank 41
- disposal, battery 104, 105
- drivers 81
- DVD drive 72

## E

- electrical grounding requirements 32
- electrostatic discharge 35, 109
- environmental requirements 31, 110
- environmental specifications 110
- Erase Utility 79
- error messages 99
- European Union notice 103
- expansion boards 55
- expansion boards, non-hot-plug 55
- expansion boards, shipping 56
- expansion slots 10, 13
- extending server from rack 25

external health LED 8

## F

fans 23

FBWC module 22, 66

FCC rating label 101

features 7

Federal Communications Commission (FCC)  
notice 101, 102

flowcharts 88, 89, 91, 94, 95, 97

front panel buttons 8

front panel components 7, 9

front panel LEDs 8

## G

general diagnosis flowchart 89

grounding methods 109

grounding requirements 32

## H

hard drive bays 7, 18

hard drive LEDs 19

hard drives, installing 51

hardware options 35

hardware options installation 33, 35

health driver 78

help resources 112

hemisphere mode 45

HP Insight Diagnostics 80

HP Insight Remote Support software 81

HP NC524SFP Dual Port 10GbE Module 62

HP ProLiant Essentials Foundation Pack 34

HP technical support 112

## I

I/O expansion board components 16

identification number 101

IML (Integrated Management Log) 80

Important Safety Information document 84

Insight Diagnostics 80, 81

installation services 30

installation, server options 33, 35

installing operating system 34

installing server 33

Integrated Management Log (IML) 80

internal health LED 8

## J

Japanese notice 104, 107

## K

keyboard connector 10, 15

Korean notices 105

## L

laser compliance 105

laser devices 105

LED, external health 8

LED, internal health 8

LED, power button 8

LEDs, battery pack 20

LEDs, hard drive 19

LEDs, NIC 8

LEDs, power supply 12

LEDs, troubleshooting 84

LEDs, unit identification (UID) 8

loose connections 87

## M

management tools 78

memory 18, 41, 49, 76

memory cartridge population guidelines 44

memory expansion boards 18

memory options 35, 41

memory overview 41

memory performance optimization 46

memory RAS 47

memory subsystem architecture 45

memory, Advanced ECC 75

memory, configuring 76

memory, mirrored 75, 76

memory, online spare 75, 76

mirrored memory 75, 76

modifications, FCC notice 102

mouse connector 10, 15

## N

NIC connectors 10, 15

NVRAM, clearing 14

## O

online spare memory 75

operating systems 34, 82

operations 25

- optimum environment 31
- Option ROM Configuration for Arrays (ORCA) 77
- options installation 33, 35
- ORCA (Option ROM Configuration for Arrays) 77
- OS boot problems flowchart 95

## P

- PCI Express I/O expansion board, installing 58
- PCI-X/PCI Express I/O expansion board, installing 60
- phone numbers 112
- population guidelines 48, 49
- population guidelines, Advanced ECC 48
- population guidelines, mirrored memory 49
- population guidelines, online spare 48
- POST error messages 99
- POST problems flowchart 94
- power button 8
- power cord 85, 106
- power distribution unit (PDU) 32
- Power On/Standby button 8, 25, 34
- power requirements 32
- power supply 53
- power supply backplane components 23
- power supply LEDs 12
- powering down 25
- powering up 25, 74
- power-on problems flowchart 91
- pre-diagnostic steps 84
- preparation procedures 25, 87
- problem diagnosis 84
- processor memory module 17
- processors 35
- ProLiant Support Pack (PSP) 82
- PSP (ProLiant Support Pack) 82
- PSPs, overview 82

## R

- rack installation 30, 33
- rack mounting hardware 33
- rack resources 30
- rack stability 85
- rack warnings 33, 85
- rack, extending server from 25
- RBSU (ROM-Based Setup Utility) 73, 75
- RBSU configuration 74
- rear panel buttons 11
- rear panel components 10
- rear panel LEDs 11

- recommended ambient operating temperature (TMRA) 31
- recovery key 69
- redundant ROM 79
- registering the server 34
- regulatory compliance identification numbers 101
- regulatory compliance notices 101, 104
- remote support and analysis tools 81
- removing the processor memory drawer 27
- required information 112
- requirements, airflow 31
- requirements, electrical grounding 32
- requirements, environmental 31, 110
- requirements, power 32
- requirements, site 31
- requirements, space 31
- requirements, temperature 31
- ROM redundancy 79
- ROM-Based Setup Utility (RBSU) 70, 73
- ROMPaq utility 78, 79

## S

- safety considerations 33, 84
- safety information 79
- SAS device numbers 18
- SAS hard drive 51
- SAS hard drive LEDs 19
- scripted installation 73
- serial connector 10, 15
- serial number 77
- series number 101
- server fault indications flowchart 97
- server features and options 35
- server options, installing 33, 35
- server specifications 110
- server, installation 33
- service notifications 88
- shipping carton contents 33
- site requirements 31
- SmartStart autorun menu 73
- SmartStart Scripting Toolkit 73
- SmartStart software 34
- SmartStart, overview 73
- space requirements 31
- specifications, environmental 110
- specifications, server 110
- SPI (System Peripheral Interface) board 13, 15, 28
- SSD drive, installing 54
- start diagnosis flowchart 88
- static electricity 109

- status lights, battery pack 20
- support 81, 112
- support packs 73
- supported operating systems 82
- switch, system maintenance 13
- symbols on equipment 85
- symptom information 86
- system battery 15
- system board components 13, 14
- system board switches 14
- system configuration settings 34, 73
- system maintenance switch 13, 14
- system power LED 8, 20
- system, keeping current 81
- Systems Insight Display 7, 9
- Systems Insight Display, ejecting 28

## T

- Taiwan battery recycling notice 106
- tape drive blank
  - TPM (Trusted Platform Module) 68, 69, 70
- technical support 112
- telephone numbers 112
- temperature requirements 31
- three slot option card connectors 13
- TMRA (recommended ambient operating temperature) 31
- Torx screwdriver 10
- troubleshooting flowcharts 88
- troubleshooting resources 84
- Trusted Platform Module (TPM) 68, 69, 70

## U

- UID LED 8
- uninterruptible power supply (UPS) 32
- universal serial bus (USB) 7
- updating the system ROM 79
- UPS (uninterruptible power supply) 32
- USB connectors 7, 10, 15
- USB support 79
- utilities, deployment 73

## V

- ventilation 31
- Version Control 82
- Version Control Agent (VCA) 82
- Version Control Repository Manager (VCRM) 82
- video connector 7, 10, 15

## W

- website, HP 112
- wireless devices 107, 108