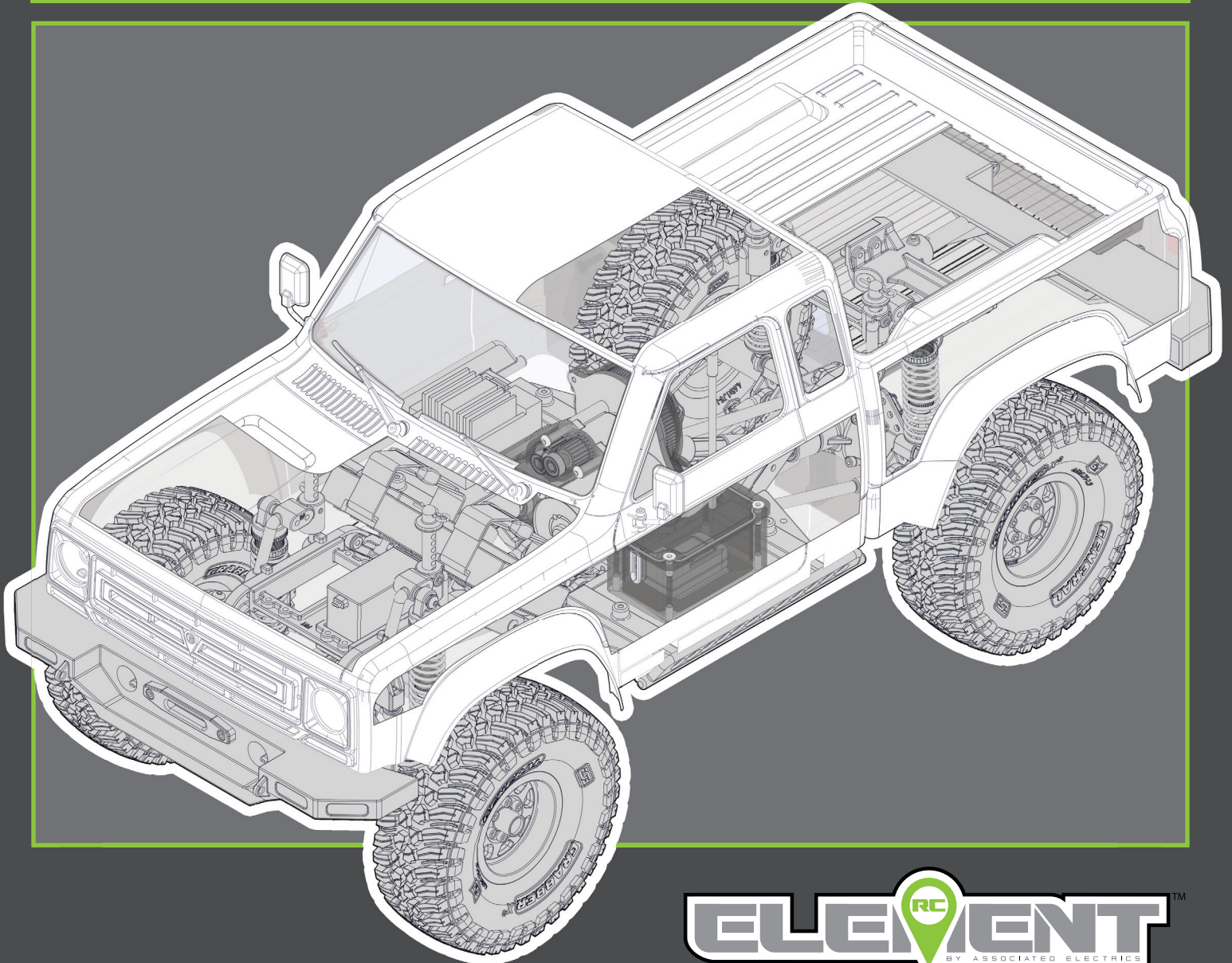


ENDURO

SENDERO EXTRA CAB
PICK-UP TRUCK BODY



OWNERS BUILD MANUAL





Associated Electrics, Inc.
26021 Commercentre Dr.
Lake Forest, CA 92630

Customer Service
Tel: 949.544.7500
Fax: 949.544.7501

Follow Us On Social Media



ElementRC



@Element_RC

www.ElementRC.com

AE is a Registered Trademark of Associated Electrics, Inc.

TEAM ASSOCIATED is a Registered Trademark of Associated Electrics, Inc.

REEDY is a Registered Trademark of Associated Electrics, Inc.

FACTORY TEAM is a Registered Trademark of Associated Electrics, Inc.

ELEMENT™ is a Trademark of Associated Electrics, Inc.

AREA 51 is a Registered Trademark of Associated Electrics, Inc.

STEALTH is a Registered Trademark of Associated Electrics, Inc.

GREEN SLIME is a Registered Trademark of Associated Electrics, Inc.

ITEMS NEEDED

The following items are required to build or maintain your Enduro Trail Truck.

- 2mm Allen Wrench (#1501)
- 2.5mm Allen Wrench (#1503)
- Pliers
- Long Nose Pliers
- 5.5mm Nut Driver (#1507)
- 7mm Nut Driver (#1508)

OTHER HELPFUL ITEMS

The following items aren't required, but will aid in the building and maintaining of your Enduro Trail Truck.

- Threadlock (#1596)
- Green Slime (#1105)

Your journey begins here.



INTRODUCTION

Thank you for purchasing this Element RC product. This assembly manual contains instructions and tips for building and maintaining your new Enduro chassis. Please take a moment to read through this manual to help familiarize yourself with these steps. We are continually changing and improving our designs; therefore, actual parts may appear slightly different than in the illustrations. New parts will be noted on supplementary sheets located in the appropriate parts bags.

ENDURO TRAIL TRUCK

A performance rig built to endure. When hitting the trail, you want to do it with confidence and the answer is the all new Enduro Trail Truck!

At the heart of the Enduro is our revolutionary Stealth® X gearbox. Although the exterior appears to have a conventional 3-gear transmission look; inside is far from conventional. The Stealth® X features the ability to adjust the rear drive ratio independently from the front drive in 3 levels. Stock provides a one to one drive ratio front to rear, option 1 overdrives the front end 5.7%, and option 2 overdrives the front end 11.83%.

Feeding the power to the tires are 3-piece telescopic driveshafts with extruded aluminum center section, universal front drive axles, and hardened steel ring and pinion gears. With the new drivetrain, delivering useful power will not be an issue.

We relocated the steering link assembly from the conventional location to behind the axle (BTA). This feature greatly improves approach angle and front end clearance; making rough terrain much easier to handle.

The Enduro Trail Truck comes ready for adventure right out of the box with performance driven Reedy Power electronics. The all new, ultra-smooth and powerful, 16-turn 5-slot brushed crawler motor and Reedy Power SC400X electronic speed controller with T-plug connector supply ample power to this tough rig. Controlling the beast on the trail is our new 3-channel XPI30 2.4GHz radio and Reedy Power high-torque 1320MG metal gear servo.

With all this packed in one box we know the Enduro Trail Truck, Sendero RTR is ready for the trail...Are you?

FEATURES

- Stealth X Gearbox with adjustable overdrive gears
- BTA steering [Behind the Axle]
- CMS [Chassis Mounted Servo]
- Integrated servo winch mount
- Adjustable front track bar
- Universal front drive axles
- Stamped steel C-Channel frame rails
- Enclosed receiver box
- 12mm wheel hexes
- Adjustable front and rear bumper mounts
- Adjustable width rock sliders
- Two battery boxes (Shorty and regular size!)
- Threaded aluminum shock bodies
- Aluminum steering plates
- Aluminum motor plate
- Adjustable body posts
- Optimized rod ends for more fluid axle articulation
- Adjustable rear shock mount positions
- Telescopic driveshaft's front and rear
- Extruded aluminum driveshaft splines
- One-piece rear axle design
- Splined front axle with adjustable caster
- Machined input pinion gear
- Metal ring gear
- Machined steel top shaft
- Metal idler gears
- Heavy duty 5mm diameter steel links
- Precision metal ball bearings included
- Method Trail Series Beadlock Wheels
- Licensed 1.9"x4.65" General Grabber X3 tires

ELECTRONICS:

- Water resistant 2S-3S LiPo compatible Reedy SC400X brushed electronic speed control with adjustable drag brake and T-plug battery connector
- Smooth and powerful Reedy Crawler 16T 5-slot brushed motor
- XPI30 2.4GHz radio system (3 Channel)
- Reedy high-torque 1320MG metal gear servo (13kg/180 oz.)







SENDERO BODY FEATURES:

- Sendero body thermoformed in high-strength polycarbonate
- Two-piece cab and bed design
- Clear windows
- Molded grill
- Replaceable headlight lenses
- Pivoting side mirrors
- LED headlights
- Adjustable front and rear bumpers












HARDWARE 1:1 SCALE VIEW

HARDWARE USED WITH OPTIONAL REPLACEMENT PART NUMBERS

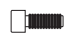





FLAT HEAD SCREWS (FHCS)

	2.5x10mm (31350)
	2.5x14mm (41077)
	3x8mm (25201) Aluminum (8553) Titanium (91592)
	3x10mm (25202) Aluminum (8555) Titanium (91593)
	3x12mm (25203) Aluminum (8556) Titanium (91594)
	3x14mm (89208) Aluminum (8567) Titanium (91595)

BUTTON HEAD SCREWS (BHCS)

	2.6x10mm (41088)
	3x5mm (31530)
	3x6mm (31531) Titanium (91580)
	3x8mm (31532) Aluminum (8552) Titanium (91581)
	3x10mm (25211) Aluminum (8554) Titanium (91582)
	3x12mm (89202) Titanium (91583)
	3x14mm (25187) Titanium (91584)
	3x16mm (89203) Titanium (91585)
	3x18mm (2308)
	3x20mm (25188) Titanium (91587)
	3x28mm (41078)



SOCKET HEAD SCREWS (SHCS)

	2x5mm (31511) Aluminum (8566)
	2x8mm (7187)
	2.5x6mm (41079)
	2.5x10 (41087)
	2.5x14 (71032)
	2.5x16 (41086)



SET SCREWS

	3x3mm (25225)
	3x16mm (4689)




PIVOT BALLS

	Pivot Ball, 6mm (42041)
	Pivot Ball, Upper Shock (42041)



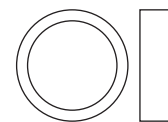
LOCK NUTS

	M3 Locknuts (25215) Aluminum (31550)
	M4 Locknut W/Flange (25391)



BEARINGS

	5x10x4mm (91560)
	7x14x3.5mm (91474)
	10x15x4mm (91563)

SHIMS AND WASHERS

	.250x.125x.015 (7337)
	Servo Horn Spacer (42041)
	Drive Gear Shim (42027)

MISC. SCREWS

	Shoulder Screw 3x4x10mm (42070)
	Screw Pin (42022)

LINKS





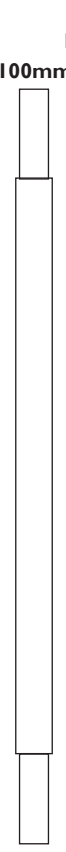


	73mm
	83mm
	93mm
	96mm
	100mm
	108mm
	114mm

TABLE OF CONTENTS

8/26/2019

01	COVER	12	DRIVESHAFTS BUILD (BAG 8)
02	INTRODUCTION	13	SHOCKS BUILD (BAG 9)
03	1:1 HARDWARE "FOLD OUT"	14	BUMPERS BUILD (BAG 10)
04	TABLE OF CONTENTS	14	WHEELS/TIRES BUILD
05	CHASSIS BUILD (BAG 1, 2)	15	BODY BUILD (BAG 11)
06	ELECTRONIC MOUNTS BUILD (BAG 3)	16	CATALOG
07	GEARBOX BUILD (BAG 4)	24	OPTIONAL GEARBOX BUILD
08	FRONT AXLES BUILD (BAG 5)	25	TRAIL TIPS
09	REAR AXLES BUILD (BAG 6)	26	BACK COVER
09	LINKS BUILD (BAG 7)		

USING THIS MANUAL



This symbol indicates a special note or instruction in the manual.

x2

This symbol indicates the number of the same part that is required.



This symbol indicates the order within a step to assemble parts.



This symbol indicates a Trail Tip.



This symbol indicates where Black Grease should be applied.



This symbol indicates where Green Slime can be applied.



This symbol indicates where Thread Lock Adhesive should be applied.

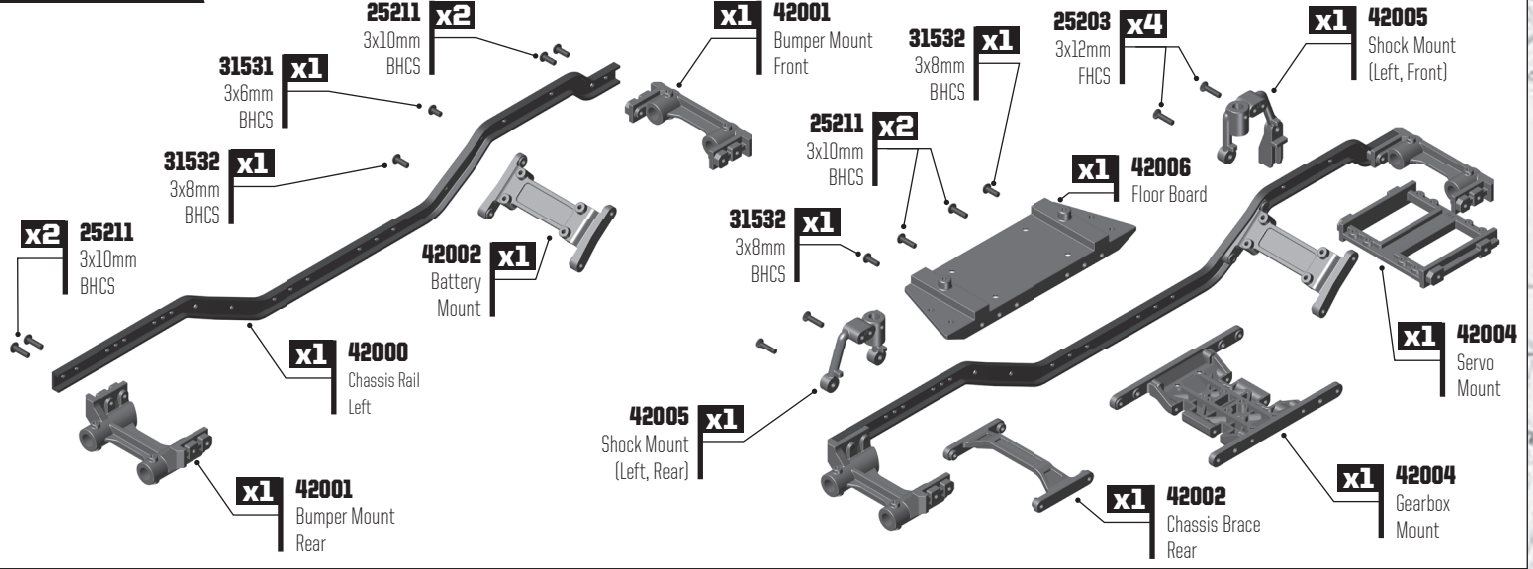


This symbol indicates where Shock Fluid should be applied.

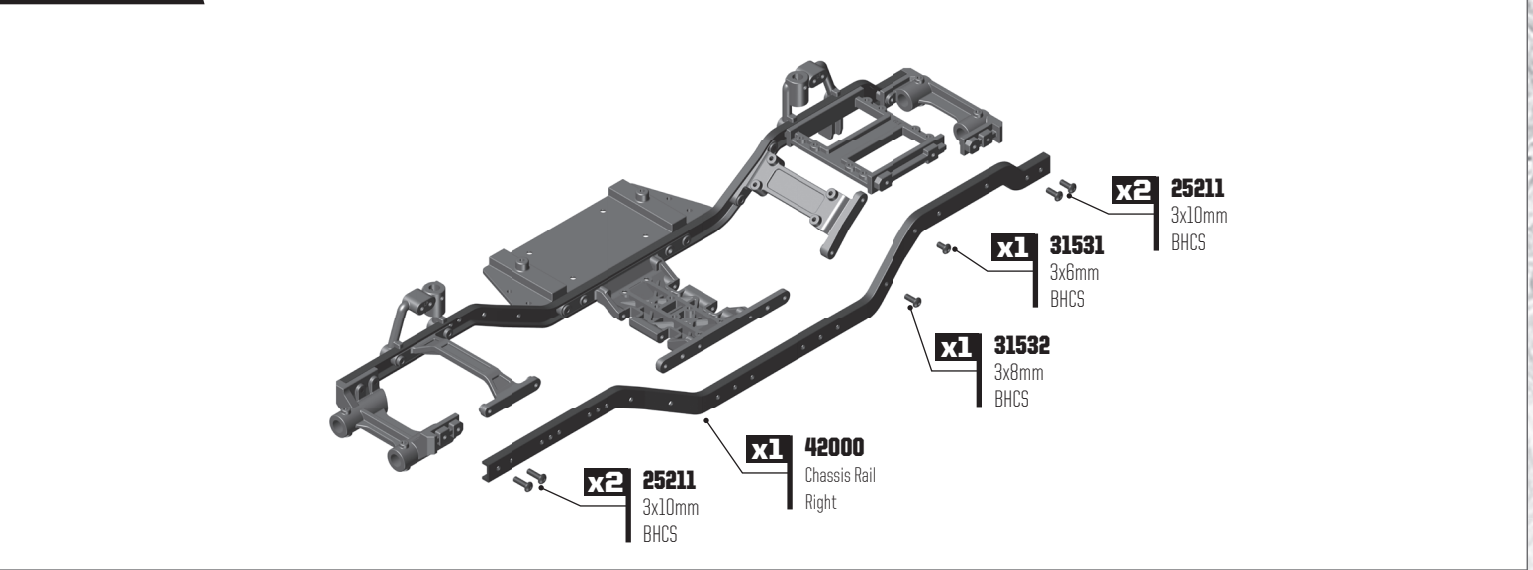


There is a 1:1 hardware foldout page in the front of the manual. To check the size of a part, line up your hardware with the correct drawing until you find the exact size. Each part in the foldout has a number assigned to it for ordering replacement parts.

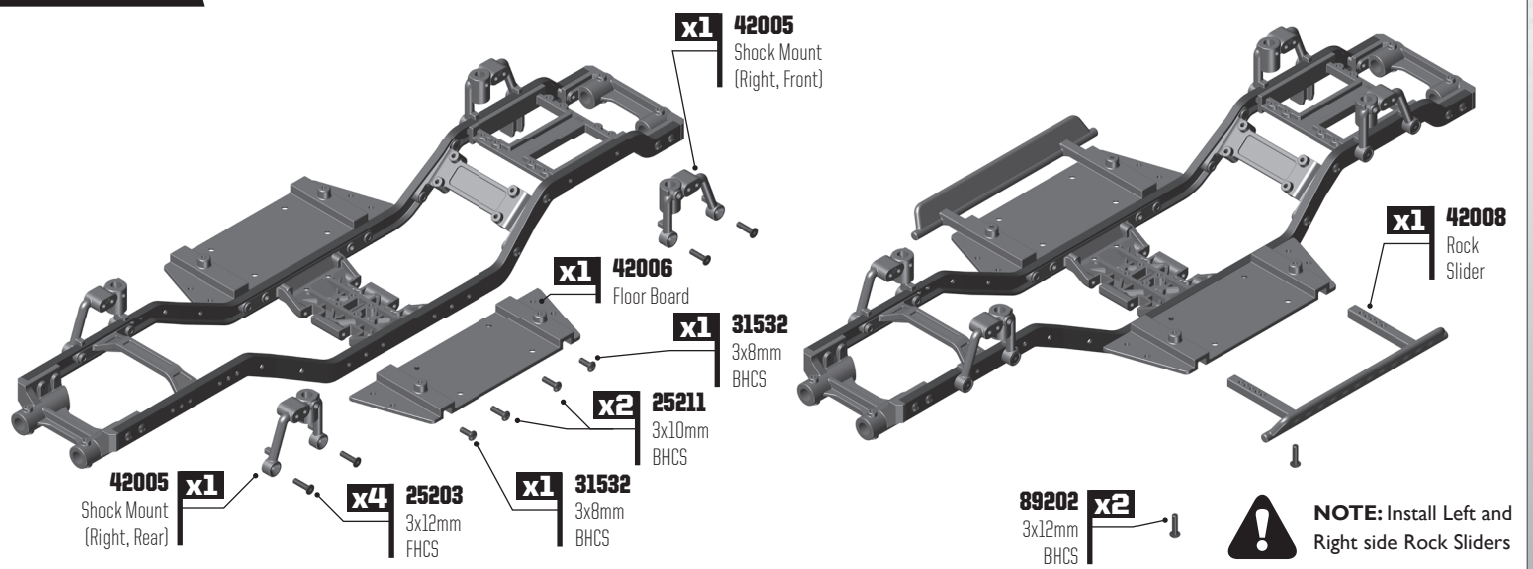
GATE 01 CHASSIS BUILD: BAG 1, 2



GATE 02 CHASSIS BUILD: BAG 1, 2



GATE 03 CHASSIS BUILD: BAG 1, 2



GATE 01 ELECTRONIC MOUNTS BUILD: BAG 3

25203 x4
3x12mm FHCS

42003 x1
Battery Box, Shorty Pack

NOTE: There is an optional "standard pack" sized battery tray included!

71050 x2
Hook and Loop Straps

GATE 02 ELECTRONIC MOUNTS BUILD: BAG 3

42007 x1
Receiver Grommet

42007 x1
Receiver Grommet Plug

42006 x1
Receiver Box Bottom

25202 x4
3x10mm FHCS

Receiver x1

6727 x1
Servo Tape

Servo x1

42041 x1
Servo Horn 25T

7337 x4
.250 x .125 x .015 Washer

25211 x5
3x10mm BHCS

THREAD LOCK #1536

GATE 03 ELECTRONIC MOUNTS BUILD: BAG 3

ESC x1

6727 x1
Servo Tape

6338 x1
Antenna Tube and Cap

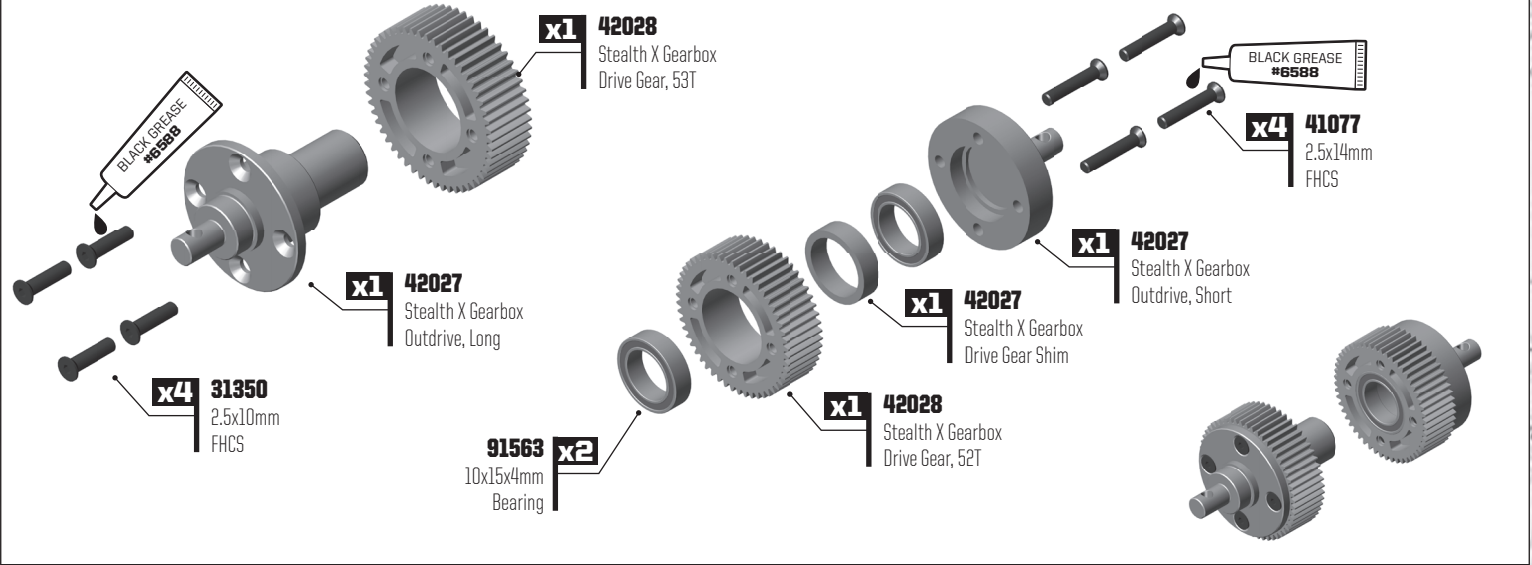
25225 x1
3x3mm Set Screw

25202 x4
3x10mm FHCS

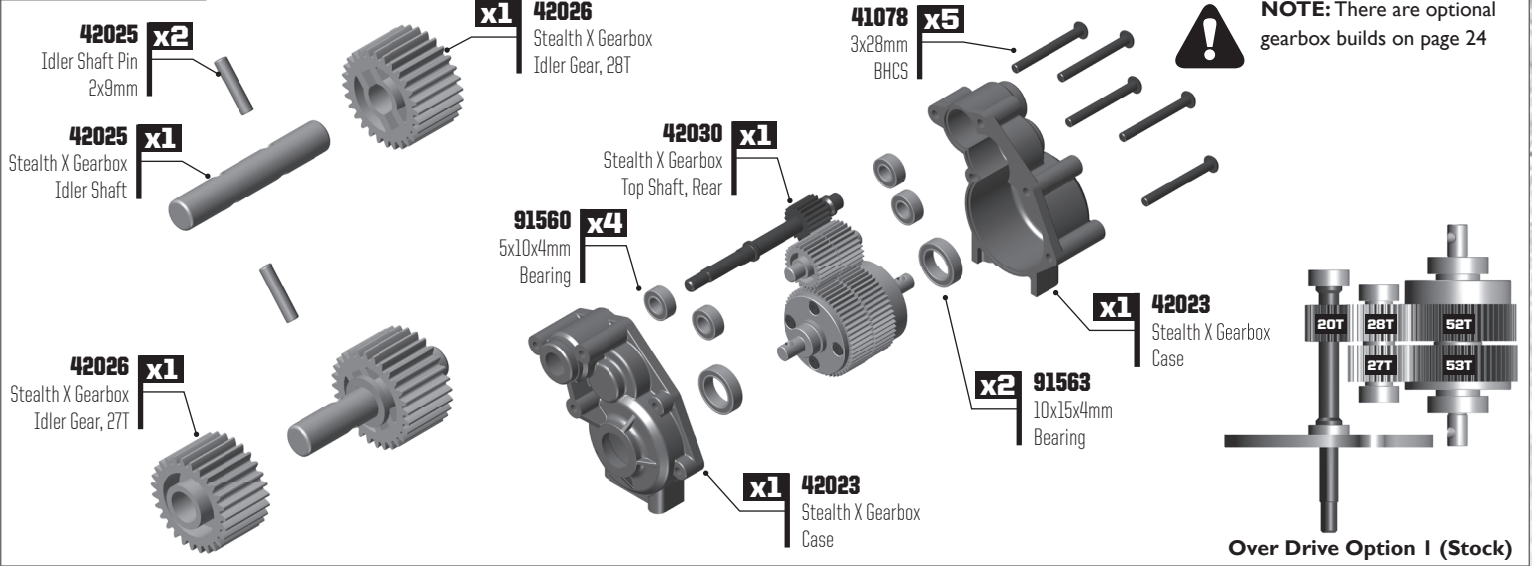
42006 x1
Receiver Box Lid

42007 x1
Receiver Box Grommet

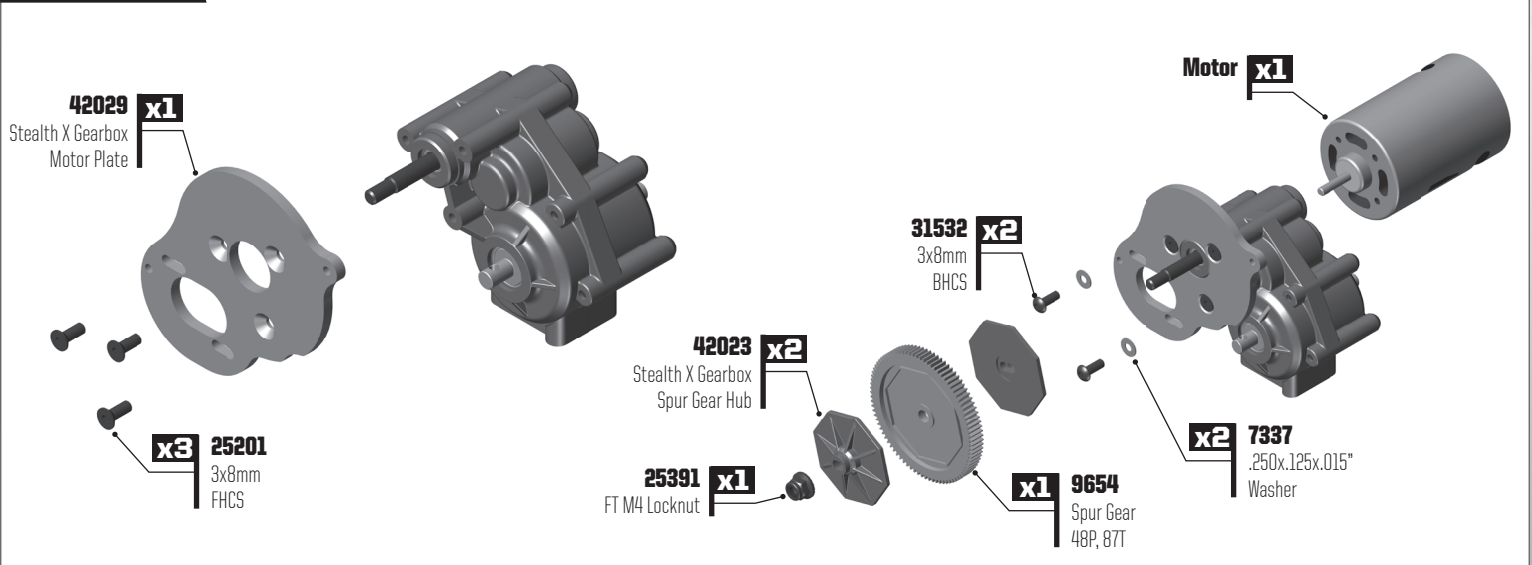
GATE 01 GEARBOX BUILD: BAG 4



GATE 02 GEARBOX BUILD: BAG 4



GATE 03 GEARBOX BUILD: BAG 4



GATE 04 GEARBOX BUILD: BAG 4

42023 x1 Stealth X Gearbox Gear Cover

1336 x1 Pinion Gear 18T

25225 x1 3x3mm Set Screw

31530 x2 3x5mm BHCS

NOTE: Make sure the gear mesh between the spur gear and pinion has a slight amount of movement between the two gears.

89208 x2 3x14mm FHCS

25201 x2 3x8mm FHCS

GATE 01 FRONT AXLE BUILD: BAG 5

41086 x4 2.5x16mm SHCS

91560 x2 5x10x4mm Bearing

91474 x2 7x14x3.5mm Bearing

42060 x1 Axle Housing Differential Cover

42065 x1 Ring Gear, 30T

42066 x1 Pinion Gear, 8T

42061 x1 Axle Housing, Front

42062 x1 Caster Block, Left

91560 x1 5x10x4mm Bearing

NOTE: Align the two arrows when installing the caster block!

NOTE: Install Left and right side caster blocks and bearings

GATE 02 FRONT AXLE BUILD: BAG 5

42060 x1 Lower 4-Link Mount

71032 x2 2.5x14mm SHCS

42070 x2 3x4x10mm Shoulder Screw

25187 x1 3x14mm BHCS

42067 x1 Universal

91563 x1 10x15x4mm Bearing

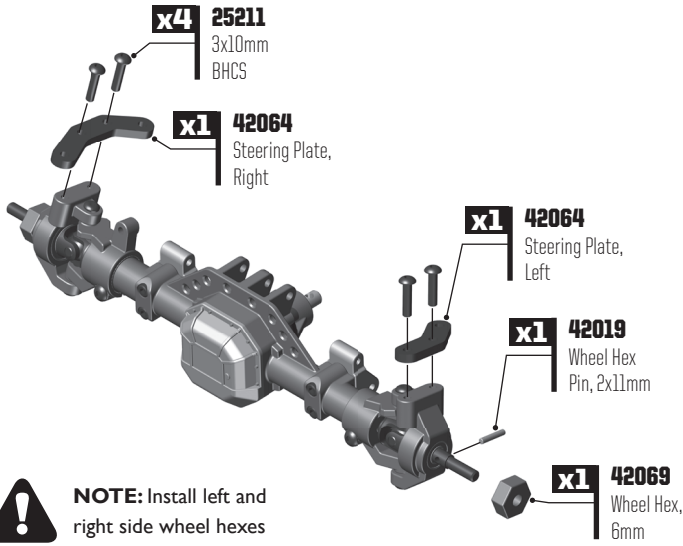
91560 x1 5x10x4mm Bearing

42062 x1 Steering Block

NOTE: Install left and right side steering blocks and universals

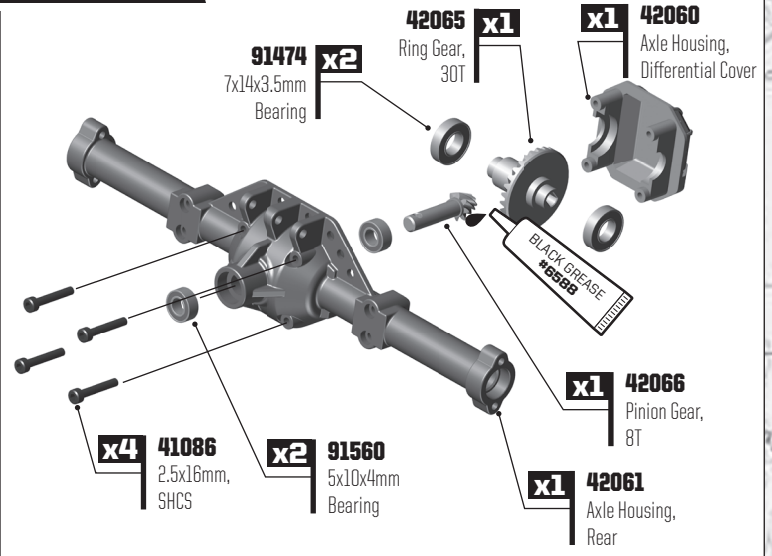
NOTE: Install left and right side axle mounts and shoulder screws

GATE 03 FRONT AXLE BUILD: BAG 5

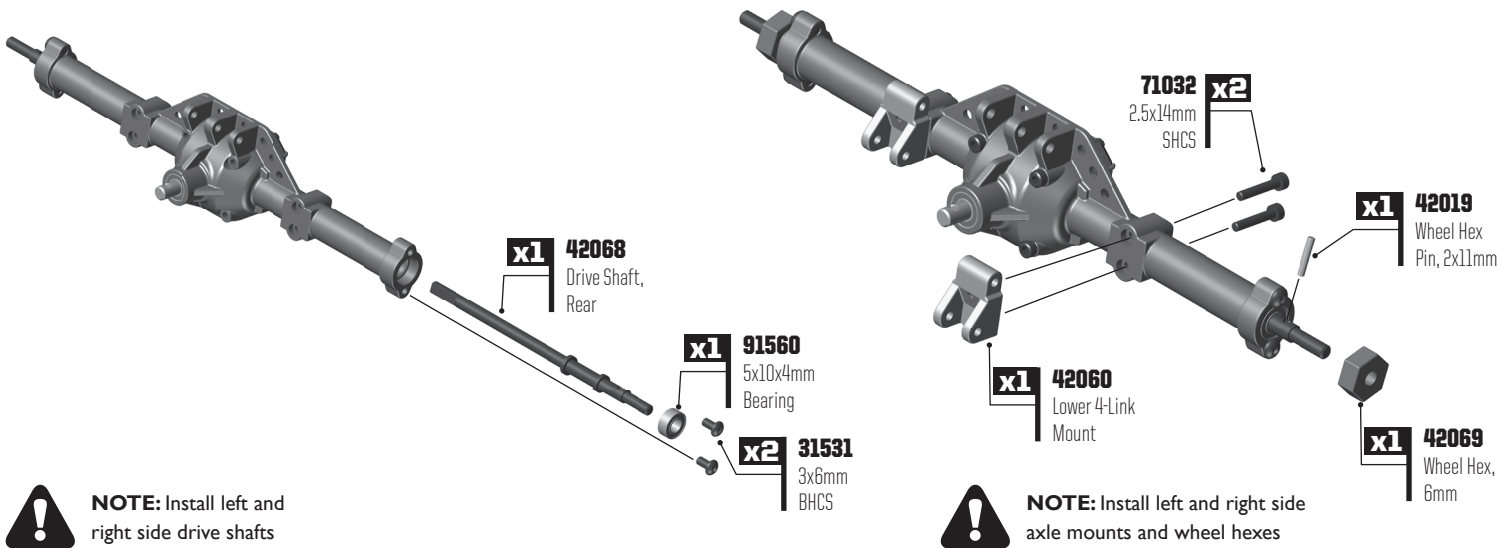


NOTE: Install left and right side wheel hexes

GATE 01 REAR AXLE BUILD: BAG 6



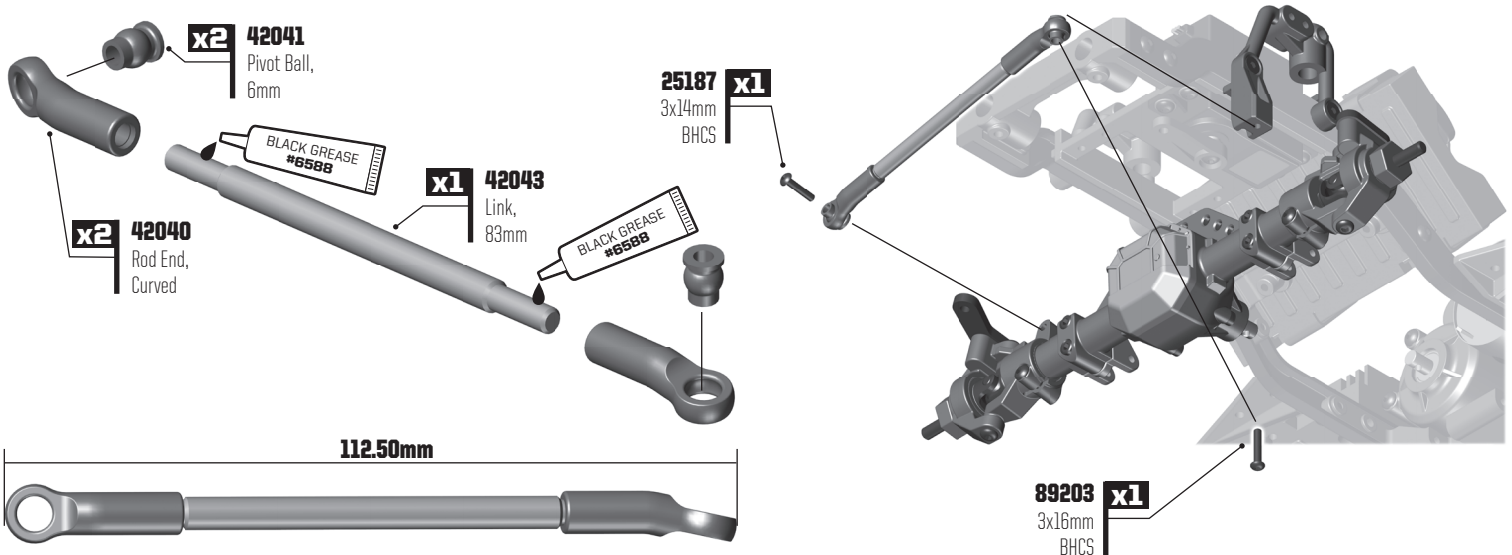
GATE 02 REAR AXLE BUILD: BAG 6



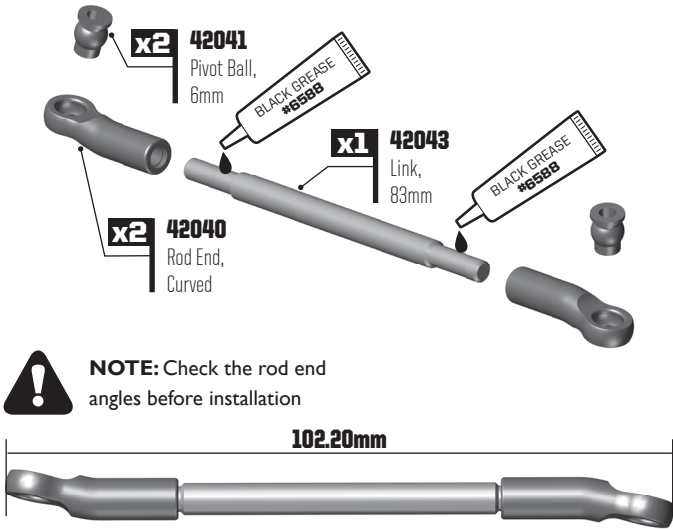
NOTE: Install left and right side drive shafts

NOTE: Install left and right side axle mounts and wheel hexes

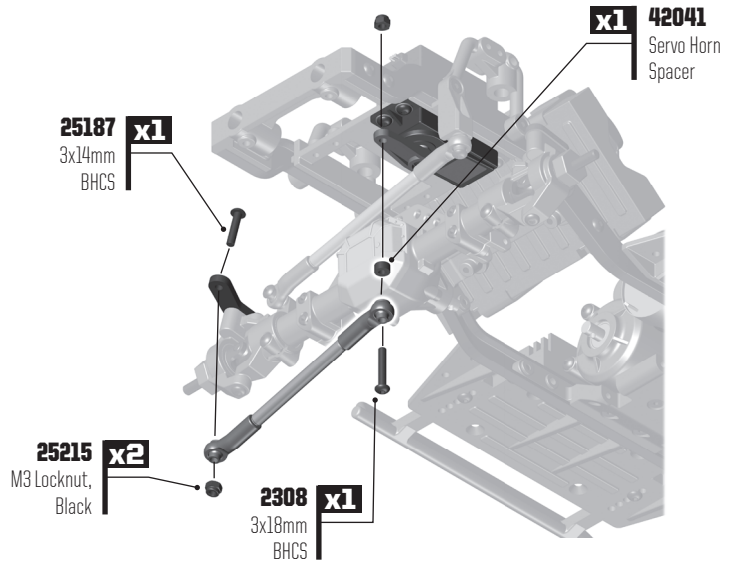
GATE 01 LINKS BUILD: BAG 7



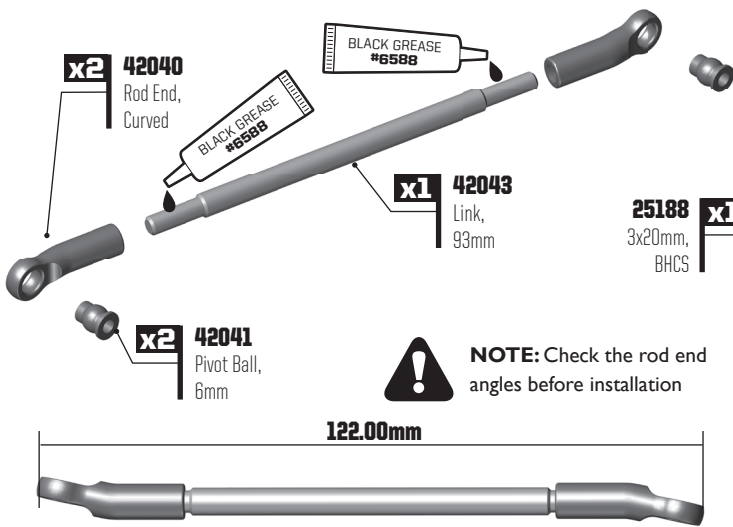
GATE 02 LINKS BUILD: BAG 7



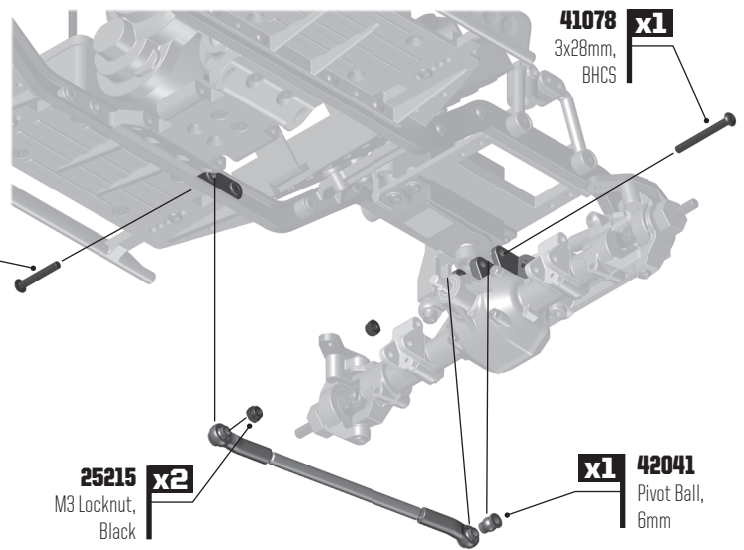
NOTE: Check the rod end angles before installation



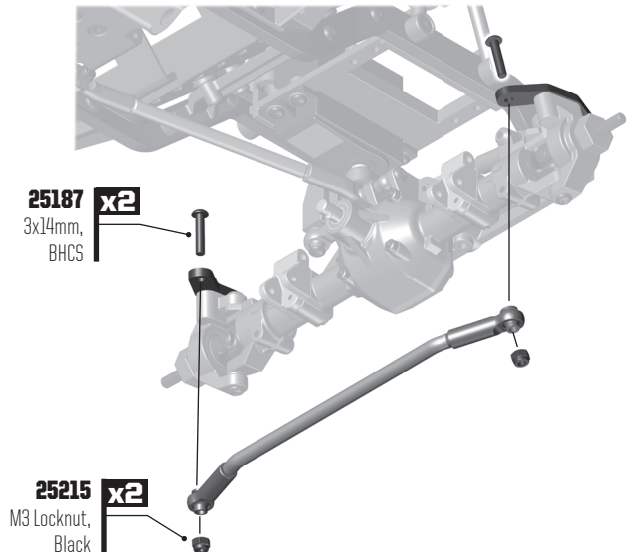
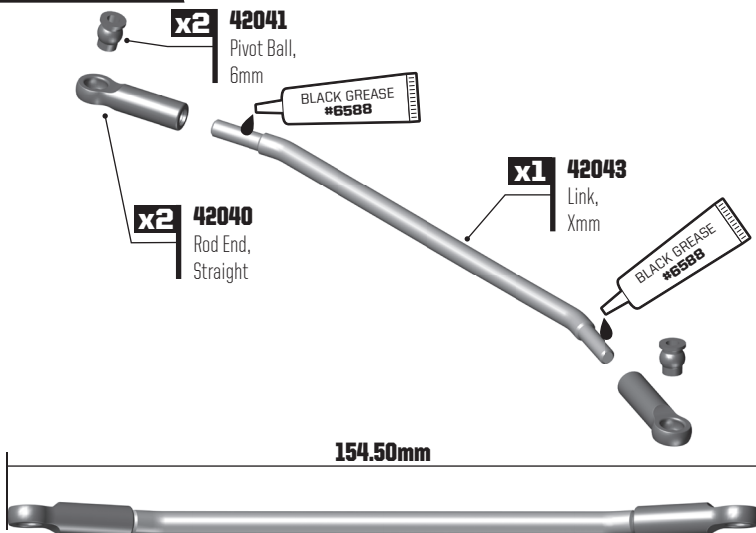
GATE 03 LINKS BUILD: BAG 7



NOTE: Check the rod end angles before installation



GATE 04 LINKS BUILD: BAG 7



GATE 05 LINKS BUILD: BAG 7

NOTE: Build and install two rear upper links

!

x2 42041 Pivot Ball, 6mm

BLACK GREASE #6588

x1 42044 Link, 108mm

BLACK GREASE #6588

x2 42040 Rod End, Curved

NOTE: Check the rod end angles before installation

137.00mm

x1 25188 3x20mm BHCS

x1 41078 3x28mm BHCS

x2 25215 M3 Locknut, Black

GATE 06 LINKS BUILD: BAG 7

NOTE: Build and install two front lower links

!

x2 42041 Pivot Ball, 6mm

BLACK GREASE #6588

x1 42043 Link, 100mm

BLACK GREASE #6588

x2 42040 Rod End, Curved

NOTE: Check the rod end angles before installation

129.50mm

x1 25187 3x14mm BHCS

x1 4689 3x16mm Set Screw

GATE 07 LINKS BUILD: BAG 7

NOTE: Build and install two rear lower links

!

x2 42041 Pivot Ball, 6mm

BLACK GREASE #6588

x1 42044 Link, 114mm

BLACK GREASE #6588

x2 42040 Rod End, Curved

NOTE: Check the rod end angles before installation

143.00mm

x1 25187 3x14mm BHCS

x1 4689 3x16mm Set Screw

GATE 01 DRIVE SHAFT BUILD: BAG 8

Parts List:

- x2 42021 Drive Shaft Pin, 2x11mm
- x1 42020 Drive Shaft, Female (33mm, 42mm)
- x2 31532 3x8mm BHCS
- 42021 Drive Shaft, Male, CVA
- x2 42021 Drive Shaft, Female, CVA
- x2 42021 Drive Shaft Barrel
- 2x THREAD LOCK #1596
- x1 42020 Pin Retainer, Short
- x1 42020 Drive Shaft, Male (48mm, 60mm)
- x1 42020 Gearbox Side
- x1 42020 Axle Side
- x1 42020 Pin Retainer, Long

Drive Shaft Lengths

	Front (mm)	Rear (mm)
Female 1	33	33
Female 2	33	42
Male	48	60

NOTE: Build a front and rear drive shaft

GATE 02 DRIVESHAFT BUILD: BAG 8

NOTE: Install the front drive shaft

NOTE: Install the rear drive shaft

GATE 03 DRIVESHAFT BUILD: BAG 8

NOTE: Make sure the screw pins are aligned with each female CVA during assembly

NOTE: Make sure the phasing of the drive shafts is correct when installing them to the axles and gearbox.

Correct Phasing

Incorrect Phasing

FRONT

- 33
- 48
- 33

REAR

- 42
- 60
- 33

42022 x4 Screw Pin

THREAD LOCK #1596

GATE 01 SHOCK BUILD: BAG 9

x1 42081 Shock Piston

x2 6299 E-Clip

x1 42083 Shock Shaft, 3x30mm

x1 42081 O-Ring, Shock Cap

x1 42082 Shock Body, 10x32mm

x2 5407 O-Ring, Red

x1 42081 Shock O-Ring Spacer

x1 42080 Shock Bottom Cap

x1 42040 Enduro Rod Ends

NOTE: Build 4 complete shocks

GATE 02 SHOCK BUILD: BAG 9

Shock Bleeding Steps:

1. Pull shock shaft down.
2. Fill shock body 3/4 full with silicone fluid.
3. Slowly move the shock shaft up and down to remove air from under piston.
4. Wait for bubbles to come to surface.
5. Fill shock body to top with silicone fluid.
6. Place a drop of oil in the cap and on cap threads.
7. Install cap and tighten completely.
8. Slowly compress shaft all the way to the top. If there is pressure at the top of the stroke, there is too much oil or air. You must bleed it out.
9. Slowly pull shaft out.
10. Unscrew the cap 3/4 turn and tilt the shock at a slight angle.
11. Slowly compress the shaft to push out excess oil and air. You should see bubbles coming out from under the cap.
12. With the shaft compressed, tighten the cap and re-check for pressure at the top of the stroke. If there is still pressure, repeat steps 9 thru 11.

NOTE: Build 4 complete shocks

x1 42080 Shock Cap, Enduro

Step 1-3 **Step 3-4** **Step 5-6** **Step 7** **Step 8-12**

GATE 03 SHOCK BUILD: BAG 9

x1 42081 O-Ring, Shock Collar

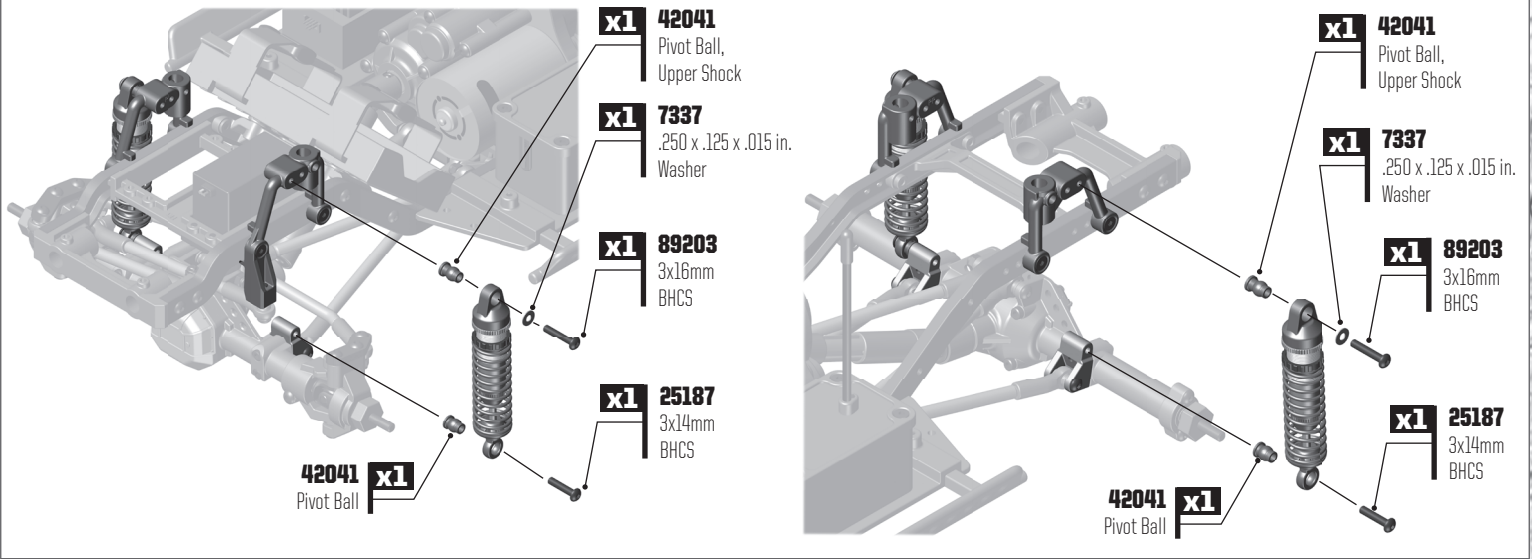
x1 42079 Shock Collar, Black, Aluminum

x1 42089 Shock Spring, Gray, 1.49 lb/in, 63mm

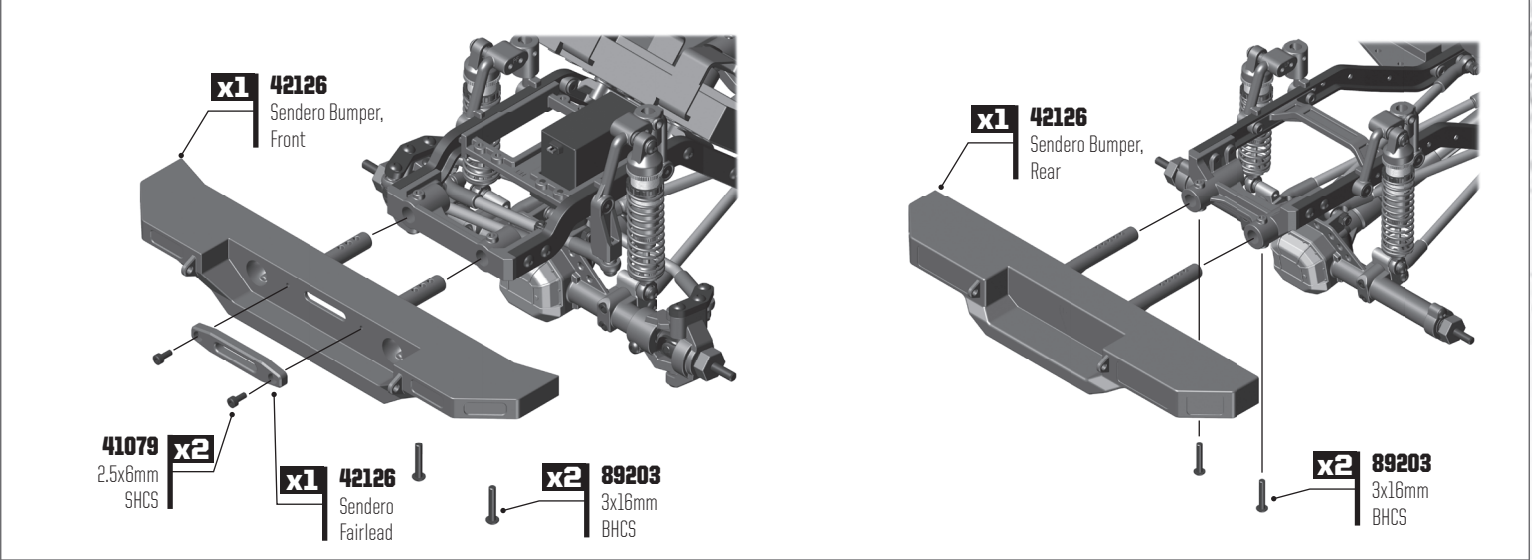
x1 42080 Shock Spring Cup

NOTE: Build 4 complete shocks

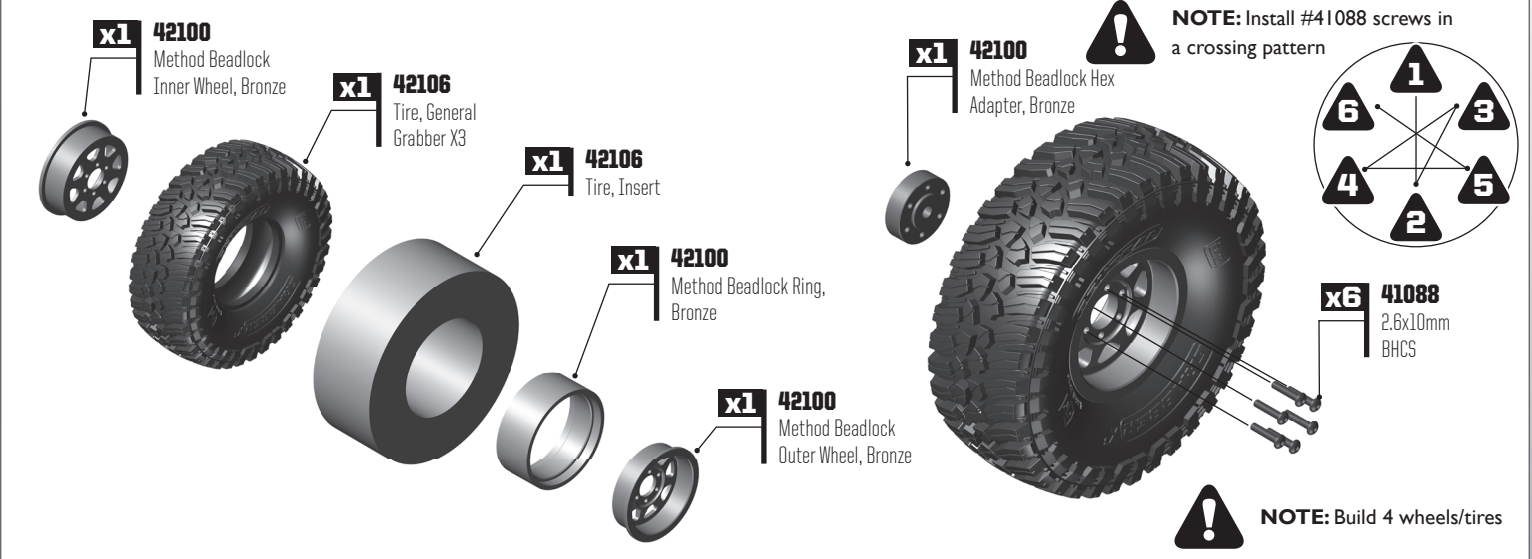
GATE 04 SHOCK BUILD: BAG 9



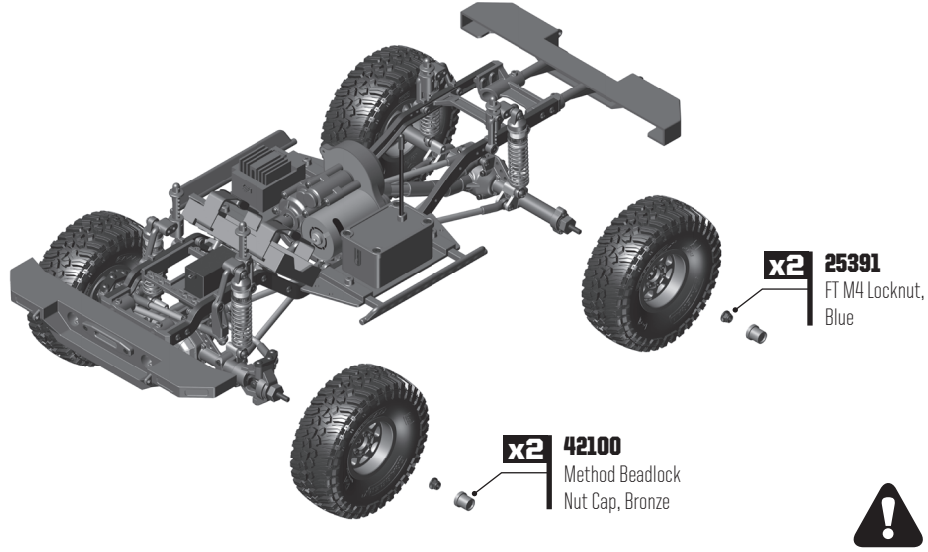
GATE 01 BUMPER BUILD: BAG 10



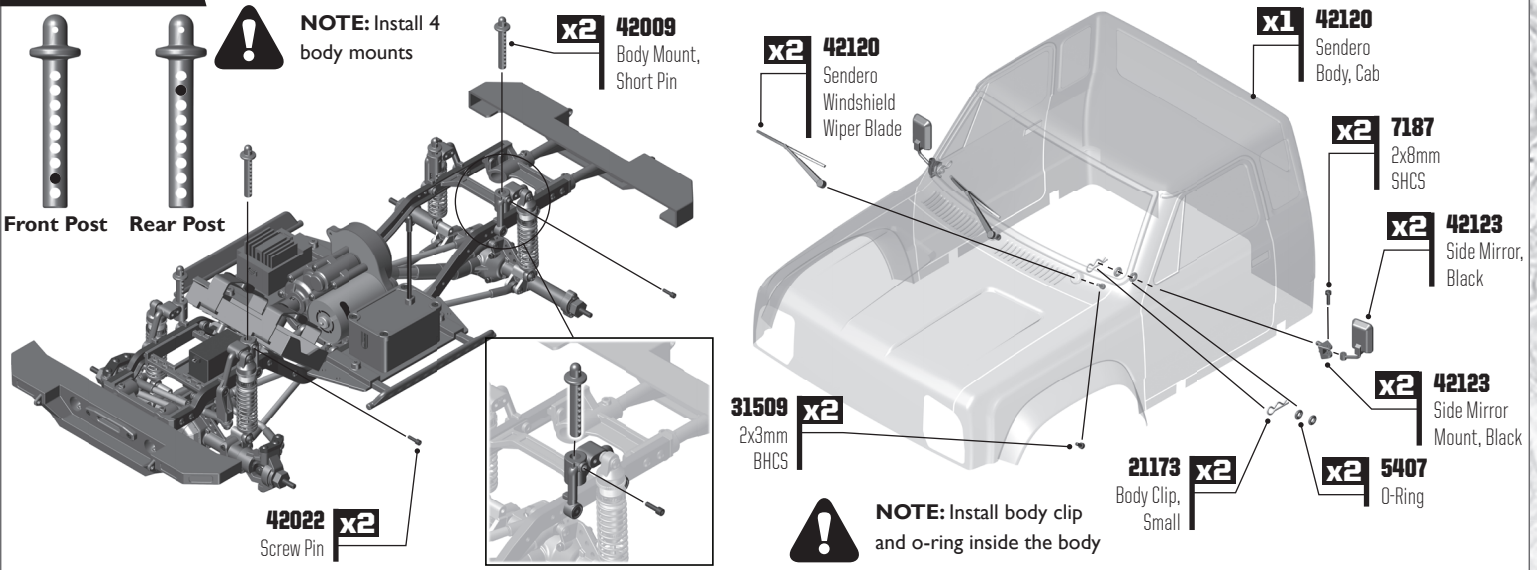
GATE 01 WHEEL/TIRE BUILD



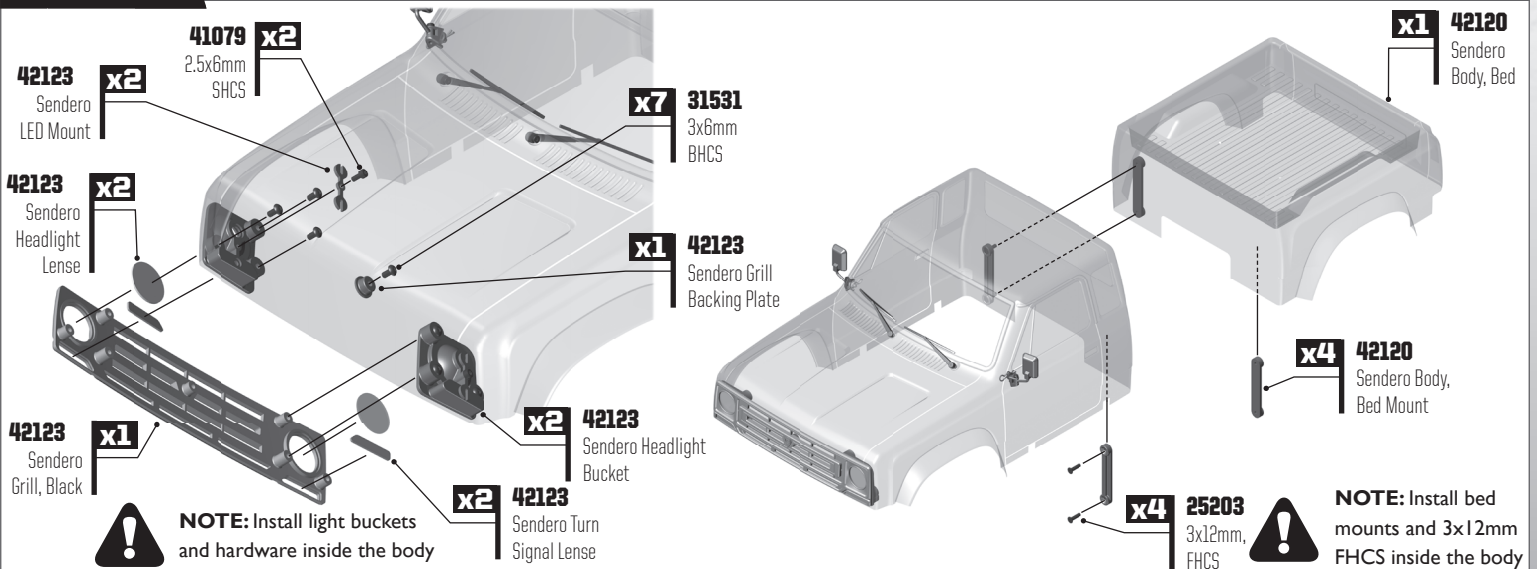
GATE 02 WHEEL/TIRE BUILD



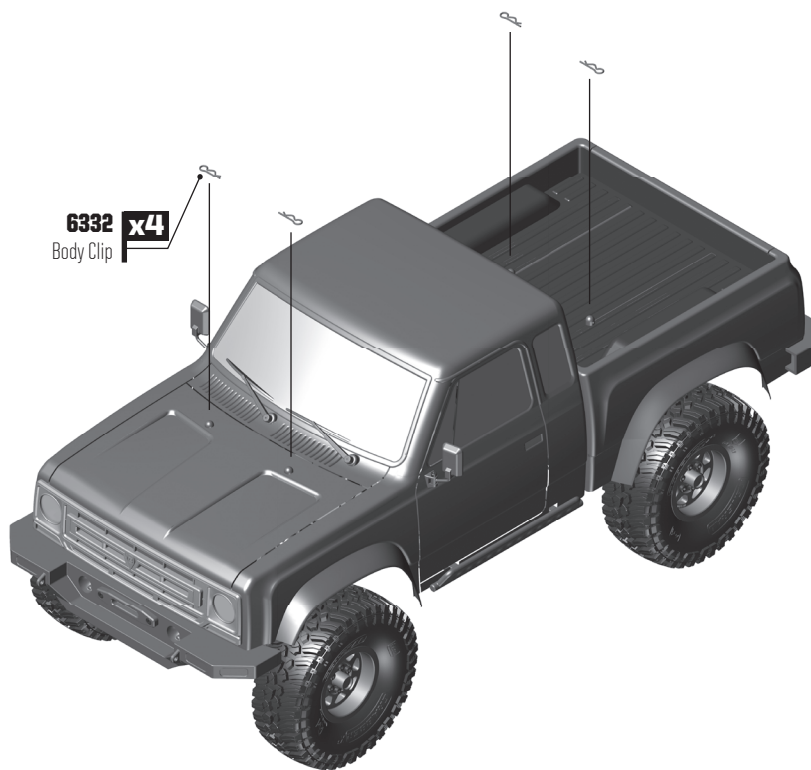
GATE 01 BODY BUILD: BAG 11



GATE 02 BODY BUILD: BAG 11

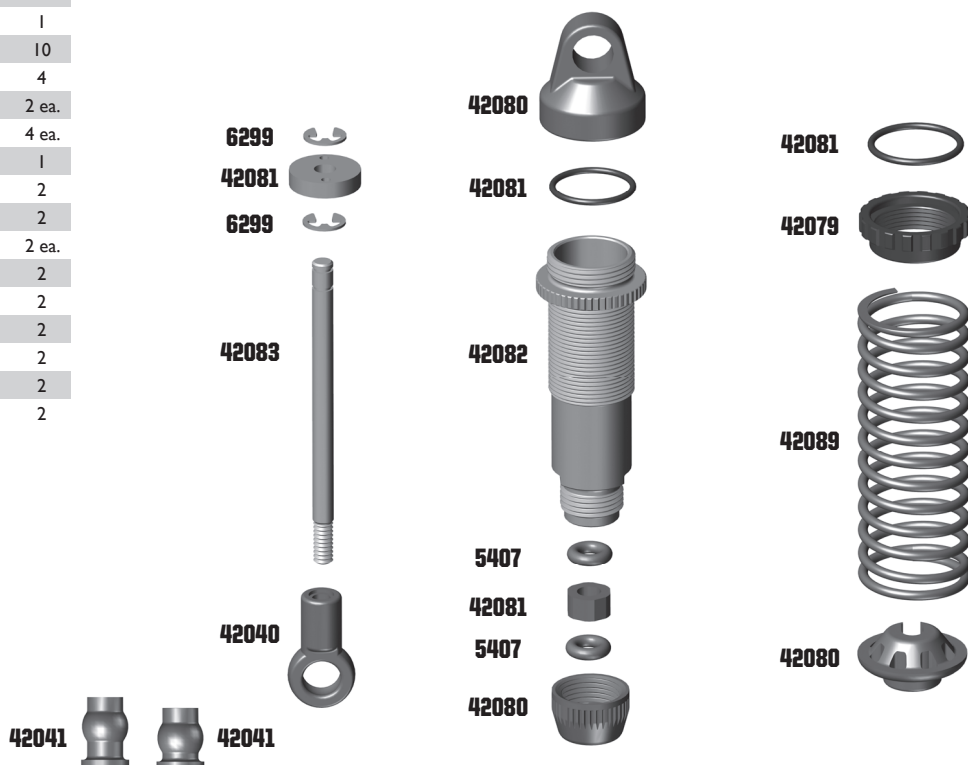


GATE 03 BODY BUILD: BAG 11



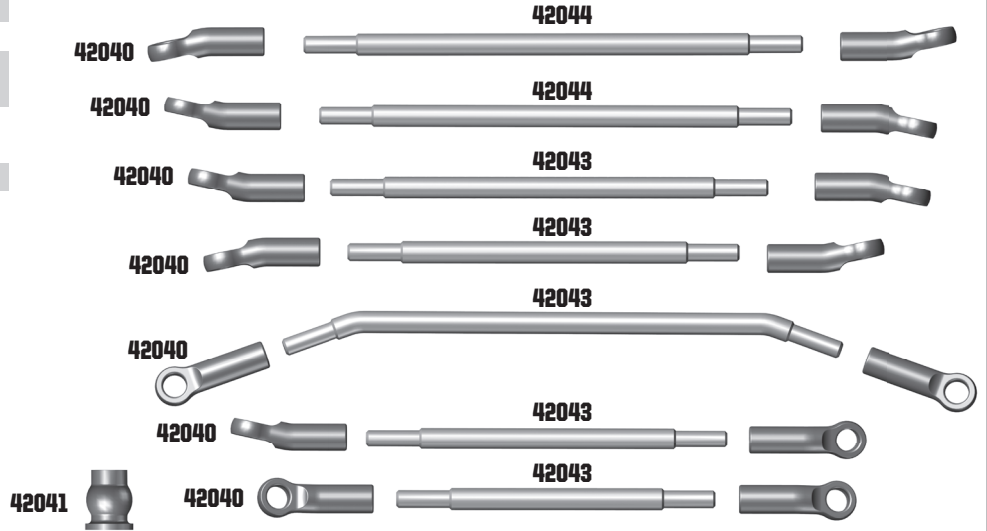
Shocks

5407	O-Rings, Red, Silicone	8
6299	E-Clipp, 1/8"	12
42040	Enduro Rod Ends	2
42041	Enduro Pivot Balls Set	1
42054	FT Enduro Pivot Ball, Steel	10
42055	FT Enduro, Shock Bushing, Steel	4
42079	Enduro Shock Parts, Black Aluminum	2 ea.
42080	Enduro Shock Parts	4 ea.
42081	Enduro Shock Internals	1
42082	Enduro Shock Body, Silver, 10x32mm	2
42083	Enduro Shock Shaft, 3x30mm	2
42085	Enduro Shock Parts, Blue Aluminum	2 ea.
42086	FT Enduro Shock Body, Bronze, 10x32mm	2
42087	Shock Spring, Green 0.71 lb/in, 63mm Long	2
42088	Shock Spring, White, 0.95 lb/in, 63mm Long	2
42089	Shock Spring, Gray, 1.49 lb/in, 63mm Long - KIT	2
42090	Shock Spring, Blue, 2.09 lb/in, 63mm Long	2
42091	Shock Spring, Yellow, 2.47 lb/in, 63mm Long	2



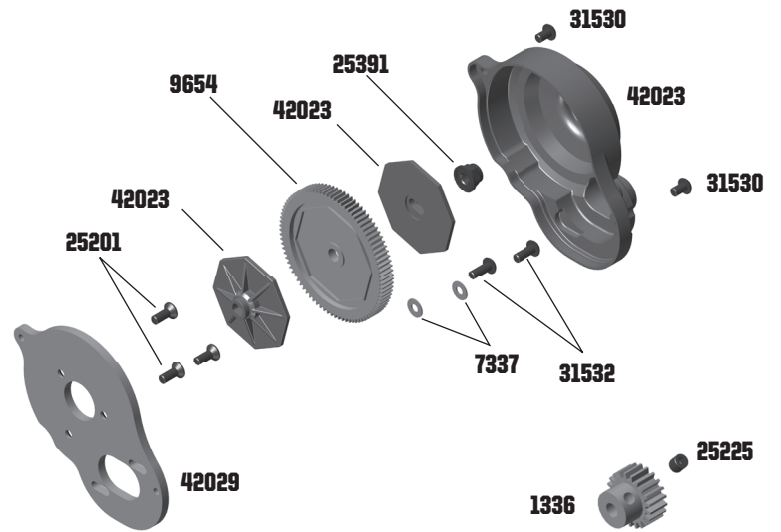
Tie Rods/Links

42040	Enduro Rod Ends	1
42041	Enduro Pivot Balls Set	1
42043	Enduro Front Links Set (Steering, 73mm, 83mm, 90mm, 100mm)	1
42044	Enduro Rear Links Set (96mm, 100mm, 108mm, 114mm)	1
42054	FT Enduro Pivot Balls, Steel	10
42055	FT Enduro Shock Bushings, Steel	4



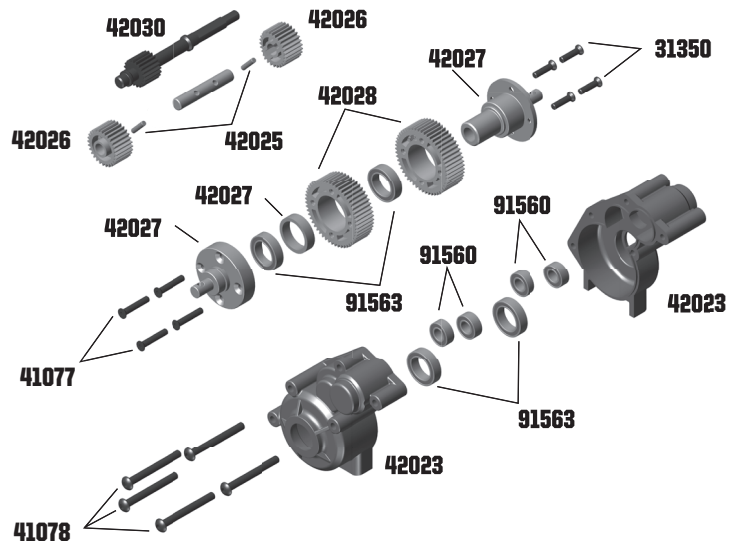
Motor Mount

1336	18T 48P Aluminum Pinion	1
7337	Washers, .250 x .125 x .015	4
9654	Spur Gear, 87T, 48P	1
25201	M3x8mm FHCS	10
25225	M3x3mm Set Screw	10
25391	FT M4 Locknuts, Blue	10
31530	M3x5mm BHCS	10
31532	M3x8mm BHCS	10
42023	Stealth X Gearbox (Case, Gear cover, Spur Gear Hubs)	1
42029	Stealth X (Motor Plate)	1



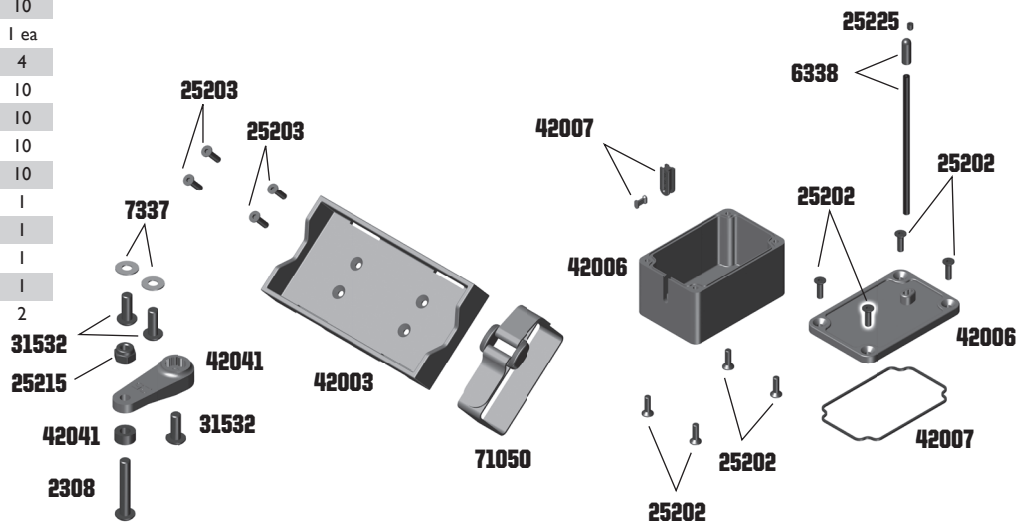
Transmission

31350	M2.5x10mm FHCS	10
41077	M2.5x14mm FHCS	10
41078	M3x28mm BHCS	10
42023	Stealth X Gearbox (Case, Spur Gear Hubs, Gear Cover)	1
42025	Stealth X Idler Shaft, Idler Shim, Pins	1
42026	Stealth X Idler Gear (26T, 27T, 28T)	1 ea
42027	Stealth X Outdrives	1
42028	Stealth X Drive Gear Set	1
42030	Stealth X Top Shaft (Stock Gearbox)	1
91560	FT Bearings, 5x10x4mm	4
91563	FT Bearings, 10x15x4mm	4



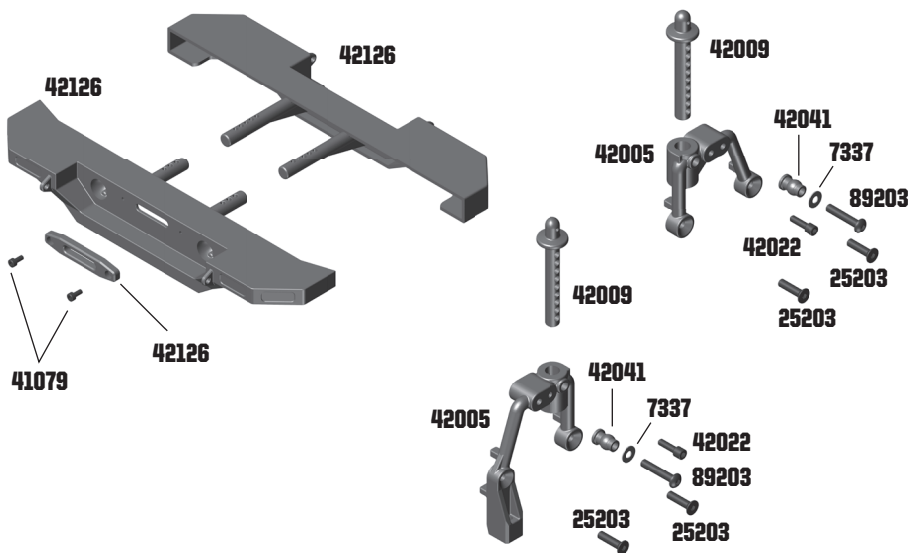
Battery Tray/Radio Box

2308	M3x18mm BHCS	10
6338	Antenna Tube and Cap	1 ea
7337	Washers, .250 x .125 x .015	4
25202	M3x10mm FHCS	10
25203	M3x12mm FHCS	10
25215	M3 Locknut	10
31532	M3x8mm BHCS	10
42003	Enduro Battery Box (Small x1, Standard x1)	1
42006	Enduro Receiver Box (Bottom, Top)	1
42007	Enduro Receiver Box (Grommet, Plug, Gasket)	1
42041	Enduro Servo Horn, Spacer, Pivot Balls	1
71050	Hook and Loop Straps	2



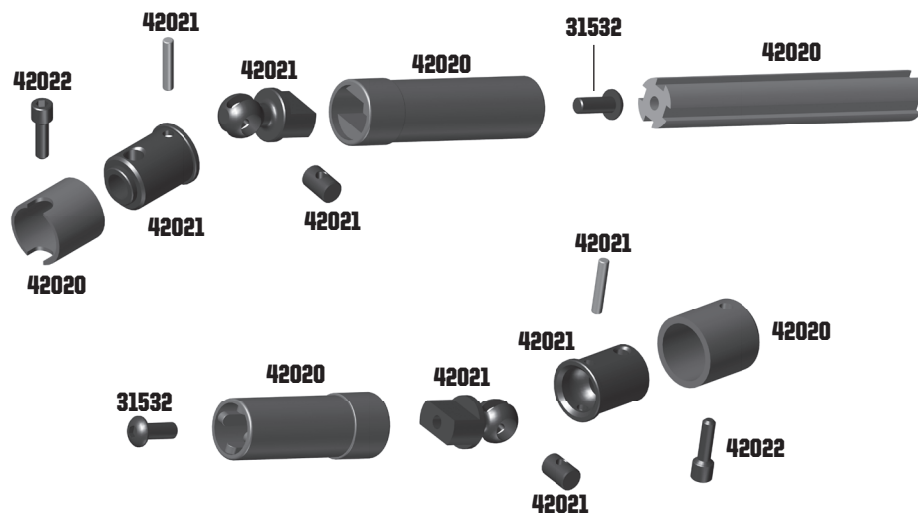
Bumpers/Body Mounts

7337	Washers, .250 x .125 x .015	4
25203	M3x12mm FHCS	10
41079	M2.5x6mm SHCS	10
42005	Shock Mount Set	1 ea
42009	Enduro Body Posts (4 Short, 1 Tall)	4
42022	Screw Pin, 4x12mm	6
42041	Enduro Pivot Ball Set	1
42126	Sendero Bumpers and Fairlead, Black	1 ea
89203	M3x16mm BHCS	10



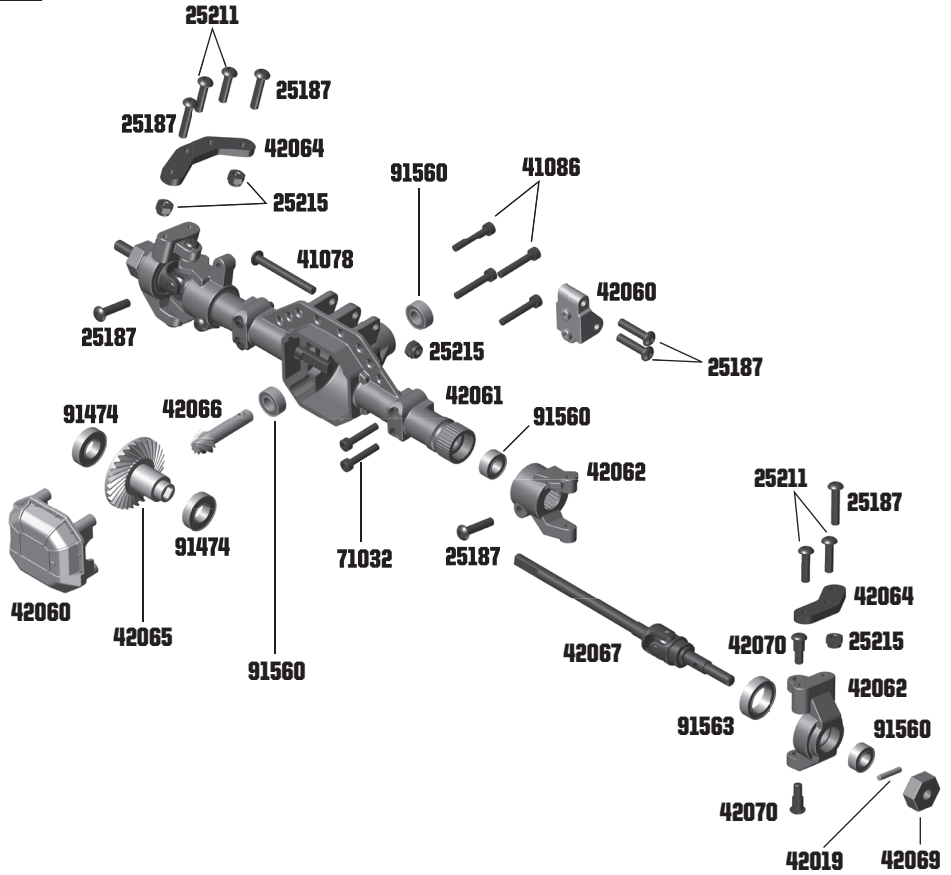
Drive Shafts

31532	M3x8mm BHCS	10
42020	Enduro Drive Shaft Parts, Molded	1
42021	Enduro Drive Shaft Parts, Machined	1
42022	Screw Pin, 4x12mm	6



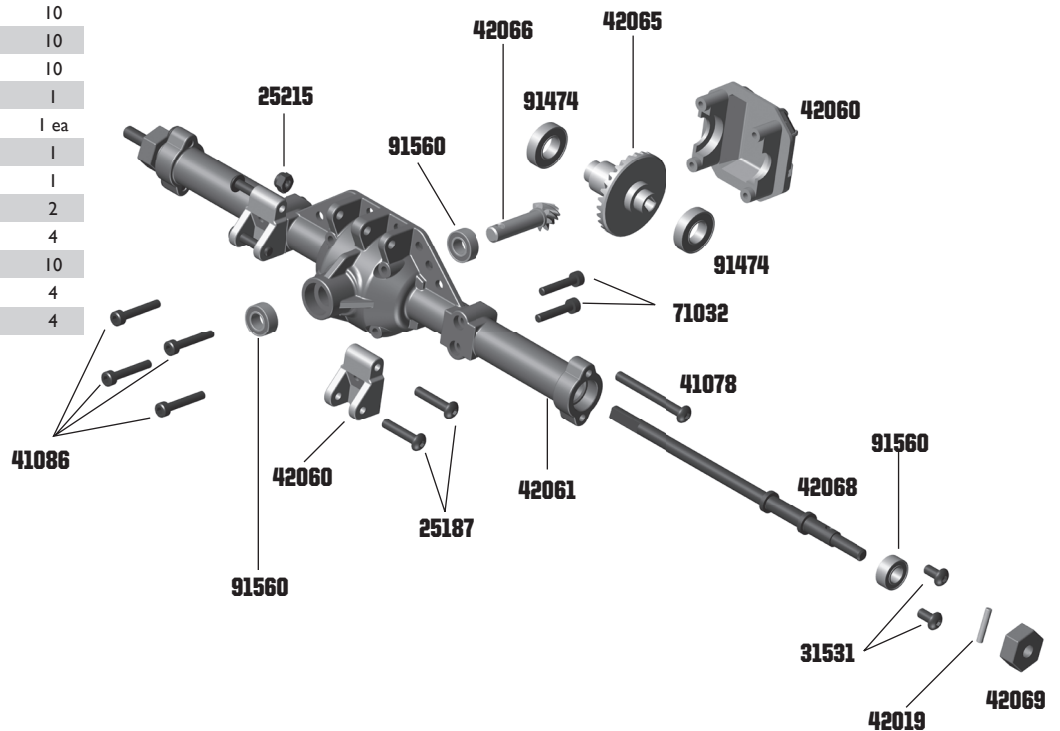
Front Axle

25187	M3x14mm BHCS	10
25211	M3 Locknut	10
25215	M3 Locknut	10
41078	M3x28mm BHCS	10
41086	M2.5x16mm SHCS	10
42019	Enduro 2x11mm Pin	10
42060	Enduro Diff Cover and Lower 4-Link Mounts	1
42061	Enduro Axle Housing (Front, Rear)	1 ea.
42062	Enduro Caster Blocks and Steering Blocks	1 ea.
42064	Enduro Steering Block Arms	1 ea.
42065	Enduro Ring Gear, 30T	1
42066	Enduro Pinion Gear, 8T	1
42067	Enduro Front Universal, Driveshaft, 80mm	2
42069	Enduro Wheel Hex, 6mm	4
42070	Enduro Shoulder Screw (M3x10mm)	6
71032	M2.5x14mm SHCS	10
91474	FT Bearings, 7x14x3.5mm	4
91560	FT Bearings, 5x10x4mm	4
91563	FT Bearings, 10x15x4mm	4



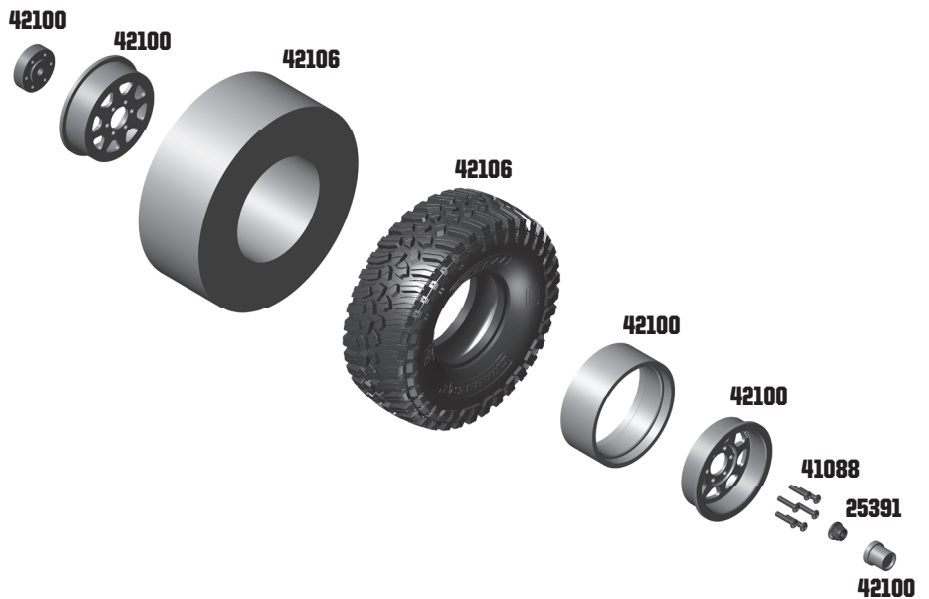
Rear Axle

25187	M3x14mm BHCS	10
25215	M3 Locknut	10
31531	M3x6mm BHCS	10
41078	M3x28mm BHCS	10
41086	M2.5x16mm SHCS	10
42019	Enduro 2x11mm Pin	10
42060	Enduro Diff Cover and Lower 4-Link Mounts	1
42061	Enduro Axle Housing (Front, Rear)	1 ea.
42065	Enduro Ring Gear, 30T	1
42066	Enduro Pinion Gear, 8T	1
42068	Enduro Rear Drive Shaft, 80mm	2
42069	Enduro Wheel Hex, 6mm	4
71032	M2.5x14mm SHCS	10
91474	FT Bearings, 7x14x3.5mm	4
91560	FT Bearings, 5x10x4mm	4



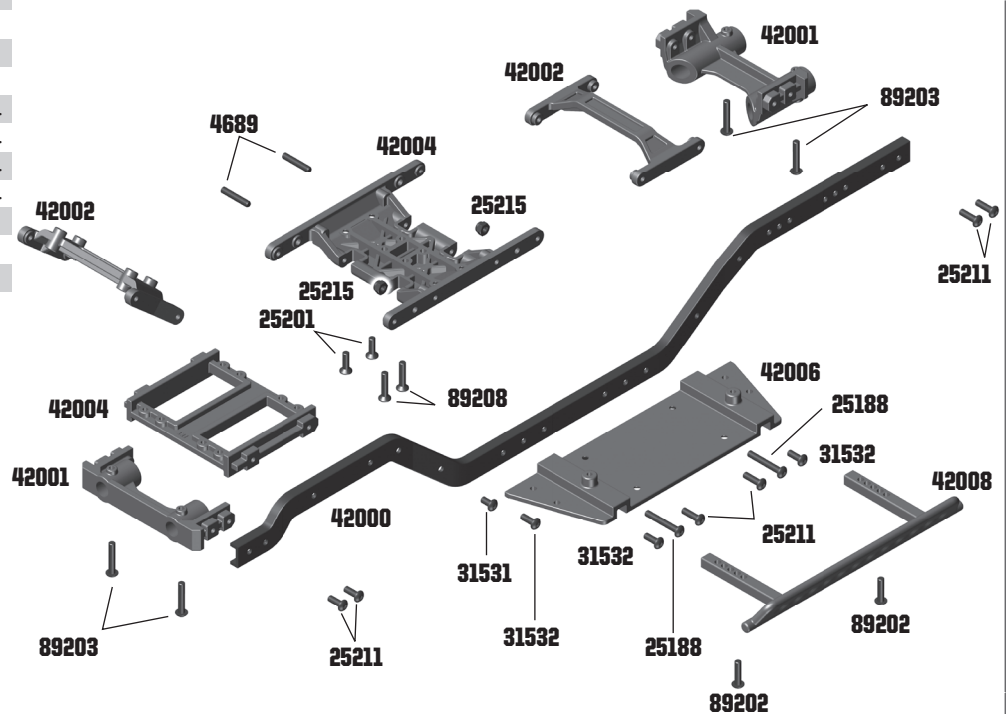
Wheel/Tire

25391	FT M4 Locknuts, Blue	10
41088	M2.6x10mm	10
42100	Enduro Method 701 Trail Series Wheel, 1.9" Bronze	4
42101	Enduro Method 701 Trail Series Wheel, 1.9" Black	4
42102	FT Enduro Beadlock Rings, Brass	4
42103	FT Enduro Beadlock Hex Adapter, Aluminum	4
42104	FT Enduro Beadlock Hex Adapter, Brass	4
42105	FT Tire Insert, 1.9"	2
42106	General Grabber X3 Tire w/Insert (1.9x4.65" DIA)	2



Chassis

4689	M3x16mm Set Screw	10
25188	M3x20mm BHCS	10
25201	M3x8mm FHCS	10
25211	M3x10mm BHCS	10
25215	M3 Locknuts	10
31531	M3x6mm BHCS	10
31532	M3x8mm BHCS	10
42000	Enduro Chassis Rail Set	1
42001	Enduro Bumper Mount Set (Front, Rear)	1 ea.
42002	Enduro Frame Mounting Plates	1 ea.
42004	Enduro Gearbox and Servo Mounts	1 ea.
42006	Enduro Floor Boards and Receiver Box	1 ea.
42008	Enduro Rock Sliders	2
89202	M3x12mm BHCS	10
89203	M3x16mm BHCS	10
89208	M3x14mm FHCS	10



SHOCK FLUIDS

5420	10 Weight Silicone Shock Fluid	2oz.
5421	20 Weight Silicone Shock Fluid	2oz.
5422	30 Weight Silicone Shock Fluid	2oz.
5423	40 Weight Silicone Shock Fluid	2oz.
5424	22.5 Weight Silicone Shock Fluid	2oz.
5425	80 Weight Silicone Shock Fluid	2oz.
5426	27.5 Weight Silicone Shock Fluid	2oz.
5427	15 Weight Silicone Shock Fluid	2oz.
5428	25 Weight Silicone Shock Fluid	2oz.
5429	35 Weight Silicone Shock Fluid	2oz.
5430	45 Weight Silicone Shock Fluid	2oz.
5431	55 Weight Silicone Shock Fluid	2oz.
5432	32.5 Weight Silicone Shock Fluid	2oz.
5433	37.5 Weight Silicone Shock Fluid	2oz.
5434	42.5 Weight Silicone Shock Fluid	2oz.
5435	50 Weight Silicone Shock Fluid	2oz.
5436	60 Weight Silicone Shock Fluid	2oz.
5437	70 Weight Silicone Shock Fluid	2oz.
5438	47.5 Weight Silicone Shock Fluid	2oz.

OPTION PARTS

42010	Enduro Bumper Mounts, Hard	1
42013	Enduro Shock Mount Set, Hard	1
42014	Enduro Floor Board, Receiver Box, Hard	1
42015	Enduro Rock Slider, Hard	1
42024	Stealth X Gearbox Top Shaft, Inverse Gearbox	1
42031	FT Stealth X Gearbox Idler Gear Set, Machined	1
42032	FT Stealth X Gearbox Drive Gear Set, Machined	1
42033	FT Stealth X Spur Gear Hub, Aluminum	2
42034	Stealth X Gearbox, Complete	1
42054	FT Pivot Ball, Steel (6mm)	10
42055	FT Pivot Ball, Shock Bushing, Steel	4
42071	Enduro Diff Cover and Lower 4-Link Mounts, Hard	1
42072	Enduro Axle Housing (Front, Rear), Hard	1 ea
42073	Enduro Caster and Steering Blocks, Hard	1
42076	FT Enduro Wheel Hex, 6mm (w/Set Screw) Steel	4
42077	Enduro Axle Kit, Complete (Builds either 1 front or 1 rear axle)	1

PINIONS / SPUR GEARS

1335	17T 48P Aluminum Pinion Gear	1
1336	18T 48P Aluminum Pinion Gear (Kit)	1
1337	19T 48P Aluminum Pinion Gear	1
1338	20T 48P Aluminum Pinion Gear	1
1339	21T 48P Aluminum Pinion Gear	1
1340	22T 48P Aluminum Pinion Gear	1
1341	23T 48P Aluminum Pinion Gear	1
1342	24T 48P Aluminum Pinion Gear	1
1343	25T 48P Aluminum Pinion Gear	1
1344	26T 48P Aluminum Pinion Gear	1
1345	27T 48P Aluminum Pinion Gear	1
9652	78T 48P Spur Gear	1
9653	84T 48P Spur Gear	1
9654	87T 48P Spur Gear (Kit)	1

BODIES & DECALS

5407	O-Rings, Red, Silicone	8
6332	Body Clips	10
7187	M2x8mm SHCS	10
21173	Body Clips, Small	10
25203	M3x12mm FHCS	10
31509	M2x3mm BHCS	10
31531	M3x6mm BHCS	10
41079	M2.5x6mm SHCS	10
42120	Sendero Body Set, Clear (with Black Body Accessories)	1
42121	Sendero Body, Clear (Cab, Bed, Window Masks)	1
42122	Sendero Body Decal Sheet	1
42123	Sendero Body Accessories, Black	1
42124	Sendero Body Accessories, Chrome	1
42125	Sendero Body Accessories, Satin Chrome	1
42126	Sendero Bumpers (Front, Rear, and Fairlead), Black	1
42127	FT Sendero Fairlead, Aluminum	1
42128	FT Sendero Fairlead, Gunmetal Aluminum	1
42129	FT Sendero Fairlead, Green Aluminum	1
42130	FT Sendero Fairlead, Blue Aluminum	1
42132	Sendero Inner Fenders	1
42133	Element Decal Sheet	1

LUBES & ADHESIVES

1105	FT Green Slime Shock Lube	1
1596	FT Locking Adhesive	1
1597	FT Tire Adhesive, medium	1
6588	Black Grease - 4cc	1
6591	S.Diff Lube - 4cc	1
6636	Silicone Grease - 4cc	1
6727	Servo Tape	2

MYLAPS TRANSPONDERS

MLP10R120	MyLaps RC4 (3-wire) Transponder	1
MLP10R147	MyLaps RC4 (3-wire) Pro Transponder, Black	1
MLP40R222	MyLaps Transponder Holder	1

XP / AE ELECTRONICS

29204	AE XP-R4 2.4GHz 4CH Receiver	1
29257	AE XP130 2.4GHz 3CH Radio System	1
29262	ESS-One+ 2017 Engine Sound System	1
29263	ESS-Dual+ Engine Sound System	1
29264	ESS-Air Engine Sound System	1
29265	XP Police Light Bar, 1:10 Scale	1
29266	XP LED RC Light Kit (12 LED's)	1
29267	XP LED Roof Light Kit (4 LED's)	1
29268	XP LED Roof Light Kit (6 LED's)	1
29272	XP 5 LED Aluminum Light Bar, 88mm	1
29273	XP 7 LED Aluminum Light Bar, 120mm	1
29274	XP 10 LED Aluminum Light Bar, 170mm	1
29275	XP LED Light Bar Hardware	1
29277	XP Head and Tail Light Kit	1
29279	XP LED Rock Light Set, 150mm	1
29290	XP DSV System	1

REEDY ELECTRONICS

MOTORS

27424	Reedy Radon2 Crawler 16T 5-Slot 1850kV Brushed Motor	
27430	Reedy Crawler 16T 5-Slot RTR Brushed Motor	

ESC's (SPEED CONTROLLERS)

29199	Reedy SC400X Brushed Crawler ESC	
--------------	----------------------------------	--

SERVOS & SERVO ACCESSORIES

27100	RS1206 Digital HV Hi-Speed Competition Servo	
27101	RT1508 Digital HV Hi-Torque Competition Servo	
27102	RS1206 Servo Case Set w/screws	
27103	RS1206 Servo Gear Set	
27104	RT1508 Servo Case Set w/screws	
27105	RT1508 Servo Gear Set	
27110	0712MG Digital RTR Servo	
27111	1514MG Digital RTR Servo	
27114	RT2406 Digital HV Brushless Competition Servo	
27115	RT2706A Digital HV Aluminum Brushless Competition Servo	
27116	RC2312 Digital HV Competition Crawler Servo	
27122	Reedy Aluminum Servo Horn (25)	
27123	Reedy Aluminum Clamping Servo Horn (25)	
27129	0712MG Servo Gear Set	
27130	1514MG Servo Gear Set	
27135	RT2406 Gear Set	
27136	RT2706A Gear Set	
27139	RT2406 Case Set	
27140	RC2312 Gear Set	
27141	RC2312 Case Set	
27142	1320MG Digital RTR Servo	

REEDY ACCESSORIES

647	Silicone Wire 12AWG-Black (1m)	
648	Silicone Wire 14AWG-Black (1m)	
650	Shrink Tubing - 15pcs 4.5mm x 20mm	
790	Silicone Wire 13AWG-Black (1m)	
791	Silicone Wire 13AWG-Black (30m)	
27304	LiPo Battery Weight Set - Shorty	

REEDY BATTERIES / CHARGERS

BATTERIES

302	AA Alkaline 1.5V (4)	
682	Wolfpack 3000mAh 7.2V w/T-Plug connector	
751	Wolfpack LiPo 3300mAh 30C 7.4V w/T-Plug (#730)	
752	Wolfpack LiPo 4000mAh 35C 7.4V w/T-Plug (#731)	
753	Wolfpack LiPo 5400mAh 35C 7.4V w/T-Plug (#732)	
754	Wolfpack LiPo 7500mAh 30C 7.4V w/T-Plug (#734)	
755	Wolfpack LiPo 4500mAh 35C 11.1V w/T-Plug (#735)	
758	Wolfpack LiPo 3000mAh 30C 7.4V Shorty w/T-Plug	
759	Wolfpack LiPo 3000mAh 30C 11.1V Shorty w/T-Plug	
27313	LiPo Pro TX/RX 2400mAh 7.4V Flat	
27315	LiFe Pro TX/RX 1600mAh 6.6V Flat	

CHARGERS

27200	1216-C2 Dual AC/DC Competition Battery Charger	
27200CN	1216-C2 Dual AC/DC Competition Battery Charger - CHN Plug	
27200EU	1216-C2 Dual AC/DC Competition Battery Charger - EURO Plug	
27200UK	1216-C2 Dual AC/DC Competition Battery Charger - UK Plug	
27201	324-S AC LiPo/LiFe Compact Balance Charger	
27201C2	324-S Charger w/3300mAh 7.4V LiPo Battery	
27201C2	324-S Charger w/4500mAh 11.1V LiPo Battery	
27202	123-S AC LiPo Compact Balance Charger	

CHARGER ACCESSORIES

27220	7-in-1 Universal Charge Lead (4mm)	
27221	T-plug Charge Lead (4mm)	
27222	XH 2-6S Balance Board (4mm)	
27223	RX Charger Lead FUT (4mm)	
27224	US to IEC 320 C5 angle IMAC Power Cord	
27225	US to IEC 320 C5 angle .5M AC Power Cord	
27226	EU to IEC 320 C5 angle IMAC Power Cord	
27227	UK to IEC 320 C5 angle IMAC Power Cord	
27228	AU to IEC 320 C5 angle IMAC Power Cord	
27229	CN to IEC 320 C5 angle IMAC Power Cord	

APPAREL / PROMOTIONAL

TEE SHIRTS

SP124*	AE 2017 Worlds Tee, Black (S, M, L, XL-5XL)	I
SP126*	Team Associated Tri T-Shirt, Black (S, M, L, XL-5XL)	I
SP140*	Reedy Heritage Tee, Black (S, M, L, XL-5XL)	I
SP200*	Element RC Logo Tee, Gray (S, M, L, XL-5XL)	I
SP201*	Element RC Rhombus Tee, Black (S, M, L, XL-5XL)	I

HOODIES/JACKETS

SP142*	Reedy W19 Hoodie - Black (S, M, L, XL-3XL)	I
SP230	Element RC Zip Up, Black (S, M, L, XL-5XL)	I
SP231	Element RC Hoodie, Black (S, M, L, XL-5XL)	I
SP250	Element RC Jacket, Black (S, M, L, XL-2XL)	I

HATS

SP20	AE Patch Trucker Hat	I
SP430	Reedy Trucker Hat 2018	I
SP260	Element RC Hat, Curved Bill, Black	I
SP261	Element RC Hat, Flat Bill, Black	I
SP262	Element RC Beanie, Black	I

BANNERS/MATS CARRIERS

SP29	Team Associated Countertop/Setup Mat	I
SP30	Team Associated Pit Mat	I
SP31	Reedy Countertop/Setup Mat	I
SP115	Reedy Circuit Cloth Banner	I
SP280	Element RC Counter Top Mat	I
SP281	Element RC Pit Mat	I
SP282	Element RC Pit Towel	I
SP425	FT Fluid Carrier	I
SP426	Team Associated Countertop / Setup Mat	I
SP427	Reedy Countertop / Setup Mat	I
I10684	Team Associated Track Banner	I
I10685	Team Associated Cloth Banner	I

TOOLS

I111	FT Turnbuckle Wrench	I
I112	FT 4mm Turnbuckle Wrench	I
I113	12mm Big Bore Shock Tool	I
I114	FT Dual Turnbuckle Wrench	I
I449	Off Road Ride Height Gauge	I
I452	FT TC Ride Height Gauge	I
I498	FT Universal Tire Balancer	I
I499	FT Body Reamer	I
I500	FT 1.5mm Hex Driver	I
I501	FT 2.0mm Hex Driver	I
I502	FT 2.0mm Ball Hex Driver	I
I503	FT 2.5mm Hex Driver	I
I504	FT 2.5mm Ball Hex Driver	I
I505	FT 3.0mm Hex Driver	I
I506	FT 5.0mm Hex Driver	I
I507	FT 5.5mm Nut Driver	I
I508	FT 7.0mm Nut Driver	I
I510	FT 1.5mm Hex Replacement Tip	I
I511	FT 2.0mm Hex Replacement Tip	I
I512	FT 2.0mm Ball Replacement Tip	I
I513	FT 2.5mm Hex Replacement Tip	I
I514	FT 2.5mm Ball Replacement Tip	I
I515	FT 3.0mm Hex Replacement Tip	I
I518	FT HEX Driver Tool Set (3pcs)	I
I519	FT Hex/Nut Driver Tool Set (5pc)	I
I522	FT Digital Scale, 100/0.01g	I
I555	FT Clutch Gauge, 4 Shoe	I
I568	FT 5.5mm Short Nut Driver	I
I569	FT 7mm Nut Driver, T-Handle	I
I570	FT 5.5mm Short Nut Driver	I
I571	FT 1:8 Wheel Nut Wrench, 17mm Hex	I
I579	FT Ball Cup Wrench - (will not work on Enduro rod ends)	I
I595	Chassis Weights, 1/4 oz	I
I650	7 Piece Hex Driver Set	I
I657	FT 1/4" Hex Drive .050" Tip	I
I658	FT 1/4" Hex Drive 1/16" Tip	I
I659	FT 1/4" Hex Drive 5/64" - 2.0mm Tip	I
I660	FT 1/4" Hex Drive 3/32" Tip	I
I661	FT 1/4" Hex Drive 1.5mm Tip	I
I662	FT 1/4" Hex Drive 2.5mm Tip	I
I666	FT 1/4" Hex Drive 5.5mm Nut Driver Tip	I
I667	FT 1/4" Hex Drive 7.0mm Nut Driver Tip	I
I668	FT 1/4" Hex Drive 8.0mm Nut Driver Tip	I
I673	FT 1/4" Hex Drive 2.5mm Ball End Tip	I
I674	FT 1/4" 5 Piece Power Tool Tips Set (5/64"-2.0mm, 1.5mm, 2.5mm, 5/64"- 2.0mm ball, 2.5mm ball)	I
I675	FT Shock Shaft Pliers	I
I679	FT T-Handle Ratchet Driver	I
I719	FT Camber + Track Width Tool	I
I737	FT Body Scissors	I
3718	12 Inch Nylon Wire Ties	12
3720	8 Inch Nylon Wire Ties	12
3987	FT Droop Gauge	I
7709	4 Inch Nylon Wire Ties	12
89240	RC8 FT Turnbuckle Wrench	I

* Use part number plus the desired size when ordering!

GATE 01**STEALTH X: BUILD CONFIGURATION: MOTOR MOUNT FACING REAR (STOCK)****OVERDRIVE:**

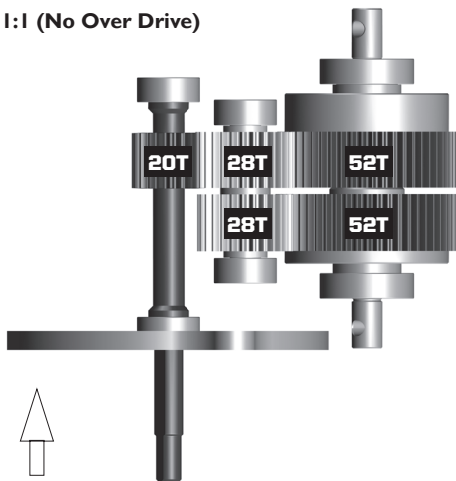
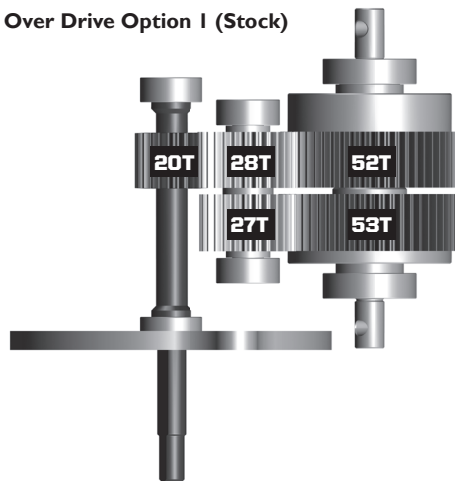
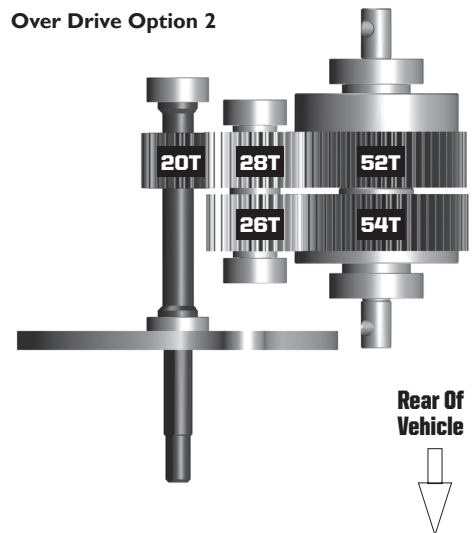
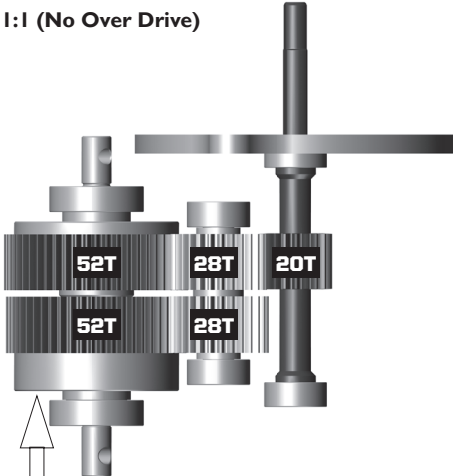
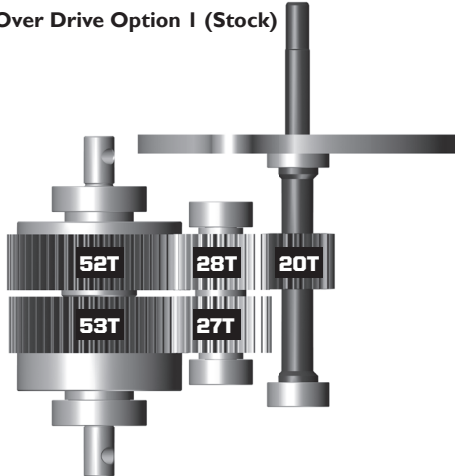
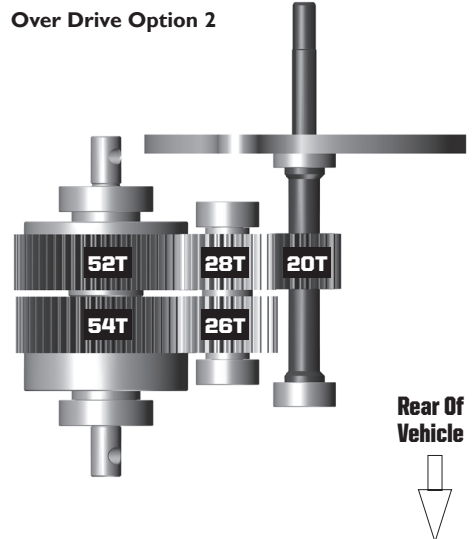
Overdrive is a scenario where the front and rear wheels do not rotate at the same speed. The Stealth X gearbox is designed to allow the front wheels to spin faster than the rear wheels. Overdrive is advantageous when climbing up rock faces because the front tires will want to pull the vehicle up the rock. On descents, the rear tires rotating slower than the front tires will help keep the chassis more stable and keep the rear tires planted on the ground.

Stealth X:

The Stealth X gearbox allows the driver to change the front to rear drive ratios with 3 separate ratio adjustments to the rear drive shaft. The driver has the option to flip the gearbox direction (motor mount facing the front) the optional inverse top shaft (#42024) is required.

Please Note:

The 20T top shaft, 28T idler gear, and 52T drive gear will always be meshed together in all 6 gearbox configurations.

GATE 02**STEALTH X: BUILD CONFIGURATION: MOTOR MOUNT FACING REAR (STOCK)****1:1 (No Over Drive)****Over Drive Option 1 (Stock)****Over Drive Option 2****Front Of Vehicle****Rear Of Vehicle****GATE 03****STEALTH X: BUILD CONFIGURATION: MOTOR MOUNT FACING FRONT (OPTIONAL - REQUIRES #42024 - TOP SHAFT)****1:1 (No Over Drive)****Over Drive Option 1 (Stock)****Over Drive Option 2****Front Of Vehicle****Rear Of Vehicle**

TRAIL TIPS AND CHECKLIST

PREPARING TO HIT THE TRAIL:

When preparing to hit the trail, it's a good idea to have a checklist to make sure you have everything and don't end up having to head back early. We've compiled a checklist of the things we think you'll need on the trail. We've also left some space for you to add your specific items to the list. Keep in mind these are suggestions and every person will require different items. Weather and altitude will also dictate how much food and water a person will require. Do a little research first before heading out for a full day on the trail.

- Truck with Charged Battery
- 1-2 spare Charged Batteries for your rig
- Radio with Charged Batteries
- Spare radio batteries
- Check all nuts and screws and tighten them. Including Wheel nuts!
- Spare parts (Nuts, Screws, Body Clips, and anything that may wear or break)
- Backpack
- Water (2 liters per person minimum)
- Snacks (protein bars, trailmix, etc.)
- Sturdy shoes (Hiking boots preferably or something with grip and ankle support)
- Element Hat or Beanie
- Element Hoodie or Jacket
- Sunscreen
- Bug Spray
- Lip Balm
- Nut Drivers (Factory Team Nut Drivers #1507, 1508)
- Allen wrenches (Factory Team Hex Driver set #1655)
- Cell phone and charger
- Headlight or flashlight with spare batteries
- Compact action camera
- Camera
- Tripod
- _____
- _____
- _____
- _____
- _____
- _____

TREAD LIGHTLY:

Remember, when driving your rig out on the trails, it's important to tread lightly. We all know that the best place to enjoy our hobby is out in nature, and that means we need to preserve it for future hobbyist so we all have a place to enjoy. Here are a few tips to remember when out on the trail.

• Pack In/Pack Out:

Don't leave anything behind. Whether it's trash, parts, or food. If you brought it, take it with you.

• National and Public Parks:

If visiting a national park, leave the RC cars at home. It is illegal to drive any radio control vehicle within national park boundaries. Public parks are slightly different, some may allow radio control cars and others may not. Check with your local officials before driving in a public park.

• Be Considerate:

Where ever you drive your radio control car, always be considerate of others. Hikers, bicyclists, and animals should always be given the right of way.

• Keep It Quiet:

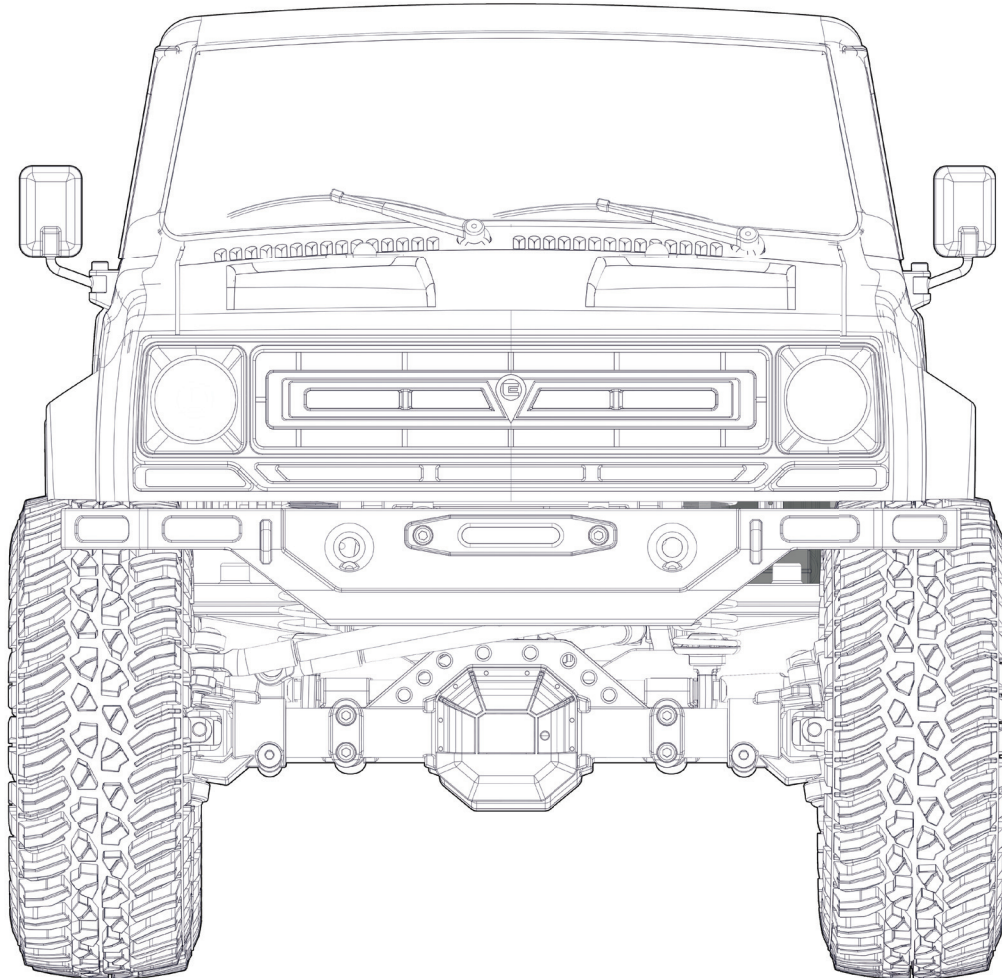
If you're sharing an area with other people, try to keep the noise to a minimum. If you come across animals or anglers, please be considerate and give them space.

• Give A Hoot, Don't Pollute:

When enjoying the outdoors take your trash with you. Not only is it bad for the environment, it's unsightly. If you see trash, pick it up, even if it isn't yours. If we all do our part we can work together to keep our planet beautiful for future generations.

• Only You Can Prevent Wild Fires:

Some of us like to mix camping with RC cars. This is great! Just remember to follow all safety precautions and put out any camp fires before calling it a night. Also, be sure to unplug and **store all LiPo batteries in LiPo sacks and a fire resistant storage device.**



ASSOCIATED ELECTRICS

**ASSOCIATED ELECTRICS, INC.
26021 COMMERCENTRE DR. LAKE FOREST, CA 92630 USA**

**CALL: (949) 544-7500 - FAX: (949) 544-7501
CHECK OUT THE FOLLOWING WEB SITES FOR ALL OF OUR KITS,
CURRENT PRODUCTS, NEW RELEASES, SETUP HELP, TIPS, AND RACING INFO!
WWW.ASSOCIATEDELECTRICS.COM
#111989**



ElementRC



@Element_RC