

# Built-in Appliances

2017



**BOSCH**

Invented for life



# Who are Bosch?



“I have always acted according to the principle that it is better to lose money than trust. The integrity of my promises, the belief in the value of my products and in my word of honour have always had a higher priority to me than a transitory profit.”

Robert Bosch, 1921

For over 125 years, the Bosch name has been synonymous with engineering excellence. Our home appliances are renowned for their quality, reliability and performance which derives from our inherent, unflagging commitment and the painstaking thoroughness with which every unit is made. As you would expect from German engineering, there are no gimmicks or frills with our products – just pure, clean lines and beautiful, functional simplicity that will enhance any kitchen.

The values that shaped Robert Bosch's vision for his new company in 1886 are the same principles that guide the business today; never lose the trust of your customers, look after your staff and partners and change things for the better. It's what has kept Bosch at the forefront of the home appliance industry and what will keep it there in the future.

Follow us to learn more on:



BoschHomeUK



BoschHomeUK



BoschAppliancesUK



boschhomeuk

# Contents

Customer service	2-3	<b>Hoods</b>	<b>48-63</b>
Home Connect	4-5	Introducing the Bosch hood range	48-51
PerfectControl	6-7	Downdraft Hood	52
		Island and ceiling hoods	53-54
<b>Ovens</b>	<b>8-25</b>	Angled hoods	54-55
Introducing the Bosch oven range	8-11	Flat slimline hoods and wall cube hood	56
Single pyrolytic ovens	12-13	Chimney hoods with glass	56-57
Single ovens	14-15	Pyramid and box chimney hoods	58-59
Double ovens	16-17	Telescopic hoods	60
Built-under double ovens	18	Integrated hoods	61
Compact ovens	19-21	Canopy hoods	61-62
Compact coffee centre	22	Conventional hoods	62
Warming drawers	22		
Built-in microwave ovens	23-24	<b>Home Laundry</b>	<b>64-71</b>
Freestanding microwaves	24-25	Introducing the Bosch home laundry range	64-69
		Washing machines & washer dryers	70-71
<b>Hobs</b>	<b>26-47</b>	<b>Dishwashers</b>	<b>72-81</b>
Introducing the Bosch electric hob range	26-29	Introducing our advanced dishwasher range	72-75
FlexInduction hobs	30-32	60cm integrated dishwashers	76-79
Induction hobs	33-34	45cm integrated dishwashers	80
Quick-Therm ceramic hobs	35-36		
Sealed plate electric hobs	37	<b>Refrigeration</b>	<b>82-99</b>
Introducing the Bosch gas hob range	38-41	Introducing our advanced refrigeration range	82-85
Gas hobs	42-46	Fridge freezers	86-89
Domino hobs	47	Fridges & freezers	89-94
		Built-under fridges & freezers	95
		American-style fridge freezers	96-99
		<b>Specification guide</b>	<b>101-159</b>



# Looking for help? You'll find it here.

For help with your home appliance,  
trust Bosch Customer Service.



## Arrange an engineer visit.

Our appliances are manufactured to the highest standards, but if you do need a visit from an engineer we are here to help. We have teams of locally based engineers around the country – employed and trained by Bosch\*. This gives them unrivalled expertise and knowledge of our appliances. We repair appliances both in and out of guarantee. All repairs are analysed in advance by a technical team so that the parts likely to be needed to complete the repair are sent to the engineer's van the night before the visit.

To arrange an engineer visit to your home please call:

**0344 892 8979**

Lines are open 24 hours.

Calls are charged at the basic rate, please check with your telephone service provider for exact charges.

You can also arrange an engineer visit online: [bosch-home.co.uk/bookonline](https://www.bosch-home.co.uk/bookonline)

## Product advice.

If you need help using programmes or features, or need assistance selecting a new Bosch appliance from our current range, our product advice team can help.

You can call us on  
**0344 892 8979**

or visit: [bosch-home.co.uk](https://www.bosch-home.co.uk)  
for frequently asked questions and helpful videos.

## Register my appliance

We advise that you register your appliances so that we can contact you about any product updates. Visit [registermyappliance.org.uk](https://www.registermyappliance.org.uk) for more information.

You can also call Bosch directly to register your appliance on 0344 892 8979 (option 5). Please call us within 28 days of purchase to discuss the full range of options for extending your warranty.

## Visit the Bosch online store.

Find a comprehensive selection of accessories to help you get the most out of your appliance, along with our full range of replacement spare parts and cleaning & care products at the Bosch online store.

You can also purchase Tassimo hot drinks machines, vacuum cleaners, irons, steam stations, kettles, toasters and food preparation appliances directly from us online.



You can call us on

**0344 892 8979**

or visit: [bosch-home.co.uk/store](https://www.bosch-home.co.uk/store)

## Accessories.

Many appliances can be enhanced with optional extras, such as telescopic rails for ovens or special cookware for hobs.

When buying a Bosch home appliance, you know you are purchasing a quality, reliable product. However many appliances are used daily, so need cleaning and maintaining to keep them looking great and operating at peak performance.

Every one of our cleaning and care products has been thoroughly tested and approved for safe and effective use on your Bosch home appliance.

## Replacement spare parts.

We keep in stock a comprehensive range of replacement spare parts for our appliances for up to ten years. All our parts are original spare parts, not copies.

## Award-winning service.

Bosch Home Appliances Service was proud to win the Domestic & General Total Excellence & Quality Award for 2016. The award is decided from surveys sent to customers and 94.1% described our service as excellent or good.



Calls will be answered 24 hours a day, seven days a week.  
You can contact our specialist advisors Monday to Friday  
8am to 8pm, Saturday 8am to 4pm and Sunday 9am to 3pm.

# Your home is in safe hands. Yours.

Whether you've left the oven on, or want to save energy while you're on holiday, Bosch appliances with Home Connect and Nest give you control wherever you are.



### Welcome to your new digital home.

Remote control takes on a new meaning with Home Connect. You'll be able to connect to a number of your home appliances with your smart device while you're out. That means you'll be able to control your dishwasher easily and monitor its progress through the cycle. And whether you're at home or not, the handy app will let you know the most suitable programme for your dishes.

You'll also be able to use your mobile device to turn on your oven remotely so dinner's ready when you get home. And Home Connect's clever technology even lets you remotely programme your coffee maker to make you and your friends' favourite drinks.

### An ingenious partnership.

With Home Connect and Nest, you'll always be in full control. With instant notifications and the ability to react quickly, Nest's smart devices will keep you updated when you're out. When life's so busy, you can relax knowing that Home Connect and Nest are looking after your home.

To use your home appliances from Bosch with Home Connect capability, you need a smartphone or tablet with Wi-Fi.

Look out for our Home Connect models.



Home Connect is a service offered by Home Connect GmbH.  
For more information on Home Connect please visit [www.bosch-home.co.uk](http://www.bosch-home.co.uk)

# Bosch built-in cooking makes perfect sense.

Intuitive sensor technology in our cooking appliances takes care of everything in the kitchen, whether you're frying, boiling or baking. These advanced cooking features give you PerfectControl over your dishes and help you achieve perfect results every time.

## PerfectAir

PerfectAir is our advanced feature that clears the air without you having to do anything. A sensor constantly detects the levels of odours in the air and adjusts the power level – from light use to intensive – to ensure your kitchen air is always clean and fresh.

## BoschAssist

Discover our sensor-controlled functions with BoschAssist; PerfectBake and PerfectRoast. This feature automatically sets precise information on temperatures and cooking times for all kinds of dishes, plus you can simply scroll through to find our intuitive baking and roasting functions.

## PerfectFry

Whether you like it rare or well done, our FryingSensor knows how to cook your steak just the way you like it. By measuring the temperature inside your frying pan rather than at the hob, you'll have full control making frying easy and stress-free.

## PerfectCook

Your pasta will never boil over again. Our hobs are designed with a sensor which can be attached to your pan, so you'll be able to control your cooking by its temperature rather than the power level. So whether you're defrosting, warming up, cooking or deep fat frying, you're in control with our smart CookingSensor. Because precise temperature control guarantees perfect cooking results.

Models shown for illustrative purposes only.

# Introducing the Bosch oven range.

Whatever kind of cook you are, we have a range of smart and stylish built-in single or double ovens for you to choose from. Serve up vitamin-packed meals using one of our innovative steam ovens or, if limited on space, our easy to use microwaves and compact appliances will bring style and function to any kitchen.

## Serie 8 +++

With their impressive technology, elegant design and crystal clear TFT-touch display, our **Serie 8** ovens meet every need and more in the kitchen. The innovative control wheel provides convenience and functionality with full control over your dishes at all times. Plus, thanks to sensor-controlled programmes, you'll achieve perfect results every time.

## Serie 4 +

Modern design, quality engineering and practicality. Our **Serie 4** compact microwave ovens look stunning inside and out. Microwave technology makes it easier for you and the family to cook.

## Serie 6 ++

Simple elegance meets superior technology. **Serie 6** ovens give you more than just convenient operation and maximum energy efficiency. Modern functionality means your oven is easy to use with various programmes to suit different foods, all available to view clearly on the large LED display.

## Serie 2

Our **Serie 2** oven offers you classic design with easy operation. This is the optimal solution for anyone who wants a reliable appliance with good value for money.

Model shown: HRG6769S6B

Whichever model you choose from our Serie ranges, you'll find lots of reasons to love your Bosch oven.

### Combination design.

Using the highest quality stainless steel and glass, our ovens and compact appliances combine beautifully to deliver a timeless, elegant and stylish finish to any kitchen with sleek, co-ordinated lines and matching panels.

### Combination possibilities.

Create seamless lines in your kitchen with our Serie 8 range by combining a single oven together with one of our compact appliances and warming drawers. For the optimum in design co-ordination, choose appliances belonging to the same Serie 8 family to create seamless lines in your kitchen.

### Energy efficient.

Everything we know about energy-saving, green technology has been integrated into our range of feature-rich, built-in ovens.

### Perfectly even results, every time.

Truly perfect baking and roasting requires not only the ideal temperature, but also the appropriate heating mode. From 4D HotAir to Hotair Eco, our ovens offer up to 15 different heating functions that deliver great results, whatever the dish.

## Cooking functions explained.



### 4D HotAir

Place your food on any of the four shelf levels to achieve consistently perfect results: thanks to the new fan wheel that changes the direction of rotation during operation to distribute heat evenly on every level.



### 3D HotAir

By maintaining the right temperature across all three shelf levels, consistently even cooking results are achieved.



### Top and bottom heat

Conventional baking and roasting on one level.



### Hotair grilling

By operating alternatively, the grill and fan create a rotisserie effect, perfect for creating crisp meats and poultry, while using up to 50% less energy than traditional roasting.



### Bottom heat

Only the bottom element is heated – ideal for pastry cases, bain-marie cooking and reheating.



### Pizza setting

Get an authentic pizza – crisp base and moist topping. Also great for quiches, tarts and frozen foods.



### Hotair Eco

For all those times you cook using just one shelf level, Hotair Eco gives perfect results and uses less energy than standard Hotair.



### Full width variable grill

Grill large quantities with ease thanks to the precise temperature control. For added efficiency the door can be closed and the smells are kept in the oven.



### Defrost

Gently defrosts food evenly and in half the time it would take on the kitchen counter. Twice as quickly as it would on the kitchen counter.



### Fast heat

For those times when you need your food ready more quickly, select fast heat to heat the oven approx. 30% faster.

Making **life easy** through innovative technologies

# Perfect results every day of the week.

You get perfectly controlled baking and roasting at the touch of a button with BoschAssist on Serie 8 ovens. Its helpful technology makes it easy to produce delicious meals every day of the week.



Model shown: HRG6769S6B



## Put a new spin on your cooking.

You'll always have a complete overview and full control of all your oven's functions. The intuitive control wheel and full-width, high-resolution clear-text **TFT-touch display** with **DirectSelect TouchControl** buttons make operating our ovens a breeze. Clear, vivid images and helpful prompts guide you through each step as you navigate through the various programme options.

## Even heat. Maximum flexibility.

Thanks to **4D HotAir**, you can place your food on any of the four shelf levels and the results will be consistently perfect. Our new motor and fan wheel design makes it possible: it changes the direction of rotation during operation to distribute heat evenly on every level. And that's not all: with **4D HotAir**, you can also bake and roast on up to four different levels simultaneously. So you'll enjoy reliable results from top to bottom.

## Perfect results at your fingertips.

Discover our sensor-controlled functions with **BoschAssist**, **PerfectBake** and **PerfectRoast**. This feature automatically sets precise information on temperatures and cooking times for all kinds of dishes, plus you can simply scroll through to find our intuitive baking and roasting functions.

**AutoCook** automatic programmes are a feature on selected ovens that work out the time, temperature and shelf position for you.

## Scroll through for the PerfectBake.

Baking has never been easier. The **PerfectBake sensor** offers precise sensitivity and constantly measures the moisture level of dishes, as well as automatically regulating the baking process.

## Scroll through for the PerfectRoast.

Traditional British beef, Easter lamb or Sunday roast chicken – with the **PerfectRoast meat probe**, perfect results are guaranteed every time. With three temperature sensors for even more accuracy, the meat probe measures the core temperature of the food – removing the guesswork. Just like a professional chef, but with complete ease. Three highly sensitive measuring points determine the core temperature of your food to the exact degree, guaranteeing perfect roasting results and taking away the guesswork.

## Full steam ahead – for full taste.

The Serie 8 single oven HRG6769S6B combines the best of a steamer with the benefits of a classic oven. Equipped with the **added steam function**, this oven produces succulent roasts, with juicy meats and crispy skins, as well as breads with the perfect colour and crust. Full steam option is available in our compact ovens range.

## Cleaning made easy.

The ultimate in self cleaning power. **Pyrolytic self-cleaning** heats the oven to around 480°C, which reduces dirt and grease deposits to dust that can be easily wiped away.



# Single pyrolytic ovens

## Serie 8 +++

HRG6769S6B



### Main Cooking Functions



### Scroll BoschAssist for precision cooking.

The BoschAssist feature on selected Serie 8 built-in ovens automatically sets precise information on temperatures and cooking time. Scroll through for our intuitive PerfectBake and PerfectRoast functions for perfect results every time.

### Specifications

TFT-touch display with Cleartext
Stainless steel control wheel
Added steam function
SoftClose, SoftOpen door
Pyrolytic self-cleaning
BoschAssist
3 x LED lights
PerfectRoast meatprobe
PerfectBake sensor
15 cooking functions including 4D HotAir
3 telescopic rails
Combination with Serie 8 compact appliances possible

## Single pyrolytic ovens

### Serie 8 +++

HBG6764S6B



### Main Cooking Functions



Alternative colour  
HBG6764B6B  
Black

### Specifications

TFT-touch display with Cleartext
Stainless steel control wheel
SoftClose, SoftOpen door
Pyrolytic self-cleaning
BoschAssist
1 interior halogen light
PerfectRoast meatprobe
PerfectBake sensor
13 cooking functions including 4D HotAir
1 telescopic rail
Combination with Serie 8 compact appliances possible

### Serie 8 +++

HBG674BS1B



### Main Cooking Functions



Alternative colour  
HBG674BB1B  
Black

### Specifications

TFT-touch display with direct select buttons
Stainless steel control wheel
SoftClose, SoftOpen door
Pyrolytic self-cleaning
1 interior halogen light
13 cooking functions, including 4D HotAir
Combination with Serie 8 compact appliances possible

## Single pyrolytic ovens

### Serie 6 ++

HBA73R150B



### Main Cooking Functions



### Specifications

2 retractable control dials
Pyrolytic self-cleaning
1 interior light
9 cooking functions, including 3D HotAir
1 telescopic rail
Suitable for 13A connection

### Serie 6 ++

HBA63B150B



### Main Cooking Functions



### Specifications

2 retractable control dials
Pyrolytic self-cleaning
1 interior halogen light
6 cooking functions, including 3D HotAir
Suitable for 13A connection

### Need to know more or get expert advice?

For in-depth appliance details please refer to the Product Specification section at the back of this brochure. To understand more about the innovative features on our appliances visit [www.bosch-home.co.uk](http://www.bosch-home.co.uk)



## Single ovens

## Serie 8 +++

HBG656RS6B



Main Cooking Functions



Alternative colour  
HBG656RB6B  
Black

## Specifications

TFT-touch display with Cleartext

Stainless steel control wheel

SoftClose, SoftOpen door

EcoClean® Direct: back, roof and side liners

BoschAssist

1 interior halogen light

PerfectRoast meatprobe

PerfectBake sensor

13 cooking functions, including 4D HotAir

1 telescopic rail

Combination with Serie 8 compact appliances possible

## Serie 8 +++

HBG634BS1B



Main Cooking Functions



Alternative colour  
HBG634BB1B  
Black

## Specifications

TFT-touch display with direct select buttons

Stainless steel control wheel

SoftClose, SoftOpen door

EcoClean® Direct: back liner

1 interior halogen light

13 cooking functions, including 4D HotAir

Combination with Serie 8 compact appliances possible

## Single ovens

## Serie 6 ++

HBA13R150B



Main Cooking Functions



## Specifications

Control dials with metal cap

Electronic clock timer

1 interior light

4 cooking functions, including 3D HotAir

1 level telescopic rail

Suitable for 13A connection

## Serie 6 ++

HBA13B150B



Main Cooking Functions



Alternative colours  
HBA13B160B Black  
HBA13B120B White

## Specifications

Standard control dials

Push buttons

Electronic clock timer

1 interior light

4 cooking functions, including 3D HotAir

Suitable for 13A connection

## Single ovens

## Serie 6 ++

HBA53R150B



Main Cooking Functions



## Specifications

Retractable control dials

EcoClean® back, roof and side liners

1 interior light

8 cooking functions, including 3D HotAir

1 telescopic rail

Suitable for 13A connection

## Serie 6 ++

HBA23B150B



Main Cooking Functions



## Specifications

Standard control dials

Push buttons

EcoClean® back liners

Electronic clock timer

1 round light

5 cooking functions, including 3D HotAir

Suitable for 13A connection

## Single ovens

## Serie 2

HBN331E7B



Main Cooking Functions



## Specifications

2 retractable control dials

Catalytic liners: ceiling, back panel

Electronic clock timer

1 interior light

4 cooking functions, including 3D HotAir

Suitable for 13A connection

## Need to know more or get expert advice?

For in-depth appliance details please refer to the Product Specification section at the back of this brochure. To understand more about the innovative features on our appliances visit [www.bosch-home.co.uk](http://www.bosch-home.co.uk)

## Built-in double ovens

## Serie 6 ++

## HBM56B551B



## Main Cooking Functions



## Top Cooking Functions



## Specifications

- Electronic control (main oven)
- Central illuminated metal control dial
- 7 shelf positions (5 x main, 2 x top)
- EcoClean® back, roof and side liners in both ovens
- Electronic clock timer
- Interior light in both ovens
- AutoCook – 40 programmes
- 4 cooking functions (top)
- 10 cooking functions, including 3D HotAir (main)

## Serie 6 ++

## HBM53R550B



## Main Cooking Functions



## Top Cooking Functions



## Specifications

- Control dials with metal cap
- Retractable control dials
- 7 shelf positions (5 x main, 2 x top)
- EcoClean® back, roof and side liners in both ovens
- Electronic clock timer
- Interior light in both ovens
- 3 cooking functions (top)
- 8 cooking functions, including 3D HotAir (main)

## Built-in double ovens

## Serie 6 ++

## HBM13B251B



## Main Cooking Functions



## Top Cooking Functions



## Specifications

- Standard control dials
- Retractable control dials
- 7 shelf positions (5 x main, 2 x top)
- EcoClean® back liner (main)
- EcoClean® back and roof liners (top)
- Electric clock timer
- Interior light in both ovens
- 2 cooking functions (top)
- 2 cooking functions: 3D HotAir, Defrost (main)

- Alternative colours
- HBM13B261B Black
  - HBM13B221B White

## Serie 6 ++

## HBM13B151B



## Main Cooking Functions



## Top Cooking Functions



## Specifications

- Standard control dials
- 7 shelf positions (5 x main, 2 x top)
- EcoClean® back liner (main)
- EcoClean® back and roof liner (top)
- Electronic clock timer
- Interior light in both ovens
- 2 cooking functions (top)
- 2 cooking functions: 3D HotAir, Defrost (main)

## Built-in double ovens

## Serie 6 ++

## HBM13B550B



## Main Cooking Functions



## Top Cooking Functions



## Specifications

- Control dials with metal cap
- Retractable control dials
- 7 shelf positions (5 x main, 2 x top)
- EcoClean® back liner (main oven)
- EcoClean® back and roof liners (top)
- Electronic clock timer
- Interior light in both ovens
- 2 cooking functions (top)
- 2 cooking functions, including 3D HotAir, Defrost (main)

## Serie 6 ++

## HBM43B250B



## Main cooking functions



## Top cooking functions



## Specifications

- Standard control dials
- Retractable control dials
- 7 shelf positions (5 x main, 2 x top)
- EcoClean® back, roof and side liners in both ovens
- Electronic clock timer
- Interior light in both ovens
- 3 cooking functions (top)
- 5 cooking functions including 3D Hotair (main)

- Alternative colour
- HBM43B260B Black

## Need to know more or get expert advice?

For in-depth appliance details please refer to the Product Specification section at the back of this brochure. To understand more about the innovative features on our appliances visit [www.bosch-home.co.uk](http://www.bosch-home.co.uk)

## Built-under double ovens

## Serie 6 ++

HBN53R550B



## Main Cooking Functions



## Top Cooking Functions



## Specifications

Control dials with metal cap

EcoClean® back, roof and side liners (top and main)

5 shelf positions (2 top, 3 main)

Interior light in both ovens

Electronic clock timer

3 cooking functions (top)

8 cooking functions, including 3D HotAir, Defrost (main)

## Serie 6 ++

HBN43B250B



## Main Cooking Functions



## Top Cooking Functions



## Specifications

Standard control dials

EcoClean® back, roof and side liners (top and main)


5 shelf positions (2 top, 3 main)

Interior light in both ovens

Electronic clock timer

3 cooking functions (top)

5 cooking functions, including 3D HotAir (main)

 Alternative colour  
HBN43B260B Black

## Built-under double ovens

## Serie 6 ++

HBN13B251B



## Main Cooking Functions



## Top Cooking Functions



## Specifications

Standard control dials

EcoClean® back liner (main) back and roof liners (top)

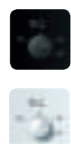
5 shelf positions (2 top, 3 main)

Interior light (both ovens)

Electronic clock timer

2 cooking functions (top)

2 cooking functions: 3D HotAir, Defrost (main)

 Alternative colours  
HBN13B261B Black  
HBN13B221B White

## Compact ovens

## Serie 8 +++

CBG675BS1B



## Main Cooking Functions



## Specifications

Stainless steel control wheel

TFT-touch display with direct select buttons

Pyrolytic self-cleaning

3 shelf positions

Halogen interior light

SoftClose, SoftOpen door

Electronic clock timer

13 main cooking functions, including 4D HotAir, Hotair Eco, reheating

Suitable for combination with Serie 8 single ovens

## Fits every kitchen. And every need.

Our range of Serie 8 compact appliances are the stand-out choice. Not just because of their superior performance and convenience, but also because their sophisticated design extends down to the smallest detail. They combine beautifully to deliver a timeless finish to any kitchen. Whether your preference is for a steam oven or a microwave, our compact ovens are designed so that you can team them up with other Serie 8 compact appliances, warming drawers, and Serie 8 single ovens. They all fit together in complete harmony.



## Compact steam ovens

## Serie 8 +++

CSG656BS6B



## Main Cooking Functions



## Specifications

- Stainless steel control wheel
- TFT-touch display with Cleartext
- EcoClean® Direct: back, roof and sides
- LED light
- SoftClose, SoftOpen door
- 12 main cooking functions, including 4D HotAir, Hotair Eco, steam cooking, reheating
- Suitable for combination with Serie 8 single ovens

## Serie 8 +++

CDG634BS1B



## Main Cooking Functions



## Specifications

- Stainless steel control wheel
- TFT-touch display with direct select buttons
- Interior light
- SoftClose, SoftOpen door
- 7 functions, including steam cooking, reheating, dough proving, Defrost, descaling programme, auto-boiling point detection
- Suitable for combination with Serie 8 single ovens

## Compact ovens with microwave

## Serie 8 +++

CMG656BS6B

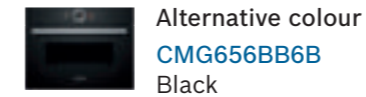


## Main Cooking Functions



## Specifications

- Stainless steel control wheel
- TFT-touch display with Cleartext
- EcoClean® Direct: back, roof and side liners
- SoftClose, SoftOpen door
- LED light
- BoschAssist
- 12 main functions, including 4D HotAir, Hotair Eco
- Suitable for combination with Serie 8 single ovens



Alternative colour  
CMG656BB6B  
Black

## Serie 8 +++

CMG633BS1B

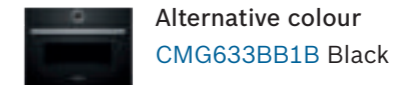


## Main Cooking Functions



## Specifications

- Stainless steel control wheel
- TFT-touch display with direct select buttons
- SoftClose, SoftOpen door
- LED light
- 14 automatic programmes
- 6 main functions, including 4D HotAir, microwave and microwave combi function
- Suitable for combination with Serie 8 single ovens



Alternative colour  
CMG633BB1B Black

## Compact ovens with microwave

## Serie 8 +++

CNG6764S6B



## Main Cooking Functions



## Specifications

- Stainless steel control wheel
- TFT-touch display with Cleartext
- Pyrolytic self-cleaning
- SoftClose, SoftOpen door
- LED light
- BoschAssist
- PerfectRoast meat probe
- PerfectBake sensor
- 14 main functions, including 4D HotAir, Hotair Eco, combi microwave variable function, steam reheating, dough proving and added steam
- Suitable for combination with Serie 8 single ovens

## Serie 8 +++

CMG676BS6B



## Main cooking functions



## Specifications

- Stainless steel control wheel
- TFT-touch display with Cleartext
- Pyrolytic self-cleaning
- SoftClose, SoftOpen door
- LED light
- BoschAssist
- 12 main functions, including 4D HotAir, Hotair Eco, combi microwave variable function
- Suitable for combination with Serie 8 single ovens

## Compact microwave oven

## Serie 8 +++

CFA634GS1B



## Specifications

- Built-in microwave
- Stainless steel control wheel
- TFT-touch display with direct select buttons
- 5 microwave power settings: 90W, 180W, 360W, 600W, 900W
- 7 automatic programmes
- Suitable for combination with Serie 8 single ovens

## Compact microwave combination oven

## Serie 6 ++

HBC84H501B\*



## Main Cooking Functions



## Specifications

- Electronic control
- 2 retractable control dials
- Built-in microwave with grill and 4 heating methods
- 4 auto-weight defrosting programmes
- Interior light
- 15 automatic programmes
- 5 microwave power settings: 900W, 600W, 360W, 180W, 90W

\*Not recommended for installation above a warming drawer.  
Suitable for co-ordination with Serie 6 or Serie 2 single ovens in a column installation.

## Need to know more or get expert advice?

For in-depth appliance details please refer to the Product Specification section at the back of this brochure.  
To understand more about the innovative features on our appliances visit [www.bosch-home.co.uk](http://www.bosch-home.co.uk)

## Coffee centre and warming drawers

## Serie 8 +++

CTL636ES6



## Specifications

- Electronic control
- SilentCeram Drive
- CoffeeSensor Pro grinding unit
- Milk froth, warm milk and hot water available
- OneTouch preparation: Ristretto, Espresso, Espresso Macchiato, Coffee, Cappuccino, Latte Macchiato, Caffè Latte, AromaDouble Shot, OneTouch DoubleCup
- TFT display with interactive menu
- MyCoffee: save 8 favourite beverages
- 2.4L removable water tank

## Serie 8 +++

BID630NS1B



## Specifications

- 4 functions: dough proving, defrost, hold warm, plate warming
- Easy to clean toughened glass heating plate
- Can accommodate up to 40 plates / 192 espresso cups
- Adjustable temperature 40-80°C
- Max weight capacity 25kg
- Suitable for combination with Serie 8 single ovens

## Built-in microwave ovens

## Serie 8 +++

BEL634GS1B



## Specifications

- Microwave oven with grill
- Stainless steel control wheel
- TFT colour and text display with DirectSelect buttons
- AutoCook programmes
- 10 automatic programmes
- Left-hinged side opening door
- LED light
- 3 combination microwave and grill power levels
- 5 microwave power levels; max power 900W
- Suitable for 13A connection
- Suitable for combination in column with Serie 8 single ovens

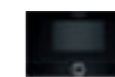
## Serie 8 +++

BFL634GS1B



## Specifications

- Stainless steel control wheel
- TFT colour and text display with DirectSelect buttons
- AutoCook programmes
- 7 automatic programmes
- Left-hinged side opening door
- LED light
- 5 microwave power levels; max power 900W
- Suitable for 13A connection
- Suitable for combination in column with Serie 8 single ovens



Alternative colour  
BFL634GB1B Black

## Warming drawers

## Serie 8 +++

BIC630NS1B



## Specifications

- 4 functions: dough proving, defrost, hold warm, plate warming
- Easy to clean toughened glass heating plate
- Can accommodate up to 12 plates / 64 espresso cups
- Adjustable temperature 40-80°C
- Max weight capacity 25kg
- Suitable for combination with Serie 8 single ovens

## Serie 8 +++

BIC630NB1B



## Specifications

- 4 functions: dough proving, defrost, hold warm, plate warming
- Easy to clean toughened glass heating plate
- Can accommodate up to 12 plates / 64 espresso cups
- Adjustable temperature 40-80°C
- Max weight capacity 25kg
- Suitable for combination with Serie 8 single ovens

## Built-in microwave ovens

## Serie 6 ++

HMT84G654B



## Specifications

- Microwave oven with grill
- 1 retractable control dial
- Push buttons
- 1200W quartz grill
- 1 memory function
- 8 automatic programmes
- Left-hinged side opening door
- 1 interior light
- 3 combination microwave and grill power levels
- 5 microwave power levels; max power 900W
- For installation in tall housing
- Suitable for 13A connection

## Serie 6 ++

HMT84M654B



## Specifications

- 1 retractable control dial
- Push buttons
- 1 memory function
- 7 automatic programmes
- Left-hinged side opening door
- 1 interior light
- 5 microwave power levels; max power 900W
- For installation in tall housing
- Suitable for 13A connection



Alternative colours  
HMT84M664B Black  
HMT84M624B White

## Need to know more or get expert advice?

For in-depth appliance details please refer to the Product Specification section at the back of this brochure. To understand more about the innovative features on our appliances visit [www.bosch-home.co.uk](http://www.bosch-home.co.uk)

## Built-in microwave ovens

## Serie 6 ++

HMT75G654B

Water  
20L

## Specifications

- Microwave oven with grill
- 1 retractable control dial
- Push buttons
- 1 memory function
- 8 automatic programmes
- 1000W quartz grill
- Left-hinged door
- 1 interior light
- 3 combination microwave and grill power levels
- 5 microwave power levels; max power 800W
- For installation into a 60cm wide wall unit (at least 30cm deep)

## Serie 6 ++

HMT75M654B

Water  
20L

Alternative colours  
[HMT75M664B Black](#)  
[HMT75M624B White](#)

## Specifications

- 1 retractable control dial
- Push buttons
- 1 memory function
- 7 automatic programmes
- 1 weight auto-combination programme
- Left-hinged door
- 1 interior light
- 5 microwave power levels; max power 800W
- For installation in tall housing and into 60cm wide tall unit (at least 30cm deep)

## Built-in microwave ovens

## Serie 4 +

HMT75M551B

Water  
17L

## Specifications

- 1 retractable control dial
- Push buttons
- 1 memory function
- 3 weight cooking programmes
- 4 weight auto-defrost programmes
- Left-hinged door
- 1 interior light
- 5 microwave power levels; max power 800W
- For installation into a 50cm wide wall unit (at least 30cm deep)

## Freestanding microwaves

## Serie 4 +

HMT84M451B

Water  
25L

Alternative colours  
[HMT84M461B Black](#)  
[HMT84M421B White](#)

## Specifications

- 1 retractable control dial
- Push buttons
- 1 memory function
- 7 automatic programmes
- Left-hinged door
- 1 interior light
- 5 microwave power levels; max power 900W

## Freestanding microwaves

## Serie 4 +

HMT75M451B

Water  
17L

Alternative colours  
[HMT75M461B Black](#)  
[HMT75M421B White](#)

## Specifications

- 1 retractable control dial
- Push buttons
- 1 memory function
- 7 automatic programmes
- Left-hinged door
- 1 interior light
- 5 microwave power levels; max power 800W

## Serie 4 +

HMT75G451B

Water  
17L

## Specifications

- Microwave oven with grill
- 1 retractable control dial
- Push buttons
- 1000W quartz grill
- 1 memory function
- 8 automatic programmes
- Left-hinged door
- 1 interior light
- 5 microwave power levels; max power 800W

## Freestanding microwaves

## Serie 4 +

HMT72G450B

Water  
17L

## Specifications

- Microwave oven with grill
- Rotary control
- 1000W quartz grill
- Left-hinged door
- 1 interior light
- 5 microwave power levels; max power 800W

## Serie 4 +

HMT72M450B

Water  
17L

## Specifications

- Rotary control
- Left-hinged door
- 1 interior light
- 5 microwave power levels; max power 800W

## Need to know more or get expert advice?

For in-depth appliance details please refer to the Product Specification section at the back of this brochure. To understand more about the innovative features on our appliances visit [www.bosch-home.co.uk](http://www.bosch-home.co.uk)

# Introducing the Bosch electric hob range.

As you would expect from Bosch, all our electric hobs are made using high quality materials, are easy to use and add contemporary elegance to any kitchen. To help you choose the right electric hob for your home we have divided them into the three ranges below.

Whichever model you choose from our Serie ranges, you'll find lots of reasons to love your Bosch electric hob.

#### Twice as fast as gas.

Induction hobs can heat food and boil water nearly twice as fast as gas and three times faster than ceramic hobs\*. And as they're also more energy efficient, you'll save money as well as time.

#### Cooking that's designed around you.

Ultimate flexibility with FlexInduction. One, two or three pots, or even a large casserole: the Bosch FlexInduction hob leaves it up to you. At the flick of a switch, you can combine two induction zones into a large induction surface on which you can cook the way you want.

\*Based on time required to heat 2 litres of water at 15°C to 90°C using Bosch hobs. In accordance with EN 50304/ EN 60350: 2009.

#### Serie 8 +++

Our **Serie 8** range of electric hobs combines convenience and elegant design, allowing you to select individual cooking zones and power levels. All controlled at just the touch of a button with the modern touch control.

#### Serie 6 ++

Expect excellent operation and timeless designs with our **Serie 6** range of hobs. You'll get premium engineering and materials so that you can always cook something a little bit special. Get ultimate control with the easy to use DirectSelect touch control.

#### Serie 4 +

Featuring a range of **Serie 4** electric hobs that are convenient and simple to operate, our essential range maintains classic design with contemporary style.

Models shown: Hob PXY875KW1E, Hood DWF97RV60B

# Hobs that deliver perfect results – intuitively.

When it comes to cooking on the hob, it doesn't take much for things to go wrong. That's why we've designed hobs that know exactly what you want to do so you'll achieve the perfect results every time.



Model shown: PXY875KE1E

## PerfectCook

May your pasta never boil over again. Our hobs are designed with a sensor so you'll be able to control your cooking by the temperature in the pan rather than the power level. So whether you're defrosting, warming up, cooking or deep fat frying, you're in control with our smart **CookingSensor**. Because precise temperature control guarantees perfect cooking results.



## PerfectFry

Enjoy perfectly cooked steak, however you like it. Our clever **FryingSensor** measures the temperature in the pan for perfect results. So when you're reducing a sauce, the heat will be low and gentle, and when you want a high heat for frying a bloody steak, you'll have precisely the right temperature. Say goodbye to overcooking and undercooking your favourite meals. This feature requires the purchase of a **FryingSensor** frying pan to operate. Available from [www.bosch-home.co.uk/store](http://www.bosch-home.co.uk/store).

## More control at your fingertips.

Set the correct temperature with a single touch thanks to **DirectSelect**. No more scrolling up or down, just simply press one button to select the right heat level. Models with **DirectSelect Premium** touch controls feature an additional minimum temperature setting giving you added cooking control.

## Express cooking.

Induction cooking with a turbo boost. The **Boost function** allows you to increase the power of the cooking zone by 50%\* – perfect for large pots and pans or when you're in a hurry.

## Easy to clean.

**Automatic pan recognition** only heats up the base of the pan and not the rest of the zone, which doesn't waste energy and leaves the rest of the hob cooler to touch. Keeping the hob cooler makes it safer and also prevents spillages from burning on so it's easy to clean.

## Clean up in an instant.

In case of any spills, simply select the **Freeze function** which freezes all the heat settings so you can thoroughly wipe and clean the hob surface. To restore the previous heat settings simply touch the button again!



## Even more flexibility.

Available on selected Serie 8 FlexInduction hobs, the **Extended FlexInduction zone** offers optimum flexibility. The amount of usable surface on the hob is maximised to accommodate even the largest of cookware. With **CombiZone**, two cooking zones can be linked, making the switch from small to large pans effortless. Plus, the **MoveMode**

**function** automatically switches from boil to simmer with a simple slide of the saucepan.

## Flexible.

FlexInduction is great for roaster pans and poaching as well as large grill pans.

Model shown: PIV675N17E

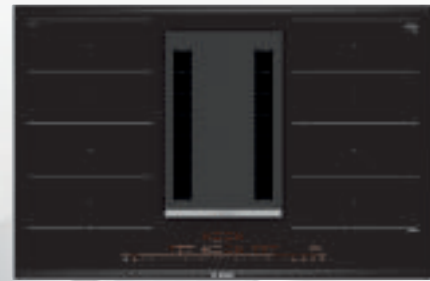




# FlexInduction hobs

## Serie 8 +++

PXX875D34E



Specifications
2 FlexInduction zones
DirectSelect Premium
PerfectFry sensor
PerfectCook sensor ready
MoveMode
Automatic setting transfer
PerfectAir sensor
EcoSilence Drive™ motor
17 power levels
2-stage residual heat indicators (H/h)
Boost setting for all zones
Automatic pan recognition
Timer for all zones
Count up timer

### The perfect combination.

For the first time we are combining the best of our technologies from our induction hobs and powerful cooker hoods in a single appliance. The PerfectAir venting hob removes odours at source, leading to fewer cooking smells in the kitchen. It can be easily installed into the work surface to suit any kitchen design and has the added convenience of being easy to clean. Thanks to the PerfectFry sensor and PerfectCook sensor on the hob, you can achieve perfect results whether you're frying or boiling.



Model shown: PXX875D34E

## FlexInduction hobs

### Serie 8 +++

PXX975KW1E

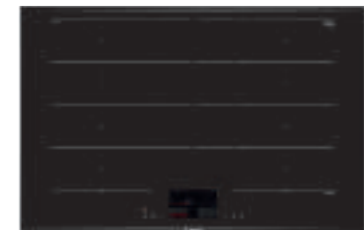


Available Autumn 2017

Specifications
TFT control
5 cooking zones
MoveMode
PerfectFry sensor
PerfectCook sensor ready
Automatic setting transfer
Hob hood control
17 power levels
2-stage residual heat indicators (H/h)
Boost setting for all zones
Automatic pan recognition
Timer for all zones
Count up timer
Compatible with Bosch domino hobs

### Serie 8 +++

PXY875KE1E



Available Autumn 2017

**Alternative model**  
PXY875KW1E  
with Home Connect  
Available Autumn 2017

Specifications
TFT control
Extended FlexZone
MoveMode
PerfectFry sensor
PerfectCook sensor ready
Automatic setting transfer
Hob hood control
17 power levels
2-stage residual heat indicators (H/h)
Boost setting for all zones
Automatic pan recognition
Timer for all zones
Count up timer
Compatible with Bosch domino hobs

## FlexInduction hobs

### Serie 8 +++

PXY875DE3E

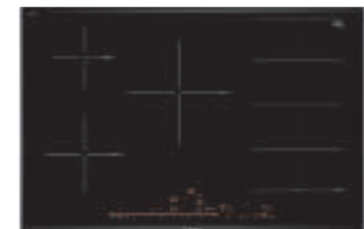


**Alternative width**  
PXY675DE3E  
60cm

Specifications
DirectSelect Premium
Extended FlexZone
MoveMode
PerfectFry sensor
PerfectCook sensor (1 x supplied)
Automatic setting transfer
17 power levels
2-stage residual heat indicators (H/h)
Boost setting for all zones
Automatic pan recognition
Timer for all zones
Count up timer
Compatible with Bosch domino hobs

### Serie 8 +++

PXV875DC1E



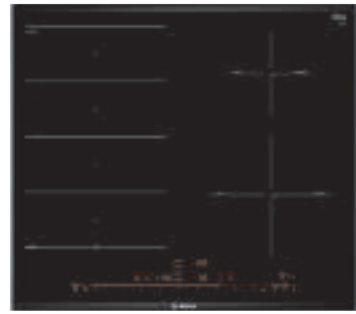
**Alternative model**  
PXV875DV1E  
with Home Connect  
Available Autumn 2017

Specifications
DirectSelect Premium
MoveMode
PerfectFry sensor
Automatic setting transfer
17 power levels
2-stage residual heat indicators (H/h)
Boost setting for all zones
Automatic pan recognition
Timer for all zones
Count up timer
Compatible with Bosch domino hobs

## FlexInduction hobs

## Serie 8 +++

PXE675DC1E



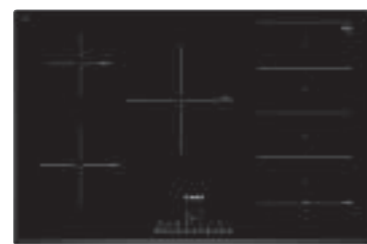
Alternative model  
PXX675DV1E  
with Home Connect  
Available Autumn 2017

## Specifications

DirectSelect Premium
MoveMode
PerfectFry sensor
Automatic Setting Transfer
17 power levels
2-stage residual heat indicators (H/h)
Boost setting for all zones
Automatic pan recognition
Timer for all zones
Count up timer
Compatible with Bosch domino hobs

## Serie 8 +++

PXV851FC1E



## Specifications

DirectSelect
PerfectFry sensor
Automatic Setting Transfer
17 power levels
2-stage residual heat indicators (H/h)
Boost setting for all zones
Automatic pan recognition
Timer for all zones

## FlexInduction hobs

## Serie 6 ++

PXX275FC1E

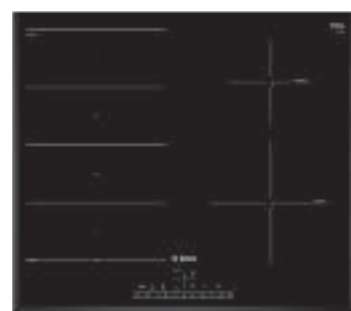


## Specifications

DirectSelect
PerfectFry sensor
Automatic Setting Transfer
17 power levels
2-stage residual heat indicators (H/h)
Boost setting for all zones
Automatic pan recognition
Timer for all zones

## Serie 6 ++

PXE651FC1E



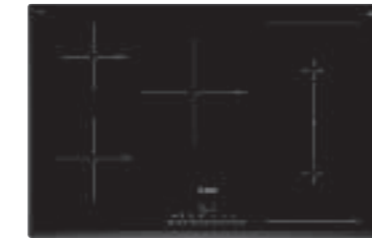
## Specifications

DirectSelect
PerfectFry sensor
Automatic Setting Transfer
17 power levels
2-stage residual heat indicators (H/h)
Boost setting for all zones
Automatic pan recognition
Timer for all zones

## Induction hobs

## Serie 6 ++

PVW851FB1E

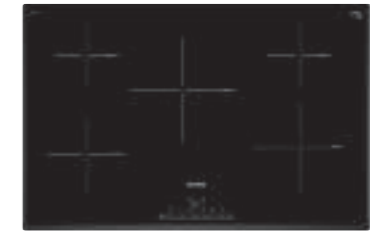


## Specifications

DirectSelect
CombiZone
17 power levels
2-stage residual heat indicators (H/h)
Boost setting for all zones
Automatic pan recognition
Timer for all zones

## Serie 6 ++

PIV851FB1E



## Specifications

DirectSelect
17 power levels
2-stage residual heat indicators (H/h)
Boost setting for all zones
Automatic pan recognition
Timer for all zones

## Induction hobs

## Serie 6 ++

PVS651FB1E



## Specifications

DirectSelect
CombiZone
17 power levels
2-stage residual heat indicators (H/h)
Boost setting for all zones
Automatic pan recognition
Timer for all zones

## Serie 4 +

PIE651BB1E



## Specifications

EasyTouch control
17 power levels
2-stage residual heat indicators (H/h)
Boost setting for all zones
Automatic pan recognition
Timer for all zones

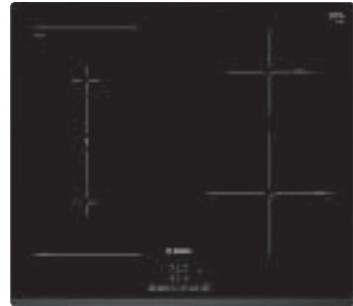
## Need to know more or get expert advice?

For in-depth appliance details please refer to the Product Specification section at the back of this brochure.  
To understand more about the innovative features on our appliances visit [www.bosch-home.co.uk](http://www.bosch-home.co.uk)

## Induction hobs

### Serie 4 +

PWP631BB1E



Specifications
EasyTouch control
CombiZone
17 power levels
2-stage residual heat indicators (H/h)
Boost setting for all zones
Automatic pan recognition
Timer for all zones

### Serie 4 +

PUE611BB1E



Specifications
EasyTouch control
17 power levels
2-stage residual heat indicators (H/h)
Boost setting for all zones
Automatic pan recognition
Timer for all zones

## Induction hobs

### Serie 4 +

PWP631BF1B



Specifications
EasyTouch control
CombiZone
13Amp Plug'n'Play
17 power levels
2-stage residual heat indicators (H/h)
Boost setting for all zones
Automatic pan recognition
Timer for all zones

### Serie 4 +

PUE611BF1B



Specifications
EasyTouch control
13Amp Plug'n'Play
17 power levels
2-stage residual heat indicators (H/h)
Boost setting for all zones
Automatic pan recognition
Timer for all zones

## Quick-Therm ceramic hobs

### Serie 4 +

PKE645B17E



Specifications
EasyTouch control
17 power levels
2-stage residual heat indicators (H/h)
4 cooking zones

### Serie 4 +

PKN811D17E



Specifications
EasyTouch control
4 cooking zones
17 power levels
2-stage residual heat indicators (H/h)
2 dual/extendable zones

## Quick-Therm ceramic hobs

### Serie 4 +

PKE611D17E



Specifications
EasyTouch control
4 cooking zones
17 power levels
2-stage residual heat indicators (H/h)
Boost setting for all zones
Energy consumption display

#### Need to know more or get expert advice?

For in-depth appliance details please refer to the Product Specification section at the back of this brochure. To understand more about the innovative features on our appliances visit [www.bosch-home.co.uk](http://www.bosch-home.co.uk)

## Quick-Therm ceramic hobs

### Serie 2

PKF659C17E



#### Specifications

Variable 9-stage power settings for each zone

Residual heat indicator for each zone

1 dual/extendable zone

4 cooking zones

### Serie 2

PKE611CA1E



#### Specifications

Variable 9-stage power settings for each zone

Residual heat indicator for each zone

4 cooking zones

## Sealed Plate electric hobs

### Serie 2

PEE682CA1



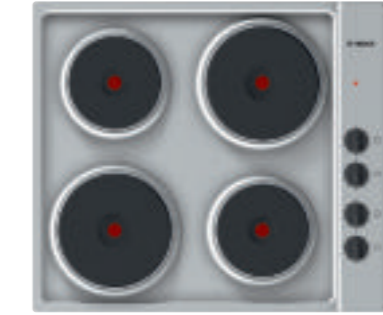
#### Specifications

Variable 9-stage power settings for each zone

4 super fast sealed cooking plates

### Serie 2

PEE689CA1



#### Specifications

Variable 9-stage power settings for each zone

4 super fast sealed cooking plates

## Sealed Plate electric hobs

### Serie 2

PEE686CA1



#### Specifications

Variable 9-stage power settings for each zone

4 super fast sealed cooking plates

### Need to know more or get expert advice?

For in-depth appliance details please refer to the Product Specification section at the back of this brochure. To understand more about the innovative features on our appliances visit [www.bosch-home.co.uk](http://www.bosch-home.co.uk)

# Introducing the Bosch gas hob range.

Professional performance and intuitive control matched with stylish good looks, Bosch gas hobs are available in a variety of finishes and colours. To help you choose the right gas hob for your home we have divided them into the three ranges below.

Whichever model you choose from our Serie ranges, you'll find lots of reasons to love your Bosch gas hob.

#### **Stunning good looks and ultimate control.**

Stunning good looks and ultimate control. A gas hob delivers instant heat and is easy to adjust and control, making it a favourite in many kitchens. With a wide selection of widths and finishes to choose from, a gas hob can add as much elegance as practical functionality to any kitchen.

#### **Chef's recommendation.**

The hob of choice in most professional kitchens, modern gas hobs are as stylish as they are practical. Our gas hobs come with cast iron pan supports that are either front or side mounted. With ignition built in to the controls, all it takes is one action to ignite and set the hob to the correct cooking level.

#### Serie 8 +++

Our **Serie 8** range of gas hobs combines convenience and truly elegant design with ultimate cooking control, meaning a truly professional performance in the kitchen.

#### Serie 6 ++

Expect excellent operation and timeless designs with our **Serie 6** range of hobs. You'll get premium engineering and materials so that you can always cook something a little bit special.

#### Serie 4 +

Featuring a range of gas hobs that are convenient and simple to operate, our **Serie 4** range maintains classic design and style.

Model shown for illustrative purposes only

# Gas without the guesswork.

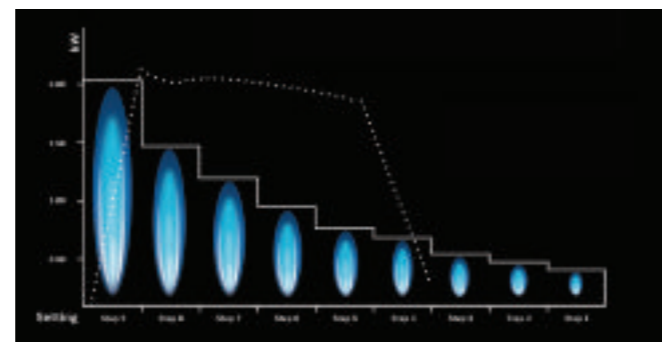


Model shown PPQ7A6B90

Welcome to intuitive cooking. The advanced technology built into our hobs makes cooking on gas simple and precise. Understanding how you cook means we've been able to design a FlameSelect feature that lets you fry, stew, steam and boil with confidence – without constantly checking the flame.

## FlameSelect

We're taking the guesswork out of lighting and using the hob. Our innovative StepValve technology regulates the gas output precisely, so you're able to choose the size of flame. With an easy-to-use setting, all you need to do is decide which of the 9 power settings you want. At last, FlameSelect gives you the confidence to cook on gas without leaning down to check it.



## Smart design

Square design pan supports don't just look good, but provide more stability for pots and pans. Cleverly designed to fit together, they are separate pieces, which make them easy to handle and clean. The elegant tempered glass base allows for a choice of surface mounting for quick and easy installation, or flush mounting.



## A touch of the Orient

Powerful, dual ring wok burners are perfect for oriental cooking. They deliver a boost both in power and speed, but can also be used very effectively at lower settings when required.

# Gas hobs.

## Serie 6 ++

PPS9A6B90



Specifications
5 burners
4.0kW wok burner
FlameSelect
Cast iron pan supports
Flame-failure safety device
Black tempered glass

### FlameSelect. Gas without the guesswork.

Our innovative StepValve technology regulates the gas output precisely, so the size of flame can be chosen. With an easy-to-use setting, just decide which of the 9 power settings is needed. At last, FlameSelect gives you the confidence to cook on gas, without any leaning down to check.



Model shown: PPS9A6B90

## Gas hobs

### Serie 6 ++

PPQ7A6B90



Specifications
5 burners
4.0kW wok burner
FlameSelect
Cast iron pan supports
Flame-failure safety device
Black tempered glass

### Serie 6 ++

PPP6A6B90



Specifications
4 burners
FlameSelect
Cast iron pan supports
Flame-failure safety device
Black tempered glass

## Gas hobs

### Serie 6 ++

PCR9A5B90



Specifications
5 burners
5.0kW wok burner
FlameSelect
Cast iron pan supports
Flame-failure safety device
Star layout

### Serie 6 ++

PCS7A5B90



Specifications
5 burners
5.0kW wok burner
FlameSelect
Cast iron pan supports
Flame-failure safety device
Flag layout

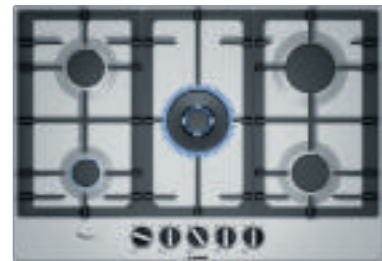
### Need to know more or get expert advice?

For in-depth appliance details please refer to the Product Specification section at the back of this brochure. To understand more about the innovative features on our appliances visit [www.bosch-home.co.uk](http://www.bosch-home.co.uk)

Gas hobs

Serie 6 ++

PCQ7A5B90



Specifications
5 burners
4.0kW wok burner
FlameSelect
Cast iron pan supports
Flame-failure safety device
Star layout

Serie 6 ++

PCQ715B90E



Specifications
5 burners
4.0kW wok burner
Cast iron pan supports
Flame-failure safety device

Gas hobs

Serie 4 +

PGH6B5B60



Specifications
4 burners
3.3kW wok burner
Cast iron effect pan supports
Flame-failure safety device

Serie 4 +

PCP6A5B90  
Stainless Steel



Specifications
4 burners
FlameSelect
Cast iron pan supports
Flame-failure safety device

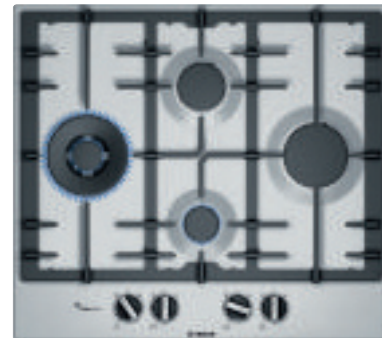


Alternative colours  
PCP6A6B90 Black  
PCP6A2B90 White

Gas hobs

Serie 6 ++

PCI6A5B90



Specifications
4 burners
4.0kW wok burner
FlameSelect
Cast iron pan supports
Flame-failure safety device
Diamond layout

Serie 6 ++

PCH6A5B90



Specifications
4 burners
3.5kW wok burner
FlameSelect
Cast iron pan supports
Flame-failure safety device

Gas hobs

Serie 4 +

PGP6B5B60



Specifications
4 burners
Cast iron effect pan supports
Flame-failure safety device

Serie 4 +

PNP6B6B80



Specifications
4 burners
Enamel pan supports
Flame-failure safety device
Black tempered glass



Alternative colours  
PGP6B6B60 Black  
PGP6B2B60 White

Need to know more or get expert advice?

For in-depth appliance details please refer to the Product Specification section at the back of this brochure. To understand more about the innovative features on our appliances visit [www.bosch-home.co.uk](http://www.bosch-home.co.uk)



Gas hobs

Serie 2

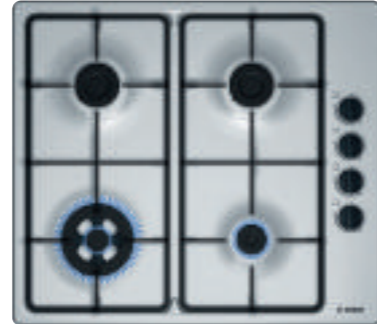
POP6B6B80



Specifications
4 burners
Enamel pan supports
Flame-failure safety device
Black tempered glass

Serie 2

PBH6B5B60

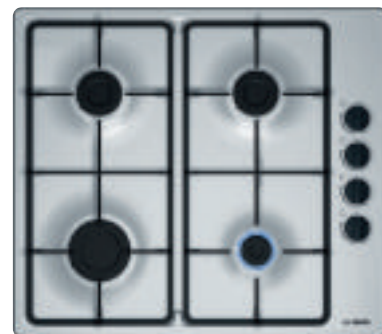


Specifications
4 burners
Wok burner
Cast iron finish pan supports
Flame-failure safety device

Gas hobs

Serie 2

PBP6B5B60  
Brushed Steel



Specifications
4 burners
Cast iron finish pan supports
Flame-failure safety device



Alternative colours  
 PBP6B6B60 Black  
 PBP6B2B60 White

Domino hobs

Serie 8 +++

PRA3A6D70



Specifications
6.0kW wok burner
FlameSelect
Power level display
2-stage residual heat indicators (H/h)
Cast iron pan supports
Flame-failure safety device
Black ceramic glass

Serie 8 +++

PRB3A6D70



Specifications
2 burners
FlameSelect
Power level display
2-stage residual heat indicators (H/h)
Cast iron pan supports
Flame-failure safety device
Black ceramic glass

Domino hobs

Serie 4 +

PIB375FB1E



Specifications
Induction hob
DirectSelect
17 power levels
Boost setting for all zones
2-stage residual heat indicators (H/h)
Automatic pan recognition
Timer for all zones
Count up timer

Serie 2

PKF375FP1E



Specifications
Radiant ceramic hob
DirectSelect
1 dual/extendable zone
17 power levels
Boost setting for all zones
2-stage residual heat indicators (H/h)
Boost setting for all zones
Timer for all zones

Need to know more or get expert advice?

For in-depth appliance details please refer to the Product Specification section at the back of this brochure. To understand more about the innovative features on our appliances visit [www.bosch-home.co.uk](http://www.bosch-home.co.uk)

# Introducing the Bosch hood range.



Offering a blend of function and form, Bosch hoods deliver quiet, effective extraction that makes the kitchen and home a more pleasant environment. Make a bold design statement, or complement a more minimalist look. To help you choose the right hood, we have divided them into the three ranges below.

Whichever model you choose from our Serie ranges, you'll find lots of reasons to love your Bosch hood.

## Serie 8 +++

Advanced design standard and functionality to fit perfectly in your kitchen. With our **Serie 8** range of hoods experience automatic extraction rate control with PerfectAir sensor technology and CleanAir module. Our hoods offer high quality craftsmanship combined with cutting-edge technologies to make the kitchen a more pleasant environment.

## Serie 6 ++

Ultimate convenience and tasteful design make cooker hoods within our **Serie 6** range an asset to any stylish kitchen. Electronic controls give you ease of use. Experience maximum operating convenience with DirectSelect touch controls from Bosch.

## Serie 4 +

As the centre of family life, the kitchen needs to have a comfortable atmosphere free of cooking steam and disruptive noise. Our **Serie 4** range of cooker hoods are extremely quiet, easy to operate and impressive with their modern design.

### Why shout when you can whisper?

The motors in all of our hoods need to deliver powerful performance for maximum extraction, but that doesn't mean your home environment has to suffer. We have designed state-of-the-art motors in most hoods that generate noise levels of just 54 decibels\*, which is about the same level of sound as a quiet conversation. And our quietest model delivers a library-quiet peacefulness of just 40 decibels\*\*.

### In this light, even your electricity bill looks good.

Our hood ranges incorporate energy efficient lighting that can be adjusted for bright illumination to work under, or lower illumination for ambient mood lighting in the kitchen. High-efficiency LED lights make both your kitchen and energy bill look good.

### Designer looks.

Bosch has created a cooker hood design for every kitchen. From a stylish Island design, angled or curved contemporary glass to fully integrated or concealed. With a wide variety of sizes, types and finishes to choose from, it's easy to find the right cooker hood to perfectly match your kitchen.



Model shown: DII31RV60 island cube hood

\*Sound power measured according to EN60704-3 on largest pipe diameter  
\*\*Noise level (sound power) based on dB(A) re 1 pW

# A breath of fresh air in hood design.

Now your cooker hood can automatically control the air that you breathe. Intuitive sense technology from Bosch now makes cooking easier than ever.

## PerfectAir

When you're busy cooking, the last thing you need to think about is adjusting your hood to clear any steam in the kitchen. **PerfectAir** is our advanced feature that clears the air without you having to do anything.

A sensor constantly detects the levels of odours in the air and adjusts the motor level – from light use to intensive – to ensure your kitchen air is always clean and fresh.

## A breath of fresh air.

The **PerfectAir** sensor continually detects the level of odours in the air during the cooking process and automatically adjusts the power level to ensure optimum extraction performance. So there is no longer any need to manually adjust the

power levels. This means that you can concentrate on your cooking rather than worrying about whether your hood is on the right setting.

## EcoSilence Drive™

Our **EcoSilence Drive™** brushless friction-free motor and energy saving LED lights reduce energy consumption by up to 80% compared to a similar five-year-old model, without compromising results.\*

## Designer looks.

The filter is concealed behind a stylish glass canopy or brushed steel cover with a brushed steel handle to hide grease build up, for a really sleek finish.

## Fresh thinking.

Metal grease filters efficiently filter grease and other solid particles out of the extracted air – which means your kitchen will be cleaner. And our filters are even designed to be washed in the dishwasher.

## DIY installation.

Our suspended ceiling hood is designed for easy installation. As it uses recirculation with charcoal filters, it doesn't require a ducting system to be in place or the ceiling to be lowered. It simply needs to be screwed in place, and thanks to a high-power extraction setting, you'll always have fantastic air quality in your kitchen.

## Downdraft.

Discover our downdraft ventilation hood DDA097G59B that blends seamlessly into our built-in hob appliances. Perfect for kitchen islands or minimalist designs, it can be neatly tucked away into your worktop when not in use.

## Let there be light.

Create some atmosphere in your kitchen with our **AmbientLight** feature lighting. Choose from a variety of colours and light intensities on your hood to create that all-important ambiance to compliment your cooking. Available on our Serie 8 Mondrian Hood DWF97MS70B.

## Control at your fingertips.

Set the correct temperature with a single touch thanks to **DirectSelect**. It's easy to operate: simply select the right power setting and away you go.

Model shown: DWK98PR60B (hood) PXY875DE3E (hob)

\*Same power setting, same extraction rate, halogen lights.

# Downdraft Hood

## Serie 8 +++

DDA097G59B  
Downdraft hood

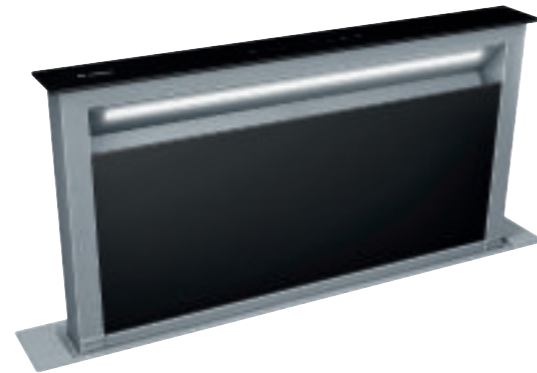


### Specifications

Downdraft for installation in worktops
Extension height 401mm
Grease filter saturation indicator
Touch Control with electronic display
4 power levels + 1 intensive setting
LED lighting: for perfect, very energy-efficient illumination of the hob.
Automatic intensive revert (6 mins)
Runs for an extra 15 minutes
Twin channel high performance fan motor
Suitable for ducted or recirculated extraction

### Performance and design perfectly matched.

Serie 8 hoods have been designed to beautifully match the other appliances in the range and contain some of our most innovative, cutting edge and user-friendly technologies.



## Ceiling hoods

### Serie 8 +++

DID106T50  
Ceiling hood

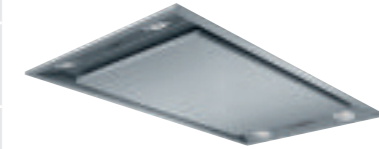


### Specifications

Easy installation
Rim ventilation
Filter saturation indicator
Remote electronic controls
3 power levels + 1 intensive setting
2 strip LEDs
Auto intensive revert (6 mins)
Softlight with dimmer function
Runs for an extra 30 minutes
Suitable for recirculated operation only

### Serie 8 +++

DID09T951B  
Ceiling hood



### Specifications

Electronic display
Remote control
3 power levels + 1 intensive setting
4 x LED lights
Max. extraction rate (normal): 575 m³/h
Max. extraction rate (intensive): 780 m³/h
Auto intensive revert (4 mins)
Automatic after-running – ensure no smells linger
Grease filter saturation indicator
Max. noise level: 64 dB

## Island hoods

### Serie 8 +++

DII31RV60  
Island cube hood



### Specifications

Operation via intuitive control wheel
PerfectAir sensor
Home Connect
3 power levels + 2 intensive settings
4 x LED Lights
Max. extraction rate (normal): 390 m³/h
Intensive operation revert (6 mins)
Automatic after-running – ensure no smells linger
Grease and charcoal filter saturation indicators
Max. noise level: 69 dB
Recirculation only

### Serie 8 +++

DIB091K50B  
Island hood



### Specifications

Electronic Touch Control
Rim ventilation
Filter saturation indicator
3 power levels + 2 intensive settings
4 x LED lights
Softlight with dimmer function
Auto intensive revert (6 mins)
Ducted or recirculating operation
EcoSensor

### Need to know more or get expert advice?

For in-depth appliance details please refer to the Product Specification section at the back of this brochure. To understand more about the innovative features on our appliances visit [www.bosch-home.co.uk](http://www.bosch-home.co.uk)

## Island hoods

### Serie 8 +++

DIB091U51B  
Island hood



Specifications
Electronic power level display
Filter saturation indicator
Electronic touch control
3 power levels + 2 intensive settings
4 x LED lights
Softlight with dimmer function
Auto intensive revert (6 mins)
Ducted or recirculating operation
EcoSensor

### Serie 6 ++

DIA098E50B  
Island hood



Specifications
Electronic power level display
Filter saturation indicator
Soft touch control
3 power levels + intensive setting
4 x LED lights
Softlight with dimmer function
Auto intensive revert (6 mins)
Ducted or recirculating operation

## Angled glass chimney hoods

### Serie 6 ++

DWK098E51B  
Angled hood



Specifications
Soft touch electronic control
Power level display
3 power levels + 2 intensive settings
2 x LED lights
Max. extraction rate (normal): 410 m³/h
Intensive operation revert (6 mins)
Max. noise level: 58 dB

### Serie 4 +

DWK97HM20B  
Angled hood



Specifications
Touch Control
White colour
Power level display
3 power levels + 1 intensive setting
2 x LED lights
Max. extraction rate (normal): 420 m³/h
Intensive operation revert (6 mins)
Max. noise level: 57 dB

## Angled glass chimney hoods

### Serie 8 +++

DWK98PR60B  
Angled hood



Specifications
DirectSelect control
PerfectAir sensor
Home Connect
3 power levels + 2 intensive settings
2 x LED lights
Silence pack
Max. extraction rate (normal): 500 m³/h
Intensive operation revert (6 mins)
Automatic after-running – ensure no smells linger
Grease and charcoal filter saturation indicators
Max. noise level: 54 dB

### Serie 6 ++

DWK97JQ60B  
Angled hood



Specifications
DirectSelect control
PerfectAir sensor
3 power levels + 2 intensive settings
2 x LED lights
Max. extraction rate (normal): 460 m³/h
Intensive operation revert (6 mins)
Max. noise level: 54 dB

## Angled glass chimney hoods

### Serie 4 +

DWK97HM60B  
Angled hood



Specifications
Touch Control
Power level display
3 power levels + 1 intensive setting
2 x LED lights
Max. extraction rate (normal): 420 m³/h
Intensive operation revert (6 mins)
Max. noise level: 57 dB

### Serie 4 +

DWK67HM60B  
Angled hood



Specifications
Touch Control
Power level display
3 power levels + 1 intensive setting
2 x LED lights
Max. extraction rate (normal): 400 m³/h
Intensive operation revert (6 mins)
Max. noise level: 57 dB

### Need to know more or get expert advice?

For in-depth appliance details please refer to the Product Specification section at the back of this brochure. To understand more about the innovative features on our appliances visit [www.bosch-home.co.uk](http://www.bosch-home.co.uk)

## Flat slimline hoods

## Serie 8 +++

DWF97MS70B  
Flat slimline hood

## Specifications

Touch Control
PerfectAir sensor
Home Connect
AmbientLight
3 power levels + 2 intensive settings
2 x LED lights
Max extraction rate (normal): 420 m <sup>3</sup> /h
Intensive operation revert (6 mins)
Automatic after-running – ensure no smells linger
Grease and charcoal filter saturation indicators
Max. noise level: 56 dB

Available Summer 2017

## Serie 8 +++

DWF97RV60B  
Flat slimline hood

## Specifications

Operation via intuitive control wheel
PerfectAir sensor
Home Connect
3 power levels + 2 intensive settings
2 x LED lights
Max. extraction rate (normal): 420 m <sup>3</sup> /h
Intensive operation revert (6 mins)
Automatic after-running – ensure no smells linger
Grease + charcoal filter saturation indicators
Max. noise level: 57dB

## Chimney hoods with glass

## Serie 6 ++

DWA097E51B  
Curved canopy hoodAlternative width  
DWA067E51B 60cm

## Specifications

Electronic power level display
Filter saturation indicators
Soft touch button control
3 power levels + 2 intensive settings
2 x LED lights
Softlight with dimmer function
Auto intensive revert (6 mins)
Ducted or recirculating operation
10 minute automatic run-on

## Serie 2

DWA094W51B  
Curved canopy hoodAlternative width  
DWA064W51B 60cm

## Specifications

Electronic power level display
Rocker switch control
3 power levels
2 x halogen lights
Ducted or recirculating operation

## Flat slimline hoods

## Serie 6 ++

DWF97KR20B  
Flat slimline hood

## Specifications

DirectSelect control
White colour
PerfectAir sensor
Home Connect
3 power levels + 2 intensive settings
2 x LED Lights
Max. extraction rate (normal): 420 m <sup>3</sup> /h
Intensive operation revert (6 mins)
Automatic after-running – ensure no smells linger
Grease and charcoal filter saturation indicators
Max. noise level: 57 dB

## Wall cube hood

## Serie 8 +++

DWI37RU60B  
Wall cube hood

## Specifications

Operation via intuitive control wheel
3 power levels + 2 intensive settings
2 x LED lights
Max. extraction rate (normal): 330 m <sup>3</sup> /h
Intensive operation revert (6 mins)
Automatic after-running – ensure no smells linger
Grease + charcoal filter saturation indicators
Max. noise level: 67dB
Recirculation only

## Chimney hoods with glass

## Serie 2

DWA094W50B  
Canopy hoodAlternative widths  
DWA074W50B 70cm  
DWA064W50B 60cm

## Specifications

Electronic power level display
Rocker switch control
3 power levels
2 x 20W halogen lights
Ducted or recirculating operation

## Need to know more or get expert advice?

For in-depth appliance details please refer to the Product Specification section at the back of this brochure. To understand more about the innovative features on our appliances visit [www.bosch-home.co.uk](http://www.bosch-home.co.uk)

## Box chimney hoods

### Serie 8 +++

DWB098J50B  
Slimline box hood



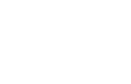
Alternative width  
DWB068J50B 60cm

#### Specifications

- Electronic touch control
- 3 power levels + 2 intensive settings
- 3 x LED lights
- Softlight with dimmer function
- Auto intensive revert (6 mins)
- Ducted or recirculating operation

### Serie 6 ++

DWB098E51B  
Bevelled box hood



Alternative width  
DWB068E51B 60cm

#### Specifications

- Electronic power level display
- Filter saturation indicators
- Soft touch button control
- 3 power levels + 2 intensive settings
- 3 x LED lights
- Softlight with dimmer function

## Box and pyramid chimney hoods

### Serie 2 ++

DWB094W50B  
Box hood



Alternative widths  
DWB074W50B 70cm  
DWB064W50B 60cm

#### Specifications

- Rocker switch control
- 3 power levels
- 2 x 40W lights
- Ducted or recirculating operation

### Serie 4 +

DWW097A50B  
Slimline pyramid hood



Alternative widths  
DWW077A50B 70cm  
DWW067A50B 60cm

#### Specifications

- Electronic power level display
- Soft touch button control
- 3 power levels + 1 intensive setting
- 3 x LED lights
- Auto intensive revert (6 mins)
- Ducted or recirculating operation

## Box chimney hoods

### Serie 4 +

DWB097A50B  
Box hood



Alternative width  
DWB067A50B 60cm

#### Specifications

- Electronic power level display
- Soft touch button control
- 3 power levels + 1 intensive setting
- 3 x LED lights
- Auto intensive revert (6 mins)
- Ducted or recirculating operation

### Serie 2

DWB09W452B  
Box hood



Alternative width  
DWB06W452B 60cm

#### Specifications

- Rocker switch control
- 3 power levels
- 2 X 30W halogen spotlights
- Ducted or recirculating operation

## Pyramid chimney hoods

### Serie 2

DWW09W460B  
Pyramid hood



Alternative width  
DWW06W460B 60cm

#### Specifications

- Rocker switch control
- 3 power levels
- 2 x 40W lights
- Ducted or recirculating operation

### Serie 2

DWW09W450B  
Pyramid hood



Alternative widths  
DWW07W450B 70cm  
DWW06W450B 60cm

#### Specifications

- Rocker switch control
- 3 power levels
- 2 x 40W lights
- Ducted or recirculating operation

### Need to know more or get expert advice?

For in-depth appliance details please refer to the Product Specification section at the back of this brochure. To understand more about the innovative features on our appliances visit [www.bosch-home.co.uk](http://www.bosch-home.co.uk)

## Telescopic hoods

### Serie 8 +++

DFS097J50B  
Telescopic hood

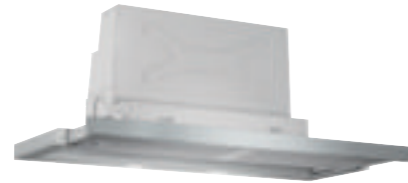


Alternative width  
DFS067J50B 60cm

Specifications
Electronic touch control
Filter saturation indicator
3 power levels + 2 intensive settings
2 x LED lights
Auto intensive revert (6 mins)
Soft light with dimmer function
Runs for an extra 10 minutes
Ducted or recirculating operation

### Serie 4 +

DFS097A50B  
Telescopic hood



Alternative width  
DFS067A50B 60cm

Specifications
Electronic soft touch button control
3 power levels + 1 intensive setting
2 x LED lights
Auto intensive revert (6 mins)
Runs for an extra 10 minutes
Ducted or recirculating operation

## Integrated hoods

### Serie 2

DHE645MGB  
Integrated hood



Specifications
Installation between cupboards
Rocker switch control
3 power levels
2 x 40W lights
Ducted or recirculating operation

### Serie 2

DHE635BGB  
Integrated hood

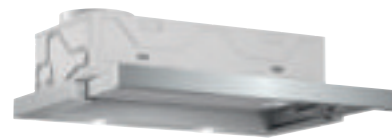


Specifications
Installation between cupboards
Rocker switch control
3 power levels
1 x 40W light
Ducted or recirculating operation

## Telescopic hoods

### Serie 2

DFM063W50B  
Telescopic hood



Specifications
For installation into a 60cm wide cupboard
2 power levels
2 x 20W halogen lights
Ducted or recirculating operation
Rocker switches

## Canopy hoods

### Serie 6 ++

DHL785CGB  
Canopy hood



Specifications
Kitchen cupboard installation
Rim ventilation
Soft touch button control
3 power levels + 1 intensive setting
2 x LED lights
Auto intensive revert (6 mins)
Ducted or recirculating operation

### Serie 6 ++

DHL575CGB  
Canopy hood



Specifications
Kitchen cupboard installation
Rim ventilation
Soft touch button control
3 power levels + 1 intensive setting
2 x LED lights
Auto intensive revert (6 mins)
Ducted or recirculating operation

#### Need to know more or get expert advice?

For in-depth appliance details please refer to the Product Specification section at the back of this brochure. To understand more about the innovative features on our appliances visit [www.bosch-home.co.uk](http://www.bosch-home.co.uk)



## Canopy hoods

## Serie 4 +

**DHL555BGB**  
Canopy hood



## Specifications

Overhead canopy installation  
3 power levels + 1 intensive setting  
2 x 20W halogen lights  
Ducted or recirculating operation  
Slide switch



## Serie 2

**DHL535BGB**  
Canopy hood



## Specifications

Overhead canopy installation  
Rocker switch control  
2 power levels + 1 intensive setting  
2 x 30W halogen lights  
Ducted or recirculating operation



## Conventional hoods

## Serie 2

**DUL63CC50B**  
Built-under hood



## Specifications

Push button control  
Wall mounted installation  
3 power levels  
LED lights  
Max. extraction rate (normal): 350 m<sup>3</sup>/h  
Max noise level: 72 dB



## Alternative colours

**DUL63CC60B** Black  
**DUL63CC20B** White

## Need to know more or get expert advice?

For in-depth appliance details please refer to the Product Specification section at the back of this brochure. To understand more about the innovative features on our appliances visit [www.bosch-home.co.uk](http://www.bosch-home.co.uk)

Explore more at [www.bosch-home.co.uk](http://www.bosch-home.co.uk)



Models shown: DID106T50

Making **life easy** through innovative technologies

# Out of sight, but not out of mind.

Bosch built-in appliances are loaded with discreet technology that's designed not to be seen... or heard.

It's not just our cooking appliances which are packed full of innovative and intuitive technology designed to make life easier.

Our range of built-in washing machines, dishwashers and refrigerators include models that are low in water consumption, are energy efficient, quiet in operation and have clever features such as the TimeLight. Featured on selected dishwashers and washing machines, it takes away the guesswork on the progress of the wash. It's the clever engineering that makes our appliances more economical, efficient and stylish in the kitchen.



Washing machine WIW28500GB  
Dishwasher SMV68TD06G  
Freezer GIV11AF30  
Fridge - image used for illustrative purposes only.

Making **life easy** through innovative technologies

# Introducing the Bosch laundry range.

Our built-in home laundry appliances are packed full of innovative and intuitive technology. Low in water consumption, energy efficient and quiet in operation, it's the clever engineering that makes our appliances more economical, efficient and stylish in the kitchen. To help you choose the right laundry appliance, we have divided them into the three ranges below.

## Serie 8 +++

Perfection in every detail, our **Serie 8** range of laundry appliances stand out from the crowd with superior quality, results and first-class design. Clever features such as the TimeLight take away the guesswork on the progress of the wash. Unique innovations combined with energy efficiency deliver outstanding performance.

## Serie 6 ++

Our **Serie 6** range of laundry appliances offer a broad choice of specialist programmes and deliver high performance and effortless convenience to enhance your lifestyle.

## Serie 4 +

Models within our **Serie 4** range combine practical features and Bosch build quality in a consistent, value for money package.

Whichever model you choose from our Serie ranges, you'll find lots of reasons to love your Bosch laundry appliance.

### Hand wash in the machine.

The woollens hand wash programme is so gentle that even the most delicate laundry can be conveniently washed in the machine.

### Washed and dried to perfection.

Programme a wash and dry in one go. Thanks to advanced sensor drying, load the machine and you'll come back to perfectly dry clothes. The programme cleverly turns off once the sensors detect the laundry is dry, so you'll save energy and minimise the risk of any damage through over-heating.

### More space.

No need to compromise on wash loads with a large 8kg capacity and a 1400rpm spin speed. These latest washing machines are extremely energy efficient maintaining an A+++ rating.

### Save time. Save energy.

#### With VarioPerfect™ you decide.

The battle against rising average energy and water bills starts here with VarioPerfect™ technology on all our built in washing machines. Get full loads clean in just one hour\* by selecting SpeedPerfect or select EcoPerfect and laundry comes out brilliantly clean using up to 66% less energy.\*\*

Model shown: WIW28500GB

\* Compared to just over two and a half hours on Easycare 40°C wash programme.

\*\* Compared to an EU label standard cotton 60°C programme.

# Effortlessly efficient, load after load.



Our built-in laundry appliances are designed to perform perfectly, load after load. And our advanced technology means your clothes are cleaned effectively and efficiently.



Model shown: WIW28500GB

Explore more at [www.bosch-home.co.uk](http://www.bosch-home.co.uk)



#### Never miss an item again. Reload by Bosch.

For dropped socks, mistaken items with your whites or forgotten clothes, **Reload** function on all Bosch washing machines allows you to add or remove clothing of any size to your washes. Simply pause the cycle and the machine will automatically adjust the water level to allow you to open the door. Reload your items and restart the wash.

#### WaveDrum™ – tough but gentle.

The unique **WaveDrum™** is designed for faster and gentler washing, while tackling tough dirt and stains. Just select the programme for your wash and the droplet-shaped drum structure and the asymmetrical paddles adjust the drum movements to powerful or gentle. The 8kg drum also protects your laundry and reduces creasing, making ironing easier.

#### Enjoy the quiet life.

Our latest washing machines with **EcoSilence Drive™** generate a noise level of just 41 decibels – that's quieter than the sound of the sea at 55 decibels. The modern world is noisy enough, so it's good to know that Bosch technology can help make the home environment a little oasis of calm.

#### Silent night.

The special **Night Wash** programme makes washing machines some of the quietest in their class. The function reduces the high spin speed during the spin cycle so you can do your washing while everyone is sleeping without disturbing your family or neighbours.

#### Less rock and roll.

We've also created **AntiVibration** technology to cut down noise. The sidewalls of the washing machine feature a spiral design that increases stability and reduce vibrations. Improved sound insulation and low noise shock absorbers further dampen the noise to provide a whisper quiet machine.

#### TimeLight.

Bosch washing machines are so quiet sometimes it's hard to tell whether they are on or off, especially on fully-integrated models where there is no visible control panel. The new TimeLight indicates the programme status and time remaining onto any floor surface.

Making **life easy** through innovative technologies

# Washing machines

## Ideal for families.

Ideal for families and busy households, the large 8kg capacity means you can wash more laundry in one go. A typical 8kg load could be made of king size bed linen, including 4 pillow cases. So whether you have lots of laundry, or fewer loads but with larger amounts, large capacity will make your laundry life easier.

## Serie 8 +++

Washing machine  
WIW28500GB



### Specifications

Max. spin 1400rpm
Energy consumption 137kWh per year
11 special programmes including Night Wash
7 options: including reduced ironing, spin speed and start delay
EcoSilence Drive™
Reload function
TimeLight
VarioPerfect™ function
DrumClean with reminder

## Washing machines

## Serie 6 ++

Washing machine  
WIW28300GB



### Specifications

Max. spin 1400rpm
Energy consumption 157kWh per year
6 special programmes including Night Wash
4 options: including spin speed and start delay
EcoSilence Drive™
Reload function
VarioPerfect™ function

## Washer dryers

## Serie 6 ++

Washer dryer  
WKD28541GB



### Specifications

Max. spin 1400rpm
Energy consumption wash & dry: 5.5kWh per year
5 special programmes including SuperQuick 15, Night Wash, delicates & fluff removal
6 options: including menu and start delay
AquaSpa wash system
Large progress indication display
End of cycle buzzer

## Serie 4 +

Washer dryer  
WKD28351GB



### Specifications

Max. spin 1400rpm
Energy consumption wash & dry: 5.5kWh per year
4 special programmes including delicates & fluff removal
4 options: including spin speed and start delay
AquaSpa wash system
Progress indication display
End of cycle buzzer

### Need to know more or get expert advice?

For in-depth appliance details please refer to the Product Specification section at the back of this brochure. To understand more about the innovative features on our appliances visit [www.bosch-home.co.uk](http://www.bosch-home.co.uk)

# Introducing the Bosch dishwasher range.

All our built-in dishwashers offer a range of advanced technologies as standard and additional options across the range to suit your individual requirements. To help you choose the right Bosch dishwasher, we have divided them into the four ranges below.

## Serie 8 +++

Our **Serie 8** range combines cutting-edge design and advanced technologies for optimum cleaning performance. The **A+++** energy efficiency rating of this range is complemented by our **PerfectDry** function where moisture is absorbed before being released as hot air for energy-efficient drying. Exceptionally quiet, offering additional storage and flexible loading solutions.

## Serie 6 ++

Our **Serie 6** range comes packed with technology, from energy and water-saving modes to quick washes for when time is at a premium. They also feature our clever **PerfectDry** function and **VarioFlex baskets** with coloured touchpoints for flexible loading solutions and accommodating the most awkward shaped dishes.

## Serie 4 +

Our **Serie 4** range of models offers great value for money but does not compromise on Bosch build quality. They combine advanced energy and resource-saving features. In addition, they offer **flexible Vario** and **VarioFlex baskets** with foldable racks in the top and bottom baskets.

## Serie 2

Our **Serie 2** dishwashers offer you the classic design with easy operation. They are the optimal solution for anyone who wants a reliable appliance with good value for money.



Model shown: SMV68TD06G

Whichever model you choose from our Serie ranges, you'll find lots of reasons to love your Bosch dishwasher.

### Whisper quiet washing.

Bosch dishwashers are amongst the quietest in the world. With revolutionary EcoSilence Drive™ there are dishwashers in the range which operate at 39 decibels, that's even quieter than the sound of a bee buzzing! With the Silence programme selected, the noise is reduced even further.

### Save water every load.

The ActiveWater™ technology in our dishwashers means it can take as little as 6.5 litres\* of water to clean 13 place settings for a three-course meal\*\*. That's less water than it takes to fill a standard-sized kitchen sink.

### Energy efficiency.

The opportunity to save energy is now even better. Innovative technology in our dishwashers gets the most out of every single drop of water. Our most energy-efficient dishwashers in Serie 8 and Serie 6 ranges boast an A+++ energy rating.

### Technology to save you time.

Our VarioSpeed option reduces programme times without compromising on quality. So you still get hygienically clean and dry dishes but in just 90 minutes – ideal for busy households and entertaining. Choose VarioSpeed Plus (available on selected models) and your dishes will be clean in about a third of the time.

### 10 year anti-rust warranty.

Our appliances are made from top quality materials and in addition to our standard appliance warranty, we provide a free of charge warranty against rusting-through of the dishwasher's inner cavity.

\*6.5 litre water consumption on standard Economy 50° programme.

\*\*Three-course meal as defined by dinner, soup and dessert plate, cup and saucer, glass, knife, fork, soup, tea and dessert spoons for each place setting as well as 1 serving plate, 2 serving bowls, 2 serving spoons, 1 serving fork and 1 sauce spoon.

# Less water, less energy, more clean dishes.

Our clever built-in dishwashers include advanced features that reduce energy and water consumption and leave your dishes perfectly clean. Our PerfectDry dishwashers use energy-saving minerals that heat up when they come into contact with moisture, to create cupboard-ready results naturally using Zeolith®.



## PerfectDry

A clever function that saves energy by using less electricity to dry everything to perfection. And we do mean everything – plates, pans, glasses and all plastic items. Your lunchboxes and containers will be completely clean and perfectly dry, so you'll never have to pick up a tea towel to finish the job again.



### The dishdryer among dishwashers.

The technology behind **PerfectDry** uses **Zeolith®** minerals to help dry the load economically and efficiently. The dishwasher absorbs humidity from the washed dishes and the clever **Zeolith®** beads then transform that humidity into warm air that speeds up the drying process. So when you need a wash with brilliant drying results, it's time to choose Bosch.



### Where every pot has its place.

Our flexible **VarioFlex Pro** basket system allows you to adjust the space inside of your dishwasher to suit exactly the items you're washing. The foldable racks adapt to any load whilst still securing everything in place.

### Quick programmes.

We've created a short 60°C programme which not only cleans quickly, but

finishes with fantastic drying results. In appliances with **PerfectDry** dishwashing, **Zeolith®** minerals help dry the load economically and efficiently. So when you need a wash with brilliant drying results in just 89 minutes, it's time to choose a Bosch.

### Save water every load.

It takes just **6.5 litres\*** of water for our dishwashers to clean 13 place settings for a three-course meal\*\*. That's less water than it takes to fill a standard sized kitchen sink. And as our dishwashers are also energy efficient (up to an A+++ rating on some models), they also save you money.

### Take away the guess work.

Now you can see how long the programme has left to run without opening the door. Thanks to our **TimeLight** feature, on Serie 8 and Serie 6 models, the time remaining on your cycle is projected onto the floor. You can also view the programme progress



status, and with a dishwasher this quiet, you may even want to check it's still running!

### Machine Care programme.

Your dishwasher will help look after itself with this smart function. Optimising the water and energy consumption, it works on a short run time of 80-90 minutes at high temperatures. It eliminates lime and grease deposits inside the tub and works with a standard machine-care detergent. On selected Serie 8 and Serie 6 models, it will even remind you to run the programme every 30 cycles.

### DoorOpen Assist.

This thoughtful feature lets you open your dishwasher automatically with a gentle push on the door. With no handles, the front of the dishwasher will integrate perfectly into any modern designer kitchen while ensuring you can easily load and unload your machine.

### More drying power when you need it.

Want your dishes extra dry? No problem. This function gives you even more drying power when you need it. Just choose the **Extra Dry** option and more heat will be created to extend your load's drying cycle.

\*6.5 litre water consumption on standard Economy 50°C programme.

\*\*Three-course meal as defined by dinner, soup and dessert plate, cup and saucer, glass, knife, fork, soup, tea and dessert spoons for each place setting as well as 1 serving plate, 2 serving bowls, 2 serving spoons, 1 serving fork and 1 sauce spoon.

Model shown: **SMV68TD06G**

# 60cm dishwashers

Finally, a dishwasher that dries as perfectly as it cleans, even on plastics. Our PerfectDry dishwashers use energy saving minerals that heat up when they come into contact with moisture, to create cupboard ready results naturally.

## Serie 8 +++

**SMV68TD06G**  
Fully integrated



### Specifications

- Home Connect for remote control with your smart phone or tablet
- PerfectDry for fantastic drying results, even on plastics
- 8 programmes including Auto 45-65 & Silence 50
- 6 special options including Machine Care & Extra Dry
- VarioFlex Pro basket system
- VarioDrawer Pro
- 3 stage Rackmatic™ top basket
- TimeLight
- DoorOpen Assist
- TFT touch display
- White interior light
- Stainless steel interior
- 41dB

## 60cm fully integrated dishwashers

## Serie 6 ++

**SMV68MD00G**  
Fully integrated



### Specifications

- PerfectDry for fantastic drying results, even on plastics
- 8 programmes including Silence 50 & Short 60
- 5 special options including Machine Care & Extra Dry
- VarioFlex basket system with coloured touch points
- VarioDrawer
- 3 stage Rackmatic™ top basket
- TimeLight
- DoorOpen Assist
- Stainless steel interior
- 44dB

## Serie 6 ++

**SMV68MD01G**  
Fully integrated



### Specifications

- 8 programmes including Silence 50 & 1 Hour 65
- 5 special options including Machine Care & Extra Dry
- Heat exchanger drying system
- VarioFlex basket system with coloured touch points
- VarioDrawer
- 3 stage Rackmatic™ top basket
- TimeLight
- DoorOpen Assist
- Stainless steel interior
- 39dB

## 60cm fully integrated dishwashers

## Serie 6 ++

**SMV68MD02G**  
Fully integrated



### Specifications

- 8 programmes including Silence 50 & 1 Hour 65
- 5 special options including Machine Care & Extra Dry
- Heat exchanger drying system
- VarioFlex basket system with coloured touch points
- VarioDrawer
- 3 stage Rackmatic™ top basket
- TimeLight
- DoorOpen Assist
- Stainless steel interior
- 44dB

## Serie 4 +

**SBE46MX00G**  
Fully integrated



Taller 86.5cm Model

### Specifications

- 6 programmes including Eco 50 & 1 Hour 65
- 4 special options including VarioSpeed Plus & Machine Care
- Heat exchanger drying system
- VarioFlex basket system
- VarioDrawer
- 3 stage Rackmatic™ top basket
- InfoLight
- Stainless steel interior
- VarioHinge
- 46dB

### Need to know more or get expert advice?

For in-depth appliance details please refer to the Product Specification section at the back of this brochure. To understand more about the innovative features on our appliances visit [www.bosch-home.co.uk](http://www.bosch-home.co.uk)



## 60cm fully integrated dishwashers

## Serie 4 +

**SMV46MX00G**  
Fully integrated



## Specifications

- 6 programmes including Eco 50 & 1 Hour 65
- 4 special options including VarioSpeed Plus & Machine Care
- Heat exchanger drying system
- VarioFlex basket system
- VarioDrawer
- 3 stage Rackmatic™ top basket
- InfoLight
- Stainless steel interior
- 46dB

## Serie 4 +

**SMV46IX00G**  
Fully integrated



## Specifications

- 6 programmes including Eco 50 & 1 Hour 65
- 4 special options including VarioSpeed Plus & Machine Care
- Heat exchanger drying system
- VarioFlex basket system
- 3 stage Rackmatic™ top basket
- InfoLight (red)
- Stainless steel interior
- 48dB

## 60cm fully integrated dishwashers

## Serie 2

**SMV40C00GB**  
Fully integrated



## Specifications

- 4 programmes including Eco 50 & Quick Wash 45
- Residual heat drying system
- Push buttons on top edge
- Red LED indicators
- InfoLight
- Stainless steel / Polinox interior
- 54dB

## 60cm fully integrated dishwashers

## Serie 2

**SMV50C10GB**  
Fully integrated



## Specifications

- 5 programmes including Intensive 70 & Quick Wash 45
- 1 special option: VarioSpeed
- Residual heat drying system
- Vario basket system
- Height adjustable top basket
- Push buttons on top edge
- Red LED indicators
- InfoLight
- Stainless steel / Polinox interior
- 48dB

## Serie 2

**SMV40C30GB**  
Fully integrated



## Specifications

- 4 programmes including Eco 50 & Quick Wash 45
- 1 special option: VarioSpeed
- Residual heat drying system
- Vario basket system
- Height adjustable top basket
- Push buttons on top edge
- Red LED indicators
- InfoLight
- Stainless steel / Polinox interior
- 50dB

## 60cm semi-integrated dishwashers

## Serie 8 +++

**SMI68MS06G**  
Semi-integrated,  
brushed steel



## Specifications

- Home Connect for remote control with your smart phone or tablet
- 8 programmes including Silence 50 & Glass 40
- 5 special options including VarioSpeed Plus, Half Load & Extra Dry
- VarioFlex basket system with coloured touch points
- VarioDrawer
- 3 stage Rackmatic™ top basket
- TFT touch display
- White interior light
- Stainless steel interior
- 44dB

## Serie 4 +

**SMI50C15GB**  
Semi-integrated,  
brushed steel



## Specifications

- 5 programmes including Intensive 70, Eco 50 & Quick Wash 45
- 2 special options: VarioSpeed & Half Load
- Vario basket system
- Height adjustable top basket
- Control buttons on fascia
- Red LED indicators
- Stainless steel / Polinox interior
- 46dB



**Alternative colours**  
**SMI50C16GB** Black  
**SMI50C12GB** White

**Need to know more or get expert advice?**

For in-depth appliance details please refer to the Product Specification section at the back of this brochure. To understand more about the innovative features on our appliances visit [www.bosch-home.co.uk](http://www.bosch-home.co.uk)

## 45cm fully integrated dishwashers

## Serie 6

++

SPV69T00GB  
Fully integrated



## Specifications

6 programmes including  
Eco 50 & Quick Wash 45

3 special options  
including Intensive Zone  
& VarioSpeed Plus

Heat exchanger drying  
system

VarioFlex Plus basket  
system

VarioDrawer

3-stage Rackmatic™  
top basket

TimeLight

Push buttons on  
top edge

Red LED indicators

Stainless steel interior

44dB

## Serie 4

+

SPV40C10GB  
Fully integrated



## Specifications

4 programmes including  
Intensive 70, Eco 50 &  
Quick Wash 45

1 special option:  
VarioSpeed

Heat exchanger drying  
system

Vario basket system

Height adjustable  
top basket

Push buttons on  
top edge

Red LED indicators

Stainless steel interior

48dB



**Need to know more or get expert advice?**

For in-depth appliance details please refer to the Product Specification section at the back of this brochure.  
To understand more about the innovative features on our appliances visit [www.bosch-home.co.uk](http://www.bosch-home.co.uk)

Explore more at [www.bosch-home.co.uk](http://www.bosch-home.co.uk)

Model shown for illustration purposes only

Making **life easy** through innovative technologies

# Introducing the Bosch refrigeration range.

Save more, waste less. Our range of built-in fridge freezers save you money thanks to their energy efficiency ratings. They are also packed with innovative technology to keep your food fresher for longer, so you'll throw out less and save on your weekly shopping bill. To help you choose the right appliance, we have divided them into the four ranges below.

## Serie 8 +++

Cutting-edge design meets advanced technologies. All models in our **Serie 8** range are packed with energy efficient and labour saving features that save valuable time, effort and money – perfect for modern, busy households.

## Serie 6 ++

Our **Serie 6** range of appliances combines energy efficient performance with convenient storage and superior food preservation.

## Serie 4 +

All models in our **Serie 4** range combine practical features with Bosch build quality.

## Serie 2

Built to keep electricity costs down. With energy efficiency an increasing priority in homes, the **Serie 2** refrigeration range is just as efficient as it is value for money.



Whichever model you choose from our Serie ranges, you'll find lots of reasons to love your Bosch fridge freezer.

### Energy efficient.

365 days a year, 24 hours a day, fridges and freezers are always on. In fact, they make up around 17% of the electricity used in the home, or even more if it's a particularly old model.\* That's why we design our fridges and freezers to be as energy efficient as possible, and we're proud to be able to offer so many right across our ranges.

### NoFrost.

Never worry about having to defrost the freezer again. The NoFrost system prevents the build up of ice by automatically initiating the defrost operation as required. This also helps to maintain the appliance's energy efficiency.

### LowFrost.

LowFrost cuts ice build up by half meaning you only have to defrost your freezer every 2 to 3 years, compared to approximately every 3 months for a static freezer, saving you energy and time.

### SuperFreeze & SuperCool.

Activating the SuperFreeze function before you go shopping lowers the temperature for a short period, so anything new put into the freezer is frozen quickly. SuperCool on your fridge performs a similar task, keeping everything at the right storage temperature.

\*Source: [www.greenchoices.org](http://www.greenchoices.org)

Freezer GIV11AF30.  
Fridge – image used for illustrative purposes only.

# Lock in the freshness.

Flexible to fit your kitchen, our refrigeration options let you decide your own fridge and freezer capacity. And smart technology keeps your food as fresh as possible for as long as possible.



#### Perfect pairs.

You can now personalise your fridge and freezer to suit your kitchen perfectly. Thanks to our clever design, you can purchase single door fridges and freezers to be combined to give you just the right capacity.

#### Your perfect combination.

In addition to side-by-side installation, it is also possible to install our fridges above the freezers, therefore using up less room in the kitchen, and making it possible to choose a larger fridge capacity than a standard fridge-freezer would allow. There are two different kinds of hinges: a sliding hinge that allows the hinged furniture door to be mounted at the kitchen cabinet body, while with a fixed hinge the furniture door can be mounted at the appliance door. While sliding hinges are great value, easy to install and unaffected by the weight of the door, fixed hinges can be soft closing giving easy access to the appliance's interior. If you're replacing an appliance, always ensure that you choose a model with the same type of hinge\*.

\*See full details for over/under combinations in the Product Specification section at the back of the brochure.

#### Save time with flexible storage.

Put away the weekly shop more easily, and get what you need faster too, thanks to height adjustable shelves and fully extendable drawers. The **EasyLift door shelf** can be raised to make space for taller items to be stored in the door. The **EasyAccess shelf** can be conveniently extended so you can more easily view the food in your fridge.

#### More space.

Our freezers are extra spacious meaning you will find it easy to fit everything in – perfect for busy households. The extra large **BigBox** is big enough for large bulky items.

#### Quietly does it.

As there could be many small and larger hands opening and shutting the fridge door, it's nice to know that we've integrated **SoftClosing doors** in many models – so doors do not get accidentally left open.

#### 0°C – the perfect temperature.

With **VitaFresh**, you'll be able to store your fruit and vegetables at exactly 0°C to lock in the freshness. And with an adjustable humidity setting on the drawer, you'll be keeping your fresh food in a perfectly controlled environment.

You'll also find two drawers, one for fish and one for meat, with a temperature regulating slider which lets you lower the temperature up to 4°C lower than the rest of the fridge. **VitaFresh plus** models have the added benefit of a convenient push button for humidity control.



Model shown: Fridge KIR81VS30G  
Freezer GIN81AE30G

## Fridge freezers

## Serie 6 ++

KIN86AD30G



## Specifications

Softclose hinge
LED light
VitaFresh plus drawer
SuperFreeze
NoFrost freezer
Electronic LED temperature control
5 removable glass shelves
Dimensions (H x W x D): 177.2 x 55.8 x 54.5cm

## Another job off the list.

Never worry about defrosting the freezer again. The NoFrost system prevents the build up of ice by automatically initiating the defrost operation only when it's needed, also helping to maintain energy efficiency.



## Fridge freezers

## Serie 6 ++

KIN85AF30G



## Specifications

Fixed hinge
LED light
VitaFresh plus drawer
SuperFreeze & SuperCool
NoFrost freezer
Electronic LED temperature control
4 removable glass shelves
Dimensions (H x W x D): 177.2 x 55.8 x 54.5cm



## Serie 6 ++

KIS87AF30G



## Specifications

Fixed hinge
LED light
VitaFresh plus drawer
SuperFreeze & SuperCool
Auto defrost fridge
Electronic LED temperature control
5 removable glass shelves
Dimensions (H x W x D): 177.2 x 55.8 x 54.5cm



## Fridge freezers

## Serie 6 ++

KIN86AF30G



## Specifications

Fixed hinge
LED light
VitaFresh plus drawer
SuperFreeze & SuperCool
LowFrost freezer
Electronic LED temperature control
5 removable glass shelves
Dimensions (H x W x D): 177.2 x 55.8 x 54.5cm



## Serie 4 +

KIN86VF30G



## Specifications

Fixed hinge
LED light
Multibox container
SuperFreeze
NoFrost freezer
3 transparent freezer drawers, 1 BigBox
Dimensions (H x W x D): 177.2 x 54.1 x 54.5cm



## Need to know more or get expert advice?

For in-depth appliance details please refer to the Product Specification section at the back of this brochure. To understand more about the innovative features on our appliances visit [www.bosch-home.co.uk](http://www.bosch-home.co.uk)

## Fridge freezers

## Serie 4 +

KIV87VF30G



Specifications
Fixed hinge
LED light
MultiBox container
LowFrost freezer
SuperFreeze
2 transparent freezer drawers, 1 BigBox
LED electronic control
5 removable glass shelves
Dimensions (H x W x D): 177.2 x 54.1 x 54.5cm

Alternative product  
KIV87VS30G  
Sliding hinge

## Serie 4 +

KIV86VS30G



Specifications
Sliding hinge
LED light
MultiBox container
LowFrost freezer
SuperFreeze
3 transparent freezer drawers, 1 BigBox
LED electronic control
4 removable glass shelves
Dimensions (H x W x D): 177.2 x 54.1 x 54.5cm

## Fridge freezers

## Serie 4 +

KIV85VF30G



Specifications
Fixed/flat hinge
LED light
MultiBox container
LowFrost freezer
SuperFreeze
4 transparent freezer drawers, 1 BigBox
LED electronic control
4 removable glass shelves
Dimensions (H x W x D): 177.2 x 54.1 x 54.5cm

## Serie 4 +

KIV85VS30G



Specifications
Sliding hinge
LED light
MultiBox container
LowFrost freezer
4 transparent freezer drawers, 1 BigBox
LED electronic control
4 removable glass shelves
Dimensions (H x W x D): 177.2 x 54.1 x 54.5cm

## Fridge freezers

## Serie 2

KIV32X23GB



Specifications
Sliding hinge
25W light
MultiBox container
Manual defrost freezer
Static freezer
LED electronic control
3 removable glass shelves
Dimensions (H x W x D): 177.2 x 54.1 x 54.5cm

## Serie 2

KIV38X22GB



Specifications
Sliding hinge
MultiBox container
Auto defrost fridge
Manual defrost freezer
Static freezer
LED electronic control
5 removable glass shelves
Dimensions (H x W x D): 177.2 x 54.1 x 54.5cm

## Fridges – 177cm height

## Serie 6 ++

KIR81AF30G



Specifications
Fixed hinge
LED light
1 VitaFresh plus drawer
1 EasyAccess shelf
1 Vario shelf
Electronic LED display
7 removable glass shelves
Dimensions (H x W x D): 177.2 x 55.8 x 54.5cm

## Serie 6 ++

KIL82AF30G



Specifications
Fixed hinge
LED light
1 VitaFresh plus drawer
Manual defrost freezer
Electronic LED display
5 removable glass shelves
4* freezer compartment
Dimensions (H x W x D): 177.2 x 55.8 x 54.5cm

## Need to know more or get expert advice?

For in-depth appliance details please refer to the Product Specification section at the back of this brochure. To understand more about the innovative features on our appliances visit [www.bosch-home.co.uk](http://www.bosch-home.co.uk)

## Fridges – 177cm height

## Serie 4 +

KIR81VS30G



Specifications
Sliding hinge
LED light
2 MultiBox containers
LED electronic control
7 removable glass shelves
Dimensions (H x W x D): 177.2 x 54.1 x 54.5cm

## Serie 4 +

KIL82VS30G



Specifications
Sliding hinge
SuperCool function
Auto defrost fridge
4* freezer compartment
2 MultiBox containers
LED electronic control
5 glass shelves
Dimensions (H x W x D): 177.2 x 54.1 x 54.5cm

## Fridges – 122cm height

## Serie 6 ++

KIR41AF30G



Specifications
Fixed hinge
LED light
1 VitaFresh plus drawer
6 removable glass shelves
Dimensions (H x W x D): 122.1 x 55.8 x 54.5cm

## Serie 4 +

KIL42VS30G



Specifications
Sliding hinge
LED light
1 MultiBox container
Manual defrost freezer
4* freezer compartment
LED electronic control
5 removable glass shelves
Dimensions (H x W x D): 122.1 x 54.1 x 54.5cm

## Freezers – 177cm height

## Serie 8 +++

GIN38A55GB



Specifications
LED light
SuperFreeze
Auto defrost freezer
Optical & acoustical door open signal
LED electronic control
5 freezer drawers and 2 flaps
Soft close hinge
Dimensions (H x W x D): 177.2 x 55.6 x 54.5cm

## Serie 6 ++

GIN81AE30G



Specifications
Fixed hinge
2 BigBox frozen food drawers; for storage of large food items
SuperFreeze function with manual deactivation
Electronic temperature control
5 transparent freezer drawers and 2 flaps
Dimensions (H x W x D): 177.2 x 55.8 x 54.5cm

## Fridges – 122cm height

## Serie 4 +

KIR41VS30G



Specifications
Sliding hinge
LED light
1 MultiBox container
1 EasyAccess shelf
LED electronic control
6 removable glass shelves
Dimensions (H x W x D): 122.1 x 54.1 x 54.5cm

## Serie 2

KIR24V20GB



Specifications
Sliding hinge
1 x 15W light
Mechanical control
6 removable glass shelves
Dimensions (H x W x D): 122.1 x 54.1 x 54.2cm

## Need to know more or get expert advice?

For in-depth appliance details please refer to the Product Specification section at the back of this brochure. To understand more about the innovative features on our appliances visit [www.bosch-home.co.uk](http://www.bosch-home.co.uk)

## Freezers – 122cm height

## Serie 6 ++

GIN41AE30G



Specifications
Fixed hinge
1 BigBox frozen food drawer; for storage of large food items
SuperFreeze function with manual activation
Electronic temperature control
4 transparent freezer drawers and 1 flap
Dimensions (H x W x D): 122.1 x 55.8 x 54.5cm

## Fridges – 102cm height

## Serie 4 +

KIR31VS30G



Specifications
Sliding hinge
LED light
1 MultiBox container
SuperCool function
LED electronic control
4 glass shelves
Dimensions (H x W x D): 102.1 x 54.1 x 54.5cm

## Fridges – 88cm height

## Serie 4 +

KIL22VF30G



Specifications
Fixed hinge
LED light
1 MultiBox container
Manual defrost freezer
1 EasyAccess shelf
4* freezer compartment
3 removable glass shelves
Dimensions (H x W x D): 87.4 x 54.1 x 54.5cm

## Serie 4 +

KIR21VF30G



Specifications
Fixed hinge
LED light
1 MultiBox container
1 EasyAccess shelf
4 removable glass shelves
Dimensions (H x W x D): 87.4 x 54.1 x 54.5cm

## Freezers – 102cm height

## Serie 6 ++

GIN31AE30G



Specifications
Fixed hinge
SuperFreeze function
Electronic temperature control
3 transparent freezer drawers and 1 flap
NoFrost freezer
Dimensions (H x W x D): 102.1 x 55.8 x 54.5cm

## Fridges – 88cm height

## Serie 6 ++

KIR21AF30G



Specifications
Fixed hinge
LED light
VitaFresh plus drawer
Electronic LED display
4 removable glass shelves
Dimensions (H x W x D): 87.4 x 55.8 x 54.5cm

## Fridges – 88cm height

## Serie 4 +

KIL22VS30G



Specifications
Sliding hinge
LED light
1 MultiBox container
Manual defrost freezer
4* freezer compartment
3 removable glass shelves
Dimensions (H x W x D): 87.4 x 54.1 x 54.5cm

## Serie 4 +

KIR21VS30G



Specifications
Sliding hinge
LED light
1 MultiBox container
1 EasyAccess shelf
4 removable glass shelves
Dimensions (H x W x D): 87.4 x 54.1 x 54.5cm

## Need to know more or get expert advice?

For in-depth appliance details please refer to the Product Specification section at the back of this brochure. To understand more about the innovative features on our appliances visit [www.bosch-home.co.uk](http://www.bosch-home.co.uk)



Fridges – 88cm height

Serie 2

KIR18V20GB



Specifications
Sliding hinge
1 x 15W light
1 MultiBox container
Mechanical control
4 removable glass shelves
Dimensions (H x W x D): 87.4 x 54.1 x 54.2cm

Freezers – 88cm height

Serie 6 ++

GIV21AF30G



Specifications
Fixed hinge
LED light
SuperFreeze function
Optical and accoustical door-open signal
3 freezer drawers
LowFrost – little need to defrost
Dimensions (H x W x D): 87.4 x 55.8 x 54.5cm

Built-under fridges – 82cm height

Serie 6 ++

KUL15A60GB



Specifications
Fixed/flat hinge
1 x 25W light
2 MultiBox containers
Auto defrost fridge
Ice box
Mechanical control
2 removable glass shelves
Dimensions (H x W x D): 82 x 59.8 x 54.8cm

Serie 6 ++

KUR15A50GB



Specifications
Fixed/flat hinge
1 x 25W light
2 MultiBox containers
Auto defrost fridge
Mechanical control
3 removable glass shelves
Dimensions (H x W x D): 82 x 59.8 x 54.8cm

Freezers – 88cm height

Serie 4 +

GID18A20GB



Specifications
Sliding hinge
Manual defrost freezer
Mechanical control
4 freezer drawers
Dimensions (H x W x D): 87.4 x 54.1 x 54.2cm

Freezers – 72cm height

Serie 6 ++

GIV11AF30



Specifications
Fixed hinge
Electronic LED display
SuperFreeze function
3 freezer drawers
Dimensions (H x W x D): 71.2 x 55.8 x 54.5cm

Built-under freezers – 82cm height

Serie 6 ++

GUD15A50GB



Specifications
Fixed/flat hinge
Manual defrost freezer
Mechanical control
3 freezer drawers
Dimensions (H x W x D): 82 x 59.8 x 54.8cm

Alternative product  
GID18A50GB Fixed hinge

Need to know more or get expert advice?

For in-depth appliance details please refer to the Product Specification section at the back of this brochure. To understand more about the innovative features on our appliances visit [www.bosch-home.co.uk](http://www.bosch-home.co.uk)

## American-style fridge freezers

## Serie 8

+++

KAN92LB35G



High gloss black glass

## Specifications

Noise level dB(A) re 1pW: 43
Electronic control with LED display
No plumbing required, internal ice maker
2 VitaFresh plus containers
1 MultiBox container
MultiAirflow system
LED light
4 safety-glass shelves in fridge
2 freezer drawers on telescopic rails and 2 shelves
SuperCool and SuperFreeze
Dimensions (H x W x D): 175.6 x 91.20 x 73.20cm

## American-style fridge freezers

## Serie 6

++

KAN92VI35



## Specifications

Noise level dB(A) re 1pW: 43
Electronic control with LED display
No plumbing required, internal ice maker
1 VitaFresh plus container
1 MultiBox container
MultiAirflow system
LED light
4 safety-glass shelves in fridge
2 freezer drawers on telescopic rails and 2 shelves
SuperCool and SuperFreeze
Dimensions (H x W x D): 175.6 x 91.20 x 73.20cm

## American-style fridge freezers

## Serie 8

+++

KAD92AI20G



## Specifications

Noise level dB(A) re 1pW: 43
Home Connect
Electronic control with LED display
2 VitaFresh plus containers
1 MultiBox container
Ice and water dispenser
MultiAirflow system
LED light
4 safety-glass shelves in fridge
2 transparent freezer drawers
SuperCool and SuperFreeze
Dimensions (H x W x D): 175.6 x 91.20 x 73.20cm

## American-style fridge freezers

## Serie 6

++

KAG90AI20G



## Specifications

Noise level dB(A) re 1pW: 43
HomeBar – tap to open
Electronic control with LED display
2 MultiBox containers
1 FreshProtect Box
Ice and water dispenser
MultiAirflow system
LED light
3 safety-glass shelves in fridge
2 transparent freezer drawers
SuperCool and SuperFreeze
Dimensions (H x W x D): 177 x 91 x 72cm

## Need to know more or get expert advice?

For in-depth appliance details please refer to the Product Specification section at the back of this brochure.  
To understand more about the innovative features on our appliances visit [www.bosch-home.co.uk](http://www.bosch-home.co.uk)

## American-style fridge freezers

## Serie 6

++

KAD90VI20G



## Specifications

Noise level dB(A) re 1pW: 43
Electronic control with LED display
2 MultiBox containers
Ice and water dispenser
MultiAirflow system
LED light
2 transparent freezer drawers
SuperCool and SuperFreeze
Dimensions (H x W x D): 177 x 91 x 72cm

## American-style fridge freezers

## Serie 6

++

KAD90VB20G



## Specifications

Noise level dB(A) re 1pW: 43
Electronic control with LED display
2 MultiBox containers
Ice and water dispenser
MultiAirflow system
LED light
4 safety-glass shelves in fridge
2 transparent freezer drawers
SuperCool and SuperFreeze
Dimensions (H x W x D): 177 x 91 x 72cm

## American-style fridge freezers

## Serie 6

++

KAI90VI20G



## Specifications

Noise level dB(A) re 1pw: 43
Electronic control with LED display
No plumbing required, 4 litre tank in fridge
2 MultiBox containers
Ice and water dispenser (via tank)
MultiAirflow system
LED light
4 safety-glass shelves in fridge
2 transparent freezer drawers
SuperCool and SuperFreeze
Dimensions (H x W x D): 177 x 91 x 72cm

## Serie 4

+

KAN90VI20G



## Specifications

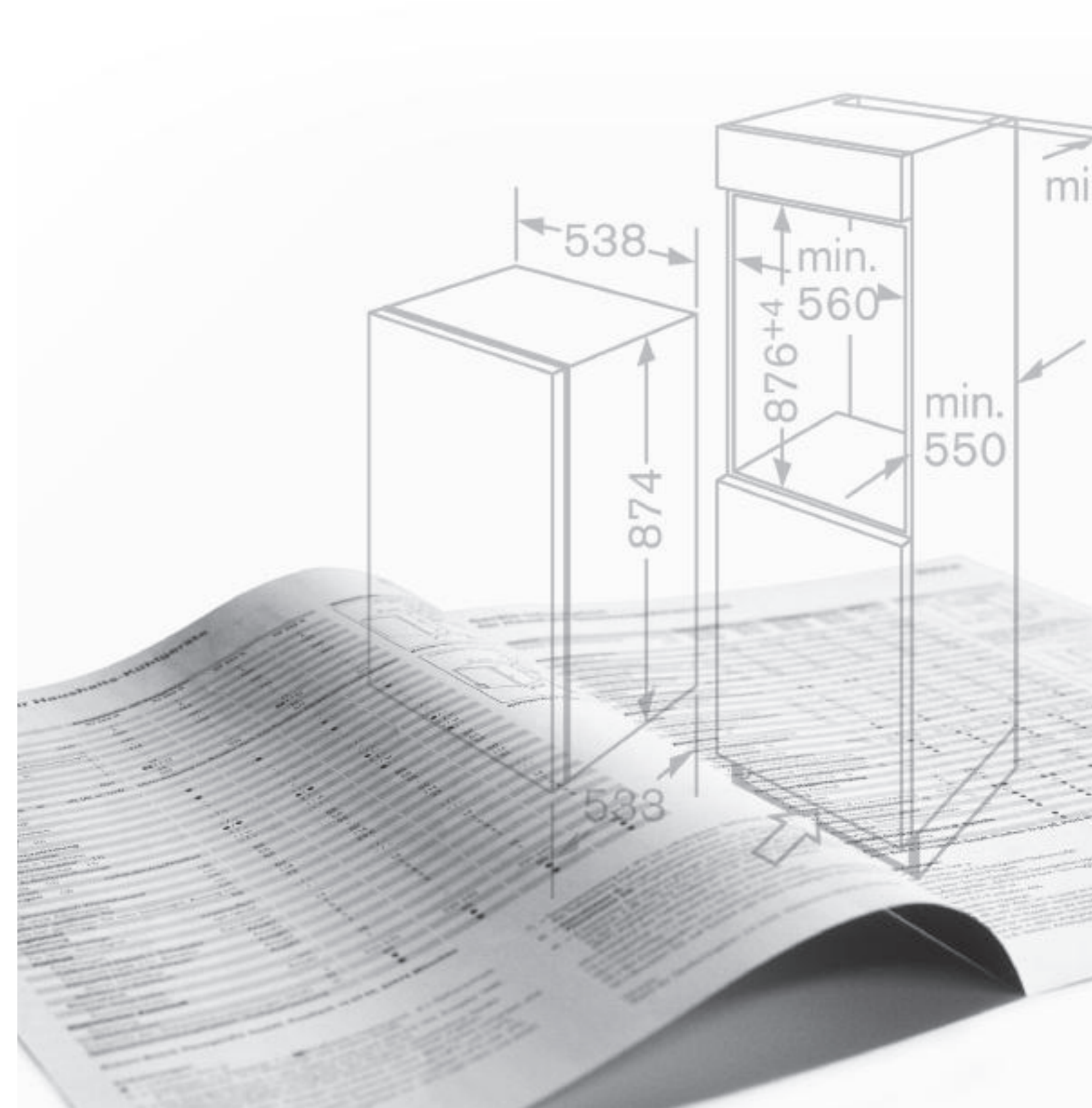
Noise level dB(A) re 1pW: 44
Electronic control with LED display
No plumbing required
2 MultiBox containers
1 FreshProtect Box
MultiAirflow system
LED light
4 safety-glass shelves in fridge
2 transparent freezer drawers
SuperCool and SuperFreeze
Dimensions (H x W x D): 177 x 91 x 72cm

## Need to know more or get expert advice?

For in-depth appliance details please refer to the Product Specification section at the back of this brochure.  
To understand more about the innovative features on our appliances visit [www.bosch-home.co.uk](http://www.bosch-home.co.uk)

# Product specification guide

2017



## Installation tips

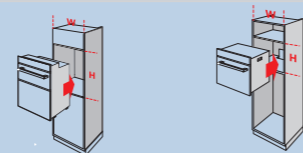
### Ovens, microwaves and hobs

#### Flexibility to choose the way you want to cook

Whether you're creating a feast for fifteen, steaming a healthy meal, cooking for one or popping on a frozen meal, Bosch appliances have the flexibility to do the job.

#### Built-in single and double ovens

The beauty of built-in ovens is that they can be housed in a variety of positions. For optimum convenience, install in standard tall cabinets at a level to suit the main users. Install single ovens alone, or together with a combination oven/microwave, built-in microwave, steam or combination steam oven. Hobs need to be bought separately.



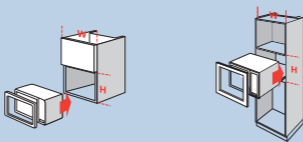
#### Built-under single and double ovens

Single ovens can also be installed under the work surface, directly below the hob, or apart from it. Bosch also offers double ovens that are specifically designed for installation under the work surface. Hobs need to be bought separately.



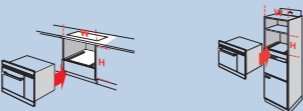
#### Compact steam, combination ovens and combination microwave ovens

Compact appliances offer a range of combination or specialist functions – for example steam cooking is one of the healthiest methods of cooking available – and are ideal if space is at a premium. If you have more room, they're perfect for providing extra capacity and flexibility above or alongside a suitable built-in single oven. Build in to a standard tall or base cabinet with or without a warming drawer.



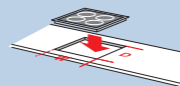
#### Standard built-in microwaves

Depending on the model, you can install into a tall housing, or in a wall cupboard. Wall cupboard models are available in 50cm or 60cm widths, and all come with installation/trim kit.



#### Hobs

Choose from gas, induction, ceramic or sealed plate. Available in 6 widths: 30, 60, 70, 75, 80 or 90cm.



### Quick checklist

#### Ovens

- Standard single oven
- Double oven
- Built-under
- Built-in at eye level

#### Self-cleaning function

- Pyrolytic self-cleaning function
- EcoClean® self-cleaning programme

#### Steam oven/combination oven/combination microwave

- Steam combination oven
- Steamer
- Combination oven
- Combination microwave

#### Built-in

- Built-under
- Built-in wall cupboard installation
- 50cm wide
- 60cm wide

#### Hobs

- Gas
- Induction
- Ceramic
- Sealed plate
- 30cm wide
- 60cm wide
- 70cm wide
- 75cm wide
- 80cm wide
- 90cm wide

## Installation tips

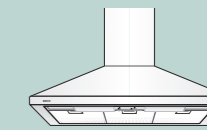
### Hoods

#### Keep air fresh and free of cooking smells

Extractor hoods are an integral part of a clean and fresh working kitchen environment. Not only do Bosch extractor hoods look good and add a professional touch to your kitchen, they also deal quietly and efficiently with the key tasks of eliminating unwanted odours and removing grease and moisture from the kitchen.

#### Chimney extractor hoods

Choose between wall-mounted models or an island version to create a striking focal point in the kitchen. Some models are further enhanced by glass canopies. Available 60, 70 and 90cm wide.



#### Chimney extractor easy mounting system

Installing your new cooker hood in the kitchen is quick and straightforward with the patented easy mounting system. The self-levelling fixing rings allow you to precision adjust the horizontal position of the hood by up to a 6mm radius.

#### Slimline extractor

Ideal where an unobtrusive extractor is required. Built into a wall cabinet above the hob, it can be extended when in use, and retracted when not. Use the special handle profile accessory, or if you prefer, a matching pelmet from your kitchen supplier. 60 or 90cm wide.



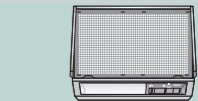
#### Conventional extractor hoods

Ideal where space is at a premium, these 14cm tall extractors can be mounted directly to the wall or suspended beneath a reduced height wall cupboard. 60cm wide.



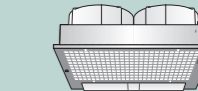
#### Integrated extractor hoods

Integrated extractor hoods are designed to be mounted between two cabinets with a matching furniture door affixed to the front.



#### Canopy extractor hoods

Designed to fit discreetly into the base of a wall cupboard, or specially designed furniture canopy with operation from below. 60cm wide.



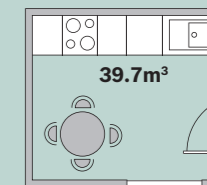
#### Choosing the correct extractor

As a guideline, the air in the room should be changed 6-12 times per hour. Calculate the floor area in square metres and multiply by the height of the room in metres. Then divide the maximum extraction rate (not freeblowing) of the hood selected by the figure calculated above. The resulting figure should be at least 7, but preferably as close to 12 as possible.

#### Example

Kitchen (H x W x D) metres 2.1 x 4.5 x 4.2 = 39.7m<sup>3</sup>.  
Assume 10 air changes per hour – multiply 39.7m<sup>3</sup>/h by 10 = 397m<sup>3</sup>/h.  
Choose a hood capable of extracting at least this amount of air per hour – e.g. DWB097A50B (max ducted extraction rate 460m<sup>3</sup> per hour).

To avoid excessive noise, try to select a model which meets the above requirements on an intermediate speed, rather than at the highest speed.



$$10 \times 39.7\text{m}^3 = 397\text{m}^3$$

### Quick checklist

#### Type of hood

- Chimney
- Slimline
- Conventional
- Integrated
- Canopy
- Ducted
- Re-circulated
- Size
- Size of kitchen

## Ducted or recirculation mode?

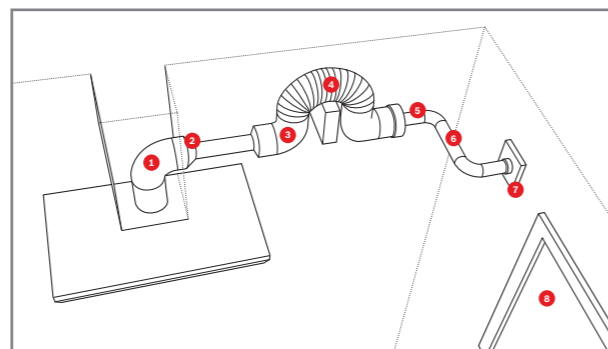
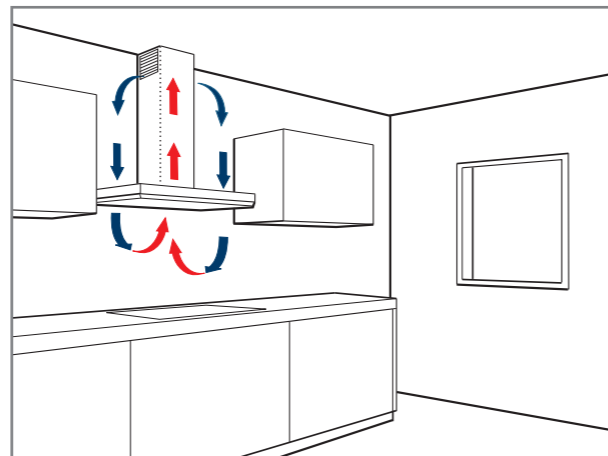
### Ducted extraction

Ducting out is the most effective method of extraction if the hood can be sited on an outside wall, or an outside wall can be reached via ducting. The main difference between ducted and recirculation cooker hoods is that ducted systems can extract steam and odours, as well as grease. All our extractors are now standardized to a 150mm diameter outlet for easier installation. Use of 120/125mm diameter ducting is also possible, but will result in reduced air flow and increased noise. Use of 100mm diameter ducting is not recommended.

#### The following points should be observed for optimum ducted extraction results:

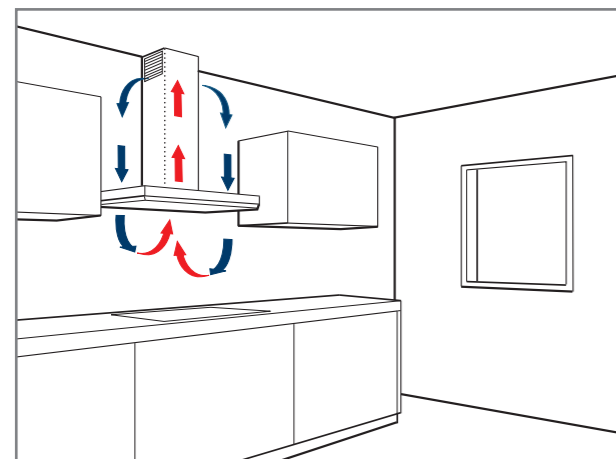
1. Ensure any pipe elbow bends are at least 30cm from the hood ducting opening.
2. Avoid reducing the diameter or area of the ducting.
3. Use wide-angled pipe elbows, but keep the number used to a minimum.
4. Only install pipes with smooth, even inner surfaces. If a flexible hose has to be used, ensure it is pulled tight to smooth out the ridges before fixing.
5. Avoid reducing the diameter or area of the ducting.
6. Use ducting pipes with a diameter of at least 120mm, but ideally 150mm.
7. Keep piping to a minimum – use the most direct route to external outlet.
8. Make sure that there is an adequate supply of fresh air to replace the air ducted out of the kitchen i.e. windows that can be opened, doors to adjacent rooms, air bricks.

**Problems with installation may occur if points 1 to 8 are not observed.**



### Recirculation kit

Cooker hoods with recirculation are energy-efficient and much easier to install. Air is passed through the metal filter to extract the grease and then through a special charcoal filter, which removes odours. The purified air is then returned to the room. As no ducting openings are necessary, this is an energy efficient method of extraction as no energy can escape (i.e. cool air in the summer or warm air in the winter), making it a good choice for low energy houses. The kit contains all you need to set the hood up for recirculation and installation is relatively easy. Check each model for details on the appropriate recirculation kit accessory.



#### Tips and hints

1. Calculate the extraction capacity needed.
2. Choose a hood with at least the same width of your hob.
3. Ensure efficient pipe ducting installation.
4. The hood should be installed at a minimum of 65cm above a gas hob or 55cm above an electric hob.
5. To effectively remove cooking odours from your kitchen, switch the hood on 5-10 minutes prior to cooking.
6. Leave the hood to run at a low setting after cooking has finished for 5-10 minutes to remove any lingering odours. Or simply select the Automatic After Running function, which enables the hood to continue running at a low speed for 10 minutes before automatically turning itself off (available on selected models).
7. Regularly clean metal grease filters to ensure optimum extraction performance. All of our metal grease filters, brushed steel filters and rim ventilation filters are dishwasher-proof.

## Installation tips

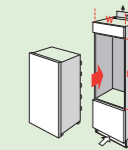
### Integrated cooling

#### Individual, versatile and low on energy consumption

Bosch's range of fridges and freezers is as varied as today's lifestyle. With an impressive range of features and models on offer, there is something to suit everyone's shopping and cooking habits.

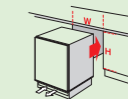
#### Built-in fridges and freezers, integrated

These models are designed to be built into standard cabinets. Door panels matching your kitchen cabinets are bolted to the appliance doors so that they blend in perfectly. Please ensure that recess height is correct. Door panels and cabinets should be obtained from your kitchen cabinet supplier.



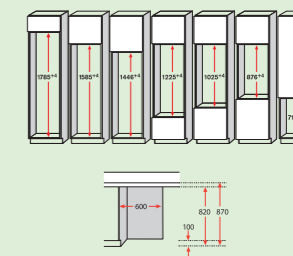
#### Built-under fridges and freezers, integrated

These models can be built under a continuous worktop between two cabinets, or at the end of a row of cabinets. A furniture door blends your appliance with the rest of your kitchen.



#### Recess dimensions

Built-under models permit variable plinth heights and are therefore suitable for different worktop heights. Dimensions (H x W): 100 x 600mm, 820 x 600mm, 870 x 600mm. Ventilation is through the plinth, no worktop cutting required.

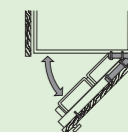


#### Hinge systems

##### Fixed hinges

This innovative easy-to-fit hinge system requires no extra drilling and permanently secures the appliance door to the furniture door. Offers a generous opening angle of 115° and features automatic door closing at an angle of less than 20°. Some models feature SoftClose doors, a damping system that means you can push your door to and it will close silently without a 'clunk', and it will never swing back open.

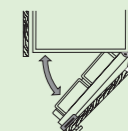
##### Fixed hinge system



##### Sliding hinges

A sliding hinge, attached to a slide connector is pre-fitted in the factory, this allows the appliance door to be coupled with the furniture door. It offers adjustment in depth and height for precise fitting.

##### Sliding hinge system



### Quick checklist

#### Type

- Built-in fridge, integrated
- Built-in freezer, integrated
- Built-in fridge freezer, integrated
- Built-under fridge, integrated
- Built-under freezer, integrated

#### Height:

- Width:

#### Hinge system

- Fixed hinge system
- Sliding hinge system

## Installation tips

### Dishwashers

#### Integrated and semi-integrated dishwashers

Energy and water-efficient with outstanding performance, Bosch integrated dishwashers quietly do all the hard work for you behind closed doors.

#### Fully integrated dishwashers

These models can be built under a worktop or sink drainer, between two units or at the end of a run of units. A furniture door is mounted on the appliance door so that the dishwasher is indistinguishable from other kitchen cabinets. Choose from full size 60cm wide, or slimline 45cm wide.

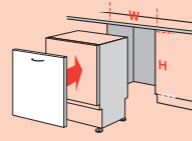
#### Semi-integrated dishwashers

A furniture door is mounted on the appliance door, so all that is seen of the dishwasher itself is the stylish control panel. Can be built under a worktop or sink drainer, between two units or at the end of a run of units. Available full size 60cm wide.

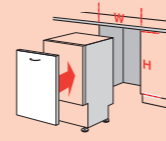
#### Built-in dimensions (60m wide)

If you have a recess height of 81.5 – 87.5cm, plan for an 81cm dishwasher. The appliance feet may be screwed out to a total height of 87.5cm. Or, if you have a recess height of 86.5 – 92.5cm plan for an 86cm dishwasher. The appliance feet screw out to a total height of 92.5cm.

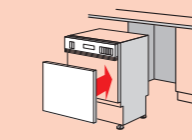
60cm wide



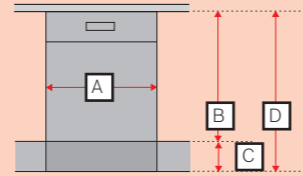
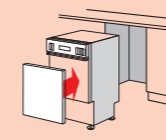
45cm wide



60cm wide



45cm wide



### Quick checklist

#### Type

##### Fully integrated dishwasher

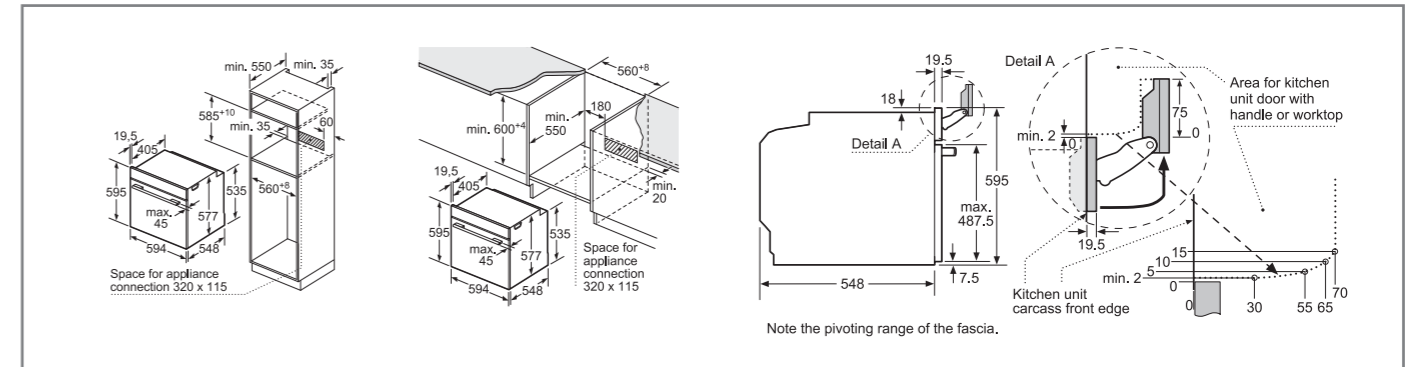
- 60cm wide
- 45cm wide

##### Semi-integrated dishwasher (60cm wide)

- 81cm high
- 86cm high

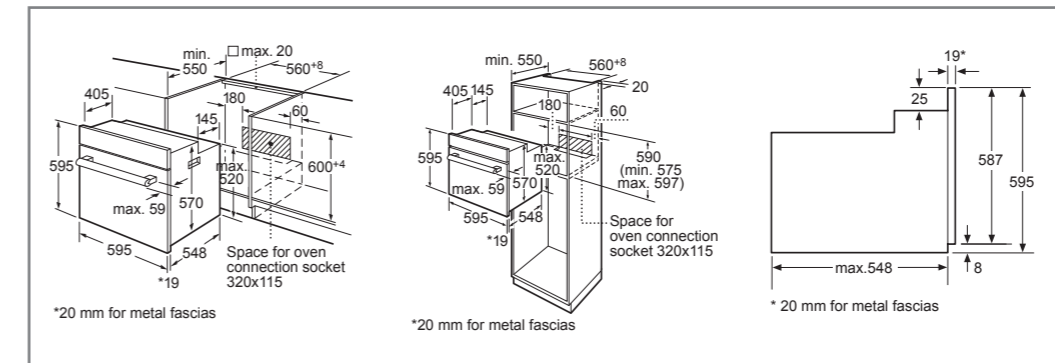
## Ovens technical diagrams

### Single and double ovens



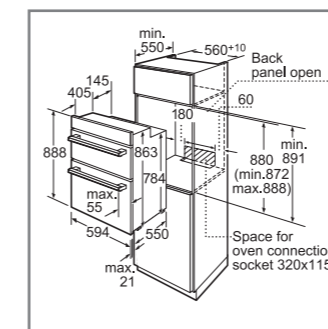
#### Single ovens

HRG6769S6B, HBG6764S6B, HBG6764B6B, HBG674BS1B, HBG674BB1B, HBG656RS6B, HBG656RB6B, HBG634BS1B, HBG634BB1B



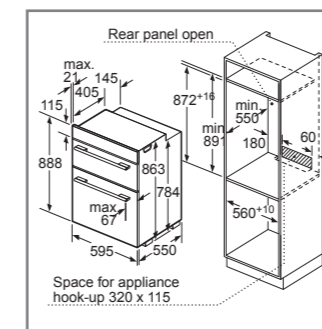
#### Single ovens

HBA23B150B, HBA13R150B, HBA13B150B, HBA73R150B, HBA63B150B, HBA53R150B, HBA13B160B, HBA13B120B, HBN331E7B



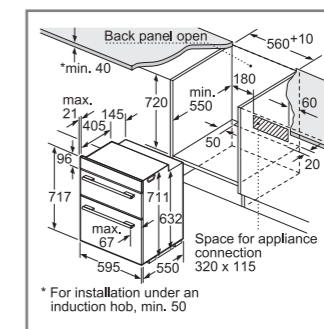
#### Built-in double ovens

HBM13B550B, HBM56B551B, HBM53R550B, HBM43B250B, HBM13B251B



#### Built-in double ovens

HBM13B151B, HBM43B260B, HBM13B261B, HBM13B221B



#### Built-under double ovens

HBN53R550B, HBN43B250B, HBN43B260B, HBN13B251B, HBN13B221B, HBN13B261B

All diagram measurements are in millimetres (mm)

We try to keep up to date with constant technological improvements, so from time to time we may update installation guidelines. Therefore we strongly recommend that you download the latest installation guidelines from [www.bosch-home.co.uk](http://www.bosch-home.co.uk). Line drawings are for guidance only, and we recommend that you refer to the latest installation guidelines. Though every care is taken to ensure instructions are correct at the time of printing, Bosch cannot accept responsibility for incorrect planning or installation as a result of the use of these line drawings.

## Built-in single oven product information

OVEN TYPE	PYROLYTIC WITH ADDED STEAM	PYROLYTIC	PYROLYTIC	PYROLYTIC	PYROLYTIC	STANDARD
DESIGN FAMILY	SERIE 8	SERIE 8	SERIE 8	SERIE 6	SERIE 6	SERIE 8
Brushed Steel	HRC6769S6B	HBG6764S6B	HBG674BS1B	HBA73R150B	HBA63B150B	HBG656RS6B
Black	-	HBG6764B6B	HBG674BB1B	-	-	HBG656RB6B
White	-	-	-	-	-	-
KEY FEATURES						
Home Connect	●	●	-	-	-	●
Home Connect connectivity	Wi-Fi	Wi-Fi	-	-	-	Wi-Fi
3 TFT colour and graphics displays with direct text touch	●	●	-	-	-	●
1 TFT colour and text display with touch buttons	-	-	●	-	-	●
SoftClose/SoftOpen drop down door	●/●	●/●	●/●	-/-	-/-	●/●
Digital temperature display with proposal	●	●	●	-	-	●
Actual temperature display	●	●	●	-	-	●
Heating up / residual heat indicator	●/●	●/●	●/●	-/-	-/-	●/●
Sabbath setting	●	●	●	-	-	●
Pyrolytic self-cleaning function	●	●	●	●	●	-
Pyrolytic proof tray/holder & baking tray	●	●	●	●	●	-
EcoClean® back/roof/side surfaces	-/-	-/-	-/-	-/-	-/-	●/●/●
EcoClean® cleaning programme	-	-	-	-	-	●
BoschAssist	●	●	●	-	-	●
PerfectRoast multi-point temperature probe	●	●	●	-	-	●
PerfectBake sensor	-	●	-	-	-	●
Automatic cooking programmes	-	-	-	-	-	-
Added steam function	●	-	-	-	-	-
Suited to 13A connection	-	-	-	●	-	-
DESIGN						
Control panel height (mm)	96	96	96	115	115	96
Control wheel	-	●	●	●	●	-
Push buttons or keys	-	-	-	●	●	●
Steel handle fixing blocks	●	●	●	-	-	●
Black handle fixing blocks	-	-	-	●	●	-
FEATURES						
Electronic clock timer with automatic on/off programmer	White	White	White	Red	Red	White
Main on/off switch	●	●	●	-	-	-
Interior lights	3 x LED	1 x Halogen	1 x Halogen	1 x 40W	1 x 40W	1 x Halogen
Light on/off when oven door opened/closed	●	●	●	-	-	-
Automatic safety switch off	●	●	●	●	●	●
Control panel lock	●	●	●	-	-	●
Start button	●	●	●	-	-	●
Water tank empty indicator	●	-	-	-	-	-
Enamelled oven interior	●	●	●	●	●	●
Number of shelf positions	5	5	5	5	5	5
Retractable control dial(s)	-	-	-	●	●	-
Fixed controls	-	-	-	-	-	-
Full glass inner door	●	●	●	●	●	●
PROGRAMMES / FUNCTIONS						
4D HotAir	●	●	●	-	-	●
3D HotAir	-	-	-	●	●	-
Hotair Eco	●	●	●	●	●	●
Conventional top & bottom heat	●	●	●	●	●	●
Conventional heat eco	●	●	●	-	-	-
Hotair grilling	●	●	●	●	●	●
Full width variable grill	●	●	●	●	●	●
Half width variable grill	●	●	●	-	-	-
Pizza Setting	●	●	●	-	-	-
Bottom heat	●	●	●	●	●	●
Intensive heating	●	-	-	-	-	-
Low temperature cooking	●	●	●	-	-	●
Defrost	●	●	●	-	-	●
Preheating	●	●	●	-	-	●
Plate warming	●	●	●	-	-	-
Dehydrate	-	-	-	-	-	-
Added steam function	●	-	-	-	-	-
Steam descaling & cleaning	●	-	-	-	-	-
Cavity drying function	●	-	-	-	-	-
Steam reheating and dough proving functions	●	-	-	-	-	-
Fast heat	●	●	●	●	●	●
PERFORMANCE / TECHNICAL INFORMATION						
Cavity dimensions HxWxD (mm)	357 x 480 x 15	357 x 480 x 415	357 x 480 x 415	329 x 479 x 400	329 x 479 x 400	357 x 480 x 415
Oven capacity (litres) <sup>1</sup>	71	71	71	63	63	71
Water tank capacity (litres)	1	-	-	-	-	-
Energy efficiency rating <sup>2</sup>	A	A+	A+	-	A	A+
Efficiency declared on	HotAir	HotAir	HotAir	HotAir	HotAir	HotAir
Energy consumption hot air (kWh)	0.74	0.69	0.69	0.7	0.7	0.69
Energy consumption conventional (kWh)	0.9	0.87	0.87	0.93	0.93	0.87
Time to cook standard load (min)	44	42	42	48	48	42
Largest baking sheet area (cm <sup>2</sup> )	1290	1290	1290	1350	1350	1290
Cable length (cm)	120	120	120	150	150	120
Total connected loading (W)	3450	3450	3450	2990	3650	3450
STANDARD ACCESSORIES						
Full width enamelled pan	1	1	1	1	1	1
Wire pan insert	-	-	-	1	1	-
Wire shelves	2	2	2	2	2	2
Extendible telescopic shelves	3 levels	1 level	-	1 level	-	1 level
OPTIONAL ACCESSORIES						
Baking sheet	HEZ631070	HEZ631070	HEZ631070	HEZ331072	-	HEZ631070
Wire shelf	HEZ634000	HEZ634000	HEZ634000	HEZ634000	-	HEZ634000
Fully extendible telescopic shelf rail (1 level)	-	-	HEZ638170	-	-	-
Fully extendible telescopic shelf rails (3 levels)	-	-	-	-	HEZ338357	-
Extra deep enamelled roasting pan	-	-	-	HEZ333000	HEZ333000	-

● = Yes - = No

OVEN TYPE	STANDARD	STANDARD	SINGLE	SINGLE	SINGLE	SINGLE
DESIGN FAMILY	SERIE 8	SERIE 6	SERIE 6	SERIE 6	SERIE 6	SERIE 2
Brushed Steel	HBG634BS1B	HBA53R150B	HBA23B150B	HBA13R150B	HBA13B150B	HBN331E7B
Black	HBG634BB1B	-	-	-	HBA13B160B	-
White	-	-	-	-	HBA13B120B	-
KEY FEATURES						
Home Connect	-	-	-	-	-	-
Home Connect connectivity	-	-	-	-	-	-
3 TFT colour and graphics displays with direct text touch	-	-	-	-	-	-
1 TFT colour and text display with touch buttons	●	-	-	-	-	-
SoftClose/SoftOpen drop down door	●/●	-/-	-/-	-/-	-/-	-/-
Digital temperature display with proposal	●	-	-	-	-	-
Actual temperature display	●	-	-	-	-	-
Heating up / residual heat indicator	●/●	-/-	-/-	-/-	-/-	-/-
Sabbath setting	●	-	-	-	-	-
Pyrolytic self-cleaning function	-	-	-	-	-	-
Pyrolytic proof tray/holder & baking tray	-	-	-	-	-	-
EcoClean® back/roof/side surfaces	●/●	●/●	●/●	-/-	-/-	●/●
EcoClean® cleaning programme	-	-	-	-	-	-
BoschAssist	-	-	-	-	-	-
PerfectRoast multi-point temperature probe	-	-	-	-	-	-
PerfectBake sensor	-	-	-	-	-	-
Automatic cooking programmes	-	-	-	-	-	-
Added steam function	-	-	-	-	-	-
Suited to 13A connection	-	●	●	●	●	●
DESIGN						
Control panel height (mm)	96	115	115	115	115	115
Control wheel	●	-	-	-	-	-
Push buttons or keys	-	●	●	●	●	●
Steel handle fixing blocks	●	-	-	-	-	●
Black handle fixing blocks	-	●	●	●	●	-
FEATURES						
Electronic clock timer with automatic on/off programmer	White	Red	Red	Red	Red	Red
Main on/off switch	●	-	-	-	-	-
Interior lights	1 x Halogen	1 x 40W	1 x 40W	1 x 40W	1 x 40W	1 x 40W
Light on/off when oven door opened/closed	●	-	-	-	-	-
Automatic safety switch off	●	-	-	-	-	-
Control panel lock	●	●	●	●	●	●
Start button	●	-	-	-	-	-
Water tank empty indicator	-	-	-	-	-	-
Enamelled oven interior	●	●	●	●	●	●
Number of shelf positions	5	5	5	5	5	4
Retractable control dial(s)	-	●	-	-	-	-
Fixed controls	-	-	●	●	●	-
Full glass inner door	●	●	●	-	-	●
PROGRAMMES / FUNCTIONS						
4D HotAir	●	-	-	-	-	-
3D HotAir	-	●	●	●	●	●
Hotair Eco	●	●	●	●	●	●
Conventional top & bottom heat	●	●	●	●	●	●
Conventional heat eco	●	-	-	-	-	-
Hotair grilling	●	●	●	●	●	●
Full width variable grill	●	●	●	●	●	●
Half width variable grill	●	-	-	-	-	-
Pizza Setting	●	●	●	-	-	-
Bottom heat	●	●	●	●	●	●
Intensive heating	-	-	-	-	-	-
Low temperature cooking	●	-	-	-	-	-
Defrost	●	●	●	●	●	●
Preheating	●	-	-	-	-	-
Plate warming	●	-	-	-	-	-
Dehydrate	-	-	-	-	-	-
Added steam function	-	-	-	-	-	-
Steam descaling & cleaning	-	-	-	-	-	-
Cavity drying function	-	-	-	-	-	-
Steam reheating and dough proving functions	-	-	-	-	-	-
Fast heat	●	●	●	-	-	-
PERFORMANCE / TECHNICAL INFORMATION						
Cavity dimensions HxWxD (mm)	357 x 480 x 415	329 x 479 x 420	329 x 479 x 420	329 x 479 x 420	329 x 479 x 420	329 x 479 x 420
Oven capacity (litres) <sup>1</sup>	71	66	66	66	66	66
Water tank capacity (litres)	-	-	-	-	-	-
Energy efficiency rating <sup>2</sup>	A+	A	A	A	A	A
Efficiency declared on	HotAir	HotAir	HotAir	HotAir	HotAir	HotAir
Energy consumption hot air (kWh)	0.69	0.82	0.84	0.82	0.82	0.82
Energy consumption conventional (kWh)	0.87	0.95	0.93	-	-	-
Time to cook standard load (min)	42	47	45	45	45	40
Largest baking sheet area (cm <sup>2</sup> )	1290	1350	1350	1350	1350	1150
Cable length (cm)	120	150	120	120	120	100
Total connected loading (W)	3450	2990	2990	2900	2900	2350
STANDARD ACCESSORIES						
Full width enamelled pan	1	1	1	1	1	1
Wire pan insert	-	1	1	1	1	1
Wire shelves	2	2	2	2	2	1
Extendible telescopic shelves	-	1 level	-	1 level	-	-
OPTIONAL ACCESSORIES						
Baking sheet	HEZ631070	-	-	-	-	-
Wire shelf	HEZ634000	-	-	-	-	-
Fully extendible telescopic shelf rail (1 level)	HEZ638100	-	-	-	-	-
Fully extendible telescopic shelf rails (3 levels)	-	HEZ338357	HEZ338357	HEZ338357	HEZ338357	-
Extra deep enamelled roasting pan	-	HEZ333000	HEZ333000	HEZ333000	HEZ333000	-

● = Yes - = No

<sup>1</sup>According to norm EU 65/2014 Excludes steam only models and models with microwave <sup>2</sup>Energy rating: According To Norm EN50304:2014 update. A+++ = more efficient, D = less efficient. All models comply with COMMISSION REGULATION (EC) No 1275/2008 with regard to ecodesign requirements for standby and off mode electric power consumption.

<sup>1</sup>According to norm EU 65/2014 Excludes steam only models and models with microwave <sup>2</sup>Energy rating: According To Norm EN50304:2014 update. A+++ = more efficient, D = less efficient. For full specification details, please log onto our website and download a full specification sheet. All models comply with COMMISSION REGULATION (EC) No 1275/2008 with regard to ecodesign requirements for standby and off mode electric power consumption.



# Built-in double oven product information

OVEN TYPE	BUILT-IN DOUBLE		BUILT-IN DOUBLE		BUILT-IN DOUBLE		BUILT-IN DOUBLE	
DESIGN FAMILY	SERIE 6		SERIE 6		SERIE 6		SERIE 6	
Brushed Steel	HBM56B551B		HBM53R550B		HBM13B550B		HBM43B250B	
Black	-		-		-		HBM43B260B	
White	-		-		-		-	
KEY FEATURES	Main	2nd	Main	2nd	Main	2nd	Main	2nd
Electronic control	●	-	-	-	-	-	-	-
Digital temperature display with proposal	●	-	-	-	-	-	-	-
Digital symbol & function display	●	-	-	-	-	-	-	-
Heating up / residual heat indicator	●/●	-/-	-/-	-/-	-/-	-/-	-/-	-/-
Actual temperature display	●	-	-	-	-	-	-	-
Automatic safety switch off	●	-	-	-	-	-	-	-
EcoClean® back/roof/side liners	●/●/●	●/●/●	●/●/●	●/●/●	●/●/●	●/●/●	●/●/●	●/●/●
EcoClean® cleaning programme	●	●	●	●	-	-	●/●/●	●/●/●
DESIGN	Main	2nd	Main	2nd	Main	2nd	Main	2nd
Control panel height (mm)	115		115		115		115	
Display window	Twin		Single		Single		Single	
Central illuminated control dial	●		-		-		-	
Metal touch controls	-		-		-		-	
Push buttons	-		-		-		-	
Steel handle fixing blocks	●		●		●		-	
Black handle fixing blocks	-		-		-		●	
Drop down door	●		●		●		●	
FEATURES	Main	2nd	Main	2nd	Main	2nd	Main	2nd
Electronic clock timer with automatic on/off programmer	●	-	●	-	●	-	◆	-
Retractable control dial(s)	●	●	●	●	●	●	◆	●
Fixed controls	-	-	-	-	-	-	-	-
Interior lights	1	1	1	1	1	1	1	1
Control panel lock	●/-	-/-	●/-	-/-	●/-	-/-	●/-	-/-
Smooth enamelled oven interior	●	●	●	◆	●	●	●	●
Number of shelf positions	5	2	5	2	5	2	5	2
Full glass inner door	●	●	●	◆	●	●	●	●
Heat reflective glass	●	●	●	◆	●	●	●	●
PROGRAMMES / FUNCTIONS	Main	2nd	Main	2nd	Main	2nd	Main	2nd
Hotair Eco	●	-	-	-	-	-	-	-
3D HotAir	●	-	●	-	●	-	●	-
Defrost	●	-	●	-	●	-	●	-
Pizza Setting	●	-	●	-	-	-	-	-
Conventional top & bottom heat	●	●	●	●	-	●	●	●
Bottom heat	●	●	●	-	-	-	●	-
Full width variable grill	●	●	●	●	-	●	●	●
Half width variable grill	●	●	●	●	-	-	-	●
Hot air grilling	●	-	●	-	-	-	●	-
Keep warm	●	-	-	-	-	-	-	-
Sabbath setting	-	-	-	-	-	-	-	-
AutoCook programmes	40	-	-	-	-	-	-	-
Fast heat	●	-	●	-	-	-	-	-
PERFORMANCE / TECHNICAL INFORMATION	Main	2nd	Main	2nd	Main	2nd	Main	2nd
Cavity dimensions HxWxD (mm)	329x482x418	172x468x433	329x482x418	172x468x433	351x482x418	172x468x433	329x482x418	172x468x433
Oven capacity (litres) <sup>1</sup>	66	35	66	35	71	35	66	35
Energy efficiency rating <sup>2</sup>	A	B	A	B	A	B	A	B
Efficiency declared on	HotAir	Conv.	HotAir	Conv.	HotAir	Conv.	HotAir	Conv.
Energy consumption hot air (kWh)	0.7	-	0.84	-	0.8	-	0.84	-
Energy consumption conventional (kWh)	0.96	0.79	0.96	0.79	-	0.79	0.96	0.79
Time to cook standard load (min)	44	46	44	46	44	46	44	46
Largest baking sheet area (cm <sup>2</sup> )	1350		1350		1350		1350	
Cable length (cm)	-		-		-		-	
Total connected loading (W)	5500		5500		4400		5500	
STANDARD ACCESSORIES								
Full width enamelled pan	1		1		1		1	
Wire pan insert	1		1		1		1	
Wire shelves	3		3		3		3	
OPTIONAL ACCESSORIES								
Fully extendible telescopic shelf rails (3 levels)	HEZ338357		HEZ338307		HEZ338357		HEZ338357	
Extra deep enamelled roasting pan	HEZ333000		HEZ333000		HEZ333000		HEZ333000	

● Yes - No

OVEN TYPE	BUILT-IN DOUBLE		BUILT-IN DOUBLE		BUILT-UNDER DOUBLE		BUILT-UNDER DOUBLE		BUILT-UNDER DOUBLE	
DESIGN FAMILY	SERIE 6		SERIE 6		SERIE 6		SERIE 6		SERIE 6	
Brushed Steel	HBM13B251B		HBM13B151B		HBN53R550B		HBN43B250B		HBN13B251B	
Black	HBM13B261B		-		-		HBN43B260B		HBN13B261B	
White	HBM13B221B		-		-		-		HBN13B221B	
KEY FEATURES	Main	2nd	Main	2nd	Main	2nd	Main	2nd	Main	2nd
Electronic control	-	-	-	-	-	-	-	-	-	-
Digital temperature display with proposal	-	-	-	-	-	-	-	-	-	-
Digital symbol & function display	-	-	-	-	-	-	-	-	-	-
Heating up / residual heat indicator	-/-	-/-	-/-	-/-	-/-	-/-	-/-	-/-	-/-	-/-
Actual temperature display	-	-	-	-	-	-	-	-	-	-
Automatic safety switch off	-	-	-	-	-	-	-	-	-	-
EcoClean® back/roof/side liners	●/-	●/●/	●/-	●/●/	●/●/●	●/●/●	●/●/●	●/●/●	●/●/●	●/●/●
EcoClean® cleaning programme	-	-	-	-	●	●	●	●	-	-
DESIGN	Main	2nd	Main	2nd	Main	2nd	Main	2nd	Main	2nd
Control panel height (mm)	115		115		96		96		96	
Display window	Single		Single		Single		Single		Single	
Central illuminated control dial	-		-		-		-		-	
Metal touch controls	-		-		-		-		-	
Push buttons	-		-		-		-		-	
Steel handle fixing blocks	-		-		●		●		-	
Black handle fixing blocks	-		-		-		-		●	
Drop down door	●		●		●		●		●	
FEATURES	Main	2nd	Main	2nd	Main	2nd	Main	2nd	Main	2nd
Electronic clock timer with automatic on/off programmer	●	-	●	-	●	-	●	-	●	-
Retractable control dial(s)	●	●	●	●	●	●	●	●	●	●
Fixed controls	-	-	-	●	-	●	-	●	-	●
Interior lights	1	1	1	1	1	1	1	1	1	1
Control panel lock	●/-	-/-	●/-	-/-	●/-	-/-	●/-	-/-	●/-	-/-
Smooth enamelled oven interior	●	●	●	●	●	●	●	●	●	●
Number of shelf positions	5	2	5	2	3	2	3	2	3	2
Full glass inner door	●	●	●	●	●	●	●	●	●	●
Heat reflective glass	●	●	●	●	●	●	●	●	●	●
PROGRAMMES / FUNCTIONS	Main	2nd	Main	2nd	Main	2nd	Main	2nd	Main	2nd
Hotair Eco	-	-	-	-	-	-	-	-	-	-
3D HotAir	●	-	●	-	●	-	●	-	●	-
Defrost	●	-	●	-	●	-	●	-	●	-
Pizza Setting	-	-	-	-	-	-	-	-	-	-
Conventional top & bottom heat	-	●	-	●	-	●	-	●	-	●
Bottom heat	-	-	-	-	-	-	-	-	-	-
Full width variable grill	-	●	-	●	-	●	-	●	-	●
Half width variable grill	-	-	-	-	-	-	-	-	-	-
Hot air grilling	-	-	-	-	-	-	●	-	-	-
Keep warm	-	-	-	-	-	-	-	-	-	-
Sabbath setting	-	-	-	-	-	-	-	-	-	-
AutoCook programmes	-	-	-	-	-	-	-	-	-	-
Fast heat	-	-	-	-	●	-	●	-	-	-
PERFORMANCE / TECHNICAL INFORMATION	Main	2nd	Main	2nd	Main	2nd	Main	2nd	Main	2nd
Cavity dimensions HxWxD (mm)	351x482x418	351x482x418	351x482x418	172x468x433	255x468x418	172x468x433	255x468x418	172x468x433	285x468x418	285x468x418
Oven capacity (litres) <sup>1</sup>	71	71	71	35	50	35	50	35	56	56
Energy efficiency rating <sup>2</sup>	A	A	A	B	A	B	A	B	A	A
Efficiency declared on	HotAir	HotAir	HotAir	Conv.	HotAir	Conv.	HotAir	Conv.	HotAir	HotAir
Energy consumption hot air (kWh)	0.8	0.8	0.8	-	0.8	-	0.8	-	0.7	0.7
Energy consumption conventional (kWh)	-	-	-	0.79	0.89	0.79	0.89	0.79	-	-
Time to cook standard load (min)	44	44	44	46	44	46	44	46	46	46
Largest baking sheet area (cm <sup>2</sup> )	1350		1350		1350		1350		1350	
Cable length (cm)	-		-		-		-		-	
Total connected loading (W)	4400		4400		4900		4900		4400	
STANDARD ACCESSORIES										
Full width enamelled pan	1		1		1		1		1	
Wire pan insert	1		1		1		1		1	
Wire shelves	3		3		2		3		3	
OPTIONAL ACCESSORIES										
Fully extendible telescopic shelf rails (3 levels)	HEZ338357		HEZ338357		-		-		-	
Extra deep enamelled roasting pan	HEZ333000		HEZ333000		HEZ333000		HEZ333000		HEZ333000	

● Yes - No

<sup>1</sup>According to norm EU 65/2014 Excludes steam only models and models with microwave <sup>2</sup>Energy rating: According To Norm EN50304:2014 update. A+++ = more efficient, D = less efficient. All models comply with COMMISSION REGULATION (EC) No 1275/2008 with regard to ecodesign requirements for standby and off mode electric power consumption.

<sup>1</sup>According to norm EU 65/2014 Excludes steam only models and models with microwave <sup>2</sup>Energy rating: According To Norm EN50304:2014 update. A+++ = more efficient, D = less efficient. For full specification details, please log onto our website and download a full specification sheet. All models comply with COMMISSION REGULATION (EC) No 1275/2008 with regard to ecodesign requirements for standby and off mode electric power consumption.

## Built-in single ovens accessories

Description	Accessory Nr.	HRG6769S6B	HBG634BS1B HBG634BB1B	HBA13B150B HBA13B160B HBA13B120B	HGG674BS1B HGG674BB1B	HGG6764S6B HGG6764B6B	HBN331E7B
Single level telescopic shelf rails for Serie 8 non-pyrolytic, non-steam 60cm single ovens	HEZ638100	-	•	-	-	-	-
Single level telescopic shelf rails for Serie 8 60cm single pyrolytic ovens	HEZ638170	-	-	-	•	-	-
Full width enamelled baking tray for Serie 8 60cm single and 45cm compact ovens	HEZ631070	•	•	-	•	•	-
Full width wire shelf for Serie 8 60cm single and 45cm compact ovens	HEZ634000	•	•	-	•	•	-
Fully extendable telescopic shelf rail	HEZ338357	-	-	•	-	-	-
Full width wire shelf for Serie 8 60cm single and 45cm compact ovens	HEZ333000	-	-	•	-	-	-

## Built-in single ovens accessories

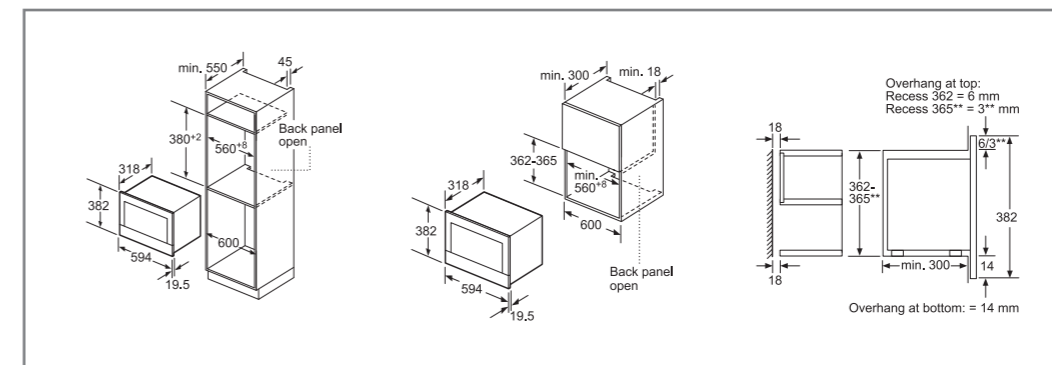
Description	Accessory Nr.	HBA73R150B	HBA63B150B	HBG656RS6B HBG656RB6B	HBA53R150B	HBA23B150B	HBA13R150B
Baking sheet	HEZ331072	•	-	-	-	-	-
Wire shelf	HEZ634000	•	-	•	-	-	-
Extra-deep enamelled roasting pan	HEZ333000	•	•	-	•	•	•
Fully extendable telescopic shelf rail (3 levels)	HEZ338357	-	•	-	•	•	•
Baking sheet	HEZ631070	-	-	•	-	-	-

## Built-in double ovens accessories

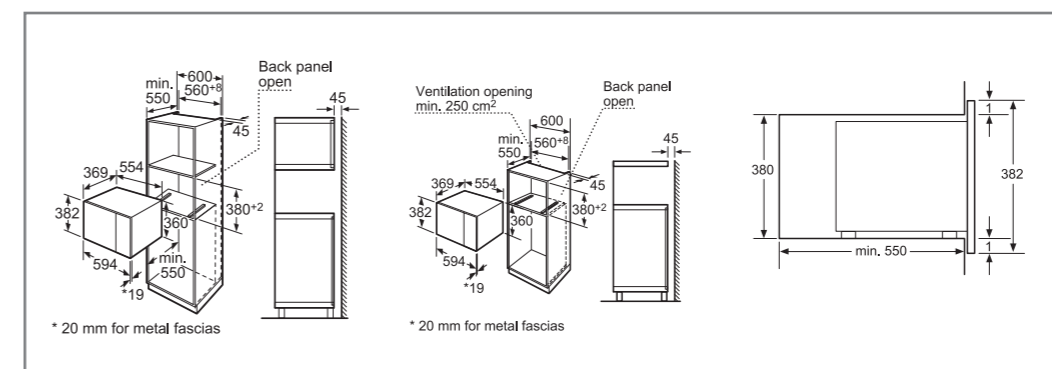
Description	Accessory Nr.	HBM56B51B	HBM53R550B	HBM13B550B	HBM43B250B HBM43B260B	HBM13B251B HBM13B261B HBM13B221B	HBM13B151B	HBN53R550B	HBN43B250B HBN43B260B	HBN13B251B HBN13B261B HBN13B221B
Fully extendable telescopic shelf rail (3 levels)	HEZ338357	•	•	•	•	•	•	-	-	-
Extra-deep enamelled roasting pan	HEZ333000	•	•	•	•	•	•	•	•	•

## Compact appliances technical diagrams

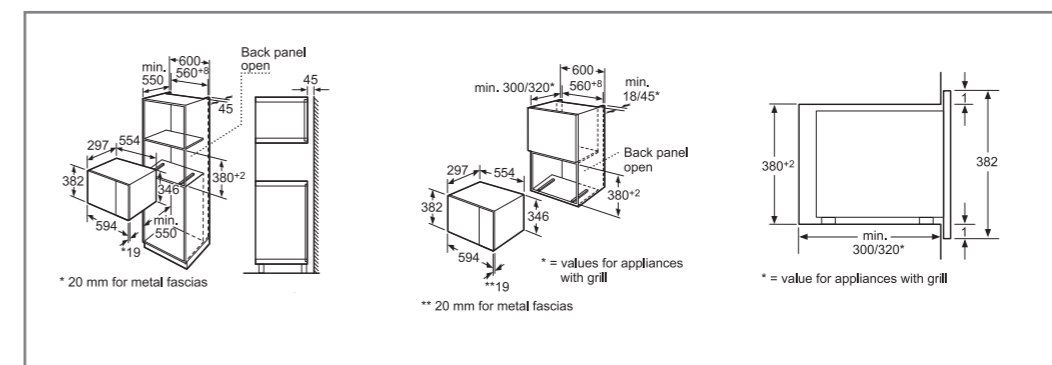
### Steam ovens, compact ovens with integrated microwave, microwave combination ovens



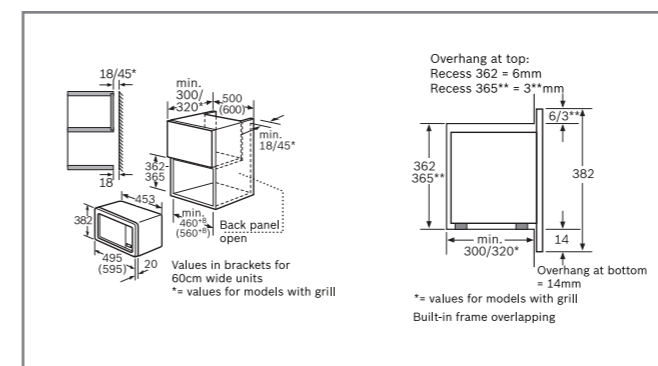
Microwaves BEL634GS1B, BFL634GS1B, BFL634GB1B



Microwaves HMT84M654B, HMT84G654B, HMT84M664B, HMT84M624B



Microwaves HMT75G654B, HMT75M654B, HMT75M664B, HMT75M624B



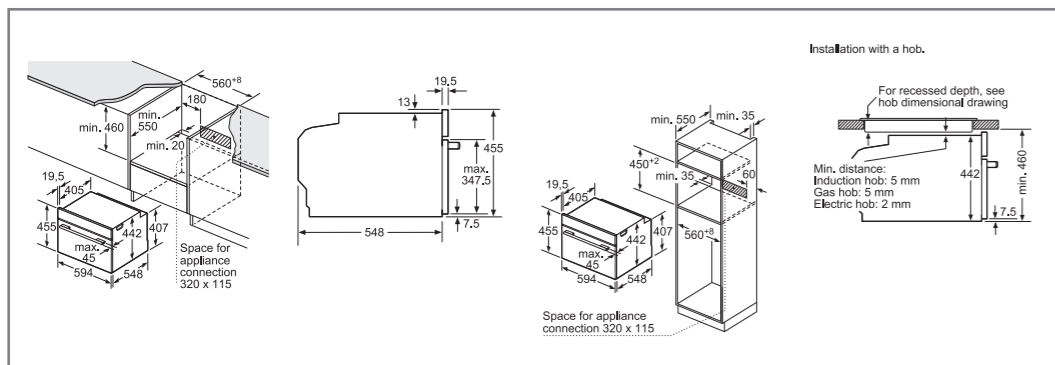
HMT75M551B

All diagram measurements are in millimetres (mm)

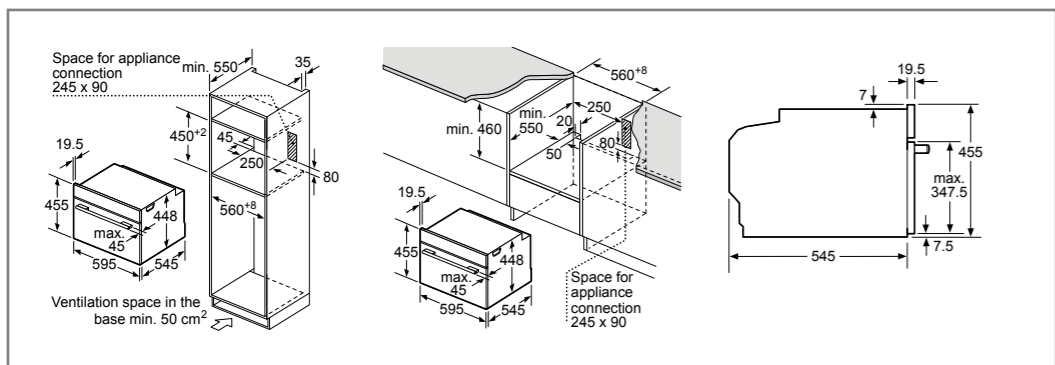
All models comply with COMMISSION REGULATION (EC) No 1275/2008 with regard to ecodesign requirements for standby and off mode electric power consumption. We try to keep up to date with constant technological improvements, so from time to time we may update installation guidelines. Therefore we strongly recommend that you download the latest installation guidelines from [www.bosch-home.co.uk](http://www.bosch-home.co.uk). Line drawings are for guidance only, and we recommend that you refer to the latest installation guidelines. Though every care is taken to ensure instructions are correct at the time of printing, Bosch cannot accept responsibility for incorrect planning or installation as a result of the use of these line drawings.

## Compact appliances technical diagrams

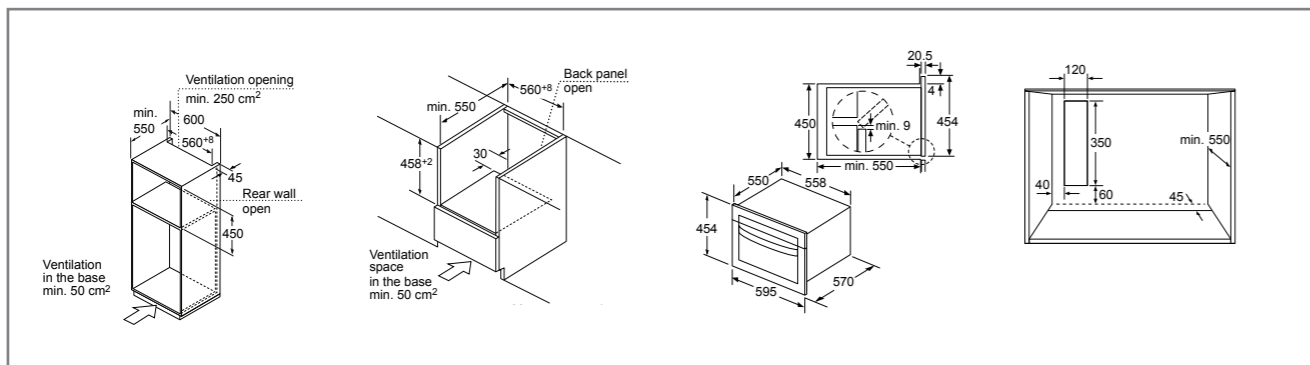
### Compact ovens, compact steam ovens, compact microwave combination oven



Steam ovens CBG675BS1B | CSG656BS6B | CDG634BS1B | CNG6764S6B | CMG656BS6B | CMG633BS1B | CMG676BS6B | CMG656BB6B | CMG633BB1B



Compact CFA634GS1B



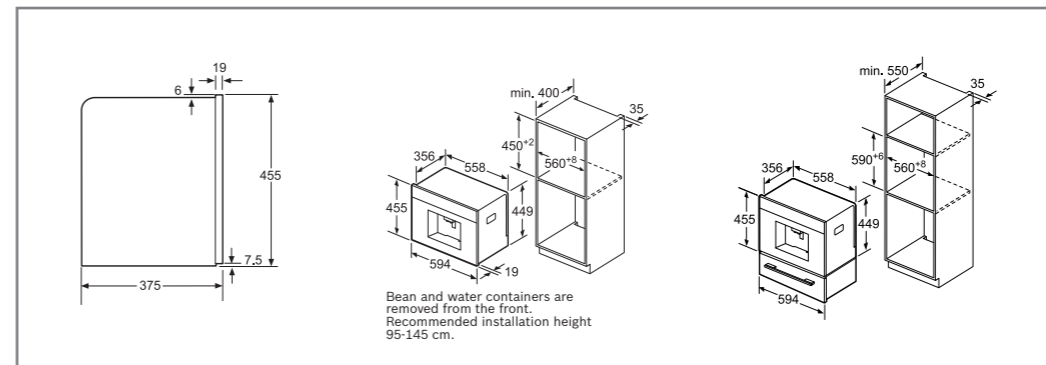
Microwave HBC84H501B

All diagram measurements are in millimetres (mm)

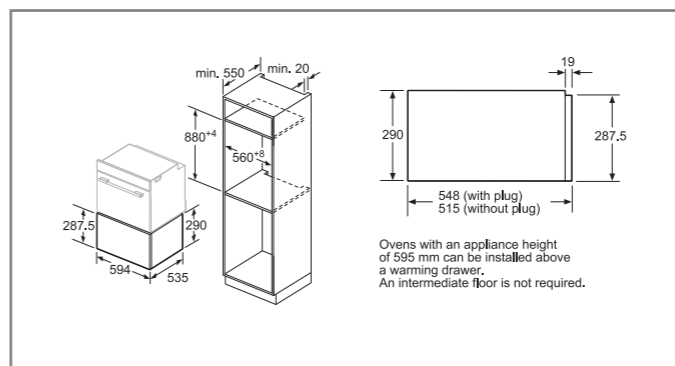
All models comply with COMMISSION REGULATION (EC) No 1275/2008 with regard to ecodesign requirements for standby and off mode electric power consumption. We try to keep up to date with constant technological improvements, so from time to time we may update installation guidelines. Therefore we strongly recommend that you download the latest installation guidelines from [www.bosch-home.co.uk](http://www.bosch-home.co.uk). Line drawings are for guidance only, and we recommend that you refer to the latest installation guidelines. Though every care is taken to ensure instructions are correct at the time of printing, Bosch cannot accept responsibility for incorrect planning or installation as a result of the use of these line drawings.

Explore more at [www.bosch-home.co.uk](http://www.bosch-home.co.uk)

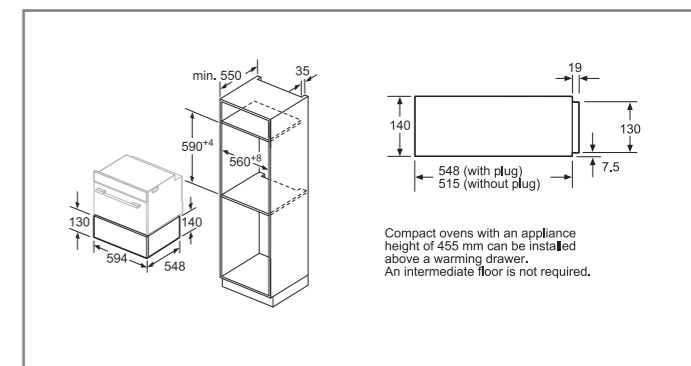
### Compact coffee maker, warming drawers



Coffee maker CTL636ES6



Warming drawer BID630NS1B installed with 60cm high single oven.



Warming drawers BIC630NS1B, BIC630NB1B installed with 45cm high compact oven.

### Built-in compact accessories

Description	Accessory Nr.	CMG656BS6B CMG656BB6B	CMG656BB6B CMG633BB1B	CMG633BS1B	CBG675BS1B	CNG6764S6B	CMG676BS6B
Single level telescopic shelf rails for Serie 8 non-pyrolytic, non-steam 45cm compact ovens	HEZ638108	-	-	-	-	-	-
Single level telescopic shelf rails for Serie 8 45cm compact pyrolytic ovens	HEZ638178	-	-	-	•	-	-
Full width enamelled baking tray for Serie 8 60cm single and 45cm compact ovens	HEZ631070	•	•	•	•	•	-
Full width wire shelf for Serie 8 60cm single and 45cm compact ovens	HEZ634000	-	-	-	•	-	-

### Built-in compact microwaves

Description	Accessory Nr.	CBG675BS1B	CNG6764S6B	CMG676BS6B	CMG656BS6B CMG656BB6B	CMG633BS1B CMG633BB1B	CFA634G21B	HBC84H50	CSG656BS6B	CDG634BS1B
Full width enamelled baking tray for Serie 8 60cm single and 45cm compact ovens	HEZ631070	•	•	-	•	•	•	-	•	-
Single level telescopic shelf rails for Serie 8 45cm compact pyrolytic ovens	HEZ638178	•	-	-	-	-	-	-	-	-
Full width wire shelf for Serie 8 60cm single and 45cm compact ovens	HEZ634000	•	-	-	-	-	-	-	-	-

All diagram measurements are in millimetres (mm)

All models comply with COMMISSION REGULATION (EC) No 1275/2008 with regard to ecodesign requirements for standby and off mode electric power consumption. We try to keep up to date with constant technological improvements, so from time to time we may update installation guidelines. Therefore we strongly recommend that you download the latest installation guidelines from [www.bosch-home.co.uk](http://www.bosch-home.co.uk). Line drawings are for guidance only, and we recommend that you refer to the latest installation guidelines. Though every care is taken to ensure instructions are correct at the time of printing, Bosch cannot accept responsibility for incorrect planning or installation as a result of the use of these line drawings.

Making life easy through innovative technologies

# Microwave ovens

OVEN TYPE	MF PYROLYTIC	MF PYROLYTIC WITH MICROWAVE & ADDED STEAM	MF PYROLYTIC WITH MICROWAVE	MF WITH MICROWAVE	MF WITH MICROWAVE	MICROWAVE ONLY
DESIGN FAMILY	SERIE 8	SERIE 8	SERIE 8	SERIE 8	SERIE 8	SERIE 8
Brushed Steel	CBG675BS1B	CNG6764S6B	CMG676BS6B	CMG656BS6B	CMG633BS1B	CFA634GS1B
Black	-	-	-	CMG656BB6B	CMG633BB1B	-
<b>KEY FEATURES</b>						
Home Connect	-	●	●	●	-	-
Home Connect connectivity	-	Wi-Fi	Wi-Fi	Wi-Fi	-	-
3 TFT colour and graphics displays with direct text touch	-	●	●	●	-	-
1 TFT colour and text display with touch buttons	●	●	●	●	●	●
SoftClose/SoftOpen drop down door	●/●	●/●	●/●	●/●	●/●	●/●
Digital temperature display with proposal	●	●	●	●	●	●
Actual temperature display	●	●	●	●	●	●
Heating up / residual heat indicator	●/●	●/●	●/●	●/●	●/●	●/●
Sabbath setting	●	●	●	●	●	●
Pyrolytic self-cleaning function	●	●	●	●	-	-
Pyrolytic proof tray/holder & baking tray	●	●	●	●	-	-
EcoClean® back/roof/side surfaces	-/-	-/-	-/-	●/●/●	-/-	-/-
EcoClean® cleaning programme	-	-	-	-	-	-
BoschAssist	-	●	●	-	-	-
PerfectRoast multi-point temperature probe	-	-	-	-	-	-
PerfectBake sensor	-	-	-	-	-	-
Automatic cooking programmes	10	-	-	-	-	-
Added steam function	-	●	-	-	-	-
<b>DESIGN</b>						
4D HotAir	●	●	●	●	●	●
Hotair Eco	●	●	●	●	●	●
Conventional top & bottom heat	●	●	●	●	●	●
Conventional heat eco	●	●	●	●	●	●
Hotair grilling	●	●	●	●	●	●
Full width variable grill	●	●	●	●	●	●
Half width variable grill	●	●	●	●	●	●
Pizza Setting	●	●	●	●	●	●
Bottom heat	●	●	●	●	●	●
Intensive heating	-	●	-	-	-	-
Low temperature cooking	-	●	-	-	-	-
Defrost	●	-	-	-	-	-
Preheating	●	-	-	-	-	-
Plate warming	●	●	●	●	●	●
Dehydrate	-	●	-	-	-	-
Microwave	-	●	-	●	●	●
Microwave combined with HotAir, Top&Bottom Heat, Hotair grilling, grill	-	90/180/360W	90/180/360W	90/180/360W	-	-
Microwave combined with Hotair	-	-	●	-	90W	90W
Microwave combined with Hotair grilling	-	-	-	-	90/180/360W	90/180/360W
Added steam function	-	●	-	-	-	-
Steam descaling & cleaning	-	●	-	-	-	-
Cavity drying function	-	●	-	-	-	-
Steam reheating and dough proving functions	-	●	-	-	-	-
Fast heat	●	●	-	●	●	●
<b>FEATURES</b>						
Electronic clock timer with automatic on/off programmer	White	White	White	White	White	White
Main on/off switch	●	●	●	●	●	●
Interior lights	LED	LED	1 standard	1 standard	1 standard	1 standard
Light on/off when oven door opened/closed	●	●	●	●	●	●
Automatic safety switch off	●	●	●	●	●	●
Control panel lock	●	●	●	●	●	●
Start button	●	●	●	●	●	●
Water tank empty indicator	-	●	-	-	-	-
Enamelled oven interior / Stainless steel oven interior	●	●	●	●	●	●
Number of shelf positions	3	3	3	3	3	3
Full glass inner door	●	●	●	●	●	●
<b>PROGRAMMES / FUNCTIONS</b>						
Microwave	●	●	●	●	●	●
Microwave and grill combination operation	-	-	●	-	-	-
Automatic programmes	10	7	8	7	8	7
Memory function	-	-	1	1	1	1
<b>PERFORMANCE / TECHNICAL INFORMATION</b>						
Cavity dimensions HxWxD (mm)	237x480x415	237x480x392	237x480x392	237x480x392	237x480x392	237x480x392
Oven capacity (litres) <sup>1</sup>	47	45	45	45	45	45
Installation in tall housing / under work surface	●	●	●	●	●	●
Maximum microwave power (W)	-	1000	1000	1000	1000	1000
Number of microwave power levels	-	5	5	5	5	5
Water tank capacity (litres)	-	1	-	1	-	1
Energy efficiency rating <sup>2</sup>	A+	-	-	-	-	-
Efficiency declared on	Hotair	-	-	-	-	-
Energy consumption hot air (kWh)	0.61	-	-	-	-	-
Energy consumption conventional (kWh)	0.73	-	-	-	-	-
Time to cook standard load (min)	46	-	-	-	-	-
Largest baking sheet area (cm <sup>2</sup> )	1290	1290	1290	1290	1290	1290
Cable length (cm)	120	120	120	120	120	120
Total connected loading (W)	3000	3650	3650	3650	3650	3650
<b>OPTIONAL ACCESSORIES</b>						
Full width enamelled pan	1	1	1	1	1	1
Wire pan insert	-	-	-	-	-	-
Wire shelves	1	2	1	2	1	2
Extendible telescopic shelves	-	1 level	-	-	-	-
<b>STANDARD ACCESSORIES</b>						
Baking sheet	HEZ631070	HEZ631070	-	HEZ631070	HEZ631070	HEZ631070
Fully extendible telescopic shelf rail (1 level)	HEZ638178	-	-	-	-	-
Wire shelf	HEZ634000	-	-	-	-	-

● = Yes - = No

<sup>1</sup>According to norm EU 65/2014 Excludes steam only models and models with microwave <sup>2</sup>Energy rating: According To Norm EN50304:2014 update. A+++ = more efficient, D = less efficient. All models comply with COMMISSION REGULATION (EC) No 1275/2008 with regard to ecodesign requirements for standby and off mode electric power consumption.

# Compact steam and steam combination ovens

OVEN TYPE	STEAM COMBINATION OVEN	STEAM COMBINATION OVEN
DESIGN FAMILY	SERIE 8	SERIE 8
Brushed Steel	CSG656BS6B	CDG634BS1B
<b>KEY FEATURES</b>		
Home Connect	●	-
Home Connect connectivity	Wi-Fi	-
3 TFT colour and graphics displays with direct text touch	●	-
1 TFT colour and text display with touch buttons	-	●
SoftClose/SoftOpen drop down door	●/●	●/●
Digital temperature display with proposal	●	●
Actual temperature display	●	●
Heating up / residual heat indicator	●/●	●/●
Sabbath setting	●	-
EcoClean® back/roof/side surfaces	●/●/●	-/-
EcoClean® cleaning programme	-	-
BoschAssist	●	-
Automatic cooking programmes	-	20
<b>DESIGN</b>		
Control panel height mm	96	96
Control wheel	●	●
Steel handle fixing blocks	●	●
<b>FEATURES</b>		
Electronic clock timer with automatic on/off programmer	White	White
Main on/off switch	●	●
Interior lights	LED	1 standard
Light on/off when oven door opened/closed	●	●
Automatic safety switch off	●	●
Control panel lock	●	●
Start button	●	●
Water tank empty indicator	●	●
Enamelled oven interior / Stainless steel oven interior	●/-	-/●
Number of shelf positions	3	4
Full glass inner door	●	●
<b>PROGRAMMES / FUNCTIONS</b>		
4D HotAir	●	-
Hotair Eco	●	-
Conventional top & bottom heat	●	-
Conventional heat eco	●	-
Hotair grilling	●	-
Full width variable grill	●	-
Half width variable grill	●	-
Pizza Setting	●	-
Bottom heat	●	-
Low temperature cooking	●	-
100% steam	●	●
Added Steam option for HotAir, Top&Bottom Heat, Hotair grilling	●	-
Steam reheating	●	●
Steam dough proving	●	●
Defrost	●	-
Preheating	●	-
Warming	●	-
Steam descaling & cleaning	●	●
Cavity drying function	●	●
Fast heat	●	●
<b>PERFORMANCE / TECHNICAL INFORMATION</b>		
Cavity dimensions HxWxD (mm)	237x480x415	265x325x439
Oven capacity (litres) <sup>1</sup>	47	38
Installation in tall housing / under work surface	●	●
Water tank capacity (litres)	1.0	1.3
Energy efficiency rating <sup>2</sup>	A+	-
Efficiency declared on	HotAir	-
Energy consumption hot air (kWh)	0.61	-
Energy consumption conventional (kWh)	0.79	-
Time to cook standard load (min)	42	-
Largest baking sheet area (cm <sup>2</sup> )	1290	1290
Cable length (cm)	120	120
Total connected loading (W)	3300	1900
<b>STANDARD ACCESSORIES</b>		
Full width enamelled pan	1	-
Wire shelves	1	-
Small perforated steam tray	1	-
Small solid steam tray	1	-
Large perforated steam tray	1	1
Large solid steam tray	-	1
<b>OPTIONAL ACCESSORIES</b>		
Baking sheet	HEZ631070	-

● = Yes - = No

<sup>1</sup>According to norm EU 65/2014 Excludes steam only models and models with microwave <sup>2</sup>Energy rating: According To Norm EN50304:2014 update. A+++ = more efficient, D = less efficient. For full specification details, please log onto our website and download a full specification sheet. All models comply with COMMISSION REGULATION (EC) No 1275/2008 with regard to ecodesign requirements for standby and off mode electric power consumption.

# Compact coffee centre

DESIGN FAMILY	SERIE 8
Stainless Steel	CTL636ES6
<b>KEY FEATURES</b>	
Home Connect	●
Home Connect connectivity	Wi-Fi
3 TFT colour and graphics displays with direct text touch	●
Left hinged door to access interior	●
<b>DESIGN</b>	
Control panel height mm	96
Control wheel	●
<b>KEY FEATURES</b>	
Electronic control	●
SensoFlow system	●
Aroma pressure system	●
Auto valve system	●
Main on / off switch	●
Bean container / Ground coffee container	●/●
Container empty warning indicators for water / beans	●/●
Cleaning / descaling / filter warning indicators	●/●/●
Ceramic coffee grinders	●
Multilevel grinding setting	●
Cup illumination	●
Height adjustable coffee outlet (mm)	7-15
Height adjustable milk nozzle (mm)	7-15
Removable, insulated milk container	●
Removable water tank	●
Adjustable automatic switch off setting	●
Integrated water filter	●
Removable spillage collection tray	●
Removable used coffee grounds collection container	●
<b>PROGRAMMES / FUNCTIONS</b>	
Personalised milk beverage	1 or 2 cup
Milk foam	1 or 2 cup
Hot water	1 or 2 cup
Warm milk	1 or 2 cup
Ristretto	1 or 2 cup
Coffee	1 or 2 cup
Espresso	1 or 2 cup
Cappuccino	1 or 2 cup
Latte Macchiato	1 or 2 cup
Caffe latte	1 or 2 cup
Espresso Macchiato	1 or 2 cup
One touch function for milk drinks	●
Coffee temperature options	3
Hot water temperature options	4
Milk foam / frothing function	●/●
Hot milk function	●
Cleaning / descaling / combined programmes	●/●/●
Automatic rinse when switched on/off	●/●
<b>PERFORMANCE / TECHNICAL INFORMATION</b>	
Recommended installation height (mm)	950-1450
Installation in a tall housing	●
Insulated milk container capacity (litres)	0.5
Brewing chamber volume (g)	8-12
Bean container	500
Ground coffee container	2.4
Water tank capacity (litres)	2.4
Total connected loading (W)	1600
Cable length (cm)	170
GB plug	●

● = Yes - = No

# Warming and storage drawers

DESIGN FAMILY	SERIE 8	SERIE 8
Stainless Steel	-	-
Stainless Steel trim	BID630NS1B	BIC630NS1B
Black	-	BIC630NB1B
<b>KEY FEATURES</b>		
Electronic control	●	●
SoftClose mechanism	●	●
<b>DESIGN</b>		
Install independently	●	●
Install with compact appliance	-	●
Install with a single oven	●	●
Push-pull opening mechanism	●	●
<b>FEATURES</b>		
Operating indicator light	●	●
Rotary temperature control dial	●	●
Number of settings	4	4
Maximum temperature (C°)	80	80
Minimum temperature (C°)	40	40
Toughened glass drawer base	●	●
Maximum loading (plates)	40	12
Maximum loading (espresso cups)	192	64
Maximum weight capacity (kg)	25	25
<b>PERFORMANCE / TECHNICAL INFORMATION</b>		
Drawer interior volume (litres)	52	20
Interior drawer dimensions	468x242x458	468x92x458
Installation in a tall housing	●	●
Installation under work surface	●	●
Nominal voltage (V)	220-240	220-240
Total connected loading (W)	810	810
Cable length (cm)	150	150
GB plug	●	●
Appliance weight (kg)	21.0	16.0
Safety approved	●	●

● = Yes - = No

## Microwave ovens

OVEN TYPE	MICROWAVE WITH GRILL	MICROWAVE	MICROWAVE WITH GRILL	MICROWAVE	MICROWAVE WITH GRILL	MICROWAVE	MICROWAVE
DESIGN FAMILY	SERIE 8	SERIE 8	SERIE 6	SERIE 6	SERIE 6	SERIE 6	SERIE 4
Stainless Steel	BEL634GS1B	BFL634GS1B	HMT84G654B	HMT84M654B	HMT75G654B	HMT75M654B	HMT75M551B
Black	-	BFL634GB1B	-	HMT84M664B	-	HMT75M664B	-
White	-	-	-	HMT84M624B	-	HMT75M624B	-
<b>KEY FEATURES</b>							
1 TFT colour and text display with touch buttons	●	●	-	-	-	-	-
<b>DESIGN</b>							
Control wheel	●	●	-	-	-	-	-
Control dials with metal cap	-	-	-	-	-	-	-
Control Dials standard	-	-	●	●	●	●	●
Touch Control	●	●	-	-	-	-	-
Push buttons	-	●	●	●	●	●	●
Left hinged door	●	●	●	●	●	●	●
<b>FEATURES</b>							
Electronic clock timer	●	●	●	●	●	●	●
Retractable control dial(s)	-	-	1	1	1	1	1
Interior lights	LED	LED	1 standard	1 standard	1 standard	1 standard	1 standard
Stainless steel interior	●	●	●	●	●	●	●
Quartz grill	●	-	●	-	●	-	-
<b>PROGRAMMES / FUNCTIONS</b>							
Microwave	●	●	●	●	●	●	●
Microwave and grill combination operation	●	-	●	-	-	-	-
Automatic programmes	10	7	8	7	8	7	7
Programmable steps	-	-	-	-	-	-	-
Memory function	-	-	1	1	1	1	1
<b>PERFORMANCE / TECHNICAL INFORMATION</b>							
Usable oven capacity (litres)	21	21	25	25	20	20	17
Cavity dimensions HxWxD (mm)	220x350x270	220x350x270	208x328x369	208x328x369	221x308x298	221x308x298	194x290x285
Installation in tall housing	●	●	●	●	●	●	-
Installation 60cm wide wall unit	●	●	-	-	●	●	-
Installation 50cm wide wall unit	-	-	-	-	-	-	●
Microwave distribution	Stirrer	Stirrer	Turntable	Turntable	Turntable	Turntable	Turntable
Turntable diameter (mm)	-	-	315	315	245	245	245
Maximum microwave power (W)	900	900	900	900	800	800	800
Number of microwave power levels	5	5	5	5	5	5	5
Total connected loading (W)	1990	1220	1450	1450	1270	1270	1270
Cable length (cm)	150	150	130	130	130	130	130
GB plug	●	●	●	●	●	●	●
<b>STANDARD ACCESSORIES</b>							
Glass pan	1	1	-	-	-	-	-
Enamelled pan	-	-	-	-	-	-	-
Wire rack	1	1	-	-	-	-	-
Turntable	-	-	1	1	1	1	1

● = Yes - = No

## Freestanding microwave specifications

DESIGN FAMILY	SERIE 4	SERIE 4	SERIE 4	SERIE 4	SERIE 4
Brushed Steel	HMT84M451B	HMT75M451B	HMT75G451B	HMT72M450B	HMT72G450B
Black	HMT84M461B	HMT75M461B	-	-	-
White	HMT84M421B	HMT75M421B	-	-	-
<b>KEY FEATURES</b>					
Electronic controls	●	●	●	-	-
<b>DESIGN</b>					
Colour co-ordinated controls	●	●	●	●	●
Left hinged door	●	●	●	●	●
Door open button	●	●	●	●	●
<b>FEATURES</b>					
Electronic clock	●	●	●	-	-
Push button controls	●	●	●	-	-
Retractable controls	●	●	●	-	-
Rotary controls	-	-	-	●	●
99 minute timer	●	●	-	-	-
60 minute timer	-	-	-	●	●
Interior light	●	●	●	●	●
Glass turntable	●	●	●	●	●
Stainless steel interior	-	-	-	-	-
Lacquered interior	●	●	-	●	●
<b>PROGRAMMES / FUNCTIONS</b>					
Microwave	●	●	●	●	●
Quartz grill	-	-	●	-	●
Microwave combination cooking	-	-	●	-	●
Weight automatic programmes	7	7	8	-	-
Microwave/grill combination programmes	-	-	3	-	2
Memory function	●	●	●	-	-
<b>PERFORMANCE / TECHNICAL INFORMATION</b>					
Oven capacity (litres)	25	17	17	17	17
Oven interior dimensions HxWxD (mm)	215x337x354	194x290x274	194x290x274	194x290x274	194x290x274
Can be installed under a wall unit	-	●	-	●	-
Microwave distribution	Turntable	Turntable	Turntable	Turntable	Turntable
Turntable diameter (mm)	315	245	245	245	245
Number of microwave power levels	5	5	5	5	5
Maximum microwave power level (W)	900	800	800	800	800
Grill power (W)	-	-	1000	-	1000
Cable length (cm)	130	130	130	130	130
GB plug	●	●	●	●	●
Total connected load (W)	1450	1270	1270	1270	1270
Voltage (V)	230	230	230	230	230
CE/VDE approved	●	●	●	●	●
Appliance weight (kg)	17.0	13.6	13.6	13.6	13.6
Weight including packaging (kg)	19.0	15.0	15.0	15.0	15.0
<b>STANDARD ACCESSORIES</b>					
Wire rack	-	-	1	-	1

● = Yes - = No

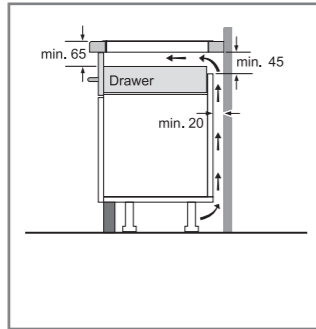
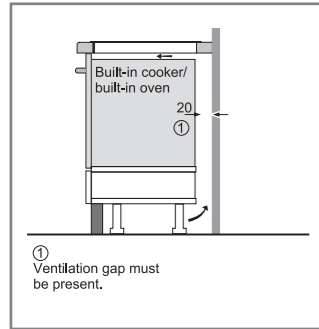
## Microwave combination ovens

DESIGN FAMILY	SERIE 6
Stainless Steel	HBC84H501B
Black	-
White	-
<b>KEY FEATURES</b>	
Electronic control	●
<b>DESIGN</b>	
Control panel height (mm)	96
Display window	Single
Control dials with metal cap	-
Control dials standard	●
Touch Control	-
Push buttons	●
Straight bar handle	●
Steel handle fixing blocks	●
U-shape glass on metal door design	-
Drop down door	●
<b>FEATURES</b>	
Electronic clock timer	●
Retractable control dial(s)	2
Fixed controls	-
Interior lights, halogen	-
Interior lights standard	1
Control panel lock	●
Stainless steel interior	●
Number of shelf positions	-
EcoClean® back liner	-
Quartz grill	●
<b>PROGRAMMES / FUNCTIONS</b>	
Hotair cooking	●
Full width variable grill	Quartz
Half width variable grill	-
Convection grilling	-
Hotair grilling	●
Microwave	●
Combination operation	●
Automatic cooking programmes	15
Automatic defrost programmes	4
Automatic combination programmes	8
Programmable steps	3
Memory function	-
Fast heat	●
<b>PERFORMANCE / TECHNICAL INFORMATION</b>	
Usable oven capacity (litres)	44
Cavity dimensions HxWxD (mm)	250x420x420
Installation in tall housing	●
Installation in base unit / under worksurface	-
Installation 60cm wide wall unit	-
Installation 50cm wide wall unit	-
Maximum oven temperature (C°)	230
Microwave Inverter technology	-
Microwave distribution	Turntable
Turntable diameter (mm)	360.0
Maximum microwave power (W)	1000
Number of microwave power levels	5
Nominal voltage (V)	230-240
Total connected loading (W)	3600
Cable length (cm)	180
GB plug	-
External cooling fan	●
Appliance weight (kg)	-
Safety Approved	●

● = Yes - = No

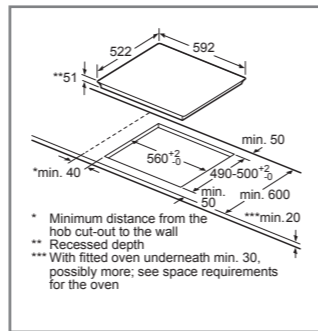
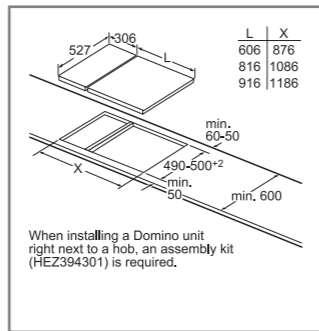
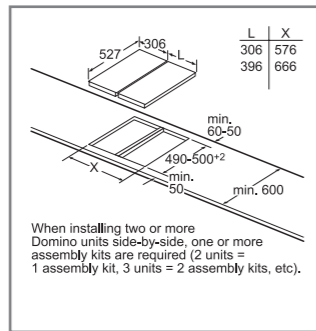
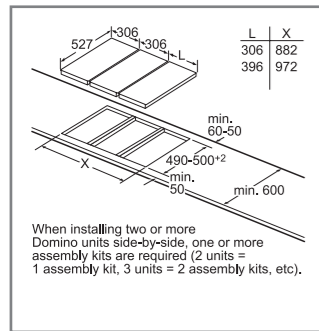
# Electric hobs technical diagrams

## All models

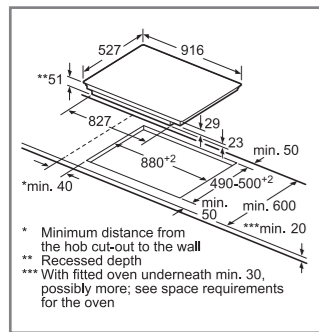


### Induction all models

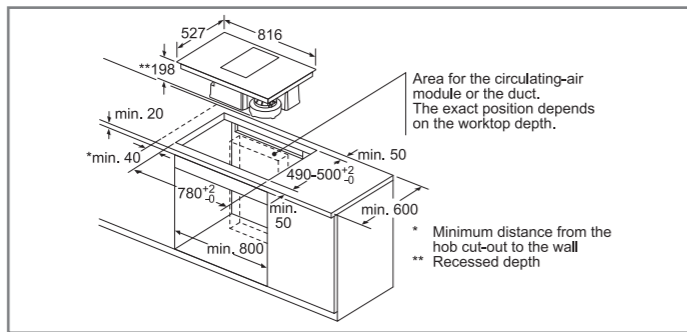
### Induction all models



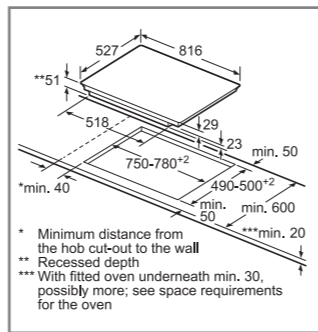
## FlexInduction hobs



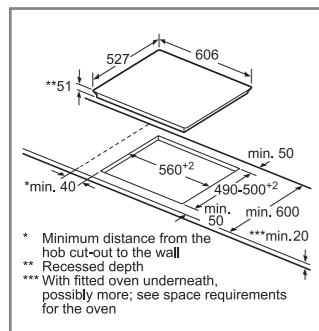
PXX975KW1E



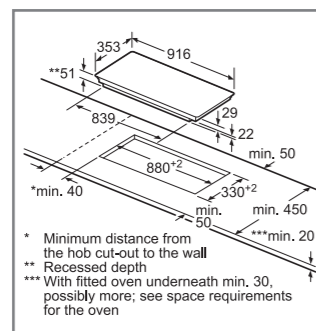
PXX875D34E



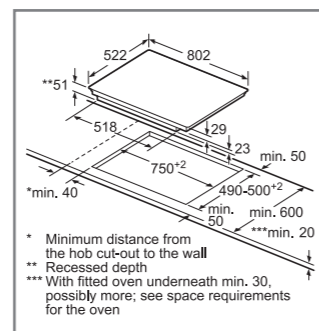
PXY875KE1E, PXY875DE3E, PXV875DC1E, PXY875KW1E, PXV875DV1E



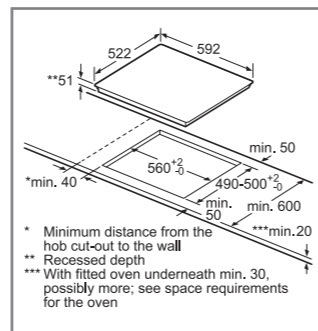
PXY675DE3E, PXE675DC1E, PXX675DV1E



PXX275FC1E



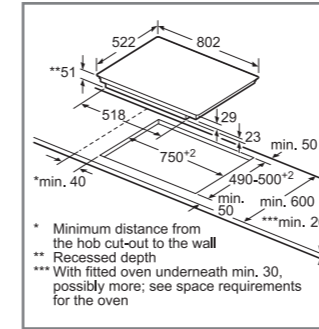
PXY851FC1E



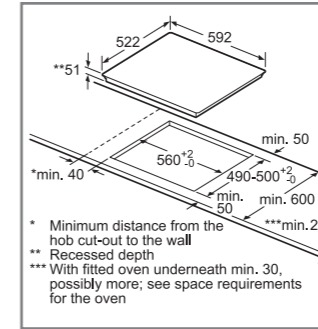
PXE651FC1E

# Electric hobs technical diagrams

## Induction hobs

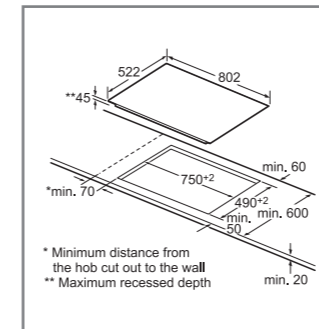


PWN851FB1E, PIV851FB1E

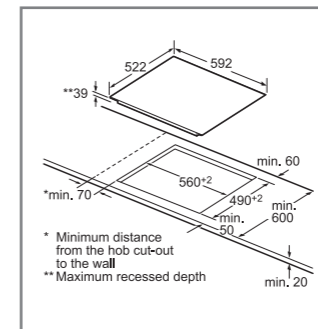


PVS651FB1E, PIE651BB1E, PWP631BB1E, PUE611BB1E, PWP631BF1B, PUE611BF1B

## Quick-Therm Ceramic hobs

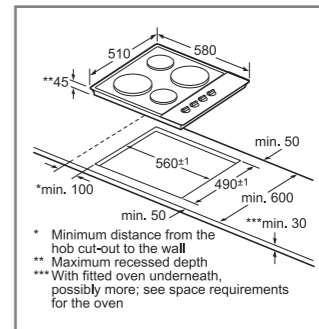


PKN811D17E

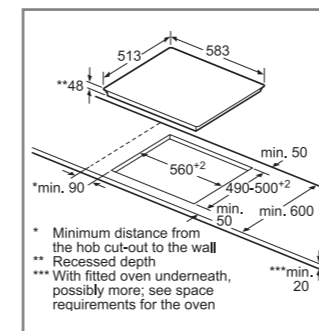


PKE611D17E

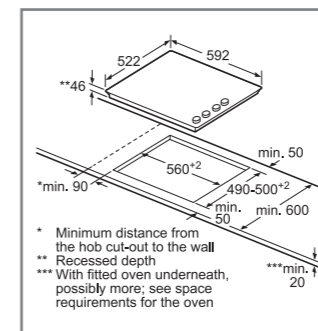
## Sealed Plate Electric hobs



PEE689CA1, PEE686CA1, PEE682CA1



PKE645B17E



PKF659C17E, PKE611CA1E

All diagram measurements are in millimetres (mm)

We try to keep up to date with constant technological improvements, so from time to time we may update installation guidelines. Therefore we strongly recommend that you download the latest installation guidelines from [www.bosch-home.co.uk](http://www.bosch-home.co.uk). Line drawings are for guidance only, and we recommend that you refer to the latest installation guidelines. Though every care is taken to ensure instructions are correct at the time of printing, Bosch cannot accept responsibility for incorrect planning or installation as a result of the use of these line drawings.



# Electric hobs specifications

HOB TYPE	QUICK-THERM CERAMIC				SEALED PLATE ELECTRIC			
	SERIE 4	SERIE 4	SERIE 4	SERIE 2	SERIE 2	SERIE 2	SERIE 2	SERIE 2
DESIGN FAMILY	PKN811D17E	PKE645B17E	PKE611D17E	PKF659C17E	PKE611CA1E	PEE689CA1	PEE686CA1	PEE682CA1
<b>DESIGN</b>								
Width (mm)	802mm	583mm	592mm	592mm	592mm	580mm	580mm	580mm
Control position	Front	Front	Front	Side	Side	Side	Side	Side
Control type	Touch Control	Touch Control	Touch Control	Control Dials	Control Dials	Control Dials	Control Dials	Control Dials
Style	Frameless	Stainless Steel Trim	Frameless	White - frameless	Frameless	Stainless Steel	Black Metal	White Metal
<b>FEATURES</b>								
Number of individual zones	4	4	4	4	4	4	4	4
Number of dual zones	2	-	-	1	-	-	-	-
Number of extendable zones	1	-	-	-	-	-	-	-
powerBoost	●	-	-	-	-	-	-	-
panBoost	●	-	-	-	-	-	-	-
Power levels	17	17	17	9	9	9	9	9
Digital display	●	●	●	-	-	-	-	-
Timer with automatic switch off for each zone	●	●	●	-	-	-	-	-
Keep warm function	●	●	●	-	-	-	-	-
Wipe protection function	●	-	-	-	-	-	-	-
<b>SAFETY FEATURES</b>								
Main on/off switch	●	●	●	-	●	-	-	-
Two-stage residual heat indicators	●	●	●	●	●	-	-	-
Safety lock	●	●	●	●	●	-	-	-
Timed safety switch off	●	●	●	●	●	-	-	-
<b>PERFORMANCE/TECHNICAL INFORMATION</b>								
Nominal voltage (V)	220-240	220-240	220-240	220-240	220-240	220-240	220-240	220-240
Maximum power output (W)	9300	6600	6600	6600	6600	7000	7000	7000
Electrical cable length (m)	1.1	1.1	1.1	1.1	1.1	1.1	1.1	1.1
GB plug	-	-	-	-	-	-	-	-
Rear left zone (kW/mm)	1.2   145	2   180	2   180	2   180	2.2   210	1.5   145	1.5   145	1.5   145
Rear right zone (kW/mm)	1.2   145	1.2   145	1.2   145	1.2   145	1.2   145	2   180	2   180	2   180
Rear centre zone (kW/mm)	1.7-2.4   230	-	-	-	-	-	-	-
Front centre zone (kW/mm)	-	-	-	-	-	-	-	-
Front left zone (kW/mm)	0.8-2.1   210	1.2   145	1.2   145	1.2   145	1.2   145	2   180	2   180	2   180
Front right zone (kW/mm)	1.8-2.6   265	2.2   210	2.2   210	2.2   210	2   180	1.5   145	1.5   145	1.5   145
Rear left zone - with powerBoost (max. kW)	-	-	-	-	-	-	-	-
Rear right zone - with powerBoost (max. kW)	-	-	-	-	-	-	-	-
Rear centre zone - with powerBoost (max. kW)	3.4	-	-	-	-	-	-	-
Front centre zone - with powerBoost (max. kW)	-	-	-	-	-	-	-	-
Front left zone - with powerBoost (max. kW)	-	-	-	-	-	-	-	-
Front right zone - with powerBoost (max. kW)	2.6	-	-	-	-	-	-	-

● = Yes - = No

All models comply with COMMISSION REGULATION (EC) No 1275/2008 with regard to ecodesign requirements for standby and off mode electric power consumption. For full specification details, please log onto our website and download a full specification sheet.

# Gas hobs technical diagrams

## Gas hobs

**PPS9A6B90**

**PPQ7A6B90**

**PPP6A6B90 | PNP6B6B80**

**PCR9A5B90**

**PCST7A5B90**

**PCQ7A5B90**

**PCQ715B90E**

**PCI6A5B90**

**PCH6A5B90 | PGH6B5B60**

**PCP6A5B90 | PCP6A6B90 | PCP6A2B90 |**

**POP6B6B80**

**PBH6B5B60**

**PBP6B5B60 | PBP6B6B60 | PBP6B2B60**

**PGP6B5B60 | PGP6B6B60 | PGP6B2B60**

\* Minimum distance from the hob cut-out to the wall  
 \*\* Position of gas connection in the cut-out  
 \*\*\* With fitted oven underneath, possibly more; see space requirements for the oven

All diagram measurements are in millimetres (mm)

We try to keep up to date with constant technological improvements, so from time to time we may update installation guidelines. Therefore we strongly recommend that you download the latest installation guidelines from [www.bosch-home.co.uk](http://www.bosch-home.co.uk). Line drawings are for guidance only, and we recommend that you refer to the latest installation guidelines. Though every care is taken to ensure instructions are correct at the time of printing, Bosch cannot accept responsibility for incorrect planning or installation as a result of the use of these line drawings.



## Gas hobs specifications

HOB TYPE	GAS HOB							
DESIGN FAMILY	SERIE 6	SERIE 6	SERIE 6	SERIE 6	SERIE 6	SERIE 6	SERIE 6	SERIE 6
Stainless Steel / Stainless Steel trim	-	-	-	PCR9A5B90	PCS7A5B90	PCQ7A5B90	PCQ715B90E	PCI6A5B90
Black / Premium black	PPS9A6B90	PPQ7A6B90	PPP6A6B90	-	-	-	-	-
White / Premium white	-	-	-	-	-	-	-	-
<b>DESIGN</b>								
Width (mm)	915	752	590	915	750	750	702	582
Control position	Front	Front	Front	Front	Front	Front	Front	Front
<b>KEY FEATURES</b>								
FlameSelect power controls	●	●	●	●	●	●	-	●
Digital power level display	-	-	-	-	-	-	-	-
Number of dual circuit wok-style burners	1	1	-	1	1	1	1	1
High power (5.0kW+) wok burner	-	-	-	●	●	-	-	-
Dual control wok burner	-	-	-	●	●	-	-	-
"Diamond" shape burner layout	-	-	-	-	-	-	-	●
Hob surface type	Tempered glass	Tempered glass	Tempered glass	Metal	Metal	Metal	Metal	Metal
<b>FEATURES</b>								
Number of cooking zones	5	5	4	5	5	5	5	4
Individual power levels	9	9	9	9	9	9	-	9
Variable power levels	-	-	-	-	-	-	●	-
Ignition via control dias	●	●	●	●	●	●	●	●
Flame-failure safety device	●	●	●	●	●	●	●	●
Cast iron pan supports (number)	3	5	4	3	3	3	2	2
Cast iron finish pan supports (number)	-	-	-	-	-	-	-	-
Enamelled steel pan supports (number)	-	-	-	-	-	-	-	-
Low profile single-piece burners	-	-	-	-	-	-	-	-
Two-piece burners	●	●	●	●	●	●	●	●
Comfort Profile	-	-	-	-	-	-	-	-
Can be combined with other models with Comfort Profile	-	-	-	-	-	-	-	-
Installation flush with work top possible	●	●	●	-	-	-	-	-
<b>PERFORMANCE/TECHNICAL INFORMATION</b>								
Nominal voltage (V)	220-240	220-240	220-240	220-240	220-240	220-240	220-240	220-240
Maximum gas power output load (W)	11500	11500	7500	12500	12500	11500	11400	9750
Total connected electrical load (W)	1	1	1	1	1	1	1	1
Cable length (cm)	150	100	100	150	100	100	100	100
GB plug	-	-	-	-	-	-	-	-
Left burner power (kW)	4	-	-	-	5	-	-	4
Front left burner power (kW)	-	1	1.75	1	-	1	1	-
Back left burner power (kW)	-	1.75	1.75	1.75	-	1.75	1.7	-
Centre/Centre front burner power (kW)	1	4	-	5	1	4	4	1
Centre back burner power (kW)	1.75	-	-	-	1.75	-	-	1.75
Front right burner power (kW)	1.75	1.75	1	1.75	1.75	1.75	1.7	-
Back right burner power (kW)	3	3	3	3	3	3	3	-
Right burner power (kW)	-	-	-	-	-	-	-	3
Pre-set for natural gas	●	●	●	●	●	●	●	●
CE Marked	●	●	●	●	●	●	●	●
<b>STANDARD ACCESSORIES</b>								
LPG jets	28-30/37mbar	28-30/37mbar	28-30/37mbar	28-30/37mbar	28-30/37mbar	28-30/37mbar	28-30/37mbar	28-30/37mbar
<b>OPTIONAL ACCESSORIES</b>								
Connecting Strip to link other Comfort Profile models	-	-	-	-	-	-	-	-

● = Yes - = No

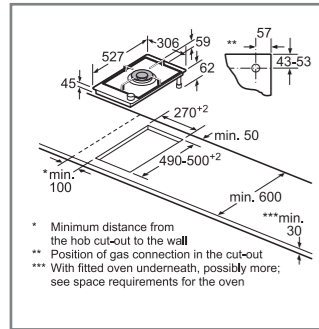
## Gas hobs specifications

HOB TYPE	GAS HOB							
DESIGN FAMILY	SERIE 6	SERIE 4	SERIE 4	SERIE 4	SERIE 4	SERIE 2	SERIE 2	SERIE 2
Stainless Steel / Stainless Steel trim	PCH6A5B90	PGH6B5B60	PCP6A5B90	PGP6B5B60	-	-	PBH6B5B60	PBP6B5B60
Black / Premium black	-	-	PCP6A6B90	PGP6B6B60	PNP6B6B80	POP6B6B80	-	PBP6B6B60
White / Premium white	-	-	PCP6A2B90	PGP6B2B60	-	-	-	PBP6B2B60
<b>DESIGN</b>								
Width (mm)	582	582	582	582	590	590	580	580
Control position	Front	Front	Front	Front	Front	Right Side	Right Side	Right Side
<b>KEY FEATURES</b>								
FlameSelect power controls	●	-	●	-	-	-	-	-
Digital power level display	-	-	-	-	-	-	-	-
Number of dual circuit wok-style burners	1	1	-	-	-	-	1	-
High power (5.0kW+) wok burner	-	-	-	-	-	-	-	-
Dual control wok burner	-	-	-	-	-	-	-	-
"Diamond" shape burner layout	-	-	-	-	-	-	-	-
Hob surface type	Metal	Metal	Metal	Metal	Tempered glass	Tempered glass	Metal	Metal
<b>FEATURES</b>								
Number of cooking zones	4	4	4	4	4	4	4	4
Individual power levels	9	-	9	-	-	-	-	-
Variable power levels	-	●	-	●	●	●	●	●
Ignition via control dias	●	●	●	●	●	●	●	●
Flame-failure safety device	●	●	●	●	●	●	●	●
Cast iron pan supports (number)	2	-	2	-	-	-	-	-
Cast iron finish pan supports (number)	-	2	-	2	-	-	2	2
Enamelled steel pan supports (number)	-	-	-	-	2	2	-	-
Low profile single-piece burners	-	-	-	-	-	-	-	-
Two-piece burners	●	●	●	●	●	●	●	●
Comfort Profile	-	-	-	-	-	-	-	-
Can be combined with other models with Comfort Profile	-	-	-	-	-	-	-	-
Installation flush with work top possible	-	-	-	-	-	●	-	-
<b>PERFORMANCE/TECHNICAL INFORMATION</b>								
Nominal voltage (V)	220-240	220-240	220-240	220-240	220-240	220-240	220-240	220-240
Maximum gas power output load (W)	8000	8000	7500	7500	7500	7400	7700	7400
Total connected electrical load (W)	1	1	1	1	1	1	1	1
Cable length (cm)	100	100	100	100	100	100	100	100
GB plug	-	-	-	-	-	-	-	-
Left burner power (kW)	-	-	-	-	-	-	-	-
Front left burner power (kW)	1.75	1.75	1.75	1.75	1.75	3	3.3	3
Back left burner power (kW)	1.75	1.75	1.75	1.75	1.75	1.7	1.7	1.7
Centre/Centre front burner power (kW)	-	-	-	-	-	-	-	-
Centre back burner power (kW)	-	-	-	-	-	-	-	-
Front right burner power (kW)	1	1	1	1	1	1	1	1
Back right burner power (kW)	3.3	3.3	3	3	3	1.7	1.7	1.7
Right burner power (kW)	-	-	-	-	-	-	-	-
Pre-set for natural gas	●	●	●	●	●	●	●	●
CE Marked	●	●	●	●	●	●	●	●
<b>STANDARD ACCESSORIES</b>								
LPG jets	28-30/37mbar	28-30/37mbar	28-30/37mbar	28-30/37mbar	28-30/37mbar	28-30/37mbar	28-30/37mbar	28-30/37mbar
<b>OPTIONAL ACCESSORIES</b>								
Connecting Strip to link other Comfort Profile models	-	-	-	-	-	-	-	-

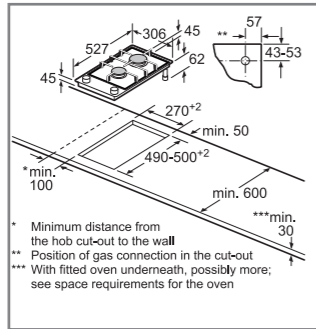
● = Yes - = No

## Domino technical diagrams

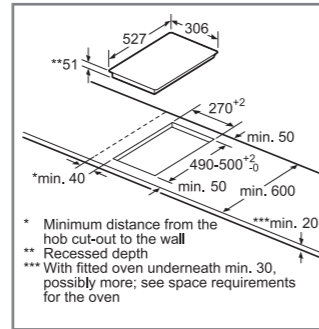
### Domino hobs



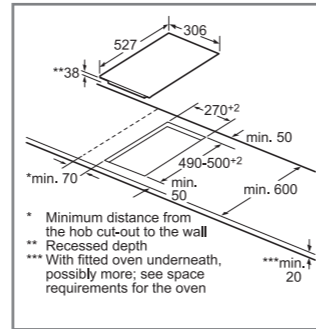
PRA3A6D70



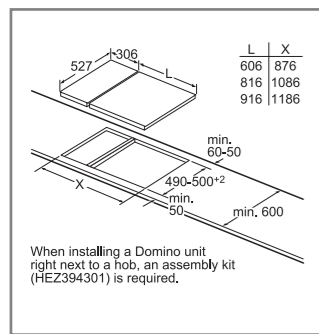
PRB3A6D70



PIB375FB1E



PKF375FP1E



### Domino combination possibilities with corresponding device and cutout dimensions

Width type: 30 40 60 70 80 90  
 Device width: 306 396 606 710 816 916

		A	B	C	D	L	X		
2x30,		306		306				612	<b>576</b>
1x30,	1x40	306		396				702	<b>666</b>
1x30,	1x60	306		606				912	<b>876</b>
1x30,	1x70	306		710				1016	<b>980</b>
1x30,	1x80	306		816				1122	<b>1086</b>
1x30,	1x90	306		916				1222	<b>1186</b>
2x40		396		396				792	<b>756</b>
1x40,	1x60	396		606				1002	<b>966</b>
1x40,	1x70	396		710				1106	<b>1070</b>
1x40,	1x80	396		816				1212	<b>1176</b>
1x40,	1x90	396		916				1312	<b>1276</b>
3x30		306	306	306	306			918	<b>882</b>
2x30,	1x40	306	306	306	396			1008	<b>972</b>
2x30,	1x60	306	306	306	606			1218	<b>1182</b>
2x30,	1x70	306	306	306	710			1322	<b>1286</b>
2x30,	1x80	306	306	306	816			1428	<b>1392</b>
2x30,	1x90	306	306	306	916			1528	<b>1492</b>
1x30,	2x40	306	396	396				1098	<b>1062</b>
1x30,	1x40,	1x60	306	396	606			1308	<b>1272</b>
1x30,	1x40,	1x70	306	396	710			1412	<b>1376</b>
1x30,	1x40,	1x80	306	396	816			1518	<b>1482</b>
1x30,	1x40,	1x90	306	396	916			1618	<b>1582</b>
2x40,	1x60	396	396	606				1398	<b>1362</b>
4x30		306	306	306	306	306		1224	<b>1188</b>
3x30,	1x40	306	306	306	396			1314	<b>1278</b>

All diagram measurements are in millimetres (mm)

We try to keep up to date with constant technological improvements, so from time to time we may update installation guidelines. Therefore we strongly recommend that you download the latest installation guidelines from [www.bosch-home.co.uk](http://www.bosch-home.co.uk). Line drawings are for guidance only, and we recommend that you refer to the latest installation guidelines. Though every care is taken to ensure instructions are correct at the time of printing, Bosch cannot accept responsibility for incorrect planning or installation as a result of the use of these line drawings.

Explore more at [www.bosch-home.co.uk](http://www.bosch-home.co.uk)








## Domino hobs specifications

HOB TYPE	DOMINO			
	SERIE 8	SERIE 8	SERIE 4	SERIE 2
DESIGN FAMILY	PRA3A6D70	PRB3A6D70	PIB375FB1E	PKF375FP1E
MODEL	PRA3A6D70	PRB3A6D70	PIB375FB1E	PKF375FP1E
Black glass, brushed steel trim	•	•	•	•
<b>KEY FEATURES</b>				
Electronic control	-	-	-	-
DirectSelect operation	-	-	-	•
Electronic power level display	-	-	-	•
Safety cut-out switch off	-	-	-	•
Control panel lock	-	-	-	•
Boost setting	-	-	-	-
Energy consumption display	-	-	•	-
Automatic pan recognition	-	-	-	-
Connection current management	-	-	-	-
FlameSelect power controls	•	•	-	-
Digital power level display	•	•	•	-
Number of dual circuit wok-style burners	1	-	-	-
High power (5.0kW+) wok burner	-	-	-	-
Dual control wok burner	•	-	-	-
Hob surface type	Ceramic glass	Ceramic glass	-	-
<b>DESIGN</b>				
Hob width (mm)	306	306	306	306
Front controls	•	•	•	•
Touch Control	-	-	-	-
Metal control dials	-	-	-	-
Can be installed with a Bosch domino hob	-	-	-	-
All around trim	-	-	-	-
Three sided bevelled frameless finish	-	-	-	-
Frameless	-	-	-	-
<b>FEATURES</b>				
Number of power levels	-	-	17	17
Main on/off switch	-	-	•	•
Timer with automatic switch off for each zone	-	-	•	•
Count up timer	-	-	•	-
QuickStart function	-	-	•	-
ReStart function	-	-	•	-
Residual heat indicators	-	-	•	•
Freeze function	-	-	-	-
Small utensil detection	-	-	-	-
Number of cooking zones	1	2	2	2
Individual power levels	9	9	-	-
Digital power level display	•	•	-	•
Ignition via control dials	•	•	-	-
Flame-failure safety device	•	•	-	-
Cast iron pan supports	1 x DW safe	1 x DW safe	-	-
Low profile single piece burners	•	•	•	•
Comfort Profile	•	•	•	•
Can be combined with other models with Comfort Profile	•	•	•	-
<b>PERFORMANCE/TECHNICAL INFORMATION</b>				
Number of FlexInduction cooking zones	-	-	-	-
Triple ring induction zone	-	-	-	-
Number of dual / extendible zones	-	-	-	-
Left zone FlexInduction connected (max. kW/Area mm)	-	-	-	-
Left front zone max. power & diameter (kW / mm)	-	-	-	-
Left back zone max. power & diameter (kW / mm)	-	-	-	-
Centre zones FlexInduction connected (max. kW/Area mm)	-	-	-	-
Centre zone max. power & diameter (kW / mm)	-	-	-	-
Centre front zone max. power & diameter (kW / mm)	-	-	140-145	2.2 210
Centre back zone max. power & diameter (kW / mm)	-	-	220-210	1.2 145
Right zone FlexInduction connected (max. kW/Area mm)	-	-	-	-
Right front zone max. power & diameter (kW / mm)	-	-	-	-
Right back zone max. power & diameter (kW / mm)	-	-	-	-
Right centre zone - with powerBoost (max.kW)	370	370	-	-
Front centre zone - with powerBoost (max.kW)	220	220	-	-
Nominal voltage (V)	220-240	220-240	220-240	220-240
Maximum power output (W)	6000	4700	3700	3500
Total connected electrical load (W)	1	1	-	-
Cable length (cm)	100	100	110	110
Centre/Front burner power (kW)	6	1.9	-	-
Centre back burner power (kW)	-	2.8	-	-
GB plug	-	-	-	-
Appliance weight (kg)	-	-	-	-
Safety approved	•	•	-	-
Pre-set for natural gas	•	•	-	-
CE Marked	•	•	-	-
<b>STANDARD ACCESSORIES</b>				
LPG jets	•	•	-	-
<b>OPTIONAL ACCESSORIES</b>				
Connecting strip	HEZ394301	HEZ394301	-	-
Set of four pans	-	-	HEZ390042	-



• = Yes - = No







All models comply with COMMISSION REGULATION (EC) No 1275/2008 with regard to ecodesign requirements for standby and off mode electric power consumption. For full specification details, please log onto our website and download a full specification sheet.

## FlexInduction and Induction hob accessories

DESCRIPTION	ACCESSORY NR	PXX875D34E	PXX975KW1E	PXY875KW1E	PXY875KE1E	PXY875DE3E	PXY675DE3E	PXV875DV1E	PXX675DV1E	PXV875DC1E	PXV851FC1E	PXE675DC1E
 Wireless temperature sensor	HEZ39050	•	•	•	•	•	•	-	-	-	-	-
 Set of four pans (3 x pans, 1 x sauté pan)	HEZ390042	•	•	•	•	•	•	•	•	•	•	•
 Rectangular roasting pan with lid (approx. 320x200mm)	HEZ390011	•	•	•	•	•	•	•	•	•	•	•
 Steamer pan insert of use with HEZ390011 roasting pan	HEZ390012	•	•	•	•	•	•	•	•	•	•	•
 Teppan Yaki (approx. 300x200mm)	HEZ390511	•	•	•	•	•	•	•	•	•	•	•
 Teppan Yaki (approx. 400x200mm)	HEZ390512	•	•	•	•	•	•	•	•	•	•	•
 Griddle plate (approx. 400x200mm)	HEZ390522	•	•	•	•	•	•	•	•	•	•	•
CleanAir Recirculating kit	HEZ381500	•	-	-	-	-	-	-	-	-	-	-
Exhaust kit	HEZ381400	•	-	-	-	-	-	-	-	-	-	-

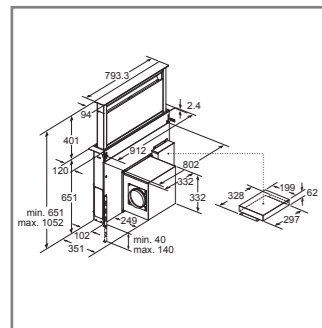
## Domino hob accessories

DESCRIPTION	ACCESSORY NR	PRA3A6D70	PRB3A6D70	PKF375FP1E	PIB375FB1E
 Connecting Strip	HEZ394301	•	•	-	-
 Set of four pans (3 x pans, 1 x sauté pan)	HEZ390042	-	-	-	•

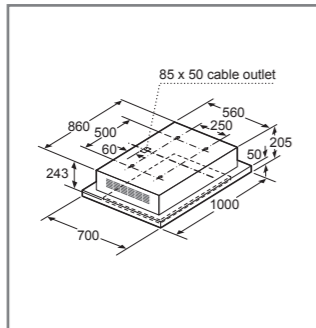
DESCRIPTION	ACCESSORY NR	PXX275FC1E	PVW851FB1E	PXE651FC1E	PIV851FB1E	PVS651FB1E	PIE651BB1E	PWP631BB1E	PUE611BB1E	PWP631BF1B	PUE611BF1B
 Set of four pans (3 x pans, 1 x sauté pan)	HEZ390042	•	•	•	•	•	•	•	•	•	•
 Rectangular roasting pan with lid (approx. 320x200mm)	HEZ390011	•	•	•	-	-	-	-	-	-	-
 Steamer pan insert of use with HEZ390011 roasting pan	HEZ390012	•	•	•	-	-	-	-	-	-	-
 Teppan Yaki (approx. 300x200mm)	HEZ390511	•	•	•	-	-	-	-	-	-	-
 Teppan Yaki (approx. 400x200mm)	HEZ390512	•	•	•	-	-	-	-	-	-	-
 Griddle plate (approx. 400x200mm)	HEZ390522	•	•	•	-	-	-	-	-	-	-

# Hoods technical diagrams

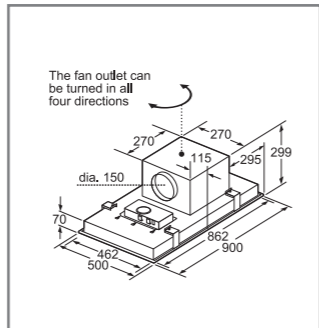
## Downdraft, Island, ceiling and chimney hoods



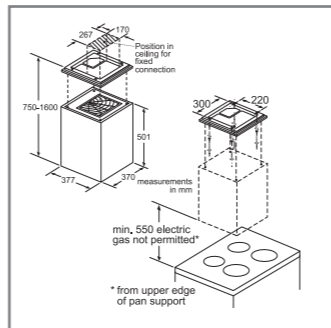
DDA097G59B



DID106T50



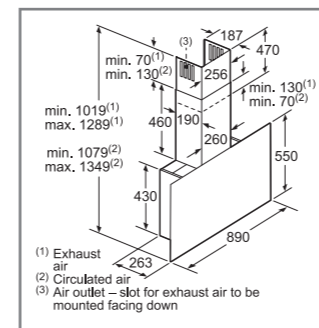
DID09T951B



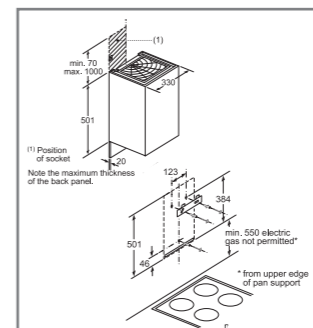
DII31RV60

# Hoods technical diagrams

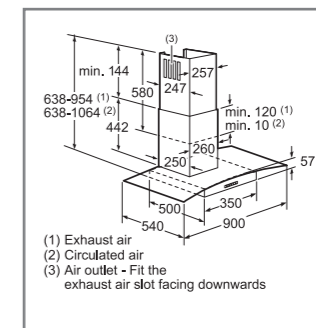
## Downdraft, Island, ceiling and chimney hoods



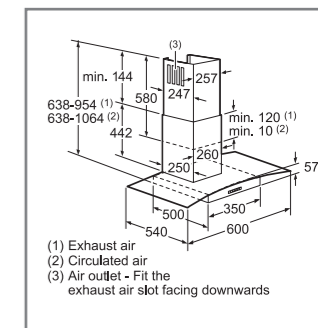
DWF97RV60B



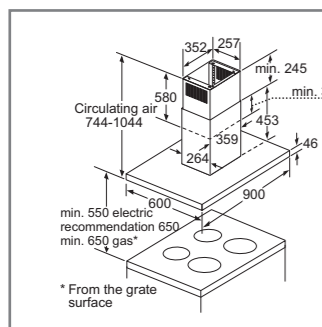
DWI37RU60B



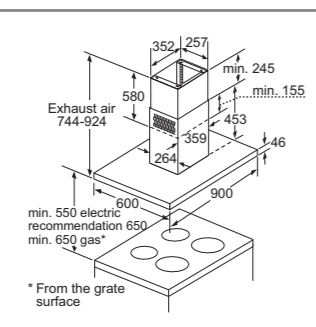
DWA097E51B  
DWD094W51B



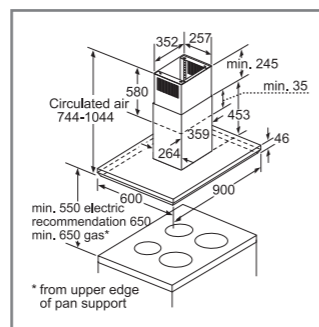
DWA067E51B  
DWA064W51B



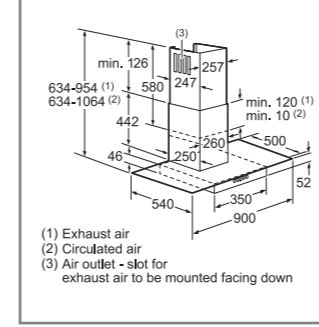
DIB091K50B



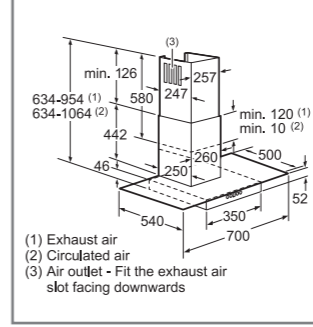
DIB091U51B



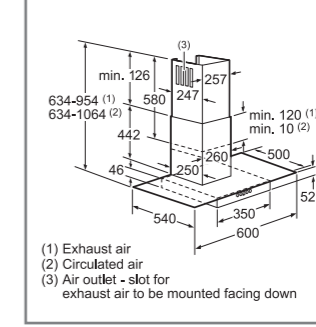
DIB091U51B



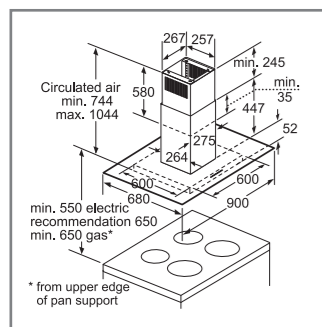
DWA094W50B



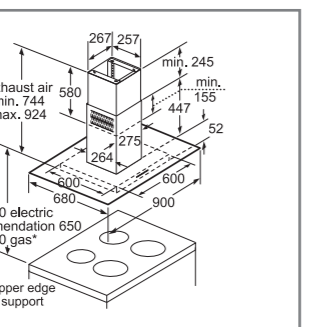
DWA074W50B



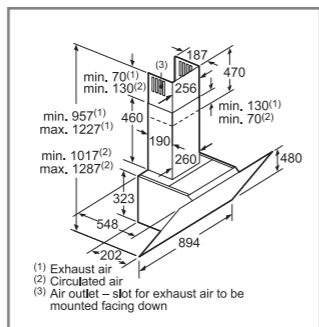
DWA064W50B



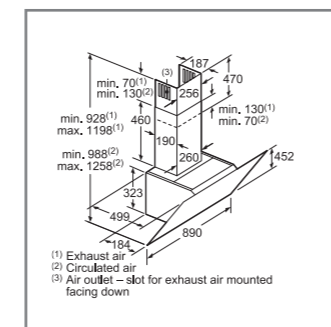
DIA098E50B



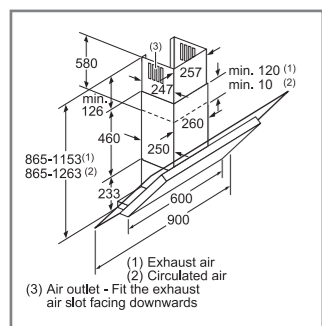
DIA098E50B



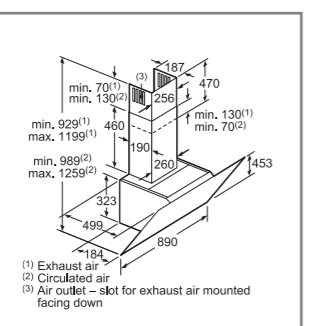
DWK98PR60B



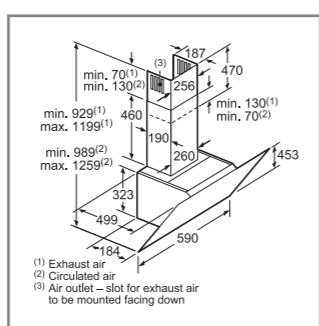
DWK97JQ60B



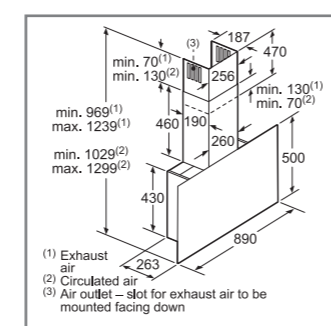
DWK098E51B



DWK97HM20B  
DWK97HM60B



DWK67HM60B



DWF97MS70B  
DWF97KR20B

All diagram measurements are in millimetres (mm)

We try to keep up to date with constant technological improvements, so from time to time we may update installation guidelines. Therefore we strongly recommend that you download the latest installation guidelines from [www.bosch-home.co.uk](http://www.bosch-home.co.uk). Line drawings are for guidance only, and we recommend that you refer to the latest installation guidelines. Though every care is taken to ensure instructions are correct at the time of printing, Bosch cannot accept responsibility for incorrect planning or installation as a result of the use of these line drawings.

Explore more at [www.bosch-home.co.uk](http://www.bosch-home.co.uk)

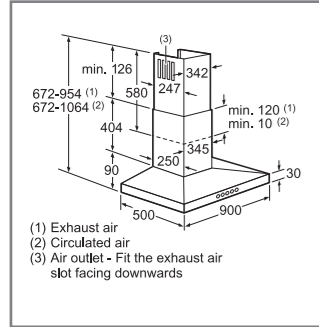
All diagram measurements are in millimetres (mm)

We try to keep up to date with constant technological improvements, so from time to time we may update installation guidelines. Therefore we strongly recommend that you download the latest installation guidelines from [www.bosch-home.co.uk](http://www.bosch-home.co.uk). Line drawings are for guidance only, and we recommend that you refer to the latest installation guidelines. Though every care is taken to ensure instructions are correct at the time of printing, Bosch cannot accept responsibility for incorrect planning or installation as a result of the use of these line drawings.

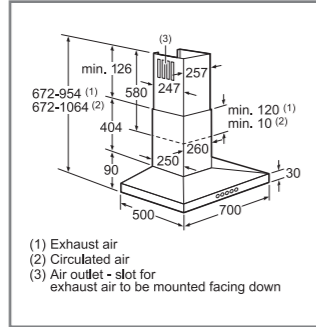
Making **life easy** through innovative technologies

# Hoods technical diagrams

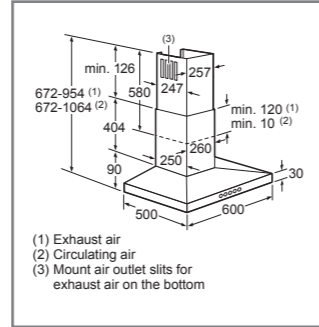
## Chimney hoods



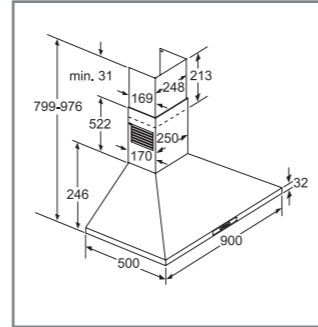
DWW097A50B



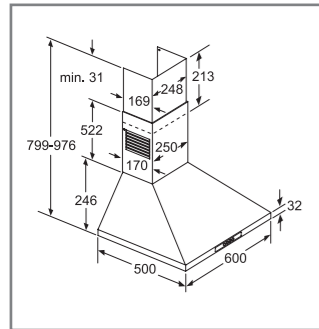
DWW077A50B



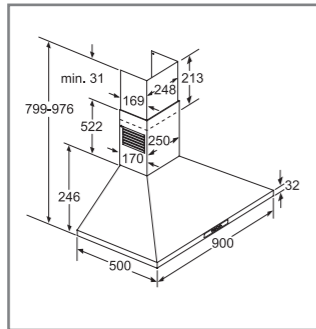
DWW067A50B



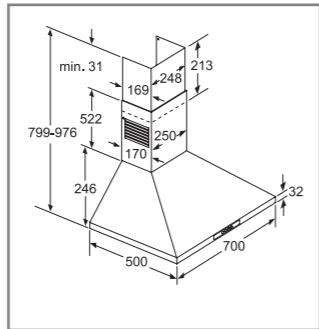
DWW09W460B



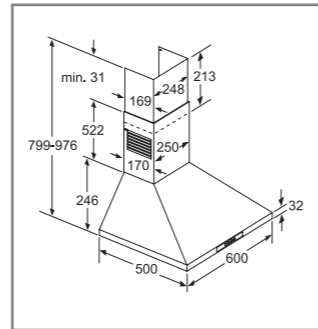
DWW06W460B



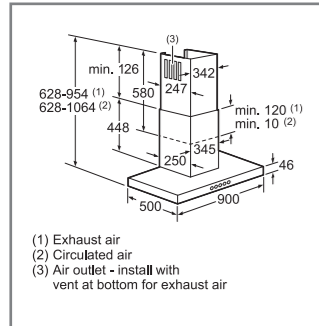
DWW09W450B



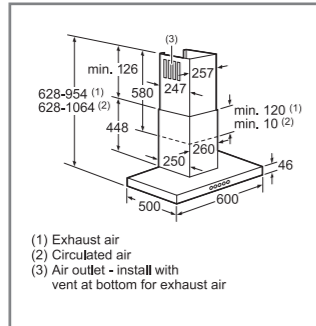
DWW07W450B



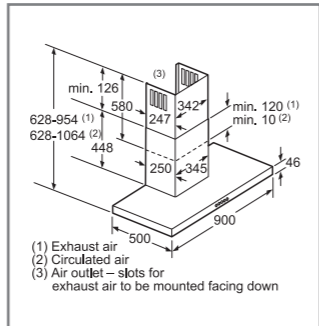
DWW06W450B



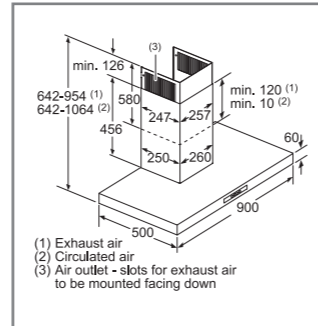
DWB097A50B



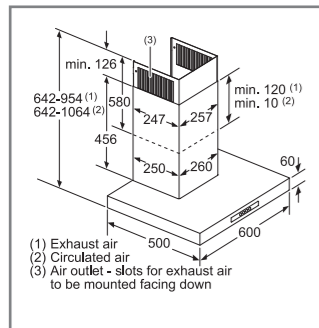
DWB067A50B, DWB068J50B



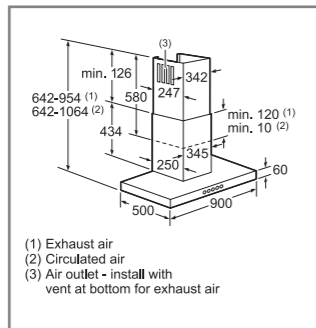
DWB098J50B, DWB098E51B



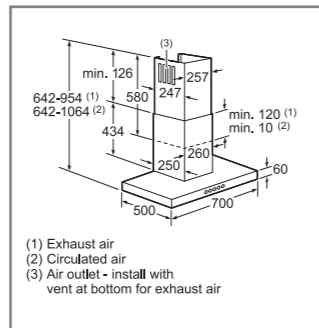
DWB09W452B



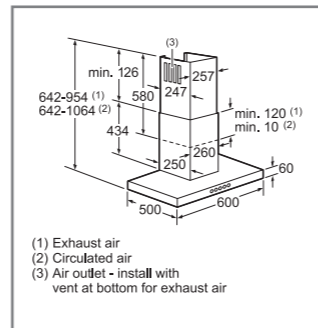
DWB06W452B



DWB094W50B



DWB074W50B



DWB064W50B

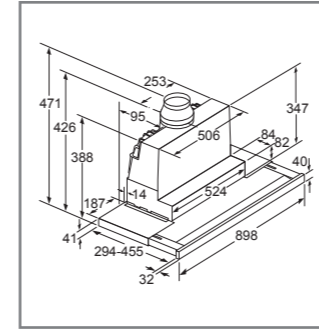
All diagram measurements are in millimetres (mm)

We try to keep up to date with constant technological improvements, so from time to time we may update installation guidelines. Therefore we strongly recommend that you download the latest installation guidelines from [www.bosch-home.co.uk](http://www.bosch-home.co.uk). Line drawings are for guidance only, and we recommend that you refer to the latest installation guidelines. Though every care is taken to ensure instructions are correct at the time of printing, Bosch cannot accept responsibility for incorrect planning or installation as a result of the use of these line drawings.

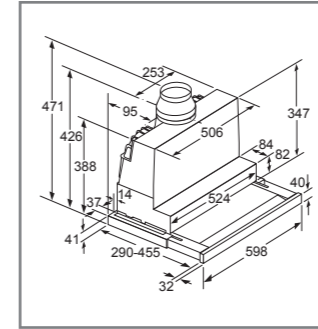
Explore more at [www.bosch-home.co.uk](http://www.bosch-home.co.uk)

# Hoods technical diagrams

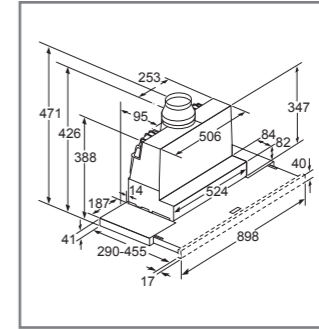
## Telescopic, canopy, integrated and conventional hoods



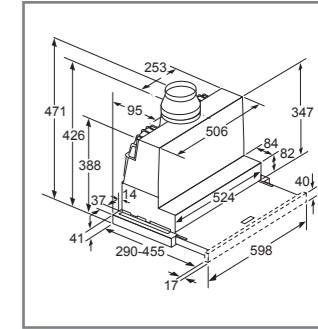
DFS097J50B



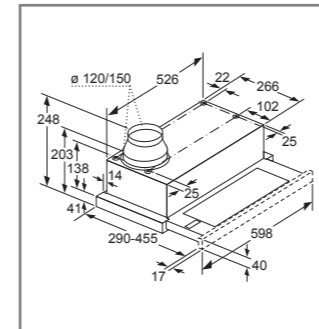
DFS067J50B



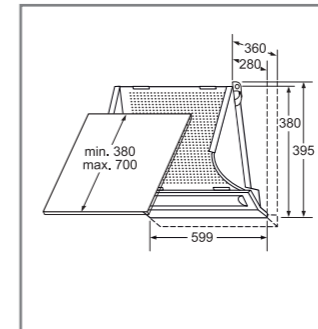
DFS097A50B



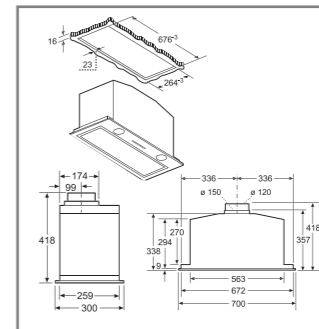
DFS067A50B



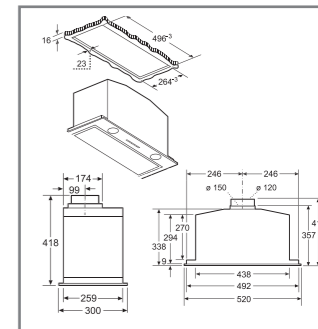
DFM063W50B



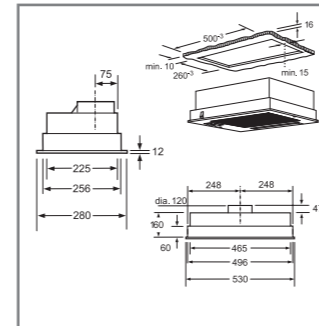
DHE635BGB, DHE645MGB



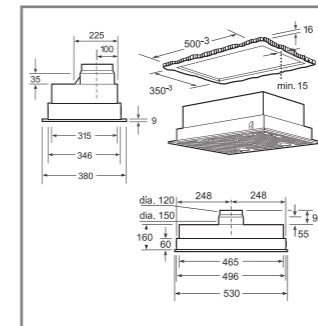
DHL785CGB



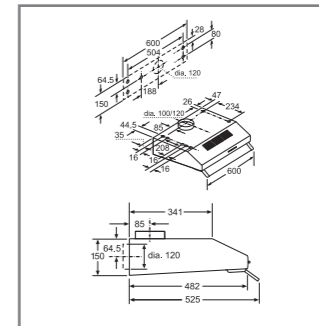
DHL575CGB



DHL535BGB



DHL555BGB



DUL63CC50B, DUL63CC20B, DUL63CC60B

All diagram measurements are in millimetres (mm)

We try to keep up to date with constant technological improvements, so from time to time we may update installation guidelines. Therefore we strongly recommend that you download the latest installation guidelines from [www.bosch-home.co.uk](http://www.bosch-home.co.uk). Line drawings are for guidance only, and we recommend that you refer to the latest installation guidelines. Though every care is taken to ensure instructions are correct at the time of printing, Bosch cannot accept responsibility for incorrect planning or installation as a result of the use of these line drawings.

Making **life easy** through innovative technologies



# Hoods specifications

HOOD TYPE	GLASS CHIMNEY				BOX CHIMNEY							
	DESIGN FAMILY	SERIE 2	SERIE 2	SERIE 2	SERIE 2	SERIE 8	SERIE 8	SERIE 6	SERIE 4	SERIE 4	SERIE 2	SERIE 2
MODEL	DWA064W51B	DWA094W50B	DWA074W50B	DWA064W50B	DWB098J50B	DWB068J50B	DWB098E51B	DWB097A50B	DWB067A50B	DWB09W452B	DWB06W452B	
Stainless Steel/Stainless Steel & glass	-/●	-/●	-/●	-/●	●/-	●/-	●/-	●/-	●/-	●/-	●/-	●/-
Black or black glass/White or white glass	-/-	-/-	-/-	-/-	-/-	-/-	-/-	-/-	-/-	-/-	-/-	-/-
Grey glass/Silver Metallic Lacquered	-/-	-/-	-/-	-/-	-/-	-/-	-/-	-/-	-/-	-/-	-/-	-/-
<b>KEY FEATURES</b>												
Ambient Lighting/PerfectAir sensor	-/-	-/-	-/-	-/-	-/-	-/-	-/-	-/-	-/-	-/-	-/-	-/-
Home Connect/Hob based hood control	-/-	-/-	-/-	-/-	-/-	-/-	-/-	-/-	-/-	-/-	-/-	-/-
Electronic control/Electronic power level display	-/-	-/-	-/-	-/-	●/-	●/-	●●	●/-	●/-	-/-	-/-	-/-
Grease filter/Charcoal filter saturation indicator	-/-	-/-	-/-	-/-	-/-	-/-	-/-	-/-	-/-	-/-	-/-	-/-
<b>DESIGN</b>												
Appliance width (mm)	600	900	700	600	900	900	900	900	600		600	
Wall mounted installation	●	●	●	●	●	●	●	●	●	●	●	●
Ceiling mounted installation	-	-	-	-	-	-	-	-	-	-	-	-
Install in, between or under furniture carcass	-	-	-	-	-	-	-	-	-	-	-	-
Height adjustable chimney sections	●	●	●	●	●	●	●	●	●	●	●	●
Canopy/Box height (mm)	57	57	57	57	46	46	46	46	46	60	60	
Adjustable vapour screen	-	-	-	-	-	-	-	-	-	-	-	-
Steel finish profile/handle	-	-	-	-	-	-	-	-	-	-	-	-
Glass canopy	●	●	●	●	-	-	-	-	-	-	-	-
<b>FEATURES</b>												
Metal Touch control/Soft touch metal button control	-/-	-/-	-/-	-/-	-/-	-/-	-/●	-/●	-/●	-/-	-/-	-/-
Push button control/Rocker switch control	-/●	-/●	-/●	-/●	-/-	-/-	-/-	-/-	-/-	-/●	-/●	-/●
Slider switch control	-	-	-	-	-	-	-	-	-	-	-	-
Touch Control/Ring control	-/-	-/-	-/-	-/-	●/-	●/-	-/-	-/-	-/-	-/-	-/-	-/-
LED, Low-lift pushbuttons	-	-	-	-	-	-	-	-	-	-	-	-
Power levels	3	3	3	3	3	3	3	3	3	3	3	3
Intensive setting	-	-	-	-	2	2	●	●	●	-	-	-
Automatic intensive revert	-	-	-	-	●	●	●	●	●	-	-	-
1W LED/15W LED light strips	-/-	-/-	-/-	-/-	-/2	-/2	-/-	-/-	-/-	-/-	-/-	-/-
3W low energy LED light/4W low energy LED light	2/-	2/-	2/-	2/-	3/-	3/-	2/-	2/-	2/-	2/-	2/-	2/-
5W low energy LED light/20W low energy halogen spotlights	-/-	-/-	-/-	-/-	-/-	-/-	-/-	-/-	-/-	-/-	-/-	-/-
25W halogen spotlights/28W halogen bulbs	-/-	-/-	-/-	-/-	-/-	-/-	-/-	-/-	-/2	-/2	-/2	-/2
40W bulbs/Softlight with dimmer function	-/-	-/-	-/-	-/-	-/●	-/●	-/-	-/-	-/-	-/-	-/-	-/-
Flourescent mood lighting	-	-	-	-	●	●	●	●	●	-	-	-
Automatic after-running (min)	-	-	-	-	10	10	10	-	-	-	-	-
Additional noise reduction insulation/Double filter system	-/-	-/-	-/-	-/-	●/-	●/-	●/-	●/-	-/-	-/-	-/-	-/-
Steel filter cover/Steel filter cover solid (rim ventilation)	-/-	-/-	-/-	-/-	-/-	-/-	-/-	-/-	-/-	-/-	-/-	-/-
Cosmetic steel filter cover	-	-	-	-	-	-	-	-	-	-	-	-
Number of metal grease filter cassettes	1	1	1	1	3	2	3	3	2	3	2	
<b>PERFORMANCE / TECHNICAL INFORMATION</b>												
Easy installation system	●	●	●	●	-	-	●	●	●	-	-	-
Suitable for ducted operation	●	●	●	●	●	●	●	●	●	●	●	●
Suitable for recirculating operation	●	●	●	●	●	●	●	●	●	●	●	●
<b>Extraction Rate in m³/h<sup>(1,2)</sup></b>												
- Ducted/recirculating at power level 1	200 / 130	200 / 130	200 / 130	200 / 130	300 / 170	250 / 170	260 / 180	250 / 160	240 / 150	260 / 170	260 / 170	260 / 170
- Ducted/recirculating at power level 2	300 / 200	300 / 200	300 / 200	300 / 200	380 / 290	360 / 260	380 / 300	360 / 280	350 / 240	360 / 240	360 / 240	360 / 240
- Ducted/recirculating at power level 3	450 / 290	450 / 290	450 / 290	450 / 290	460 / 350	430 / 300	460 / 360	460 / 350	440 / 300	450 / 300	450 / 300	450 / 300
- Ducted/recirculating at power level 4 or intensive level 1	-	-	-	-	-	-	-	-	-	-	-	-
- Ducted/recirculating, intensive setting or intensive level 2	-/-	-/-	-/-	-/-	860	760	860 / 460	730 / 430	690 / 360	-/-	-/-	-/-
<b>Max Noise level (sound pressure) based on dB(A) re 20 µPa<sup>(1,3)</sup></b>												
- Ducted/recirculating at power level 1	33/40	33/40	33/40	33/40	32/43	31/46	29/43	29/40	31/42	38/45	38/45	38/45
- Ducted/recirculating at power level 2	39/50	39/50	39/50	39/50	36/51	41/54	36/51	34/49	39/51	44/51	44/51	44/51
- Ducted/recirculating at power level 3	48/57	48/57	48/57	48/57	41/54	46/57	41/54	40/54	44/55	48/55	48/55	48/55
- Ducted/recirculating at power level 4 or intensive level 1	-	-	-	-	-	-	-	-	-	-	-	-
- Ducted/recirculating, intensive setting or intensive level 2	-/-	-/-	-/-	-/-	54/59	58/61	49/59	50/58	54/59	-/w	-/w	-/w
<b>Noise level (sound power) based on dB(A) re 1 pW<sup>(1,4)</sup></b>												
- Ducted/recirculating at power level 1	57/54	57/54	57/54	57/54	46/57	45/60	43/57	43/54	45/56	52/59	52/59	52/59
- Ducted/recirculating at power level 2	53/64	53/64	53/64	53/64	50/65	55/68	50/65	48/63	53/65	58/65	58/65	58/65
- Ducted/recirculating at power level 3	62/71	62/71	62/71	62/71	55/68	60/71	55/68	54/68	58/69	63/69	63/69	63/69
- Ducted/recirculating at power level 4 or intensive level 1	-	-	-	-	-	-	-	-	-	-	-	-
- Ducted/recirculating, intensive setting or intensive level 2	-/-	-/-	-/-	-/-	68/73	72/75	68/73	64/72	68/73	-/-	-/-	-/-
Pipe outlet diameter (mm)	120/150	120/150	120/150	120/150	120/150	120/150	120/150	120/150	120/150	120/150	120/150	120/150
Min. distance above an electric hob (mm)	550	550	550	550	550	550	550	550	550	550	550	550
Min. distance above a gas hob pan supports (mm)	650	650	650	650	650	650	650	650	650	650	650	650
Motor power (W)	130	130	130	130	160	160	160	130	130	100	100	100
Total electrical loading (W)	170	170	170	170	169	166	169	139	136	160	160	160
Nominal voltage (V)	220-240	220-240	220-240	220-240	220-240	220-240	220-240	220-240	220-240	220-240	220-240	220-240
Power cable length (cm)	130	130	130	130	130	130	130	130	130	130	130	130
GB plug	●	●	●	●	●	●	●	●	●	●	●	●
Appliance weight (kg)	19.0	19.0	18.0	17.0	26.0	21.0	22.0	20.0	15.0	13.0	12.0	12.0
Safety approved/Energy rating	●/D	●/D	●/D	●/D	●/A+	●/A+	●/A+	●/A+	●/A+	●/D	●/D	●/D
<b>OPTIONAL ACCESSORIES</b>												
900x720mm/700x720mm brushed steel back panel	-/-	-/-	-/-	-/-	-/-	-/-	-/-	-/-	-/-	-/-	-/-	-/-
600x720mm brushed steel back panel	-	-	-	-	-	-	-	-	-	-	DH26551	-
Steel finish profile/handle – solid/handle with control opening	-/D	-/D	-/D	-/D	-/D	-/D	-/D	-/D	-/D	-/D	-/D	-/D
Recirculating kit with chimney (needed if recirculating)	DH25325	DH25325	DH25325	DH25325	DH25345	DH25345	DH25345	DH25345	DH25325	DH25325	DH25325	DH25325
Recirculating kit without chimney	-	-	-	-	-	-	-	-	-	-	-	-
Charcoal odour filter (needed if recirculating)	DH25326	DH25326	DH25326	DH25326	DH25346	DH25346	DH25346	DH25346	DH25326	DH25326	DH25326	DH25326
CleanAir recirculating kit	DS25201	DS25201	DS25201	DS25201	DS26240	DS26240	DS26240	DS26240	DS26200	DS26200	DS26200	DS26200
CleanAir charcoal odour filter	DS26200	DS26200	DS26200	DS26200	DS25201	DS25201	DS25201	DS25201	DS25201	DS25201	DS25201	DS25201
Regenerative CleanAir recirculating kit (with chimney)	-	-	-	-	-	-	-	-	-	-	-	-
Regenerative CleanAir recirculating kit (without chimney)	-	-	-	-	-	-	-	-	-	-	-	-
Regenerative CleanAir odour filter	-	-	-	-	-	-	-	-	-	-	-	-
Décor panel white/black	-/-	-/-	-/-	-/-	-/-	-/-	-/-	-/-	-/-	-/-	-/-	-/-
Active carbon filter	-	-	-	-	-	-	-	-	-	-	-	-
Cable guidance frame/Lowering frame	-	-	-	-	-	-	-	-	-	-	-	-

1 Air flow and noise declarations made in line with CECEC Code of Conduct.  
 2 Measured according to EN61591 on largest pipe diameter.  
 3 Sound pressure measured according to EN60704-2:13 on largest pipe diameter.  
 4 Sound power measured according to EN60704-3 on largest pipe diameter.  
 All models comply with COMMISSION REGULATION (EC) No 1275/2008 with regard to ecodesign requirements for standby and off mode electric power consumption.

Explore more at [www.bosch-home.co.uk](http://www.bosch-home.co.uk)

# Hoods specifications

HOOD TYPE	PYRAMID CHIMNEY						TELESCOPIC							
	SERIE 2	SERIE 2	SERIE 2	SERIE 4	Serie 4	Serie 4	Serie 2	Serie 2	Serie 2	Serie 2	Serie 2	Serie 8	Serie 8	Serie 4
MODEL	DWB094W50B	DWB074W50B	DWB064W50B	DWW097A50B	DWW077A50B	DWW067A50B	DWW09W460B	DWW09W450B	DWW07W450B	DWW06W460B	DWW06W450B	DFS097J50B	DFS067J50B	DFS097A50B
Stainless Steel/Stainless Steel & glass	●/-	●/-	●/-	●/-	●/-	●/-	-/-	●/-	●/-	●/-	●/-	●/-	●/-	●/-
Black or black glass/White or white glass	-/-	-/-	-/-	-/-	-/-	-/-	●/-	●/-	●/-	●/-	●/-	-/-	-/-	-/-
Grey glass/Silver Metallic Lacquered	-/-	-/-	-/-	-/-	-/-	-/-	-/-	-/-	-/-	-/-	-/-	-/-	-/-	-/-
<b>KEY FEATURES</b>														
Ambient Lighting/PerfectAir sensor	-/-	-/-	-/-	-/-	-/-	-/-	-/-	-/-	-/-	-/-	-/-	-/-	-/-	-/-
Home Connect/Hob based hood control	-/-	-/-	-/-	-/-	-/-	-/-	-/-	-/-	-/-	-/-	-/-	-/-	-/-	-/-
Electronic control/Electronic power level display	-/-	-/-	-/-	-/-	-/-	-/-	-/-	-/-	-/-	-/-	-/-	-/-	-/-	-/-
Grease filter/Charcoal filter saturation indicator	-/-	-/-	-/-	-/-	-/-	-/-	-/-	-/-	-/-	-/-	-/-	-/-	-/-	-/-
<b>DESIGN</b>														
Appliance width (mm)	900	700	600	900	700	600	900	900	700	900	900	900	598	898
Wall mounted installation	●	●	●	●	●	●	●	●	●	●	●	●	●	●
Ceiling mounted installation	-	-	-	-	-	-	-	-	-	-	-	-	-	-
Install in, between or under furniture carcass	-	-	-	-	-	-	-	-	-	-	-	-	-	-
Height adjustable chimney sections	●	●	●	●	●	●	●	●	●	●	●	●	●	●
Canopy/Box height (mm)	60	60	60	90	90	90	246	246	246	246	246	246	246	246
Adjustable vapour screen	-	-	-											

## Hoods specifications

HOOD TYPE	TELESCOPIC		INTEGRATED		CANOPY			CONVENTIONAL				
DESIGN FAMILY	SERIE 4	SERIE 2	SERIE 2	SERIE 2	SERIE 6	SERIE 6	SERIE 4	SERIE 2	SERIE 2	SERIE 2	SERIE 2	
MODEL	DFS067A50B	DFM063W50B	DHE645MGB	DHE635BGB	DHL785CGB	DHL575CGB	DHL555BGB	DHL355BGB	DUL63CC50B	DUL63CC60B	DUL63CC20B	
Stainless Steel/Stainless Steel & glass	●	●	-	-	●	●	-	-	●	●	-	
Black or black glass/White or white glass	-	-	-	-	-	-	-	-	-	-	●	
Grey glass/Silver Metallic Lacquered	-	-	●	●	-	-	●	●	-	-	-	
<b>KEY FEATURES</b>												
Ambient Lighting/PerfectAir sensor	-	-	-	-	-	-	-	-	-	-	-	
Home Connect/ Hob based hood control	-	-	-	-	-	-	-	-	-	-	-	
Electronic control/Electronic power level display	●	-	-	-	●	●	-	-	-	-	-	
Grease/Charcoal filter saturation indicator	-	-	-	-	-	-	-	●	-	-	-	
<b>DESIGN</b>												
Appliance width (mm)	598	598	599	598	700	520	530	530	600	600	600	
Wall mounted installation	-	-	●	●	-	-	-	-	-	-	-	
Ceiling mounted installation	-	-	-	-	-	-	-	-	-	-	-	
Install in, between or under furniture carcass	●	●	-	-	●	●	●	●	●	●	●	
Height adjustable chimney sections	-	-	-	-	-	-	-	-	-	-	-	
Canopy/Box height (mm)	-	-	-	-	-	-	-	-	-	-	-	
Adjustable vapour screen	-	-	-	-	-	-	-	-	-	-	-	
Steel finish profile/handle	●	●	-	-	-	-	-	-	-	-	-	
Glass canopy	-	-	-	-	-	-	-	-	-	-	-	
<b>FEATURES</b>												
Metal Touch control/ Soft touch metal button control	-/●	-/●	-/●	-/●	-/●	-/●	-/●	-/●	-/●	-/●	-/●	
Push button control/Rocker switch control	-	-	-	-	-	-	-	-	-	-	-	
Slider switch control	-	-	-	-	-	-	●	-	●	●	●	
Touch Control/Ring control	-	-	-	-	-	-	-	-	-	-	-	
LED, Low-lift pushbuttons	-	-	-	-	-	-	-	-	-	-	-	
Power levels	3	2	3	3	3	3	3	2	3	3	3	
Intensive setting	1	-	-	-	●	●	●	-	-	-	-	
Automatic intensive revert	●	-	-	-	●	●	-	-	-	-	-	
1W LED/15W LED light strips	-	-	-	-	2/-	2/-	-	-	-	-	-	
3W low energy LED light/4W low energy LED light	●	-	-	-	-	-	-	-	●	●	●	
5W low energy LED light/20W low energy halogen spotlights	-	-	-	-	-	-	-	-	-	-	-	
25W halogen spotlights/28W halogen bulbs	-	-	-/2	-/1	-	-	-	-/2	-	-	-	
40W bulbs/Softlight with dimmer function	-	●	-	-	-	-	-	-	-	-	-	
Flourescent mood lighting	-	-	-	-	-	-	-	-	-	-	-	
Automatic after-running (min)	10	-	-	-	-	-	-	-	-	-	-	
Additional noise reduction insulation/Double filter system	-	-	-	-	-	-	-	-	-	-	-	
Steel filter cover/Steel filter cover solid (rim ventilation)	●	●	●	●	●	●	-	-	-	-	-	
Cosmetic steel filter cover	-	-	-	-	-	-	-	-	-	-	-	
Number of metal grease filter cassettes	-	-	2	-	2	1	2	-	2	2	2	
Paper grease filter	-	-	-	●	-	-	-	●	-	-	-	
<b>PERFORMANCE / TECHNICAL INFORMATION</b>												
Easy installation system	●	●	-	-	-	-	-	-	-	-	-	
Suitable for ducted operation	●	●	●	●	●	●	●	●	●	●	●	
Suitable for recirculating operation	●	●	●	●	●	●	●	●	●	●	●	
<b>Extraction Rate in m³/h (1,2)</b>												
- Ducted/recirculating at power level 1	230 / 140	280 / 160	170 / 140	140 / 120	340 / 210	290 / 210	210 / 180	150 / 130	170 / 70	170 / 70	170 / 70	
- Ducted/recirculating at power level 2	340 / 230	340 / 180	250 / 230	190 / 170	540 / 270	450 / 260	320 / 250	210 / 180	260 / 90	260 / 90	260 / 90	
- Ducted/recirculating at power level 3	420 / 300	-	360 / 300	280 / 230	630 / 300	560 / 290	420 / 320	280 / 240	350 / 110	350 / 110	350 / 110	
- Ducted/recirculating at power level 4 or intensive level 1	-	-	-	-	-	-	-	-	-	-	-	
- Ducted/recirculating, intensive setting or intensive level 2	740 / 510	-	-	-	730 / -	610 / -	650 / -	-	-	-	-	
<b>Max Noise level (sound pressure) based on dB(A) re 20 µPa (1,3)</b>												
- Ducted/recirculating at power level 1	29 / 29	45 / 56	37 / 38	40 / 44	39 / 53	36 / 52	27 / 38	41 / 41	42 / 52	42 / 53	42 / 54	
- Ducted/recirculating at power level 2	36 / 40	50 / 58	45 / 49	46 / 51	49 / 57	49 / 57	38 / 46	48 / 48	51 / 59	51 / 60	51 / 61	
- Ducted/recirculating at power level 3	41 / 47	-	52 / 54	54 / 56	52 / 59	53 / 60	45 / 50	54 / 55	58 / 63	58 / 64	58 / 65	
- Ducted/recirculating at power level 4 or intensive level 1	-	-	-	-	-	-	-	-	-	-	-	
- Ducted/recirculating, intensive setting or intensive level 2	54 / 60	-	-	-	55 / 60	56 / 61	55 / 58	-	-	-	-	
<b>Noise level (sound power) based on dB(A) re 1 pW (1,4)</b>												
- Ducted/recirculating at power level 1	43 / 43	59 / 70	49 / 50	52 / 56	53 / 67	50 / 66	41 / 52	53 / 53	56 / 66	56 / 66	56 / 66	
- Ducted/recirculating at power level 2	50 / 54	64 / 72	57 / 61	58 / 63	63 / 71	63 / 71	52 / 60	60 / 60	65 / 73	65 / 73	65 / 73	
- Ducted/recirculating at power level 3	55 / 61	-	64 / 66	66 / 68	66 / 73	67 / 74	59 / 64	66 / 67	72 / 77	72 / 77	72 / 77	
- Ducted/recirculating at power level 4 or intensive level 1	-	-	-	-	-	-	-	-	-	-	-	
- Ducted/recirculating, intensive setting or intensive level 2	68 / 74	-	-	-	69 / 74	70 / 75	69 / 72	-	-	-	-	
Pipe outlet diameter (mm)	120 - 150	120 - 150	120	120	120/150	150/120	150/120	120	100/120	100/120	100/120	
Min. distance above an electric hob (mm)	430	430	550	550	550	550	550	550	650	650	650	
Min. distance above a gas hob pan supports (mm)	650	650	650	650	650	650	650	650	650	650	650	
Motor power (W)	140	90	210	130	275	250	200	170	138	138	138	
Total electrical loading (W)	146	130	270	160	277	252	240	230	146	146	146	
Nominal voltage (V)	220-240	220-240	220-230	220-230	220-240	220-240	220-240	220-240	220-240	220-240	220-240	
Power cable length (cm)	175	175	130	130	150	150	130	130	145	145	145	
GB plug	●	●	●	●	●	●	●	●	●	●	●	
Appliance weight (kg)	28.0	27.0	9.0	7.0	13.0	10.0	9.0	5.0	7.0	7.0	7.0	
Safety approved/Energy rating	●/A	●/C	●/E	●/D	●/C	●/C	●/D	●/E	●/D	●/D	●/D	
<b>OPTIONAL ACCESSORIES</b>												
900x720mm/700x720mm brushed steel back panel	-	-	-	-	-	-	-	-	-	-	-	
600x720mm brushed steel back panel	-	-	-	-	-	-	-	-	-	-	-	
Steel finish profile/handle - solid/handle with control opening	DSZ4952, DSZ4956	DSZ4952, DSZ4956	-	-	-	-	-	-	-	-	-	
Paper grease filters	-	-	-	DHZ2100	-	-	-	-	DHZ2100	-	-	
Recirculating kit with chimney (needed if recirculating)	DSZ4565	DSZ4545	-	-	DHZ5605	DHZ5605	-	-	-	-	-	
Recirculating kit without chimney	-	-	-	-	-	-	-	-	-	-	-	
Charcoal odour filter (needed if recirculating)	-	-	DH111AF	DH111AF	DHZ5316	DHZ5316	DHZ7305	DHZ7304	-	-	-	
CleanAir recirculating kit	DSZ4683	-	-	-	-	-	-	-	-	-	-	
CleanAir charcoal odour filter	DSZ4681	-	-	-	-	-	-	-	-	-	-	
Regenerative CleanAir Recirculating kit (with chimney)	-	-	-	-	-	-	-	-	-	-	-	
Regenerative CleanAir Recirculating kit (without chimney)	-	-	-	-	-	-	-	-	-	-	-	
Regenerative CleanAir odour filter	DSZ4660	-	-	-	-	-	-	-	-	-	-	
Décor panel white/black	-	-	-	-	-	-	-	-	-	-	-	
Active carbon filter	DSZ4561	DSZ4551	-	-	-	-	-	-	DHZ2701	DHZ2701	DHZ2701	
Cable guidance frame/Lowering frame	-	-	-	-	-	-	-	-	-	-	-	

● = Yes - = No  
 1 Air flow and noise declarations made in line with CECEC Code of Conduct.  
 2 Measured according to EN61591 on largest pipe diameter.  
 3 Sound pressure measured according to EN60704-2-13 on largest pipe diameter.  
 4 Sound power measured according to EN60704-3 on largest pipe diameter.

All models comply with COMMISSION REGULATION (EC) No 1275/2008 with regard to ecodesign requirements for standby and off mode electric power consumption.

Explore more at [www.bosch-home.co.uk](http://www.bosch-home.co.uk)

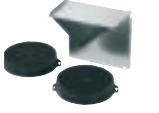
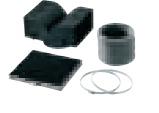





## Hoods accessories

Description	Accessory Nr.	DDA097G59B	DID106T50	DIA098E50B	DIB091U51B	DWK098E51B	DWA097E51B DWA067E51B	DWA094W51B DWA064W51B	DWA094W50B DWA064W50B	DWB098E51B
Recirculating kit (needed if recirculating)	DHZ5145	-	-	-	-	-	-	-	-	-
Recirculating kit (needed if recirculating)	DHZ5325	-	-	-	-	●	●	●	●	-
Recirculating kit (needed if recirculating)	DHZ5345	-	-	-	-	-	-	-	-	●
Recirculating kit (needed if recirculating)	DHZ5365	-	-	●	-	-	-	-	-	-
Recirculating kit (needed if recirculating)	DHZ5385	-	-	-	●	-	-	-	-	-
900 x 720mm brushed steel back panel	DHZ9551	-	-	-	-	-	-	-	-	-
700 x 720mm brushed steel back panel	DHZ7551	-	-	-	-	-	-	-	-	-
600 x 720mm brushed steel back panel	DHZ6551	-	-	-	-	-	-	-	-	-
Décor panel black	DSZ0660	-	-	-	-	-	-	-	-	-
Décor panel white	DSZ0620	-	-	-	-	-	-	-	-	-

For full specification details, please log onto our website and download a full specification sheet.



# Hoods accessories

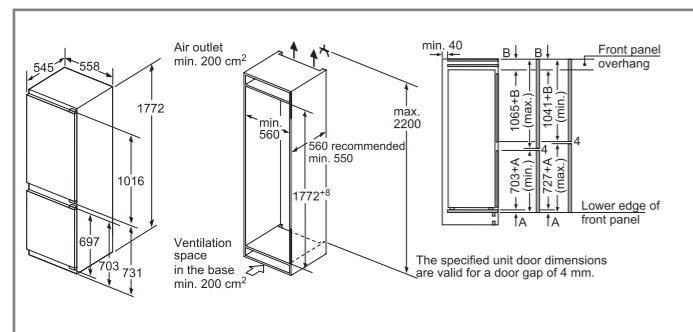
Description	Accessory Nr.	DWB097A50B	DWB09W452B	DWB094W50B	DWB074W50B	DWW077A50B	DWW09W460B	DWW09W450B
		DWB067A50B	DWB06W452B	DWW097A50B	DWB064W50B	DWW067A50B	DWW06W460B	DWW07W450B
 Recirculating kit (needed if recirculating)	DHZ5145	-	-	-	-	-	-	-
 Recirculating kit (needed if recirculating)	DHZ5325	●	●	-	●	●	-	-
Recirculating kit (needed if recirculating)	DHZ5345	-	-	●	-	-	-	-
Recirculating kit (needed if recirculating)	DHZ5275	-	-	-	-	-	●	●
 900 x 720mm brushed steel back panel	DHZ9551	-	-	-	-	-	-	-
 700 x 720mm brushed steel back panel	DHZ7551	-	-	-	-	-	-	-
 600 x 720mm brushed steel back panel	DHZ6551	-	-	-	-	-	●	-
 Décor panel black	DSZ0660	-	-	-	-	-	-	-
 Décor panel white	DSZ0620	-	-	-	-	-	-	-

Description	Accessory Nr.	DFS097J50B/	DFS097A50B/	DFM063W50B	DHE645MGB	DHE635BGB	DHL535BGB	DHL785GCB	DHL575CGB	DHU625MGB	DHL555BGB	DUL63CC50B	DUL63CC60B	DUL63CC20B
		DFS067J50B	DFS067A50B											
Steel finish profile/handle - solid	DSZ4952	-	●	-	-	-	-	-	-	-	-	-	-	-
Steel finish profile/handle - solid	DSZ4956	-	●	-	-	-	-	-	-	-	-	-	-	-
Recirculating kit (needed if recirculating)	DHZ5605	-	-	-	-	-	-	●	●	-	-	-	-	-
Recirculating kit (needed if recirculating)	DSZ4565	●	●	●	-	-	-	-	-	-	-	-	-	-
CleanAir recirculating kit	DSZ4680	●	●	-	-	-	-	-	-	-	-	-	-	-
CleanAir charcoal odour filter	DSZ4681	●	●	-	-	-	-	-	-	-	-	-	-	-
Active carbon filter	DSZ4561	●	●	-	-	-	-	-	-	-	-	-	-	-
Active carbon filter	DSZ4551	-	-	●	-	-	-	-	-	-	-	-	-	-
Charcoal odour filter (needed if recirculating)	DHZ7305	-	-	-	-	-	-	-	-	-	●	-	-	-
Carbon filter	DSZ11AF	-	-	-	●	●	-	-	-	-	-	-	-	-
Carbon filter	DHZ2400	-	-	-	-	-	-	-	-	●	-	-	-	-
Carbon filter	DHZ2701	-	-	-	-	-	-	-	-	-	-	-	●	-
Carbon filter	DHZ7304	-	-	-	-	-	●	-	-	-	-	-	-	-
Lowering frame	DSZ4660	●	●	-	-	-	-	-	-	-	-	-	-	-
White handle strip	DSZ4652	-	-	●	-	-	-	-	-	-	-	-	-	-
Black handle strip	DSZ4656	-	-	●	-	-	-	-	-	-	-	-	-	-

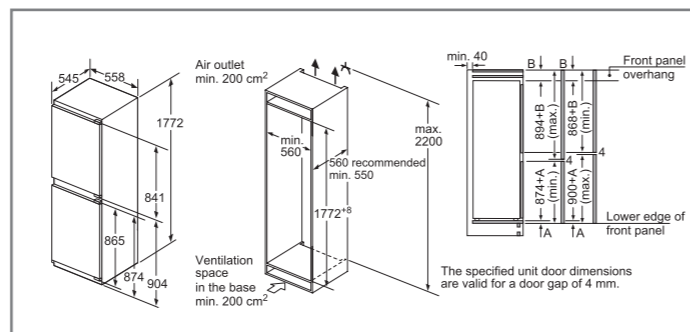
# Notes

# Integrated cooling technical diagrams

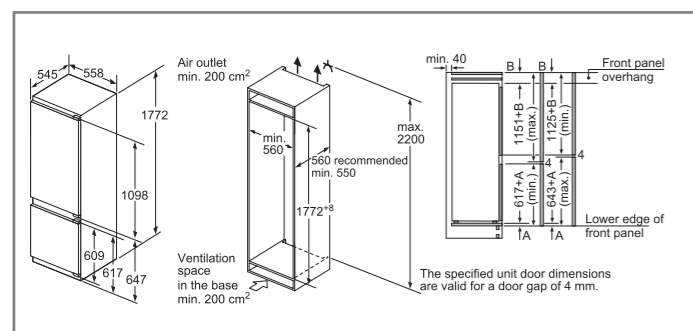
## Fridge freezers, fridges and freezers



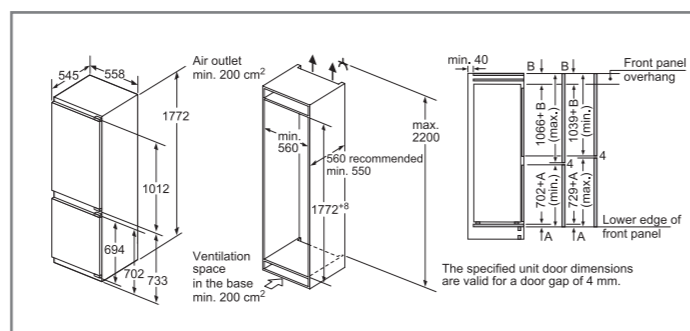
KIN86AD30G



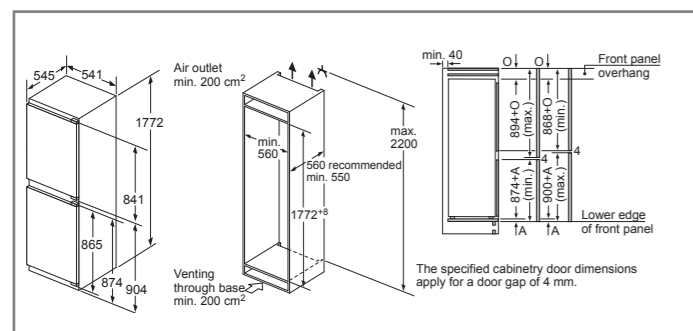
KIN85AF30G



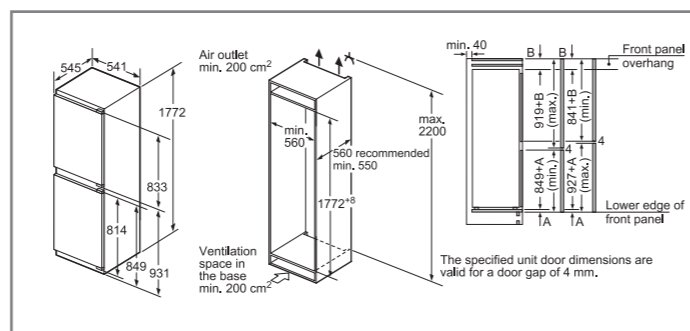
KIS87AF30G, KIV87VF30G, KIV87VS30G



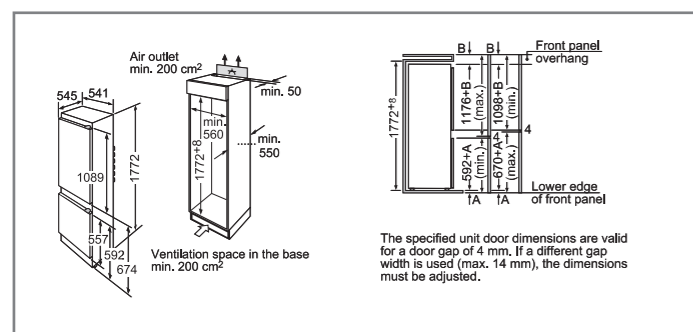
KIS86AF30G, KIN86VF30G, KIV86VS30G



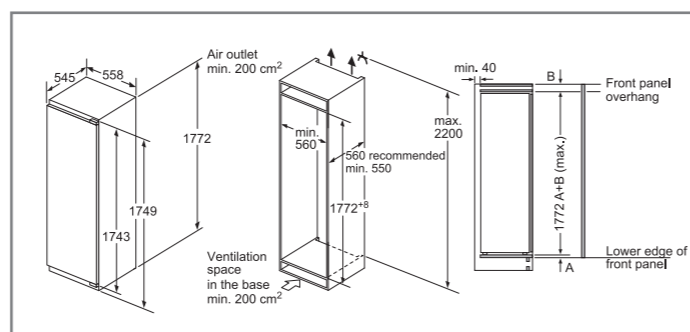
KIV85VF30G, KIV85VS30G



KIV32X23GB



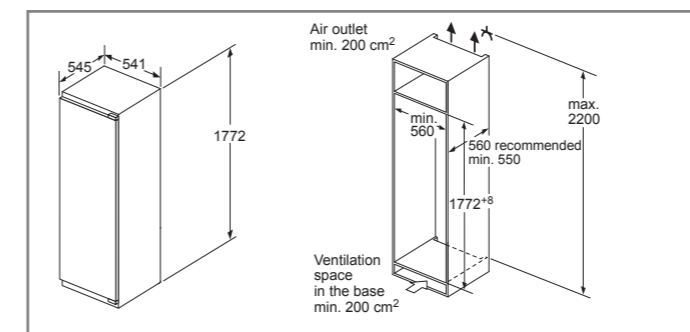
KIV38X22GB



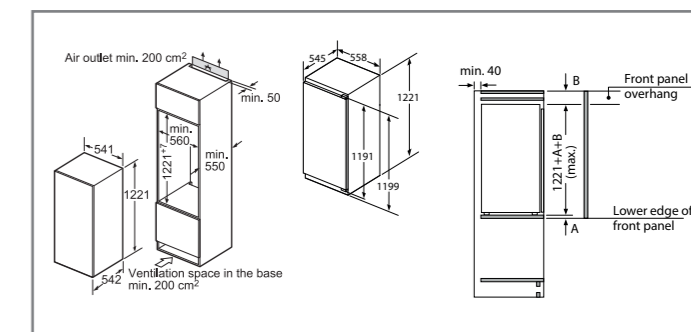
KIR81AF30G, KIL82AF30G, GIN81AE30G

# Integrated cooling technical diagrams

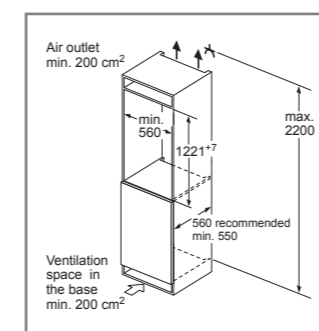
## Fridge freezers, fridges and freezers



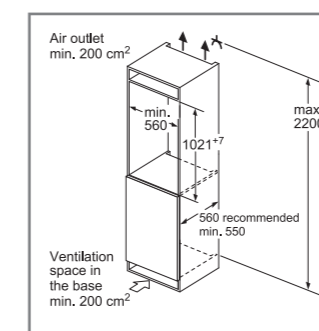
KIR81VS30G, KIL82VS30G



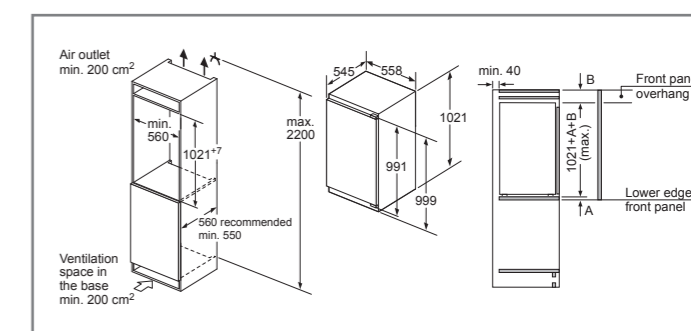
KIR41AF30G, KIR24V20GB, KIL42VS30G, KIR41VS30G



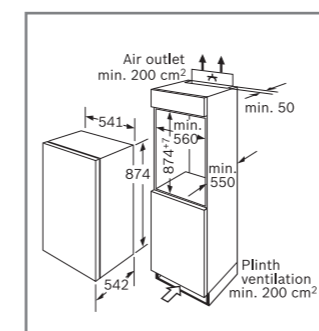
GIN41AE30G



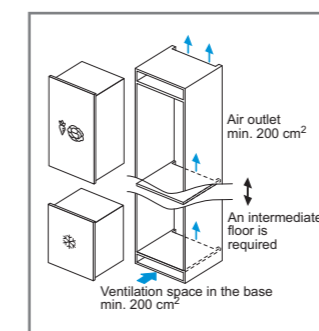
KIR31VS30G



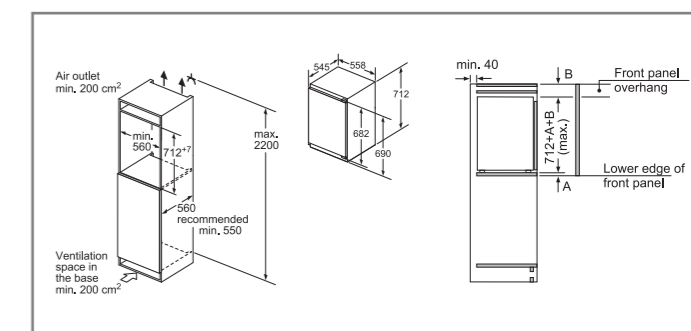
GIN31AE30G



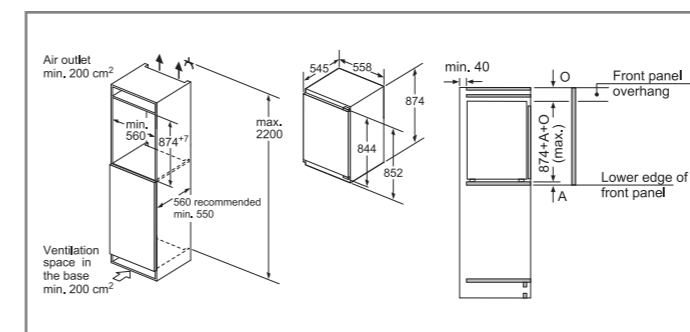
KIR21VS30G, KIR21VF30G, KIR21AF30G, GID18A50GB, GID18A20GB, KIR18V20GB, KIL22VF30G, KIL22VS30G



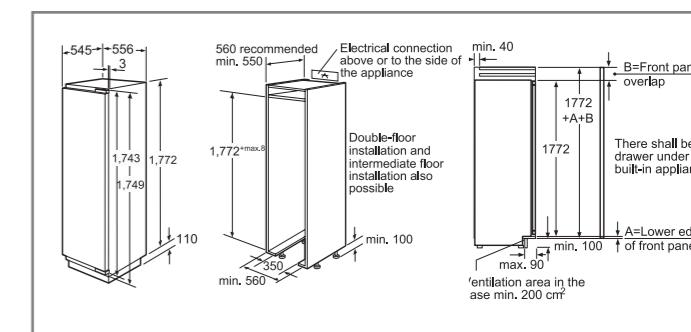
KUR15A50GB, KUL15A60GB, GUD15A50GB



GIV11AF30



GIV21AF30G



GIN38A55GB

The side panel of the freezer is heated slightly for a side-by-side arrangement. This prevents the formation of condensation when the appliances are placed together. Therefore, always place the freezer on the left side for a side-by-side arrangement

All diagram measurements are in millimetres (mm)

We try to keep up to date with constant technological improvements, so from time to time we may update installation guidelines. Therefore we strongly recommend that you download the latest installation guidelines from [www.bosch-home.co.uk](http://www.bosch-home.co.uk). Line drawings are for guidance only, and we recommend that you refer to the latest installation guidelines. Though every care is taken to ensure instructions are correct at the time of printing, Bosch cannot accept responsibility for incorrect planning or installation as a result of the use of these line drawings.

Explore more at [www.bosch-home.co.uk](http://www.bosch-home.co.uk)

All diagram measurements are in millimetres (mm)

We try to keep up to date with constant technological improvements, so from time to time we may update installation guidelines. Therefore we strongly recommend that you download the latest installation guidelines from [www.bosch-home.co.uk](http://www.bosch-home.co.uk). Line drawings are for guidance only, and we recommend that you refer to the latest installation guidelines. Though every care is taken to ensure instructions are correct at the time of printing, Bosch cannot accept responsibility for incorrect planning or installation as a result of the use of these line drawings.

Making **life easy** through innovative technologies

## Built-in fridge freezers specifications

DESIGN FAMILY	SERIE 6	SERIE 6	SERIE 6	SERIE 6	SERIE 4	SERIE 4	SERIE 4	SERIE 4
MODEL	KIN86AD30G	KIN85AF30G	KIS87AF30G	KIS86AF30G	KIN86VF30G	KIV87VF30G	KIV87VS30G	KIV86VS30G
NoFrost/LowFrost	NoFrost 60/40	NoFrost 50/50	LowFrost 70/30	LowFrost 60/40	NoFrost 60/40	LowFrost 70/30	LowFrost 70/30	LowFrost 60/40
Type of control setting and signalling devices	Economy setting / Holiday mode, Super setting for freezer, Super setting fridge, Temperature display fridge, Warning function freezer sect., Warning signal door open	Economy setting / Holiday mode, Super setting for freezer, Super setting fridge, Temperature display fridge, Warning function freezer sect., Warning signal door open	Economy setting / Holiday mode, Super setting for freezer, Super setting fridge, Temperature display fridge, Warning function freezer sect., Warning signal door open, Warning signal for malfunction	Economy setting / Holiday mode, Super setting for freezer, Super setting fridge, Temperature display fridge, Warning function freezer sect., Warning signal door open, Warning signal for malfunction	Super setting for freezer, Temperature display fridge, Warning signal door open	Super setting for freezer, Temperature display fridge	Super setting for freezer, Temperature display fridge	Economy setting / Holiday mode, Super setting for freezer, Super setting fridge, Temperature display fridge, Warning function freezer sect., Warning signal door open, Warning signal for malfunction
<b>PERFORMANCE AND CONSUMPTION</b>								
Energy efficiency class	A++	A++	A++	A++	A++	A++	A++	A++
Energy consumption annual (kWh)	221	232	225	218	222	227	227	218
Total unit net capacity (litres)	255	246	270	265	255	272	272	267
Refrigerator net capacity (litres)	188	154	209	191	188	209	209	191
Freezer net capacity (litres)	67	92	61	74	67	63	63	76
Freezing capacity (kg/24h)	8	9	7	7	8	3	3	7
Storage period in power failure (h)	13	13	26	32	13	26	26	32
Climate class	SN-ST	SN-ST	SN-T	SN-ST	SN-ST	SN-T	SN-T	SN-T
Noise level (dB[A] re 1 pW)	39	39	36	36	39	38	38	38
<b>FOOD FRESHNESS SYSTEM</b>								
Thermometer fridge section	Digital	Digital	Digital	Digital	Digital	Digital	Digital	Digital
Range of temperature (°C)	4-8	4-8	4-8	4-8	4-8	4-8	4-8	4-8
Frost-free system	•	•	-	-	•	-	-	-
Antibacterial	-	-	-	-	-	-	-	-
<b>KEY FEATURES – FRIDGE</b>								
Fast cooling switch	•	•	•	•	-	-	-	•
Number of door bins	4	2	4	4	4	5	5	4
Door bin adjustability	-	-	-	-	-	-	-	-
Tilt-out door bins	•	•	•	•	•	•	•	•
Type of shelves	-	-	-	-	Stationary	Stationary	Stationary	-
Egg bin	•	•	•	•	•	•	•	•
Number of shelves	5	4	5	5	4	5	5	4
Number of adjustable shelves	4	3	4	4	3	4	4	3
Material of shelves	Glass	Glass	Glass	Glass	Glass	Glass	Glass	Glass
Optional accessories	KSZ10020	KSZ10020	KSZ10020	KSZ10020	KSZ10020	KSZ10020	KSZ10020	KSZ10020
Temperature display fridge	Digital 7 segment	Digital 7 segment	Digital 7 segment	Digital 7 segment	Digital 7 segment	Digital LED	Digital LED	Digital 7 segment
Light	•	•	•	•	•	•	•	•
Included accessories	2 x cold accumulator, 2 x egg tray, ice cube tray	2 x cold accumulator, 2 x egg tray, ice cube tray	2 x cold accumulator, 2 x egg tray, ice cube tray	2 x cold accumulator, 2 x egg tray, ice cube tray	2 x cold accumulator, 2 x egg tray, ice cube tray	2 x cold accumulator, 2 x egg tray, ice cube tray	2 x cold accumulator, 2 x egg tray, ice cube tray	2 x cold accumulator, 2 x egg tray, ice cube tray
<b>KEY FEATURES – FREEZER</b>								
Star rating	4	4	4	4	4	4	4	4
Temperature adjustable	•	•	•	•	•	•	•	•
Freezing drawers	3	4	2	3	3	2	2	3
Fast freezing switch	•	•	•	•	•	•	•	•
Door opened indicator	•	•	•	•	•	-	-	•
Shelf material	Safety glass	Safety glass	Safety glass	Safety glass	Safety glass	Safety glass	Safety glass	Safety glass
Freezer cold packs	•	•	•	•	•	•	•	•
Number of ice cube trays	1	1	1	1	1	1	1	1
<b>FUNCTIONS</b>								
Number of compressors	1	1	1	1	1	1	1	1
Minimum ambient temperature	10	10	10	10	10	10	10	10
Maximum ambient temperature	38	38	43	38	38	43	43	43
<b>DIMENSION AND INSTALLATION</b>								
Door hinge	Right reversible	Right reversible	Right reversible	Right reversible	Right reversible	Right reversible	Right reversible	Right reversible
Type of hinge	Fixed / flat	Fixed / flat	Fixed / flat	Fixed / flat	Fixed / flat	Fixed / flat	Sliding	Fixed / flat
Height of the product (mm)	1772	1772	1772	1772	1772	1772	1772	1772
Width of the product (mm)	558	558	558	558	538	541	541	558
Depth of the product (mm)	545	545	545	545	542	545	545	545
Width with open door 90° (mm)	60.00	60.00	60.00	60.00	60.00	60.00	60.00	60.00
Depth with open door 90° (mm)	1140	1140	1140	1140	1140	1140	1140	1140
Height of the packed product (mm)	1840	1840	1840	1840	1840	1840	1840	1840
Width of the packed product (mm)	620	620	620	620	620	620	620	620
Depth of the packed product (mm)	640	640	640	640	640	640	640	640
Minimum height for installation (mm)	1775	1775	1775	1775	1775	1775	1775	1775
Maximum height for installation (mm)	1775	1775	1775	1775	1775	1775	1775	1775
Minimum width for installation (mm)	560	560	560	560	560	560	560	560
Maximum width for installation (mm)	560	560	560	560	560	560	560	560
Depth for installation (mm)	550	550	550	550	550	550	550	550
Required niche size for installation HxWxD (mm)	1775 x 560 x 550	1775 x 560 x 550	1775 x 560 x 550	1775 x 560 x 550	1775 x 560 x 550	1775 x 560 x 550	1775 x 560 x 550	1775 x 560 x 550
Net weight (kg)	68.0	69.0	67.0	69.0	69.0	69.0	69.0	69.0
Gross weight (kg)	74.0	75.0	73.0	75.0	74.0	75.0	75.0	75.0

• = Yes - = No

## Built-in fridges specifications

DESIGN FAMILY	SERIE 4	SERIE 4	SERIE 2	SERIE 2
MODEL	KIV85VF30G	KIV85VS30G	KIV32X23GB	KIV38X22GB
NoFrost/LowFrost	LowFrost 50 / 50	LowFrost 50/50	Static 50/50	Static 70/30
Type of control setting and signalling devices	Super setting for freezer, Temperature display fridge	Super setting for freezer, Temperature display fridge	-	-
<b>PERFORMANCE AND CONSUMPTION</b>				
Energy efficiency class	A++	A++	A+	A+
Energy consumption annual (kWh)	239	239	283	275
Total unit net capacity (litres)	259	259	255	276
Refrigerator net capacity (litres)	157	157	162	217
Freezer net capacity (litres)	102	102	93	59
Temperature rise time (h)	24	24	16	13
Freezing capacity (kg/24h)	4.5	4.5	6	6
Storage period in power failure (h)	24	24	16	13
Climate class	SN-T	SN-T	SN-ST	SN-ST
Noise level (dB[A] re 1 pW)	38	38	40	40
<b>FOOD FRESHNESS SYSTEM</b>				
Thermometer fridge section	Digital	Digital	-	-
Range of temperature (°C)	4-8	4-8	4-8	4-8
Frost-free system	-	-	-	-
<b>KEY FEATURES – FRIDGE</b>				
Number of door bins	4	4	4	5
Tilt-out door bins	•	•	•	•
Type of shelves	Stationary	Stationary	Stationary	Stationary
Light wattage	-	-	1x25 Watt	1x25 Watt
Egg bin	•	•	-	-
Number of shelves	4	4	4	5
Number of adjustable shelves	3	3	2	4
Material of shelves	Glass	Glass	Glass	Glass
Optional accessories	KSZ10020	KSZ10020	-	-
Temperature display	Digital LED	Digital LED	-	-
Light	•	•	•	•
Included accessories	2 x cold accumulator, 2 x egg tray, ice cube tray	2 x cold accumulator, 2 x egg tray, ice cube tray	Butter dish	Butter dish
<b>KEY FEATURES – FREEZER</b>				
Star rating	4	4	4	4
Temperature adjustable	•	•	•	•
Freezing drawers	4	4	4	3
Fast freezing switch	•	•	-	-
Shelf material	Safety glass	Safety glass	-	-
Freezer cold packs	•	•	-	-
Number of ice cube trays	1	1	-	-
<b>FUNCTIONS</b>				
Number of compressors	1	1	1	1
Minimum ambient temperature	10	10	10	10
Maximum ambient temperature	43	43	38	38
<b>DIMENSION AND INSTALLATION</b>				
Door hinge	Right reversible	Right reversible	Right reversible	Right reversible
Type of hinge	Fixed / flat	Sliding	Sliding	Sliding
Height of the product (mm)	1772	1772	1772	1772
Width of the product (mm)	541	541	541	541
Depth of the product (mm)	545	545	545	545
Width with open door 90° (mm)	60	60	60	60
Depth with open door 90° (mm)	1140	1140	1140	1140
Height of the packed product (mm)	1840	1840	1860	1860
Width of the packed product (mm)	620	620	620	620
Depth of the packed product (mm)	640	640	640	640
Minimum height for installation (mm)	1775	1775	1775	1775
Maximum height for installation (mm)	1775	1775	1775	1775
Minimum width for installation (mm)	560	560	562	562
Maximum width for installation (mm)	560	560	562	562
Depth for installation (mm)	550	550	550	550
Height (mm)	1772	1772	1772	1772
Net weight (kg)	69	69	56	57
Gross weight (kg)	75	75	61	62

• = Yes - = No

## Built-in fridges specifications

DESIGN FAMILY	SERIE 6	SERIE 6	SERIE 4	SERIE 4	SERIE 6	SERIE 4	SERIE 4	SERIE 2
MODEL	KIR81AF30G	KIL82AF30G	KIR81VS30G	KIL82VS30G	KIR41AF30G	KIL42VS30G	KIR41VS30G	KIR24V20GB
Highlights	EasyAccess shelves, HydroFresh box	EasyAccess shelves, HydroFresh box, VarioZone	SuperCooling	SuperCooling, VarioZone	EasyAccess shelves, HydroFresh box	SuperCooling	-	-
<b>PERFORMANCE AND CONSUMPTION</b>								
Energy efficiency class	A++	A++	A++	A++	A++	A++	A++	A+
Energy consumption annual (kWh)	116	209	116	209	105	172	105	131
Total unit gross capacity (litres)	321	288	321	252	215	196	215	227
Total unit net capacity (litres)	319	286	319	286	211	195	211	221
Refrigerator gross capacity (litres)	321	254	321	254	215	181	215	227
Refrigerator net capacity (litres)	319	252	319	209	211	180	211	221
Freezer net capacity (litres)	-	34	319	34	-	15	-	-
Climate class	SN-T	SN-ST	SN-T	SN-ST	SN-T	SN-ST	SN-ST	SN-ST
Noise level (dB[A] re 1 pW)	37	36	37	39	33	38	37	36
<b>FOOD FRESHNESS SYSTEM</b>								
Number of containers in fridge section	2	2	2	2	1	1	1	-
Humidity control drawer	●	●	-	-	●	-	-	-
Food freshness type	HydroFresh humidity controlled container, CrisperBox	HydroFresh humidity controlled container, CrisperBox	Vegetable container	Vegetable container	HydroFresh humidity controlled container	Vegetable container	Vegetable container	MultiBox
<b>KEY FEATURES – FRIDGE</b>								
Temperature display	LED digital numerical display	LED digital numerical display	Digital LED	Digital LED	LED digital numerical display	Digital LED indicator	Digital LED indicator	-
Number of egg racks	2	2	2	2	2	2	2	-
Number of door shelves	6	5	6	5	4	4	4	-
Number of shelves	7	5	7	5	6	4	4	-
Light	●	●	●	●	●	●	●	●
Number of door bins	3	3	6	3	3	4	3	-
Tilt-out door bins	●	●	●	●	●	●	●	●
Fully extendable/EasyAccess shelves	●	●	●	●	●	-	-	-
Shelves for bottles	-	-	-	-	-	-	-	-
Warning signal door open	Acoustic	Acoustic	-	-	Acoustic	-	-	-
Fast cooling switch	●	●	●	●	●	●	●	-
<b>KEY FEATURES – FREEZER</b>								
Star rating	-	4	-	4	-	4	-	-
Temperature adjustable	-	●	-	●	-	●	-	-
Door opened indicator	-	-	-	-	-	-	-	-
Defrost process	-	Manual	-	Manual	-	Manual	-	-
Number of shelves	-	1	-	1	-	1	6	6
Number of adjustable shelves	-	-	-	-	-	-	5	5
Material of shelves	-	Safety glass	-	Glass	-	Safety glass	Safety glass	Safety glass
Included accessories	-	Ice cube tray	-	Ice cube tray	-	Ice cube tray	2 x egg tray	Egg tray
Storage period in power failure (h)	-	22	-	22	-	13	-	-
<b>FUNCTIONS</b>								
Type of control	Electronic	Electronic	Electronic	Electronic	Electronic	Electronic	Electronic	Mechanical
Minimum ambient temperature (°C)	10	10	10	10	10	10	10	10
Maximum ambient temperature (°C)	43	38	43	38	43	38	43	38
<b>DIMENSION AND INSTALLATION</b>								
Connection rating (W)	90	90	90	90	90	90	90	90
Current (A)	13	13	13	13	13	13	13	10
Voltage (V)	220-240	220-240	220-240	220-240	220-240	220-240	220-240	220-240
Frequency (Hz)	50	50	50	50	50	50	50	50
Length electrical supply cord (cm)	230	230	230	230	230	230	2300	2300
Approval certificates	VDE	VDE	VDE	VDE	VDE	VDE	VDE	VDE
Type of hinge	Fixed / flat	Fixed / flat	Sliding	Sliding	Fixed / flat	Sliding	Sliding	Sliding
Reversible door hinge	●	●	●	●	●	●	●	●
Height of the product (mm)	1772	1772	1772	1772	1221	1221	1221	1221
Width of the product (mm)	558	558	541	541	558	541	538	541
Depth of the product (mm)	545	545	545	545	545	545	545	542
Width with open door 90° (mm)	60	60	60	60	60	60	60	60
Depth with open door 90° (mm)	1140	1140	1140	1140	1140	1140	1140	1140
Height of the packed product (mm)	1840	1840	1840	1840	1290	1300	1300	1300
Width of the packed product (mm)	620	620	620	620	620	620	620	615
Depth of the packed product (mm)	640	640	640	640	640	640	640	635
Minimum height for installation (mm)	1775	1775	1775	1775	1225	1225	1225	1225
Maximum height for installation (mm)	1775	1775	1775	1775	1225	1225	1225	1225
Minimum width for installation (mm)	560	560	560	560	560	560	560	560
Maximum width for installation (mm)	560	560	560	560	560	560	560	560
Depth for installation (mm)	550	550	550	550	550	550	550	550
Net weight (kg)	70	67	68	68	49	45	42	40
Gross weight (kg)	76	73	74	74	52	49	46	44
EAN code	4242002734590	4242002734934	4242002904832	4242002906348	4242002735276	4242002812830	4242002812816	4242002578293

● = Yes - = No

## Built-in fridges specifications

DESIGN FAMILY	SERIE 6	SERIE 4	SERIE 4	SERIE 4	SERIE 4	SERIE 4	SERIE 2	SERIE 6	SERIE 6
MODEL	KIR21AF30G	KIR31VS30G	KIL22VF30G	KIR21VF30G	KIL22VS30G	KIR21VS30G	KIR18V20GB	KUL15A60GB	KUR15A50GB
Highlights	EasyAccess shelves, HydroFresh box	-	SuperCooling	-	SuperCooling	SuperCooling	-	-	-
<b>PERFORMANCE AND CONSUMPTION</b>									
Energy efficiency class	A++	A++	A++	A++	A++	A++	A+	A++	A+
Energy consumption annual (kWh)	97	100	148	97	148	148	122	140	118
Total unit gross capacity (litres)	147	176	127	147	127	127	154	-	-
Total unit net capacity (litres)	144	172	124	144	124	124	150	123	137
Refrigerator gross capacity (litres)	147	176	112	147	112	112	154	-	-
Refrigerator net capacity (litres)	144	172	109	144	109	109	150	108	131
Freezer net capacity (litres)	-	-	15	-	15	15	-	15	-
Climate class	SN-T	SN-T	SN-ST	SN-T	SN-ST	SN-ST	SN-ST	SN-ST	SN-ST
Noise level (dB[A] re 1 pW)	33	36	38	36	38	38	34	38	38
<b>FOOD FRESHNESS SYSTEM</b>									
Number of containers in fridge section	1	1	1	1	1	1	-	2	2
Humidity control drawer	●	●	-	-	-	-	-	●	●
Food freshness type	HydroFresh humidity controlled container	MultiBox	Vegetable container	MultiBox	Vegetable container	MultiBox	MultiBox	-	-
<b>KEY FEATURES – FRIDGE</b>									
Temperature display	LED digital numerical display	Digital LED indicator	Digital LED	Digital LED indicator	Digital LED	Digital LED	-	-	-
Number of egg racks	2	2	2	2	2	2	-	-	-
Number of door shelves	3	4	3	3	3	3	-	3	3
Number of shelves	4	4	3	4	3	3	4	1	3
Light	●	●	●	●	●	●	●	●	●
Number of door bins	3	4	3	3	3	3	4	-	-
Tilt-out door bins	●	●	●	●	●	●	●	-	-
Fully extendable/EasyAccess shelves	●	-	2	-	2	2	-	-	-
Shelves for bottles	-	-	-	-	-	-	-	-	-
Warning signal door open	Acoustic	-	-	-	-	-	-	-	-
Fast cooling switch	●	●	●	●	●	●	●	●	●
<b>KEY FEATURES – FREEZER</b>									
Star rating	-	-	4	-	4	4	-	3	-
Temperature adjustable	-	-	●	-	●	●	-	-	-
Defrost process	-	-	Manual	-	Manual	Manual	-	-	-
Number of shelves	-	-	-	-	-	-	-	-	-
Number of adjustable shelves	-	-	-	-	-	-	-	-	-
Material of shelves	-	-	-	-	-	-	-	-	-
Included accessories	-	-	Ice cube tray	-	Ice cube tray	Ice cube tray	-	1 x egg tray, 1 x ice cube tray	Egg tray
Storage period in power failure (h)	-	-	13	-	13	13	-	-	-
<b>FUNCTIONS</b>									
Type of control	Electronic	Electronic	Electronic	Electronic	Electronic	Electronic	Mechanical	-	-
Minimum ambient temperature (°C)	10	10	10	10	10	10	10	-	-
Maximum ambient temperature (°C)	43	43	38	43	38	38	38	-	-
<b>DIMENSION AND INSTALLATION</b>									
Connection rating (W)	90	90	90	90	90	90	90	-	-
Current (A)	13	10	10	10	10	10	13	-	-
Voltage (V)	220-240	220-240	220-240	220-240	220-240	220-240	220-240	-	-
Frequency (Hz)	50	50	50	50	50	50	50	-	-
Length electrical supply cord (cm)	2300	2300	2300	2300	2300	2300	2300	-	-
Approval certificates	VDE	VDE	VDE	VDE	VDE	VDE	VDE	-	-
Type of hinge	Fixed / flat	Sliding	Flush-folding	Fixed / flat	Sliding	Sliding	Sliding	Flat	Flat
Reversible door hinge	●	●	●	●	●	●	●	●	●
Height of the product (mm)	874	1021	874	874	874	874	874	820	820
Width of the product (mm)	558	541	541	541	541	541	541	598	598
Depth of the product (mm)	545	545	545	545	545	545	545	548	548
Width with open door 90° (mm)	60	60	60	60	60	60	60	-	-
Depth with open door 90° (mm)	1140	1140	1140	1140	1140	1140	1140	1150	1150
Height of the packed product (mm)	950	1100	950	950	950	950	950	-	-
Width of the packed product (mm)	620	620	610	620	620	620	610	-	-
Depth of the packed product (mm)	640	640	630	640	640	640	630	-	-
Minimum height for installation (mm)	880	1025	880	880	880	880	880	-	-
Maximum height for installation (mm)	880	1025	880	880	880	880	880	-	-
Minimum width for installation (mm)	560	560	560	560	560	560	560	-	-
Maximum width for installation (mm)	560	560	560	560	560	560	560	-	-
Depth for installation (mm)	550	550	550	550	550	550	550	-	-
Net weight (kg)	39	37	32	37	36	36	31	-	-
Gross weight (kg)	42	41	35	40	39	39	34	-	-
Dimensions of the packed product (mm)	-	1100x620x640	950x610x630	950x620x640	950x620x640	950x610x630	950x610x630	-	-
EAN code	4242002735009	4242002875132	4242002875316	4242002875156	4242002875316	4242002875323	4242002578262	-	-

● = Yes - = No

All models comply with COMMISSION REGULATION (EC) No 1275/2008 with regard to ecodesign requirements for standby and off mode electric power consumption.

For full specification details, please log onto our website and download a full specification sheet.

## Built-in freezers specifications

BUILT-IN FREEZERS	SERIE 8	SERIE 8	SERIE 6	SERIE 6	SERIE 6	SERIE 4	SERIE 4	SERIE 6	SERIE 6
MODEL	GIN38A55GB	GIN81AE30G	GIN41AE30G	GIN31AE30G	GIV21AF30G	GID18A50GB	GID18A20GB	GIV11AF30	GUD15A50GB
<b>PERFORMANCE AND CONSUMPTION</b>									
Energy efficiency class	A+	A++	A++	A++	A++	A+	A+	A++	A+
Energy consumption annual (kWh)	310	243	188	168	157	192	192	144	184
Total unit gross capacity (litres)	288	150	235	120	98	-	-	-	-
Total unit net capacity (litres)	212	235	150	97	97	94	94	72	98
Refrigerator net capacity (litres)	-	211	127	-	-	-	-	-	-
Freezer net capacity (litres)	212	211	127	97	97	94	94	72	98
Climate class	SN-ST	SN-T	SN-T	SN-T	SN-T	SN-ST	SN-ST	SN-T	-
Noise level (dB(A) re 1 pW)	40	36	38	37	36	36	36	36	38
<b>KEY FEATURES</b>									
Star rating	4	4	4	4	4	4	4	4	-
Temperature adjustable	●	●	●	●	●	●	●	●	●
Door opened indicator	●	●	●	●	●	●	●	●	●
Defrost process	Manual	NoFrost	NoFrost	NoFrost	Manual	Manual	Manual	Manual	NoFrost
Number of drawers	5	5	4	3	3	4	4	3	3
Number of freezing flaps	2	2	1	-	-	-	-	-	-
Material of shelves	Safety glass	Safety glass	Safety glass	Safety glass	-	Safety glass	Safety glass	Safety glass	-
Included accessories	-	2 x cold accumulator, ice cube tray	2 x cold accumulator, ice cube tray	2 x cold accumulator, ice cube tray	2 x cold accumulator, ice cube tray	2 x cold accumulator, berry tray, ice cube tray	2 x cold accumulator, berry tray, ice cube tray	2 x cold accumulator, ice cube tray	2 x ice packs, ice cube tray
Storage period in power failure (h)	11	23	22	25	22	-	-	-	-
<b>FUNCTIONS</b>									
Type of control	Electronic	Electronic	Electronic	Electronic	Electronic	Electronic	Electronic	Electronic	Electronic
Minimum ambient temperature (0°)	-	10	10	10	10	10	10	10	-
Maximum ambient temperature (0°)	-	43	43	43	43	43	43	43	-
Cold technology	-	-	-	-	Compressor, cold circuit	-	-	-	Compressor, cold circuit
Number of compressors	-	-	-	-	1	-	-	-	1
<b>DIMENSIONS AND INSTALLATION</b>									
Connection rating (W)	120	120	120	120	90	90	90	90	-
Current (A)	13	13	13	13	13	13	13	10	-
Voltage (V)	220-240	220-240	220-240	220-240	220-240	220-240	220-240	220-240	220-240
Frequency (Hz)	50	50	50	50	50	50	50	50	50
Length electrical supply cord (mm)	2300	2300	2300	2300	2300	2300	2300	2300	2300
Approval certificates	VDE	VDE	VDE	VDE	VDE	VDE	VDE	VDE	VDE
Type of hinge	Fixed / flat	Flush-folding	Flush-folding	Flush-folding	Flush-folding	Fixed / flat	Fixed / flat	Fixed / flat	Flat
Reversible door hinge	●	●	●	●	●	●	●	●	●
Height of the product (mm)	1772	1221	1772	1021	874	874	874	712	820
Width of the product (mm)	556	558	558	558	558	541	541	558	598
Depth of the product (mm)	545	545	545	545	545	542	542	545	548
Width with open door 90° (mm)	60	60	60	60	-	60	60	60	-
Depth with open door 90° (mm)	1140	1140	1140	1140	1140	1140	1140	1140	1150
Height of the packed product (mm)	1840	1290	1840	1090	950	1840	1840	789	-
Width of the packed product (mm)	620	620	620	620	620	620	620	620	-
Depth of the packed product (mm)	640	640	640	640	640	640	640	640	-
Minimum height for installation (mm)	1775	1225	1775	1025	880	1775	1775	7120	-
Maximum height for installation (mm)	1775	1225	1775	1025	880	1775	1775	7190	-
Minimum width for installation (mm)	560	560	560	560	560	560	541	560	-
Maximum width for installation (mm)	560	560	560	560	560	560	541	560	-
Depth for installation (mm)	550	550	550	550	550	550	550	550	-
Net weight (kg)	73	49	66	43	40	36	542	363	-
Gross weight (kg)	79	52	72	46	43	39	39	386	-
Required niche size for installation (HxWxD)	-	-	-	-	880x560x550	-	-	-	-
EAN code	4242002734934	4242002898209	4242002898834	4242002898261	4242002920191	4242002734590	4242002527963	4242002923819	4242002658090

● = Yes - = No

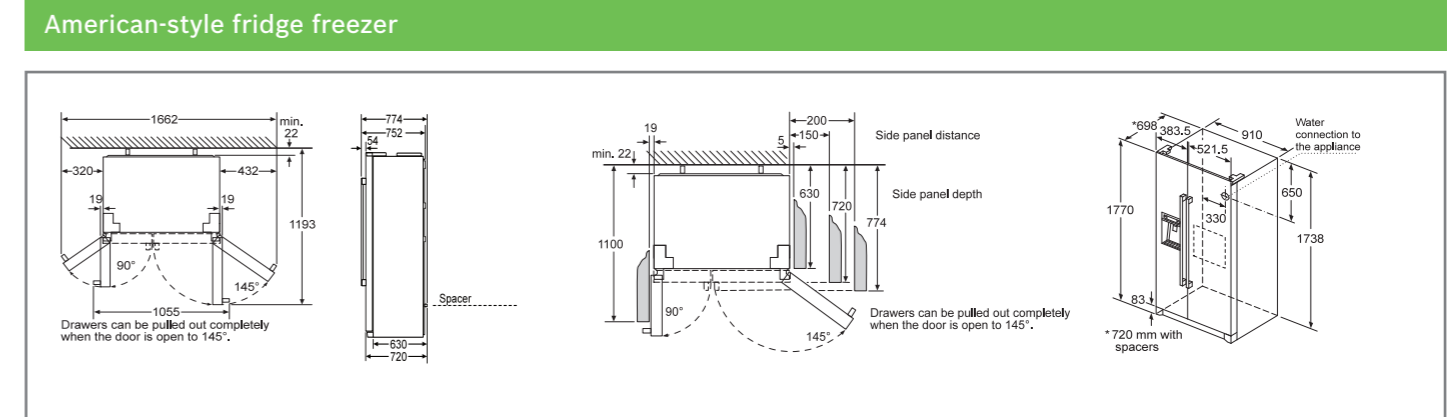
For full specification details, please log onto our website and download a full specification sheet. All models comply with COMMISSION REGULATION (EC) No 1275/2008 with regard to ecodesign requirements for standby and off mode electric power consumption.

Explore more at [www.bosch-home.co.uk](http://www.bosch-home.co.uk)

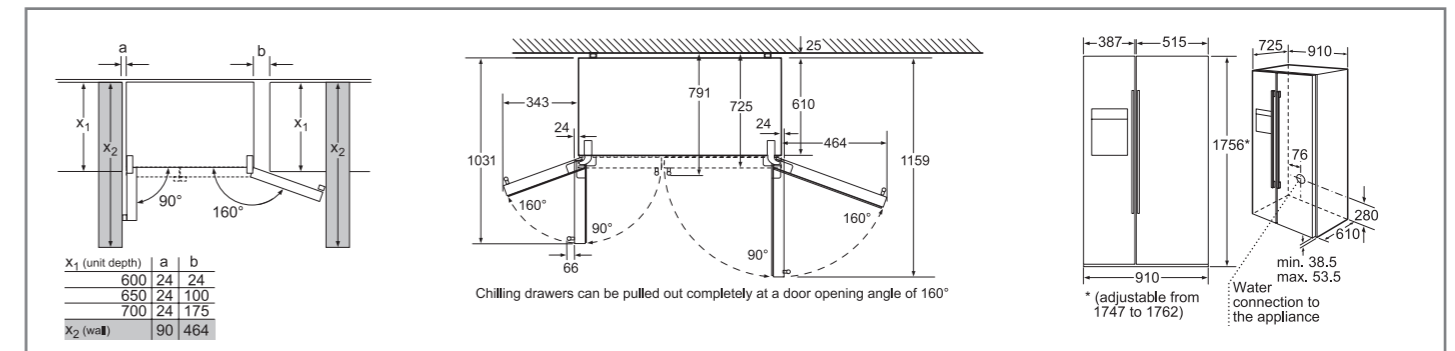
## Matching fridges & freezers

Freezer Model	Height	Matching Fridges	Freezer Model	Height	Matching Fridges
<b>GID18A20GB</b>	88cm	KIR18V20GB, KIR21VS30G, KIL22VS30G	<b>GIN41AE30G</b>	112.5cm	KIR24V20GB, KIR41VS30G, KIR41AF30G, KIR41AD30G, KIL42VS30G
<b>GID18A50GB</b>	88cm	KIR21VF30G, KIL22VF30G, KIR21AF30G	<b>GIN81AE30G</b>	177.5cm	KIR81VS30G, KIL82VS30G, KIR81AF30G
<b>GIN31AE30G</b>	102.5cm	KIR31VS30G	<b>GIN38A55GB</b>	177.5cm	GIN38A55GB, KIL82AF30G
<b>GIV21AF30G</b>	88cm	KIR21AF30G, KIL22VF30G, KIR21VF30G, KIL22VS30G, KIR21VS30G, KIR18V20GB	<b>GUD15A50GB</b>	82cm	KUL15A60GB, KUR15A50GB
<b>GIV11AF30</b>	72cm	Can be combined with taller height fridges			

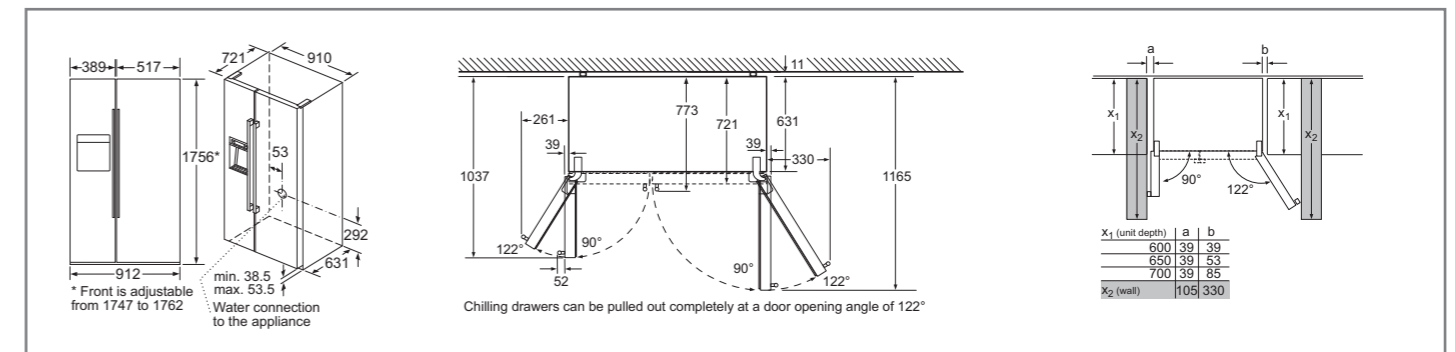
## Cooling technical diagrams



KAD90VI20G, KAI90VI20G, KAN90VI20G, KAG90AI20G, KAD90VB20G



KAN92LB35G N.B. Doors need to be able to be opened to a minimum of 160° angle to allow the drawers to be fully accessible



KAN92VI35 / KAD92AI20G N.B. Doors need to be able to be opened to a minimum of 122° angle to allow the drawers to be fully accessible

All diagram measurements are in millimetres (mm)

We try to keep up to date with constant technological improvements, so from time to time we may update installation guidelines. Therefore we strongly recommend that you download the latest installation guidelines from [www.bosch-home.co.uk](http://www.bosch-home.co.uk). Line drawings are for guidance only, and we recommend that you refer to the latest installation guidelines. Though every care is taken to ensure instructions are correct at the time of printing, Bosch cannot accept responsibility for incorrect planning or installation as a result of the use of these line drawings.

Making **life easy** through innovative technologies

# American-style fridge freezers specifications

# Notes

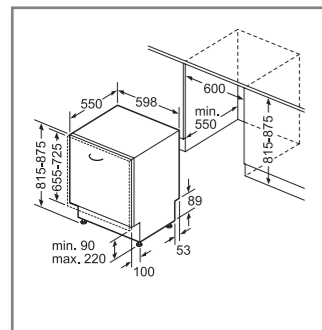
DESIGN FAMILY	SERIE 8	SERIE 8	SERIE 6	SERIE 6	SERIE 6	SERIE 6	SERIE 6	SERIE 4
MODEL	KAN92LB35G	KAD92AI20G	KAN92VI35	KAG90AI20G	KAD90VI20G	KAI90VI20G	KAD90VB20G	KAN90VI20G
Stainless Steel look	-	●	●	●	●	●	-	●
Black	●	-	-	-	-	-	●	-
<b>PERFORMANCE AND CONSUMPTION</b>								
Energy efficiency class	A++	A++	A++	A+	A+	A+	A+	A+
Annual energy consumption (kWh)	385	443	389	432	436	432	436	475
Total unit net capacity (litres)	592	541	604	522	533	523	533	573
Refrigerator net capacity (litres)	375	368	387	359	163	360	370	373
Freezer net capacity (litres)	202	158	202	157	228	163	163	200
Noise level (dB [A] re 1pW)	43	43	43	43	43	43	43	44
<b>DESIGN FEATURES</b>								
Colour of sides	Chrome inox-metallix	Chrome inox-metallix	Chrome inox-metallix	Grey	Grey	Grey	Black	Grey
Type of handle	Integrated vertical	Vertical bar	Vertical bar	Vertical bar	Vertical bar	Vertical bar	Vertical bar	Vertical bar
Door hinge	Left and right	Left and right	Left and right	Left and right	Left and right	Left and right	Left and right	Left and right
Type of hinge	-	-	-	-	-	-	-	-
Reversible door, hinged on right	-	-	-	-	-	-	-	-
Light wattage - refrigerator	-	-	-	-	-	-	-	-
Light	-	●	●	●	●	●	-	●
LED light	-	-	-	-	-	-	-	-
Number of compressors	1	1	1	1	1	1	1	1
Number of cooling circuits	2	2	2	1	1	1	1	1
Number of evaporators	-	2	2	-	-	-	-	-
Number of temperature zones fridge	1	1	1	-	1	1	1	1
<b>FOOD FRESHNESS SYSTEMS</b>								
Range of temperatures (°C)	-	-	-	4-8	-	-	-	-
Interior ventilation through plinth	-	-	-	-	-	-	-	-
Humidity control drawer	-	●	●	-	-	-	-	-
AntiBacterial	-	-	-	-	-	-	-	-
Food preservation containers	-	-	-	CoolBox	MultiBox	MultiBox	-	-
MultiAirflow system	●	●	●	●	-	-	-	-
<b>KEY FEATURES – FRIDGE SECTION</b>								
Number of temperature zones	1	1	1	1	1	1	1	1
Number of vegetable containers with ribbed bottom and humidity control	1	1	1	2	-	-	-	-
Number of shelves	5	4	4	3	3	4	4	4
Number of glass safety shelves	-	-	3	3	-	4	-	4
Number of adjustable shelves	-	3	3	1	1	-	-	-
Type of shelves	-	Partial extension	Partial extension	Stationary	-	-	-	-
Drawers with telescopic rails	3	1	1	2	2	1	1	2
Number of door bins	2	5	4	4	4	-	-	-
Tilt-out door bins	●	●	●	●	●	-	-	-
Number of door shelves	-	4	5	4	4	4	4	4
Number of containers	3	3	2	3	-	-	-	-
EasyLift flexible shelf in door	-	-	-	-	-	-	-	-
Fast cooling switch	●	●	●	●	●	●	●	●
Included accessories	-	Connection hose, egg tray	Egg tray	Connection hose, egg tray	Connection hose, egg tray	Connection hose, egg tray	Connection hose, egg tray	Egg tray
<b>KEY FEATURES – FREEZER SECTION</b>								
Star rating	4	4	4	4	4	4	4	4
Number of freezer drawers	2	2	2	2	2	2	2	2
NoFrost system	●	●	●	●	●	●	●	●
Fast freezing switch	●	●	●	●	●	●	●	●
Shelf adjustability	●	●	●	●	●	●	●	●
Automatic motor-driven ice-maker	-	-	-	-	●	●	-	-
Water filter replacement indicator	-	●	-	●	●	-	●	-
Water tank	-	-	-	●	-	-	-	-
Dispenser - crushed ice, ice cubes, quick ice, water, water filter	-	●	-	●	●	●	●	-
Included accessories	2 x cold accumulator, egg tray	2 x cold accumulator	-	-	-	-	-	-
<b>FUNCTIONS</b>								
Electronic display	●	●	●	●	●	●	●	●
Temperature display fridge	●	●	●	●	●	●	●	●
Warning/malfunction signal	●	●	●	●	●	●	●	●
Door opened indicator	●	●	●	●	●	●	●	●
<b>DIMENSIONS AND INSTALLATION</b>								
Climate class	SN-T	SN-T	SN-T	SN-T	SN-T	SN-T	SN-T	SN-T
Height of the product (mm)	1756	1756	1756	1770	1770	1770	1770	1770
Width of the product (mm)	912	912	912	910	910	910	910	910
Depth of the product (mm)	732	732	732	720	720	720	720	720
Width with open door 90° (mm)	95	94.84	94.84	166	166	166	166	166
Depth with open door 90° (mm)	1158	1193	1165	1193	1193	1193	1193	1193
Maximum adjustability feet (mm)	Front only	Front only	Front only	Front only	Front only	Front only	Front only	Front only

● = Yes - = No

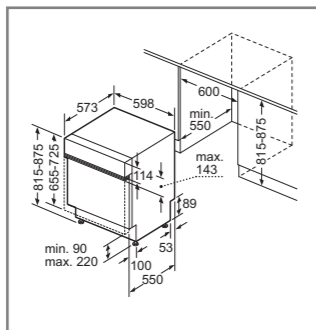
All models comply with COMMISSION REGULATION (EC) No 1275/2008 with regard to ecodesign requirements for standby and off mode electric power consumption. For full specification details, please log onto our website and download a full specification sheet.

## Dishwasher technical diagrams

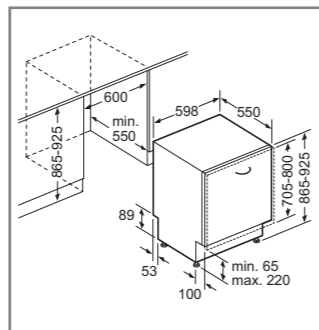
### Fully integrated, semi-integrated and slimline dishwashers



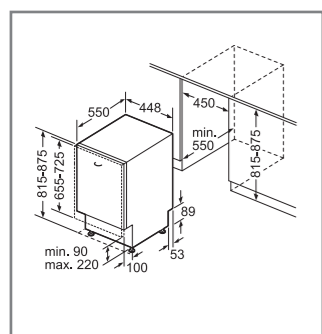
Fully integrated dishwashers



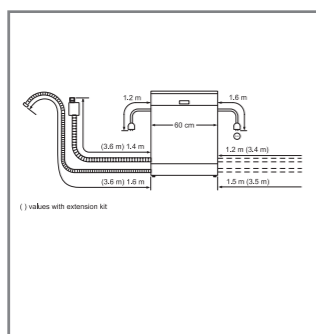
Semi-integrated dishwashers



SBE46MX00G 86.5cm



45cm dishwashers



All 60cm dishwasher connection dimensions

## Dishwasher specifications

DISHWASHER TYPE	60CM FULLY INTEGRATED								
DESIGN FAMILY	SERIE 8	SERIE 6	SERIE 6	SERIE 6	SERIE 4	SERIE 4	SERIE 4	SERIE 2	
MODEL	SMV68TD06G	SMV68MD00G	SMV68MD01G	SMV68MD02G	SBE46MX00G	SMV46MX00G	SMV46IX00G	SMV50C10GB	
Description	Fully integrated with Home Connect Wi-Fi connectivity and Perfect Dry	Fully integrated with Perfect Dry, 7.5 litre water consumption and A+++ energy rating	Fully integrated with 9.5 litre water consumption, A+ energy rating and 14 place settings	Fully integrated with 6.5 litre water consumption, A++ energy rating and 13 place settings	Extra height 86.5cm fully integrated with 9.5 litre water consumption, A++ energy rating and VarioHinge	Fully integrated with 9.5 litre water consumption, A++ energy rating and VarioDrawer	Fully integrated with 9.5 litre water consumption and A++ energy rating	Fully integrated with 11.7 litre water consumption and 48dB noise level	
Highlights	Home Connect, Zeolith®, Door Open Assist, TFT display, TimeLight, VarioDrawer Pro, VarioFlex Pro baskets	Zeolith®, Door Open Assist, TimeLight, VarioDrawer, VarioFlex baskets with coloured touch points	Heat exchanger, Door Open Assist, TimeLight, VarioDrawer, VarioFlex baskets with coloured touch points	Heat exchanger, Door Open Assist, TimeLight, VarioDrawer, VarioFlex baskets with coloured touch points	Heat exchanger, InfoLight (red), VarioDrawer, VarioFlex baskets, VarioHinge	Heat exchanger, InfoLight (red), VarioDrawer, VarioFlex baskets	Heat exchanger, InfoLight (red), VarioFlex baskets	Residual drying, InfoLight (red), Vario baskets	
Colour/material panel	Grey	Grey	Grey	Grey	Stainless steel	Stainless steel	Stainless steel	Black	
Taller height	-	-	-	-	Extra Height 86.5cm with VarioHinge	-	-	-	
<b>PERFORMANCE</b>									
Reference programme for measurements	Economy 50	Economy 50	Economy 50	Economy 50	Economy 50	Economy 50	Economy 50	Economy 50	
Energy efficiency class	A+++	A+++	A+	A+	A+	A+	A+	A+	
Energy consumption annual (kWh/annum) <sup>1</sup>	237	211	299	262	266	266	262	290	
Water consumption annual (litres/annum) <sup>1</sup>	2660	2100	2660	1820	2660	2660	2660	3300	
Energy consumption (kWh) <sup>2</sup>	0.83	0.73	1.05	0.92	0.93	0.93	0.92	1.02	
Water consumption (litres) <sup>2</sup>	9.5	7.5	9.5	6.5	9.5	9.5	9.5	11.7	
Cleaning performance	A	A	A	A	A	A	A	A	
Drying performance	A	A	A	A	A	A	A	A	
Number of place settings	14	13	14	13	14	14	13	12	
Noise level (dB(A) re 1 pW)	41	44	39	44	46	46	48	48	
Total cycle time of reference programme (min)	195	225	195	195	210	210	210	210	
<b>PROGRAMMES/FUNCTIONS</b>									
Number of programmes	8	8	8	8	6	6	6	5	
Number of different wash temperatures	6	6	5	5	5	5	5	4	
Automatic programme	•	•	•	•	•	•	•	-	
<b>List of programmes</b>									
Name, programme 1	Economy 50	Economy 50	Economy 50	Economy 50	Economy 50	Economy 50	Economy 50	Economy 50	
Name, programme 2	Intensive 70	Intensive 70	Intensive 70	Intensive 70	Intensive 70	Intensive 70	Intensive 70	Intensive 70	
Name, programme 3	Auto 45-65	Auto 45-65	Auto 45-65	Auto 45-65	Auto 45-65	Auto 45-65	Auto 45-65	Normal 65	
Name, programme 4	Glass 40	Glass 40	Glass 40	Glass 40	Glass 40	Glass 40	Glass 40	Pre-rinse	
Name, programme 5	Silence 50	Silence 50	Silence 50	Silence 50	Quick 45	Quick 45	Quick 45	Quick 45	
Name, programme 6	Pre-rinse	Pre-rinse	Pre-rinse	Pre-rinse	1 Hour 65	1 Hour 65	1 Hour 65	-	
Name, programme 7	Quick 45	Quick 45	Quick 45	Quick 45	-	-	-	-	
Name, programme 8	Short 60	Short 60	1 Hour 65	1 Hour 65	-	-	-	-	
Number of options	6	5	5	5	4	4	4	1	
Additional operational options	Extra Dry, Hygiene Plus, Intensive Zone, Wi-Fi, VarioSpeed Plus	Extra Dry, Hygiene Plus, Intensive Zone, VarioSpeed Plus	Extra Dry, Hygiene Plus, Intensive Zone, VarioSpeed Plus	Extra Dry, Hygiene Plus, Intensive Zone, VarioSpeed Plus	Extra Dry, Hygiene Plus, VarioSpeed Plus	Extra Dry, Hygiene Plus, VarioSpeed Plus	Extra Dry, Hygiene Plus, VarioSpeed Plus	VarioSpeed	
Home Connect	•	-	-	-	-	-	-	-	
Machine Care	•	•	•	•	•	•	•	-	
<b>FLEXIBLE DESIGN ELEMENTS</b>									
Basket type	VarioFlex Pro	VarioFlex with coloured touch points	VarioFlex with coloured touch points	VarioFlex with coloured touch points	VarioFlex	VarioFlex	VarioFlex	Vario	
VarioDrawer	VarioDrawer Pro	VarioDrawer	VarioDrawer	VarioDrawer	VarioDrawer	VarioDrawer	VarioDrawer	-	
Adjustable upper basket	Rackmatic™ 3 stage	Rackmatic™ 3 stage	Rackmatic™ 3 stage	Rackmatic™ 3 stage	Rackmatic™ 3 stage	Rackmatic™ 3 stage	Rackmatic™ 3 stage	Adjustable when empty	
Largest loadable dish upper basket (cm)	21	21	21	21	23	21	27	27	
Largest loadable dish lower basket (cm)	31	31	31	31	34	31	31	31	
Number of flip times in upper rack	6	2	2	2	2	2	2	-	
Number of flip times in lower rack	8	4	4	4	4	4	4	2	
Basket with handle	Bottom basket, Top basket	Bottom basket, Top basket	Bottom basket, Top basket	Bottom basket, Top basket	Bottom basket, Top basket	Bottom basket, Top basket	Bottom basket, Top basket	Top basket	
<b>INNOVATION AND TECHNOLOGY</b>									
Real-time clock	•	-	-	-	-	-	-	-	
DoorOpen Assist	•	-	-	-	-	-	-	-	
Indicator projection on floor	TimeLight	TimeLight	TimeLight	TimeLight	InfoLight (red)	InfoLight (red)	InfoLight (red)	InfoLight (red)	
Zeolith®	•	•	-	-	-	-	-	-	
Drying system	Zeolith®	Zeolith®	Heat Exchanger	Heat Exchanger	Heat Exchanger	Heat Exchanger	Heat Exchanger	Residual	
Flood protection	Aquastop 24 hour	Aquastop 24 hour	Aquastop 24 hour	Aquastop 24 hour	Aquastop 24 hour	Aquastop 24 hour	Aquastop 24 hour	Aquastop 24 hour	
Load sensor	•	•	•	•	•	•	•	•	
AquaSensor technology	•	•	•	•	•	•	•	•	
<b>DESIGN FEATURES</b>									
Interior light	White	-	-	-	-	-	-	-	
Full colour TFT Display	•	-	-	-	-	-	-	-	
Start delay time max (h)	24	24	24	24	24	24	24	9	
Child safety	•	•	•	•	•	•	•	-	
Digital countdown indicator	•	•	•	•	•	•	•	-	
End of cycle indicator	Acoustic	Acoustic	Acoustic	Acoustic	Acoustic	Acoustic	Acoustic	Acoustic	
Salt light indicator	•	•	•	•	•	•	•	•	
Rinse aid light indicator	•	•	•	•	•	•	•	•	
Interior cavity	Stainless steel	Stainless steel	Stainless steel	Stainless steel	Stainless steel	Stainless steel	Stainless steel	Stainless steel/Polinox base	
Self-cleaning filter system	•	•	•	•	•	•	•	•	
<b>TECHNICAL SPECIFICATIONS</b>									
Length of electrical supply cord (cm)	175	175	175	175	175	175	175	175	
Length inlet hose (cm)	165	165	165	165	165	165	165	165	
Length outlet hose (cm)	190	190	190	190	190	190	190	190	
Net weight (kg)	44	38	45	42	41	36	33	31	
Gross weight (kg)	49	43	50	44	45	41	37	33	
Maximum accepted water hardness (°DH)	50	50	50	50	50	50	50	35	
Maximum temperature for water intake (°C)	60	60	60	60	60	60	60	60	
<b>INSTALLATION</b>									
Maximum height for installation (mm)	875	875	875	875	925	875	875	875	
Width of the product (mm)	598	598	598	598	598	598	598	598	
Maximum width for installation (mm)	600	600	600	600	600	600	600	600	
Depth for installation (mm)	550	550	550	550	550	550	550	550	
Maximum adjustability feet (mm)	60	60	60	60	60	60	60	60	
<b>ACCESSORIES</b>									
Included accessories	Large item spray head, Steam deflection plate	Large item spray head, Steam deflection plate	Large item spray head, Steam deflection plate	Large item spray head, Steam deflection plate	Large item spray head, Steam deflection plate	Large item spray head, Steam deflection plate	Large item spray head, Steam deflection plate	Large item spray head, Steam deflection plate	
Optional accessories	SGZ1010, SMZ2014, SMZ2055, SMZ5003, SMZ5005, SMZ5035, SMZ5100, SMZ5300	SGZ1010, SMZ2014, SMZ2055, SMZ5003, SMZ5005, SMZ5035, SMZ5100, SMZ5300	SGZ1010, SMZ2014, SMZ2055, SMZ5003, SMZ5005, SMZ5035, SMZ5100, SMZ5300	SGZ1010, SMZ2014, SMZ2055, SMZ5003, SMZ5005, SMZ5035, SMZ5100, SMZ5300	SGZ1010, SMZ2014, SMZ2055, SMZ5003, SMZ5005, SMZ5035, SMZ5100, SMZ5300	SGZ1010, SMZ2014, SMZ2055, SMZ5003, SMZ5005, SMZ5035, SMZ5100, SMZ5300	SGZ1010, SMZ2014, SMZ2055, SMZ5002, SMZ5003, SMZ5005, SMZ5035, SMZ5300	SGZ1010, SMZ2014, SMZ2055, SMZ5000, SMZ5002, SMZ5003, SMZ5005, SMZ5006, SMZ5300	SGZ1010, SMZ2014, SMZ2055, SMZ5000, SMZ5002, SMZ5003, SMZ5005, SMZ5006, SMZ5300

• = Yes - = No

<sup>1</sup> Based on 280 standard cleaning cycles using cold water fill, including consumption of the standby mode.

<sup>2</sup> The consumption per cleaning cycle of the "Eco 50" programme using cold water fill.

For full specification details, please log onto our website and download a full specification sheet.

All models comply with COMMISSION REGULATION (EC) No 1275/2008 with regard to ecodesign requirements for standby and off mode electric power consumption.

All diagram measurements are in millimetres (mm)

We try to keep up to date with constant technological improvements, so from time to time we may update installation guidelines. Therefore we strongly recommend that you download the latest installation guidelines from [www.bosch-home.co.uk](http://www.bosch-home.co.uk). Line drawings are for guidance only, and we recommend that you refer to the latest installation guidelines. Though every care is taken to ensure instructions are correct at the time of printing, Bosch cannot accept responsibility for incorrect planning or installation as a result of the use of these line drawings.

Explore more at [www.bosch-home.co.uk](http://www.bosch-home.co.uk)

Making life easy through innovative technologies

## Dishwasher specifications

DISHWASHER TYPE	60CM FULLY INTEGRATED		60CM SEMI INTEGRATED				45CM FULLY INTEGRATED			
DESIGN FAMILY	Serie 2		Serie 8	Serie 2	Serie 2	Serie 2	Serie 6	Serie 4		
MODEL	SMV40C30GB	SMV40C00GB	SMI68MS06G	SMI50C16GB	SMI50C15GB	SMI50C12GB	SPV69T00GB	SPV40C10GB		
Description	Fully integrated with 11.7 litre water consumption and 50dB noise level	Fully integrated with 14 litre water consumption and 54dB noise level	Semi-integrated with Home Connect Wi-Fi connectivity and Short 60 programme	Black semi-integrated with Half load and VarioSpeed	Stainless steel semi-integrated with Half load and VarioSpeed	White semi-integrated with Half load and VarioSpeed	45cm fully integrated with A++ energy rating and 10 place settings	45cm fully integrated with A+ energy rating and 9 place settings		
Highlights	Residual drying, InfoLight (red), Vario baskets	Residual drying, InfoLight (red)	Home Connect, TFT Display, VarioDrawer	Auto 45-65 Programme, Half load, VarioSpeed	Auto 45-65 Programme, Half load, VarioSpeed	Auto 45-65 Programme, Half load, VarioSpeed	Heat exchanger, TimeLight, VarioFlex Plus baskets, Auto 45-65 programme	Heat exchanger drying, VarioSpeed, Vario baskets, Intensive 70 programme		
Colour/material panel	Black	Black	Stainless Steel	Black	Stainless Steel	White	Stainless Steel	Black		
Taller height	-	-	-	-	-	-	-	-		
<b>PERFORMANCE</b>										
Reference programme for measurements	Economy 50	Economy 50	Economy 50	Economy 50	Economy 50	Economy 50	Economy 50	Economy 50		
Energy efficiency class	A+	A+	A++	A+	A+	A+	A++	A+		
Energy consumption annual (kWh/annum) <sup>1</sup>	290	290	266	290	290	290	211	220		
Water consumption annual (litres/annum) <sup>1</sup>	3300	3920	2660	2660	2660	2660	2660	2660		
Energy consumption (kWh) <sup>2</sup>	1.02	1.02	0.93	1.02	1.02	1.02	0.75	0.78		
Water consumption (litres) <sup>2</sup>	11.7	14	9.5	9.5	9.5	9.5	9.5	9.5		
Cleaning performance	A	A	A	A	A	A	A	A		
Drying performance	A	A	A	A	A	A	A	A		
Number of place settings	12	12	14	12	12	12	10	9		
Noise level (dB(A) re 1 pW)	50	54	44	46	46	46	44	48		
Total cycle time of reference programme (min)	210	210	210	210	210	210	195	195		
<b>PROGRAMMES/FUNCTIONS</b>										
Number of programmes	4	4	8	5	5	5	6	4		
Number of different wash temperatures	3	3	5	4	4	4	5	3		
Automatic programme	-	-	•	•	•	•	•	-		
<b>List of programmes</b>	Economy 50		Intensive 70	Intensive 70	Intensive 70	Intensive 70	Economy 50	Economy 50		
Name, programme 1	Normal 65		Auto 45-65	Auto 45-65	Auto 45-65	Auto 45-65	Auto 65-75	Intensive 70		
Name, programme 2	Pre-rinse		Economy 50	Economy 50	Economy 50	Economy 50	Auto 45-65	Pre-rinse		
Name, programme 3	Quick 45		Silence 50	Quick wash 45	Quick wash 45	Quick wash 45	Auto 35-45	Quick 45		
Name, programme 4	-		Short 60	Pre-rinse	Pre-rinse	Pre-rinse	Pre-rinse	-		
Name, programme 5	-		Glass 40	-	-	-	Quick 45	-		
Name, programme 6	-		Quick wash 45	-	-	-	-	-		
Name, programme 7	-		Pre-rinse	-	-	-	-	-		
Name, programme 8	-		-	-	-	-	-	-		
Number of operations	1	-	5	2	2	2	3	1		
Additional operational options	VarioSpeed	-	Extra Dry, Hygiene Plus, Wi-Fi, VarioSpeed Plus	Half load, VarioSpeed	Half load, VarioSpeed	Half load, VarioSpeed	Hygiene Zone, VarioSpeed Plus	VarioSpeed		
Home Connect	-	-	•	-	-	-	-	-		
Machine Care	-	-	•	-	-	-	-	-		
<b>FLEXIBLE DESIGN ELEMENTS</b>										
Basket type	Vario	Normal grey	VarioFlex with coloured touch points	Vario	Vario	Vario	VarioFlex Plus	Vario		
VarioDrawer	-	-	-	-	-	-	VarioDrawer	-		
Adjustable upper basket	Adjustable when empty	-	Rackmatic™ 3 stage	Adjustable when empty	Adjustable when empty	Adjustable when empty	Rackmatic™ 3 stage	Adjustable when empty		
Largest loadable dish upper basket (cm)	27	22	21	27	27	27	19	27		
Largest loadable dish lower basket (cm)	31	30	31	31	31	31	30	30		
Number of flip tines in upper rack	-	-	2	-	-	-	3	-		
Number of flip tines in lower rack	2	-	4	2	2	2	4	2		
Basket with handle	Top basket	Top basket	Top basket	Top basket	Top basket	Top basket	Bottom basket, Top basket	Top basket		
<b>INNOVATION AND TECHNOLOGY</b>										
Real-time clock	-	-	•	-	-	-	-	-		
Door Open Assist	-	-	-	-	-	-	-	-		
Indicator projection on floor	InfoLight (red)	InfoLight (red)	-	-	-	-	TimeLight	-		
ZeoLith®	-	-	-	-	-	-	-	-		
Drying system	Residual	Residual	Heat exchanger	Residual	Residual	Residual	Heat exchanger	Heat exchanger		
Flood protection	Aquastop 24 hour	Aquastop 24 hour	Aquastop 24 hour	Aquastop 24 hour	Aquastop 24 hour	Aquastop 24 hour	Aquastop 24 hour	Aquastop 24 hour		
Load sensor	•	•	•	•	•	•	•	•		
AquaSensor technology	-	-	•	•	•	•	•	•		
<b>DESIGN FEATURES</b>										
Interior light	-	-	White	-	-	-	-	-		
Full colour TFT Display	-	-	•	-	-	-	-	-		
Start delay time max (h)	9	-	24	24	24	24	24	9		
Child safety	-	-	•	•	•	•	•	•		
Digital countdown indicator	-	-	•	•	•	•	•	•		
End of cycle indicator	Acoustic	Acoustic	Acoustic	-	-	-	Acoustic	Acoustic		
Salt light indicator	•	•	•	•	•	•	•	•		
Rinse aid light indicator	•	•	•	•	•	•	•	•		
Interior cavity	Stainless steel/Polinox base	Stainless steel/Polinox base	Stainless steel	Stainless steel/Polinox base	Stainless steel/Polinox base	Stainless steel/Polinox base	Stainless steel	Stainless steel		
Self-cleaning filter system	•	•	•	•	•	•	•	•		
<b>TECHNICAL SPECIFICATIONS</b>										
Length of electrical supply cord (cm)	175	175	175	175	175	175	175	175		
Length inlet hose (cm)	165	165	165	165	165	165	165	165		
Length outlet hose (cm)	190	190	190	190	190	190	205	205		
Net weight (kg)	30	34	42	34	34	34	32	29		
Gross weight (kg)	32	36	47	36	36	36	34	31		
Maximum accepted water hardness (°DH)	35	35	50	50	50	50	50	35		
Maximum temperature for water intake (°C)	60	60	60	60	60	60	60	60		
<b>INSTALLATION</b>										
Maximum height for installation (mm)	875	875	875	875	875	875	875	875		
Width of the product (mm)	598	598	598	598	598	598	448	448		
Maximum width for installation (mm)	600	600	600	600	600	600	450	450		
Depth for installation (mm)	550	550	550	550	550	550	550	550		
Maximum adjustability feet (mm)	60	60	60	60	60	60	60	60		
<b>ACCESSORIES</b>										
Included accessories	Large item spray head, Steam deflection plate	Large item spray head, Steam deflection plate	Large item spray head, Steam deflection plate	Large item spray head, Steam deflection plate	Large item spray head, Steam deflection plate	Large item spray head, Steam deflection plate	Large item spray head, Steam deflection plate	Large item spray head, Steam deflection plate		
Optional accessories	SGZ1010, SMZ2055, SMZ5000, SMZ5002, SMZ5003, SMZ5006	SMZ2044, SMZ5000, SMZ5002, SMZ5003, SMZ5006, SMZ5025	SMZ2044, SMZ5003, SMZ5005, SMZ5025, SMZ5035	SMZ2014, SMZ5000, SMZ5002, SMZ5006, SMZ5022	SGZ1010, SMZ2014, SMZ2044, SMZ5000, SMZ5003, SMZ5006, SMZ5025	SGZ1010, SMZ2014, SMZ5000, SMZ5002, SMZ5003, SMZ5006	SGZ1010, SMZ2014, SMZ5000, SMZ5002, SMZ5003, SPZ5100	SGZ1010, SGZ3003, SMZ5000, SMZ5003, SMZ5005, SMZ5300		

• = Yes - = No

<sup>1</sup> Based on 280 standard cleaning cycles using cold water fill, including consumption of the standby mode.

<sup>2</sup> The consumption per cleaning cycle of the "Eco 50" programme using cold water fill.

For full specification details, please log onto our website and download a full specification sheet.

## Dishwasher accessories

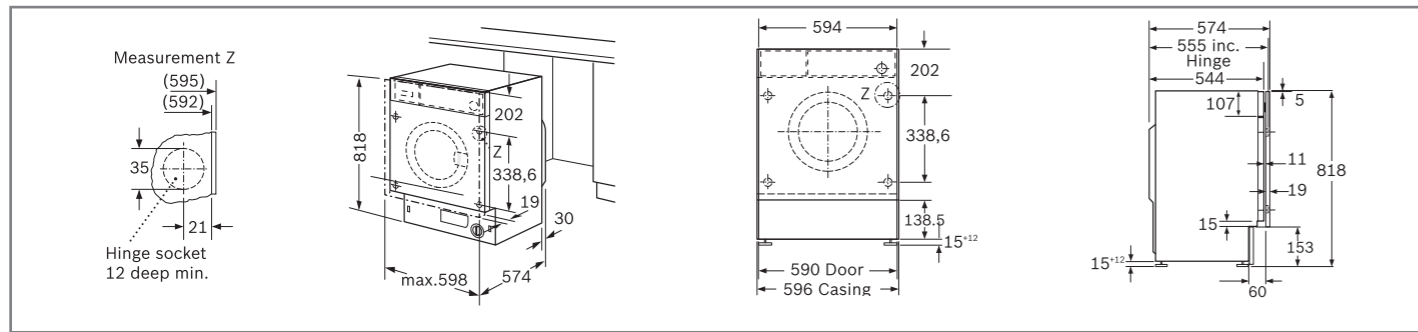
DESCRIPTION	Accessory Nr.	SMV68TD06G	SMV68MD00G	SMV68MD01G	SMV68MD02G	SBE46MX00G	SMV46MX00G	SMV46IX00G	SMV50C10GB	SMV40C30GB	SMV40C00GB
Aquastop extension	SGZ1010	•	•	•	•	•	•	•	•	•	•
Rack insert for stemware dishwasher	SMZ2014	•	•	•	•	-	•	•	-	-	-
Stainless steel door and plinth panel	SMZ2044	-	-	-	-	-	-	-	-	-	•
Door attachment – stainless steel	SMZ2055	•	•	•	•	-	-	-	•	•	•
Dishwashing aid set	SMZ5000	-	-	-	-	-	-	-	•	•	•
Silver polishing cassette	SMZ5002	-	-	-	-	-	-	•	•	•	•
Drop hinge for tall cabinets	SMZ5003	•	•	•	•	-	•	•	•	•	•
Stainless steel panel strips	SMZ5005	•	•	•	•	-	•	•	-	-	-
Stainless steel panel strips	SMZ5006	-	-	-	-	-	-	-	•	•	•
Front edging strips (86.5cm)	SMZ5015	-	-	-	-	•	-	-	-	-	-
White décor conversion kit	SMZ5022	-	-	-	-	-	-	-	-	-	-
Stainless steel décor conversion kit	SMZ5025	-	-	-	-	-	-	-	-	-	•
Stainless steel décor conversion kit	SMZ5035	•	•	•	•	-	•	•	-	-	-
Stainless steel lining band	SMZ5045	-	-	-	-	•	-	-	-	-	-
Adjustable cutlery basket	SMZ5100	•	•	•	•	-	-	-	-	-	-
Glass holder accessory (GlassSecure Tray)	SMZ5300	•	•	•	•	-	•	•	-	-	-

DESCRIPTION	Accessory Nr.	SMI68MS06G	SMI50C16GB	SMI50C12GB	SMI50C15GB	SPV69T00GB	SPV40C10GB
Aquastop extension	SGZ1010	•	•	•	•	•	•
Rack insert for stemware dishwasher	SMZ2014	-	-	•	-	-	-
Stainless steel door and plinth panel	SMZ2044	•	•	•	•	-	-
Door attachment – stainless steel	SMZ2055	-	-	-	-	-	-
Dishwashing aid set	SMZ5000	-	•	•	•	•	-
Silver polishing cassette	SMZ5002	-	•	•	•	•	-
Drop hinge for tall cabinets	SMZ5003	•	•	•	•	•	•
Stainless steel panel strips	SMZ5005	•	-	-	-	•	•
Stainless steel panel strips	SMZ5006	-	•	•	•	-	-
Front edging strips (86.5cm)	SMZ5015	-	-	-	-	-	-
White décor conversion kit	SMZ5022	-	•	-	-	-	-
Stainless steel décor conversion kit	SMZ5025	•	-	-	•	-	-
Stainless steel décor conversion kit	SMZ5035	•	-	-	-	-	-
Stainless steel lining band	SMZ5045	-	-	-	-	-	-
Adjustable cutlery basket	SMZ5100	-	-	-	-	•	-
Glass holder accessory (GlassSecure Tray)	SMZ5300	-	-	-	-	•	•

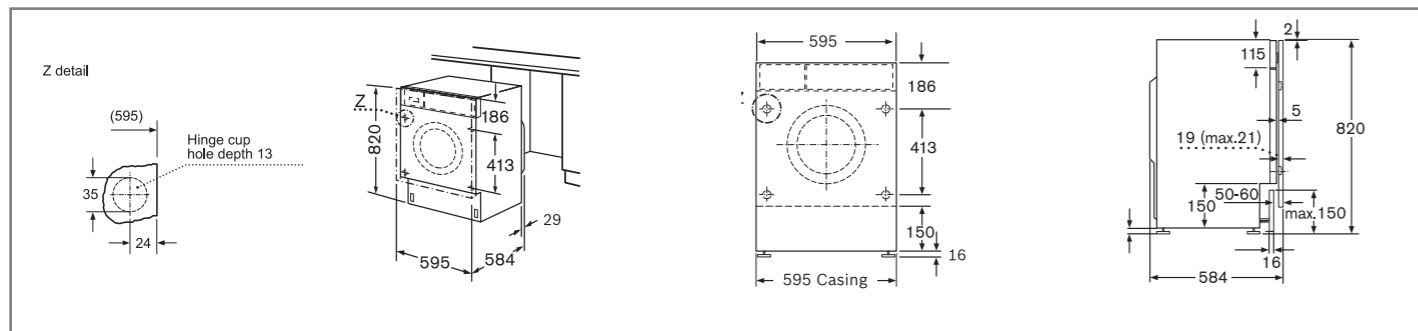


# Home laundry technical diagrams

## Washing machines and washer dryers



WIW28500GB | WIW28300GB



WKD28541GB | WKD28351GB

# Home laundry accessories

Description	Accessory Nr.	WIW28500GB	WIW28300GB	WKD28541GB	WKD28351GB
Floor securing component	WMZ2200	•	•	•	•
Connecting piece	WMZ20470	•	•	•	•
Extension for cold water inlet/Aquastop	WMZ2380	•	•	•	•
Height adjustable feet	WMZ20441	•	•	-	-



# Home laundry specifications

HOME LAUNDRY TYPE	WASHING MACHINES	
DESIGN FAMILY	SERIE 8	SERIE 6
MODEL	WIW28500GB	WIW28300GB
<b>PERFORMANCE &amp; CONSUMPTION</b>		
Energy efficiency class	A+++	A+++
Capacity cotton (kg)	8	8
Maximum spin speed (rpm)	1400	1400
Moisture content % on dry load after max. spin	53	53
Washing performance class	A	A
Spin drying performance class	B	B
Energy consumption annual (kWh)	137	157
Ø Energy consumption 40°C cotton programme – partial load (kWh)	0.38	0.44
Ø Energy consumption 60°C cotton programme – full load (kWh)	0.78	0.85
Ø Energy consumption 60°C cotton programme – partial load (kWh)	0.58	0.74
Water consumption annual (litres)	11000	11000
Average washing time cotton 40°C – partial load (min)	255	255
Average washing time cotton 60°C – full load (min)	270	270
Average washing time cotton 60°C – partial load (min)	270	270
Drum volume (litres)	53	53
Noise level washing (dB)	41	41
Noise level spinning (dB)	67	67
<b>PROGRAMMES/FUNCTIONS</b>		
<b>Standard programmes</b>		
Cottons	•	•
Easycare programme	•	•
Wool programme	•	•
Delicates/Silk	•	•
Cold wash	•	-
<b>Specialist programmes</b>		
Drain/spin	•	•
Mixed fabrics	•	•
Super 15 min/Super 30 min	•	-
Shirts	•	-
Rinse only	•	•
Spin speed reduction	•	•
Anti-crease phase at programme end	•	•
Hygiene/Allergy plus	-/•	-/•
Night Wash	•	•
DrumClean with reminder	•	•
Duvet/down	-/•	-/•
Speed/Eco	•	•
Rinse hold	•	•
Easy iron	•	-
Sportswear	•	-
<b>KEY FEATURES</b>		
TimeLight projection on floor	•	-
Reload function	•	•
Type of motor	BLDC with warranty	BLDC with warranty
Interior drum light	•	•
Drum structure	WaveDrum™	WaveDrum™
Drying progress indicator	LED-display	LED-display
Time delay (24h)	•	•
Sound insulation	AntiVibration	AntiVibration
<b>ADDITIONAL FEATURES</b>		
Foam control	•	•
Balance control	•	•
Water protection system	Aquastop	Aquastop
Water plus	•	-
Child safety	•	•
<b>TECHNICAL INFORMATION</b>		
Dimensions HxWxD (cm)	81.8 x 59.6 x 57.4	81.8 x 59.6 x 57.4
Depth with open door 90° (cm)	95.6	95.6
Height adjustable (mm)	12	12
Length of drain hose (cm)	220	220
Length of supply hose (cm)	220	220
Adjustable feet	Front only	Front only
Maximum adjustability feet (mm)	12	12
EAN Code	4242002805719	4242002805726
<b>OPTIONAL ACCESSORIES</b>		
Height adjustable feet	WMZ20441	WMZ20441
Connecting piece	WMZ20470	WMZ20470
Floor securing kit	WMZ2200	WMZ2200
Extension for water inlet	WMZ2380	WMZ2380

• = Yes - = No

HOME LAUNDRY TYPE	WASHER DRYERS	
DESIGN FAMILY	SERIE 6	SERIE 4
MODEL	WKD28541GB	WKD28351GB
<b>PERFORMANCE &amp; CONSUMPTION</b>		
Energy efficiency class	B	B
Capacity cotton washing (kg)	7.0	7.0
Capacity cotton drying (kg)	4.0	4.0
Maximum spin speed (rpm)	1400	1400
Washing performance class	A	A
Energy consumption – wash and dry of full wash load (kWh)	5.6	5.6
Energy consumption – wash only (kWh)	1.03	1.03
Total annual energy consumption – washing and drying 200 full loads (kWh)	1120	1120
Total annual water consumption – washing only 200 full loads (litres)	10400	10400
Total annual water consumption – washing and drying 200 full loads (litres)	103	103
Total annual water consumption – washing and drying 200 full loads (litres)	26000	26000
Total annual energy consumption – washing only 200 full loads (kWh)	250	250
Average washing time cotton 60°C – full load (min)	212	212
Drum volume (litres)	52	52
Noise level washing (dB)	57	57
Noise level spinning (dB)	74	74
Noise level drying (dB)	60	60
<b>PROGRAMMES/FUNCTIONS</b>		
<b>Standard programmes</b>		
Cottons	•	•
Easycare programme	•	•
Wool programme	•	•
Delicates/Silk	•	•
Intensive dry	•	•
Gentle dry	•	•
Rinse	•	•
Spin	•	•
Empty	•	•
<b>Specialist programmes</b>		
SuperQuick 15	•	-
Night Wash	•	-
Sportswear	•	-
Sensitive	•	-
Mixed load	•	•
Fluff removal programme	•	•
<b>Options</b>		
Wash plus	•	•
Reduced Ironing	•	•
Rinse plus	•	•
Pre-wash	•	•
Variable temperature	•	•
Variable spin	•	•
Spin speed reduction	•	•
Flexi Time	•	•
<b>KEY FEATURES</b>		
Full electronic control dial for all wash and special programmes	•	•
Time selection options	•	•
<b>ADDITIONAL FEATURES</b>		
Aquatronic wash system	•	•
Time delay (h)	24	24
Foam detection system	•	•
Safeguard monitoring system	•	•
Child lock	•	•
Water protection system	Multiple water protection	AquaSecure
<b>TECHNICAL INFORMATION</b>		
Dimensions of the product – exc door (cm)	82 x 59.5 x 58.4	82 x 59.5 x 58.4
Length electrical supply cord (cm)	220	220.00
Display	LED	LED
Cabinet colour	White	White
Door colour	White	White
Door opening	95	95
Door hinge	Left-hand	Left-hand
Fully integrable	•	•
EAN code	4242002554594	4242002553740
<b>OPTIONAL ACCESSORIES</b>		
Connecting piece (between appliance and 90cm worktop)	WMZ20470	WMZ20470
Floor securing kit	WMZ2200	WMZ2200
Extension for water inlet	WMZ2380	WMZ2380

• = Yes - = No

All diagram measurements are in millimetres (mm). We try to keep up to date with constant technological improvements, so from time to time we may update installation guidelines. Therefore we strongly recommend that you download the latest installation guidelines from www.bosch-home.co.uk. Line drawings are for guidance only, and we recommend that you refer to the latest installation guidelines. Though every care is taken to ensure instructions are correct at the time of printing, Bosch cannot accept responsibility for incorrect planning or installation as a result of the use of these line drawings.

All models comply with COMMISSION REGULATION (EC) No 1275/2008 with regard to ecodesign requirements for standby and off mode electric power consumption. For full specification details, please log onto our website and download a full specification sheet.

Notes

Download a copy of our freestanding catalogue online at [www.bosch-home.co.uk](http://www.bosch-home.co.uk) or call **0344 892 8979**



#### Contact Bosch Customer Service

To arrange an engineer visit, obtain product advice or order replacement spare parts or accessories visit [www.bosch-home.co.uk](http://www.bosch-home.co.uk) or call **0344 892 8979**

Republic of Ireland customers should visit [www.bosch-home.ie](http://www.bosch-home.ie) to arrange an engineer's visit, or to order spare parts and accessories, or call **(01) 450 2655**



**BoschHomeUK**



**BoschHomeUK**

Calls are charged at the basic rate, please check with your telephone service provider for exact charges.

Disclaimer: This brochure is current as from the publication date and supersedes all previous brochures for these products. This brochure should not be regarded as an infallible guide nor as an offer for sale of any particular product. Whilst BSH Home Appliances Ltd believes that all information contained within this brochure is correct at the time of going to print, no representation or warranty, express or implied, is or will be made and no responsibility or liability is or will be accepted by BSH Home Appliances Ltd in relation to the accuracy or completeness of this information and any liability is expressly disclaimed. To the extent permitted by law, BSH Home Appliances Ltd expressly excludes: i) all conditions, warranties and other terms which might otherwise be implied by statute, common law or the law of equity and ii) any liability for any direct, indirect or consequential loss or damage (including, without limitation, damages for loss of business or loss of profits) arising in contract, tort or otherwise from the use of or reliance on any information contained within this brochure or from any action or decision taken as a result of such use or reliance. BSH Home Appliances Ltd reserves the right to modify technical data and all other information contained within this brochure without notice. All rights reserved. No part of this publication may be reproduced in any form or without the prior written permission of BSH Home Appliances Ltd. All colour variations are due to the limitations of the printing process. This brochure is printed on environment-friendly chlorine-free bleached paper. April 2017.

#### BSH Home Appliances Limited

Grand Union House  
Old Wolverton Road, Wolverton  
Milton Keynes MK12 5PT  
[www.bosch-home.co.uk](http://www.bosch-home.co.uk)

#### BSH Home Appliances Limited

M50 Business Park  
Ballymount, Dublin 12  
**Tel: 1890 626 041**  
[www.bosch-home.ie](http://www.bosch-home.ie)