

SIEMENS



Built-in Appliances

2017 Collection

siemens-home.bsh-group.com/uk | siemens-home.bsh-group.com/ie

Siemens. The future moving in.



Uncompromising
design, innovation
and technology.

Imagine a world where functional doesn't mean boring, where outstanding becomes the standard and where you are no longer pressed for time. Welcome to the new world of Siemens.

Introducing co-ordinated and intelligently designed appliances by Siemens. Discover the entire built-in range – for even more flexibility and time-saving solutions that help with our increasingly busy lifestyles. An oven that saves time, speeding up your cooking by up to 50% with varioSpeed. Award-winning dishwashers featuring the world's only Zeolith® drying system; a technological innovation that sets new standards for performance and energy efficiency. Fridge freezers with hyperFresh food preservation technology and outstanding freezers that never have to be defrosted. Not to mention high performance built-in washing machines. All working together to create a spectacular built-in kitchen for your home.

Stunning design that co-ordinates with the rest of your living space as well as high quality materials come as standard with all Siemens appliances. Offering you the perfect balance between modern design and innovative technology, Siemens appliances sit seamlessly together in your home.

New for 2017

This year, Siemens introduces a range of new products across categories that take home appliances a step further into the future.

Discover more about the following appliances and highlight features for 2017 which further enhance the Siemens built-in range of appliances:

Wi-Fi enabled appliances with Home Connect	6-7
The hob which extracts: inductionAir	52-53
Cooling combinations with modularFit	102-103
Dishwashers with brilliantShine system	128

Leading the way with uncompromising design and incredible performance, continue reading to find out about the latest range of Siemens appliances.

New

Look out for this icon to indicate new products and features for 2017.



Welcome home.

Ovens 8-33

Single ovens 22-25
 Double ovens 26
 Built-under double ovens 27

Compact appliances 34-47

Compact pyrolytic microwave ovens with integral microwave 43, 44
 Compact steam combination ovens..... 43, 44
 Compact oven with integral microwave..... 44
 Coffee centre..... 45
 Compact pyrolytic oven 46
 Compact oven with integral microwave..... 44, 46
 Compact microwave oven 46
 Compact steamer 46
 Microwave ovens 47
 Warming and accessory drawers 47

Hobs 48-73

inductionAir hob..... 64
 flexInduction hobs 65-67
 Induction hobs 67-68
 quickLite ceramic hobs 69
 Gas hobs 70-72
 Domino hobs..... 73

Hoods 74-95

modulAir domino hood..... 82
 downDraft hood 83
 Ceiling hoods 84-85
 Island hoods 86-87
 Angled hoods 88-89
 Cube hood..... 89
 Flat chimney hoods 90
 Glass chimney hoods 91
 Box chimney hoods..... 92-93
 Canopy extractor hoods 94
 Telescopic extractor hoods..... 95
 Integrated extractor hoods..... 95

Cooling 96-125

aCool built-in cooling appliances..... 112-114
 aCool wine cooler 115
 American fridge freezers 116-117
 Built-in fridges and freezers 118-123
 Built-under fridges and freezer 124

Dishwashers 126-139

Fully integrated 137-139
 Semi-integrated..... 139
 Slimline..... 139

Home laundry 140-145

Washing machines..... 145
 Washer dryers..... 145

Services 146-153

Customer service 146-147
 Contact us 148-149
 Greener products, cleaner planet 150-151
 Siemens online 152-153



Models shown: KI41RAD30 built-in fridge, GI18DA50GB built-in freezer, SN67BD06TG built-in dishwasher and WI14W500GB built-in washing machine

Intelligent technology that works behind the scenes.

From state-of-the-art cooling appliances to seamless laundry care, our machines thrive behind cabinet doors. Siemens built-in appliances have been designed to integrate into any kitchen layout, no matter how niche. For example, fridges and freezers can sit side-by-side, or above and below, adapting to the natural flow of any home.

But it doesn't end there. Not only are the built-in appliances flexible in where they can be placed, the technology inside has also been developed to fit seamlessly around your life, no matter how busy you are. timeLight projects cycle information from your washing machine onto your kitchen floor, the brilliantShine system with Zeolith®-drying produces dry, polished glasses every time you use the dishwasher and hyperFresh keeps food looking and tasting great for longer. These hidden appliances are worth getting to know; the technology inside them is stand-out.

Built-in Dishwashers with spotless results

They may be behind a cabinet, but the technology in Siemens built-in dishwashers will always take centre-stage. varioFlex baskets and varioDrawers allow you to completely tailor the space in your appliance, whereas the brilliantShine system with Zeolith®-drying ensures that perfectly dry and polished glasses are produced every time. Installation options like openAssist also work with handleless cabinets for more flexible design options. Siemens built-in dishwashers bring high-performing technology into any kitchen design, proving that true intelligence always shines through.

Find out more from page 126.

Built-in Washing Machines for seamless kitchen designs

Siemens built-in washing machines fit perfectly behind any kitchen design, but their brilliance lies in their technology. These washing machines come equipped with antiVibration side panels, significantly reducing noise, and timeLight technology that projects the cycle status of any wash onto the kitchen floor for instant updates. Put this smart machine behind a sleek cabinet door, and watch beauty and brains truly come together for outstanding laundry care built-in.

Find out more from page 140.

Multiple Fridge Freezer combinations for the perfect fit

Thanks to modularFit, Siemens built-in cooling appliances can be tailored in size to fit within any kitchen design with multiple height and combination options for individual fridges and freezers. But it's not just their flexibility that makes them so remarkable. hyperFresh technology ensures that food is preserved for as long as possible by carefully monitoring the humidity. Finally, high-performance appliances can be integrated into your dream kitchen design.

Find out more from page 96.

Your home, all in one app.

As innovation moves on, new possibilities arise. Thanks to Wi-Fi-enabled Siemens home appliances with Home Connect functionality, they make their way into your home and enrich your everyday life.



One interface for all appliances



Ovens & Coffee Centre

- Recipe World offers you a wide range of delicious recipes – choose your favourite and send the ideal settings directly to the oven.
- Operate the oven intuitively from wherever you are, for instance to preheat it while you are on your way home.
- The coffeeWorld in your Home Connect App provides an additional variety of delicious coffee specialties from around the world.
- The coffeePlaylist enables you to transfer the beverage wishes of all your guests remotely to the appliance at once – the coffee centre will then prepare one after another.

Models shown: **HN678GES6B** single oven, **CT636LES6** coffee centre, **BI630CNS1B** warming drawer



Hobs & Hoods

- Remote monitoring gives you an overview of your appliance's current status – from wherever you are.
- Intuitively change and select settings on your appliances via the Home Connect App.
- Push notifications inform you about your appliances such as when the filters need replacing.
- Access 256 colours to set the ambient lighting of selected hoods with emotionLight Pro.

Models shown: **LC97FVW60B** hood, **EX975KXW1E** hob (launched September 2017)



Dishwashers

- Remote controlling lets you select options, and start programmes intuitively wherever you are.
- With the Tab Counter, you get Push Notifications whenever the supply of dishwasher tabs needs to be refilled.

Model shown: **SN678D06TG** built-in dishwasher



Fridge Freezers

- Cameras in the fridge let you check the contents of your fridge from wherever you are, whenever you want.
- Remote controlling allows you to intuitively select and activate the ideal setting for your refrigerator.

Model shown: **KG36NHI32** fridge freezer



Washing Machines & Washer Dryers

- Remote monitoring provides you with an easy overview of your appliance's current status – from wherever you are.
- Push notifications inform you when the cycle is finished and, for our i-Dos model, whenever the fill status of detergent or fabric softener is getting low.

Model shown: **WMH4Y890GB** washing machine, **WT4HY790GB** washer dryer



Is an appliance Wi-Fi ready?
To see which of our appliances come with Wi-Fi-enabled Home Connect, look out for the Wi-Fi ready icon on each appliance page.



Discover even more about Home Connect.

To find out all about the exciting possibilities that Siemens Home Appliances with Home Connect have to offer, go to siemens-home.bsh-group.com/uk/home-connect

Home Connect is a service offered by Home Connect GmbH. To use Home Connect, you have to create a user account and register with Home Connect GmbH.



Ovens

Perfect built-in design

Siemens built-in ovens are designed to impress right from the kitchen planning phase, not only because they're so versatile in where they can be placed but their stylish design also ensures a sleek finish or coordinated look with other Siemens appliances. As they can be installed independently, they can fit in a 60cm high niche under the work surface, in a tall unit or in a bank of appliances, offering you maximum flexibility with your kitchen design, not to mention state-of-the-art technology and features which save you time when cooking.

Models shown: **CS658GRS6B** compact steam combination oven, **CM678G4S6B** compact pyrolytic oven with integral microwave and **BI630CNS1B** warming and accessory drawer

Outstanding taste,
cooked in the time
you have.



The easiest way to clean an oven:
let the oven clean itself.



varioSpeed saves up to 50% of your time and allows you to adjust the cooking time to your own speed of life.

There are things in life that are worth spending more time on like a business meeting, a weekend adventure or getting to read a few more pages of a bedtime story. Whenever you find yourself in a situation where you want to spend your time differently, but not necessarily cooking, varioSpeed allows you to. No matter whether it's a little snack or a masterful salmon recipe, you can now adjust the cooking time to your own speed of life. Ultimately giving you all the flexibility your life requires.



iQ700 Ovens with varioSpeed. Twice as fast in combination: by choosing the integrated microwave function with a conventional cooking option, you can speed up the preparation of your dishes when you need to – without compromising on the quality you would expect. Save up to 50% of your time, to give you the freedom when you require it.

From desserts to roasts and even frozen food, varioSpeed can be conveniently selected to cook a variety of meals when you want to take your time on other things. For even more flexibility; cooking, reheating or quickly defrosting a meal at the end of the day is fast and efficient thanks to the simultaneous heating using microwaves, and a conventional cooking function such as 4D hotAir.

Thanks to **activeClean®** you don't have to worry about cleaning the oven. Just press a button, and your oven cleans itself.



iQ700 Ovens with activeClean®. Enjoy preparing food without worrying about the consequences. No matter how creative it gets in the oven interior, you no longer need any chemical treatments to get it clean again – only the push of a button. Hassle-free, the oven cleans itself thoroughly with activeClean®. It does so by heating up to a very high temperature – turning all residues into ash, which can easily be wiped away. This process is called pyrolysis and is the most convenient and efficient way to clean the whole interior of your oven.

And now, even the telescopic rails, bars and tray are specially designed to be used with activeClean so you don't need to remove them at all. Only the wire shelf needs to be removed. activeClean® makes it possible to forget about the chore of cleaning your oven and gives you back your time to spend on the things you love.



activeClean® – ovens that clean themselves.

Healthy cooking. Made easy with steam.

Flavours, vitamins and nutrients are retained – the steam cooks your food gently yet quickly.



Model shown:
HS658GES6B

Cooking purely with steam.



fullSteam

With the Siemens HS658GES6B multifunction fullSteam oven you can prepare delicious and healthy vitamin-rich dishes. Choose the fullSteam option from the 15 different functions and use only hot steam to cook the food, which is perfect for rice, fish and vegetables. You therefore retain the food's full flavour, colour, vitamins and minerals while cooking without fat or oil. The new iQ700 oven is easy to use, even for someone who has never cooked with steam before.



pulseSteam

Siemens combination-steam ovens with pulseSteam are real all-rounders for more flexibility with your cooking. It's easy to cook with added steam while baking and roasting with hot air – with their multifunction options you have the perfect cooking method for any food, preserving everything that is important: flavour, smell, texture, vitamins and nutrients. And Siemens combi-steam ovens don't just work with hot air but also with top and bottom heating and grilling, so bread, cakes and roasts come out just right too: crisp on the outside and moist on the inside.

How does it work?

Siemens steam and steam combination ovens are quick and easy to install as they don't need plumbing-in.

Our fullSteam oven (HS658GES6B) has the temperature range indicated; whereas our pulseSteam models have three intensity levels which can be adjusted, depending on what is being cooked.

The removable 1 litre water tank (1.3 litre for steamer) is accessed behind the semi-automatic control panel making it more convenient and easier to refill, even during cooking. Water is fed into the oven cavity and heated by a fast and efficient steam generator, thermostatically controlled to allow pure steam temperatures of 30 – 100°C.



Model shown: HR676GBS6B



The ideal kitchen helper: cookControl Plus.

Pre-installed settings guarantee the best results for numerous dishes: cookControl Plus.

Simply select the required dish and enter the weight – the cookControl Plus function immediately provides full colour images with individual recommended settings for perfectly cooking the dish you want. Using cookControl Plus you can achieve the best results for a variety of meals with less to worry about and complete peace of mind.

Want to cook like a pro, without going to a lot of trouble? Thanks to Siemens innovative technology you can, because with cookControl Plus we have built a cookbook right into the oven.

This automatic cooking offers up to 70 programmes to ensure meat and fish are cooked to perfection. Just select the programme, then enter the weight of the food as well as your preferences like medium or rare. The oven will cook it to perfection without you needing to stand there the whole time.

If you're using a roastingSensor or bakingSensor, cookControl Plus will automatically suggest the mode, time and temperature for your cooking. So why make it complicated when it can be simple? Siemens offers intelligent, cutting-edge solutions that make cooking and baking surprisingly easy and convenient.

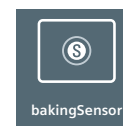


More to explore.



Achieve the best roasting results – easier than ever before: roastingSensor Plus.

Thanks to three measuring points, the innovative roasting thermometer is able to precisely and reliably measure the core temperature of your dishes. This allows you to use it with a wider range of foods and stops inaccurate temperatures that a single point would otherwise provide. Ideal for meat, poultry and fish, it can even be combined with the integrated microwave and the pulseSteam function. Without the need to keep checking, the roastingSensor gives you the freedom to get on with the rest of your cooking.



An oven that can detect when the baking process is complete: the bakingSensor.

All that's left for you to do when baking: prepare the pastry or mix and select the required dish. Innovative sensor technology fitted inside the oven can automatically control the baking process for consistently delicious baking. The bakingSensor constantly measures the moisture levels in the oven interior and is therefore able to tell you when the dish is fully cooked and ready.



More space in your kitchen and flexibility with your cooking: the integrated microwave. The iQ700 ovens with integrated microwave can be used in combination with your regular oven or individually as a fully functional microwave (5 power levels up to 900W), offering more flexibility in your kitchen.

Simply
the best.



They are top of the range for a reason.

Siemens iQ700 ovens have a range of high-end features that are consistent no matter which model you choose. With outstanding design and quality materials, you can be confident a Siemens oven will offer you the latest functions to cook with ease and enjoyment.

An oven door that opens and closes gently and quietly thanks to the intelligent mechanism: softMove.

For a calmer kitchen, when you open or close your oven door the intelligent dampers ensure that the oven door is left to open and close gently and quietly. Available on all iQ700 built-in ovens.

Everything put in a good light.

Depending on the model, there are different kinds of illumination inside the oven. Whether it's the standard Halogen light, LEDs or the most advanced Multilevel LED strip, they all provide a brilliant view of your dishes without having to open the oven door.



Illumination



4D hotAir

Best cooking results regardless of which shelf you choose: 4D hotAir. Be flexible with your cooking. Choose which shelf you want to cook your food on, now with even more choice. The innovative technology of the fan motor enables optimum heat distribution around the interior of the oven, as the oven is programmed to change the rotating direction of the fan every few minutes. Your food therefore always turns out perfectly, just as you want it, no matter which shelf you choose to place it on.

Finally, pre-heating is no longer necessary and you can save time: the coolStart function.

Cooking frozen convenience food in the oven is now even faster thanks to the innovative coolStart function. Using an intelligent heating phase, you can now successfully cook frozen food quickly and without the need to wait for the oven to preheat. Simply place the frozen food into the cold oven, press start, and the dish will be ready according to the manufacturers' stated cooking time.





Ovens

Welcome to a range designed around you.

iQ 700
 Exceptional design allied with seriously innovative technology is the basis of these, our premium models.

A Quick Feature Guide

Reference key:

 Model does have this feature	 Model does not have this feature
--	--

Key functionality – Single Ovens



Energy efficient ovens Most Siemens single ovens achieve a European Class A+ rating for energy efficiency. For better efficiency, certain models feature the hotairEco and conventional heat eco functions.



Wi-Fi ready With Wi-Fi enabled Siemens home appliances and Home Connect, you can manage your home appliances from wherever you are and discover more possibilities to make your life easier.



activeClean® Heating the cavity up to 480°C, activeClean® burns away all dirt and grime to save time. The self-cleaning feature can also be used with pyrolytic proof telescopic rails and bars.



ecoClean® A direct coating that lines the back, roof and side of the oven, ecoClean® makes cleaning the oven easy. The coated area cleans itself while the oven is on or can be activated with a cleaning programme.



fullSteam Enjoy healthier meals created by the power of steam. With juicy meats and crunchy vegetables cooked to perfection, culinary creations will be second to none.



pulseSteam Prepare perfectly juicy and crispy dishes with pulseSteam and other cooking functions like hot air to create a wider variety of meals that make the appliance more flexible.



cookControl Plus Once the programme is selected and weight entered, the oven automatically selects the best setting, controls the cooking time and switches off when done.



varioSpeed By choosing the integrated microwave function with a conventional cooking option, you can speed up the preparation of dishes by up to 50%.

Double Ovens



Energy efficiency in main oven Siemens double ovens achieve a European Class A rating for energy efficiency in the main oven.



Energy efficiency in top oven Siemens double ovens achieve a European Class B rating for energy efficiency in the top oven.



3D hotAir Can cook all types of food on up to 3 levels simultaneously to stop flavours and smells intermingling.



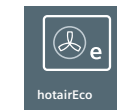
Bottom heating Heating the oven from the base, the Bottom heat setting is ideal for casseroles, curries, slow cooking and even bain marie's.



Defrost Circulating room temperature air away from airborne contaminants, the defrost setting will gently defrost large joints of meat or a delicate gâteau.



ecoClean® A direct coating that lines the back, roof and side of the oven, ecoClean® makes cleaning the oven easy. The coated area cleans itself while the oven is on or can be activated with a cleaning programme.



hotairEco For gently cooking selected dishes on one level without preheating. Using hotairEco will also save you around 30% more energy compared with standard functions.



Hot air grilling Perfect for poultry and duck or smaller cuts of meat. The grill and fan operate alternately, which results in even crisp food and can use up to 30% less energy than traditional roasting.



Other product features

4D hotAir cooking

Ideal for all types of food, 4D hotAir allows you to cook sweet and savoury simultaneously on up to 4 shelves, without flavours and smells intermingling.

bakingSensor

Ideal for baking cake or bread. A sensor constantly measures the moisture levels in the oven and is able to tell you when the dish is fully cooked.

coolStart

No more preheating when cooking frozen convenience food. Using an intelligent heating phase, it's now possible to cook frozen food without waiting for the oven to preheat.

Dehydrate/drying

Ideal for homemade dried fruits or herbs. The drying function is based on hotAir using a temperature between 40 – 80°C.

Full width surface grill

Full width surface grill gives you precision grilling temperatures for a full width grill.

Intensive conventional heat

Using the top heating elements, with the powerful bottom element, this intensive setting is ideal for cheesecakes, crispy cake bases and tins that have poor heat conduction.

Intensive hot air/Pizza setting

Providing extra heat from the bottom of the oven and sides, Intensive hot air not only cooks food thoroughly, it's perfect for crisping pizza bases.

Keep warm setting

This setting keeps food warm until it's ready to serve, meaning food doesn't dry out or change in texture or taste.

Low temperature cooking

Cook meats & casseroles at low temperatures while keeping food juicy and tender without overcooking.

Microwave Now in a full size oven, the integrated microwave offers quicker cooking when used with other cooking functions, or can be used on its own up to 900W.

Plate warming function

Keeping plates and serving dishes warm, this setting ensures food stays warm once on the table.

RoastingSensor Plus

The roasting thermometer is able to precisely and reliably measure the core temperature of your dishes while cooking.

Sabbath setting

Designed to keep precooked food warm for long periods of time, the Sabbath setting keeps the oven temperature between 85°C – 140°C, for 24 to 73 hours.

softMove

For a calmer kitchen, when you open or close your oven door the intelligent dampers ensure that the oven door is left to open and close gently and quietly. Available on all iQ700 built-in ovens.

Top/bottom heating

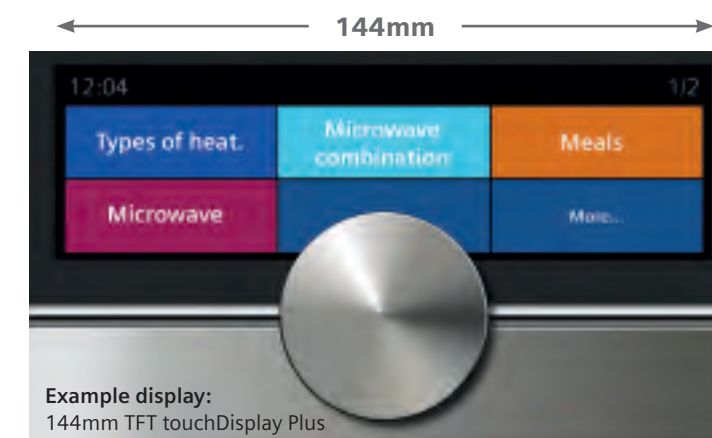
For gently cooking selected dishes on one level.

Introducing our iQ700 TFT Display Types



Display Ranges

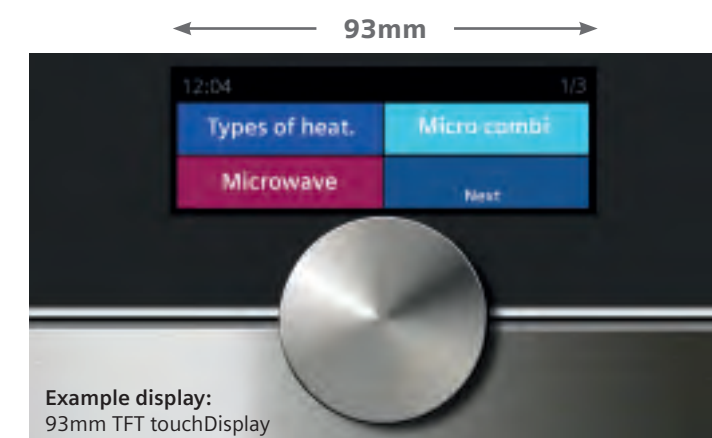
All appliances in the iQ700 Built-in Appliances Range can be combined perfectly with each other. All of our ovens, compact ovens and coffee centres come with a display and we categorise these into three different ranges; the top of the range model the TFT touchDisplay Plus, our premium TFT touchDisplay, and our basic model the TFT Display. Thanks to the menu structure on all of our ovens, which is optimised for convenient and easy-to-use touch navigation, it's even easier to select the perfect settings. Designed to serve one purpose: giving you full control.



TFT touchDisplay Plus

It's never been this easy to keep an eye on your cooking. Bigger size, brighter colours, higher contrast and better resolution. And now controllable with the touch of a finger. The new TFT touchDisplay Plus is the most innovative and intuitive user interface available for an oven.

Say goodbye to multiple dials and printed icons, the TFT touchDisplay Plus offers more than just control of your oven. It gives tips and information on each programme, full colour graphics and images, it can even suggest the correct way to cook your dishes with cookControl Plus. Clear to read from any angle, it's advanced yet easy-to-use technology for effortless cooking.



TFT touchDisplay

The slightly smaller TFT touchDisplay offers all the functionality of a touchscreen display with crisp text and images.



TFT Display

The TFT Display can be operated with touchControl buttons either side of the screen, yet still has clear programme information.



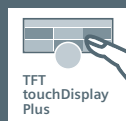
TFT touchDisplay Plus

Single multi-function oven with TFT touchDisplay Plus

The best in technology & design



TFT touchDisplay Plus



The largest TFT touchscreen has clear text and colour images, viewed from any angle, while programmes, options and settings can be chosen intuitively with ease.

Stunningly, uniquely Siemens, our **iQ700** single ovens convey an elegant impression of absolute quality and intelligent innovation.



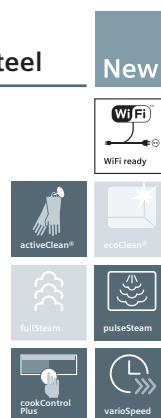
Experience a truly flexible cooking experience with Home Connect functionality and choose to speed up your dishes by up to 50% using varioSpeed. The sleek design fits perfectly into any modern kitchen and houses an impressive range of features like activeClean® and coolStart to help you save time.

iQ700 HN678GES6B Black, stainless steel

New

Key features

- Capacity – 67 litres, 5 shelf positions
- varioSpeed – 50% time saving
- pulseSteam – easily add steam
- softMove drop down oven door – effortless opening and closing
- roastingSensor and bakingSensor: detect the exact moment when your food is done
- Multilevel LED-Illumination – efficient and long-lasting
- 15 main functions: 4D hotAir, hotairEco, conventional oven, conventional heat eco, hot air grilling, full width grill, half width grill, intensive, coolStart, pizza setting, bottom heat, low temperature cooking, keep warm, dehydrate, plate warming
- Additional heating methods with steam: reheating, dough proving
- Additional heating methods with microwave: microwave (5 power levels up to 900W), combi microwave variable

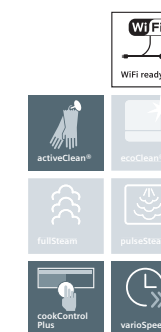


TFT touchDisplay Plus

Single multi-function ovens with TFT touchDisplay Plus

Single multi-function oven

iQ700 HM678G4S6B Black, stainless steel



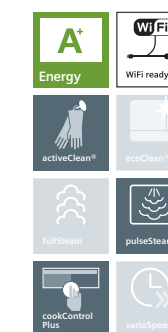
Key features

- Capacity – 67 litres; 5 shelf positions
- varioSpeed – 50% time-saving
- softMove drop down oven door – effortless opening and closing
- roastingSensor and bakingSensor: detect the exact moment when your food is done
- Multilevel LED-Illumination – efficient and long-lasting
- 15 main functions: 4D hotAir, hotairEco, conventional oven, conventional heat eco, hot air grilling, full width grill, half width grill, intensive, coolStart, pizza setting, bottom heat, low temperature cooking, keep warm, dehydrate, plate warming
- Additional heating methods with microwave: microwave (5 power levels up to 900W), combi microwave variable

Single multi-function oven

iQ700 HR678GES6B Black, stainless steel

New

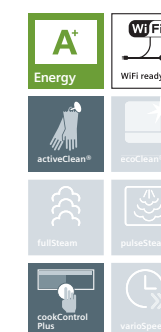


Key features

- Capacity – 71 litres; 5 shelf positions
- pulseSteam – easily add steam
- softMove drop down oven door – effortless opening and closing
- Multilevel LED-Illumination – efficient and long-lasting
- roastingSensor and bakingSensor: detect the exact moment when your food is done
- 15 main functions: 4D hotAir, hotairEco, conventional oven, conventional heat eco, hot air grilling, full width grill, half width grill, intensive, coolStart, pizza setting, bottom heat, low temperature cooking, keep warm, dehydrate, plate warming
- Additional heating methods with steam: reheating, dough proving
- Energy consumption 4D hotAir – 0.69kWh

Single multi-function oven

iQ700 HB678GBS6B Black, stainless steel



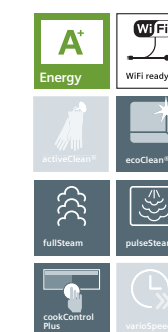
Key features

- Capacity – 71 litres; 5 shelf positions
- softMove drop down oven door – effortless opening and closing
- roastingSensor and bakingSensor: detect the exact moment when your food is done.
- Multilevel LED-Illumination – efficient and long-lasting
- 15 main functions: 4D hotAir, hotairEco, conventional oven, conventional heat eco, hot air grilling, full width grill, half width grill, intensive, coolStart, pizza setting, bottom heat, low temperature cooking, keep warm, dehydrate, plate warming
- Energy consumption 4D hotAir – 0.69kWh

Single multi-function oven

iQ700 HS658GES6B Black, stainless steel

New



Key features

- Capacity – 71 litres; 5 shelf positions
- fullSteam – making it simple to cook healthy and delicious dishes
- pulseSteam – easily add steam
- softMove drop down oven door – effortless opening and closing
- roastingSensor and bakingSensor: detect the exact moment when your food is done
- Multilevel LED-Illumination – efficient and long-lasting
- 15 main functions: 4D hotAir, hotairEco, conventional oven, conventional heat eco, hot air grilling, full width grill, half width grill, intensive, coolStart, pizza setting, bottom heat, low temperature cooking, keep warm, dehydrate, plate warming
- Additional heating methods with steam: reheating, dough proving
- Energy consumption 4D hotAir – 0.69kWh

TFT touchDisplay

Single multi-function ovens with TFT touchDisplay

Single multi-function oven

iQ700 HM676G0S6B Black, stainless steel

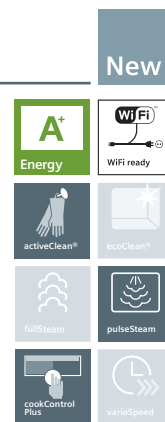


Key features

- Capacity – 67 litres; 5 shelf positions
- varioSpeed – 50% time-saving
- softMove drop down oven door – effortless opening and closing
- LED illumination – efficient and long-lasting
- 13 main functions: 4D hotAir, hotairEco, conventional oven, conventional heat eco, hot air grilling, full width grill, half width grill, coolStart, bottom heat, low temperature cooking, keep warm, plate warming
- Additional heating methods with microwave: microwave (5 power levels up to 900W), combi microwave variable

Single multi-function oven

iQ700 HR676GBS6B Black, stainless steel



Key features

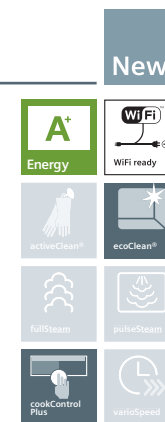
- Capacity – 71 litres; 5 shelf positions
- pulseSteam – easily add steam
- softMove drop down oven door – effortless opening and closing
- LED illumination – efficient and long-lasting
- 13 main functions: 4D hotAir, hotairEco, conventional oven, conventional heat eco, hot air grilling, full width grill, half width grill, coolStart, bottom heat, low temperature cooking, keep warm, plate warming
- Additional heating methods with steam: reheating, dough proving
- Energy consumption 4D hotAir – 0.69kWh

TFT touchDisplay

Single multi-function ovens with TFT touchDisplay

Single multi-function oven

iQ700 HB656GBS6B Black, stainless steel

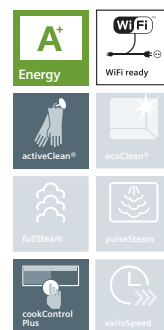


Key features

- Capacity – 71 litres; 5 shelf positions
- softMove drop down oven door – effortless opening and closing
- LED illumination – efficient and long-lasting
- 13 main functions: 4D hotAir, hotairEco, conventional oven, conventional heat eco, hot air grilling, full width grill, half width grill, coolStart, bottom heat, low temperature cooking, keep warm, plate warming
- Energy consumption 4D hotAir – 0.69kWh

Single multi-function oven

iQ700 HB676GBS6B Black, stainless steel

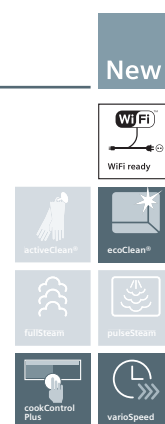


Key features

- Capacity – 71 litres; 5 shelf positions
- softMove drop down oven door – effortless opening and closing
- LED illumination – efficient and long-lasting
- 13 main functions: 4D hotAir, hotairEco, conventional oven, conventional heat eco, hot air grilling, full width grill, half width grill, coolStart, bottom heat, low temperature cooking, keep warm, plate warming
- Energy consumption 4D hotAir – 0.69kWh

Single multi-function oven

iQ700 HM656GNS6B Black, stainless steel



Key features

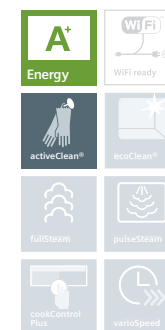
- Capacity – 67 litres; 5 shelf positions
- varioSpeed – 50% time-saving
- softMove drop down oven door – effortless opening and closing
- LED illumination – efficient and long-lasting
- 13 main functions: 4D hotAir, hotairEco, conventional oven, conventional heat eco, hot air grilling, full width grill, half width grill, coolStart, bottom heat, low temperature cooking, keep warm, plate warming
- Additional heating methods with microwave: microwave (5 power levels up to 900W), combi microwave variable

TFT Display

Single multi-function ovens with TFT Display

Single multi-function oven

iQ700 HB672GBS1B Black, stainless steel

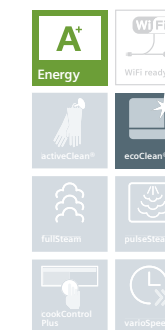


Key features

- Capacity – 71 litres; 5 shelf positions
- softMove drop down oven door – effortless opening and closing
- Halogen light
- 8 main functions: 4D hotAir, hotairEco, conventional oven, conventional heat eco, hot air grilling, full width grill, intensive hot air, coolStart
- Energy consumption 4D hotAir – 0.69kWh

Single multi-function oven

iQ700 HB632GBS1B Black, stainless steel



Key features

- Capacity – 71 litres; 5 shelf positions
- softMove drop down oven door – effortless opening and closing
- Halogen light
- 8 main functions: 4D hotAir, hotairEco, conventional oven, conventional heat eco, hot air grilling, full width grill, intensive hot air, coolStart
- Energy consumption 4D hotAir – 0.69kWh

Double Ovens

Built-in double oven

iQ500 HB55MB551B Stainless steel



Key features

Main lower oven

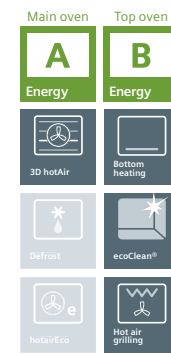
- Capacity – 66 litres
- Electronic control with digital display
- 9 main functions: hotairEco, 3D hotAir, defrosting, full width surface grill, centre surface grill, hot air grilling, pizza setting, conventional, bottom heat
- ecoClean® – never manually clean the oven again
- Energy consumption 3D hotAir – 0.70kWh

Secondary top oven

- Capacity – 35 litres
- 4 main functions: full width surface grill, centre surface grill, conventional, bottom heat
- ecoClean® – never manually clean the oven again
- Energy consumption conventional – 0.79kWh

Built-in double oven

iQ500 HB43MB520B Stainless steel



Key features

Main lower oven

- Capacity – 66 litres
- 5 main functions: 3D hotAir, full width surface grill, hot air grilling, conventional, bottom heat
- ecoClean® – never manually clean the oven again
- Energy consumption 3D hotAir – 0.84kWh

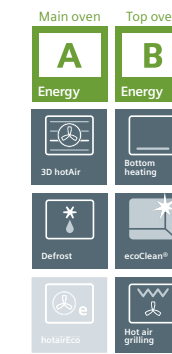
Secondary top oven

- Capacity – 35 litres
- 3 main functions: full width surface grill, centre surface grill, conventional
- ecoClean® – never manually clean the oven again
- Energy consumption conventional – 0.79kWh

Double Ovens

Built-under double oven

iQ500 HB55NB550B Stainless steel



Key features

Main lower oven

- Capacity – 50 litres
- Electronic control with digital display
- 8 main functions: 3D hotAir, defrosting, full width surface grill, centre surface grill, hot air grilling, pizza setting, conventional, bottom heat
- ecoClean® – never manually clean the oven again
- Energy consumption 3D hotAir – 0.80kWh

Secondary top oven

- Capacity – 35 litres
- 4 main functions: full width surface grill, centre surface grill, conventional, bottom heat
- ecoClean® – never manually clean the oven again
- Energy consumption conventional – 0.79kWh

Built-under double oven

iQ500 HB43NB520B Stainless steel



Key features

Main lower oven

- Capacity – 50 litres
- 5 main functions: 3D hotAir, full width surface grill, hot air grilling, conventional, bottom heat
- ecoClean® – never manually clean the oven again
- Energy consumption 3D hotAir – 0.80kWh

Secondary top oven

- Capacity – 35 litres
- 3 main functions: full width surface grill, centre surface grill, conventional
- ecoClean® – never manually clean the oven again
- Energy consumption conventional – 0.79kWh

Built-in double oven

iQ500 HB13MB521B Stainless steel

iQ500 HB13MB621B Black



Key features

Main lower oven

- Capacity – 71 litres
- 2 main functions: 3D hotAir, defrosting
- ecoClean® back liner
- Energy consumption 3D hotAir – 0.80kWh

Secondary top oven

- Capacity – 35 litres
- 3 main functions: full width surface grill, centre surface grill, conventional
- ecoClean® back and roof liner
- Energy consumption conventional – 0.79kWh

Built-under double oven

iQ500 HB13NB521B Stainless steel

iQ500 HB13NB621B Black



Key features

Main lower oven

- Capacity – 56 litres
- 2 main functions: 3D hotAir, defrosting
- ecoClean® back liner
- Energy consumption 3D hotAir – 0.70kWh

Secondary top oven

- Capacity – 35 litres
- 3 main functions: full width surface grill, centre surface grill, conventional
- ecoClean® back and roof liner
- Energy consumption conventional – 0.79kWh

Oven accessories.

Model shown: **HN678GES6B**
single multi-function oven with
TFT touchDisplay Plus

The perfect accessories,
designed especially for
your new iQ700 oven.

Why look elsewhere when we can supply original accessories that help you with your cooking. Great for tailoring your oven to your individual needs, you can choose between the telescopic rails, deep roasting pan or even a quality ceramic oven to table dish.

Thanks to the new design of our iQ700 oven and compacts range, roasting pans and wire racks are now universal and interchangeable between all enamelled oven cavities.



Telescopic rails

Convenient and easy to use, some Siemens iQ700 ovens with microwave feature a telescopic rail system with stop function as standard. For many other models, you also have the option to upgrade, with up to three levels. To make cleaning the oven even easier, all telescopic rails and bars are now pyrolytic-proof so they can be kept in the oven during the self-cleaning process. The shelves glide out effortlessly and safely so you don't have to reach inside a hot oven to check your food.

Other Accessories



Deep Roasting – Full width enamelled baking tray for iQ700 60cm single and 45cm compact ovens – HZ631070



Small Oven to Table Dish – HZ36D513P (part no. 573899)



Large Oven to Table Dish – HZ36D533P (part no. 573900)



3 level telescopic shelf rail for single oven with pyrolytic cleaning – We offer 1 level or 3 level telescopic, but for each there are different options, depending on the oven chosen

To view available accessories in the oven range please ask your retailer or visit siemens-home.bsh-group.com/uk/store



The finest ingredients.
For the finest kitchen interiors.

Perfect built-in design.

Seamless design that complements every kitchen. All appliances in the iQ700 Built-in Appliances Range can be combined perfectly with each other. The iQ700 ovens, compact ovens, coffee centres and warming drawers all line up thanks to the coordinated front panels. It doesn't matter whether you arrange the appliances horizontally or vertically: the result always pleases the eye.

Even our iQ700 hoods have the same front panel design for a coordinating look throughout your kitchen.

Each oven features blue illuminated hard key buttons, integrated into a sleek, chrome-effect strip that provides the most important operations from turning the oven on to starting your cooking.

The central stainless steel disc control is a constant design feature across the range, with a precise operation that clicks when rotated to give you ultimate satisfaction when using each appliance. Combined with the touchscreen navigation, this method of operation is both familiar and intuitive.

The trend-setting iQ700 ovens feature a smaller profile oven door handle that blends into the stainless steel panels to offer more flexibility with handleless kitchen design, yet still having the highest build quality and feel. While the precise lines of the black glass and stainless steel create a definitive aesthetic worthy of any modern kitchen.

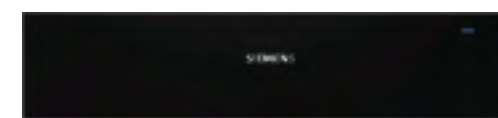
For optimum coordination, choose iQ700 single ovens and compact appliances with the same display type.



CS658GRS6B compact45 steam oven



CM678G4S6B compact45 oven with microwave



BI630CNS1B warming drawer

Seamless alignment in a number of combinations.



Always pleasing to the eye, the same coordinated design runs throughout our entire range.

HM678G4S6B single multi-function activeClean® oven



CT636LES6 compact45 coffee centre
BI630CNS1B warming drawer



CS658GRS6B compact steam oven
BI630CNS1B warming drawer



CM633GBS1B compact oven with microwave
BI630CNS1B warming drawer



HB678GBS6B single multi-function activeClean® oven





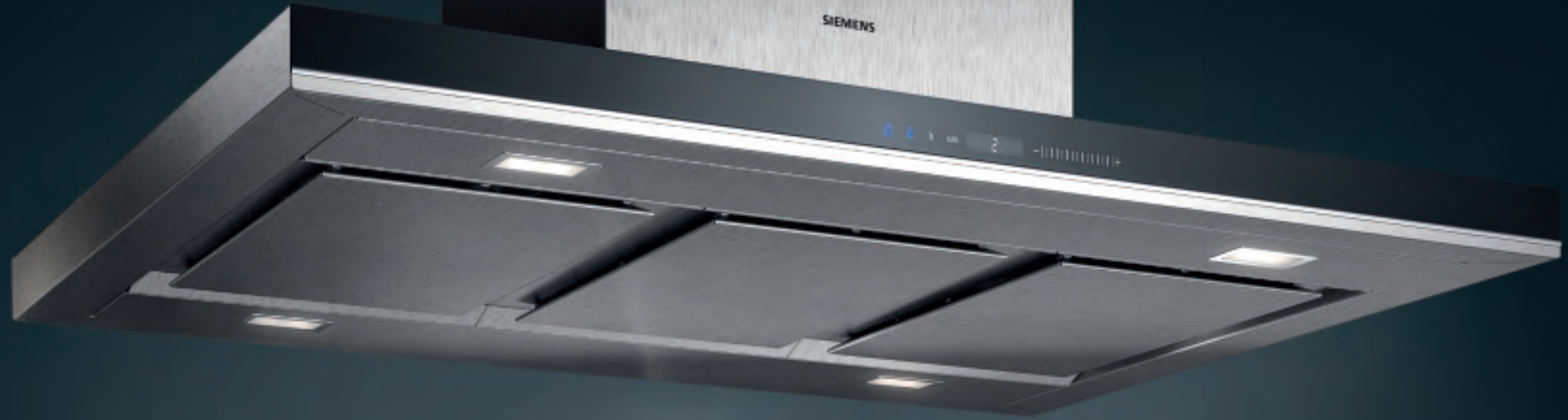
Compact appliances

For your dream kitchen

With the variety of appliances in our iQ700 compact45 built-in range, Siemens invites you to combine them to suit your preferences, for complete visual perfection. For a dream kitchen that you won't get tired of any time soon.

Siemens compact appliances fit in a 45cm high niche, and can be installed at hip height for particularly easy access. Depending on the model, the compact ovens are available with steam or integrated microwave. Thanks to Siemens coordinated design, it's easy to combine them together with a warming drawer, coffee centre and iQ700 single ovens.

Clockwise from left to right: **CT636LES6** compact45 coffee centre, **CM678G4S6B** compact45 oven with microwave, **HM678G4S6B** single oven with microwave, and roastingSensor Plus.



Beautifully coordinated compact appliances sit seamlessly with each other.

Models shown: CM678G4S6B compact45 oven, BI630CNS1B warming drawer, HN678G4S6B single oven and LF91BA582B island extractor hood



More functions for flexible living.
Siemens iQ700 compact appliances have it all.

From easier steam cooking with no need to clean, to keeping food warm, Siemens help make life easier.



Cleaning and de-scaling
Finished with a durable enameled interior, most Siemens compact45 combination ovens feature dedicated de-scaling and cleaning programmes. Selected iQ700 models feature activeClean®; heating the oven cavity up to 480°C to burn away all dirt and grime it leaves the oven clean, dry and ready to use again.



ecoClean®
A direct coating that lines the back, roof and side of the oven, ecoClean® makes cleaning the oven easy. The coated area cleans itself while the oven is on or can be activated with a cleaning programme.

Drying programme
Saving the effort of wiping down the steam oven after use, the drying programme removes left over humidity inside the cavity of the oven by heating up for approximately 10 minutes. Afterwards, the door should be opened so residual steam can escape.

Warming Drawers
The ideal solution for warming plates, a Siemens warming drawer will also keep food warm for up to 1 hour, safely and hygienically. With an adjustable temperature of 40°C to 80°C the warming drawer is the perfect accessory to coordinate with Siemens iQ700 compact45 appliances, or can be installed alone.



Steam cooking.
The healthy way to cook.



fullSteam
Ideal for vegetables and fish, pure fullSteam cooking has many health benefits as well as creating tasty dishes. Only hot steam is used to cook the food which is perfect for rice, fish and vegetables. You therefore retain the food's full flavour, colour, vitamins and minerals. The new iQ700 compact steam ovens are easier to use, even for someone who has never cooked with steam before.



pulseSteam
Used in combination with a conventional cooking function, pulseSteam can be added with three intensities. Prepare perfectly crispy and juicy dishes, ideal for adding moisture and avoiding dried out food when reheating. It's also quicker to defrost food too. pulseSteam offers more flexibility in just one appliance.

How does it work?
Siemens steam and steam combination ovens are quick and easy to install as they don't need plumbing-in. The removable 1 litre water tank (1.3 litre for steamer) is accessed behind the semi-automatic control panel making it more convenient and easier to refill, even during cooking. Water is fed into the oven cavity and heated by a fast and efficient steam generator, thermostatically controlled to allow pure steam temperatures of 30 – 100°C.



Model shown: HR676GBS6B

A Quick Feature Guide



Model does have this feature



Model does not have this feature

Compact Appliances

Welcome to a range designed around you.

iQ 700

Exceptional design allied with seriously innovative technology is the basis of these, our premium models.

iQ 500

Exuding class and refinement, these machines unite first-class features with top-class technology.

Key functionality – compact45 Appliances



Energy efficient ovens Siemens compact45 hot air and hot air steam appliances achieve a European Class A+ rating for energy efficiency.



activeClean® Heating the cavity up to 480°C, activeClean® burns away all dirt and grime to save time. The self-cleaning feature can also be used with pyrolytic proof telescopic rails and bars.



fullSteam Enjoy healthier meals created by the power of steam. With juicy meats and crunchy vegetables cooked to perfection, culinary creations will be second to none.



cookControl Plus Offering you a variety of different programmes for fresh and frozen foods. Once the desired programme is selected and weight entered, the oven automatically selects the best setting, controls the exact cooking time and switches off when the meal is done.



Wi-Fi ready With Wi-Fi enabled Siemens home appliances and Home Connect, you can manage your home appliances from wherever you are and discover more possibilities to make your life easier.



ecoClean® A direct coating that lines the back, roof and side of the oven, ecoClean® makes cleaning the oven easy. The coated area cleans itself while the oven is on or can be activated with a cleaning programme.



pulseSteam Prepare perfectly juicy and crispy dishes with pulseSteam and other cooking functions like hot air to create a wider variety of meals that make the appliance more flexible.



varioSpeed By choosing the integrated microwave function with a conventional cooking option, you can speed up the preparation of dishes by up to 50%.

Coffee Centre



Wi-Fi ready With Wi-Fi enabled Siemens home appliances and Home Connect, you can manage your home appliances from wherever you are and discover more possibilities to make your life easier.



aromaDoubleShot For coffee that is extra-large or extra-strong aromaDoubleShot supplies an extra boost when it is needed the most. Because the second shot uses a new set of beans, there is no compromise on flavour.



individualCupVolume Precisely the right amount of coffee – exactly how you want it. individualCupVolume provides millilitre precision to cup sizes, so that your favourite coffee fits into your favourite cup perfectly.



myFavourite Choose your ideal coffee settings to save as a favourite. myFavourite allow you and your family or friends to store their favourite settings in the menu to quickly select a custom coffee. Choose from options such as the strength or size of the coffee and then save with your name.



oneTouch function The simple yet stylish controls allow the serving of perfect coffee every time – ideal for impressing friends, as well as for day to day life.



sensoFlow system Different coffees require the espresso shot to be heated at a different temperature to achieve the perfect result. sensoFlow does this automatically, providing you with a delicious beverage again and again.

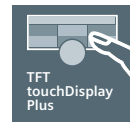
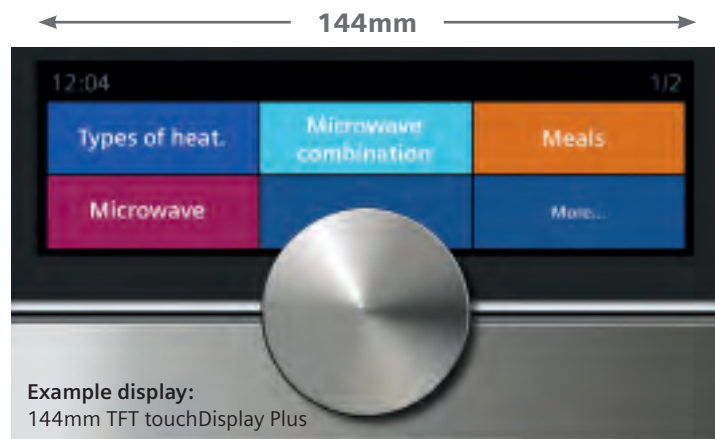
Microwaves



Microwave The microwave can be used with different power levels up to 900W.

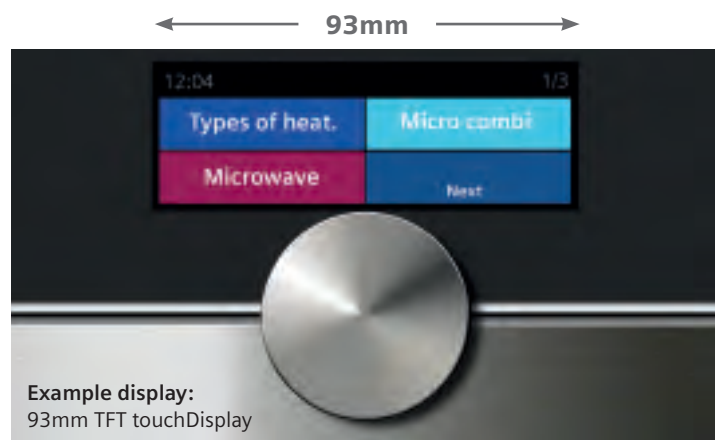


Grill Cook with a combination of variable quartz grill and microwave with power levels of 360W, 180W and 90W for browning of food while cooking.



TFT touchDisplay Plus
It's never been this easy to keep an eye on your cooking. Bigger size, brighter colours, higher contrast and better resolution. And now controllable with the touch of a finger. The new TFT touchDisplay Plus is the most innovative and intuitive user interface available for an oven.

Say goodbye to multiple dials and printed icons, the TFT touchDisplay Plus offers more than just control of your oven. It gives tips and information on each programme, full colour graphics and images, it can even suggest the correct way to cook your dishes with cookControl Plus. Clear to read from any angle, it's advanced yet easy-to-use technology for effortless cooking.



TFT touchDisplay
The slightly smaller TFT touchDisplay offers all the functionality of a touchscreen display with crisp text and images.



TFT Display
The TFT Display can be operated with touchControl buttons either side of the screen, yet still has clear programme information.

Please note: Displays are not shown at actual size.

Other product features – Compact Appliances

coolStart

No more preheating the oven when cooking frozen convenience food. Using an intelligent heating phase, it's now possible to successfully cook frozen food quickly and without the need to wait for the oven to preheat.

Defrost (steam)

Quicker than regular defrosting, steam defrosting gently puts moisture back into food as it defrosts. This speed allows spontaneous meals, without the need to pre-plan.

Dough Proving

The oven creates the perfect environment for proving dough, so you don't have to, leaving you to enjoy your time until the dough is ready.

Reheating (steam)

Using steam puts life back into food using moisture, making food taste just as delicious the second time round. A great solution if consumers need a meal in a hurry.

softMove

For a calmer kitchen, when you open or close your oven door the intelligent dampers ensure that the oven door is left to open and close gently and quietly. Available on all iQ700 built-in ovens.



TFT touchDisplay Plus

Compact oven and compact steam oven with TFT touchDisplay Plus

The best in
technology
& design



For the perfect built-in kitchen that is bespoke to you, look no further than the Siemens range of **iQ700** compact45 appliances.

Get more from your iQ700 compact45 oven with integral microwave. Use as an additional conventional oven or solely as a microwave, or select varioSpeed combination cooking to save up to 50% of your time. The intuitive TFT touchDisplay Plus control and fully coordinated design will have you cooking in no time.

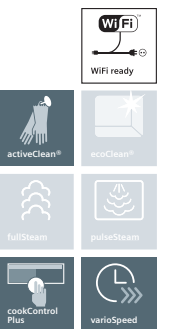


Compact pyrolytic oven with integral microwave

iQ700 CM678G4S6B Black, stainless steel

Key features

- Capacity – 45 litres; 3 shelf positions
- varioSpeed: reduce cooking times by up to 50%
- softMove drop down oven door – effortless opening and closing
- roastingSensor and bakingSensor: detect the exact moment when your food is done
- LED illumination
- 15 main functions: 4D hotAir, hotairEco, conventional oven, conventional heat eco, hot air grilling, full width grill, half width grill, intensive, coolStart, pizza setting, bottom heat, low temperature cooking, keep warm, dehydrate, plate warming
- Additional heating methods with microwave: Microwave, Combi microwave variable

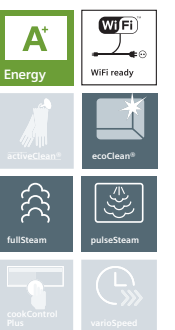


Compact steam combination oven

iQ700 CS658GRS6B Black, stainless steel

Key features

- Capacity – 47 litres; 3 shelf positions
- Steam functions: fullSteam, pulseSteam, reheating, dough proving, defrost, steam combination cooking
- softMove drop down oven door – effortless opening and closing
- roastingSensor and bakingSensor: detect the exact moment when your food is done
- LED light
- 15 main functions: 4D hotAir, hotairEco, conventional oven, conventional heat eco, hot air grilling, full width grill, half width grill, intensive, coolStart, pizza setting, bottom heat, low temperature cooking, keep warm, dehydrate, plate warming
- Energy consumption 4D hotAir – 0.61kWh



TFT touchDisplay

Compact ovens and compact steam oven with TFT touchDisplay

Compact pyrolytic oven with integral microwave

iQ700 CM676GBS6B Black, stainless steel



Key features

- Capacity – 45 litres; 3 shelf positions
- varioSpeed: reduce cooking times by up to 50%
- softMove drop down oven door – effortless opening and closing
- LED Illumination
- 13 main functions: 4D hotAir, hotairEco, conventional oven, conventional heat eco, hot air grilling, full width grill, half width grill, coolStart, bottom heat, low temperature cooking, keep warm, plate warming
- Additional heating methods with microwave: Microwave, Combi microwave variable



Compact oven with integral microwave

iQ700 CM656GBS6B Black, stainless steel



Key features

- Capacity – 45 litres; 3 shelf positions
- varioSpeed: reduce cooking times by up to 50%
- softMove drop down oven door – effortless opening and closing
- LED Illumination
- 13 main functions: 4D hotAir, hotairEco, conventional oven, conventional heat eco, hot air grilling, full width grill, half width grill, coolStart, bottom heat, low temperature cooking, keep warm, plate warming
- Additional heating methods with microwave: Microwave, Combi microwave variable



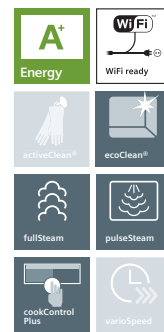
Compact steam combination oven

iQ700 CS656GBS6B Black, stainless steel



Key features

- Capacity – 47 litres; 3 shelf positions
- Steam functions: fullSteam, pulseSteam, reheating, dough proving, defrost, steam combination cooking
- softMove drop down oven door – effortless opening and closing
- LED Illumination
- 13 main functions: 4D hotAir, hotairEco, conventional oven, conventional heat eco, hot air grilling, full width grill, half width grill, coolStart, bottom heat, low temperature cooking, keep warm, plate warming
- Energy consumption 4D hotAir – 0.61kWh



TFT touchDisplay

Coffee centre with TFT touchDisplay



The best in
technology
& design

sensoFlow



Different coffees require the espresso shot to be heated at a different temperature in order to achieve the perfect result. sensoFlow does this automatically, providing you with a delicious beverage again and again.

Stunningly, uniquely Siemens, our **iQ700** coffee centre conveys an elegant impression of absolute quality and intelligent innovation for those passionate about coffee.

The design of the iQ700 coffee centre is perfectly aligned with the entire iQ700 series. To keep the sleek lines looking clean, all milk, water and bean containers are conveniently hidden behind the coffee centre's door, while the TFT touchDisplay and LED lights put each coffee in the spotlight.

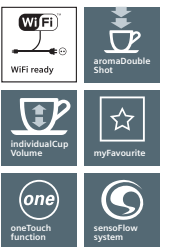
Designed with easy access to the water tank, bean holder and insulated milk jug, the coffee centre has front access thanks to a hinged front panel – so it's quick to replace the water or beans. The milk tubes are also cleaned with steam after every coffee with milk and as most of the components are removable and dishwasher safe, they are also easy to clean. Easy to install, the machine requires no extra plumbing.



iQ700 CT636LES6 Black, stainless steel

Key features

- TFT touchDisplay
- oneTouch function
- Frothing nozzle
- aromaDoubleShot – provides flexibility in strength and size
- myCoffee: memory function saves up to 8 individual beverages with names to make your perfect coffee at the touch of a button
- sensoFlow system
- DoubleCup
- Separate container for pre-ground coffee – giving you the flexibility to create the perfect decaf coffee without the need to change the bean





TFT Display

Compact ovens, microwave and steamer with TFT Display

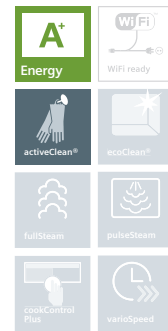
Compact pyrolytic oven

iQ700 CB675GBS1B Black, stainless steel



Key features

- Capacity – 47 litres; 3 shelf positions
- softMove drop down oven door – effortless opening and closing
- Halogen light
- 13 main functions: 4D hotAir, hotairEco, conventional oven, conventional heat eco, hot air grilling, full width grill, half width grill, coolStart, bottom heat, low temperature cooking, keep warm, plate warming
- Energy consumption 4D hotAir – 0.61kWh



Compact oven with integral microwave

iQ700 CM633GBS1B Black, stainless steel



Key features

- Capacity – 45 litres; 3 shelf positions
- varioSpeed: reduce cooking times by up to 50%
- softMove drop down oven door – effortless opening and closing
- LED illumination
- 6 main functions: 4D hotAir, hotairEco, hot air grilling, full width grill, half width grill, keep warm
- Additional heating methods with microwave: Microwave, Combi microwave constant



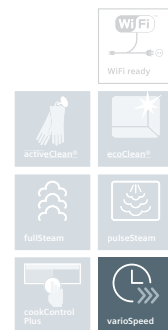
Compact microwave

iQ700 CF634AGS1B Black, stainless steel



Key features

- Capacity – 36 litres; 3 shelf positions
- LED illumination
- 7 automatic programmes
- 1 main function: microwave
- Max. power: 900 W; 5 microwave power settings (90W, 180W, 360W, 600W, 900W)



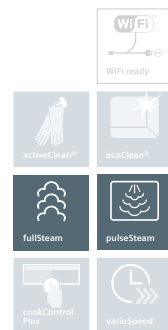
Compact steamer

iQ700 CD634GBS1B Black, stainless steel



Key features

- Capacity – 38 litres; 3 shelf positions
- softMove drop down oven door – effortless opening and closing
- Halogen illumination: for precise lighting
- 4 main functions with steam: steam, reheating, dough proving, defrost

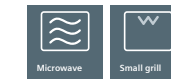


TFT Display

Microwaves with TFT Display

Microwave

iQ700 BE634LGS1B Black, stainless steel

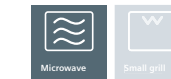


Key features

- Capacity – 21 litres
- Left hinged door
- LED illumination
- 2 main functions: microwave, variable quartz grill
- 10 automatic programmes
- Max. power: 900W;
- 5 microwave power settings (90W, 180W, 360W, 600W, 900W)
- Combination of grill and microwave power levels: 360W, 180W, 90W
- 1x glass pan & 1x grid included

Microwave

iQ700 BF634LGS1B Black, stainless steel



Key features

- Capacity – 21 litres
- Left hinged door
- LED illumination
- 1 main function: microwave
- 7 automatic programmes
- Max. power: 900W;
- 5 microwave power settings (90W, 180W, 360W, 600W, 900W)

Microwaves

Microwave

iQ500 HF24M564B Black, stainless steel



Key features

- Capacity – 25 litres
- Left hinged door
- 1 main function: microwave
- 7 automatic cooking programmes
- 1 memory function
- Frameless integrated design
- Max. 900W microwave power

Microwave

iQ500 HF15M564B Black, stainless steel



iQ500 HF15M664B Black



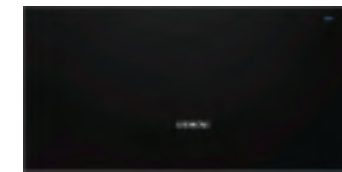
Key features

- Capacity – 20 litres
- Left hinged door
- 1 main function: microwave
- 7 automatic cooking programmes
- 1 memory function
- Max. 800W microwave power
- Frameless integrated design

Warming and Accessory Drawers

Warming and accessory drawer

iQ700 BI630DNS1B Black, stainless steel



Key features

- Capacity – 52 litres
- 290mm high
- Handleless push-pull opening mechanism
- Telescopic pull-out drawer
- Can accommodate up to 40 plates, 192 espresso cups
- Weight capacity 25kg
- Suitable for dough proving
- Design coordinated with iQ700 ovens and compacts

Warming and accessory drawer

iQ700 BI630CNS1B Black, stainless steel



Key features

- Capacity – 20 litres
- 140mm high
- Handleless push-pull opening mechanism
- Telescopic pull-out drawer
- Can accommodate up to 12 plates, 64 espresso cups
- Weight capacity 25kg
- Suitable for dough proving
- Design coordinated with iQ700 ovens and compacts



Hobs

Induction, ceramic & gas hobs.

The Siemens hob range combines eye-catching design with razor-sharp looks, together with innovative technology and ergonomic design. All created to coordinate beautifully with other Siemens appliances.

Advanced technology in our hobs ensures your cooking is as enjoyable as possible with time-saving features that help you to get on with the cooking when you need to.

With the Siemens range of hobs, you can choose from a wide range of sizes, styles and cooking types to suit your needs and kitchen design. Continue reading to find out more.

Choosing the right hob for you.



Fits into your kitchen. Adapts to your life.

There are a variety of innovative features providing more comfort than ever before – and never before have they been so easy to operate: With the new TFT touchDisplays one finger is the key to flexibility. For example, one touch is all it takes and the cooktop automatically prevents pots from boiling over – thanks to the cookingSensor Plus.

Adapts to your needs: flexInduction Plus. One thing less to worry about. With flexInduction Plus, your hob automatically knows how large your cookware is. This provides even heat with the use of an additional central zone if the hob detects that the pan is too large.

For 80cm flexInduction Plus hobs, there are two additional zones which are used for either the left or right flexInduction zones and cannot be used together. For 60cm flexInduction Plus hobs, no matter which side the pan goes over, a central zone is automatically added.

Any place is the right place: flexMotion. Less hob operation, more cooking. flexMotion remembers the heat settings for individual pieces of cookware, so you can move them freely across the hob and the power level on the new cooking zone automatically adapts.

Power-up the heat by moving the pan: powerMove Plus. powerMove Plus lets you separate your hob into three different heating zones. From roasting at the highest temperatures at the front to keeping food warm on a low level at the back – once selected the individual zones are activated by simply placing the cookware on them.

One thing less to worry about: cookingSensor Plus. No more overboiling. Just attach the sensor to the pot and it will interact with the hob, signalling when a certain temperature has been reached and keeping it at that exact level.

Pays attention to your pans: fryingSensor Plus. Sensors in the cooktop measure the pan's temperature. Once a desired heat level has been reached, you receive a signal and the pan stays at that very level. Without worrying or burning, you will always get the very best results.

Exciting possibilities for planning your kitchen. Whether you plan to cook with gas or electricity, want to install in an island or smaller kitchen, Siemens offers a wide range of stylish hobs that are tailored exactly to you.

Induction

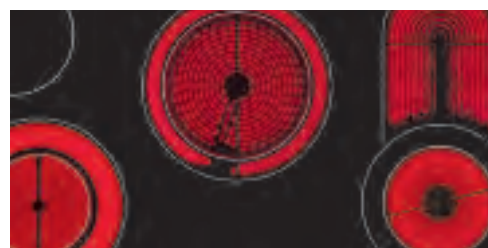
Induction cooking is recognised as being one of the quickest, safest and most efficient methods of cooking available. When a pan with a ferrous or magnetic metal base is placed on the hob, the coil situated below the ceramic surface uses an electromagnetic field to create heat, almost instantly heating the pan. With only the base of the pan heated, the cooking zone stays cooler.

Ceramic

The surface of a glass ceramic hob heats up quickly and conveniently, while also being easy to clean due to the smooth and even surface. The cooking zones glow red when they're on, unlike induction hobs and you can adjust the temperature of the cooking zones precisely, ensured by 17 power levels. Siemens highSpeed cooking zones are also optimised for fast cooking and heat up almost instantly. Ceramic hobs are also available with a double-circuit cooking zone and a special roasting zone. This makes your cooking experience incredibly flexible.

Gas

With Siemens gas hobs, pots and pans heat up quickly and your food is ready when you need it. Our gas hobs meet the highest safety standards and have modern burners with stepFlame technology to offer stepped power level adjustments which let you achieve the perfect heat distribution for your cookware. The surface finishes of Siemens gas hobs are glass, ceramic or stainless steel, depending on the model, with enamelled cast-iron pan supports – high-quality materials with high-quality workmanship, not to mention added style.



cookingSensor Plus

No more overboiling. Just attach the sensor to the pot and it will interact with the cooktop, giving a signal when a certain temperature has been reached and keeping it exactly at that level.

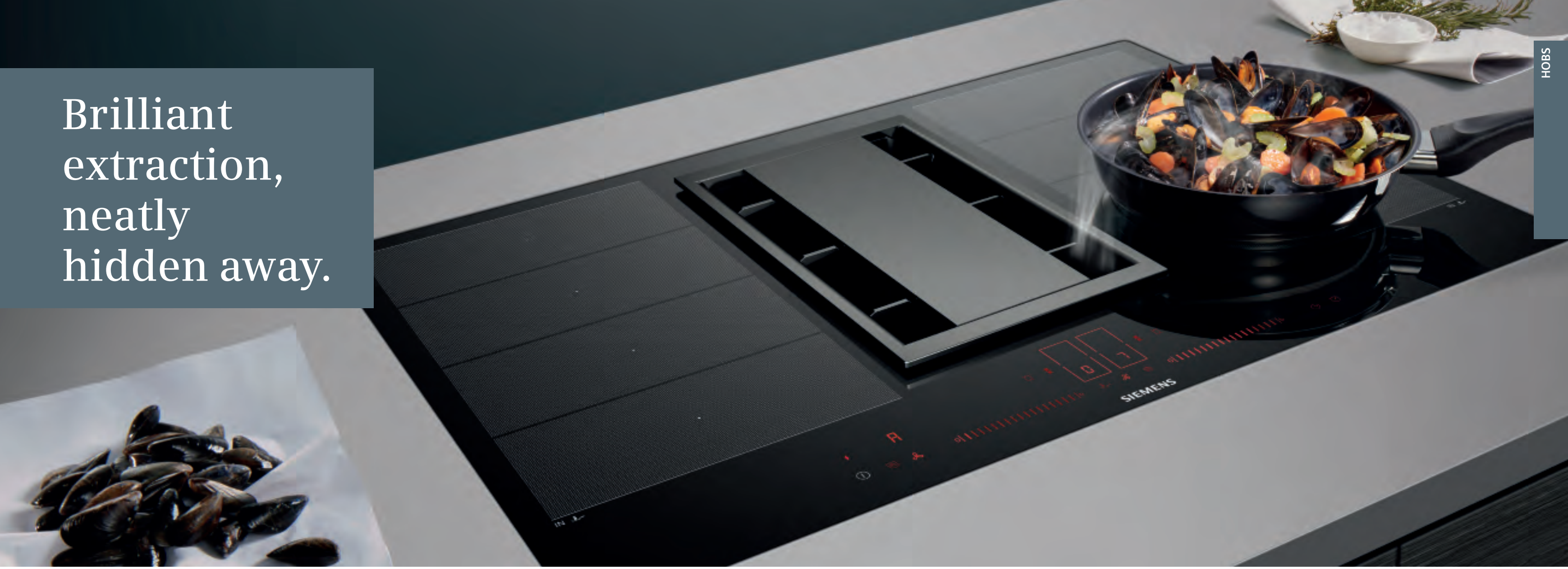


fryingSensor Plus

Select your desired heat and the pan will heat and maintain the right temperature automatically. Sophisticated sensors inside the hob will continuously measure the temperature and regulate the pan temperature with high precision.



Brilliant extraction, neatly hidden away.



Enjoy worry-free cooking and cleaning.

inductionAir venting hob

The inductionAir venting hob gives you the freedom to design your kitchen how you want to, with the added benefit of hassle-free cleaning. The innovative design means that the grease filters fit into an entirely detachable liquid tray unit which is designed to completely protect against spillages and over-boiled liquids.

How does it work

All parts of the inductionAir venting hob are neatly arranged in a liquid tray unit, accessed from the top of the hob. Each of the parts are dishwasher proof, including the cast iron and black glass air inlet grid, the 2-in-1 grease filter and the liquid tray. Each part is also separate to save space in your dishwasher.

Protects from spills

As a first layer of protection, the cast iron and black glass air inlet grid is designed to limit the flow of liquids into the ventilation module. As a second layer of protection, the liquid tray captures up to 200ml from day-to-day cooking and can be easily discarded. As a special layer of protection, up to 2 litres of liquid can be held in the liquid safety tank, accessed from beneath the appliance, protecting the appliance from further damage. This means you can focus on your cooking with complete peace of mind.

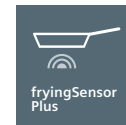


Hob features



flexInduction

This flexible cooking area is tailored to your needs, enabling you to use a small area for small pans, or the entire zone for large cooking pots.



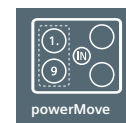
fryingSensor Plus

Sensors in the hob measure the pan's temperature. Once a desired heat level has been reached, you receive a signal and the pan stays at that very level.



cookingSensor Plus

No more overboiling. Just attach the sensor to the pot and it will interact with the hob, signalling when a certain temperature has been reached and keeping it at that exact level.



powerMove Plus

powerMove Plus lets you separate your hob into three different heating zones – once selected, the individual zones are automatically activated simply by placing the cookware on them.

Hood features



climateControl Sensor

Once activated, the climateControl Sensor takes care of all ventilation level adjustments for you, controlling normal as well as intensive levels. The sensor constantly detects the level of odours in the air and automatically adjusts the motor level.

This fully automatic control of the hood means you can focus on your cooking and ensures you have the most efficient and quietest extraction level selected at all times.



iQdrive

The iQdrive is our most efficient, most durable and most powerful brushless motor, designed to operate your hood with maximum extraction performance and at the same time lowering the sound level.



cleanAir filters

When installed in recirculating mode, the inductionAir venting hob can be used with our cleanAir filters to effectively absorb odours and provide cleaner air for your kitchen.

Induction cooking – the cool heat.



Induction cooking

Induction cooking is recognised as being one of the quickest, safest and most efficient methods of cooking available. When a pan with a ferrous or magnetic metal base is placed on the hob, the coil situated below the ceramic surface uses an electromagnetic field to create heat, almost instantly heating the pan. With only the base of the pan heated the cooking zone stays cooler.

Easier to clean and safer to use, because the ceramic cooking top is warmed only by the heat transferred back from the cookware and its contents, spillages are less likely to burn on, and there is normally no need to wait for the glass to cool down before simply wiping it over with a cloth. And if you turn on an induction hob without having a pot or pan on it, there is no risk of burning yourself, because the hob itself doesn't heat up.



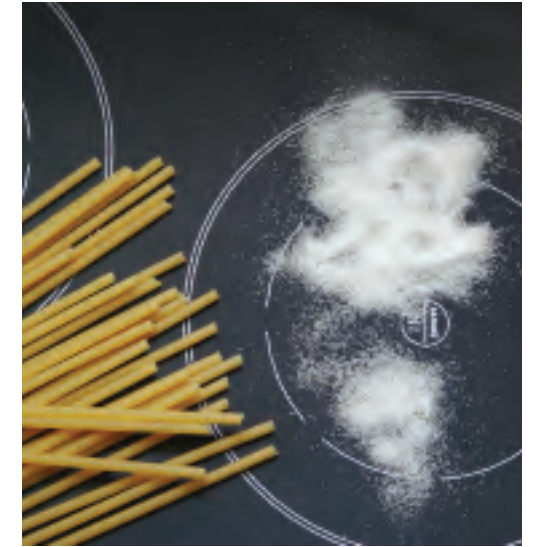
Speed. Energy-efficiency. Style.

Our traditional induction hob range features automatic pan recognition, ensuring that only the pan in contact with the surface heats up. Induction cooking is quicker than gas and much more energy efficient, allowing you to enjoy speedy food whilst being kinder to the environment.

Be in control of the uncontrollable
A busy lifestyle can involve being pulled in many directions. Should that happen while you're cooking, controlPanel pause will shut down all power at the touch of a button, ensuring that your meal isn't ruined. At the second touch all will resume as if you were never interrupted.

Automatic pan recognition
Energy-efficiency is at the heart of Siemens products, and is at the heart of automatic pan recognition. Only the area of the hob in contact with the pan receives energy, meaning energy isn't wasted by heating the entire unit. Not only will this lower your carbon footprint, but it will also reduce your utility bills.

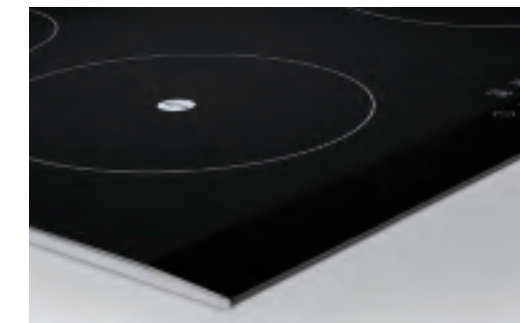
Faster cooking made quicker
powerBoost increases the power output of selected zones by 50%, allowing precision heat when you need it most – perfect when time is of the essence.



Perfectly framed.

Induction hobs are perfect for a wide variety of cooking and come in a range of finishes enabling you to make your kitchen truly bespoke.

With their slim 4mm profile and tough, stain and scratch resistant wipe-clean surface, it's easy to see why our smooth, high-gloss finish glass induction hobs are the perfect choice for many people.



Stainless steel side trim

Great for blending in with your existing kitchen and worktop or maybe a Teppan Yaki Domino hob, a faceted induction hob with slim steel side trim features a slightly raised edge around its circumference.



Stainless steel frame

Perfect for coordinating with your kitchen, hood and other Siemens appliances, this modern flat frame design has a sleek stainless-steel frame around its edge to contain spills and protect the glass edge.



Flush-fitting design

The flush-fitting smooth glass finish makes this induction hob practical and easy to clean, whilst sitting flush and neat in your contemporary kitchen.



Bevelled-edge design

A traditional bevelled-edge design induction hob is easily blended into any kitchen aesthetic, yet still features all the great flexibility of an induction hob.

Enjoy a new cooking experience.



Model shown: EX651FEC1E single flexInduction hob



flexInduction

A hob that fits in with your lifestyle, flexInduction is no-compromise cooking at its best.

Siemens flexInduction hobs are a must for diverse cooking. The cooking area can be tailored to your needs, enabling you to use a small area as traditional induction hobs with four or five separate zones, for boiling rice, for example, or you can choose to link the zones together to form one zone for larger cooking pans. The new extended cooking surface can accommodate pans of any size, even several pans placed anywhere on the surface at the same time. With all the advantages of induction cooking, flexInduction also includes boost settings, automatic pan recognition and touchSlider controls.

Each flexInduction zone uses four innovative elongated oval inductors beneath the glass, each of which can act independently to sense the presence of cookware on the hob. Only if cookware is detected will the individual inductors work, ensuring efficient operation whether a 10cm diameter milk pan is placed in one corner or a large griddle plate covers the whole zone. With only specific areas active at any particular time, no energy is wasted. And for an even more versatile cooking experience the newly designed triple flexInduction hob provides the ultimate in flexible cooking with three flexInduction zones, fitting in with your lifestyle, flexInduction is no-compromise cooking at its best.

Precision control at the touch of a button.



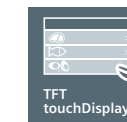
TFT touchDisplay



Dual lightSlider

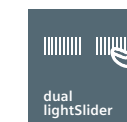


touchSlider



Put your finger on innovation: TFT touchDisplay.

With the innovative TFT touchDisplay, you can now get the most out of your Siemens induction hob. The full colour touch screen is intuitive and easy to use with clear information about your hob's status at all times as well as additional settings that open up a new world of possibilities. Choose the settings for each individual cooking zone and combine the zones as you like – for example, for different sizes of cookware and various accessories. Access a new world of recipes which can help you cook the perfect dish in just a few simple steps, complete with images and clear text. Take control of your Siemens induction hob and enjoy the advanced design with perfectly prepared meals.



Dual lightSlider

Operate with intuition. The new dual lightSlider lets you easily select and join the cooking zones of the iQ700 Induction Hobs via one neatly arranged interface that illuminates when the hob is turned on. To adjust the power level of the cooking zones simply slide your finger along the lit scale or select the desired power level directly with precise control. When the hob is switched off, the controls are completely invisible for a sleek finish to your kitchen. As there are no protruding parts, cleaning is made even easier.



touchSlider

The ergonomic touchSlider sits flush to the appliance and allows you to slide your finger across the power level scale to the desired setting, with control advances in half-levels from 1 to 9. You can also touch the desired level directly for faster adjustments to the cooking zone temperature.

Gas hobs. High performance, high speed.

Our top-of-the-range models feature beautiful and durable black ceramic glass hob bases, with cast iron pan supports for a contemporary look. They are designed to coordinate with other appliances in the iQ700 range, and can be combined seamlessly with iQ700 domino and electric hobs. Low profile, single piece burners on the glass complete the sleek appearance.



Model shown: ER9A6SD70 90cm ceramic glass gas hob.

Introducing the ground-breaking innovation in gas hobs: stepFlame. Offering 9 precise power levels to give you the control of an electric hob, with gas.



stepFlame technology
No more leaning over to check the flame size, no more hoping that it is at the right heat level. All this guesswork has been removed from cooking with gas. From now on, whatever level you choose – you'll get exactly the heat and the flame size you need. It's just as easy to operate as it sounds. That is stepFlame technology: a groundbreaking innovation to precisely control the flame. Your meals will be delicious, and your guests will be delighted.



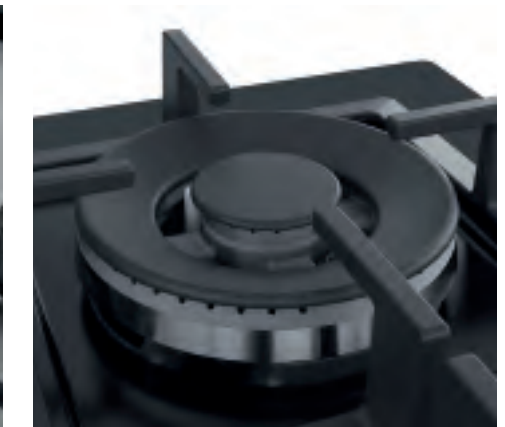
LED display with residual heat indicator
Together with the new stepFlame technology, selected gas hobs feature an LED display which clearly shows the power level you have selected at a glance. For added safety, the LED display also shows whether there is any residual heat from the hob indicated by a capital 'H' for hot and a lower case 'h' for warm.



Wok burners
Siemens gas hobs feature wok burners that deliver 3.3kW, 4.0kW, 4.2kW, 5.0kW or 6.0kW of power depending on the model, meeting the increasing demand for high speed cooking. But it is not just about power; they can be turned down to just 0.3kW – perfect for simmering. For the ultimate in flexibility, our 6.0kW and 5.0kW burners are dual control – the inner and outer flame rings can be adjusted independently via a single control.



Dishwasher-safe pan supports
All gas on ceramic glass model feature pan supports that are treated with a special patented coating which resists discolouration and the damaging effects of a dishwasher.



Flame failure safety device
All Siemens gas hobs feature a flame failure safety device, which cuts-off the supply of gas to the individual burner should the flame be somehow accidentally extinguished.

Control like never before.



One thing less to worry about: cookingSensor Plus.

No more overboiling. Just attach the sensor to the pot and it will interact with the cooktop, giving a signal when a certain temperature has been reached and keeping it exactly at that level.

Model shown: EX975KXW1E

The Siemens hob range combines razorsharp design, together with innovative technology. All created to coordinate beautifully with other Siemens appliances.

Hob Accessories

For additional cooking flexibility Siemens provide a range of accessories for our flexInduction hobs.

For more details on the range of accessories available please ask your retailer or visit siemens-home.co.uk/store



Griddle pan – Specially designed for use across four flexInductors the griddle pan maintains an even heat, perfect for frying steak.

Accessories code: HZ390522



Teppan Yaki – Heating extremely quickly the Teppan Yaki is great for fast Japanese cooking. Perfect for a cooked breakfast or a healthy stir-fry, the pan comes in two sizes that fit across either three or four flexInductors.

Accessories code: 2 sizes available 40x20cm HZ390512 and 30x20cm HZ390511



Roasting dish with steamer – Perfect for use with flexInduction hobs this multipurpose dish is a must when cooking for a crowd. A removable steamer insert is available to compliment this dish and perfect for steaming vegetables.

Accessories code: Roasting dish HZ390011 and steamer insert HZ390012

Hobs

Welcome to a range designed around you.

A Quick Feature Guide

Reference key:



Model does have this feature



Model does not have this feature

Key functionality – Induction



Wi-Fi ready With Wi-Fi enabled Siemens home appliances and Home Connect, you can manage your home appliances from wherever you are and discover more possibilities to make your life easier.



combiZone allows you to connect two induction zones together, suitable for larger pots and pans.



powerBoost increases the power output of selected zones by up to 50% to provide quicker heating and cooking times.



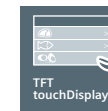
touchControl Thanks to advanced touchControl technology, Siemens hobs can be operated by simply touching the surface. This means the controls are seamlessly integrated into the surface and make cleaning even easier.



Width Our hob range is available in a range of widths to suit your kitchen design and needs.



flexInduction The flexInduction cooking area is tailored to your needs, enabling you to use a small area for small pans, or the entire zone for large cooking pots.

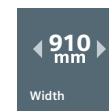


TFT touchDisplay Operate your iQ700 induction hob with a large touchscreen colour display giving you an excellent overview of settings and intuitive control.



touchSlider The stylish and ergonomic touchSlider allows you to simply slide their finger across the touchSlider temperature scale to the desired setting. All 60cm models are controlled with one single 9.5cm touchSlider control, while the extra wide models have one, four or five touchSlider controls.

Ceramic



Width Our hob range is available in a range of widths to suit your kitchen design and needs.



touchControl Thanks to advanced touchControl technology, Siemens hobs can be operated by simply touching the surface. This means the controls are seamlessly integrated into the surface and make cleaning even easier.



controlPanel Lock With the childproof lock button, you can quickly and easily protect the hob against unauthorised operation. The childproof lock blocks all the hob's functions at the touch of a button. Locking is cleared by pressing the button again and holding down for a few seconds.



touchSlider The stylish and ergonomic touchSlider allows you to simply slide your finger across the touchSlider temperature scale to the desired setting. All 60cm models are controlled with one single 9.5cm touchSlider control, while the extra wide models have one, four or five touchSlider controls.

Gas



Width Our hob range is available in a range of widths to suit your kitchen design and needs.



Cast Iron Cast iron pan supports are designed to withstand even the heaviest of pots and pans and provide a sleek finish to each hob. All can be removed for easier cleaning and iQ700 models have dishwasher safe pan supports.



Power Level Display Thanks to a display next to each control, the exact power level is clearly displayed so you can see what power you are cooking with at a glance.



stepFlame technology No more leaning over to check the flame size. All this guesswork has been removed from cooking with gas thanks to stepFlame technology which gives a range of flame levels for more control with your cooking.



Black Glass Finished in a contemporary black glass design to coordinate with other Siemens appliances and seamlessly fit into your kitchen.



frontControl Gas hobs with frontControl feature all controls at the front of the appliance for easy control.



Stainless Steel Finished in a high quality stainless steel design to complement your kitchen.



Wok burner Siemens gas hobs feature wok burners to deliver higher power, meeting the increasing demand for high speed cooking.

iQ 700

Exceptional design allied with seriously innovative technology is the basis of these, our premium models.

iQ 500

Exuding class and refinement, these machines unite first-class features with top-class technology.

iQ 300

Good looking appliances with Siemens build quality equipped with an attractive selection of smart features.

iQ 100

Appliances with superb quality and practical design.

inductionAir: Our best induction hob, now even better



inductionAir



The inductionAir hob features an efficient and powerful extractor in just the one appliance, opening up new possibilities for flexible kitchen design. The hob has flexInduction zones, which mean that the cooking areas can be extended and linked together to form bigger cooking zones for larger cooking pans or accessories.

Combining induction technology with powerful extraction, the **iQ 700** inductionAir hob is intelligently designed for your kitchen.

The inductionAir System combines two great appliances: a flexInduction hob and the revolutionary new integrated ventilation. Thanks to this space-saving concept, you can enjoy more freedom and create an outstanding kitchen design.

iQ 700 EX875LX34E
Black glass

80cm
New

Key features

- 2 flexInduction zones
- Dual lightSlider control
- flexMotion
- fryingSensor Plus
- powerMove
- climateControl sensor
- iQdrive motor
- powerBoost function
- 2 stage residual heat indicators (H/h)
- Count up timer
- Stainless steel side trim

flexInduction Hobs

flexInduction Hob

iQ 700 EX975KXW1E
Black glass

Available Autumn 2017
90cm
New

Key features

- 3 flexInduction zones
- flexMotion
- fryingSensor Plus
- powerMove
- cookingSensor Plus ready
- cookConnect
- powerBoost function
- 2 stage residual heat indicators (H/h)
- Count up timer
- Stainless steel side trim

flexInduction Hob

iQ 700 EX875KYE1E
Black glass

80cm
New

Key features

- 2 flexInduction Plus zones
- flexMotion
- fryingSensor Plus
- powerMove
- cookingSensor Plus ready
- powerBoost function
- 2 stage residual heat indicators (H/h)
- Count up timer
- Stainless steel side trim

flexInduction Hob

iQ 700 EX975LVV1E
Black glass

Available Autumn 2017
90cm
New

Key features

- 2 flexInduction + 32cm Triple zone
- flexMotion
- fryingSensor Plus
- powerMove
- cookConnect
- powerBoost function
- 2 stage residual heat indicators (H/h)
- Count up timer
- Stainless steel side trim

flexInduction Hob

iQ 700 EX875KYW1E
Black glass

Available Autumn 2017
80cm
New

Key features

- 2 flexInduction Plus zones
- flexMotion
- fryingSensor Plus
- powerMove
- cookingSensor Plus ready
- cookConnect
- powerBoost function
- 2 stage residual heat indicators (H/h)
- Count up timer
- Stainless steel side trim

flexInduction Hob

iQ 700 EX675JYW1E
Black glass

Available Autumn 2017
60cm
New

Key features

- 2 flexInduction Plus zones
- flexMotion
- fryingSensor Plus
- powerMove
- cookingSensor Plus ready
- cookConnect
- powerBoost function
- 2 stage residual heat indicators (H/h)
- Count up timer
- Stainless steel side trim

flexInduction Hob

iQ 700 EX975LVC1E
Black glass

90cm
New

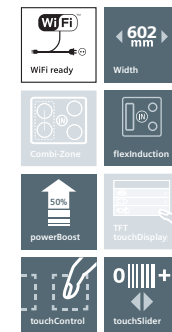
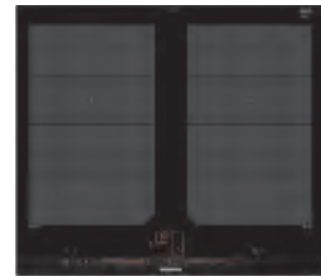
Key features

- 2 flexInduction + 32cm Triple zone
- flexMotion
- fryingSensor Plus
- powerMove
- powerBoost function
- 2 stage residual heat indicators (H/h)
- Count up timer
- Stainless steel side trim

flexInduction Hobs

flexInduction Hob

iQ 700 EX675LXV1E Available Autumn 2017
Black glass 60cm **New**



Key features

- 2 flexInduction zones
- flexMotion
- fryingSensor Plus
- cookConnect
- powerBoost function
- 2 stage residual heat indicators (H/h)
- Count up timer
- Stainless steel side trim

flexInduction Hob

iQ 700 EX675LXC1E
Black glass 60cm **New**

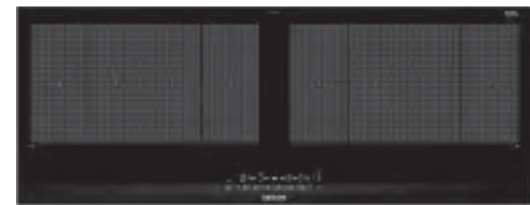


Key features

- 2 flexInduction zones
- flexMotion
- fryingSensor Plus
- powerMove
- powerBoost function
- 2 stage residual heat indicators (H/h)
- Count up timer
- Stainless steel side trim

flexInduction Hob

iQ 700 EX275FXB1E
Black glass 90cm **New**



Key features

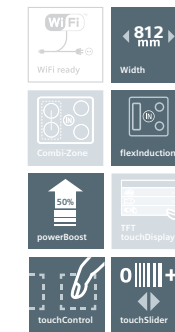
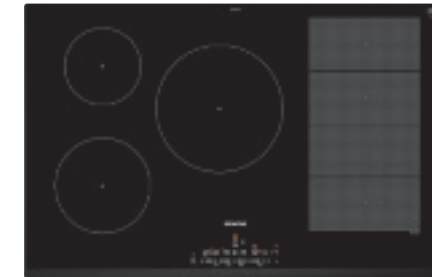
- 2 flexInduction zones
- powerBoost function
- 2 stage residual heat indicators (H/h)
- Count up timer
- Stainless steel side trim



flexInduction and Induction Hobs

flexInduction Hob

iQ 700 EX851FVC1E
Black glass 80cm **New**

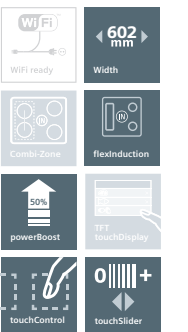


Key features

- 1 flexInduction + 3 zones
- fryingSensor Plus
- powerBoost function
- 2 stage residual heat indicators (H/h)
- Count up timer
- Bevelled edge

flexInduction Hob

iQ 700 EX651FEC1E
Black glass 60cm **New**

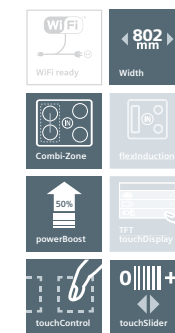
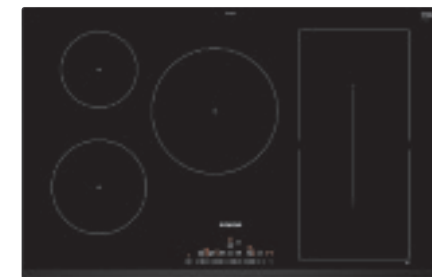


Key features

- 1 flexInduction + 2 zones
- fryingSensor Plus
- powerBoost function
- 2 stage residual heat indicators (H/h)
- Count up timer
- Bevelled edge

Induction Hob

iQ 500 ED851FWB1E
Black glass 80cm **New**

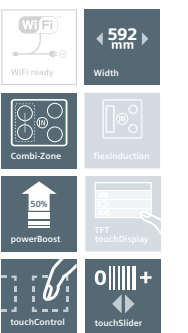


Key features

- 5 induction zones
- combiZone
- powerBoost function
- 2 stage residual heat indicators (H/h)
- Bevelled edge

Induction Hob

iQ 500 ED651FSB1E
Black glass 60cm **New**



Key features

- 5 induction zones
- combiZone
- powerBoost function
- 2 stage residual heat indicators (H/h)
- Bevelled edge

flexInduction Hob

iQ 700 EX879FVC1E
Silver glass 80cm **New**

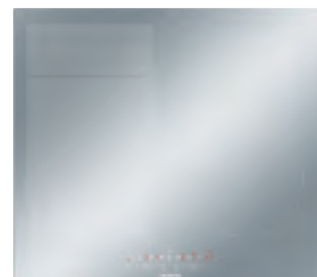


Key features

- 1 flexInduction + 3 zones
- fryingSensor Plus
- powerBoost function
- 2 stage residual heat indicators (H/h)
- Count up timer
- Stainless steel side trim

flexInduction Hob

iQ 700 EX679FEC1E
Silver glass 60cm **New**

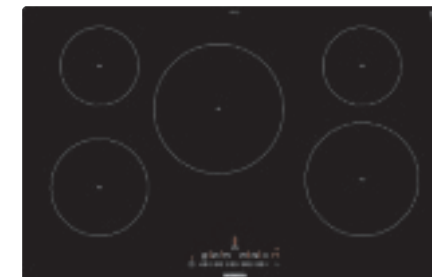


Key features

- 1 flexInduction + 2 zones
- fryingSensor Plus
- powerBoost function
- 2 stage residual heat indicators (H/h)
- Count up timer
- Stainless steel side trim

Induction Hob

iQ 300 EH801FVB1E
Black glass 80cm **New**

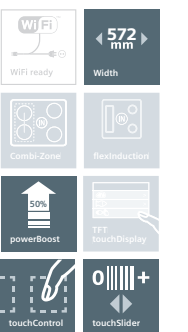


Key features

- 4 induction zones
- combiZone
- powerBoost function
- 2 stage residual heat indicators (H/h)
- Stainless steel side trim

Induction Hob

iQ 300 EH601FEB1E
Black glass 60cm **New**



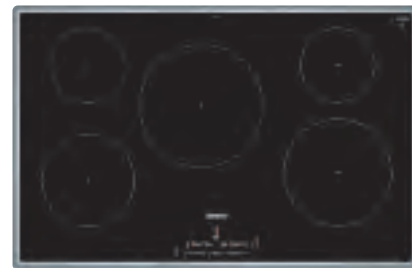
Key features

- 4 induction zones
- powerBoost function
- 2 stage residual heat indicators (H/h)
- Flush-fitting

Induction Hobs

Induction Hob

iQ 100 EH845FVB1E Black glass 80cm **New**



WiFi ready
795 mm Width
Combi-Zone
Reinduction
powerBoost
TFT touchDisplay
touchControl
touchSlider



Key features

- 5 induction zones
- powerBoost function
- 2 stage residual heat indicators (H/h)
- Stainless steel frame

Induction Hob

iQ 100 EH645FEB1E Black glass 60cm **New**



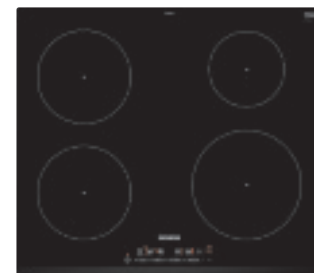
WiFi ready
583 mm Width
Combi-Zone
Reinduction
powerBoost
TFT touchDisplay
touchControl
touchSlider

Key features

- 4 induction zones
- powerBoost function
- 2 stage residual heat indicators (H/h)
- Stainless steel frame

Induction Hob

iQ 100 EU631FEB1E Black glass 60cm



WiFi ready
592 mm Width
Combi-Zone
Reinduction
powerBoost
TFT touchDisplay
touchControl
touchSlider

Key features

- 4 induction zones
- 13 Amp Plug and Play connection
- powerBoost function
- 2 stage residual heat indicators (H/h)
- Front bevelled edge

Induction Hob

iQ 100 EU631BEF1B Black glass 60cm



WiFi ready
592 mm Width
Combi-Zone
Reinduction
powerBoost
TFT touchDisplay
touchControl
touchSlider

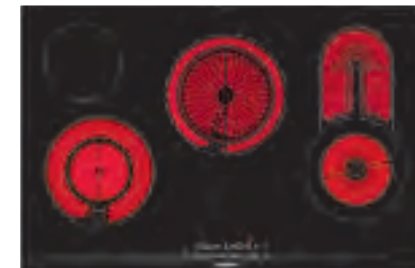
Key features

- 4 induction zones
- 13 Amp Plug and Play connection
- powerBoost function
- 2 stage residual heat indicators (H/h)
- Front bevelled edge

quickLite Ceramic Hobs

quickLite Ceramic Hob

iQ 300 ET875FCP1D Stainless steel frame 80cm **New**



812 mm Width
controlPanel Lock
touchControl
touchSlider



Key features

- 4 quick-lite zones
- 3 dual/extendable zones
- powerBoost function
- 2 stage residual heat indicators (H/h)
- Energy consumption display
- Stainless steel frame

quickLite Ceramic Hob

iQ 100 ET651HE17E Black glass 60cm



592 mm Width
controlPanel Lock
touchControl
touchSlider

Key features

- 4 quick-lite zones
- powerBoost function
- 2 stage residual heat indicators (H/h)
- Energy consumption display
- Frameless

quickLite Ceramic Hob

iQ 100 ET645CEA1E Black glass 60cm **New**



583 mm Width
controlPanel Lock
touchControl
touchSlider

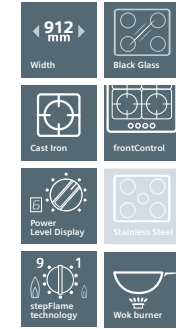
Key features

- 4 quick-lite zones
- powerBoost function
- 2 stage residual heat indicators (H/h)
- Energy consumption display
- Stainless steel frame

Gas Hobs

Gas Hob

iQ 700 ER9A6SD70
Black ceramic glass 90cm **New**

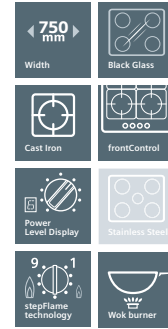


Key features

- 5 burners
- 6.0kW wok burner
- stepFlame technology
- Power level display
- 2 stage residual heat indicators (H/h)
- Dishwasher safe cast iron pan supports
- Flame failure safety device
- Stainless steel side trim

Gas Hob

iQ 700 ER7A6RD70
Ceramic top trim 75cm **New**



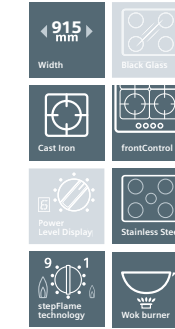
Key features

- 5 burners
- 4.2kW wok burner
- stepFlame technology
- Power level display
- 2 stage residual heat indicators (H/h)
- Dishwasher safe cast iron pan supports
- Flame failure safety device
- Stainless steel side trim

Gas Hobs

Gas Hob

iQ 500 EC9A5SB90
Brushed steel 90cm **New**

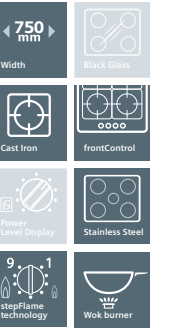


Key features

- 5 burners
- 5.0kW wok burner
- stepFlame technology
- Dishwasher safe cast iron pan supports
- Flame failure safety device
- Flag layout

Gas Hob

iQ 500 EC7A5RB90
Brushed steel 75cm **New**

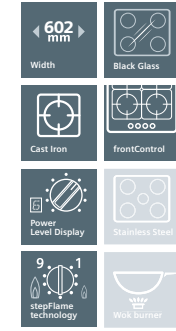


Key features

- 5 burners
- 5.0kW wok burner
- stepFlame technology
- Dishwasher safe cast iron pan supports
- Flame failure safety device
- Star layout

Gas Hob

iQ 700 ER6A6PD70
Black ceramic glass 60cm **New**

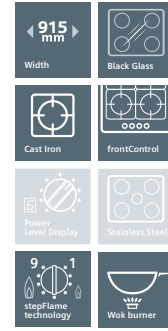


Key features

- 5 burners
- stepFlame technology
- Power level display
- 2 stage residual heat indicators (H/h)
- Dishwasher safe cast iron pan supports
- Flame failure safety device
- Stainless steel side trim

Gas Hob

iQ 500 EP9A6SB90
Black tempered glass 90cm **New**

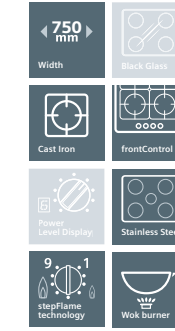


Key features

- 5 burners
- 4.0kW wok burner
- stepFlame technology
- Dishwasher safe cast iron pan supports
- Flame failure safety device

Gas Hob

iQ 500 EC7A5QB90
Brushed steel 75cm **New**

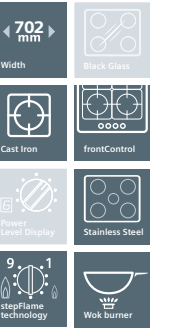
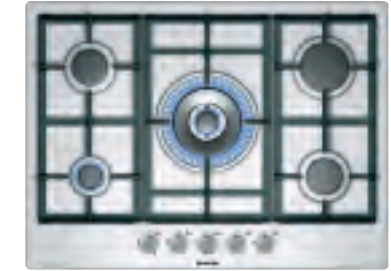


Key features

- 5 burners
- 4.0kW wok burner
- stepFlame technology
- Dishwasher safe cast iron pan supports
- Flame failure safety device
- Star layout

Gas Hob

iQ 500 EC715RB90E
Brushed steel 70cm **New**

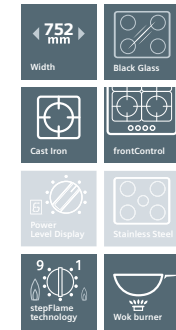


Key features

- 5 burners
- Wok burner
- Dishwasher safe cast iron pan supports
- Flame failure safety device

Gas Hob

iQ 500 EP7A6QB90
Black tempered glass 75cm **New**

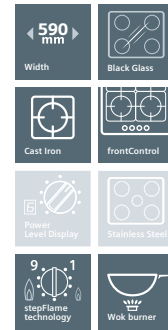


Key features

- 5 burners
- 4.0kW wok burner
- stepFlame technology
- Dishwasher safe cast iron pan supports
- Flame failure safety device

Gas Hob

iQ 500 EP6A6HB20
Black tempered glass 60cm **New**

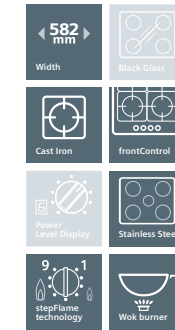


Key features

- 4 burners
- 3.5kW wok burner
- stepFlame technology
- Dishwasher safe cast iron pan supports
- Flame failure safety device

Gas Hob

iQ 500 EC6A5IB90
Brushed steel 60cm **New**



Key features

- 4 burners
- 4.0kW wok burner
- stepFlame technology
- Dishwasher safe cast iron pan supports
- Flame failure safety device
- Diamond layout

Gas Hob

iQ 500 EC6A5HC90
Brushed steel 60cm **New**



Key features

- 4 burners
- 3.5kW wok burner
- stepFlame technology
- Dishwasher safe cast iron pan supports
- Flame failure safety device

Gas Hobs

Gas Hob

iQ 500 EC6A5PB90
Brushed steel 60cm **New**



- 582 mm Width
- Black Glass
- Cast Iron
- frontControl
- Power Level Display
- Stainless Steel
- stepFlame technology
- Wok burner

Key features

- 4 burners
- stepFlame technology
- Dishwasher safe cast iron pan supports
- Flame failure safety device

Gas Hob

iQ 300 EG6B5HB60
Brushed steel 60cm **New**



- 582 mm Width
- Black Glass
- Cast Iron
- frontControl
- Power Level Display
- Stainless Steel
- stepFlame technology
- Wok burner

Key features

- 4 burners
- 3.3kW wok burner
- Cast iron finish pan supports
- Flame failure safety device

Gas Hob

iQ 300 EG6B5PB60
Brushed steel 60cm **New**



- 582 mm Width
- Black Glass
- Cast Iron
- frontControl
- Power Level Display
- Stainless Steel
- stepFlame technology
- Wok burner

Key features

- 4 burners
- Cast iron finish pan supports
- Flame failure safety device

Gas Hob

iQ 100 EB6B5HB60
Brushed steel 60cm **New**



- 582 mm Width
- Black Glass
- Cast Iron
- frontControl
- Power Level Display
- Stainless Steel
- stepFlame technology
- Wok burner

Key features

- 4 burners
- Wok burner
- Cast iron finish pan supports
- Flame failure safety device
- Side control

Gas Hob

iQ 100 EB6B5PB60
Brushed steel 60cm **New**



- 580 mm Width
- Black Glass
- Cast Iron
- frontControl
- Power Level Display
- Stainless Steel
- stepFlame technology
- Wok burner

Key features

- 4 burners
- Cast iron finish pan supports
- Flame failure safety device
- Side control

Domino Hobs



Models shown: EX375FXB1E flexInduction domino hob, ET475FYB1E Teppan Yaki domino hob and LF16VA570B moduAir domino hood

Teppan Yaki Domino Hob

iQ 500 ET475FYB1E
Steel/black glass 40cm **New**



- 392 mm Width
- controlPanel Lock
- touchControl
- touchSlider

Key features

- Teppan Yaki extremely quick heat for Japanese style cooking
- 2 cooking zones
- Temperature control
- touchSlider control
- Removable ceramic black glass lid
- Stainless steel side trim

flexInduction Domino Hob

iQ 700 EX375FXB1E
Black glass 30cm **New**



- 302 mm Width
- WiFi ready
- Control Zone
- flexInduction
- powerBoost
- TFT touchDisplay
- touchControl
- touchSlider

Key features

- 1 flexInduction zone
- powerBoost function
- 2 stage residual heat indicators (H/h)
- Count up timer
- Stainless steel side trim

Wok Domino Gas Hob

iQ 700 ER3A6AD70
Black glass 30cm **New**



- 302 mm Width
- Black Glass
- Cast Iron
- frontControl
- Power Level Display
- Stainless Steel
- stepFlame technology
- Wok burner

Key features

- 6.0kW wok burner
- stepFlame technology
- Power level display
- 2 stage residual heat indicators (H/h)
- Dishwasher safe cast iron pan supports
- Flame failure safety device
- Stainless steel side trim

Domino Gas Hob

iQ 700 ER3A6BD70
Black glass 30cm **New**



- 302 mm Width
- Black Glass
- Cast Iron
- frontControl
- Power Level Display
- Stainless Steel
- stepFlame technology
- Wok burner

Key features

- 2 burners
- stepFlame technology
- Power level display
- 2 stage residual heat indicators (H/h)
- Dishwasher safe cast iron pan supports
- Flame failure safety device
- Black ceramic glass
- Stainless steel side trim



Hoods

**Outstanding performance,
intelligently designed.**

Your kitchen is not only a place to cook, it is a place to entertain, relax after a hard day's work, or spend time with friends and family.

Siemens hoods work hard to keep your kitchen space fresh, and full of cleaner air whilst also providing ambient lighting. There's a hood for all kitchen designs, including the new inductionAir which combines our advanced flexInduction hob with a high-performance extractor for even clearer views in your kitchen.

Whether you choose a top-of-the-range iQ700 wall chimney hood, the state-of-the-art downDraft hood, a classic chimney hood or a canopy hood integrated into your kitchen cupboards. The majority of Siemens hoods come with a quiet and energy efficient motor so you can enjoy your living space.

How to choose your hood.

With the trend for open-plan living, a quiet, efficient and powerful extractor is essential to deal with the strong cooking odours and grease-laden air that can otherwise linger throughout the house. There are two vital points to consider when choosing a hood; the first is whether you want the hood to be ducted or recirculated, and the second is its power rating. Here are some helpful pointers.



Model shown: LC97FVW60B chimney hood

Ducted or recirculated?

For optimum performance, your extractor hood should be ducted to the outside of the house, so that the extracted air is vented outside. But sometimes this is not practical, so most Siemens hoods can also operate in recirculating mode; where the air is passed through the metal filter to remove grease, and then through a carbon filter to remove odours before being directed back into the kitchen. Although the extraction rate is slightly lower when using this method than ducted extraction and the carbon odour filter will need to be replaced, recirculating the air offers an energy efficient benefit; cool air is retained in the home in the summer and warm air does not vent out during winter months.

The power to perform

A chosen hood must be powerful enough to effectively remove moisture and cooking odours from a kitchen. The hood should be able to change the air in the kitchen 12 times per hour.

Using this quick calculation, consumers can check whether a hood is sufficiently powerful.

Firstly, calculate the volume of the kitchen (HxWxD metres). Next multiply that figure by 12. The resulting figure is the ideal extraction rate required. Match this to a lower power level on the hood to avoid having to run at full power for increased efficiency.



State-of-the-art efficiency
Siemens iQ700 hoods feature innovative technology that saves energy. This is thanks

to the highly efficient, durable brushless iQdrive motor which is powerful, but requires very little energy to run. Capable of handling smoke and grease in the most challenging cooking situations, and specially designed to last longer, the motor comes with a 10-year motor guarantee and a 5-year parts and labour guarantee.



For example

Room: 4m x 4m x 2.5m = 40m³

12 changes per hour in intensive operation: 12 x 40m³ = 480m³/h

So the hood must achieve >480m³/h in intensive mode.

Enjoy a fresher kitchen.



Model shown: LD97AA670B downDraft hood, EX875KYE1E flexInduction hob

The finishing touch for your kitchen

Our iQ700 range of hoods banish unwanted steam, grease and cooking smells efficiently. No more misted windows or greasy surfaces – just fresh-smelling surroundings. Plus they benefit from a fully coordinated design with all other Siemens iQ700 appliances.

We know that a kitchen is not only a place to cook; it is a place to entertain, relax after a hard day's work, or spend time with friends and family. The powerful motors in our cooker hoods and the specially designed housing mean an even quieter operation and fewer disturbances for you.

climateControl uses an ultra-sound sensor to detect the level of steam or air and adjusts the extraction power automatically. You can use the intensive setting to temporarily boost the extraction rate to cope with particularly demanding cooking conditions, for instance when stir-frying. Models that feature this will revert back to normal automatically after ten minutes so you don't have to remember to switch it back yourself.

Automatic ventilation. Ideal for removing strong, lingering cooking odours like curry or fish, or simply to keep your kitchen fresh throughout the day the

interval operation setting will turn the hood on to ventilate the kitchen for a couple of minutes every hour. Some models even have an automatic run-on facility, the hood works for an additional ten minutes to deal with any lingering cooking odours before switching itself off.

Beautifully designed, the hoods feature fascia and control options that coordinate with Siemens iQ700 ovens and compact appliances. These include the sleek touchSlider and standard electronic soft buttons. When you are busy cooking, you shouldn't have to stop to think about how your cooker hood works. That's why we put a lot of effort into making our hoods intuitive and easy to use. Our lighting contributes to this too, using energy-efficient and long-lasting LEDs to perfectly illuminate your hob as well as making it an attractive feature.

modulAir domino hood. Flexibility in design.



Model shown: LF16VA570B modulAir domino hood.
Please see page 82 for more information.

Integrated worktop ventilation for a fresh and clear kitchen space.

Effective extraction without limitation
Kitchen designs are unique to all of us, so it's important to have a range of extraction that offers more flexibility. The new Siemens modulAir worktop ventilation allows various combinations with domino hobs as well as full size hobs that opens your kitchen to more possibilities. This space-saving installation solution fits perfectly, so the hood is right where it is needed: next to the hob for effective extraction. Worktop ventilation models are available in ducted and recirculation mode, both powered by the powerful, energy efficient and quiet iQdrive motor.

Seamlessly integrated with a sleek design
Siemens worktop ventilation can be seamlessly integrated into the worktop for easy kitchen planning, especially with island installations. They also give you a clear and uncluttered view in open plan kitchens, perfect for realising the most impressive kitchen designs.

Easy operation comes as standard with the sleek touchControl functionality that not only looks good but makes the hood quick to clean. And as it is placed next to the hob, it's easier than ever to focus on your cooking while adjusting the intensity of the hood.

There are many different combinations to fit worktop ventilation with your preferred hob choice. Ventilation can fit between individual domino hobs or either side of a larger hob for more flexibility in designing your dream kitchen.



When an everyday object turns into a design icon.



Model shown:
LC97FVW60B chimney hood



emotionLight Pro: Choose between 8 different pre-installed colours.



And choose between 256 colours with the Home Connect App.



Today, more and more homes are equipped with open kitchens that blend with the other rooms and become a regular part of the living area. This type of kitchen needs matching appliances to make them appear seamless and impressive to look at.

The Decorative hoods create a seamless statement in your kitchen with the same materials such as black glass, the two-zone stainless steel panel, matching chrome lines and consistent controls.

Your extractor hood, your style, your light: emotionLight Pro

Your extractor hood now adapts to your taste. Simply choose between many different background light colours – for an extractor hood that matches your preferences. The colour range is extendable via the Home Connect App.

Programmed for convenience

The intuitive user interface allows you to control your Decorative hood exactly as you want it. Control the fan setting, the LED light and the colour of the emotionLight Pro as well as extended functions like the boost mode without any challenge. Furthermore, you can set an automatic delay to let the hood shut itself off after you've finished cooking – for even more convenience.

Hoods

Welcome to a range designed around you.

A Quick Feature Guide

Key functionality



Width

Width Indicates the width and size of the hood. Siemens offer a wide range of hoods to fit different sized niches and with our range of hobs. For optimal results, the cooker hood should be at least as wide as the hob.



Energy

Energy efficient hoods Siemens hoods feature innovations that make them incredibly energy efficient to run, from our durable and quiet brushless iQdrive motor to LED lighting.



emotionLight Pro

emotionLight Pro Adapt the colour of your lights to your taste. Choose between a range of different background light colours directly from the hood or access an extended colour range using the Home Connect App.



LED Illumination

Light type: LED A range of hoods from Siemens are equipped with state-of-the-art LED lighting, ensuring the hob is illuminated evenly and clearly.



Halogen Illumination

Light type: Halogen This type of lighting offers a bright light when cooking.



touchControl

touchControl Intuitive operation for your hood: touchControl is seamlessly integrated into the front of the hood and operated by the touch of your finger. Cleaning is also even easier.



climateControl sensor

climateControl sensor The climateControl sensor automatically adjusts the power level of the hood dependent on the level of steam, leading to a pleasant ambiance in the kitchen without having to manually adjust the power yourself.



WiFi ready

Wi-Fi ready With Wi-Fi enabled Siemens home appliances and Home Connect, you can manage your home appliances from wherever you are and discover more possibilities to make your life easier.

Other product features

Intensive setting

The intensive setting creates a powerful boost of extraction, perfect for tackling demanding food such as stir fry or steamed vegetables. This ensures moisture is properly eradicated, without misting windows and keeping the kitchen air fresher.

Boost Position

The Boost Position is enabled by slightly pulling the front panel out to capture more steam and draw more air through the hood, which is particularly effective when frying meat or fish.

touchSlider control

Control the power level by simply sliding a finger across the front of the hood using the touchSlider control. A clear LCD display also shows which functions are currently active. As there are no protruding buttons, hoods with touch controls are also easy to keep clean.

Reference key:



Model does have this feature



Model does not have this feature

iQ 700

Exceptional design allied with seriously innovative technology is the basis of these, our premium models.

iQ 500

Exuding class and refinement, these machines unite first-class features with top-class technology.

iQ 300

Good looking appliances with Siemens build quality equipped with an attractive selection of smart features.

iQ 100

Appliances with superb quality and practical design.

modulAir Domino Hood

The best in technology & design



touchControl



The design of touchControl is integrated into the black glass panel for easy control at the touch of a finger, not to mention sleek design and easy cleaning.

modulAir domino hood shown with flexInduction domino hob: EX375FXB1E

For flexible kitchen planning, our **iQ700** modulAir domino hood conveys an elegant impression of absolute quality and intelligent innovation.

The modulAir system efficiently removes unpleasant odours directly next to your cooking, providing more flexibility in open-plan and island kitchen designing. Easily create flexible cooking options combined with electric or gas domino hobs.

iQ700

LF16VA570B
Stainless steel

Key features

- touchControl with 7-segment display
- 3 power levels + 1 intensive settings – for stronger smells
- Automatic intensive revert
- Metal grease filter – dishwasher safe
- Max. extraction rate (normal): 540m³/h
- Max. noise level: 67dB re 20 µPa (power level 3 ducted circulation)



downDraft Hood

The best in technology & design



LED Light



The LED strip light perfectly illuminates the entire hob surface for a clear view of your cooking.

downDraft shown with flexInduction hob: EX875KYE1E

For a unique way of extracting, our **iQ700** downDraft hood is ideal for installation in an island for open plan kitchens.

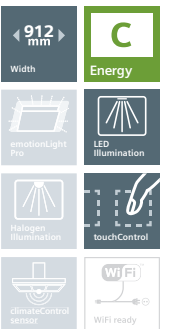
Conveniently placed under the worktop, the elegant and unobtrusive downDraft hood can be automatically raised when needed and then lowered when not in use at the touch of a button. Advanced extraction for a sleek finish to your kitchen.



iQ700 **LD97AA670B**
Stainless steel and black glass

Key features

- touchControl – experience intuitive control
- Electronic control and power level display
- 3 power levels + 2 x intensive settings – power boost for extra strong smells
- 1 x LED light strip
- softLight with dimmer function – creates ambiance
- Max. extraction rate (normal): 450m³/h
- Max. noise level: 61dB re 20 µPa (power level 3 ducted circulation)



Ceiling Hoods

The best in
technology
& design

Remote control



With a hood installed in the ceiling it's important to have complete control. Siemens ceiling hoods come with a remote control to change and manage each setting with ease.

Installed out of the way, our **iQ700** ceiling hood conveys an elegant impression of absolute quality and intelligent innovation.

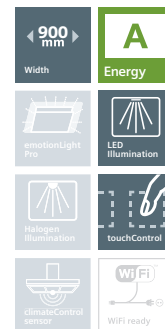
With this ceiling hood, experience powerful extraction and excellent lighting thanks to the advanced iQdrive motor and LED lights, ideal for installation in open plan kitchens and spaces that require out-of-sight extraction.



iQ700 LF959RE55B
Stainless steel 90cm

Key features

- Electronic controls via remote control
- 3 power levels
- Intensive setting – for stronger smells
- 1 x LED glass-panel 28W
- Automatic intensive revert
- softLight with dimmer function
- Metal grease filter – dishwasher safe
- Max. extraction rate (normal): 450m³/h
- Max. noise level: 56dB re 20 μPa (power level 3 ducted circulation)



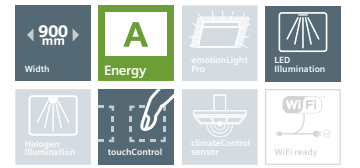
Ceiling Hoods

iQ700 LF959RB51B Stainless steel
LF959RB21B Matte white NEW

90cm
90cm



New



Key features

- Electronic control via soft touch button control
- Remote control
- 3 power levels + 1 intensive setting – powerBoost for extra strong smells
- 4 x LED lights
- softLight with dimmer function – creates ambiance
- Intensive operation revert (4 minutes)
- Automatic after-running – ensure no smells linger
- Grease filter saturation indicator
- Max. extraction rate (normal): 570m³/h
- Max. noise level: 64dB re 20 μPa (power level 3 ducted circulation)

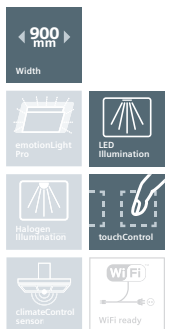
iQ700 LF16RH560
Stainless steel

90cm



Key features

- touchControl with 7-segment display
- 3 power levels + 1 intensive settings – for stronger smells
- 2 x LED lights
- Automatic after-running
- Automatic intensive revert
- softLight with dimmer function
- Metal grease filter – dishwasher safe
- Max. extraction rate (normal): 780m³/h
- Max. noise level: 63dB re 20 μPa (power level 3 ducted circulation)



Island Hoods

The best in
technology
& design

touchSlider control



Control your Siemens hood with ease by simply sliding your finger along the touchSlider to select the power level. Stunning design meets sleek control with touchSlider.

Ideal for installation over island units, our **iQ700** island hoods form an elegant design feature for your kitchen.

Island Hoods

The best in
technology
& design

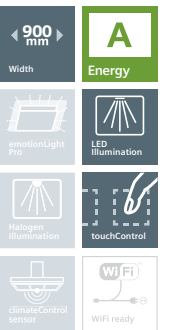


iQ500 LF91BA582B
Stainless steel

90cm

Key features

- Electronic control via touchControl
- 3 power levels + 2 intensive settings – for stronger smells
- 4 x LED lights
- Boost function
- Grease filter saturation indicator – time to change the filter
- Auto intensive revert (6 minutes) – keeps energy consumption low
- Automatic after-running – ensures no smells linger
- Max. extraction rate (normal): 570m³/h
- Max. noise level: 63dB re 20 µPa (power level 3 ducted circulation)

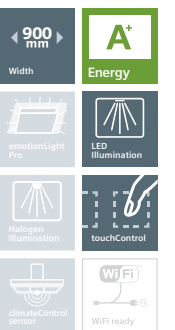


iQ500 LF98GB542B
Stainless steel

90cm

Key features

- softTouch button control
- Electronic control and power level display
- 3 power levels + 2 intensive settings – for stronger smells
- 4 x LED lights
- softLight with dimmer function – creates ambiance
- Auto intensive revert – keeps energy consumption low
- Automatic after-running – ensures no smells linger
- Grease and charcoal filter saturation indicators – time to change the filter
- Max. extraction rate (normal): 440m³/h
- Max. noise level: 58dB re 20 µPa (power level 3 ducted circulation)



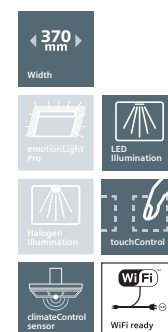
The new Siemens island cube hood is suspended from four cables over your island. The black glass and stainless steel strip design coordinates with other Siemens built-in appliances, while LED lights illuminate your worktop perfectly.

iQ700 LF311VV60
Black/Steel

37cm New

Key features

- touchSlider control
- 3 power levels + 2 intensive setting
- 4 x LED lights
- Intensive operation revert (6 minutes)
- Automatic after-running – ensure no smells linger
- Grease and charcoal filter saturation indicators
- Max. extraction rate (normal): 510m³/h
- Max. noise level: 69dB re 20 Pa (power level 3 re-circulation)
- Recirculation only



Angled Hoods



The best in technology & design

emotionLight Pro



Your extractor hood now adapts to your taste. Easily choose between many different background light colours – for an extractor hood that matches your style. More colours are available via the Home Connect App.

Show your style, our **iQ700** angled hood with emotionLight Pro conveys outstanding design combined with powerful performance.

Our stunning angled hood creates a seamless statement in your kitchen with the same materials used in other Siemens appliances such as black glass, the two-zone stainless steel panel, matching chrome lines and consistent controls. Not to mention powerful extraction and customisable ambient lighting.



iQ700	LC91KWW60B Black glass LC91KWW20B White glass	90cm 90cm	New
--------------	--	--------------	-----

Key features

- touchSlider control
- 3 power levels + 2 intensive setting
- 2 x LED lights
- emotionLight Pro – coloured ambient lighting
- Intensive operation revert (6 minutes)
- Automatic after-running – ensure no smells linger
- Grease and charcoal filter saturation indicators
- Max. extraction rate (normal): 530m³/h
- Max. noise level: 56dB re 20 µPa (power level 3 ducted circulation)

Angled and Cube Hoods

Angled Chimney Hood

iQ700	LC98KC652B Stainless steel and black glass	90cm
--------------	---	------



Key features

- softTouch button control
- Electronic control and power level display
- 3 power levels + 2 intensive settings – for stronger smells
- 2 x LED lights
- softLight with dimmer function – creates ambiance
- Auto intensive revert – keeps energy consumption low
- Grease and charcoal filter saturation indicators – time to change the filter
- Max. extraction rate (normal): 410m³/h
- Max. noise level: 58dB re 20 µPa (power level 3 ducted circulation)
- climateControl sensor

Angled Chimney Hood

iQ300	LC87KHM60B Black glass LC67KHM60B Black glass	80cm 60cm	New
--------------	--	--------------	-----



Key features

- touchControl
- 3 power levels + 1 intensive settings
- 2 x LED lights
- Intensive operation revert (6 minutes)
- Max. extraction rate (normal): 420m³/h
- Max. noise level: 57dB re 20 µPa (power level 3 ducted circulation) – (LC67KHM60B)

Cube Chimney Hood

iQ700	LC37IVV60B Black	33cm	New
--------------	---------------------	------	-----



Key features

- touchSlider control
- 3 power levels + 2 intensive setting
- 2 x LED lights
- Intensive operation revert (6 minutes)
- Automatic after-running – ensure no smells linger
- Grease and charcoal filter saturation indicators
- Max. extraction rate (normal): 400m³/h
- Max. noise level: 67dB re 20 µPa (power level 3 ducted circulation)
- Re-circulation only

Flat Chimney Hoods

The best in
technology
& design



climateControl sensor



The innovative climateControl sensor measures vapours and cooking smells while you are cooking and automatically adjusts the extraction rate accordingly. When you're finished, it operates in after-running mode until all the odours are extracted before automatically shutting off.

With modern design, our **iQ700** chimney hoods convey an elegant impression of style, quality and intelligent innovation.

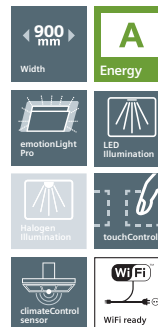
For kitchens which demand modern design, the flat chimney hood is available in an elegant black or white glass finish. With advanced features such as the climateControl sensor and emotionLight Pro, the remarkable design and powerful performance of this hood allows you to create a highlight in your kitchen.



iQ 700 LC97FVW60B Black glass 90cm
LC97FVW20B White glass 90cm **New**

Key features

- touchSlider control
- 3 power levels + 2 intensive settings
- 2 x LED lights
- emotionLight Pro – coloured ambient lighting
- Intensive operation revert (6 minutes)
- Automatic after-running – ensure no smells linger
- Grease and charcoal filter saturation indicators
- Max. extraction rate (normal): 420m³/h
- Max. noise level: 57dB re 20 µPa (power level 3 ducted circulation)



Glass Chimney Hoods

iQ 500 LC98GB542B Stainless steel
LC68GB542B Stainless steel

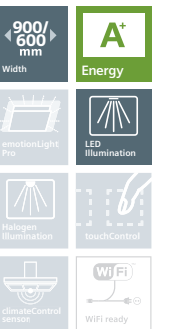
90cm
60cm



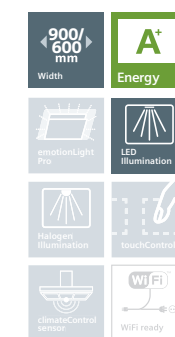
Key features

- softTouch button control
- Electronic control and power level display
- 3 power levels + 2 intensive settings – for stronger smells
- 2 x LED lights
- softLight with dimmer function – creates ambiance
- Auto intensive revert – keeps energy consumption low

- Automatic after-running – ensures no smells linger
- Grease and charcoal filter saturation indicators – time to change the filter
- Max. extraction rate: 430m³/h
- Max. noise level: 61dB re 20 µPa (power level 3 ducted circulation) – (LC98GB542B) Please refer to matrix table for other size specifications



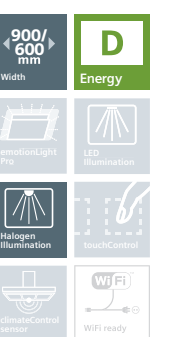
iQ 500 LC97GB532B Stainless steel 90cm
LC67GB532B Stainless steel 60cm



Key features

- softTouch button control
- 3 power levels + 1 intensive setting – for stronger smells
- 2 x LED lights
- Auto intensive revert – keeps energy consumption low
- Max. extraction rate (normal): 450m³/h (LC97GB532B)
- Max. noise level: 59dB re 20 µPa (power level 3 ducted circulation)

iQ 100 LC94GB522B Stainless steel 90cm
LC64GB522B Stainless steel 60cm



Key features

- Rocker switch control
- 3 power levels + 1 intensive setting – for stronger smells
- 2 x 20W halogen lights
- Max. extraction rate (normal): 450m³/h (LC94GB522B)
- Max. noise level: 62dB re 20 µPa (power level 3 ducted circulation) – (LC94GB522B) Please refer to matrix table for other size specifications

Box Chimney Hoods

The best in technology & design



iQdrive



The motor in Siemens high-performance extractor hoods is unrivalled when it comes to power. The brushless iQdrive motor with patented Siemens technology is able to remove kitchen smells and steam quietly, even when running at the highest extraction rate.

Designed to coordinate with other Siemens appliances, our **iQ700** chimney hoods are the ideal solution for many kitchens.

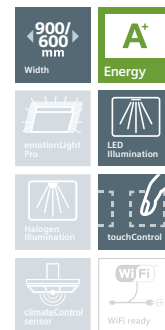
With a sleek design of black glass and stainless steel, the Siemens box chimney hood is also designed to perform. With the efficient, quiet and powerful iQdrive motor, expect high extraction rates for a range of cooking while keeping noise to a minimum.



iQ700 LC98BA572B Stainless steel 90cm
LC68BA572B Stainless steel 60cm

Key features

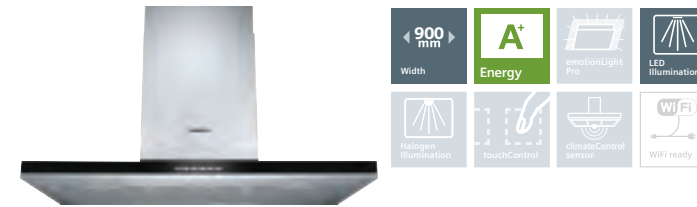
- touchControl – experience intuitive control
- 3 power levels + 1 intensive setting – for stronger smells
- 3 x LED lights (LC98BA572B)
- Boost function
- Auto intensive revert – keeps energy consumption low
- Automatic after-running – ensure no smells linger
- Grease filter saturation indicators
- softLight with dimmer function – creates ambiance
- Max. extraction rate (normal): 460m³/h (LC98BA572B)
- Max. noise level: 55dB re 20 μPa (power level 3 ducted circulation) – (LC98BA572B) Please refer to matrix table for other size specifications



Box Chimney Hoods

Box Chimney Hood

iQ300 LC97BF532B Stainless steel 90cm

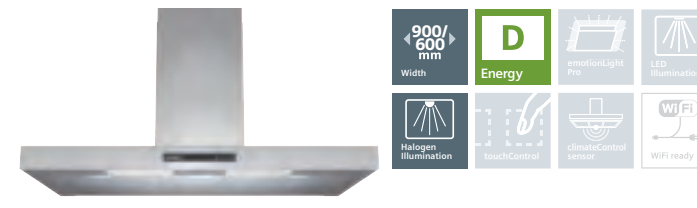


Key features

- softTouch button control
- Electronic control and power level display
- 3 power levels + 1 intensive setting – for stronger smells
- 3 x LED lights [90cm] (LC97BF532B)
- Auto intensive revert – keeps energy consumption low
- Max. extraction rate (normal): 460m³/h (LC97BF532B)
- Max. noise level: 55dB re 20 μPa (power level 3 ducted circulation) – (LC97BF532B)

Box Chimney Hood

iQ100 LC94BA521B Stainless steel 90cm
LC64BA521B Stainless steel 60cm

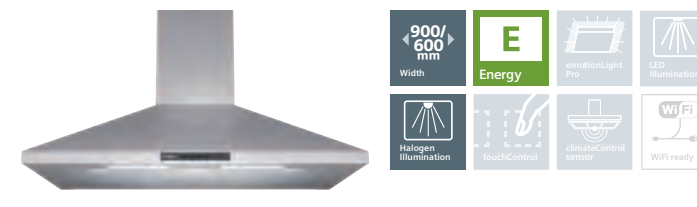


Key features

- Rocker switch control
- 3 power levels
- 2 x 40W halogen lights
- Max. extraction rate (normal): 440 m³/h (LC94BA521B)
- Max. noise level: 62dB re 20 μPa (power level 3 ducted circulation) – (LC94BA521B) Please refer to matrix table for other size specifications

Pyramid Chimney Hood

iQ100 LC94WA521B Stainless steel 90cm
LC64WA521B Stainless steel 60cm

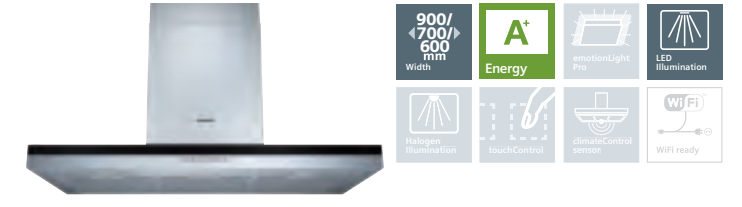


Key features

- Energy rating 900mm: E
- Energy rating 600mm: D
- Rocker switch control
- 3 power levels
- 2 x 40W halogen lights
- Max. extraction rate (normal): 410m³/h (LC94WA521B)
- Max. noise level: 67dB re 20 μPa (power level 3 ducted circulation) – (LC94WA521B) Please refer to matrix table for other size specifications

Box Chimney Hood

iQ300 LC97BE532B Stainless steel 90cm
LC77BE532B Stainless steel 70cm
LC67BE532B Stainless steel 60cm

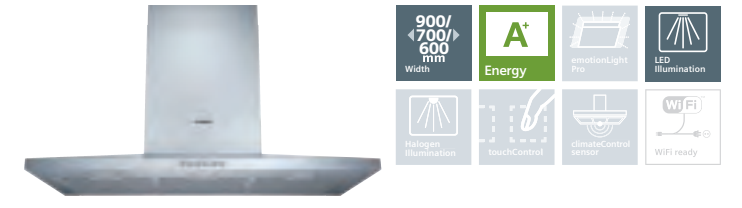


Key features

- Backlit softTouch button control
- 3 power levels + 1 intensive setting – for stronger smells
- 3 x LED lights
- Auto intensive revert – keeps energy consumption low
- Max. extraction rate (normal): 460m³/h (LC97BE532B)
- Max. noise level: 55dB re 20 μPa (power level 3 ducted circulation) – (LC97BE532B) Please refer to matrix table for other size specifications

Pyramid Chimney Hood

iQ300 LC97WA532B Stainless steel 90cm
LC77WA532B Stainless steel 70cm
LC67WA532B Stainless steel 60cm



Key features

- softTouch button control
- Electronic control and power level display
- 3 power levels + 1 intensive setting – for stronger smells
- 3 x LED lights [90cm] (LC97WA532B)
- Metal grease filter – dishwasher safe
- Auto intensive revert – keeps energy consumption low
- Max. extraction rate (normal): 460m³/h (LC97WA532B)
- Max. noise level: 55dB re 20 μPa (power level 3 ducted circulation) – (LC97WA532B) Please refer to matrix table for other size specifications

Canopy Extractor Hoods

Canopy Extractor Hood

iQ 500 LB79585GB Stainless steel 70cm



700 mm Width
Energy A
Halogen illumination
touchControl
climateControl sensor
LED illumination
WiFi ready

Key features

- Electronic control
- Soft touch buttons
- 3 power levels + 1 intensive setting – for stronger smells
- 2 x LED lights
- Max. extraction rate (normal): 570m³/h
- Max. noise level: 65dB re 20 µPa (power level 3 ducted circulation)

Canopy Extractor Hood

iQ 300 LB78574GB Stainless steel 70cm
LB57574GB Stainless steel 52cm



700/520 mm Width
Energy C
Halogen illumination
touchControl
climateControl sensor
LED illumination
WiFi ready

Key features

- Soft touch buttons
- 3 power levels + 1 intensive setting – for stronger smells
- 2 x LED lights
- Max. extraction rate (normal): 630m³/h (LB78574GB)
- Max. noise level: 66dB re 20 µPa (power level 3 ducted circulation) – (LB78574GB) Please refer to matrix table for other size specifications

Canopy Extractor Hood

iQ 300 LB75564GB Metallic silver 70cm
LB55564GB Stainless steel 53cm



700/530 mm Width
Energy D
Halogen illumination
touchControl
climateControl sensor
LED illumination
WiFi ready

Key features

- Slider switch control
- 3 power levels + 1 intensive setting – for stronger smells
- 2 x 20W halogen lights
- Max. extraction rate (normal): 430m³/h (LB75564GB)
- Max. noise level: 61dB re 20 µPa (power level 3 ducted circulation) – (LB75564GB) Please refer to matrix table for other size specifications

Canopy Extractor Hood

iQ 100 LB23364GB Metallic silver 53cm



530 mm Width
Energy E
Halogen illumination
touchControl
climateControl sensor
LED illumination
WiFi ready

Key features

- Rocker switch control
- 2 power levels + 1 intensive setting – power boost for stronger smells
- 40W lights
- Max. extraction rate (normal): 210m³/h
- Max. noise level: 55dB re 20 µPa (power level 3 ducted circulation)



Model shown: LB79585GB

Telescopic and Integrated Extractor Hoods

Telescopic Extractor Hood

iQ 700 LI99SA683B Stainless steel 90cm
LI69SA683B Stainless steel 60cm



900/600 mm Width
Energy A
Halogen illumination
touchControl
climateControl sensor
LED illumination
WiFi ready

Key features

- Electronic control with touchSlider
- 3 power levels + 1 intensive setting – for stronger smells
- 2 x LED lights
- Automatic after running
- Automatic intensive revert
- softLight with dimmer function
- Metal grease filter – dishwasher safe
- Max. extraction rate (normal): 520m³/h (LI99SA683B)
- Max. noise level: 56dB re 20 µPa (power level 3 ducted circulation) – (LI99SA683B) Please refer to matrix table for other size specifications

Telescopic Extractor Hood

iQ 500 LI97SA560B Stainless steel 90cm
LI67SA560B Stainless steel 60cm



900/600 mm Width
Energy E
Halogen illumination
touchControl
climateControl sensor
LED illumination
WiFi ready

Key features

- Electronic control
- 3 power levels
- 2 x LED lights
- Metal grease filter – dishwasher safe
- Max. extraction rate (normal): 420m³/h
- Max. noise level: 60dB re 20 µPa (power level 3 ducted circulation)

Telescopic Extractor Hood

iQ 300 LI94MA530B Stainless steel 90cm
LI64MA530B Stainless steel 60cm



900 mm Width
Energy A
Halogen illumination
touchControl
climateControl sensor
LED illumination
WiFi ready

Key features

- Electronic control
- 3 power levels
- 2 x LED lights
- Metal grease filter – dishwasher safe
- Max. extraction rate (normal): 420m³/h
- Max. noise level: 60dB re 20 µPa (power level 3 ducted circulation)

Integrated Extractor Hood

iQ 100 LE64130GB Metallic silver 60cm



600 mm Width
Energy E
Halogen illumination
touchControl
climateControl sensor
LED illumination
WiFi ready

Key features

- Rocker switch control
- 3 power levels
- 2 x 40W halogen lights
- Max. extraction rate (normal): 370m³/h
- Max. noise level: 63dB re 20 µPa (power level 3 ducted circulation)

Integrated Extractor Hood

iQ 100 LE62031GB Metallic silver 60cm



600 mm Width
Energy D
Halogen illumination
touchControl
climateControl sensor
LED illumination
WiFi ready

Key features

- Rocker switch control
- 3 power levels
- 1 x 40W halogen light
- Max. extraction rate: 260m³/h
- Max. noise level: 64dB re 20 µPa (power level 3 ducted circulation)



Cooling

Refrigeration appliances of the future. Today.

Clever ideas and innovative technologies in trend-setting design – Siemens built-in cooling appliances provide the ultimate way to store food flexibly and correctly for even more freshness.

From our smallest built-in fridge to our most impressive aCool models, each appliance brings you more freshness and convenience.

Now you're finally able to combine Siemens cooling appliances exactly the way you want – with the right combinations for every individual requirement, taste and kitchen design. Arrange appliances traditionally or side-by-side for even more built-in combinations.

Fresh, fresher, hyperFresh.



Reduce food wastage and take control of what you eat and when with hyperFresh. By providing the ideal environment, the hyperFresh Technology storage system keeps your food fresh for as long as it needs to – and even longer – so you can enjoy your food whatever comes up in your life.



hyperFresh Premium. Fresh for up to **three** times longer.

Enjoy fresher food for up to three times longer thanks to hyperFresh Premium. Simply select the kind of fruit and vegetables you want to store with the new control and let the drawer regulate how much humidity your food receives. With the drawer, fish and meat can also be stored at the perfect temperature.



hyperFresh. Enjoy freshness longer.

The hyperFresh drawer offers freshness for longer thanks to the rippled bottom which allows cool air to circulate around your fruit and vegetables easily. As a result, you can see the quality and feel the freshness.



hyperFresh Plus. Fresh for up to **twice** as long.

The new hyperFresh Plus drawer doesn't just store fruit and vegetables, it provides them with the right conditions to keep them fresh for up to twice as long. Whether it's fruit or vegetables, simply switch the control and the humidity will be adjusted for optimum storage of your food.



hyperFresh 0°C drawers. Custom freshness for fish and meat: available in all hyperFresh models.

The two hyperFresh 0°C drawers are especially designed for the cooling needs of fish and meat. Keep them fresher in ideal conditions near 0°C for up to two times longer. The separate compartments also avoid unpleasant smells to transfer and both boxes can be easily pulled out with one hand to make room for other foods and drinks, cooling them down quicker and providing refreshing drinks sooner.



The search ends here.

To find the appliance that's right for you, or to find out more about the features, just visit our website: siemens-home.bsh-group.com/uk

aCool: Superb styling, superb freshness.

aCool appliances allow you to create bespoke designs that are both elegant and functional to suit your individual taste.



Bespoke combinations to suit your needs.
Models shown: CI24WP02 aCool wine cabinet, FI24DP32 aCool freezer with indoor ice and water dispenser, CI30RP01 aCool fridge

Discover our most sophisticated cooling appliance range: aCool.

Although they may be behind closed doors our elegant and functional range of built-in cooling appliances will become the talking point of any kitchen.

aCool appliances are designed for the ultimate in refrigeration and freezing for your kitchen. Designed to impress, they feature ample storage space and ensure your kitchen sets the statement it deserves. The modular range means that you have the choice to fit each appliance in different combinations.

The aCool range includes fridges, freezers and a wine cabinet as well as a French-Door fridge freezer in one unit. aCool accessories are sold separately, please speak to your preferred kitchen specialist for installation options and more information.



Telescopic storage shelves.



Unique storage solutions.



In-door ice and water dispensers.

Individual flare

For professional quality storage and care of wine, both white and red, choose the elegant and stylish aCool wine cabinet. Great for showcasing large collections, there is room for up to 98 bottles, all beautifully presented and conveniently accessible on telescopic storage shelves, and with two independently adjustable temperature controls the system can accurately maintain temperatures from 5°C to 18°C.

Sophisticated storage, stunning functions

With a digital display that shows the precise temperature and helps navigate easily through the operating menus, a door sensor that sets off a warning alarm if the door is left open for any reason; aCool appliances from Siemens feature top of the range technologies.

Outstanding design features

Seamlessly integrated into the sidewall of the fridge for maximum illumination and no loss of fridge space, the LED lighting is both energy efficient and practical. Available on selected aCool freezers, a conveniently placed in-door ice and water dispenser delivers chilled water, crushed ice and ice cubes at the touch of a button.

Create a combination to fit your lifestyle.



Shown combination: GI38NA55GB + KI81RAD30

Thanks to a wide range of full-size fridges and freezers in a choice of sizes, it's now possible to create combinations that fit your lifestyle.

The new modularFit appliances are freely combinable

You need a kitchen that matches your lifestyle. That's why you're finally able to combine the cooling and freezing appliances exactly the way you want – with the right combinations for every individual requirement and taste. But the flexibility doesn't stop with the way you can arrange your kitchen. With unique and innovative cooling technologies the appliances even enrich your everyday life.

The new cooling and freezing appliances convince with their innovative combinability and integrated extras

Siemens modularFit appliances come with a new feeling of flexibility and exciting innovations like hyperFresh and noFrost technology. The simple installation as well as an energy efficiency category up to A++ round out the overall picture and guarantee a maximum of flexibility and freshness.

Explore the benefits of modularFit:

hyperFresh premium
hyperFresh premium keeps your food fresh for up to three times longer.

Anti-condensation technology
The anti-condensation technology enables you to combine the modularFit appliances in different heights.

easyInstallation
Thanks to easyInstallation almost all brackets, including screws for fixing, are pre-assembled.

Energy saving
The energy efficiency category up to A++ saves you both electricity and money.

modularFit allows you to combine your appliances over and under each other or side by side – with a lot of different possibilities.

Combine your cooling and freezing appliances the way you want: modularFit.

Whether it's on top or next to each other: thanks to the anti-condensation technology you are able to match cooling and freezing appliances however you like. The innovative technology prevents build-up of moisture between the appliances. Adapt your cooling experience to your kitchen and your life – with modularFit.

Over and Under examples



Note: Door hinges are reversible

An integrated kitchen without limitation

Choose a customised side-by-side installation or create a bespoke over and under installation that gives you the space you need and the features you want. Speak to your chosen kitchen designer for inspiration and available options.

Side-by-side installation combinations

Height	Freezer	Matching Fridge Options		
88cm	GI21VAF30G	KI21RVF30G	KI22LVS30G	KI21RAF30G
122cm	GI41NAE30G	KI41RVS30G	KI41RAF30G	KI41RAD30
140cm	GI25NP60	KI51RAF30G	KI25RP60	
177cm	GI81NAE30G	KI81RVS30G	KI82LVS30G	KI81RAF30G
177cm	GI38NA55GB	KI81RAD30	KI42FP60GB	KI82LAF30



Designed for
an easy life.

easyLift door trays – raise or lower to meet your requirements.



Model shown: GI31NAE30G

Clever ideas and innovative technologies in trend-setting design – Siemens range of built-in fridges and freezers store food flexibly for maximum freshness.

Storage space that adapts to your needs
Expect nothing but convenience with easyLift shelves. Even when full, you can raise or lower the shelf by 6cm to make room for taller items – ideal for serving jugs.

easyLift door trays
Ideal storage for large bottles in the fridge door, the shelf can be adjusted to meet the flexible requirements of your lifestyle – even when full.



easyLift shelves – even when full, you can raise or lower the shelf.

With noFrost technology you'll never have the job of defrosting the freezer again.



You never need to defrost the freezer again

Who has time to defrost the freezer? Those with a Siemens noFrost freezer do, because there simply is no need to. Using an air circulation system to remove humidity and stop frost and ice building up on the freezer walls and packaging your freezer will look after itself. No longer will you have to run-down your freezer to defrost and remove the ice build-up. Hassle free, you can enjoy fresher food, no more soggy packaging and a frost free freezer for life.



lowFrost. Because life's too short

For those models that come with lowFrost, life is still made easier. lowFrost reduces the build-up of frost by up to 50%, meaning that you don't need to defrost the freezer as often, only once every 3 to 4 years. Designed to save you time and provide added convenience, you can spend your time on the things you enjoy, not defrosting your freezer.

Discover innovative technology and design.



Explore our range of refrigeration appliances to find the right one for you, whether you are looking for a specific combination to suit your lifestyle or want to keep your food tasting its best for longer.



Minimum energy consumption

Packed with energy efficient solutions, a Siemens cooling appliance is perfectly designed for convenience and practicality. The most important energy efficiency technology is designed to keep your food fresher for longer. Storing foods at their optimum humidity and temperature creates less food wastage, meaning fewer trips to the supermarket and cutting food bills.

Designed to aid in keeping food fresh, the multiAirflow System circulates air around the fridge evenly, meaning that temperatures on all shelves are maintained. This cools down new warmer food entering the fridge 40% faster than a standard fridge ensuring freshness as well as saving energy, as the motor doesn't need to work as hard.

When you're on holiday or a business trip, Holiday Mode will ensure that food in the freezer stays cold enough to maintain freshness whilst reducing its energy output. Our fridges also feature a warning alarm that signals when the door has been left open, ensuring that energy isn't needlessly wasted and preserving the food inside.

Elegant, energy efficient lighting

LED lighting is the most efficient lighting available. Now integrated seamlessly into the side walls of most fridges, they give maximum illumination and no loss of fridge space. The freezer drawer is also lit in the same way with bright, non-glare light.

Magnetic door seals

Cleaning the door seals has never been easier with removable magnetic door seals. Peeling the seals away gives you the convenience of an easy clean, and should they ever need to be replaced you only need to replace the seals – not the entire door.

Precise temperature control at your fingertips

With easy to use electronic controls Siemens fridge freezers never leave you in the dark. The electronic display allows you to precisely set and change the temperature of your fridge and freezer and select certain modes, such as Holiday Mode, putting the power of your new fridge freezer at the end of your finger tips.

Perfect for entertaining...



Storage made easy with bigBox

Big enough for your lifestyle, the bigBox has the capacity for storing whole frozen turkeys, as well as the height to hold dessert glasses upright. Ideal for the holidays and entertaining.



Cooling

Welcome to a range designed around you.

iQ 700

Exceptional design allied with seriously innovative technology is the basis of our premium models.

iQ 500

Exuding class and refinement, these machines unite first-class features with top-class technology.

iQ 300

Good looking appliances with Siemens build quality and equipped with an attractive selection of smart features.

A Quick Feature Guide

Key functionality

The key functionality shown applies to all cooling products. Please note, each type of cooling product will have their own separate icons. Product types: American Fridge Freezers, aCool, Fridge Freezers, Built-in Fridges, Built-In Freezers, Built-under Fridges and Built-under Freezers.

Reference key:

	Model does have this feature		Model does not have this feature
--	------------------------------	--	----------------------------------



Energy efficient cooling Nearly every cooling appliance in the new Siemens built-in range is up to 20% more energy efficient than its equivalent A-rated appliance. And our energy-saving iQ500 coolConcept fridges, freezers and fridge freezer use an incredibly efficient 40% less energy than an A-rated appliance.



Wi-Fi ready With Wi-Fi enabled Siemens home appliances and Home Connect, you can manage your home appliances from wherever you are and discover more possibilities to make your life easier.



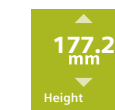
bigBox Big enough for any lifestyle, the bigBox has the capacity for storing whole frozen turkeys, as well as the height to hold dessert glasses upright. Ideal for the holidays and entertaining.



Fridge Freezer split Our range of fridge freezers are available in a variety of sizes with different splits of fridge areas and freezer areas. Alternatively, you can create a bespoke split using separate fridge and freezer units stacked or paired side by side.



Heavy duty softClose The heavy duty softClose hinges dampen the closing of the door even when shut forcefully to keep your kitchen feeling calm. They are thoroughly tested to withstand constant opening and closing.



Height Our built-in cooling appliances are available in a range of heights to fit your kitchen design and available space.



Hinge There are two types of hinges available on our built-in cooling appliances. Either a **fixed hinge** which allows the furniture door to be directly attached to the appliance door, or a **sliding hinge** which is attached to the furniture cabinet.



hyperFresh technology hyperFresh technology is designed to store your food correctly and keep food fresher for longer. hyperFresh Premium keeps food fresh for up to 3 times longer than standard food drawers.



iceDispenser These models are able to dispense ice when needed thanks to a plumbed water connection. Depending on model, ice is available as cubes or crushed.



In-door LCD display Precision control at the touch of a button. The in-door LCD display allows the optimum temperature for food to be maintained easily, which in turn keeps your food fresher for longer.



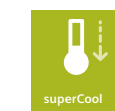
LED Illumination Integrated seamlessly into the side walls of our cooling appliances, LED lighting is very efficient and gives maximum illumination of your fridge and freezer.



multiAirflow System moderates the fridge temperature when new food is added, cooling down food 40% faster than a standard fridge.



noFrost Intelligent noFrost technology completely stops the build-up of frost and ice – for life. Not only a time saver, noFrost also ensures that the cavity space within is not compromised by frost build-up.



superCool When activated, superCool ensures that warmer food entering the fridge does not increase the fridge temperature, which can affect other food. Guaranteed food quality as standard, time and time again.



superFreeze When activated, superFreeze makes sure that warmer food added to the freezer doesn't raise the freezer temperature, stopping food partially defrosting.



Telescopic rails Easy to access drawers with telescopic rails. Powerful enough to take the weight of drawers and their contents, telescopic rails provide convenience when preparing meals.



waterDispenser Models with a waterDispenser are able to dispense water thanks to a plumbed water connection. For fresh and cool drinking water whenever you need it.



Wine rack A wine rack is available on some models which is the perfect place to store wine of all varieties and make the best use of space in your fridge.



5 Year Warranty Available on our range of American style side by side fridge freezers, the 5 year warranty covers parts and labour. Also available on our range of freestanding appliances.



Other product features

activeCooling

Keeping the temperature correct in all areas of the fridge, an interior fan ensures a constant, even distribution of cool air.

airFresh filter

Neutralises odours in the fridge, ensuring that smells don't transfer between foods. Enjoy a fresh smelling fridge every time you open the door.

antiFingerprint

Keeps the fridge looking sleek and spotless on the outside, adding to the overall ambiance of the kitchen.

hyperFresh premium

The "dry" zone and "dewpoint" zone within these drawers determine how much humidity food receives. Storing foods at their optimum humidity can help them last up to 3 times as long. This creates less food wastage, meaning fewer trips to the supermarket and cutting down on food bills.

hyperFresh plus drawer

Be in control with the innovative humidity control, food can last twice as long in the specialist drawer. Not only does this keep in nutrients and minerals that help to create a delicious meal, but as food lasts for longer fewer trips to the supermarket are required – saving you time, effort and money.

hyperFresh

Keep food fresh in this fruit and vegetable drawer with rippled bottom which allows cool air to circulate around your food easily.

hyperFresh 0°C drawers

Food such as fish and meat benefit from temperatures close to 0°C, yet this can damage other food stored in the fridge. These boxes store meat and fish at the optimum preservation temperature, whilst allowing other food in the fridge to be chilled at around 4°C.

easyLift door trays

Ideal storage for large bottles in the fridge door, the shelf can be adjusted to meet the flexible requirements of consumers lifestyle – even when full.

easyLift glass shelf

Expect nothing but convenience with easyLift shelves. Even when full, you can raise or lower the shelf by 6cm to make room for taller items – ideal for serving jugs.

freshProtectbox

Provides the optimum temperature for individual foods, allowing them to stay fresher for longer. Fresh ingredients are critical to delicious meals, but also count for less wastage and fewer trips to the supermarket – saving you, the consumer, time and money.

Holiday Mode

By slightly reducing energy output, holiday mode ensures that food stays cool whilst on holiday or a long business trip; it's smart technology to help reduce energy bills.

lowFrost

Designed to save time and provide added convenience. It reduces frost build-up, meaning the freezer only needs defrosting once every 3 to 4 years.

softClose

Adding to the ambiance of any kitchen, the softClose door retracts effortlessly and creates minimal noise. In addition to aesthetics, a softClose ensures that items within the fridge aren't disturbed from a heavy impact, meaning no spills to clean.

varioShelf

Pull out as a normal shelf, or collapse half the varioShelf under itself and create extra height on the shelf below for bottles. The varioShelf is a convenient feature for consumers that need to adapt the space in their fridge.



Choosing the
right hinge:
fixed and sliding.

Siemens built-in cooling appliances are available with specific types of hinges that either aid the installation and design of your kitchen or can be matched for replacement appliances.

Fixed hinge

A fixed hinge means that the furniture door is mounted to the appliance door.

Advantages of a fixed hinge mean that Siemens can offer softClosing doors that automatically close at an angle of approx 15°-20° so you don't accidentally leave the door open. The installation also offers better access to the appliance interior and due to the optimised width, higher energy efficiency with competitive volume.

Sliding hinge

A sliding hinge means that the furniture door is mounted at the kitchen cabinet body as well as a sliding rail to connect the fridge and furniture door.



aCool Built-in Cooling Appliances

The best in
technology
& design

noFrost



Intelligent noFrost technology completely stops the build-up of frost and ice – for life. Not only a time saver, noFrost also ensures that there is no frost on the freezer walls or packaging.



Stunningly, uniquely Siemens, our **iQ 700** aCool Fridge Freezer conveys an elegant impression of absolute quality and intelligent innovation.



The iQ700 aCool fridge freezer with French door design is expertly designed to offer generous storage space for your fresh food while the pull-out drawer freezer is easily accessible for all your frozen food. Speak to your kitchen designer about how Siemens aCool appliances could create a lasting impression in your kitchen.

iQ 700 CI36BP01 Built-in fridge freezer 212cm high

Key features

- "French Door" design, left/right hinged door
- Integrated icemaker – make as many ice cubes as you want, whenever you want them
- Noise level: 42dB
- Net fridge capacity: 380 litres
- Net freezer capacity: 146 litres
- Annual energy consumption: 423kWh
- 3 safety-glass shelves and freezer drawer
- multiAirflow cooling
- superCool function
- superFreeze function
- Automatic ice cube maker
- Heavy duty softClose
- Dimensions (HxWxD): 212.5 x 90.8 x 60.8cm

aCool Built-in Cooling Appliances



Treat your kitchen to bespoke cooling combinations with aCool.

iQ 700 CI30RP01 Built-in fridge 212cm high

Key features

- Right hinged door, reversible
- Noise level: 40dB
- Net fridge capacity: 479 litres
- Annual energy consumption: 182kWh
- 4 safety-glass shelves
- multiAirflow cooling
- superCool function
- Electronic controls
- Heavy duty softClose
- Dimensions (HxWxD): 212.5 x 75.6 x 60.8cm

iQ 700 CI24RP01 Built-in fridge 212cm high

Key features

- Right hinged door, reversible
- Noise level: 40dB
- Net fridge capacity: 369 litres
- Annual energy consumption: 169kWh
- 4 safety-glass shelves
- multiAirflow cooling
- superCool function
- Electronic controls
- Heavy duty softClose
- Dimensions (HxWxD): 212.5 x 60.3 x 60.8cm

aCool Built-in Cooling Appliances

iq700 F118NP31 Built-in freezer 212cm high



Key features

- Left hinged door, reversible
- Integrated icemaker – make as many ice cubes as you want, whenever you want them
- Noise level: 41dB
- Net freezer capacity: 223 litres
- Annual energy consumption: 320kWh
- 4 metal shelves
- 2 freezer drawers
- superFreeze function
- Electronic display
- Dimensions (HxWxD): 212.5 x 45.7 x 61cm

iq700 F124NP31 Built-in freezer 212cm high



Key features

- Left hinged door, reversible
- Integrated icemaker – make as many ice cubes as you want, whenever you want them
- Noise level: 41dB
- Net freezer capacity: 324 litres
- Annual energy consumption: 324kWh
- 4 freezer shelves
- 2 freezer drawers
- superFreeze function
- Electronic display
- Heavy duty softClose
- Dimensions (HxWxD): 212.5 x 60.3 x 60.8cm

iq700 F124DP32 Built-in freezer 212cm high



Key features

- Left hinged door, not reversible
- Integrated icemaker – make as many ice cubes as you want, whenever you want them
- Noise level: 41dB
- Net freezer capacity: 306 litres
- Annual energy consumption: 347kWh
- 2 freezer shelves
- 2 freezer drawers
- superFreeze function
- Electronic display
- Dimensions (HxWxD): 212.5 x 60.3 x 60.8cm

iq700 F124DP02 Built-in freezer 212cm high



Key features

- Right hinged door, not reversible
- Integrated icemaker – make as many ice cubes as you want, whenever you want them
- Noise level: 41dB
- Net freezer capacity: 306 litres
- Annual energy consumption: 347kWh
- 2 freezer shelves
- 2 freezer drawers
- superFreeze function
- Electronic display
- Dimensions (HxWxD): 212.5 x 60.3 x 60.8cm

aCool Built-in Cooling Appliances

Professional quality storage

The aCool wine cabinet features two independently adjustable temperature controls, meaning the system can accurately maintain temperatures from 5°C to 18°C for the ideal storage of red and white wine.

The best in technology & design



Our stunning **iq700** aCool Wine Cooler conveys an elegant impression of absolute quality and intelligent innovation.

Thanks to the aCool modular range, this wine cabinet can be installed next to a range of other aCool appliances or on its own. The two independently controlled temperature zones and glass door with UV filter to protect wine from UV damage means the wine cabinet is perfectly suited to correctly storing your wine. Telescopic rails and LED lights allow you to showcase your collection in style.

iq700 CI24WP02 Built-in wine cooler 212cm high



Key features

- Right hinged door, reversible
- Noise level: 42dB
- Net capacity: 390 litres
- Annual energy consumption: 237kWh
- 14 bottle shelves to fit 98 wine bottles (0.75L)
- Temperature range from 5-18°C
- Heavy duty softClose
- Dimensions (HxWxD): 212.5 x 60.3 x 60.8cm



American Fridge Freezer

The best in
technology
& design

hyperFresh plus



hyperFresh plus: Be in control with the innovative humidity control, food can last twice as long in the specialist drawer. Not only does this keep in nutrients and minerals that help to create a delicious meal, but as food lasts for longer fewer trips to the supermarket are required – saving you time, effort and money.



Our stylish **iQ 700** American fridge freezer with innovative indoor electronics and intelligent noFrost technology.

Experience a truly stunning finish to this black glass American-style fridge freezer with touchControl electronic controls that seamlessly blend into the front panel. With beautiful design also comes more space for your fresh and frozen food finished with bright LED illumination.

iQ 700 KA92NLB35G
Black



Key features

- Noise level: 43dB
- Net fridge and freezer capacity: 592 litres
- Annual energy consumption: 385kWh
- 4 safety-glass shelves and 2 freezer shelves
- superCool function
- superFreeze function
- hyperFresh plus – adjustable humidity keeps fruit and vegetables fresh up to 2 x longer
- bigBox – capacity for storing whole frozen turkeys, as well as the height to hold dessert glasses upright
- iceTwister for ice cubes on demand
- Dimensions (HxWxD): 175.6 x 91 x 72.5cm



American Fridge Freezers

iQ 700 KA92DAI20G
Stainless steel antiFingerprint



Key features

- Noise level: 43dB
- Net fridge and freezer capacity: 541 litres
- Annual energy consumption: 443kWh
- 4 safety-glass shelves and 2 freezer shelves
- superCool function
- superFreeze function
- hyperFresh plus – adjustable humidity keeps fruit and vegetables fresh up to 2 x longer
- bigBox – capacity for storing whole frozen turkeys, as well as the height to hold dessert glasses upright
- Dimensions (HxWxD): 175.6 x 91 x 72.5cm

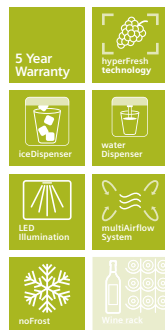


iQ 500 KA90DVI20G
Stainless steel antiFingerprint



Key features

- Noise level: 43dB
- Net fridge and freezer capacity: 533 litres
- Annual energy consumption: 436kWh
- 4 safety-glass shelves and 4 freezer shelves
- superCool function
- superFreeze function
- hyperFresh plus – adjustable humidity keeps fruit and vegetables fresh up to 2 x longer
- Dimensions (HxWxD): 177 x 91 x 72cm

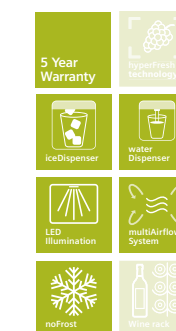


iQ 300 KA90IVI20G
Stainless steel antiFingerprint



Key features

- Noise level: 43dB
- Net fridge and freezer capacity: 523 litres
- Annual energy consumption: 432kWh
- 4 safety-glass shelves and 2 freezer shelves
- superCool function
- superFreeze function
- No water connection needed
- Dimensions (HxWxD): 177 x 91 x 72cm

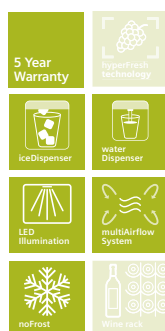


iQ 300 KA90NVI20G
Stainless steel antiFingerprint



Key features

- Noise level: 44dB
- Net fridge and freezer capacity: 573 litres
- Annual energy consumption: 475kWh
- 4 safety-glass shelves and 2 freezer shelves
- superCool function
- superFreeze function
- Dimensions (HxWxD): 177 x 91 x 72cm



Built-in Fridge Freezers

177cm Fridge Freezer

iQ500 **KI34NP60GB**
Fixed hinge built-in fridge freezer 177cm high



Key features

- Right hinged door, reversible
- Noise level: 39dB
- Net fridge capacity: 186 litres
- Net freezer capacity: 73 litres
- Annual energy consumption: 238kWh
- 3 safety-glass shelves and 3 freezer drawers
- softClose door – provides smooth effortless closure
- superCool function
- superFreeze function
- Dimensions (HxWxD): 177.2 x 55.6 x 54.5cm

177cm Fridge Freezer

iQ500 **KI85NAD30G**
Fixed hinge built-in fridge freezer 177cm high



Key features

- Right hinged door, reversible
- Noise level: 39dB
- Net fridge capacity: 154 litres
- Net freezer capacity: 92 litres
- Annual energy consumption: 232kWh
- 4 safety-glass shelves and 4 freezer drawers
- softClose door – provides smooth effortless closure
- superCool function
- superFreeze function
- hyperFresh Plus
- freshSense function
- Dimensions (HxWxD): 177.2 x 55.8 x 54.5cm

177cm Fridge Freezer

iQ500 **KI86SAF30G**
Fixed hinge built-in fridge freezer 177cm high

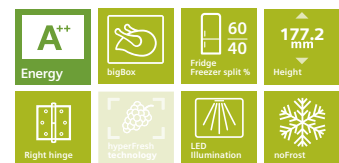


Key features

- Right hinged door, reversible
- Noise level: 36dB
- Net fridge capacity: 191 litres
- Net freezer capacity: 74 litres
- Annual energy consumption: 218kWh
- 5 safety-glass shelves and 3 freezer drawers
- superCool function
- superFreeze function
- hyperFresh plus
- freshSense function
- lowFrost function
- Dimensions (HxWxD): 177.2 x 55.8 x 54.5cm

177cm Fridge Freezer

iQ300 **KI86NVF30G**
Fixed hinge built-in fridge freezer 177cm high

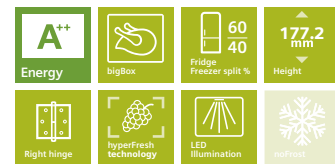


Key features

- Right hinged door, reversible
- Noise level: 39dB
- Net fridge capacity: 188 litres
- Net freezer capacity: 67 litres
- Annual energy consumption: 222kWh
- 4 safety-glass shelves and 3 freezer drawers
- superFreeze function
- Dimensions (HxWxD): 177.5 x 56 x 55cm

177cm Fridge Freezer

iQ500 **KI87SAF30G**
Fixed hinge built-in fridge freezer 177cm high

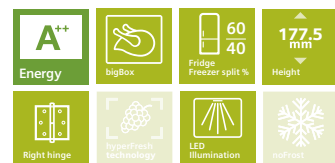


Key features

- Right hinged door, reversible
- Noise level: 36dB
- Net fridge capacity: 209 litres
- Net freezer capacity: 61 litres
- Annual energy consumption: 255kWh
- 5 safety-glass shelves and 2 freezer drawers
- superCool function
- superFreeze function
- hyperFresh plus
- freshSense function
- lowFrost function
- Dimensions (HxWxD): 177.2 x 55.8 x 54.5cm

177cm Fridge Freezer

iQ300 **KI86VVF30G**
Fixed hinge built-in fridge freezer 177cm high



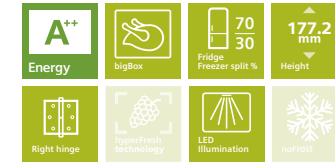
Key features

- Right hinged door, reversible
- Noise level: 38dB
- Net fridge capacity: 191 litres
- Net freezer capacity: 76 litres
- Annual energy consumption: 231kWh
- 4 safety-glass shelves and 3 freezer drawers
- superFreeze function
- lowFrost function
- Dimensions (HxWxD): 177.5 x 56 x 55cm

Built-in Fridge Freezers

177cm Fridge Freezer

iQ300 **KI87VVF30G**
Fixed hinge built-in fridge freezer 177cm high



Key features

- Right hinged door, reversible
- Noise level: 38dB
- Net fridge capacity: 209 litres
- Net freezer capacity: 63 litres
- Annual energy consumption: 227kWh
- 5 safety-glass shelves and 2 freezer drawers
- superFreeze function
- freshBox
- lowFrost function
- Dimensions (HxWxD): 177.2 x 54.1 x 54.5cm

177cm Fridge Freezer

iQ300 **KI85VVF30G**
Fixed hinge built-in fridge freezer 177cm high

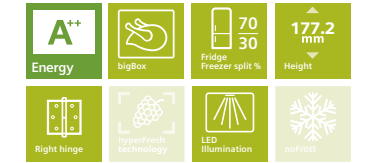


Key features

- Right hinged door, reversible
- Noise level: 38dB
- Net fridge capacity: 157 litres
- Net freezer capacity: 102 litres
- Annual energy consumption: 239kWh
- 4 safety-glass shelves and 4 freezer drawers
- superFreeze function
- freshBox
- lowFrost function
- Dimensions (HxWxD): 177.2 x 54.1 x 54.5cm

177cm Fridge Freezer

iQ300 **KI87VVS30G**
Sliding hinge built-in fridge freezer 177cm high

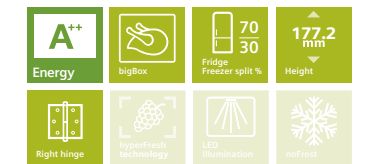


Key features

- Right hinged door, reversible
- Noise level: 38dB
- Net fridge capacity: 209 litres
- Net freezer capacity: 63 litres
- Annual energy consumption: 227kWh
- 5 safety-glass shelves and 2 freezer drawers
- superFreeze function
- freshBox
- lowFrost function
- Dimensions (HxWxD): 177.2 x 54.1 x 54.5cm

177cm Fridge Freezer

iQ300 **KI38VX22GB**
Sliding hinge built-in fridge freezer 177cm high



Key features

- Right hinged door, reversible
- Noise level: 40dB
- Net fridge capacity: 217 litres
- Net freezer capacity: 59 litres
- Annual energy consumption: 275kWh
- 5 safety-glass shelves and 3 freezer drawers
- freshBox
- Dimensions (HxWxD): 177.2 x 54.1 x 54.5cm

Built-in Fridges

177cm Fridge

iQ500 KI42FP60GB
Fixed hinge built-in fridge 177cm high



Key features

- Right hinged door, reversible
- Noise level: 36dB
- Net fridge capacity: 191 litres
- Annual energy consumption: 133kWh
- 5 safety-glass shelves and 3 freezer drawers
- easyLift
- vitaFresh
- superCool function
- softClose door
- Dimensions (HxWxD): 177.2 x 55.8 x 54.5cm

177cm Fridge

iQ500 KI81RAD30
softClose hinge built-in fridge 177cm high



Key features

- Right hinged door, reversible
- Noise level: 37dB
- Net fridge capacity: 319 litres
- Annual energy consumption: 116kWh
- 7 safety-glass shelves
- hyperFresh
- easyLift
- softClose door
- Dimensions (HxWxD): 177.2 x 55.8 x 54.5cm

177cm Fridge

iQ500 KI81RAF30G
Fixed hinge built-in fridge 177cm high



Key features

- Right hinged door, reversible
- Noise level: 37dB
- Net fridge capacity: 319 litres
- Annual energy consumption: 116kWh
- 7 safety-glass shelves
- hyperFresh
- easyLift
- softClose door
- Dimensions (HxWxD): 177.2 x 55.8 x 54.5cm

177cm Fridge

iQ500 KI82LAF30
Fixed hinge built-in fridge 177cm high



Key features

- Right hinged door, reversible
- Noise level: 36dB
- Net fridge capacity: 252 litres
- Annual energy consumption: 209kWh
- 5 safety-glass shelves
- hyperFresh plus
- freezer compartment
- Dimensions (HxWxD): 177.2 x 55.8 x 54.5cm

177cm Fridge

iQ300 KI81RVS30G
Sliding hinge built-in fridge 177cm high



Key features

- Right hinged door, reversible
- Noise level: 37dB
- Net fridge capacity: 319 litres
- Annual energy consumption: 116kWh
- 7 safety-glass shelves
- freshBox
- softClose door
- superCool function
- Dimensions (HxWxD): 177.2 x 54.1 x 54.5cm

177cm Fridge

iQ300 KI82LVS30G
Sliding hinge built-in fridge 177cm high



Key features

- Right hinged door, reversible
- Noise level: 39dB
- Net fridge capacity: 252 litres
- Annual energy consumption: 209kWh
- 5 safety-glass shelves
- freshBox
- Ice box
- Freezer compartment
- Dimensions (HxWxD): 177.2 x 54.1 x 54.5cm

Built-in Fridges and Freezers

177cm Freezer

iQ300 GI38NA55GB
softClose hinge built-in freezer 177cm high



Key features

- Left hinged door, reversible
- Noise level: 40dB
- Net freezer capacity: 212 litres
- Annual energy consumption: 310kWh
- 2 freezer shelves
- 5 freezer drawers
- softClose door
- Dimensions (HxWxD): 177.2 x 55.6 x 54.5cm

177cm Freezer

iQ300 GI81NAE30G
Fixed hinge built-in freezer 177cm high



Key features

- Left hinged door, reversible
- Noise level: 38dB
- Net freezer capacity: 211 litres
- Annual energy consumption: 243kWh
- 5 freezer drawers
- Dimensions (HxWxD): 177.2 x 55.8 x 54.5cm

140cm Fridge

iQ500 KI25RP60
softClose hinge built-in fridge 140cm high



Key features

- Right hinged door, reversible
- Noise level: 39dB
- Net fridge capacity: 258 litres
- Annual energy consumption: 109kWh
- 3 safety-glass shelves
- freshBox
- easyLift
- softClose door
- superCool function
- Dimensions (HxWxD): 139.7 x 55.6 x 54.5cm

140cm Fridge

iQ300 KI51RAF30G
Fixed hinge built-in fridge 140cm high

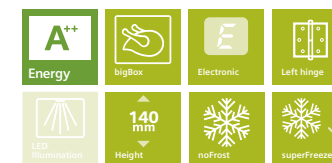


Key features

- Right hinged door, reversible
- Noise level: 36dB
- Net fridge capacity: 247 litres
- Annual energy consumption: 109kWh
- 6 safety-glass shelves
- hyperFresh plus
- superCool function
- Dimensions (HxWxD): 139.7 x 55.8 x 54.5cm

140cm Freezer

iQ500 GI25NP60
softClose hinge built-in freezer 140cm high



Key features

- Left hinged door, reversible
- Noise level: 40dB
- Net freezer capacity: 158 litres
- Annual energy consumption: 208kWh
- 4 freezer drawers
- softClose door
- Dimensions (HxWxD): 139.7 x 55.6 x 54.5cm

Built-in Fridges and Built-in Freezers

122cm Fridge

iQ500 KI41RAD30
softClose hinge built-in fridge 122cm high



Key features

- Right hinged door, reversible
- Noise level: 33dB
- Net fridge capacity: 211 litres
- Annual energy consumption: 105 kWh
- 6 safety-glass shelves
- Ice box
- hyperFresh plus
- Dimensions (HxWxD): 122.1 x 55.8 x 54.5cm

122cm Fridge

iQ500 KI41RAF30G
Fixed hinge built-in fridge 122cm high



Key features

- Right hinged door, reversible
- Noise level: 33dB
- Net fridge capacity: 211 litres
- Annual energy consumption: 105kWh
- 6 safety-glass shelves
- hyperFresh plus
- Dimensions (HxWxD): 122.1 x 55.8 x 54.5cm

122cm Fridge

iQ300 KI41RVS30G
Sliding hinge built-in fridge 122cm high

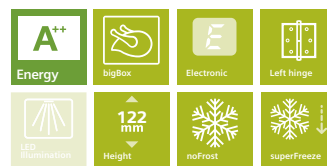


Key features

- Right hinged door, reversible
- Noise level: 37dB
- Net fridge capacity: 211 litres
- Annual energy consumption: 105kWh
- freshBox
- 6 safety-glass shelves
- Dimensions (HxWxD): 122.1 x 53.8 x 54.5cm

122cm Freezer

iQ300 GI41NAE30G
Fixed hinge built-in freezer 122cm high



Key features

- Left hinged door, reversible
- Noise level: 39dB
- Net freezer capacity: 127 litres
- Annual energy consumption: 188kWh
- 4 freezer drawers
- Dimensions (HxWxD): 122.1 x 55.8 x 54.5cm

Built-in Fridges and Built-in Freezers

87cm Fridge

iQ500 KI21RAF30G
Fixed hinge built-in fridge 87cm high



Key features

- Right hinged door, reversible
- Noise level: 33dB
- Net fridge capacity: 144 litres
- Annual energy consumption: 97kWh
- 4 safety-glass shelves
- hyperFresh plus
- Dimensions (HxWxD): 87.4 x 55.8 x 54.5cm

87cm Fridge

iQ500 KI21RVF30G
Fixed hinge built-in fridge 87cm high



Key features

- Right hinged door, reversible
- Noise level: 36dB
- Net fridge capacity: 144 litres
- Annual energy consumption: 97kWh
- 4 safety-glass shelves
- Dimensions (HxWxD): 87.4 x 53.8 x 54.2cm

87cm Fridge

iQ500 KI22LVS30G
Sliding hinge built-in fridge 87cm high

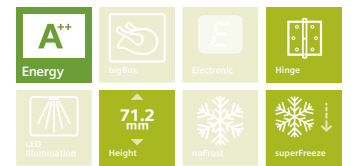


Key features

- Right hinged door, reversible
- Noise level: 38dB
- Net fridge capacity: 109 litres
- Annual energy consumption: 148kWh
- 3 safety-glass shelves
- Ice box
- Dimensions (HxWxD): 87.4 x 54.1 x 54.5cm

72cm Freezer

iQ300 GI11VAF30
Fixed hinge built-in freezer 72cm high

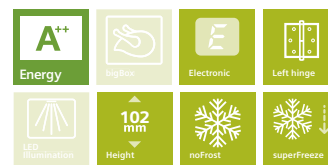


Key features

- Right hinged door, reversible
- Noise level: 36dB
- Net freezer capacity: 72 litres
- Annual energy consumption: 144kWh
- 3 freezer drawers
- Dimensions (HxWxD): 71.2 x 55.8 x 54.5cm

102cm Freezer

iQ300 GI31NAE30G
Fixed hinge built-in freezer 102cm high

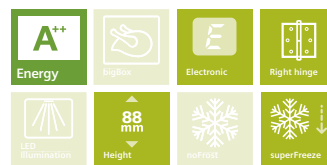


Key features

- Left hinged door, reversible
- Noise level: 39dB
- Net freezer capacity: 97 litres
- Annual energy consumption: 168kWh
- 3 freezer drawers
- Dimensions (HxWxD): 102.1 x 55.8 x 54.5cm

88cm Freezer

iQ300 GI21VAF30G
Fixed hinge built-in freezer 88cm high



Key features

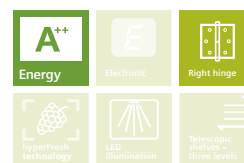
- Right hinged door, reversible
- Noise level: 36dB
- Net freezer capacity: 97 litres
- Annual energy consumption: 157kWh
- 3 freezer drawers
- Dimensions (HxWxD): 87.4 x 55.8 x 54.5cm

New

Built-under Fridges and Freezer

82cm Fridge

iQ300 **KU15LA60GB**
Fixed hinge built-under fridge 82cm high



Key features

- Right hinged door, reversible
- Noise level: 38dB
- Net fridge capacity: 108 litres
- Annual energy consumption: 140kWh
- 2 safety-glass shelves
- freshBox
- Ice box
- Dimensions (HxWxD): 82 x 59.8 x 54.8cm

82cm Fridge

iQ300 **KU15RA51GB**
Fixed hinge built-under fridge 82cm high

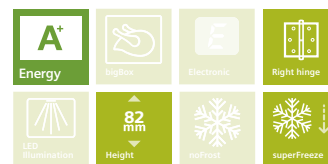


Key features

- Right hinged door, reversible
- Noise level: 38dB
- Net fridge capacity: 137 litres
- Annual energy consumption: 118kWh
- 3 safety-glass shelves
- freshBox
- Dimensions (HxWxD): 82 x 58.8 x 54.8cm

82cm Freezer

iQ300 **GU15DA50GB**
Fixed hinge built-under freezer 82cm high



Key features

- Right hinged door, reversible
- Noise level: 38dB
- Net freezer capacity: 98 litres
- Annual energy consumption: 184kWh
- 3 freezer drawers
- Dimensions (HxWxD): 82 x 59.8 x 54.8cm





Dishwashers

Innovative features for inspiring results.

Siemens dishwashers feature modern design and innovative ideas that make life easier.

Be fascinated by maximum flexibility thanks to practical innovations, such as height-adjustable baskets and foldable racks, stylish innovations such as door openAssist and timeLight floor projection, all working together to provide you with the perfect balance between modern design and innovative technology.

Whether you're serving dinner for family or hosting a party for friends, Siemens dishwashers ensure that you'll have sparkling clean dishes and glasses quickly.

Model shown: SN678D06TG fully integrated dishwasher



Welcome to
a new era of
dishwashing.



Model shown: SN687D06TG
fully integrated dishwasher



**Innovative features for inspiring results:
brilliantShine system.**

Great moments start with small details. Such as brilliantly dry and shiny glasses directly out of your dishwasher – without any special effort or additional polishing.

That's what the new brilliantShine system with Zeolith® Drying is made for: creating the perfect conditions to start every day with a highlight, and sparkling glasses that you can be proud of.

Experience three perfectly synchronised, innovative features in just one washing cycle – for a brilliant shine directly out of your dishwasher. Refine your everyday life with limitless sparkling highlights.*

There are three factors in dishwashing that influence the shine of your glassware: temperature, cycle time, and the use of detergent.

The new brilliantShine system offers three intelligent solutions that take care of these factors:

- Zeolith® Drying uses a natural mineral to produce ideal heat conditions
- The Shine&Dry option swills all residues of detergent with extra rinsing water
- The Glass 40°C programme reduces the cycle time in order to be especially gentle for delicate glasses

*Depending on the detergent, the properties of the glassware, and the way it is placed in the dishwasher, the cleaning and drying results may slightly vary.

**Saving energy naturally.
Energy efficiency meets cutting edge design.**

Using advanced drying technologies, Siemens dishwashers keep energy consumption to a minimum. Zeolith®, a form of naturally occurring mineral, has the astonishing ability to absorb moisture and convert it to heat.

What does this mean for you? The heat produced naturally by the Zeolith® is used for the drying cycle. No additional energy is therefore required to heat up the contents of your dishwasher for the drying process (as with a standard drying system). This results in perfect drying, with less energy usage.

The Zeolith® mineral is stored in the depths of the dishwasher; this regenerates itself and keeps working for the entire lifetime of the machine. Combine this with the economy 50°C programme to get brilliant results with minimal energy.

Drying phase – Zeolith® absorbs moisture and converts it to heat energy.

Cleaning phase – As the mineral is heated during the cleaning cycle, it is recharged and ready to absorb moisture once more.

Clever lighting to give you the wow-factor.

Model shown: SN678D01TG fully integrated dishwasher

Lighting innovations that create ambiance in your living space and keep you informed, Siemens dishwashers feature an internal blue emotionLight that has the wow-factor; once you've seen it in action you'll be sure to want to show off brilliantly cleaned glasses in your own home.

Cool glow of emotionLight

Creating a relaxed ambiance, the emotionLight uses LED lights to reflect off your brilliantly-cleaned glasses and create a cool blue glow emanating from inside your dishwasher when you open the door, and switching off again when you close it. The LED lights never need to be changed and will last the lifetime of your dishwasher.

timeLight: check the status of the cycle easily

Useable on any surface of any colour, the innovative timeLight projects the remaining time as well as other essential information of the dishwasher cycle onto the floor. With quiet dishwashers, this solution lets you know the dishwasher is running at a glance, so you can avoid opening the door mid-cycle.

infoLight: see if the dishwasher is running

With fully integrated dishwashers that are so quiet, it's helpful to know when a cycle is running. infoLight projects a beam of light onto the floor which appears whenever the dishwasher is running.



openAssist



A modern handleless kitchen deserves appliances that can fit seamlessly with their surroundings, yet still offer excellent results. With door openAssist you can open fully integrated dishwashers by simply touching the front of the unit, making loading and unloading easy. This removes the need for a handle and is the ideal choice for designer kitchens.

Added extras designed to make life easier.

With cutting-edge technology, Siemens dishwashers give you more than just clean dishes.

Machine Care with Siemens dishwashers

For excellent results when washing and drying, it's important to look after your dishwasher correctly. With Siemens Machine Care, the dishwasher will notify you when a cleaning cycle is recommended to be run, when you should clean your filter, and when to replenish salt or rinse aid. This involves the running of a high temperature programme to leave your dishwasher sparkling clean and free from grime and bacteria that could build up with lower temperature washes.

varioHinge

Siemens built-in dishwashers with varioHinge ensure your kitchen design can be completely flexible with the installation of your dishwasher. Perfect for cabinet doors in handleless kitchens, or designs with low baseboards and longer cabinet panels, the varioHinge allows the cabinet door to be pushed upwards when opened to avoid the door catching. The varioHinge reduces the bottom gap between cabinet doors too for a seamless finish to your kitchen.



TFT Display

The clearTextTFT Display integrated into the top control panel of our iQ700 dishwashers matches the seamless design of our handleless openAssist models. The clearText TFT Display shows all selected programme information at a glance. What's more, the information button allows you to quickly discover available programmes and options with ease, as well as see the exact start, end and running times.



Explore the iQ range of dishwashers, where exceptional quality comes as standard.

varioSpeed Plus

Ever needed your dishes cleaned quickly, forgotten to put the dishwasher on in the morning, or simply need clean plates before your guests arrive? That's why we've introduced varioSpeed Plus, the perfect time saver. varioSpeed Plus reduces the time it takes to wash and dry a full load down to a third.

Ideal when you need your cutlery and plates in a hurry, just press the varioSpeed Plus button in conjunction with your desired programme* and it will run the dishwasher significantly faster without compromising on wash quality. Used together with the Eco 50 programme, varioSpeed Plus will wash and dry a full load in just over an hour. Giving you time saving solutions when you need them the most, and sparklingly clean dishes in super swift time.

*Except quick wash 45°C programme

rackMatic™

Ever found yourself loading and unloading the dishwasher because the last pan doesn't fit? rackMatic™ conveniently allows you to raise and lower the height of the top basket, even when the dishwasher is full. With the simple press of a lever you can adjust the basket to suit your washing needs. This increased flexibility ultimately saves you time, letting you get back to more important things.

dosageAssist

Ensuring that your dishes receive the best possible clean every time, dosageAssist quickly and evenly dissolves your dishwasher tablets throughout the entire machine, leaving no mess for you to clean at the end of the cycle. Rather than the detergent tablet dropping to the bottom of your machine, it falls into an innovative basket at the front, allowing it to dissolve completely leaving no mess and a brilliant clean.

extraDry

Why spend time towel-drying plasticware when extraDry does it for you? extraDry is designed to make sure that plasticware comes out of the dishwasher bone dry – no more water droplets, no more hand drying, saving you time.

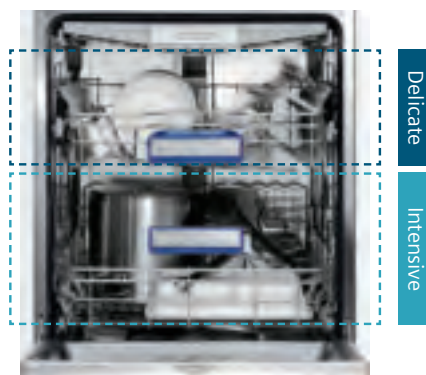
halfLoad

Great for couples and smaller households, the halfLoad function lets you place items anywhere in the dishwasher. Ideal for smaller loads, it uses up to 20% less water and 10% less energy to produce a brilliant clean. A dishwasher uses water and energy most efficiently when run with a full load. However, halfLoad offers a resource saving option for when you can't wait until the dishwasher is full.

No need to do separate washes with intensiveZone.

intensiveZone

With intensiveZone, you can wash delicate glasses and burnt cooking pans in the same wash. The higher temperature and increased spray pressure in the lower basket ensures stubborn stains are removed, whilst delicate items are protected in the top basket. This means there is no need to separate washes in to different loads for two cycles, and no need to soak heavily soiled pans overnight saving time. And with iSensoric, the water volume sensor ensures an optimal amount of water within the dishwasher at all times.



varioFlex basket systems offer total flexibility in your dishwasher

varioFlex Pro basket system and varioDrawer Pro

varioFlex Pro creates extra room for pots and pans. With an optimised basket design for large plates and adjustable tines highlighted with blue touchpoints, your dishwasher can adapt to any load quickly and easily. Adding a third shelf for cutlery, varioDrawer Pro removes the need for a cutlery basket and creates more space, even for espresso cups.

varioFlex basket system and varioDrawer

The varioFlex basket system offers more options for loading your dishwasher with selected adjustable basket racks, while the varioDrawer removes the need for a cutlery basket leaving more space in the lower basket. Flexible elements in the baskets are indicated by darker grey colouration, and in some models blue coloured touch points.



varioFlex Pro basket system



varioFlex basket system

10 year anti-rust warranty

Due to advanced materials and manufacturing technologies, in addition to our standard appliance warranty, we provide a free warranty against rusting-through of the dishwasher's inner cavity.

Siemens recommends using Finish dishwashing products

Siemens has tested and recommends using Finish dishwashing products. For the ultimate clean and shine, plus added protection against corrosion, Siemens recommends new Finish Quantum Shine & Protect.



Dishwashers

Welcome to a range designed around you.

iQ 700

Reserved for our premium dishwasher range. iQ700 stands for exceptional design allied with seriously intelligent and innovative technology.

iQ 500

Exuding class and refinement, these machines unite first-class features with top-class technology.

iQ 300

Good looking appliances with Siemens build quality and equipped with an attractive selection of smart features.

A Quick Feature Guide



Model shown: SN678D06TG fully integrated dishwasher

Key functionality



Energy efficient class All Siemens built-in dishwashers are rated at least A+ for energy efficiency.



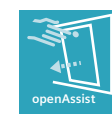
Wi-Fi ready With Wi-Fi-enabled Siemens home appliances and Home Connect, you can manage your home appliances from wherever you are and discover more possibilities to make your life easier.



emotionLight The emotionLight uses LED lights to create a cool blue glow emanating from inside your dishwasher.



infoLight Projects a beam of light onto the floor to show the dishwasher is running.



openAssist Open fully integrated dishwashers by simply touching the front of the unit.



timeLight Useable on any surface of any colour, timeLight projects the remaining time of the dishwasher cycle on to the floor.



varioDrawer By adding a third shelf for cutlery, varioDrawer removes the need for a cutlery basket and creates more space. Also available in varioDrawer Pro for added flexibility.



Zeolith® is a naturally occurring mineral that converts moisture to heat. This heat produced naturally by the Zeolith® is used for the drying cycle. No additional energy is therefore required to heat up the contents of the dishwasher for the drying process.

Reference key:



Model does have this feature



Model does not have this feature

Model shown: SR66T090GB fully integrated slimline dishwasher



Model shown: SN678D06TG
fully integrated dishwasher

Fully Integrated Dishwasher

The best in
technology
& design

brilliantShine system



Experience three perfectly synchronised, innovative features in just one washing cycle – for a brilliant shine directly out of your dishwasher.

Other product features

dosageAssist

Quickly and evenly dissolves dishwasher tablets throughout the entire machine, leaving no mess to clean at the end of the cycle.

duoPower (Slimline only)

Benefitting from 2 spray arms under the top basket as opposed to just one, duoPower ensures that dishes in all areas of the dishwasher receive the best possible clean.

extraDry

Designed to make sure that plasticware comes out of the dishwasher bone dry.

halfLoad

Great for couples and smaller households, run the dishwasher with half a load and use less water and energy compared to a full load.

hydroDry

The hydroDry system extracts moisture from the air in the machine efficiently, leaving the contents of the dishwasher to dry hygienically without the need for external air.

hydroSafe

Cuts off the water supply from the tap if a leak is detected, even if the dishwasher isn't in use. Precision protection for your kitchen.

hydroSensor

Makes sure that the optimum temperature is used depending on how dirty the dishes are, meaning that dishes are perfectly clean the first time round.

Hygiene Plus

Great for cleaning chopping boards, food containers and utensils, the hygiene option kills 99.9% of bacteria and germs. Providing a simple solution to the upkeep of your family's health, the final rinse heats up to 70°C regardless of the cycle you choose.*

*Not on delicate programme.

intensiveZone

Delicate glasses and burnt cooking pans can be put into the same wash so there is no need to separate washes in to different loads.

loadSensor

By monitoring that the optimum amount of water is flowing through the dishwasher throughout the cycle, loadSensor helps to ensure that dishes are cleaned thoroughly.

Silence Programme

This programme is an adapted Eco 50°C programme that achieves a noise reduction of 2 dB by decreasing the spray pressure and extending the run time.

rackMatic™

Conveniently allows you to raise and lower the height of the top basket to create more or less space, even when the dishwasher is loaded.

Shine&Dry

Straight from dishwasher to table, Shine&Dry delivers streak-free shining glasses.

varioDrawer Pro

By adding a third shelf for cutlery, varioDrawer Pro removes the need for a cutlery basket and creates more space.

varioFlex Pro basket

Creating extra space for pots and pans by adjusting slats to suit different loads, the inside of the dishwasher is constantly adaptable.

varioHinge

The varioHinge is the optimal solution for installing your dishwasher as the fully integrated front panel moves up slightly when the machine is opened. This removes the need to have large gaps when dishwashers are installed at a high level.

varioSpeed Plus

Use the varioSpeed Plus button to run the dishwasher significantly faster without compromising on wash quality.

Stunning design and intelligent technology, our **iQ700** dishwasher features brilliantShine system with Zeolith® drying, giving you brilliantly dry and shiny glasses directly out your dishwasher.



This Wi-Fi ready iQ700 dishwasher allows you to take control wherever you are and receive notifications with the Home Connect app. Keeping your energy consumption to a minimum, this model uses Zeolith®, a naturally occurring mineral, to create the heat and energy.

iQ700 SN678D06TG
Black 600mm New

Key features

- 13 place settings
- Noise level: 41dB (A) re 1pW
- Water consumption using Eco 50: 9.5 litres
- brilliantShine system
- 8 programmes: Intensive 70°C, Auto 45-65°C, Economy 50°C, Silence 50°C, Short 60°C, Glass 40°C, Quick 45°C, Pre-Rinse
- 6 special options: Machine Care, Shine&Dry, Hygiene Plus, intensiveZone, remote start, varioSpeed Plus
- varioFlex Pro basket system
- varioDrawer Pro
- Zeolith® – advanced drying technology
- dosageAssist detergent dispenser



Fully Integrated Dishwashers

iQ700 SN678D01TG Black 600mm **New**



Key features

- 14 place settings
- Noise level: 42dB (A) re 1pW
- Water consumption using Eco 50: 9.5 litres
- brilliantShine system
- 8 programmes: Intensive 70°C, Auto 45-65°C, Economy 50°C, Silence 50°C, Short 60°C, Glass 40°C, Quick Wash 45°C, Pre-Rinse
- 5 special options: Machine Care, Shine&Dry, Hygiene Plus, intensiveZone, varioSpeed Plus
- varioFlex Pro basket system
- varioDrawer Pro
- Zeolith® – advanced drying technology
- dosageAssist detergent dispenser

iQ500 SN658D00MG Black 600mm **New**



Key features

- 14 place settings
- Noise level: 44dB (A) re 1pW
- Water consumption using Eco 50: 9.5 litres
- 8 programmes: Intensive 70°C, Auto 45-65°C, Economy 50°C, Silence 50°C, Short 60°C, Glass 40°C, Quick Wash 45°C, Pre-Rinse
- 5 special options: Machine Care, Shine&Dry, Hygiene Plus, intensiveZone, varioSpeed Plus
- varioFlex baskets with coloured touch points
- Zeolith® – advanced drying technology
- dosageAssist detergent dispenser

iQ500 SN658D01MG Black 600mm **New**



Key features

- 13 place settings
- Noise level: 44dB (A) re 1pW
- Water consumption using Eco 50: 6.5 litres
- 8 programmes: Intensive 70°C, Auto 45-65°C, Economy 50°C, Silence 50°C, Glass 40°C, 1 Hour 65°C, Quick Wash 45°C, Pre-Rinse
- 5 special options: Machine Care, extraDry, Hygiene Plus, intensiveZone, varioSpeed Plus
- varioFlex baskets with coloured touch points
- hydroDry hygienic and efficient drying
- dosageAssist detergent dispenser

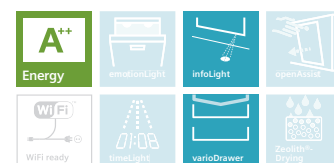
iQ500 SN658D02MG Black 600mm **New**



Key features

- 14 place settings
- Noise level: 39dB (A) re 1pW
- Water consumption using Eco 50: 9.5 litres
- 8 programmes: Intensive 70°C, Auto 45-65°C, Economy 50°C, Silence 50°C, Glass 40°C, 1 Hour 65°C, Quick Wash 45°C, Pre-Rinse
- 5 special options: Machine Care, extraDry, Hygiene Plus, intensiveZone, varioSpeed Plus
- varioFlex baskets with coloured touch points
- hydroDry hygienic and efficient drying
- dosageAssist detergent dispenser

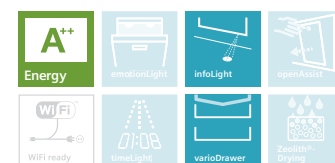
iQ300 SX736X03ME Stainless steel, extra height 86.5cm 600mm **New**



Key features

- 14 place settings
- Noise level: 44dB (A) re 1pW
- Water consumption using Eco 50: 9.5 litres
- 6 programmes: Intensive 70°C, Auto 45-65°C, Economy 50°C, Glass 40°C, 1 Hour 65°C, Pre-Rinse
- 4 special options: Machine Care, extraDry, intensiveZone, varioSpeed Plus
- varioFlex basket system
- hydroDry hygienic and efficient drying
- dosageAssist detergent dispenser
- varioHinge – integrated front panel moves up when opened

iQ300 SN736X03ME Stainless steel 600mm **New**



Key features

- 14 place settings
- Noise level: 44dB (A) re 1pW
- Water consumption using Eco 50: 9.5 litres
- 6 programmes: Intensive 70°C, Auto 45-65°C, Economy 50°C, Glass 40°C, 1 Hour 65°C, Pre-Rinse
- 4 special options: Machine Care, extraDry, intensiveZone, varioSpeed Plus
- varioFlex basket system
- hydroDry hygienic and efficient drying
- dosageAssist detergent dispenser

Fully Integrated Dishwasher

iQ300 SN636X00KG Black 600mm **New**



Key features

- 13 place settings
- Noise level: 46 dB (A) re 1pW
- Water consumption using Eco 50: 9.5 litres
- 6 programmes: Intensive 70°C, Auto 45-65°C, Economy 50°C, Glass 40°C, 1 Hour 65°C, Pre-Rinse
- 3 special options: Machine Care, extraDry, varioSpeed Plus
- varioFlex basket system
- hydroDry hygienic and efficient drying
- dosageAssist detergent dispenser

Semi-Integrated Dishwasher

iQ700 SN578S36TE Stainless steel 600mm **New**



Key features

- 13 place settings
- Noise level: 42dB (A) re 1pW
- Water consumption using Eco 50: 7.5 litres
- 8 programmes: Intensive 70°C, Auto 45-65°C, Economy 50°C, Silence 50°C, Short 60°C, Glass 40°C, Quick Wash 45°C, Pre-Rinse
- 5 special options: Shine&Dry, Hygiene Plus, intensiveZone, remote start, varioSpeed Plus
- varioFlex Pro basket system
- varioDrawer Pro
- Zeolith® – advanced drying technology
- dosageAssist detergent dispenser

Fully Integrated Slimline Dishwashers

iQ500 SR66T090GB Stainless steel 450mm



Key features

- 10 place settings
- Noise level: 44dB (A) re 1pW
- Water consumption using Eco 50: 9.5 litres
- 6 programmes: Auto 35-45°C, Auto 45-65°C, Auto 65-75°C, Economy 50°C, Quick Wash 45°C, Pre-Rinse
- 3 additional options: Hygiene Plus, intensiveZone, varioSpeed Plus
- varioFlex Plus basket system
- hydroDry hygienic and efficient drying
- dosageAssist detergent dispenser

iQ500 SR65T081GB Stainless steel 450mm



Key features

- 10 place settings
- Noise level: 48dB (A) re 1pW
- Water consumption using Eco 50: 9.5 litres
- 5 programmes: Intensive 70°C, Auto 45-65°C, Economy 50°C, Quick Wash 65°C, Pre-Rinse
- 3 additional options: extraDry, intensiveZone, varioSpeed Plus
- varioFlex basket system
- hydroDry hygienic and efficient drying
- dosageAssist detergent dispenser



Home Laundry

High-performance Washing
Machines for seamless
kitchen designs.

Siemens have created a built-in laundry range that is cleverly designed and quietly energy efficient, developed to make laundry easier and less of a chore.



Model shown:
WI14W500GB

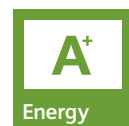
**Home
Laundry**

Welcome to a range
designed around you.

Designed to make laundry less of a chore.

Our machines take full advantage of the latest technology and innovation all behind closed doors.

Cleverly designed and quietly efficient our built-in washing machines and washer dryers work away behind closed doors, producing beautifully clean clothes without ruining the beautifully clean lines of your living space.



Energy

Washing machines

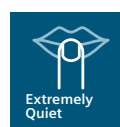
Built in to a modern kitchen or utility room, Siemens washing machines and washer dryers not only look great, they perform too. With state-of-the-art technology they are extremely energy efficient, easy to use and save time and money.



hydroSafe

hydroSafe

Guarantees 100% lifelong protection against water damage. If a leak does occur, hydroSafe immediately cuts off the water supply from the tap.



Extremely Quiet

Extremely quiet

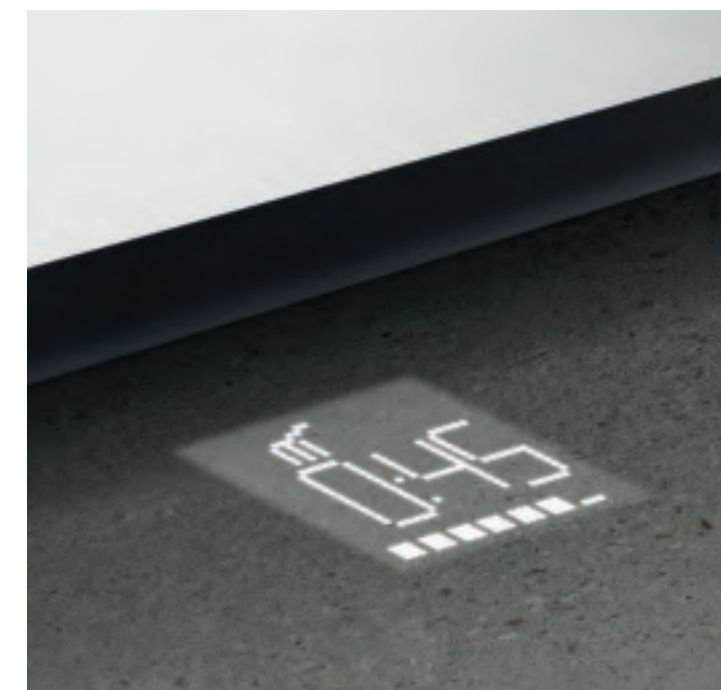
Our built-in washing machines are some of the quietest on the market, which also set the benchmark for low noise when spinning. Thanks to the antiVibration side panels, any noise from vibrations is significantly reduced. Now you can relax in the comfort that your Siemens built-in laundry appliance will minimise any noise when running so you can entertain, relax or get on with your day without disturbance.



Energy

Washer dryers

From the sophisticated sensor technology and cutting edge engineering to the carefully designed range of programmes and options offered, our built-in laundry appliances are designed from the ground up to help manage the range and complexity of modern textiles.



timeLight

Stay in control and let the laundry fit around you. The timeLight projects the remaining cycle time and programme status onto any floor surface to keep you informed at a glance – which is visible without opening the cabinet door.



8kg Capacity

The iQ700 built-in washing machine comes with a generous 8kg capacity, perfect for ensuring you always have enough room for every load. This results in fewer washes and better use of your time.

iQ 700

Exceptional design allied with seriously intelligent and innovative technology is the basis of our premium model.

iQ 500

Exuding class and refinement, these machines unite first-class features with top-class technology.

iQ 300

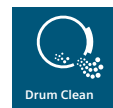
Good looking appliances with Siemens build quality equipped with an attractive selection of smart features.

A Quick Feature Guide

Key functionality – Washing machines



Energy efficient washing machines All Siemens washing machines automatically adapt the wash time and energy consumption to the amount of laundry in the machine.



Drum clean An automatic alert after 20 washes to run the Drum Clean programme on a 90°C or 60°C wash keeps the appliance clean and odour free.



hydroSafe Guarantees 100% lifelong protection against water damage. If a leak does occur, hydroSafe immediately cuts off the water supply from the tap.



rapid15 Washes, rinses and spins lightly soiled clothing in just 15 minutes, designed for those with hectic lives this wash cycle will clean clothes when you're in a hurry.

Reference key:



Model does have this feature



Model does not have this feature



Capacity The large 8kg drum capacity is the perfect size to hold more laundry and reduce the number of loads you have to wash.



Extremely Quiet Thanks to the brushless iQdrive motor and antiVibration side panels, Siemens built-in washing machines are particularly quiet in their class.



iQdrive with 10 year motor warranty The iQdrive motor is covered with a 10 year warranty for additional peace of mind and incredible performance.



timeLight Projects the remaining cycle time and programme status onto the floor to keep you informed at a glance.

Washer dryers



Energy efficient washer dryers All Siemens washer dryers automatically adapt the wash time and energy consumption to the amount of laundry in the machine.



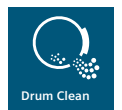
Extremely Quiet Our washer dryers are designed to be as quiet as possible while still offering excellent performance and results when washing and drying, so you can get on with your day without any disturbance.



rapid15 Washes, rinses and spins lightly soiled clothing in just 15 minutes, designed for those with hectic lives this wash cycle will clean clothes when you're in a hurry.



Washing Capacity The large 7kg washing capacity ensures you can wash clothes with fewer loads.



Drum Clean An automatic alert after 20 washes to run the Drum Clean programme on a 90°C or 60°C wash keeps the appliance clean and odour free.



hydroSafe Guarantees 100% lifelong protection against water damage. If a leak does occur, hydroSafe immediately cuts off the water supply from the tap.



Washing + Drying The continuous washing and drying cycle is suitable for loads up to 4kg. This cycle will first wash the clothes on your chosen setting and once finished, automatically switches to drying the clothes for ease and speed.



Drying Capacity The 4kg drying capacity ensures you can dry clothes effectively.

Other product features

autoLoad

Removes the guesswork from laundry, automatically selecting the correct programme for your clothes to produce the best results. All you need to do is add detergent and laundry – the machine will do the rest.

aquaTronic wash system

The perfect wash for delicates. Water enters the drum from three sides to quickly soak the delicate fabrics, eliminating the dry friction within the drum, delivering a more gentle wash action for delicate fabrics, while the flat sided paddles do their work.

flexiTime

Designed for when speed is the only option, flexiTime reduces selected laundry cycles by up to 30%.

Fluff clean

A ten minute fluff removal cycle on washer dryers that removes fluff deposits in the machine, a light indicates when this is needed.

Foam detection system

Detects if too much foam has been created in the wash, if so, it will adjust the drum movement and add an extra rinse cycle if necessary.

Night wash programme

Specially designed to wash and dry up to 4kgs overnight.

rapid60

Perfect for washing large amounts of clothes, fast, rapid60 washes 5kg in 60 minutes, with A class results.

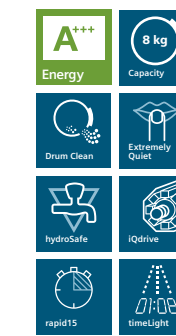
reloadFunction

The reload function allows the machine to be paused and the door opened at the next safe opportunity. It's the perfect solution when an extra item needs to be added to the load.

Washing Machines

iQ700 WI14W500GB
White

New

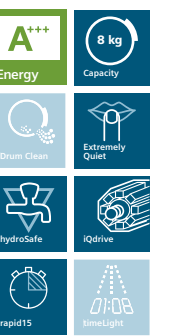


Key features

- Capacity: 8kg
- Noise (wash) – 41dB (A) re 1pW
- Noise (spin) – 67dB (A) re 1pW
- Max. spin speed: 1400rpm
- timeLight – projects the remaining cycle time onto the floor
- varioPerfect – change the setting on some washes to what is most important to you; time or energy
- Special programmes – rapid60, darkwash, shirts/blouses, textile guard, mixed load, hygiene, rapid15, duvet, drum clean with reminder, rinse/spin/drain, delicates/silk
- Time delay – wash when the time is right for you
- Large display – for easy navigation
- Energy consumption per cycle – 0.78kWh (full load 60°C cotton programme)
- Moisture content % on dry load after max. spin – 53%
- Estimated annual energy and water consumption (wash 220 full loads) – 137kWh; 9900 litres

iQ500 WI14W300GB
White

New

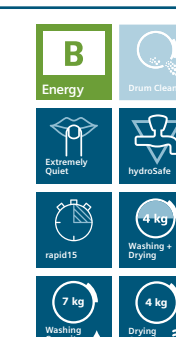


Key features

- Capacity: 8kg
- Noise (wash) – 41dB (A) re 1pW
- Noise (spin) – 67dB (A) re 1pW
- Max. spin speed: 1400rpm
- varioPerfect – change the setting on some washes to what is most important to you; time or energy
- Special programmes – extra rinse, drain/spin, rapid15, mixed load, wool, delicates/silk
- Time delay – wash when the time is right for you
- Large display – for easy navigation
- Energy consumption per cycle – 0.85kWh (full load 60°C cotton programme)
- Moisture content % on dry load after max. spin – 53%
- Estimated annual energy and water consumption (wash 220 full loads) – 157kWh; 9900 litres

Washer Dryers

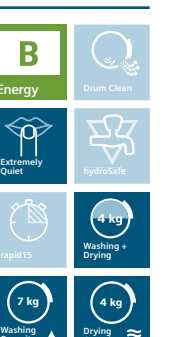
iQ500 WK14D541GB
White



Key features

- Capacity: 7kg washing, 4kg drying
- Noise (wash, spin, dry) – 57dB (A) re 1pW, 74dB (A) re 1pW, 60dB
- Max. spin speed: 1400rpm
- Non-stop wash and dry programme; 4kg
- Special programmes – night wash, mixed load, outdoor, shirts/blouses, rapid15, rinsing/spinning, drain/spin, wool, delicates/silk
- 1 special drying programme – fluff removal cycle
- Time delay/time remaining – wash and dry when right for you
- Large display – for easy navigation
- Energy consumption per cycle – 1.27kWh wash; 5.5kWh wash & dry
- Water consumption per cycle – 105 litres wash & dry
- Estimated annual energy and water consumption (wash & dry 200 full loads) – 1100kWh; 21000 litres (wash only 200 full loads) – 254kWh; 10200 litres

iQ300 WK14D321GB
White



Key features

- Capacity: 7kg washing, 4kg drying
- Noise (wash, spin, dry) – 57dB (A) re 1pW, 74dB (A) re 1pW, 60dB
- Max. spin speed: 1400rpm
- Non-stop wash and dry programme; 4kg
- Special programmes – mixed load, rinsing/spinning, drain/spin, wool, delicates/silk
- 1 special drying programme – fluff removal cycle
- Time delay/time remaining – wash and dry when right for you
- Energy consumption per cycle – 1.27kWh wash; 5.5kWh wash & dry
- Water consumption per cycle – 99 litres wash & dry
- Estimated annual energy and water consumption (wash & dry 200 full loads) – 1100kWh; 19800 litres (wash only 200 full loads) – 254kWh; 10200 litres

Knowledge and expertise, where you need it, when you need it.



Siemens customer service



Siemens Home Appliances is part of BSH Home Appliances – winner of the Domestic and General Total Excellence and Quality Award for 2016.

Purchasing a Siemens appliance gives you access to our expert customer service team; for the lifetime of your appliance. With 2-5 year manufacturer's warranties on offer, multi-award winning products to choose from and assistance from an outstanding customer service department, you can be assured that the appliance you are buying will offer peace of mind.

Expert advice

Siemens Customer Service staff are full of knowledge and expertise, whether you have a simple question, want to order a spare or replacement part or require an engineer to visit your home. With engineers based locally across the country*, no one is better suited to help, and all Siemens repairs are analysed in advance so that we bring the correct replacement spare parts likely to be needed on the first visit**.

This is all supported by our outstanding online services, available 24 hours a day. Visit siemens-home.bsh-group.com/uk for product information, downloadable brochures, videos, instruction manuals and FAQs.

Telephone:
UK: **0344 892 8999** – Options 3 and 4
IRL: **(01) 450 2655**

Original replacement spare parts

Order replacement parts online and access exploded diagrams to help you locate the correct part. As a manufacturer we only use original spare parts and we keep a comprehensive range of parts available for up to ten years.

Telephone:
UK: **0344 892 8999** – Option 2
IRL: **(01) 450 2655**

siemens-home.bsh-group.com/uk/shop
siemens-home.bsh-group.com/ie/shop

Accessories and cleaning products

Order accessories and cleaning products quickly and easily via our online shop. The Siemens shop has an extensive selection of accessories to help you make the most of your Siemens appliance. With our range of tested and approved cleaning and care products you can keep your appliance looking good and working to optimum performance.

Telephone:
UK: **0344 892 8999** – Option 2
IRL: **(01) 450 2655**

siemens-home.bsh-group.com/uk/shop
siemens-home.bsh-group.com/ie/shop

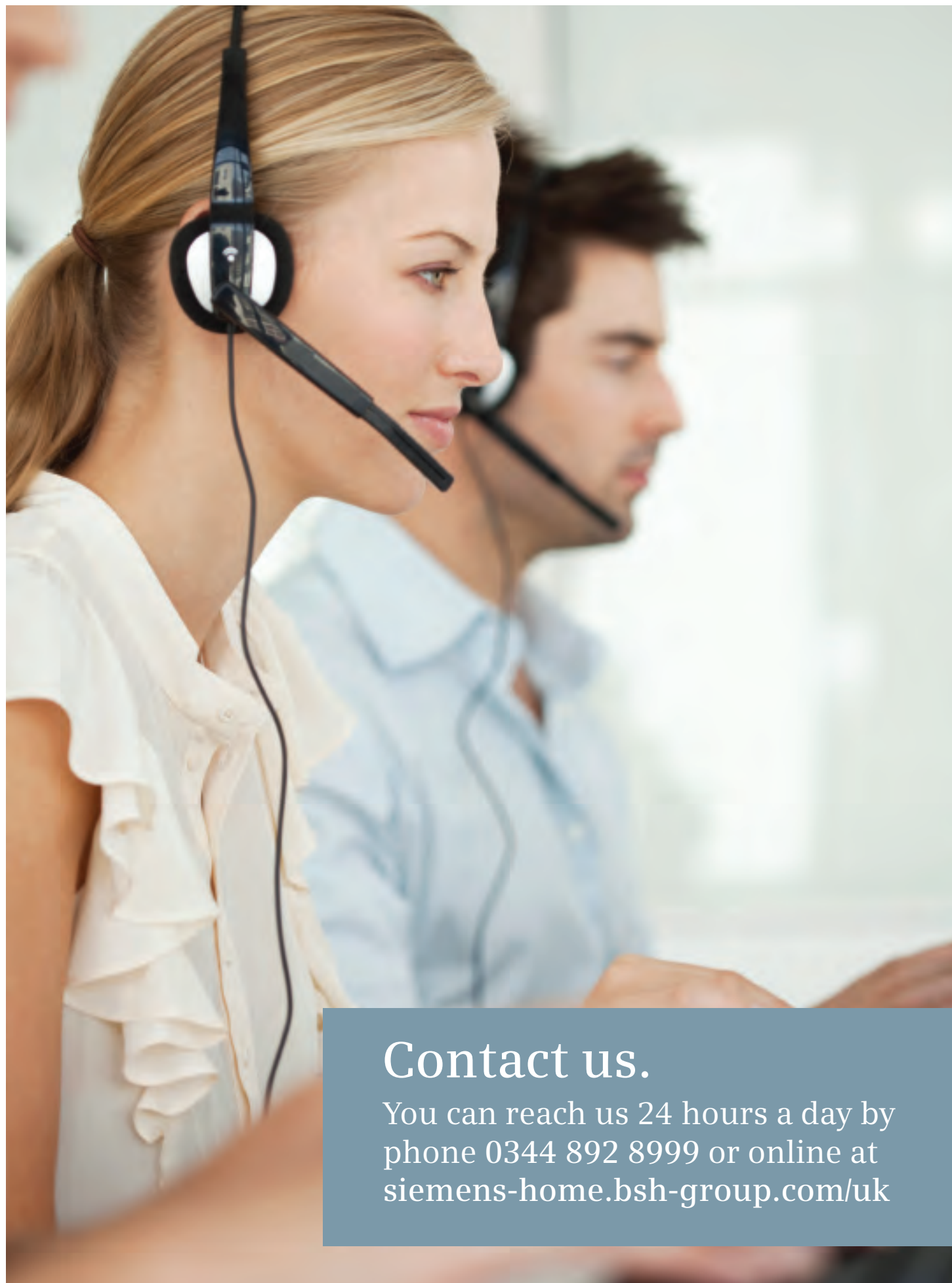
Siemens engineers ready to help

Need to arrange an engineer visit? No problem, simply call our Customer Service team to discuss the issue with your appliance and if needed we will arrange a home appointment with an engineer at your convenience. You can book an appointment online or by telephone and we repair both in and outside the manufacturer's warranty period.

Telephone:
UK: **0344 892 8999** – Option 1
IRL: **(01) 450 2655**

siemens-home.bsh-group.com/uk
siemens-home.bsh-group.com/ie***

*In certain areas we may use an approved service partner. **This process may vary where service partners are used by us. *** Online booking not available in Ireland. Calls to 0344 numbers are charged at the basic rate, please check with your telephone service provider for exact charges.



Contact us.
 You can reach us 24 hours a day by phone 0344 892 8999 or online at siemens-home.bsh-group.com/uk

Our advisors provide expert assistance

- Product information before and after purchase
- Tips on functions and operation
- User related queries
- Help with Siemens promotions

Telephone:
 UK: **0344 892 8999** – Options 3 and 4

For product support available 24 hours a day visit our website for:

- Product information
- Downloadable brochures
- Videos
- Instruction manuals
- FAQs

siemens-home.bsh-group.com/uk
siemens-home.bsh-group.com/ie

Accessories and cleaning products

We stock an extensive selection of accessories and cleaning products to help you make the most of your Siemens appliance.

- Original accessories for Siemens appliances
- Tested and approved cleaning and care products
- Quickly and easily order your accessories and cleaning products by telephone or via our online shop

Telephone:
 UK: **0344 892 8999** – Option 2
 IRL: **(01) 450 2655**

siemens-home.bsh-group.com/uk/shop
siemens-home.bsh-group.com/ie/shop

Replacement spare parts

As the manufacturer, we only use original spare parts to ensure the quality of your appliance.

- Comprehensive range of parts kept available for up to 10 years
- Original spare parts
- Browse appliance diagrams online to locate and purchase the parts you need

Telephone:
 UK: **0344 892 8999** – Option 2
 IRL: **(01) 450 2655**

siemens-home.bsh-group.com/uk/shop
siemens-home.bsh-group.com/ie/shop

Arrange an engineer visit

Siemens appliances are built to the highest standards but if you do require an engineer to visit your home, we are here to help, both in and outside the manufacturer's warranty period. Our engineers are employed and trained by Siemens and are based locally around the country*.

No one knows our appliances better, and all repairs are analysed in advance by a technical team so that the parts likely to be needed to complete the repair are sent to the engineer's van the night before the visit**.

- Call to discuss the issue with an appliance or check online for help
- Engineer appointments at your convenience

Telephone:
 UK: **0344 892 8999** – Option 1
 IRL: **(01) 450 2655**

siemens-home.bsh-group.com/uk
siemens-home.bsh-group.com/ie***

Register your manufacturer's warranty

FREE 2 year warranty

Telephone:
 UK: **0800 519 2116**
 IRL: **(01) 230 0344**

Or register online:
siemens-home.bsh-group.com/uk
siemens-home.bsh-group.com/ie

FREE 5 year warranty (selected appliances only)
 The extended warranty covers, at no extra cost; parts, labour and call out charges.

To register telephone:
 UK: **0344 892 8999** – Option 5
 IRL: **(01) 450 2655**

Or register online:
siemens-home.bsh-group.com/uk
siemens-home.bsh-group.com/ie

A full copy of our warranty terms and conditions is available on request, or can be viewed via the Siemens website.

FREE 10 year iQdrive Motor warranty

Covers the cost of a replacement motor† and is available on selected washing machines and washer dryers. Please keep a proof of purchase if you own an applicable appliance to register the iQdrive motor warranty.

FREE 10 year Anti-Rust Warranty for dishwashers

Covers rusting throughout the inner cavity of all dishwashers from the inside out. This warranty can be registered during the 2 year and 5 year Siemens registration process.

Register my appliance

Siemens recommends that you register all home appliances to ensure you can be easily contacted in the event of an important product update. For more information about registering appliances of all brands, please visit: www.registtermyppliance.org.uk

Brochures

24-hour hotline or visit our website.

Call us on:
 UK: **0344 892 8999** – Option 3
 IRL: **(01) 450 2655**

Lines are open 24 hours a day. Our specialist advisors are available to help Monday to Friday 8am to 8pm, Saturday 8am to 4pm and Sunday 9am to 3pm.

siemens-home.bsh-group.com/uk
siemens-home.bsh-group.com/ie

Order your brochures or download PDF copies from our website.



* In certain areas we may use an approved service partner.
 ** This process may vary where approved service partners are used by us.
 *** Online booking not available in Ireland.

† iQdrive warranty covers the cost of a replacement motor only. All labour and call-out charges outside of the 5-year warranty are not covered. A full copy of our warranty terms and conditions is available on request, or can be viewed via the Siemens website.

Calls to 0344 numbers are charged at the basic rate, please check with your telephone service provider for exact charges.

Greener products, cleaner planet.

Investing in the future, Siemens is committed to protecting the Earth's natural resources.

More than 80 percent* of the environmental impact occurring over a home appliance's lifetime is attributable to the usage phase. This is why, over the last few decades, BSH developers have been focusing on designing appliances that consume less energy, water and detergent. Environmental protection and energy efficiency are core topics within our corporate strategy.

What does this mean to you?

Our innovative energy-saving solutions from leading energy saving motors, to the brightest white, low-energy (LED) light can save you money and decrease your energy usage.

Energy saving comes automatically

Supporting environmental initiatives, the EU energy efficiency label is carried on all appliances, with class A+++ being the most energy efficient – reinforcing our focus on reducing energy consumption of our appliances, reducing our carbon footprint, and passing on this energy saving to you, the consumer.



World-class performance. Minimum environmental impact.

World-class performance

The Siemens i-Dos washing machine eliminates overdosing, cuts longer wash cycles and reduces unnecessary extra rinsing. This saves up to 7,000 litres of water and 11 litres of detergent per year, whilst cutting down the average cycle time by 14 minutes – amounting to a saving of two full days per year in the machine's running time.

All Siemens washing machines automatically adapt the wash time and energy consumption to the amount of laundry in the machine. Decreasing a washing machine's cycle time by up to 65%, speedPerfect is ideal for getting through laundry quickly, whereas ecoPerfect reduces the machines energy output by up to 50% by lengthening the time of a cycle. All of our core range of models carry the most efficient A+++ energy rating.

All Siemens fridge freezers have a minimum A+ rating for energy efficiency. All freestanding A++ and A+++ cooling appliances are now supplied with a green power cable and the freezers come with two green ice packs to help identify them as being super efficient.

Much is the same for dishwashers with all of the Siemens range rated at least A+ for energy efficiency. Siemens dishwashers with Zeolith® set the standard for A+++ energy efficiency. Zeolith® science combined with our smart energy-saving hydroDry technology helps to make our innovative dishwashers super efficient.

In buying a Siemens product you can expect outstanding world-class performance, as well as a clear conscience.

*Source: BSH Bosch und Siemens hausgerate GMBH, Our Super Efficiency Portfolio.

Keep up to date with all of Siemens' activities.

Visit Siemens online at siemens-home.bsh-group.com/uk

Find out about our latest promotions and news, plus a chance to discover our full range of intelligent appliances in even more detail.

Like and follow Siemens Home UK on Facebook, Twitter, Instagram and Pinterest for the latest updates about our products, features and innovations. Not to mention competitions, preview videos, exclusive content and a chance for you to speak with Siemens Home Appliances.



/SiemensHomeUK



@SiemensHomeUK



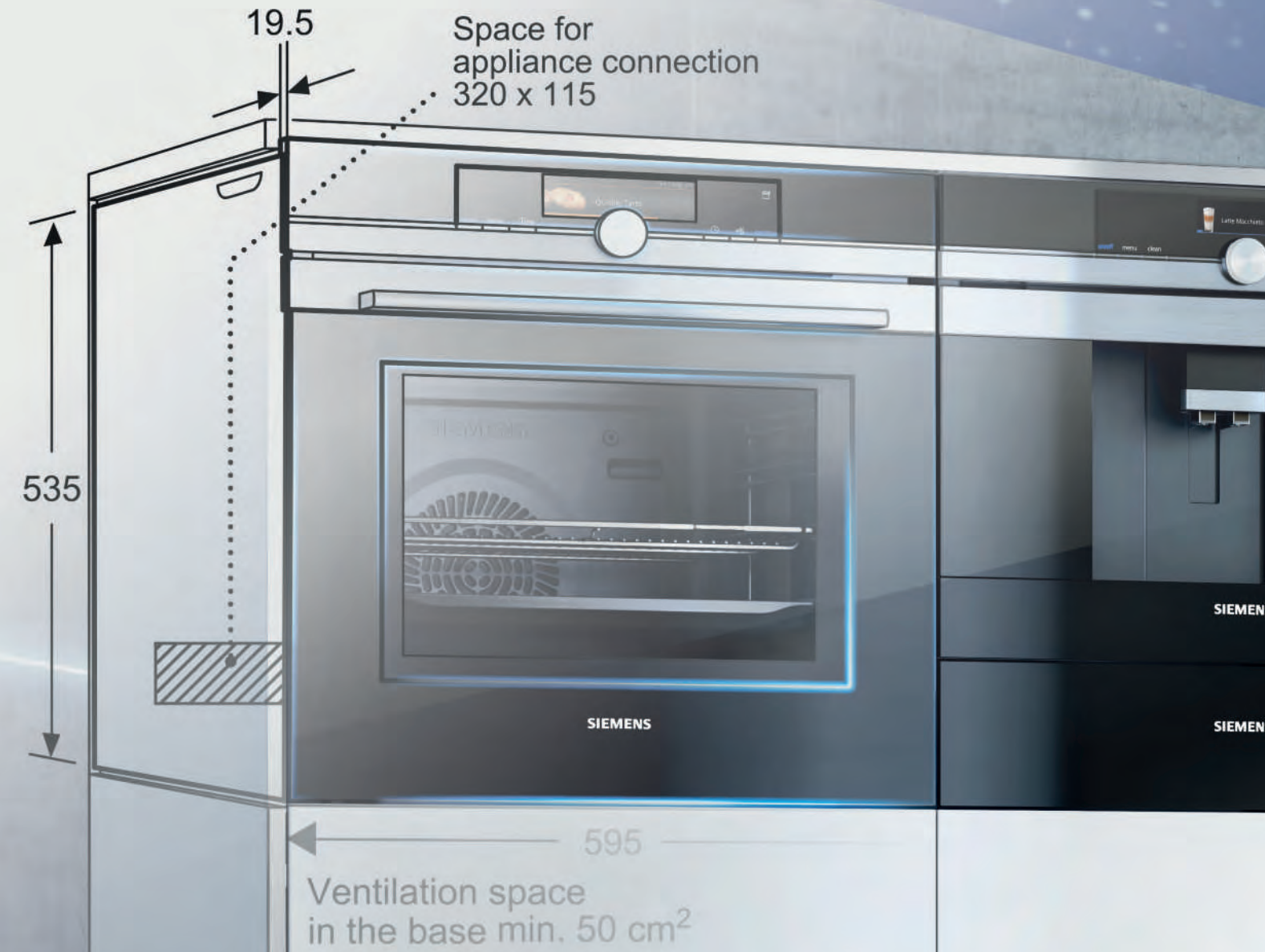
/SiemensHomeUK



siemenshomeuk



SIEMENS



Product specification and installation guide

siemens-home.bsh-group.com/uk | siemens-home.bsh-group.com/ie

Siemens. The future moving in.

Single Oven Specifications

APPLIANCE TYPE	SINGLE OVENS					
Design family	IQ700	IQ700	IQ700	IQ700	IQ700	IQ700
Model number	HN678GES6B	HM678G4S6B	HR678GES6B	HB678G6S6B	HS678GES6B	HM678G6S6B
	Black glass with steel trim					
DESIGN CHARACTERISTICS						
Stainless steel navigation control dial	■	■	■	■	■	■
TFT touchDisplay Plus	■	■	■	■	■	■
TFT touchDisplay	-	-	-	-	-	-
TFT Display	-	-	-	-	-	-
Full colour graphic display	■	■	■	■	■	■
Partial colour graphic display	-	-	-	-	-	-
Slimline bar handle	■	■	■	■	■	■
Illuminated key buttons	■	■	■	■	■	■
Drop down door	■	■	■	■	■	■
KEY FEATURES						
HomeConnect	■	■	■	■	■	■
activeClean® oven cleaning	■	■	■	■	■	■
roastingSensor Plus	-	-	-	-	-	-
bakingSensor Plus	■	■	■	■	■	■
coolStart	■	■	■	■	■	■
cookControl Plus	■	■	■	■	■	■
Electronic control	■	■	■	■	■	■
Digital temperature display with proposal	■	■	■	■	■	■
Heating up indicator	■	■	■	■	■	■
Residual heat indicator	■	■	■	■	■	■
Actual temperature display	■	■	■	■	■	■
Sabbath setting	■	■	■	■	■	■
softMove door opening and closing	-	1	-	-	-	1
Telescopic rail (levels)	-	1	-	-	-	1
FEATURES						
Back / roof / side ecoClean®Direct liners	- / - / -	- / - / -	- / - / -	- / - / -	■ / ■ / ■	- / - / -
ecoClean® setting	-	-	-	-	-	-
Interior lights, halogen with softLight	-	-	-	-	-	-
Ceiling integrated LED	■	■	■	■	■	■
Multilevel LED	■	■	■	■	■	■
Light on/off when oven door opened/closed	■	■	■	■	■	■
Smooth enamelled oven interior	■	■	■	■	■	■
Full glass inner door	■	■	■	■	■	■
Door glazing	Quadruple	Quadruple	Quadruple	Quadruple	Triple	Quadruple
Number of shelf positions	5	5	5	5	5	5
Electronic clock timer	■	■	■	■	■	■
Main on/off switch	■	■	■	■	■	■
Control panel lock	■	■	■	■	■	■
Automatic safety switch off	■	■	■	■	■	■
Door lock	■	■	■	■	■	■
Water tank empty indicator	■	■	■	■	■	■
PROGRAMMES / FUNCTIONS						
hotAirEco	■	■	■	■	■	■
4D hotAir cooking	■	■	■	■	■	■
Microwave	■	■	■	■	■	■
Number of Microwave combination options	5	5	-	-	-	5
coolStart	■	■	■	■	■	■
Full width surface grill	■	■	■	■	■	■
Centre surface grill	■	■	■	■	■	■
hotAir grilling	■	■	■	■	■	■
Pizza Setting	■	■	■	■	■	■
Conventional	■	■	■	■	■	■
Conventional Eco	■	■	■	■	■	■
Intensive heat	■	■	■	■	■	■
Bottom heat	■	■	■	■	■	■
Keep warm	■	■	■	■	■	■
Plate warming	■	■	■	■	■	■
Low temperature cooking	■	■	■	■	■	■
Drying	■	■	■	■	■	■
Fast pre-heating function	■	■	■	■	■	■
ADDITIONAL FUNCTIONS WITH STEAM						
fullSteam	-	-	-	-	■	-
Sous Vide Function	-	-	-	-	-	-
pulseSteam	■	■	■	■	■	■
Number of pulseSteam combination options	6	-	6	-	6	-
Dough proving	■	■	■	■	■	■
Reheating	■	■	■	■	■	■
Defrost	-	-	-	-	-	-
Descaling programme	■	■	■	■	■	■
Cavity drying function	■	■	■	■	■	■
PERFORMANCE / TECHNICAL INFORMATION						
Cavity dimensions H x W x D (mm)	357 x 480 x 392	357 x 480 x 392	357 x 480 x 415	357 x 480 x 415	357 x 480 x 415	357 x 480 x 392
Oven capacity (litres)	67	67	71	71	71	67
Water tank capacity (litres)	1.0	-	-	-	-	-
Maximum microwave power (W)	800	800	-	-	-	800
Number of microwave power levels	5	5	-	-	-	5
Energy efficiency class ^{1,2}	-	-	A+	A+	A+	-
Efficiency declared on	-	-	hotAir	hotAir	hotAir	-
Energy consumption 4D hotAir (kWh)	-	-	0.69	0.69	0.69	-
Energy consumption conventional (kWh)	-	-	0.87	0.87	0.87	-
Time to cook standard load (mins)	-	-	44	44	44	-
Largest baking sheet area (cm)	1290	1290	1290	1290	1290	1290
Nominal voltage (volts)	220-240	220-240	220-240	220-240	220-240	220-240
Total connected loading (watts)	3600	3600	3600	3600	3600	3600
Cable length (cm)	120	120	120	120	120	120
STANDARD ACCESSORIES						
Full width enamelled pan	1	1	1	1	1	1
Pan insert grid	-	-	-	-	-	-
Wire shelves	2	2	2	2	2	2
Steam tray, perforated (S / L / XL)	-	-	-	-	S / XL	-
Steam tray (S / L / XL)	-	-	-	-	S	-
1 level telescopic rail	-	■	-	-	-	■
3 level telescopic rail	-	-	-	-	-	-
OPTIONAL ACCESSORIES						
1 level telescopic shelf rail	-	-	HZ638D10	HZ638170	HZ638D10	-
3 level telescopic shelf rails	-	-	HZ638D30	HZ638370	HZ638D30	-
Full width enamelled baking sheet	HZ631070	HZ631070	HZ631070	HZ631070	HZ631070	HZ631070
Full width wire shelf for ovens with microwave	HZ634080	HZ634080	-	-	-	HZ634080
Full width wire shelf	-	-	HZ634000	HZ634000	HZ634000	-
Cosmetic decor strip	HZ66X600	HZ66X600	HZ66X600	HZ66X600	HZ66X600	HZ66X600
Ceramic oven to table dish 325mm x 175mm	HZ36D513P	HZ36D513P	HZ36D513P	HZ36D513P	HZ36D513P	HZ36D513P
Ceramic oven to table dish 325mm x 354mm	HZ36D533P	HZ36D533P	HZ36D533P	HZ36D533P	HZ36D533P	HZ36D533P

■ Yes, model has this feature. - Feature not available for this model.

¹Measured according norm EN 50304: 2014 update 65/2014 (models that are steam only or including microwave net subject to legislation). ²A+++ = more efficient, D = less efficient.

Single Oven Specifications

APPLIANCE TYPE	SINGLE OVENS					
Design family	IQ700	IQ700	IQ700	IQ700	IQ700	IQ700
Model number	HR676G6S6B	HB676G6S6B	HM656GNS6B	HB656G6S6B	HB672G6S1B	HB632G6S1B
	Black glass with steel trim					
DESIGN CHARACTERISTICS						
Stainless steel navigation control dial	■	■	■	■	■	■
TFT touchDisplay Plus	-	-	-	-	-	-
TFT touchDisplay	■	■	■	■	■	■
TFT Display	-	-	-	-	-	-
Full colour graphic display	-	-	-	-	-	-
Partial colour graphic display	■	■	■	■	■	■
Slimline bar handle	■	■	■	■	■	■
Illuminated key buttons	■	■	■	■	■	■
Drop down door	■	■	■	■	■	■
KEY FEATURES						
HomeConnect	■	■	■	■	-	-
activeClean® oven cleaning	■	■	■	■	■	■
roastingSensor Plus	-	-	-	-	-	-
bakingSensor Plus	-	-	-	-	-	-
coolStart	■	■	■	■	■	■
cookControl Plus	■	■	■	■	■	■
Electronic control	■	■	■	■	■	■
Digital temperature display with proposal	■	■	■	■	■	■
Heating up indicator	■	■	■	■	■	■
Residual heat indicator	■	■	■	■	■	■
Actual temperature display	■	■	■	■	■	■
Sabbath setting	■	■	■	■	■	■
softMove door opening and closing	-	-	1	-	-	-
Telescopic rail (levels)	-	-	1	-	-	-
FEATURES						
Back / roof / side ecoClean®Direct liners	- / - / -	- / - / -	■ / ■ / ■	■ / ■ / ■	- / - / -	■ / - / -
ecoClean® setting	-	-	-	-	-	-
Interior lights, halogen with softLight	-	-	-	-	-	-
Ceiling integrated LED	■	■	■	■	■	■
Multilevel LED	■	■	■	■	■	■
Light on/off when oven door opened/closed	■	■	■	■	■	■
Smooth enamelled oven interior	■	■	■	■	■	■
Full glass inner door	■	■	■	■	■	■
Door glazing	Quadruple	Quadruple	Triple	Triple	Quadruple	Triple
Number of shelf positions	5	5	5	5	5	5
Electronic clock timer	■	■	■	■	■	■
Main on/off switch	■	■	■	■	■	■
Control panel lock	■	■	■	■	■	■
Automatic safety switch off	■	■	■	■	■	■
Door lock	■	■	■	■	■	■
Water tank empty indicator	■	■	■	■	■	■
PROGRAMMES / FUNCTIONS						
hotAirEco	■	■	■	■	■	■
4D hotAir cooking	■	■	■	■	■	■
Microwave	■	■	■	■	■	■
Number of Microwave combination options	-	-	-	-	5	-
coolStart	■	■	■	■	■	■
Full width surface grill	■	■	■	■	■	■
Centre surface grill	■	■	■	■	■	■
hotAir grilling	■	■	■	■	■	■
Pizza Setting	■	■	■	■	■	■
Conventional	■	■	■	■	■	■
Conventional Eco	■	■	■	■	■	■
Intensive heat	■	■	■	■	■	■
Bottom heat	■	■	■	■	■	■
Keep warm	■	■	■	■	■	■
Plate warming	■	■	■	■	■	■
Low temperature cooking	■	■	■	■	■	■
Drying	■	■	■	■	■	■
Fast pre-heating function	■	■	■	■	■	■
ADDITIONAL FUNCTIONS WITH STEAM						
fullSteam	-	-	-	-	-	-
Sous Vide Function	-	-	-	-	-	-
pulseSteam	■	■	■	■	■	■
Number of pulseSteam combination options	6	-	-	-	-	-
Dough proving	■	■	■	■	■	■
Reheating	■	■	■	■	■	■
Defrost	-	-	-	-	-	-
Descaling programme	■	■	■	■	■	■
Cavity drying function	■	■	■	■	■	■
PERFORMANCE / TECHNICAL INFORMATION						
Cavity dimensions H x W x D (mm)	357 x 480 x 415	357 x 480 x 415	357 x 480 x 392	357 x 480 x 415	357 x 480 x 415	357 x 480 x 415
Oven capacity (litres)	71	71	67	71	71	71
Water tank capacity (litres)	-	-	-	-	-	-
Maximum microwave power (W)	-	-	800	-	-	-
Number of microwave power levels	-	-	5	-	-	-
Energy efficiency class ^{1,2}	-	A+	A+	-	A+	A+
Efficiency declared on	-	hotAir	hotAir	-	hotAir	hotAir
Energy consumption 4D hotAir (kWh)	-	0.69	0.69	-	0.69	0.69
Energy consumption conventional (kWh)	-	0.87	0.87	-	0.87	0.87
Time to cook standard load (mins)	-	44	44	-	44	44
Largest baking sheet area (cm)	1290	1290	1290	1290	1290	1290
Nominal voltage (volts)	220-240	220-240	220-240	220-240	220-240	220-240
Total connected loading (watts)	3600	3600	3600	3600	3600	3600
Cable length (cm)	120	120	120	120	120	120
STANDARD ACCESSORIES						
Full width enamelled pan	1	1	1	1	1	1
Pan insert grid	-	-	-	-	-	-
Wire shelves	2	2	2	2	2	2
Steam tray, perforated (S / L / XL)	-	-	-	-	-	-
Steam tray (S / L / XL)	-	-	-	-	-	-
1 level telescopic rail	-	-	■	-	-	-
3 level telescopic rail	-	-	-	-	-	-
OPTION						

Double Oven Specifications

APPLIANCE TYPE	BUILT-IN DOUBLE OVENS					
Design family	IQ500		IQ500		IQ500	
Model number	HB55MB551B		HB43MB520B		HB13MB521B	
	Black		-		-	
DESIGN CHARACTERISTICS	MAIN OVEN	2ND OVEN	MAIN OVEN	2ND OVEN	MAIN OVEN	2ND OVEN
115mm control panel	■	■	■	■	■	■
Glass and metal fascia	■	■	■	■	■	■
Metal fascia	■	■	■	■	■	■
Retractable control dial(s)	2	2	2	2	1	2
White display with blue indicator lights	■	■	■	■	■	■
Push buttons	■	■	■	■	■	■
Standard bar handle	■	■	■	■	■	■
KEY FEATURES	MAIN OVEN	2ND OVEN	MAIN OVEN	2ND OVEN	MAIN OVEN	2ND OVEN
Electronic control	■	■	■	■	■	■
Digital temperature display with proposal	■	■	■	■	■	■
Heating up indicator	■	■	■	■	■	■
Actual temperature display	■	■	■	■	■	■
Residual heat indicator	■	■	■	■	■	■
Control panel lock	■	■	■	■	■	■
Automatic safety switch off	■	■	■	■	■	■
ecoClean® setting	■	■	■	■	■	■
Fast pre-heating function	■	■	■	■	■	■
FEATURES	MAIN OVEN	2ND OVEN	MAIN OVEN	2ND OVEN	MAIN OVEN	2ND OVEN
Back / roof / side ecoClean® liners	■ / ■ / ■	■ / ■ / ■	■ / ■ / ■	■ / ■ / ■	■ / - / -	■ / ■ / -
Electronic clock timer	■	■	■	■	■	■
Automatic on/off programmer	■	■	■	■	■	■
Interior lights	1	1	1	1	1	1
Smooth enamelled oven interior	■	■	■	■	■	■
Full glass inner door	■	■	■	■	■	■
Door glazing	Triple	Triple	Triple	Triple	Triple	Triple
Number of shelf positions	5	2	5	2	5	2
Easy fit shelf support rails	■	■	■	■	■	■
PROGRAMMES / FUNCTIONS	MAIN OVEN	2ND OVEN	MAIN OVEN	2ND OVEN	MAIN OVEN	2ND OVEN
hotairEco	■	■	■	■	■	■
3D hotAir cooking	■	■	■	■	■	■
Defrosting	■	■	■	■	■	■
Full width surface grill	■	■	■	■	■	■
Centre surface grill	■	■	■	■	■	■
hotAir grilling	■	■	■	■	■	■
Pizza setting	■	■	■	■	■	■
Conventional	■	■	■	■	■	■
Bottom heat	■	■	■	■	■	■
PERFORMANCE / TECHNICAL INFORMATION	MAIN OVEN	2ND OVEN	MAIN OVEN	2ND OVEN	MAIN OVEN	2ND OVEN
Cavity dimensions H x W x D (mm)	329 x 482 x 418	172 x 468 x 433	329 x 482 x 418	172 x 468 x 433	351 x 482 x 418	172 x 468 x 433
Oven capacity (litres)	66	35	66	35	71	35
Energy efficiency class ^{1,2}	A	B	A	B	A	B
Efficiency declared on	hotAir	Conventional	hotAir	Conventional	hotAir	Conventional
Energy consumption hotAir (kWh)	0.70	-	0.84	-	0.80	-
Energy consumption conventional (kWh)	0.96	0.79	0.96	0.79	-	0.79
Time to cook standard load (mins)	46	44	46	44	46	44
Largest baking sheet area (cm)	1350	1350	1350	1350	1350	1350
Nominal voltage (V)	240	-	240	-	240	-
Total connected loading (W)	5500	-	5500	-	4400	-
Cable length (cm)	-	-	-	-	-	-
STANDARD ACCESSORIES						
Full width enamelled pan	1		1		1	
Wire pan insert	1		1		1	
Wire shelves	3		3		3	

■ Yes, model has this feature. - Feature not available for this model.

¹Measured according norm EN 50304: 2014 update 65/2014 (models that are steam only or including microwave net subject to legislation).

²A+++ = more efficient, D = less efficient.

Double Oven Specifications

APPLIANCE TYPE	BUILT-UNDER DOUBLE OVENS					
Design family	IQ500		IQ500		IQ500	
Model number	HB55NB550B		HB43NB520B		HB13NB521B	
	Black		-		-	
DESIGN CHARACTERISTICS	MAIN OVEN	2ND OVEN	MAIN OVEN	2ND OVEN	MAIN OVEN	2ND OVEN
115mm control panel	■	■	■	■	■	■
Glass and metal fascia	■	■	■	■	■	■
Metal fascia	■	■	■	■	■	■
Retractable control dial(s)	2	2	2	2	1	2
White display with blue indicator lights	■	■	■	■	■	■
Push buttons	■	■	■	■	■	■
Standard bar handle	■	■	■	■	■	■
KEY FEATURES	MAIN OVEN	2ND OVEN	MAIN OVEN	2ND OVEN	MAIN OVEN	2ND OVEN
Electronic control	■	■	■	■	■	■
Digital temperature display with proposal	■	■	■	■	■	■
Heating up indicator	■	■	■	■	■	■
Actual temperature display	■	■	■	■	■	■
Residual heat indicator	■	■	■	■	■	■
Control panel lock	■	■	■	■	■	■
Automatic safety switch off	■	■	■	■	■	■
ecoClean® setting	■	■	■	■	■	■
Fast pre-heating function	■	■	■	■	■	■
FEATURES	MAIN OVEN	2ND OVEN	MAIN OVEN	2ND OVEN	MAIN OVEN	2ND OVEN
Back / roof / side ecoClean® liners	■ / ■ / ■	■ / ■ / ■	■ / ■ / ■	■ / ■ / ■	■ / - / -	■ / ■ / -
Electronic clock timer	■	■	■	■	■	■
Automatic on/off programmer	■	■	■	■	■	■
Interior lights	1	1	1	1	1	1
Smooth enamelled oven interior	■	■	■	■	■	■
Full glass inner door	■	■	■	■	■	■
Door glazing	Triple	Triple	Triple	Triple	Triple	Triple
Number of shelf positions	3	2	3	2	3	2
Easy fit shelf support rails	■	■	■	■	■	■
PROGRAMMES / FUNCTIONS	MAIN OVEN	2ND OVEN	MAIN OVEN	2ND OVEN	MAIN OVEN	2ND OVEN
hotairEco	■	■	■	■	■	■
3D hotAir cooking	■	■	■	■	■	■
Defrosting	■	■	■	■	■	■
Full width surface grill	■	■	■	■	■	■
Centre surface grill	■	■	■	■	■	■
hotAir grilling	■	■	■	■	■	■
Pizza setting	■	■	■	■	■	■
Conventional	■	■	■	■	■	■
Bottom heat	■	■	■	■	■	■
PERFORMANCE / TECHNICAL INFORMATION	MAIN OVEN	2ND OVEN	MAIN OVEN	2ND OVEN	MAIN OVEN	2ND OVEN
Cavity dimensions H x W x D (mm)	255 x 468 x 418	172 x 468 x 433	255 x 468 x 418	172 x 468 x 433	285 x 468 x 418	172 x 468 x 433
Oven capacity (litres)	50	35	50	35	56	35
Energy efficiency class ^{1,2}	A	B	A	B	A	B
Efficiency declared on	hotAir	Conventional	hotAir	Conventional	hotAir	Conventional
Energy consumption hotAir (kWh)	0.80	-	0.80	-	0.70	-
Energy consumption conventional (kWh)	0.89	0.79	0.89	0.79	-	0.79
Time to cook standard load (mins)	46	44	46	44	46	44
Largest baking sheet area (cm)	1350	1350	1350	1350	1350	1350
Nominal voltage (V)	240	-	240	-	240	-
Total connected loading (W)	4900	-	4900	-	4900	-
Cable length (cm)	-	-	-	-	-	-
STANDARD ACCESSORIES						
Full width enamelled pan	1		1		1	
Wire pan insert	1		1		1	
Wire shelves	2		2		2	

■ Yes, model has this feature. - Feature not available for this model.

¹Measured according norm EN 50304: 2014 update 65/2014 (models that are steam only or including microwave net subject to legislation).

²A+++ = more efficient, D = less efficient.

Compact Oven Specifications

APPLIANCE TYPE	COMPACT OVENS			
	IQ700	IQ700	IQ700	IQ700
Design family	Black glass with steel trim	Black glass with steel trim	Black glass with steel trim	Black glass with steel trim
Model number	CM678G4S6B	CS658GR56B	CM656G8S6B	CB675GB51B
DESIGN CHARACTERISTICS				
Stainless steel navigation control dial	■	■	■	■
TFT touchDisplay Plus	■	■	■	■
TFT touchDisplay	■	■	■	■
TFT Display	■	■	■	■
Full colour graphic display	■	■	■	■
Partial colour graphic display	■	■	■	■
Slimline bar handle	■	■	■	■
Illuminated key buttons	■	■	■	■
Drop down door	■	■	■	■
KEY FEATURES				
HomeConnect	■	■	■	■
activeClean® oven cleaning	■	■	■	■
roastingSensor Plus	■	■	■	■
bakingSensor Plus	■	■	■	■
coolStart	■	■	■	■
cookControl Plus	■	■	■	■
Automatic programmes	■	■	■	10
Electronic control	■	■	■	■
Digital temperature display with proposal	■	■	■	■
Heating up indicator	■	■	■	■
Residual heat indicator	■	■	■	■
Actual temperature display	■	■	■	■
Sabbath setting	■	■	■	■
softMove door opening and closing	■	■	■	■
Telescopic rail (levels)	1	1	■	■
FEATURES				
Back / roof / side ecoClean®Direct liners	- / - / -	■ / ■ / ■	■ / ■ / ■	- / - / -
ecoClean® setting	■	■	■	■
Interior lights, halogen	■	■	■	■
Ceiling integrated LED	■	■	■	■
Standard internal light	■	■	■	■
Light on/off when oven door opened/closed	■	■	■	■
Smooth enamelled oven interior	■	■	■	■
Full glass inner door	■	■	■	■
Door glazing	Quadruple	Triple	Triple	Quadruple
Number of shelf positions	3	3	3	3
Electronic clock timer	■	■	■	■
Main on/off switch	■	■	■	■
Control panel lock	■	■	■	■
Automatic safety switch off	■	■	■	■
Door lock	■	■	■	■
Water tank empty indicator	■	■	■	■
PROGRAMMES / FUNCTIONS				
hotAirEco	■	■	■	■
4D hotAir cooking	■	■	■	■
Microwave	■	■	■	■
Number of Microwave combination options	5	■	5	■
coolStart	■	■	■	■
Full width surface grill	■	■	■	■
Centre surface grill	■	■	■	■
hotAir grilling	■	■	■	■
Pizza setting	■	■	■	■
Conventional	■	■	■	■
Conventional Eco	■	■	■	■
Intensive heat	■	■	■	■
Bottom heat	■	■	■	■
Keep warm	■	■	■	■
Plate warming	■	■	■	■
Low temperature cooking	■	■	■	■
Drying	■	■	■	■
Fast pre-heating function	■	■	■	■
ADDITIONAL FUNCTIONS WITH STEAM				
fullSteam	■	■	■	■
pulseSteam	■	■	■	■
Number of pulseSteam combination options	■	6	■	■
Dough proving	■	■	■	■
Reheating	■	■	■	■
Defrost	■	■	■	■
Descaling programme	■	■	■	■
Cavity drying function	■	■	■	■
PERFORMANCE / TECHNICAL INFORMATION				
Cavity dimensions H x W x D (mm)	237 x 480 x 392	235 x 480 x 415	237 x 480 x 392	235 x 480 x 415
Oven capacity (litres)	45	47	45	47
Water tank capacity (litres)	■	1.0	■	1.0
Maximum Microwave power (W)	900	■	900	■
Number of Microwave power levels	5	■	5	■
Energy efficiency class ^{1,2}	■	A+	■	A+
Efficiency declared on	■	hotAir	■	hotAir
Energy consumption 4D hotAir (kWh)	■	0.61	■	0.61
Energy consumption conventional (kWh)	■	0.73	■	0.73
Time to cook standard load (mins)	■	41	■	46
Largest baking sheet area (cm)	1290	1290	1290	1290
Nominal voltage (V)	220-240	220-240	220-240	220-240
Total connected loading (W)	3600	3300	3600	3300
Cable length (cm)	150	150	150	150
STANDARD ACCESSORIES				
Full width enamelled pan	1	1	1	1
Wire shelves	2	1	1	1
Steam tray, perforated (S / L / XL)	■	S / XL	■	■
Steam tray (S / L / XL)	■	S	■	■
1 level telescopic rail	■	■	■	■
OPTIONAL ACCESSORIES				
1 level telescopic shelf rail	■	HZ638D10	■	HZ638D10
Full width enamelled baking sheet	HZ631070	HZ631070	■	HZ631070
Full width wire shelf for ovens with microwave	HZ634080	■	■	HZ634080
Full width wire shelf	■	HZ664000	■	HZ664000
Cosmetic decor strip	HZ66X600	HZ66X600	■	HZ66X600
Ceramic oven to table dish 325mm x 175mm	HZ36D513P	HZ36D513P	■	HZ36D513P
Ceramic oven to table dish 325mm x 354mm	HZ36D533P	HZ36D533P	■	HZ36D533P

■ Yes, model has this feature. – Feature not available for this model.

¹Measured according norm EN 50304: 2014 update 65/2014 (models that are steam only or including microwave net subject to legislation). ²A+++ = more efficient, D = less efficient.

Compact Microwave Oven and Steamer Specifications

APPLIANCE TYPE	COMPACT MICROWAVE OVENS			COMPACT STEAMER	
	IQ700	IQ700	IQ700	IQ700	IQ700
Design family	Black glass with steel trim	Black glass with steel trim	Black glass with steel trim	Black glass with steel trim	Black glass with steel trim
Model number	CM676GB56B	CS656GB56B	CM633GB51B	CF634AGS1B	CD634GB51B
DESIGN CHARACTERISTICS					
Stainless steel navigation control dial	■	■	■	■	■
TFT touchDisplay Plus	■	■	■	■	■
TFT touchDisplay	■	■	■	■	■
TFT Display	■	■	■	■	■
Full colour graphic display	■	■	■	■	■
Partial colour graphic display	■	■	■	■	■
Slimline bar handle	■	■	■	■	■
Illuminated key buttons	■	■	■	■	■
Drop down door	■	■	■	■	■
KEY FEATURES					
HomeConnect	■	■	■	■	■
activeClean® oven cleaning	■	■	■	■	■
roastingSensor Plus	■	■	■	■	■
bakingSensor Plus	■	■	■	■	■
coolStart	■	■	■	■	■
cookControl Plus	■	■	■	■	■
Automatic programmes	■	■	14	7	17
Electronic control	■	■	■	■	■
Digital temperature display with proposal	■	■	■	■	■
Heating up indicator	■	■	■	■	■
Residual heat indicator	■	■	■	■	■
Actual temperature display	■	■	■	■	■
Sabbath setting	■	■	■	■	■
softMove door opening and closing	■	■	■	■	■
Telescopic rail (levels)	■	■	■	■	■
FEATURES					
Back / roof / side ecoClean®Direct liners	- / - / -	■ / ■ / ■	- / - / -	- / - / -	- / - / -
ecoClean® setting	■	■	■	■	■
Interior lights, halogen	■	■	■	■	■
Ceiling integrated LED	■	■	■	■	■
Standard internal light	■	■	■	■	■
Light on/off when oven door opened/closed	■	■	■	■	■
Smooth enamelled oven interior	■	■	■	Stainless steel	Stainless steel
Full glass inner door	■	■	■	■	■
Door glazing	Quadruple	Triple	Quadruple	Double	Triple
Number of shelf positions	3	3	3	■	4
Electronic clock timer	■	■	■	■	■
Main on/off switch	■	■	■	■	■
Control panel lock	■	■	■	■	■
Automatic safety switch off	■	■	■	■	■
Door lock	■	■	■	■	■
Water tank empty indicator	■	■	■	■	■
PROGRAMMES / FUNCTIONS					
hotAirEco	■	■	■	■	■
4D hotAir cooking	■	■	■	■	■
Microwave	■	■	■	■	■
Number of Microwave combination options	5	5	2	■	■
coolStart	■	■	■	■	■
Full width surface grill	■	■	■	■	■
Centre surface grill	■	■	■	■	■
hotAir grilling	■	■	■	■	■
Pizza setting	■	■	■	■	■
Conventional	■	■	■	■	■
Conventional Eco	■	■	■	■	■
Intensive heat	■	■	■	■	■
Bottom heat	■	■	■	■	■
Keep warm	■	■	■	■	■
Plate warming	■	■	■	■	■
Low temperature cooking	■	■	■	■	■
Drying	■	■	■	■	■
Fast pre-heating function	■	■	■	■	■
ADDITIONAL FUNCTIONS WITH STEAM					
fullSteam	■	■	■	■	■
pulseSteam	■	■	■	■	■
Number of pulseSteam combination options	■	6	■	■	■
Dough proving	■	■	■	■	■
Reheating	■	■	■	■	■
Defrost	■	■	■	■	■
Descaling programme	■	■	■	■	■
Cavity drying function	■	■	■	■	■
PERFORMANCE / TECHNICAL INFORMATION					
Cavity dimensions H x W x D (mm)	237 x 480 x 392	235 x 480 x 415	237 x 480 x 392	242 x 430 x 345	265 x 325 x 439
Oven capacity (litres)	45	47	45	36	38
Water tank capacity (litres)	■	1.0	■	■	1.3
Maximum Microwave power (W)	900	■	900	900	■
Number of Microwave power levels	5	■	5	5	■
Energy efficiency class ^{1,2}	■	A+	■	■	■
Efficiency declared on	■	hotAir	■	■	■
Energy consumption 4D hotAir (kWh)	■	0.61	■	■	■
Energy consumption conventional (kWh)	■	0.73	■	■	■
Time to cook standard load (mins)	■	41	■	■	■
Largest baking sheet area (cm)	1290	1290	1290	1290	■
Nominal voltage (V)	220-240	220-240	220-240	220-240	220-240
Total connected loading (W)	3600	3300	3600	1220	1900
Cable length (cm)	150	150	150	150	150
STANDARD ACCESSORIES					
Full width enamelled pan	1	1	1	Glass pan	1
Wire shelves	1	1	1	■	1
Steam tray, perforated (S / L / XL)	■	■	■	■	L
Steam tray (S / L / XL)	■	S	■	■	L
1 level telescopic rail	■	■	■	■	■
OPTIONAL ACCESSORIES					
1 level telescopic shelf rail	■	HZ638D10	■	■	■
Full width enamelled baking sheet	HZ631070	HZ631070	■	HZ631070	■
Full width wire shelf for ovens with microwave	HZ634080	■	■	HZ634080	■
Full width wire shelf	■	HZ664000	■	■	■
Cosmetic decor strip	HZ66X600	HZ66X600	■	■	HZ66X600
Ceramic oven to table dish 325mm x 175mm	HZ36D513P	HZ36D513P	■	HZ36D513P	■
Ceramic oven to table dish 325mm x 354mm	HZ36D533P	HZ36D533P	■	HZ36D533P	■

■ Yes, model has this feature. – Feature not available for this model.

¹Measured according norm EN 50304: 2014 update 65/2014 (models that are steam only or including microwave net subject to legislation). ²A+++ = more efficient, D = less efficient.

Coffee Centre Specifications

APPLIANCE TYPE	COMPACT COFFEE CENTRE	
Design family	IQ700	
Model number	Black, stainless steel	CT636LES6
DESIGN CHARACTERISTICS		
Stainless steel navigation control dial	■	
TFT touchDisplay Plus	-	
TFT touchDisplay	■	
TFT clearText display	-	
Full colour graphic display	-	
Partial colour graphic display	■	
Retractable controls	-	
Illuminated key buttons	-	
Left hinged door to access interior	■	
KEY FEATURES		
Electronic control	■	
sensioFlow system	■	
Aroma pressure system	■	
Auto valve system	■	
aromaDoubleShot	■	
Automatic steam blast milk cleaning function	■	
oneTouch preparation	■	
FEATURES		
Main on/off switch	■	
Bean container / ground coffee container	■ / ■	
Container empty warning indicators for water / beans	■ / ■	
Cleaning / descaling / filter warning indicators	■ / ■ / ■	
Ceramic coffee grinders	■	
Multilevel grinding setting	■	
Cup illumination	■	
Height adjustable coffee outlet (mm)	7-15	
Height adjustable milk nozzle (mm)	7-15	
Removable, insulated milk container	■	
Removable water tank	■	
Adjustable automatic switch off setting	■	
Integrated water filter	■	
Removable spillage collection tray	■	
Removable used coffee grounds collection container	■	
PROGRAMMES / FUNCTIONS		
myCoffee – personalised beverage settings	1 or 2 cup	
Milk foam	1 or 2 cup	
Hot water	1 or 2 cup	
Warm milk	1 or 2 cup	
Ristretto	1 or 2 cup	
Coffee	1 or 2 cup	
Espresso	1 or 2 cup	
Cappuccino	1 or 2 cup	
Latte Macchiato	1 or 2 cup	
Caffe latte	1 or 2 cup	
Espresso Macchiato	1 or 2 cup	
One touch function for milk drinks	■	
Coffee temperature options	3	
Hot water temperature options	4	
Milk foam / frothing function	■ / ■	
Warm milk function	■	
Cleaning / descaling programmes	■ / ■	
Automatic rinse when switched on/off	■	
PERFORMANCE / TECHNICAL INFORMATION		
Recommended installation height (mm)	950-1450	
Installation in a tall housing	■	
Brewing chamber volume (g)	8-12	
Bean container capacity (g)	500	
Ground coffee container	■	
Water tank capacity (litres)	2.4	
Total connected loading (kW)	1.6	
Cable length (cm)	170	
STANDARD ACCESSORIES		
Insulated milk container capacity (litres)	0.5	
Milk pipe	■	
Coffee measuring spoon	■	

■ Yes, model has this feature. – Feature not available for this model.

Microwave Specifications

APPLIANCE TYPE	MICROWAVES			
Design family	IQ700			
Model number	Black	BE634LGS1B	BF634LGS1B	HF24M564B
	Black, stainless steel	-	-	HF15M564B
DESIGN CHARACTERISTICS				
Stainless steel navigation control dial	■			
TFT Display	■			
Retractable control with push buttons	-			
Side opening door	■			
Control panel position	Below, horizontal	Below, horizontal	Right, vertical	Right, vertical
FEATURES				
Installation in wall unit / tall housing	■ / ■			
Full width frameless design	■			
Frame / trim kit	-			
Electronic clock	■			
clearText display	■			
Full glass inner door	■			
Glazed door (quadruple / triple / double)	Double	Double	Double	Double
Automatic programmes	10	7	7	7
Memory settings	-	-	1	1
Maximum cooking time duration (mins)	90	90	99	99
Electronic door opening	■			
Push button door opening	-			
Hinge	Left	Left	Left	Left
Internal light	1	1	1	1
Stainless steel interior	■			
PROGRAMMES / FUNCTIONS				
Microwave	■			
Quartz grill	-			
Microwave / grill combination	-			
PERFORMANCE / TECHNICAL INFORMATION				
Cavity dimensions H x W x D mm	220 x 350 x 270	220 x 350 x 270	208 x 328 x 369	201 x 308 x 382
Oven capacity litres	21	21	25	20
Maximum microwave power (W)	900	900	900	800
Number of microwave power levels	5	5	5	5
Microwave distribution	Stirrer	Stirrer	Turntable	Turntable
Turntable diameter (mm)	-	-	315	255
Total connected load (kW)	1.99	1.22	1.45	1.27
Cable length (cm)	150	150	130	130
GB plug	■			
STANDARD ACCESSORIES				
Glass pan	1			
Insert grid	1			

■ Yes, model has this feature. – Feature not available for this model.

Warming and Accessory Drawer Specifications

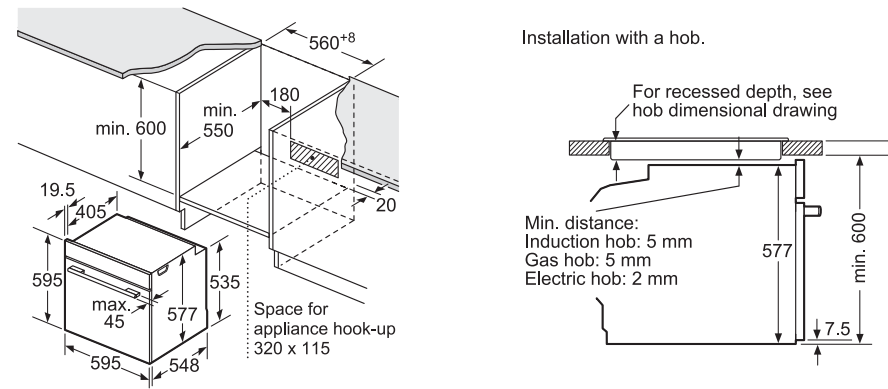
APPLIANCE TYPE	WARMING DRAWERS	
Design family	IQ700	
Model number	Black, stainless steel	BI630DNS1B
Type	29cm high warming drawer	14cm high warming drawer
DESIGN CHARACTERISTICS		
Vacuum drawer	-	
Warming drawer	■	
Accessory drawer	-	
FEATURES		
Operating indicator light	■	
Electronic control	■	
Rotary temperature control dial	■	
Touch control	-	
Number of temperature settings	4	
Number of vacuum seal time settings	-	
Number of vacuum sealing levels-bags / containers	-	
Glass safety lid	-	
Maximum temperature (°C)	80	
Minimum temperature (°C)	40	
Ceramic glass base	■	
PROGRAMMES / FUNCTIONS		
Vacuum drawer	-	
Plate warming	■	
Hold warm	■	
Defrost	■	
Low temperature cooking	■	
TECHNICAL INFORMATION		
Install independently	■	
Install with compact appliance	■	
Install with a single oven	■	
Push-pull opening mechanism	■	
Drawer interior volume (litres)	52	
Interior drawer dimensions H x W x D	242 x 468 x 458	92 x 468 x 458
Vacuum chamber dimensions W x D	-	
Installation in a tall housing	■	
Installation under work surface	■	
Maximum weight capacity (kg)	25	
Total connected loading (kW)	0.81	
Cable length (cm)	150	
GB plug	■	

■ Yes, model has this feature. – Feature not available for this model.

Oven Technical Diagrams

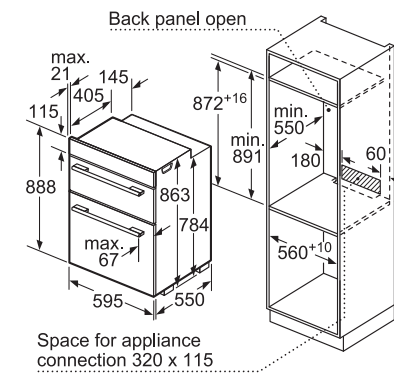
Single ovens HN678GES6B, HM678G4S6B, HR678GES6B, HB678GBS6B, HS658GES6B, HM676GOS6B, HR676GBS6B, HB676GBS6B, HM656GNS6B, HB656GBS6B, HB672GBS1B and HB632GBS1B

Technical illustrations for all single ovens.



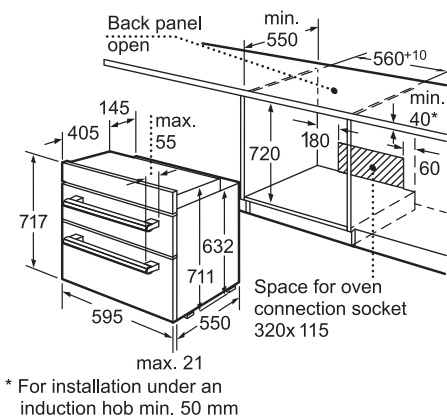
Built-in double ovens HB55MB551B, HB43MB520B, HB13MB521B and HB13MB621B

Technical illustrations for all built-in double ovens.



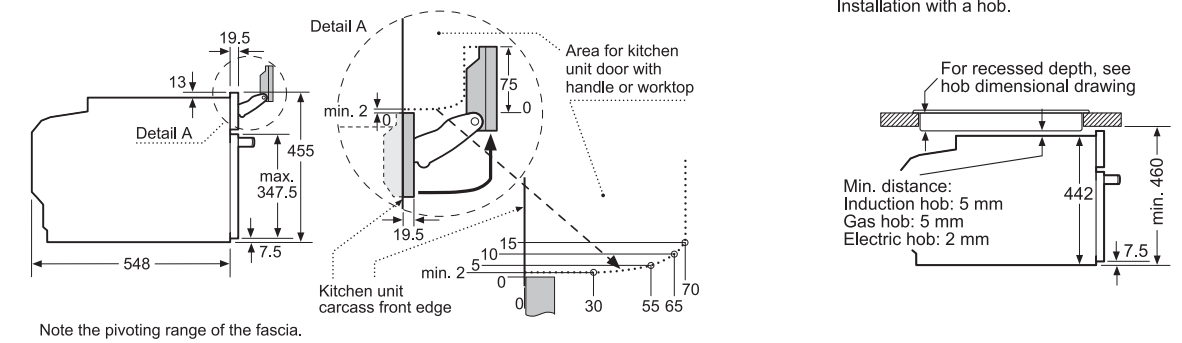
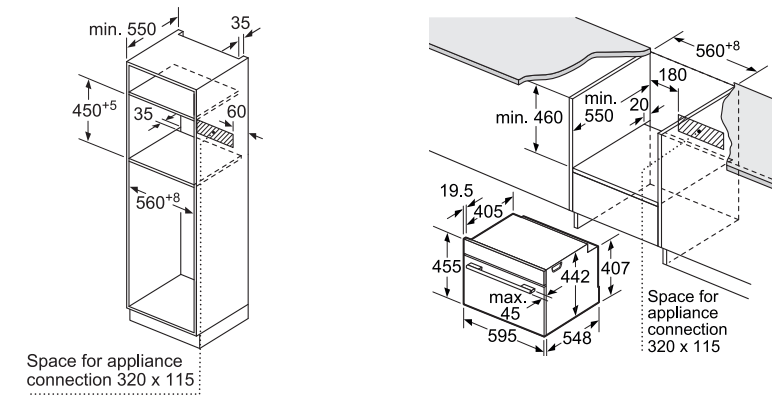
Built-under double ovens HB55NB550B, HB43NB520B, HB13NB521B and HB13NB621B

Technical illustrations for all built-under double ovens.

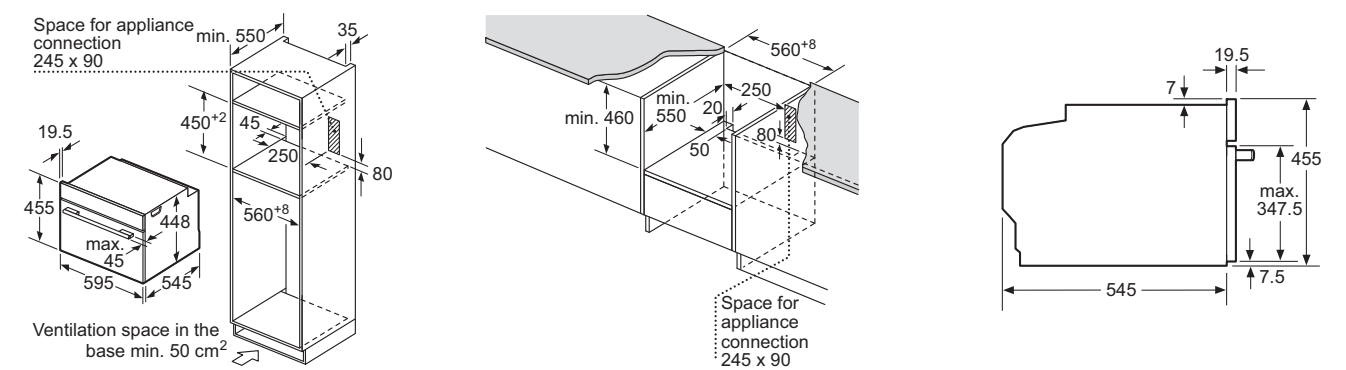


Compact Appliance Technical Diagrams

Compact ovens, compact steamers and compact microwave ovens CM678G4S6B, CS658GRS6B, CM656GBS6B, CB675GBS1B, CM676GBS6B, CS656GBS6B, CM633GBS1B and CD634GBS1B

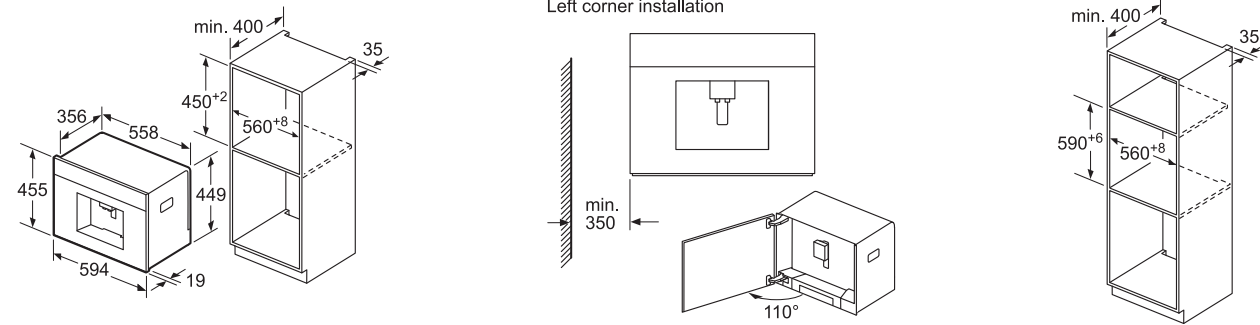


Microwave oven CF634AGS1B

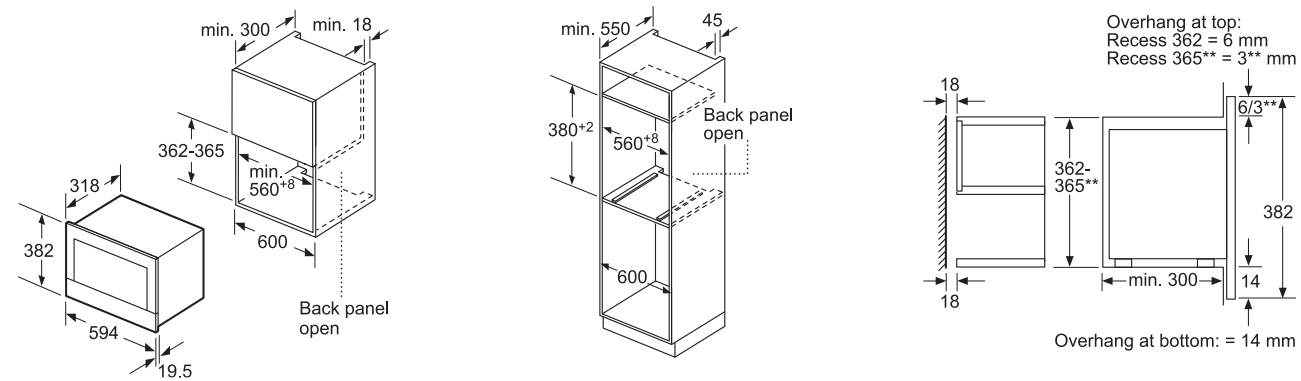


Compact Appliance Technical Diagrams

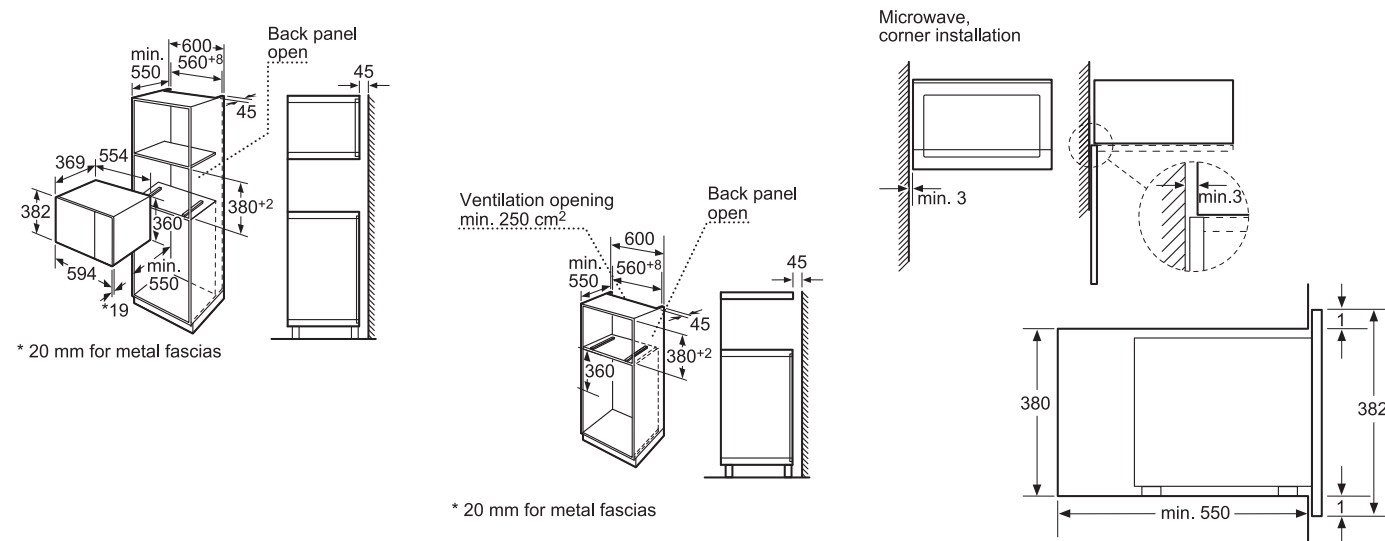
Coffee centre CT636LE56



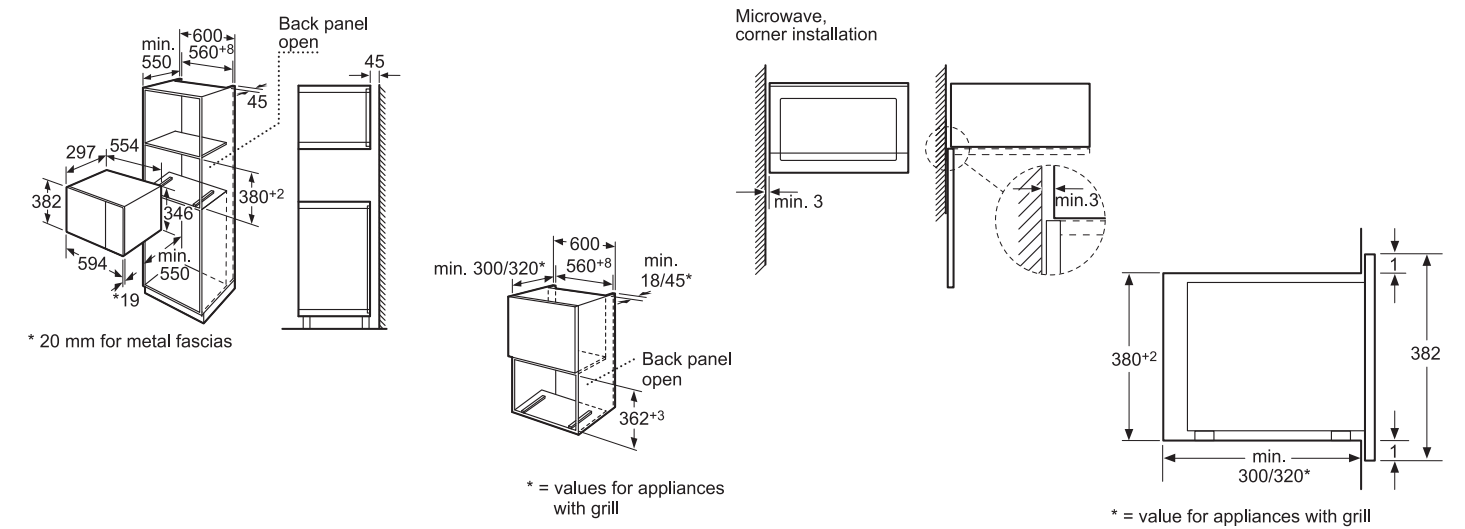
Microwaves BE634LGS1B and BF634LGS1B



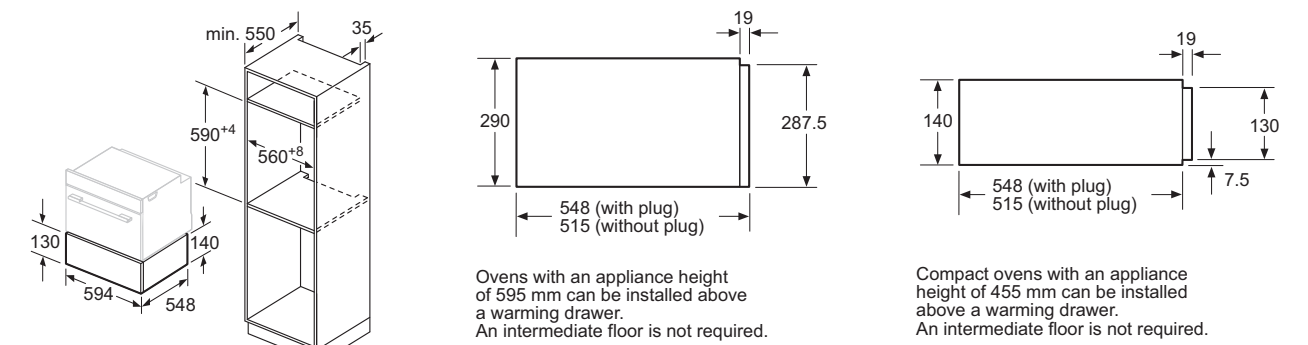
Microwave HF24M564B



Microwaves HF15M664B and HF15M564B



Warming drawers BI630DNS1B and BI630CNS1B



Venting Hob Specifications

APPLIANCE TYPE	VENTING HOB	
Design family	IQ700	
Model number	EX875LX34E	
DESIGN		
Width (mm)	812	
Control position	Front	
Control type	Dual lightSlider	
Style	Stainless steel trim	
KEY FEATURES		
Integrated downdraft extractor	■	
Fully automatic extraction via air quality sensor	■	
cookingSensor ready ¹	HZ39050 required	
Wireless sensor settings for hob	5 settings	
fryingSensor Plus	5 settings	
Number of flexInduction zones	2	
Digital display	■	
HOB FEATURES		
Number of individual zones	4	
Power levels	17	
powerBoost	■	
panBoost	■	
powerMove Plus	3 stages	
Automatic setting transfer	■	
Energy consumption display	■	
Timer with automatic switch off for each zone	■	
Count up timer	■	
quickStart	■	
reStart	■	
Keep warm function	■	
Wipe protection function	■	
Can be combined with other models with comfort profile	■	
HOOD FEATURES		
climateControl sensor	■	
Ducted operation using accessory kit	HZ381400	
Recirculating operation using accessory kits	HZ381400 / HZ381500	
Metal grease filter	■	
Power levels	9	
Intensive setting	1	
Automatic intensive revert setting	6 minutes	
Automatic or manual control	Automatic	
Automatic after running	6 minutes	
Interval operation	■	
Dishwasher safe cast iron air inlet grid / standing area	■	
Dishwasher safe filter cassette with spillage collection	200ml capacity	
Dishwasher spillage overflow collector	2L capacity	
Electronic grease filter / cleanAir filter saturation indicators	■ / ■	
SAFETY FEATURES		
Main on/off switch	■	
Two stage residual heat indicators	■	
Safety lock	■	
Automatic pan recognition	■	
Timed safety switch off	■	
PERFORMANCE / TECHNICAL INFORMATION – HOB		
Nominal voltage (V)	220-240	
Maximum power output (W)	7,400	
Electrical cable length (cm)	120	
Rear left flexInduction zone – power (kW) / dimensions (mm)	2.20	200 x 240
Rear right flexInduction zone – power (kW) / dimensions (mm)	2.20	200 x 240
Front left flexInduction zone – power (kW) / dimensions (mm)	2.20	200 x 240
Front right flexInduction zone – power (kW) / dimensions (mm)	2.20	200 x 240
flexInduction zone left – power (kW) / dimensions (mm)	3.30	400 x 240
flexInduction zone right – power (kW) / dimensions (mm)	3.30	400 x 240
Rear left zone – with powerBoost (max. kW)	3.70	
Rear right zone – with powerBoost (max. kW)	3.70	
Front left zone – with powerBoost (max. kW)	3.70	
Front right zone – with powerBoost (max. kW)	3.70	
PERFORMANCE / TECHNICAL INFORMATION – HOOD		
Extractor Energy Efficiency Rating	A	
Extraction rate in m³/h^(2,3)		
- ducted / recirculating power level Minimum	350 / 300	
- ducted / recirculating power level Maximum	530 / 480	
- ducted / recirculating power level Intensive	690 / 600	
Max noise level (sound pressure) based on dB(A) re 20 µPa^(2,4)		
- ducted / recirculating power level Minimum	46 / 42	
- ducted / recirculating power level Maximum	54 / 55	
- ducted / recirculating power level Intensive	63 / 64	
Noise level (sound power) based on dB(A) re 1 pW^(2,5)		
- ducted / recirculating power level Minimum	58 / 54	
- ducted / recirculating power level Maximum	66 / 67	
- ducted / recirculating power level Intensive	75 / 75	
Motor power (W)	170	
OPTIONAL ACCESSORIES		
Wireless temperature sensor	HZ39050	
Set of four pans (3 x pans, 1 x sauté pan)	HZ390042	
Rectangular roasting pan with lid (approx. 320 x 200mm)	HZ390011	
Steamer pan insert of use with HEZ390011 roasting pan	HZ390012	
Teppan Yaki (approx. 300 x 200mm)	HZ390511	
Teppan Yaki (approx. 400 x 200mm)	HZ390512	
Griddle plate (approx. 400 x 200mm)	HZ390522	
cleanAir recirculating kit	HZ381500	
Exhaust kit	HZ381400	

■ Yes, model has this feature. – Feature not available for this model.
 All models comply with COMMISSION (EC) No. 1275/2008 with regard to ecodesign requirements for standby and off mode electric power consumption.
¹ Max 3 sensors at any time; one WSP provided.
² Air flow and noise declarations made in line with CECEC Code Of Conduct.
³ Measured according to EN61591 on largest pipe diameter.
⁴ Sound pressure measured according to EN60704-2-13 on largest pipe diameter.
⁵ Sound power measured according to EN60704-3 on largest pipe diameter.

flexInduction Hob Specifications

APPLIANCE TYPE	FLEXINDUCTION HOB'S					
Design family	IQ700		IQ700		IQ700	
Model number	EX975KXW1E		EX875KYW1E		EX875KYE1E	
DESIGN						
Width (mm)	912		812		612	
Control position	Front		Front		Front	
Control type	TFT touchControl		TFT touchControl		TFT touchControl	
Style	Stainless steel side trim		Stainless steel side trim		Stainless steel side trim	
KEY FEATURES						
HomeConnect	■		■		■	
cookConnect	■		■		■	
5" Full TFT touchDisplay	■		■		■	
3.5" Full TFT touchDisplay	-		-		-	
Dish categories	■		■		■	
cookingSensor Plus ¹	Ready		Ready		Ready	
Wireless sensor settings	5 settings		5 settings		5 settings	
fryingSensor Plus	5 settings		5 settings		5 settings	
Number of flexInduction zones	3		2		2	
Extended flexInduction zone ²	-		2		1	
Number of combiZones	-		-		-	
powerBoost	■		■		■	
panBoost	■		■		■	
powerMove Plus	3 stages		3 stages		3 stages	
Automatic setting transfer	■		■		■	
Energy consumption display	■		■		■	
*Plug & Play ³ 13A connection	-		-		-	
FEATURES						
Number of individual zones	5		4		4	
Power levels	17		17		17	
Digital display	■		■		■	
Timer with automatic switch off for each zone	■		■		■	
Count up timer	■		■		■	
quickStart	-		-		-	
reStart	■		■		■	
Keep warm function	■		■		■	
Wipe protection function	■		■		■	
SAFETY FEATURES						
Main on/off switch	■		■		■	
Two stage residual heat indicators (H/h)	■		■		■	
Safety lock	■		■		■	
Automatic pan recognition	■		■		■	
Timed safety switch off	■		■		■	
PERFORMANCE / TECHNICAL INFORMATION						
Nominal voltage (V)	220-240		220-240		220-240	
Maximum power output (W)	11,100		7,400		7,400	
Electrical cable length (cm)	110		110		110	
GB plug	-		-		-	
Rear left flexInduction zone – power (kW) / dimensions (mm)	2.20	200 x 240	2.20	200 x 230	2.20	200 x 230
Rear left zone – power (kW) / diameter (mm)	-	-	-	-	-	-
Rear right flexInduction zone – power (kW) / dimensions (mm)	2.20	200 x 240	2.20	200 x 230	2.20	200 x 230
Rear right zone – power (kW) / diameter (mm)	-	-	-	-	-	-
Rear centre zone – power (kW) / diameter (mm)	2.60	300 x 240	-	-	-	3.30
Front centre zone – power (kW) / diameter (mm)	-	-	-	-	-	-
Front left flexInduction zone – power (kW) / dimensions (mm)	2.20	200 x 240	2.20	200 x 230	2.20	200 x 230
Front left zone – power (kW) / diameter (mm)	-	-	-	-	-	-
Front right flexInduction zone – power (kW) / dimensions (mm)	2.20	200 x 240	2.20	200 x 230	2.20	200 x 230
Front right zone – power (kW) / diameter (mm)	-	-	-	-	-	-
flexInduction zone left – power (kW) / dimensions (mm)	3.30	400 x 240	3.30	400 x 230	3.30	400 x 230
flexInduction zone right – power (kW) / dimensions (mm)	3.30	400 x 240	3.30	400 x 230	3.30	400 x 230
Extended flexInduction rear left – power (kW) / dimensions (mm)	-	-	3.30	300 x 300	3.30	300 x 300
Extended flexInduction rear right – power (kW) / dimensions (mm)	-	-	3.30	300 x 300	3.30	300 x 300
combiZone left – power (kW) / dimensions (mm)	-	-	-	-	-	-
combiZone right – power (kW) / dimensions (mm)	-	-	-	-	-	-
Rear left zone – with powerBoost (max. kW)	3.70		3.70		3.70	
Rear right zone – with powerBoost (max. kW)	3.70		3.70		3.70	
Rear centre zone – with powerBoost (max. kW)	3.70		-		3.70	
Front centre zone – with powerBoost (max. kW)	-		-		-	
Front left zone – with powerBoost (max. kW)	3.70		3.70		3.70	
Front right zone – with powerBoost (max. kW)	3.70		3.70		3.70	
OPTIONAL ACCESSORIES						
Wireless temperature sensor	HZ39050		HZ39050		HZ39050	
Set of four pans (3 x pans, 1 x sauté pan)	HZ390042		HZ390042		HZ390042	
Rectangular roasting pan with lid (approx. 320 x 200mm)	HZ390011		HZ390011		HZ390011	
Steamer pan insert of use with HEZ390011 roasting pan	HZ390012		HZ390012		HZ390012	
Teppan Yaki (approx. 300 x 200mm)	HZ390512		HZ390512		HZ390512	
Teppan Yaki (approx. 400 x 200mm)	HZ390511		HZ390511		HZ390511	
Griddle plate (approx. 400 x 200mm)	HZ390522		HZ390522		HZ390522	

■ Yes, model has this feature. – Feature not available for this model.
 All models comply with COMMISSION (EC) No. 1275/2008 with regard to ecodesign requirements for standby and off mode electric power consumption.

¹ Max 3 sensors at any time. "Ready" identifies products with feature enabled, sensor available as additional purchase. If sensor is supplied, number supplied is detailed.
² On 60cm model, the single centre aux inductor can work only with either the left or right zones. On the 80cm models, there are two aux inductors, one allocated each to the left and right zones. No bridge is possible to use 2 aux zones together.

flexInduction Hob Specifications

APPLIANCE TYPE	FLEXINDUCTION HOBS				
Design family	IQ700	IQ700	IQ700	IQ700	IQ700
Model number	EX975LVC1E	EX675LXV1E	EX675LXC1E	EX275FXB1E	EX879FVC1E
DESIGN					
Width (mm)	912	602	602	912	812
Control position	Front	Front	Front	Front	Front
Control type	Dual lightSlider	Dual lightSlider	Dual lightSlider	touchSlider	touchSlider
Style	Stainless steel side trim	Stainless steel side trim	Stainless steel side trim	Stainless steel side trim	Stainless steel side trim
KEY FEATURES					
HomeConnect	–	■	–	–	–
cookConnect	–	■	–	–	–
5" Full TFT touchDisplay	–	–	–	–	–
3.5" Full TFT touchDisplay	–	–	–	–	–
Dish categories	–	–	–	–	–
cookingSensor Plus ¹	–	–	–	–	–
Wireless sensor settings	–	–	–	–	–
fryingSensor Plus	4 settings	4 settings	4 settings	–	4 settings
Number of flexInduction zones	2	2	2	2	1
Extended flexInduction zone ²	–	–	–	–	–
Number of combiZones	–	–	–	–	–
powerBoost	■	■	■	■	■
panBoost	■	■	■	■	■
powerMove Plus	3 stages	3 stages	3 stages	–	3 stages
Automatic setting transfer	■	■	■	■	–
Energy consumption display	■	■	■	■	■
'Plug & Play' 13A connection	–	–	–	–	–
FEATURES					
Number of individual zones	5	4	4	4	5
Power levels	17	17	17	17	17
Digital display	■	■	■	■	■
Timer with automatic switch off for each zone	■	■	■	■	■
Count up timer	■	■	■	■	■
quickStart	■	–	–	–	■
reStart	■	■	■	■	■
Keep warm function	■	■	■	■	■
Wipe protection function	■	■	■	■	■
SAFETY FEATURES					
Main on/off switch	■	■	■	■	■
Two stage residual heat indicators (H/h)	■	■	■	■	■
Safety lock	■	■	■	■	■
Automatic pan recognition	■	■	■	■	■
Timed safety switch off	■	■	■	■	■
PERFORMANCE / TECHNICAL INFORMATION					
Nominal voltage (V)	220-240	220-240	220-240	220-240	220-240
Maximum power output (W)	11,100	7,400	7,400	7,400	7,400
Electrical cable length (cm)	110	110	110	110	110
GB plug	–	–	–	–	–
Rear left flexInduction zone – power (kW) / dimensions (mm)	2.20 200 x 240	2.20 200 x 240	2.20 200 x 240	2.20 200 x 240	– –
Rear left zone – power (kW) / diameter (mm)	– –	– –	– –	– –	1.40 145
Rear right flexInduction zone – power (kW) / dimensions (mm)	2.20 200 x 240	2.20 200 x 240	2.20 200 x 240	2.20 200 x 240	2.20 200 x 210
Rear right zone – power (kW) / diameter (mm)	– –	– –	– –	– –	– –
Rear centre zone – power (kW) / diameter (mm)	3.30 300 x 240	– –	– –	– –	2.20 240
Front centre zone – power (kW) / diameter (mm)	– –	– –	– –	– –	– –
Front left flexInduction zone – power (kW) / dimensions (mm)	2.20 200 x 240	2.20 200 x 240	2.20 200 x 240	2.20 200 x 240	– –
Front left zone – power (kW) / diameter (mm)	– –	– –	– –	– –	1.80 180
Front right flexInduction zone – power (kW) / dimensions (mm)	2.20 200 x 240	2.20 200 x 240	2.20 200 x 240	2.20 200 x 240	2.20 200 x 210
Front right zone – power (kW) / diameter (mm)	– –	– –	– –	– –	– –
flexInduction zone left – power (kW) / dimensions (mm)	3.30 400 x 240	3.30 400 x 240	3.30 400 x 240	3.30 400 x 240	– –
flexInduction zone right – power (kW) / dimensions (mm)	3.30 400 x 240	3.30 400 x 240	3.30 400 x 240	3.30 400 x 240	3.30 400 x 210
Extended flexInduction rear left – power (kW) / dimensions (mm)	– –	– –	– –	– –	– –
Extended flexInduction rear right – power (kW) / dimensions (mm)	– –	– –	– –	– –	– –
combiZone left – power (kW) / dimensions (mm)	– –	– –	– –	– –	– –
combiZone right – power (kW) / dimensions (mm)	– –	– –	– –	– –	– –
Rear left zone – with powerBoost (max. kW)	3.70	3.70	3.70	3.70	2.20
Rear right zone – with powerBoost (max. kW)	3.70	3.70	3.70	3.70	3.70
Rear centre zone – with powerBoost (max. kW)	3.70	–	–	–	3.70
Front centre zone – with powerBoost (max. kW)	–	–	–	–	–
Front left zone – with powerBoost (max. kW)	3.70	3.70	3.70	3.70	3.10
Front right zone – with powerBoost (max. kW)	3.70	3.70	3.70	3.70	3.70
OPTIONAL ACCESSORIES					
Wireless temperature sensor	–	–	–	–	–
Set of four pans (3 x pans, 1 x sauté pan)	HZ390042	HZ390042	HZ390042	HZ390042	HZ390042
Rectangular roasting pan with lid (approx. 320 x 200mm)	HZ390011	HZ390011	HZ390011	HZ390011	HZ390011
Steamer pan insert of use with HEZ390011 roasting pan	HZ390012	HZ390012	HZ390012	HZ390012	HZ390012
Teppan Yaki (approx. 300 x 200mm)	HZ390512	HZ390512	HZ390512	HZ390512	HZ390512
Teppan Yaki (approx. 400 x 200mm)	HZ390511	HZ390511	HZ390511	HZ390511	HZ390511
Griddle plate (approx. 400 x 200mm)	HZ390522	HZ390522	HZ390522	HZ390522	HZ390522

■ Yes, model has this feature. – Feature not available for this model.

All models comply with COMMISSION (EC) No. 1275/2008 with regard to ecodesign requirements for standby and off mode electric power consumption.

¹Max 3 sensors at any time; one WSP provided.

²On 60cm model, the single centre aux inductor can work only with either the left or right zones. On the 80cm models, there are two aux inductors, one allocated each to the left and right zones. No bridge is possible to use 2 aux zones together.

flexInduction & Induction Hob Specifications

APPLIANCE TYPE	FLEXINDUCTION HOBS			INDUCTION HOBS	
Design family	IQ700	IQ700	IQ700	IQ500	IQ500
Model number	EX679FEC1E	EX851FVC1E	EX651FEC1E	ED851FWB1E	ED651FSB1E
DESIGN					
Width (mm)	602	812	602	802	602
Control position	Front	Front	Front	Front	Front
Control type	touchSlider	touchSlider	touchSlider	touchSlider	touchSlider
Style	Stainless steel side trim	Stainless steel side trim	Stainless steel side trim	Front bevel	Front bevel
KEY FEATURES					
HomeConnect	–	–	–	–	–
cookConnect	–	–	–	–	–
5" Full TFT touchDisplay	–	–	–	–	–
3.5" Full TFT touchDisplay	–	–	–	–	–
Dish categories	–	–	–	–	–
cookingSensor Plus ¹	–	–	–	–	–
Wireless sensor settings	–	–	–	–	–
fryingSensor Plus	5 settings	4 settings	5 settings	4 settings	–
Number of flexInduction zones	1	1	1	–	–
Extended flexInduction zone ²	–	–	–	–	–
Number of combiZones	–	–	–	1	1
powerBoost	■	■	■	■	■
panBoost	■	■	■	–	–
powerMove Plus	3 stages	3 stages	3 stages	–	2 stages
Automatic setting transfer	–	–	–	–	–
Energy consumption display	■	■	■	■	■
'Plug & Play' 13A connection	–	–	–	–	–
FEATURES					
Number of individual zones	4	5	4	5	4
Power levels	17	17	17	17	17
Digital display	■	■	■	■	■
Timer with automatic switch off for each zone	■	■	■	■	■
Count up timer	■	■	■	–	–
quickStart	■	■	■	■	■
reStart	■	■	■	■	■
Keep warm function	■	■	■	–	–
Wipe protection function	■	■	■	–	–
SAFETY FEATURES					
Main on/off switch	■	■	■	■	■
Two stage residual heat indicators (H/h)	■	■	■	■	■
Safety lock	■	■	■	■	■
Automatic pan recognition	■	■	■	■	■
Timed safety switch off	■	■	■	■	■
PERFORMANCE / TECHNICAL INFORMATION					
Nominal voltage (V)	220-240	220-240	220-240	220-240	220-240
Maximum power output (W)	7,400	7,400	7,400	7,400	6,800
Electrical cable length (cm)	110	110	110	110	110
GB plug	–	–	–	–	–
Rear left flexInduction zone – power (kW) / dimensions (mm)	2.20 190 x 240	– –	2.20 190 x 240	– –	– –
Rear left zone – power (kW) / diameter (mm)	– –	1.40 145	– –	1.40 145	2.20 210
Rear right flexInduction zone – power (kW) / dimensions (mm)	– –	2.20 200 x 210	– –	2.20 200 x 210	– –
Rear right zone – power (kW) / diameter (mm)	1.40 145	– –	1.40 145	– –	1.40 145
Rear centre zone – power (kW) / diameter (mm)	– –	2.20 240	– –	2.20 240	– –
Front centre zone – power (kW) / diameter (mm)	– –	– –	– –	– –	– –
Front left flexInduction zone – power (kW) / dimensions (mm)	2.20 190 x 240	– –	2.20 190 x 240	– –	– –
Front left zone – power (kW) / diameter (mm)	– –	1.80 180	– –	1.80 180	2.20 210
Front right flexInduction zone – power (kW) / dimensions (mm)	– –	2.20 200 x 210	– –	2.20 200 x 210	– –
Front right zone – power (kW) / diameter (mm)	2.20 210	– –	2.20 210	– –	1.80 180
flexInduction zone left – power (kW) / dimensions (mm)	3.30 380 x 240	– –	3.30 380 x 240	– –	– –
flexInduction zone right – power (kW) / dimensions (mm)	– –	3.30 400 x 210	– –	3.30 400 x 210	– –
Extended flexInduction rear left – power (kW) / dimensions (mm)	– –	– –	– –	– –	– –
Extended flexInduction rear right – power (kW) / dimensions (mm)	– –	– –	– –	– –	– –
combiZone left – power (kW) / dimensions (mm)	– –	– –	– –	– –	– –
combiZone right – power (kW) / dimensions (mm)	– –	– –	– –	– –	3.60 439 x 210
Rear left zone – with powerBoost (max. kW)	3.70	2.20	3.70	2.20	3.70
Rear right zone – with powerBoost (max. kW)	2.20	3.70	2.20	3.70	2.20
Rear centre zone – with powerBoost (max. kW)	–	3.70	–	3.70	–
Front centre zone – with powerBoost (max. kW)	–	–	–	–	–
Front left zone – with powerBoost (max. kW)	3.70	3.10	3.70	3.10	3.70
Front right zone – with powerBoost (max. kW)	3.70	3.70	3.70	3.70	3.10
OPTIONAL ACCESSORIES					
Wireless temperature sensor	–	–	–	–	–
Set of four pans (3 x pans, 1 x sauté pan)	HZ390042	HZ390042	HZ390042	HZ390042	HZ390042
Rectangular roasting pan with lid (approx. 320 x 200mm)	HZ390011	HZ390011	HZ390011	HZ390011	HZ390011
Steamer pan insert of use with HEZ390011 roasting pan	HZ390012	HZ390012	HZ390012	HZ390012	HZ390012
Teppan Yaki (approx. 300 x 200mm)	HZ390512	HZ390512	HZ390512	HZ390512	HZ390512
Teppan Yaki (approx. 400 x 200mm)	HZ390511	HZ390511	HZ390511	HZ390511	HZ390511
Griddle plate (approx. 400 x 200mm)	HZ390522	HZ390522	HZ390522	HZ390522	HZ390522

■ Yes, model has this feature. – Feature not available for this model.

All models comply with COMMISSION (EC) No. 1275/2008 with regard to ecodesign requirements for standby and off mode electric power consumption.

¹Max 3 sensors at any time; one WSP provided.

²On 60cm model, the single centre aux inductor can work only with either the left or right zones. On the 80cm models, there are two aux inductors, one allocated each to the left and right zones. No bridge is possible to use 2 aux zones together.

Induction Hob Specifications

APPLIANCE TYPE	INDUCTION HOBBS					
Design family	■ IQ300	■ IQ300	■ IQ100	■ IQ100	■ IQ100	■ IQ100
Model number	EH801FVB1E	EH601FEB1E	EH845FVB1E	EH645FEB1E	EU631FEB1E	EU631BEF1B
DESIGN						
Width (mm)	792mm	572mm	795mm	583mm	592mm	592mm
Control position	Front	Front	Front	Front	Front	Front
Control type	touchSlider	touchSlider	touchSlider	touchSlider	touchSlider	touchControl
Style	Flush fit	Flush fit	Steel trim	Steel trim	Front bevel	Front bevel
KEY FEATURES						
HomeConnect	-	-	-	-	-	-
cookConnect	-	-	-	-	-	-
5" Full TFT touchDisplay	-	-	-	-	-	-
3.5" Full TFT touchDisplay	-	-	-	-	-	-
Dish categories	-	-	-	-	-	-
cookingSensor Plus¹	-	-	-	-	-	-
Wireless sensor settings	-	-	-	-	-	-
fryingSensor Plus	-	-	-	-	-	-
Number of flexInduction zones	-	-	-	-	-	-
Extended flexInduction zone²	-	-	-	-	-	-
Number of combiZones	-	-	-	-	-	-
powerBoost	■	■	■	■	■	■
panBoost	-	-	-	-	-	-
powerMove Plus	-	-	-	-	-	-
Automatic setting transfer	-	-	-	-	-	-
Energy consumption display	■	-	■	-	-	-
'Plug & Play' 13A connection	-	-	-	-	-	■
FEATURES						
Number of individual zones	5	4	5	4	4	4
Power levels	17	17	17	17	17	17
Digital display	■	■	■	■	■	■
Timer with automatic switch off for each zone	■	■	■	■	■	■
Count up timer	-	-	-	-	-	-
quickStart	■	■	■	■	■	■
reStart	■	■	■	■	■	■
Keep warm function	-	-	-	-	-	-
Wipe protection function	-	-	-	-	-	-
SAFETY FEATURES						
Main on/off switch	■	■	■	■	■	■
Two stage residual heat indicators (H/h)	■	■	■	■	■	■
Safety lock	■	■	■	■	■	■
Automatic pan recognition	■	■	■	■	■	■
Timed safety switch off	■	■	■	■	■	■
PERFORMANCE / TECHNICAL INFORMATION						
Nominal voltage (V)	220-240	220-240	220-240	220-240	220-240	220-240
Maximum power output (W)	7,400	7,400	7,400	7,400	4,600	3,000
Electrical cable length (cm)	110	110	110	110	110	110
GB plug	-	-	-	-	-	■
Rear left flexInduction zone – power (kW) / dimensions (mm)	-	-	-	-	-	-
Rear left zone – power (kW) / diameter (mm)	1.40	145	1.80	180	1.40	145
Rear right flexInduction zone – power (kW) / dimensions (mm)	-	-	-	-	-	-
Rear right zone – power (kW) / diameter (mm)	1.40	145	1.40	145	1.40	145
Rear centre zone – power (kW) / diameter (mm)	2.20	240	-	-	2.20	240
Front centre zone – power (kW) / diameter (mm)	-	-	-	-	-	-
Front left flexInduction zone – power (kW) / dimensions (mm)	-	-	-	-	-	-
Front left zone – power (kW) / diameter (mm)	1.80	180	1.80	180	1.80	180
Front right flexInduction zone – power (kW) / dimensions (mm)	-	-	-	-	-	-
Front right zone – power (kW) / diameter (mm)	2.20	210	2.20	210	2.20	210
flexInduction zone left – power (kW) / dimensions (mm)	-	-	-	-	-	-
flexInduction zone right – power (kW) / dimensions (mm)	-	-	-	-	-	-
Extended flexInduction rear left – power (kW) / dimensions (mm)	-	-	-	-	-	-
Extended flexInduction rear right – power (kW) / dimensions (mm)	-	-	-	-	-	-
combiZone left – power (kW) / dimensions (mm)	-	-	-	-	-	-
combiZone right – power (kW) / dimensions (mm)	-	-	-	-	-	-
Rear left zone – with powerBoost (max. kW)	2.20	3.10	2.20	3.10	3.10	3.10
Rear right zone – with powerBoost (max. kW)	2.20	2.20	2.20	2.20	2.20	2.20
Rear centre zone – with powerBoost (max. kW)	3.70	-	3.70	-	-	-
Front centre zone – with powerBoost (max. kW)	-	-	-	-	-	-
Front left zone – with powerBoost (max. kW)	3.10	3.10	3.10	3.10	3.10	3.10
Front right zone – with powerBoost (max. kW)	3.70	3.70	3.70	3.70	3.70	3.70
OPTIONAL ACCESSORIES						
Wireless temperature sensor	-	-	-	-	-	-
Set of four pans (3 x pans, 1 x sauté pan)	HZ390042	HZ390042	HZ390042	HZ390042	HZ390042	HZ390042
Rectangular roasting pan with lid (approx. 320 x 200mm)	-	-	-	-	-	-
Steamer pan insert of use with HEZ390011 roasting pan	-	-	-	-	-	-
Teppan Yaki (approx. 300 x 200mm)	-	-	-	-	-	-
Teppan Yaki (approx. 400 x 200mm)	-	-	-	-	-	-
Griddle plate (approx. 400 x 200mm)	-	-	-	-	-	-

■ Yes, model has this feature. – Feature not available for this model.

All models comply with COMMISSION (EC) No. 1275/2008 with regard to ecodesign requirements for standby and off mode electric power consumption.

¹Max 3 sensors at any time; one WSP provided.

²On 60cm model, the single centre aux inductor can work only with either the left or right zones. On the 80cm models, there are two aux inductors, one allocated each to the left and right zones. No bridge is possible to use 2 aux zones together.

quickLite Ceramic Hob Specifications

APPLIANCE TYPE	QUICKLITE CERAMIC HOBBS		
Design family	■ IQ300	■ IQ100	■ IQ100
Model number	Black glass with steel trim	-	ET645CEA1E
	Black glass	ET875FCP1D	ET651HE17E
	Metal-look glass	-	-
	Stainless steel	-	-
DESIGN CHARACTERISTICS			
Hob width (mm)	812	592	583
Side controls	-	-	■
Front controls	■	■	-
Control dials	-	-	■
touchControl	-	■	-
touchSlider operation	■	-	-
All-around trim	-	-	■
Three-sided bevelled frameless finish	-	■	-
Flush-fitting design / installation	-	-	-
Design trim (front facette with side trim)	-	-	-
Bevelled front	■	-	-
Can be installed with a Siemens Domino hob	-	-	-
KEY FEATURES			
Electronic control	■	■	-
Electronic power level display	■	■	-
Automatic safety switch off	■	■	-
Control panel lock	■	■	-
Super boost function	■	-	-
powerBoost setting	■	-	-
quickStart	■	-	-
reStart	■	■	-
Energy consumption display	-	-	-
Automatic pan recognition	-	-	-
Power management function	-	-	-
Connection current management	-	-	-
FEATURES			
Number of power levels	17	17	9
Main on/off switch	■	■	-
Timer for all zones	-	-	-
Two stage residual heat indicators (H/h)	■	■	■
Control panel pause	■	-	-
PERFORMANCE / TECHNICAL INFORMATION			
Number of cooking zones	4	4	4
Number of flexInduction zones	-	-	-
Number of dual / extendible zones	2	-	-
Number of triple / extendible zones	-	-	-
Left zones flexInduction connected – power (kW) / dimensions (mm)	-	-	-
Right zones flexInduction connected – power (kW) / dimensions (mm)	-	-	-
Centre zones flexInduction – power (kW) / dimensions (mm)	-	-	-
Left front zone – power (kW) / dimensions (mm)	2.1	210	1.2
Left rear zone – power (kW) / dimensions (mm)	2.1	145	2.0
Centre front zone – power (kW) / dimensions (mm)	-	-	-
Centre rear zone – power (kW) / dimensions (mm)	2.4	230	-
Right front zone – power (kW) / dimensions (mm)	2.1	350	2.0
Right rear zone – power (kW) / dimensions (mm)	-	-	1.2
Nominal voltage (V)	220-240	220-240	220-240
Total connected electrical load (W)	9,300	6,600	6,600
Cable length (cm)	110	-	-
GB plug	-	-	-
Appliance weight (kg)	10	7.0	8.0
Safety approved	■	■	■

■ Yes, model has this feature. – Feature not available for this model.

All models comply with COMMISSION (EC) No. 1275/2008 with regard to ecodesign requirements for standby and off mode electric power consumption.

Gas Hob Specifications

APPLIANCE TYPE		GAS HOB5							
Design family	■IQ700	■IQ700	■IQ700	■IQ500	■IQ500	■IQ500	■IQ500	■IQ500	■IQ500
Model number	ER9A6SD70	ER7A6RD70	ER6A6PD70	–	EP9A6SB90	EP7A6QB90	EP6A6HB20	–	EC7A5RB90
	Black / premium black	–	–	EP9A6SB90	EP7A6QB90	EP6A6HB20	–	–	–
	White / premium white	–	–	–	–	–	–	–	–
DESIGN									
Width (mm)	750	750	602	915	752	590	915	750	750
Control position	Front	Front	Front	Front	Front	Front	Front	Front	Front
KEY FEATURES									
stepFlame technology	■	■	■	■	■	■	■	■	■
Digital power level display	■	■	■	–	–	–	–	–	–
Number of dual circuit wok style burners ¹	1	1	1	1	1	1	1	1	1
High power (5.0kW+) wok burner ²	■	–	–	–	–	–	■	■	■
Dual control wok burner ³	■	–	–	–	–	–	■	■	■
'Diamond' shape burner layout ⁴	–	–	–	–	–	–	–	–	–
Dishwasher safe pan supports ⁵	■	■	■	–	–	–	–	–	–
Hob surface type	Ceramic glass	Ceramic glass	Ceramic glass	Tempered glass	Tempered glass	Tempered glass	Metal	Metal	–
FEATURES									
Number of cooking zones	4	4	4	5	5	4	5	5	5
Individual power levels	9	9	9	9	9	9	9	9	9
Variable power levels	–	–	–	–	–	–	–	–	–
Ignition via control dials	■	■	■	■	■	■	■	■	■
Flame-failure safety device	■	■	■	■	■	■	■	■	■
Cast iron pan supports (number)	3 x dishwasher safe	2 x dishwasher safe	2 x dishwasher safe	5	5	4	3	3	–
Cast iron finish pan supports (number)	–	–	–	–	–	–	–	–	–
Enamelled steel pan supports (number)	–	–	–	–	–	–	–	–	–
Low profile single piece burners	■	■	■	–	–	–	–	–	–
Two piece burners	–	–	–	■	■	■	■	■	■
Comfort profile	■	■	■	–	–	–	–	–	–
Can be combined with other models with comfort profile	■	■	■	–	–	–	–	–	–
Installation flush with work top possible	–	–	–	■	■	■	–	–	–
PERFORMANCE / TECHNICAL INFORMATION									
Nominal voltage (V)	220-240	220-240	220-240	220-240	220-240	220-240	220-240	220-240	220-240
Maximum gas power output load (W)	13,700	11,900	7,700	11,500	11,500	8,000	12,500	12,500	12,500
Total connected electrical load (W)	2.0	2.0	2.0	1.0	1.0	1.0	1.0	1.0	1.0
Cable length (cm)	150	100	100	150	100	100	100	100	100
GB plug	–	–	–	–	–	–	–	–	–
Left burner power (kW)	6.00	–	–	4.00	–	–	5.00	–	–
Front left burner power (kW)	1.10	1.90	1.10	–	1.00	1.75	–	1.00	–
Back left burner power (kW)	1.90	1.90	1.90	–	1.75	1.75	–	1.75	–
Centre/centre front burner power (kW)	–	4.20	–	1.00	4.00	–	1.00	5.00	–
Centre back burner power (kW)	–	–	–	1.75	–	–	1.75	–	–
Front right burner power (kW)	1.90	1.10	1.90	1.75	1.75	1.00	1.75	1.75	–
Back right burner power (kW)	2.80	2.80	2.80	3.00	3.00	3.50	3.00	3.00	–
Right burner power (kW)	–	–	–	–	–	–	–	–	–
Pre-set for natural gas	■	■	■	■	■	■	■	■	■
CE Marked	■	■	■	■	■	■	■	■	■
STANDARD ACCESSORIES									
Wok stand ⁶	■	■	–	–	–	–	–	–	–
LPG jets	28-30 / 37mbar	28-30 / 37mbar	28-30 / 37mbar	28-30 / 37mbar	28-30 / 37mbar	28-30 / 37mbar	28-30 / 37mbar	28-30 / 37mbar	28-30 / 37mbar
OPTIONAL ACCESSORIES									
Connecting strip to link to other comfort profile models	HZ394301	HZ394301	HZ394301	–	–	–	–	–	–

■ Yes, model has this feature. – Feature not available for this model.

All models comply with COMMISSION (EC) No. 1275/2008 with regard to ecodesign requirements for standby and off mode electric power consumption.

¹Dual circuit means standard outer flame ring plus 2nd inner flame ring.

²High power output for rapid heating – especially valuable for flash and wok frying.

³Dual control means the inner and outer rings of a dual circuit burner can be controlled independently.

⁴Diamond refers to the visual layout of the burners – i.e. Diamond shape as opposed to normal square layout for 60cm hobs.

Diamond layout offers:

- greater convenience / accessibility with 2 large pans at the same time.
- compared to models with wok on the rear zones, you can work with larger diameter wok pans without touching the rear wall and forcing the pan off centre over the burner.
- no need to reach over front zones to access the higher power burners.
- compared with a model with a wok at the front left there is a safety argument as it offers a good compromise between easy access and child safety.
- compared to wok front level, the extra distance to control dials allows a higher power wok burner to be used without making the controls too hot and offering added convenience in terms of power available.

⁵Pan supports can be cleaned in the dishwasher. Supports have special additional coating and hand finishing of enamel.

⁶For round based pans.

Gas Hob Specifications

APPLIANCE TYPE		GAS HOB5							
Design family	■IQ500	■IQ500	■IQ500	■IQ500	■IQ500	■IQ300	■IQ300	■IQ100	■IQ100
Model number	EC7A5QB90	EC715RB90E	EC6A5IB90	EC6A5HC90	EC6A5PB90	EG6B5HB60	EG6B5PB60	EB6B5HB60	EB6B5PB60
	Black / premium black	–	–	–	–	–	–	–	–
	White / premium white	–	–	–	–	–	–	–	–
DESIGN									
Width (mm)	750	702	582	582	582	582	582	580	580
Control position	Front	Front	Front	Front	Front	Front	Front	Right side	Right side
KEY FEATURES									
stepFlame technology	■	–	■	■	■	–	–	–	–
Digital power level display	–	–	–	–	–	–	–	–	–
Number of dual circuit wok style burners ¹	1	1	1	1	–	1	–	1	–
High power (5.0kW+) wok burner ²	–	■	–	–	–	–	–	–	–
Dual control wok burner ³	–	■	–	–	–	–	–	–	–
'Diamond' shape burner layout ⁴	–	–	■	–	–	–	–	–	–
Dishwasher safe pan supports ⁵	–	–	–	–	–	–	–	–	–
Hob surface type	Metal	Metal	Metal	Metal	Metal	Metal	Metal	Metal	Metal
FEATURES									
Number of cooking zones	5	5	4	4	4	4	4	4	4
Individual power levels	9	–	9	9	9	–	–	–	–
Variable power levels	–	–	–	–	–	■	■	■	■
Ignition via control dials	■	■	■	■	■	■	■	■	■
Flame-failure safety device	■	■	■	■	■	■	■	■	■
Cast iron pan supports (number)	3	2	2	2	2	–	–	–	–
Cast iron finish pan supports (number)	–	–	–	–	–	2	2	2	2
Enamelled steel pan supports (number)	–	–	–	–	–	–	–	–	–
Low profile single piece burners	–	–	–	–	–	–	–	–	–
Two piece burners	■	■	■	■	■	■	■	■	■
Comfort profile	–	–	–	–	–	–	–	–	–
Can be combined with other models with comfort profile	–	–	–	–	–	–	–	–	–
Installation flush with work top possible	–	–	–	–	–	–	–	–	–
PERFORMANCE / TECHNICAL INFORMATION									
Nominal voltage (V)	220-240	220-240	220-240	220-240	220-240	220-240	220-240	220-240	220-240
Maximum gas power output load (W)	11,500	12,400	9,750	8,000	7,500	8,000	7,500	7,700	7,400
Total connected electrical load (W)	1.0	1.0	1.0	1.0	1.0	1.0	1.0	1.0	1.0
Cable length (cm)	100	100	100	100	100	100	100	100	100
GB plug	–	–	–	–	–	–	–	–	–
Left burner power (kW)	–	–	4.00	–	–	–	–	–	–
Front left burner power (kW)	1.00	1.00	–	1.75	1.75	1.75	1.75	3.30	3.00
Back left burner power (kW)	1.75	1.70	–	1.75	1.75	1.75	1.75	1.70	1.70
Centre/centre front burner power (kW)	4.00	5.00	1.00	–	–	–	–	–	–
Centre back burner power (kW)	–	–	1.75	–	–	–	–	–	–
Front right burner power (kW)	1.75	1.70	–	1.00	1.00	1.00	1.00	1.00	1.00
Back right burner power (kW)	3.00	3.00	–	3.30	3.00	3.30	3.00	1.70	1.70
Right burner power (kW)	–	–	3.00	–	–	–	–	–	–
Pre-set for natural gas	■	■	■	■	■	■	■	■	■
CE Marked	■	■	■	■	■	■	■	■	■
STANDARD ACCESSORIES									
Wok stand ⁶	–	–	–	–	–	–	–	–	–
LPG jets	28-30 / 37mbar	28-30 / 37mbar	28-30 / 37mbar	28-30 / 37mbar	28-30 / 37mbar	28-30 / 37mbar	28-30 / 37mbar	28-30 / 37mbar	28-30 / 37mbar
OPTIONAL ACCESSORIES									
Connecting strip to link to other comfort profile models	–	–	–	–	–	–	–	–	–

■ Yes, model has this feature. – Feature not available for this model.

All models comply with COMMISSION (EC) No. 1275/2008 with regard to ecodesign requirements for standby and off mode electric power consumption.

¹Dual circuit means standard outer flame ring plus 2nd inner flame ring.

²High power output for rapid heating – especially valuable for flash and wok frying.

³Dual control means the inner and outer rings of a dual circuit burner can be controlled independently.

⁴Diamond refers to the visual layout of the burners – i.e. Diamond shape as opposed to normal square layout for 60cm hobs.

Diamond layout offers:

- greater convenience / accessibility with 2 large pans at the same time.
- compared to models with wok on the rear zones, you can work with larger diameter wok pans without touching the rear wall and forcing the pan off centre over the burner.
- no need to reach over front zones to access the higher power burners.
- compared with a model with a wok at the front left there is a safety argument as it offers a good compromise between easy access and child safety.
- compared to wok front level, the extra distance to control dials allows a higher power wok burner to be used without making the controls too hot and offering added convenience in terms of power available.

⁵Pan supports can be cleaned in the dishwasher. Supports have special additional coating and hand finishing of enamel.

⁶For round based pans.

Domino Hob Specifications

APPLIANCE TYPE	TEPPAN YAKI DOMINO HOB		FLEXINDUCTION DOMINO HOB	
Design family	■ ICJ500		■ ICJ700	
Model number	Black glass / stainless steel trim	-	EX375FXB1E	
	Stainless steel	ET475FYB1E	-	
DESIGN				
Hob width (mm)		392	302	
Side controls		-	-	
Front controls		■	■	
Control dials		-	-	
touchControl		■	■	
touchSlider operation		■	■	
All-around trim		-	-	
Three-sided bevelled frameless finish		-	-	
Flush-fitting design / installation		-	-	
Design trim (front facette with side trim)		■	■	
Bevelled front		-	-	
Can be installed with a Siemens Domino hob		■	■	
KEY FEATURES				
Electronic control		■	■	
Electronic power level display		■	■	
Automatic safety switch off		■	■	
Control panel lock		-	-	
Super boost function		-	-	
powerBoost setting		-	■	
quickStart		-	-	
reStart		-	-	
Energy consumption display		-	-	
Automatic pan recognition		-	■	
Power management function		-	■	
Connection current management		-	-	
FEATURES				
Number of power levels		9	17	
Main on/off switch		■	■	
Timer for all zones		■	■	
Two-stage residual heat indicators (H/h)		■	■	
Control panel pause		-	■	
PERFORMANCE / TECHNICAL INFORMATION				
Number of cooking zones		2	2	
Number of flexInduction zones		-	1	
Number of dual / extendible zones		-	-	
Number of triple / extendible zones		-	-	
Left zones flexInduction connected – power (kW) / dimensions (mm)		-	-	-
Right zones flexInduction connected – power (kW) / dimensions (mm)		-	-	-
Centre zones flexInduction connected – power (kW) / dimensions (mm)		-	1.0-3.6	760
Left front zone – power (kW) / dimensions (mm)		-	-	-
Left rear zone – power (kW) / dimensions (mm)		-	-	-
Centre front zone – power (kW) / dimensions (mm)		0.95	292 x 344	-
Centre rear zone – power (kW) / dimensions (mm)		-	-	-
Right front zone – power (kW) / dimensions (mm)		-	-	-
Right rear zone – power (kW) / dimensions (mm)		-	-	-
Nominal voltage (V)		220-240	220-240	
Total connected electrical load (W)		1,900	3,600	
Cable length (cm)		110	110	
GB plug		-	-	
Appliance weight (kg)		11.0	6.0	
Safety approved		■	■	

■ Yes, model has this feature. – Feature not available for this model.

All models comply with COMMISSION (EC) No. 1275/2008 with regard to ecodesign requirements for standby and off mode electric power consumption.

Domino Hob Specifications

APPLIANCE TYPE	WOK DOMINO GAS HOB		DOMINO GAS HOB	
Design family	■ ICJ700		■ ICJ700	
Model number	Stainless steel / stainless steel trim	ER3A6AD70	ER3A6BD70	
DESIGN				
Width (mm)		306	306	
Control position		Front	Front	
KEY FEATURES				
stepFlame technology		■	■	
Digital power level display		■	■	
Number of dual circuit wok style burners ¹		1	-	
High power (5.0kW+) wok burner ²		■	-	
Dual control wok burner ³		■	-	
'Diamond' shape burner layout ⁴		-	-	
Dishwasher safe pan supports ⁵		■	■	
Hob surface type		Ceramic glass	Ceramic glass	
FEATURES				
Number of cooking zones		1	2	
Individual power levels		9	9	
Variable power levels		-	-	
Ignition via control dials		■	■	
Flame-failure safety device		■	■	
Cast iron pan supports (number)		1 x dishwasher safe	1 x dishwasher safe	
Cast iron finish pan supports (number)		-	-	
Enamelled steel pan supports (number)		-	-	
Low profile single piece burners		■	■	
Two piece burners		-	-	
Comfort profile		■	■	
Can be combined with other models with comfort profile		■	■	
Installation flush with work top possible		-	-	
PERFORMANCE / TECHNICAL INFORMATION				
Nominal voltage (V)		220-240	220-240	
Maximum gas power output load (W)		6,000	4,700	
Total connected electrical load (W)		1.0	1.0	
Cable length (cm)		100	100	
GB plug		-	-	
Left burner power (kW)		-	-	
Front left burner power (kW)		-	-	
Back left burner power (kW)		-	-	
Centre/centre front burner power (kW)		6.00	1.90	
Centre back burner power (kW)		-	2.80	
Front right burner power (kW)		-	-	
Back right burner power (kW)		-	-	
Right burner power (kW)		-	-	
Pre-set for natural gas		■	■	
CE Marked		■	■	
STANDARD ACCESSORIES				
Wok stand ⁶		■	-	
LPG jets		28-30 / 37mbar	28-30 / 37mbar	
OPTIONAL ACCESSORIES				
Connecting strip to link to other comfort profile models		HEZ394301	HEZ394301	

■ Yes, model has this feature. – Feature not available for this model.

All models comply with COMMISSION (EC) No. 1275/2008 with regard to ecodesign requirements for standby and off mode electric power consumption.

¹Dual circuit means standard outer flame ring plus 2nd inner flame ring.

²High power output for rapid heating – especially valuable for flash and wok frying.

³Dual control means the inner and outer rings of a dual circuit burner can be controlled independently.

⁴Diamond refers to the visual layout of the burners – i.e. Diamond shape as opposed to normal square layout for 60cm hobs.

Diamond layout offers:

– greater convenience / accessibility with 2 large pans at the same time.

– compared to models with wok on the rear zones, you can work with larger diameter wok pans without touching the rear wall and forcing the pan off centre over the burner.

– no need to reach over front zones to access the higher power burners.

– compared with a model with a wok at the front left there is a safety argument as it offers a good compromise between easy access and child safety.

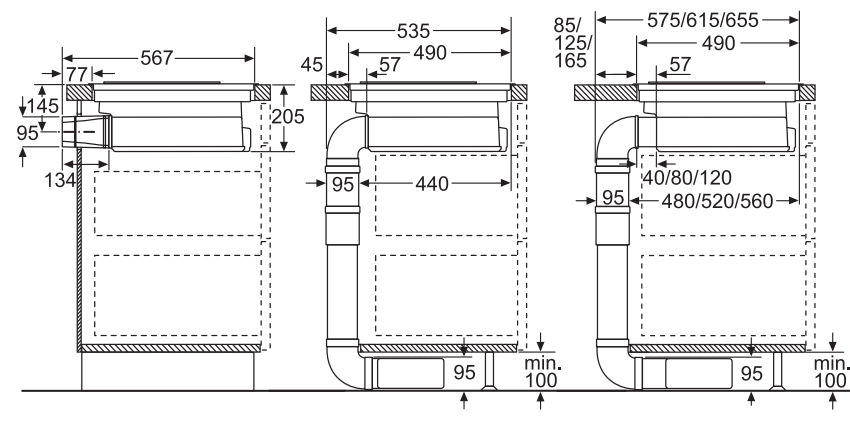
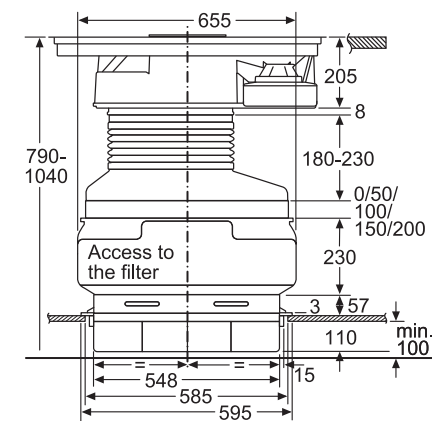
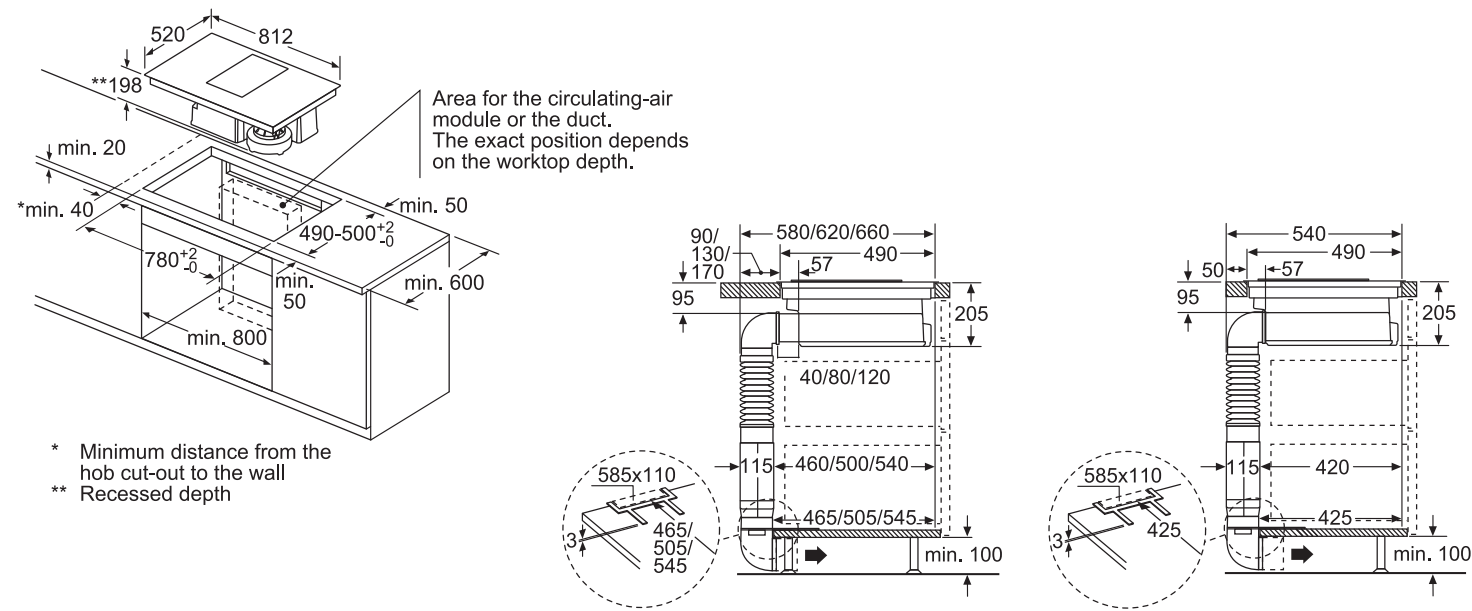
– compared to wok front level, the extra distance to control dials allows a higher power wok burner to be used without making the controls too hot and offering added convenience in terms of power available.

⁵Pan supports can be cleaned in the dishwasher. Supports have special additional coating and hand finishing of enamel.

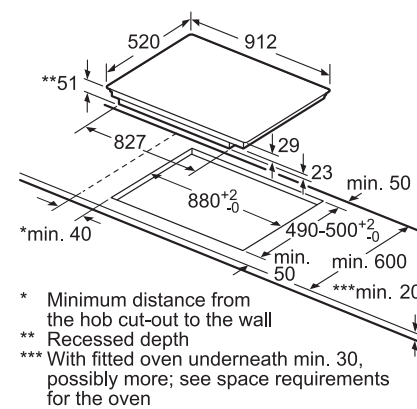
⁶For round based pans.

Hob Technical Diagrams

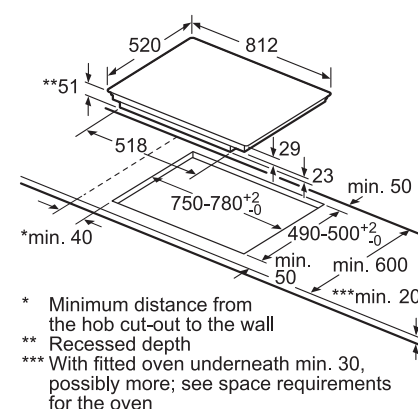
Venting hob EX875LX34E



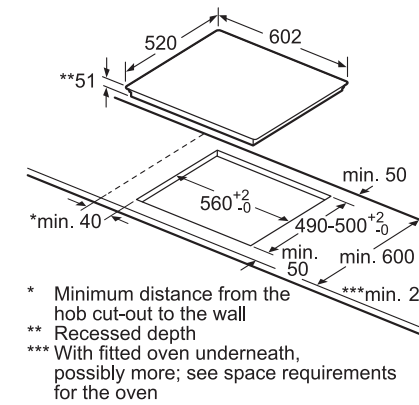
flexInduction hobs EX975KXW1E, EX975LWV1E and EX975LVC1E



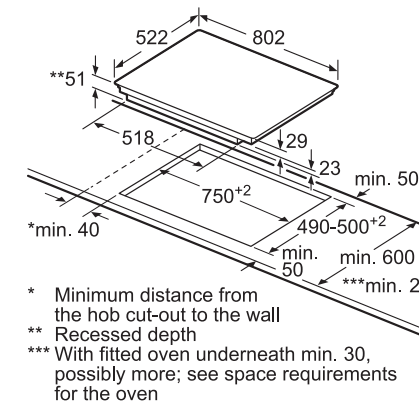
flexInduction hobs EX875KYW1E, EX875KYE1E and EX879FVC1E



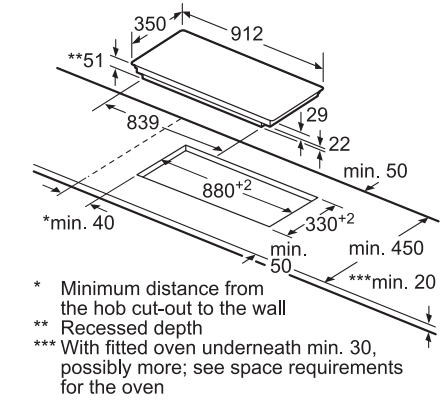
flexInduction hobs EX675JYW1E, EX675LXV1E, EX675LXC1E and EX679FEC1E



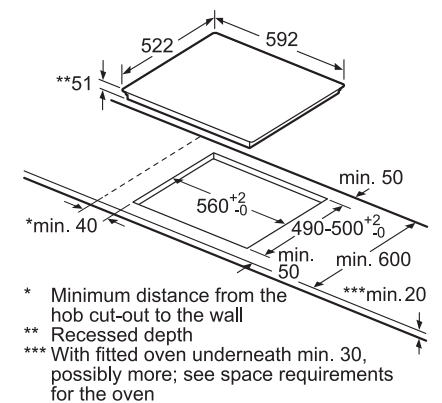
flexInduction and induction hobs EX851FVC1E and ED851FWB1E



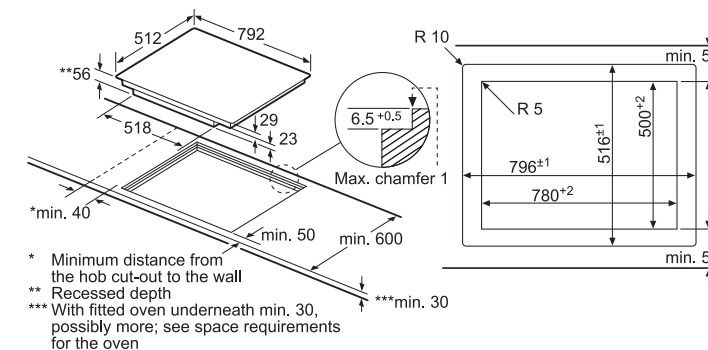
flexInduction hob EX275FXB1E



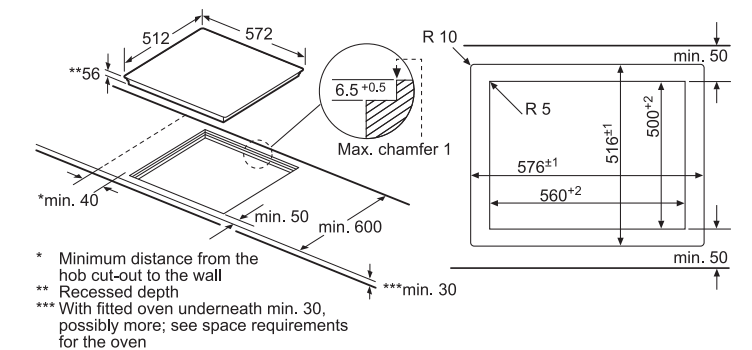
flexInduction and induction hobs EX651FEC1E, ED651FSB1E, EU631FEB1E and EU631BEF1B



Induction hob EH801FVB1E

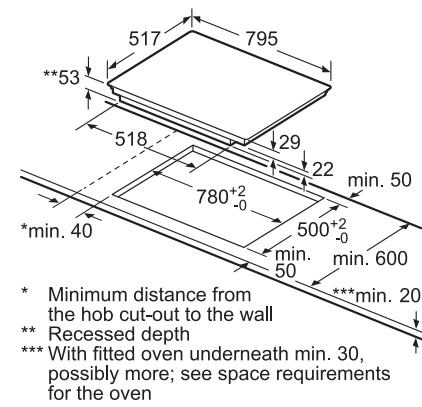


Induction hob EH601FEB1E

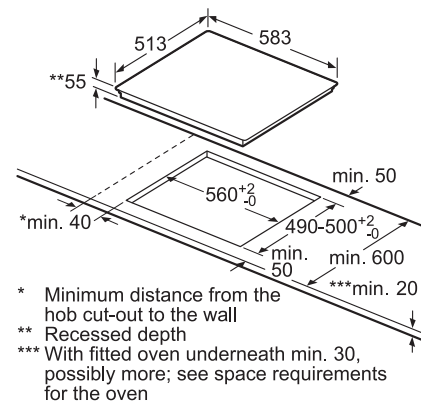


Hob Technical Diagrams

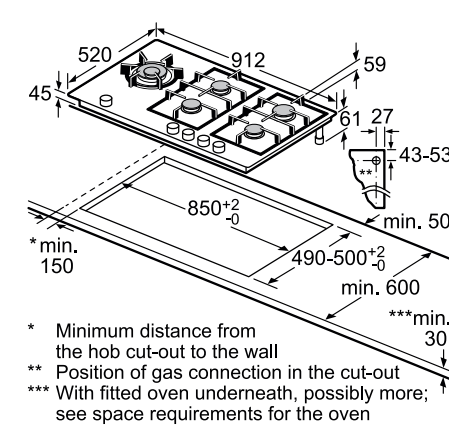
Induction hob EH845FVB1E



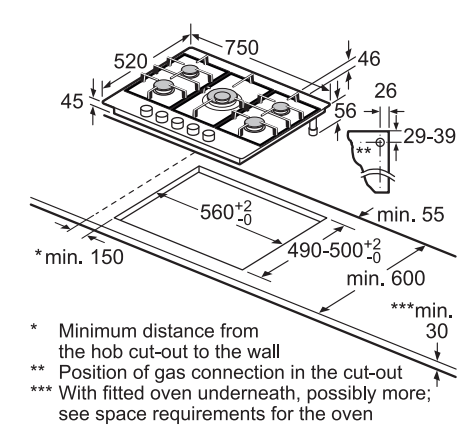
Induction hob EH645FEB1E



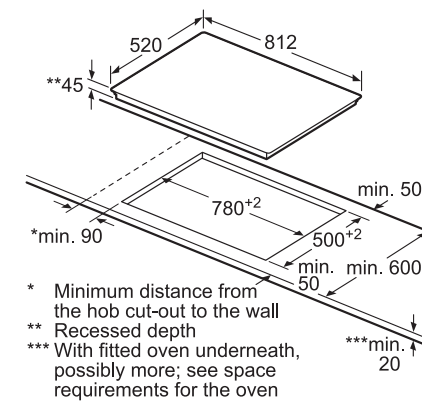
Gas hob ER9A6SD70



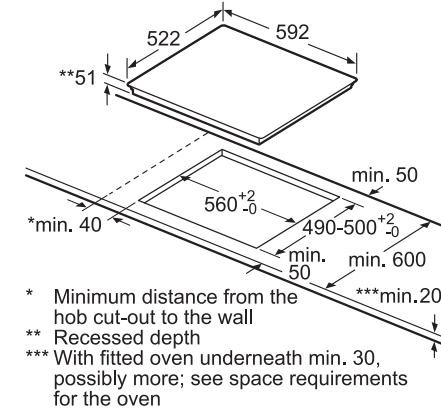
Gas hob ER7A6RD70



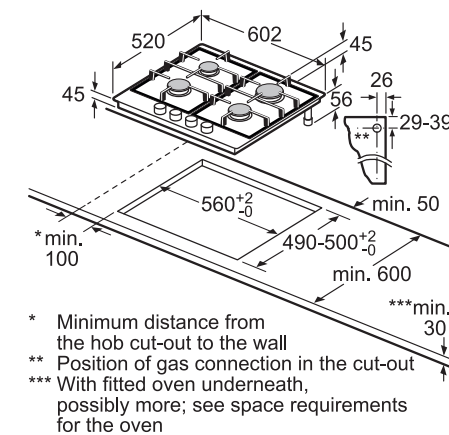
quickLite ceramic hob ET875FCP1D



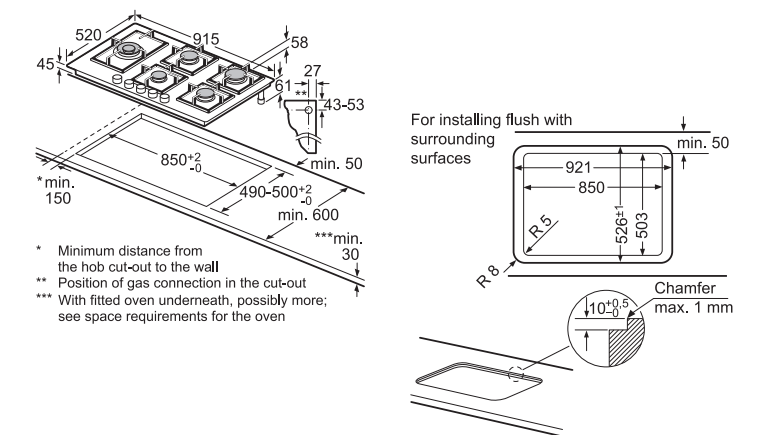
quickLite hob ET651HE17E



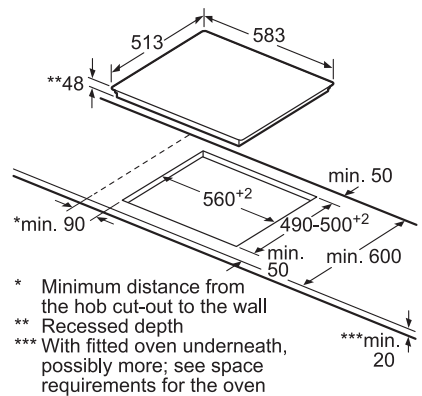
Gas hob ER6A6PD70



Gas hob EP9A6SB90

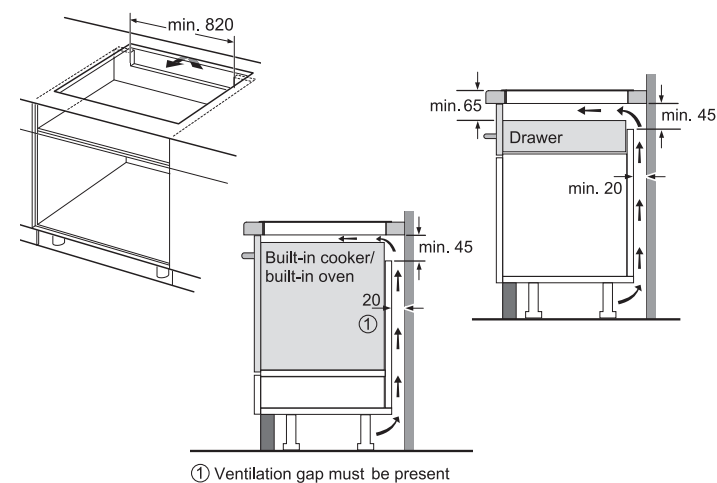


quickLite ceramic hob ET645CEA1E

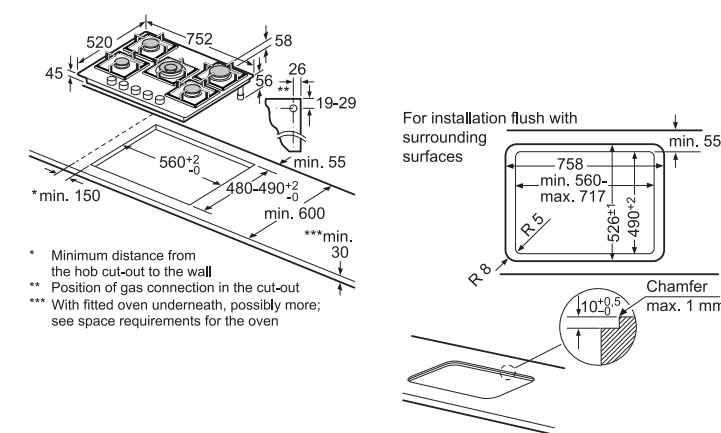


For all flexInduction, induction and quickLite ceramic hobs

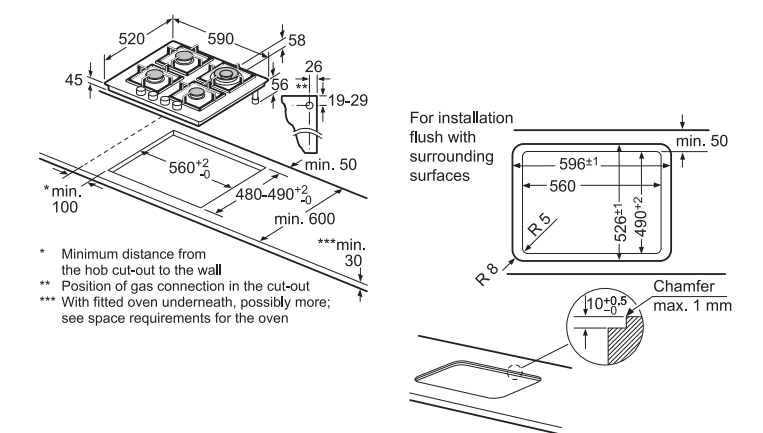
Below are diagrams for installation applicable to all flexInduction, induction and quickLite ceramic hobs



Gas hob EP7A6QB90

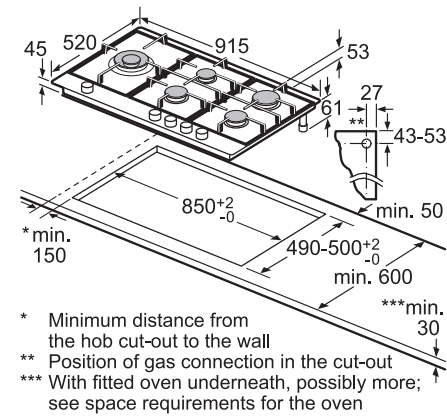


Gas hob EP6A6HB20

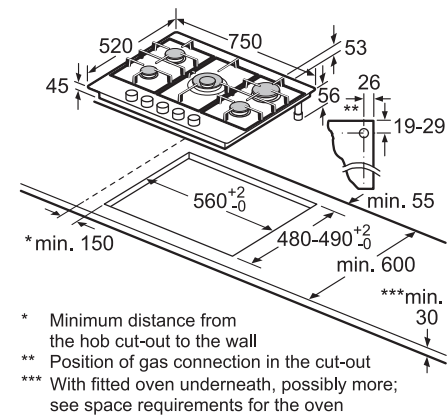


Hob Technical Diagrams

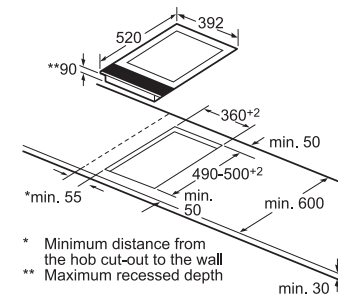
Gas hob EC9A5SB90



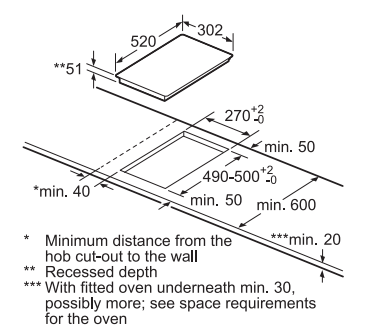
Gas hobs EC7A5RB90 and EC7A5QB90



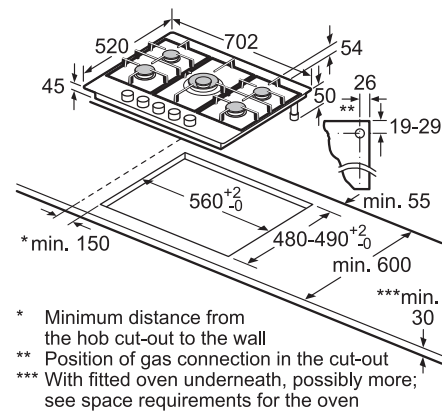
Teppan yaki domino hob ET475FYB1E



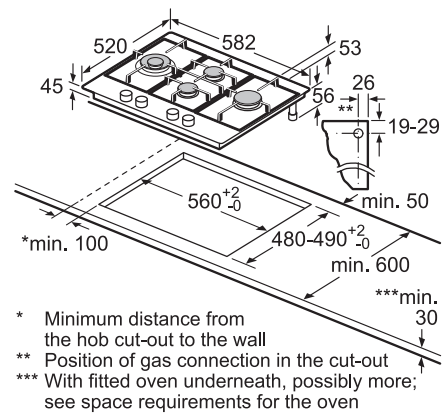
flexInduction domino hob EX375FXB1E



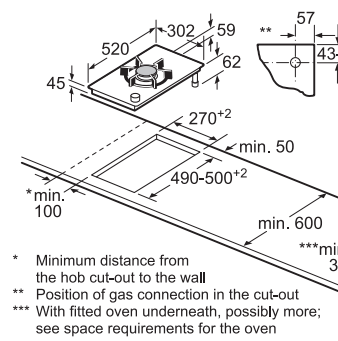
Gas hob EC715RB90E



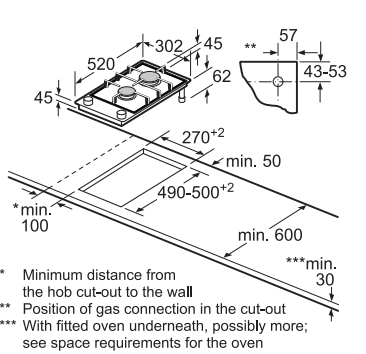
Gas hobs EC6A5IB90, EC6A5HC90 and EC6A5PB90



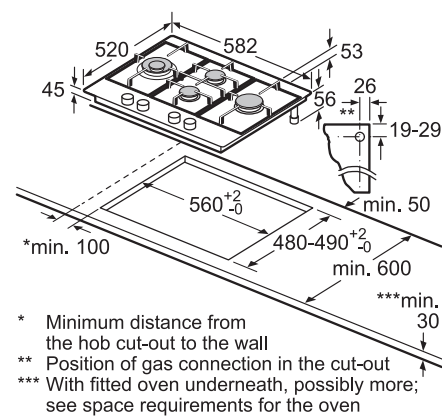
Wok domino gas hob ER3A6AD70



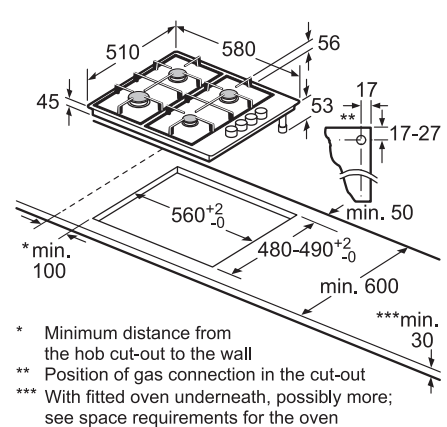
Domino gas hob ER3A6BD70



Gas hobs EG6B5HB60 and EG6B5PB60

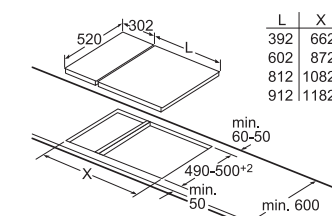


Gas hobs EB6B5HB60 and EB6B5PB60

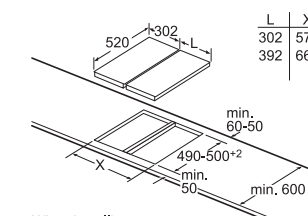


Domino hob combination installation

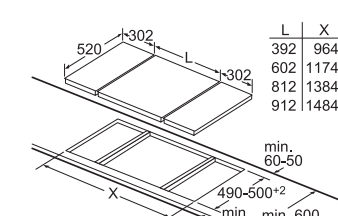
Below are diagrams showing the possible combinations for installing your Domino hob



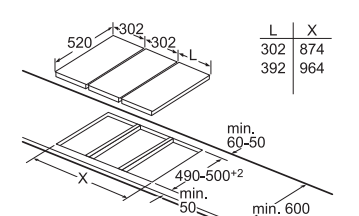
When installing a Domino unit right next to a hob, an assembly kit (HZ394301) is required.



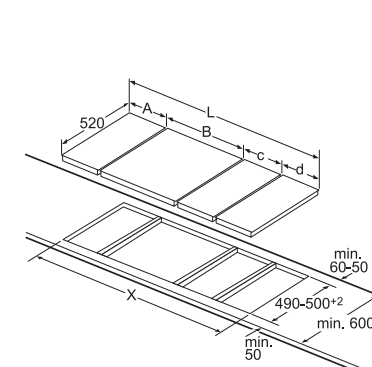
When installing two or more Domino units side-by-side, one or more assembly kits are required (2 units = 1 assembly kit, 3 units = 2 assembly kits, etc).



When installing two Domino units right next to a hob, two assembly kits (HZ394301) are required.



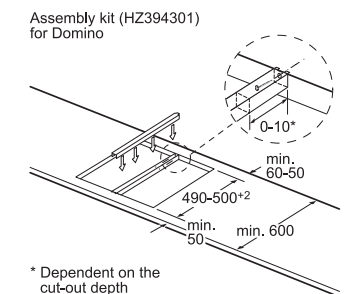
When installing two or more Domino units side-by-side, one or more assembly kits are required (2 units = 1 assembly kit, 3 units = 2 assembly kits, etc).



If two or more elements are installed right next to one another, one or several installation kits are required (2 elements 1 installation kit, 3 elements 2 installation kits, etc.).

Cutout dimension (X) depending on the combination see table:

Domino combination possibilities with corresponding device and cutout dimensions		L		X			
Width type:	Device width:	30	40	60	70	80	90
		302	392	602	710	812	912
2x30	302	302	-	-	604	572	
1x30, 1x40	302	392	-	-	694	662	
1x30, 1x60	302	602	-	-	904	872	
1x30, 1x70	302	710	-	-	1012	980	
1x30, 1x80	302	812	-	-	1114	1082	
1x30, 1x90	302	912	-	-	1214	1182	
2x40	392	392	-	-	784	752	
1x40, 1x60	392	602	-	-	994	962	
1x40, 1x70	392	710	-	-	1102	1070	
1x40, 1x80	392	812	-	-	1204	1172	
1x40, 1x90	392	912	-	-	1304	1272	
3x30	302	302	302	-	906	874	
2x30, 1x40	302	302	392	-	996	964	
2x30, 1x60	302	302	602	-	1206	1174	
2x30, 1x70	302	302	710	-	1314	1282	
2x30, 1x80	302	302	812	-	1416	1384	
2x30, 1x90	302	302	912	-	1516	1484	
1x30, 2x40	302	392	392	-	1086	1054	
1x30, 1x40, 1x60	302	392	602	-	1296	1264	
1x30, 1x40, 1x70	302	392	710	-	1404	1372	
1x30, 1x40, 1x80	302	392	812	-	1506	1474	
1x30, 1x40, 1x90	302	392	912	-	1606	1574	
3x40	392	392	392	-	1176	1144	
2x40, 1x60	392	392	602	-	1386	1354	
4x30	302	302	302	302	1208	1176	
3x30, 1x40	302	302	302	392	1298	1266	
2x30, 2x40	302	302	392	392	1388	1356	
1x30, 3x40	302	392	392	392	1478	1446	



* Dependent on the cut-out depth

Hood Specifications

INSTALLATION TYPE	WALL INSTALLATION						
	Wall Cube	Flat	Flat	Glass	Glass	Glass	Glass
HOOD TYPE	IQ700	IQ700	IQ700	IQ500	IQ500	IQ300	IQ300
Design family	Stainless steel	Stainless steel	Stainless steel	Stainless steel	Stainless steel	Stainless steel	Stainless steel
Model number	LC371W60B	LC97FVW60B	LC97FVW20B	LC98GB542B	LC68GB542B	LC97GB532B	LC67GB532B
Black or steel with black glass	-	-	-	-	-	-	-
White or steel with white glass	-	-	-	-	-	-	-
Silver metallic lacquer	-	-	-	-	-	-	-
DESIGN FEATURES							
Appliance width (mm)	330	900	900	900	600	900	600
Day / night glass & metal fascia	-	-	-	-	-	-	-
Illuminated controls	■	■	■	■	■	■	■
Slider / rocker switch control	- / -	- / -	- / -	- / -	- / -	- / -	- / -
Push button control	-	-	-	-	-	-	-
Touch Control	■	■	■	■	■	■	■
softTouch metal button control	-	-	-	-	-	-	-
White electronic display	■	■	■	■	■	■	■
Blue indicator lights	■	■	■	■	■	■	■
Glass canopy	■	■	■	■	■	■	■
Height adjustable chimney sections	-	-	-	-	-	-	-
Wall / ceiling mounted installation	■ / -	■ / -	■ / -	■ / -	■ / -	■ / -	■ / -
Worktop integrated installation	-	-	-	-	-	-	-
Install in, between or under furniture carcass	-	-	-	-	-	-	-
KEY FEATURES							
emotionLight Pro	■	■	■	■	■	■	■
Home Connect	■	■	■	■	■	■	■
cookConnect hob based hood control	■	■	■	■	■	■	■
climateControl sensor	■	■	■	■	■	■	■
Electronic control	■	■	■	■	■	■	■
Remote Control	■	■	■	■	■	■	■
Electronic power level display	■	■	■	■	■	■	■
Grease / charcoal filter saturation indicator	■ / ■	- / -	- / -	- / -	- / -	- / -	- / -
Automatic after running (minutes)	10	10	10	10	10	10	10
Interval operation	-	-	-	-	-	-	-
28 W LED glass panel	-	-	-	-	-	-	-
6 W LED light strips	-	-	-	-	-	-	-
5 W LED lights	-	-	-	-	-	-	-
4 W LED lights	-	-	-	-	-	-	-
3 W energy-saving LED	2	2	2	2	2	2	2
1 W LED	-	-	-	-	-	-	-
20 W low voltage halogen bulbs	-	-	-	-	-	-	-
25 W high voltage halogen bulbs	-	-	-	-	-	-	-
40 W bulbs	-	-	-	-	-	-	-
softLight with dimmer function	■	■	■	■	■	■	■
Steel filter cover	■	■	■	■	■	■	■
Number of metal grease filter cassettes	1	2	2	1	1	1	1
Additional noise reduction insulation	■	-	-	-	-	-	-
Paper grease filter	-	-	-	-	-	-	-
PERFORMANCE / TECHNICAL INFORMATION							
Easy installation system	■	■	■	■	■	■	■
Suitable for ducted / recirculating operation	- / ■	■ / ■	■ / ■	■ / ■	■ / ■	■ / ■	■ / ■
Extraction rate in m³/h^(1,2)							
- ducted / recirculating at power level 1	- / 170	230 / 120	230 / 120	230 / 180	230 / 180	230 / 160	230 / 160
- ducted / recirculating at power level 2	- / 270	330 / 220	330 / 220	360 / 260	360 / 260	250 / 250	250 / 250
- ducted / recirculating at power level 3	- / 330	420 / 290	420 / 290	440 / 300	440 / 300	440 / 300	440 / 300
- ducted / recirculating at power level 4 or intensive setting ¹	- / 360	570 / 410	570 / 410	- / -	- / -	- / -	- / -
- ducted / recirculating, intensive setting or intensive setting ²	- / 400	730 / 520	730 / 520	680 / 360	680 / 360	680 / 360	680 / 360
Max noise level (sound pressure) based on dB(A) re 20 µPa^(1,3)							
- ducted / recirculating at power level 1	- / 39	29 / 30	29 / 30	32 / 44	32 / 44	30 / 43	30 / 43
- ducted / recirculating at power level 2	- / 49	38 / 40	38 / 40	43 / 53	43 / 53	40 / 52	40 / 52
- ducted / recirculating at power level 3	- / 54	43 / 45	43 / 45	47 / 56	47 / 56	45 / 56	45 / 56
- ducted / recirculating at power level 4 or intensive setting ¹	- / 56	51 / 55	51 / 55	- / -	- / -	- / -	- / -
- ducted / recirculating, intensive setting or intensive setting ²	- / 59	56 / 58	56 / 58	57 / 60	57 / 60	54 / 60	54 / 60
Noise level (sound power) based on dB(A) re 1pW^(1,4)							
- ducted / recirculating at power level 1	- / 52	43 / 43	43 / 43	46 / 58	46 / 58	44 / 57	44 / 57
- ducted / recirculating at power level 2	- / 62	52 / 53	52 / 53	57 / 67	57 / 67	54 / 66	54 / 66
- ducted / recirculating at power level 3	- / 67	57 / 59	57 / 59	61 / 70	61 / 70	59 / 70	59 / 70
- ducted / recirculating at power level 4 or intensive setting ¹	- / 70	64 / 68	64 / 68	- / -	- / -	- / -	- / -
- ducted / recirculating, intensive setting or intensive setting ²	- / 72	69 / 72	69 / 72	70 / 74	70 / 74	68 / 74	68 / 74
Power levels	3	3	3	3	3	3	3
Intensive setting	■	■	■	■	■	■	■
Automatic intensive revert	■	■	■	■	■	■	■
Pipe outlet diameter (mm)	-	120 / 150	120 / 150	150 / 120	150 / 120	150 / 120	150 / 120
Minimum distance above an electric / gas hob (mm)	550 / 650	450 / 600	450 / 600	550 / 650	550 / 650	550 / 650	550 / 650
Motor power (W)	140	140	140	160	160	130	130
Total electrical loading (W)	146	150	150	166	166	136	136
Nominal Voltage (V)	220-240	220-240	220-240	220-240	220-240	220-240	220-240
Power cable length (cm)	130	130	130	130	130	130	130
GB plug	■	■	■	■	■	■	■
Appliance weight (kg)	22.3	26.8	26.8	20.0	17.0	20.0	17.0
Safety approved	■	■	■	■	■	■	■
Energy rating	-	A	A	A+	A+	A+	A+
OPTIONAL ACCESSORIES							
Recirculating kit (needed if recirculating)	-	LZ10AFU00	LZ10AFU00	LZ53250	LZ53250	LZ53250	LZ53250
Recirculating kit (without chimney)	-	LZ10AFT00	LZ10AFT00	-	-	-	-
Replacement active carbon filter	-	LZ10AFA00	LZ10AFA00	LZ53251	LZ53251	LZ53251	LZ53251
cleanAir recirculating kit	-	LZ10AXC50	LZ10AXC50	LZ57000	LZ57000	LZ57000	LZ57000
cleanAir replacement active carbon filter	LZ56200	LZ56200	LZ56200	LZ56200	LZ56200	LZ56200	LZ56200
Regenerative cleanAir recirculating kit	-	LZ10AF500	LZ10AF500	-	-	-	-
Regenerative cleanAir recirculating kit (without chimney)	-	LZ10AFR00	LZ10AFR00	-	-	-	-
Regenerative cleanAir odour filter	LZ00XXP00	LZ00XXP00	LZ00XXP00	-	-	-	-
900 x 720mm stainless steel back panel	-	-	-	-	-	-	-
700 x 720mm stainless steel back panel	-	-	-	-	-	-	-
600 x 720mm stainless steel back panel	-	-	-	-	-	-	-
Lowering frame	-	-	-	-	-	-	-
Paper grease filters	-	-	-	-	-	-	-
Chimney extension 1000mm	-	LZ10AXK50	LZ10AXK50	LZ12250	LZ12250	LZ12250	LZ12250
Chimney extension 1500mm	-	LZ10AXL50	LZ10AXL50	LZ12350	LZ12350	LZ12350	LZ12350
Chimney extension 1100mm	-	-	-	-	-	-	-
Chimney extension 1600mm	-	-	-	-	-	-	-
Chimney extension 750mm	-	-	-	-	-	-	-
Chimney extension 500mm	-	-	-	-	-	-	-
Left / right inclined roof adapter	-	-	-	-	-	-	-
Front / back inclined roof adapter	-	-	-	-	-	-	-
Wall mounting kit	-	-	-	-	-	-	-
Remote control	-	-	-	-	-	-	-
Handle strip	-	-	-	-	-	-	-

■ Yes, model has this feature. ¹ Air flow and noise declarations made in line with CECEC Code Of Conduct ³ Sound pressure measured according to EN60704-2-13 on largest pipe diameter
 - Feature not available for this model. ² Measured according to EN61591 on largest pipe diameter ⁴ Sound power measured according to EN60704-3 on largest pipe diameter

Hood Specifications

INSTALLATION TYPE	WALL INSTALLATION					
	Glass	Glass	Box Chimney	Box Chimney	Box Chimney	Box Chimney
HOOD TYPE	IQ100	IQ100	IQ700	IQ700	IQ700	IQ300
Design family	Stainless steel	Stainless steel	Stainless steel	Stainless steel	Stainless steel	Stainless steel
Model number	LC94GB522B	LC64GB522B	LC98BA572B	LC68BA572B	LC97BF532B	LC77BF532B
Black or steel with black glass	-	-	-	-	-	-
White or steel with white glass	-	-	-	-	-	-
Silver metallic lacquer	-	-	-	-	-	-
DESIGN FEATURES						
Appliance width (mm)	900	600	900	600	900	700
Day / night glass & metal fascia	-	-	-	-	-	-
Illuminated controls	■	■	■	■	■	■
Slider / rocker switch control	- / ■	- / ■	- / -	- / -	- / -	- / -
Push button control	-	-	-	-	-	-
Touch Control	■	■	■	■	■	■
softTouch metal button control	-	-	-	-	-	-
White electronic display	■	■	■	■	■	■
Blue indicator lights	■	■	■	■	■	■
Glass canopy	■	■	■	■	■	■
Height adjustable chimney sections	-	-	-	-	-	-
Wall / ceiling mounted installation	■ / -	■ / -	■ / -	■ / -	■ / -	■ / -
Worktop integrated installation	-	-	-	-	-	-
Install in, between or under furniture carcass	-	-	-	-	-	-
KEY FEATURES						
emotionLight Pro	■	■	■	■	■	■
Home Connect	■	■	■	■	■	■
cookConnect hob based hood control	■	■	■	■	■	■
climateControl sensor	■	■	■	■	■	■
Electronic control	■	■	■	■	■	■
Remote Control	■	■	■	■	■	■
Electronic power level display	■	■	■	■	■	■
Grease / charcoal filter saturation indicator	- / -	- / -	■ / -	■ / ■	-	-
Automatic after running (minutes)	-	-	10	10	-	-
Interval operation	-	-	-	-	-	-
28 W LED glass panel	-	-	-	-	-	-
6 W LED light strips	-	-	-	-	-	-
5 W LED lights	-	-	-	-	-	-
4 W LED lights	-	-	-	-	-	-
3 W energy-saving LED	-	-	3	2	3	2
1 W LED	-	-	-	-	-	-
20 W low voltage halogen bulbs	2	2	-	-	-	-
25 W high voltage halogen bulbs	-	-	-	-	-	-
40 W bulbs	-	-	-	-	-	-
softLight with dimmer function	■	■	■	■	■	■
Steel filter cover	■	■	■	■	■	■
Number of metal grease filter cassettes	1	1	3	2	3	2
Additional noise reduction insulation	-	-	-	-	-	-
Paper grease filter	-	-	-	-	-	-
PERFORMANCE / TECHNICAL INFORMATION						
Easy installation system	■	■	■	■	■	■
Suitable for ducted / recirculating operation	■ / ■	■ / ■	■ / ■	■ / ■	■ / ■	■ / ■
Extraction rate in m³/h^(1,2)						
- ducted / recirculating at power level 1	200 / 130	200 / 130	300 / 170	250 / 170	310 / 160	250 / 160
- ducted / recirculating at power level 2	300 / 200	300 / 200	380 / 290	360 / 280	360 / 280	350 / 240
- ducted / recirculating at power level 3	450 / 290	450 / 290	460 / 350	430 / 300	460 / 350	440 / 300
- ducted / recirculating at power level 4 or intensive setting ¹	- / -	- / -	- / -	- / -	- / -	- / -
- ducted / recirculating, intensive setting or intensive setting ²	- / -	- / -	860 / 440	760 / 380	730 / 430	690 / 360
Max noise level (sound pressure) based on dB(A) re 20 µPa^(1,3)						
- ducted / recirculating at power level 1	33 / 39	33 / 39	32 / 43	31 / 46	31 / 40	29 / 40
- ducted / recirculating at power level 2	39 / 49	39 / 49	36 / 51	41 / 54	35 / 49	34 / 49
- ducted / recirculating at power level 3	48 / 56	48 / 56	36 / 54	46 / 57	41 / 54	40 / 54
- ducted / recirculating at power level 4 or intensive setting ¹	- / -	- / -	- / -	- / -	- / -	- / -
- ducted / recirculating, intensive setting or intensive setting ²	- / -	- / -	54 / 59	58 / 61	51 / 58	50 / 58
Noise level (sound power) based on dB(A) re 1pW^(1,4)						
- ducted / recirculating at power level 1	47 / 53	47 / 53	32 / 43	45 / 60	45 / 54	43 / 54
- ducted / recirculating at power level 2	53 / 63	53 / 63	36 / 51	55 / 68	49 / 63	48 / 63
- ducted / recirc						

Hood Specifications

INSTALLATION TYPE	WALL INSTALLATION							
	Box Chimney	Box Chimney	Box Chimney	Pyramid	Pyramid	Pyramid	Pyramid	Pyramid
HOOD TYPE	LC67BE532B	LC94BA521B	LC64BA521B	LC97WA532B	LC77WA532B	LC67WA532B	LC94WA521B	LC64WA521B
Design family	LC300	LC100	LC100	LC300	LC300	LC300	LC100	LC100
Model number	Stainless steel	Black or steel with black glass	White or steel with white glass	Silver metallic lacquer				
DESIGN FEATURES								
Appliance width (mm)	600	900	600	900	700	600	900	600
Day / night glass & metal fascia	■	■	■	■	■	■	■	■
Illuminated controls	■	■	■	■	■	■	■	■
Slider / rocker switch control	- / -	- / ■	- / ■	- / -	- / -	- / -	- / ■	- / ■
Push button control	■	■	■	■	■	■	■	■
Touch Control	■	■	■	■	■	■	■	■
softTouch metal button control	■	■	■	■	■	■	■	■
White electronic display	■	■	■	■	■	■	■	■
Blue indicator lights	■	■	■	■	■	■	■	■
Glass canopy	■	■	■	■	■	■	■	■
Height adjustable chimney sections	■	■	■	■	■	■	■	■
Wall / ceiling mounted installation	■ / -	■ / -	■ / -	■ / -	■ / -	■ / -	■ / -	■ / -
Worktop integrated installation	■	■	■	■	■	■	■	■
Install in, between or under furniture carcass	■	■	■	■	■	■	■	■
KEY FEATURES								
emotionLight Pro	■	■	■	■	■	■	■	■
Home Connect	■	■	■	■	■	■	■	■
cookConnect hob based hood control	■	■	■	■	■	■	■	■
climateControl sensor	■	■	■	■	■	■	■	■
Electronic control	■	■	■	■	■	■	■	■
Remote Control	■	■	■	■	■	■	■	■
Electronic power level display	■	■	■	■	■	■	■	■
Grease / charcoal filter saturation indicator	■	■	■	■	■	■	■	■
Automatic after running (minutes)	10	10	10	10	10	10	10	10
Interval operation	■	■	■	■	■	■	■	■
28 W LED glass panel	■	■	■	■	■	■	■	■
6 W LED light strips	■	■	■	■	■	■	■	■
5 W LED lights	■	■	■	■	■	■	■	■
4 W LED lights	■	■	■	■	■	■	■	■
3 W energy-saving LED	2	2	2	3	2	2	2	2
1 W LED	■	■	■	■	■	■	■	■
20 W low voltage halogen bulbs	■	■	■	■	■	■	■	■
25 W high voltage halogen bulbs	■	2	2	■	■	■	2	2
40 W bulbs	■	■	■	■	■	■	■	2
softLight with dimmer function	■	■	■	■	■	■	■	■
Steel filter cover	■	■	■	■	■	■	■	■
Number of metal grease filter cassettes	2	2	2	3	2	2	3	2
Additional noise reduction insulation	■	■	■	■	■	■	■	■
Paper grease filter	■	■	■	■	■	■	■	■
PERFORMANCE / TECHNICAL INFORMATION								
Easy installation system	■	■	■	■	■	■	■	■
Suitable for ducted / recirculating operation	■ / ■	■ / ■	■ / ■	■ / ■	■ / ■	■ / ■	■ / ■	■ / ■
Extraction rate in m ³ /h ^(1,2)								
- ducted / recirculating at power level 1	240 / 150	260 / 170	260 / 170	250 / 160	240 / 150	240 / 150	230 / 150	230 / 150
- ducted / recirculating at power level 2	350 / 240	360 / 240	360 / 240	360 / 280	350 / 240	350 / 240	290 / 190	290 / 190
- ducted / recirculating at power level 3	440 / 300	450 / 300	450 / 300	460 / 350	440 / 300	440 / 300	400 / 230	400 / 230
- ducted / recirculating at power level 4 or intensive setting ¹	- / -	- / -	- / -	- / -	- / -	- / -	- / -	- / -
- ducted / recirculating, intensive setting or intensive setting ²	690 / 360	- / -	- / -	690 / 360	690 / 360	690 / 360	- / -	- / -
Max noise level (sound pressure) based on dB(A) re 20 µPa ^(1,3)								
- ducted / recirculating at power level 1	31 / 42	38 / 45	38 / 45	29 / 40	31 / 42	31 / 42	41 / 42	41 / 42
- ducted / recirculating at power level 2	39 / 51	44 / 51	44 / 51	34 / 49	39 / 51	39 / 51	46 / 49	46 / 49
- ducted / recirculating at power level 3	44 / 55	48 / 55	48 / 55	40 / 54	44 / 55	44 / 55	51 / 53	51 / 53
- ducted / recirculating at power level 4 or intensive setting ¹	- / -	- / -	- / -	- / -	- / -	- / -	- / -	- / -
- ducted / recirculating, intensive setting or intensive setting ²	54 / 59	- / -	- / -	50 / 58	54 / 59	54 / 59	- / -	- / -
Noise level (sound power) based on dB(A) re 1pW ^(1,4)								
- ducted / recirculating at power level 1	45 / 56	52 / 59	52 / 59	43 / 54	45 / 56	45 / 56	55 / 56	55 / 56
- ducted / recirculating at power level 2	53 / 65	58 / 65	58 / 65	48 / 63	53 / 65	53 / 65	60 / 63	60 / 63
- ducted / recirculating at power level 3	58 / 69	63 / 69	63 / 69	54 / 68	58 / 69	58 / 69	67 / 65	67 / 65
- ducted / recirculating at power level 4 or intensive setting ¹	- / -	- / -	- / -	- / -	- / -	- / -	- / -	- / -
- ducted / recirculating, intensive setting or intensive setting ²	68 / 73	- / -	- / -	64 / 72	68 / 73	68 / 73	- / -	- / -
Power levels	3	3	3	3	3	3	3	3
Intensive setting	■	■	■	■	■	■	■	■
Automatic intensive revert	■	■	■	■	■	■	■	■
Pipe outlet diameter (mm)	150 / 120	150 / 120	150 / 120	150 / 120	150 / 120	150 / 120	150 / 120	150 / 120
Minimum distance above an electric / gas hob (mm)	550 / 650	550 / 650	550 / 650	550 / 650	550 / 650	550 / 650	550 / 650	550 / 650
Motor power (W)	130	100	100	130	130	130	95	95
Total electrical loading (W)	139	160	160	139	139	139	155	155
Nominal Voltage (V)	220-240	220-240	220-240	220-240	220-240	220-240	220-240	220-240
Power cable length (cm)	130	130	130	130	130	130	130	130
GB plug	■	■	■	■	■	■	■	■
Appliance weight (kg)	16.0	16.0	11.0	19.0	17.0	15.0	11.0	9.0
Safety approved	■	■	■	■	■	■	■	■
Energy rating	A+	D	D	A+	A+	A+	E	D
OPTIONAL ACCESSORIES								
Recirculating kit (needed if recirculating)	LZ53450	LZ53250	LZ53250	LZ53450	LZ53450	LZ53450	LZ52750	LZ52750
Recirculating kit (without chimney)	-	-	-	-	-	-	-	-
Replacement active carbon filter	LZ53451	LZ53251	LZ53251	LZ53451	LZ53451	LZ53451	LZ52751	LZ52751
cleanAir recirculating kit	LZ57300	LZ57000	LZ57000	LZ57300	LZ57300	LZ57300	-	-
cleanAir replacement active carbon filter	LZ56200	LZ56200	LZ56200	LZ56200	LZ56200	LZ56200	-	-
Regenerative cleanAir recirculating kit	-	-	-	-	-	-	-	-
Regenerative cleanAir recirculating kit (without chimney)	-	-	-	-	-	-	-	-
Regenerative cleanAir odour filter	-	-	-	-	-	-	-	-
900 x 720mm stainless steel back panel	-	LZ50961	-	LZ50961	-	-	LZ50961	-
700 x 720mm stainless steel back panel	-	-	-	-	LZ50761	-	-	-
600 x 720mm stainless steel back panel	LZ50661	-	LZ50661	-	-	LZ50661	-	LZ50661
Lowering frame	-	-	-	-	-	-	-	-
Paper grease filters	-	-	-	-	-	-	-	-
Chimney extension 1000mm	LZ12265	LZ12250	LZ12250	LZ12265	LZ12265	LZ12265	-	-
Chimney extension 1500mm	LZ12365	LZ12350	LZ12350	LZ12365	LZ12365	LZ12365	-	-
Chimney extension 1100mm	-	-	-	-	-	-	-	-
Chimney extension 1600mm	-	-	-	-	-	-	-	-
Chimney extension 750mm	-	-	-	-	-	-	LZ12340	LZ12340
Chimney extension 500mm	-	-	-	-	-	-	LZ12240	LZ12240
Left / right inclined roof adapter	-	-	-	-	-	-	-	-
Front / back inclined roof adapter	-	-	-	-	-	-	-	-
Wall mounting kit	-	-	-	-	-	-	-	-
Remote control	-	-	-	-	-	-	LZ75956	-
Handle strip	-	-	-	-	-	-	-	-

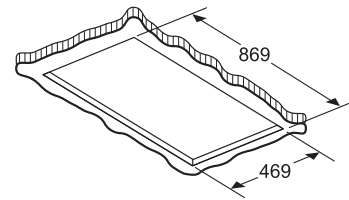
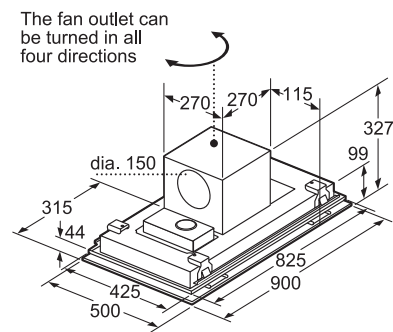
■ Yes, model has this feature. ¹ Air flow and noise declarations made in line with CECEC Code Of Conduct ³ Sound pressure measured according to EN60704-2-13 on largest pipe diameter
 - Feature not available for this model. ² Measured according to EN61591 on largest pipe diameter ⁴ Sound power measured according to EN60704-3 on largest pipe diameter

Hood Specifications

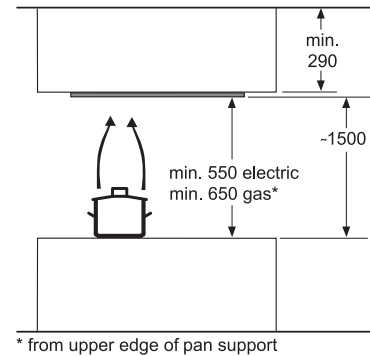
INSTALLATION TYPE	INTEGRATED FURNITURE					
	Canopy	Canopy	Canopy	Canopy	Canopy	Canopy
HOOD TYPE	LC700	LC500	LC500	LC300	LC300	LC100
Design family	LC700	LC500	LC500	LC300	LC300	LC100
Model number	Stainless steel	Black or steel with black glass	White or steel with white glass	Silver metallic lacquer		
DESIGN FEATURES						
Appliance width (mm)	700	700	520	730	530	530
Day / night glass & metal fascia	■	■	■	■	■	■
Illuminated controls	■	■	■	■	■	■
Slider / rocker switch control	- / -	- / -	- / -	- / -	- / -	- / -
Push button control	■	■	■	■	■	■
Touch Control	■	■	■	■	■	■
softTouch metal button control	■	■	■	■	■	■
White electronic display	■	■	■	■	■	■
Blue indicator lights	■	■	■	■	■	■
Glass canopy	■	■	■	■	■	■
Height adjustable chimney sections	■	■	■	■	■	■
Wall / ceiling mounted installation	■	■	■	■	■	■
Worktop integrated installation	■	■	■	■	■	■
Install in, between or under furniture carcass	■	■	■	■	■	■
KEY FEATURES						
emotionLight Pro	■	■	■	■	■	■
Home Connect	■	■	■	■	■	■
cookConnect hob based hood control	■	■	■	■	■	■
climateControl sensor	■	■	■	■	■	■
Electronic control	■	■	■	■	■	■
Remote Control	■	■	■	■	■	■
Electronic power level display	■	■	■	■	■	■
Grease / charcoal filter saturation indicator	■	■	■	■	■	■
Automatic after running (minutes)	10	10	10	10	10	10
Interval operation	■	■	■	■	■	■
28 W LED glass panel	■	■	■	■	■	■
6 W LED light strips	■	■	■	■	■	■
5 W LED lights	■	■	■	■	■	■
4 W LED lights	■	■	■	■	■	■
3 W energy-saving LED	2	2	2	2	2	2
1 W LED	■	■	■	■	■	■
20 W low voltage halogen bulbs	■	■	■	■	■	■
25 W high voltage halogen bulbs	■	■	■	■	■	■
40 W bulbs	■	■	■	■	■	■
softLight with dimmer function	■	■	■	■	■	■
Steel filter cover	■	■	■	■	■	■
Number of metal grease filter cassettes	2	2	1	2	2	2
Additional noise reduction insulation	■	■	■	■	■	■
Paper grease filter	■	■	■	■	■	■
PERFORMANCE / TECHNICAL INFORMATION						
Easy installation system	■	■	■	■	■	■
Suitable for ducted / recirculating operation	■ / ■	■ / ■	■ / ■	■ / ■	■ / ■	■ / ■
Extraction rate in m ³ /h ^(1,2)						
- ducted / recirculating at power level 1	220 / 200	340 / 210	290 / 210	280 / 240	260 / 180	150 / 130
- ducted / recirculating at power level 2	380 / 240	540 / 270	450 / 260	320 / 250	350 / 250	210 / 180
- ducted / recirculating at power level 3	570 / 320	630 / 300	560 / 290	400 / 320	400 / 320	- / -
- ducted / recirculating at power level 4 or intensive setting ¹	- / -	- / -				

Hood Technical Diagrams

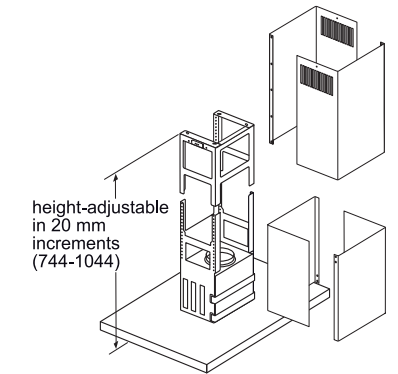
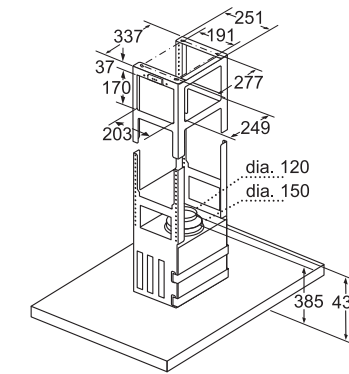
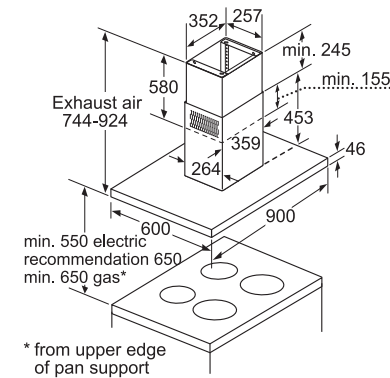
Ceiling hood LF959RE55B



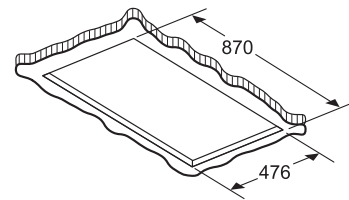
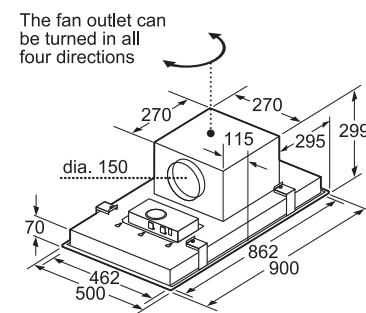
A suitable load-bearing substructure is required for securing the extractor hood. Never fit the appliance directly onto plasterboard or similar lightweight construction materials.



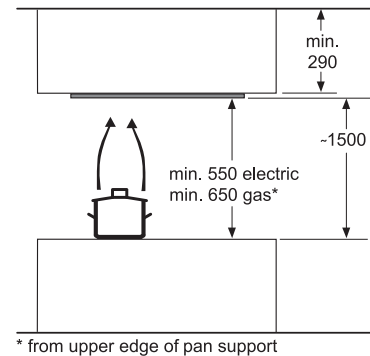
Island chimney hood LF91BA582B



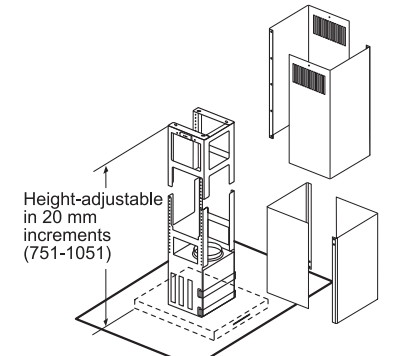
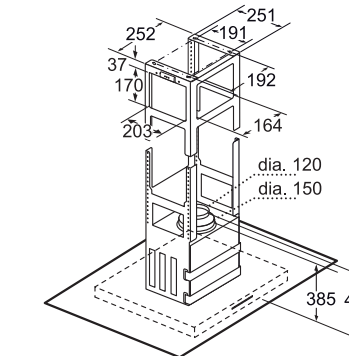
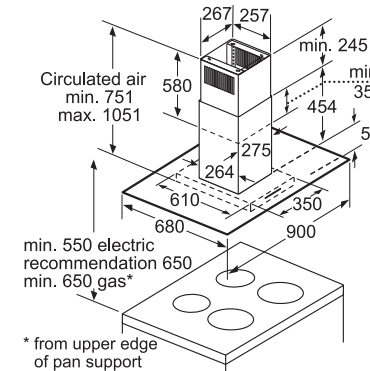
Ceiling hood LF959RB51B and LF959RB21B



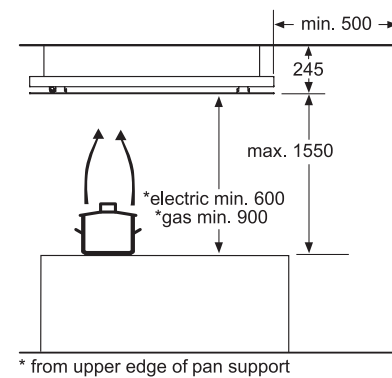
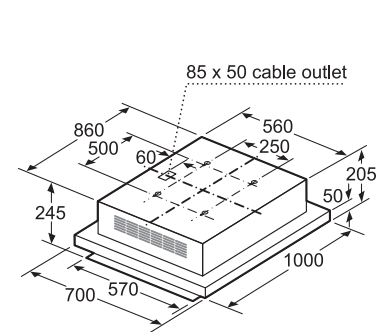
A suitable load-bearing substructure is required for securing the extractor hood. Never fit the appliance directly onto plasterboard or similar lightweight construction materials.



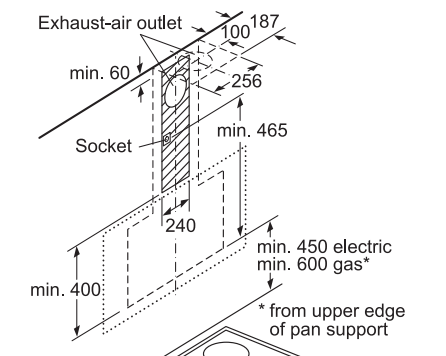
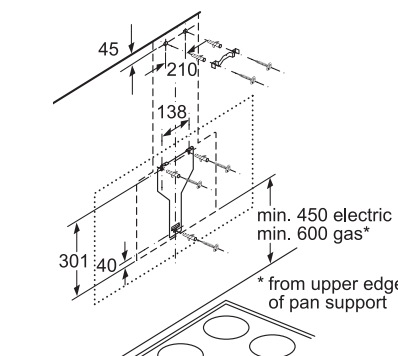
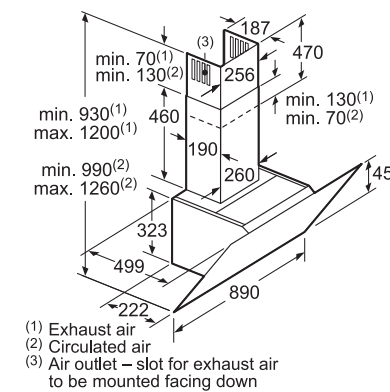
Island chimney hood LF98GB542B



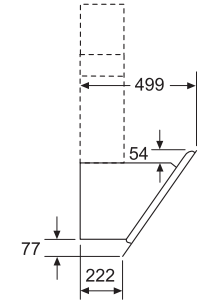
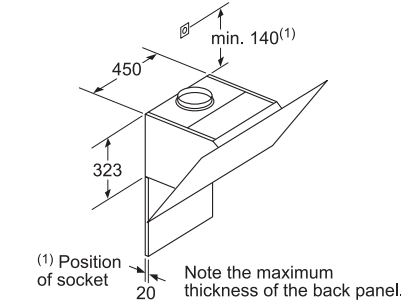
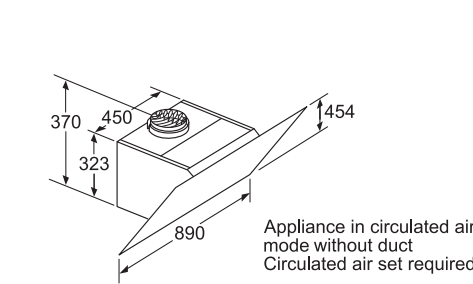
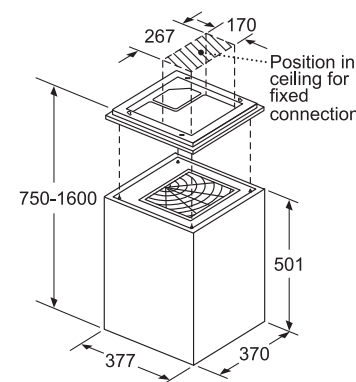
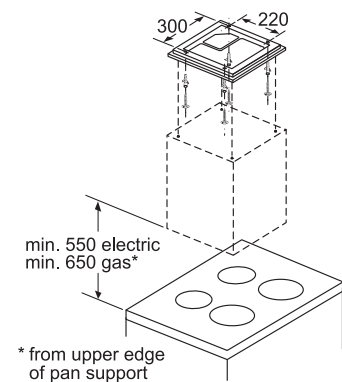
Ceiling hood LF16RH560



Angled chimney hoods LC91KWW60B and LC91KWW20B

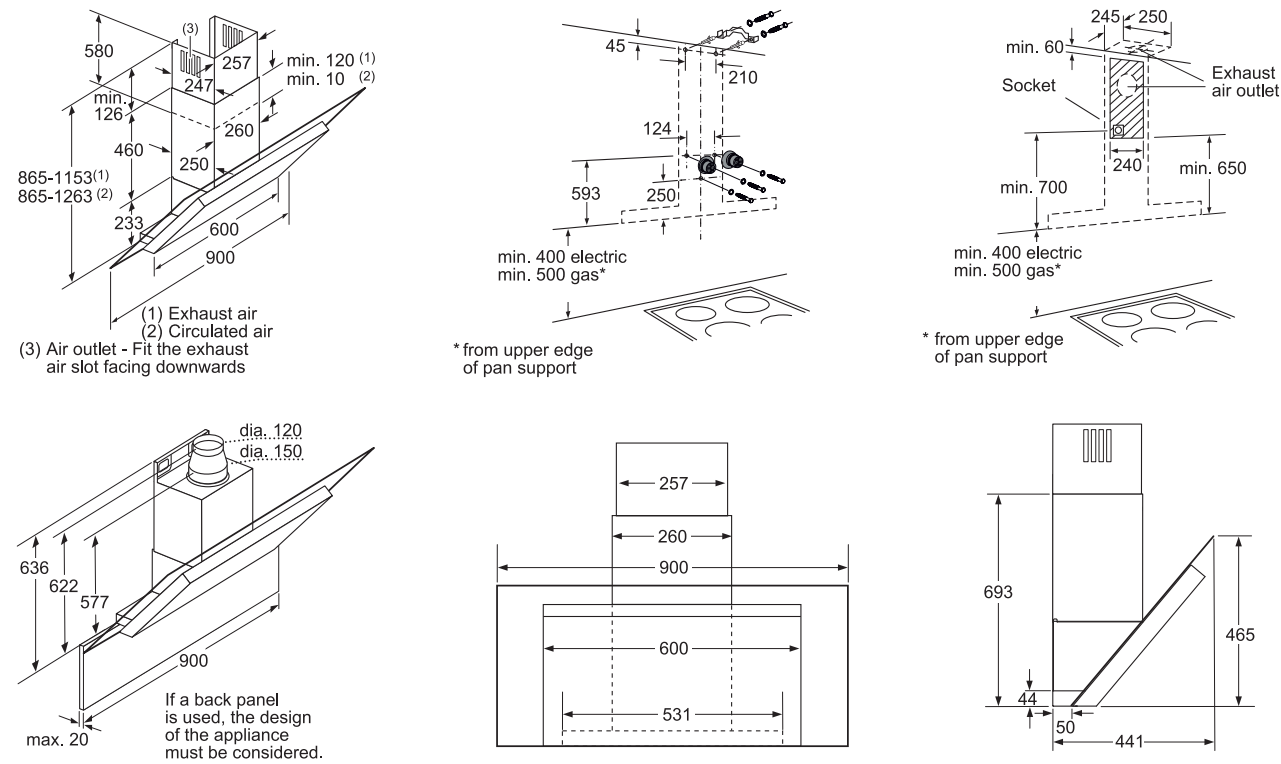


Island cube hood LF31IVV60

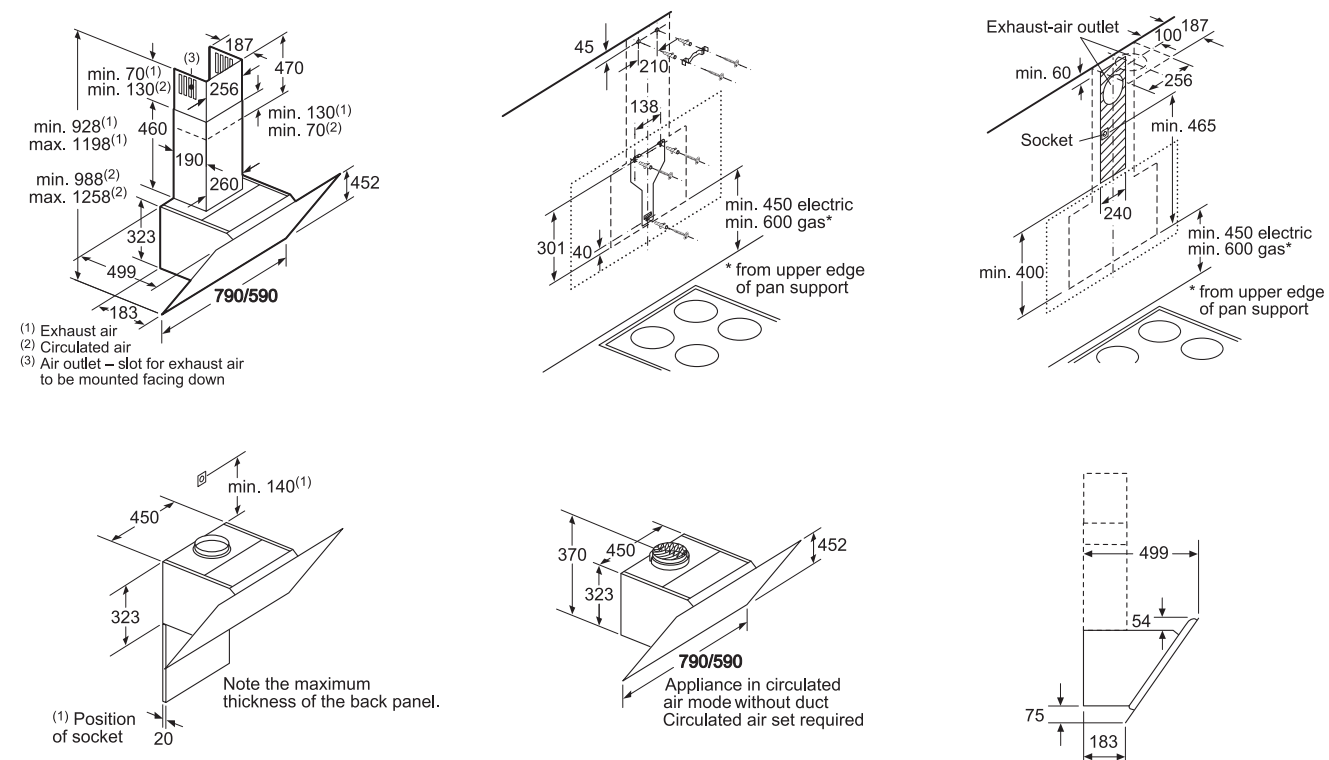


Hood Technical Diagrams

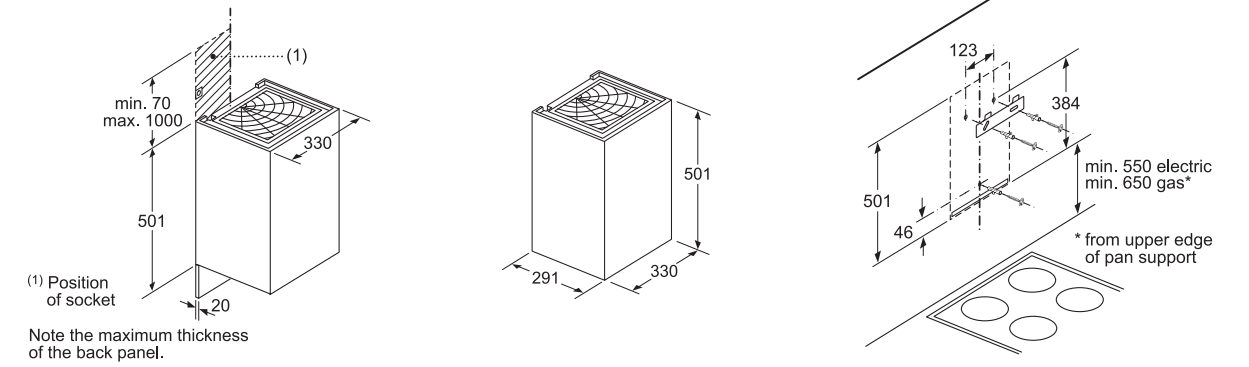
Angled chimney hood LC98KC652B



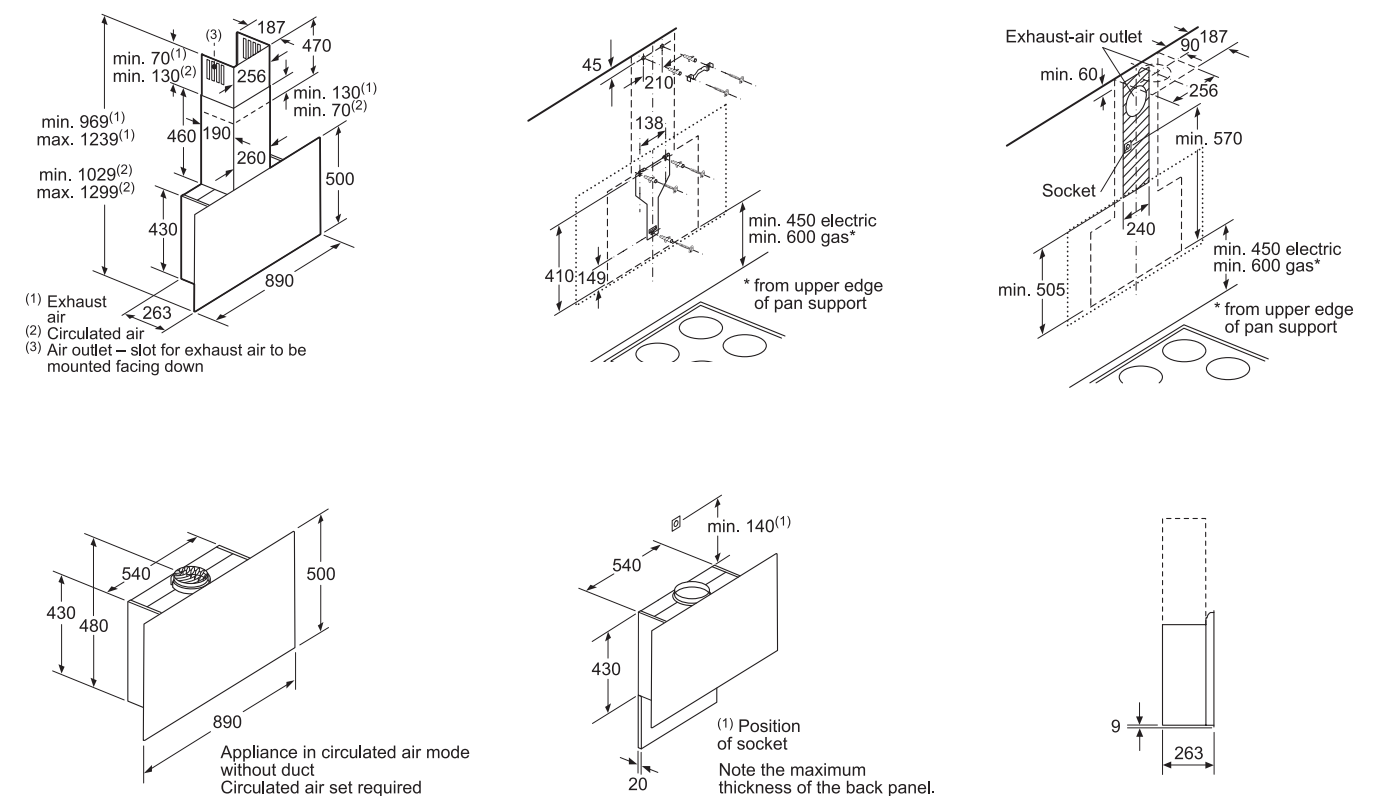
Angled chimney hoods LC87KHM60B and LC67KHM60B



Cube hood LC371VV60B

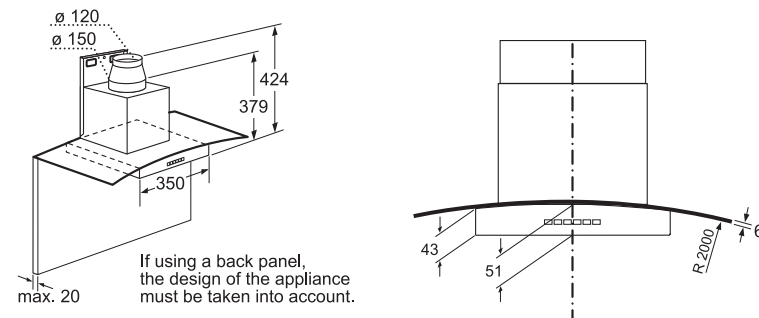
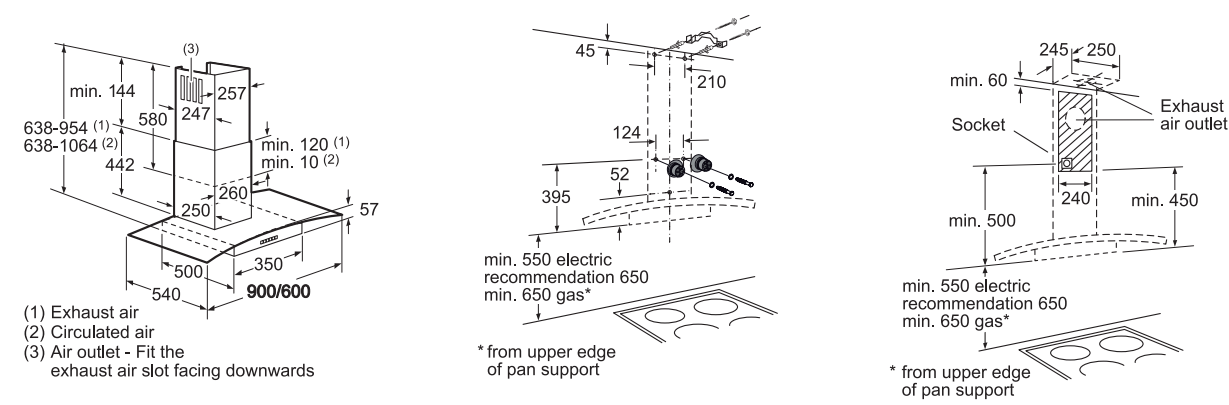


Flat chimney hoods LC97FVW60B and LC97FVW20B

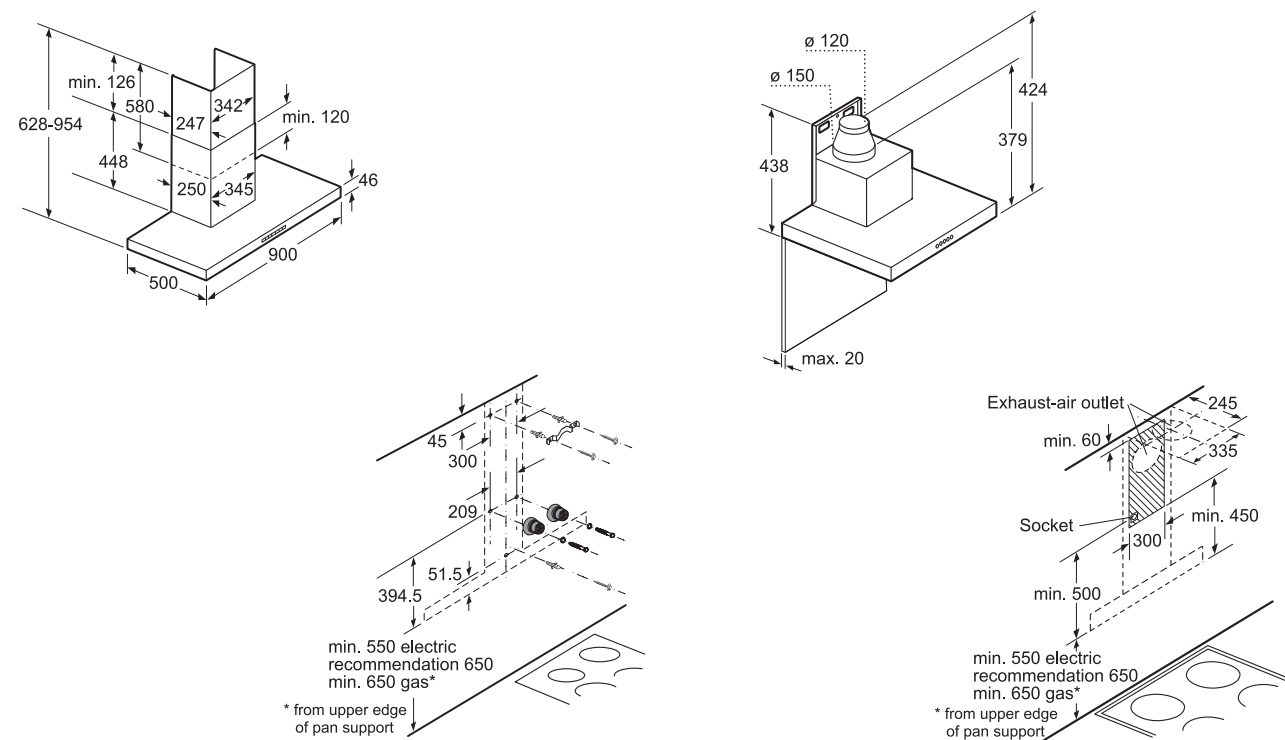


Hood Technical Diagrams

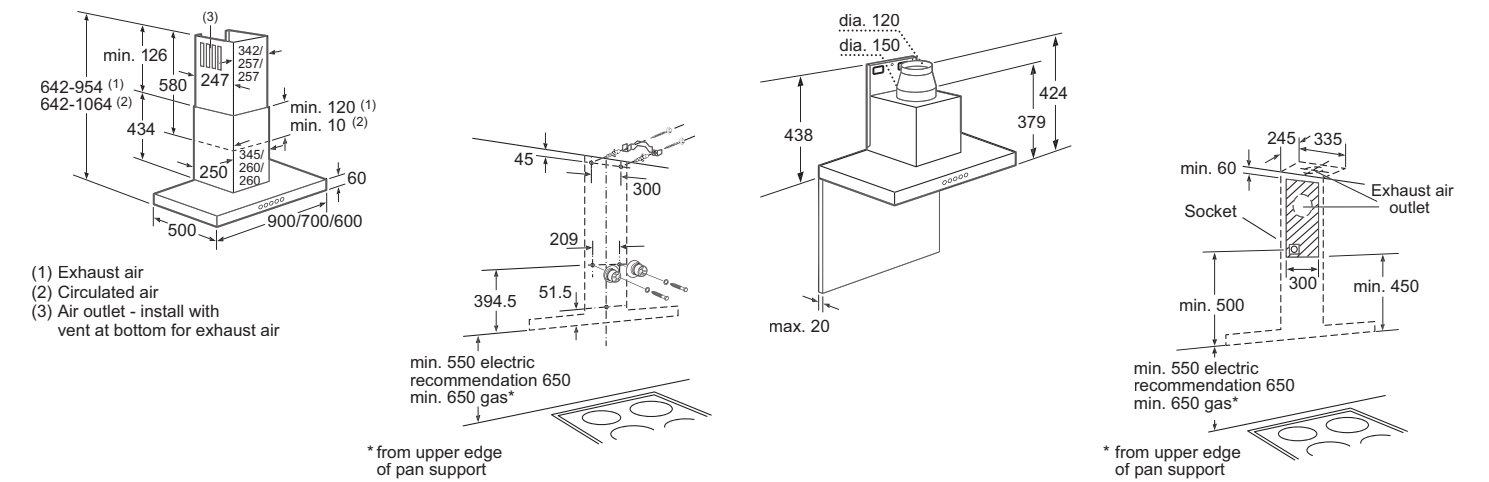
Glass chimney hoods LC98GB542B, LC68GB542B, LC97GB532B, LC67GB532B, LC94GB522B and LC64GB522B



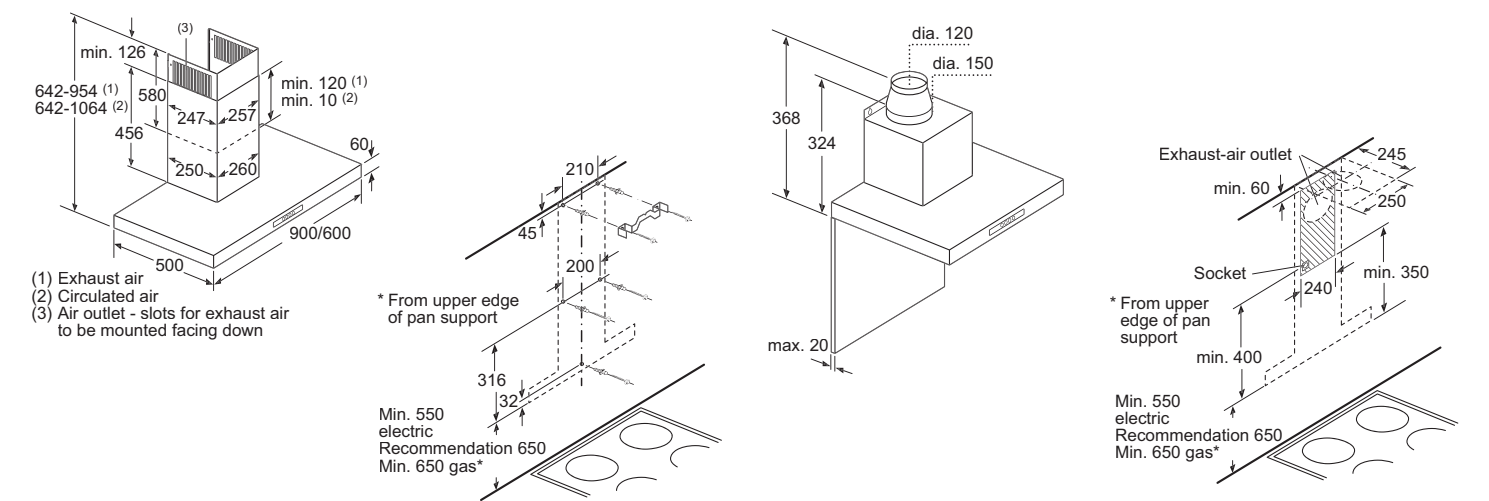
Box chimney hoods LC98BA572B, LC68BA572B and LC97BF532B



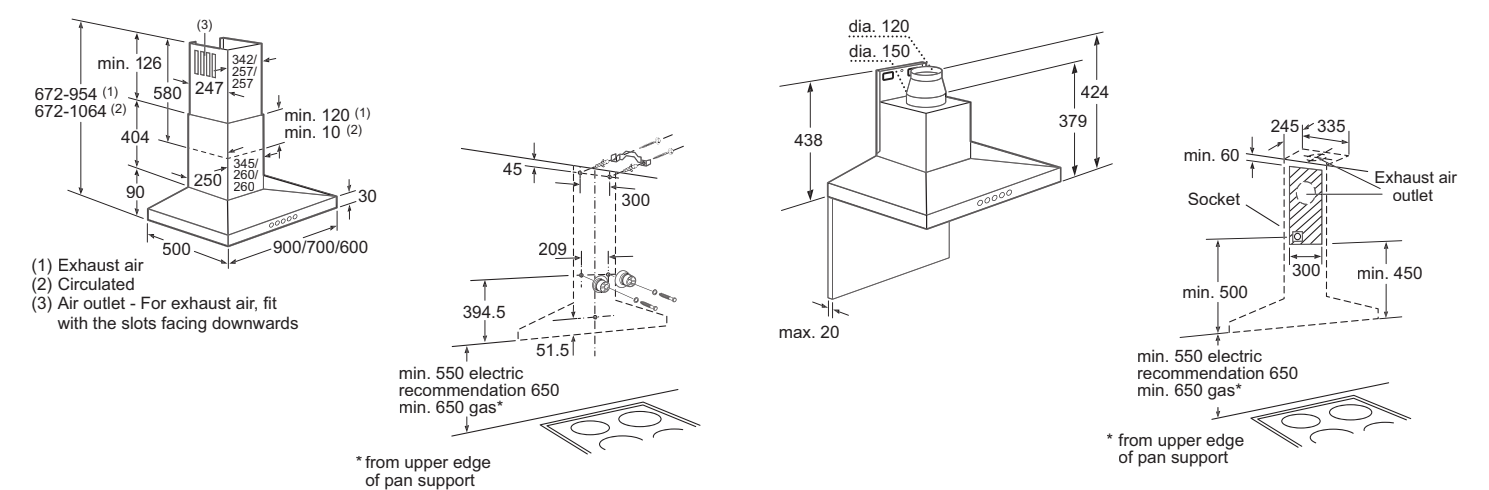
Box chimney hoods LC97BE532B, LC77BE532B and LC67BE532B



Box chimney hoods LC94BA521B and LC64BA521B

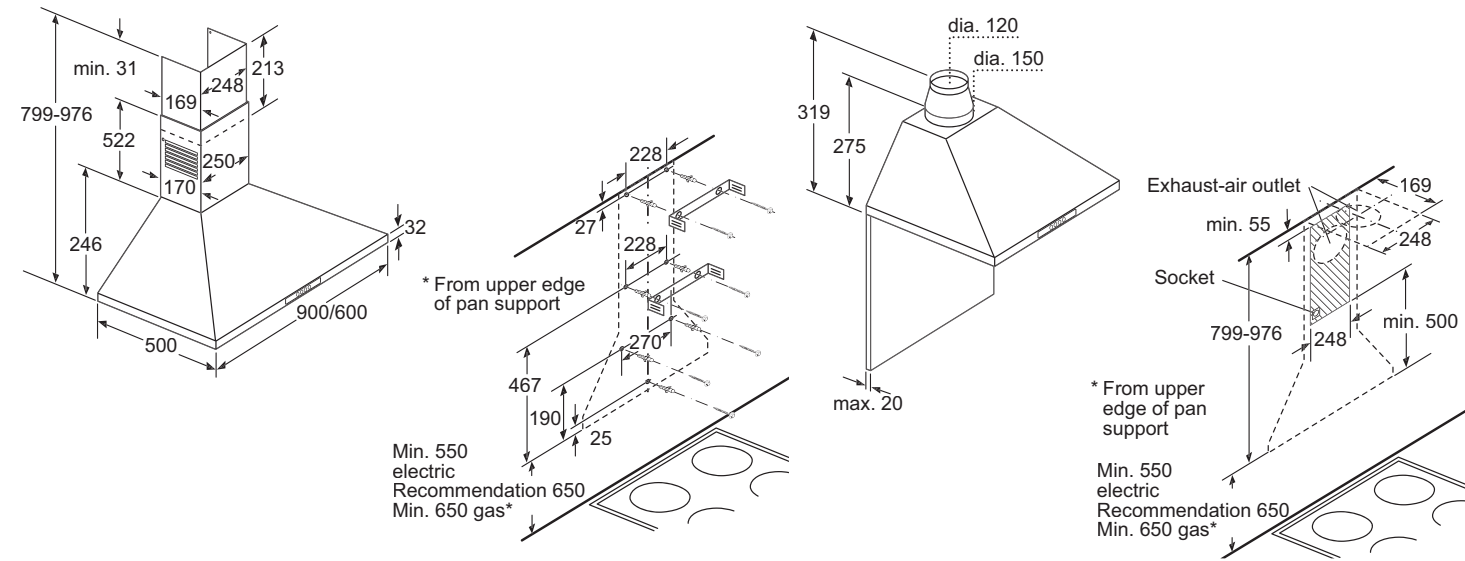


Pyramid chimney hoods LC97WA532B, LC77WA532B and LC67WA532B

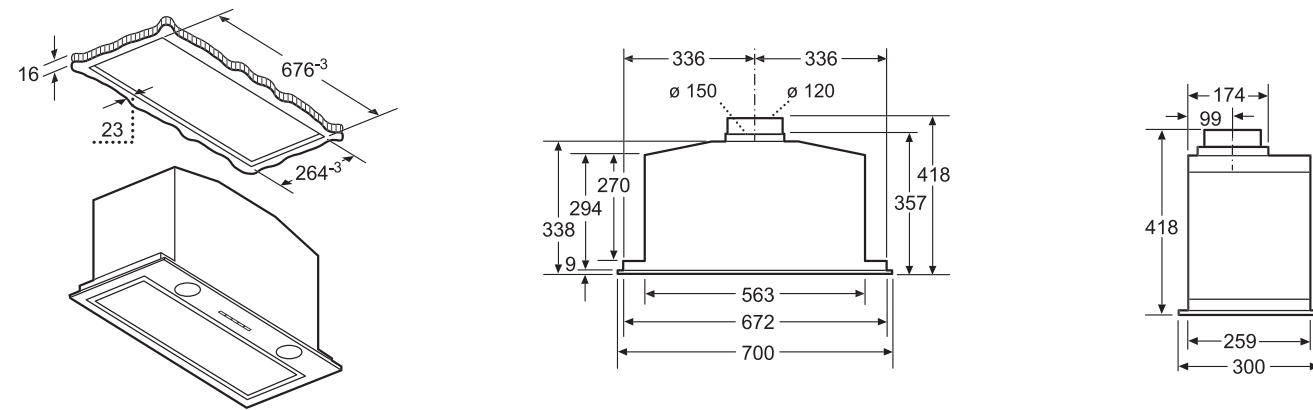


Hood Technical Diagrams

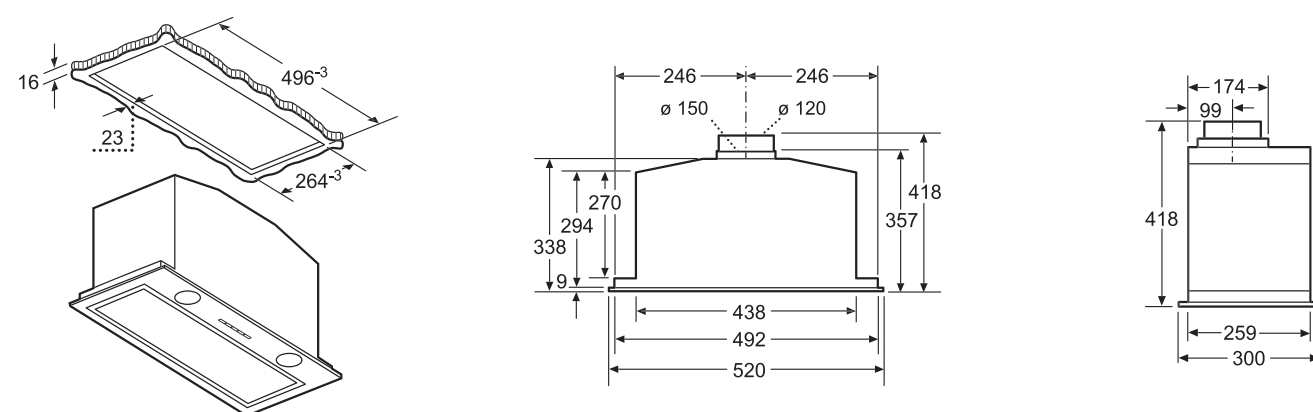
Pyramid chimney hoods LC94WA521B and LC64WA521B



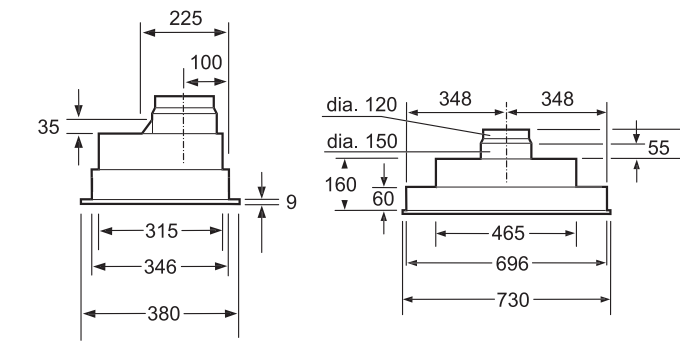
Canopy hoods LB79585GB and LB78574GB



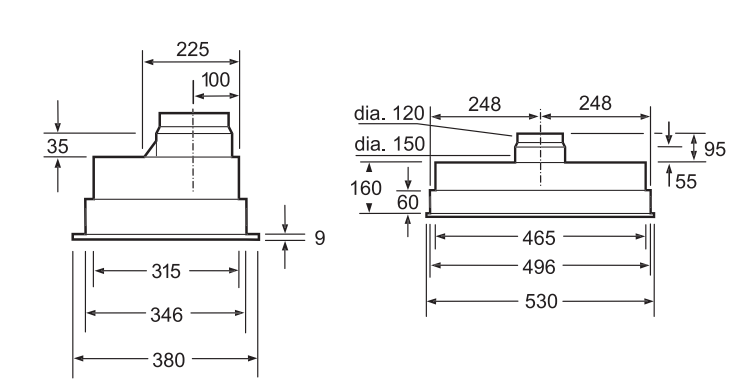
Canopy hood LB57574GB



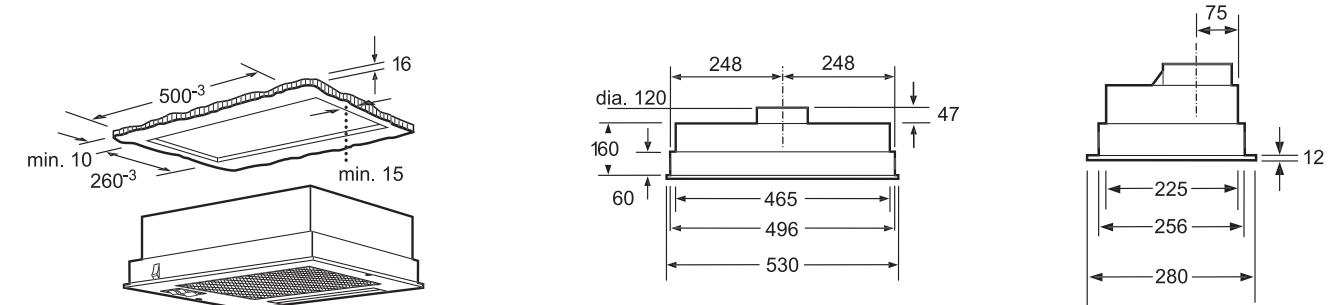
Canopy hood LB75564GB



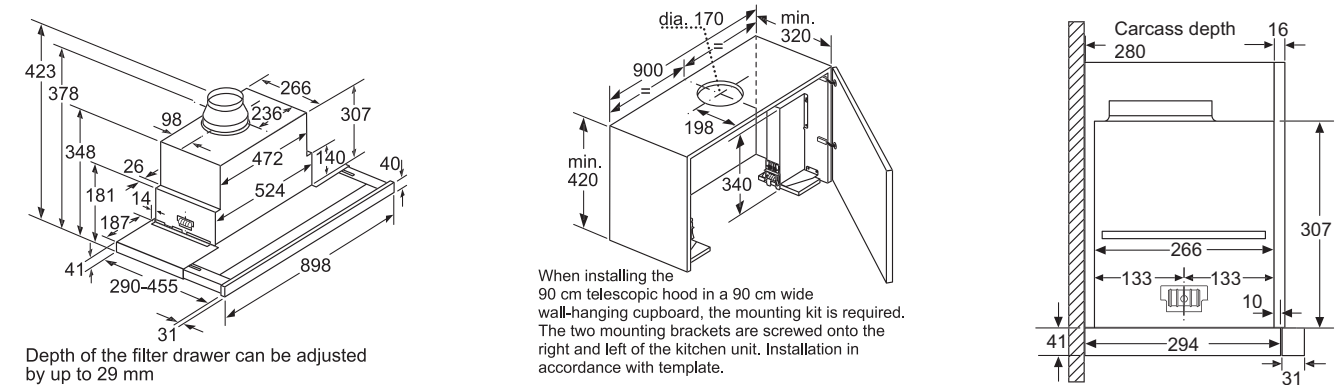
Canopy hood LB55564GB



Canopy hood LB23364GB

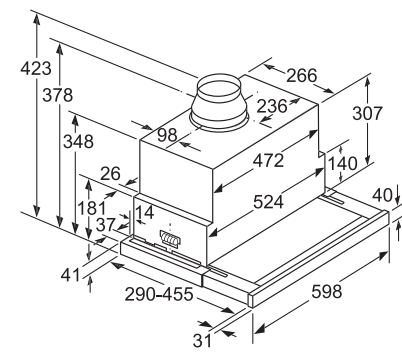


Telescopic hood LI99SA683B

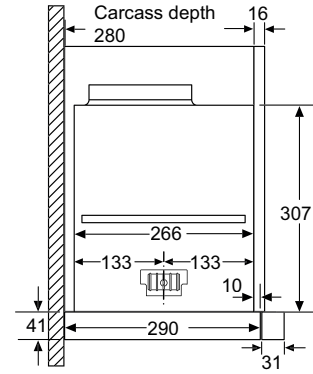
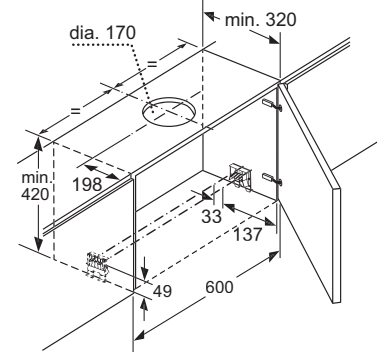


Hood Technical Diagrams

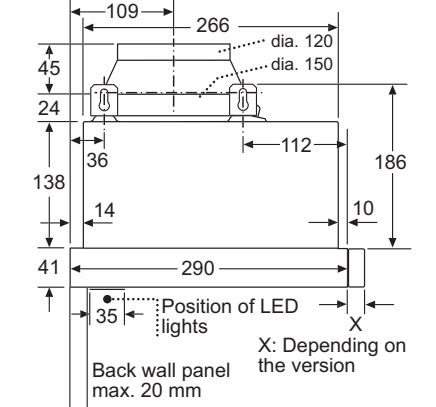
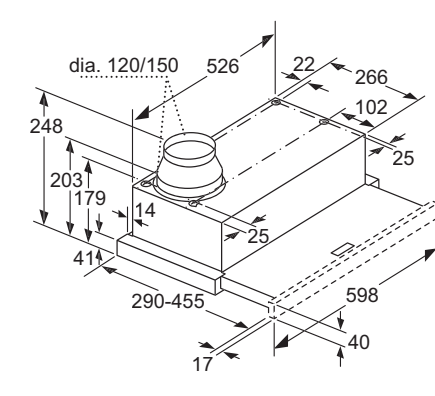
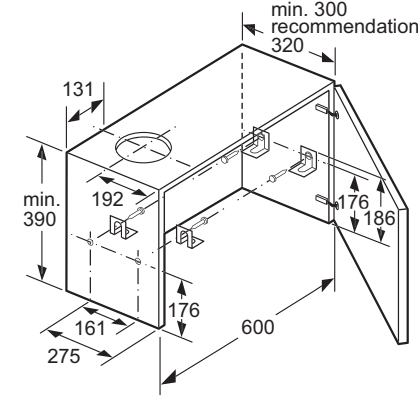
Telescopic hood LI69SA683B



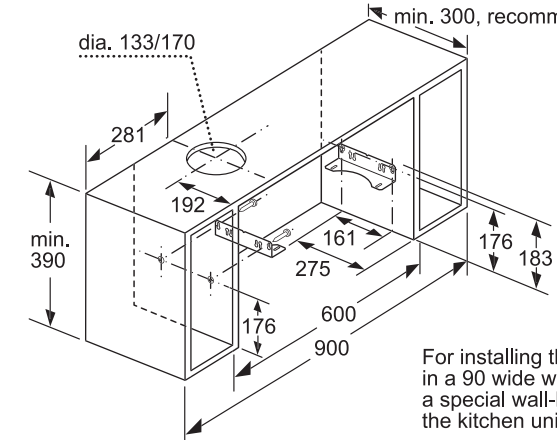
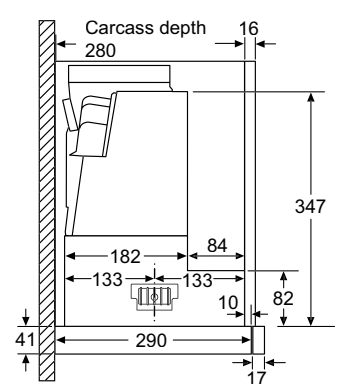
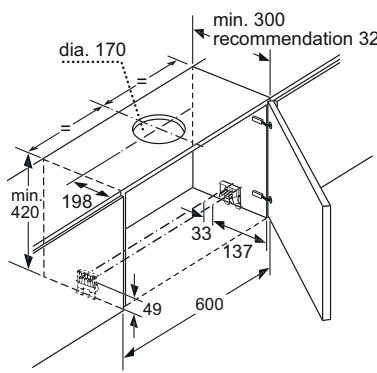
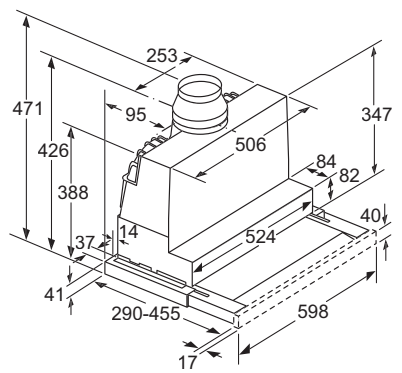
Depth of the filter drawer can be adjusted by up to 29 mm



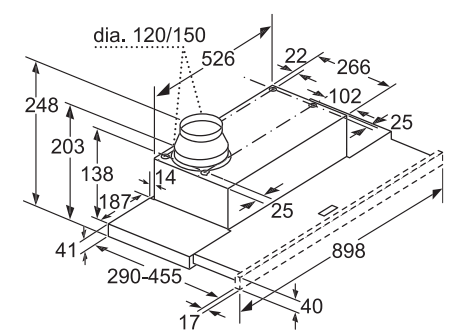
Telescopic hoods LI94MA530B and LI64MA530B



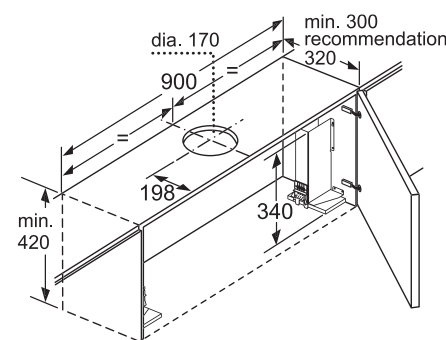
Telescopic hoods LI97SA560B and LI67SA560B



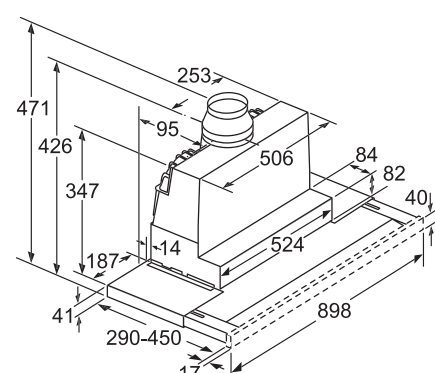
For installing the 90 cm telescopic hood in a 90 wide wall-hanging cupboard, a special wall-hanging cupboard from the kitchen unit manufacturer is required.



Depth of the filter drawer can be adjusted by up to 29 mm

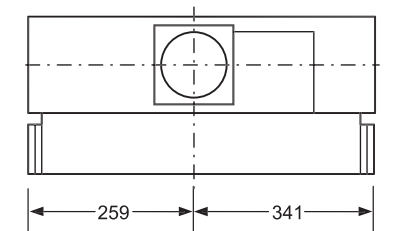
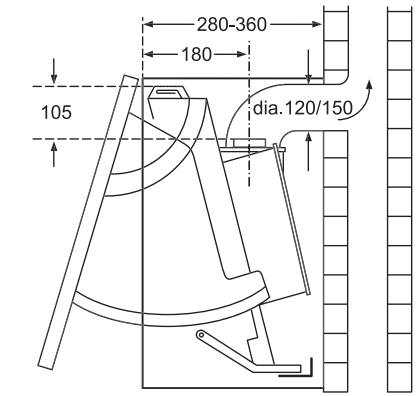
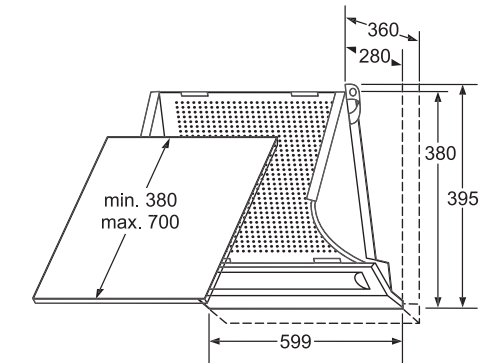


When installing the 90 cm telescopic hood in a 90 cm wide wall-hanging cupboard, a mounting kit is required. The two mounting brackets are screwed onto the left and right of the kitchen unit. Installation in accordance with template.



Depth of the filter drawer can be adjusted

Integrated hoods LE64130GB and LE62031GB



Built-in Cooling Specifications

APPLIANCE TYPE	aCool FRIDGE FREEZER	aCool FRIDGES			aCool FREEZERS			aCool WINE COOLER
Design family	■ IQ700	■ IQ700	■ IQ700	■ IQ700	■ IQ700	■ IQ700	■ IQ700	■ IQ700
Model number	CI36BP01	CI30RP01	CI24RP01	FI18NP31	FI24NP31	FI24DP32	FI24DP02	CI24WP02
PERFORMANCE AND CONSUMPTION								
Energy efficiency class	A+	A+	A+	A+	A+	A+	A+	B
Annual energy consumption ¹ (kWh)	423	182	169	347	359	347	347	237
Unit net capacity (litres)	380	479	369	306	324	306	306	390
Separate compartment with other temperature net capacity (litres)	146	–	–	–	–	–	–	–
Noise level (dB)	42	40	40	41	41	41	41	42
DESIGN FEATURES								
Type of hinge	Flat	Flat	Flat	Flat	Flat	Flat	Flat	–
Reversible door	–	Right reversible	Right reversible	Left non-reversible	Left reversible	Left non-reversible	Right non-reversible	Right reversible
Light	–	■	■	■	■	■	■	–
Number of compressors	2	1	1	1	1	1	1	1
Number of cooling circuits	2	1	1	1	1	1	1	1
Number of temperature zones in fridge	1	2	2	–	–	–	–	–
FOOD FRESHNESS SYSTEM								
multiAirflow System	■	■	■	–	–	–	–	–
multiAirflow tower	■	–	–	■	■	■	■	–
airFresh filter	■	■	■	–	–	–	–	–
0° temperature controlled drawer	–	vitaFresh	–	–	–	–	–	–
KEY FEATURES – FRIDGE SECTION								
Number of shelves	3	4	4	–	–	–	–	14
Number of adjustable shelves	2	3	3	–	–	–	–	–
Vegetable containers with ribbed bottom & humidity control	crisperBox / chiller box	vitaFresh / freshProtectbox	vitaFresh / freshProtectbox	–	–	–	–	–
Number of door shelves	4	3	3	–	–	–	–	–
Number of door bins	2	2	2	–	–	–	–	–
Type of shelves	–	Fully extendable	Fully extendable	–	–	–	–	–
Material of the shelves	Glass	Glass	Glass	–	–	–	–	–
Thermometer	–	Digital	Digital	–	–	–	–	–
Fast cooling switch	■	■	■	–	–	–	–	–
Interior ventilation	■	■	■	–	–	–	–	■
KEY FEATURES – FREEZER SECTION								
Frost build up	noFrost	–	–	noFrost	noFrost	noFrost	noFrost	–
Number of drawers with telescopic rails	–	–	–	2	2	2	2	–
Number of shelves	–	–	–	2	3	2	2	–
Shelf adjustability	–	–	–	■	■	■	■	–
Number of door bins	–	–	–	2	5	2	2	–
Door bin adjustability	–	–	–	–	■	–	–	–
Freezing capacity (kg/24h)	22	–	–	14	18	14	14	–
Storage period in event of power failure (h)	22	–	–	14	17	14	14	–
Fast freezing switch	■	–	–	■	■	■	■	–
Thermometer	–	–	–	Digital	Digital	Digital	Digital	–
Ice and water dispenser features	Automatic ice maker	–	–	Drinking water dispenser, crushed ice, ice cube, child lock, on/off switch, LED-light, anti-clump ice	–	Drinking water dispenser, crushed ice, ice cube, child lock, on/off switch, LED-light, anti-clump ice	Drinking water dispenser, crushed ice, ice cube, child lock, on/off switch, LED-light, anti-clump ice	–
FUNCTIONS								
Temperature display – fridge	LED display	LED display	LED display	–	–	–	–	LED display
Warning signal door open	Acoustic	Acoustic	Acoustic	–	–	–	–	Acoustic
Warning / malfunction signal	–	Economy setting/holiday mode, warning signal door open	Economy setting/holiday mode, warning signal door open	Audible/visual	Audible/visual	Audible/visual	Audible/visual	–
Temperature adjustable	■	■	■	■	■	■	■	■
Type of control setting and signalling devices	–	Warning signal door open	Warning signal door open	Warning function freezer, warning signal door open	Warning function freezer, warning signal door open	Warning function freezer, warning signal door open	Warning function freezer, warning signal door open	Warning signal door open
ACCESSORIES								
Included accessories	1 x connection hose, 1 x egg tray	1 x egg tray	1 x egg tray	1 x connection hose	–	1 x connection hose	1 x connection hose	–
Optional accessories	–	CI10Z090 CI30Z000 CI30Z100 CI60Z000 CI60Z100 FI30Z090	CI10Z090 CI24Z000 CI24Z100 CI60Z000 FI24Z090 FI24Z090	CI10Z090 CI60Z000 CI60Z100 FI24Z290 FI24Z300 FI50Z000	CI10Z090 CI60Z000 CI60Z100 FI24Z000 FI24Z090 FI24Z100 FI50Z000	CI10Z090 CI60Z000 CI60Z100 FI24Z290 FI24Z300 FI50Z000	CI10Z090 CI60Z000 CI60Z100 FI24Z200 FI24Z290 FI50Z000	–
DIMENSIONS AND INSTALLATION								
Climate class ²	SN-T	SN-T	SN-T	SN-T	SN-T	SN-T	SN-T	SN-T
Height of the product (mm)	2125	2125	2125	2125	2125	2125	2125	2125
Width of the product (mm)	908	756	603	603	603	603	603	603
Depth of the product (mm)	608	608	608	608	608	608	608	608
Depth with open door 90° (mm)	1135	1440	1287	1287	1287	1287	1287	1257
Adjustable feet	■	■	■	■	■	■	■	■
Maximum adjustability feet (mm)	79	79	79	79	79	79	79	79
Required niche size for installation: HxWxD (mm)	2134 x 914 x 610	2134 x 762 x 610	2134 x 610 x 610	2134 x 762 x 610	2134 x 762 x 610	2134 x 762 x 610	2134 x 610 x 610	2134 x 610 x 610

■ Yes, model has this feature. – Feature not available for this model.

¹Actual energy consumption will depend on how the appliance is used and where it is located.

²Climate zone SN = designed to operate in ambient temperature of +10°C to 32°C.

Climate zone N = designed to operate in ambient temperature of +16°C to 32°C.

Climate zone ST = designed to operate in ambient temperature of +18°C to 38°C.

Climate zone T = designed to operate in ambient temperature of +18°C to 43°C.

Built-in Cooling Specifications

APPLIANCE TYPE	AMERICAN FRIDGE FREEZERS				
Design family	■ IQ700	■ IQ700	■ IQ500	■ IQ300	■ IQ300
Model number	Stainless steel antiFingerprint Black	KA92DAI20G KA92NLB35G	KA90DVI20G	KA90IVI20G	KA90NVI20G
PERFORMANCE AND CONSUMPTION					
Energy efficiency class	A++	A+	A+	A+	A+
Annual energy consumption ¹ (kWh)	385	443	432	475	436
Total unit net capacity (litres)	592	541	523	573	533
Refrigerator net capacity (litres)	375	368	360	373	370
Freezer net capacity (litres)	217	173	163	200	163
Noise level (dB)	43	43	43	44	43
DESIGN FEATURES					
Colour of side panels	Chrome inox-metallic	Chrome inox-metallic	Grey	Grey	Grey
Type of vertical handle	Integrated	Bar	Bar	Bar	Bar
Door hinge	Left & right	Left & right	Left & right	Left & right	Left & right
Light	■	■	■	■	■
Number of compressors	1	1	1	1	1
Number of cooling circuits	2	2	1	1	1
Number of evaporators	2	2	1	1	1
FOOD FRESHNESS SYSTEM					
Range of temperature (°C)	–	■	–	–	–
Humidity control drawer	■	■	–	–	–
Antibacterial air filter	■	–	■	■	■
multiAirflow System	■	–	■	■	■
Temperature adjustable	■	■	■	■	■
Food preservation containers	Vegetable / salad drawer hydroFresh drawer	Vegetable / salad drawer hydroFresh drawer	2 x Vegetable / salad drawer	2 x Vegetable / salad drawer	2 x Vegetable / salad drawer
KEY FEATURES – FRIDGE SECTION					
Bottle rack	■	■	–	–	–
Fully extendable glass shelves for easy reach	■	■	–	–	–
No. of temperature zones	1	1	1	1	1
Can holder	■	■	–	–	–
Number of glass safety shelves	4	4	4	4	4
Number of adjustable shelves	3	3	–	1	1
Drawers with telescopic rails	■	■	–	–	–
Number of door bins	3	3	1	1	1
easyLift flexible shelf in door	■	■	–	–	–
Thermometer	Analog	Digital	Digital	Digital	Digital
Fast cooling switch	■	■	■	■	■
Included accessories	1 x egg trays	2 x egg trays	3 x egg trays	4 x egg trays	4 x egg trays
KEY FEATURES – FREEZER SECTION					
Number of drawers (including bigBox)	2	2	2	2	2
Shelf material	Glass	Glass	–	–	–
Frost build up	noFrost	noFrost	noFrost	noFrost	noFrost
superFreeze switch	■	■	■	■	■
Shelf adjustability	■	■	■	■	■
Automatic motor-driven ice-maker	–	■	–	–	–
Water filter replacement indicator	–	■	–	–	–
Thermometer	Analog	Digital	Digital	Digital	Digital
Water tank	–	■	–	–	–
Type of control	touchControl	touchControl	touchControl	touchControl	touchControl
Dispenser	Ice	Crushed ice, ice cubes, water, water filter	Crushed ice, ice cubes, water	Ice, water	–
Included accessories	2 x ice pack	2 x ice pack 1 x connection hose	1 x connection hose	–	–
FUNCTIONS					
Electronic display	2 x LED	1 x LCD	2 x LED	2 x LED	2 x LED
Warning / malfunction signal	Visual and audible	Visual and audible	Visual and audible	Visual and audible	Visual and audible
Home Connect	–	■	–	–	–
DIMENSIONS AND INSTALLATION					
Climate class ²	SN-T	SN-T	SN-T	SN-T	SN-T
Height of the product (mm)	1756	1756	1770	1770	1770
Width of the product (mm)	910	910	910	910	910
Depth of the product (mm)	725	725	720	720	720
Depth with open door 90° (mm)	1158	1158	1193	1193	1193

■ Yes, model has this feature. – Feature not available for this model.

¹Actual energy consumption will depend on how the appliance is used and where it is located.

²Climate zone SN = designed to operate in ambient temperature of +10°C to 32°C.

Climate zone N = designed to operate in ambient temperature of +16°C to 32°C.

Climate zone ST = designed to operate in ambient temperature of +18°C to 38°C.

Climate zone T = designed to operate in ambient temperature of +18°C to 43°C.

Built-in Cooling Specifications

APPLIANCE TYPE	FRIDGE FREEZERS				
Design family	■IQ500	■IQ500	■IQ500	■IQ500	■IQ300
Model number	KI34NP60GB	KI85NAD30G	KI875AF30G	KI86SAF30G	KI86VVF30G
PERFORMANCE AND CONSUMPTION					
Energy efficiency class	A++	A++	A++	A++	A++
Annual energy consumption ¹ (kWh)	237	232	225	218	218
Total unit net capacity (litres)	258	246	270	265	265
Refrigerator net capacity (litres)	186	154	209	191	191
Freezer net capacity (litres)	72	92	61	74	74
Noise level (dB)	39	39	36	36	36
DESIGN FEATURES					
Type of hinge	Fixed	Fixed	Fixed	Fixed	Fixed
Reversible door	Right reversible	Right reversible	Right reversible	Right reversible	Right reversible
Light	■	■	■	■	■
Number of compressors	1	1	1	1	1
Number of cooling circuits	2	2	2	2	1
Number of temperature zones in fridge	1	1	-	-	1
FOOD FRESHNESS SYSTEM					
Humidity control drawer	■	■	■	■	■
Antibacterial	-	-	-	-	-
Interior ventilation through plinth	■	-	-	-	-
Temperature adjustable	■	■	-	■	-
KEY FEATURES – FRIDGE SECTION					
Bottle rack	■	-	-	-	-
Number of vegetable containers with ribbed bottom & humidity control	1	1	1	1	1
Number of shelves	5	4	5	5	5
Number of containers	-	-	-	-	-
Number of adjustable shelves	3	3	4	4	4
Number of door shelves	4	3	5	-	3
Type of shelves	-	-	-	-	-
easyLift flexible shelf in door	■	■	-	-	-
Number of door bins	1	2	-	-	-
Tilt-out door bins	■	■	-	-	■
Fast cooling switch	■	-	■	■	■
Range of temperature (°C)	4-8	4-8	-	-	4-8
KEY FEATURES – FREEZER SECTION					
Star rating	4	4	4	4	4
Thaw water drainage system	-	-	-	-	-
Frost build up	noFrost	noFrost	lowFrost	lowFrost	3
Number of drawers (including bigBox)	3	4	2	3	-
Number of compartments with flaps	-	-	-	-	1
Freezing capacity (kg/24h)	15	9	-	-	7
Storage period in event of power failure (h)	25	13	26	7	32
Fast freezing switch	■	■	■	■	■
FUNCTIONS					
Temperature display – fridge	Twin LED display	LED display	LED display	LED display	Digital 7 segment
Warning / malfunction signal	Multi alarm system	Audible/visual	Audible/visual	Audible/visual	-
Door opened indicator	-	-	■	■	■
ACCESSORIES					
Included accessories	2 x ice pack, 2 x egg tray, 1 x ice cube tray	2 x ice pack, 2 x egg tray, 1 x ice cube tray	2 x ice pack, 2 x egg tray, 1 x ice cube tray	2 x ice pack, 2 x egg tray, 1 x ice cube tray	2 x ice pack, 2 x egg tray, 1 x ice cube tray
DIMENSIONS AND INSTALLATION					
Climate class ²	SN-T	SN-ST	SN-T	SN-ST	SN-ST
Height of the product (mm)	1772	1772	1772	1772	1772
Width of the product (mm)	556	558	558	556	558
Depth of the product (mm)	545	545	545	555	545
Depth with open door 90° (mm)	1140	1140	1140	-	1140
Adjustable feet	-	-	-	-	-
Maximum adjustability feet (mm)	-	-	-	-	-
Required niche size for installation: H x W x D (mm)	1775 x 560 x 550	1775 x 560 x 550	1775 x 560 x 555	1775 x 562 x 550	1775 x 560 x 550

■ Yes, model has this feature. – Feature not available for this model.

¹Actual energy consumption will depend on how the appliance is used and where it is located.

²Climate zone SN = designed to operate in ambient temperature of +10°C to 32°C.

Climate zone N = designed to operate in ambient temperature of +16°C to 32°C.

Climate zone ST = designed to operate in ambient temperature of +18°C to 38°C.

Climate zone T = designed to operate in ambient temperature of +18°C to 43°C.

Built-in Cooling Specifications

APPLIANCE TYPE	FRIDGE FREEZERS				
Design family	■IQ300	■IQ300	■IQ300	■IQ300	■IQ300
Model number	KI86NVF30G	KI87VVF30G	KI87VVS30G	KI85VVF30G	KI38VX22GB
PERFORMANCE AND CONSUMPTION					
Energy efficiency class	A++	A++	A++	A++	A+
Annual energy consumption ¹ (kWh)	222	227	227	239	275
Total unit net capacity (litres)	255	272	272	259	277
Refrigerator net capacity (litres)	188	209	209	157	217
Freezer net capacity (litres)	67	63	63	102	59
Noise level (dB)	39	38	38	38	40
DESIGN FEATURES					
Type of hinge	Fixed	Fixed	Sliding	Fixed	Sliding
Reversible door	Right reversible	Right reversible	Right reversible	Right reversible	Right reversible
Light	■	■	■	■	■
Number of compressors	1	1	1	1	1
Number of cooling circuits	1	1	1	1	1
Number of temperature zones in fridge	1	1	1	1	-
FOOD FRESHNESS SYSTEM					
Humidity control drawer	■	■	■	■	-
Antibacterial	-	-	-	-	■
Interior ventilation through plinth	-	-	-	-	-
Temperature adjustable	■	-	-	-	■
KEY FEATURES – FRIDGE SECTION					
Bottle rack	-	-	-	-	-
Number of vegetable containers with ribbed bottom & humidity control	1	1	1	1	1
Number of shelves	4	5	5	4	5
Number of containers	-	-	-	-	-
Number of adjustable shelves	3	4	4	3	4
Number of door shelves	4	5	5	4	-
Type of shelves	-	Stationary	Stationary	Stationary	Fully extendable
easyLift flexible shelf in door	-	-	-	-	-
Number of door bins	4	4	4	3	5
Tilt-out door bins	■	■	■	■	■
Fast cooling switch	-	-	-	-	-
Range of temperature (°C)	4-8	4-8	4-8	4-8	4-8
KEY FEATURES – FREEZER SECTION					
Star rating	4	4	4	4	4
Thaw water drainage system	-	-	-	-	-
Frost build up	noFrost	2	2	4	-
Number of drawers (including bigBox)	3	-	-	-	3
Number of compartments with flaps	-	-	-	-	1
Freezing capacity (kg/24h)	8	3	3	4	6
Storage period in event of power failure (h)	13	26	26	24	13
Fast freezing switch	■	■	■	■	■
FUNCTIONS					
Temperature display – fridge	LED display	LED display	LED display	LED display	LED display
Warning / malfunction signal	-	-	-	-	-
Door opened indicator	-	-	-	-	-
ACCESSORIES					
Included accessories	2 x ice pack, 2 x egg tray, 1 x ice cube tray	2 x ice pack, 2 x egg tray, 1 x ice cube tray	2 x ice pack, 2 x egg tray, 1 x ice cube tray	2 x ice pack, 2 x egg tray, 1 x ice cube tray	-
DIMENSIONS AND INSTALLATION					
Climate class ²	SN-ST	SN-T	SN-T	SN-T	SN-ST
Height of the product (mm)	1772	1772	1772	1772	1772
Width of the product (mm)	541	538	538	538	541
Depth of the product (mm)	545	542	542	542	545
Depth with open door 90° (mm)	1140	1140	1140	1140	1140
Adjustable feet	-	-	-	-	-
Maximum adjustability feet (mm)	-	-	-	-	-
Required niche size for installation: H x W x D (mm)	1775 x 560 x 550	1775 x 560 x 550	1775 x 560 x 550	1775 x 560 x 550	1775 x 562 x 550

■ Yes, model has this feature. – Feature not available for this model.

¹Actual energy consumption will depend on how the appliance is used and where it is located.

²Climate zone SN = designed to operate in ambient temperature of +10°C to 32°C.

Climate zone N = designed to operate in ambient temperature of +16°C to 32°C.

Climate zone ST = designed to operate in ambient temperature of +18°C to 38°C.

Climate zone T = designed to operate in ambient temperature of +18°C to 43°C.

Built-in Cooling Specifications

APPLIANCE TYPE	FRIDGES 177CM						FREEZERS 177CM
	■ IQ500	■ IQ500	■ IQ500	■ IQ500	■ IQ300	■ IQ300	■ IQ300
Design family	KI42FP60GB	KI81RAD30	KI81RAF30G	KI82LAF30	KI81RVS30G	KI82LVS30G	GI38NA55GB
PERFORMANCE AND CONSUMPTION							
Energy efficiency class	A++	A++	A++	A++	A++	A++	A+
Annual energy consumption ¹ (kWh)	133	116	116	209	116	209	310
Total unit net capacity (litres)	302	319	319	286	319	286	-
Refrigerator net capacity (litres)	302	319	319	252	319	252	-
Freezer net capacity (litres)	-	-	-	35	0	34	212
Noise level (dB)	39	37	37	36	37	39	40
DESIGN FEATURES							
Type of hinge	softClose	softClose	Fixed	Fixed	Sliding	Sliding	softClose
Reversible door	Right reversible	Right reversible	Right reversible	Right reversible	Right reversible	Right reversible	Right reversible
Light	■	■	■	■	■	■	■
Number of compressors	1	1	1	1	1	1	1
Number of cooling circuits	2	1	1	1	-	1	1
Number of temperature zones in fridge	2	-	-	-	-	-	-
FOOD FRESHNESS SYSTEM							
Humidity control drawer	■	■	■	■	-	-	-
Antibacterial	■	-	-	-	-	-	-
Interior ventilation through plinth	-	-	■	-	-	-	-
Temperature adjustable	■	■	■	■	■	■	■
KEY FEATURES – FRIDGE SECTION							
Bottle rack	-	■	■	-	-	-	-
Number of vegetable containers with ribbed bottom & humidity control	3	-	-	-	-	-	-
Number of shelves	7	7	7	5	7	5	-
Number of containers	-	2	2	2	2	2	-
Number of adjustable shelves	3	6	6	4	6	4	-
Number of door shelves	4	6	6	6	6	5	-
Type of shelves	-	Fully extendable	Fully extendable	Fully extendable	Glass	Glass	-
easyLift flexible shelf in door	■	-	-	-	-	-	-
Number of door bins	4	3	3	3	4	3	-
Tilt-out door bins	■	■	■	■	-	-	-
Fast cooling switch	■	■	■	■	■	■	-
Range of temperature (°C)	-	-	-	-	-	-	-
KEY FEATURES – FREEZER SECTION							
Star rating	-	-	-	-	-	4	-
Thaw water drainage system	-	-	-	-	-	-	-
Frost build up	-	-	noFrost	noFrost	-	-	noFrost
Number of drawers (including bigBox)	-	-	-	1	-	-	5
Number of compartments with flaps	-	-	1	-	-	1	2
Freezing capacity (kg/24h)	-	-	3	3	-	3	25
Storage period in event of power failure (h)	-	-	22	22	-	22	11
Fast freezing switch	-	-	-	-	-	-	■
FUNCTIONS							
Temperature display – fridge	LED display	LED display	LED display	LED display	LED display	LED display	-
Warning / malfunction signal	-	-	-	-	-	-	■
Door opened indicator	■	■	■	■	-	-	-
ACCESSORIES							
Included accessories	2x egg tray	2x egg tray	2x egg tray	2x egg tray, 1x ice cube tray	2x egg tray	2x egg tray, 1x ice cube tray	-
DIMENSIONS AND INSTALLATION							
Climate class ²	SN-T	SN-T	SN-T	SN-ST	SN-T	SN-T	SN-T
Height of the product (mm)	1772	1772	1772	1772	1772	1772	1772
Width of the product (mm)	556	558	558	558	541	541	556
Depth of the product (mm)	545	545	545	545	545	545	545
Depth with open door 90° (mm)	1140	1140	1140	1140	1140	1140	1140
Adjustable feet	-	-	-	-	-	-	-
Maximum adjustability feet (mm)	-	-	-	-	-	-	-
Required niche size for installation: H x W x D (mm)	1775 x 560 x 550	1775 x 560 x 550	1775 x 560 x 550	1775 x 560 x 550	1775 x 560 x 550	1775 x 560 x 550	1775 x 560 x 550

■ Yes, model has this feature. – Feature not available for this model.
¹Actual energy consumption will depend on how the appliance is used and where it is located.
²Climate zone SN = designed to operate in ambient temperature of +10°C to 32°C.
Climate zone N = designed to operate in ambient temperature of +16°C to 32°C.
Climate zone ST = designed to operate in ambient temperature of +18°C to 38°C.
Climate zone T = designed to operate in ambient temperature of +18°C to 43°C.

Built-in Cooling Specifications

APPLIANCE TYPE	FREEZERS 177CM		FRIDGE 140CM		FREEZER 140CM
	■ IQ300	■ IQ500	■ IQ300	■ IQ300	■ IQ500
Design family	GI81NAE30G	KI25RP60	KI51RAF30G	KI51RAF30G	GI25NP60
PERFORMANCE AND CONSUMPTION					
Energy efficiency class	A++	A++	A++	A++	A++
Annual energy consumption ¹ (kWh)	243	109	109	109	207
Total unit net capacity (litres)	211	255	247	247	156
Refrigerator net capacity (litres)	-	255	247	247	0
Freezer net capacity (litres)	211	-	0	0	156
Noise level (dB)	36	39	36	36	41
DESIGN FEATURES					
Type of control setting and signalling devices	Super setting, warning function, warning signal door open	Super setting, temperature display, warning signal door open	Super setting, temperature display, warning signal door open	Super setting, temperature display, warning signal door open	Super setting, warning signal door open
Type of control	Electronic	Electronic	Electronic	Electronic	Electronic
Reversible door hinge	■	■	■	■	■
Type of hinge	Fixed	Flat, softClose	Flush-folding	Flush-folding	softClose
FOOD FRESHNESS SYSTEM					
Number of compressors	1	1	1	1	1
KEY FEATURES – FRIDGE SECTION					
Light	-	■	■	■	-
Number of shelves	-	6	6	6	-
Number of adjustable shelves	-	3	5	5	-
Material of the shelves	-	Safety glass	Glass	Glass	-
Number of door bins	-	4	3	3	-
Humidity control drawer	-	■	■	■	-
Number of door shelves	-	5	5	5	-
Number of containers	-	2	1	1	-
Interior ventilator	-	■	-	-	-
Shelves for bottles	-	■	-	-	-
KEY FEATURES – FREEZER SECTION					
Star rating	4	-	-	-	4
Temperature rise time (h)	22	-	-	-	20
Freezing capacity (kg/24h) – NEW (2010/30/EC)	20	-	-	-	18
Storage period in event of power failure (h)	22	-	-	-	20
Number of freezing flaps (Stck)	2	-	-	-	1
FUNCTIONS					
Electronic control	LED display	■	1 x 7 segment	1 x 7 segment	-
Warning signal door open	Acoustic	Acoustic	Acoustic	Acoustic	Visual / audible
Temperature display fridge	-	Digital LED	Digital 7 segment	Digital 7 segment	-
Fast freezing switch	■	■	■	■	■
Door open indicator	■	■	■	■	■
Temperature adjustable	-	■	■	■	-
Temperature adjustable freezer	■	-	-	-	■
ACCESSORIES					
Included accessories	2 x cold accumulator, 1 x ice cube tray	2 x egg tray	2 x egg tray	2 x egg tray	2 x cold accumulator, 1 x ice cube tray
DIMENSIONS AND INSTALLATION					
Climate class ²	SN-T	SN-T	SN-T	SN-T	SN-T
Required niche size for installation: H x W x D (mm)	1775.0 x 560 x 550	1400 x 560 x 550	1400 x 560 x 550	1400 x 560 x 550	1600 x 630 x 660
Height of the product (mm)	1772	1397	1397	1397	1397
Width of the product (mm)	558	556	558	558	556
Depth of the product	545	545	545	545	545
Depth with open door 90° (mm)	1140	1140	1140	1140	1140
Minimum height for installation (mm)	1775	1400	1400	1400	1400
Maximum height for installation (mm)	1775	1400	1400	1400	1400
Minimum width for installation (mm)	560	560	560	560	560
Maximum width for installation (mm)	560	560	560	560	560
Depth for installation (mm)	550	550	550	550	550
Height of the packed product (mm)	1840	1595	1470	1470	1595
Width of the packed product (mm)	620	630	620	630	620
Depth of the packed product (mm)	640	660	640	660	660
Minimum ambient temperature (°C)	10	10	10	10	10
Maximum ambient temperature (°C)	43	43	43	43	43
Adjustable feet	-	-	-	-	-
Length electrical supply cord (cm)	-	230	-	-	230
Connection rating (W)	120	120	90	90	120
Current (A)	13	10	13	13	10
Voltage (V)	220-240	220-240	220-240	220-240	220-240
Frequency (Hz)	50	50	50	50	50-60
Approval certificates	VDE	VDE	VDE	VDE	VDE
Net weight (kg)	66	66	55	55	62
Gross weight (kg)	72	71	59	59	66
EAN code	4242003731383	4242003462133	4242003742983	4242003742983	4242003462102

■ Yes, model has this feature. – Feature not available for this model.
¹Actual energy consumption will depend on how the appliance is used and where it is located.
²Climate zone SN = designed to operate in ambient temperature of +10°C to 32°C.
Climate zone N = designed to operate in ambient temperature of +16°C to 32°C.
Climate zone ST = designed to operate in ambient temperature of +18°C to 38°C.
Climate zone T = designed to operate in ambient temperature of +18°C to 43°C.

Built-in Cooling Specifications

APPLIANCE TYPE	FRIDGES 122cm		FRIDGE 122cm
Design family	■ IQ500	■ IQ500	■ IQ300
Model number	KI41RAD30	KI41RAF30G	KI41RV530G
PERFORMANCE AND CONSUMPTION			
Energy efficiency class	A++	A++	A++
Annual energy consumption ¹ (kWh)	105	105	105
Total unit net capacity (litres)	211	211	211
Refrigerator net capacity (litres)	211	211	211
Freezer net capacity (litres)	–	–	–
Noise level (dB)	33	33	37
DESIGN FEATURES			
Type of hinge	softClose	Flat	Sliding
Reversible door	Right reversible	Right reversible	Right reversible
Light	■	■	■
Number of compressors	1	1	1
Number of cooling circuits	1	1	1
Number of temperature zones in fridge	–	–	–
FOOD FRESHNESS SYSTEM			
Humidity control drawer	■	■	■
Antibacterial	–	–	–
Interior ventilation through plinth	–	–	–
Temperature adjustable	–	■	–
KEY FEATURES – FRIDGE SECTION			
Bottle rack	–	–	–
Number of vegetable containers with ribbed bottom & humidity control	1	1	1
Number of shelves	6	6	6
Number of containers	1	1	1
Number of adjustable shelves	5	5	5
Number of door shelves	4	4	3
Type of shelves	–	–	–
easyLift flexible shelf in door	–	–	–
Number of door bins	3	3	1
Tilt-out door bins	■	■	■
Fast cooling switch	■	■	■
Range of temperature (°C)	–	–	–
KEY FEATURES – FREEZER SECTION			
Star rating	–	–	■
Thaw water drainage system	–	–	–
Frost build up	–	–	–
Number of drawers (including bigBox)	–	–	–
Number of compartments with flaps	–	–	–
Freezing capacity (kg/24h)	–	–	4
Storage period in event of power failure (h)	–	–	–
Fast freezing switch	–	–	–
FUNCTIONS			
Temperature display – fridge	LED display	LED display	LED display
Warning / malfunction signal	–	–	–
Door opened indicator	■	■	■
ACCESSORIES			
Included accessories	2 x egg tray	2 x egg tray, 1 x ice cube tray	2 x egg tray
DIMENSIONS AND INSTALLATION			
Climate class ²	SN-T	SN-T	SN-T
Height of the product (mm)	1221	1221	1221
Width of the product (mm)	558	558	538
Depth of the product (mm)	545	545	545
Depth with open door 90° (mm)	1140	1140	1140
Adjustable feet	–	–	–
Maximum adjustability feet (mm)	–	–	–
Required niche size for installation: H x W x D (mm)	1225 x 560 x 550	1225 x 560 x 550	1225 x 560 x 550

■ Yes, model has this feature. – Feature not available for this model.
¹Actual energy consumption will depend on how the appliance is used and where it is located.
²Climate zone SN = designed to operate in ambient temperature of +10°C to 32°C.
Climate zone N = designed to operate in ambient temperature of +16°C to 32°C.
Climate zone ST = designed to operate in ambient temperature of +18°C to 38°C.
Climate zone T = designed to operate in ambient temperature of +18°C to 43°C. model has this feature.
– Feature not available for this model.

Built-in Cooling Specifications

APPLIANCE TYPE	FREEZER 122cm	FREEZER 102cm
Design family	■ IQ300	■ IQ300
Model number	G141NAE30G	G131NAE30G
PERFORMANCE AND CONSUMPTION		
Energy efficiency class	A++	A++
Annual energy consumption ¹ (kWh)	188	168
Total unit net capacity (litres)	127	97
Refrigerator net capacity (litres)	0	0
Freezer net capacity (litres)	127	97
Noise level (dB)	36	37
DESIGN FEATURES		
Type of hinge	Flat	Flat
Reversible door	Left reversible	Left reversible
Light	–	–
Number of compressors	1	1
Number of cooling circuits	1	1
Number of temperature zones in fridge	–	–
FOOD FRESHNESS SYSTEM		
Humidity control drawer	–	–
Antibacterial	–	–
Interior ventilation through plinth	–	–
Temperature adjustable	■	■
KEY FEATURES – FRIDGE SECTION		
Bottle rack	–	–
Number of vegetable containers with ribbed bottom & humidity control	–	–
Number of shelves	–	–
Number of containers	–	–
Number of adjustable shelves	–	–
Number of door shelves	–	–
Type of shelves	–	–
easyLift flexible shelf in door	–	–
Number of door bins	–	–
Tilt-out door bins	–	–
Fast cooling switch	–	–
Range of temperature (°C)	–	–
KEY FEATURES – FREEZER SECTION		
Star rating	4	4
Thaw water drainage system	–	–
Frost build up	noFrost	noFrost
Number of drawers (including bigBox)	4	3
Number of compartments with flaps	1	1
Freezing capacity (kg/24h)	20	20
Storage period in event of power failure (h)	23	25
Fast freezing switch	■	■
FUNCTIONS		
Temperature display – fridge	–	–
Warning / malfunction signal	■	■
Door opened indicator	■	■
ACCESSORIES		
Included accessories	2 x cold accumulator, 1 x ice cube tray	2 x cold accumulator, 1 x ice cube tray
DIMENSIONS AND INSTALLATION		
Climate class ²	SN-T	SN-T
Height of the product (mm)	1221	1021
Width of the product (mm)	558	558
Depth of the product (mm)	545	545
Depth with open door 90° (mm)	1140	1140
Adjustable feet	–	–
Maximum adjustability feet (mm)	–	–
Required niche size for installation: H x W x D (mm)	1225 x 560 x 550	1025 x 560 x 550

■ Yes, model has this feature. – Feature not available for this model.
¹Actual energy consumption will depend on how the appliance is used and where it is located.
²Climate zone SN = designed to operate in ambient temperature of +10°C to 32°C.
Climate zone N = designed to operate in ambient temperature of +16°C to 32°C.
Climate zone ST = designed to operate in ambient temperature of +18°C to 38°C.
Climate zone T = designed to operate in ambient temperature of +18°C to 43°C.

Built-in Cooling Specifications

APPLIANCE TYPE	FREEZERS 87cm		FRIDGES 87cm	
Design family	■ IQ500	■ IQ500	■ IQ500	■ IQ500
Model number	GI21VAF30G	KI21RAF30G	KI21RVF30G	KI22LVS30G
PERFORMANCE AND CONSUMPTION				
Energy efficiency class	A++	A++	A++	A++
Annual energy consumption ¹ (kWh)	157	97	97	148
Total unit net capacity (litres)	97	144	144	124
Refrigerator net capacity (litres)	–	144	144	109
Freezer net capacity (litres)	97	–	–	15
Noise level (dB)	36	33	36	38
DESIGN FEATURES				
Type of hinge	Flat	Fixed	Fixed	Follow-door
Reversible door	Right reversible	Right reversible	Right reversible	Right reversible
Light	–	■	■	■
Number of compressors	1	1	1	1
Number of cooling circuits	1	1	1	1
Number of temperature zones in fridge	–	–	–	–
FOOD FRESHNESS SYSTEM				
Humidity control drawer	–	■	■	■
Antibacterial	–	–	–	–
Interior ventilation through plinth	–	–	–	–
Temperature adjustable	■	■	■	–
KEY FEATURES – FRIDGE SECTION				
Bottle rack	–	–	–	–
Number of vegetable containers with ribbed bottom & humidity control	–	1	–	–
Number of shelves	–	4	4	3
Number of containers	–	1	1	1
Number of adjustable shelves	–	3	3	2
Number of door shelves	–	3	3	4
Type of shelves	–	–	–	–
easyLift flexible shelf in door	–	–	–	–
Number of door bins	–	2	3	2
Tilt-out door bins	–	■	■	■
Fast cooling switch	–	■	■	■
Range of temperature (°C)	–	–	–	–
KEY FEATURES – FREEZER SECTION				
Star rating	4	–	–	4
Thaw water drainage system	–	–	–	–
Frost build up	lowFrost	–	–	–
Number of drawers (including bigBox)	3	–	–	–
Number of compartments with flaps	–	–	–	1
Freezing capacity (kg/24h)	8	–	–	2
Storage period in event of power failure (h)	22	–	–	13
Fast freezing switch	■	–	–	–
FUNCTIONS				
Temperature display – fridge	–	LED display	LED display	LED display
Warning / malfunction signal	■	–	–	–
Door opened indicator	–	■	■	■
ACCESSORIES				
Included accessories	2 x cold accumulator, 1 x ice cube tray	2 x egg tray	2 x egg tray	2 x egg tray, 1 x ice cube tray
DIMENSIONS AND INSTALLATION				
Climate class ²	SN-T	SN-T	SN-T	SN-ST
Height of the product (mm)	874	874	874	874
Width of the product (mm)	558	558	541	541
Depth of the product (mm)	545	545	545	545
Depth with open door 90° (mm)	1140	1140	1140	1140
Adjustable feet	–	–	–	–
Maximum adjustability feet (mm)	–	–	–	–
Required niche size for installation: H x W x D (mm)	880 x 560 x 550	880 x 560 x 550	880 x 560 x 550	880 x 560 x 550

■ Yes, model has this feature. – Feature not available for this model.

¹Actual energy consumption will depend on how the appliance is used and where it is located.

²Climate zone SN – designed to operate in ambient temperature of +10°C to 32°C.

Climate zone N – designed to operate in ambient temperature of +16°C to 32°C.

Climate zone ST – designed to operate in ambient temperature of +18°C to 38°C.

Climate zone T – designed to operate in ambient temperature of +18°C to 43°C.

Built-in Cooling Specifications

APPLIANCE TYPE	BUILT-UNDER FREEZER 72cm	BUILT-UNDER FRIDGES 82cm		BUILT-UNDER FREEZER 82cm
Design family	■ IQ300	■ IQ300	■ IQ300	■ IQ300
Model number	GI11VAF30	KU15LA60GB	KU15RA51GB	GU15DA50GB
PERFORMANCE AND CONSUMPTION				
Energy efficiency class	A++	A++	A+	A+
Annual energy consumption ¹ (kWh)	144	140	118	184
Total unit net capacity (litres)	72	123	137	–
Refrigerator net capacity (litres)	–	108	137	–
Freezer net capacity (litres)	72	15	–	98
Noise level (dB)	36	38	38	38
DESIGN FEATURES				
Type of hinge	Flat	Flat	Flat	Flat
Reversible door	Right reversible	Right reversible	Right reversible	Right reversible
Light	–	■	■	■
Number of compressors	1	1	1	1
Number of cooling circuits	1	1	1	1
Number of temperature zones in fridge	–	–	–	–
FOOD FRESHNESS SYSTEM				
Humidity control drawer	–	■	■	–
Antibacterial	–	–	–	–
Interior ventilation through plinth	–	–	■	–
Temperature adjustable	■	■	■	■
KEY FEATURES – FRIDGE SECTION				
Bottle rack	–	–	–	–
Number of vegetable containers with ribbed bottom & humidity control	–	–	–	–
Number of shelves	–	2	3	–
Number of containers	–	2	2	–
Number of adjustable shelves	–	1	3	–
Number of door shelves	–	3	3	–
Type of shelves	–	–	–	–
easyLift flexible shelf in door	–	–	–	–
Number of door bins	–	–	–	–
Tilt-out door bins	–	–	–	–
Fast cooling switch	–	–	–	–
Range of temperature (°C)	–	–	–	–
KEY FEATURES – FREEZER SECTION				
Star rating	4	4	–	–
Thaw water drainage system	–	–	–	■
Frost build up	lowFrost	–	–	–
Number of drawers (including bigBox)	3	1	–	–
Number of compartments with flaps	–	–	–	–
Freezing capacity (kg/24h)	8	2	–	12
Storage period in event of power failure (h)	21	12	–	23
Fast freezing switch	■	–	–	■
FUNCTIONS				
Temperature display – fridge	–	–	–	–
Warning / malfunction signal	■	–	–	–
Door opened indicator	–	–	–	■
ACCESSORIES				
Included accessories	2 x cold accumulator, 1 x ice cube tray	1 x egg tray, 1 x ice cube tray	1 x egg tray	2 x ice pack, 1 x ice cube tray
DIMENSIONS AND INSTALLATION				
Climate class ²	SN-T	SN-ST	SN-ST	SN-ST
Height of the product (mm)	712	820	820	820
Width of the product (mm)	558	598	588	598
Depth of the product (mm)	545	548	548	548
Depth with open door 90° (mm)	1140	1150	1150	1150
Adjustable feet	–	■	■	■
Maximum adjustability feet (mm)	–	50	50	50
Required niche size for installation: H x W x D (mm)	720 x 560 x 550	820 x 600 x 550	820 x 600 x 550	820 x 600 x 550

■ Yes, model has this feature. – Feature not available for this model.

¹Actual energy consumption will depend on how the appliance is used and where it is located.

²Climate zone SN – designed to operate in ambient temperature of +10°C to 32°C.

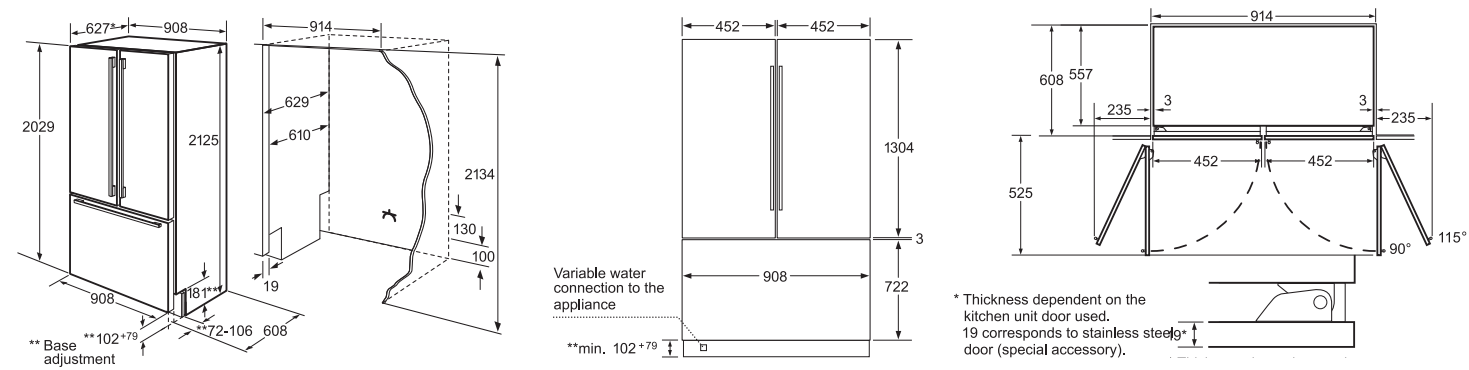
Climate zone N – designed to operate in ambient temperature of +16°C to 32°C.

Climate zone ST – designed to operate in ambient temperature of +18°C to 38°C.

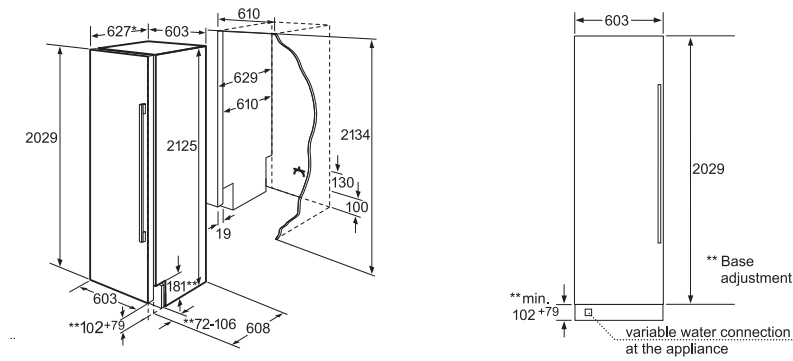
Climate zone T – designed to operate in ambient temperature of +18°C to 43°C.

Cooling Technical Diagrams

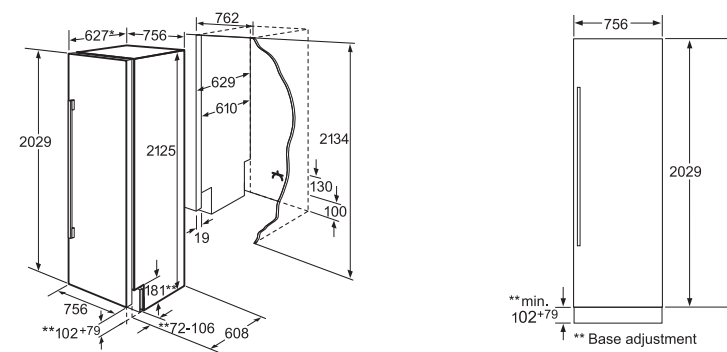
aCool fridge freezer CI36BP01



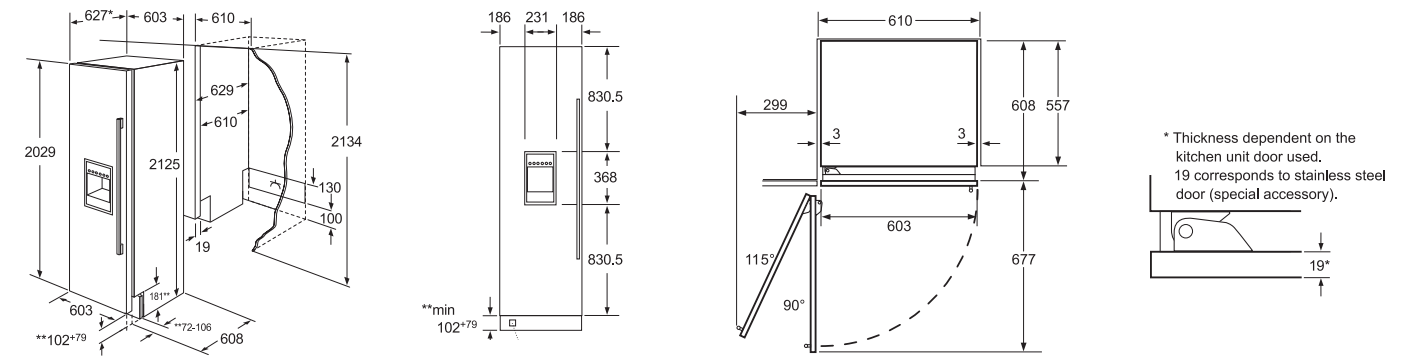
aCool freezer FI24NP31



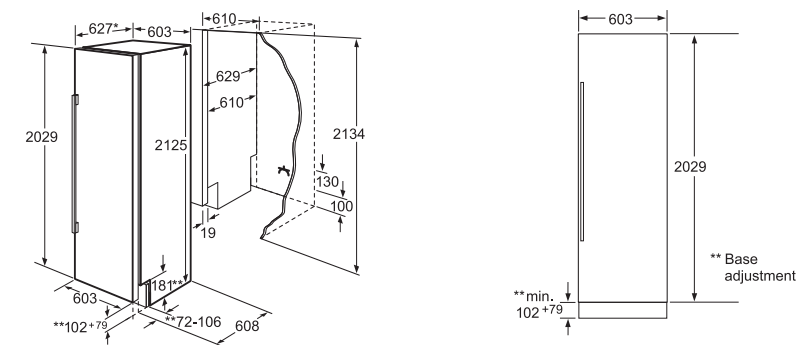
aCool fridge CI30RP01



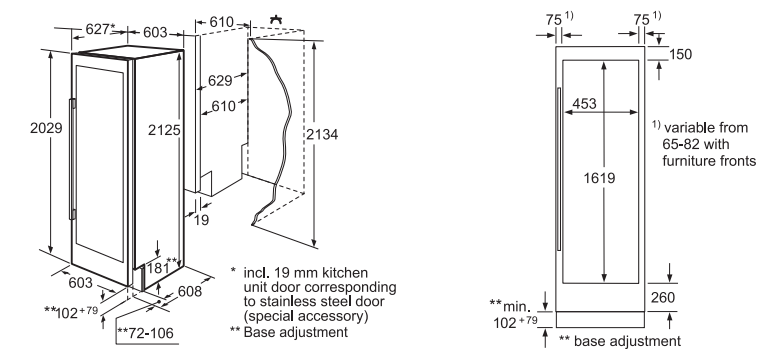
aCool freezers FI24DP32 and FI24DP02



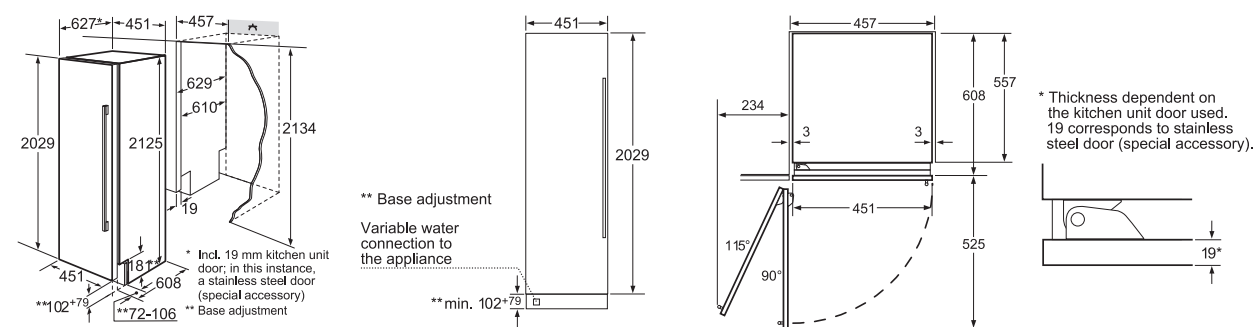
aCool fridge CI24RP01



aCool wine cooler CI24WP02

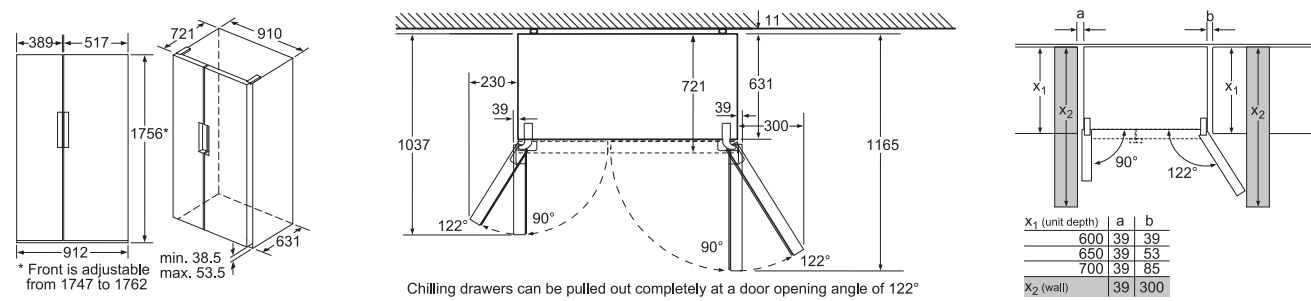


aCool freezer FI18NP31

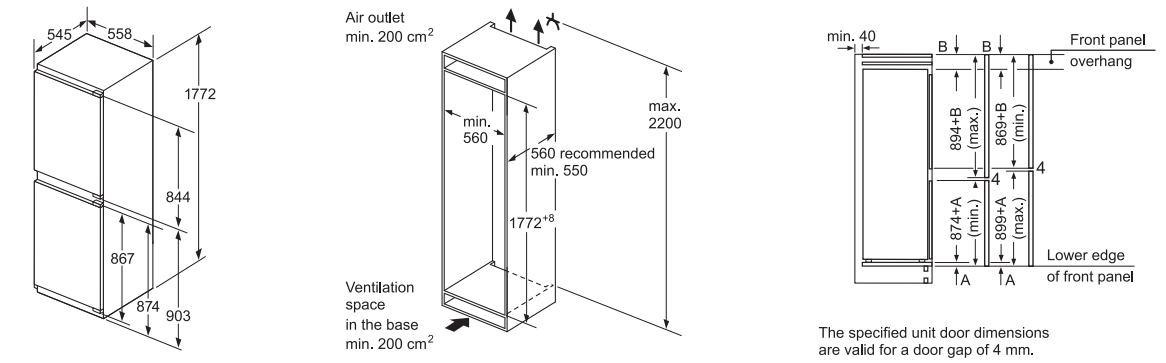


Cooling Technical Diagrams

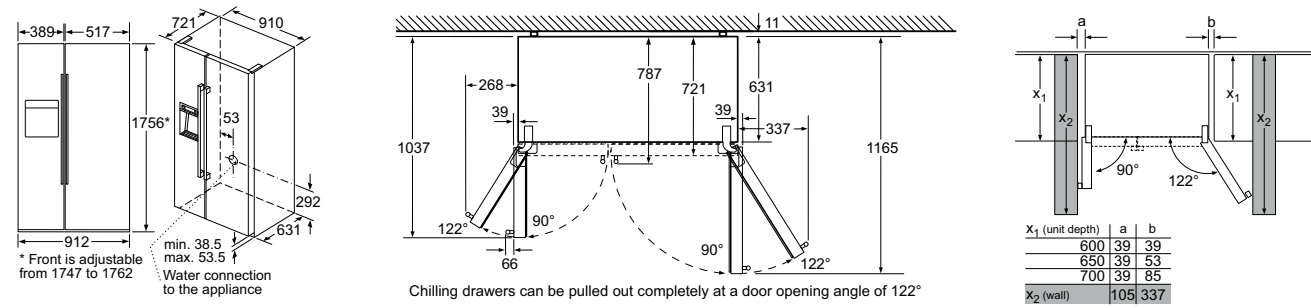
American fridge freezer KA92NLB35G



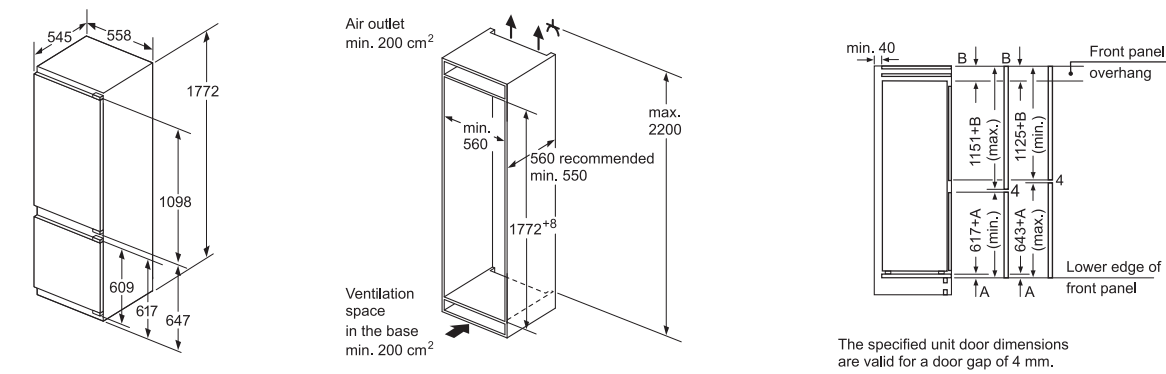
noFrost fridge freezer KI85NAD30G



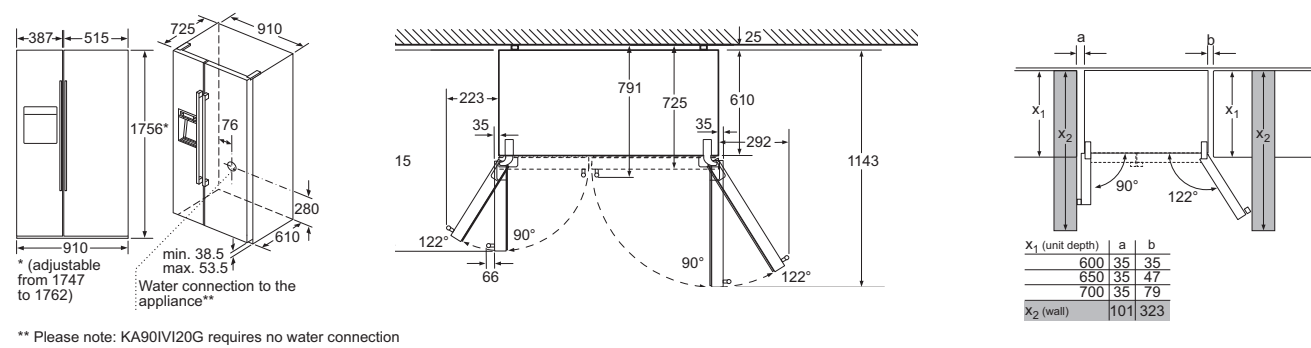
American fridge freezer KA92DAI20G



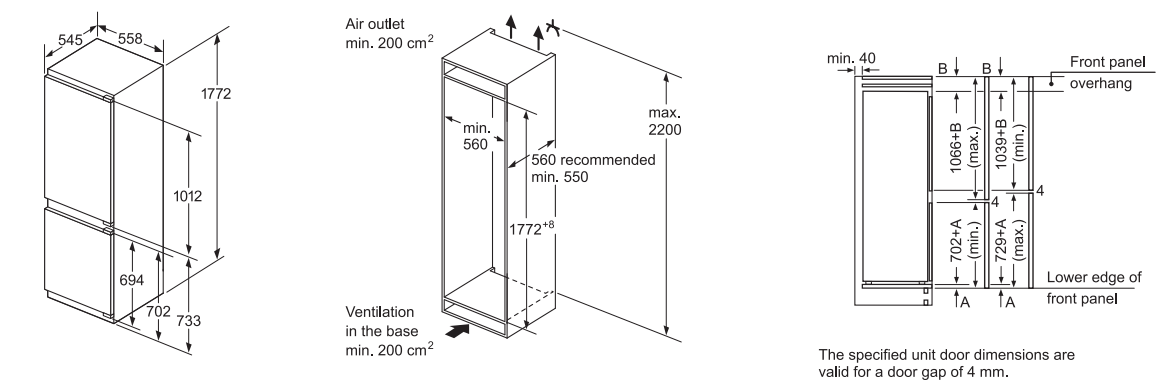
lowFrost fridge freezer KI87SAF30G



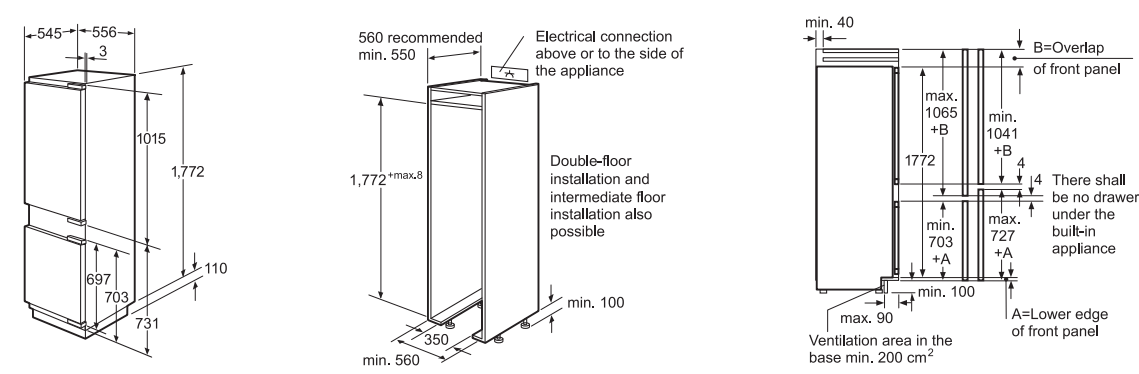
American fridge freezers KA90DVI20G, KA90IVI20G and KA90NVI20G



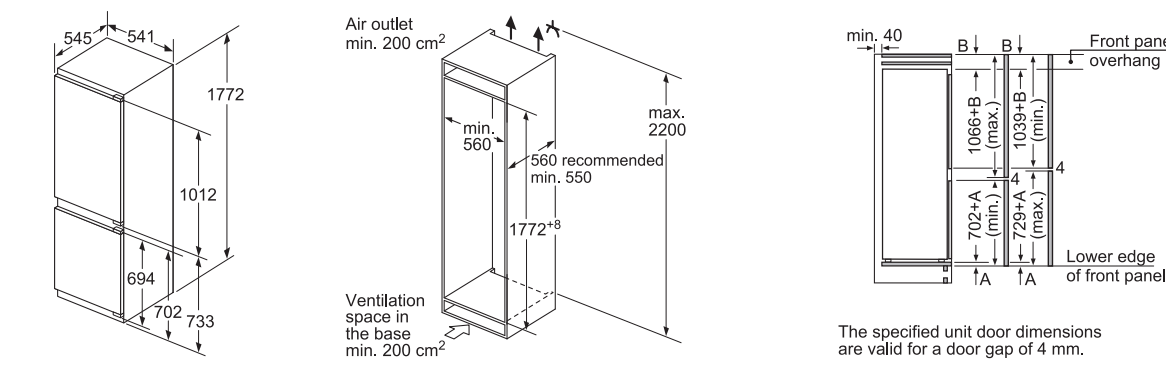
lowFrost fridge freezer KI86SAF30G



noFrost fridge freezer KI34NP60GB

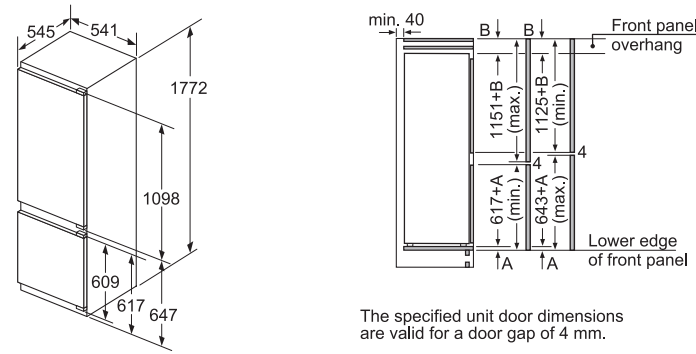


noFrost fridge freezers KI86VVF30G and KI86NVF30G



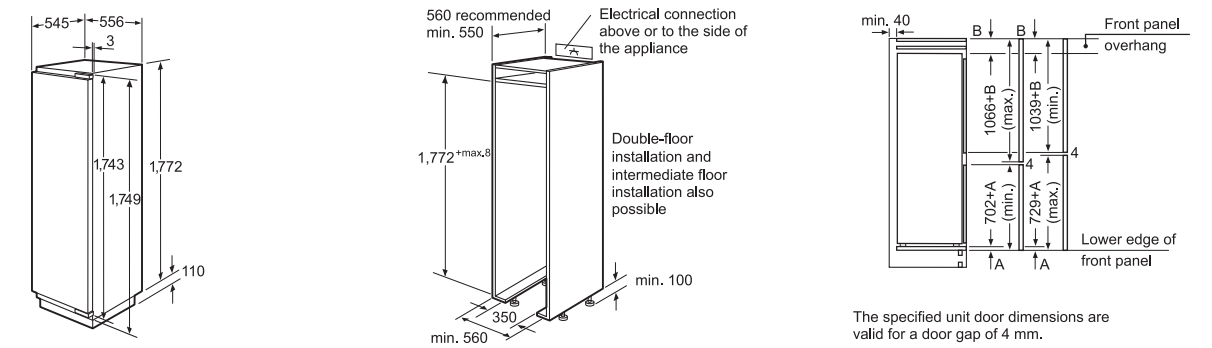
Cooling Technical Diagrams

lowFrost freezer KI87VVF30G



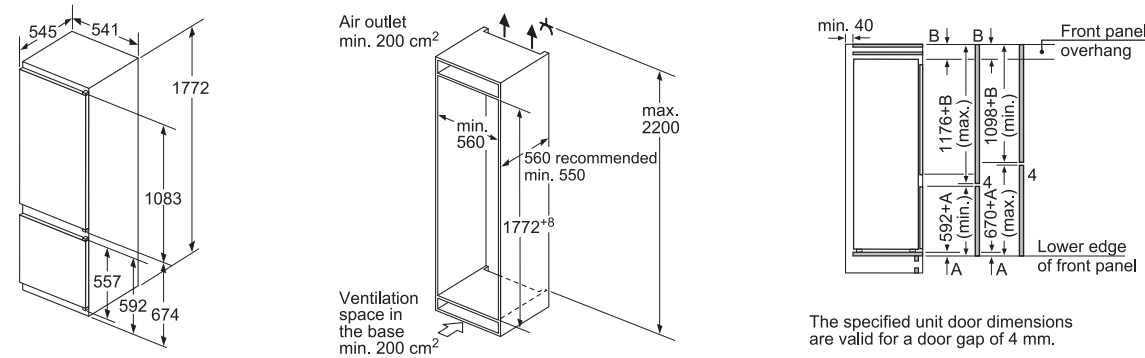
The specified unit door dimensions are valid for a door gap of 4 mm.

177cm fridge and freezers KI42FP60GB, GI38NA55GB and GI81NAE30G



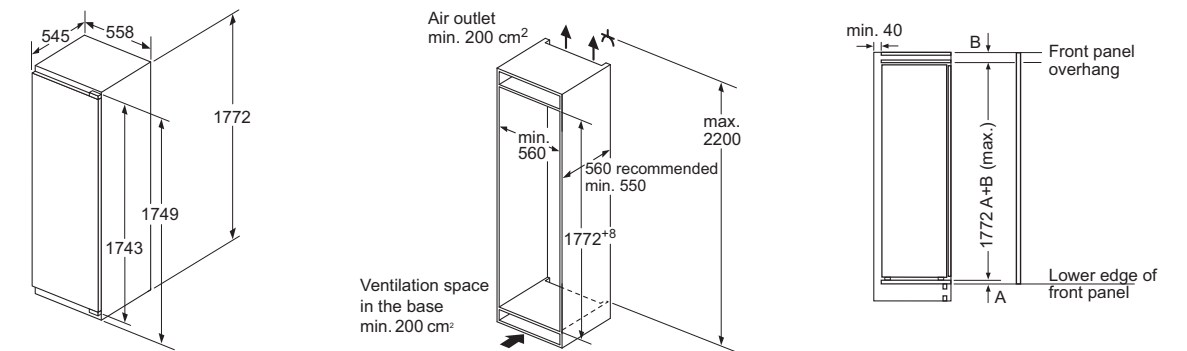
The specified unit door dimensions are valid for a door gap of 4 mm.

lowFrost freezer KI87VVS30G

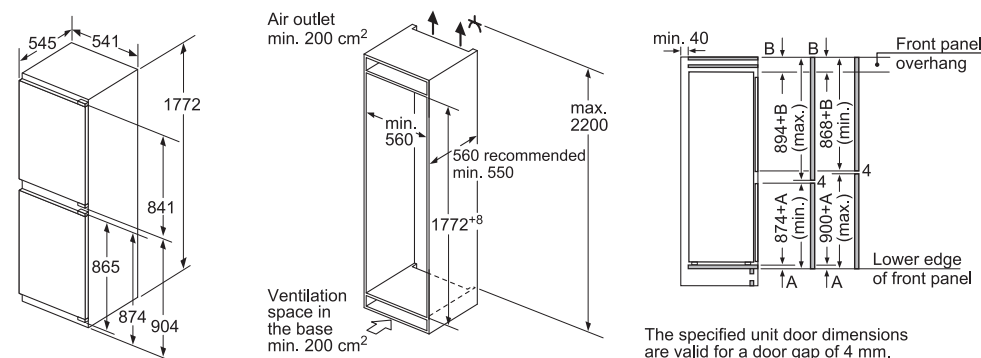


The specified unit door dimensions are valid for a door gap of 4 mm.

177cm fridges KI81RAD30, KI81RAF30G and KI82LAF30

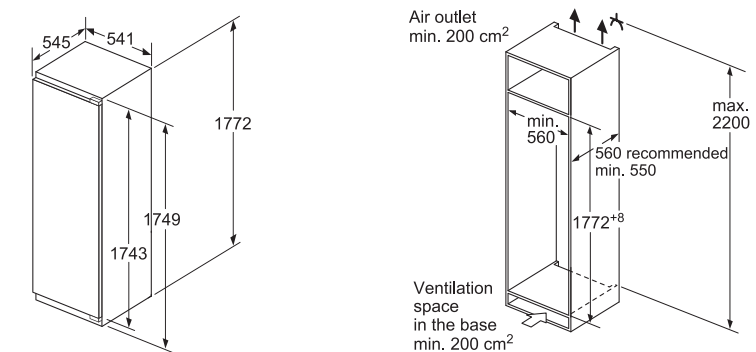


lowFrost freezer KI85VVF30G

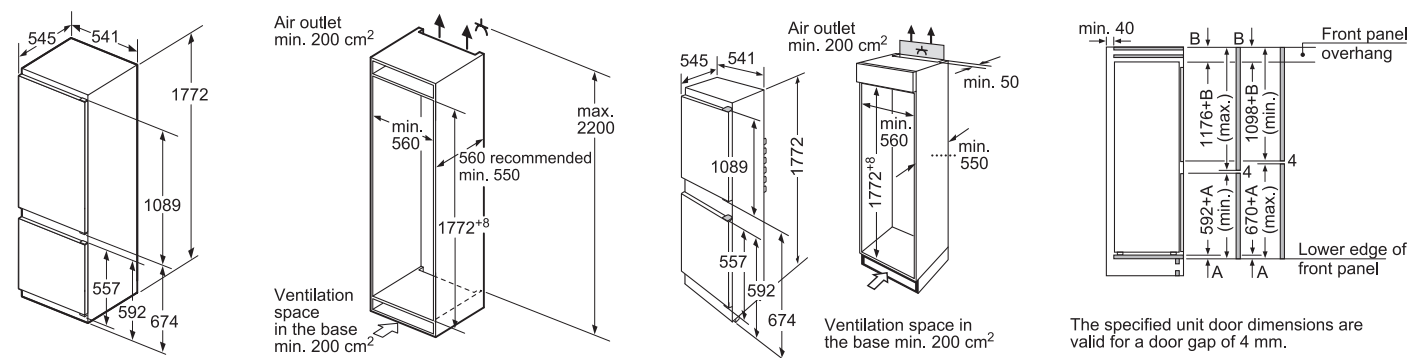


The specified unit door dimensions are valid for a door gap of 4 mm.

177cm fridges KI81RVS30G and KI82LVS30G

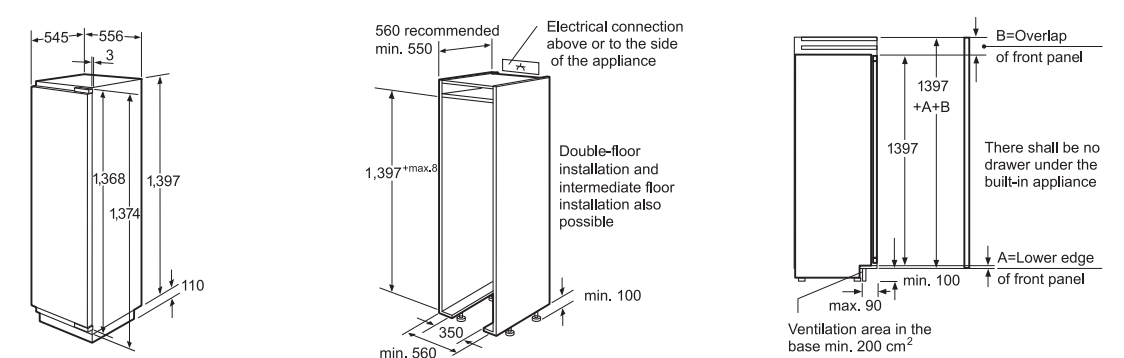


Static freezer KI38VX22GB



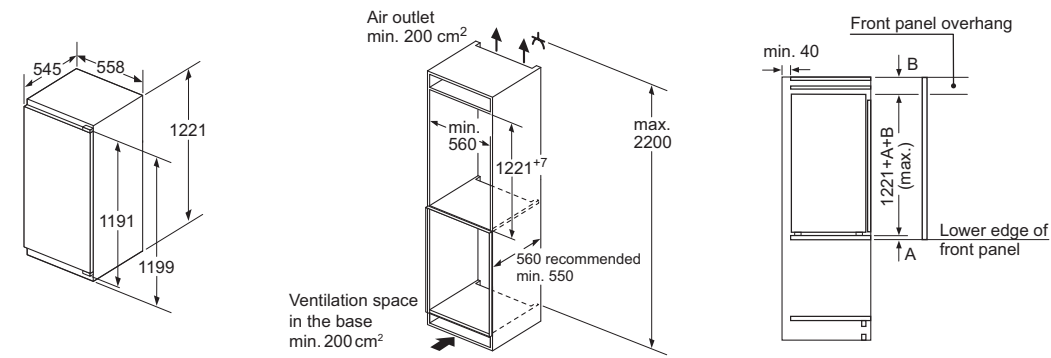
The specified unit door dimensions are valid for a door gap of 4 mm.

140cm fridges and freezer KI25RP60, KI51RAF30G and GI25NP60

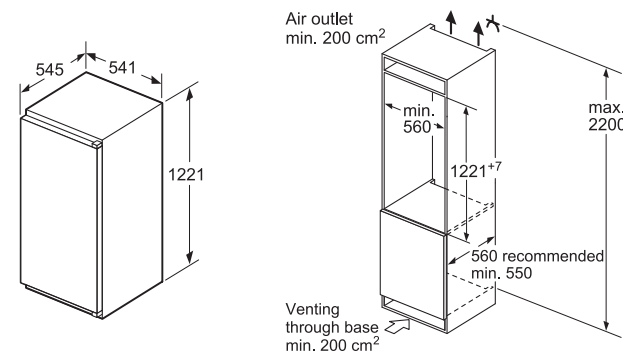


Cooling Technical Diagrams

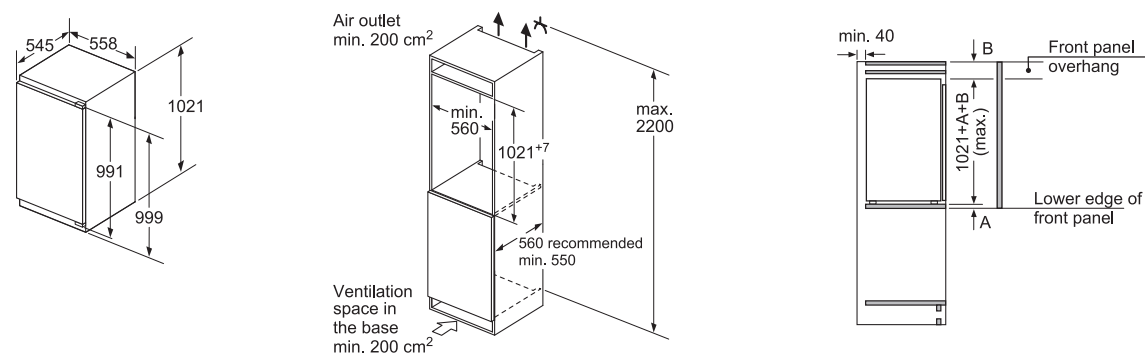
122cm fridges and freezer KI41RAD30, KI41RAF30G and GI41NAE30G



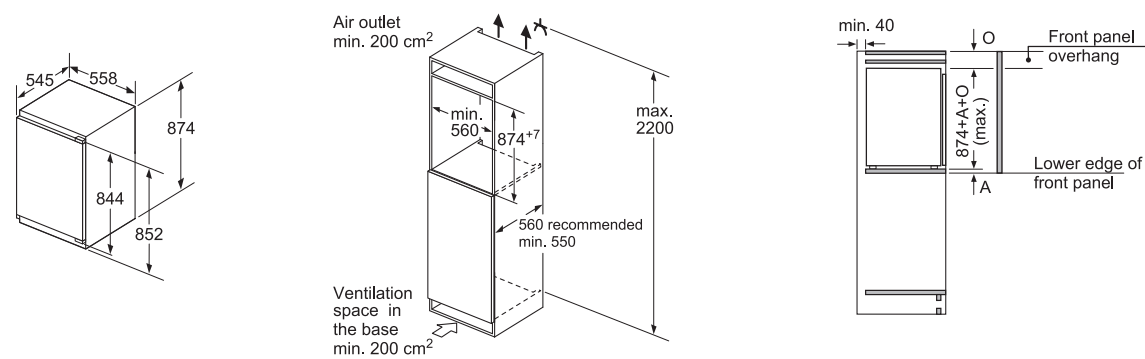
122cm fridges KI41RVS30G



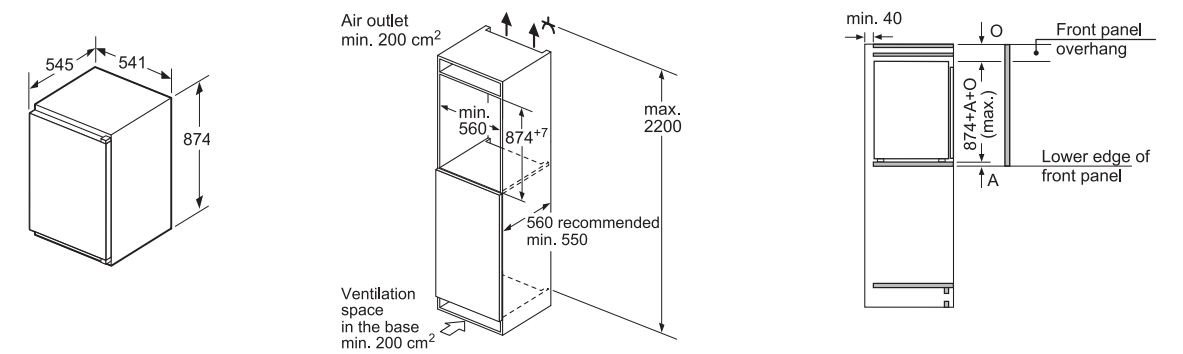
102cm freezer GI31NAE30G



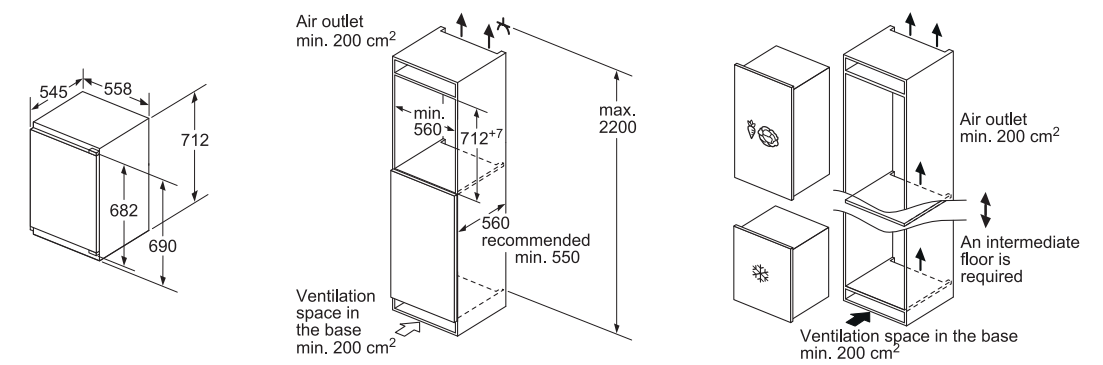
87cm fridge and freezer GI21VAF30G and KI21RAF30G



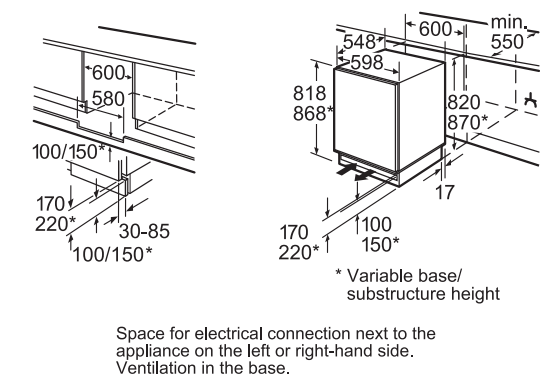
87cm fridges KI21RVF30G and KI22LVS30G



72cm built-under freezer GI11VAF30



82cm built-under fridges and freezer KU15LA60GB, KU15RA51GB and GU15DA50GB



Dishwasher Specifications

APPLIANCE TYPE	60CM FULLY INTEGRATED DISHWASHERS					
Design family	IQ700	IQ700	IQ500	IQ500	IQ500	IQ300
Model number	SN678D06TG	SN678D01TG	SN658D00MG	SN658D01MG	SN658D02MG	SX736X03ME
Description	Fully integrated with Home Connect Wi-Fi connectivity and Door openAssist for handleless kitchens	Fully integrated with Door openAssist for handleless kitchens and Zeolith® energy efficient drying	Fully integrated with Door openAssist for handleless kitchens and Zeolith® energy efficient drying	Fully integrated with Door openAssist for handleless kitchens	Fully integrated with Door openAssist for handleless kitchens	Fully integrated with Door openAssist for handleless kitchens
Colour / Material panel	Black	Black	Black	Black	Black	Stainless steel
Taller height	-	-	-	-	-	Extra Height 86.5cm with varioHinge
PERFORMANCE						
Reference programme for measurements	Economy 50	Economy 50	Economy 50	Economy 50	Economy 50	Economy 50
Energy efficiency class	A+++	A+++	A+++	A+++	A+	A+
Energy consumption annual (kWh) ¹	234	237	237	262	299	266
Water consumption annual (litres) ¹	2660	2660	2660	1820	2660	2660
Energy consumption (kWh) ²	0.82	0.83	0.83	0.92	1.05	0.93
Water consumption (litres) ²	9.5	9.5	9.5	6.5	9.5	9.5
Cleaning performance	A	A	A	A	A	A
Drying performance	A	A	A	A	A	A
Number of place settings	13	14	14	13	14	14
Noise level (dB [A] re 1pW)	41	42	44	44	39	44
Total cycle time of reference programme (min)	195	195	195	195	195	210
PROGRAMMES / FUNCTIONS						
Number of programmes	8	8	8	8	8	6
Number of different wash temperatures	6	6	6	5	5	5
Automatic programme	■	■	■	■	■	■
List of programmes	Intensive 70°C, Auto 45-65°C, Economy 50°C, Silence 50°C, Short 60°C, Glass 40°C, Quick Wash 45°C, Pre-Rinse	Intensive 70°C, Auto 45-65°C, Economy 50°C, Silence 50°C, Short 60°C, Glass 40°C, Quick Wash 45°C, Pre-Rinse	Intensive 70°C, Auto 45-65°C, Economy 50°C, Silence 50°C, Short 60°C, Glass 40°C, Quick Wash 45°C, Pre-Rinse	Intensive 70°C, Auto 45-65°C, Economy 50°C, Silence 50°C, Glass 40°C, 1 hour, Quick Wash 45°C, Pre-Rinse	Intensive 70°C, Auto 45-65°C, Economy 50°C, Silence 50°C, Glass 40°C, 1 hour, Quick Wash 45°C, Pre-Rinse	Intensive 70°C, Auto 45-65°C, Economy 50°C, Glass 40°C, 1 hour, Pre-Rinse
Number of options	6	5	5	5	5	4
Additional operational options	Shine&Dry, Hygiene Plus, intensiveZone, Wi-Fi, varioSpeed Plus	Shine&Dry, Hygiene Plus, intensiveZone, varioSpeed Plus	Shine&Dry, Hygiene Plus, intensiveZone, varioSpeed Plus	extraDry, Hygiene Plus, intensiveZone, varioSpeed Plus	extraDry, Hygiene Plus, intensiveZone, varioSpeed Plus	extraDry, intensiveZone, varioSpeed Plus
Home Connect	■	-	-	-	-	-
Machine care	■	■	■	■	■	■
FLEXIBLE DESIGN ELEMENTS						
Basket type	varioFlex Pro	varioFlex Pro	varioFlex with coloured touch points	varioFlex with coloured touch points	varioFlex with coloured touch points	varioFlex
varioDrawer	varioDrawer Pro	varioDrawer Pro	varioDrawer	varioDrawer	varioDrawer	varioDrawer
Adjustable upper basket	rackMatic™ 3 stage	rackMatic™ 3 stage	rackMatic™ 3 stage	rackMatic™ 3 stage	rackMatic™ 3 stage	rackMatic™ 3 stage
Largest loadable dish upper basket (cm)	21	21	27	27	27	23
Largest loadable dish lower basket (cm)	31	31	30	31	31	33
Number of flip tines in upper rack / lower rack	6 / 8	6 / 8	2 / 4	2 / 4	2 / 4	2 / 4
Basket with handle	Bottom basket, top basket	Bottom basket, top basket	Bottom basket, top basket	Bottom basket, top basket	Bottom basket, top basket	Bottom basket, top basket
INNOVATION AND TECHNOLOGY						
Real-time clock	■	■	-	-	-	-
Door openAssist	■	■	■	■	■	■
timeLight / infoLight	timeLight	timeLight	timeLight	timeLight	timeLight	infoLight (blue)
Zeolith®	■	■	■	■	■	■
Drying system	Zeolith®	Zeolith®	Zeolith®	hydroDry	hydroDry	hydroDry
Water protection system description	hydroSafe 24 hour	hydroSafe 24 hour	hydroSafe 24 hour	hydroSafe 24 hour	hydroSafe 24 hour	hydroSafe 24 hour
Load sensor	■	■	■	■	■	■
hydroSensor technology	■	■	■	■	■	■
DESIGN FEATURES						
Interior light	Blue	Blue	Blue	Blue	Blue	-
Full colour clearText TFT Display	■	■	-	-	-	-
Start delay time max (h)	24	24	24	24	24	24
Child safety	■	■	■	■	■	■
Digital countdown indicator	■	■	■	■	■	■
End of cycle indicator	Acoustic	Acoustic	Acoustic	Acoustic	Acoustic	Acoustic
Salt light indicator / Rinse aid light indicator	■ / ■	■ / ■	■ / ■	■ / ■	■ / ■	■ / ■
Interior cavity	Stainless steel	Stainless steel	Stainless steel	Stainless steel	Stainless steel	Stainless steel
Self-cleaning filter system	■	■	■	■	■	■
TECHNICAL SPECIFICATIONS						
Length of electrical supply cord (cm)	175	175	175	175	175	175
Length of inlet hose (cm)	165	165	165	165	165	165
Length of outlet hose (cm)	190	190	190	190	190	190
Net weight (kg)	45.0	47.0	45.0	41.0	41.0	40.0
Gross weight (kg)	48.0	49.0	48.0	43.0	43.0	42.0
Maximum accepted water hardness (°DH)	50	50	50	50	50	50
Maximum temperature for water intake (°C) ³	60	60	60	60	60	60
INSTALLATION						
Maximum height for installation (mm)	875	875	875	875	875	925
Width of the product (mm)	598	598	598	598	598	598
Maximum width for installation (mm)	600	600	600	600	600	600
Depth for installation (mm)	550	550	550	550	550	550
Maximum adjustability feet (mm)	60	60	60	60	60	60
ACCESSORIES						
Included accessories	Large item spray head, glass tray, steam deflection plate	Large item spray head, glass tray, steam deflection plate	Large item spray head, glass tray, steam deflection plate	Large item spray head, glass tray, steam deflection plate	Large item spray head, glass tray, steam deflection plate	Large item spray head, steam deflection plate
Optional accessories	SZ72010, SZ73005, SZ73010, SZ73035, SZ73055	SZ72010, SZ73005, SZ73010, SZ73035, SZ73055, SZ73100, SZ73300, SZ73640	SZ72010, SZ73005, SZ73010, SZ73035, SZ73055	SZ72010, SZ73001, SZ73005, SZ73010, SZ73035, SZ73300, SZ73602, SZ73640	SZ72010, SZ73005, SZ73010, SZ73035, SZ73055	SZ72010, SZ73005, SZ73010, SZ73035, SZ73100, SZ73300, SZ73640

■ Yes, model has this feature.
- Feature not available for this model.

¹Based on 280 standard cleaning cycles using cold water fill, including consumption of the standby mode.

²The consumption per cleaning cycle of the "Eco 50" programme using cold water fill.

³We would recommend our dishwashers are connected to the mains water supply where possible.

However, they may also be connected to an external water softener as long as the water softener produces softened water of less than 1.1 mmol/litre (7.0°e) and the water softener in the appliance is turned off. Please contact product advice for further information. Water pressure required: 0.5-10 Bar. Flow rate: 10 litres per minute. Inlet valve connected directly to ¾" screwed joint

Dishwasher Specifications

APPLIANCE TYPE	60CM FULLY INTEGRATED		60CM SEMI-INTEGRATED	45CM FULLY INTEGRATED		
Design family	IQ300	IQ500	IQ700	IQ500	IQ500	
Model number	SN736X03ME	SN636X00KG	SN578S36TE	SR66T090GB	SR65T081GB	
Description	Fully integrated 81.5cm height with varioHinge	Fully integrated with infoLight and varioDrawer	Semi-integrated with Home Connect Wi-Fi connectivity and Zeolith® energy efficient drying	45cm Fully-integrated with A++ energy rating and 44dB noise level	45cm Fully-integrated with A+ energy rating and 48dB noise level	
Colour / Material panel	Stainless steel	Black	Stainless steel	Stainless steel	Stainless steel	
Taller height	-	-	-	-	-	
PERFORMANCE						
Reference programme for measurements	Economy 50	Economy 50	Economy 50	Economy 50	Economy 50	
Energy efficiency class	A++	A++	A+++	A++	A+	
Energy consumption annual (kWh) ¹	266	262	211	211	237	
Water consumption annual (litres) ¹	2660	2660	2100	2660	2660	
Energy consumption (kWh) ²	0.93	0.92	0.73	0.75	0.84	
Water consumption (litres) ²	9.5	9.5	7.5	9.5	9.5	
Cleaning performance	A	A	A	A	A	
Drying performance	A	A	A	A	A	
Number of place settings	14	13	13	10	10	
Noise level (dB [A] re 1pW)	44	46	42	44	48	
Total cycle time of reference programme (min)	210	210	225	195	195	
PROGRAMMES / FUNCTIONS						
Number of programmes	6	6	8	6	5	
Number of different wash temperatures	5	5	6	5	4	
Automatic programme	■	■	■	■	■	
List of programmes	Intensive 70°C, Auto 45-65°C, Economy 50°C, Glass 40°C, 1 hour, Pre-Rinse	Intensive 70°C, Auto 45-65°C, Economy 50°C, Glass 40°C, 1 hour, Pre-Rinse	Intensive 70°C, Auto 45-65°C, Economy 50°C, Silence 50°C, Short 60°C, Glass 40°C, Quick Wash 45°C, Pre-Rinse	Auto 35-45°C, Auto 45-65°C, Auto 65-75°C, Economy 50°C, Quick Wash 45°C, Pre-Rinse	Intensive 70°C, Auto 45-65°C, Economy 50°C, Quick Wash 65°C, Pre-Rinse	
Number of options	4	3	6	3	3	
Additional operational options	extraDry, intensiveZone, varioSpeed Plus	extraDry, varioSpeed Plus	Shine&Dry, Hygiene Plus, intensiveZone, Wi-Fi, varioSpeed Plus	Hygiene Plus, intensiveZone, varioSpeed Plus	extraDry, intensiveZone, varioSpeed Plus	
Home Connect	-	-	-	-	-	
Machine care	■	■	■	-	-	
FLEXIBLE DESIGN ELEMENTS						
Basket type	varioFlex	varioFlex	varioFlex Pro	varioFlex Plus	varioFlex	
varioDrawer	varioDrawer	varioDrawer	varioDrawer Pro	varioDrawer	varioDrawer	
Adjustable upper basket	rackMatic™ 3 stage	rackMatic™ 3 stage	rackMatic™ 3 stage	rackMatic™ 3 stage	rackMatic™ 3 stage	
Largest loadable dish upper basket (cm)	21	27	21	19	19	
Largest loadable dish lower basket (cm)	31	31	31	30	30	
Number of flip tines in upper rack / lower rack	2 / 4	2 / 4	6 / 8	3 / 4	2 / 2	
Basket with handle	Bottom basket, top basket	Bottom basket, top basket	Bottom basket, top basket	Bottom basket, top basket	Bottom basket, top basket	
INNOVATION AND TECHNOLOGY						
Real-time clock	-	-	■	-	-	
Door openAssist	-	-	-	-	-	
timeLight / infoLight	infoLight (blue)	infoLight (blue)	-	timeLight	infoLight (blue)	
Zeolith®	-	-	-	-	-	
Drying system	hydroDry	hydroDry	Zeolith®	hydroDry	hydroDry	
Water protection system description	hydroSafe 24 hour	hydroSafe 24 hour	hydroSafe 24 hour	hydroSafe 24 hour	hydroSafe 24 hour	
Load sensor	■	■	■	■	■	
hydroSensor technology	■	■	■	■	■	
DESIGN FEATURES						
Interior light	-	-	Blue	-	-	
Full colour clearText TFT Display	-	-	-	-	-	
Start delay time max (h)	24	24	24	24	24	
Child safety	-	-	-	-	-	
Digital countdown indicator	■	■	■	■	■	
End of cycle indicator	Acoustic	Acoustic	Acoustic	Acoustic	Acoustic	
Salt light indicator / Rinse aid light indicator	■ / ■	■ / ■	■ / ■	■ / ■	■ / ■	
Interior cavity	Stainless steel	Stainless steel / Polinox base	Stainless steel	Stainless steel	Stainless steel	
Self-cleaning filter system	■	■	■	■	■	
TECHNICAL SPECIFICATIONS						
Length of electrical supply cord (cm)	175	175	175	175	175	
Length of inlet hose (cm)	165	165	165	165	165	
Length of outlet hose (cm)	190	190	190	205	205	
Net weight (kg)	38.0	32.0	47.0	37.0	31.0	
Gross weight (kg)	41.0	34.0	49.0	39.0	33.0	
Maximum accepted water hardness (°DH)	50	50	50	50	50	
Maximum temperature for water intake (°C) ³	60	60	60	60	60	
INSTALLATION						
Maximum height for installation (mm)	875	875	875	875	875	
Width of the product (mm)	598	598	598	448	448	
Maximum width for installation (mm)	600	600	600	450	450	
Depth for installation (mm)	550	550	550	550	550	
Maximum adjustability feet (mm)	60	60	60	60	60	
ACCESSORIES						
Included accessories	Large item spray head, steam deflection plate	Large item spray head, steam deflection plate	Glass tray, steam deflection plate	Large item spray head, steam deflection plate	Large item spray head, steam deflection plate	
Optional accessories	SZ72010, SZ73005, SZ73010, SZ73045, SZ73055, SZ73300, SZ73640	SZ72010, SZ73000, SZ73006, SZ73010, SZ73055, SZ73300, SZ73640	SZ72010, SZ73005, SZ73010, SZ73035, SZ73115, SZ73125, SZ73300, SZ73640	SZ72010, SZ73000, SZ73005, SZ73010, SZ73145, SZ73300	SZ72010, SZ73000, SZ73005, SZ73010, SZ73145, SZ73300	

■ Yes, model has this feature.
- Feature not available for this model.

¹Based on 280 standard cleaning cycles using cold water fill, including consumption of the standby mode.

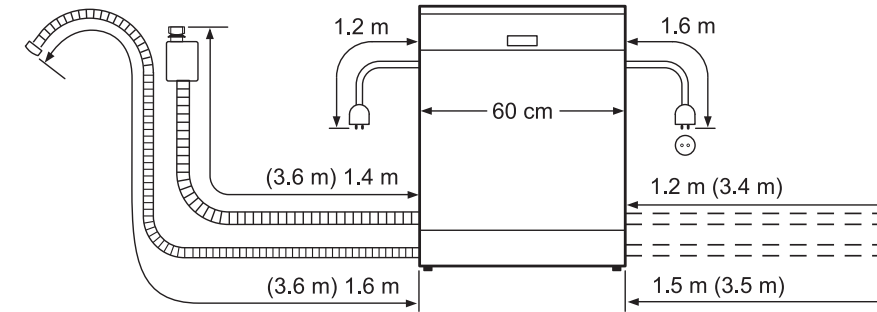
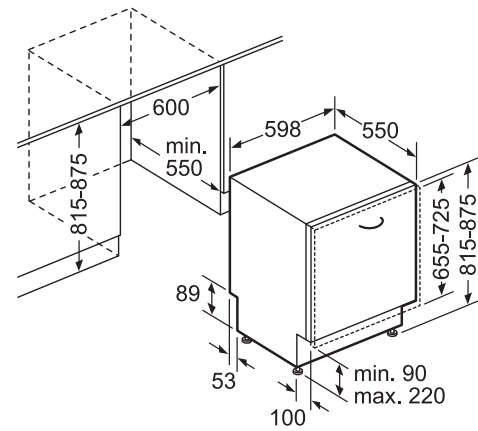
²The consumption per cleaning cycle of the "Eco 50" programme using cold water fill.

³We would recommend our dishwashers are connected to the mains water supply where possible.

However, they may also be connected to an external water softener as long as the water softener produces softened water of less than 1.1 mmol/litre (7.0°e) and the water softener in the appliance is turned off. Please contact product advice for further information. Water pressure required: 0.5-10 Bar. Flow rate: 10 litres per minute. Inlet valve connected directly to ¾" screwed joint

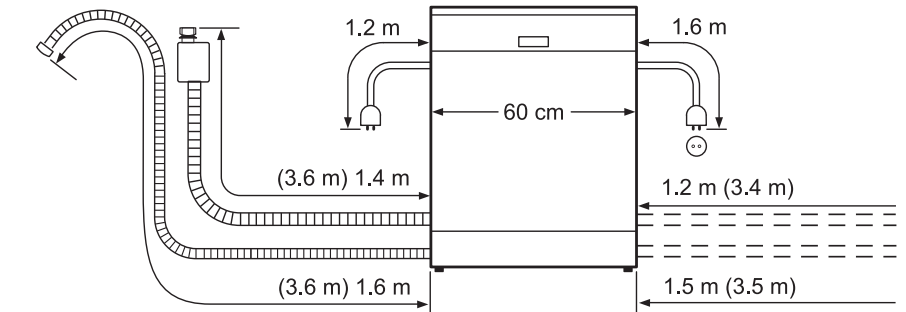
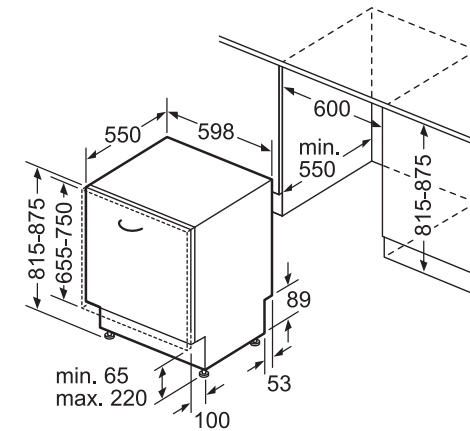
Dishwasher Technical Diagrams

Fully integrated dishwashers SN678D06TG, SN678D01TG, SN658D00MG, SN658D01MG, SN658D02MG, SN636X00KG, and SN578S36TE

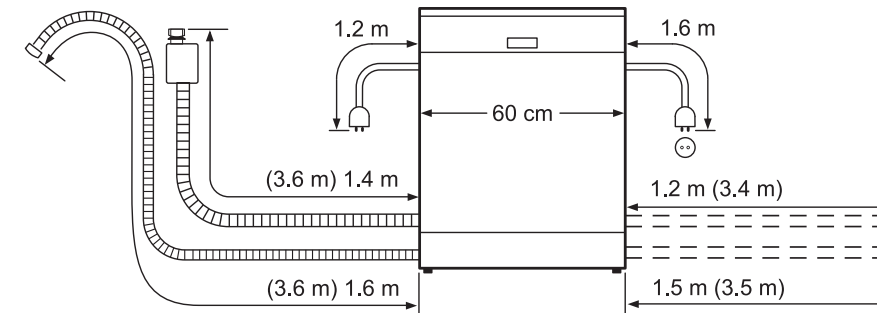
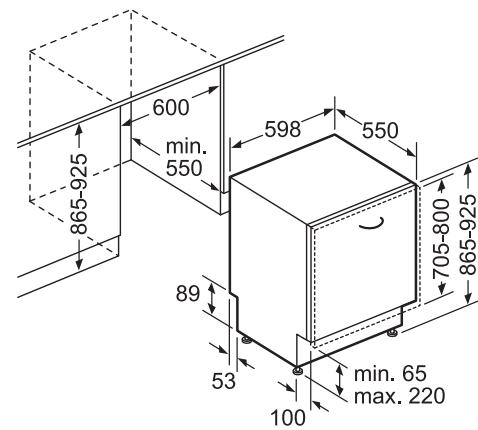


() values with extension kit

Fully integrated dishwasher SN736X03ME

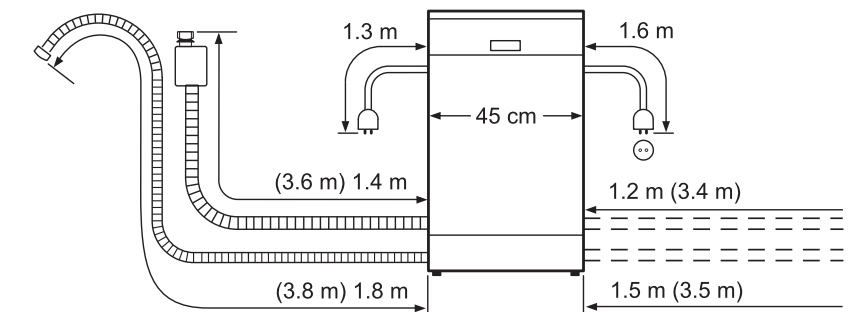
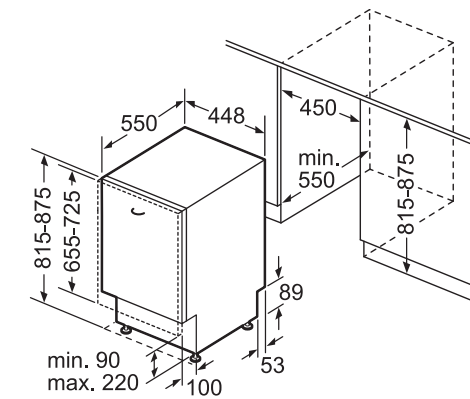


Fully integrated dishwasher SX736X03ME



() values with extension kit

45cm fully integrated dishwashers SR66T090GB and SR65T081GB



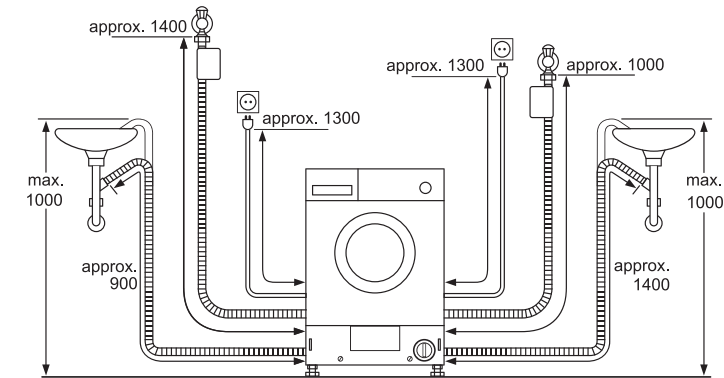
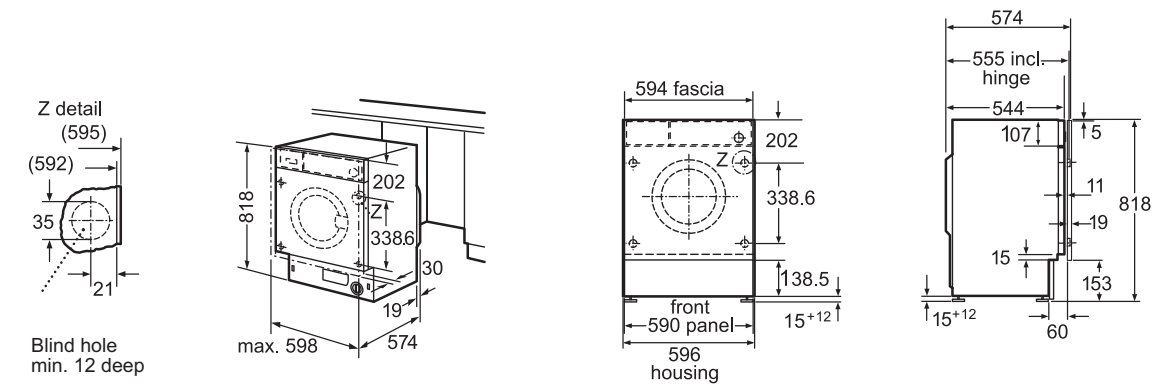
Home Laundry Specifications

APPLIANCE TYPE	INTEGRATED WASHING MACHINES		INTEGRATED WASHER DRYERS	
Design family	■ IQ700	■ IQ500	■ IQ500	■ IQ300
Model number	White W114W500GB	W114W300GB	WK14D541GB	WK14D321GB
PERFORMANCE AND CONSUMPTION				
Energy efficiency class	A+++	A+++	B	B
Capacity cotton washing (kg)	8.0	8.0	7.0	7.0
Capacity cotton drying (kg)	-	-	4.0	4.0
Maximum spin speed (rpm)	1400	1400	1400	1400
Washing performance class	A	A	A	A
Energy consumption – wash and dry, full wash load (kWh)	-	-	5.5	5.5
Energy consumption – wash only (kWh)	-	-	1.27	1.27
Total annual energy consumption – washing and drying, 200 full loads ¹ (kWh)	-	-	1100	1100
Total annual water consumption – washing only, 200 full loads (litres)	-	-	9000	9000
Water consumption – wash and dry, full wash load (litres)	137	157	105	99
Total annual water consumption – washing and drying, 200 full loads (litres)	9900	9900	21000	19800
Drum volume (litres)	53	53	52	52
Noise level washing ² (dB [A] re 1pW)	41	41	57	57
Noise level spinning ² (dB [A] re 1pW)	67	67	74	74
Noise level drying (dB [A] re 1pW)	-	-	60	60
PROGRAMMES/FUNCTIONS				
Standard Programmes				
- Cottons	-	-	■	■
- Easy-care programme	■	■	■	■
- Wool programme	■	■	■	■
- Delicates / silk	■ / ■	■ / -	■	■
- Intensive dry	-	-	■	■
- Gentle dry	-	-	■	■
- Rinse	■	■	■	■
- Spin	■	■	■	■
- Empty	■	■	■	■
Specialist programmes				
- rapid15	■	■	■	-
- Night wash	-	-	■	-
- Shirts/blouses	■	-	■	-
- Outdoor	-	-	■	-
- Mixed fabrics	■	■	■	■
- Fluff removal programme	-	-	■	■
Options				
- Intensive	-	-	■	■
- Less ironing	■	-	■	■
- Extra rinse	-	■	■	■
- Prewash	-	-	■	■
- Variable temperature	■	-	■	■
- Variable spin	-	-	■	■
- Spin speed reduction	■	■	■	■
- flexiTime	-	-	■	■
KEY FEATURES				
Full electronic control dial for all wash and special programmes	-	-	■	■
Time selection options	-	-	■	■
ADDITIONAL FEATURES				
Aquatronic wash system	-	-	■	■
Time delay (h)	24	24	24	19
autoLoad	-	-	■	■
Foam detection system	■	■	■	■
Out of balance load adjustment	■	■	■	■
Child lock	■	■	■	■
Water protection system	Aquastop	Aquastop	hydroSafe	hydroSecure
TECHNICAL INFORMATION				
Dimensions of the product: H x W x D exc door (cm)	81.8 x 59.6 x 57.4	81.8 x 59.6 x 57.4	82 x 59.5 x 58.4	82 x 59.5 x 58.4
Length of electrical supply cord (cm)	225	225	220	220
Display	LED	LED	LED	LED
Cabinet colour	White	White	White	White
Door colour	White	White	White	White
Door opening (°)	130	130	95	95
Door hinge	Left-hand	Left-hand	Left-hand	Left-hand
Fully integrable	■	■	■	■
OPTIONAL ACCESSORIES				
Connecting piece (between appliance and 90cm worktop)	-	-	WZ20470	WZ20470
Floor securing kit	-	-	WX975600	WX975600
Extension for water inlet/hydroSafe	-	-	WZ10130	WZ10130

■ Yes, model has this feature. - Feature not available for this model.
¹ Consumption per year based on 200 wash dry cycles for cottons at 60°C.
² Noise is measured during the washing and spinning phases at standard 60°C cottons at full load

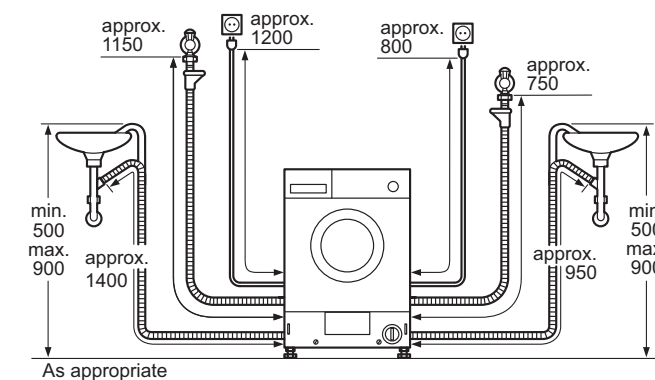
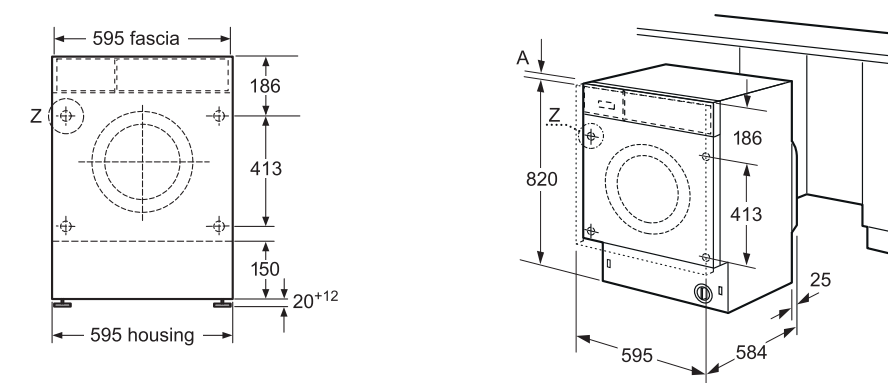
Home Laundry Technical Diagrams

Integrated washing machines W114W500G and W114W300GB



If, after fitting, the HydroSafe inlet hose to the installation is not long enough, it can be lengthened with the connecting kit WZ 10130 (length 2.5 m).

Integrated washer dryers WK14D541GB and WK14D321GB



As appropriate

Siemens, a division of
BSH Home Appliances Ltd,
Grand Union House,
Old Wolverton Road,
Wolverton,
Milton Keynes,
MK12 5PT
Tel: 0344 892 9040
Fax: 01908 328499

siemens-home.bsh-group.com/uk

BSH Home Appliances Ltd,
M50 Business Park,
Ballymount,
Dublin 12
Tel: 1890 626041
(Northern Ireland 00353 1 8930201)
Fax: 1890 626042
(Northern Ireland 00353 1 8930209)

siemens-home.bsh-group.com/ie

BSH Group is a Trademark Licensee
of Siemens AG

Disclaimer

This brochure is current as from the publication date and supersedes all previous brochures for these products. Whilst BSH Home Appliances Ltd believes that all information contained within this brochure is correct at the time of going to print, no representation or warranty, express or implied, is or will be made and no responsibility or liability is or will be accepted by BSH Home Appliances Ltd in relation to the accuracy or completeness of this information and any liability is expressly disclaimed. To the extent permitted by law, BSH Home Appliances Ltd expressly excludes: i) all conditions, warranties and other terms which might otherwise be implied by statute, common law or the law of equity and ii) any liability for any direct, indirect or consequential loss or damage (including, without limitation, damages for loss of business or loss of profits) arising in contract, tort or otherwise from the use of or reliance on any information contained within this brochure or from any action or decision taken as a result of such use or reliance. BSH Home Appliances Ltd reserves the right to modify technical data and all other information contained within this brochure without notice. All rights reserved. No part of this publication may be reproduced in any form or without the prior written permission of BSH Home Appliances Ltd.

This brochure should not be regarded as an infallible guide nor as an offer of sale for a particular product.

Due to variables in the reproduction process, colours of actual products may vary slightly from those depicted. We recommend a visit to a Siemens dealer to confirm that specifications and colours are to your satisfaction.

Valid from April 2017



SIEMBI2017