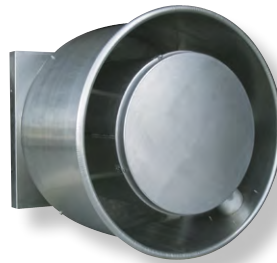


AEROVENT

INDUSTRIAL VENTILATION SYSTEMS



Model ACX



Model ATDW



Model ATB



Model ACXD



Model AWX



Model ATDR

SPUN ALUMINUM POWER ROOF & WALL VENTILATORS

Model ACX / ACXD

Model ATD / ATDR / ATDW / ATDWR

Model ATB / ATBR / AWX / AWXR

Centrifugal Roof & Wall Ventilators

Aerovent's all new line of quiet, efficient, and economical spun aluminum centrifugal power roof and wall ventilators are designed to offer value and long-lasting service in a wide variety of commercial and industrial ventilating applications.

Models ACX, ACXD, ATB, ATD, ATBR, ATDR, AWX, ATDW, AWXR and ATDWR ventilators have been designed by the Aerovent Engineering/R&D team, to provide world-class performance, quality, and efficiency to meet the demands of today's ventilating requirements. These new fans cover a wide range of performances, up to 30,000 CFM and over 3" static pressure, in upblast, downblast and sidewall exhaust arrangements.

ACX and ACXD Downblast Roof Ventilator

Product/Dimensional Data Page 3
Accessories Page 8
Performance Data Page 12



ATB/D and ATBR/ATDR Upblast Roof/Kitchen Ventilators

Product/Dimensional Data Page 4, 6
Accessories Page 8
Performance Data Page 25



AWX/ATDW and AWXR/ ATDWR Wall/Kitchen Ventilators

Product/Dimensional Data Page 5, 7
Accessories Page 8
Performance Data Page 25



Aerovent certifies that the ACX, ACXD, ATB, ATD, ATBR, ATDR, AWX, ATDW, AWXR and ATDWR Series shown herein are licensed to bear the AMCA Seal. The ratings shown are based on tests and procedures performed in accordance with AMCA Publication 211 and AMCA Publication 311 and comply with the requirements of the AMCA Certified Ratings Program.

Construction Features

- Quiet and efficient non-overloading wheels with backwardly curved blades provide performance that is second to none in the industry.
- The wheel, motor, and drive assembly is completely isolated from the fan supports by rubber isolators to reduce transmission of noise and vibration.
- The top cap provides complete protection for the motor and drive assembly, while allowing quick access to these components without the need for tools.
- Heavy-duty re-greaseable pillow block ball bearings are specifically designed for air handling applications to provide an average life (L-50) of 500,000 hours or more at maximum cataloged operating speeds.
- One piece curb cap/inlet Venturi assembly has welded corners to provide complete protection from the weather.
- Internal lifting lugs provide safe and easy rigging of the fans.
- ODP, TEFC, and Explosion Proof Single and three phase motors are paired with adjustable pitch v-belt drives with cast iron sheaves and heat resistant belts to provide 1.5 service factor. The entire fan assembly is balanced and tested at the factory before shipping.
- Galvanized birdscreen protects the wheel, inlet and internal components from entry of birds.
- AMCA Air and Sound Certification guarantees accurate performance. UL listing for power ventilators assures acceptance in most commercial applications.
- Disconnect switches provided on ACX, ATB, and AWX fans with ODP or TEFC motors are NEMA-1 type mounted and wired in the motor compartment. Where explosion proof motors are utilized, a NEMA - 7/9 disconnect is shipped loose for field mounting and wiring. ATBR and AWXR fans are provided with NEMA-3R rain-tight disconnect switches, externally mounted and wired when ODP or TEFC motors are used. NEMA 7/9 switches will be shipped loose when explosion proof motors are used.



All models are cULus 705 listed, for electrical, File No. E158680.

All ATBR, ATDR, AWXR and ATDWR models are cULus 762 listed, for the exhaust of grease laden air, File No. MH-25478.

ACXD – Spun Aluminum Roof Exhausters, Direct Drive

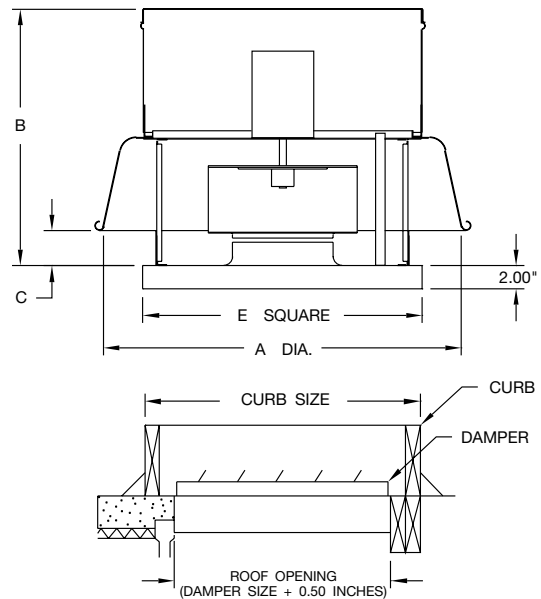
Model ACXD direct drive roof exhausters feature spun aluminum construction.

Standard Models

- Available in 14 sizes from 060 through 180
- Capacities range from 100 to 5,000 CFM, with static pressures to 1 inch
- Speed controllable available on all sizes with ODP, 115V motors

Dimensional Data and Weights

SIZE	FAN DIMENSIONS					CANTED CURB SIZE	DAMPER SIZE	AVG. SHIP WT. (LBS.)
	A	B	C	D	E			
060	18.50	15.75	1.50	15.25	17.00	15.5 x 15.5	10 x 10	30
070	18.50	15.75	1.50	15.25	17.00	15.5 x 15.5	10 x 10	30
080	18.50	15.75	1.50	15.25	17.00	15.5 x 15.5	10 x 10	32
085	21.00	19.50	2.56	15.25	17.00	15.5 x 15.5	10 x 10	43
090	21.00	19.50	2.56	15.25	17.00	15.5 x 15.5	10 x 10	43
095	21.00	19.50	2.56	15.25	17.00	15.5 x 15.5	10 x 10	43
100	21.00	19.50	2.56	15.25	17.00	15.5 x 15.5	10 x 10	48
120	27.88	20.44	3.12	22.00	20.00	18.5 x 18.5	14 x 14	50
130	27.88	23.50	3.12	22.00	24.00	22.5 x 22.5	18 x 18	65
140	27.88	23.88	3.50	22.00	24.00	22.5 x 22.5	18 x 18	67
150	30.96	27.19	3.50	24.00	24.00	22.5 x 22.5	18 x 18	77
160	30.96	27.62	4.00	24.00	24.00	22.5 x 22.5	18 x 18	82
170	39.54	30.50	2.56	30.00	30.00	28.5 x 28.5	24 x 24	95
180	39.54	31.12	3.06	30.00	30.00	28.5 x 28.5	24 x 24	100



Notes:

1. All dimensions are in inches unless otherwise noted.
2. Dimensions are not to be used for construction.
3. Outside dimensions of dampers are nominal.
4. Self-flashing roof curbs are 1" larger than canted curbs.

ACX – Spun Aluminum Roof Ventilators, Belt Driven

Model ACX belt driven roof exhausters feature spun aluminum construction available in standard and high-pressure designs.

Standard Models

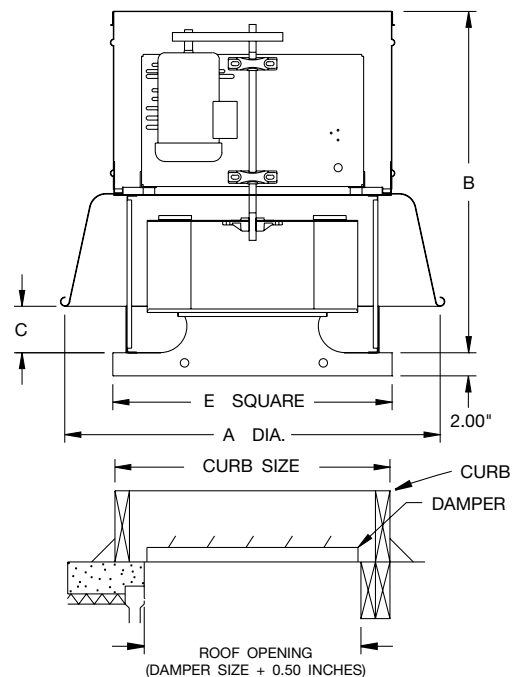
- Available in 14 sizes from 070 through 480
- Capacities range from 180 to 28,700 CFM, with static pressures to 2.5 inches

High-Pressure Models

- Available in 8 sizes from 100HP through 360HP
- Capacities range from 330 to 17,500 CFM, with static pressures to 3.25 inches

Dimensional Data and Weights

SIZE	FAN DIMENSIONS					CANTED CURB SIZE	DAMPER SIZE	AVG. SHIP WT. (LBS.)
	A	B	C	E				
070/075	25.88	22.75	2.64	17.00	15.5 x 15.5	10 x 10	58	
085	27.88	25.50	3.16	17.00	15.5 x 15.5	10 x 10	67	
100	27.88	26.50	3.16	20.00	18.5 x 18.5	14 x 14	74	
120	30.94	30.88	3.81	20.00	18.5 x 18.5	14 x 14	78	
140	30.94	30.75	3.81	24.00	22.5 x 22.5	18 x 18	90	
160	33.81	32.75	4.00	26.00	24.5 x 24.5	20 x 20	107	
180	39.56	37.75	5.00	30.00	28.5 x 28.5	24 x 24	130	
210	39.56	37.75	5.00	30.00	28.5 x 28.5	24 x 24	160	
240	43.00	35.88	4.83	34.00	32.5 x 32.5	28 x 28	220	
300	52.00	39.38	4.83	40.00	38.5 x 38.5	34 x 34	270	
360	61.50	45.88	6.83	46.00	44.5 x 44.5	40 x 40	360	
420	65.75	49.13	8.25	52.00	50.5 x 50.5	46 x 46	420	
480	74.00	51.63	9.00	58.00	56.5 x 56.5	50 x 50	475	



Notes:

1. All dimensions are in inches unless otherwise noted.
2. Dimensions are not to be used for construction.
3. Outside dimensions of dampers are nominal.
4. Self-flashing roof curbs are 1" larger than canted curbs.

ATD/ATDR – Upblast Roof Exhausters, Direct Drive

Aerovent's ATD and ATDR direct drive, upblast roof mounted centrifugal exhausters are available in eight sizes from size 070 to 180.

Capacities range from 225 to 3,865 CFM with static pressures to 1.75 inches. All sizes are speed controllable with ODP 115V motors.

ATD – General Exhaust

Model ATD is designed for roof mounted exhaust of clean air in applications where it is desirable to move the exhausted air up and away from the building, and where re-entry into the building supply air is possible. Model ATD is cULus 705 listed for electrical.

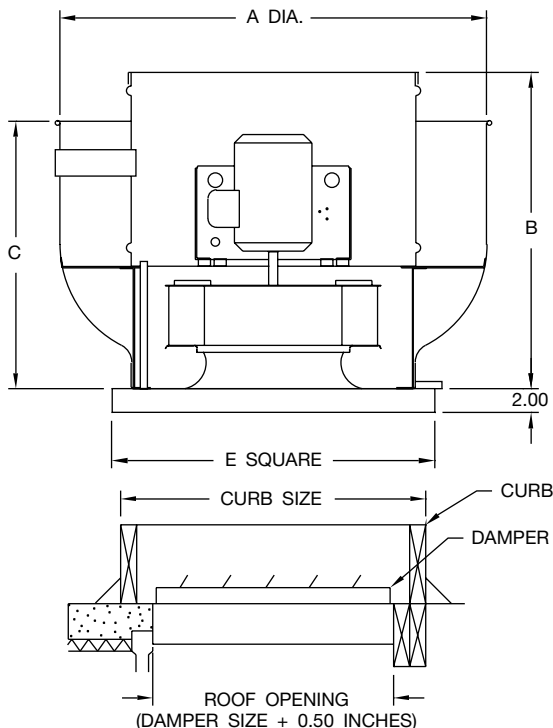
ATDR – Kitchen Exhaust

Model ATDR is similar to the ATD, but is specifically designed for exhausting grease-laden air from kitchens, restaurants, cooking and dishwasher hoods. Model ATDR is cULus 762 listed for the exhaust of grease-laden air.

Both the ATD and ATDR are licensed to bear the AMCA certified ratings seal for sound and air performance.



Model ATDR



* Damper not available on ATDR.

Dimensional Data and Weights

MODEL		A	B	C	E	AVG. UNIT WT. (LB.)
ATD	ATDR					
071-073	071-073	22.00	24.38	20.00	17.00	100
081-083	081-083	22.00	24.38	20.00	17.00	100
091-093	091-093	22.00	26.06	20.00	20.00	120
110	110	31.00	30.00	28.00	24.00	135
120	120	31.00	30.00	28.00	24.00	135
140	140	31.00	32.00	28.00	24.00	145
160	160	31.00	35.00	28.00	24.00	180
180	180	37.00	37.00	30.00	30.00	180

Dampers and Roof Curbs

MODEL		DAMPER SIZE	STANDARD CURB SIZE	SELF FLASH CURB SIZE	ROOF OPENING
ATD	ATDR				
071-073	071-073	10 x 10	15½ x 15½	16½ x 16½	10½ x 10½
081-083	081-083	10 x 10	15½ x 15½	16½ x 16½	10½ x 10½
091-093	091-093	14 x 14	18½ x 18½	19½ x 19½	14½ x 14½
110	110	18 x 18	22½ x 22½	23½ x 23½	18½ x 18½
120	120	18 x 18	22½ x 22½	23½ x 23½	18½ x 18½
140	140	18 x 18	22½ x 22½	23½ x 23½	18½ x 18½
160	160	18 x 18	22½ x 22½	23½ x 23½	18½ x 18½
180	180	24 x 24	28½ x 28½	29½ x 29½	24½ x 24½

Notes:

1. All dimensions are in inches unless otherwise noted.
2. Dimensions are not to be used for construction.
3. Damper sizes are nominal.
4. ATDR (Kitchen Exhaust) provided with self flashing, vented, 12" high curb.

ATDW/ATDWR – Wall Exhausters, Direct Drive

Aerovent's ATDW and ATDWR direct drive, wall mounted centrifugal exhausters are available in eight sizes from size 070 to 180.

Capacities range from 225 to 3,865 CFM and static pressures to 1.75 inches. All sizes are speed controllable with ODP 115V motors.

ATDW – General Exhaust

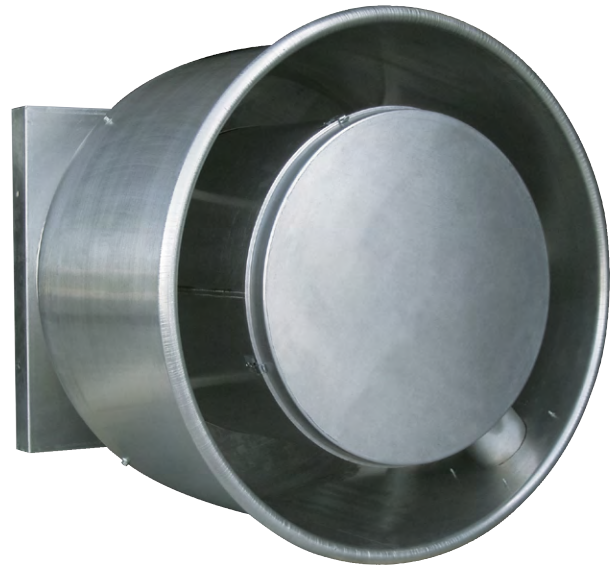
Model ATDW is designed for general exhaust of clean air in a wall-mounted, horizontal configuration. Model ATDW is cULus 705 listed for electrical.

ATDWR – Kitchen Exhaust

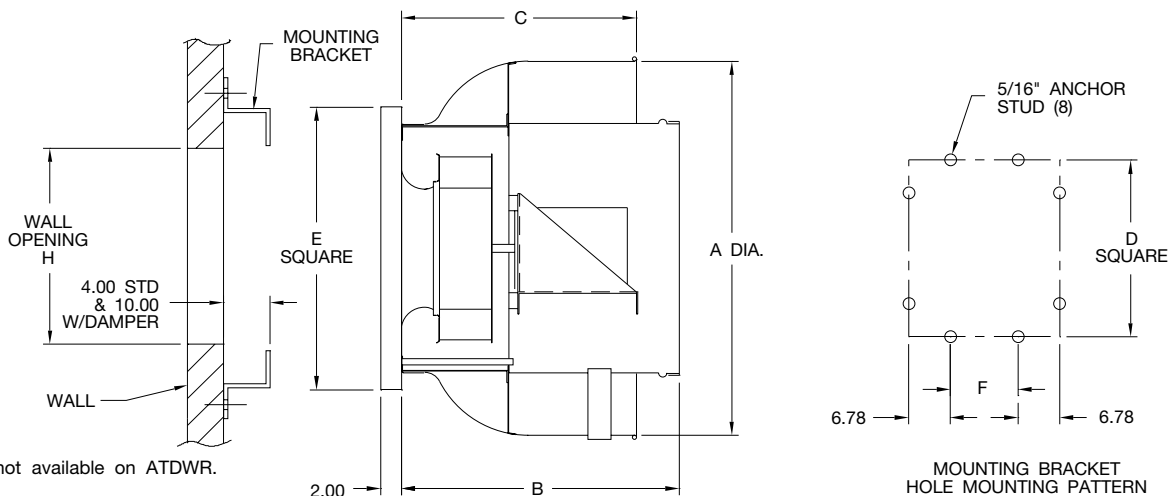
Model ATDWR is similar to the ATDW, but is specifically designed for exhausting grease-laden air from kitchens, restaurants, cooking and dishwasher hoods where upblast exhaust is not feasible. Model ATDWR is cULus 762 listed for the exhaust of grease-laden air.

Both the ATDW and ATDWR are licensed to bear the AMCA certified ratings seal for sound and air performance.

Other ATDW/ATDWR applications include fume hood, paint booth, carbon monoxide exhaust. ATDW and ATDWR fans are supplied with a heavy-duty 4" wall-mounting bracket. A 10" wall-mounting bracket is supplied when a gravity or motorized damper is utilized.



Model ATDW



* Damper not available on ATDWR.

Dimensional Data and Weights

MODEL		A	B	C	D	E	F	AVG. UNIT WT. (LB.)	DAMPER SIZE	WALL MTG. BRACKET	WALL OPENING (H)
ATDW	ATDWR										
071-073	071-073	22.00	24.38	20.00	18.56	17.00	5.00	100	10 x 10	16 ³ / ₄ x 16 ³ / ₄	10 ¹ / ₂ x 10 ¹ / ₂
081-083	081-083	22.00	24.38	20.00	18.56	17.00	5.00	100	10 x 10	16 ³ / ₄ x 16 ³ / ₄	10 ¹ / ₂ x 10 ¹ / ₂
091-093	091-093	22.00	26.06	20.00	21.56	20.00	8.00	120	14 x 14	19 ³ / ₄ x 19 ³ / ₄	14 ¹ / ₂ x 14 ¹ / ₂
110	110	31.00	30.00	28.00	25.56	24.00	12.00	135	17 x 17	23 ³ / ₄ x 23 ³ / ₄	17 ¹ / ₂ x 17 ¹ / ₂
120	120	31.00	30.00	28.00	25.56	24.00	12.00	135	17 x 17	23 ³ / ₄ x 23 ³ / ₄	17 ¹ / ₂ x 17 ¹ / ₂
140	140	31.00	32.00	28.00	25.56	24.00	12.00	145	17 x 17	23 ³ / ₄ x 23 ³ / ₄	17 ¹ / ₂ x 17 ¹ / ₂
160	160	31.00	35.00	28.00	25.56	24.00	12.00	180	17 x 17	23 ³ / ₄ x 23 ³ / ₄	17 ¹ / ₂ x 17 ¹ / ₂
180	180	37.00	37.00	30.00	31.56	30.00	18.00	180	24 x 24	29 ³ / ₄ x 29 ³ / ₄	24 ¹ / ₂ x 24 ¹ / ₂

Notes:

1. All dimensions are in inches unless otherwise noted.
2. Dimensions are not to be used for construction.
3. Damper sizes are nominal.

ATB/ATBR – Upblast Centrifugal Roof Ventilators

Aerovent type ATB and ATBR belt driven, upblast roof mounted centrifugal exhausters are available in twenty sizes from size 110 to 480, including seven high-pressure models.

Capacities range from 500 to 29,000 CFM with static pressures to 3.25 inches.

ATB – General Exhaust

Model ATB is designed for roof mounted exhaust of clean air in applications where it is desirable to move the exhausted air up and away from the building, and where re-entry into the building supply air is possible. Model ATB is cULus 705 listed for electrical.

ATBR – Kitchen Exhaust

Model ATBR is similar to the ATB, but is specifically designed for exhausting grease-laden air from kitchens, restaurants, cooking and dishwasher hoods. Model ATBR is cULus 762 listed for the exhaust of grease-laden air.

Both the ATB and ATBR are licensed to bear the AMCA certified ratings seal for sound and air performance.

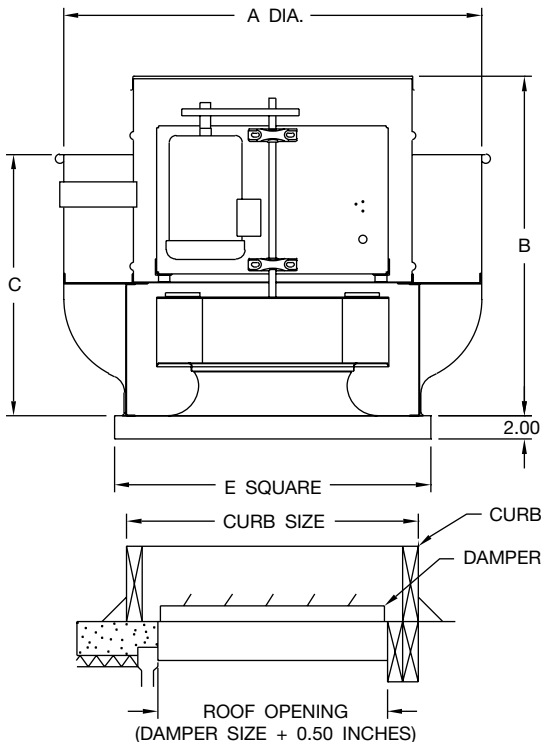


Model ATB



Dimensional Data and Weights

MODEL		A	B	C	E	AVG. UNIT WT. (LB.)
ATB	ATBR					
110	110	31.00	30.00	28.00	24.00	135
120	120	31.00	30.00	28.00	24.00	135
140	140	31.00	32.00	28.00	24.00	145
160	160	31.00	35.00	28.00	24.00	180
180	180	37.00	37.00	30.00	30.00	180
210	210	46.00	38.00	28.25	34.00	245
240	240	46.00	39.00	28.25	34.00	245
300	300	55.00	40.00	31.00	40.00	365
360	360	64.00	46.00	34.00	46.00	375
420	—	70.00	49.00	36.00	52.00	385
480	—	76.00	52.00	39.00	58.00	490



Dampers and Roof Curbs

MODEL		DAMPER SIZE	STANDARD CURB SIZE	SELF FLASH CURB SIZE	ROOF OPENING
ATB	ATBR				
110	110	18 x 18	22½ x 22½	23½ x 23½	18½ x 18½
120	120	18 x 18	22½ x 22½	23½ x 23½	18½ x 18½
140	140	18 x 18	22½ x 22½	23½ x 23½	18½ x 18½
160	160	18 x 18	22½ x 22½	23½ x 23½	18½ x 18½
180	180	24 x 24	28½ x 28½	29½ x 29½	24½ x 24½
210	210	28 x 28	32½ x 32½	33½ x 33½	28½ x 28½
240	240	28 x 28	32½ x 32½	33½ x 33½	28½ x 28½
300	300	34 x 34	38½ x 38½	39½ x 39½	34½ x 34½
360	360	40 x 40	44½ x 44½	45½ x 45½	40½ x 40½
420	—	46 x 46	50½ x 50½	51½ x 51½	46½ x 46½
480	—	50 x 50	56½ x 56½	57½ x 57½	50½ x 50½

Notes:

1. All dimensions are in inches unless otherwise noted.
2. Dimensions are not to be used for construction.
3. Damper sizes are nominal.
4. ATBR (Kitchen Exhaust) provided with self flashing, vented, 12" high curb.

AWX/AWXR – Centrifugal Wall Ventilators

Aerovent's AWX and AWXR belt driven, wall mounted centrifugal exhausters are available in sixteen sizes from size 110 to 300, including six high-pressure models.

Capacities range from 500 to 12,000 CFM and static pressures to 3.25 inches.

AWX – General Exhaust

Model AWX is designed for general exhaust of clean air in a wall-mounted, horizontal configuration. Model AWX is cULus 705 listed for electrical.

AWXR – Kitchen Exhaust

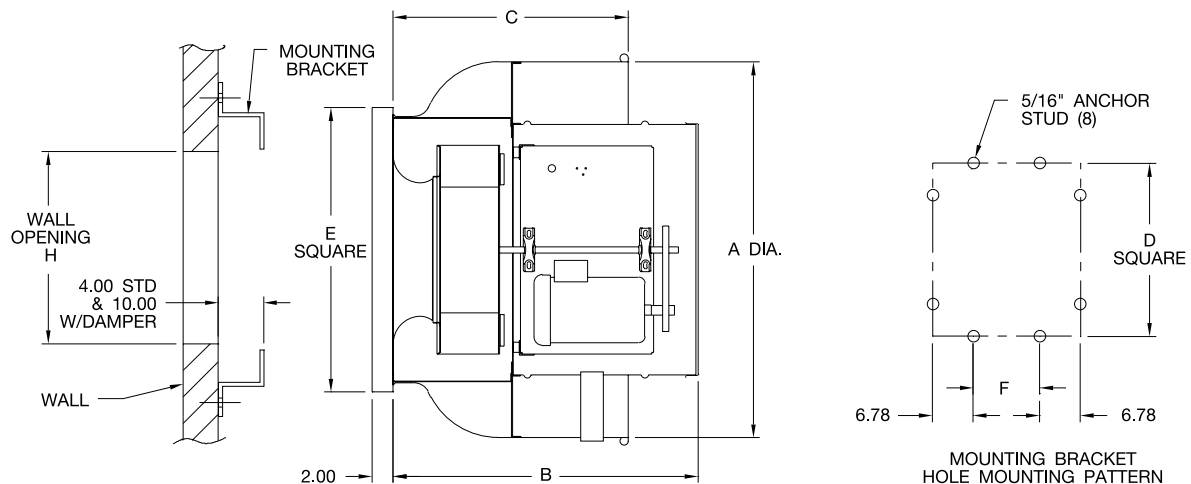
Model AWXR is similar to the AWX, but is specifically designed for exhausting grease-laden air from kitchens, restaurants, cooking and dishwasher hoods where upblast exhaust is not feasible. Model AWXR is cULus 762 listed for the exhaust of grease-laden air.

Both the AWX and AWXR are licensed to bear the AMCA certified ratings seal for sound and air performance.

Other AWX/AWXR applications include fume hood, paint booth, carbon monoxide exhaust. AWX and AWXR fans are supplied with a heavy-duty 4" wall-mounting bracket. A 10" wall-mounting bracket is supplied when a gravity or motorized damper is utilized.



Model AWX



Dimensional Data and Weights

MODEL		A	B	C	D	E	F	AVG. UNIT WT. (LB.)	DAMPER SIZE	WALL MTG. BRACKET	WALL OPENING (H)
AWX	AWXR										
110	110	31.00	30.00	28.00	25.56	24.00	12.00	135	17 x 17	23 ³ / ₄ x 23 ³ / ₄	17 ¹ / ₂ x 17 ¹ / ₂
120	120	31.00	30.00	28.00	25.56	24.00	12.00	135	17 x 17	23 ³ / ₄ x 23 ³ / ₄	17 ¹ / ₂ x 17 ¹ / ₂
140	140	31.00	32.00	28.00	25.56	24.00	12.00	145	17 x 17	23 ³ / ₄ x 23 ³ / ₄	17 ¹ / ₂ x 17 ¹ / ₂
160	160	31.00	35.00	28.00	25.56	24.00	12.00	180	17 x 17	23 ³ / ₄ x 23 ³ / ₄	17 ¹ / ₂ x 17 ¹ / ₂
180	180	37.00	37.00	30.00	31.56	30.00	18.00	180	24 x 24	29 ³ / ₄ x 29 ³ / ₄	24 ¹ / ₂ x 24 ¹ / ₂
210	210	46.00	38.00	28.25	35.56	34.00	22.00	245	27 x 27	33 ³ / ₄ x 33 ³ / ₄	27 ¹ / ₂ x 27 ¹ / ₂
240	240	46.00	39.00	28.25	35.56	34.00	22.00	245	27 x 27	33 ³ / ₄ x 33 ³ / ₄	27 ¹ / ₂ x 27 ¹ / ₂
300	300	55.00	40.00	31.00	41.56	40.00	28.00	365	33 x 33	39 ³ / ₄ x 39 ³ / ₄	33 ¹ / ₂ x 33 ¹ / ₂

Notes:

1. All dimensions are in inches unless otherwise noted.
2. Dimensions are not to be used for construction.
3. Damper sizes are nominal.

Accessories

Backdraft Damper

Backdraft dampers with automatic or motorized operation, feature a felt seal on the edge of the damper blades for quiet operation. Damper frames are constructed of 20-gauge galvanized steel and blades are constructed of 26-gauge aluminum.

Motorized dampers are recommended for low CFM applications to assure unrestricted airflow. Motorized dampers are available with 115, 208, 230, 460 or 575 volt service; 460 and 575 volt service requires a step-down transformer. When a motorized damper option is selected a 12" (or greater) high roof curb is required.

Curb Hinge

The curb hinge arrangement provides easy access to the exhaust fan, backdraft damper and duct for servicing and cleaning. The curb hinge is of the piano type, running the entire length of the fan's curb base. The curb hinge option is factory installed and is available on all ACX, ATB, and ATBR models. The curb hinge arrangement is designed for use with a standard canted curb only.

Security Hasp

A security hasp is available in conjunction with the curb hinge arrangement to prevent removal of the unit from the unit curb cap and prevent entrance into the building through the roof's ductwork.

Retaining Chain

A retaining chain is available in conjunction with the curb hinge arrangement to stabilize the unit and to prevent damage from occurring to the unit while servicing and cleaning.

Aluminum Insect Screen

Available for ACX, ATB, and AWX fans only. Provides protection from entry of insects into wheel, inlet and interior of building.

Aluminum Bird Screen

Available for ACX fans only. Replaces the standard galvanized bird screen with an aluminum corrosion resistant screen.

Tamper Resistant Top Cover

Tamper resistant top covers are available to discourage theft. The tamper resistant top cover option requires special tools to remove the top cover.

Grease Box

Removable for the disposal of collected grease.

Prefabricated Roof Curbs

Prefabricated roof curbs are available in heavy duty galvanized steel or aluminum construction, in heights of 8", 12", or 18". The standard curb (canted) is provided with a factory installed wood nailer, while the optional self flashing design is provided with a $\frac{3}{16}$ " polystyrene gasket. Both the standard curb and the self flashing design are provided with 1.5" of insulation as standard and feature continuously welded seams for added rigidity and moisture protection. Prefabricated curbs are also available in raised cant, pitched and peak models. Refer to Bulletin 4910 for complete details on roof curb options.

Minimum 12" high curbs are recommended for use with motorized damper.

ATBR (Kitchen Exhaust) roof curbs are self flashing, 12" high, galvanized steel with ventilation slots and $\frac{1}{4}$ " polystyrene gasket when combined with our roof curbs. All ATBR roof units provide a minimum 40" discharge height in accordance with NFPA-96 code requirements.

Variable Speed Control

Variable speed control is an optional accessory on all ACXD models with 115 volt, open type motors. Variable speed controllers are solid-state (Tri-ac) design. Speed control features include RFI filter, minimum speed trim adjustment capability, and built-in on/off line switch. The speed controller is designed to start the motor on high speed for better startup characteristics. Variable speed controls have the option of being shipped separately, factory installed, or field installed on the unit at a later date.

NEMA-4 Disconnect Switches

A NEMA-4, water and dust tight disconnect is available shipped loose for field mounting and wiring.

2-Speed Switch

Two speed switch is available for 2 speed/2 winding, single-phase motors to control fan speed, (high speed, low speed, off).

Firestat

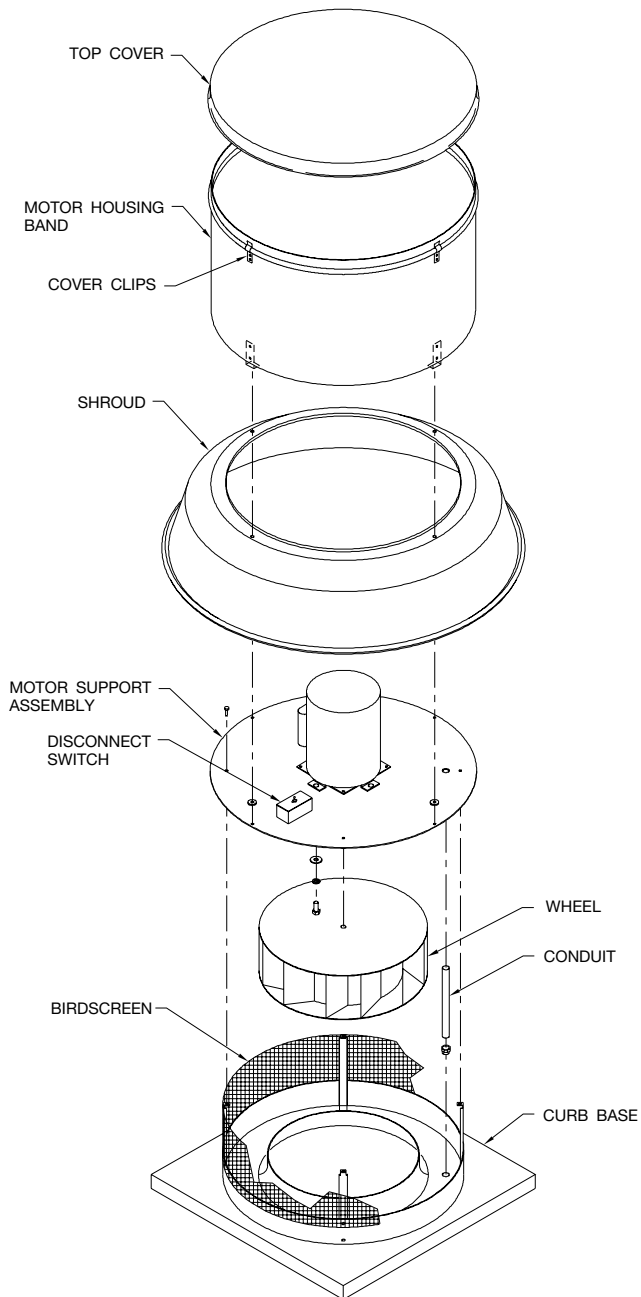
The firestat option is intended to shut down the unit in case of a fire in the building. If the firestat sensing element is exposed to an air temperature over its set-point, it will open, de-energizing the motor of the unit. The standard firestat is set to open at 140°F and must be manually reset. The firestat cut-out point is field adjustable from 100°F to 170°F. Firestats are available for 115, 208, 230 and 277 volt, 1-phase units.

Special Coatings

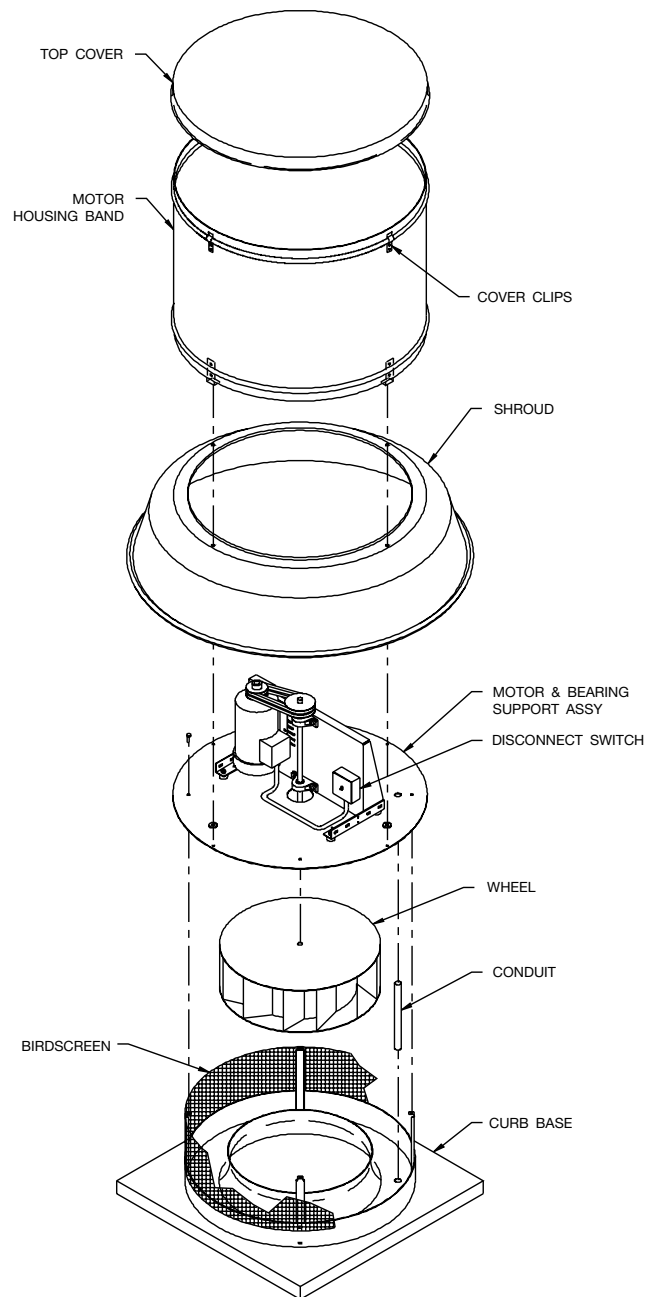
Powered roof ventilators often require special coatings for protective and decorative purposes. Available coatings include air-dried enamel, air-dried epoxy, Heresite (air-dried phenolic), and Kynar 500. Contact your Aerovent representative for more information on available coatings and colors.

Exploded Parts View

ACXD

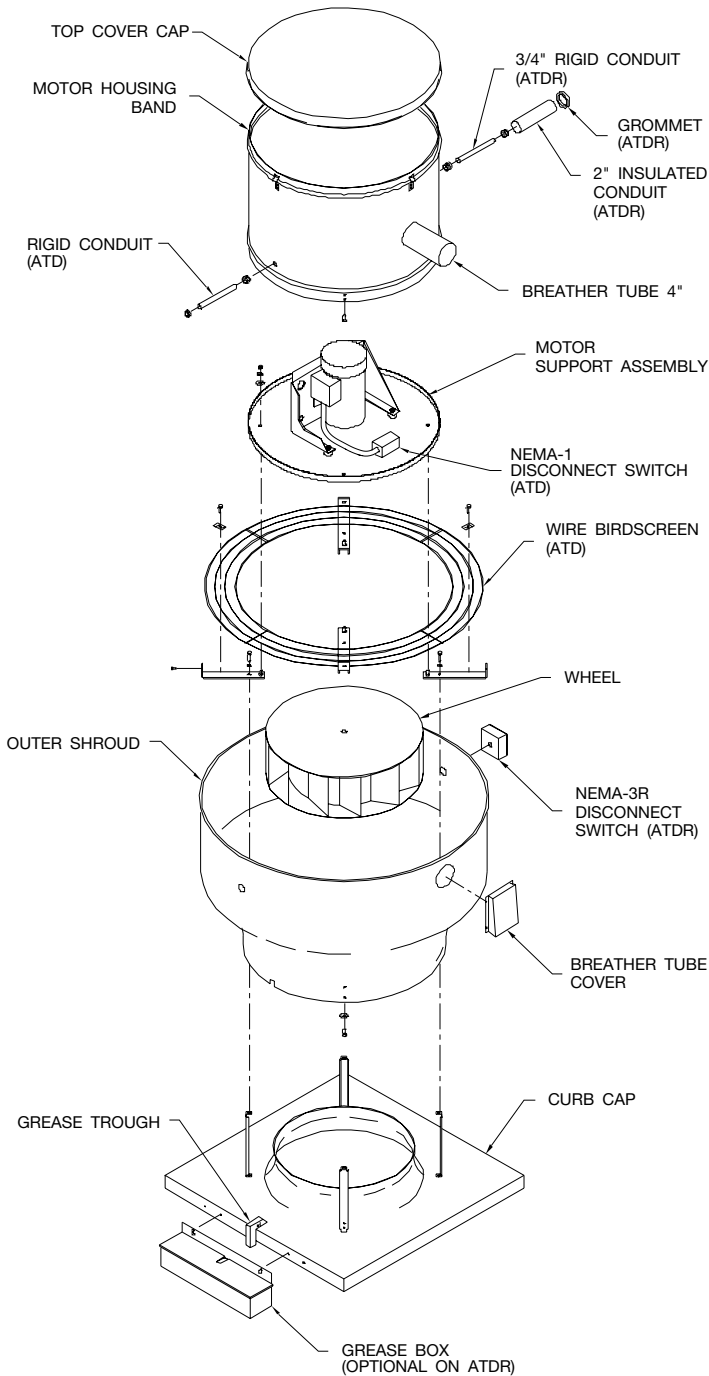


ACX

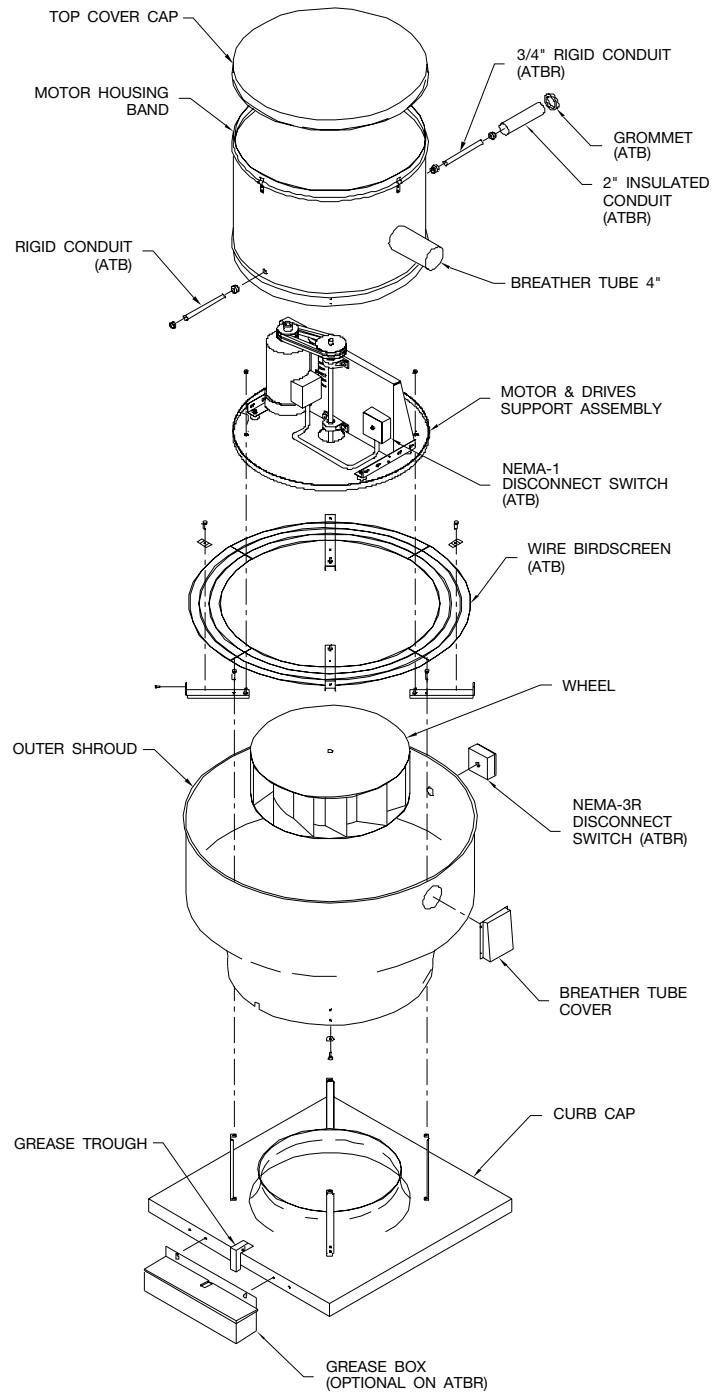


Exploded Parts View

ATD and ATDR

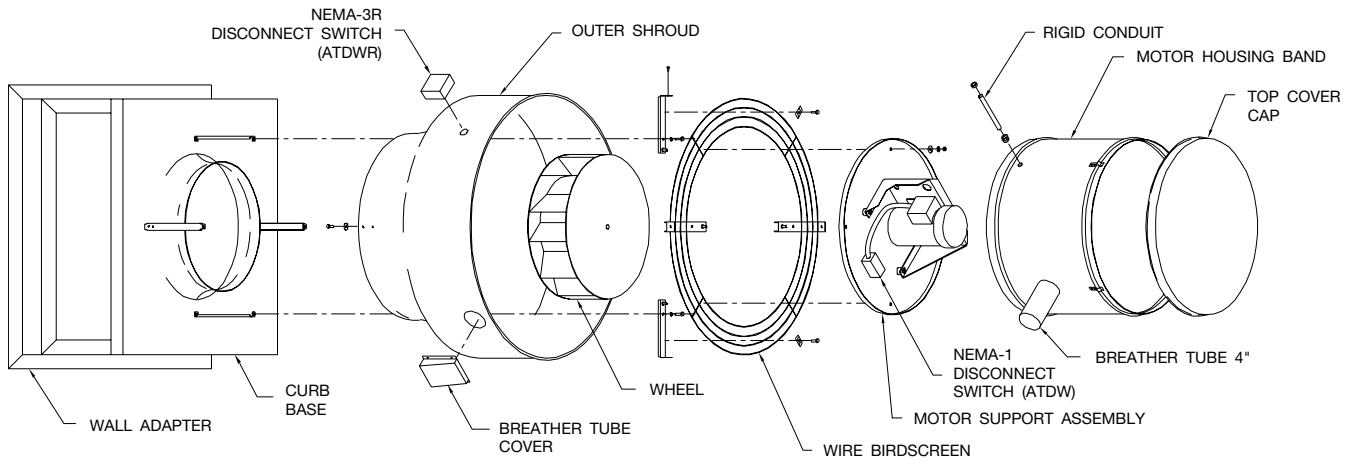


ATB and ATBR

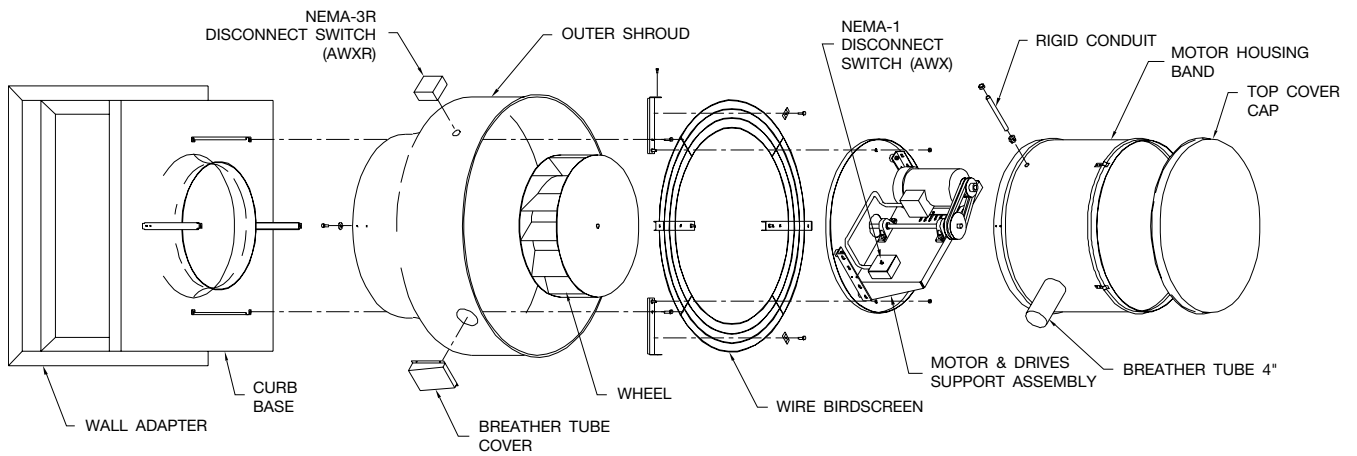


Exploded Parts View

ATDW and ATDWR



AWX and AWXR



Performance Data



060 – 085 ACXD

SIZE	MOTOR HP	RPM	STATIC PRESSURE (INCHES W.G.)																					
			0		0.100		0.125		0.250		0.375		0.500		0.625		0.750		0.875		1.000			
			CFM	Sone	BHP	Sone	CFM	Sone	BHP	Sone	CFM	Sone	BHP	Sone	CFM	Sone	BHP	Sone	CFM	Sone	BHP	Sone	CFM	Sone
060	1/8	950	151		101		84																	
		1150	183		145		133																	
		1350	215		183		174		121															
		1425	227		197		189		141															
		1500	238		211		203		159		91													
		1575	250		224		217		176		124													
		1650	262		238		231		193		147													
		1650	0.02	7.9	0.02	7.9	0.02	7.9	0.03	6.8	0.02	6.6												
070	1/8	950	238		149		123																	
		1150	288		219		199																	
		1350	338		281		266		176															
		1425	356		303		289		207															
		1500	375		324		312		235															
		1575	394		346		333		263		177													
		1650	412		367		355		289		214													
		1650	0.02	8.5	0.03	8.5	0.03	8.0	0.03	7.7	0.03	7.1												
080	1/8	950	294		176		137																	
		1150	356		262		236																	
		1350	418		340		319		198															
		1425	442		367		348		240															
		1500	465		395		376		277															
		1575	488		422		404		312															
		1650	512		448		432		345		240													
		1650	0.02	7.9	0.03	7.9	0.03	7.5	0.03	7.7	0.03	7.3												
085	1/8	950	401		331		311		185															
		1150	485		430		414		328		214													
		1350	570		524		512		443		364		268											
		1425	601		558		547		483		412		328		202									
		1500	633		592		581		522		457		381		291									
		1575	665		626		616		560		499		431		353		244							
		1650	696		660		650		598		540		479		407		325							
		1650	0.10	10.2	0.11	10.2	0.11	10.2	0.11	9.6	0.11	9.1	0.11	9.6	0.10	9.0	0.11	9.1						

NOTES:

1. The AMCA Seal for sound ratings does not apply to units with speed control.
2. Performance certified is for installation Type A: Free inlet, Free outlet.
3. Performance ratings do not include the effects of appurtenances (accessories).
4. Sound ratings shown are loudness values in fan sones at 5 ft. (1.5 m) in a hemispherical free field calculated per AMCA Standard 301-90. Values shown are for installation Type A: Free inlet fan sone levels.
5. Highlighted speeds indicate nominal speeds without speed control. All other speeds are intermediate speeds set with the solid-state speed controller.
6. 1/8 HP motor is 3-speed (1650 RPM/1500 RPM/1350 RPM).
7. Speed control is available for ODP 115/60/1 only, wired at either the 1650 or the 1500 RPM taps.

Performance Data



090 – 120 ACXD

SIZE	MOTOR HP	RPM	STATIC PRESSURE (INCHES W.G.)																				
			0		0.100		0.125		0.250		0.375		0.500		0.625		0.750		0.875		1.000		
			CFM	Sone	CFM	Sone	CFM	Sone	CFM	Sone	CFM	Sone	CFM	Sone	CFM	Sone	CFM	Sone	CFM	Sone	CFM	Sone	
090	1/8	950	519		430		403		235														
			0.02	4.0	0.02	3.5	0.02	3.5	0.02	3.5													
		1150	628		558		538		422		273												
			0.04	5.7	0.04	5.6	0.04	5.3	0.04	5.3	0.04	5.0											
		1350	737		679		663		574		467		340										
			0.06	7.6	0.06	7.6	0.06	7.6	0.07	6.8	0.07	6.8	0.07	6.8									
		1425	778		723		709		627		530		417		253								
			0.07	8.3	0.07	8.3	0.08	8.3	0.08	7.4	0.08	7.7	0.08	7.3	0.07	7.2							
1500	819		767		754		678		589		488		370										
	0.08	8.9	0.09	8.9	0.09	8.9	0.09	8.1	0.10	8.4	0.09	7.7	0.09	8.0									
1575	860		811		798		728		646		553		448		310								
	0.09	9.6	0.10	9.6	0.10	9.6	0.11	8.7	0.11	8.7	0.11	8.8	0.11	8.6	0.10	8.6							
1650	901		854		842		776		701		616		521		413								
	0.11	10.4	0.11	10.4	0.11	10.4	0.12	9.8	0.13	9.3	0.13	9.8	0.12	9.2	0.12	9.5							
095	1/8	950	700		574		538		283														
			0.03	4.6	0.03	4.0	0.03	4.1	0.03	3.6													
		1150	848		747		719		564		323												
			0.04	6.6	0.05	6.3	0.05	6.0	0.05	6.0	0.04	5.3											
		1350	995		911		889		767		623		411										
			0.07	8.7	0.08	8.7	0.08	8.3	0.08	7.8	0.08	7.5	0.07	7.1									
		1425	1050		972		951		837		709		534		304								
			0.08	9.5	0.09	9.5	0.09	9.5	0.10	8.7	0.10	8.9	0.09	7.8	0.07	7.5							
1500	1106		1031		1012		905		789		644		443										
	0.10	10.6	0.11	10.6	0.11	10.6	0.11	9.8	0.11	9.9	0.11	8.4	0.10	8.4									
1575	1161		1090		1072		972		864		738		568		368								
	0.11	11.3	0.12	11.3	0.12	11.3	0.13	11.2	0.13	11.0	0.13	10.5	0.12	9.5	0.10	9.2							
1650	1216		1149		1131		1038		936		823		682		497								
	0.13	13.6	0.14	13.6	0.14	13.6	0.15	12.8	0.15	11.7	0.15	12.4	0.15	10.1	0.13	10.1							
100	1/15*	500	430																				
			0.01	1.6																			
		700	602		391		318																
		0.01	3.7	0.02	3.3	0.01	3.1																
	860	740		581		534		229															
		0.03	5.4	0.03	4.8	0.03	5.1	0.02	4.4														
	1000	860		727		691		465															
		0.04	7.0	0.04	6.5	0.04	6.2	0.04	5.9														
1160	998		885		855		687		467														
	0.06	9.0	0.07	8.6	0.07	8.5	0.07	8.5	0.06	7.7													
1450	1247		1158		1135		1015		877		713		524										
	0.12	12.9	0.13	12.9	0.13	12.9	0.13	11.6	0.13	12.4	0.13	11.4	0.12	11.6									
1750	1505		1432		1413		1317		1216		1103		977		834		677		517				
	0.22	17.5	0.22	17.5	0.22	17.5	0.23	16.7	0.23	16.0	0.23	16.7	0.23	16.6	0.22	15.7	0.21	16.0	0.19	15.9			
120	1/15*	500	572																				
			0.01	1.8																			
		700	802		571		499																
		0.02	3.9	0.02	3.4	0.02	3.2																
	860	985		806		756		450															
		0.03	5.8	0.04	4.8	0.04	4.7	0.04	4.8														
	1000	1145		995		955		723		418													
		0.05	7.2	0.06	6.7	0.06	6.3	0.07	6.4	0.06	6.4												
1160	1328		1201		1168		985		768		496												
	0.08	9.4	0.10	9.4	0.10	9.0	0.10	8.3	0.10	8.0	0.09	8.2											
1450	1660		1560		1535		1399		1251		1085		902		682								
	0.16	13.2	0.18	13.2	0.18	13.2	0.19	11.9	0.20	12.1	0.20	12.5	0.19	11.8	0.18	11.9							
1750	2004		1922		1901		1793		1678		1557		1427		1284		1132		968				
	0.29	18.0	0.31	18.0	0.31	18.0	0.33	17.9	0.34	16.4	0.35	16.7	0.35	17.7	0.35	16.7	0.34	15.7	0.33	16.3			

* 3-phase units are supplied with 1/8 HP 860 RPM, 1/4 HP 1160 RPM and 1/2 HP 1750 RPM motors.

NOTES:

1. The AMCA Seal for sound ratings does not apply to units with speed control.
2. Performance certified is for installation Type A: Free inlet, Free outlet.
3. Performance ratings do not include the effects of appurtenances (accessories).
4. Sound ratings shown are loudness values in fan sones at 5 ft. (1.5 m) in a hemispherical free field calculated per AMCA Standard 301-90. Values shown are for installation Type A: Free inlet fan sone levels.
5. Highlighted speeds indicate nominal speeds without speed control. All other speeds are intermediate speeds set with the solid-state speed controller.
6. Speed control is available for ODP 115/60/1 only.



Performance Data



130 – 180 ACXD

SIZE	MOTOR HP	RPM	STATIC PRESSURE (INCHES W.G.)																			
			0		0.100		0.125		0.250		0.375		0.500		0.625		0.750		0.875		1.000	
			CFM	Sone	CFM	Sone	CFM	Sone	CFM	Sone	CFM	Sone	CFM	Sone	CFM	Sone	CFM	Sone	CFM	Sone	CFM	Sone
130	1/8	500	778		415		276															
		700	1089		865		804		364													
		860	1338		1163		1114		845		456											
	1/4	1000	1556		1408		1368		1157		895		552									
		1160	1805		1679		1646		1470		1282		1048		760							
		1450	2256		2156		2131		1998		1856		1709		1550		1362		1139		904	
	1/2	1750	2723		2641		2620		2513		2402		2285		2164		2041		1910		1763	
		500	0.58	22	0.59	22	0.59	22	0.60	22	0.62	23	0.62	22	0.63	23	0.64	24	0.65	25	0.65	24
		700	0.01	2.2	0.02	1.9	0.01	1.9														
140	1/8	500	884		502		344															
		700	1237		999		931		459													
		860	1520		1334		1283		994		573											
	1/4	1000	1767		1611		1569		1340		1067		688									
		1160	2050		1917		1882		1695		1488		1248		940							
		1450	2523		2403		2367		2181		2002		1812		1612		1412		1212		1012	
	1/2	1750	2986		2866		2830		2644		2465		2286		2106		1926		1746		1566	
		500	0.02	2.9	0.02	2.1	0.02	2.1														
		700	0.04	6.3	0.05	5.0	0.05	5.1	0.04	4.6												
150	1/8	500	1192		714		571															
		700	1670		1350		1267		779													
		860	2051		1788		1725		1378		965											
	1/4	1000	2385		2157		2102		1822		1499		1142		766							
		1160	2767		2569		2521		2284		2035		1750		1445		1127		777			
		1450	3250		3052		3004		2767		2518		2279		2030		1791		1552		1313	
	1/2	1750	3733		3535		3487		3250		2991		2752		2513		2274		2035		1796	
		500	0.03	3.1	0.03	2.4	0.03	2.6														
		700	0.08	6.0	0.08	5.2	0.08	5.4	0.07	5.3												
160	1/4*	500	1394		936		792															
		700	1952		1661		1577		1089													
		860	2398		2171		2109		1755		1346		854									
	1/2*	1000	2788		2597		2546		2265		1941		1585		1197							
		1160	3234		3071		3028		2801		2546		2262		1956		1644		1278			
		1450	3717		3554		3511		3284		3029		2774		2519		2264		2009		1754	
	1/2	1750	4200		4037		3994		3767		3512		3257		3002		2747		2492		2237	
		500	0.04	4.3	0.04	3.6	0.04	3.3														
		700	0.10	8.7	0.12	7.6	0.12	7.1	0.12	6.9												
170	1/4*	500	1669		1183		1031															
		700	2337		2015		1929		1421		845											
		860	2871		2613		2546		2185		1755		1293		750							
	1/2*	1000	3338		3118		3061		2768		2437		2063		1663		1260					
		1160	3872		3684		3636		3388		3128		2839		2521		2182		1837		1488	
		1450	4416		4228		4180		3932		3673		3414		3155		2896		2637		2378	
	1/2	1750	4960		4772		4724		4476		4217		3958		3699		3440		3181		2922	
		500	0.05	4.0	0.05	3.6	0.05	3.3														
		700	0.14	7.8	0.14	7.1	0.14	6.6	0.14	6.1	0.13	6.4										
180	1/2	500	2165		1660		1512		440													
		700	3031		2693		2601		2096		1496											
		860	3724		3454		3383		3005		2583		2115		1571							
	1	1000	4330		4100		4041		3729		3392		3025		2631		2195		1696		879	
		1160	5023		4826		4776		4515		4239		3945		3633		3304		2954		2575	
		1450	5716		5519		5470		5222		4946		4670		4394		4118		3842		3566	
	1	1750	6410		6213		6164		5916		5640		5364		5088		4812		4536		4260	
		500	0.08	5.1	0.08	4.5	0.08	4.8	0.05	4.2												
		700	0.21	9.8	0.22	9.5	0.22	9.0	0.23	9.1	0.21	9.2										

* 3-phase units are supplied with 1/2 HP 860 RPM and 1 HP 1160 RPM motors.

NOTES:

1. The AMCA Seal for sound ratings does not apply to units with speed control.
2. Performance certified is for installation Type A: Free inlet, Free outlet.
3. Performance ratings do not include the effects of appurtenances (accessories).
4. Sound ratings shown are loudness values in fan sones at 5 ft. (1.5 m) in a hemispherical free field calculated per AMCA Standard 301-90. Values shown are for installation Type A: Free inlet fan sone levels.
5. Highlighted speeds indicate nominal speeds without speed control. All other speeds are intermediate speeds set with the solid-state speed controller.
6. Speed control is available for ODP 115/60/1 only.

Performance Data



070C ACX

Max. Motor Frame = 48

HP	RPM	STATIC PRESSURE (INCHES W.G.)																									
		0		0.125		0.25		0.375		0.50		0.625		0.75		0.875		1.00		1.125		1.25		1.375			
		CFM	BHP	CFM	Sone	CFM	Sone	CFM	Sone	CFM	Sone	CFM	Sone	CFM	Sone	CFM	Sone	CFM	Sone	CFM	Sone	CFM	Sone	CFM	Sone	CFM	Sone
1/4	795	180	0.01	85	4.0																						
	1125	254	0.01	197	4.0	120																					
		0.02	7.4	0.02	7.4	0.02	7.4																				
	1375	311	0.03	263	6.5	214		145																			
		0.03	4.4	0.03	6.5	0.03	8.4	0.03	9.1																		
	1590	359	0.05	316	6.3	279		234		169																	
		0.05	5.5	0.05	6.3	0.05	7.4	0.05	8.2	0.04	8.4																
	1775	401	0.06	362	6.6	329		290		251		187															
0.06		6.5	0.06	6.6	0.06	6.8	0.06	7.3	0.06	7.9	0.06	7.9															
1945	440	0.08	403	7.4	372		340		303		267		206														
	0.08	7.4	0.08	7.4	0.08	7.0	0.08	6.9	0.08	7.7	0.08	8.0	0.08	7.8													
2100	475	0.10	441	8.7	411		383		350		282		222														
	0.10	8.6	0.10	8.7	0.10	8.1	0.11	7.9	0.11	8.4	0.11	9.0	0.11	9.2	0.10	9.1											

075C ACX

Max. Motor Frame = 48

HP	RPM	STATIC PRESSURE (INCHES W.G.)																									
		0		0.125		0.25		0.375		0.50		0.625		0.75		0.875		1.00		1.125		1.25		1.375			
		CFM	BHP	CFM	Sone	CFM	Sone	CFM	Sone	CFM	Sone	CFM	Sone	CFM	Sone	CFM	Sone	CFM	Sone	CFM	Sone	CFM	Sone	CFM	Sone	CFM	Sone
1/4	940	322	0.02	217	3.5																						
	1060	363	0.02	278	4.5																						
		0.02	4.4	0.02	4.5																						
	1180	404	0.03	327	4.7	214																					
		0.03	5.0	0.03	4.7	0.03	4.7																				
	1300	445	0.04	372	5.2	291																					
		0.04	5.5	0.04	5.2	0.05	5.3																				
	1420	486	0.05	419	6.0	355		242		167																	
		0.05	6.0	0.06	6.0	0.06	5.6	0.06	5.4																		
	1540	527	0.06	467	6.6	412		327		167																	
0.06		6.6	0.07	6.6	0.07	6.2	0.08	6.5	0.06	5.6																	
1660	568	0.08	514	7.5	459		393		296																		
	0.08	7.5	0.09	7.5	0.09	7.0	0.09	7.4	0.09	6.7																	
1780	609	0.10	560	8.5	504		456		378		260																
	0.10	8.5	0.11	8.5	0.11	8.0	0.11	7.9	0.12	8.4	0.11	7.5															
1900	650	0.12	605	9.4	550		510		445		365		225														
	0.12	9.4	0.13	9.4	0.14	9.2	0.14	8.7	0.14	9.2	0.14	8.9	0.12	8.1													

085C ACX

Max. Motor Frame = 48

HP	RPM	STATIC PRESSURE (INCHES W.G.)																									
		0		0.125		0.25		0.375		0.50		0.625		0.75		0.875		1.00		1.125		1.25		1.50			
		CFM	BHP	CFM	Sone	CFM	Sone	CFM	Sone	CFM	Sone	CFM	Sone	CFM	Sone	CFM	Sone	CFM	Sone	CFM	Sone	CFM	Sone	CFM	Sone	CFM	Sone
1/4	715	325	0.01	229	2.6																						
		444	0.01	388	2.6	297																					
	975	546	0.02	504	5.6	445		368		232																	
		0.02	7.4	0.02	5.6	0.02	4.7																				
	1200	660	0.03	627	9.6	587		533		472		393															
		0.03	9.9	0.04	9.6	0.04	6.5	0.04	6.4	0.03	4.8																
	1450	728	0.06	699	13.1	665		622		570		513		441		332											
		0.06	13.1	0.06	13.1	0.06	10.9	0.07	8.7	0.07	9.1	0.07	6.9														
	1600	796	0.08	770	14.7	740		705		661		613		560		496		412									
		0.08	14.7	0.08	14.7	0.08	13.5	0.09	10.8	0.09	9.9	0.09	10.2	0.09	8.2	0.08	7.4										
	1750	855	0.10	831	16.1	804		773		737		693		648		598		538		464							
		0.10	16.1	0.11	16.1	0.11	16.1	0.11	13.2	0.11	11.1	0.12	11.2	0.12	11.5	0.12	9.4	0.11	8.3								
1880	944	0.13	922	16.8	898		872		843		808		769		728		685		635		578						
	0.13	16.8	0.13	16.8	0.13	16.8	0.14	15.1	0.14	12.7	0.14	11.5	0.14	12.1	0.14	11.9	0.14	10.5	0.14	8.9							
2075	1037	0.17	1017	18.4	996		973		949		921		890		854		817		779		738		639				
	0.17	18.4	0.18	18.4	0.18	18.4	0.18	17.7	0.18	15.8	0.19	13.6	0.19	12.5	0.19	13.0	0.19	13.3	0.19	12.4	0.19	10.8					
2280	1037	0.23	1017	19.3	996		973		949		921		890		854		817		779		738		639				
	0.23	19.3	0.23	19.3	0.24	19.3	0.24	19.3	0.24	18.1	0.24	16.2	0.25	14.7	0.25	13.7	0.25	13.7	0.26	14.1	0.26	14.0	0.25	11.9			

NOTES:

1. Performance certified is for Installation Type A: Free inlet, free outlet.
2. Power rating (BHP) does not include transmission losses.
3. Performance ratings do not include the effects of appurtenances (accessories).
4. The sound ratings shown are loudness values in fan sones at 5 ft. (1.5 m) in a hemispherical free field calculated per AMCA Standard 301.
5. Values shown are for Installation Type A: Free inlet fan sone levels.

Performance Data



100C ACX

Max. Motor Frame = 56

HP	RPM	STATIC PRESSURE (INCHES W.G.)																								
		0		0.125		0.25		0.375		0.50		0.625		0.75		0.875		1.00		1.125		1.25		1.375		
		CFM	Sone	CFM	Sone	CFM	Sone	CFM	Sone	CFM	Sone	CFM	Sone	CFM	Sone	CFM	Sone	CFM	Sone	CFM	Sone	CFM	Sone	CFM	Sone	CFM
1/4	775	725	591	448																						
	925	0.03	4.8	0.03	4.2	0.03	3.9																			
		865	749	651	498																					
	1250	0.05	6.5	0.06	5.7	0.06	6.3	0.06	5.4																	
1169		1080	999	924	856	755																				
1510	0.13	10.0	0.14	10.1	0.14	8.7	0.14	9.3	0.15	10.0	0.15	8.2														
	1412	1337	1267	1202	1139	1081							1024	946	812											
1/3	1590	0.23	14.0	0.24	14.0	0.24	12.3	0.25	11.6	0.25	11.8	0.26	12.7	0.26	12.7	0.26	10.8	0.25	10.4							
		1487	1416	1349	1285	1225	1167	1114	1057	970	834															
	0.26	14.9	0.27	14.9	0.28	13.6	0.29	12.6	0.29	12.5	0.30	13.3	0.30	14.1	0.30	13.5	0.30	11.0	0.29	11.2						
1665	1557	1489	1424	1363	1305	1248	1196	1145	1085	990	851															
	0.30	16.1	0.31	16.1	0.32	14.9	0.33	13.8	0.33	13.3	0.34	13.6	0.34	14.5	0.35	15.0	0.35	13.7	0.34	12.1	0.33	12.2				

100-HP ACX

Max. Motor Frame = 56

HP	RPM	STATIC PRESSURE (INCHES W.G.)																									
		0.50		0.625		0.75		0.875		1.00		1.25		1.50		1.75		2.00		2.25		2.50		2.75			
		CFM	Sone	CFM	Sone	CFM	Sone	CFM	Sone	CFM	Sone	CFM	Sone	CFM	Sone	CFM	Sone	CFM	Sone	CFM	Sone	CFM	Sone	CFM	Sone	CFM	Sone
1/4	1275	331																									
		0.04	5.4																								
	1400	436	344																								
		0.06	8.3	0.06	6.3																						
	1600	570	513	441	332																						
0.09		9.9	0.09	10.2	0.09	8.2	0.08	7.4																			
1820	702	657	608	553	484																						
	0.13	11.9	0.13	11.3	0.13	11.6	0.13	11.2	0.13	8.7																	
2280	949	921	890	854	817	738	639	499																			
	0.24	18.1	0.24	16.2	0.25	14.7	0.25	13.7	0.25	13.7	0.26	14.0	0.25	11.9	0.24	10.8											
1/3	2415	1016	992	965	933	899	829	748	647	495																	
		0.29	19.5	0.29	18.3	0.29	16.4	0.30	15.3	0.30	14.4	0.30	14.8	0.31	14.8	0.30	11.9	0.28	11.4								
2550	1083	1061	1037	1010	979	914	844	763	662	502																	
	0.33	22	0.34	21	0.34	18.7	0.35	17.4	0.35	16.3	0.36	15.6	0.36	16.4	0.36	15.3	0.35	12.6	0.32	12.5							
1/2	2725	1169	1149	1128	1105	1079	1020	958	892	815	722	596															
		0.41	24	0.41	24	0.41	23	0.42	21	0.42	19.4	0.43	17.5	0.44	17.6	0.44	17.9	0.44	16.9	0.43	14.1	0.41	14.1				
2900	1254	1235	1216	1196	1174	1123	1066	1008	944	872	786	681															
	0.49	27	0.49	27	0.49	26	0.50	24	0.50	23	0.51	20	0.52	19.3	0.53	19.5	0.53	20	0.53	18.9	0.52	16.4	0.51	15.8			

120C ACX

Max. Motor Frame = 56

HP	RPM	STATIC PRESSURE (INCHES W.G.)																								
		0		0.125		0.25		0.375		0.50		0.625		0.75		0.875		1.00		1.125		1.25		1.50		
		CFM	Sone	CFM	Sone	CFM	Sone	CFM	Sone	CFM	Sone	CFM	Sone	CFM	Sone	CFM	Sone	CFM	Sone	CFM	Sone	CFM	Sone	CFM	Sone	CFM
1/4	575	745	563																							
		0.02	3.1	0.02	2.7																					
	825	1068	940	817	633																					
		0.06	6.3	0.06	5.4	0.07	5.6	0.07	4.9																	
1050	1360	1255	1163	1067	942																					
	0.12	9.2	0.12	8.7	0.13	7.9	0.13	7.9	0.14	8.2																
1300	1684	1598	1517	1444	1371	1284	1181	1068																		
	0.22	12.6	0.23	12.6	0.24	11.5	0.25	10.8	0.25	10.7	0.26	11.3	0.26	11.3	0.26	10.1										
1/3	1365	1768	1686	1609	1537	1469	1393	1302	1200	1084																
		0.25	13.6	0.27	13.6	0.28	12.7	0.28	11.7	0.29	11.6	0.30	11.7	0.30	12.3	0.30	11.7	0.30	10.3							
1430	1852	1774	1699	1629	1565	1497	1417	1324	1226	1099																
	0.29	14.5	0.30	14.5	0.32	13.8	0.32	12.9	0.33	12.4	0.34	12.5	0.34	13.1	0.35	13.3	0.35	12.5	0.34	11.3						
1/2	1540	1994	1921	1852	1785	1723	1663	1598	1523	1437	1346	1245														
		0.36	16.4	0.38	16.4	0.39	15.7	0.40	14.7	0.41	13.9	0.42	13.8	0.42	14.0	0.43	14.7	0.43	14.8	0.43	14.0	0.43	12.6			
1650	2137	2068	2003	1940	1880	1824	1767	1705	1634	1555	1470	1265														
	0.45	17.9	0.46	17.9	0.48	17.9	0.49	16.8	0.50	15.9	0.51	15.5	0.51	15.1	0.52	15.6	0.53	16.0	0.53	16.5	0.53	15.9	0.53	13.5		

NOTES:

1. Performance certified is for Installation Type A: Free inlet, free outlet.
2. Power rating (BHP) does not include transmission losses.
3. Performance ratings do not include the effects of appurtenances (accessories).
4. The sound ratings shown are loudness values in fan sones at 5 ft. (1.5 m) in a hemispherical free field calculated per AMCA Standard 301.
5. Values shown are for Installation Type A: Free inlet fan sone levels.

Performance Data



140C ACX

Max. Motor Frame = 143T

HP	RPM	STATIC PRESSURE (INCHES W.G.)																									
		0		0.125		0.25		0.375		0.50		0.625		0.75		0.875		1.00		1.25		1.50		1.75			
		CFM	Sone	CFM	Sone	CFM	Sone	CFM	Sone	CFM	Sone	CFM	Sone	CFM	Sone	CFM	Sone	CFM	Sone	CFM	Sone	CFM	Sone	CFM	Sone		
1/4	475	850	584																								
	550	0.02	2.2	0.02	2.0																						
		984	762																								
	825	0.03	3.2	0.03	3.0																						
1477		1345	1183	1017																							
1105	0.09	6.8	0.10	6.7	0.11	6.2	0.11	6.2																			
	1978	1883	1779	1659	1536	1415	1264																				
1/3	1165	0.22	11.0	0.24	11.0	0.25	10.5	0.25	9.6	0.26	10.2	0.26	10.3	0.26	8.7												
		2085	1996	1898	1788	1670	1558	1433																			
	1225	0.26	12.0	0.28	12.0	0.29	11.6	0.30	10.7	0.30	10.8	0.30	11.6	0.30	10.6												
		2193	2108	2016	1915	1803	1694	1586	1457																		
1/2	1310	0.30	13.0	0.32	13.0	0.33	13.0	0.34	11.7	0.35	11.6	0.35	12.3	0.35	12.4	0.35	11.1										
		2345	2266	2181	2091	1989	1883	1783	1681	1559																	
3/4	1400	0.37	14.4	0.39	14.4	0.41	14.8	0.42	13.8	0.42	13.3	0.43	13.4	0.43	14.2	0.43	13.9	0.43	12.1								
		2506	2432	2354	2272	2181	2083	1985	1892	1796	1544																
1	1685	0.45	16.2	0.47	16.2	0.49	16.2	0.51	16.1	0.51	15.6	0.52	15.2	0.52	15.4	0.52	16.3	0.53	15.9	0.52	12.7						
		2685	2616	2544	2469	2388	2300	2208	2117	2031	1840																
1	1765	0.55	19.0	0.58	19.0	0.60	19.0	0.61	18.6	0.63	17.9	0.63	16.9	0.64	16.7	0.64	17.3	0.64	17.9	0.65	16.2						
		2873	2809	2742	2673	2600	2522	2438	2351	2266	2104	1911															
1	1885	0.68	21	0.70	21	0.73	21	0.75	21	0.76	19.9	0.77	18.8	0.78	18.5	0.78	18.2	0.79	18.9	0.79	19.4	0.79	16.9				
		3016	2955	2892	2827	2758	2687	2609	2527	2445	2288	2125	1921														
1	1765	0.79	23	0.81	23	0.84	23	0.86	23	0.88	22	0.89	21	0.90	19.7	0.90	19.5	0.91	19.6	0.91	21	0.92	19.9	0.91	16.7		
		3159	3101	3041	2979	2915	2848	2777	2701	2622	2468	2320	2150														
1	1765	0.90	24	0.93	24	0.96	24	0.98	24	1.00	24	1.02	23	1.03	22	1.03	21	1.04	21	1.05	22	1.05	22	1.05	22	1.05	20

140-HP ACX

Max. Motor Frame = 56

HP	RPM	STATIC PRESSURE (INCHES W.G.)																							
		0.50		0.625		0.75		0.875		1.00		1.25		1.50		1.75		2.00		2.25		2.50		2.75	
		CFM	Sone	CFM	Sone	CFM	Sone	CFM	Sone	CFM	Sone	CFM	Sone	CFM	Sone	CFM	Sone	CFM	Sone	CFM	Sone	CFM	Sone	CFM	Sone
1/4	1310	499																							
		0.07	6.4																						
	1750	870	811	747	677	600																			
		0.17	11.6	0.17	12.2	0.17	12.4	0.17	10.9	0.16	10.4														
2015	1069	1018	966	913	857	791																			
	0.25	14.7	0.26	13.9	0.26	14	0.26	14.9	0.26	15.0	0.25	12.4													
1/3	2125	1147	1101	1052	1003	952	841	715																	
		0.30	16.4	0.30	15.2	0.30	15	0.30	15.3	0.30	14.7	0.30	14.7	0.29	13.8										
2235	1224	1182	1136	1089	1043	943	830																		
	0.34	17.8	0.35	16.9	0.35	16	0.35	16	0.35	16.5	0.35	16.7	0.34	14.2											
1/2	2400	1337	1300	1259	1217	1173	1085	989	882																
		0.42	21	0.42	19.7	0.43	18.8	0.43	17.9	0.43	17.8	0.43	19.1	0.43	18.5	0.43	15.7								
3/4	2560	1445	1411	1375	1337	1296	1215	1130	1039	937	825														
		0.51	23	0.51	23	0.52	22	0.52	21	0.52	19.9	0.53	20	0.53	21	0.52	20	0.52	17.4	0.50	18.3				
1	2790	1597	1567	1536	1503	1468	1394	1319	1242	1159	1070	973													
		0.65	28	0.66	26	0.66	26	0.67	25	0.67	24	0.68	23	0.68	23	0.68	24	0.68	24	0.67	21	0.66	21		
1	2920	1682	1654	1625	1594	1562	1493	1422	1349	1274	1194	1107	1014												
		0.74	29	0.75	29	0.76	28	0.76	27	0.77	26	0.78	25	0.78	24	0.78	25	0.78	26	0.78	25	0.77	22	0.76	22

NOTES:

1. Performance certified is for Installation Type A: Free inlet, free outlet.
2. Power rating (BHP) does not include transmission losses.
3. Performance ratings do not include the effects of appurtenances (accessories).
4. The sound ratings shown are loudness values in fan sones at 5 ft. (1.5 m) in a hemispherical free field calculated per AMCA Standard 301.
5. Values shown are for Installation Type A: Free inlet fan sone levels.



Performance Data



160C ACX

Max. Motor Frame = 143T

HP	RPM	STATIC PRESSURE (INCHES W.G.)																							
		0		0.125		0.25		0.375		0.50		0.625		0.75		0.875		1.00		1.25		1.50		1.75	
		CFM	Sone	CFM	Sone	CFM	Sone	CFM	Sone	CFM	Sone	CFM	Sone	CFM	Sone	CFM	Sone	CFM	Sone	CFM	Sone	CFM	Sone	CFM	Sone
1/4	475	1321	0.03	1001	3.2																				
	625	1738	0.07	1519	5.5	1235	4.8																		
		2155	0.13	1987	7.9	1783	6.5	1551	7.0	1199	5.8														
	930	2586	0.23	2449	10.6	2296	9.6	2117	8.7	1927	9.2	1697	8.1												
1/3	975	2711	0.26	2582	11.4	2438	10.4	2273	9.7	2093	9.8	1898	10.0	1634	8.8										
	1020	2837	0.30	2713	12.1	2578	11.5	2425	10.4	2255	10.6	2078	10.3	1865	9.0	1547									
1/2	1100	3059	0.38	2945	13.3	2822	13.0	2687	12.0	2535	11.2	2376	11.4	2209	12.0	2006	11.5	1724	10.1						
	1180	3282	0.46	3176	14.5	3063	14.5	2942	13.6	2807	12.7	2661	12.3	2512	12.8	2354	13.2	2164	12.6						
3/4	1260	3504	0.57	3405	16.2	3301	16.2	3190	15.4	3070	14.5	2938	13.7	2800	13.6	2660	14.1	2510	14.5	2116	13.0				
	1340	3727	0.68	3634	17.6	3537	17.6	3435	17.2	3326	16.2	3207	15.3	3080	14.7	2949	14.7	2817	15.5	2515	15.5	2059	13.8		
1	1405	3907	0.78	3819	18.6	3727	18.6	3631	18.6	3529	17.8	3420	16.7	3303	16.3	3179	15.8	3054	16.2	2791	17.2	2453	16.5		
	1475	4102	0.91	4018	20	3931	20	3840	19.7	3745	19.4	3645	18.4	3537	17.6	3422	16.9	3304	16.8	3063	17.9	2786	18.2	2410	16.0

160-HP ACX

Max. Motor Frame = 143T

HP	RPM	STATIC PRESSURE (INCHES W.G.)																							
		0.50		0.625		0.75		0.875		1.00		1.25		1.50		1.75		2.00		2.25		2.50		2.75	
		CFM	Sone	CFM	Sone	CFM	Sone	CFM	Sone	CFM	Sone	CFM	Sone	CFM	Sone	CFM	Sone	CFM	Sone	CFM	Sone	CFM	Sone	CFM	Sone
1/4	1100	1021	0.16	872	8.7																				
	1225	1231	0.21	1133	9.8	1003	10.2	826	8.4																
		1300	1352	0.25	1263	10.2	1162	11.1	1029	9.8	850	9.0													
1/3	1370	1464	0.29	1377	11.0	1291	11.7	1186	12.4	1051	11.8														
	1435	1567	0.34	1482	11.7	1401	12.0	1314	12.2	1204	11.9														
1/2	1545	1737	0.42	1658	13.4	1580	12.9	1505	14.2	1425	14.4	1208	11.9												
	1655	1902	0.52	1830	14.6	1757	14.4	1685	15.8	1615	15.5	1454	12.5	1229											
3/4	1770	2071	0.63	2006	16.7	1938	16.2	1869	16.5	1802	17.4	1669	16.5	1503	13.6	1280									
	1890	2244	0.77	2185	18.6	2123	17.9	2059	17.3	1995	18.4	1871	18.9	1741	17.6	1575	14.8	1362							
1	1980	2372	0.88	2317	19.7	2259	18.9	2199	18.5	2138	18.8	2017	20	1899	17.7	1764	16.3	1590	16.5	1374					
	2075	2506	1.01	2454	21	2401	21	2345	19.8	2287	19.8	2169	21	2057	22	1941	21	1801	21	1626	18.5	1410	17.4		

NOTES:

1. Performance certified is for Installation Type A: Free inlet, free outlet.
2. Power rating (BHP) does not include transmission losses.
3. Performance ratings do not include the effects of appurtenances (accessories).
4. The sound ratings shown are loudness values in fan sones at 5 ft. (1.5 m) in a hemispherical free field calculated per AMCA Standard 301.
5. Values shown are for Installation Type A: Free inlet fan sone levels.



Performance Data



180C ACX

Max. Motor Frame = 145T

HP	RPM	STATIC PRESSURE (INCHES W.G.)																							
		0		0.125		0.25		0.375		0.50		0.75		1.00		1.25		1.50		1.75		2.00		2.25	
		CFM	Sone	CFM	Sone	CFM	Sone	CFM	Sone	CFM	Sone	CFM	Sone	CFM	Sone	CFM	Sone	CFM	Sone	CFM	Sone	CFM	Sone	CFM	Sone
1/4	475	2320		1826		1376																			
		0.08	5.5	0.09	4.2	0.10	4.5																		
	575	2809		2389		2036		1632																	
		0.15	8	0.16	6.5	0.17	6.4	0.17	6.2																
	660	3224		2857		2516		2225		1852															
		0.22	9.9	0.24	8.9	0.25	7.7	0.26	8.3	0.26	7.9														
1/3	690	3371		3020		2685		2409		2084															
		0.25	10.6	0.27	9.6	0.29	8.2	0.30	8.8	0.30	9.0														
	725	3542		3207		2882		2613		2328															
		0.29	11.4	0.31	10.8	0.33	8.9	0.34	9.3	0.35	10.0														
1/2	780	3810		3498		3192		2924		2681		2019													
		0.37	13.0	0.39	12.3	0.41	10.4	0.42	10	0.43	11.1	0.43	9.5												
	830	4055		3761		3472		3203		2977		2440													
		0.44	14.3	0.47	13.9	0.48	11.8	0.50	11.2	0.51	11.8	0.53	12.1												
3/4	890	4348		4073		3804		3541		3316		2864		2229											
		0.54	15.8	0.57	15.8	0.59	13.9	0.61	12.6	0.62	12.6	0.64	14.0	0.63	11.3										
	950	4641		4383		4131		3880		3652		3250		2752		1968									
		0.66	17.6	0.69	17.6	0.71	15.9	0.73	14.2	0.75	14.0	0.77	15.0	0.79	15.0	0.71	12.1								
1	1000	4885		4640		4400		4160		3933		3550		3119		2540									
		0.77	19.0	0.80	19	0.83	17.2	0.85	15.7	0.87	15.0	0.90	15.8	0.92	17.0	0.89	14.2								
	1045	5105		4870		4640		4411		4187		3808		3422		2940		2215							
		0.88	20	0.91	20	0.94	19.1	0.96	17.2	0.98	16.1	1.01	16.6	1.04	17.9	1.05	17.0	0.95	14.2						
1-1/2	1120	5471		5252		5036		4823		4610		4229		3894		3501		3010		2273					
		1.08	22	1.12	22	1.15	22	1.18	20	1.20	18.8	1.23	17.9	1.26	19.1	1.29	20	1.28	18.0	1.15	15.8				
	1195	5838		5632		5429		5230		5028		4649		4331		3998		3608		3117		2397			
		1.32	25	1.35	25	1.39	25	1.42	23	1.44	21	1.48	19.7	1.52	20	1.55	22	1.57	22	1.54	19.5	1.39	17.6		
2	1255	6131		5935		5741		5551		5360		4988		4670		4370		4026		3627		3115			
		1.53	27	1.56	27	1.60	27	1.63	25	1.66	23	1.71	22	1.75	21	1.78	22	1.81	24	1.82	23	1.75	20		
	1315	6424		6237		6052		5869		5688		5326		5005		4722		4417		4071		3662		3137	
		1.76	29	1.80	29	1.83	29	1.87	27	1.90	26	1.95	23	1.99	23	2.03	23	2.06	25	2.09	26	2.08	24	1.99	21

180-HP ACX

Max. Motor Frame = 145T

HP	RPM	STATIC PRESSURE (INCHES W.G.)																							
		0.50		0.75		1.00		1.25		1.50		1.75		2.00		2.25		2.50		2.75		3.00		3.25	
		CFM	Sone	CFM	Sone	CFM	Sone	CFM	Sone	CFM	Sone	CFM	Sone	CFM	Sone	CFM	Sone	CFM	Sone	CFM	Sone	CFM	Sone	CFM	Sone
1/4	775	1089																							
		0.14	6.9																						
	890	1597																							
		0.22	9.9																						
1/3	935	1755		1260																					
		0.26	10.5	0.25	8.6																				
	980	1900		1488																					
		0.30	10.8	0.30	10.8																				
1/2	1025	2035		1700																					
		0.34	11.6	0.34	12.3																				
	1105	2260		2010		1585																			
		0.42	12.9	0.43	13.7	0.42	12.0																		
3/4	1185	2476		2280		1969		1502																	
		0.51	14.8	0.53	14.8	0.53	15.3	0.50	12.0																
	1270	2701		2535		2300		1945		1451															
		0.63	16.9	0.64	15.9	0.65	16.9	0.65	15.6	0.59	12.8														
1	1355	2925		2772		2590		2325		1950															
		0.76	18.7	0.78	17.4	0.79	17.5	0.79	18.4	0.78	15.5														
	1420	3096		2948		2792		2572		2270		1880													
		0.87	20	0.89	18.7	0.90	18.4	0.91	19.5	0.91	18.5	0.87	14.6												
1-1/2	1490	3281		3135		2994		2814		2569		2238		1843											
		1.00	22	1.02	19.8	1.04	19.2	1.05	20	1.05	20	1.04	18.1	0.98	15.4										
	1595	3557		3413		3284		3143		2957		2718		2404		2046									
		1.21	25	1.24	22	1.26	21	1.28	21	1.29	22	1.29	22	1.28	20	1.22	17.0								
2	1705	3844		3702		3579		3457		3315		3132		2905		2615		2289							
		1.47	29	1.50	26	1.53	24	1.55	23	1.57	24	1.58	25	1.58	25	1.57	22	1.52	19.5						
	1790	4065		3926		3804		3689		3568		3418		3230		3006		2721		2411		2004			
		1.70	33	1.73	28	1.76	26	1.78	25	1.81	25	1.82	25	1.83	27	1.82	27	1.81	25	1.76	21	1.63	20		
2	1875	4286		4150		4028		3918		3807		3683		3527		3339		3119		2842		2546		2178	
		1.94	36	1.98	31	2.01	29	2.04	28	2.06	27	2.08	27	2.10	28	2.10	28	2.10	28	2.08	26	2.03	22	1.91	22

NOTES:

- Performance certified is for Installation Type A: Free inlet, free outlet.
- Power rating (BHP) does not include transmission losses.
- Performance ratings do not include the effects of appurtenances (accessories).
- The sound ratings shown are loudness values in fan sones at 5 ft. (1.5 m) in a hemispherical free field calculated per AMCA Standard 301.
- Values shown are for Installation Type A: Free inlet fan sone levels.

Performance Data



210C ACX

Max. Motor Frame = 145T

HP	RPM	STATIC PRESSURE (INCHES W.G.)																							
		0		0.125		0.25		0.375		0.50		0.625		0.75		1.00		1.25		1.50		1.75		2.00	
		CFM	Sone	CFM	Sone	CFM	Sone	CFM	Sone	CFM	Sone	CFM	Sone	CFM	Sone	CFM	Sone	CFM	Sone	CFM	Sone	CFM	Sone	CFM	Sone
1/4	480	3078	2673	2193	1535																				
	535	0.15 7.0	0.17 6.2	0.18 6.1	0.18 5.2																				
1/3	550	3431	3080	2646	2203	1471																			
	595	0.21 8.7	0.23 7.9	0.25 6.9	0.26 7.2	0.24 6.3																			
1/2	650	3527	3188	2766	2346	1709																			
	680	0.23 9.2	0.25 8.5	0.27 7.2	0.28 7.8	0.26 6.5																			
3/4	720	3816	3507	3125	2747	2311	1588																		
	770	0.29 10.5	0.31 10.1	0.33 8.3	0.35 8.8	0.35 8.2	0.32 7.4																		
1	800	4168	3890	3558	3199	2845	2407	1705																	
	855	0.37 12.5	0.40 12.5	0.42 10.2	0.44 9.8	0.46 10.5	0.46 9.1	0.42 8.5																	
1-1/2	900	4361	4096	3789	3439	3111	2739	2188																	
	975	0.43 13.4	0.45 13.4	0.48 11.4	0.50 10.5	0.52 11.3	0.53 10.8	0.50 9.3																	
2	1010	4617	4369	4089	3758	3446	3120	2732																	
	1075	0.51 15.1	0.53 15.1	0.56 13.3	0.59 11.6	0.61 12.2	0.63 12.7	0.63 11.2																	
3	1100	4938	4707	4452	4154	3850	3562	3244	2298																
	1150	0.62 17.0	0.65 17.0	0.68 15.7	0.70 13.7	0.73 13.3	0.76 14.3	0.77 14.3	0.72 11.8																
4	1200	5130	4909	4667	4389	4089	3812	3520	2745																
	1250	0.70 18.2	0.72 18.2	0.75 17.2	0.78 15.0	0.81 14.3	0.84 14.8	0.86 15.4	0.83 12.5	2478															
5	1300	5483	5277	5054	4808	4527	4257	3999	3412																
	1350	0.85 20	0.88 20	0.91 19.2	0.94 17.6	0.97 16.1	1.00 16.1	1.03 16.7	1.05 16.3	0.97 14.1															
6	1400	5772	5577	5368	5141	4882	4616	4369	3848	3148															
	1450	0.99 22	1.02 22	1.05 21	1.09 19.8	1.12 18.1	1.15 17.3	1.19 17.7	1.23 18.4	1.20 15.3															
7	1500	6253	6073	5884	5681	5459	5213	4970	4514	4005	3292														
	1550	1.26 25	1.29 25	1.33 25	1.36 23	1.40 22	1.44 20	1.47 19.6	1.54 21	1.56 20	1.50 17.5														
8	1600	6477	6304	6122	5929	5721	5488	5248	4806	4337	3766	2905													
	1650	1.40 27	1.44 27	1.47 27	1.51 26	1.54 24	1.58 22	1.62 21	1.69 22	1.73 22	1.72 19.1	1.6 18.2													
9	1700	6894	6732	6563	6385	6196	5989	5765	5333	4918	4455	3864	3028												
	1750	1.69 31	1.73 31	1.76 31	1.80 29	1.84 27	1.88 25	1.92 24	2.00 23	2.07 24	2.10 24	2.06 20	1.92 20												

210-HP ACX

Max. Motor Frame = 182T

HP	RPM	STATIC PRESSURE (INCHES W.G.)																							
		0.50		0.75		1.00		1.25		1.50		1.75		2.00		2.25		2.50		2.75		3.00		3.25	
		CFM	Sone	CFM	Sone	CFM	Sone	CFM	Sone	CFM	Sone	CFM	Sone	CFM	Sone	CFM	Sone	CFM	Sone	CFM	Sone	CFM	Sone	CFM	Sone
1/2	700	2532	1925																						
	775	0.37 9.9	0.40 10.1																						
3/4	810	3001	2538	1900																					
	875	0.48 11.4	0.52 12.5	0.53 12.0																					
1	900	3215	2788	2238																					
	970	0.53 12.4	0.59 12.8	0.61 12.9																					
1-1/2	1050	3605	3214	2779	2217																				
	1110	0.65 14.5	0.71 13.7	0.76 15.1	0.77 14.5																				
2	1150	3752	3371	2968	2453																				
	1220	0.70 15.2	0.76 14.5	0.82 15.4	0.84 15.3																				
3	1300	4152	3803	3452	3041	2541																			
	1395	0.86 18.2	0.92 16.2	0.99 16.8	1.04 17.9	1.05 17.3																			
4	1400	4593	4287	3960	3629	3231	2766																		
	1450	1.06 21	1.14 19.1	1.21 18.6	1.28 19.3	1.32 20	1.33 19.4																		
5	1500	4916	4640	4329	4024	3692	3291	2836																	
	1550	1.23 24	1.31 21	1.39 20	1.47 20	1.53 21	1.57 21	1.57 21																	
6	1600	5129	4870	4574	4278	3974	3617	3204	2695																
	1650	1.35 25	1.44 23	1.52 21	1.60 21	1.68 23	1.73 23	1.75 22	1.72 22																
7	1700	5498	5263	4995	4711	4435	4139	3792	3401	2941															
	1750	1.58 28	1.69 26	1.78 24	1.86 23	1.95 23	2.02 25	2.07 25	2.09 25	2.07 25															
8	1800	5915	5701	5463	5200	4936	4676	4395	4069	3706	3310	2629													
	1850	1.88 32	2.00 30	2.10 28	2.19 26	2.28 25	2.37 26	2.45 27	2.51 28	2.53 27	2.53 27	2.39 26													
9	1900	6405	6210	6001	5768	5520	5275	5032	4775	4482	4155	3806	3401												
	1950	2.29 36	2.42 35	2.53 32	2.64 30	2.73 29	2.83 28	2.93 29	3.01 30	3.08 31	3.12 31	3.13 30	3.10 30												

NOTES:

1. Performance certified is for Installation Type A: Free inlet, free outlet.
2. Power rating (BHP) does not include transmission losses.
3. Performance ratings do not include the effects of appurtenances (accessories).
4. The sound ratings shown are loudness values in fan sones at 5 ft. (1.5 m) in a hemispherical free field calculated per AMCA Standard 301.
5. Values shown are for Installation Type A: Free inlet fan sone levels.

Performance Data



240C ACX

Max. Motor Frame = 145T

HP	RPM	STATIC PRESSURE (INCHES W.G.)																							
		0		0.125		0.25		0.375		0.50		0.625		0.75		0.875		1.00		1.25		1.50		1.75	
		CFM	Sone	CFM	Sone	CFM	Sone	CFM	Sone	CFM	Sone	CFM	Sone	CFM	Sone	CFM	Sone	CFM	Sone	CFM	Sone	CFM	Sone	CFM	Sone
1/4	410	4128		3525		2834		1981																	
		0.16	6.0	0.20	5.4	0.22	5.8	0.21	4.7																
1/3	435	4380		3809		3180		2487																	
		0.20	6.6	0.24	6.1	0.26	6.2	0.26	5.4																
1/2	460	4631		4089		3525		2886		1850															
		0.23	7.4	0.28	6.9	0.30	6.7	0.31	6.7	0.28	5.8														
1/2	480	4833		4312		3789		3168		2444															
		0.26	7.9	0.31	7.5	0.34	7.1	0.35	7.5	0.35	6.3														
1/2	530	5336		4864		4405		3856		3315		2575													
		0.35	9.3	0.41	9.1	0.44	8.5	0.47	8.8	0.47	8.8	0.46	7.7												
1/2	550	5537		5082		4640		4134		3600		3002													
		0.40	9.9	0.45	9.7	0.49	8.9	0.52	9.3	0.53	9.5	0.53	8.2												
3/4	580	5839		5407		4987		4538		4010		3516		2806											
		0.46	10.9	0.52	10.8	0.57	10.0	0.60	10.0	0.61	10.6	0.62	10.3	0.60	9.2										
3/4	625	6292		5891		5497		5106		4634		4164		3683		2992									
		0.58	12.5	0.65	12.5	0.70	12.0	0.73	11.6	0.76	12.0	0.77	12.5	0.78	11.5	0.75	10.8								
1	650	6544		6158		5777		5406		4977		4505		4073		3538									
		0.65	13.3	0.72	13.3	0.78	12.8	0.82	12.5	0.85	12.6	0.87	13.4	0.87	13.1	0.87	11.6								
1	690	6947		6583		6222		5874		5502		5059		4634		4218		3688							
		0.78	14.9	0.86	14.9	0.92	14.4	0.96	14.0	1.00	13.9	1.02	14.7	1.04	14.9	1.05	14.5	1.04	13.0						
1-1/2	750	7551		7216		6883		6558		6236		5875		5460		5070		4695		3654					
		1.01	16.8	1.09	16.8	1.16	16.5	1.21	16.0	1.26	15.8	1.29	15.9	1.32	16.6	1.33	16.8	1.34	16.6	1.31	14.7				
1-1/2	790	7954		7636		7320		7008		6704		6384		6013		5618		5259		4467					
		1.17	18.1	1.26	18.1	1.34	17.6	1.40	17.2	1.45	16.9	1.49	16.8	1.53	17.3	1.55	17.8	1.56	18.3	1.57	16.3				
2	840	8457		8158		7860		7565		7278		6989		6674		6313		5943		5271		4415			
		1.41	19.8	1.50	19.8	1.59	19.6	1.66	19.1	1.72	18.7	1.77	18.6	1.81	18.6	1.84	18.8	1.86	19.7	1.89	19.7	1.87	17.1		
2	870	8759		8470		8183		7897		7618		7342		7051		6721		6360		5697		4974		3809	
		1.57	21	1.67	21	1.75	21	1.83	19.8	1.89	19.5	1.94	19.2	1.99	19.2	2.03	19.7	2.06	20	2.09	21	2.09	18.9	1.97	18.0

240-HP ACX

Max. Motor Frame = 182T

HP	RPM	STATIC PRESSURE (INCHES W.G.)																							
		0.50		0.625		0.75		0.875		1.00		1.25		1.50		1.75		2.00		2.25		2.50		2.75	
		CFM	Sone	CFM	Sone	CFM	Sone	CFM	Sone	CFM	Sone	CFM	Sone	CFM	Sone	CFM	Sone	CFM	Sone	CFM	Sone	CFM	Sone	CFM	Sone
1/2	600	3080		2656		2117																			
		0.41	8.5	0.43	8.7	0.43	8.5																		
1/2	640	3471		3120		2692		2149																	
		0.47	9.1	0.50	9.8	0.52	9.5	0.52	9.6																
3/4	670	3750		3435		3064		2621																	
		0.53	9.7	0.57	10.3	0.59	10.5	0.60	10.3																
3/4	725	4238		3970		3671		3325		2922															
		0.64	11.2	0.68	11.2	0.72	11.7	0.75	11.8	0.76	11.5														
1	750	4451		4201		3924		3611		3248															
		0.70	11.9	0.74	11.6	0.78	12.2	0.82	12.5	0.84	12.6														
1	805	4909		4690		4450		4187		3896		3191													
		0.83	13.4	0.88	12.9	0.93	13.0	0.97	13.8	1.01	14.1	1.04	13.6												
1-1/2	860	5357		5157		4947		4718		4471		3896		3178											
		0.98	15.2	1.04	14.6	1.09	14.4	1.14	14.5	1.19	15.2	1.25	15.6	1.27	14.9										
1-1/2	925	5878		5693		5506		5309		5096		4625		4059		3371									
		1.18	17.1	1.24	16.5	1.30	16.2	1.36	15.9	1.41	15.9	1.51	17.0	1.57	17.0	1.57	16.6								
2	950	6076		5896		5715		5528		5326		4883		4362		3741									
		1.27	18.0	1.33	17.4	1.39	16.7	1.45	16.7	1.51	16.6	1.61	17.7	1.68	18.1	1.71	17.4								
2	1015	6589		6419		6251		6081		5904		5518		5084		4579		3991		3238					
		1.51	19.9	1.58	19.2	1.64	18.7	1.71	18.1	1.77	18.0	1.89	18.4	1.99	19.5	2.06	19.7	2.09	18.9	2.04	18.9				
3	1100	7250		7093		6936		6781		6625		6295		5931		5530		5072		4551		3940			
		1.88	23	1.95	22	2.01	21	2.08	21	2.16	21	2.30	20	2.42	21	2.53	22	2.61	22	2.65	21	2.64	21		
3	1165	7750		7602		7454		7307		7160		6861		6537		6184		5797		5360		4869		4311	
		2.21	25	2.27	24	2.34	24	2.41	24	2.49	23	2.64	23	2.78	23	2.91	23	3.02	24	3.10	24	3.15	23	3.15	24

NOTES:

1. Performance certified is for Installation Type A: Free inlet, free outlet.
2. Power rating (BHP) does not include transmission losses.
3. Performance ratings do not include the effects of appurtenances (accessories).
4. The sound ratings shown are loudness values in fan sones at 5 ft. (1.5 m) in a hemispherical free field calculated per AMCA Standard 301.
5. Values shown are for Installation Type A: Free inlet fan sone levels.



Performance Data



300C ACX

Max. Motor Frame = 184T

HP	RPM	STATIC PRESSURE (INCHES W.G.)																							
		0		0.125		0.25		0.50		0.75		1.00		1.25		1.50		1.75		2.00		2.25		2.50	
		CFM	Sone	CFM	Sone	CFM	Sone	CFM	Sone	CFM	Sone	CFM	Sone	CFM	Sone	CFM	Sone	CFM	Sone	CFM	Sone	CFM	Sone	CFM	Sone
1/4	330	5000	4086	3166																					
		0.14 4.0	0.17 5.4	0.20 5.7																					
1/4	360	5454	4579	3880																					
		0.18 4.6	0.22 6.1	0.26 6.7																					
1/3	380	5757	4902	4264																					
		0.22 5.3	0.25 6.5	0.29 7.3																					
1/3	405	6136	5303	4714																					
		0.26 5.9	0.30 7.1	0.34 8.0																					
1/2	430	6514	5702	5151	3222																				
		0.31 6.5	0.35 7.7	0.40 8.8	0.43 8.6																				
1/2	450	6818	6021	5497	3978																				
		0.36 7.0	0.40 8.3	0.45 9.4	0.52 9.6																				
3/4	470	7120	6339	5834	4571																				
		0.41 7.7	0.45 8.8	0.50 10.0	0.59 10.3																				
3/4	520	7878	7138	6652	5702	3467																			
		0.55 9.1	0.60 10.0	0.65 11.5	0.77 12.8	0.71 10.8																			
1	530	8030	7298	6814	5892	4107																			
		0.59 9.4	0.63 10.1	0.68 11.9	0.80 13.1	0.81 12.5																			
1	565	8560	7855	7375	6529	5292																			
		0.71 10.5	0.75 10.9	0.81 12.4	0.94 14.1	1.03 14.1																			
1-1/2	600	9090	8412	7934	7144	6215	3958																		
		0.85 11.6	0.90 12.0	0.96 13.2	1.09 14.9	1.21 15.2	1.09 13.1																		
1-1/2	650	9848	9203	8731	8004	7233	6039																		
		1.08 13.4	1.13 13.4	1.19 14.4	1.33 15.9	1.48 17.4	1.56 15.9																		
2	670	10150	9519	9050	8338	7602	6609	4338																	
		1.18 14.3	1.23 14.3	1.30 15.1	1.44 16.4	1.59 17.8	1.71 17.4	1.50 14.8																	
2	715	10832	10228	9769	9077	8403	7659	6398																	
		1.44 16.2	1.49 16.2	1.56 16.1	1.71 17.2	1.86 19.1	2.02 19.5	2.08 17.5																	
3	750	11362	10779	10328	9643	9013	8342	7414	5829																
		1.66 17.2	1.71 17.2	1.78 17.2	1.94 17.8	2.10 19.4	2.27 21	2.39 19.3	2.30 18.4																
3	820	12423	11876	11443	10766	10203	9604	8973	8079	6697															
		2.17 20	2.23 20	2.30 19.7	2.46 19.1	2.64 19.9	2.82 22	3.00 22	3.13 20	3.06 19.5															
5	850	12878	12345	11919	11244	10697	10129	9540	8823	7693	5744														
		2.41 21	2.47 21	2.55 21	2.72 20	2.90 21	3.09 22	3.28 24	3.44 23	3.49 20	3.13 20														
5	970	14696	14215	13817	13157	12637	12164	11666	11155	10613	9918	8909	7602												
		3.59 26	3.65 26	3.73 26	3.91 25	4.12 25	4.33 25	4.54 27	4.76 29	4.97 29	5.14 28	5.20 25	4.99 25												

300-HP ACX

Max. Motor Frame = 184T

HP	RPM	STATIC PRESSURE (INCHES W.G.)																							
		0.50		0.75		1.00		1.25		1.50		1.75		2.00		2.25		2.50		2.75		3.00		3.25	
		CFM	Sone	CFM	Sone	CFM	Sone	CFM	Sone	CFM	Sone	CFM	Sone	CFM	Sone	CFM	Sone	CFM	Sone	CFM	Sone	CFM	Sone	CFM	Sone
1/2	500	3881																							
		0.47 8.9																							
1/2	515	4121	2721																						
		0.51 9.5	0.52 9.6																						
3/4	550	4645	3617																						
		0.60 10.7	0.66 10.5																						
3/4	580	5066	4201																						
		0.69 11.4	0.76 10.9																						
1	610	5469	4715	3587																					
		0.78 11.9	0.86 11.5	0.88 12.0																					
1	640	5860	5190	4279																					
		0.88 12.5	0.97 13.1	1.03 12.8																					
1-1/2	700	6617	6061	5372	4450																				
		1.10 14.2	1.22 15.4	1.31 14.2	1.35 14.5																				
1-1/2	735	7048	6537	5931	5168	4054																			
		1.25 15.6	1.37 15.8	1.48 16.3	1.56 15.6	1.52 15.9																			
2	750	7230	6737	6160	5445	4469																			
		1.31 16.0	1.44 16.4	1.56 16.9	1.64 15.8	1.65 16.5																			
2	810	7950	7512	7023	6448	5753	4824																		
		1.60 17.6	1.75 17.7	1.88 18.8	2.00 18.3	2.08 17.7	2.07 18.2																		
3	900	9007	8629	8222	7774	7261	6666	5946	4959																
		2.10 21	2.29 20	2.45 20	2.59 22	2.72 21	2.82 20	2.88 21	2.79 21																
3	925	9297	8933	8543	8118	7640	7090	6448	5636	4430															
		2.25 23	2.46 22	2.63 21	2.77 23	2.91 23	3.02 21	3.11 21	3.10 22	2.90 21															
5	1000	10160	9831	9483	9112	8711	8266	7763	7193	6515	5629														
		2.77 25	3.00 25	3.20 25	3.37 25	3.52 26	3.67 27	3.80 24	3.90 24	3.94 24	3.85 25														
5	1100	11297	11005	10699	10379	10041	9680	9289	8858	8381	7850	7234	6474												
		3.57 29	3.83 30	4.07 29	4.29 29	4.48 29	4.65 31	4.81 31	4.97 30	5.10 27	5.20 28	5.25 28	5.18 29												

NOTES:

1. Performance certified is for Installation Type A: Free inlet, free outlet.
2. Power rating (BHP) does not include transmission losses.
3. Performance ratings do not include the effects of appurtenances (accessories).
4. The sound ratings shown are loudness values in fan sones at 5 ft. (1.5 m) in a hemispherical free field calculated per AMCA Standard 301.
5. Values shown are for Installation Type A: Free inlet fan sone levels.

Performance Data



360C ACX

Max. Motor Frame = 184T

HP	RPM	STATIC PRESSURE (INCHES W.G.)																							
		0		0.125		0.25		0.375		0.50		0.625		0.75		0.875		1.00		1.25		1.50		1.75	
		CFM	Sone	CFM	Sone	CFM	Sone	CFM	Sone	CFM	Sone	CFM	Sone	CFM	Sone	CFM	Sone	CFM	Sone	CFM	Sone	CFM	Sone	CFM	Sone
1/3	250	7390	5833	2981																					
		0.21	5.4	0.25	4.1	0.22	3.7																		
1/3	280	8277	6936	4828																					
		0.29	6.9	0.34	5.5	0.35	5.2																		
1/2	300	8868	7627	5885																					
		0.36	7.8	0.42	6.5	0.44	6.2																		
1/2	320	9459	8302	6836		4624																			
		0.43	9.0	0.50	7.7	0.53	6.9	0.49	6.6																
3/4	340	10050	8966	7703		5758																			
		0.52	9.9	0.59	9.0	0.63	7.6	0.62	7.6																
3/4	365	10789	9786	8688		7084		5047																	
		0.64	11.2	0.72	10.4	0.77	8.9	0.78	8.9	0.72	8.3														
1	380	11233	10272	9239		7824		5964																	
		0.72	12.2	0.81	11.3	0.86	9.6	0.89	9.5	0.85	9.2														
1	400	11824	10915	9949		8733		7041		5076															
		0.84	13.1	0.93	12.9	1.00	10.9	1.03	10.2	1.01	10.6	0.91	10.0												
1-1/2	420	12415	11552	10640		9582		8103		6389															
		0.97	14.7	1.07	14.1	1.14	12.1	1.19	11.2	1.19	11.6	1.13	10.8												
1-1/2	460	13598	12814	11989		11120		10001		8555		6994													
		1.28	17.0	1.39	17.0	1.48	15.0	1.53	13.7	1.57	13.4	1.56	13.8	1.49	13.1										
2	480	14189	13439	12652		11837		10859		9590		8098		6484											
		1.46	18.1	1.57	18.1	1.66	16.6	1.73	15.3	1.77	14.6	1.79	15.1	1.74	14.3	1.62	14.0								
2	505	14928	14217	13474		12709		11860		10764		9430		8018		6349									
		1.69	19.7	1.82	19.7	1.92	18.6	1.99	17.2	2.05	16.2	2.08	16.4	2.06	16.3	1.99	15.2	1.82	15.1						
3	550	16258	15608	14933		14236		13518		12686		11646		10426		9124									
		2.19	22	2.32	22	2.44	22	2.53	20	2.60	19.4	2.66	18.9	2.69	19.4	2.67	20	2.60	18.5						
3	575	16997	16376	15733		15070		14395		13657		12756		11692		10454		7837							
		2.50	25	2.64	25	2.77	24	2.87	23	2.95	22	3.01	21	3.06	21	3.08	21	3.03	21	2.79	19.6				
5	650	19214	18667	18105		17527		16937		16340		15706		14979		14119		12069		9860					
		3.61	31	3.78	31	3.92	31	4.05	29	4.16	29	4.25	28	4.32	28	4.39	27	4.43	28	4.39	28	4.19	24		
5	685	20249	19730	19199		18654		18097		17536		16958		16334		15613		13865		11781		9583			
		4.23	34	4.40	34	4.56	34	4.70	34	4.83	32	4.93	32	5.01	31	5.08	31	5.15	31	5.20	31	5.07	30	4.76	27

360-HP ACX

Max. Motor Frame = 213T

HP	RPM	STATIC PRESSURE (INCHES W.G.)																							
		0.50		0.75		1.00		1.25		1.50		1.75		2.00		2.25		2.50		2.75		3.00		3.25	
		CFM	Sone	CFM	Sone	CFM	Sone	CFM	Sone	CFM	Sone	CFM	Sone	CFM	Sone	CFM	Sone	CFM	Sone	CFM	Sone	CFM	Sone	CFM	Sone
1	430	6426	4046																						
		0.83	9.3	0.82	7.9																				
1	460	7282	5562																						
		0.99	10.0	1.05	8.8																				
1-1/2	500	8354	7039	4872																					
		1.21	11.4	1.34	11.7	1.30	10.4																		
1-1/2	525	9001	7821	6151																					
		1.35	12.3	1.52	13.1	1.56	11.2																		
2	550	9631	8545	7169		4906																			
		1.51	13.8	1.71	13.9	1.79	13.2	1.67	12.0																
2	580	10368	9372	8214		6549																			
		1.72	15.6	1.95	14.9	2.08	15.7	2.09	13.4																
3	650	12024	11202	10283		9234		7842		5754															
		2.27	21	2.55	19.1	2.78	19.1	2.93	19.6	2.96	16.9	2.74	16.5												
3	660	12255	11455	10558		9553		8254		6364															
		2.36	22	2.65	20	2.89	19.1	3.05	20	3.10	17.8	2.98	17.2												
5	750	14293	13648	12921		12132		11284		10289		9032		7308											
		3.27	28	3.60	26	3.92	24	4.20	23	4.41	25	4.53	24	4.55	21	4.38	21								
5	785	15072	14469	13799		13063		12287		11431		10404		9111		7383									
		3.69	30	4.03	27	4.37	26	4.69	24	4.94	25	5.12	26	5.21	24	5.20	22	4.96	22						
7-1/2	860	16721	16189	15616		14988		14312		13607		12851		11991		10969		9701		8092					
		4.70	33	5.07	31	5.44	29	5.82	28	6.17	27	6.45	27	6.66	29	6.81	28	6.86	27	6.83	26	6.52	25		
7-1/2	900	17592	17090	16557		15978		15351		14693		14007		13265		12420		11427		10217		8705			
		5.31	36	5.70	34	6.09	32	6.49	31	6.87	30	7.21	29	7.47	30	7.68	31	7.82	31	7.86	28	7.83	27	7.55	27

NOTES:

1. Performance certified is for Installation Type A: Free inlet, free outlet.
2. Power rating (BHP) does not include transmission losses.
3. Performance ratings do not include the effects of appurtenances (accessories).
4. The sound ratings shown are loudness values in fan sones at 5 ft. (1.5 m) in a hemispherical free field calculated per AMCA Standard 301.
5. Values shown are for Installation Type A: Free inlet fan sone levels.



Performance Data



420C ACX

Max. Motor Frame = 213T

HP	RPM	STATIC PRESSURE (INCHES W.G.)																							
		0		0.125		0.25		0.375		0.50		0.625		0.75		1.00		1.25		1.50		1.75		2.00	
		CFM	Sone	CFM	Sone	CFM	Sone	CFM	Sone	CFM	Sone	CFM	Sone	CFM	Sone	CFM	Sone	CFM	Sone	CFM	Sone	CFM	Sone	CFM	Sone
1/2	230	9414	5.3	7930	4.3	5813	4.4																		
	250	10232	6.3	8872	5.2	7303	5.2																		
3/4	270	11051	7.3	9794	6.3	8433	5.9	5934	5.2																
	285	11665	8.1	10476	7.2	9220	6.4	7415	6.8																
1	300	12279	8.9	11152	8.2	9983	7.1	8553	6.1	5471	6.1														
	315	12893	9.9	11822	9.4	10721	8.3	9463	7.4	7218	7.4														
1-1/2	330	13507	10.9	12486	10.2	11440	8.8	10291	8.9	8641	7.0	5396	7.0												
	360	14734	12.7	13802	12.5	12846	10.7	11853	10.8	10712	10.8	8855	10.1												
2	370	15144	13.5	14237	13.5	13308	11.5	12355	10.8	11280	11.4	9751	8.9	7010	8.9										
	395	16167	15.2	15319	15.2	14450	13.4	13574	12.2	12621	13.0	11530	12.2	9759	12.2										
3	430	17599	17.3	16822	17.3	16028	16.0	15227	14.5	14403	14.3	13498	11.7	8417	11.7										
	455	18623	18.7	17889	18.7	17141	17.8	16383	16.3	15621	15.4	14804	15.3	13918	15.3	11167	15.3								
5	500	20464	22	19797	22	19120	21	18433	20	17744	18.7	17045	17.9	16298	17.9	14606	16.9	11622	16.9						
	540	22102	25	21485	25	20860	25	20227	23	19588	22	18950	21	18297	21	16865	21	15089	21	11869	21				
7-1/2	580	23739	28	23165	28	22585	28	21998	27	21404	26	20810	24	20215	24	18955	24	17555	24	15664	25	12437	25	6.17	20
	615	25171	31	24630	31	24084	31	23532	31	22975	29	22413	27	21854	27	20709	27	19455	27	18048	28	15960	27	7.23	22

480C ACX

Max. Motor Frame = 213T

HP	RPM	STATIC PRESSURE (INCHES W.G.)																							
		0		0.125		0.25		0.375		0.50		0.625		0.75		0.875		1.00		1.25		1.50		1.75	
		CFM	Sone	CFM	Sone	CFM	Sone	CFM	Sone	CFM	Sone	CFM	Sone	CFM	Sone	CFM	Sone	CFM	Sone	CFM	Sone	CFM	Sone	CFM	Sone
1/2	190	10494	4.8	8604	4.0	4418	3.0																		
	210	11599	5.7	9890	4.8	7393	4.5																		
3/4	225	12427	6.5	10824	5.5	8907	6.0																		
	240	13256	7.4	11745	6.4	10130	6.8	6645	5.0																
1	250	13808	8.0	12355	6.9	10874	7.2	8149	5.5																
	265	14636	8.7	13265	7.8	11921	7.6	9923	7.6																
1-1/2	285	15741	10.1	14466	9.4	13228	8.5	11702	9.1	8899	7.0														
	300	16570	11.2	15358	10.6	14177	9.4	12864	10.1	10809	9.1	6905	7.5												
2	320	17674	12.8	16538	12.5	15419	10.5	14291	10.9	12753	11.2	10144	8.9												
	335	18503	13.7	17418	13.7	16341	11.8	15292	11.4	13984	12.3	12038	9.5	8684	9.5										
3	350	19331	14.4	18293	14.4	17257	12.6	16261	12.4	15120	13.3	13570	10.3	11035	10.3										
	380	20988	16.6	20031	16.6	19076	15.4	18147	14.4	17208	14.7	16057	11.9	14548	11.9	12193	11.9	8837	11.9						
5	420	23197	19.0	22332	19.0	21467	18.8	20607	17.0	19781	16.9	18915	16.9	17874	16.2	16582	16.2	14786	16.2						
	455	25131	22	24331	22	23533	22	22735	21.9	21957	21.9	21194	19.9	20377	19.9	19407	19.9	18246	19.9	14685	19.9				
7-1/2	500	27616	24	26889	24	26162	24	25435	24	24710	22	24011	22	23317	22	22585	22	21748	22	19643	23	16297	23	6.79	18.8
	520	28721	26	28021	26	27322	26	26624	26	25926	24	25243	24	24579	24	23899	24	23161	24	21338	25	18766	24	7.15	20

NOTES:

1. Performance certified is for Installation Type A: Free inlet, free outlet.
2. Power rating (BHP) does not include transmission losses.
3. Performance ratings do not include the effects of appurtenances (accessories).
4. The sound ratings shown are loudness values in fan sones at 5 ft. (1.5 m) in a hemispherical free field calculated per AMCA Standard 301.
5. Values shown are for Installation Type A: Free inlet fan sone levels.

Performance Data



ATD / ATDR / ATDW / ATDWR

SIZE	MOTOR HP	RPM	MAX. INPUT WATTS	STATIC PRESSURE (INCHES W.G.)																					
				0		0.125		0.25		0.375		0.50		0.625		0.75		1.00		1.25		1.50		1.75	
				CFM	Sone	CFM	Sone	CFM	Sone	CFM	Sone	CFM	Sone	CFM	Sone	CFM	Sone	CFM	Sone	CFM	Sone	CFM	Sone	CFM	Sone
071	1/8	860	67	224	91																				
				---	4.2	---	4.1																		
072	1/8	1160	72	292	211																				
				---	4.6	---	4.4																		
073	1/8	1650	78	439	388	337	275																		
				---	6.1	---	5.9	---	4.9	---	5.2														
081	1/8	860	77	374	272																				
				---	6.4	---	5.5																		
082	1/8	1160	85	496	426	334																			
				---	6.6	---	6.2	---	6.2																
083	1/3	1750	146	780	732	681	626	561	492	418															
				---	9.2	---	9.2	---	9.0	---	8.4	---	8.4	---	8.9	---	8.6								
091	1/8	860	79	656	463																				
				---	7.0	---	6.9																		
092	1/8	1160	81	836	694	534	307																		
				---	7.5	---	6.8	---	7.1	---	6.5														
093	1/3	1750	168	1307	1209	1105	998	885	748	597															
				---	10.0	---	10.0	---	9.4	---	8.9	---	9.3	---	9.4	---	9.1								
110	1/8	860	---	805	698	566																			
				0.04	4.9	0.05	4.3	0.05	4.5																
	1/8	1160	---	1086	1008	926	833	720	537																
				0.10	8.2	0.11	8.0	0.11	7.0	0.11	7.2	0.11	7.0	0.10	6.1										
	1/2	1750	---	1638	1588	1536	1482	1427	1371	1311	1173	1005													
				0.35	15.7	0.36	15.7	0.37	15.7	0.37	14.2	0.38	13.5	0.38	12.9	0.39	12.9	0.39	14.0	0.39	12.1				
120	1/8	860	---	1109	982	862	691																		
				0.06	6.3	0.07	5.6	0.07	5.5	0.07	4.9														
	1/4	1160	---	1495	1399	1309	1225	1122	997																
				0.16	10.0	0.17	9.9	0.17	8.6	0.18	8.5	0.18	9.2	0.18	8.8										
	3/4	1750	---	2256	2190	2127	2065	2006	1950	1895	1773	1620	1448												
				0.54	18.5	0.55	18.5	0.57	18.5	0.58	17.5	0.59	16.4	0.60	16.1	0.61	15.5	0.62	16.0	0.63	17.1	0.62	16.0		
140	1/8	860	---	1676	1512	1358	1155																		
				0.11	8.6	0.12	7.8	0.13	7.3	0.13	7.7														
	1/2	1160	---	2261	2138	2019	1907	1785	1634	1465															
				0.27	13.6	0.29	13.6	0.30	12.0	0.31	11.2	0.32	11.8	0.32	12.2	0.32	11.1								
160A	1/4	860	---	2167	1914	1769	1597	1380																	
				0.18	11.3	0.19	10.2	0.20	9.4	0.20	8.7	0.20	8.6												
	1/2	1160	---	2923	2700	2561	2453	2344	2216	2075	1713														
				0.43	17.2	0.46	17.0	0.47	14.3	0.48	13.4	0.49	13.4	0.49	14.3	0.49	14.5	0.49	11.2						
180A	1/2	860	---	2866	2685	2504	2321	2091	1839	1550															
				0.29	11.9	0.31	11.9	0.32	10.6	0.33	9.6	0.34	10.1	0.34	9.9	0.33	8.8								
	1	1160	---	3865	3731	3597	3462	3330	3196	3047	2685	2296													
				0.71	17.6	0.73	17.6	0.75	18.5	0.77	17.5	0.79	16.4	0.81	15.8	0.82	15.8	0.84	16.8	0.83	15.6				

NOTES:

1. Performance certified is for Installation Type A: Free inlet, free outlet.
2. Power rating (BHP) does not include transmission losses.
3. Performance ratings do not include the effects of appurtenances (accessories).
4. The sound ratings shown are loudness values in fan sones at 5 ft. (1.5 m) in a hemispherical free field calculated per AMCA Standard 301.
5. Values shown are for Installation Type A: Free inlet fan sone levels.
6. All sizes are available with variable speed control.



Performance Data



140-HP ATB / ATBR / AWX / AWXR

Max. Motor Frame = 56

HP	RPM	STATIC PRESSURE (INCHES W.G.)																									
		0.50		0.625		0.75		0.875		1.00		1.125		1.25		1.50		1.75		2.00		2.25		2.50			
		CFM	BHP	CFM	Sone	CFM	Sone	CFM	Sone	CFM	Sone	CFM	Sone	CFM	Sone	CFM	Sone	CFM	Sone	CFM	Sone	CFM	Sone	CFM	Sone	CFM	Sone
1/4	1450	1095	0.22	1015	9.6	924	0.22	816	10.2	816	8.8																
	1525	1181	0.25	1109	10.5	1028	0.26	938	11.3	823	0.26	823	10.7	823	9.3												
1/3	1600	1265	0.29	1199	11.3	1127	0.30	1046	12.0	956	0.30	956	11.2	836	0.29	836	10.3										
	1680	1352	0.34	1292	12.6	1227	0.34	1155	12.7	1075	0.34	1075	12.8	987	0.35	987	11.8	866	0.33	866	10.9						
1/2	1810	1491	0.42	1437	14.3	1381	0.42	1319	14.0	1253	0.43	1253	14.5	1180	0.43	1180	13.7	870	0.40	870	12.3						
	1940	1628	0.51	1578	16.9	1527	0.52	1474	15.9	1417	0.52	1417	15.1	1355	0.53	1355	15.4	1288	0.53	1288	16.2	1139	0.53	1139	14.7	895	0.48
3/4	2075	1767	0.62	1722	18.6	1675	0.63	1627	17.8	1577	0.63	1577	17.1	1524	0.64	1524	16.8	1467	0.64	1467	16.6	1341	0.65	1341	17.7	960	0.64
	2205	1900	0.74	1857	21	1814	0.75	1770	19.8	1725	0.76	1725	18.9	1677	0.77	1677	18.6	1627	0.77	1627	17.9	1519	0.77	1519	18.1	1397	0.78

160 ATB / ATBR / AWX / AWXR

Max. Motor Frame = 143T

HP	RPM	STATIC PRESSURE (INCHES W.G.)																									
		0		0.125		0.25		0.375		0.50		0.625		0.75		0.875		1.00		1.125		1.25		1.50			
		CFM	BHP	CFM	Sone	CFM	Sone	CFM	Sone	CFM	Sone	CFM	Sone	CFM	Sone	CFM	Sone	CFM	Sone	CFM	Sone	CFM	Sone	CFM	Sone	CFM	Sone
1/4	780	2207	0.17	1989	8.6	1708	0.18	1299	7.4	1299	0.18	1299	7.3														
	865	2448	0.24	2255	10.2	2023	0.25	1714	10.0	1291	0.26	1291	9.3	1291	0.24	1291	8.4										
1/3	900	2547	0.27	2363	11.1	2145	0.28	1866	11.1	1496	0.29	1496	9.4	1496	0.29	1496	9.3										
	950	2688	0.31	2515	12.1	2315	0.33	2071	12.0	1753	0.34	1753	10.9	1324	0.30	1324	9.4										
1/2	1000	2830	0.36	2666	13.4	2481	0.39	2263	13.4	1984	0.40	1984	12.1	1638	0.38	1638	11.1										
	1100	3113	0.48	2966	15.5	2803	0.50	2620	15.5	2404	0.52	2404	14.6	2137	0.53	2137	13.5	1819	0.51	1819	13.3	1338	0.45	1338	12.3		
3/4	1160	3283	0.57	3144	16.9	2992	0.60	2824	16.1	2632	0.61	2632	15.0	2401	0.62	2401	15.7	2130	0.61	2130	15.4	1805	0.59	1805	13.6		
	1250	3538	0.71	3409	19.3	3271	0.73	3121	19.3	2955	0.75	2955	18.7	2766	0.77	2766	17.2	2541	0.78	2541	18.3	2286	0.77	2286	17.6	1988	0.74
1	1320	3736	0.84	3615	21	3486	0.88	3347	21	3195	0.89	3195	19.8	3028	0.91	3028	19.2	2835	0.92	2835	19.0	2612	0.91	2612	19.6	2363	0.90
	1380	3905	0.96	3790	23	3668	1.00	3537	23	3396	1.02	3396	22	3242	1.03	3242	21	3071	1.04	3071	20	2872	1.05	2872	20	2651	1.04

160A ATB / ATBR / AWX / AWXR

Max. Motor Frame = 143T

HP	RPM	STATIC PRESSURE (INCHES W.G.)																									
		0		0.125		0.25		0.375		0.50		0.625		0.75		0.875		1.00		1.25		1.50		1.75			
		CFM	BHP	CFM	Sone	CFM	Sone	CFM	Sone	CFM	Sone	CFM	Sone	CFM	Sone	CFM	Sone	CFM	Sone	CFM	Sone	CFM	Sone	CFM	Sone	CFM	Sone
1/4	825	2079	0.16	1823	10.5	1671	0.17	1483	8.1	1233	0.18	1233	6.9														
	930	2344	0.22	2097	12.5	1958	0.24	1812	10.7	1636	0.25	1636	10.0	1412	0.26	1412	8.6										
1/3	975	2457	0.26	2215	13.2	2077	0.27	1944	11.7	1786	0.28	1786	10.7	1595	0.29	1595	11.4	1343	0.30	1343	10.5						
	1020	2570	0.29	2333	14.2	2195	0.31	2073	13.0	1928	0.32	1928	11.5	1760	0.33	1760	11.0	1552	0.34	1552	11.9						
1/2	1100	2772	0.37	2543	16.0	2404	0.39	2293	15.1	2169	0.40	2169	13.0	2028	0.41	2028	12.6	1866	0.42	1866	13.5	1669	0.42	1669	11.0		
	1185	2986	0.46	2765	18.0	2626	0.48	2520	17.7	2414	0.50	2414	15.2	2292	0.51	2292	14.1	2157	0.52	2157	14.4	2005	0.53	2005	14.7	1823	0.53
3/4	1265	3188	0.56	2974	19.7	2834	0.60	2730	19.7	2634	0.61	2634	18.0	2528	0.62	2528	16.5	2410	0.64	2410	16.5	2281	0.64	2281	16.7	2136	0.64
	1345	3389	0.67	3183	22	3044	0.72	2939	22	2848	0.73	2848	19.1	2755	0.74	2755	18.5	2650	0.75	2650	17.1	2537	0.77	2537	18.0	2414	0.77
1	1415	3566	0.78	3365	24	3227	0.84	3121	24	3032	0.85	3032	21	2947	0.87	2947	19.5	2854	0.88	2854	18.6	2751	0.89	2751	18.7	2641	0.89
	1490	3755	0.91	3560	26	3424	0.97	3317	26	3229	1.00	3229	24	3147	1.01	3147	20	3064	1.02	3064	19.4	2972	1.03	2972	19.5	2872	1.04

NOTES:

1. Performance certified is for Installation Type A: Free inlet, free outlet.
2. Power rating (BHP) does not include transmission losses.
3. Performance ratings do not include the effects of appurtenances (accessories).
4. The sound ratings shown are loudness values in fan sones at 5 ft. (1.5 m) in a hemispherical free field calculated per AMCA Standard 301.
5. Values shown are for Installation Type A: Free inlet fan sone levels.

Performance Data



160-HP ATB / ATBR / AWX / AWXR

Max. Motor Frame = 143T

HP	RPM	STATIC PRESSURE (INCHES W.G.)																					
		0.50		0.625		0.75		0.875		1.00		1.125		1.25		1.50		2.00		2.25		2.50	
		CFM	Sone	CFM	Sone	CFM	Sone	CFM	Sone	CFM	Sone	CFM	Sone	CFM	Sone	CFM	Sone	CFM	Sone	CFM	Sone	CFM	Sone
1/4	950	1205																					
	1085	1592		1417																			
1/3	1155	1772		1620		1450																	
	1195	1870		1731		1571																	
1/2	1320	2158		2052		1926		1783		1630													
	1365	2258		2160		2045		1912		1770													
3/4	1500	2553		2467		2377		2274		2158		2031		1899									
	1560	2683		2600		2515		2424		2319		2203		2079									
1	1680	2940		2861		2784		2706		2621		2525		2421		2193							
	1715	3014		2936		2861		2785		2704		2615		2515		2296							

180 ATB / ATBR / AWX / AWXR

Max. Motor Frame = 145T

HP	RPM	STATIC PRESSURE (INCHES W.G.)																							
		0		0.125		0.25		0.375		0.50		0.625		0.75		0.875		1.00		1.25		1.50		1.75	
		CFM	Sone	CFM	Sone	CFM	Sone	CFM	Sone	CFM	Sone	CFM	Sone	CFM	Sone	CFM	Sone	CFM	Sone	CFM	Sone	CFM	Sone	CFM	Sone
1/4	525	2469		1988		1251																			
	665	3127		2758		2338		1736																	
1/3	700	3292		2942		2558		2030																	
	730	3433		3099		2738		2274		1629															
1/2	785	3692		3382		3056		2669		2149															
	840	3951		3662		3361		3025		2602		2074													
3/4	900	4233		3965		3685		3389		3039		2590		2065											
	965	4538		4289		4030		3763		3462		3107		2662		2146									
1	1010	4750		4512		4266		4013		3739		3423		3037		2600		1995							
	1060	4985		4759		4526		4286		4035		3751		3425		3024		2600							
1-1/2	1135	5338		5127		4910		4688		4461		4215		3940		3625		3248		2318					
	1210	5691		5493		5291		5084		4874		4655		4415		4151		3850		3133					
2	1270	5973		5785		5593		5396		5197		4993		4776		4539		4279		3640		2888			
	1330	6255		6076		5893		5706		5516		5324		5125		4909		4676		4129		3471		2543	

NOTES:

1. Performance certified is for Installation Type A: Free inlet, free outlet.
2. Power rating (BHP) does not include transmission losses.
3. Performance ratings do not include the effects of appurtenances (accessories).
4. The sound ratings shown are loudness values in fan sones at 5 ft. (1.5 m) in a hemispherical free field calculated per AMCA Standard 301.
5. Values shown are for Installation Type A: Free inlet fan sone levels.

Performance Data



180A ATB / ATBR / AWX / AWXR

Max. Motor Frame = 145T

HP	RPM	STATIC PRESSURE (INCHES W.G.)																							
		0		0.125		0.25		0.50		0.75		1.00		1.25		1.50		1.75		2.00		2.25		2.50	
		CFM	Sone	CFM	Sone	CFM	Sone	CFM	Sone	CFM	Sone	CFM	Sone	CFM	Sone	CFM	Sone	CFM	Sone	CFM	Sone	CFM	Sone	CFM	Sone
1/4	650	2166	7.4	1926	6.9	1673	6.2																		
	790	2632	10.4	2435	10.2	2240	9.8	1750	8.8																
1/3	830	2766	11.2	2578	11.2	2391	10.6	1946	9.6																
	870	2899	11.9	2720	11.9	2541	11.3	2139	10.3	1613	9.0														
1/2	930	3099	13.6	2932	13.6	2763	13.3	2414	12.3	1952	11.1	1613	11.3												
	995	3315	13.9	3159	13.9	3002	13.3	2688	13.0	2279	11.1	1802	11.1												
3/4	1060	3532	15.4	3385	15.4	3238	15.4	2947	14.2	2593	13.6	2179	13.6												
	1130	3765	17.1	3628	17.1	3490	17.1	3216	15.6	2916	15.0	2538	14.0	2123	14.0										
1	1190	3965	18.4	3835	18.4	3703	18.4	3443	16.8	3175	16.3	2831	16.8	2463	16.8										
	1250	4165	19.7	4041	19.7	3916	19.7	3667	18.2	3419	18.3	3117	18.3	2772	18.3	2396	18.3								
1-1/2	1340	4465	22	4349	22	4233	22	3999	20	3771	20	3521	20	3211	20	2889	20	2529	20						
	1430	4765	24	4656	24	4547	24	4329	23	4113	23	3894	23	3635	23	3334	23	3031	23	2689	23				
2	1500	4998	26	4895	26	4791	26	4583	25	4376	25	4171	25	3945	25	3672	25	3383	25	3087	25	2751	25		
	1575	5248	28	5149	28	5051	28	4852	27	4654	27	4461	27	4258	27	4020	27	3748	27	3475	27	3186	27	2861	27

180-HP ATB / ATBR / AWX / AWXR

Max. Motor Frame = 145T

HP	RPM	STATIC PRESSURE (INCHES W.G.)																							
		0.50		0.625		0.75		0.875		1.00		1.25		1.50		1.75		2.00		2.25		2.50		2.75	
		CFM	Sone	CFM	Sone	CFM	Sone	CFM	Sone	CFM	Sone	CFM	Sone	CFM	Sone	CFM	Sone	CFM	Sone	CFM	Sone	CFM	Sone	CFM	Sone
1/4	875	1475	9.3	1193	8.4																				
	935	1692	10.8	1484	10.0																				
1/3	980	1848	11.5	1655	11.5	1428	10.2																		
	1030	2014	11.9	1837	12.4	1649	11.9																		
1/2	1105	2251	12.6	2097	13.8	1928	13.8	1751	12.9	1498	12.1														
	1180	2480	14.0	2343	14.2	2194	15.1	2034	15.1	1867	14.4														
3/4	1265	2731	15.7	2608	15.1	2477	16.1	2337	17.0	2187	16.8	1843	14.6												
	1350	2976	17.4	2865	17.0	2747	17.1	2623	17.6	2490	18.3	2207	17.5	1812	15.9										
1	1415	3159	18.8	3056	18.3	2946	17.7	2832	18.4	2711	19.3	2447	17.0												
	1485	3354	20	3258	19.4	3156	19.0	3050	19.0	2939	19.6	2699	19.7	2119	17.3										
1-1/2	1595	3656	22	3569	22	3477	21	3382	21	3284	21	3074	21	2602	20	2305	20								
	1705	3953	24	3873	24	3791	24	3705	23	3616	23	3428	23	3226	23	3008	23	2781	23	2512	23				
2	1790	4181	26	4106	26	4028	26	3948	25	3866	25	3692	25	3507	25	3308	25	3096	25	2879	25	2611	25		
	1870	4394	28	4322	28	4249	28	4174	27	4097	27	3934	27	3762	27	3580	27	3384	27	3180	27	2968	27	2701	27

NOTES:

1. Performance certified is for Installation Type A: Free inlet, free outlet.
2. Power rating (BHP) does not include transmission losses.
3. Performance ratings do not include the effects of appurtenances (accessories).
4. The sound ratings shown are loudness values in fan sones at 5 ft. (1.5 m) in a hemispherical free field calculated per AMCA Standard 301.
5. Values shown are for Installation Type A: Free inlet fan sone levels.



Performance Data



210 ATB / ATBR / AWX / AWXR

Max. Motor Frame = 145T

HP	RPM	STATIC PRESSURE (INCHES W.G.)																					
		0		0.125		0.25		0.375		0.50		0.625		0.75		1.00		1.50		1.75		2.00	
		CFM	Sone	CFM	Sone	CFM	Sone	CFM	Sone	CFM	Sone	CFM	Sone	CFM	Sone	CFM	Sone	CFM	Sone	CFM	Sone	CFM	Sone
1/4	500	3288	2895	2472	1957																		
	550	0.14 8.5	0.16 6.9	0.19 6.7	0.20 5.4																		
1/3	570	3748	3404	3053	2648	2167																	
	600	0.21 10.0	0.24 9.6	0.26 8.2	0.28 8.4	0.29 6.9																	
1/2	650	4274	3974	3669	3348	2982	2580	1899															
	695	0.31 13.2	0.34 12.5	0.37 10.3	0.40 10.4	0.42 10.1	0.43 8.7	0.40 8.7															
3/4	750	4931	4672	4408	4144	3861	3547	3219	2183														
	795	0.47 16.3	0.51 16.3	0.55 14.0	0.58 12.8	0.61 13.3	0.64 13.4	0.66 11.5	0.62 11.4														
1	830	5457	5223	4986	4747	4506	4246	3962	3351	2284													
	875	0.56 18.0	0.60 18.0	0.64 16.0	0.68 14.4	0.71 14.2	0.75 15.1	0.77 14.3	0.78 12.4														
1-1/2	950	6246	6042	5836	5628	5419	5209	4988	4499	3976	3180												
	1000	0.96 22	1.01 22	1.05 22	1.10 19.7	1.14 18.0	1.19 17.2	1.23 17.7	1.31 18.7	1.34 15.7	1.32 16.3												
2	1050	6904	6719	6533	6346	6157	5968	5778	5371	4920	4448	3818	2892										
	1100	1.29 25	1.35 25	1.40 25	1.45 23	1.50 21	1.55 20	1.60 19.5	1.69 21	1.77 21	1.81 18.0	1.81 18.7	1.65 18.6										

210-HP ATB / ATBR / AWX / AWXR

Max. Motor Frame = 182T

HP	RPM	STATIC PRESSURE (INCHES W.G.)																					
		0.50		0.75		1.00		1.25		1.50		1.75		2.00		2.50		2.75		3.00		3.25	
		CFM	Sone	CFM	Sone	CFM	Sone	CFM	Sone	CFM	Sone	CFM	Sone	CFM	Sone	CFM	Sone	CFM	Sone	CFM	Sone	CFM	Sone
1/2	730	2726	2180																				
	790	0.38 9.7	0.42 8.8																				
3/4	850	3117	2628	2040																			
	895	0.45 10.8	0.51 10.3	0.53 10.1																			
1	950	4085	3705	3296	2876	2287																	
	990	0.72 13.4	0.79 14.2	0.87 14.3	0.92 13.3	0.91 14.0																	
1-1/2	1050	4317	3959	3569	3180	2720																	
	1135	0.80 14.8	0.87 14.8	0.96 15.4	1.02 14.2	1.05 14.7																	
2	1200	4661	4330	3972	3602	3224	2751																
	1250	0.94 16.5	1.01 15.7	1.10 17.0	1.19 16.8	1.23 15.6	1.25 16.4																
3	1330	5141	4837	4520	4181	3840	3489	3064	2302														
	1430	1.15 19.1	1.24 18.1	1.32 18.3	1.43 19.5	1.51 18.8	1.56 18.1	1.58 18.6	1.49 18.4														

NOTES:

1. Performance certified is for Installation Type A: Free inlet, free outlet.
2. Power rating (BHP) does not include transmission losses.
3. Performance ratings do not include the effects of appurtenances (accessories).
4. The sound ratings shown are loudness values in fan sones at 5 ft. (1.5 m) in a hemispherical free field calculated per AMCA Standard 301.
5. Values shown are for Installation Type A: Free inlet fan sone levels.

Performance Data



240 ATB / ATBR / AWX / AWXR

Max. Motor Frame = 145T

HP	RPM	STATIC PRESSURE (INCHES W.G.)																													
		0		0.125		0.25		0.375		0.50		0.625		0.75		0.875		1.00		1.25		1.50		1.75							
		CFM BHP	Sone	CFM BHP	Sone	CFM BHP	Sone	CFM BHP	Sone	CFM BHP	Sone	CFM BHP	Sone	CFM BHP	Sone	CFM BHP	Sone	CFM BHP	Sone	CFM BHP	Sone	CFM BHP	Sone	CFM BHP	Sone						
1/4	420	3969 0.15	3503 6.7	2928 0.19	1910 6.2																										
	445	4206 0.18	3768 7.2	3260 0.22	2498 7.0																										
1/3	470	4442 0.21	4031 8.1	3571 0.26	2931 7.8																										
	485	4584 0.23	4186 8.3	3748 0.28	3163 8.1					2207 0.32																					
1/2	530	5009 0.30	4648 9.7	4259 0.35	3797 9.6					3176 0.43	2085 9.5																				
	560	5293 0.36	4953 10.5	4588 0.41	4182 10.5					3651 0.50	2917 9.9																				
3/4	600	5671 0.44	5355 12.0	5019 0.50	4661 12.0					4223 0.59	3675 11.3	2863 0.61																			
	635	6001 0.52	5704 13.1	5389 0.58	5059 13.1					4683 0.69	4214 12.1	3640 0.73	2730 12.5																		
1	660	6238 0.59	5952 13.8	5651 0.65	5337 13.8					4993 0.71	4572 13.3	4070 0.76	3391 12.8																		
	705	6663 0.71	6396 15.3	6118 0.78	5827 15.3					5522 0.91	5173 14.2	4753 0.96	4267 14.1	3612 1.00																	
1-1/2	750	7088 0.86	6838 16.8	6578 0.93	6308 16.8					6029 1.00	5728 14.6	5376 1.04	4967 15.2	4500 1.05	2966 14.2																
	810	7655 1.08	7424 19.1	7186 1.16	6939 19.1					6684 1.31	6421 18.3	6135 1.38	5806 18.0	5430 1.43	4512 17.6																
2	850	8033 1.25	7814 20	7587 1.34	7354 20					7113 1.49	6867 19.6	6608 1.56	6321 19.2	5993 1.63	5521 18.9	4087 1.68															
	890	8411 1.44	8202 22	7987 1.53	7765 22					7537 1.69	7305 22	7065 1.77	6808 21	6521 1.84	5841 20	4996 1.90	3602 2.01														

240-HP ATB / ATBR / AWX / AWXR

Max. Motor Frame = 182T

HP	RPM	STATIC PRESSURE (INCHES W.G.)																													
		0.50		0.625		0.75		1.00		1.25		1.50		1.75		2.00		2.25		2.50		2.75		3.00							
		CFM BHP	Sone	CFM BHP	Sone	CFM BHP	Sone	CFM BHP	Sone	CFM BHP	Sone	CFM BHP	Sone	CFM BHP	Sone	CFM BHP	Sone	CFM BHP	Sone	CFM BHP	Sone	CFM BHP	Sone	CFM BHP	Sone						
1/2	600	2837 0.39	2384 9.8	1774 0.41																											
	650	3330 0.47	2953 11.6	2523 0.50																											
3/4	700	3789 0.56	3464 12.6	3104 0.60	2184 13.3					2184 0.63																					
	745	4181 0.65	3894 13.2	3578 0.70	2844 14.1					2844 0.73																					
1	780	4473 0.73	4213 13.5	3924 0.78	3264 14.4					2394 0.82	1820 13.0																				
	825	4838 0.83	4607 14.1	4348 0.89	3765 14.7					3078 0.94	1820 15.6																				
1-1/2	880	5273 0.98	5066 15.3	4841 1.04	4329 15.3					3741 1.09	3043 16.0																				
	940	5741 1.16	5549 16.5	5352 1.22	4904 16.2					4395 1.28	3819 15.2	3125 1.56																			
2	990	6127 1.32	5944 17.8	5761 1.39	5359 17.6					4900 1.46	4390 18.2	3818 1.69	3090 19.3																		
	1035	6473 1.48	6295 19.2	6121 1.55	5753 18.6					5333 1.62	4870 18.2	4355 1.76	3781 19.6	2985 1.99																	
3	1100	6969 1.75	6798 22	6633 1.82	6300 21					5931 2.04	5519 19.8	5072 2.18	4580 21	4040 2.30	3328 22																
	1185	7612 2.13	7450 25	7293 2.21	6987 25					6670 2.45	6316 22	5931 2.61	5518 22	5069 2.75	4585 24	4021 2.88	3210 25														

NOTES:

- 1. Performance certified is for Installation Type A: Free inlet, free outlet.
- 2. Power rating (BHP) does not include transmission losses.
- 3. Performance ratings do not include the effects of appurtenances (accessories).
- 4. The sound ratings shown are loudness values in fan sones at 5 ft. (1.5 m) in a hemispherical free field calculated per AMCA Standard 301.
- 5. Values shown are for Installation Type A: Free inlet fan sone levels.



Performance Data



300 ATB / ATBR / AWX / AWXR

Max. Motor Frame = 184T

HP	RPM	STATIC PRESSURE (INCHES W.G.)																							
		0		0.125		0.25		0.375		0.50		0.75		1.00		1.25		1.50		1.75		2.00		2.25	
		CFM	Sone	CFM	Sone	CFM	Sone	CFM	Sone	CFM	Sone	CFM	Sone	CFM	Sone	CFM	Sone	CFM	Sone	CFM	Sone	CFM	Sone	CFM	Sone
1/3	365	5626	4852	4145																					
	390	6011	5269	4640	3686																				
1/2	430	6628	5934	5383	4716	3459																			
	460	7090	6431	5908	5338	4545																			
3/4	500	7707	7091	6589	6105	5522																			
	530	8169	7582	7092	6652	6141	4406																		
1	550	8478	7908	7426	7004	6532	5163																		
	575	8863	8314	7842	7436	7005	5882																		
1-1/2	620	9557	9042	8589	8198	7823	6926	5433																	
	660	10173	9686	9252	8868	8518	7736	6688																	
2	700	10790	10328	9911	9534	9199	8501	7654	6328																
	725	11175	10727	10321	9949	9619	8965	8188	7120																
3	780	12023	11604	11219	10862	10538	9944	9279	8499	7371															
	830	12794	12397	12031	11689	11369	10803	10220	9550	8741	7549														
5	900	13873	13505	13162	12838	12532	11983	11470	10905	10275	9526	8490													
	985	15183	14845	14526	14224	13935	13401	12925	12453	11929	11359	10713	9897												

300-HP ATB / ATBR / AWX / AWXR

Max. Motor Frame = 184T

HP	RPM	STATIC PRESSURE (INCHES W.G.)																							
		0.50		0.625		0.75		1.00		1.25		1.50		1.75		2.00		2.25		2.50		2.75		3.00	
		CFM	Sone	CFM	Sone	CFM	Sone	CFM	Sone	CFM	Sone	CFM	Sone	CFM	Sone	CFM	Sone	CFM	Sone	CFM	Sone	CFM	Sone	CFM	Sone
1/2	480	3604	2806																						
	515	4180	3631	2693																					
3/4	550	4707	4258	3689																					
	590	5280	4892	4451	2891																				
1	600	5420	5042	4622	3313																				
	645	6035	5696	5339	4466																				
1-1/2	700	6753	6463	6146	5457	4536																			
	740	7256	6998	6710	6091	5357	4232																		
2	760	7503	7259	6986	6393	5716	4803																		
	815	8172	7959	7723	7192	6620	5948	5035																	
3	900	9185	9002	8808	8372	7881	7364	6777	6063	4969															
	930	9537	9363	9180	8772	8308	7818	7285	6663	5862	4414														
5	1020	10584	10431	10271	9931	9545	9118	8674	8203	7675	7064	6267	4905												
	1110	11619	11482	11340	11042	10718	10358	9965	9560	9137	8681	8172	7588												

NOTES:

1. Performance certified is for Installation Type A: Free inlet, free outlet.
2. Power rating (BHP) does not include transmission losses.
3. Performance ratings do not include the effects of appurtenances (accessories).
4. The sound ratings shown are loudness values in fan sones at 5 ft. (1.5 m) in a hemispherical free field calculated per AMCA Standard 301.
5. Values shown are for Installation Type A: Free inlet fan sone levels.

Performance Data



360 ATB / ATBR

Max. Motor Frame = 184T

HP	RPM	STATIC PRESSURE (INCHES W.G.)																					
		0		0.125		0.25		0.375		0.50		0.75		1.00		1.25		1.50		1.75			
		CFM	Sone	CFM	Sone	CFM	Sone	CFM	Sone	CFM	Sone	CFM	Sone	CFM	Sone	CFM	Sone	CFM	Sone	CFM	Sone		
1/2	300	9106	7953	6246	3068																		
	320	0.31 8.7	0.38 7.2	0.44 6.7	0.36 5.4																		
3/4	340	10321	9326	8110	6174																		
	360	0.45 11.4	0.54 10.0	0.62 8.5	0.63 8.1																		
1	380	11535	10659	9664	8270	6400																	
	400	0.63 13.9	0.72 13.7	0.82 10.8	0.89 10.9	0.88 9.2																	
1-1/2	420	12749	11966	11098	10082	8617	6860																
	460	0.85 16.2	0.96 16.2	1.06 13.4	1.16 12.5	1.20 13.1	1.18 10.9																
2	480	13963	13254	12481	11636	10557	9135	7509	4855														
	494	1.12 18.6	1.23 18.6	1.35 16.6	1.47 14.7	1.56 14.7	1.58 14.7	1.54 12.6	1.31 11.9														
3	550	14570	13893	13161	12369	11435	10158	8684	6866														
	505	1.27 19.9	1.39 19.9	1.51 18.2	1.63 16.5	1.74 15.7	1.79 16.4	1.78 14.7	1.69 13.6														
5	630	14995	14339	13632	12871	12009	10843	9471	7929	5402													
	685	1.39 21	1.51 21	1.63 19.4	1.76 17.4	1.88 16.4	1.95 16.8	1.95 16.5	1.91 14.5	1.64 13.7													
7-1/2	820	15329	14688	14000	13262	12443	11371	10065	8603	6481													
	885	1.48 21	1.61 21	1.73 20	1.86 17.9	1.98 16.9	2.07 17.6	2.09 17.4	2.06 14.9	1.87 14.6													
1	420	16695	16109	15489	14828	14128	13334	12304	11110	9784	5821												
	450	1.92 25	2.05 25	2.18 25	2.32 22	2.46 20	2.59 19.9	2.68 20	2.70 20	2.67 18.2	2.24 16.6												
2	570	17454	16895	16306	15682	15026	14312	13451	12365	11186	8327												
	600	2.19 26	2.33 26	2.47 26	2.61 25	2.76 23	2.91 21	3.02 22	3.08 22	3.08 21	2.91 18.1												
3	655	19124	18616	18085	17530	16947	16340	15682	14915	13964	11797	9133											
	700	2.88 32	3.03 32	3.19 32	3.34 30	3.50 28	3.66 27	3.82 25	3.95 25	4.03 26	4.04 24	3.83 22											
5	820	20793	20327	19845	19343	18821	18278	17715	17111	16429	14669	12634	10251										
	885	3.70 38	3.87 38	4.03 38	4.20 38	4.37 36	4.54 33	4.72 31	4.90 30	5.04 30	5.20 30	5.19 28	4.99 24										

360-HP ATB / ATBR

Max. Motor Frame = 213T

HP	RPM	STATIC PRESSURE (INCHES W.G.)																							
		0.50		0.625		0.75		1.00		1.25		1.50		1.75		2.00		2.25		2.50		2.75		3.00	
		CFM	Sone	CFM	Sone	CFM	Sone	CFM	Sone	CFM	Sone	CFM	Sone	CFM	Sone	CFM	Sone	CFM	Sone	CFM	Sone	CFM	Sone	CFM	Sone
1	420	6363	5408	3478																					
	450	0.79 9.1	0.83 8.3	0.74 8.1																					
1-1/2	480	7209	6513	5477																					
	503	0.93 10.6	1.00 10.1	1.02 9.6																					
2	515	8024	7415	6695																					
	530	1.08 11.4	1.16 12.0	1.23 10.8																					
3	570	8640	8057	7451	5428																				
	600	1.20 12.1	1.29 12.9	1.38 12.9	1.39 11.7																				
5	700	8956	8385	7810	6099																				
	775	1.27 12.8	1.36 13.6	1.45 13.7	1.53 12.3																				
7-1/2	820	9345	8791	8242	6787																				
	885	1.36 13.6	1.46 13.8	1.55 14.6	1.67 13.0																				
1	420	10346	9861	9344	8264	6514																			
	450	1.62 15.3	1.73 15.3	1.84 16.2	2.02 15.6	2.06 14.8																			
2	570	11067	10638	10153	9174	7897	5501																		
	600	1.84 17.1	1.96 16.9	2.07 16.9	2.28 18.0	2.42 16.3	2.24 15.8																		
3	655	12345	11996	11596	10703	9791	8558	6490																	
	700	2.29 21	2.43 19.9	2.56 19.7	2.80 20	3.02 20	3.15 18.4	3.00 18.5																	
5	775	13367	13057	12717	11916	11081	10183	8930	6922																
	820	2.70 23	2.86 23	3.00 22	3.27 22	3.52 23	3.74 22	3.86 21	3.66 21																
7-1/2	885	15038	14773	14493	13862	13118	12365	11584	10611	9274	7137														
	885	3.51 27	3.69 26	3.85 25	4.18 24	4.47 24	4.74 26	5.00 25	5.19 24	5.22 24	4.83 24														
1	420	16026	15782	15526	14969	14310	13590	12882	12125	11180	9924	8056													
	450	4.07 30	4.26 30	4.44 28	4.79 27	5.11 26	5.41 27	5.70 27	5.96 27	6.15 26	6.19 26	5.87 26													
2	570	17441	17221	16992	16506	15959	15328	14660	14005	13322	12525	11510	10198												
	600	4.99 33	5.19 33	5.39 32	5.77 31	6.14 29	6.48 29	6.81 30	7.12 31	7.41 31	7.65 30	7.78 29	7.72 30												

NOTES:

1. Performance certified is for Installation Type A: Free inlet, free outlet.
2. Power rating (BHP) does not include transmission losses.
3. Performance ratings do not include the effects of appurtenances (accessories).
4. The sound ratings shown are loudness values in fan sones at 5 ft. (1.5 m) in a hemispherical free field calculated per AMCA Standard 301.
5. Values shown are for Installation Type A: Free inlet fan sone levels.



Performance Data



420 ATB

Max. Motor Frame = 213T

HP	RPM	STATIC PRESSURE (INCHES W.G.)																							
		0		0.125		0.25		0.375		0.50		0.625		0.75		1.00		1.25		1.50		1.75		2.00	
		CFM	Sone	CFM	Sone	CFM	Sone	CFM	Sone	CFM	Sone	CFM	Sone	CFM	Sone	CFM	Sone	CFM	Sone	CFM	Sone	CFM	Sone	CFM	Sone
1/2	230	9194	8009	6065																					
	260	10393	9364	8097																					
3/4	290	11592	10684	9667	8042																				
	320	12791	11977	11084	10008	8157																			
1-1/2	365	14590	13884	13122	12313	11292	9693																		
	405	16189	15557	14886	14176	13420	12439	11003																	
3	435	17388	16802	16185	15533	14859	14107	13082	9819																
	460	18387	17834	17256	16648	16019	15356	14574	12131																
5	505	20186	19684	19164	18622	18057	17481	16874	15280	12817															
	550	21985	21525	21051	20562	20056	19532	19002	17833	16119	13768														
7-1/2	590	23583	23156	22717	22266	21801	21322	20832	19817	18599	16790	14511													
	630	25182	24783	24374	23955	23525	23084	22630	21705	20704	19426	17623	15446												

480 ATB

Max. Motor Frame = 213T

HP	RPM	STATIC PRESSURE (INCHES W.G.)																							
		0		0.125		0.25		0.375		0.50		0.625		0.75		0.875		1.125		1.00		1.25		1.50	
		CFM	Sone	CFM	Sone	CFM	Sone	CFM	Sone	CFM	Sone	CFM	Sone	CFM	Sone	CFM	Sone	CFM	Sone	CFM	Sone	CFM	Sone	CFM	Sone
1/2	195	10945	9191	5902																					
	210	11787	10139	7771																					
3/4	240	13471	11992	10523	7433																				
	265	14874	13524	12298	10274	5367																			
1-1/2	305	17119	15938	14837	13724	11769	8678																		
	335	18803	17723	16688	15742	14525	12580	9692																	
3	355	19925	18905	17916	17013	16048	14490	12557	8406																
	380	21329	20373	19444	18572	17735	16681	15024	13180	9183															
5	420	23574	22707	21860	21035	20277	19510	18564	17141	15543	13549	8741													
	455	25538	24737	23951	23180	22446	21756	21036	20155	18891	17415	15845													
7-1/2	490	27503	26757	26025	25304	24598	23940	23300	22624	21817	20713	19342	16340												
	520	29187	28483	27791	27109	26437	25791	25184	24577	23930	23162	22143	19588												

NOTES:

1. Performance certified is for Installation Type A: Free inlet, free outlet.
2. Power rating (BHP) does not include transmission losses.
3. Performance ratings do not include the effects of appurtenances (accessories).
4. The sound ratings shown are loudness values in fan sones at 5 ft. (1.5 m) in a hemispherical free field calculated per AMCA Standard 301.
5. Values shown are for Installation Type A: Free inlet fan sone levels.



Typical Specifications – ACX/ACXD

Roof mounted exhaust fans shall be of the centrifugal type, Model ACX (belt driven) and Model ACXD (direct drive), as manufactured by Aerovent, Minneapolis, Minnesota.

PERFORMANCE — Fans shall be tested in accordance with AMCA 210 and AMCA 300 test codes for air moving devices and shall be guaranteed by the manufacturer to deliver rated published performance levels. Fans shall be licensed to bear the AMCA certified ratings seal for both sound and air. Models shall be cULus 705 listed.

CONSTRUCTION — Fans shall be constructed of spun aluminum and shall offer finish durability and aesthetic appearance. Fan spinings shall have a rolled bead edge for rigidity. All units have a deep venturi inlet to prevent snow and rain entry into the building. The curb cap shall include prepunched mounting holes for ease of installation. A conduit chase constructed of electrical metallic tubing shall be provided to the motor compartment. The curb base shall have continuously welded corners for maximum leak protection. Lifting lugs shall be provided inside the motor compartment for ease of handling and installation. Fans shall bear a permanently attached nameplate displaying model and serial number of the unit for future identification.

MOTOR AND DRIVE ASSEMBLY — Motor and drive assembly shall be mounted on vibration isolators to eliminate vibration and noise transmission into the ductwork. Motors and drives shall be mounted out of the exhaust airstream.

WHEEL — Fan wheels shall be of the centrifugal backward inclined type, containing a matching inlet venturi for optimum unit performance. Wheels shall be statically and dynamically balanced.

SHAFT — Fan shafts shall be precision-ground and polished. Shafts shall have a first critical speed of at least 125% of the fan's maximum operating speed.

BEARINGS — Bearings shall be of the one-piece, pillow block type with relubricable zerk fittings. Bearings shall be designed for air handling service with a minimum L-10 life in excess of 100,000 hours; L-50 500,000 hours at the maximum cataloged operating speed. Bearing mounting plate shall have self-aligning tabs for exact locating and alignment of bearings.

DRIVE — Drive assembly shall be constructed of heavy-gauge galvanized steel. Drives shall be sized for a minimum of 150% of driven horsepower. Machined, cast iron motor sheaves shall be adjustable for final system balance.

MOTOR — Motors shall be heavy-duty ball bearing type, closely matched to the fan load. All single-phase motors shall contain thermal overload protection. All motors shall be UL and /or CSA recognized. Motor adjustment shall allow precise belt tensioning for optimum belt life and one-person adjustment and servicing.

DISCONNECT SWITCH — A NEMA 1 disconnect switch shall be supplied with wiring leading from the motor to the junction box (ODP and TEFC motors).

ACCESSORIES — When specified, accessories such as backdraft damper, roof curb, curb hinge, retaining chain, security hasp, variable speed controller, NEMA-3R, 4 disconnect switch, 2-speed switch, firestat, aluminum bird screen, aluminum insect screen, and special coatings shall be provided by Aerovent to maintain one source responsibility.

FACTORY RUN TEST — All fans prior to shipment shall be completely assembled and test run as a unit at operating speed or maximum RPM allowed for the particular construction type. Each wheel shall be statically and dynamically balanced in accordance with ANSI/AMCA 204-96 "Balance Quality and Vibration Levels for Fans" to Fan Application Category BV-3, Balance Quality Grade G6.3. Balance readings shall be taken by electronic type equipment in the axial, vertical, and horizontal directions on each of the bearings. Records shall be maintained and a written copy shall be available upon request.

GUARANTEE — The manufacturer shall guarantee the workmanship and materials for its roof and wall mounted centrifugal exhaust fans for at least one (1) year from startup or eighteen (18) months from shipment, whichever occurs first.

Typical Specifications – ATD/ATDW

Roof and wall mounted exhaust fans shall be of the direct drive centrifugal type and shall be ATD (upblast); ATDW (wall mount); as manufactured by Aerovent, Minneapolis, Minnesota.

PERFORMANCE — Fans shall be tested in accordance with AMCA 210 and AMCA 300 test codes for air moving devices and shall be guaranteed by the manufacturer to deliver rated published performance levels. Fans shall be licensed to bear the AMCA certified ratings seal for both sound and air. Models ATD and ATDW shall be cULus 705 listed.

CONSTRUCTION — Fans shall be constructed of aluminum for durability and appearance. Fan spinnings shall have a rolled bead edge for rigidity. Units shall have a deep venturi inlet to prevent snow and rain entry into the building. The curb cap shall include prepunched mounting holes for ease of installation. A conduit chase constructed of electrical metallic tubing shall be provided to the motor compartment. The curb base shall have continuously welded corners for maximum leak protection. Lifting lugs shall be provided inside the motor compartment for ease of handling and installation. Fans shall bear a permanently attached nameplate displaying model and serial number of the unit for future identification.

MOTOR ASSEMBLY — Motor assembly shall be mounted on vibration isolators to eliminate vibration and noise transmission into the ductwork. Motors shall be mounted out of the exhaust airstream and shall have a cooling tube that provides air separate from the exhaust.

EASE OF SERVICE — No tools shall be needed to access motor compartment for inspection of motor and drive components.

WHEEL — Fan wheels shall be of the centrifugal backward inclined type, constructed of aluminum and containing a matching inlet venturi for optimum unit performance. Wheels shall be statically and dynamically balanced.

MOTOR — Motors shall be heavy-duty ball bearing type, closely matched to the fan load. All single-phase motors shall contain thermal overload protection. All motors shall be UL and /or CSA recognized. Motors for use with speed control shall provide good speed controllability without any objectionable noise.

DISCONNECT SWITCH — A NEMA 1 disconnect switch shall be supplied with wiring leading from the motor to the junction box on models ATD and ATDW.

FINISH AND COATING — Fans shall be constructed of aluminum. Optional coatings shall be available.

ACCESSORIES — When specified, accessories such as backdraft damper, roof curb, curb hinge, retaining chain, security hasp, variable speed controller, NEMA-4 disconnect switch, 2-speed switch, firestat, aluminum bird screen, aluminum insect screen, and special coatings shall be provided by Aerovent to maintain one source responsibility.

FACTORY RUN TEST — All fans prior to shipment shall be completely assembled and test run as a unit at operating speed or maximum RPM allowed for the particular construction type. Each wheel shall be statically and dynamically balanced in accordance with ANSI/AMCA 204-96 "Balance Quality and Vibration Levels for Fans" to Fan Application Category BV-3, Balance Quality Grade G6.3. Balance readings shall be taken by electronic type equipment in the axial, vertical, and horizontal directions on each of the bearings. Records shall be maintained and a written copy shall be available upon request.

GUARANTEE — The manufacturer shall guarantee the workmanship and materials for its roof and wall mounted centrifugal exhaust fans for at least one (1) year from startup or eighteen (18) months from shipment, whichever occurs first.



Typical Specifications – ATB/AWX

Roof and wall mounted exhaust fans shall be of the belt driven centrifugal type and shall be ATB (upblast); AWX (wall mount); and as manufactured by Aerovent, Minneapolis, Minnesota.

PERFORMANCE — Fans shall be tested in accordance with AMCA 210 and AMCA 300 test codes for air moving devices and shall be guaranteed by the manufacturer to deliver rated published performance levels. Fans shall be licensed to bear the AMCA certified ratings seal for both sound and air. Models ATB and AWX shall be cULus 705 listed.

CONSTRUCTION — Models ATB, AWX shall be constructed of aluminum for durability and appearance. Fan spinings shall have a rolled bead edge for rigidity. Units shall have a deep venturi inlet to prevent snow and rain entry into the building. The curb cap shall include prepunched mounting holes for ease of installation. A conduit chase constructed of electrical metallic tubing shall be provided to the motor compartment. The curb base shall have continuously welded corners for maximum leak protection. Lifting lugs shall be provided inside the motor compartment for ease of handling and installation. Fans shall bear a permanently attached nameplate displaying model and serial number of the unit for future identification.

MOTOR AND DRIVE ASSEMBLY — Motor and drive assembly shall be mounted on vibration isolators to eliminate vibration and noise transmission into the ductwork. Motors and drives shall be mounted out of the exhaust airstream and shall have a cooling tube that provides air separate from the exhaust.

EASE OF SERVICE — No tools shall be needed to access motor compartment for inspection of motor and drive components.

WHEEL — Fan wheels shall be of the centrifugal backward inclined type, containing a matching inlet venturi for optimum unit performance. Fan wheels on models ATB, AWX and shall be constructed of aluminum. Wheels shall be statically and dynamically balanced.

SHAFT — Fan shafts shall be precision-ground and polished. Shafts shall have a first critical speed of at least 125% of the fan's maximum operating speed.

BEARINGS — Bearings shall be of the one-piece, pillow block type with relubricable zerk fittings. Bearings shall be designed for air handling service with a minimum L-10 life in excess of 100,000 hours; L-50 500,000 hours at the maximum cataloged operating speed. Bearing mounting plate shall have self-aligning tabs for exact locating and alignment of bearings.

DRIVE — Drive assembly shall be constructed of heavy-gauge galvanized steel. Drives shall be sized for a minimum of 150% of driven horsepower. Machined, cast iron motor sheaves shall be adjustable for final system balance.

MOTOR — Motors shall be heavy-duty ball bearing type, closely matched to the fan load. All single-phase motors shall contain thermal overload protection. All motors shall be UL and /or CSA recognized. Motor adjustment shall allow precise belt tensioning for optimum belt life and one-person adjustment and servicing.

DISCONNECT SWITCH — A NEMA 1 disconnect switch shall be supplied with wiring leading from the motor to the junction box on models ATB and AWX.

FINISH AND COATING — Models ATB, AWX and shall be constructed of aluminum. Optional coatings shall be available.

ACCESSORIES — When specified, accessories such as backdraft damper, roof curb, curb hinge, retaining chain, security hasp, NEMA-4 disconnect switch, 2-speed switch, firestat, steel premium grease fan construction, aluminum bird screen, aluminum insect screen, and special coatings shall be provided by Aerovent to maintain one source responsibility.

FACTORY RUN TEST — All fans prior to shipment shall be completely assembled and test run as a unit at operating speed or maximum RPM allowed for the particular construction type. Each wheel shall be statically and dynamically balanced in accordance with ANSI/AMCA 204-96 "Balance Quality and Vibration Levels for Fans" to Fan Application Category BV-3, Balance Quality Grade G6.3. Balance readings shall be taken by electronic type equipment in the axial, vertical, and horizontal directions on each of the bearings. Records shall be maintained and a written copy shall be available upon request.

GUARANTEE — The manufacturer shall guarantee the workmanship and materials for its roof and wall mounted centrifugal exhaust fans for at least one (1) year from startup or eighteen (18) months from shipment, whichever occurs first.

Typical Specifications – ATDR/ATDWR

Roof and wall mounted exhaust fans shall be of the direct drive centrifugal type and shall be ATDR (upblast kitchen exhaust); and ATDWR (wall mount kitchen exhaust) as manufactured by Aerovent, Minneapolis, Minnesota.

PERFORMANCE — Fans shall be tested in accordance with AMCA 210 and AMCA 300 test codes for air moving devices and shall be guaranteed by the manufacturer to deliver rated published performance levels. Fans shall be licensed to bear the AMCA certified ratings seal for both sound and air. Models ATDR and ATDWR shall be cULus 762 listed for the exhaust of grease-laden air.

CONSTRUCTION — Fans shall be constructed of aluminum for durability and appearance. Fan spinnings shall have a rolled bead edge for rigidity. Units shall have a deep venturi inlet to prevent snow and rain entry into the building. The curb cap shall include prepunched mounting holes for ease of installation. A conduit chase constructed of electrical metallic tubing shall be provided to the motor compartment. The curb base shall have continuously welded corners for maximum leak protection. Lifting lugs shall be provided inside the motor compartment for ease of handling and installation. Fans shall bear a permanently attached nameplate displaying model and serial number of the unit for future identification.

MOTOR ASSEMBLY — Motor assembly shall be mounted on vibration isolators to eliminate vibration and noise transmission into the ductwork. Motors shall be mounted out of the exhaust airstream and shall have a cooling tube that provides air separate from the exhaust.

EASE OF SERVICE — No tools shall be needed to access motor compartment for inspection of motor and drive components.

WHEEL — Fan wheels shall be of the centrifugal backward inclined type, constructed of aluminum and containing a matching inlet venturi for optimum unit performance. Wheels shall be statically and dynamically balanced.

MOTOR — Motors shall be heavy-duty ball bearing type, closely matched to the fan load. All single-phase motors shall contain thermal overload protection. All motors shall be UL and /or CSA recognized. Motors for use with speed control shall provide good speed controllability without any objectionable noise.

DISCONNECT SWITCH — A NEMA 3R disconnect switch shall be supplied with wiring leading from the motor to a junction box located outside of the motor compartment on models ATDR and ATDWR.

FINISH AND COATING — Fans shall be constructed of aluminum. Optional coatings shall be available.

ACCESSORIES — When specified, accessories such as backdraft damper, roof curb, curb hinge, retaining chain, security hasp, variable speed controller, NEMA-4 disconnect switch, 2-speed switch, firestat, aluminum bird screen, aluminum insect screen, and special coatings shall be provided by Aerovent to maintain one source responsibility.

FACTORY RUN TEST — All fans prior to shipment shall be completely assembled and test run as a unit at operating speed or maximum RPM allowed for the particular construction type. Each wheel shall be statically and dynamically balanced in accordance with ANSI/AMCA 204-96 "Balance Quality and Vibration Levels for Fans" to Fan Application Category BV-3, Balance Quality Grade G6.3. Balance readings shall be taken by electronic type equipment in the axial, vertical, and horizontal directions on each of the bearings. Records shall be maintained and a written copy shall be available upon request.

GUARANTEE — The manufacturer shall guarantee the workmanship and materials for its roof and wall mounted centrifugal exhaust fans for at least one (1) year from startup or eighteen (18) months from shipment, whichever occurs first.



Typical Specifications – ATBR/AWXR

Roof and wall mounted exhaust fans shall be of the belt driven centrifugal type and shall be ATBR (upblast kitchen exhaust); and AWXR (wall mount kitchen exhaust) as manufactured by Aerovent, Minneapolis, Minnesota.

PERFORMANCE — Fans shall be tested in accordance with AMCA 210 and AMCA 300 test codes for air moving devices and shall be guaranteed by the manufacturer to deliver rated published performance levels. Fans shall be licensed to bear the AMCA certified ratings seal for both sound and air. Models ATBR and AWXR shall be cULus 762 listed for the exhaust of grease-laden air.

CONSTRUCTION — Models ATBR, and AWXR shall be constructed of aluminum for durability and appearance. Fan spinings shall have a rolled bead edge for rigidity. Units shall have a deep venturi inlet to prevent snow and rain entry into the building. The curb cap shall include prepunched mounting holes for ease of installation. A conduit chase constructed of electrical metallic tubing shall be provided to the motor compartment. The curb base shall have continuously welded corners for maximum leak protection. Lifting lugs shall be provided inside the motor compartment for ease of handling and installation. Fans shall bear a permanently attached nameplate displaying model and serial number of the unit for future identification.

MOTOR AND DRIVE ASSEMBLY — Motor and drive assembly shall be mounted on vibration isolators to eliminate vibration and noise transmission into the ductwork. Motors and drives shall be mounted out of the exhaust airstream and shall have a cooling tube that provides air separate from the exhaust.

EASE OF SERVICE — No tools shall be needed to access motor compartment for inspection of motor and drive components.

WHEEL — Fan wheels shall be of the centrifugal backward inclined type, containing a matching inlet venturi for optimum unit performance. Fan wheels on models ATBR, and AWXR shall be constructed of aluminum. Wheels shall be statically and dynamically balanced.

SHAFT — Fan shafts shall be precision-ground and polished. Shafts shall have a first critical speed of at least 125% of the fan's maximum operating speed.

BEARINGS — Bearings shall be of the one-piece, pillow block type with relubricable zerk fittings. Bearings shall be designed for air handling service with a minimum L-10 life in excess of 100,000 hours; L-50 500,000 hours at the maximum cataloged operating speed. Bearing mounting plate shall have self-aligning tabs for exact locating and alignment of bearings.

DRIVE — Drive assembly shall be constructed of heavy-gauge galvanized steel. Drives shall be sized for a minimum of 150% of driven horsepower. Machined, cast iron motor sheaves shall be adjustable for final system balance.

MOTOR — Motors shall be heavy-duty ball bearing type, closely matched to the fan load. All single-phase motors shall contain thermal overload protection. All motors shall be UL and /or CSA recognized. Motor adjustment shall allow precise belt tensioning for optimum belt life and one-person adjustment and servicing.

DISCONNECT SWITCH — A NEMA 3R disconnect switch shall be supplied with wiring leading from the motor to a junction box located outside of the motor compartment on models ATBR and AWXR.

FINISH AND COATING — Models ATBR, and AWXR shall be constructed of aluminum. Optional coatings shall be available.

ACCESSORIES — When specified, accessories such as backdraft damper, roof curb, curb hinge, retaining chain, security hasp, NEMA-4 disconnect switch, 2-speed switch, firestat, steel premium grease fan construction, aluminum bird screen, aluminum insect screen, and special coatings shall be provided by Aerovent to maintain one source responsibility.

FACTORY RUN TEST — All fans prior to shipment shall be completely assembled and test run as a unit at operating speed or maximum RPM allowed for the particular construction type. Each wheel shall be statically and dynamically balanced in accordance with ANSI/AMCA 204-96 "Balance Quality and Vibration Levels for Fans" to Fan Application Category BV-3, Balance Quality Grade G6.3. Balance readings shall be taken by electronic type equipment in the axial, vertical, and horizontal directions on each of the bearings. Records shall be maintained and a written copy shall be available upon request.

GUARANTEE — The manufacturer shall guarantee the workmanship and materials for its roof and wall mounted centrifugal exhaust fans for at least one (1) year from startup or eighteen (18) months from shipment, whichever occurs first.

©2007 Aerovent

Catalog illustrations cover the general appearance of Aerovent products at the time of publication and we reserve the right to make changes in design and construction at any time without notice.

**PROPELLER FANS | TUBEAXIAL & VANEAXIAL FANS | CENTRIFUGAL FANS & BLOWERS | ROOF VENTILATORS
INDUSTRIAL AIR HANDLERS | AIR MAKE-UP | FIBERGLASS FANS | CUSTOM FANS**



AEROVENT
A Twin City Fan Company

AEROVENT 
INDUSTRIAL VENTILATION SYSTEMS

WWW.AEROVENT.COM

5959 Trenton Lane N | Minneapolis, MN 55442 | Phone: 763-551-7500 | Fax: 763-551-7501