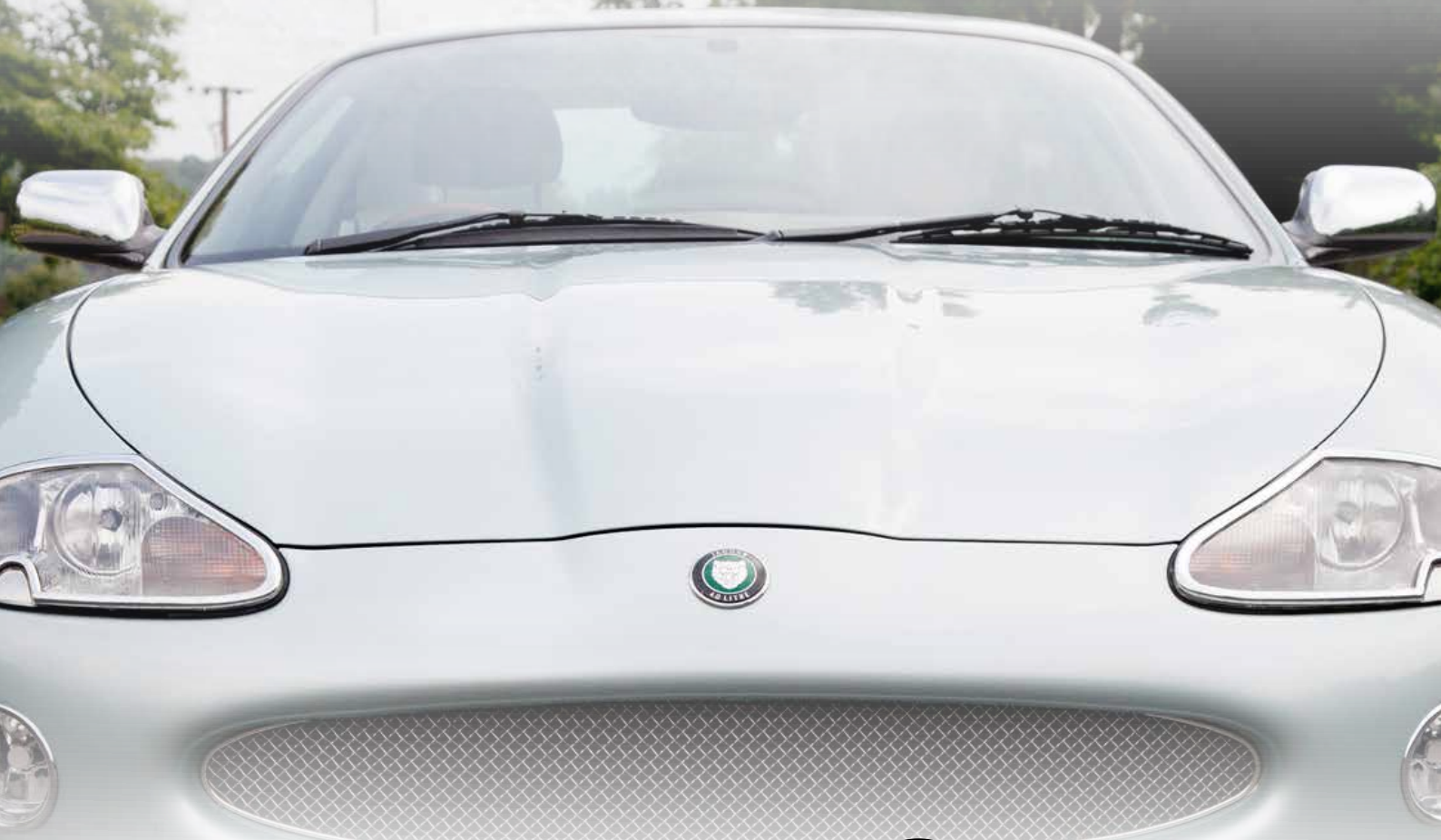


S·N·G  
**BARRATT**  
GROUP



**XK8**

**THE PARTS COLLECTION**

## FIND US...

With over 30 years experience in supplying Jaguar parts, SNG Barratt Group are the World's largest independent specialists, with a Head Office in the UK and branches in the USA, France and Holland. We stock and supply parts for Jaguar cars from 1949 right through to the present day.



**SNG BARRATT LTD**  
BRIDGNORTH, UNITED KINGDOM

T: +44 (0)1746 765432 E: sales.uk@sngbarratt.com



**SNG BARRATT USA**  
NEW HAMPSHIRE, USA

T: +1 800 452 4787 E: sales.usa@sngbarratt.com



**SNG BARRATT FRANCE**  
CHARNEY-LES-MACON

T: +33 (0)3 85 20 14 20 E: france@sngbarratt.com



**SNG BARRATT NL**  
OISTERWIJK

T: +31 (0)1352 11 552 E: sales.nl@sngbarratt.com



**SNG BARRATT GERMANY**  
OISTERWIJK, NL

T: 018 01 833 833 (DE only) E: sales.de@sngbarratt.com

ALL INCLUDED IMAGES & DATA  
© SNG BARRATT GROUP LTD. 2018

# KEEPING JAGUARS PURRING

## ALL OVER THE WORLD

EXPERIENCE, KNOWLEDGE  
& EXPERT ADVICE

MULTILINGUAL STAFF TO HELP  
CUSTOMERS WORLDWIDE

EXTENSIVE WAREHOUSES

1-2 DAY SHIPPING

24 HOUR ONLINE ORDERING &  
UP-TO-DATE STOCK AVAILABILITY

INTERACTIVE PARTS SEARCH  
& FREE CATALOGUES



## WELCOME

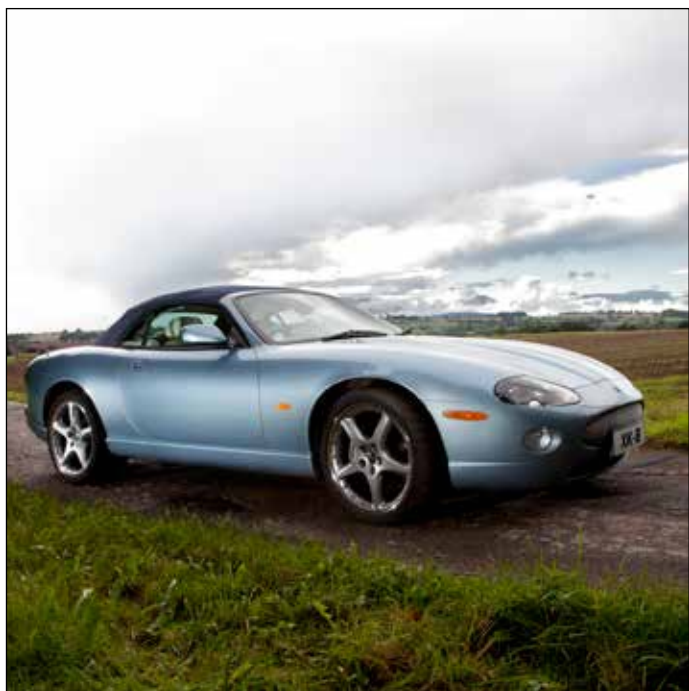
SNG Barratt first started to sell and remanufacture Jaguar E-Type components in the 1970's. With constant re-investment the range quickly grew and more and more items were re-introduced. Now many years later we make a multitude of parts for the entire range of classic Jaguars. This catalogue is designed purely with the XK8 owner in mind and offers a comprehensive range of the products that we can provide.



## YOUR CUSTOMER NUMBER

Upon dealing with SNG Barratt for the first time you will be allocated a customer number. In most cases this will be your UK postcode or in the USA your telephone number. However if you are outside the UK/USA your sales advisor will use either your postal area code or a number devised using your surname. This customer number can either be found on your invoice or simply by asking the person serving you. The ability to provide your customer number when contacting our sales department will allow us to access your information far faster and serve you even more efficiently.

**CUSTOMER NUMBER:** .....



## HOW TO USE THIS CATALOGUE

Use the illustration in each section to identify the component that you require. Note the indicated item number and find the corresponding number in the section listing. There you will see our part number for that item, the description and to it's right the quantity required per car. Very often this will be the original Jaguar part number, thus allowing you to refer to an original factory parts catalogue if more detail is required.

If you then quote this part number when contacting our sales department or enter it into our website, we will be able to confirm the cost (all prices are also available online) and whether we have the part in stock.

If you cannot find or conclusively identify the item that you require then please call and we will aim to assist you. Whilst this catalogue is a comprehensive publication it is not a definitive guide to everything that we do. Our staff have many years of experience with all aspects of the Jaguar marque and may have just the answer...

Item number	Description	Part number	Quantity required per car	
0L				
AJ81444	1	8. Pan head torx screw	C2C25942	16
AJ81445	1	9. Upper gasket (from VIN A30645)	AJ82528	2
C2C25942	16	10. Flange headed screw		10
NCC3018AB	2	11. Induction manifold adapt (from VIN A30645 to A36873)		
C2540512	10	RH A - bank	AJ89098	1
aptor 4.0L		LH B - bank (from VIN A36874)	AJ89099	1
AJ81298	2	RH A - bank	AJ89952	1
NCC3020AA	2	LH B - bank	AJ89953	1
2L		12. Manifold gasket (from VIN A30645 to A36873)	AJ85392	2
AJ88563	1			

We manufacture hundreds of Jaguar parts and have access to thousands more, for both classic and modern cars.

You can download your very own set of catalogues from our website at

[www.sngbarratt.com](http://www.sngbarratt.com)

# INTRODUCTION

## XK8

The XK8, (factory code X100), was launched by Jaguar Cars at the Geneva motor show in March 1996. The new Jaguar was available in coupé or convertible body styles with the new 4.0 litre Jaguar AJ-V8 engine under the bonnet. In May 1998 the XKR was introduced with a supercharged version of the V8 engine and uprated suspension for superior handling. From 2003 the engines were replaced by the 4.2 litre AJ34 power unit in both the normally aspirated and supercharged versions.

The first-generation XK series shared its platform with the Aston Martin DB7. Both cars were derived from an extensively modified Jaguar XJS floor pan. One of the revisions was the use of the second generation of Jaguar's IRS unit, taken from the XJ40. The XK8 and XKR are both electronically limited to a maximum of 155.4 miles per hour (250.1 km/h).

In standard form, the XK8 came with 17" alloy wheels, while 18" (Standard on the XKR), 19", and 20" wheels are available for additional cost. A navigation system and self-leveling xenon headlamps came as standard with the XKR and as options for the XK8. Jaguar's Adaptive Cruise Control was an optional feature available on both models. Both were equipped with all-leather interior, burr walnut trim, and side airbags. Initially the ZF 5HP24 5-speed automatic transmission was coupled to the conventionally aspirated 4.0 Litre and a Mercedes W5A580 5-speed transmission to the supercharged version, but in 2002 the new ZF 6HP26 6-speed automatic transmission was fitted in both versions of the 4.2L. Several special editions were produced in limited numbers, such as the 'Silverstone', to celebrate Jaguar's return to formula one racing, the XKR100, celebrating the centenary of Sir William Lyons birth and the 'Portfolio' and 'Victory' special editions for the American market.

The last XK8 was produced in May 2005 with a final production total of over 91,000 units

## YOUR VEHICLE DETAILS

Please complete this section as accurate vehicle information at your finger tips will prove to be invaluable. Very often identifying the correct part for you car can be all down to chassis or engine number. These details can best be found on the car itself, as registration documents can often prove to be incorrect due to engine swaps and vehicle upgrades that the DVLA have not been advised of.

The Vehicle Identification Number comprises a series of letters and numbers representing (in code) such information as marque, model range, class, engine type etc.

Enter your VIN number below.

S A J

Enter your engine number here:

Enter your paint code here:

We have access to thousands of Jaguar parts. This information will help our team to quickly locate the best parts for your Jaguar XK8.



# GUIDE TO CONTENTS

## ENGINE

ENGINE BLOCK	4
ENGINE SUMP & OIL PUMP	6
DRIVEBELTS & PULLEYS	7
CYLINDER HEAD & CAM COVER	8
GASKET SETS	10
ENGINE & GEARBOX MOUNTINGS	11
TIMING COVER	12
TIMING CHAIN KITS	12
TIMING CHAIN & ADJUSTERS	13
OIL COOLER & PIPES	16
ENGINE COVER & FIXINGS	18
SUPERCHARGER INDUCTION MANIFOLD	19
SUPERCHARGER	20
EXHAUST MANIFOLD	21
INLET MANIFOLD	22

## COOLING SYSTEM

RADIATOR & HOSES	23
FAN & COWL ASSEMBLY	24
EXPANSION TANK & RECOVERY BOTTLE	24
THERMOSTAT HOUSING & WATER PUMP	25

## AIR & FUEL DELIVERY

AIR CLEANER & HOSES	27
BYPASS VALVE	28
THROTTLE BODY	29
FUEL TANK	30
FUEL FILLER & PIPE SYSTEM	32
ACCELERATOR PEDAL	33
INJECTORS & PIPES	34
CRANK CASE BREATHER SYSTEM	36

## TRANSMISSION & DRIVELINE

DRIVESHAFTS & DIFFERENTIAL	37
GEAR CHANGE CONTROL	38
GEARBOX	40
TORQUE CONVERTERS	41
GEARBOX CONTROL VALVE & SUMP	42
GEARBOX OIL COOLER PIPES	44

## BRAKING

HANDBRAKE MECHANISM	46
BRAKE BOOSTER & MASTER CYLINDER	47
ABS MODULATOR	48
BREMBO BRAKES	49
GREENSTUFF BRAKE PADS	49
FRONT BRAKE PIPES	50
FRONT DISCS & CALIPERS	51
REAR BRAKE PIPES	52
REAR DISCS & CALIPERS	53

## STEERING & SUSPENSION

ARB & CROSSMEMBER	54
POWER STEERING PUMP	55
STEERING SENSORS	55
REAR HUB ASSEMBLY	56
STEERING RACK	57
ROAD SPRINGS & DAMPERS	58
UPPER STEERING COLUMN	60
PAS HOSES & LOWER STEERING COLUMN	61
FRONT WISHBONES	62
HUB & VERTICAL LINK	63
REAR FRAME CARRIER	64
REAR WISHBONES	65
WHEELS & ANCILLARIES	66
SPARE WHEEL, STEERING WHEEL & AIRBAGS	68

## EXHAUST COMPONENTS

FRONT EXHAUST SYSTEM	69
REAR EXHAUST SYSTEM	70
EGR VALVE	71

## BODY

OUTER BODY PANELS	72
INNER BODY PANELS	73
CONVERTIBLE BRACING	74
HEATSHIELDS	75
CONVERTIBLE TOP	76
SIDE WINDOWS & DOOR MIRRORS	78
LOCKS, LATCHES & BOOT	80
DOOR HINGES & CHECK ARMS	82
FIXED GLASS	83
BADGES & MOULDINGS	84
BUMPERS	86
EXTERIOR FITTINGS	88
WEATHER SEALS	90
UNDER BONNET & BOOT STIFFENER	92

## LIGHTING

CONTROL MODULE & SIDE MARKER LAMPS	93
EXTERIOR LIGHTING	94
HID LIGHTING	95
INTERIOR LIGHTING	96
NUMBERPLATE LAMP & UPPER BRAKE LIGHTS	97
LIGHT BULB REFERENCE	97

## ELECTRICAL COMPONENTS

SPEED CONTROL EQUIPMENT	98
BATTERY & STARTER MOTOR	98
ALTERNATOR	99
ENGINE MANAGEMENT	100
ENGINE SENSORS	102
CONTROL MODULE HOUSING SENSORS & MODULES	103
DASH COMPONENTS & DOOR SWITCHES	105
CONTROL MODULE & PARKING SENSORS	106
STEERING COLUMN SWITCHES	107
CONSOLE SWITCHES & STEERING COLUMN COWL	108
WIRING LOOM & ANCILLARIES	109
AIRBAG SENSORS	110
HORN & SECURITY SYSTEMS	111

## AIR CONDITIONING & HEATING

AIR CONDITIONING UNIT	112
PARTICLE FILTER & BOOT AIR VENT	113
CONDENSOR & COMPRESSOR	113
AIR DISTRIBUTOR & BLOWER	114
CONTROL PANEL ASSEMBLY & SENSORS	115
WATER VALVE, PUMP & HOSES	116
HEATER PIPES	117
REFRIGERANT HOSES	118

## WASHER & WIPER

WIPERS & WASHER SYSTEMS	120
-------------------------	-----

## SERVICE ITEMS

	122
--	-----

## LUBRICANTS

	123
--	-----

## CLEANING PRODUCTS

	123
--	-----

## OVERMATS

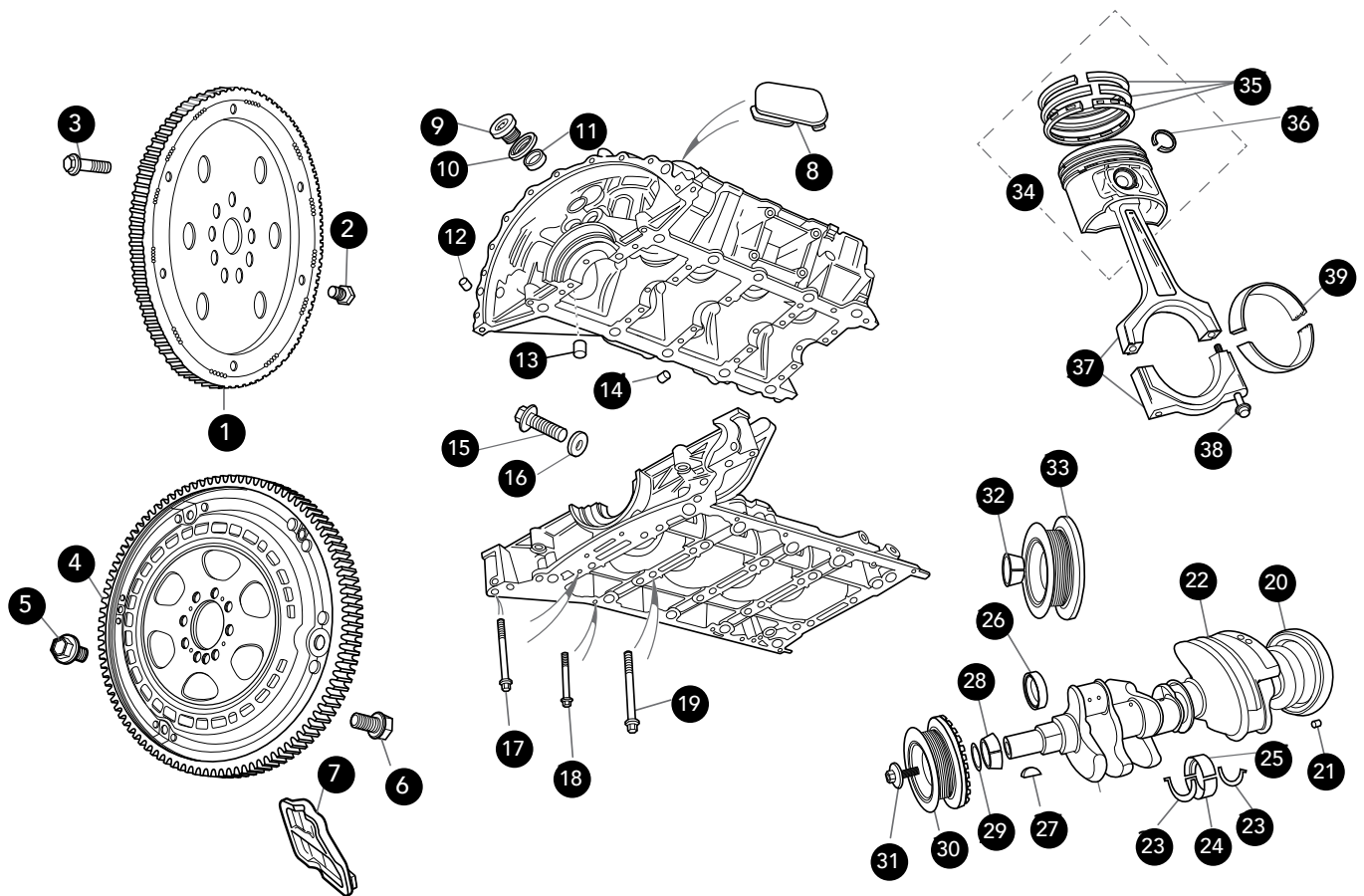
	123
--	-----

## CHROME ENHANCEMENTS

	124
--	-----

## INDEX

	125
--	-----



1. Drive plate, 4.0 Litre (to VIN 042775) Use with crank dowel (from VIN A00083 to A30644)	NCA1426CE AJ81478 AJ82327	1 1 1	12. Dowel, bell housing	C46021	2
2. Bolt, drive plate to crankshaft (to VIN 031302) (from VIN 031303)	JZB100058 JZB100096	8 8	13. Dowel, bed plate	EAZ2159	2
3. Setscrew, torque converter	EAC5580	3	14. Dowel, block	NCC1228AA	6
4. Drive plate, 4.2 Litre	AJ82327	1	15. Hex bolt	C2S27339	1
5. Setscrew, torque converter (from VIN A30645 to A36272) (from VIN A36273)	C2N1126 C2P7629	3 3	16. Washer	JWV110011	
6. Bolt, drive plate to crankshaft	JZB100096	8	17. Main bearing bolt 109.5mm	NCA1266BB	12
7. Cover, drive plate	C2C10161	1	18. Main bearing bolt 60mm	AJ811737	12
8. Engine cover, block valley	NCA1207AA	1	19. Main bearing bolt, 114mm (to VIN A40153) (from VIN A40154)	NCA1266AC AJ88530	10 10
9. screw plug, M30 x 1.5mm	AJ83734	2	20. Crankshaft rear oil seal	AJ83744	1
10. Sealing washer	AJ89646	2	21. Crankshaft dowel (to VIN 031302) (from VIN 031303)	EAZ2159 AJ81478	1 1
11. Core plug, 28mm	JZD10008	2	22. Crankshaft (to engine: 0108122359) (from engine: 0108130000)	JLM21735E AJ89617	1 1

23. Crankshaft thrust washer	NCE1412BA	2	Non supercharged, 4.0 Litre		
24. Crankshaft main bearing, lower			(to engine: 0008180924)	JLM20929	1
Contact salesman for grading availability		A/R	(from engine: 0008180925)	JLM21635	1
25. Crankshaft main bearing, Upper			Supercharged 4.2 Litre	C2C28473	1
Contact salesman for grading availability		A/R	Non supercharged 4.2 Litre	C2C28473	1
26. Crankshaft front oil seal	AJ83698	1	36. Piston pin circlip, 4.0 Litre	EAZ1268	2
27. Crankshaft Woodruff key	JZY100001	1	Piston pin circlip, 4.2 Litre		
28. Split collet, 4.0 Litre	AJ89854	1	Non supercharged		
29. Sealing ring	XR81139	1	(to VIN A40153)	AJ83592	2
30. Crankshaft damper, 4.0 Litre			(from VIN A40154)	EAZ1268	2
Supercharged			Supercharged	AJ83592	2
(to engine: 0108122359)	AJ82733	1	37. Connecting rod assembly, 4.0 Litre		
(from engine: 0108130000)	AJ85317	1		NCA1610BAE	8
Non supercharged			Connecting rod assembly, 4.2 Litre		
(to VIN 008242)	NCA1411AB	1	Supercharged	AJ812162	8
(from VIN 008243 to 042775)	AJ81330	1	Non supercharged	AJ812160	8
(From VINA00083 to A30644)			38. Connecting rod bolt, 4.0 Litre	NCA1614AA	2
to engine: 0108122359	AJ81330	1	Connecting rod bolt, 4.2 Litre	AJ82696	2
From engine: 010812230000	AJ85731	1	39. Big end bearing shells, 4.0 Litre		
31. Damper bolt	AJ89909	1	Blue	NCC1612BA2	A/R
32. Split collet, 4.2 Litre	AJ89854	1	Green	NCC1612BA3	A/R
33. Crankshaft damper 4.2 Litre			Yellow	NCC1612BA4	A/R
Supercharged	AJ811117	1	Big end bearing shells, 4.2 Litre (AJ34V8)		
Non supercharged	AJ811116	1	Green	AJ83903	A/R
34. Piston assembly			Blue	AJ83902	A/R
Contact salesman for availability		8	Yellow	AJ83904	A/R
35. Piston ring kit, 4.0 Litre					
Supercharged, 4.0 Litre					
(to engine: 0008180853)	JLM20929	1			
(from engine: 0008180854)	JLM21635	1			

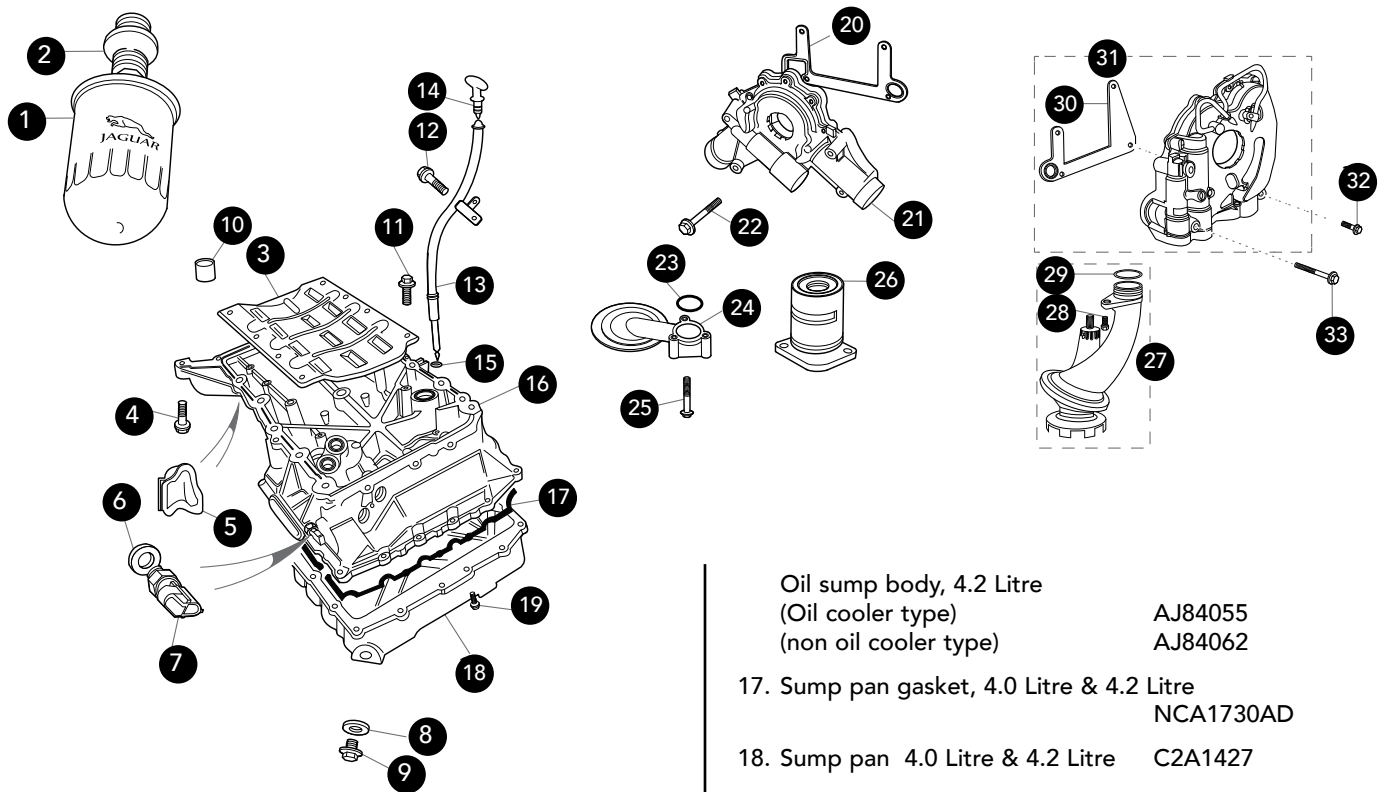
We stock a full range of quality Morris Lubricants that are entirely suitable for both the classic and current Jaguar range. Blending oils in Shrewsbury since 1869, Morris Lubricants products are a world-renowned for their premium quality and durability.



**MORRIS**  
LUBRICANTS

SEE PAGE 123 FOR FULL PRODUCT LIST & DETAILS.

# ENGINE SUMP & OIL PUMP

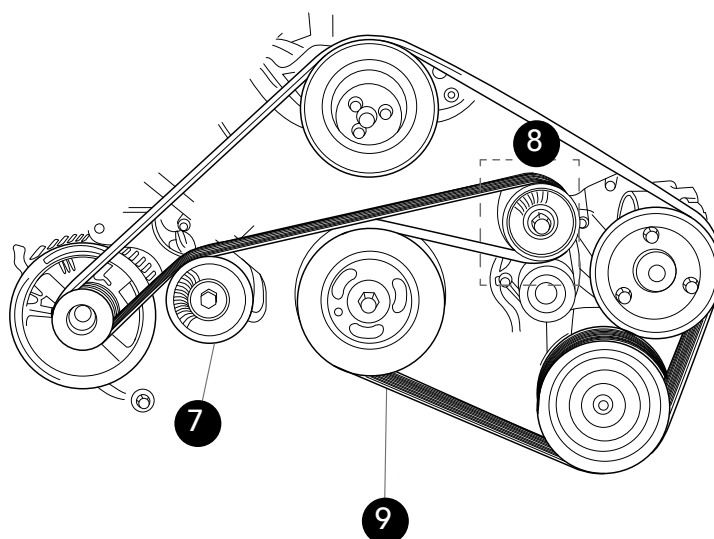
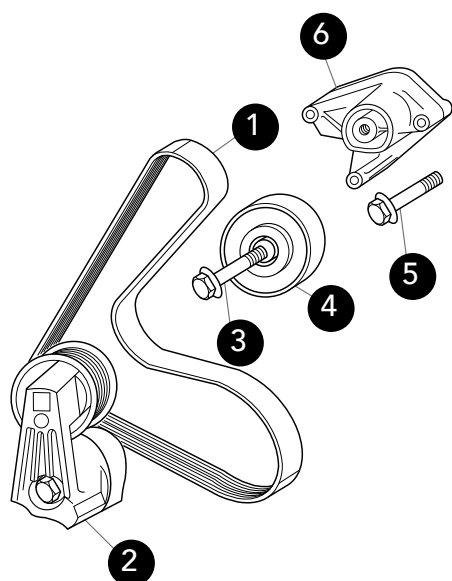


1. Oil filter, 4.0 Litre	EAZ1354	1
Oil filter, 4.2 Litre	C2C41611	1
2. Oil filter adaptor	NCA1702AB	1
3. Windage tray	NCA1832AA	1
4. Hex headed bolt, M8	JFB10808E	16
5. Access plug, 4.0 Litre	EAZ2027	1
6. Sealing washer (to VIN 042775) (from VIN A00083)	AJ83017 JWV110004	1 1
7. Oil pressure switch, 4.0 Litre	AJ84853	1
8. Sump plug washer	JWV114003	1
9. Drain plug/washer	AJ83017	1
10. Dowel	EAZ2159	1
11. Windage tray screw, M5	FA105101J	8
12. Dipstick tube bolt	C2S45769	1
13. Engine oil dipstick tube	NNE1706AC	1
14. Engine oil dipstick (to VIN 028138) (from VIN 028139 to A00366) (from VIN A00367)	NCA1723AB NNE1723AA C2C22741	1 1 1
15. Dipstick tube 'O' ring	KSH108624	1
16. Oil sump body, 4.0 Litre (Oil cooler type) (non oil cooler type)	AJ82248 AJ82247	1 1

Oil sump body, 4.2 Litre (Oil cooler type)	AJ84055	
(non oil cooler type)	AJ84062	
17. Sump pan gasket, 4.0 Litre & 4.2 Litre	NCA1730AD	1
18. Sump pan 4.0 Litre & 4.2 Litre	C2A1427	1
19. Flange headed screw M6 x 12mm (to VIN 042775) (from VIN A00083)	JZS100105 JZH100059	18 18
20. Oil pump gasket (to engine: 0108122359)	NCE1779AA	1
21. Oil pump kit (to engine: 0108122359)	JLM20578	1
22. Flange headed bolt, M6 x 50mm (to engine: 0108122359)	JFC106106	4
23. Suction pipe oil seal (to engine: 0108122359)	NCE1746AA	1
24. Oil pickup pipe (to engine: 0108122359)	NCA1711AE	1
25. Flange headed bolt, M6 x 50mm (to engine: 0108122359)	JFC106106	3
26. Oil cooler diverter valve	NCA1757AB	1
27. Oil pickup pipe, 4.2 Litre (from VIN A302645)	AJ810446	1
28. Bolt, M6 x 20mm	AJ89714	2
29. Oil pipe 'O' ring	AJ85413	1
30. Oil pump gasket, 4.2 Litre	C2A1412	1
31. Oil Pump, 4.2 Litre	AJ811878	1
32. Bolt, M6 x 35mm (to VIN A44175) (from VIN A44176)	JFB10607B025 AJ88436	2 4
33. Bolt, M6 x 66mm	XR825290	2



## DRIVE BELTS &amp; PULLEYS



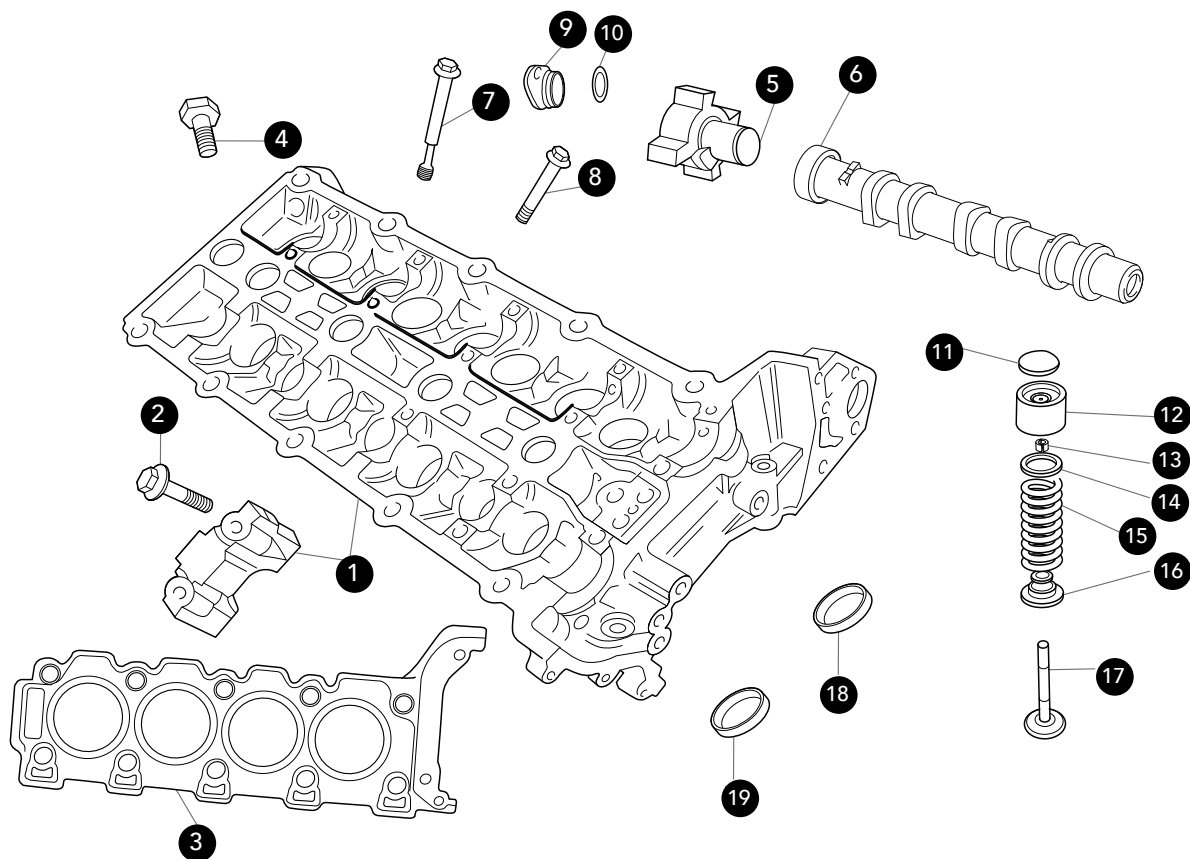
1. Supercharger drive belt ( to VIN 042775) (A00083 to A30644) (A30645 to A415575) (A415576 on)	NCC7740AD NCC7740BA XR821897 C2C26235	1 1 1 1	(From VIN 031303)	NCC7747AD	1
2. Drive belt tensioner ( to VIN 042775) (A30645 to A42569) (A42570 to A43234) ( From VIN A43235)	NCC7739AC C2C5209 AJ86199 C2C33723	1 1 1 1	7. Idler pulley ( to VIN 042775) (A00083 to A30644) (from VIN A30645)	NCA2221AA AJ82266 C2C37064	1 1 1
3. Flange head bolt (to VIN A30644)	JFB11017B	1	8. Drive belt tensioner (Up to VIN 042775) (A00083 to A30644) ( to VIN A39972) (from A39973 to A42347) (from A42348)	NCA7739AC NCA7739AD C2S11662 AJ88003 C2S36146	1 1 1 1 1
4. Idler pulley (to VIN A30644) (from VIN A30645)	NCC7753AD XR831039	1 1	9. Engine drive belt (to VIN042775) Supercharged Non supercharged	NCA2211CA NCA2211AC	1 1
5. Bolt (to VIN41575) (from VIN41576)	XR831040 AJ88452	3 3	Supercharged & non supercharged (A00083 to A30644) (A30645 to A44175) (A44176 on)	NCA2211DA AJ89191 C2C37063	1 1 1
6. Idler mounting bracket (to VIN 031302)	NCC7747AC	1			

## NOTE

Idler pulley NCC7753AD is currently unavailable. Replace this part with:

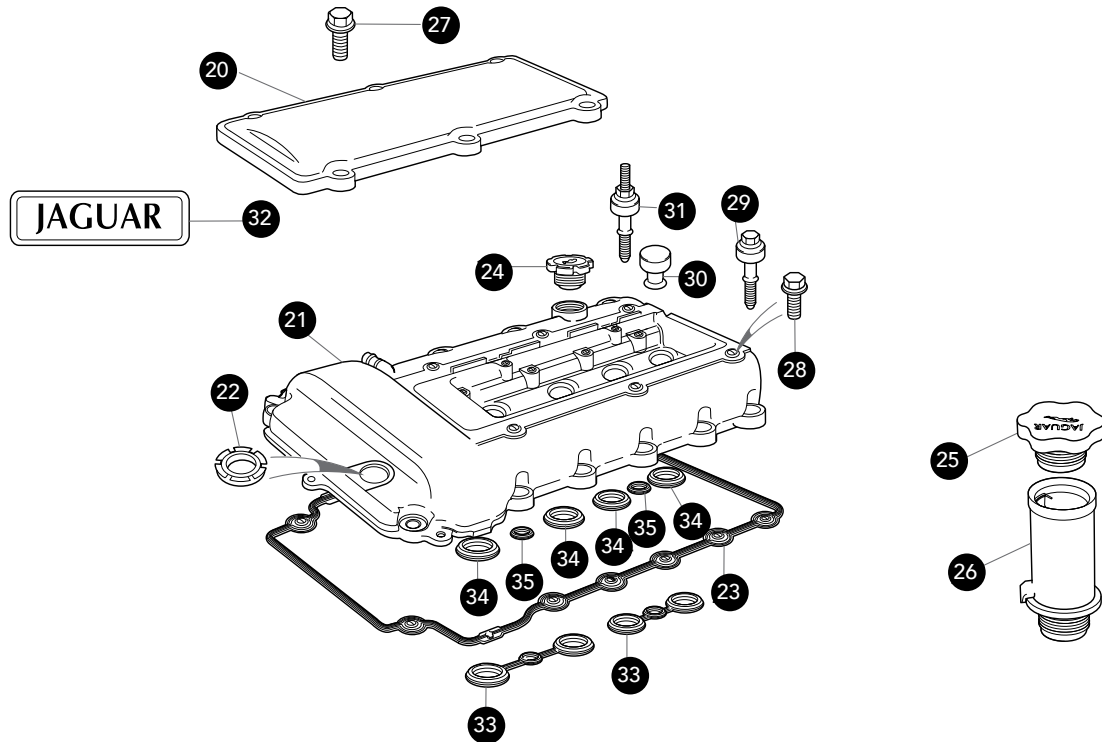
Bracket, idler mounting	C2C37056	1
and		
Tensioner, drive belt	C2C37056	1
and		
Pulley, idler	C2S46862	1
and		
Drive belt	C2C37005	1

## CYLINDER HEAD &amp; CAM COVER



1. Cylinder head, 4.0 Litre Supplied without valves LH, B-bank (use with tappets AJ83694)	XR824633	1	5. Cam timing ring Supercharged, 4.0 Litre (to VIN 042775)	NCA2613CA	1
RH, A-bank (use with tappets AJ83694)	2C2A1012	1	Non supercharged, 4.0 Litre (to VIN 031302)	NCA2613CA	1
Cylinder head, 4.2 Litre Supplied without valves LH, B-bank			(from VIN 031303)	NNE2613DA	2
(use with tappets AJ83694)	XR824633	1	All models(from VIN A00083)	NNE2613DA	2
RH, A-bank (use with tappets AJ83694)	C2A1012	1	6. Inlet camshaft LH, B-bank (to VIN 031302)	NCA2547BA	1
Complete with valves LH, B-bank	AJ810852	1	(from VIN 031303)	NNE2503CB	1
RH, A-bank	AJ810581	1	Supercharged, 4.0 Litre Non supercharged, 4.0 Litre RH, A-bank (to VIN 031302)	NRA2502AA	1
2. Flanged bolt, M6 x 35mm	C2C3872	20	(from VIN 031303 to A30644)	NCA2502AA	1
3. Cylinder head gasket, 4.0 Litre RH, A-bank (to engine: 0008210147)	NCC2540BC	1	Supercharged, 4.0 Litre Non supercharged, 4.0 Litre (from VIN A30645)	NNE2502CB	1
(from engine:0008210148)	AJ88987	1	LH B-bank	NRA2502AB	1
LH, B-bank (to engine: 0008210147)	NCC2541BC	1	Supercharged, 4.2 Litre	AJ83599	1
(from engine:0008210148)	AJ88988	1	Non supercharged, 4.2 Litre	AJ82310	1
Cylinder head gasket, 4.2 Litre RH, A-bank	AJ88987	1	RH, A-bank	AJ83597	
LH, B-bank	AJ88988	1	Supercharged, 4.2 Litre Non supercharged, 4.2 Litre	AJ82309	1
4. Bracket screw, M14 x 20mm	AJ82238	2	7. Cylinder head bolt, M10 x 175mm	AJ89986	20
			8. Flange headed bolt	JDE4411	4

## CYLINDER HEAD &amp; CAM COVER

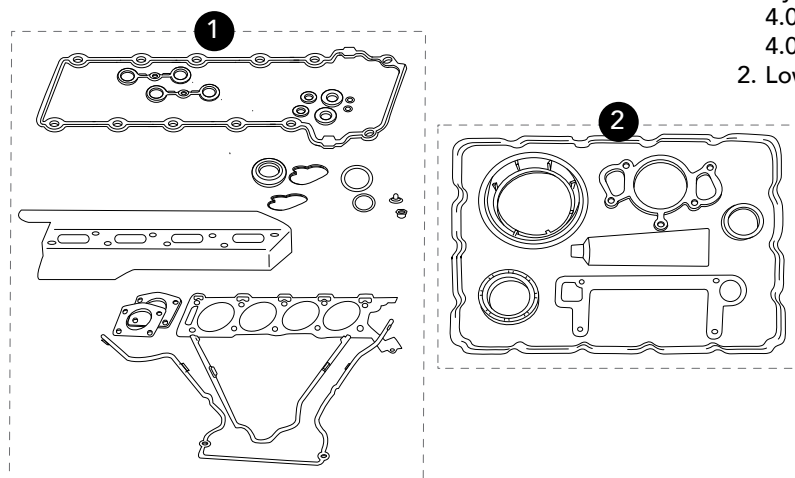


9. Blanking plug, 4.0 Litre supercharged (from VIN 031303 to 042775)	NNE2662BA	1	2.60mm	AJ84914	A/R
10. O' ring, 4.0 Litre supercharged (from VIN 031303 to 042775)	AGU1387	1	2.615mm	AJ84915	A/R
11. Tappet adjustment shim		Total: 32	2.63mm	AJ84916	A/R
2.18mm	AJ84884	A/R	2.645mm	AJ84917	A/R
2.195mm	AJ84886	A/R	2.66mm	AJ84918	A/R
2.21mm	AJ84887	A/R	2.675mm	AJ84920	A/R
2.225mm	AJ84888	A/R	2.69mm	AJ84921	A/R
2.24mm	AJ84889	A/R	2.705mm	AJ84922	A/R
2.255mm	AJ84890	A/R	2.72mm	AJ84923	A/R
2.27mm	AJ84891	A/R	2.735mm	AJ84924	A/R
2.285mm	AJ84892	A/R	2.75mm	AJ84925	A/R
2.30mm	AJ84893	A/R	2.765mm	AJ84926	A/R
2.315mm	AJ84894	A/R	2.78mm	AJ84927	A/R
2.33mm	AJ84895	A/R	2.795mm	AJ84928	A/R
2.345mm	AJ84896	A/R	2.81mm	AJ84929	A/R
2.36mm	AJ84897	A/R	2.825mm	AJ84930	A/R
2.375mm	AJ84898	A/R	2.84mm	AJ84931	A/R
2.39mm	AJ84899	A/R	2.855mm	AJ84932	A/R
2.405mm	AJ84900	A/R	2.87mm	AJ84933	A/R
2.42mm	AJ84901	A/R	2.885mm	AJ84934	A/R
2.435mm	AJ84903	A/R	2.90mm	AJ84935	A/R
2.45mm	AJ84904	A/R	2.915mm	AJ84937	A/R
2.465mm	AJ84905	A/R	12. Tappet (to VIN 031302)	NCA2543AB	32
2.48mm	AJ84906	A/R	(from VIN 031303 to A30644)	AJ83694	32
2.495mm	AJ84907	A/R	(from VIN A30645)	C2S44734	32
2.51mm	AJ84908	A/R	13. Valve cotter	EAZ1317	64
2.525mm	AJ84909	A/R	14. Valve collar	NCA2517BA	32
2.54mm	AJ84910	A/R	15. Valve spring (to VIN 018107)	NCA2535AB	32
2.555mm	AJ84911	A/R	(from VIN 018108 to 031302)	NCC2535AA	32
2.57mm	AJ84912	A/R	(from VIN 031303)	AJ87950	32
2.585mm	AJ84913	A/R			

## CYLINDER HEAD &amp; CAM COVER

16. Valve spring seat	NCE2528AC	32	23. Camshaft cover gasket, 4.0 Litre (to engine 9810290000)		
17. Inlet valve	AJ810945	16	RH, A-bank	NCA2515AE	1
Exhaust valve	NCA25232AA	16	LH, B-bank	NCA2516AE	1
18. Inlet valve seat	NCE2522AA	16	(engine 9810290000 on)		
19. Exhaust valve seat	NCE2521AA	16	LH, B-bank	AJ88285	1
20. On-plug coil cover			RH, A-bank	AJ88400	1
4.0 Litre, LH & RH	AJ84151	2	Camshaft cover gasket, 4.2 Litre		
4.2 Litre, LH	AJ86178	1	LH B-bank	AJ812402	1
4.2 Litre, RH	AJ86177	1	RH A-bank	AJ812399	1
21. Camshaft cover			24. Oil filler cap, 4.0 Litre	AJ87922	1
4.0 Litre, Variable valve timing			25. Oil filler cap, 4.2 Litre	AJ87922	1
LH, B-bank			26. Oil filler pipe, 4.2 Litre	AJ88581	1
(to VIN 031202)	AJ83272	1	27. Screw, for coil on plug cover	AJ84085	24
(from VIN 031303)	C2A1514	1	28. Camshaft cover bolt, rear inner	AJ810721	4
RH, A-bank			29. Camshaft cover fastener	AJ810511	18
with VVT access hole	C2A1516	1	30. Spacer grommet, 4.0 Litre	AJ810510	24
Without VVT access hole	C2A1515	1	Spacer grommet, 4.2 Litre	AJ810631	24
4.0 Litre, Without variable valve timing			31. Camshaft cover stud, 4.0 Litre	AJ810512	6
LH, B-bank	AJ83272	1	Camshaft cover stud, 4.2 Litre	AJ810629	10
RH, A-bank	C2A1515	1	32. Jaguar legend sticker, 4.0 Litre	NCB2581AA	2
4.2 Litre supercharged			33. Spark plug boss seal, 4.0 Litre (to engine 9810290000)	NCA2578BB	4
LH, B-bank			34. Spark plug boss seal, 4.0 Litre (engine 9810290000 on)	AJ87206	8
(to VIN A33834)	AJ82874	1	Spark plug boss seal, 4.2 Litre	AJ86874	8
(from VIN A33835)	C2C40021	1	35. Camshaft cover centre seal (engine 9810290000 on)	AJ87242	4
RH, A-bank			<b>Not shown</b> Dowel	EAZ2159	1
(to VIN A33834)	AJ82542	1			
(from VIN A33835)	AJ89076	1			
4.2 Litre Non supercharged					
LH, B-bank	AJ812392	1			
RH, A-bank	AJ89077	1			
22. Valve seal, Variable valve timing	AJ82856	1			

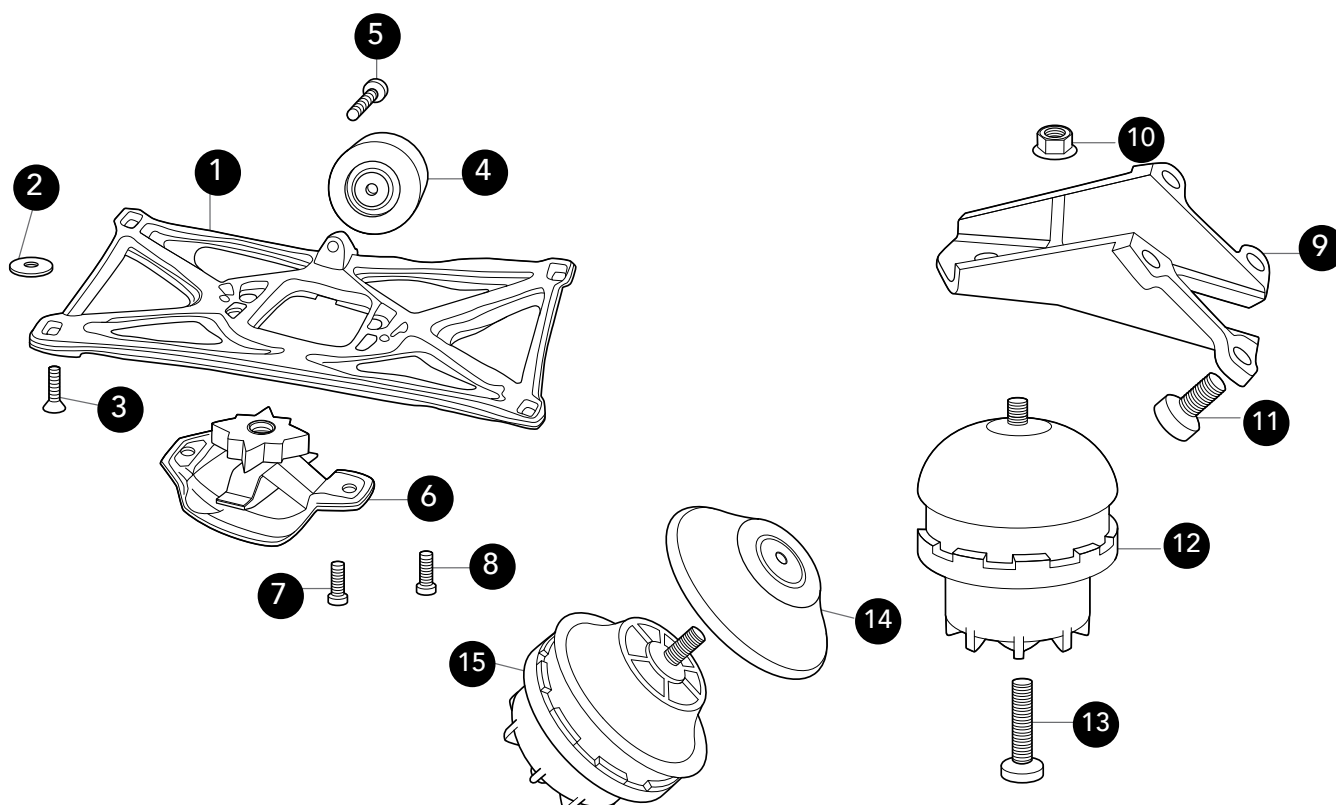
## GASKET SETS



1. Cylinder head gasket set		
4.0 Litre non supercharged	JLM20750	1
4.0 Litre supercharged	JLM20751	1
2. Lower engine gasket set	JLM20140	1

**For 4.2 Litre sets, contact salesman**

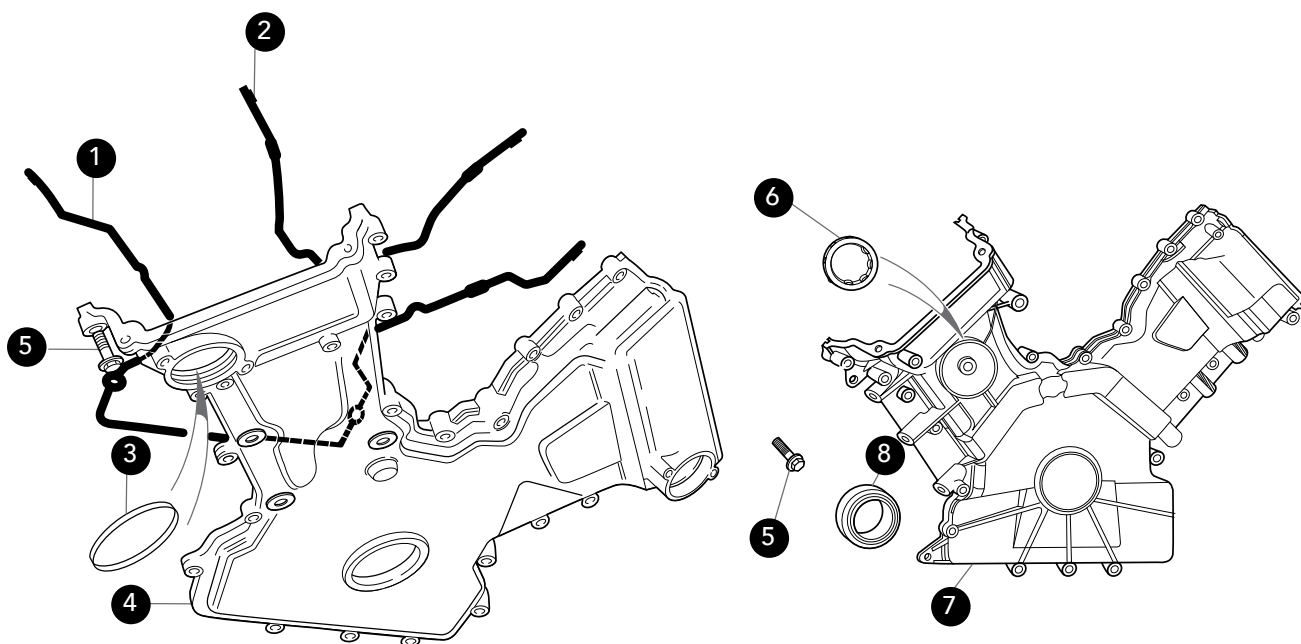
## ENGINE &amp; GEARBOX MOUNTINGS



1. Engine mounting bracket 4.0 Litre supercharged 4.0 Litre non supercharged (to VIN014499) (VIN014500 to A30644) (A30645 to A38208) (A38209 to A41524) (A41525 on)	MJB7600AB MJA7600AG MJA7600AH C2N1739 C2N3244 C2N3794	1 1 1 1 1 1	7. Pan head screw (to VIN 022366) (VIN 022367 on)	JZS100124 JZS100170	1 1
2. Washer	JZW1000030	4	8. Torx screw	JZS100120	2
3. Hexagon set screw (to VIN 031302) (from VIN 031303) (VIN A00083 on)	JSH10835E JFP10807E	4 4	9. Engine mounting bracket LH Engine mounting bracket RH	C2N3833 AJ8143	1 1
4. Mounting (to VIN 014499)	MNA7575AB	1	10. Locking nut	JLM11970	2
5. Torx screw	JZS100120	2	11. Torx pan head machine screw	JZ100056	8
6. Rear engine mounting 4.0 Litre supercharged ( to VIN 042775) 4.0 Litre non supercharged (to VIN 018107) (from VIN 018108) (to VIN A38309) (from VIN A38310 to A44175)) (from VIN A44176)	MNC7550AB MNA7550AB MNA7550AC XR817004 XR849533 XR853854	1 1 1 1 1 1	12. Hydraulic engine mounting (early) supersedes to:	MNC7500AB	2 2
			13. Flange head screw	JFS11035E	2
			14. Engine mounting heat shield	MNC7500AB	2
			15. Hydraulic engine mounting (Late)	MNC7500AB	2



# TIMING COVER



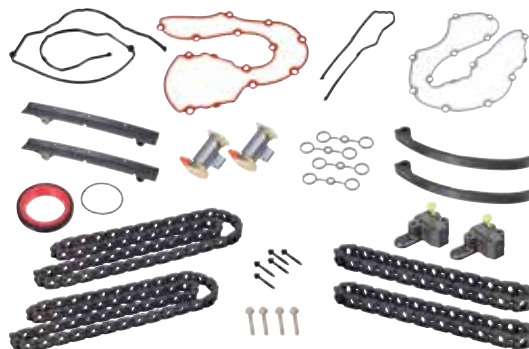
1. Timing cover seal, outer (to VIN A30644) (from VIN A30645)	NCA2127AC	1	5. Timing cover bolt	JFB10607B	24
	AJ83700	1	6. Oil seal, pulley bearing 4.2 Litre supercharged (to VINA35154) (VINA35155 on)	AJ83701	1
2. Timing cover seal, inner	AJ83699	1		AJ86747	1
3. VVT 'O' ring	KSC145624	1	7. 4.2 Litre supercharged 4.2 Litre non supercharged	AJ88536	1
4. Timing cover 4.0 Litre supercharged	AJ81758			AJ88535	1
4.0 Litre non supercharged (to engine 9806080000) (engine 9806090000 on)	NCA2110AF	1	8. Crankshaft oil seal	AJ83698	1
	AJ81757	1	Not shown Timing cover dowel	NCC1236AA	3

# TIMING CHAIN KITS

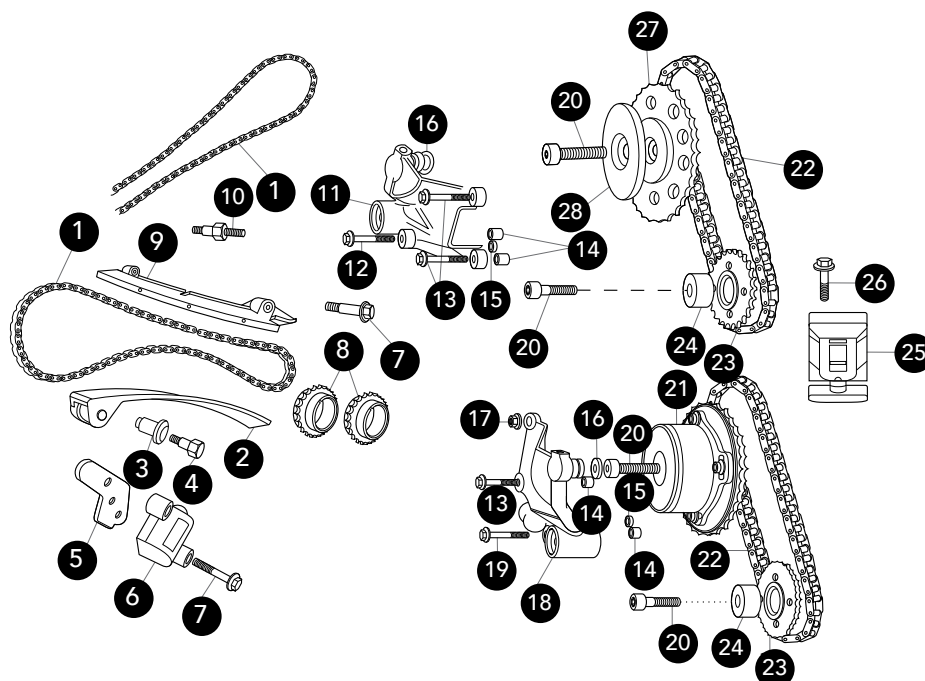
To avoid the problems associated with Jaguar's original tensioners, which sometimes lead to premature failure, all of our timing chain kits contain the latest specification of tensioner.

Timing chain kits are available pre-packaged and ready to fit. The kits contain chains and tensioners.

1. Timing chain kit, OE spec.	TCK8MAJ/1	1
2. Timing chain kit OE spec. tensioners, copy chains	TCK8MAJ/2	1
3. Timing chain kit Copy tensioners and chains, supplied w/out gaskets or seals	TCK8MAJ/3	1



## TIMING CHAINS &amp; ADJUSTERS



1. Primary timing chain	EAZ1269	2	(from VIN 031303)	NNE2622BA	2
2. Chain tensioner blade (to engine 0108122359) (from engine 0108130000)	NCA2025AB C2A1497	2 2	17. Nut, M8	JFN10804B	1
3. Pivot bush	AJ86824	2	18. Module carrier (to VIN 031302) (from VIN 031303)	NCA2617CC AJ810727E	1 1
4. Pivot bolt 4.0 Litre 4.2 Litre	NCA2028AA AJ82382	2 2	19. Mounting bolt	JFB10807B	1
5. Blanking plate (to VIN A30644)	NCA2002BD	2	20. Bolt, cam shaft sprocket (to VIN 031302) (from VIN 031303)	NCA2656AB AJ83900	4 2
6. Chain tensioner	AJ82325	2	21. Variable valve timing unit (to VIN 031302) (from VIN 031303)	NCA2016AD NNE2016AB	2 2
7. Hex headed bolt (to VIN A30644) (from VIN A30645)	C2Z2642 JFB10607B	6 4	22. Secondary timing chain (to engine 0108122359) (from engine 0108130000)	EAZ1286 AJ82290	2 2
8. Crankshaft sprocket (to engine 0108122359) (from engine 0108130000)	EAZ2126 AJ82293	2 2	23. Cam shaft sprocket, exhaust (to engine 0108122359) (from engine 0108130000)	NCA2026CA AJ82702	2 2
9. Chain guide (to engine 0108122359) (from engine 0108130000)	NCA1998AB C2A1456	2 2	24. Spacer, sprocket (to engine 0108122359) (from engine 0108130000)	JZT100018 AJ82700	2 2
10. Pivot stud (to engine 0108122359) (from engine 0108130000)	NCA2028BA AJ810063	1 1	25. Secondary timing chain tensioner LH, B-bank RH, A-bank	C2A1512 C2A1511	1 1
11. Module carrier (to VIN 031302) (from VIN 031303)	NCA2616CC AJ810725E	1 1	26. Flange headed bolt	C2Z2642	4
12. Mounting bolt, M8 x 65mm	JFB10813N	1	27. Cam shaft sprocket, inlet 4.0 Litre supercharged (to VIN 031302)	NCC2009EAE	2
13. Mounting bolt, M8 x 35mm	JFB10807B	3	(to engine 0108122359) (from engine 0108130000)	AJ81255 AJ82467	2 2
14. Dowel (to VIN 031302)	EAZ2159	4	28. Flywheel (to VIN 031302) (from VIN 031303)	NCC2032BA AJ82514	2 2
15. 'O' ring seal	KSH108624	2			
16. Sealing ring (to VIN 031302)	NCA2622BA	2			

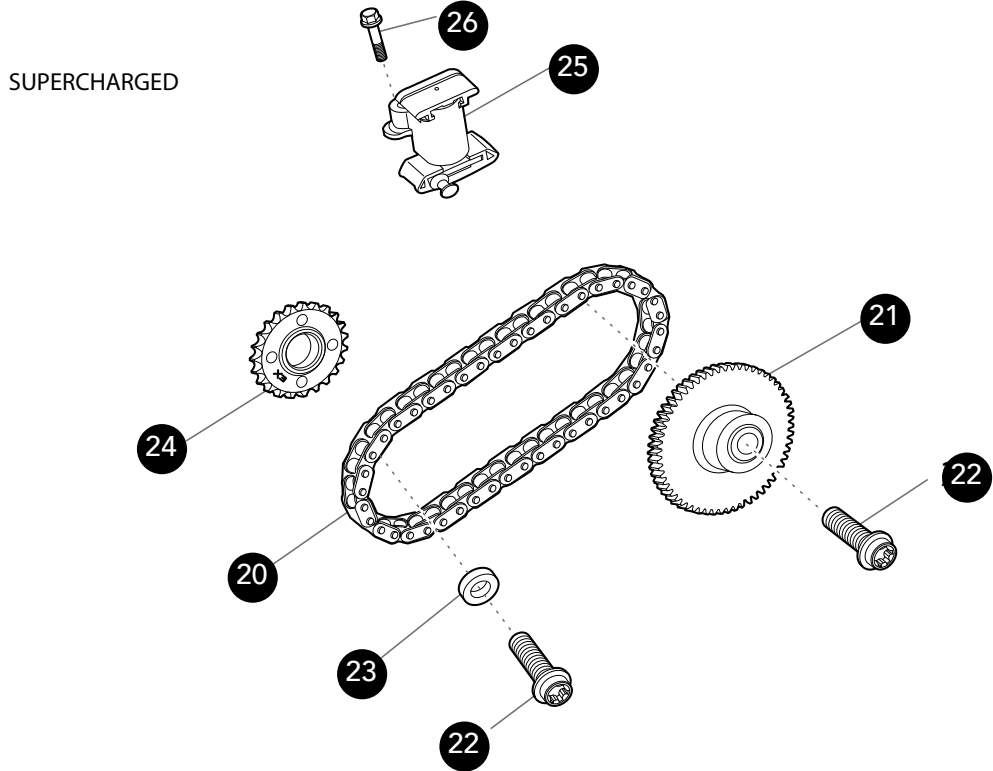
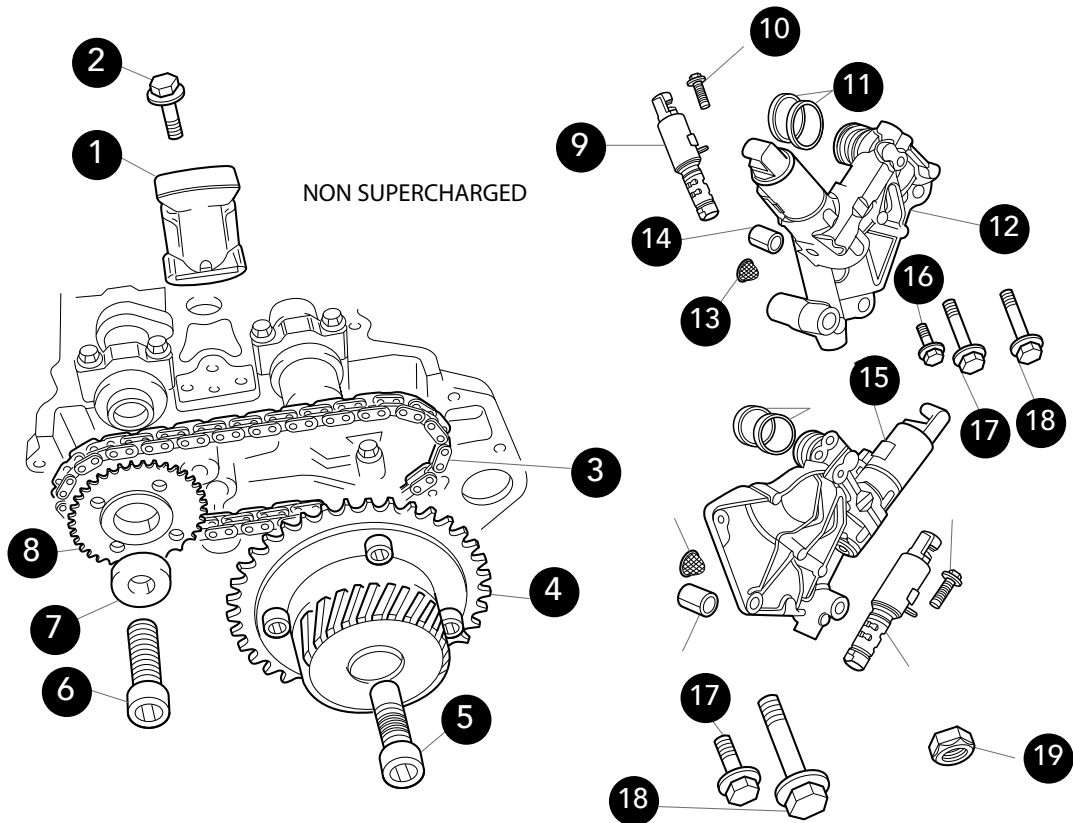
## TIMING CHAINS &amp; ADJUSTERS

1. Secondary timing chain tensioner (from VIN A00083)				12. VVT module carrier assembly RH, A-bank (from engine 0108130000)	AJ810725E	1
LH, B-bank	C2A1512	1		13. Module carrier filter	AJ81264	2
RH, A-bank	C2A1511	1		14. Module carrier dowel	EBC9705	4
2. Hex headed bolt	C2Z642	4		15. VVT module carrier assembly, 4.0 Litre LH B-bank (from engine 010810000)	AJ86819	1
3. Secondary timing chain (to engine 0108122359) (from engine 0108130000)	EAZ1286	2		VVT module carrier assembly, 4.2 Litre LH B-bank	AJ810727E	1
	AJ82290	2		16. Mounting bolt, M8 x 65mm	JFB10813N	1
4. Variable valve timing unit, inlet 4.0 Litre (to engine 0108122359) (from engine 0108130000)	NNE2016AB	2		17. Mounting bolt, M8 x 35mm	JFB10807B	2
Variable valve timing unit inlet 4.2 Litre	AJ84066	2		18. Mounting bolt, M8 x 50mm	C2C35271	2
	AJ89778	2		19. Nut, M8	JFN10804B	1
5. Socket headed bolt M12 x 38mm	AJ83900	2		20. Secondary timing chain 4.2 supercharged	AJ82290	2
6. Socket headed bolt, M12 x 63mm (to engine 0108122359) Socket headed bolt, M12 x 44mm (from engine 0108130000)	NCA2656AB	2		21. Inlet Camshaft sprocket 4.2 Litre supercharged	AJ82467	2
	AJ82291	2		22. Camshaft sprocket bolt M12 x 44mm	AJ82291	4
7. Camshaft sprocket spacer (to engine 0108122359) (from engine 0108130000)	JZT100018	2		23. Camshaft sprocket spacer 4.2 Litre supercharged	AJ82700	2
	AJ82700	2		24. Exhaust camshaft sprocket 4.2 Litre supercharged	AJ82702	2
8. Exhaust camshaft sprocket (to engine 0108122359) (from engine 0108130000)	NCA2026CA	2		25. Camchain tensioner, 4.2 Litre supercharged LH, B-bank	C2A1512	1
	AJ82702	2		RH, A-bank	C2A1511	1
9. Variable valve timing solenoid	AJ810570	2		26. Hexagonal head flanged bolt	JFB10607B	1
10. Bolt, M6 x 16mm (to VIN A30644) (from VIN A30645)	JFS10616B	2				
	AJ88941	2				
11. Sealing ring for VVT module	NNE2622BA	2				





# TIMING CHAINS & ADJUSTERS

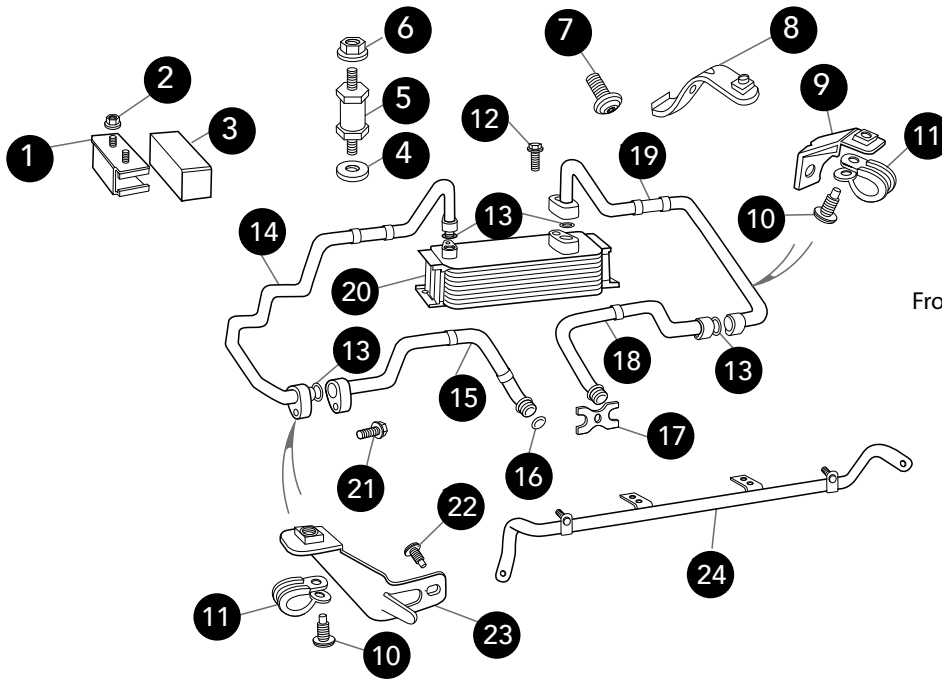


## OIL COOLERS &amp; PIPES

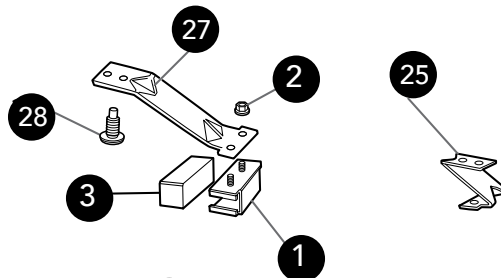
1. Oil cooler mounting bracket (To VIN 042775)	CCC6991	2	20. Oil Cooler (From engine 0108130000)	MJF7440AA	1
2. Flange nut	JFN10604F	4	4.2 Litre supercharged (To VIN A40264)	C2N1169	1
3. Oil cooler mounting rubber	CCC692	2	4.2 Litre non supercharged (To VIN A40264)	MJF77440AA	1
4. Washer (from VIN A00083)	WC106041	4	(From VIN A40265)	C2N2908	1
5. Instrumount (from VIN A00083)	MNA6730AB	4	21. Bolt hex head	AJ84242	2
6. Nut and washer (from VIN A00083)	JZH100032	4	22. Torx head screw	JXR10616F	8
7. Flange head torx screw	JZS100139	2	23. Oil cooler pipe bracket LH	MJA7473AC	1
8. Oil cooler pipe bracket (to VIN A39389) (From VIN A39390)	MJE7447AC	2	24. Oil cooler mounting bracket 4.2 Litre supercharged (To VIN A40264)	C2N1170	1
	MJE7447AD	2	(From VIN A40265)	C2N3217	1
9. Oil cooler pipe bracket RH	MJA7474AB	1	4.2 Litre non supercharged	MJF8221BA	1
10. Torx head screw	JXR10616F	8	25. Oil cooler mounting bracket, LH	MJA7447AB	1
11. P clip	C2N2261	2	26. Cooler assembly	MJA7440AB	1
12. Hex flange screw (FROM engine 0108130000)	JFS10825F	2	27. Oil cooler mounting bracket, RH	MJA7446AB	1
13. O ring	KSR609001	2	28. Torx head screw	JXR10616F	8
14. Oil cooler feed hose (From engine 0108130000)	MJE7470AB	1	29. Hex flange screw	JFS10825F	2
4.2 Litre supercharged (To VIN A40264)	C2N1172	1	30. Oil cooler feed pipe	MJA7470AC	1
4.2 Litre non supercharged (To VIN A40264)	MJE7470AB	1	31. Flange head screw	C2P5484	2
(From VIN A40265)	C2N2911	1	32. Oil cooler feed hose	MJA7460AC	1
15. Oil cooler feed hose	C2N2208	1	33. Oil cooler return hose	MJB7461BC	1
16. O ring	KSH119530	2	34. Oil cooler return pipe	MJA7471AD	1
17. Adaptor (From engine 0108130000)	NCA1759AA	1			
18. Oil cooler return hose (From engine 0108130000)	MJE7461AB	1			
19. Oil cooler return hose (From engine 0108130000)	MJE7471AB	1			



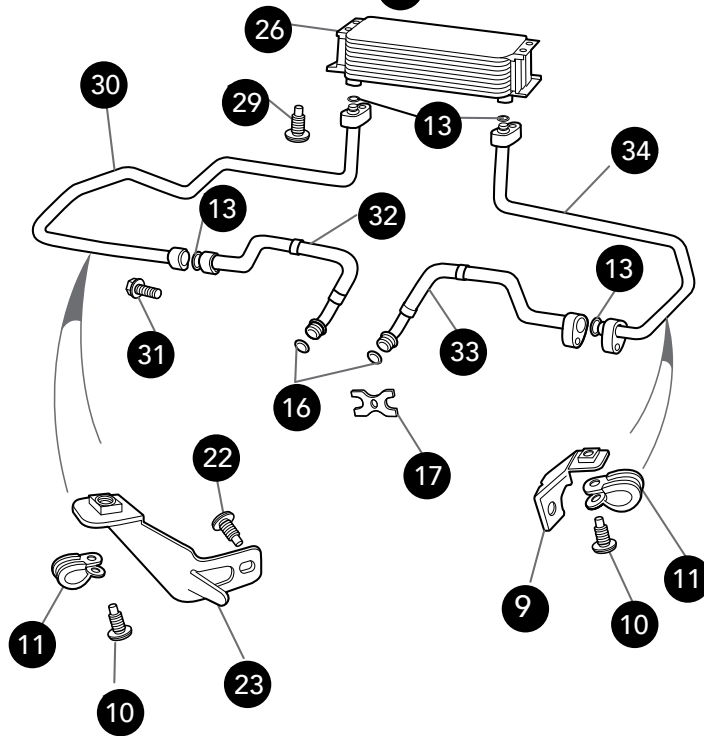
# OIL COOLERS & PIPES



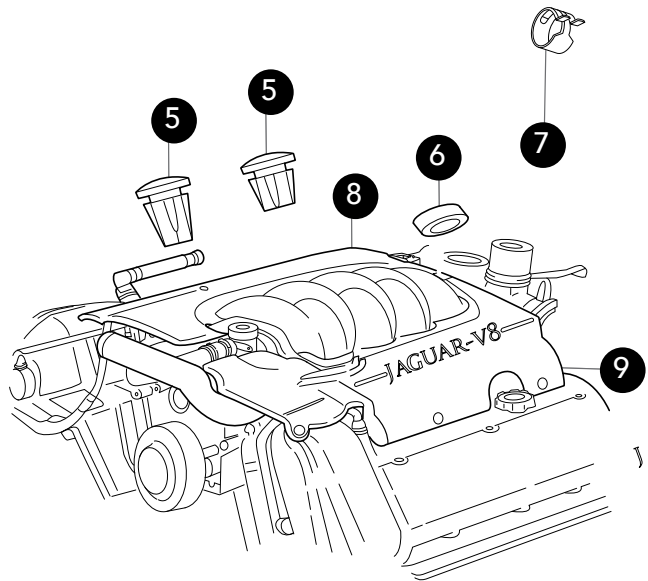
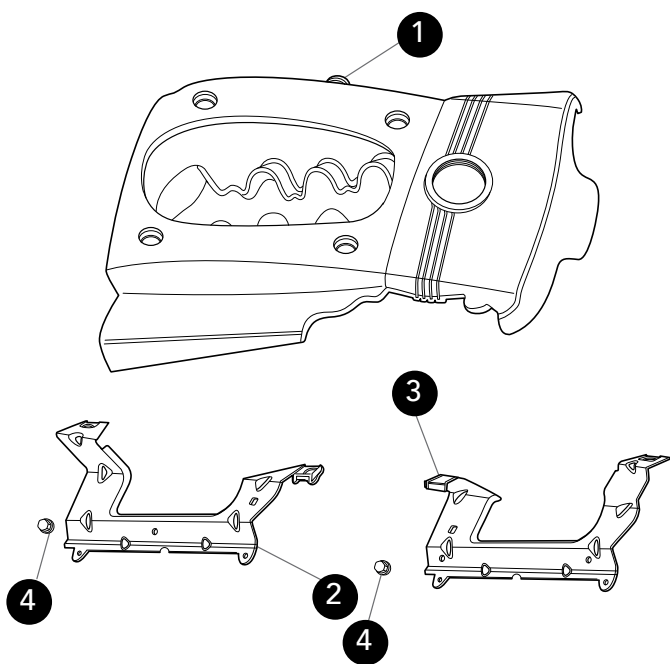
From VIN A00083 on



To VIN 042775



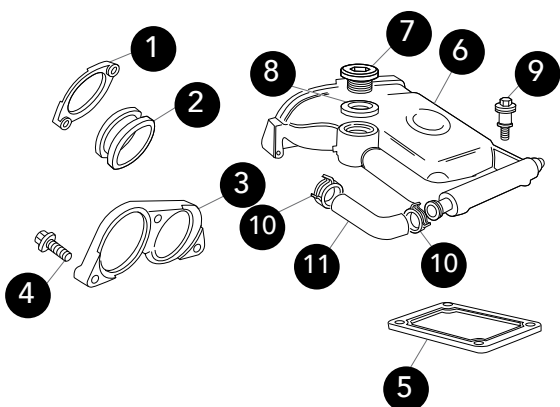
# ENGINE COVER & FIXINGS



1. Engine cover 4.2 Litre	C2S10228	1
2. Engine cover bracket RH 4.2 Litre	AJ85896	1
3. Engine cover bracket LH 4.2 Litre	AJ85897	1
4. Hexagonal flange nut 4.2 Litre	XR81670	4

5. Cover mounting (To VIN A30644) front	NJA6790BC	2
(To VIN A30644) rear	NJA6790CC	1
6. Engine cover spacer (To VIN A30644)	NJA1819AC	1
7. Pipe clip (To VIN A30644)	KDF108003	5
8. & 9. Engine cover (pair)	JLM21723	1

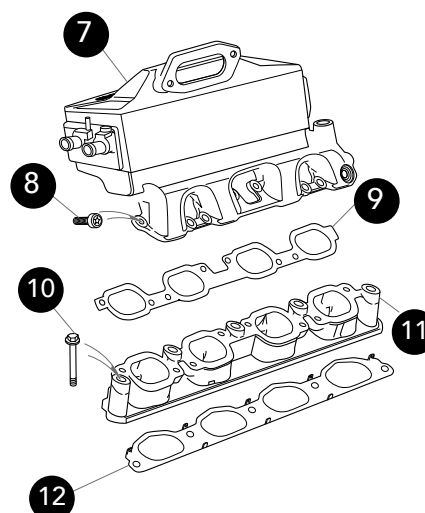
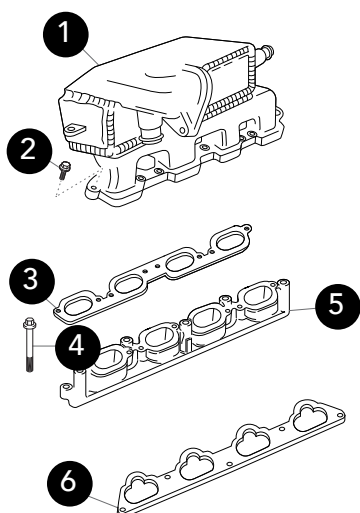
# SUPERCHARGER OUTLET



1. Clamp plate RH A-bank	AJ86927	1
LH B-bank (to engine 9811230000)	NCC7773AE	1
(from engine 9811240000)	AJ86928	1

2. Duct seal (to engine 9811230000)	NCC7773AB	2
(from engine 9811240000)	AJ86925	2
3. Intercooler clamp plate	AJ86926	1
4. Flange headed screw (to VIN A30644)	JFS108257	5
(from VIN A30645)	JFS10816E	5
5. Outlet elbow seal	NCC7735BA	1
6. Outlet elbow	AJ810522	1
7. Manifold plug	JZD100005	1
8. Sealing washer	AJ89646	1
9. Camshaft cover fastener	AJ810511	4
10. Hose clamp	JHC302220	2
11. Water hose	NCC7723AA	1

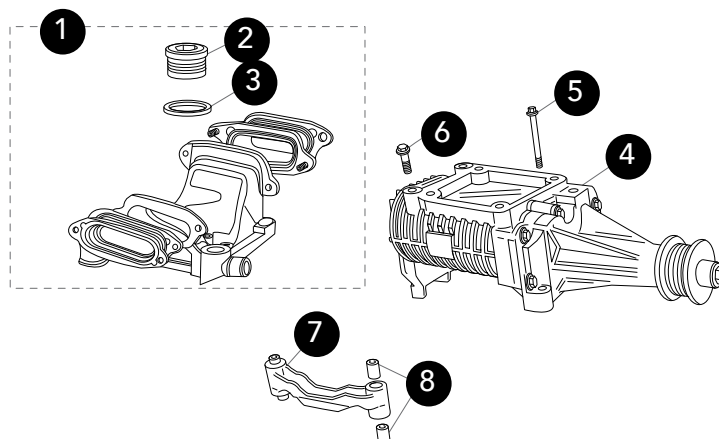
# SUPERCHARGER INDUCTION MANIFOLD



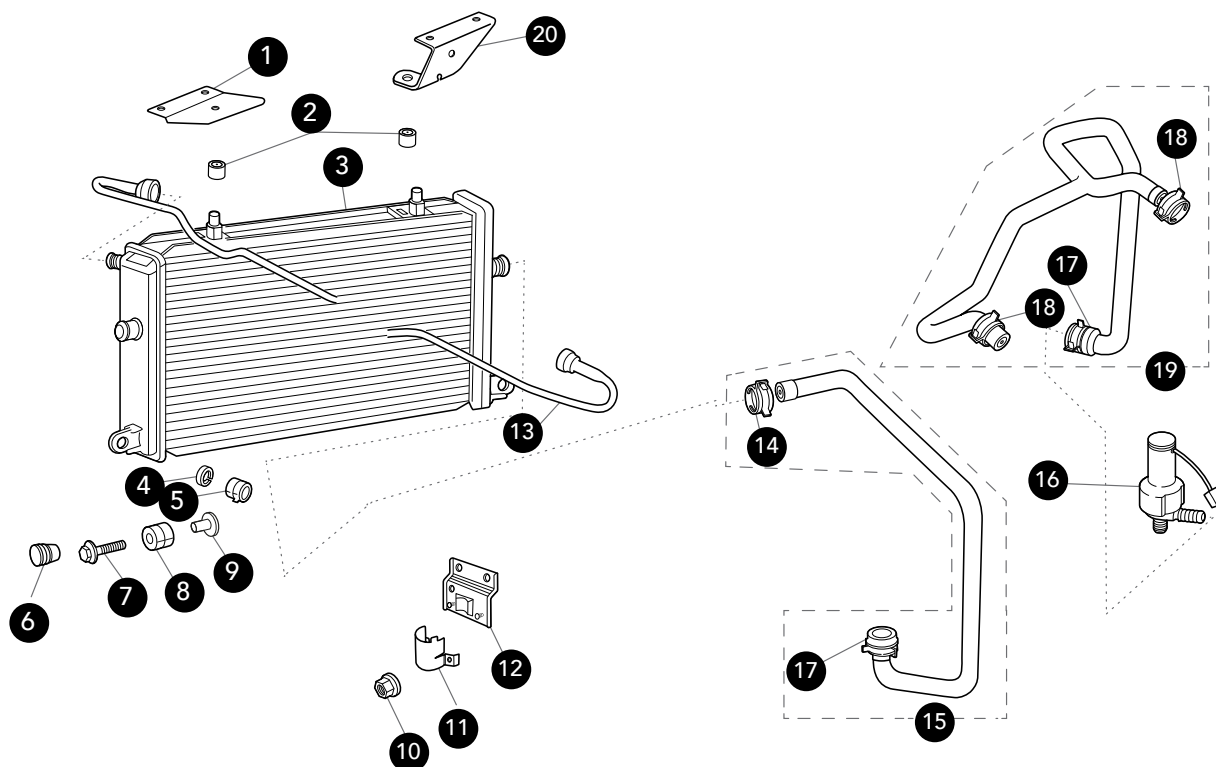
1. Induction manifold 4.0 Litre RH A - bank	AJ81444	1	9. Upper gasket (from VIN A30645)	AJ82528	2
LH B - bank	AJ81445	1	10. Flange headed screw	C2S40512	10
2. Pan head torx screw	C2C25942	16	11. Induction manifold adaptor 4.2 Litre		
3. Upper gasket (to VIN A30644)	NCC3018AB	2	(from VIN A30645 to A36873)		
4. Flange headed screw	C2S40512	10	RH A - bank	AJ89098	1
5. Induction manifold adaptor 4.0 Litre (to VIN A30644)	AJ81298	2	LH B - bank	AJ89099	1
6. Manifold gasket	NCC3020AA	2	(from VIN A36874)		
7. Induction manifold 4.2 Litre			RH A - bank	AJ89952	1
RH A - bank	AJ88563	1	LH B - bank	AJ89953	1
LH B - bank	AJ88565	1	12. Manifold gasket		
8. Pan head torx screw	C2C25942	16	(from VIN A30645 to A36873)	AJ85392	2
			(from VIN A36874)	AJ89062	2

## SUPERCHARGER

1. Supercharger outlet, 4.2 Litre	AJ810522	1
2. Manifold plug, 4.2 Litre	JZD100005	1
3. Sealing washer, 4.2 Litre	AJ89646	1
4. Supercharger 4.0 Litre	AJ85326	1
4.2 Litre	AJ89855	1
5. Flange headed bolt	JDE4411	2
6. Screw (to VIN A33010)	JFS10830B	1
(from VIN A33011)	C21629	1
7. Mounting bracket	NCC7708AB	1
8. Dowel	EAZ2159	4



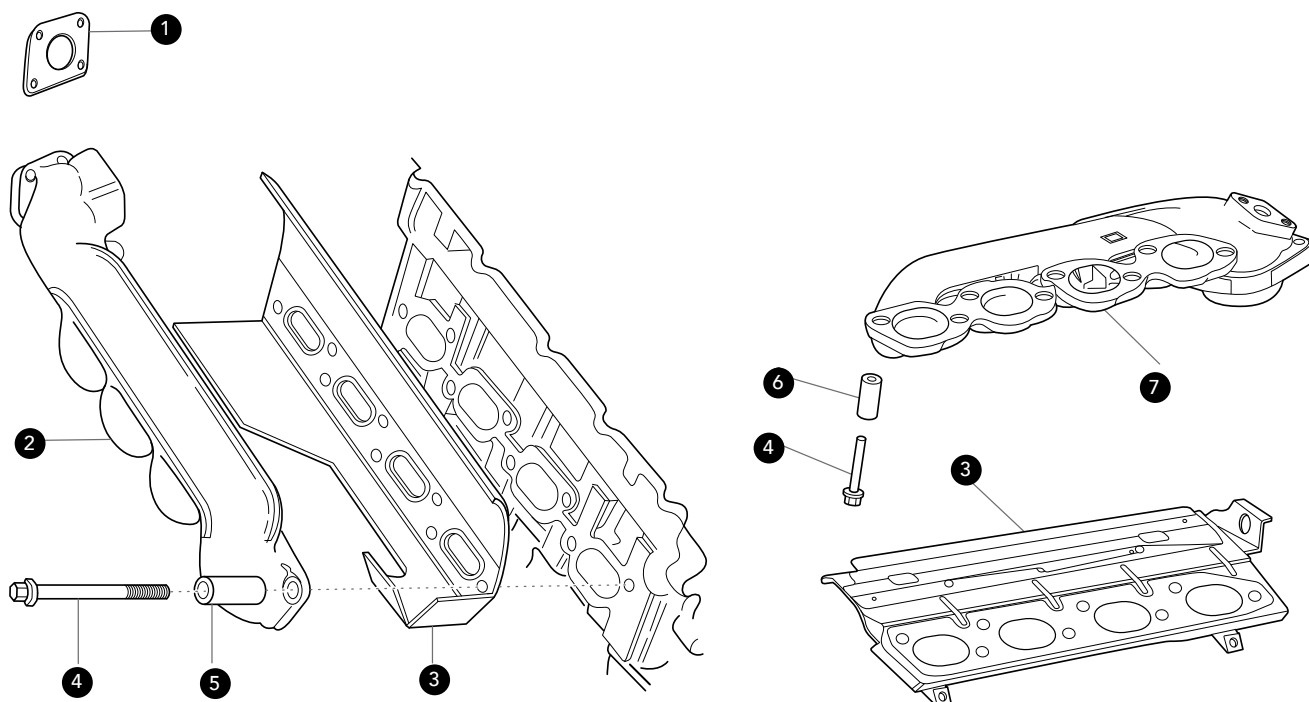
# SUPERCHARGED INTERCOOLER



1. Mounting bracket LH	MJB8225AA	1	12. Pump mounting bracket	MJB8272BC	1
2. Grommet	CBC8262	2	13. Bleed hose assembly	MJB4570BD	1
3. Radiator	MNC8200AF	1	14. Hose clip	JHC301720	1
4. Plain washer	WJ106001J	2	15. Intercooler hose	MJB8236AB	1
5. Insulator	C2C16681	2	16. Supercharger coolant pump	C2C1314	1
6. Buffer	BEC10761	1	17. Hose clip	JHC302280	2
7. Flange head screw	JFS105625F	2	18. Hose clip	JHC302220	2
8. Lower grommet	C2C16681	2	19. Feed hose		
9. Spacer	JZT100020	2	(To VIN A30644)	MJB8244AD	1
10. Flange nut	JFN1060F	2	(VIN A3645 on)	C2N1592	1
11. Attachment bracket clamp	MJB8271AA	1	20. Mounting bracket RH	MJB8224AA	1



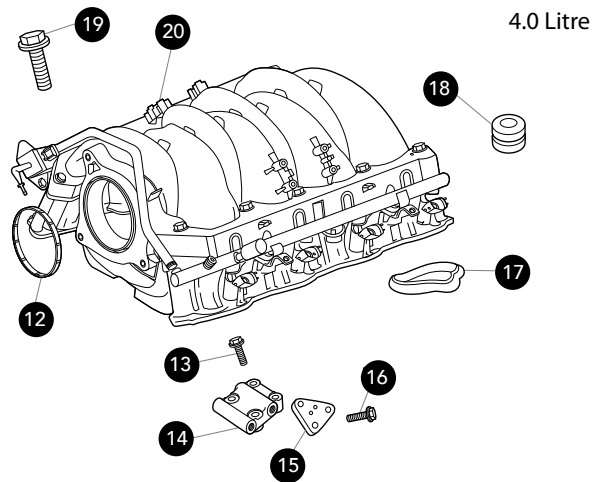
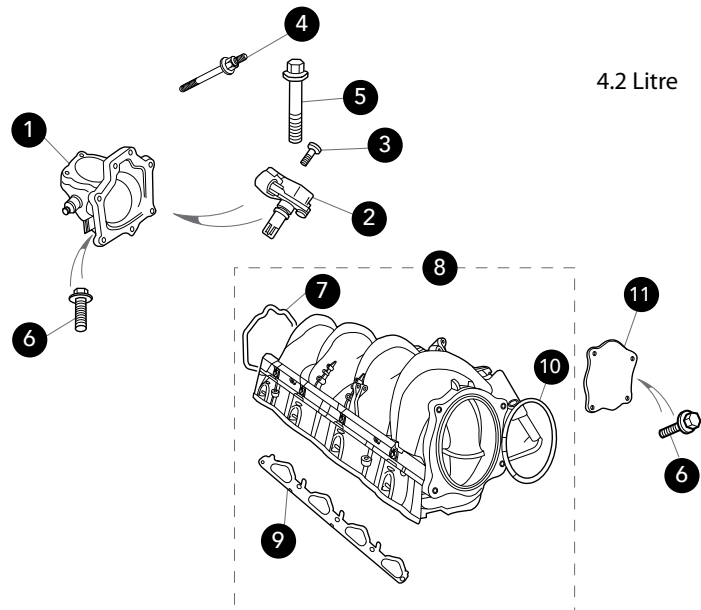
## EXHAUST MANIFOLDS



1. Down pipe gasket	EAZ2050	2
2. Exhaust manifold 4.0 Litre LH, B-Bank		
Non EGR & EGR	NCA2901EB	1
RH, A-Bank		
Non EGR	NCA2900EA	1
EGR	NCA2900GB	1
(From engine 9809020000)		
Non EGR	NCA2900FB	1
EGR	NCA2900GB	1
3. Manifold gasket 4.0 Litre & 4.2 Litre		
LH, B-Bank	NCA2907AE	1
RH, A-Bank	NCA2906AE	1
4. Manifold bolt		
(To VIN A46332)	AJ81316	16
(From VIN A46333)	AJ88477	16
5. Manifold spacer		
(To VIN 031302)	NCA2923AB	16
(From VIN 301303 to VIN A40264)	NCA2923AC	16
6. Manifold spacer		
(From VIN A40265)	AJ88716	16
7. Exhaust manifold 4.2 Litre (From VIN A30645)		
Non supercharged		
4.2 Litre LH, B-Bank	AJ83918	1
4.2 Litre RH, A-Bank	AJ87219	1
Supercharged		
4.2 Litre LH, B-Bank	AJ83919	1
4.2 Litre RH, A-Bank	AJ87220	1

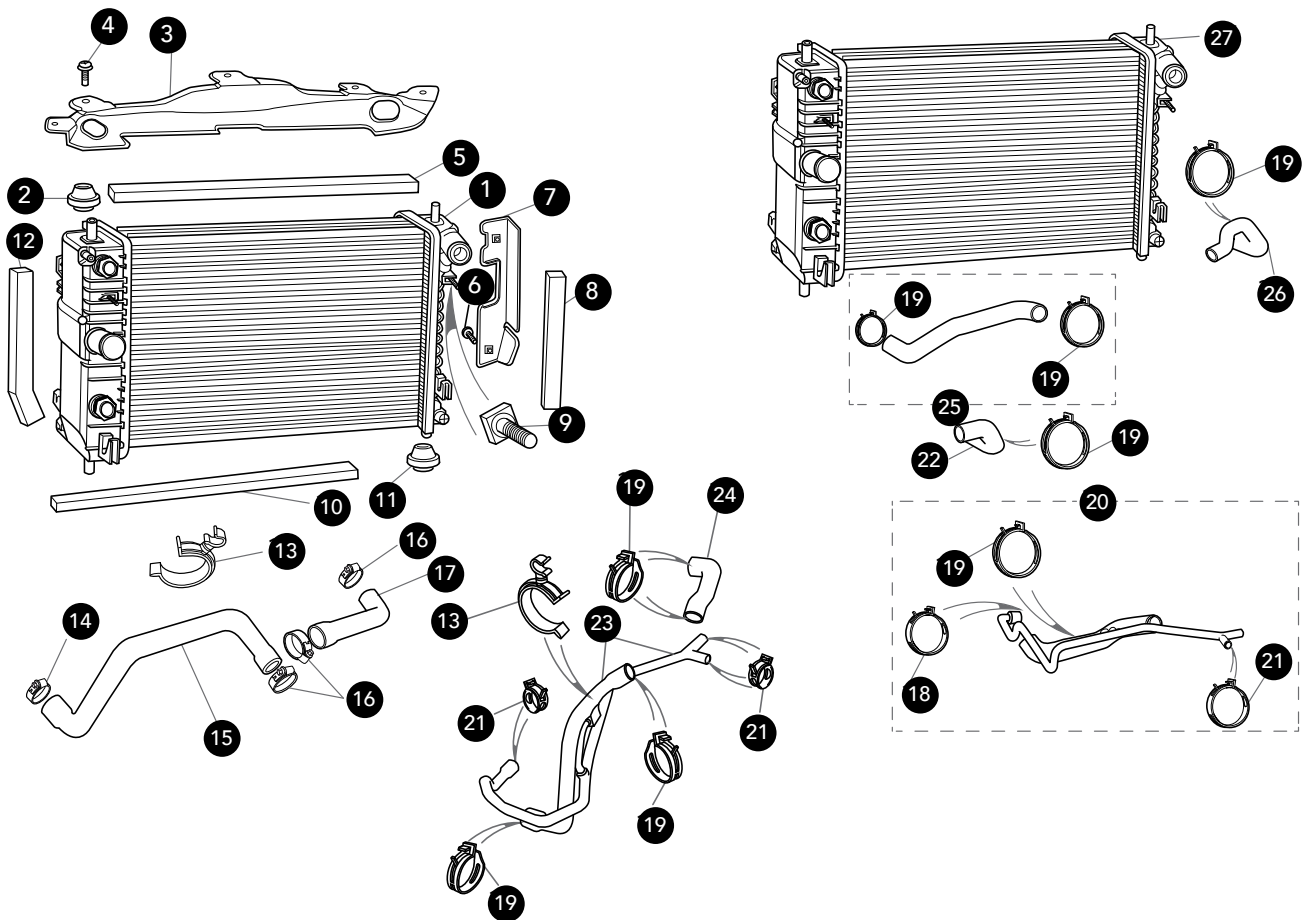


# INLET MANIFOLD



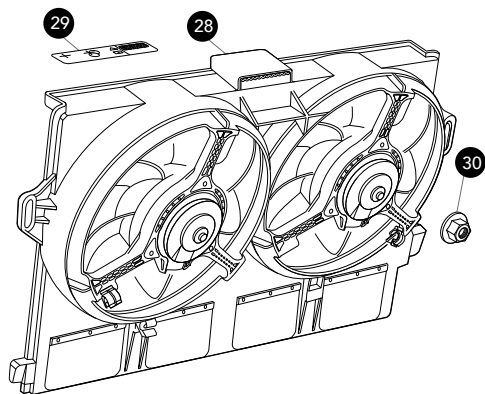
1. Induction elbow, 4.2 Litre	AJ89859	1	11. End cover, inlet manifold 4.2 Litre	AJ84045	1
2. MAP sensor, 4.2 Litre 2 hole fixing (to VIN A24195)	AAJ82763	1	12. Seal, manifold 4.0 Litre	AJ87991	1
3. Screw, M4 x 16mm	AJ87995	2	13. Mounting bolt, M8 x 3mm	JFB10807B	4
4. Fastener stud, M8 x 112mm	AJ84666	1	14. Support bracket	NCA3209BA	1
5. Bolt and washer, M8 x 112mm	AJ81194	9	15. Cylinder head support plate	NCA3210BA	2
6. Flange headed bolt, M6 x 55mm	AJ88674	11	16. Flange headed screw, M8 x 20mm	JFS10820B	6
7. Rear seal, manifold to induction elbow 4.2 Litre (from VIN A30645 to A36873)	NCA3015BA	1	17. Inlet manifold seal (to VIN 031302)	NCA3016BB	8
(from VIN A36874)	AJ87992	1	(from VIN 031303)	AJ83356	8
8. Inlet manifold, 4.2 Litre	AJ810598	1	18. Grommet NCA3973AA		4
9. Inlet manifold gasket, 4.2 Litre (from VIN A30645 to A36873)	AJ85392	2	19. Flange headed bolt, M8 x 70mm	C2S40512	10
(from VIN A36874)	AJ89062	2	20. Inlet manifold (to VIN 031302)	NCA3002AE	1
10. Front seal, manifold 4.2 Litre	AJ87991	1	(from VIN 031303)	AJ83963	1





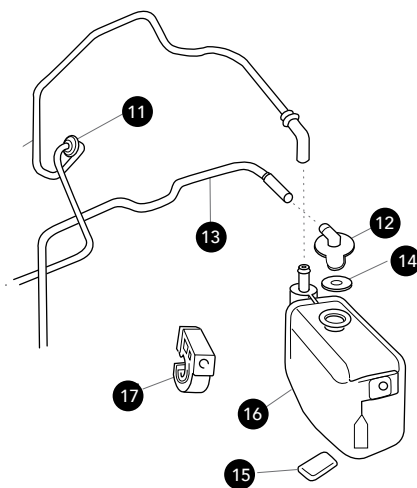
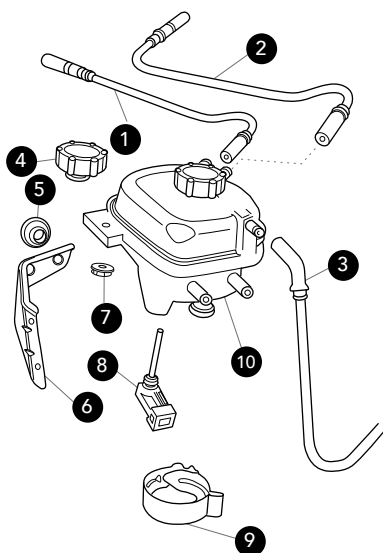
1. Radiator (to VIN A30644) Supercharged Non supercharged	MJB4190BC MJB4190AF	1 1	14. Hose clamp, 49mm	JHC302270	1
2. Mounting bush, upper	MJA4243AB	2	15. Bottom hose, non supercharged (to VIN A30644)	MJA4515AD	1
3. Radiator Mounting Panel	MJA4180AD	1	16. Hose clamp, 49mm	JHC302270	3
4. Torx headed screw	JXR10620F	5	17. Top hose, non supercharged	MJA4500AE	1
5. Radiator top seal	MJA4212AA	1	18. Hose clamp	AJ85406	1
6. Flange headed screw	JFS10616F	2	19. Hose clamp	AJ85407	2
7. Sealing plate Supercharged Non supercharged	MJB4214BA MJB4214AB	1 1	20. Bottom hose, 4.2 Litre supercharged (from VIN A30645)	C2N2615	1
8. Radiator seal, RH	MJA4210AA	1	21. Hose clamp	JHC303180	2
9. Square headed bolt	JZB100066	2	22. Top hose, 4.2 Litre supercharged	C2N1937	1
10. Radiator lower seal	MJA4212AA	1	23. Bottom hose, 4.0 Litre supercharged	MJB4518AD	1
11. Mounting bush, lower	MJA4242CB	2	24. Top hose, 4.0 Litre supercharged	MJB4505BE	1
12. Radiator seal, LH	MJA4211AA	1	25. Bottom hose, 4.2 Litre non supercharged	C2N1173	1
13. Swivel clip Supercharged Non supercharged	KDP223420 KDP209420	2 2	26. Top hose, 4.2 Litre non supercharged	C2N1174	1
			27. Radiator (from VIN A30645) Supercharged Non supercharged	C2N4579 C2N4578	1 1

# FAN & COWL ASSEMBLY



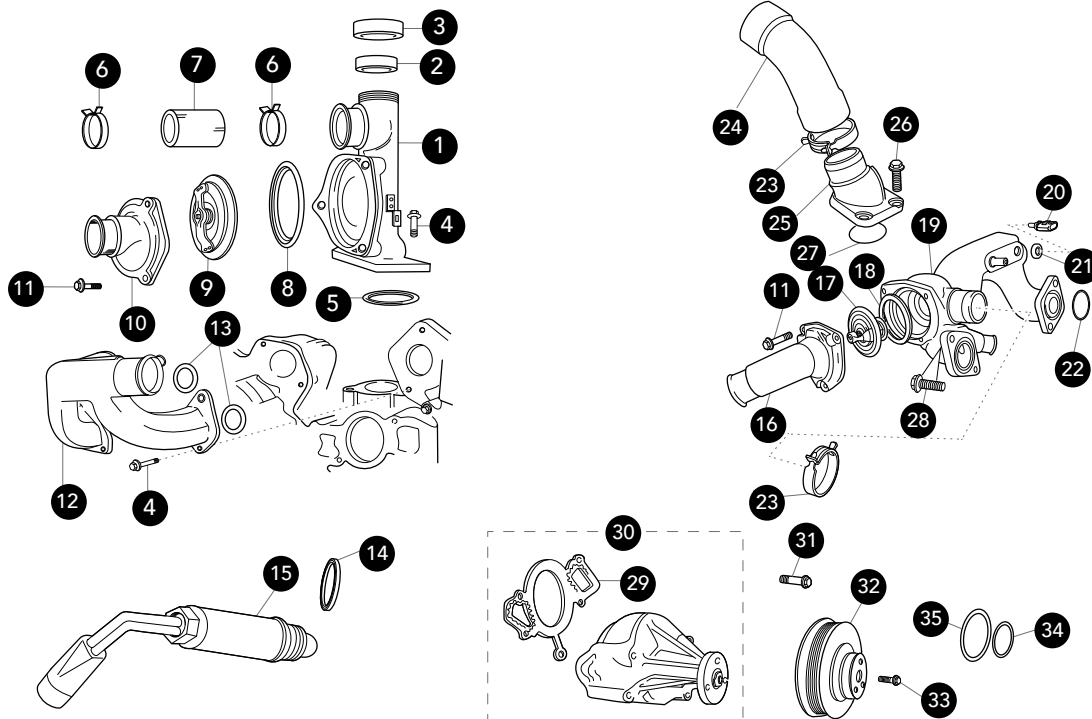
28. Fan & cowl assembly			
4.0 Litre			
Supercharged	MJB4270BC	1	
Non supercharged	MJB4270AB	1	
4.2 Litre	XR847278	1	
29. Fan warning label	XR847031	1	
30. Nut & washer			
(to VIN A07001)	JZH100041	2	
(from VIN A07002)	C2S45106	2	

# EXPANSION TANK & RECOVERY BOTTLE



1. Bleed Hose	MJA4560DB	1	Supercharged rear	MJB4453BA	1
2. Bleed Hose			Non supercharged front	MJB4452AA	1
4.0 Litre supercharged			Non supercharged rear	MJA4453AB	1
(To VIN A25581)	MJB4582BB	1	7. Hexagonal flange nut	JFN106047	1
(From VIN A5582)	MJB4582BC	1	8. Fluid level sensor	LNA5740AB	1
4.0 Litre non supercharged	MJA4560BE	1	9. Hose clip	JHC501401	4
4.2 Litre non supercharged			10. Coolant reservoir		
(From VIN A30645)	C2N2463	1	(To VIN A30644)	MJD4400AB	1
4.2 Litre supercharged			(From VIN A36045)	MJD4400BA	1
(From VIN A30645)	C2N1809	1	11. Grommet	MJA4464AA	1
3. Expansion hose 4.0 Litre & 4.2 Litre			12. Bottle Cap	MJA4466AA	1
Supercharged	MJB4468BB	1	13. Overflow pipe	MJA4480AD	1
Non supercharged	MJA4468AF	1	14. Reservoir seal	MJA4467AA	1
May require bottle MJD4400AB			15. Insulation pad	MJA4471AA	1
4. Pressure cap 4.0 Litre 4.2 Litre	MJA4440BA	1	16. Atmospheric recovery bottle	MJA4460AD	1
5. Mounting grommet	CBC8261	2	17. Cable clip	KDF110004	4
6. Mounting bracket 4.0 Litre & 4.2 Litre					
Supercharged front	MJB4452BA	1			

## THERMOSTAT HOUSING &amp; WATER PUMP



1. Thermostat housing 4.0 Litre	AJ82217	1	19. Outlet pipe	AJ81981	1
2. Thermostat housing cap	NCA2270AC	1	20. Coolant temperature sensor	LNA1600AA	1
3. Thermostat housing cover	NCA2277AA	1	21. Sealing washer	AJ811945	1
4. Bolt	C2Z1354	8	22. Water outlet seal	C2C11477	2
5. Housing seal	NCA2269CA	1	23. Hose clamp	AJ81315	2
6. Spring hose clamp	AJ84257	2	24. Housing to coolant inlet	AJ811638	1
7. Bypass hose	NCA2213AC	1	25. Housing	AJ87639	1
8. Thermostat seal			26. Pan headed screw	C2C25942	3
To VIN A30644	NCA2246BA	1	27. Housing seal	NCA2269CA	1
From VIN A30645	AJ83525	1	28. Bolt	C2Z1354	4
9. Thermostat	AJ86484	1	29. Water pump gasket		
10. Thermostat cover	AJ85875	1	1.5mm	AJ83300	1
11. Bolt	AJ89714	3	0.4mm	AJ88922	1
12. Outlet pipe	AJ85885	1	30. Water pump	AJ88912	1
13. Water outlet seal	C2C11477	2	31. Flange headed bolt	AJ88674	5
14. Block heater sealing washer	AJ89646	1	32. Water pump pulley		
15. Block heater 4.0 Litre			(to VIN 031302)	NCA2225AB	1
110 Volt	AJ811851	1	(from VIN 031303 to VIN A30644)	AJ83873	1
220 Volt	C2C38057	1	(from VIN A30645)	AJ83874	1
16. Thermostat cover			33. Flange headed screw		
4.0 Litre supercharged	NCC2245BC	1	(to VIN 030645)	JZS100105	1
4.2 Litre supercharged	AJ84255	1	(from VIN A30645)	AJ81256	1
17. Thermostat	AJ82600	1	34. O-ring 55mm	KSR634001	1
18. Thermostat seal	NCA2246BA	1	35. O-ring 70mm	KSE169530	1

# THERMOSTAT HOUSING & WATER PUMP



When planning to carry out any work on the hoses of the normally aspirated XK8 4.0 Litre, one should be aware of the fact that the thermostat housings fitted to these engines are made from a lightweight plastic material and do not always take kindly to being disturbed; often breaking during, or soon after the replacement of a top hose.

We offer a 'peace of mind' upgrade, accurately reproduced in sturdy aluminium. Complete with all the necessary 'O' rings, the new aluminium housing is a direct replacement for the old plastic unit.

1. Aluminium thermostat housing kit AJ82217/K 1

## NOTE

If you need to top up your Jaguar's cooling system, it is vital to select the correct grade of anti-freeze. Older Jaguars are quite happy with good old fashioned 'blue' mono-ethylene glycol, but newer models use a more modern yellow or orange anti-freeze, designed for safe use in the all-aluminium engines of later cars.

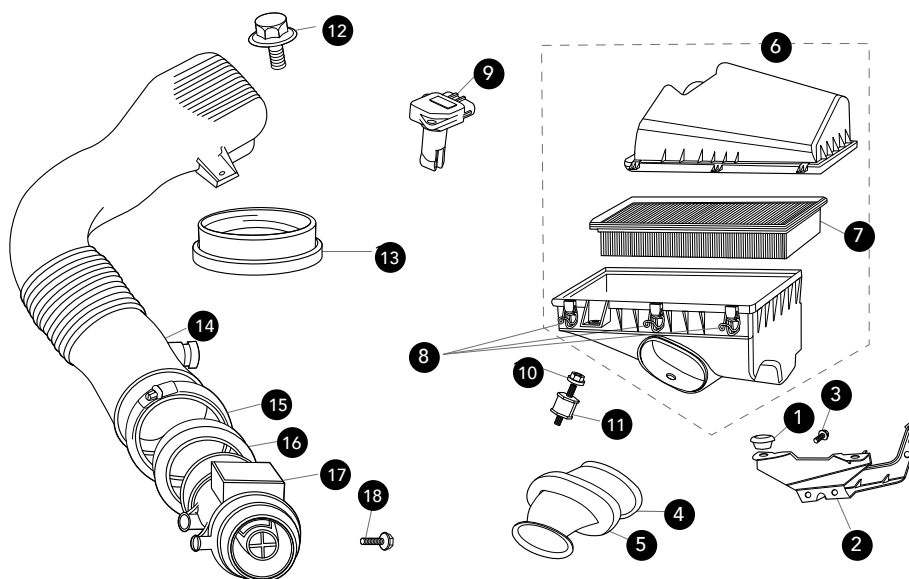
Mixing old and new can lead to a chemical reaction, turning the contents of your radiator into an anti-freeze 'smoothie' – too thick to circulate, causing major overheating problems. Be absolutely sure before you top up.

Traditional 'blue' anti-freeze, earlier models: Old XK's XJ's etc.	MOR051
'Yellow' anti-freeze, e.g. AJ6 engines, early XK8's etc.	JLM204042/3
'Orange' anti-freeze, e.g. Newest XJ's & later XK8's etc.	JLM 209722/3

All types are available from SNG Barratt Group. Always check the handbook!



# AIR CLEANERS & HOSES

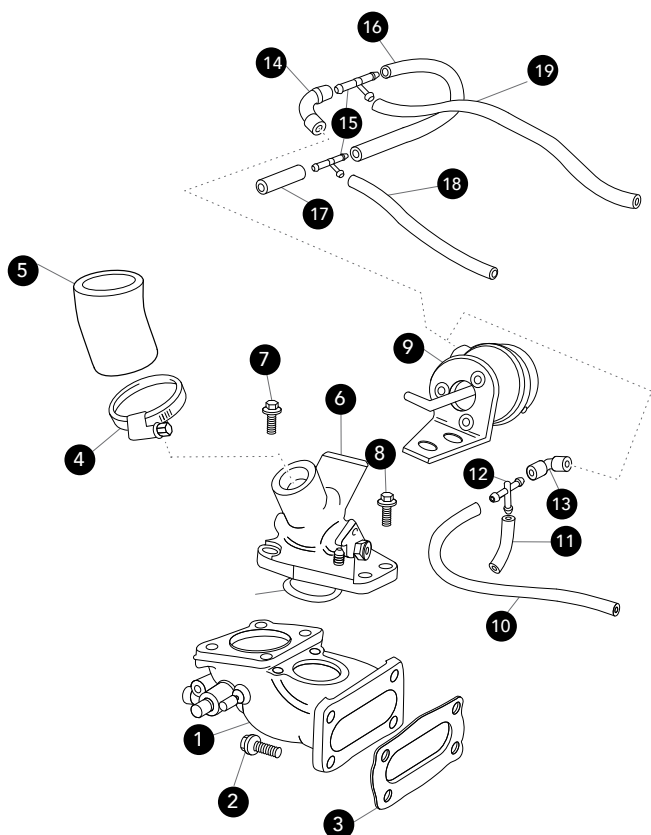


1. Grommet	NBC3530AA	2	(from VIN A00083 to A30644)	NJD3555AA	1
2. Air cleaner mounting bracket			4.0 Litre non supercharged	NJA3555AE	1
4.0 Litre supercharged	NJB351AC	1	(to VIN 031302)	NNE3555AC	1
4.0 Litre non supercharged			(from VIN 031303 to A30644)		
Premium sound	NJA3557AA	1	(from VIN A30645)		
Not premium sound	NJA3515AB	1	4.2 Litre supercharged	C2N2490	1
3. Bolt	AJ88941	2	4.2 Litre non supercharged	C2N1041	1
4. Air intake tube	NJB3510AC	1	15. Worm drive hose clip	JHC201401	1
5. Air intake tube seal	NJA3541AA	1	16. Duct seal	NJA3553AA	1
6. Air cleaner			17. Air flow sensor		
(to VIN 042775)	NJC3500AA	1	4.0 Litre supercharged	LNC1620AA	1
(from VIN A00083 to A30644)			(to VIN 042775)	LNE1620BB	1
4.0 Litre supercharged	NJC3500AA	1	(from VIN A00083 to A30644 )		
4.0 Litre non supercharged	NJC3500BA	1	4.0 Litre non supercharged	LJA1602AE	1
(from VIN A30645)			(to VIN 031302)	LNE1620CB	1
4.2 Litre supercharged	C2N1551	1	(from VIN 031302 to A30644)		
7. Air cleaner element	NJA3558AA	1	18. Flange headed screw	JFS10625F	3
4.2 Litre non supercharged	XR823351	1			
8. Air cleaner clamp	NAB3511AA	5			
9. Air flow sensor					
(from VIN A30645)					
4.2 Litre supercharged	C2C7636	1			
4.2 Litre non supercharged	C2S2670	1			
10. Flange nut	JFN10604F	2			
11. Instrumount	EAC8130	1			
12. Flange headed screw	JFS10625F	3			
13. Duct seal					
(to VIN 042775)	NJA3554AA	1			
(from VIN A00083 to A30644)	NJA3553AA	1			
14. Inlet air pipe					
4.0 Litre supercharged					
(to VIN 042775)	NJB3555AA	1			



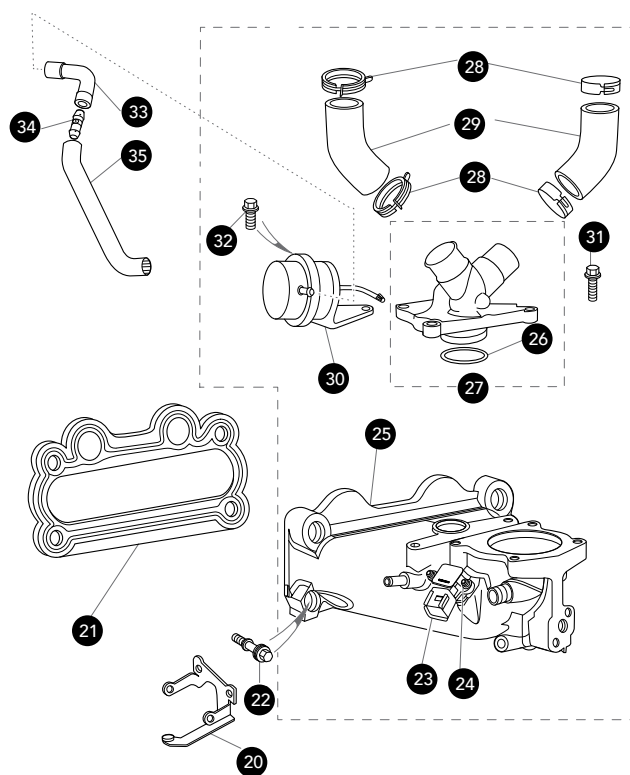
# BYPASS VALVE, SUPERCHARGED

## 4.0 LITRE



1. Inlet manifold induction elbow (to VIN 042775) (from VIN A00083 to A30644)	AJ81368	1
	AJ83052	1
2. Bolt, M8 x 50mm	C2C35271	4
3. Inlet port gasket	NCC7754BA	1
4. Hose clamp (from VIN 031302) (from VIN 031303)	JHC200801	4
	JHC302260	4
5. Bypass hose	NCC2213AC	2
6. Bypass valve	AJ85330	1
7. Bolt, M6 x 20mm	AJ89714	2
8. Bolt, M6 (to VIN A24195) (from VIN A24196)	C2N1272	2
	XR82409	2
9. Supercharger bypass actuator	NCC7703AC	1
10. Vac hose, 380mm (to VIN A11050)	AJ83877	1
11. Vac hose, 160mm (to VIN A11050)	AJ83877	1
12. Tee piece (to VIN A11050)	C15644	1
13. Vac elbow (to VIN A11050)	EAC7965	1
14. Vac elbow (from VIN A11051)	EAC7965	1
15. Tee piece (from VIN A11051)	C15644	2
16. Vac hose, 90mm (from VIN A11051)	AJ83877	1
17. Vac hose, 38mm (from VIN A11051)	AJ83877	1

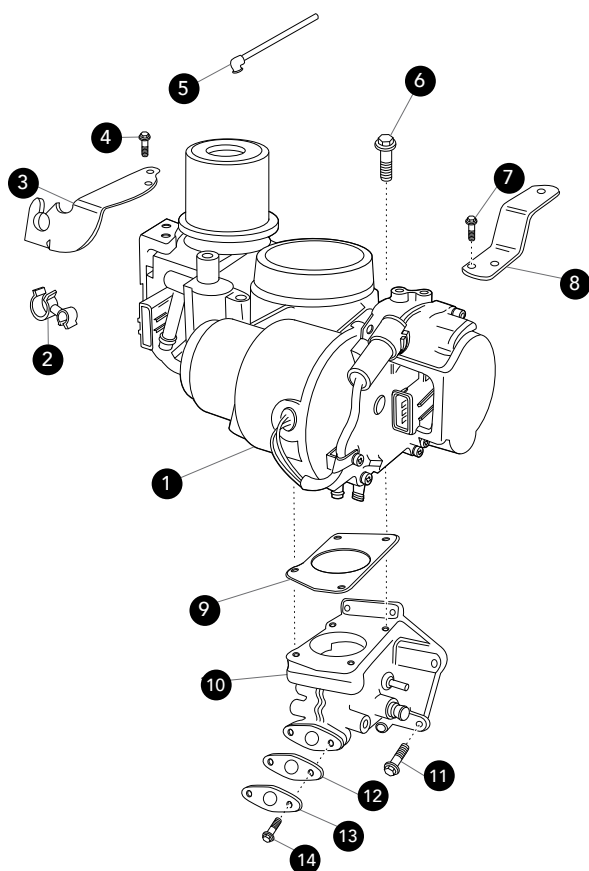
## 4.2 LITRE



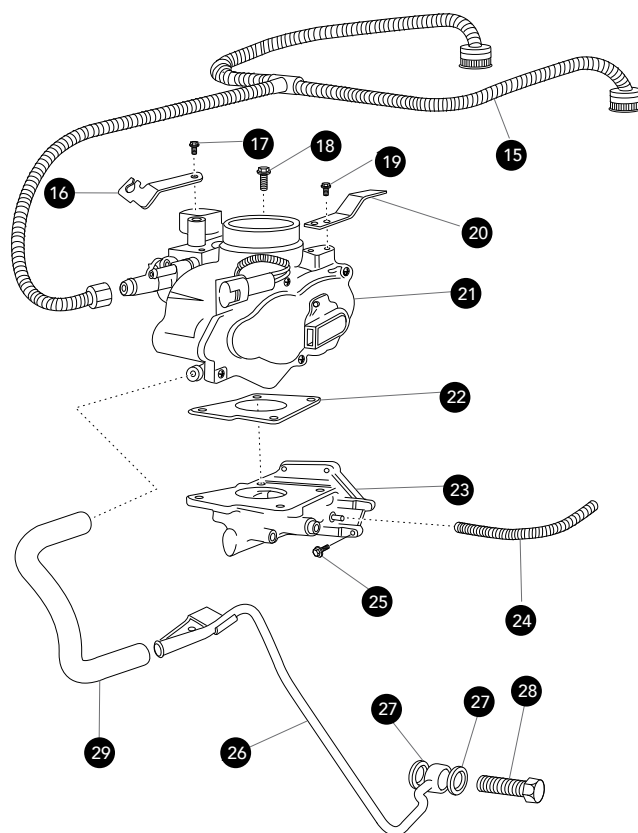
18. Vac hose, 482mm (from VIN A11051)	AJ83877	1
19. Vac hose, 262mm (from VIN A11051)	AJ83877	1
20. Intake elbow mounting bracket	AJ84484	1
21. Inlet elbow gasket	AJ83292	1
22. Mounting bolt	AJ83623	4
23. Manifold absolute pressure sensor (to VIN A43927) (from VIN A43928)	AJ82763	1
	C2C22616	1
24. MAP sensor screw M4 x 16mm	AJ87995	2
25. Inlet manifold induction elbow assy.	AJ811919	1
26. Bypass valve 'O' ring	KSC137624	1
27. Bypass valve, (with 'O' ring)	AJ810530	
28. Hose clamps	JHC302260	4
29. Bypass hose	NCC2213AC	2
30. Supercharger bypass actuator	AJ83833	1
31. Bypass valve bolt, M6 x 10mm (to VIN A43927) (from VIN A43928)	XR82409	2
	C2P3522	2
32. Bypass valve bolt, M6 x 20mm	AJ89714	2
33. Vac elbow	EAC7965	1
34. 2 way connector	AJ83876	1
35. Vac hose, 670mm	AJ83877	1

# THROTTLE BODY, 4.0 LITRE

## 4.0 LITRE

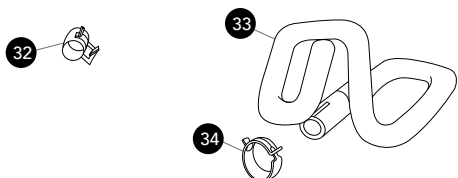
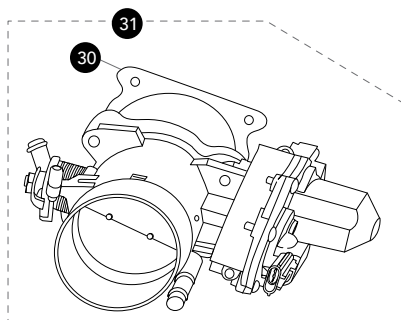


## 4.0 LITRE WITH AIR ASSISTED FUEL INJECTION



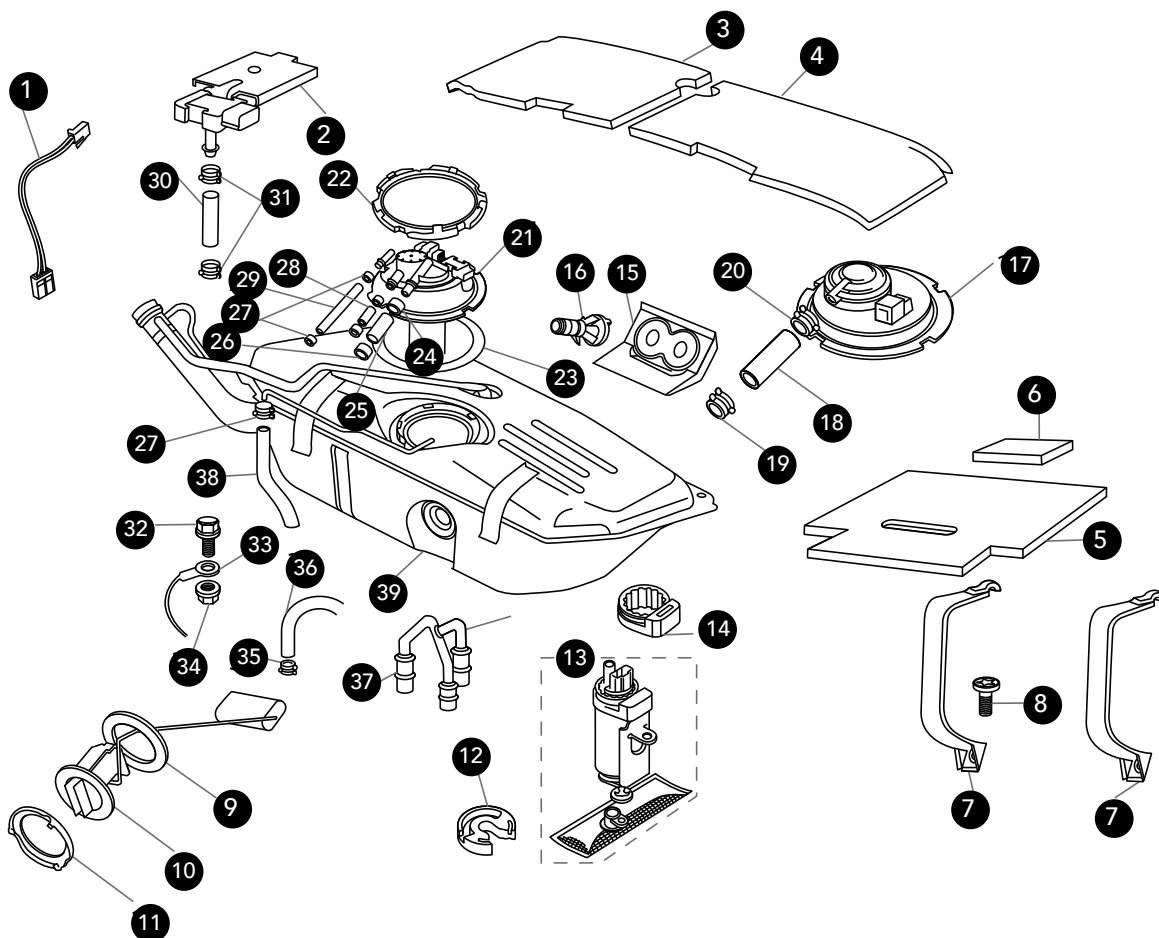
1. Throttle body, 4.0 Litre	C2A1470	1	16. Abutment bracket (from VIN 031303)	AJ81343	1
2. Swivel clip	KDP210200	1	17. Flange headed screw, M5 x 12mm (from VIN 031303)	JFS10512C	4
3. Abutment bracket (to VIN 018107) (from VIN 018108)	NCA3010GA	1	18. Hex headed bolt	JFB10808E	1
4. Bracket screw, M5 x 12mm	AJ81343	1	19. Flange headed screw, M5 x 12mm	JFS10512C	4
5. Actuator vacuum pipe	NJA3968HA	1	20. Throttle linkage bracket	NCA3227AC	1
6. Hex headed bolt	JFB10808E	4	21. Throttle body, electronic 4.0 Litre Supercharged	C2A1445	1
7. Flange headed screw, M5 x 12mm	JFS10512C	2	4.0 Litre non supercharged	C2A1444	1
8. Throttle linkage bracket 4.0 Litre supercharged	NCC3226AB	1	22. Throttle body gasket (from VIN 031303)	NNE3021AC	1
4.0 Litre non supercharged	NCA3227AC	1	23. Induction elbow (from VIN 031303)	AJ81367	1
9. Throttle body gasket	NCA3021BA	1	24. Throttle elbow hose, 3.3mm dia.	AJ81281	1
10. Induction elbow	NCA3106BD	1	25. Screw, M8 x 30mm (from VIN 03103)	JFS10830B	7
11. Screw, M8 x 30mm	JFS10830B	7	26. Pipe	NCA3148AA	1
12. EGR pipe gasket	NCA4771DA	1	27. Sealing washer	AJ811945	2
13. Blanking plate (to VIN 031302)	NCA3052AB	1	28. Banjo bolt	NCA4623AA	1
14. Hex flange screw, M8 x 20mm (to VIN 031302)	C2Z1856	2	29. Moulded hose	NNE3246BA	1
15. Moulded air hose (from VIN 031303)	AJ81211	1			

# THROTTLE BODY, 4.2 LITRE



30. Throttle body gasket (from VIN A30645)	AJ83445	1
31. Throttle body , 4.2 Litre	C2C20541	1
32. Hose clamp 4.2 Litre non supercharged	JHC301621	1
33. Return hose 4.2 Litre non supercharged	AJ89554	1
34. Hose clamp 4.2 Litre non supercharged	JHC301720	1

# FUEL TANK



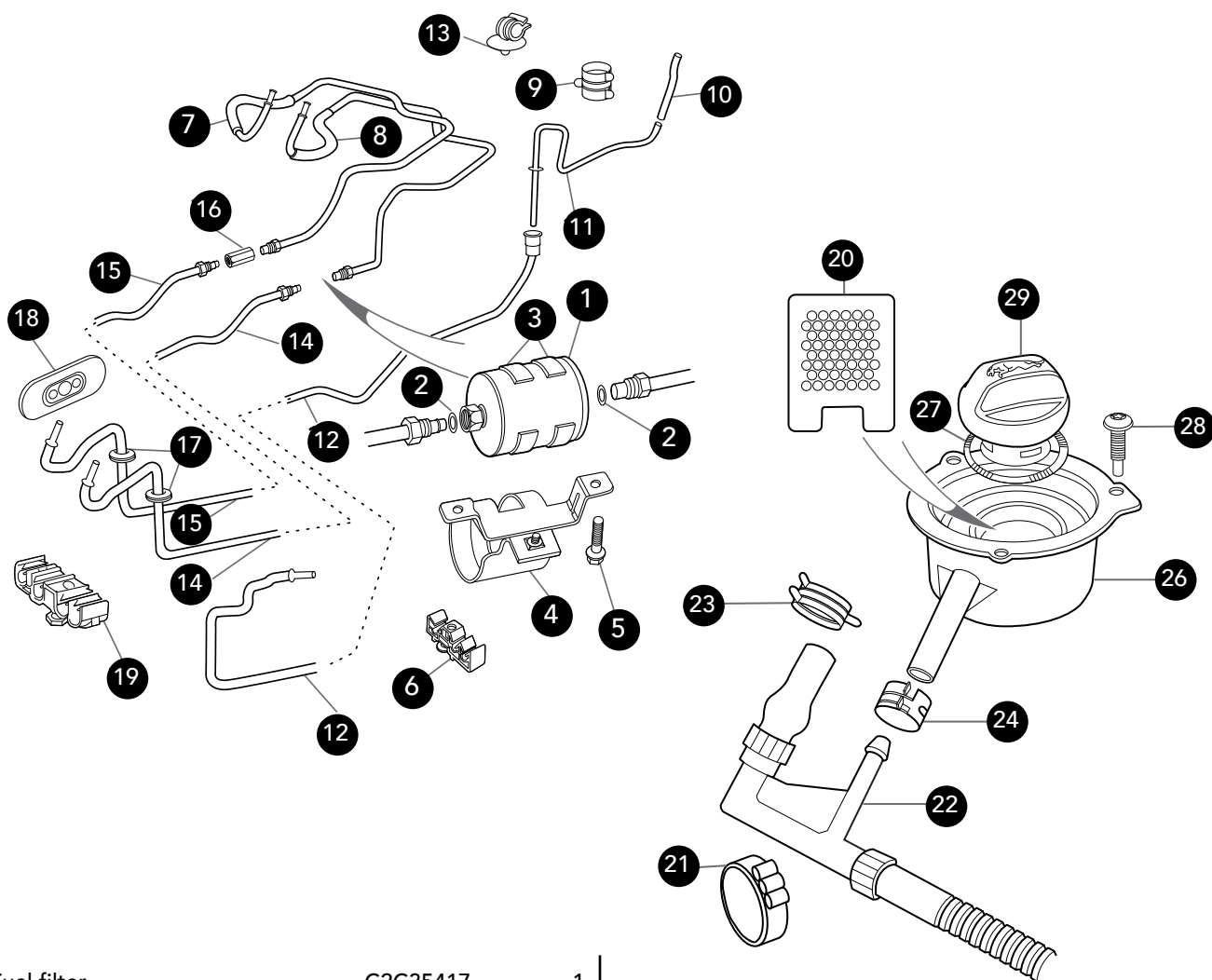


## FUEL TANK

1. Link lead (to VIN A30644) (from VIN A30645)	LJC3360AA 1 LJG3075BC 1	21. Evaporative loss flange (from VIN A00083 to VIN A03695) (from VIN A30645)	NJE5954BB 1 C2N1035 1
2. Fuel pressure sensor	LJB1624AA 1	22. Locking ring (to VIN 042775) (from A00083 to VIN A30644) (from VIN A30645)	NLA ARA1502J 1 C2N1398 1
3. Tank pad RH top (to VIN A30644) (from VIN A30645)	NJA5987BA 1 NJC5987BB 1	23. Sealing ring	NNA6020AA 1
4. Tank pad LH top (to VIN A30644) (from VIN A30645)	NJA5987AA 1 NJC5987BB 1	24. Hose clip	CAC8776 1
5. Tank pad lower	NJA5999AC 1	25. Stepped hose	NND6070AB 1
6. Location pad	NNA5987CA 2	26. Hose clamp	JHC302293 1
7. Fuel tank strap	NJA6045BF 2	27. Hose clamp	CAC8774 4
8. Screw, hexagon flanged	C2Z1856 2	28. Purge hose	NNA6068KA9 1
9. Fuel tank sender unit sealing ring	ARA1502J 1	29. Purge hose	NNA6068KA9 1
10. Fuel tank sender unit (to VIN 042775) (from A00083)	LJA2000AC 1 LJE2001AC 1	30. Purge hose	NJA6068DA1 1
11. Fuel tank sender unit locking ring	ARA1501J 1	31. Hose clip	JHC200101 2
12. Mounting rubber	NND6025AA 1	32. Flange headed screw (to VIN A30644) (from VIN A30645)	JFS11016B 1 C2S27339 1
13. Fuel pump assembly (to VIN A30644) pump Filter (from VIN A30645) Supercharged Non supercharged	C2N3866 1 NJB6091AA 1 C2N1147 1 C2N1146 1	33. Earth lead	LJA3744AC 1
14. Mounting rubber	NND6025BA 1	34. Flanged nut	JFN11004B 1
15. Fuel tank seal	NJA6029AD 1	35. Hose clip	JHC200101 1
16. Fuel tank stuffer pin	EBC9606 1	36. Fuel hose (to VIN 042775)	NJB5956BA 1
17. Evaporative loss flange	C2N2635 1	37. Fuel hose (from A00083 to VIN A30644)	NJB5956AA 1
18. Breather hose (to VIN A05949) (from VIN A05950 to A11050)	NNA6068KA6 1 NNA6068KA13 1	38. Vapour hose	NJC6071AA 1
19. Hose clip	JHC300621 1	39. Fuel tank (to VIN 042775) Supercharged Non supercharged (from A00083 to VIN A30659) Supercharged & non supercharged (from VIN A3660 to VIN A30644) (from VIN A30645) Non O.R.V.R. O.R.V.R.	C2N3846 1 NJC5908BG 1 NJD5908ED 1 C2N3849 1 C2N3850 1 C2N2642 1
20. Hose clip	CAC8774 1		

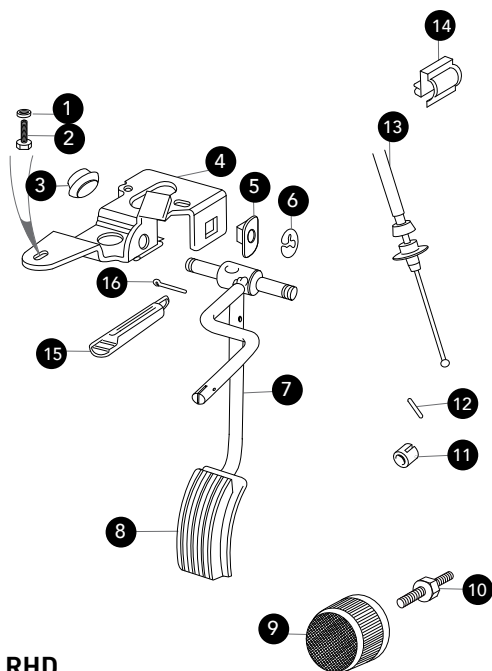


# FUEL FILLER & PIPE SYSTEM



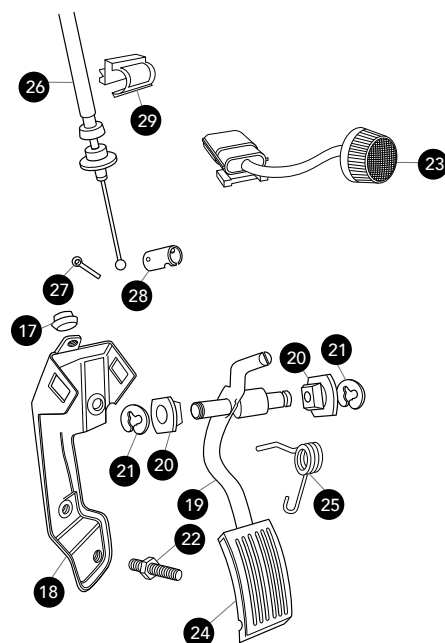
1. Fuel filter	C2C35417	1			
2. O - ring	XR829166	2			
3. Mounting bracket insulation	CBC8156	2			
4. Filter mounting bracket	NJA6086AC	1			
5. Bracket mounting bolt	AJ88941	2			
6. Treble pipe clip	KDH605064	9			
7. Pipe, fuel return (to VIN 031302) (from VIN 031303 to VIN A11050) (from VIN A11051)	NJA6001CD NJC6001BA NJE6001BA	1 1 1			
8. Pipe, fuel feed (to VIN A11050) (from VIN A11051)	NJA5998BB NJE5998BA	1 1			
9. Hose clip	JHC300320	2			
10. Purge hose	NNA6068KA	1			
11. Vapour pipe, rear	NJB6069AC	1			
12. Vapour pipe, front	NJA6104CD	1			
13. Cable clip	DBC10203	1			
14. Pipe, fuel feed-front	NJA5998CD	1			
15. Pipe, fuel return-front (to VIN 031302) (from VIN 031303)	NJA6001DF NJC6001AB	1 1			
16. Connector	NJA6522CB	1			
			17. Grommet	C29302	2
			18. Fuel pipe grommet (to VIN 031302) (from VIN 031303)	NJB5973AA NJC5973CA	1 1
			19. Treble pipe clip	EBC9072	1
			20. Fuel filler drain filter	HJA3099AA	1
			21. Hose clip	JHC501401	2
			22. Fuel filler drain tube	HJA3098AD	1
			23. Hose clip	CAC8774	1
			24. Hose clip	JHC300320	1
			25. Grommet	HNA1739AA	1
			26. Fuel filler gaiter	HJE3107AD	1
			27. Spring clip	HNA3106AA	1
			28. Torx head screw	JXR10620F	3
			29. Fuel filler cap	NJD5942AF	1

## ACCELERATOR PEDAL ASSEMBLY



## RHD

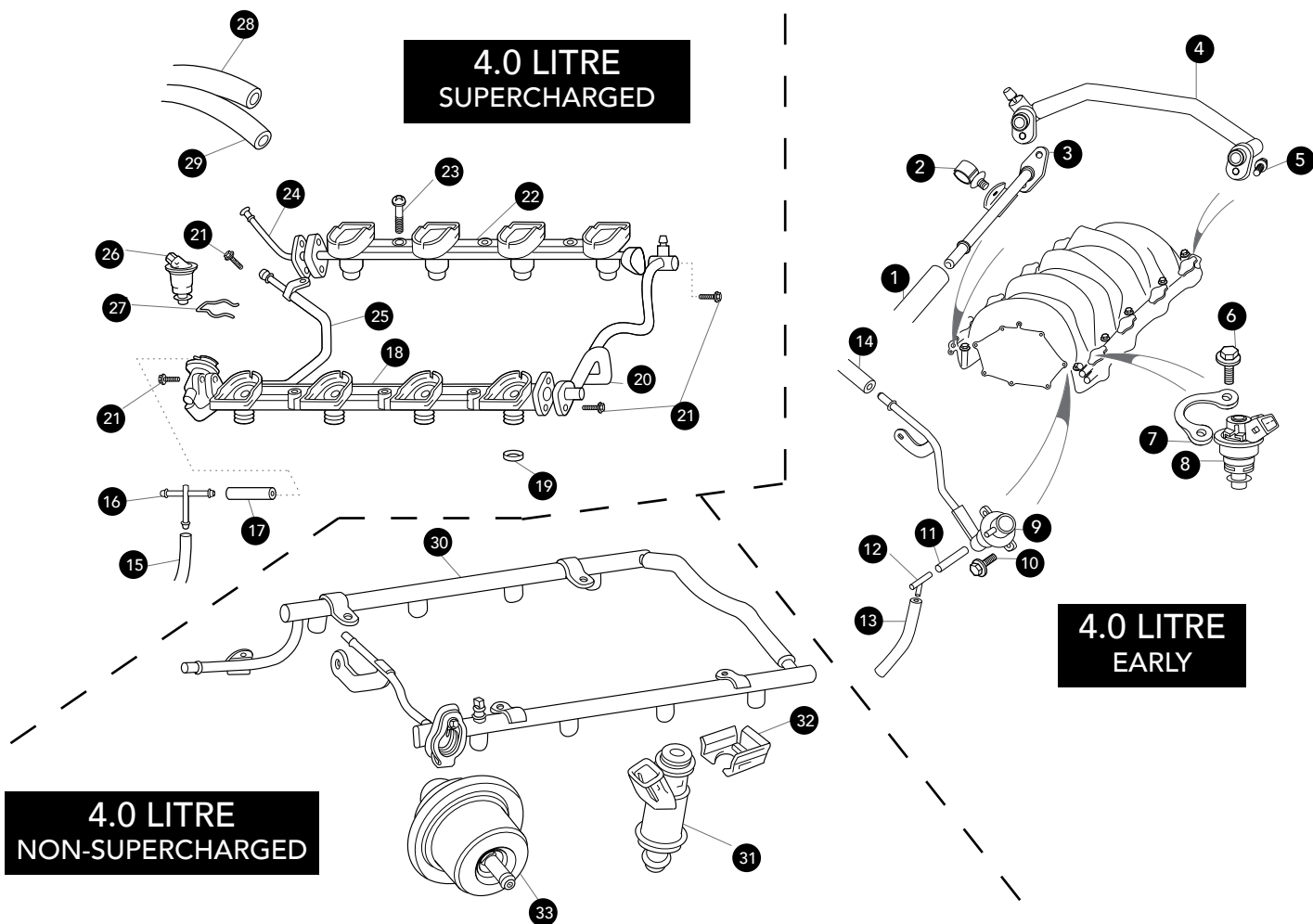
1. Plain washer	WA106041J	1
2. Set screw (to VIN A30644) (from VIN A30645)	SH604051J C2N1779	1 2
3. Blanking plug	BD21899	1
4. Bracket, RHD	MJA5380AA	1
5. Accelerator pedal bush	MJA4713AA	2
6. Bearing circlip	C336001	2
7. pedal sub-assembly, RHD (to VIN A30644) (from VIN A30645)	MJA5381AA C2N1060	1 1
8. Pedal rubber RHD	MJA5383AA	1
9. Kick down switch 4.0 Litre supercharged (to VIN 031302) (from VIN 031303) 4.0 Litre non supercharged (to VIN 018107) (from VIN 018108 to VIN031302) (from VIN 031303)	LNA6570AD LJC6570BA LNA6570AD DBC10854 LJC6570AA	1 1 1 1 1
10. Switch mounting stud	LJC6571AA	1
11. Accelerator cable retainer	CAC5328	1
12. Split pin	PS605071	1
13. Accelerator cable RHD 4.0 Litre supercharged 4.0 Litre non supercharged 4.2 Litre all models	MJB4620AA MJA4620AD C2N2448	1 1 1
14. Cable clip	JEP110002	1
15. Accelerator return spring (to VIN A30644) (from VIN A30645)	CAC1429 C2N1075	1 1
16. Split pin	PS105121	1
<b>Not shown</b> Pedal stop, 4.2 Litre	C2N1061	1
Throttle position sensor, 4.2 Litre	C2N1308	1
Sensor bracket 4.2 Litre	C2N1078	1
Pedal mounting plate 4.2 Litre	C2N1057	1



## LHD

17. Blanking plug	BD21899	1
18. Pivot bracket (to VIN A30644) (from VIN A30645) (to VIN A30644) (from VIN A30645)	MJA4710BB C2N1059 MJA5380BE C2N1310	1 1 1 1
20. Accelerator pedal bush	MJA4713AA	2
21. Bearing circlip	C336001	2
22. Switch mounting stud	LJC6571AA	1
23. Kick down switch 4.0 Litre supercharged (to VIN 031302) (from VIN 031303) 4.0 Litre Non supercharged (to VIN 018107) (from VIN 018108 to VIN031302) (from VIN 031303)	LNA6570AD LJC6570BA LNA6570AD DBC10854 LJC6570AA	1 1 1 1 1
24. Accelerator pedal pad Rubber Aluminium	MJA5383AA MXD5383AA	1 1
25. Accelerator pedal return spring (to VIN A30644) (from VIN A30645)	MJA4715BB C2N1074	1 1
26 Accelerator cable LHD 4.0 Litre supercharged 4.0 Litre non supercharged 4.2 Litre all models	MJB4620BA MJA4620BD C2N2447	1 1 1
27. Split pin	PS605071	1
28. Accelerator cable retainer	CAC5328	1
29 Cable clip Not shown. Pedal stop, 4.2 Litre Throttle position sensor, 4.2 Litre Sensor bracket 4.2 Litre Pedal mounting plate 4.2 Litre	JEP110002 C2N1061 C2N1308 C2N1077 C2N1056	1 1 1 1 1

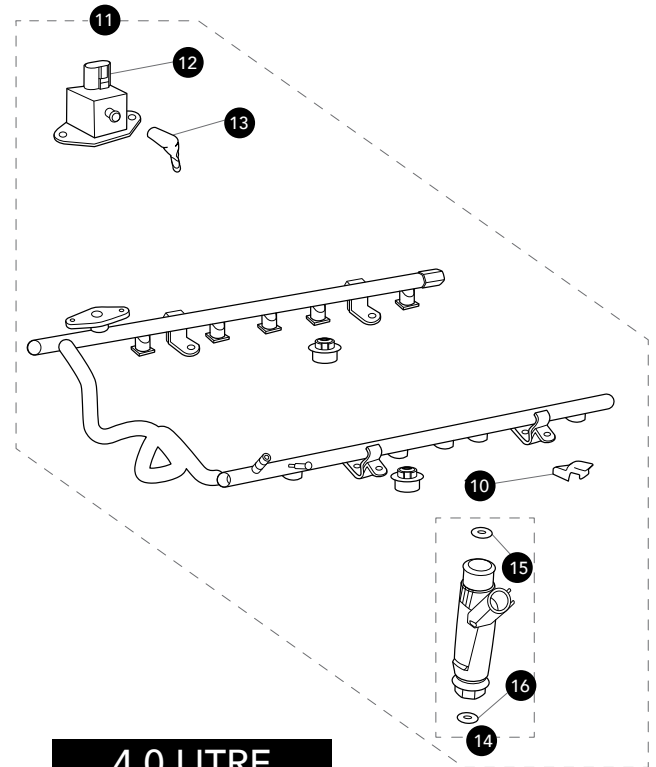
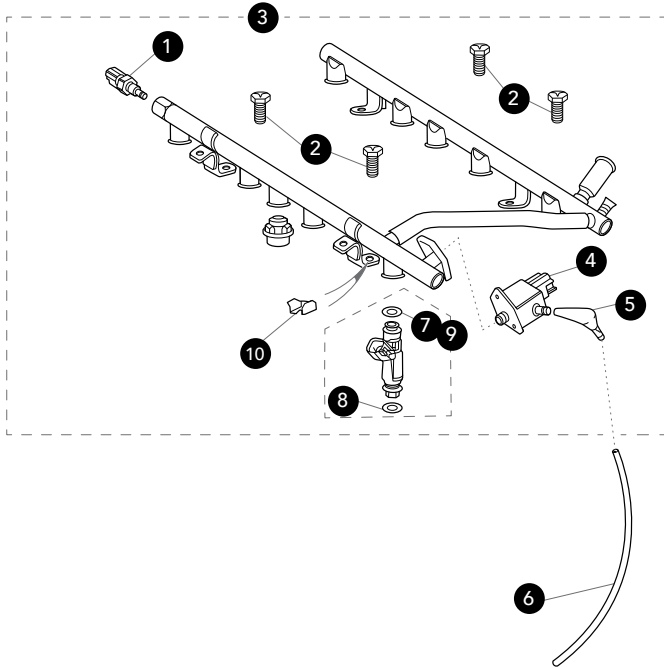
# INJECTORS & PIPES



1. Fuel feed hose	NJC6053AA	1	18. Fuel rail, LH B-bank	NCC3447AD	1
2. Fir tree clip	KDF114023	1	19. Injector adaptor plate seal	NCC3016AA	8
3. Fuel feed pipe	NCA3005AF	1	20. Fuel pipe	NCC3027AB	1
4. Connecting pipe	NCA3027AF	1	21. Bolt, M6 x 16mm	JFS10616B	7
5. Bolt, M6 x 16mm	JFS10616B	6	22. Fuel rail, RH A-bank	NNE3446AA	1
6. Flange headed screw, M5 x 12mm	JFS10512C	16	23. Fuel rail to manifold screw	JXB10840B	6
7. Injector clamp plate	AJ82902	8	24. Fuel feed pipe	NCC3005AB	1
8. Fuel injector (to VIN 031302) (from VIN 031303)	LCA1521AF AJ83967	8	25. Fuel return pipe assembly	AJ81480	1
9. Fuel return pipe assembly	NCA3007CA	1	26. Fuel injector	LCC1521AD	8
10. Bolt, M6 x 16mm	JFS10616B	6	27. Fuel injector clip	AJ81060	8
11. Vacuum hose, 38mm	AJ83877	1	28. Fuel feed hose	NJC6053AA	1
12. T-piece	C15644	1	29. Fuel return hose	NJB6083AA	1
13. Vacuum hose	AJ83877	1	30. Fuel rail, 4.0 Litre (from VIN 031303)	AJ83358	1
14. Fuel return hose	NJA6083AE	1	31. Fuel injector	AJ83967	8
15. Vacuum hose	AJ83877	1	32. Retaining clip	AJ82853	8
16. T-piece	C15644	1	33. Fuel pressure regulator kit	JLM21358	1
17. Vacuum hose, 38mm	AJ83877	1			

# INJECTORS & PIPES

## 4.2 LITRE NON-SUPERCHARGED



## 4.0 LITRE SUPERCHARGED

1. Temperature sensor, M12	LRA1600BA	1
2. Pan headed screw, M6 x 16mm	AJ82679	4
3. Fuel rail, complete	AJ811304	1
4. Fuel pressure sensor	AJ87977	1
5. Vacuum elbow	NCE4799EA	1
6. Vacuum hose, 4.2 Litre 670mm	AJ83877	1
7. Injector upper 'O' ring	C2C19756	8
8. Injector lower 'O' ring	C2C19757	8
9. Fuel injector	AJ82353	8
10. Injector clip	AJ82853, AJ89624	8
11. Fuel rail, complete	AJ811305	1
12. Fuel pressure sensor	AJ87977	1
13. Vacuum elbow	NCE4799EA	1
14. Fuel injector	AJ82532	8
15. Injector upper 'O' ring	C2C19756	8
16. Injector lower 'O' ring	C2C19757	8

### INJECTOR CLEANER

Keep your injection system clean!

Simply add to a full tank of fuel to ensure that your injectors and pipes are kept free from contaminants and residue.

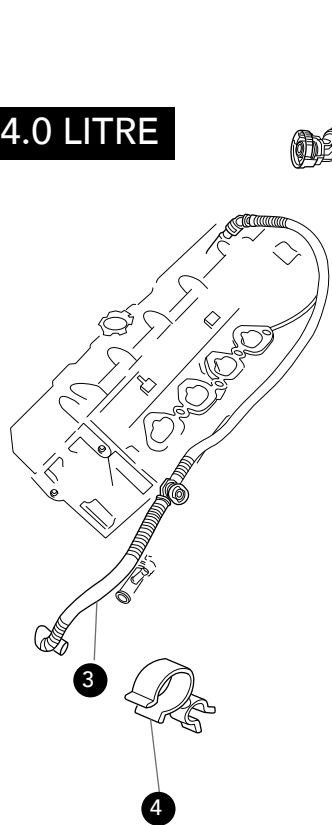
Techron Fuel Additive CH2053 1

## TWIST TOP TUNE UP®

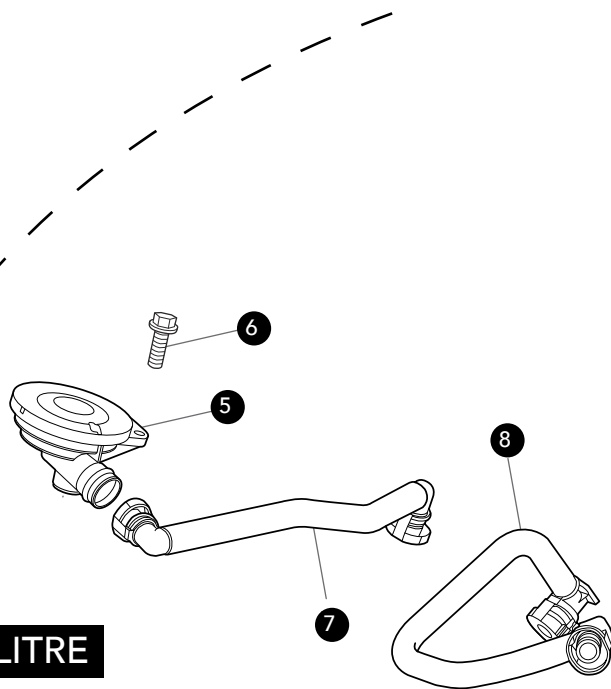


# CRANK CASE BREATHER SYSTEM

**4.0 LITRE**



**4.2 LITRE**

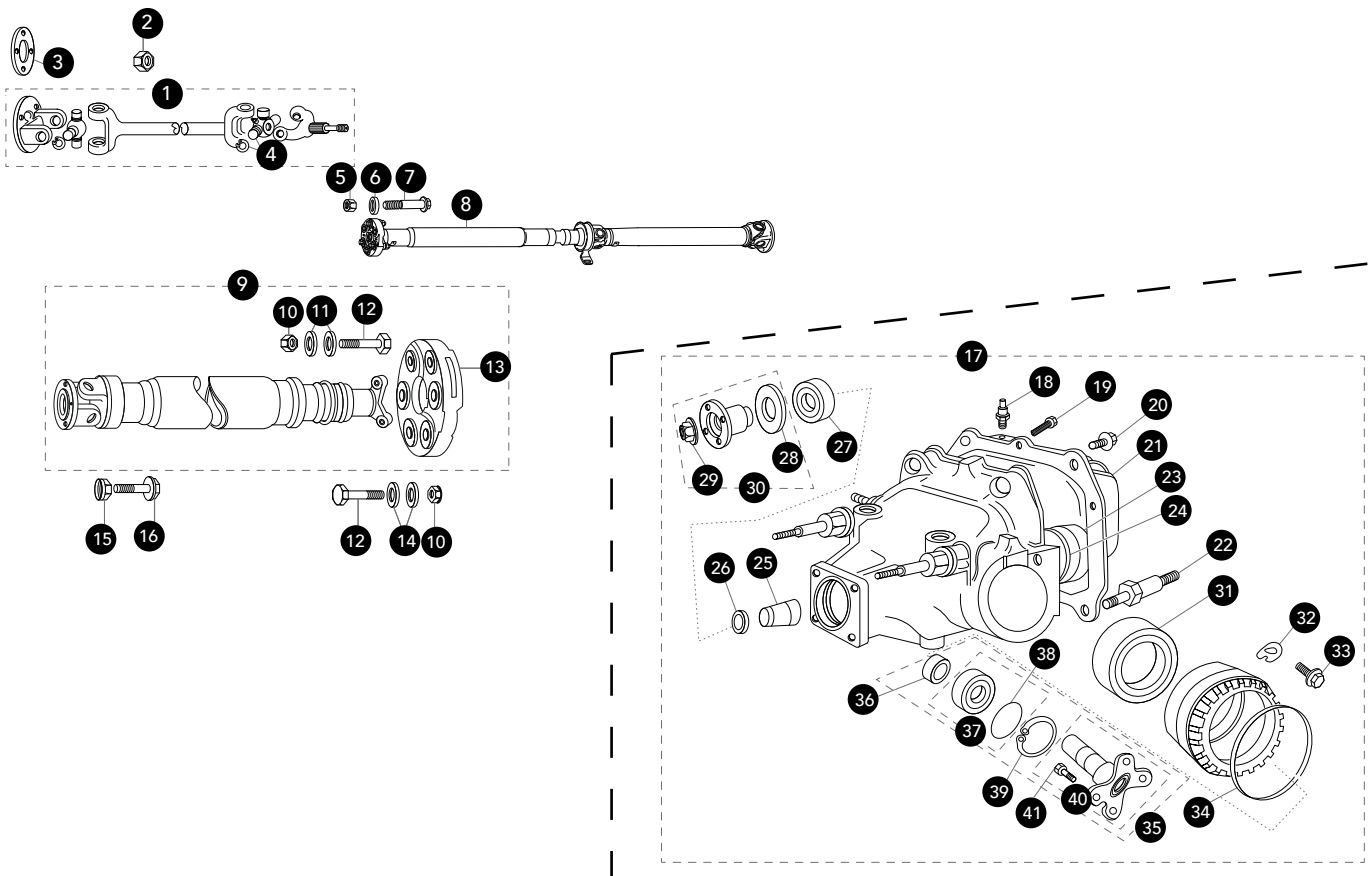


1. Part load breather restrictor	XR828442	1	5. Crankcase vent valve	AJ87773	1
2. Full load breather hose	NCA3951CB	1	6. Bolt	C2S26049	1
3. Part load breather hose Supercharged	AJ84879	1	7. Crankcase breather pipe	AJ88622	1
Non supercharged	AJ84880	1	8. Full load breather hose Supercharged	AJ87233	1
4. Swivel clip	KDP212230	1	Non supercharged	AJ87221	1

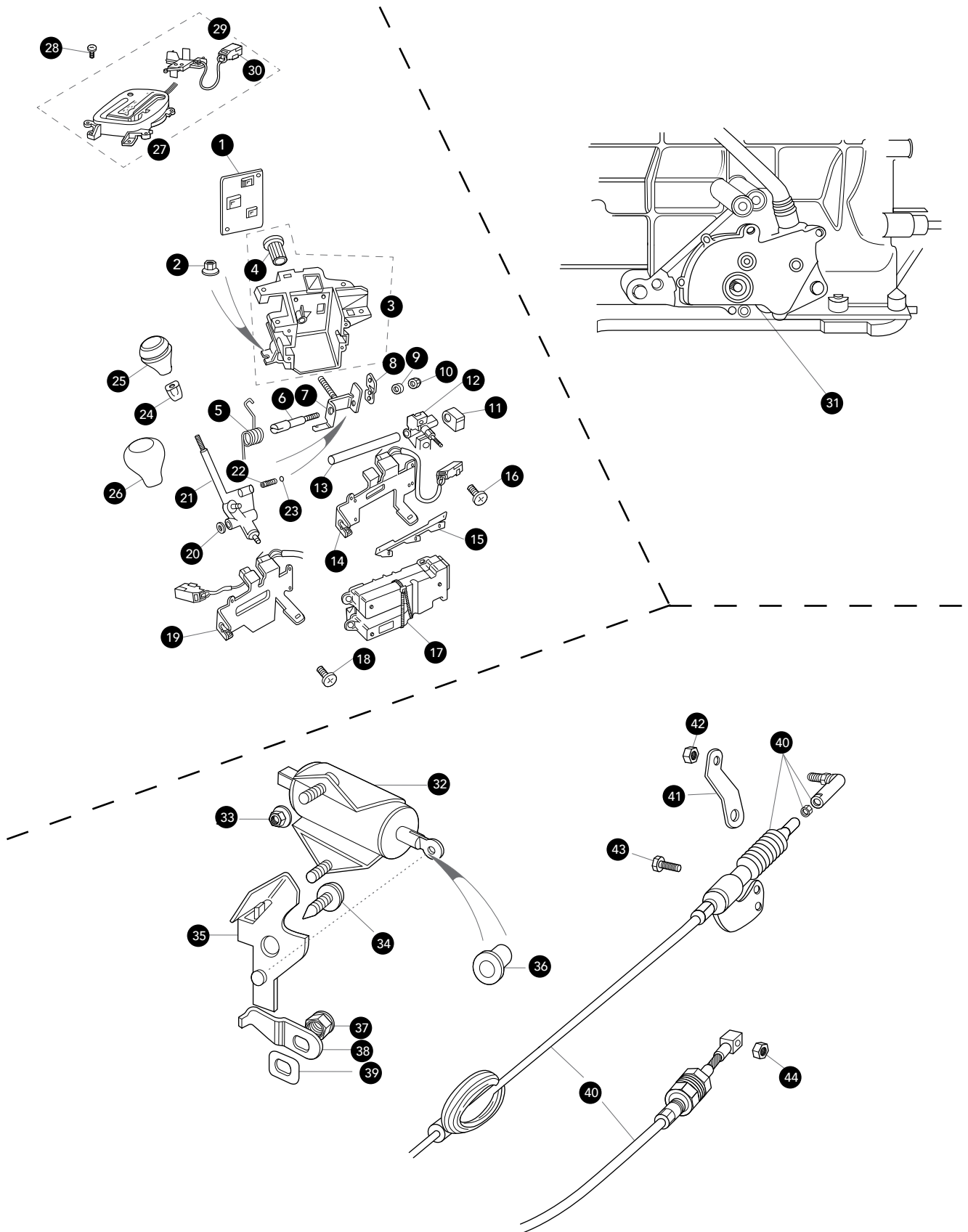


## DRIVE SHAFTS &amp; DIFFERENTIAL

1. Half shaft assembly	CBC2268	2	16. Flange headed screw	JFT11030EM	4
2. Half shaft nut	NV607041	16	17. Complete differential assembly		
3. Half shaft spacer			<b>Contact sales for availability</b>		1
2. 3.5mm	CBC480635	A/R	18. Differential case breather	JLM20323	1
4.0mm	CBC480640	A/R	19. End cover bolt, M8	JLM20332	6
4.5mm	CBC480645	A/R	20. Filler plug, 0.75" BSP	JLM632	1
5.0mm	CBC480650	A/R	21. End cover	C2A1420	1
5.5mm	CBC480655	A/R	22. Rear tie stud	NNC5715AA	2
6.0mm	CBC480660	A/R	23. Pinion head bearing	JLM20335	1
6.5mm	CBC480665	A/R	24. Shim kit for pinion head bearing	JLM20251	1
7.0mm	CBC480670	A/R	25. Pinion spacer kit	JLM20325	1
7.5mm	CBC480675	A/R	26. Shim kit for pinion tail bearing	JLM20250	1
4. Universal joint	JLM1388	4	27. Pinion tail bearing	NJF215312AA	1
5. Nut for Jurid coupling, 4.2 Litre	C2C34448	3	28. Pinion oil seal	JLM20601	1
6. Coupling washer, 4.2 Litre	C2P8152	3	29. Pinion lock nut	JLM11840	1
7. Hex head bolt 4.2 Litre, M12 x 65mm	XR826222	3	30. Companion flange kit	C2N2581	1
8. Prop shaft assembly 4.2 Litre	C2N3586	1	31. Differential bearing	JLM20336	2
9. Prop shaft assembly 4.0 Litre			32. Bearing housing lock-tab	JLM20330	2
Supercharged	NJB5800AC	1	33. Lock-tab bolt, M8	JLM20333	2
Non supercharged	NJA5800CB	1	34. Bearing housing 'O' ring	JLM20327	2
10. Nut for Jurid coupling, 4.0 Litre	NV112051J	3	35. Output shaft assembly	C2A1417	2
11. Coupling washer, 4.0 Litre	CBC8067	6	36. Bearing retaining collar	C2A1421	2
12. Coupling bolt, M12 x 70mm	CBC8174	6	37. Differential shaft bearing	JLM20337	2
13. Flexible Jurid coupling	CBC8996	1	38. Sealing ring	JLM20451	2
14. Coupling washer, 4.0 Litre			39. Bearing circlip	C2A1422	2
(to VIN 042775)	CBC8067	6	40. Shaft & stud assembly	C2A1418	2
(from VIN A00083)	C2P8152	6	41. Output flange stud	JLM624	8
15. Lokut nut, M10	JZN100053	4			



# GEAR CHANGE CONTROL





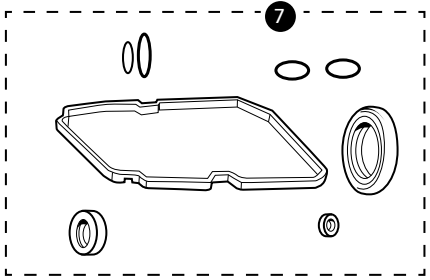
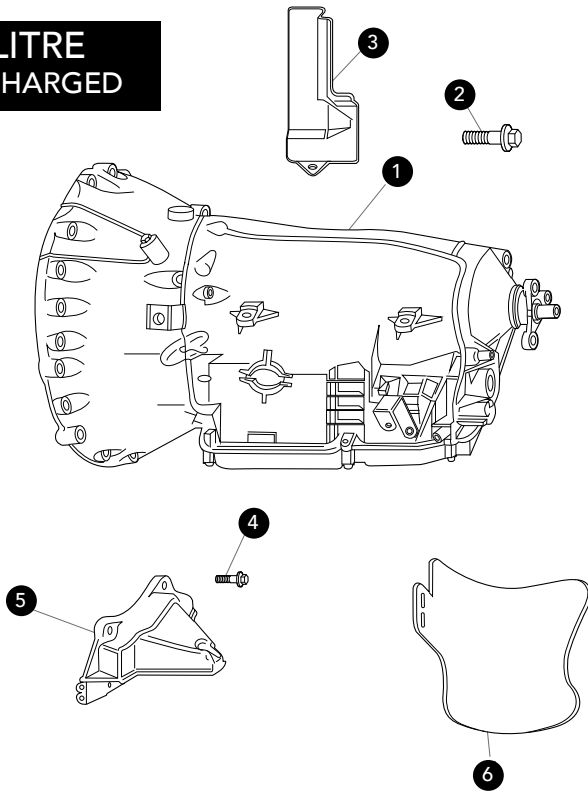
## GEAR CHANGE CONTROL

1. J - gate selector cover	LJG3890GA	1	24. Gear lever cone, 4.0 Litre	CAC7835	1
2. Flange nut	FN106041	2	25. Gear change knob, leather		1
3. J-gate	MJA4912AB	1	<b>Contact sales for colour options</b>		
4. Pivot bush	MJA4914AA	1	26. Gear change knob, wood		1
5. Tension spring	CAC9068	1	<b>Contact sales for wood colour options</b>		
6. Pivot pin	MNA4922AA	1	Gear change knob, alloy	JLM20501#	1
7. Pivot bracket	MNA4920AC	1	27. J-gate protective plug	CCC5589	1
8. Changeover plate	MNA4919AB	1	28. Taptight screw	SL104121	8
9. Plain washer, 0.25" I/D	WA106041J	1	29. Gear selector illumination module		
10. Nyloc nut	NY106041J	1	4.0 Litre supercharged	LNC6195AC	1
11. J-gate mounting rubber	MJA4948AA	2	4.0 Litre non supercharged	LJA6195BG	1
12. Sliding block assembly			4.2 Litre	C2N1306	1
4.0 Litre Non supercharged	CCC6941	1	30. J-gate switch (to VIN A30644)	LJA6190AC	1
4.0 Litre supercharged & 4.2 Litre	MNC4925AC	1	31. Gearbox rotary switch	LJA6201AD	1
13. J-gate slider bar	MJA4949AA	1	32. Gearshift interlock solenoid	LNA5850AA	1
14. Mounting plate			33. Locknut, M8	JFY10804B	
4.0 Litre supercharged & 4.2 Litre	MJB4940AB	1	34. Self tapping screw	JZH100006	1
15. J-gate connector bracket	LJA3890VA	1	35. Latch and pin assembly	MNA4935AB	1
16. Taptite screw	SL104121	8	36. Interlock rubber bush	MNA4974AA	1
17. J-gate linear switch			37. Locking nut	JFY10804B	1
4.0 Litre supercharged			38. J-gate operation lever	MNA4928AA	1
(to VIN 042775)	LNC6551AC	1	39. Wave washer	JZW100011	1
(from VIN A00083)	LNF6551AA	1	40. Gear control cable		
4.2 Litre	C2N2467	1	4.0 Litre supercharged	MJC4830BB	1
18. Screw/washer M4 x 10mm	JSE10410BXA	4	4.0 Litre non supercharged	MJC4830AB	1
19. Mounting plate			4.2 Litre	C2N1069	1
4.0 Litre Non supercharged	MJA4940AG	1	41. Selector lever, 4.2 Litre	C2N1256	1
20. Nylon washer	CAC9071	1	42. Hexagon nut, M6	AGU2580	1
21. Gearshift hand lever			43. Flange headed screw		
Black finish	MNA4915AB	1	4.0 Litre supercharged	FS10615P	2
Chrome	MNA4915AC	1	4.0 Litre non supercharged & 4.2 Litre	C2Z1354	2
22. Compression spring	CBC1751	1	44. Nut, M6	JFY106041	1
23. Metal ball	CAC73253	1			



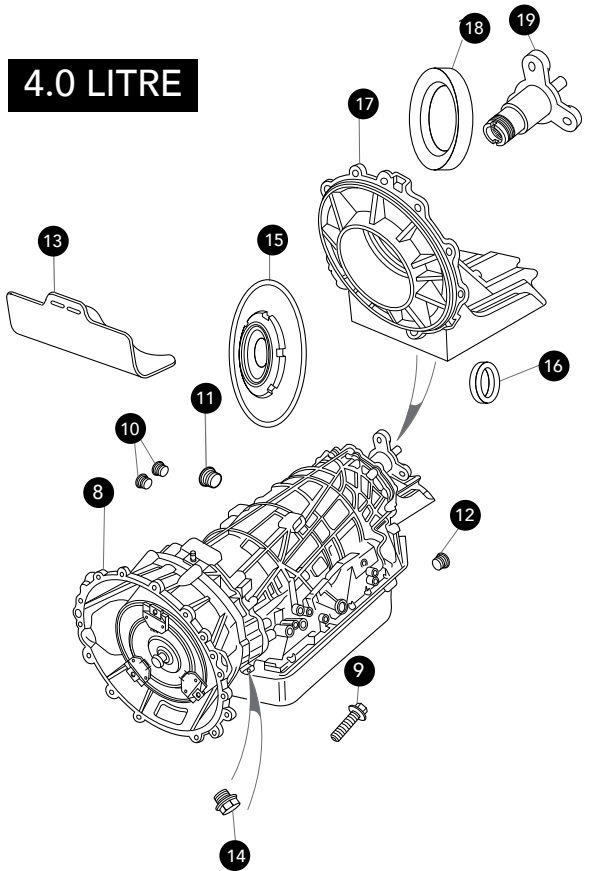
# GEARBOX

## 4.0 LITRE SUPERCHARGED

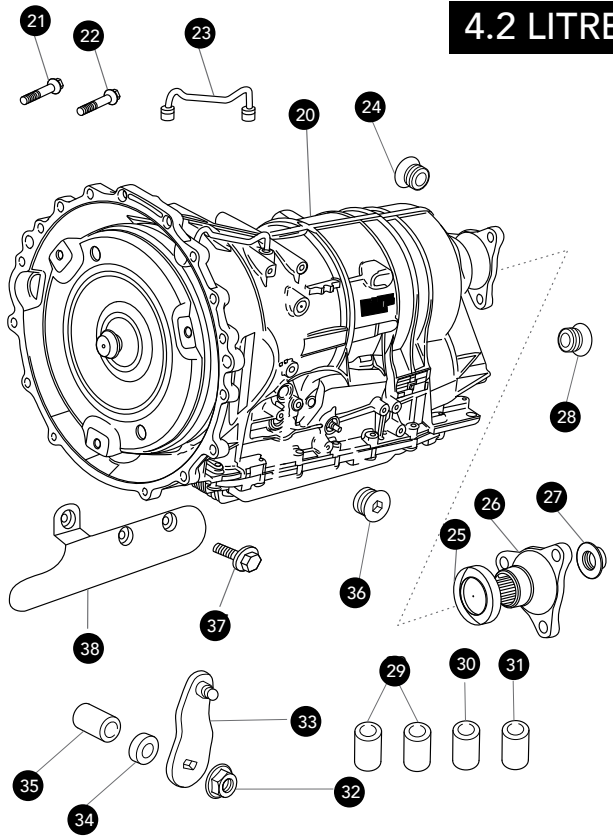


## 4.0 LITRE

## 4.0 LITRE



## 4.2 LITRE

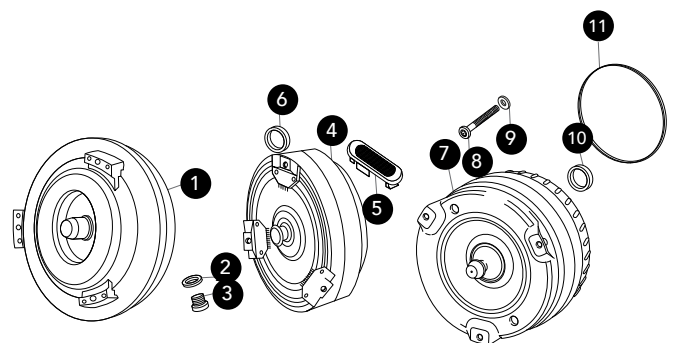


## GEARBOX

1. Automatic gearbox assembly (exchange) 4.0 Litre supercharged	NNC4400CEE	1	4.2 Litre non supercharged (to VIN A36997)	C2C12374E	1
2. Bell housing bolt, M10 x 40mm	C2P7626	16	(from VIN A26998 to VIN A41779)	C2C24594E	1
3. Heatshield, 4.0 Litre supercharged	NNC4487AD	1	(from VIN A41780)	C2C27747E	1
4. Flange headed screw, M8 x 30mm	JFS108307	4	21. Flange bolt, M10 x 40mm (to VIN A48504)	XR81900	14
5. Gearbox mounting bracket, 4.0 Litre supercharged	NNC4619BC	1	(from VIN A48505)	C2P7626	14
6. Gearbox water deflector	HJB3770AA	1	22. Gearbox to engine bolt, M10 x 60mm (to VIN A48504)	XR82856	2
7. Seal & 'O' ring kit, 4.0 Litre supercharged	JLM20480	1	(from VIN A48505)	C2P7627	2
8. Automatic gearbox assembly (exchange) 4.0 Litre non supercharged (to VIN 009694)	NJA4400AFE	1	23. Gearbox extension case breather	C2C9644	1
(from VIN009695 to VIN 018107)	NJA4400AGE	1	24. Gearbox oil filler plug	C2C6729	1
(from VIN 018108 to VIN031302)	NJB4400ABE	1	25. Output shaft oil seal	C2C6719	1
(from VIN 031303)	NNE4400AAE	1	26. Output flange	C2C25737	1
9. Flange bolt, M10 x 40mm	C2P7626	16	27. Output flange nut	C2C6725	1
10. Gearbox level plug, M14	JLM20207	2	28. Screw plug	C2C9649	1
11. Gearbox oil filler plug, M18	C2C6729	1	29. Bush	C2C9653	2
12. Screw plug	JLM20214	1	30. Bush	C2C9654	1
13. Water deflector	HJB3770BA	1	31. Bush	C2C9655	1
14. Gearbox oil relief valve plug	JLM20209	1	32. Hexagonal nut, M8	C2P7628	1
15. Gearbox rear mounting 'O' ring	JLM20210	1	33. Selector lever	C2C35053	1
16. Gearbox shaft seal	JLM866	1	34. Selector shaft seal	C2C6700	1
17. Gearbox extension housing	JLM20568	1	35. Selector shaft sleeve	C2C9648	1
18. Output shaft oil seal	JLM20211	1	36. Gearbox screw plug	C2C9643	1
19. Prop shaft drive coupling	NTF4435AA	1	37. Hexagon flange screw, M6 x 10mm	C2N1272	6
20. Automatic gearbox assembly (exchange) 4.2 Litre supercharged (to VIN A36997)	C2C12375E	1	38. Gearbox sump heatshield Left hand	C2N2804	1
(from VIN A26998 to VIN A41779)	C2C24595E	1	Right hand	C2N2803	1
(from VIN A41780)	C2C27748E	1			

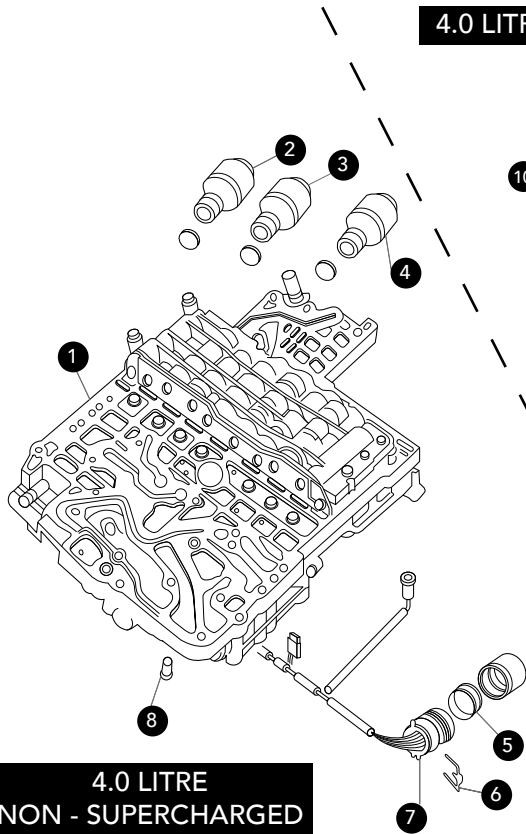
## TORQUE CONVERTERS

1. Torque converter 4.0 Litre supercharged	NNC4415ABE	1
2. Sealing washer	JLM20299	1
2. Gearbox sump drain plug	JLM20298	1
4. Torque converter 4.0 Litre non supercharged	NNE4415AA	1
5. Torque converter housing stone guard	NJA4465AA	1
6. Pump seal, front 4.0 Litre non supercharged	JLM10856	1
7. Torque converter 4.2 Litre supercharged	C2C28435	1
4.2 Litre non supercharged	C2C6704	1
8. Screw	C2C9652	13
9. Sealing washer	C2C9647	13
10. Pump seal	C2C6727	1
11. 'O' ring	C2C9646	1

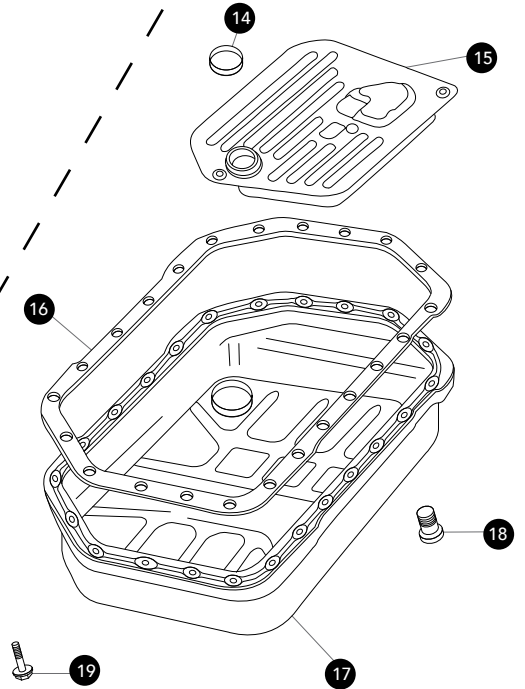


# GEARBOX CONTROL VALVE ASSEMBLY & SUMP

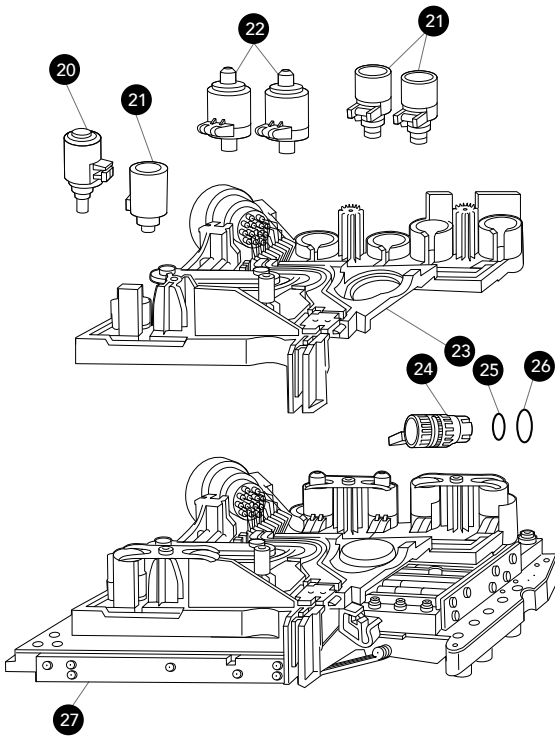
4.0 LITRE SUPERCHARGED



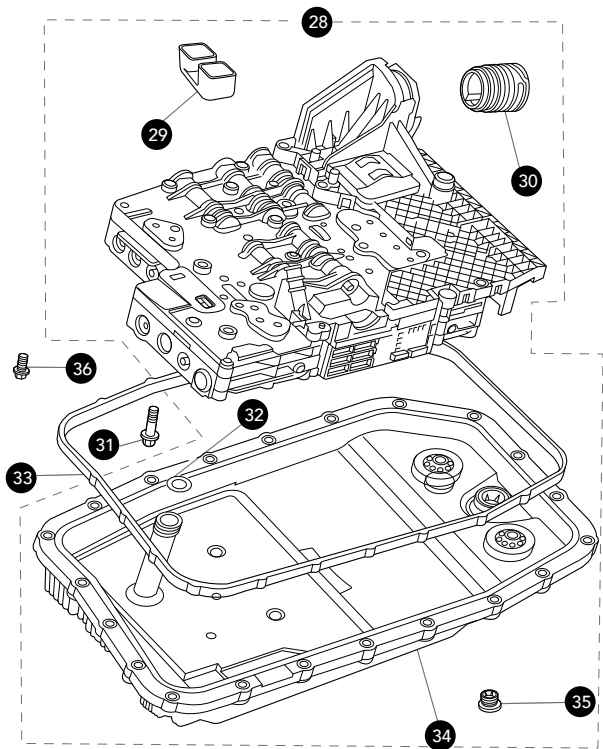
4.0 LITRE



4.0 LITRE  
NON - SUPERCHARGED



4.0 LITRE SUPERCHARGED



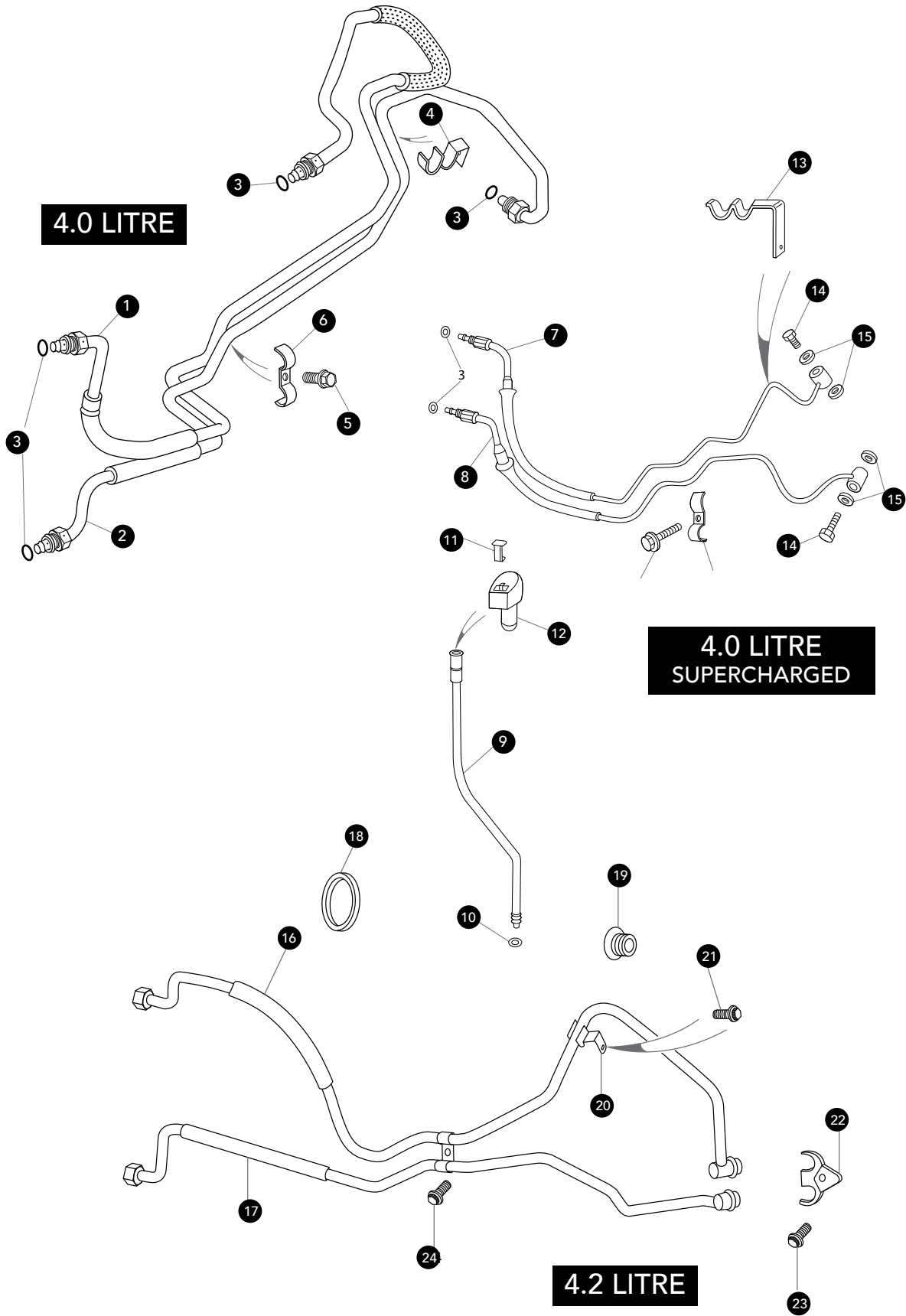
4.2 LITRE

## GEARBOX CONTROL VALVE ASSEMBLY &amp; SUMP

1. Gearbox control valve body (to VIN 031302)	NTF4410AB	1	23. Valve body to connector mounting block	JLM20467	1
(from VIN 031303)	NNE4410AA	1	24. Gearbox in-line connector	JLM21109	1
2. Solenoid shift valve	JLM20219	3	25. Sealing ring, outer (red)	Part of JLM21109	
3. Pressure regulator, 2-3-4-5	JLM20220	4	26. Sealing ring, inner (red)	Part of JLM21109	
4. Pressure regulator, 1	JLM20221	1	27. Valve block assembly	NNC4410AA	1
5. 'O' ring	JLM20212	2	28. Transmission control module		
6. Retaining clip	JLM20213	1	4.2 Litre, mechatronic unit		
7. Gearbox harness	LNC3380AA	1	Supercharged		
8. Speed transducer	JLM11251	1	(to VIN A36997)	C2C6718	1
9. Gearbox sump gasket	JLM20469	1	(from VIN A36998 to VIN A41779)	C2C24598	1
10. Gearbox sump filter	JLM20470	1	(from VIN A41780)	C2C27751	1
11. Gearbox sump pan	JLM20468	1	Non supercharged		
12. Sump drain plug washer	JLM20475	1	(to VIN A31733)	C2C6718	1
13. Gearbox sump drain plug	JLM20298	1	(from VIN A31734 to VIN A41725)	C2C24598	1
14. Filter to control valve 'O' ring	JLM20217	1	(from VIN A41726)	C2C27751	1
15. Gearbox sump filter	JLM20216	1	29. Adaptor	C2C12379	1
16. Gearbox sump gasket	JLM20204	1	30. Sleeve	C2C39599	1
17. Gearbox sump pan	JLM20215	1	31. Gearbox sump screw, M6 x 60mm	C2C9650	7
18. Gearbox sump drain plug	JLM20205	1	32. 'O' ring, 4.2 Litre (to VIN A31733)	C2C6730	1
19. Sump retaining cap screw	JLM888	22	33. Gearbox sump gasket, 4.2 Litre		
20. Gearbox solenoid	JLM20479	1	(to VIN A31733)	C2C6714	1
21. Gearbox solenoid	JLM20478	3	34. Gearbox sump pan	C2C38963	1
22. Gearbox solenoid	JLM20477	2	35. Gearbox drain plug (to VIN A31733)	C2C6699	1



# GEARBOX OIL COOLER PIPES

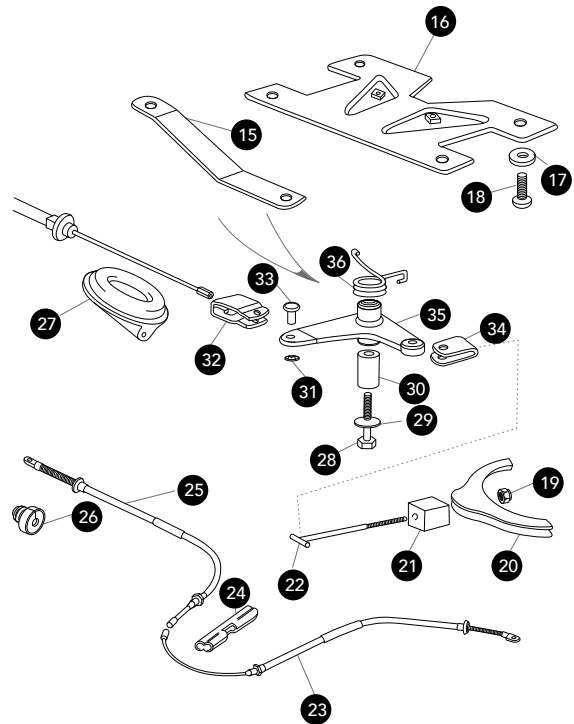
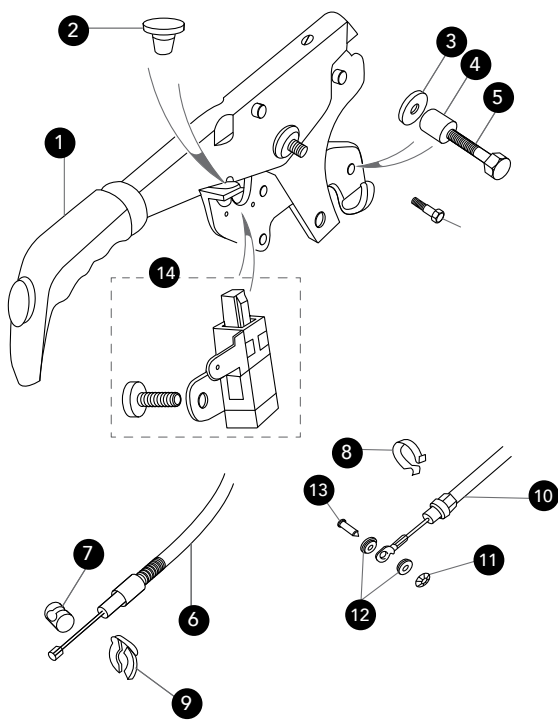


## GEARBOX OIL COOLER PIPES

1. Gearbox oil cooler return pipe, 4.0 Litre (to VIN 018107) NJA4510CB 1 (from VIN18108) NJC4510BA 1	16. Gearbox oil cooler return pipe, 4.2 Litre C2N1124 1
2. Gearbox oil cooler feed pipe, 4.0 Litre (to VIN 018107) NJA4500CB 1 (from VIN18108) NJC4500AA 1	17. Gearbox oil cooler feed pipe, 4.2 Litre C2N1125 1
3. 'O' ring C2C6713 4	18. Pump seal C2C6727 1
4. Oil cooler pipe bracket NNC4520DB 1	19. Oil filler plug C2C6729 1
5. Flange headed screw JFS10625F 1	20. Oil cooler pipe bracket NNC4520DB 1
6. Oil cooler pipe clip JZP100027 1	21. Flange bolt, M10 x 40mm (to VIN A40264) XR81900 1 (from A40265) C2P7626 1
7. Oil cooler return pipe, 4.0 Litre supercharged (to VIN 041458) NJC4510CB 1 (from VIN 041458) NJC4510CB 1	22. Oil cooler pipe bracket C2C20488 1
8. Oil cooler feed pipe, 4.0 Litre supercharged NJB45000BD 1	23. Bolt M8 x 16mm (to VIN A40264) C2S1998 1 (from A40265) JDE2798 1
9. Dipstick tube, 4.0 Litre supercharged NJB4540AB 1	24. Flange headed screw JFS10625F 1
10. Dipstick tube 'O' ring KSH111624 1	
11. Filler cap locking pin NNC4551AA 1	
12. Gearbox filler cap JLM20566 1	
13. Oil cooler pipe bracket NNC4520DB 1	
14. Banjo bolt, M14 x 26mm JZB100079 1	
15. Sealing washer, M14 JWV114002 4	



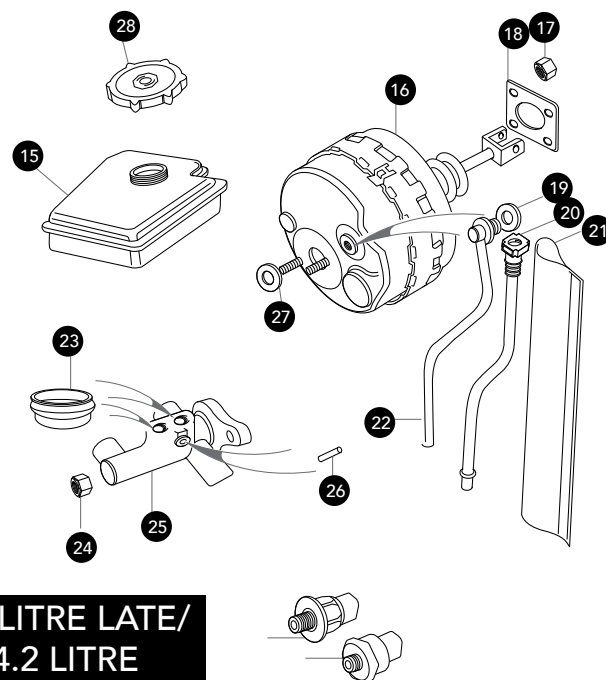
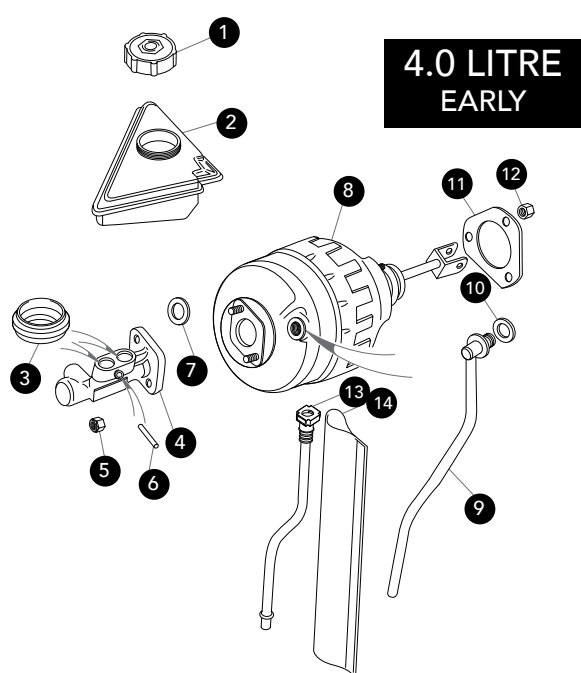
# HANDBRAKE MECHANISM



1. Handbrake lever assembly RHD. LHD.	MJA5140AC MJA5140BC	1 1	15. Tie strap	MJA5193AA	1
2. Rubber buffer	JLM20259	1	16. Mounting plate Coupe	MJA5165AC	1
3. Plain washer	WJ108001J	1	Convertible & Supercharged coupe	NJB5821BB	1
4. Lever spacer RHD. LHD.	MJC5142BA MJC5142AA	2 2	17. Washer 25mmx4mm	JZW100008	4
5. Bolt, hex head	JFB1080E	1	18. Hexagon flange screw, M8x20mm	C2Z1856	4
6. Handbrake cable, front (to VIN A11210)	MJB5150AA	1	19. Locking nut	JFY10804B	1
7. Cable trunnion (to VIN A11210)	MHF5152AA	1	20. Handbrake cable equalizer	MJA5175AA	1
8. Brake spring clip (to VIN A11210)	JZE100049	1	21. Handbrake damper	MJA5143AA	1
9. Cable clip	JZE100033	1	22. Handbrake cable adjuster	MJA5169AB	1
10. Handbrake cable, front (from VIN 11211)	MJC5150AA	1	23. Handbrake cable, rear LH	MNA2743AA	1
11. Push -on clip (from VIN 11211)	JZE100063	1	24. Handbrake cable connector	CAC8603	1
12. Handbrake cable trunnion (from VIN 11211)	MJC5152AA	2	25. Handbrake cable, rear RH	MNA2742AA	1
13. Pivot pin (from VIN 11211)	MJC5157AA	1	26. Cable bush	MJA2796AA	2
14. Handbrake switch RHD. LHD. (to VIN 042775)	JLM20012 JLM20013	1 1	27. Handbrake lever grommet	KZY100005	1
			28. Cable fork end	MJA5156AA	1
			29. Push on clip	JZE100062	2
			30. Clevis pin	PC108291J	1
			31. Spacer	MJA5171AC	1
			32. Plain washer	WC108051J	1
			33. Relay lever Bolt	BH108101J	1
			34. Fork end	MNA5156AA	1
			35. Relay lever	MJA5163AC	1
			36. Brake return spring RHD RH	MJA5148AD	1
			LH	MJA5148BA	1
			LHD RH	MJA5149AD	1
			LH	MJA5149BA	1

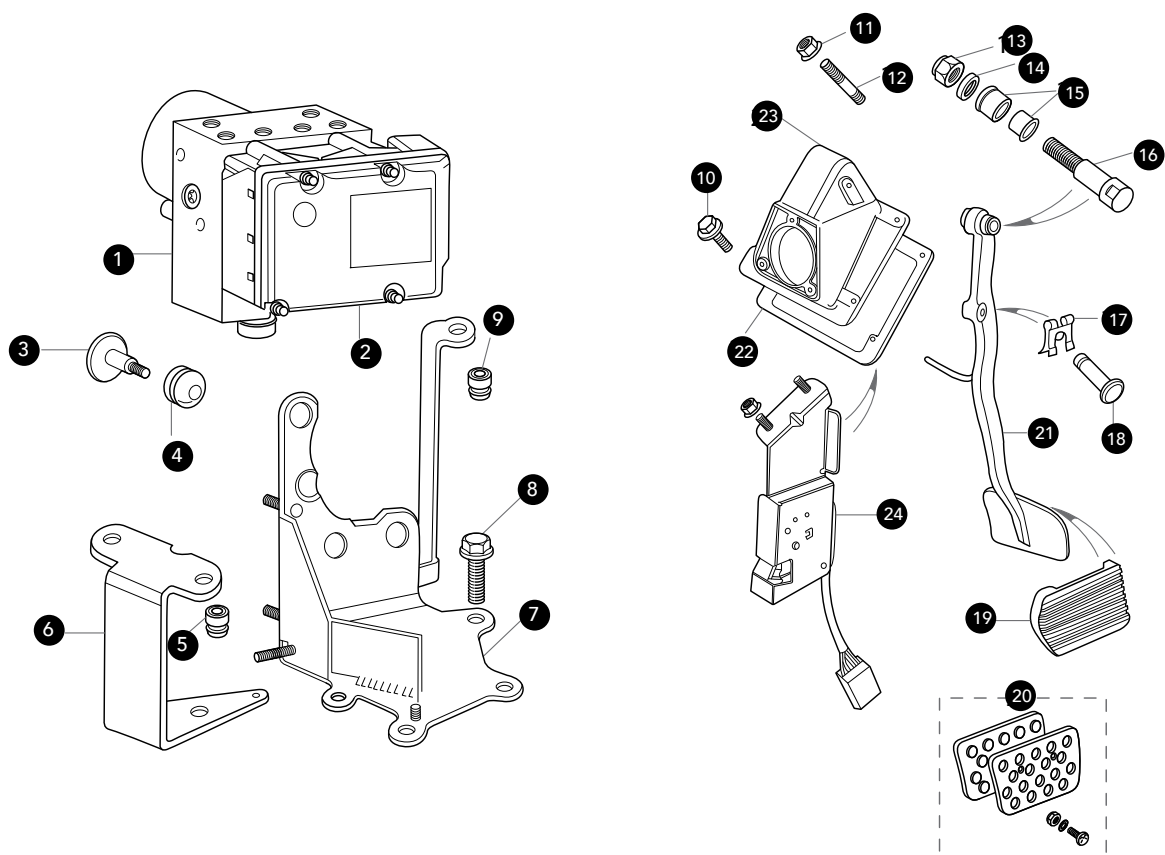


## BRAKE BOOSTER &amp; MASTER CYLINDER



1. Reservoir cap	JLM21215	1	17. Locking nut		
2. Brake booster reservoir	JLM12082	1	(from VIN 038100)	JFY10804B	4
3. Reservoir seal	JLM12184	2	18. Gasket, 4 hole fixing		
4. Brake master cylinder	JLM20266	1	(from VIN 038100)	MNE5512AA	1
(to VIN 038099)	JLM21164	1	19. Servo Valve seal	JLM21101	1
(from VIN 038100 to 042775)	JFY10804B	2	20. Vacuum pipe		
5. Locking nut, M8	JLM12084	1	4.2 Litre supercharged (from VINA33641)	C2N2681	1
6. Securing pin	JLM12084	1	4.2 Litre non supercharged	MJA5910CB	1
(to VIN 038099)	JLM12081	1	21. Protective sleeve	XR834015	1
7. Seal	JLM12081	1	22. Brake vacuum pipe		
(to VIN 038099)	JLM12188	1	RHD	MJA5910AC	1
8. Brake booster, 3 stud fixing	JLM12188	1	LHD	MJA5910BC	1
(to VIN 038099)	MJA5910AC	1	23. Reservoir seal	JLM12184	2
9. Brake vacuum pipe	MJA5910BC	1	24. Locking nut, M8	JFY10804B	2
RHD	JLM21101	1	25. Brake master cylinder		
LHD	CCC7114	1	(from VIN A00083 to A30644)		
10. Servo Valve seal	JLM21101	1	Adaptive speed control	JLM21211	1
11. Gasket, 3 hole fixing	CCC7114	1	Standard & non adaptive speed control	JLM21164	1
(to VIN 038099)	JFY10804B	3	(from VIN A30645)	C2N1911	1
12. Locking nut	JFY10804B	3	26. Securing pin		
(to VIN 038099)	MJA5910CB	1	(from VIN 038100)	JLM21216	1
13. Vacuum pipe	XR834015	1	27. O ring seal		
(to VIN A33640)	C2C39935	1	(from VIN 038100)	XR852447	1
14. Protective sleeve	C2C39935	1	28. Reservoir cap	JLM21215	1
<b>Not shown</b> Sensor			<b>Not shown</b> Sensor		
15. Reservoir	JLM12082	1	(from VIN A30645)	C2C39935	1
Adaptive speed control	C2N2486	1	Brake transducer	XR828106	1
Standard (from VINA30645)	JLM21163	1	Pressure sensor	JLM21212	1
16. Brake booster, 4 stud fixing	JLM21109	1			
Standard & non adaptive speed control	C2N1910	1			
(from VIN 038100 to A30644)					
Adaptive speed control					
(to VIN A30644)					
(from VIN A30645)					

## ABS MODULATOR



1. Electronic control module Traction control (9 valve) (to VIN 018107) (from VIN 018108 to 042775) (from VIN A00083 to A30644) (from VIN A30645)	JLM20130 (6 pipes) JLM20556 (6 pipes) JLM21323 C2N3651	1 1 1 1	10. Setscrew	FS108301J	2
Non traction control (6 valve) (to VIN 018107) (from VIN 018108 to A30644)	JLM20129 (5 pipes) JLM20555 (5 pipes)	1 1	11. Flanged nut	JFX10805B	2
2. Hydraulic control module Traction control (9 valve) (to VIN 042775) (from VIN A00083 to A30644) (from VIN A30645)	JLM20554 (6 pipes) JLM21322 C2N3653	1 1 1	12. Stud	TE108041J	2
Non traction control (6 valve) (to VIN A30644) (from VIN A30645)	JLM20553 C2N3653	1 1	13. Nut	NY110041	2
3. Torx screw	JZS100111	3	14. Plain washer 0.25 I/D	FW105T	4
4. Mounting rubber	MJA5924AB	3	15. Pivot bush	CAC1742	2
5. Grommet	NCA3973AA	2	16. Brake pedal pivot pin	MNB5394AA	1
6. Cover retaining bracket	MJB5927BA	1	17. Safety clip	C2732832	1
7. Modulator mounting bracket	MJB5911AA	1	18. Clevis pin	MNF5414AA	1
8. Setscrew	JDE2798	4	19. Brake pedal pad rubber	MNA5378AA	1
9. Grommet	C2C16681	1	20. Brake pedal pad kit	C2N2812	1
			21. Brake pedal sub assembly Right hand drive Left hand drive	MJA5374AC MJA5374BC	1 1
			22. Brake pedal housing gasket (to VIN 038099) (from VIN 038100)	MJA5412AA MJC5412AA	1 1
			23. Pedal housing (to VIN 038099, 3 hole fixing) (from VIN 038100, 4 hole fixing)	MJA5372AA MJC5372AB	1 1
			24. Brake pedal switch	LJB6420BB	1

Brembo® brakes deliver unrivalled stopping performance.

**FRONT**

Brembo Brake caliper, front 4.2 Litre supercharged		
Grey RH	C2N2144	1
Grey LH	C2N2145	1
4.2 Litre supercharged		
Red RH	C2N3247	1
Red LH	C2N3248	1
4.2 Litre non supercharged		
Grey RH	MXD1512CA	1
Grey LH	MXD1513CA	1
Brembo Brake disc kit, front:		
Cross drilled	C2N3427	2
Non cross drilled	C2N3428	2
Brembo brake pad kit, front	MXD1550AB	1
Bleed screw	JLM21319	2
Brake pad pin/clip kit, front	JLM21320	2
Brembo dust shield kit, front	JLM21403	2

**REAR**

Blanking plug	JZD100020	2
Rubber bush	MNF2796AA	2
Brake lever pin	JLM11004	2
Brembo caliper, rear 4.2 Litre supercharged		
Grey RH	C2N2146	1
Grey LH	C2N2147	1
Red RH	C2N3249	1
Red LH	C2N3250	1
Brake disc, rear:		
Cross drilled	JLM21748	2
non cross drilled	C2N2360	2
Brake pad kit, rear	MXD2750AA	1
Bleedscrew kit	JLM21319	2
Brake pad pin/clip kit Brembo	JLM21321	2
Dust shield, rear Brembo	JLM21404	2
Splash shield backplate		
RH	MXD2788AA	1
LH	MXD2789AA	1

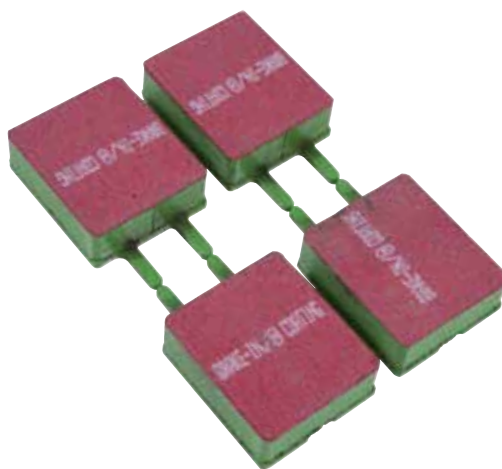
**GREEN STUFF® BRAKE PADS**

'Greenstuff' brake pads, which make use of the very latest and best in friction technology, can give a noticeable improvement in the braking performance of your Jaguar XK8 whilst still retaining the vehicle's original calipers.

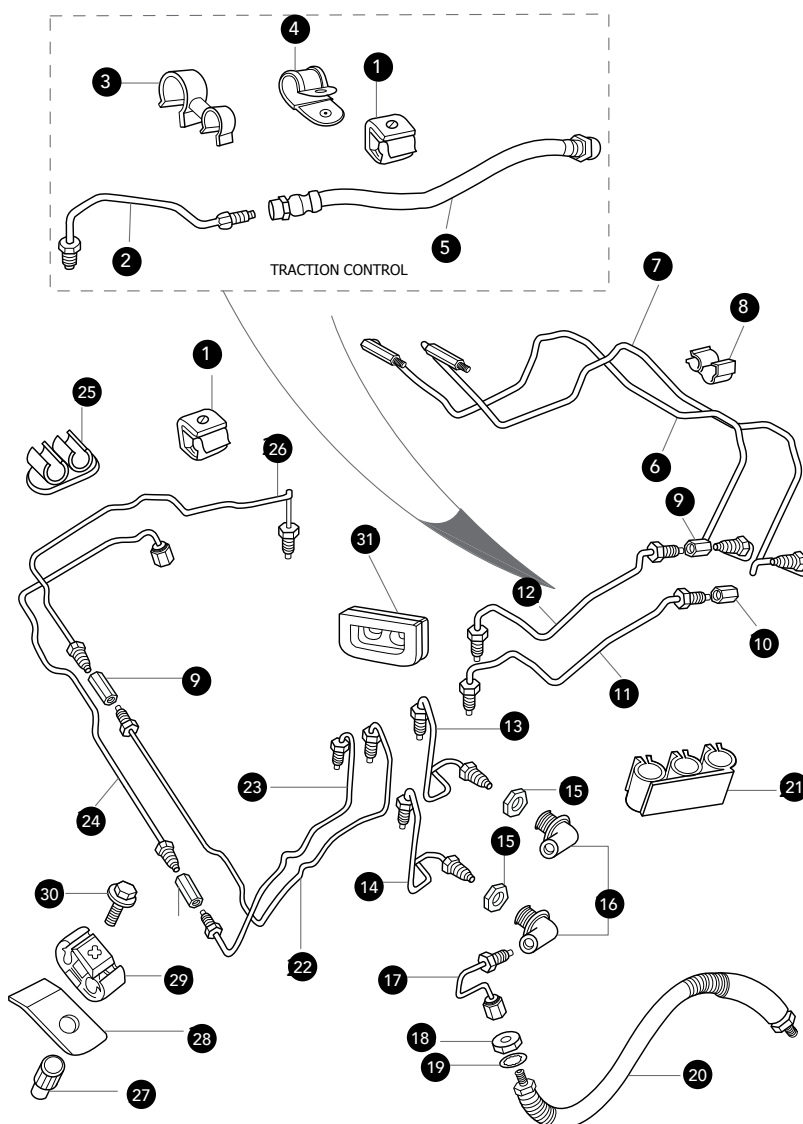
Choose Green Stuff; for even greater improvements in stopping power!

> CONTACT OUR FRIENDLY SALES TEAM FOR ADVICE ON THE FULL RANGE OF GREEN STUFF® BRAKE PAD SETS FOR YOUR JAGUAR XK8/XKR

+44 (0)1746 765432



# FRONT BRAKE PIPES



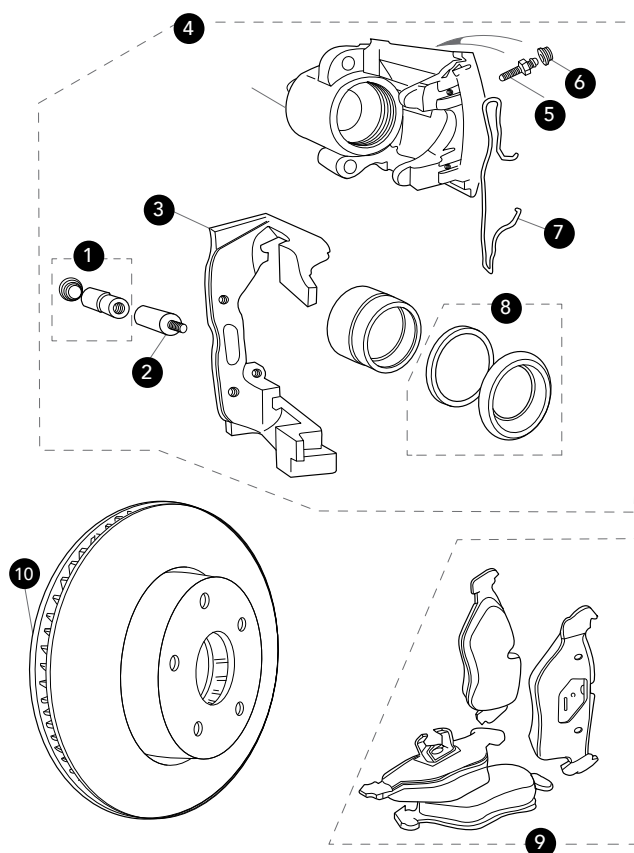
1. Pipe clip	KDF105004	8	(from A30645)	MJC5754BB	1
2. Brake pipe LHD traction control (from VIN A00083)	MJC5760AB	1	8. Double pipe clip (to VIN A15827) (from VIN A15828 to A30644) (from VIN A30645)	KDP105060	5
3. Pipe clip, swivel	KDP205100	1	9. Connector RHD	KDP105061	A/R
4. Pipe clip (To VIN A30644) (from VIN A30645)	JZP100008 KDG106004	1 1	10. Connector RHD	C2N1909	1
5. Brake hose (traction control) Flexible	MJA5824AA	1	11. Brake pipe RHD	MJA5813BA	3
6. Brake pipe (non traction control) (to VIN 038099) (from VIN 038100)	MJB5756DA MJC5756DA	1 1	12. Brake pipe RHD	MJA5813CA	1
7. Brake pipe (to VIN 042775) (from VIN A00083 to A30644)	MJC5754BB MJC5756DA	1 1	13. Brake pipe	MJB5758AA	1
			14. Brake pipe (to VIN 038759) (from VIN 038760)	MJA5760AF	1
			15. Brass nut	MJA5778BB	1
				MJA5778AA	1
				MJB5706AA	1
				JZN100050	2

## FRONT BRAKE PIPES

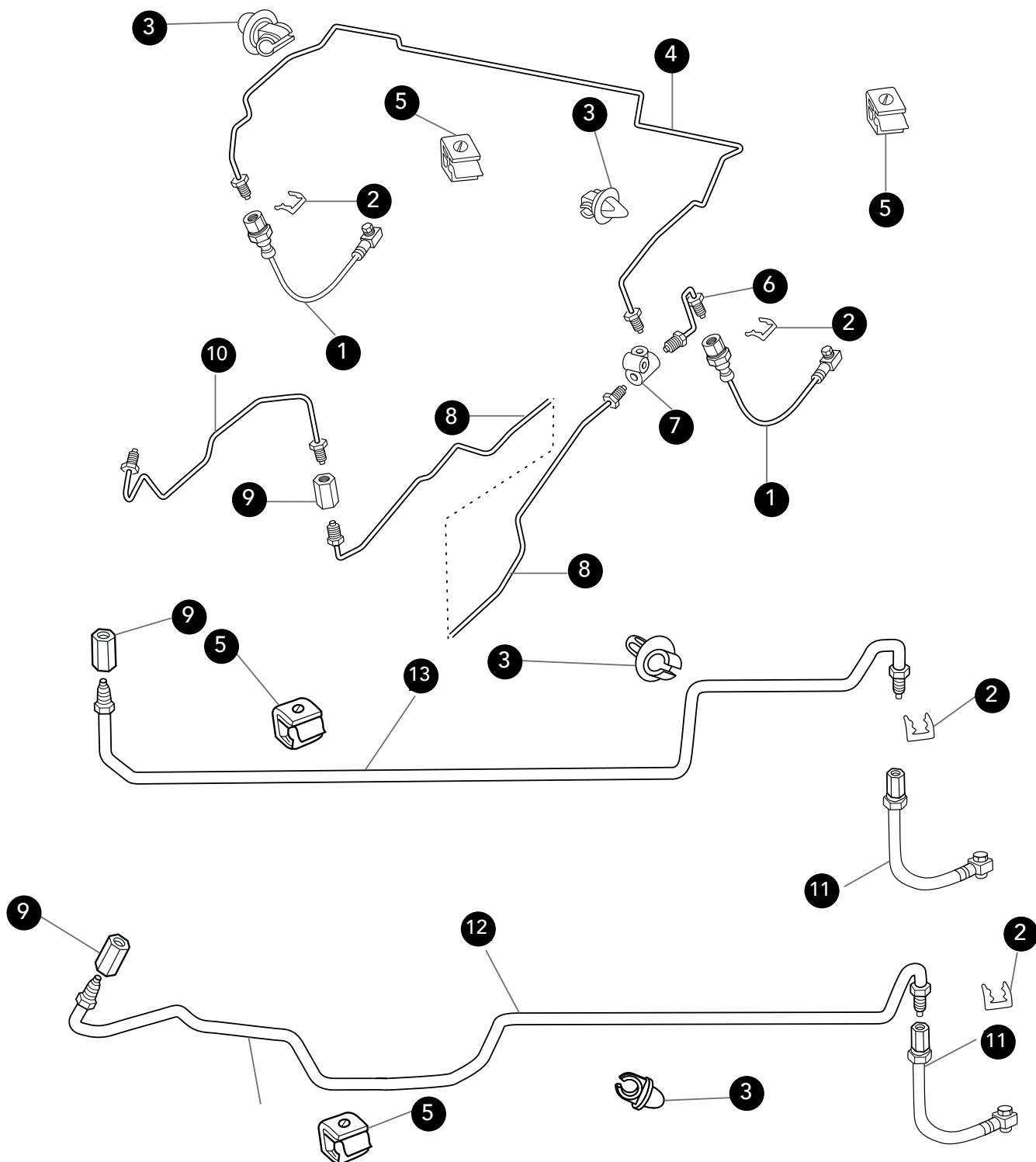
16. Elbow	MND5734AC	2	(from VIN A11051 to A32417)	MJE5704AA	1
17. Brake pipe	MJA 5786AA	1	(from VIN A32418)	MJE5704AB	1
18. Locknut	C41712	2	24. Brake pipe		
19. Washer	WF110001J	4	(to VIN A11050)	MJA5704BE	1
20. Flexible hose			(from VIN A11051 to A32417)	MJE5704BB	1
4.0 Litre supercharged	MJB5670AA	2	(from VIN A32418)	MJE5704BC	1
4.0 Litre non supercharged			25. Double clip	CAC9252	5
(to VIN 024686)	MJA5760AD	2	26. Brake pipe		
(from VIN 024687 to 042775)	MJB5670AA	2	(to VIN A11050)	MJA5772AC	1
(from VIN A00083 on)			(from VIN A11051 to A32417)	MJE5772AB	1
'R' performance	C2N3107	2	(from VIN A32418)	MJE5772AC	1
Standard	MJB5670AA	2	27. Threaded insert	JZR100022	8
21. Treble pipe clip	KDR603003	2	28. Support bracket	MJA5808AB	1
22. Brake pipe			29. Double pipe clip	KDG105004	8
(to VIN A32417)	MJA5724AB	1	30. Flanged screw		
(from VIN A32418)	MJE5724AA	1	(to VIN 042275)	JFB10505E	8
23. Brake pipe			(from VIN A00083)	JZH100079	2
(to VIN A11050)	MJA5704AD	1	31. Rubber grommet	MJA5821AA	1

## FRONT BRAKE DISCS &amp; CALIPERS

1. Bushing kit	JLM2194	2
2. Locating pin	C2C27297	4
3. Caliper carrier kit (front)		
4.0 Litre supercharged	MJD7860AA	2
(to VIN 031302)	MJD7861AA	2
(from VIN 031303)		
4.0 Litre non supercharged	MJD7860AA	2
(to VIN 037347)	MJD7861AA	2
(from VIN 037348)		
4.2 Litre except Brembo	MJD7861AA	2
4. Caliper housing c/w piston		
4.0 Litre & 4.2 Litre except Brembo		
RH front	MJD7842AA	2
LH front	MJD7843AA	2
5. Bleed screw	MJD7848AA	2
6. Dust cap	JLM2193	2
7. Housing clip	MJD7864AA	2
8. Caliper seal kit	MJD7868AA	2
9. Brake pad kit, front		
Standard		
(to VIN A24195)	JLM1829	1
(from VIN A24196)	JLM21917	1
R - performance	MXD1550AB	1
10. Brake disc, front		
Standard		
305 m/m dia. Non cross drilled	C2C41249	2
325 m/m dia. Non cross drilled	C2C41250	2
R- performance		
cross drilled	JLM21749	2



# REAR BRAKE PIPES

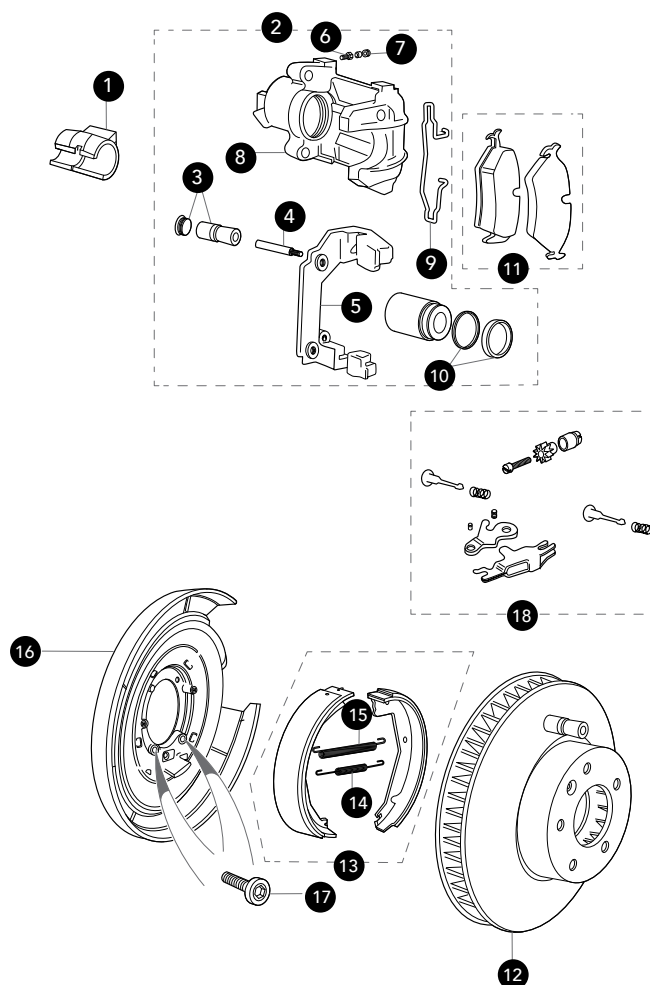


## REAR BRAKE PIPES

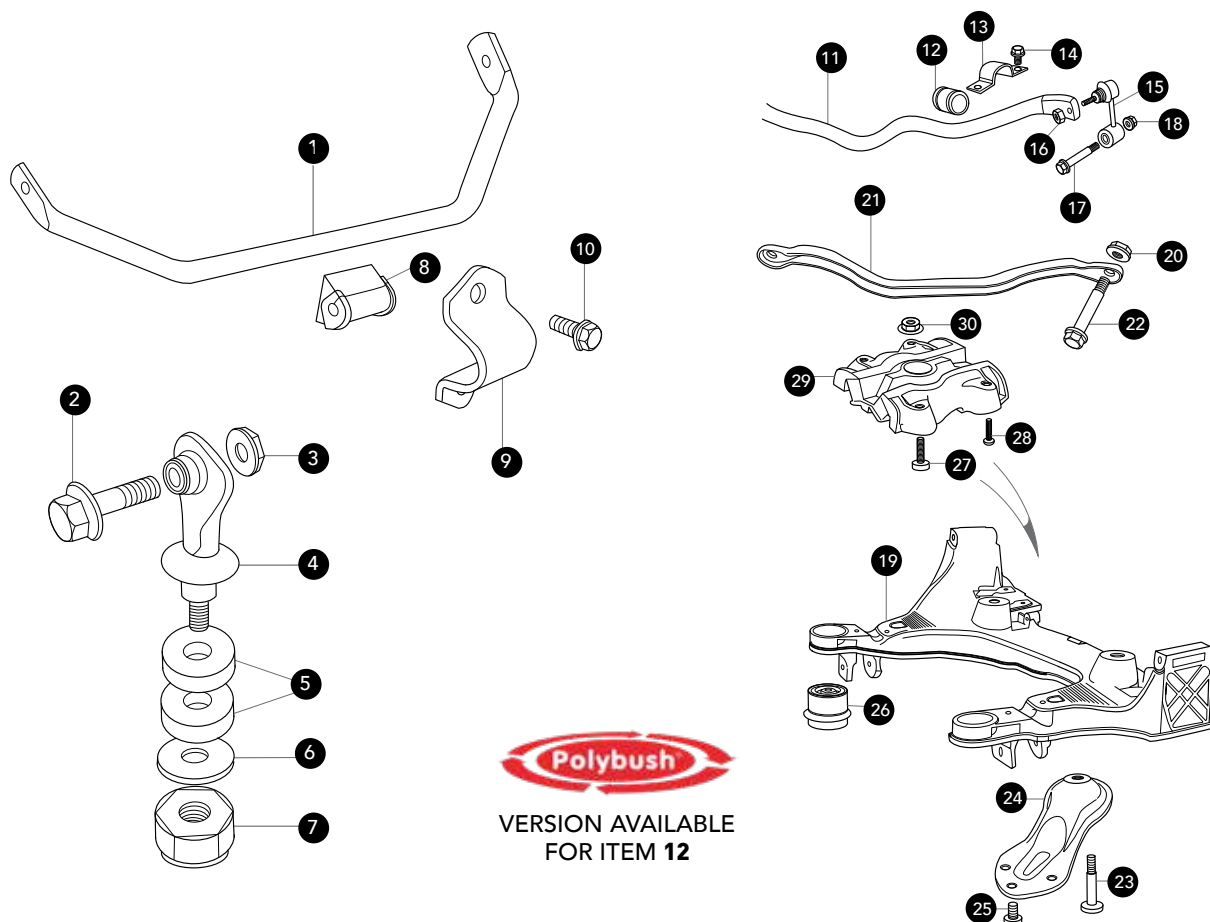
1. Flexible hose R- performance Standard	C2N3108 MJA5670BB	2 2	9. Connector	MJA5813BA	2
2. Brake hose clip	AGU2722	2	10. Brake pipe (to VIN 038759) (from VIN038760)	MJA5748AB MJB5778BA	1 1
3. Single pipe clip	AAU6367	2	11. Flexible hose Standard 'R' performance	MJA5670BB C2N3108	2 2
4. Brake pipe, rear (to VIN 031302) (from VIN 031303)	MJA5716AD MJC5716AA	1 1	12. Brake pipe, RH rear (to VIN 022314) (from VIN 022315 to 038759) Nut-tube modification for above (from VIN 038760 to A30644) (from VIN A30645)	MJA5712AC JLM20730 MND5782AA MJB5722AB C2N1501	1 1 1 1 1
5. Pipe clip	KDF105004	10	13. Brake pipe, LH rear	MJA5746AD	1
6. Brake pipe	MJA5714AC	1			
7. 3 way connector	FAM8908J	1			
8. Brake pipe, front to rear (to VIN038759) (from VIN 038760)	MJA5712AC MJB5712AA	1 1			

## REAR BRAKE DISCS &amp; CALIPERS

1. Brake clip	CCC5644	2
2. Caliper assembly, rear RH	JLM20232	1
LH	JLM20233	1
3. Bushing kit	C2C29161	4
4. Locating pin	C2C27297	4
5. Caliper carrier kit, rear	MJD7860BA	2
6. Bleed screw Standard	JLM12120	2
7. Dust cap	JLM12121	2
8. Caliper housing, rear RH	MJD7852AA	1
LH	MJD7853AA	1
9. Housing clip	JLM12122	2
10. Brake caliper seal kit, rear	JLM21054	1
11. Brake pad kit, rear Standard	JLM21220	1
12. Brake disc, rear Standard	C2C41251	2
13. Brake shoe kit (axle set, including springs)	JLM2209	1
14. Lower tension spring	JLM2203	2
15. Upper tension spring	JLM2204	2
16. Splash shield backplate Standard		
RH	JLM12338	1
LH	JLM12339	1
17. Backplate screw Upper	AGU1895J	4
Lower	JZS100093	4
18. Parking brake repair kit	JLM2250	2



# ANTI-ROLL BAR & CROSS MEMBER

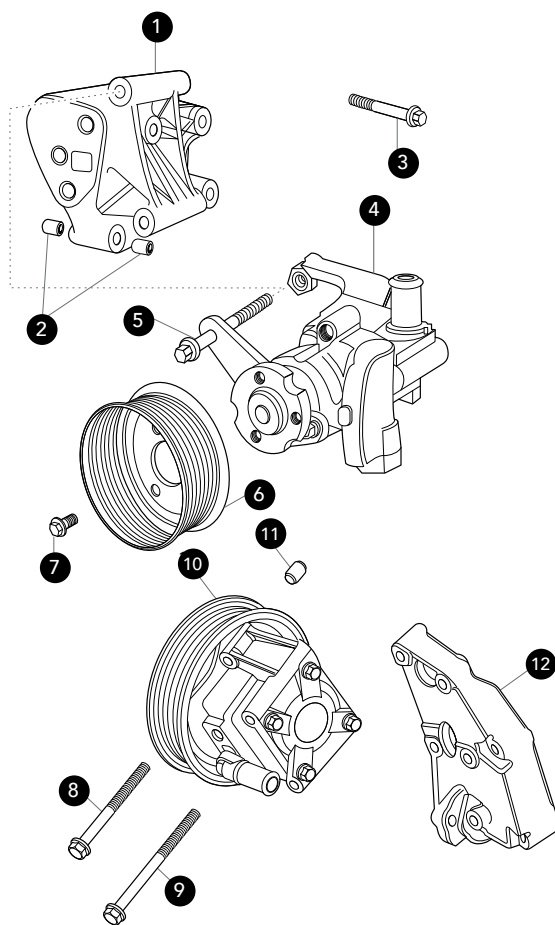


1. Rear anti roll bar Standard	MJA3500DF	1	16. Self locking nut	NY112041J	2
'R' performance	MNA3500DA	1	17. Link bolt	FB110171J	2
2. Link bolt	C2P7626	2	18. Self locking nut	FN110041J	2
3. Locking nut	FN110041J	2	19. Cross beam (to VIN A11050)	MJD2232BA	1
4. Anti roll bar link	MNA3505AE	2	(from VIN A11051 to A30644)	MJE2232AA	1
5. Link bush	MNA3504AB	4	(from VIN A30645)	C2N2797	1
6. Plain washer	WC110061J	2	20. Locking nut	JFX11404E	2
7. Locking nut	NY110041	2	21. Fulcrum tie	MJA2260AE	1
8. Anti roll bar bush Standard	MJA3502DD	2	22. Fulcrum tie bolt	JZB100071	2
'R' performance	CBC4901	2	23. Torx bolt	JZB100095	2
9. Anti roll bar bracket, rear	MNA3501AA	2	24. Crossbeam mounting bracket (to VIN A11050)	MJA2547AA	2
10. Flange headed screw	JFS11020F	4	(from VIN A11051)		
11. Front anti roll bar Standard	MJA2100DH	1	RH	MJE2540AC	1
'R' performance	MXD2100AA	1	LH	MJE2541AC	1
12. Anti roll bar bush Standard	MJA2102CE	2	25. Torx head machine screw	JZS100074	4
'R' performance	MXD2102AA	2	26. Subframe bush	MJA2370AJ	2
Polybush® version	MJA2102CEU	2	27. Pan head screw	XR842497	2
13. Anti roll bar bracket, front	MJA2101AA	2	28. Torx flange headed screw	JXB1084EP	8
14. Flange headed screw	JFT10816EP	4	29. Vee mounting	MJA2360AH	2
15. Anti roll bar link	MJA2105AG	2	30. Lock nut M10	No part number	2

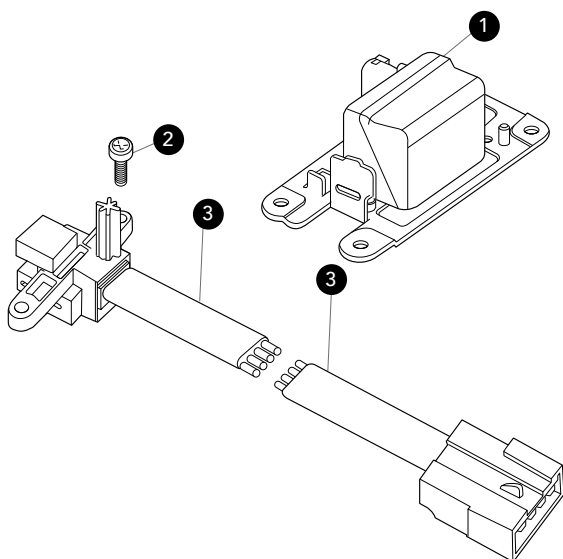


# POWER-ASSISTED STEERING PUMP

1. Pump mounting bracket	NCA8301AB	1
2. Dowel	EAZ2159	3
3. Bolt	C2C35271	2
4. Power steering pump	MJA8111BH	1
5. Hex headed flanged bolt	JFB10816B	2
6. Pump pulley	NCA3740AD	1
7. Flange headed screw	JZS100068	3
8. Flange bolt M8 x 60mm	XR82838	2
9. Bolt M8 x 101mm	AJ88384	2
10. Power steering pump	C2C34135	1
11. Dowel	EAZ2159	3
12. Pump bracket		
(to VIN A39972)	C2C5197	1
(from VIN A39973)	C2N3143	1



# STEERING SENSORS

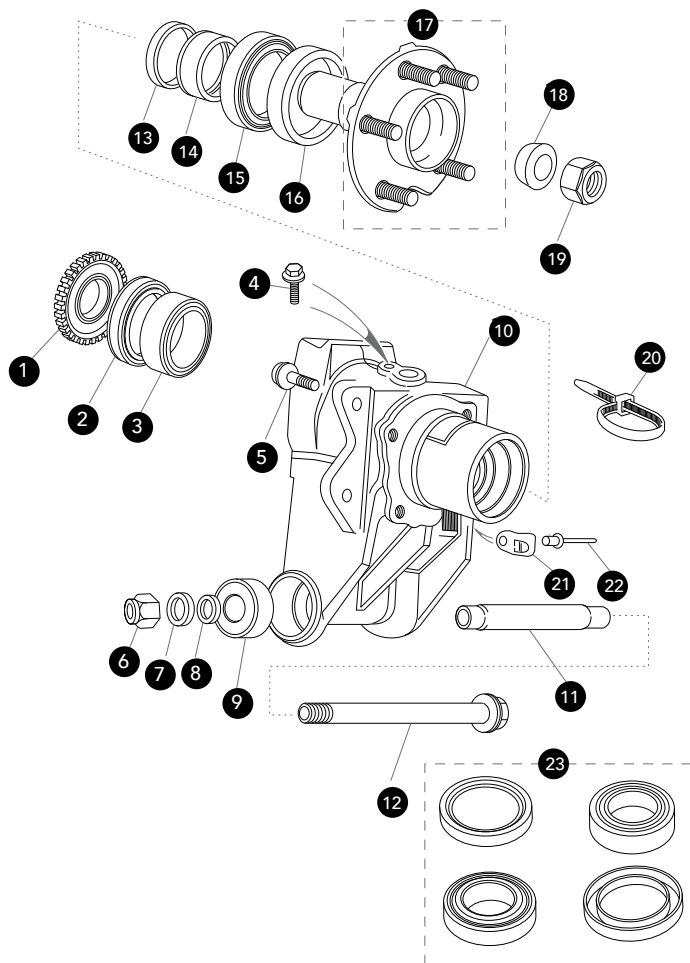


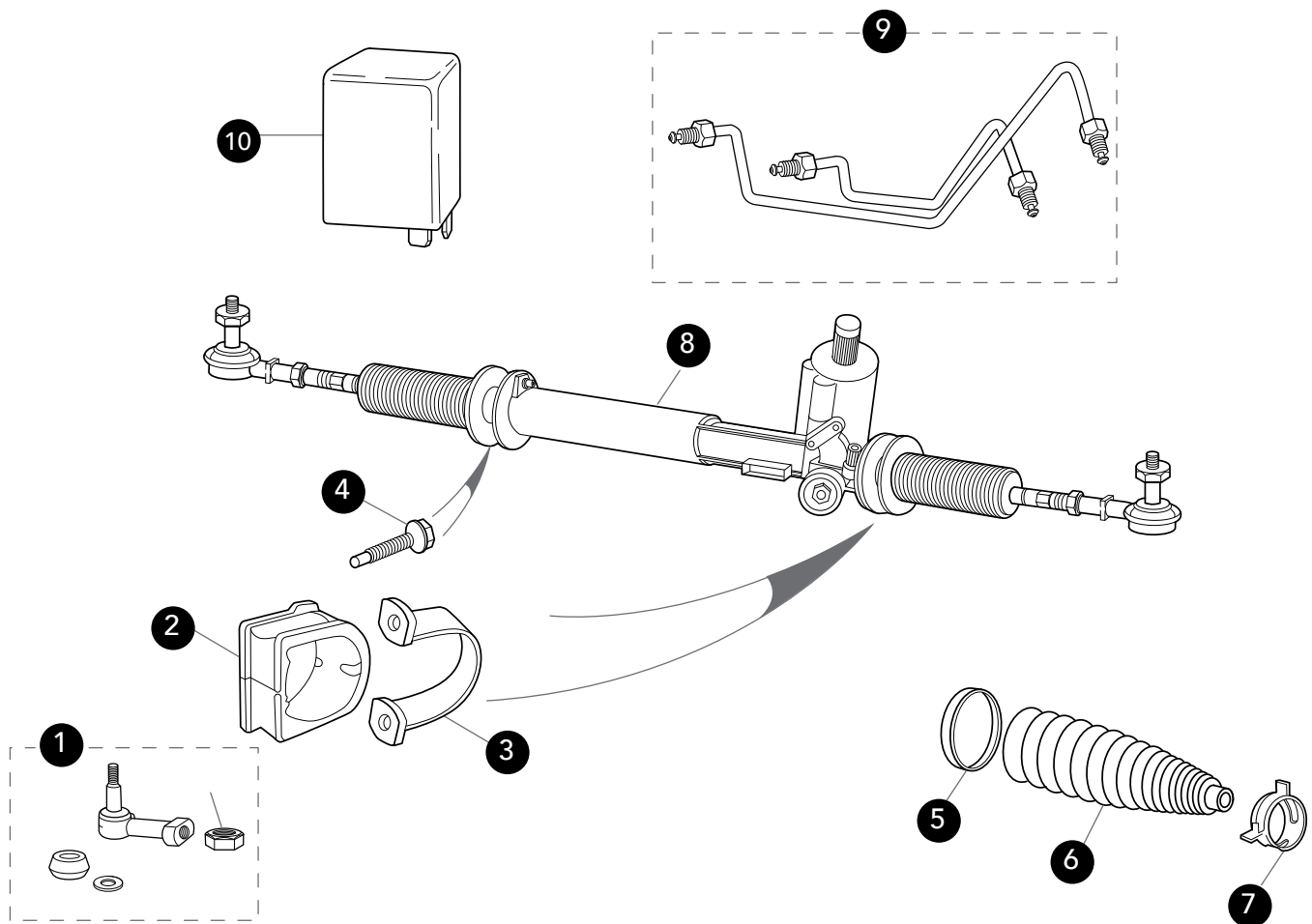
1. Yaw rate sensor	C2C34671	1
2. Screw	XR815844	2
3. Steering rotation sensor	C2N1794	1

# REAR HUB ASSEMBLY

1. Sensor rotor	CBC4705	2
2. Inner seal	CBC1706	2
3. Hub bearing, inner	JLM21053	2
4. Flange headed screw	C2C22018	2
5. Rear caliper bolt		
Standard	JZB100060	4
'R' performance		
(to VIN A22190)	JZB100060	4
(from VIN A22191)	C2C6745	4
6. Pivot pin locknut	JNV114041J	2
7. Hub carrier washer	WA114001	2
8. Adjustable spacer		
3.905mm	MHC3397AA1	A/R
3.955mm	MHC3397AA2	A/R
4.005mm	MHC3397AA3	A/R
4.055mm	MHC3397AA4	A/R
4.105mm	MHC3397AA5	A/R
4.155mm	MHC3397AA6	A/R
4.205mm	MHC3397AA7	A/R
4.255mm	MHC3397AA8	A/R
4.305mm	MHC3397AA9	A/R
4.355mm	MHC3397AA10	A/R
4.405mm	MHC3397AA11	A/R
4.455mm	MHC3397AA12	A/R
5.505mm	MHC3397AA13	A/R
9. Taper roller bearing	CAC4610	2
10. Hub carrier		
Standard		
RH	MJA3290AA	1
LH	MJA3291AA	1
R-performance		
RH	MXD3290AA	1
LH	MXD3291AA	1
11. Pivot pin sleeve	MNE4520AA	2
12. Outer pivot pin	JZB100047	2
13. Adjustable spacer		
2.22mm	CBC95051	A/R
2.27mm	CBC95052	A/R
2.32mm	CBC95053	A/R
2.37mm	CBC95054	A/R
2.47mm	CBC95056	A/R
2.52mm	CBC95057	A/R
2.57mm	CBC95058	A/R
2.62mm	CBC95059	A/R
2.67mm	CBC950510	A/R
2.72mm	CBC950511	A/R
2.77mm	CBC950512	A/R
2.82mm	CBC950513	A/R
2.87mm	CBC950514	A/R
2.92mm	CBC950515	A/R
2.97mm	CBC950516	A/R
3.02mm	CBC950517	A/R
3.07mm	CBC950518	A/R
3.12mm	CBC950519	A/R
3.17mm	CBC950520	A/R
3.22mm	CBC950521	A/R
3.27mm	CBC950522	A/R
3.32mm	CBC950523	A/R

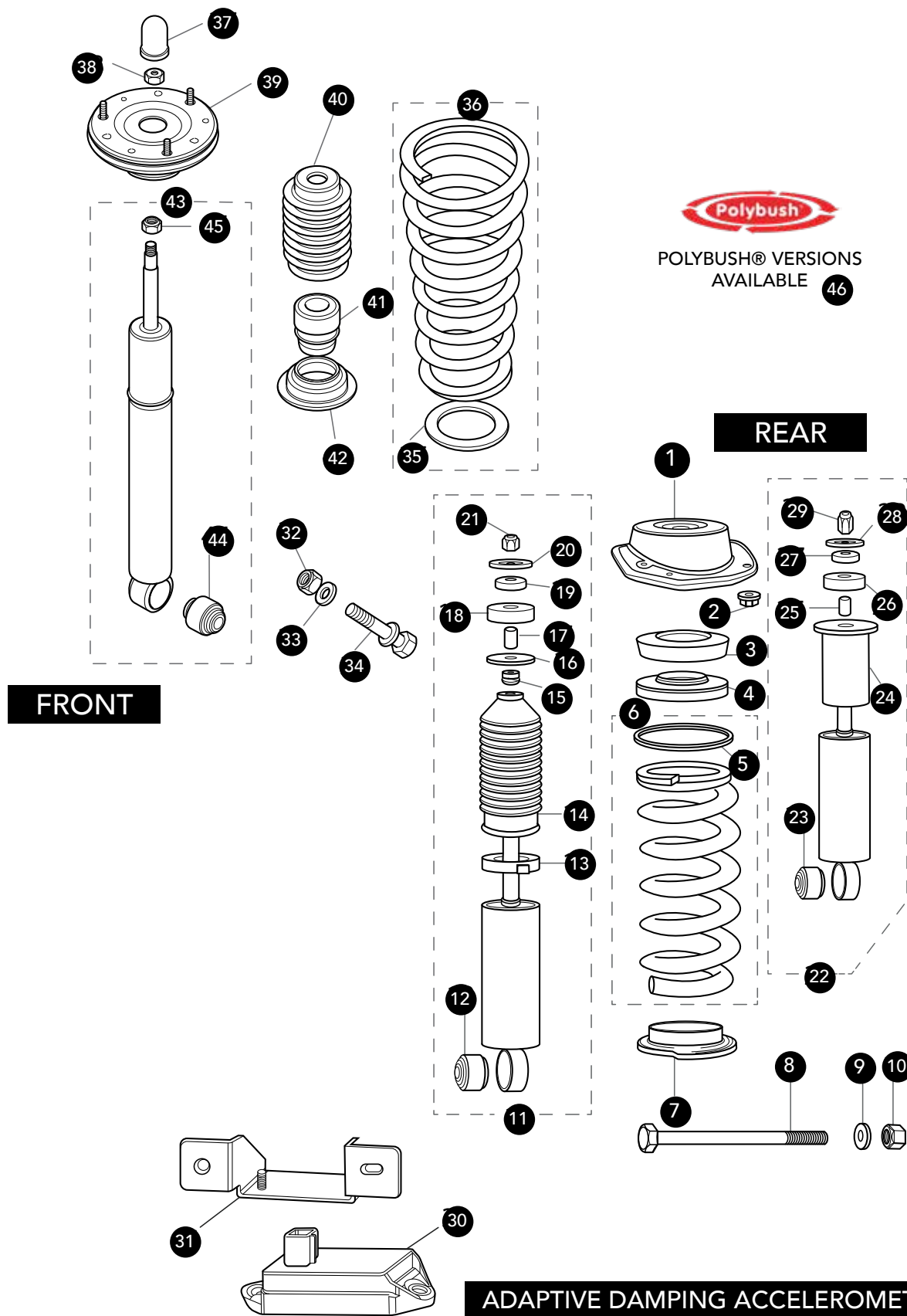
3.37mm	CBC950524	A/R
3.42mm	CBC950525	A/R
3.47mm	CBC950526	A/R
14. Bearing spacer	CBC8207	2
15. Outer hub bearing	CAC6333	2
16. Outer seal	CCC4466	2
17. Rear hub		
(to VIN A18551)	MNA3337AA	2
(from VIN A18552)	MNE3337AB	2
Wheel stud, threaded		
(to VIN A30644)	CAC3878	10
Wheel stud, splined		
(from VIN A30645)	JZB100064	10
18. Locating collar	CBC6652	2
19. Hub nut	JZN100035	2
20. Cable tie	AAU5884J	2
21. Mounting cradle	AGU1548	2
22. Rivet	RU612503J	2
23. Hub bearing kit	JLM1708	2





1. Tie rod end kit	JLM1098	2	RHD (re-manufactured)	MJC3900ACE	1
2. Rack mounting bush (to VIN 024686)			LHD (re-manufactured)	MJC3901ACE	1
Driver's side	MNC3953AC	1	4.0 Litre & 4.2 Litre non supercharged		
Passenger's side (from VIN 024687)	MNC3953BC	1	RHD (re-manufactured)		
Standard			(to VIN 018107)	MJA3900ADE	1
Driver's side	MJB3953AA	1	(from VIN 018108 to 031302)	MNC3900BCE	1
Passenger's side	MJB3953BA	1	(from VIN 031303)	MJC3900ACE	1
'R' performance			LHD (re-manufactured)		
Driver's side	MXD3953AA	1	(to VIN 018107)	MJA3901ADE	1
Passenger's side	MXD3953BA	1	(from VIN 018108 to 031302)	MNC3901BCE	1
3. Rack mounting bracket			(from VIN 031303)	MJC3901ACE	1
Driver's side	MJA3952DA	1	'R' performance		
Passenger's side	MJA3952EA	1	RHD (re-manufactured)	MXD3900BBE	1
4. Flange headed screw	JZS100157	4	LHD (re-manufactured)	MXD3901ABE	1
5. Gaiter clip, large	JLM20684	2	9. Rack transfer pipe kit		
6. Rack bellows	JLM20683	2	RHD	JLM21604	1
7. Gaiter clip, small	JLM20685	2	LHD	JLM21603	1
8. Steering rack, c/w pipes 4.0 Litre supercharged			10. Steering control module		
			R-performance	LXD2100AA	1
			Standard		
			4.2 Litre supercharged	LJB2100BA	1
			4.2 Litre non supercharged	LJC2100AB	1

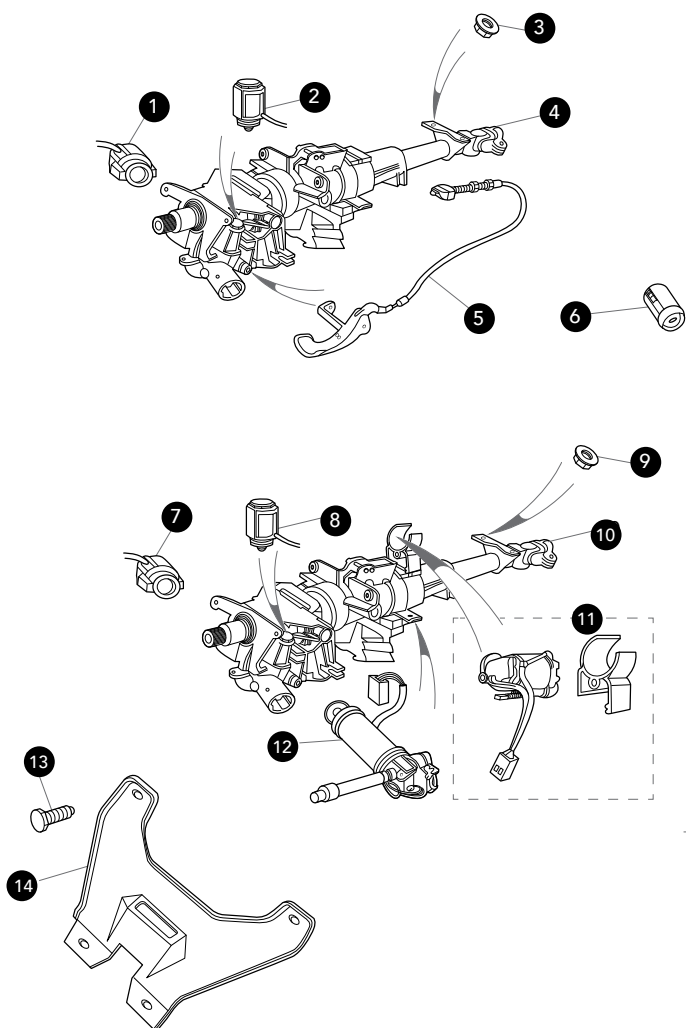
# ROAD SPRINGS & DAMPERS



## ROAD SPRINGS &amp; DAMPERS

1. Spring/strut mounting (to VIN 018107) (from VIN 018108)	MMD3470AA	2	(to VIN 042775) 4.0 Litre supercharged		
	MNC3470AA	2	Adaptive control damping		
2. Nut/washer	JZH100034	8	Convertible	JLM20706	1
3. Upper spring isolator	MMD3565AA	2	Coupe	JLM20689	1
4. Upper spring pan	MMD3563AA	2	4.0 Litre non supercharged		
5. Spring packer 3.4mm/2.9mm 6.55mm/6.05mm	MNA3562AA	2	Convertible		
	MNA3562BA	2	Non adaptive damping	JLM20712	1
6. Rear road spring kit			Coupe		
Adaptive control damping (to VIN 019724)	JLM20190	1	Adaptive control damping (to VIN 014439)	JLM20152	1
(from VIN 019725)	JLM20589	1	(from VIN 014440 to 031302)	JLM20410	1
Standard suspension	JLM12342	1	(from VIN 031303)	JLM20710	1
'R' performance			Non adaptive damping	JLM20711	1
(from VIN A00083)			(from VIN A00083 to A30644)		
(from VIN A30645)	JLM21278	1	4.0 Litre 'R' performance coupe	JLM21176	1
Coupe , not R-performance	JLM20589	1	4.0 Litre non supercharged	JLM21277	1
Convertible, not R-performance	JLM12342	1	Non 'R' performance		
7. Pigtail spring seat	CCC7350	2	Convertible		
8. Damper bolt	JZB100036	2	Adaptive control damping		
9. Washer	JZW100023	2	4.0 Litre supercharged	JLM20706	1
10. Locking nut	JNV114041K	2	Non adaptive control damping	JLM20712	1
11. Damper assembly (not adaptive control damping)	MJA3540DE	2	Coupe		
12. Spherical joint	CCC6782	2	Adaptive control damping		
13. Gaiter clip	CCC7139	2	4.0 Litre supercharged	JLM20689	1
14. Damper gaiter	MNA3548AA	2	4.0 Litre non supercharged	JLM20710	1
15. Gaiter locating collar	CCC7132	2	Non adaptive damping	JLM20711	1
16. Special washer	MNA3543AA	2	(from A30645)		
17. Spacer tube	MNA3554AA	2	Convertible (marked red/purple)	JLM20706	1
18. Isolator, lower	CAC949465	2	Coupe 'R' performance (pink/purple)	JLM21276	1
19. Isolator, upper	CAC949350	2	Coupe, not 'R' performance	JLM20689	1
20. Special washer, upper	CBC1594	2	37. Damper cover		
21. Nyloc nut, M10	JLM21158	2	Adaptive control damping	NJA3975BB	2
22. Suspension damper assembly, rear (Adaptive control damping)			Standard	NJA3975AB	2
Supersports(to VIN A30644)	MJB3540EC	2	38. Flange nut	JFX10805B	2
'R' performance (to VIN A30644)	MXD3540AC	2	39. Upper spring mounting	MJA2170BD	2
Above requires adaptor harness: (from VIN A30645)	LJG3075AB	2	40. Damper gaiter	MJA2148AA	2
Standard suspension			41. Spring assister	MJA2150BA	2
'R' performance	MJB3540EC	2	42. Spring pan	MJA2166BC	2
	MXD3540AC	2	43. Suspension damper, front (to VIN 042775)		
23. Spherical joint	CCC6782	2	Adaptive control damping		
24. Rear damper gaiter	MJA3548AA	2	Coupe, supersports (to VIN 024686)	MJA2140EF	2
25. Spacer tube	MJA3554CB	2	Coupe, supersports (from VIN 024687)	MJB2140EB	2
26. Isolator, lower	CAC949465	2	Not adaptive control damping	MJA2140DJ	2
27. Isolator, upper	CAC949350	2	(from VIN A00083 to A30644)		
28. damper washer, upper	MJA3542AB	2	'R' performance	MXD2140AA	2
29. Damper nut	JZN100061	2	Not 'R' performance		
30. Adaptive damping accelerometer	LJA1975AD	1	Adaptive control damping	MJB2140EB	2
31. Accelerometer bracket	LJA1976AB	1	Non adaptive control damping	MJA2140DJ	2
32. Self locking nut	NY112041J	2	(from VIN A30645)		
33. Washer	WA112081	2	'R' performance	MXD2140AB	2
34. Lower damper bolt	JBH112167	2	Not'R' performance		
35. Spring packer	MJA2162AA	2	Adaptive control damping	MJB2140EC	2
36. Road spring kit, front			Non adaptive control damping	MJA2140DJ	2
			44. Lower damper bush	MJA2153AB	2
			45. Nut	NY110041	2
			46. Bush kit	SU3017	1
			Polybush® kit	SU3017PB	1

# UPPER STEERING COLUMN



1. Ignition switch	LNC6507AA	1
2. Key removal interlock solenoid	LNA5860AA	1
3. Locking nut	JFY10804B	4
4. Steering column, manual adjust (to VIN A11050) (from VIN A11051)	HJA9263AF HJA9263BB	1 1
5. Steering column reach cable Repair kit (to VIN A11050)	JLM12197	1
6. Ignition lock barrel	BCC7849	1
7. Steering column ignition switch	LNC6507AA	1
8. Key removal interlock solenoid	LNA5860AA	1
9. Locking nut	JFY10804B	4
10. Steering column, powered	HJA9261AF	1
11. Steering column reach motor kit	JLM12187	1
12. Steering column tilt motor kit	JLM12186	1
13. screw	JHG10825EM	2
14. Steering column mounting bracket	HJA9422AB	2

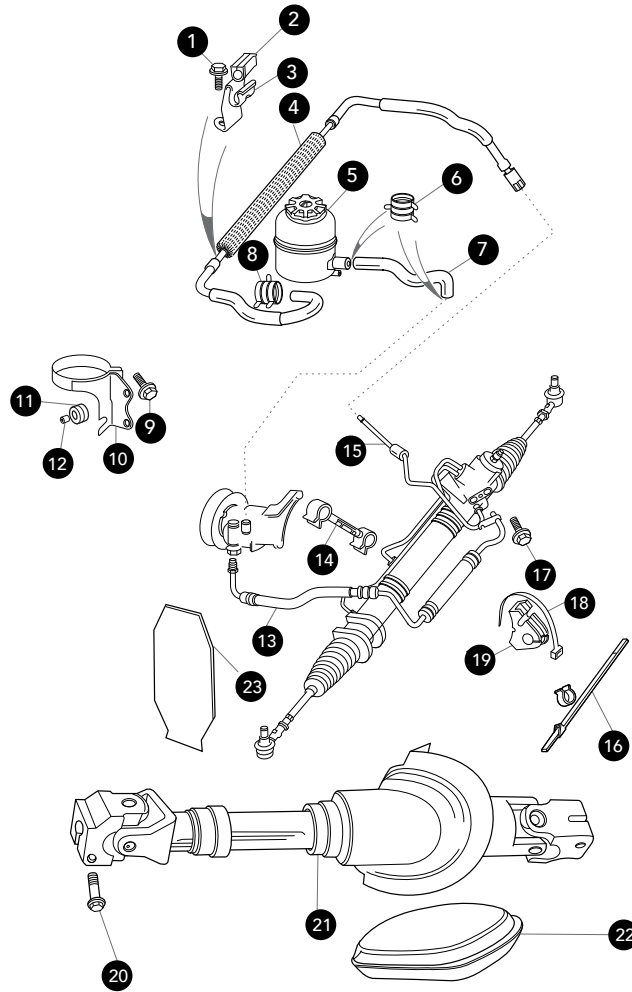
## NEED KEYS?

CONTACT THE SNG BARRATT SALES TEAM WITH YOUR VIN NUMBER FOR ADVICE.

EMAIL: SALES@SNGBARRATT.COM  
TEL: +44 (0) 1746 765432

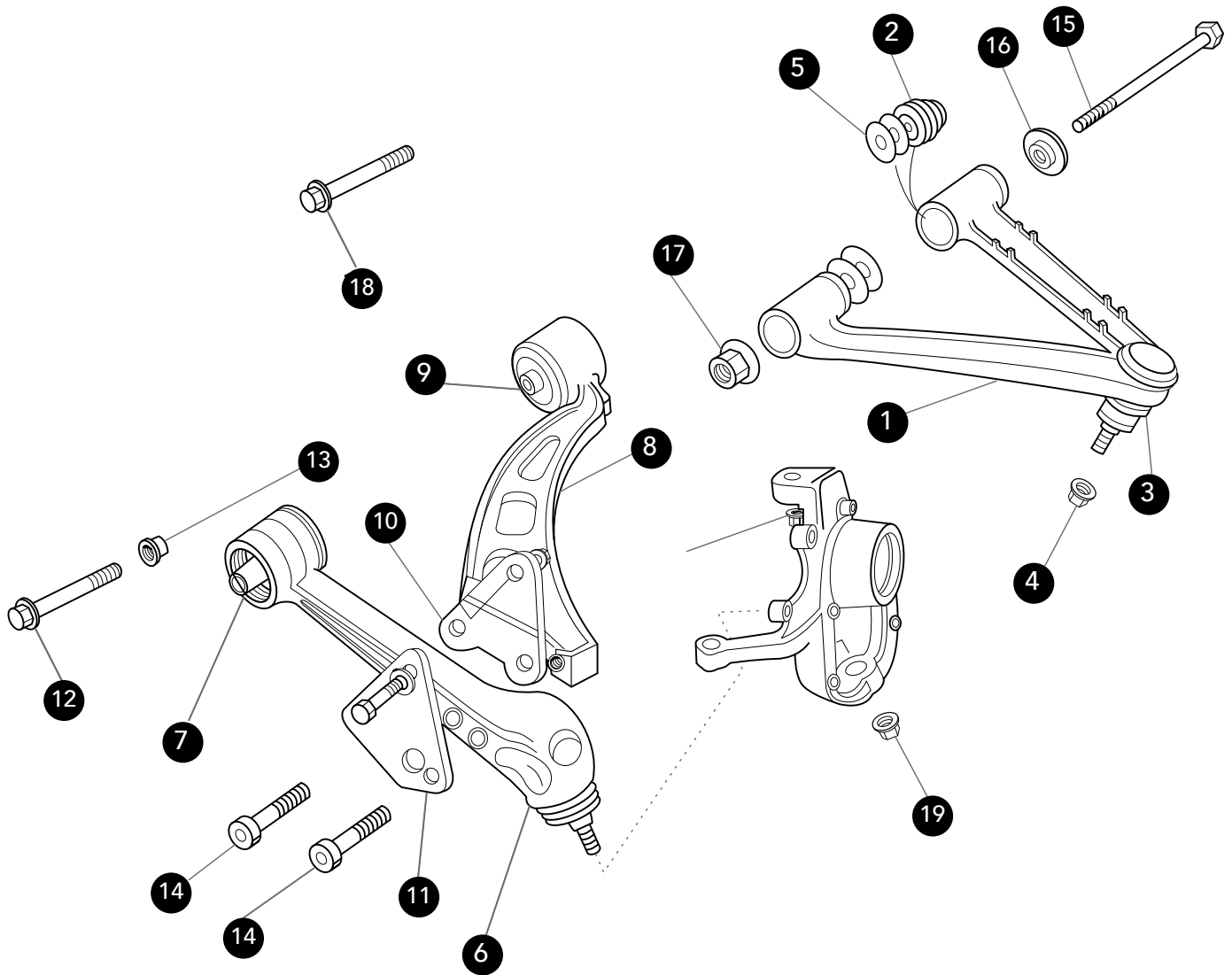


# PAS HOSES & LOWER STEERING COLUMN



<b>Not shown.</b>	Pump to HP pipe seal	XR829166	1	11. Insulator	C2C16681	2
	HP pipe to rack seal	XR829167	1	12. Distance tube	JZT100012	2
	Rack to return pipe seal	XR826168	1	13. High pressure hose		
	Edge protector	DAC402716	1	4.0 Litre RHD	MJB3984AB	1
1.	Flange headed screw	JFS10625F	2	4.0 Litre LHD	MJB3985AB	1
2.	Pipe isolator	MJA2021AB	2	4.2 Litre RHD	C2N1067	1
3.	Oil cooler mounting bracket			4.2 Litre LHD	C2N1068	1
	(to VIN A11050)	MJA8081AC	2	14. Swivel pipe clip (LHD only)		
	(from VIN A11051 to A30644)	MJE8081AA	2	(to VIN A16434)	KDP210160	1
	(From VIN A30645 to A40264)	MJE8081BA	2	15. Return pipe		
	(from VIN A40265)	C2N3097	2	RHD	MJE3998AA	1
4.	Power steering oil cooler			LHD	MJE3999AA	1
	(to VIN A11050)			16. Pipe clip	JZP100005	2
	4.0 Litre supercharged	MJB8084AA	1	17. Flange headed screw	JFS108127	1
	4.0 Litre non supercharged	MJB8084AA	1	18. Tie strap	C46294	2
	(from VIN A1151)	C2N2127	1	19. Pipe isolator mounting	MJA4021BC	2
5.	Power steering reservoir & cap	MJF4000AA	1	20. Pinch bolt		
6.	Hose clamp	JHC302240	2	(to VIN A11050) 8mm x 35mm	JZB100078	2
7.	Low pressure hose			(from VIN A11051)	JFC10806EM	2
	(to VIN A30644)	MJA3980AD	1	21. Lower steering column		
	(from VIN A30645)	C2N1066	1	(to be used with JFC10806EM)		
8.	Hose clamp	JHC302230	1	RHD	MJE9502AC	1
9.	Flange headed screw	FS106165P	1	LHD	MJE9503AC	1
10.	Reservoir bracket	MJB4003AB	1	22. Blanking grommet supersedes to:		
				23. Sealing pad	GJC93348AA	1

# FRONT WISHBONES



1. Upper wishbone					
LH	MJD1421AA	1			
RH	MJD1420AA	1			
2. Upper wishbone bush	MJA1462AB	4			
3. Upper ball joint	JLM21380	2			
4. Upper ball joint lock nut	JFX11205E	2			
5. Pivot pin shim					
Thick	MJA1467AA	4			
Thin	MJA1467BA	4			
6. Lower wishbone arm, rear (assembly)					
LH	MJB1341AC	1			
RH	MJB1340AC	1			
7. Lower wishbone bush	MNE1360BB	2			
8. Lower wishbone arm, front (assembly)	MJF1346AA	2			
9. Front lower wishbone bush	MNE1360CA	2			
10. Damper mounting plate, front					
LH	MJA1373AA	1			
RH	MJA1372AA	1			
11. Damper mounting plate, rear					
LH	MJA1374AA	1			
RH	MJA1375AA	1			
12. Suspension arm adjustment bolt	JZB100085	2			
13. Locking nut	JFX11205E	2			
14. Torx headed set screw	JZS100164	4			
15. Upper wishbone fulcrum shaft	MJA1455AD	2			
16. Washer	CAC3533	8			
17. Flange nut for fulcrum shaft	JFX1160E	2			
18. Eccentric shank bolt, M12 x 105mm	JZB100086	2			
19. Lower Ball Joint Nut	JFX11205E	2			

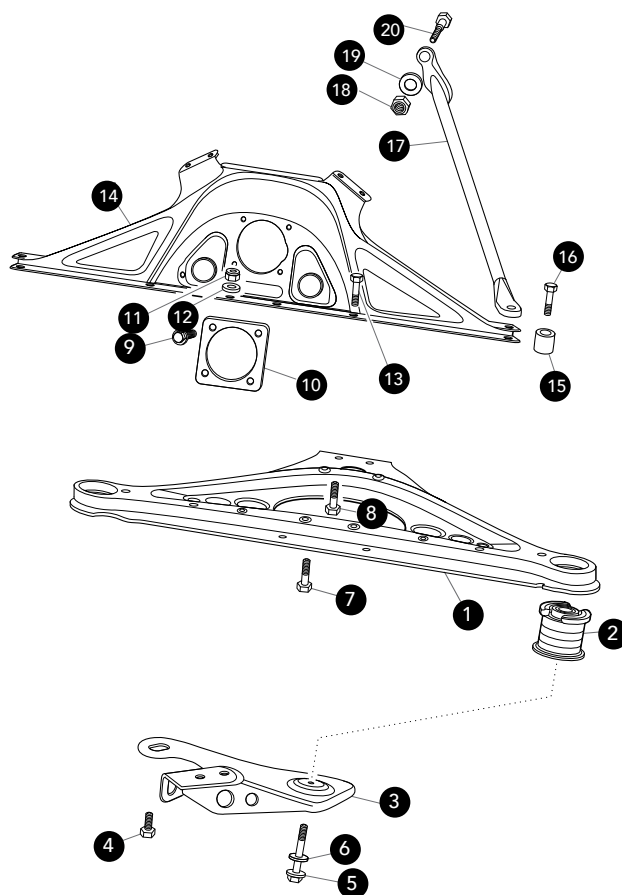


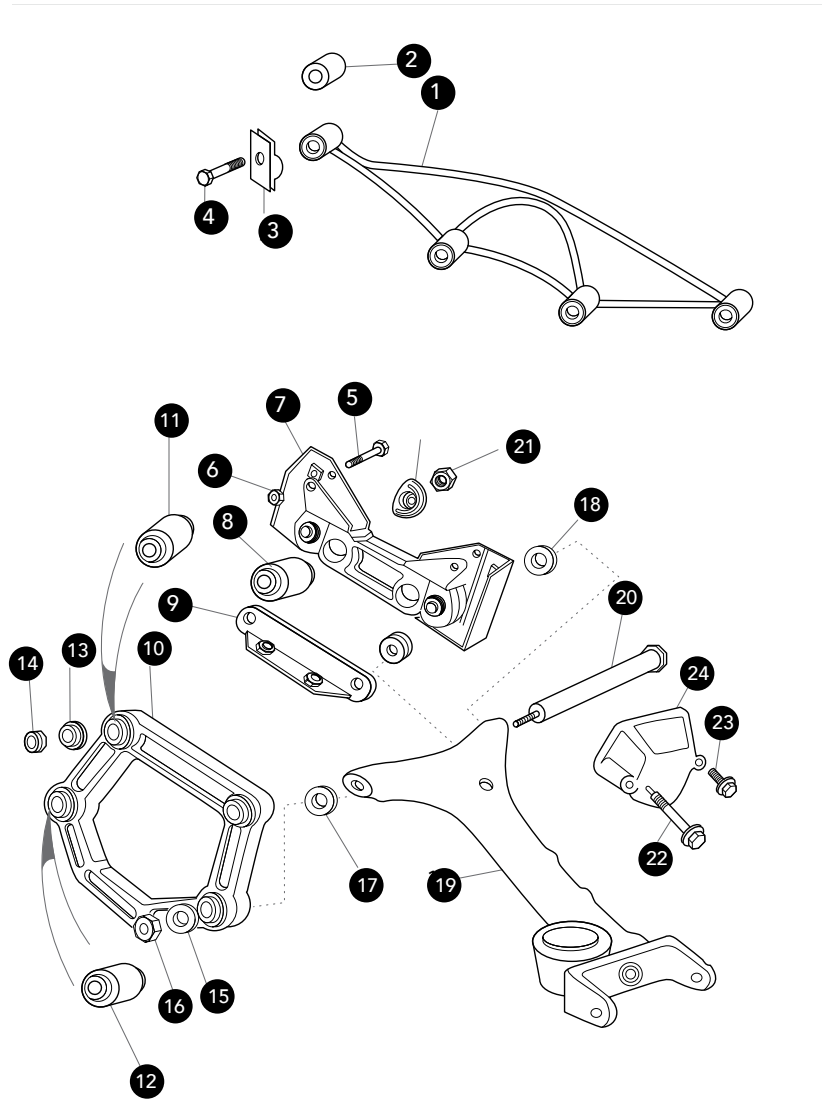


# REAR FRAME CARRIER

1. Rear subframe	C2N1017	1
2. Subframe bush	MJA2595A	2
3. Lower mounting bracket		
Coupe		
RH rear	MJA3700BA	1
LH rear	MJA3701BA	1
Convertible		
RH rear	MJA3700AA	1
LH rear	MJA3701AA	1
4. Hex head setscrew	SH112301M	6
5. Hex head bolt	BH11218BP	2
6. Plain washer	JZW100037	2
7. Bolt		
(to VIN 005494)	BH112091J	2
(from VIN 005495)	BH112111	4
8. Bolt		
(to VIN 005494)	SH212401MJ	2
(from VIN 005495)	BH212091MJ	2
9. Flange screw	FS110251P	4
10. Support plate	CAC8226	1
11. Self locking nut	NY112041J	4
12. Washer	WA112081J	4
13. Setscrew (to VIN005494)	SH212201MJ	2
14. Rear suspension mounting bracket		
(to VIN A30644)	MJA2622AA	1
(from VIN A30645)	C2N1047	1
15. Spacing boss	CAC9330	2
16. Bolt	BH21209MJ	2
17. Upper link		
RH	MNC2630AA	1
LH	MNC2631AA	1

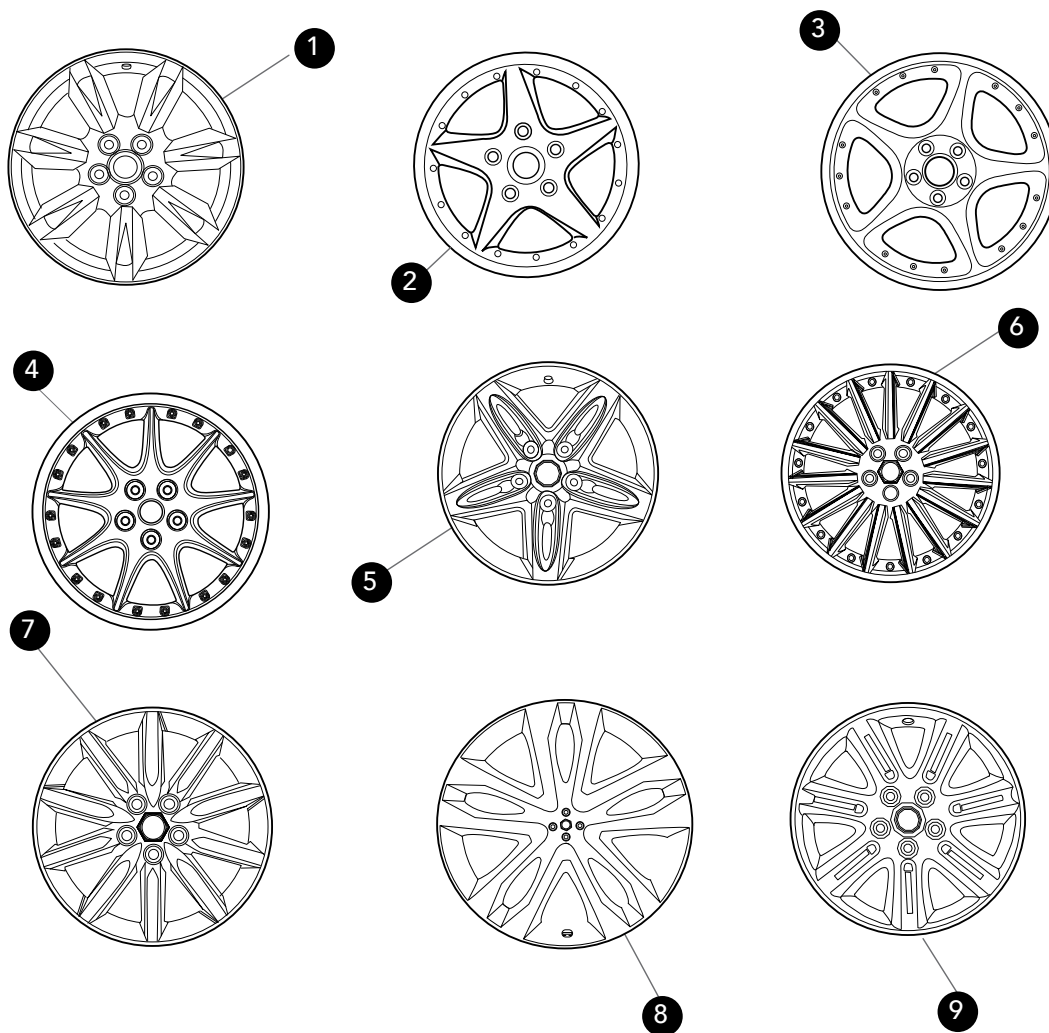
18. Self locking nut	NY112041J	2
19. Washer	JZW100037	2
20. Beam mounting strut bolt	JBH112167	2



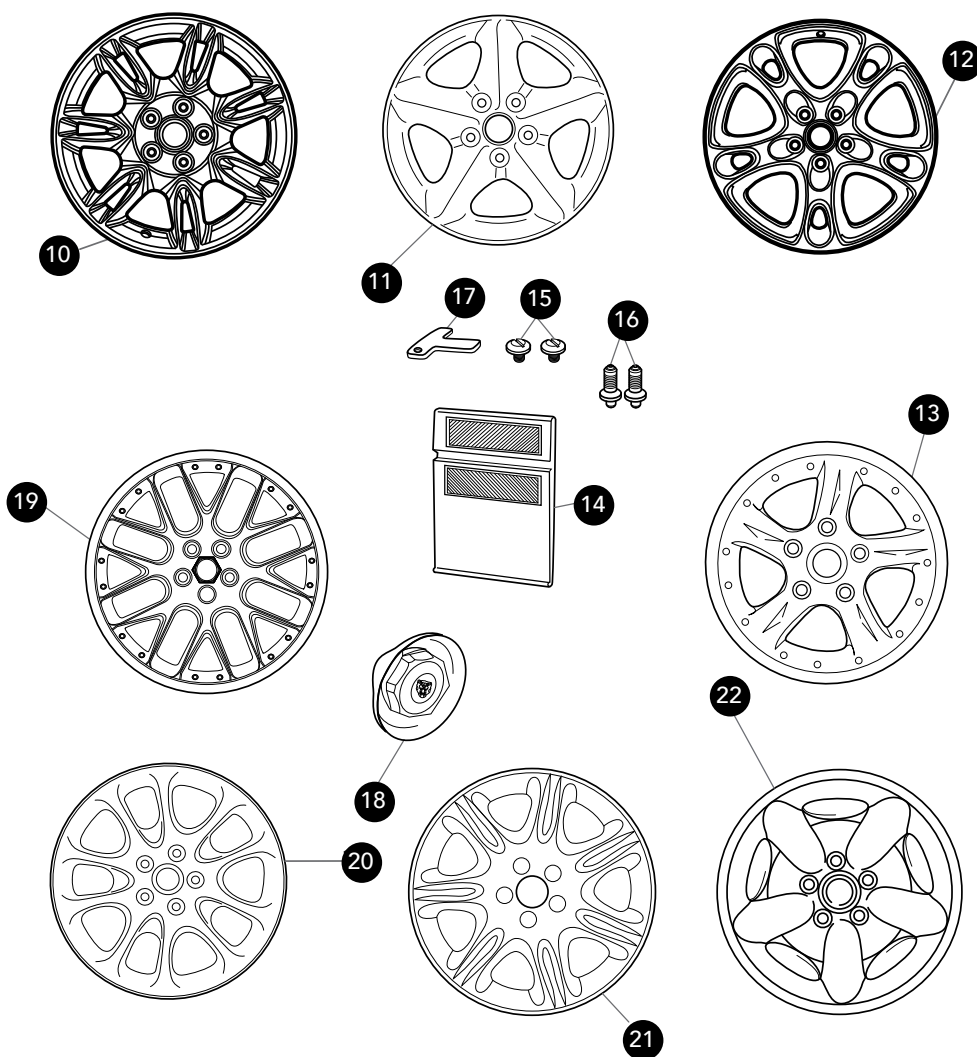


1. Differential strut c/w bushes	MJA3713AD	1	14. Self locking nut	NY116041J	2
2. Mounting bush	MJA3715AB2	4	15. Stepped washer	CBC6394	2
3. Spring nut	JZM100015	2	16. Fulcrum bolt nut	JFX214051	2
4. Flange headed bolt	FB112131	2	17. Wishbone washer	CAC8979	2
5. Bolt (to VIN A30644) (from VIN A30645)	BH112131J	2	18. Fulcrum bolt washer (steel & nylon)	MMB2882AA	4
6. Self locking nut	C2S4590	2	19. Rear lower wishbone RH	MNG2960AA	1
7. Wishbone tie bracket	NY112041J	2	LH	MNG2961AA	1
8. Pendulum bush	MNC2856BA	1	20. Wishbone fulcrum bolt	MMB2860AA	2
9. Extension bracket (to VIN028541) (from VIN 028542)	CAC4713	2	21. Locking nut	JFX11205E	2
10. Pendulum assembly	MJA2617AA	1	22. Setscrew	JZS100167	4
11. Pendulum top bush	MNC2617BA	1	23. Bolt	JXR10860FP	4
12. Pendulum lower bush	MNB2840AA	1	24. Suspension bump stop	MJA3750AB	2
13. Flat washer	CAC77601	2	Not shown. Wishbone spacer (to VIN 042775)		
	CAC4713	2	Inner	MNA2885AA	2
	JLM9571	4	Outer	MNA2885BA	2

# WHEELS & ANCILLARIES



1. Centaur 8Jx18 inch front	C2N2888	2	8. Aris 8Jx18 inch front	C2N3015	2
Centaur 9Jx18 inch front	C2N2889	2	Aris 8Jx18 inch rear	C2N3016	2
2. Detroit 9Jx20 inch front	MDX6156CB	2	9. Hydra 8Jx18 inch front	C2N3314	2
Detroit 10Jx20 inch rear	MXD6156BB	2	Hydra 9Jx18 inch rear	C2N3315	2
3. Paris 9Jx20 inch Silver front	MXD6156EAN	2	10. Impeller 8Jx18 inch front	MJE6118AA	2
Paris 10Jx20 inch Silver rear	MXD6156FAN	2	Impeller 9Jx18 inch rear	MJE6118BA	2
Paris 9Jx20 inch Oyster front	MJC6156AB	2	11. Lamina 8Jx17 inch	MJD6116AB	4
Paris 10Jx20 inch Oyster rear	MJC6156BB	2	12. Apollo 8Jx19 inch front	MJE6118CA	2
4. Montreal 9Jx20 inch Silver front	MXD6156JAN	2	Apollo 9Jx19 inch rear	MJE6118DA	2
Montreal 10Jx20 inch Silver rear	MXD6156KAN	2	13. Milan 8.5Jx18 inch silver front	MXD6154CAN	2
Montreal 9Jx20 inch Oyster front	MXD6156GEN	2	Milan 9Jx18 inch silver rear	MXD6154DAN	2
Montreal 10Jx20 inch Oyster rear	MXD6156HAN	2	Milan 8.5Jx18 inch oyster front	MXD6154AC	2
5. Gemini 8Jx17 inch Silver	C2N3336	4	Milan 9Jx18 inch oyster rear	MXD6154BC	2
6. Sepang 9Jx20 inch front	C2N3121	2	14. R-Performance bag C/W:15,16,17	MXD6166AB	1
Sepang 10Jx20 inch rear	C2N3122	2	15. Dust cap (for two piece wheels)	MXD6137AA	4
7. Atlas 8Jx19 inch Silver front	C2N3017	2	16. Valve adaptor	MXD6163AB	2
Atlas 9Jx19 inch Silver rear	C2N3018	2	17. Valve cap key	MXD6164AA	1
Atlas 8Jx19 inch Chrome front	C2N3694	2			
Atlas 9Jx19 inch Chrome rear	C2N3695	2			



18. Hub cap for Paris silver	MXD6240BA	4
Hub cap for Paris oyster	MXD6240AA	4
19. RX2 9Jx20 inch front	C2N3757	2
RX2 10Jx20 inch rear	C2N3758	2
20. Double five 8Jx18 inch front	MJB6118AB	2
Double five 9Jx18 inch rear	MJB6118BB	2
21. Flute 8Jx18 inch front	MJA6118AC	2
Flute 9Jx18 inch rear	MJA6118BC	2
22. 5 spoke chrome 8Jx17 inch	MJA6116BB	4
5 spoke silver 8Jx17 inch	MJA6116AB	4

		24
24. Locking tyre valve cap set (Growler)	CR1054	1
(Union Flag)	CR1060	
1 <b>Not Shown</b>		
20in wheel finisher (for XKR split rims)	MXD6156-A	4
<b>Not Shown</b>		
Flush fit wheel valves	CR1061	4

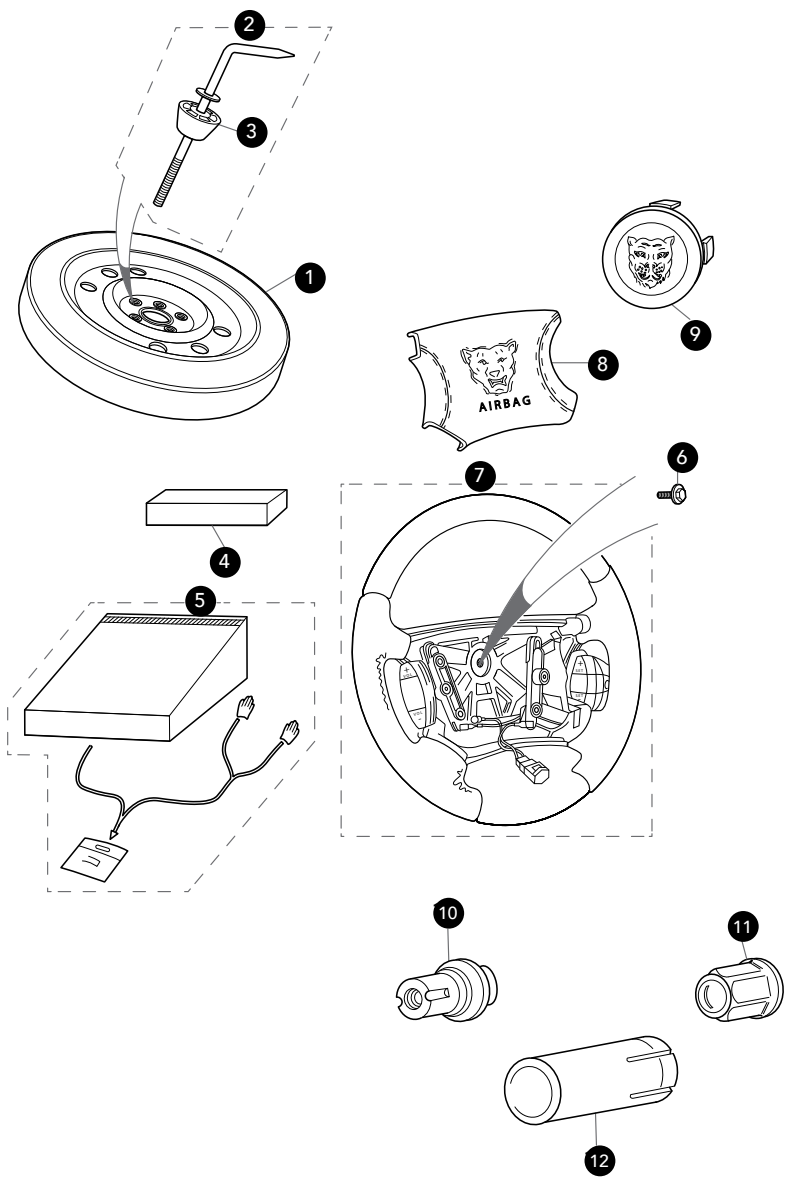
CONTACT OUR SALES  
 TEAM FOR A VARIETY  
 OF COLOUR  
 OPTIONS ON  
 CENTRE CAPS



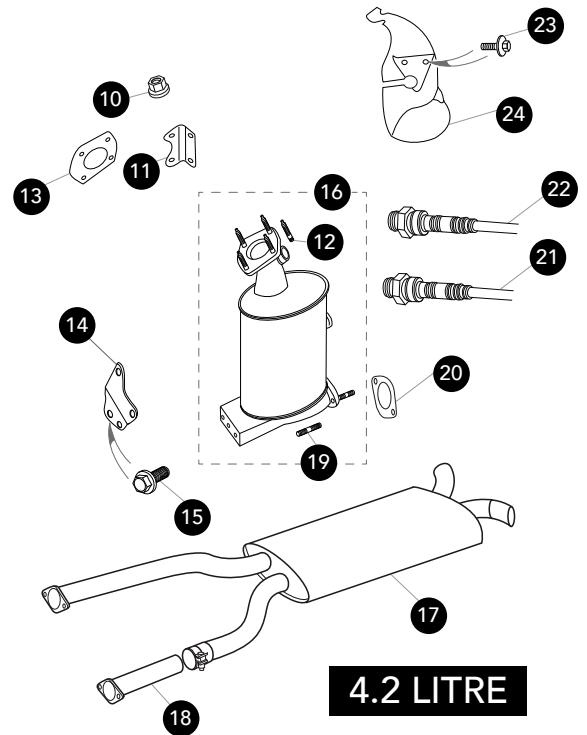
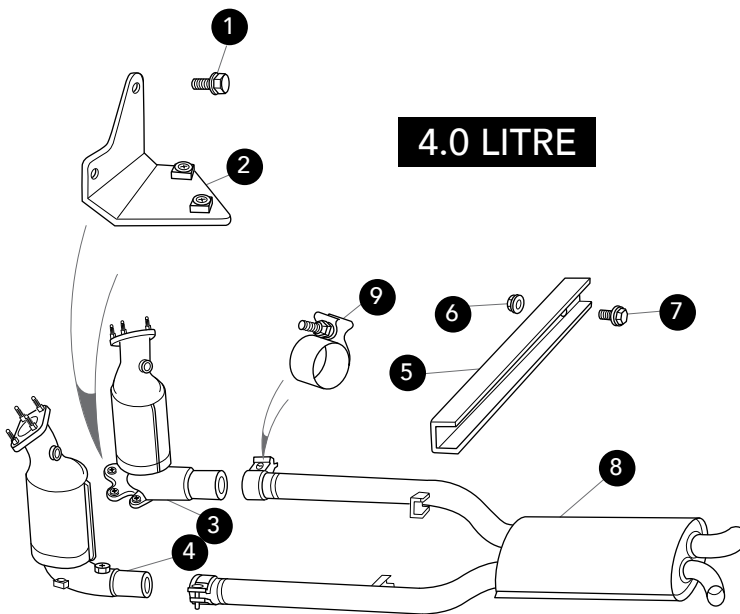
23. Growler centre cap	MNA6249	4
------------------------	---------	---

# SPARE WHEEL, STEERING WHEEL & AIRBAG

- |                              |             |   |             |
|------------------------------|-------------|---|-------------|
| 1. Space saver wheel/tyre    | MJA6109AC   | 8. Airbag module assembly driver's side                   |             |
| 2. Spare wheel clamp screw   |             | <b>See salesperson for details on colour availability</b> |             |
| R - performance              | MJA6190AC   | 9. Wheel badge  |             |
| Standard                     | MJA6190BC   | 1 <b>See Page 61 for further details</b>                  |             |
| 3. Washer                    | MJA6192AA   | 1 10. Locking wheel nut kit (includes key and cap tool)   |             |
| 4. Stowage support           |             | Short wheel nuts  | JLM21769 1  |
| R - performance, spare wheel | GXD3636AA   | Long wheel nuts   | JLM21770 1  |
| 5. Stowage bag               |             | 11. Locking wheel nut cap                                 | MNA6266AA 4 |
| R - performance, trunk       | GXD9548AA   | 12. Locking wheel nut cap tool                            | MNA6265BA 1 |
| 6. Screw/washer assembly     | JSH11025BPJ |   |             |
| 7. Steering wheel            |             |   |             |
- See salesperson for details on leather/wood combinations**



## FRONT EXHAUST SYSTEM

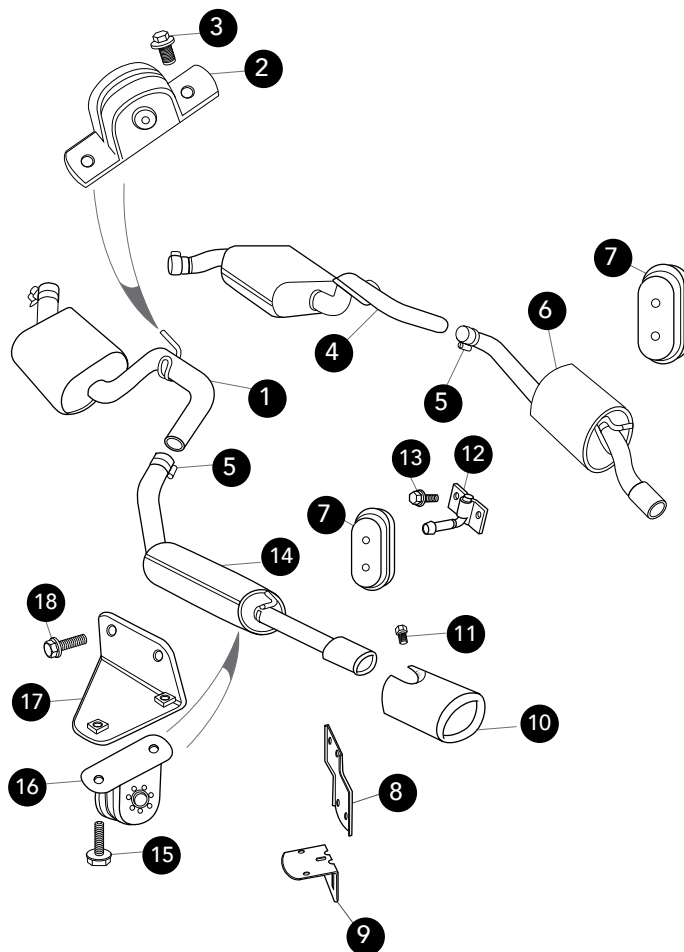


1. Flange headed screw	JFS11020F	4	12. Special stud (torx head)	JZC100036	8
2. Exhaust mounting bracket 4.0L supercharged			13. Downpipe gasket	EAZ2050	2
RH	NCB6796AB	1	14. Exhaust mounting bracket RH	C2N1196	1
LH	NCB6797AB	1	LH	C2N1197	1
4.0L non supercharged			15. Flange headed screw	JFS11020F	4
RH	NCB6796BA	1	16. Exhaust downpipe & catalyst 4.2L supercharged		
LH	NCB6797BA	1	RH	C2A1000	1
3. Exhaust down pipe RH	See salesman	1	LH	C2N1263	1
4. Exhaust down pipe LH	See salesman	1	4.2L non supercharged		
5. Tie bracket, front 4.0L supercharged	NJB6758AB	1	RH	C2N1250	1
4.0L non supercharged (to VIN A11050)	NJA6758AA	1	LH	C2N1262	1
(from VIN A11051)	NJE6758AA	1	17. Intermediate exhaust silencer 4.2L supercharged	C2N1842	1
6. Lock nut	JFX10804E	2	4.2L non supercharged	C2N1841	1
7. Flange headed screw	JFS1081E	2	18. Exhaust pipe flange	C2N2478	1
8. Exhaust silencer 4.0L supercharged	NJE6757AA	1	19. Catalyst stud	C2N1851	4
4.0L non supercharged	NJE6757BA	1	20. Intermediate pipe gasket	C2N1790	2
9. Exhaust pipe clamp 52.4mm 4.0L supercharged	NJB6744GA	2	21. Heated oxygen sensor (downstream)	C2C25956	2
4.0L non supercharged	NJB6744HA	2	22. Heated oxygen sensor (upstream)	C2S51801	2
10. Flanged nut	C2C38026		23. Torx flange headed screw	JZS100175	4
11. Heatshield mounting bracket 4.2L supercharged			24. Exhaust manifold heatshield 4.2L supercharged		
RH	C2N3212	1	RH-A bank	C2N3275	1
LH	C2Z13534	1	LH-B bank	C2N1200	1
(to VIN A40264)	C2Z13534	1			
(from VIN A40265)	C2N3065	1			

# REAR EXHAUST SYSTEM

1. Intermediate exhaust silencer			
4.0 Litre Left hand	NJE6761AA	1	
4.2 Litre Left hand	C2N3036	1	
2. Exhaust mounting rubber	C2S10443	2	
3. Flange screw M8	JDE2798	4	
4. Intermediate exhaust silencer			
4.0 Litre right hand	NJE6760AA	1	
4.2 Litre right hand	C2N3035	1	
5. Exhaust pipe clamp 52.4mm	NJB6744GA	2	
6. Rear silencer right hand			
4.0 Litre supercharged	NJD6784AB	1	
(to VIN A11050)	NJE6784AB	1	
4.0 Litre non supercharged	NJC6784AA	1	
(from VIN A11051)	NJD6784BA	1	
4.2 Litre supercharged	C2N1492	1	
(to VIN A40264)	C2N3281	1	
4.2 Litre non supercharged	NJD6784BA	1	
7. Exhaust mounting rubber	NJA6790AC	2	
8. Tailpipe mounting bracket			
(from VIN A40265)			
RH	C2N3278	1	
LH	C2N3279	1	
9. Isolator mounting bracket	C2N3277	2	
10. Tailpipe finisher 4.2 Litre			
(from VIN A30645 to A40264)	C2N1457	2	
(from VIN A40265)			
Supercharged			
RH	C2N3289	1	
LH	C2N3290	1	
Non supercharged	C2N2912	2	
11. Mounting screw	JSS10612J	2	
12. Exhaust mounting bracket			
(to VIN A30644)	NJA6803AD	2	
13. Screw for NJA6803AD	JZS100128	4	
14. Rear silencer left hand			
4.0 Litre supercharged	NJD6785AB	1	
(from VIN A11050)	NJE6785AB	1	
4.0 Litre non supercharged	NJC6785AA	1	
(from VIN A11051)	NJD6785BA	1	
4.2 Litre supercharged	C2N1480	1	
(to VIN A40264)	C2N3280	1	
4.2 Litre non supercharged	NJD6785BA	1	

15. Screw M8JZH100074		4
16. Exhaust mounting rubber	C2S10443	2
17. Exhaust mounting bracket		
(from VIN A300083 to A40265)		
RH	C2N2462	1
LH	C2N2461	1
18. Screw	JZS100128	4



**BELL EXHAUST UPGRADE**

**BELL**

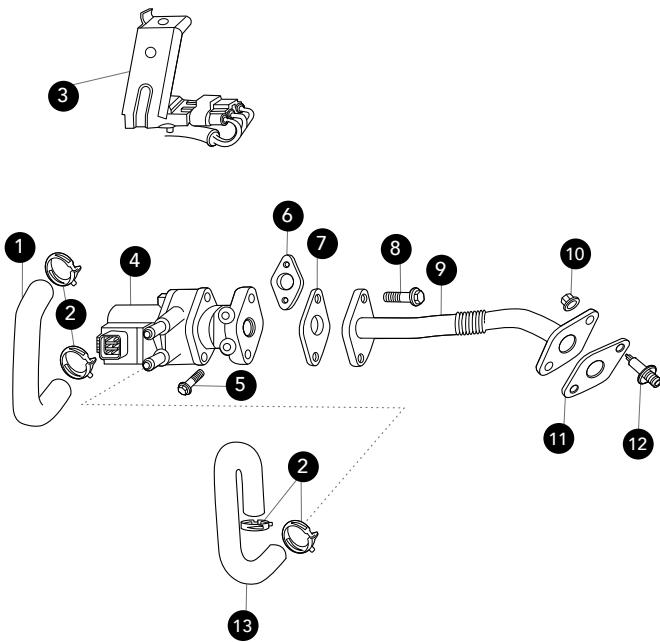
1. Sports exhaust kit  
To fit XK8/XKR      BSSJR039      1

Link pipes replace intermediate exhaust silencers together with modified rear silencers to give better your XK easier breathing and a more sporting exhaust note.

Oval finisher pipe option also available.



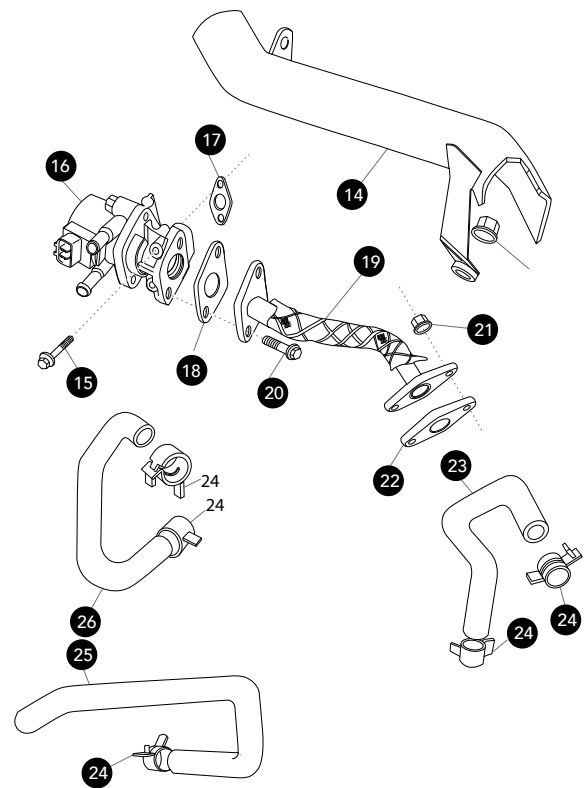
# EXHAUST GAS RECIRCULATION VALVE



**FROM VIN A00083 - VIN A30644**

- |  |           |   |
|--|-----------|---|
| 1. Heater hose, 4.0 Litre supercharged                                     | NNE3947BA | 1 |
| 2. Hose clamp  | JHC301621 | 4 |
| 3. MAP sensor, 4.0 Litre supercharged                                      | LNF1622AA | 1 |
| 2. EGR valve, 4.0 Litre supercharged                                       | AJ88582   | 1 |
| 5. Hexagonal headed flange bolt<br>M6 x 45mm                               | AJ82190   | 2 |
| M8 x 60mm  | C2N1699   | 2 |
| 6. EGR pipe gasket small, 4.0 Litre supercharged<br>(to engine 0108122359) | NNE4774AC | 1 |
| (from engine 0108130000)   | AJ88560   | 1 |
| 7. EGR pipe gasket upper, 4.0 Litre supercharged<br>(to engine 0108122359) | NCA4771BE | 1 |
| (from engine 0108130000)   | AJ88559   | 1 |
| 8. Hexagon flange screw, M8 x 20mm   | C2Z1856   | 2 |
| 9. EGR pipe, 4.0 Litre supercharged  | AJ86857   | 1 |
| 10. Nut, M8  | JFN10804B | 2 |
| 11. EGR pipe gasket, lower   | NCA4771DA | 1 |
| 12. EGR pipe stud  | AJ88495   | 1 |
| 13. Heater hose, 4.0 Litre supercharged                                    | NNE3948BA | 1 |
| 14. Heatshield<br>(from VIN A30645)  | C2N3066   | 1 |
| 15. Hex. headed flange bolt, M6 x 45mm                                     | AJ82190   | 2 |
| 16. EGR valve, 4.2 Litre   | AJ88582   | 1 |
| 17. EGR pipe gasket small, 4.2 Litre                                       | AJ88560   | 1 |
| 18. EGR pipe gasket upper, 4.2 Litre<br>(to VIN A45299)                    | AJ88559   | 1 |
| (from VIN A45300)  | AJ89071   | 1 |
| 19. EGR pipe   | AJ87772   | 1 |
| 20. Hexagon flange screw, M8 x 20mm  | C2Z1856   | 1 |

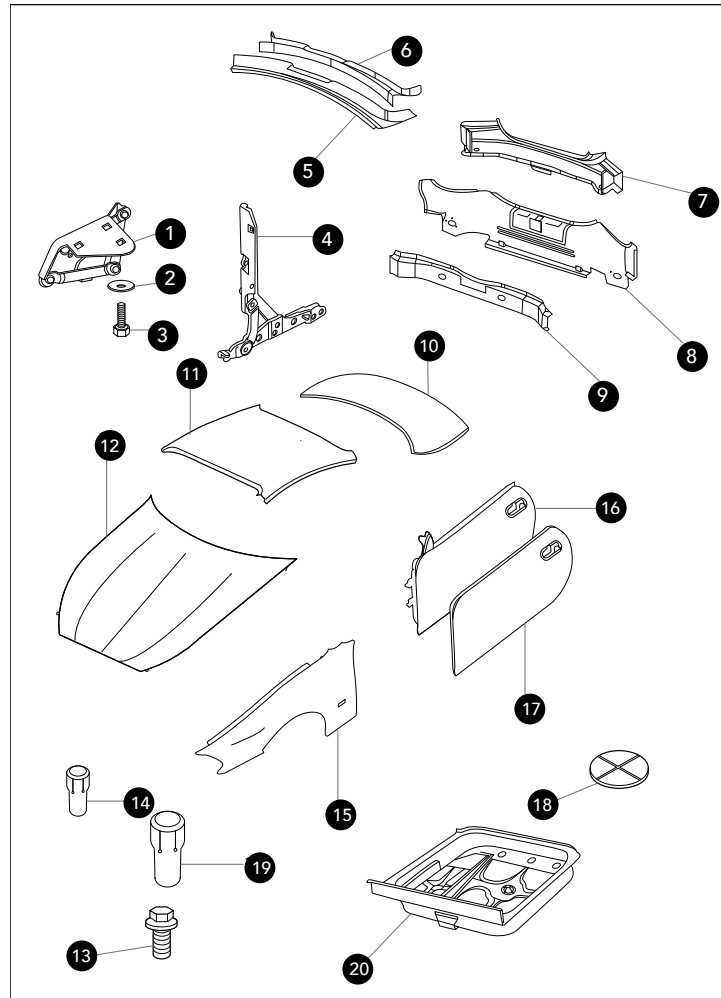
**FROM VIN A30645**



- |                                      |           |   |
|--------------------------------------|-----------|---|
| 21. Nut, M8<br>(to VIN A44685)       | JFN10804B | 2 |
| (from VIN A44686)                    | C2Z1312   | 2 |
| 22. EGR pipe gasket, lower 4.2 Litre | AJ82430   | 1 |
| 23. Return hose to throttle body     | AJ88519   | 1 |
| 24. Hose clip                        | JHC501401 | 6 |
| 25. Feed hose, water outlet to EGR   | AJ88513   | 1 |
| 26. Feed hose, to throttle body      | AJ898092  | 1 |



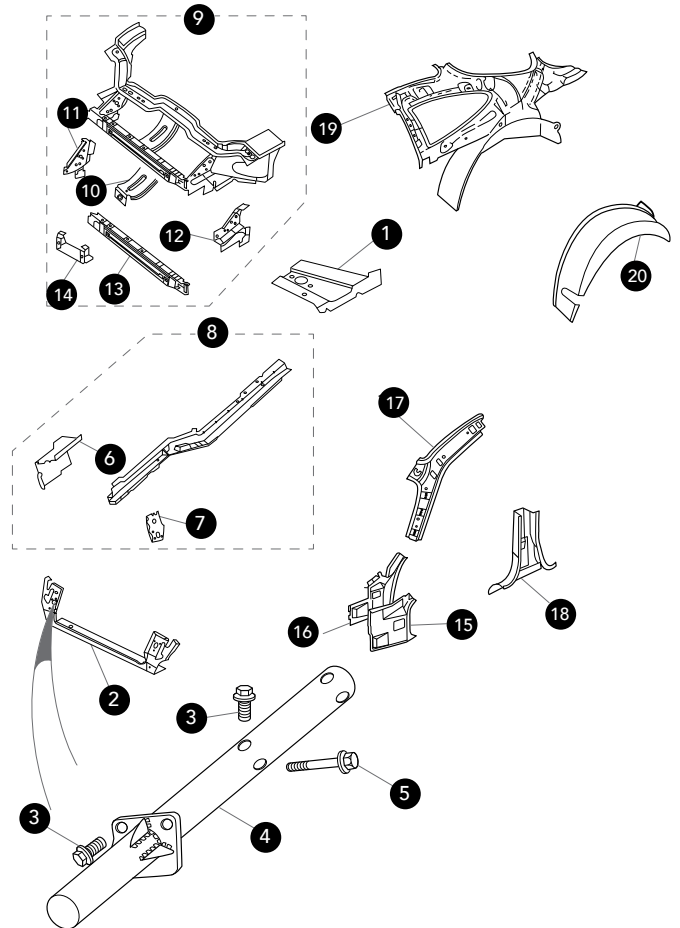
# OUTER BODY PANELS



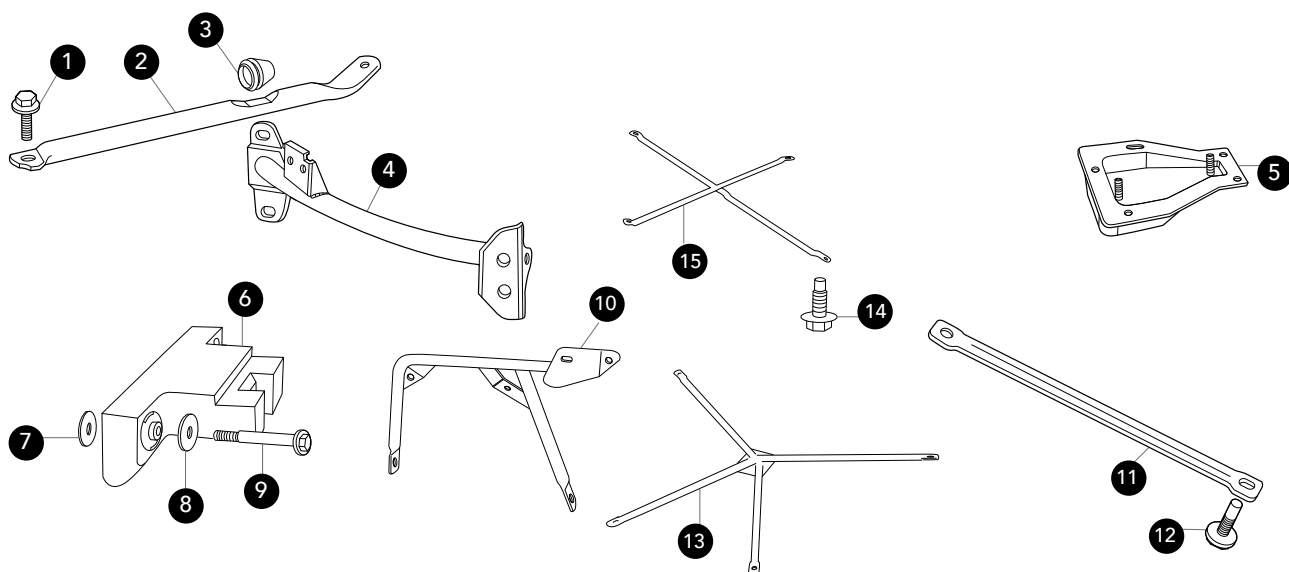
1. Bonnet hinge LH	FJA3011AD	1	(from VIN A11051)	FJE3019AA	1
RH	FJA3010AD	1	11. Roof panel, coupe	FJA1102AB	1
2. Oval washer	BD5427	6	not shown Header panel, front	FJE1104AA	1
3. Setscrew, M8 x 16mm	SH108161J	6	not shown Header panel, rear	FJG1105AA	1
4. Boot lid hinge LH	FJA3027AE	1	12. Bonnet		
RH	FJA3026AE	1	Supercharged	FJB3005FA	1
5. Decking panel, coupe	FJA1124AB	1	Non supercharged	FJB3005AA	1
6. Rear parcel shelf decking panel	FJD1125AB	1	13. Screw/washer, wing to body	JZH100012	16
7. Rear panel, upper (to VIN A11050)	FJA4161AD	1	14. Blind rivet nut, M6	JZR100015	6
(from VIN A11051)	FJE4161AA	1	15. Front wing panel		
8. Lower panel, inner rear (to VIN A11050)	FJA4153AE	1	LH	FJA1071AF	1
(from VIN A11051)	FJE4153AB	1	RH	FJA1070AF	1
9. Rear floor inner crossmember	FJA2177AA	1	16. Door panel assembly		
10. Boot lid			LH	JLM21773	1
Convertible			RH	JLM21772	1
(to VIN A11050)	FJE3019JA	1	17. Door skin		
(from VIN A11051)	FJE3019BA	1	LH	FJA3033AA	1
Coupe			RH	FJA3032AA	1
(to VIN A11050)	FJE3019HA	1	18. Panel plug, 50mm	KPH100006	
			19. Blind rivet nut	JZR100015	5
			20. Boot floor panel		
			Convertible	FJE4141BA	1
			Coupe	FJE4141AA	1

# INNER BODY PANELS

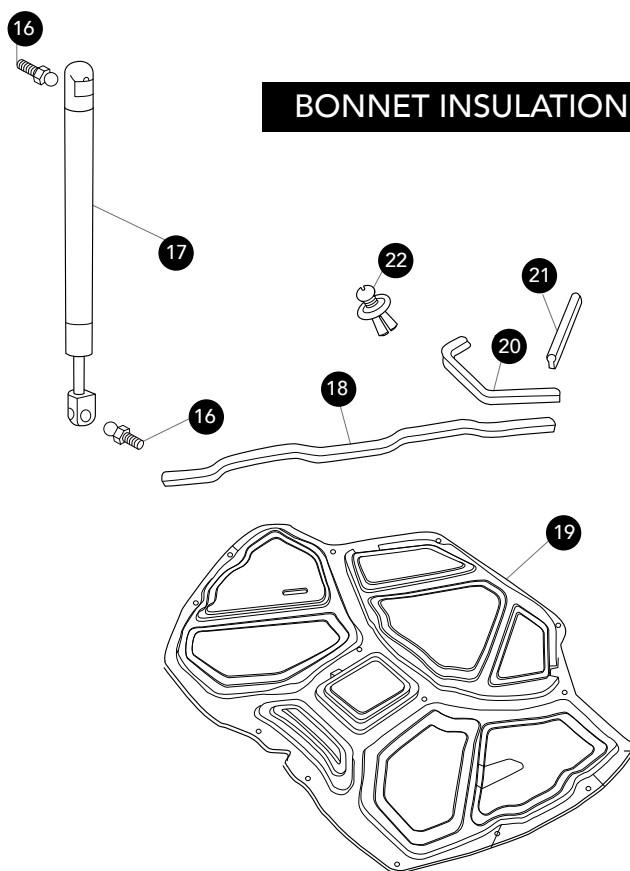
1. Valance reinforcing bracket					
LH front	FJA4423AC	1			
RH front	FJA4422AC	1			
2. Bumper mounting lower	FJE4059AA	1			
3. Flanged bolt	JFS10820E	6			
4. Crush tube (from VIN A11051)					
LH front	HJE4011AD	1			
RH front	HJE4010AD	1			
5. Hex headed bolt	C2N1699	4			
6. Longitudinal member extension panel					
LH, inner	FJE1843AB	1			
RH, inner	FJE1842AB	1			
7. Radiator crossmember extension					
LH lower	FJE2033AC	1			
RH lower	FJE2032AC	1			
8. Longitudinal member					
LH front (to VIN A11050)	FJD3849CA	1			
(from VIN A11051)	FJE3849AB	1			
RH front (to VIN A11050)	FJD3848CA	1			
(from VIN A11051)	FJE3848AB	1			
9. Bumper mounting crossbeam assembly					
(to VIN 042775)	FJB3866AA	1			
(from VIN A00083 to VIN A11050)					
With adaptive speed control	FJD3866JB	1			
Without adaptive speed control	FLB3866AA	1			
1					
(from VIN A11051 to VIN A40264)	FJE3866AB	1			
(from VIN A40265)	C2N2836	1			
10. Bumper mounting central reinforcement					
(from VIN A00083 to VIN A11050)					
With adaptive speed control	FJD2613JA	1			
Without adaptive speed control	FJA2613AB	1			
(from VIN A11051)	FJE2613AC	1			
11. Mounting bracket RH					
(to VIN 024686)	FJA4482AA	1			
12. Mounting bracket LH					
(to VIN 024686)	FJA4483AA	1			
13. Crossmember, bumper mounting					
(to VIN 042775)	FJA1866AE	1			
(from VIN A00083 to VIN A11050)					
With adaptive speed control	FJD1866JA	1			
Without adaptive speed control	FJA1866AE	1			
(from VIN A11051)	FJE1866AA	1			
14. Mounting bracket					
(from VIN A00083 to VIN A11050)					
Adaptive speed control	FJD2701JB	1			
(from VIN A11051)	C2N2868	1			
15. A-post closing panel					
LH	FJG1975AA	1			
RH	FJG1974AA	1			
16. A-post lower inner panel					
LH	FJG1917AB	1			
RH	FJG1916AB	1			
17. A-post upper closing panel					
Convertible					
LH (to VIN A30644)	FJA1375BC	1			
(from VIN A30645)	FJG1375BA	1			
RH (to VIN A30644)	FJA1374BC	1			
(from VIN A30645)	FJG1374BA	1			
Coupe LH	FJG1375AA	1			
Coupe RH	FJG1374AA	1			
18. B-post panel, inner					
LH	FJB1629AC	1			
RH	FJB1628AC	1			
19. Inner wheel arch assembly					
LH	FJE3329AA	1			
RH	FJE3328AA	1			
20. Rear wheel arch panel, outer					
LH	FJA1331AG	1			
RH	FJA1330AG	1			



# CONVERTIBLE BRACING



## BONNET INSULATION & GAS RAM

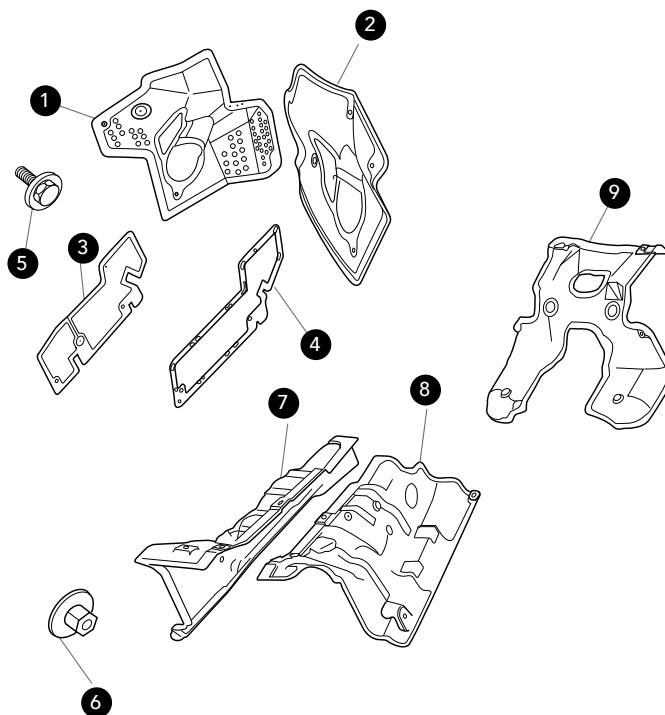


# CONVERTIBLE BRACING

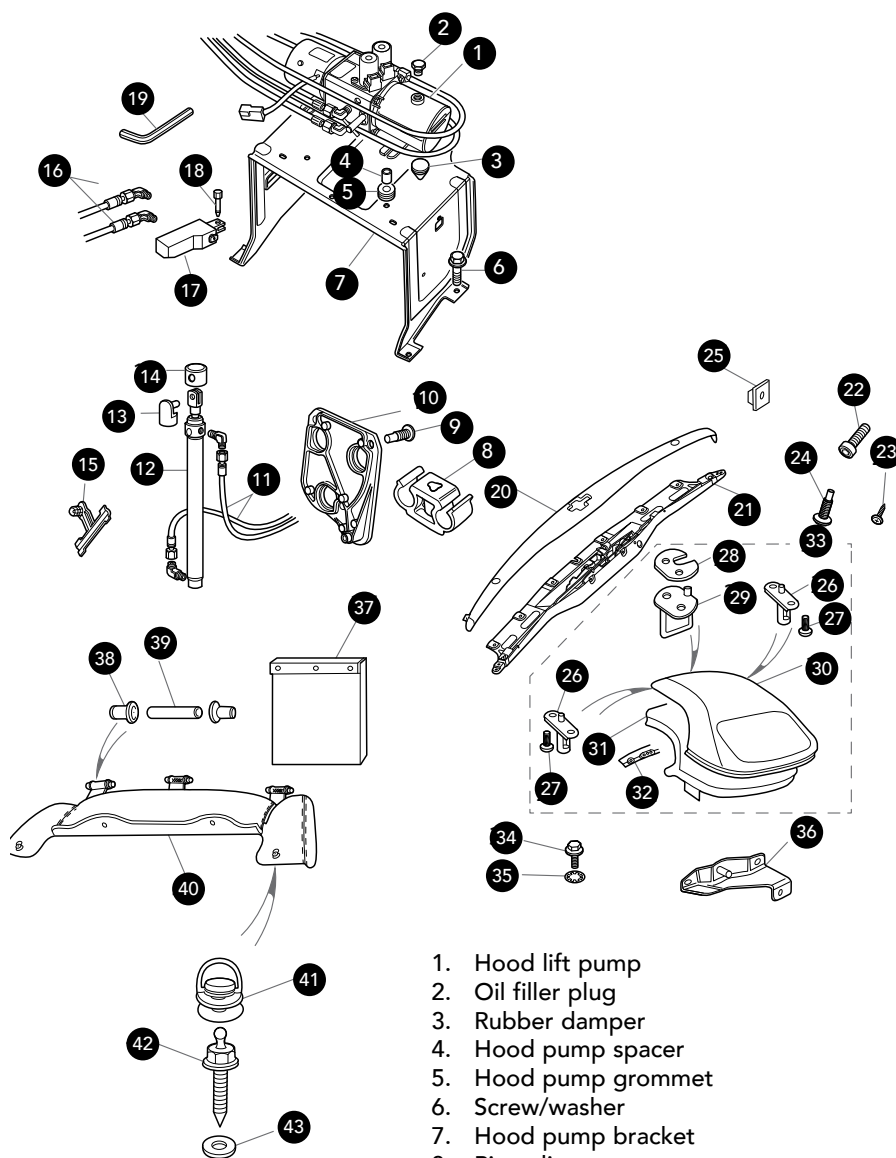
1. Flange headed screw (to VINA28257) (from VIN A28258)	JFS11035E JFS11030E	2 2	11. Rear strut	HJA4621AC	2
2. Brace, dash to valance LH RH	HJA4001AE HJA4000BA	1 1	12. Hex headed screw	SH112301M	4
3. Grommet, dash to valance	HJA4006AD	2	13. Front cross brace	HJA4616BC	1
4. Brace, 4.0 Litre supercharged (from VIN 025687) LH B/C post RH B/C post	HJD4251AB HJD4250AB	1 1	14. Flange screw, M12	JZS100172	4
5. Gearbox tunnel cover	GJB7820AB	1	15. Front panel crossbrace 4.0 Litre supercharged & 4.2 Litre 4.0 Litre non supercharged	HJB4151AB FJA3106BA	1 1
6. Body side rear mounting	MJA7580AB	2	16. Ball pin (to VIN A30644) (from VIN A30645)	BEC13584 BCC3664	4 4
7. Special washer	JZW100037	8	17. Bonnet gas strut	HJA2500AB	2
8. Plain washer	JZW100037	4	18. Bonnet seal, front	HJF5240AB	1
9. Flanged bolt	JFB11214EP	4	19. Bonnet liner Supercharged Non supercharged	C2N2616 HJB2640AF	1 1
10. Facia brace LHD RHD	HJA4200DF HJA4200CF	1 1	20. Bulkhead seal	HJA5245AA	2
			21. Bonnet seal, side	HJA5244AD	2
			22. Plastic rivet	KRS113130	12

# HEAT SHIELDS

1. Under floor insulation Engine bay RHR	GJE9338AC	1
2. Under floor insulation Engine bay LHR	GJE9339AB	1
3. Under floor insulation Engine bay RHF	GJA9378AD	1
4. Under floor insulation Engine bay LHF	GJA9379AE	1
5. Screw/washer	JZH100040	4
6. Push-on nut	KZN100006	18
7. Transmission tunnel RH insulation	GJE9322AA	1
8. Transmission tunnel LH insulation	GJE9323AB	1
9. Over axle heatshield (to VIN A30644) (from VIN A30645)	GJA9341AF C2N1548	1 1



# CONVERTIBLE TOP



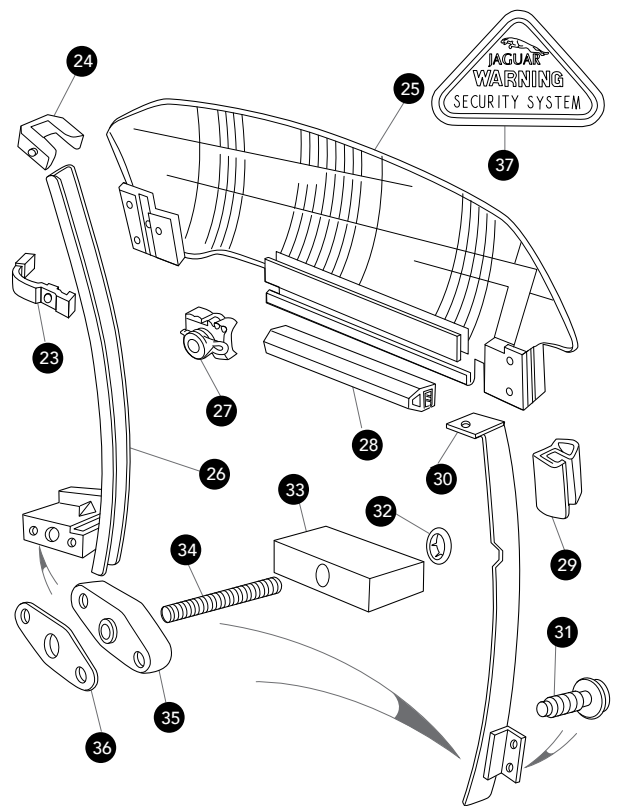
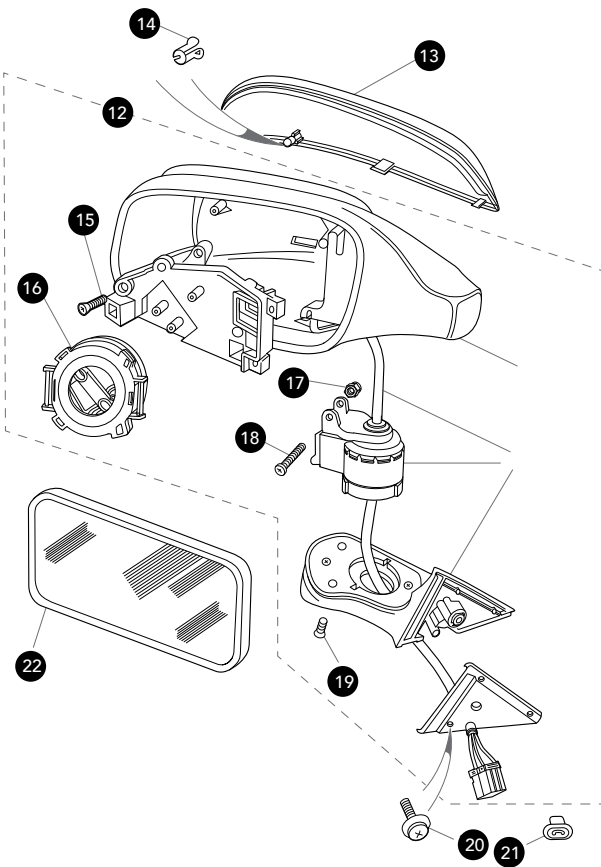
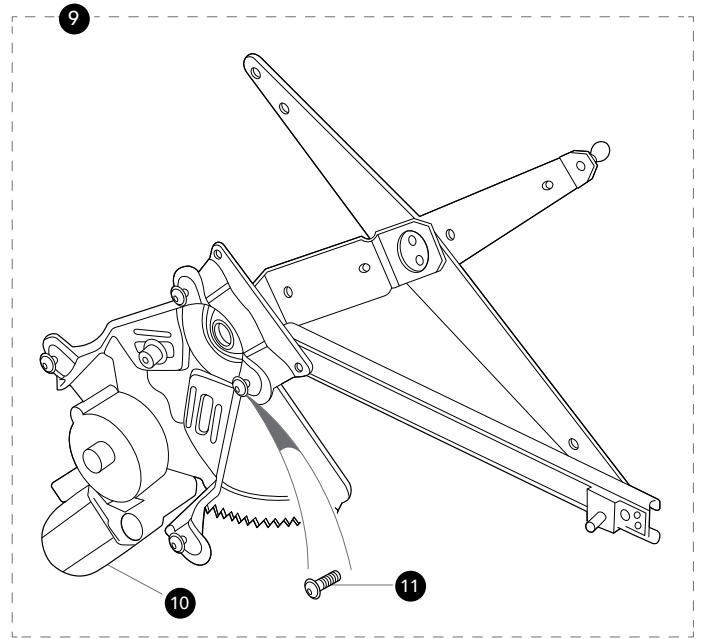
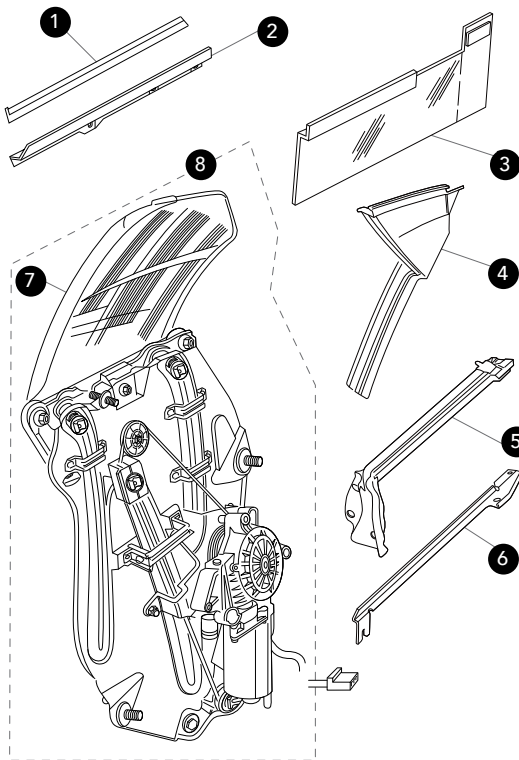
1. Hood lift pump	HJC8241AA	1
2. Oil filler plug	HJA8258AA	1
3. Rubber damper	BCC2824	2
4. Hood pump spacer	HJB8213CA	2
5. Hood pump grommet	HJA8212AA	2
6. Screw/washer	JZH100026	2
7. Hood pump bracket	HJD8205AA	1
8. Pipe clip	KDG604044	13
9. Torx screw	JXR10616F	6
10. Hood cylinder retainer cover		
LH	HJA8169AB	1
RH	HJA8168AB	1
11. Hood cylinder hose		
LH	HJB8253AA	1
RH	HJC8252AA	1
12. Hood lift cylinder		
(to VIN 031317)		
LH	HJA8255CB	1
RH	HJA8254CC	1
(from VIN 031318)		
LH	HJB8255AA	1
RH	HJB8254AA	1
13. Clevis pin		
(to VIN A30644)	JZY100009	2
14. Hood frame spring pin		
(from VIN A30645)	JZY1000018	2
15. Special harness clip	KZC100026	4

# CONVERTIBLE TOP

16. Power latch hose set	HJB8256AB	1			
17. Hood power latch cylinder	HJD8243AA	1			
18. Clevis pin for hood frame	HJA8202AB	2			
19. Manual override key	HJA8227AA	1			
20. Front header rail finisher	HJA7727BH	1			
21. Hood latch plate assembly	HJE8226AB	1			
22. Torx screw	JXB10614F	13			
23. Self tapping screw	JDA60603K	4			
24. Flange headed torx screw	JXR10620B	6			
25. Insert	KZR100016	2			
26. Guiding pin	HJA8211BB	2			
27. Pan headed screw, M5	SE10510J	4			
28. Striker spacer	HJB8213CA	1			
29. Hood latch striker	HJA8210BC	1			
30. Hood cover					
<b>Contact sales for colours</b>		1			
31. Headlining					
<b>Contact sales for colours</b>		1			
32. Hood clamping plate	HJB8170AA	1			
33. Complete hood cover assembly (mohair)	JXK8/HMO	1			
			<b>Contact sales for other options</b>		
			34. Clamping plate screw	SE105084	14
			35. Shake-proof washer, M5	C2N3158	14
			36. Hoodframe bracket		
			LH wheelarch	HJA8417AD	1
			RH wheelarch	HJA8416AD	1
			37. Hood cover stowage bag	HJB8131AA	1
			38. Rubber end plug	CBC7363	6
			39. Plastic tube	HJA7845DA	3
			40. Hood stowage cover		
			(contact sales for colours)	JXK8/HSL	1
			41. Hood cover female fastener	JZY100013	2
			42. Special screw	JZY100012	2
			43. Washer	KZW100010	2
			<b>Not shown</b>		
			Hydraulic hood lift fluid, 1 Litre	JLM21112	1



# SIDE WINDOWS & DOOR MIRRORS



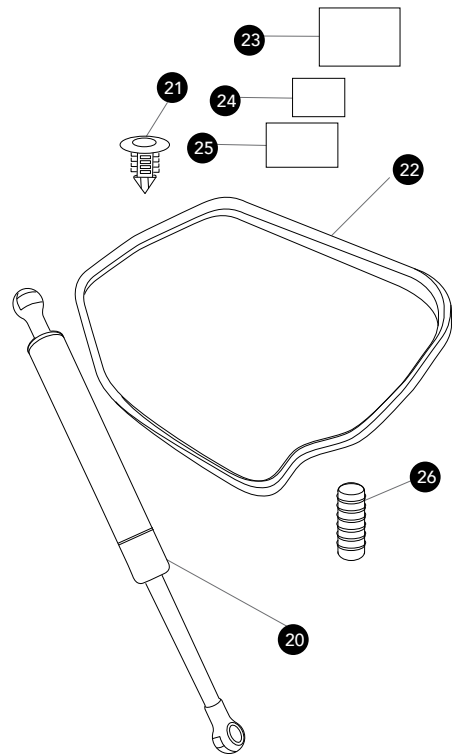
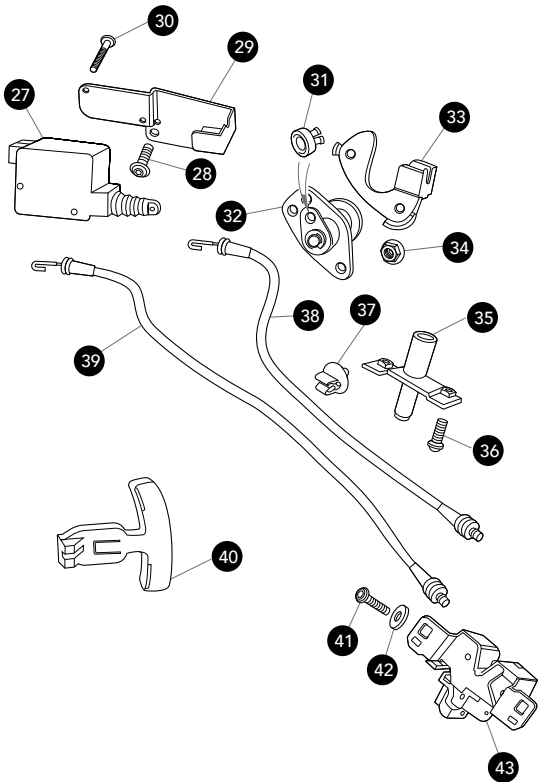
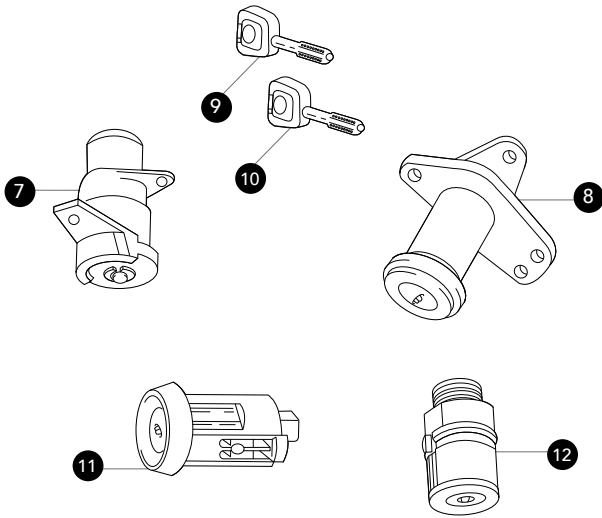
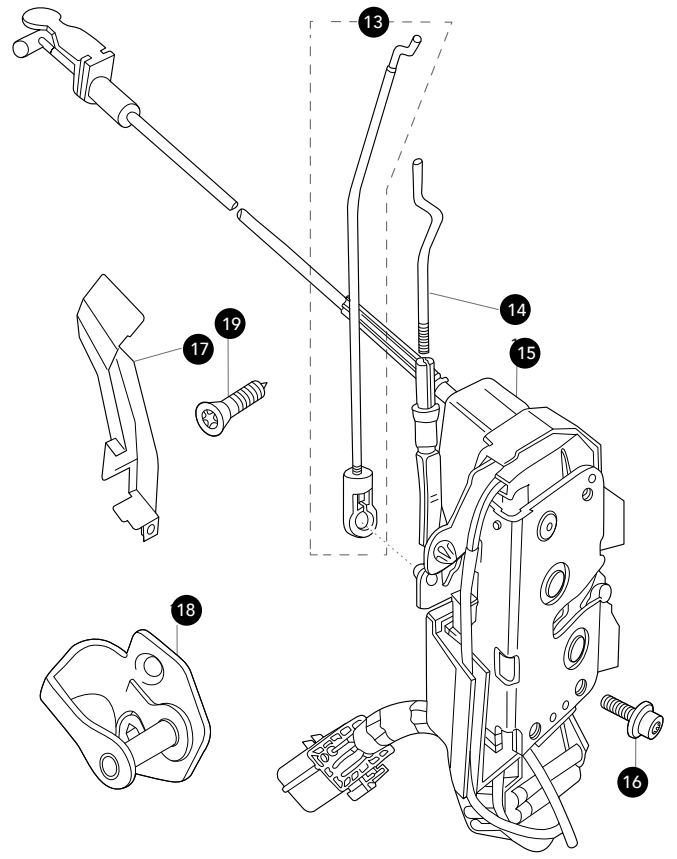
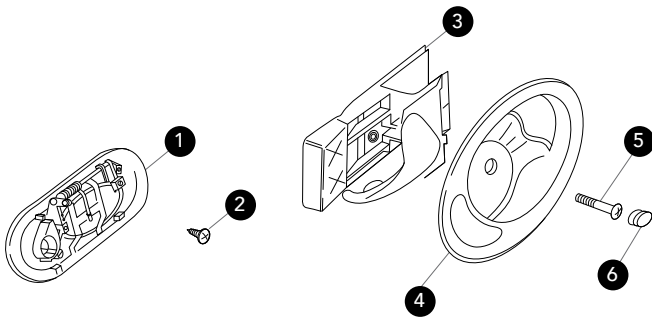


## SIDE WINDOWS &amp; DOOR MIRRORS

1. Convertible outer waist seal LH rear quarter (to VIN A40264) (from VIN A40265)	HJA5755CC 1 C2N2998 1	RH (from VIN A40265)	HJJ3402AA 1
		LH	C2N2932 1
		RH	C2N2931 1
2. Convertible outer seal carrier LH rear quarter RH rear quarter	HJA5754CC 1 C2N2997 1	13. Mirror back cover (supplied in primer)	HNA3057AA 1
		LH	HNA3056AA 1
		RH	HNA3417AA 1
3. Convertible water duct (from VIN 001150)		14. Tubular clip	HNA3416AA 6
LH rear quarter	HJA8137BA 1	15. Screw	
RH rear quarter	HJA8136BA 1	16. Mirror motor assembly	
		Memory	HNA3066AB 2
4. Convertible water duct (to VIN 001149)		Non memory	HNA3064AA 2
LH rear quarter	HJA8136BA 1	17. Nut	HNA3414AA 2
RH rear quarter	HJA8136BA 1	18. Pinch bolt	HNA3415AA 2
		19. Base screw	HNA3412AA 2
5. Rear quarter waist seal, inner LH RH	HJA5749CD 1 HJA5748CD 1	20. Screw washer assembly (mirror/door)	JZH100028 2
		21. Friction bush	AGU2388J 2
6. Convertible, seal carrier inner LH rear quarter RH rear quarter	HJA5673AB 1 HJA5762AB 1	22. Mirror glass	
		Electrochromatic	HND3075AA 2
7. Convertible quarter glass seal LH rear RH rear	GJA2249BD 1 GJA2248BD 1	Flat	HNA3074AA 2
		23. Door glass side clamp, front	GJA2034AA 2
8. Convertible window regulator LH regulator only LH glass only RH regulator only RH glass only	C2N3914 1 GJA2211AJ 1 C2N3913 1 GJA2210AJ 1	24. Door glass guide	GJA1049AC 2
		25. Door glass & carrier	
9. Window regulator & motor LH assembly RH assembly	GJA1731AD 1 GJA17310AD 1	Convertible	
		LH	GJA1001BG 1
10. Window lift motor LH RH	GJA1733AB 1 GJA1732AB 1	RH	GJA1000BG 1
		Coupe	
11. Flange headed torx screw	JXB10610FP 4	LH	GJA1001AG 1
12. Door mirror (less glass & back cover) Standard (to VIN A40264)		RH	GJA1000AG 1
LH	HJJ3401AA 1	26. Forward guide rail	
RH	HJJ3400AA 1	LH	GJA1015AG 1
Powerpark mirror Memory (to VIN A40264)		RH	GJA1014AG 1
LH	HJJ3403AA 1	27. Slider bar	GJA1744AA 2
		28. Anti-rattle buffer	GJA1718AB 2
		29. Anti-rattle buffer	GJA1718BA 2
		30. Rear guide rail	
		LH	GJA1017AH 1
		RH	GJA1016AH 1
		31. Flange headed torx screw	JXB10612E 2
		32. Nut/washer	JZH100021 2
		33. Adjustment block, outer	GJA1053AC 2
		34. Adjustment rod	GJA1065AC 2
		35. Adjustment block, inner	GJA1052AC 2
		36. Gasket	GJA1051AC 2
		37. Security label	DBC5965 2



# LOCKS, LATCHES & BOOT FITTINGS



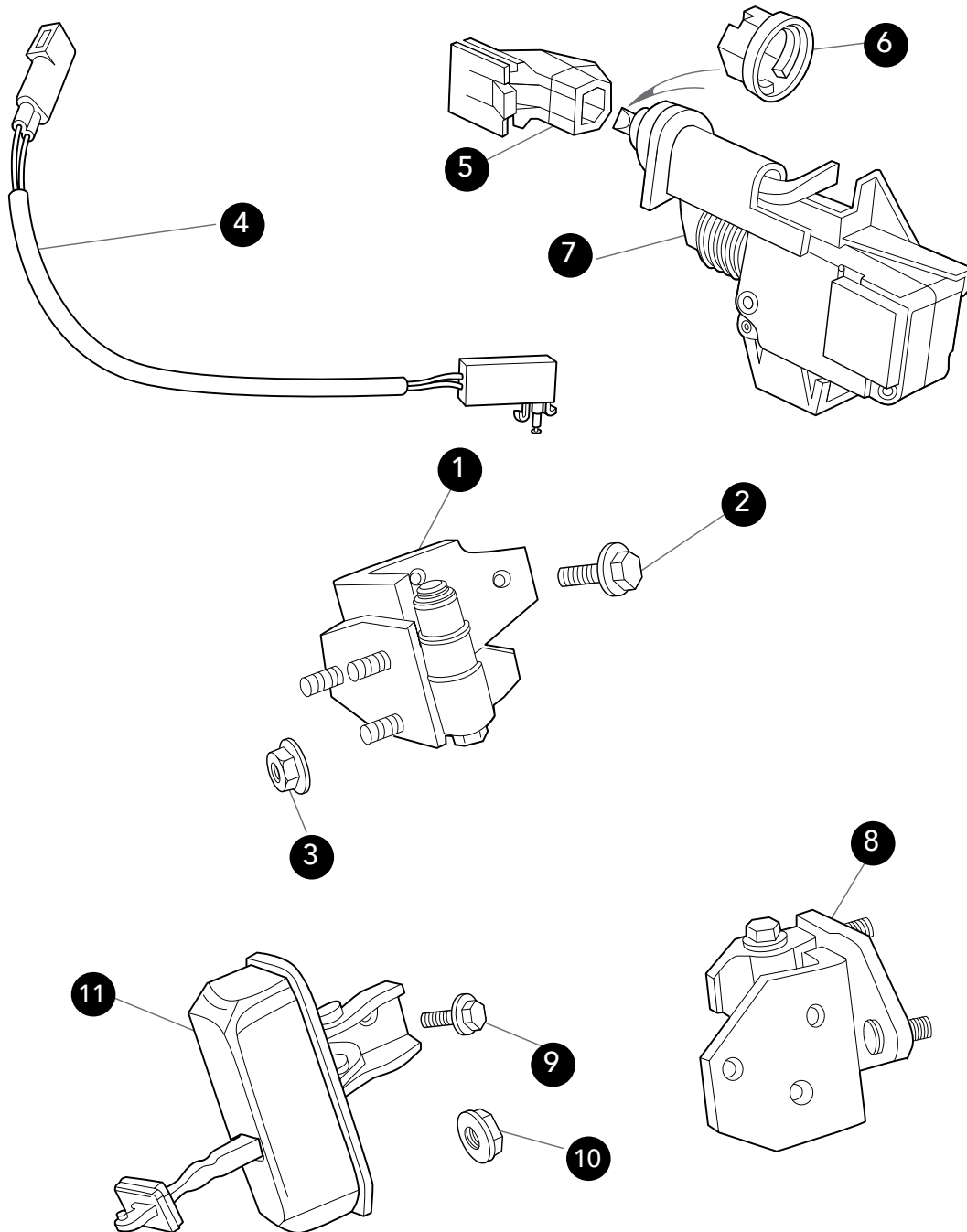
## LOCKS, LATCHES &amp; BOOT FITTINGS

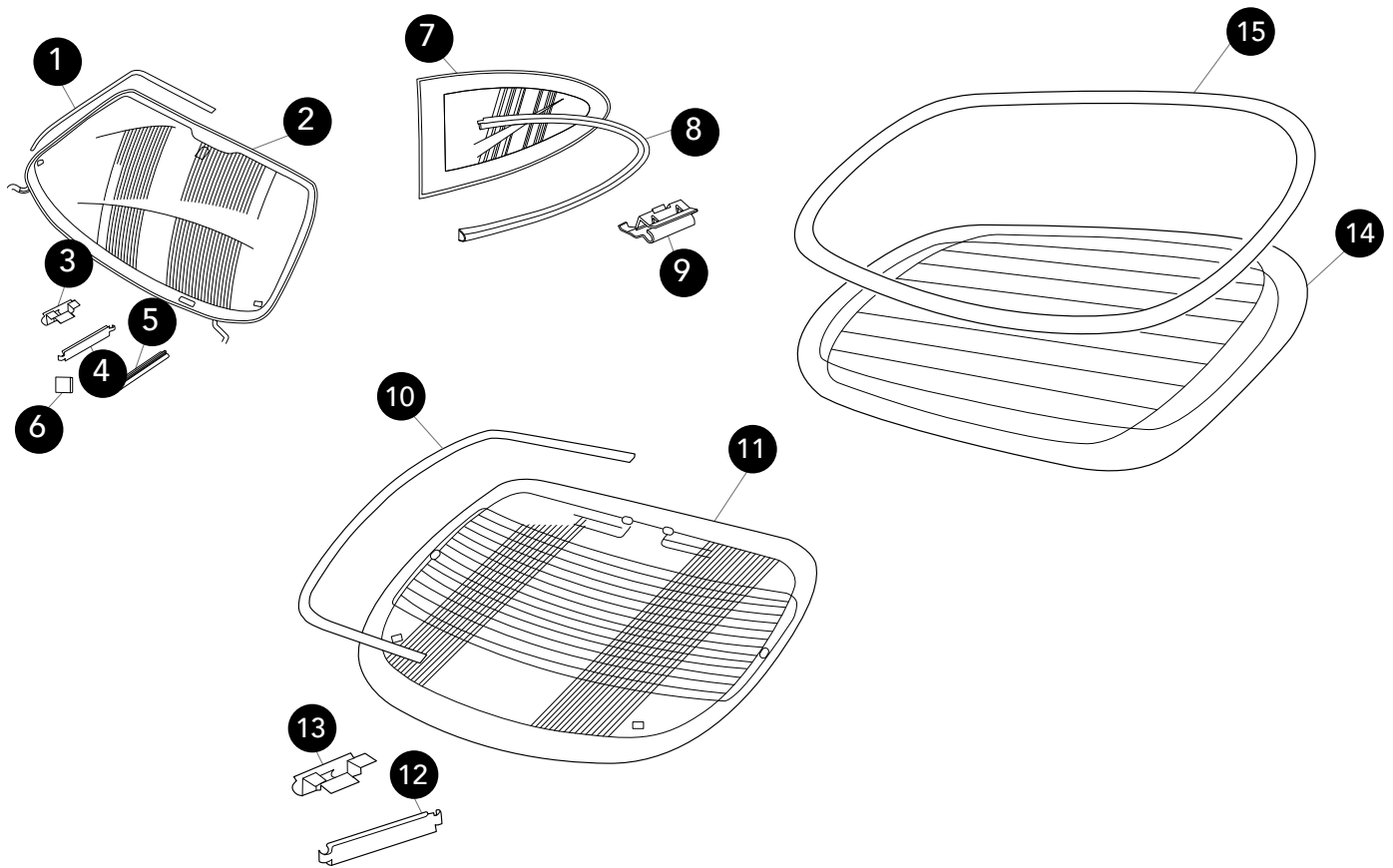
1. External door handle <b>Contact sales person for colour options</b>				17. Door lock security shield LH	GJA1125BA	1
2. Flange headed screw	JZS100104	2		RH	GJA1124BA	1
3. Internal door handle <b>Contact sales person for colour options</b>				18. Door latch striker	C2C35906	2
4. Remote control escutcheon <b>Contact sales person for colour &amp; specification options</b>				19. Torx headed countersunk screw (M8 x 25mm)	JZS100140	
5. Setscrew	SE105161	2	4	'Door ajar' microswitch (not shown)	C2N1908	1
6. Escutcheon screw cover <b>Contact sales person for colour options</b>				20. Boot lid gas strut Convertible	GJA3800AB	2
7. Door lock barrel				Coupe	GJA3800BB	2
LHD, LH Contact sales, quote VIN	HJD7251AA	1		21. Fir tree clip	KTC100010	8
RHD, RH Contact sales, quote VIN	HJD7214AA	1		22. Boot aperture seal Convertible	HJA5372BD	1
8. Boot lock barrel Contact sales, quote VIN	HNA7211AA	1		Coupe	HJA5372AD	1
9. Key, standard Contact sales, quote VIN				23. Sealing pad 70mm x 60mm	FMB2913BB	1
10. Key, service Contact sales, quote VIN				24. Sealing pad 50mm x 50mm	FMB2913CA	1
11. Glovebox lock barrel Contact sales, quote VIN	HJA7212BB	1		25. Sealing pad 100mm x 60mm	FMB2913AB	1
12. Ignition lock barrel Contact sales, quote VIN	BCC7849	1		26. Boot lid buffer	C2S4715	2
13. Door lock actuator link <b>(complete with linkage clip)</b>				27. Boot lid remote release actuator (to VIN 018854)	BDC7550	1
Door lock actuator linkage clip	GNA1122DA	2		(from VIN 018855)	GNC3535AA	
14. Link rod, threaded				28. Torx headed setscrew	JXR10620F	4
LH	GJA1111AC	1		29. Actuator bracket	GJA3536AD	1
RH	GJA1110AC	1		30. Self tapping screw	JPT10425B	2
15. Door latch assembly				31. Special bush	BDC7616	1
LHD deadlocking				32. Boot lock barrel <b>Contact sales, quote VIN</b>	HNA7211AA	1
LH	GJA1081BM	1		33. Abutment bracket	GJA3518AC	1
RH	GJA 1080EK	1		34. Flange nut, M6	FN106041	2
LHD non deadlocking				35. Pop-up plunger	GJA3516AA	1
LH	GJA1081DM	1		36. Set screw	JXR10620F	4
RH	GJA 1080FK	1		37. Harness clip	DBC5832	2
RHD deadlocking				38. Lock remote release cable	GJA3487AB	1
LH	GJA1081EK	1		39. Actuator remote release cable	GJA3482BA	1
RH	GJA1080BM	1		40. Boot release lever	C2S20404	1
RHD non dead locking				41. Torx headed screw	JXR10616F	4
LH	GJA1081FK	1		42. Washer	WJ600041	2
RH	GJA1080DM	1		43. Boot lid latch With safety release	GJE3500BB	1
16. Pan headed torx screw/washer	BD489493	6		Without safety release	GJE3500AA	1



# DOOR HINGES & CHECK ARMS

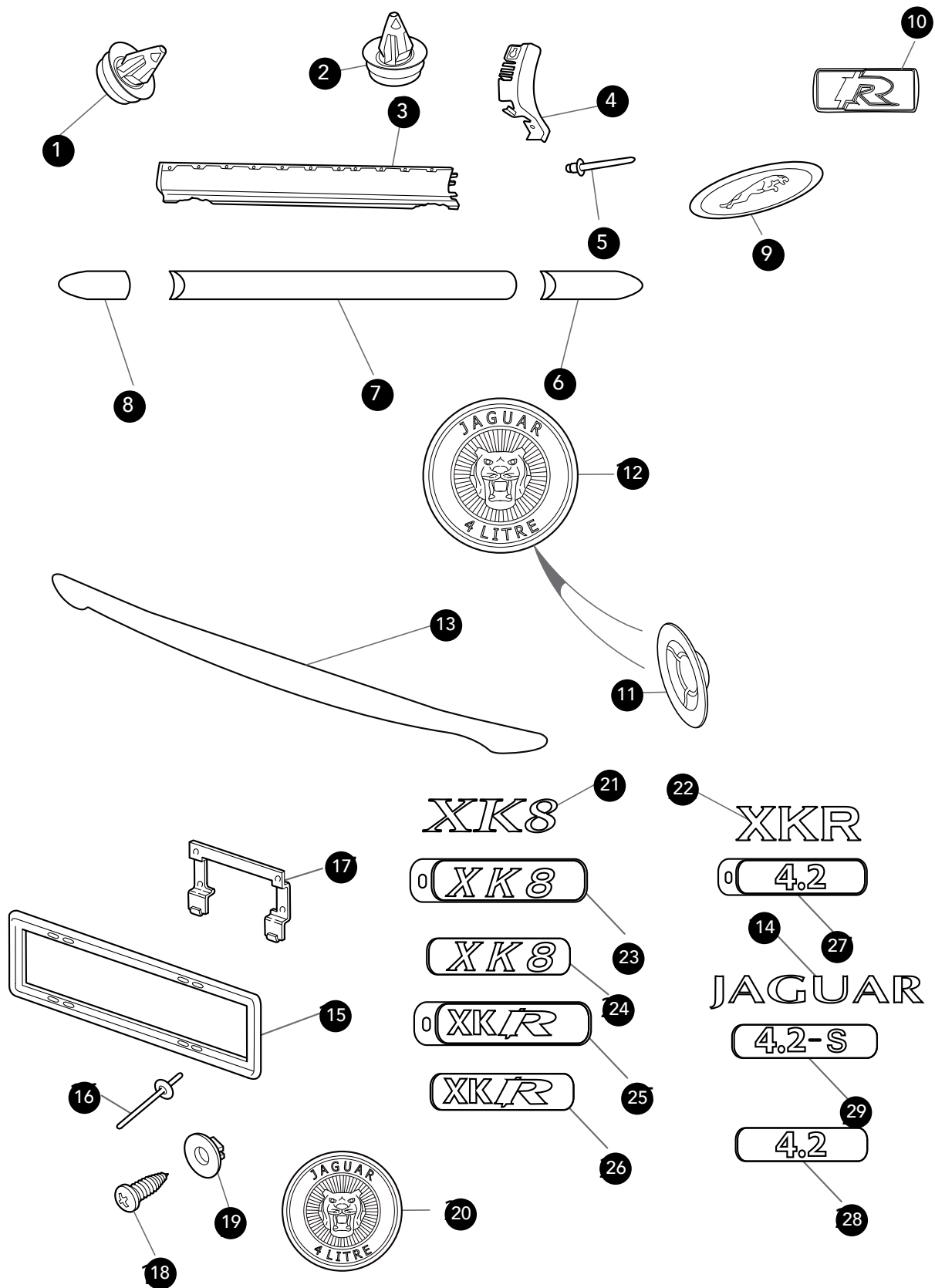
1. Door hinge LH upper	FJE3043AA	1	7. Fuel filler lid latch	HJA3093BE	1
RH upper	FJE3042AA	1	8. Door hinge LH lower	FJE3045AA	1
2. Flanged head screw, M8 x 25mm	JFT10825B	12	RH lower	FJE3044AA	1
3. Flanged nut, M8	FN108041J	12	9. Flange head screw, M8	FT108201M	2
4. Boot lid microswitch	LNC6242AC	1	10. Nut, M5	FN105045J	4
5. Fuel filler release striker	HJA3097AD	1	11. Door check arm	GJA1982AE	2
6. Latch to actuator nut	HJA3108AC	1			





1. Windscreen finisher LH (to VIN A40264) Dorchester grey (from VIN A40265) Black RH (to VIN A40264) Dorchester grey (from VIN A40265) Black	GJA8851ABD 1 GJA8851ABB 1 GJA8850ABD 1 GJA8850ABB 1			
2. Windscreen glass, tinted (to VIN A24195) With heating element Without heating element Windscreen glass, tinted (from VIN A00083 to VIN A30644) With rain sensing system & heating element Circular rain sensing aperture Triangular rain sensing aperture Rain sensing system only Circular rain sensing aperture Triangular rain sensing aperture Windscreen glass, tinted (from VIN A30645) With heating element Without heating element	GJA8801CE 1 GJA8801AE 1 GJD8801AC 1 GJF8801AB 1 GJD8801BC 1 GJF8801BC 1 GJG8801AB 1 GJF8801BC 1			
3. Special spring clip	JZE100030	A/R		
4. Connector clip	JZE100032	1		
5. Glazing strip, 35mm Glazing strip, 70mm	GJB8812BA 2 GJB8812AA 12			
6. Windscreen spacer	XR82142	2		
7. Quarter glass encapsulation LH	GJA2201BG	1		
			RH	GJA2200BG 1
			8. Quarter glass finisher, coupe LH (to VIN A40264) (from VIN A40265) Low gloss black finish RH (to VIN A40264) (from VIN A40265) Low gloss black finish	GJA2231AF 1 C2N2775 1 GJA2230AF 1 C2N2774 1
			9. Spring clip finisher fixing	JZE100050 10
			10. Backlight glass finisher LH (to VIN A40264)Dorchester grey (from VIN A40265)Black RH (to VIN A40264) Dorchester grey (from VIN A40265) Black	GJA9019ABZ1 1 GJA9019ABB 1 GJA9018ABD 1 GJA9018ABB 1
			11. Backlight glass, coupe (to VIN A40264) With high mounted stop lamp Without high mounted stop lamp Backlight glass, coupe (from VIN A40265)	GJG9021BA 1 GJA9021BF 1 C2N2961 1
			12. Connector clip	JZE100032 1
			13. Spring clip	JZE100031 1
			14. Backlight glass, convertible	GJA9021FE 1
			15. Backlight glass, convertible outer seal	GJA9022AC 1

# BADGES & MOULDINGS



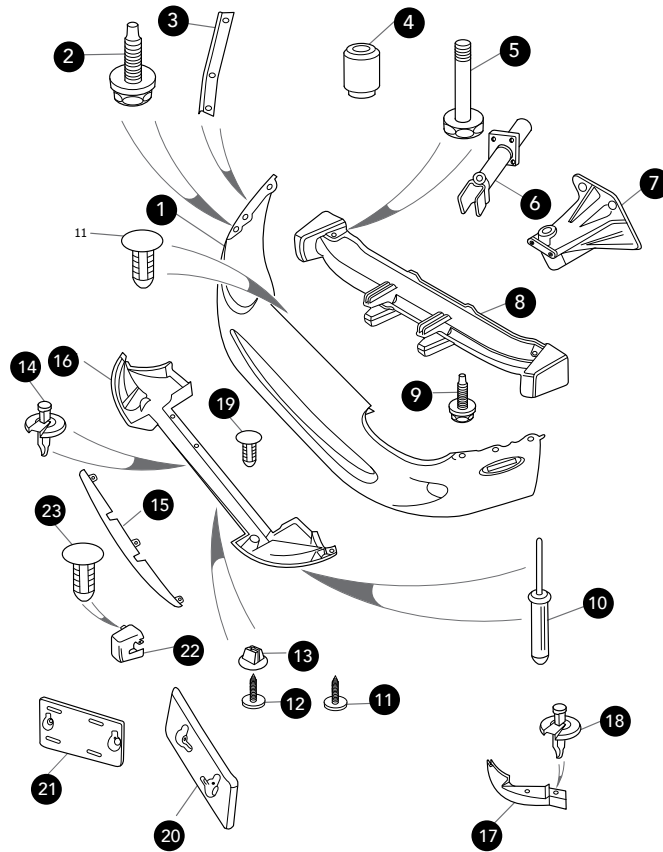
## BADGES &amp; MOULDINGS

1. Upper clip, red (from VIN A40265)	C2C8963	7	12. Bonnet badge		
2. Sill moulding clip (from VIN A40265)	XR849718	5	4.0 Litre		
3. Body side moulding (supplied in primer)			Supercharged	HJB5900AA	1
LH sill	C2N3523XXX	1	Supercharged, Silverstone	HXD5900AA	1
RH sill	C2N3522XXX	1	Non supercharged	HJE5900AA	1
4. End cap (supplied in primer)			4.2 Litre		
LH sill	C2N3410XXX	1	Supercharged		
RH sill	C2N3409XXX	1	(to VIN A46462)	C2N1991	1
5. Rivet for body side moulding	C2C3564	18	(from VIN A46463)	C2N3703	1
6. Rear wing moulding (supplied in primer)			Non supercharged	C2N3702	1
LH			XKR100	HXG5900AA	1
HJA5717AAXXX		1	13. Boot lid spoiler	HJB6160AB	1
RH			14. Boot lid badge, LH		
HJA5716AAXXX		1	(to VIN 024686)	HJA5981AA	1
7. Door moulding (supplied in primer)			(from VIN 024687)	HJB5981AB	1
LH			15. Rear number plate surround		
HJA5707AAXXX		1	16. Rivet		
RH			17. Number plate bracket	XR831075	1
HJA5706AAXXX		1	18. Self tapping screw	AB608061J	2
8. Front wing moulding (supplied in primer)			19. Threaded insert	KZR100013	2
LH			20. Boot lid badge (from VIN 024687)		
HJA5705AAXXX		1	Supercharged	HJB5958AD	1
RH			Non superchargd	HJB5958BD	1
HJA5704AAXXX		1	Silverstone	HXD5985AA	1
9. Wing badge			21. Boot lid badge, RH		
4.0 Litre			(to VIN 024686)	HJA5980BA	1
Silverstone			(from VIN 024687) non supercharged	HJB5980BB	1
LH	HXD5771AA	1	22. Boot lid badge, RH		
RH	HXD5770AA	1	(from VIN 024687) Supercharged	HJB5980AB	1
Non Silverstone			23. Boot lid badge, RH		
LH	HJA5771AA	1	(from VIN A30645) Supercharged	C2N3094	1
RH	HJA5770AA	1	24. Boot lid badge, RH		
4.2 Litre			(from VIN A33740) non supercharged	C2N2586	1
Supercharged			25. Boot lid badge, RH		
LH	HJD5771AA	1	XKR	C2N3095	1
RH	HJD5770AA	1	26. Boot lid badge, RH		
Non supercharged			XKR	C2N2798	1
LH	HJA5771AA	1	27. Boot lid badge, 4.2 Litre		
RH	HJA5770AA	1	(from VIN A33739)	C2N2585	1
10. 'R' badge, 4.2 Litre supercharged	C2N2446	2	28. Boot lid badge, 4.2 Litre		
11. Star washer, M6	JZW100016	1	(from VIN A36874) US spec.	C2N3096	1
			29. Boot lid badge, 4.2 - S	C2N3795	1

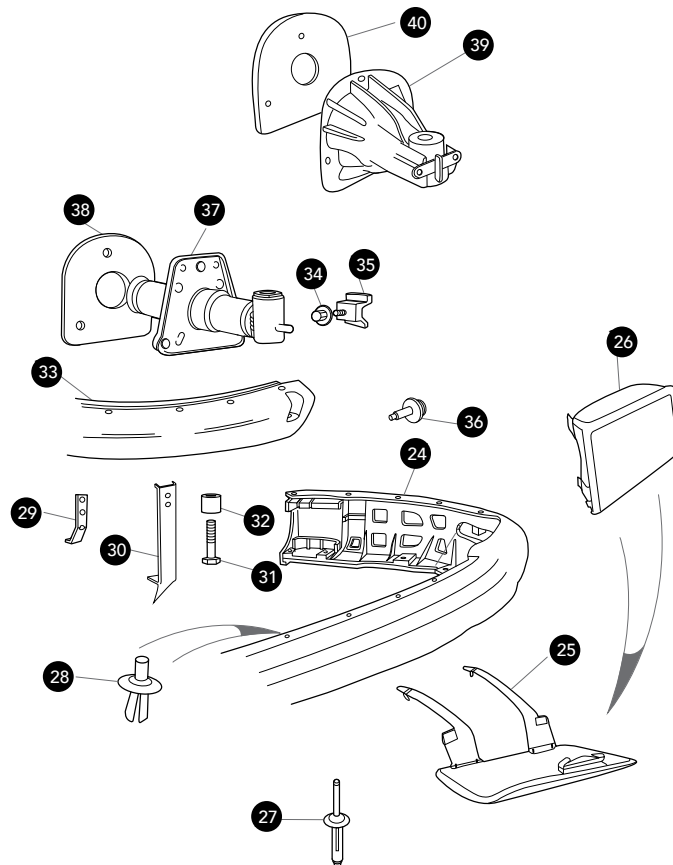


# BUMPERS, FRONT & REAR

## FRONT



## REAR





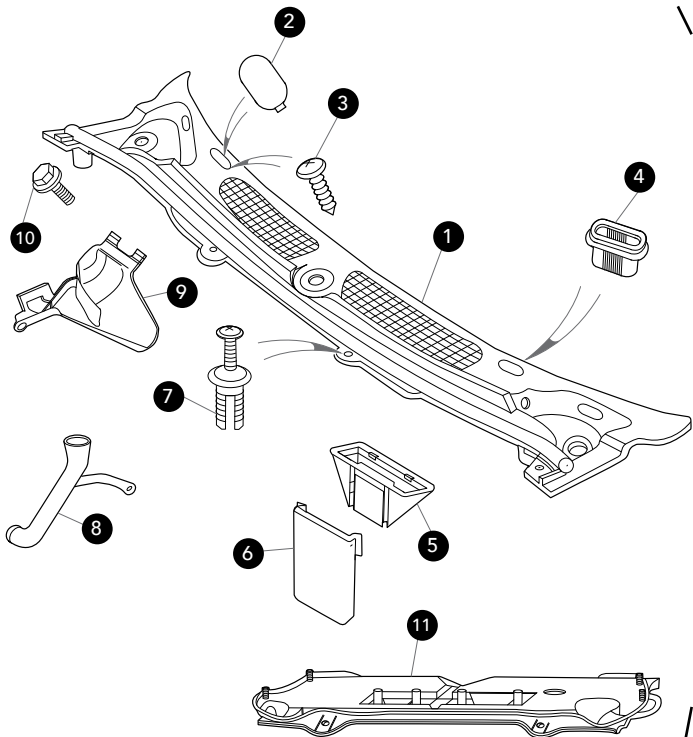
## BUMPERS, FRONT &amp; REAR

1. Front bumper cover (supplied in primer) (to VIN A40264)	HJE6468ADXXX		(from VIN A40265)	C2N2746	1
1 (from VIN A40265)	C2N3109XXX	1	22. Overrider cover (to VIN A11050)		
2. Bolt, M6 x 20mm	AJ89714	6	LH	HJA6505AC	1
3. Clamping plate (to VIN A11050)			RH	HJA6504AC	1
LH	HJA6527AC	1	(from VIN A11051 to A40264) supercharged		
RH	HJA6526AC	1	LH	HJE6505BC	1
(from VIN A11051)			RH	HJE6504BC	1
LH	HJE6527AB	1	(from VIN A11051 to A40264) non supercharged		
RH	HJE6526AC	1	LH	HJE6505AC	1
4. Strut to beam spacer	HJA6544AA	2	RH	HJE6504AC	1
5. Special hexagon bolt	JBU1121E	2	(from VIN A40265) supercharged		
6. Energy absorbing bumper strut	HJE6472AA	2	LH	C2N2751	1
7. Non energy absorbing bumper strut (to VIN 042775)	HJA6471AA	2	RH	C2N3296	1
(from VIN A00083 to A11050)	HJA6472AC	2	(from VIN A40265) non supercharged		
(from A11051)	HJE 6472AA	2	LH	C2N2750	1
8. Front bumper beam			RH	C2N3295	1
Energy absorbing (USA)	HJE6460BD	1	23. Fixing button	BBC7525LEG	6
Non energy absorbing (except USA)	HJE6460AD	1	24. Rear bumper cover, supplied in primer (to VIN A11050)		
(to VIN 042775) Use with mounting brackets	HJE6471AA	1		HJA6586BBXXX	1
	HJE6064AA	1	(from VIN A11051 to VIN A40264))		
9. Screw, M6 x 25mm	JZS100156	6	With rear parking aid	HJE6586BBXXX	1
10. Rivet, cover to under tray	KRA106001	8	Without rear parking aid	HJE6586ACXXX	1
11. Self tapping screw/washer, valance to cross member (to VIN A42316)	JAB10067XJ	3	(from VIN A40265)		
(from VIN A42317)	C2N3417	3	With rear parking aid	C2N3503XXX	1
12. Pan head screw/washer, M6 (from VIN A4026)	C2S45016010	9	Without rear parking aid	C2N3502XXX	1
13. Push-in nut	ACU1612J	3	25. Towing eye cover (to VIN A40264)		
14. Plastic rivet, valance to bumper	XR88883	3	(to VIN A40264)	HJE6455ACXXX	1
15. Splitter vane (to VIN A11050) Chrome	HJA6451BC	1	26. Towing eye cover, supplied in primer (From VIN A40265)	C2N2743XXX	1
(from VIN A11051) to VIN A40264) chrome finish	HJE6451AB	1	27. Pop rivet, bumper cover to beam underside	JZA100032	14
(from VIN A40265)	C2N2745	1	28. Plastic rivet, bumper cover to beam	BBC7525LEG	7
16. Undertray (to VIN A40264)	HJE6484AB	1	29. Bumper cover support strap	HJE6569AA	2
(from VIN A40265)	C2N2744	1	30. Rear bumper mounting bracket (from VIN A40265)	C2N3438	2
17. Wind deflector			31. Short thread hexagon bolt	JBU11218E	2
LH bumper	HJA6539AB	1	32. Spacer, strut to beam	HJA6544AA	2
RH bumper	HJA6538AB	1	33. Bumper beam		
18. Plastic rivet, deflector to bumper	XR88883	4	Energy absorbing	HJE6580BA	1
19. Fir tree clip	KTC100013	3	Non energy absorbing	HJE6580AB	1
20. Rectangular number plate (to VIN A40264)	HJA6458BB	1	34. Flange nut, M8	JFN108047	2
(from VIN A40265)	C2N2747	1	35. Bumper guide block	HJA6554AB	2
21. Square number plate (to VIN A40264)	HJA6458AC	1	36. Flange headed torx screw, rear bumper guide M8 x 22mm (from VIN A40265)	C2N3416	2
			37. Bumper strut, energy absorbing	HJE6560AA	2
			38. Mounting gasket	HJA6566AB	2
			39. Bumper strut, non energy absorbing	HJE6567AA	2
			40. Mounting gasket	HJA6566AB	2

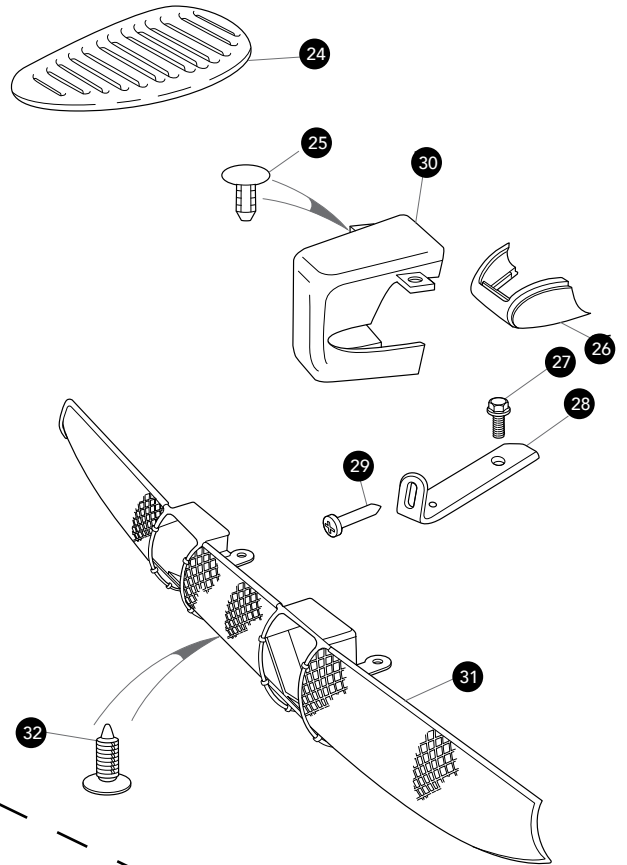


# EXTERIOR FITTINGS

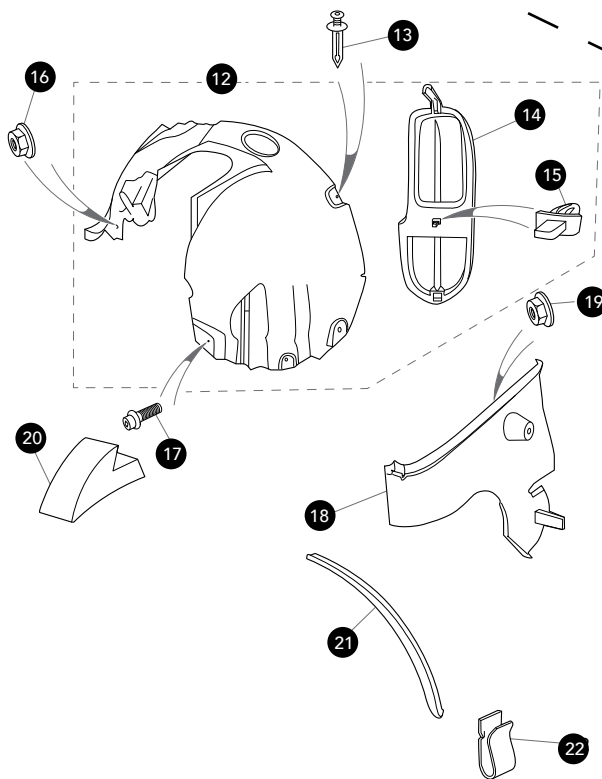
## WINDSCREEN AIR INTAKE & GRILLE



## BONNET AIR INTAKE & GRILLE



## WHEELARCH COMPONENTS



## EXTERIOR FITTINGS

1. Plenum cover				21. Wing moulding, 'R' performance options			
LHD	C2N2777	1		LH rear	HJE4591AA	1	
RHD	C2N2776	1		RH rear	HJE4590AA	1	
2. Finisher cap				22. Spring nut for wing moulding	XR824713	4	
(to VIN A40264)	HJA3835AA	4		23. Mudflap kit			
(from VIN A40265)	C2N2753	4		Front	C2S4494	1	
3. Screw	JDA60804C	8		Rear	C2S4500	1	
4. Special nut	XR82312	8		24. Bonnet louvre, Supercharged			
5. Plenum duct	HJA3815AB	1		LH (Copy)	SBS6371	1	
6. Plenum dust shield	HJA3825AC	1		RH (Copy)	SBS6370	1	
7. Rivet screw	KRS116140	2		LH (OE)	HJB6371AAXXX		
8. Plenum drain tube				1			
LH	HJA3823AA	1		RH (OE)	HJB6370ABXXX		
RH	HJA3822AA	1		1			
9. Water deflector				25. Fixing button	BBC7525LEG	6	
<b>Contact sales person for availability</b>				26. Plug, Supercharged			
10. Paint clearing screw	JHG10616F	2		LH	HJB6549AB	1	
11. Plenum closing plate assembly				RH	HJB6548AB	1	
Convertible	C2N1607	1		27. Screw, bracket to body M6 x 25mm	JZS100156	2	
Coupe	C2N1606	1		28. Mesh support bracket, 4.2 Litre supercharged			
12. Wheelarch liner assembly (w/o access panel)				LH	C2N3292	1	
LH front	C2N2847	1		RH	C2N3291	1	
RH front	C2N2846	1		29. Pin, grille to bumper (from VIN A40265)	C2N3273	6	
13. Blind rivet	C2S9354	8		30. Cover, Supercharged			
14. Headlamp bulb access panel				(to VIN A40264)			
LH wheelarch	HJA4583AD	1		LH	HJE6505BC	1	
RH wheelarch	HJA4582AD	1		RH	HJE6504BC	1	
15. Arrow head clip	KTF100003	2		(from VIN A20465)			
16. Plastic push-on nut for front wheelarch liner	AGU2436J	2		LH	C2N2751	1	
17. Pan head torx screw	JZS100005	2		RH	C2N3296	1	
18. Rear wheelarch liner				31. Front grille mesh, Supercharged			
LH	C2N2755	1		(to VIN A40264) bright finish	HJD6545AB	1	
RH	C2N2754	1		(from VIN A20465) bright finish	C2N2752	1	
19. Plastic push-on nut for rear wheelarch liner				(from VIN A20465) black finish, 'R' version	HJD6545BB	1	
	AGU2436J	2		Grille conversion kit	MESH009	1	
20. Foam block on front wing	HJA3350AC	2		32. Mesh mounting clip	HJB6537AA	12	

We supply a range of bespoke stainless steel grilles from Adamesh, specialist manufactures of styling enhancement products.

Stainless steel grille mesh, flat	MESH007	1
Stainless steel grille mesh, convex	MESH007/1	1

Contact your salesperson for more information.



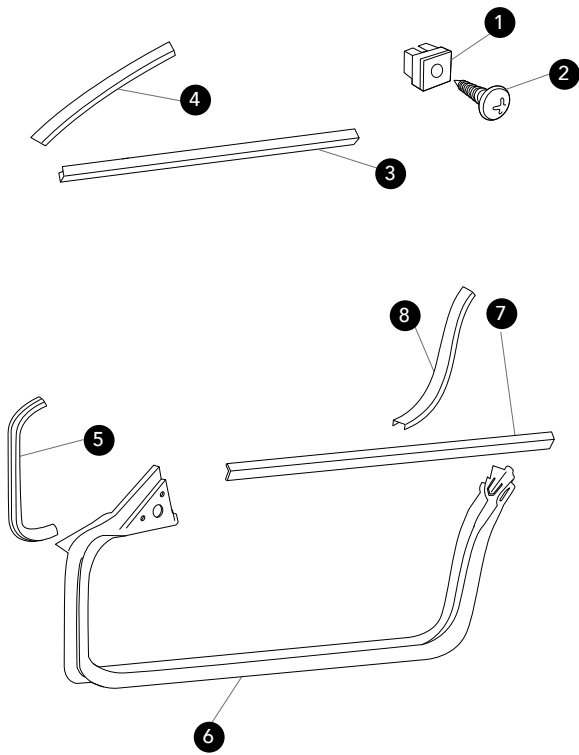
**ADAMESH**

PARTS & ACCESSORIES  
FOR

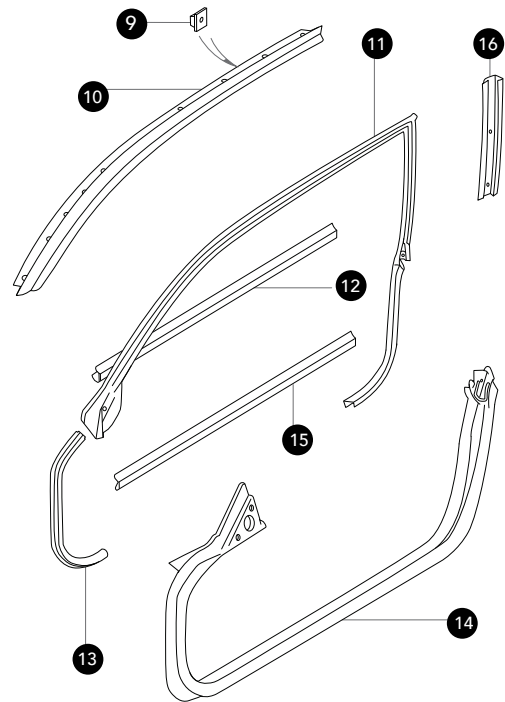
**CLASSIC & MODERN JAGUARS**

S-N-G  
**BARRATT**  
GROUP

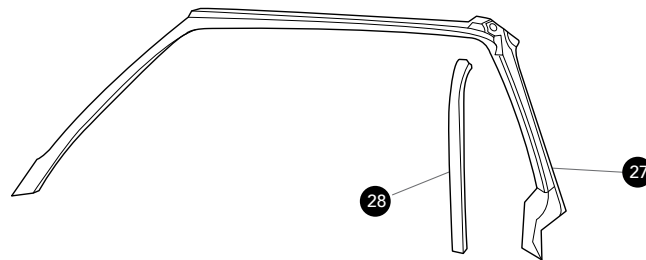
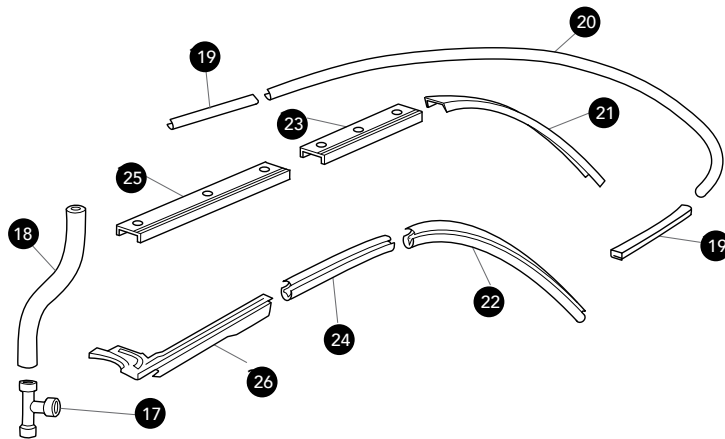
# WEATHER SEALS



**CONVERTIBLE**



**COUPE**

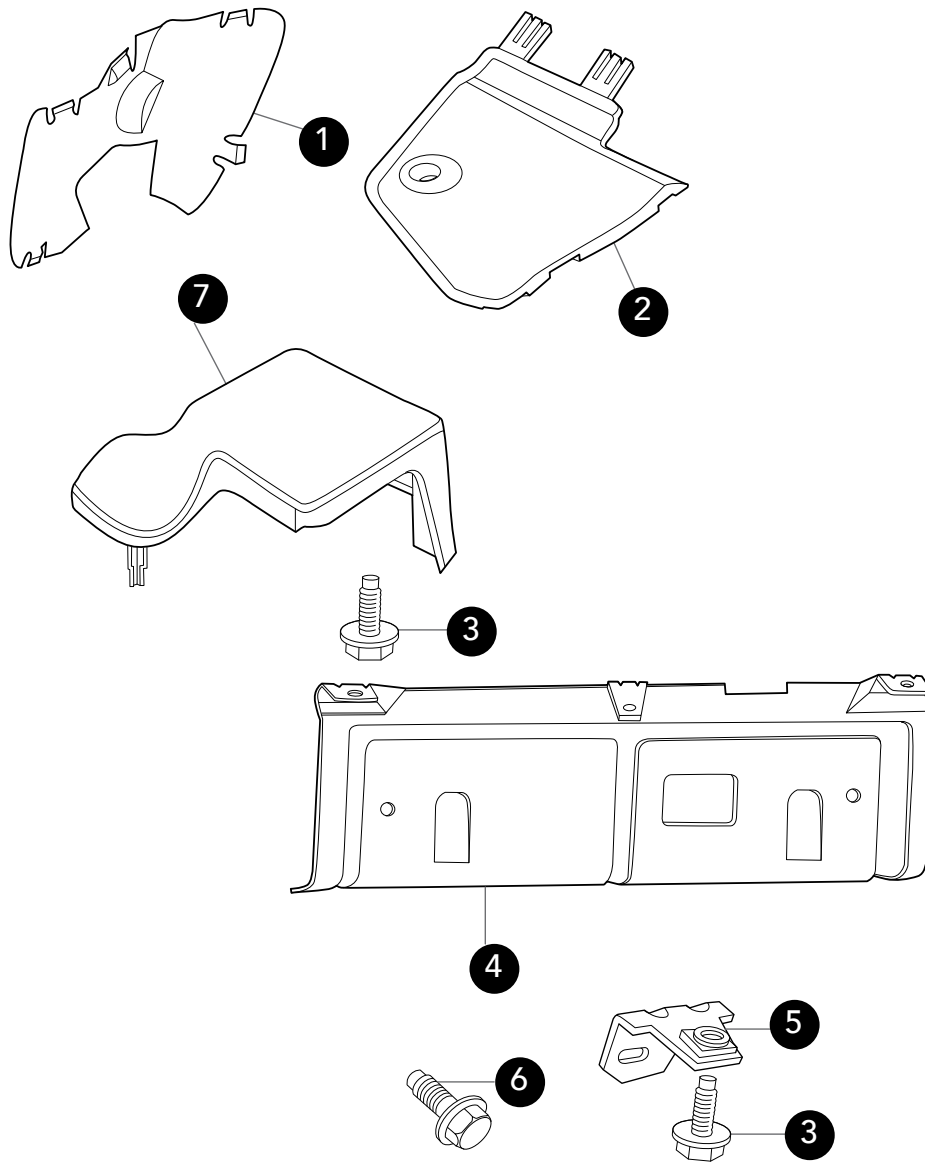


## WEATHER SEALS

1. Push-in nut	BEC17370	10	RH (from VIN A40265)	C2N2780	1
2. Self tapping screw	JDA60804E	10	16. Seal carrier, B-post		
3. Door waist seal, inner	GJA1716AB	2	LH	HJA5343BB	1
4. Seal retainer, convertible			RH	HJA5342BB	1
LH A-post			17. T-piece		
(to VIN A40264)	HJE7709AA	1	(to VIN 031302)	AGU2610	1
(from VIN A40265)	C2N2877	1	(from VIN 031303)	KCH310100	1
RH A-post			18. Tube		
(to VIN A40264)	HJE7708AA	1	(to VIN 031302)	HJA8129AD	2
(from VIN A40265)	C2N2876	1	(from VIN 031303)		
5. A-post flange finisher	HJA1650AD	2	LH	HJC8130DA	1
6. Door/cheater seal, convertible			RH	HJC8130CA	1
LH	HJA5363BC	1	19. Hood frame seal	HJA8138AB	2
RH	HJA5362BC	1	20. Boot edge seal	HJA7718AA	1
7. Waist seal outer			21. Seal retainer, convertible		
LH (to VIN A40264)	GJA1711AJ	1	LH rear	HJA7741AC	1
LH (from VIN A40265)	C2N2781	1	RH rear	HJA7740AC	1
RH (to VIN A40264)	GJA1710AJ	1	22. Hood frame seal		
RH (from VIN A40265)	C2N2780	1	LH rear	HJB7783AA	1
8. B-post flange finisher	HJA1651AD	2	RH rear	HJB7782AA	1
9. Lokut nut	BEC17370	10	23. Seal retainer		
10. Drip moulding seal carrier			LH centre	HJA7739AC	1
LH			RH centre	HJA7738AC	1
(to VIN A40264)	HJA5341BE	1	24. Hood frame seal		
(from VIN A40265)	C2N2783	1	LH centre	HJB7781AA	1
RH			RH centre	HJB7780AA	1
(to VIN A40264)	HJA5340BF	1	25. Seal retainer		
(from VIN A40265)	C2N2782	1	LH front	HJA7737AC	1
11. Door aperture edge finisher, coupe			RH front	HJA7736AC	1
LH	HJA5365AJ	1	26. Hood frame seal		
RH	HJA5364AJ	1	LH front	HJG7779AA	1
12. Door waist seal, inner	GJA1716AB	2	RH front	HJG7778AA	1
13. A-post flange finisher	HJA1650AD	2	27. Header seal, convertible	HJC7715AD	1
14. Door/cheater seal, coupe			28. Seal retainer, A-post		
LH	HJA5363AC	1	LH A-post		
RH	HJA5362AC	1	(to VIN A40264)	HJE7709AA	1
15. Waist seal outer, coupe			(from VIN A40265)	C2N2877	1
LH (to VIN A40264)	GJA1711AJ	1	RH A-post		
LH (from VIN A40265)	C2N2781	1	(to VIN A40264)	HJE7708AA	1
RH (to VIN A40264)	GJA1710AJ	1	(from VIN A40265)	C2N2876	1

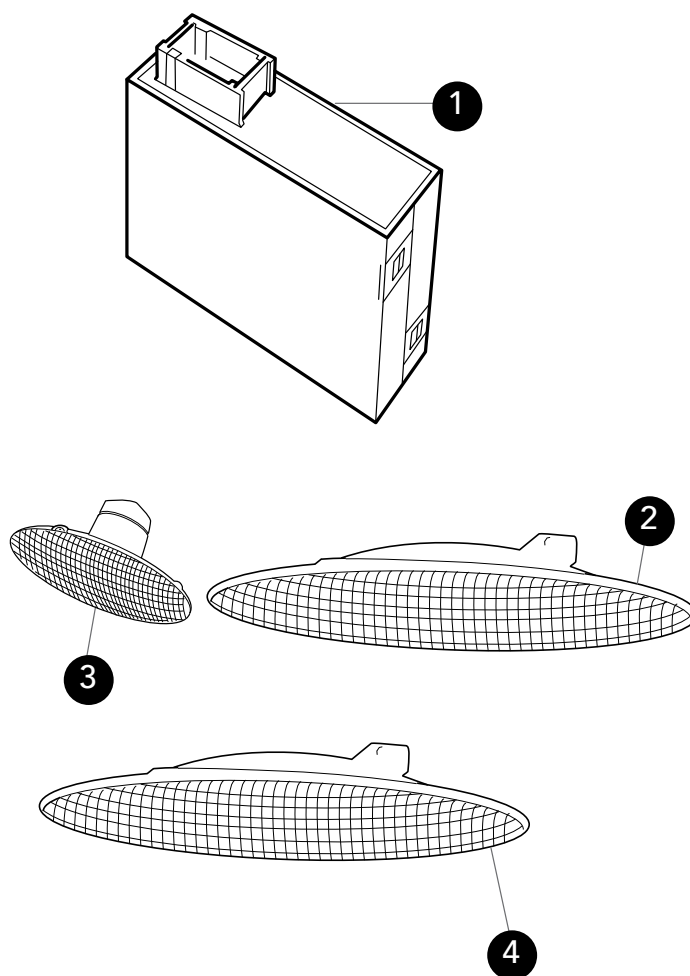


# UNDER BONNET & BOOT STIFFENER



1. Headlamp aperture blanking cover (to VIN A30644) With headlamp levelling Without headlamp levelling (from VIN A30645)	HJA2697BA 2 HJA2697CA 2 HJA2697DB 2	4. Convertible boot reinforcement plate (to VIN 031302) (from VIN 031303)	HJA4195DA 1 HJB4195AA 1
2. Bulkhead cover LH RH	NJE3979AC 1 NJE3978AC 1	5. Convertible upper reinforcement plate	HJA4196DA 2
3. Flanged bolt (to VIN A30644) (from VIN A30645)	C2S45769 2 JHG10825E 7	6. Screw, M8	JHG10825E 7
		7. Engine bay cover	NJA3984AC 1

# CONTROL MODULE & SIDE MARKER LAMPS



- 1. Rear lamp control module  
Contact sales for options
- 2. Side marker lens, rear  
Amber lens  
Red lens
- 3. Direction indicator side lamp
- 4. Side marker lens front

LJA5024AC  
LJA5034BC  
LJA4812AA  
LJA5024AC

1  
2  
2  
2

**Not Shown**

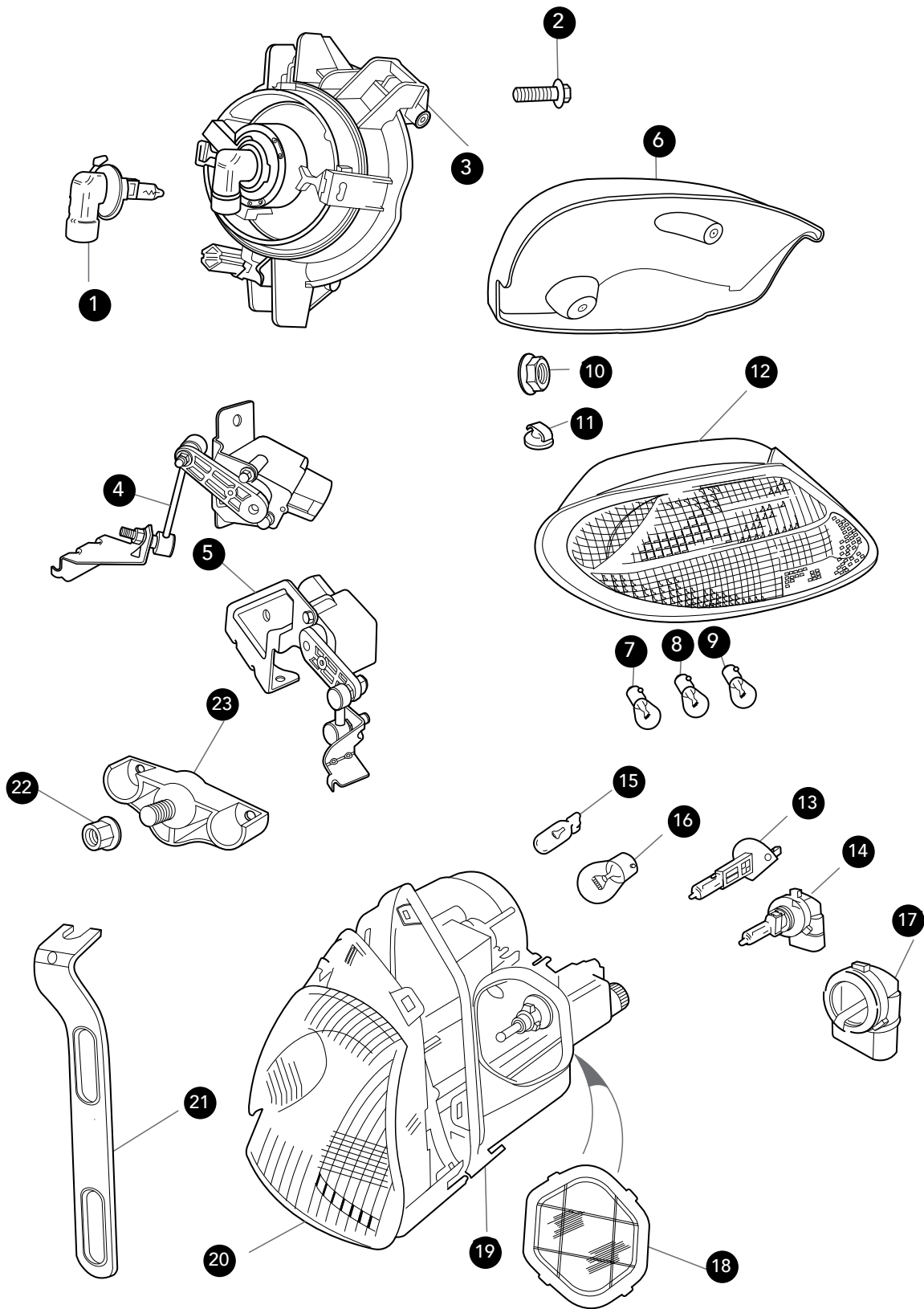
Aerial mast  
Grommet

LNA4134AA  
LJA4131AA

1  
1



# EXTERNAL LIGHTING





## EXTERNAL LIGHTING

1. Fog lamp, long life bulb - H1 55w	DBC11406	2	15. Wedge base bulb 5w	C2S15074020	2
2. Flange headed screw (to VIN A11050)	JFS10625F	6	16. Indicator bulb	C2S15076	2
(from VIN A11051)	C2S20995	6	17. Indicator bulb holder	JLM20285	2
3. Fog lamp, LH front (to VIN A11050)	LJA5091AC	1	18. Access cover	JLM20281	2
(from VIN A11051)	LJE5091AC	1	19. Headlamp assembly, see sales team for options		
Fog lamp, RH front (to VIN A11050)	LJA5090AC	1	20. Headlamp lens IRHD		
(from VIN A11051)	LJE5090AC	1	Non power wash		
4. Headlamp levelling sensor, rear	C2N1617	1	LH	LJA4651AA	1
5. Headlamp levelling sensor, front	C2N1616	1	RH	LJA4650AA	1
6. Rear lamp cover			Power wash		
LH	GJE3669AB	1	LH	LJA4651BA	1
RH	GJE3668AB	1	RH	LJA4650BA	1
7. Direction indicator lamp bulb	C2S15076	A/R	21. Headlamp mounting bracket		
8. Bulb			LH	LJA4663AD	1
21 watt bayonet	DBC11382	A/R	RH	LJA4662AD	1
21/5 watt bayonet	DBC11383	A/R	22. Nut/washer M8	JZH100058	2
9. Bulb, bayonet 5watt	DBC11711	A/R	23. Headlamp mounting bracket	LJA4660AE	2
10. Flange nut, M6	FN106041	3	<b>Not shown</b>		
11. Rear lamp cover fastener	GJE3671AA	4	Headlamp levelling actuator	JLM12117	2
12. Lamp cluster (to VIN A11050)			<b>Not shown</b>		
LH rear	LJA4901BD	1	Water deflector		
RH rear	LJA4900BD	1	LH	HJA3355AA	1
Lamp cluster (from VIN A11051 to A46462)			RH	HJA3354AA	1
LH rear	LJE4901AB	1			
RH rear	LJE4900AB	1			
Lamp cluster (from A46463)					
LH rear	C2N3719	1			
RH rear	C2N3718	1			
13. High beam long life bulb, H1 55w	DBC11406	2			
14. High beam halogen bulb 65w	XR812420	2			

## HIGH INTENSITY DISCHARGE (HID) LIGHTING

HID/Xenon headlight pack assembly &amp; lenses

**Contact sales for more information**

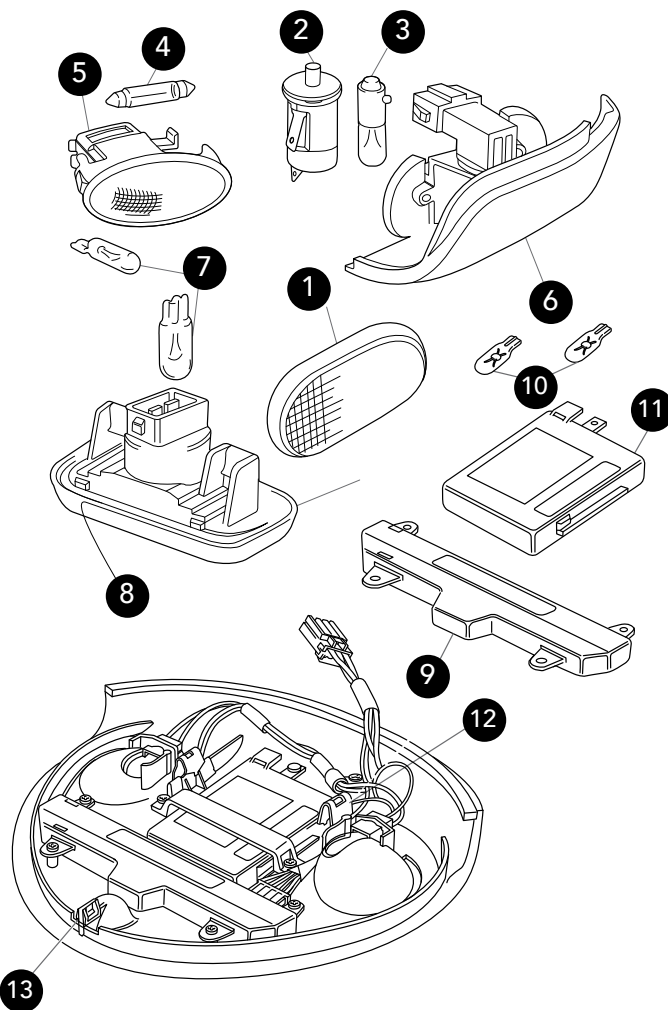
Dip beam access cover	C2N1722	2	Main beam bulb 55w	C2N1717	2
Main beam access cover	C2N1723	2	Indicator lamp bulb, amber	C2S15076	2
Stepper motor	C2C7763	2	Sidelight bulb 5w	C2S15074020	2
Headlamp burner 35w	C2N1716	2			



# INTERIOR LIGHTING

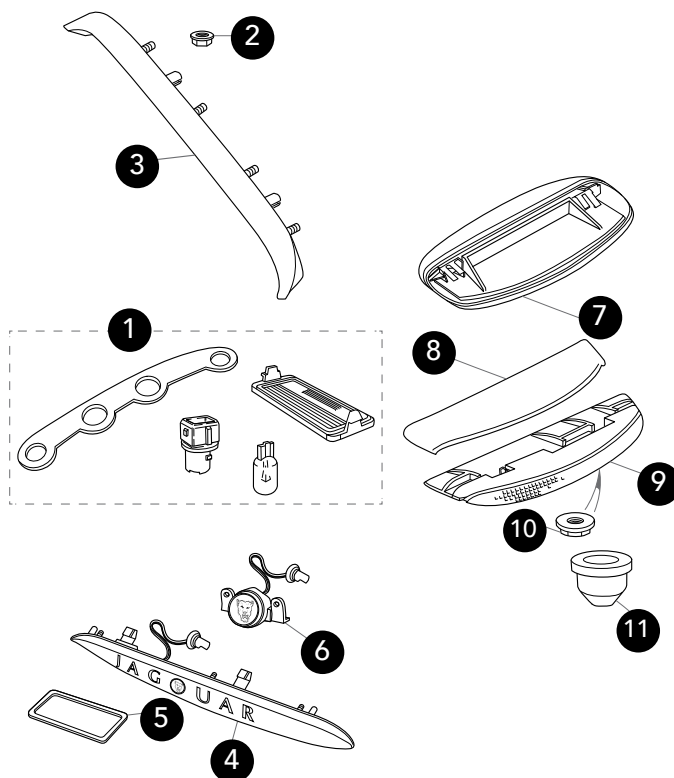
- 1. Glovebox lens
- 2. Switch
- 3. Bulb, bayonet 12v 4w
- 4. Bulb, festoon 5w
- 5. Lamp, boot & interior
- 6. Puddle lamp
  - LH door
  - RH door
- 7. Wedge base bulb, 5w
- 8. Footwell lamp
- 9. interior light control module
  - Standard
  - With glass break sensor
- 10. Bulb 6w
- 11. Garage door opener module (to VIN A30644)
- 12. Spring clip
- 13. Spring clip

LJA5385AB	1
LJA6150AA	1
DBC11380	1
LNA5180AA	2
LJA5380BA	2
LJA5371AB	1
LJA5370AB	1
C2S15074020	2
LJA5350BA	2
LJA2295AA	1
LJA2630CA	1
DBC12440	2
LJE2290AA	1
JZE100039	2
JZE100040	1

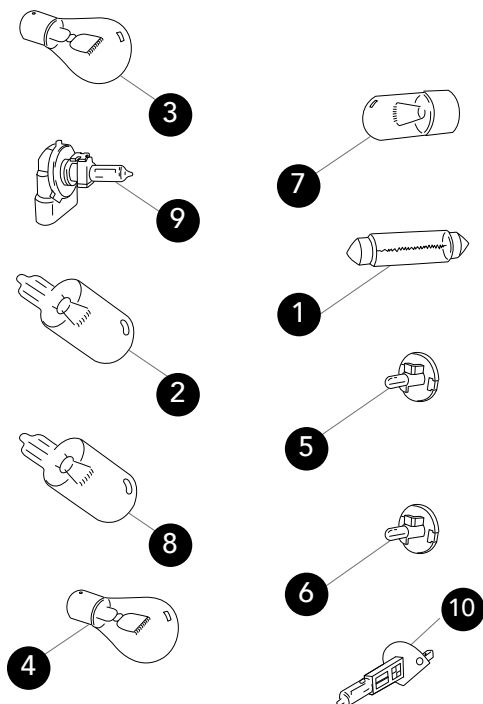


# NUMBER PLATE LAMP & UPPER BRAKE LIGHTS

- |   |              |   |
|---|--------------|---|
| 1. Rear numberplate lamp kit              | JLM20287     | 1 |
| 2. Flange nut, M6                         | FN106041     | 4 |
| 3. Number plate lamp finisher             |              |   |
| Supplied in primer                        | JLM20286     | 1 |
| 4. Boot lid finisher                      | C2N1737      | 1 |
| Boot lid finisher, 4.2 Litre supercharged |              |   |
| Supplied in primer                        | C2N1907XXX   | 1 |
| 5. Lamp lens and gasket (from VIN A00083) |              |   |
| LH  | LJE5073AA    | 1 |
| RH  | LJE5072AA    | 1 |
| 6. Boot release switch                    | C2C31837     | 1 |
| 7. High mounted stop lamp, Coupe          |              |   |
| Contact sales team for colour options     |              |   |
| 1   |              |   |
| 8. Lamp cover, convertible                |              |   |
| Supplied in primer                        | LJA5003ABXXX | 1 |
| 9. High mounted stop lamp, convertible    | LJB5001AE    | 1 |
| 10. Flange nut, M6                        | FN106041     | 3 |
| 11. Nut cover                             | DAC4611      | 2 |



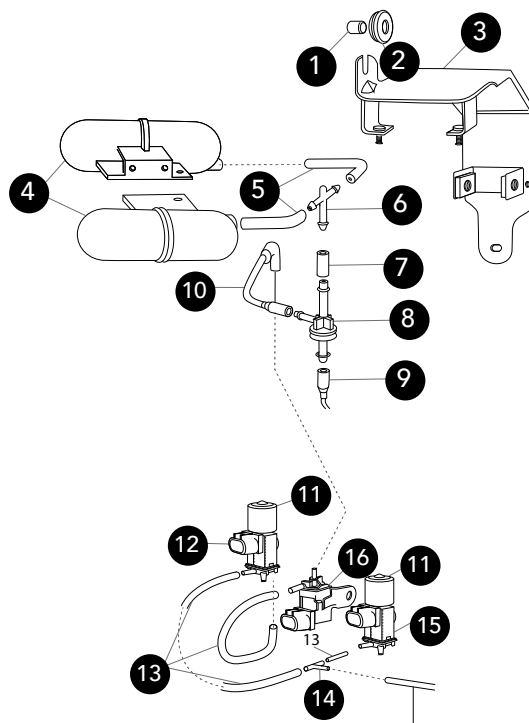
## LIGHT BULB REFERENCE



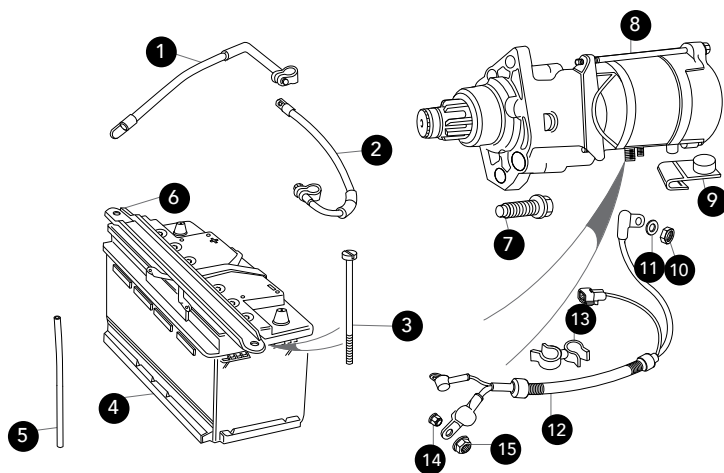
- |   |             |     |
|---|-------------|-----|
| 1. Festoon, 5 watt                      | LNA5180AA   | A/R |
| 2. Wedge base, 6 watt                   | DBC12440    | A/R |
| 3. Bayonet, 21 watt                     | DBC11382    | A/R |
| 4. Direction indicator lamp bulb, amber | C2S15076    | A/R |
| 5. Blue miniature                       | LNA5180CA   | A/R |
| 6. Clear miniature                      | LNA5180BA   | A/R |
| 7. Bayonet, 5 watt                      | DBC11711    | A/R |
| 8. Wedge base, 5 watt                   | C2S15074020 | A/R |
| 9. Headlamp, main beam                  | XR812420    | A/R |
| 10. Headlamp, H1 55 watt                | DBC11406    | A/R |

## SPEED CONTROL EQUIPMENT

1. Spacer	JZT100013	1
2. Grommet	KGA125001	1
3. Control module bracket	NJA3228BC	1
4. Vacuum tank	MHF6778AA	2
5. Connecting hose	EAC802226	2
6. 3 way connector	NJA3944AA	1
7. Hose	EAC80221	1
8. Non return valve	MHF6775AA	1
9. Vacuum pipe	NJA3970AB	1
10. Vacuum pipe assembly	NJA3968CA	1
11. Solenoid valve protection cap	LJA1531AA	1
12. Solenoid valve (grey)	LJA1530CB	1
13. Vapour hose 0.125" bore x 65"	EAC802118	1
14. Tee piece	C15644	1
15. Solenoid valve (brown)	LJA1530BB	1
16. Solenoid valve (black)	LJA15130AA	1

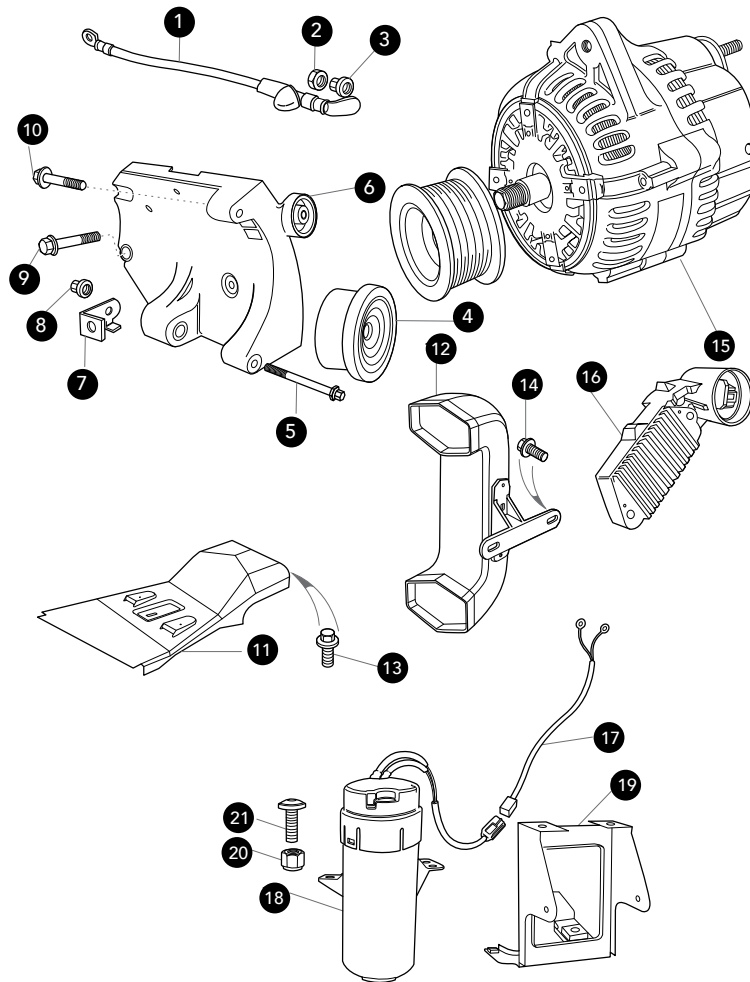


## BATTERY &amp; STARTER MOTOR

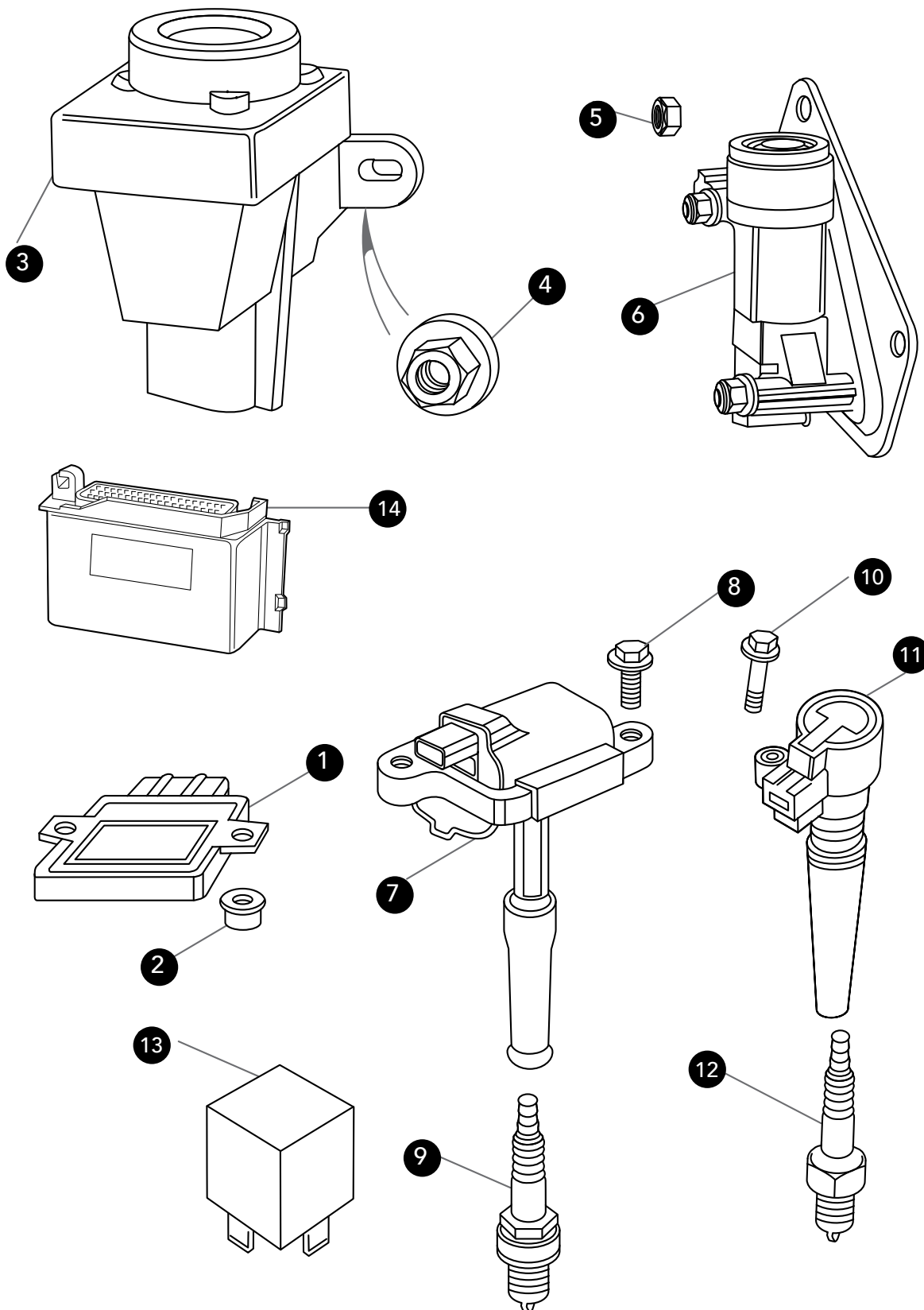


1. Positive battery cable	LNC3690AA	1
2. Negative battery cable (to VIN 042775) (VIN A00083 to A30644) (from VIN A30645)	LJE3690AA XR840827 XR830490	1 1 1

3. Battery clamp bolt	GNB3544AC	2
4. Battery 12V 92 amp Supplied dry Supplied wet	C2Z1141 C2C1311	1 1
5. Battery vent tube <b>Not shown</b> Vent tube grommet	DAC77753 XR813428	1 1
6. Battery clamp	GNB3542AB	1
7. Flanged screw	AJ89793	2
8. Starter motor	AJ83990	1
9. Terminal boot	DBC12311	1
10. Hexagonal nut	JZN100048	1
11. Washer	C22967	1
12. Starter cable (to VIN A058195) (VINA05820 to A40264) (VIN A40265 on)	LJB3730AA LJC3730AA LJG3730AA	1 1 1
13. Swivel pipe clip	KDP208120	1
14. Nylock nut	JLM11988	1
15. Nut	LJB1853AA	1



1. Cable (to VIN A05819) (from VIN A05820)	LJB3732AA LJC3730AA	1 1	10. Flanged bolt	JFB10808E	1
2. Self locking nut	NV105041J	1	11. Cooling duct, front	HJA4477AD	1
3. Flanged nut	JFX10805B	1	12. Cooling duct, rear	LJB1810AA	1
4. Idler pulley (from VIN A30645)	C2C22758	1	13. Flanged head screw	JFS10516F	1
5. Flanged bolt	C2C35272	1	14. Flanged head screw	JFS10616F	2
6. Alternator bracket (to VIN A25226) (from VIN A25227) 4.0 Litre supercharged 4.0 Litre non supercharged (VIN A30645 to A40264) (from VIN A4625)	C2C37061 C2N1810 C2C6462 C2C37061 C2C22757	1 1 1 1 1	15. Alternator (to VIN A30645) (from VIN A30646) Alternator pulley	LNC1800AA C2C19630 JLM20235	1 1 1
7. Connector bracket	LJA3890NA	1	16. Alternator regulator	JLM20187	1
8. Flanged nut	JFN11004B	1	17. Link lead Supercharged Non supercharged	LJB3743AB LJA3743AB	1 1
9. Flanged bolt	C2Z2688	4	18. Suppression module	LJA1820AA	1
			19. Module bracket	LJB1825AB	1
			20. Self locking nut	NV105041J	1
			21. Pan head torx screw	JXA10825E	1

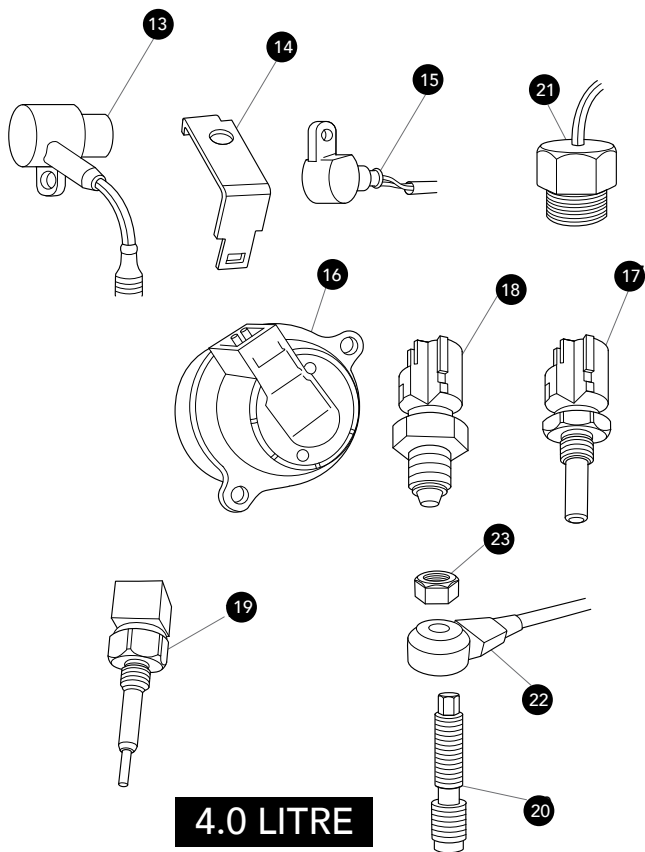


## ENGINE MANAGEMENT

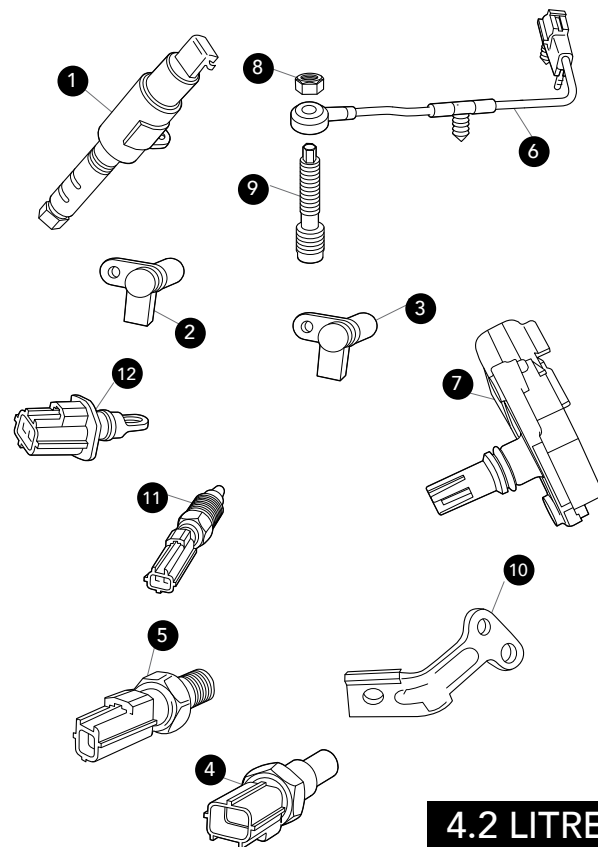
1. Ignition power module (TO vin A30644)	LJA1450AF	2	(from VIN 031303)	C2A1535	8
2. Nut, M6 for power module	JFY106041	4	Spark plug, 4.0 Litre supercharged	NCA3850HA2	
3. Inertia switch, 4.0 Litre	LNA6520BA	1			
2. Nyloc nut	JLM11988	1	8		
5. Nut, M6 for inertia switch	JFY106041	3	10. Hexagonal headed flange bolt, M5 x 20mm (to VIN A40264)	AJ85385	16
6. Inertia switch, 4.2 Litre	C2N1918	1	(from VIN A40265)	AJ88474	16
7. On-plug ignition coil, 4.0 Litre 2 pin connection	LCA1510AB	8	11. On-plug ignition coil, 4.2 Litre (to VIN A40264)	AJ87644	8
4 pin connection	LNE1510AB	8	(from VIN A40265)	AJ810445	8
8. Hexagon flange screw	AJ84085	16	12. Spark plug, 4.2 Litre	C2A1535	8
9. Spark plug, 4.0 Litre (to VIN 018107)	NCA3850DA2	8	13. Relay unit (brown)	C2P1192	A/R
(from VIN 018108 to VIN 031302)	NCA3850FA1	8	14. Gearbox electronic control module, 4.0 Litre Contact sales person for more information		1



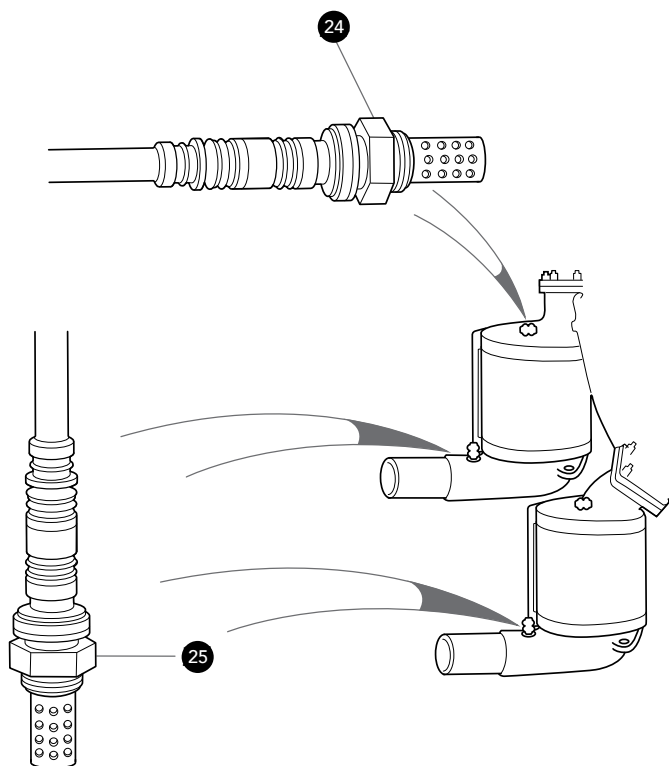
# ENGINE SENSORS



**4.0 LITRE**



**4.2 LITRE**

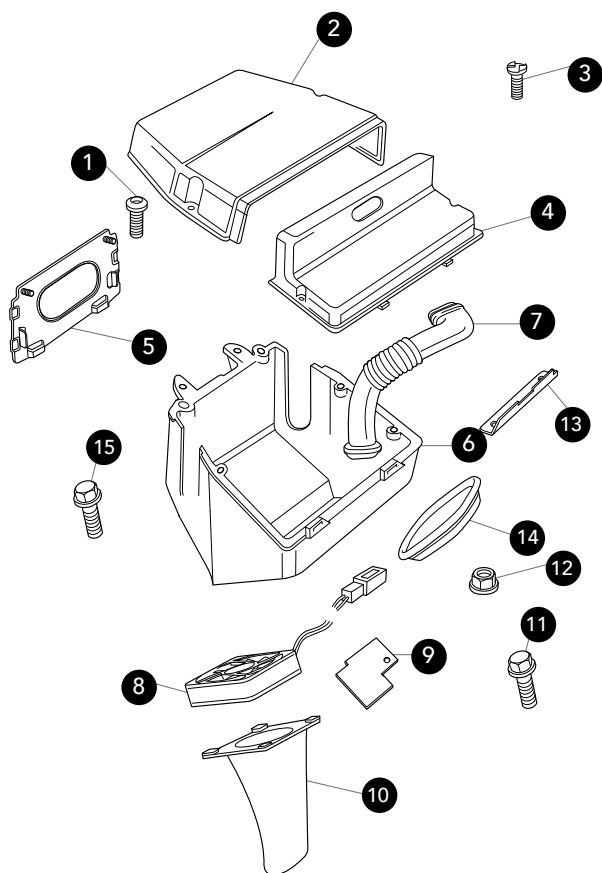


1. Variable valve timing solenoid valve	AJ810570	2
2. Crankshaft position sensor	AJ81284	1
3. Camshaft position sensor RH, A bank	LRA1646BC	1
LH, B bank	AJ84290	1
4. Coolant temp. sensor, Supercharged	LNA1600AA	1
5. Oil pressure switch, black	AJ84853	1
6. Knock sensor, white	AJ85676	2
7. MAP sensor, 2 hole fixing (to VIN A24195)	AJ82763	1
(from VIN A24196)	C2C22616	1
8. Nut, M8 (to VIN A44685)	JFN10804B	2
(from VIN A44686)	C2Z1312	2
9. Knock sensor stud (to VIN A24195)	NRA1268AA	2
(from VIN A24196)	AJ810709	2
10. Camshaft sensor bracket 4.2 Litre supercharged	AJ85633	2
11. Temperature sensor, M18 thread	XR832403	1
12. Air temperature sensor 4.2 Litre supercharged	AJ83678	1



13. Crankshaft position sensor, sump (to VIN 031302) (from VIN 031303)	LCA1640AE	1	22. Knock sensor Supercharged, (from VIN A00083)	LNE1692AA	2
	AJ81284	1	Non supercharged, (from VIN 031303)	LNE1692AA	2
14. Sensor mounting bracket	LNE3890EA	1	23. Nut, M8	JFN10804B	2
15. Camshaft position sensor RH, A bank LH, B bank	LRA1646BC	1	24. Heated oxygen sensor, upper (grey) 4.0 Litre supercharged	LJA1682AE	2
	LRA1646DB	1	4.0 Litre non supercharged (to VIN 031302)	LJA1682AE	2
16. Solenoid valve with variable valve timing	AJ810570	2	(from VIN 031303)	LNE1684BB	2
17. Air temperature sensor 4.0 Litre supercharged	LCC1602AA	1	25. Heated oxygen sensor, lower, (black) USA & Canada, Supercharged	LNE1682BC	2
18. Temperature sensor, M18 thread	AJ810031	1	Non heated	LJA1680AE	2
19. Oil pressure switch, black	AJ84853	1	USA & Canada, Non supercharged (to VIN 031302) non heated	LJA1680AE	2
20. Knock sensor stud	NRA1268AA	2			
21. Knock sensor, Supercharged, (to VIN 042775) Non supercharged, (to VIN 031302)	LCA1692AE	2			
	LCA1692AE	2			

## CONTROL MODULE HOUSING



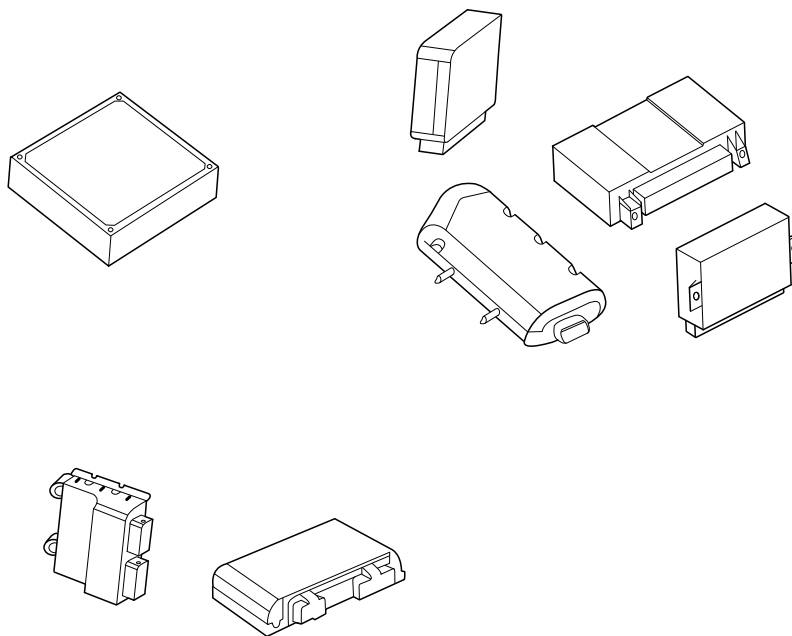
1. Pan head torx screw	C2C25942	6
2. Housing, upper	LJG2410DA	1
3. Special screw, M6 x 20mm	JZS100127	4
4. Housing, upper front	LJG2410BA	1
5. Module mounting bracket	LND2410AB	1
6. Housing, lower	LJB2410CB	1
7. Cooling duct outlet	LJB2413BB	1
8. Cooling fan	LJB2412BB	1
9. Retaining bracket	LJC2410AA	1
10. Cooling duct	LJB2413AA	1
11. Flange headed screw	FS106165P	2
12. Flange nut, M6	FN106041	2
13. Retaining bracket	LJB2410FC	1
14. Air duct blanking grommet	LJB2414AA	1
15. Washer faced setscrew, M8 x 25mm	FS108251J	4

## LOOKING FOR SENSORS & MODULES?

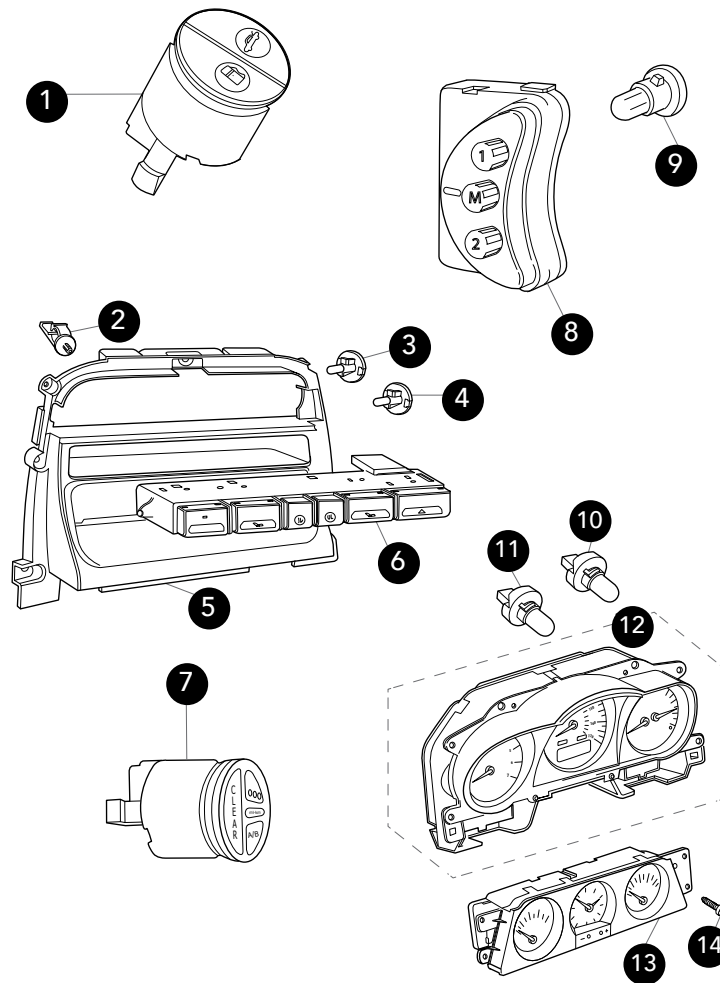
CONTACT THE SNG BARRATT SALES TEAM WITH YOUR VIN NUMBER FOR A COMPREHENSIVE SELECTION.

EMAIL: [SALES@SNGBARRATT.COM](mailto:SALES@SNGBARRATT.COM)

TEL: +44 (0) 1746 765432

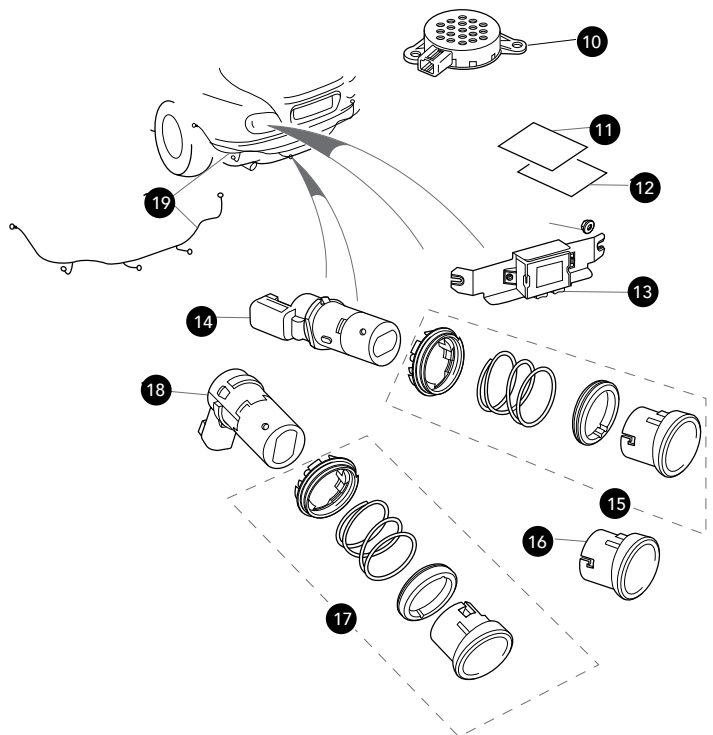
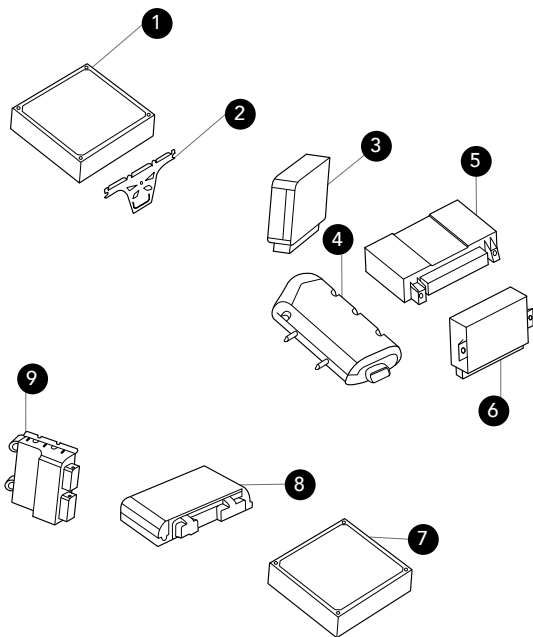


## DASH COMPONENTS &amp; DOOR SWITCHES



1. Fuel flap & boot release switch	LJA6255AB	1	7. Trip computer toggle switch	LJE6019AA	1
2. Pipe clip	KDF108013	2	8. Seat memory switch		
3. Clear bulb	LNA5180BA	1	LHD	LJA6345AD	1
4. Blue bulb	LNA5180CA	1	RHD	LJA6344AD	1
5. Console switch cover mounting (to VIN 018107)	LJA6318AB	1	9. Blue bulb, for memory switch illumination		
(from VIN 018108)	LJB6318AA	1	LJA5180DA		1
6. Console switch module, non headlamp levelling			10. Bulb & holder for cluster illumination	XR83865	4
Traction control			Bulb & holder, blue illumination	LJA5180CA	2
Heated seats			11. Bulb & holder for warning light	LJA4390BA	4
(to VIN A35154)	LJD6292CA	1	12. Major instrument pack		
(from VIN A35155)	C2N2444	1	<b>Contact salesperson for requirements</b>		
Non heated seats			13. Minor instrument pack		
(to VIN A35154)	LJD6292EA	1	(to VIN A30644)	LJB4310AB	1
(from VIN A35155)	C2N2445	1	(from VIN A30645)	C2N1627	1
No traction control			14. Self tapping screw	JDA60804B	4
Non heated seats	LJA6292PC	1			
Console switch module, with headlamp levelling					
Traction control					
Heated seats					
(to VIN A35154)	LJD6292AA	1			
(from VIN A35155)	C2N2442	1			
Non heated seats					
(to VIN A35154)	LJD6292BA	1			
(from VIN A35155)	C2N2443	1			

# CONTROL MODULES & PARKING SENSORS



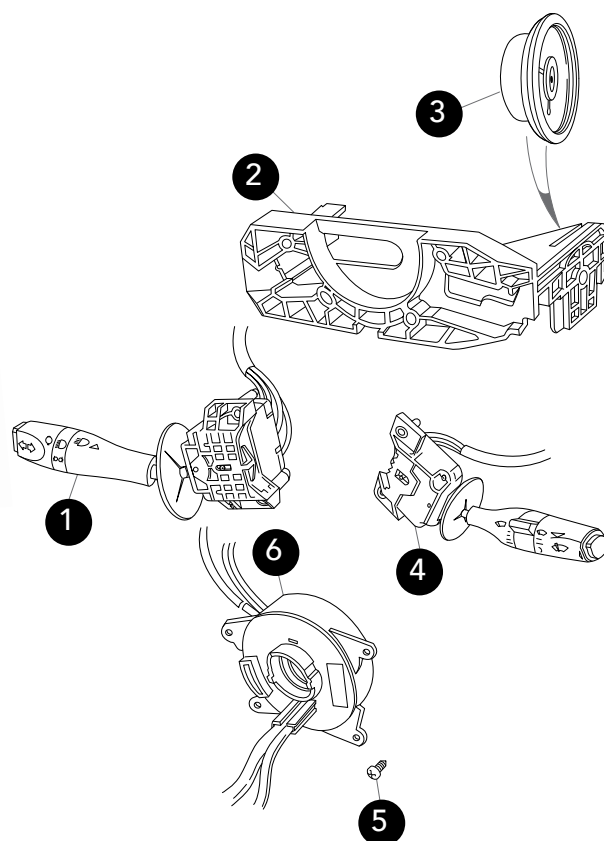
- 1. Engine control module  
**Contact sales for further information**
- 2. Module mounting bracket C2N1413
- 3. Body processor module  
**Contact sales for further information**
- 4. Headrest control module LJE2165AB
- 5. Security/locking module  
**Contact sales for further information**
- 6. Adaptive damping module  
**Contact sales for further information**
- 7. Module cover C2N3565
- 8. Seat control module LJE2160AB
- 9. Door module LJE2120AB
- 10. Reversing aid speaker C2N2421
- 11. Velcro pad, female LJE3840AA
- 12. Velcro pad, male

- 13. Parking aid module C2S51767 1
- 14. Reversing aid sensor, inner  
(to VIN A40264) LJE7355AB 2  
(from VIN A40265 to VIN A44162) C2C29376XXX 2  
(from VIN A44163) C2C29376XXX 2
- 15. Sensor fixing kit, inner  
(to VIN A40264) JLM21560 2
- 16. Sensor mounting bracket C2N2870 4
- 17. Sensor fixing kit, outer  
(to VIN A40264) JLM21562 2
- 18. Reversing aid sensor, outer  
(to VIN A40264) LJE7355BB 2  
(from VIN A40265 to VIN A44162) C2C29376XXX 2  
(from VIN A44163) C2C29377XXX 2
- 19. Bumper harness for parking aid LJJ3225AB 1

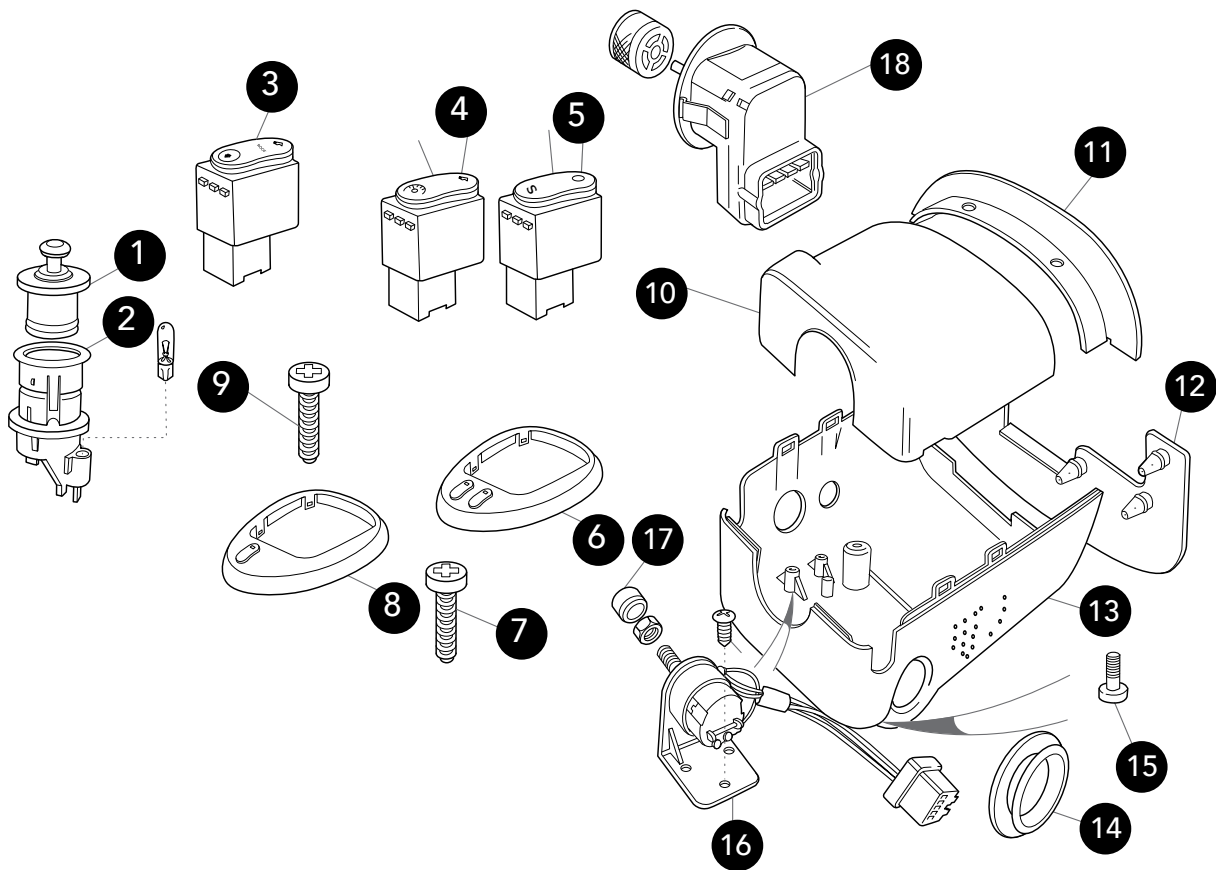


## STEERING COLUMN SWITCHES

1. Direction indicator switch With 'Auto headlamps'	LJB6455AA	1
Without 'Auto headlamps'	LJA6455BC	1
2. Switch mounting carrier	LJE6475AB	1
3. Audible warning speaker (to VIN 018107)	LJA2282AA	1
(from VIN 018108)	LXF2280AA	1
4. Wash/wipe switch With rain sensing	LJA6460BC	1
Without rain sensing	LJD6460AA	1
5. Pan headed torx screw	JXH10540B	4
6. Cancellation cassette module (to VIN A11050)	LJA6470CA	1
(from VIN A11051)	LJE6470AB	1

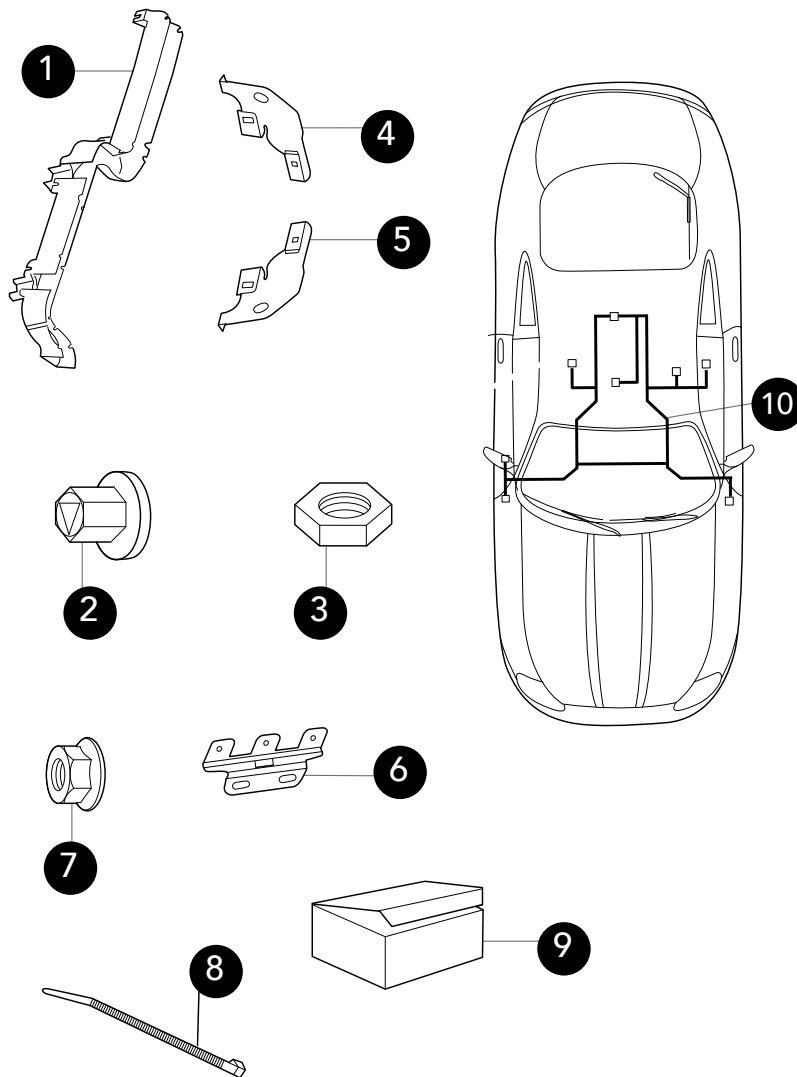


## CONSOLE SWITCHES &amp; STEERING COLUMN COWL



1. Cigar-lighter element, front	LJB2730AA	1	Gearbox mode switch bezel assembly, 4.2 Litre		
Cigar-lighter element, rear	DBC12119	1	'R' performance options	C2N3288	1
2. Cigar-lighter housing	LJA2720AA	1	Standard	C2N3285	1
3. Convertible hood switch	LJA6229BA	1	7. Pan head screw, switch bracket to bezel	HXD6064HA	2
4. Speed control switch, 4.0 Litre			8. Mode switch bezel assembly, 4.0 Litre		
Adaptive speed control	LXD6227BA	1	Supercharged (from VIN024687)		
Non-adaptive speed control	LXD6227AA	1	Non adaptive speed control	LJB6221BA	1
Speed control switch, 4.2 Litre			Without speed control	LJB6221AA	1
'R' performance			Non supercharged		
Standard	C2N3286	1	Without speed control	LJA6221CF	1
(to VIN A40264)	C2N1385	1	Mode switch bezel assembly, 4.2 Litre		
(from VIN A40265)	C2N3287	1	'R' performance options	LXD6221EA	1
5. Performance mode switch, 4.0 Litre			Standard	LJA6221CF	1
Supercharged	LNC6220BB	1	9. Pan head screw, M4 x 16mm	C2N2574	4
Non supercharged	LNC6220AA	1	10. Steering column cowl, upper		
'R' performance option			Contact sales team for colour options		1
Supercharged	LXD6220BA	1	11. Upper steering column cowl finisher, rubber		
Non supercharged	LXD6220AA	1		HJA9344AA	1
Performance mode switch, 4.2 Litre	LNC6220AA	1	12. Lower steering column cowl finisher	HJA9350AB	1
6. Gearbox mode switch bezel assembly, 4.0 Litre			13. Steering column cowl, lower		
(to VIN 042775)			Contact sales team for colour options		1
Supercharged	LJB6221BA	1	14. Ignition ring escutcheon	HJA9341AA	1
Non supercharged	LJA6221DE	1	15. Cowl screw	XR81544	5
(from VIN A00083)			16. Illumination control switch	LJA6500AB	1
Adaptive speed control			17. Dimmer control knob	LNA6492AA	1
Supercharged	LJD6221BA	1	18. Column adjust switch		
Non supercharged	LJE6221AA	1	<b>Contact sales team for colour options</b>		<b>1</b>
Aluminium, twin switch	LXD6223AA	1			

## WIRING LOOMS &amp; ANCILLARIES



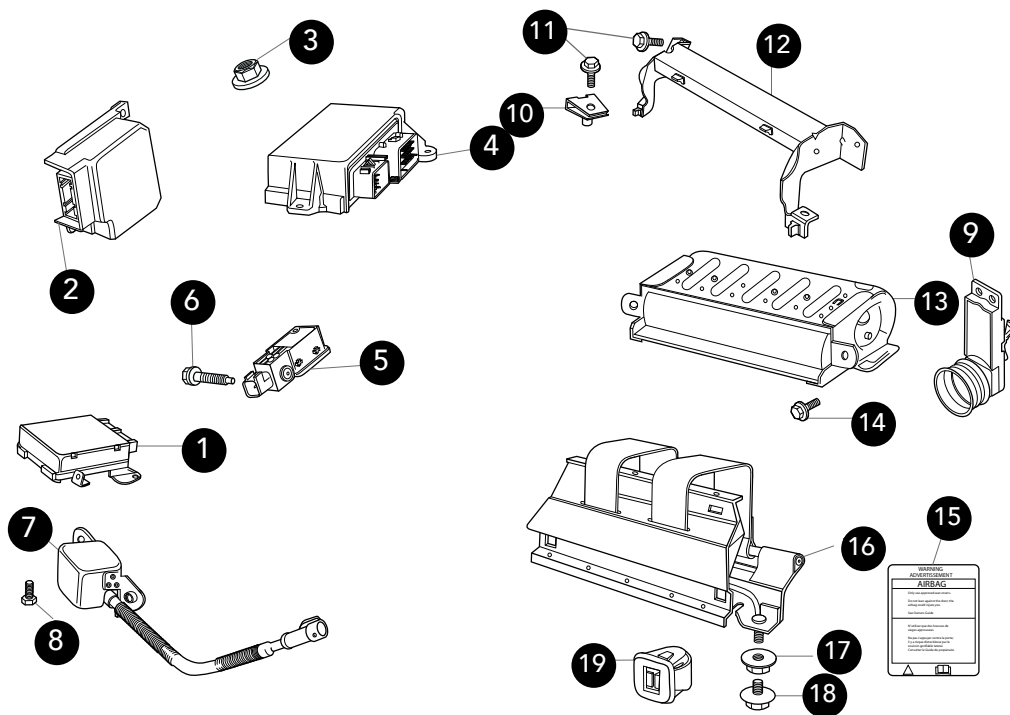
## LOOKING FOR WIRING LOOMS?

CONTACT THE SNG BARRATT SALES  
TEAM WITH YOUR VIN NUMBER FOR  
A COMPREHENSIVE SELECTION.

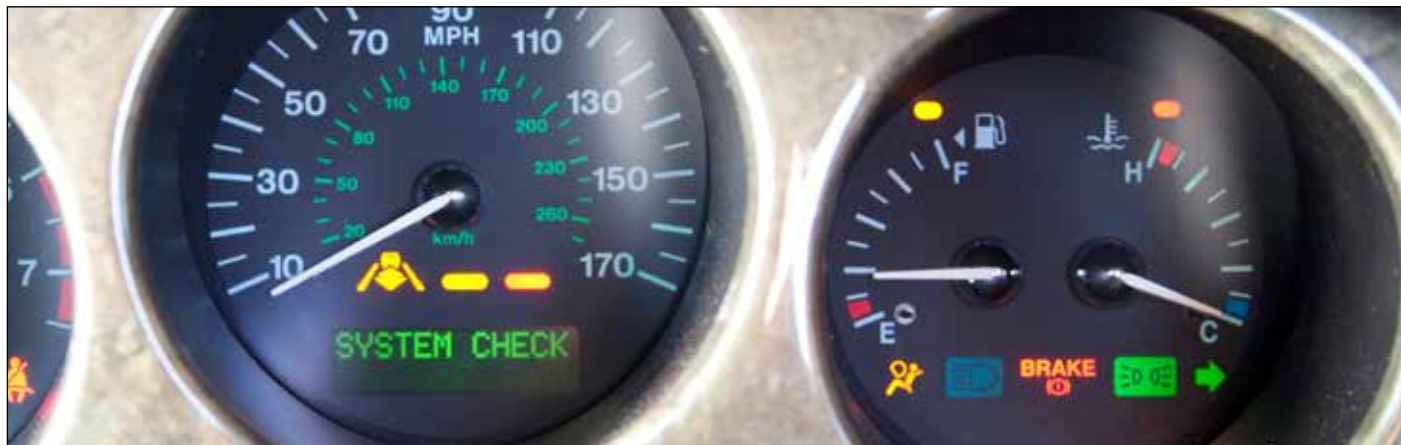
EMAIL: SALES@SNGBARRATT.COM  
TEL: +44 (0) 1746 765432

1. Harness shield (to VIN A30644)		
LHD	LJA3831AB	1
RHD	LJA3830AB	1
(from VIN A30645)		
LHD	LJF3831AA	1
RHD	LJF3830AA	1
2. Plastic push-on nut	AGU2436J	6
3. Nut, M6	JFY106041	4
4. Connector bracket, LH A-post	LJE3890AA	1
5. Connector bracket, RH A-post	LJE3890BA	1
6. Relay bracket	LJA6743AA	1
7. Nyloc nut	LJM11988	1
8. Cable tie, 7.75" long	ADU9028	4
Cable tie mounting	KTA604805	4
9. Harness clip kit	JLM20657	1
10. Harness	Contact salesperson	1

# AIRBAG SENSORS & MODULES

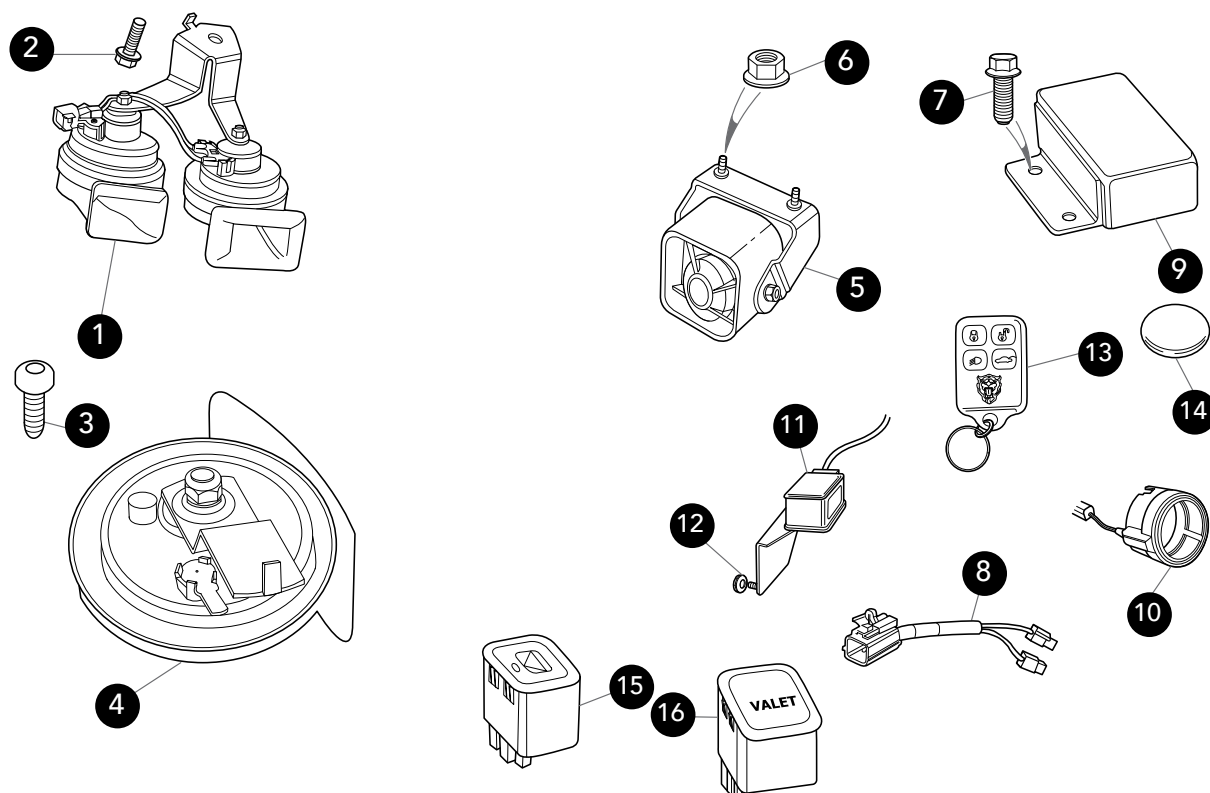


1. Airbag control module, 4.0 Litre	HJA9662AA	1	13. Passenger airbag module (to VIN 023699)	HNA9670BA	1
2. Spatial sensing control module	HJE9680AE	1	(from VIN 023700 to VIN A11050)	HJB9670AA	1
3. Flange nut, M6	JZN100065	4	(from VIN A11051)	HJE9042AB	1
4. Airbag electronic control module, 4.2 Litre	C2N3057	1	14. Bolt and washer	JSH10614CPJ	6
5. Front/side airbag sensor, 4.2 Litre	C2C30970	3	15. Side airbag warning label	HJE5093AA	1
6. Hex headed screw, M6	JZS100184	3	16. Airbag deployment door	HJE9007AC	1
7. Front airbag sensor, 4.0 Litre	HJA9660AA	2	17. Nut/washer, M6	JZH100067	2
8. Flange head screw, M6 x 14mm	JZS100130	3	18. Bolt and washer	JSH10614CPJ	6
9. Airbag deactivation warning lamp	HJE9682AB	1	19. Pocket latch	KZL100002	4
10. Captive nut	JJK105011	22			
11. Setscrew, M5	C2S11624	4			
12. Passenger airbag mounting frame (to VIN A11050)	HJA8997DA	1			
(from VIN A11051)					
LHD	HJE9046AB	1			
RHD	HJE9045AB	1			





## HORN &amp; SECURITY SYSTEMS



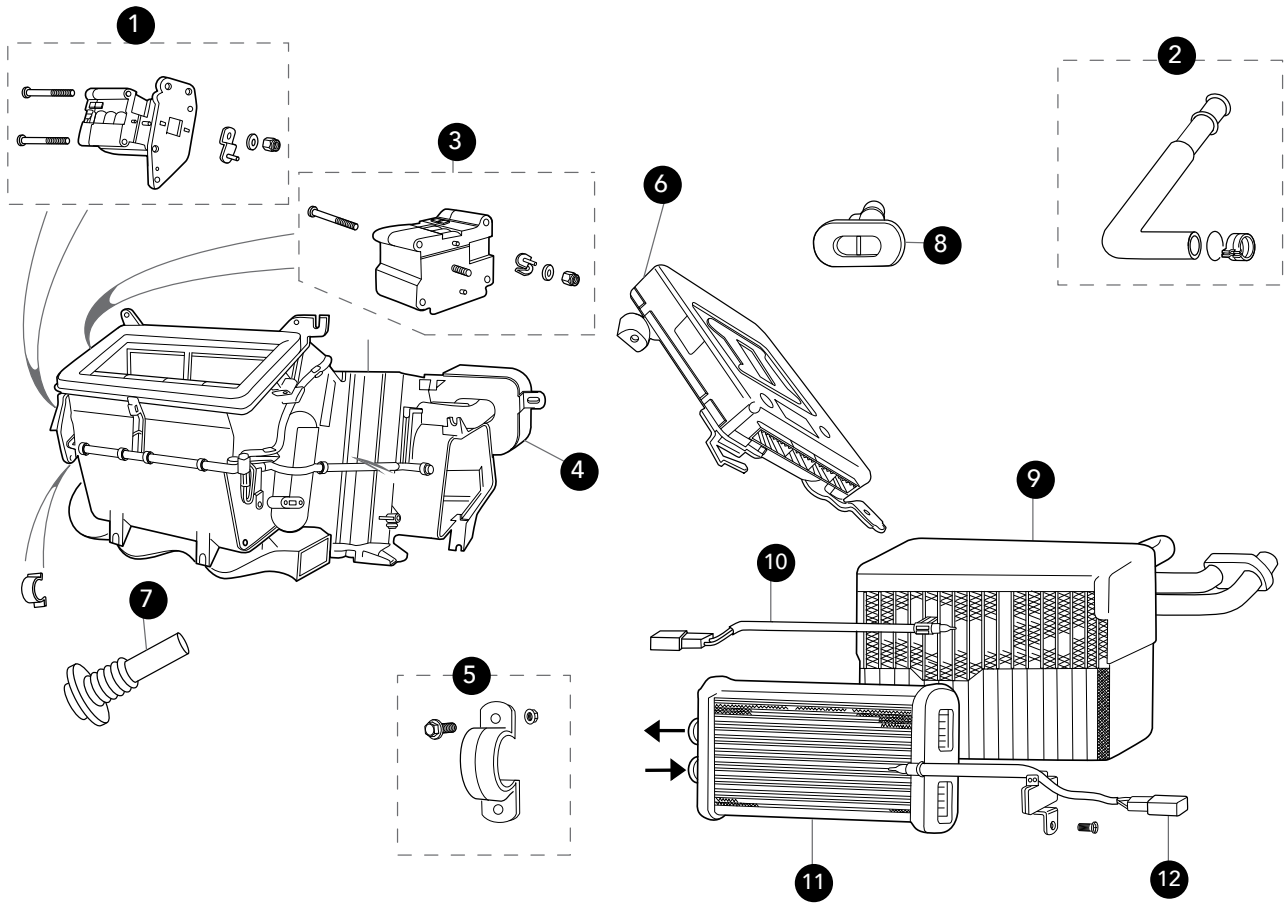
1. Horn assembly, 4.2 Litre  
 2 & 3. Flange headed screw  
 4. Horn, 4.2 Litre  
 High tone  
 Low tone  
 5. Security sounder  
 Contact sales for details  
 6. Nyloc nut  
 7. Flange headed screw  
 8. Security sounder link lead  
 (from VIN A38011)

C2N3582  
 JFS10625F  
 LJA4001AA  
 LJA4000AA  
 NY106041J  
 JXB10416C  
 C2S31123

- 1 9. Key transponder module  
 2 Contact sales for details  
 1 10. Key transponder coil  
 1 11. Inclination sensor kit  
 1 12. Flange nut, M6  
 13. Key fob transmitter  
 Contact sales for details  
 1 14. Remote battery  
 2 15. Alarm deactivation switch  
 1

LJA2668AB 1  
 JLM21083 1  
 FN106041 2  
 JLM20930005 1  
 C2N1371 1

# AIR CONDITIONING UNIT

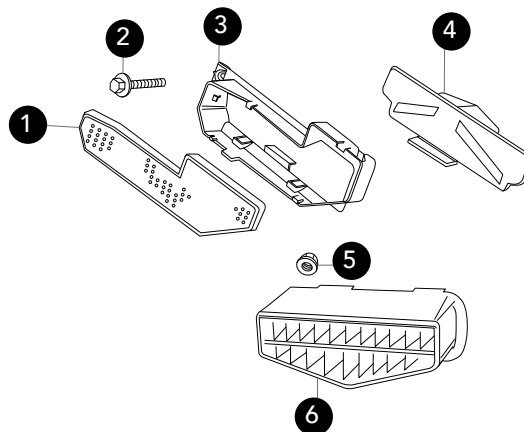


1. Servo motor	JLM11946	1
2. Outlet pipe kit	JLM20242	1
Inlet pipe kit	JLM20243	1
3. Bypass servo motor	JLM11945	1
4. A/C unit	MJA6440AE	1
5. A/C fitting kit	JLM20246	1
6. A/C control module	LJB7600AB	1
7. Condensate drain tube	MJA6510AA	2
8. Bulkhead seal	MJA6446AC	1
9. A/C evaporator	JLM20185	1
10. Evaporator outlet thermistor	JLM11947	1
11. Heater core assembly	JLM11949	1
12. Heater core outlet thermistor	JLM11948	1

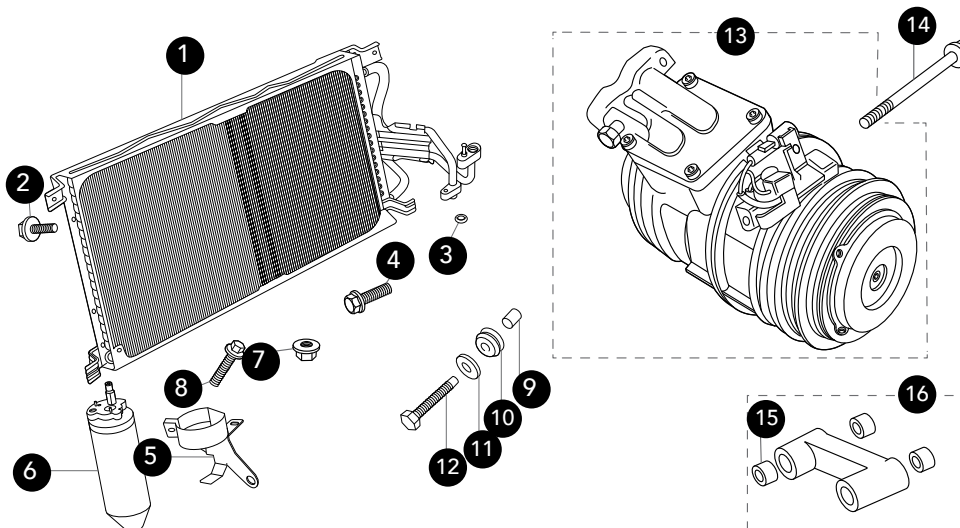


# PARTICLE FILTER & BOOT AIR VENT

1. Air particle filter			
LHD	MJD6863AA	1	
RHD	MJD6862AA	1	
2. Air intake screw	JHG10625E	2	
3. Air intake housing			
LHD	MJD6865AA	1	
RHD	MJD6864AA	1	
4. Air intake housing			
Standard	MJA6860AE	1	
5. Boot vent box housing	HJA3721AA	2	
6. Plastic push on nut	AGU2436J	4	

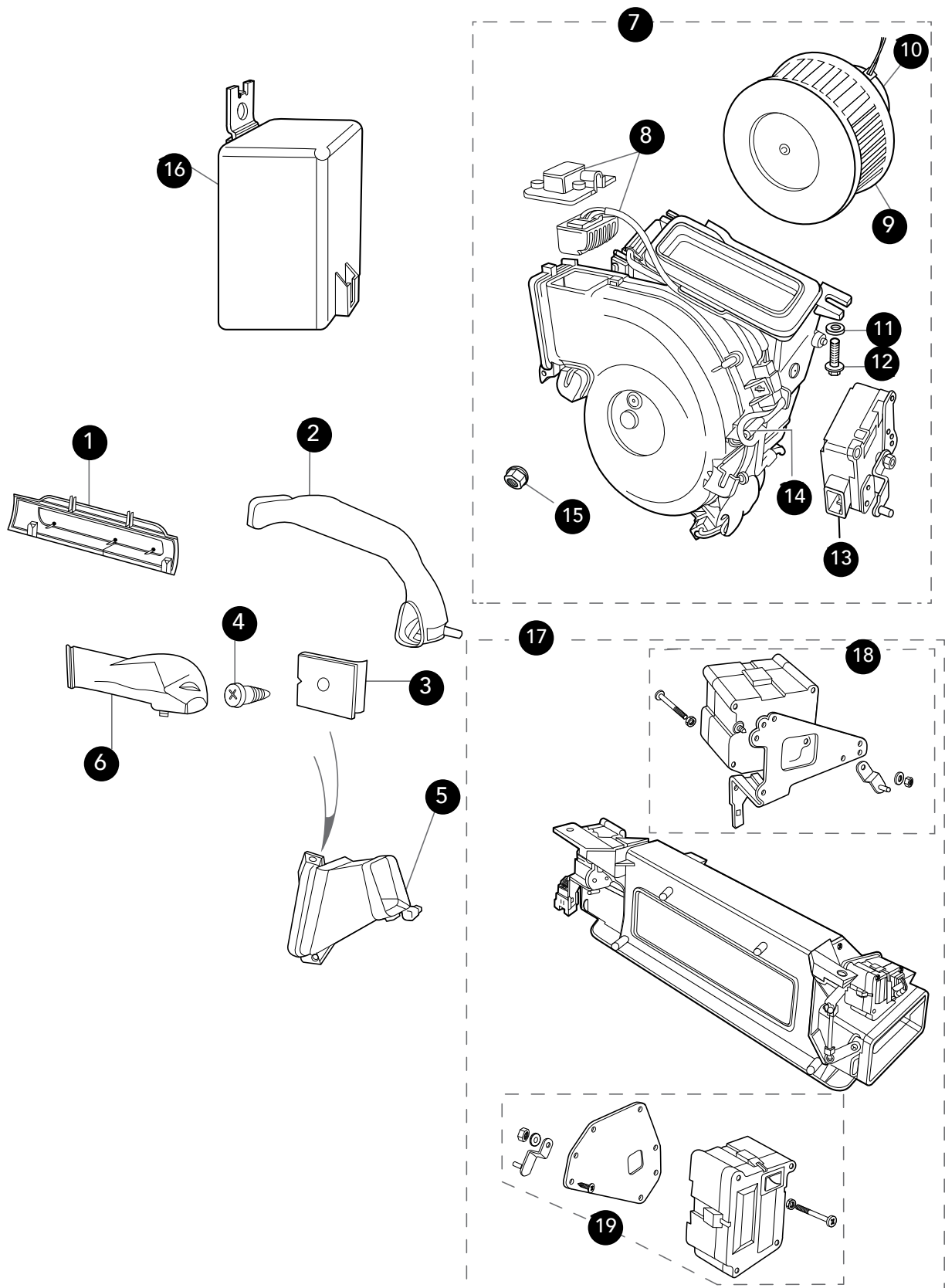


# CONDENSER & COMPRESSOR



1. Condenser assembly	MJD390AE	1		
(N.B. early cars may require later pipes and fittings)				
2. Square headed bolt	JZB100066	2		
3. Sealing ring (violet)				
(to VIN A40264)	XR83775	1		
4. Drier bracket screw	GL106301J	3		
5. Receiver drier bottle bracket	MJA7420AC	1		
6. Receiver drier bottle, complete	MJA7410AE	1		
Receiver drier components (not shown separately)				
'O' ring	KSR606001	1		
'O' ring	KSR606002	1		
Charge port cap	MHD7377AA	1		
Charge valve, high pressure	MHD7372AA	1		
7. Flange nut, M6	JFN10604E	4		
8. Flange headed screw	JFS10625F	4		
9. Spacer	JZT100013	3		
10. Grommet	KGA125001	3		
11. Plain washer, M6	WJ106001J	3		
12. Hex headed set screw	GL106301J	3		
13. A/C compressor				
(to VIN 019724)	MCA7300AD	1		
(from VIN 019725 to A30644)	MCA7300AE	1		
(from VIN A30645)	C2N2663	1		
14. Compressor bolt				
M8 x 120mm	JFB10824B	4		
M8 x 95mm	JFB10819B	2		
15. Dowel	EAZ2159	3		
16. Compressor mounting bracket, 4.2 Litre complete				
(to VIN A32737)	C2N1155	1		
(from VIN A32738)	C2N2479	1		

# AIR DISTRIBUTION & BLOWER

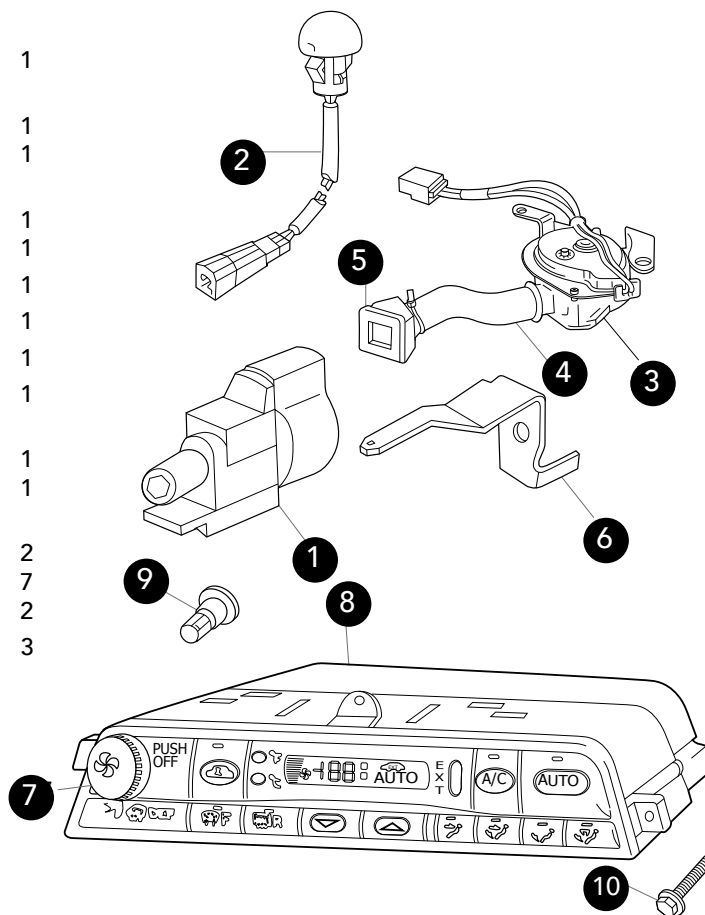


## AIR DISTRIBUTION &amp; BLOWER

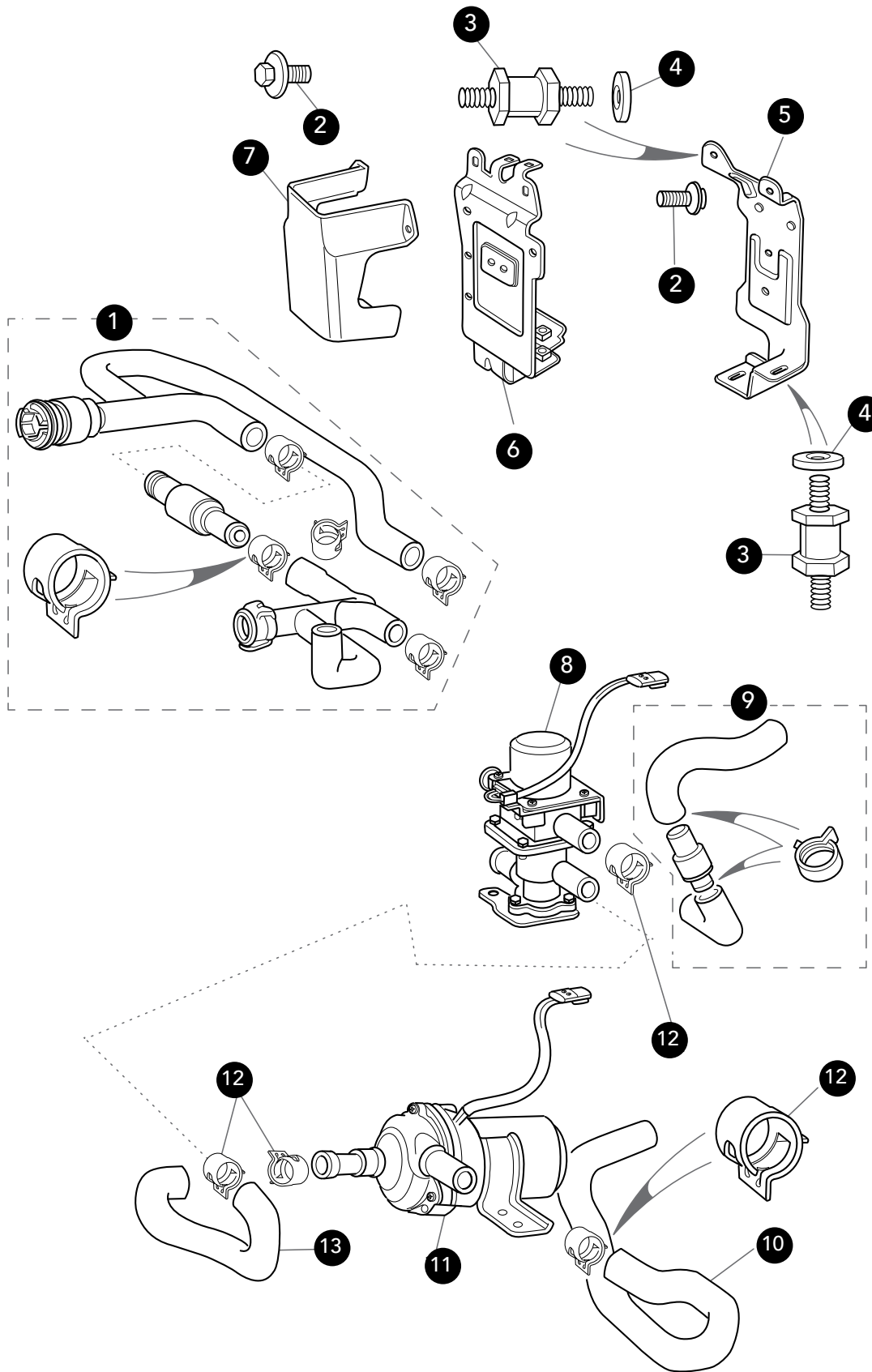
1. Centre face level air duct	MJA6670AA	1	RH	JLM12433	1
2. Face level air duct tube			10. Heater blower motor		
LH front	MJA6623AD	1	LH	JLM20189	1
RH front	MJA6622AD	1	RH	JLM20188	1
3. Captive nut, no. 8	AK608141J	1	11. Plain washer, M6	WJ106001J	8
4. Self tapping screw	AGU2555J	6	12. Setscrew	GL106201J	8
5. Lower duct			13. Servo motor		
LH	MJA6691AA	1	LH	JLM11958	1
RH front	MJA6690AA	1	RH	JLM11957	1
6. Footwell duct			14. Electrical harness		
LH	MJA6907AG	1	LH	JLM11961	1
RH	MJA6906AG	1	RH	JLM11960	1
7. Heater blower assembly			15. Nut and washer assembly	JZH100032	4
LH	MJA6521AA	1	16. Fan control relay	LJA6702AA	1
RH	MJA6520AA	1	17. Face level air duct assembly	MJA6811AA	1
8. Power transistor	JLM11959	2	18. Face vent servo motor	JLM11962	1
9. Blower motor fan			19. Defrost vent servo motor	JLM20186	1
LH	JLM12434	1			

## CONTROL PANEL ASSEMBLY &amp; SENSORS

1. Ambient air temperature sensor	LJA7605AB	1
2. Solar sensor		
(to VIN A30644)	LNA7625AC	1
(from VIN A30645)	LNC7625AA	1
3. Aspirator motor		
LHD	MJA6551BA	1
RHD	MJA6551AA	1
4. Aspirator tube	MJA6552AA	1
5. In car temperature sensor housing	MJA6554AA	1
6. Ambient air sensor bracket	LJG7604AA	1
7. Fan speed control knob	JLM21513	1
8. Air conditioning control panel		
With heated windscreen	LJA7690AB	1
Without heated windscreen	LJA7690BB	1
9. Indicator lamps		
LCD	JLM11965	2
Low, blue	JLM20308	7
Low, green	JLM20309	2
10. Thread forming screw	JPU13512B	3



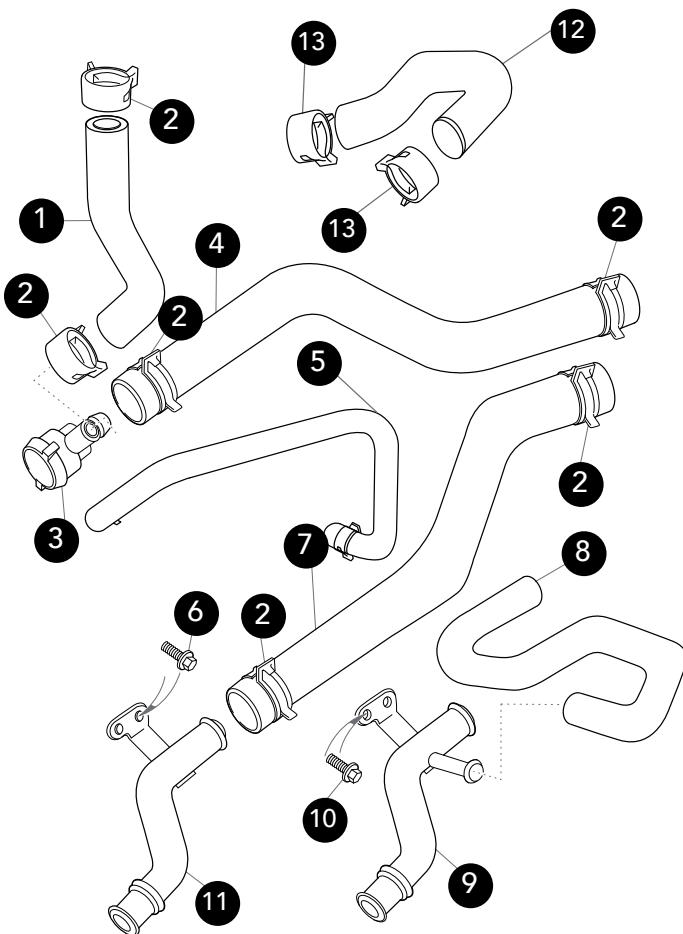
# WATER VALVE, PUMP & HOSES



# WATER VALVE, PUMP & HOSES

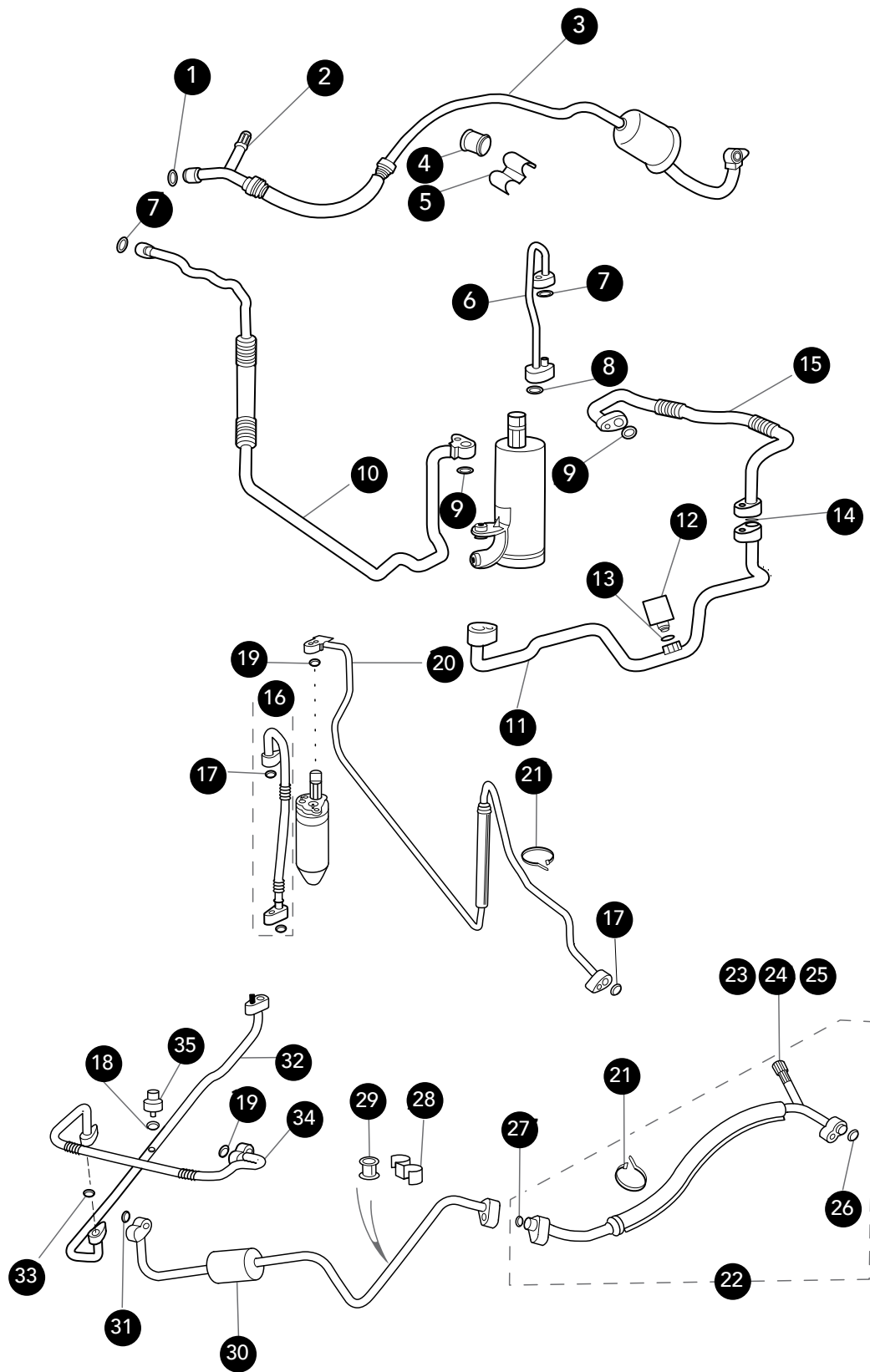
1. Heater hose assembly	MJA6728AC	1	8. Water valve	MNA6711AC	1
2. Setscrew, M6 x 12mm	JFS10625F	6	9. Heater to water valve hose	MJA6739AC	1
3. Instrumount	MNA6730AB	4	10. Water pump to heater hose	MJA6721AG	1
4. Plain washer	WC106041J	4	11. A/C water pump	MJA6710AA	1
5. Mounting bracket	MJA6726AG	1	12. Hose clamp	JHC302220	3
6. Water pump mounting bracket	MJA6712AA	1	13. Water valve to water pump hose	MJB6720AC	1
7. Water valve heatshield	MJA6731AA	1			

# HEATER PIPES



1. Hose (to VIN 031302) (from VIN 031303 to VIN A30644)	NCA3976AD NNE3976CA	1 1
2. Hose clip	JHC501401	2
3. Three way connector	NNE3944BA	1
4. Heater return hose	NNE3946CA	1
5. Water outlet to EGR, 4.2 Litre	AJ88513	1
6. Pipe bracket screw, M6 x 14mm	JZS100132	2
7. Heater feed hose Supercharged 4.0 Litre Non supercharged 4.0 Litre 4.2 Litre, all models	AJ87634 NCA3945CD AJ8326	1 1 1
8. Throttle body feed hose, 4.0 Litre (from VIN A24196)	AJ83970	1
9. Heater feed pipe (from VIN A24196)	AJ83928	1
10. Pipe bracket screw, M6 x 14mm	JZS100132	2
11. Heater feed pipe (to VIN A24195)	NCA3905BB	1
12. Return hose (from VIN A30645)	AJ88519	1
13. Hose clip	JHC501401	2

# REFRIGERANT HOSES



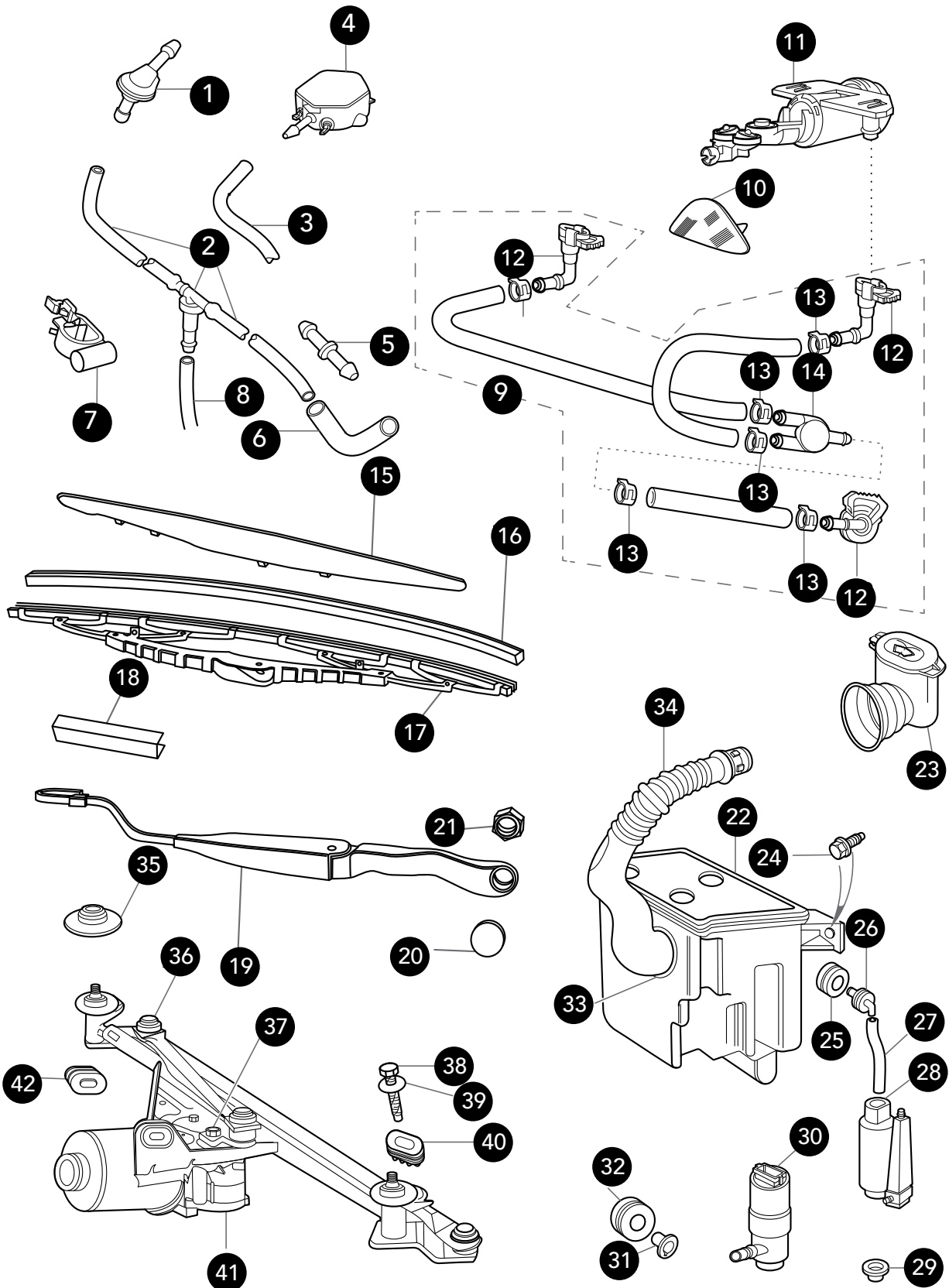


## REFRIGERANT HOSES

1. 'O' ring	C2C7668	1	20. A/C pipe	MJA7360AB	1
2. Low pressure charge port cap	XR85835	1	21. Cable tie	KCS200460	2
3. Evaporator to compressor pipe	C2N1700	1	22. A/C hose assembly	MJA7310AH	1
4. Pipe isolator	MJA7380AA	1	23. 'O' ring	KSR107002	1
5. Double pipe clip	MJA7378CA	1	24. Low pressure charge valve	MHD7372BA	1
6. A/C pipe	MJD7361AA	1	25. Charge port cap	MHD7377BA	1
7. 'O' ring	KSR604001	2	26. 'O' ring	KSG113624	1
8. 'O' ring	KSG111116	1	27. 'O' ring	KSG114116	1
9. 'O' ring	KSG110624	2	28. Pipe clip	MJA7378CA	1
10. A/C pipe	MJA7360AB	1	29. Pipe isolator	MJA7380AA	1
11. A/C pipe, compressor to condenser	C2N1168	1	30. A/C pipe, evaporator to compressor	MJA7312CB	1
12. Pressure switch	XR83792	1	31. 'O' ring, compressor to condenser	KSG110624	1
13. 'O' ring	KSR107002	1	32. A/C pipe (to VIN 042775) (from VIN A00083)	MJA7341BD MJD7341AA	1 1
14. Sealing ring, violet	XR83775	1	33. 'O' ring (to VIN 042775) (from VIN A00083) Violet	KSG111116 XR83775	1 1
15. A/C pipe	MJD7340AB	1	34. A/C hose, compressor to condenser (to VIN 042775) (from VIN A00083)	MJA7340AE MJD7340AB	1 1
16. A/C pipe, condenser to drier (to VIN 042775) (from VIN A00083)	MJA7361AE MJD7361AA	1 1	35. A/C pressure switch	LJA658AB	1
17. 'O' ring	KSR604001	2			
18. 'O' ring	KSG111116	1			
19. 'O' ring	KSG110624	2			



# WIPERS & WASHER SYSTEMS



# WIPERS & WASHER SYSTEMS

1. Tube connector	GJA8969AB	1	21. Wiper arm cap	GJA8966AB	2
2. Screen wash tube (T-Piece only)	GJA8970AE LJE4133AA	1	22. Screen wash reservoir assembly With power wash	JLM20696	1
3. Wiper arm tube	JLM20619	2	Without power wash	JLM20695	1
4. Screen wash jet LHD	GJA8959AB	2	23. Reservoir filler neck assembly	LJA7033BC	1
RHD	GJA8958AB	2	24. Screw/washer	JSH106187PJ	3
5. Non return valve	GJA8976AA	1	25. Sealing grommet, upper	JLM21614	1
6. Rubber elbow	JLM20382	1	26. Tube connector	JLM20694	1
7. pipe clip	KZC100006	5	27. Breather tube	JLM20693	1
8. Screen wash tube	LJA100AF	1	28. Screen wash pump	LJA7031AB	1
9. Washer tube assembly	LJA7070AE	1	29. Screen wash pump grommet	LJA7037CA	1
10. Jet cover LH	LJA7055FA	1	30. Headlamp powerwash pump	LNC7031AA	1
RH	LJA7054FA	1	31. Power wash grommet	LNC7037AA	1
11. Power wash jet LH	LJA7051AF	1	32. Pipe grommet	C17432	1
RH	LJA7050AF	1	33. Filler tube grommet	JLM20565	1
12. Connector	LNA7072AA	3	34. Reservoir filler tube	JLM20564	1
13. Clip	DAC6421	6	35. Spindle seal	GLA8968AA	2
14. Tee piece	LJA7071AA	1	36. Wiper arm cap	GJA8966AB	1
15. Wind deflector LHD, driver's blade	GJA8975BA	1	37. Flanged nut, M8	FN108041J	1
RHD, driver's blade	GJA8974BA	1	38. Hex headed screw	GL106301J	3
16. Windscreen wiper rubber	GNB8961AA	2	39. Plain washer, M6	WJ106001J	3
17. Wiper blade Passenger's side	GJA8960BB	1	40. Wiper motor mounting bush	GJA8964BA	1
Driver's side	GJA8962BB	1	41. Wiper motor assembly LHD	GJA8951AF	1
18. Wiper arm guide channel	JLM20427	A/R	RHD	GJA8950AF	1
19. Wiper arm LHD			42. Wiper motor mounting bush	GJA8964AA	1
Driver's side	GJA8955EC	1			
Passenger's side	GJA8955FB	1			
RHD					
Driver's side	GJA8954EC	1			
Passenger's side	GJA8954FB	1			
20. Nut	NH108041	2			



# SERVICE ITEMS

## ENGINE BAY

Oil filter, 4 Litre	EAZ1354	1	Spark plug, 4.0 Litre (to VIN 018107)	NCA3850DA2	8
Oil filter, 4.2 Litre	C2C41611	1	(from VIN 018108 to VIN 031302)	NCA3850FA1	8
Air filter			(from VIN 031303)	C2A1535	8
4.0 Litre/4.2 Litre supercharged	NJA3558AA	1	Spark plug, 4.0 Litre supercharged	NCA3850HA2	8
4.2 Litre non supercharged	XR823351	1	Spark plug, 4.2 Litre	C2A1535	8
Fuel filter	C2C35417	1			

## WINDSCREEN

OE specification wiper blade assembly					
Driver side	GJA8962BB	1			
Passenger side	GJA8960BB	1			
OE replacement wiper rubber	GNB8961AA	2			
OE screenwash fluid, 500ml	C2A1020	1			
Screen wash fluid, 5 Litre	MOR047	1			

## PARTICLE FILTERS

OE specification, right hand drive	MJD6862AA	1
OE specification, left hand drive	MJD6863AA	1

## CONVERTIBLE TOP

The fluid in the hood lift mechanism will deteriorate over time and become 'waxy', causing the hood action to become erratic or, in extreme circumstances, fail completely.

Hydraulic hood lift fluid, 1 Litre	JLM21112	1
------------------------------------	----------	---

## ANTI-FREEZE

If you need to top up your Jaguar's cooling system, it is vital to select the correct grade of anti-freeze. Newer models (including XK8/XKR) use a more modern yellow or orange anti-freeze, designed for safe use in the all-aluminium engines. Using the incorrect grade may cause significant overheating problems. Always refer to your handbook before replenishing your coolant.

Traditional 'blue' anti-freeze, Old XK's XJ's etc.	MOR051
'Yellow' anti-freeze AJ6 engines, early XK8's etc.	JLM204042/3
'Orange' anti-freeze, Newest XJ's & later XK8's etc.	JLM 209722/3

## FLUID CAPACITIES\*

ENGINE OIL	6.0-7.8 Litres
TRANSMISSION	10 Litres
DIFFERENTIAL	1.8-1.9 Litres
ENGINE COOLANT	9.5-11.5 Litres

\*Capacities will vary depending on model



## BULB REPLACEMENTS

Festoon, 5 watt	LNA5180AA	A/R
Wedge base, 6 watt	DBC12440	A/R
Bayonet, 21 watt	DBC11382	A/R
Direction indicator lamp bulb, amber	C2S15076	A/R
Blue miniature	LNA5180CA	A/R
Clear miniature	LNA5180BA	A/R
Bayonet, 5 watt	DBC11711	A/R
Wedge base, 5 watt	C2S15074020	A/R
Headlamp, main beam	XR812420	A/R
Headlamp, H1 55 watt	DBC11406	A/R



## MORRIS® LUBRICANTS

We stock a full range of quality Morris Lubricants (blending oils in Shrewsbury since 1869) that are entirely suitable for both the classic and current Jaguar range.

Oil 20W/50	gallon	MOR001
Oil 20W/50	1 Litre	MOR002
Oil 15W/50	5 Litre	MOR004
Oil 15W/50	1 Litre	MOR005
Oil 10W/40	semi synthetic - 5 Litre	MOR007
Oil 10W/40	semi synthetic - 1 Litre	MOR008
Oil 5W/30	semi synthetic - 5 Litre	MOR010
Oil 5W/30	semi synthetic - 1 Litre	MOR011
Running in oil	5 Litre	MOR013
Dextron 2 ATF	5 Litre	MOR014
Dextron 2 ATF	1 Litre	MOR015
EP80/90	gear oil - 5 Litre	MOR020
EP80/90	gear oil - 1 Litre	MOR021
LSD	gear oil - 5 Litre	MOR022
Oil 10W/50	comp semi synthetic	MOR023
Mineral oil	1 Litre	MOR025
Brake fluid	Dot 4 -1 Litre	MOR027
Brake fluid	Dot 4 - 500 ML	MOR028
Carb cleaning spray		MOR029
MD4	maintenance spray	MOR030
Pavan	degreaser	MOR031
Prima	silicone spray	MOR032
Prise	anti seize spray	MOR033
Solvent brake cleaner		MOR034
LM grease	500gm tin	MOR035
Copper slip	500gm tin	MOR036
Liquimatic ATF	5 Litres	MOR045
Rubber Grease	500gm tin	RUBBERGREASE

# MORRIS

## LUBRICANTS



## CLEANING PRODUCTS & OVER MATS

### CLEANING PRODUCTS

We supply a comprehensive range of car care products to keep your Jaguar spotless.

Gliptone® Leather conditioner, 250ml	CH5001
Gliptone® Liquid leather cleaner, 250ml	CH5002
OEM Jaguar car body shampoo, 500ml	C2A1016
OEM Jaguar wax polish liquid, 500ml	C2A1017
OEM Jaguar Glass cleaner, 500ml	C2A1023

### OVER MATS

Protect and compliment your floors with our range of high quality, made-to-measure over mat sets.

Over mat set, black	OMXK8/1R
Over mat set, grey	OMXK8/2R
Over mat set, beige	OMXK8/8R



# CHROME ENHANCEMENTS

Give your XK8 a more individual appearance!

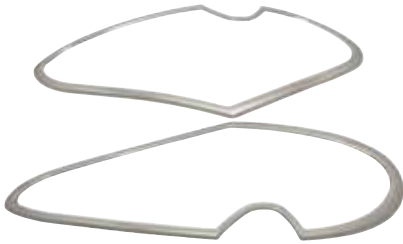
We offer a range of subtle chrome styling enhancements for the exterior and interior of your vehicle.

**Call our friendly sales team for more information.**



Mirror covers

XK8/MC/P



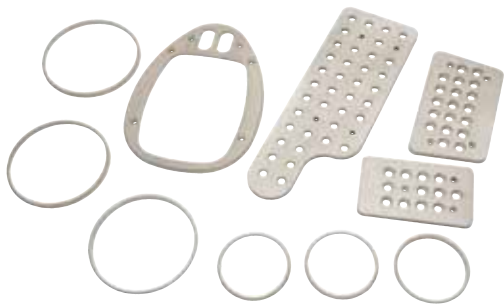
Headlamp rim set

XK8/HLR/P



Inner door handle covers

XK8/DHC/P



Aluminium interior trim set

XK801



Front side lamp rims

XK8/FSLR/P



Fog lamp rim set

XK8/FLR/P



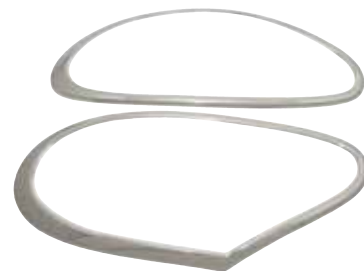
Rear side lamp rims

XK8/RSLR/P



Side indicator repeater rims

XK8/SLR/P



Rear lamp rim set

XK8/RLR/P

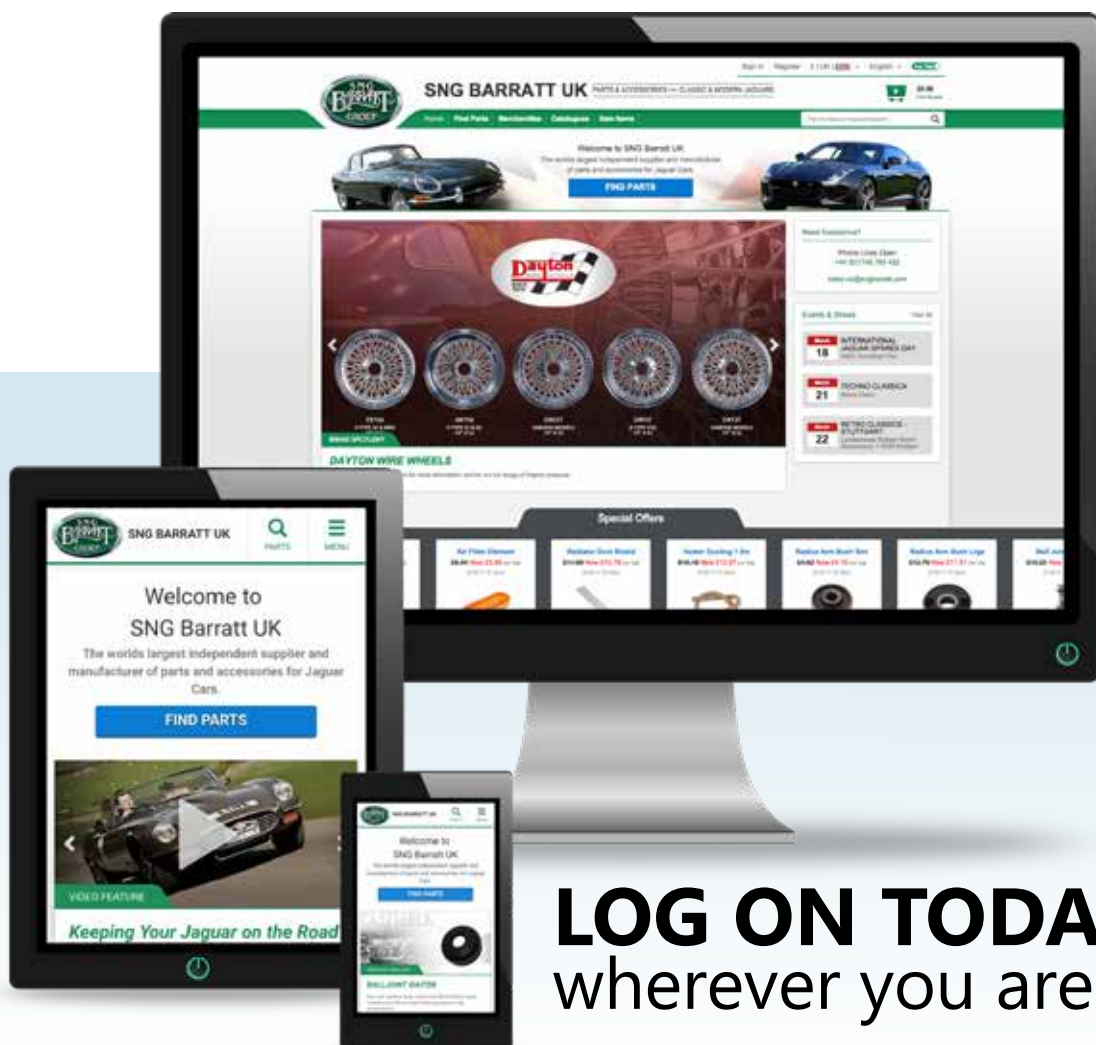
<b>A</b>		<b>C</b>		<b>EXHAUST SYSTEM</b>	
ABS MODULATOR	48	CALIPERS		BELL	70
ACCELERATOR PEDAL	33	FRONT	51	FRONT	69
AIRBAG	68	REAR	53	REAR	70
SENSORS & MODULES	110	CAM COVER	8, 9,	EXPANSION TANK	24
AIR CLEANERS & HOSES	27		10		
AIR CONDITIONING UNIT	112	CENTRE CAPS	67	<b>F</b>	
AIR DISTRIBUTION & BLOWER	114	CHECK ARMS	82	FAN & COWL ASSEMBLY	24
AIR VENT	113	CHROME ENHANCEMENTS	124	FIXED GLASS	83
ALTERNATOR	99	CLEANING PRODUCTS	123	FOG LAMP	95
ANTI-FREEZE	122	COMPRESSOR	113	FOG LAMP RIM SET	124
ANTI-ROLL BAR	54	CONDENSER	113	FOOTWELL LAMP	96
		CONTROL MODULE HOUSING	103	FRAME CARRIER	64
		CONTROL PANEL ASSEMBLY	115	FUEL FILLER	32
<b>B</b>		CONVERTIBLE BRACING	74	FUEL TANK	30
BADGES	84,	CONVERTIBLE TOP	76,		
	85		122		
BATTERY	98	CRANK CASE		<b>G</b>	
BELL EXHAUSTS	70	BREATHER SYSTEM	36	GASKET SETS	10
BODY PANELS		CRANKSHAFT	4	GEARBOX	40
INNER	73	CROSS MEMBER	54	OIL COOLER PIPES	44
OUTER	72	CUSTOMER NUMBER	1	GEARBOX CONTROL VALVE	42
BONNET AIR		CYLINDER HEAD	8, 9,	GEARBOX MOUNTINGS	11
INTAKE & GRILLE	88		10	GEAR CHANGE CONTROL	38
BONNET HINGE	72	<b>D</b>		GLIPTONE®	123
BONNET INSULATION	74	DASH COMPONENTS	105	GLOVEBOX LENS	96
BOOT AIR VENT	113	DIFFERENTIAL	37	GREEN STUFF®	49
BOOT FITTINGS	80	DIPSTICK	6		
BOOT LID	72	DOOR HANDLE COVERS	124	<b>H</b>	
BOOT STIFFENER	92	DOOR HINGES	82	HANDBRAKE MECHANISM	46
BRAKE BOOSTER	47	DOOR LATCHES	80	HEADLAMP ASSEMBLY	95
BRAKE DISCS		DOOR LOCKS	80	HEADLAMP LEVELLING	95
FRONT	51	DOOR MIRRORS	78	HEADLAMP RIM SET	124
REAR	53	DOOR PANEL ASSEMBLY	72	HEATER PIPES	117
BRAKE FLUID	123	DOOR SWITCHES	105	HEAT SHIELDS	75
BRAKE LIGHTS	97	DRIVE BELTS	7	HID LIGHTING	95
BRAKE PADS	49	DRIVE SHAFTS	37	HORN	111
BRAKE PIPES				HOSES	
FRONT	51			AIR CLEANER	27
REAR	52			PAS HOSES	61
BREMBO®	49	<b>E</b>		RADIATOR	23
BULB REPLACEMENTS	122	ENGINE BAY	122	REFRIGERANT HOSES	118
BUMPERS, FRONT & REAR	86	ENGINE BLOCK	4, 5	WATER VALVE	116
BYPASS VALVE	28	ENGINE COOLANT	122	HUB & VERTICAL LINK	63
		ENGINE COVER	4, 18		
		ENGINE MANAGEMENT	100		
		ENGINE MOUNTINGS	11		
		ENGINE SUMP	6		
		EXHAUST GAS			
		RECIRCULATION VALVE	71		
		EXHAUST MANIFOLDS	21		

I			
INDICATOR LAMP	95	PIPES	
SIDE INDICATOR		FRONT BRAKE PIPES	50
REPEATER RIMS	124	FUEL FILLER & PIPE SYSTEM	32
INJECTORS & PIPES	34	GEARBOX OIL COOLER PIPES	44
INLET MANIFOLD	22	HEATER PIPES	117
INTERCOOLER	20	INJECTORS	34
		OIL COOLER	16
		REAR BRAKE PIPES	52
		PISTON ASSEMBLY	5
		PISTON RING KIT	5
		POWER-ASSISTED	
		STEERING PUMP	55
		PULLEYS	7
K			
KEYS	60		
L			
LIGHT BULB REFERENCE	97		
LOCKING TYRE VALVE CAP	67		
LOCKS, LATCHES	80		
LUBRICANTS	5, 123		
M			
MANIFOLDS			
EXHAUST	21		
INLET	22		
MASTER CYLINDER	47		
MIRRORS			
DOOR MIRRORS	78		
MIRROR COVERS	124		
MORRIS LUBRICANTS	5		
MORRIS® LUBRICANTS	123		
MOUNTINGS			
ENGINE & GEARBOX	11		
N			
NUMBER PLATE LAMP	97		
O			
OIL	123		
OIL COOLERS	16		
OIL FILTER	6		
OIL PUMP	6		
OVER MATS	123		
P			
PARKING SENSORS	106		
PARTICLE FILTER	113, 122		
PAS HOSES	61		
		RADIATOR	23
		REAR FRAME CARRIER	64
		REAR HUB ASSEMBLY	56
		REAR LAMPS	95
		REAR LAMP RIMS	124
		RECOVERY BOTTLE	24
		REFRIGERANT HOSES	118
		RELAYS	101
		S	
		SEALS	90
		SECURITY SYSTEMS	111
		SENSORS	
		AIRBAG	110
		CONTROL PANEL	115
		ENGINE SENSORS	102
		PARKING SENSORS	106
		SENSORS & MODULES	104
		STEERING SENSORS	55
		SIDE MARKER LAMPS	93
		SIDE INDICATOR	
		REPEATER RIMS	124
		SIDE LAMP RIMS	124
		SIDE WINDOWS	78
		SPARE WHEEL	68
		SPARK PLUG	101
		SPEED CONTROL	98
		SPRINGS & DAMPERS	58
		STARTER MOTOR	98
		STEERING COLUMN	
		COWL	108
		LOWER	61
		SWITCHES	107
		UPPER	60
		STEERING RACK	57
		STEERING SENSORS	55
		STEERING WHEEL	68
		SUMP, GEARBOX	42
		SUPERCHARGER	19
		SUPERCHARGER	
		INDUCTION MANIFOLD	19
		SUPERCHARGER OUTLET	18
		SWITCHES	
		CONSOLE SWITCHES	108
		DOOR SWITCHES	105
		STEERING COLUMN	107
T			
		THERMOSTAT HOUSING	25
		THROTTLE BODY	29
		TIMING CHAIN KITS	12
		TIMING CHAINS	
		& ADJUSTERS	13, 15
		TIMING COVER	12
		TORQUE CONVERTORS	41
V			
		VEHICLE DETAILS	2
		VERTICAL LINK	63
W			
		WASHER SYSTEMS	120
		WATER DEFLECTOR	95
		WATER PUMP	25
		WATER VALVE	116
		WEATHER SEALS	90
		WHEELARCH	
		COMPONENTS	88
		WHEELS & ANCILLARIES	66
		SPARE WHEEL	68
		WINDOWS	
		FIXED GLASS	83
		SIDE WINDOWS	78
		WINDSCREEN	122
		WINDSCREEN AIR	
		INTAKE & GRILLE	88
		WING PANELS	72
		WIPERS	120,
		WIRING LOOMS	109
		WISHBONES	
		FRONT	62
		REAR	65



# Order your parts online...

- ✓ Modern and dynamic look
- ✓ Easier and faster Parts Finder for easier ordering
- ✓ Updated illustrations for E-Type and XK
- ✓ Multi-lingual including French, Dutch and German
- ✓ Phone and tablet compatible



**LOG ON TODAY**  
wherever you are

[www.sngbarratt.com](http://www.sngbarratt.com)

ALL MODELS COVERED • UPGRADES • PARTS MADE IN HOUSE  
OVER 50,000 PARTS AVAILABLE • EASY ONLINE ORDERING

S·N·G  
**BARRATT**  
GROUP

[www.sngbarratt.com](http://www.sngbarratt.com)