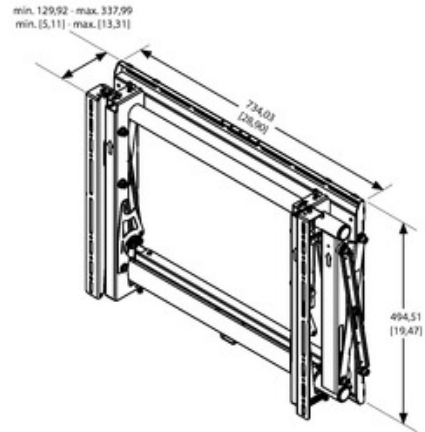


PFW 6870 Video wall pop-out module

PFW 6870 is a customizable video wall framing system for displays weighing up to 72 kg / 160 lbs. with a mounting pattern of 200 x 200 to 600 x 400mm. It features multi-monitor stacking, spring-loaded release, open design, custom spacers, top adjustable mounting brackets and straight scissor-style extension.

Min. size of TV	37"
Max. TV size	65"
Max. weight of TV (kg)	72
Guarantee	5 years
Hole pattern (mm)	min 200x200 / max 600x400



PFW 6870 Video wall pop-out module

Optional dedicated spacers dramatically reduce installation time. Spacers are available for the most used video wall displays or monitors.

Features

- VESA fitment min. 200x200 mm, max 600x400 mm
- Optional custom display spacers, see our website for the latest list of available spacers
- Leveling, height, lateral and depth adjustment
- Spring loaded pop-out mechanism

Logistic information

EAN Code Product	8712285323461
Net weight (kg)	20.41
Single Box Width (mm)	889
Single Box Length (mm)	596
Single Box Height (mm)	139