

PFW 6880 is a slim video wall pop- out module with a distance between display and wall of only 50mm. It features a spring-loaded push to open release, by gently pushing on the display. Custom spacers to reduce installation time are available on request for the most used video wall displays.

Black

5 years

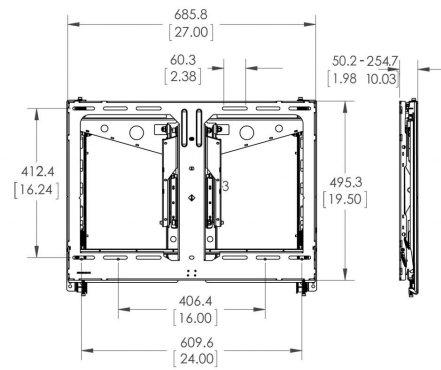
50

37"

65"

45.5

Min. 200x200 / Max. 600x400



The PFW 6880 are suitable for displays weighing up to 45.5 kg / 100 lbs. with a mounting pattern of 200 x 200 to 600 x 400mm.

- Leveling, height, lateral and depth adjustment
- Optional custom display spacers, see our website for the latest list of available spacers
- Spring loaded pop-out mechanism
- VESA fitment min. 200x200 mm, max 600x400 mm

8712285329227

17.11

806

622

121