

5. Press **✓** to select **PRINT QUALITY**.
6. Press **▼** to highlight **CALIBRATE NOW** (HP Color LaserJet 5500 models) or **FULL CALIBRATE NOW** (HP Color LaserJet 5550 models).
7. Press **✓** to select **CALIBRATE NOW** (HP Color LaserJet 5500 models) or **FULL CALIBRATE NOW** (HP Color LaserJet 5550 models).
8. Wait for the printer to calibrate.

Use the following steps to reset the transfer unit count:

1. Press **✓** HP Color LaserJet 5500) or **MENU** (HP Color LaserJet 5550 models) to open the **MENUS**.
2. Press **▼** to highlight **CONFIGURE DEVICE**.
3. Press **✓** to select **CONFIGURE DEVICE**.
4. Press **▼** to highlight **RESETS**.
5. Press **✓** to select **RESETS**.
6. Press **▼** to highlight **RESET SUPPLIES**.
7. Press **✓** to select **RESET SUPPLIES**.
8. Press **▼** to highlight **NEW TRANSFER KIT**.
9. Press **✓** to select **NEW TRANSFER KIT**.
10. Press **▼** to highlight **YES**.
11. Press **✓** to reset the transfer unit count.

## Replacing the fuser

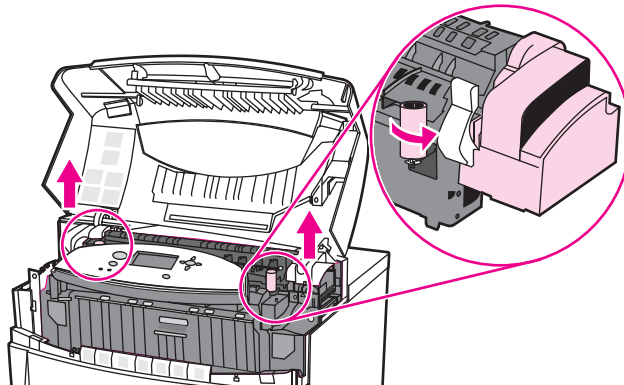
Replace the fuser when the printer control panel displays **REPLACE FUSER KIT**.

1. Turn the printer off.
2. Using the side handles, open the top cover.

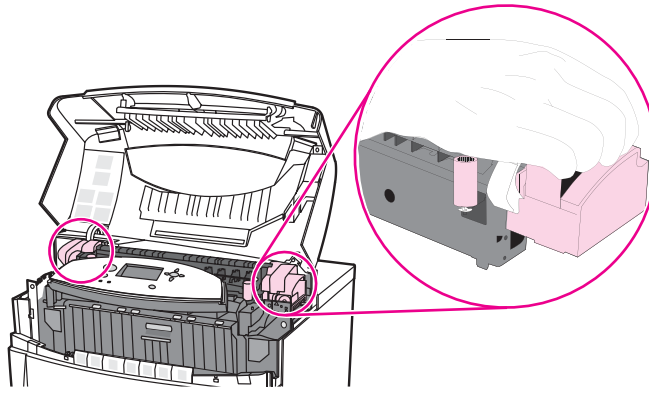
### **WARNING!**

The fuser might be hot. Wait 10 minutes before proceeding.

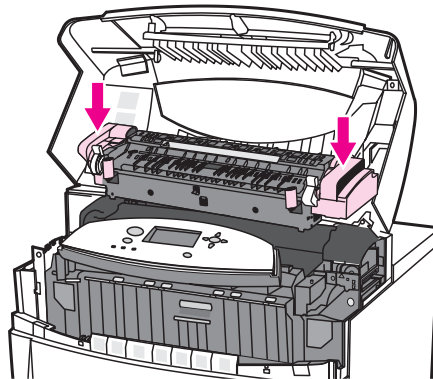
3. Completely loosen the blue thumb screws on either side of the fuser.



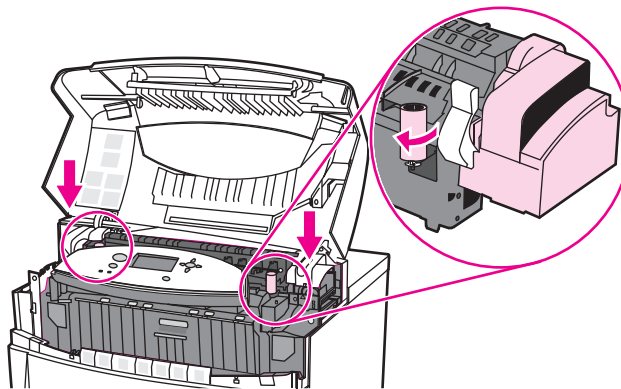
4. Grasp the ends and pull straight up to remove the fuser.



5. Remove the new fuser from the bag.
6. Grasp the sides of the fuser and lower it into the printer. Press firmly to seat it in position.



7. Tighten the blue thumb screws.



8. Close the top cover, and turn the printer on. After a short while, the control panel should display **NEW FUSER KIT**.
9. Press ▼ to highlight **YES**.
10. Press ✓ to select **YES**.
11. Press ▲ to reset the fuser count.

## Replacing the fuser when it is not at end of life

If you replace the fuser when it is not at the end of its life (for example, if it is defective) you will need to reset the fuser count through the control panel.

## Replacing the transfer unit (ETB)

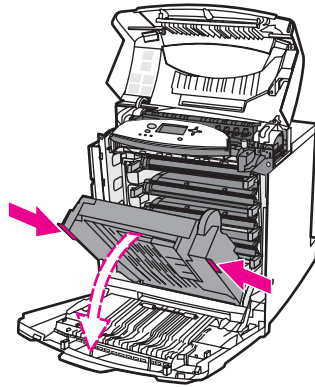
Replace the transfer unit (ETB) when the printer control panel displays: **REPLACE TRANSFER KIT**.

### NOTE

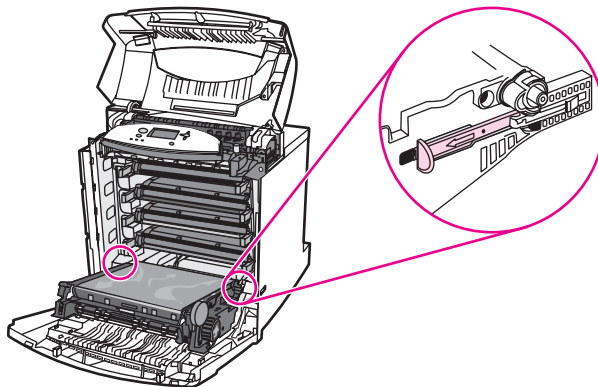
If you replace the transfer unit when it is not at the end of life, for instance if it is defective, you will need to calibrate the printer and reset the transfer unit count through the control panel. See [Cleaning the static discharge comb](#) for instructions.

Clean the static discharge comb whenever you replace the ETB. Use the new cleaning brush that is included with the replacement ETB. See [Cleaning the static discharge comb](#).

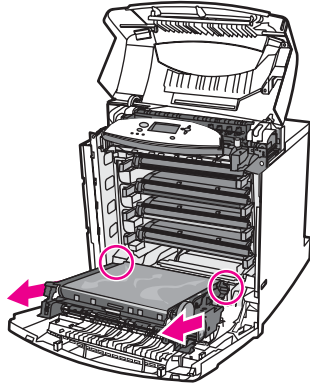
1. Turn the printer off.
2. Using the side handles, open the top cover. Open the front cover.
3. Grasp the green handles on the transfer unit and pull down.



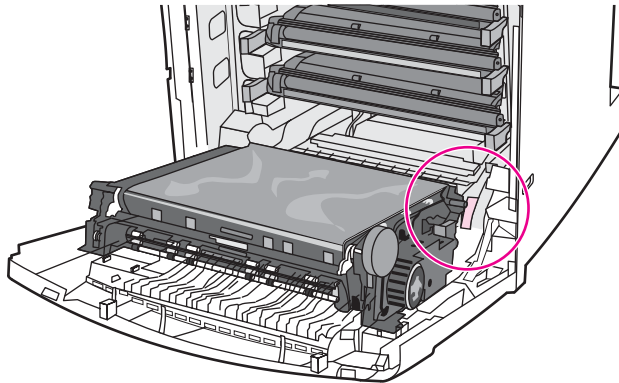
4. Locate the blue release latches on either side of the transfer unit (near the bottom of the transfer unit).



5. Grasp the transfer unit with two hands. Simultaneously pull the release latches on either side of the transfer unit and slide the unit out of the printer.



6. Remove the new transfer unit from the bag.
7. Hold the transfer unit on either side. Guide the feet into the cups and slide the transfer unit into the printer.



8. Close the transfer unit and front cover. Close the top cover and turn the printer on. After a short while, the control panel should display **NEW TRANSFER KIT**.
9. Press ▼ to highlight **YES**.
10. Press ✓ to select **YES**.
11. Press ▲ to reset the transfer unit count.
12. Wait for the printer to calibrate.

## Replacing the transfer unit when it is not at end of life

If you replace the transfer unit when it is not at the end of life (for example, if it is defective) you will need to calibrate the printer and reset the transfer unit count through the control panel.

Use the following steps to calibrate the printer:

1. Press ✓ (HP Color LaserJet 5500 models) or **MENU** (HP Color LaserJet 5550 models) to open the **MENUS**.
2. Press ▼ to highlight **CONFIGURE DEVICE**.
3. Press ✓ to select **CONFIGURE DEVICE**.
4. Press ▼ to highlight **PRINT QUALITY**.

## Multi-purpose tray pickup roller

Use the following steps to remove the multi-purpose tray pickup roller.

### To remove the multi-purpose tray pickup roller

1. Remove the Tray 2 cassette.
2. Unhook the two tabs shown in callout 1, and open the cover.

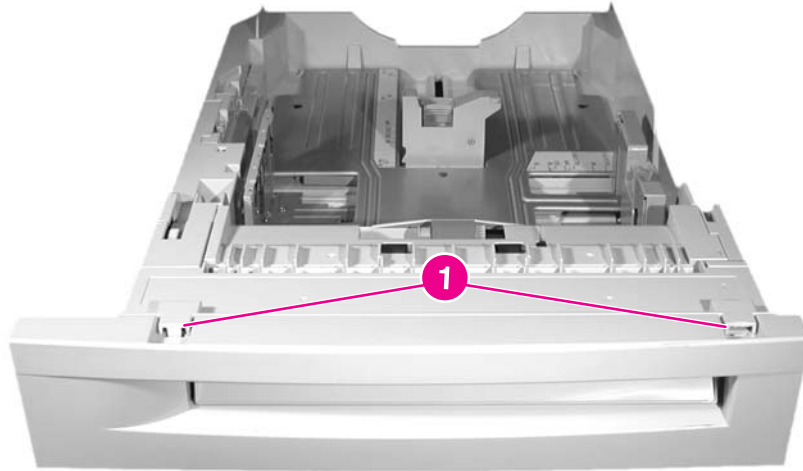


Figure 6-28.

### Removing and replacing the multi-purpose tray pickup roller (1 of 2)

3. Rotate the roller so the blue snap is on top. Release the blue snap by prying it with a flat-blade screwdriver (callout 2).
4. Lift the roller off of the shaft.

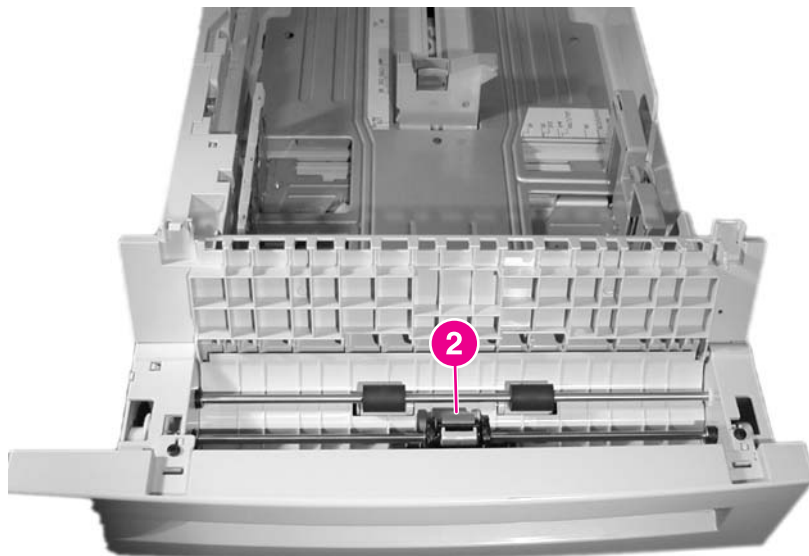


Figure 6-29.

### Removing and replacing the multi-purpose tray pickup roller (2 of 2)

#### NOTE

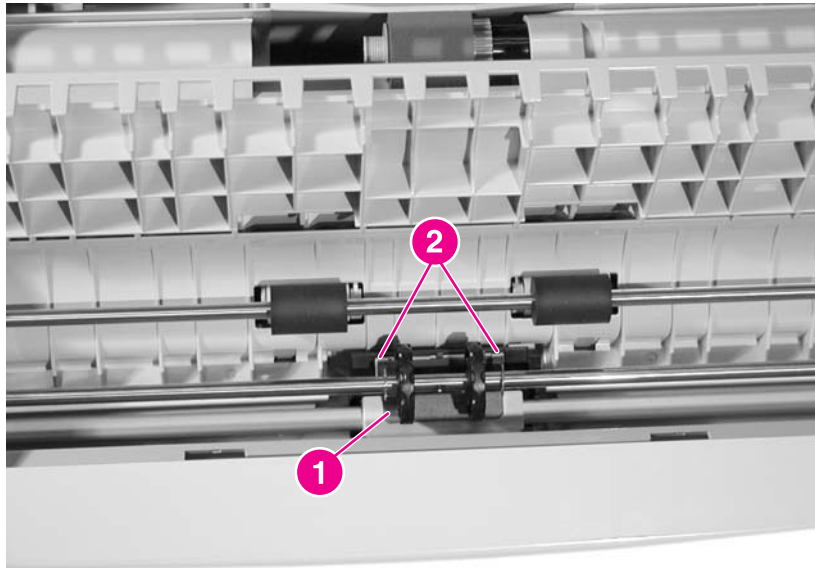
Always replace the separation pad when you replace the multi-purpose tray pickup roller.

## Multi-purpose tray separation pad

Use the following steps to remove the multi-purpose tray separation pad.

### To remove the multi-purpose tray separation pad

1. Remove the multi-purpose tray pickup roller. See [Multi-purpose tray pickup roller](#).
2. To provide easier access to the separation pad, remove the e-clip from either of the black rollers and slide the rollers out of the way (callout 1).
3. Press down on the separation pad holder and unhook the two tabs on the separation pad (callout 2).
4. Rotate the separation pad forward and remove it.



**Figure 6-30.**

**Removing and replacing the multi-purpose tray separation pad**

## Color registration detection unit

Use the following steps to remove the color registration detection unit.

### To remove the color registration detection unit

1. Open the top cover and the front cover.
2. Remove the ETB.

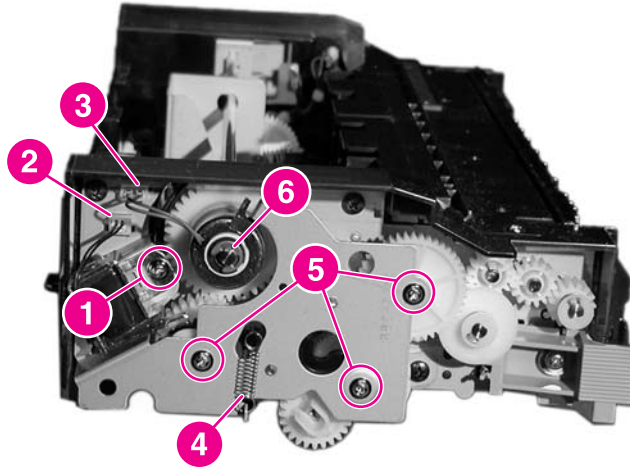
---

#### NOTE

To protect the ETB from damage, always remove the ETB when removing the color registration detection unit.

3. Remove the control panel. See [Control panel](#).
4. Disconnect the connector shown in callout 1.

5. Remove the e-ring shown in callout 6, and remove the clutch.



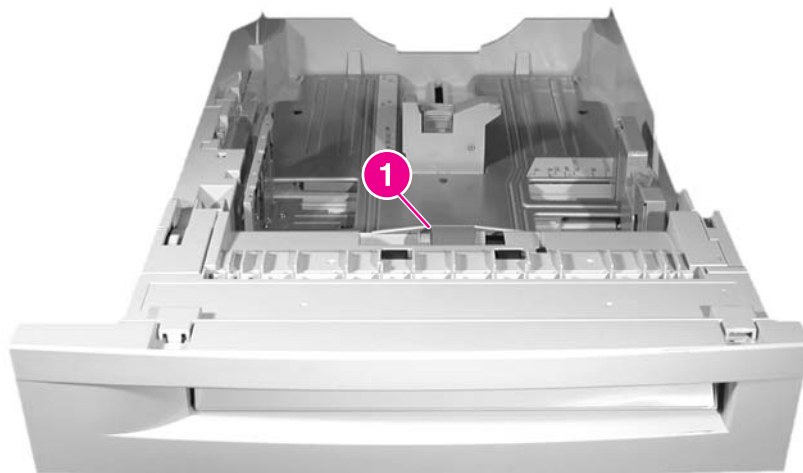
**Figure 6-26.** Removing and replacing the solenoid and clutch

## Cassette separation roller

Use the following steps to remove the cassette separation roller.

### To remove the cassette separation roller

1. Remove the cassette.
2. Pinch the tab on the end of the cassette separation roller (callout 1), and pull the roller out.



**Figure 6-27.** Removing and replacing the cassette separation roller