

Fuser

Several parts must be removed before you can remove the fuser. The following parts are included in this section about removing the fuser:

- Fan
- Duplex-drive gears/face-down gears
- Duplex solenoid
- Fuser

Fan

1. Remove all covers.
2. Disconnect the fan cable (1) at the ECU.

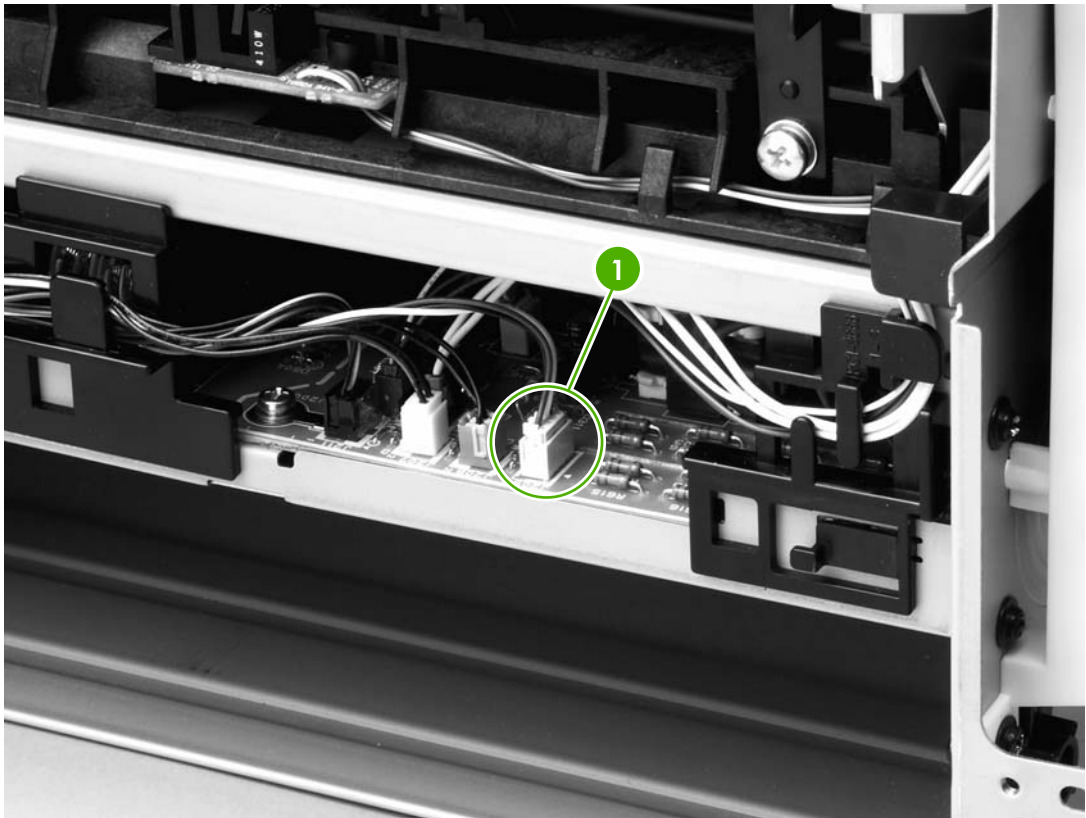


Figure 6-18 Removing the fan (1 of 2)

3. Unthread the fan wires from the retaining clips.
4. Remove two screws (1).

5. Unhook the fan clip (2) and then lift the fan off the printer.

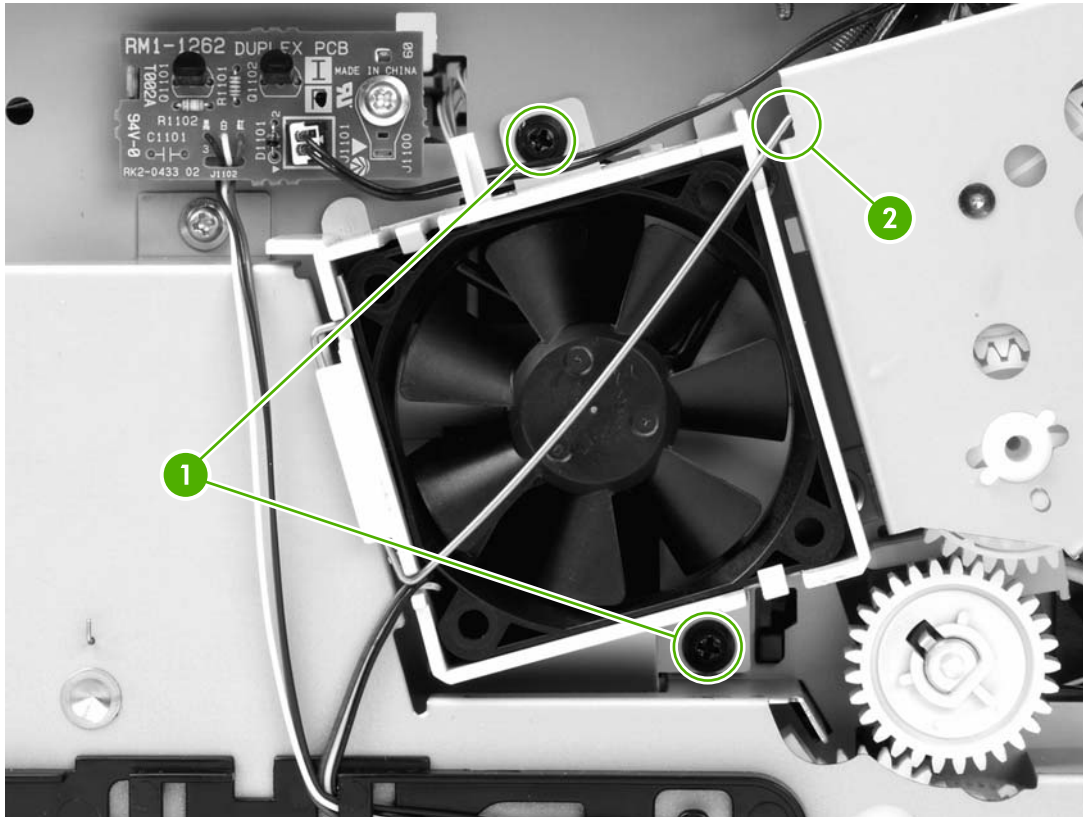


Figure 6-19 Removing the fan (2 of 2)

Duplex-drive gears (HP LaserJet P2015d, P2015dn, and P2015x printers only)

1. Remove all covers.
2. Remove the fan.

3. Remove three screws (1).

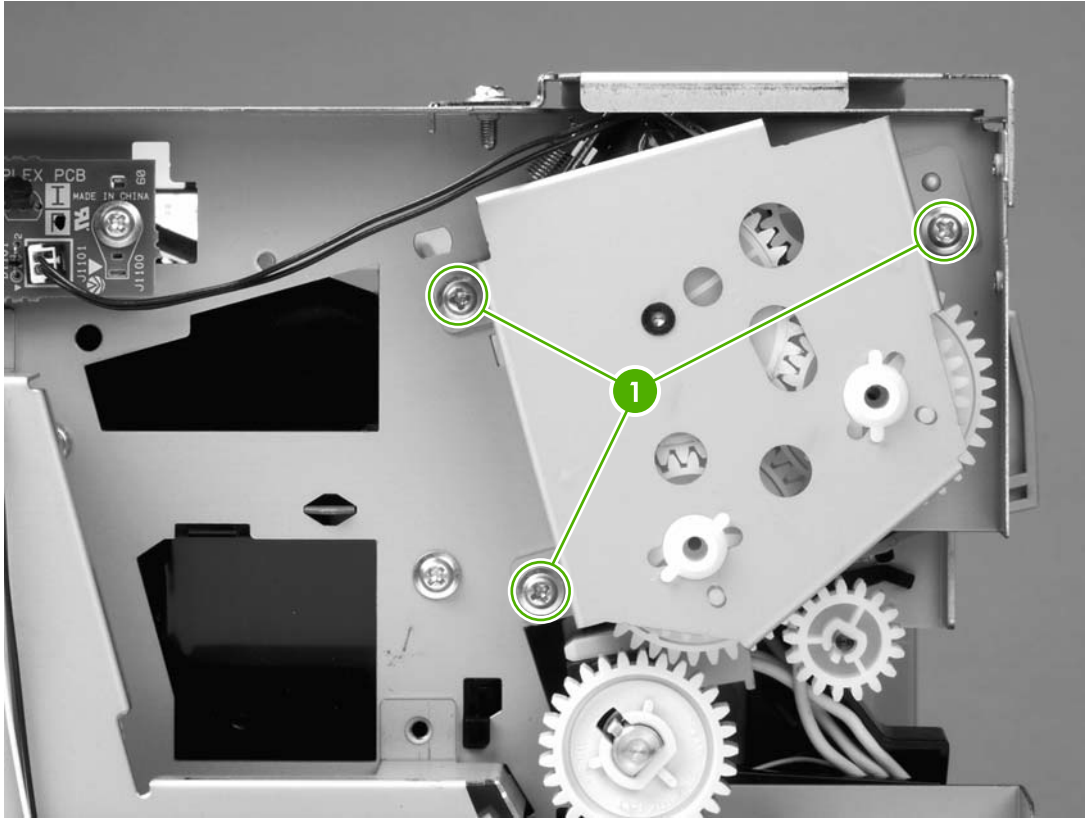


Figure 6-20 Removing the duplex-drive gears (1 of 2)

4. Lift the assembly away from the printer.

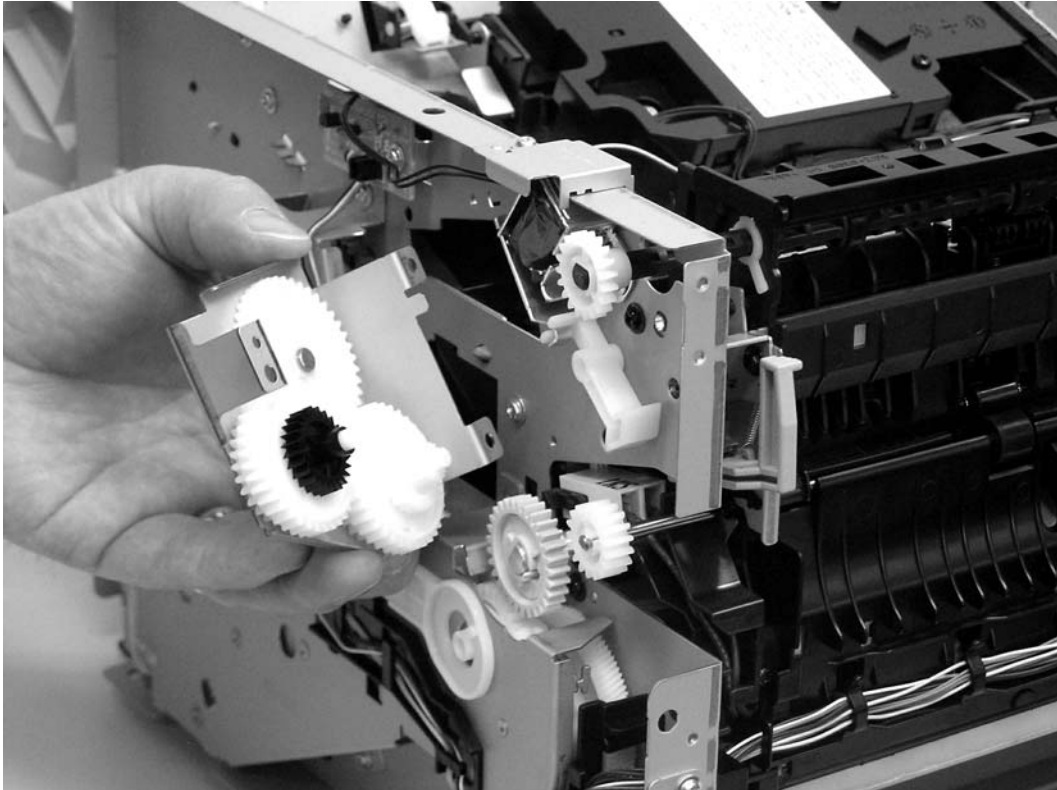


Figure 6-21 Removing the duplex-drive gears (2 of 2)



NOTE The gears are not attached to the gear plate. Carefully remove the gear plate and the gears together to prevent them from falling out of the assembly.

Duplex solenoid (HP LaserJet P2015d, P2015dn, and P2015x printers only)

1. Remove all covers.
2. Remove the fan.
3. Remove the duplex-drive gears.
4. Disconnect one cable (1) at the duplex-drive PCA.

5. Remove one screw (2), and then lift the solenoid off the printer chassis.

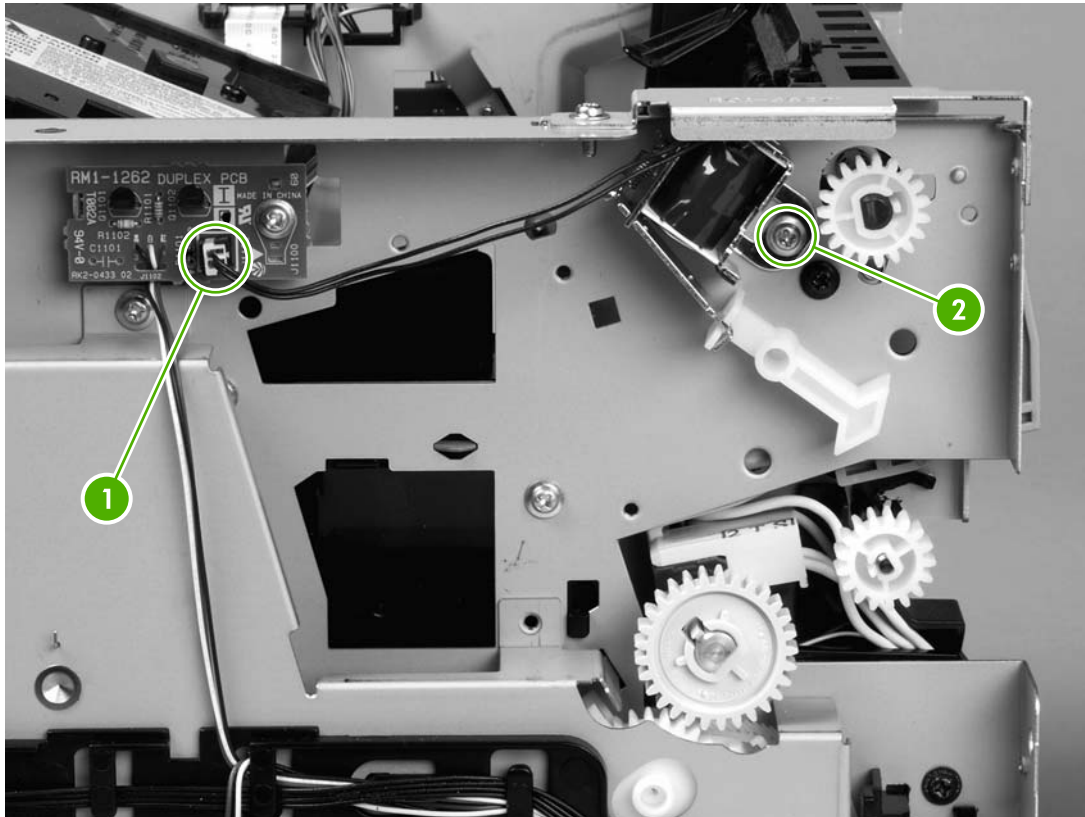


Figure 6-22 Removing the duplex solenoid

Fuser

1. Remove all covers.
2. Remove the fan.
3. Remove the duplex-drive gears or face-down gears.
4. Remove the formatter.
5. On the right side of the printer, press the tabs on two gears (1) to release the gears, and then slide the gears off the shafts.

6. Disconnect one cable (2) on the right side of the printer.

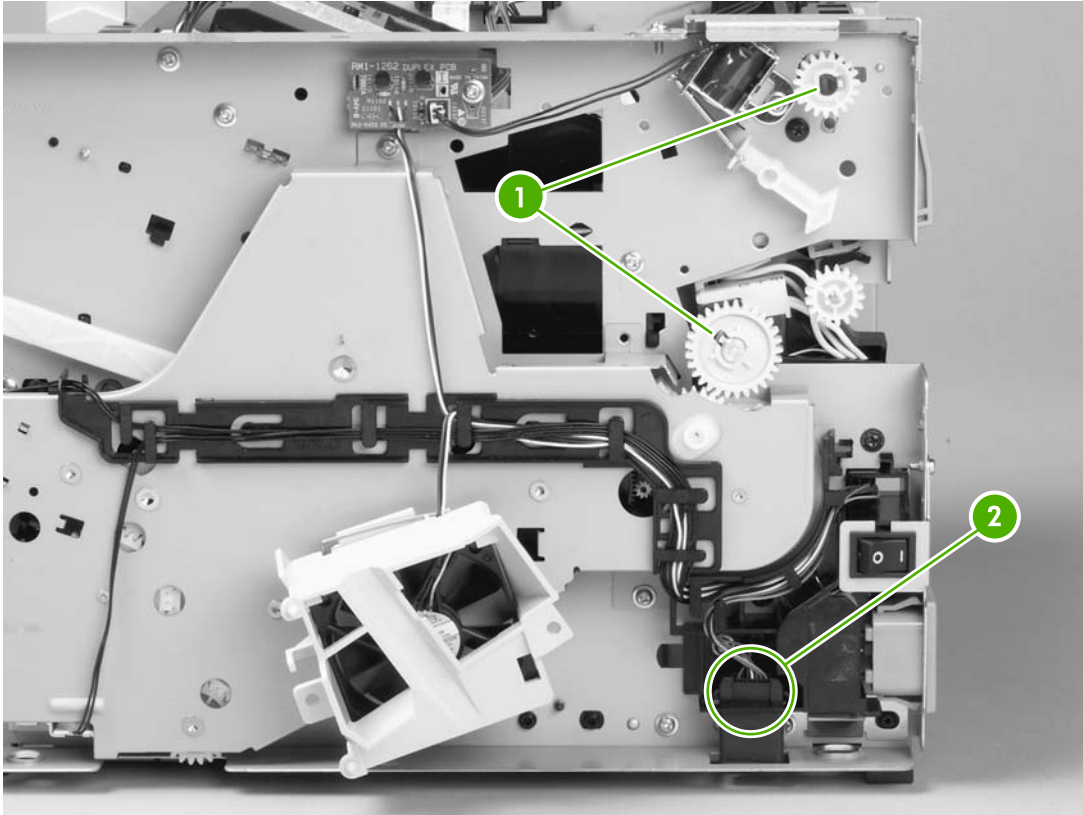


Figure 6-23 Removing the fuser (1 of 10)

7. Disconnect four cables (1) from the ECU, and then disconnect two more cables (2) that were behind the first set.

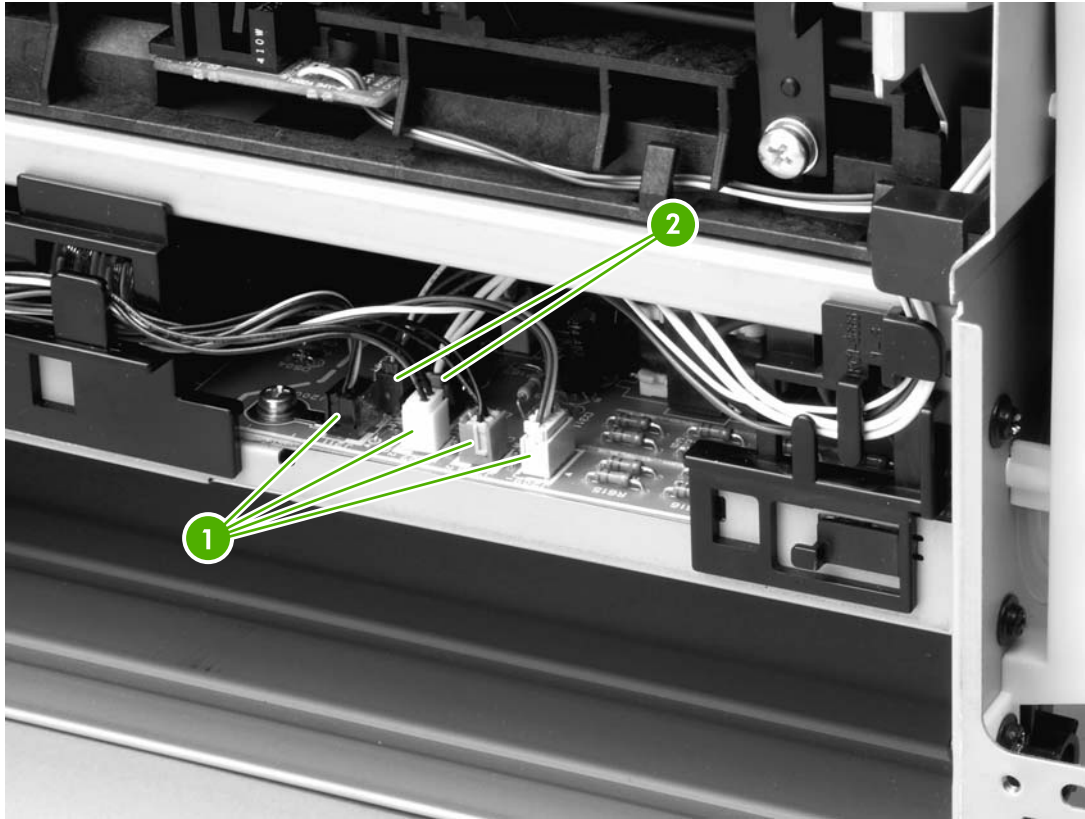


Figure 6-24 Removing the fuser (2 of 10)

8. Pull the tab on the cable holder (1) at the left side of the printer and slide it toward the center to release it from the frame, and then unroute the cables.

9. Pull the tab on the cable holder (2) and slide it toward the center to release it from the frame, and then unroute the cables.

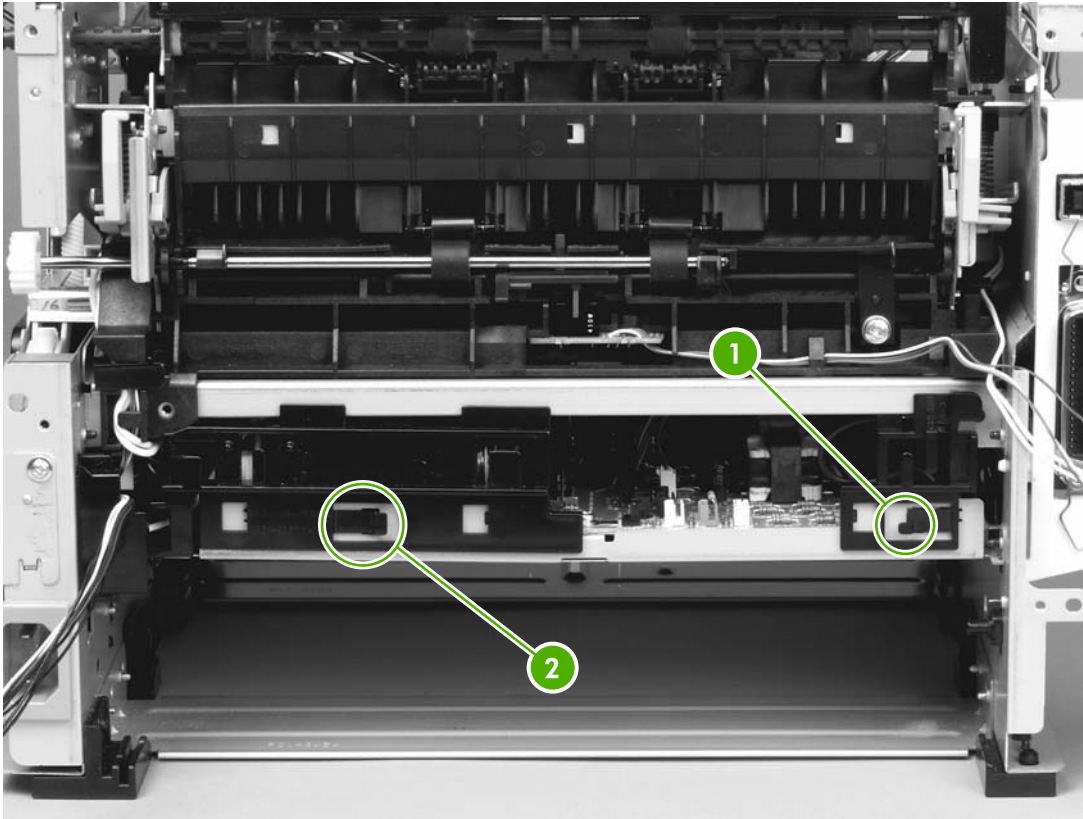


Figure 6-25 Removing the fuser (3 of 10)

10. Remove one screw (1) from the fuser cover, and then slide the fuser cover to the right and remove it.

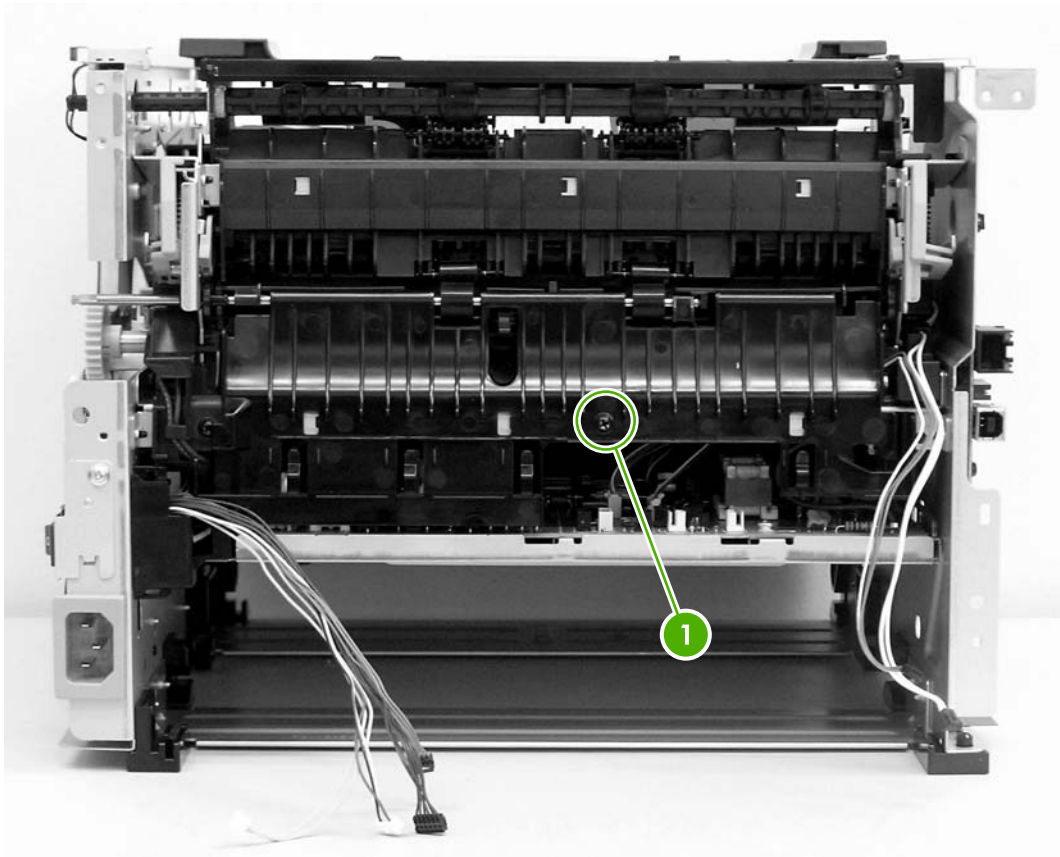


Figure 6-26 Removing the fuser (4 of 10)

11. Disconnect three cables (1).

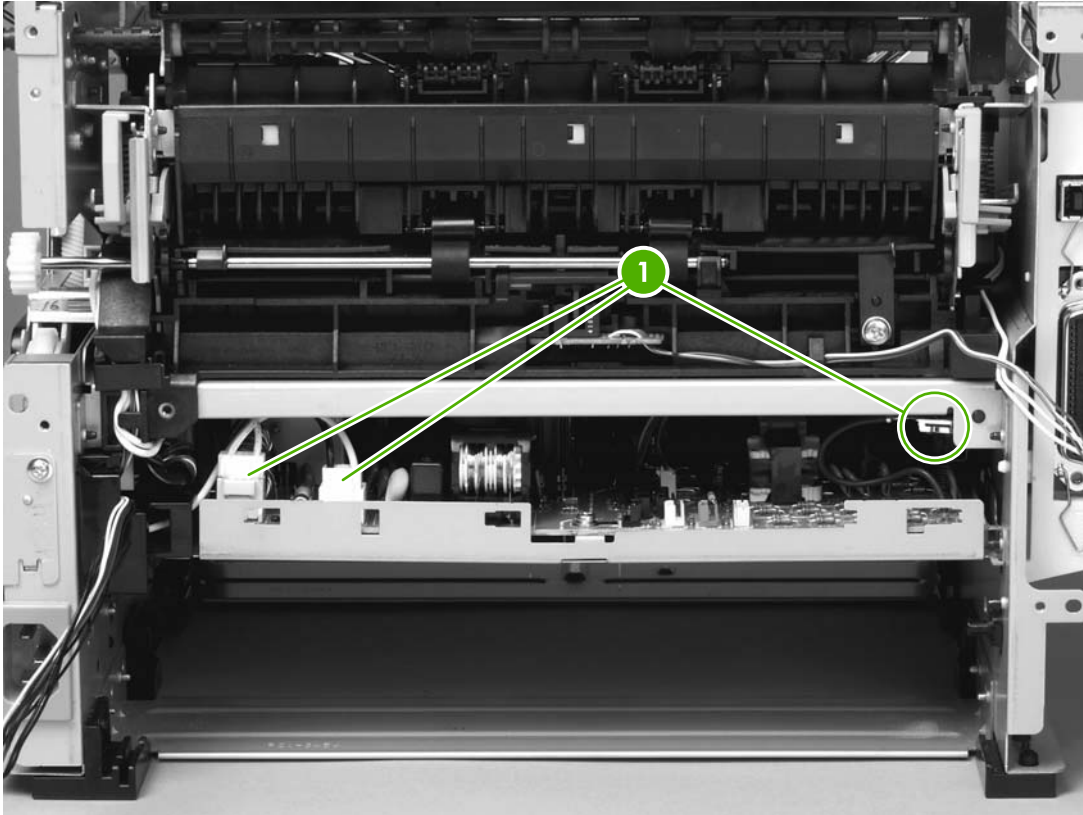


Figure 6-27 Removing the fuser (5 of 10)

12. Disconnect one cable (1), and then unroute the cable from the cable guide.

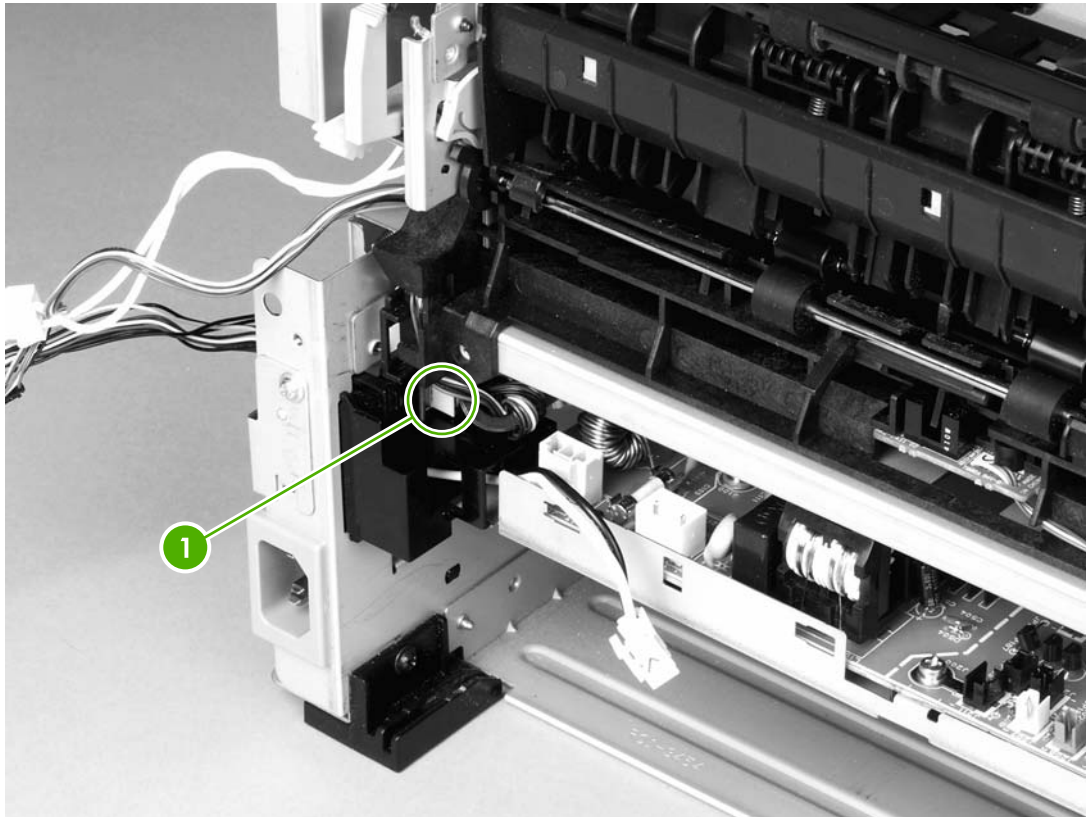


Figure 6-28 Removing the fuser (6 of 10)



NOTE Before you proceed to step 13, make sure that all cables disconnected in previous steps are free from any cable guides and cable holders.

13. Remove three screws (1) on the right side of the printer.

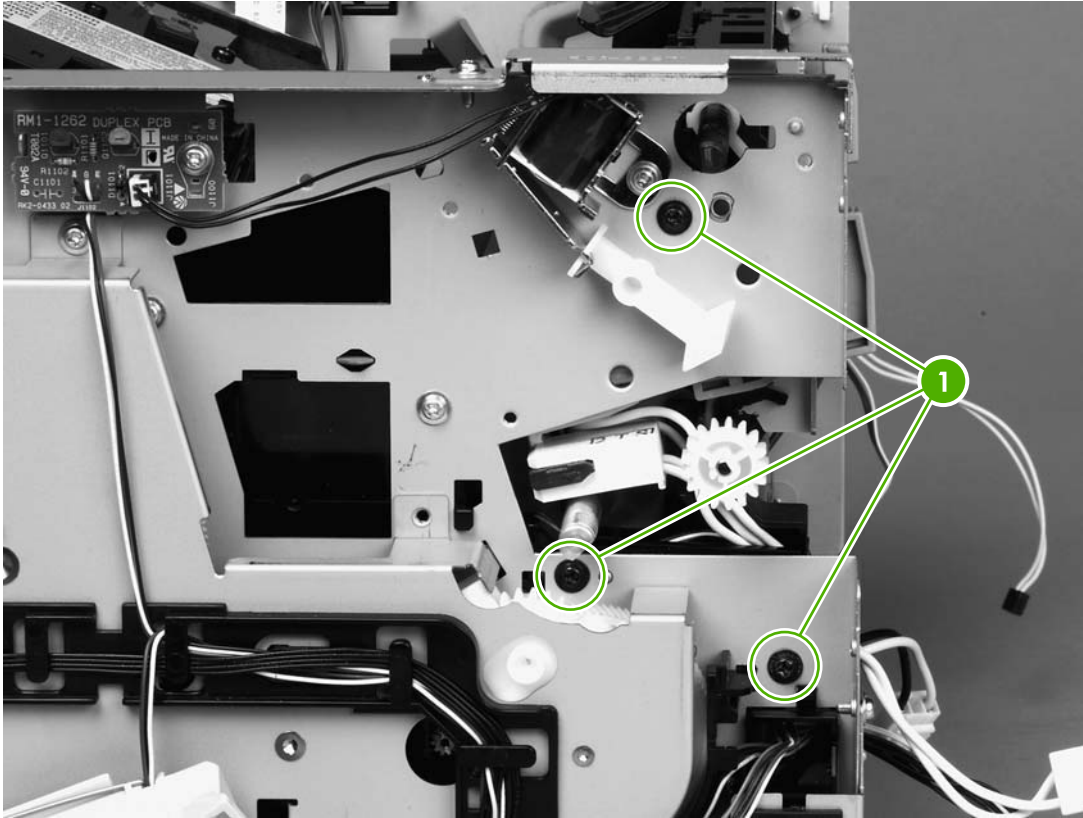


Figure 6-29 Removing the fuser (7 of 10)

14. Remove three screws (1) from the left side of the printer.

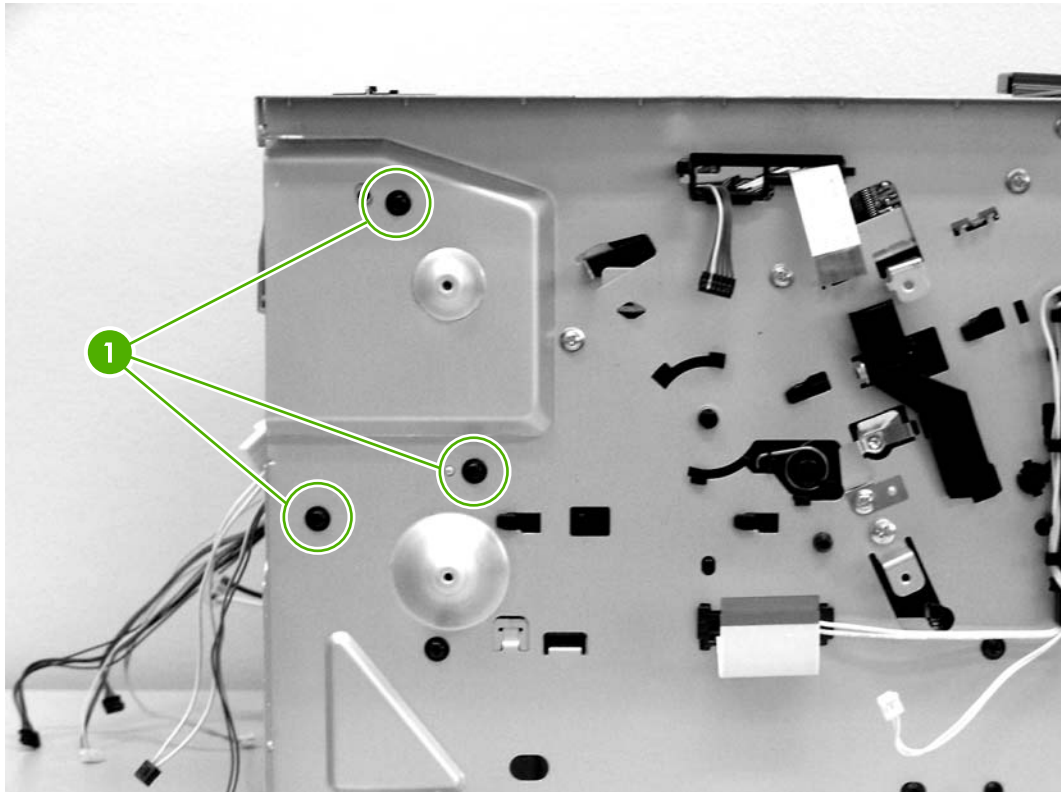


Figure 6-30 Removing the fuser (8 of 10)

15. At the left side of the printer, pull the printer chassis from the top to spread the printer frame and release the fuser from the frame.

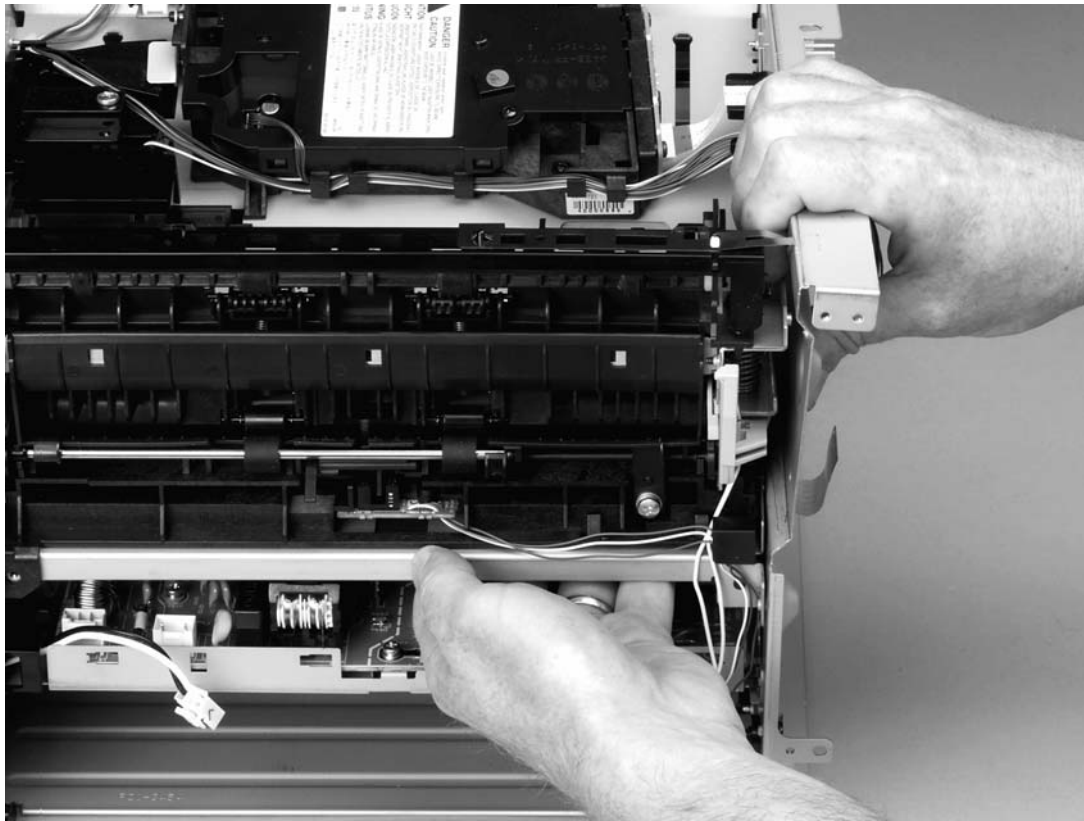


Figure 6-31 Removing the fuser (9 of 10)

16. Pull the fuser out of the printer at an angle so that the delivery roller shaft clears the hole (1) in the chassis.

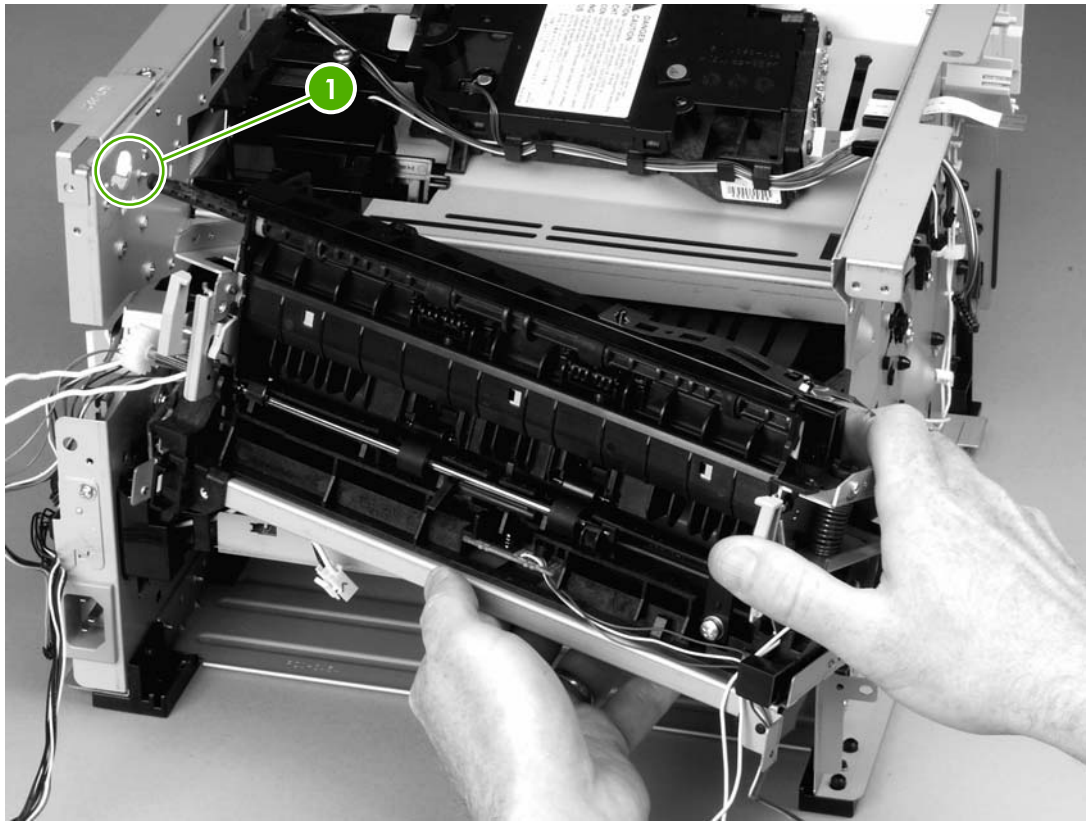


Figure 6-32 Removing the fuser (10 of 10)

Pickup and feed assemblies

This section covers the major assemblies of the pickup and feed system: the transfer roller and the registration assembly.

Transfer roller



NOTE It is important to make sure that the transfer roller needs to be replaced before removing it. Excess handling can cause additional damage.

1. Open the print-cartridge door and remove the print cartridge.
2. Use needle-nose pliers to release the transfer roller tabs at the end of the roller, near the right side of the printer.



CAUTION Do not break the tabs, and do not touch the rollers.

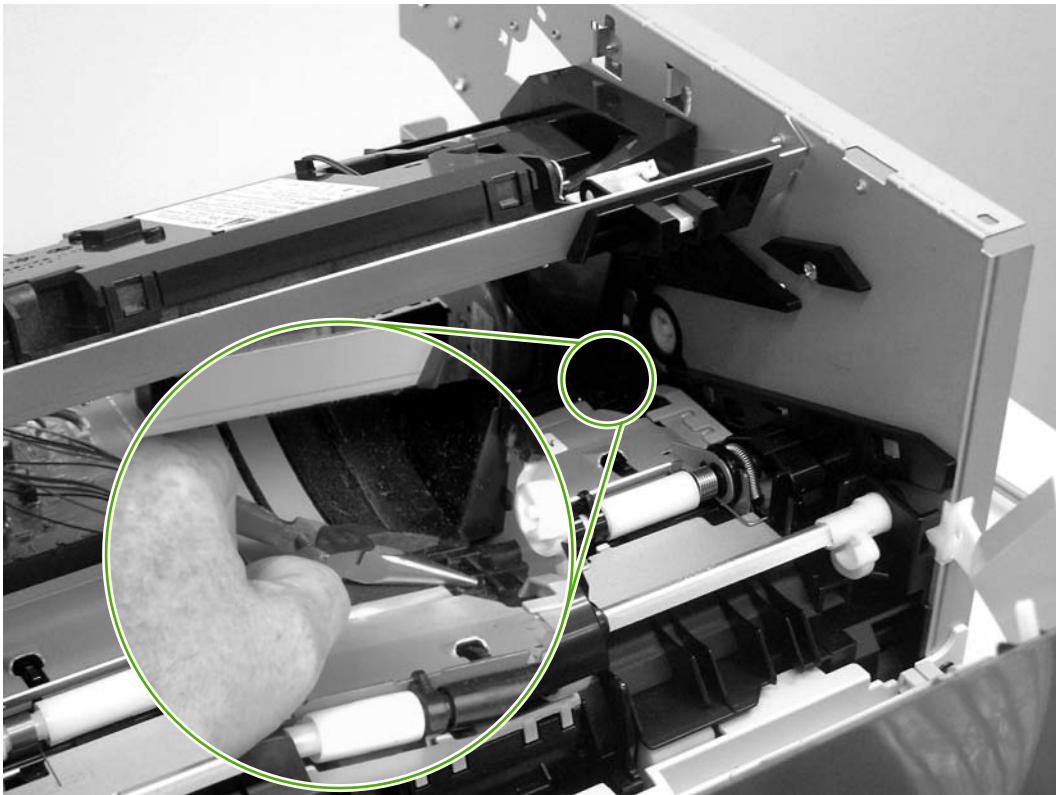
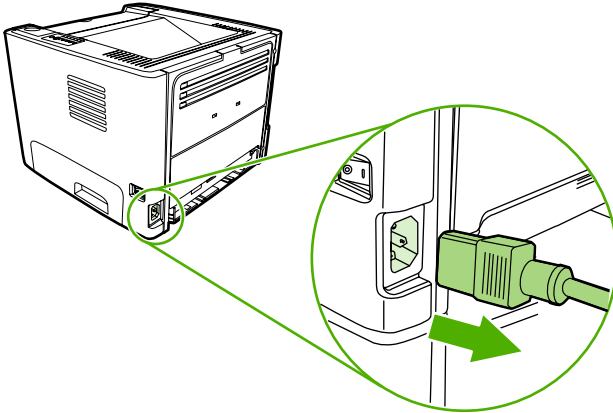


Figure 6-43 Removing the transfer roller

3. Lift up the end of the roller near the right side of the printer, and then slide it toward the right side of the printer while pulling it out of the printer.

Replace the pickup roller (tray 2)

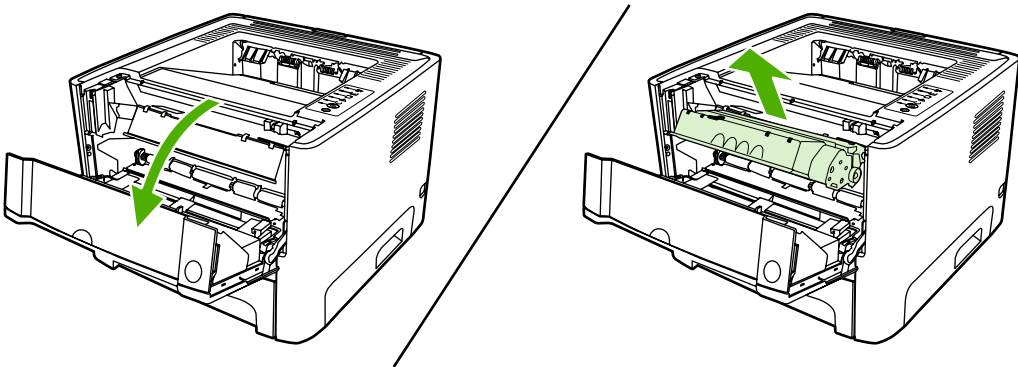
1. Unplug the power cord from the printer, and allow the printer to cool.



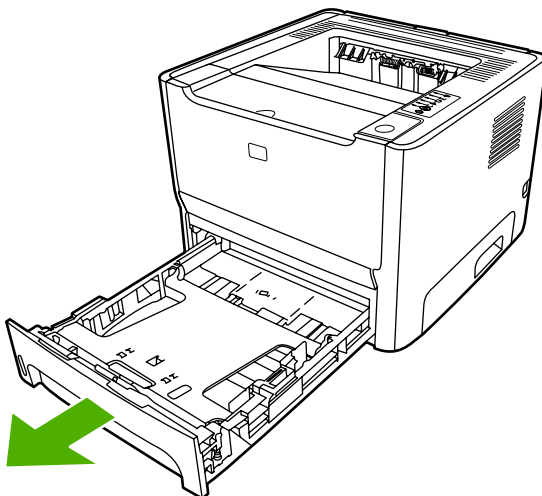
2. Press the print-cartridge-door button, and then remove the print cartridge from the printer.



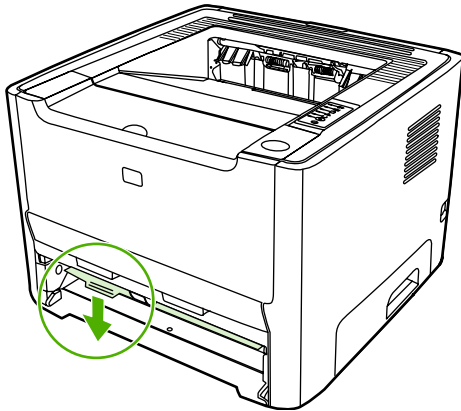
CAUTION After removing the print cartridge, only handle it on the ends.



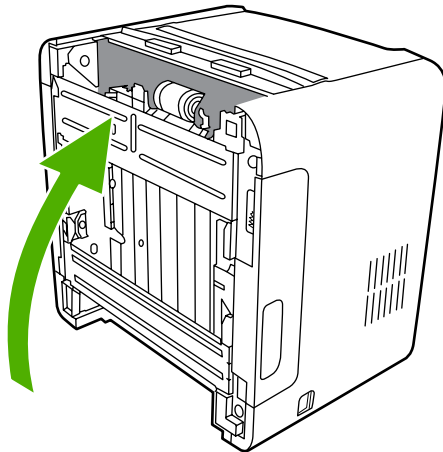
3. Remove tray 2.



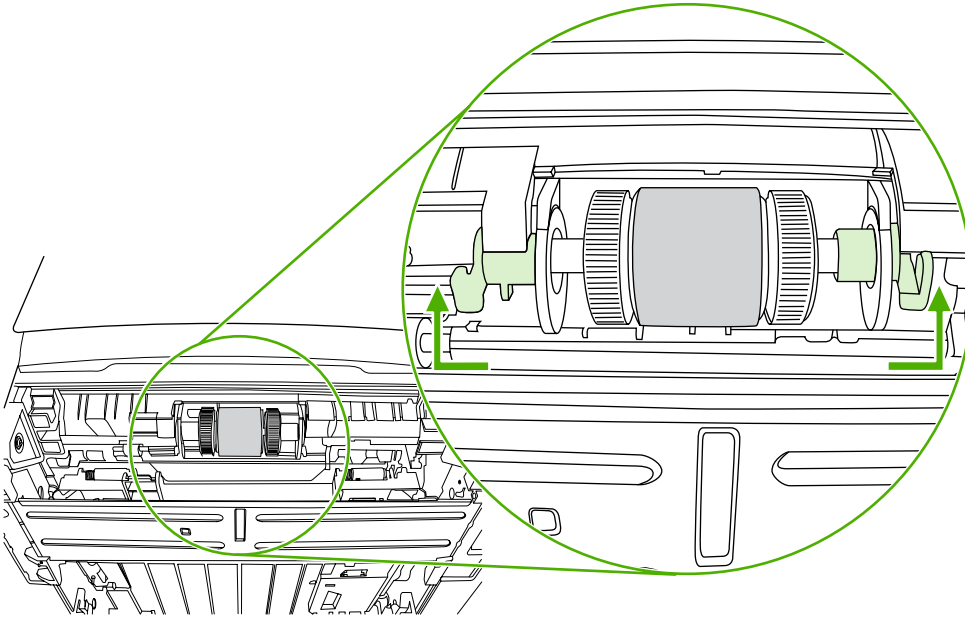
4. Open the automatic two-sided path door on the front of the printer (HP LaserJet P2015d, HP LaserJet P2015dn, and HP LaserJet P2015x printers only).



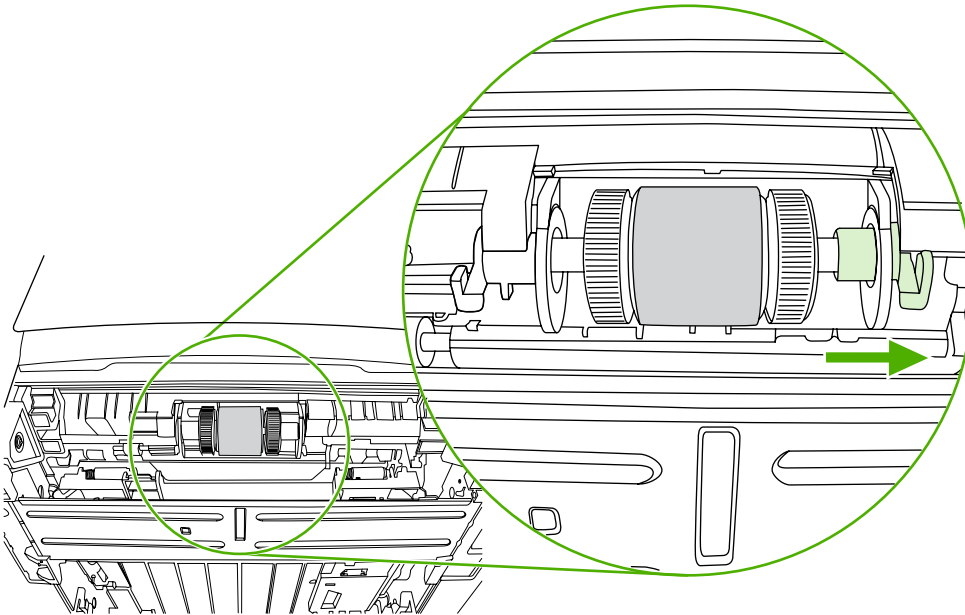
5. Place the printer on the work surface with the front of the printer facing up.



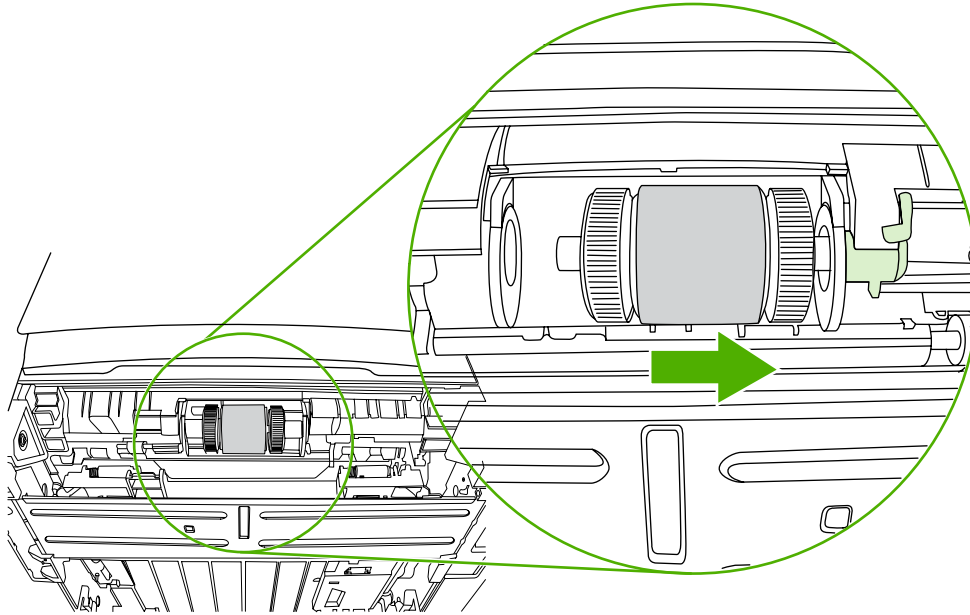
6. Pull the white tabs outward, and rotate the tabs up.




7. Slide the right tab to the right, and leave the tab in this position throughout the procedure.

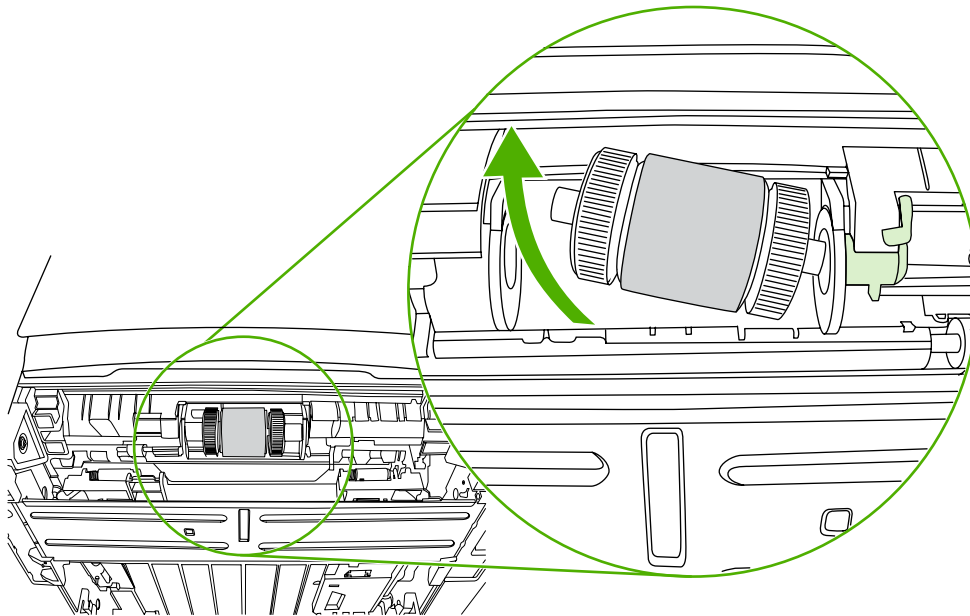


8. Slide the pickup roller assembly to the right, and remove the left end cap.

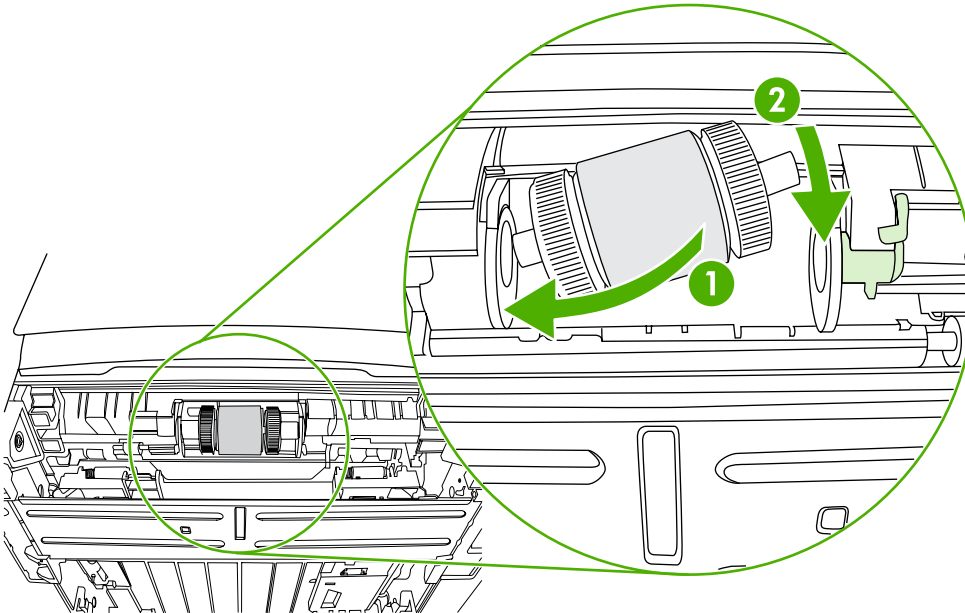


9. Remove the old pickup roller.

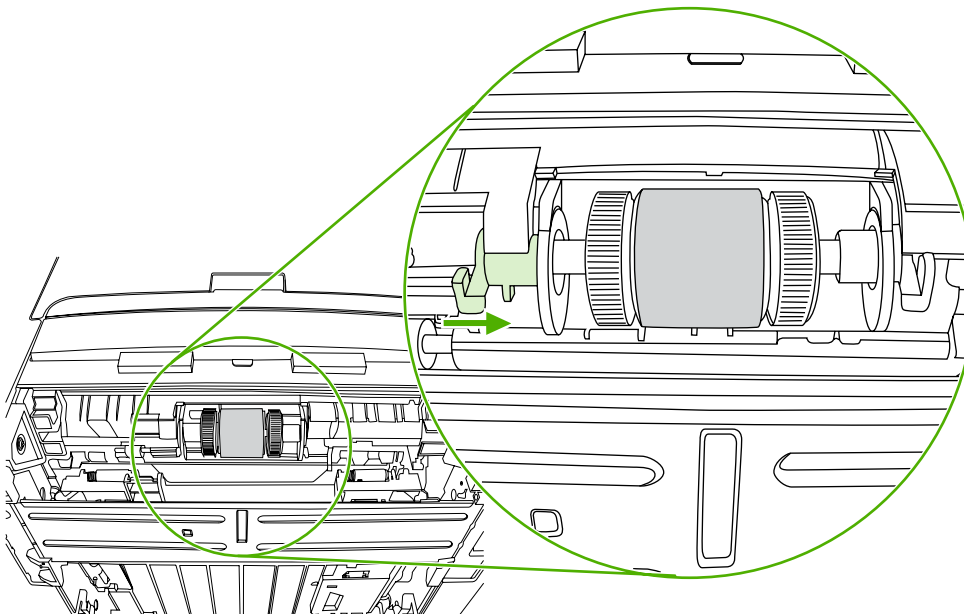
 **CAUTION** Do not touch the pickup-roller pad.



10. Insert the left side of the new pickup roller into the left slot (1), and insert the right side (the side that has the notches in the shaft) into the right slot (2).

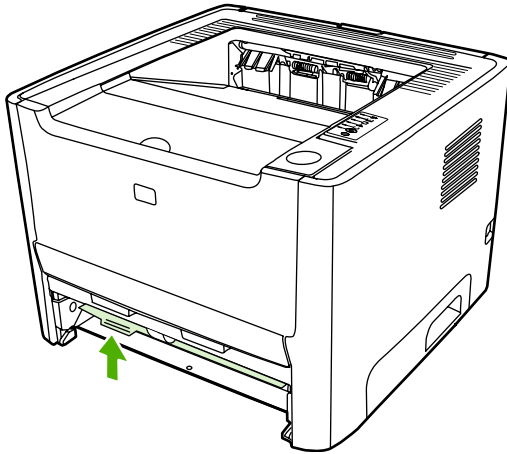


11. Place the end cap over the shaft on the left side, push the end cap to the right, and rotate the tab downward into position.

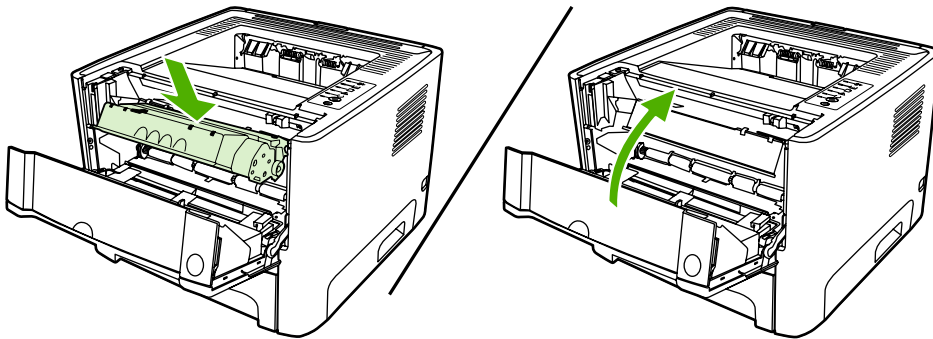


12. Rotate the shaft until the notches engage and the shaft clicks into place.
13. Push the right tab to the left, and rotate the tab downward into position.
14. Place the printer on the work surface with the top of the printer facing up.

15. Close the automatic two-sided path door.



16. Reinstall the print cartridge, and close the print-cartridge door.



17. Plug the printer in to turn it back on.

