



Product Catalog

Table of Contents

Exterior Lighting Products 3 - 19

Interior Lighting Products 20 - 63

LED Lamps 64 - 79

Parts 81 - 85



Exterior Lighting Products



AREA LIGHT SERIES

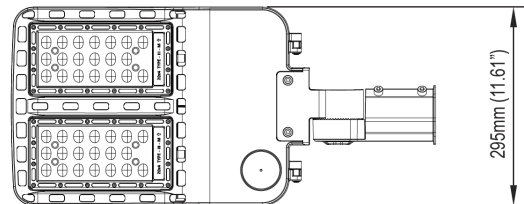
The LEDS Area Lights are perfect for new construction, retrofit and lighting upgrade solutions. High output and top of the line specifications. Available in multiple wattage and lumen output configurations to meet any lighting application. Type 4 & 5 available.

FEATURES

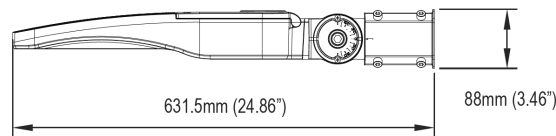
- Lumileds LEDs: High efficacy, long life
- High efficiency driver: 120V – 277V
- Die-cast aluminum construction for superior thermal management.
- Premium optics for even light distribution, Utilization and control.
- 5-Year Warranty

STRUCTURE FEATURES

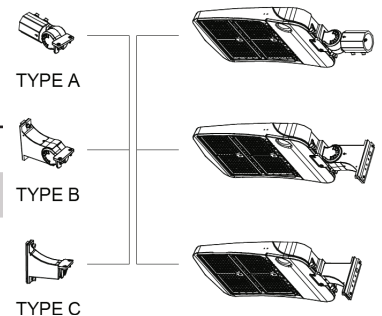
- Shell materials: Aluminum & PC
- Finish: Dark Bronze/White
- Net Weight: 2.9Kg (6.4 lbs)
- Product Size: 631.5mm * 295mm * 88mm
- Carton Size: 390mm * 267mm * 185mm



Accessories	Order Code
Glare Shield	AL1210SHIELD



Mount Type	Order Code	Part #
Slip Fitter (A)	AL6660	AL-SF-002
Square Pole Mount (B)	AL6661	AL-SP-002
Round Pole Mount (C)	AL6662	AL-RP-002



Order Code	Part Number	Watts	Lumens	CCT	Input	Voltage
AL1210	AL-G4-15050-MV	150	18000	5000	>80	120-277
AL1112	AL-24050-MV	240	28000	5000	>80	120-277



AREA LIGHT SERIES

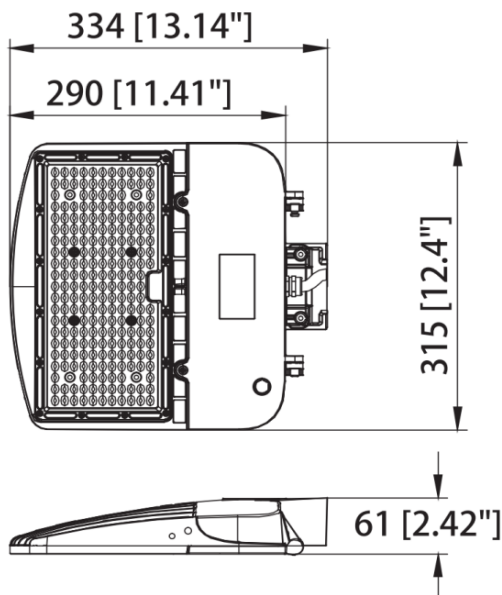
The LEDS Area Lights are perfect for new construction, retrofit and lighting upgrade solutions. High output and top of the line specifications. Available in multiple wattage and lumen output configurations to meet any lighting application. Type 4 & 5 available.

FEATURES

- Energy Saving 150 Watt Integrated LED
- Lasts 45 Years* or 50,000 Hours Continuous Use
- Maintenance Free - No Bulb Replacements
- 5-Year Limited Warranty



Model Number	Part Number	Watts	IP Rating	CCT	Input	Voltage	Product Dimensions(in)
AL1211	AL-15050-MV	150W	IP65	5000K	>80	120-277	11.68x12.40x2.69



ACCESSORIES

Accessories	Model Number	Part Number
Slip-fitter mount	AL7770	AL-SF-003
Round pole mount	AL7771	AL-RP-003
Glare Shield	AL1211SH	N/A



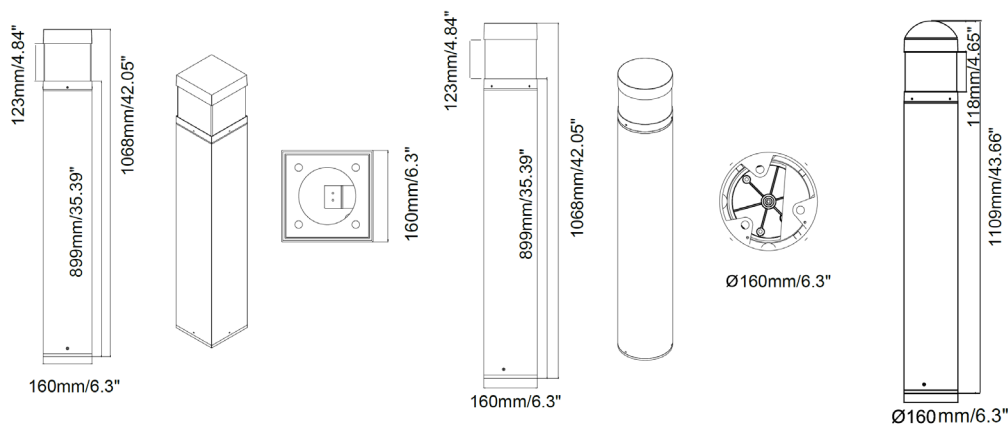


FLOOD LIGHT SERIES

Bollards are designed for walkways, entrance ways, drives and other small-area lighting applications where low mounting heights are desirable.

FEATURES

- Samsung 2835 LED Chips
- Corrosion resistant aluminum for exterior
- Wattage & CCT selectable
- Choice of housing color
- Design options: round, square, dome
- Anti-UV PC Lens. Won't yellow during warranty period
- Salt-Spray tested for outdoor weatherproof
- Lens option: Cone or Louver type
- IP65 rated against dust and water
- 5-year warranty



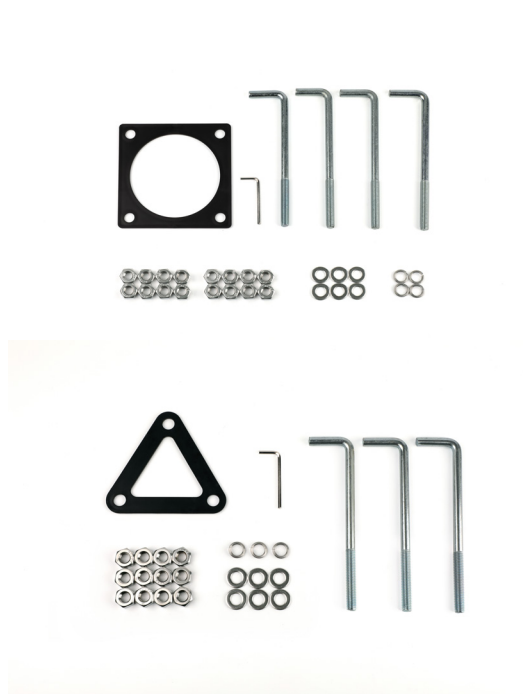
ORDERING INFO: BW-BL-X-22-X-X

Company Name	Product Category	Shape	Wattage	CCT	Photocontrol
BW=Bestwon	BL=Bollard Light	R=Round S=Square D=Dome RL=Round Top with louver reflector DL=Dome Top with louver reflector	W=22W only S=Max. 22 W with switch phase 1, 2, 3 Max 22W Mid 16W Min 12W	3=3000k 4=4000k 5=5000k S=3000/4000/5000K Selectable	P=Photosensor Blank=N/A

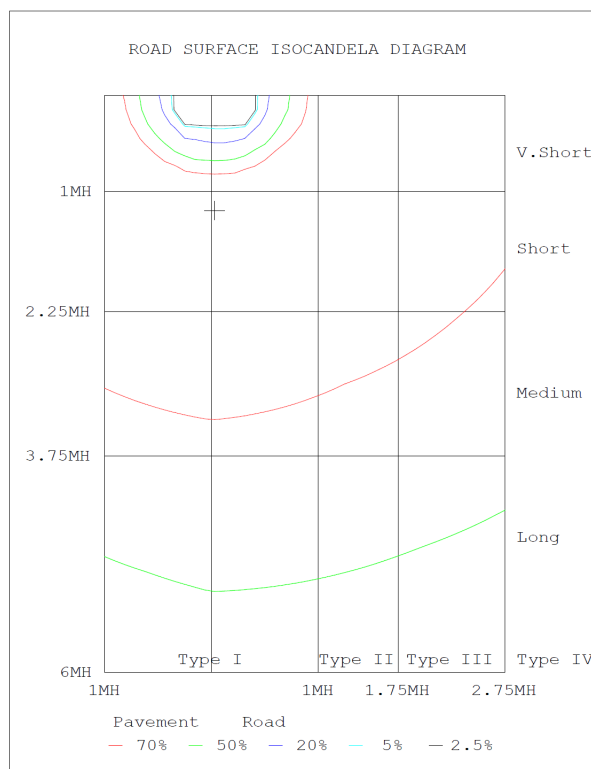
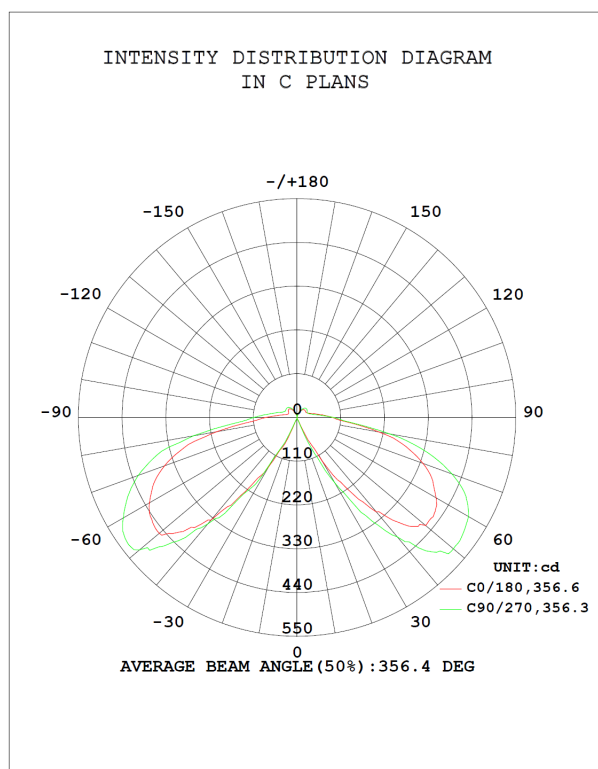
TECHNICAL PARAMETERS

ACCESSORIES

	BW-BL-X-22-X-X
Power	22W (12-22W selectable)
Input Voltage	AC120-277V
PF	>0.9
Luminous Flux	2,860lm ± 5%
Color Temperature	3000K, 4000K, 5000K(CCT Tunable Option)
CRI	Ra>80
SPD	10KV
LED	Samsung 2835
Power Supply	Weledpower (0-10V dimming)
Size	Φ 6.3" x 42.05"
IP Rating	IP65
Working Temperature	-40°F~122°F
Warranty	5 years



PHOTOMETRICS





CANOPY FIXTURE SERIES

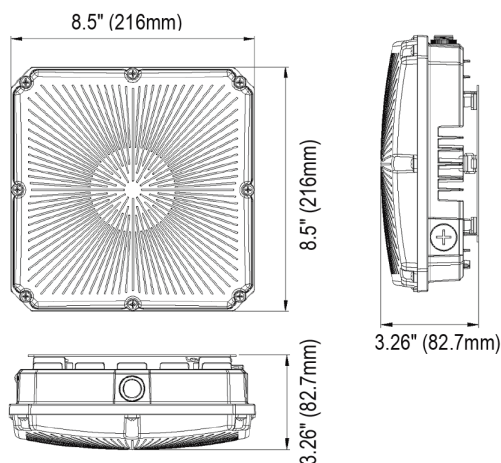
The LEDS Canopy Fixtures offer high quality, energy efficient performance and are the perfect fixtures for parking garages, car ports, and underpasses. Available in multiple wattage and lumen output configurations to meet any lighting application.

FEATURES

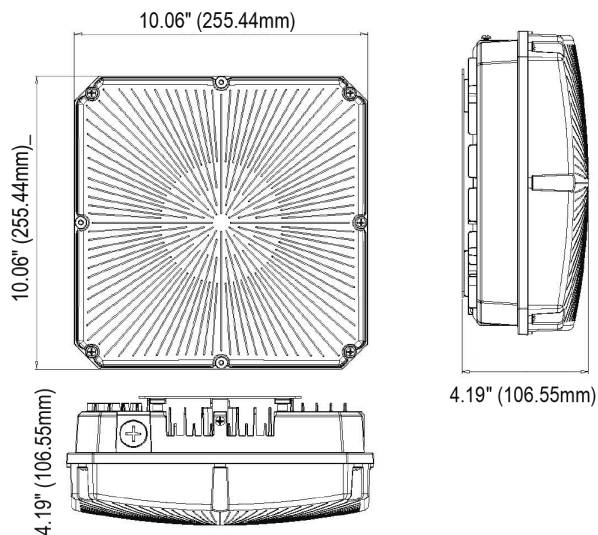
- Fins and advective grooves give superior heat dissipation.
- Professional light distribution & high light reflectors for remarkable performance.
- -22°F to 122°F Operating Temperature
- UL Wet Location Listed
- 5-Year Warranty brands of dimmers.



8.5" 40W



10" 70W



Order Code	Part Number	Size	Watts	Lumens	CCT	Input	Voltage
CP4050	CP-8.5-4050-MV	8.5"	40	4800	5000	>80	120-277
CP7050	CP-10-7050-MV	10"	70	8400	5000	>80	120-277

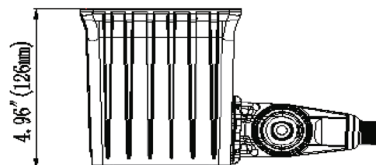
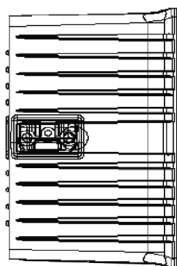
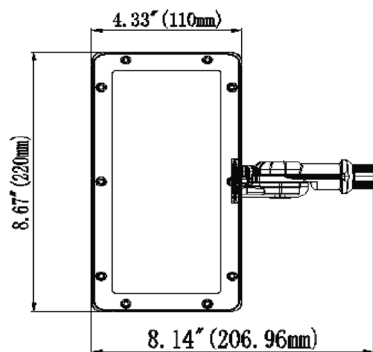


FLOOD LIGHT SERIES

The LED Flood Lights are perfect for new construction, retrofit and lighting upgrade solutions. High output and top of the line specifications. Available in multiple wattage and lumen output configurations to meet any lighting application.

FEATURES

- Lumileds LEDs: High efficacy, long life
- High efficiency driver: 120V – 277V
- Die-cast aluminum construction for superior thermal management.
- Premium optics for even light distribution, Utilization and control.
- 5-Year warranty



Shipping Information

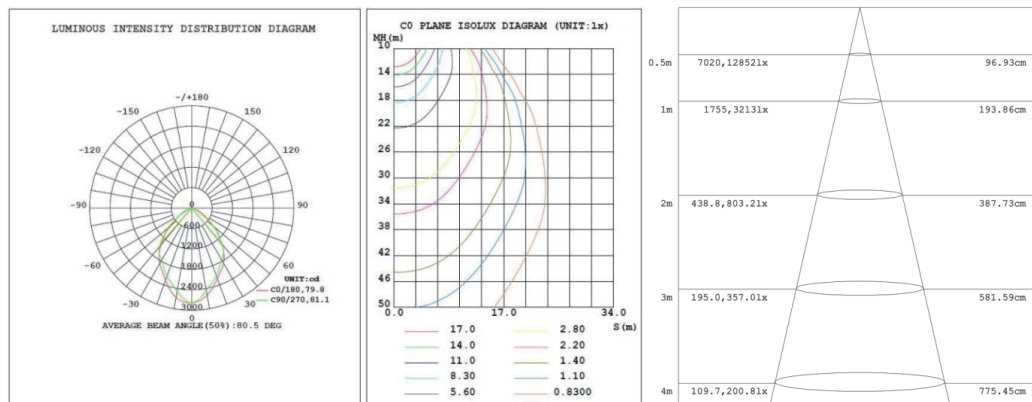
Order Code	Unit	Weight	Width	Length	Height
FL1111	Product	2.60 kg	220 mm	182.24 mm	110 mm
FL1111	Carton	13.15 kg	265 mm	190 mm	180 mm
FL1112	Product	2.90 kg	220 mm	182.24 mm	110 mm
FL1112	Carton	14.35 kg	265 mm	190 mm	180 mm

Order Code	Part Number	Watts	Lumens	CCT	Input	Voltage
FL1111	FL-4550-MV	45	4500	5000	>80	120-277
FL1112	FL-7050-MV	70	6800	5000	>80	120-277

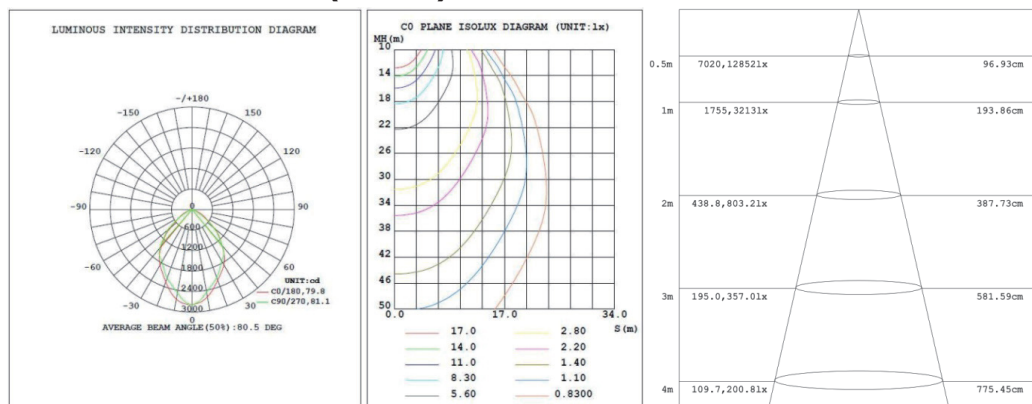
TECHNICAL PARAMETERS

	FL-4550-MV	FL-7050-MV
Power	45W	70W
Input Voltage	AC100-277V	AC100-277V
PF	>0.95	>0.95
Driver Efficiency	>90%	>90%
Luminous Flux	4578 Lm	6800 Lm
Color Temperature	4000K/5000K	4000K/5000K
CRI	Ra>80	Ra>80
Lighting Angle	80 °	80 °
LED Brightness Decay	<5% / 6000 hrs	<5% / 6000 hrs
Working Life	>50000 hrs	>50000 hrs
Working Temperature	-30 - +45 °C	-30 - +45 °C
Storage Temperature	-40 - +80 °C	-40 - +80 °C
Protection Level	Wet Location / IP65	Wet Location / IP65
Cable	Input Connect, 0.3m	Input Connect, 0.3m

PHOTOMETRICS (45 W)



PHOTOMETRICS (70 W)





LED SIGN LIGHTER STRIP SERIES

The LED Sign Lighter Strips are perfect for signage retrofit and lighting upgrade solutions. High output and top of the line specifications. Available in multiple wattage and lumen output configurations to meet any lighting applications.

FEATURES

- 12V DC operation
- Made of very rugged industrial sealed plastic.
- Very easy to work with, endless applications.
- Adheres with aggressive 3m 2-sided sticky back.
- 5-Year Warranty



DRIVER

Driver Model	Operating @12V	Max Load (70% RV)	# of Modules	# of Strings
HLG-80	60W	42W	30	1 String
HLG-120	120W	84W	60	2 String
HLG-150	150W	105W	90	3 String
HLG-240	200W	140W	120	4 String



MODULE

Order Code	Part Number	Watts	Lumens	CCT	Drivers
Triple-Light	SM4440	1.5W / Module (30 Modules/String)	160LM / Module	6500K	Meanwell 80/120/150/240W
Triple-Light	SM4444	1.5W / Module (30 Modules/ String)	160LM / Module	4000K	Meanwell 80/120/150/240W

POLE

The pole shaft is fabricated from hot rolled carbon steel having a minimum yield of 55,000 PSI and conforms to ASTM A500 grade C requirements. The shaft construction is a single piece of formed steel welded longitudinally. The hand hold is located 1' above the pole base. A ground lug is provided standard.

BASE COVER

A full base cover is provided which encapsulates the base plate and anchor bolts to provide a clean transition from pier to pole.

ANCHOR BASE

The anchor base is fabricated from a structural quality hot rolled carbon steel plate that has a minimum yield strength of 36,000 PSI. The anchor base telescopes the pole shaft and has a circumferential weld on the top and bottom.

FINISH

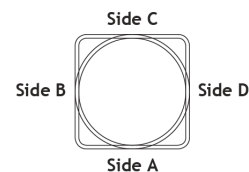
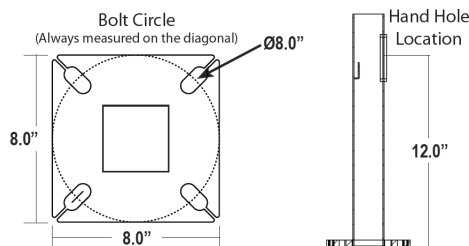
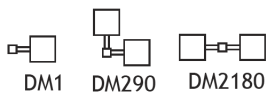
A Super Durable Polyester powder coat finish is electrostatically applied in our state of the art paint facility. Standard colors available: Black, Bronze, US Green, White. Custom colors available upon request. Galvanizing and T-Guard treatments available upon request. Additional warranty extensions available with these treatments.



Part Number	Description
LEDS-POLE-DM1	25' Pole, Drilled for Single Fixture, Bronze Finish
LEDS-POLE-DM290	25' Pole, Drilled for 2 Fixtures at 90°, Bronze Finish
LEDS-POLE-DM2180	25' Pole, Drilled for 2 Fixtures at 180°, Bronze Finish
LEDS-POLE-BOLTS	4 Anchor Bolt with Rigid Template

Technical Data		Max EPA (1.3 Gust)	
Nominal Pole Height	25' - 0"	90 mph	5.0
Shaft Dimension	25' x 4"	100 mph	3.0
Wall Gauge	11 Gauge	110 mph	1.5
Bolt Circle	8.0"	120 mph	0.4
Bolt Size	3/4" x 18" x 3"	130 mph	N / A
Base Plate Dimensions	8.0" sq. x .75" thk.	140 mph	N / A
Est. Shipping Weight	180 lbs		

Mounting Options



Drilling Locations

Sides	A	B	C	D
Hand Hole	X			
DM1	X			
DM290	X	X		
DM2180		X		X



DESCRIPTION

- Energy saving 18 Watt intergrated LED
- Daylight 5000K CCT
- Lasts 45 years or 50,000 Hours of Continous Use
- 5 Year Limited Warranty
- Up and down light with frosted flass & clear acrylic diffuser
- eTL Isited
- Cylinder aluminum house



Order Code	Watts	Avg Life ¹	Lumens ²	CCT ³	CRI ⁴	Voltage	Power Factor	Dimmability	Operating Frequency (Hz)
OW21500	2x9W	50,000hours	500	5000k	≥90	120V	>0.9	0-10V	60
Color		Dimmensions			Location Rating			Description	
Black painted		H12in x W 4.53in x Ext 6in.			UL Damp			Outdoor Wall Sconce	

1. Hours lifetime with 70% lumen maintenance
 2 Thermally stable typical lumens (±10%)
 3 Thermally stable CCT (±10%)
 4 Color rendering index/Ra

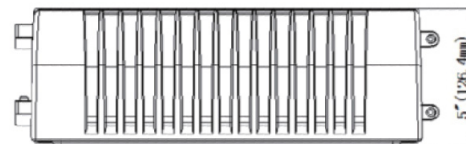
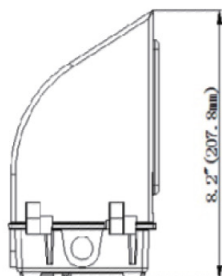
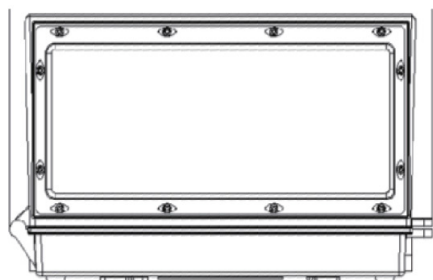


WALL PACK LIGHT SERIES

The LED Wall Packs are perfect for new construction, retrofit and lighting upgrade solutions. High output and top of the line specifications. Available in multiple wattage and lumen output configurations to meet any lighting application.

FEATURES

- Lumileds LEDs: High efficacy, long life
- High efficiency driver: 120V – 277V
- Die-cast aluminum construction for superior thermal management.
- Premium optics for even light distribution, Utilization and control.
- 5-Year warranty



SHIPPING INFORMATION

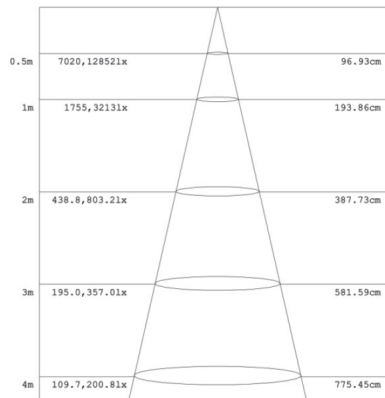
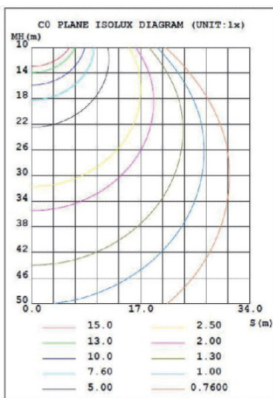
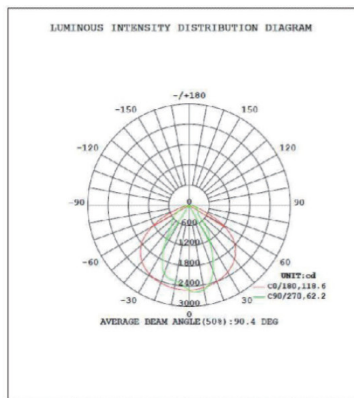
Order Code	Unit	Weight	Width	Length	Height
WP1113	Product	2.9kg	354.8 mm	207.8 mm	126.4 mm
WP1113	Carton	3.6 kg	390 mm	267 mm	185 mm
WP1114	Product	3.0 kg	354.8 mm	207.8 mm	126.4 mm
WP1114	Carton	3.6 kg	390 mm	267 mm	185 mm

Order Code	Part Number	Watts	Lumens	CCT	Input	Voltage
WP1113	WP-FC-4550-MV	45	4800	5000	>80	120-277
WP1114	WP-FC-7050-MV	70	7200	5000	>80	120-277

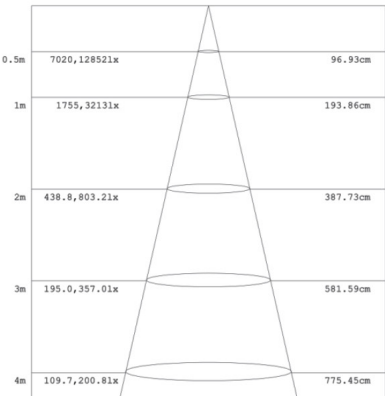
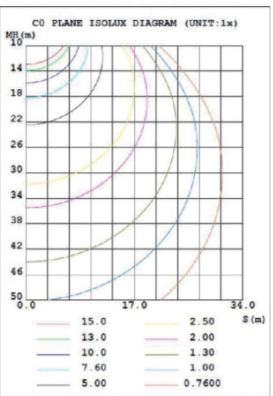
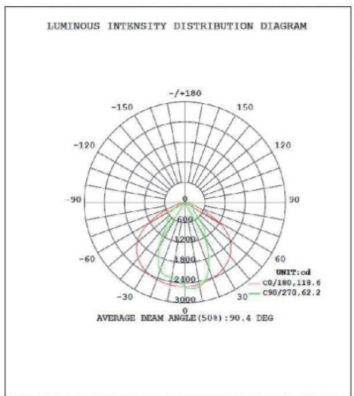
TECHNICAL PARAMETERS

	WP-FC-4550-MV	WP-FC-7050-MV
Power	45W	70W
Input Voltage	AC100-277V	AC100-277V
PF	>0.95	>0.95
Driver Efficiency	>90%	>90%
Luminous Flux	4800 Lm	7340 Lm
Color Temperature	4000K/5000K	4000K/5000K
CRI	Ra>80	Ra>70
Lighting Angle	60 ° x 90 °	62 ° x 118 °
LED Brightness Decay	<5% / 6000 hrs	<5% / 6000 hrs
Working Life	>50000 hrs	>50000 hrs
Working Temperature	-30 - +45 °C	-30 - +45 °C
Storage Temperature	-40 - +80 °C	-40 - +80 °C
Protection Level	Wet Location / IP65	Wet Location / IP65
Cable	Input Connect, No Cable	Input Connect, No Cable

PHOTOMETRICS (45 W)



PHOTOMETRICS (70 W)



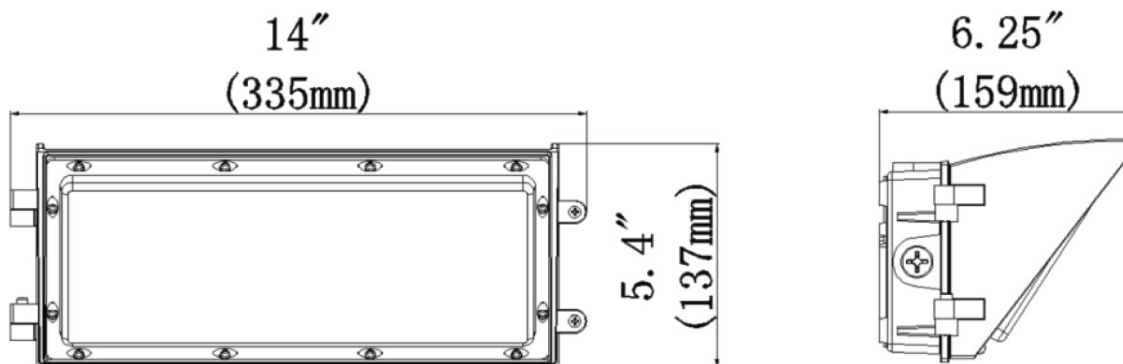


WALL PACK LIGHT SERIES

The LEDS Wall Packs are perfect for new construction, retrofit and lighting upgrade solutions. High output and top of the line specifications. Available in multiple wattage and lumen output configurations to meet any lighting application.

FEATURES

- Lumileds LEDs: High efficacy, long life
- High efficiency driver: 120V – 277V
- Die-cast aluminum construction for superior thermal management.
- Premium optics for even light distribution, utilization and control.
- 5-Year warranty



SHIPPING INFORMATION

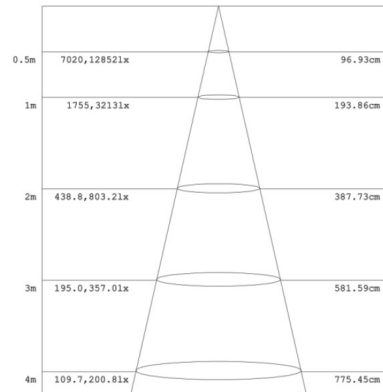
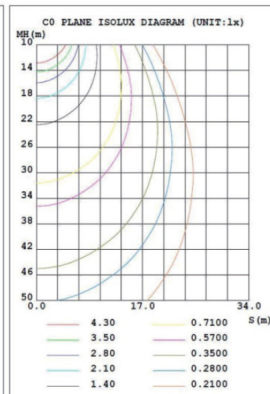
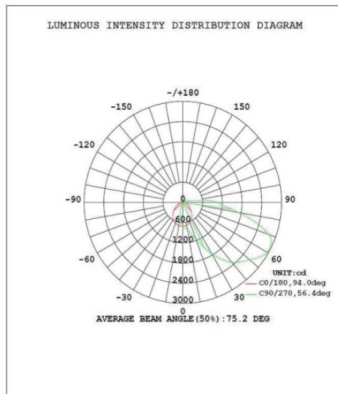
Order Code	Unit	Weight	Width	Length	Height
WP1115	Product	2.9kg	335 mm	137 mm	159 mm
WP1115	Carton	3.2 kg	395 mm	225 mm	205 mm
WP1116	Product	3.5 kg	335 mm	137 mm	159 mm
WP1116	Carton	3.6 kg	395 mm	225 mm	205 mm

Order Code	Part Number	Watts	Lumens	CCT	Input	Voltage
WP1115	WP-SC-4550-MV	45	4950	5000	>80	120-277
WP1116	WP-SC-7050-MV	70	6770	5000	>80	120-277

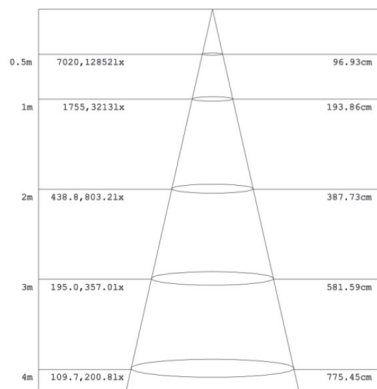
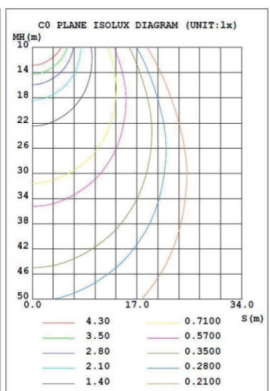
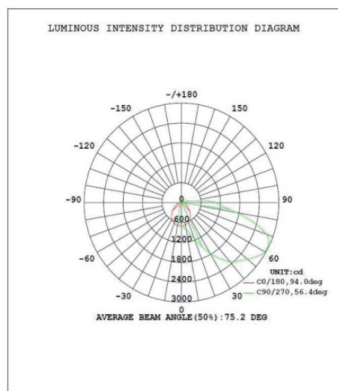
TECHNICAL PARAMETERS

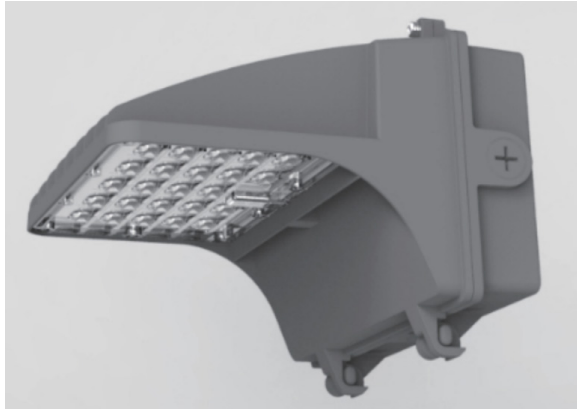
	WP-SC-4550-MV	WP-SC-7050-MV
Power	45W	70W
Input Voltage	AC100-277V	AC100-277V
PF	>0.95	>0.95
Driver Efficiency	>90%	>90%
Luminous Flux	4950 Lm	7750 Lm
Color Temperature	4000K/5000K	4000K/5000K
CRI	Ra>80	Ra>70
Lighting Angle	60 ° x 90 °	56 ° x 94 °
LED Brightness Decay	<5% / 6000 hrs	<5% / 6000 hrs
Working Life	>50000 hrs	>50000 hrs
Working Temperature	-30 - +45 °C	-30 - +45 °C
Storage Temperature	-40 - +80 °C	-40 - +80 °C
Protection Level	Wet Location / IP65	Wet Location / IP65
Cable	Input Connect, No Cable	Input Connect, No Cable

PHOTOMETRICS (45 W)



PHOTOMETRICS (70 W)





WALL PACK

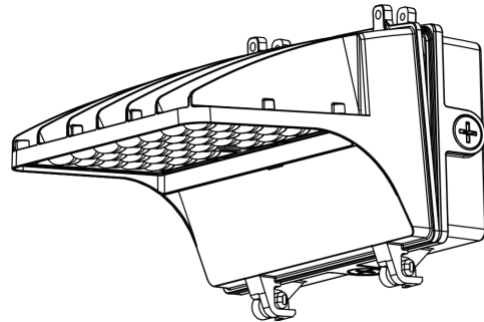
Wall pack light is one of the most dependable lights for security lighting luminaire. Applications include perimeter, security, stripmalls, entrance ways, and any general outdoor surface. The high performance optics are specifically designed to produce a Type III distribution.

DESCRIPTION

- Energy Saving 40 Watt Integrated LED
- Lasts 45 years* or 50,000 Hours Continuous Use
- Maintenance Free — No Bulb Replacements
- 5 Year Limited Warranty

WP4053

Input Voltage	120-277V
Wattage	40W
Dimmability	Dimmable
Lumens	5200Lm
CCT ₃	5000K
Avg Rated Life ¹	50,000 hours
Power Factor	0.9
IP Rating	Wet Location
CRI ₄	>80Ra
Working Temp.	Min -4°F (-20° C), Max 104°F (40° C)
Product Dimensions	9.3 x 7.1 x 8.9 in
Product Weight	1.8lbs
Mastor Carton Weight	19.8lbs
Case Pack	4 pc



1 Hours lifetime with 70% lumen maintenance

2 Thermally stable typical lumens (±10%)

3 Thermally stable CCT (±10%)

4 Color rendering index/Ra



WALL PACK

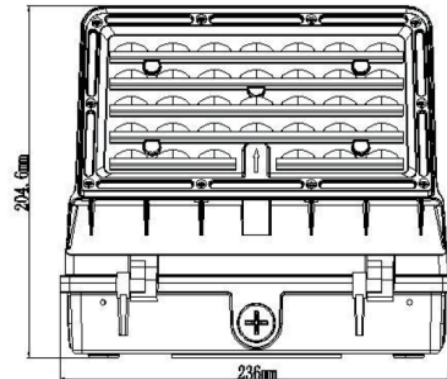
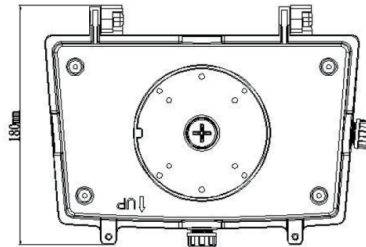
Wall pack light is one of the most dependable lights for security lighting luminaire. Applications include perimeter, security, stripmall, entrance ways, and any general outdoor surface. The high performance optics are specifically designed to produce a Type III distribution.

DESCRIPTION

- Energy Saving 40 Watt Integrated LED
- Lasts 45 years* or 50,000 Hours Continuous Use
- Maintenance Free — No Bulb Replacements
- 5 Year Limited Warranty

WP4060

Part Number	WP-SC-40-52-MV
Input Voltage	120-277V
Wattage	40W
Dimmability	0-10V Dimmable
Lumens	5200Lm
CCT ₃	5000K
Avg Rated Life ¹	50,000 hours
Power Factor	0.9
IP Rating	Wet Location
CRI ₄	>70Ra
Working Temp.	Min -4°F (-20° C), Max 104°F (40° C)
Product Dimensions	9.3 x 7.1 x 8 in



1 Hours lifetime with 70% lumen maintenance
 2 Thermally stable typical lumens (±10%)
 3 Thermally stable CCT (±10%)
 4 Color rendering index/Ra

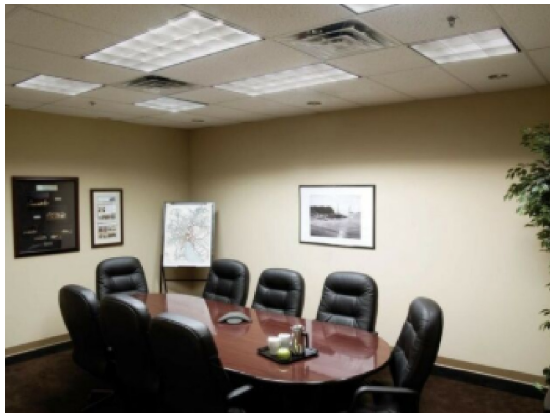


Interior Lighting Products



DESCRIPTION

- Lasts 45 years* or 50,000 hours Continuous Use
- 5 Year Limited Warranty
- INTENDED USE: Louvered parabolic luminaires for optical control in general office environments and open spaces.
- 2x2 9 Cell Troffer



Description	Model No.	Product Dimensions
2x2 9 Cell Troffer	22-9C-LED	24 x 23.7 x 5.4in 61.4 x 60.3 x 13.7 mm.

COMPATIBILITY LAMP

Lamp Type	Part Number
LED 6" U Bend	T8U1450

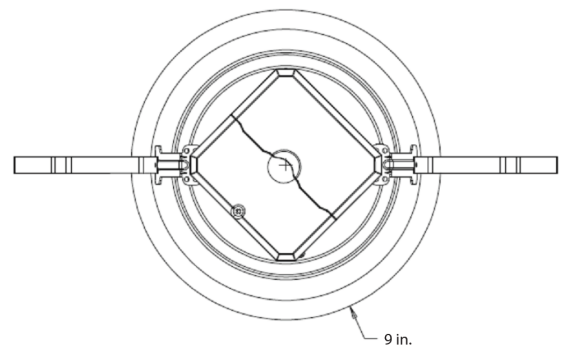
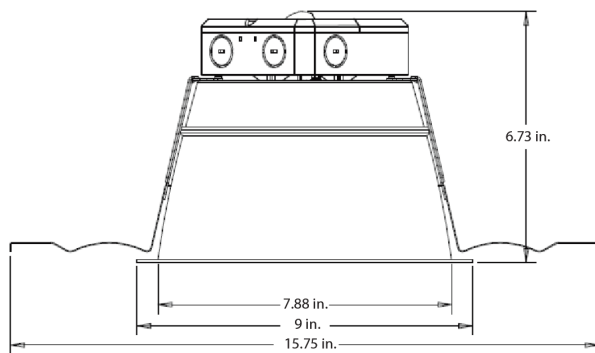


COMMERCIAL DOWNLIGHT SERIES

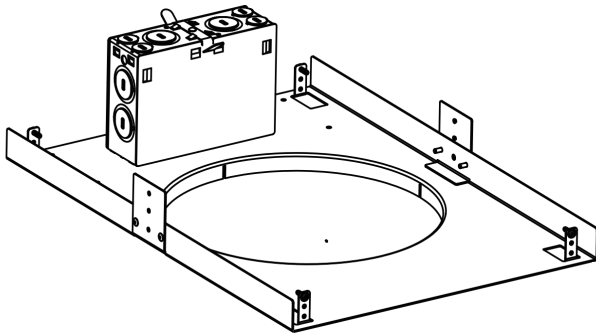
The LEDS Commercial Downlights are ideal for malls, hospitals, airports, offices, lobbies, and other applications. Reduces energy and maintenance costs when compared with conventional light sources.

FEATURES

- Energy Saving 30W Integrated LED.
- Maintenance Free - No Bulb Replacements
- Wet Location Rated
- Suitable for installations from -4°F to 113°F
- 50,000 Hours of Continuous Use
- 5-Year Warranty

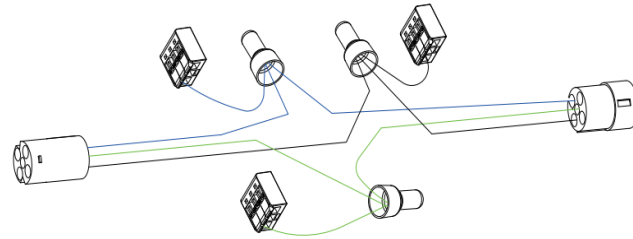


Order Code	Part Number	Size	Watts	Lumens	CCT	Input	Voltage
DL3035	DL-8-3035-MV-N	8"	30	2500	3500	>80	120-277
DL3040	DL-8-3040-MV-N	8"	30	2500	4000	>80	120-277
DL3050	DL-8-3050-MV-N	8"	30	2500	5000	>80	120-277



DESCRIPTION

- 8" Commercial Downlight Bracket w/ Paulex
- 5 Year Limited Warranty

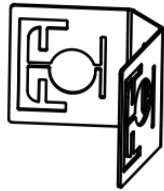
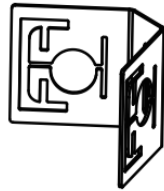
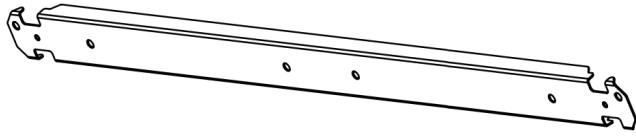
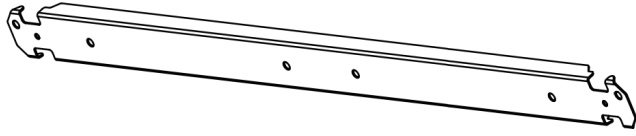


Part Number	Product Weight	Product Dimension	Master Carton Weight	Master Carton Dimension	Case Pack
DL-8-30-835-MV-N-B	2.6lbs	400 x 284 x 113mm. (15.8 x 11.2 x 4.5in.)	12.8Llbs	450 x 302 x 318mm. (17.7 x 12 x 12.5in.)	4

COMPATIBLE LIST

Part Number	Description
DL-8-3035-MV-N DL-8-3040-MV-N DL-8-3050-MV-N	8" Commercial Downlight

- 1 Hours lifetime with 70% lumen maintenance
- 2 Thermally stable typical lumens (±10%)
- 3 Thermally stable CCT (±10%)
- 4 Color rendering index/Ra



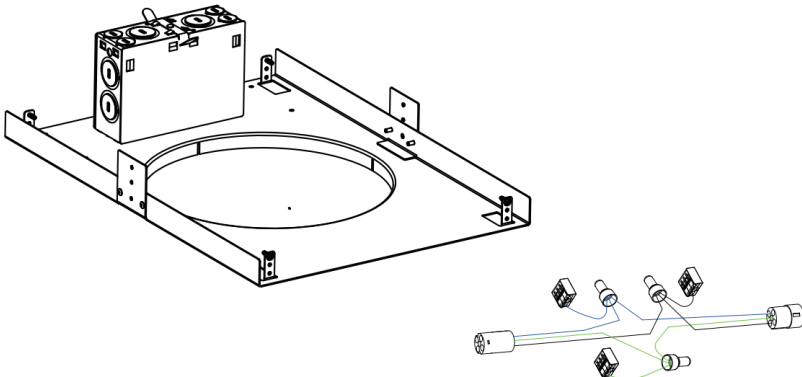
DESCRIPTION

- 8" Downlight Bracket Bar

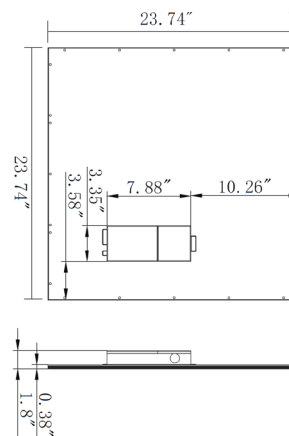
Part Number	Product Weight	Product Dimension	Master Carton Weight	Master Carton Dimension	Case Pack
DL-8-30-835-MV-N-BB	0.7lbs	680 x 45 x 14 mm. (26.8 x 1.8 x 0.6 in.)	26.6 lbs	730 x 446 x 224 mm. (28.7 x 17.6 x 4.2in.)	16

COMPATIBLE LIST

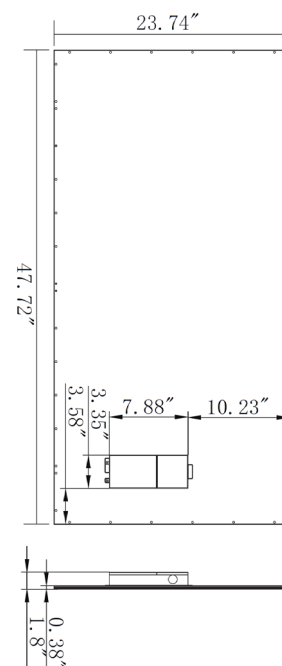
Description 8" Downlight Bracket w/ Paulex
 Model # DL-8-30-835-MV-N-B



2 x 2 EDGE LIT



2 x 4 EDGE LIT



EDGE LIT PANEL SERIES

The LEDS Edge Lit Panels are designed to drop in ceiling. The Edge Lit Panels are an ideal energy efficient replacement for fluorescent fixtures in offices, hospitality, schools and other commercial applications that require a slim installation depth. Available in a 2' x 4' and a 2' x 2' fixture.

FEATURES

- Panel has uniform and soft luminance
- High Efficiency Driver: >86%, PF>0.9
- High quality aluminum frame with great heat dissipation and low light degradation.
- 0-10V dimming compatible with many brands of dimmers
- 5-Year warranty

Order Code	Part Number	Size	Watts	Lumens	CCT	Input	Voltage
EL2240	EL-22-30-40	2 x 2	30	3750	4000	>80	120-277
EL2250	EL-22-30-50	2 x 2	30	3750	5000	>80	120-277
EL2440	EL-24-40-40	2 x 4	50	6250	4000	>80	120-277
EL2450	EL-24-40-50	2 x 4	50	6250	5000	>80	120-277

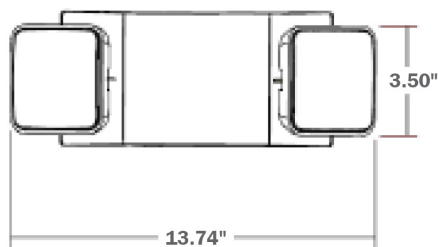
EMERGENCY LIGHT SERIES

The LEDS Emergency Lights offer long lasting, efficient, ultra bright white LED lamp heads to meet a variety of emergency lighting applications.



FEATURES

- Test switch and charge indicator
- Maximum 24 hours for full recharge time
- 45 year life or 50,000 hour of continuous use
- Minimum 90 minutes emergency operation
- 5 - Year Limited Warranty



Order Code	Part Number	Watts	Lumens ¹	CCT ²	Avg Life ³	Voltage	Operating Temp
EL2500	EM-ELFD-2	2.4	249	6500	50000	120-277	Min. 32F (0C) Max. 104F (40C)

SHIPPING INFORMATION

Unit	UPC	Weight	Width	Length	Height
Product	894489009643	1.48 lbs	4.13"	13.74"	3.50"
Carton	50849489009648	11.46 lbs	8.27"	14.57"	14.96"

This device complies with Part 15 of the FCC Rules. Operation is subject to the following conditions: (1) This device may not cause harmful interference, and (2) this device must accept any interference received, including interference that may cause undesired operation. For FCC Part 15 user information, please see www.etiled.us/fcc15b

1. Thermally stable typical lumens (+/- 10%)

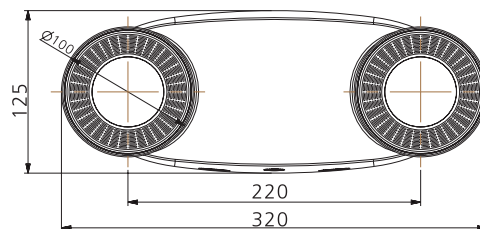
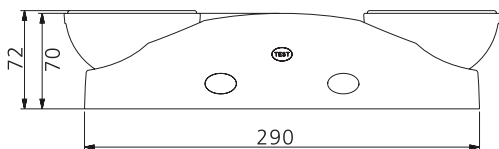
2. Thermally stable CCT (+/- 10%)

3. Average life based on 70% lumen maintenance



FEATURES

- Injection-molded thermoplastic ABS housing, UL 94V-0 flame rating.
- Innovative, easy installation in minutes
- Suitable for wall mount applications
- Universal J-box mounting pattern
- 120V-277VAC Dual voltage operation
- 2X3pcs Super bright LED lamp heads for emergency mode, provide more than 650Lm output.
- Built-in 6V4AH Lead Acid battery for minimum 90 minutes emergency operation.
- Maximum 24 hours for full recharge time
- Test switch and charge indicator
- UL and cULus listed
- 0° to 40°C indoor damp location listed
- Five years warranty for the electrical parts and housing.
- Two years warranty for battery.



ORDERING INFORMATION

Family	Housing Color	Options
JLEU6	Blank(White)	HO(High Output)
	Black	

SHIPPING INFORMATION

Order Code	Unit	Weight	Width	Length	Height
JLEU6	Product	9.4/8.2kgs	29 cm	35 cm	26 cm
JLEU6 HO	Product	9.4/8.2kgs	29 cm	35 cm	26 cm

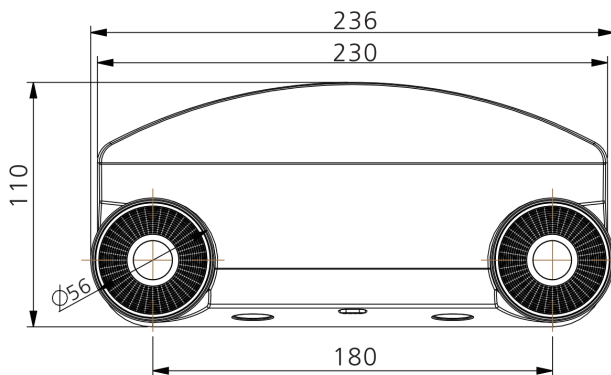
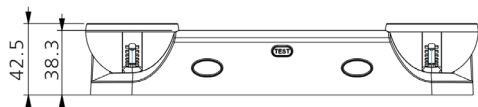
ELECTRICAL INFORMATION

Order Code	Emergency Run Time	Watts	Charging Time	Led Type	Input Current	Voltage
JLEU6	90 Mins	3.28-4.14W	24 Hrs	2X3Pcs Super bright LED	0.054-0.036A	120-277
JLEU6 HO	90 Mins	3.28-4.5W	24 Hrs	6X2W Super bright LEDs	0.054-0.036A	120-277



DESCRIPTION

- Injection-molded thermoplastic ABS housing, UL 94V-0 flame rating.
- Innovative, easy installation in minutes
- Suitable for wall mount applications
- Universal J-box mounting pattern
- 120V-277VAC Dual voltage operation
- 2pcs 1W ultra bright LED lamp heads for emergency mode.
- Built-in 3.6V1000mAh Ni-MH for minimum 90 minutes emergency operation.
- Luminous Flux:more than 200 LM.
- Maximum 24 hours for full recharge time
- Test switch and charge indicator
- UL and cULus listed
- 0° to 40°C indoor damp location listed
- Five years warranty for the electrical parts and housing.
- Three years warranty for battery.



ORDERING INFORMATION

Family	Housing Color	Wattage
EM	W(White)	1W
EM	B(Black)	1W

SHIPPING INFORMATION

Model Number	Unit	Weight	Width	Length	Height
EM-W-1W	Product	4.5/3.5kgs	37.5 cm	25.5 cm	22 cm
EM-B-1W	Product	4.5/3.5kgs	37.5 cm	25.5 cm	22 cm

SPECIFICATIONS

Order Code	Emergency Run Time	Watts	Charging Time	LED Type	Input	Voltage
EM-W-1W	90 Mins	1.1W	24 Hrs	2pcs 1W ultra bright LED lamp heads	0.02A	120-277V
EM-B-1W	90 Mins	1.1W	24 Hrs	2pcs 1W ultra bright LED lamp heads	0.02A	120-277V

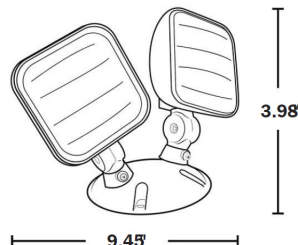
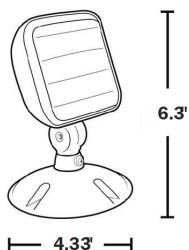


WET LOCATION EMERGENCY LIGHTS

The LEDS Wet Location Emergency Lights offer long lasting, efficient, ultra bright white LED lamp heads to meet a variety of emergency lighting applications.

FEATURES

- Suitable for wet location
- Injection-molded thermoplastic ABS housing
- UL 94V-0 flame rating
- 45 year life or 50,000 hour of continuous use
- 5 - Year Limited Warranty



SHIPPING INFORMATION

Order Code	Unit	UPC	Weight	Width	Length	Height
EL2501	Product	89489009704	0.55 lbs	4.33"	4.33"	6.30"
EL2501	Carton	50849489009709	8.82 lbs	10.24"	14.57"	14.17"
EL2502	Product	89489009711	0.86 lbs	6.69"	9.45"	3.98"
EL2502	Carton	50849489009716	12.13 lbs	10.24"	22.83"	18.50"

Order Code	Part Number	Watts	Lumens	CCT	Avg Life	Voltage	Operating Temp
EL2501	EM-ELFW-1	1.2	131	6500	50000	3.6 - 9.6 VAC	Min. 32F (0C) Max. 104F (40C)
EL2502	EM-ELFW-2	2.4	263	6500	50000	3.6 - 9.6 VAC	Min. 32F (0C) Max. 104F (40C)

This device complies with Part 15 of the FCC Rules. Operation is subject to the following conditions: (1) This device may not cause harmful interference, and (2) this device must accept any interference received, including interference that may cause undesired operation. For FCC Part 15 user information, please see www.etiled.us/fcc15b

1. Thermally stable typical lumens (+/- 10%)
2. Thermally stable CCT (+/- 10%)
3. Average life based on 70% lumen maintenance



DESCRIPTION

- Edgelit EXIT Sign (Single Face Clear)
- 8pcs powerful Red LED (or 8pcs Green LED) Lamp.
- Maximum 24 hours for full recharge time
- Lasts 45 years* or 50,000 Hours Continuous Use
- Minimum 90 minutes emergency operation
- 2 Year Limited Warranty

Part Number	Watts	Average Life ¹	Full Charge	Voltage	Duration	Mode of Operation	Battery	Master Carton weight	Master Carton Qty
EM-G-Single	3.6	50,000 hours	approx. 24 Hours	120/277	approx 1.5 Hours	Maintained	4.8V400mAh Ni-Cad battery	21.56 lbs	6pc

1 Hours lifetime with 70% lumen maintenance
 2 Thermally stable typical lumens (±10%)
 3 Thermally stable CCT (±10%)
 4 Color rendering index/Ra



EXIT SIGN EM COMBO:

The LEDS Exit Sign EM Combo offers long lasting, efficient, ultra bright white LED lamp heads to meet a variety of emergency lighting applications.

FEATURES

- Test switch and charge indicator
- Remote capable
- Maximum 24 hours for full recharge time
- 45 year life or 50,000 hour of continuous use
- Minimum 90 minutes emergency operation
- UL Damp Location Rated
- 2 - Year Limited Warranty

Order Code	Part Number	Watts	Lumens ₁	CCT ₂	Avg Life ₃	Voltage	Operating Temp
EM2505	EM-25-05	2.4	263	6500	50000	120-277	Min. 32F (0C) Max. 104F (40C)

SHIPPING INFORMATION

Unit	UPC	Weight	Width	Length	Height
Product	849489009681	4.30 lbs	4.7"	13.8"	8.0"
Carton	50849489009686	25.80 lbs	17.3"	19.7"	15.2"

This device complies with Part 15 of the FCC Rules. Operation is subject to the following conditions: (1) This device may not cause harmful interference, and (2) this device must accept any interference received, including interference that may cause undesired operation. For FCC Part 15 user information, please see www.leds-llc.com/fcc15b

1. Thermally stable typical lumens (+/- 10%)
2. Thermally stable CCT (+/- 10%)
3. Average life based on 70% lumen maintenance



DESCRIPTION

- Remote Capability
- 120/277VAC Dual voltage operation
- Test switch and charge indicator
- Maximum 24 hours for full recharge time
- Lasts 45 years* or 50,000 Hours of continuous use
- Minimum 90 minutes emergency operation
- 2 Year Limited Warranty

Part Number	Watts	Avg Life ¹	Lumens ²	CCT ³	Voltage	Operating Temp	Location Rating	Operating Frequency (Hz)	Product Dimensions	Master Carton Dimensions
EM-G-B	2.4	50,000 Hours	249	6500k	120/277	Min 32°F (0° C), Max 104°F (40° C)	UL Damp	50-60	13.74x4.13x3.5in	14.57 x 8.27 x 14.96in

1 Hours lifetime with 70% lumen maintenance

2 Thermally stable typical lumens (±10%)

3 Thermally stable CCT (±10%)

4 Color rendering index/Ra



DESCRIPTION

- White, Brass + Chrome color
- Material: Metal + Glass
- Interior Globe Fixture



Model Number	Weight	Master Carton Dimensions	Master Carton Weight	Master Carton Qty	Product Dimensions
70501201	5.5lbs	24x15x15in 61x38x38in	6.6lbs	1	Φ14 x 24 Φ35 x 60

PARTS

Part Number	Size	Finish
WH-PEND/WH-PEND-BRS	12"	Pendant Brass Finish
WH-PEND-CRM	12"	Pendant Chrome Finish
WH-GLB	14"	Globe

DESCRIPTION

- Housing is standard in heavy gauge die formed cold rolled steel, for strength and maximum heat dissipation.
- Housing includes heat removal vents, which helps to preserve ballast life.
- End plates are screw or riveted to the fixture housing to ensure a secure fit.
- Standard in 95% specular aluminum. It is multi faceted, and designed for maximum performance.
- Self-contained sensor mounts directly to luminaire. Provides occupancy control to individual luminaires with passive infrared technology. Reliable coverage up to 40Ft. mounting height. Interchangeable lenses for 360 degree or aisle way pattern.
- Up to 35,000-hour lamp life, zero degree F starting temps, instant on/instant re-strike, sound rating "A", 93% lumen maintenance, 3000K, 3500K, and 4100K color temperatures, 85 CRI.
- All units are furnished with a universal voltage UL Listed Class "P" thermally protected ballast.
- Meets or exceeds all requirements for UL Luminaire Standard #1598.
- Compliance with National Energy Standards
- LED Ready High Bays
- HB1 Hanging Kit for Monmouth High Bay

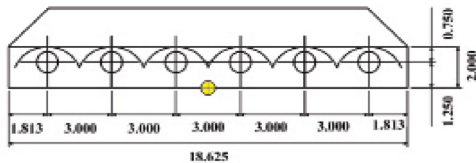
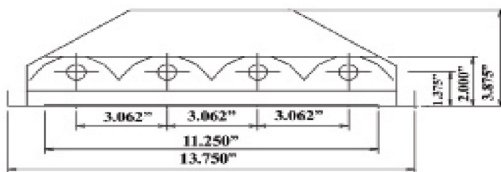


Lamp Type	Housing	Avg Life ¹	Length	CRI ³	Voltage
F32 T8 F55 T5HO	HB1	35,000 Hours	4'	85	120/277

APPLICATION

Ideal for use in commercial and industrial areas with ceiling heights of fifteen feet or greater, where high bay fixtures are required.

Part Number	Lamp Qty
HB1-4-4T8LED-UNV	4 Lamp
HB1-4-6T8LED-UNV	6 Lamp



1 Hours lifetime with 70% lumen maintenance
 2 Thermally stable CCT (±10%)
 3 Color Render Index/Ra

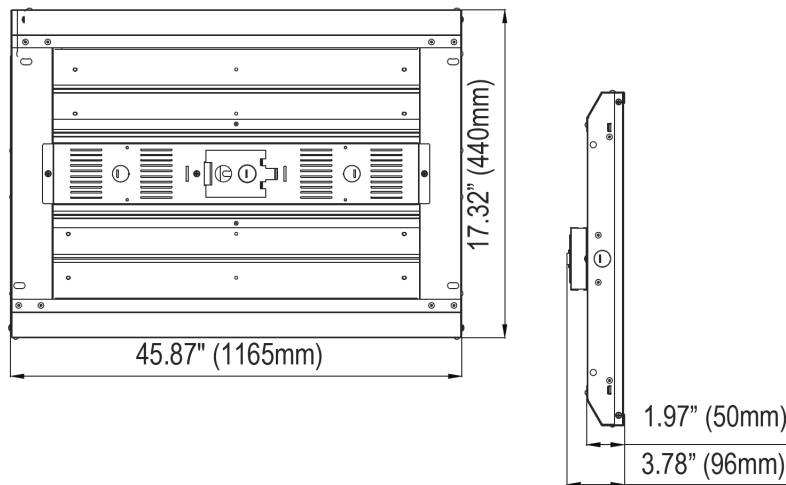


LINEAR HIGH BAY SERIES

The LEDS 320W Linear High-Bays are perfect for new construction, retrofit and lighting upgrade solutions. High output and top of the line specifications. Available in multiple wattage and lumen output configurations to meet any lighting application.

FEATURES:

- High efficiency dimmable driver.
- Multiple mounting options.
- Premium optics for even light distribution, utilization and control.
- 5-Year warranty



Order Code	Part Number	Watts	Lumens ¹	CCT ²	Avg Life ³	CRI ⁴	Beam Angle	Voltage
LHB113	HB-5-320	320	41600	5000	50,000 hours	>80	120°	120-277

1. Thermally stable typical lumens (+/- 10%)
 2. Thermally stable CCT (+/- 10%)
 3. Average life based on 70% lumen maintenance
 4. Color rendering index/Ra



LINEAR HIGH BAY SERIES

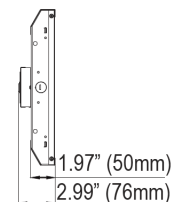
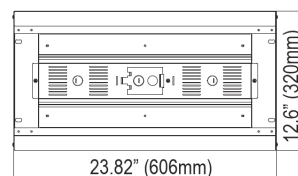
The LEDS High-Bays are perfect for new construction, retrofit and lighting upgrade solutions. High output and top of the line specifications. Available in multiple wattage and lumen output configurations to meet any lighting application.



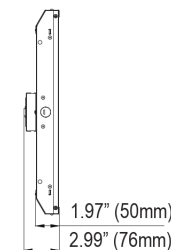
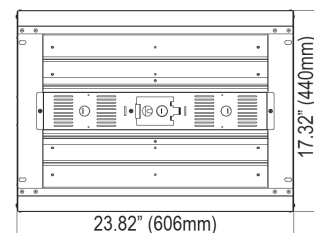
FEATURES

- Philips LEDs for long Life.
- High efficiency dimmable driver.
- Multiple mounting options.
- Premium optics for even light distribution, utilization and control.
- 5-Year warranty

110W HIGH BAY



160W HIGH BAY



Accessories	Order Code	Part Number
Pendant Mount	PM-7000	PM-LHB

Order Code	Part Number	Watts	Lumens	CCT	Voltage
LHB1110	HB-2-110	110	14300	5000	120-277
LHB1111	HB-3-160	160	21000	5000	120-277

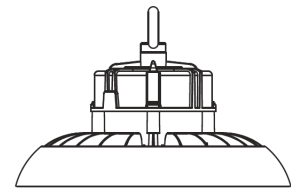
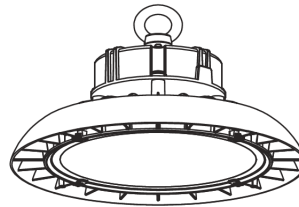
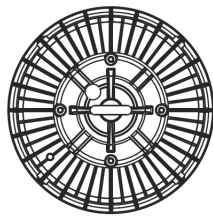
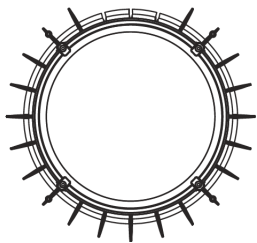


UFO HIGH BAY SERIES

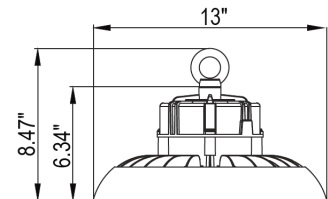
The LEDS High-Bays are perfect for new construction, retrofit and lighting upgrade solutions. High output and top of the line specifications. Available in multiple wattage and lumen output configurations to meet any lighting application.

FEATURES

- Philips LEDs for long Life.
- High efficiency dimmable driver.
- Multiple mounting options.
- Premium optics for even light distribution, utilization and control.
- 5-Year Warranty



Order Code	Part Number	Watts	Lumens	CCT	Voltage
RHB1110	RHB-1-150	150	21000	5000	120-277





DESCRIPTION

- ETL listed
- Wall Mount
- Compatible 100W(Max) E26 Incandescent Bulb
- lasts 45 years* or 50,000 hours of continuous use
- 5 - Year Limited Warranty

Part Number	Watts	Average Life ¹	Voltage	Operating Temp	Operating Frequency (Hz)	Location Rating
VT-WM-SV-RED	Compatible 100W max	50,000 Hours	120	Min -4°F (-20° C), Max 113°F (45° C)	60	UL Wet

1 Hours lifetime with 70% lumen maintenance
 2 Thermally stable typical lumens (±10%)
 3 Thermally stable CCT (±10%)
 4 Color rendering index/Ra



DESCRIPTION

- ETL Listed
- Surface Mount
- Compatible 100W(Max) E26 Incandescent Bulb
- lasts 45 years* or 50,000 Hours Continuous Use
- 5 - Year Limited Warranty

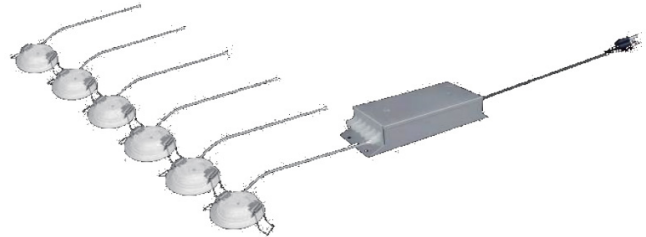
Part Number	Watts	Average Life ¹	Input Voltage	Operating Temp	Operating Frequency (Hz)
VT-SM-SV-S	100W max	50,000	120	Min -4°F (-20° C), Max 113°F (45° C)	60

1 Hours lifetime with 70% lumen maintenance
 2 Thermally stable typical lumens (±10%)
 3 Thermally stable CCT (±10%)
 4 Color rendering index/Ra



DESCRIPTION

- Energy Saving 5 Watt Intergrated LED
- Lasts 45 years* or 50,000 Hours Continuous Use
- Future Proof with push in wire connectors for each head
- 6 foot wire leads - can be adjusted to customers specific specification
- Stamped aluminum heat sink and injection mold PC lens
- Cut out size - 2 3/4"
- 5 Year Warranty



Part Number	Order Number	CCT ₃	CRI ₄	Typical Lumens ₂	Voltage	Wattage	Average Rated Life ₁	Light Efficacy	Beam Angle	Operating Frequency (Hz)
90600750	53825131	3500k	80Ra	460lm(each 2.5in down light)	120V	5W	50,000 Hours	92lm/w	100	60Hz

1 Hours lifetime with 70% lumen maintenance
 2 Thermally stable typical lumens (±10%)
 3 Thermally stable CCT (±10%)
 4 Color rendering index/Ra



DESCRIPTION

- Isolated Driver (one Driver for six packs max.)

Order Number	Wattage	Input Voltage	Operating Frequency	Channel
WDOL0003	30W	120V	60Hz	6-channel



DESCRIPTION

- Isolated Driver (one Driver for four packs max.)

Order Number	Wattage	Input Voltage	Operating Frequency	Channel
PDOL0002	20W	120V	60Hz	6-channel

SHIPPING INFORMATION

Model	Part	UPC	Product Dimensions	Master Carton Bar Code	Master Carton Dimensions	Master Carton Weight
53825131	DL-2.5in-460LM-8-35K-SV	849489063270	φ3 x 0.87in. φ7.72 x 2.2cm.	50849489063275	24.57x18.19x4.17in. 62.4 x 46.2 x 10.6cm	11.26lbs

1 Hours lifetime with 70% lumen maintenance
 2 Thermally stable typical lumens (±10%)
 3 Thermally stable CCT (±10%)
 4 Color rendering index/Ra



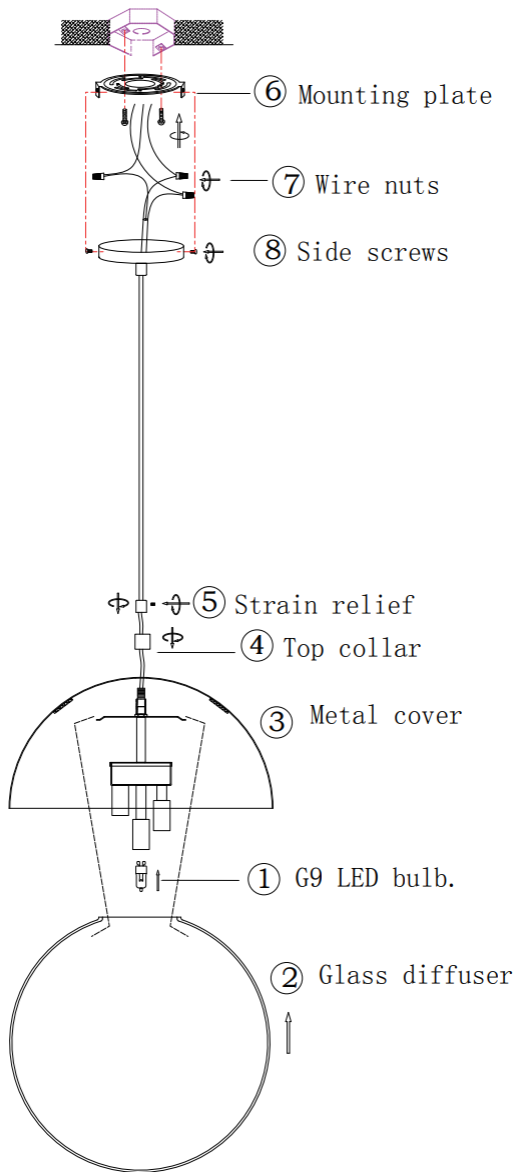
DESCRIPTION

- Opal Glass Globe
- 5ft Chord
- G9 Lamp (not included)

Order Code	Model Number	Watts	Weight	Product Dimensions (Diameter x H in.)	Lamp Size
P10214	64602101	3x5W (G9)	6.16lbs	φ13.8" x 6"	G9 Lamp (not included)

- 1 Hours lifetime with 70% lumen maintenance
- 2 Thermally stable typical lumens (±10%)
- 3 Thermally stable CCT (±10%)
- 4 Color rendering index/Ra

P10214



INSTALLATION

1. Install the G9 LED bulbs into sockets.
2. Fit socket assembly into glass diffuser.
3. Place the metal cover on top of glass diffuser.
4. Secure with metal cover with the top collar.
5. Secure the strain relief on top collar and tighten the plastic screw.
6. Attach the mounting plate on ceiling with mounting screws.
7. Connect the wires from the fixture to the supply wires with wire nuts.
8. Secure the canopy over mounting plate with side screws.

HOW TO REPLACE BULBS:

1. Loosen the strain relief and top collar on the top metal cover.
2. Slide up the metal cover to expose the glass holder/socket assembly.
3. Shift the angle of glass and twist the glass along the holder, take the glass holder out of glass.
4. Replace the bulbs.



DESCRIPTION

- White Fabric
- Metal Shade

Order Code	Watts	Weight	Diameter	Lamp Size
P10341	3x60W (A19)	9.9 lbs	φ22.3" x 6"	A19 (not included)

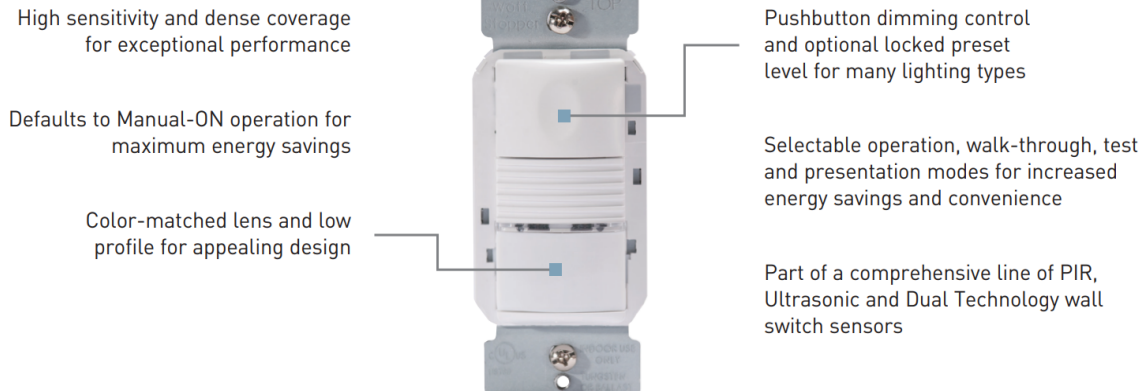
Hours lifetime with 70% lumen maintenance
 2 Thermally stable typical lumens (±10%)
 3 Thermally stable CCT (±10%)
 4 Color rendering index/Ra



DESCRIPTION

- Resin Shade
- 5 ft clear chord

Order Code	Watts	Weight	Diameter	Lamp Size
P10345	10W (A19)	5.72lbs	φ13.8" x 6"	A19 (Not included)



OPERATION

The PW-100D replaces existing wall switches and fits in a single gang junction box. Factory default operation is for Manual-ON. It uses advanced PIR technology to detect occupancy and keep lighting on when it is needed. Once the space is vacated and the time delay elapses, lights automatically fade OFF. The ramp and fade times can be fast or slow. DIP switch settings allow for control options including Auto-ON to the last used level or a locked preset level, walk-through and test modes. The PW-100D passive infrared (PIR) dimmable wall switch sensor can turn light OFF and ON based on occupancy. It is characterized by high sensitivity to small and large movements, appealing aesthetics, and a variety of features.

APPLICATIONS

The PW-100D sensor is well suited for small, enclosed spaces with clear line of sight of the occupant. Common applications include small offices and small conference rooms.

DIMMING CONTROL

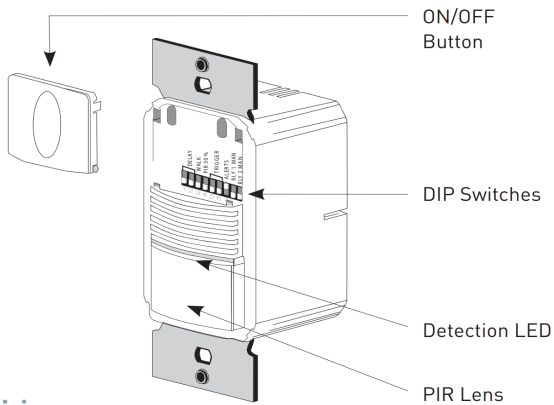
The PW-100D can dim lighting from a minimum level of 10% to full output. When the pushbutton is pressed and held, lighting will ramp up or dim down. The dimming direction is reversed when the pushbutton is momentarily released and then pressed and held again. To save energy and increase lamp life, the PW-100D is shipped with a factory preset of 85%. This preset level may be changed to any lighting level.

DESCRIPTION

- Detection Signature Processing eliminates false triggers and provides immunity to RFI and EMI
- Zero-crossing for long relay life
- Vandal resistant lens combines precise coverage with durability
- Choice of Manual-ON or Auto-ON operation
- Selectable walk-through mode turns lights off three minutes after the room is initially occupied if no motion is detected after the first 30 seconds
- Test mode allows quick and easy adjustments
- Selectable audible and/or visual alerts for impending shut-off
- Can dim lights to any level without affecting the preset level
- Preset ramp and fade times
- In automatic mode, sensor returns automatically to Auto-ON after lights are turned off manually; ideal for presentations
- LED indicates occupancy detection
- Optional light level sensing with simple setup
- Service mode allows sensor to operate as a service switch in the unlikely event of a failure
- 2-wire and 3-wire models available for applications with or without neutral wire
- Sensor coverage tested to NEMA Guide Publication WD 7-2000
- Compatible with decorator wall plates

Product Number	Dimensions	Wattage	Voltage	Frequency (Hz)
PW-100D	2.73" x 1.76" x 1.83" (69.3mm x 44.7mm x 46.5mm) L x W x D	120VAC, 0-700 W 277VAC, 0-1200 W	120/277 V	50/60
PW-101D	2.73" x 1.76" x 1.83" (69.3mm x 44.7mm x 46.5mm) L x W x D	120VAC, 0-700 W 277VAC, 0-1200 W	120/277 V	50/60

PRODUCT CONTROLS

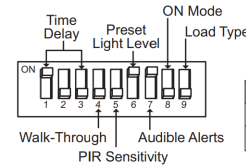


DIP SWITCH SETTINGS

Time Delay	1	2	3
Test/20 min	↓	↓	↓
5 minutes	↓	↓	↑
10 minutes	↓	↑	↓
15 minutes	↓	↑	↑
20 minutes	↑	↓	↓
25 minutes	↑	↓	↑
30 minutes	↑	↑	↑
Service	↑	↑	↑

Walk-Through	4
Enabled	↑
Disabled	↓

Service bypasses occupancy & light level functions. Control

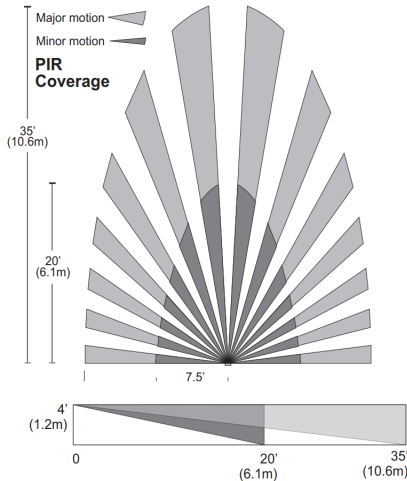


PIR Sensitivity	5	Low, 50%	↑	High	↓
Preset Light Level	6	Locked level	↑	Last level set	↓
Audible Alert	7	Enabled	↑	Disabled	↓
ON Mode	8	Manual On	↑	Auto On	↓
Load Type	9	Fluorescent	↑	Incandescent	↓

*Factory default 85%

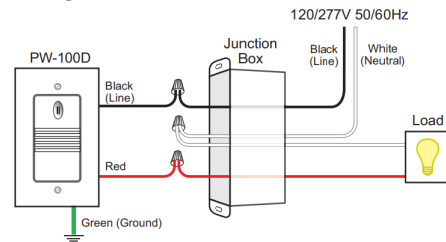
COVERAGE PATTERN

For best performance, Wattstopper recommends using this sensor in spaces no larger than 15' x 12'.

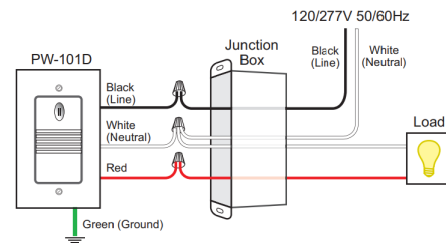


WIRING DIAGRAMS

Wiring for PW-100D with no neutral wire run to the dimmer



Wiring for PW-101D with a neutral connection.



CATALOG#

PW-100D-W
PW-100D-LA
PW-100D-I
PW-100D-G
PW-100D-B

COLOR

White
Lt.Almond
Ivory
Grey
Black

VOLTAGE

120/277 VAC; 50/60 Hz
2-wire sensor; no neutral connection

LOAD RATING

@120 VAC, 0-700W Incandescent or 2-wire fluorescent dimming ballast (Advance Mark 10 or equivalent)

@277 VAC, 0-1200 W 2-wire fluorescent dimming ballast (Advanced Mark 10 or equivalent)

PW-101D-W
PW-101D-LA
PW-101D-I
PW-101D-G
PW-101D-B

White
Lt. Almond
Ivory
Grey
Black

120/277 VAC; 50/60Hz
3-wire sensor; requires neutral connection

@120 VAC, 0-700 W Incandescent, MLV,ELV, cold cathode or 2-wire fluorescent dimming ballast (Advanced Mark 10 or equivalent)
@277 VAC, 0-1200 W 2-wire fluorescent dimming ballast (Advanced Mark 10 or equivalent)

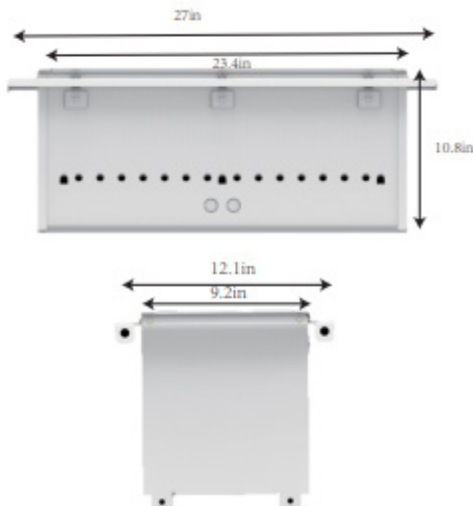


FEATURES

- 5 Year Limited Warranty
- Designed for New or Remodel Construction in Drywall Ceilings or Lay-In Grid Ceilings
- Adjustable Each Gimbals Adjustable Up to 60°
- Quick connect wiring Assembly
- 16 gauge steel powder coated housing

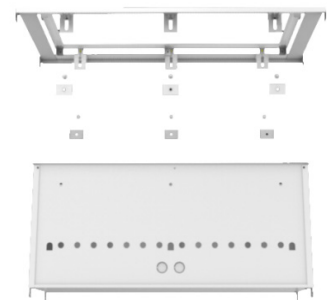
DESCRIPTION

- The Recessed Adjustable Tri Light is comprised of the fixture housing and plate with 3 head gimbals.
- Perfect for retail, commercial, office and residential applications.
- Three Head Fixture



OPTIONAL MUD RING

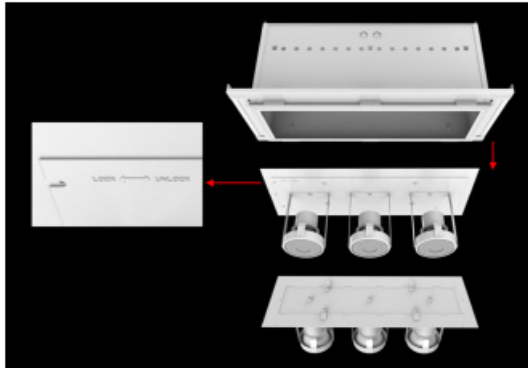
PART# ATL-3H-MR
Dry Wall Ceiling Mud Ring



Part Number	Fixture size	Lamp Type
ATL-3H-PAR30-LN	59.45 x 23.3 x 27.4cm 23.43 x 9.17 x 10.79 in	Par 30 Long Neck

This device complies with Part 15 of the FCC Rules. Operation is subject to the following conditions: (1) This device may not cause harmful interference, and (2) this device must accept any interference received, including interference that may cause undesired operation. For FCC Part 15 user information, please see www.leds-llc.com/fcc15b

- 1 Hours lifetime with 70% lumen maintenance
- 2 Thermally stable typical lumens ($\pm 10\%$)
- 3 Thermally stable CCT ($\pm 10\%$)
- 4 Color rendering index/Ra

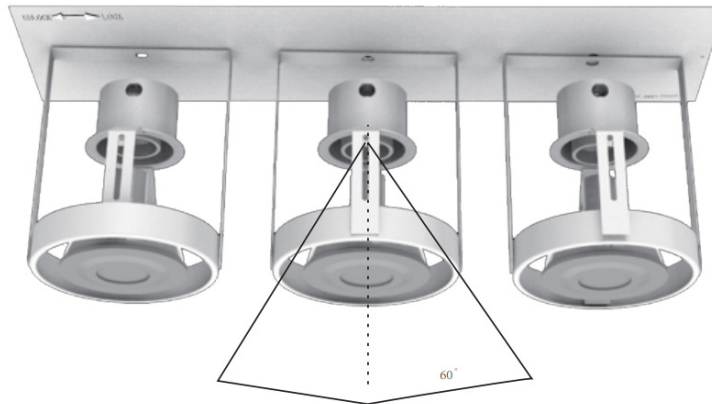


FEATURES

- 5-Year Limited Warranty
- Designed to easily retro fit most 3 head Par 30 Long neck recessed housings
- Each Gimbal Adjustable Up to 60°
- Quick Connect Wiring Assembly
- 16 gauge steel powder coated plate

DESCRIPTION

The Recessed Adjustable Tri Light Retrofit is perfect solution to excising traditional recessed adjustable lighting fixtures. This allows you to easy take the out dated lamps, plate and gimbals with out having to remove the housing.



Part Number	Fixture size	Lamp Type
ATL-3H-PAR30-LN-RK	54.6 x 15.57 x 18cm. 21.5 x 6.21 x 7.09in	Par30 Longneck





SINGLE LENS TROFFER SERIES

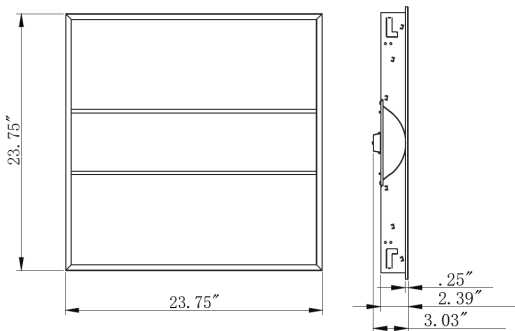
The LED Single Lens Troffers are designed to drop in ceiling. Single Lens Troffers are an ideal energy efficient replacement for fluorescent fixtures in offices, hospitality, schools and other commercial applications. Available in a 2'x2' & 2'x4' fixture.

FEATURES

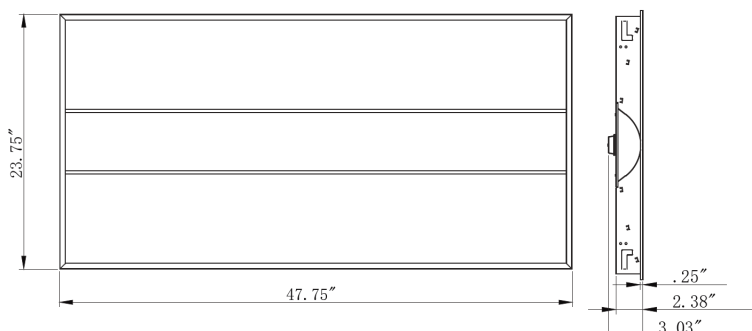
- Smooth Light Distribution
- High quality aluminum frame with great heat dissipation and low light degradation.
- 0-10V dimming compatible with many brands of dimmers.
- 5-Year Warranty



2 X 2 FIXTURE



2 X 4 FIXTURE

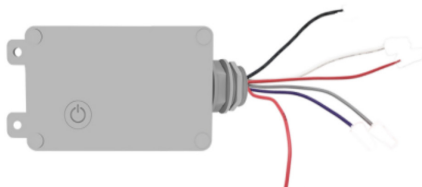


Order Code	Part Number	Size	Watts	Lumens	CCT	Input	Voltage
TR2240	TR-22-3040-D	2 x 2	30	3750	4000	>80	120-277
TR2250	TR-22-3050-D	2 x 2	30	3750	5000	>80	120-277
TR2440	TR-24-5040-D	2 x 4	50	6250	4000	>80	120-277
TR2450	TR-24-5050-D	2 x 4	50	6250	5000	>80	120-277



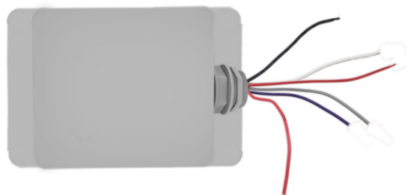
DESCRIPTION

- Control your lifts from anywhere
- Voice control with Alexa or Google for hands free use
- Make any bulb or fixture smart
- Set Schedules and timers
- cETL Listed

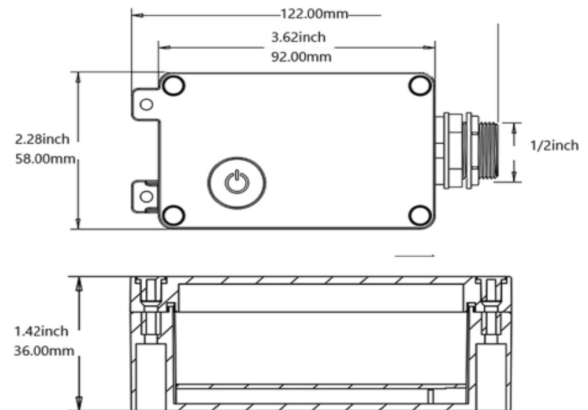


Black = Live
 White = Neutral
 Red = Live (Load)
 Red & White= Neutral (Load)
 Purple: Dim +
 Gray: Dim -

0-10V Smart Dimmer Kits (480V)



Black = Live
 White = Neutral
 Red = Live (Load)
 Red & White= Neutral (Load)
 Purple: Dim +
 Gray: Dim -



Model Number	Smart Dimmer kit
Quantity	100PCS
Gross Weight	14.4kg/31.5lbs
Ctn Size	72cm*47cm*13.5cm 2.8in*1.8in*0.5in

Part Number	Max Watts	Dimmer	Voltage	Net Weight	Model Number	Ctn Size
SK-ZB1-DD	2000W	0-10V	120-277V	12.8kg/28.31lbs	Smart Dimmer Kit	72.0cm*47.0cm*13.5cm 2.8in*1.8in*0.5in
SK-ZB1-DD(480V)	2000W	0-10V	480V	12.8kg/28.31lbs	Smart Dimmer Kit	72.0cm*47.0cm*13.5cm 2.8in*1.8in*0.5in

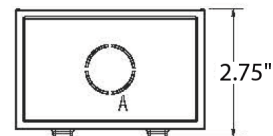
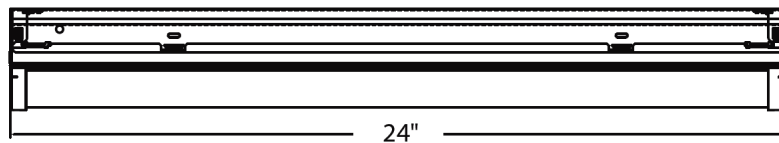


SINGLE LENS TROFFER SERIES

The LEDS, multi-volt, LED Strip Lights offer exceptional performance as a high quality replacement for traditional fluorescent light sources. Lasting more than 5 times longer than fluorescent alternatives, these strip lights reduce energy and maintenance costs. Engineered to be installed as a direct wire fixture, an optional mounting plate is also available.

FEATURES

- Direct wire, 0-10V Dimming
- 1800 Lumens
- Knock-outs for sensors or direct wire conduit
- 45 year life or 50,000 hour of continuous use
- UL Listed Damp Location
- Suitable for installations from -4°F to 95°F
- Replaces 34W fluorescent lamps
- 5 - Year Warranty



Order Code	Part Number	Watts	Lumens	CCT ¹	Avg Life ³	CRI ⁴	Beam Angle	Voltage
ST2000	ST-1750-SM-MV	17	1800	5000	50000	90	110 °	120-277

This device complies with Part 15 of the FCC Rules. Operation is subject to the following conditions: (1) This device may not cause harmful interference, and (2) this device must accept any interference received, including interference that may cause undesired operation. For FCC Part 15 user information, please see www.etiled.us/fcc15b

1. Thermally stable typical lumens (+/- 10%)
2. Thermally stable CCT (+/- 10%)
3. Average life based on 70% lumen maintenance
4. Color rendering index/Ra



4' AND 2' HIGH OUTPUT STRIP LIGHT SERIES

The LEDS multi-volt LED Strip Lights offer exceptional performance as a high quality replacement for traditional fluorescent light sources. Lasting more than 5 times longer than fluorescent alternatives, these strip lights reduce energy and maintenance costs. Engineered to be installed as a direct wire fixture, an optional mounting plate is also available.

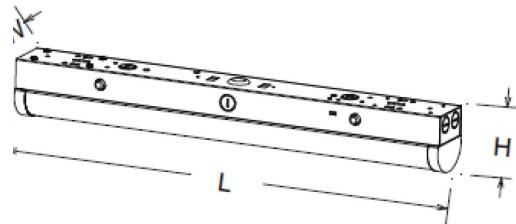
2' STRIP LIGHT FEATURES

- Installation flushmount direct wire
- 45 year life or 50,000 hour of continuous use
- UL Listed Damp Location
- Suitable for installations from -20°F to 95°F
- 5 - Year Warranty

4' STRIP LIGHT FEATURES

- Two-way installation: Flushmount & Suspended
- 10' Power Cord
- One pair 10' Aircraft Cable
- 45 year life or 50,000 hour of continuous use
- UL Listed Damp Location
- Suitable for installations from -20°F to 95°F
- 5 - Year Warranty

Part Number	Length	Width	Height
ST-2050-AM-MV	609 mm 23.97"	75 mm 2.95"	83 mm 3.26"
ST-4050-SM-MV	1220 mm 48.03"	75 mm 2.95"	83 mm 3.26"



Order Code	Part Number	Watts	Lumens ¹	CCT ²	Avg Life ³	CRI ⁴	Voltage
ST4050	ST-4050-AM-MV	40	5200	5000	50000	80	120-277
ST2050	ST-2050-SM-MV	20	2600	5000	50000	80	120-277

This device complies with Part 15 of the FCC Rules. Operation is subject to the following conditions: (1) This device may not cause harmful interference, and (2) this device must accept any interference received, including interference that may cause undesired operation. For FCC Part 15 user information, please see www.fcc.gov/fcc15b

1. Thermally stable typical lumens (+/- 10%)
2. Thermally stable CCT (+/- 10%)
3. Average life based on 70% lumen maintenance
4. Color rendering index/Ra



4' HIGH OUTPUT STRIP LIGHT SERIES

The LEDS multi-volt LED Strip Lights offer exceptional performance as a high quality replacement for traditional fluorescent light sources. Lasting more than 5 times longer than fluorescent alternatives, these strip lights reduce energy and maintenance costs. Engineered to be installed as a direct wire fixture, an optional mounting plate is also available.

Dimmable Light Features:

- Installation as portable/direct wire
- Linkable via cable or end-to-end connector
- 45 year life or 50,000 hour of continuous use
- UL Listed Damp Location
- Suitable for installations from -4°F to 95°F
- 5 - Year Warranty

Non-Dimmable Light Features

- Two-way installation: Flushmount & Suspended
- 10' Power Cord
- One pair 10' Aircraft Cable
- 45 year life or 50,000 hour of continuous use
- UL Listed Damp Location
- Suitable for installations from -4°F to 95°F
- 5 - Year Warranty



Order Code	Part Number	Watts	Lumens ¹	CCT ²	Avg Life ³	CRI ⁴	Voltage
ST5000	ST-3350-AM-MV	33	4900	5000	50000	80	120-277
- DIMMABLE -							
ST4000	ST-3340-AM-DIM	45	4900	4000	50000	90	120-277

This device complies with Part 15 of the FCC Rules. Operation is subject to the following conditions: (1) This device may not cause harmful interference, and (2) this device must accept any interference received, including interference that may cause undesired operation. For FCC Part 15 user information, please see www.etiled.us/fcc15b

1. Thermally stable typical lumens (+/- 10%)
2. Thermally stable CCT (+/- 10%)
3. Average life based on 70% lumen maintenance
4. Color rendering index/Ra



SINGLE LENS TROFFER SERIES

The LEDS, multi-volt, LED Strip Lights offer exceptional performance as a high quality replacement for traditional fluorescent light sources. Lasting more than 5 times longer than fluorescent alternatives, these strip lights reduce energy and maintenance costs. Engineered to be installed as a direct wire fixture, an optional mounting plate is also available.

FEATURES

- Energy Saving 33Watt Integrated LED
- Daylight 5000k CCT
- Battery Back-Up Compatible
- Lasts 45 year life or 50,000 hour of continuous use
- 5 - Year Limited Warranty

Order Code	Part Number	Watts	Lumens	CCT	Avg Life	CRI	Beam Angle	Voltage	Dimmability
ST5050	ST-4-49-850-MV-LVD-EM	38W(33W for Luminars, 5W for Emergency Driver)	4900Lm	5000k	50,000 Hours	≥80	100 °	120-277	0-10V
	Operating Temperature	Power Factor	Operating Frequency(Hz)	DUV	CBCP	R9			
	Min -4°F (-20° C), Max 113°F (45° C)	>0.9	50/60	0.0030	1140	1			

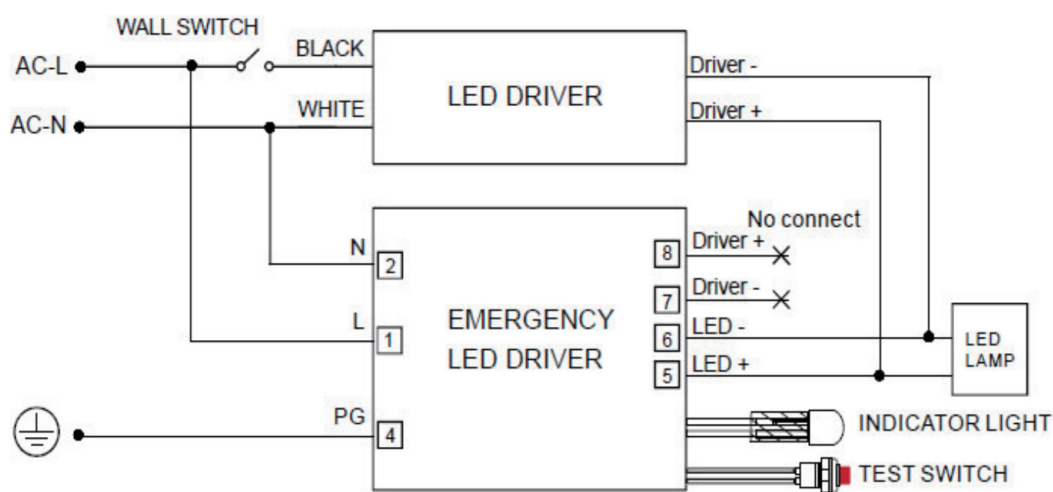
This device complies with Part 15 of the FCC Rules. Operation is subject to the following conditions: (1) This device may not cause harmful interference, and (2) this device must accept any interference received, including interference that may cause undesired operation. For FCC Part 15 user information, please see www.etiled.us/fcc15b

1. Thermally stable typical lumens (+/- 10%)
2. Thermally stable CCT (+/- 10%)
3. Average life based on 70% lumen maintenance
4. Color rendering index/Ra



Wattage	Input Voltage	Charge Time	Discharge Time	Emergency Time
4W	AC100-347V	24 Hours	1.5 hours	90 Min

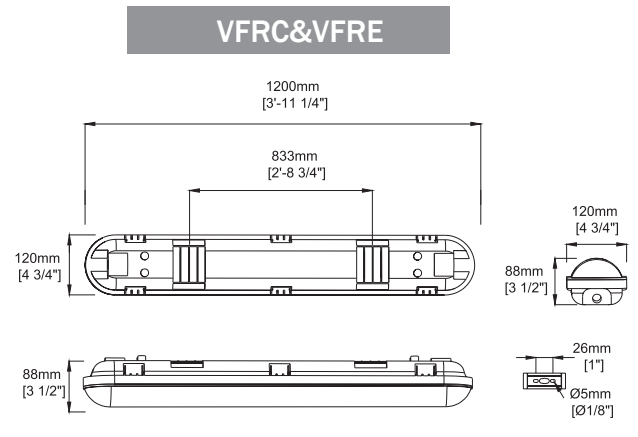
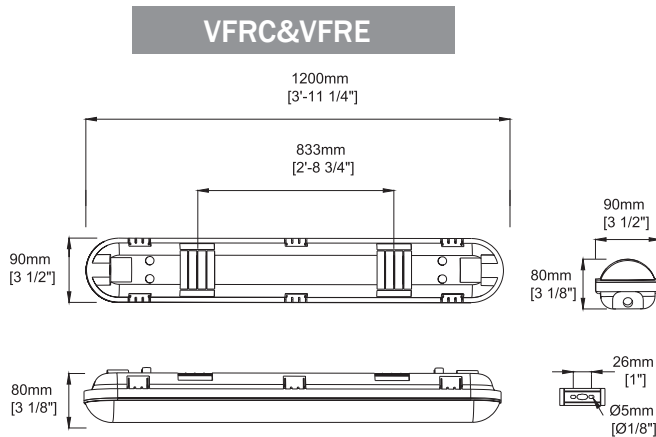
WIRING DIAGRAM





FEATURES

The vapor tight fixture is a cost effective and energy efficient alternative to traditional fluorescent tubes or strip light fixtures. Featuring a full-length, casketed polycarbonate lens and single piece non-corrosive polycarbonate body, this vapor tight led is protected with IP65 rating, sealed and casketed against dust, dirt, and humidity, making it ideal for both indoor and outdoor harsh environments applications, including utility lighting, parking garages, freezers and cold storage facilities, food processing, car washes, stairwell lighting and low bay lighting. Additionally, ceiling or surface mounted, this led tri proof light has an initial lumen range of 105-150LPW, and features 0-10V dimming standards. As well, this model comes with a motion sensor for maximum energy savings as well as 90 mins emergency battery backup options.



FEATURES

- UL/cUL listed for wet locations, IP65 rated
- DLC 4.4 Premium certified
- 105-150 lumens per watt
- 100-277VAC universal voltage
- 0-10V dimming optional
- Microwave Motion Sensor for Bi-Level control
- 90 mins Emergency Battery Backup

APPLICATIONS

- Wet areas
- Outside walkways
- Warehouses
- Storage areas
- Industrial units
- Farm buildings (Non-corrosive atmosphere)
- Garages
- Workshops
- Car parks
- Changing rooms
- Resistant to impact and many chemical agents, but for suitability in specific environments please take specialist advice

CONSTRUCTION

- Grey coloured polycarbonate
- Polycarbonate diffuser integrated with powder coated lighting tray
- Stainless steel clips
- Reinforced drill points in base for direct surface fixing, or conduit suspension.
- Stainless steel surface mounting clips
- Can also be suspended from wire/chain using clips provided



Supermarket

Farm buildings

Parking lot lighting

Warehouses



The mounting brackets keep adjustable space for easy correction.



The light transmittance of PC cover is up to 92%. The integrated design of Lens Cover and LED Plate is more convenient to install and use.



The fixed clips are elegant, secure and easy to use.

TECHNICAL SPECIFICATION

- Input Voltage : 100-277VAC
- Driver Type : UL Driver
- Luminous Efficacy : up to 130lm/w
- Colour Rendering Index : > 80Ra
- LED Type : LM80 SMD2835
- Operating : Temperature:-40°C up to 50°C (-40°F up to 122°F)
- Color Temperature : 3000K/4000K/5000K/
- Material : Polycarbonate Body & Diffuser
- Ingress Protection : IP65
- Impact Rating : IK08
- Rated Life : 50,000 hours
- Warranty : 5 years

Family Model and Variation:

VFRB4F-XXXX[P,S]-[Blank,SR,EM,RM] **VFRB4F** = Family Series; "XXX" denotes CCT, could be 40K: 4000K, 50K: 5000K; F = Frosted cover, C= Clear cover; [P,S] denotes capability of dimming, P = 0-10 V dimming, S = Non-dimmable; [Blank,SR,EM,RM] denotes product features, could be Blank, SR: Sensor, EM: Emergency supply, RM: Sensor + Emergency supply.

USL, CNL – Light-emitting-diode surface-mounted Luminaires, Models

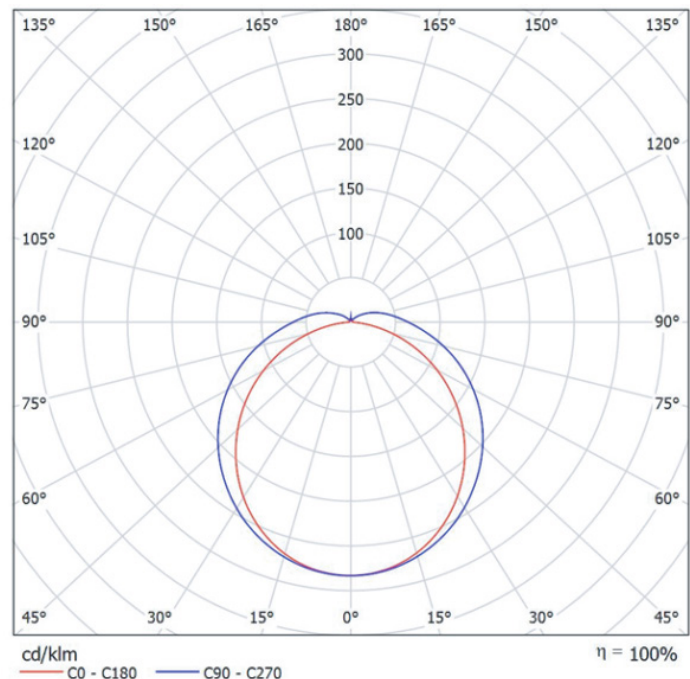
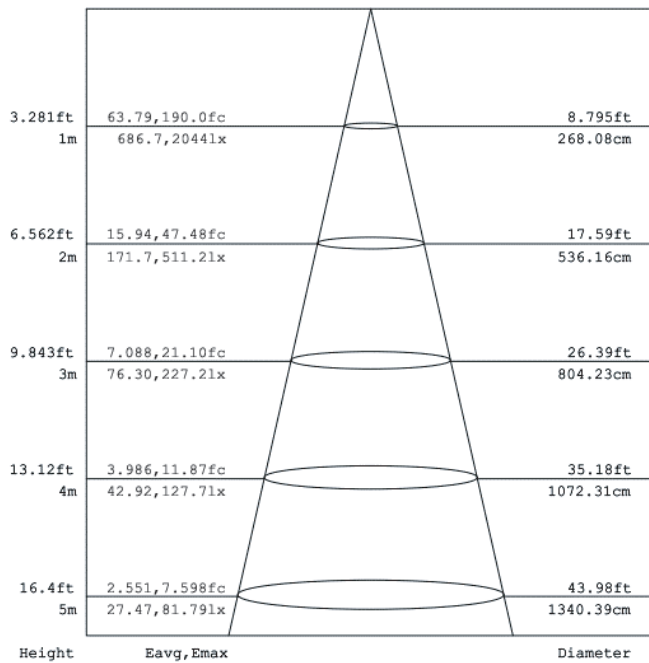
VFRA4F-XXXXP-XX
VFRB4F-XXXXP-XX
VFRC4F-XXXXP-XX
VFRB4F-XXXXS-XX
VFRE4F-XXXXP-XX

Where the first "XXX" indicate color temperature, can be any two digit plus K. The second "X" indicate diffuser type, can be F or C, F means frosted, C means clear. "P" indicate 0-10 V dimmable, "S" indicate non-dimmable. The third "XX" can be SR, EM, RM, SR means with Lighting Control, EM means with Emergency power, RM means with Lighting Control and Emergency power.

Produce Code	Power Consumption(W)	Lumens Delivered (lm)	Efficacy (lm/W)	Beam Angle	CRI	Power Factor	Housing	Installation	Operating Temperature	Certification
VF-RA4F-XXXXP	60W	7800lm	130lm/W(Frosted) 150lm/W(Clear)	120°	80	>0.9	PC	Surface Mount/ Chain	-40°C up to 50°C (-40°F up to 122°F)	UL/cUL, DLC Premium
VFRB4F-XXXXP	40W	5200lm	130lm/W(Frosted) 150lm/W(Clear)	120°	80	>0.9	PC	Surface Mount/ Chain	-40°C up to 50°C (-40°F up to 122°F)	UL/cUL, DLC Premium
VFRB4F-XXXXS	40W	4200lm	105lm/W(Frosted) 130lm/W(Clear)	120°	80	>0.9	PC	Surface Mount/ Chain	-40°C up to 50°C (-40°F up to 122°F)	UL/cUL, DLC
VFRE4F-XXXXP	20W	2600lm	130lm/W(Frosted) 150lm/W(Clear)	120°	80	>0.9	PC	Surface Mount/ Chain	-40°C up to 50°C (-40°F up to 122°F)	UL/cUL, DLC Premium
VFRC4F-XXXXP	40W	4200lm	105lm/W(Frosted) 130lm/W(Clear)	120°	80	>0.9	PC	Surface Mount/ Chain	-40°C up to 50°C (-40°F up to 122°F)	UL/cUL, DLC

LUMINAIRE PHOTOMETRIC

Cone illuminance Diagram:



VFR Series

The IP65 non-corrosive that outperforms its competitors



GOOD THERMAL MANAGEMENT. Top of the range UL approved flicker-free driver installed on separate heat sink gear tray for good thermal management and long-life.

ALL-POLYCARBONATE CONSTRUCTION. V0 fire retardant polycarbonate ensure high standard of safety and maximum impact rate of IK08.



MICRO-WAVE & EMERGENCY AVAILABLE. Suitable for various kinds of applications.

REVOLUTIONARY DESIGN. Advanced design of polycarbonate diffuse integrated with lighting tray provide significant protection on LEDs and saving on installation and maintenance.

WARNING

The light source contained in this luminaire shall only be replaced by the manufacturer or his service agent or a similar qualified person.

If the external flexible cable or cord of this luminaire is damaged, it shall be exclusively replaced by the manufacturer or his service agent or a similar qualified person in order to avoid a hazard.

Maximum number/power of fittings for loop in/out power option: 10 units/ 750W

Motion sensor is optional (BRI810-H-D)

Utilizing Field And Introduction

BRI810-H-D is a moving object sensor that can detect range of 360° and it's working frequency is 5.8GHz. The advantage of this product is stable working state (stable working temperature : -40°C~+70°C), BRI810-H-D adopts a microwave sensor (high-frequency output<0.2mW), so that it is safe and performs better than infrared sensor.



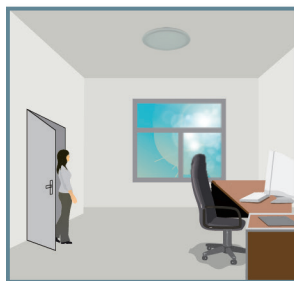
BRI810-H-D



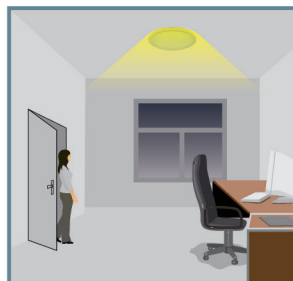
RC-100
(OPTIONAL)

Function and Options

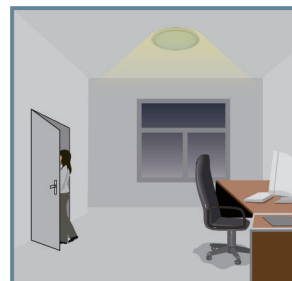
The microwave sensor to achieve tri-level dimming control, for same areas that require a light change notice before switch off. It offers 3 levels of the light Control : 100%--dimming light (0,10%,30%,50%) --off; and 2 periods of selectable waiting time: motion hold-time and stand-by time. Selectable daylight threshold and choice of detection area.



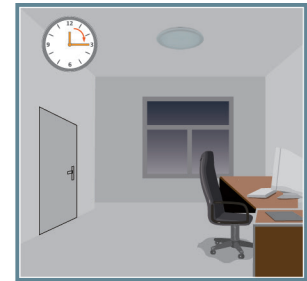
With sufficient natural light, the light does not switch on when presence detected.



With insufficient natural light, the sensor switches on the light automatically when person



People left, light still dims to 0/10%/30%/50%(options) standby level after the hold time.



Light switches off automatically after after stand-by time elapsed.

Emergency

VFRA Emergency LED Driver – R/C, FTBR2/8, rated 100-277V, 50/60Hz, 65mA, 4W input. 15-55Vdc, 850 mA, 13.5W output. Charge Time, 24 Hours. Run Time, 90 minutes.

VFRB Emergency LED Driver – R/C, FTBR2/8, rated 100-277V, 50/60Hz, 50mA, 2.5W input. 15-55Vdc, 470 mA, 7W output. Charge Time, 24 Hours. Run Time, 90 minutes.

VFRC,VFRE non-Emergency option

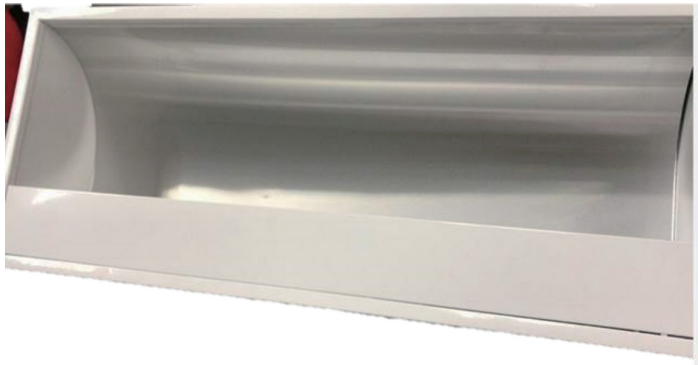


SPECIFICATIONS

Part Number	Watts	CCT	Lumens	Length
VT-F4-2050-D	20W	5000k	2600Lm	4'
VT-F4-4050-D	40W	5000k	5200Lm	4'

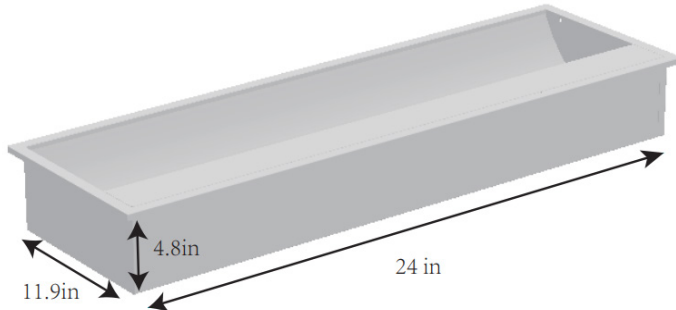
SHIPPING INFORMATION

Model No.	Qty (pcs)	L*W*H (CM)	QTY Per Carton	Carton	NW. (kgs)		G.W. (kgs)		Housing	
					Per CTN	TOTAL	Per CTN	TOTAL	Per CTN	TOTAL
VFRA/VFRB	6	123*28.5*31	6	1	15.2	15.2	16.5	16.5	0.11	0.11
VFRC/VFRE	9	123*31*30	9	1	15.5	15.5	162.8	16.8	0.11	0.11



DESCRIPTION

- Lasts 45 years* or 50,000 Hours Continuous Use
- 5-Year Limited Warranty
- Wall Wash



Model Number	Product Number	Product Dimensions	Description
70502101	WW1-LEDS	607 x 302 x 121mm. 24 x 11.9 x 4.8in.	Wall Wash

COMBATIBLE WITH

Tube: PLL1480/ PLL1481



- 1 Hours lifetime with 70% lumen maintenance
- 2 Thermally stable typical lumens ($\pm 10\%$)
- 3 Thermally stable CCT ($\pm 10\%$)
- 4 Color rendering index/Ra



LED Lamps



LED LAMP SERIES

The LEDS A19 LED lamps are perfect for retrofit and lighting upgrade solutions.

DESCRIPTION

- ES Approval
- ETL Listed
- Incandescent Wattage Comparison 60W
- Aluminum Alloy, High Conductive Plastic Headsink

Part Number	Watts	Luminous Flux ¹	CCT ³	CRI ⁴	Cap Base	Dimension	Voltage	Dimmability
A19-2.36IN-800LM-80-27K-SV-D-W	9W	800LM	2700	80	E26	2.36x4.43IN	120	Dimmable

¹ Thermally stable typical lumens (±10%)

³ Thermally stable CCT (±10%)

⁴ Color rendering index/R



LED LAMP SERIES

The LED Filament Bulb LED lamps are perfect for retrofit and lighting upgrade solutions.

DESCRIPTION

- CUL/UL Approval
- Beam Angle 360
- Clear/Frosted/Amber 3 color options

Part Number	Watts	Luminous Flux ₁	CCT ₃	Dimmability	CRI ₄	Beam Angle	Voltage	Dimension	Cap Base
Part VL-2.5IN-400LM-22K-SV-D-AM	4	400LM	2200	Dimmible	80	360	120	64*142MM	E26

Lamp Type	Part Number
L5	VL-2.5IN-400LM-22K-SV-D-AM VL-2.5IN-400LM-22K-SV-D-AM-LED Vintage Lamp
L6R	VL-2.5IN-400LM-22K-SV-D-C VL-2.5IN-400LM-22K-SV-D-C-LED Vintage Lamp

1. Thermally stable typical lumens (+/- 10%)
 3. Thermally stable CCT (+/- 10%)
 4 Color rendering index/Ra

DESCRIPTION

Line voltage die-cast aluminum designer gimbal fixtures with PAR38 light source. Yoke provides full adjustment position of light source for special aiming and dual tightening knobs assure secure lock on angle position.



LAMP

LED PAR38 E26 24W Max.

FEATURES

- Die-cast aluminum provides superior strength and rigidity.
- Low profile, aesthetic design.
- Adjustable yoke for custom aiming.
- One or two circuit track capable.

HOUSING

- Iron / die-cast aluminum construction.
- Gimbal appearance and design features.
- All edges are softened for aesthetic appearance.

YOKE

- Iron yoke connects fixture housing to electrical contact head.
- Dual plastic angle tightening knobs maintain clean, decorative appearance of the fixture and provides secure angle position.

WIRING

Teflon coated wire lead connects socket and housing to electrical contact head.

Teflon coating is durable and resists heat degradation from lamp and housing radiation.

FINISHES

Black, White and Satin Nickel heat rated baked enamel paint.

Custom painting or anodizing for special applications is also available.

Custom finishes will require lead times that vary depending on vendor schedule. Please consult factory for quotation.

Code	Series	Wire	Finish	Mounting	Wattage	Color Temperature
K2053	Track Light	02W = 2-wire 03W = 3-wire 04W = 4-wire	BK = Black WH = White SN = Satin Nickel	TM = Track Rail Mounting CM = Canopy Mounting PM = Pendant Mounting	L24 = LED 24W	28K = 2800K 35K = 3500K 50K = 5000K

ACCESORIES



K500
Global Adaptor
Finish: WH/BK



K600
Single/Two Circuit Live End
Finish: WH/BK



K601
Single /Two Circuit End Feed
Finish: WH/BK



K602
Single/Two Circuit Flexible Connector
Finish: WH/BK



K604
T-bar Attachment Clips
For T-bar Drop Ceiling
Finish: WH/BK/SN



K605
Single/Two Circuit Floating Canopy
Finish: WH/BK



K606
Single/Two Circuit Live End With Box Cover
Finish: WH/BK



K602
Single/Two Circuit Flexible Connector
Finish: WH/BK



K608
Mini Coupling
Finish: WH/BK



K609
Single/Two Circuit T-Connector
Finish: WH/BK



K610
Single Circuit 90° Connector
Finish: WH/BK



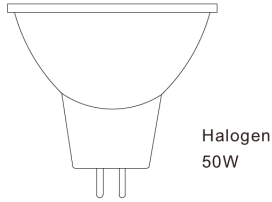
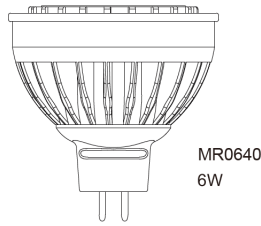
K611
Single/Two Circuit X-Connector
Finish: WH/BK



K612
Live End With Cord & Plug
Finish: WH/BK
Available in 2-wire, 3-wire, 4-wire



K5-3
Single Circuit/Two Circuit Track
Single Circuit Track is rated for 2400W
Features 12-gauge copper conductors and a separate ground conductor. Two circuit track includes 12-gauge copper conductors and features a double load capacity at 4800W max.
Single/Two Circuit Track is available in white, black and satin nickel finishes, and in 4, 6, and 8-foot sizes, and can also be field cut to your preference.



LED LAMP SERIES

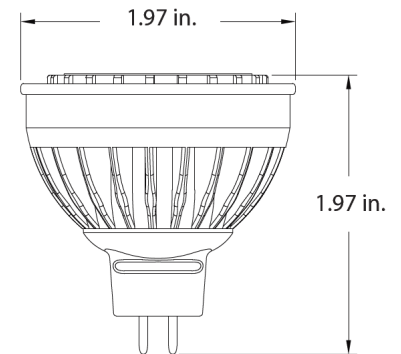
The LEDS MR16 LED lamps are perfect for retrofit and lighting upgrade solutions. A Direct replacement for 50W Halogen

FEATURES

- Bi-pin lamp base
- High purity aluminum heat sink
- 8 year life or 18,000 hour of continuous use
- 5 - Year Limited Warranty
- ETL Listed

SHIPPING INFORMATION

Unit	Weight	Width	Length	Height
Carton	8.5 kg 18.74 lbs	32 cm 12.60"	59 cm 23.23"	21 cm 8.27"



MR16

Order Code	Part Number	Watts	Lumens ¹	CCT ²	Avg Life ³	CRI ⁴	Beam Angle	Voltage
MR0640	MR-6-40-12V-D	6	620	4000	18000	>80	45	12
MR0630	MR-6-30-12V-D	6	620	3000	18000	>80	45	12

This device complies with Part 15 of the FCC Rules. Operation is subject to the following conditions: (1) This device may not cause harmful interference, and (2) this device must accept any interference received, including interference that may cause undesired operation. For FCC Part 15 user information, please see www.fcc.gov

1. Thermally stable typical lumens (+/- 10%)
2. Thermally stable CCT (+/- 10%)
3. Average life based on 70% lumen maintenance
4. Color rendering index/Ra



LED LAMP SERIES

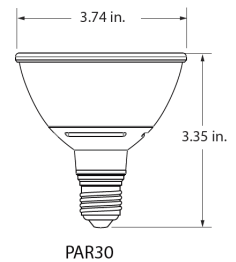
The LEDS PAR30 LED lamps are perfect for retro-fit and lighting upgrade solutions.

FEATURES

- E26 lamp base
- Soft White 3000k CCT
- 9.5 year life or 25,000 hour of continuous use
- 5-Year Limited Warranty
- ETL Listed

SHIPPING INFORMATION

Unit	UPC	Weight	Width	Length	Height
Product	849489007465	0.12 kg 1.48 lbs	9.5 cm 3.74"	9.5 cm 3.74"	11.2 cm 4.4"
Carton	50849489007460	6.59 kg 14.55 lbs	60.9 cm 12.28"	31.2 cm 23.98"	27.2 cm 10.71"



ETL Damp Location

Order Code	Part Number	Watts	Lumens ¹	CCT ²	Avg Life ³	CRI ⁴	Beam Angle	Voltage	Operating Temp	Power Factor	Operating Frequency (Hz)
PAR1100	PAR30-1030-15-MV	10	750	3000K	25000	80	15	90-277	Min. -4°F (-20°C)/Max. 113° (40°C)	>0.7	50/60

This device complies with Part 15 of the FCC Rules. Operation is subject to the following conditions: (1) This device may not cause harmful interference, and (2) this device must accept any interference received, including interference that may cause undesired operation. For FCC Part 15 user information, please see www.etiled.us/fcc15b

1. Thermally stable typical lumens (+/- 10%)

2. Thermally stable CCT (+/- 10%)

3. Average life based on 70% lumen maintenance

4. Color rendering index/Ra



LED LAMP SERIES

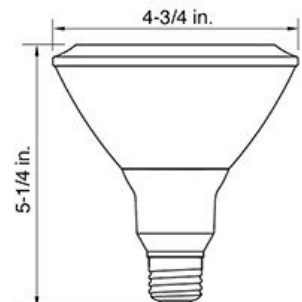
The LEDS PAR38 LED lamps are perfect for retrofit and lighting upgrade solutions.

FEATURES

- E26 lamp base
- Soft White 3000k CCT
- 9.5 year life or 25,000 hour of continuous use
- 5 - Year Limited Warranty
- ETL Listed

SHIPPING INFORMATION

Part Number	Unit	UPC	Weight	Width	Length	Height
PAR38-1330-15-MV	Product	849489007489	0.12 kg 0.27 lbs	12.1 cm 4.76"	12.1 cm 4.76"	12.6 cm 4.96"
PAR38-1330-15-MV	Carton	50849489007484	9.00 kg 19.84 lbs	39.7 cm 15.63"	52.7 cm 20.75"	44.2 cm 17.40"
PAR38-1830-40-MV	Product	849489007496	0.12 kg 0.27 lbs	12.1 cm 4.76"	12.1 cm 4.76"	12.6 cm 4.96"
PAR38-1830-40-MV	Carton	50849489007491	9.00 kg 19.84 lbs	39.7 cm 15.63"	52.7 cm 20.75"	44.2 cm 17.40"



ETL Damp Location

Order Code	Part Number	Watts	Lumens ¹	CCT ²	Avg Life ³	CRI ⁴	Beam Angle	Voltage	Operating Temp	Power Factor	Operating Frequency (Hz)
PAR1120	PAR38-1330-15-MV	13	950	3000	25000	80	15	90-277	Min. -4°F (-20°C) Max. 104° (40°C)	>0.7	50/60
PAR1130	PAR38-1830-40-MV	16	1350	3000	25000	80	40	90-277	Min. -4°F (-20°C) Max. 104° (40°C)	>0.7	50/60

This device complies with Part 15 of the FCC Rules. Operation is subject to the following conditions: (1) This device may not cause harmful interference, and (2) this device must accept any interference received, including interference that may cause undesired operation. For FCC Part 15 user information, please see www.leds-llc.com/fcc15b

1. Thermally stable typical lumens (+/- 10%)
2. Thermally stable CCT (+/- 10%)
3. Average life based on 70% lumen maintenance
4. Color rendering index/Ra

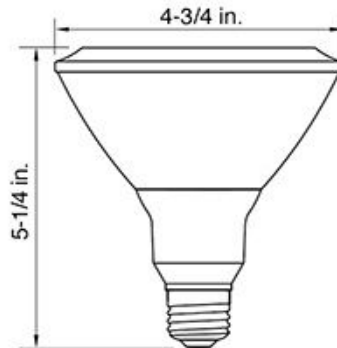


LED LAMP SERIES

The LEDS PAR38 LED lamps are perfect for retrofit and lighting upgrade solutions.

DESCRIPTION

- E26 lamp base
- Soft white 5000k CCT
- 9.5 year life or 25,000 hour of continuous use
- 3 Year Limited Warranty
- ETL Listed



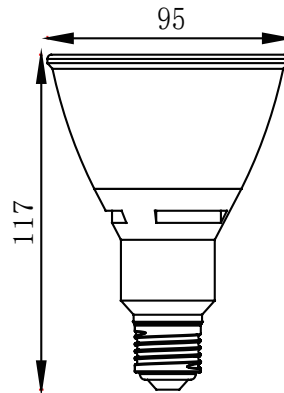
Order Code	Part Number	Watts	Lumens ₁	CCT ₂	Avg Life ₃	CRI ₄	Beam Angle	Voltage	Operating Temp	Power Factor	Operating Frequency (Hz)
PAR1350	PAR38-13W-1200LM-SV-D-35	13	1200	5000	25000	80	35	120	Min -4°F (-20° C), Max 113°F (45° C)	>0.7	60

1. Thermally stable typical lumens (+/- 10%)
 2. Thermally stable CCT (+/- 10%)
 3. Average life based on 70% lumen maintenance
 4. Color rendering index/Ra



DESCRIPTION

- E26 lamp base
- Bright White 3500K CCT
- Lasts 8.5 years or 25,000 Hours Continuous Use
- 5 Year Limited Warranty
- ETL Listed



Order Code	Part Number	Watts	Lumens ₁	CCT ₂	Avg Life ₃	CRI ₄	Beam Angle	Voltage	Operating Temp	Power Factor	Operating Frequency (Hz)
PAR1800	PAR30LN-1800LM-8-35K-25-MV	18	1800	3500	25000	80	15°/25°	120-277V	Min -4°F (-20° C), Max 113°F (40° C)	>0.8	50/60

1. Thermally stable typical lumens (+/- 10%)
 2. Thermally stable CCT (+/- 10%)
 3. Average life based on 70% lumen maintenance
 4. Color rendering index/Ra



PLL TUBE SERIES

The LEDS Ballast Bypass PLL Tubes are perfect for retrofit and lighting upgrade solutions.

FEATURES

- UL Damp Location
- 2G11 Bi-Pin base
- 45 year life or 50,000 hours of continuous use
- Maintenance Free - No Bulb Replacements
- 5 - Year Limited Warranty

Product Dimensions	Operating Temp	Power Factor	Operating Frequency (Hz)
(D x L) 0.7" x 22.48"	Min. -4°F (20°C)/Max. 113°F (45°C)	>0.9	50/60

2G11 Bi-Pin Lamp Base

Order Code	Part Number	Watts	Lumens ¹	CCT ²	Avg Life ³	CRI ⁴	Beam Angle	Voltage
PLL1480	PLL-2335-B	23	2800	3500	50000	80	NA	120-277
PLL1481	PLL-2340-B	23	2800	4000	50000	80	NA	120-277
PLL1482	PLL-2350-B	23	2800	5000	50000	80	NA	120-277

1. Thermally stable typical lumens (+/- 10%)
2. Thermally stable CCT (+/- 10%)
3. Average life based on 70% lumen maintenance
4. Color rendering index/Ra



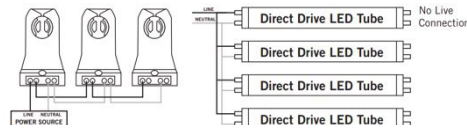
LEDS T5 TUBE SERIES

The LED T5 Tubes are perfect for new construction, retrofit and lighting upgrade solutions. High output and top of the line specifications. Available in multiple wattage and lumen output

FEATURES

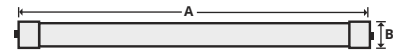
- High efficacy, long life LEDs
- High efficiency driver: 120V – 277V
- Glass construction for superior thermal management.
- 320 degree beam angle
- 5-Year warranty

T5 SINGLE END POWER



Use G5 Non-Shunted Sockets Wired to Line Voltage

Nominal Length	A (Illuminated Length)	B (Body Length)	C (Diameter)
48"	41.0"	45.8"	45.8"



Order Code	Part Number	Watts	Lumens	CCT	CRI	Voltage
T51111	T5-F4-2540-B	25	3800	4000	>80	120-277
T51112	T5-F4-2550-B	25	3800	5000	>80	120-277

APPLICATION NOTES:

1. Operating Temperature Range Between -20°C and +45°C (-4°F and +113°F)
2. Ballast Bypass Required.

Use G5 Non-Shunted Sockets Wired to Line Voltage.

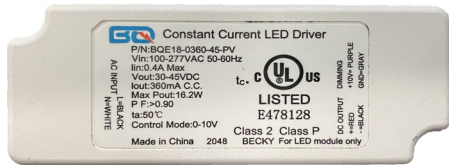
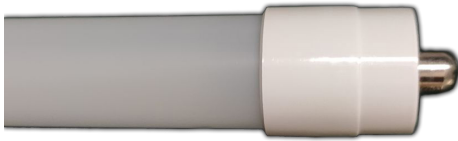
WARRANTY: This product has a warranty for a period of 5 years from the date of purchase. The warranty is invalid in the case of improper installation, tampering, or removal of the Q.C. date label. Installation in an improper working environment or installation not according to the current edition of the National Electric Code also invalidates the warranty. Should this product fail during the warranty period, it will be replaced free of charge, subject to correct installation and return of the faulty unit. LED S, LLC does not accept responsibility for any installation costs associated with the replacement of this product. This warranty is in addition to the statutory rights in the country of purchase. LED S, LLC reserves the right to alter specifications without prior notice.

LEDS T6 GLASS TUBE SERIES

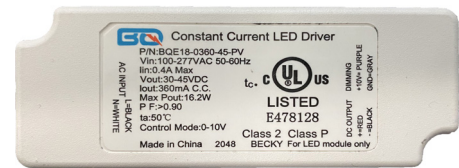
The LED T6 Tubes are perfect for new construction, retro-fit and lighting upgrade solutions. High output and top of the line specifications. Available in multiple wattage and lumen output

FEATURES

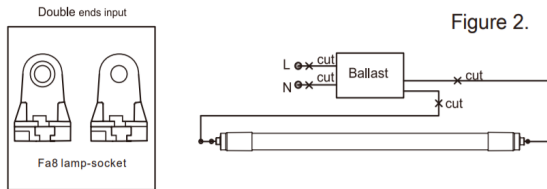
- High efficacy, long life LEDs
- High efficiency external driver: 120 - 277V
- Glass construction for superior thermal management.
- 320° beam angle



DRIVER SPECIFICATIONS



Order Code	Power Factor	Hz	Voltage
BQE18-0360-45-PV	>0.9	50-60	120-277



Wiring the driver as following figures, (Figure 2) the LED tube designed for double ends input.

Specification

Order Code	Size (feet)	Watts	CRI	Power Factor	Beam Angle	Lumens	CCT	Voltage
T61240	4	12	>80	>0.9	320	1600	4000K	120-277
T62040	5.3	20	>80	>0.9	320	2400	4000k	120-277

Product Packing Specification

Model Number	Quantity	Net Weight	Gross Weight	CTN Size
T61240	30pcs	10.6lbs	12.3lbs	106cm*21cm*18cm 41.7"*7.4"*7.2"
T62040	30pcs	10.6lbs	12.3lbs	106cm*21cm*18cm 41.7"*7.4"*7.2"

WARRANTY: This product has a warranty for a period of 5 years from the date of purchase. The warranty is invalid in the case of improper installation, tampering, or removal of the Q.C. date label. Installation in an improper working environment or installation not according to the current edition of the National Electric Code also invalidates the warranty. Should this product fail during the warranty period, it will be replaced free of charge, subject to correct installation and return of the faulty unit. LEDS, LLC does not accept responsibility for any installation costs associated with the replacement of this product. This warranty is in addition to the statutory rights in the country of purchase. LEDS, LLC reserves the right to alter specifications without prior notice.

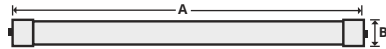
LEDS T8 TUBE SERIES

The LEDS T8 Tubes are perfect for new construction, retrofit and lighting upgrade solutions. High output and top of the line specifications.



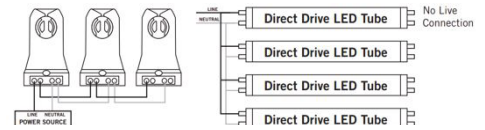
FEATURES

- G13 Bi-Pin
- Shatter Resistant Glass Tube
- 5-Year warranty
- Single Power End
- Cool White 4000K CCT
- 45 year life or 50,000 hour of continuous use
- 5 Year Limited Warranty



Nominal Length	A (Body Length)	B (Diameter)
48"	47.6"	1.02"

T8 SINGLE END POWER



Use G13 Non-Shunted Sockets Wired to Line Voltage.

Order Code	Part Number	Watts	Lumens	CCT	CRI	Voltage
T8113	T8-F4-840-B2	8.5	1700	4000	80	120-277

APPLICATION NOTES

1. Operating Temperature Range Between -20°C and +45°C (-4°F and +113°F)
2. Ballast Bypass Required.

Use G13 Non-Shunted Sockets Wired to Line Voltage.

WARRANTY: This product has a warranty for a period of 5 years from the date of purchase. The warranty is invalid in the case of improper installation, tampering, or removal of the Q.C. date label. Installation in an improper working environment or installation not according to the current edition of the National Electric Code also invalidates the warranty. Should this product fail during the warranty period, it will be replaced free of charge, subject to correct installation and return of the faulty unit. LEDS, LLC does not accept responsibility for any installation costs associated with the replacement of this product. This warranty is in addition to the statutory rights in the country of purchase. LEDS, LLC reserves the right to alter specifications without prior notice.

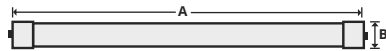


LEDS T8 TUBE SERIES

The LEDS T8 Tubes are perfect for new construction, retrofit and lighting upgrade solutions. High output and top of the line specifications. Available in multiple wattage and lumen output configurations to meet any lighting application.

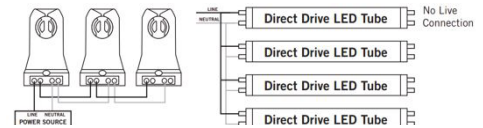
FEATURES

- High efficacy, long life LEDs
- High efficiency driver: 120V – 277V
- Glass construction for superior thermal management.
- 320° beam angle
- 5-Year warranty
- 45 year life or 50,000 hour of continuous use



Nominal Length	A (Illuminated Length)	B (Body Length)	C (Diameter)
48"	44.70"	47.15"	1.00"

T8 SINGLE END POWER



Use G13 Non-Shunted Sockets Wired to Line Voltage.

Order Code	Part Number	Watts	Lumens	CCT	CRI	Voltage
T81111	T8-F4-1040-B	10	1800	4000	>80	120-277
T81112	T8-F4-1050-B	10	1800	5000	>80	120-277
T81118	T8-F4-840-B	8.5	1700	4000	>80	120-277
T81119	T8-F4-850-B	8.5	1700	5000	>80	120-277
T81116	T8-F4-2540-B	25	3800	4000	>80	120-277
T81117	T8-F4-2550-B	25	3800	5000	>80	120-277

- DIMMABLE -

T81125	T8-F4-1240-B-D	12	1800	4000	>80	120-277
--------	----------------	----	------	------	-----	---------

APPLICATION NOTES

1. Operating Temperature Range Between -20°C and +45°C (-4°F and +113°F)
2. Ballast Bypass Required.

Use G13 Non-Shunted Sockets Wired to Line Voltage.

WARRANTY: This product has a warranty for a period of 5 years from the date of purchase. The warranty is invalid in the case of improper installation, tampering, or removal of the Q.C. date label. Installation in an improper working environment or installation not according to the current edition of the National Electric Code also invalidates the warranty. Should this product fail during the warranty period, it will be replaced free of charge, subject to correct installation and return of the faulty unit. LEDS, LLC does not accept responsibility for any installation costs associated with the replacement of this product. This warranty is in addition to the statutory rights in the country of purchase. LEDS, LLC reserves the right to alter specifications without prior notice.



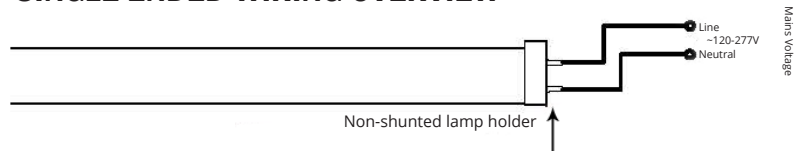
LEDS T8 TUBE SERIES

The LED T8 Tubes are low maintenance and energy efficient alternatives for traditional T12 and T8 fluorescent lamps. LED T8 tubes have a wide field angle, making them perfect for reflector equipped fixtures and wall-mount applications. They are UL listed and are to be installed with non-shunted lamp holders.

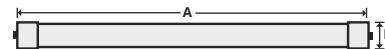
FEATURES

- High efficacy, long life LEDs
- High efficiency driver: 120V – 277V
- Glass construction for superior thermal management.
- 240 degree beam angle
- 5-Year warranty

SINGLE ENDED WIRING OVERVIEW



Nominal Length	24"	36"	48"
A (Body Length)	23.86"	35.79"	47.72"
B (Diameter)	1.10"	1.10"	1.10"



Order Code	Part Number	Length	Watts	Lumens	CCT	CRI	Voltage
T81400	T8-F2-835-B	2	8	1100	3500	>80	120-277
T81401	T8-F2-840-B	2	8	1100	4000	>80	120-277
T81402	T8-F2-850-B	2	8	1100	5000	>80	120-277
T81410	T8-F3-1035-B	3	10	1450	3500	>80	120-277
T81411	T8-F3-1040-B	3	10	1450	4000	>80	120-277
T81412	T8-F3-1050-B	3	10	1450	5000	>80	120-277
T81420	T8-F4-1235-B	4	12	1800	3500	>80	120-277
T81421	T8-F4-1240-B	4	12	1800	4000	>80	120-277
T81422	T8-F4-1250-B	4	12	1800	5000	>80	120-277

WARRANTY: This product has a warranty for a period of 5 years from the date of purchase. The warranty is invalid in the case of improper installation, tampering, or removal of the Q.C. date label. Installation in an improper working environment or installation not according to the current edition of the National Electric Code also invalidates the warranty. Should this product fail during the warranty period, it will be replaced free of charge, subject to correct installation and return of the faulty unit. LED S, LLC does not accept responsibility for any installation costs associated with the replacement of this product. This warranty is in addition to the statutory rights in the country of purchase. LED S, LLC reserves the right to alter specifications without prior notice.



U-BEND LED GLASS TUBE SERIES

The LEDS U-Bend Glass Tubes are perfect for retrofit and lighting upgrade solutions.

FEATURES

- G13 Bi-Pin base
- UL Damp Listed
- Bright White 3500k CCT
- 45 year life or 50,000 hour of continuous use
- Maintenance Free - No Bulb Replacements
- 5 - Year Limited Warranty

SHIPPING INFORMATION

Order Code	UPC	Unit	Weight	Width	Length	Height
T8U1450	849489060156	Product	0.19 kg 0.42 lbs	4.1 cm 1.61"	57 cm 22.44"	2.48 cm 0.98"
T8U1450	50849489060151	Carton	3.78 kg 8.34 lbs	16.5 cm 6.50"	60 cm 23.62"	21.5 cm 8.46"
T8U1460	849489060163	Product	0.19 kg 0.42 lbs	15.2 cm 5.98"	57 cm 22.44"	2.48cm 0.98"
T8U1460	50849489060168	Carton	5.97 kg 12.77 lbs	38.5 cm 15.16"	60 cm 23.62"	21.5 cm 8.46"

G13 NON-SHUNTED SINGLE-END POWER

Order Code	Part Number	Watts	Lumens ¹	CCT ²	Avg Life ³	CRI ⁴	Voltage	Operating Temp	Power Factor	Operating Frequency
T8U1450	T8-U1.67-1335-B	13	1900	3500	50000	80	120-277	Min. -4°F (20°C)/Max. 115°F (45°C)	>0.9	50/60
T8U1460	T8-U6-1335-B	13	1900	3500	50000	80	120-277	Min. -4°F (20°C)/Max. 115°F (45°C)	>0.9	50/60

This device complies with Part 15 of the FCC Rules. Operation is subject to the following conditions: (1) This device may not cause harmful interference, and (2) this device must accept any interference received, including interference that may cause undesired operation. For FCC Part 15 user information, please see www.etiled.us/fcc15b

1. Thermally stable typical lumens (+/- 10%)
2. Thermally stable CCT (+/- 10%)
3. Average life based on 70% lumen maintenance
4. Color rendering index/Ra



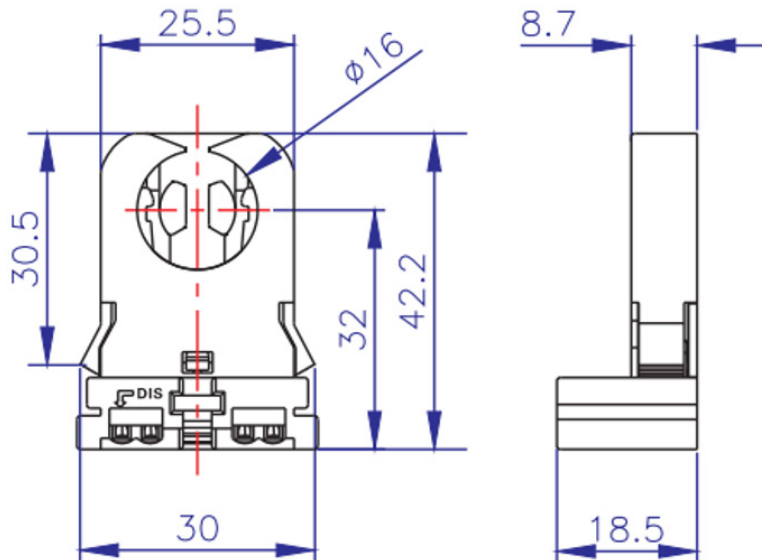
Parts



DESCRIPTION

- Rapid-start quick wire (3 sheet Copper)
- Plastic Base
- For T-8 fluorescent lamps

Product Number	Voltage	Watts	Material
LH-204-11D/ SK5001	600V	660W	Plastic Base

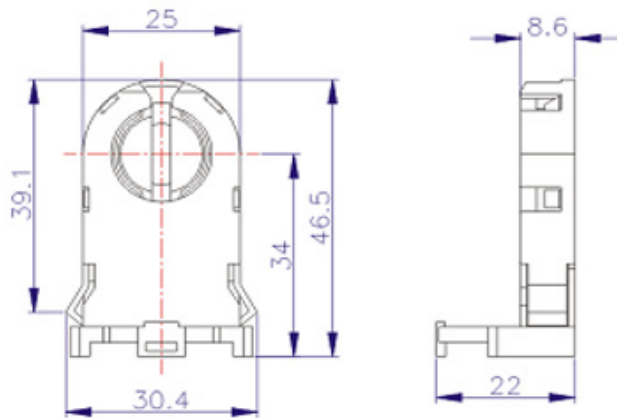




DESCRIPTION

- Rapid-start quick wire (Can Use - UL11125 Copper Clad Steel Wire)
- For T-8 fluorescent lamps

Product Number	Voltage	Watts	Material
FL-13/ SK5002	600V	660W	Plastic Base



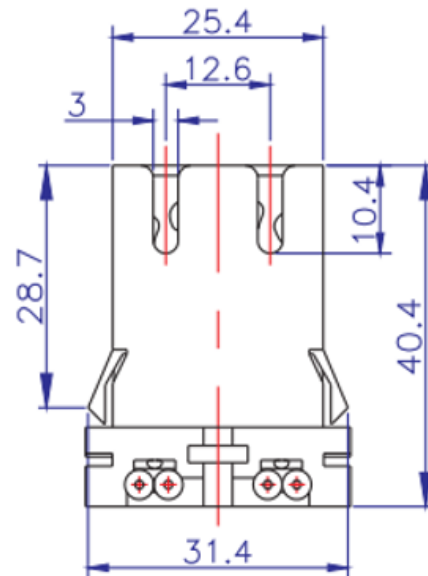
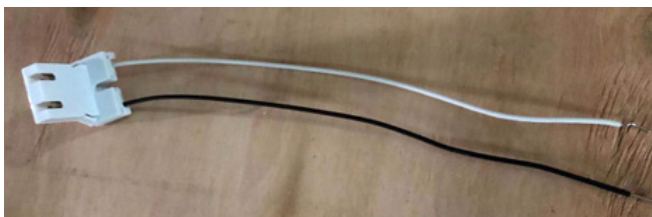


DESCRIPTION

- Rapid-start quick wire
- For T-8 fluorescent lamps

Product Number	Voltage	Watts	Material
FL-12/ SK5003	600V	660W	Plastic Base

WITH 6" WIRE

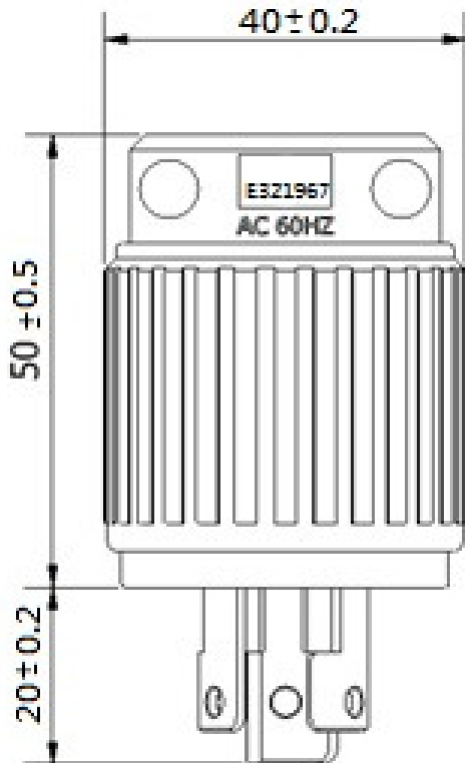




DESCRIPTION

- 2 Pole, 3 Wire, Locking Plug
- Black and White
- Nylon material
- cUL Listed
- 1.5mm Copper Alloy Terminal with M4 Screws

Part Number	Configuration Type	Voltage	Amps	Frequency (Hz)
TLP715	NEMA L7-15P	277V	15A	60



WIRE SPECIFICATIONS

- 16AWG3C
- 277V
- 15Ft UL PLV Wire