

Built-in Appliances

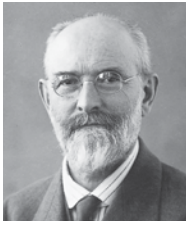
2016



BOSCH

Invented for life

Who are Bosch?



“I have always acted according to the principle that it is better to lose money than trust. The integrity of my promises, the belief in the value of my products and in my word of honour have always had a higher priority to me than a transitory profit.”

Robert Bosch, 1921

For over 125 years, the Bosch name has been synonymous with engineering excellence. Our home appliances are renowned for their quality, reliability and performance which derives from our inherent, unflagging commitment and the painstaking thoroughness with which every unit is made. As you would expect from German engineering, there are no gimmicks or frills with our products – just pure, clean lines and beautiful, functional simplicity that will enhance any kitchen.

The values that shaped Robert Bosch’s vision for his new company in 1886 are the same principles that guide the business today; never lose the trust of your customers, look after your staff and partners and change things for the better. It’s what has kept Bosch at the forefront of the home appliance industry and what will keep it there in the future.



Meet Karl, the Bosch Engineer.

Karl has devoted his working life to Bosch and ensures that feedback from customers continues to help shape our products of the future.

His detailed knowledge of our products and long experience can be accessed by customers who are looking to purchase a new appliance.

To understand more about the innovative features on our appliances throughout this brochure, visit our website bosch-home.co.uk

Follow us to learn more on:



[facebook.com/
BoschHomeUK](https://facebook.com/BoschHomeUK)



[twitter.com/
BoschHomeUK](https://twitter.com/BoschHomeUK)



[youtube.com/
BoschAppliancesUK](https://youtube.com/BoschAppliancesUK)



[pinterest.com/
boschhomeuk](https://pinterest.com/boschhomeuk)

Contents

Customer service	2-3
Home Connect	4-5

Ovens	06-23
Introducing the Bosch oven range	6-9
Single pyrolytic ovens	10-11
Single ovens	12-13
Double ovens	14-15
Built under double ovens	16
Compact ovens	17-19
Compact coffee centre	19
Warming drawers	20
Built-in microwave ovens	21-22
Freestanding microwaves	22-23

Hobs	24-43
Introducing the Bosch electric hob range	24-27
FlexInduction hobs	28-29
Induction hobs	30-32
Quicktherm ceramic hobs	32-33
Sealed Plate Electric Hobs	33
Introducing the Bosch gas hob range	34-37
Gas hobs	38-42
Domino hobs	43

Hoods	44-57
Introducing the Bosch hood range	44-47
Island hoods	48-49
Chimney hoods with glass	50-51
Chimney hoods	52-53
Telescopic hoods	54
Integrated hoods	55
Canopy hoods	56
Conventional hoods	56

Home Laundry	58-63
Introducing the Bosch home laundry range	58-61
Washing machines & washer dryers	62-63

Dishwashers	64-73
Introducing our advanced dishwasher range.	64-67
60cm integrated dishwashers	68-72
45cm integrated dishwashers	73

Refrigeration	74-91
Introducing our advanced refrigeration range.	74-77
Fridge freezers	78-81
Fridges & freezers	82-87
Built-under fridges & freezers	87
American style fridge freezers	88-91

Specification guide	93-147
----------------------------	---------------



Service you can rely on.

For help with your home
appliance, trust Bosch
Customer Service.



Arrange an engineer visit.

Our appliances are manufactured to the highest standards, but if you do need a visit from an engineer we are here to help. We have teams of locally based engineers around the country – employed and trained by Bosch*. This gives them unrivalled expertise and knowledge of our appliances. We repair appliances both in and out of guarantee. All repairs are analysed in advance by a technical team so that the parts likely to be needed to complete the repair are sent to the engineer's van the night before the visit.

To arrange an engineer visit to your home please call:

0344 892 8979

Lines are open 24 hours.

Calls are charged at the basic rate, please check with your telephone service provider for exact charges.

You can also arrange an engineer visit online: **[bosch-home.co.uk/bookonline](https://www.bosch-home.co.uk/bookonline)**

Product advice.

If you need help using programmes or features, or need assistance selecting a new Bosch appliance from our current range, our product advice team can help.

You can call us on

0344 892 8979

or visit: **[bosch-home.co.uk](https://www.bosch-home.co.uk)** for frequently asked questions and helpful videos.

Calls will be answered 24 hours a day, seven days a week. You can contact our specialist advisors Monday to Friday 8am to 8pm, Saturday 8am to 4pm and Sunday 9am to 3pm.

Register my appliance

We advise that you register your appliances so that we can contact you about any product updates. Visit registermyappliance.org.uk for more information.

You can also call Bosch directly to register your appliance on 0344 892 8979 (option 5). Please call us within 28 days of purchase to discuss the full range of options for extending your warranty.

Visit the Bosch online store.

Find a comprehensive selection of accessories to help you get the most out of your appliance, along with our full range of replacement spare parts and cleaning & care products at the Bosch online store.

You can also purchase Tassimo hot drinks machines, vacuum cleaners, irons, steam stations, kettles, toasters and food preparation appliances directly from us online.



You can call us on

0344 892 8979

or visit: **[bosch-home.co.uk/store](https://www.bosch-home.co.uk/store)**

Accessories.

Many appliances can be enhanced with optional extras, such as telescopic rails for ovens or special cookware for hobs.

When buying a Bosch home appliance, you know you are purchasing a quality, reliable product. However many appliances are used daily, so need cleaning and maintaining to keep them looking great and operating at peak performance.

Every one of our cleaning and care products has been thoroughly tested and approved for safe and effective use on your Bosch home appliance.

Replacement spare parts.

We keep in stock a comprehensive range of replacement spare parts for our appliances for up to ten years. All our parts are original spare parts, not copies.

Award-winning service.

Bosch Customer Service was proud to win the Domestic & General Total Excellence & Quality Award for 2015. The award is decided from surveys sent to customers and 94.5% described our service as excellent or good.



*In some remote areas we may use an approved service partner where the repair process may vary.

Home Connect: Smart connectivity for an easier life.

The future has arrived and it's knocking on your front door. Home Connect brings smart technology to your appliances and lets you control them with your phone or tablet.

So, whether you want to turn the oven on to cook your dinner when you're on your way home, or check what's in your fridge* while you're at the shops, you'll be in complete control.

*Currently freestanding refrigeration only.





Look out for our Home Connect models.

Welcome to your new digital home.

Remote control takes on a new meaning with Home Connect. You'll be able to connect to a number of your home appliances with your smart device while you're out. You'll be able to control your dishwasher easily and monitor its progress through the cycle. And whether you're at home or not, the handy app will let you know the most suitable programme for your dishes.

You'll also be able to use your mobile device to turn on your oven remotely.

The app will give you all the information you need about the cooking process, and will tell you when your meal is ready. How lovely to know your dinner is piping hot and ready to eat the moment you walk through the door.

Discover a new world. CoffeeWorld.

Even your coffee machine can be connected to make your life easier. Clever technology lets you choose between a wide range of different coffee-making methods and select your favourite from the app's CoffeeWorld.

And if you have guests, there's even a CoffeePlaylist feature that lets you enter all your guests' coffee orders.

Everything under control. Remote control.

Turn your oven on and off while on the go, change running programmes and keep an eye on things, or simply get a notification at the end of a programme. Save yourself effort and waiting time. Find cooking tips, videos and lots of new recipes specially tailored to your appliance, and send the preparation settings directly to your oven.



Home Connect is a service offered by Home Connect GmbH. For more information on Home Connect please visit www.bosch-home.co.uk

Introducing the Bosch oven range.

Whatever kind of cook you are, we have a range of smart and stylish built-in single or double ovens for you to choose from. Serve up vitamin packed meals using one of our innovative steam ovens or, if limited on space, our easy to use microwaves and compact appliances will bring style and function to any kitchen.

Serie | 8



With their impressive technology, elegant design and crystal clear TFT-touch display, our **Serie 8** ovens meet every need and more in the kitchen. The innovative control wheel provides convenience and functionality with full control over your dishes at all times. Plus, thanks to sensor-controlled programmes, you'll achieve perfect results every time.

Serie | 6



Simple elegance meets superior technology. **Serie 6** ovens give you more than just convenient operation and maximum energy efficiency. Modern functionality means your oven is easy to use with various programmes to suit different foods, all available to view clearly on the large LED display.

Serie | 4



Modern design, quality engineering and practicality. Our **Serie 4** compact microwave ovens looks stunning inside and out. Microwave technology makes it easier for you and the family to cook.

Serie | 2

Our **Serie 2** oven offers you classic design with easy operation. This is the optimal solution for anyone who wants a reliable appliance with good value for money.





Whichever model you choose from our Serie ranges, you'll find lots of reasons to love your Bosch oven.

Combination design.

Using the highest quality stainless steel and glass, our ovens and compact appliances combine beautifully to deliver a timeless, elegant and stylish finish to any kitchen with sleek, co-ordinated lines and matching panels.

Energy efficient.

Everything we know about energy-saving, green technology has been integrated into our range of feature-rich, built-in ovens.

Perfectly even results, every time.

Truly perfect baking and roasting requires not only the ideal temperature, but also the appropriate heating mode. From 4D Hotair to Hotair Eco, our ovens offer up to 15 different heating functions that deliver great results, whatever the dish.

Welcome to your new kitchen assistant.

For the easy way to perfect results, look no further than our built-in ovens. Precision engineering, sophisticated design and superior performance all help provide cooking success.

Put a new spin on your cooking.



You'll always have a complete overview and full control of all your oven's functions. The intuitive control wheel and full-width, high-resolution clear-text **TFT-touch display** with **DirectSelect TouchControl** buttons make operating our ovens a breeze. Clear, vivid images and helpful prompts guide you through each step as you navigate through the various programme options.

Fits every kitchen and every need.

Thanks to precision craftsmanship and sophisticated design, our Serie 8 appliances are the stand out choice. Consistent panel heights and display designs mean no matter which built-in appliances or heights you choose, they all fit together in perfect harmony.

Even heat. Maximum flexibility.

Thanks to **4D Hotair**, you can place your food on any of the four shelf levels and the results will be consistently perfect. Our new motor and fan wheel design makes it possible: it changes the direction of rotation during operation to distribute heat evenly on every level. And that's not all: with 4D Hotair, you can also bake and roast on up to four different levels simultaneously. So you'll enjoy reliable results from top to bottom.

Perfect results at your fingertips.

Discover our sensor-controlled functions with **Bosch Assist**, **PerfectBake** and **PerfectRoast**. This feature automatically sets precise information on temperatures and cooking times for all kinds of dishes, plus you can simply scroll through to find our intuitive baking and roasting functions.

AutoCook automatic programmes are a feature on selected ovens that work out the time, temperature and shelf position for you.

Scroll through for the PerfectBake.



Baking has never been easier. The **PerfectBake sensor** offers precise sensitivity and constantly measures the moisture level of dishes, as well as automatically regulating the baking process.

Scroll through for the PerfectRoast.



Traditional British beef, Easter lamb or Sunday roast chicken – with the **PerfectRoast meat probe**, perfect results are guaranteed every time. Just like a professional chef, but with complete ease.

Full steam ahead – for full taste.

Many Serie 8 ovens have special programmes and functions that combine the best of a steamer with the benefits of a classic oven. Those single ovens, equipped with the **added steam function**, produce succulent roasts, with juicy meats and crispy skins, as well as breads with the perfect colour and crust. Full steam option is available in our compact oven range.

We didn't reinvent the wheel. But we taught it how to cook.



Everything you need at hand: our intuitive control wheel makes cooking easier than ever. With just a small turn of the stainless steel ring, you can adjust any of your oven's settings. The **TFT-touch display**, with its clear and straightforward design, guides you through the various menu options, giving you full control over your dishes at all times.

Cleaning made easy.

The ultimate in self cleaning power. **Pyrolytic self-cleaning** heats the oven to around 480° C, which reduces dirt and grease deposits to dust that can be easily wiped away.

Single pyrolytic ovens

Serie | 8



HRG6769S6B



Main Cooking Functions 4D hot air, Hotair Eco, Top and bottom heat, Hotair grilling, Full width variable grill, Bottom heat, Defrost

Scroll Bosch Assist for precision cooking.

The Bosch Assist feature on selected Serie 8 built-in ovens automatically sets precise information on temperatures and cooking time. Scroll through for our intuitive PerfectBake and PerfectRoast functions for perfect results every time.

Specifications

TFT colour and graphics display with direct touch

Stainless steel control wheel

Added Steam function

SoftClose, SoftOpen door

Pyrolytic self-cleaning

Bosch Assist

3 x LED lights

PerfectRoast meatprobe

PerfectBake sensor

15 cooking functions including 4D Hotair

3 telescopic rails



Serie | 8



HBG6764S6B



Alternative colour
HBG6764B6B
Black

Specifications

TFT colour and graphics display with direct touch

Stainless steel control wheel

SoftClose, SoftOpen door

Pyrolytic self-cleaning

Bosch Assist

1 interior halogen light

PerfectRoast meatprobe

PerfectBake sensor

13 cooking functions including 4D Hotair

1 telescopic rail

HBG674BS1B



Alternative colour
HBG674BB1B Black

Specifications

TFT colour and text display with touch buttons

Stainless steel control wheel

SoftClose, SoftOpen door

Pyrolytic self-cleaning function

1 interior halogen light

13 cooking functions including 4D Hotair

1 telescopic rail

Main Cooking Functions 4D hot air, Hotair Eco, Top and bottom heat, Hotair grilling, Full width variable grill, Bottom heat, Defrost

Main Cooking Functions 4D hot air, Hotair Eco, Top and bottom heat, Hotair grilling, Full width variable grill, Bottom heat, Defrost



Need to know more?

For in-depth appliance details please refer to the **Product Specification** section at the back of this brochure.

To understand more about the innovative features on our appliances visit **bosch-home.co.uk**



Serie | 6



HBA73R150B

Energy **A** Capacity **63L**



Specifications

Control panel height 11.5cm
 2 retractable control dials
 Pyrolytic self-cleaning
 1 interior light
 9 cooking functions including 3D Hotair
 1 telescopic rail

HBA63B150B

Energy **A** Capacity **63L**



Specifications

Control panel height 11.5cm
 2 retractable control dials
 Pyrolytic self-cleaning function
 1 interior halogen light
 6 cooking functions including 3D Hotair

Main Cooking Functions Top and bottom heat, 3D Hotair, Hotair Eco, Top and bottom heat, Bottom heat, Hot air grilling, Full width variable grill, Defrost

Main Cooking Functions Top and bottom heat, 3D Hotair, Hotair Eco, Top and bottom heat, Bottom heat, Hot air grilling, Full width variable grill

Single ovens

Serie | 8



HBG656RS1B

Energy
A+

Capacity
71L



Alternative colour
HBG656RB1B Black

Specifications

TFT colour and graphics display with direct touch

Stainless steel control wheel

SoftClose, SoftOpen door

EcoClean Direct: back, roof and side liners

Bosch Assist

1 interior halogen light

PerfectRoast meatprobe

PerfectBake sensor

13 cooking functions including 4D Hotair

1 telescopic rail

HBG634BS1B

Energy
A+

Capacity
71L



Alternative colour
HBG634BB1B Black

Specifications

TFT colour and text display with DirectSelect buttons

Stainless steel control wheel

SoftClose, SoftOpen door

EcoClean Direct: back liner

1 interior halogen light

13 cooking functions including 4D Hotair

Main Cooking Functions 4D hot air, Hotair Eco, Top and bottom heat, Hotair grilling, Full width variable grill, Bottom heat, Defrost

Main Cooking Functions 4D hot air, Hotair Eco, Top and bottom heat, Hotair grilling, Full width variable grill, Bottom heat, Defrost

Serie | 6



HBA53R150B

Energy
A

Capacity
66L



Specifications

Retractable control dials

EcoClean back, roof and side liners

1 interior light

8 cooking functions including 3D Hotair

1 telescopic rail

HBA23B150B

Energy
A

Capacity
66L



Specifications

Standard control dials

Push buttons

EcoClean back liners

Electronic clock timer

1 round light

5 cooking functions including 3D Hotair

Main Cooking Functions Top and bottom heat, 3D Hotair, Hotair Eco, Top and bottom heat, Bottom heat, Hot air grilling, Full width variable grill, Defrost

Main Cooking Functions Top and bottom heat, 3D Hotair, Bottom heat, Hot air grilling, Full width variable grill

Single ovens

Serie | 6



HBA13R150B

Energy
A

Capacity
66L



Specifications

Control dials with metal cap

1 level telescopic shelf

Electronic clock timer

1 interior light

4 cooking functions including 3D Hotair

HBA13B150B

Energy
A

Capacity
66L



Specifications

Standard control dials

Push buttons

Electronic clock timer

1 interior light

4 cooking functions including 3D Hotair



Alternative colours

HBA13B160B Black

HBA13B120B White

Main Cooking Functions 3D Hotair, Hotair grilling, Full width variable grill, Defrost

Main Cooking Functions 3D Hotair, Hotair grilling, Full width variable grill, Defrost

Serie | 2

HBN331E7B

Energy
A

Capacity
66L



Specifications

2 retractable control dials

Catalytic liners: ceiling, back panel

Electronic clock timer

1 interior light

4 heating methods including 3D Hotair

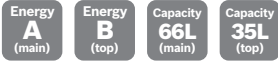
Main Cooking Functions 3D Hotair, Hotair grilling, Full width variable grill, Defrost

Double ovens

Serie | 6



HBM56B551B



Specifications

Electronic control (main oven)

Central illuminated metal control dial

Control panel height 11.5cm

7 shelf positions (5 x main, 2 x top)

EcoClean back, roof and side liners in both ovens

Electronic clock timer

Interior light in both ovens

Auto cook – 40 programmes

4 cooking functions (top)

10 cooking functions including 3D Hotair (main)

HBM53R550B



Specifications

Control dials with metal cap

2 retractable control dials

Control panel height 11.5cm

7 shelf positions (5 x main, 2 x top)

EcoClean back, roof and side liners in both ovens

Electronic clock timer

Interior light in both ovens

3 cooking functions (top)

8 cooking functions including 3D Hotair (main)

Main Cooking Functions Main: 3D Hotair, Hot air grilling, Full width variable grill, Defrost. **Top:** Top and bottom heat, Bottom heat, Full width variable grill

Main Cooking Functions Main: 3D Hotair, Hot air grilling, Full width variable grill, Defrost. **Top:** Top and bottom heat, Bottom heat, Full width variable grill

Serie | 6



HBM13B550B



Specifications

Control dials with metal cap

Control panel height 11.5cm

7 shelf positions (5 x main, 2 x top)

EcoClean back liner (main oven)

EcoClean back and roof liners (top)

Electronic clock timer

Interior light in both ovens

2 cooking functions including 3D Hotair & Defrost (main)

HBM43B250B



Specifications

Standard control dials

Control panel height 11.5cm

7 shelf positions (5 x main, 2 x top)

EcoClean back, roof and side liners in both ovens

Electronic clock timer

Interior light in both ovens

3 cooking functions (top)

5 cooking functions including 3D Hotair (main)



Alternative colour
HBM43B260B Black

Main Cooking Functions Main: 3D Hotair, Defrost. **Top:** Top and bottom heat, Full width variable grill

Main Cooking Functions Main: 3D Hotair, Hot air grilling, Full width variable grill. **Top:** Top and bottom heat, Bottom heat, Full width variable grill

Double ovens

Serie | 6



HBM13B251B



Specifications

Standard control dials

Control panel height 11.5cm

7 shelf positions (5 x main, 2 x top)

EcoClean back liner (main)

EcoClean back and roof liners (top)

Interior light in both ovens

2 cooking functions (top)

2 cooking functions including 3D Hotair & Defrost (main)



Alternative colours

HBM13B261B Black

HBM13B221B White

Main Cooking Functions Main: 3D Hotair, Defrost.

Top: Top and bottom heat, Full width variable grill

HBM13B151B



Specifications

Standard control dials

Control panel height 11.5cm

7 shelf positions (5 x main, 2 x top)

EcoClean back liner (main)

EcoClean back and roof liner (top)

Interior light in both ovens

2 cooking functions (top)

2 cooking functions: 3D Hotair, Defrost (main)

Electronic clock timer

Main Cooking Functions Main: 3D Hotair, Defrost.

Top: Top and bottom heat, Full width variable grill

Built under double ovens

Serie | 6



HBN53R550B



Specifications

Control dials with metal cap

Control panel height 9.6cm

EcoClean back, roof and side liners (top and main)

5 shelf positions (2 top, 3 main)

Interior light in both ovens

Electronic clock timer

3 cooking functions (top)

8 cooking functions including 3D Hotair & defrost (main)

HBN43B250B



Specifications

Standard control dials

Control panel height 9.6cm

EcoClean back, roof and side liners (top and main)

5 shelf positions (2 top, 3 main)

Interior light in both ovens

Electronic clock timer

3 cooking functions (top)

5 cooking functions including 3D Hotair (main)



Alternative colour

HBN43B260B Black

Main Cooking Functions Main: 3D Hotair, Full and half width variable grill, Hotair grilling, Top and bottom heat, Fast heat, Defrost. **Top:** Top and bottom heat, Full width variable grill

Main Cooking Functions Main: 3D Hotair, Full width variable grill, Hotair grilling, Top and bottom heat, Fast heat. **Top:** Top and bottom heat, Full width variable grill

Serie | 6



HBN13B251B



Specifications

Standard control dials

Control panel height 9.6cm

EcoClean back liner (main) back & roof liners (top)

5 shelf positions (2 x top, 3 x main)

Interior light (both ovens)

Electronic clock timer

2 cooking functions (top)

2 cooking functions 3D Hotair & Defrost (main)



Alternative colours

HBN13B261B Black

HBN13B221B White

Main Cooking Functions Main: 3D Hotair, Defrost, **Top:** Top and bottom heat, Full width variable grill

Compact and steam ovens

Serie | 8



Compact oven CBG675BS1B

Energy
A⁺

Capacity
47L



Specifications

Stainless steel control wheel

TFT colour and text display with DirectSelect buttons

Pyrolytic self-cleaning

3 shelf positions

Halogen interior light

SoftClose, SoftOpen door

Electronic clock timer

13 main cooking functions including 4D Hotair & Hotair Eco

Compact steam combination oven CSG656BS1B

Energy
A⁺

Capacity
47L



Specifications

Stainless steel control wheel

TFT colour and graphics display with direct touch buttons

EcoClean Direct: back, roof and sides

LED light

SoftClose, SoftOpen door

12 main cooking functions including 4D Hotair & Hotair Eco

Main Cooking Functions 4D Hotair, Hotair Eco, Hotair grilling, Full and half width grill, Steam cooking, Reheating, Defrost

Main Cooking Functions 4D Hotair, Hotair Eco, Hotair grilling, Full and half width grill, Steam cooking, Reheating, Defrost

Serie | 8



Compact steam oven CDG634BS1B

Capacity
38L



Specifications

Stainless steel control wheel

TFT colour and text display with DirectSelect buttons

Interior light

SoftClose, SoftOpen door

Cooking functions: Steam cooking, reheating, dough proving, defrost

Additional functions: Descaling, automatic boiling detection

Main Cooking Functions Steam cooking, Reheating, Dough proving, Defrost, Descaling programme, Auto boiling point detection

Compact ovens with microwave

Serie | 8



CNG6764S6B

Capacity
45L

Specifications

Stainless steel control wheel

TFT colour and graphics display with direct touch

Pyrolytic self-cleaning

SoftClose, SoftOpen door

LED light

Bosch Assist

PerfectRoast meat probe

PerfectBake sensor

14 main functions including 4D Hotair & Hotair Eco

CMG676BS6B

Capacity
45L

Specifications

Stainless steel control wheel

TFT colour and graphics display with direct touch

Pyrolytic self-cleaning

SoftClose, SoftOpen door

LED light

Bosch Assist

12 main functions including 4D Hotair & Hotair Eco

Main Cooking Functions 4D Hotair, Hotair Eco, Hotair grilling, Full width variable grill, Combi microwave variable function, Steam reheating, Dough proving

Main Cooking Functions 4D Hotair, Hotair Eco, Top and bottom heat, Hotair grilling, Full width variable grill, Bottom heat, Combi microwave variable function

Serie | 8



CMG656BS6B

Capacity
45L

Specifications

Stainless steel control wheel

TFT colour and graphics display with direct touch

EcoClean Direct: back, roof and side liners

SoftClose, SoftOpen door

LED light

Bosch Assist

12 main functions including 4D Hotair & Hotair Eco

CMG656BB6B

Capacity
45L

Specifications

Stainless steel control wheel

TFT colour and graphics display with direct touch

EcoClean Direct: back, roof and side liners

SoftClose, SoftOpen door

LED light

Bosch Assist

12 main functions including 4D Hotair & Hotair Eco

Main Cooking Functions 4D Hotair, Hotair Eco, Top and bottom heat, Hotair grilling, Full width variable grill, Bottom heat, Combi microwave variable function

Main Cooking Functions 4D Hotair, Hotair Eco, Top and bottom heat, Hotair grilling, Full width variable grill, Bottom heat, Combi microwave variable function

Compact ovens with microwave and coffee centre

Serie | 8



CMG633BS1B

Capacity
45L



Alternative colour
CMG633BB1B Black

Specifications

Stainless steel control wheel

TFT colour and text display with DirectSelect buttons

SoftClose, SoftOpen door

LED light

14 automatic programmes

6 main functions including 4D Hotair

CFA634GS1B

Capacity
36L



Specifications

Built-in microwave

Stainless steel control wheel

TFT colour and text display with DirectSelect buttons

SoftClose, SoftOpen door

5 microwave power settings (max 900 W)

SoftClose, SoftOpen door

LED light

7 automatic programmes

Main Cooking Functions 4D Hotair, Hotair Eco, Hotair grilling, Full width variable grill, Microwave and microwave combi function, Fast heat

Main Cooking Functions 5 microwave power settings (90 W, 180 W, 360 W, 600 W), 9 automatic programmes

Serie | 6



HBC84H501B

Capacity
44L



Specifications

Electronic control

2 retractable control dials

Built-in microwave with grill & 4 heating methods

4 auto weight defrosting programmes

3 auto weight cooking programmes

Interior light

15 automatic programmes

5 microwave power levels; Max power 900W

Main Cooking Functions 3D Hot air plus, Hot air grilling, Full width grill, 5 microwave power settings: (900 W, 600W, 360W, 180W, 90W), 4 auto weight defrost programmes, 3 automatic weight cooking programmes, 15 automatic programmes

Serie | 8



CTL636ES6



Specifications

Electronic control

SilentCeram Drive

CoffeeSensor Pro grinding unit

Milk froth, warm milk and hot water available

One touch preparation

TFT display with interactive menu

MyCoffee: save 8 favourite beverages

2.4L removable water tank

One-touch preparation Ristretto, Espresso, Espresso Macchiato, Coffee, Cappuccino, Latte Macchiato, Caffè Latte, AromaDouble Shot, OneTouch DoubleCup

Warming drawers

Serie | 8



BID630NS1B

Capacity
52L



Specifications

4 functions: dough proving, defrost, hold warm, plate warming

Easy to clean toughened glass heating plate

Can accommodate up to 40 plates / 192 espresso cups

Adjustable temperate 40-80°C

Max weight capacity 25kg

BIC630NS1B

Capacity
20L



Specifications

4 functions: dough proving, defrost, hold warm, plate warming

Easy to clean toughened glass heating plate

Can accommodate up to 12 plates / 64 espresso cups

Adjustable temperate 40-80°C

Max weight capacity 25kg

Serie | 8



BIC630NB1B

Capacity
20L



Specifications

4 functions: dough proving, defrost, hold warm, plate warming

Easy to clean toughened glass heating plate

Can accommodate up to 12 plates / 64 espresso cups

Adjustable temperate 40-80°C

Max weight capacity 25kg

Built-in microwave ovens

Serie | 8

**BEL634GS1B**Capacity
21L**Specifications**

Microwave oven with grill

Stainless steel control wheel

TFT colour and text display with DirectSelect buttons.

Auto cook programmes

10 automatic programmes

Left-hinged side opening door

LED light

3 combination microwave and grill power levels. Max power 360W

BFL634GS1BCapacity
21L

Alternative colour
BFL634GB1B Black

Specifications

Stainless steel control wheel

TFT colour and text display with DirectSelect buttons.

Auto cook programmes

7 automatic programmes

Left-hinged side opening door

LED light

5 microwave power levels; Max power 900W

Serie | 6

**HMT84G654B**Capacity
25L**Specifications**

Microwave oven with grill

1 retractable control dial

Push buttons

1200W quartz grill function

1 memory function

4 weight auto defrost programmes

1 weight auto combination programme

Left-hinged side opening door

1 interior light

3 combination microwave and grill power levels. Max power 360W

For installation in tall housing

HMT84M654BCapacity
25L

Alternative colours
HMT84M664B Black
HMT84M624B White

Specifications

1 retractable control dial

Push buttons

1 memory function

4 weight auto defrost programmes

Left-hinged side opening door

1 interior light

5 microwave power levels; Max power 900W

For installation in tall housing

Built-in microwave ovens

Serie | 6



HMT75G654B

Capacity
20L

Specifications

Microwave oven with grill

1 retractable control dial

Push buttons

1 memory function

1 weight auto combination programme

4 weight auto defrost programmes

1000W quartz grill function

Left-hinged door

1 interior light

3 combination microwave and grill power levels. Max power 360W

For installation into a 60cm wide wall unit (at least 30cm deep)

HMT75M654B

Capacity
20L

Alternative colours

HMT84M664B Black
HMT84M624B White

Specifications

1 retractable control dial

Push buttons

1 memory function

3 weight cooking programmes

4 weight auto defrost programmes

1 weight auto combination programme

Left-hinged door

1 interior light

5 microwave power levels; Max power 800W

For installation in tall housing and into 60cm wide tall unit (at least 30cm deep)

Freestanding microwaves

Serie | 4



HMT75M551B

Capacity
17L

Specifications

Standard control dials

Push buttons

1 memory function

3 weight cooking programmes

4 weight auto defrost programmes

Left-hinged door

1 interior light

5 microwave power levels; Max power 800W

For installation into a 50cm wide wall unit (at least 30cm deep)

Serie | 4



HMT84M451B

Capacity
25L

Alternative colours

HMT84M461B Black
HMT84M421B White

Specifications

1 retractable control dial

Push buttons

1 memory function

3 weight cooking programmes

4 weight auto defrost programmes

Left-hinged door

1 interior light

5 microwave power levels; Max power 900W

Freestanding microwaves

Serie | 4



HMT75M451B

Capacity
17L



Alternative colours

HMT75M461B Black

HMT75M421B White

Specifications

- 1 retractable control dial
- Push buttons
- 1 memory function
- 3 weight cooking programmes
- 4 weight auto defrost programmes
- Left-hinged door
- 1 interior light
- 5 microwave power levels;
Max power 800W

HMT75G451B

Capacity
17L



Specifications

- Microwave oven with grill
- 1 retractable control dial
- Push buttons
- Microwave and quartz grill (1000W)
- 1 memory function
- 1 weight auto combination programme
- 3 weight auto cooking programmes
- 4 weight auto defrost programmes
- Left-hinged door
- 1 interior light
- 5 microwave power levels;
Max power 800W

Serie | 4



HMT72G450B

Capacity
17L



Specifications

- Microwave oven with grill
- Rotary control
- Microwave and quartz grill (1000W)
- Left-hinged door
- 1 interior light
- 5 microwave power levels;
Max power 800W

HMT72M450B

Capacity
17L



Specifications

- Rotary control
- Left-hinged door
- 1 interior light
- 5 microwave power levels;
Max power 800W



Serie | 8



Our **Serie 8** range of electric hobs combines convenience and elegant design, allowing you to select individual cooking zones and power levels. All controlled at just the touch of a button with the modern touch control.

Serie | 6



Expect excellent operation and timeless designs with our **Serie 6** range of hobs. You'll get premium engineering and materials so that you can always cook something a little bit special. Get ultimate control with the easy to use DirectSelect touch control.

Serie | 4



Featuring a range of **Serie 4** electric hobs that are convenient and simple to operate, our essential range maintains classic design with contemporary style.

Introducing the Bosch electric hob range.

As you would expect from Bosch, all our electric hobs are made using high quality materials, are easy to use and add contemporary elegance to any kitchen. To help you choose the right electric hob for your home we have divided them into the three ranges below.

Whichever model you choose from our Serie ranges, you'll find lots of reasons to love your Bosch electric hob.

Twice as fast as gas.

Induction hobs can heat food and boil water nearly twice as fast as gas and three times faster than ceramic hobs*. And as they're also more energy efficient, you'll save money as well as time.

Cooking that's designed around you.

Ultimate flexibility with **FlexInduction**. One, two or three pots, or even a large casserole: the Bosch FlexInduction hob leaves it up to you. At the flick of a switch, you can combine two induction zones into a large induction surface on which you can cook the way you want.



*Based on time required to heat 2 litres of water at 15°C to 90°C using Bosch hobs . In accordance with EN 50304/ EN 60350: 2009.

Cooking that's designed around you.

Our built-in induction hobs use innovative and intuitive technology to make them quick and simple to use – and even better – easy to clean.



More control at your fingertips.

Set the correct temperature with a single touch thanks to **DirectSelect**. No more scrolling up or down, just simply press one button to select the right heat level.

Flexible.

FlexInduction is great for roaster pans and poaching as well as large grill pans.





Express cooking.

Induction cooking with a turbo boost. The **Boost function** allows you to increase the power of the cooking zone by 50%* – perfect for large pots and pans or when you're in a hurry.



Clean up in an instant.

In case of any spills, simply select the **Freeze function** which freezes all the heat settings so you can thoroughly wipe and clean the hob surface. To restore the previous heat settings simply touch the button again!



Easy to clean.

Automatic pan recognition only heats up the base of the pan and not the rest of the zone, which doesn't waste energy and leaves the rest of the hob cool to touch. Keeping the hob cooler makes it safer and also prevents spillages from burning on so it's easy to clean.



FlexInduction hobs

Serie | 8



PIZ975N17E

5 zone, black glass with brushed steel trim



Hob Width 90cm

DirectSelect direct heat setting selection

FlexInduction.

Ultimate flexibility with our FlexInduction hob. One, two or three pots, or even a large casserole, FlexInduction leaves it up to you. At the flick of a switch, you can combine two induction zones into a large induction surface on which you can cook the way you want.



Serie | 8



PIP875N17E

5 zone, black glass with brushed steel trim



Hob Width 80cm

DirectSelect direct heat setting selection

Specifications

- Electronic power level display
- Control panel lock
- Boost setting for all zones
- Automatic pan recognition
- 2 stage Hh residual heat indicator for each zone
- 5 induction cooking zones
- 1 FlexInduction zone

PIV675N17E

4 zone, black glass with brushed steel trim



Hob Width 60cm

DirectSelect direct heat setting selection

Specifications

- Electronic power level display
- Control panel lock
- Boost setting for all zones
- Automatic pan recognition
- 2 stage Hh residual heat indicator for each zone
- 4 induction cooking zones
- 2 FlexInduction zones



Need to know more?

For in-depth appliance details please refer to the **Product Specification** section at the back of this brochure.

To understand more about the innovative features on our appliances visit **bosch-home.co.uk**

Specifications

- DirectSelect operation
- Electronic power level display
- Control panel lock
- Boost setting for all zones
- Automatic pan recognition
- 2 stage Hh residual heat indicator for each zone
- 5 induction cooking zones
- 2 x FlexInduction zones
- Central 32cm triple zone

Serie | 8



PIN675N17E 4 zone, black glass with brushed steel trim



Specifications

- Electronic power level display
- Control panel lock
- Boost setting for all zones
- Automatic pan recognition
- 2 stage Hh residual heat indicator for each zone
- 4 induction cooking zones
- 1 FlexInduction zone

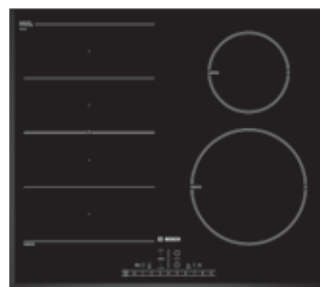
Hob Width 60cm

DirectSelect direct heat setting selection

Serie | 6



PIN651F17E 4 zone, black glass with 3 side frameless beveled finish



Specifications

- Electronic power level display
- Control panel lock
- Boost setting for all zones
- Automatic pan recognition
- 2 stage Hh residual heat indicator for each zone
- 4 induction cooking zones
- 1 FlexInduction zone
- Quickstart
- Restart
- Energy consumption display

Hob Width 60cm

DirectSelect direct heat setting selection

Induction hobs

Serie | 8



PIE975N14E 4 zone, black glass with brushed steel trim



Specifications

- Electronic power level display
- Control panel lock
- Boost setting for all zones
- Automatic pan recognition
- 2 stage Hh residual heat indicator for each zone
- 4 induction cooking zones
- Freeze function

PIM875N14E 4 zone, black glass with brushed steel trim



Specifications

- Electronic power level display
- Control panel lock
- Boost setting for all zones
- Automatic pan recognition
- 2 stage Hh residual heat indicator for each zone
- 5 induction cooking zones
- Freeze function

Hob Width 90cm

DirectSelect direct heat setting selection

Hob Width 80cm

DirectSelect direct heat setting selection

Serie | 6



PIM851F17E 4 zone, black glass with 3 side frameless beveled finish



Specifications

- Electronic power level display
- Control panel lock
- Boost setting for all zones
- Automatic pan recognition
- 2 stage Hh residual heat indicator for each zone
- 5 induction cooking zones
- Freeze function
- Quickstart
- Restart
- Energy consumption display

PIL811F17E 4 zone, black glass frameless design



Specifications

- Electronic power level display
- Control panel lock
- Boost setting for all zones
- Automatic pan recognition
- 2 stage Hh residual heat indicator for each zone
- 4 induction cooking zones
- Freeze function
- Quickstart
- Restart
- Energy consumption display

Hob Width 80cm

DirectSelect direct heat setting selection

Hob Width 80cm

DirectSelect direct heat setting selection

Induction hobs

Serie | 8



PIE675N14E 4 zone, black glass with brushed steel trim



Specifications

- Electronic power level display
- Control panel lock
- Boost setting for all zones
- Automatic pan recognition
- 2 stage Hh residual heat indicator for each zone
- 4 induction cooking zones
- Freeze function
- Can be installed with a domino hob

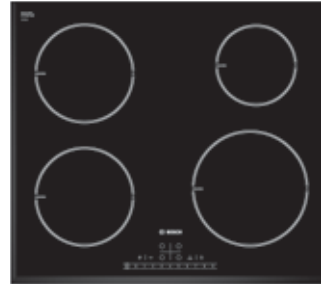
Hob Width 60cm

DirectSelect direct heat setting selection

Serie | 6



PIE651F17E 4 zone, with 3 side frameless beveled finish



Specifications

- Electronic power level display
- Control panel lock
- Boost setting for all zones
- Automatic pan recognition
- 2 stage Hh residual heat indicator for each zone
- 4 induction cooking zones
- Quickstart
- Restart
- Energy consumption display

Hob Width 60cm

DirectSelect direct heat setting selection

Serie | 6



PIA611F18E 4 zone, frameless



Specifications

- Electronic power level display
- Control panel lock
- Boost setting for all zones
- Automatic pan recognition
- 2 stage Hh residual heat indicator for each zone
- 4 induction cooking zones
- Freeze function
- Quickstart
- Restart
- Energy consumption display

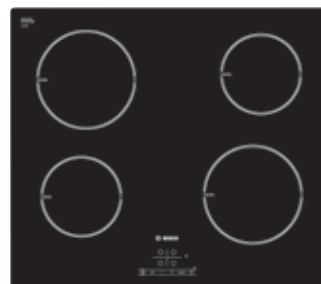
Hob Width 60cm

DirectSelect direct heat setting selection

Serie | 4



PIA611B68B 4 zone, frameless



Specifications

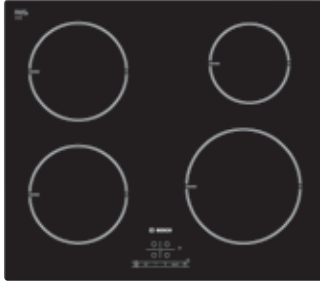
- Touch control
- Electronic power level display
- Control panel lock
- Boost setting for all zones
- Automatic pan recognition
- 2 stage Hh residual heat indicator for each zone
- 4 induction cooking zones
- Quickstart
- Restart

Hob Width 60cm

Induction hobs

Serie | 2

PIE611B17E 4 zone, frameless



Specifications

- Electronic power level display
- Control panel lock
- Boost setting for all zones
- Automatic pan recognition
- 2 stage Hh residual heat indicator for each zone
- 4 induction cooking zones
- Quickstart
- Restart

Hob Width 60cm

DirectSelect direct heat setting selection

Quicktherm ceramic hobs

Serie | 4



PKN811D17E 4 zone, frameless



Specifications

- Touch control
- Electronic power level display
- Control panel lock
- 2 stage Hh residual heat indicator for each zone
- 2 dual/extendable zones
- 4 cooking zones
- Restart

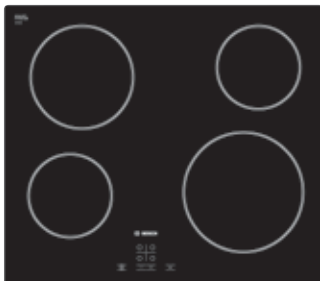
Hob Width 80cm

Quicktherm ceramic hobs

Serie | 4



PKE611D17E 4 zone, frameless



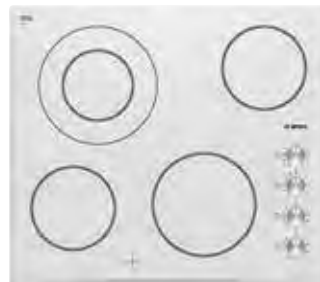
Specifications

- Touch control
- Electronic power level display
- Control panel lock
- 2 stage Hh residual heat indicator for each zone
- 4 cooking zones

Hob Width 60cm

Serie | 2

PKF659C17E 4 zone, premium white frameless with faceted edge



Specifications

- Variable 9-stage power settings for each zone
- Residual heat indicator for each zone
- 1 dual/extendable zone
- 4 cooking zones

Hob Width 60cm

Quicktherm ceramic hobs

Serie | 2

PKE611C17E 4 zone, frameless



Specifications

Variable 9-stage power settings for each zone

Residual heat indicator for each zone

4 cooking zones

Hob Width 60cm

Sealed plate electric hobs

Serie | 2

NCT615C01 4 zone, brushed steel



Specifications

Variable 9-stage power settings for each zone

4 super fast sealed cooking plates



Alternative colours

NCT616C01 Black

NCT612C01 White

Hob Width 60cm



Serie | 8



Our **Serie 8** range of gas hobs combines convenience and truly elegant design with ultimate cooking control, meaning a truly professional performance in the kitchen.

Serie | 6



Expect excellent operation and timeless designs with our **Serie 6** range of hobs. You'll get premium engineering and materials so that you can always cook something a little bit special.

Serie | 4



Featuring a range of gas hobs that are convenient and simple to operate, our **Serie 4** range maintains classic design and style.

Introducing the Bosch gas hob range.

Professional performance and control matched with stylish good looks, Bosch gas hobs are available in a variety of finishes and colours. To help you choose the right gas hob for your home we have divided them into the three ranges below.

Whichever model you choose from our Serie ranges, you'll find lots of reasons to love your Bosch gas hob.

Stunning good looks and ultimate control.

A gas hob delivers instant heat and is easy to adjust and control, making it a favourite in many kitchens. With a wide selection of widths and finishes to choose from, a gas hob can add as much elegance as practical functionality to any kitchen.

Chef's recommendation.

The hob of choice in most professional kitchens, modern gas hobs are as stylish as they are practical. Our gas hobs come with cast iron pan supports that are either front or side mounted. With ignition built in to the controls, all it takes is one action to ignite and set the hob to the correct cooking level.

A new level of style, safety and smart design.

From fast and furious wok cooking to a gentle rolling simmer, our built-in gas hobs are safe, cleverly designed and elegantly stylish.





A touch of the Orient.

Powerful, **dual ring wok burners** are perfect for oriental cooking. They deliver a boost both in power and speed, but can also be used very effectively at lower settings when required.



Safety you can rely on.

A **Quick Stop main switch** allows all gas burners on the hob to be turned off quickly and locked if needed, for instance if you have to answer the phone or door.



Smart design.

Square design pan supports don't just look good, but provide more stability for pots and pans. Cleverly designed to fit together, they are separate pieces, which make them easy to handle and clean. The elegant tempered glass base allows for a choice of surface mounting for quick and easy installation, or flush mounting which gives a continuous sleek worktop effect.



Gas hobs

Serie | 6



PPS916B91E

5 burner, premium black frameless design



Hob Width 90cm

Specifications

1kW dual control wok burner

Easy to use front mounted controls

Flame failure safety device

5 gas burners: wok, high speed, 2 standard & 1 economy



Serie | 6



PPS816M91E

5 burner, premium black frameless design



Specifications

1 x wok style burner

Easy to use front mounted controls

Flame failure safety device

5 gas burners: wok, high speed, 2 standard, 1 economy

PPP616M91E

4 burner, premium black frameless design



Specifications

Easy to use front mounted controls

Flame failure safety device

4 gas burners: high speed, 2 standard, 1 economy

Hob Width 80cm

Hob Width 60cm

Easy to control.

Front mounted controls are more easily accessible and ignition is built into the dials. Ignite and power the hob in one action, meaning you have ultimate control of your cooking.



Need to know more?

For in-depth appliance details please refer to the **Product Specification** section at the back of this brochure.

To understand more about the innovative features on our appliances visit **bosch-home.co.uk**



Serie | 6



PCR715M90E 5 burner, brushed steel

70
cm



Specifications

- 1 x dual control wok burner
- Easy to use front mounted controls
- Flame failure safety device
- 5 gas burners: wok, high speed, 2 standard, 1 economy

PCH615M90E 4 burner, brushed steel

60
cm



Specifications

- 1 x wok style burner
- Easy to use front mounted controls
- Flame failure safety device
- 4 gas burners: wok, high speed, standard, economy

Hob Width 70cm

Hob Width 60cm

Gas hobs

Serie | 6



PPQ716B91E 5 burner, black frameless design



Specifications

- 1 x wok style burner
- Easy to use front mounted controls
- Flame failure safety device
- 5 gas burners: wok, high speed, 2 standard, 1 economy

PPP616B91E 4 burner, black frameless design



Specifications

- Easy to use front mounted controls
- Flame failure safety device
- 4 gas burners: high speed, 2 standard, 1 economy

Hob Width 70cm

Hob Width 60cm

Serie | 6



PCS815B90E 5 burner, brushed steel



Specifications

- 1 x dual control wok burner
- Easy to use front mounted controls
- Flame failure safety device
- 5 gas burners: wok, high speed, 2 standard, 1 economy

PCR915B91E 5 burner, brushed steel



Specifications

- 1 x wok style burner
- Easy to use front mounted controls
- Flame failure safety device
- 5 gas burners: wok, high speed, 2 standard, 1 economy

Hob Width 80cm

Hob Width 90cm

Gas hobs

Serie | 6



PCQ715B90E 5 burner, brushed steel



Specifications

- 1 x wok style burner
- Easy to use front mounted controls
- Flame failure safety device
- 5 gas burners: wok, high speed, 2 standard, 1 economy

Hob Width 70cm

PCP615B90B 4 burner, brushed steel



Specifications

- Easy to use front mounted controls
- Flame failure safety device
- 4 gas burners: high speed, 2 standard, 1 economy



Alternative colours

- PCP616B90E Black
- PCP612B90E White

Hob Width 60cm

Serie | 2

POP6B6B80 4 burner, black



Specifications

- Side controls
- Flame failure safety device
- 4 gas burners

Hob Width 60cm

PBH6B5B60 4 burner, brushed steel



Specifications

- Dual control burner
- Side controls
- Flame failure safety device
- 4 gas burners

Hob Width 60cm

Gas hobs

Serie | 2

PBP6B5B60
4 burner, brushed steel



Alternative colours

PBP6B6B60 Black

PBP6B2B60 White

Specifications

Side controls

Flame failure safety device

4 gas burners

Hob Width 60cm

Domino hobs

Serie | 8



PRA326B70E Wok-style gas hob, brushed steel trim



Specifications

- 1 dual control wok burner
- Front controls
- Flame failure safety device

Hob Width 30cm

PRB326B70E 2 burner gas hob, brushed steel trim



Specifications

- Front controls
- Flame failure safety device
- 2 gas burners: 1 high speed, 1 standard

Hob Width 30cm

Serie | 2

PIE375C14E 2 zone ceramic induction hob, brushed steel trim



Specifications

- Electronic control
- Front controls
- 2 stage residual heat indicator
- Automatic pan recognition

Hob Width 30cm

PKF375V14E 2 zone Quick-Therm ceramic hob, brushed steel trim



Specifications

- Front controls
- 2 stage residual heat indicator
- 1 dual/extendable zone

Hob Width 30cm



Serie | 8



Advanced design standard and functionality to fit perfectly in your kitchen. With our **Serie 8** range of hoods experience maximum operating convenience with DirectSelect control and as you would expect from Bosch, high quality craftsmanship combined with cutting-edge technologies.

Serie | 6



Ultimate convenience and tasteful design make cooker hoods within our **Serie 6** range an asset to any stylish kitchen. Electronic controls give you ease of use.

Serie | 4



As the centre of family life, the kitchen needs to have a comfortable atmosphere free of cooking steam and disruptive noise. Our **Serie 4** range of cooker hoods are extremely quiet, easy to operate and impressive with their modern design.

Introducing the Bosch hood range.

Offering a blend of function and form, Bosch hoods deliver quiet, effective extraction that makes the kitchen and home a more pleasant environment. Make a bold design statement, or complement a more minimalist look. To help you choose the right hood, we have divided them into the three ranges below.

Whichever model you choose from our Serie ranges, you'll find lots of reasons to love your Bosch hood.

Why shout when you can whisper?

The motors in all of our hoods need to deliver powerful performance for maximum extraction, but that doesn't mean your home environment has to suffer. We have designed state-of-the-art motors in most hoods that generate noise levels of just 45 decibels*, which is about the same level of sound as a quiet conversation. And our quietest model delivers a library quiet peacefulness of just 41 decibels**.

In this light, even your electricity bill looks good.

Our hood ranges incorporate energy efficient lighting that can be adjusted for bright illumination to work under, or lower illumination for ambient mood lighting in the kitchen. High-efficiency LED lights make both your kitchen and energy bill look good.

Designer looks.

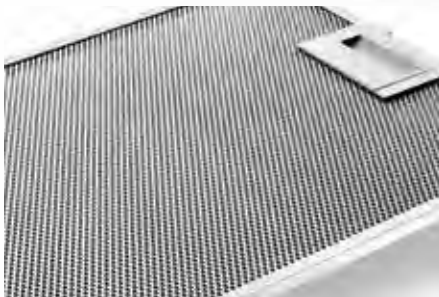
Bosch has created a cooker hood design for every kitchen. From a stylish Island design, angled or curved contemporary glass to fully integrated or concealed. With a wide variety of sizes, types and finishes to choose from, it's easy to find the right cooker hood to perfectly match your kitchen.

* (45dB(A) re 20µPa sound pressure)
** (40dB(A) re 20µPa sound pressure)

A breath of fresh air in hood design.

The right cooker hood can reduce smells and steam and leave your kitchen feeling fresh and clean. And a Bosch hood will do it all with silent efficiency.

Fresh thinking.



Metal grease filters efficiently filter grease and other solid particles out of the extracted air – which means your kitchen will be cleaner. And our filters are even designed to be washed in the dishwasher.

Designer looks.



The filter is concealed behind a stylish brushed steel cover with a brushed steel handle to hide grease build up, for a really sleek finish.

Your 'second nose' in the kitchen.

The EcoSensor regulates the extraction power of the cooker hood. Every few seconds it analyses the vapour intensity of the cooking and adjusts the power level automatically, so you can concentrate on your cooking rather than worrying about whether your hood is on the right setting.



EcoSilence Drive™.

Our EcoSilence Drive™ brushless friction-free motor and energy saving LED lights reduce energy consumption by up to 80% compared to a similar five-year-old model, without compromising results.*

DIY installation.

Our suspended ceiling hood is designed for easy installation. As it uses recirculation with charcoal filters, it doesn't require a ducting system to be in place or the ceiling to be lowered. It simply needs to be screwed in place, and thanks to a high-power extraction setting, you'll always have fantastic air quality in your kitchen.

Downdraft.

Discover our new downdraft ventilation hood **DDA097G59B** that blends seamlessly into our built-in hob appliances. Perfect for kitchen islands or minimalist designs, it can be neatly tucked away into your worktop when not in use.

* Same power setting, same extraction rate, halogen lights.

Island hoods

Serie | 8



DDA097G59B

Downdraft hood



Energy Efficiency C

Hood Width 90cm



Serie | 8



DID106T50

Ceiling hood



Specifications

- Easy installation
- Rim ventilation
- Filter saturation indicator
- Remote electronic controls
- 3 power levels + intensive
- 2 strip LEDs
- Auto intensive revert (6 mins)
- Softlight with dimmer function
- Runs for an extra 30 minutes
- Suitable for recirculated operation



Hood Width 100cm

DIB091K50B

Island hood



Specifications

- Electronic touch control
- Rim ventilation
- Filter saturation indicator
- 3 power levels + intensive
- 4 x LED lights
- Softlight with dimmer function
- Auto intensive revert (6 mins)
- Ducted or recirculating operation
- EcoSensor



Energy Efficiency A

Hood Width 90cm

Performance and design perfectly matched.

Serie 8 hoods have been designed to beautifully match the other appliances in the range and contain some of our most innovative, cutting edge and user-friendly technologies. The modern black touch panel uses touch control which looks stylish and is easy to use.



Need to know more?

For in-depth appliance details please refer to the **Product Specification** section at the back of this brochure.

To understand more about the innovative features on our appliances visit **bosch-home.co.uk**

Specifications

Downdraft for installation in worktops

Extension height 401 mm

Grease filter saturation indicator

TouchControl with electronic display

4 power levels and intensive setting

LED lighting: for perfect, very energy-efficient illumination of the hob.

Automatic intensive revert (6 mins)

Runs for an extra 15 minutes

Twin channel high performance fan motor

Suitable for ducted or re-circulated extraction

Serie | 8



DIB091U51B Island hood



Specifications

Electronic power level display

Filter saturation indicator

Electronic touch control

3 power levels + intensive

4 x LED lights

Softlight with dimmer function

Auto intensive revert (6 mins)

Ducted or recirculating operation

EcoSensor



Energy Efficiency A+

Hood Width 90cm

Serie | 6



DIA098E50B Island hood



Specifications

Electronic power level display

Filter saturation indicator

Soft touch control

3 power levels + intensive

4 x 20 W

Softlight with dimmer function

Auto intensive revert (6 mins)

Ducted or recirculating operation



Energy Efficiency A+

Hood Width 90cm

Chimney hoods with glass

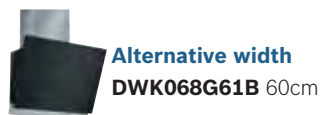
Serie | 8



DWK098G61B Angled hood



Specifications
Electronic control
Rim ventilation
Black glass
Touch control with electronic display
4 power levels + intensive
2 x LED lights
Auto intensive revert (6 mins)
Ducted or recirculating operation
15 minute automatic run on



Energy Efficiency A

Hood Width 90cm

Serie | 6



DWK098E51B Angled hood



Specifications
Electronic power level display
Touch control with electronic display
3 power levels + 2 intensive
2 x LED lights
Auto intensive revert (6 mins)
Ducted or recirculating operation
Softlight with dimmer function
10 minute run on

Energy Efficiency A

Hood Width 90cm

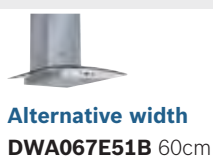
Serie | 6



DWA097E51B



Specifications
Electronic power level display
Filter saturation indicators
Soft touch button control
3 power levels + 2 intensive
2 x LED lights
Softlight with dimmer function
Auto intensive revert (6 mins)
Ducted or recirculating operation
10 minute automatic run on



Energy Efficiency A+

Hood Width 90cm

DWA078E50B



Specifications
Electronic power level display
Filter saturation indicators
Soft touch button control
3 power levels + 2 intensive
2 x LED lights
Softlight with dimmer function
Auto intensive revert (6 mins)
Ducted or recirculating operation
10 minute automatic run on

Energy Efficiency A+

Hood Width 70cm

Chimney hoods with glass

Serie | 2

DWA094W51B



Specifications

- Electronic power level display
- Rocker switch control
- 3 power levels
- 2 x 20W
- Ducted or recirculating operation



Alternative width
DWA064W51B 60cm

Energy Efficiency D

Hood Width 90cm

DWA094W50B



Specifications

- Electronic power level display
- Rocker switch control
- 3 power levels
- 2 x 20W
- Ducted or recirculating operation



Alternative widths
DWA074W50B 70cm
DWA064W50B 60cm

Energy Efficiency D

Hood Width 90cm

Chimney hoods

Serie | 8



DWB098J50B

Box hood



Specifications

- Electronic touch control
- 3 power levels + 2 intensive
- 3 x LED lights
- Softlight with dimmer function
- Auto intensive revert (6 mins)
- Ducted or recirculating operation
- 10 minute automatic run on



Alternative width
DWB068J50B 60cm

Energy Efficiency A+

Hood Width 90cm

Serie | 6



DWB098E51B

Box hood



Specifications

- Electronic power level display
- Filter saturation indicators
- Soft touch button control
- 3 power levels + 2 intensive
- 3 x LED lights
- Softlight with dimmer function
- Auto intensive revert (6 mins)
- Ducted or recirculating operation
- 10 minute automatic run on



Energy Efficiency A+

Hood Width 90cm

Serie | 4



DWB097A50B

Box hood



Specifications

- Electronic power level display
- Soft touch button control
- 3 power levels + intensive
- 3 x LED lights
- Auto intensive revert (6 mins)
- Ducted or recirculating operation



Alternative width
DWB067A50B 60cm

Energy Efficiency A+

Hood Width 90cm

Serie | 2

DWB09W452B

Box hood



Specifications

- Rocker switch control
- 3 power levels
- 2 X 30W halogen spotlights
- Ducted or recirculating operation



Alternative width
DWB06W452B 60cm

Energy Efficiency D

Hood Width 90cm

Chimney hoods

Serie | 2

DWB094W50B Box hood



Specifications

- Rocker switch control
- 3 power levels
- 2 x 40W lights
- Ducted or recirculating operation



Alternative widths
DWB074W50B 70cm
DWB064W50B 60cm

Energy Efficiency D

Hood Width 90cm

Serie | 4



DWW097A50B Slimline pyramid hood



Specifications

- Electronic power level display
- Soft touch button control
- 3 power levels + intensive
- 3 x LED lights
- Auto intensive revert (6 mins)
- Ducted or recirculating operation



Alternative widths
DWW077A50B 70cm
DWW067A50B 60cm

Energy Efficiency A+

Hood Width 90cm

Serie | 2

DWW09W460B Slimline pyramid hood



Specifications

- Rocker switch control
- 3 power levels
- 2 x 40W lights
- Ducted or recirculating operation



Alternative width
DWW06W460B 60cm

Energy Efficiency E

Hood Width 90cm

DWW09W450B Slimline pyramid hood



Specifications

- Rocker switch control
- 3 power levels
- 2 x 40W lights
- Ducted or recirculating operation



Alternative widths
DWW07W450B 70cm
DWW06W450B 60cm

Energy Efficiency E

Hood Width 90cm

Telescopic hoods

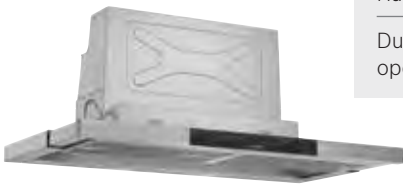
Serie | 8



DFS097J50B



Alternative width
DFS067J50B 60cm



Specifications

- Electronic touch control
- Filter saturation indicator
- 3 power levels + 2 intensive
- 2 x LED lights
- Auto intensive revert (6 mins)
- Soft light with dimmer function
- Runs for an extra 15 minutes
- Ducted or recirculating operation

Energy Efficiency A

Hood Width 90cm

Serie | 4



DFS097A50B



Alternative width
DFS067A50B 60cm



Specifications

- Electronic soft touch button control
- 3 power levels + intensive
- 2 x LED lights
- Auto intensive revert (6 mins)
- Runs for an extra 10 minutes
- Ducted or recirculating operation

Energy Efficiency A

Hood Width 90cm

Serie | 2

DFM063W50B



Specifications

- For installation into a 60cm wide cupboard
- 2 power levels
- 2 x 20W halogen lights
- Ducted or recirculating operation
- Rocker switches

Energy Efficiency C

Hood Width 60cm

Integrated hoods

Serie | 2

DHE645MGB



Specifications

- Installation between cupboards
- Rocker switch control
- 3 power levels
- 2 x 40W lights
- Ducted or recirculating operation

Energy Efficiency E

Hood Width 60cm

DHE635BGB



Specifications

- Installation between cupboards
- Rocker switch control
- 3 power levels
- 1 x 40W light
- Ducted or recirculating operation

Energy Efficiency D

Hood Width 60cm

Canopy hoods

Serie | 6

DHL785CGB



Specifications

- Kitchen cupboard installation
- Rim ventilation
- Soft touch button control
- 3 power levels + intensive
- 2 x LED lights
- Auto intensive revert (6 mins)
- Ducted or recirculating operation

Energy Efficiency C

Hood Width 70cm

DHL575CGB



Specifications

- Kitchen cupboard installation
- Rim ventilation
- Soft touch button control
- 3 power levels + intensive
- 2 x LED lights
- Auto intensive revert (6 mins)
- Ducted or recirculating operation

Energy Efficiency C

Hood Width 50cm

Canopy hoods

Serie | 4



DHL555BGB



Specifications

- Overhead canopy installation
- 3 power levels + intensive
- 2 x 20W halogen lights
- Ducted or recirculating operation
- Slide switch



Energy Efficiency D

Hood Width 60cm

Serie | 2

DHL535BGB



Specifications

- Overhead canopy installation
- Rocker switch control
- 2 power levels + intensive
- 2 x 30W halogen lights
- Ducted or recirculating operation



Energy Efficiency E

Hood Width 60cm

Conventional hoods

Serie | 2

DHU626MGB



Specifications

- Wall mounted installation
- 3 power levels
- 2 x 20W halogen lights
- Ducted or recirculating operation
- Push button control



Energy Efficiency D

Hood Width 60cm

DHU645PGB



Specifications

- Wall mounted installation
- 3 power levels
- 1 x 30W halogen light
- Ducted or recirculating operation
- Slide switch



Alternative colours

DHU646PGB Black

DHU642PGB White

Energy Efficiency E

Hood Width 60cm



Introducing the Bosch home laundry range.

Our built-in home laundry appliances now save you even more water, energy and time. With clever new functions available across the range, it also means getting great cleaning results is even easier. To help you choose the right laundry appliance, we have divided them into the three ranges below.



Serie | 8



Perfection in every detail, our **Serie 8** range of laundry appliances stand out from the crowd with superior quality, results and first class design. Cutting-edge design meets advanced technologies and unique innovations combine with energy efficiency to deliver outstanding performance that also saves you time, water and money.

Serie | 6



Our **Serie 6** range of laundry appliances offer a broad choice of specialist programmes and deliver high performance and effortless convenience to enhance your lifestyle.

Serie | 4



Models within our **Serie 4** range combine practical features and Bosch build quality in a consistent, value for money package.



Whichever model you choose from our Serie ranges, you'll find lots of reasons to love your Bosch laundry appliance.

Hand wash in the machine.

The woollens hand wash programme is so gentle that even the most delicate laundry can be conveniently washed in the machine.

Washed and dried to perfection.

Programme a wash and dry in one go. Thanks to advanced sensor drying, load the machine and you'll come back to perfectly dry clothes. The programme cleverly turns off, once the sensors detect the laundry is dry, so you'll save energy and minimise the risk of any damage through over-heating.

Give your laundry a boost.

When you need lightly soiled items more quickly, press the Flexi Time button once to reduce the wash time by 30% without compromising the cleaning performance. And for very lightly soiled items, pressing it twice speeds it up faster still.

Effortlessly efficient, load after load.

At Bosch, we want to reduce power and water consumption while increasing reliability and convenience. With clever functions across the range, it means getting great cleaning results is even easier.



We take the chore out of laundry.

We care that our appliances are both as efficient as possible to protect the environment, and as convenient as possible to make your life easier. That's why a Bosch washer dryer can wash and dry almost double the amount of laundry per load (4kg) than a standard washer dryer (2.5kg).

This means you can keep on top of the laundry basket, spend more time doing things you really love, and know that every time you put a washload on you're saving water and energy.

Wash more, iron less.

On both washing machines and washer dryers, the **reduced ironing** function delivers a gentler tumble during the spin cycle. As a result, your clothes come out less creased, which makes ironing them a lot quicker and easier.



Washing machines & washer dryers

Serie | 8 +++

Washing machine WIS28441GB



Energy Efficiency A+

Drum Size 7kg

Noise Level Washing 46dB



Specifications

Max spin 1400rpm

Energy consumption
220kWh per year

8 special programmes
including Super Quick 15
& delicates

6 option buttons including
reduced ironing, spin speed
reduction and start delay

Fully electronic control dial

Large progress indication
display

End of cycle buzzer

Large capacity for large loads.

Ideal for families and busy households, the large 7kg capacity means you can wash more laundry in one go. A typical 7kg load could be made up of king size bed linen, including 4 pillow cases or 35 men's shirts. So whether you have lots of laundry, or fewer loads but with larger amounts, large capacity will make your laundry life easier.

Serie | 8 +++

Washing machine WIS24141GB



Energy Efficiency A+

Drum Size 7kg

Noise Level Washing 46dB

Specifications

Max spin 1200rpm

Energy consumption
220kWh per year

3 special programmes
including wool & delicates

4 option buttons including
reduced ironing & spin
speed reduction

3D AquaSpa wash system

Fully electronic control dial

End of cycle buzzer

Serie | 6 ++

Washer dryer WKD28541GB



Energy Efficiency B

Drum Size 7kg washing / 4kg drying

Noise Level Washing 57dB

Specifications

1400 - 600rpm spin

Energy consumption wash
& dry: 4.81kWh

5 special programmes
including Super Quick 15,
nightwash, delicates & fluff
removal

Option buttons: Menu, select

AquaSpa wash system

Large progress indication
display

End of cycle buzzer



Need to know more?

For in-depth appliance details please refer to the **Product Specification** section at the back of this brochure.

To understand more about the innovative features on our appliances visit **bosch-home.co.uk**

Serie | 4



Washer dryer WKD28351GB



Specifications

Max spin 1400rpm

Energy consumption wash & dry: 4.85kWh

4 special programmes including delicates & fluff removal

4 option buttons including spin speed reduction

AquaSpa wash system

Progress indication display

End of cycle buzzer

Energy Efficiency B

Drum Size 7kg washing / 4kg drying

Noise Level Washing 57dB

Introducing our advanced dishwasher range.

All our built-in dishwashers offer a range of advanced technologies as standard and additional options across the range to suit your individual requirements. To help you choose the right Bosch dishwasher, we have divided them into the four ranges below.

Serie | 8



Our **Serie 8** range combines cutting edge design and advanced technologies for optimum cleaning performance. Their **A+++** rating is enhanced by **Zeolith**, which absorbs moisture before releasing it as hot air for energy efficient drying. Exceptionally quiet and offers additional storage and flexible loading solutions.

Serie | 6



Our **Serie 6** range comes packed with technology, from energy and water saving modes to quick washes for when time is at a premium. They also feature **VarioFlex Plus** and flexible loading solutions for accomodating the most awkward shaped dishes.

Serie | 4



Our **Serie 4** range of models offer great value for money but do not compromise on Bosch build quality. They combine advanced energy and resource saving features and in addition offer basic **Vario baskets** with foldable racks in the top and bottom baskets.

Serie | 2

Our **Serie 2** dishwashers offer you the classic design with easy operation. They are the optimal solution for anyone who wants a reliable appliance with good value for money.





Whichever model you choose from our Serie ranges, you'll find lots of reasons to love your Bosch dishwasher.

Whisper quiet washing.

Bosch dishwashers are amongst the quietest in the world. With revolutionary EcoSilence Drive™ there are dishwashers in the range which operate at 39 decibels, that's even quieter than the sound of a bee buzzing!

Save water every load.

It takes just 6.5 litres* of water for our AquaStar dishwashers to clean 13 place settings for a three course meal**. That's less water than it takes to fill a kitchen sink.

10 year anti-rust warranty.

Our appliances are made from top quality materials and in addition to our standard appliance warranty, we provide a free of charge warranty against rusting-through of the dishwasher's inner cavity.

* 6.5 litre water consumption on standard Economy 50°C programme.

** Three-course meal as defined by dinner, soup and dessert plate, cup and saucer, glass, knife, fork, soup, tea and dessert spoons for each place setting as well as 1 serving plate, 2 serving bowls, 2 serving spoons, 1 serving fork and 1 sauce spoon.

Less water, less energy, more clean dishes.

Our clever built-in dishwashers include advanced features that reduce energy and water consumption. How refreshing.

Not just a pretty face.

The **TFT touch colour display** clearly indicates which programme is being used plus the energy and water consumption for your chosen cycle. It features a real time clock and will also tell you the programme finish time.





Where every pot has its place.

Our flexible **VarioFlex Pro** basket system allows you to adjust the space inside of your dishwasher to suit exactly the items you're washing. The foldable racks adapt to any load whilst still securing everything in place.

Save water every load.

It takes just **6.5 litres*** of water for our dishwashers to clean 13 place settings for a three-course meal**. That's less water than it takes to fill a standard sized kitchen sink. And as our dishwashers are also energy efficient (up to an A+++ rating on some models), they also save you money.

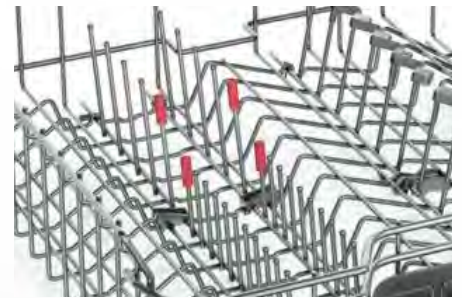
Take away the guess work.

Bosch dishwashers are so quiet sometimes it's hard to tell whether they are on or off. **TimeLight** indicates the programme status and time remaining onto any floor surface. So you'll never disrupt the dishwasher cycle again.



Put the pressure on.

Touchpoints indicate where to hold the foldable racks and adapt their position, or adjust the height of the upper basket. Thanks to these markings, you can instantly spot how and where to modify the baskets so you always have the perfect solution for every combination of dishes.



* 6.5 litre water consumption on standard Economy 50°C programme.

** Three-course meal as defined by dinner, soup and dessert plate, cup and saucer, glass, knife, fork, soup, tea and dessert spoons for each place setting as well as 1 serving plate, 2 serving bowls, 2 serving spoons, 1 serving fork and 1 sauce spoon.

60cm integrated dishwashers

Serie | 8



SMI88TS00G

Semi integrated, brushed steel



Energy Efficiency A++

ActiveWater only uses 9.5 litres

Place Settings 14



Flexible loading.

Our VarioFlex baskets allow you to tailor the space inside of your dishwasher to suit exactly the items you're washing. The foldable racks adapt to any load while still securing everything in place. The adjustable Rackmatic™ system allows the upper basket to be moved up and down to fit more in the top or bottom basket as required.

Serie | 6



SMI65P15GB

Semi integrated, brushed steel



Specifications

6 programmes including Intensive 70, Eco 50 & Quick Wash 45

4 special options including VarioSpeed Plus, half load & extra dry

VarioFlex Plus basket system

Pull out silver baskets

3 stage Rackmatic™ top basket

Stainless steel interior

Control buttons on facia

Red LED indicators

44dB

Energy Efficiency A++

ActiveWater only uses 6.5 litres

Place Settings 13

Serie | 4



SMI50C15GB

Semi integrated, brushed steel



Specifications

5 programmes including Intensive 70, Eco 50 and Quick Wash 45

2 special options: VarioSpeed & half load

Vario basket system

Height adjustable top basket

Stainless steel / Polinox interior

Control buttons on facia

Red LED indicators

46dB



Alternative colours

SMI50C16GB Black

SMI50C12GB White

Energy Efficiency A+

ActiveWater only uses 9.5 litres

Place Settings 12



Specifications

8 programmes including Eco 50, Night 50 & Quick Wash 45

5 special options including VarioSpeed Plus, half load & extra dry

VarioFlex Pro basket system

VarioDrawer Pro

Pull out silver baskets

3 stage Rackmatic™ top basket

Stainless steel interior

Control buttons on fascia

Red LED indicators

41dB



Need to know more?

For in-depth appliance details please refer to the **Product Specification** section at the back of this brochure.

To understand more about the innovative features on our appliances visit **bosch-home.co.uk**



Serie | 8



SMV88TX26E Fully integrated, black



Specifications

8 programmes including Eco 50, Night 50 & Quick Wash 45

6 special options including Shine & Dry, IntensiveZone, VarioSpeed Plus & half load

VarioFlex Pro basket system

VarioDrawer

Zeolith drying

3 stage Rackmatic™ top basket

Stainless steel interior

TFT touch display

Door open assist

42dB

Energy Efficiency A+++

ActiveWater only uses 7.5 litres

Place Settings 14

Home Connect control with your smart phone

SMV88TD00G Fully integrated, black



Specifications

8 programmes including Eco 50, Night 50 & Quick Wash 45

5 special options including VarioSpeed Plus, half load and Extra Dry

VarioFlex Pro basket system

VarioDrawer Pro

3 stage Rackmatic™ top basket

Stainless steel interior

TFT touch display

Door open assist

42dB

Energy Efficiency A+++

ActiveWater only uses 9.5 litres

Place Settings 14

60cm integrated dishwashers

Serie | 8



SMV87TD00G Fully integrated, black



Specifications

- 7 programmes including Eco 50 & Quick Wash 45
- 4 special options including Intensive zone, VarioSpeed Plus & half load
- VarioFlex Pro basket system
- VarioDrawer Pro
- 3 stage Rackmatic™ top basket
- Stainless steel interior
- TFT touch display
- Red LED indicators
- Door open assist
- 44dB

Energy Efficiency A++

ActiveWater only uses 9.5 litres

Place Settings 14

Serie | 6



SMV69P15GB Fully integrated, brushed steel



Specifications

- 6 programmes including Intensive 70, Eco 50 and Quick Wash 45
- 4 special options including VarioSpeed Plus, half load and Hygiene Plus
- VarioFlex Plus basket system
- VarioDrawer
- 3 stage Rackmatic™ top basket
- Stainless steel interior
- Push buttons on top edge
- Red LED indicators
- Info light
- 39dB

Energy Efficiency A+

ActiveWater only uses 9.5 litres

Place Settings 14

Serie | 6



SMV69M01GB Fully integrated, brushed steel



Specifications

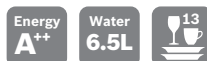
- 6 programmes including Intensive 70, Eco 50 and Quick Wash 45
- 4 special options including VarioSpeed Plus, half load and Hygiene Plus
- VarioFlex Plus basket system
- VarioDrawer Plus
- 3 stage Rackmatic™ top basket
- Stainless steel interior
- Push buttons on top edge
- Red LED indicators
- 44dB

Energy Efficiency A++

ActiveWater only uses 6.5 litres

Place Settings 13

SBV69M00GB Fully integrated, brushed steel



Specifications

- 6 programmes including Intensive 70, Eco 50 and Quick Wash 45
- 4 special options including VarioSpeed Plus, half load and Hygiene Plus
- VarioFlex Plus basket system
- VarioDrawer Plus
- 3 stage Rackmatic™ top basket
- Stainless steel interior
- Push buttons on top edge
- Red LED indicators
- Info light
- 44dB



Energy Efficiency A++

ActiveWater only uses 6.5 litres

Place Settings 13

60cm integrated dishwashers

Serie | 6



SMV65M10GB

Fully integrated, brushed steel



Specifications

6 programmes including Intensive 70, Eco 50 and Quick Wash 45

2 special options: Intensive zone & VarioSpeed Plus

VarioFlex Plus basket system

3 stage Rackmatic™ top basket

Stainless steel interior

Push buttons on top edge

Red LED indicators

Info light

44dB

SMV53M10GB

Fully integrated, brushed steel



Specifications

5 programmes including Intensive 70, Eco 50 and Quick Wash 45

2 special options: Intensive zone & VarioSpeed Plus

VarioFlex Plus basket system

3 stage Rackmatic™ top basket

Stainless steel interior

Push buttons on top edge

Red LED indicators

Info light

46dB

Energy Efficiency A++

ActiveWater only uses 9.5 litres

Place Settings 13

Energy Efficiency A++

ActiveWater only uses 9.5 litres

Place Settings 13

Serie | 6



SMV53M30GB

Fully integrated, brushed steel



Specifications

5 programmes including Intensive 70, Eco 50 and Quick Wash 45

2 special options: Intensive zone & Extra Dry

VarioFlex basket system

3 stage Rackmatic™ top basket

Stainless steel interior

Push buttons on top edge

Red LED indicators

Info light

46dB

Energy Efficiency A++

ActiveWater only uses 9.5 litres

Place Settings 13

Serie | 4



SMV53L00GB

Fully integrated, brushed steel



Specifications

5 programmes including Intensive 70, Eco 50 and Quick Wash 45

2 special options: Intensive zone & half load

VarioFlex basket system

3 stage Rackmatic™ top basket

Stainless steel interior

Push buttons on top edge

Red LED indicators

Info light

48dB

Energy Efficiency A+

ActiveWater only uses 11.5 litres

Place Settings 12

60cm integrated dishwashers

Serie | 2

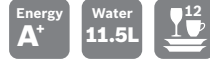
SMV50C10GB Fully integrated, black



Specifications

- 5 programmes including Intensive 70, Eco 50 and Quick Wash 45
- 1 special option: VarioSpeed
- Vario basket system
- Height adjustable top basket
- Stainless steel / Polinox interior
- Push buttons on top edge
- Red LED indicators
- Info light
- 48dB

SMV40C30GB Fully integrated, black



Specifications

- 4 programmes including Eco 50 & Quick Wash 45
- 1 special option: VarioSpeed
- Vario basket system
- Height adjustable top basket
- Stainless steel / Polinox interior
- Push buttons on top edge
- Red LED indicators
- Info light
- 50dB

Energy Efficiency A+

ActiveWater only uses 11.5 litres

Place Settings 12

Energy Efficiency A+

ActiveWater only uses 11.5 litres

Place Settings 12

Serie | 2

SMV40C00GB Fully integrated, black



Specifications

- 4 programmes including Eco 50 & Quick Wash 45
- Stainless steel / Polinox interior
- Push buttons on top edge
- Red LED indicators
- Info light
- 54dB

Energy Efficiency A+

ActiveWater only uses 14 litres

Place Settings 14

45cm integrated dishwashers

Serie | 6



SPV69T00GB

Fully integrated, brushed steel



Specifications

6 programmes including Eco 50 & Quick Wash 45

3 special options including Intensive zone & VarioSpeed Plus

VarioFlex plus basket system

VarioDrawer

3 stage Rackmatic™ top basket

Stainless steel interior

Push buttons on top edge

Red LED indicators

44dB

Energy Efficiency A++

ActiveWater only uses 9.5 litres

Place Settings 10

Serie | 4



SPV40C10GB

Fully integrated, black



Specifications

4 programmes including Intensive 70, Eco 50 & Quick Wash 45

1 special option: VarioSpeed

Vario basket system

Height adjustable top basket

Stainless steel interior

Push buttons on top edge

Red LED indicators

48dB

Energy Efficiency A+

ActiveWater only uses 9.5 litres

Place Settings 9

Introducing our advanced refrigeration range.

Save more, waste less. Our range of built-in fridge freezers save you money thanks to their energy efficiency ratings. They are also packed with innovative technology to keep your food fresher for longer, so you'll throw out less and save on your weekly shopping bill. To help you choose the right appliance, we have divided them into the four ranges below.



Serie | 8



Cutting-edge design meets advanced technologies. All models in our **Serie 8** range are packed with energy efficient and labour saving features that save valuable time, effort and money – perfect for modern, busy households.

Serie | 6



Our **Serie 6** range of appliances combines energy efficient performance with convenient storage and superior food preservation.

Serie | 4



All models in our **Serie 4** range combine practical features with Bosch build quality.



Serie | 2

Built to keep electricity costs down. With energy efficiency an increasing priority in homes, the **Serie 2** refrigeration range is just as efficient as it is value for money.

Whichever model you choose from our Serie ranges, you'll find lots of reasons to love your Bosch fridge freezer.

Energy efficient.

365 days a year, 24 hours a day, fridges and freezers are always on. In fact, they make up around 17% of the electricity used in the home, or even more if it's a particularly old model.* That's why we design our fridges and freezers to be as energy efficient as possible, and we're proud to be able to offer so many right across our ranges.

NoFrost.

Never worry about having to defrost the freezer again. The NoFrost system prevents the build up of ice by automatically initiating the defrost operation as required. This also helps to maintain the appliance's energy efficiency.

LowFrost.

LowFrost cuts ice build up by half which maintains energy efficiency, saving you energy and time.

SuperFreeze & SuperCool.

Activating the SuperFreeze function before you go shopping lowers the temperature for a short period, so anything new put in the freezer is frozen quickly. SuperCool on your fridge performs a similar task, keeping everything at the right storage temperature.

* Source: www.sust-it.net.



More space for keeping food fresh for longer.

Flexible to fit your kitchen, our refrigeration options let you decide your own fridge and freezer capacity. And smart technology keeps your food as fresh as possible for as long as possible.

Perfect pairs.

You can now personalise your fridge and freezer to suit your kitchen perfectly. Thanks to our clever design, you can purchase single door fridges and freezers to be combined to give you just the right capacity.

Your perfect combination.

In addition to side-by-side installation, it is also possible to install our fridges above the freezers, therefore using up less room in the kitchen, and making it possible to choose a larger fridge capacity than a standard fridge-freezer would allow.

There are two different kinds of hinges: a sliding hinge that allows the hinged furniture door to be mounted at the kitchen cabinet body, while with a fixed/flat hinge the furniture door can be mounted at the appliance door. While sliding hinges are great value, easy to install and unaffected by the weight of the door, fixed/flat hinges can be soft closing giving easy access to the appliance's interior.

If you're replacing an appliance, always ensure that you choose a model with the same type of hinge*.

Quietly does it.

As there could be many small and larger hands opening and shutting the fridge door, it's nice to know that we've integrated **SoftClosing** doors in many models.

Fresher for up to twice as long.

The **VitaFresh** vegetable drawer features a humidity controller which allows you to lock in moisture. This preserves vitamins and flavour in fruit and vegetables so they last up to twice as long. You save time by making fewer shopping trips, and as food lasts longer it's less likely to be thrown away.



Save time with flexible storage.

Put away the weekly shop more easily, and get what you need faster too, thanks to height adjustable shelves and fully extendable drawers.



More space.

Our freezers are extra spacious meaning you will find it easy to fit everything in – perfect for busy households. The extra large **BigBox** is big enough for large bulky items.

* See full details for over / under combinations in the Product Specification section at the back of the brochure.

Fridge freezers

Serie | 6



KIN86AD30G



Energy Efficiency A++

NoFrost no need to defrost

Total Capacity 255 litres

Another job off the list.

Never worry about defrosting the freezer again. The NoFrost system prevents the build up of ice by automatically initiating the defrost operation only when it's needed, also helping to maintain energy efficiency.



Specifications

Fixed/flat hinge

LED light

VitaFresh drawer

SuperFreeze

Auto defrost fridge

Electronic LED temperature control

5 removable glass shelves

Dimensions (H x W x D):
177.2 x 55.8 x 54.5cm

Serie | 6



KIN85AF30G



Specifications

Fixed/flat hinge

LED light

VitaFresh drawer

SuperFreeze & SuperCool

Auto defrost fridge

Electronic LED temperature control

4 removable glass shelves

Dimensions (H x W x D):
177.2 x 55.8 x 54.5cm



Energy Efficiency A++

NoFrost no need to defrost

Total Capacity 246 litres

KIS87AF30G



Specifications

Fixed/flat hinge

LED light

VitaFresh drawer

SuperFreeze & SuperCool

Auto defrost fridge

Electronic LED temperature control

5 removable glass shelves

Dimensions (H x W x D):
177.2 x 55.8 x 54.5cm



Energy Efficiency A++

LowFrost little need to defrost

Total Capacity 270 litres



Need to know more?

For in-depth appliance details please refer to the **Product Specification** section at the back of this brochure.

To understand more about the innovative features on our appliances visit **bosch-home.co.uk**

Serie | 6



KIS86AF30G



Specifications

- Fixed/flat hinge
- LED light
- VitaFresh drawer
- SuperFreeze & SuperCool
- Auto defrost fridge
- Electronic LED temperature control
- 5 removable glass shelves
- Dimensions (H x W x D):
177.2 x 55.8 x 54.5cm



Energy Efficiency A++

LowFrost little need to defrost

Total Capacity 265 litres

Serie | 4



KIN86VF30G



Specifications

- Fixed/flat hinge
- LED light
- Multibox container
- SuperFreeze
- 3 transparent freezer drawers, 1 BigBox
- Dimensions (H x W x D):
177.2 x 53.8 x 54.2cm



Energy Efficiency A++

LowFrost little need to defrost

Total Capacity 255 litres

Fridge freezers

Serie | 4



KIV87VF30G



Specifications

- Fixed/flat hinge
- LED light
- Multibox container
- SuperFreeze
- 2 transparent freezer drawers, 1 BigBox
- LED electronic control
- 5 removable glass shelves
- Dimensions (H x W x D): 177.2 x 54.1 x 54.5cm



KIV87VS30G



Specifications

- Sliding hinge
- LED light
- Multibox container
- SuperFreeze
- 2 transparent freezer drawers, 1 BigBox
- LED electronic control
- 5 removable glass shelves
- Dimensions (H x W x D): 177.2 x 54.1 x 54.5cm



Energy Efficiency A++

LowFrost little need to defrost

Total Capacity 272 litres

Energy Efficiency A++

LowFrost little need to defrost

Total Capacity 272 litres

Serie | 4



KIV86VS30G



Specifications

- Sliding hinge
- LED light
- Multibox container
- SuperFreeze
- 3 transparent freezer drawers, 1 BigBox
- LED electronic control
- 4 removable glass shelves
- Dimensions (H x W x D): 177.2 x 54.1 x 54.5cm



KIV85VF30G



Specifications

- Fixed/flat hinge
- LED light
- Multibox container
- SuperFreeze
- 4 transparent freezer drawers, 1 BigBox
- LED electronic control
- 4 removable glass shelves
- Dimensions (H x W x D): 177.2 x 54.1 x 54.5cm



Energy Efficiency A++

LowFrost little need to defrost

Total Capacity 267 litres

Energy Efficiency A++

LowFrost little need to defrost

Total Capacity 259 litres

Fridge freezers

Serie | 4



KIV85VS30G

Energy **A⁺⁺** LowFrost Capacity **259L**



Specifications

- Sliding hinge
- LED light
- Multibox container
- 4 transparent freezer drawers, 1 BigBox
- LED electronic control
- 4 removable glass shelves
- Dimensions (H x W x D): 177.2 x 54.1 x 54.5cm

Energy Efficiency A⁺⁺

LowFrost little need to defrost

Total Capacity 259 litres

Serie | 2

KIV32X23GB

Energy **A⁺** Capacity **255L**



Specifications

- Sliding hinge
- 25W light
- Multibox container
- Manual defrost freezer
- LED electronic control
- 3 removable glass shelves
- Dimensions (H x W x D): 177.2 x 54.1 x 54.5cm

Energy Efficiency A⁺

Total Capacity 255 litres

Serie | 2

KIV38X22GB

Energy **A⁺** Capacity **277L**



Specifications

- Sliding hinge
- Multibox container
- Auto defrost fridge
- Manual defrost freezer
- LED electronic control
- 5 removable glass shelves
- Dimensions (H x W x D): 177.2 x 54.1 x 54.5cm

Energy Efficiency A⁺

Total Capacity 277 litres

Serie | 8



GIN38A55GB

Energy **A⁺** NoFrost Capacity **212L**



Specifications

- LED light
- SuperFreeze
- Auto defrost freezer
- Optical & acoustical door open signal
- LED electronic control
- 5 freezer drawers and 2 flaps
- Soft close hinge
- Dimensions (H x W x D): 177.2 x 55.6 x 54.5cm

Energy Efficiency A⁺

Total Capacity 212 litres

Fridges & freezers

Serie | 6



KIR81AF30G

Energy **A⁺⁺** Capacity **319L**

Specifications

- Fixed/flat hinge
- LED light
- VitaFresh drawer
- Easy access shelf
- Vario shelf
- Electronic LED display
- 7 removable glass shelves
- Dimensions (H x W x D): 177.2 x 55.8 x 54.5cm



Energy Efficiency A⁺⁺

Total Capacity 319 litres

Serie | 6



KIL82AF30G

Energy **A⁺⁺** Capacity **286L**

Specifications

- Fixed/flat hinge
- LED light
- VitaFresh drawer
- Manual defrost freezer
- Electronic LED display
- 5 removable glass shelves
- Ice box
- Dimensions (H x W x D): 177.2 x 55.8 x 54.5cm



Energy Efficiency A⁺⁺

Total Capacity 286 litres

Serie | 4



KIR81VS30G

Energy **A⁺⁺** Capacity **319L**

Specifications

- Sliding hinge
- LED light
- 2 x multibox containers
- LED electronic control
- 7 removable glass shelves
- Dimensions (H x W x D): 177.2 x 54.1 x 54.5cm



Energy Efficiency A⁺⁺

Total Capacity 319 litres

Serie | 4



KIL82VS30G

Energy **A⁺⁺** Capacity **286L**

Specifications

- Sliding hinge
- SuperCool function
- Auto defrost fridge
- Ice box
- 2 x multibox containers
- LED electronic control
- 5 glass shelves
- 2 multibox containers
- Dimensions (H x W x D): 177.2 x 54.1 x 54.5cm



Energy Efficiency A⁺⁺

Total Capacity 286 litres

Fridges & freezers

Serie | 6



GIN81AE30G



Specifications

Fixed/flat hinge

2 x BigBox frozen food drawers; for storage of large food items

Super freezing function with manual deactivation

Electronic temperature control

5 transparent freezer drawers and 2 flaps

Dimensions (H x W x D):
177.2 x 54.1 x 54.5cm



Energy Efficiency A++

NoFrost no need to defrost

Total Capacity 215 litres

Serie | 6



KIR41AD30G



Specifications

Fixed/flat hinge

LED light

VitaFresh drawer

Easy access shelf

Soft close hinge

6 removable glass shelves

Dimensions (H x W x D):
122.1 x 55.8 x 54.5cm



Energy Efficiency A++

Total Capacity 211 litres

Serie | 6



KIR41AF30G



Specifications

Fixed/flat hinge

LED light

VitaFresh drawer

6 removable glass shelves

Dimensions (H x W x D):
122.1 x 55.8 x 54.5cm



Energy Efficiency A++

Total Capacity 211 litres

Serie | 4



KIL42VS30G



Specifications

Sliding hinge

LED light

Multibox container

Manual defrost freezer

LED electronic control

5 removable glass shelves

Dimensions (H x W x D):
122.1 x 53.8 x 54.5cm



Energy Efficiency A++

Total Capacity 195 litres

Fridges & freezers

Serie | 4 +

KIR41VS30G

Energy **A⁺⁺** Capacity **211L**

Specifications

- Sliding hinge
- LED light
- Multibox container
- Easy access shelf
- LED electronic control
- 6 removable glass shelves
- Dimensions (H x W x D): 122.1 x 53.8 x 54.5cm



Energy Efficiency A⁺⁺
Total Capacity 211 litres

Serie | 2 +

KIR24V20GB

Energy **A⁺** Capacity **221L**

Specifications

- Sliding hinge
- 1 x 15W light
- Mechanical control
- 6 removable glass shelves
- Dimensions (H x W x D): 122.1 x 54.1 x 54.2cm



Energy Efficiency A⁺
Total Capacity 221 litres

Serie | 6 + +

GIN41AE30G

Energy **A⁺⁺** NoFrost Capacity **132L**

Specifications

- Fixed/flat hinge
- BigBox frozen food drawers; for storage of large food items
- Super freezing function
- Electronic temperature control
- 4 transparent freezer drawers and 1 flap
- Dimensions (H x W x D): 122.1 x 55.8 x 54.5cm



Energy Efficiency A⁺⁺
NoFrost no need to defrost
Total Capacity 132 litres

Serie | 4 +

KIR31VS30G

Energy **A⁺⁺** LowFrost Capacity **172L**

Specifications

- LED light
- Multibox container
- SuperCool function
- LED electronic control
- 4 glass shelves
- Dimensions (H x W x D): 102.1 x 56 x 55cm



Energy Efficiency A⁺⁺
LowFrost little need to defrost
Total Capacity 172 litres

Fridges & freezers

Serie | 6



GIN31AE30G



Specifications

- Fixed/flat hinge
- Super freezing function
- Electronic temperature control
- 3 transparent freezer drawers and 1 flap
- Dimensions (H x W x D): 102.1 x 55.8 x 54.5cm

Energy Efficiency A++

NoFrost no need to defrost

Total Capacity 102 litres

Serie | 6



KIR21AF30G



Specifications

- Fixed/flat hinge
- LED light
- VitaFresh drawer
- Electronic LED display
- 4 removable glass shelves
- Dimensions (H x W x D): 87.4 x 55.8 x 54.5cm

Energy Efficiency A++

Total Capacity 144 litres

Serie | 4



KIL22VF30G



Specifications

- Fixed/flat hinge
- LED light
- Multibox container
- Manual defrost freezer
- Easy access shelf
- Vario shelf
- Ice box
- 3 removable glass shelves
- Dimensions (H x W x D): 87.4 x 54.1 x 54.5cm

Energy Efficiency A++

Total Capacity 124 litres

Serie | 4



KIR21VF30G



Specifications

- Fixed/flat hinge
- LED light
- Multibox container
- Easy access shelf
- Vario shelf
- 4 removable glass shelves
- Dimensions (H x W x D): 87.4 x 53.8 x 54.2cm

Energy Efficiency A++

Total Capacity 144 litres

Fridges & freezers

Serie | 4



KIL22VS30G

Energy **A⁺⁺** Capacity **124L**

Specifications

- Sliding hinge
- LED light
- Multibox container
- Manual defrost freezer
- Ice box
- 3 removable glass shelves
- Dimensions (H x W x D): 87.4 x 54.1 x 54.5cm



Energy Efficiency A⁺⁺

Total Capacity 124 litres

Serie | 4



KIR21VS30G

Energy **A⁺⁺** Capacity **144L**

Specifications

- Sliding hinge
- LED light
- Multibox container
- Easy access shelf
- Vario shelf
- 4 removable glass shelves
- Dimensions (H x W x D): 87.4 x 53.8 x 54.2cm



Energy Efficiency A⁺⁺

Total Capacity 144 litres

Serie | 2

KIR18V20GB

Energy **A⁺** Capacity **150L**

Specifications

- Sliding hinge
- 1 x 15W light
- Multibox container
- Auto defrost fridge
- Mechanical control
- 4 removable glass shelves
- Dimensions (H x W x D): 87.4 x 54.1 x 54.2cm



Energy Efficiency A⁺

Total Capacity 150 litres

Serie | 4



GID18A50GB

Energy **A⁺** Capacity **94L**

Specifications

- Fixed/flat hinge
- SuperFreeze
- Manual defrost freezer
- Mechanical control
- 4 freezer drawers
- Dimensions (H x W x D): 87.4 x 54.1 x 54.2cm



Energy Efficiency A⁺

Total Capacity 94 litres

Fridges & freezers

Serie | 4



GID18A20GB

Energy
A+

Capacity
94L



Specifications

Sliding hinge

Manual defrost freezer

Mechanical control

4 freezer drawers

Dimensions (H x W x D):
87.4 x 54.1 x 54.2cm

Energy Efficiency A+

Total Capacity 94 litres

Built-under fridges & freezers

Serie | 6



KUL15A60GB

Energy
A++

Capacity
123L



Specifications

Fixed/flat hinge

1 x 25W light

Multibox container

Auto defrost fridge

Ice box

Mechanical control

2 removable glass shelves

Dimensions (H x W x D):
82 x 59.8 x 54.8cm

Energy Efficiency A++

Total Capacity 123 litres

Serie | 6



KUR15A50GB

Energy
A+

Capacity
137L



Specifications

Fixed/flat hinge

1 x 25W

Multibox container

Auto defrost fridge

Mechanical control

3 removable glass shelves

Dimensions (H x W x D):
82 x 59.8 x 54.8cm

Energy Efficiency A+

Total Capacity 137 litres

Serie | 6



GUD15A50GB

Energy
A+

Capacity
98L



Specifications

Fixed/flat hinge

Manual defrost freezer

Mechanical control

3 freezer drawers

Dimensions (H x W x D):
82 x 59.8 x 54.8cm

Energy Efficiency A+

Total Capacity 98 litres

American style fridge freezers

Serie | 8



KAN92LB35G



Specifications

Electronic control with LED display

2 Vitafresh and 1 multibox container

1 EasyLift glass shelf

MultiAirflow system

LED light

4 safety glass shelves in fridge

2 freezer drawers on telescopic rails and 4 shelves

SuperCool and SuperFreeze

Dimensions (H x W x D):
175.6 x 91 x 72.5 cm

Energy Efficiency A++

NoFrost no need to defrost

Total Capacity 592 litres

Serie | 8



KAD92AI30



Specifications

Home Connect

Electronic control with LED display

2 Vitafresh and 1 multibox container

Ice and water dispenser

MultiAirflow system

LED light

4 safety glass shelves in fridge

2 transparent freezer drawers and 3 shelves

SuperCool and SuperFreeze

Ice and water

Dimensions (H x W x D):
175.6 x 91 x 72.5 cm

Energy Efficiency A++

NoFrost no need to defrost

Total Capacity 541 litres

Home Connect control with your smart phone

American style fridge freezers

Serie | 6



KAG90AI20G



Specifications

- HomeBar
- Electronic control with LED display
- FreshProtect Box
- Ice and water dispenser
- MultiAirflow system
- LED light
- 3 safety glass shelves in fridge
- 2 transparent freezer drawers
- SuperCool and SuperFreeze
- 2 multibox containers
- Dimensions (H x W x D):
177 x 91 x 72 cm

Energy Efficiency A+

NoFrost no need to defrost

Total Capacity 522 litres

Serie | 6



KAD90VI20G



Specifications

- Electronic control with LED display
- 2 multibox containers
- Ice and water dispenser
- MultiAirflow system
- LED light
- 4 safety glass shelves in fridge
- 2 transparent freezer drawers
- SuperCool and SuperFreeze
- Dimensions (H x W x D):
177 x 91 x 72 cm

Energy Efficiency A+

NoFrost no need to defrost

Total Capacity 533 litres

American style fridge freezers

Serie | 6



KAI90VI20G



Specifications

Noise level dB(A) re 1pw: 43

Electronic control with LED display

2 multibox containers

Ice and water dispenser

No plumbing required

MultiAirflow system

LED light

3 safety glass shelves in fridge

2 transparent freezer drawers

SuperCool and SuperFreeze

Dimensions (H x W x D):
177 x 91 x 72 cm

Energy Efficiency A+

NoFrost no need to defrost

Total Capacity 523 litres

Serie | 6



KAD90VB20G



Specifications

Noise level dB(A) re 1pw: 43

Electronic control with LED display

2 multibox containers

Ice and water dispenser

MultiAirflow system

LED light

4 safety glass shelves in fridge

2 transparent freezer drawers

SuperCool and SuperFreeze

Dimensions (H x W x D):
177 x 91 x 72 cm

Energy Efficiency A+

NoFrost no need to defrost

Total Capacity 533 litres

American style fridge freezers

Serie | 4



KAN90VI20G



Specifications

Electronic control with LED display

2 multibox containers

MultiAirflow system

LED light

4 safety glass shelves in fridge

2 transparent freezer drawers and 4 shelves

SuperCool and SuperFreeze

Dimensions (H x W x D):
177 x 91 x 72 cm

Energy Efficiency A+

NoFrost no need to defrost

Total Capacity 573 litres

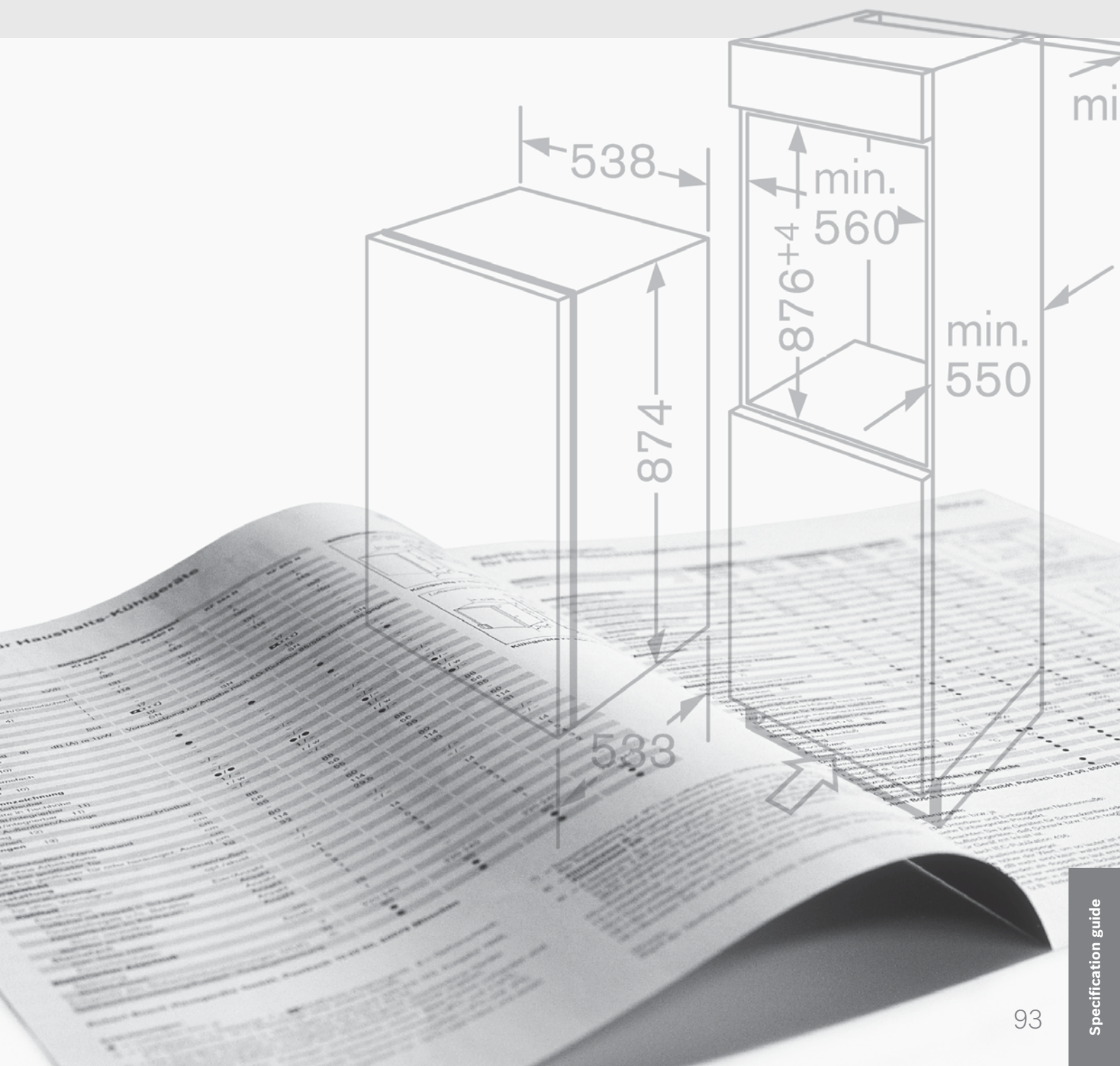
Product installation and specification guide

2016



BOSCH

Invented for life

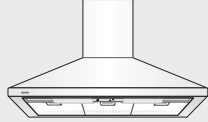
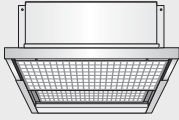
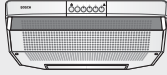

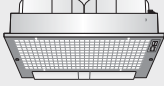
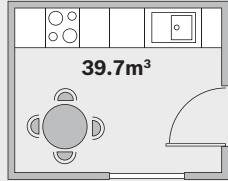


Installation tips

Ovens, microwaves and hobs	
<p>Flexibility to choose the way you want to cook</p> <p>Whether you're creating a feast for fifteen, steaming a healthy meal, cooking for one or popping on a frozen meal, Bosch appliances have the flexibility to do the job.</p>	
<p>Built-in single and double ovens</p> <p>The beauty of built-in ovens is that they can be housed in a variety of positions. For optimum convenience, install in standard tall cabinets at a level to suit the main users. Install single ovens alone, or together with a combination oven/microwave, built-in microwave, steam or combination steam oven. Hobs need to be bought separately.</p>	
<p>Built-under single and double ovens</p> <p>Single ovens can also be installed under the work surface, directly below the hob, or apart from it. Bosch also offers double ovens that are specifically designed for installation under the work surface. Hobs need to be bought separately.</p>	
<p>Compact steam, combination ovens and combination microwave ovens</p> <p>Compact appliances offer a range of combination or specialist functions – for example steam cooking is one of the healthiest methods of cooking available – and are ideal if space is at a premium. If you have more room, they're perfect for providing extra capacity and flexibility above or alongside a suitable built-in single oven. Build in to a standard tall or base cabinet with or without a warming drawer.</p>	
<p>Standard built-in microwaves</p> <p>Depending on the model, you can install into a tall housing, or in a wall cupboard. Wall cupboard models are available in 50cm or 60cm widths, and all come with installation/trim kit.</p>	
<p>Hobs</p> <p>Choose from gas, induction, ceramic or sealed plate. Available in 5 widths: 30, 60, 70, 80 or 90cm.</p>	

Quick checklist		
<p>Ovens</p> <ul style="list-style-type: none"> <input type="checkbox"/> Standard single oven <input type="checkbox"/> Double oven <input type="checkbox"/> Built-under <input type="checkbox"/> Built-in at eye level <p>Self-cleaning function</p> <ul style="list-style-type: none"> <input type="checkbox"/> Pyrolytic self-cleaning function <input type="checkbox"/> EcoClean® self-cleaning programme <p>Steam oven/combination oven/combination microwave</p> <ul style="list-style-type: none"> <input type="checkbox"/> Steam combination oven <input type="checkbox"/> Steamer <input type="checkbox"/> Combination oven <input type="checkbox"/> Combination microwave 	<p>Built-in</p> <ul style="list-style-type: none"> <input type="checkbox"/> Built-under <input type="checkbox"/> Built-in wall cupboard installation <input type="checkbox"/> 50cm wide <input type="checkbox"/> 60cm wide 	<p>Hobs</p> <ul style="list-style-type: none"> <input type="checkbox"/> Gas <input type="checkbox"/> Induction <input type="checkbox"/> Ceramic <input type="checkbox"/> Sealed plate <input type="checkbox"/> 30cm wide <input type="checkbox"/> 60cm wide <input type="checkbox"/> 70cm wide <input type="checkbox"/> 80cm wide <input type="checkbox"/> 90cm wide

Installation tips

Hoods	
<p>Keep air fresh and free of cooking smells</p> <p>Extractor hoods are an integral part of a clean and fresh working kitchen environment. Not only do Bosch extractor hoods look good and add a professional touch to your kitchen, they also deal quietly and efficiently with the key tasks of eliminating unwanted odours and removing grease and moisture from the kitchen.</p>	
<p>Chimney extractor hoods</p> <p>Choose between wall-mounted models or an island version to create a striking focal point in the kitchen. Some models are further enhanced by glass canopies. Available 60, 70 and 90cm wide.</p>	
<p>Chimney extractor easy mounting system</p> <p>Installing your new cooker hood in the kitchen is quick and straightforward with the patented easy mounting system. The self-levelling fixing rings allow you to precision adjust the horizontal position of the hood by up to a 6mm radius.</p>	
<p>Slimline extractor</p> <p>Ideal where an unobtrusive extractor is required. Built into a wall cabinet above the hob, it can be extended when in use, and retracted when not. Use the special handle profile accessory, or if you prefer, a matching pelmet from your kitchen supplier. 60 or 90cm wide.</p>	
<p>Conventional extractor hoods</p> <p>Ideal where space is at a premium, these 14cm tall extractors can be mounted directly to the wall or suspended beneath a reduced height wall cupboard. 60cm wide.</p>	
<p>Integrated extractor hoods</p> <p>Integrated extractor hoods are designed to be mounted between two cabinets with a matching furniture door affixed to the front.</p>	
<p>Canopy extractor hoods</p> <p>Designed to fit discreetly into the base of a wall cupboard, or specially designed furniture canopy with operation from below. 60cm wide.</p>	
<p>Choosing the correct extractor</p> <p>As a guideline, the air in the room should be changed 6-12 times per hour. Calculate the floor area in square metres and multiply by the height of the room in metres. Then divide the maximum extraction rate (not freeblowing) of the hood selected by the figure calculated above. The resulting figure should be at least 7, but preferably as close to 12 as possible.</p>	
<p>Example</p> <p>Kitchen (H x W x D) metres 2.1 x 4.5 x 4.2 = 39.7m³. Assume 10 air changes per hour – multiply 39.7m³/h by 10 = 397m³/h. Choose a hood capable of extracting at least this amount of air per hour – e.g. DWB097A50B (max ducted extraction rate 460m³ per hour).</p> <p>To avoid excessive noise, try to select a model which meets the above requirements on an intermediate speed, rather than at the highest speed.</p>	 <p>10 x 39.7m³ = 397m³</p>

Quick checklist	
<p>Type of hood</p> <ul style="list-style-type: none"> <input type="checkbox"/> Chimney <input type="checkbox"/> Slimline <input type="checkbox"/> Conventional <input type="checkbox"/> Integrated <input type="checkbox"/> Canopy 	<ul style="list-style-type: none"> <input type="checkbox"/> Ducted <input type="checkbox"/> Re-circulated <input type="checkbox"/> Size <input type="checkbox"/> Size of kitchen

Ducted or recirculation mode?

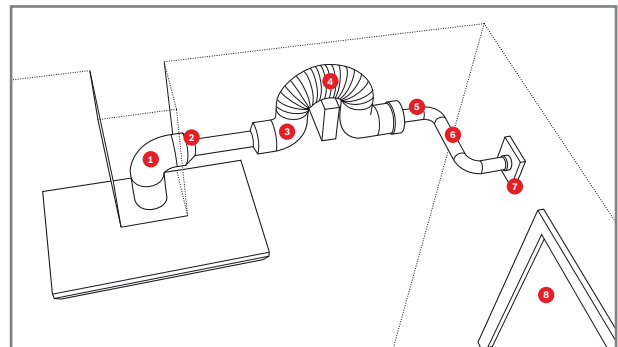
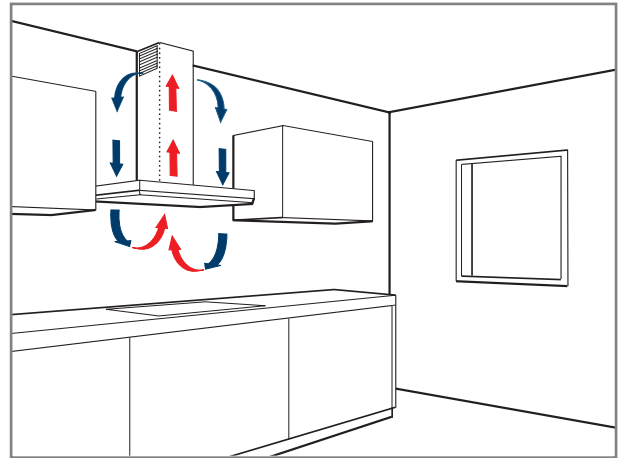
Ducted extraction

Ducting out is the most effective method of extraction if the hood can be sited on an outside wall, or an outside wall can be reached via ducting. The main difference between ducted and recirculation cooker hoods is that ducted systems can extract steam and odours, as well as grease. All our extractors are now standardized to a 150mm diameter outlet for easier installation. Use of 120/125mm diameter ducting is also possible, but will result in reduced air flow and increased noise. Use of 100mm diameter ducting is not recommended.

The following points should be observed for optimum ducted extraction results:

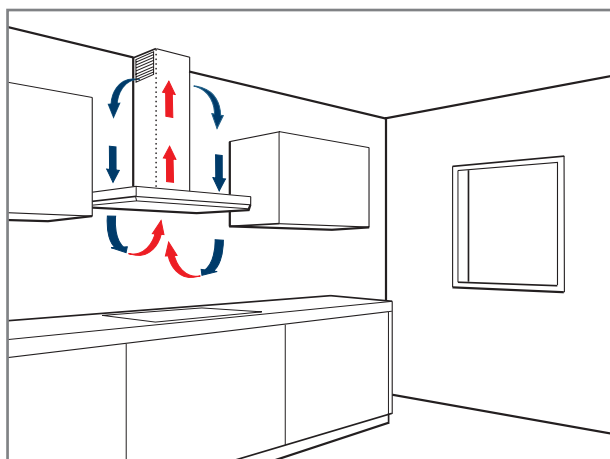
1. Ensure any pipe elbow bends are at least 30cm from the hood ducting opening.
2. Avoid reducing the diameter or area of the ducting.
3. Use wide-angled pipe elbows, but keep the number used to a minimum.
4. Only install pipes with smooth, even inner surfaces. If a flexible hose has to be used, ensure it is pulled tight to smooth out the ridges before fixing.
5. Avoid reducing the diameter or area of the ducting.
6. Use ducting pipes with a diameter of at least 120mm, but ideally 150mm.
7. Keep piping to a minimum – use the most direct route to external outlet.
8. Make sure that there is an adequate supply of fresh air to replace the air ducted out of the kitchen i.e. windows that can be opened, doors to adjacent rooms, air bricks.

Problems with installation may occur if points 1 to 8 are not observed.



Recirculation kit

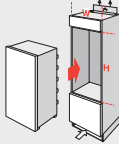
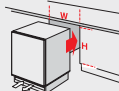
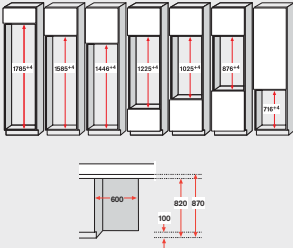
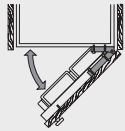
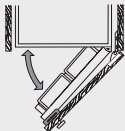
Cooker hoods with recirculation are energy-efficient and much easier to install. Air is passed through the metal filter to extract the grease and then through a special charcoal filter, which removes odours. The purified air is then returned to the room. As no ducting openings are necessary, this is an energy efficient method of extraction as no energy can escape (ie. cool air in the summer or warm air in the winter), making it a good choice for low energy houses. The kit contains all you need to set the hood up for recirculation and installation is relatively easy. Check each model for details on the appropriate recirculation kit accessory.



Tips and hints

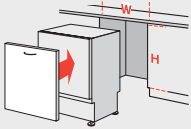
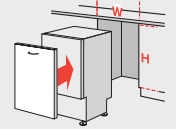

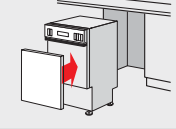
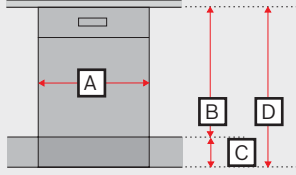
1. Calculate the extraction capacity needed.
2. Choose a hood with at least the same width of your hob.
3. Ensure efficient pipe ducting installation.
4. The hood should be installed at a minimum of 65cm above a gas hob or 55cm above an electric hob.
5. To effectively remove cooking odours from your kitchen, switch the hood on 5-10 minutes prior to cooking.
6. Leave the hood to run at a low setting after cooking has finished for 5-10 minutes to remove any lingering odours. Or simply select the Automatic After Running function, which enables the hood to continue running at a low speed for 10 minutes before automatically turning itself off (available on selected models).
7. Regularly clean metal grease filters to ensure optimum extraction performance. All of our metal grease filters, brushed steel filters and rim ventilation filters are dishwasher-proof.

Installation tips

Integrated cooling	
<p>Individual, versatile and low on energy consumption</p> <p>Bosch's range of fridges and freezers is as varied as today's lifestyle. With an impressive range of features and models on offer, there is something to suit everyone's shopping and cooking habits.</p>	
<p>Built-in fridges and freezers, integrated</p> <p>These models are designed to be built into standard cabinets. Door panels matching your kitchen cabinets are bolted to the appliance doors so that they blend in perfectly. Please ensure that recess height is correct. Door panels and cabinets should be obtained from your kitchen cabinet supplier.</p>	
<p>Built-under fridges and freezers, integrated</p> <p>These models can be built under a continuous worktop between two cabinets, or at the end of a row of cabinets. A furniture door blends your appliance with the rest of your kitchen.</p>	
<p>Recess dimensions</p> <p>Built-under models permit variable plinth heights and are therefore suitable for different worktop heights. Dimensions (H x W): 100 x 600mm, 820 x 600mm, 870 x 600mm. Ventilation is through the plinth, no worktop cutting required.</p>	
<p>Hinge systems</p> <p>Flat hinges</p> <p>This innovative easy-to-fit hinge system requires no extra drilling and permanently secures the appliance door to the furniture door. Offers a generous opening angle of 115° and features automatic door closing at an angle of less than 20°. Some models feature SoftClose doors, a damping system that means you can push your door to and it will close silently without a 'clunk', and it will never swing back open.</p>	<p>Flat-type hinge system</p> 
<p>Sliding hinges</p> <p>A sliding hinge, attached to a slide connector is pre-fitted in the factory, this allows the appliance door to be coupled with the furniture door. It offers adjustment in depth and height for precise fitting.</p>	<p>Sliding hinge system</p> 

Quick checklist	
<p>Type</p> <ul style="list-style-type: none"> <input type="checkbox"/> Built-in fridge, integrated <input type="checkbox"/> Built-in freezer, integrated <input type="checkbox"/> Built-in fridge freezer, integrated <input type="checkbox"/> Built-under fridge, integrated <input type="checkbox"/> Built-under freezer, integrated 	<p><input type="checkbox"/> Height:</p> <p><input type="checkbox"/> Width:</p> <p>Hinge system</p> <ul style="list-style-type: none"> <input type="checkbox"/> Flat hinge system <input type="checkbox"/> Sliding hinge system

Installation tips

Dishwashers	
<p>Integrated and semi-integrated dishwashers Energy and water-efficient with outstanding performance, Bosch integrated dishwashers quietly do all the hard work for you behind closed doors.</p>	
<p>Fully integrated dishwashers These models can be built under a worktop or sink drainer, between two units or at the end of a run of units. A furniture door is mounted on the appliance door so that the dishwasher is indistinguishable from other kitchen cabinets. Choose from full size 60cm wide, or slimline 45cm wide.</p>	<div style="display: flex; justify-content: space-around;"> <div style="text-align: center;"> <p>60cm wide</p>  </div> <div style="text-align: center;"> <p>45cm wide</p>  </div> </div>
<p>Semi-integrated dishwashers A furniture door is mounted on the appliance door, so all that is seen of the dishwasher itself is the stylish control panel. Can be built under a worktop or sink drainer, between two units or at the end of a run of units. Available full size 60cm wide.</p>	<div style="display: flex; justify-content: space-around;"> <div style="text-align: center;"> <p>60cm wide</p>  </div> <div style="text-align: center;"> <p>45cm wide</p>  </div> </div>
<p>Built-in dimensions (60m wide) If you have a recess height of 81.5 – 87.5cm, plan for an 81cm dishwasher. The appliance feet may be screwed out to a total height of 87.5cm. Or, if you have a recess height of 86.5 – 92.5cm plan for an 86cm dishwasher. The appliance feet screw out to a total height of 92.5cm.</p>	

Quick checklist

Type

Fully integrated dishwasher

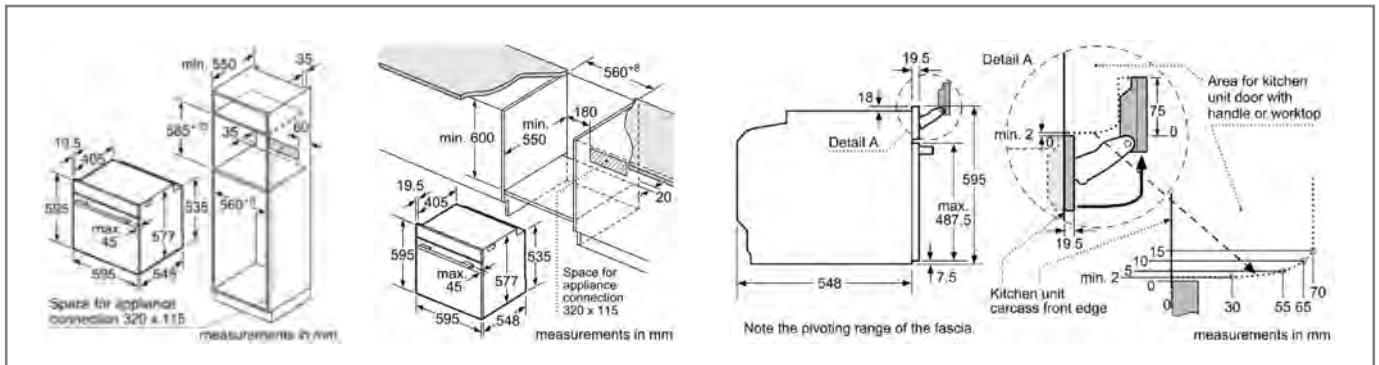
- 60cm wide
- 45cm wide

Semi-integrated dishwasher (60cm wide)

- 81cm high
- 86cm high

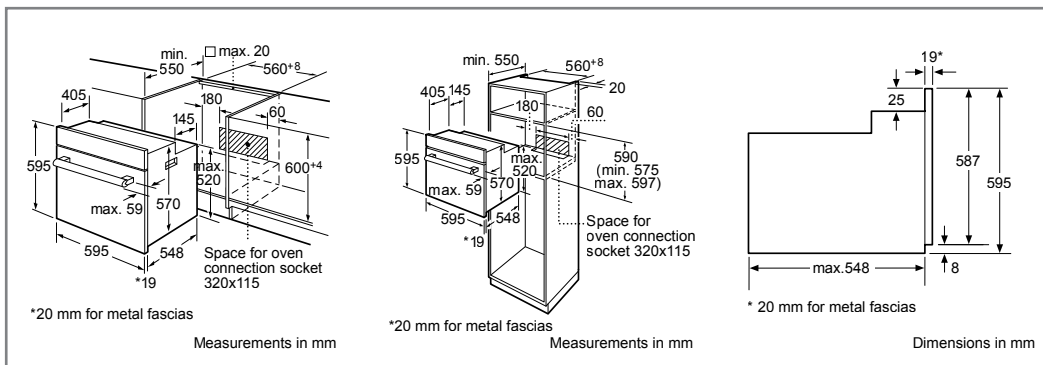
Ovens technical diagrams

Single and double ovens



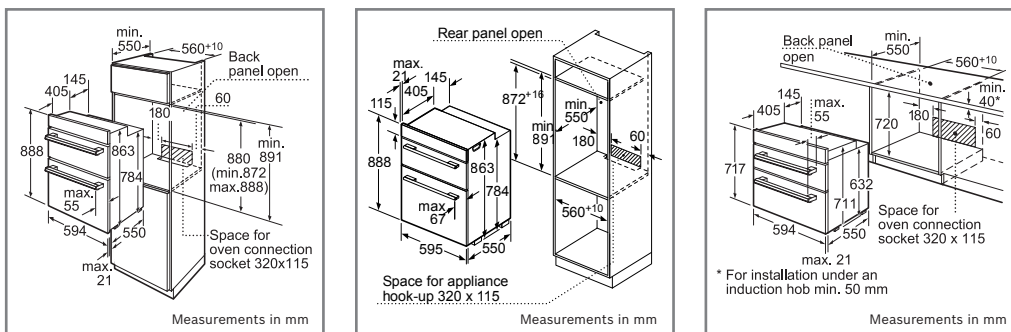
Single ovens

HRG6769S6B, HBG6764S6B, HBG6764B6B, HBG674BS1B, HBG674BB1B, HBG656RS1B, HBG656RB1B, HBG634BS1B, HBG634BB1B.



Single ovens

HBA23B150B, HBA13R150B, HBM13B1.0B, HBA73R150B, HBA63B150B, HBA53R150B and HBN331E7B



Built-in double ovens

HBM13B550B | HBM56B551B |
HBM53R550B | HBM43B2.0B |
13B2.1B

Built-in double ovens

HBM13B151B

Built-under double ovens

HBN53R550B | 43B2.0B |
13B2.1B

Single ovens specifications

	Serie 8			Serie 6		Serie 8	
Oven type	Pyrolytic with Added Steam	Pyrolytic	Pyrolytic	Pyrolytic	Pyrolytic	Standard	Standard
Brushed steel	HRG6769S6B	HBG6764S6B	HBG674BS1B	HBA73R150B	HBA63B150B	HBG656RS1B	HBG634BS1B
Black	-	HBG6764B6B	HBG674BB1B	-	-	HBG656RB1B	HBG634BB1B
White	-	-	-	-	-	-	-
KEY FEATURES							
Home Connect	●	●	-	-	-	-	-
Home Connect Connectivity	Wi-Fi	Wi-Fi	-	-	-	-	-
3 TFT colour and graphics displays with direct text touch	●	●	●	-	-	●	-
1 TFT colour and text display with touch buttons	-	-	-	-	-	-	●
SoftClose/SoftOpen drop down door	●/●	●/●	●/●	-	-	●/●	●/●
Digital temperature display with proposal	●	●	●	-	-	●	●
Actual temperature display	●	●	●	-	-	●	●
Heating up / residual heat indicator	●/●	●/●	●/●	-/-	-/-	●/●	●/●
Sabbath setting	●	●	●	-	-	●	●
Pyrolytic self cleaning function	●	●	●	●	●	-	-
Pyrolytic proof tray/holder & baking tray	●	●	●	-	-	-	-
ecoClean® back/roof/side surfaces	-	-	-	-	-	●/●/●	●/-
EcoClean® cleaning programme	-	-	-	-	-	-	-
Bosch Assist	●	●	-	-	-	●	-
Perfect Roast Multi-point temperature probe	●	●	-	-	-	●	-
PerfectBake Sensor	●	●	-	-	-	●	-
Automatic cooking programmes	-	-	-	-	-	-	-
DESIGN							
Control panel height mm	96	96	96	115	115	96	96
Control wheel	●	●	●	-	-	●	●
Push buttons or keys	-	-	-	●	●	-	-
Steel handle fixing blocks	●	●	●	-	-	●	●
Black handle fixing blocks	-	-	-	●	●	-	-
FEATURES							
Electronic clock timer with automatic on/off programmer	White	White	White	Red	Red	White	White
Main on/off switch	●	●	●	-	-	●	●
Interior lights	3 x LED	1 x Halogen	1 x Halogen	1 x 40W	1 x 40W	1 x Halogen	1 x Halogen
Light on/off when oven door opened/closed	●	●	●	-	-	●	●
Automatic safety switch off	●	●	●	●	●	●	●
Control panel lock	●	●	●	●	●	●	●
Start button	●	●	●	-	-	●	●
Water tank empty indicator	●	-	-	-	-	-	-
Enamelled oven interior	●	●	●	●	●	●	●
Number of shelf positions	5	5	5	5	5	5	5
Retractable control dial(s)	-	-	-	●	●	-	-
Fixed Controls	-	-	-	-	-	-	-
Full glass inner door	●	●	●	●	●	●	●
PROGRAMMES / FUNCTIONS							
4D Hot Air	●	●	●	-	-	●	●
3D Hot Air	-	-	-	●	●	-	-
HotairEco	●	●	●	●	●	●	●
Conventional top & bottom heat	●	●	●	●	●	●	●
Conventional heat eco	●	●	●	-	-	●	●
Hot air grilling	●	●	●	●	●	●	●
Full width variable grill	●	●	●	●	●	●	●
Half width variable grill	●	●	●	●	-	●	●
Pizza Setting	●	●	●	●	-	●	●
Bottom heat	●	●	●	●	●	●	●
Intensive heating	●	-	-	-	-	-	-
Low temperature cooking	●	●	●	-	-	●	●
Defrost	●	●	●	●	●	●	●
Preheating	●	●	●	-	-	●	●
Plate warming	●	●	●	-	-	●	●
Dehydrate	●	-	-	-	-	-	-
Added steam function	●	-	-	-	-	-	-
Steam descaling & cleaning	●	-	-	-	-	-	-
Cavity drying function	●	-	-	-	-	-	-
Steam reheating and dough proving functions	●	-	-	-	-	-	-
Fast heat	●	●	●	●	●	●	●
PERFORMANCE / TECHNICAL SPECIFICATIONS							
Cavity dimensions (HxWxD in mm)	357x480x415	357x480x415	357x480x415	329x479x400	329x479x400	357x480x415	357x480x415
Oven capacity (L) ¹	71	71	71	63	63	71	71
Water tank capacity (L)	1	-	-	-	-	-	-
Energy efficiency rating 1	A	A+	A+	A	A	A+	A+
Efficiency declared on	Hot Air	Hot Air	Hot Air	Hot Air	Hot Air	Hot Air	Hot Air
Energy consumption hot air (kWh)	0.74	0.69	0.69	0.70	0.70	0.69	0.69
Energy consumption conventional (kWh)	0.90	0.87	0.87	0.93	0.93	0.87	0.87
Time to cook standard load (mins.)	44	42	42	48	48	42	42
Largest baking sheet area (in cm1)	1290	1290	1290	1350	1350	1290	1290
Cable length (in cm)	120	120	120	150	150	120	120
Total connected loading (W)	3450	3450	3450	3650*	3650*	3450	3450
STANDARD ACCESSORIES							
Full width enamelled pan	1	1	1	1	1	1	1
Wire pan insert	-	-	-	1	1	-	-
Wire shelves	2	2	2	2	2	2	2
Extendible telescopic shelves	3 levels	1 level	-	1	-	1 level	-
OPTIONAL ACCESSORIES							
Baking sheet	HEZ631070	HEZ631070	HEZ631070	HEZ331072	-	HEZ631070	HEZ631070
Wire shelf	HEZ634000	HEZ634000	HEZ634000	HEZ634000	-	HEZ634000	HEZ634000
Fully extendible telescopic shelf rail (1 level)	-	-	HEZ638170	-	-	-	HEZ638100
Fully extendible telescopic shelf rails (3 levels)	-	-	-	-	HEZ338357	-	-
Extra deep enamelled roasting pan	-	-	-	HEZ333000	HEZ333000	-	-

● = Yes
- = No

*From Summer 2016 total connected loading will be reduced to 2950 W

All models comply with COMMISSION REGULATION (EC) No 1275/2008 with regard to ecodesign requirements for standby and off mode electric power consumption.

¹ According to norm EU 65/2014

Energy rating: According to Norm EN50304; 2014 update 65/2014

A+++ = more efficient, D = less efficient

Double ovens specifications

Serie 6										
Oven type	Built-In Double		Built-In Double		Built-In Double		Built-In Double		Built-In Double	
Brushed steel	HBM56B551B		HBM53R550B		HBM13B550B		HBM43B250B		HBM13B251B	
Black	-		-		-		HBM43B260B		HBM13B261B	
White	-		-		-		-		HBM13B221B	
KEY FEATURES	Main	2nd	Main	2nd	Main	2nd	Main	2nd	Main	2nd
Electronic control	●	-	-	-	-	-	-	-	-	-
Digital temperature display with proposal	●	-	-	-	-	-	-	-	-	-
Digital symbol & function display	●	-	-	-	-	-	-	-	-	-
Heating up / residual heat indicator	●/●	-	-	-	-	-	-	-	-	-
Actual temperature display	●	-	-	-	-	-	-	-	-	-
Automatic safety switch off	●	-	-	-	-	-	-	-	-	-
EcoClean® back/roof/side liners	●/●/●	●/●/●	●/●/●	●/●/●	●/-	●/●/-	●/●/●	●/●/●	●/-	●/●/-
EcoClean® cleaning programme	●	●	●	●	-	-	-	-	-	-
DESIGN										
Control panel height mm	115	-	115	-	115	-	115	-	115	-
Display window	Twin	-	Single	-	Single	-	Single	-	Single	-
Central illuminated control dial	●	-	-	-	-	-	-	-	-	-
Metal touch controls	●	-	-	-	-	-	-	-	-	-
Push buttons	-	-	-	-	-	-	-	-	-	-
Steel handle fixing blocks	●	●	●	●	●	●	●	●	●	●
Black handle fixing blocks	-	-	-	-	-	-	●	●	●	●
Drop down door	●	●	●	●	●	●	●	●	●	●
FEATURES	Main	2nd	Main	2nd	Main	2nd	Main	2nd	Main	2nd
Electronic clock timer with automatic on/off programmer	●	-	●	-	●	-	●	-	●	-
Retractable control dial(s)	●	●	●	●	●	●	●	●	●	●
Fixed Controls	-	-	-	-	-	-	-	-	-	-
Interior lights	1	1	1	1	1	1	1	1	1	1
Control panel lock	●/-	-	●/-	-	●/-	-	●/-	-	●/-	-
Smooth enamelled oven interior	●	●	●	●	●	●	●	●	●	●
Number of shelf positions	5	2	5	2	5	2	5	2	5	2
Full glass inner door	●	●	●	●	●	●	●	●	●	●
Heat reflective glass	●	●	●	●	●	●	●	●	●	●
PROGRAMMES / FUNCTIONS	Main	2nd	Main	2nd	Main	2nd	Main	2nd	Main	2nd
HotairEco	●	-	-	-	-	-	-	-	-	-
3D Hot Air	●	-	●	-	●	-	●	-	●	-
Defrost	●	-	●	-	●	-	●	-	●	-
Pizza Setting	●	-	●	-	-	-	-	-	-	-
Conventional top & bottom heat	●	●	●	●	-	●	●	●	-	●
Bottom heat	●	●	●	-	-	-	●	-	-	-
Full width variable grill	●	●	●	●	-	●	●	●	-	●
Half width variable grill	●	●	●	●	-	-	●	-	-	-
Hot air grilling	●	-	●	-	-	-	●	-	-	-
Keep warm	●	-	-	-	-	-	-	-	-	-
Sabbath setting	●	-	-	-	-	-	-	-	-	-
AutoCook programmes	40	-	-	-	-	-	-	-	-	-
Fast heat	●	-	-	-	-	-	●	-	-	-
PERFORMANCE / TECHNICAL SPECIFICATIONS	Main	2nd	Main	2nd	Main	2nd	Main	2nd	Main	2nd
Cavity dimensions (HxWxD in mm)	329x482x418	172x468x433	329x482x418	172x468x433	351x482x418	172x468x433	329x482x418	172x468x433	351x482x418	172x468x433
Oven capacity (L) ¹	66	35	66	35	71	35	66	35	71	35
Energy efficiency rating 1	A	B	A	B	A	B	A	B	A	B
Efficiency declared on	Hotair	Conv.	Hotair	Conv.	Hotair	Conv.	Hotair	Conv.	Hotair	Conv.
Energy consumption hot air (kWh)	0.70	-	0.84	-	0.80	-	0.84	-	0.80	-
Energy consumption conventional (kWh)	0.96	0.79	0.96	0.79	-	0.79	0.96	0.79	-	0.79
Time to cook standard load (mins.)	44	46	44	46	44	46	44	46	44	46
Largest baking sheet area (in cm ¹)	1350	-	1350	-	1350	-	1350	-	1350	-
Cable length (in cm)	-	-	-	-	-	-	-	-	-	-
Total connected loading (W)	5500	-	5500	-	4400	-	5500	-	4400	-
STANDARD ACCESSORIES										
Full width enamelled pan	1	-	1	-	1	-	1	-	1	-
Wire pan insert	1	-	1	-	1	-	1	-	1	-
Wire shelves	3	-	3	-	3	-	3	-	3	-
OPTIONAL ACCESSORIES										
Fully extendible telescopic shelf rails (3 levels)	HEZ338357	-	HEZ338307	-	HEZ338357	-	HEZ338357	-	HEZ338357	-
Extra deep enamelled roasting pan	HEZ333000	-	HEZ333000	-	HEZ333000	-	HEZ333000	-	HEZ333000	-

● = Yes
- = No

All models comply with COMMISSION REGULATION (EC) No 1275/2008 with regard to ecodesign requirements for standby and off mode electric power consumption.

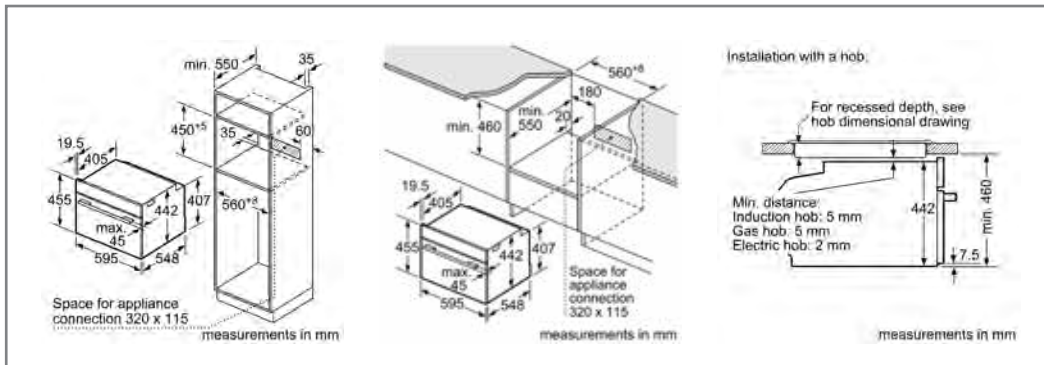
¹ According to norm EU 65/2014

Energy rating: According to Norm EN50304; 2014 update 65/2014

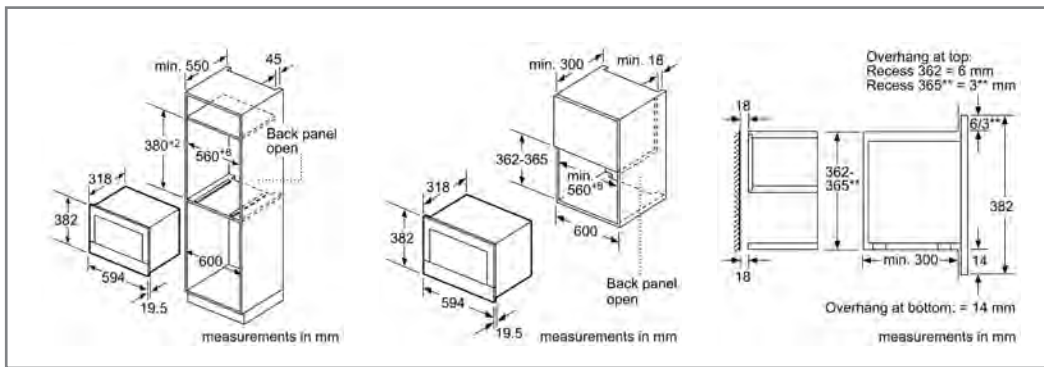
A+++ = more efficient, D = less efficient

Compact appliances technical diagrams

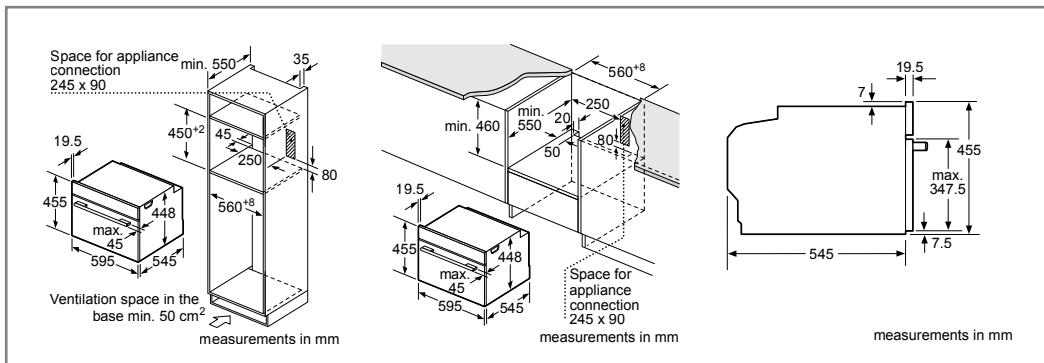
Steam ovens, compact ovens with integrated microwave, microwave combination ovens



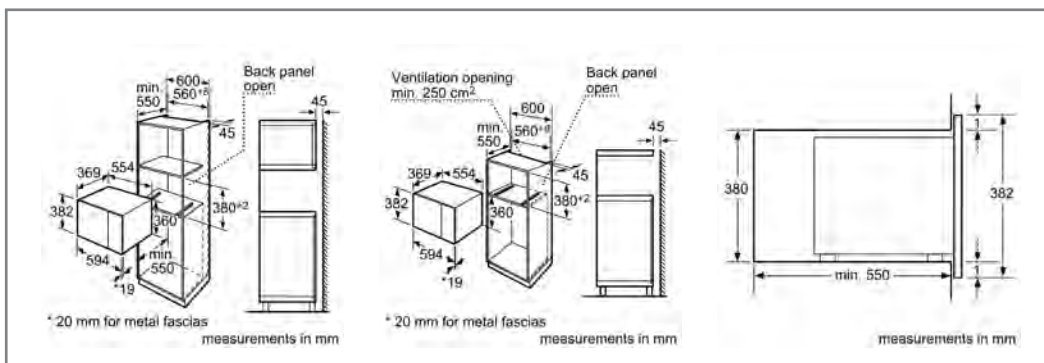
Steam ovens CBG675BS1B | CSG656BS1B | CDG634BS1B | CNG6764S6B | CMG656B.6B | CMG633B.1B | CMG676BS6B



Microwaves BEL634GS1B | BFL634G.1B



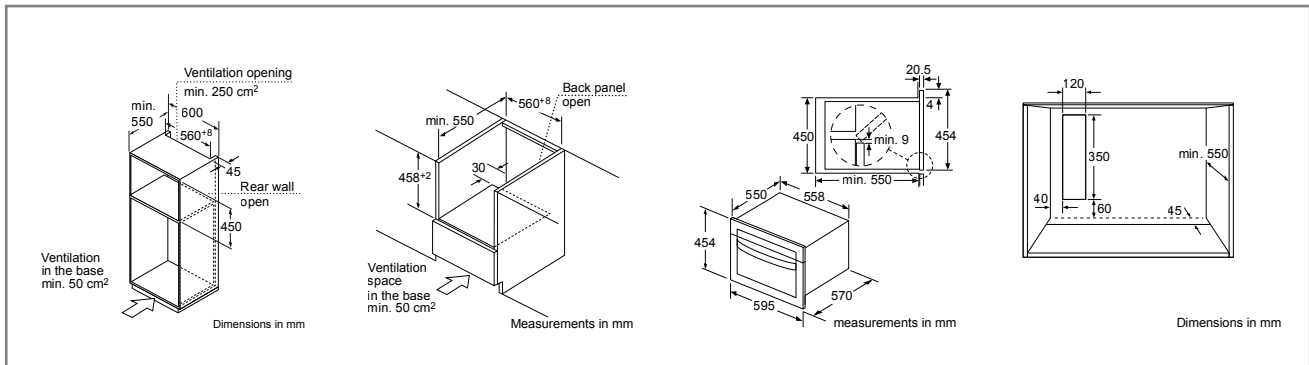
Microwave CFA634GS1B



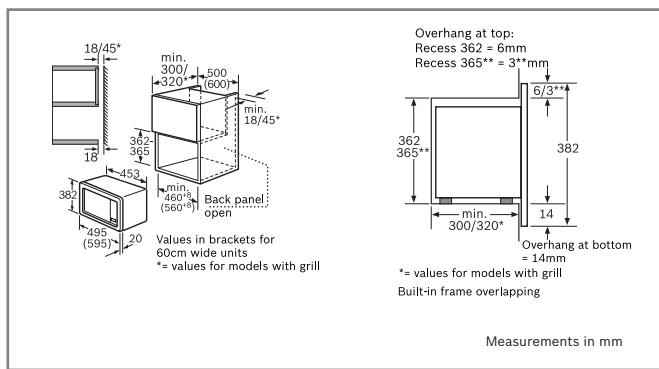
Microwave HMT84M6.4B

Compact appliances technical diagrams

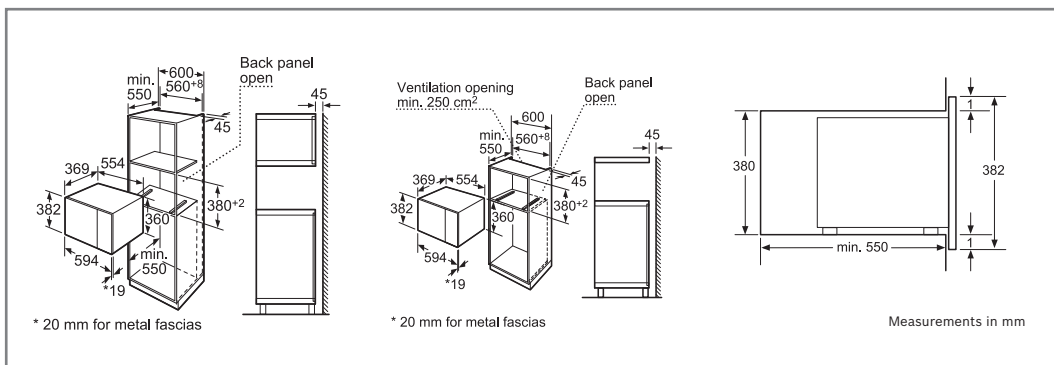
Steam ovens, compact ovens with integrated microwave, microwave combination ovens



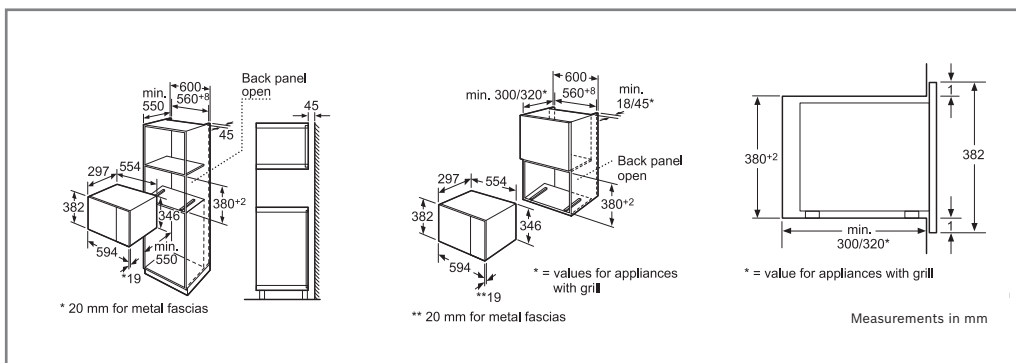
Microwave HBC84H501B



HMT75M551B



HMT84G654B

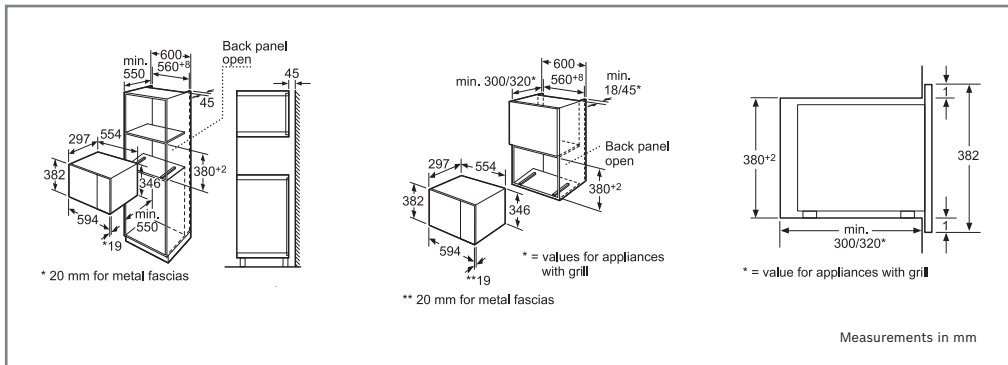


HMT75M6.4B

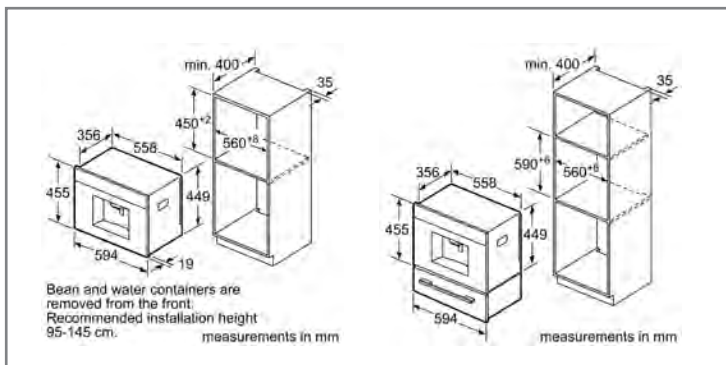
We try to keep up to date with constant technological improvements, so from time to time we may update installation guidelines. Therefore we strongly recommend that you download the latest installation guidelines from www.bosch-home.co.uk. Line drawings are for guidance only, and we recommend that you refer to the latest installation guidelines. Though every care is taken to ensure instructions are correct at the time of printing, Bosch cannot accept responsibility for incorrect planning or installation as a result of the use of these line drawings.

Compact appliances technical diagrams

Steam ovens, compact ovens with integrated microwave, microwave combination ovens



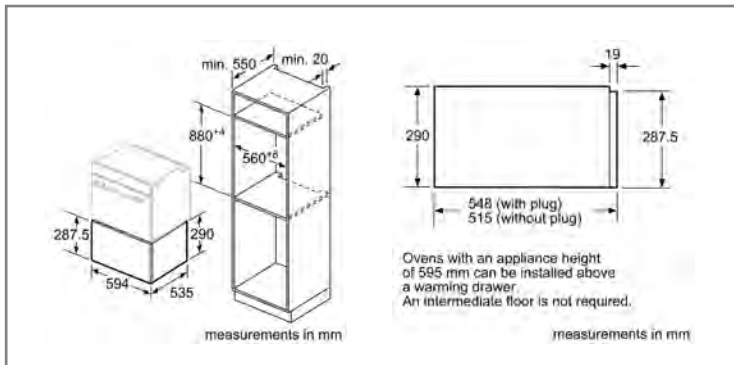
HMT75G654B



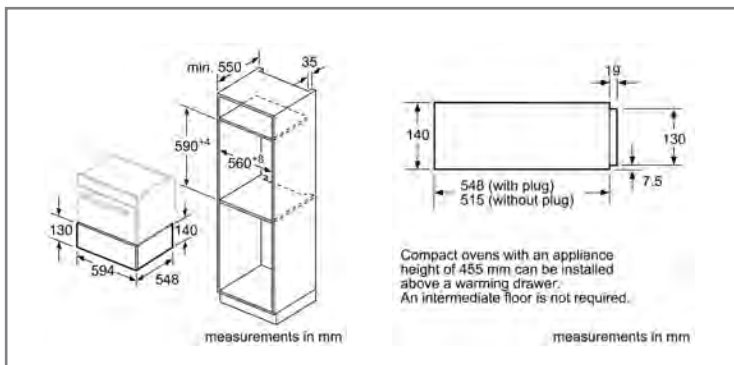
Coffee maker CTL636ES6

Compact appliances technical diagrams

Steam ovens, compact ovens with integrated microwave, microwave combination ovens



Warming drawers BID630NS1 installed with 60cm high single oven.



Warming drawers BIC630NS1B installed with 45cm high compact oven.

Compact ovens

Oven type	Serie 8						
	Pyrolytic	Pyrolytic with Microwave & Added Steam	Pyrolytic with Microwave	Pyrolytic with Microwave	With Microwave	With Microwave	Microwave
Brushed steel	CBG675BS1B	CNG6764S6B	CMG676BS6B	CMG656BS6B	CMG633BS1B	-	-
Black	-	-	-	CMG656BB6B	-	CMG633BB1B	CFA634GS1B
KEY FEATURES							
Home Connect	-	●	●	●	-	-	-
Home Connect Connectivity	-	Wi-Fi	Wi-Fi	Wi-Fi	-	-	-
3 TFT colour and graphics displays with direct text touch	-	●	●	●	-	-	-
1 TFT colour and text display with touch buttons	●	-	-	-	●	●	●
SoftClose/SoftOpen drop down door	●/●	●/●	●/●	●/●	●/●	●/●	●/●
Digital temperature display with proposal	●	●	●	●	●	●	●
Actual temperature display	●	●	●	●	●	●	●
Heating up / residual heat indicator	●/●	●/●	●/●	●/●	●/●	●/●	●/●
Sabbath setting	●	●	●	●	●	●	●
Pyrolytic self cleaning function	●	●	●	-	-	-	-
Pyrolytic proof tray/holder & baking tray	●	●	●	-	-	-	-
ecoClean® back/roof/side surfaces	-/-/-	-/-/-	-/-/-	●/●/●	-/-/-	-/-/-	-/-/-
EcoClean® cleaning programme	-	-	-	-	-	-	-
Bosch Assist	-	●	●	-	-	-	-
Perfect Roast Multi-point temperature probe	-	●	-	-	-	-	-
PerfectBake Sensor	-	●	-	-	-	-	-
Automatic cooking programmes	10	-	-	-	14	14	14
DESIGN							
Control panel height mm	96	96	96	96	96	96	96
Control wheel	●	●	●	●	●	●	●
Push buttons or keys	-	-	-	-	-	-	-
Steel handle fixing blocks	●	●	●	●	●	●	●
Black handle fixing blocks	-	-	-	-	-	-	-
FEATURES							
Electronic clock timer with automatic on/off programmer	White	White	White	White	White	White	White
Main on/off switch	●	●	●	●	●	●	●
Interior lights	1 x Halogen	1 x LED	1 x LED	1 x LED	1 x LED	1 x LED	1 x LED
Light on/off when oven door opened/closed	●	●	●	●	●	●	●
Automatic safety switch off	●	●	●	●	●	●	●
Control panel lock	●	●	●	●	●	●	●
Start button	●	●	●	●	●	●	●
Water tank empty indicator	-	●	-	-	-	-	-
Enamelled oven interior	●	●	●	●	●	●	●
Number of shelf positions	3	3	3	3	3	3	3
Retractable control dial(s)	-	-	-	-	-	-	-
Fixed Controls	-	-	-	-	-	-	-
Full glass inner door	●	●	●	●	●	●	●
PROGRAMMES / FUNCTIONS							
4D Hot Air	●	●	●	●	●	●	●
HotairEco	●	●	●	●	●	●	●
Conventional top & bottom heat	●	●	●	●	-	-	-
Conventional heat eco	●	●	●	●	-	-	-
Hot air grilling	●	●	●	●	●	●	●
Full width variable grill	●	●	●	●	●	●	●
Half width variable grill	●	●	●	●	●	●	●
Pizza Setting	●	●	●	●	-	-	-
Bottom heat	●	●	●	●	-	-	-
Intensive heating	●	●	●	●	-	-	-
Low temperature cooking	●	●	●	●	-	-	-
Defrost	●	-	-	-	-	-	-
Preheating	●	●	●	●	●	●	●
Plate warming	●	●	●	●	-	-	-
Dehydrate	-	●	-	-	-	-	-
Microwave	-	●	●	●	●	●	●
Microwave Combined with Hotair, Top&Bottom Heat, HotAir Grilling, Grill	-	90/180/360W	90/180/360W	90/180/360W	-	-	-
Microwave Combined with Hotair	-	-	●	-	90W	90W	90W
Microwave Combined with Hotair Grilling	-	-	-	-	90/180/360W	90/180/360W	90/180/360W
Added steam function	-	●	-	-	-	-	-
Steam descaling & cleaning	-	●	-	-	-	-	-
Cavity drying function	-	●	-	-	-	-	-
Steam reheating and dough proving functions	-	●	-	-	-	-	-
Fast heat	●	●	-	●	●	●	●
PERFORMANCE / TECHNICAL SPECIFICATIONS							
Cavity dimensions (HxWxD in mm)	237x480x415	237x480x392	237x480x392	237x480x392	237x480x392	237x480x392	237x480x392
Oven capacity (L) ¹	47	45	45	45	45	45	45
Installation in tall housing / under work surface	●	●	●	●	●	●	●
Maximum Microwave Power in W	-	1000	1000	1000	1000	1000	1000
Number of Microwave Power levels	-	5	5	5	5	5	5
Water tank capacity (L)	-	1	-	1	1	1	1
Energy efficiency rating 1	A+	-	-	-	-	-	-
Efficiency declared on	Hotair	-	-	-	-	-	-
Energy consumption hot air (kWh)	0.61	-	-	-	-	-	-
Energy consumption conventional (kWh)	0.73	-	-	-	-	-	-
Time to cook standard load (mins.)	46	-	-	-	-	-	-
Largest baking sheet area (in cm1)	1290	1290	1290	1290	1290	1290	1290
Cable length (in cm)	120	120	120	120	120	120	120
Total connected loading (W)	3000	3650	3650	3650	3650	3650	3650
STANDARD ACCESSORIES							
Full width enamelled pan	1	1	1	1	1	1	1
Wire pan insert	-	-	-	-	-	-	-
Wire shelves	1	2	1	2	1	1	1
Extendible telescopic shelves	-	1 level	-	-	-	-	-
OPTIONAL ACCESSORIES							
Baking sheet	HEZ631070	HEZ631070	-	HEZ631070	HEZ631070	HEZ631070	HEZ631070
Fully extendible telescopic shelf rail (1 level)	HEZ638178	-	-	-	-	-	-
Wire shelf	HEZ634000	-	-	-	-	-	-

● = Yes
- = No

¹ According to norm EU 65/2014
Excludes steam only models and models with microwave

Compact steam ovens

Oven type	Serie 8	
	Steam Combination Oven	Steam Combination Oven
Brushed steel	CSG656BS1B	CDG634BS1B
KEY FEATURES		
3 TFT colour and graphics displays with direct text touch	●	-
1 TFT colour and text display with touch buttons	-	●
SoftClose/SoftOpen drop down door	●/●	●/●
Digital temperature display with proposal	●	●
Actual temperature display	●	●
Heating up / residual heat indicator	●/●	●/●
Sabbath setting	●	-
ecoClean® back/roof/side surfaces	●/●/●	-/-/-
EcoClean® cleaning programme	●	-
Bosch Assist	●	-
Automatic cooking programmes	-	20
DESIGN		
Control panel height mm	96	96
Control wheel	●	●
Steel handle fixing blocks	●	●
FEATURES		
Electronic clock timer with automatic on/off programmer	White	White
Main on/off switch	●	●
Interior lights	1 x LED	1 x standard
Light on/off when oven door opened/closed	●	●
Automatic safety switch off	●	●
Control panel lock	●	●
Start button	●	●
Water tank empty indicator	●	●
Enamelled oven interior / Stainless steel oven interior	●/-	-/●
Number of shelf positions	3	4
Full glass inner door	●	●
PROGRAMMES / FUNCTIONS		
4D Hot Air	●	-
HotairEco	●	-
Conventional top & bottom heat	●	-
Conventional heat eco	●	-
Hot air grilling	●	-
Full width variable grill	●	-
Half width variable grill	●	-
Pizza Setting	●	-
Bottom heat	●	-
Low temperature cooking	●	-
100% steam	●	●
Added Steam option for Hotair, Top&Bottom Heat, HotAir Grilling	●	-
Steam reheating	●	●
Steam dough proving	●	●
Defrost	●	●
Preheating	●	-
Warming	●	-
Steam descaling & cleaning	●	●
Cavity drying function	●	●
Fast heat	●	●
PERFORMANCE / TECHNICAL SPECIFICATIONS		
Cavity dimensions (HxWxD in mm)	237x480x415	265x325x439
Oven capacity (L) ¹	47	38
Installation in tall housing / under work surface	●	●
Water tank capacity (L)	1.0	1.3
Energy efficiency rating 1	A+	-
Efficiency declared on	Hotair	-
Energy consumption hot air (kWh)	0.61	-
Energy consumption conventional (kWh)	0.79	-
Time to cook standard load (mins.)	42	-
Largest baking sheet area (in cm ¹)	1290	1290
Cable length (in cm)	120	120
Total connected loading (W)	3300	1900
STANDARD ACCESSORIES		
Full width enamelled pan	1	-
Wire shelves	1	-
Small perforated steam tray	1	-
Small solid steam tray	1	-
Large perforated steam tray	1	1
Large solid steam tray	-	1
OPTIONAL ACCESSORIES		
Baking sheet	HEZ631070	-

● = Yes
- = No

Microwave combination oven

Oven type	Serie 6
	Combination Oven
Stainless steel	HBC84H501B
KEY FEATURES	
Electronic control	●
DESIGN	
Control panel height mm	96
Display window	Single
Control dials with metal cap	-
Control Dials standard	●
Touch control	-
Push buttons	●
Straight bar handle	●
Steel handle fixing blocks	●
U-shape glass on metal door design	-
Drop down door	●
Left hinged door	-
FEATURES	
Electronic clock timer	●
Retractable control dial(s)	2
Fixed Controls	-
Interior lights, halogen	-
Interior lights standard	1
Control panel lock	●
Stainless steel interior	-
Number of shelf positions	0
ecoClean® back liner	-
Quartz grill	●
PROGRAMMES / FUNCTIONS	
Hot Air Cooking	●
Full width variable grill	Quartz
Half width variable grill	-
Convection grilling	-
Hot air grilling	●
Microwave	●
Combination operation	●
Automatic cooking programmes	15
Automatic defrost programmes	4
Automatic combination programmes	8
Programmable steps	3
Memory function	-
Fast heat	●
PERFORMANCE / TECHNICAL SPECIFICATIONS	
Usable oven capacity (L)	44
Cavity dimensions (HxWxD in mm)	250x420x420
Installation in tall housing	●
Installation in base unit / under work surface	-
Installation 60cm wide wall unit	-
Installation 50cm wide wall unit	-
Maximum oven temperature (C°)	230
Microwave Inverter technology	-
Microwave distribution	Turntable
Turntable diameter (mm)	360.0
Maximum microwave power (W)	1000
Number of microwave power levels	5
Nominal voltage (V)	230-240
Total connected loading (W)	3600
Cable length (in cm)	180
GB plug	-
External cooling fan	●
Appliance weight (kg)	-
Safety Approved	●
STANDARD ACCESSORIES	
Glass pan	-
Enamelled pan	-
Wire rack	-
Wire shelves	-
Turntable	-
OPTIONAL ACCESSORIES	
Steel Décor strip, approx. 594mm wide, 22mm high	-

● = Yes
- = No

Microwave ovens

Oven type	Serie 8		Serie 6				
	Microwave with grill	Microwave	Microwave with grill	Microwave	Microwave with grill	Microwave	Microwave
Stainless steel	BEL634GS1B	BFL634GS1B	HMT84G654B	HMT84M654B	HMT75G654B	HMT75M654B	HMT75M551B
Black	-	BFL634GB1B	-	HMT84M664B	-	HMT75M664B	-
White	-	-	-	HMT84M624B	-	HMT75M624B	-
KEY FEATURES							
1 TFT colour and text display with touch buttons	●	●	-	-	-	-	-
DESIGN							
Control wheel	●	●	-	-	-	-	-
Control dials with with metal cap	-	-	-	-	-	-	-
Control Dials standard	-	-	●	●	●	●	●
Touch control	●	●	-	-	-	-	-
Push buttons	-	-	●	●	●	●	●
Left hinged door	●	●	●	●	●	●	●
FEATURES							
Electronic clock timer	●	●	●	●	●	●	●
Retractable control dial(s)	-	-	1	1	1	1	1
Interior lights	1 x LED	1 x LED	1 standard	1 standard	1 standard	1 standard	1 x standard
Stainless steel interior	●	●	●	●	●	●	●
Quartz grill	●	-	●	-	●	-	-
PROGRAMMES / FUNCTIONS							
Microwave	●	●	●	●	●	●	●
Microwave and Grill Combination operation	●	-	●	-	-	-	-
Automatic programmes	10	7	8	7	8	7	7
Programmable steps	-	-	-	-	-	-	-
Memory function	-	-	1	1	1	1	1
PERFORMANCE / TECHNICAL SPECIFICATIONS							
Useable oven capacity (L)	21	21	25	25	20	20	17
Cavity dimensions (HxWxD in mm)	220x350x270	220x350x270	208x328x369	208x328x369	221x308x298	221x308x298	194x290x285
Installation in tall housing	●	●	●	●	●	●	-
Installation 60cm wide wall unit	●	●	-	-	●	●	-
Installation 50cm wide wall unit	-	-	-	-	-	-	●
Microwave distribution	Stirrer	Stirrer	Turntable	Turntable	Turntable	Turntable	Turntable
Turntable diameter (mm)	-	-	315	315	245	245	245
Maximum microwave power (W)	900	900	900	900	800	800	800
Number of microwave power levels	5	5	5	5	5	5	5
Total connected loading (W)	1990	1220	1450	1450	1270	1270	1270
Cable length (in cm)	150	150	130	130	130	130	130
GB plug	●	●	●	●	●	●	●
STANDARD ACCESSORIES							
Glass pan	1	1	-	-	-	-	-
Enamelled pan	-	-	-	-	-	-	-
Wire rack	1	1	-	-	-	-	-
Turntable	-	-	1	1	1	1	1

● = Yes
- = No

Compact coffee maker

	Serie 8
Stainless steel	CTL636ES1
KEY FEATURES	
3 TFT colour and graphics displays with direct text touch	●
Left hinged door to access interior	●
Electronic control	●
SensoFlow System	●
Aroma pressure system	●
Auto Valve System	●
DESIGN	
Control panel height mm	96
Control wheel	●
FEATURES	
Main on/off switch	●
Bean container / Ground coffee container	●/●
Container empty warning indicators for water / beans	●/●
Cleaning / descaling / filter warning indicators	●/●/●
Ceramic coffee grinders	●
Multilevel grinding setting	●
Cup illumination	●
Height adjustable coffee outlet (mm)	7-15
Height adjustable milk nozzle (mm)	7-15
Removable, insulated milk container	●
Removable water tank	●
Adjustable automatic switch off setting	●
Integrated water filter	●
Removable spillage collection tray	●
Removable used coffee grounds collection container	●
PROGRAMMES / FUNCTIONS	
Personalised milk beverage	1 or 2 cup
Milk foam	1 or 2 cup
Hot water	1 or 2 cup
Warm milk	1 or 2 cup
Ristretto	1 or 2 cup
Coffee	1 or 2 cup
Espresso	1 or 2 cup
Cappuccino	1 or 2 cup
Latte Macchiato	1 or 2 cup
Caffe latte	1 or 2 cup
Espresso Macchiato	1 or 2 cup
One touch function for milk drinks	●
Coffee temperature options	3
Hot water temperature options	4
Milk foam/ frothing function	●/●
Hot Milk function	●
Cleaning / descaling / combined programmes	●/●/●
Automatic rinse when switched on/off	●/●
PERFORMANCE / TECHNICAL SPECIFICATIONS	
Recommended installation height (mm)	950-1450
Installation in a tall housing	●
Insulated Milk container capacity (L)	0.5
Brewing chamber volume (g)	8-12
Bean container	500
Ground coffee container	●
Water tank capacity (L)	2.4
Total connected loading (W)	1600
Cable length (in cm)	170
GB plug	●

● = Yes
- = No

Warming and storage drawers

	Serie 8		
	BID630NS1B	BIC630NS1B	BIC630NB1B
Stainless steel			
KEY FEATURES			
Electronic control	●	●	●
Soft close mechanism	●	●	●
DESIGN			
Install independently	●	●	●
Install with compact appliance	-	●	●
Install with a single oven	●	●	●
Push-Pull opening mechanism	●	●	●
FEATURES			
Operating indicator light	●	●	●
Rotary temperature control dial	●	●	●
Number of settings	4	4	4
Maximum temperature	°C 80	80	80
Minimum temperature	°C 40	40	40
Toughened glass drawer base	●	●	●
Maximum loading	plates 40	12	12
Maximum loading	espresso cups 192	64	64
Maximum weight capacity	kg 25	25	25
PERFORMANCE / TECHNICAL INFORMATION			
Drawer interior volume	L 52	20	20
Interior drawer dimensions	mm 468x242x458	468x92x458	468x92x458
Installation in a tall housing	●	●	●
Installation under work surface	●	●	●
Nominal voltage	V 220-240	220-240	220-240
Total connected loading	W 810	810	810
Cable length	cm 150	150	150
GB plug	●	●	●
Appliance weight	kg 21	16	16
Safety Approved	●	●	●

Freestanding microwave specifications

	Serie 4				
	HMT75M451B	HMT75G451B	HMT72M450B	HMT72G450B	HMT84M451B
Brushed steel					
Black	HMT75M461B	-	-	-	HMT84M461B
White	HMT75M421B	-	-	-	HMT84M421B
KEY FEATURES					
Electronic controls	●	●	-	-	●
DESIGN					
Colour co-ordinated controls	●	●	●	●	●
Left hinged door	●	●	●	●	●
Door open button	●	●	●	●	●
FEATURES					
Electronic clock	●	●	-	-	●
Push button controls	●	●	-	-	●
Retractable controls	●	●	-	-	●
Rotary controls	-	-	●	●	-
99 minute timer	●	●	-	-	●
60 minute timer	-	-	●	●	-
Interior light	●	●	●	●	●
Glass turntable	●	●	●	●	●
Stainless steel interior	-	●	-	-	-
Lacquered interior	●	-	●	●	●
PROGRAMMES/FUNCTIONS					
Microwave	●	●	●	●	●
Quartz grill	-	●	-	●	-
Microwave combination cooking	-	●	-	●	-
Weight automatic programmes	7	8	-	-	7
Microwave/grill combination programmes	-	3	-	2	-
Memory function	●	●	-	-	●
PERFORMANCE/TECHNICAL					
Oven capacity	L 17	17	17	17	25
Oven interior dimensions (HxWxD)	mm 194x290x274	194x290x274	194x290x274	194x290x274	215x337x354
Can be installed under a wall unit	●	-	●	-	-
Microwave distribution	Turntable	Turntable	Turntable	Turntable	Turntable
Turntable diameter	mm 245	245	245	245	315
Microwave power levels	5	5	5	5	5
Maximum microwave power level	watts 800	800	800	800	900
Grill power	watts -	1000	-	1000	-
Cable length	cm 130	130	130	130	130
GB plug	●	●	●	●	●
Total connected load	watts 1270	1270	1270	1270	1450
Voltage	volts 230	230	230	230	230
CE/VDE approved	●	●	●	●	●
Appliance weight	kg 13.6	13.6	13.6	13.6	17.0
Weight including packaging	15.0	15.0	15.0	15.0	19.0
STANDARD ACCESSORIES					
Wire grid	-	1	-	1	-

● = Yes
- = No

Electric hobs specifications

	FLEXINDUCTION				INDUCTION			
	PIZ975N17E	PIP875N17E	PIV675N17E	PIG675N17E	PIN651F17E	PIE975N14E	PIM875N14E	
Black glass, brushed steel trim								
Black glass								
KEY FEATURES								
Electronic control	●	●	●	●	●	●	●	
DirectSelect operation	DirectSelect Plus	DirectSelect Plus	DirectSelect Plus	DirectSelect Plus	DirectSelect Plus	DirectSelect Plus	DirectSelect Plus	
Electronic power level display	●	●	●	●	●	●	●	
Safety cut-out switch off	●	●	●	●	●	●	●	
Control panel lock	●	●	●	●	●	●	●	
Boost setting	●	●	●	●	●	●	●	
QuickStart function	-	-	-	-	●	-	-	
ReStart function	-	-	-	-	●	-	-	
Energy Consumption Display	-	-	-	-	●	-	-	
Automatic pan recognition	●	●	●	●	●	●	●	
Connection Current Management	-	-	-	-	-	-	-	
DESIGN								
Hob width (mm)	916	816	606	606	592	916	816	
Front controls	●	●	●	●	●	●	●	
Touch control	●	●	●	●	●	●	●	
Metal control dials	-	-	-	-	-	-	-	
Can be installed with a Bosch domino hob	●	●	●	●	-	●	●	
All around trim	●	●	●	●	-	●	●	
Three sided bevelled frameless finish	-	-	-	-	●	-	-	
Frameless	-	-	-	-	-	-	-	
FEATURES								
Number of power levels	17	17	17	17	17	17	17	
Main on/off switch	●	●	●	●	●	●	●	
Timer for all zones	●	●	●	●	●	●	●	
Residual heat indicators	Hh	Hh	Hh	Hh	Hh	Hh	Hh	
Freeze function	●	●	●	●	●	●	-	
Small utensil detection	●	●	●	●	-	●	●	
PERFORMANCE / TECHNICAL INFORMATION								
Number of cooking zones	5	5	4	4	4	4	5	
Number of FlexInduction cooking zones	4	1	2	1	1	-	-	
Triple ring induction zone	●	-	-	-	-	-	-	
Number of dual / extendible zones	-	-	-	-	-	-	-	
Left zone FlexInduction connected (max. kW/Area mm)	3.3 380x200	-	3.3 400x240	3.3 400x240	3.7 240x400	-	-	
Left front zone max. power & diameter (kW & mm)	-	2.2 180	-	-	-	1.8 180	1.8 180	
Left back zone max. power & diameter (kW & mm)	-	1.4 145	-	-	3.8 200x240	1.8 180	1.4 145	
Centre zones FlexInduction connected (max. kW/Area mm)	-	-	-	-	-	-	-	
Centre zone max. power & diameter (kW & mm)	3.3, 2.2, 2.6 320, 260, 210	2.2 240	-	-	-	-	2.2 240	
Centre front zone max. power & diameter (kW & mm)	-	-	-	-	-	-	-	
Centre back zone max. power & diameter (kW & mm)	-	-	-	-	-	-	-	
Right zone FlexInduction connected (max.kW/Area mm)	3.3 380x200	3.6 380x200	3.3 400x240	-	-	-	-	
Right front zone max. power & diameter (kW & mm)	-	-	-	2.2 210	-	2.2 210	2.2 210	
Right back zone max. power & diameter (kW & mm)	-	-	-	1.4 145	1.8 145	1.4 145	1.4 145	
Nominal voltage (V)	220-240	220-240	220-240	220-240	220-240	220-240	220-240	
Maximum power output (W)	10800	7200	7200	7200	7200	7200	7200	
Cable length (in cm)	110	110	110	110	110	110	110	
13A UK plug	-	-	-	-	-	-	-	
Appliance weight (kg)	20.0	16.0	14.0	12.0	11.9	12.0	14.0	
Safety Approved	●	●	●	●	●	●	●	
OPTIONAL ACCESSORIES								
Connecting strip	HEZ394301	HEZ394301	HEZ394301	HEZ394301	-	HEZ394301	HEZ394301	
Set of four pans	HEZ390042	HEZ390042	HEZ390042	HEZ390042	HEZ390042	HEZ390042	HEZ390042	

● = Yes
- = No

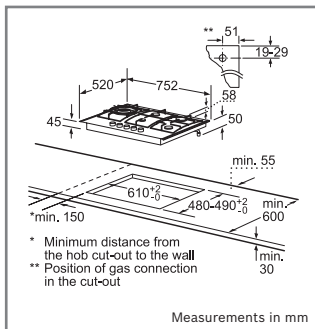
Electric hobs specifications

	QUICK-THERM				SEALED PLATE				DOMINO		
	Serie 4		Serie 2								
Black Glass, Brushed steel trim	-	-	-	-	-	-	-	-	-	-	PKF375V14E
White Glass	-	-	-	-	-	-	-	-	-	-	-
Black Glass	PKN811D17E	PKE611D17E	-	PKF659C17E	-	-	-	-	-	-	-
Brushed steel	-	-	-	-	-	-	-	-	-	-	-
White	-	-	-	-	-	-	-	-	NCT615C01	-	-
Black	-	-	-	-	-	-	-	-	NCT612C01	-	-
KEY FEATURES									NCT616C01	-	-
Electronic control	●	●	-	-	-	-	-	-	-	-	-
Electronic power level display	●	●	-	-	-	-	-	-	-	-	-
Safety cut-out switch off	●	●	-	-	-	-	-	-	-	-	-
DESIGN											
Hob width (mm)	802	592	592	592	592	592	580	580	580	306	306
Side controls	-	-	●	●	●	●	●	●	●	●	●
Front controls	●	●	-	-	-	-	-	-	-	-	●
Touch control	●	●	-	-	-	-	-	-	-	-	●
Metal control dials	-	-	-	-	-	-	-	-	-	-	●
Standard controls - steel coloured	-	-	●	●	●	●	●	●	●	●	●
Standard controls - colour coordinated	-	-	-	-	●	●	●	●	●	●	●
Profile trim (Front Facette with side trim)	-	-	●	●	●	●	●	●	●	●	●
Can be installed with a Bosch domino hob	●	●	●	●	●	●	●	●	●	●	●
Frameless	●	●	-	-	●	●	●	●	●	●	●
FEATURES											
Number of power levels	17	17	9	9	9	9	9	9	9	9	9
Main on/off switch	●	●	-	-	-	-	-	-	-	-	●
Power on indicator	●	●	-	-	-	-	-	-	-	-	-
Residual heat indicators	Hh	Hh	Hh	Hh	Hh	Hh	-	-	-	-	Hh
PERFORMANCE / TECHNICAL INFORMATION											
Number of cooking zones	4	4	4	4	4	4	4	4	4	2	2
Number of dual / extendible zones	2	-	1	1	-	-	-	-	-	-	1
Left front zone power & diameter	kW & mm	2 180	1.2 145	1.2 145	1.2 145	1.2 145	1.2 145	2.0 180	2.0 180	1.5 145	-
Left back zone power & diameter	kW & mm	1.8, 2.6 170, 265	2 180	0.75, 2.2 120, 210	0.75, 2.2 120, 210	2.2 210	1.5 145	1.5 145	1.5 145	1.5 145	-
Centre front zone power & diameter	kW & mm	-	-	-	-	-	-	-	-	-	0.8-2.0 120-180
Centre back zone power & diameter	kW & mm	-	-	-	-	-	-	-	-	-	1.2 145
Right front zone power & diameter	kW & mm	0.75, 2.2 120, 210	2.2 210	2 180	2 180	2 180	2 180	1.5 145	1.5 145	1.5 145	-
Right back zone power & diameter	kW & mm	1.2 145	1.2 145	1.2 145	1.2 145	1.2 145	1.2 145	2.0 180	2.0 180	2.0 180	-
Nominal voltage	V	220-240	220-240	220-240	220-240	220-240	220-240	220-240	220-240	220-240	220-240
Total connected electrical load	W	7500	6600	6600	6600	6600	6600	7000	7000	3200	3200
Cable length	cm	-	-	-	-	-	-	100	100	100	100
Appliance weight	kg	11.0	7.0	8.0	8.0	8.0	8.0	11.0	11.0	4.7	4.7
Safety Approved	●	●	●	●	●	●	●	●	●	●	●
OPTIONAL ACCESSORIES											
Connecting strip	-	-	-	-	-	-	-	-	-	-	HEZ394301

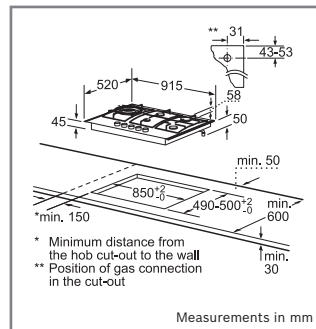
● = Yes
- = No

Gas hobs technical diagrams

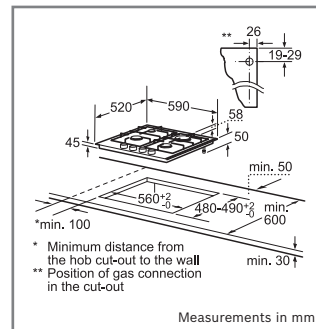
Standard and domino gas hobs



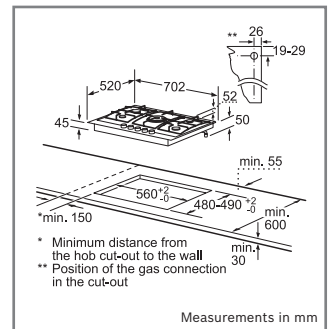
PPS816M91E



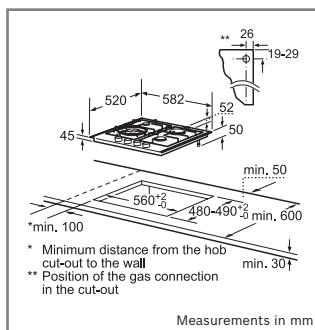
PPS916B91E



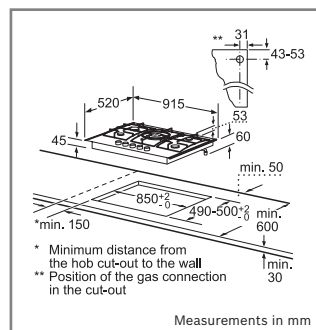
PPP616M91E



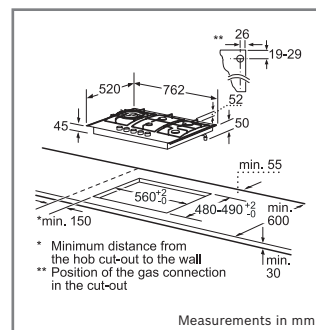
PCR715M90E | PCQ715B90E



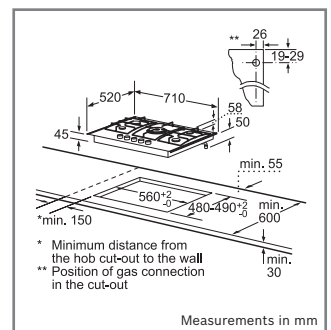
PCH615M90E | PCP61.B90E



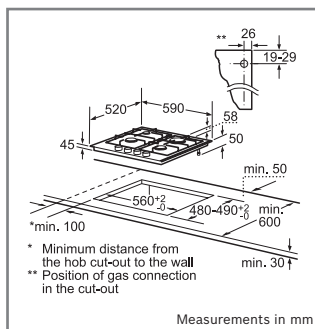
PCR915B91E



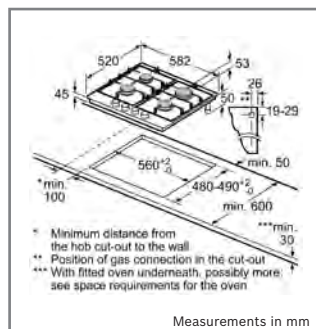
PCS815B90E



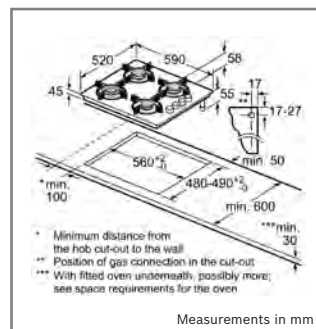
PPQ716B91E



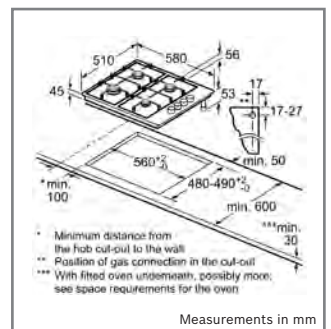
PPP616B91E



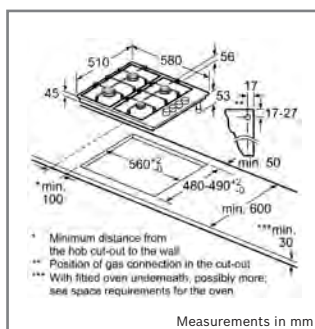
PCP615B90E | PCP61.B90E



POP6B6B80



PBH6B5B60



PBP6B.B60

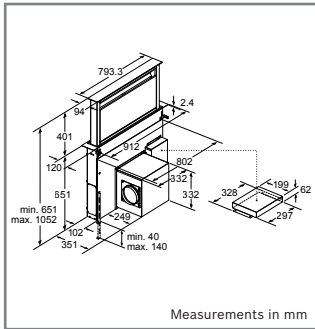
We try to keep up to date with constant technological improvements, so from time to time we may update installation guidelines. Therefore we strongly recommend that you download the latest installation guidelines from www.bosch-home.co.uk. Line drawings are for guidance only, and we recommend that you refer to the latest installation guidelines. Though every care is taken to ensure instructions are correct at the time of printing, Bosch cannot accept responsibility for incorrect planning or installation as a result of the use of these line drawings.

DOMINO GAS HOBS

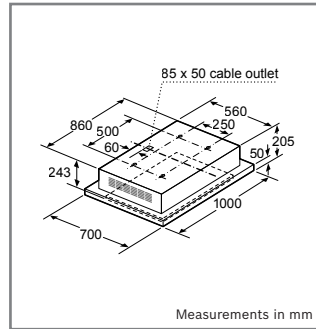
Serie 2			Serie 8	
	PBH6B5B60	PBP6B5B60	PRB326B70E	PRA326B70E
POP6B6B80	-	PBP6B6B60	-	-
-	-	PBP6B2B60	-	-
-	1	-	-	1
-	-	-	-	●
-	-	-	-	-
590	580	580	306	306
●	●	●	-	-
-	-	-	●	●
-	-	-	●	●
-	-	-	●	●
●	-	-	-	-
-	●	●	-	-
●/-	●/-	●/-	●/-	●/-
●	●	●	●	●
●	●	●	●	●
●	●	●	●	●
-	-	-	1	1
-	2	2	-	-
2	-	-	●	-
-	-	-	-	-
●	●	●	-	-
4	4	4	2	1
-	-	-	-	-
3.0	3.3	3.0	-	-
1.7	1.7	1.7	-	-
-	-	-	1.9	6.0
-	-	-	2.8	-
1.0	1.0	1.0	-	-
1.7	1.7	1.7	-	-
●	●	●	●	●
220-240	220-240	220-240	220-240	220-240
7400	7700	7400	4700	6000
0.6	0.6	0.6	0.6	0.6
100	100	100	100	100
-	-	-	-	-
11.3	10.0	9.5	7.0	8.6
●	●	●	●	●
28-30/37mbar	28-30/37mbar	28-30/37mbar	28-30/37mbar	28-30/37mbar
-	-	-	HEZ394301	HEZ394301

Hoods technical diagrams

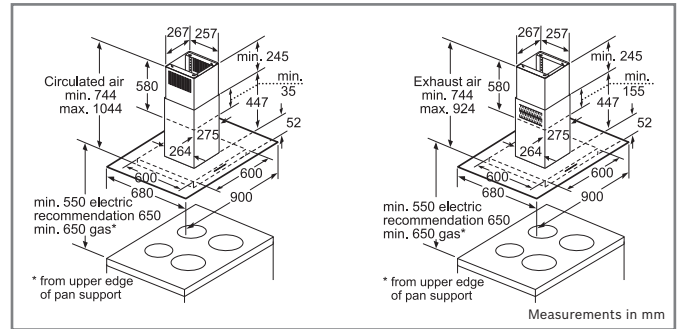
Chimney hoods



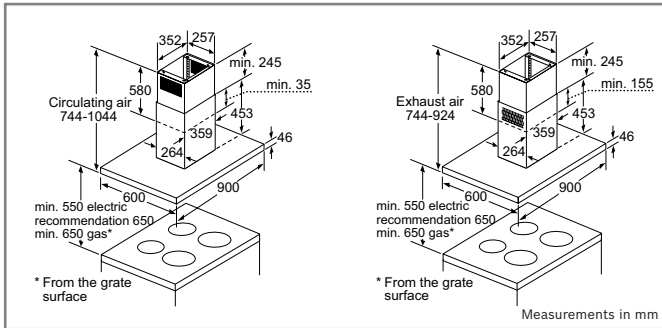
DDA097G59B



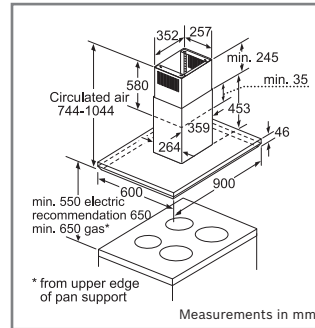
DID106T50



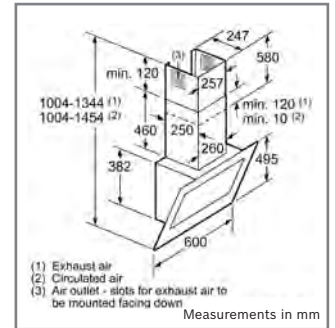
DIA098E50B



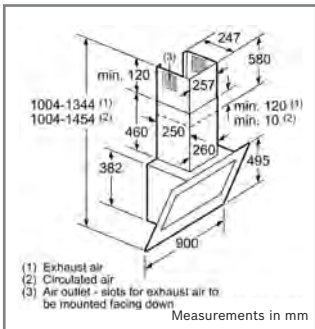
DIB091K50B



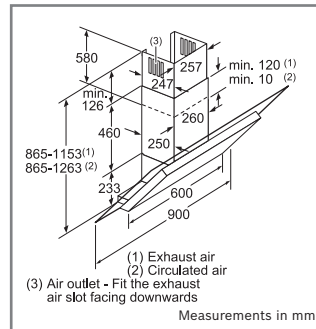
DIB091U51B



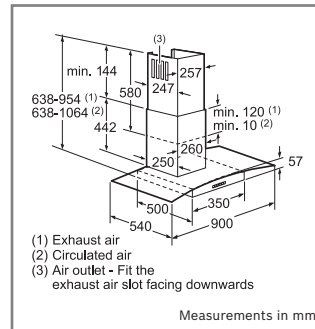
DWK068G61B



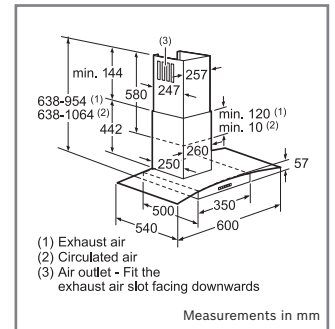
DWK098G61B



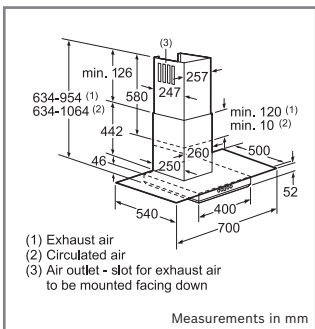
DWK098E51B



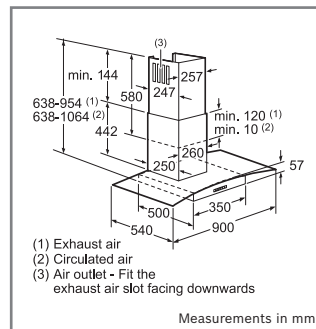
DWA097E51B



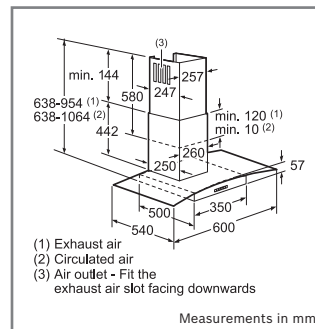
DWA067E51B



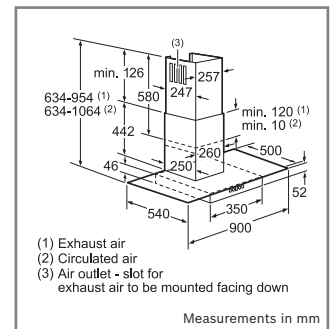
DWA078E50B



DWA094W51B



DWA064W51B

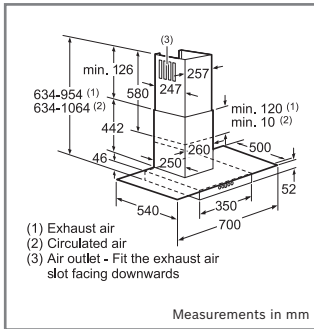


DWA094W50B

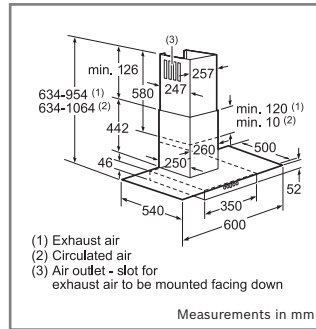
We try to keep up to date with constant technological improvements, so from time to time we may update installation guidelines. Therefore we strongly recommend that you download the latest installation guidelines from www.bosch-home.co.uk. Line drawings are for guidance only, and we recommend that you refer to the latest installation guidelines. Though every care is taken to ensure instructions are correct at the time of printing, Bosch cannot accept responsibility for incorrect planning or installation as a result of the use of these line drawings.

Hoods technical diagrams

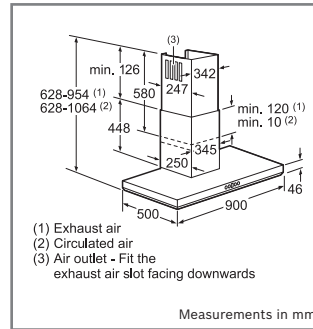
Chimney hoods



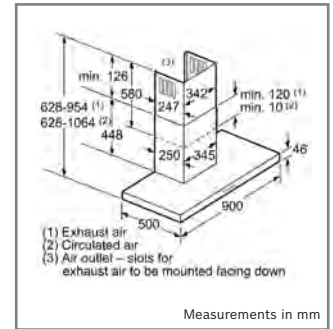
DWA074W50B



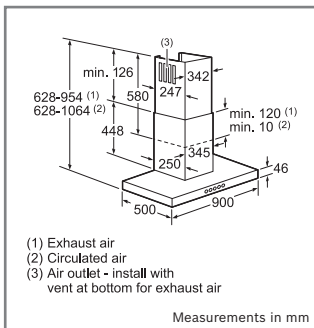
DWA064W50B



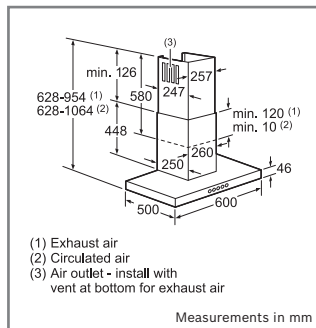
DWB098E51B



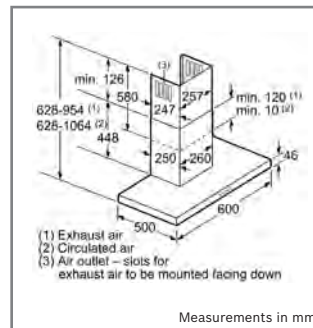
DWB098J50B



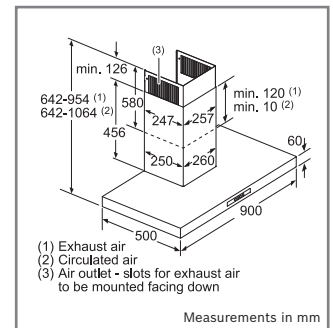
DWB097A50B



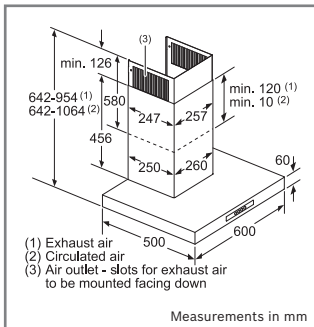
DWB067A50B



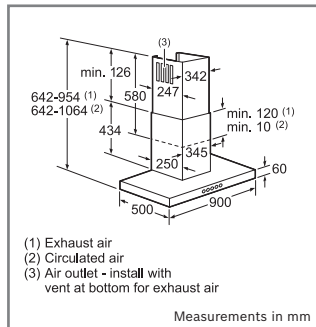
DWB068J50B



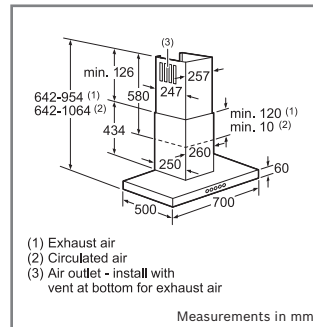
DWB09W452B



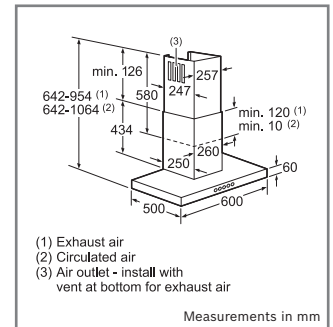
DWB06W452B



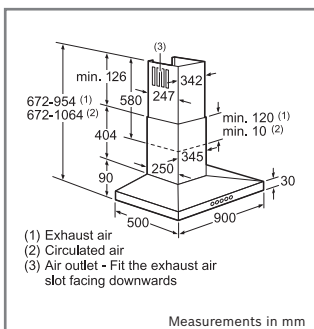
DWB094W50B



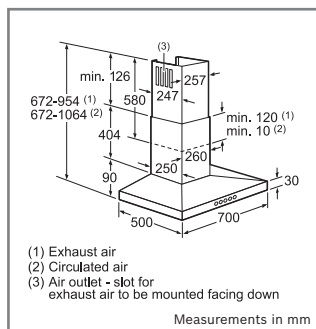
DWB074W50B



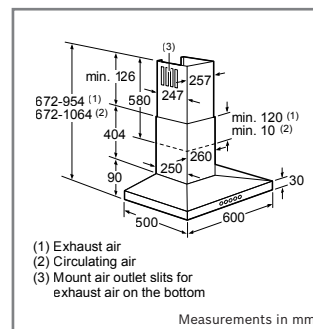
DWB064W50B



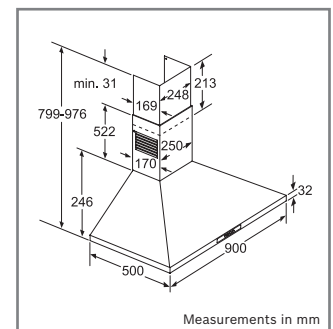
DWW097A50B



DWW077A50B



DWW067A50B

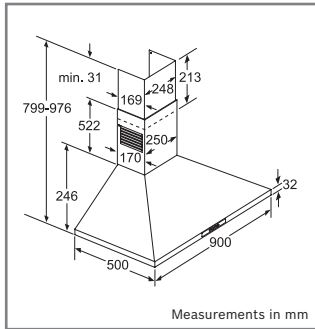


DWW09W460B

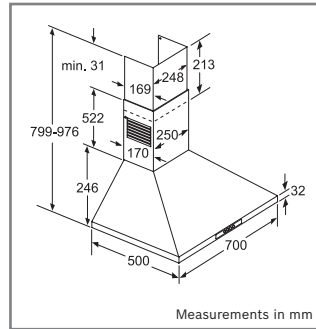
We try to keep up to date with constant technological improvements, so from time to time we may update installation guidelines. Therefore we strongly recommend that you download the latest installation guidelines from www.bosch-home.co.uk. Line drawings are for guidance only, and we recommend that you refer to the latest installation guidelines. Though every care is taken to ensure instructions are correct at the time of printing, Bosch cannot accept responsibility for incorrect planning or installation as a result of the use of these line drawings.

Hoods technical diagrams

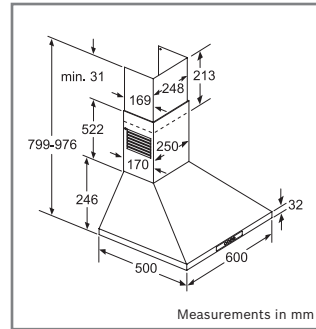
Chimney hoods



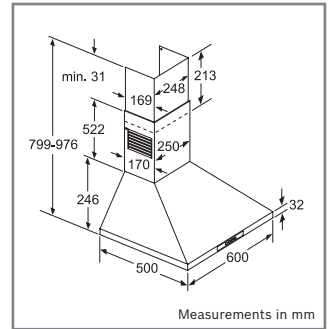
DWW09W450B



DWW07W450B

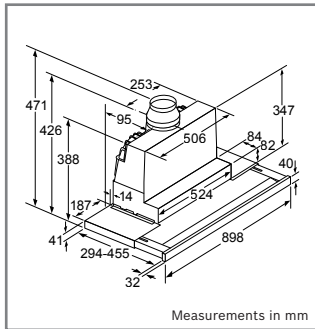


DWW06W460B

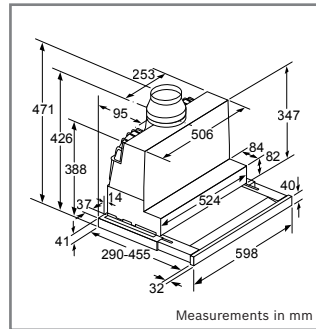


DWW06W450B

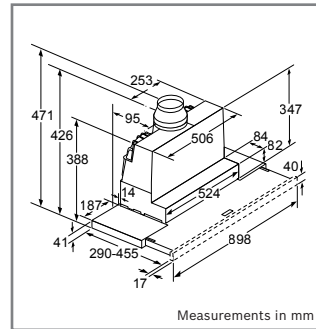
Telescopic, canopy, integrated and conventional hoods



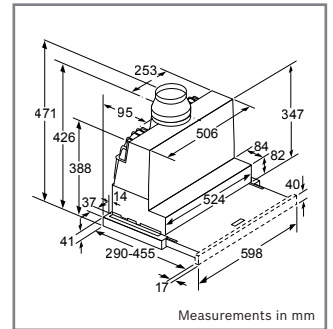
DFS097J50B



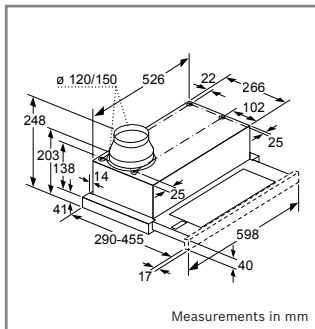
DFS067J50B



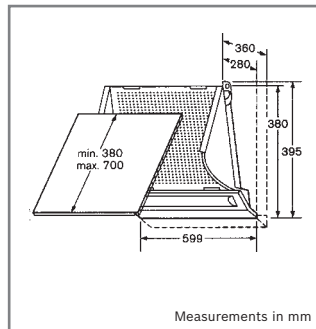
DFS097A50B



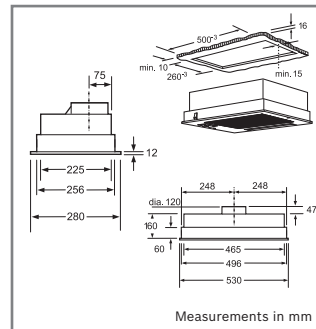
DFS067A50B



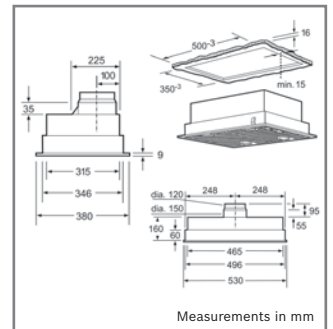
DFM063W50B



DHE635BGB | DHE645MGB

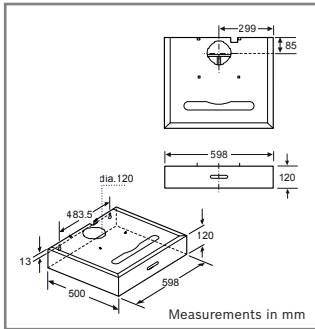


DHL535BGB

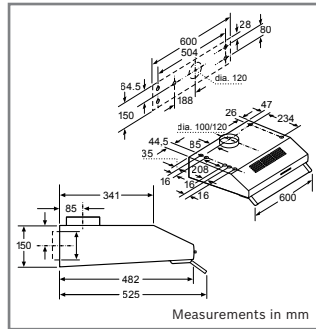


DHL555BGB

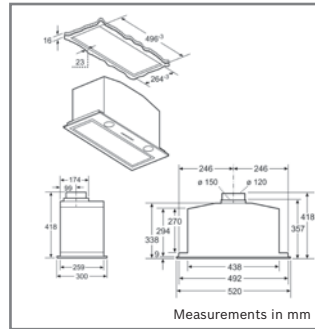
Telescopic, canopy, integrated and conventional hoods



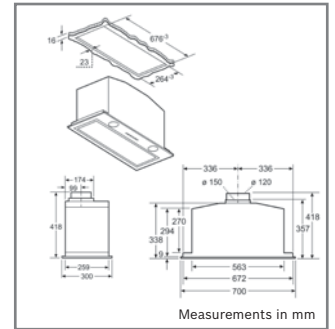
DHU646PGB



DHU645PGB | DHU646PGB
DHU642PGB



DHL575CGB



DHL785CGB

Hoods specifications

	Downdraft	Ceiling	Island			Angled			Glass Chimney			
Design Family	Serie 8	Serie 8	Serie 8	Serie 8	Serie 8	Serie 8	Serie 8	Serie 6	Serie 6	Serie 6	Serie 6	Serie 2
Model Number	DDA097G59B	DID106T50	DIB091K50B	DIB091U51B	DIA098E50B	DWK098G61B	DWK068G61B	DWK098E51B	DWA097E51B	DWA067E51B	DWA078E50B	DWA094W50B
Stainless Steel	●	●	●	●	●	●	●	●	●	●	●	●
Stainless Steel & Glass	-	-	-	-	-	-	-	●	●	●	●	●
Black or black glass	-	-	-	-	-	●	●	-	-	-	-	-
White	-	-	-	-	-	-	-	-	-	-	-	-
Silver Metallic Lacquered	-	-	-	-	-	-	-	-	-	-	-	-
KEY FEATURES												
Electronic control	●	●	●	●	●	●	●	●	●	●	●	●
Electronic power level display	●	●	-	●	●	●	●	●	●	●	●	●
Rim ventilation	●	●	●	-	-	●	●	-	-	-	-	-
Grease filter saturation indicator	●	●	●	-	-	●	●	-	-	-	-	-
Charcoal filter saturation indicator	●	●	●	-	-	●	●	-	-	-	-	-
DESIGN												
Appliance width (mm)	912	1000	900	900	900	900	600	900	900	600	700	900
Wall mounted installation	-	-	-	-	-	-	●	●	●	●	●	●
Ceiling mounted installation	-	●	●	●	●	-	-	-	-	-	-	-
Install in, between or under furniture carcass	-	-	-	-	-	-	-	-	-	-	-	-
Height adjustable chimney sections	-	-	●	●	●	●	●	●	●	●	●	●
Canopy/Box height (mm)	-	-	46	46	52	382	382	387	57	57	52	57
Adjustable vapour screen	-	-	-	-	-	-	-	-	-	-	-	-
Variable control position	-	-	-	-	-	-	-	-	-	-	-	-
Steel finish profile/handle	-	-	-	-	-	-	-	-	-	-	-	-
Glass canopy	-	-	-	●	●	●	●	●	●	●	●	●
FEATURES												
Metal Touch control	-	-	-	-	-	-	-	-	-	-	-	-
Soft touch metal button control	-	●	-	●	●	-	-	●	●	●	●	●
Push button control	-	-	-	-	-	-	-	-	-	-	-	-
Rocker switch control	-	-	-	-	-	-	-	-	-	-	-	●
Slider switch control	-	-	-	-	-	-	-	-	-	-	-	-
Touch control	●	-	●	-	-	●	●	-	-	-	-	-
LED, Low-lift pushbuttons	-	-	-	-	-	-	-	-	-	-	-	-
Power levels	4	3	3	3	3	4	4	3	3	3	3	3
Intensive setting	1	1	2	●	●	●	●	●	●	●	●	●
Automatic intensive revert	●	●	●	●	●	●	●	●	●	●	●	●
1W LED	-	-	-	-	-	2	2	-	-	-	-	-
15W LED light strips	1	-	-	-	-	-	-	-	-	-	-	-
3W low energy LED light	-	2	4	4	4	-	-	2	2	2	2	2
20W low energy halogen spotlights	-	-	-	-	-	-	-	-	-	-	-	-
25W halogen spotlights	-	-	-	-	-	-	-	-	-	-	-	-
28W halogen bulbs	-	-	-	-	-	-	-	-	-	-	-	-
40W bulbs	-	-	-	-	-	-	-	-	-	-	-	-
Softlight with dimmer function	●	-	●	●	-	-	-	-	-	-	-	-
Automatic after running (minutes)	15	30	10	1-9	-	15	15	10	10	10	10	-
Additional noise reduction insulation	-	-	●	●	-	-	-	-	-	-	-	-
Double filter system	-	-	-	-	-	-	-	-	-	-	-	-
Steel filter cover	-	-	●	-	-	-	-	-	-	-	-	-
Steel filter cover solid (rim ventilation)	-	●	-	-	-	-	-	-	-	-	-	-
Cosmetic steel filter cover	-	-	-	-	-	-	-	-	-	-	-	-
Number of metal grease filter cassettes	2	2	3	3	2	3	3	2	1	1	1	1
Paper grease filter	-	-	-	-	-	-	-	-	-	-	-	-
PERFORMANCE / TECHNICAL INFORMATION												
Easy installation system	-	-	-	-	-	-	-	●	●	●	●	●
Suitable for ducted operation	●	-	●	●	●	●	●	●	●	●	●	●
Suitable for recirculating operation	●	●	●	●	●	●	●	●	●	●	●	●
Extraction Rate in m³/h (1,2)												
- ducted / recirculating at power level 1	220 / 210	440	250 / 190	290 / 190	260 / 170	190 / 210	190 / 210	220 / 170	230 / 150	230 / 150	230 / 150	200 / 130
- ducted / recirculating at power level 2	380 / 380	600	430 / 340	460 / 350	370 / 250	390 / 290	390 / 290	340 / 260	340 / 240	340 / 240	340 / 240	300 / 200
- ducted / recirculating at power level 3	450 / 440	780	620 / 390	640 / 400	450 / 290	480 / 350	480 / 350	420 / 310	440 / 300	440 / 300	440 / 300	450 / 290
- ducted / recirculating at power level 4	530 / 500	-	-	-	-	-	-	-	-	-	-	-
- ducted / recirculating, intensive setting	710 / 680	850	850	1010 / 480	800 / 360	850	850	740 / 380	680 / 360	680 / 360	680 / 360	- / -
Max Noise level (sound pressure) based on dBA re 20 µPa (1,3)												
- ducted / recirculating at power level 1	32 / 35	43	26/43	28/43	29/45	27/44	27/44	31/45	31/42	31/42	31/42	33/40
- ducted / recirculating at power level 2	43 / 46	50	40/54	39/53	40/53	43/52	43/52	39/54	39/51	39/51	39/51	39/50
- ducted / recirculating at power level 3	47 / 49	56	48/57	47/57	45/56	48/56	48/56	44/56	45/55	45/55	45/55	48/57
- ducted / recirculating at power level 4	51 / 52	-	-	-	-	-	-	-	-	-	-	-
- ducted / recirculating, intensive setting	56 / 57	58	55/61	54/60	55/61	59/63	59/63	54/61	51/57	51/57	51/57	- / -
Noise level (sound power) based on dB(A) re 1 pW (1,4)												
- ducted / recirculating at power level 1	46 / 49	57	40/57	42/57	53/59	41/58	41/58	45/59	45/56	45/56	45/56	57/54
- ducted / recirculating at power level 2	57 / 60	64	54/68	53/67	54/67	57/66	57/66	53/68	53/65	53/65	53/65	53/64
- ducted / recirculating at power level 3	61 / 63	70	62/71	61/71	59/67	62/70	62/70	58/70	59/69	59/69	59/69	62/71
- ducted / recirculating at power level 4	65 / 66	-	-	-	-	-	-	-	-	-	-	-
- ducted / recirculating, intensive setting	70 / 71	72	69/75	70/75	71/74	73/77	73/77	70/75	68/73	68/73	68/73	- / -
Pipe outlet diameter (mm)	150	150	120 / 150	120/150	120/50	120/50	120/50	120/150	120/150	120/150	120/150	120/150
Min. distance above an electric hob (mm)	-	600	550	550	550	450	450	400	550	550	550	550
Min. distance above a gas hob pan supports (mm)	-	900	650	650	650	550	550	500	650	650	650	650
Motor power (W)	275	180	260	260	160	270	270	160	130	130	130	130
Total electrical loading (W)	285	192	272	272	172	272	272	166	136	136	136	170
Nominal Voltage (V)	220-240	220-240	220-240	220-240	220-240	220-240	220-240	220-240	220-240	220-240	220-240	220-240
Power cable length (cm)	150	-	130	130	130	130	130	130	130	130	130	130
GB plug	●	-	●	●	●	●	●	●	●	●	●	●
Appliance weight (kg)	44.0	49.0	40.0	30.0	35.0	31.0	31.0	27.0	19.0	19.0	18.0	19.0
Safety approved	●	●	●	●	●	●	●	●	●	●	●	●
Energy Rating	C	-	A	A+	A+	A	A	A	A+	A+	A+	D
OPTIONAL ACCESSORIES												
900x720mm brushed steel back panel	-	-	-	-	-	-	-	-	-	-	-	-
700x720mm brushed steel back panel	-	-	-	-	-	-	-	-	-	-	-	-
600x720mm brushed steel back panel	-	-	-	-	-	-	-	-	-	-	-	-
Steel finish profile/handle - solid	-	-	-	-	-	-	-	-	-	-	-	-
Steel finish profile/handle with control opening	-	-	-	-	-	-	-	-	-	-	-	-
Paper grease filters	-	-	-	-	-	-	-	-	-	-	-	-
Recirculating kit (needed if recirculating)	-	-	DH25385	DH25385	DH25365	DH25335	DH25335	DH25325	DH25325	DH25325	DH25325	DH25325
Charcoal odour filter (needed if recirculating)	-	-	DH25346	DH25346	DH25326	DH25316	DH25316	DH25326	DH25326	DH25326	DH25326	DH25326
CleanAir recirculating kit	-	-	DS26230	DS26230	DS26220	DS26200	DS26200	DS26200	DS25201	DS25201	DS25201	DS25201
CleanAir charcoal odour filter	-	-	DS25201	DS25201	DS25201	DS25201	DS25201	DS25201	DS26200	DS26200	DS26200	DS26200
Décor panel white	-	-	-	-	-	-	-	-	-	-	-	-
Décor panel black	-	-	-	-	-	-	-	-	-	-	-	-
Active Carbon Filter	-	-	DSZ500P	-	-	-	-	-	-	-	-	-
Cable guidance frame	-	-	DH25418	-	-	-	-	-	-	-	-	-
Lowering frame	-	-	-	-	-	-	-	-	-	-	-	-

Hoods specifications

Design Family	Glass Chimney					Box Chimney						
	Serie 2	Serie 2	Serie 2	Serie 2	Serie 2	Serie 8	Serie 8	Serie 6	Serie 4	Serie 4	Serie 4	Serie 4
Model Number	DWA074W50B	DWA064W50B	DWA094W51B	DWA064W51B	DWA094W51B	DWB098J50B	DWB068J50B	DWB098E51B	DWB097A50B	DWB067A50B	DWW097A50B	DWW077A50B
Stainless Steel	-	-	-	-	-	-	-	-	-	-	-	-
Stainless Steel & Glass	-	-	-	-	-	-	-	-	-	-	-	-
Black or black glass	-	-	-	-	-	-	-	-	-	-	-	-
White	-	-	-	-	-	-	-	-	-	-	-	-
Silver Metallic Lacquered	-	-	-	-	-	-	-	-	-	-	-	-
KEY FEATURES												
Electronic control	-	-	-	-	-	●	●	●	●	●	●	●
Electronic power level display	-	-	-	-	-	-	-	●	-	-	-	-
Rim ventilation	-	-	-	-	-	-	-	-	-	-	-	-
Grease filter saturation indicator	-	-	-	-	-	-	-	-	-	-	-	-
Charcoal filter saturation indicator	-	-	-	-	-	-	-	-	-	-	-	-
DESIGN												
Appliance width (mm)	700	600	900	600	600	900	600	900	900	600	900	700
Wall mounted installation	●	●	●	●	●	●	●	●	●	●	●	●
Ceiling mounted installation	-	-	-	-	-	-	-	-	-	-	-	-
Install in, between or under furniture carcass	-	-	-	-	-	-	-	-	-	-	-	-
Height adjustable chimney sections	●	●	●	●	●	●	●	●	●	●	●	●
Canopy/Box height (mm)	57	57	57	57	57	46	46	46	46	46	90	90
Adjustable vapour screen	-	-	-	-	-	-	-	-	-	-	-	-
Variable control position	-	-	-	-	-	-	-	-	-	-	-	-
Steel finish profile/handle	-	-	-	-	-	-	-	-	-	-	-	-
Glass canopy	●	●	●	●	●	-	-	-	-	-	-	-
FEATURES												
Metal Touch control	-	-	-	-	-	-	-	-	-	-	-	-
Soft touch metal button control	-	-	-	-	-	-	-	●	●	●	●	●
Push button control	-	-	-	-	-	-	-	-	-	-	-	-
Rocker switch control	●	●	●	●	●	-	-	-	-	-	-	-
Slider switch control	-	-	-	-	-	-	-	-	-	-	-	-
Touch control	-	-	-	-	-	●	●	-	-	-	-	-
LED, Low-lift pushbuttons	-	-	-	-	-	-	-	-	-	-	-	-
Power levels	3	3	3	3	3	3	3	3	3	3	3	3
Intensive setting	-	-	-	-	-	2	2	●	●	●	●	●
Automatic intensive revert	-	-	-	-	-	●	●	●	●	●	●	●
1W LED	-	-	-	-	-	2	2	-	-	-	-	-
15W LED light strips	-	-	-	-	-	-	-	-	-	-	-	-
3W low energy LED light	2	2	2	2	2	-	-	✓	3	2	2	2
20W low energy halogen spotlights	-	-	-	-	-	-	-	-	-	-	-	-
25W halogen spotlights	-	-	-	-	-	-	-	-	-	-	-	-
28W halogen bulbs	-	-	-	-	-	-	-	-	-	-	-	-
40W bulbs	-	-	-	-	-	-	-	-	-	-	-	-
Softlight with dimmer function	-	-	-	-	-	●	●	-	-	-	-	-
Automatic after running (minutes)	-	-	-	-	-	10	10	10	-	-	-	-
Additional noise reduction insulation	-	-	-	-	-	●	-	●	-	-	-	-
Double filter system	-	-	-	-	-	-	-	-	-	-	-	-
Steel filter cover	-	-	-	-	-	-	-	-	-	-	-	-
Steel filter cover solid (rim ventilation)	-	-	-	-	-	-	-	-	-	-	-	-
Cosmetic steel filter cover	-	-	-	-	-	-	-	-	-	-	-	-
Number of metal grease filter cassettes	1	1	1	1	1	3	2	3	3	2	2	2
Paper grease filter	-	-	-	-	-	-	-	-	-	-	-	-
PERFORMANCE / TECHNICAL INFORMATION												
Easy installation system	●	●	●	●	●	-	-	●	●	●	●	●
Suitable for ducted operation	●	●	●	●	●	●	●	●	●	●	●	●
Suitable for recirculating operation	●	●	●	●	●	●	●	●	●	●	●	●
Extraction Rate in m³/h (1,2)												
- ducted / recirculating at power level 1	200 / 130	200 / 130	200 / 130	200 / 130	200 / 130	300 / 170	250 / 170	260 / 180	250 / 160	240 / 150	250 / 150	250 / 150
- ducted / recirculating at power level 2	300 / 200	300 / 200	300 / 200	300 / 200	300 / 200	380 / 290	360 / 260	380 / 300	360 / 280	350 / 240	350 / 240	350 / 240
- ducted / recirculating at power level 3	450 / 290	450 / 290	450 / 290	450 / 290	450 / 290	460 / 350	430 / 300	460 / 360	460 / 350	440 / 300	440 / 300	440 / 300
- ducted / recirculating at power level 4	-	-	-	-	-	-	-	-	-	-	-	-
- ducted / recirculating, intensive setting	-/-	-/-	-/-	-/-	-/-	860	760	860 / 460	730 / 430	690 / 360	690 / 360	690 / 360
Max Noise level (sound pressure) based on dB(A) re 20 µPa (1,3)												
- ducted / recirculating at power level 1	33/40	33/40	33/40	33/40	33/40	32/43	31/46	29/43	29/40	31/42	31/42	31/42
- ducted / recirculating at power level 2	39/50	39/50	39/50	39/50	39/50	36/51	41/54	36/51	34/49	39/51	39/51	39/51
- ducted / recirculating at power level 3	48/57	48/57	48/57	48/57	48/57	41/54	46/57	41/54	40/54	44/55	44/55	44/55
- ducted / recirculating at power level 4	-	-	-	-	-	-	-	-	-	-	-	-
- ducted / recirculating, intensive setting	-/-	-/-	-/-	-/-	-/-	54/59	58/61	49/59	50/58	54/59	54/59	54/59
Noise level (sound power) based on dB(A) re 1 pW (1,4)												
- ducted / recirculating at power level 1	57/54	57/54	57/54	57/54	57/54	46/57	45/60	43/57	43/54	45/56	45/56	45/56
- ducted / recirculating at power level 2	53/64	53/64	53/64	53/64	53/64	50/65	55/68	50/65	48/63	53/65	53/65	53/65
- ducted / recirculating at power level 3	62/71	62/71	62/71	62/71	62/71	55/68	60/71	55/68	54/68	58/69	58/69	58/69
- ducted / recirculating at power level 4	-	-	-	-	-	-	-	-	-	-	-	-
- ducted / recirculating, intensive setting	-/-	-/-	-/-	-/-	-/-	68/73	72/75	68/73	64/72	68/73	68/73	68/73
Pipe outlet diameter (mm)	120/150	120/150	120/150	120/150	120/150	120/150	120/150	120/150	120/150	120/150	120/150	120/150
Min. distance above an electric hob (mm)	550	550	550	550	550	550	550	550	550	550	550	550
Min. distance above a gas hob pan supports (mm)	650	650	650	650	650	650	650	650	650	650	650	650
Motor power (W)	130	130	130	130	130	160	160	160	130	130	130	130
Total electrical loading (W)	170	170	170	170	170	169	166	169	139	136	136	136
Nominal Voltage (V)	220-240	220-240	220-240	220-240	220-240	220-240	220-240	220-240	220-240	220-240	220-240	220-240
Power cable length (cm)	130	130	130	130	130	130	130	130	130	130	130	130
GB plug	●	●	●	●	●	●	●	●	●	●	●	●
Appliance weight (kg)	18.0	17.0	19.0	19.0	17.0	26.0	21.0	22.0	20.0	15.0	20.0	15.0
Safety approved	●	●	●	●	●	●	●	●	●	●	●	●
Energy Rating	D	D	D	D	D	A+	A+	A+	A+	A+	A+	A+
OPTIONAL ACCESSORIES												
900x720mm brushed steel back panel	-	-	-	-	-	-	-	-	-	-	-	-
700x720mm brushed steel back panel	-	-	-	-	-	-	-	-	-	-	-	-
600x720mm brushed steel back panel	-	-	-	-	-	-	-	-	-	-	-	-
Steel finish profile/handle - solid	-	-	-	-	-	-	-	-	-	-	-	-
Steel finish profile/handle with control opening	-	-	-	-	-	-	-	-	-	-	-	-
Paper grease filters	-	-	-	-	-	-	-	-	-	-	-	-
Recirculating kit (needed if recirculating)	DHZ5325	DHZ5325	DHZ5325	DHZ5325	DHZ5325	DHZ5345	DHZ5345	DHZ5345	DHZ5345	DHZ5325	DHZ5345	DHZ5325
Charcoal odour filter (needed if recirculating)	DHZ5326	DHZ5326	DHZ5326	DHZ5326	DHZ5326	DHZ5346	DHZ5346	DHZ5346	DHZ5346	DHZ5326	DHZ5346	DHZ5326
CleanAir recirculating kit	DSZ5201	DSZ5201	DSZ5201	DSZ5201	DSZ5201	DSZ6240	DSZ6240	DSZ6240	DSZ6240	DSZ6200	DSZ6240	DSZ6200
CleanAir charcoal odour filter	DSZ6200	DSZ6200	DSZ6200	DSZ6200	DSZ6200	DSZ5201	DSZ5201	DSZ5201	DSZ5201	DSZ5201	DSZ5201	DSZ5201
Décor panel white	-	-	-	-	-	-	-	-	-	-	-	-
Décor panel black	-	-	-	-	-	-	-	-	-	-	-	-
Active Carbon Filter	-	-	-	-	-	-	-	-	-	-	-	-
Cable guidance frame	-	-	-	-	-	-	-	-	-	-	-	-
Lowering frame	-	-	-	-	-	-	-	-	-	-	-	-

Hoods specifications

Design Family	Box Chimney						Pyramid Chimney					
	Serie 4	Serie 2	Serie 2	Serie 2	Serie 2	Serie 2	Serie 4	Serie 2	Serie 2	Serie 2	Serie 2	
Model Number	DWW067A50B	DWB09W452B	DWB06W452B	DWB094W50B	DWB074W50B	DWB064W50B	DWW077A50B	DWW09W460B	DWW09W450B	DWW07W450B	DWW06W460B	DWW06W450B
Stainless Steel	●	●	●	●	●	●	●	●	●	●	●	●
Stainless Steel & Glass	-	-	-	-	-	-	-	-	-	-	-	-
Black or black glass	-	-	-	-	-	-	-	●	-	-	●	-
White	-	-	-	-	-	-	-	-	-	-	-	-
Silver Metallic Lacquered	-	-	-	-	-	-	-	-	-	-	-	-
KEY FEATURES												
Electronic control	●	-	-	-	-	-	●	-	-	-	-	-
Electronic power level display	-	-	-	-	-	-	-	-	-	-	-	-
Rim ventilation	-	-	-	-	-	-	-	-	-	-	-	-
Grease filter saturation indicator	-	-	-	-	-	-	-	-	-	-	-	-
Charcoal filter saturation indicator	-	-	-	-	-	-	-	-	-	-	-	-
DESIGN												
Appliance width (mm)	600	900	600	900	700	600	700	900	900	700	900	900
Wall mounted installation	●	●	●	●	●	●	●	●	●	●	●	●
Ceiling mounted installation	-	-	-	-	-	-	-	-	-	-	-	-
Install in, between or under furniture carcass	-	-	-	-	-	-	-	-	-	-	-	-
Height adjustable chimney sections	●	●	●	●	●	●	●	●	●	●	●	●
Canopy/Box height (mm)	90	60	60	60	60	60	90	246	246	246	246	246
Adjustable vapour screen	-	-	-	-	-	-	-	-	-	-	-	-
Variable control position	-	-	-	-	-	-	-	-	-	-	-	-
Steel finish profile/handle	-	-	-	-	-	-	-	-	-	-	-	-
Glass canopy	-	-	-	-	-	-	-	-	-	-	-	-
FEATURES												
Metal Touch control	-	-	-	-	-	-	-	-	-	-	-	-
Soft touch metal button control	●	-	-	-	-	-	●	-	-	-	-	-
Push button control	-	-	-	-	-	-	-	-	-	-	-	-
Rocker switch control	-	●	●	●	●	●	-	●	●	●	●	●
Slider switch control	-	-	-	-	-	-	-	-	-	-	-	-
Touch control	-	-	-	-	-	-	-	-	-	-	-	-
LED, Low-lift pushbuttons	-	-	-	-	-	-	-	-	-	-	-	-
Power levels	3	3	3	3	3	3	3	3	3	3	3	3
Intensive setting	●	-	-	-	-	-	●	-	-	-	-	-
Automatic intensive revert	●	-	-	-	-	-	●	-	-	-	-	-
1W LED	-	-	-	-	-	-	-	-	-	-	-	-
15W LED light strips	-	-	-	-	-	-	-	-	-	-	-	-
3W low energy LED light	2	-	-	-	-	-	2	-	-	-	-	-
20W low energy halogen spotlights	-	-	-	-	-	-	-	-	-	-	-	-
25W halogen spotlights	-	-	-	-	-	-	-	-	-	-	-	-
28W halogen bulbs	-	2	2	2	2	2	-	2	2	2	2	2
40W bulbs	-	-	-	-	-	-	-	-	-	-	-	-
Softlight with dimmer function	-	-	-	-	-	-	-	-	-	-	-	-
Automatic after running (minutes)	-	-	-	-	-	-	-	-	-	-	-	-
Additional noise reduction insulation	-	-	-	●	-	-	-	-	-	-	-	-
Double filter system	-	-	-	-	-	-	-	-	-	-	-	-
Steel filter cover	-	-	-	-	-	-	-	-	-	-	-	-
Steel filter cover solid (rim ventilation)	-	-	-	-	-	-	-	-	-	-	-	-
Cosmetic steel filter cover	-	-	-	-	-	-	-	-	-	-	-	-
Number of metal grease filter cassettes	2	3	2	3	2	2	2	3	3	2	2	2
Paper grease filter	-	-	-	-	-	-	-	-	-	-	-	-
PERFORMANCE / TECHNICAL INFORMATION												
Easy installation system	●	-	-	●	●	●	●	-	-	-	-	-
Suitable for ducted operation	●	●	●	●	●	●	●	●	●	●	●	●
Suitable for recirculating operation	●	●	●	●	●	●	●	●	●	●	●	●
Extraction Rate in m³/h (1,2)												
- ducted / recirculating at power level 1	250 / 150	260 / 170	260 / 170	210 / 130	210 / 120	210 / 120	250 / 150	230 / 150	230 / 150	230 / 150	230 / 150	230 / 150
- ducted / recirculating at power level 2	350 / 240	360 / 240	360 / 240	320 / 210	310 / 200	310 / 200	350 / 240	290 / 190	290 / 190	290 / 190	290 / 190	290 / 190
- ducted / recirculating at power level 3	440 / 300	450 / 300	450 / 300	470 / 330	460 / 290	460 / 290	440 / 300	400 / 230	400 / 230	400 / 230	400 / 230	400 / 230
- ducted / recirculating at power level 4	-	-	-	-	-	-	-	-	-	-	-	-
- ducted / recirculating, intensive setting	690 / 360	- / -	- / -	- / -	- / -	- / -	690 / 360	- / -	- / -	- / -	- / -	- / -
Max Noise level (sound pressure) based on dBa re 20 µPa (1,3)												
- ducted / recirculating at power level 1	31/42	38/45	38/45	29/36	32/39	32/39	31/42	41/42	41/42	41/42	43/42	43/42
- ducted / recirculating at power level 2	39/51	44/51	44/51	35/46	39/48	39/48	39/51	46/49	46/49	46/49	48/49	48/49
- ducted / recirculating at power level 3	44/55	48/55	48/55	44/55	48/56	48/56	44/55	51/53	51/53	51/53	53/53	53/53
- ducted / recirculating at power level 4	-	-	-	-	-	-	-	-	-	-	-	-
- ducted / recirculating, intensive setting	54/59	- / -	- / -	- / -	- / -	- / -	54/59	- / -	- / -	- / -	- / -	- / -
Noise level (sound power) based on dB(A) re 1 pW (1,4)												
- ducted / recirculating at power level 1	45/56	52/59	52/59	43/50	46/53	46/53	45/56	55/56	55/56	55/56	56/56	56/56
- ducted / recirculating at power level 2	53/65	58/65	58/65	49/60	53/62	53/62	53/65	60/63	60/63	60/63	62/63	62/63
- ducted / recirculating at power level 3	58/69	63/69	63/69	58/69	62/70	62/70	58/69	65/67	65/67	65/67	67/67	67/67
- ducted / recirculating at power level 4	-	-	-	-	-	-	-	-	-	-	-	-
- ducted / recirculating, intensive setting	68/73	- / -	- / -	- / -	- / -	- / -	68/73	- / -	- / -	- / -	- / -	- / -
Pipe outlet diameter (mm)	120/150	120/150	120/150	150/120	150/120	150/120	120/150	120/150	120/150	120/150	120/150	120/150
Min. distance above an electric hob (mm)	550	550	550	550	550	550	550	550	550	550	550	550
Min. distance above a gas hob pan supports (mm)	650	650	650	650	650	650	650	650	650	650	650	650
Motor power (W)	130	100	100	130	130	130	130	95	95	95	95	95
Total electrical loading (W)	136	160	160	170	170	170	136	155	155	155	155	155
Nominal Voltage (V)	220-240	220-240	220-240	220-240	220-240	220-240	220-240	220-240	220-240	220-240	220-240	220-240
Power cable length (cm)	130	130	130	130	130	130	130	130	130	130	130	130
GB plug	●	●	●	●	●	●	●	●	●	●	●	●
Appliance weight (kg)	14.0	13.0	12.0	19.0	15.0	14.0	15.0	11.0	11.0	9.0	11.0	11.0
Safety approved	●	●	●	●	●	●	●	●	●	●	●	●
Energy Rating	A+	D	D	D	D	D	A+	E	E	E	E	E
OPTIONAL ACCESSORIES												
900x720mm brushed steel back panel	-	DHZ9551	-	-	-	-	-	DHZ9551	-	-	-	-
700x720mm brushed steel back panel	-	-	-	-	-	-	-	-	DHZ7551	-	-	-
600x720mm brushed steel back panel	-	-	DHZ6551	-	-	-	-	-	-	-	DHZ6551	-
Steel finish profile/handle - solid	-	-	-	-	-	-	-	-	-	-	-	-
Steel finish profile/handle with control opening	-	-	-	-	-	-	-	-	-	-	-	-
Paper grease filters	-	-	-	-	-	-	-	-	-	-	-	-
Recirculating kit (needed if recirculating)	DHZ5325	DHZ5325	DHZ5325	DHZ5345	DHZ5345	DHZ5345	DHZ5325	DHZ5275	DHZ5275	DHZ5275	DHZ5275	DHZ5275
Charcoal odour filter (needed if recirculating)	DHZ5326	DHZ5326	DHZ5326	DHZ5346	DHZ5346	DHZ5346	DHZ5326	DHZ5276	DHZ5276	DHZ5276	DHZ5276	DHZ5276
CleanAir recirculating kit	DSZ6200	DSZ6200	DSZ6200	DSZ6240	DSZ6240	DSZ6240	DSZ6200	-	-	-	-	-
CleanAir charcoal odour filter	DSZ5201	DSZ5201	DSZ5201	DSZ5201	DSZ5201	DSZ5201	DSZ5201	-	-	-	-	-
Décor panel white	-	-	-	-	-	-	-	-	-	-	-	-
Décor panel black	-	-	-	-	-	-	-	-	-	-	-	-
Active Carbon Filter	-	-	-	-	-	-	-	-	-	-	-	-
Cable guidance frame	-	-	-	-	-	-	-	-	-	-	-	-
Lowering frame	-	-	-	-	-	-	-	-	-	-	-	-

Hoods specifications

	Telescopic				Integrated				Conventional			
Design Family	Serie 8	Serie 8	Serie 4	Serie 4	Serie 2	Serie 2	Serie 2	Serie 2	Serie 2	Serie 2	Serie 2	Serie 4
Model Number	DFS097J50B	DFS067J50B	DFS097A50B	DFS067A50B	DFM063W50B	DHE645MGB	DHE635BGB	DHU626MGB	DHU645PGB	DHU646PGB	DHU642PGB	DWW067A50B
Stainless Steel	●		●	●	●			●	●			●
Stainless Steel & Glass	-	●	-	-	-	-	-	-	-	-	-	-
Black or black glass	-	-	-	-	-	-	-	-	-	●		-
White	-	-	-	-	-	-	-	-	-	-	●	-
Silver Metallic Lacquered	-	-	-	-		●	●	-	-	-	-	-
KEY FEATURES												
Electronic control		●	●	●	-	-	-	-	-	-	-	●
Electronic power level display		●	-	-	-	-	-	-	-	-	-	-
Rim ventilation	-	-	-	-	-	-	-	-	-	-	-	-
Grease filter saturation indicator	-	-	-	-	-	-	-	-	-	-	-	-
Charcoal filter saturation indicator	-	-	-	-	-	-	-	-	-	-	-	-
DESIGN												
Appliance width (mm)		598	898	598	598	599	598	598	600	600	600	600
Wall mounted installation	-	-	-	-	-	●	●	●	●	●	●	●
Ceiling mounted installation	-	-	-	-	-	-	-	-	-	-	-	-
Install in, between or under furniture carcass	●	●	●	●	●	-	-	●	-	-	-	-
Height adjustable chimney sections	-	-	-	-	-	-	-	-	-	-	-	●
Canopy/Box height (mm)	-	-	-	-	-	-	-	-	-	-	-	90
Adjustable vapour screen	-	-	-	-	-	-	-	-	-	-	-	-
Variable control position	-	-	-	-	-	-	-	-	-	-	-	-
Steel finish profile/handle	●	●	●	●	●	-	-	-	-	-	-	-
Glass canopy	-	-	-	-	-	-	-	-	-	-	-	-
FEATURES												
Metal Touch control	-	-	-	-	-	-	-	-	-	-	-	-
Soft touch metal button control	-	-	●	●	-	-	-	-	-	-	-	●
Push button control	-	-	-	-	-	-	-	●	-	-	-	-
Rocker switch control	-	-	-	-	●	●	●	-	-	-	-	-
Slider switch control	-	-	-	-	-	-	-	●	●	●	●	-
Touch control	●	●	-	-	-	-	-	-	-	-	-	-
LED, Low-lift pushbuttons	-	-	-	-	-	-	-	-	-	-	-	-
Power levels	3	3	3	3	2	3	3	3	3	3	3	3
Intensive setting	2	2	1	1	-	-	-	-	-	-	-	●
Automatic intensive revert	●	●	●	●	-	-	-	-	-	-	-	●
1W LED	-	-	-	-	-	-	-	-	-	-	-	-
15W LED light strips	-	-	-	-	-	-	-	-	-	-	-	-
3W low energy LED light	2	2	2	2	-	-	-	-	-	-	-	2
20W low energy halogen spotlights	-	-	-	-	-	-	-	2	-	-	-	-
25W halogen spotlights	-	-	-	-	-	-	-	-	-	-	-	-
28W halogen bulbs	-	-	-	-	-	2	1	-	1	1	1	-
40W bulbs	-	-	-	-	●	-	-	-	-	-	-	-
Softlight with dimmer function	-	-	-	-	-	-	-	-	-	-	-	-
Automatic after running (minutes)	10	10	10	10	-	-	-	-	-	-	-	-
Additional noise reduction insulation	-	-	-	-	-	-	-	-	-	-	-	-
Double filter system	-	-	-	-	-	-	-	-	-	-	-	-
Steel filter cover	●	●	●	●	●	●	●	-	-	-	-	-
Steel filter cover solid (rim ventilation)	-	-	-	-	-	-	-	-	-	-	-	-
Cosmetic steel filter cover	-	-	-	-	-	-	-	-	-	-	-	-
Number of metal grease filter cassettes	3	2	3	2	1	2	-	2	-	-	-	2
Paper grease filter	-	-	-	-	-	-	●	-	●	●	●	-
PERFORMANCE / TECHNICAL INFORMATION												
Easy installation system	●	●	●	●	●	-	-	-	-	-	-	●
Suitable for ducted operation	●	●	●	●	●	●	●	●	●	●	●	●
Suitable for recirculating operation	●	●	●	●	●	●	●	●	●	●	●	●
Extraction Rate in m³/h (1,2)												
- ducted / recirculating at power level 1	210 / 130	210 / 140	230 / 140	230 / 140	280 / 160	170 / 140	140 / 120	110 / 50	160 / 60	160 / 60	160 / 60	250 / 150
- ducted / recirculating at power level 2	310 / 220	310 / 220	340 / 230	340 / 230	340 / 180	250 / 230	190 / 170	140 / 50	210 / 70	210 / 70	210 / 70	350 / 240
- ducted / recirculating at power level 3	400 / 290	400 / 290	420 / 300	420 / 300	- / -	360 / 300	280 / 230	270 / 60	240 / 80	240 / 80	240 / 80	440 / 300
- ducted / recirculating at power level 4	-	-	-	-	-	-	-	-	-	-	-	-
- ducted / recirculating, intensive setting	700 / 480	700 / 480	740 / 510	740 / 510	- / -	- / -	- / -	- / -	- / -	- / -	- / -	690 / 360
Max Noise level (sound pressure) based on dBA re 20 µPa (1,3)												
- ducted / recirculating at power level 1	28 / 31	26 / 31	29 / 29	29 / 29	45 / 56	37 / 38	40 / 44	33 / 47	49 / 55	49 / 55	49 / 55	31 / 42
- ducted / recirculating at power level 2	35 / 41	34 / 41	36 / 40	36 / 40	50 / 58	45 / 49	46 / 51	38 / 50	54 / 58	54 / 58	54 / 58	39 / 51
- ducted / recirculating at power level 3	40 / 47	34 / 47	41 / 47	41 / 47	- / -	52 / 54	54 / 56	54 / 53	57 / 59	57 / 59	57 / 59	44 / 55
- ducted / recirculating at power level 4	-	-	-	-	-	-	-	-	-	-	-	-
- ducted / recirculating, intensive setting	52 / 60	52 / 59	54 / 60	54 / 60	- / -	- / -	- / -	- / -	- / -	- / -	- / -	54 / 59
Noise level (sound power) based on dB(A) re 1 pW (1,4)												
- ducted / recirculating at power level 1	42 / 45	40 / 45	29 / 43	29 / 43	59 / 70	49 / 50	52 / 56	47 / 61	63 / 69	63 / 69	63 / 69	45 / 56
- ducted / recirculating at power level 2	49 / 55	48 / 55	50 / 54	50 / 54	64 / 72	57 / 61	58 / 63	52 / 64	68 / 72	68 / 72	68 / 72	53 / 65
- ducted / recirculating at power level 3	54 / 61	54 / 61	55 / 61	55 / 61	- / -	64 / 66	66 / 68	68 / 67	71 / 73	71 / 73	71 / 73	58 / 69
- ducted / recirculating at power level 4	-	-	-	-	-	-	-	-	-	-	-	-
- ducted / recirculating, intensive setting	66 / 74	66 / 73	68 / 74	68 / 74	- / -	- / -	- / -	- / -	- / -	- / -	- / -	68 / 73
Pipe outlet diameter (mm)	120-150	120-150	120-150	120-150	120-150	120	120	120	100/120	100/120	100/120	120/150
Min. distance above an electric hob (mm)	430	430	430	430	430	550	550	550	550	550	550	550
Min. distance above a gas hob pan supports (mm)	650	650	650	650	650	650	650	650	650	650	650	650
Motor power (W)	140	140	140	140	90	210	130	140	125	125	125	130
Total electrical loading (W)	146	146	146	146	130	270	160	160	153	153	153	136
Nominal Voltage (V)	220-240	220-240	220-240	220-240	220-240	220-230	220-230	220-240	220-240	220-240	220-240	220-240
Power cable length (cm)	175	175	175	175	175	130	130	130	150	150	150	130
GB plug	●	●	●	●	●	●	●	●	●	●	●	u
Appliance weight (kg)	14.0	28.0	28.0	28.0	27.0	9.0	7.0	11.0	10.0	10.0	10.0	14.0
Safety approved	●	●	●	●	●	●	●	●	●	●	●	●
Energy Rating	A	A	A	A	C	E	D	D	E	E	E	A+
OPTIONAL ACCESSORIES												
900x720mm brushed steel back panel	-	-	-	-	-	-	-	-	-	-	-	-
700x720mm brushed steel back panel	-	-	-	-	-	-	-	-	-	-	-	-
600x720mm brushed steel back panel	-	-	-	-	-	-	-	-	-	-	-	-
Steel finish profile/handle - solid	-	-	DSZ4952, DSZ4956	DSZ4952, DSZ4956	DSZ4952, DSZ4956	-	-	-	-	-	-	-
Steel finish profile/handle with control opening	-	-	-	-	-	-	-	-	-	-	-	-
Paper grease filters	-	-	-	-	-	-	DH22100	-	-	DH22100	DH22100	-
Recirculating kit (needed if recirculating)	DSZ4565	DSZ4565	DSZ4565	DSZ4565	DSZ4545	-	-	-	-	-	-	DH25325
Charcoal odour filter (needed if recirculating)	-	-	-	-	-	DH211AF	DH211AF	DH22400	DH22701	DH22701	DH22701	DH25326
CleanAir recirculating kit	DSZ4680	DSZ4680	DSZ4680	DSZ4680	-	-	-	-	-	-	-	DSZ6200
CleanAir charcoal odour filter	DSZ4681	-	DSZ4681	DSZ4681	-	-	-	-	-	-	-	DSZ5201
Décor panel white	-	-	-	-	-	-	-	-	-	-	-	-
Décor panel black	-	-	-	-	-	-	-	-	-	-	-	-
Active Carbon Filter	DSZ4561	DSZ4561	DSZ4561	DSZ4561	DSZ4551	-	-	-	-	-	-	-
Cable guidance frame	-	-	-	-	-	-	-	-	-	-	-	-
Lowering frame	-	DSZ4660	DSZ4960	DSZ4660	-	-	-	-	-	-	-	-

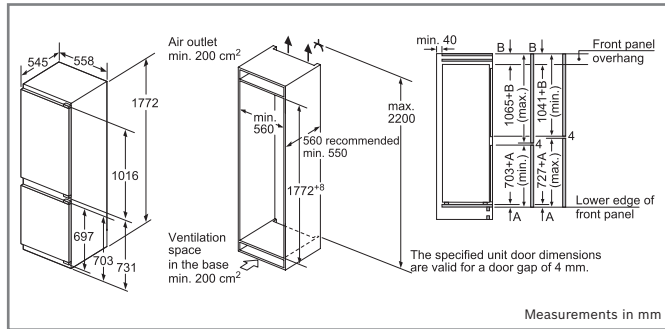
Hoods specifications

Design Family	Canopy			
	Serie 6	Serie 6	Serie 4	Serie 2
Model Number	DHL785CGB	DHL575CGB	DHL555BGB	DHL535BGB
Stainless Steel	●	●	-	-
Stainless Steel & Glass	-	-	-	-
Black or black glass	-	-	-	-
White	-	-	-	-
Silver Metallic Lacquered	-	-	●	●
KEY FEATURES				
Electronic control	●	●	-	-
Electronic power level display	●	●	-	-
Rim ventilation	●	●	-	-
Grease filter saturation indicator	-	-	-	●
Charcoal filter saturation indicator	-	-	-	-
DESIGN				
Appliance width (mm)	700	520	530	530
Wall mounted installation	-	-	-	-
Ceiling mounted installation	-	-	-	-
Install in, between or under furniture carcass	●	●	●	●
Height adjustable chimney sections	-	-	-	-
Canopy/Box height (mm)	-	-	-	-
Adjustable vapour screen	-	-	-	-
Variable control position	-	-	-	-
Steel finish profile/handle	-	-	-	-
Glass canopy	-	-	-	-
FEATURES				
Metal Touch control	-	-	-	-
Soft touch metal button control	●	●	-	-
Push button control	-	-	-	-
Rocker switch control	-	-	-	●
Slider switch control	-	-	●	-
Touch control	-	-	-	-
LED, Low-lift pushbuttons	-	-	-	-
Power levels	3	3	3	2
Intensive setting	●	●	●	-
Automatic intensive revert	●	●	-	-
1W LED	2	2	-	-
15W LED light strips	-	-	-	-
3W low energy LED light	-	-	-	-
20W low energy halogen spotlights	-	-	2	-
25W halogen spotlights	-	-	-	-
28W halogen bulbs	-	-	-	2
40W bulbs	-	-	-	-
Softlight with dimmer function	-	-	-	-
Automatic after running (minutes)	-	-	-	-
Additional noise reduction insulation	-	-	-	-
Double filter system	-	-	-	-
Steel filter cover	-	-	-	-
Steel filter cover solid (rim ventilation)	●	●	-	-
Cosmetic steel filter cover	-	-	-	-
Number of metal grease filter cassettes	2	1	2	-
Paper grease filter	-	-	-	●
PERFORMANCE / TECHNICAL INFORMATION				
Easy installation system	-	-	-	-
Suitable for ducted operation	●	●	●	●
Suitable for recirculating operation	●	●	●	●
Extraction Rate in m³/h (1,2)				
- ducted / recirculating at power level 1	340 / 210	290 / 210	210 / 180	150 / 130
- ducted / recirculating at power level 2	540 / 270	450 / 260	320 / 250	210 / 180
- ducted / recirculating at power level 3	630 / 300	560 / 290	420 / 320	280 / 240
- ducted / recirculating at power level 4	-	-	-	-
- ducted / recirculating, intensive setting	730 / -	610 / -	650 / -	- / -
Max Noise level (sound pressure) based on dBA re 20 µPa (1,3)				
- ducted / recirculating at power level 1	39/53	36/52	27/38	41/41
- ducted / recirculating at power level 2	49/57	49/57	38/46	48/48
- ducted / recirculating at power level 3	52/59	53/60	45/50	54/55
- ducted / recirculating at power level 4	-	-	-	-
- ducted / recirculating, intensive setting	55/60	56/61	55/58	- / -
Noise level (sound power) based on dB(A) re 1 pW (1,4)				
- ducted / recirculating at power level 1	53/67	50/66	41/52	53/53
- ducted / recirculating at power level 2	63/71	63/71	52/60	60/60
- ducted / recirculating at power level 3	66/73	67/74	59/64	66/67
- ducted / recirculating at power level 4	-	-	-	-
- ducted / recirculating, intensive setting	69/74	70/75	69/72	- / -
Pipe outlet diameter (mm)	120/150	150/120	150/120	120
Min. distance above an electric hob (mm)	550	550	550	550
Min. distance above a gas hob pan supports (mm)	650	650	650	650
Motor power (W)	275	250	200	170
Total electrical loading (W)	277	252	240	230
Nominal Voltage (V)	220-240	220-240	220-240	220-240
Power cable length (cm)	150	150	130	130
GB plug	●	u	●	u
Appliance weight (kg)	13.0	10.0	9.0	5.0
Safety approved	●	●	●	●
Energy Rating	C	C	D	E
OPTIONAL ACCESSORIES				
900x720mm brushed steel back panel	-	-	-	-
700x720mm brushed steel back panel	-	-	-	-
600x720mm brushed steel back panel	-	-	-	-
Steel finish profile/handle - solid	-	-	-	-
Steel finish profile/handle with control opening	-	-	-	-
Paper grease filters	-	-	-	DHZ2100
Recirculating kit (needed if recirculating)	DHZ5605	DHZ5605	-	-
Charcoal odour filter (needed if recirculating)	DHZ5316	DHZ5316	DHZ7305	DHZ7304
CleanAir recirculating kit	-	-	-	-
CleanAir charcoal odour filter	-	-	-	-
Décor panel white	-	-	-	-
Décor panel black	-	-	-	-
Active Carbon Filter	-	-	-	-
Cable guidance frame	-	-	-	-
Lowering frame	-	-	-	-

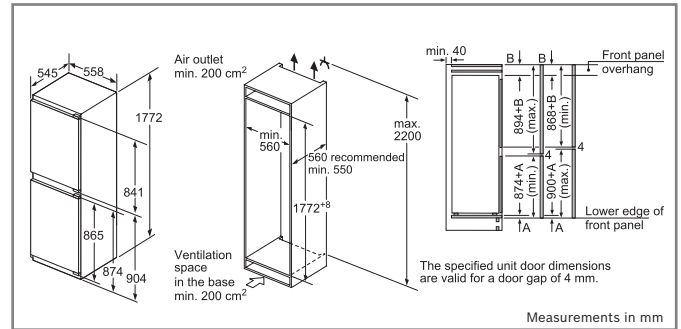
Integrated cooling technical diagrams

Fridge freezers, fridges and freezers

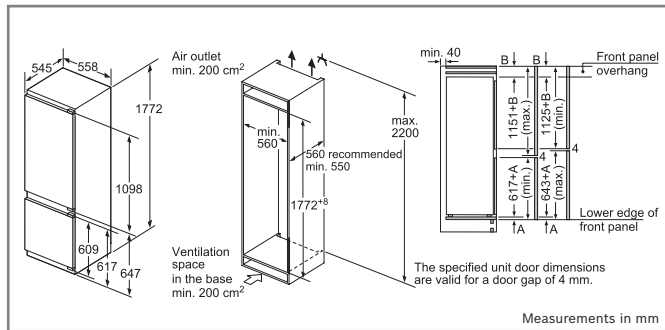
Please refer to the Freestanding Appliances brochure for American-style fridge freezers.



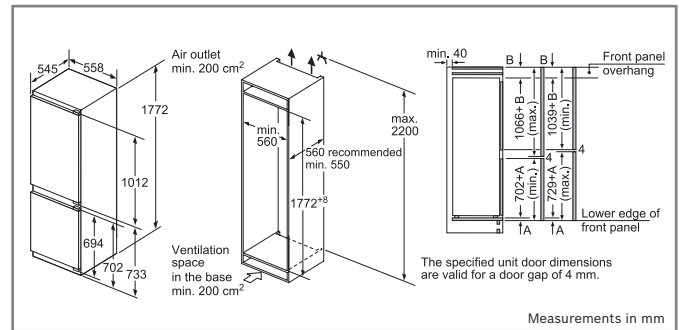
KIN86AD30G



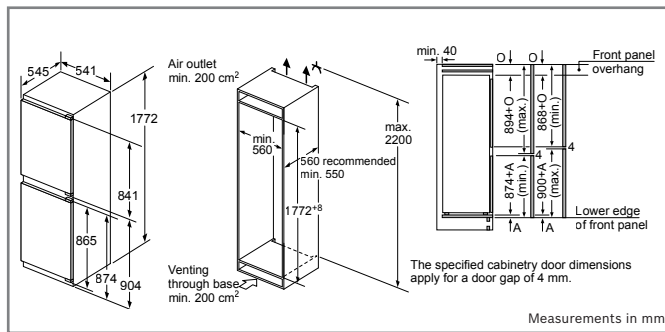
KIN85AF30G



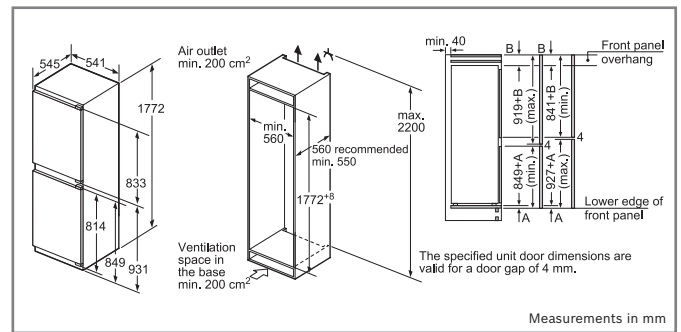
KIS87AF30G / KIV87VF30G / KIV87VS30G



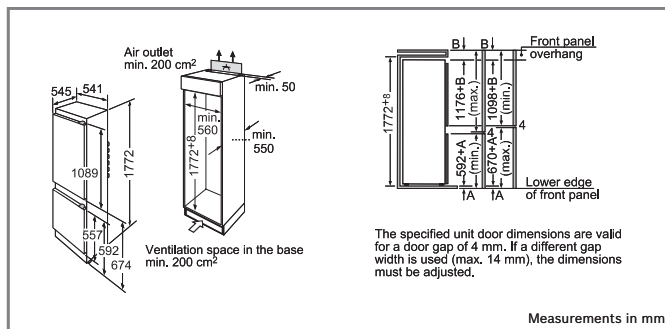
KIS86AF30G / KIN86VF30G / KIV86VS30G



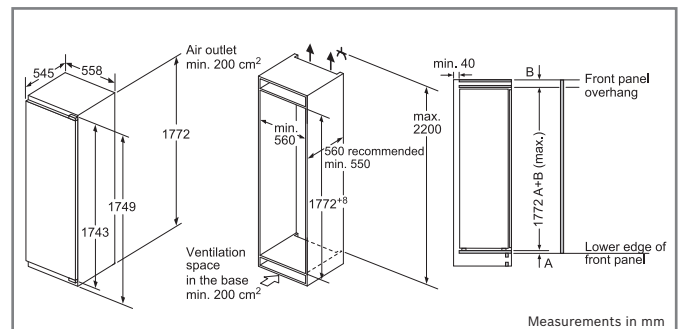
KIV85VF30G / KIV85VS30G



KIV32X23GB



KIV38X22GB

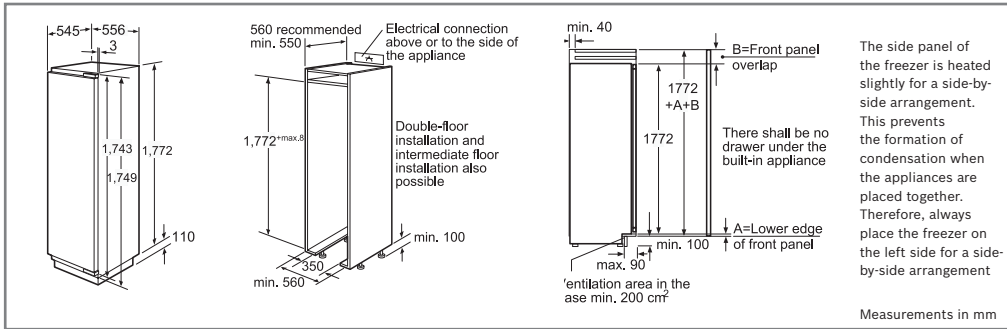


KIR81AF30G

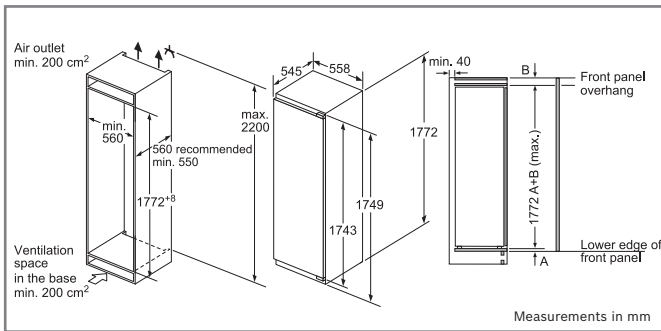
We try to keep up to date with constant technological improvements, so from time to time we may update installation guidelines. Therefore we strongly recommend that you download the latest installation guidelines from www.bosch-home.co.uk. Line drawings are for guidance only, and we recommend that you refer to the latest installation guidelines. Though every care is taken to ensure instructions are correct at the time of printing, Bosch cannot accept responsibility for incorrect planning or installation as a result of the use of these line drawings.

Integrated cooling technical diagrams

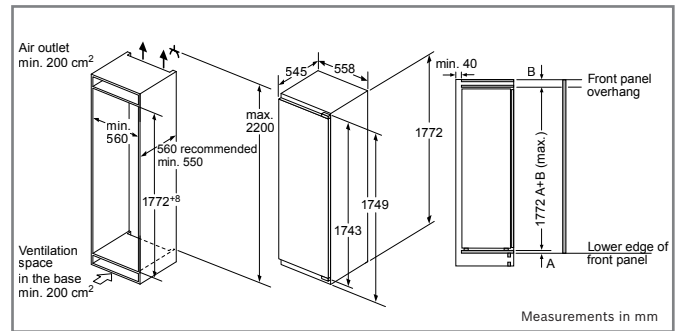
Fridge freezers, fridges and freezers



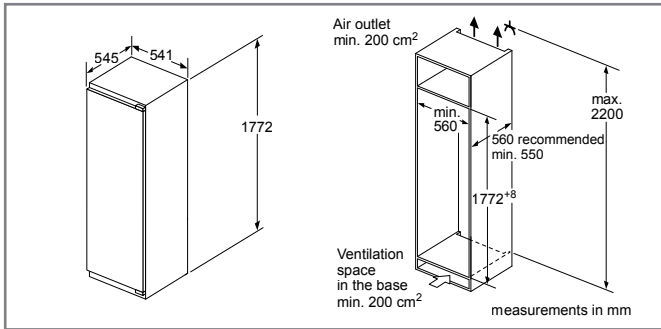
GIN38A55GB



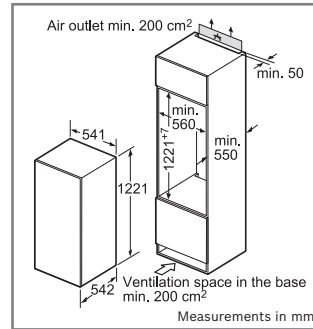
KIL82AF30G



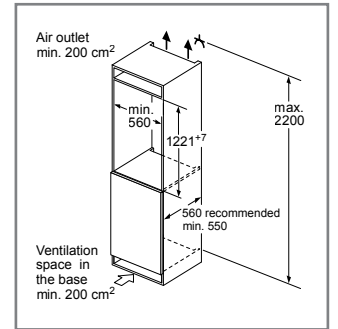
GIN81AE30G



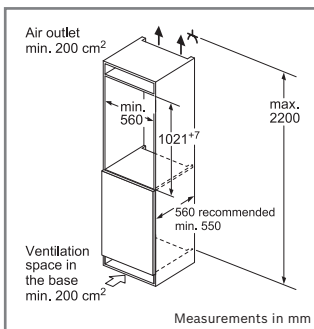
KIR81VS30G | KIL82VS30G



KIR41AF30G | KIR24V20G |
KIR41AD30G | KIL42VS30G |
KIR41VS30G



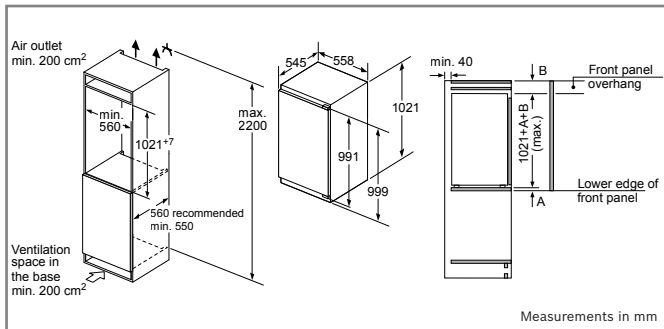
GIN41AE30G



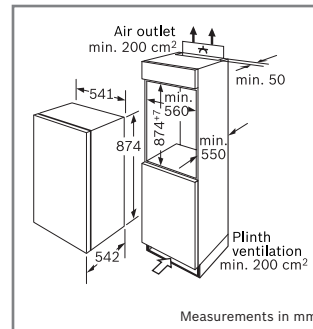
KIR31VS30G

Integrated cooling technical diagrams

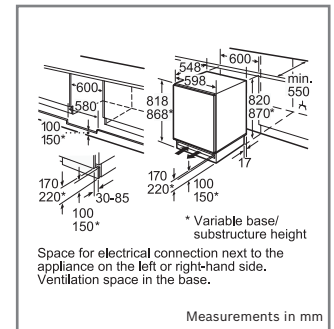
Fridge freezers, fridges and freezers



GIN31AE30G



KIR21VS30G | KIR21VF30G |
KIR21AF30G | GID18A50GB |
GID18A20GB | KIR18V20GB |
KIL22VF30G | KIL22VS30G



KUR15A50GB | KUL15A60GB |
GUD15A50GB

Matching fridges & freezers

Freezer Model	Height	Matching Fridges
GID18A20GB	88cm	KIR18V20GB KIR21VS30G KIL22VS30G
GID18A50GB	88cm	KIR21VF30G KIL22VF30G KIR21AF30G
GIN31AE30G	102.5cm	KIR31VS30G

Freezer Model	Height	Matching Fridges
GIN41AE30G	112.5cm	KIR24V20GB KIR41VS30G KIR41AF30G KIR41AD30G KIL42VS30G
GIN81AE30G	177.5cm	KIR81VS30G KIL82VS30G KIR81AF30G
GIN38A55GB	177.5cm	GIN38A55GB KIL82AF30G

Integrated fridges & freezers specifications

AMERICAN STYLE	Serie 8		Serie 6				Serie 4
Stainless steel look		KAD92AI30	KAG90AI20G	KAD90VI20G	KAI90VI20G		KAN90VI20G
Black	KAN92LB35					KAD90VB20G	
PERFORMANCE AND CONSUMPTION							
Energy efficiency class	A++	A++	A+	A+	A+	A+	A+
Annual energy consumption (kWh)	385	348	432	436	432	436	475
Total unit net capacity (litres)	592	541	522	533	523	533	573
Refrigerator net capacity (litres)	375	173	359	163	360	370	373
Freezer net capacity (litres)	202	163	157	228	163	163	200
Noise level dB (re 1pW)	43	42	43	43		43	44
DESIGN FEATURES							
Colour of sides	Chrome Inox-Metallix	Chrome Inox-Metallix	Grey	Grey	Grey	Black	Grey
Type of handle	Integrated vertical handle	vertical bar handle	Vertical bar handle	vertical bar handle	vertical bar handle	vertical bar handle	vertical bar handle
Door hinge	left and right	left and right	Left and right	left and right	left and right	left and right	left and right
Type of hinge	-	-	-	-	-	-	-
Reversible Door, Hinged on right	-	-	-	-	-	-	-
Light Wattage - Refrigerator	-	-	-	-	-	-	-
Light	-	-	-	-	-	-	-
LED light	●	●	-	-	-	-	-
Number of compressors	1	1	1	1	1	1	1
Number of cooling circuits	2	2	1	1	1	1	1
Number of evaporators	-	-	-	-	-	-	-
Number of temperature zones fridge	1	1	-	1	1	1	1
FOOD FRESHNESS SYSTEMS							
Range of temperatures (°C)	-	-	4-8	-	-	-	-
Interior ventilation through plinth	-	-	-	-	-	-	-
Humidity control drawer	-	-	-	-	-	-	-
Anti Bacterial	-	-	-	-	-	-	-
Food preservation containers	-	-	CoolBox	-	-	-	-
MultiAirflow system	●	-	●	-	-	-	-
KEY FEATURES - FRIDGE SECTION							
No. of temperature zones fridge	1	1	1	1	1	1	1
Number of vegetable containers with ribbed bottom and humidity control	1	-	-	-	-	-	-
Number of shelves in fridge compartment	4	4	-	4	4	4	4
Number of glass safety shelves in fridge compartment	-	-	3	-	-	-	-
Number of adjustable shelves in fridge compartment	-	-	1	-	-	-	-
Type of shelves	1	Partial extension	Stationary	-	-	-	-
Drawers with telescopic rails	3	1	-	1	1	1	1
Number of door bins in fridge	2	1	1	-	-	-	-
Tilt-out door bins in fridge	●	-	-	-	-	-	-
Number of door shelves	-	4	-	4	4	4	4
Number of containers in fridge compartment	3	3	-	-	-	-	-
EasyLift flexible shelf in door	-	-	-	-	-	-	-
Fast cooling switch	●	●	-	●	●	●	●
Included accessories	2 cold accumulators, egg tray	Connection hose, egg tray	1 x connection hose, 1 egg tray	Connection hose, egg tray	Connection hose, egg tray	Connection hose, egg tray	egg tray
KEY FEATURES - FREEZER SECTION							
Star rating	4	4	-	4	4	4	4
Number of freezer draws	2	2	-	2	2	2	2
NoFrost system	●	●	Full	●	●	●	●
Fast freezing switch	●	●	●	●	●	●	●
Shelf adjustability	●	●	-	-	-	-	-
Automatic motor-driven ice-maker	-	●	●	●	●	-	-
Water filter replacement indicator	-	●	●	●	-	●	-
Water tank	-	-	●	-	-	-	-
Dispenser - crushed ice, ice cubes, quick ice, water, water filter	-	●	●	●	●	●	-
Included accessories	-	-	-	-	-	-	-
FUNCTIONS							
Electronic display	●	●	2 x LED display	●	●	●	●
Temperature display fridge	●	●	-	●	●	●	●
Warning / malfunction signal	●	●	Visual and audible	●	●	●	●
Door opened indicator	●	●	-	●	●	●	●
DIMENSION AND INSTALLATION							
Climate class	SN-T	SN-T	SN-T	SN-T	SN-T	SN-T	SN-T
Height of the product	1756	1756	1770	1770	1770	1770	1770
Width of the product	910	910	910	910	910	910	910
Depth of the product	725	725	720	720	720	720	720
Width with opened door 90°n (mm)	95	94.84	-	166	166	166	166
Depth with open door 90° (mm)	1158	1193	1193	1193	1193	1193	1193
Maximum height for installation (mm)	-	-	-	-	-	-	-
Maximum width for installation (mm)	-	-	-	-	-	-	-
Depth for installation (mm)	-	-	-	-	-	-	-
Maximum adjustability feet (mm)	Yes - front only	Yes - front only	-	Yes - front only	Yes - front only	Yes - front only	Yes - front only

● = Yes
- = No

Integrated fridges & freezers specifications

BUILT-IN FRIDGE FREEZERS	Serie 6				Serie 4			
Model no	KIN86AD30G	KIN85AF30G	KIS87AF30G	KIS86AF30G	KIN86VF30G	KIV87VF30G	KIV87VS30G	KIV86VS30G
NoFrost / LowFrost	NoFrost 60/40	NoFrost 50/50	LowFrost 70/30	LowFrost 60/40	NoFrost 60/40	LowFrost 70 / 30	LowFrost 70 / 30	LowFrost 60/40
Type of control setting and signalling devices	Economy setting / Holiday mode, Super setting for freezer, Super setting fridge, Temperature display fridge, Warning function freezer sect., Warning signal door open	Economy setting / Holiday mode, Super setting for freezer, Super setting fridge, Temperature display fridge, Warning function freezer sect., Warning signal door open	Economy setting / Holiday mode, Super setting for freezer, Super setting fridge, Temperature display fridge, Warning function freezer sect., Warning signal door open, Warning signal for malfunction	Economy setting / Holiday mode, Super setting for freezer, Super setting fridge, Temperature display fridge, Warning function freezer sect., Warning signal door open, Warning signal for malfunction	Super setting for freezer, Temperature display fridge, Warning signal door open	Super setting for freezer, Temperature display fridge	Super setting for freezer, Temperature display fridge	Economy setting / Holiday mode, Super setting for freezer, Super setting fridge, Temperature display fridge, Warning function freezer sect., Warning signal door open, Warning signal for malfunction
PERFORMANCE AND CONSUMPTION								
Energy efficiency class	A++	A++	A++	A++	A++	A++	A++	A++
Energy consumption annual (kWh/annum)	221	232	225	218	222	227	227	218
Total unit net capacity (l)	255	246	270	265	255	272	272	265
Refrigerator Net capacity (l)	188	154	209	191	188	209	209	191
Freezer Net capacity (l)	67	92	61	74	67	63	63	74
Temperature rise time (h)	13	13	26	32	13	26	26	32
Freezing capacity (kg/24h)	8	9	7	7	8	3	3	7
Storage Period in Event of Power Failure (h)	13	13	26	32	13	26	26	32
Climate class	SN-ST	SN-ST	SN-T	SN-ST	SN-ST	SN-T	SN-T	SN-ST
Noise level (dB(A) re 1 pW)	39	39	36	36	39	38	38	36
FOOD FRESHNESS SYSTEM								
Thermometer fridge section	Digital	Digital	Digital	Digital	Digital	Digital	Digital	Digital
Range of temperature (°C)	4-8	4-8	4-8	4-8	4-8	4-8	4-8	4-8
Frost free system	Freezer	Freezer	No	No	Freezer	No	No	No
Anti Bacterial	-	-	-	-	-	-	-	-
KEY FEATURES - FRIDGE								
Fast cooling switch	●	●	●	●	-	-	-	●
Number of Door Bins - Refrigerator	3	1	3	3	3	4	4	3
Door bin adjustability - Refrigerator	-	-	-	-	-	-	-	-
Tilt-out door bins in fridge	●	●	●	●	●	●	●	●
Type of shelves - Fridge					Stationary	Stationary	Stationary	
Light Wattage - Refrigerator								
Egg Bin	●	●	●	●	●	●	●	●
Number of shelves in fridge compartment	5	4	5	5	4	5	5	5
Number of Adjustable Shelves in fridge compartment	4	3	4	4	3	4	4	4
Material of the shelves	Glass	Glass	Glass	Glass	Glass	Glass	Glass	Glass
Optional accessories	KSZ10020	KSZ10020	KSZ10020	KSZ10020	KSZ10020	KSZ10020	KSZ10020	KSZ10020
Temperature display fridge	digital 7 segment	digital 7 segment	digital 7 segment	digital 7 segment	digital 7 segment	digital LED	digital LED	digital 7 segment
No. of egg racks	2	2	2	2	2	2	2	2
No. of door shelves	5	3	5	5	4	5	5	5
No. of shelves in fridge	5	4	5	5	4	5	5	5
Light	●	●	●	●	●	●	●	●
Included accessories	2 x cold accumulator, 2 x egg tray, 1 x ice cube tray	2 x cold accumulator, 2 x egg tray, 1 x ice cube tray	2 x cold accumulator, 2 x egg tray, 1 x ice cube tray	2 x cold accumulator, 2 x egg tray, 1 x ice cube tray	2 x cold accumulator, 2 x egg tray, 1 x ice cube tray	2 x cold accumulator, 2 x egg tray, 1 x ice cube tray	2 x cold accumulator, 2 x egg tray, 1 x ice cube tray	2 x cold accumulator, 2 x egg tray, 1 x ice cube tray
KEY FEATURES - FREEZER								
Star Rating	4	4	4	4	4	4	4	4
Temperature adjustable freezer	●	●	●	●	●	●	●	●
Freezing drawers	3	4	2	3	3	2	2	3
Fast freezing switch	●	●	●	●	●	●	●	●
Door opened indicator freezer	●	●	●	●	●	-	-	●
Shelf Material - Freezer	Safety glass	Safety glass	Safety glass	Safety glass	Safety glass	Safety glass	Safety glass	Safety glass
Freezer Cold Packs	●	●	●	●	●	●	●	●
No. of ice cube trays	1	1	1	1	1	1	1	1
FUNCTIONS								
Number of compressors	1	1	1	1	1	1	1	1
Minimum ambient temperature	10	10	10	10	10	10	10	10
Maximum ambient temperature	38	38	38	38	38	38	38	38
DIMENSION AND INSTALLATION								
Door hinge	Right reversible	Right reversible	Right reversible	Right reversible	Right reversible	Right reversible	Right reversible	Right reversible
Type of hinge	Fixed / flat hinge	Fixed / flat hinge	Fixed / flat hinge	Fixed / flat hinge	Fixed / flat hinge	Fixed / flat hinge	Sliding hinge	Fixed / flat hinge
Height of the product (mm)	1772	1772	1772	1772	1772	1772	1772	1772
Width of the product (mm)	558	558	558	558	538	538	538	558
Depth of the product	545	545	545	545	542	542	542	545
Depth with open door 90 degree (mm)	1140	1140	1140	1140	1140	1140	1140	1140
Maximum adjustability feet (mm)								
Height of the packed product (mm)	1840	1840	1840	1840	1840	0	0	1840
Width of the packed product (mm)	620	620	620	620	620	0	0	620
Depth of the packed product (mm)	640	640	640	640	640	0	0	640
Minimum height for installation (mm)	1775	1775	1775	1775	1775	1775	1775	1775
Maximum height for installation (mm)	1775	1775	1775	1775	1775	1775	1775	1775
Minimum width for installation (mm)	560	560	560	560	560	560	560	560
Maximum width for installation (mm)	560	560	560	560	560	560	560	560
Depth for installation (mm)	550	550	550	550	550	550	550	550
Height (mm)	1772	1772	1772	1772	1772	1772	1772	1772
Required niche size for installation (HxWxD)	1775.0 x 560 x 550	1775.0 x 560 x 550	1775.0 x 560 x 550	1775.0 x 560 x 550	1775.0 x 560 x 550	1775.0 x 560 x 550	1775.0 x 560 x 550	1775.0 x 560 x 550
Width with opened door (90°)	60.00	60.00	60.00	60.00	60.00	60.00	60.00	60.00
Depth with door open (90°)	114.00	114.00	114.00	114.00	114.00	114.00	114.00	114.00
Net weight (kg)	68.0	69.0	67.0	69.0	69.0	0.0	0.0	69.0
Gross weight (kg)	74.0	75.0	73.0	75.0	74.0	0.0	0.0	75.0

● = Yes
- = No

Integrated fridges & freezers specifications

BUILT-IN FRIDGE FREEZERS	Serie 4		Serie 2	
Model no	KIV85VF30G	KIV85VS30G	KIV32X23GB	KIV38X22GB
NoFrost / LowFrost	LowFrost 50 / 50	LowFrost 50/50	Static 50/50	Static 70/30
Type of control setting and signalling devices	Super setting for freezer, Temperature display fridge	Super setting for freezer, Temperature display fridge		
PERFORMANCE AND CONSUMPTION				
Energy efficiency class	A++	A++	A+	A+
Energy consumption annual (kWh/annum)	239	239	283	275
Total unit net capacity (l)	259	159	255	276
Refrigerator Net capacity (l)	157	157	162	217
Freezer Net capacity (l)	102	102	93	59
Temperature rise time (h)	24	24	16	13
Freezing capacity (kg/24h)	4	4	6	6
Storage Period in Event of Power Failure (h)	24	24	16	13
Climate class	SN-T	SN-T	SN-ST	SN-ST
Noise level (dB(A) re 1 pW)	38	38	40	40
FOOD FRESHNESS SYSTEM				
Thermometer fridge section	Digital	Digital		
Range of temperature (°C)	4-8	4-8	4-8	4-8
Frost free system	No	low frost	No	No
Anti Bacterial	-	-	-	-
KEY FEATURES - FRIDGE				
Fast cooling switch	-	-	-	-
Number of Door Bins - Refrigerator	3	3	0	0
Door bin adjustability - Refrigerator	-	-	-	-
Tilt-out door bins in fridge	●	●	●	●
Type of shelves - Fridge	Stationary	Stationary	Stationary	Stationary
Light Wattage - Refrigerator			1x25 Watt	1x25 Watt
Egg Bin	●	●	-	-
Number of shelves in fridge compartment	4	4	3	5
Number of Adjustable Shelves in fridge compartment	3	3	2	4
Material of the shelves	Glass	Glass	Glass	Glass
Optional accessories	KSZ10020	KSZ10020		
Temperature display fridge	digital LED	digital LED	No temperature indication	No temperature indication
No. of egg racks	2	2		
No. of door shelves	4	4		
No. of shelves in fridge	4	4	3	5
Light	●	●	●	●
Included accessories	2 x cold accumulator, 2 x egg tray, 1 x ice cube tray	2 x cold accumulator, 2 x egg tray, 1 x ice cube tray	1 x butter dish	1 x butter dish
KEY FEATURES - FREEZER				
Star Rating	4	4	4	4
Temperature adjustable freezer	●	●	●	●
Freezing drawers	4	4	4	3
Fast freezing switch	●	●	-	-
Door opened indicator freezer	-	-	-	-
Shelf Material - Freezer	Safety glass	Safety glass		
Freezer Cold Packs	●	●	-	-
No. of ice cube trays	1	1		
FUNCTIONS				
Number of compressors	1	1	1	1
Minimum ambient temperature	10	10	10	10
Maximum ambient temperature	38	38	38	38
DIMENSION AND INSTALLATION				
Door hinge	Right reversible	Right reversible	Right reversible	Right reversible
Type of hinge	Fixed / flat hinge	Sliding hinge	Sliding hinge	Sliding hinge
Height of the product (mm)	1772	1772	1772	1772
Width of the product (mm)	538	538	541	541
Depth of the product	542	542	545	545
Depth with open door 90 degree (mm)	1140	1140	1140	1140
Maximum adjustability feet (mm)				
Height of the packed product (mm)	1840	1840	1860	1860
Width of the packed product (mm)	620	620	620	620
Depth of the packed product (mm)	640	640	640	640
Minimum height for installation (mm)	1775	1775	1775	1775
Maximum height for installation (mm)	1775	1775	1775	1775
Minimum width for installation (mm)	560	560	562	562
Maximum width for installation (mm)	560	560	562	562
Depth for installation (mm)	550	550	550	550
Height (mm)	1772	1772	1772	1772
Required niche size for installation (HxWxD)	1775.0 x 560 x 550	1775.0 x 560 x 550	1775.0 x 562.0 x 550	1775.0 x 562.0 x 550
Width with opened door (90°)	60.00	60.00	60.00	60.00
Depth with door open (90°)	114.00	114.00	114.00	114.00
Net weight (kg)	69.0	69.0	56.0	57.0
Gross weight (kg)	75.0	75.0	61.0	62.0

● = Yes
- = No

Integrated fridges & freezers specifications

BUILT-IN FRIDGES	Serie 6					Serie 4			
Model number	KIR81AF30G	KIL82AF30G	KIR41AD30G	KIR41AF30G	KIR21AF30G	KIL82VS30G	KIR81VS30G	KIL42VS30G	KIR41VS30G
Highlights	EasyAccess shelves, HydroFresh box	EasyAccess shelves, HydroFresh box, VarioZone	EasyAccess shelves, HydroFresh box	EasyAccess shelves, HydroFresh box	EasyAccess shelves, HydroFresh box	Supercooling, VarioZone	Supercooling		
PERFORMANCE AND CONSUMPTION									
Energy efficiency class	A++	A++	A++	A++	A++	A++	A++	A++	A++
Energy consumption annual (kWh/annum)	116	209	105	105	97	209	116	172	105
Total unit gross capacity (l)	321	288	215	215	147	288	321	196	215
Total unit net capacity (l)	319	286	211	211	144	286	319	195	211
Refrigerator Gross capacity (l)	321	254	215	215	147	254	321	181	215
Refrigerator Net capacity (l)	319	252	211	211	144	209	116	180	211
Freezer Net capacity (l)		34				252	319	15	
Climate class	SN-T	SN-ST	SN-T	SN-T	SN-T	SN-ST	SN-T	SN-ST	SN-T
Noise level (dB(A) re 1 pW)	37	36	33	33	33	37	37	37	37
FOOD FRESHNESS SYSTEM									
Number of containers in fridge section	2	2	1	1	1	2	2	1	1
Humidity Control Drawer	●	●	●	●	●				
Food freshness type	HydroFresh Humidity controlled container, Crisper box	HydroFresh Humidity controlled container, Crisper box	HydroFresh Humidity controlled container	HydroFresh Humidity controlled container	HydroFresh Humidity controlled container	Vegetable container	Vegetable container	Vegetable container	Vegetable container
KEY FEATURES - FRIDGE									
Temperature display fridge	LED digital Numerical display	LED digital Numerical display	LED digital Numerical display	LED digital Numerical display	LED digital Numerical display	digital LED	digital LED	digital LED indicator	digital LED indicator
Number of egg racks	2	2	2	2	2	2	2	2	2
Number of door shelves	6	5	4	4	3	5	6	4	4
Number of shelves in fridge	7	5	6	6	3	5	7	4	4
Light	●	●	●	●	●	●	●	●	●
Number of Door Bins - Refrigerator	3	2	2	2	1	3	4	3	3
Tilt-out door bins in fridge	●	●	●	●	●	●	●	●	●
Fully extendable/ Easy Access shelves	●	●	●	●	●		6		
Shelves for Bottles	●					-	-		
Warning signal door open	acoustic	acoustic	acoustic	acoustic	acoustic	without	without		
Fast cooling switch	●	●	●	●	●	●	●	●	●
KEY FEATURES - FREEZER									
Freezer Star Rating		4				4	0	4	
Temperature adjustable freezer		●				●	-	●	
Door opened indicator freezer	●	●	●	●	●	-	-		
Defrost process freezer section		Manual				Manual		Manual	
No. of ice cube trays		1				1		1	
Number of shelves in fridge compartment	7	5	6	6	4	5	7	5	6
Number of Adjustable Shelves in fridge compartment (Stck)	6	4	5	5	3	4	6	4	5
Material of the shelves	Safety Glass	Safety Glass	Safety Glass	Safety Glass	Safety Glass	Glass	Glass	Safety Glass	Safety Glass
Included accessories	2 x egg tray	2 x egg tray, 1 x ice cube tray	2 x egg tray	2 x egg tray	2 x egg tray	2 x egg tray, 1 x ice cube tray	2 x egg tray	2 x egg tray, 1 x ice cube tray	2 x egg tray
Storage period in power failure		22				22		13	
FUNCTIONS									
Number of independent cooling systems	1	1	1	1	1	1	1	1	1
Type of control	Electronic	Electronic	Electronic	Electronic	Electronic	Electronic	Electronic	Electronic	Electronic
Minimum ambient temperature	10	10	10	10	10	10	10	10	10
Maximum ambient temperature	43	38	43	43	43	38	43	38	43
Cold technology	1 compressor/ 1 cold circuit	1 compressor/ 1 cold circuit	1 compressor/ 1 cold circuit	1 compressor/ 1 cold circuit	1 compressor/ 1 cold circuit	1 compressor/ 1 cold circuit	1 compressor/ 1 cold circuit	1 compressor/ 1 cold circuit	1 compressor/ 1 cold circuit
Anti Bacterial						-	-		
Number of compressors	1	1	1	1	1	1	1	1	1
DIMENSION AND INSTALLATION									
Connection Rating (W)	90	90	90	90	90	90	90	90	90
Current (A)	13	13	10	13	13	13	13	13	13
Voltage (V)	220-240	220-240	220-240	220-240	220-240	220-240	220-240	220-240	220-240
Frequency (Hz)	50	50	50	50	50	50	50	50	50
Length electrical supply cord (cm)	230	230	230	230	230	230	230	230	230
Approval certificates	VDE	VDE	VDE	VDE	VDE	VDE	VDE	VDE	VDE
Type of hinge	Fixed / Flat hinge	Fixed / Flat hinge	Fixed / Flat hinge	Fixed / Flat hinge	Fixed / Flat hinge	Follow-door	Follow-door	Sliding hinge	Sliding hinge
Reversible Door Hinge	●	●	●	●	●	●	●	●	●
Height of the product (mm)	1772	1772	1221	1221	874	1772	1772	1221	1221
Width of the product (mm)	558	558	558	558	558	541	541	538	538
Depth of the product	545	545	545	545	545	545	545	545	545
Depth with open door 90 degree (mm)	1140	1140	1140	1140	1140	1140	1140	1140	1140
Height of the packed product (mm)	1840	1840	1290	1290	950	1840	1840	0	1300
Width of the packed product (mm)	620	620	620	620	620	620	620	0	620
Depth of the packed product (mm)	640	640	640	640	640	640	640	0	640
Width with opened door (90°)	60.00	60.00	60.00	60.00	60.00	60.00	60.00	60.00	60.00
Depth with door open (90°)	114.00	114.00	114.00	114.00	114.00	114.00	114.00	114.00	114.00
Required niche size for installation (HxWxD)	1775.0 x 560 x 550	1775.0 x 560 x 550	1225.0 x 560 x 550	1225.0 x 560 x 550	880 x 560 x 550	1775.0 x 560 x 550	1775.0 x 560 x 550	1225.0 x 560 x 550	1225.0 x 560 x 550
Minimum height for installation (mm)	1775	1775	1225	1225	880	1775	1775	1225	1225
Maximum height for installation (mm)	1775	1775	1225	1225	880	1775	1775	1225	1225
Minimum width for installation (mm)	560	560	560	560	560	560	560	560	560
Maximum width for installation (mm)	560	560	560	560	560	560	560	560	560
Depth for installation (mm)	550	550	550	550	550	550	550	550	550
Net weight (kg)	70.0	67.0	49.0	49.0	39.0	68.0	68.0	0.0	42.0
Gross weight (kg)	76.0	73.0	52.0	52.0	42.0	74.0	74.0	0.0	46.0
Dimensions of the packed product (cm)	184 x 62 x 64	184 x 62 x 64	129 x 62 x 64	129 x 62 x 64	95 x 62 x 64	184 x 62 x 64	184 x 62 x 64	0 x 0 x 0	130 x 62 x 64
Required cutout/niche size for installation (cm)	177.5 x 56 x 55	177.5 x 56 x 55	122.5 x 56 x 55	122.5 x 56 x 55	88 x 56 x 55	177.5 x 56 x 55	177.5 x 56 x 55	122.5 x 56 x 55	122.5 x 56 x 55
EAN code	4242002734590	4242002734934	4242002875149	4242002735276	4242002735009	4242002906348	4242002904832	4242002812830	4242002812816

● = Yes
- = No

Integrated fridges & freezers specifications

BUILT-IN FRIDGES	Serie 2						
Model number	KIR31VS30G	KIL22VF30G	KIR21VF30G	KIL22VS30G	KIR21VS30G	KIR24V20GB	KIR18V20GB
Highlights		Supercooling		Supercooling			
PERFORMANCE AND CONSUMPTION							
Energy efficiency class	A++	A++	A++	A++	A++	A+	A+
Energy consumption annual (kWh/annum)	100	148	97	148	97	131	122
Total unit gross capacity (l)	176	127	147	127	147	227	154
Total unit net capacity (l)	172	124	144	124	144	221	150
Refrigerator Gross capacity (l)	176	112	147	112	147	227	154
Refrigerator Net capacity (l)	172	109	144	109	144	221	150
Freezer Net capacity (l)		15		15			
Climate class	SN-T	SN-ST	SN-T	SN-ST	SN-T	SN-ST	SN-ST
Noise level (dB(A) re 1 pW)	36	38	36	38	36	36	34
FOOD FRESHNESS SYSTEM							
Number of containers in fridge section	1	1	1	1	1		
Humidity Control Drawer							
Food freshness type	Vegetable container	Vegetable container	Vegetable container	Vegetable container	Vegetable container	Vegetable container	Vegetable container
KEY FEATURES - FRIDGE							
Temperature display fridge	digital LED indicator	digital LED	digital LED indicator	digital LED	digital LED indicator	No temperature indication	No temperature indication
Number of egg racks	2	2	2	2	2		
Number of door shelves	4	3	3	3	3		
Number of shelves in fridge	4	3	3	3	4		4
Light	●	●	●	●	●	●	●
Number of Door Bins - Refrigerator	3	2	2	2	2		
Tilt-out door bins in fridge	●	●	●	●	●	●	●
Fully extendable/ Easy Access shelves		2		2			
Shelves for Bottles		-		-			
Warning signal door open		without		without			
Fast cooling switch	●	without	●	without	●		
KEY FEATURES - FREEZER							
Freezer Star Rating		4		4			
Temperature adjustable freezer		●		●			
Door opened indicator freezer		-		-			
Defrost process freezer section		Manual		Manual			
No. of ice cube trays		1		1			
Number of shelves in fridge compartment	4	3	4	3	4	6	4
Number of Adjustable Shelves in fridge compartment (Stck)	3	2	3	2	3	5	3
Material of the shelves	Safety Glass	Glass	Safety Glass	Glass	Safety Glass	Safety Glass	Safety Glass
Included accessories	2 x egg tray	2 x egg tray, 1 x ice cube tray	2 x egg tray	2 x egg tray, 1 x ice cube tray	2 x egg tray	1 x egg tray	1 x butter dish
Storage period in power failure		13		13			
FUNCTIONS							
Number of independent cooling systems	1	1	1	1	1	1	1
Type of control	Electronic	Electronic	Electronic	Electronic	Electronic	mechanical	mechanical
Minimum ambient temperature	10	10	10	10	10	10	10
Maximum ambient temperature	43	38	43	38	43	38	38
Cold technology	1 compressor/1 cold circuit	1 compressor/1 cold circuit	1 compressor/1 cold circuit	1 compressor/1 cold circuit	1 compressor/1 cold circuit	1 compressor/1 cold circuit	1 compressor/1 cold circuit
Anti Bacterial		-		-		●	●
Number of compressors	1	1	1	1	1	1	1
DIMENSION AND INSTALLATION							
Connection Rating (W)	90	90	90	90	90	90	90
Current (A)	10	10	10	10	13	10	13
Voltage (V)	220-240	220-240	220-240	220-240	220-240	220-240	220-240
Frequency (Hz)	50	50	50	50	50	50	50
Length electrical supply cord (cm)	230	230	230	230	230	230	230
Approval certificates	VDE	VDE	VDE	VDE	VDE	VDE	VDE
Type of hinge	Sliding hinge	Flush-folding	Fixed / Flat hinge	Follow-door	Sliding hinge	Sliding hinge	Sliding hinge
Reversible Door Hinge	●	●	●	●	●	●	●
Height of the product (mm)	1021	874	874	874	874	1221	874
Width of the product (mm)	538	541	538	541	538	541	541
Depth of the product	542	545	542	545	542	542	542
Depth with open door 90 degree (mm)	1140	1140	1140	1140	1140	1140	1140
Height of the packed product (mm)	1100	950	950	950	950	1300	950
Width of the packed product (mm)	620	610	620	620	610	615	610
Depth of the packed product (mm)	640	630	640	640	630	635	630
Width with opened door (90°)	60.00	60.00	60.00	60.00	60.00	60.00	60.00
Depth with door open (90°)	114.00	114.00	114.00	114.00	114.00	114.00	114.00
Required niche size for installation (HxWxD)	1025.0 x 560 x 550	880 x 560 x 550	880 x 560 x 550	880 x 560 x 550	880 x 560 x 550	1225.0 x 560 x 550	880 x 560 x 550
Minimum height for installation (mm)	1025	880	880	880	880	1225	880
Maximum height for installation (mm)	1025	880	880	880	880	1225	880
Minimum width for installation (mm)	560	560	560	560	560	560	560
Maximum width for installation (mm)	560	560	560	560	560	560	560
Depth for installation (mm)	550	550	550	550	550	550	550
Net weight (kg)	37.0	32.0	37.0	36.0	32.0	40.0	31.0
Gross weight (kg)	41.0	35.0	40.0	39.0	35.0	44.0	34.0
Dimensions of the packed product (cm)	110 x 62 x 64	95 x 61 x 63	95 x 62 x 64	95 x 62 x 64	95 x 61 x 63	130 x 61.5 x 63.5	95 x 61 x 63
Required cutout/niche size for installation (cm)	102.5 x 56 x 55	88 x 56 x 55	88 x 56 x 55	88 x 56 x 55	88 x 56 x 55	122.5 x 56 x 55	88 x 56 x 55
EAN code	4242002875132	4242002875316	4242002875156	4242002875323	4242002812823	4242002578293	4242002578262

● = Yes
- = No

Integrated fridges & freezers specifications

BUILT-IN FREEZERS	Serie 8				Serie 4	
Model number	GIN38A55GB	GIN81AE30G	GIN41AE30G	GIN31AE30G	GID18A50GB	GID18A20GB
Highlights						
PERFORMANCE AND CONSUMPTION						
Energy efficiency class	A+	A++	A++	A++	A+	A+
Energy consumption annual (kWh/annum)	310	188	243	168	192	192
Total unit gross capacity (l)	288	150	235	120	-	-
Total unit net capacity (l)	212	127	211	97	94	94
Freezer Net capacity (l)	212	127	211	97	94	94
Climate class	SN-ST	SN-T	SN-T	SN-T	SN-T	SN-T
Noise level (dB(A) re 1 pW)	40	39	38	39	36	36
KEY FEATURES - FREEZER						
Freezer Star Rating	4	4	4	4	4	4
Temperature adjustable freezer	●	●	●	●	●	●
Door opened indicator freezer	●	●	●	●	●	●
Defrost process freezer section	Manual	-	-	-	Manual	Manual
No. of ice cube trays	-	1	1	1	-	-
Number of shelves in freezer compartment	5	4	5	3	4	4
Number of Adjustable Shelves in freezer compartment (Stck)	2	-	-	-	0	0
Material of the shelves	Safety Glass	Safety Glass	Safety Glass	Safety Glass	Safety Glass	Safety Glass
Included accessories		2 x cold accumulator, 1 x ice cube tray	2 x cold accumulator, 1 x ice cube tray	2 x cold accumulator, 1 x ice cube tray	2 x cold accumulator, 1 x berry tray, 1 x ice cube tray	2 x cold accumulator, 1 x berry tray, 1 x ice cube tray
Storage period in power failure	11	23	22	25		
FUNCTIONS						
Number of independent cooling systems	1	1	1	1	1	1
Type of control	Electronic	Electronic	Electronic	Electronic	Electronic	Electronic
Minimum ambient temperature	-	10	10	10	-	-
Maximum ambient temperature	-	43	43	43	-	-
Cold technology	1 compressor/ 1 cold circuit	NoFrost	NoFrost	NoFrost	1 compressor/ 1 cold circuit	1 compressor/ 1 cold circuit
Anti Bacterial	-	-	-	-	-	-
Number of compressors	1	1	1	1	1	1
DIMENSION AND INSTALLATION						
Connection Rating (W)	120	120	120	120	90	90
Current (A)	13	13	13	13	13	13
Voltage (V)	220-240	220-240	220-240	220-240	220-240	220-240
Frequency (Hz)	50	50	50	50	50	50
Length electrical supply cord (cm)	230	230	230	230	230	230
Approval certificates	VDE	VDE	VDE	VDE	VDE	VDE
Type of hinge	Fixed / Flat hinge	Flush-folding	Flush-folding	Flush-folding	Fixed / Flat hinge	Fixed / Flat hinge
Reversible Door Hinge	●	●	●	●	●	●
Height of the product (mm)	1772	1221	1772	1021	874	874
Width of the product (mm)	556	558	558	558	541	541
Depth of the product	545	545	545	545	542	542
Depth with open door 90 degree (mm)	1140	1140	1140	1140	-	-
Height of the packed product (mm)	1840	1290	1840	1090	1840	1840
Width of the packed product (mm)	620	620	620	620	620	620
Depth of the packed product (mm)	640	640	640	640	640	640
Width with opened door (90°)	60.00	60.00	60.00	60.00	60.00	60.00
Depth with door open (90°)	114.00	114.00	114.00	114.00	114.00	114.00
Required niche size for installation (HxWxD)	1775.0 x 560 x 550	122.5 x 56 x 55	177.5 x 56 x 55	102.5 x 56 x 55	880 x 560 x 550	880 x 560 x 550
Minimum height for installation (mm)	1775	1225	1775	1025	1775	1775
Maximum height for installation (mm)	1775	1225	1775	1025	1775	1775
Minimum width for installation (mm)	560	560	560	560	560	541
Maximum width for installation (mm)	560	560	560	560	560	541
Depth for installation (mm)	550	550	550	550	550	550
Net weight (kg)	73.0	49.0	66.0	43.0	36.0	542
Gross weight (kg)	79.0	52.0	72.0	46.0	39.0	39.0
Dimensions of the packed product (cm)	184 x 62 x 64	129 x 62 x 64	184 x 62 x 64	109 x 62 x 64	184 x 62 x 64	184 x 62 x 64
Required cutout/niche size for installation (cm)	177.5 x 56 x 55	122.5 x 56 x 55	177.5 x 56 x 55	102.5 x 56 x 55	88 x 56 x 55	88 x 56 x 55
EAN code	4242002734934	4242002898209	4242002898834	4242002898261	4242002734590	4242002527963

● = Yes
- = No

For full specification details, please log onto our website and download a full specification sheet.

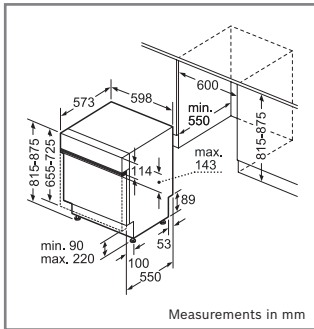
Integrated fridges & freezers specifications

BUILT-UNDER FRIDGES	Serie 6		Serie 4
Model number	KUL15A60GB	KUR15A50GB	GUD15A50GB
PERFORMANCE AND CONSUMPTION			
Energy efficiency class	A++	A+	A+
Annual energy consumption (kWh)	140	118	184
Total unit net capacity (litres)	123	137	98
Refrigerator net capacity (litres)	108	131	-
Freezer net capacity (litres)	15	0	98
Noise level dB (re 1pW)	38	38	38
DESIGN FEATURES			
Colour of sides	-	-	-
Type of handle	-	-	-
Door hinge	-	-	-
Type of hinge	Flat hinge	Flat hinge	Flat hinge
Reversible Door, Hinged on right	●	●	●
Light Wattage - Refrigerator	-	-	-
Light	●	●	-
LED light	-	-	-
Number of compressors	1	1	1
Number of cooling circuits	1	1	1
Number of evaporators	-	-	-
Number of temperature zones fridge	-	-	-
FOOD FRESHNESS SYSTEMS			
Range of temperatures (°C)	-	-	-
Interior ventilation through plinth	-	-	-
Humidity control drawer	●	●	-
Anti Bacterial	-	-	-
Food preservation containers	-	-	-
MultiAirflow system	-	-	-
KEY FEATURES - FRIDGE SECTION			
No. of temperature zones fridge	-	-	-
Number of vegetable containers with ribbed bottom and humidity control	-	-	-
Number of shelves in fridge compartment	-	-	-
Number of glass safety shelves in fridge compartment	2	3	-
Number of adjustable shelves in fridge compartment	1	3	-
Type of shelves	-	-	-
Drawers with telescopic rails	-	-	-
Number of door bins in fridge	-	-	-
Tilt-out door bins in fridge	-	-	-
Number of door shelves	3	3	-
Number of containers in fridge compartment	2	2	-
EasyLift flexible shelf in door	-	-	-
Fast cooling switch	-	-	-
Included accessories	1 x egg tray, 1 x ice cube tray	1 x egg tray	-
KEY FEATURES - FREEZER SECTION			
Star rating	***	-	-
Number of freezer draws	-	-	3
NoFrost system	-	-	-
Fast freezing switch	-	-	●
Shelf adjustability	-	-	-
Automatic motor-driven ice-maker	-	-	-
Water filter replacement indicator	-	-	-
Water tank	-	-	-
Dispenser - crushed ice, ice cubes, quick ice, water, water filter	-	-	-
Included accessories	-	-	2 x ice packs, 1 x ice cube tray
FUNCTIONS			
Electronic display	-	-	-
Temperature display fridge	-	-	-
Warning / malfunction signal	-	-	-
Door opened indicator	-	-	●
DIMENSION AND INSTALLATION			
Climate class	SN-ST	SN-ST	SN-ST
Height of the product	820	820	820
Width of the product	598	598	598
Depth of the product	548	548	548
Width with opened door 90°n (mm)	-	-	-
Depth with open door 90° (mm)	1150	1150	1150
Maximum height for installation (mm)	-	-	-
Maximum width for installation (mm)	-	-	-
Depth for installation (mm)	-	-	-
Maximum adjustability feet (mm)	50	50	50

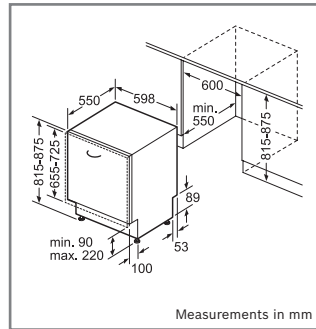
● = Yes
-- = No

Dishwasher technical diagrams

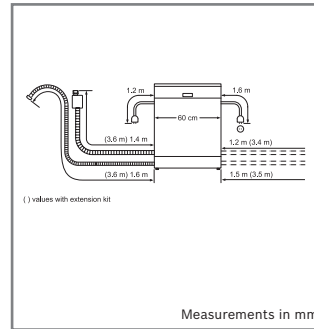
Semi integrated, fully integrated and slimline dishwashers



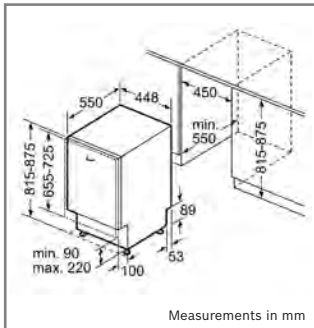
Semi integrated dishwashers



Fully integrated dishwashers



All 60cm dishwasher connection dimensions



45cm dishwashers

Dishwasher specifications

FULLY-INTEGRATED

	Serie 8			Serie 6			
MODEL	SMV88TX26E	SMV88TD00G	SMV87TD00G	SMV69P15GB	SMV69M01GB	SBV69M00GB	SMV65M10GB
Main colour of product	-	-	-	Brushed steel	Brushed steel	Brushed steel	Brushed steel
Taller height model	-	-	-	-	-	86.5cm	-
Home Connect	●	-	-	-	-	-	-
PERFORMANCE							
Reference programme	Eco	Eco	Eco	Eco	Eco	Eco	Eco
Reference programme temperature (°C)	50	50	50	50	50	50	50
Energy efficiency class	A+++	A+++	A++	A+	A++	A++	A++
Energy consumption annual (kWh/annum) ¹	237	237	266	299	262	262	262
Water consumption annual (l/annum) ¹	2660	2660	2660	2660	1820	1820	2660
Energy consumption (kWh) ²	0.83	0.83	0.93	1.05	0.92	0.92	0.92
Water consumption (l) ²	9.50	9.50	9.50	9.50	6.50	6.50	9.50
Cleaning performance	A	A	A	A	A	A	A
Drying performance	A	A	A	A	A	A	A
Number of place settings	14	14	14	14	13	13	13
Noise level (dB(A) re 1 pW)	42	42	44	39	44	44	44
Total cycle time of reference programme (min)	195	195	210	195	195	195	210
PROGRAMMES/ FUNCTIONS							
Number of programmes	8	8	7	6	6	6	6
Number of different wash temperatures	6	6	6	5	5	5	5
Number of options	5	5	4	4	4	4	2
List of programmes	Auto35-45, Auto45-65, Auto65-75, Economy 50, Night Program 50, Super 60, Quick 45, Prerinse	Auto35-45, Auto45-65, Auto65-75, Economy 50, Night Program 50, Super 60, Quick 45, Prerinse	Auto35-45, Auto45-65, Auto65-75, Economy 50, Quick Wash 45	Auto45-65, Delicate 40, Economy 50, Intensive 70, Pre Rinse, Quick Wash 45	Auto45-65, Delicate 40, Economy 50, Intensive 70, Pre Rinse, Quick Wash 45	Auto45-65, Delicate 40, Economy 50, Intensive 70, Pre Rinse, Quick Wash 45	Auto45-65, Delicate 40, Economy 50, Intensive 70, Pre Rinse, Quick Wash 45
Additional special options	Shine and dry, Half Load, HygienePlus, Intensive Zone, VarioSpeedPlus	Shine and dry, Half Load, HygienePlus, Intensive Zone, VarioSpeedPlus	Half Load, HygienePlus, Intensive Zone, VarioSpeedPlus	Half Load, HygienePlus, Intensive Zone, VarioSpeedPlus	Extra dry, Half Load, Intensive Zone, VarioSpeedPlus	Extra dry, Half Load, Intensive Zone, VarioSpeedPlus	Intensive Zone, VarioSpeedPlus
FLEXIBLE DESIGN ELEMENTS							
VarioDrawer/VarioDrawer Plus/VarioDrawer Pro	VarioDrawer Pro	VarioDrawer Pro	VarioDrawer Pro	VarioDrawer	VarioDrawer Plus	VarioDrawer Plus	-
Basket type	VarioFlex Pro	VarioFlex Pro	VarioFlex Pro	VarioFlex Plus	VarioFlex Plus	VarioFlex Plus	VarioFlex Plus
Adjustable upper basket	3-stage Rackmatic™	3-stage Rackmatic™	3-stage Rackmatic™	3-stage Rackmatic™	3-stage Rackmatic™	3-stage Rackmatic™	3-stage Rackmatic™
Upper rack cup shelf	-	-	-	2	2	2	2
Number of Flip Tines in Upper Rack	6	6	6	6	6	6	6
Cup Shelf	2	2	2	2	2	2	2
Number of Flip Tines in Lower Rack	8	8	8	4	6	6	6
Largest loadable dish upper basket (cm)	21	21	21	21	27	29	27
Largest loadable dish lower basket (cm)	31	31	31	30	30	33	30
Basket with handle	Bottom basket, Top basket	Bottom basket, Top basket	Bottom basket, Top basket	Bottom basket, Top basket	Bottom basket, Top basket	Bottom basket, Top basket	Bottom basket, Top basket
INNOVATIONS AND TECHNOLOGY							
Zeolith Energy recovery system	●	●	●	●	●	●	●
Drying system	Heat Exchanger	Heat Exchanger	Heat Exchanger	Heat Exchanger	Heat Exchanger	Heat Exchanger	Heat Exchanger
Load sensor	●	●	●	●	●	●	●
Detergent aware	●	●	●	●	●	●	●
DosageAssist	●	●	●	●	●	●	●
Glass protection system	●	●	●	●	●	●	●
Aquasensor	●	●	●	●	●	●	●
Self cleaning filter system	●	●	●	●	●	●	●
DESIGN FEATURES							
RealTime clock	●	●	●	-	-	-	-
TimeLight projection on floor	●	●	●	-	●	-	-
InfoLight (red)	-	-	-	●	-	●	●
DoorOpen Assist (with childlock function)	●	●	●	-	●	-	-
Full colour TFT control	●	●	●	-	-	-	-
Interior light	●	●	●	-	-	-	-
Start delay time max (hours)	24	24	24	24	24	24	24
Time remaining indicator	●	●	●	●	●	●	●
End of cycle indicator	Acoustic	Acoustic	Acoustic	Acoustic	Acoustic	Acoustic	Acoustic
Interior cavity material	Stainless steel	Stainless steel	Stainless steel	Stainless steel	Stainless steel	Stainless steel	Stainless steel
Salt light LED indicator	●	●	●	●	●	●	●
Rinse aid light LED indicator	●	●	●	●	●	●	●
Flood protection system	AquaStop 24hr	AquaStop 24hr	AquaStop 24hr	AquaStop 24hr	AquaStop 24hr	AquaStop 24hr	AquaStop 24hr
TECHNICAL SPECIFICATIONS							
Required niche size for installation (HxWxD)	815-875 x 600 x 550	815-875 x 600 x 550	815-875 x 600 x 550	815-875 x 600 x 550	815-875 x 600 x 550	865-925 x 600 x 550	815-875 x 600 x 550
Net weight (kg)	48.0	48.0	40.0	43.0	40.0	41.0	38.0
Gross weight (kg)	51.0	51.0	43.0	45.0	42.0	44.0	41.0
Length electrical supply cord (cm)	175	175	175	175	175	175	175
Length inlet hose (cm)	165	165	165	165	165	165	165
Length outlet hose (cm)	190.0	190.0	190.0	190.0	190.0	190.0	190.0
Maximum adjustability feet (mm)	60	60	60	60	60	60	60
Surge-back protection installed	●	●	●	●	●	●	●
Water softener (kWh) ³	●	●	●	●	●	●	●
Maximum accepted water hardness	50°DH	50°DH	50°DH	50°DH	50°DH	50°DH	50°DH
Maximum temperature for water intake (°C)	60	60	60	60	60	60	60
Included accessories 2	Large item spray head, Steam deflector plate	Large item spray head, Steam deflector plate	Large item spray head, Steam deflector plate	Large item spray head, Steam deflector plate	Large item spray head, Steam deflector plate	Large item spray head, Steam deflector plate	Large item spray head, Steam deflector plate
Optional accessories	SGZ1010, SMZ2014, SMZ2055, SMZ5001, SMZ5003, SMZ5005, SMZ5100, SMZ5300	SGZ1010, SMZ2014, SMZ2055, SMZ5001, SMZ5003, SMZ5005, SMZ5100, SMZ5300	SGZ1010, SMZ2014, SMZ2055, SMZ5001, SMZ5003, SMZ5005, SMZ5100, SMZ5300	SGZ1010, SMZ2014, SMZ2055, SMZ5001, SMZ5003, SMZ5005, SMZ5100, SMZ5300	SGZ1010, SMZ2014, SMZ2055, SMZ5001, SMZ5002, SMZ5003, SMZ5005, SMZ5005, SMZ5300	SGZ1010, SMZ2014, SMZ5001, SMZ5002, SMZ5003, SMZ5015, SMZ5300	SGZ1010, SMZ2014, SMZ2055, SMZ5001, SMZ5003, SMZ5005, SMZ5100, SMZ5300
EAN code	4242002901848	4242002859156	4242002859170	4242002859149	4242002859132	4242002859125	4242002859101

● = Yes | - = No

Key to accessories

- SGZ1010 AquaStop extension
- SMZ5001 Baby care kit
- SMZ5002 Silverware holder cassette
- SMZ5100 Vario-cutlery basket (60cm)
- SMZ5300 Glass holder accessory
- SMZ5005 Front edging Strips (81.5cm)
- SMZ5006 Front edging Strips (81.5cm)
- SMZ5015 Front edging Strips (86.5cm)
- SPZ5100 Vario-cutlery basket (45cm & compacts)

Notes

- ¹ Based on 280 standard cleaning cycles using cold water fill, including consumption of the standby mode.
- ² The consumption per cleaning cycle of the "Eco 50" programme using cold water fill.
- ³ We would recommend our dishwashers are connected to the mains water supply where possible. However, they may also be connected to an external water softener as long as the water softener produces softened water of less than 1.1 mmol/litre (7.0°e) and the water softener in the appliance is turned off. Please contact product advice for further information. When using an external water softener unit, you will need to set the 'Refill Salt' indicator to zero otherwise over-softening of the water will take place which will result in corrosion of your glassware. Water pressure required: 0.5-10 Bar. Flow rate: 10 litres per minute. Inlet valve connected directly to 3/4" screwed joint. All Bosch built-in dishwashers are suitable for use with doors from 3.5kg-8.5kg if the correct door springs are installed.

Dishwasher specifications

FULLY-INTEGRATED

	Serie 6		Serie 4	Serie 2		
MODEL	SMV53M10GB	SMV53M30GB	SMV53L00GB	SMV50C10GB	SMV40C30GB	SMV40C00GB
Main colour of product	Brushed steel	Brushed steel	Silver	Black	Black	Black
Taller height model	-	-	-	-	-	-
Home Connect	-	-	-	-	-	-
PERFORMANCE						
Reference programme	Eco	Economy	Eco	Eco	Eco	Eco
Reference programme temperature (°C)	50	50	50	50	50	50
Energy efficiency class	A++	A++	A+	A+	A+	A+
Energy consumption annual (kWh/annum) ¹	262	262	290	290	290	290
Water consumption annual (l/annum) ¹	2660	2660	3300	3300	3300	3920
Energy consumption (kWh) ²	0.92	0.92	1.02	1.02	1.02	1.02
Water consumption (l) ²	9.50	9.50	11.70	11.70	11.70	14.00
Cleaning performance	A	A	A	A	A	A
Drying performance	A	A	A	A	A	A
Number of place settings	13	13	12	12	12	12
Noise level (dB(A) re 1 pW)	46	46	48	48	50	54
Total cycle time of reference programme (min)	210	210	210	210	210	210
PROGRAMMES/ FUNCTIONS						
Number of programmes	5	5	5	5	4	4
Number of different wash temperatures	4	4	4	4	3	3
Number of options	2	2	2	1	1	0
List of programmes	Auto45-65, Economy 50, Intensive 70, Pre Rinse, Quick Wash 45	Auto, Economy, Intensive, Pre Rinse, Quick Wash	Auto45-65, Economy 50, Intensive 70, Pre Rinse, Quick Wash 45	Economy 50, Intensive 70, Normal 65, Pre Rinse, Quick Wash 45	Economy 50, Normal 65, Pre Rinse, Quick Wash 45	Economy 50, Normal 65, Pre Rinse, Quick Wash 45
Additional special options	Intensive Zone, VarioSpeedPlus	VarioSpeed, ExtraDry	Half Load, VarioSpeed	VarioSpeed	VarioSpeed	
FLEXIBLE DESIGN ELEMENTS						
VarioDrawer/VarioDrawer Plus/VarioDrawer Pro	-	-	-	-	-	-
Basket type	VarioFlex	VarioFlex basket system	VarioFlex	Vario	Vario	Normal
Adjustable upper basket	3-stage Rackmatic™	3-stage Rackmatic™	3-stage Rackmatic™	3-stage Rackmatic™	3-stage Rackmatic™	when empty
Upper rack cup shelf	2	2	2	2	2	2
Number of Flip Tines in Upper Rack	2	2	2	-	-	-
Cup Shelf	-	-	-	-	-	-
Number of Flip Tines in Lower Rack	4	4	4	2	2	-
Largest loadable dish upper basket (cm)	21	27	27	27	27	22
Largest loadable dish lower basket (cm)	30	30	30	30	30	30
Basket with handle	Bottom basket, Top basket	Bottom basket, Top basket	Bottom basket, Top basket	Top basket	Top basket	Top basket
INNOVATIONS AND TECHNOLOGY						
Zeolith Energy recovery system	-	-	-	-	-	-
Drying system	Heat Exchanger	Inherent heat	Residual	Residual	Residual	Residual
Load sensor	●	●	●	●	●	●
Detergent aware	●	●	●	●	●	●
DosageAssist	●	●	●	●	●	●
Glass protection system	●	●	●	●	●	●
Aquasensor	●	●	●	●	●	●
Self cleaning filter system	●	●	●	●	●	●
DESIGN FEATURES						
RealTime clock	-	-	-	-	-	-
TimeLight projection on floor	-	-	-	-	-	-
InfoLight (red)	●	●	●	●	●	●
DoorOpen Assist (with childlock function)	-	-	-	-	-	-
Full colour TFT control	-	-	-	-	-	-
Interior light	-	-	-	-	-	-
Start delay time max (hours)	24	24	24	9	9	-
Time remaining indicator	●	●	●	-	-	-
End of cycle indicator	Acoustic	End of program audible	Acoustic	Acoustic	Acoustic	Acoustic
Interior cavity material	Stainless steel	Stainless steel	Stainless steel/Polinox	Stainless steel/Polinox	Stainless steel/Polinox	Stainless steel/Polinox
Salt light LED indicator	●	●	●	●	●	●
Rinse aid light LED indicator	●	●	●	●	●	●
Flood protection system	AquaStop 24hr	AquaStop 24hr	AquaStop 24hr	AquaStop 24hr	AquaStop 24hr	AquaStop 24hr
TECHNICAL SPECIFICATIONS						
Required niche size for installation (HxWxD)	815-875 x 600 x 550	815-875 x 600 x 550	815-875 x 600 x 550	815-875 x 600 x 550	815-875 x 600 x 550	815-875 x 600 x 550
Net weight (kg)	36.0	34.0	33.0	33.0	30.0	34.0
Gross weight (kg)	39.0	36.0	35.0	35.0	33.0	36.0
Length electrical supply cord (cm)	175	175	175	175	175	175
Length inlet hose (cm)	165	165	165	165	165	165
Length outlet hose (cm)	190.0	190.0	190.0	190.0	190.0	190.0
Maximum adjustability feet (mm)	60	60	60	60	60	60
Surge-back protection installed	●	●	●	●	●	●
Water softener (kWh) ³	●	●	●	●	●	●
Maximum accepted water hardness	50°DH	50°DH	50°DH	35°DH	35°DH	35°DH
Maximum temperature for water intake (°C)	60	60	60	60	60	60
Included accessories 2	Large item spray head, Steam deflector plate	vapor barrier plate	Large item spray head, Steam deflector plate	Large item spray head, Steam deflector plate	Large item spray head, Steam deflector plate	Large item spray head, Steam deflector plate
Optional accessories	SGZ1010, SMZ2014, SMZ2055, SMZ5001, SMZ5002, SMZ5003, SMZ5005, SMZ5300	SGZ1010, SMZ2014, SMZ2055, SMZ5001, SMZ5002, SMZ5003, SMZ5005, SMZ5006, SMZ5300	SGZ1010, SMZ2014, SMZ2055, SMZ5000, SMZ5001, SMZ5002, SMZ5003, SMZ5006, SMZ5300	SGZ1010, SMZ2014, SMZ2055, SMZ5000, SMZ5001, SMZ5002, SMZ5003, SMZ5006, SMZ5300	SGZ1010, SMZ2055, SMZ5000, SMZ5001, SMZ5002, SMZ5003, SMZ5006	SGZ1010, SMZ2044, SMZ2055, SMZ5000, SMZ5001, SMZ5002, SMZ5003, SMZ5006, SMZ5025
EAN code	4242002859118	4242002873046	4242002862019	4242002861906	4242002861890	4242002862071

● = Yes | - = No

Key to accessories

SGZ1010 AquaStop extension
 SMZ5001 Baby care kit
 SMZ5002 Silverware holder cassette
 SMZ5100 Vario-cutlery basket (60cm)
 SMZ5300 Glass holder accessory
 SMZ5005 Front edging Strips (81.5cm)
 SMZ5006 Front edging Strips (81.5cm)
 SMZ5015 Front edging Strips (86.5cm)
 SPZ5100 Vario-cutlery basket (45cm & compacts)

Notes

¹ Based on 280 standard cleaning cycles using cold water fill, including consumption of the standby mode.

² The consumption per cleaning cycle of the "Eco 50" programme using cold water fill.

³ We would recommend our dishwashers are connected to the mains water supply where possible. However, they may also be connected to an external water softener as long as the water softener produces softened water of less than 1.1 mmo/litre (7.0°) and the water softener in the appliance is turned off. Please contact product advice for further information.

When using an external water softener unit, you will need to set the 'Refill Salt' indicator to zero otherwise over-softening of the water will take place which will result in corrosion of your glassware.

Water pressure required: 0.5-10 Bar. Flow rate: 10 litres per minute. Inlet valve connected directly to 3/4" screwed joint.

All Bosch built-in dishwashers are suitable for use with doors from 3.5kg-8.5kg if the correct door springs are installed.

Dishwasher specifications

	SEMI-INTEGRATED					45CM FULLY-INTEGRATED	
	Serie 8	Serie 6	Serie 4	Serie 4	Serie 6	Serie 6	Serie 4
MODEL	SMI8TS00G	SMI6SP15GB	SMI50C12GB	SMI50C15GB	SMI50C16GB	SPV69T00GB	SPV40C10GB
Main colour of product	Brushed steel	Stainless steel	White	Silver	Black	Silver	Black
Taller height model	-	-	-	-	-	-	-
Home Connect	-	-	-	-	-	-	-
PERFORMANCE							
Reference programme	Eco	Eco	Eco	Eco	Eco	Eco	Eco
Reference programme temperature (°C)	50	50	50	50	50	50	50
Energy efficiency class	A++	A++	A+	A+	A+	A++	A+
Energy consumption annual (kWh/annum) ¹	266	262	290	290	290	211	220
Water consumption annual (l/annum) ¹	2660	1820	2660	2660	2660	2660	2660
Energy consumption (kWh) ²	0.93	0.92	1.02	1.02	1.02	0.75	0.78
Water consumption (l) ²	9.50	6.50	9.50	9.50	9.50	9.50	9.50
Cleaning performance	A	A	A	A	A	A	A
Drying performance	A	A	A	A	A	A	A
Number of place settings	14	13	12	12	12	10	9
Noise level (dB(A) re 1 pW)	41	44	46	46	46	44	48
Total cycle time of reference programme (min)	195	195	210	210	210	195	195
PROGRAMMES/ FUNCTIONS							
Number of programmes	8	6	5	5	5	6	4
Number of different wash temperatures	6	5	4	4	4	5	3
Number of options	5	4	2	2	2	3	1
List of programmes	Auto, Economy 50, Night Program 50	Auto, Delicate 40, Economy 50, Intensive 70, Pre Rinse, Quick Wash 45	Auto, Economy 50, Intensive 70, Pre Rinse, Quick Wash 45	Auto, Economy 50, Intensive 70, Pre Rinse, Quick Wash 45	Auto, Economy 50, Intensive 70, Pre Rinse, Quick Wash 45	Auto, Economy 50, Pre Rinse, Quick Wash 45	Economy 50, Intensive 70, Pre Rinse, Quick Wash 45
Additional special options	Extra dry, Half Load, HygienePlus, Intensive Zone, VarioSpeedPlus	Extra dry, HygienePlus, Intensive Zone, VarioSpeedPlus	Half Load, VarioSpeed	Half Load, VarioSpeed	Half Load, VarioSpeed	HygienePlus, Intensive Zone, VarioSpeedPlus	VarioSpeed
FLEXIBLE DESIGN ELEMENTS							
VarioDrawer/VarioDrawer Plus/VarioDrawer Pro	-	-	-	-	-	VarioDrawer	-
Basket type	VarioFlex Pro	VarioFlex Plus	Vario	Vario	Vario	VarioFlex Plus	Vario
Adjustable upper basket	3-stage Rackmatic™	3-stage Rackmatic™	3-stage Rackmatic™	3-stage Rackmatic™	3-stage Rackmatic™	3-stage Rackmatic™	3-stage Rackmatic™
Upper rack cup shelf	-	2	-	-	-	1	2
Number of Flip Tines in Upper Rack	6	6	-	-	-	3	-
Cup Shelf	2	2	-	-	-	1	-
Number of Flip Tines in Lower Rack	8	6	2	2	2	4	2
Largest loadable dish upper basket (cm)	21	21	27	27	27	21	27
Largest loadable dish lower basket (cm)	31	30	30	30	30	30	30
Basket with handle	Bottom basket, Top basket	Bottom basket, Top basket	Top basket	Top basket	Top basket	Bottom basket, Top basket	Top basket
INNOVATIONS AND TECHNOLOGY							
Zeolith Energy recovery system	-	-	-	-	-	-	-
Drying system	Heat Exchanger	Heat Exchanger	Residual	Residual	Residual	Heat Exchanger	Residual
Load sensor	●	●	●	●	●	●	●
Detergent aware	●	●	●	●	●	●	●
DosageAssist	●	●	●	●	●	●	●
Glass protection system	●	●	●	●	●	●	●
Aquasensor	●	●	●	●	●	●	-
Self cleaning filter system	●	●	●	●	●	●	●
DESIGN FEATURES							
RealTime clock	●	-	-	-	-	-	-
TimeLight projection on floor	●	-	-	-	-	●	-
InfoLight (red)	-	-	-	-	-	-	-
DoorOpen Assist (with childlock function)	-	-	-	-	-	-	-
Full colour TFT control	●	-	-	-	-	-	-
Interior light	-	-	-	-	-	-	-
Start delay time max (hours)	24	24	24	24	24	24	9
Time remaining indicator	●	●	●	●	●	●	-
End of cycle indicator	Acoustic	-	-	-	-	Acoustic	Acoustic
Interior cavity material	Stainless steel	Stainless steel	Stainless steel/Polinox	Stainless steel/Polinox	Stainless steel/Polinox	Stainless steel	Stainless steel
Salt light LED indicator	●	●	●	●	●	●	●
Rinse aid light LED indicator	●	●	●	●	●	●	●
Flood protection system	AquaStop 24hr	AquaStop 24hr	AquaStop 24hr	AquaStop 24hr	AquaStop 24hr	AquaStop 24hr	AquaStop 24hr
TECHNICAL SPECIFICATIONS							
Required niche size for installation (HxWxD)	815-875 x 600 x 550	815-875 x 600 x 573	815-875 x 600 x 550	815-875 x 600 x 550	815-875 x 600 x 550	815-875 x 450 x 550	815-875 x 450 x 550
Net weight (kg)	44.0	42.0	33.0	33.0	33.0	32.0	29.0
Gross weight (kg)	47.0	44.0	35.0	35.0	35.0	34.0	31.0
Length electrical supply cord (cm)	175	170	175	175	175	175	175
Length inlet hose (cm)	165	140	165	165	165	165	165
Length outlet hose (cm)	190.0	170.0	190.0	190.0	190.0	205.0	205.0
Maximum adjustability feet (mm)	60	60	60	60	60	60	60
Surge-back protection installed	●	●	●	●	●	●	●
Water softener (kWh) ³	●	●	●	●	●	●	●
Maximum accepted water hardness	50°DH	50°DH	50°DH	50°DH	50°DH	50°DH	35°DH
Maximum temperature for water intake (°C)	60	60	60	60	60	60	60
Included accessories 2	Large item spray head, Steam deflector plate	Large item spray head, Steam deflector plate	Large item spray head, Steam deflector plate	Large item spray head, Steam deflector plate	Large item spray head, Steam deflector plate	Large item spray head, Steam deflector plate	Large item spray head, Steam deflector plate
Optional accessories	SGZ1010, SMZ2014, SMZ5001, SMZ5003, SMZ5005, SMZ5100, SMZ5300	SGZ1010, SMZ2014, SMZ5001, SMZ5002, SMZ5003, SMZ5005, SMZ5100	SGZ1010, SMZ2014, SMZ5000, SMZ5001, SMZ5002, SMZ5003, SMZ5006, SMZ5022	SGZ1010, SMZ2014, SMZ2044, SMZ5000, SMZ5001, SMZ5002, SMZ5003, SMZ5006, SMZ5025	SGZ1010, SMZ2014, SMZ5000, SMZ5001, SMZ5002, SMZ5003, SMZ5006	SGZ1010, SMZ5000, SMZ5001, SMZ5003, SMZ5005, SMZ5300, SPZ5100	SGZ1010, SGZ3003, SMZ5000, SMZ5001, SMZ5003, SMZ5005, SMZ5300
EAN code	4242002859194	4242002871677	4242002861838	4242002861845	4242002861852	4242002871691	4242002872940

● = Yes | - = No

Key to accessories

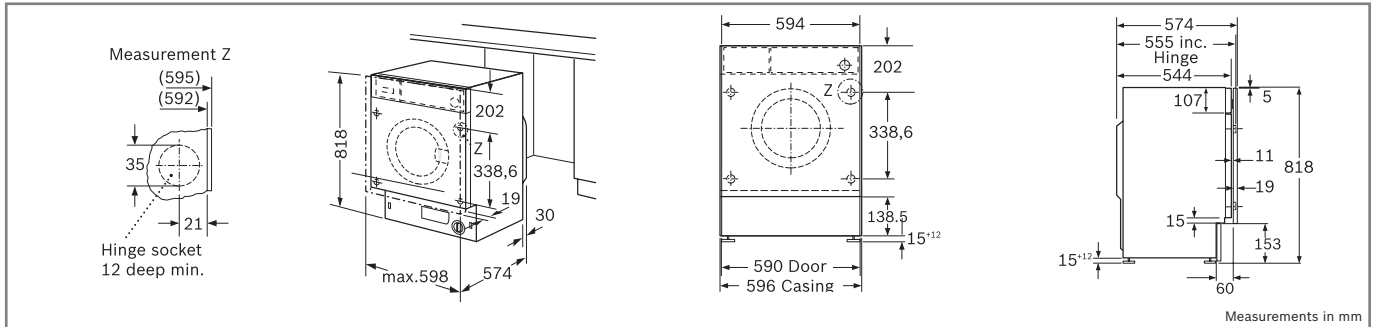
- SGZ1010 AquaStop extension
- SMZ5001 Baby care kit
- SMZ5002 Silverware holder cassette
- SMZ5100 Vario-cutlery basket (60cm)
- SMZ5300 Glass holder accessory
- SMZ5005 Front edging Strips (81.5cm)
- SMZ5006 Front edging Strips (81.5cm)
- SMZ5015 Front edging Strips (86.5cm)
- SPZ5100 Vario-cutlery basket (45cm & compacts)

Notes

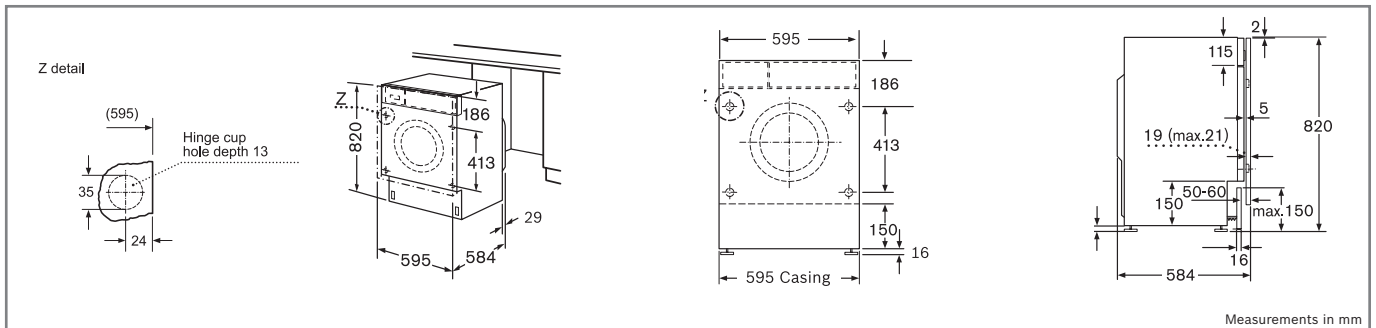
- ¹ Based on 280 standard cleaning cycles using cold water fill, including consumption of the standby mode.
- ² The consumption per cleaning cycle of the "Eco 50" programme using cold water fill.
- ³ We would recommend our dishwashers are connected to the mains water supply where possible. However, they may also be connected to an external water softener as long as the water softener produces softened water of less than 1.1 mmo/litre (7.0°) and the water softener in the appliance is turned off. Please contact product advice for further information. When using an external water softener unit, you will need to set the 'Refill Salt' indicator to zero otherwise over-softening of the water will take place which will result in corrosion of your glassware. Water pressure required: 0.5-10 Bar. Flow rate: 10 litres per minute. Inlet valve connected directly to 3/4" screwed joint. All Bosch built-in dishwashers are suitable for use with doors from 3.5kg-8.5kg if the correct door springs are installed.

Home laundry technical diagrams

Washing machines and washer dryers



WIS28441GB | WIS24141GB



WKD28541GB | WKD28351GB

Home laundry specifications

WASHING MACHINES

	Serie 8	
	WIS28441GB	WIS24141GB
White		
PERFORMANCE		
Energy efficiency class	A+	A+
Capacity cotton	kg 7.0	7.0
Maximum spin speed	rpm 1400	1200
Moisture content% on dry load after max. spin	53	59
Washing performance class	A	A
Spin drying performance class	B	C
Energy consumption annual	kWh/annum 220	220
Ø Energy consumption 40°C cotton programme (partial load)	kWh 0.86	0.86
Ø Energy consumption 60°C cotton programme (full load)	kWh 0.95	0.95
Ø Energy consumption 60°C cotton programme (partial load)	kWh 1.01	1.01
Water consumption annual	l/annum 11000	11000
Average washing time cotton 40°C (partial load)	135	135
Average washing time cotton 60°C (full load)	min 165	165
Average washing time cotton 60°C (partial load)	160	160
Drum volume	l 55	55
Noise level washing (dB)	46	46
Noise level spinning (dB)	64	63
PROGRAMMES/FUNCTIONS		
Standard Programmes		
Cottons	●	●
Easy-care programme	●	●
Wool programme	●	●
Delicates / Silk	●	●
Rinse	●	●
Spin	●	●
Empty	●	●
Specialist Programmes		
Superquick 15	●	-
Powerwash 60	●	-
Sensitive	●	-
Sportswear	●	-
Dark wash	●	-
Power Wash 60	●	-
Mixed Load	●	●
Options		
Pre Wash	●	●
Wash plus	●	●
Reduced Ironing	●	●
Aqua plus	●	●
Variable Temperature	●	●
Variable Spin	●	-
Spin speed reduction	-	●
KEY FEATURES		
Express Wash System	●	●
ADDITIONAL FEATURES		
softSurge Drum	●	●
Time delay	24	-
Time remaining	●	-
Foam Detection System	●	●
Safeguard Monitoring System	●	●
Noise Insulation	●	●
Water Protection system	Aquastop	Aquastop
TECHNICAL INFORMATION		
Dimensions (HxWxD) (exc door)	81.8 x 60 x 55.5	81.8 x 60 x 55.5
Display	LED Display	-
Cabinet Colour	white	white
Door Colour	white	white
Door Opening	130	130
Door Hinge	left-hand	left-hand
Length of supply cord	cm 225	225
Fully Integrable	●	●
EAN Code	4242002805719	4242002805726
OPTIONAL ACCESSORIES		
Height Adjustment	WMZ20440	WMZ20440
Connecting Piece	WMZ20470	WMZ20470
Floor Securing Kit	WMZ2200	WMZ2200
Extension for water inlet	WMZ2380	WMZ2380

● = Yes | - = No

All models comply with COMMISSION REGULATION (EC) No 1275/2008 with regard to ecodesign requirements for standby and off mode electric power consumption.

WASHER DRYER

	Serie 6	Serie 4
	WKD28541GB	WKD28351GB
White		
PERFORMANCE		
Energy efficiency class	B	B
Capacity cotton (kg) washing	7.0	7.0
Capacity cotton (kg) drying	4.0	4.0
Maximum spin speed (rpm)	1400	1400
Washing performance class	A	A
Energy consumption (wash and dry of full wash load)	kWh 5.6	5.6
Energy consumption (wash only)	kWh 1.03	1.03
Total annual energy consumption (Washing and drying 200 full loads)	kWh 1120	1120
Total annual water consumption (Washing only 200 full loads)	l 10400	10400
Water consumption (wash and dry full wash load)	l 103	103
Total annual water consumption (Washing and drying 200 full loads)	l 26000	26000
Total annual energy consumption (Washing only 200 full loads)	kWh 250	250
Average washing time cotton 60°C (full load)	min 212	212
Drum volume	l 52	52
Noise level washing	dB 57	57
Noise level spinning	dB 74	74
Noise level drying	dB 60	60
PROGRAMMES		
Standard programmes		
Cottons	●	●
Easy-care programme	●	●
Wool programme	●	●
Delicates / Silk	●	●
Intensive Dry	●	●
Gentle Dry	●	●
Rinse	●	●
Spin	●	●
Empty	●	●
Specialist programmes		
SuperQuick15	●	-
Night Wash	●	-
Sportswear	●	-
Sensitive	●	-
Mixed load	●	●
Fluff Removal Programme	●	●
Options		
Wash plus	●	●
Reduced Ironing	●	●
Rinse plus	●	●
Pre wash	●	●
Variable temperature	●	●
Variable spin	●	●
Spin speed reduction	●	●
Flexi Time	●	●
KEY FEATURES		
Full Electronic Control Dial for all wash and special programmes	●	●
Time selection options	●	●
ADDITIONAL FEATURES		
Aquatronic Wash System	●	●
Time Delay	24 hours	24 hours
Foam Detection System	●	●
Safeguard monitoring system	●	●
Child Lock	●	●
Water Protection system	Multiple water protection	AquaSecure
TECHNICAL INFORMATION		
Dimensions of the product (exc door)	cm 82 x 59.5 x 58.4	82 x 59.5 x 58.4
Length electrical supply cord	cm 220.00	220.00
Display	LED	LED
Cabinet Colour	white	white
Door Colour	white	white
Door Opening	95	95
Door Hinge	Left-hand	Left-hand
Fully Integrable	●	●
EAN code	4242002554594	4242002553740
OPTIONAL ACCESSORIES		
Connecting Piece (between appliance and 90cm worktop)	WMZ20470	WMZ20470
Floor Securing Kit	WMZ2200	WMZ2200
Extension for water inlet	WMZ2380	WMZ2380

● = Yes | - = No








Built-in ovens accessories




Description	Accessory Nr.	HBG634BS1B	HBG634BB1B	HBG656RS1B	HBG656RB1B	HBG674BS1B	HBG674BB1B	HBG6764S6B	HBG6764B6B
Single level telescopic shelf rails for Serie 8 non-pyrolytic, non-steam 60cm single ovens	HEZ638100	•	•	•	•	-	-	-	-
Single level telescopic shelf rails for Serie 8 60cm single pyrolytic ovens	HEZ638170	-	-	-	-	•	•	•	•
Full width enamelled baking tray for Serie 8 60cm single and 45cm compact ovens	HEZ631070	•	•	•	•	•	•	•	•
Full width wire shelf for Serie 8 60cm single and 45cm compact ovens	HEZ634000	•	•	•	•	•	•	•	•

Built-in compact accessories


Description	Accessory Nr.	CMG656BS6B	CMG656BB6B	CMG633BS1B	CBG675BS1B	CSG656BS1B	CNG6764S6B	CMG676BS6B
Single level telescopic shelf rails for Serie 8 non-pyrolytic, non-steam 45cm compact ovens	HEZ638108	-	-	-	-	-	-	-
Single level telescopic shelf rails for Serie 8 45cm compact pyrolytic ovens	HEZ638178	-	-	-	•	-	-	-
Full width enamelled baking tray for Serie 8 60cm single and 45cm compact ovens	HEZ631070	-	-	-	•	•	•	•
Full width wire shelf for Serie 8 60cm single and 45cm compact ovens	HEZ634000	•	•	•	•	•	•	•

Electric hobs accessories

	Description	Accessory Nr.	PIZ975N17E	PIP875N17E	PIV675N14E	PIN675N17E	PIN651F17E	PIE975N14E	PIM875N14E	PIM851F17E	PIL811F17E	PIE675N14E	PIE651F17E
	Set of four pans	HEZ390042	•	•	•	•	•	•	•	•	•	•	•
	Connecting strip	HEZ394301	•	•	•	•	-	•	•	-	-	•	-
	Teppan yaki approx. 40x20cm	HEZ390512	•	•	•	•	•	-	-	-	-	-	-
	Teppan yaki approx. 30x20cm	HEZ390511	•	•	•	•	•	-	-	-	-	-	-
	Griddle plate approx. 40x20cm	HEZ390522	•	•	•	•	•	-	-	-	-	-	-
	Rectangular roasting pan with lid approx. 30x20cm	HEZ390011	•	•	•	•	•	-	-	-	-	-	-
	Steamer pan insert of use with HEZ390011 roasting pan	HEZ390012	•	•	•	•	•	-	-	-	-	-	-

	Description	Accessory Nr.	PIE611B17E	PIA611F18E	PIA611B68B	PIE375C14E	PKN811D17E	PKE611D17E	PKF659C17E	PKE611C17E	NCT615C01 NCT616C01 NCT612C01	PKF375V14E
	Set of four pans	HEZ390042	•	•	•	-	-	-	-	-	-	-
	Connecting strip	HEZ394301	-	-	-	•	-	-	-	-	-	•
	Teppan yaki approx. 40x20cm	HEZ390512	-	-	-	-	-	-	-	-	-	-
	Teppan yaki approx. 30x20cm	HEZ390511	-	-	-	-	-	-	-	-	-	-
	Griddle plate approx. 40x20cm	HEZ390522	-	-	-	-	-	-	-	-	-	-
	Rectangular roasting pan with lid approx. 30x20cm	HEZ390011	-	-	-	-	-	-	-	-	-	-
	Steamer pan insert of use with HEZ390011 roasting pan	HEZ390012	-	-	-	-	-	-	-	-	-	-

Gas hobs accessories

	Description	Accessory Nr.	PPS816M91E	PPS916B91E	PCR715M90E	PCH615M90E	PPQ716B91E	PPP616B91E	POP66B80	PCS815B90E
	Connecting strip	HEZ394301	-	-	-	-	-	-	-	-

	Description	Accessory Nr.	PCQ715B90E	PCP615B90B PCP616B90E PCP612B90E	PBH6B5B60	PBP6B5B60 PBP6B2B60	PRA326B90E	PRB326B90E
	Connecting strip	HEZ394301	-	-	-	-	•	•

Hoods accessories

	Description	Accessory Nr.	DDA097G59B	DID106T50	DIA098E50B	DIB091U51B	DWK098E51B	DWA097E51B DWA067E51B	DWA078E50B	DWA094W51B DWA064W51B	DWA094W50B DWA074W50B DWA064W50B	DWB098E51B
	Recirculating kit (needed if recirculating)	DHZ5145	-	-	-	-	-	-	-	-	-	-
	Recirculating kit (needed if recirculating)	DHZ5325	-	-	-	-	•	•	•	•	•	-
	Recirculating kit (needed if recirculating)	DHZ5345	-	-	-	-	-	-	-	-	-	•
	Recirculating kit (needed if recirculating)	DHZ5365	-	-	•	-	-	-	-	-	-	-
	Recirculating kit (needed if recirculating)	DHZ5385	-	-	-	•	-	-	-	-	-	-
	Recirculating kit (needed if recirculating)	DHZ5595	-	-	-	-	-	-	-	-	-	-
	Recirculating kit (needed if recirculating)	DSZ5100	-	-	-	-	-	-	-	-	-	-
	Recirculating kit (needed if recirculating)	DHZ5275	-	-	-	-	-	-	-	-	-	-
	900 x 720mm brushed steel back panel	DHZ9551	-	-	-	-	-	-	-	-	-	-
	700 x 720mm brushed steel back panel	DHZ7551	-	-	-	-	-	-	-	-	-	-
	600 x 720mm brushed steel back panel	DHZ6551	-	-	-	-	-	-	-	-	-	-
	Decor panel black	DSZ0660	-	-	-	-	-	-	-	-	-	-
	Decor panel white	DSZ0620	-	-	-	-	-	-	-	-	-	-

Hoods accessories

Description	Accessory Nr.	DWB097A50B	DWB09W452B	Accessory Nr.	DWB094W50B	DWB074W50B	DWW097A50B	DWW077A50B	DWW067A50B	DWW09W460B	DWW09W450B	DWW06W450B
		DWB067A50B	DWB06W452B		DWB064W50B	DWB064W50B	DWW06W460B	DWW07W450B				
 Recirculating kit (needed if recirculating)	DHZ5145	-	-	DHZ5145	-	-	-	-	-	-	-	-
 Recirculating kit (needed if recirculating)	DHZ5325	•	•	DHZ5325	-	•	-	•	•	-	-	-
Recirculating kit (needed if recirculating)	DHZ5345	-	-	DHZ5345	•	-	•	-	-	-	-	-
Recirculating kit (needed if recirculating)	DHZ5365	-	-	DHZ5365	-	-	-	-	-	-	-	-
Recirculating kit (needed if recirculating)	DHZ5385	-	-	DHZ5385	-	-	-	-	-	-	-	-
Recirculating kit (needed if recirculating)	DHZ5995	-	-	DHZ5995	-	-	-	-	-	-	-	-
Recirculating kit (needed if recirculating)	DSZ5100	-	-	DSZ5100	-	-	-	-	-	-	-	-
Recirculating kit (needed if recirculating)	DHZ5275	-	-	DHZ5275	-	-	-	-	-	•	•	•
 900 x 720mm brushed steel back panel	DHZ9551	-	-	DHZ9551	-	-	-	-	-	-	-	-
 700 x 720mm brushed steel back panel	DHZ7551	-	-	DHZ7551	-	-	-	-	-	-	-	-
 600 x 720mm brushed steel back panel	DHZ6551	-	-	DHZ6551	-	-	-	-	-	•	-	•
 Decor panel black	DSZ0660	-	-	DSZ0660	-	-	-	-	-	-	-	-
 Decor panel white	DSZ0620	-	-	DSZ0620	-	-	-	-	-	-	-	-


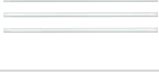


Description	Accessory Nr.	DFS097J50B/DFS067J50B	DFS097A50B/DFS067A50B	DFM063W50B	DHE645MGB	DHE635BGB	DHL535BGB	DHU625MGB	DHU635PGB/DHU636PGB/DHU632PGB	DHL785GCGB	DHL575CGB	DHU645PGB/DHU646PGB/DHU642PGB
Steel finish profile/handle - solid	DSZ4952	-	•	-	-	-	-	-	-	-	-	-
Steel finish profile/handle - solid	DSZ4956	-	•	-	-	-	-	-	-	-	-	-
Recirculating kit (needed if recirculating)	DHZ5605	-	-	-	-	-	-	-	-	•	•	-
Recirculating kit (needed if recirculating)	DSZ4565	•	•	•	-	-	-	-	-	-	-	-
CleanAir recirculating kit	DSZ4680	•	•	-	-	-	-	-	-	-	-	-
CleanAir charcoal odour filter	DSZ4681	•	•	-	-	-	-	-	-	-	-	-
Active Carbon Filter	DSZ4561	•	•	-	-	-	-	-	-	-	-	-
Active Carbon filter	DSZ4551	-	-	•	-	-	-	-	-	-	-	-
Carbon filter	DHZ7304	-	-	-	-	-	•	-	-	-	-	-
Carbon filter	DSZ11AF	-	-	-	•	•	-	-	-	-	-	-
Carbon filter	DHZ2400	-	-	-	-	-	-	•	-	-	-	-
Carbon filter	DHZ2701	-	-	-	-	-	-	-	•	-	-	•
Lowering frame	DSZ4660	•	•	-	-	-	-	-	-	-	-	-
White handle strip	DSZ4652	-	-	•	-	-	-	-	-	-	-	-
Black handle strip	DSZ4656	-	-	•	-	-	-	-	-	-	-	-

Dishwasher accessories

Description	Accessory Nr.	SMI88TS00G	SMI65P15GB	SMI50C12GB	SMI50C15GB	SMI50C16GB	SMV88TX26E	SMV88TD00G
Aquastop extension	SGZ1010	•	•	•	•	•	•	•
Stainless steel door and plinth panel	SMZ2044	-	-	-	•	-	-	-
Bottle and small parts holders	SMZ5001	•	•	•	•	•	•	•
Silver polishing cassette	SMZ5002	•	•	•	•	•	•	•
Drop hinge for tall cabinets	SMZ5003	•	•	•	•	•	•	•
Stainless steel panel strips	SMZ5005	•	•	-	-	-	•	•
Stainless steel panel strips	SMZ5006	-	-	•	•	•	-	-
Stainless steel decor conversion kit	SMZ5025	-	-	-	•	-	-	-
Adjustable cutlery basket	SMZ5100	•	-	-	-	-	•	•

Description	Accessory Nr.	SMV53L00GB	SMV50C10GB	SPV69T00GB	SPV40C10GB
Aquastop extension	SGZ1010	•	•	-	-
Stainless steel door and plinth panel	SMZ2044	-	-	-	-
Bottle and small parts holders	SMZ5001	•	•	-	-
Silver polishing cassette	SMZ5002	•	•	-	-
Drop hinge for tall cabinets	SMZ5003	•	•	-	-
Stainless steel panel strips	SMZ5005	-	-	-	-
Stainless steel panel strips	SMZ5006	•	•	-	-
Glass holder accessory	SMZ5300	•	•	•	•

Home laundry accessories

Description	Accessory Nr.	WIS28441GB	WIS24141GB	WKD28540GB	WKD28350GB
 Floor securing component	WMZ2200	•	•	•	•
 Adjustment kit for higher work surfaces (850mm to 870mm)	WMZ20470	•	•	•	•
 Extension for cold water inlet/Aquastop	WMZ2380	•	•	•	•
 Height adjustable feet	WMZ20440	•	•	-	-

Download a copy of our freestanding catalogue online at **bosch-home.co.uk** or call **0344 892 8979**



Contact Bosch Customer Service

To arrange an engineer visit, obtain product advice or order replacement spare parts or accessories visit **bosch-home.co.uk** or call **0344 892 8979**

Republic of Ireland customers should visit **bosch-home.ie** to arrange an engineer's visit, or to order spare parts and accessories, or call **(01) 450 2655**



Bosch Home UK



@BoschHomeUK

Calls are charged at the basic rate, please check with your telephone service provider for exact charges.

Disclaimer: This brochure is current as from the publication date and supersedes all previous brochures for these products. This brochure should not be regarded as an infallible guide nor as an offer for sale of any particular product. Whilst BSH Home Appliances Ltd believes that all information contained within this brochure is correct at the time of going to print, no representation or warranty, express or implied, is or will be made and no responsibility or liability is or will be accepted by BSH Home Appliances Ltd in relation to the accuracy or completeness of this information and any liability is expressly disclaimed. To the extent permitted by law, BSH Home Appliances Ltd expressly excludes: i) all conditions, warranties and other terms which might otherwise be implied by statute, common law or the law of equity and ii) any liability for any direct, indirect or consequential loss or damage (including, without limitation, damages for loss of business or loss of profits) arising in contract, tort or otherwise from the use of or reliance on any information contained within this brochure or from any action or decision taken as a result of such use or reliance. BSH Home Appliances Ltd reserves the right to modify technical data and all other information contained within this brochure without notice. All rights reserved. No part of this publication may be reproduced in any form or without the prior written permission of BSH Home Appliances Ltd. All colour variations are due to the limitations of the printing process. This brochure is printed on environment-friendly chlorine-free bleached paper. April 2016

BSH Home Appliances Limited
Grand Union House
Old Wolverton Road, Wolverton
Milton Keynes MK12 5PT
bosch-home.co.uk

BSH Home Appliances Limited
M50 Business Park
Ballymount, Dublin 12
Tel: 1890 626 041
bosch-home.ie

