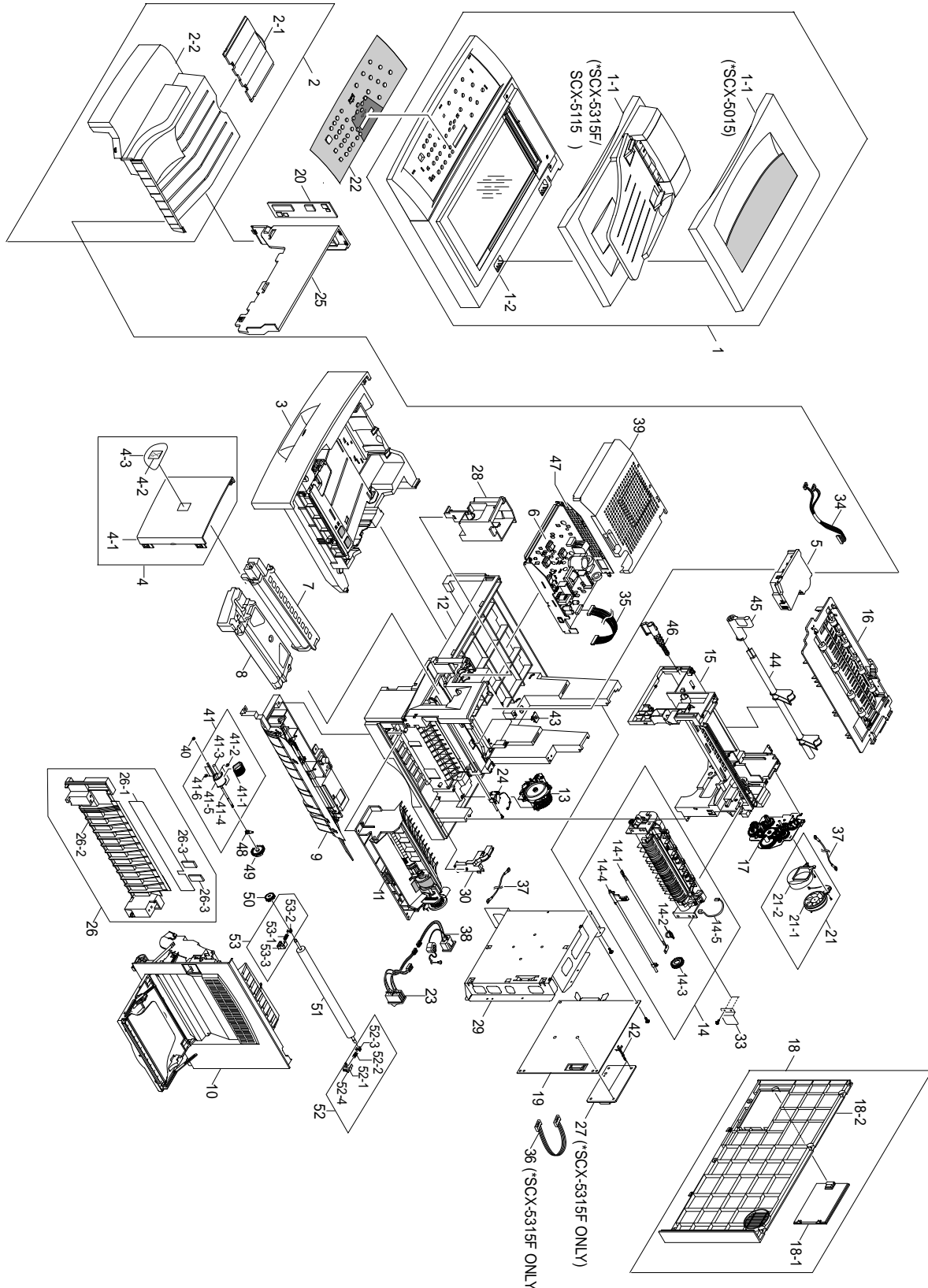


6. Exploded View & Parts List

6-1. Main Exploded View & Parts List



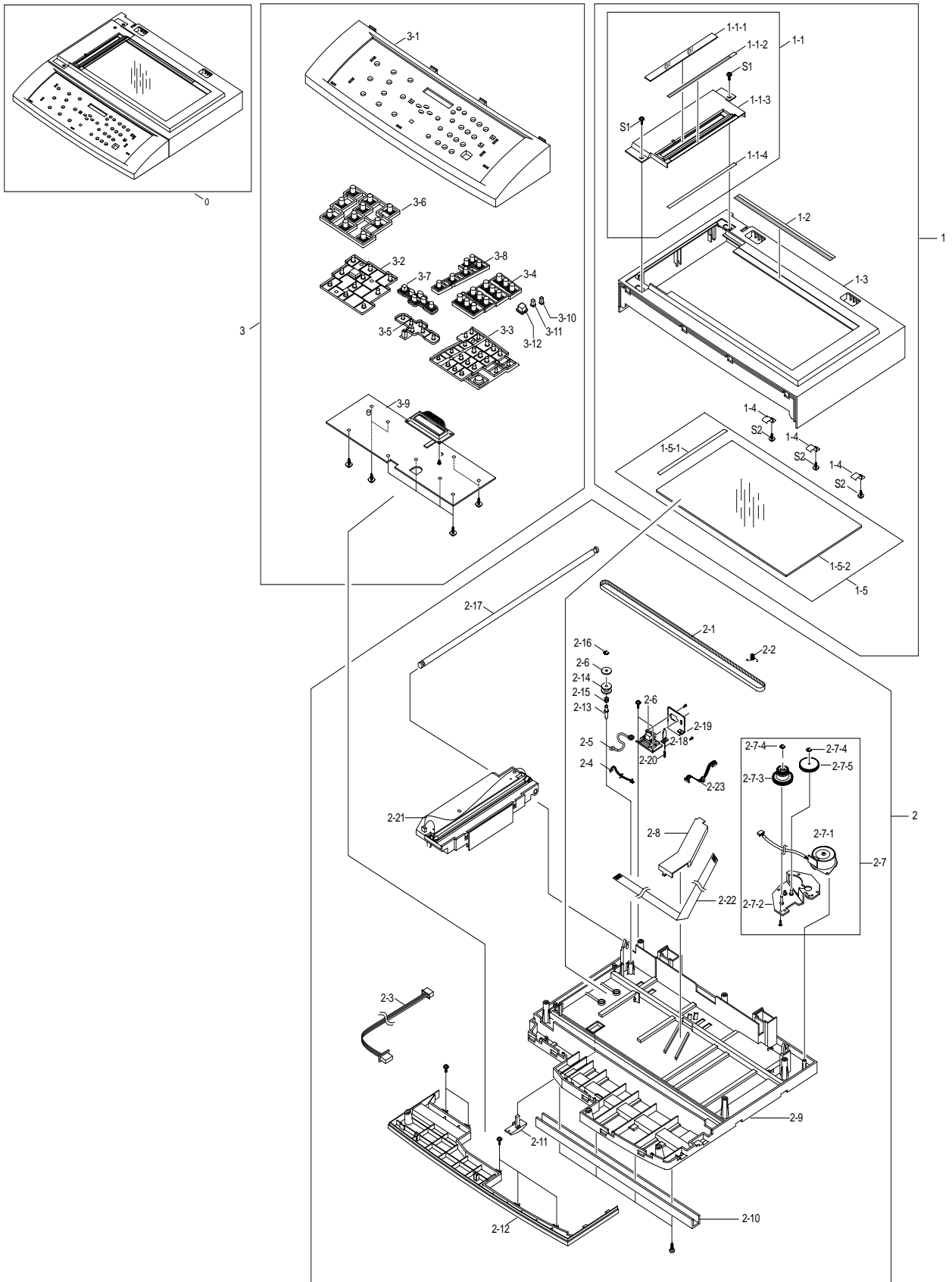
Main Parts List

NO	DESCRIPTION	SEC CODE	Q'TY	SA	REMARK
1	SCANNER ASS'Y	JC96-02723A	1	O	SCX-5315F
	SCANNER ASS'Y	JC96-02745A	1	O	SCX-5115
	SCANNER ASS'Y	JC96-02787A	1	O	SCX-5015
1-1	ELA HOU-ADF ASS'Y	JC96-02742A	1	X	SCX-5315F/5115
	MEA UNIT-PLATEN COVER ASS'Y	JC96-02750A	1	X	SCX-5015
1-2	ELA HOU-PLATEN ASS'Y	JC96-02754A	1	X	SCX-5315F
	ELA HOU-PLATEN ASS'Y	TBD	1	X	SCX-5115/5015
2	MEA UNIT-COVER PA EXIT ASS'Y	JC97-01556B	1	O	
2-1	PMO-TRAY EXTENTION MP NE	JC72-00354B	1	O	
2-2	PMO-COVER PAPER EXIT	JC72-00786B	1	O	
3	MEC-CASSETTE ASS'Y(Letter)	JC97-01733A	1	O	USA Ver.
	MEC-CASSETTE ASS'Y(A4)	JC97-01734A	1	O	Europe Ver.
4	MEA UNIT-COVER FRONT ASS'Y	JC97-01735A	1	O	
4-1	COVER-M-FRONT	JC63-00193A	1	X	
4-2	MPR-NAME/PLATE XRX	TBD	1	O	
4-3	PLATE-BADGE(XRX)	JC61-00777A	1	X	
5	UNIT-LSU	JC59-00014B	1	O	
6	SMPS-SMPS(V1)+HVPS	JC44-00031A	1	O	110V
	SMPS-SMPS(V2)+HVPS	JC44-00035A	1	O	220V
7	ELA-OPC UNIT SET	JC96-02238A	1	O	
8	ELA-TONER UNIT SET	JC96-02286A	1	O	Europe Ver.
	ELA-TONER UNIT SET	JC96-02239A	1	O	US/CANADA Ver.
9	ELA HOU-PICKUP ASS'Y	JC96-02715A	1	O	
10	ELA HOU-SIDE COVER ASS'Y	JC96-02183B	1	O	
11	ELA HOU-MP ASS'Y	JC96-02182A	1	O	
12	ELA HOU-BASE FRAME ASS'Y	JC96-02714A	1	X	SCX-5315F
	ELA HOU-BASE FRAME ASS'Y	JC96-02714B	1	X	SCX-5115
13	MEC-FEED ASS'Y	JC75-00143A	1	O	
14	ELA HOU-FUSER(110V)ASS'Y	JC96-02814A	1	O	110V
	ELA HOU-FUSER(220V)ASS'Y	JC96-02815A	1	O	220V
14-1	LAMP-HALOGEN (110V)	4713-001170	1	O	110V
	LAMP-HALOGEN(220V)	4713-001171	1	O	220V
14-2	THERMOSTAT	4712-000001	1	O	
14-3	GEAR-FUSER	JC66-40913B	1	O	
14-4	ACTUATOR ASS'Y	JC97-01611A	1	O	
14-5	THERMISTOR-FUSER	JC14-00001A	1	O	
15	ELA HOU-FRAME MAIN ASS'Y	JC96-02184A	1	O	
16	MEC-EXIT ASS'Y	JC75-00145A	1	O	
17	ELA HOU-DRIVE ASS'Y	JC96-02741A	1	O	
18	MEA UNIT-COVER REAR ASS'Y	JC97-01557A	1	O	
18-1	PMO-COVER SIMM,XRX	JC72-41224B	1	O	
18-2	PMO-COVER REAR	JC72-00788A	1	O	

NO	DESCRIPTION	SEC CODE	Q'TY	SA	REMARK
19	PBA MAIN-MAIN	JC92-01479A	1	O	SCX-5315F
	PBA MAIN-MAIN	JC92-01480A	1	O	SCX-5115/5015
20	PMO-CONNECT PAPER MFP	JC63-00215A	1	X	SCX-5315F
	PMO-CONNECT PAPER MFP	JC63-00215B	1	X	SCX-5115/5015
21	ELA HOU-DUCT FAN	JC96-02311A	1	X	
21-1	FAN-DC	JC31-00012A	1	O	
21-2	PMO-DUCT FAN	JC72-00807A	1	X	
22	SHEET-OVERLAY(ENGLISH)	JC63-00218A	1	O	SCX-5315F
	SHEET-OVERLAY(ENGLISH)	JC63-00212A	1	O	SCX-5115/5015
	SHEET-OVERLAY(SPANISH)	JC63-00218B	1	O	SCX-5315F
	SHEET-OVERLAY(SPANISH)	JC63-00212B	1	O	SCX-5115/5015
23	CBF POWER STITCH GRAY	JC39-00055B	1	X	
24	SOLENOID-PICK UP	JC33-00007A	1	O	
25	PMO-COVER EXIT REAR	JC72-00790A	1	O	
26	MEA UNIT GUIDE CST PA ASS'Y	JC97-01575A	1	O	
26-1	PMO-SHEET GUIDE PAPER	JC72-00836A	1	X	
26-2	PMO-GUIDE CASSETTE RAIL	JC72-00791A	1	X	
27	PBA LIU	JC92-01355A	1	O	USA/CANADA
	PBA LIU	JC92-01355B	1	O	Western Europe
	PBA LIU	JC92-01355C	1	O	Eastern Europe
	PBA LIU	JC92-01355C	1	O	Eastern Europe
28	PMO-DUMMY BASE FRAME	JC72-00789A	1	X	
29	IPR-SHIELD MAIN LOWER	JC63-00188A	1	X	
30	PMO-COVER FEED AY	JC72-00801A	1	X	
31	PMO-COVER BRKT MOTER	JC72-00834A	1	O	
32	PMO-GUIDE PAPER OUT	JC72-00835A	1	O	
33	PMO-DUCT FAN	JC72-00807A	1	X	
34	CBF HARNESS-LSU	JC39-00163A	1	X	
35	CBF HARNESS-POWER+HVPS	JC39-00162A	1	X	
36	CBF HARNESS-LIU	JB39-00104A	1	X	
37	CBF HARNESS-LIU GND	JB39-00103A	2	X	
38	CBF HARNESS-INLET(XEROX)	JC39-00172A	1	X	
39	IPR-SHIELD SMPS UPPER	JC70-00248A	1	X	
40	PMO-BUSHING P/U.MP	JC72-41360A	1	X	
41	MEA UNIT-PICKUP ROLLER	JC97-01730A	1	X	
41-1	RUBBER-ROLLER PICKUP	JC73-00145A	1	O	
41-2	RING-E	6044-000231	2	X	
41-3	SHAFT-PICK_UP SUB	JC66-00596A	1	X	
41-4	SHAFT-PICK_UP MAIN	JC66-00595A	1	X	
41-5	HOUSING-PICK_UP	JC61-00711A	1	O	
41-6	RING-E	6044-000125	1	X	
42	SUPPORTER(T20N)	6103-001048	2	X	
43	PMO-WINDOW SENSOR DEVE	JC72-00792A	1	X	

NO	DESCRIPTION	SEC CODE	Q'TY	SA	REMARK
44	PMO-CAM JAM REMOVE	JC72-00799A	1	O	
45	PMO-LOCKER DEVE	JC72-00805A	1	O	
46	PMO-LEVER JAM REMOVE	JC72-00804A	1	O	
47	IPR-SHIELD SMPS LOWER	JC70-00247A	1	X	
48	GEAR-PICK-UP	JC66-00335A	1	O	
49	PMO-BEARING SHAFT	JC72-41191A	1	X	
50	GEAR-TRANSFER	JC66-40947A	1	O	
51	MEC-ROLLER TRANSFER	JC75-00148A	1	O	
52	MEA UNIT-HOLDER GEAR ASS'Y	JC97-01573A	1	O	
52-1	SPRING ETC-PLATE TR	JC61-70203A	1	X	
52-2	SPRING ETC-TR_L	JC61-70961A	1	X	
52-3	PMO-BUSH	JC72-40228A	1	X	
52-4	PMO-HOLDER GND TR	JC72-00883A	1	X	
53	MEA UNIT-HOLDER GND ASS'Y	JC97-01574A	1	O	
53-1	SPRING ETC-TR_R	JC61-70906A	1	X	
53-2	PMO-BUSH	JC72-40228A	1	X	
53-3	PMO-HOLDER GEAR TR	JC72-00884A	1	X	

6-2. Platen Ass'y Exploded View & Parts List

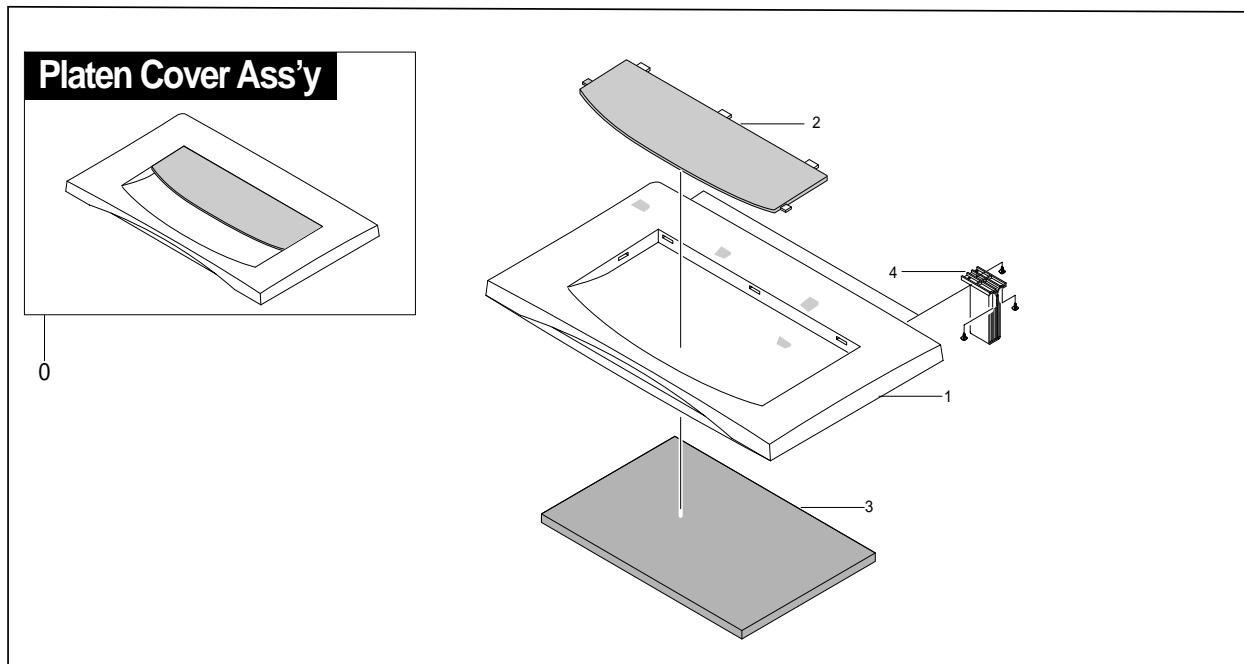
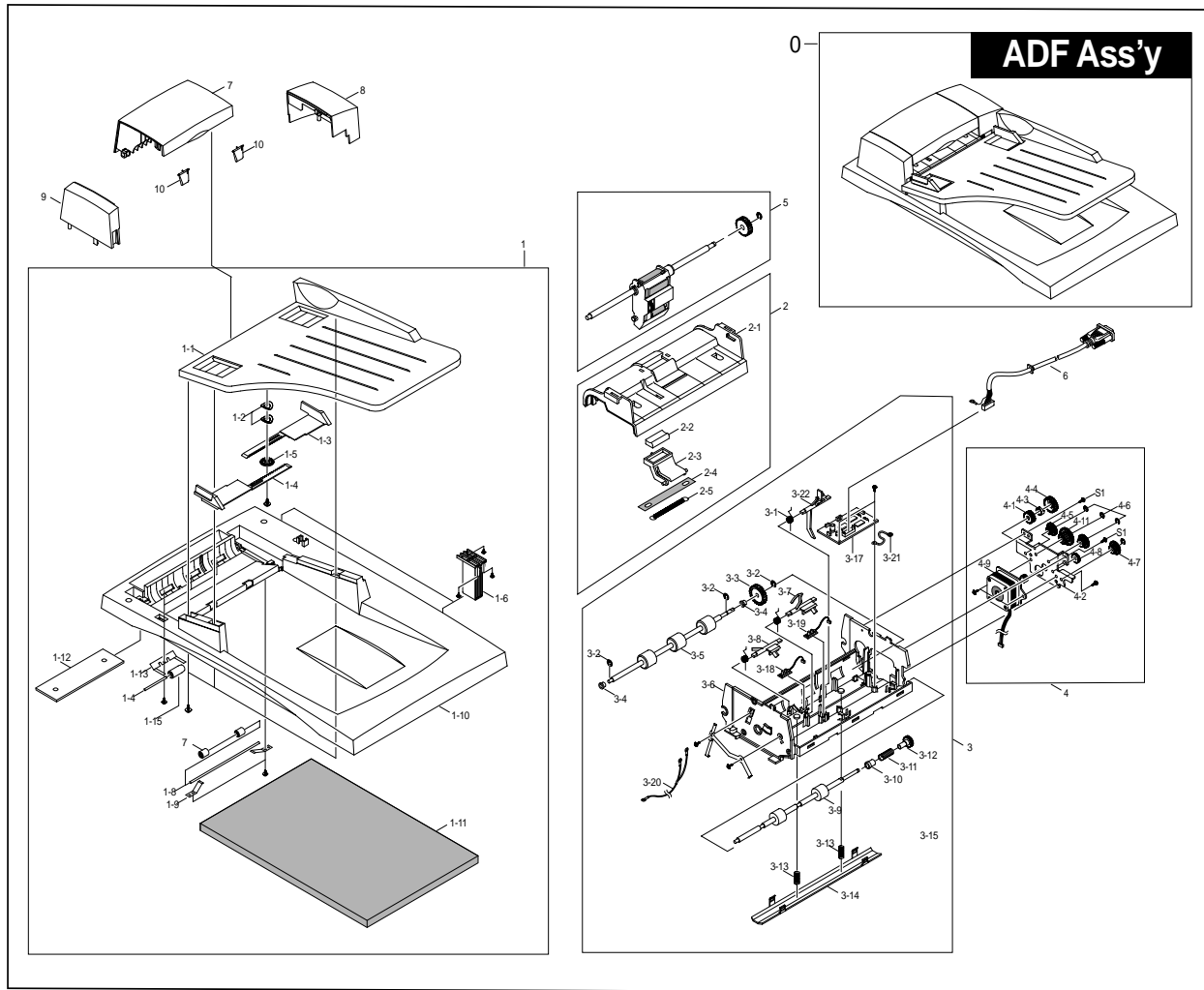


Platen Ass'y Parts List

NO	DESCRIPTION	SEC CODE	Q'TY	SA	REMARK
0	ELA HOU-PLATEN ASS'Y	JC96-02754A	1	X	SCX-5315F
	ELA HOU-PLATEN ASS'Y	TBD	1	X	SCX-5115/5015
1	MEA UNIT-SCAN UPPER ASS'Y	TBD	1	O	
1-1	A/S MATERIAL-DUMMY UPPER ASS'Y	JC81-00426A	1	O	
1-1-1	MCT-GLASS ADF	JC74-00019A	1	X	
1-1-2	LABEL(L)-REGISTRATION EDGE (L)	JB68-00469A	1	X	
1-1-3	PMO-DUMMY UPPER	JC72-00759A	1	X	
1-1-4	SHEET-DUMMY UPPER	JC63-00074A	1	X	
1-2	LABEL(R)-REGISTRATION EDGE (R)	JC72-00809A	1	X	
1-3	PMO-COVER SCAN UPPER	JC72-00758A	1	X	
1-4	IPR-HOLDER GLASS	JB70-00148A	3	X	
1-5	MEA UNIT-GLASS PLATEN ASS'Y	JC97-01580A	1	X	
1-5-1	LABEL(P)-SHEET SHADING	JB68-00419A	1	X	
1-5-2	MCT-GLASS SCANNER(LEGAL)	JC74-00018A	1	X	
2	ELA HOU-SCAN LOWER	JC96-02706A	1	X	
2-1	BELT-TIMING GEAR	6602-001090	1	O	
2-2	SPRING ETC-BELT	JB61-00059A	1	O	
2-3	CBF HARNESS-OPE	JC39-00167A	1	X	
2-4	CBF HARNESS-MAIN-ENGINE	JC39-00030A	1	X	
2-5	CBF HARNESS-DRIVER GND	JB39-00065A	1	X	
2-6	PBA SUB-D_SUB	JC92-01381A	1	X	
2-7	ELA HOU-SCAN MOTOR	JC81-01694A	1	O	
2-7-1	MOTOR STEP-SCAN	JB31-00011A	1	X	
2-7-2	BRACKET-MOTOR PLATEN	JC61-00702A	1	X	
2-7-3	GEAR-TIMING	JC66-00531A	1	X	
2-7-4	RING-E	6044-000125	3	X	
2-7-5	GEAR-REDUCTION73/37	JC66-00530A	1	X	
2-8	COVER-M-CCD CABLE	JC63-00158A	1	X	
2-9	COVER-SCAN LOWER(UMAX)	JC63-00157A	1	X	
2-10	IPR-CHANNEL BASE FRAME	JC70-00239A	2	X	
2-11	HOLDER-M-CCD(UMAX)	JC61-00703A	1	X	
2-12	PMO-COVER DUMMY LOWER(C)	JC72-00794A	1	X	
2-13	ICT-INSERT SHAFT	JB70-00154A	1	X	
2-14	PMO-PULLEY	JB72-00763A	1	X	
2-15	PMO-HOLDER BELT	JB72-00764A	1	X	
2-16	RING-E	6044-000125	1	X	
2-17	SHAFT-CCD(UMAX)	JC66-00532A	1	X	
2-18	PMO-LEVER SENSOR	JC72-00755A	1	O	
2-19	IPR-BRK SCAN BD	JC70-00228A	1	O	
2-20	SPRING ETC-EXIT	JB61-70939A	1	X	
21	ELA HOU-CCD MODULE	JC96-02759A	1	O	

NO	DESCRIPTION	SEC CODE	Q'TY	SA	REMARK
2-22	CBF SIGNAL-CCD FFC	JC39-00236A	1	O	
2-23	CBF HARNESS-SCAN MOTOR	JB39-00077A	1	X	
3	ELA HOU-OPE CVER ASS'Y	JC96-02172B	1	O	SCX-5315F
	ELA HOU-OPE CVER ASS'Y	JC96-02632B	1	O	SCX-5115/5015
3-1	PMO-OPE COVER	JC72-00756A	1	O	
3-2	RMP-RUBBER FUNCTION	JC73-00092A	1	O	
3-3	RMO-RUBBER TEL	JC73-00043A	1	O	
3-4	PMO-KEY TEL	JC72-00452B	1	O	
3-5	RMO-RUBBER SCROLL	JC73-00044A	1	O	
3-6	PMO-KEY FUNCTION(A)	JC72-00754B	1	O	SCX-5315F
	PMO-KEY FUNCTION(C)	JC63-00079A	1	O	SCX-5115/5015
3-7	PMO-KEY SCROLL	JC72-00453C	1	O	
3-8	PMO-KEY FUNCTION(B)	JC72-00455B	1	O	SCX-5315F ONLY
3-9	PBA-OPE(FRO)	JC81-00433A	1	O	
3-10	PMO-KEY REPORT	JC72-00457B	1	O	
3-11	PMO-KEY STOP	JC72-00451B	1	O	
3-12	PMO-KEY START	JC72-00450B	1	O	

6-3. ADF Ass'y or Platen Cover Ass'y Exploded View & Parts List



ADF Ass'y Parts List : SCX-5315F Only

NO	DESCRIPTION	SEC CODE	Q'TY	SA	REMARK
0	ELA HOU-ADF ASS'Y	JC96-02750A	1	X	SCX-5315F/5115
1	MEC UNIT-PLATEN COVER ASS'Y	JC96-02722A	1	O	
1-1	PMO-TX STACKER	JC72-00745A	1	O	
1-2	IPR-WASHER SPRING CY	JF70-10616A	2	X	
1-3	PMO-DOC GUIDE L	JC72-00839B	1	O	
1-4	PMO-DOC GUIDE R	JC72-00838B	1	O	
1-5	GEAR PINION	JF72-41354A	1	X	
1-6	MEA UNIT-HINGE	JC97-01731A	2	O	
1-7	ROLLER EXIT	JC73-00091A	2	X	
1-8	IPR-SHAFT EXIT	JC72-00242A	1	X	
1-9	NPR-SPRING PINCH DRIVE	JB71-00038A	2	X	
1-10	PMO-COVER PLATEN	JC72-00738A	1	X	
1-11	PPR-SPONG SHEET	JC72-00751A	1	O	
1-12	PPR-SHEET PLATEN	JC72-00750A	1	X	
1-13	IPR-SPRING PINCH	JC70-00260A	3	X	
1-14	IPR-SHAFT PINCH	JC70-00265A	3	X	
1-15	PMO-ROLL PINCH	JG72-40663A	3	X	
2	MEA UNIT-ADF UPPER ASS'Y	JC97-01581A	1	O	
2-1	COVER ADF UPPER	JC72-00736A	1	X	
2-2	ADF RUBBER	JC73-00052A	1	O	
2-3	HOLDER ADF	JB72-00825A	1	O	
2-4	SPONG ADF	JB73-00913A	1	X	
2-5	SPRIG ADF	JB61-00009A	1	X	
3	MEA UNIT-ADF LOWER ASS'Y	JC81-00434A	1	O	
3-1	SPRING TORSION DOC	JB61-00076A	1	X	
3-2	E-RING	6044-000159	3	X	
3-3	GEAR-ADF 38	JB66-00103A	1	X	
3-4	PMO-BUSH	JB72-00819A	2	O	
3-5	MEC-ROLLER DRIVE	JC75-00149A	1	O	
3-6	COVER ADF LOWER	JC72-00735A	1	X	
3-7	PMO-ACTUATOR SENSOR DOC.	JC72-00837A	1	O	
3-8	PMO-ACTUATOR SENSOR REGI	JB72-00747A	1	O	
3-9	MEC-ROLLER EXIT	JC75-00150A	1	O	
3-10	BUSHING HOLDER	JG72-40732A	1	X	
3-11	SPRING CLUTCH	JC61-00062A	1	X	
3-12	GEAR-EXITE 23	JC66-00323A	1	X	
3-13	SPRING WHITE BAR	TBD	2	X	
3-14	BRKT WHITE BAR	JC70-00225A	1	O	
3-15	PPR-WHITE BAR SHEET	JC72-00752A	1	O	
3-16	PMO-ACTUATOR SENSOR REGI	JC72-00747A	1	X	
3-17	PBA SUB-ADF	JC81-00437A	1	O	

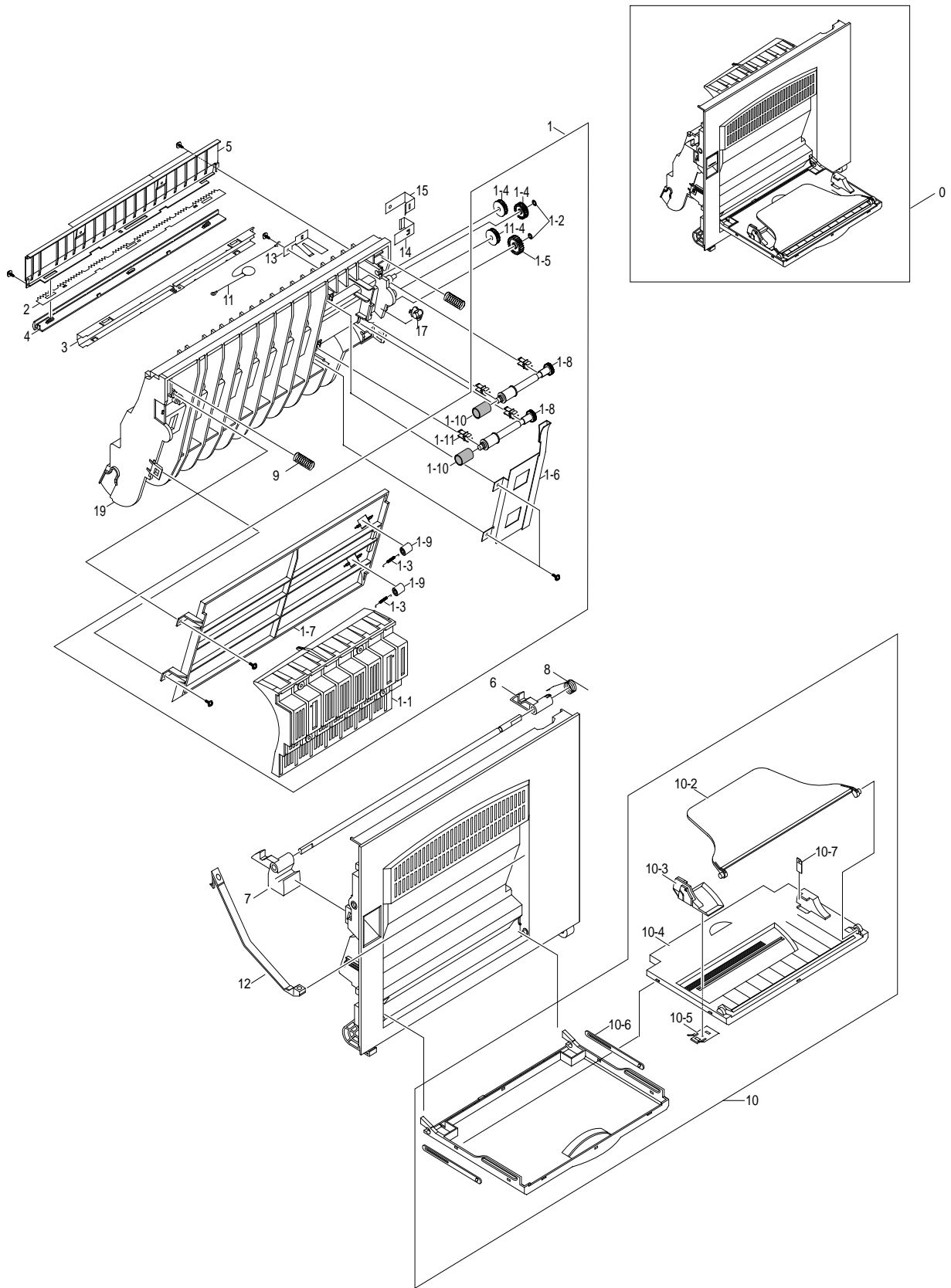
ADF Ass'y Parts List(Cont.) : SCX-5315F / SCX- 5115

NO	DESCRIPTION	SEC CODE	Q'TY	SA	REMARK
3-18	PBA SUB-ADF POS SEN	JC92-01365A	1	O	
3-19	PBA SUB-ADF DET SEN	JC92-01366A	1	O	
3-20	CBF HARNESS-ADF ROLLER GND	TBD	1	X	
3-21	CBF HARNESS-DRIVER GND	JB39-00065A	1	X	
3-22	PMO-ACTUATOR SENSOR SCAN	JC72-00746A	1	O	
4	MEA UNIT-ADF MOTOR ASS'Y	JC81-00435A	1	O	
4-1	GEAR CLUTCH 29	JB66-00101A	1	X	
4-2	BRKT ADF MOTOR	JC70-00224A	1	X	
4-3	PMO-WHITE CLUTCH SUB 29	JB72-00844A	1	X	
4-4	GEAR-CLUTCH IDLE 39	JC66-00322A	1	X	
4-5	GEAR DOUBLE 33/20	JG61-40038A	2	X	
4-6	E-RING	6044-000159	6	X	
4-7	GEAR-DOUBLE 17/35	JG66-40039A	2	X	
4-8	GEAR IDLE 25	JG66-40036A	1	X	
4-9	MOTOR ADF	JC31-00017A	1	X	
4-10	GEAR-JAM REMOVE	JC66-00329A	1	X	
4-11	GEAR REDUCTION45/19	JC66-00324A	1	X	
5	MEC UNIT-PICK UP ASS'Y	JC97-01582A	1	O	
6	CBF HARNESS-D-SUB	JC39-00190A	1	O	
7	PMO-COVER OPEN	JC72-00737A	1	O	
8	PMO-COVER SIDE L	JC72-00739A	1	O	
9	PMO-COVER SIDE R	JC72-00740A	1	O	
10	PMO-GUIDE PAPER	JC72-00843A	2	O	
S1	SCREW-TAPTITE	6003-000269	2	X	

Platen Cover Ass'y Parts List : SCX-5015 Only

NO	DESCRIPTION	SEC CODE	Q'TY	SA	REMARK
0	MEA UNIT-PLATEN COVER ASS'Y(C)	JC97-01680B	1	O	SCX-5015 Only
1	PMO-COVER PLATEN(C)	JC72-00873A	1	O	
2	PMO-COVER DUMMY PLAEN	JC72-00874B	1	O	
3	PPR-SPONG SHEET	JC72-00751A	1	O	
4	MEA UNIT-HINES ASS'Y(C)	JC97-01681A	2	O	

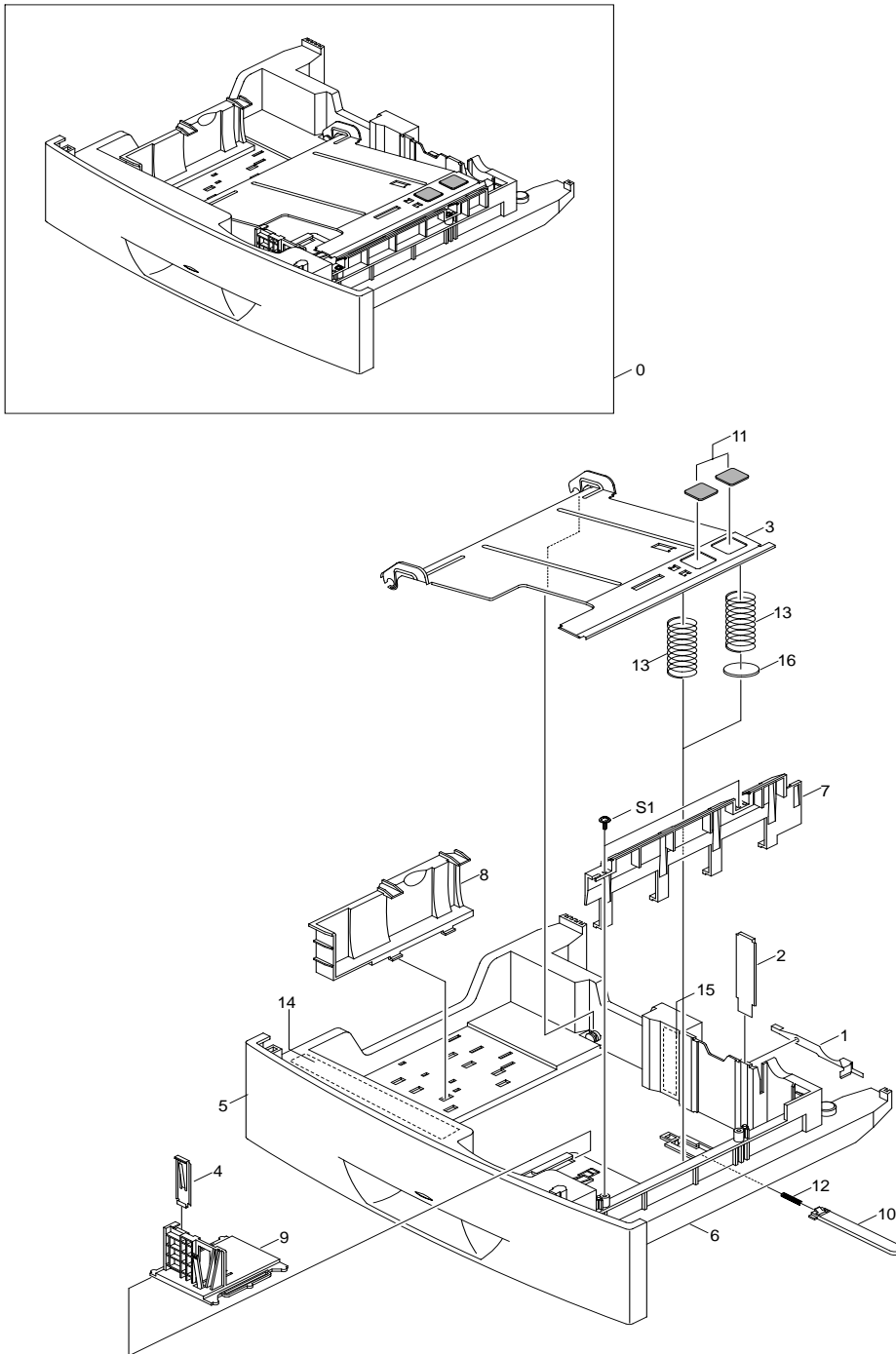
6-4. Side Cover Ass'y Exploded View & Parts List



Side Cover Ass'y Parts List

NO	DESCRIPTION	SEC CODE	Q'TY	SA	REMARK
0	ELA HOU-SIDE COVER ASS'Y	JC96-02183B	1	O	
1	MEA UNIT-DUPLEX ASS'Y	JC97-01578A	1	X	
1-1	PMO-GUIDE DP SIDE	JC72-00806A	1	X	
1-2	RING-CS	6044-000001	2	X	
1-3	SPRING-FUSER EXIT	JC61-70976A	2	X	
1-4	GEAR-DUP IDLER 17	JC66-00341A	3	X	
1-5	GEAR-MP/DUP DRV	JC66-00346A	1	X	
1-6	IPR-BRKT G DUP	JC70-00233A	1	X	
1-7	PMO-GP LOWER DP	JC72-00732A	1	X	
1-8	PMO-SHAFT DUP DRIVER	JC72-00764A	2	X	
1-9	PMO-ROLLER_EXIT	JC72-40361A	2	X	
1-10	RPR-RUBBER EXIT	JC73-10203A	2	X	
1-11	PMO-BUSHING TX(B4)	JG72-40744A	4	X	
1-12	PMO-TIE STOPPER	JC72-00766A	2	X	
2	IPR-PLATE SAW	JC70-10232A	2	X	
3	PMO-FEED FRAME	JC72-00731A	1	X	
4	PMO-HOLDER SAW	JC72-41213A	1	X	
5	IPR-BRACKET GUIDE A	JC70-00229A	1	X	
6	PMO-LOCKER SIDE R	JC72-00763A	1	O	
7	PMO-LOCKER OPEN	TBD	1	O	
8	SPRING-LOCKER TORSION	JC61-00479A	1	O	
9	SPRING-FEED	JC61-00478A	2	O	
10	MEC UNIT-TRAY ASS'Y	JC97-01577A	1	O	
10-1	PMO-TRAY CASE, MP	JC72-00776A	1	X	
10-2	PMO-SIDE EXIT, MP	JC72-00778A	1	X	
10-3	PMO-SIDE GUIDE, MP	TBD	1	X	
10-4	PMO-TRAY COVER, MP	JC72-00777A	1	X	
10-5	IPR-GUIDE LATCH, MP	JB70-10906A	1	X	
10-6	PMO-TRAY LINK,MP	JC72-00857A	1	X	
10-7	LABEL(R)-HEIGHT,MP	JC68-00697A	1	X	
11	CBF HARNESS-OPE GND	JC39-00036A	1	X	
12	PMO-TIE STOPPER	JC72-00766A	2	O	
13	IPR-BRKT GROUND B	JC70-00230A	1	X	
14	IPR-BRKT GROUND TR	JC70-00231A	1	X	
15	IPR-BRKT GROUND A	JC70-00232A	1	X	
16	IPR-BRACKET GUIDE B	JC70-00234A	1	X	
17	PMO-BUSHING FEED	JC72-00730A	1	X	

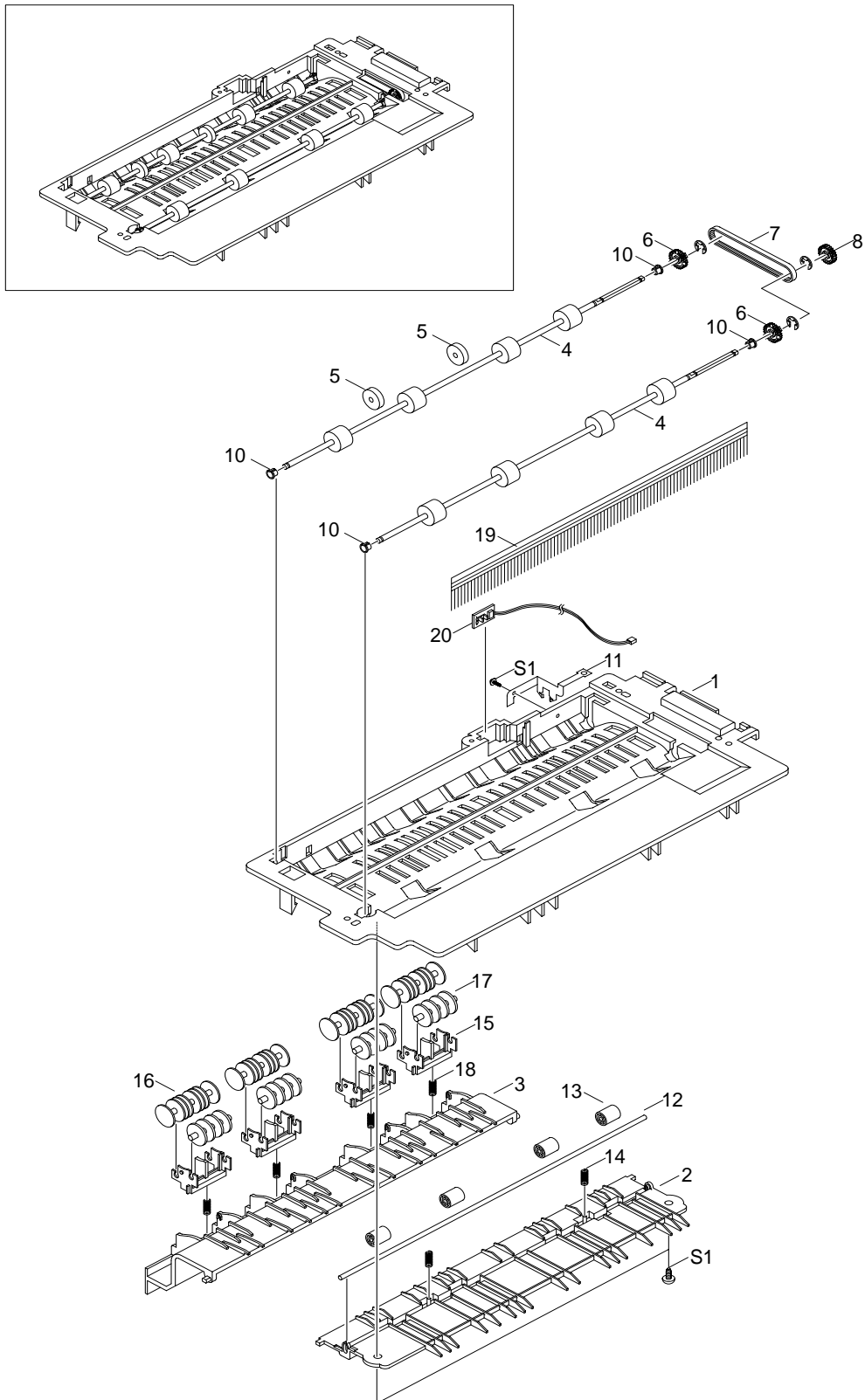
6-5. Cassette Ass'y Exploded View & Parts List



Cassette Ass'y Parts List

NO	DESCRIPTION	SEC CODE	Q'TY	SA	REMARK
0	MEC-CASSETTE ASS'Y(LETTER)	JC97-01733A	1	O	USA Ver.
	MEC-CASSETTE ASS'Y(A4)	JC97-01734A	1	O	Europe Ver.
1	IPR-FINGE	JC70-00451A	1	X	
2	IPR-GUIDE PLT PAPER	JC70-10923A	1	X	
3	IPR-PLATE K/UP	JC70-00221A	1	X	
4	IPR-SPR PLT G/SIDE	JC70-00451A	1	O	
5	PMO-COVER CASSETTE	JC72-00713A	1	X	
6	PMO-FRAME CASSETTE	JC72-00716A	1	X	
7	PMO-GUIDE FRONT CST	JC72-00798A	1	X	
8	PMO-GUIDE REAR	JC72-00717A	1	O	
9	PMO-GUIDE/SIDE CST	JC72-40967D	1	O	
10	PMO-LOCKER PLATE	JC72-41210A	1	O	
11	PRP-PAD CAST	JC73-10910A	2	O	
12	SPRING-LOCKER PLATE	JG61-70531A	1	O	
13	SPRING-PLATE K/UP	JC61-00455A	2	O	
14	LABEL(R)-INSTRUCTION CST	JC68-00692A	1	X	
15	LABEL(R)-HEIGHT CST	JC68-00709A	1	X	
16	SHEET-CASSETTE	JC63-00216A	1	X	

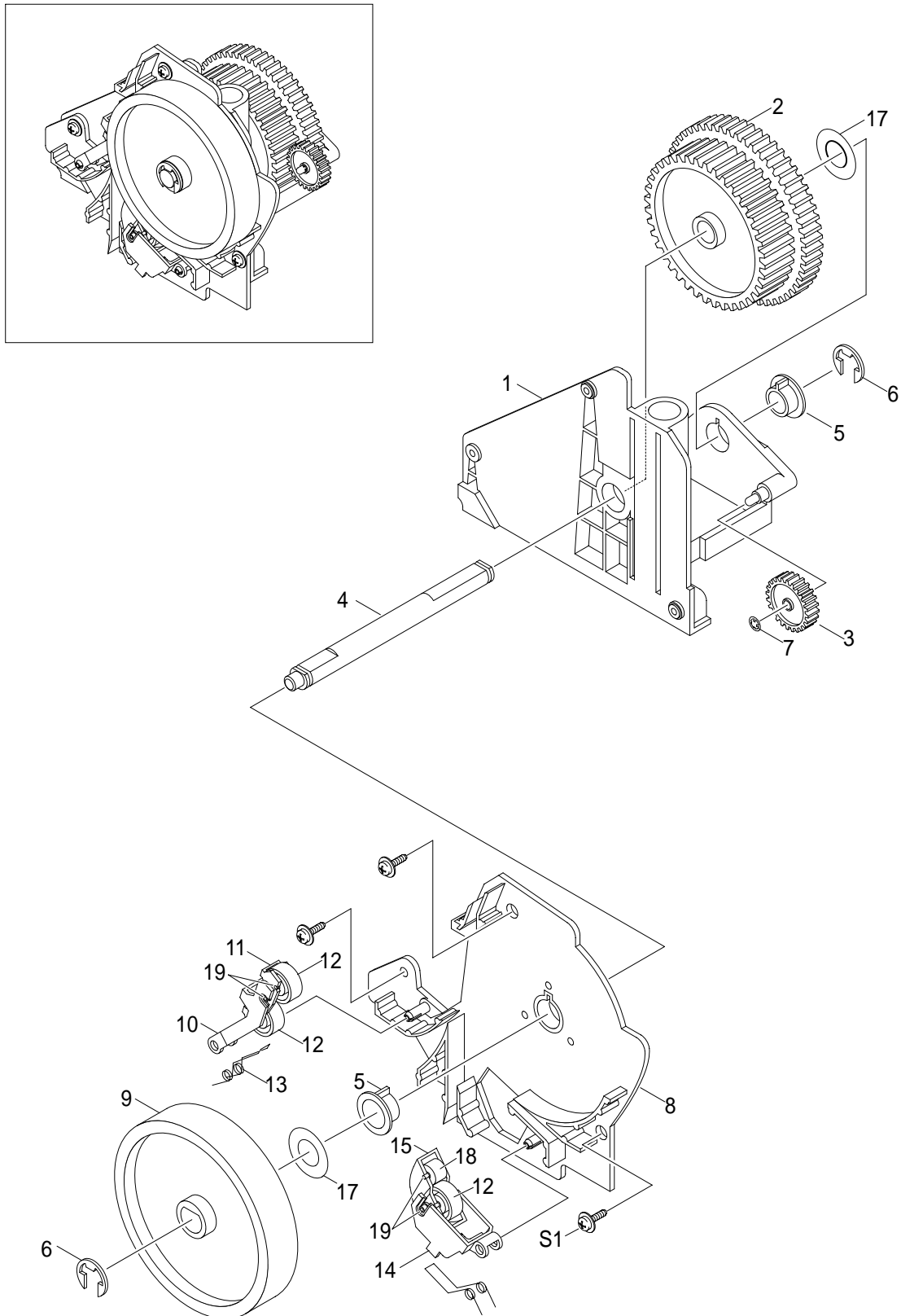
6-6. Exit Ass'y Exploded View & Parts List



Exit Ass'y Parts List

NO	DESCRIPTION	SEC CODE	Q'TY	SA	REMARK
0	MEC-EXIT ASS'Y	JC75-00145A	1	O	
1	PMO-GUIDE-EXIT UPPER	JC72-00708A	1	X	
2	PMO-GUIDE-EXIT LOWER	JC72-00710A	1	X	
3	PMO-GUIDE-JAM REMOVE	JC72-00712A	1	X	
4	MEC-ROLLER EXIT DRV	JC75-00127A	2	O	
5	PMO-ROLLER DECURL	JC72-00833A	4	O	
6	PMO-PULLEY DUPLEX	JC72-40980A	2	X	
7	BELT-TIMING GEAR	6602-001084	1	X	
8	GEAR-DUPLEX	JC66-40912A	1	X	
9	PMO-BEARING LARGE DP	JC72-40978A	1	X	
10	PMO-BEARING LARGE DP	JC72-40978A	4	O	
11	IPR-GROUND-EXIT	JC70-00252A	1	X	
12	ICT-SHAFT-EXIT LOWER ID	JC70-00274A	1	X	
13	PMO-ROLLER_EXIT	JC72-40361A	4	X	
14	SPRING-EXIT ROLL FD	JC61-70911A	2	X	
15	PMO-HOLDER EXIT ROLL	JC72-41006A	4	X	
16	PMO-ROLLER FD F	JC72-41007A	4	X	
17	PMO-ROLLER FD R	JC72-41008A	4	X	
18	SPRING-EXIT LOWER IDLE	JC61-00484A	4	X	
19	MEC- BRUSH ANTISTATIC	JC75-00095A	1	O	
20	PBA SUB-BIN-FULL SENSOR	TBD	1	X	
S1	SCREW-TAPTITE	6003-000196	3	X	

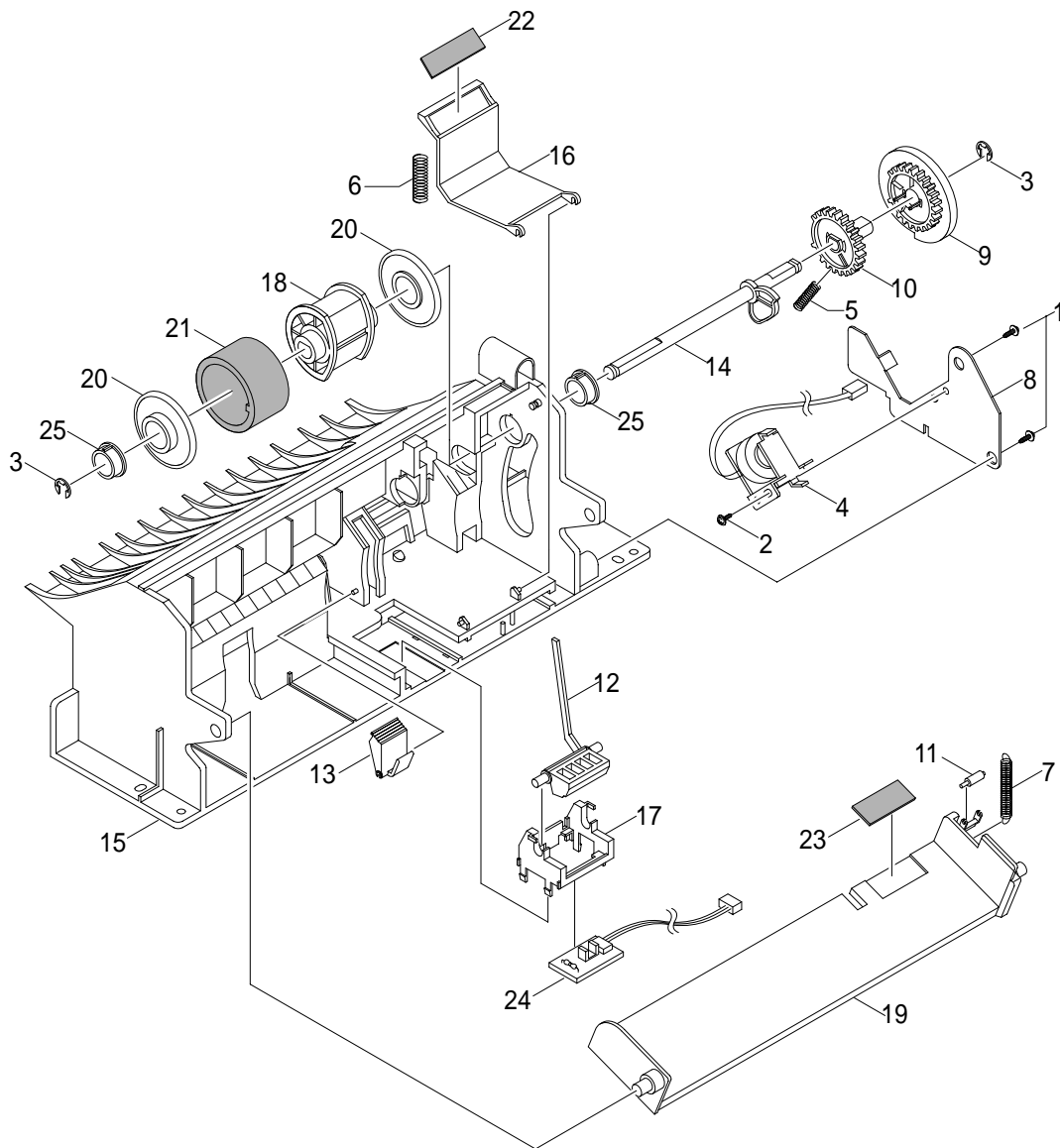
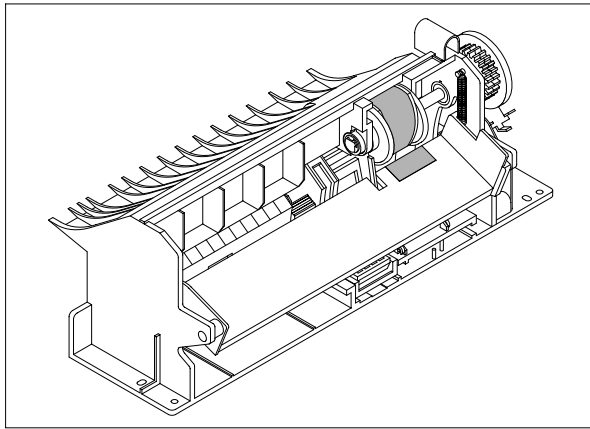
6-7. Feeder Ass'y Exploded View & Parts List



Feeder Ass'y Parts List

NO	DESCRIPTION	SEC CODE	Q'TY	SA	REMARK
0	MEC-FEED ASS'Y	JC75-00143A	1	O	
1	PMO-FRAME FEED	JC72-00821A	1	X	
2	GEAR-FEED	JC66-00332A	1	X	
3	GEAR-MP/DUP DRV	JC66-00346A	1	X	
4	ICT-SHAFT FEED	JC70-00267A	1	X	
5	PMO-BUSHING_P/U,MP	JC72-41364A	1	X	
6	RING-E	6044-000125	2	X	
7	RING-CS	6044-000001	1	X	
8	PMO-BRKT FEED	JC72-00720A	1	X	
9	PMO-ROLLER FEED	JC72-00727A	1	O	
10	PMO-HOLDER PINCH C	JC72-00723A	1	X	
11	PMO-HOLDER PINCH SUB	JC72-00725A	1	X	
12	PMO-ROLLER FEED L	JC72-40261A	3	X	
13	SPRING-FEED CAST	JC61-00480A	1	X	
14	PMO-HOLDER PINCH M	JC72-00724A	1	X	
15	PMO-SUB HOLDER FEED	JC72-40266A	1	X	
16	SPRING-FEED MP	JC61-00481A	1	X	
17	WASHER-PLAIN	6031-000021	2	X	
18	PMO-ROLLER FEED S	JC72-40262A	1	X	
19	IPR-SHAFT FEED IDLER	JC70-10230A	4	X	
S1	SCREW-TAPTITE	6003-000196	3	X	

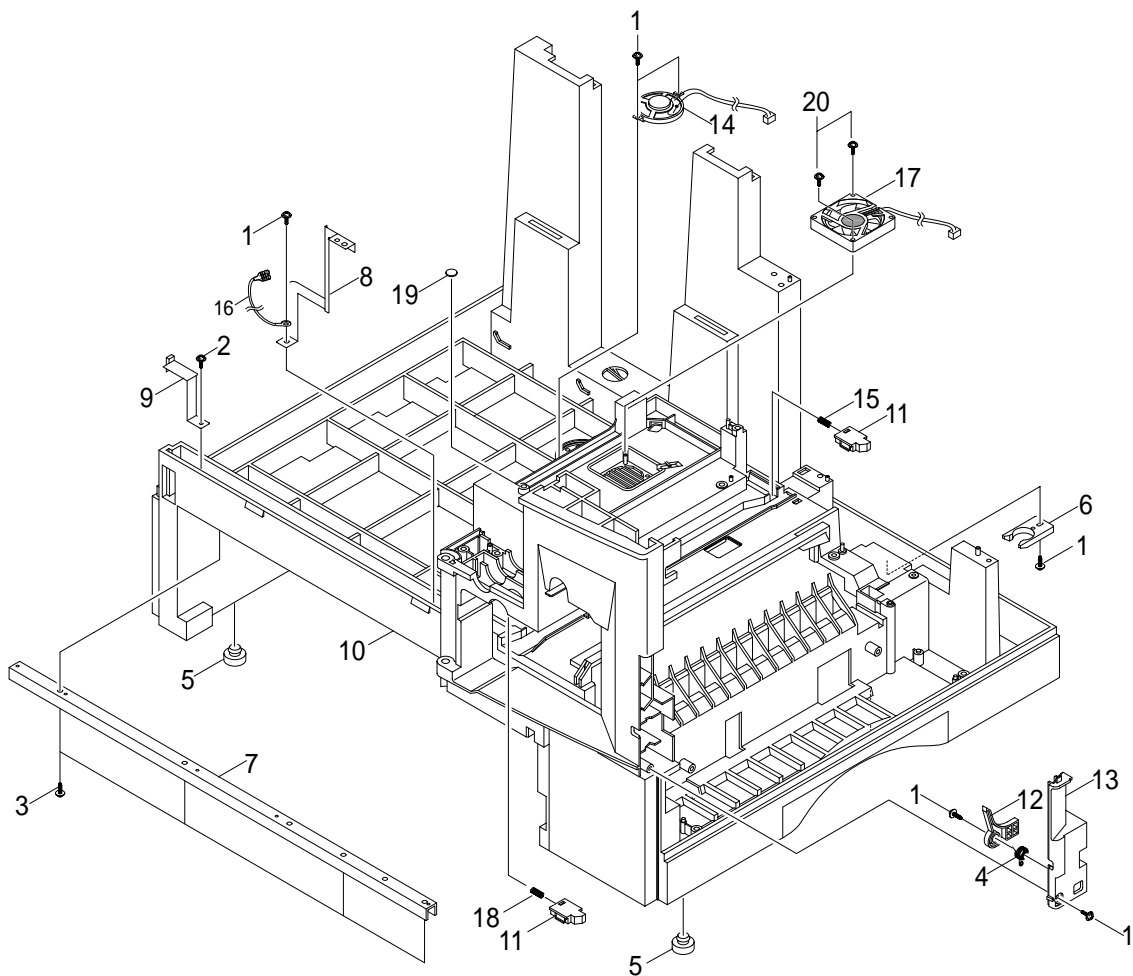
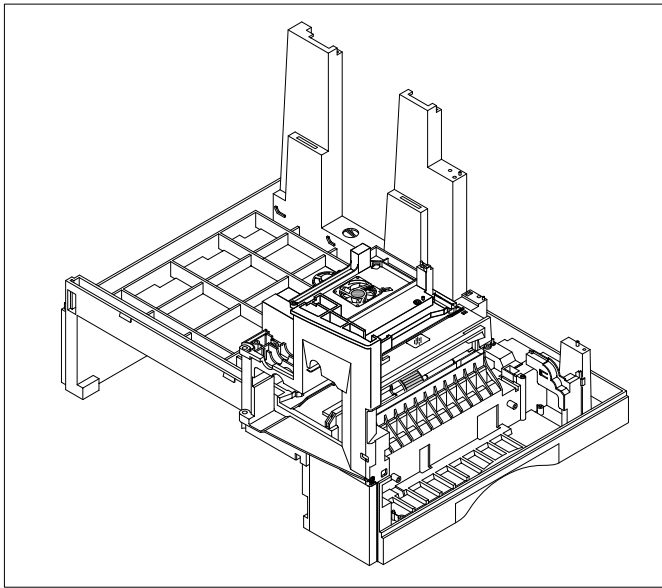
6-8. MP Ass'y Exploded View & Parts List



MP Ass'y Parts List

NO	DESCRIPTION	SEC CODE	Q'TY	SA	REMARK
0	ELA HOU-MP ASS'Y	JC96-02182A	1	O	
1	SCREW-TAPTITE	6003-000119	2	X	
2	SCREW-TAPTITE	6003-000266	1	X	
3	RING-E	6044-000125	2	O	
4	SOLENOID-MP	JC33-00006A	1	O	
5	SPRING--CAM MP	JC61-00003A	1	O	
6	SPRING-PICK UP MP	JC61-00041A	1	X	
7	SPRING-KNOCKUP,MP	JC61-00483A	1	O	
8	IPR-BRACKET SOLENOIDE	JC70-00237A	1	X	
9	PMO-HOLDER CAM MPF	JC72-00055A	1	X	
10	PMO-GEAR P/U MPF	JC72-00056A	1	X	
11	PMO-ROLLER CAM.MP	JC72-00761A	1	X	
12	PMO-ACTUATOR,MP	JC72-00767A	1	O	
13	PMO-ADJUSTER,MP	JC72-00768A	1	O	
14	PMO-CAM PICK UP,MP	JC72-00769A	1	O	
15	PMO-FRAME,MP	JC72-00770A	1	X	
16	PMO-HOLDER PAD,MP	JC72-00771A	1	O	
17	PMO-HOLDER SENSOR,MP	JC72-00772A	1	O	
18	PMO-HOUSING PICK UP,MP	JC72-00773A	1	X	
19	PMO-PLATE KNOCK UP,MP	JC72-00775A	1	X	
20	PMO-IDLE PICK UP,MP	JC72-41027A	2	O	
21	RPR-RUBBER PICK UP,MP	JC73-00089A	1	X	
22	RPR-RCT-PAD-PICKUP,MP	JC73-00090A	1	O	
23	RPR-PAD KNOCK UP,MP	JC73-10906A	1	O	
24	PBA SUB-MP SEN	JC92-01362A	1	O	
25	PMO-BUSHING PICKUP,MP	JC72-41364A	1	O	
26	A/S MATERAL-PICKUP,MP	JC81-00427A	1	O	

6-9. Base Frame Exploded View & Parts List

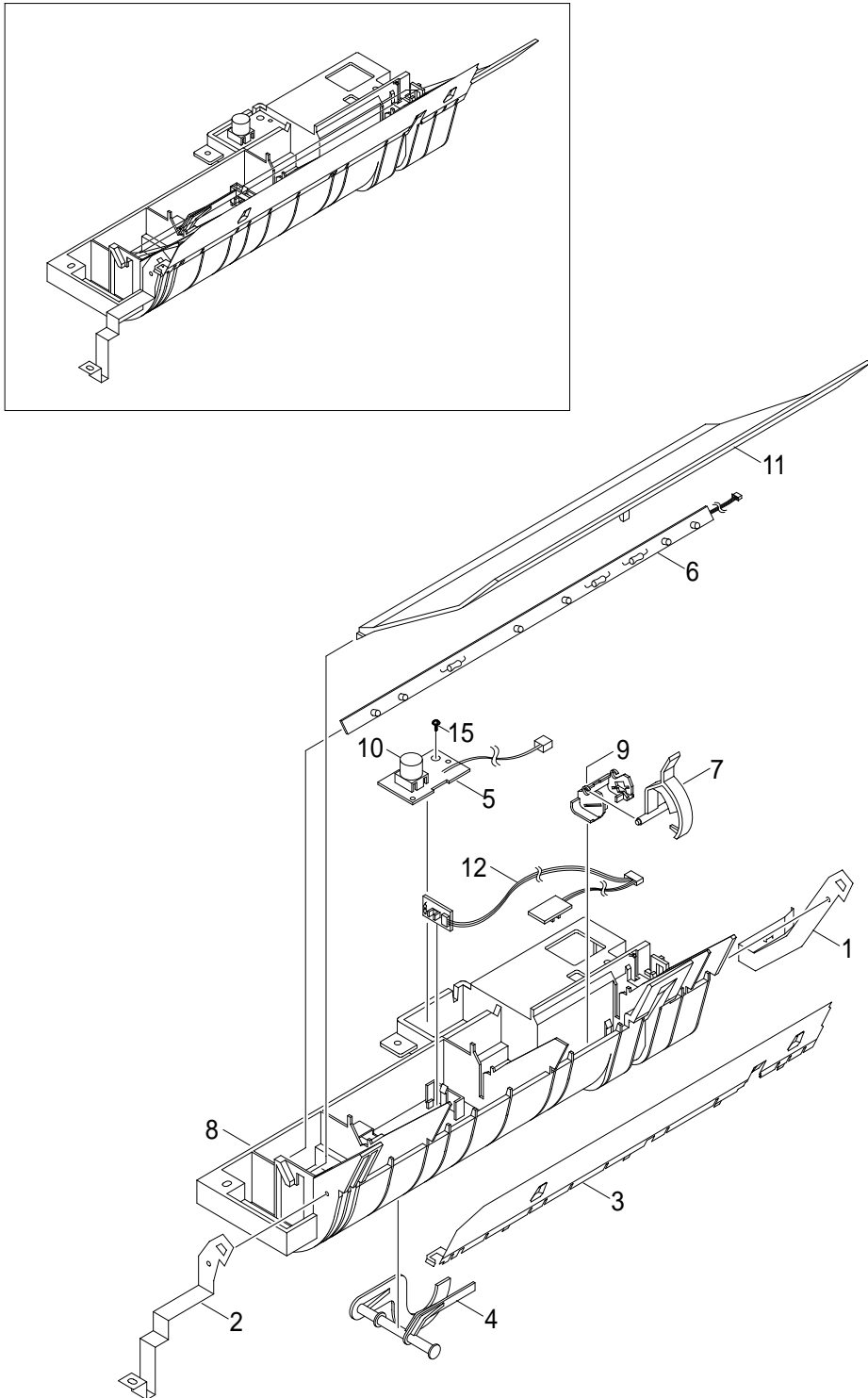


Base Frame Parts List

NO	DESCRIPTION	SEC CODE	Q'TY	SA	REMARK
0	ELA HOU-BASE FRAME	JC96-02818A	1	X	SCX-5315F
	ELA HOU-BASE FRAME	JC96-02818B	1	X	SCX-5115
1	SCREW-TAPTITE	6003-000196	5	X	
2	SCREW-TAPTITE	6003-000269	2	X	
3	SCREW-TAPTITE	6003-001256	4	X	
4	SPRING ETC-TORSION	JC61-00486A	1	X	
5	FOOT-ML80	JC61-40001A	2	O	
6	CAM-CATCH	JC66-00050A	1	X	
7	IPR-CHANNEL BASE FRAME	JC70-00239A	1	X	
8	IPR-GROUND PLATE A(OPC)	JC70-00240A	1	O	
9	IPR-GROUND PLATE B(BASE)	JC70-00241A	1	O	
10	PMO-BASE FRAME	JC72-00779A	1	X	
11	PMO-BRACKET PUSH DEVE	JC72-00780A	2	X	
12	PMO-BRACKET SIDE OPEN	JC72-00781A	1	O	
13	PMO-COVER FRONT DUMMY	JC72-00785A	1	X	
14	ELA M/M-AUD SPEAKER	JC96-01607A	1	O	
15	SPRING ETC-DEVE REAR	JC61-00550A	1	X	
16	CBF HARNESS-OPC GND	JC39-00179A	1	X	
17	FAN-DC(LSU)	JC31-00026A	1	X	
18	SPRING ETC-DEVE FRONT	JC61-00551A	1	X	
19	SHEET-BASE FRAME	JC63-00242A	2	X	
20	SCREW-TAPPING	6002-000209	2	X	

O: Service available X: Service not available

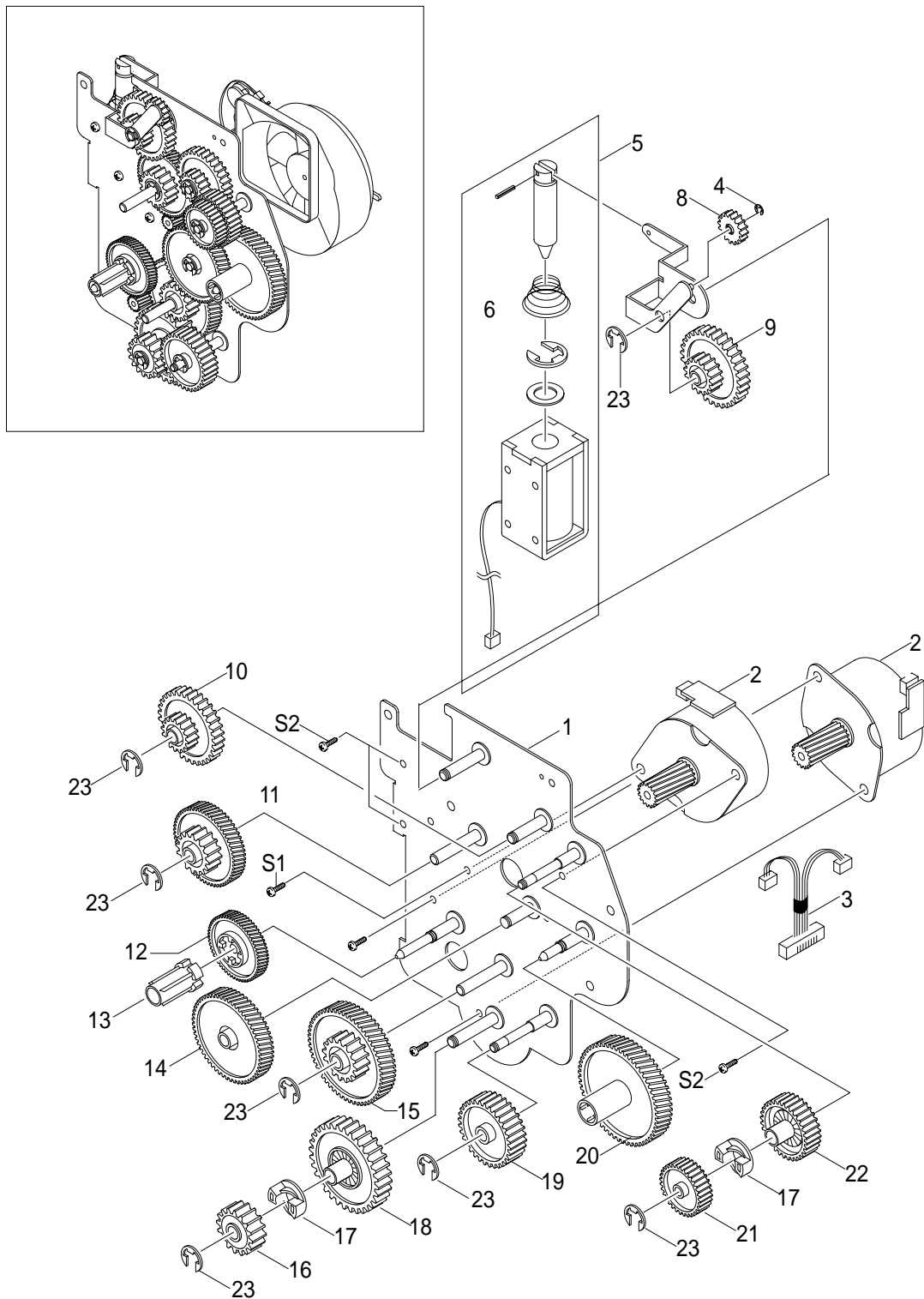
6-10.Pick-up Ass'y Exploded View & Parts List



Pick-up Ass'y Parts List

NO	DESCRIPTION	SEC CODE	Q'TY	SA	REMARK
0	ELA HOU-PICKUP ASS'Y	JC96-02715A	1	O	
1	IPR-GND FEED	JC70-00238A	1	X	
2	IPR-GND INPUT	JC70-00235A	1	O	
3	IPR-GUIDE INPUT	JC70-00222A	1	O	
4	PMO-ACTUATOR EMPTY	JC72-00719A	1	O	
5	PBA SUB-TONER_TX	JC92-01359A	1	O	
6	PBA SUB-PTL	JC92-01361A	1	O	
7	PMO-FEED SENSOR	JC72-00721A	1	X	
8	PMO-GUIDE PAPER	JC72-00722A	1	X	
9	PMO-HOLDER SENSOR FEED	JC72-00726A	1	X	
10	PMO-LENS TONER SENSOR	JC72-00803A	1	X	
11	PMO-PTL PATH	JC72-00822A	1	X	
12	PBA SUB-FEED+P.EMP SEN.	JC92-01363A	1	O	

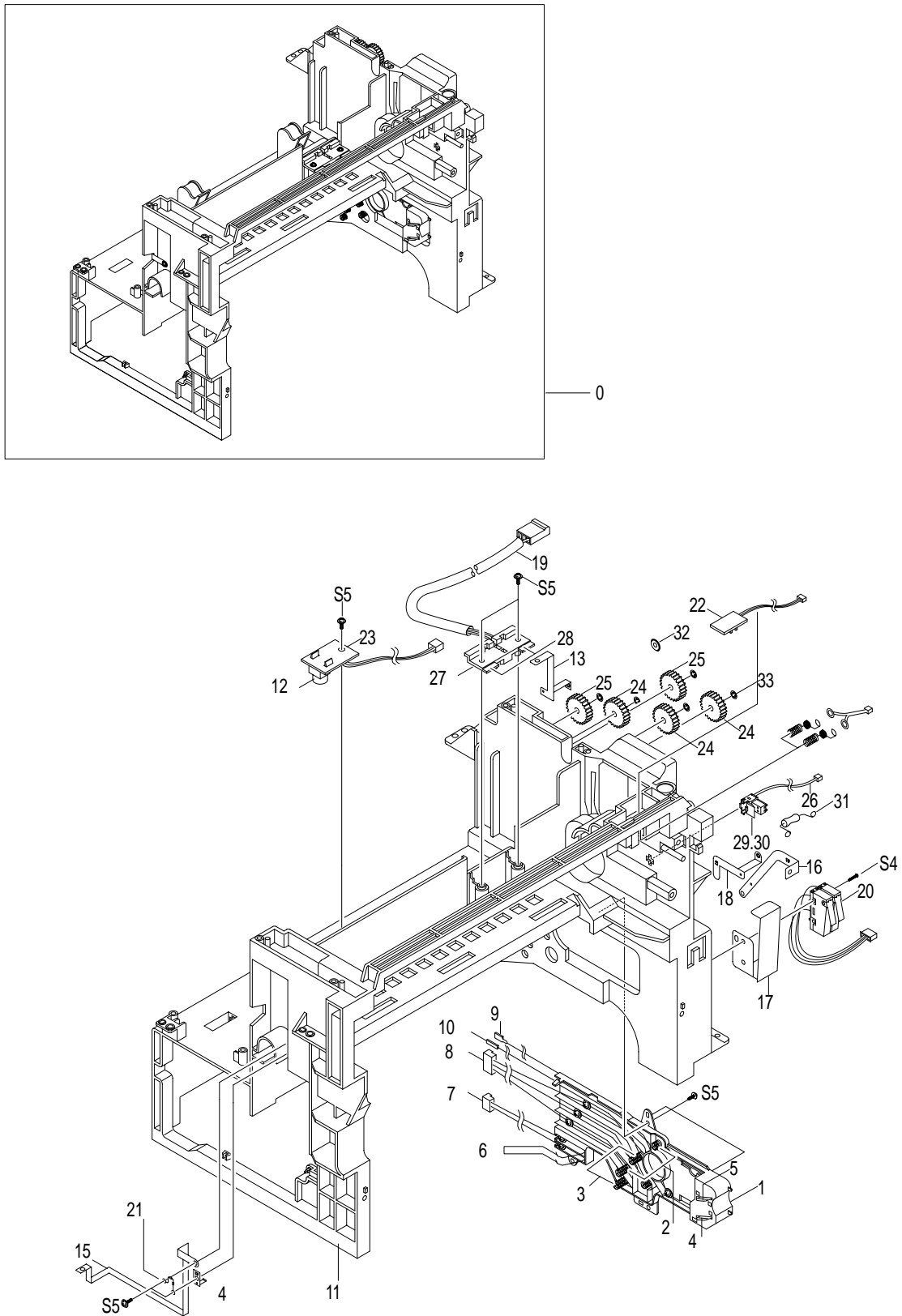
6-11. Drive Ass'y Exploded View & Parts List



Drive Ass'y Parts List

NO	DESCRIPTION	SEC CODE	Q'TY	SA	REMARK
0	ELA HOU-DRIVE ASS'Y	JC96-02741A	1	O	
1	IPR-BRKT MOTOR	JC70-00257A	1	X	
2	MOTOR-STEP	JC31-00020B	2	O	
3	CBF-HARNESS-MOTOR	JC39-00165A	1	X	
4	RING-E	6044-000159	1	X	
5	SOLENOID-DUPLEX	JC33-00008A	1	O	
6	SPRING SOLENOID DP	JC61-70915A	1	X	
7	IPR-LINK SOLENOID	JC70-00258A	1	X	
8	GEAR-EXIT/U,ID	JC66-40211B	1	X	
9	GEAR-SWING DRV	JC66-00349A	1	X	
10	GEAR-35/19	JC66-00350A	1	X	
11	GEAR-71/23	JC66-00345A	1	X	
12	GEAR-DEVE DRV	JC66-00338A	1	X	
13	PMO-DEV/COUPLING	JC72-00743A	1	X	
14	GEAR-RDCN,OPC	JC66-00351A	1	X	
15	GEAR-86/23	JC66-00337A	1	X	
16	GEAR-RDCN FEED OUTER	JC66-00343A	1	X	
17	GEAR-HUB CLUTCH	JC66-00340A	2	X	
18	GEAR-RDCN FEED INNER	JC66-00342A	1	X	
19	GEAR-FEED DRV	JC66-00348A	1	X	
20	GEAR-OPC DRV	JC66-00347A	1	X	
21	GEAR-GEAR FUSER DRV OUTER	JC66-00334A	1	X	
22	GEAR-FUSER DRV INNER	JC66-00333A	1	X	
23	RING-E	6044-000231	8	X	
S1	SCREW-TAPTITE	6003-000196	5	X	
S2	SCREW-TAPTITE	6003-000269	7	X	

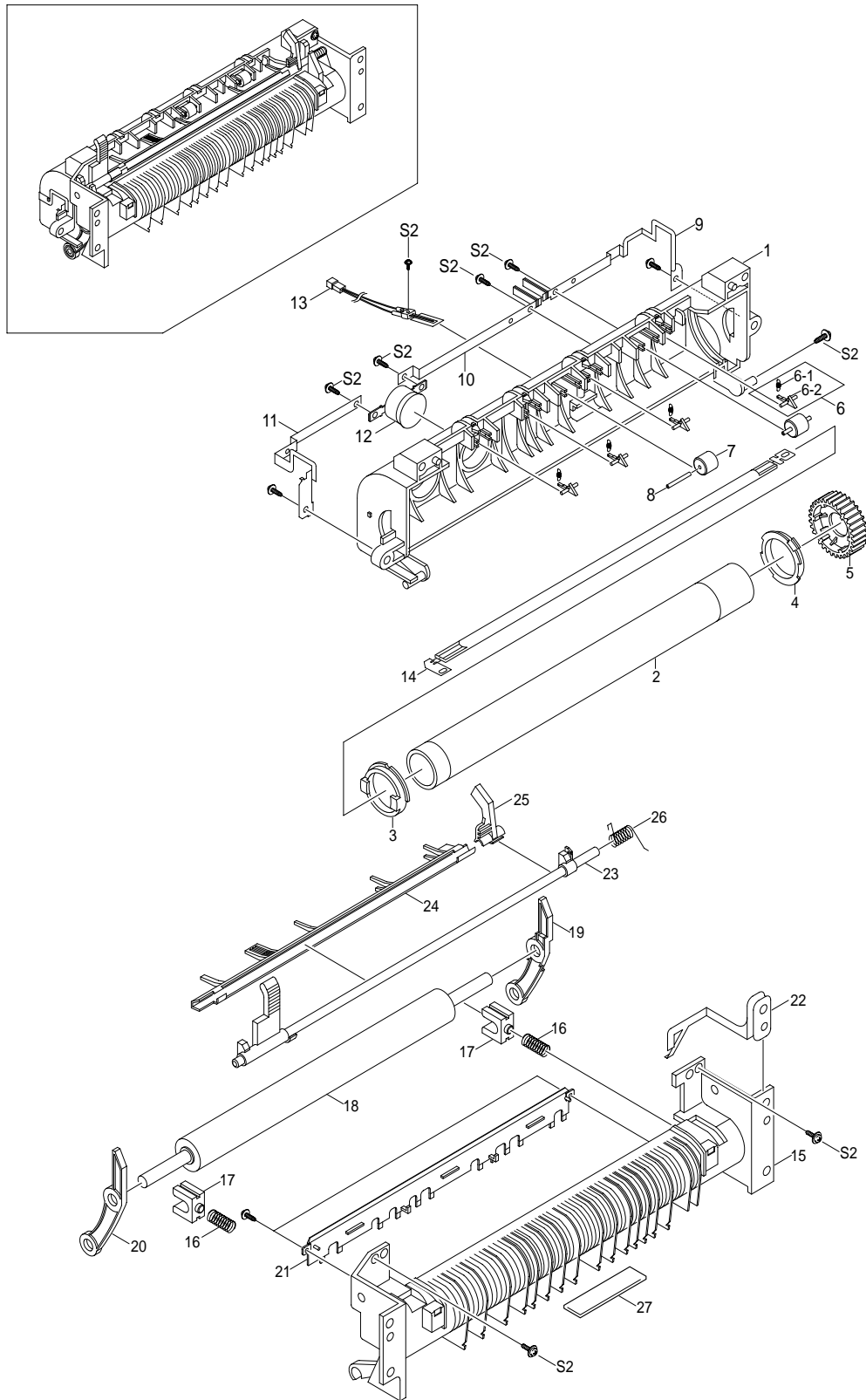
6-12. Main Frame Ass'y Exploded View & Parts List



Main Frame Ass'y Parts List

NO	DESCRIPTION	SEC CODE	Q'TY	SA	REMARK
0	ELA HOU-FRAME MAIN ASS'Y	JC96-02184A	1	O	
1	PMO-HOUSING TERMINAL	JC72-00802A	1	O	
2	IPR-TERMINAL BLADE	JC70-00269A	2	X	
3	IPR-TERMINAL SUPPLY	JC70-00270A	2	X	
4	IPR-TERMINAL TR	JC70-00271A	1	X	
5	IPR-TERMINAL GND	JC70-00272A	1	X	
6	IPR-TERMINAL DEVE KEY	JC70-00273A	2	X	
7	CBF-HARNESS-DEV-ID	JC39-00166A	1	X	
8	CBF-HARNESS-BLADE+SUPPLY+DEV	JC39-00170A	5	X	
9	CBF-HARNESS-MAIN-THV WIRE	JC39-00168A	1	X	
10	CBF-HARNESS-MAIN-MHV WIRE	JC39-00169A	1	X	
11	PMO-FRAME MAIN	JC72-00800A	1	X	
12	PMO-LENS TONER SENSOR	JC72-00803A	2	X	
13	IPR-GND EXIT	JC70-00214A	1	X	
14	IPR-GND OPC	JC70-00216A	1	X	
15	IPR-GND OPC BASE	JC70-00217A	1	X	
16	IPR-GND FUSER	JC70-00215A	1	X	
17	IPR-GUARD C/O S/W	JC70-00218A	1	X	
18	IPR-GND TERMINAL	JC70-00219A	1	X	
19	CBF HARNESS-AC WIRE	JC39-00171A	1	X	
20	CBF-HARNESS;SWITCH-MICRO	JC81-00438A	2	O	
21	CBF-HARNESS MOTOR	JB39-00017A	1	X	
22	PBA SUB-EXIT SENSOR	JC92-01364A	1	O	
23	PBA SUB-TONER_RX	JC92-01360A	1	O	
24	GEAR-EXIT/U,ID	JC66-40211B	3	X	
25	GEAR-EXIT,IDLE(Z17)	JC66-40964A	2	X	
26	CBF-HARNESS THERMISTOR_JOINT	JC39-00164A	1	O	
27	PMO-HOUSING TERMINAL	JC72-41010A	1	X	
28	IPR-TERMINAL FU	JC70-10961A	2	X	
29	PMO-CAP CONNECTOR L	JC72-00463A	1	O	
30	PMO-CAP CONNECTOR U	JC72-00465A	1	O	
31	ELA HOU-MOTOR GND	JC96-01579A	1	X	
32	SPRING-CLUTCH	JB61-70922A	2	X	
33	RING-CS	6044-000001	5	X	
S	SCREW-TAPTITE,M3*8 BLACK,BINDER	6003-000119	17	X	

6-13. FuserAss'y Exploded View & Parts List



FuserAss'y Parts List

NO	DESCRIPTION	SEC CODE	Q'TY	SA	REMARK
0	ELA HOU-FUSER(110V)ASS'Y	JC96-02739A	1	O	110V
0	ELA HOU-FUSER(220V)ASS'Y	JC96-02740A	1	O	220V
1	PMO-UPPER FUSER	JC72-00812A	1	X	
2	RMO-ROLLER HEAT	JC73-00093A	1	X	
3	PMO-BEARING H/R-F	JC72-00814A	1	X	
4	BEARING-H/R L	JC66-10902A	1	X	
5	GEAR-FUSER	JC66-40913B	1	O	
6	MEA UNIT-CLAW ASS'Y	JC97-01577A	1	X	
6-1	SPRING-SAPERATION	JC61-70909A	4	X	
6-2	PMO-GUIDE CLAW	JC72-00376A	4	X	
7	PEX-ROLLER EXIT F-UP	JC72-20901A	2	X	
8	IPR-PIN ROLLER EXIT	JC70-00064A	2	X	
9	NPR-ELECTRODE GEAR	JC71-00029A	1	X	
10	NPR-ELECTRODE M	JC71-00030A	1	X	
11	NPR-ELECTRODE F	JC71-00028A	1	X	
12	THERMOSTAT	4712-000001	1	O	
13	THERMISTOR-FUSER	JC14-00001A	1	O	
14	LAMP-HALOGEN (110V)	4713-001170	1	O	110V
14	LAMP-HALOGEN(220V)	4713-001171	1	O	220V
15	PMO-LOWER FUSER	JC72-00820A	1	X	
16	THERMISTOR-FUSER	JC14-00001A	1	X	
17	BEARING-PRESSURE/R	JC66-10901A	2	X	
18	RMO-ROLLER PRESSURE	JC73-00094A	1	X	
19	PMO-LEVER JAM R	JC72-00819A	1	X	
20	PMO-LEVER JAM F	JC72-00818A	1	X	
21	PMO-GUIDE INPUT	JC72-00817A	1	X	
22	IPR-GROUND FU	JC70-00259A	1	X	
23	PMO-ACTUATOR EXIT	JC72-00810A	1	X	
24	ACTUATOR ASS'Y	JC97-01611A	1	O	
25	PMO-ARM ACTUATOR	JC72-00811A	1	X	
26	SPRING-PR(7300)	JC61-00056A	2	X	
27	LABEL(R)-HV FUSER	JC68-00407A	1	X	
S1	SCREW-TAPTITE	6003-000119	8	X	
S2	SCREW-TAPTITE	6003-000269	4	X	